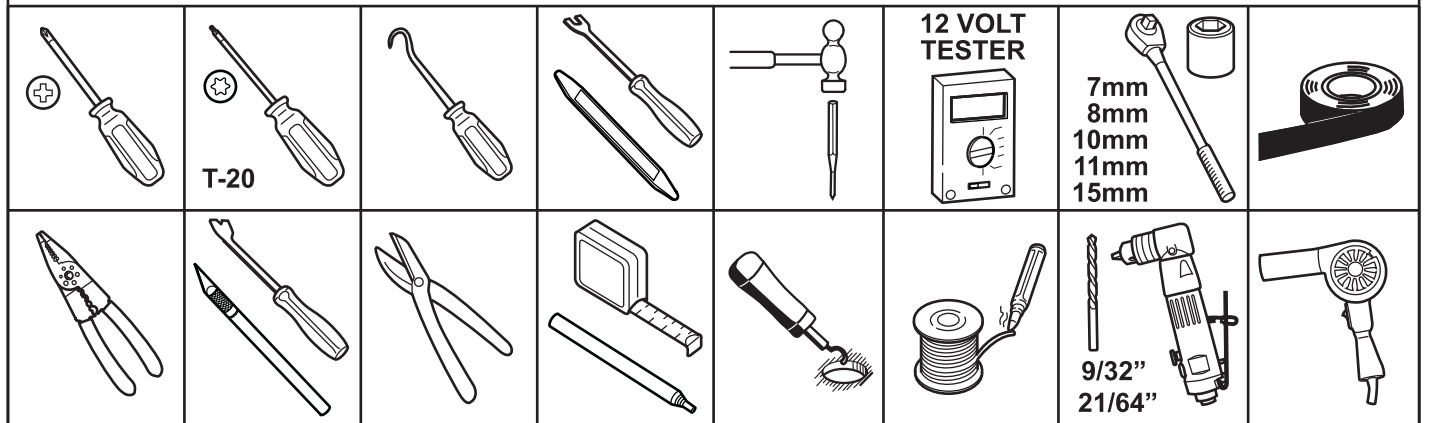
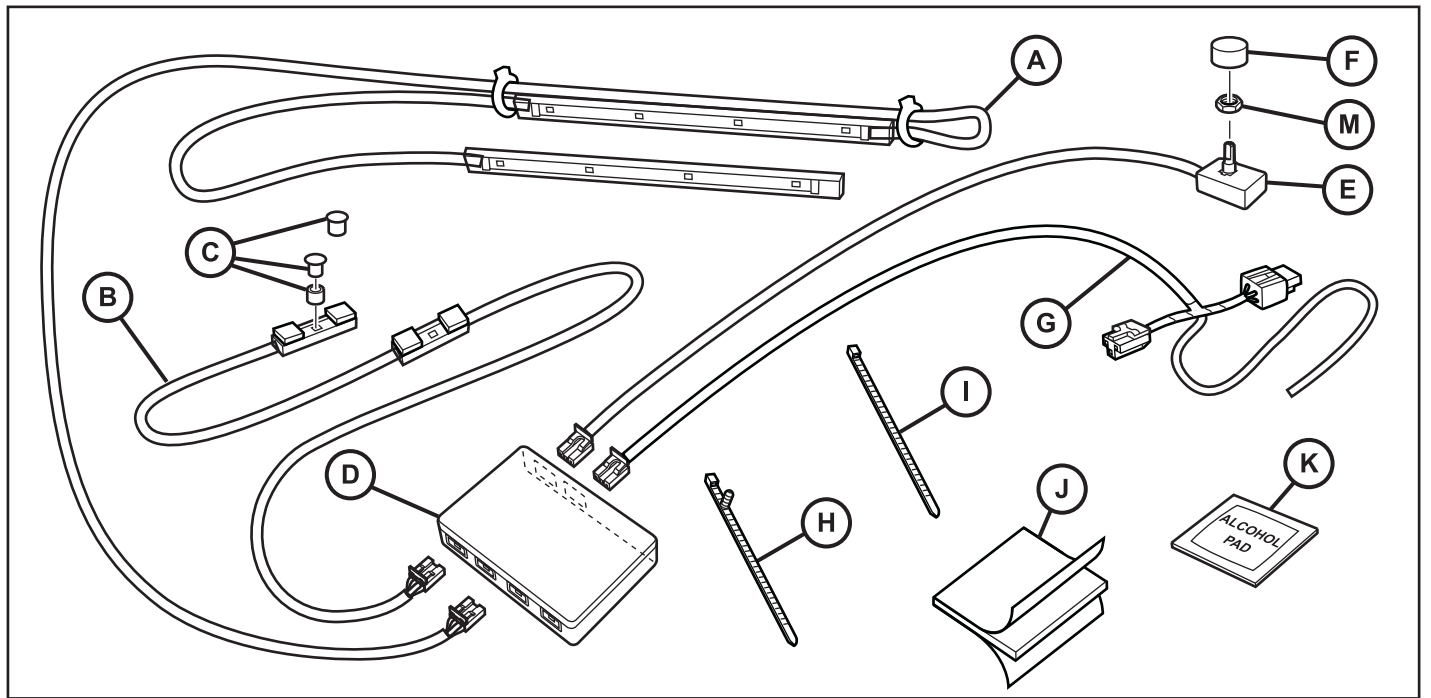




Ambient Lighting Kit

Click on desired vehicle to take you directly to the vehicle specific instructions



CHRYSLER

DODGE

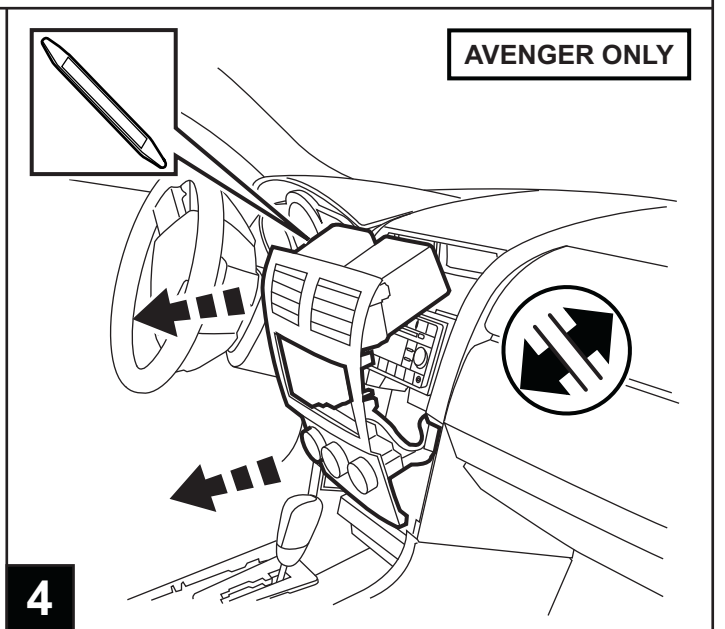
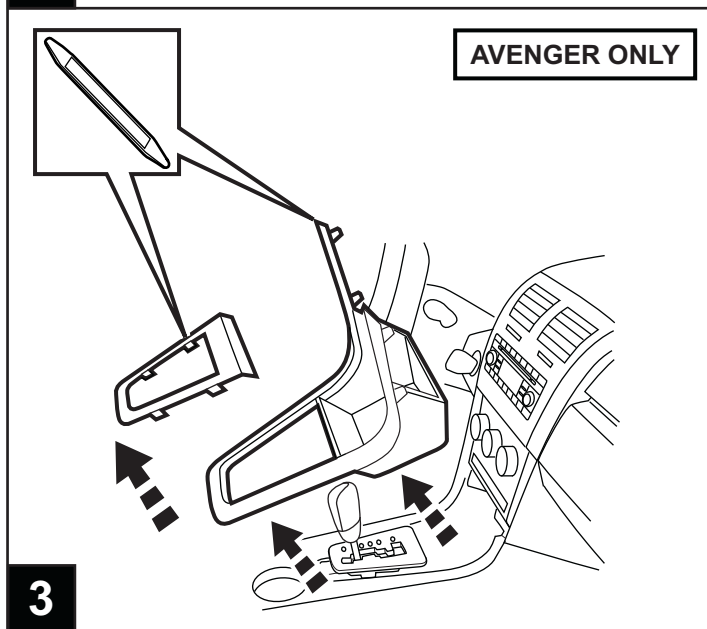
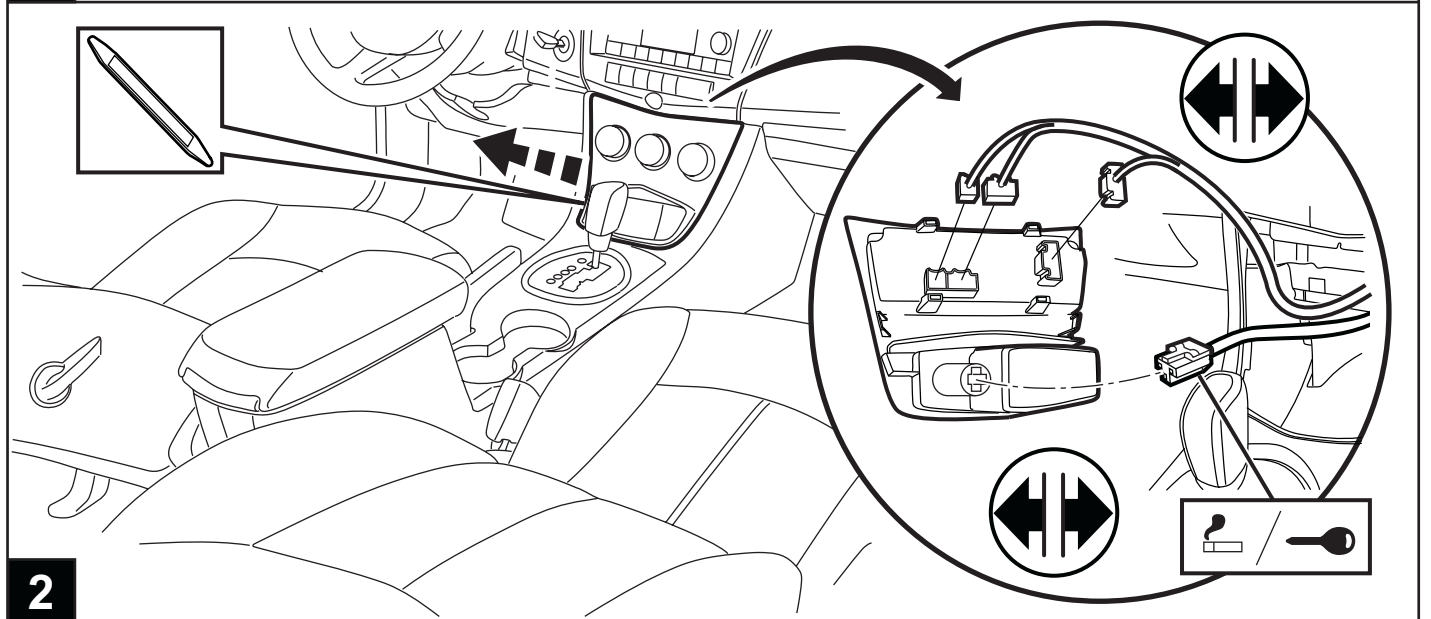
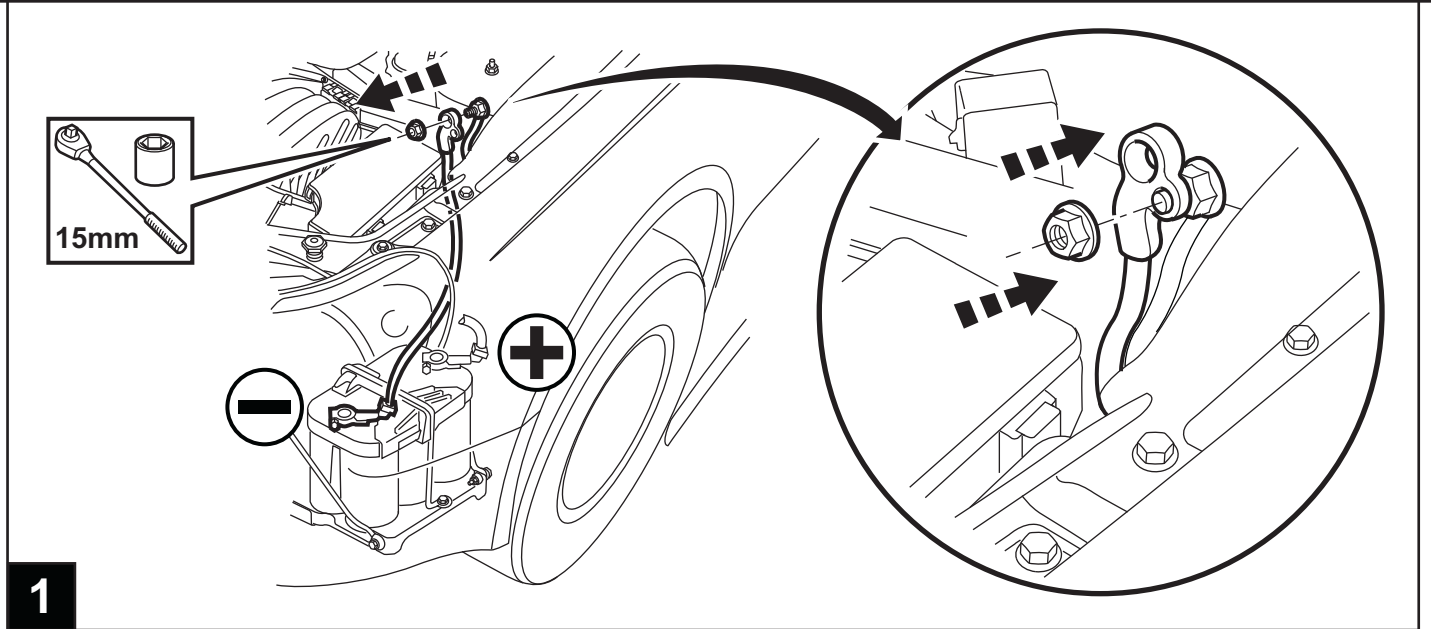
Chrysler Sebring	2 - 11
Town & Country	36 - 41
Chrysler 300	52 - 59

Dodge Avenger	2 - 11
Dodge Caliber	29 - 35
Dodge Caravan	36 - 41
Dodge Nitro	42 - 51
Dodge Charger	52 - 59
Dodge Ram	60 - 68

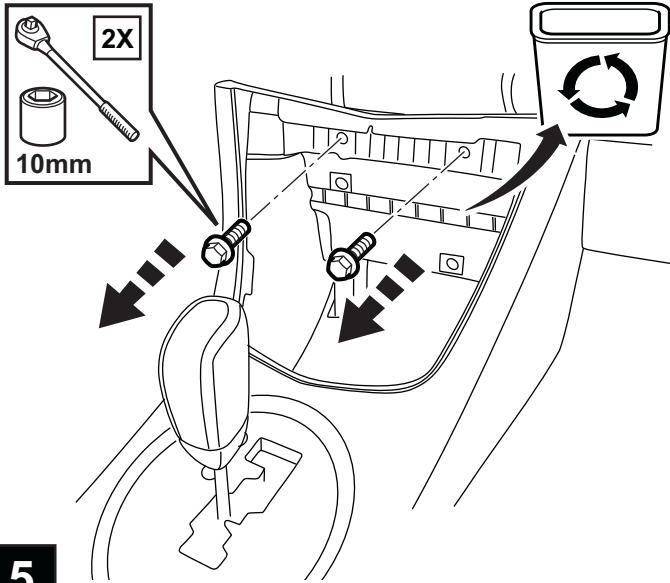
JEEP

Jeep Liberty.....	12 - 21
Jeep Patriot.....	22 - 28
Jeep Wrangler.....	69 - 74

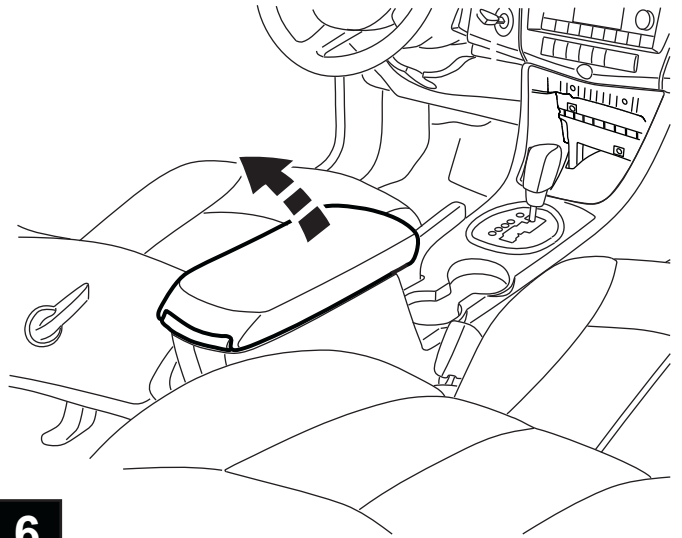
CHRYSLER SEBRING/ AVENGER



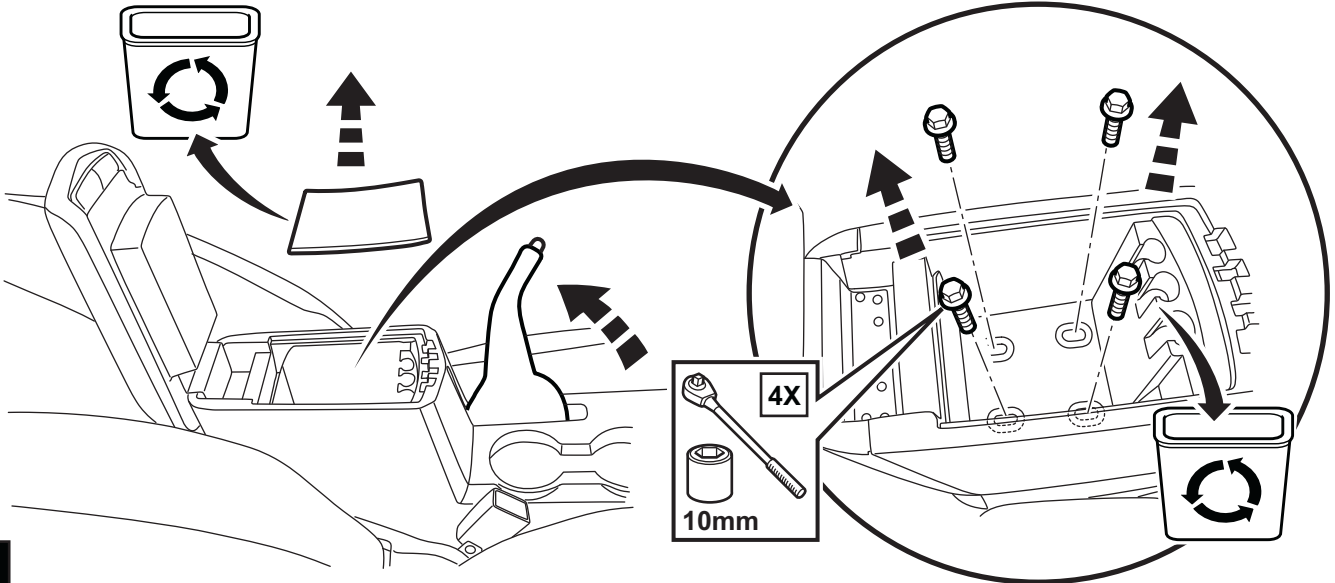
CHRYSLER SEBRING/ AVENGER



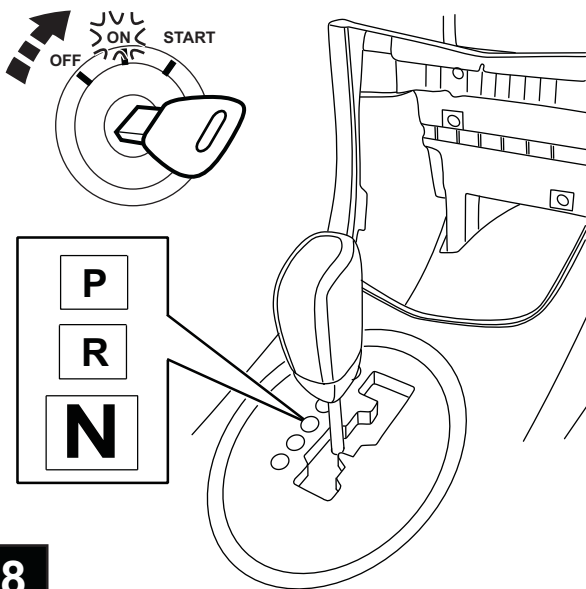
5



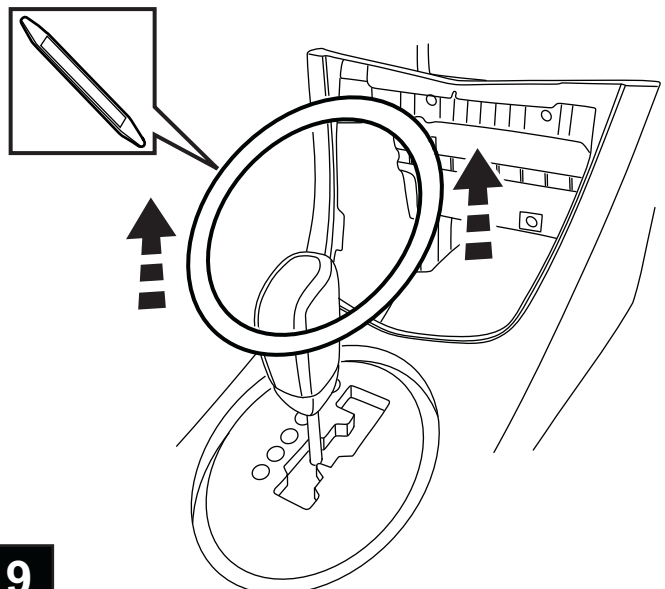
6



7

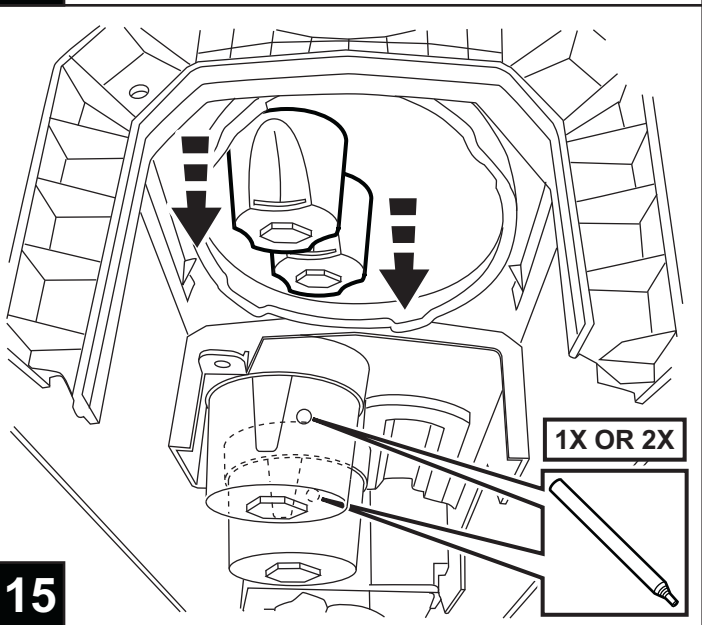
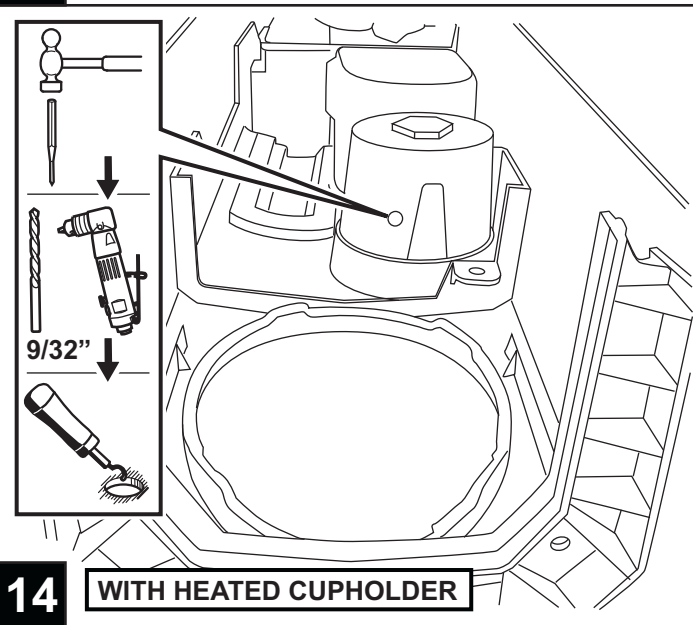
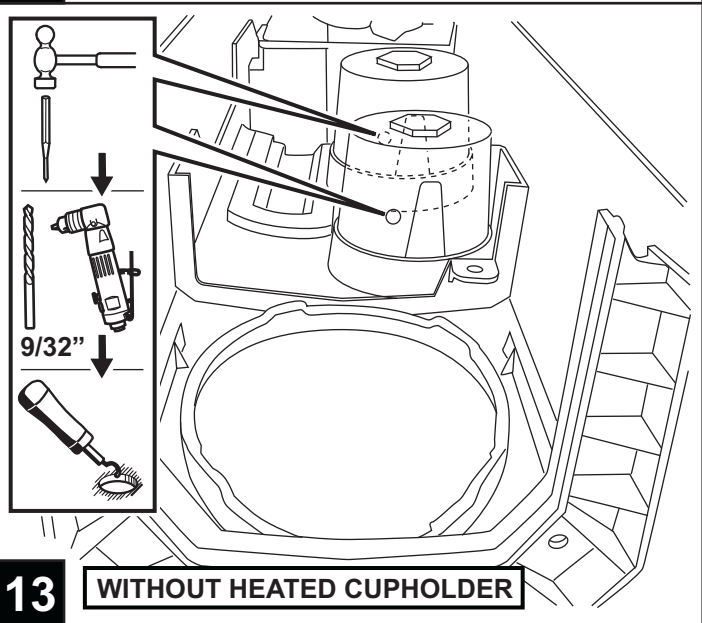
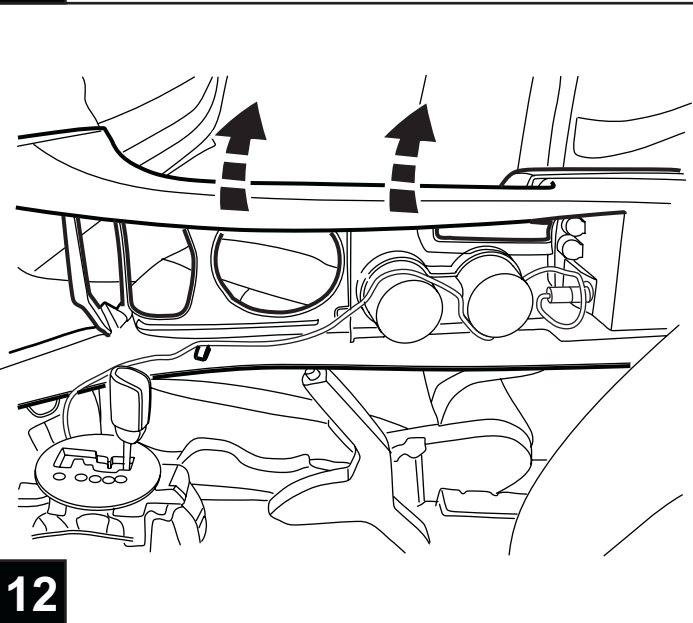
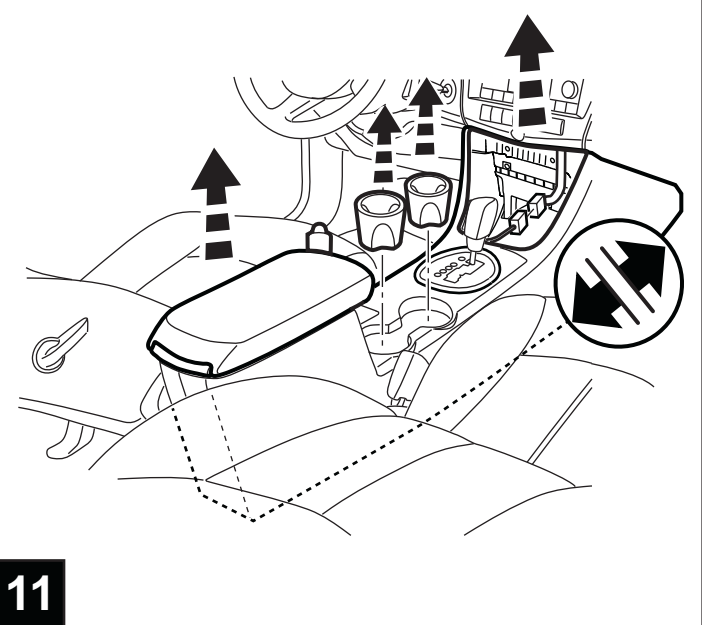
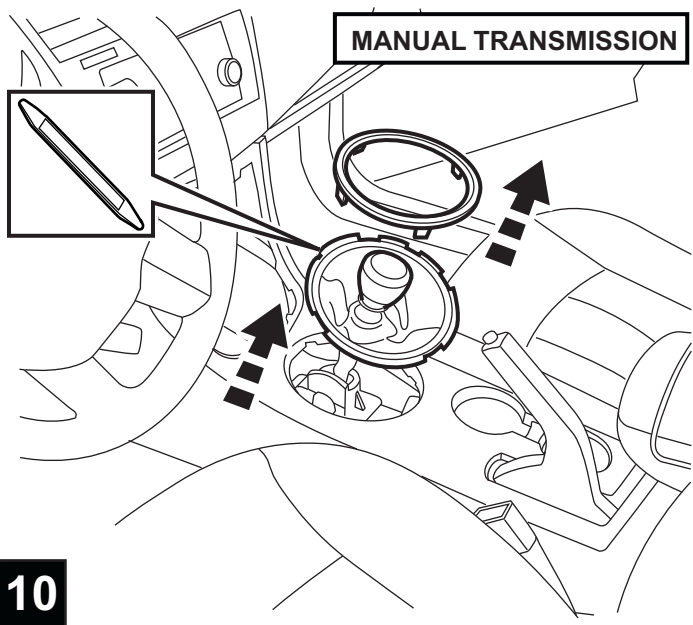


8

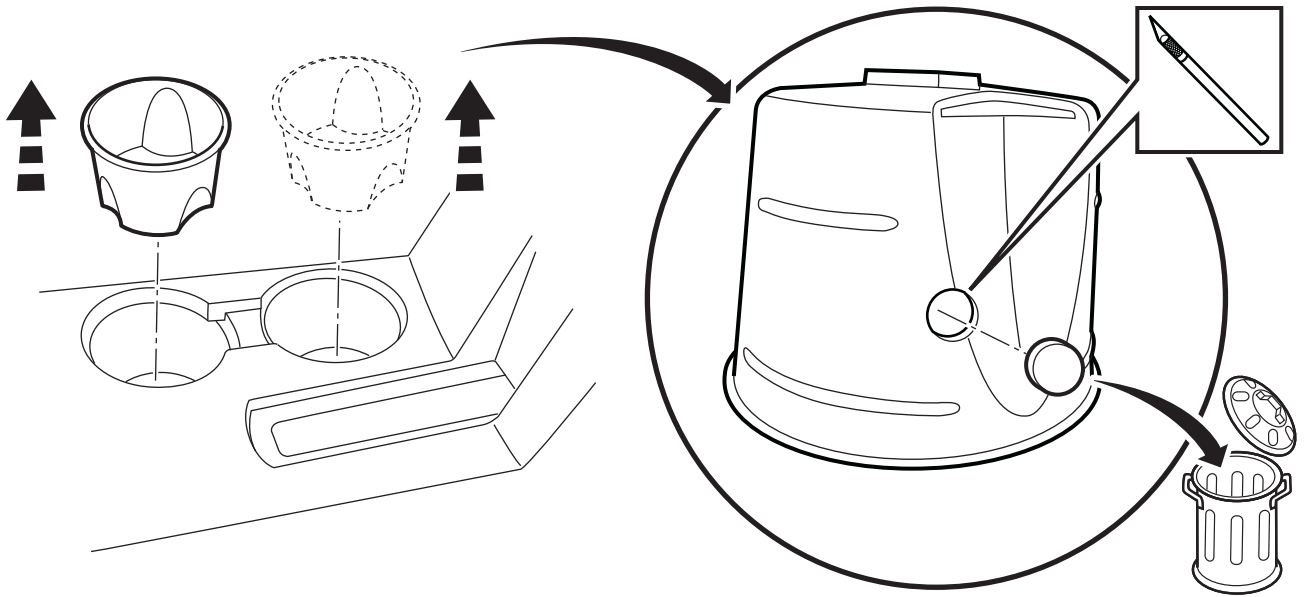


9

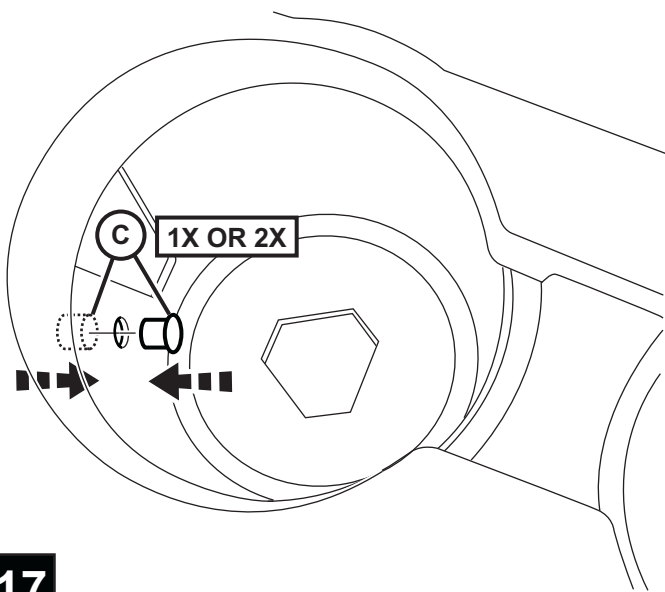
CHRYSLER SEBRING/ AVENGER



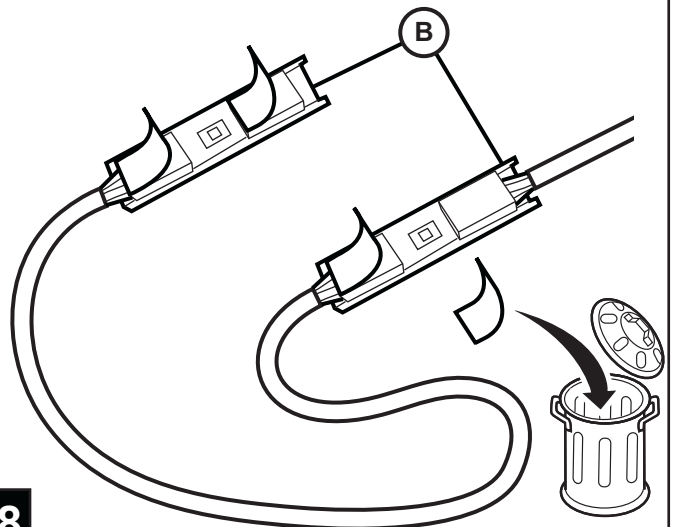
CHRYSLER SEBRING/ AVENGER



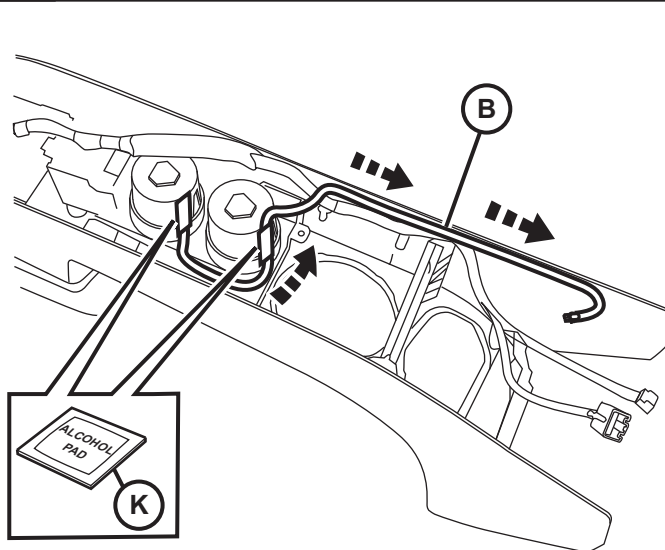
16



17

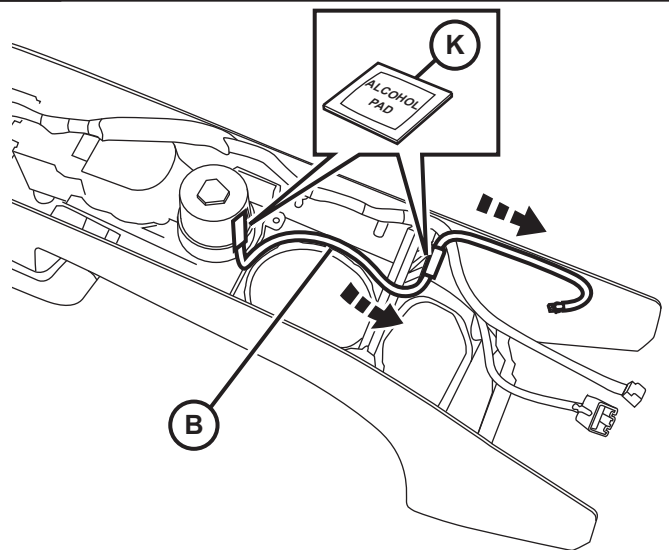


18



19

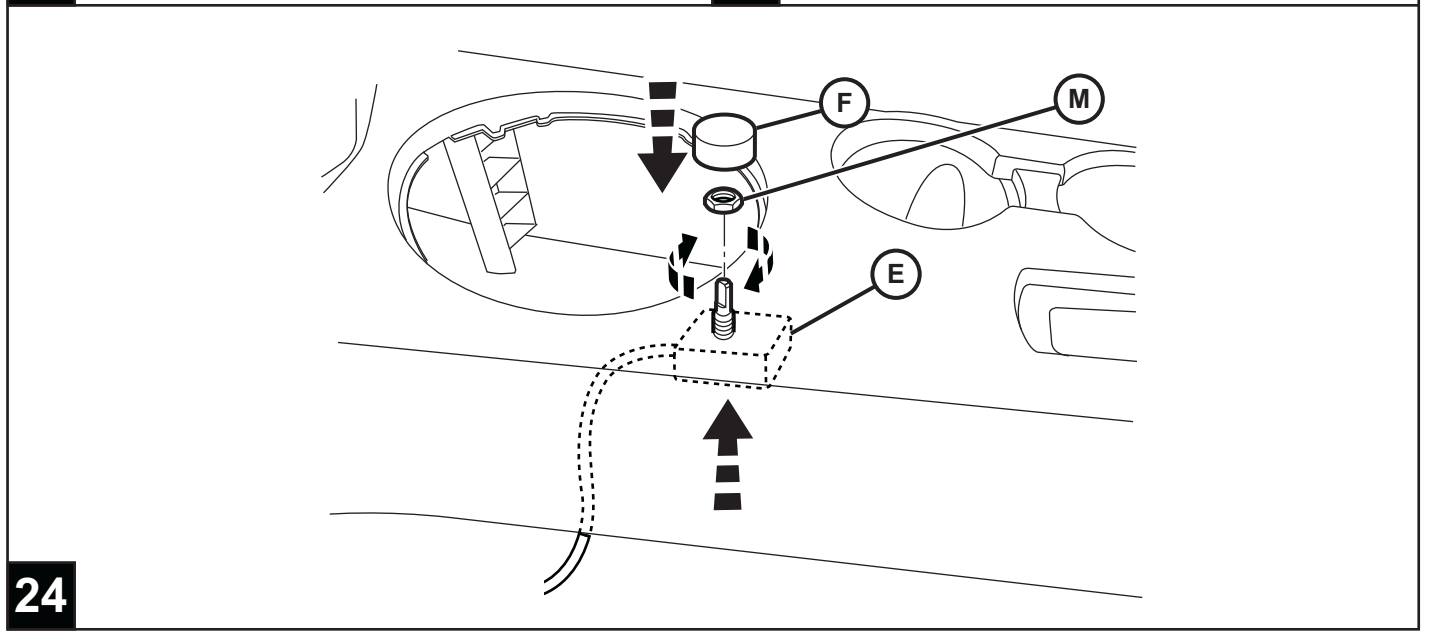
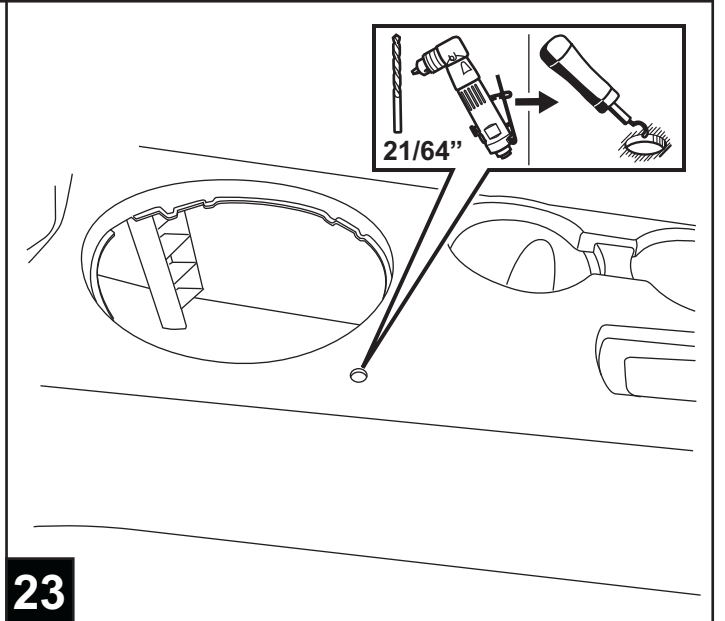
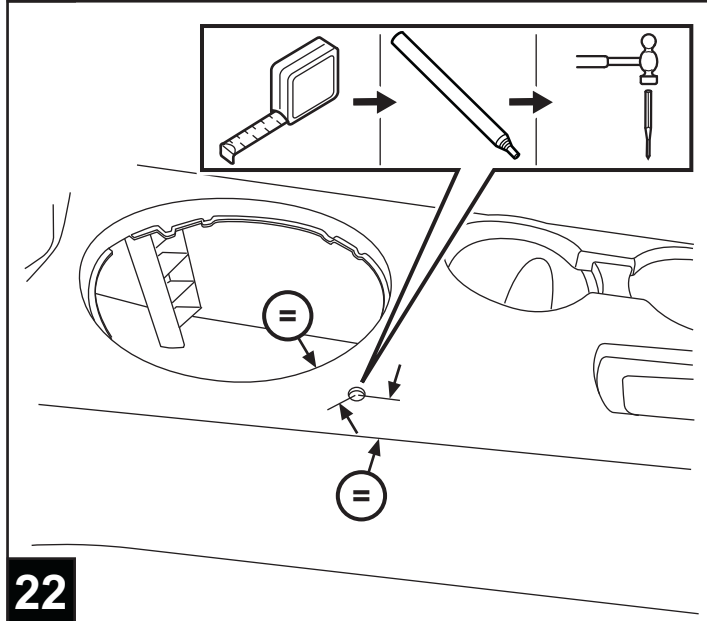
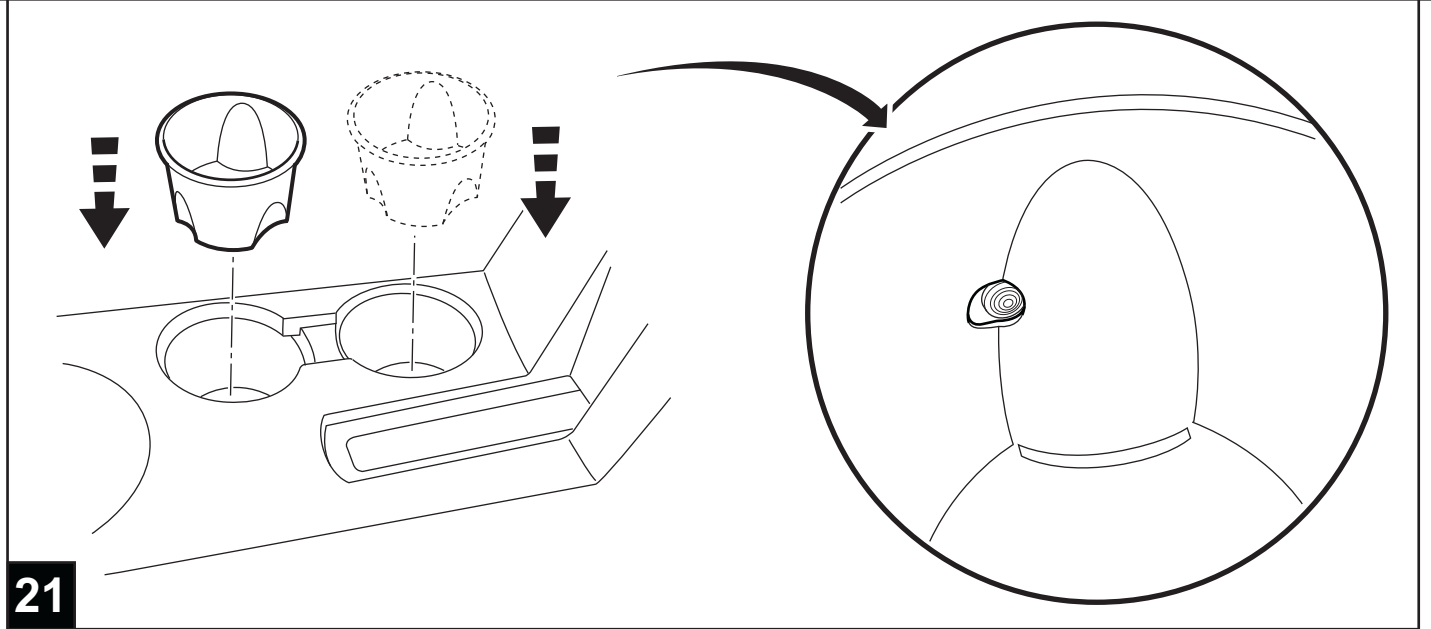
WITHOUT HEATED CUPHOLDER

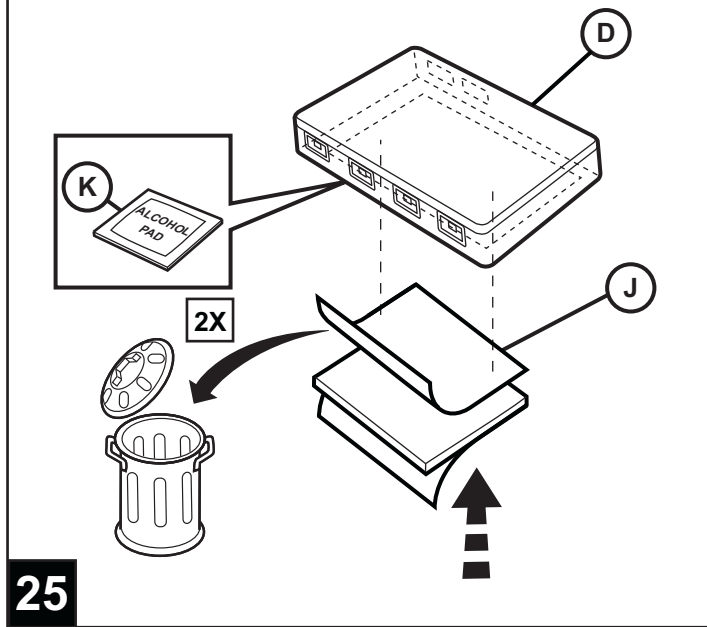


20

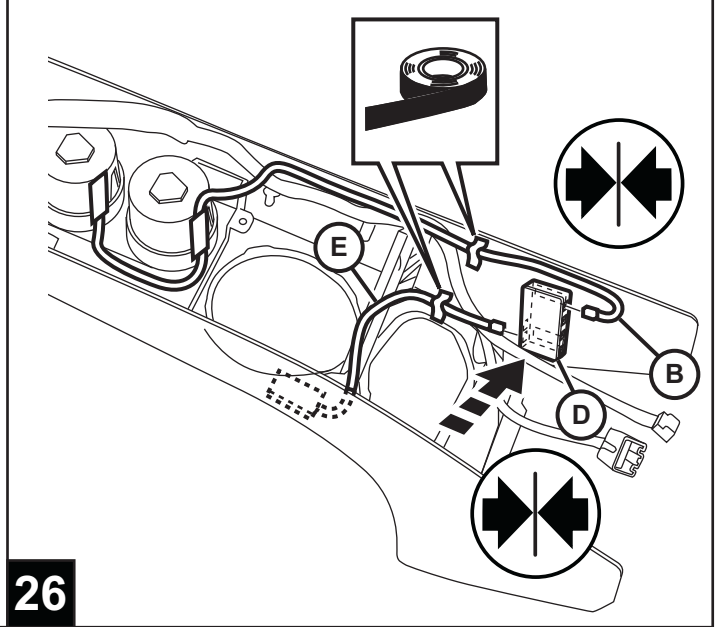
WITH HEATED CUPHOLDER

CHRYSLER SEBRING/ AVENGER

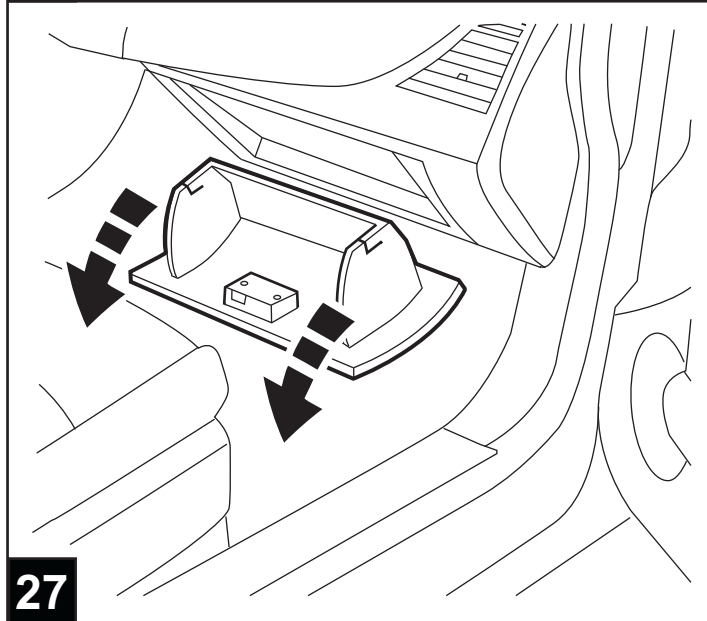




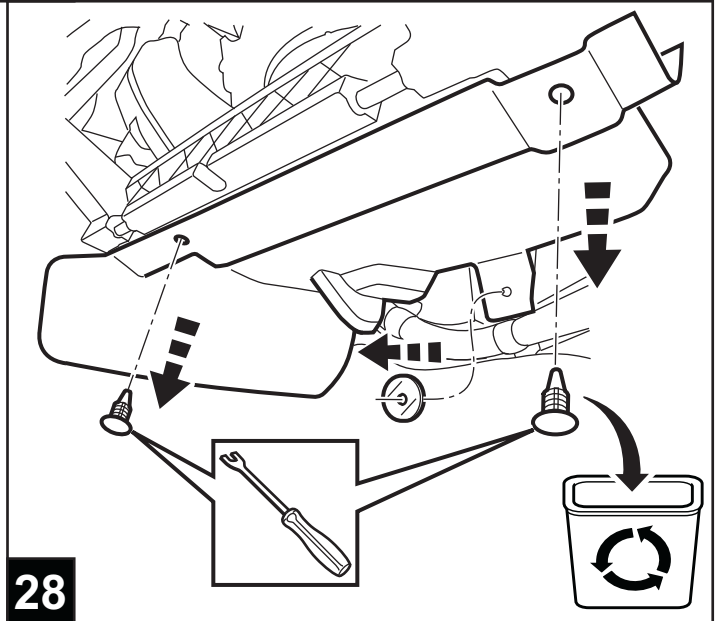
25



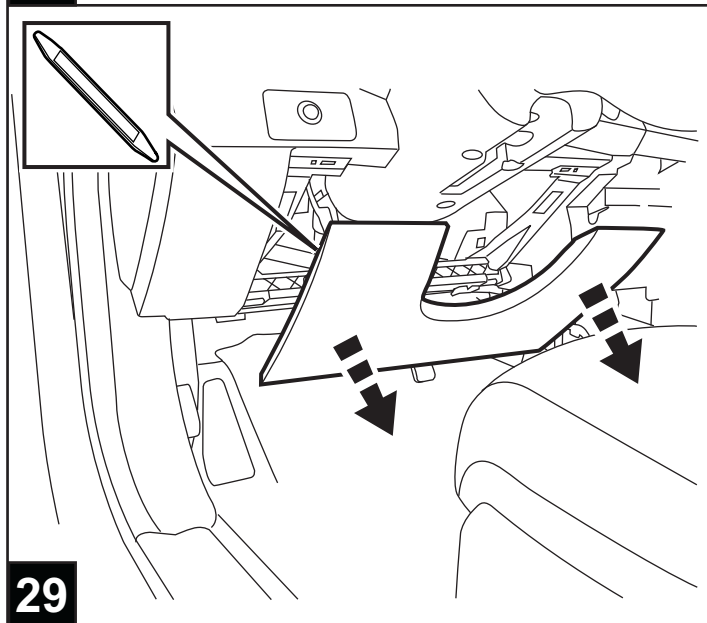
26



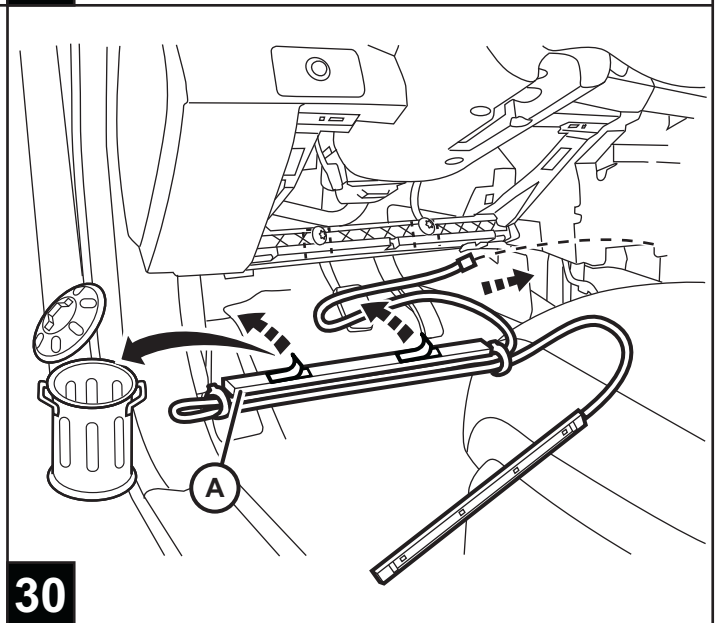
27



28

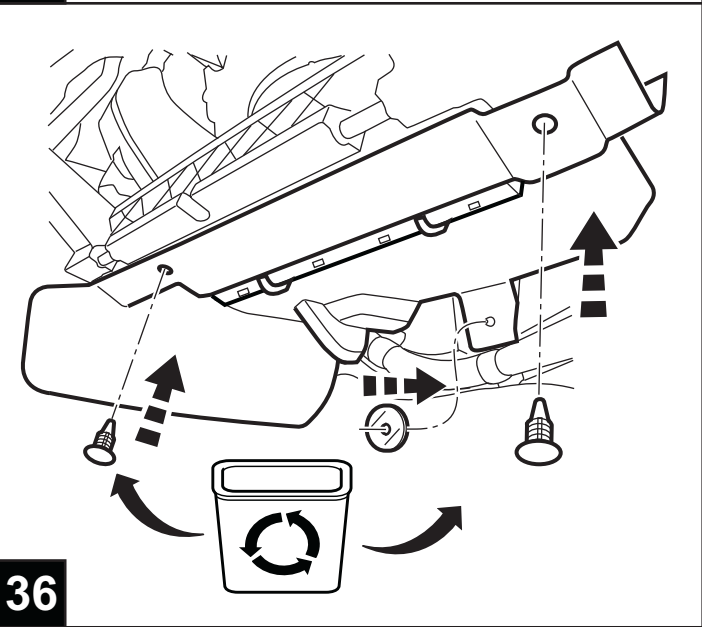
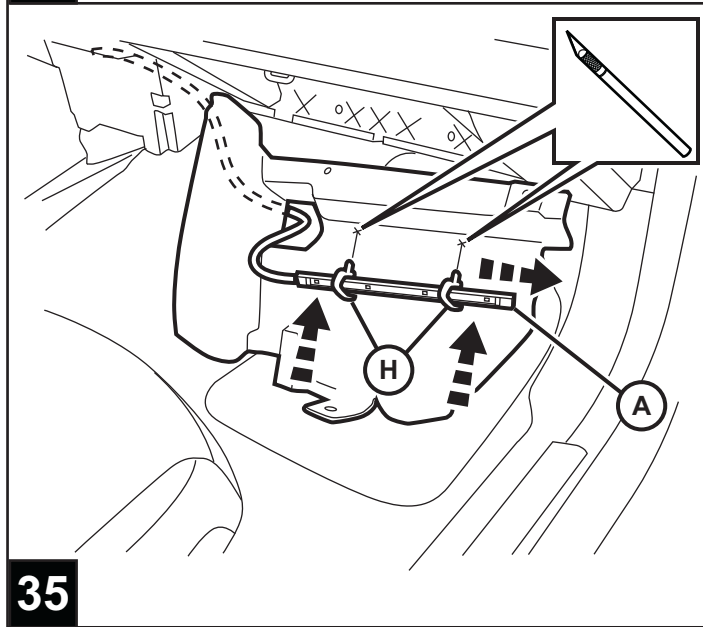
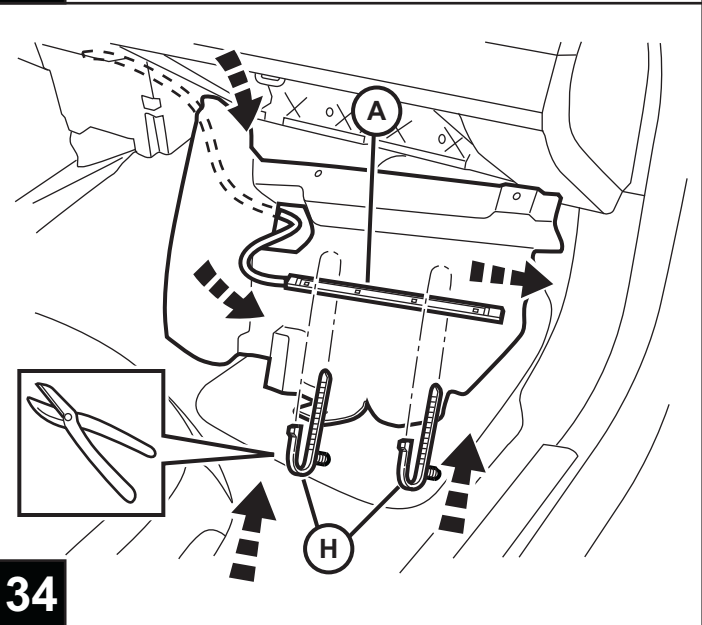
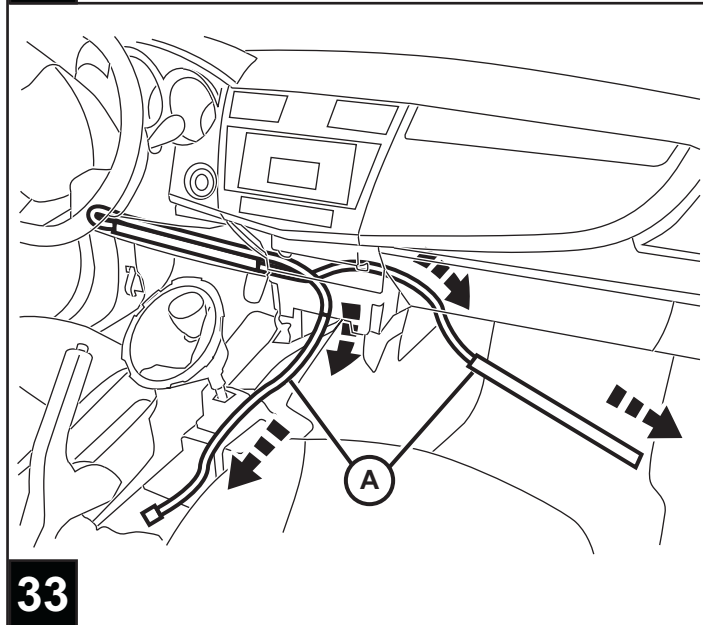
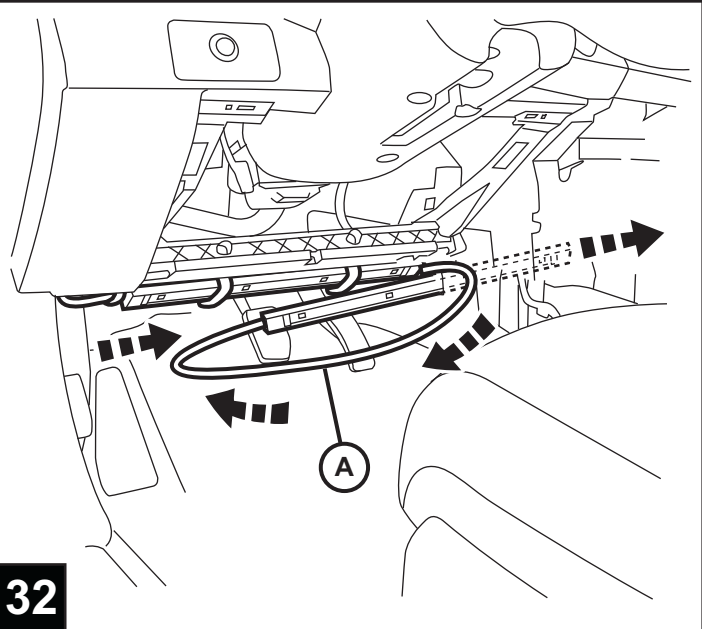
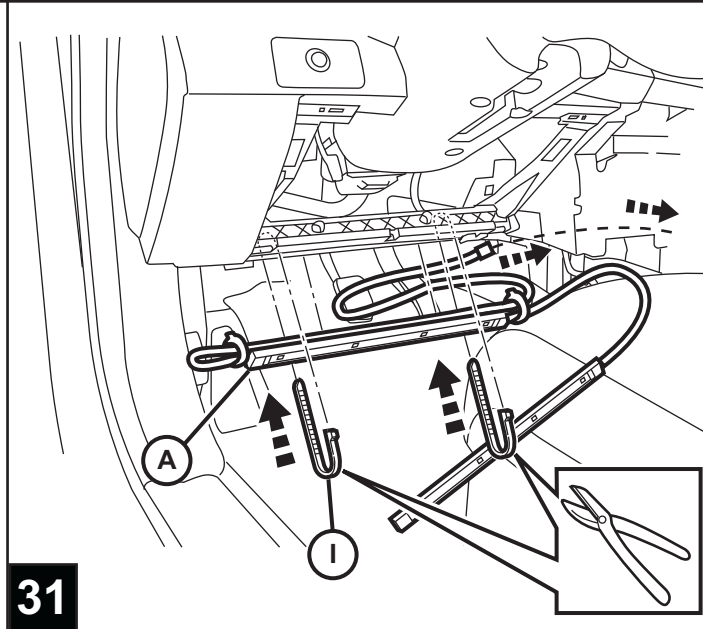


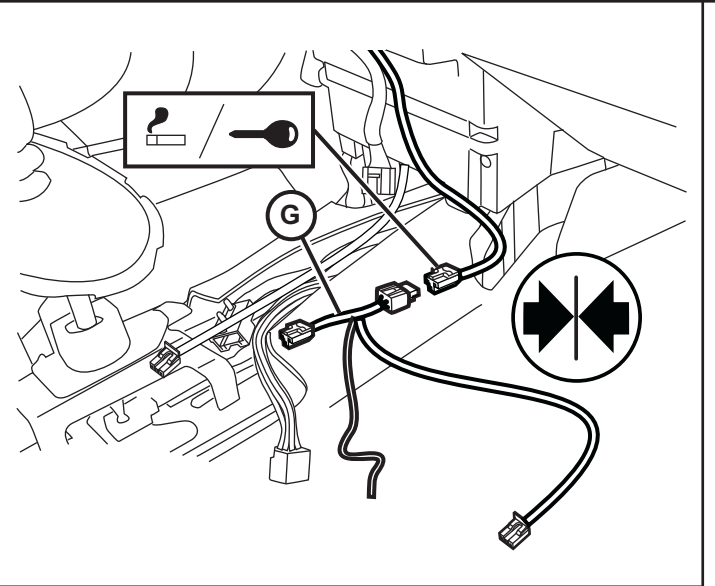
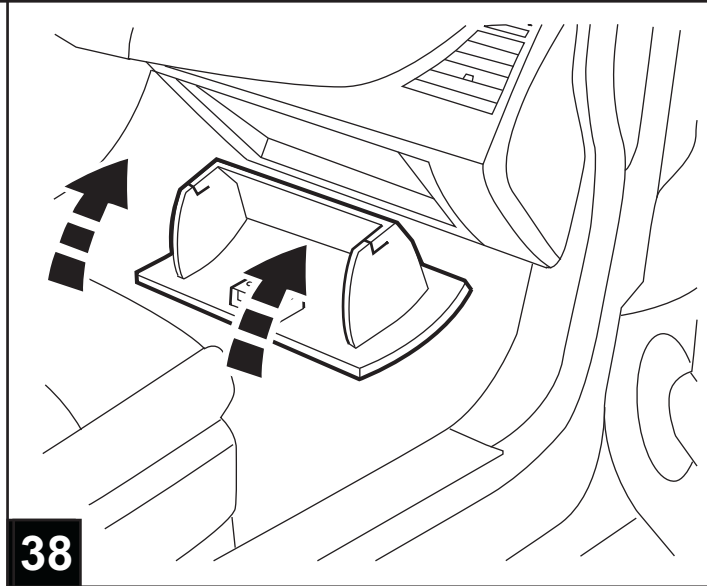
29



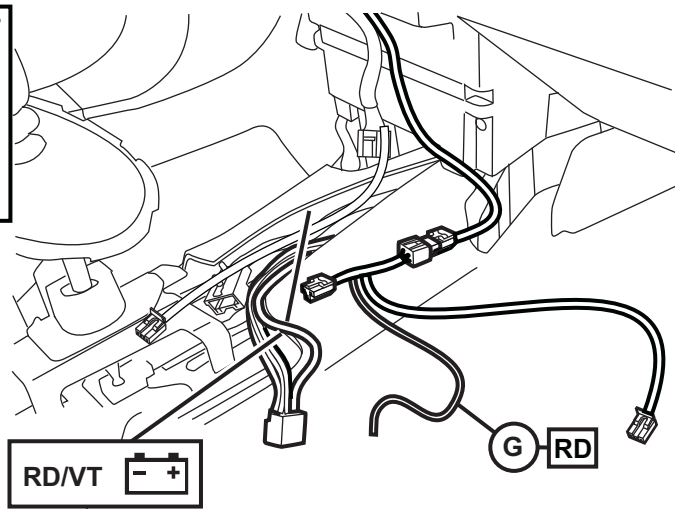
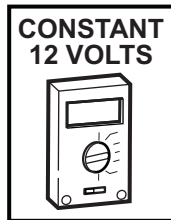
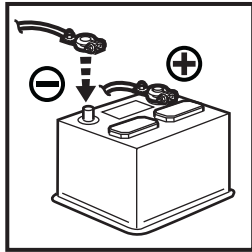
30

CHRYSLER SEBRING/ AVENGER

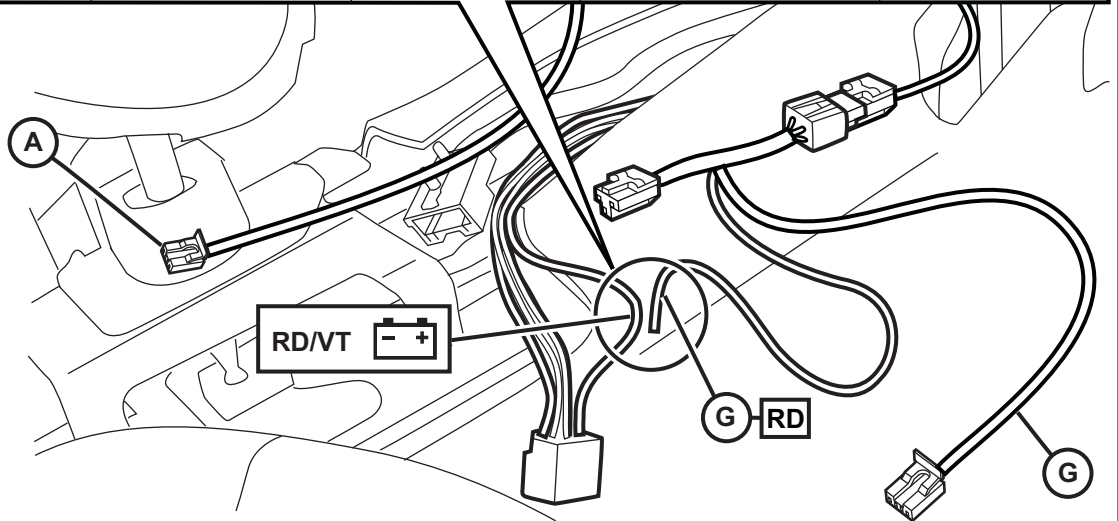
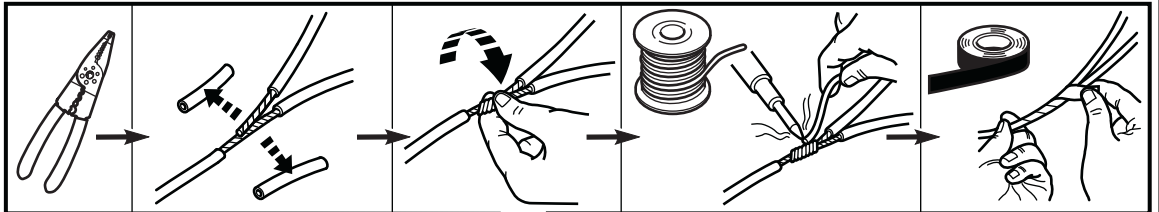
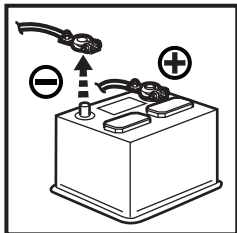




38

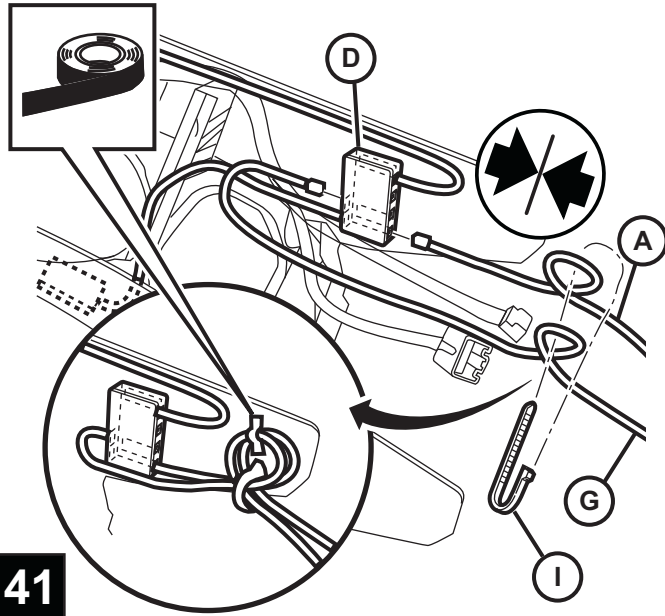


39

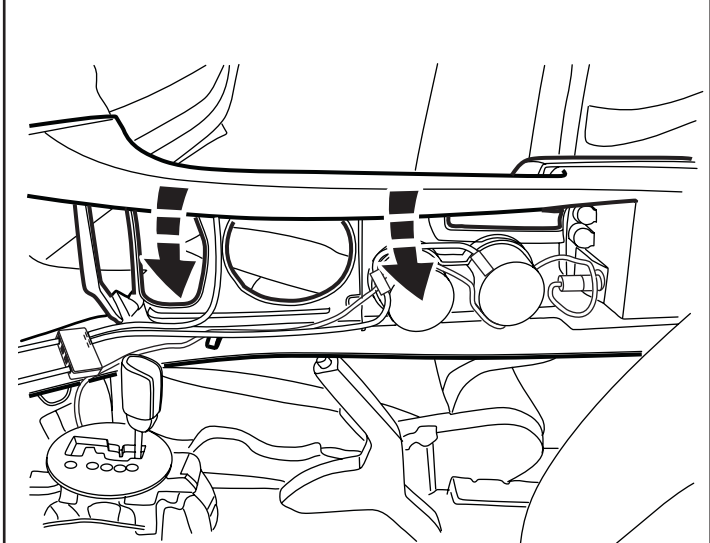


40

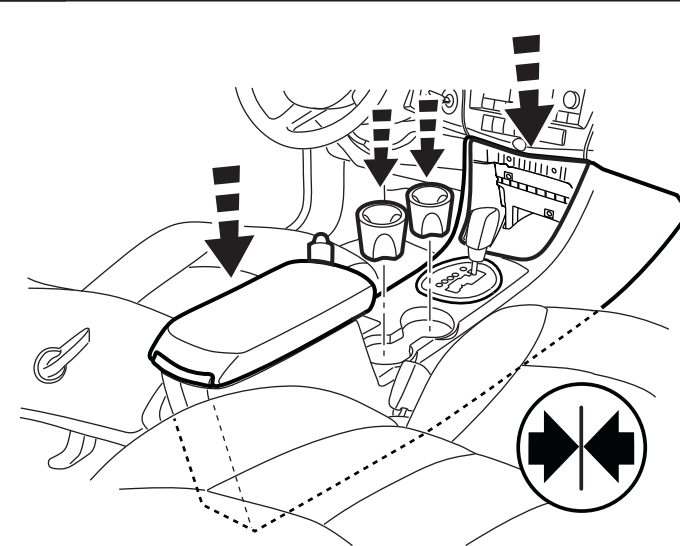
CHRYSLER SEBRING/ AVENGER



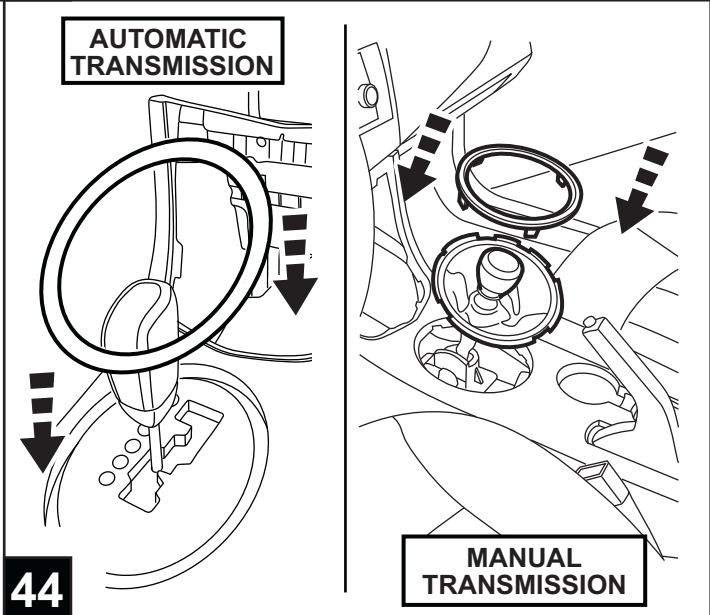
41



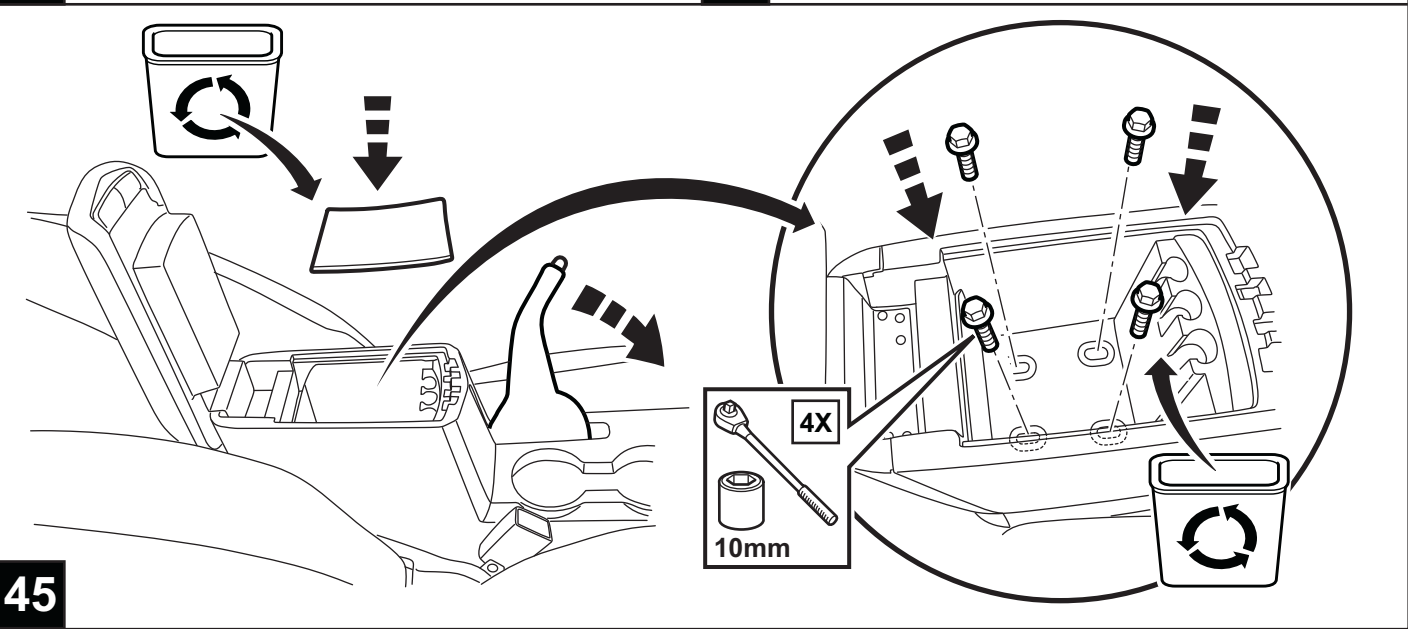
42



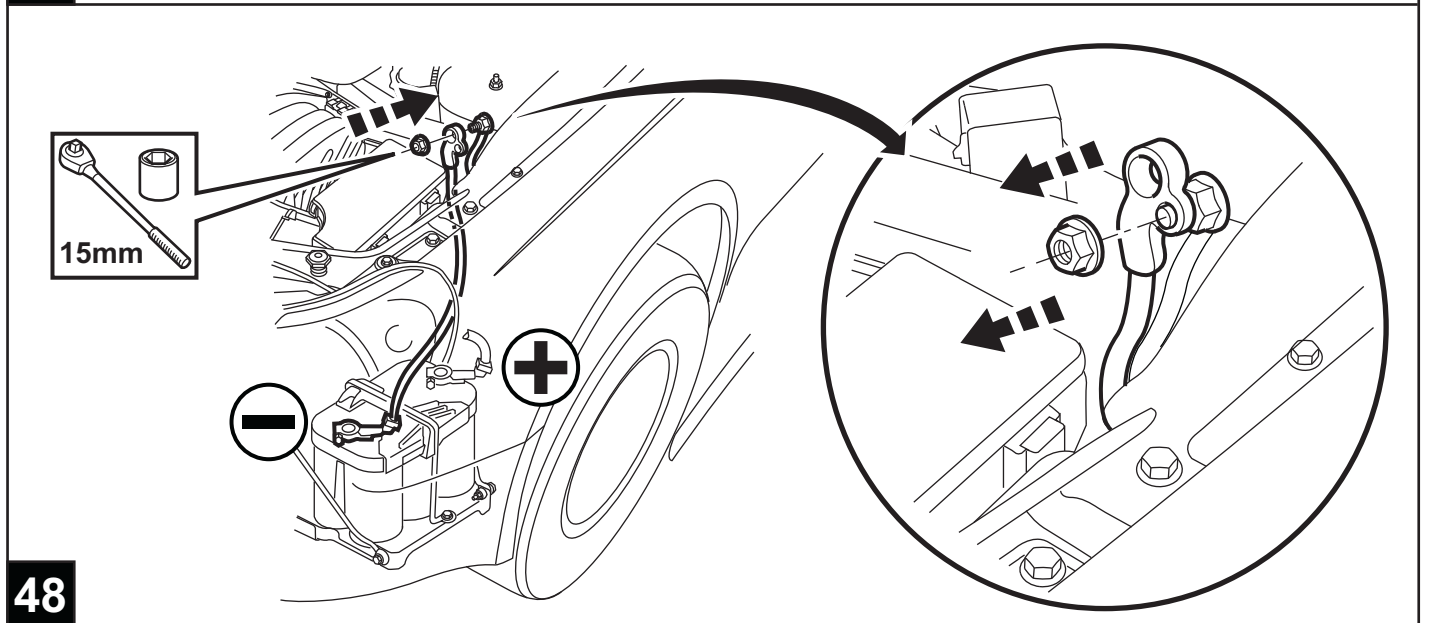
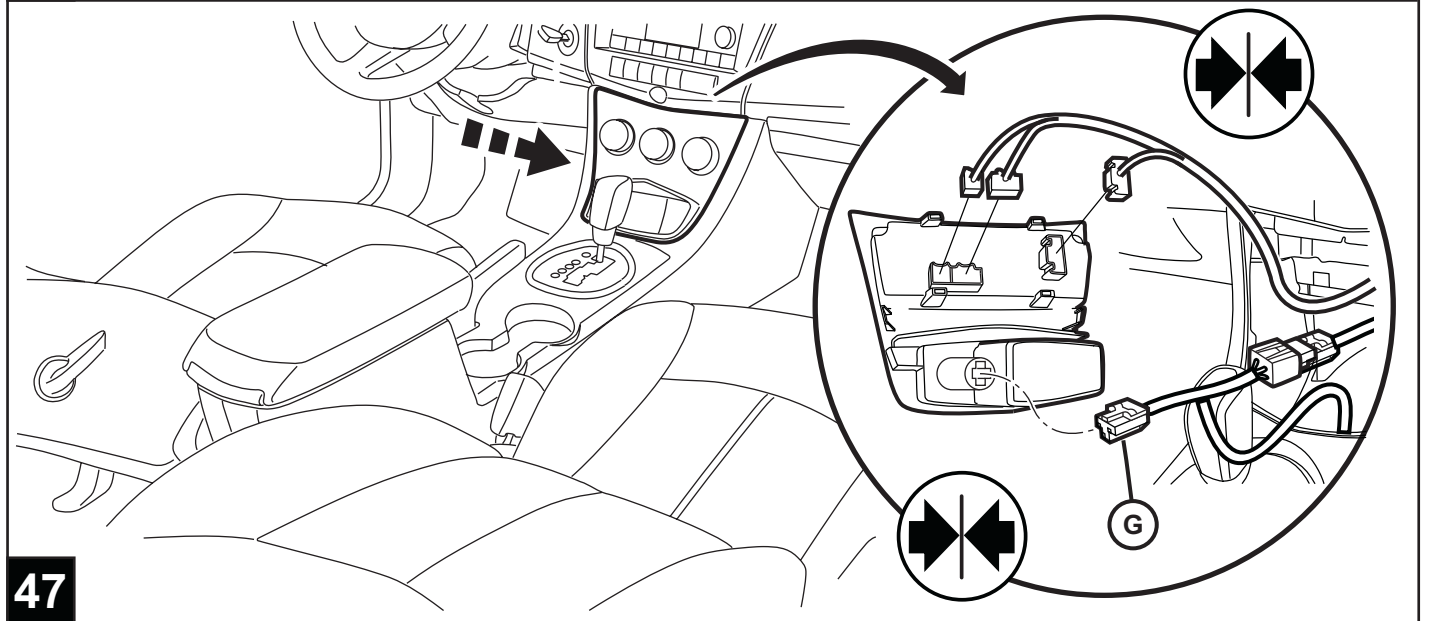
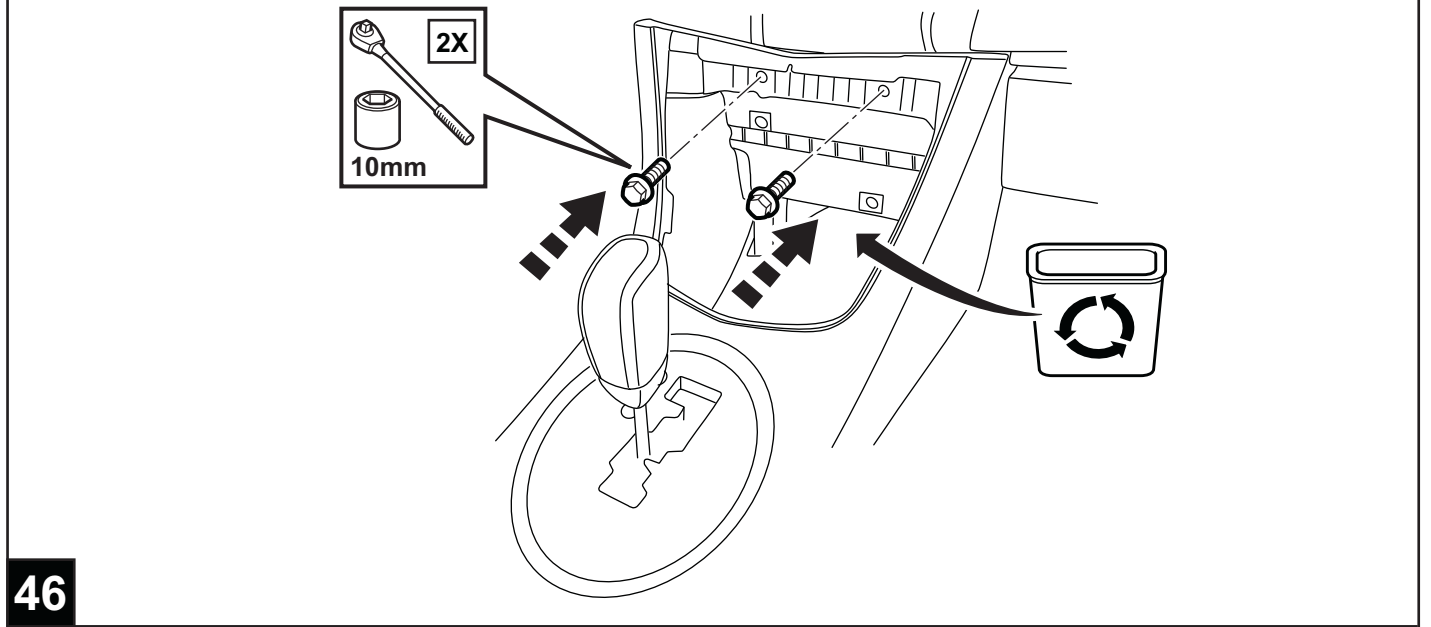
43



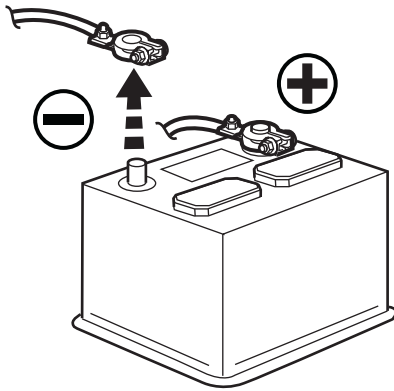
44



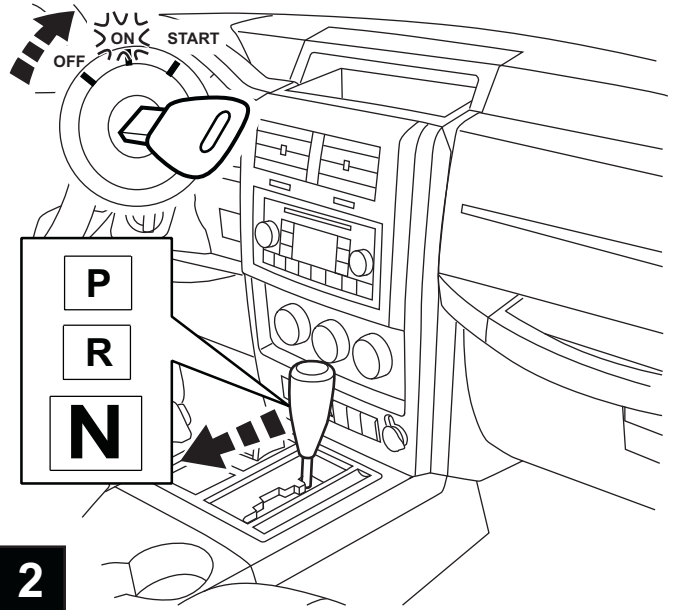
45



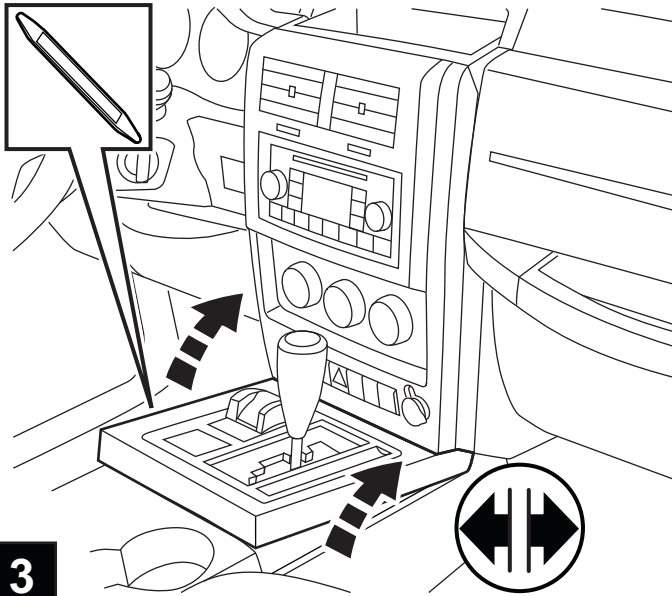
JEEP LIBERTY



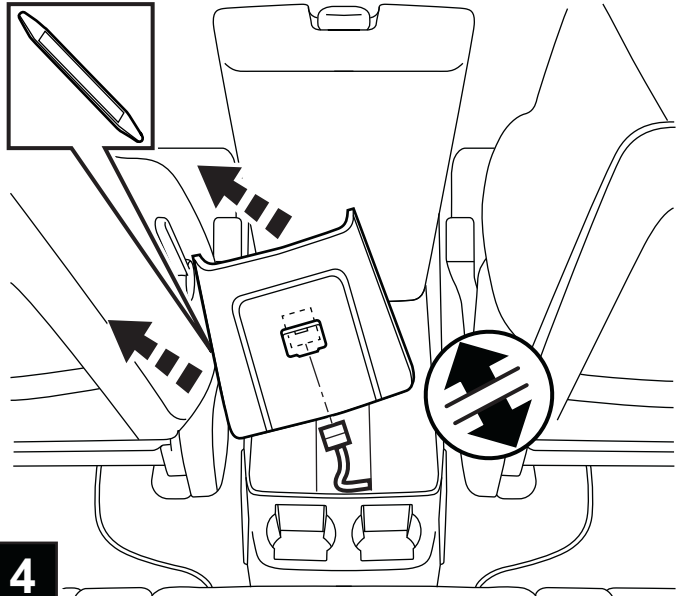
1



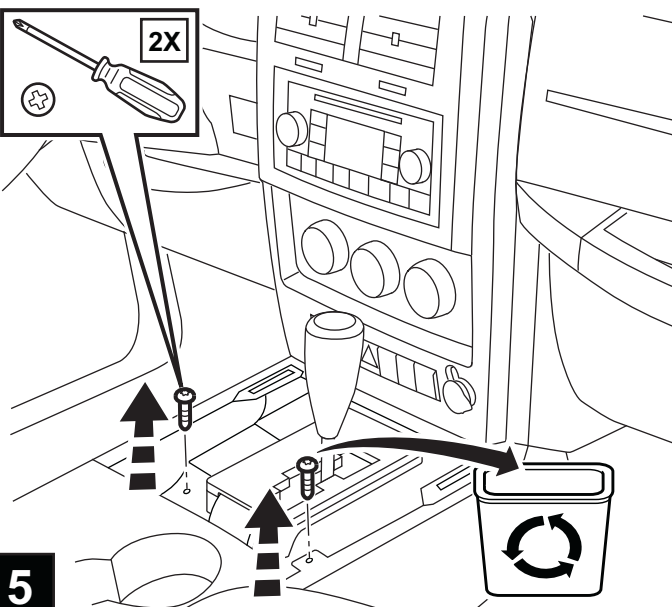
2



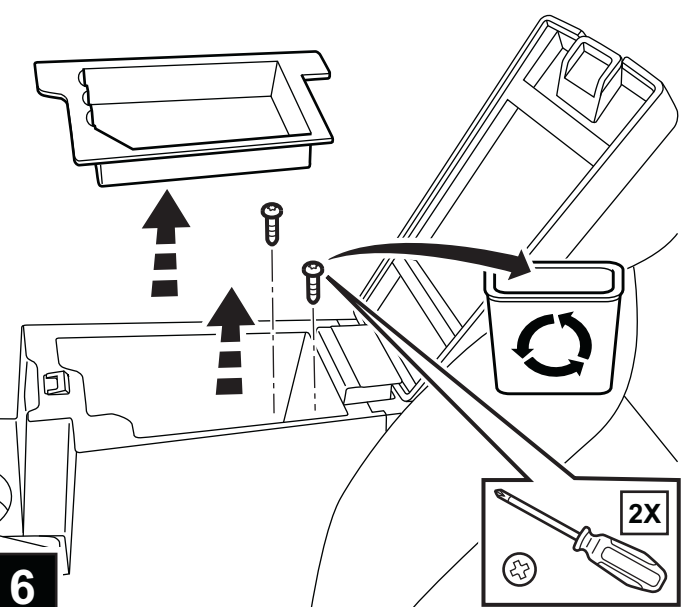
3



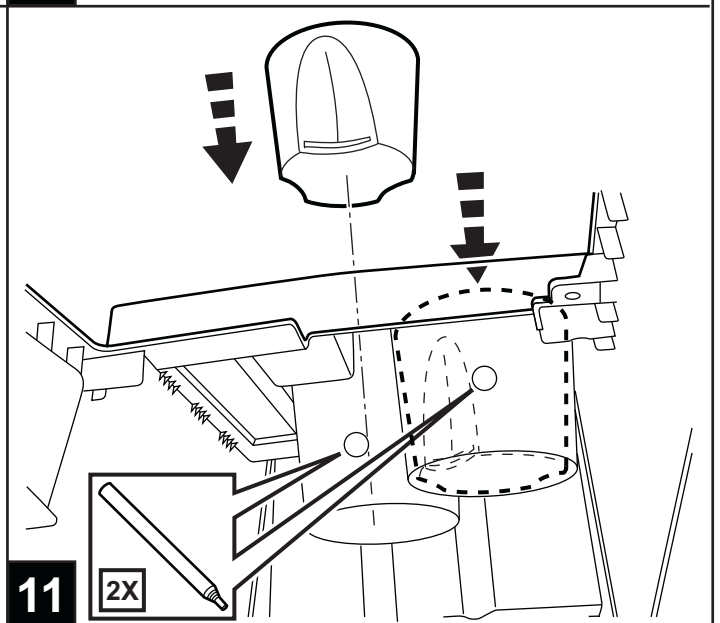
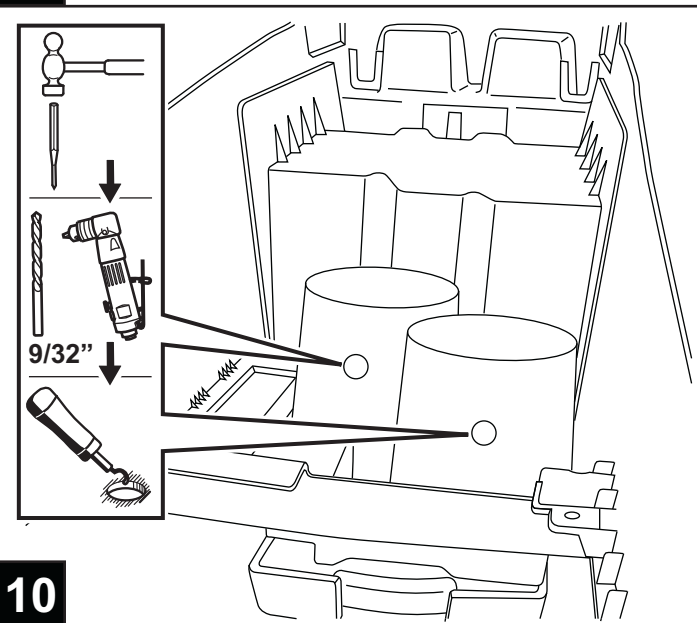
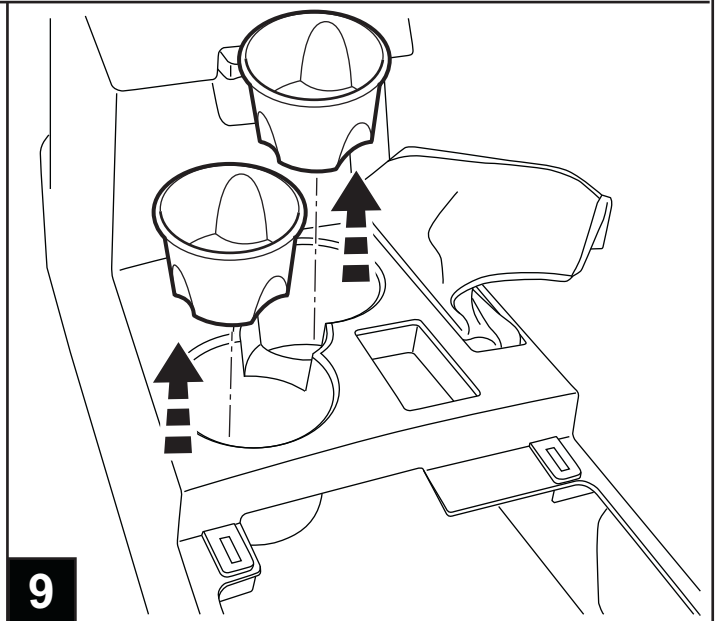
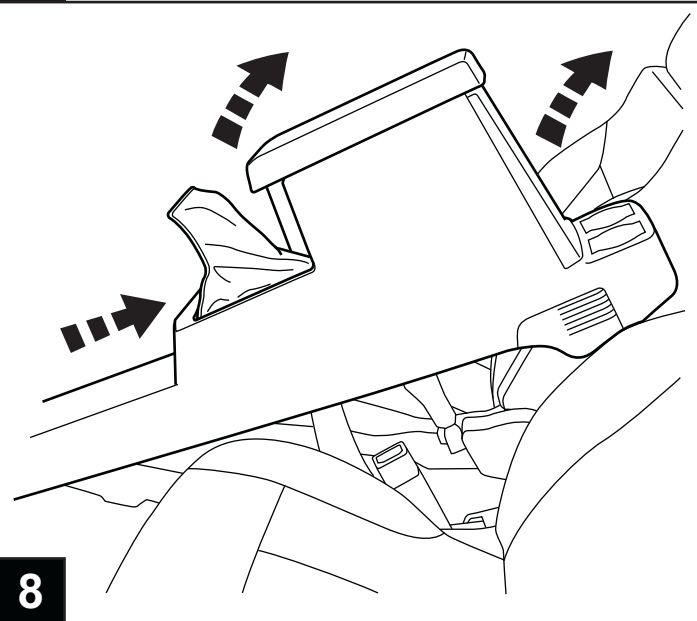
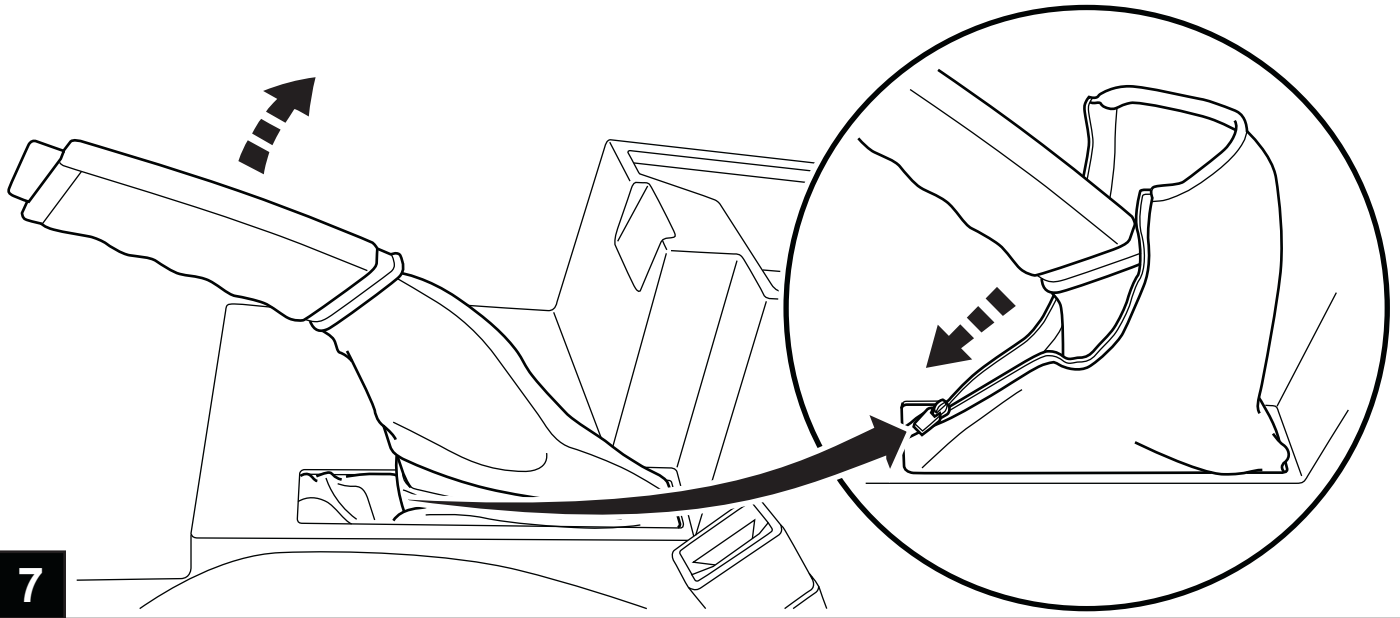
4



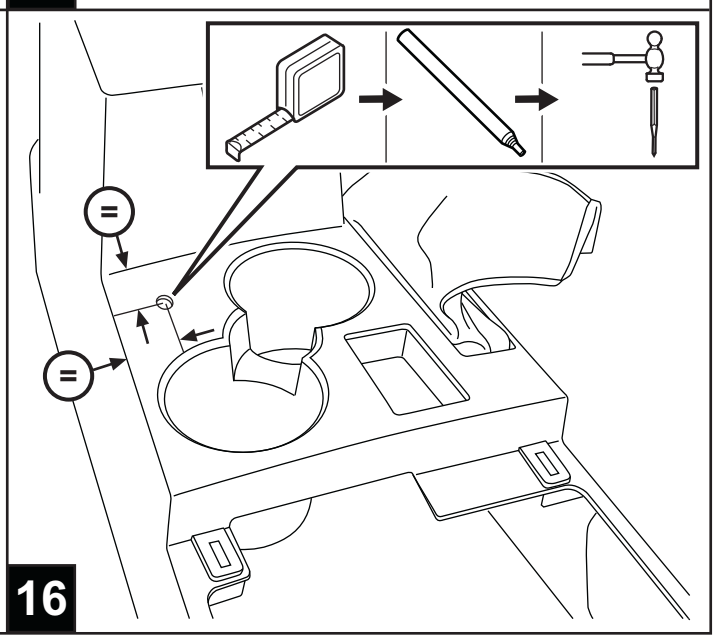
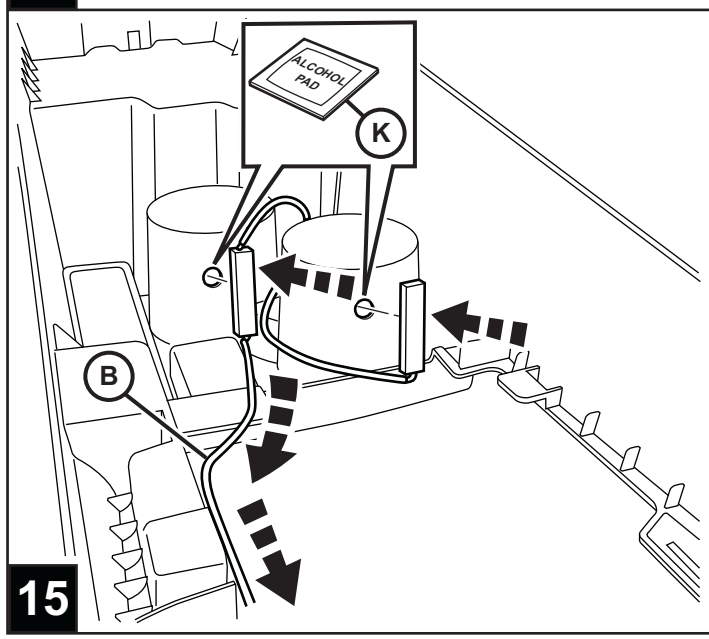
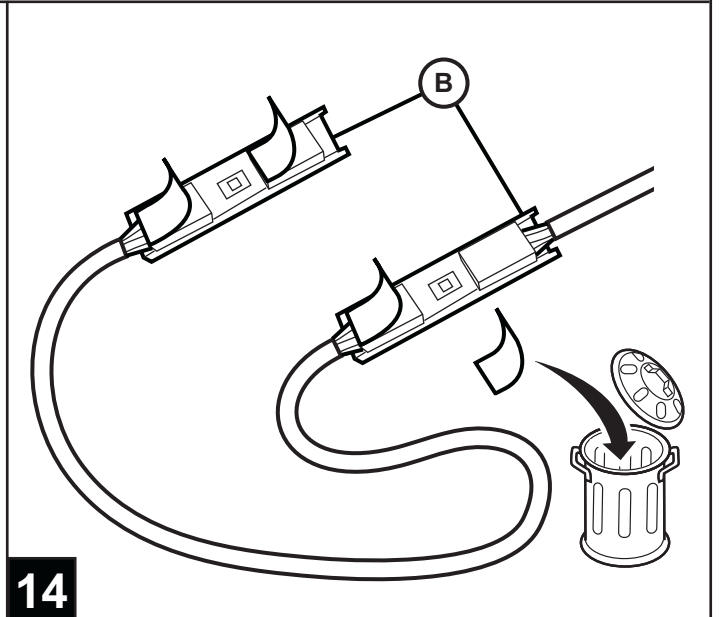
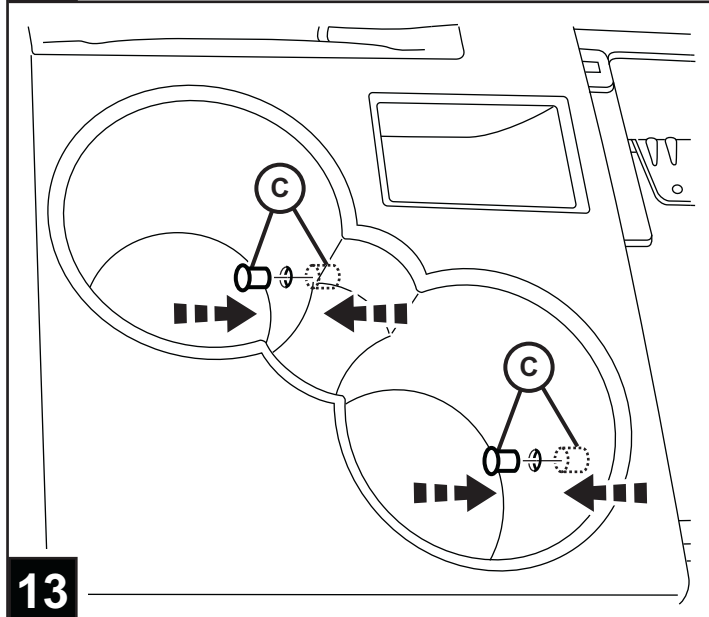
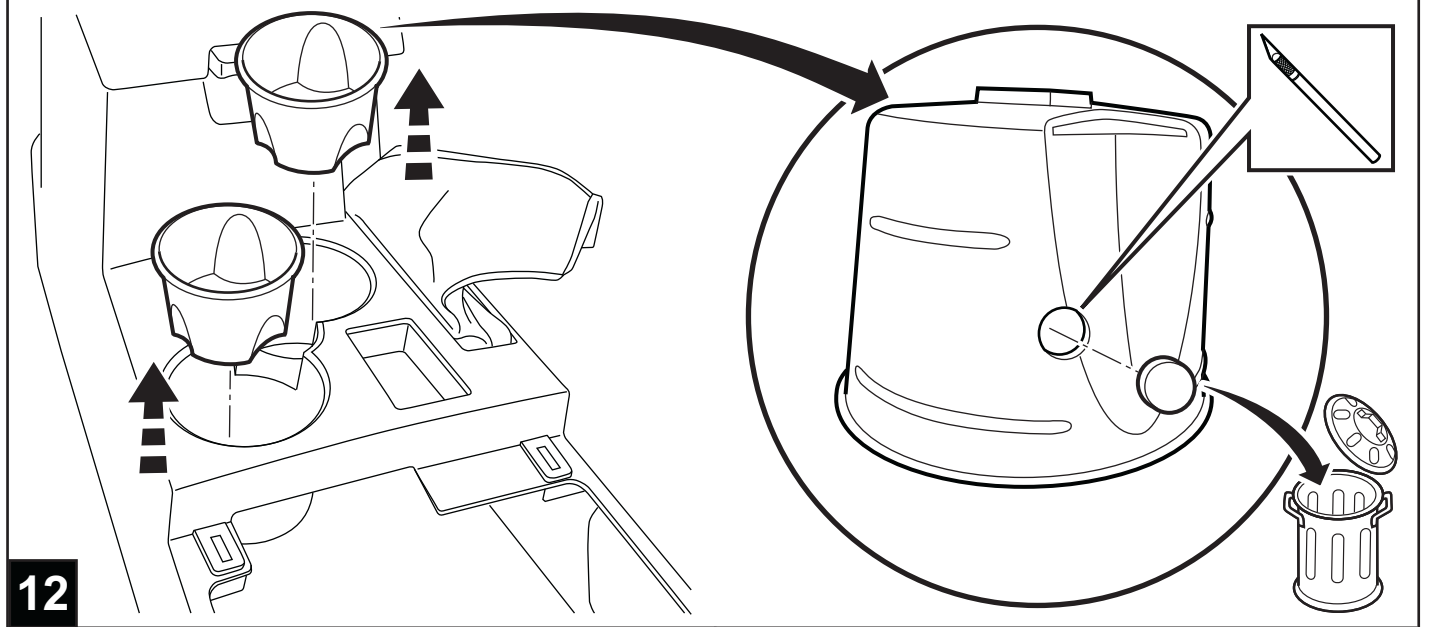
5

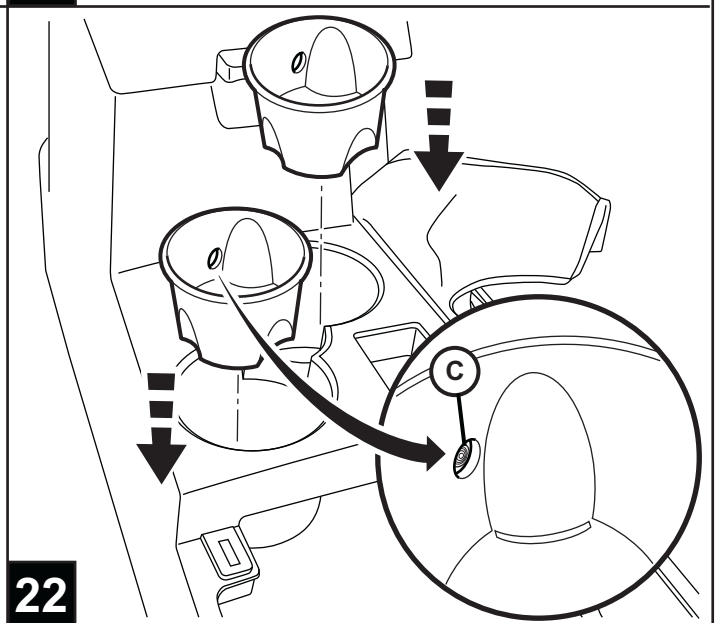
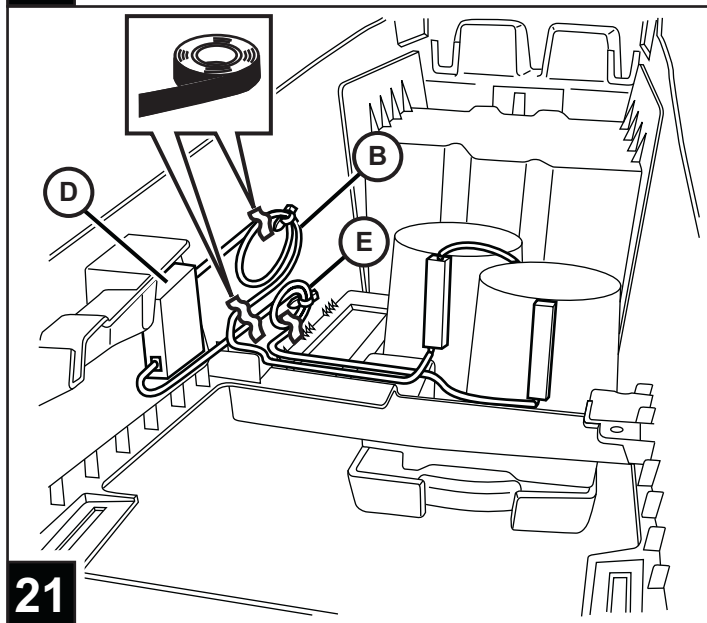
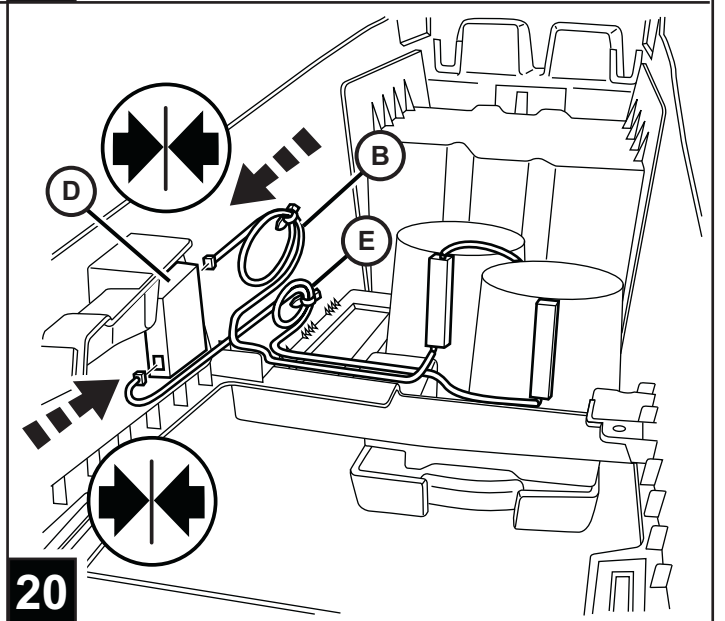
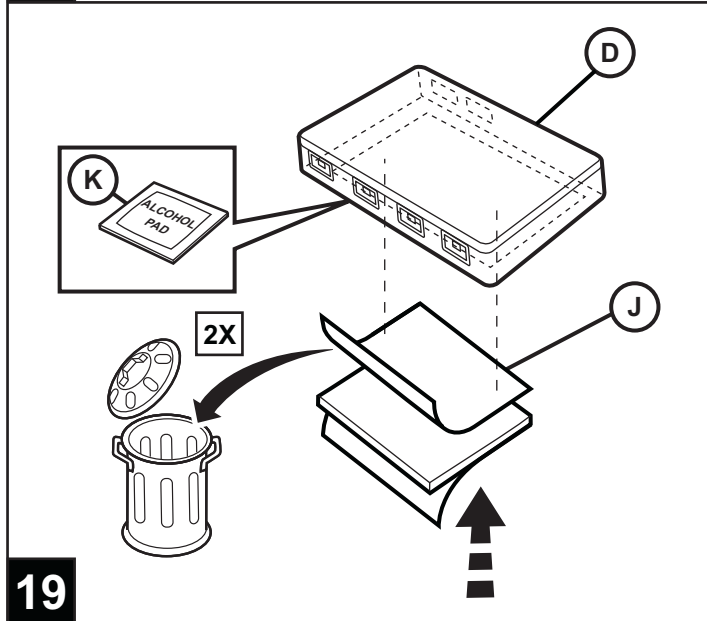
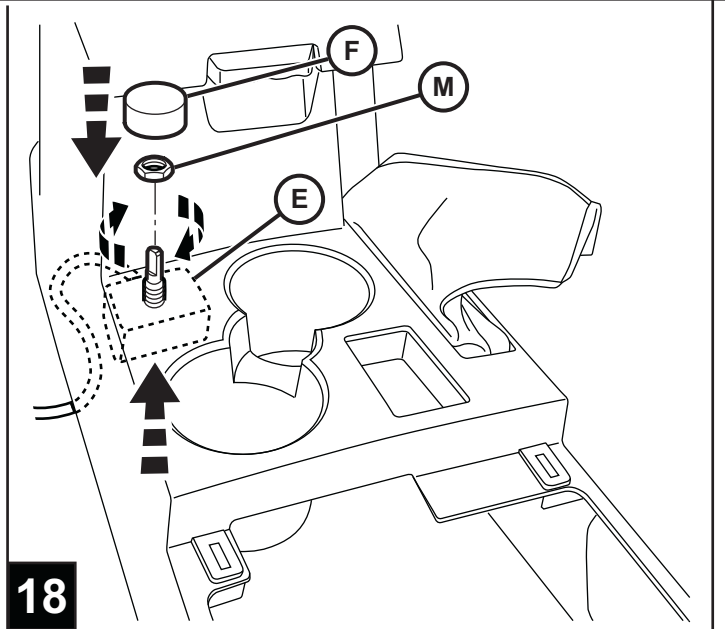
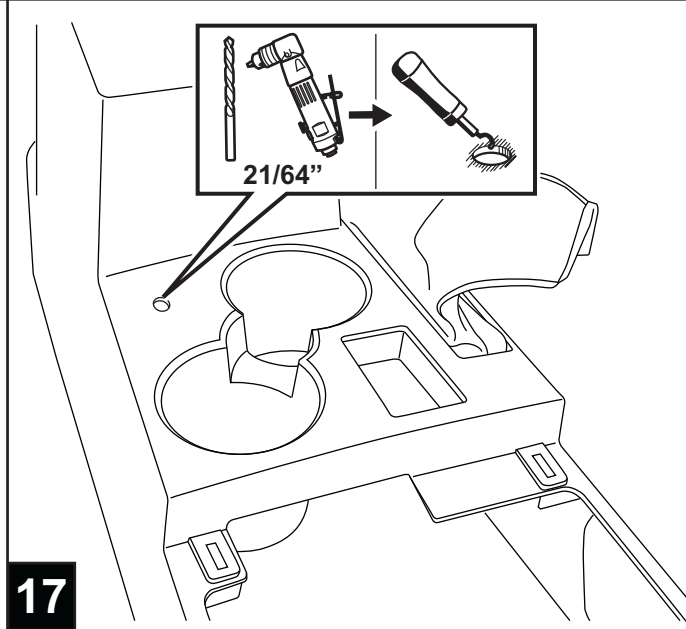


6

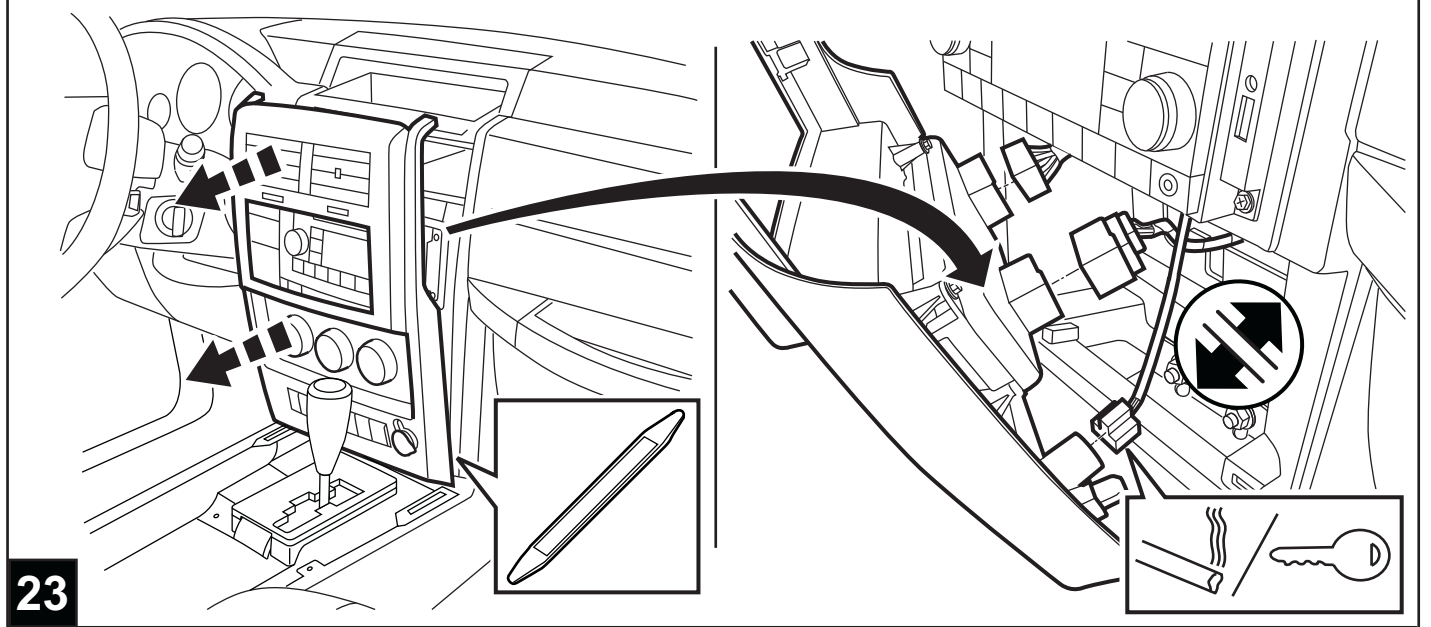


JEEP LIBERTY

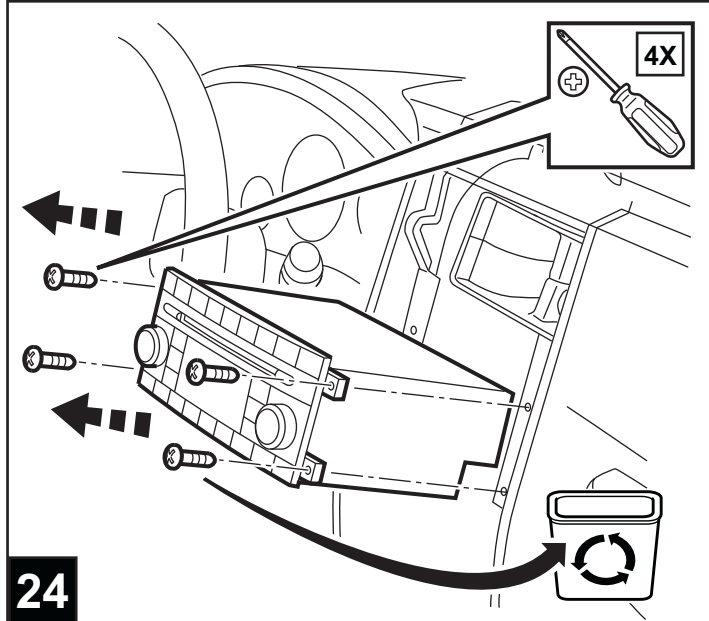




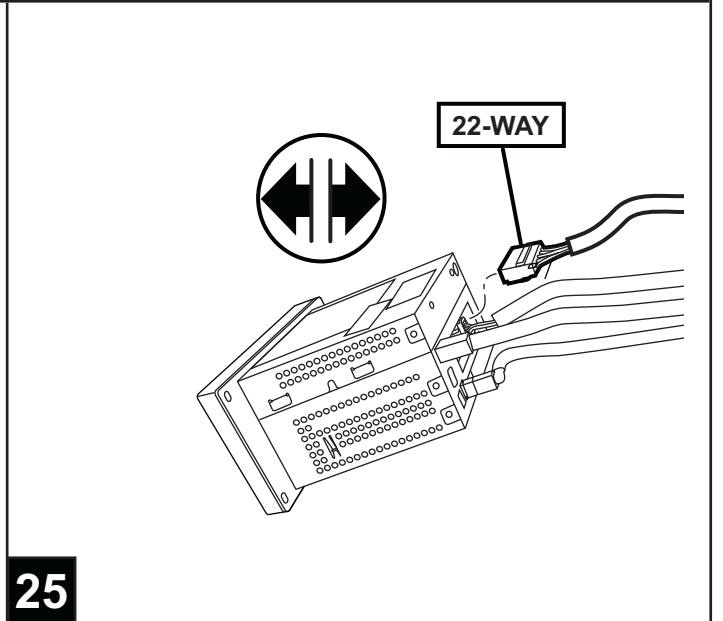
JEEP LIBERTY



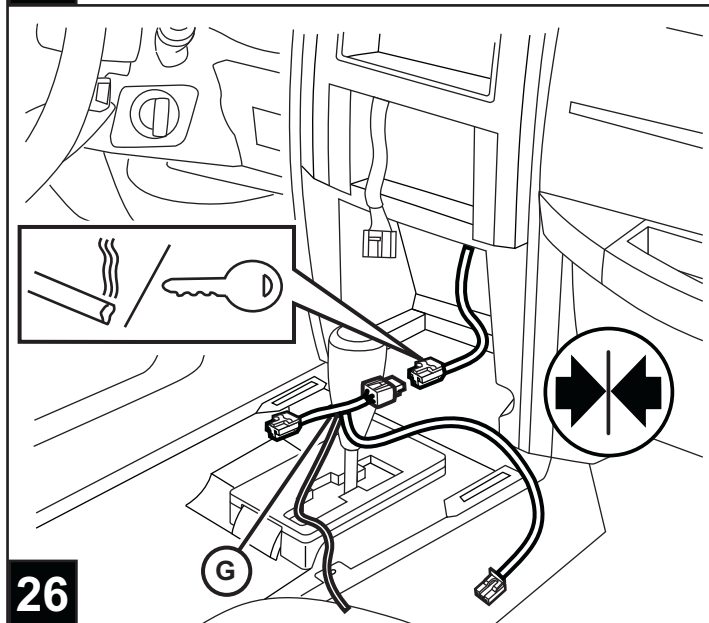
23



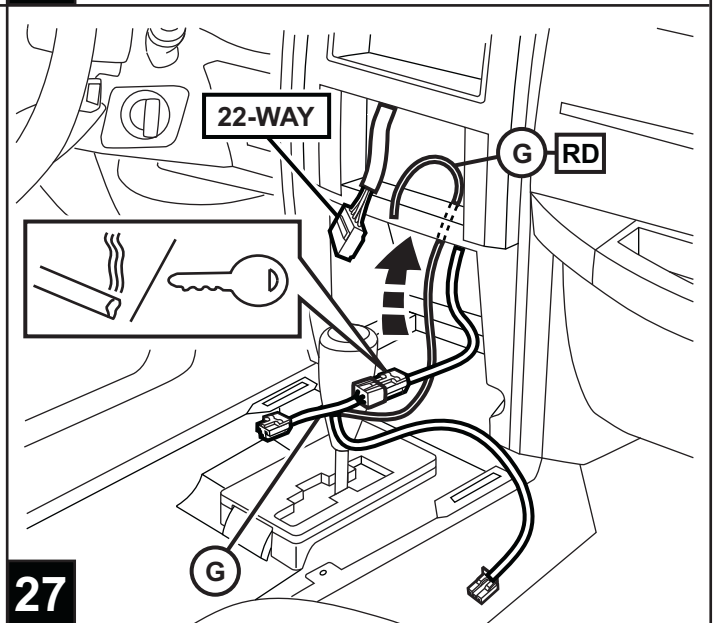
24



25

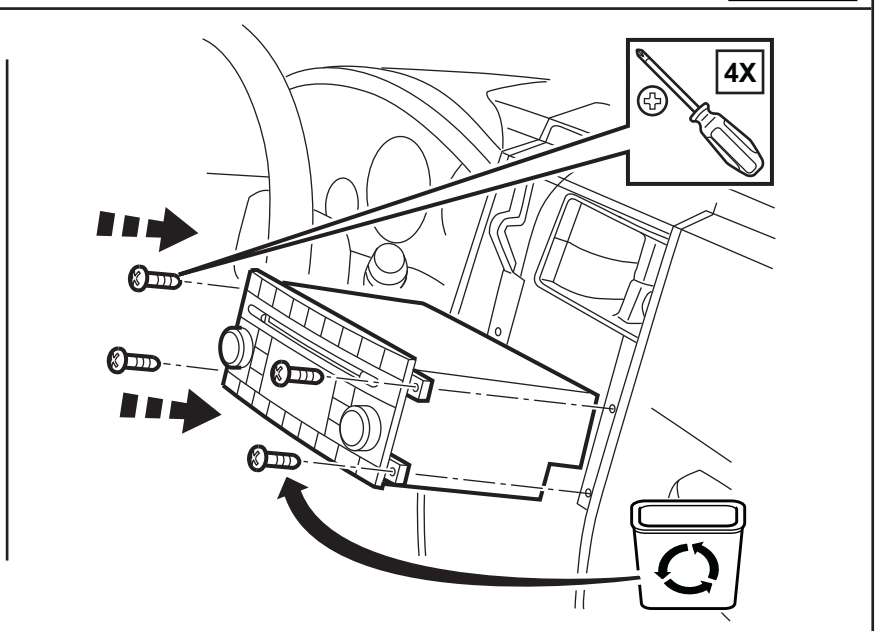
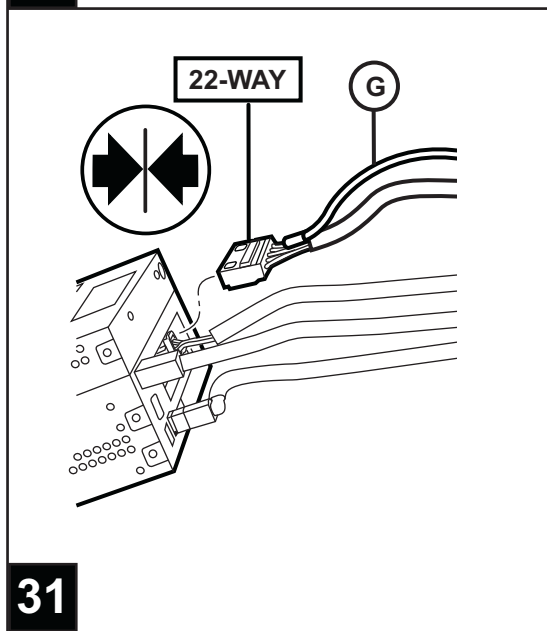
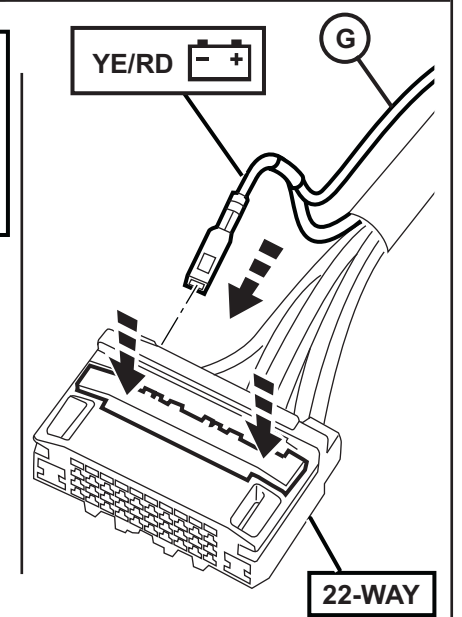
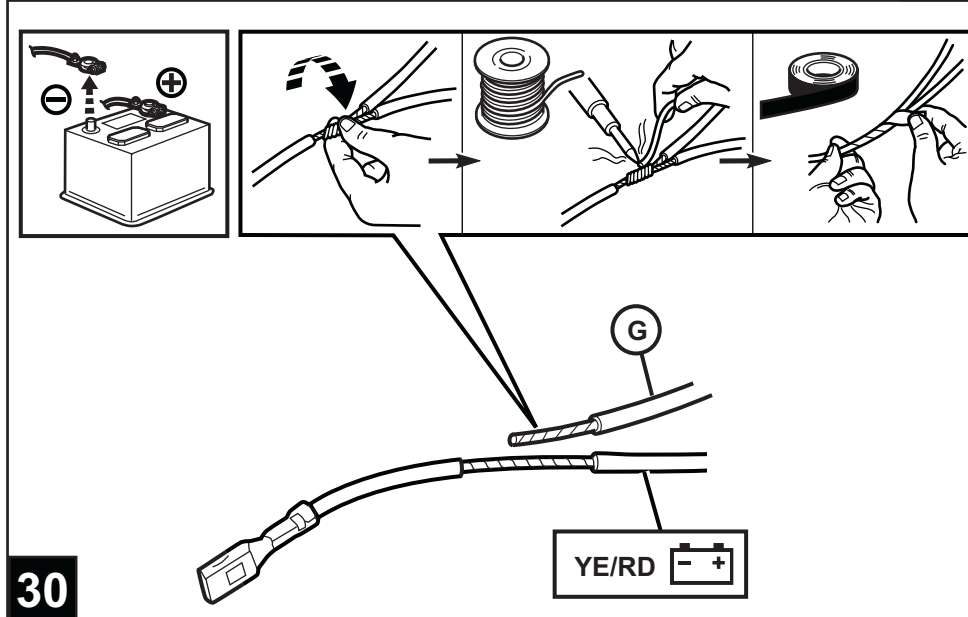
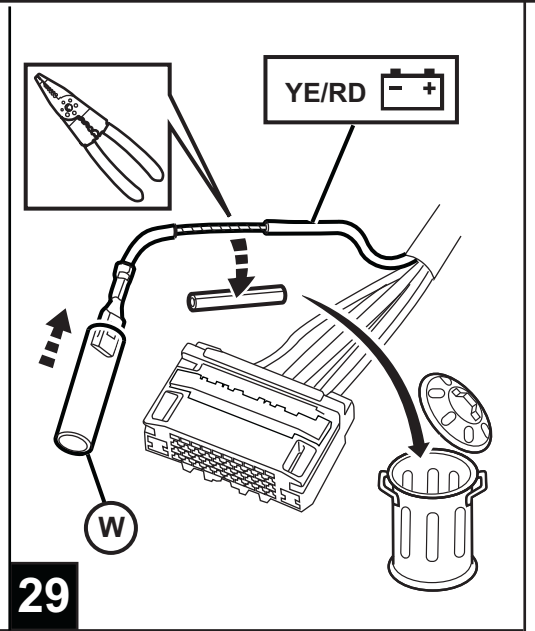
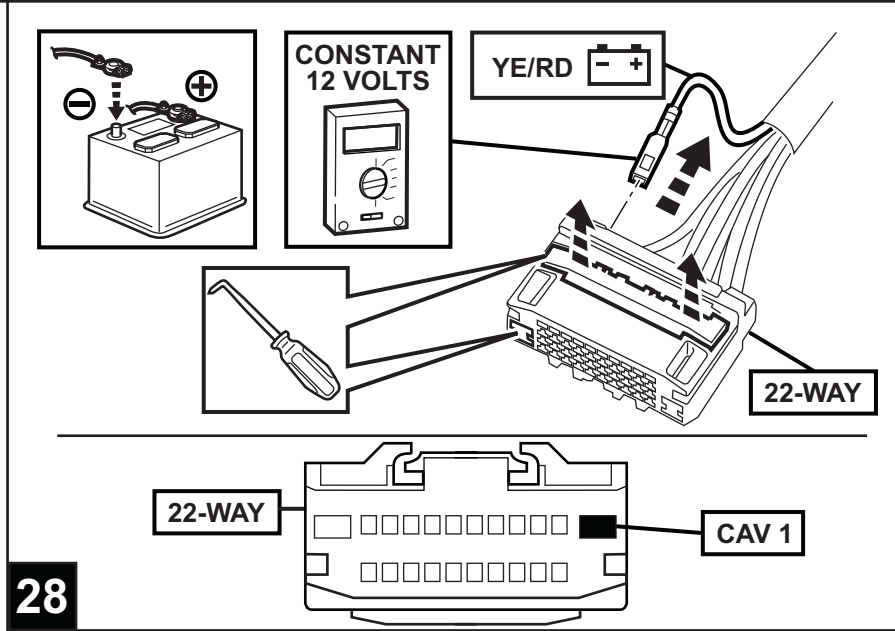


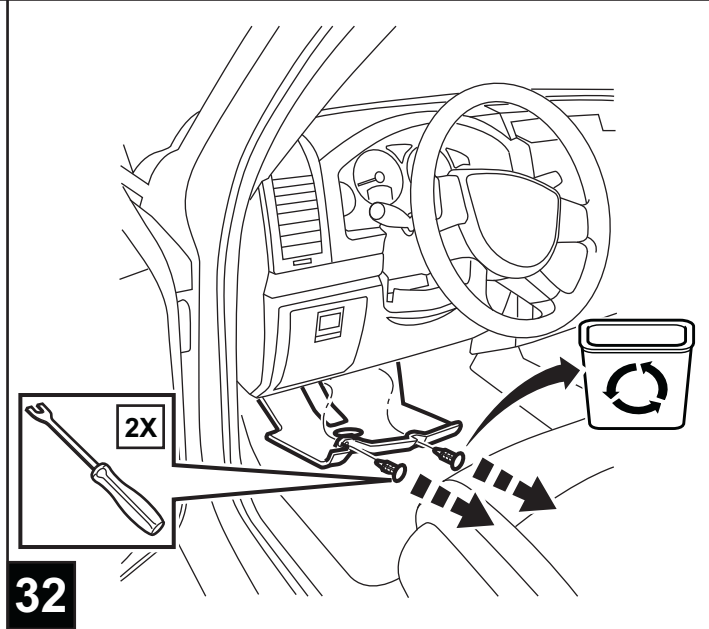
26



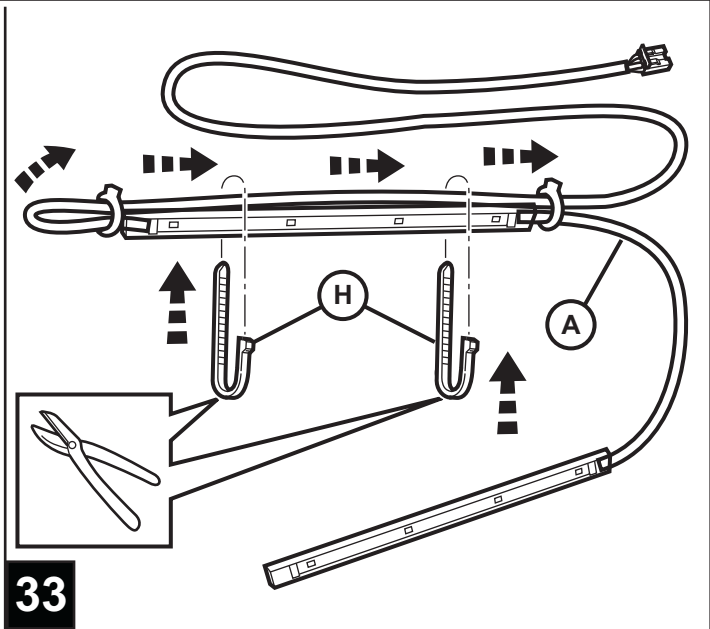
27

JEEP LIBERTY

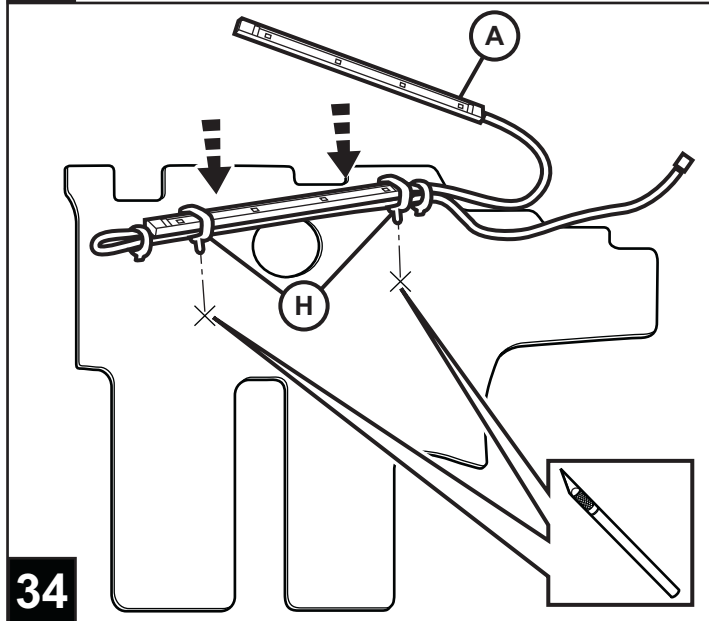




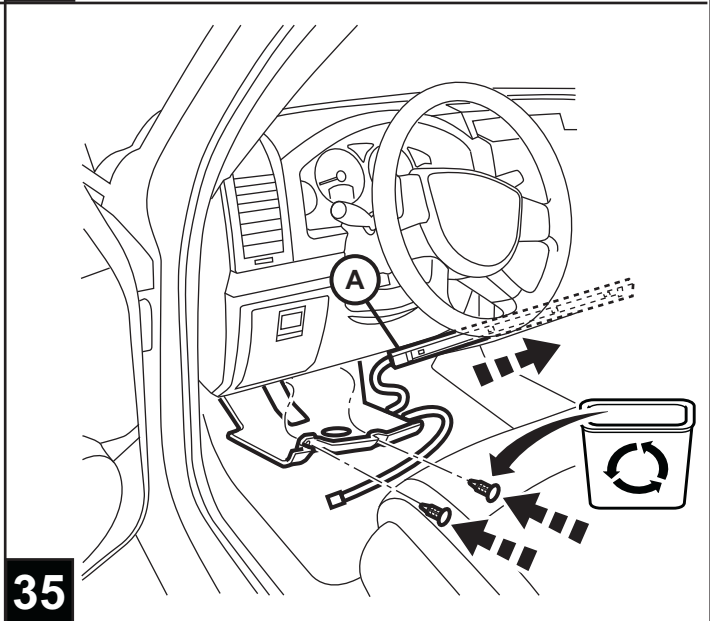
32



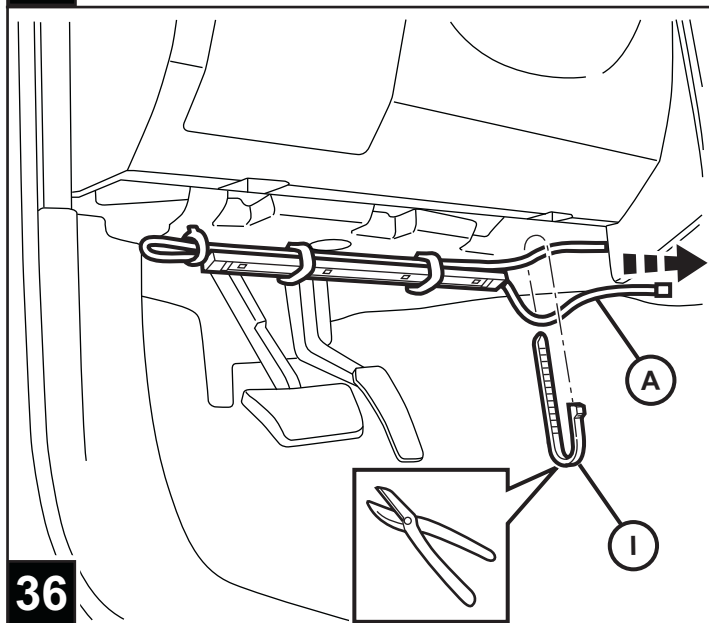
33



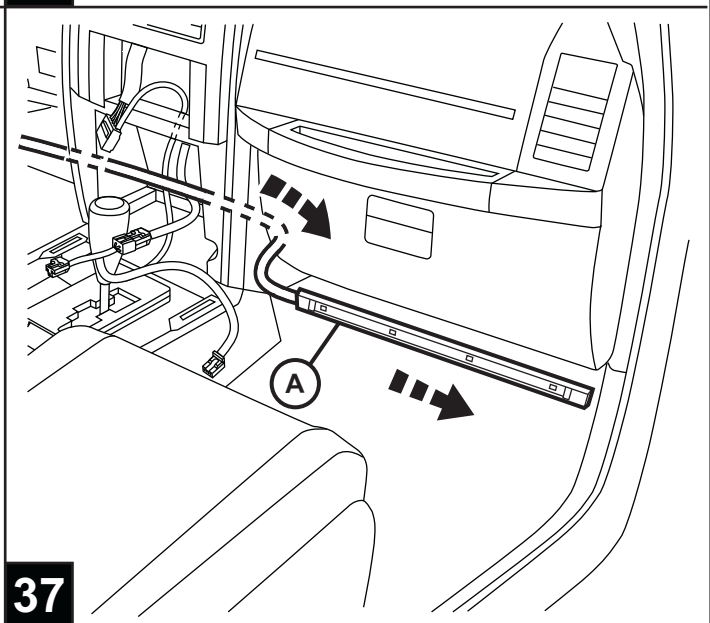
34



35

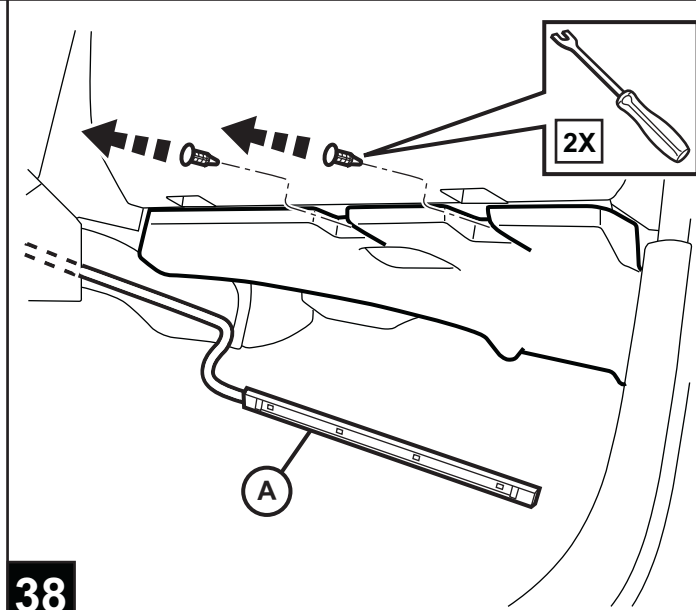


36

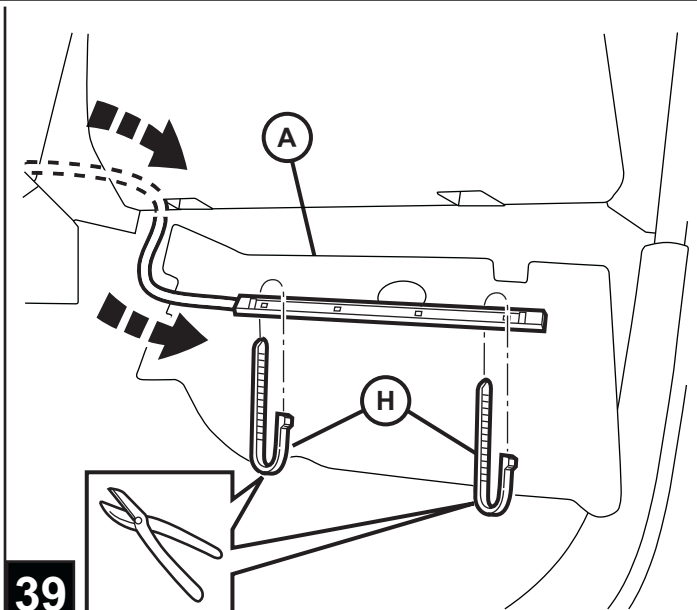


37

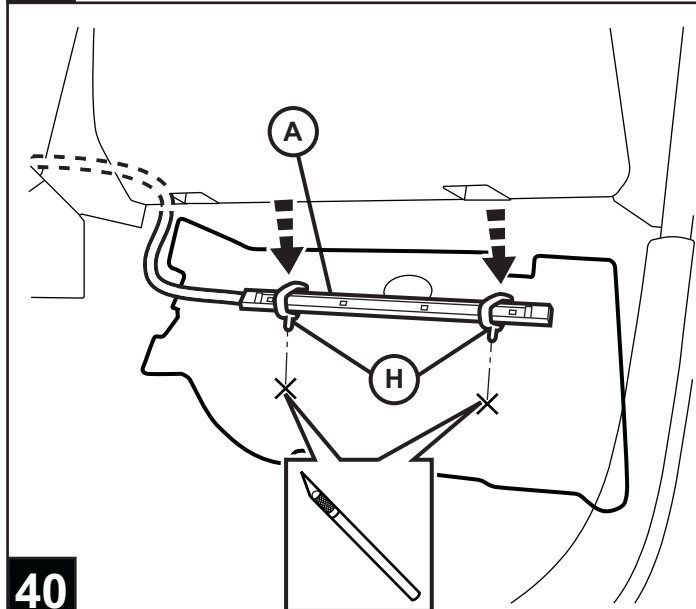
JEEP LIBERTY



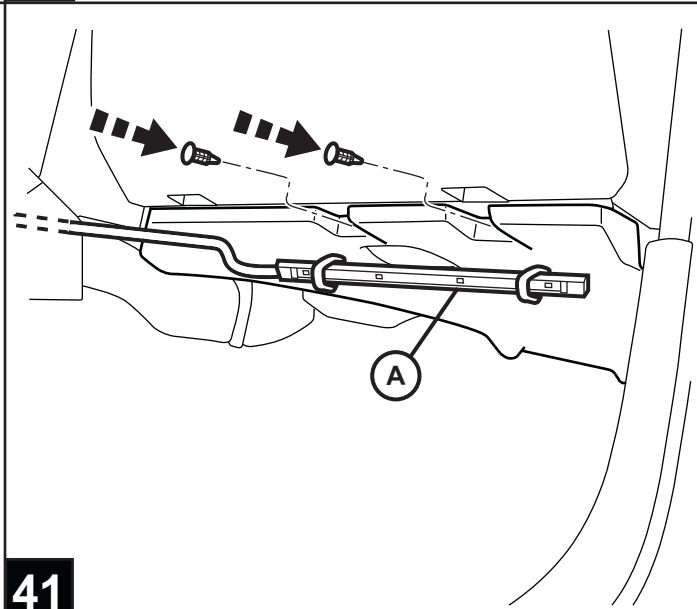
38



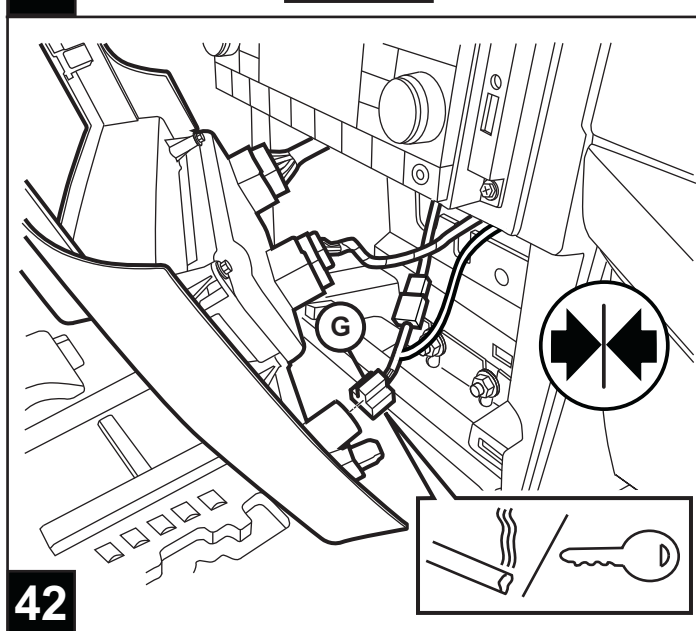
39



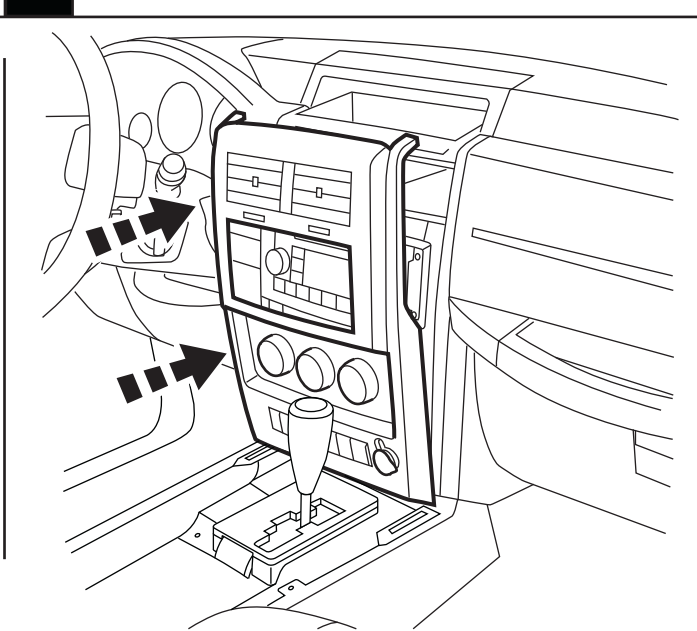
40

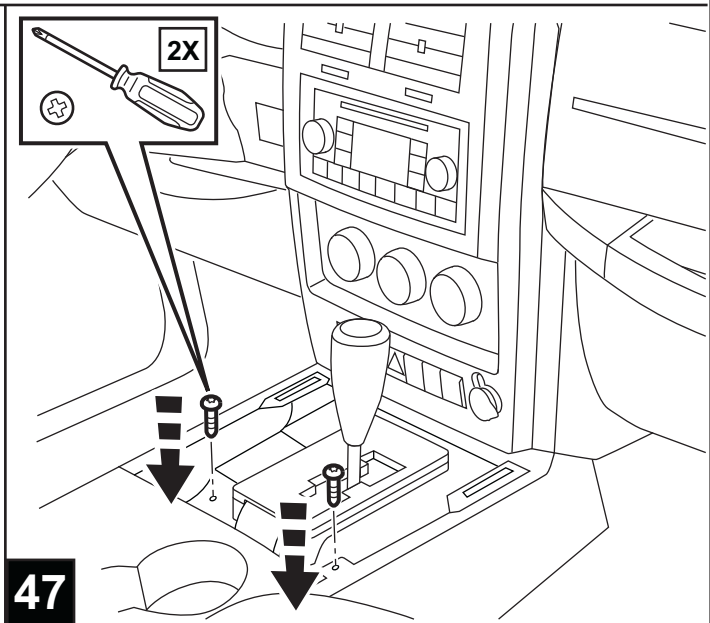
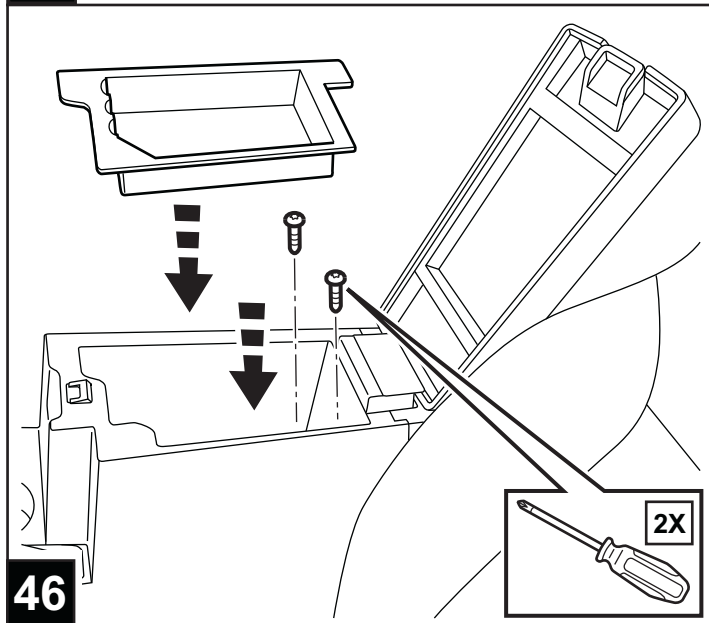
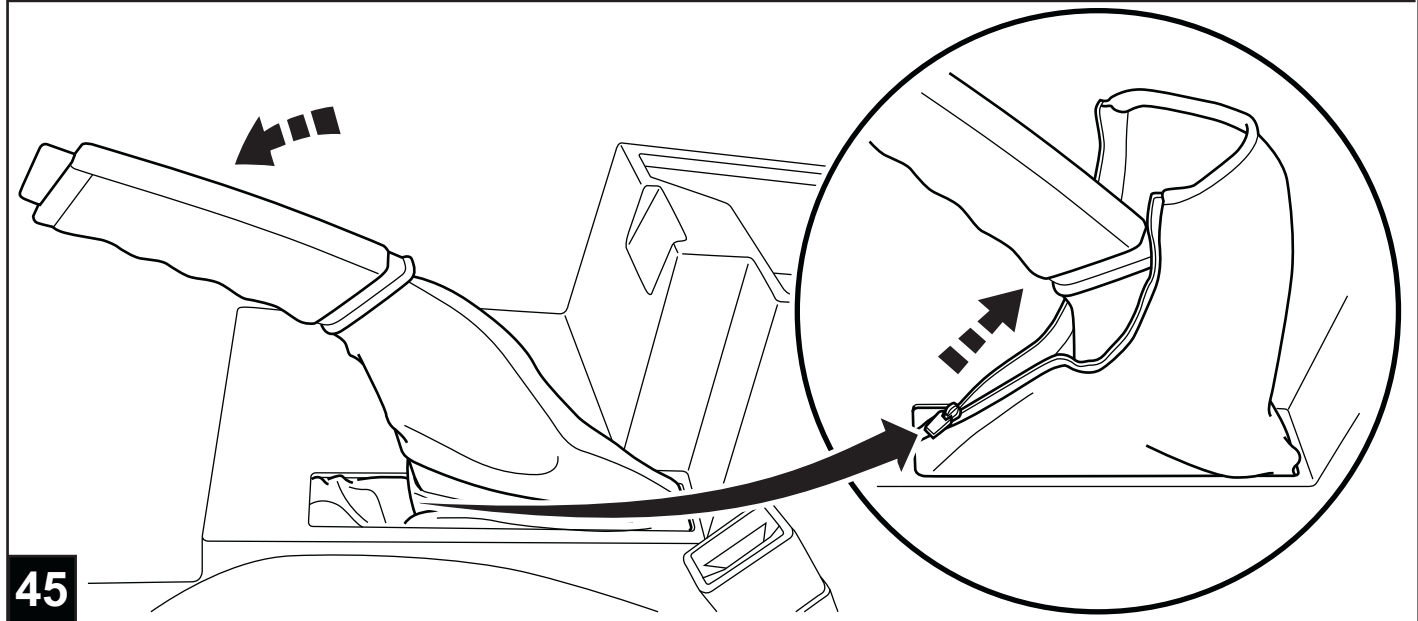
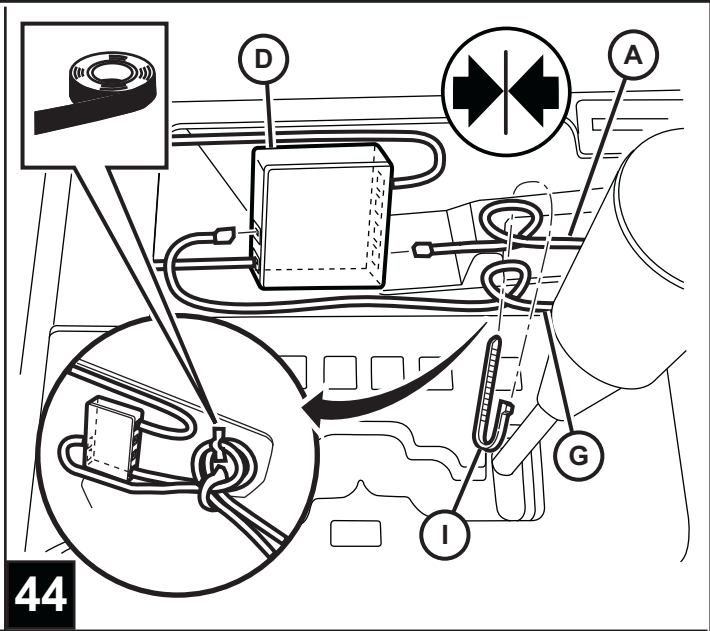
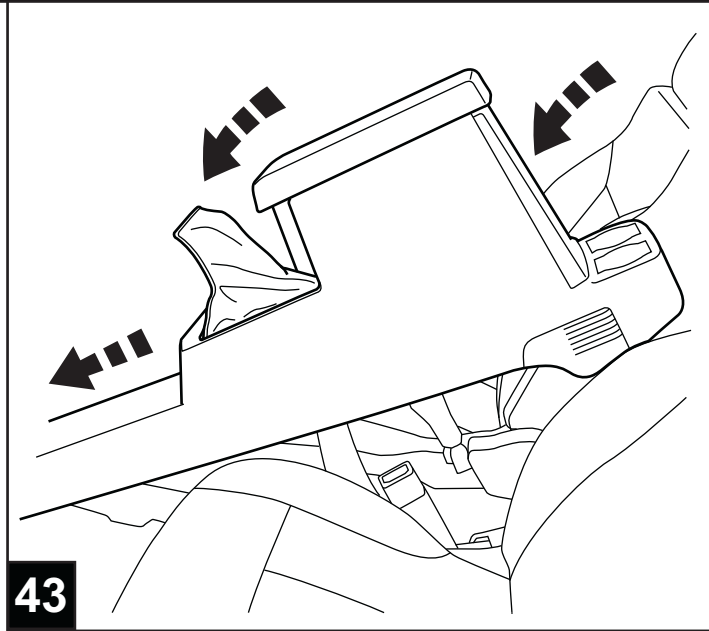


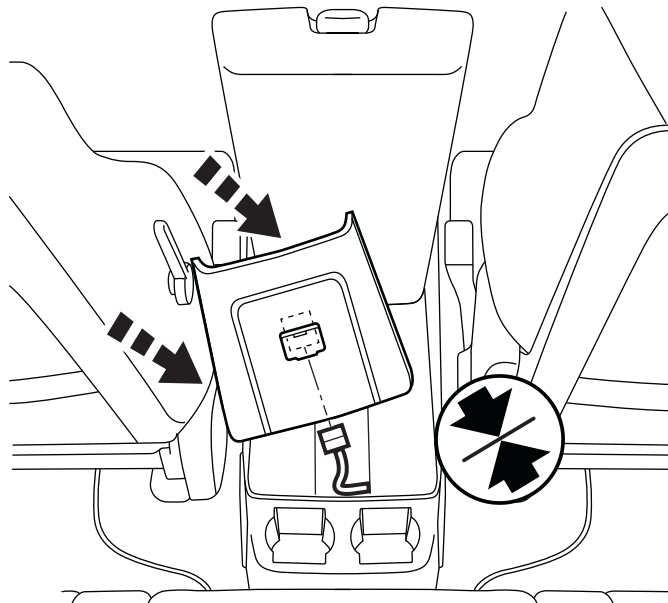
41



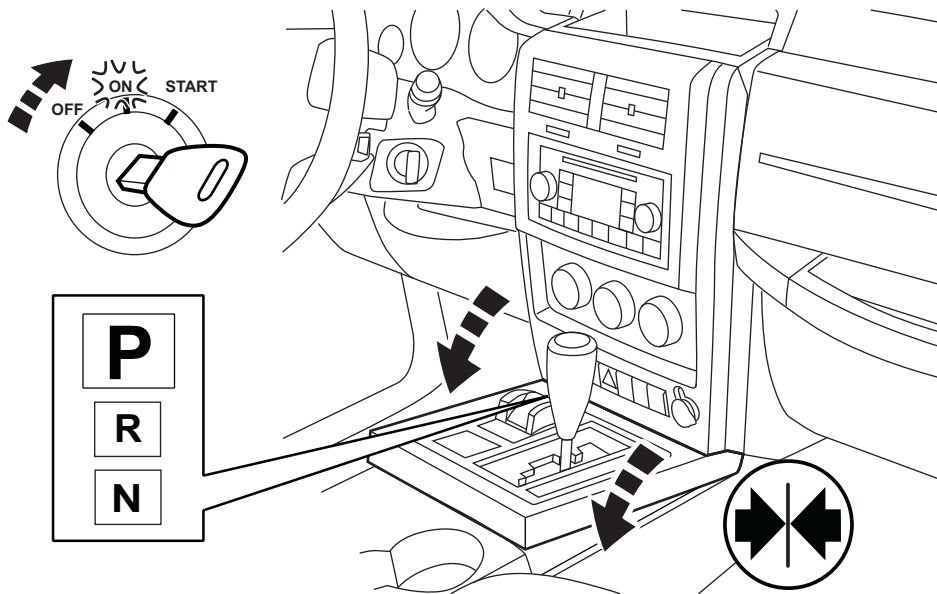
42



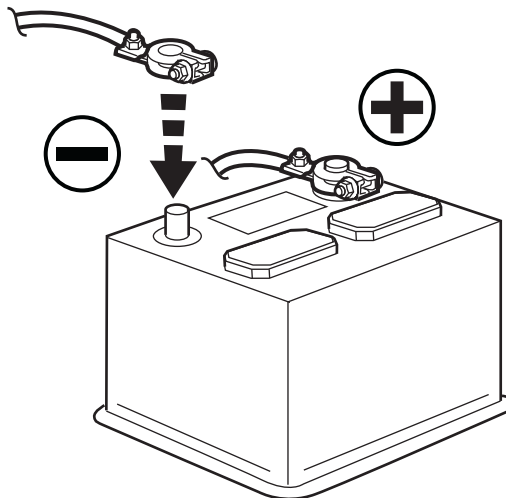




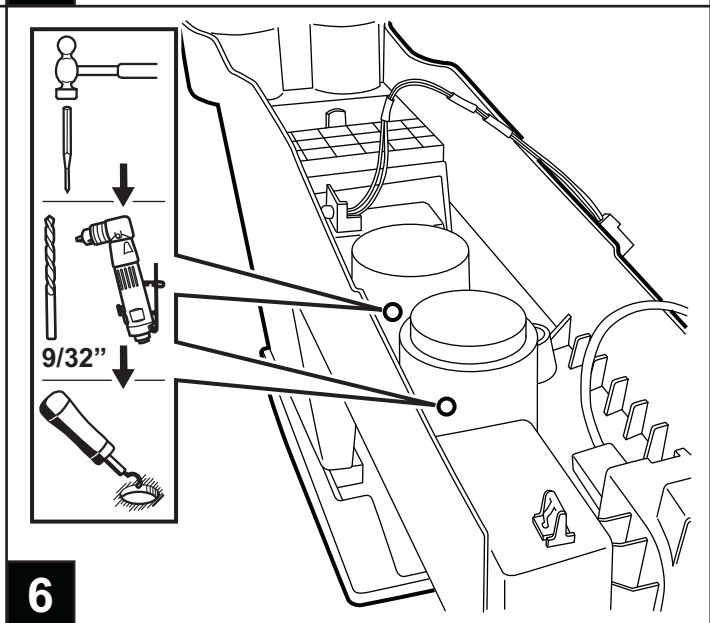
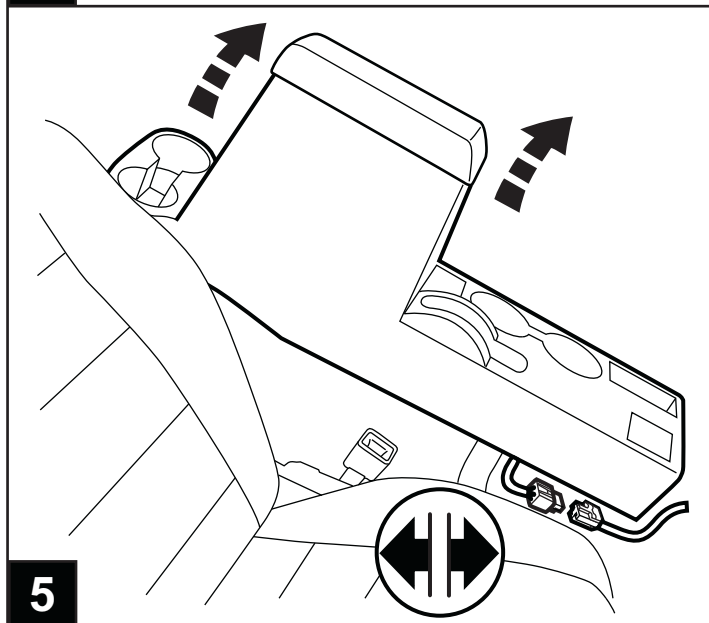
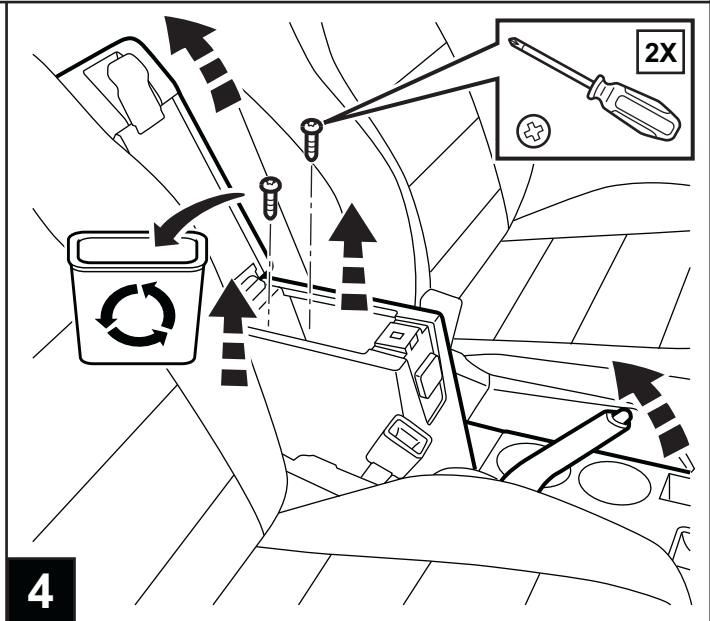
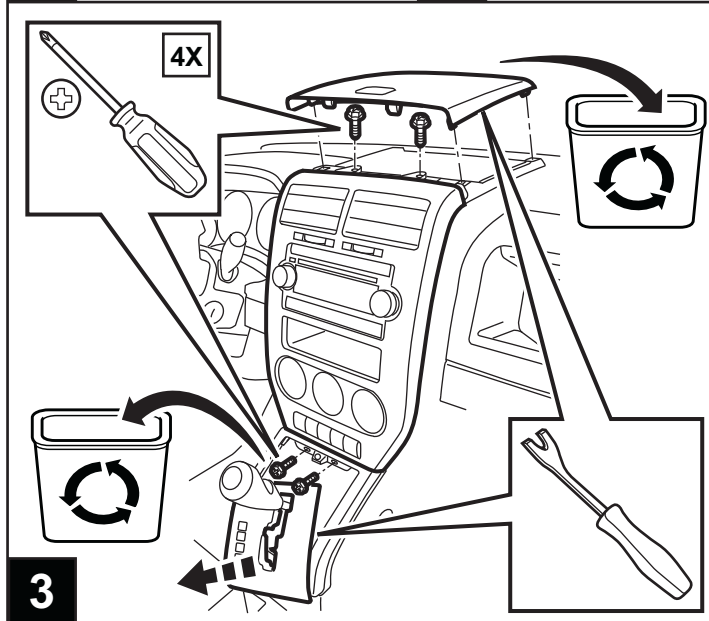
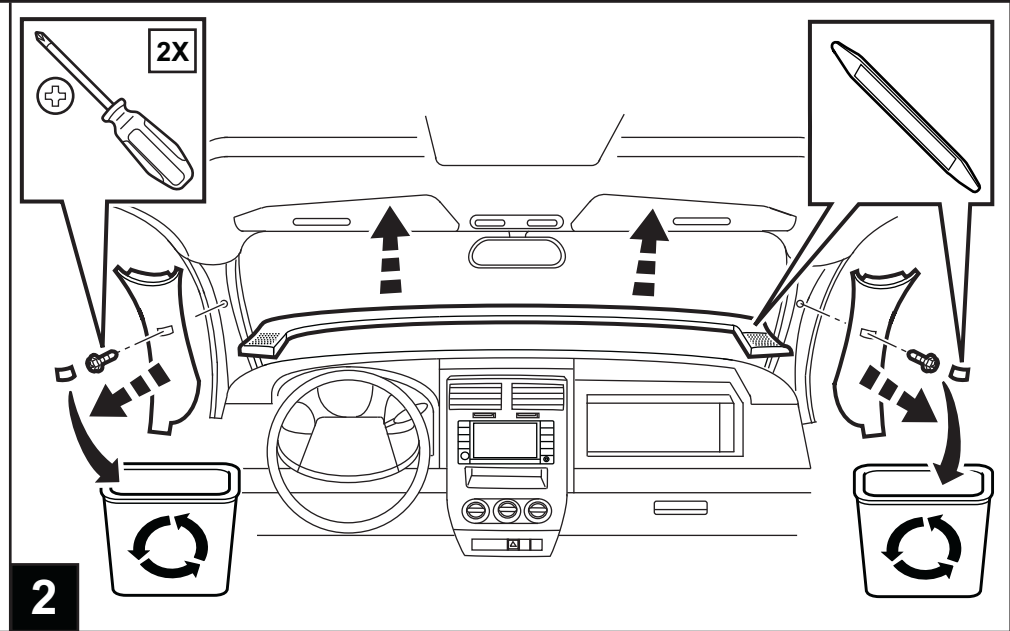
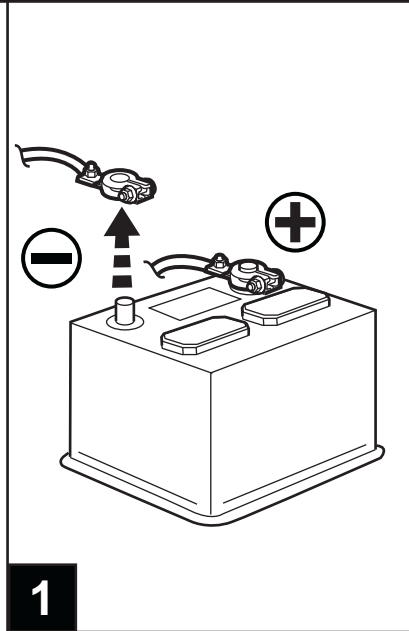
48



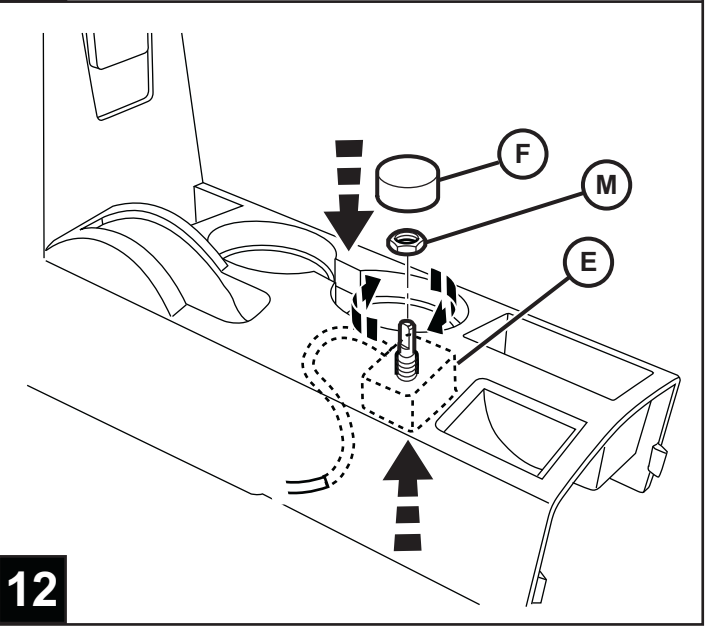
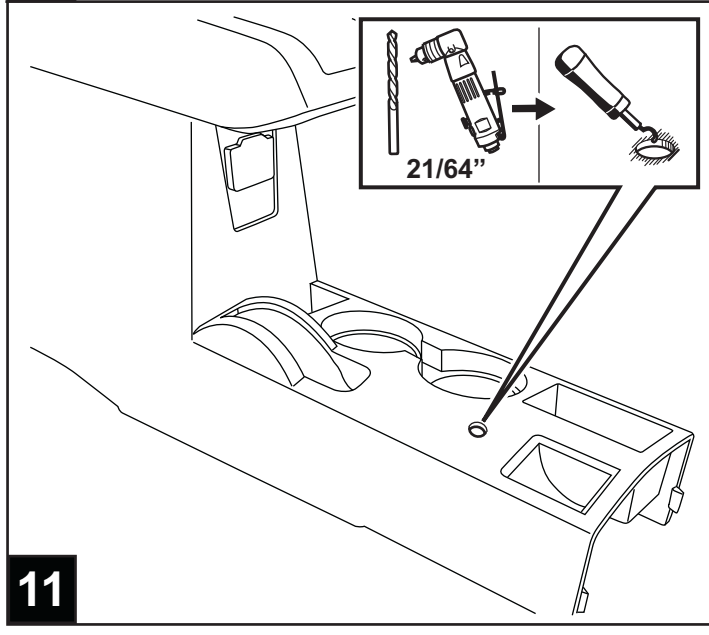
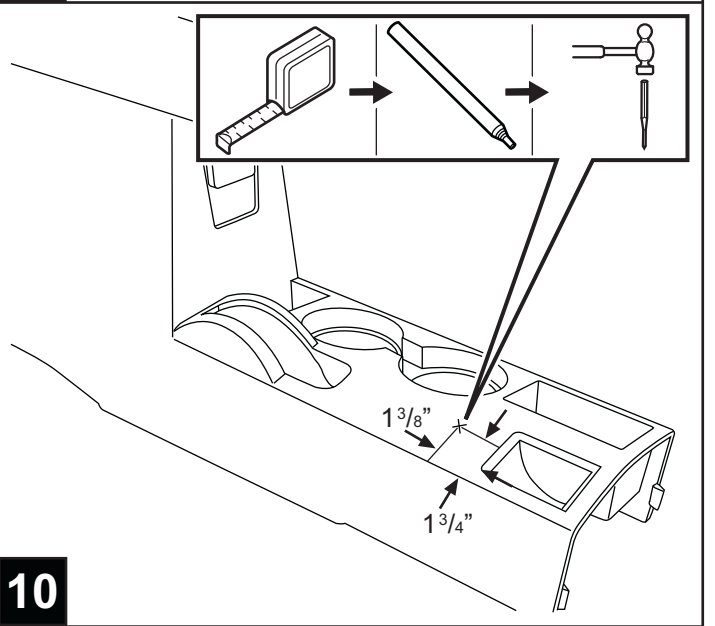
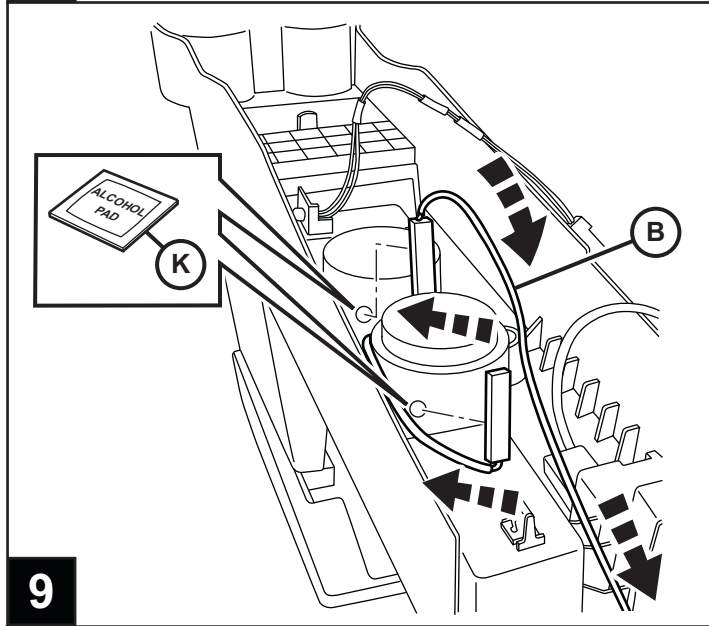
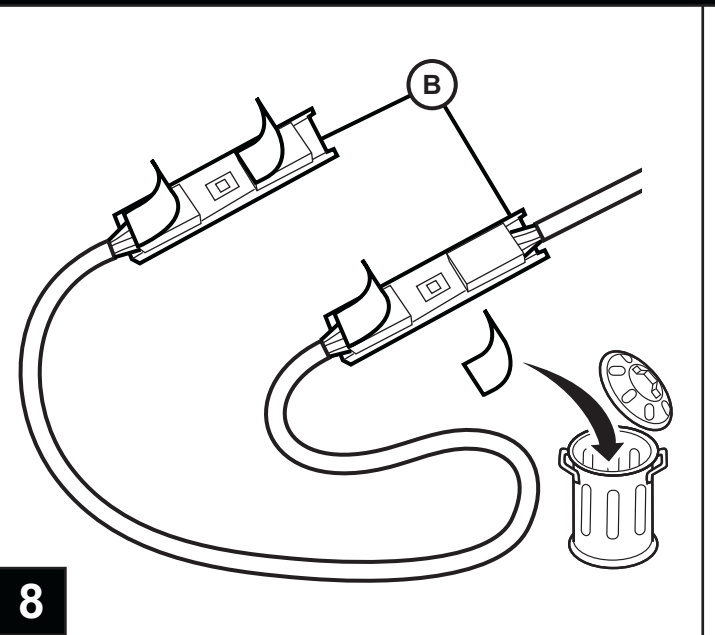
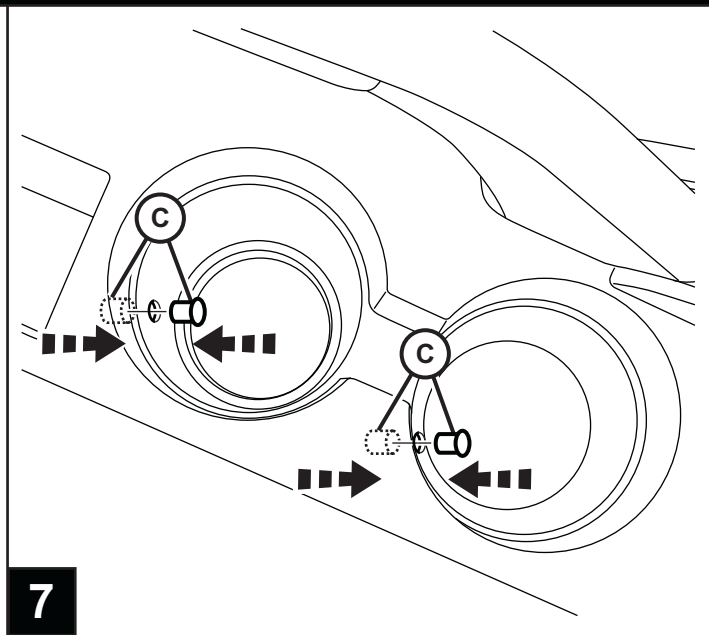
49

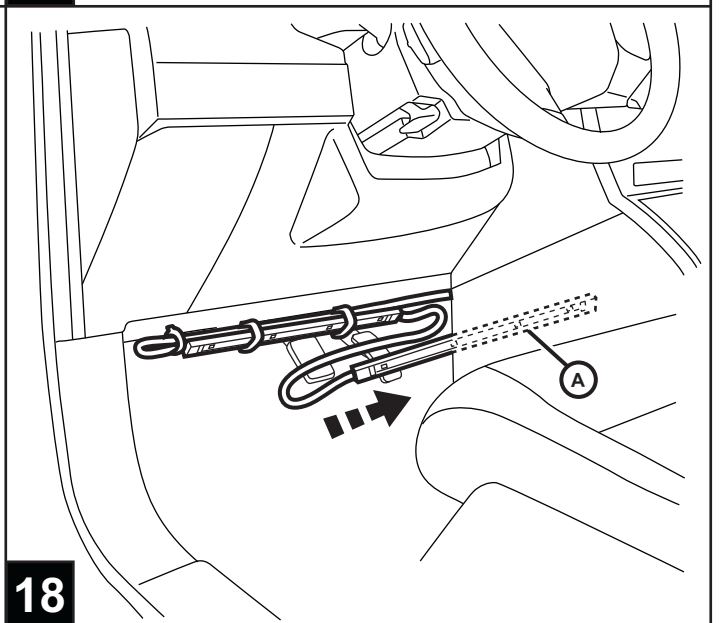
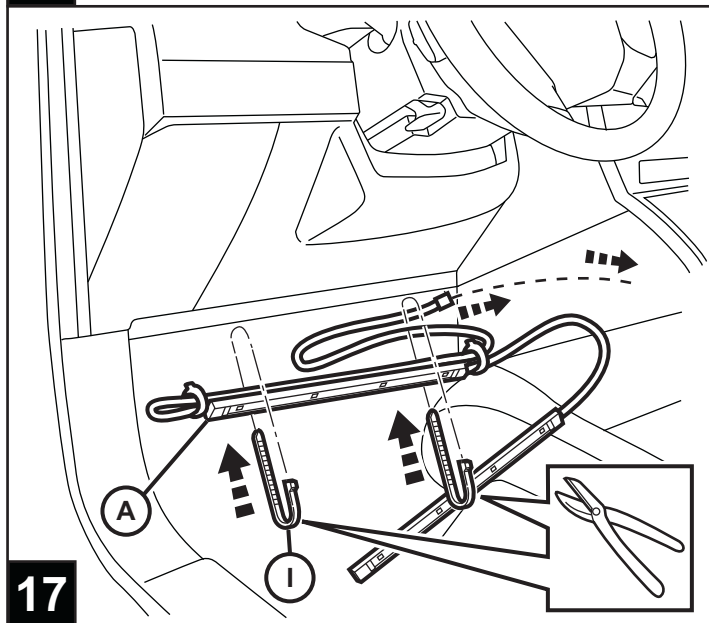
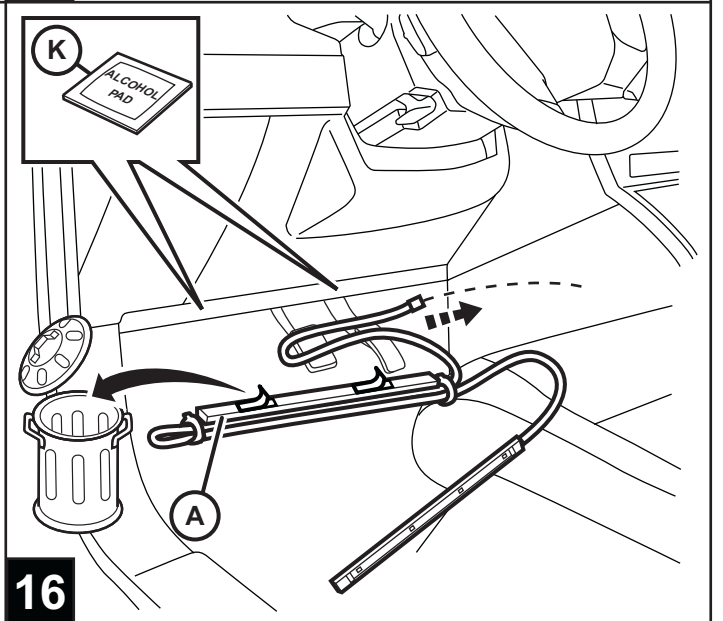
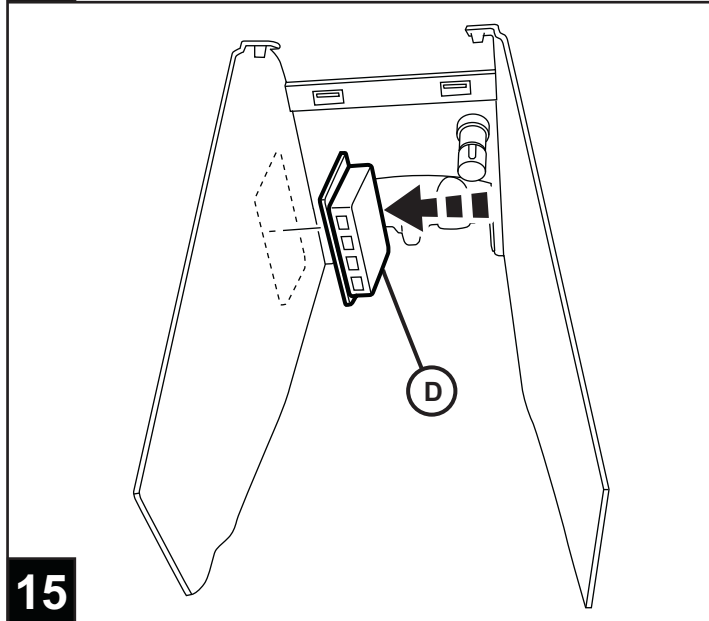
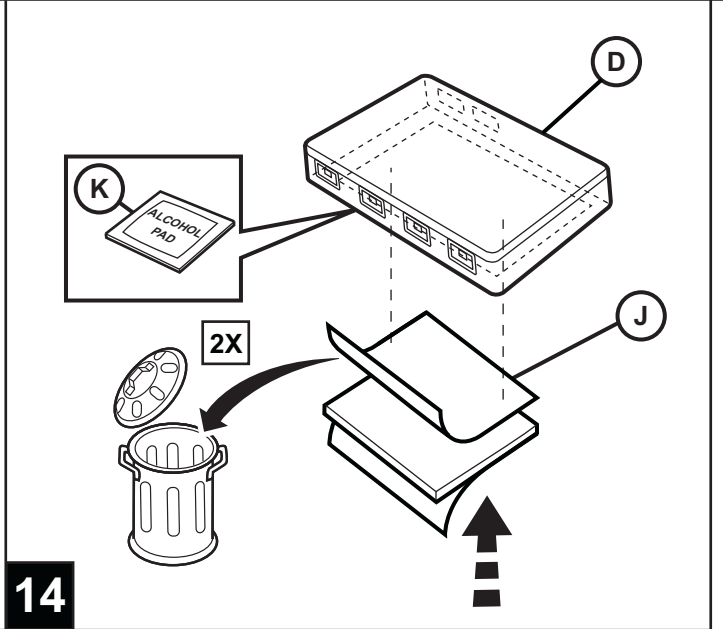
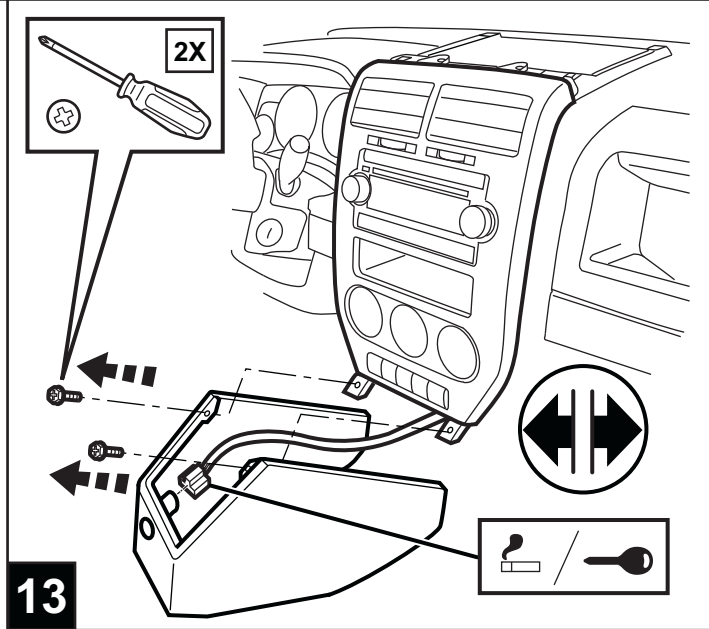


50

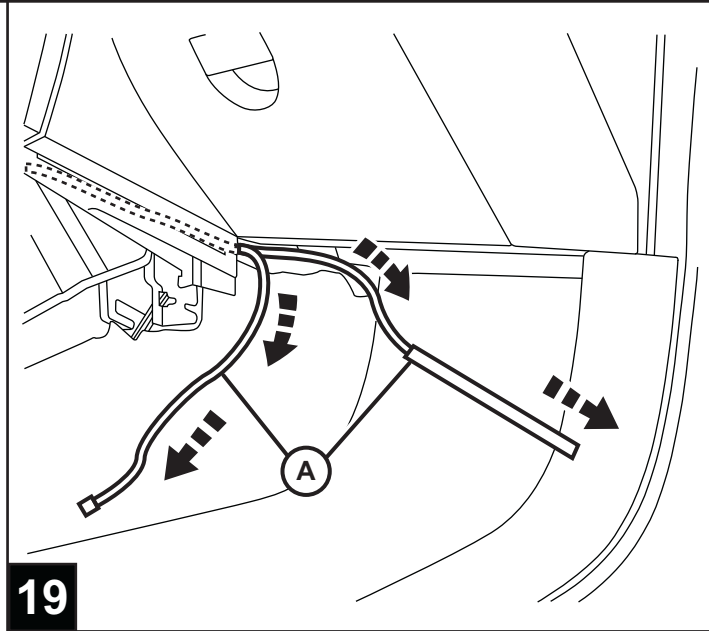


JEEP PATRIOT

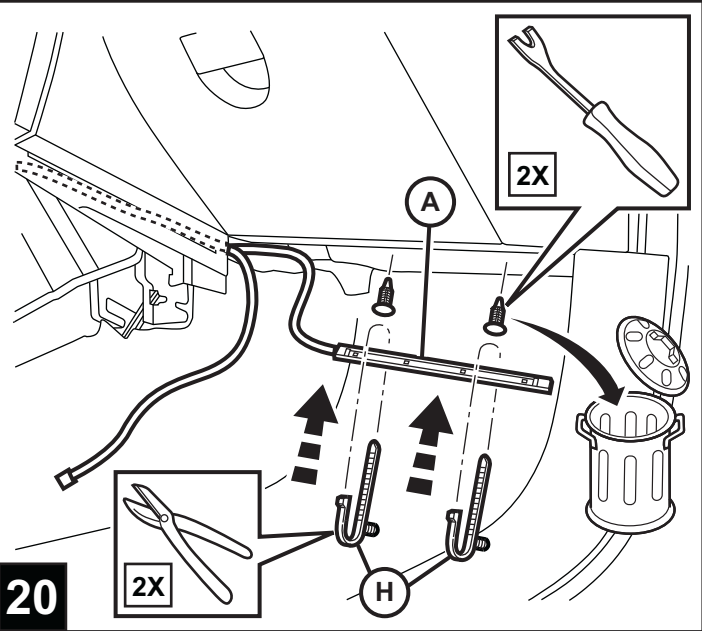




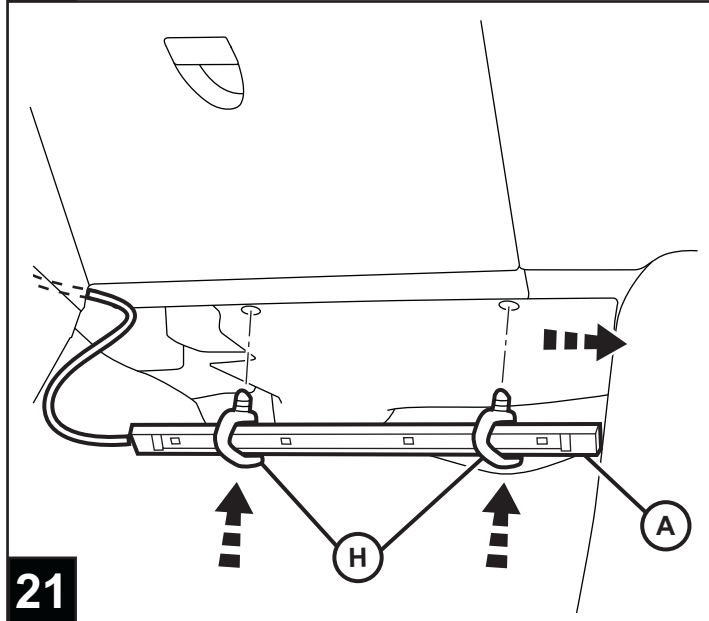
JEEP PATRIOT



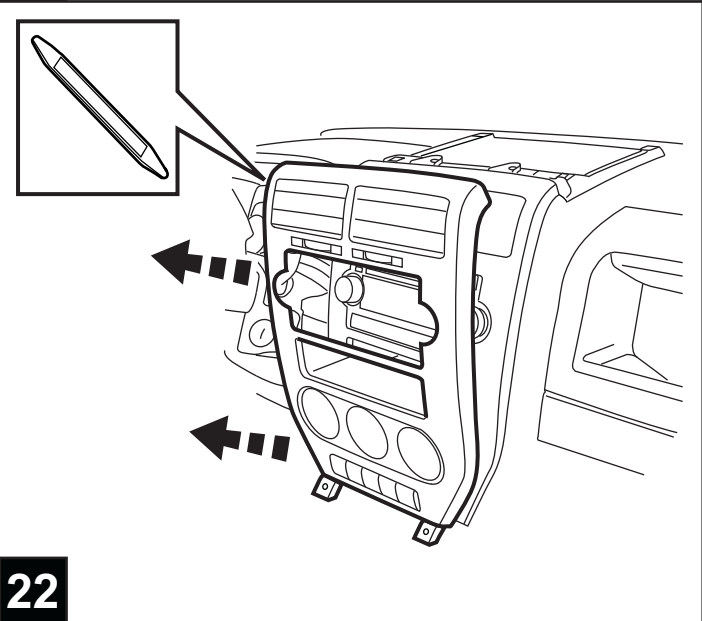
19



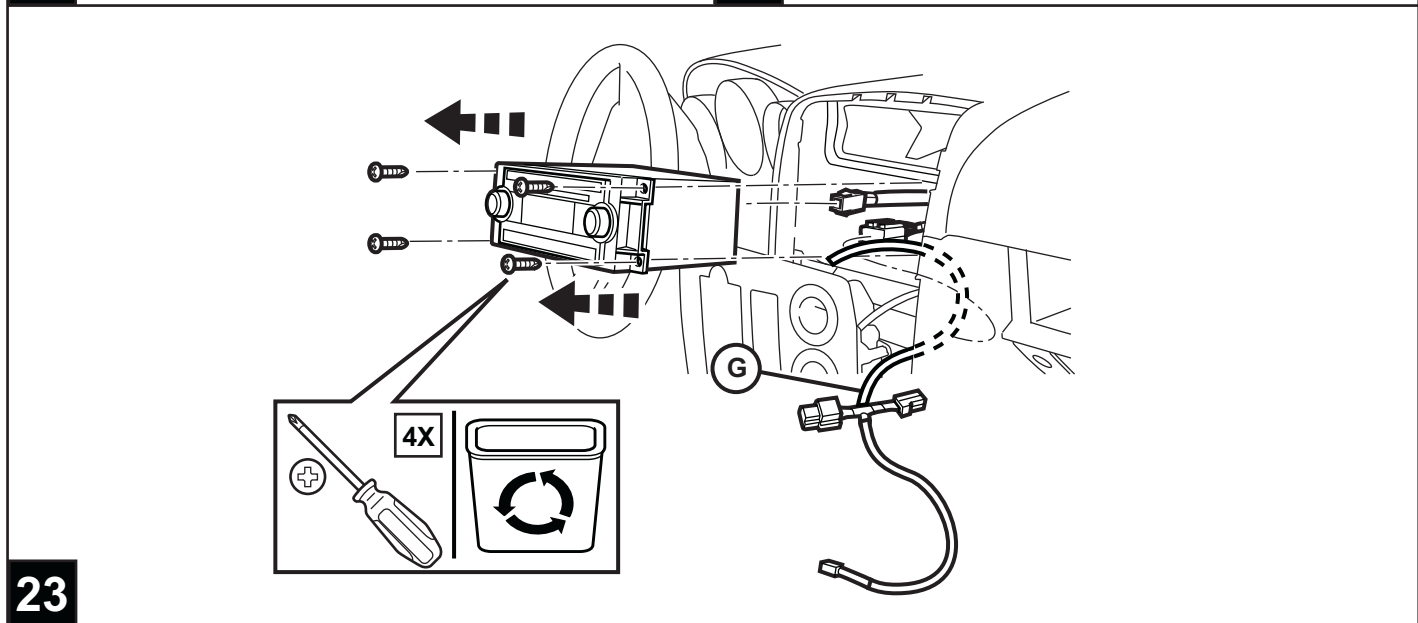
20



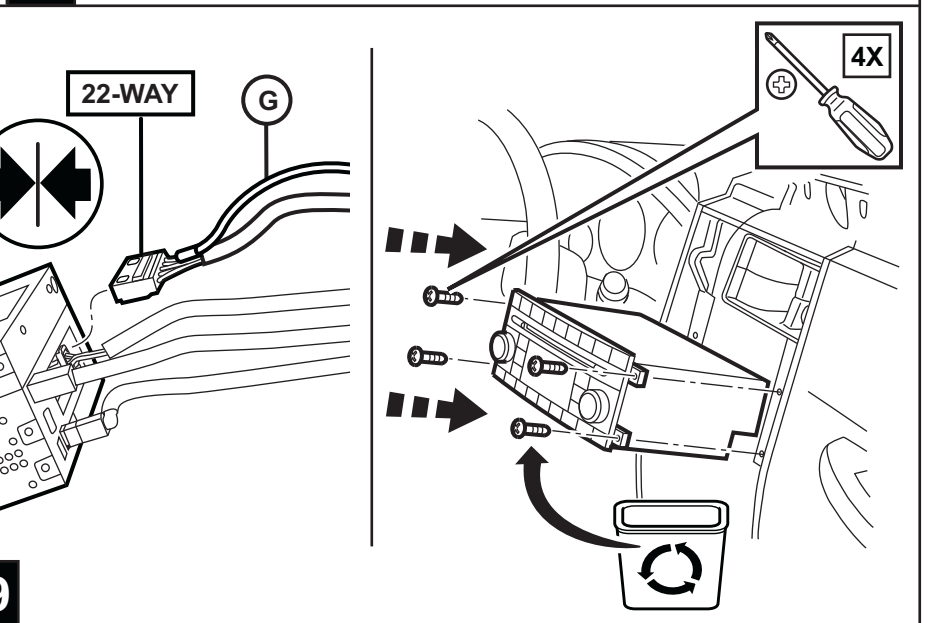
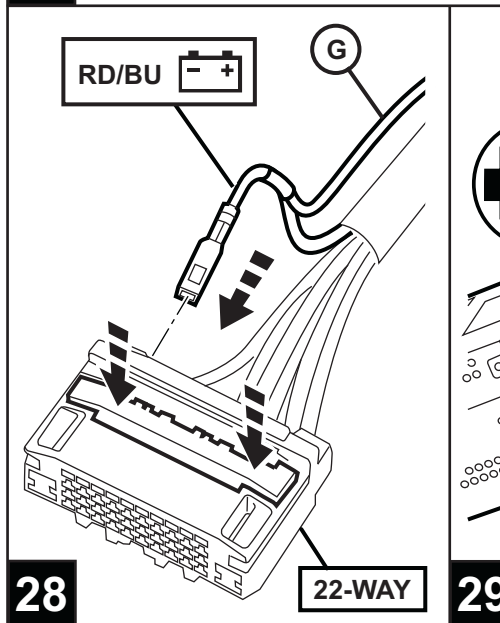
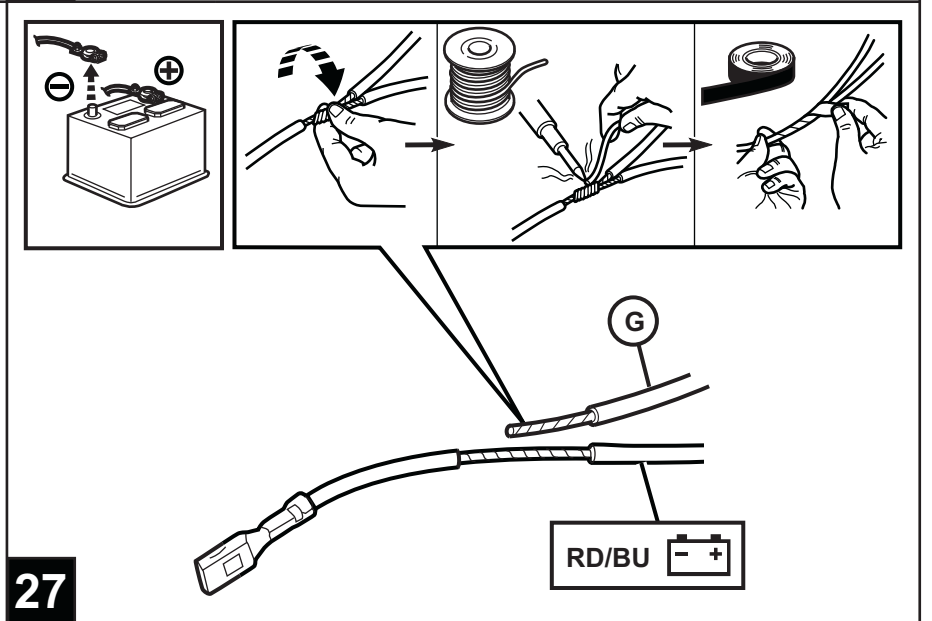
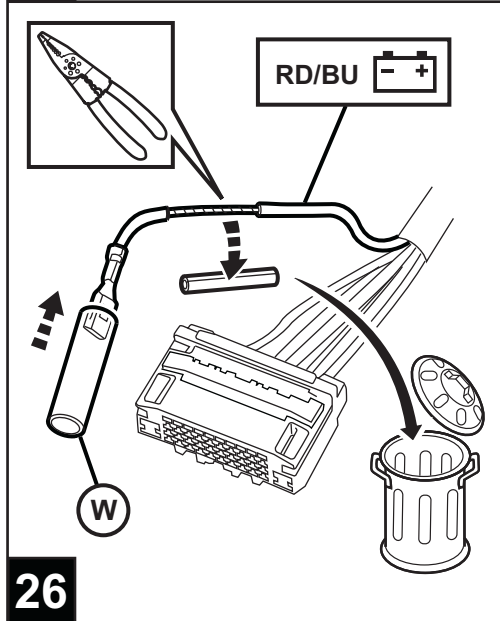
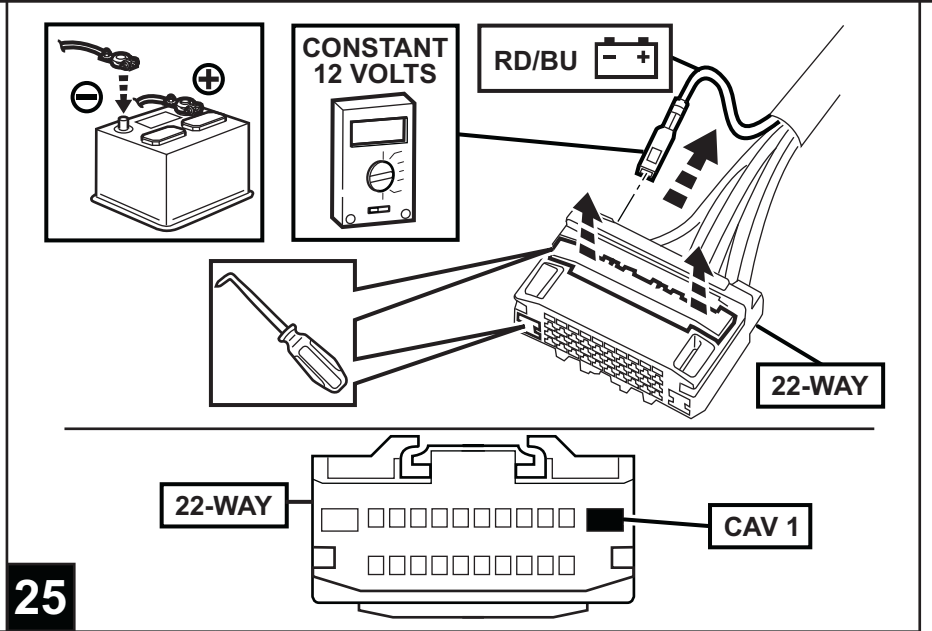
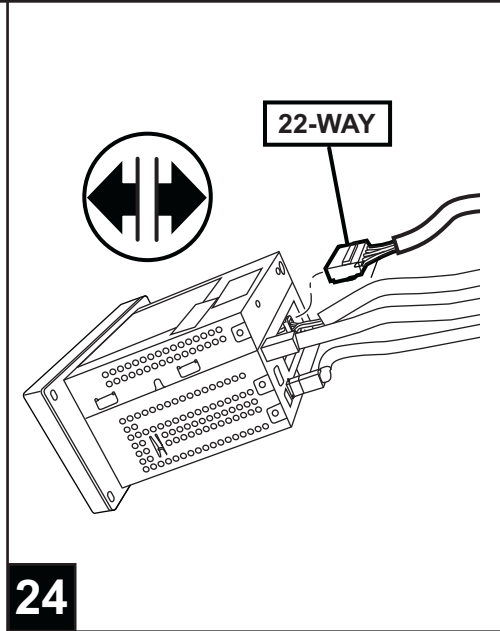
21

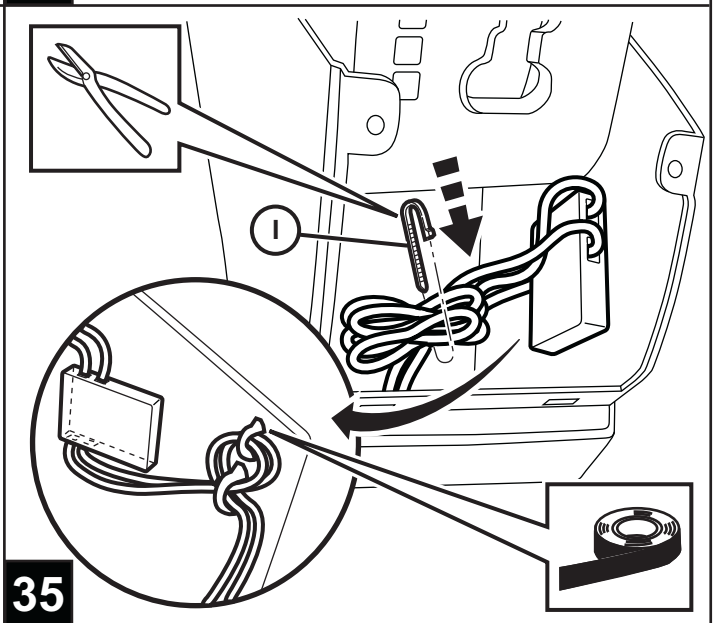
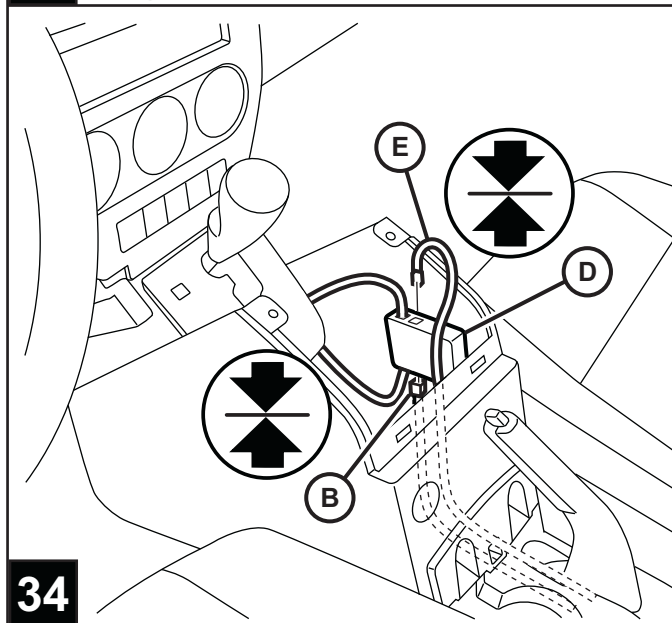
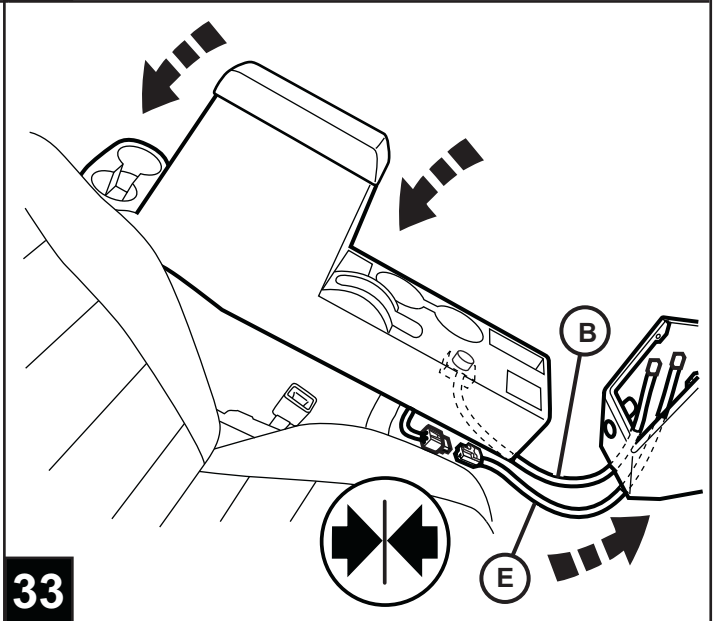
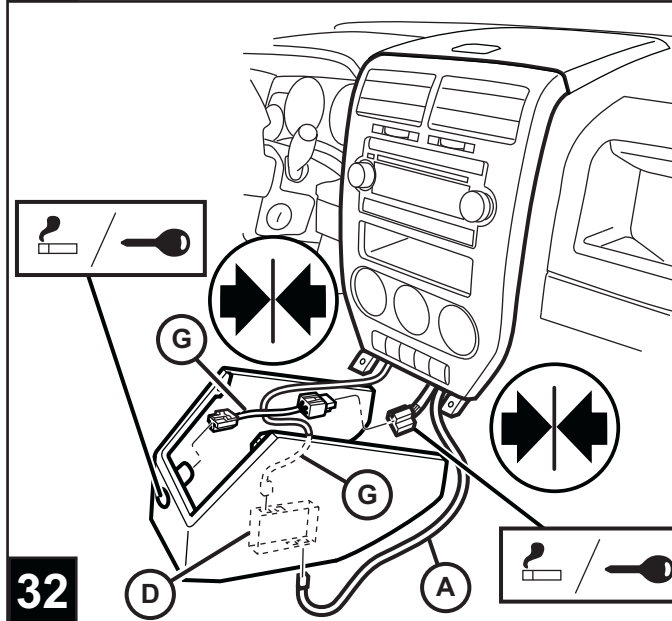
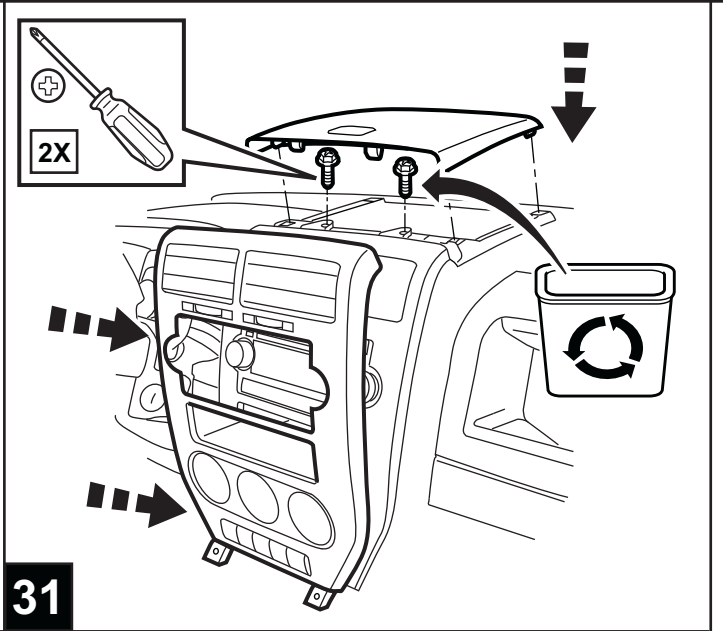
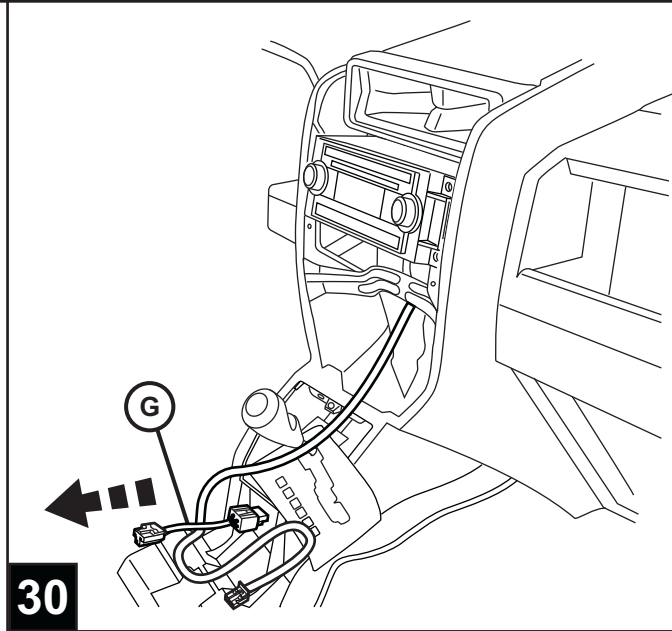


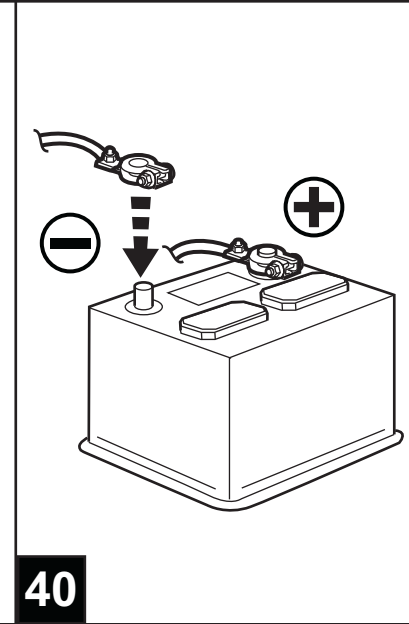
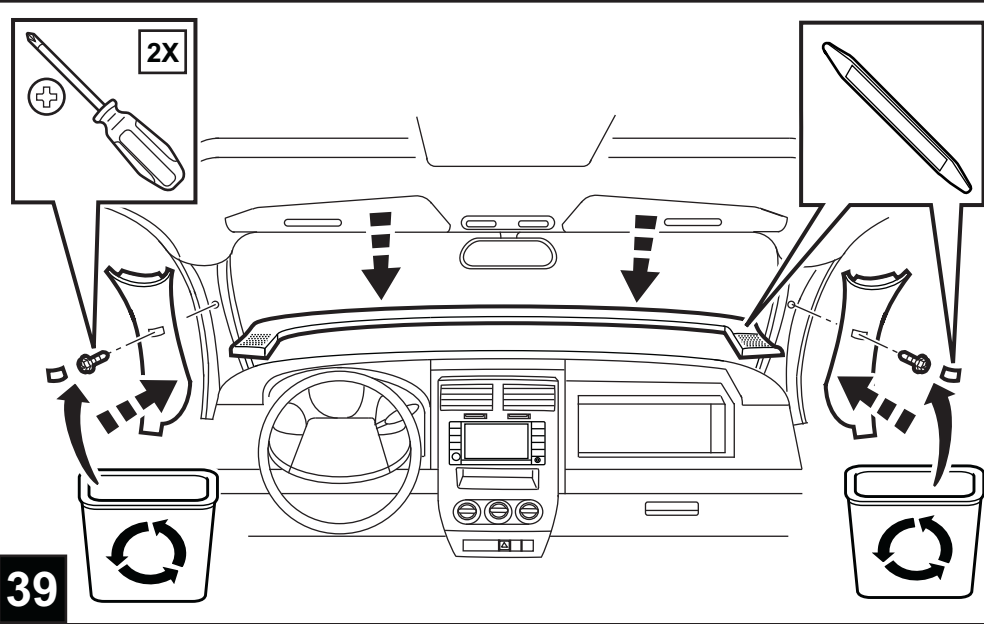
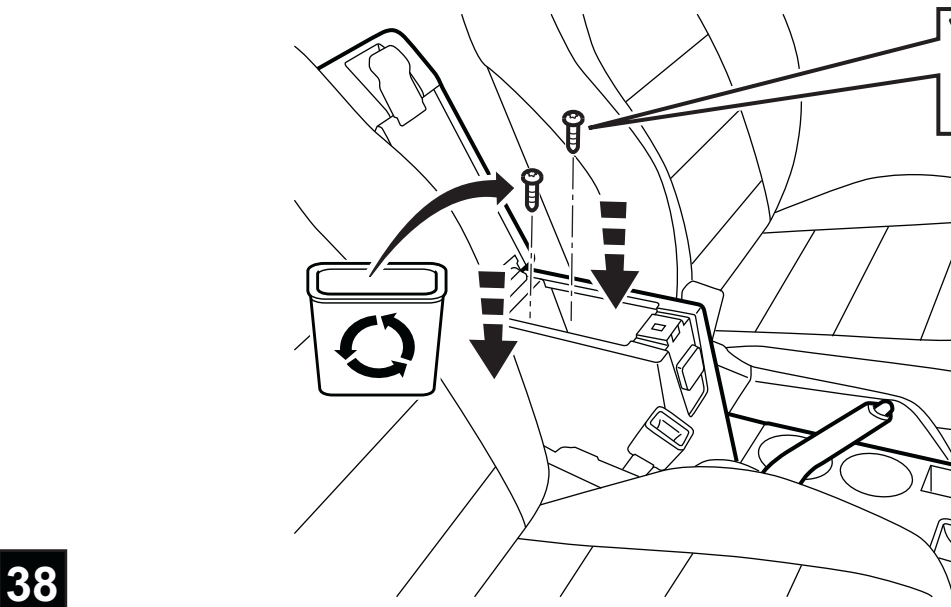
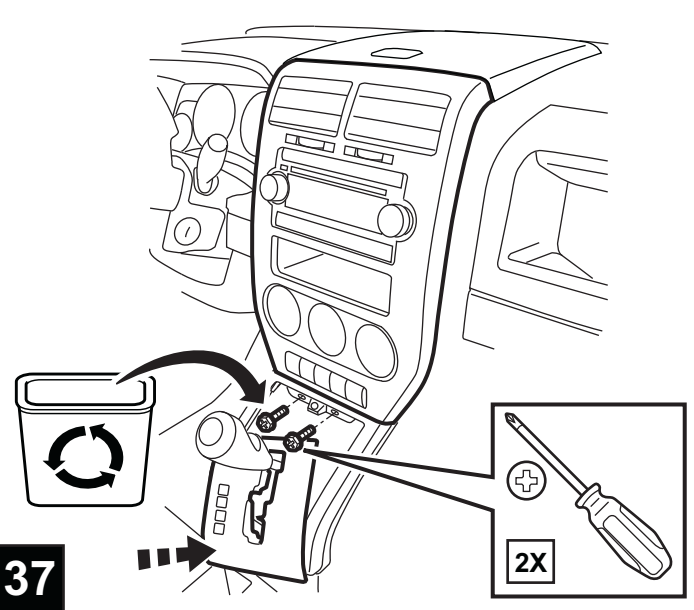
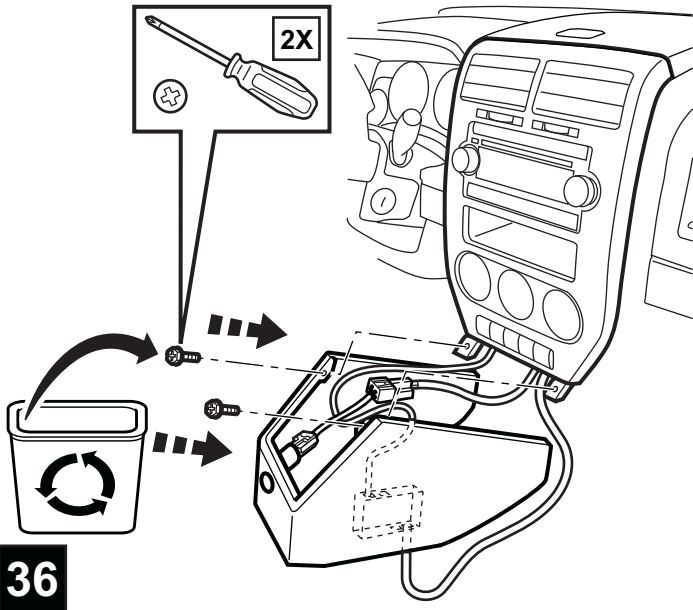
22



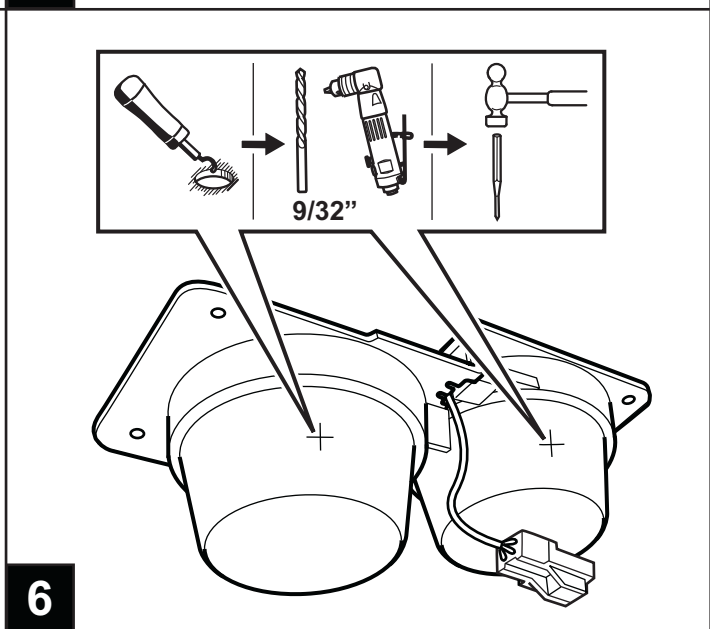
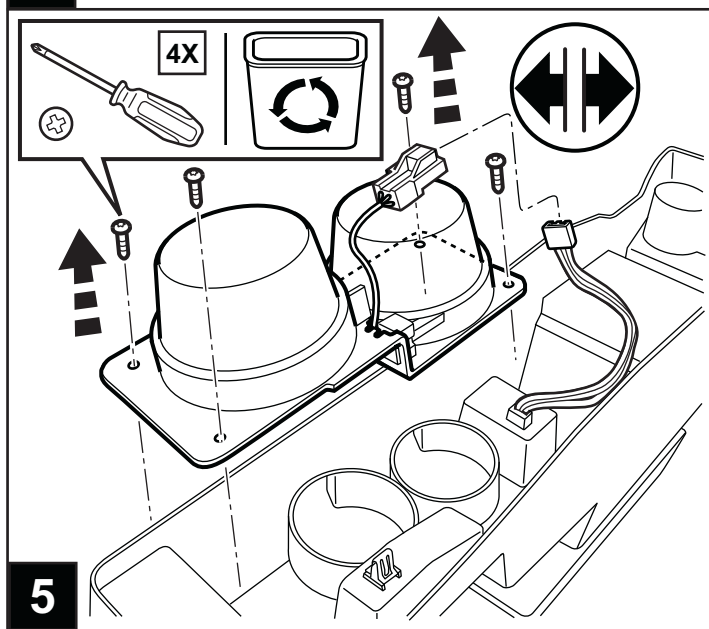
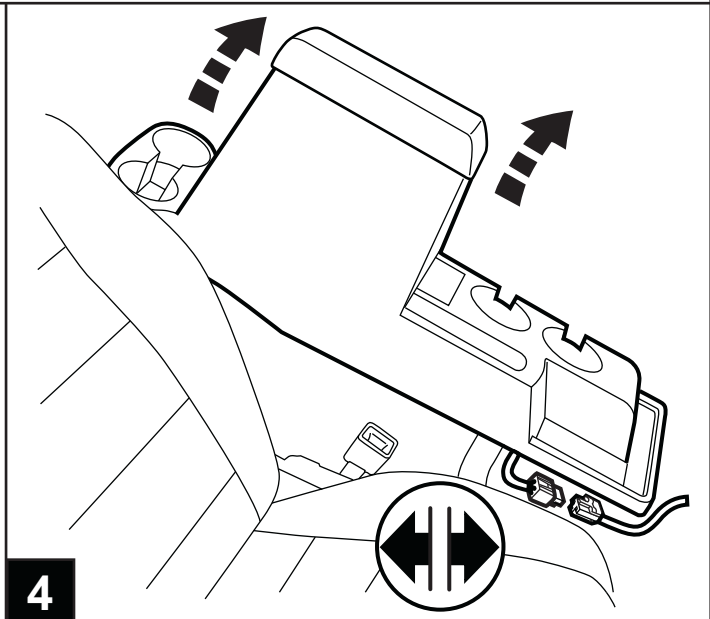
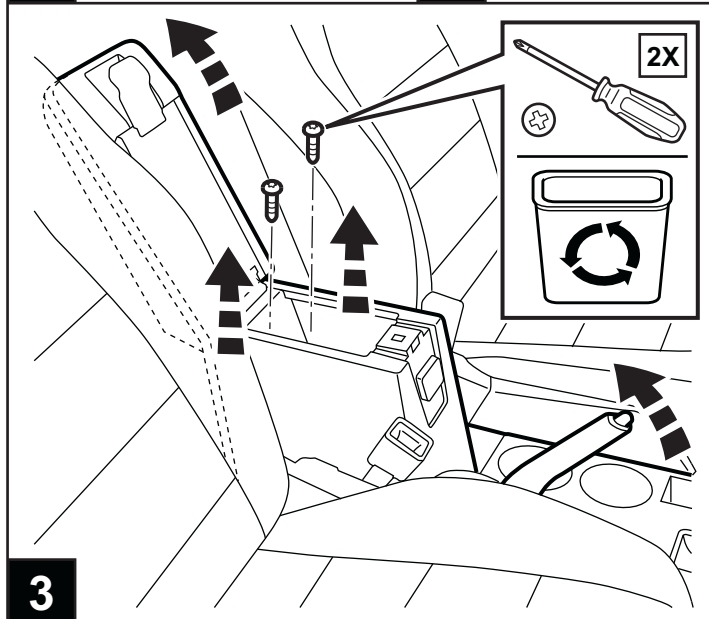
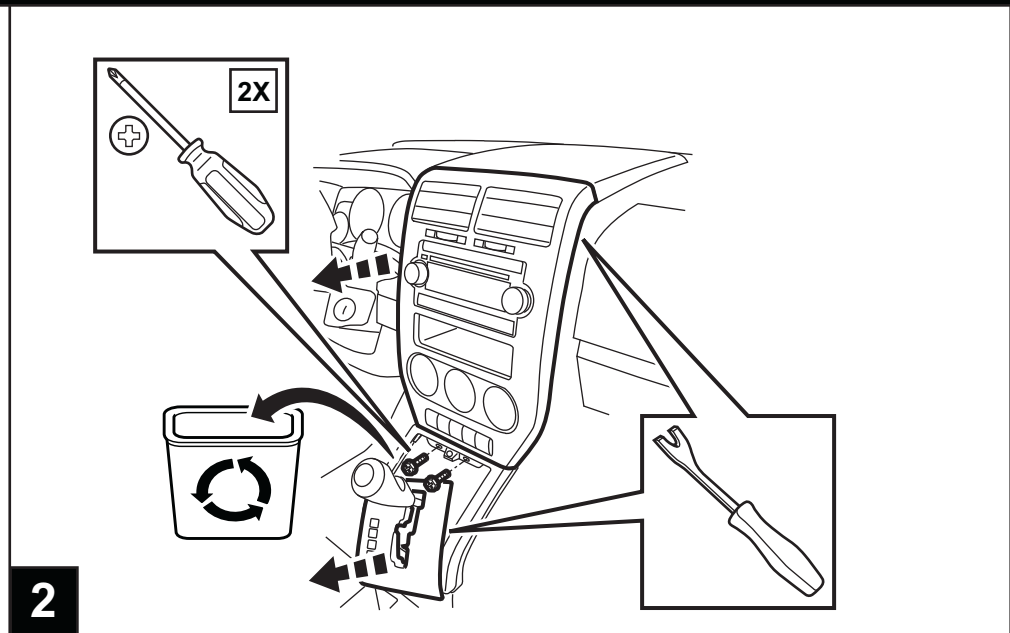
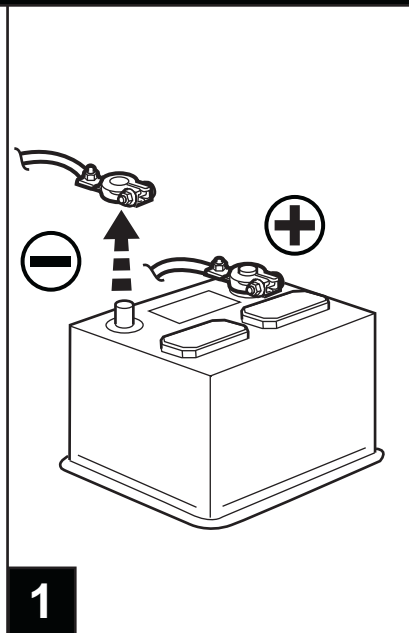
23

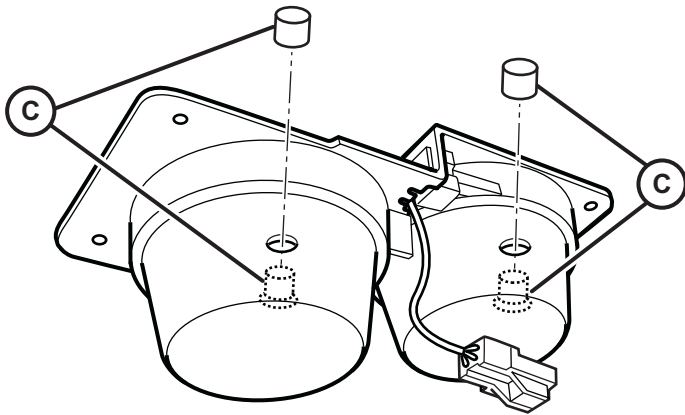




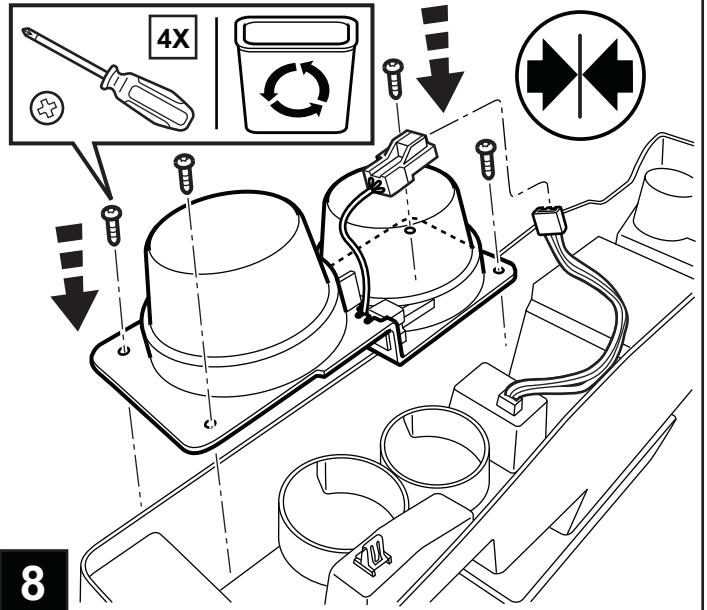


DODGE CALIBER

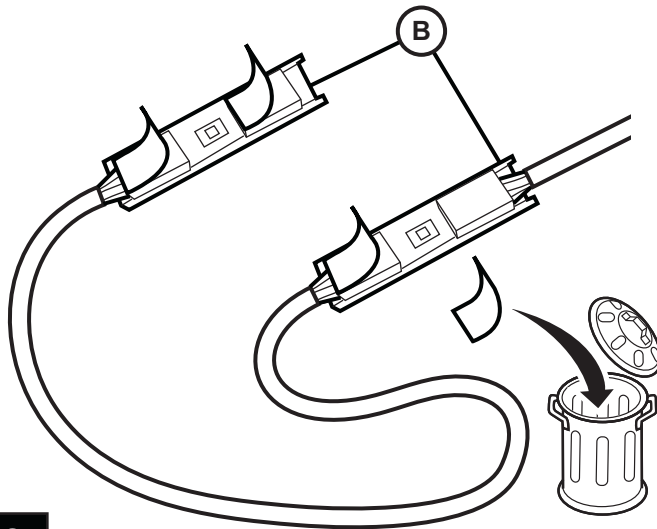




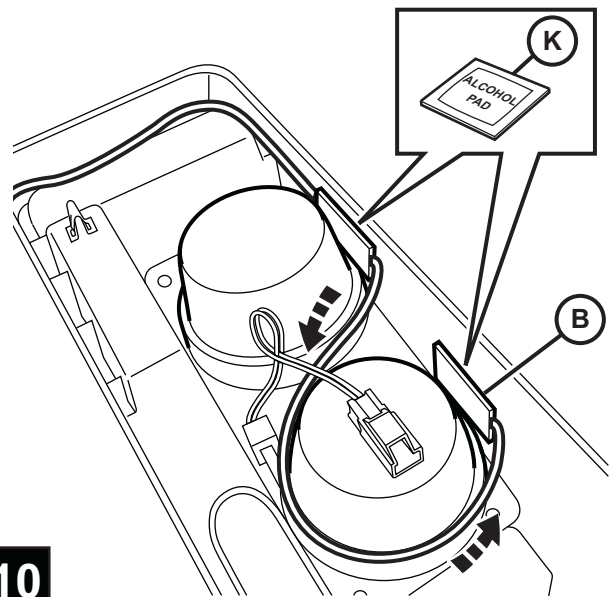
7



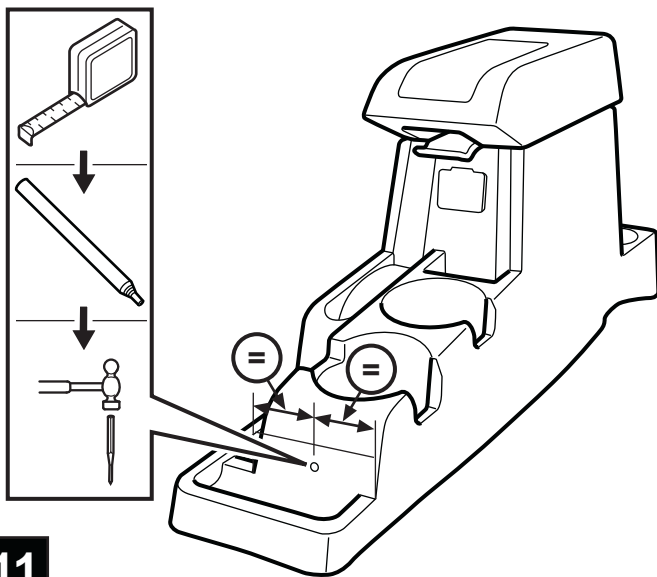
8



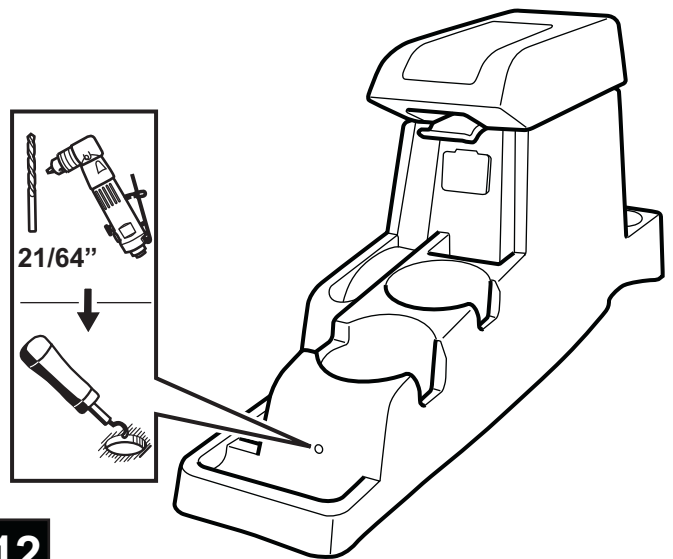
9



10

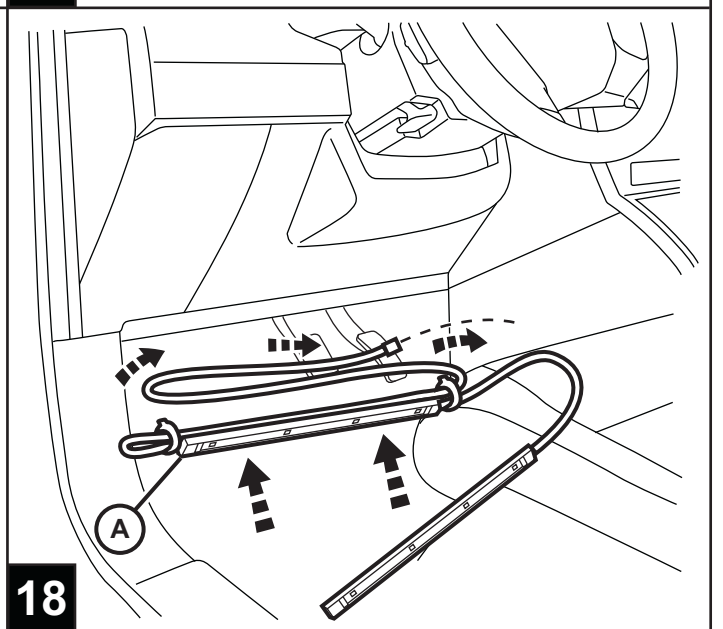
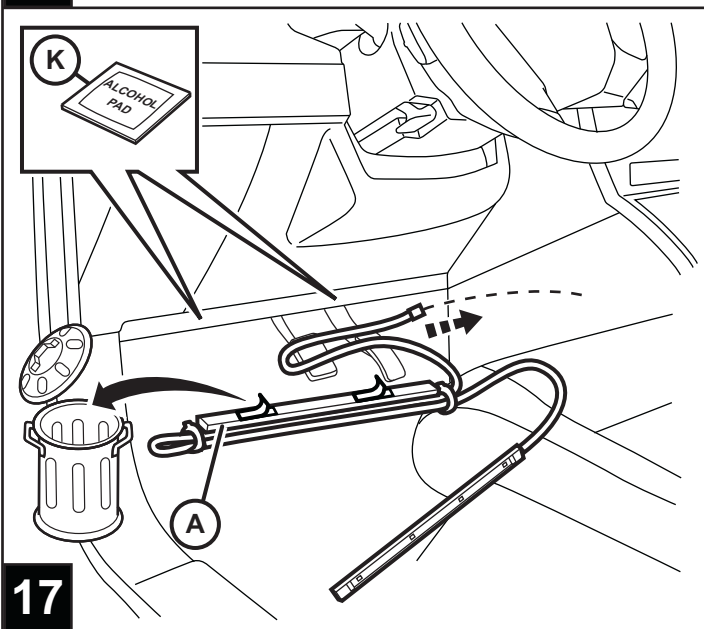
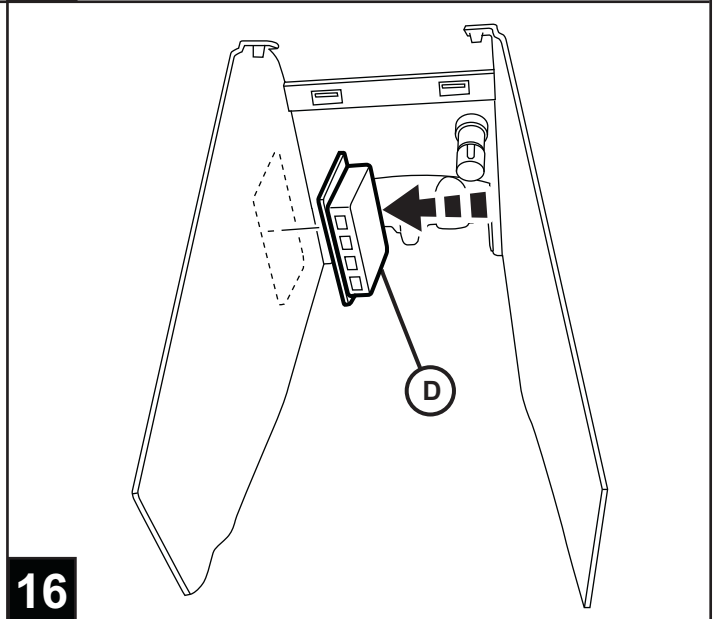
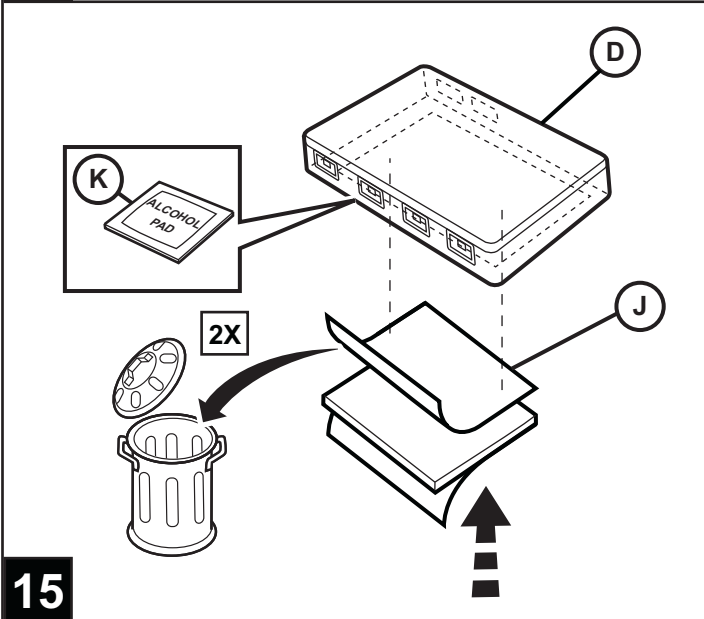
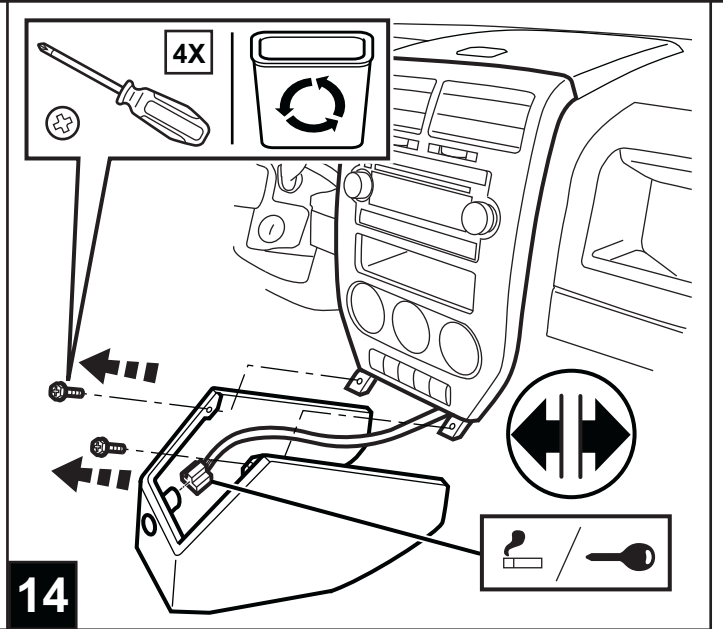
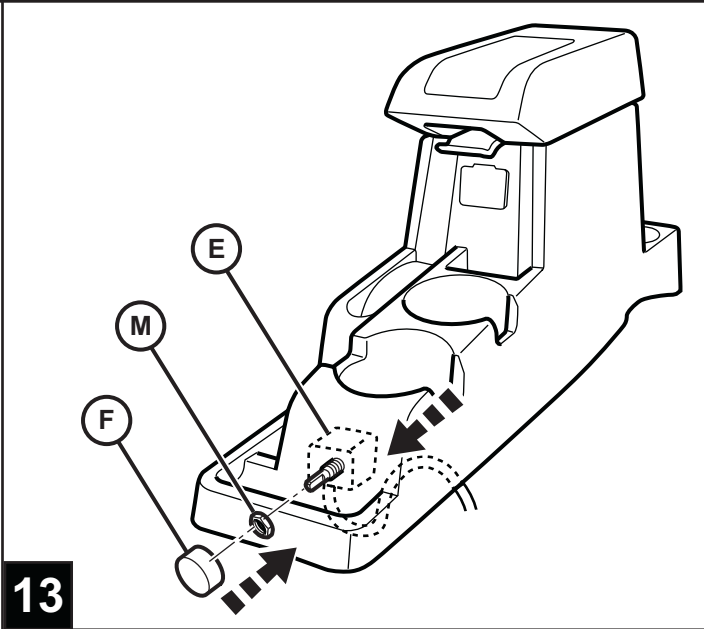


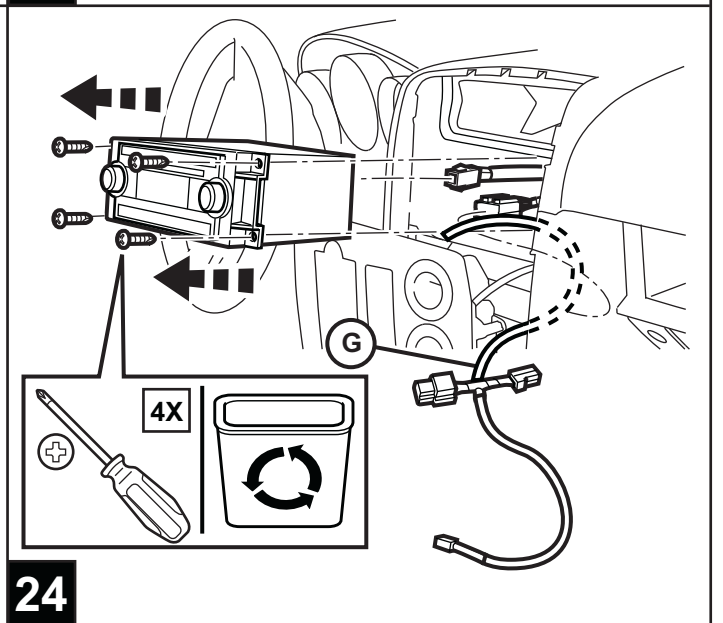
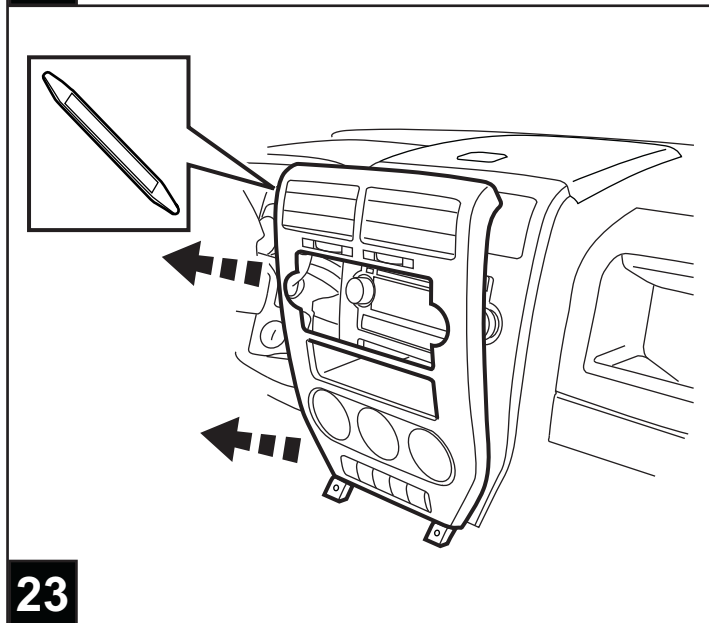
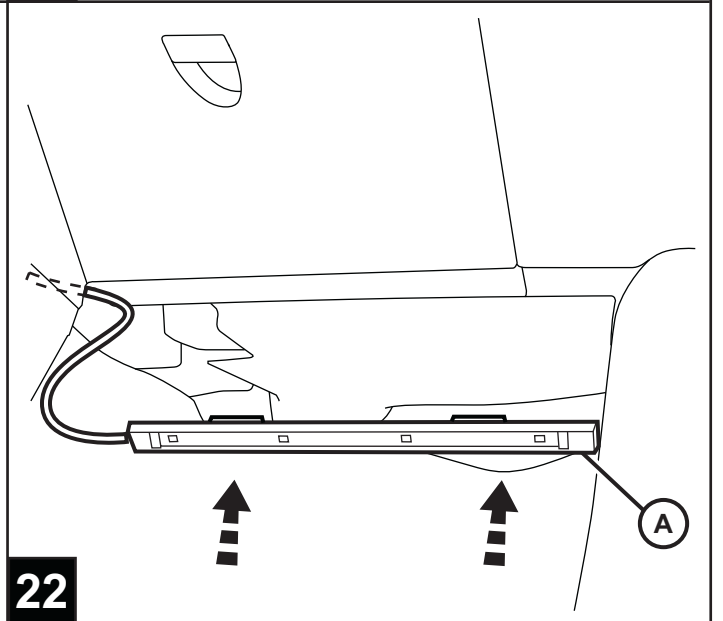
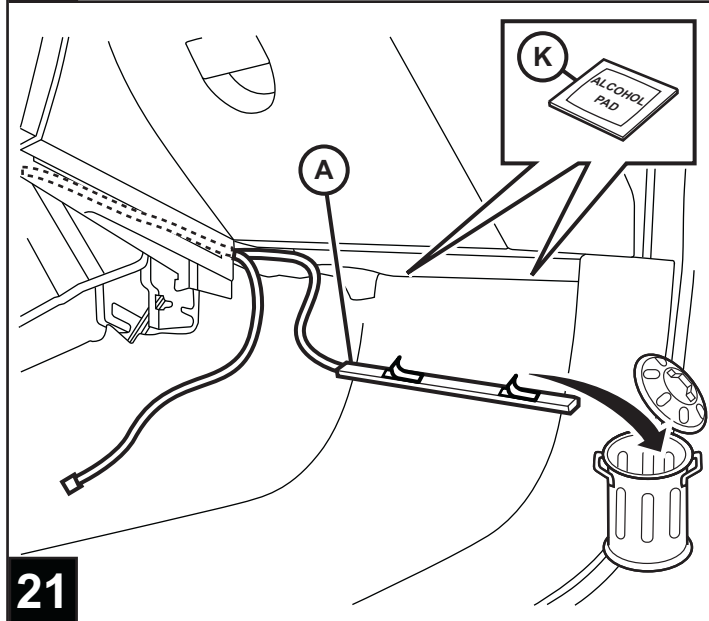
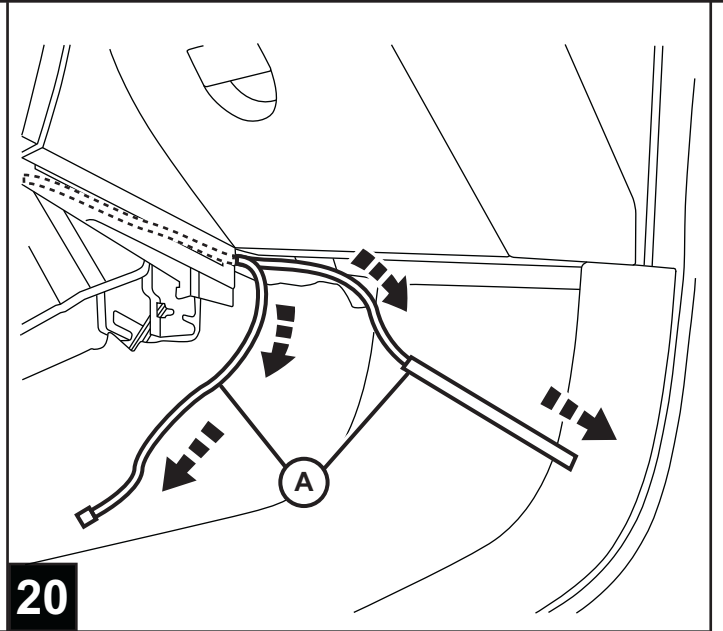
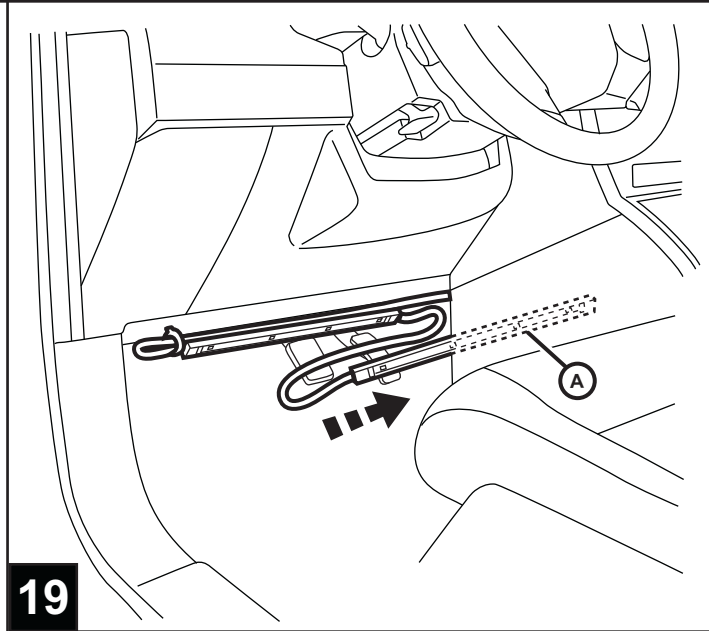
11



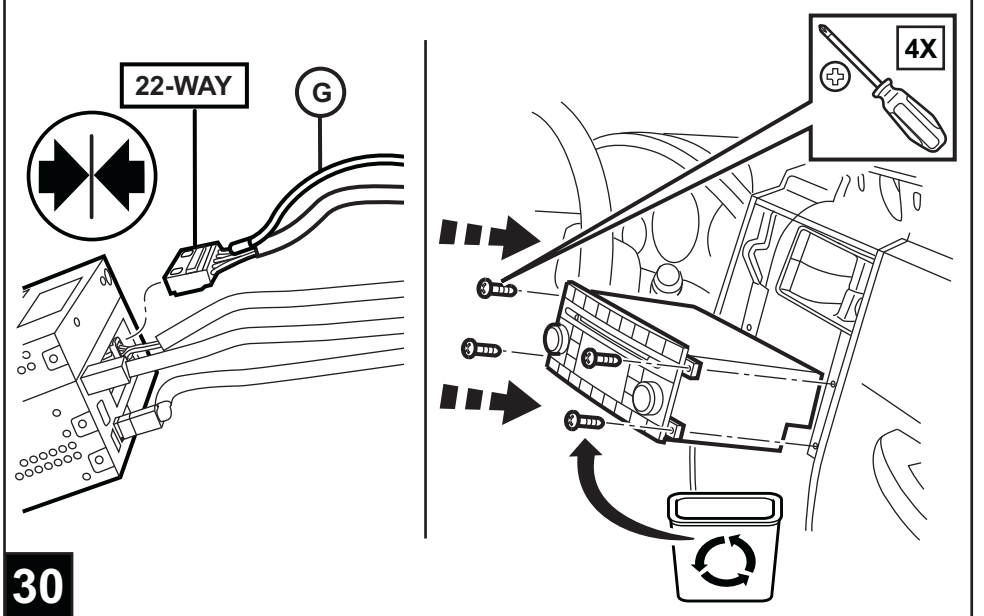
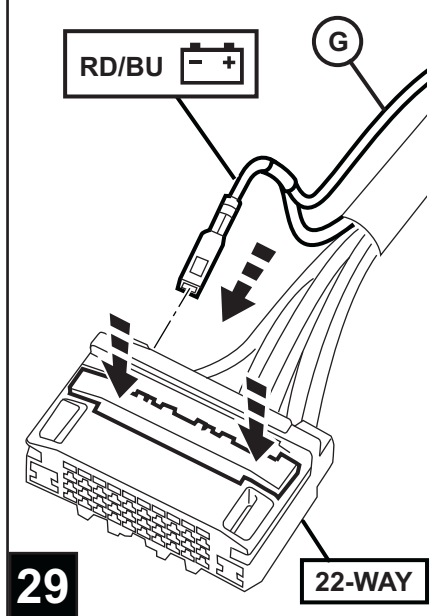
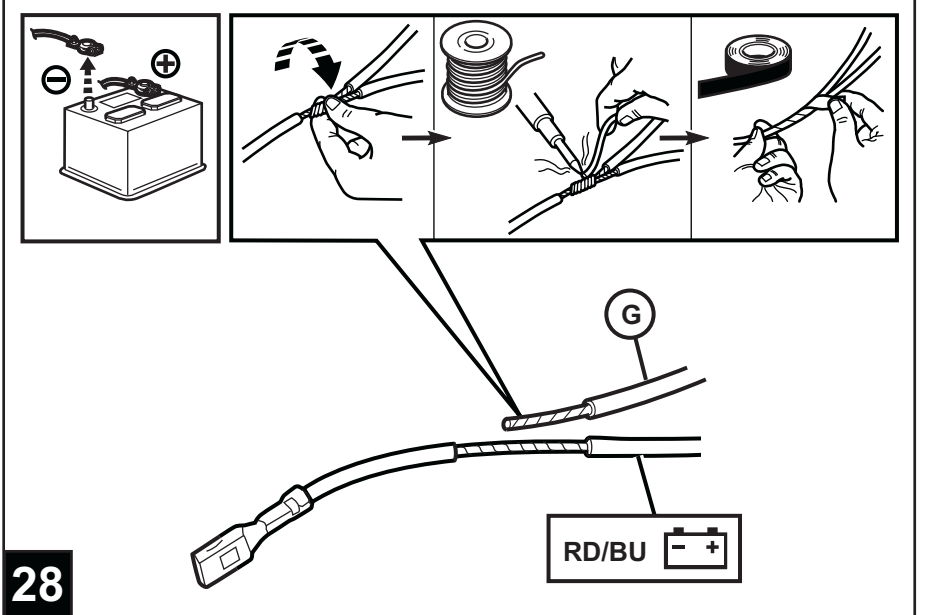
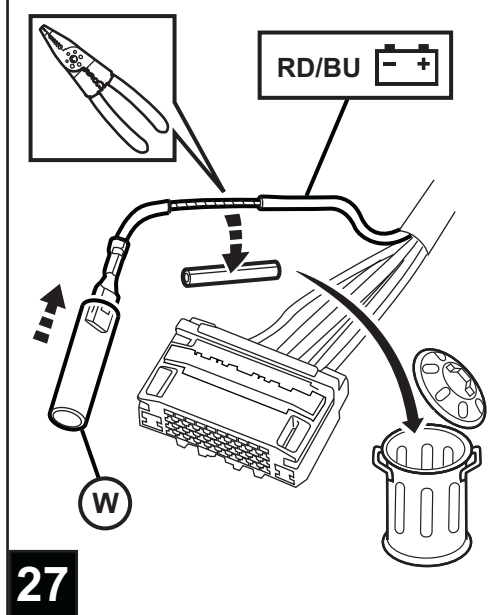
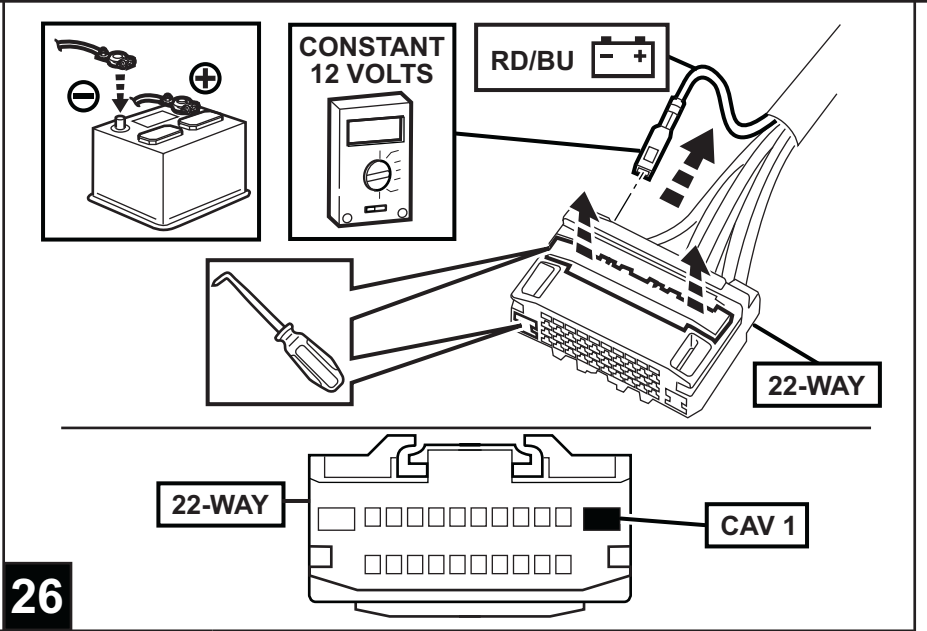
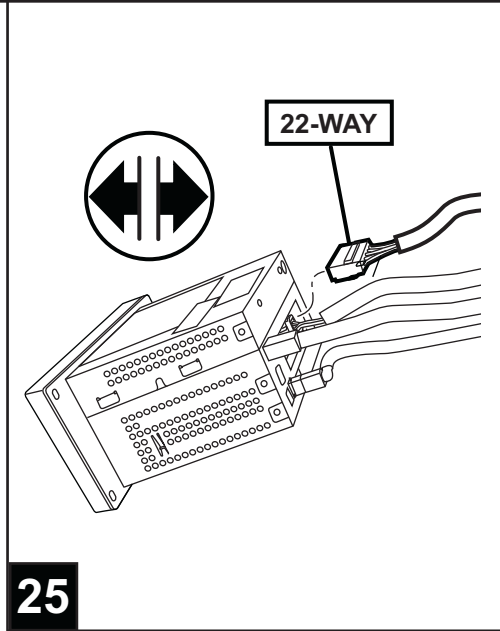
12

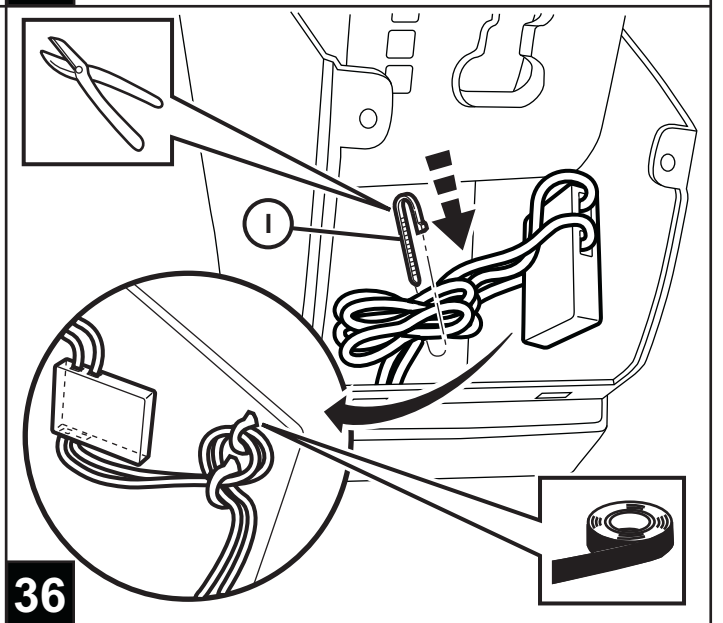
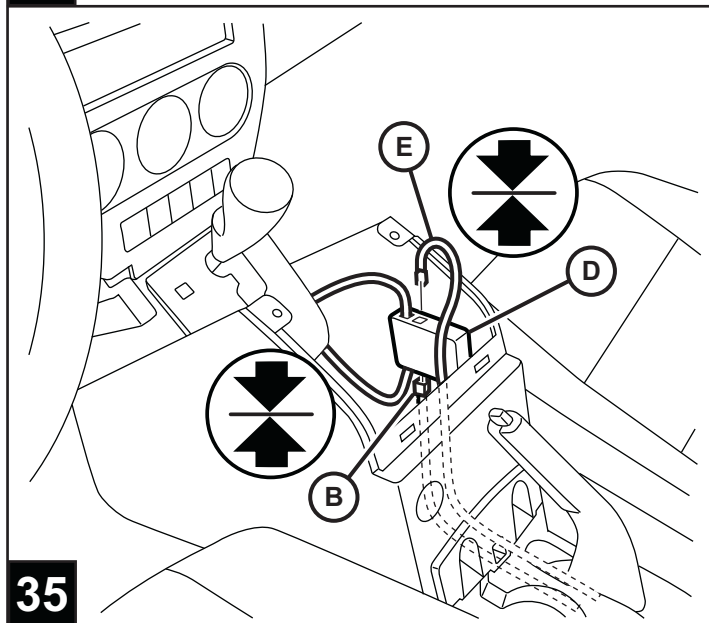
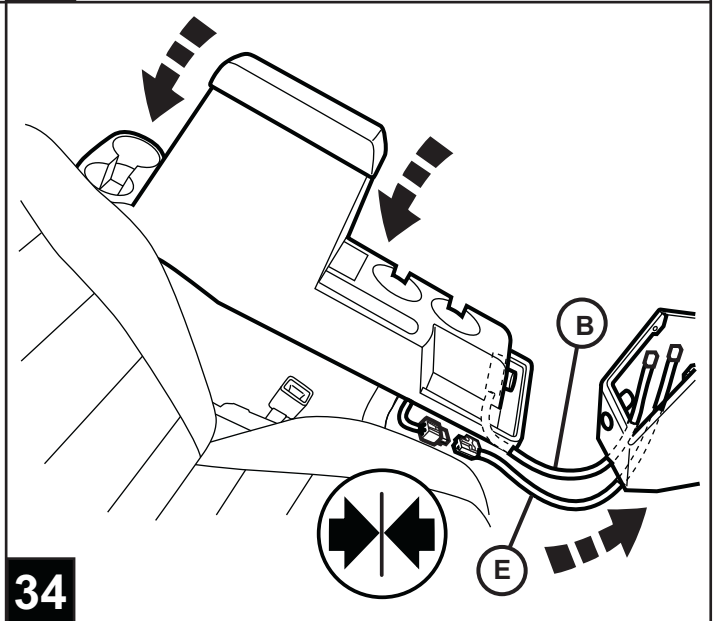
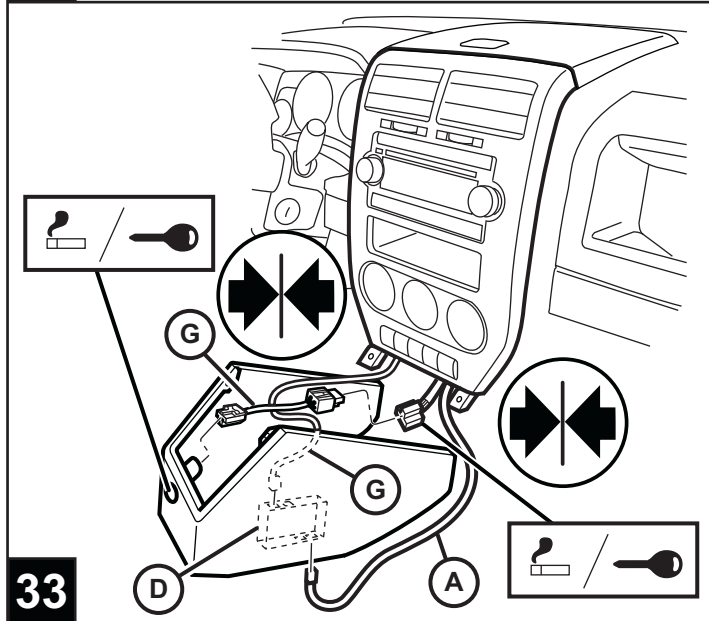
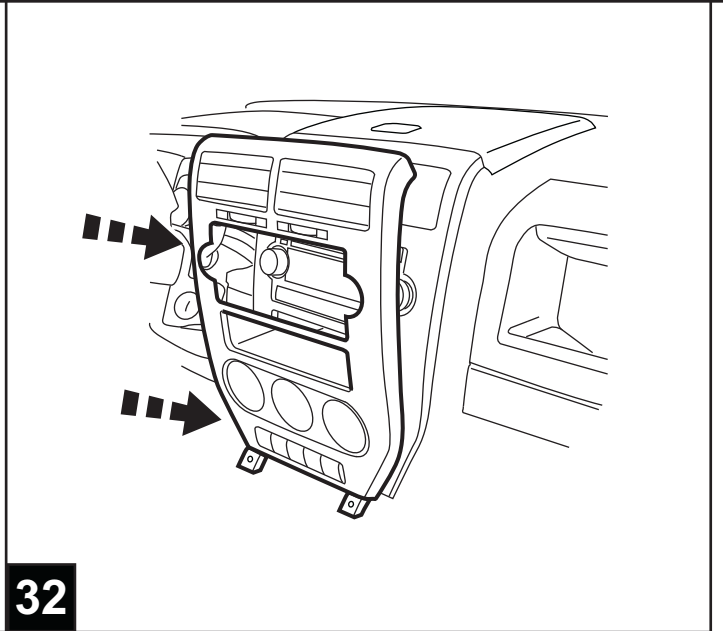
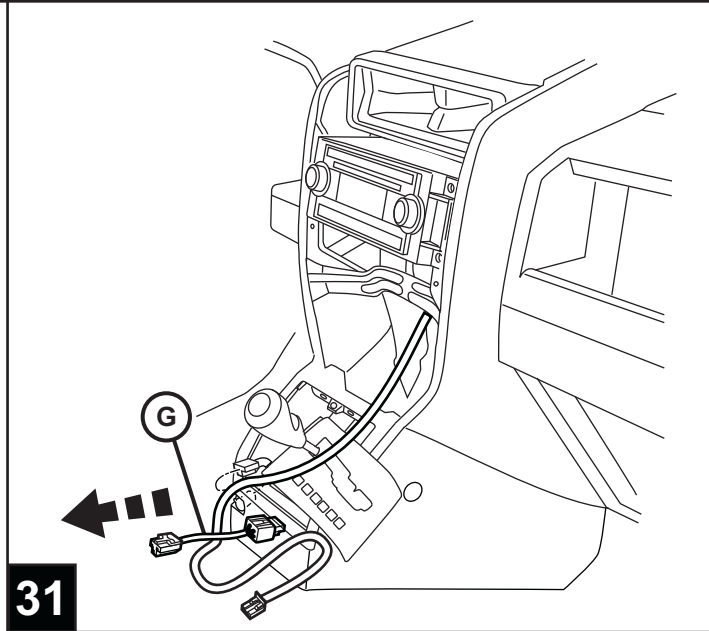
DODGE CALIBER



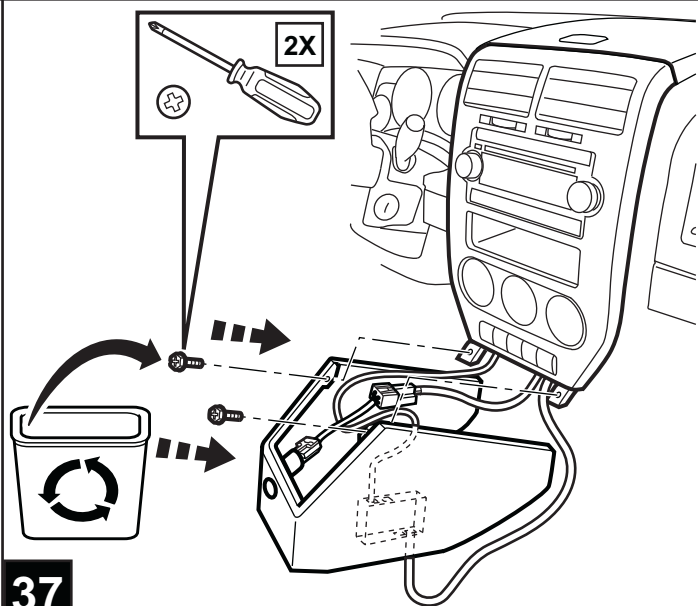


DODGE CALIBER

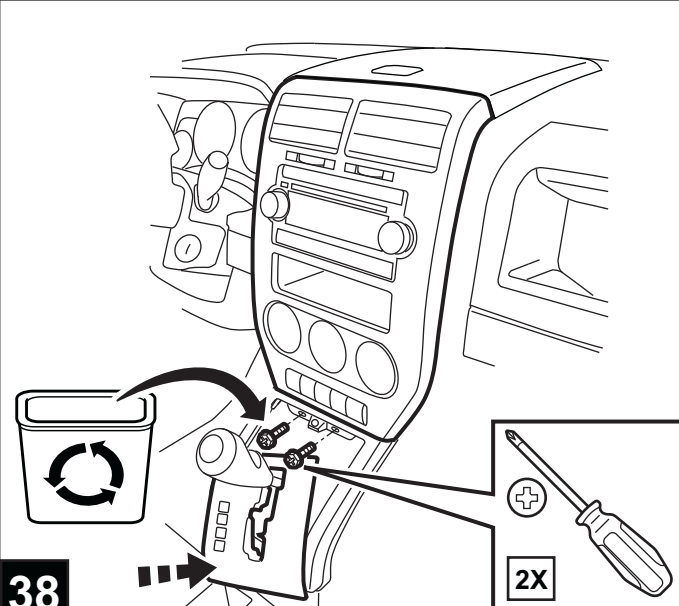




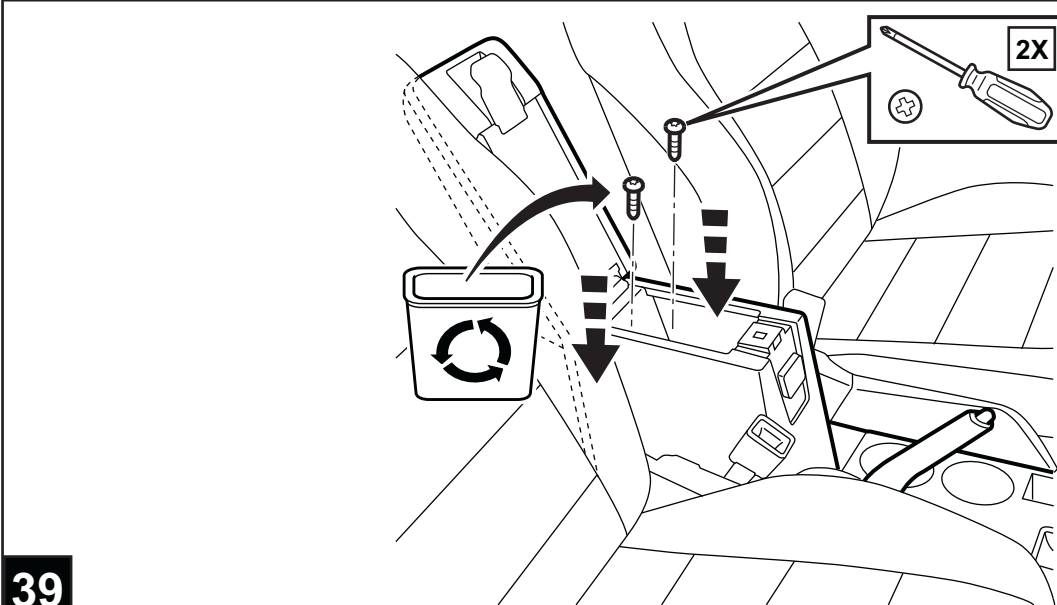
DODGE CALIBER



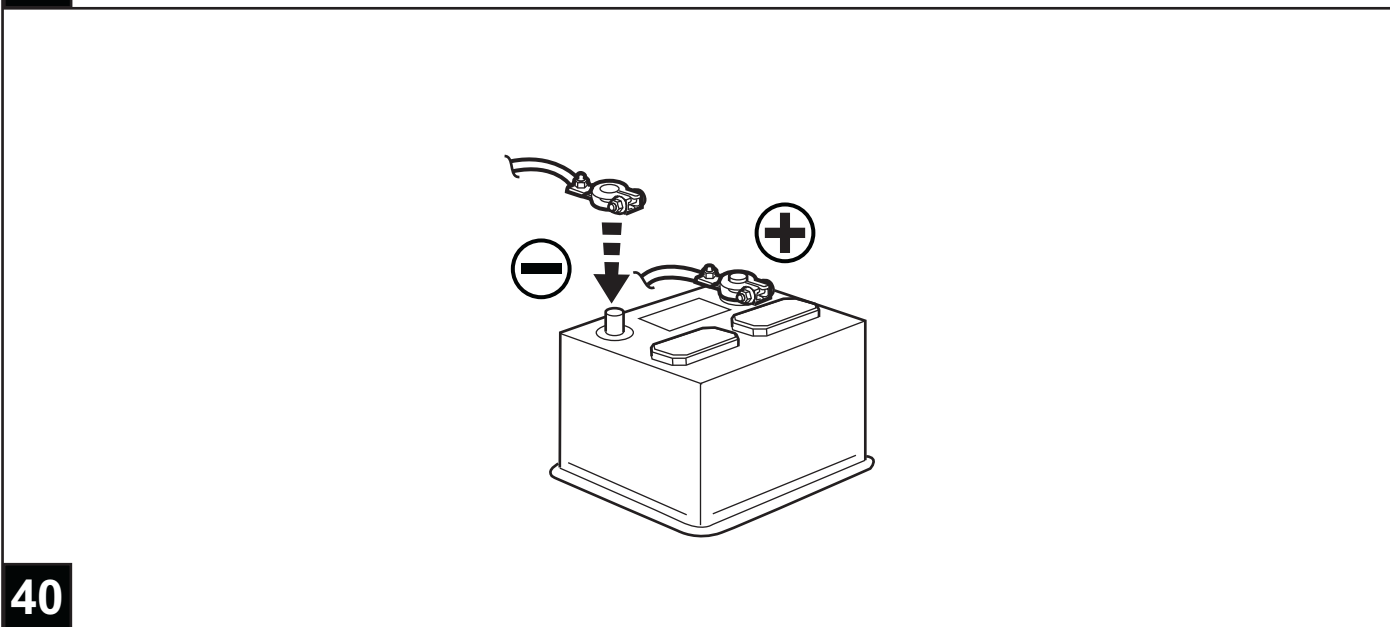
37



38

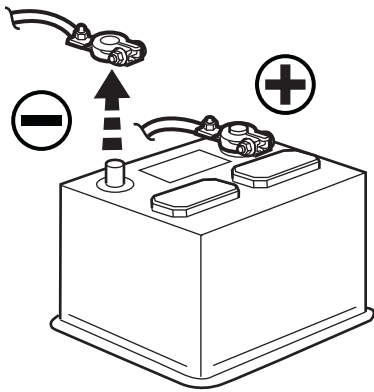


39

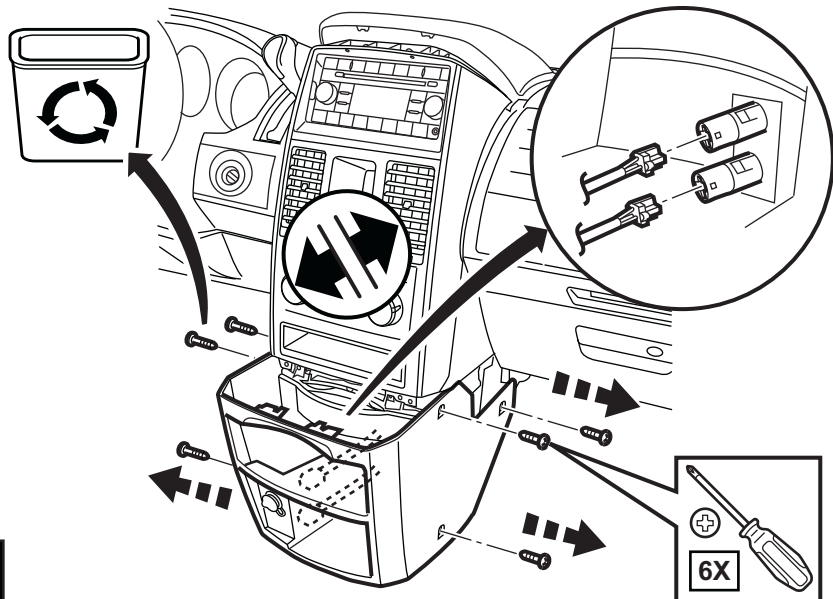


40

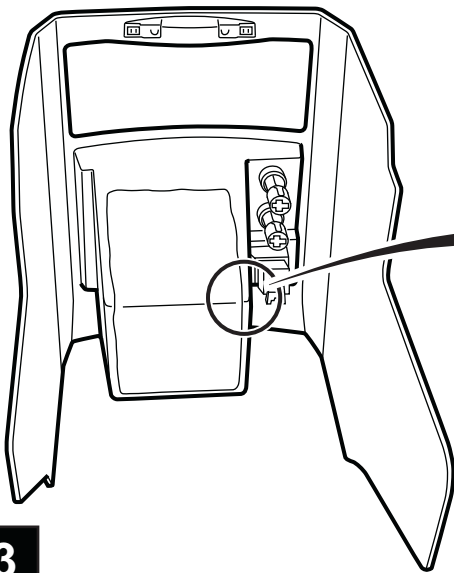
CHRYSLER TOWN & COUNTRY / DODGE CARAVAN



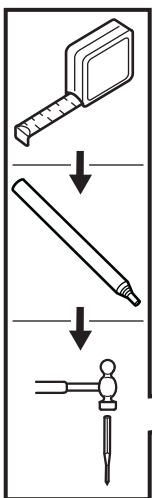
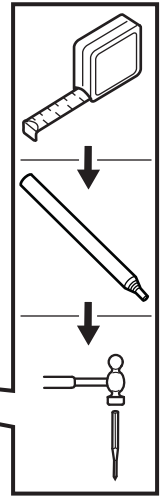
1



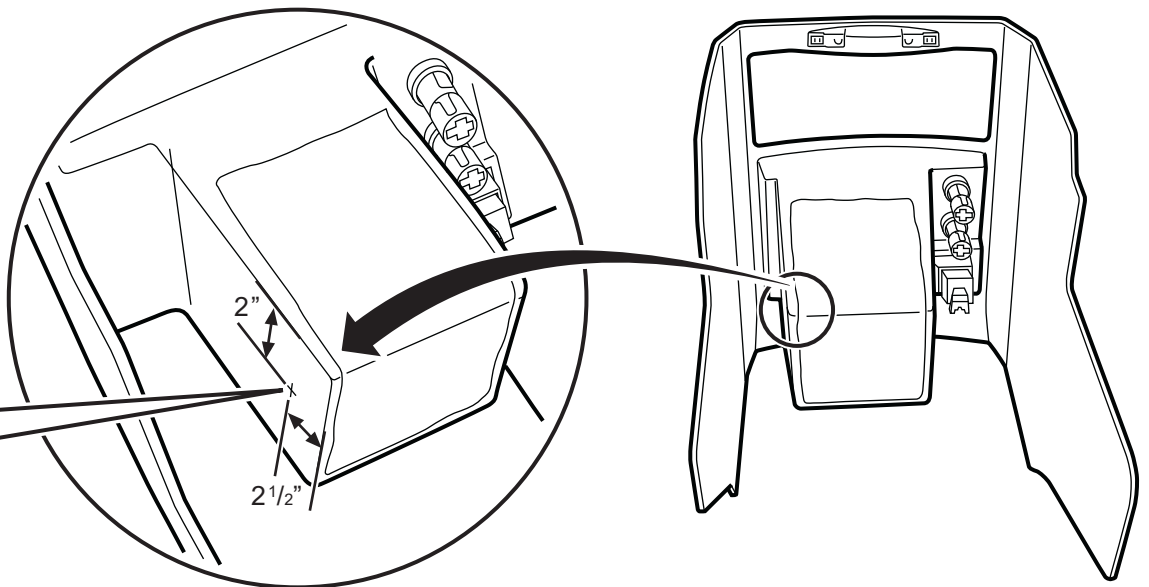
2



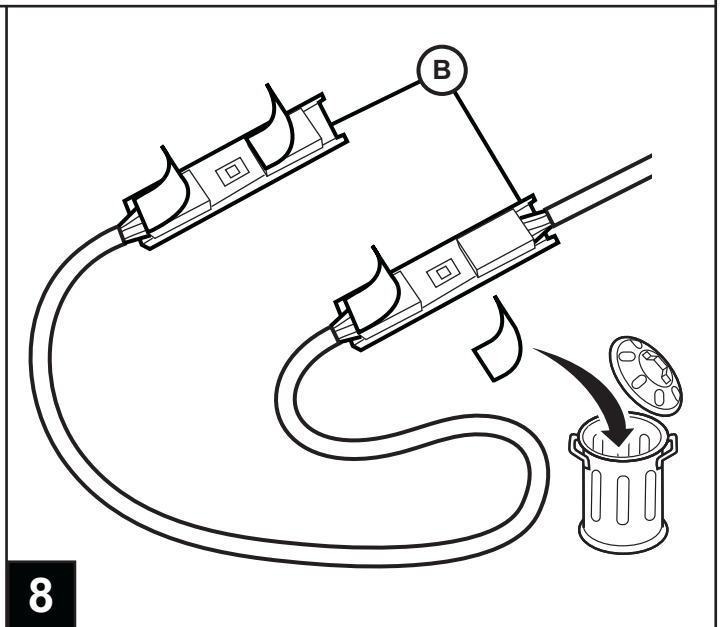
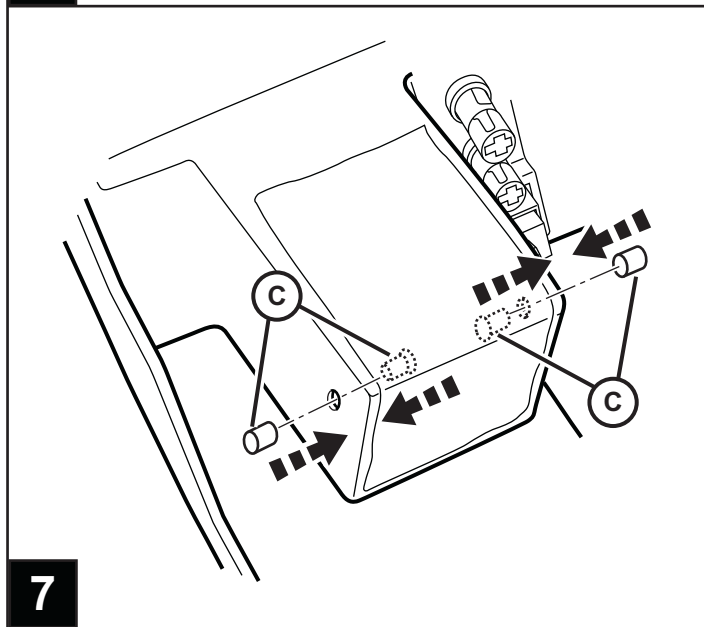
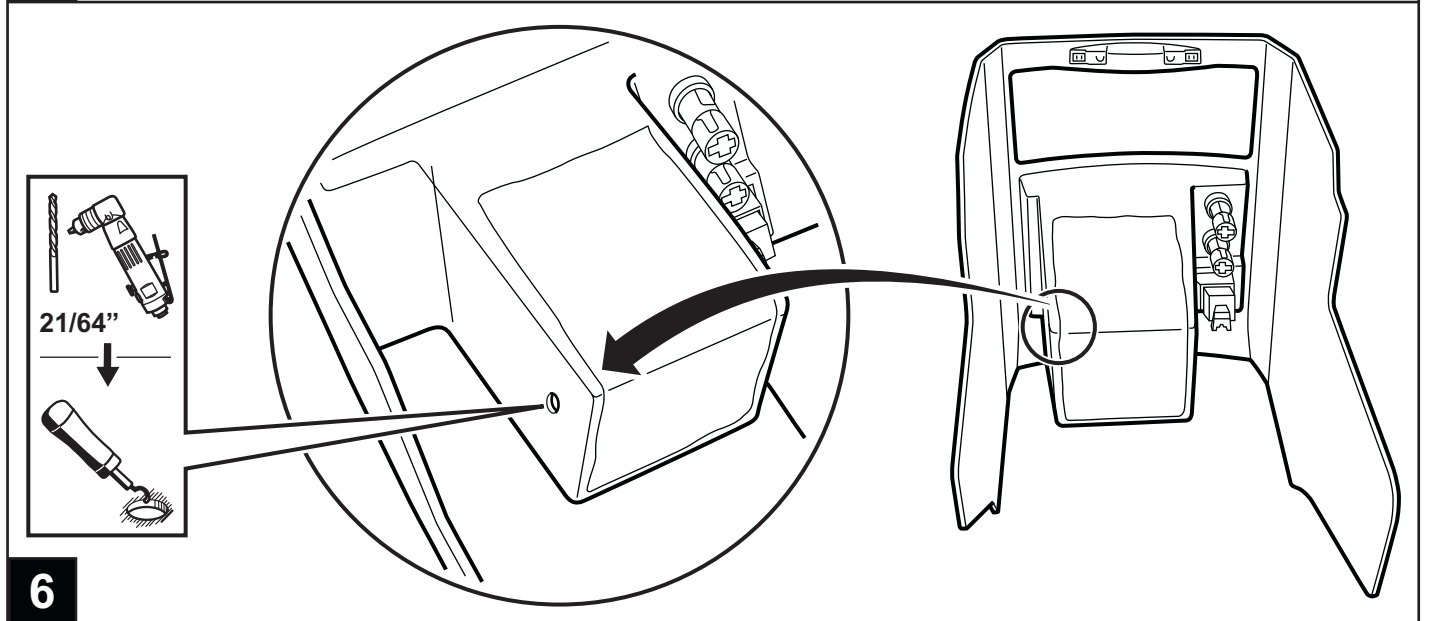
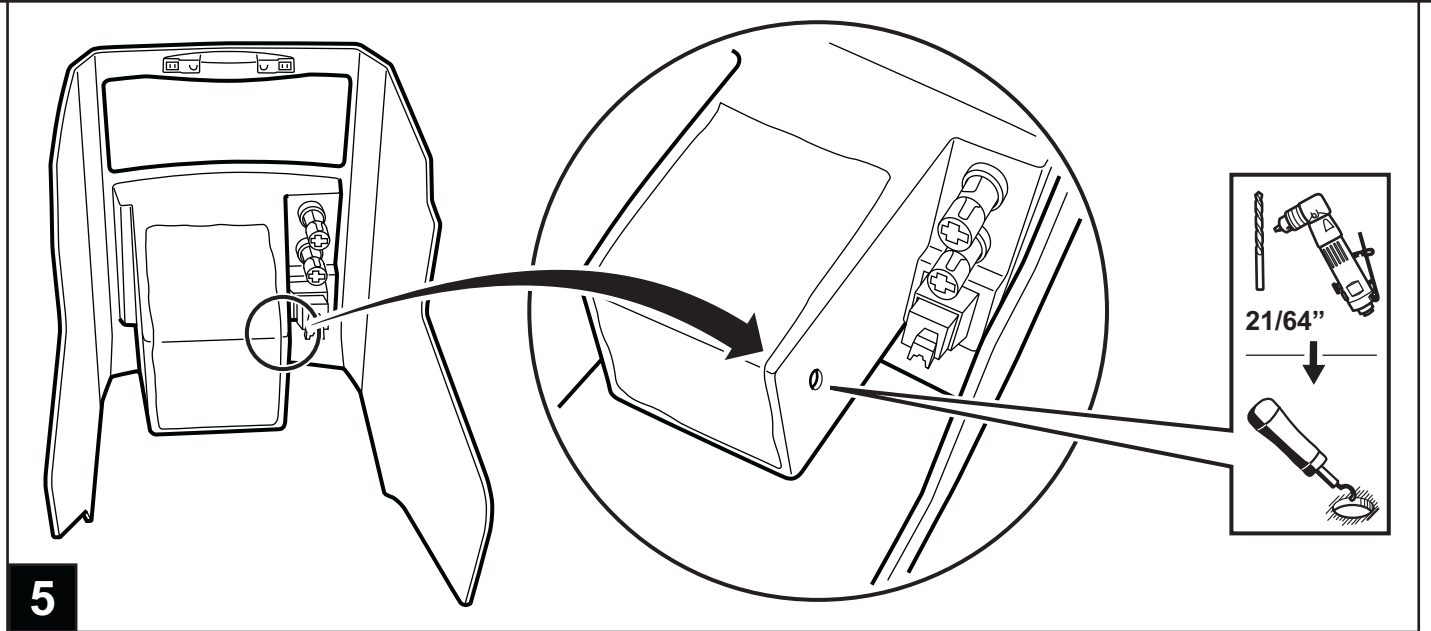
3



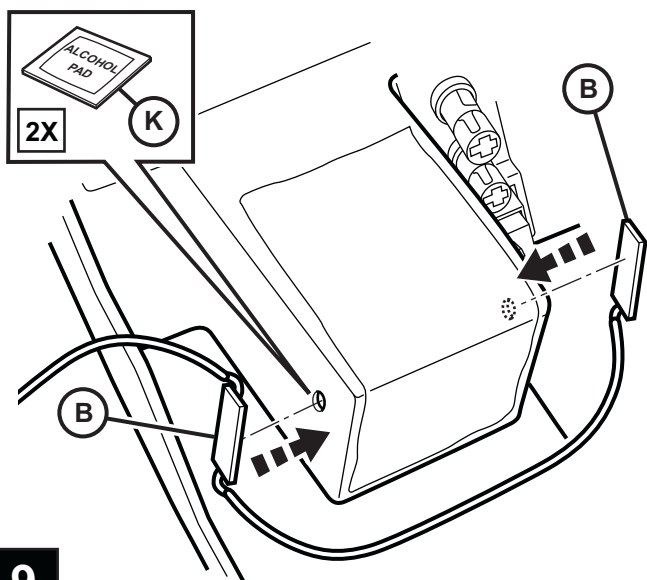
4



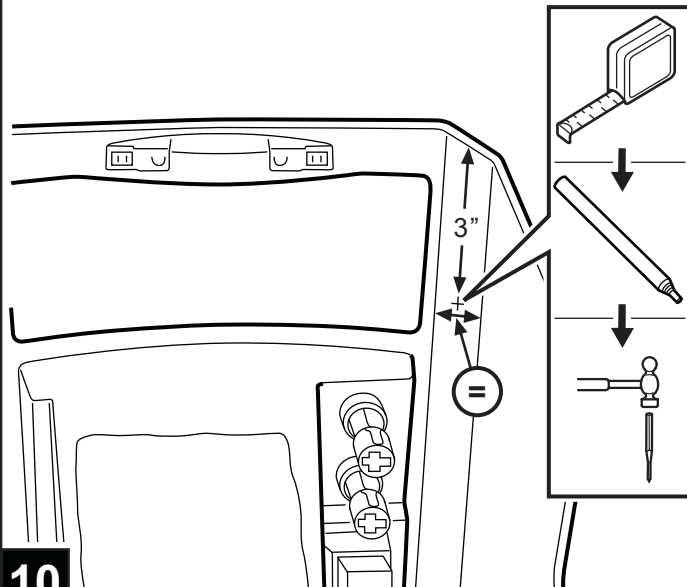
CHRYSLER TOWN & COUNTRY / DODGE CARAVAN



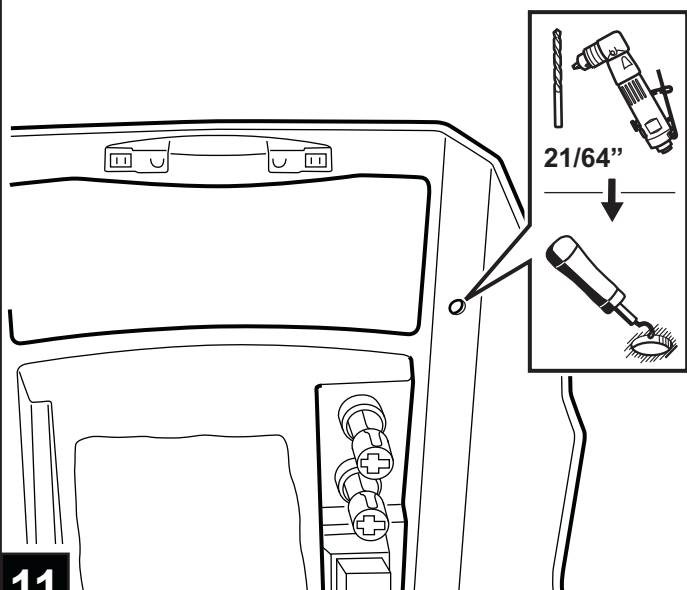
CHRYSLER TOWN & COUNTRY / DODGE CARAVAN



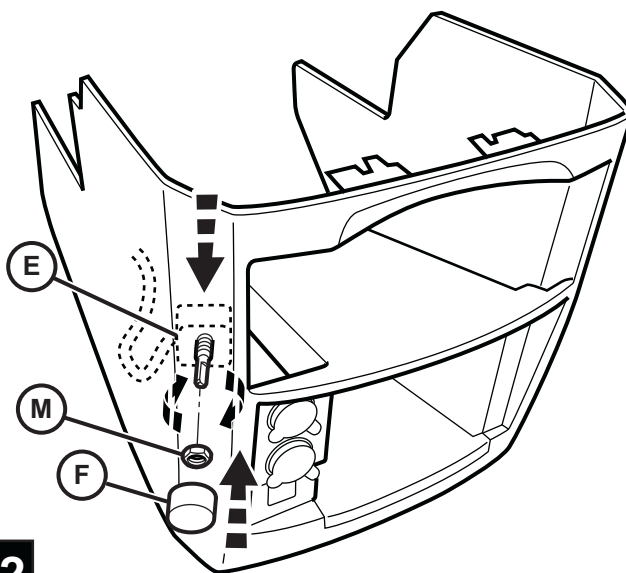
9



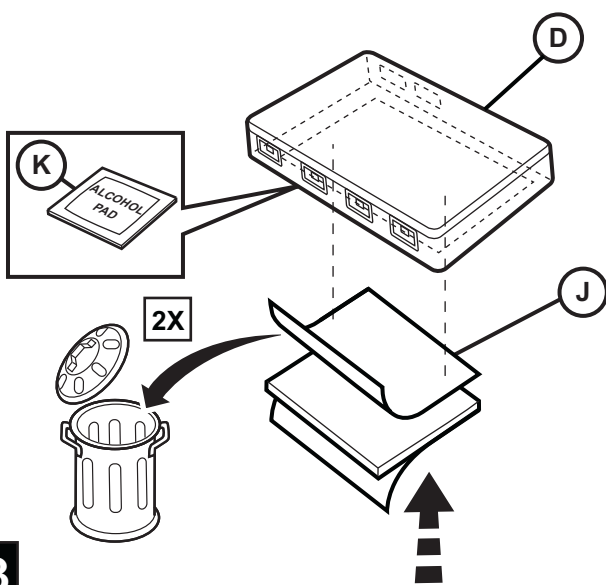
10



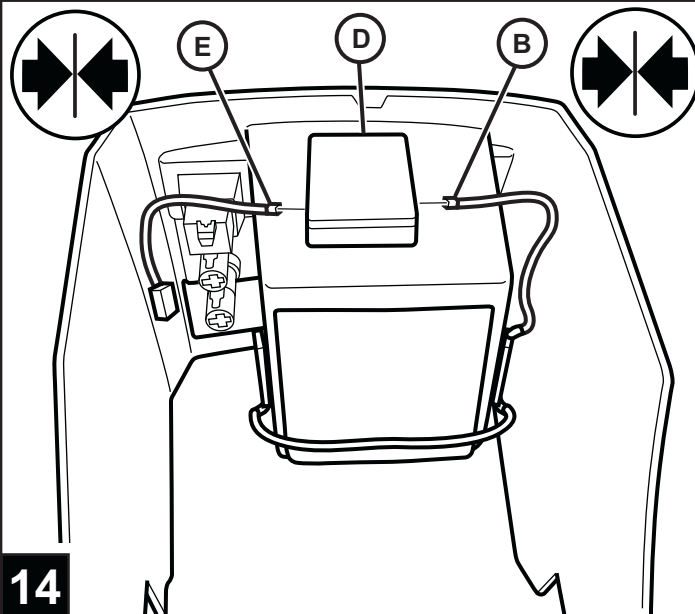
11



12

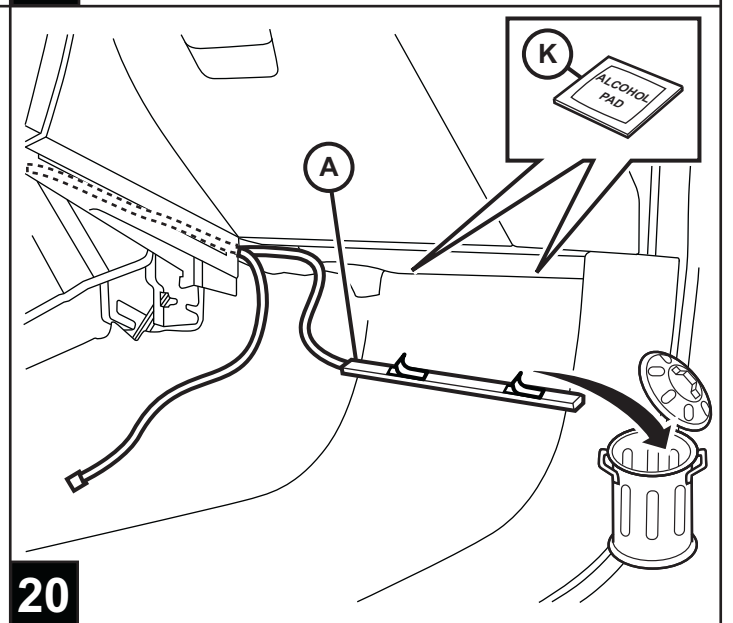
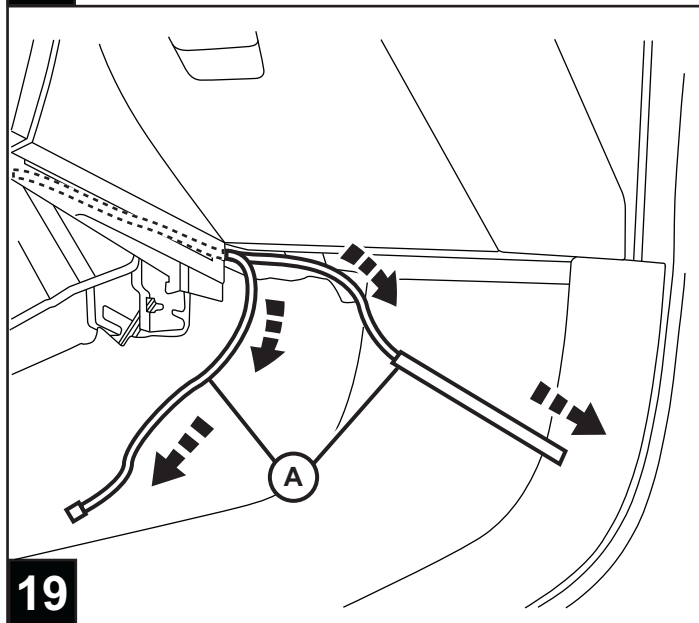
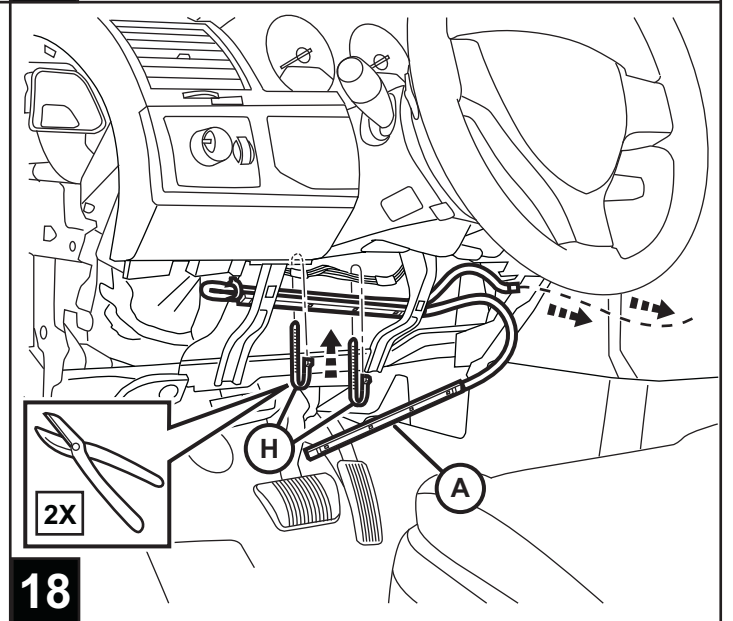
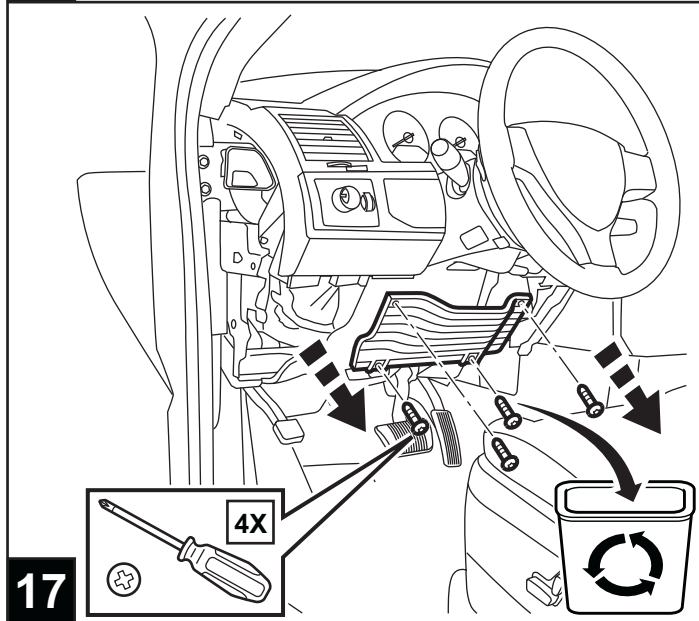
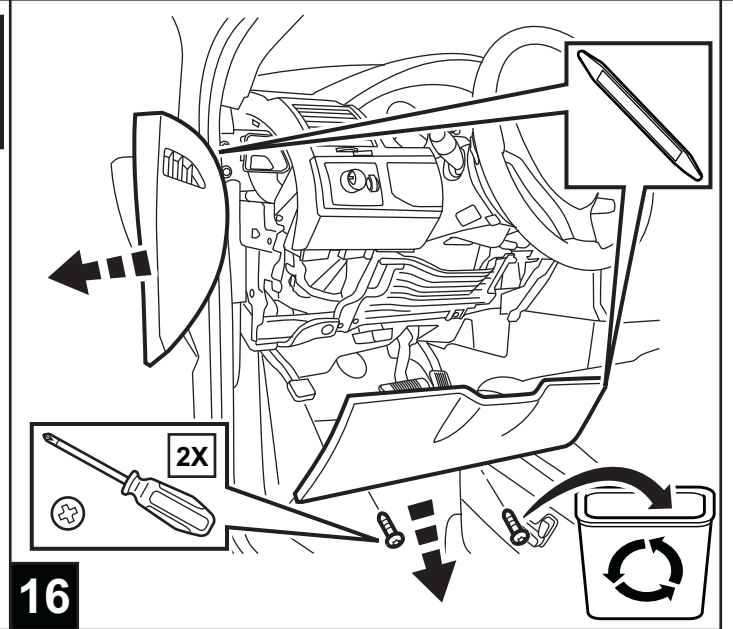
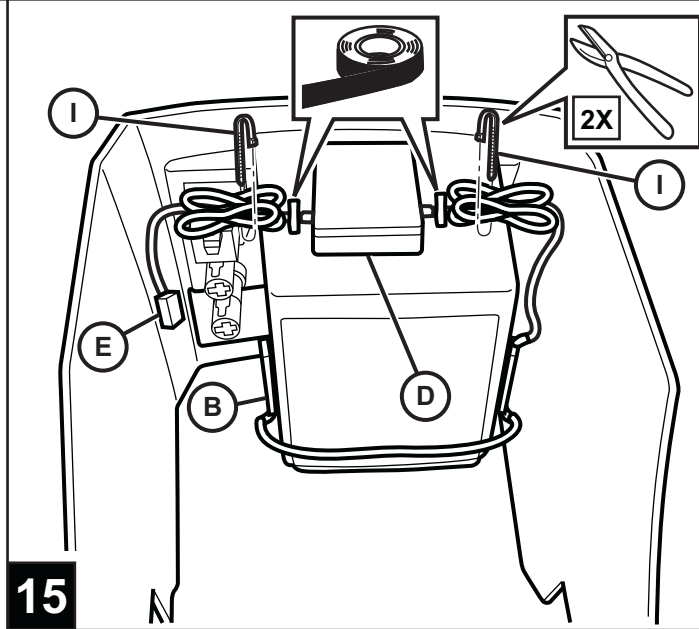


13

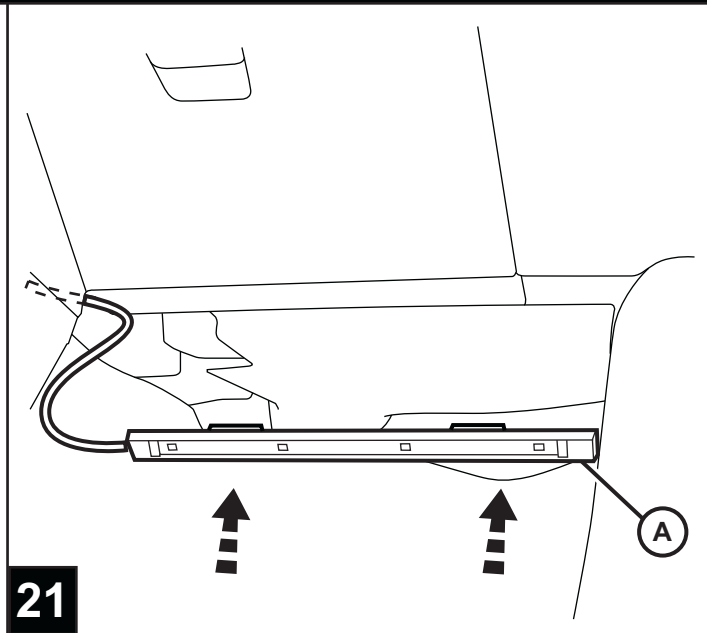


14

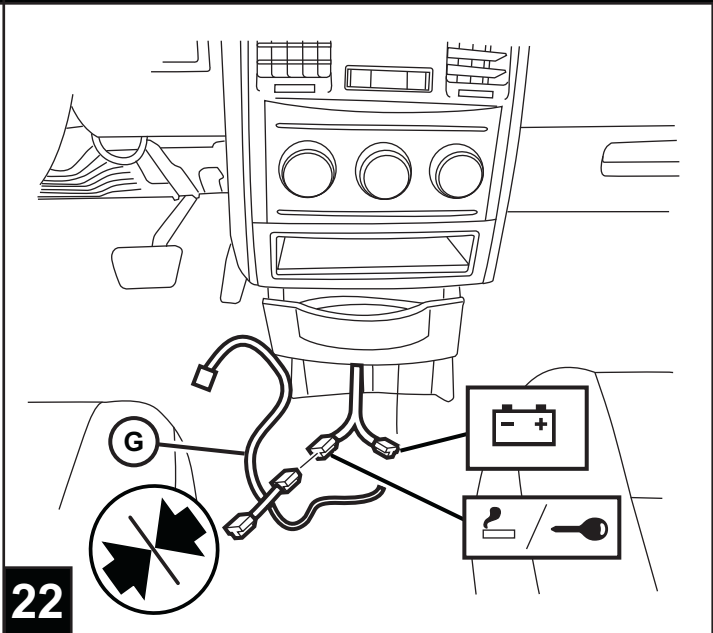
CHRYSLER TOWN & COUNTRY / DODGE CARAVAN



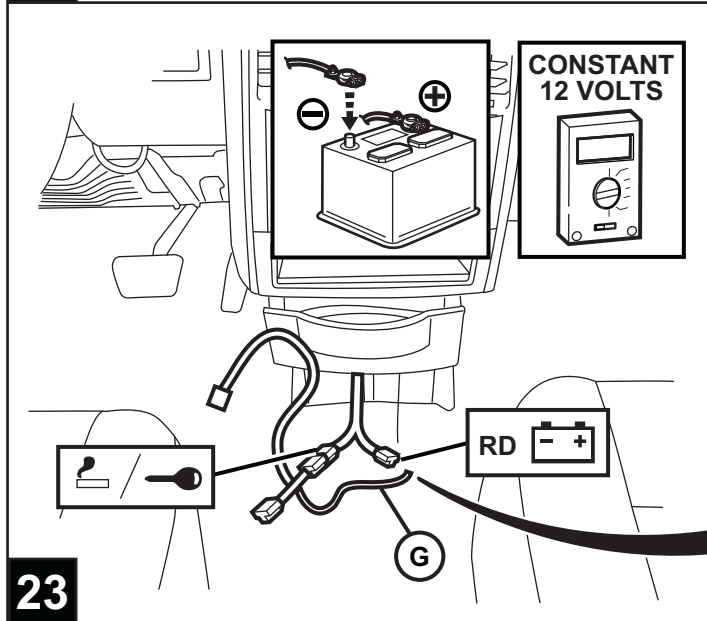
CHRYSLER TOWN & COUNTRY / DODGE CARAVAN



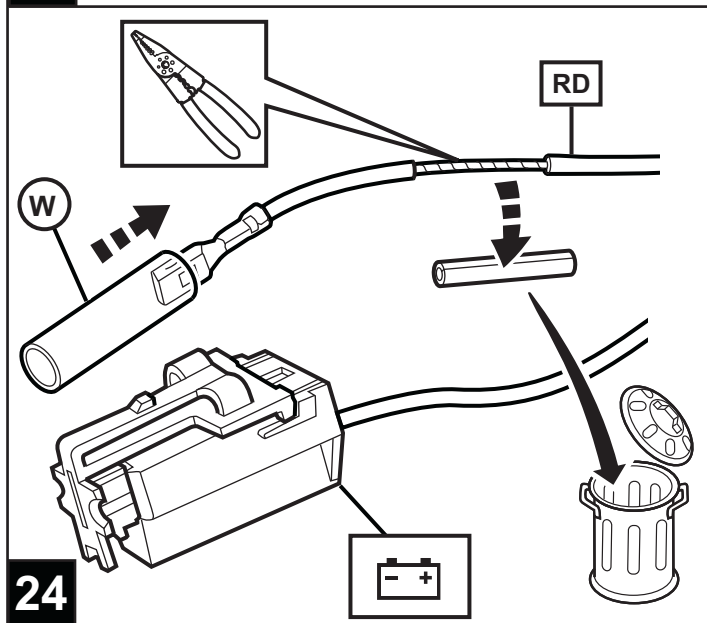
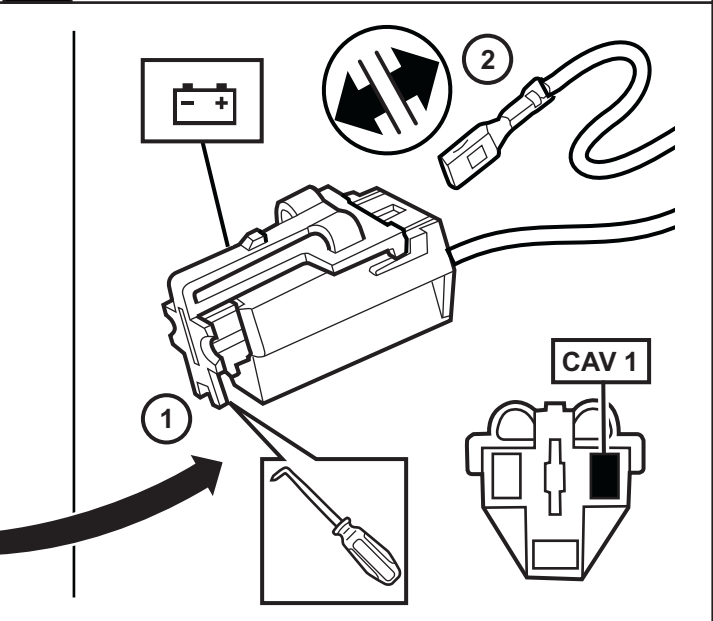
21



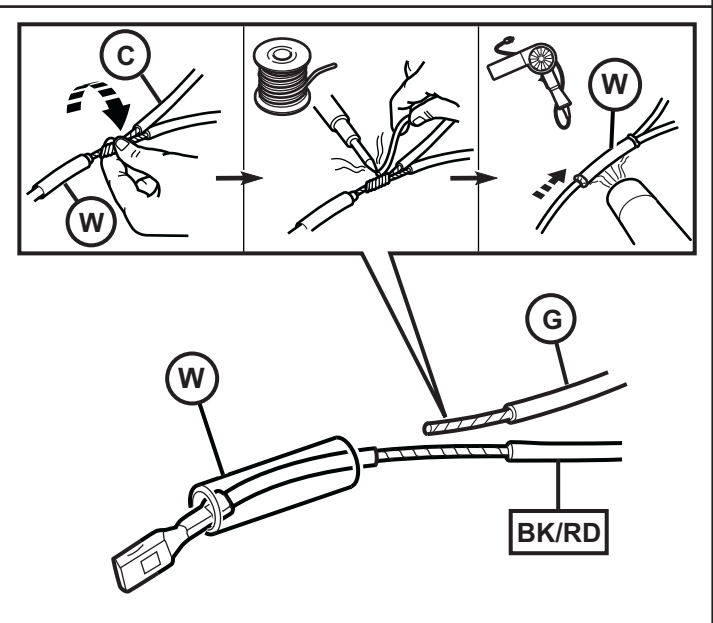
22



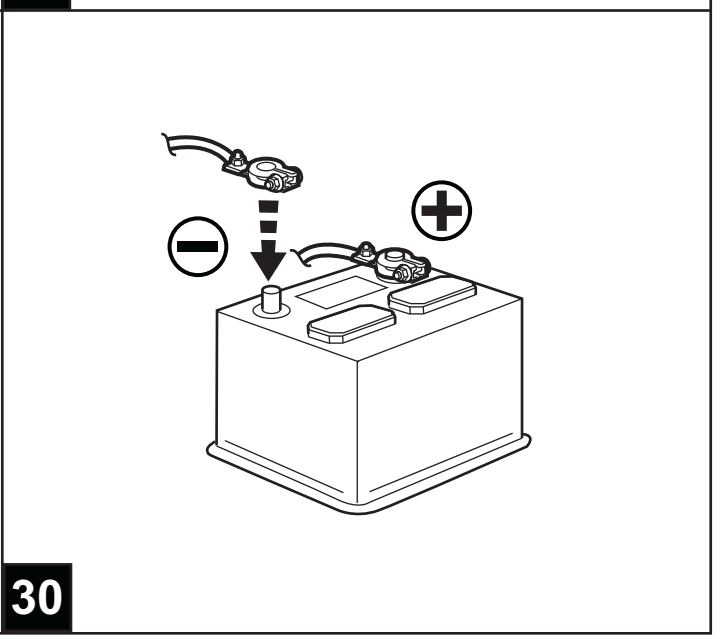
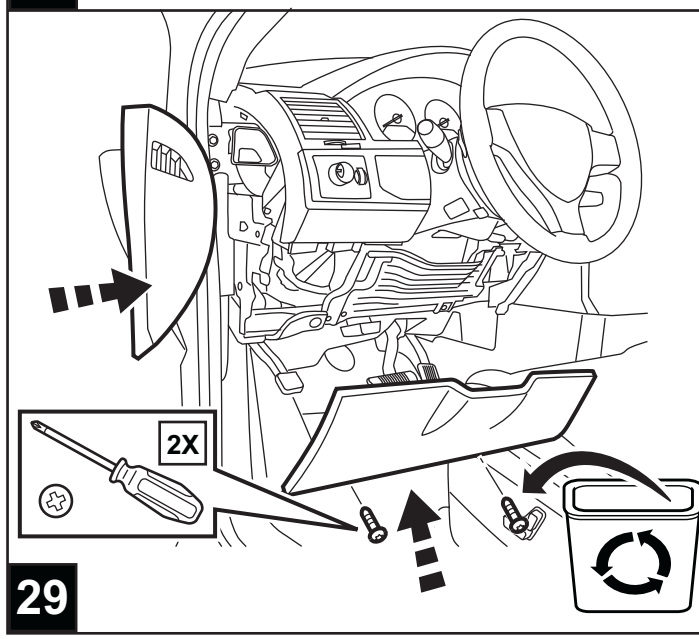
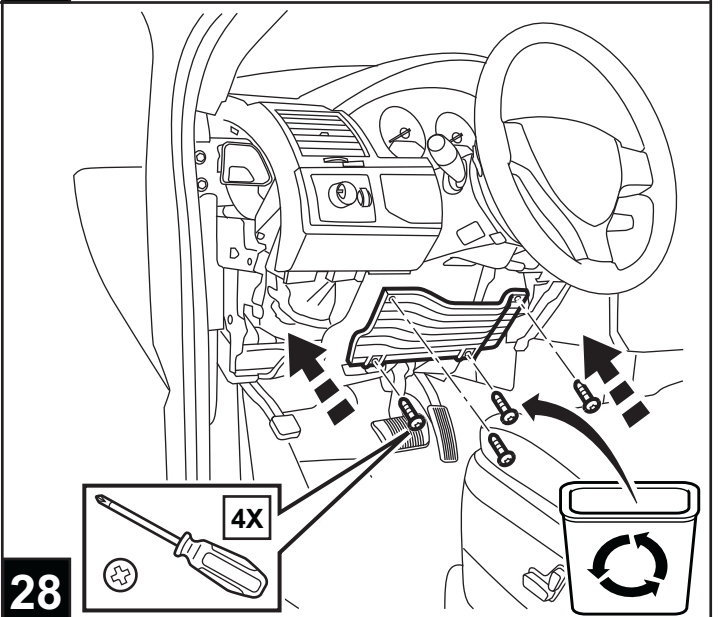
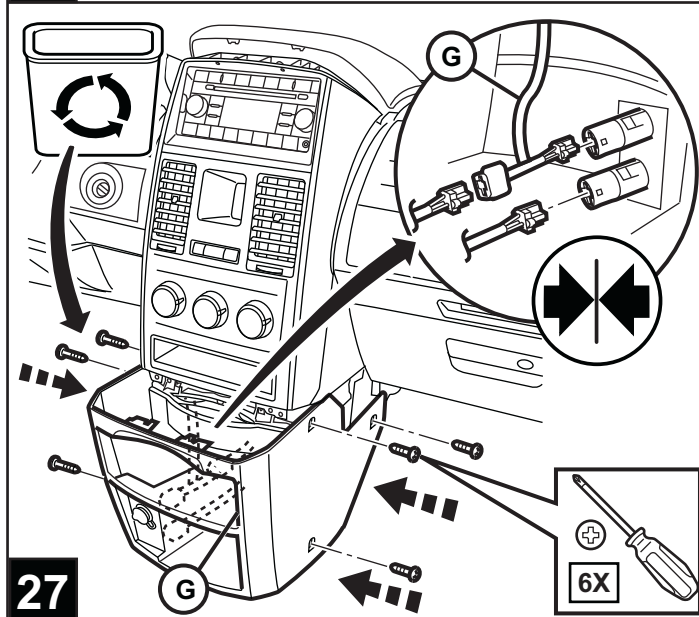
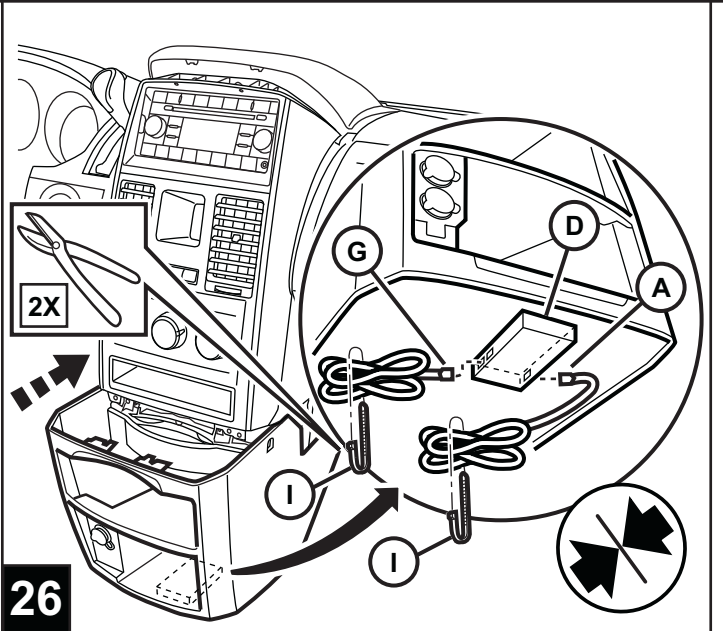
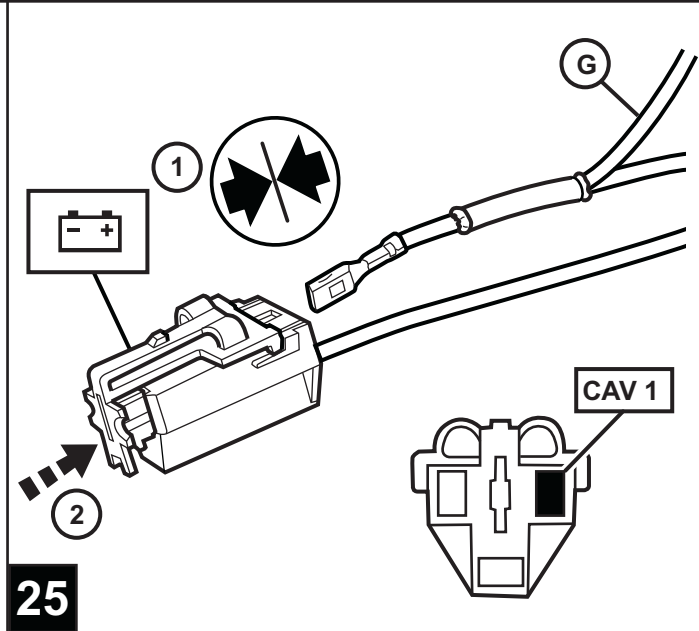
23

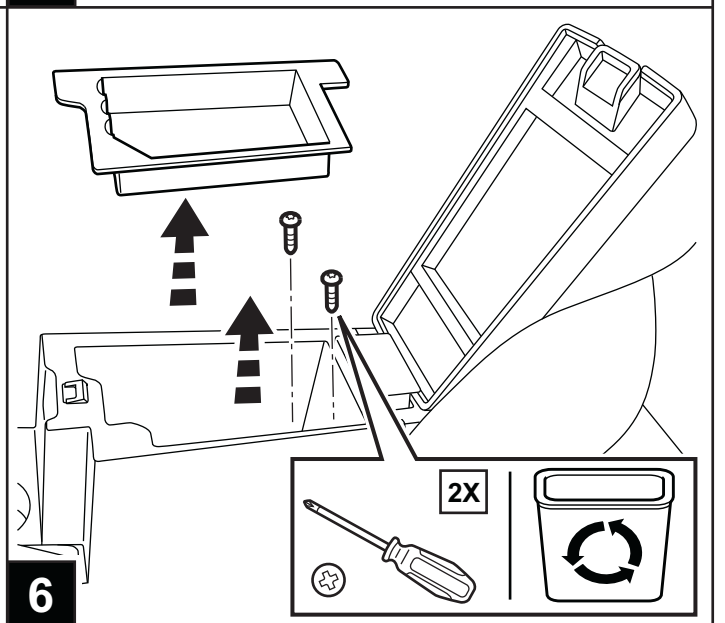
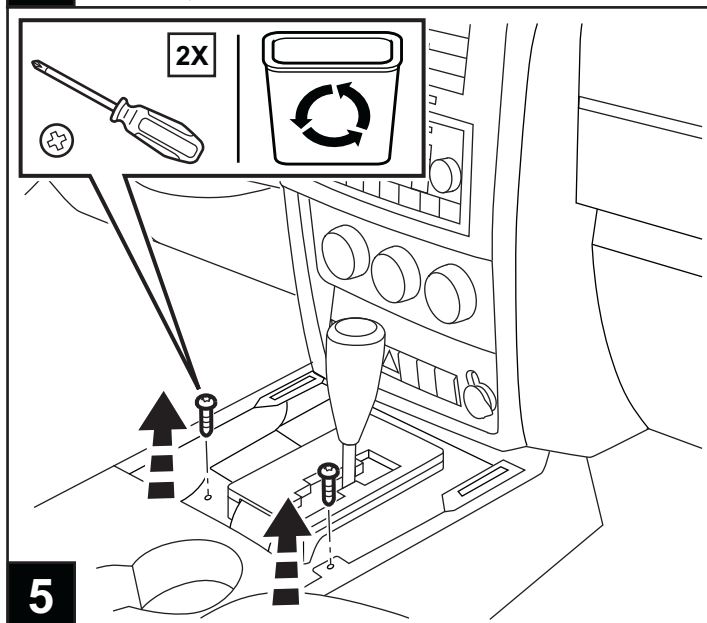
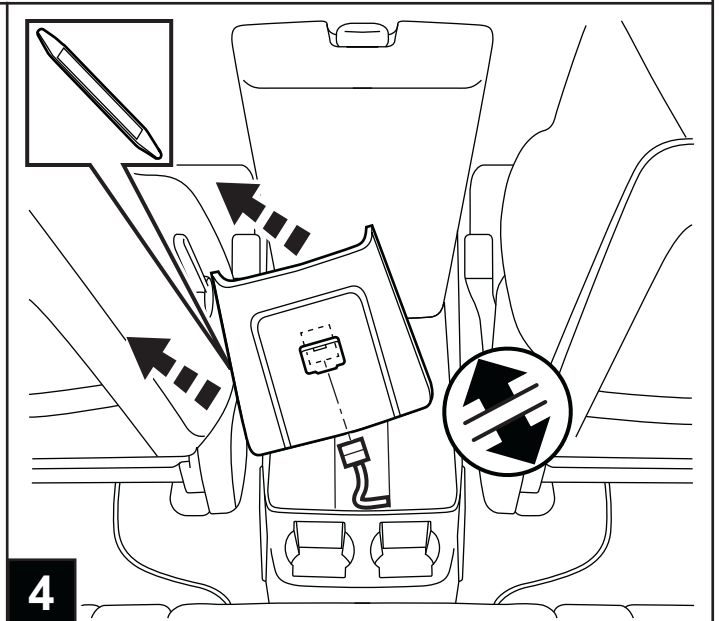
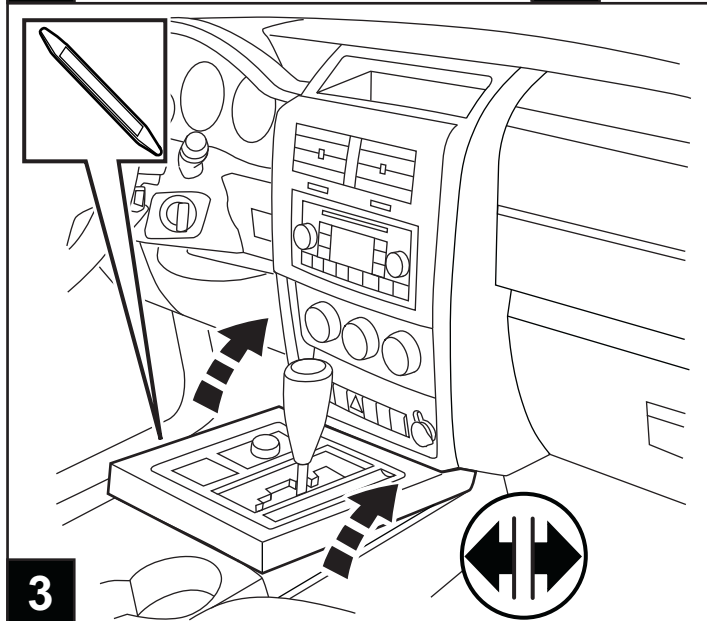
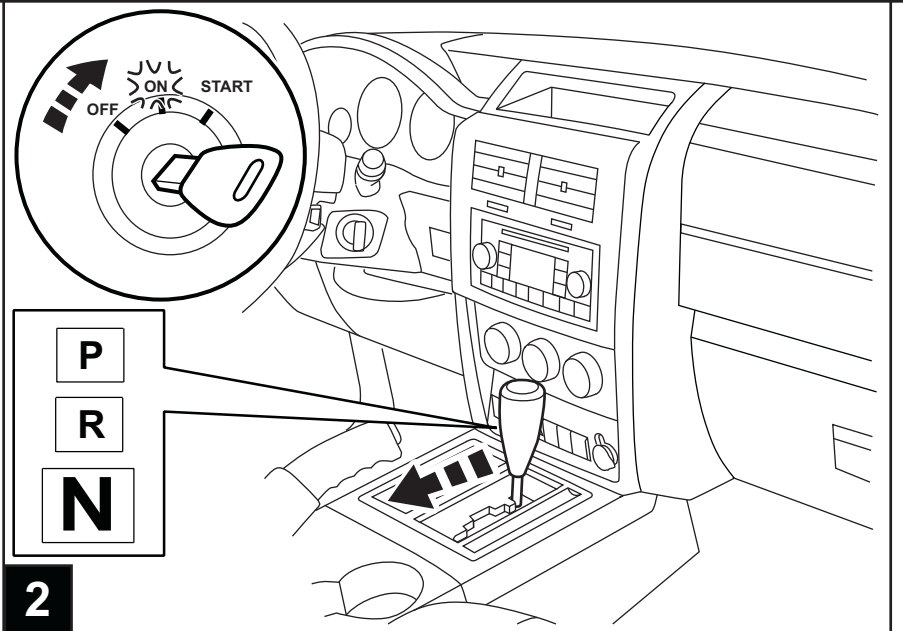
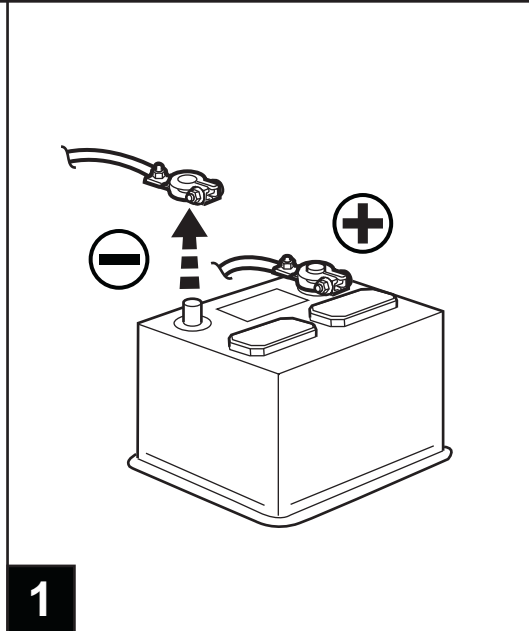


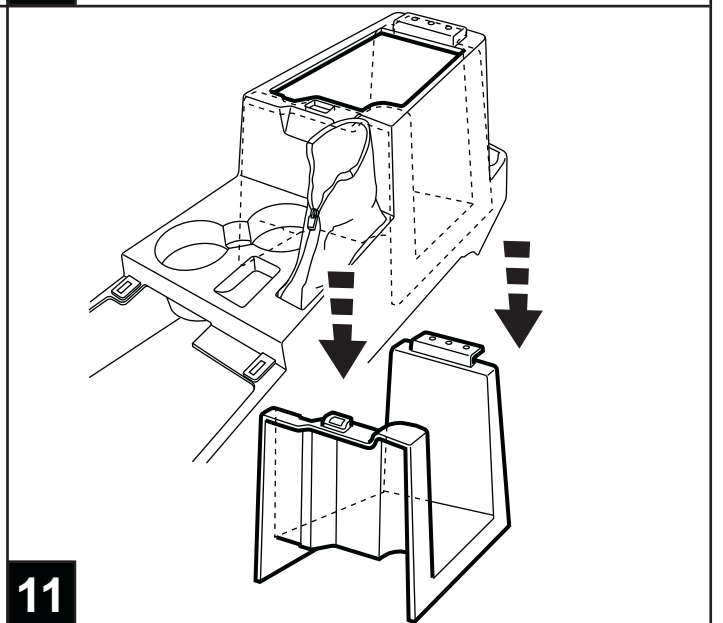
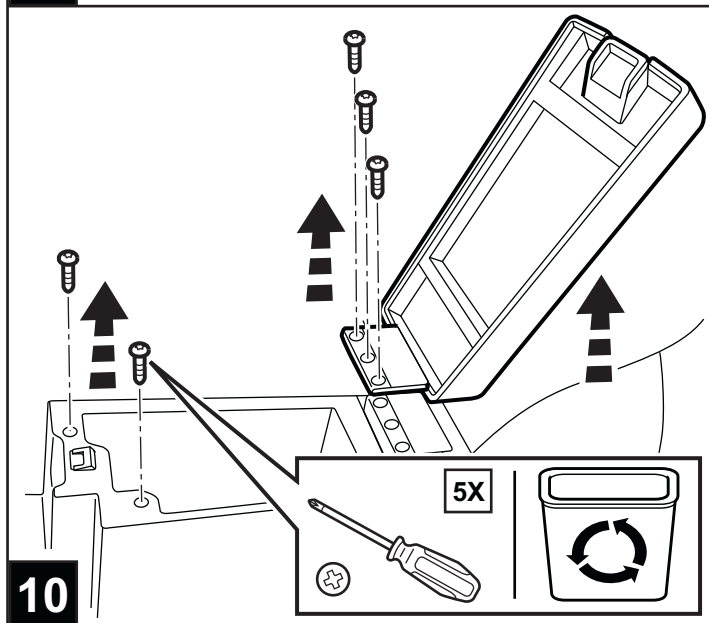
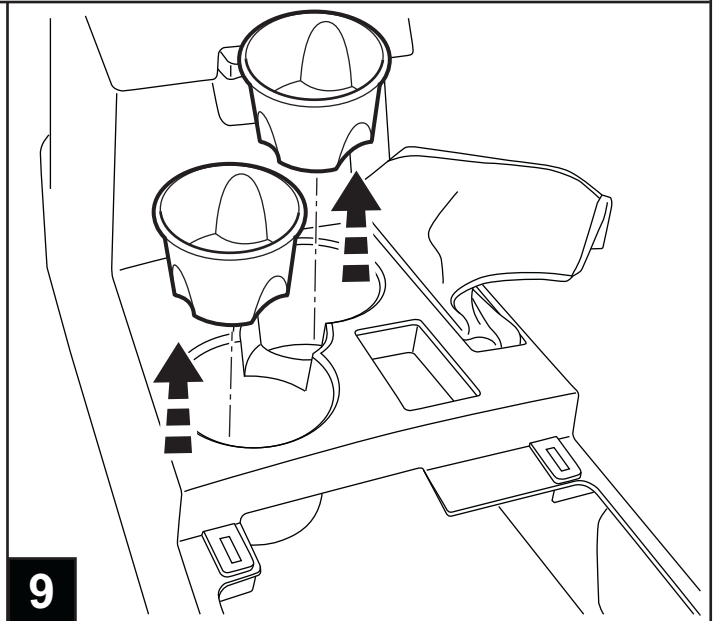
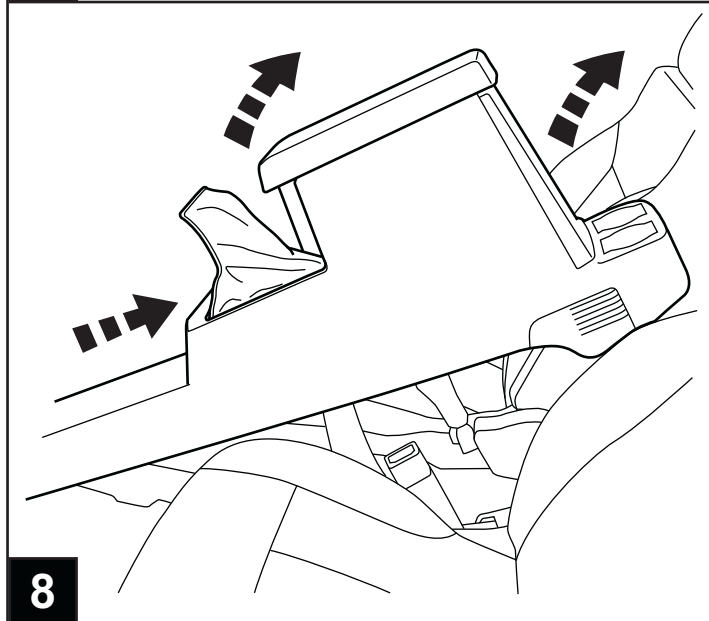
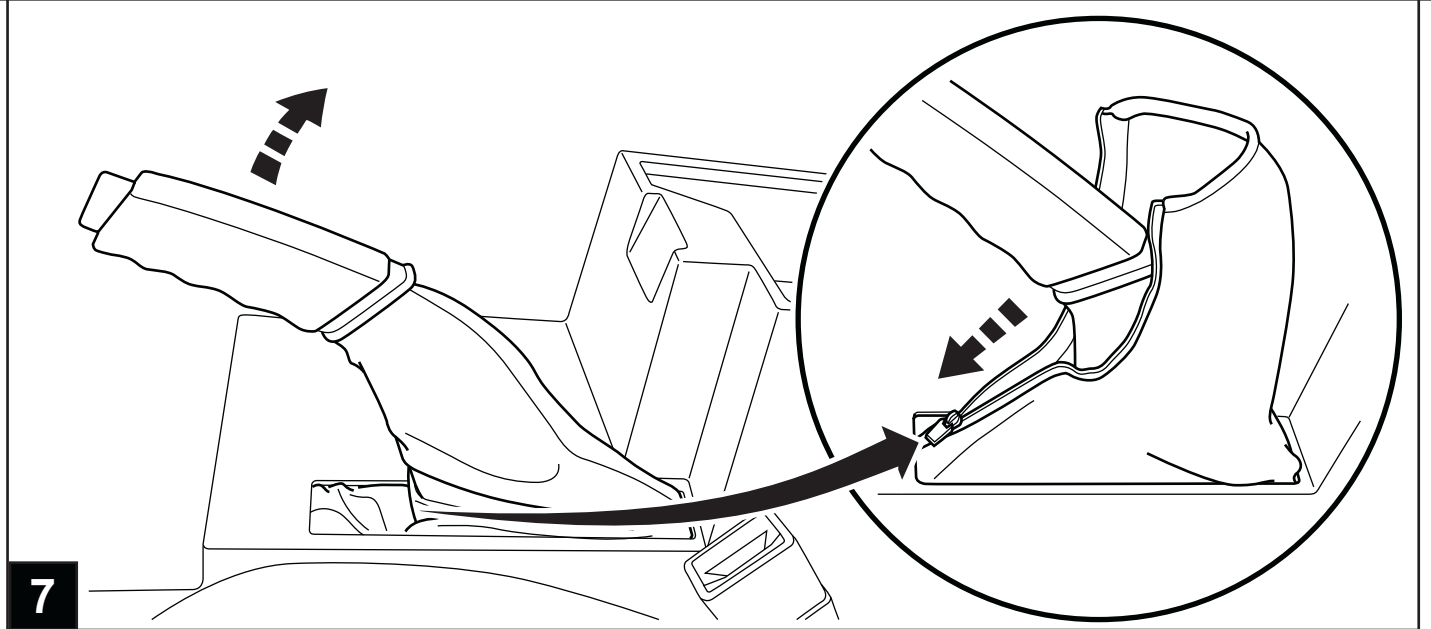
24

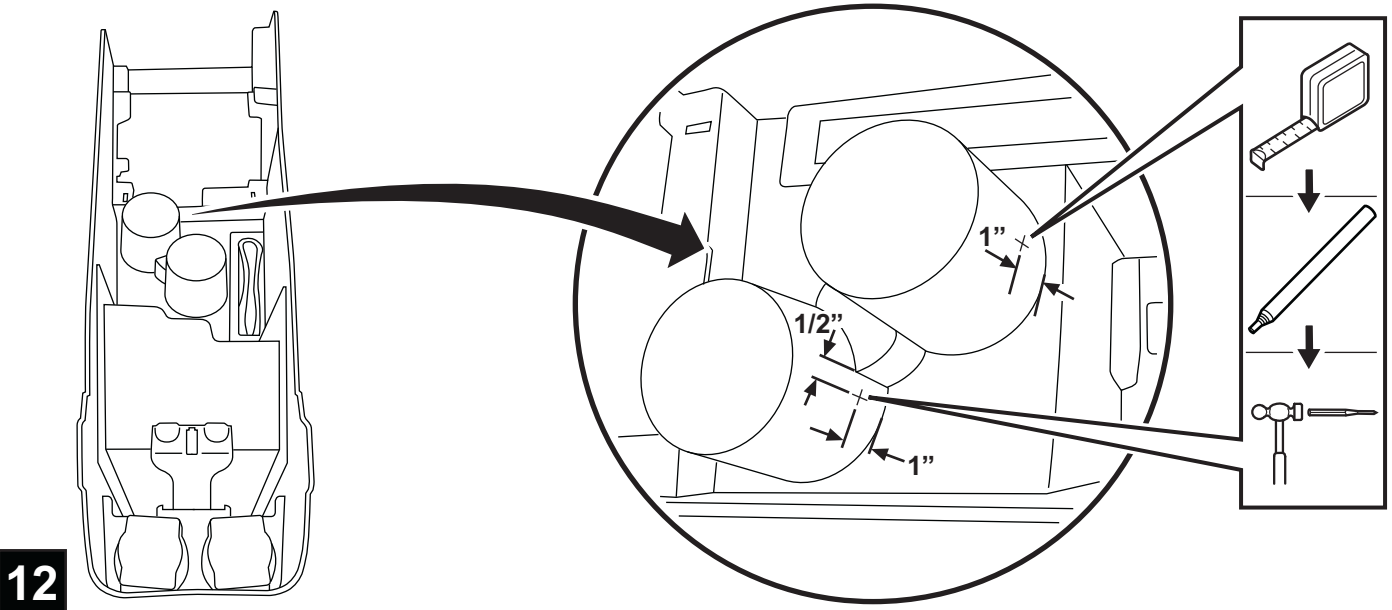


CHRYSLER TOWN & COUNTRY / DODGE CARAVAN

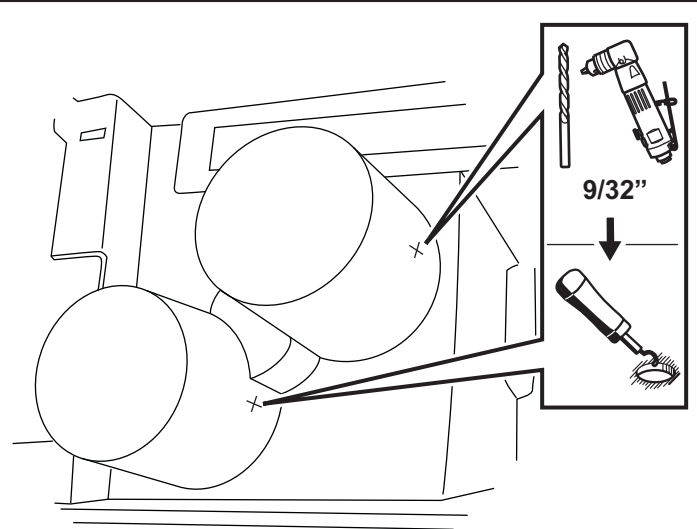




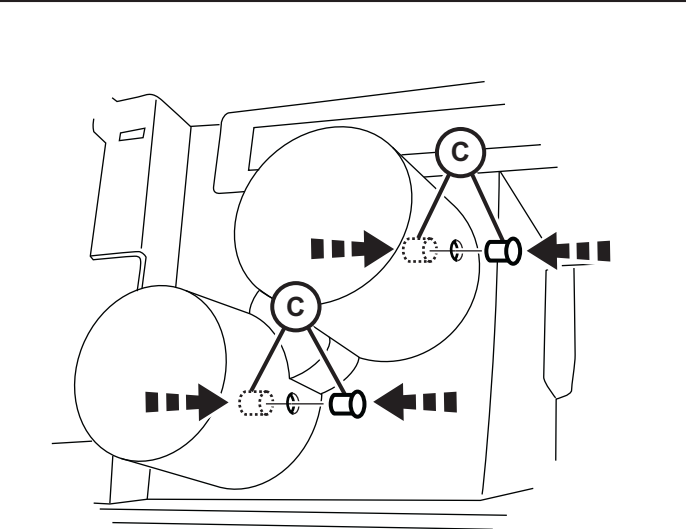




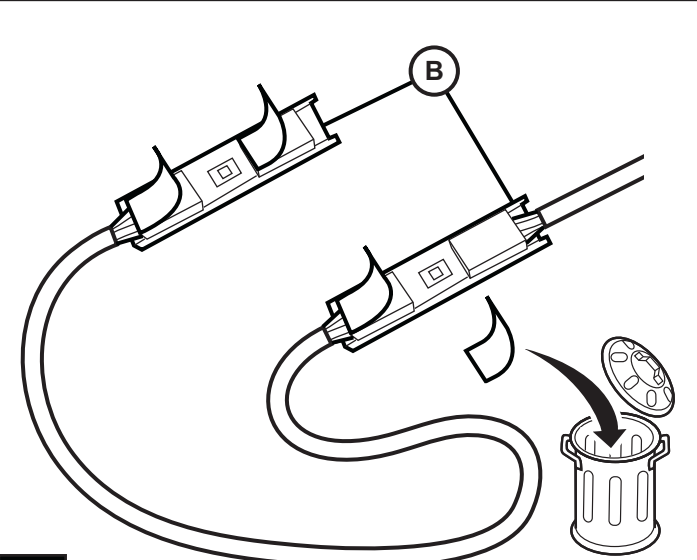
12



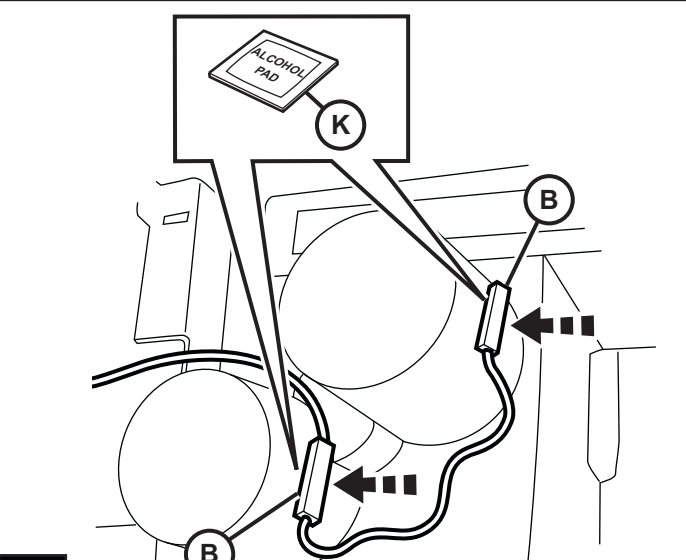
13



14

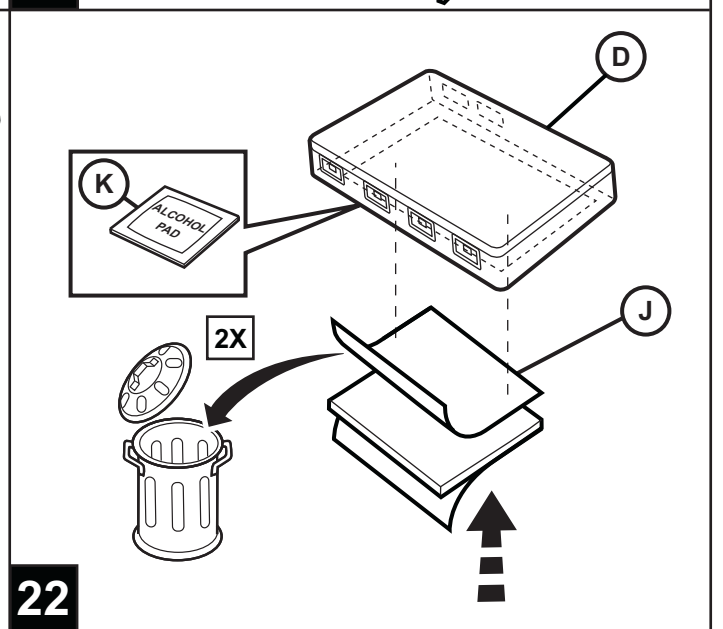
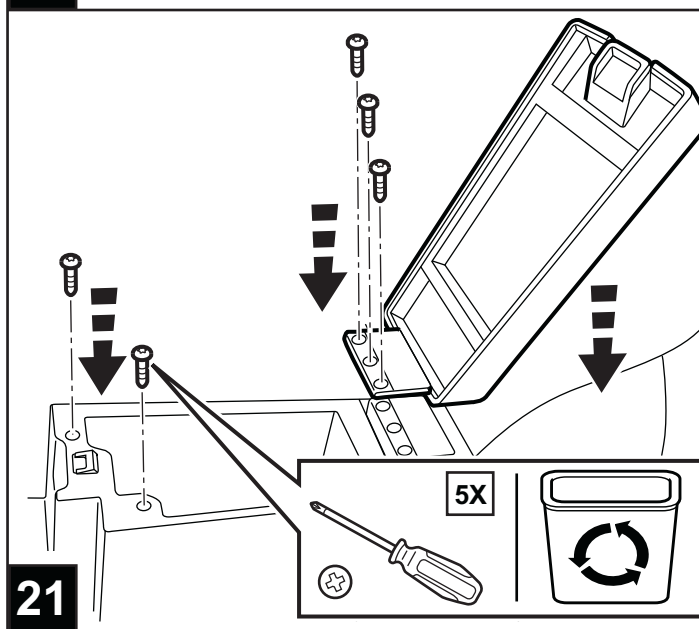
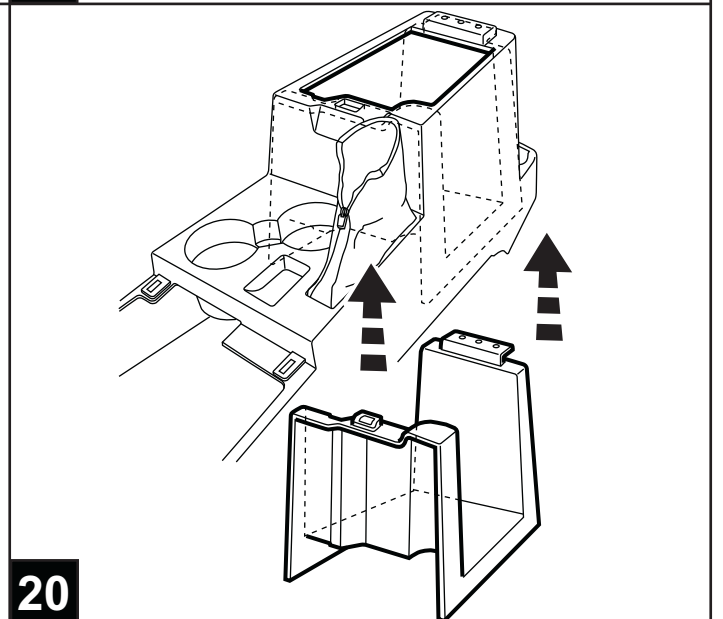
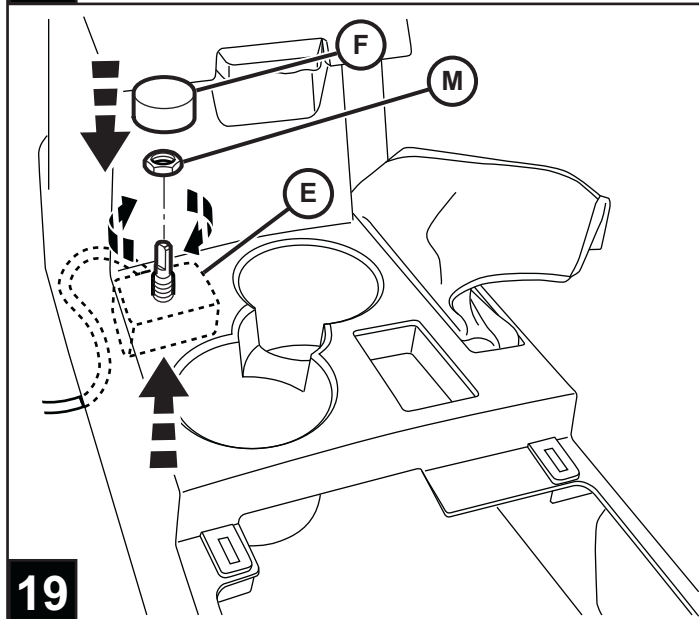
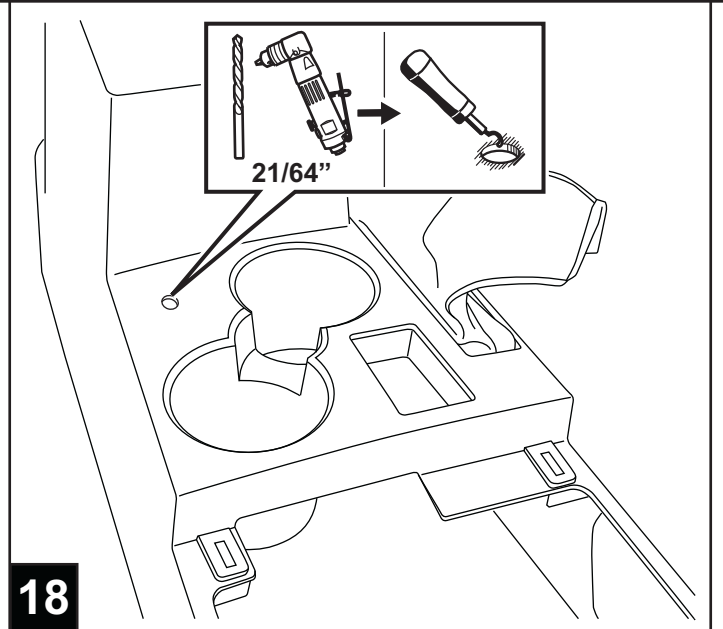
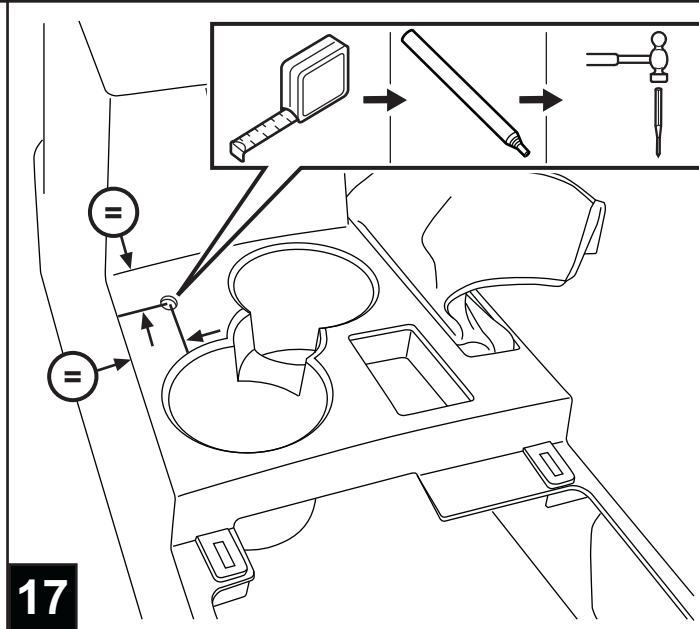


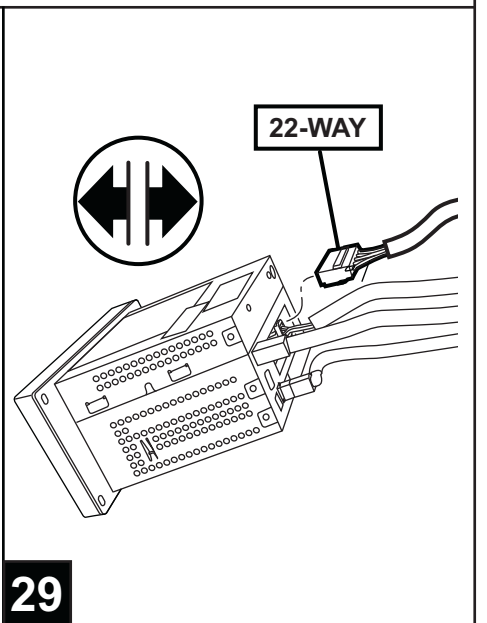
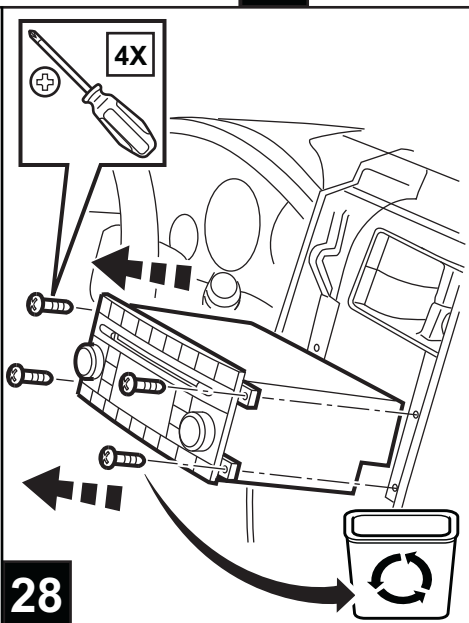
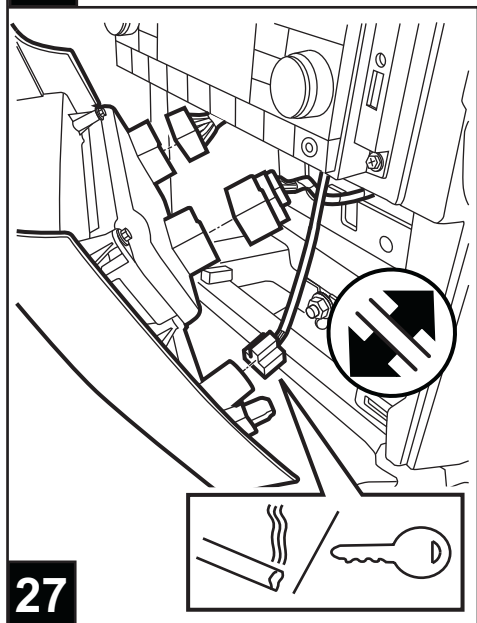
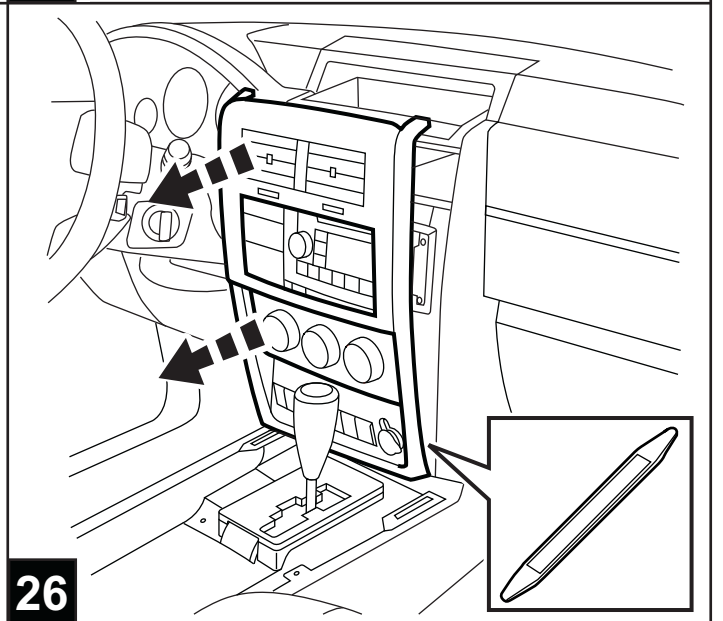
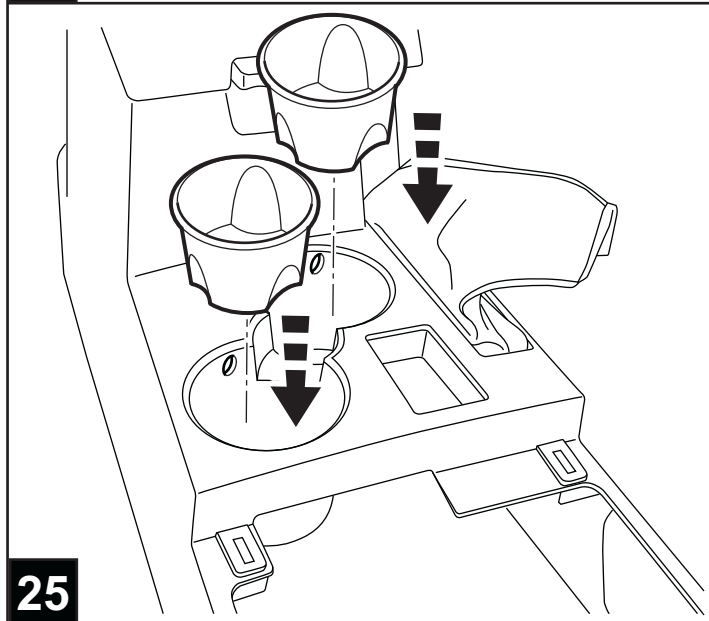
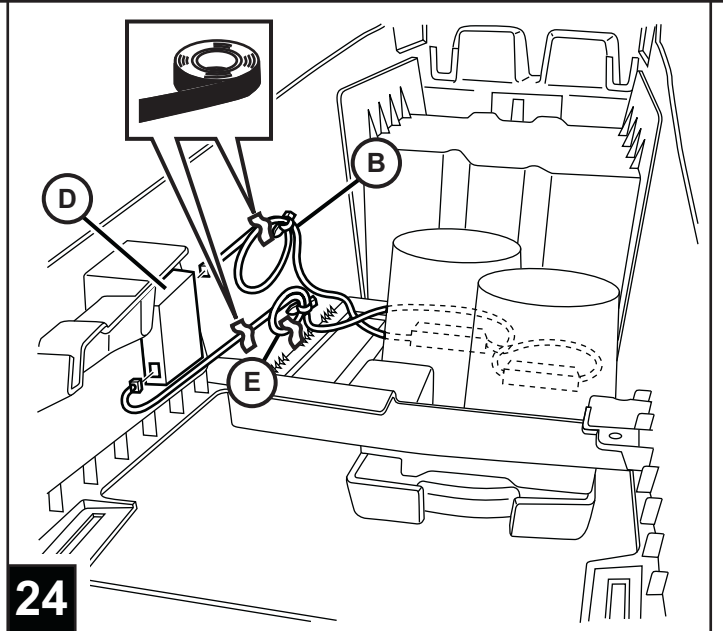
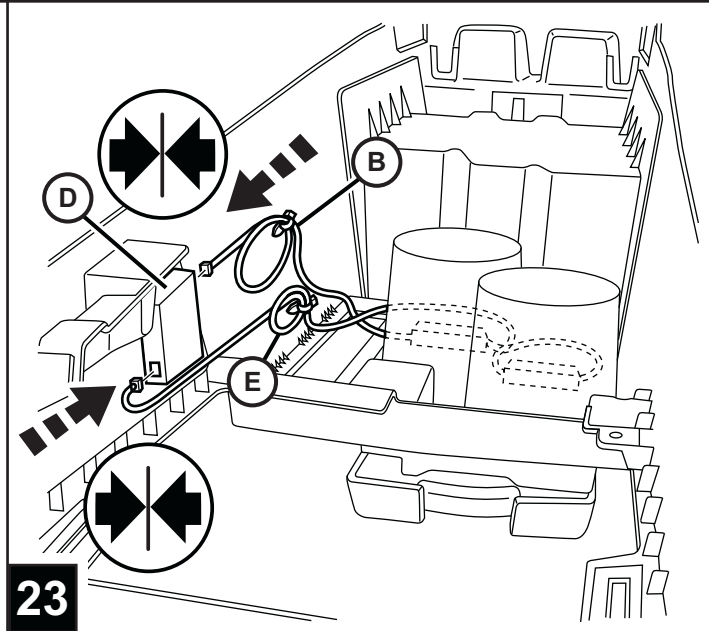
15



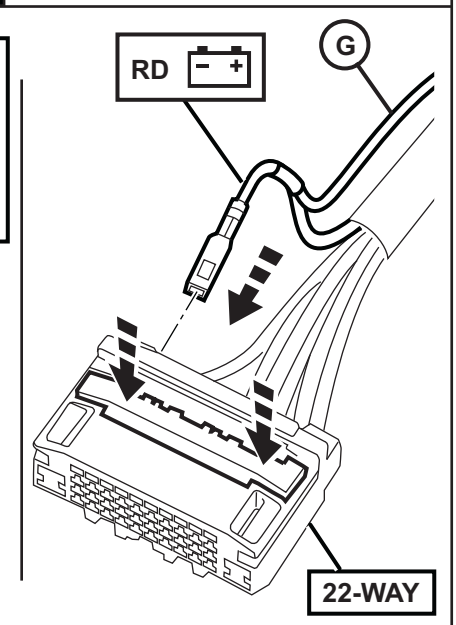
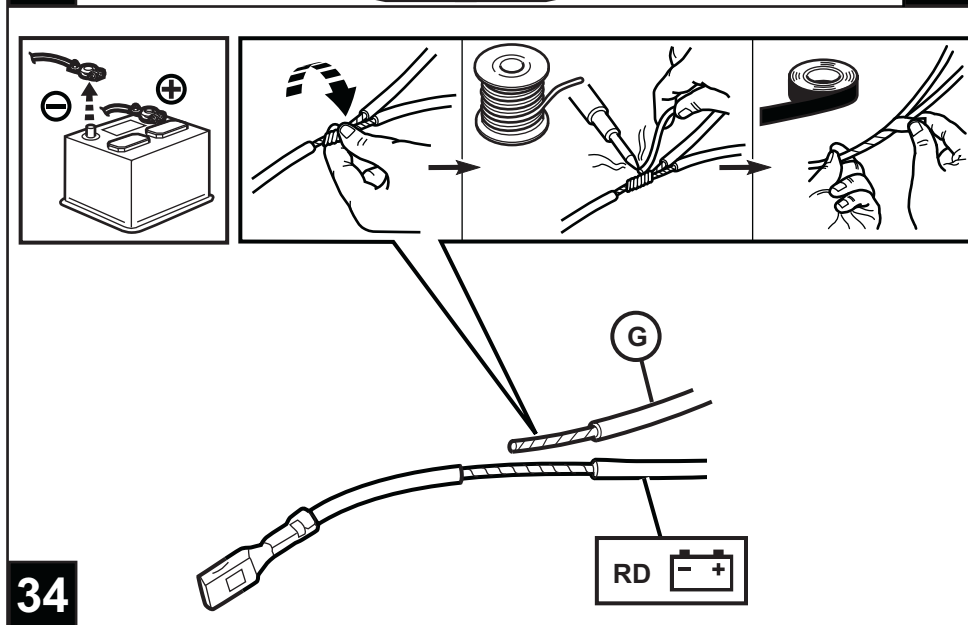
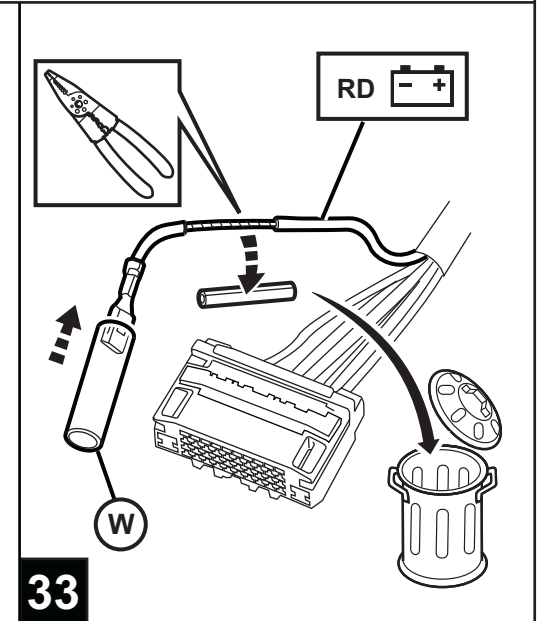
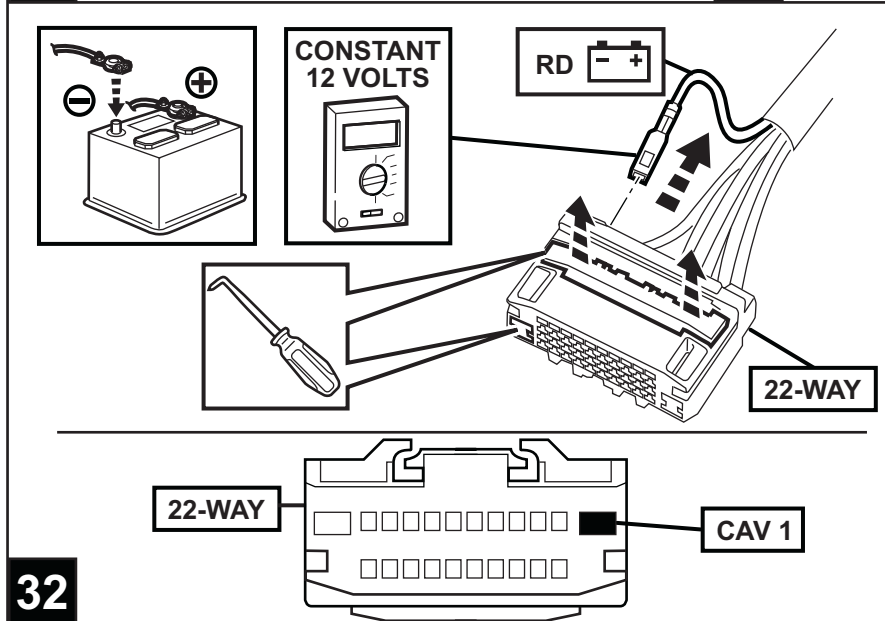
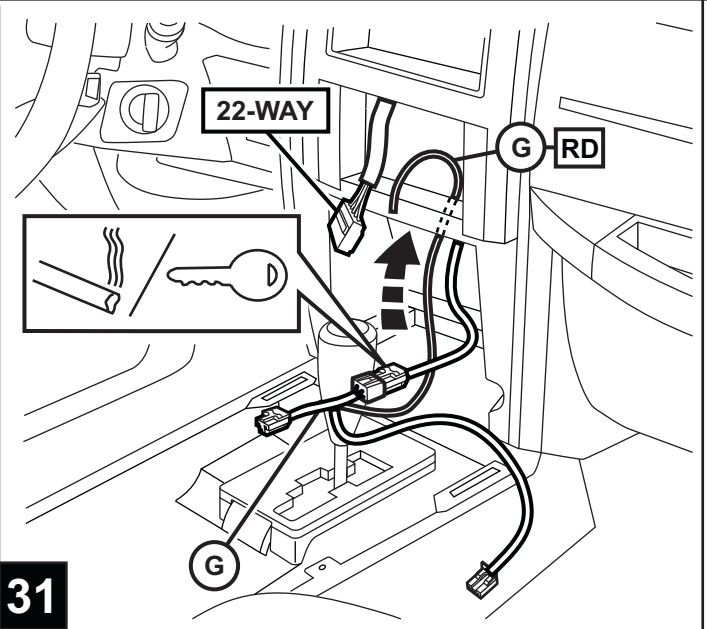
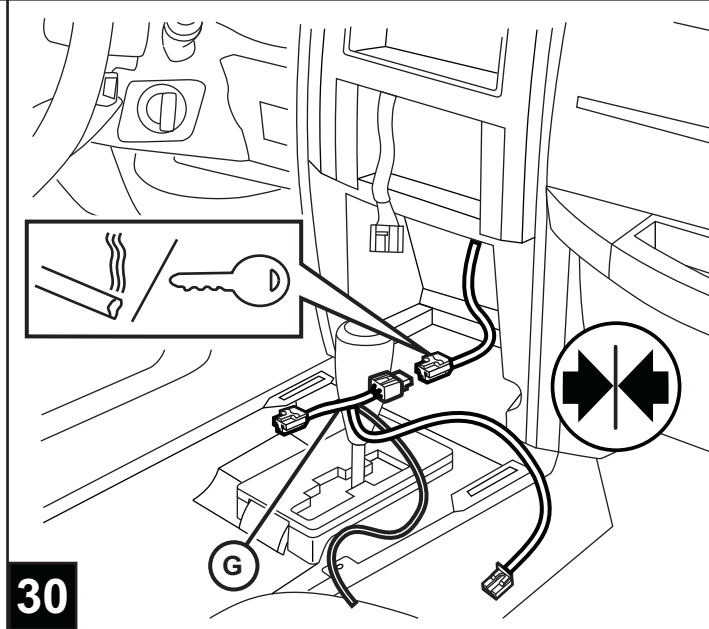
16

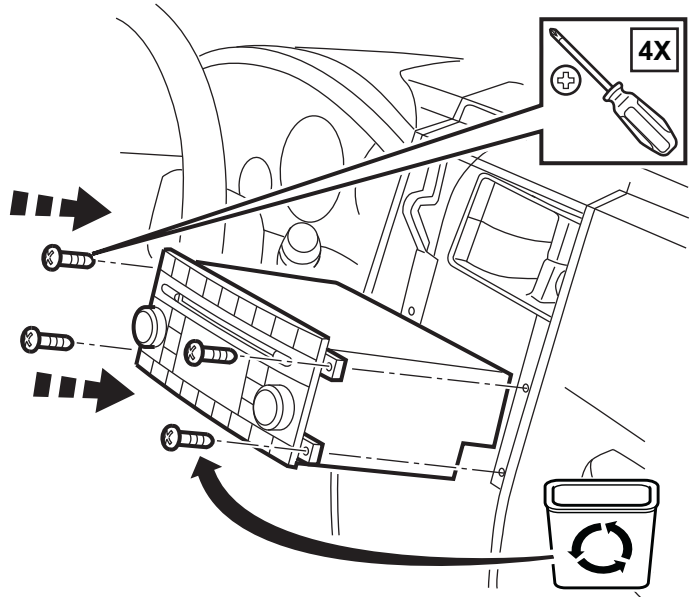
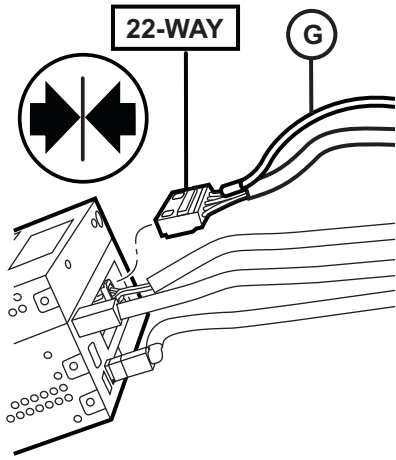
DODGE NITRO



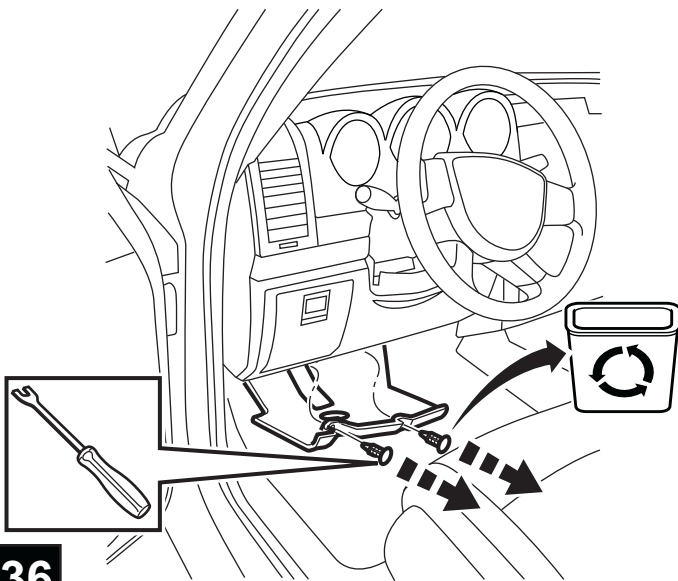


DODGE NITRO

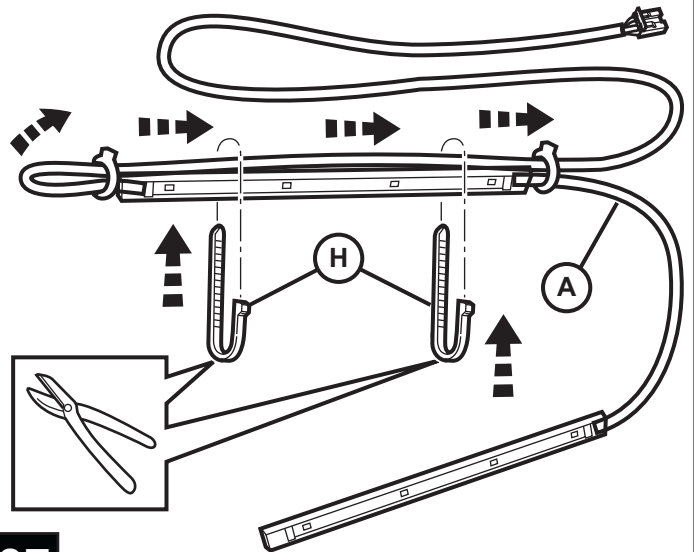




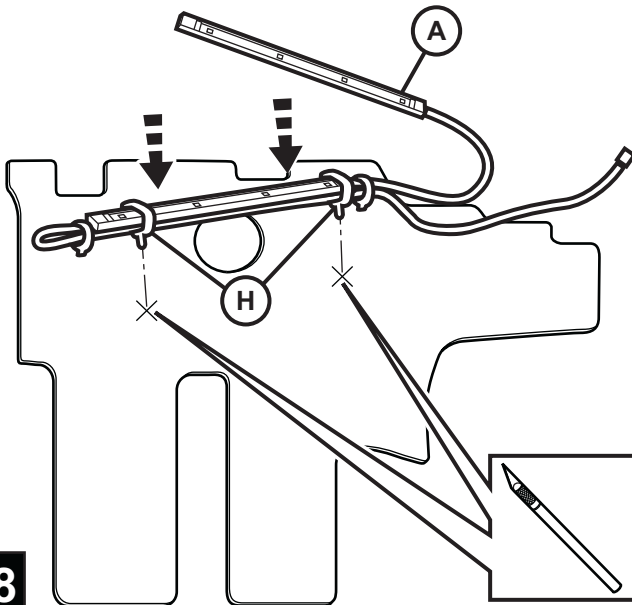
35



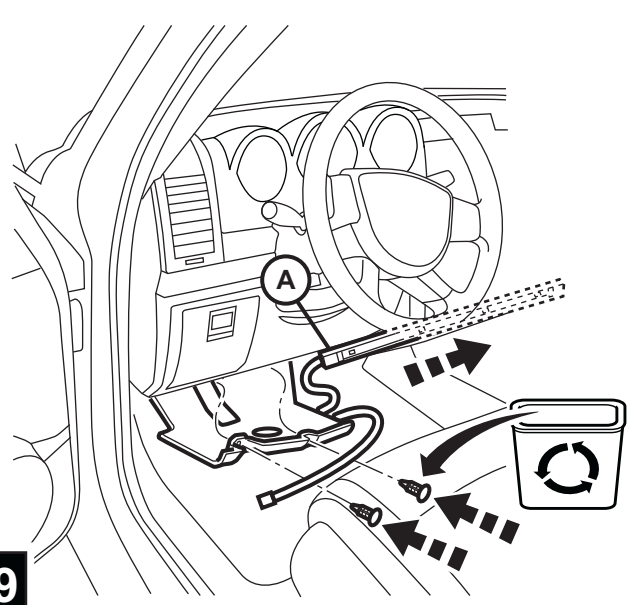
36



37

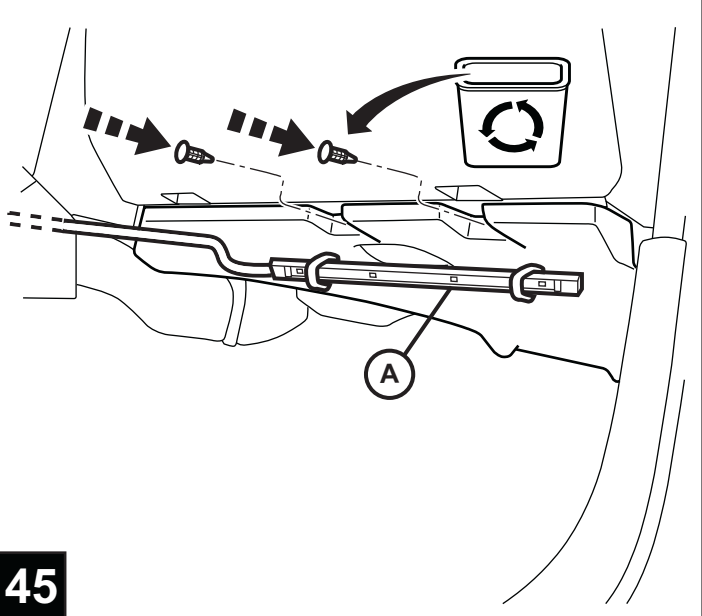
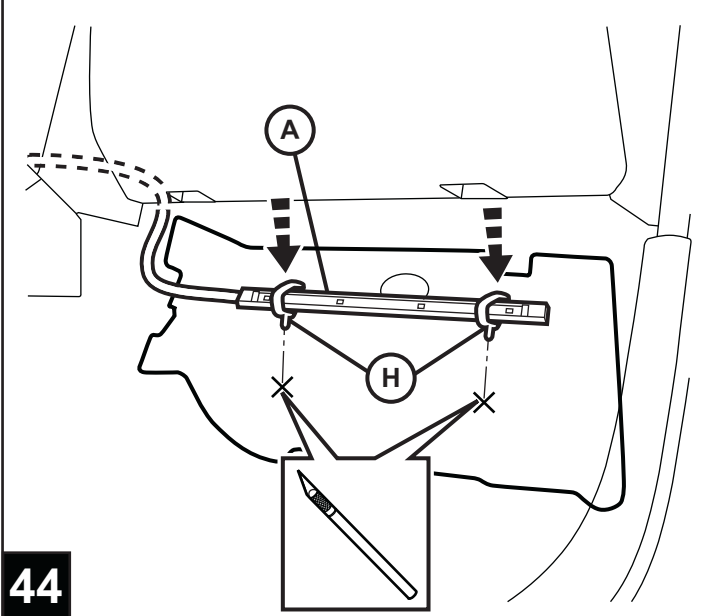
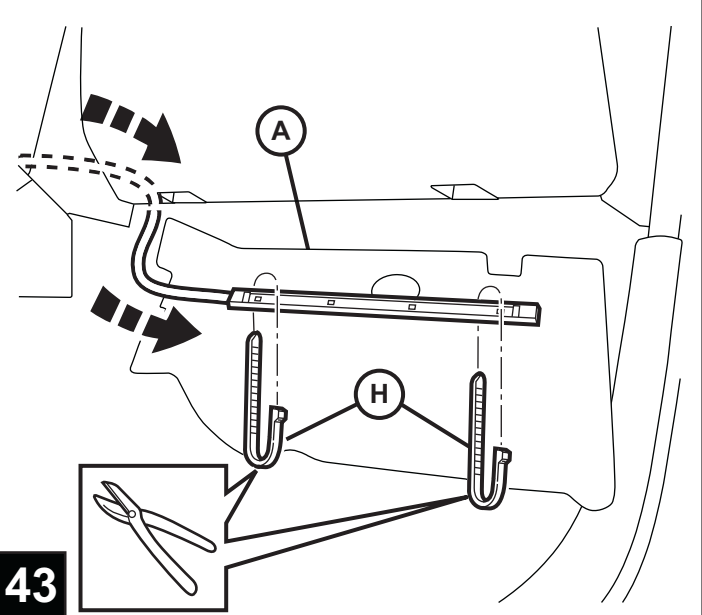
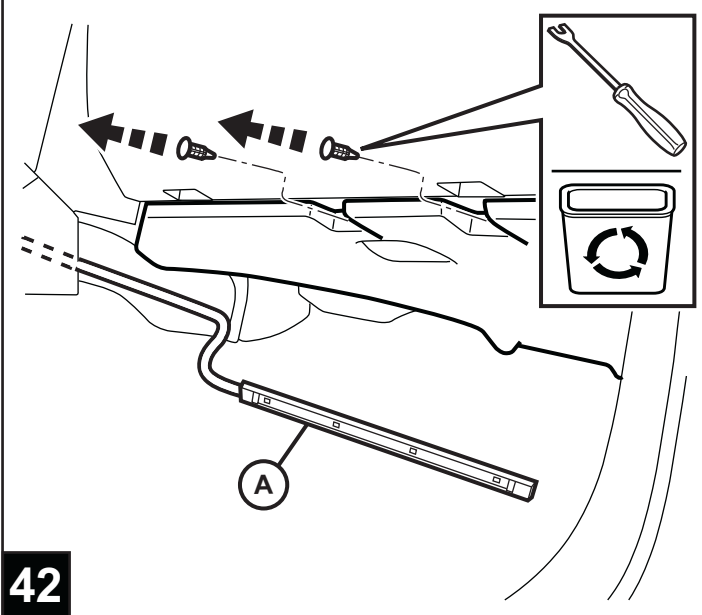
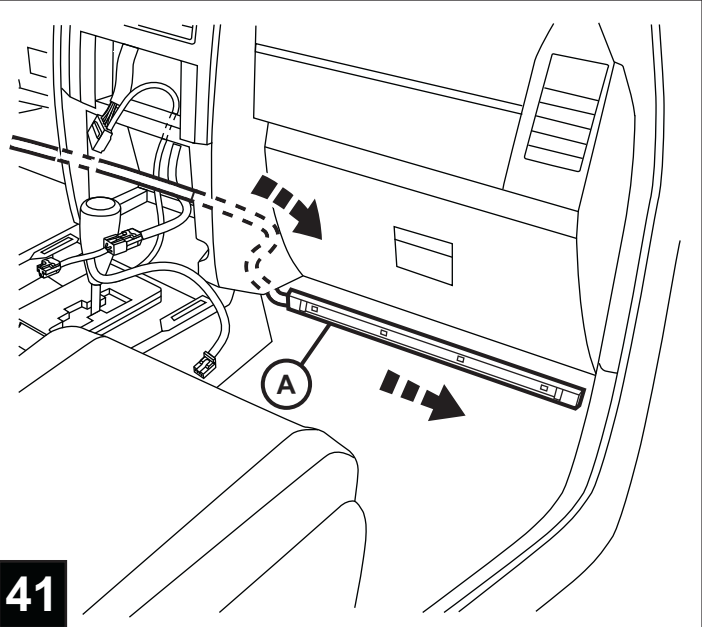
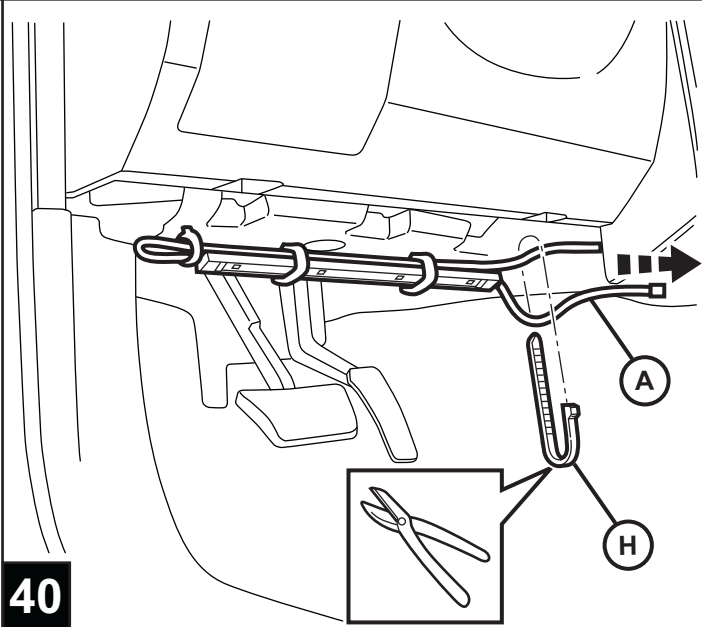


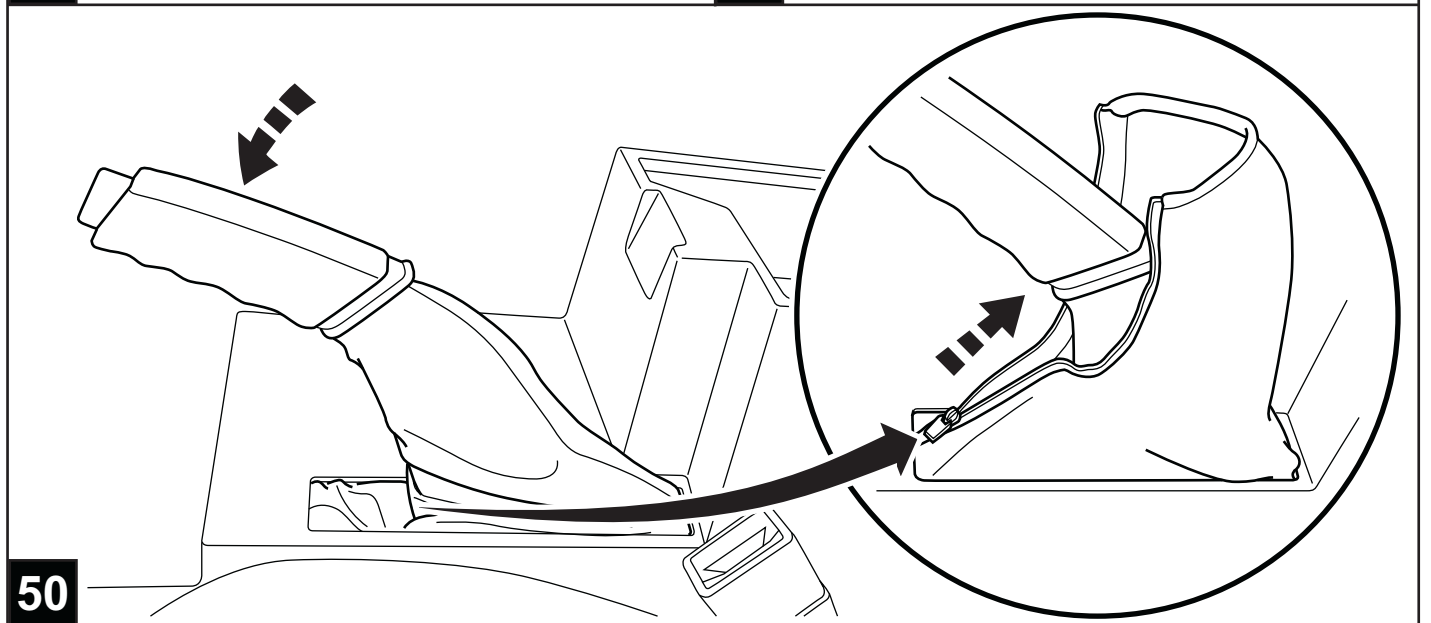
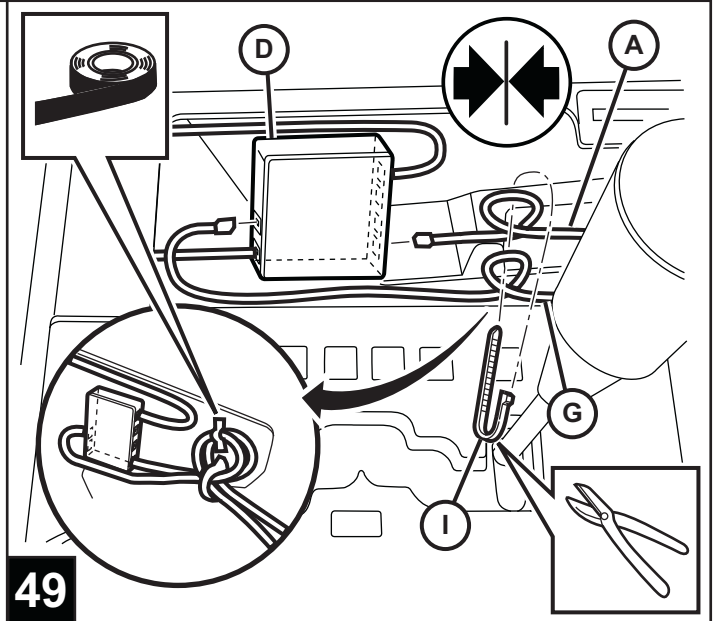
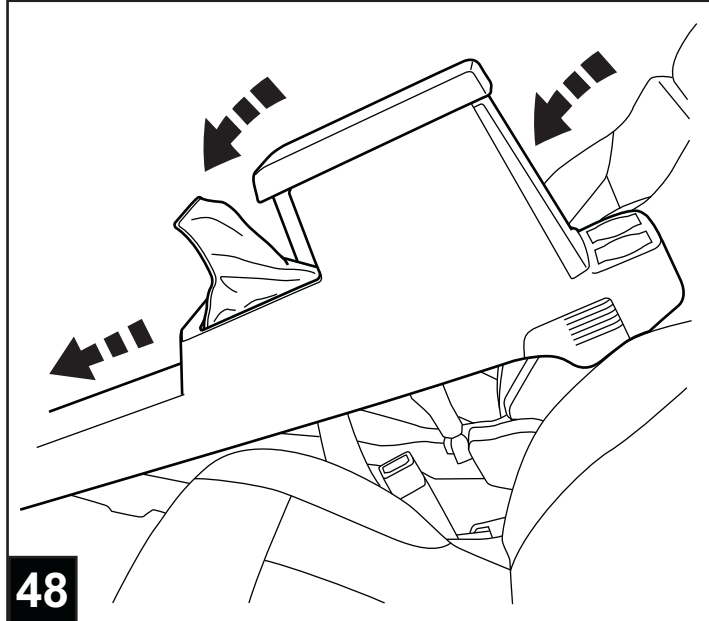
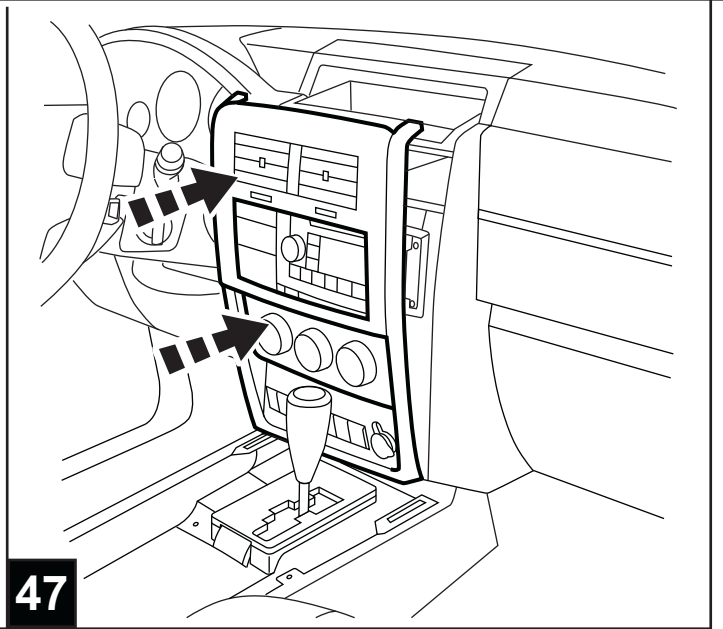
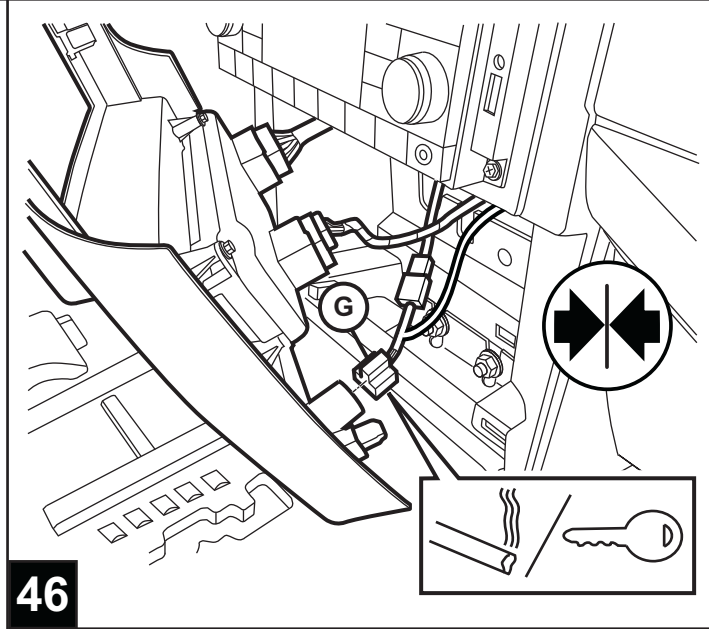
38



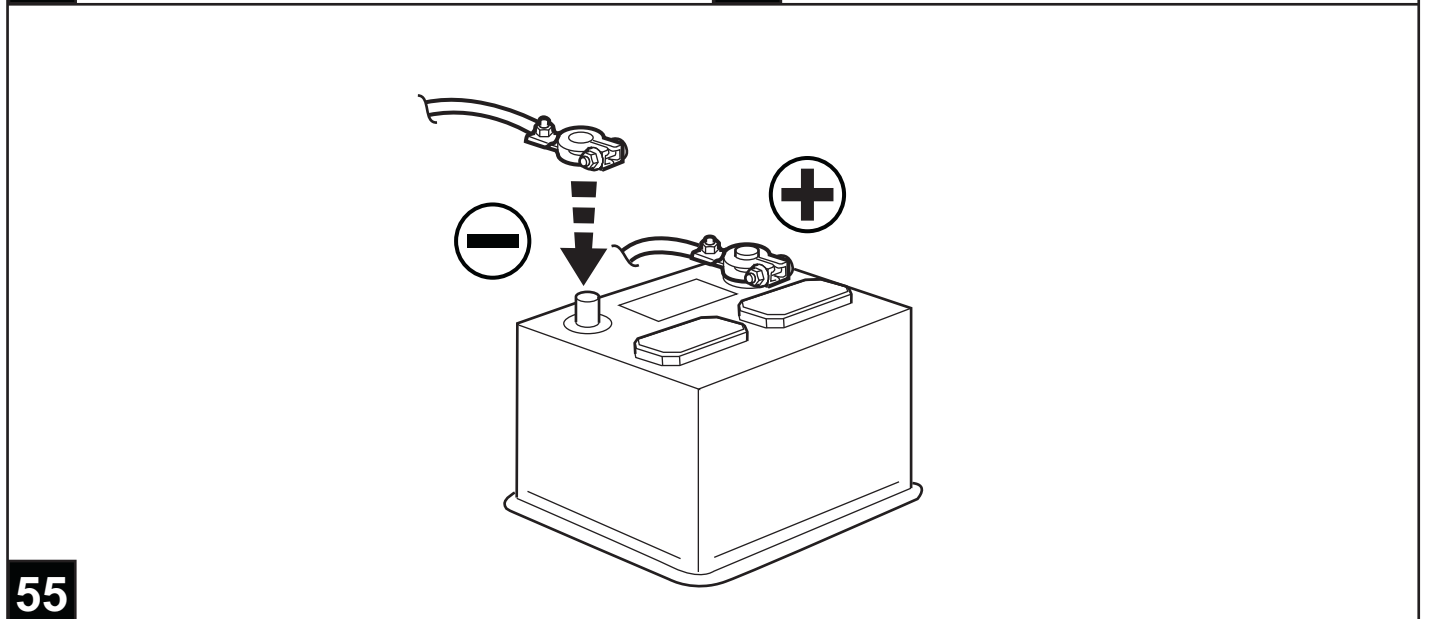
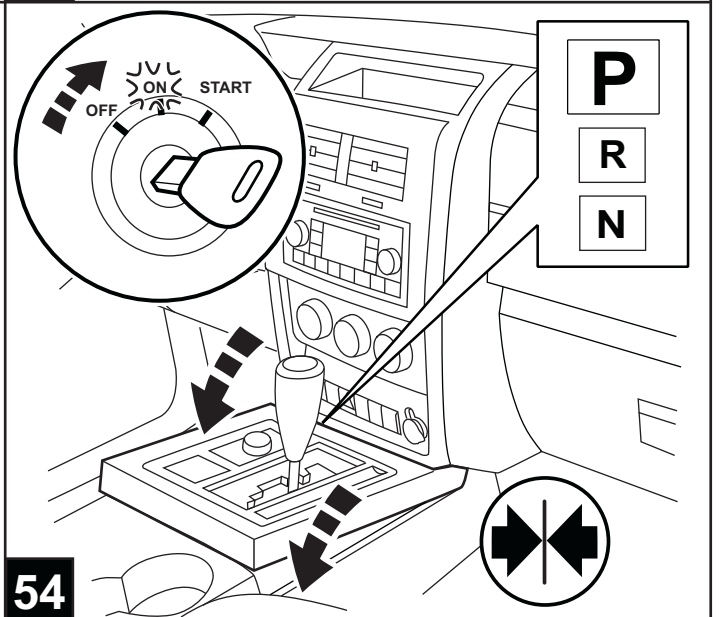
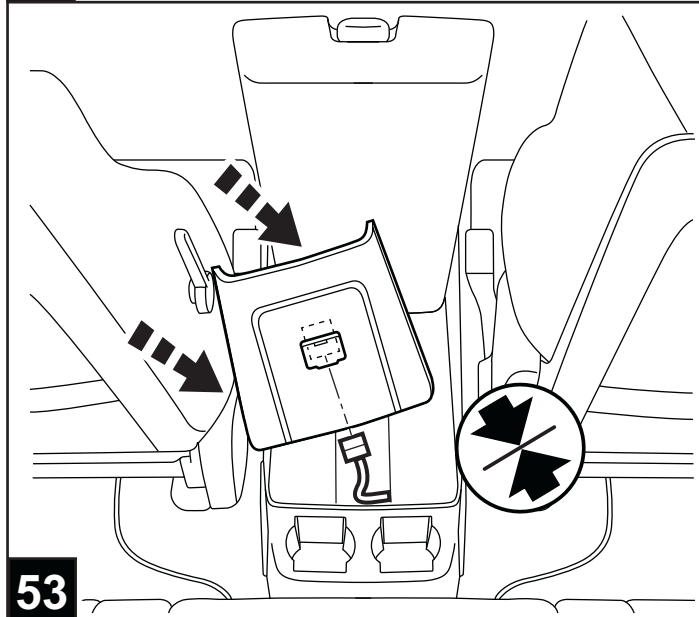
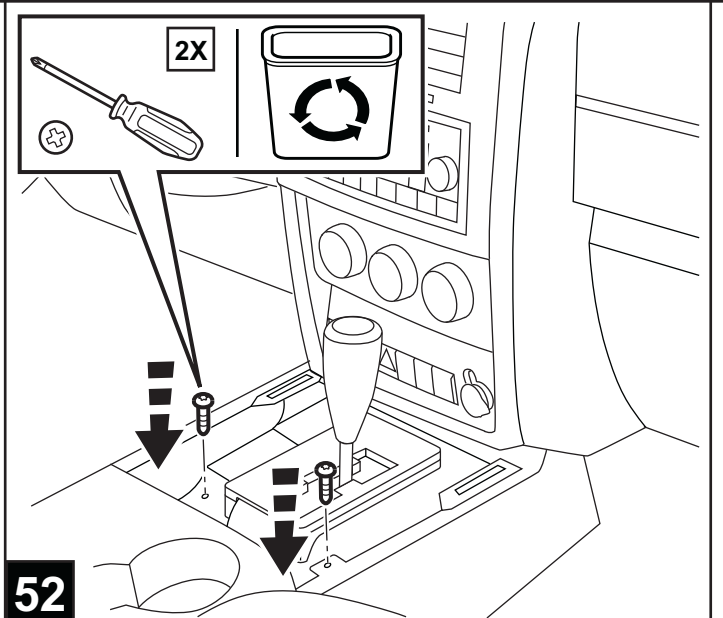
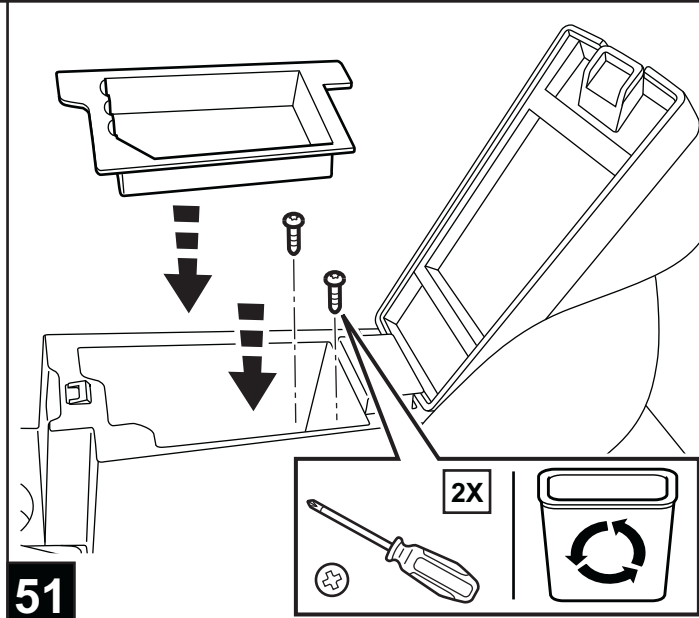
39

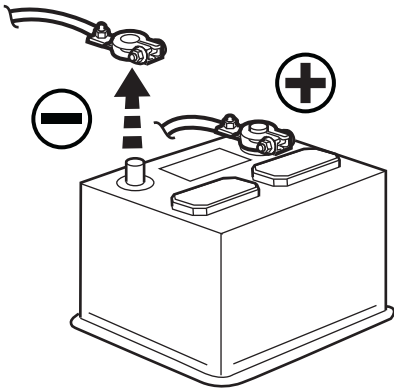
DODGE NITRO



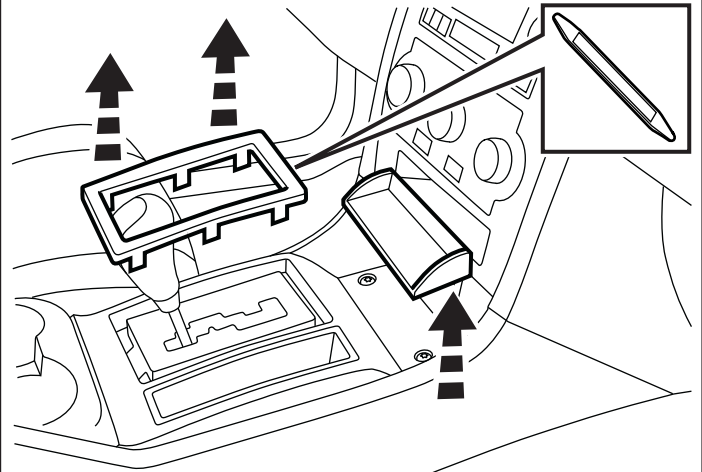


DODGE NITRO

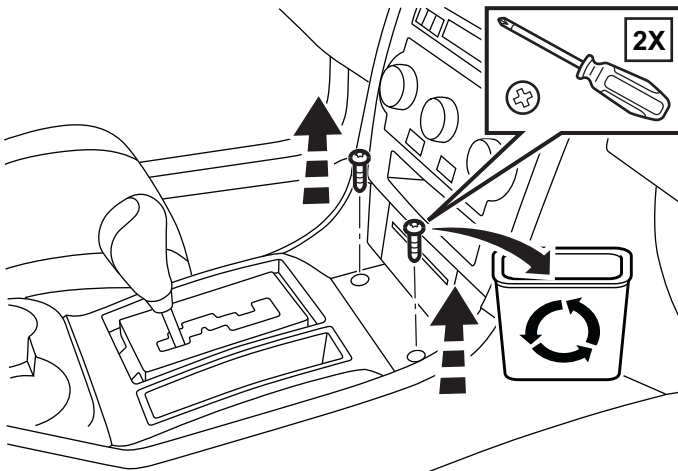




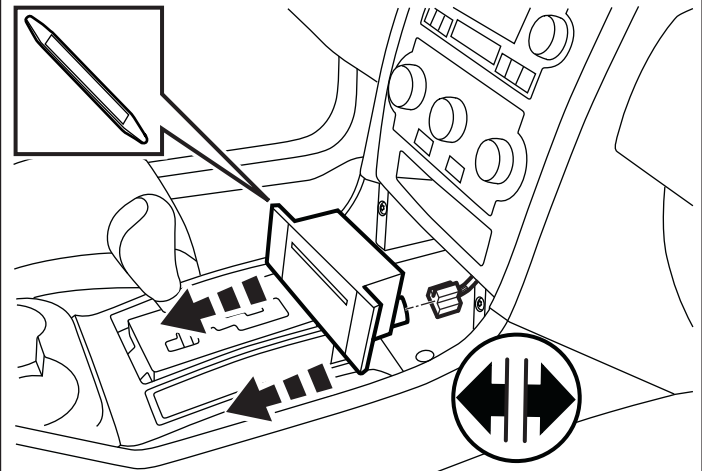
1



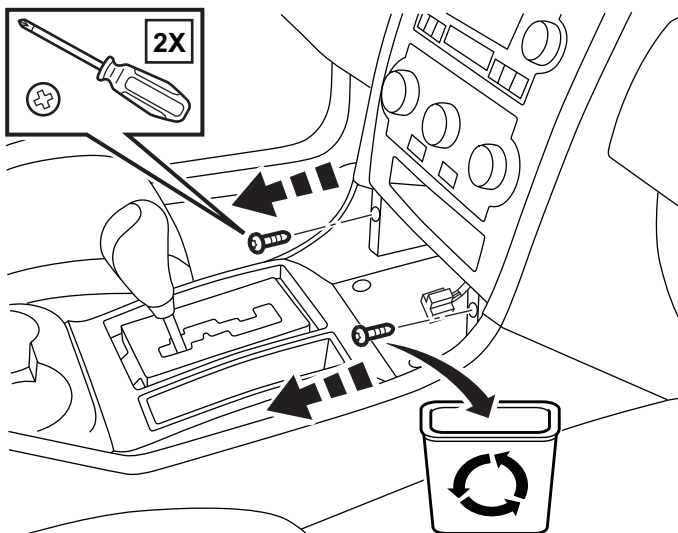
2



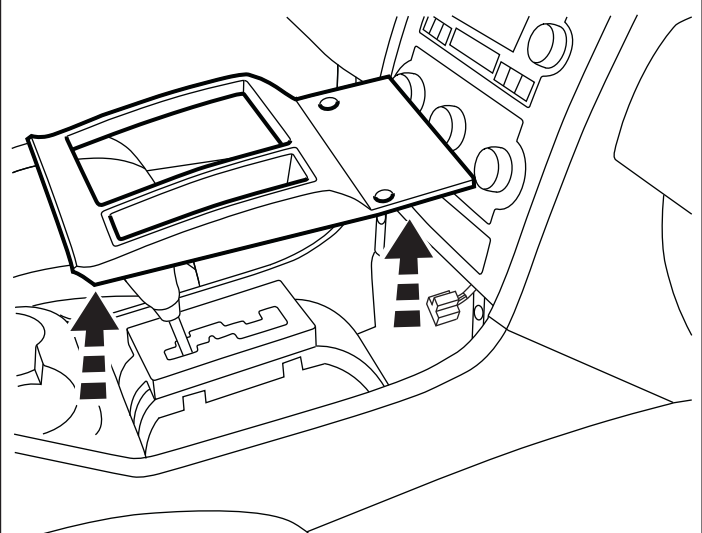
3



4

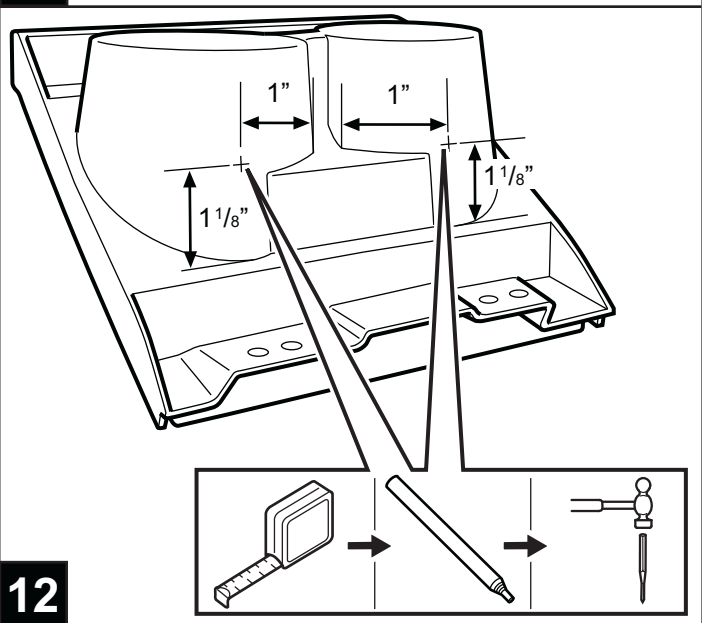
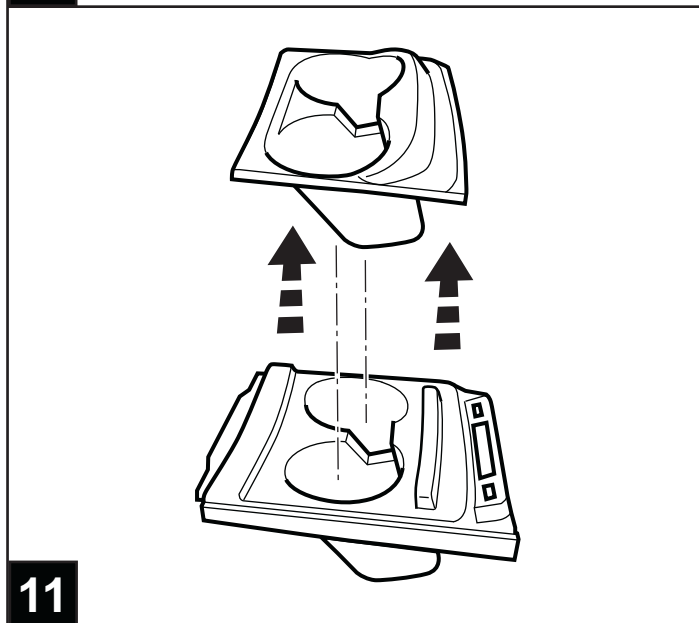
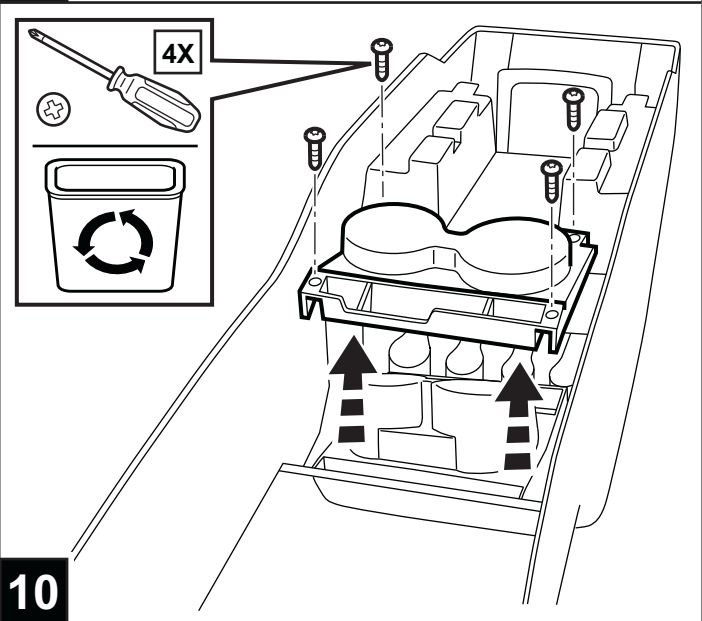
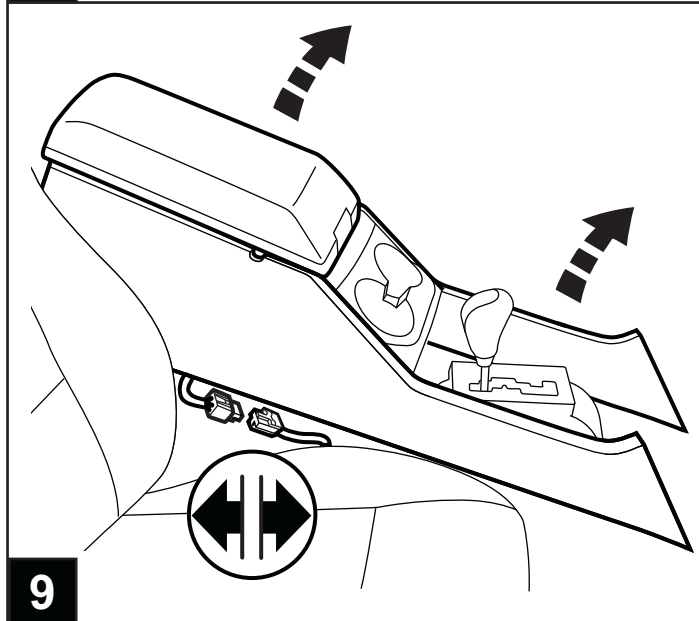
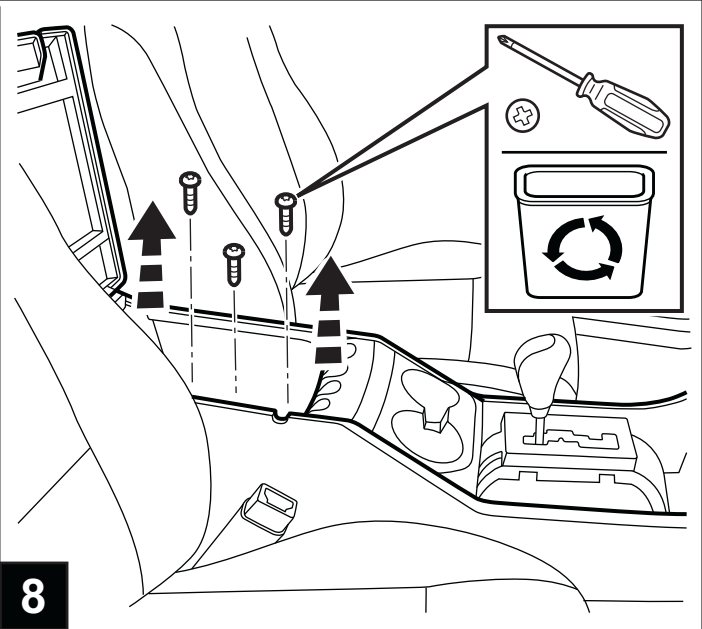
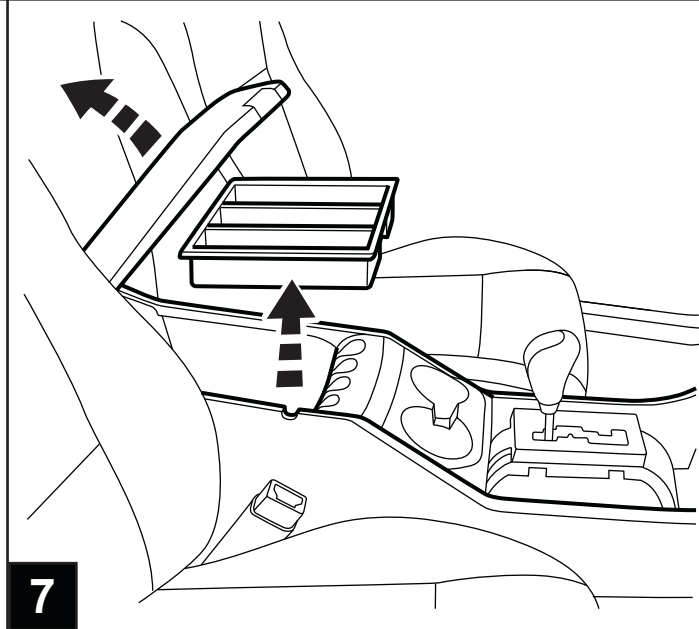


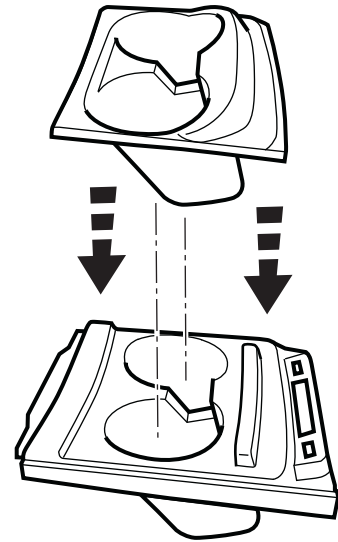
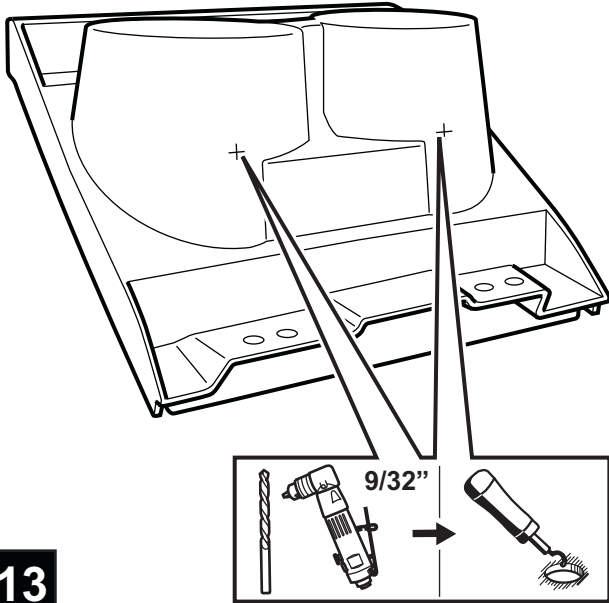
5



6

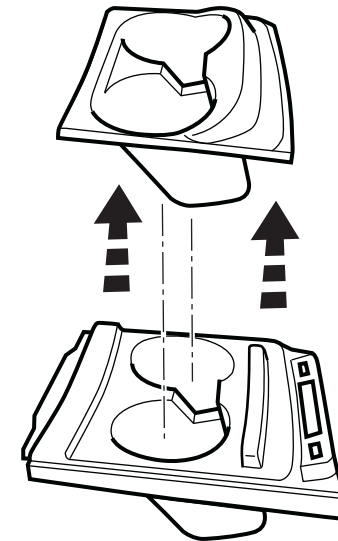
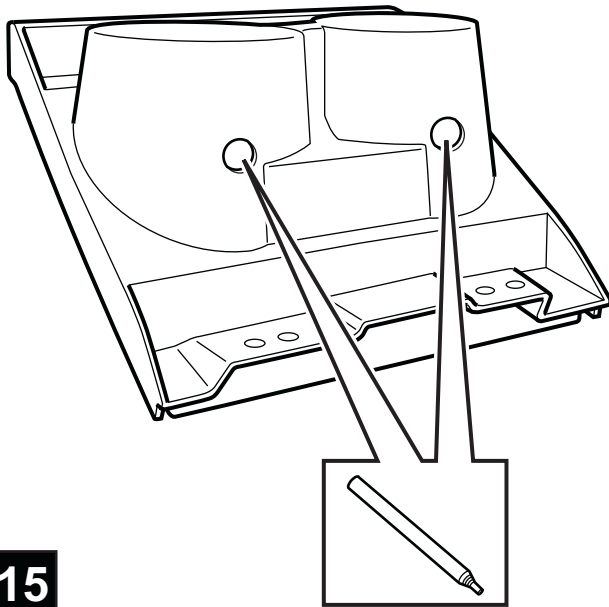
CHRYSLER 300 / DODGE CHARGER





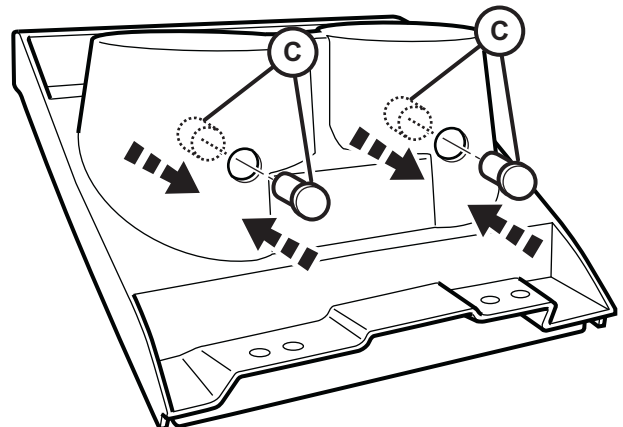
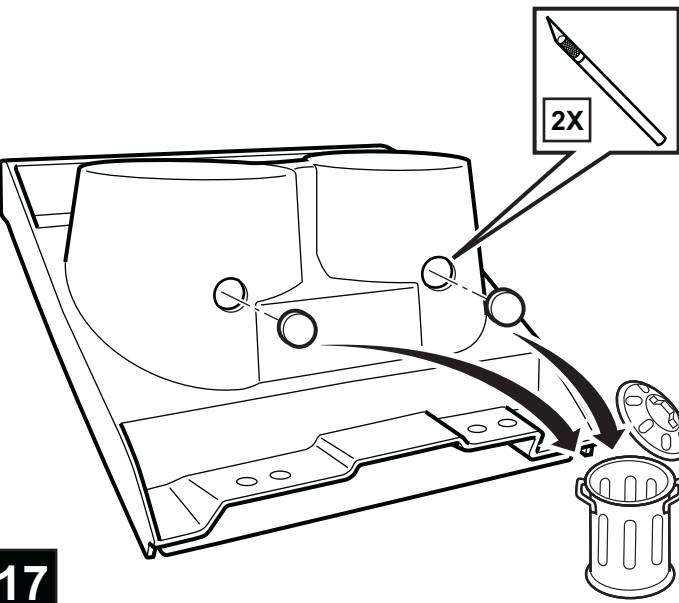
13

14



15

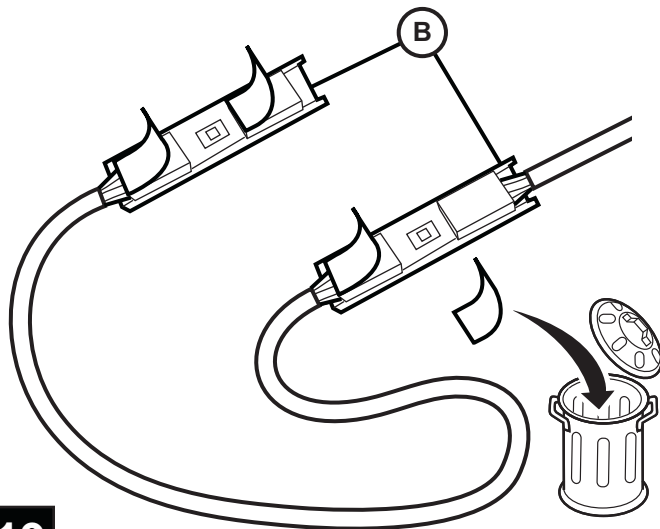
16



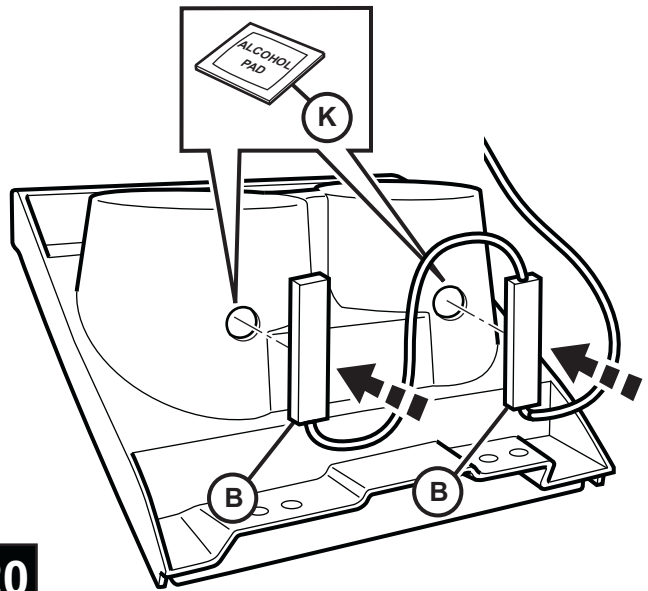
17

18

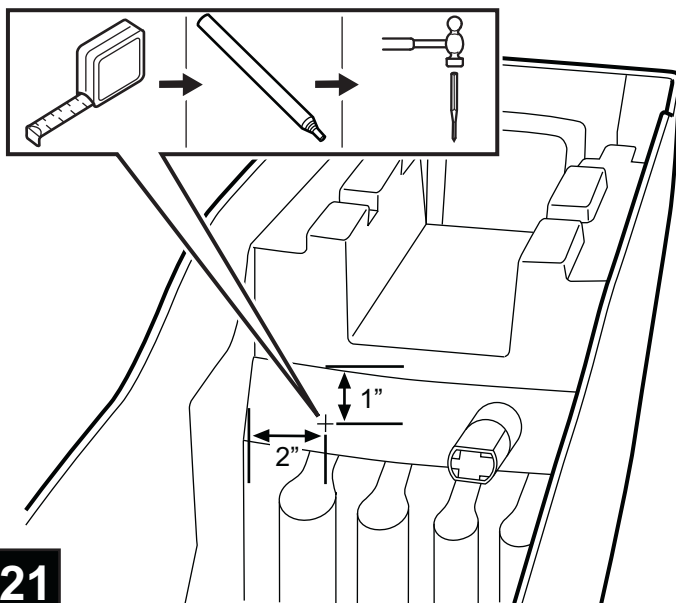
CHRYSLER 300 / DODGE CHARGER



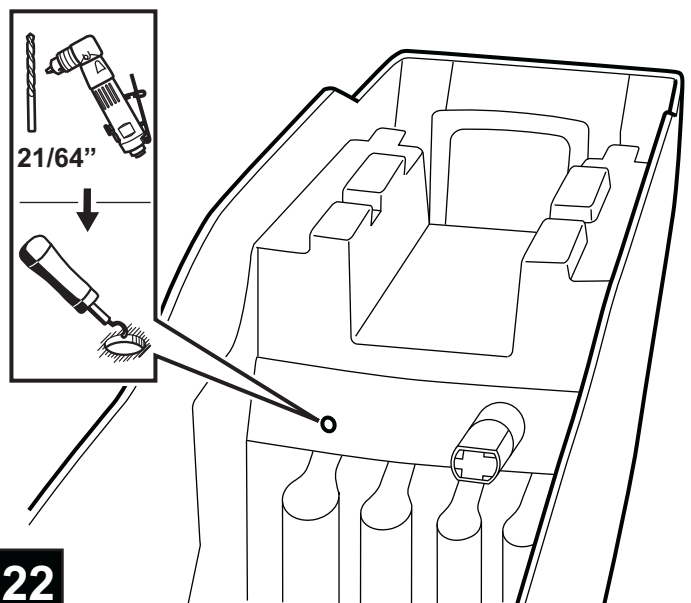
19



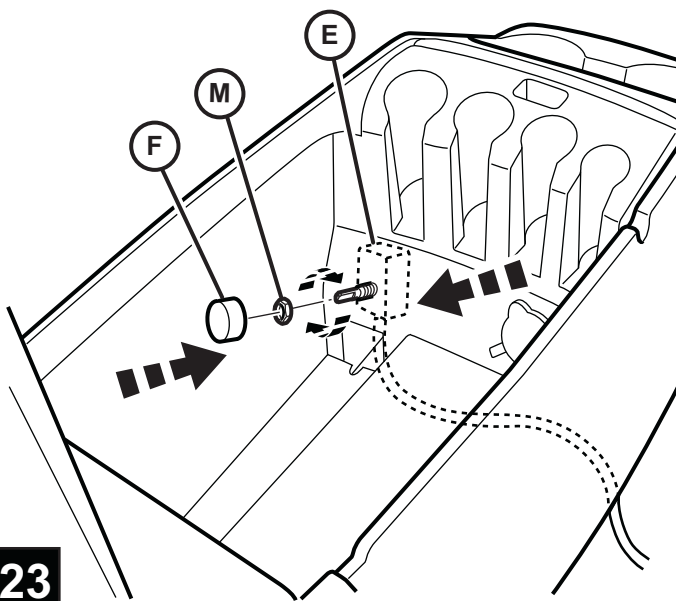
20



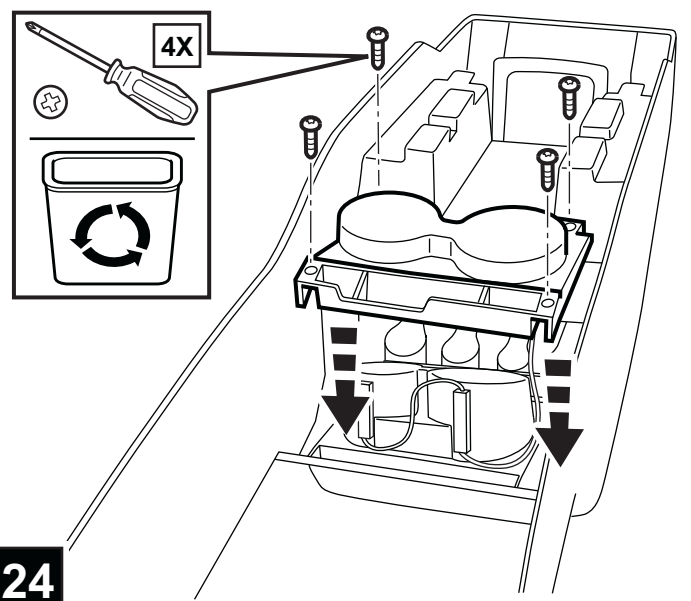
21



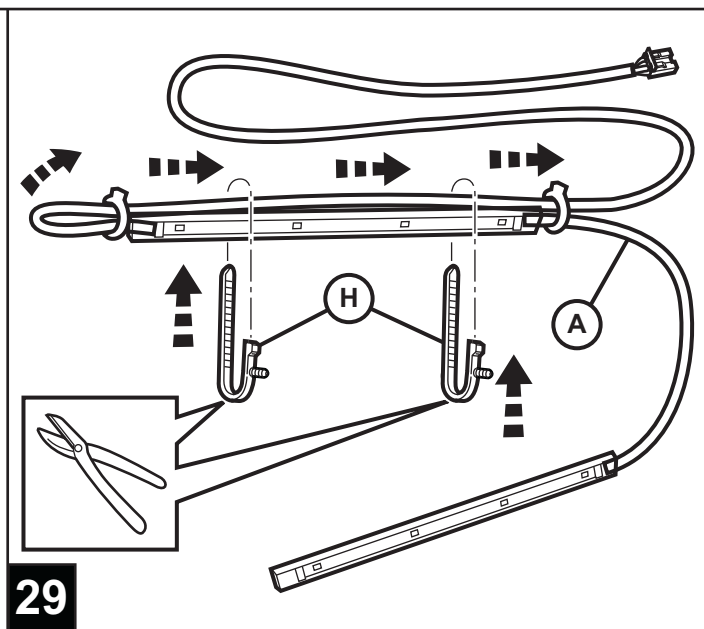
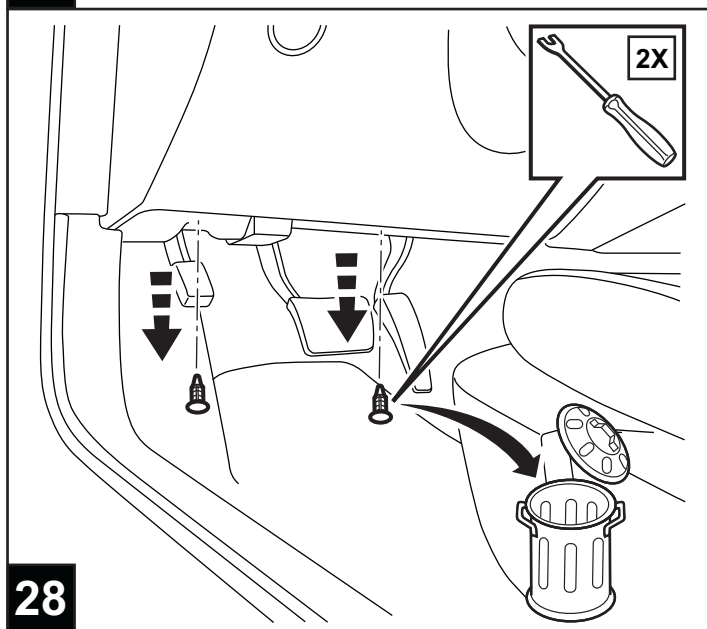
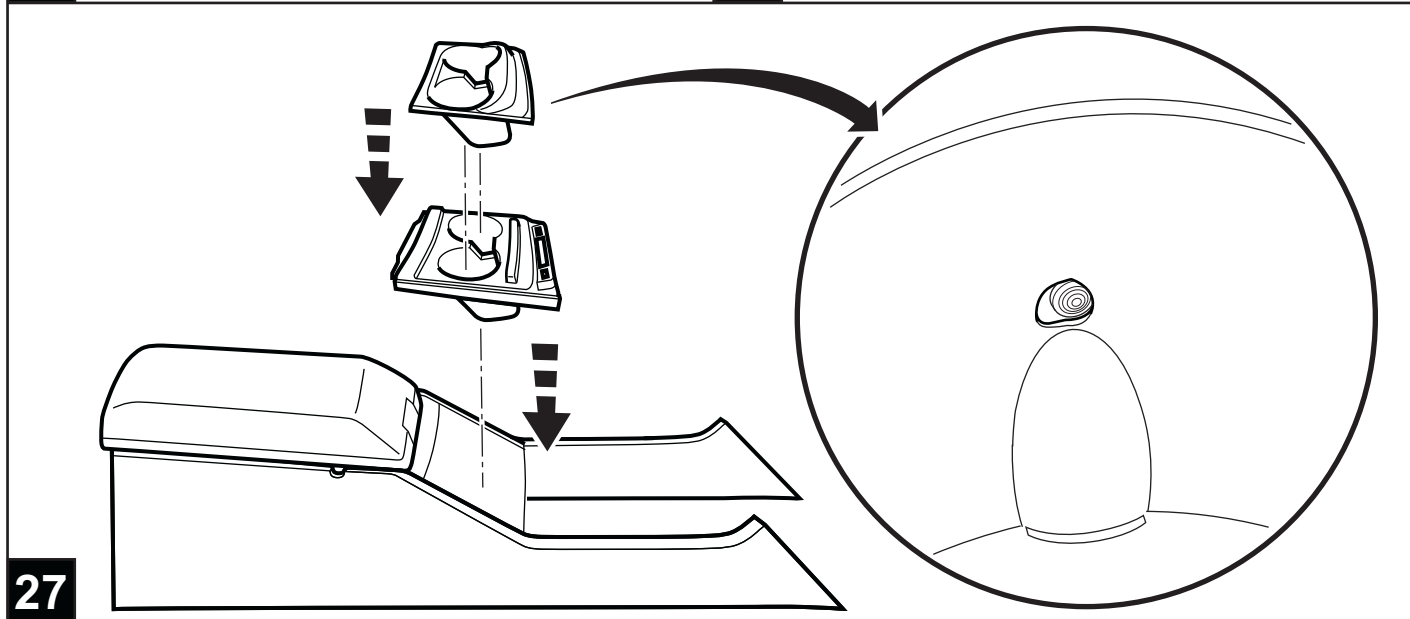
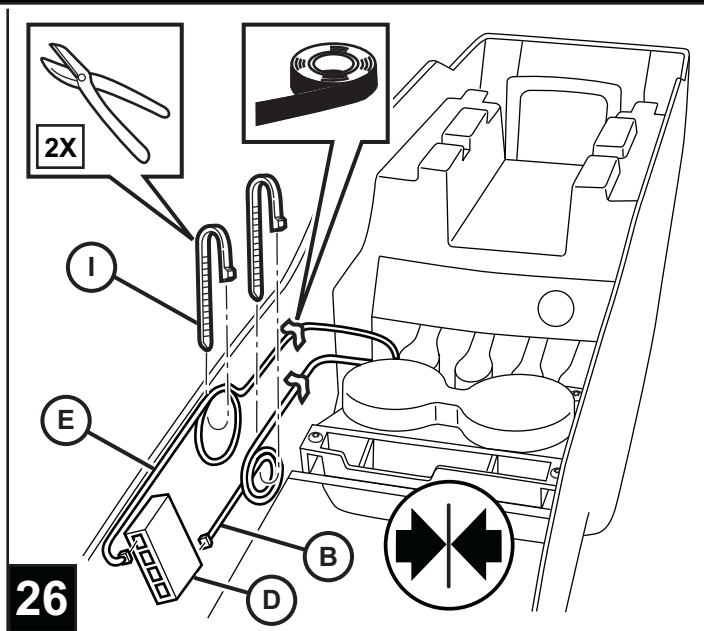
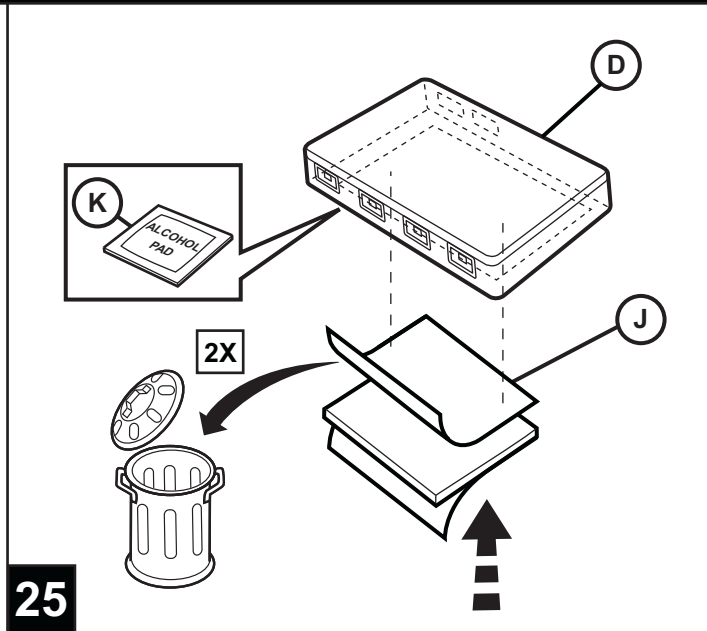
22



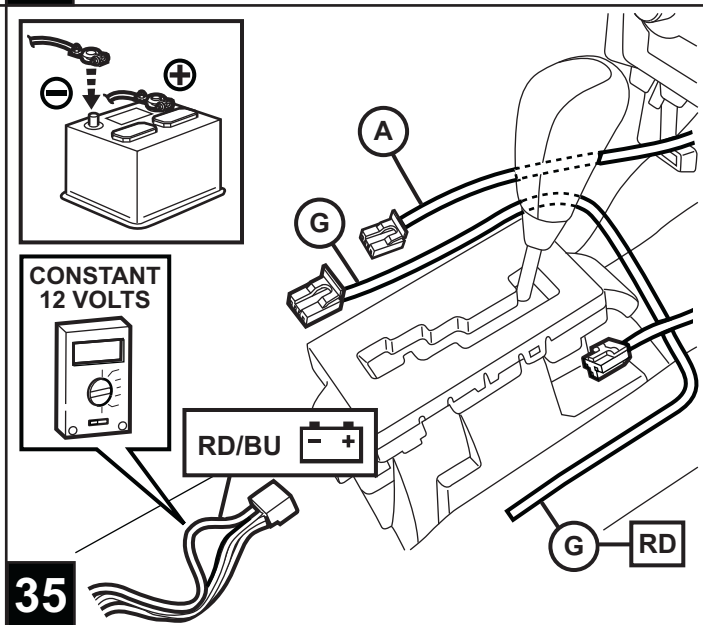
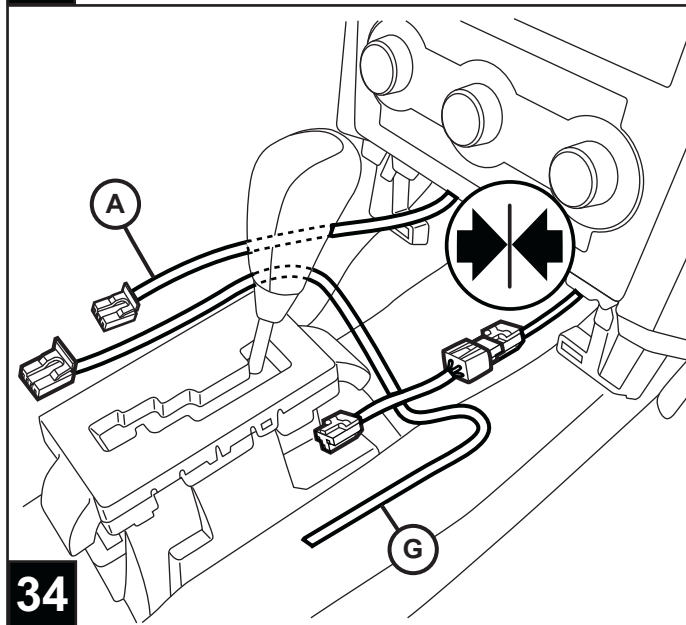
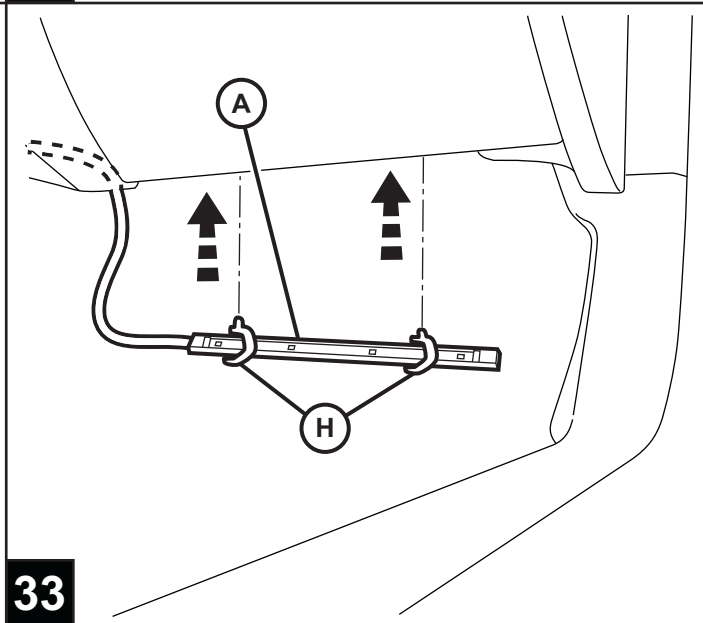
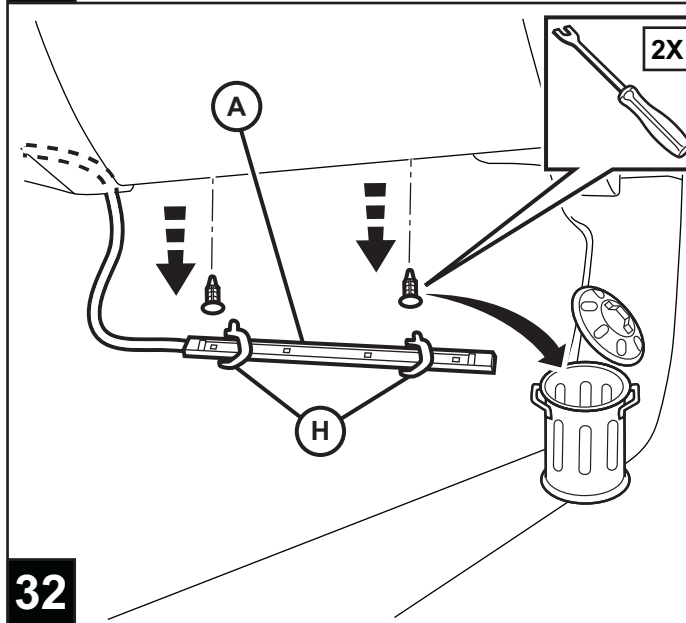
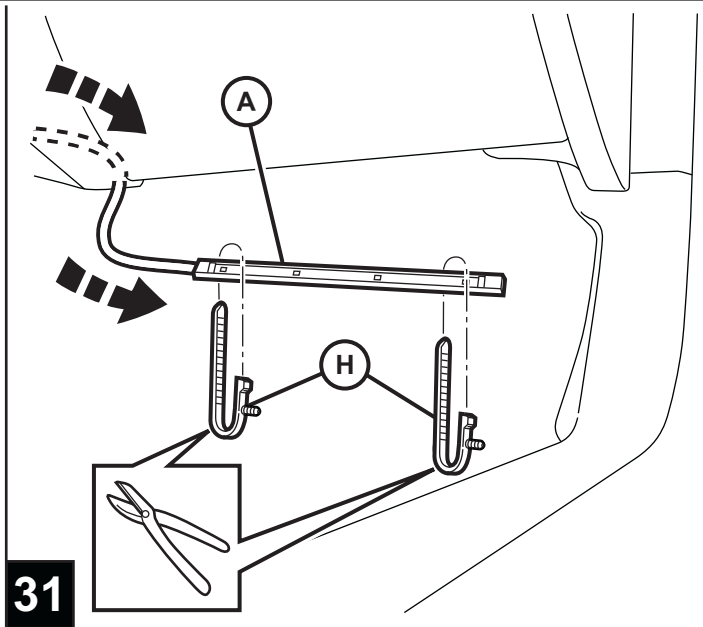
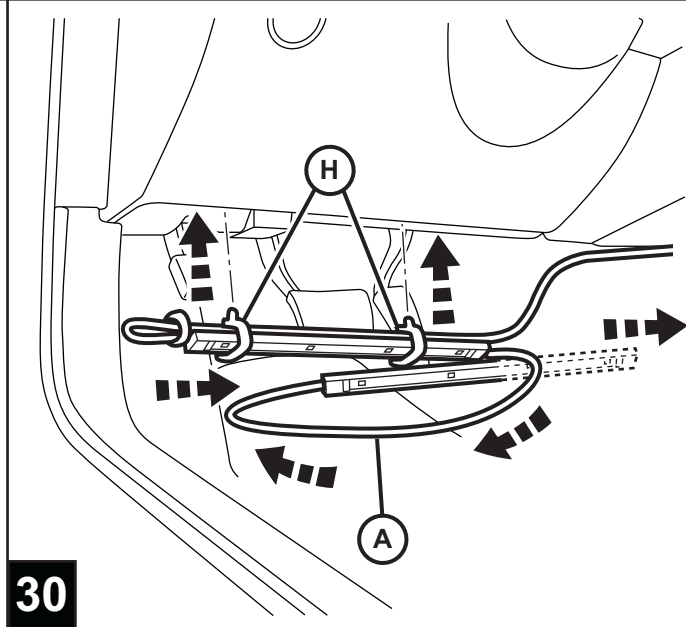
23

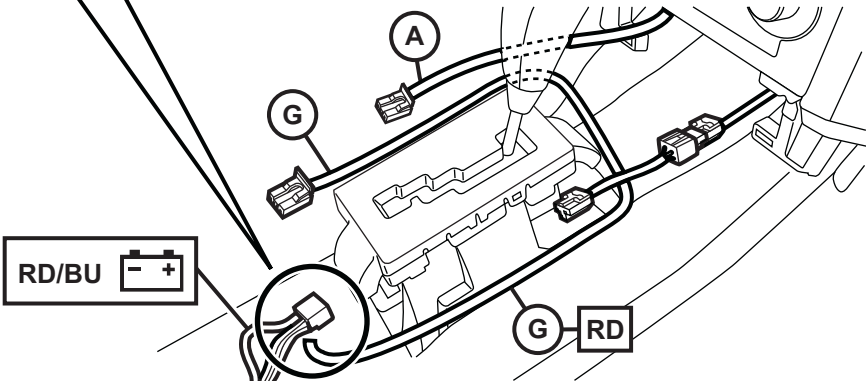
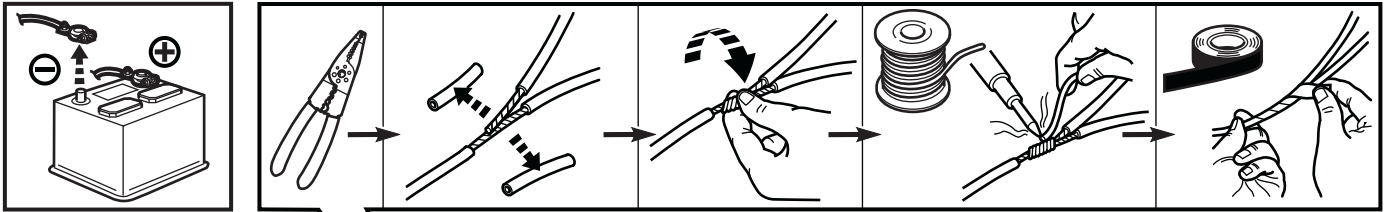


24

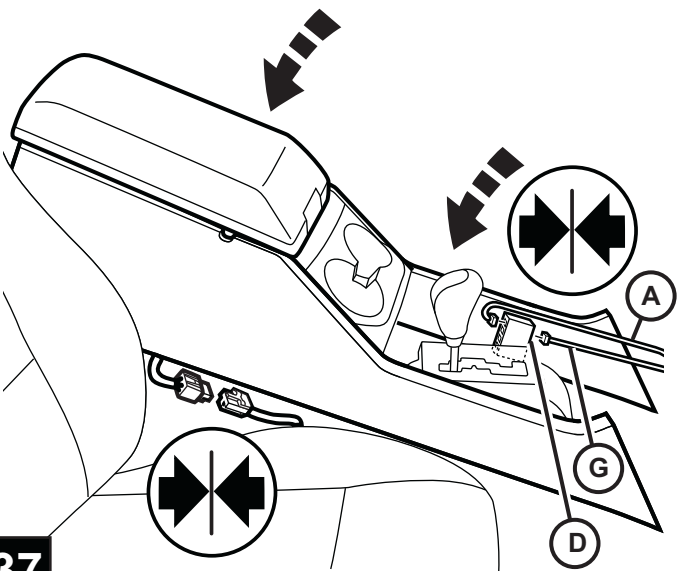


CHRYSLER 300 / DODGE CHARGER

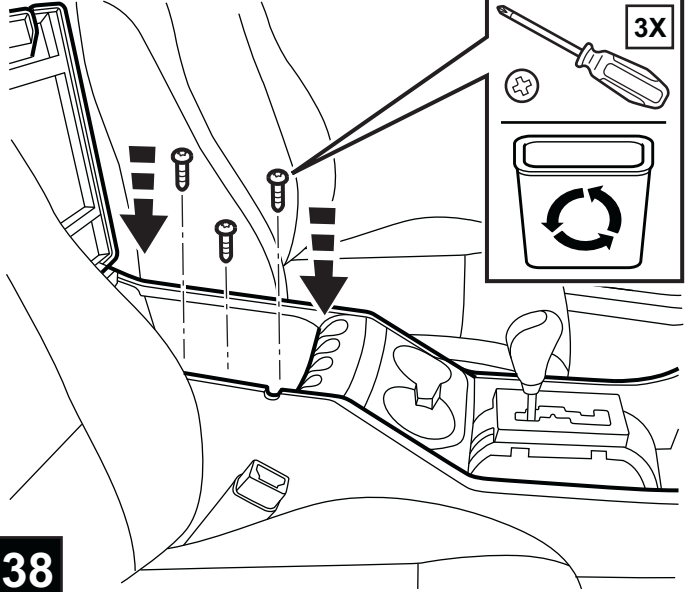




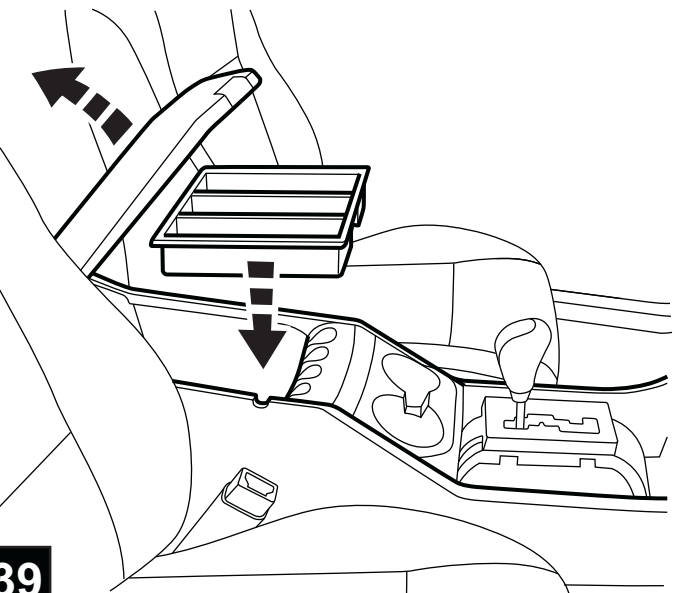
36



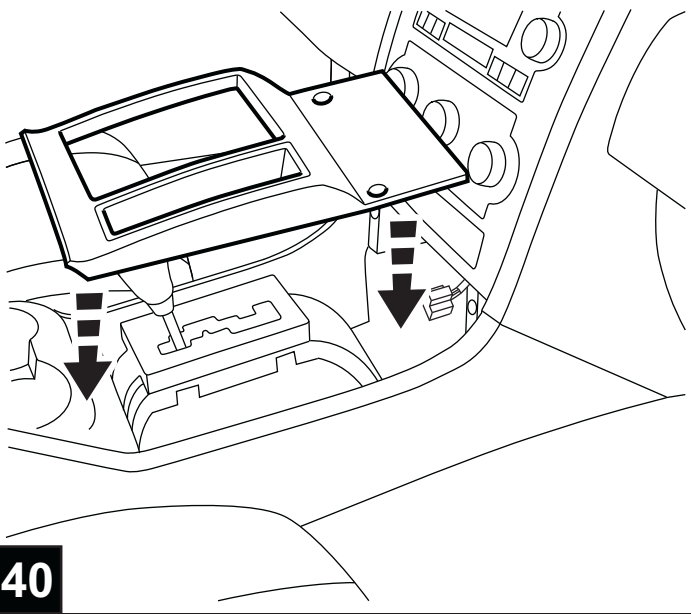
37



38

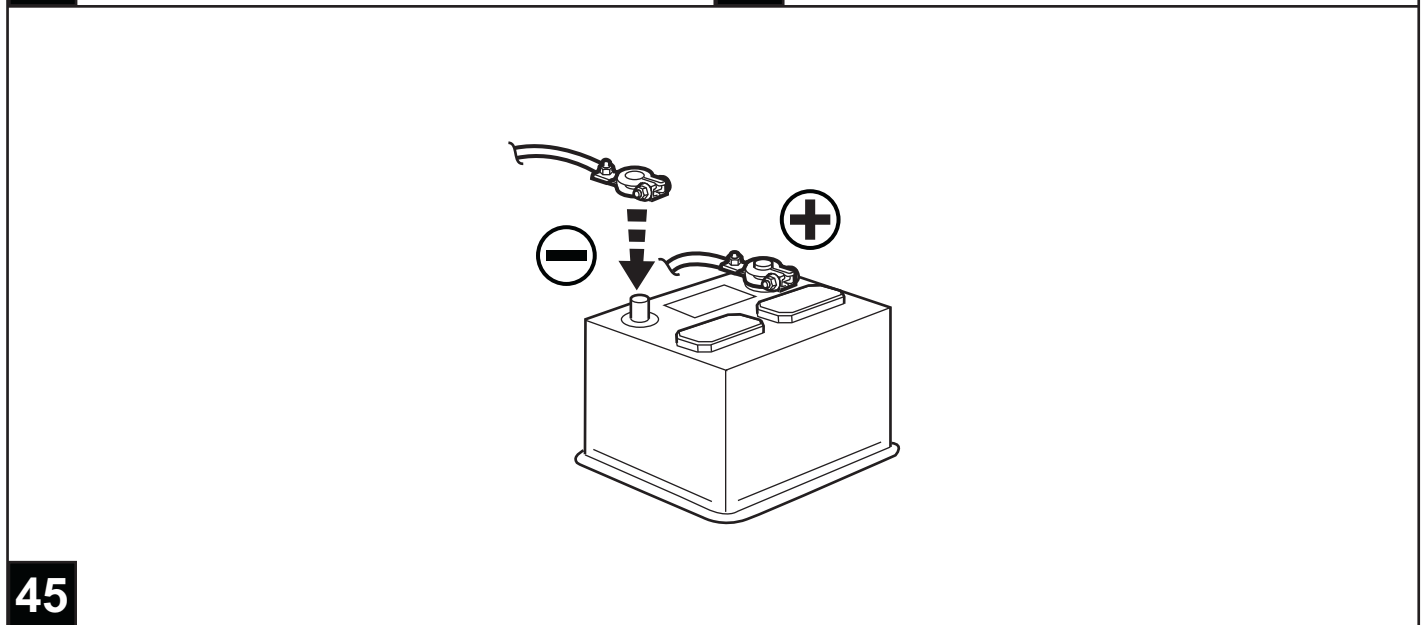
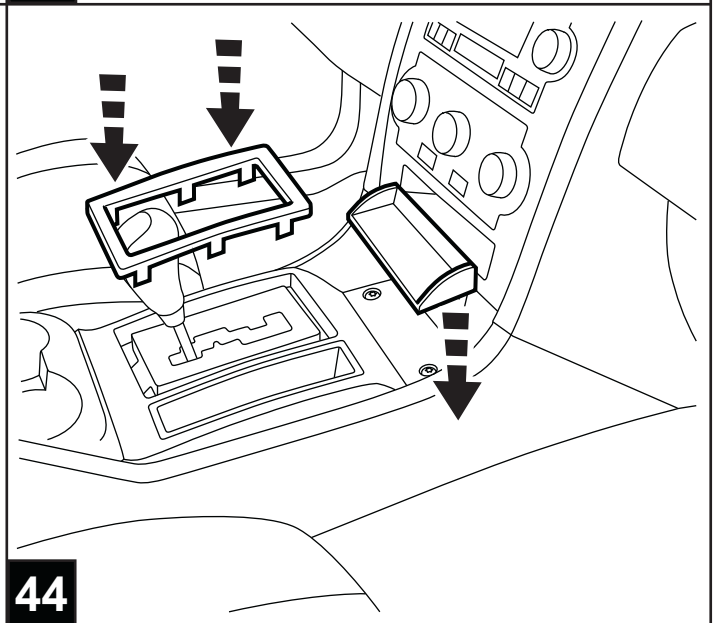
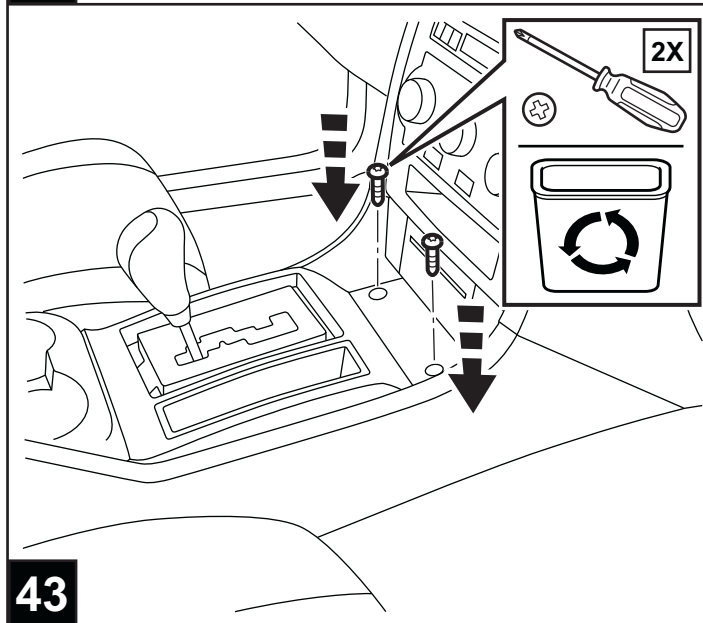
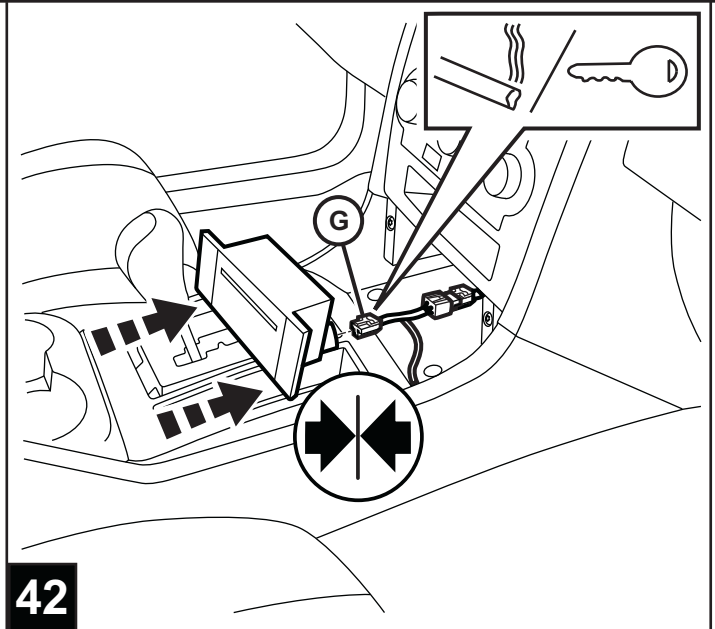
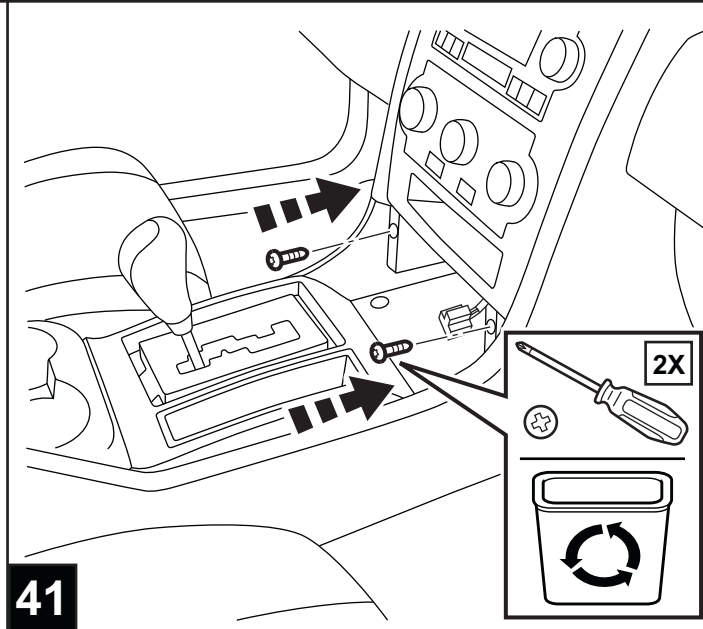


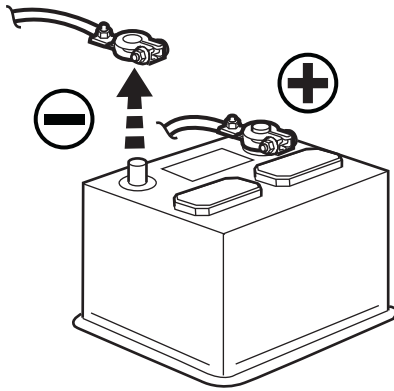
39



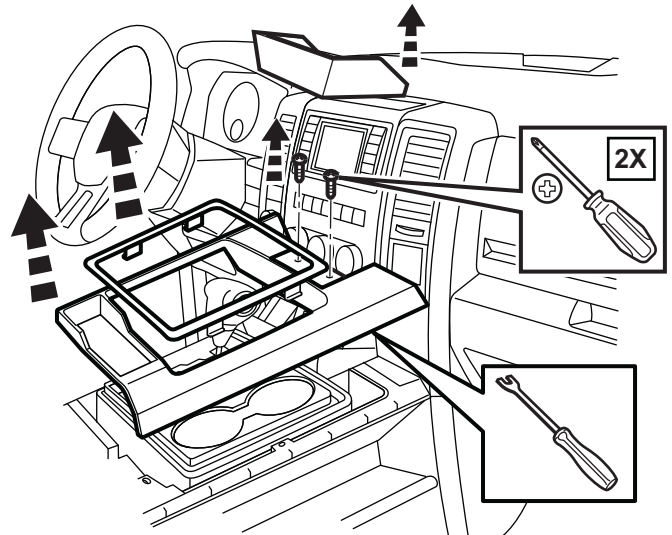
40

CHRYSLER 300 / DODGE CHARGER



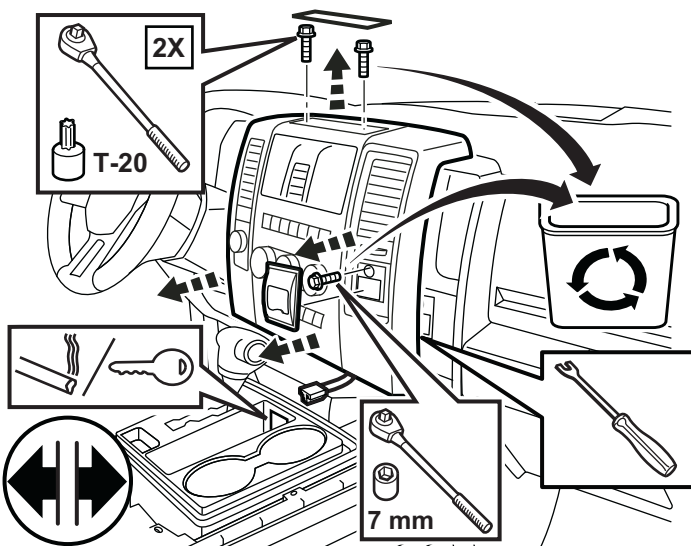


1



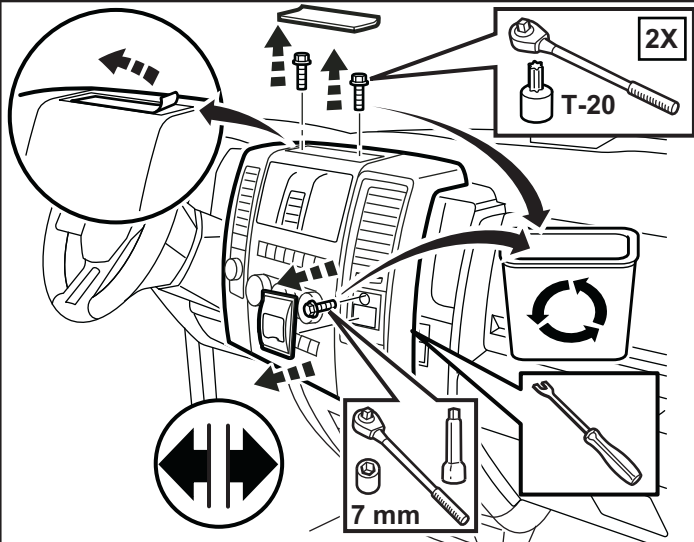
2

AUTOMATIC WITH CENTER CONSOLE



3

AUTOMATIC WITH CENTER CONSOLE



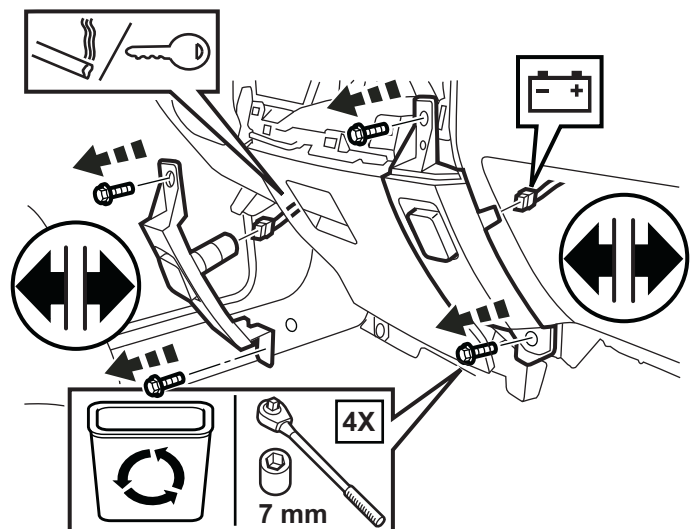
4

AUTOMATIC WITHOUT CENTER CONSOLE SHOWN
MANUAL TRANSMISSION SIMILAR



5

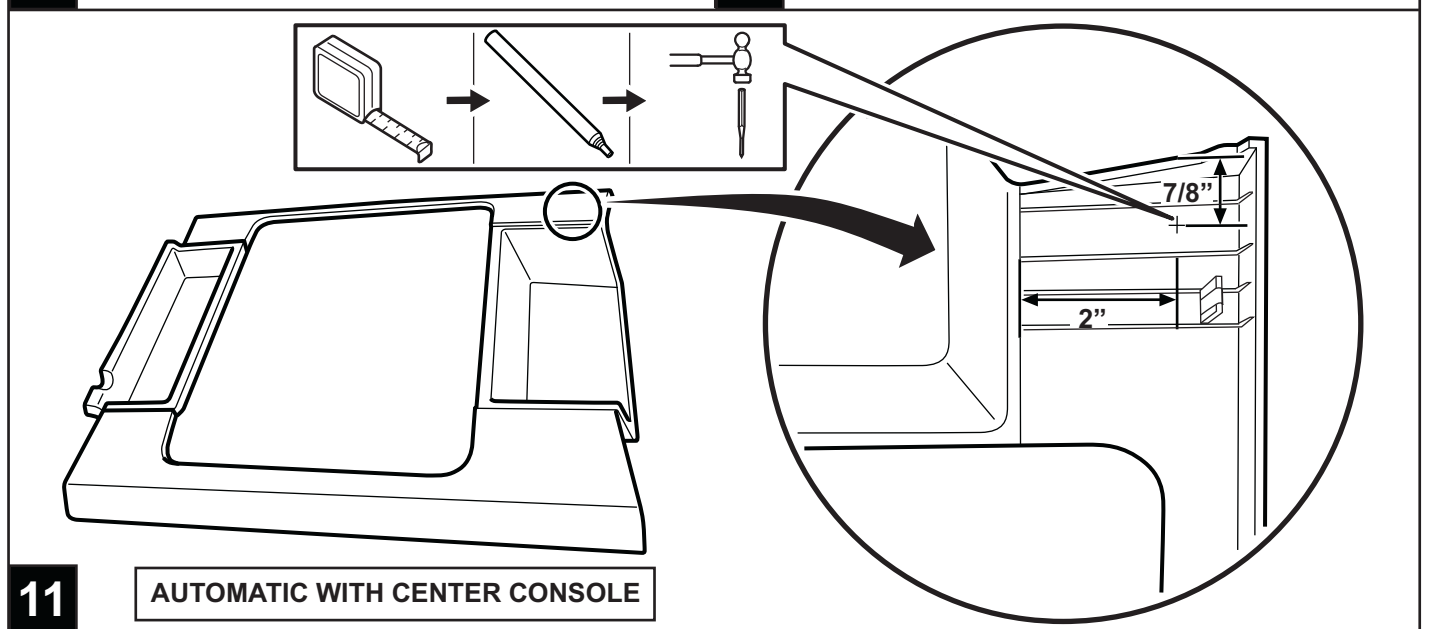
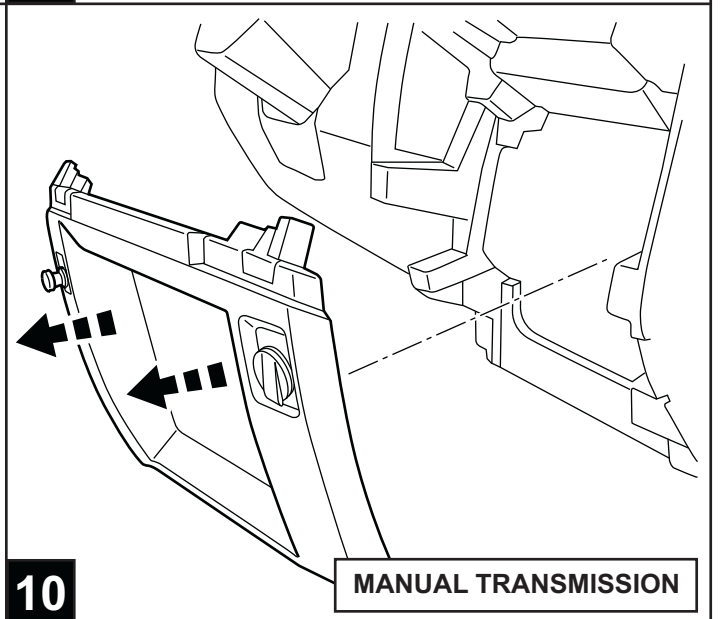
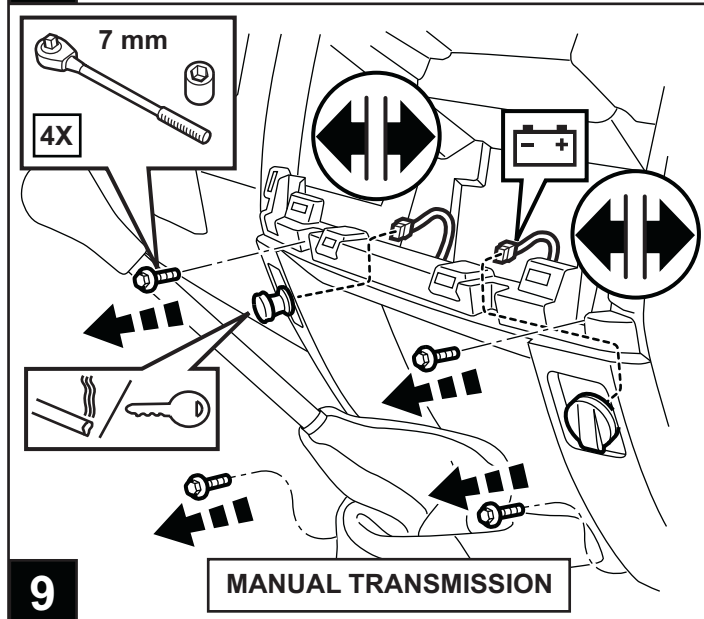
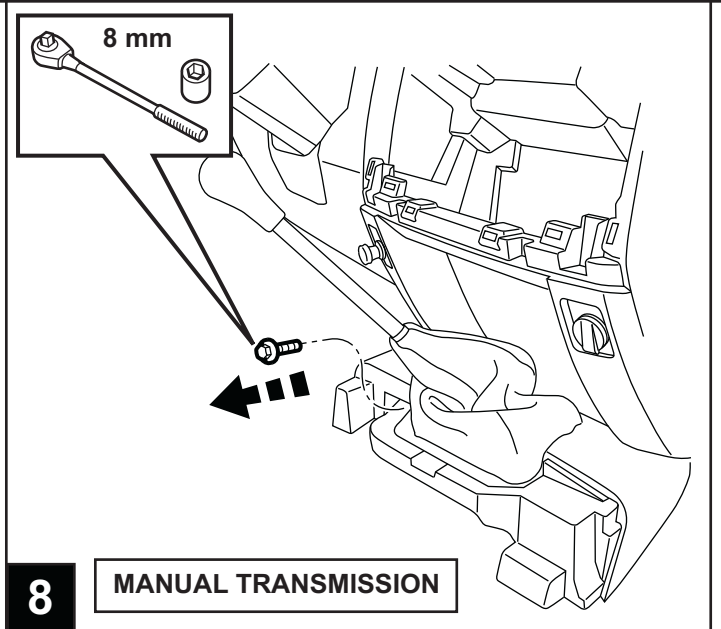
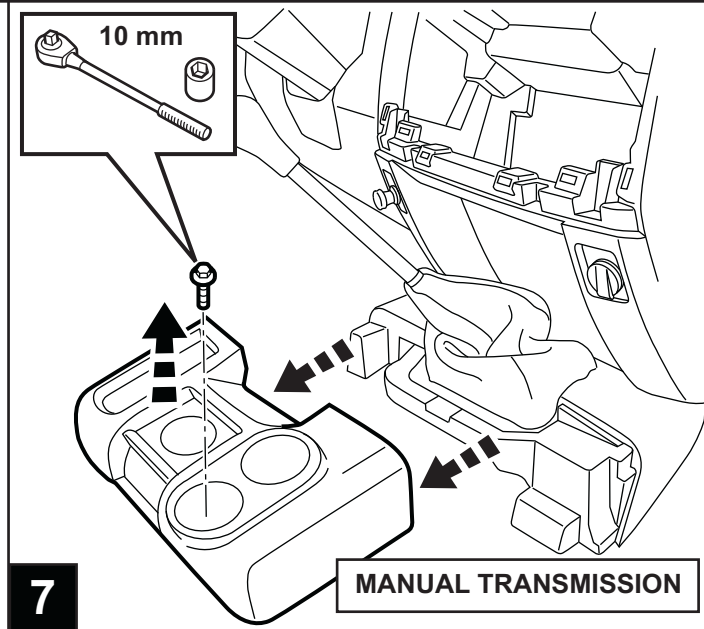
AUTOMATIC WITHOUT CENTER CONSOLE

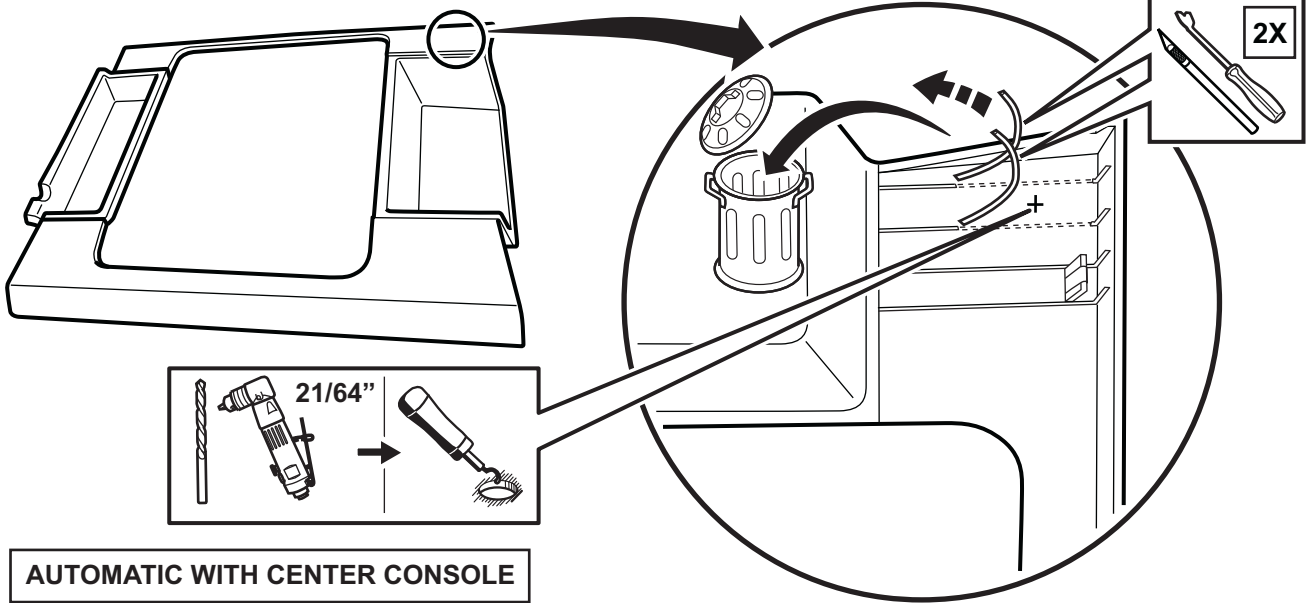


6

AUTOMATIC WITHOUT CENTER CONSOLE

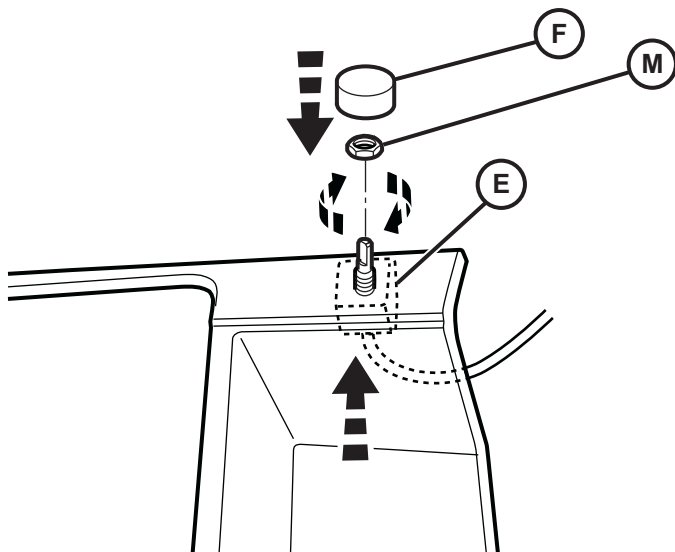
DODGE RAM





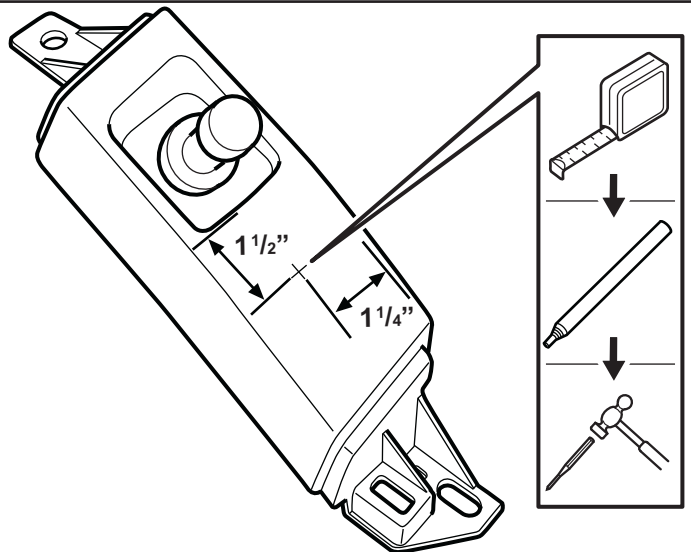
12

AUTOMATIC WITH CENTER CONSOLE



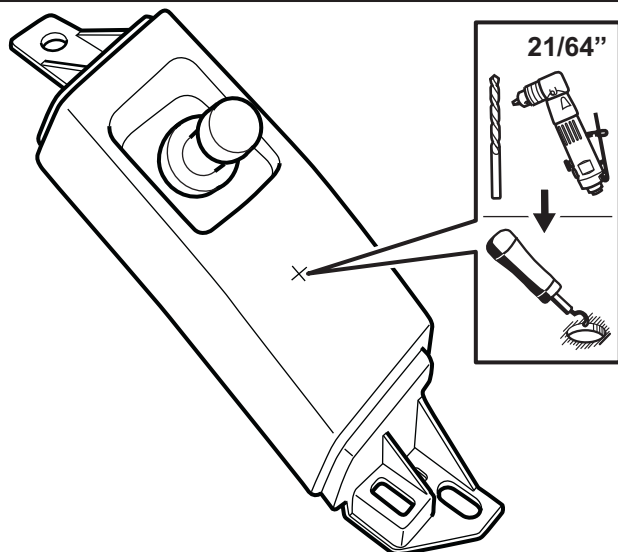
13

AUTOMATIC WITH CENTER CONSOLE



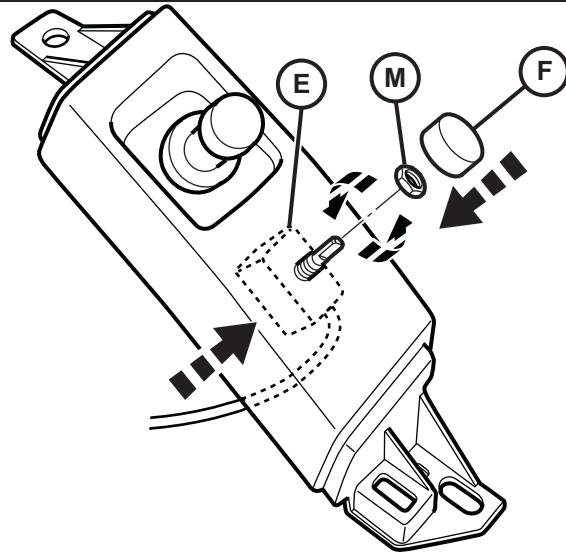
14

AUTOMATIC WITHOUT CENTER CONSOLE



15

AUTOMATIC WITHOUT CENTER CONSOLE

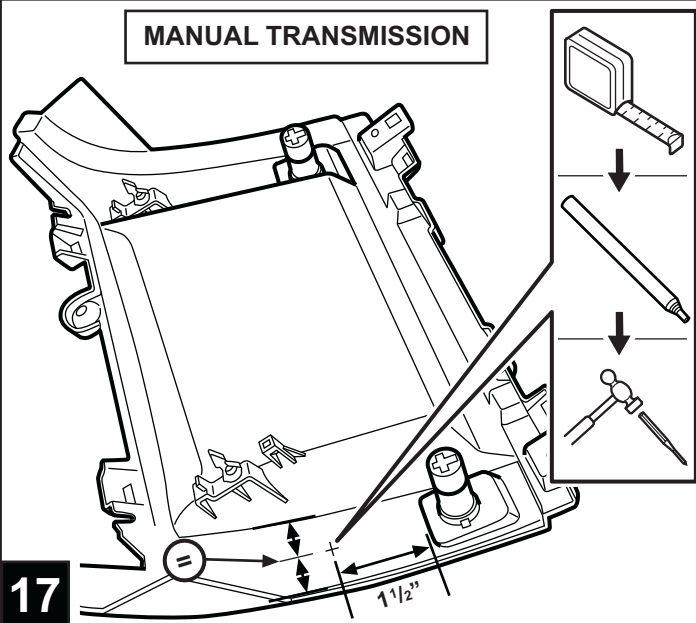


16

AUTOMATIC WITHOUT CENTER CONSOLE

DODGE RAM

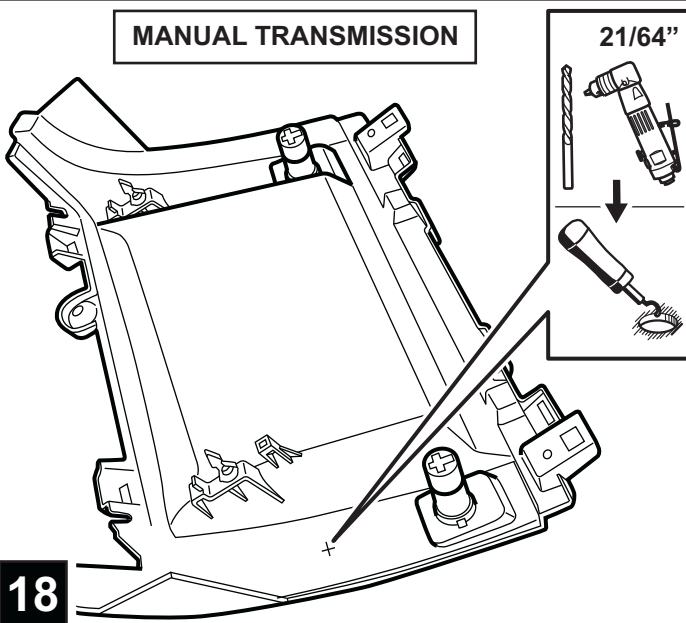
MANUAL TRANSMISSION



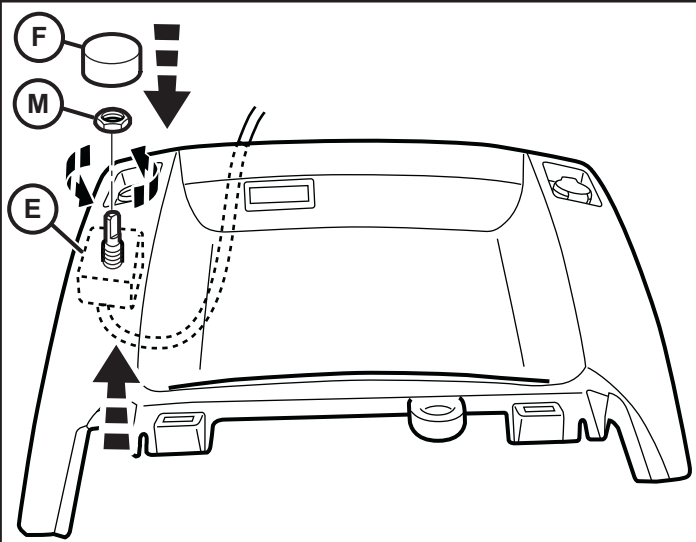
17

MANUAL TRANSMISSION

21/64"

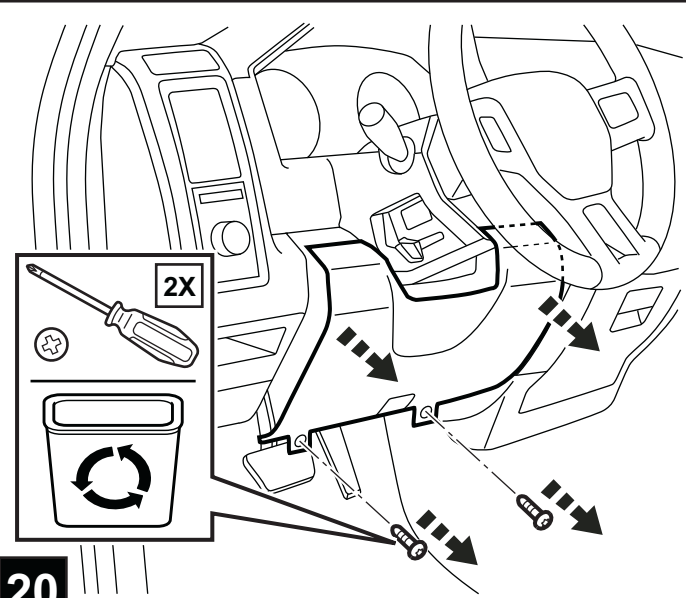


18

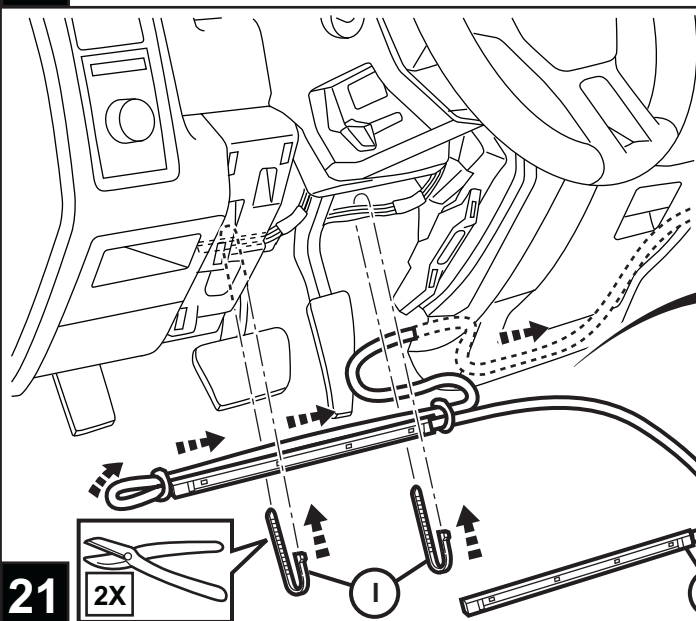


19

MANUAL TRANSMISSION

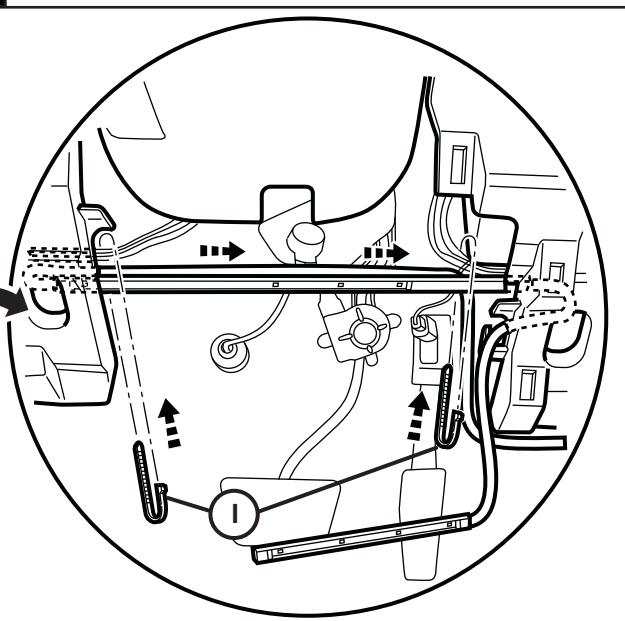


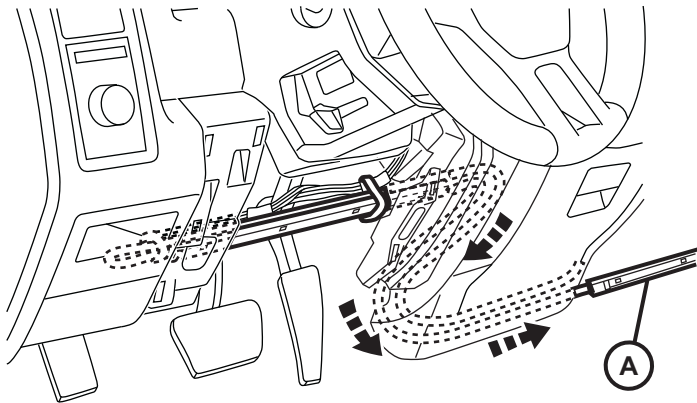
20



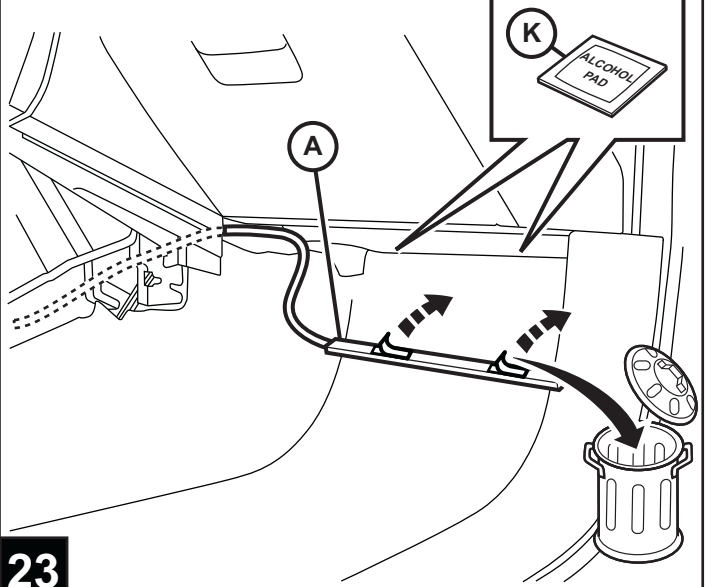
21

2X

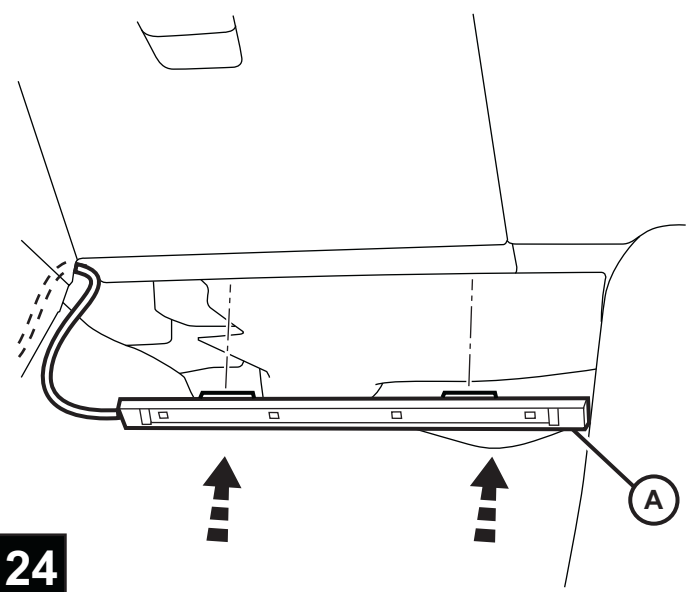




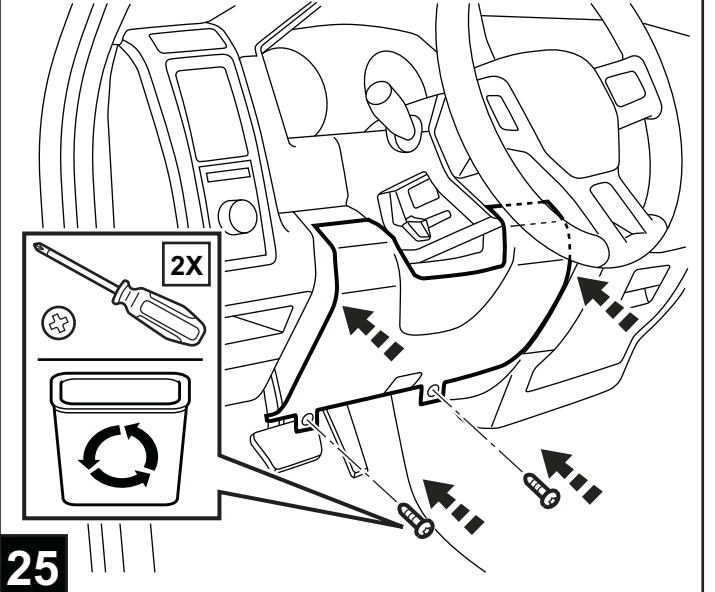
22



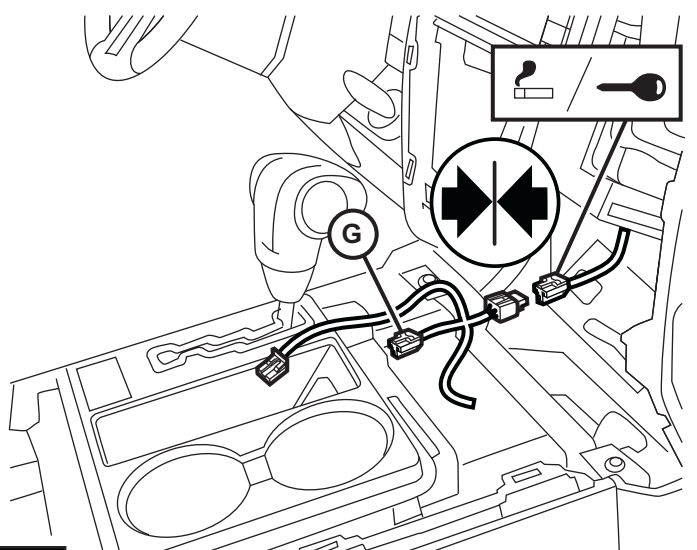
23



24

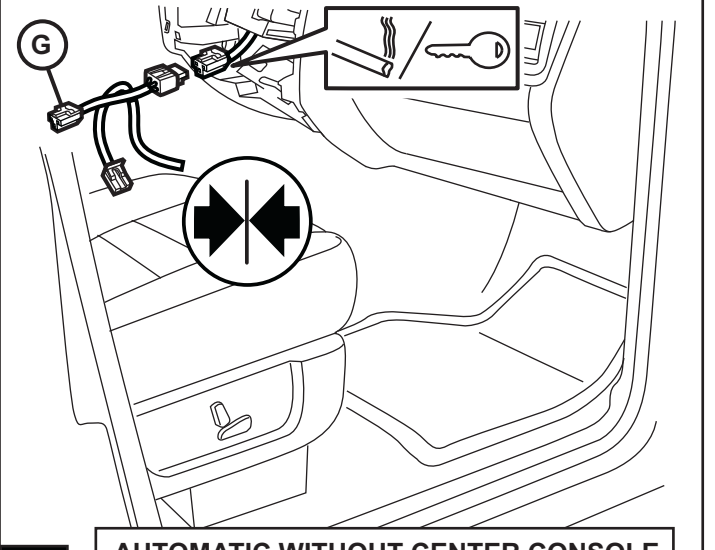


25



26

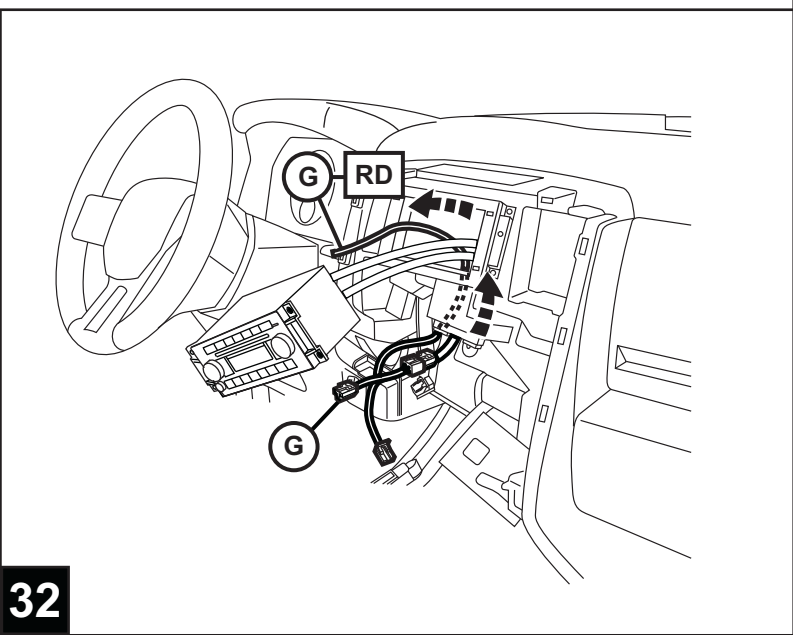
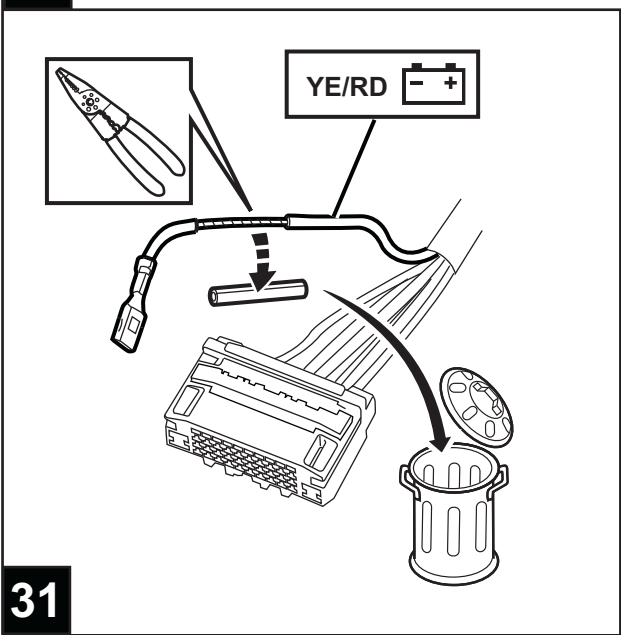
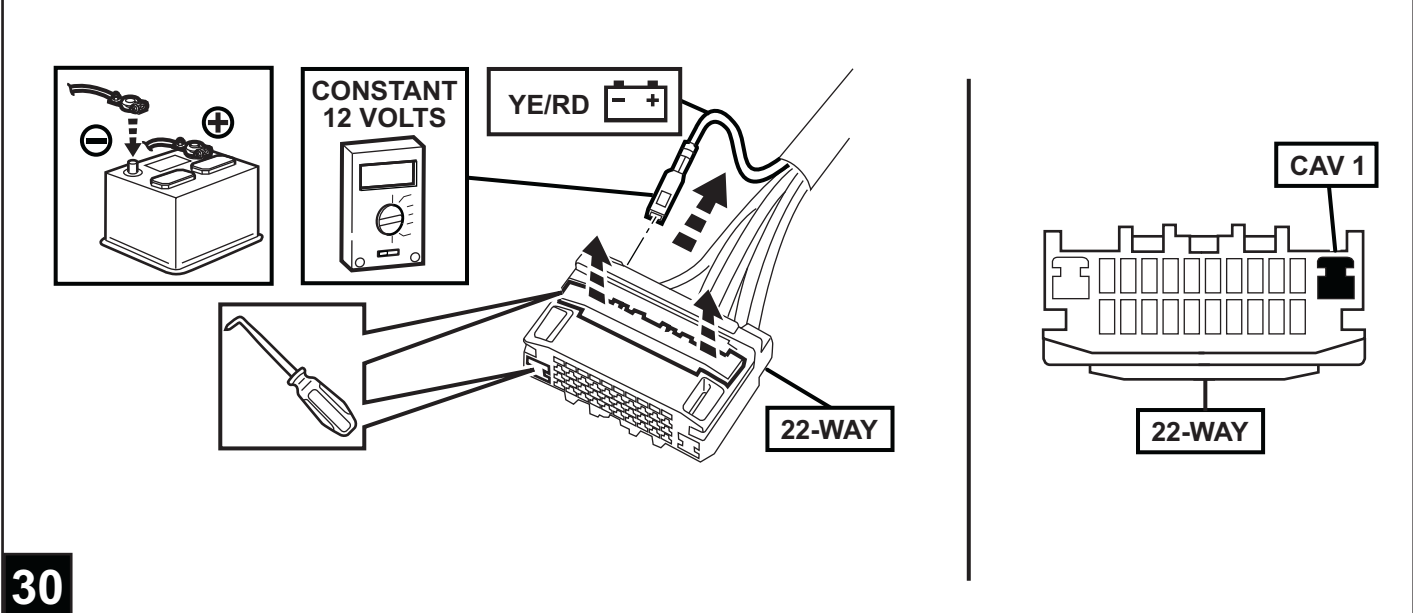
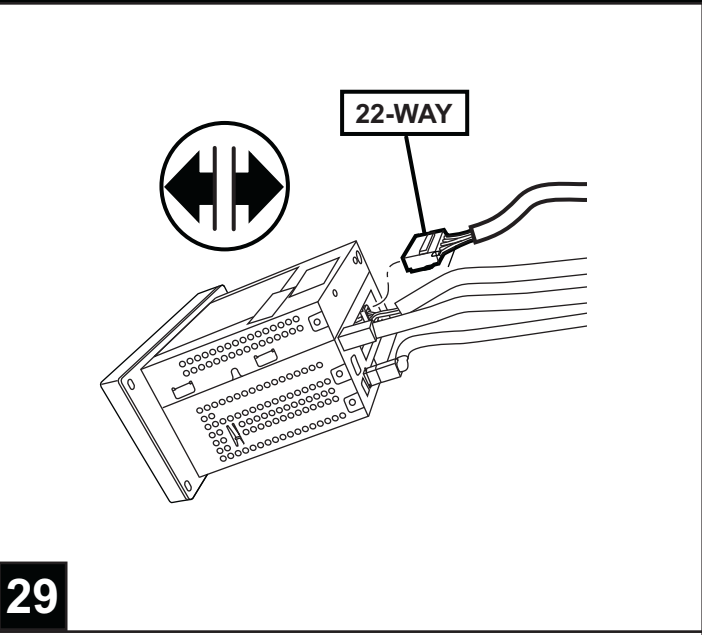
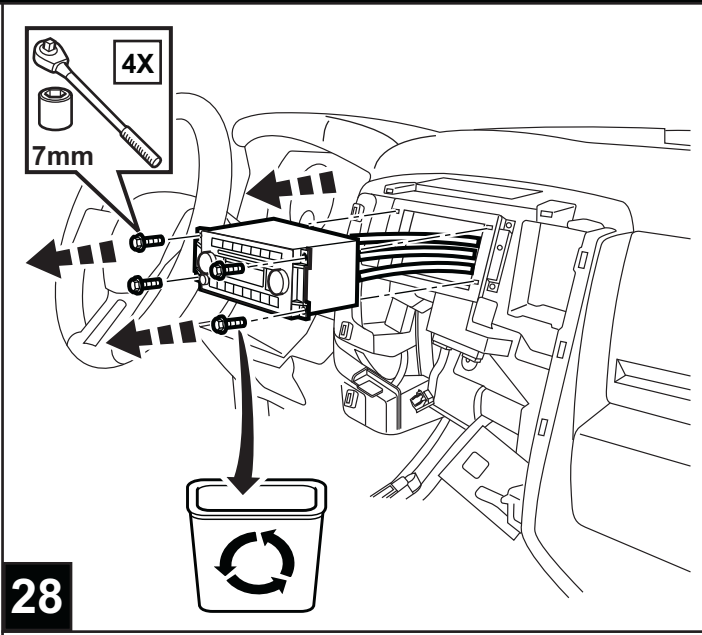
AUTOMATIC WITH CENTER CONSOLE

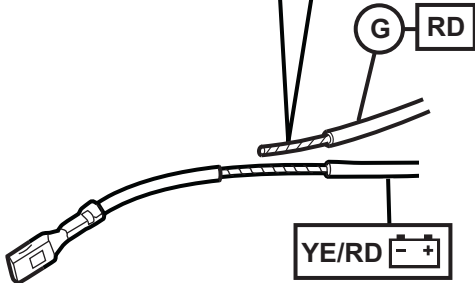
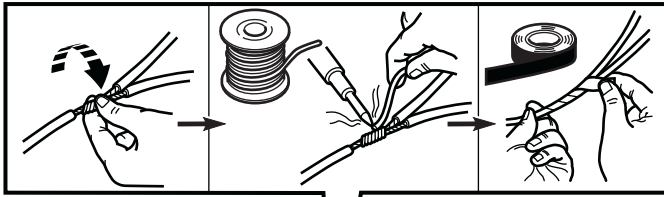


27

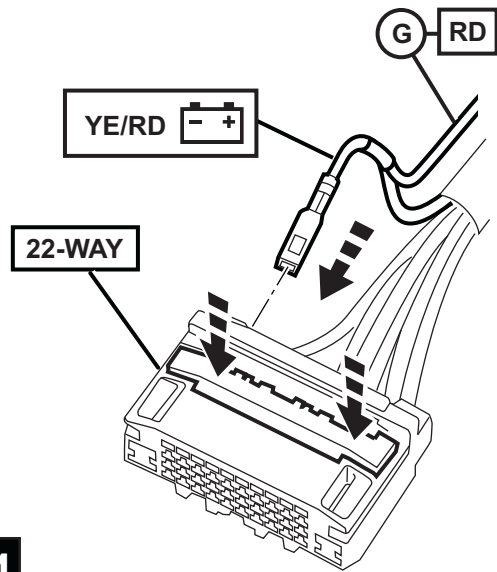
AUTOMATIC WITHOUT CENTER CONSOLE
MANUAL TRANSMISSION

DODGE RAM

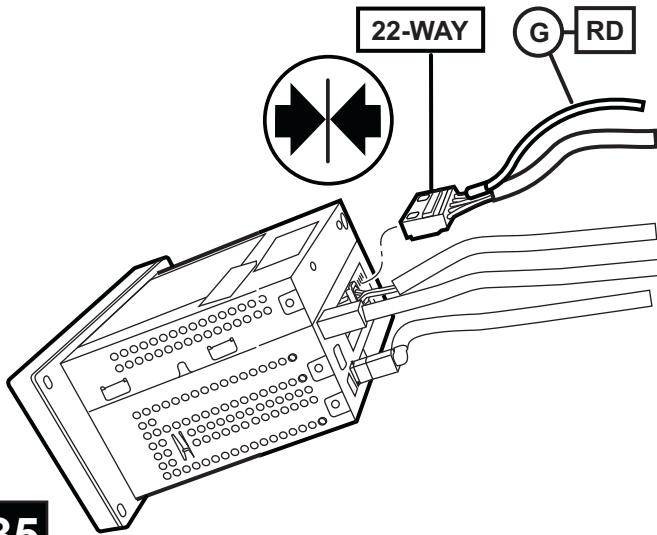




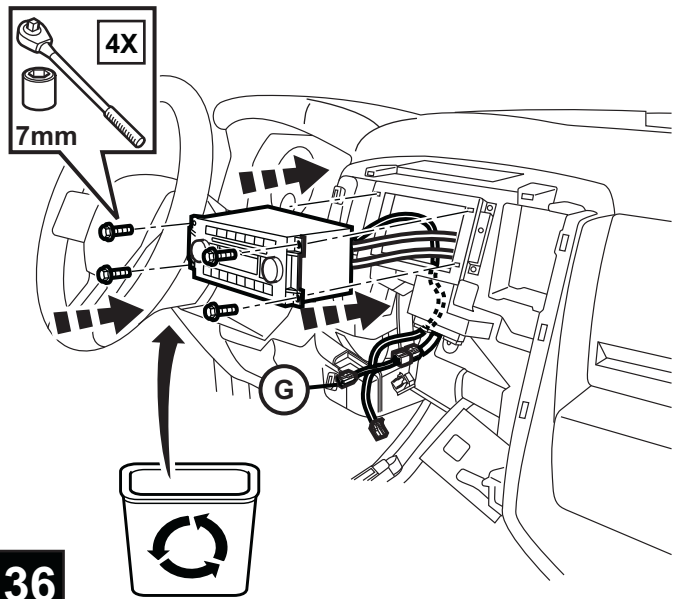
33



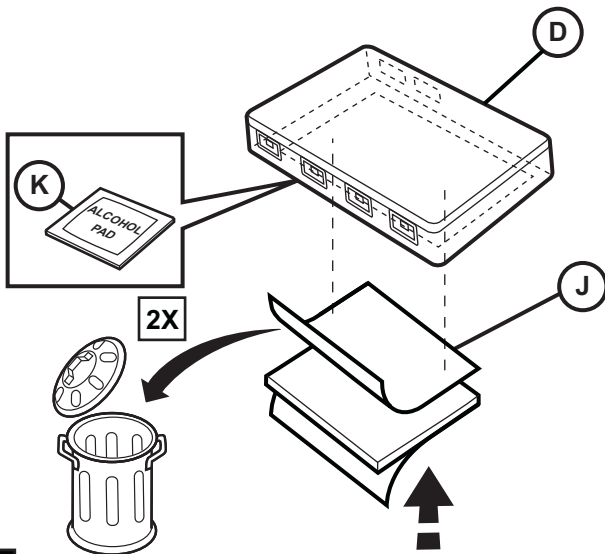
34



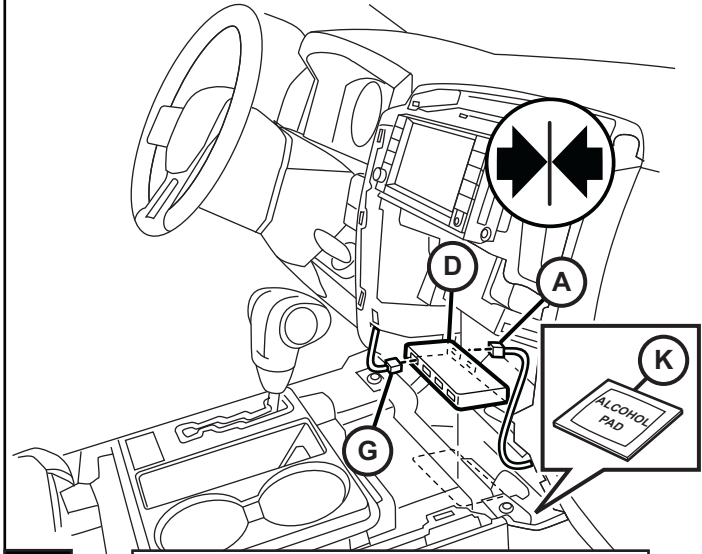
35



36



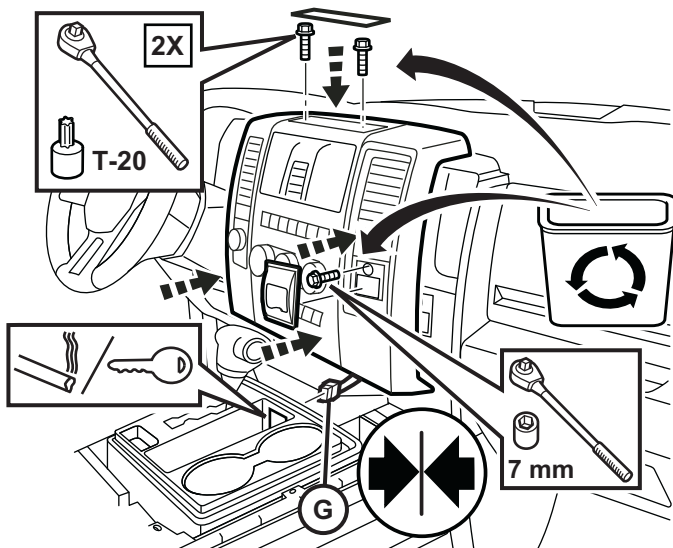
37



38

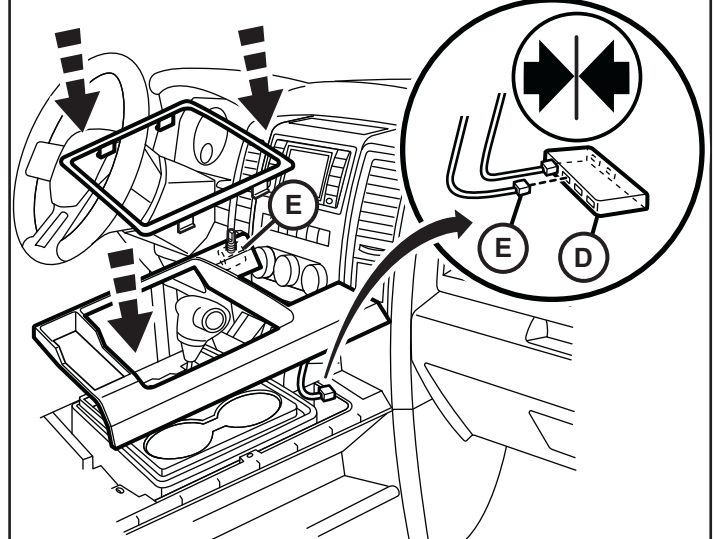
AUTOMATIC WITH CENTER CONSOLE

DODGE RAM



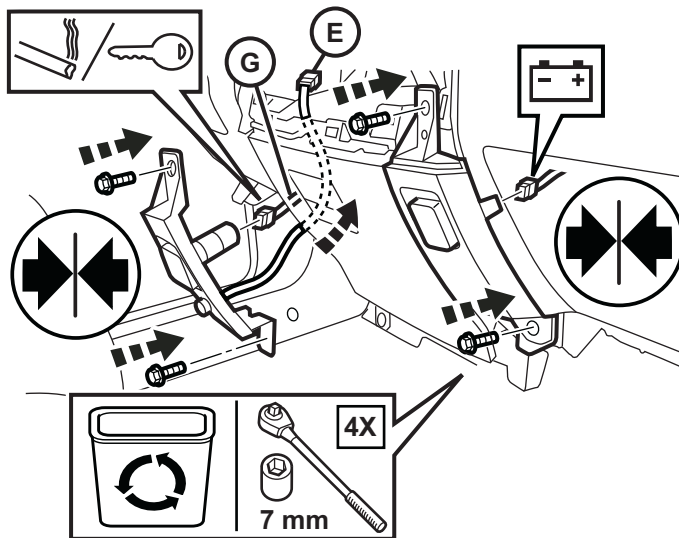
39

AUTOMATIC WITH CENTER CONSOLE



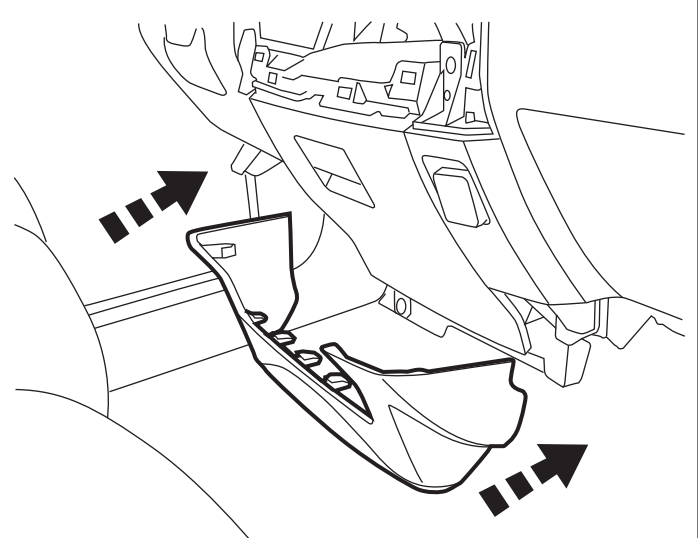
40

AUTOMATIC WITH CENTER CONSOLE



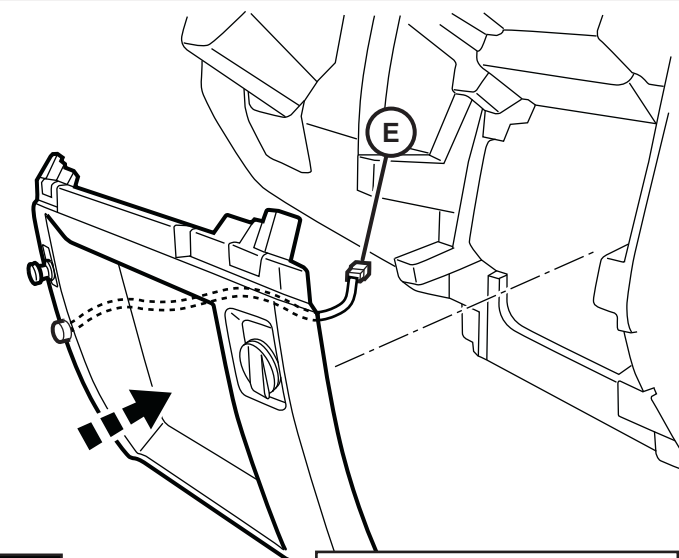
41

AUTOMATIC WITHOUT CENTER CONSOLE



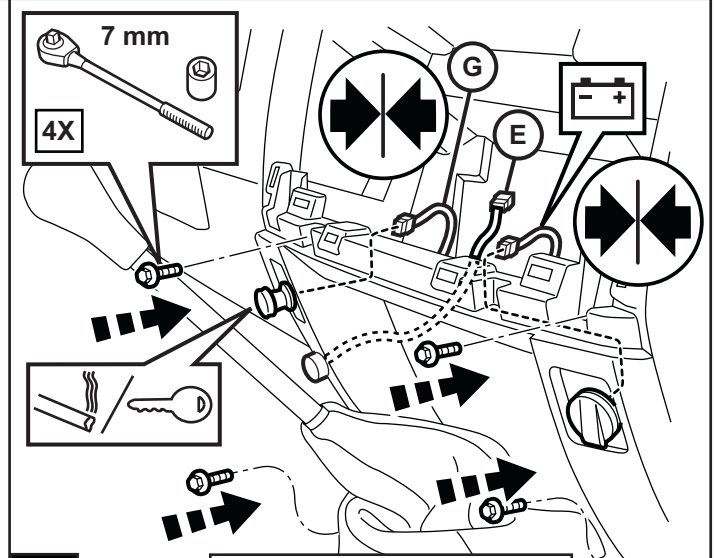
42

AUTOMATIC WITHOUT CENTER CONSOLE



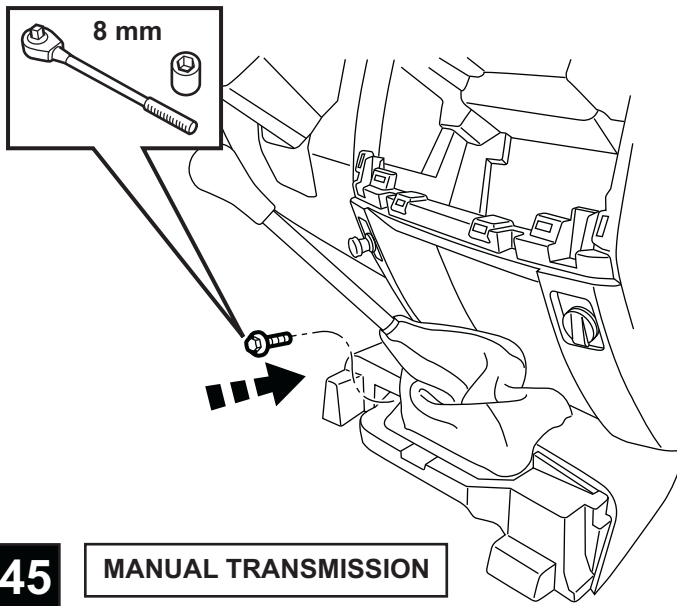
43

MANUAL TRANSMISSION

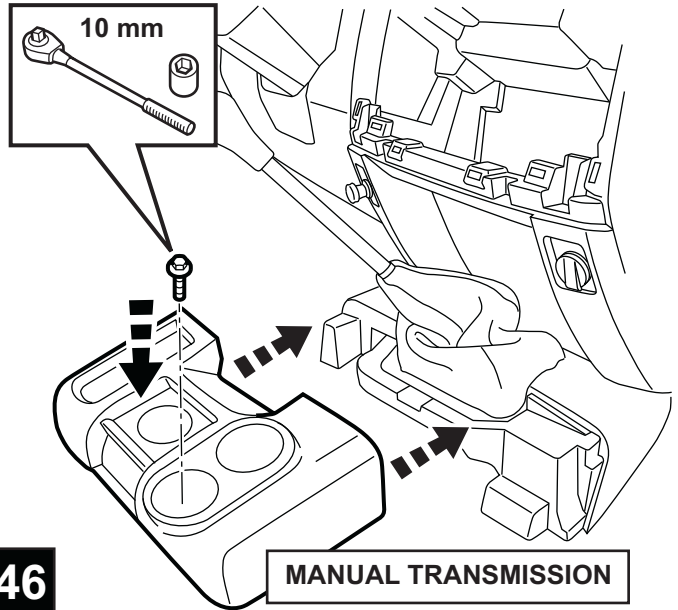


44

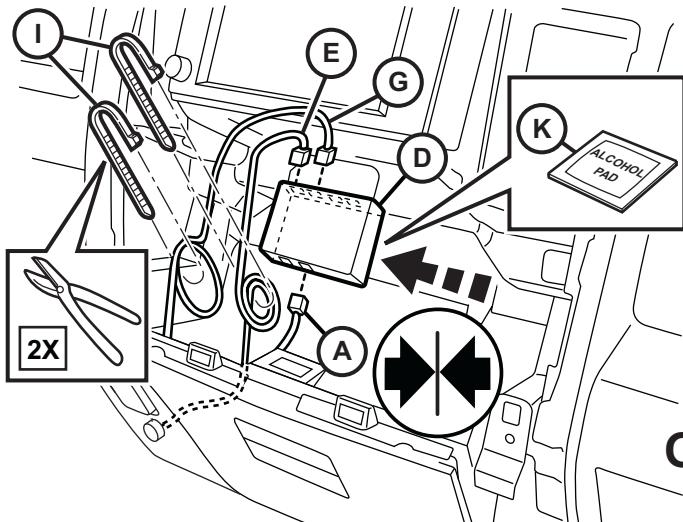
MANUAL TRANSMISSION



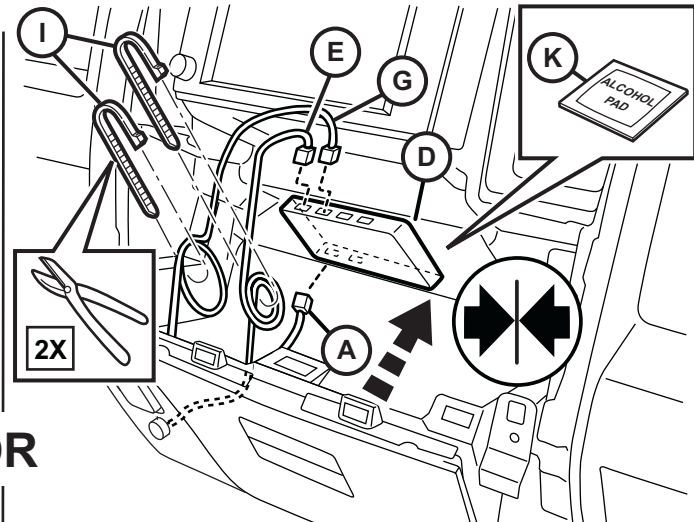
45 MANUAL TRANSMISSION



46 MANUAL TRANSMISSION

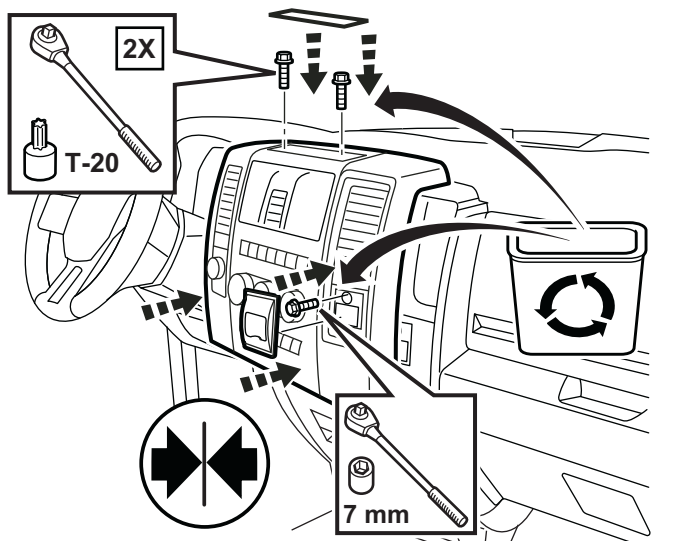


47-A AUTOMATIC WITHOUT CENTER CONSOLE MANUAL TRANSMISSION

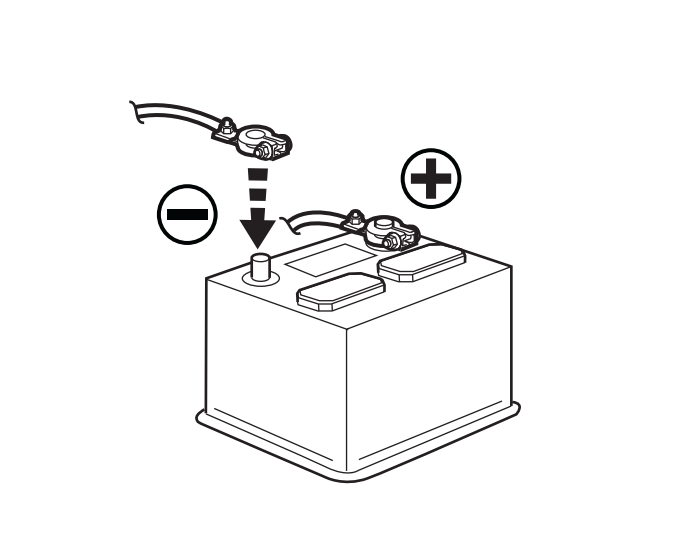


48-B AUTOMATIC WITHOUT CENTER CONSOLE MANUAL TRANSMISSION

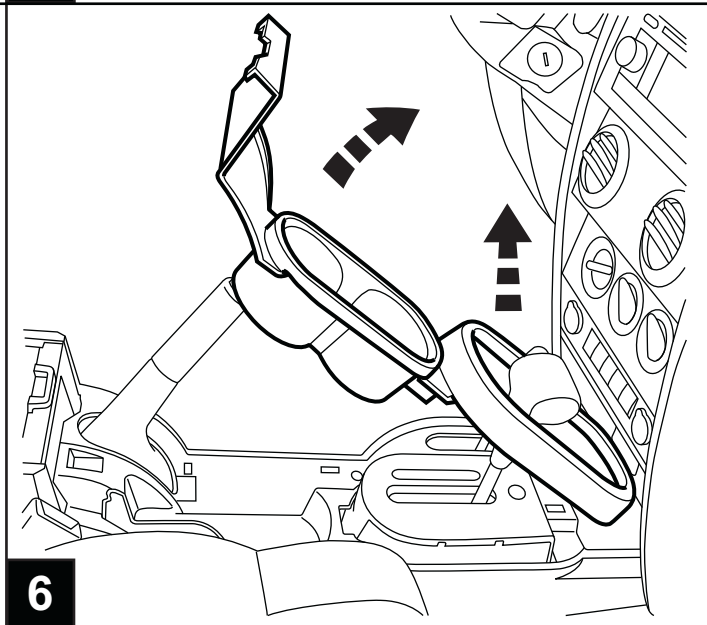
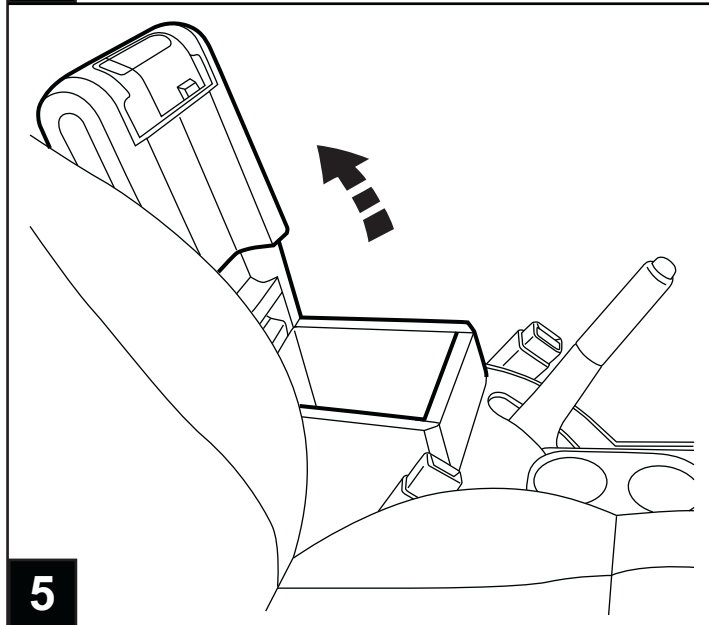
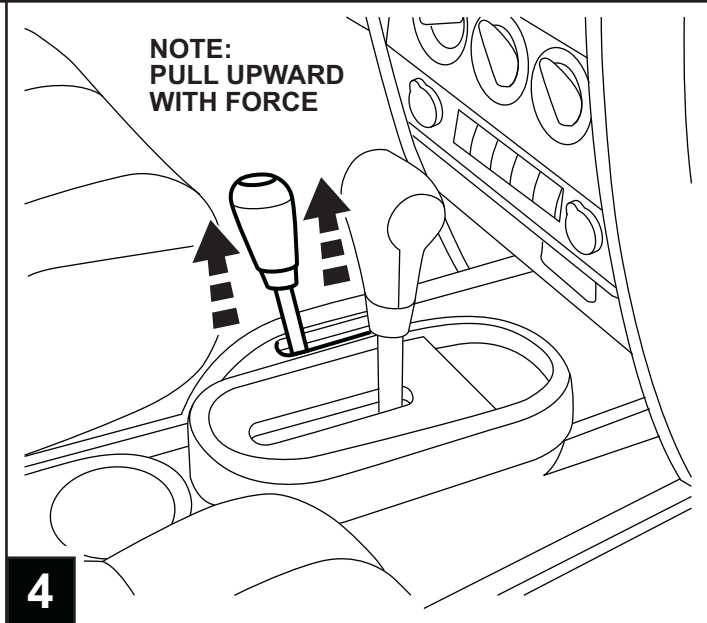
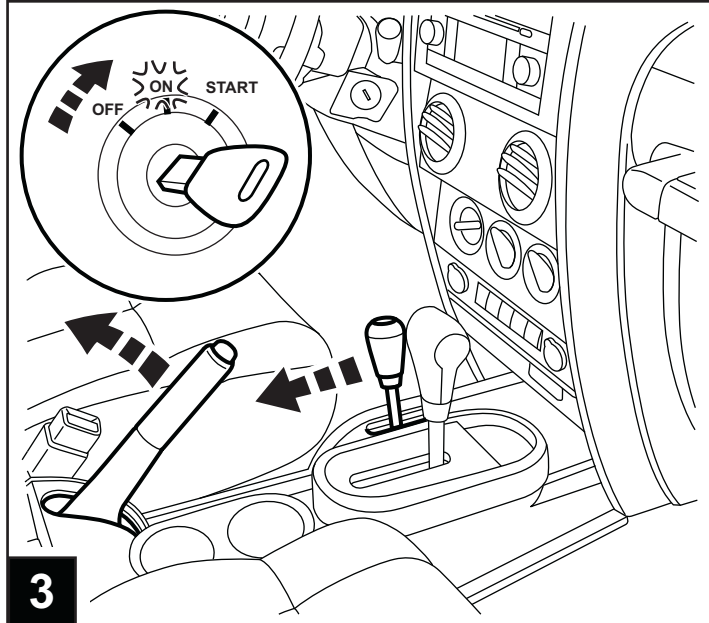
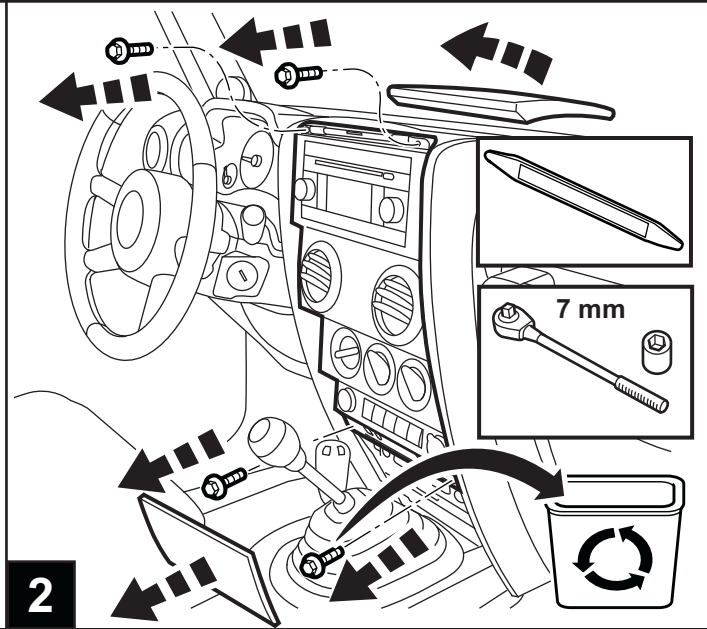
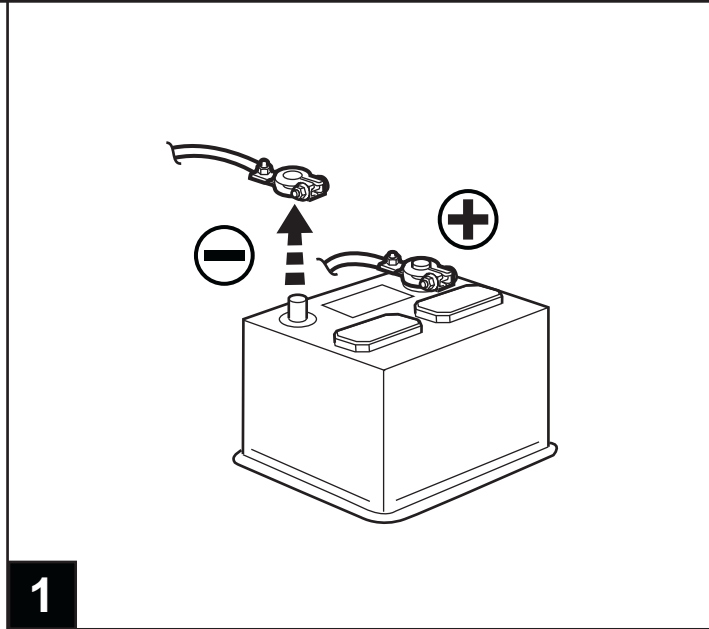
OR



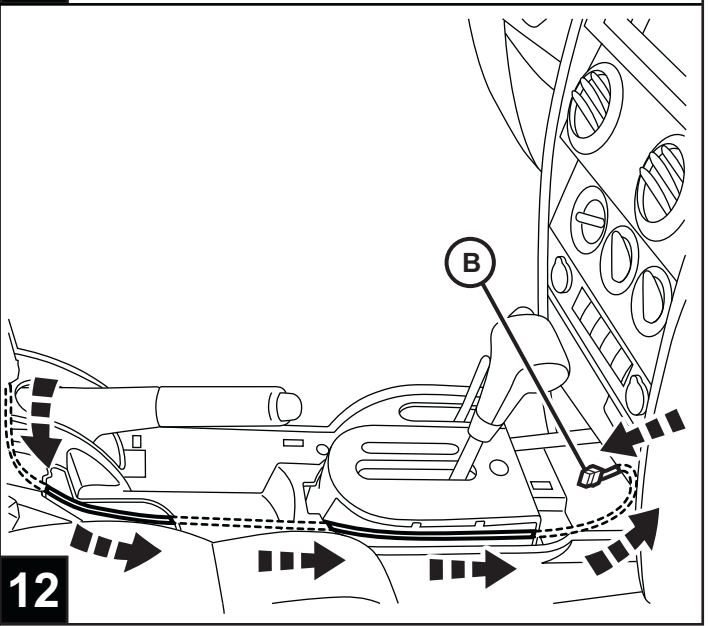
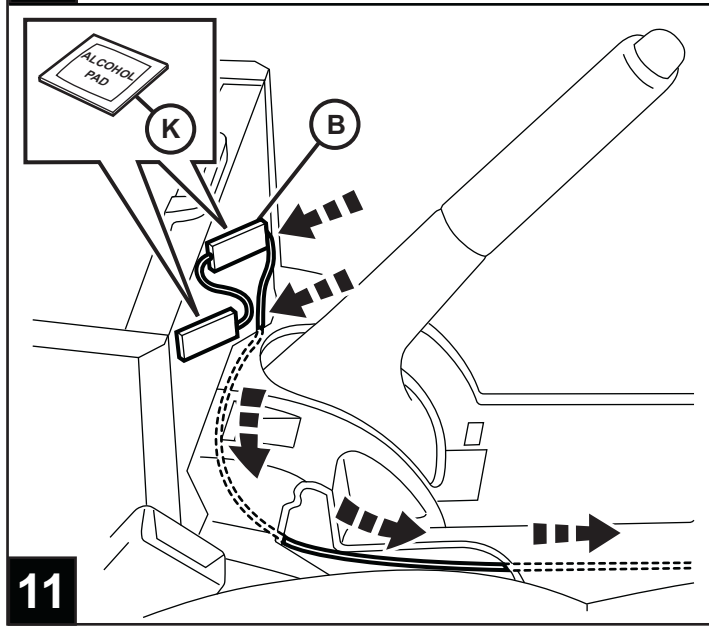
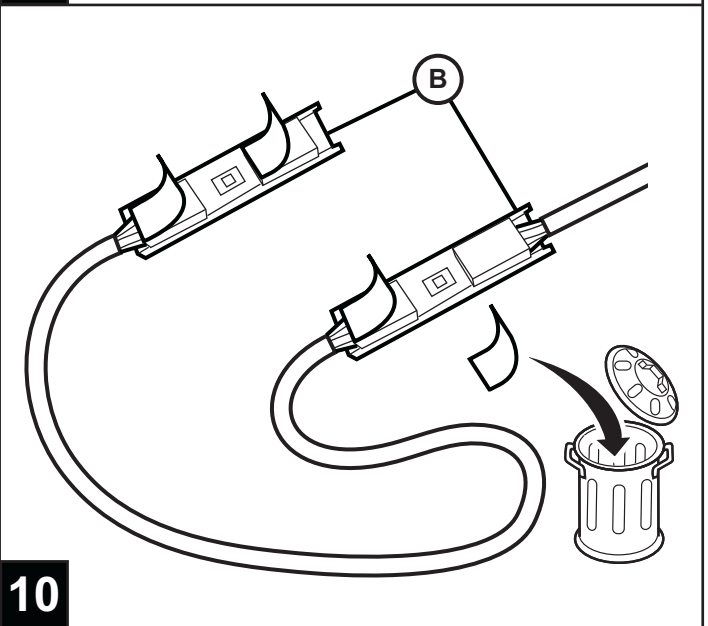
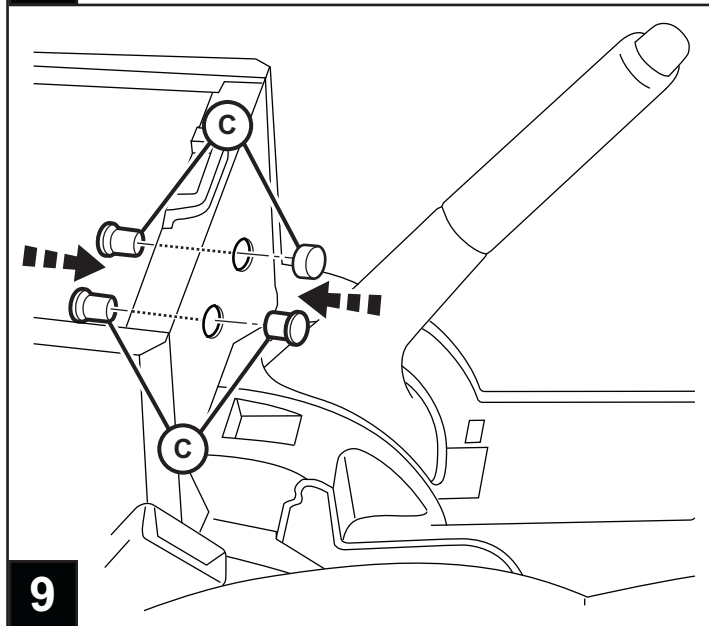
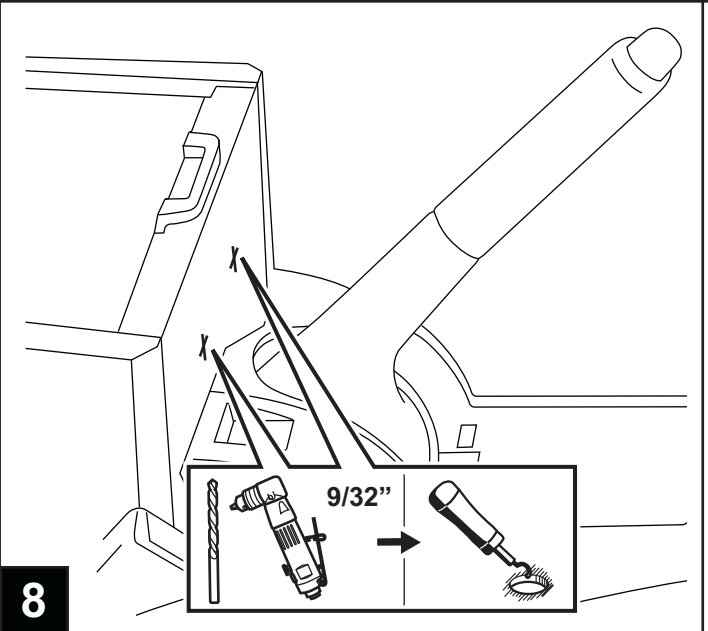
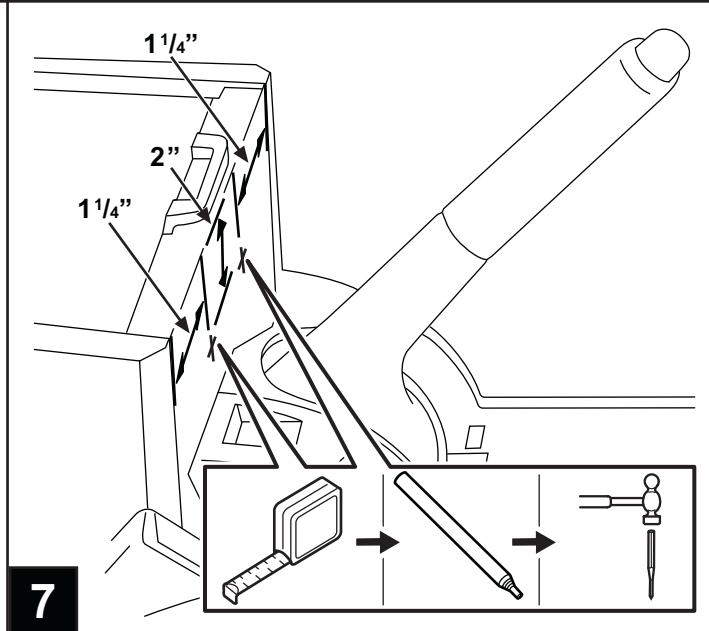
49 AUTOMATIC WITHOUT CENTER CONSOLE SHOWN MANUAL TRANSMISSION SIMILAR

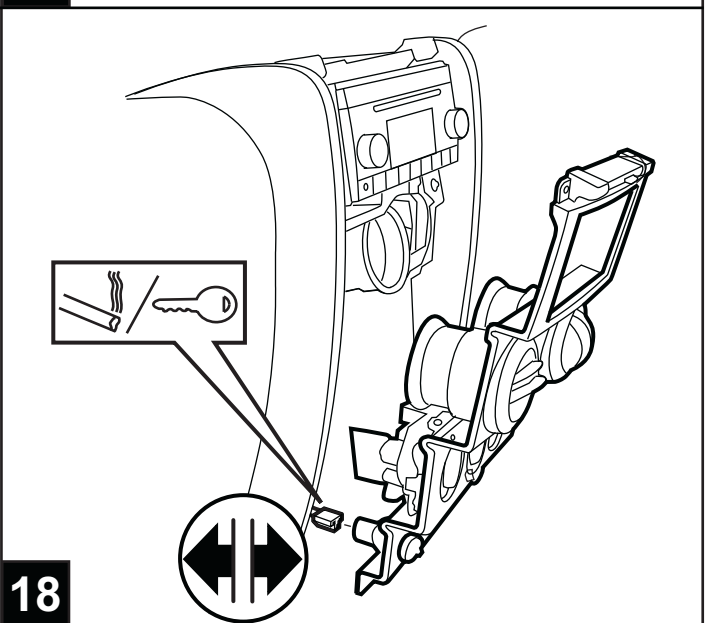
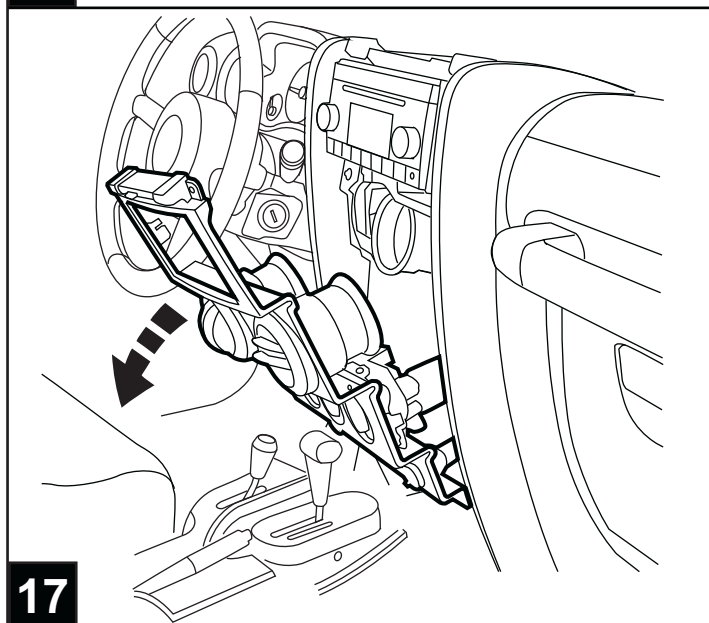
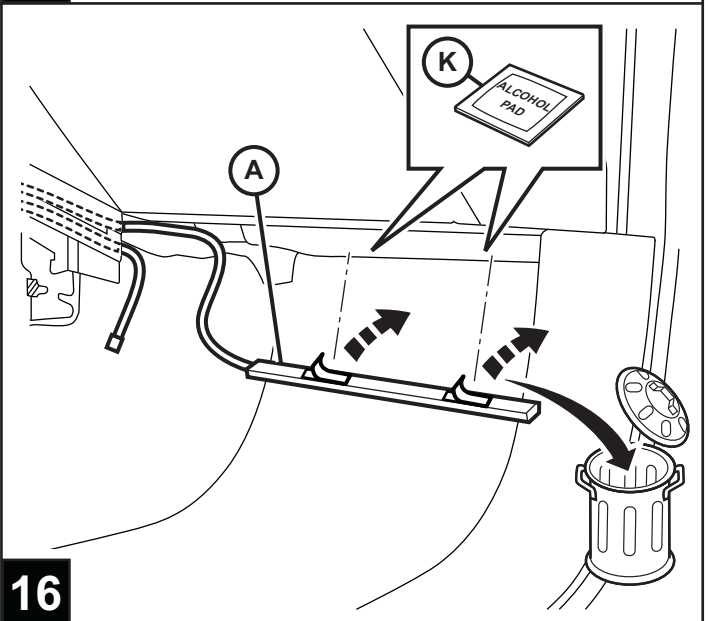
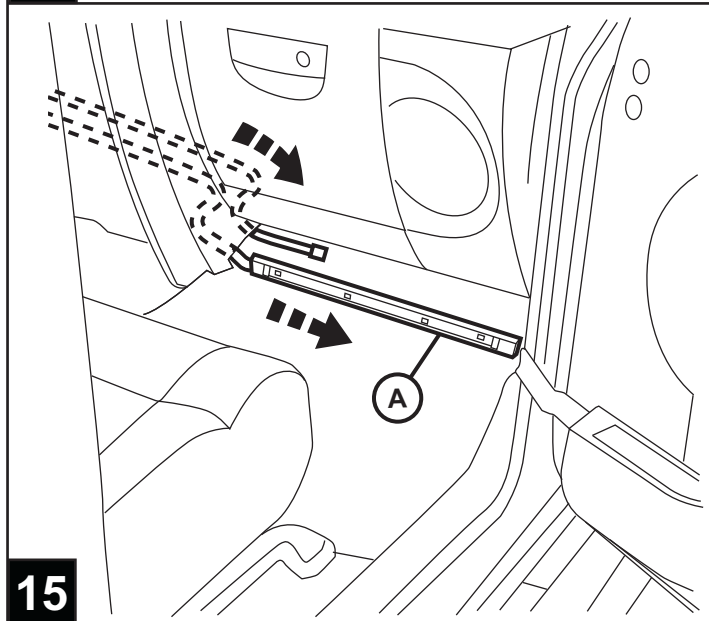
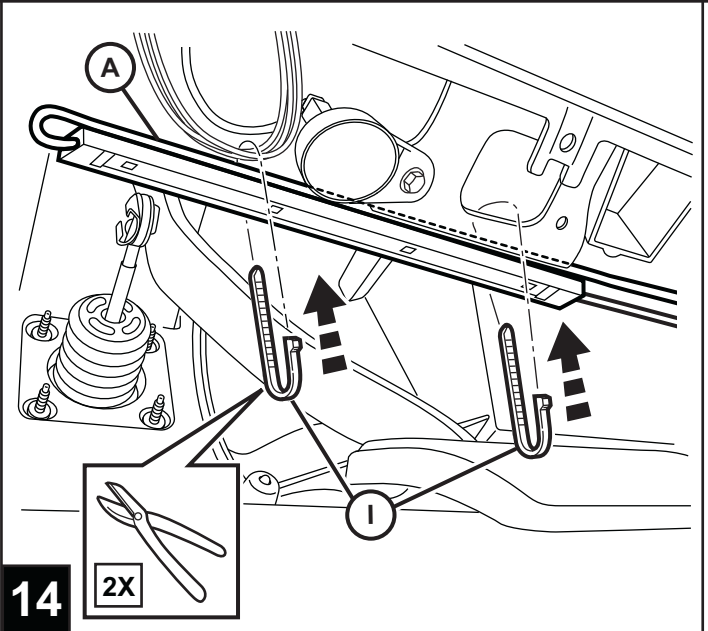
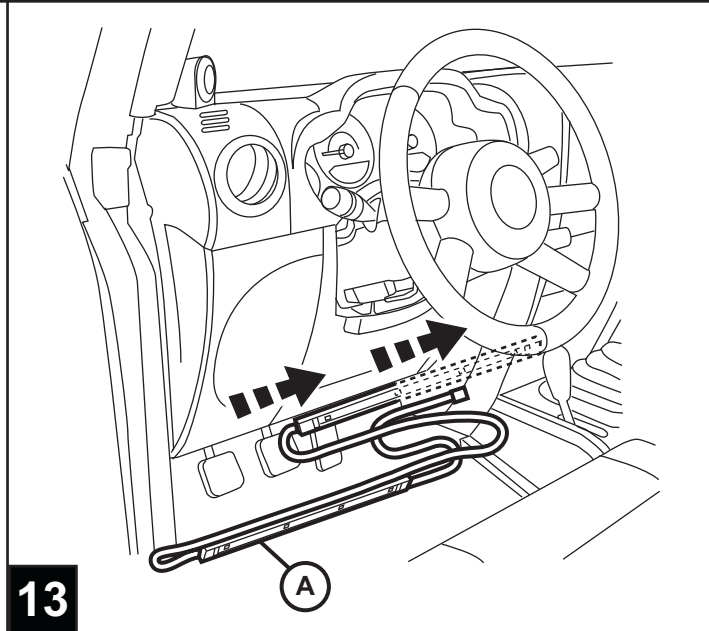


50

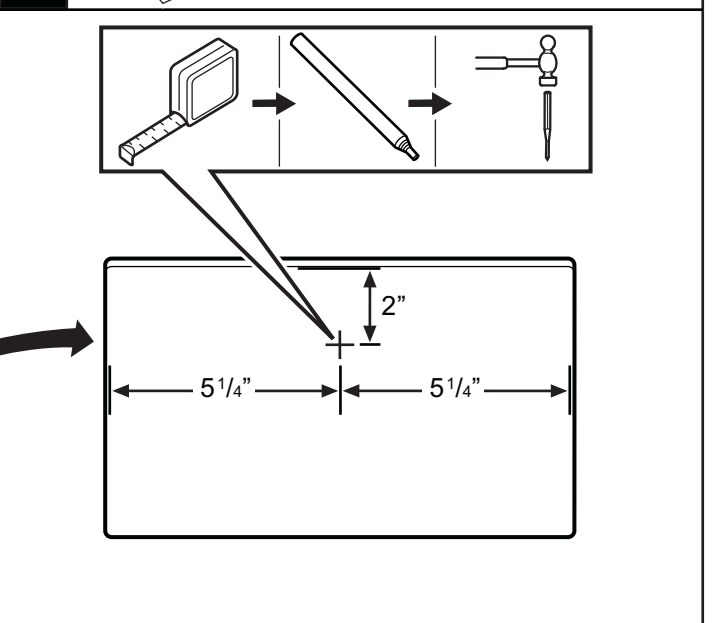
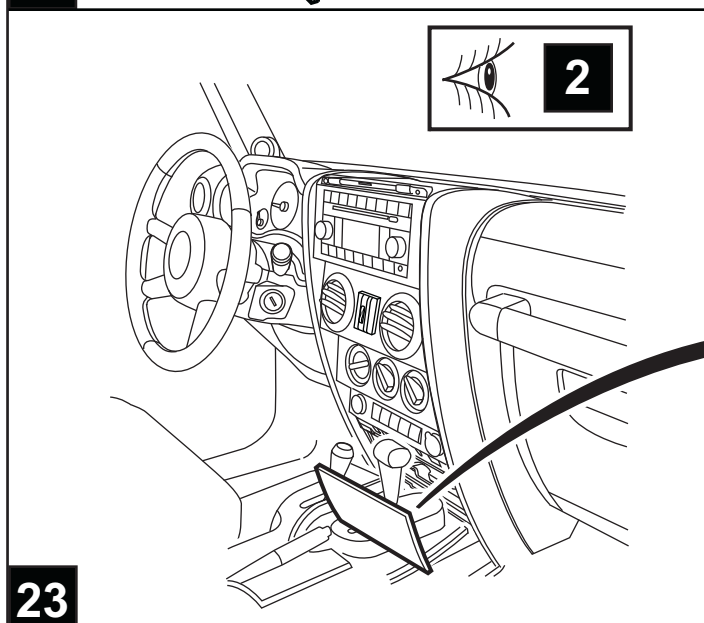
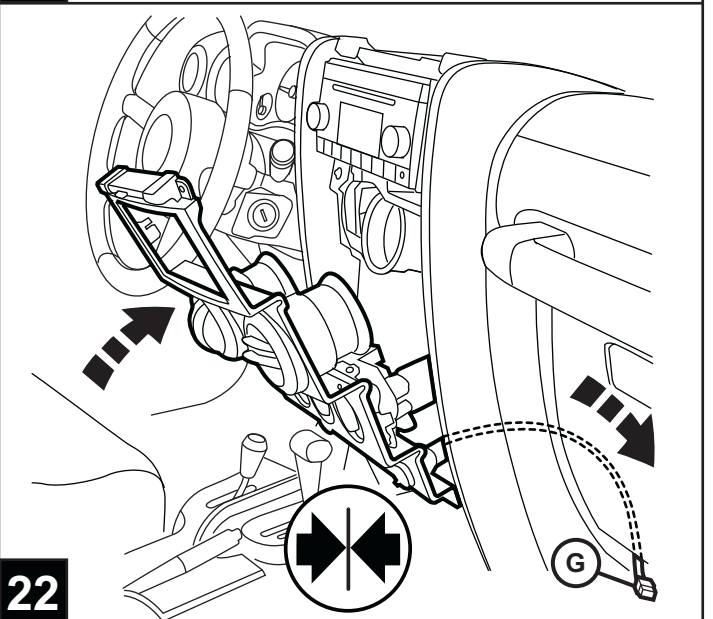
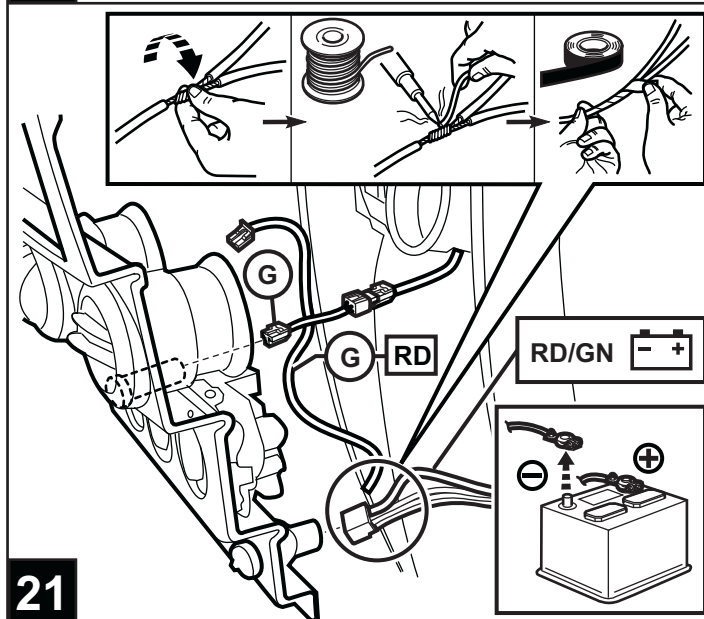
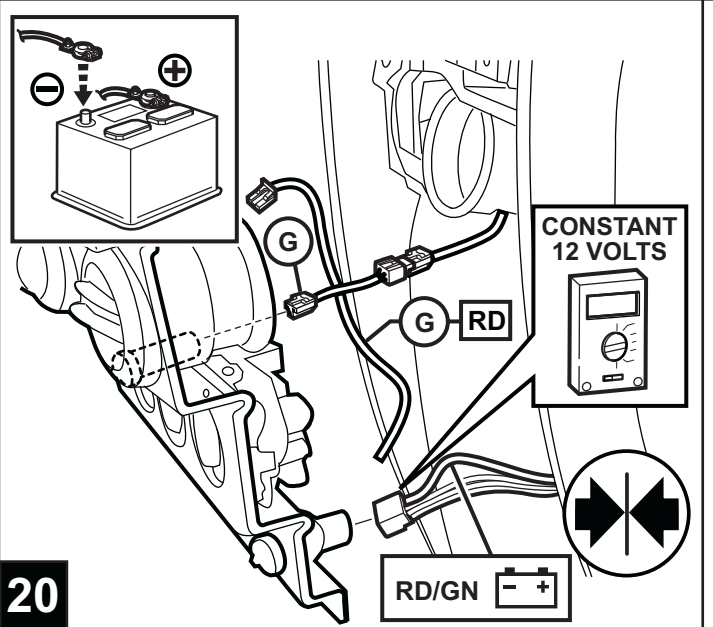
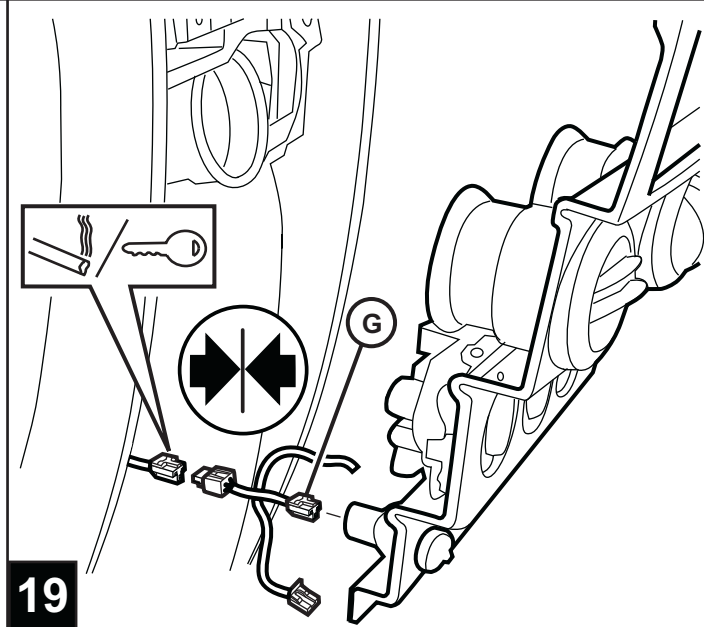


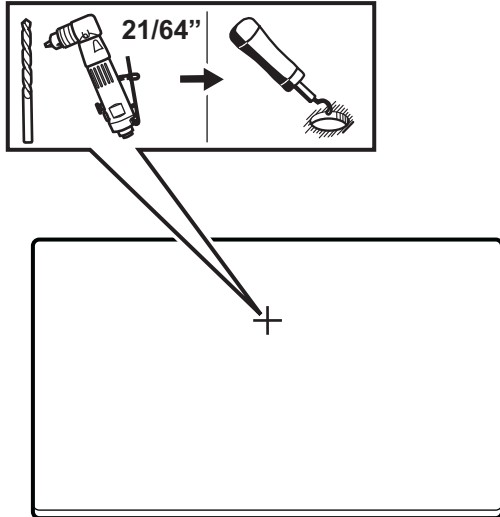
JEEP WRANGLER



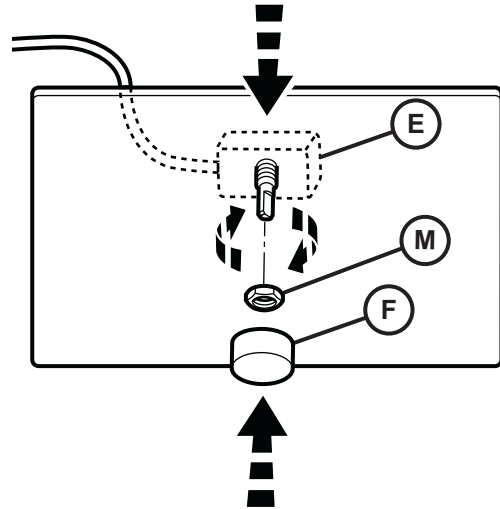


JEEP WRANGLER

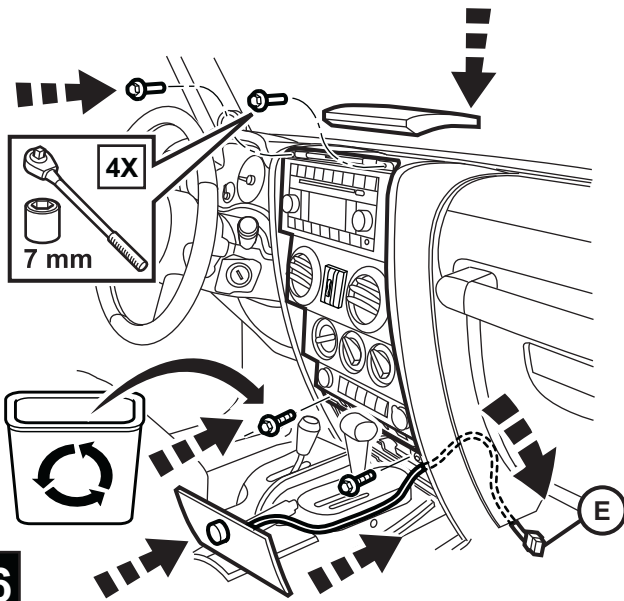




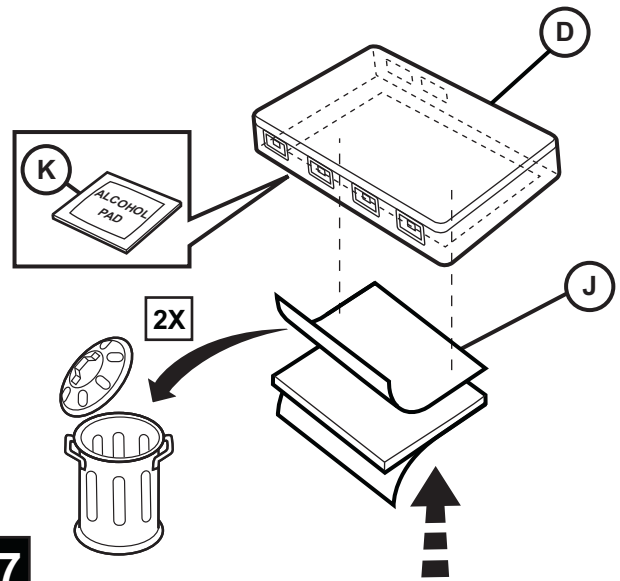
24



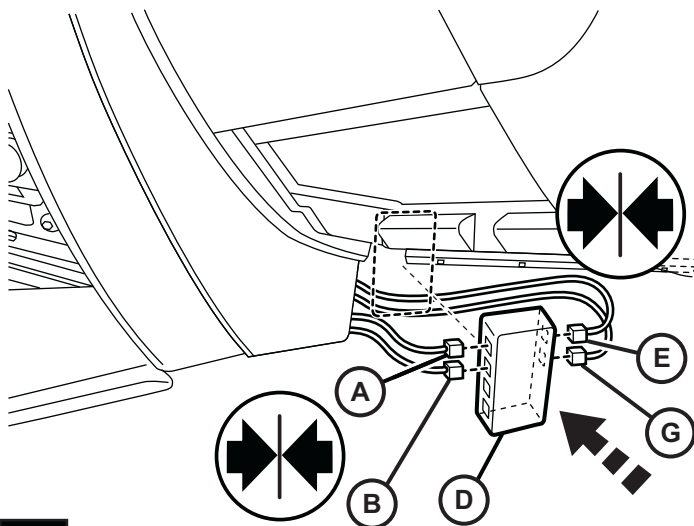
25



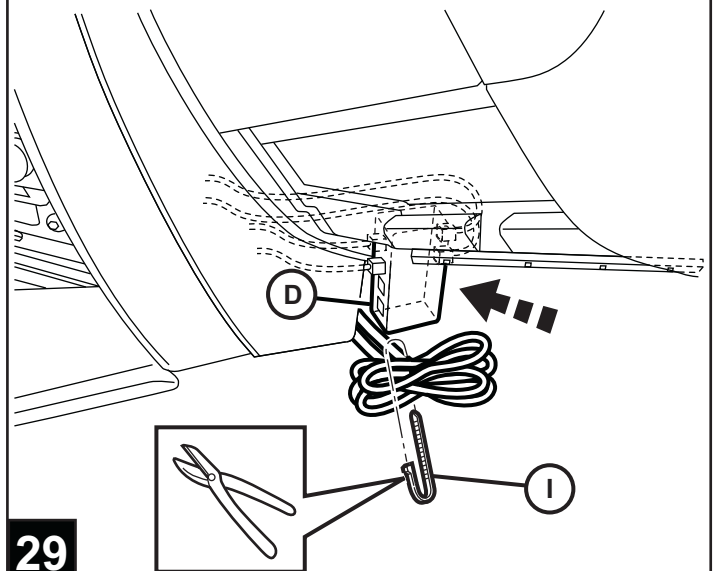
26



27



28



29

JEEP WRANGLER

