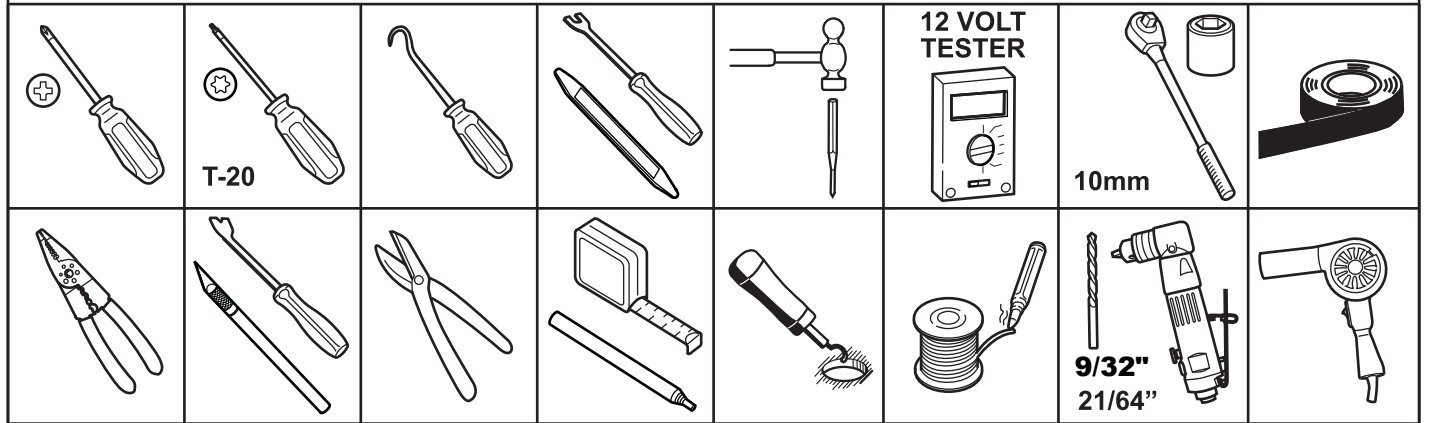
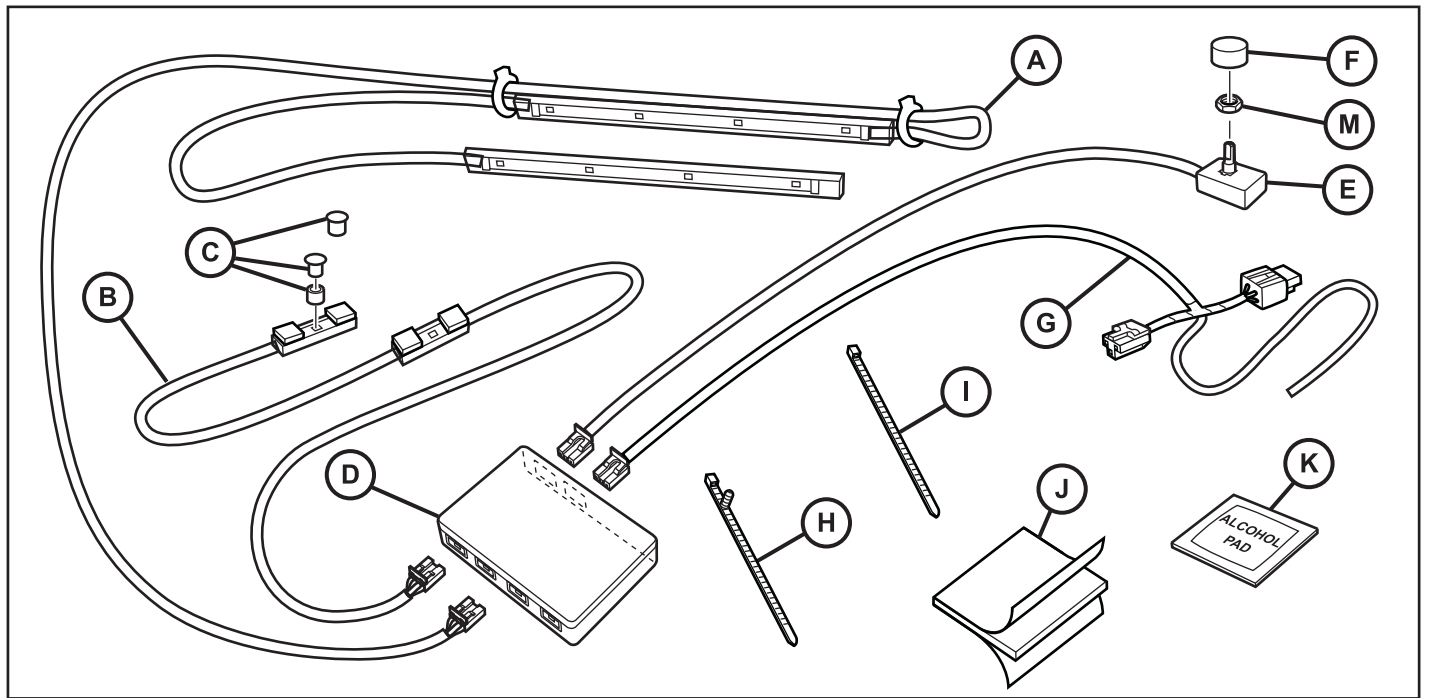




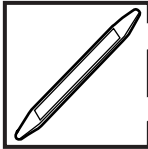
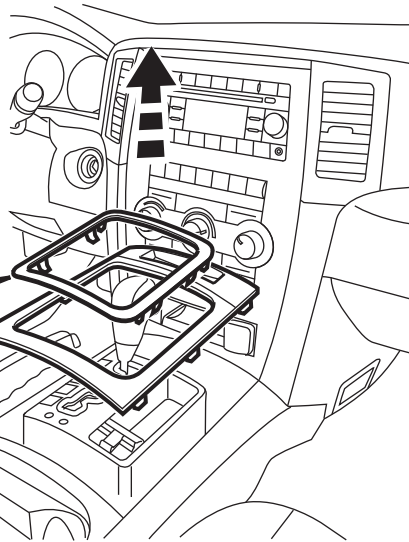
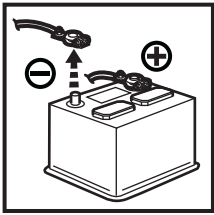
Ambient Lighting Kit

&\$\$)!&\$%\$'; fUbX'7\ Yfc_YY

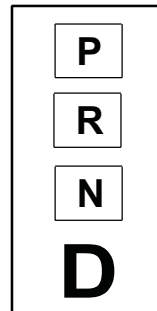
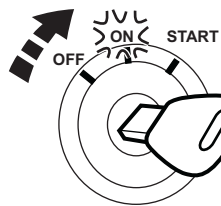


JEEP

Jeep Grand Cherokee..... 75 - 82

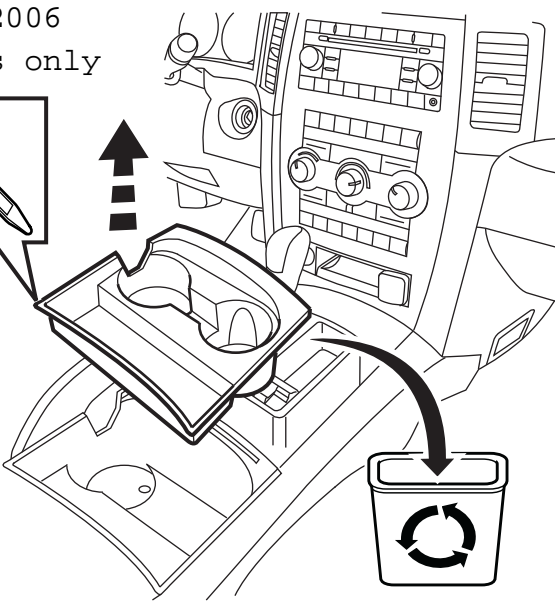


1



2

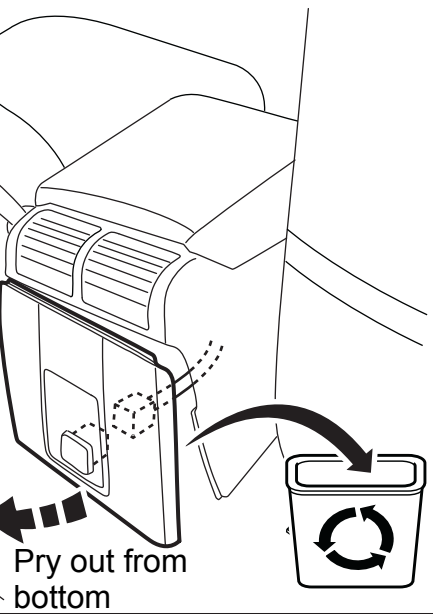
2005-2006 models only



3

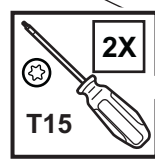


4



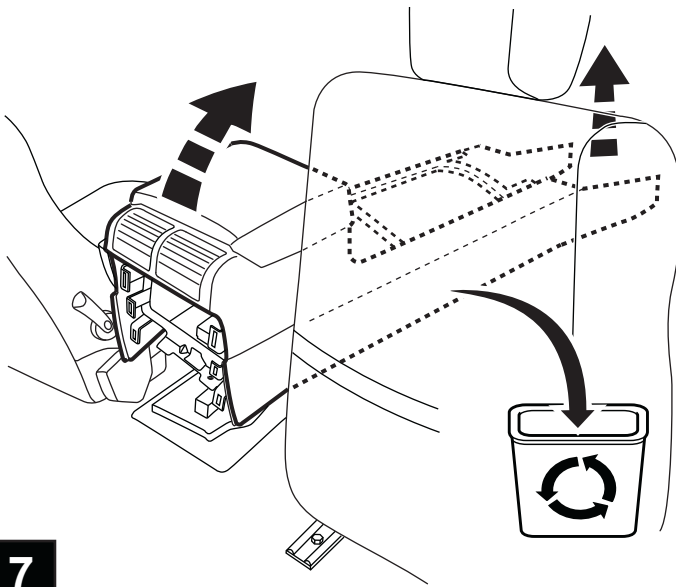
5

Pry out from bottom

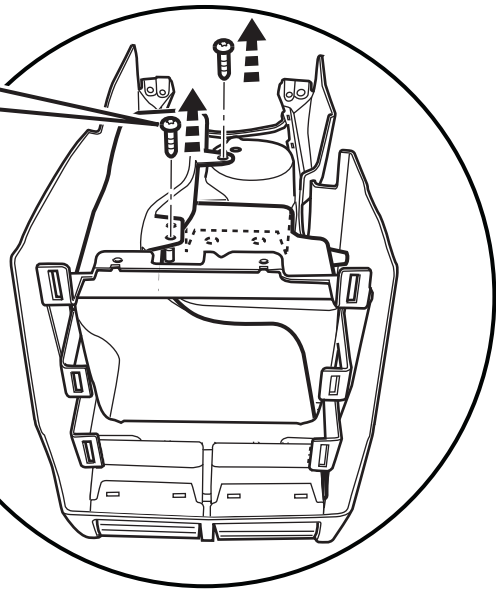
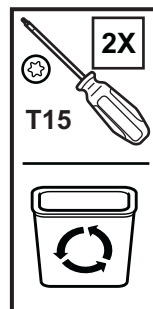
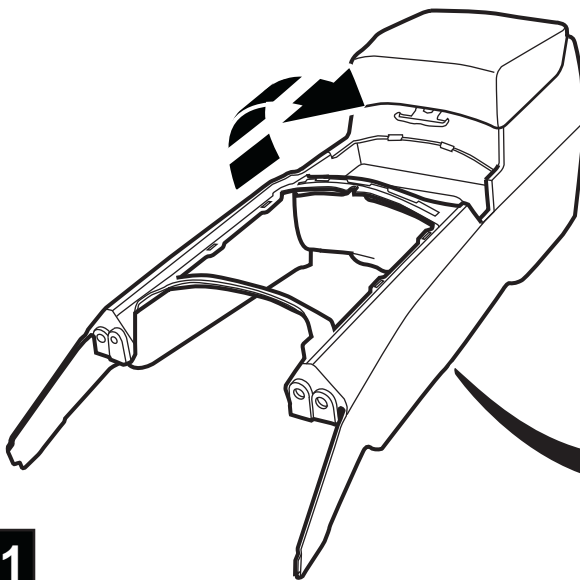
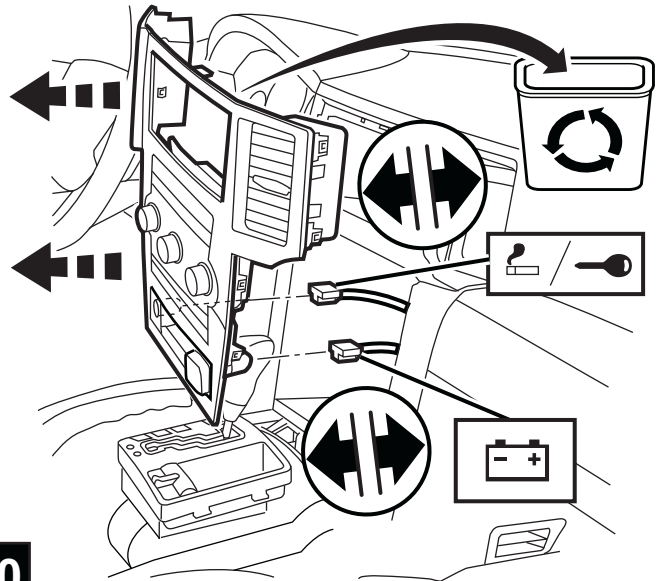
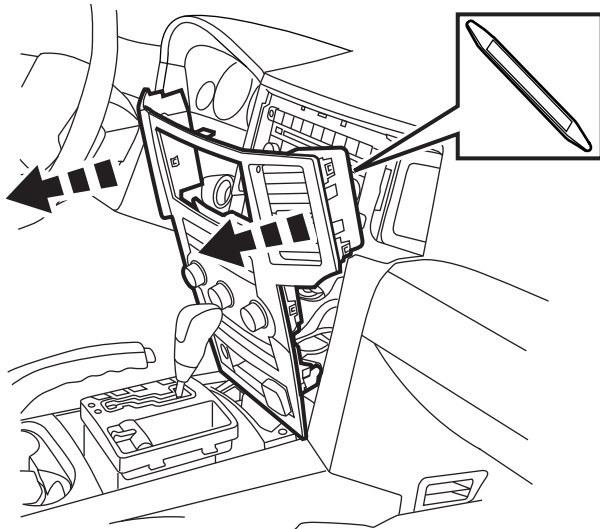
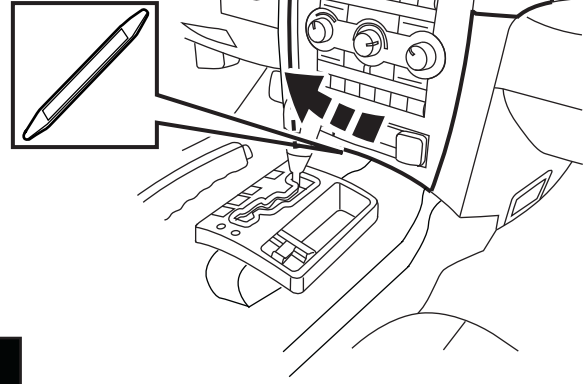


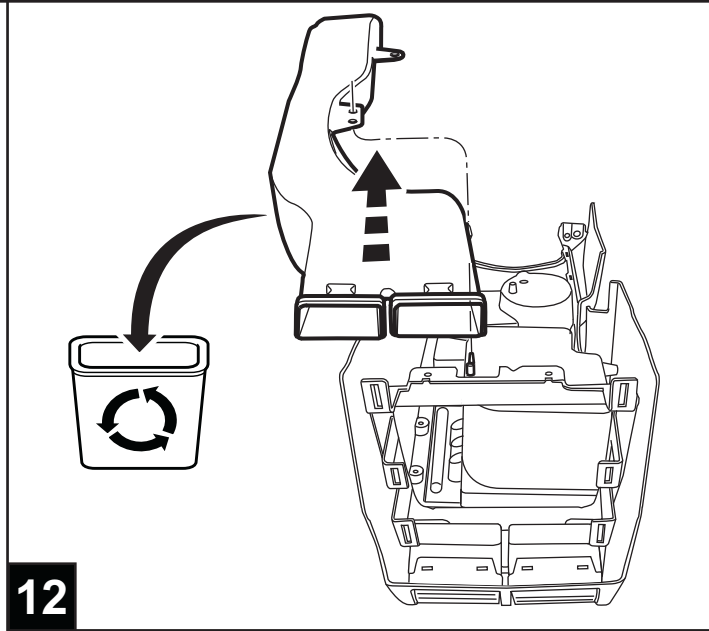
6

JEEP GRAND CHEROKEE

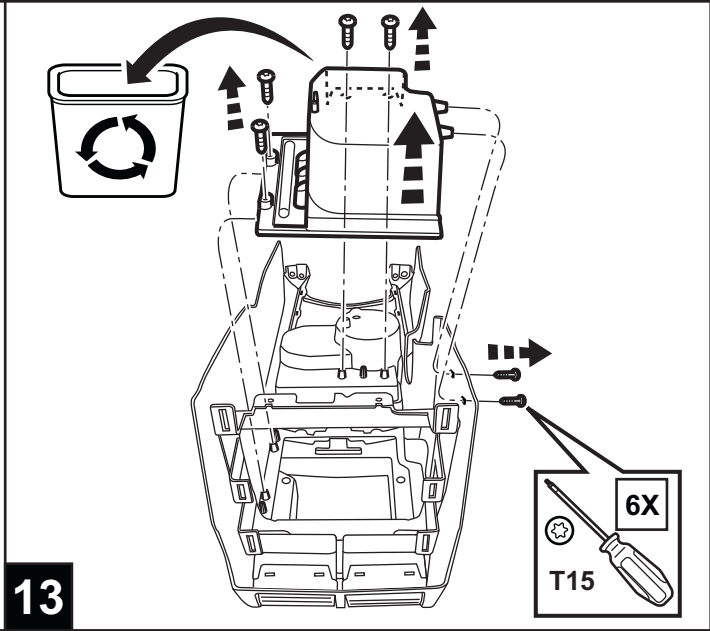


First remove
Phillips screw
located in
cubbyhole between
power outlets

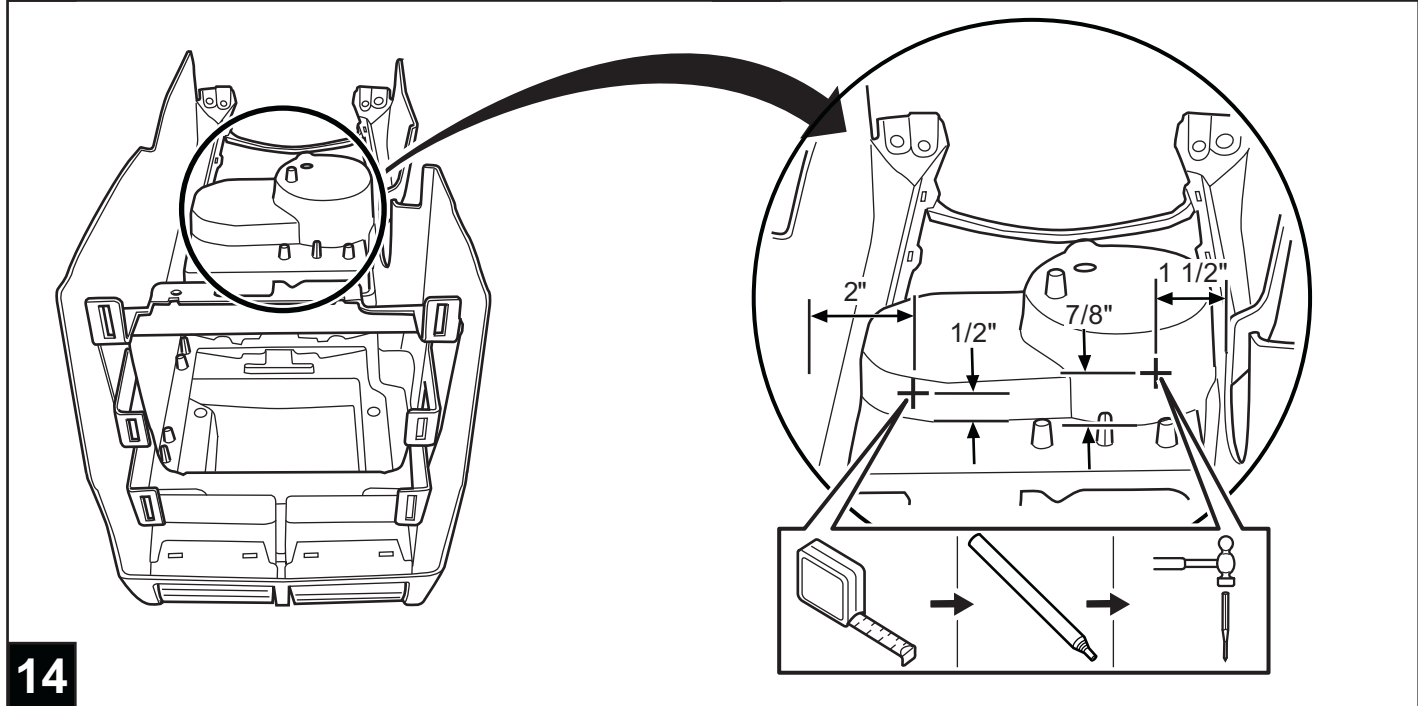




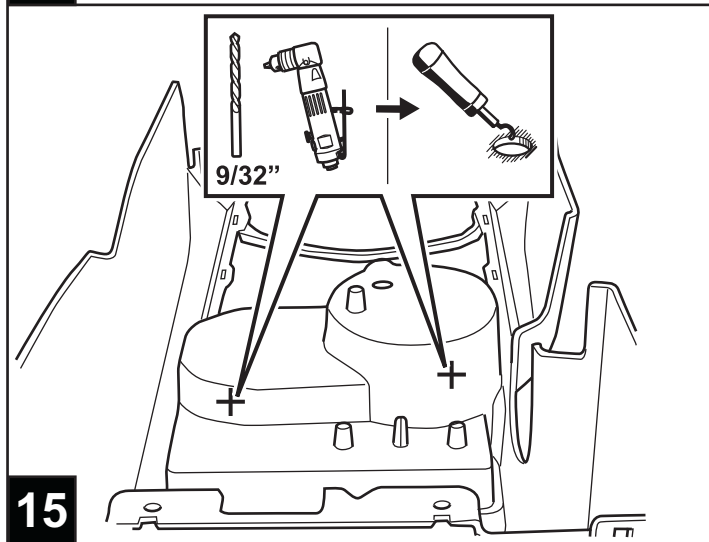
12



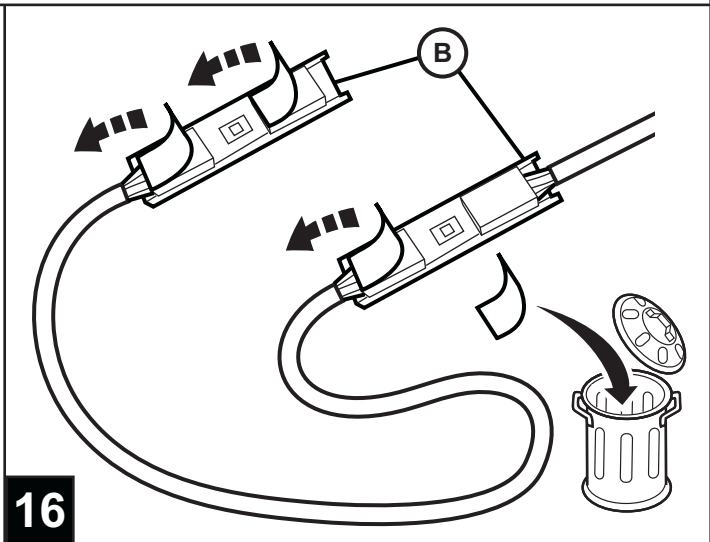
13



14

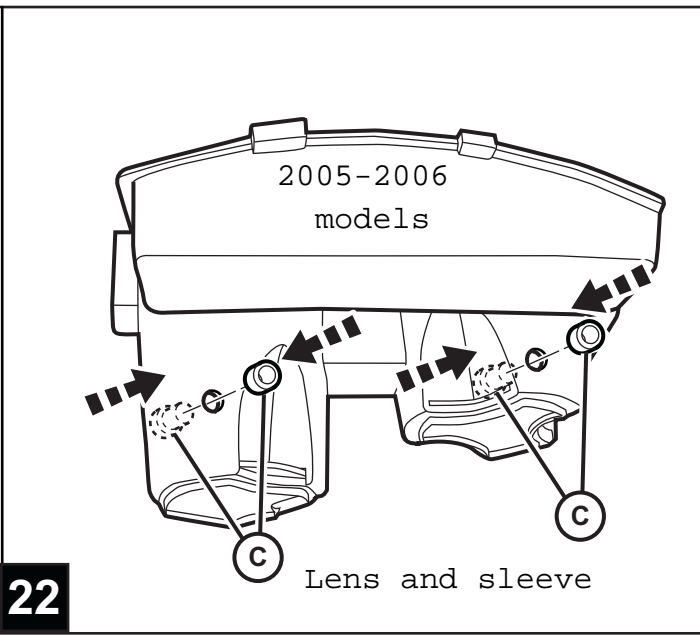
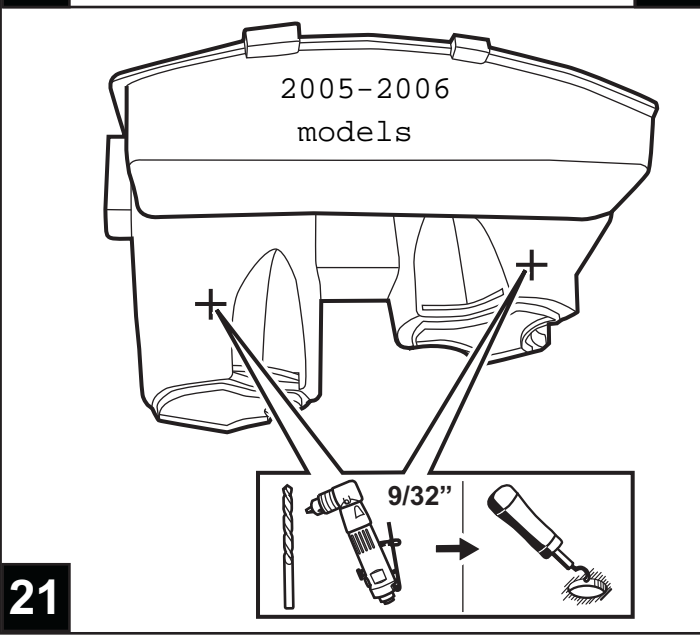
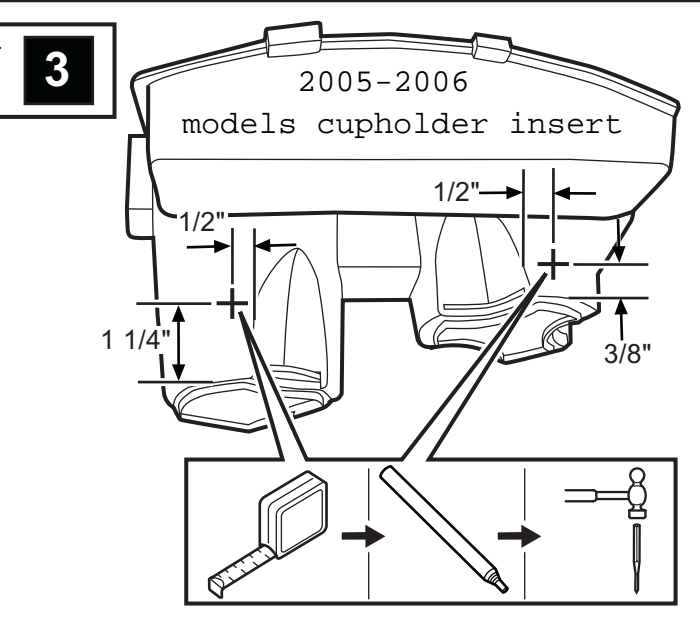
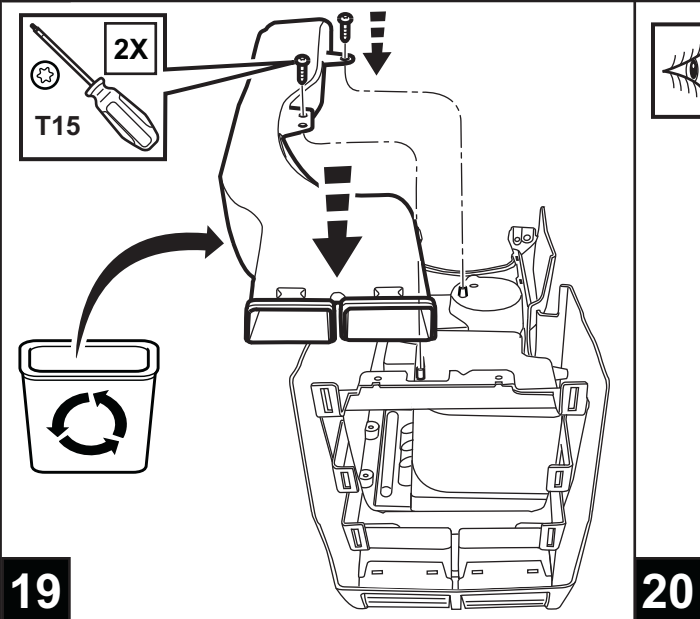
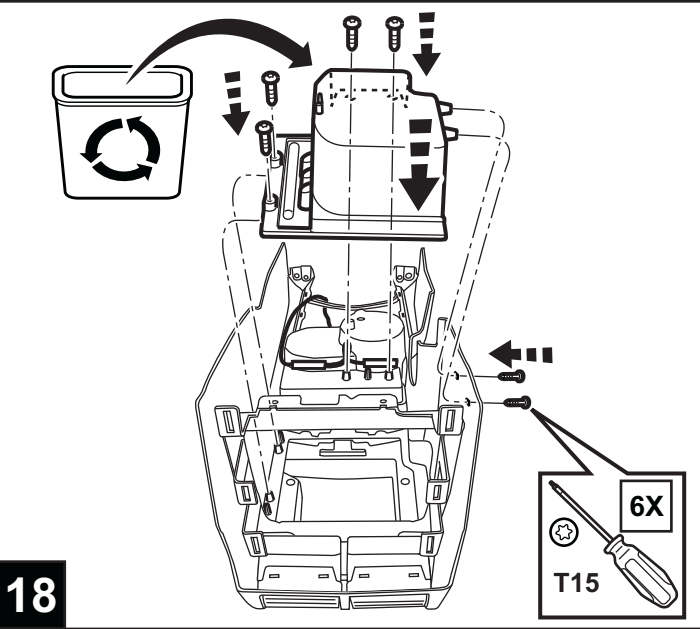
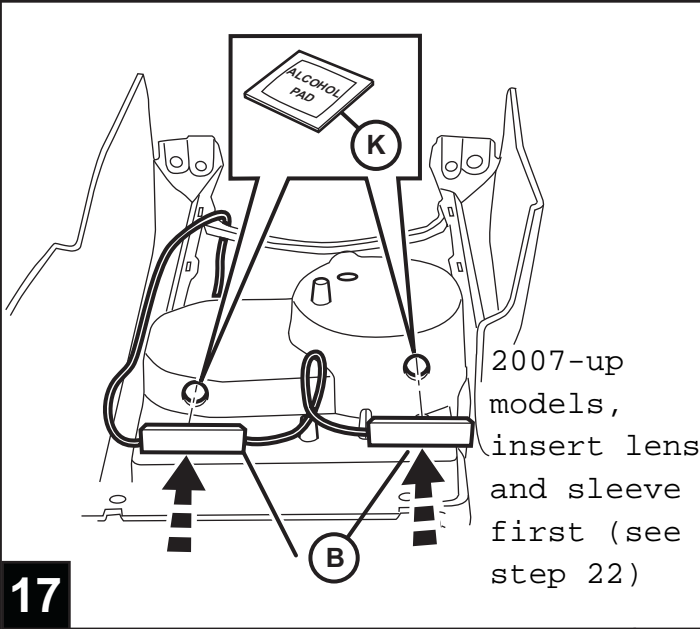


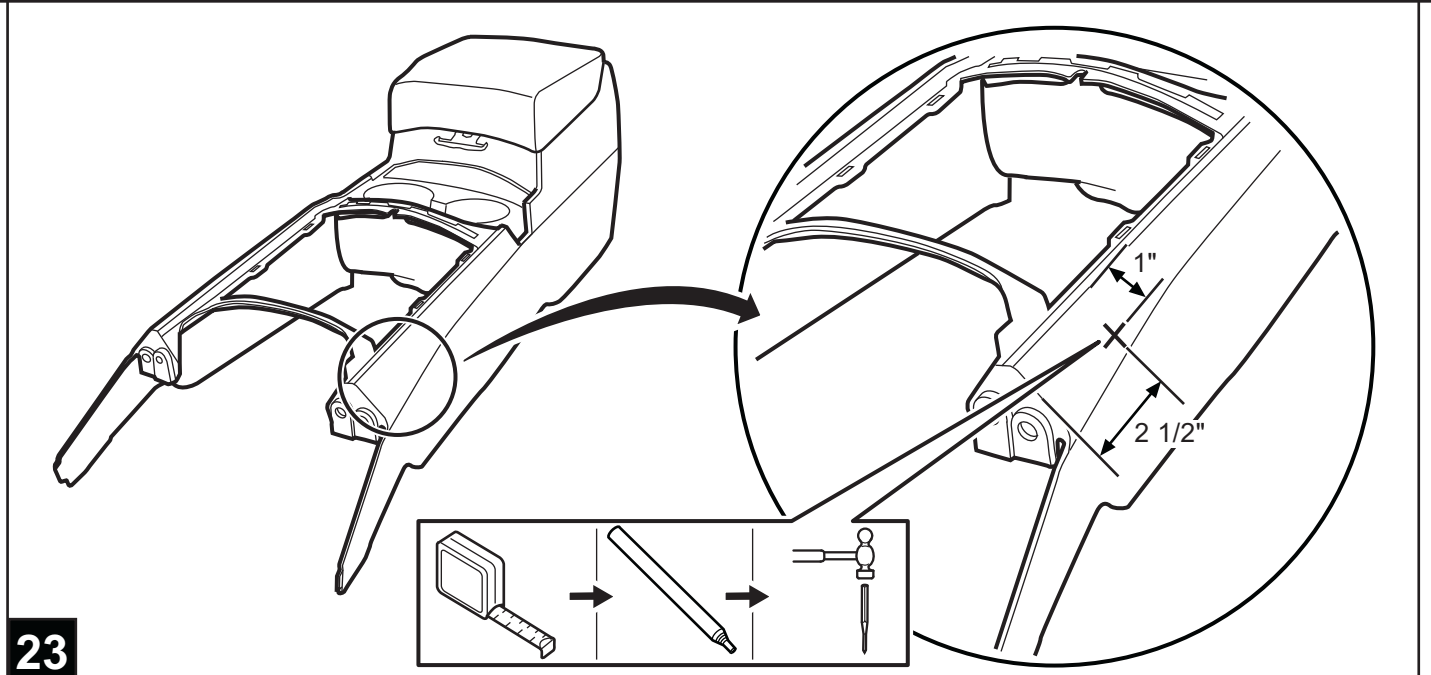
15



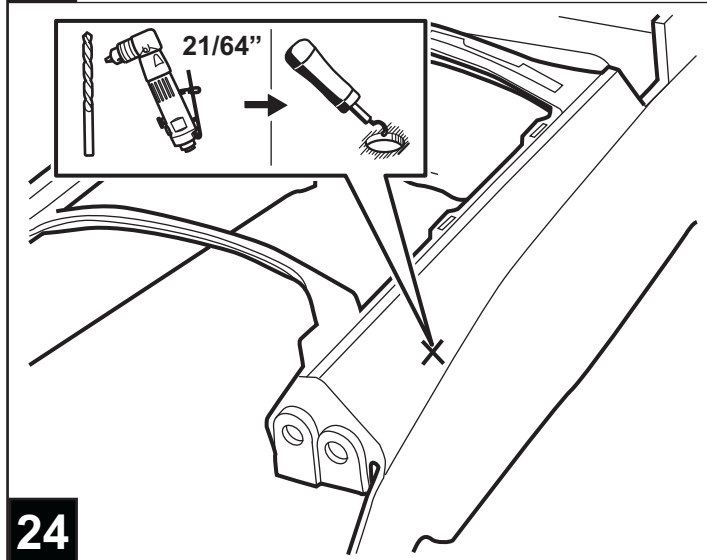
16

JEEP GRAND CHEROKEE

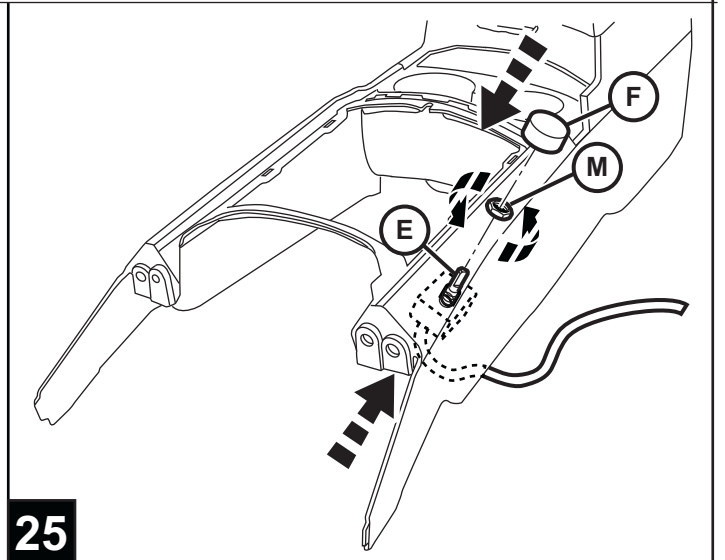




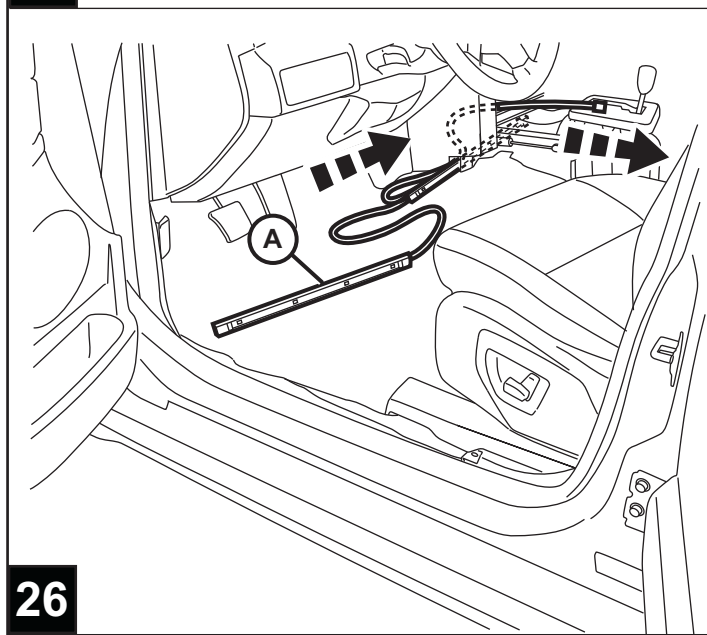
23



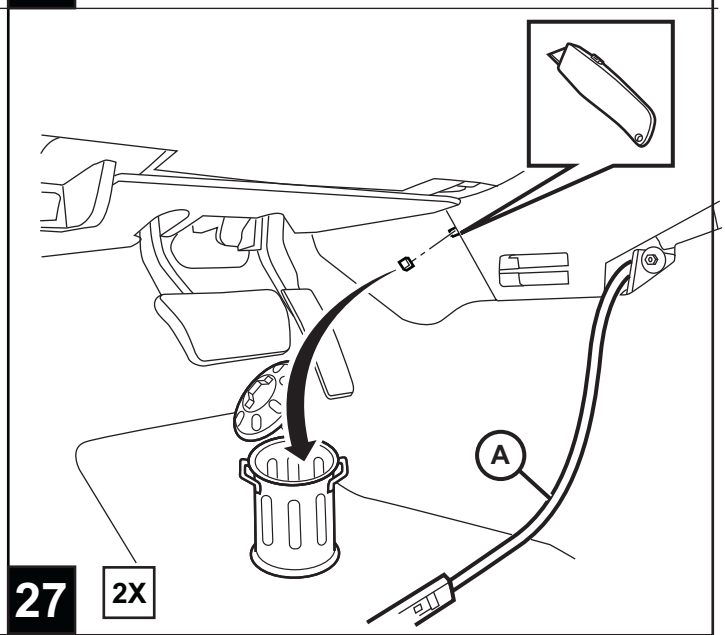
24



25



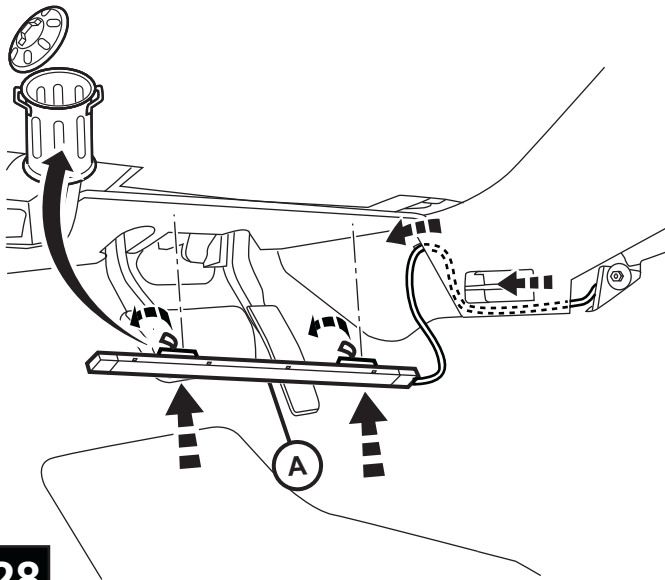
26



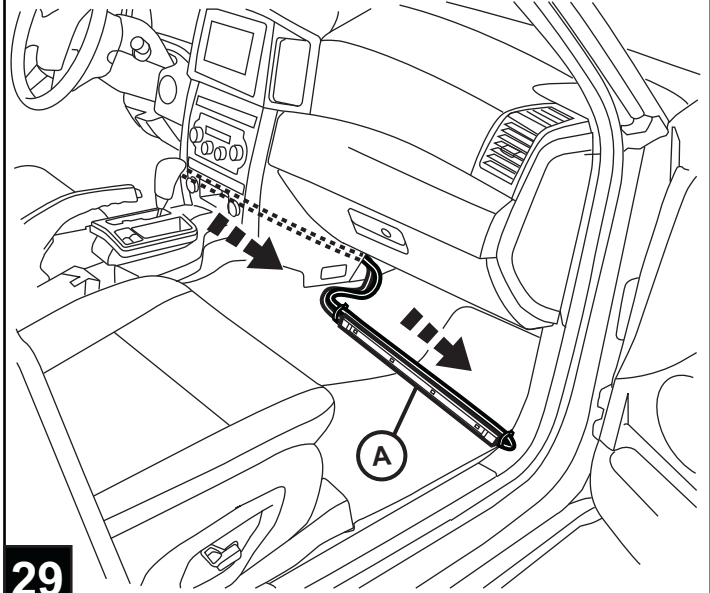
27

2X

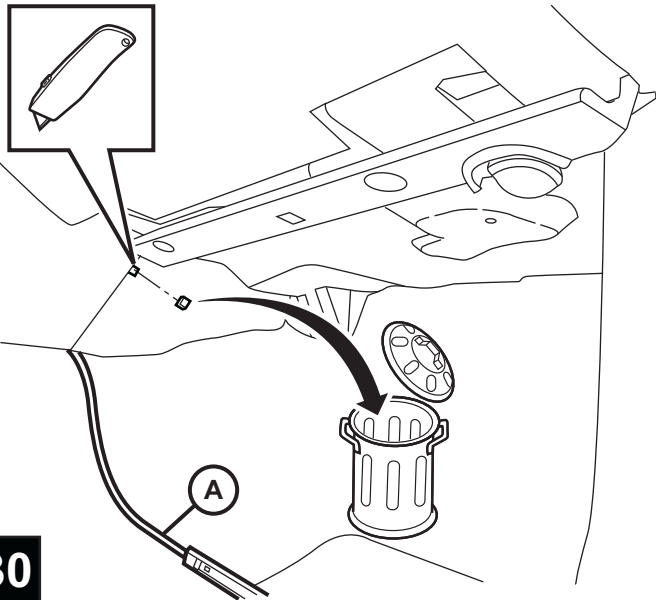
JEEP GRAND CHEROKEE



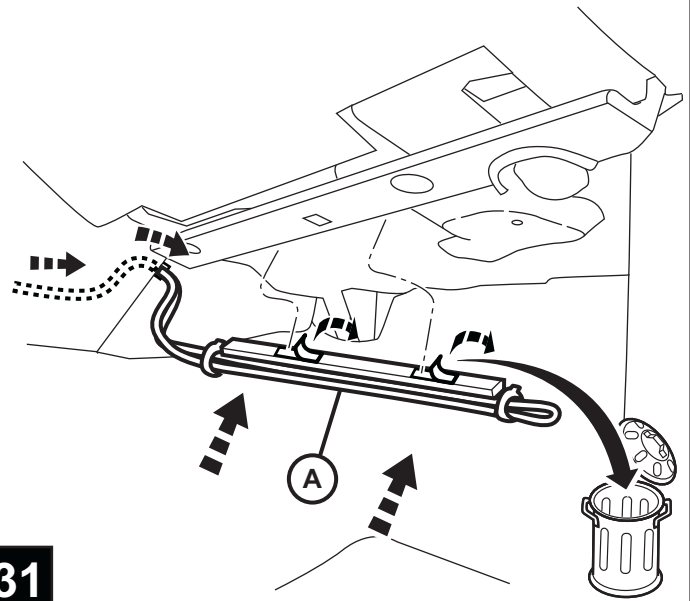
28



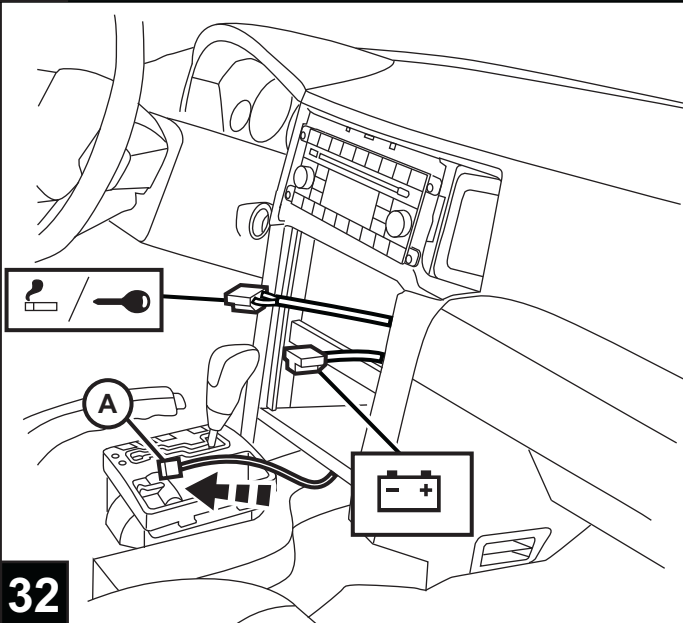
29



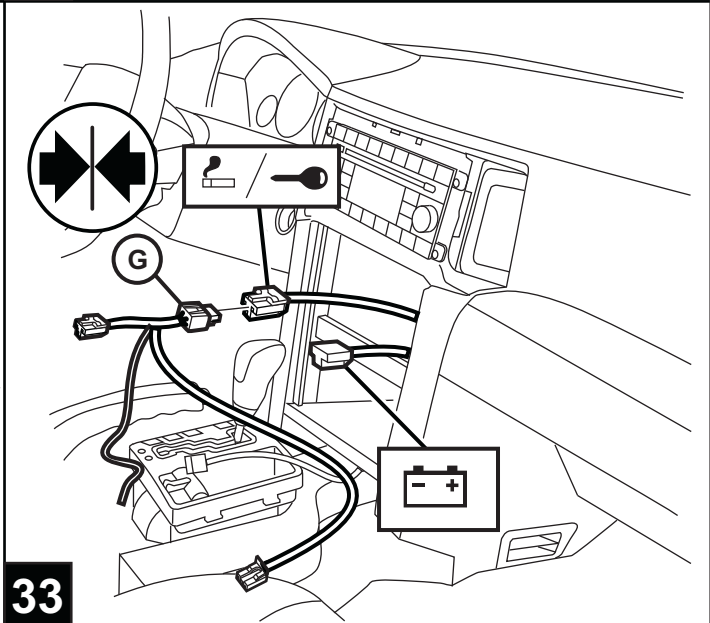
30



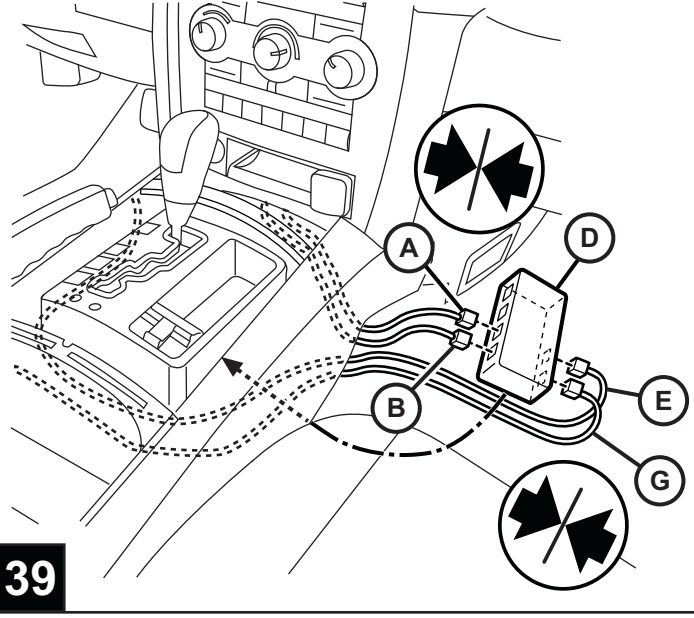
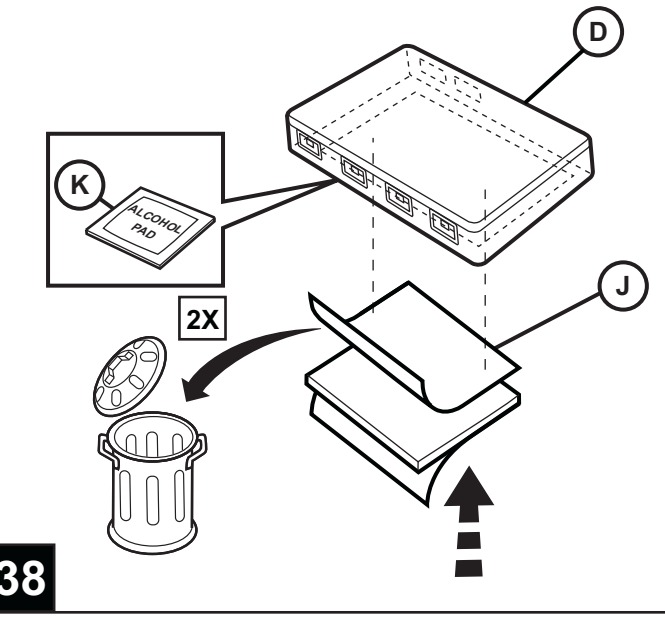
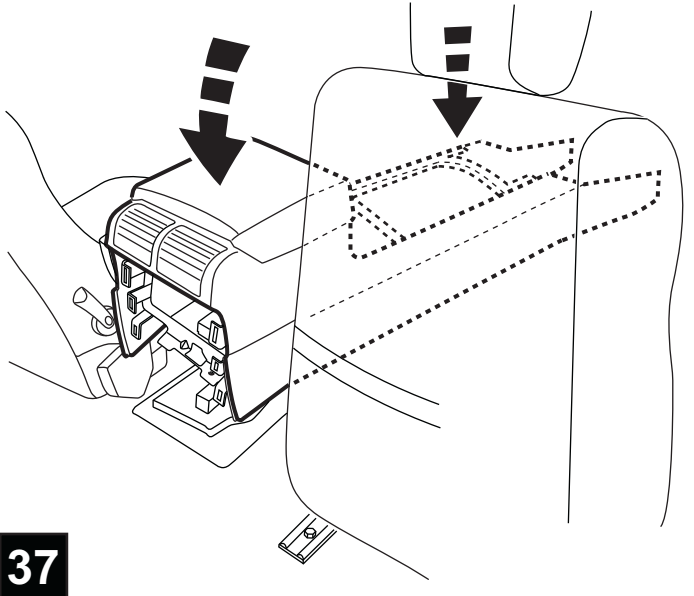
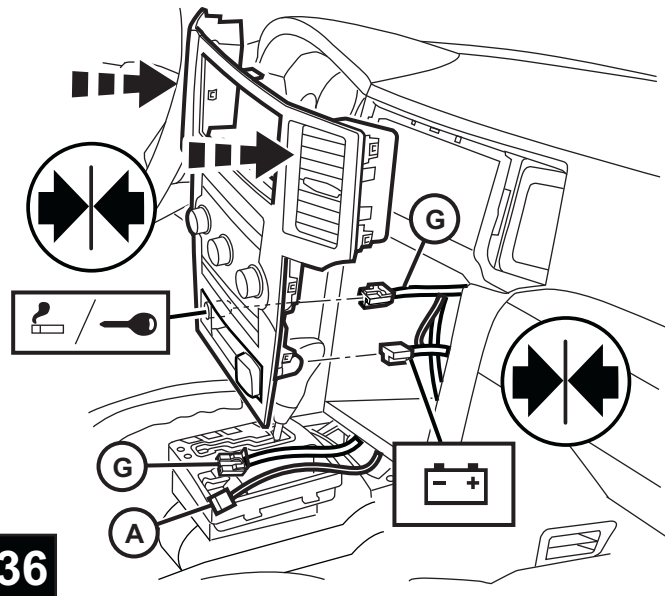
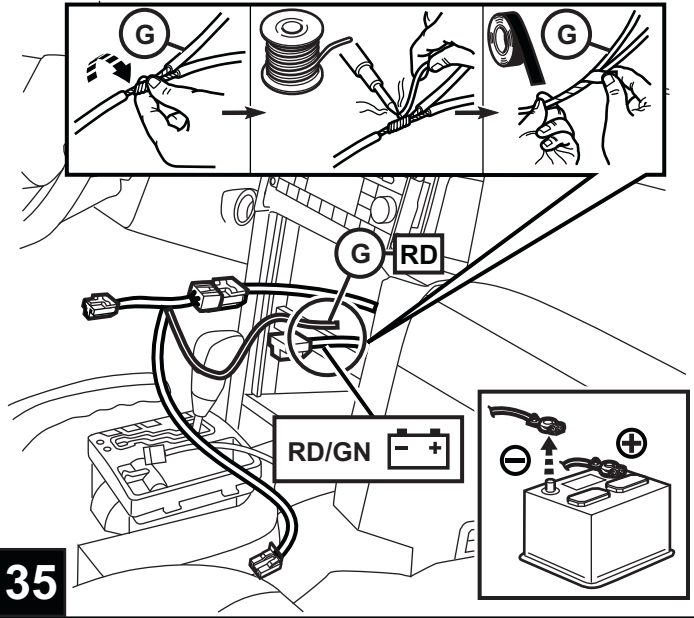
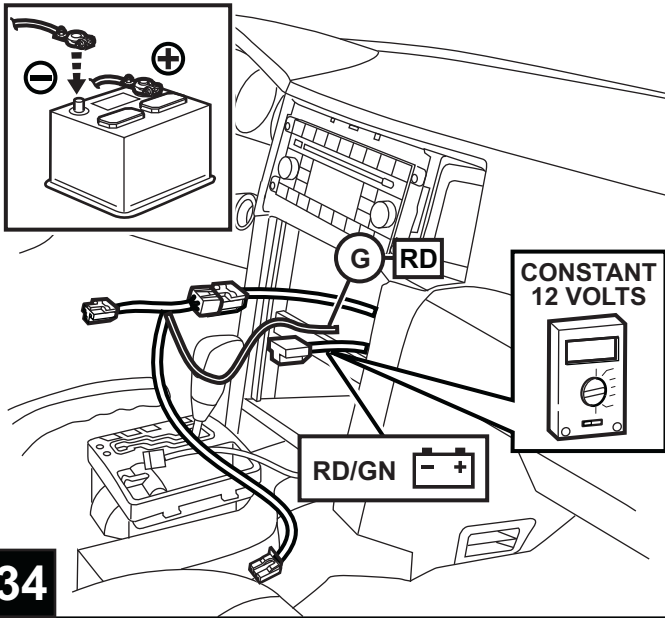
31



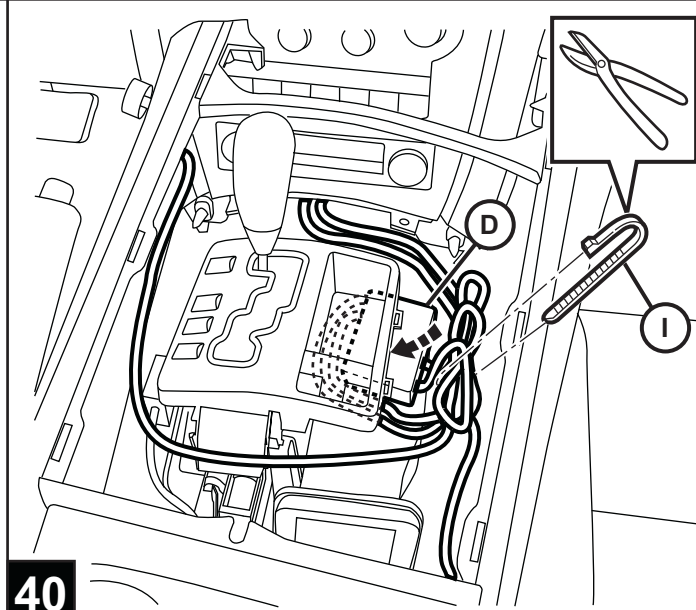
32



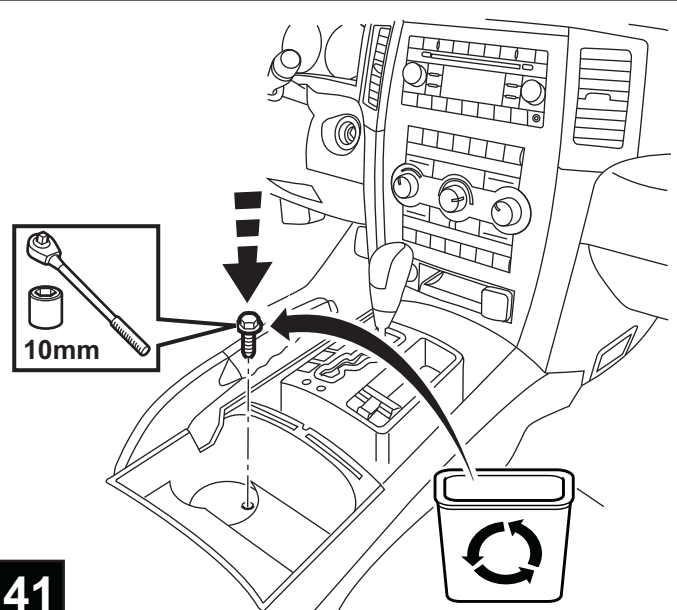
33



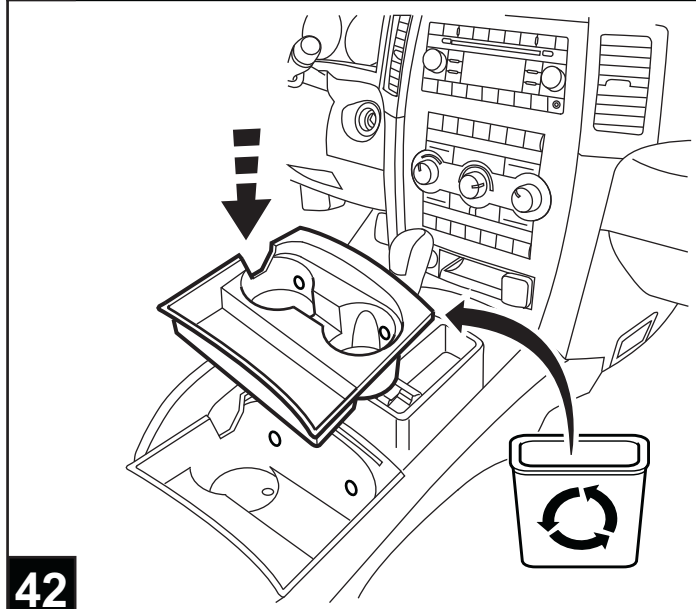
JEEP GRAND CHEROKEE



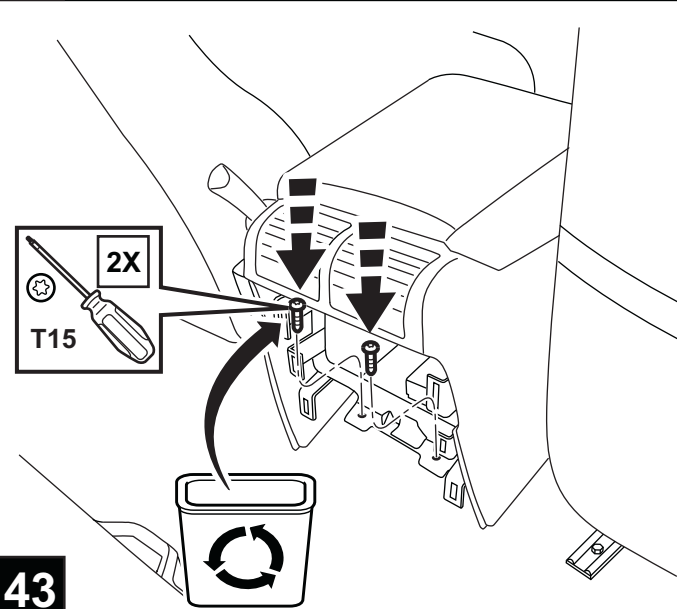
40



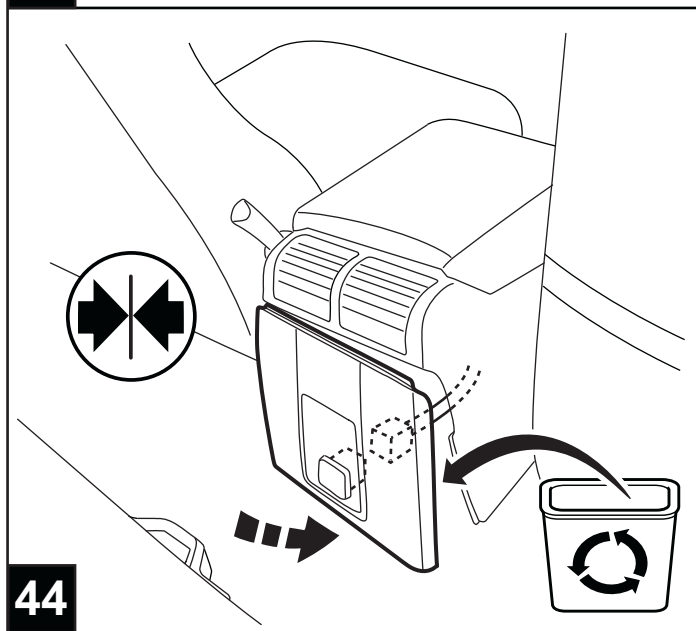
41



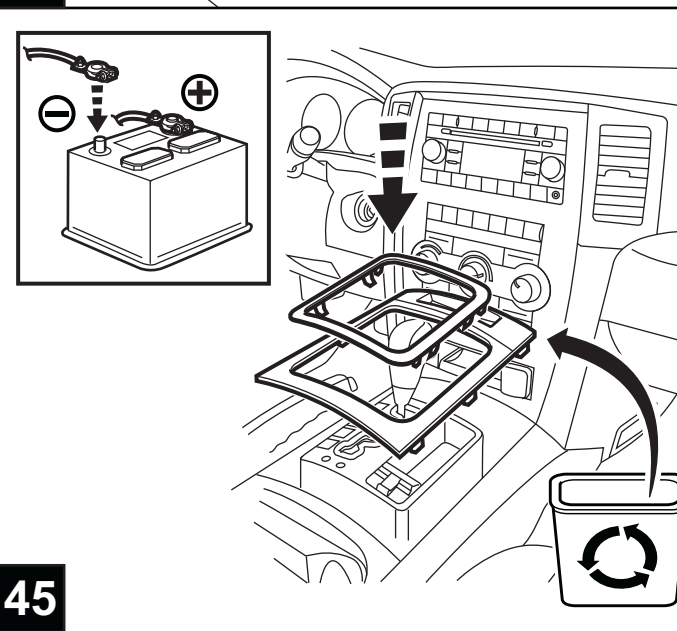
42



43



44



45