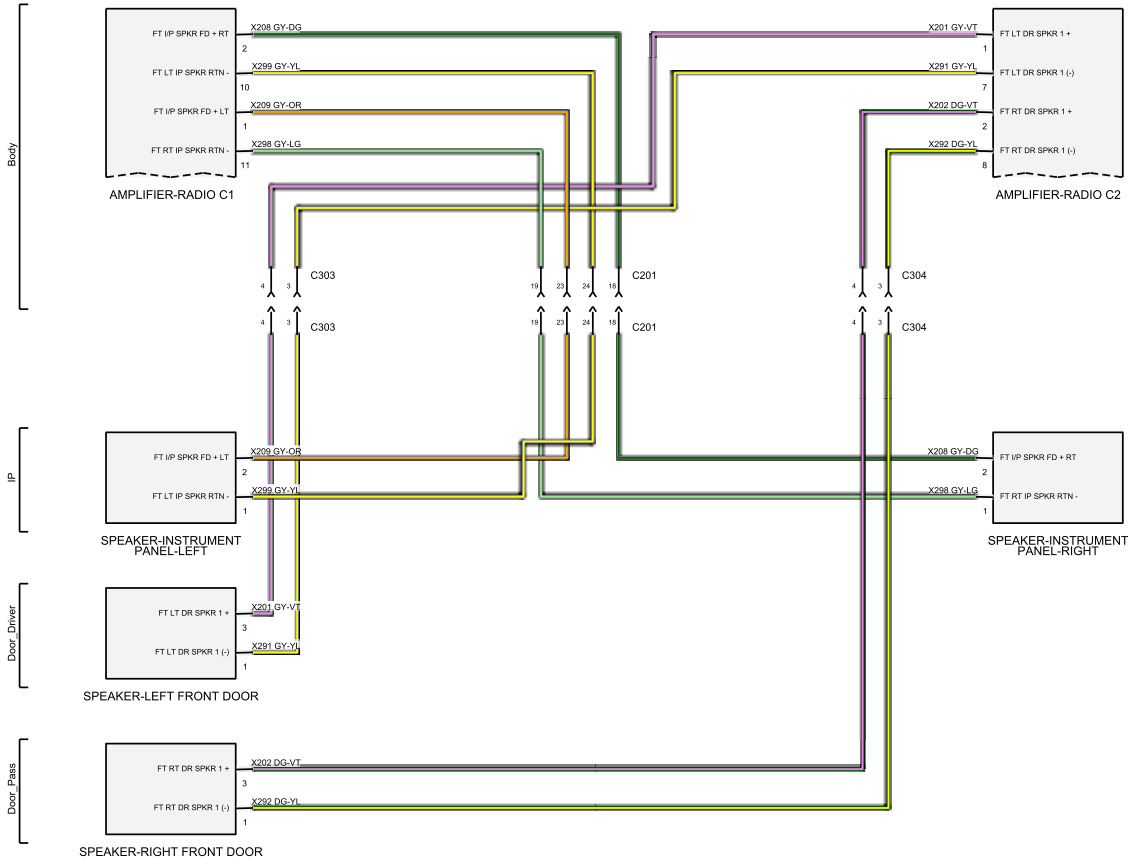


47-004-001 FRONT SPEAKERS

Year 2010 Model WK - GRAND CHEROKEE Engine 6.1L SRT HEMI V8
Trim SRT8 Body LHD Drive 4WD Trans. 5-SPEED AUTO W5A580 TRANSMISSION
VIN 1J4RR7GW0AC101906



47-005-001 REAR SPEAKERS

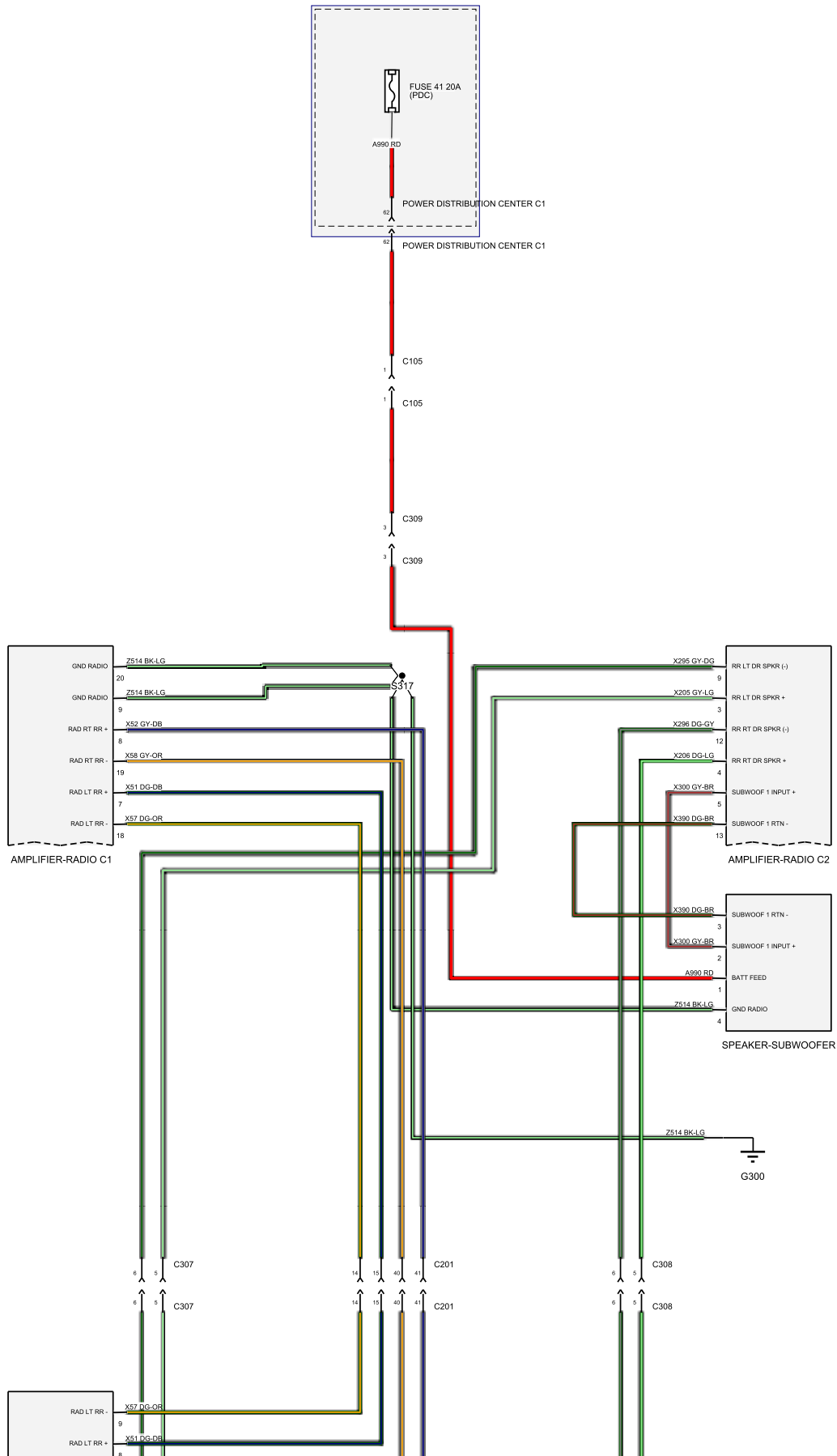
Year 2010 Model WK - GRAND CHEROKEE Engine 6.1L SRT HEMI V8
Trim SRT8 Body LHD Drive 4WD Trans. 5-SPEED AUTO W5A580 TRANSMISSION
VIN 1J4RR7GW0AC101906

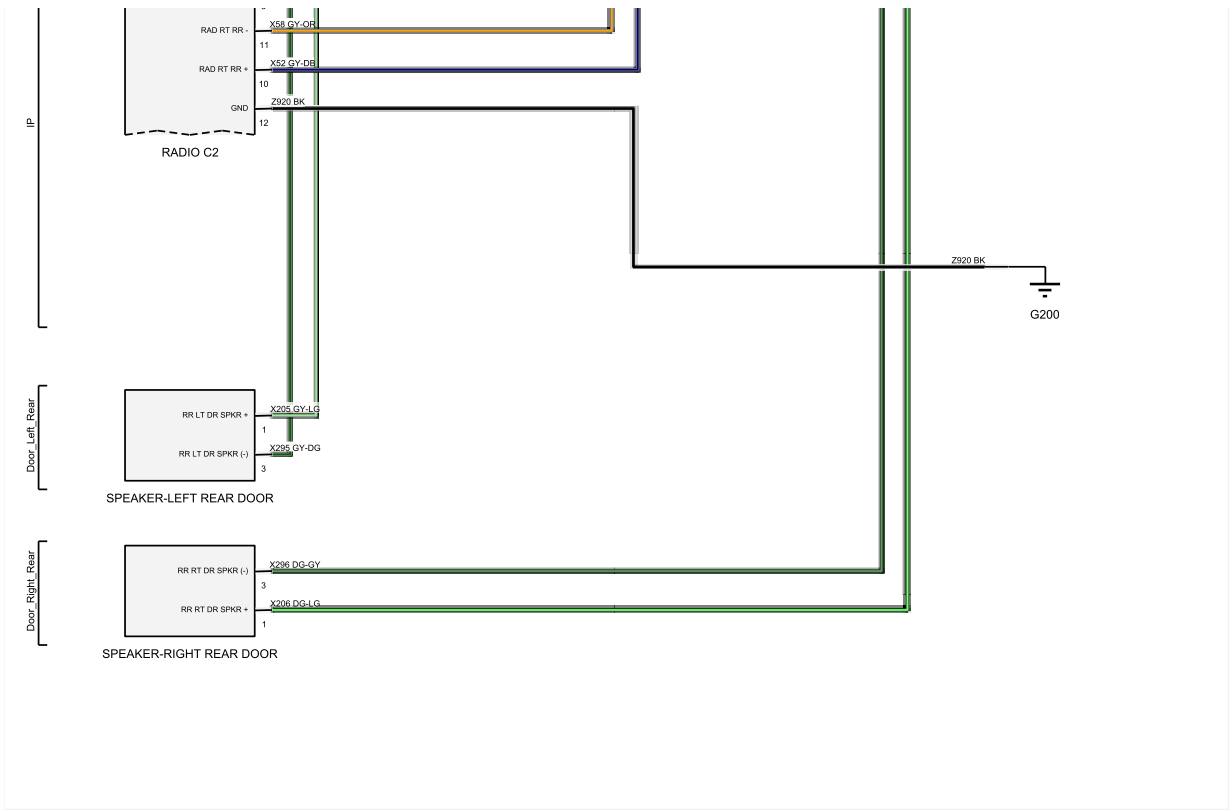
Virtual_PDC

HDLP_Dash

Body_Under

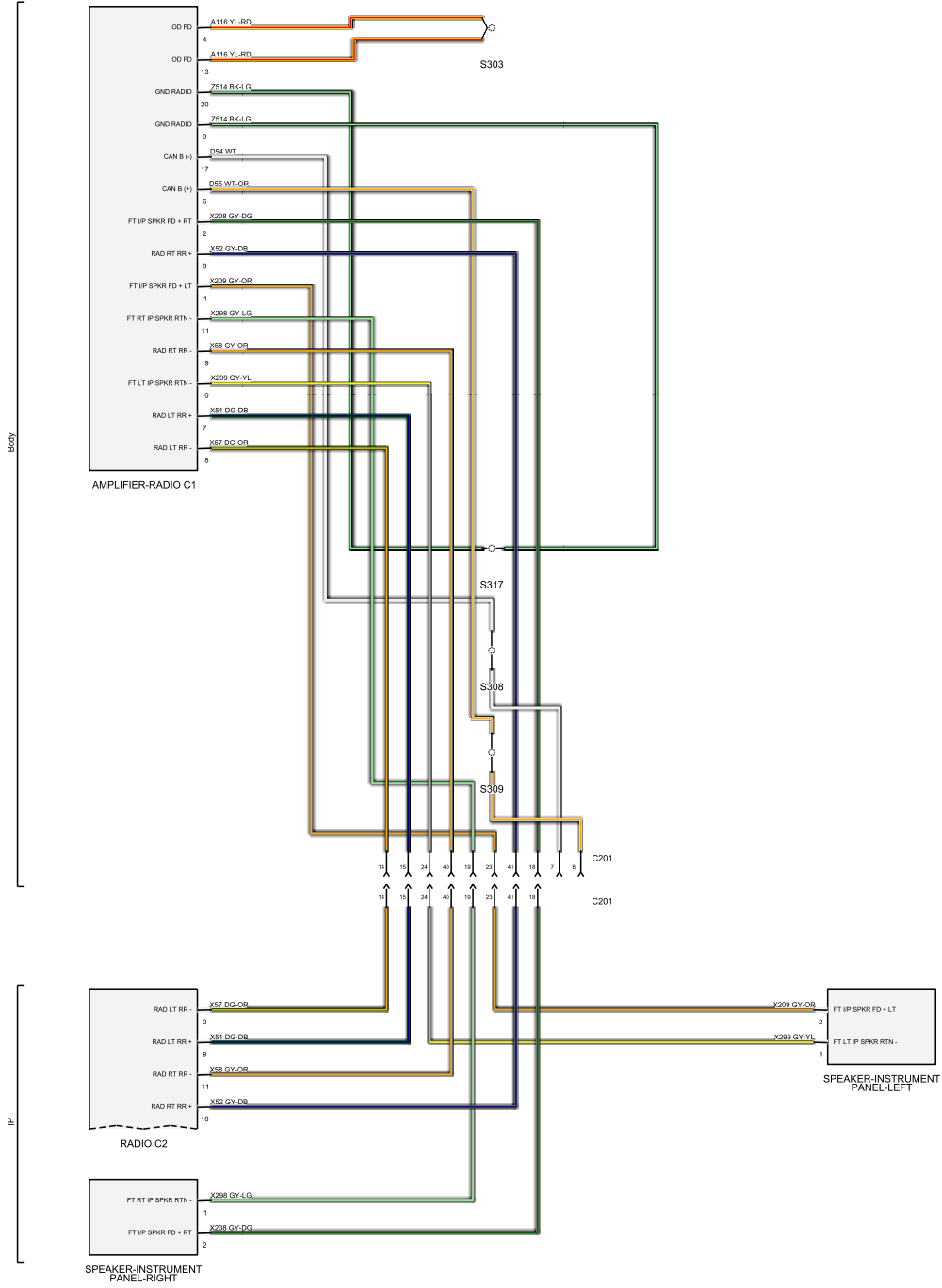
Body





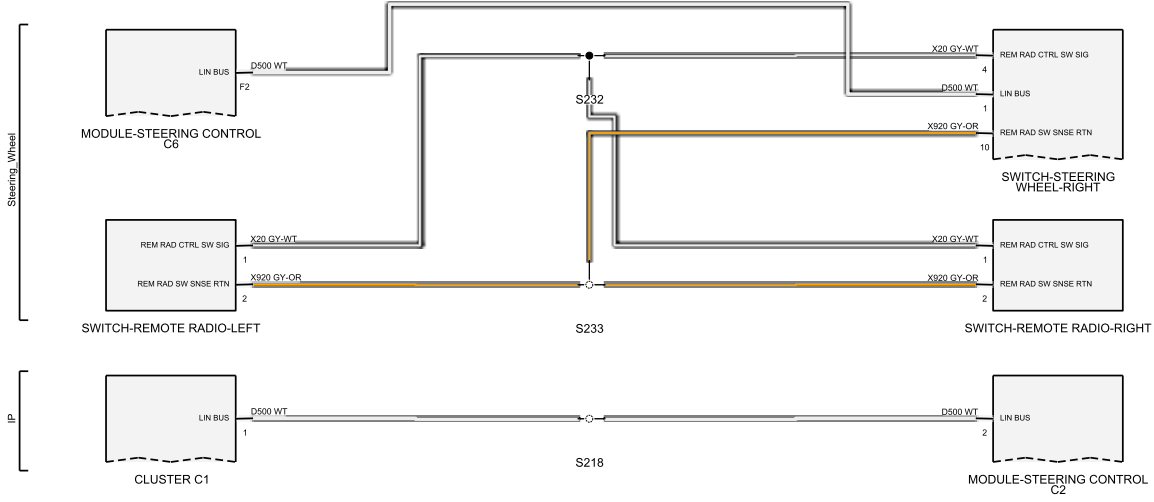
AMPLIFIER-RADIO C1

Year 2010 Model WK - GRAND CHEROKEE Engine 6.1L SRT HEMI V8
 Trim SRT8 Body LHD Drive 4WD Trans: 5-SPEED AUTO W5A580 TRANSMISSION
 VIN 1J4RR7GW0AC101906



47-003-001 REMOTE RADIO SWITCHES

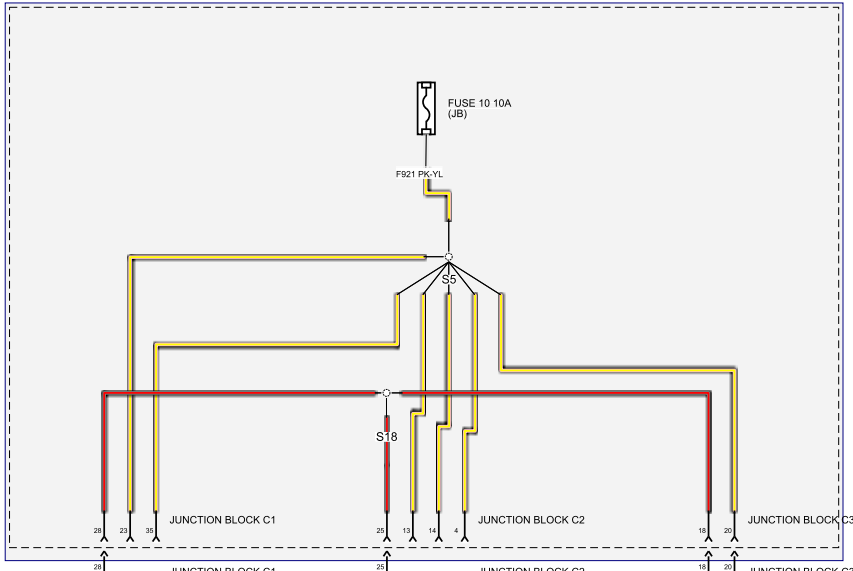
Year 2010 Model WK - GRAND CHEROKEE Engine 6.1L SRT HEMI V8
Trim SRT8 Body LHD Drive 4WD Trans. 5-SPEED AUTO W5A580 TRANSMISSION
VIN 1J4RR7GW0AC101906



47-008-001 HANDSFREE

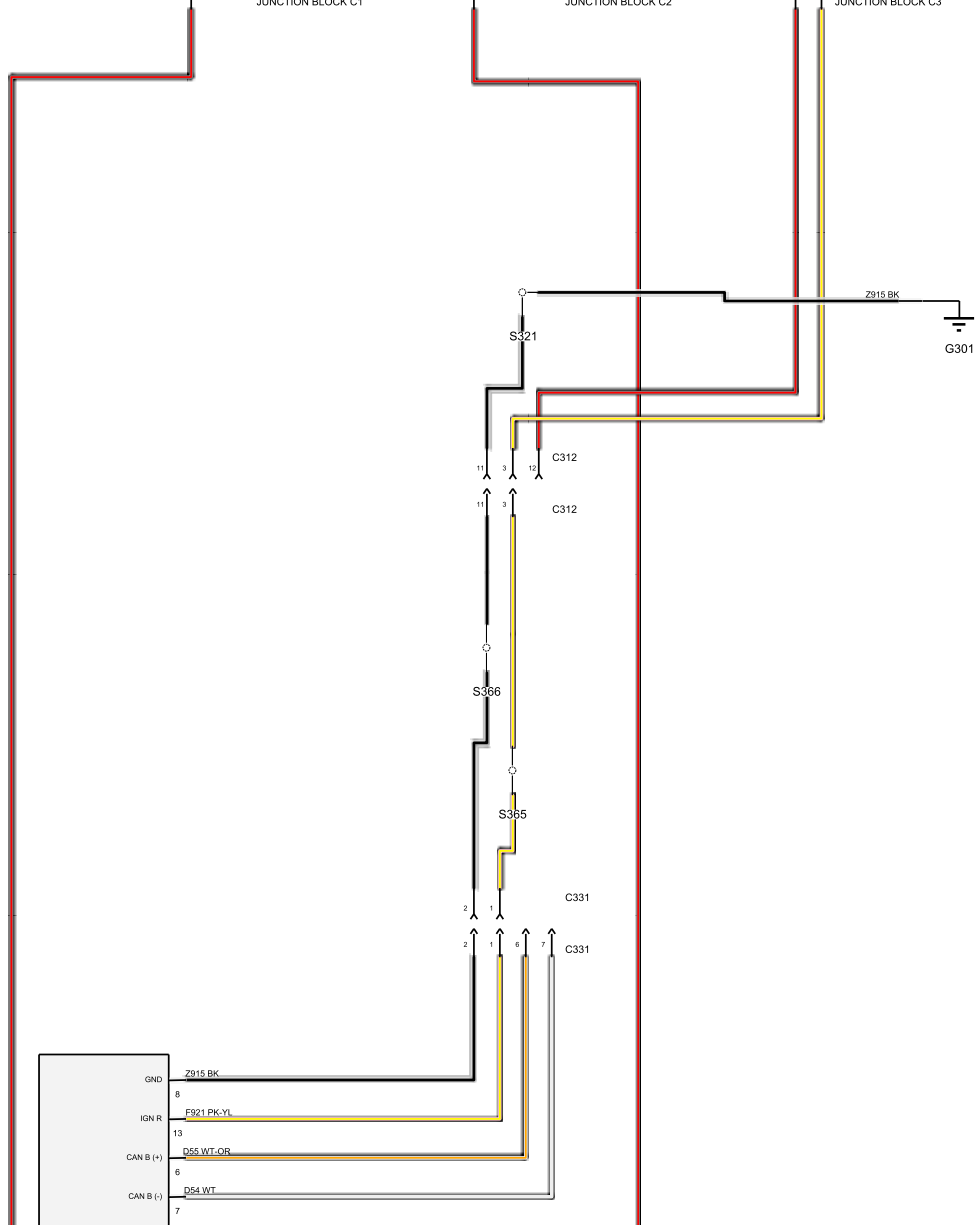
Year 2010 Model WK - GRAND CHEROKEE Engine 6.1L SRT HEMI V8
Trim SRT8 Body LHD Drive 4WD Trans. 5-SPEED AUTO W5A580 TRANSMISSION
VIN 1J4RR7GW0AC101906

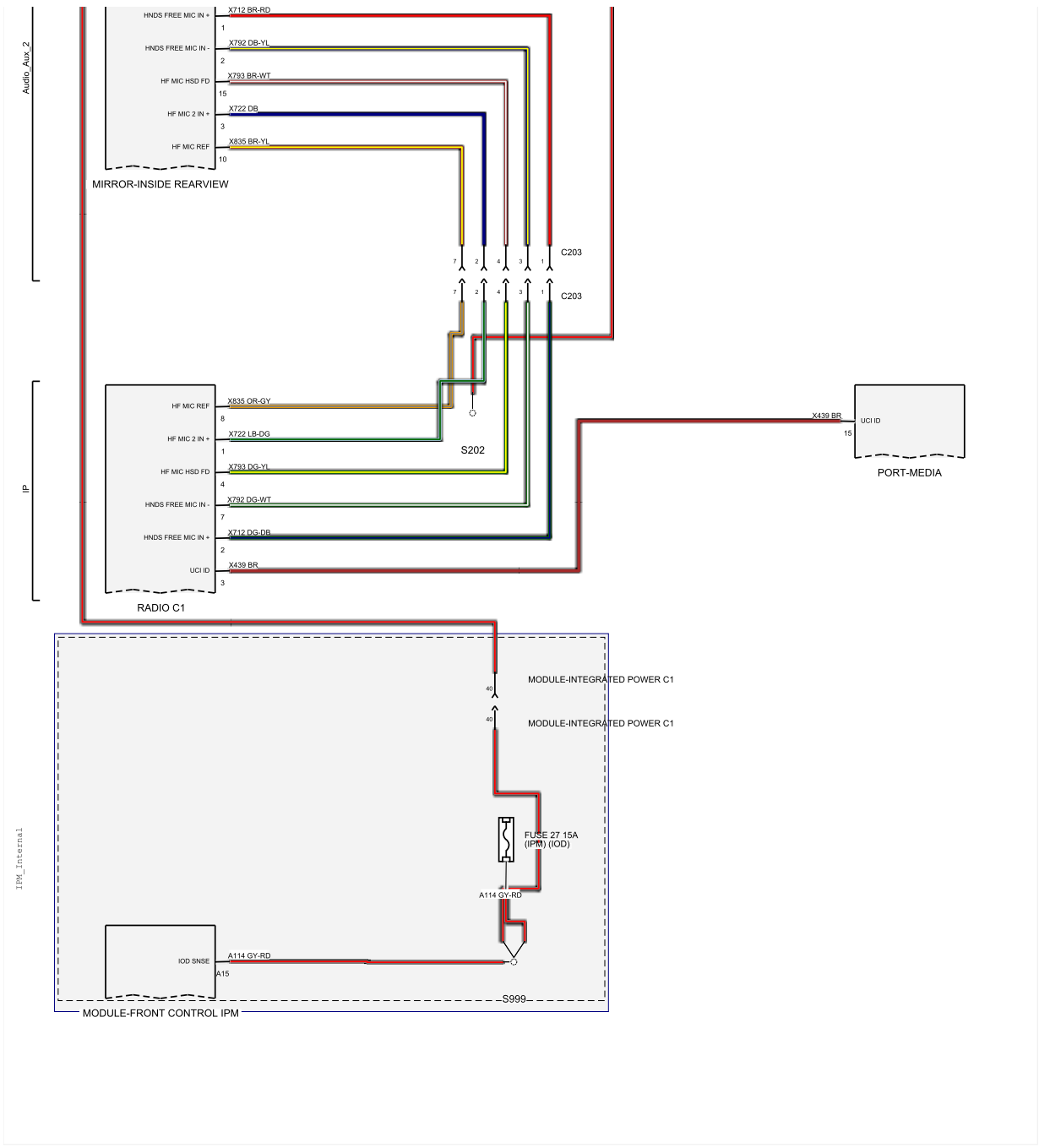
Virtual_JB



Body

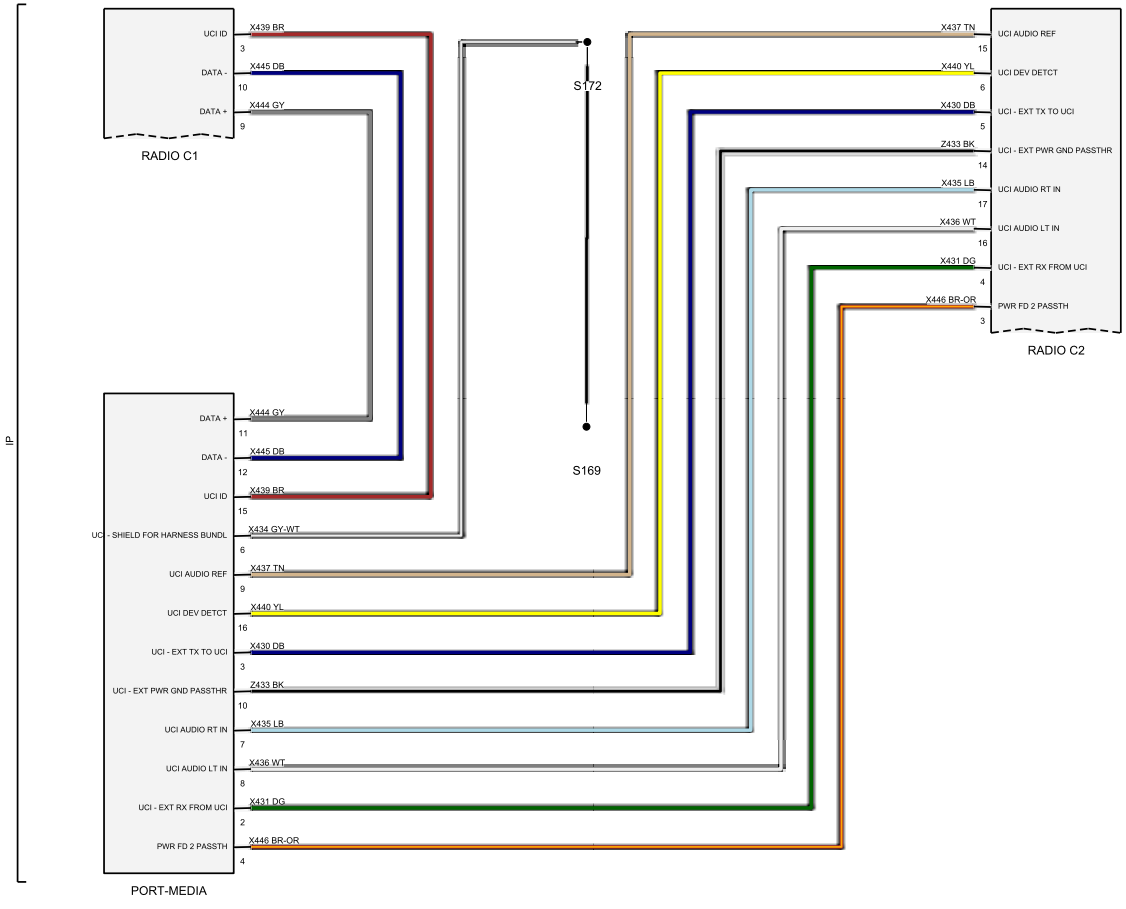
Overhead





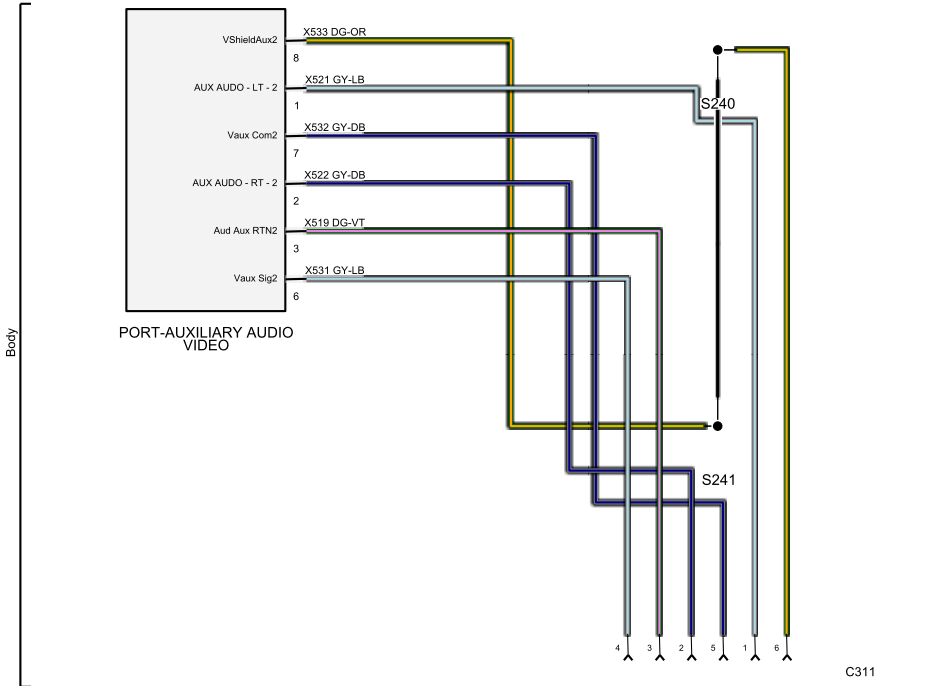
47-009-001 MEDIA PORT

Year 2010 Model WK - GRAND CHEROKEE Engine 6.1L SRT HEMI V8
 Trim SRT8 Body LHD Drive 4WD Trans. 5-SPEED AUTO W5A580 TRANSMISSION
 VIN 1J4RR7GW0AC101906



47-010-001 AUXILIARY AUDIO VIDEO PORT

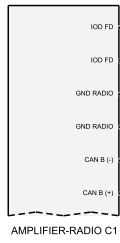
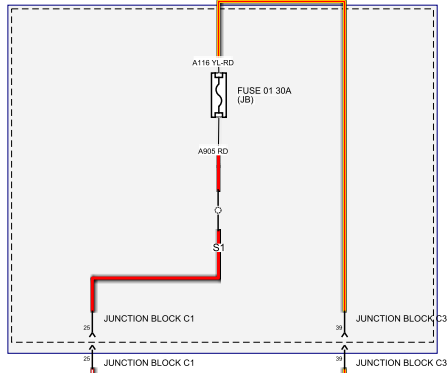
Year 2010 Model WK - GRAND CHEROKEE Engine 6.1L SRT HEMI V8
Trim SRT8 Body LHD Drive 4WD Trans. 5-SPEED AUTO W5A580 TRANSMISSION
VIN 1J4RR7GW0AC101906



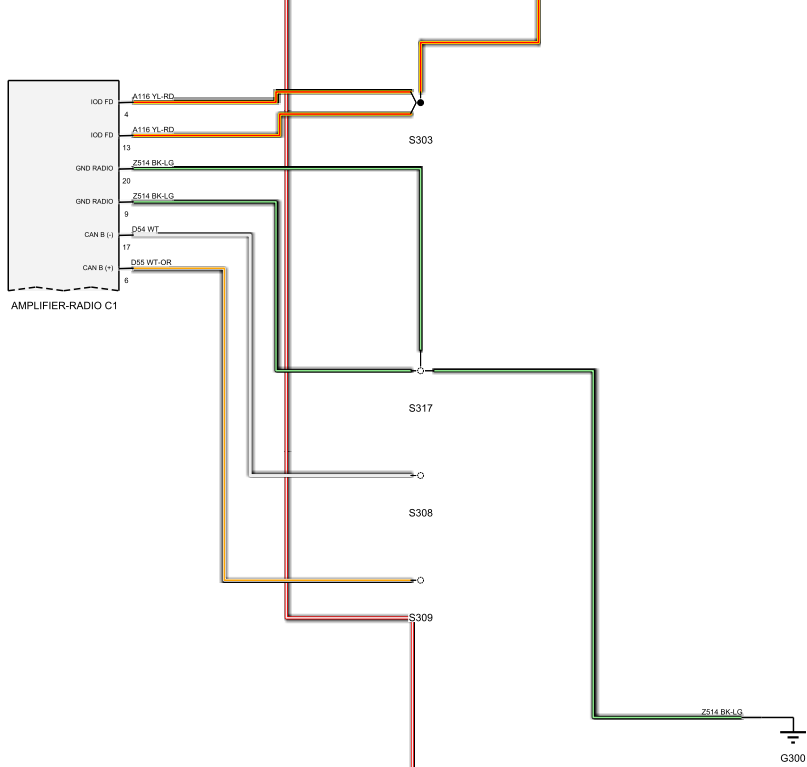
47-001-002 RADIO AMPLIFIER POWERS, GROUNDS,

Year 2010 Model WK - GRAND CHEROKEE Engine 6.1L SRT HEMI V8
Trim SRT8 Body LHD Drive 4WD Trans. 5-SPEED AUTO W5A580 TRANSMISSION
VIN 1J4RR7GW0AC101906

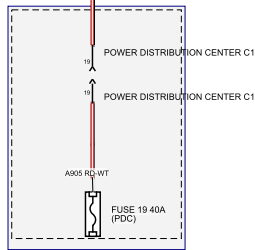
Virtual_B



Body



Virtual_PDC

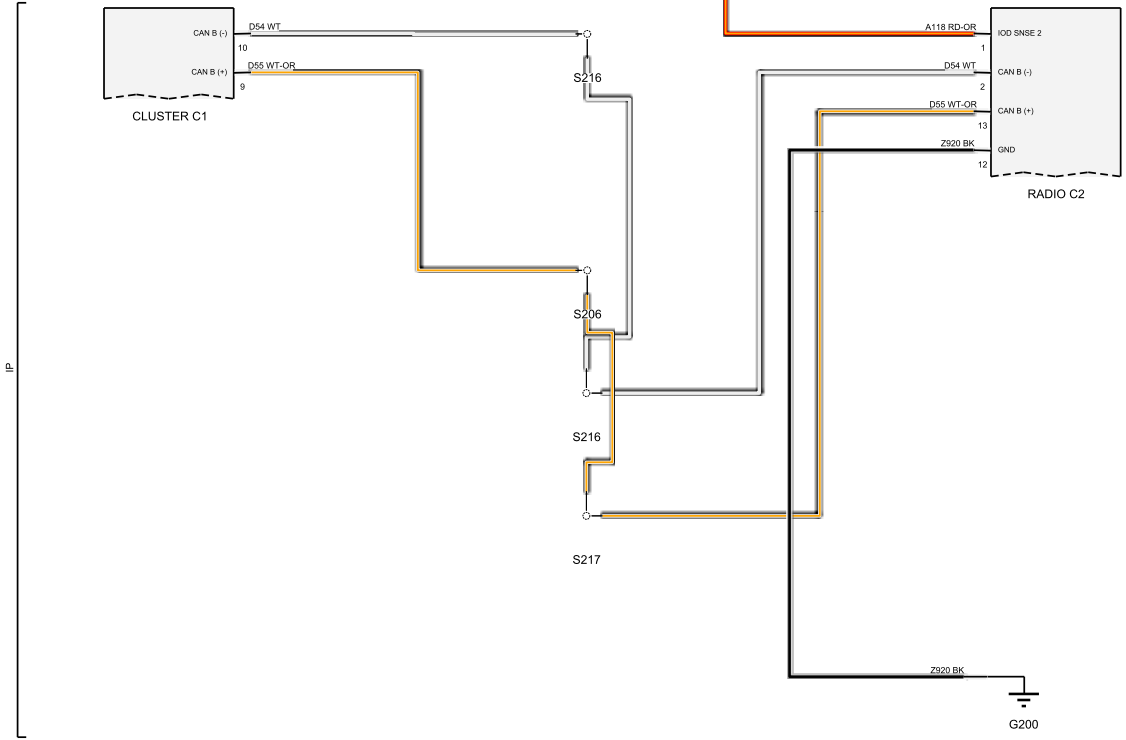


47-001-001 RADIO POWERS, GROUNDS, AND BUS

Year 2010 Model WK - GRAND CHEROKEE Engine 6.1L SRT HEMI V8
Trim SRT8 Body LHD Drive 4WD Trans. 5-SPEED AUTO W5A580 TRANSMISSION
VIN 1J4RR7GW0AC101906

Virtual_0B

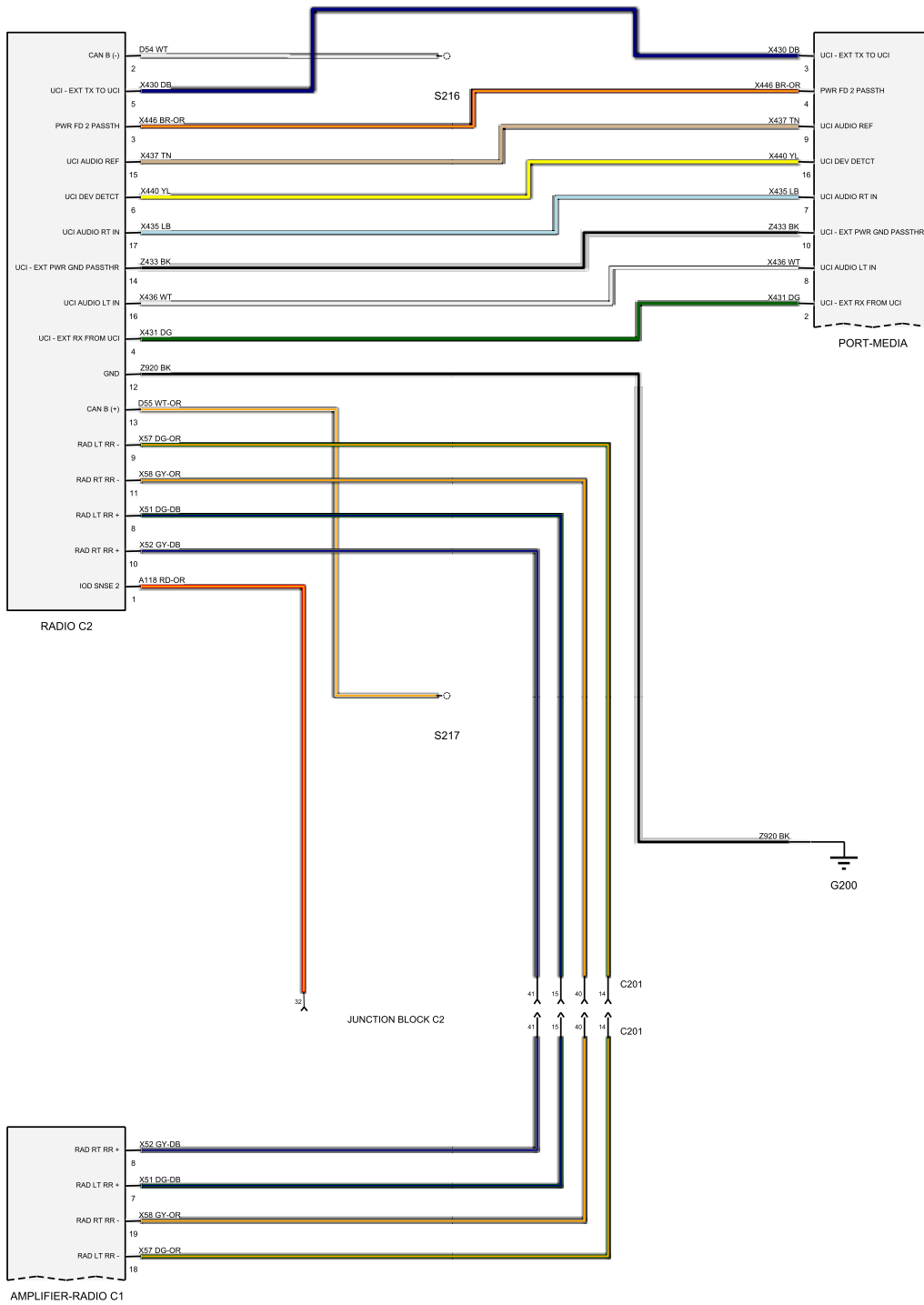
IPM_Internal



IP

RADIO C2

Year 2010 Model WK - GRAND CHEROKEE Engine 6.1L SRT HEMI V8
 Trim SRT8 Body LHD Drive 4WD Trans. 5-SPEED AUTO W5A580 TRANSMISSION
 VIN 1J4RR7GW0AC101906



REAR CAMERA

