

VIN PLATE DECODING INFORMATION

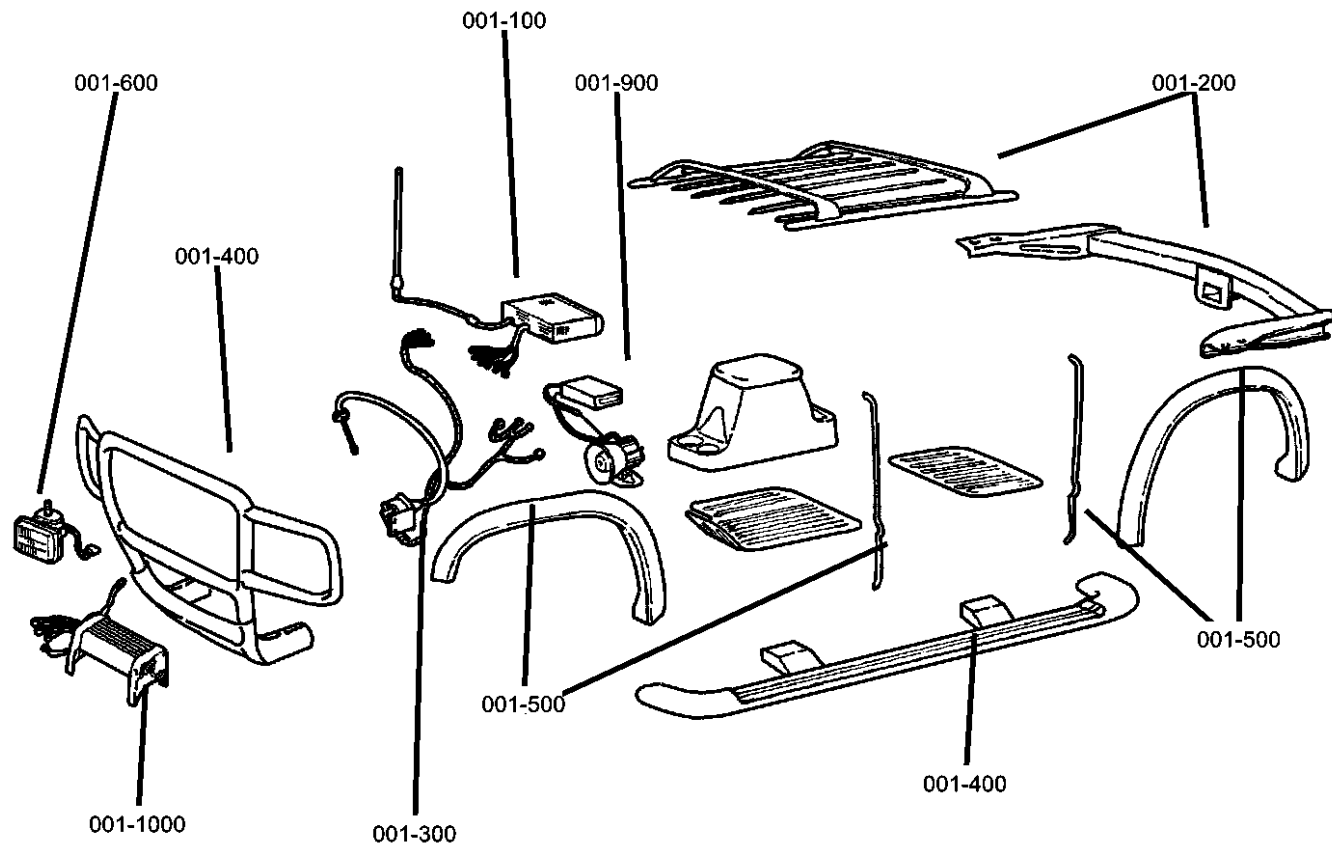
1	2	3	4	5	6	7	8	9	10	11	12 thru 17
Country	Make	Vehicle Type	Other	Line	Series	Body Style	Engine	Check Digit	Model Year	Assy. Plant	Sequence No.

The following table interprets the VIN Plate position shown above.

Position	Interpretation	Codes = Description
1	Country of Origin	1 = Built by DaimlerChrysler Corp.
2	Assembler	J = Jeep
3	Vehicle Type	4 = Multipurpose Passenger Vehicle
4	GVWR & Pass. Safety	F = 4001-5000 lbs (1815-2267 kg) G = 5001-6000 lbs (2268-2721 kg) H = 6001-7000 lbs (2722-3175 kg) J = 7001-8000 lbs (3176-3628 kg) K = 8001-9000 lbs (3629-4082 kg) L = 9001-10,000 lbs (4083-4535 kg) M = 10,001-14,000 lbs (4536-6350 kg) D = 1-3000 lbs (0-1360 kg) E = 3001-4000 lbs (1361-1814 kg)
5	Vehicle Line	S = Grand Cherokee 4x2 R = Grand Cherokee 4x4
6	Series	4 = Laredo 5 = Limited
7	Body Style	8 = 4 Door Sport Utility (74)
8	Engine	K = 3.7L V6 (EKG) 2 = 5.7L Hemi (EZB) N = 4.7L 8 Cyl. (EVA)
9	Check Digit	0 = Check Digit
10	Model Year	5 = 2005
11	Assembly Plant	C = Jefferson North Assembly
12 thru 17	Vehicle Build Sequence	Model Year Assembly Sequence

Group - 1

Mopar Accessories - Component Parts



Group - 1 Mopar Accessories - Component Parts

Group-Fig. No.

Illustration Title

Audio & Electronics

Satellite Receiver Kit.....	Fig. 1 - 110
Install Kit Satellite Receiver	Fig. 1 - 120
Navigation Kit.....	Fig. 1 - 130
Rear Seat DVD Video System	Fig. 1 - 140

Carriers & Cargo Hauling


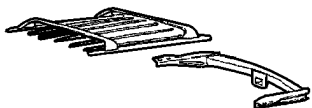

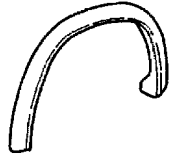
Bike Carrier - Hitch Mount Four Bikes	Fig. 1 - 210
Bike Carrier, Hitch Mount Two Bikes.....	Fig. 1 - 215
Bike Carrier - Roof Mount- Fork.....	Fig. 1 - 220
Bike Carrier- Roof Mount -Upright	Fig. 1 - 225
Carrier Kit - Canoe	Fig. 1 - 230
Carrier Kit - Watersports	Fig. 1 - 235
Carrier Kit - Ski, Hitch Mount	Fig. 1 - 240
Carrier Kit, Snowboard or Ski	Fig. 1 - 245
Luggage Carrier Roof Vinyl.....	Fig. 1 - 250
Carrier Kit / Luggage.....	Fig. 1 - 255

Driving Convenience

Sensor Package Park/Distance	Fig. 1 - 310
Remote Start - Installation Kit	Fig. 1 - 320
Hands Free Kit - Cellular Phone	Fig. 1 - 330

Exterior Protection

Cladding Kit.....	Fig. 1 - 510
-------------------	--------------

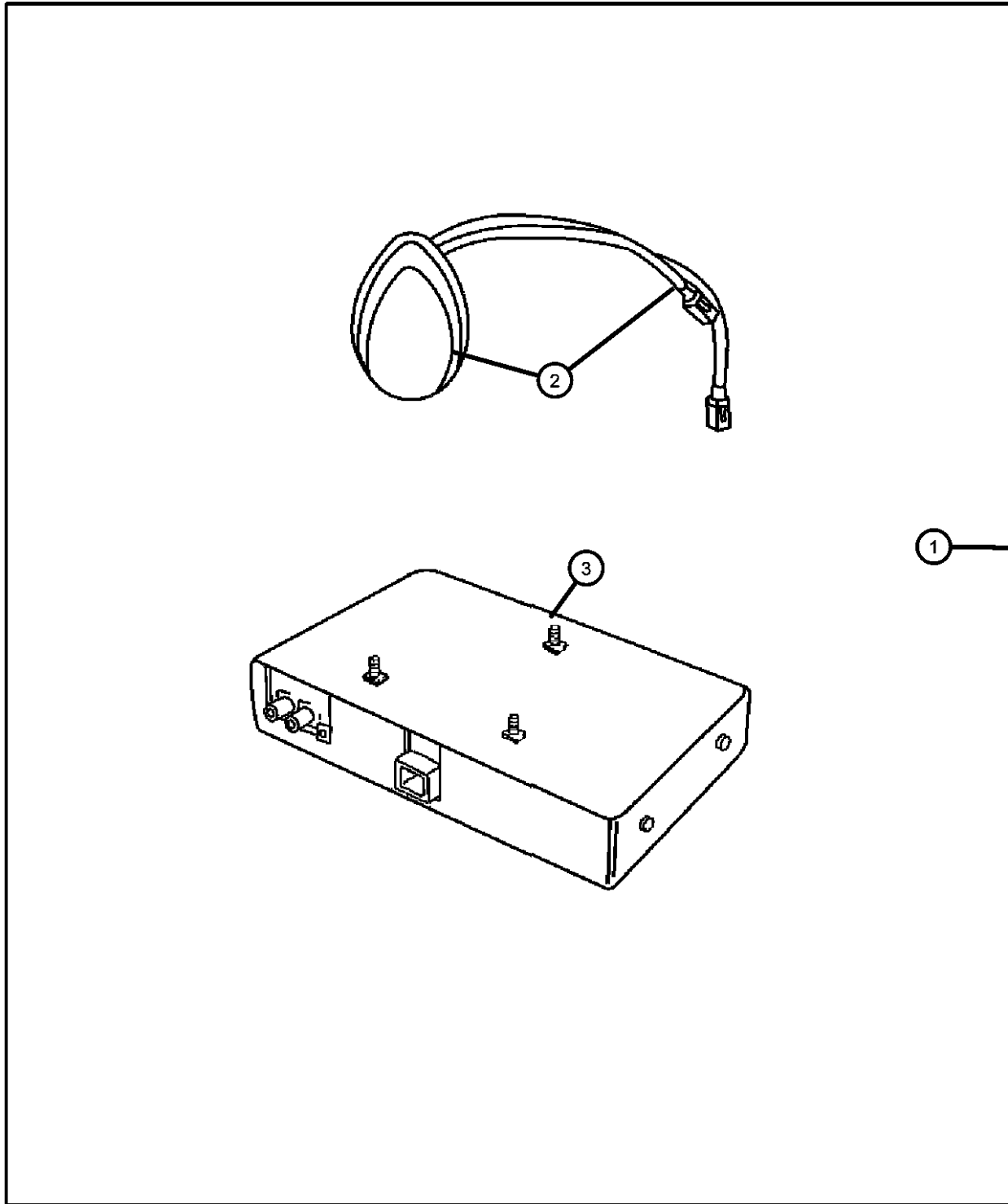
<p>001-100 Audio & Electronics</p> 	<p>001-200 Carriers & Cargo Hauling</p> 	<p>001-300 Driving Convenience</p> 	<p>001-500 Exterior Protection</p> 
---	--	--	---

**Satellite Receiver Kit
Figure 1-110**

ITEM	PART NUMBER	QTY	LINE	SERIES	BODY	ENGINE	TRANS	TRIM	DESCRIPTION
------	-------------	-----	------	--------	------	--------	-------	------	-------------

Note; For Warranty Repair On Item 3, Order Using Z Prefix

1	82208881AA	1							RECEIVER, Satellite
2	05091504AB	1							ANTENNA, Satellite
3	82208881AA	1							RECEIVER, Satellite



GRAND CHEROKEE (WK)

SERIES	LINE
H = Laredo	T = JEEP - 2WD
P = Limited	J = JEEP - 4WD

BODY

74 = SPORT UTILITY 4-DOOR

ENGINE

EKG = Engine - 3.7L V6
EVA = Engine- 4.7L V8 MPI
EZB = Engine-5.7L HEMI

TRANSMISSION

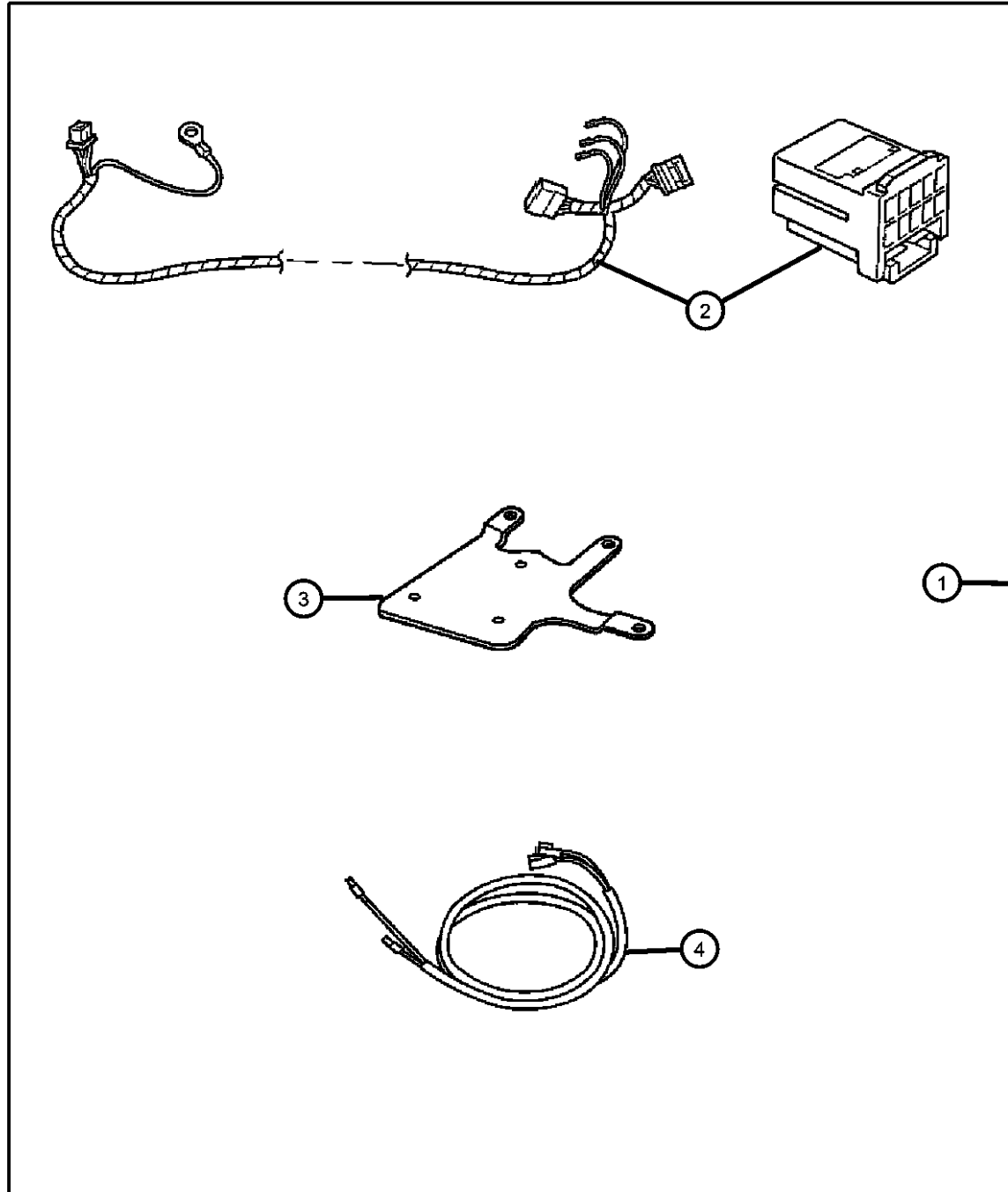
DG0 = All Automatic Transmissions
DGJ = Transmission - 5-Spd Auto, MB
DGQ = Transmission-5-Spd Automatic 5-45RFE

AR = use ase required - = Non illustrated part

2005 WK

**Install Kit Satellite Receiver
Figure 1-120**

ITEM	PART NUMBER	QTY	LINE	SERIES	BODY	ENGINE	TRANS	TRIM	DESCRIPTION
1	82209041AB	1							INSTALL KIT, Satelite Receiver
2	05159035AA	1							HARNESS, Overlay
3		1							BRACKET, Satelite Receiver, (NOT SERVICED)
4	05066207AB	1							CABLE, Antenna



GRAND CHEROKEE (WK)

SERIES	LINE
H = Laredo	T = JEEP - 2WD
P = Limited	J = JEEP - 4WD

BODY

74 = SPORT UTILITY 4-DOOR

ENGINE

EKG = Engine - 3.7L V6
EVA = Engine- 4.7L V8 MPI
EZB = Engine-5.7L HEMI

TRANSMISSION

DG0 = All Automatic Transmissions
DGJ = Transmission - 5-Spd Auto, MB
DGQ = Transmission-5-Spd Automatic
5-45RFE

AR = use ase required - = Non illustrated part

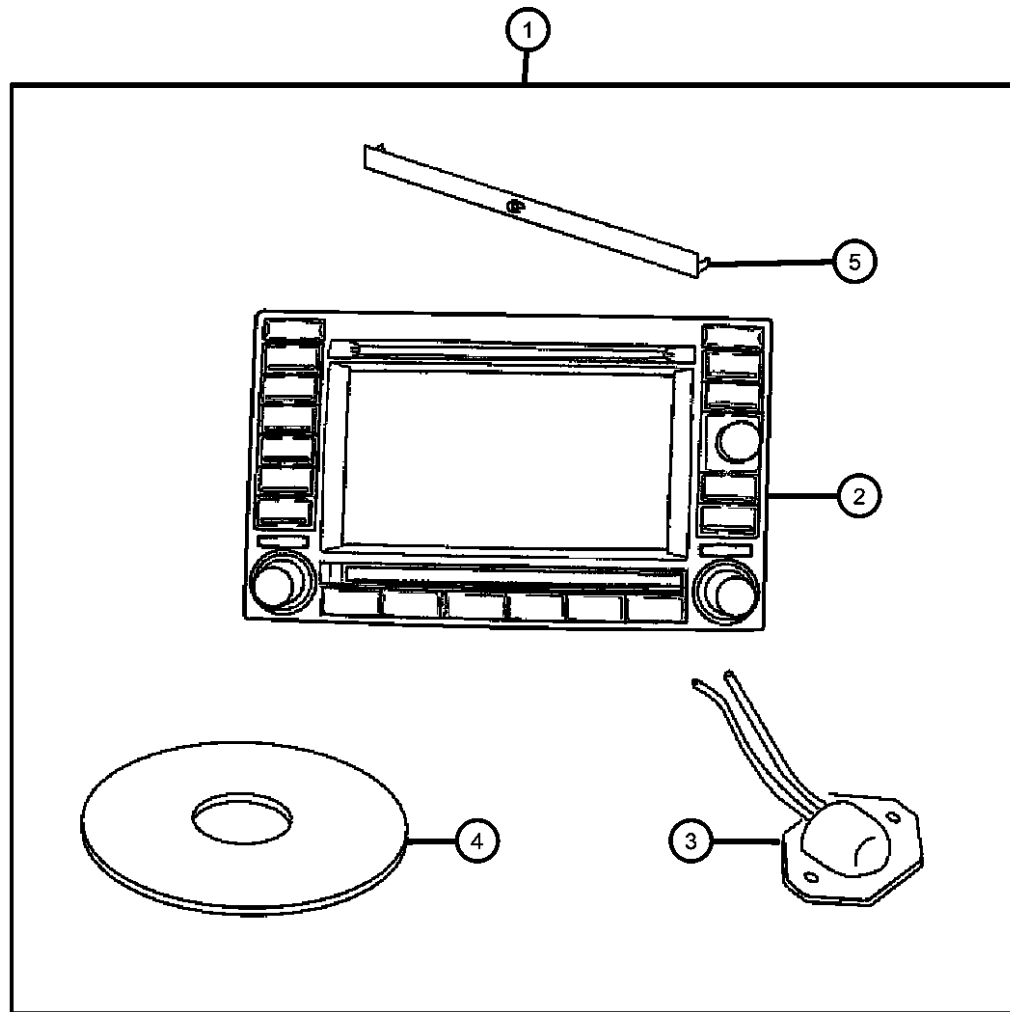
2005 WK

Navigation Kit
Figure 1-130

ITEM	PART NUMBER	QTY	LINE	SERIES	BODY	ENGINE	TRANS	TRIM	DESCRIPTION
------	-------------	-----	------	--------	------	--------	-------	------	-------------

Note: For Warranty Repair on Item 2, Order Using Z Prefix

1	82208653	1							RADIO, AM/FM CD W/NAV/DVD & CD-CTRL
2	56038646AI	1							RADIO, AM/FM CD W/NAV/DVD & CD-CTRL
3	56038630AA	1							ANTENNA, GPS
4	05064033AB	1							DVD, Geographic Database
5	05161571AA	1							COVER, Radio



GRAND CHEROKEE (WK)

SERIES LINE
H = Laredo T = JEEP - 2WD
P = Limited J = JEEP - 4WD

BODY

74 = SPORT UTILITY 4-DOOR
EKG = Engine - 3.7L V6
EVA = Engine- 4.7L V8 MPI
EZB = Engine-5.7L HEMI

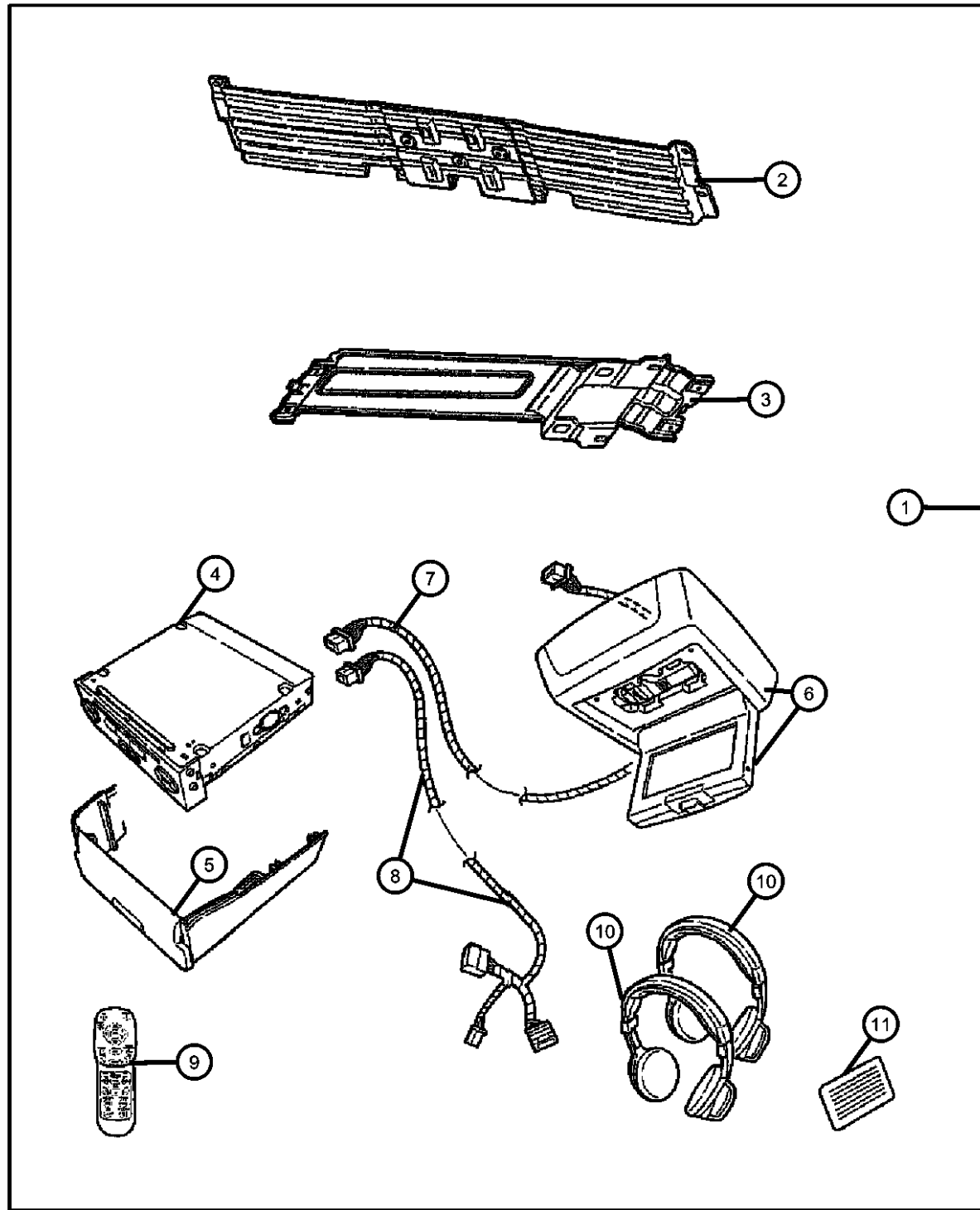
TRANSMISSION

DG0 = All Automatic Transmissions
DGJ = Transmission - 5-Spd Auto, MB
DGQ = Transmission-5-Spd Automatic 5-45RFE

AR = use ase required - = Non illustrated part

2005 WK

**Rear Seat DVD Video System
Figure 1-140**



ITEM	PART NUMBER	QTY	LINE	SERIES	BODY	ENGINE	TRANS	TRIM	DESCRIPTION
------	-------------	-----	------	--------	------	--------	-------	------	-------------

Note; For Warranty Repair On Items 4&6, Order Using Z Prefix

1	82208820	1							MEDIA SYSTEM, Monitor with DVD
2	55396383AD	1							BRACKET ASSY, REAR SEAT VIDEO, With Sunroof
3	56053029AC	1							BRACKET ASSY, REAR SEAT VIDEO, Without Sunroof
4	56038783AD	1							PLAYER, DVD
5									CAP, Floor Console End
	1BK64BD1AA	1							[J1]
	1BK64BD5AA	1							[D5]
	1BK64ZJ3AA	1							[J3]
6	56038784AF	1							MEDIA SYSTEM, Monitor with DVD
7	05166771AA	1							WIRING, DVD to Screen
8	05166772AA	1							WIRING, DVD Jumper
9	56043231AA	1							REMOTE, Wireless Infrared
10	05064037AA	1							HEADPHONES, Wireless, One Pair
11	05020533AA	1							LABEL, Mercury Warning

GRAND CHEROKEE (WK)

SERIES	LINE
H = Laredo	T = JEEP - 2WD
P = Limited	J = JEEP - 4WD

BODY

74 = SPORT UTILITY 4-DOOR

ENGINE

EKG = Engine - 3.7L V6
EVA = Engine- 4.7L V8 MPI
EZB = Engine-5.7L HEMI

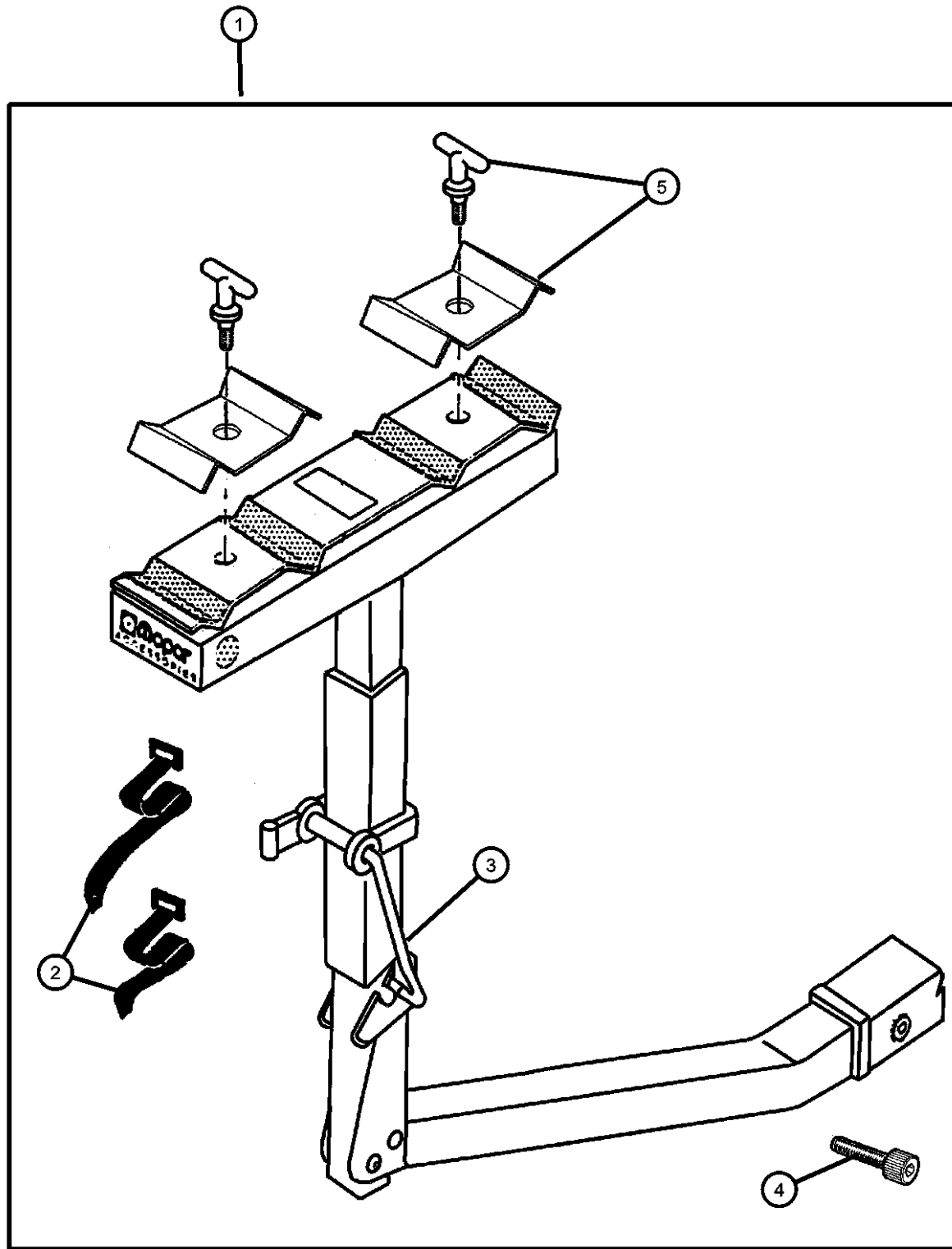
TRANSMISSION

DG0 = All Automatic Transmissions
DGJ = Transmission - 5-Spd Auto, MB
DGQ = Transmission-5-Spd Automatic 5-45RFE

AR = use ase required - = Non illustrated part

2005 WK

Bike Carrier - Hitch Mount Four Bikes
Figure 1-210



ITEM	PART NUMBER	QTY	LINE	SERIES	BODY	ENGINE	TRANS	TRIM	DESCRIPTION
------	-------------	-----	------	--------	------	--------	-------	------	-------------

Note; Requires 2 Inch Hitch Receiver

1	82204328	1							CARRIER KIT, Bike
2	04762880	1							STRAP KIT, Velcro
3	05016775AA	1							STRAP KIT, Bike Carrier Latch
4	05016776AA	1							BOLT KIT, Security
5	05018825AA	1							HARDWARE KIT, Bike Carrier

GRAND CHEROKEE (WK)

SERIES	LINE
H = Laredo	T = JEEP - 2WD
P = Limited	J = JEEP - 4WD

BODY

74 = SPORT UTILITY 4-DOOR

ENGINE

EKG = Engine - 3.7L V6
 EVA = Engine- 4.7L V8 MPI
 EZB = Engine-5.7L HEMI

TRANSMISSION

DG0 = All Automatic Transmissions
 DGJ = Transmission - 5-Spd Auto, MB
 DGQ = Transmission-5-Spd Automatic 5-45RFE

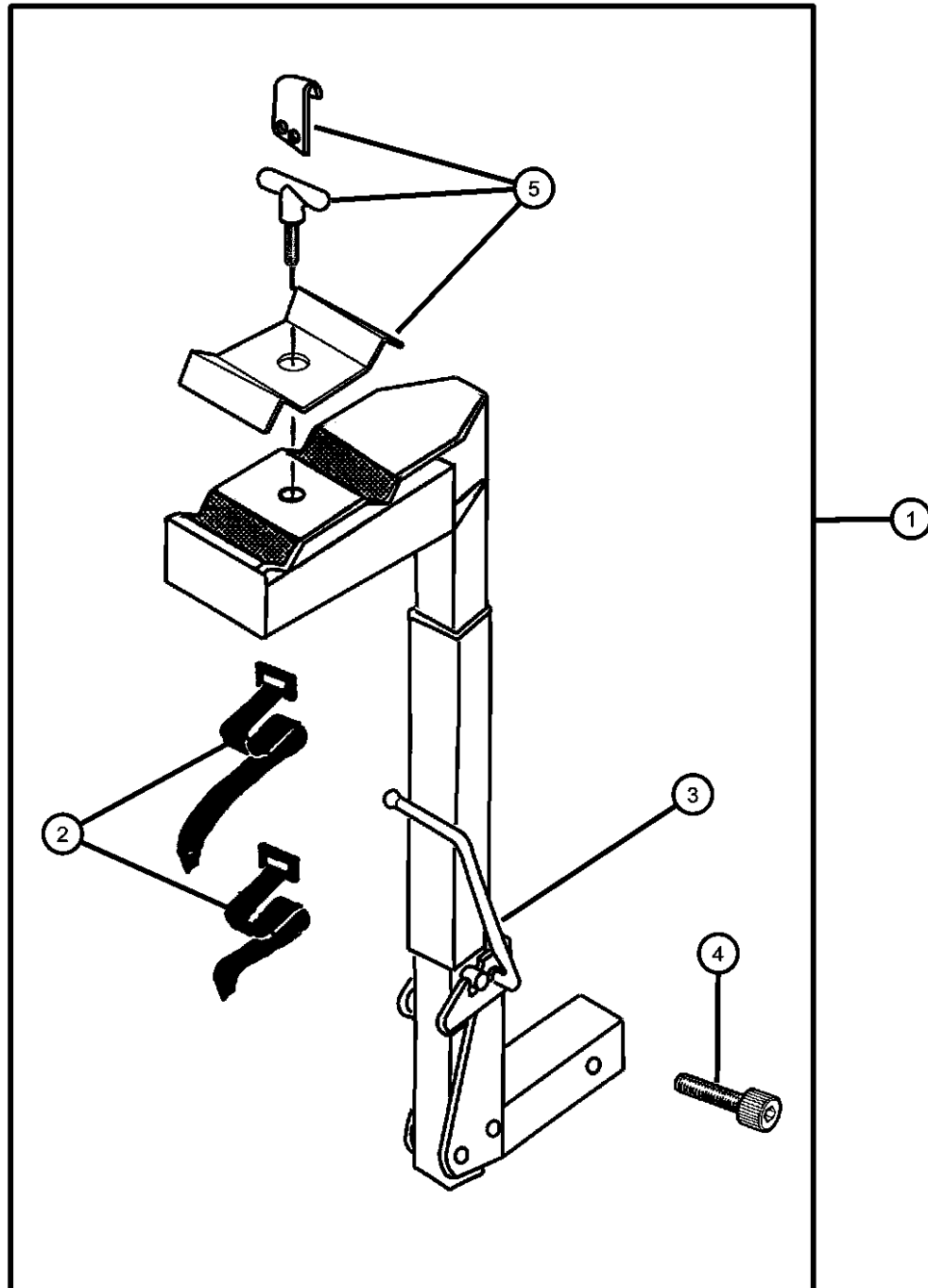
AR = use ase required - = Non illustrated part

2005 WK

Bike Carrier, Hitch Mount Two Bikes
Figure 1-215

ITEM	PART NUMBER	QTY	LINE	SERIES	BODY	ENGINE	TRANS	TRIM	DESCRIPTION
------	-------------	-----	------	--------	------	--------	-------	------	-------------

Note; Requires 2 Inch Hitch Receiver



1	82204452	1							CARRIER KIT, Bike Requires 1 1/4 inch Hitch Receiver
	82204453	1							Requires 2 Inch Hitch Receiver
2	04762880	1							STRAP KIT, Velcro
3	05016775AA	1							STRAP KIT, Bike Carrier Latch
4	05016776AA	1							BOLT KIT, Security
5	05018825AA	1							HARDWARE KIT, Bike Carrier

GRAND CHEROKEE (WK)

SERIES	LINE
H = Laredo	T = JEEP - 2WD
P = Limited	J = JEEP - 4WD

BODY

74 = SPORT UTILITY 4-DOOR

ENGINE

EKG = Engine - 3.7L V6
 EVA = Engine- 4.7L V8 MPI
 EZB = Engine-5.7L HEMI

TRANSMISSION

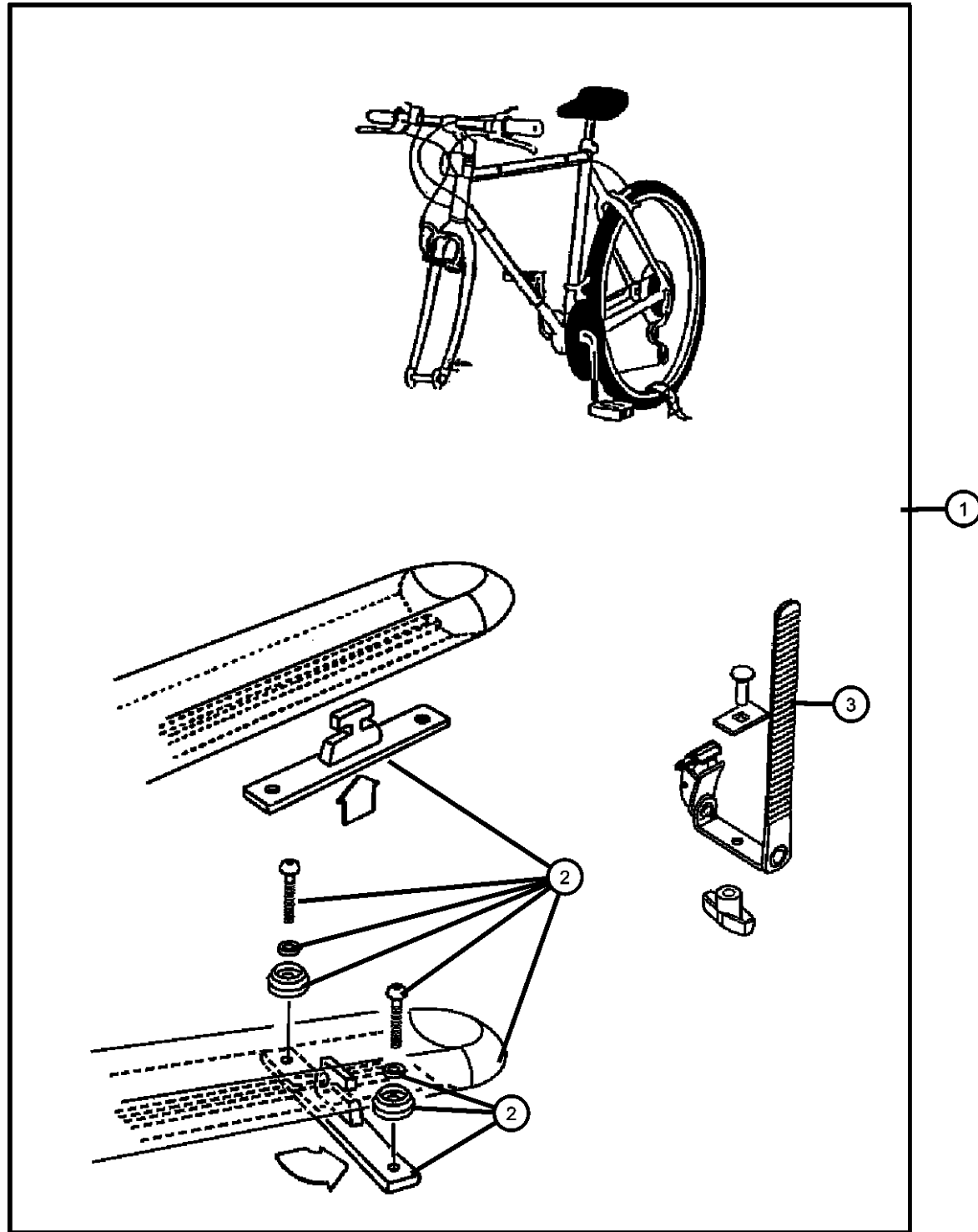
DG0 = All Automatic Transmissions
 DGJ = Transmission - 5-Spd Auto, MB
 DGQ = Transmission-5-Spd Automatic 5-45RFE

AR = use ase required - = Non illustrated part

2005 WK

Bike Carrier - Roof Mount- Fork
Figure 1-220

ITEM	PART NUMBER	QTY	LINE	SERIES	BODY	ENGINE	TRANS	TRIM	DESCRIPTION
1	82207943	1							CARRIER KIT, Bike, Fork - Mount
2	05093779AA	1							HARDWARE KIT, Accessory
3	05114532AA	1							STRAP, Cargo Tie Down



GRAND CHEROKEE (WK)

SERIES	LINE
H = Laredo	T = JEEP - 2WD
P = Limited	J = JEEP - 4WD

BODY

74 = SPORT UTILITY 4-DOOR

ENGINE

EKG = Engine - 3.7L V6
 EVA = Engine- 4.7L V8 MPI
 EZB = Engine-5.7L HEMI

TRANSMISSION

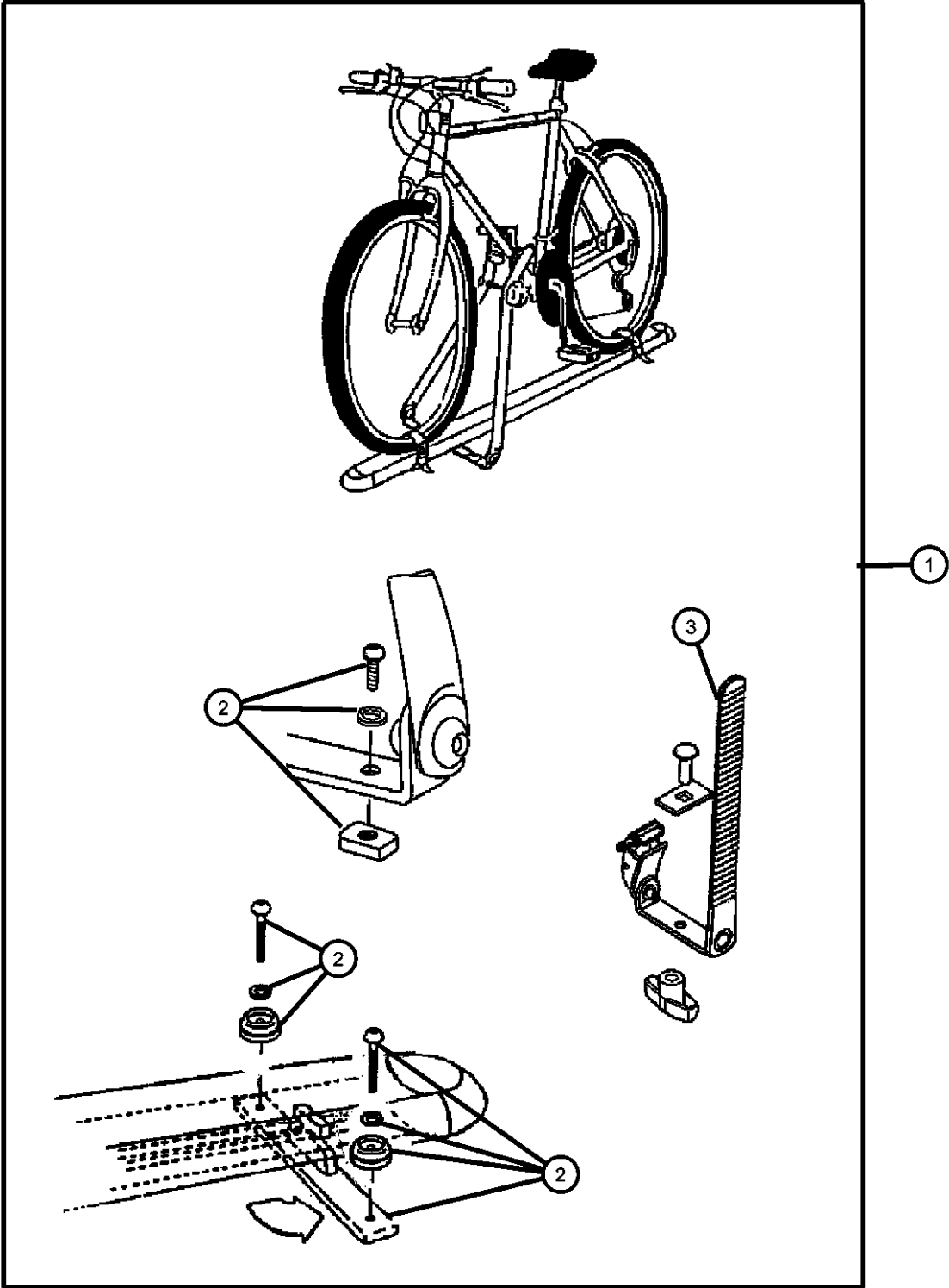
DG0 = All Automatic Transmissions
 DGJ = Transmission - 5-Spd Auto, MB
 DGQ = Transmission-5-Spd Automatic
 5-45RFE

AR = use ase required - = Non illustrated part

2005 WK

Bike Carrier- Roof Mount -Upright
Figure 1-225

ITEM	PART NUMBER	QTY	LINE	SERIES	BODY	ENGINE	TRANS	TRIM	DESCRIPTION
1	82207942	1							CARRIER KIT, Bike, Upright - Mount
2	05093779AA	1							HARDWARE KIT, Accessory
3	05114532AA	1							STRAP, Cargo Tie Down



GRAND CHEROKEE (WK)

SERIES	LINE
H = Laredo	T = JEEP - 2WD
P = Limited	J = JEEP - 4WD

BODY

74 = SPORT UTILITY 4-DOOR

ENGINE

EKG = Engine - 3.7L V6
 EVA = Engine- 4.7L V8 MPI
 EZB = Engine-5.7L HEMI

TRANSMISSION

DG0 = All Automatic Transmissions
 DGJ = Transmission - 5-Spd Auto, MB
 DGQ = Transmission-5-Spd Automatic 5-45RFE

AR = use ase required - = Non illustrated part

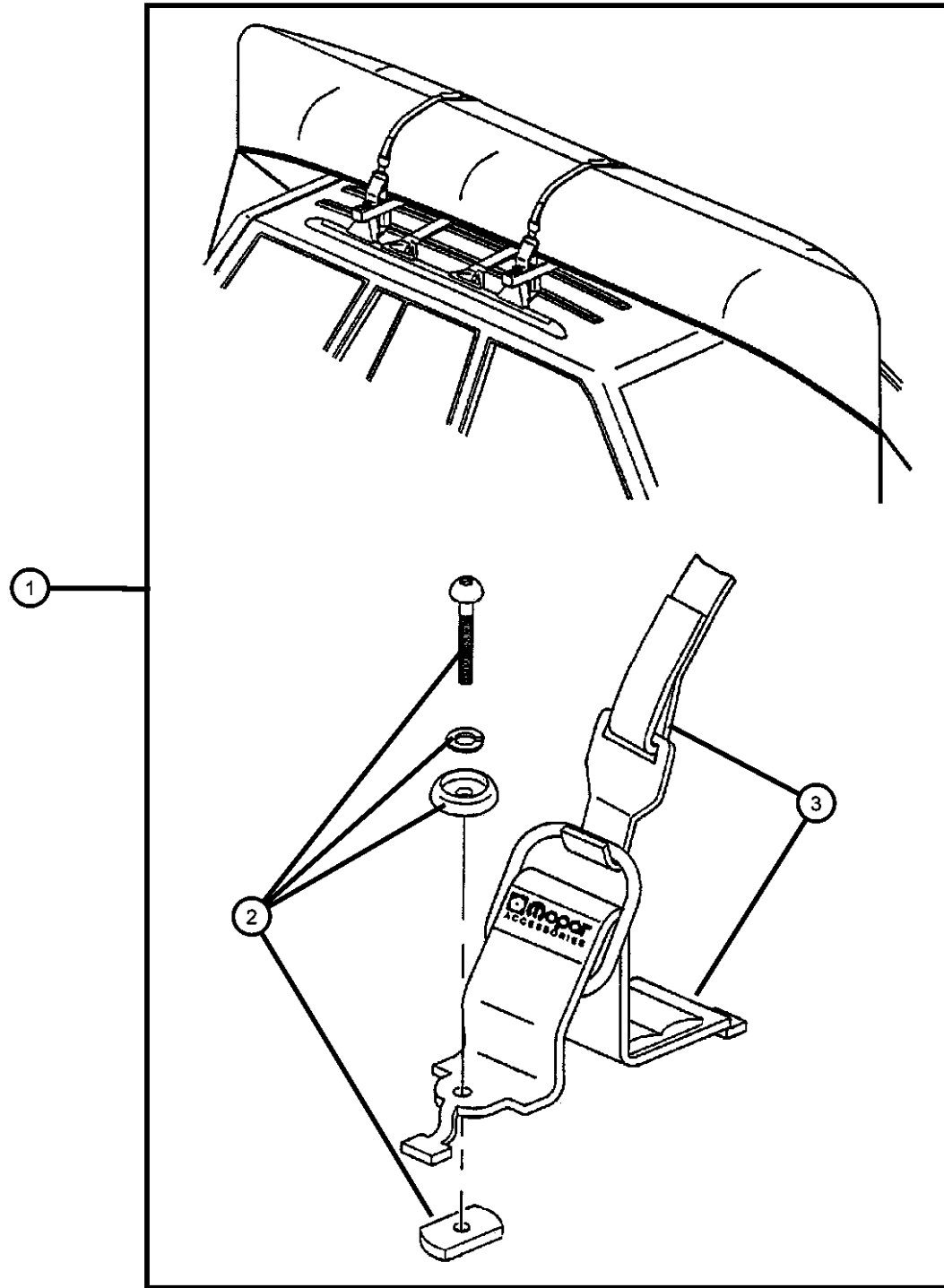
Carrier Kit - Canoe
Figure 1-230

ITEM	PART NUMBER	QTY	LINE	SERIES	BODY	ENGINE	TRANS	TRIM	DESCRIPTION
------	-------------	-----	------	--------	------	--------	-------	------	-------------

Note; Requires Sport Utility Bar

1	82204700	1							CARRIER KIT, Canoe
2	05016389AA	1							HARDWARE KIT, Accessory
3	05016511AA	1							STRAP, Cargo Tie Down

CARRIER KIT, Canoe
HARDWARE KIT, Accessory
STRAP, Cargo Tie Down



GRAND CHEROKEE (WK)

SERIES LINE
H = Laredo T = JEEP - 2WD
P = Limited J = JEEP - 4WD

BODY

74 = SPORT UTILITY 4-DOOR

ENGINE

EKG = Engine - 3.7L V6
EVA = Engine- 4.7L V8 MPI
EZB = Engine-5.7L HEMI

TRANSMISSION

DG0 = All Automatic Transmissions
DGJ = Transmission - 5-Spd Auto, MB
DGQ = Transmission-5-Spd Automatic
5-45RFE

AR = use ase required - = Non illustrated part

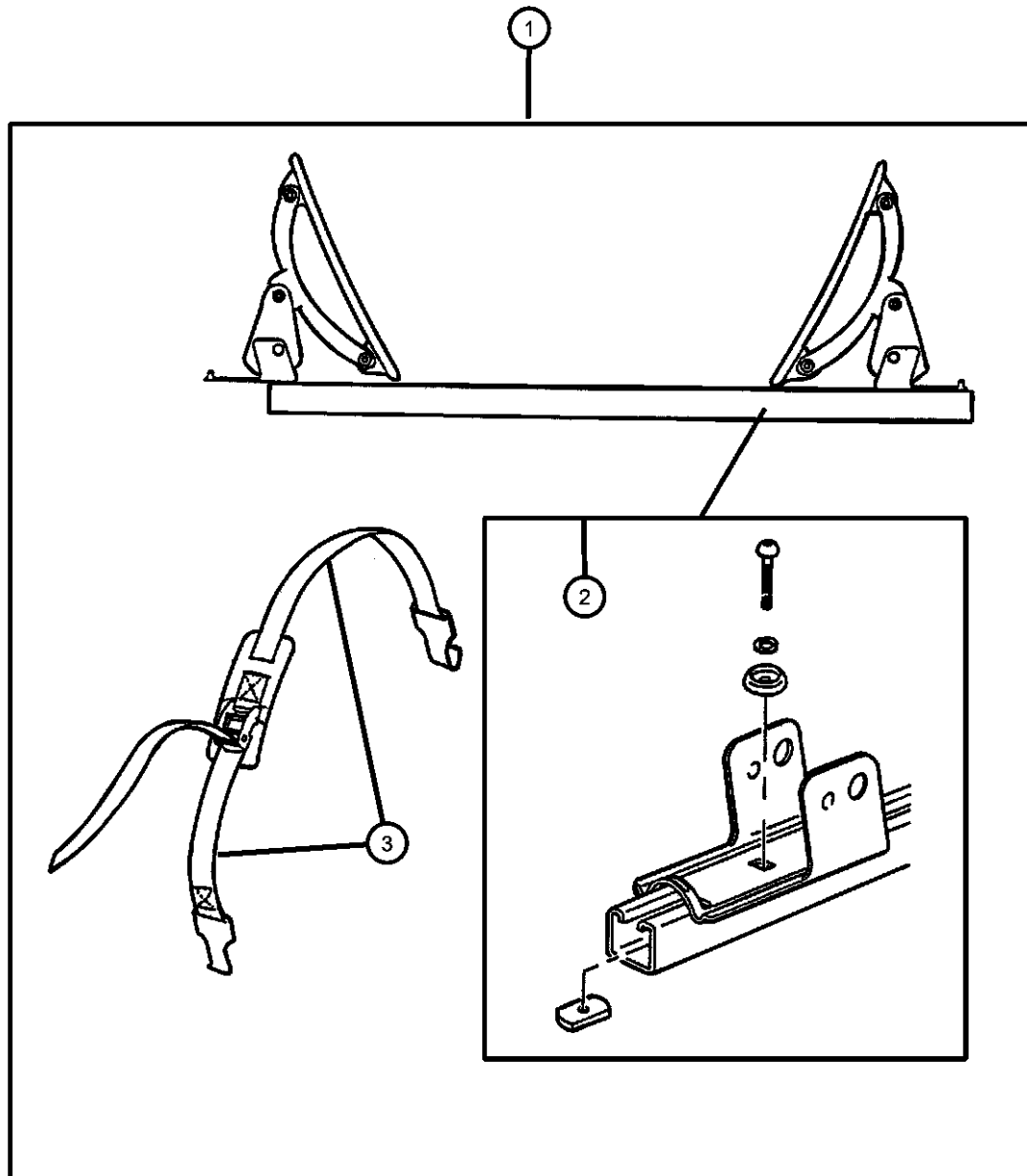
2005 WK

**Carrier Kit - Watersports
Figure 1-235**

ITEM	PART NUMBER	QTY	LINE	SERIES	BODY	ENGINE	TRANS	TRIM	DESCRIPTION
------	-------------	-----	------	--------	------	--------	-------	------	-------------

Note; Requires T-Slot Crossbar

1	82205416	1							CARRIER KIT, Water Sports, Kayak, Surfboard, Sail Board HARDWARE KIT, Accessory STRAP, Cargo Tie Down
2	05016389AA	1							
3	05016511AA	1							



GRAND CHEROKEE (WK)

SERIES	LINE
H = Laredo	T = JEEP - 2WD
P = Limited	J = JEEP - 4WD

BODY

74 = SPORT UTILITY 4-DOOR

ENGINE

EKG = Engine - 3.7L V6
EVA = Engine- 4.7L V8 MPI
EZB = Engine-5.7L HEMI

TRANSMISSION

DG0 = All Automatic Transmissions
DGJ = Transmission - 5-Spd Auto, MB
DGQ = Transmission-5-Spd Automatic 5-45RFE

AR = use ase required - = Non illustrated part

2005 WK

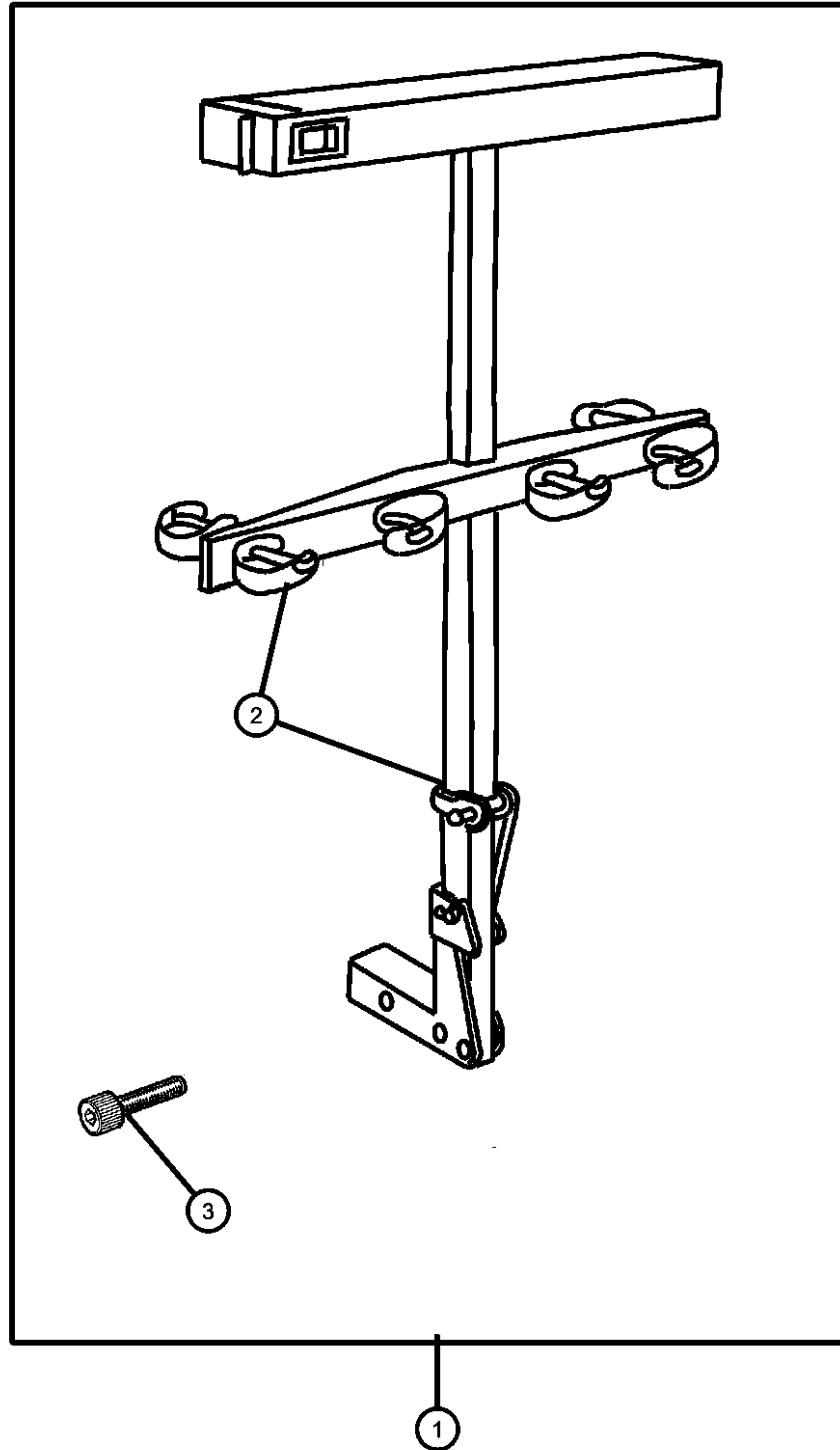
Carrier Kit - Ski, Hitch Mount
Figure 1-240

ITEM	PART NUMBER	QTY	LINE	SERIES	BODY	ENGINE	TRANS	TRIM	DESCRIPTION
------	-------------	-----	------	--------	------	--------	-------	------	-------------

Note; Requires 2 Inch Hitch Receiver

1	82204455	1							CARRIER KIT, Ski - 4 Pair
2	05016775AA	1							STRAP KIT, Bike Carrier Latch
3	05016776AA	1							BOLT KIT, Security

CARRIER KIT, Ski - 4 Pair
 STRAP KIT, Bike Carrier Latch
 BOLT KIT, Security



GRAND CHEROKEE (WK)

SERIES	LINE
H = Laredo	T = JEEP - 2WD
P = Limited	J = JEEP - 4WD

BODY

74 = SPORT UTILITY 4-DOOR
 EKG = Engine - 3.7L V6
 EVA = Engine- 4.7L V8 MPI
 EZB = Engine-5.7L HEMI

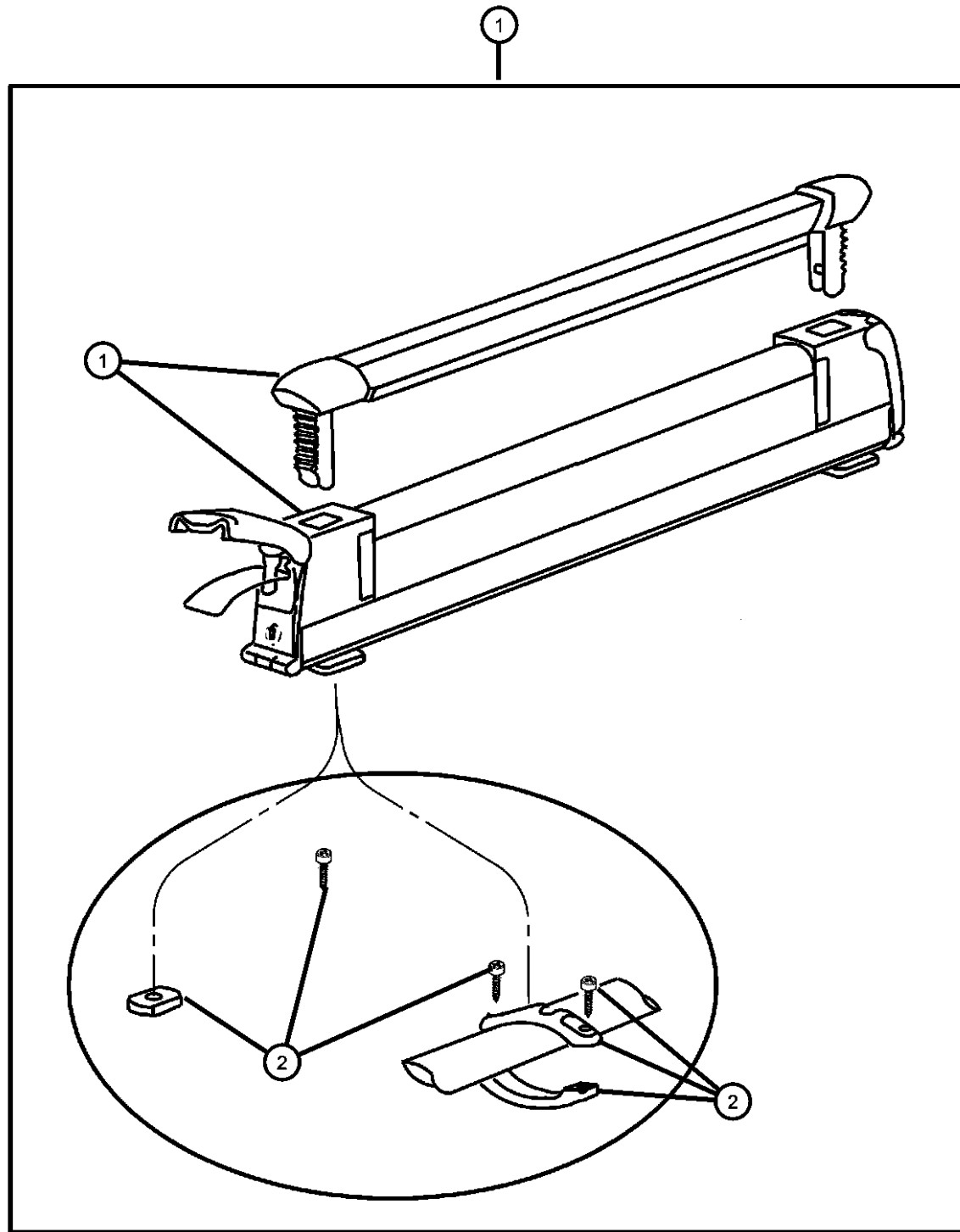
TRANSMISSION

DG0 = All Automatic Transmissions
 DGJ = Transmission - 5-Spd Auto, MB
 DGQ = Transmission-5-Spd Automatic 5-45RFE

AR = use ase required - = Non illustrated part

2005 WK

Carrier Kit, Snowboard or Ski
Figure 1-245



ITEM	PART NUMBER	QTY	LINE	SERIES	BODY	ENGINE	TRANS	TRIM	DESCRIPTION
1	82207308	1							CARRIER KIT, Ski
	82207312	1							6 Pair Skis or 4 Snowboards
									3 Pair Skis or 2 Snowboards
2	05016389AA	1							HARDWARE KIT, Accessory
-3	05066632AA	1			74				TOOL, Screw Driver

GRAND CHEROKEE (WK)

SERIES LINE
H = Laredo T = JEEP - 2WD
P = Limited J = JEEP - 4WD

BODY

74 = SPORT UTILITY 4-DOOR

ENGINE

EKG = Engine - 3.7L V6
EVA = Engine- 4.7L V8 MPI
EZB = Engine-5.7L HEMI

TRANSMISSION

DG0 = All Automatic Transmissions
DGJ = Transmission - 5-Spd Auto, MB
DGQ = Transmission-5-Spd Automatic
5-45RFE

AR = use ase required - = Non illustrated part

2005 WK

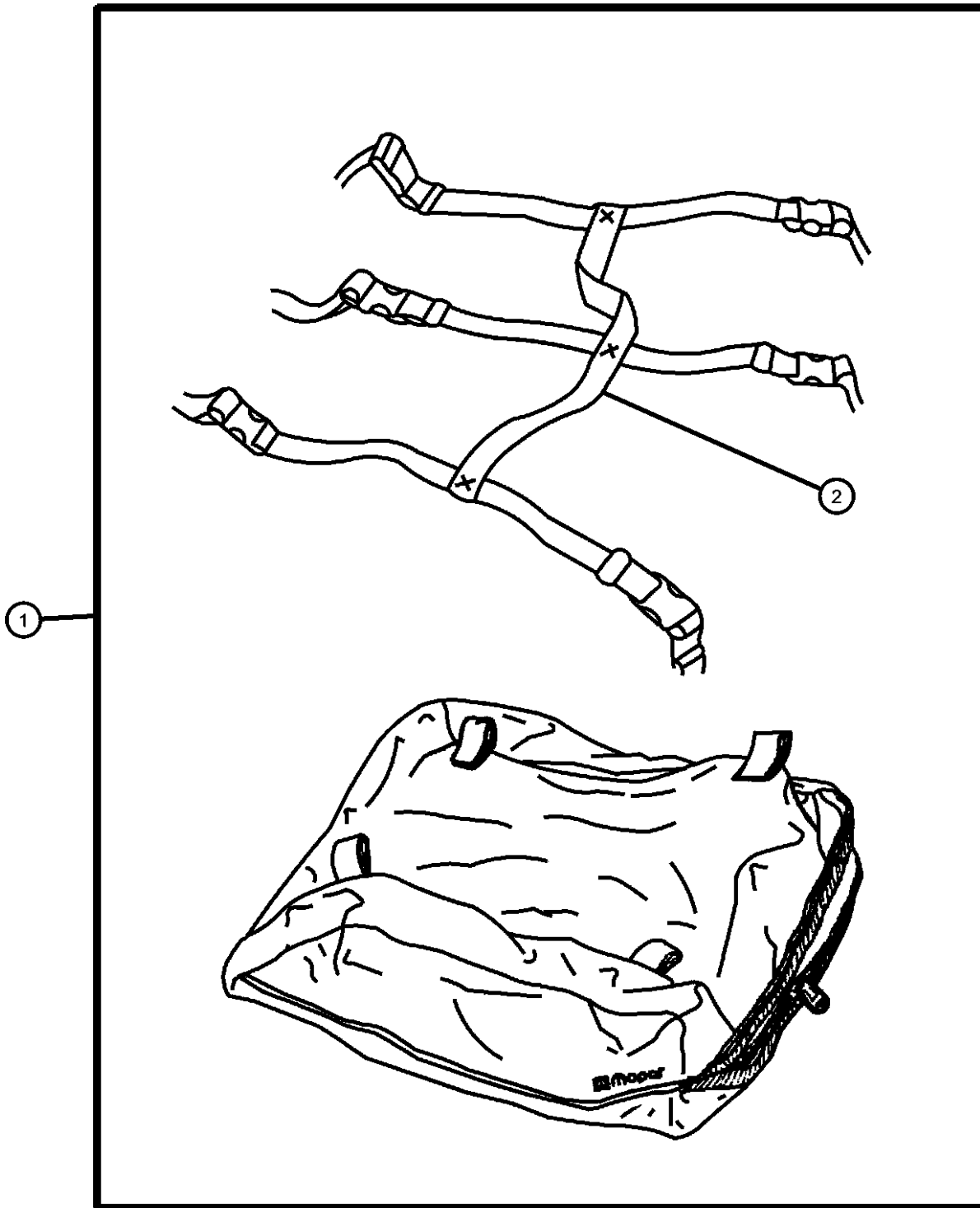
Luggage Carrier Roof Vinyl
Figure 1-250

ITEM	PART NUMBER	QTY	LINE	SERIES	BODY	ENGINE	TRANS	TRIM	DESCRIPTION
------	-------------	-----	------	--------	------	--------	-------	------	-------------

NOTE: Requires Roof Rack.

1	82207198	1							CARRIER KIT, Luggage
2	05066332AA	1							STRAP KIT, Luggage Carrier

CARRIER KIT, Luggage
STRAP KIT, Luggage Carrier



GRAND CHEROKEE (WK)

SERIES LINE
H = Laredo T = JEEP - 2WD
P = Limited J = JEEP - 4WD

BODY

74 = SPORT UTILITY 4-DOOR

ENGINE

EKG = Engine - 3.7L V6
EVA = Engine- 4.7L V8 MPI
EZB = Engine-5.7L HEMI

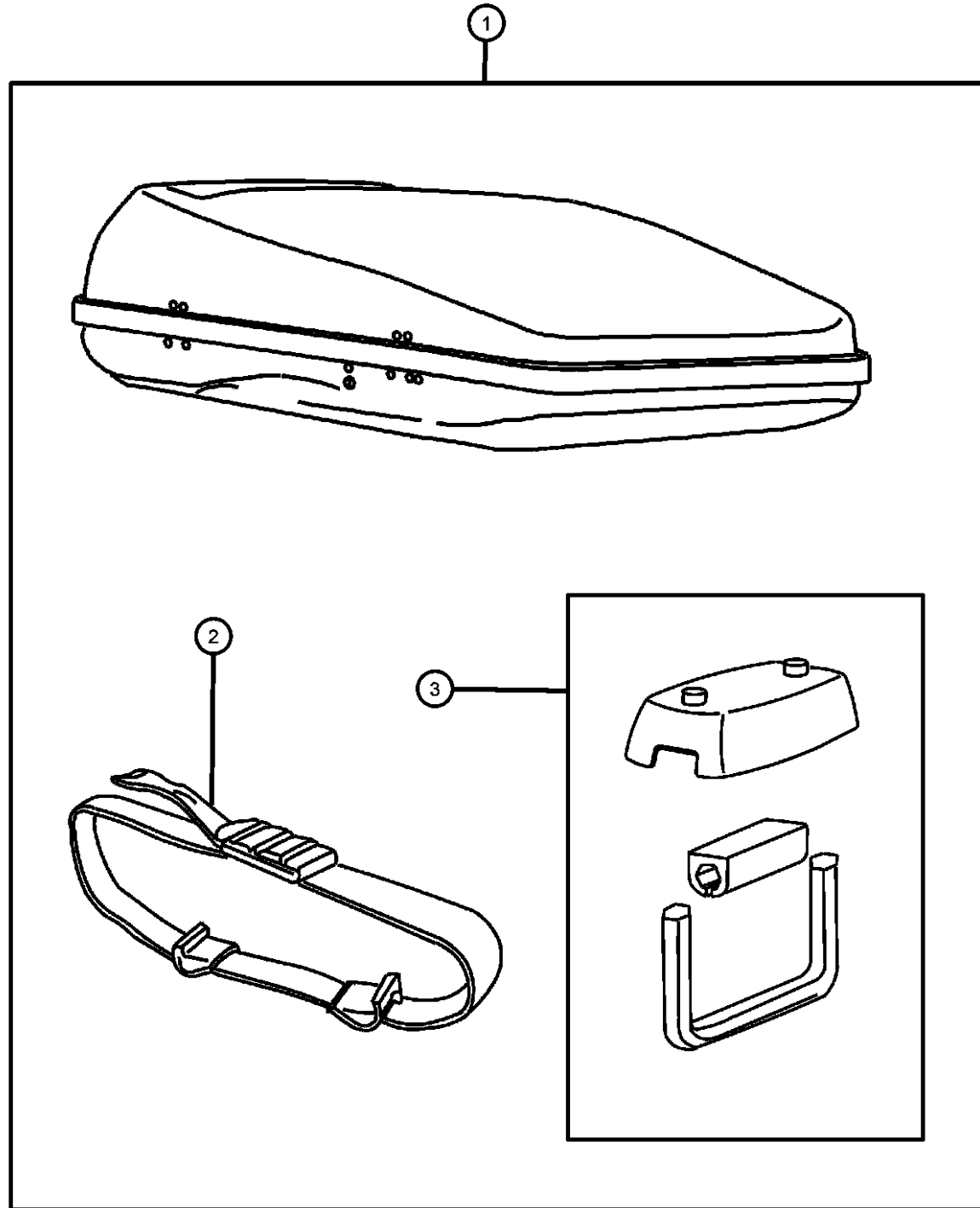
TRANSMISSION

DG0 = All Automatic Transmissions
DGJ = Transmission - 5-Spd Auto, MB
DGQ = Transmission-5-Spd Automatic
5-45RFE

AR = use ase required - = Non illustrated part

2005 WK

Carrier Kit / Luggage
Figure 1-255



ITEM	PART NUMBER	QTY	LINE	SERIES	BODY	ENGINE	TRANS	TRIM	DESCRIPTION
------	-------------	-----	------	--------	------	--------	-------	------	-------------

Note; Requires Roof Rack

1	82207341	1							CARRIER KIT, Luggage 480 Liter Capacity
	82207353	1							440 Liter Capacity
2	05086160AA	1							STRAP, Cargo Tie Down
3	05086159AA	1							HARDWARE KIT

GRAND CHEROKEE (WK)

SERIES	LINE
H = Laredo	T = JEEP - 2WD
P = Limited	J = JEEP - 4WD

BODY

74 = SPORT UTILITY 4-DOOR
 EKG = Engine - 3.7L V6
 EVA = Engine- 4.7L V8 MPI
 EZB = Engine-5.7L HEMI

ENGINE

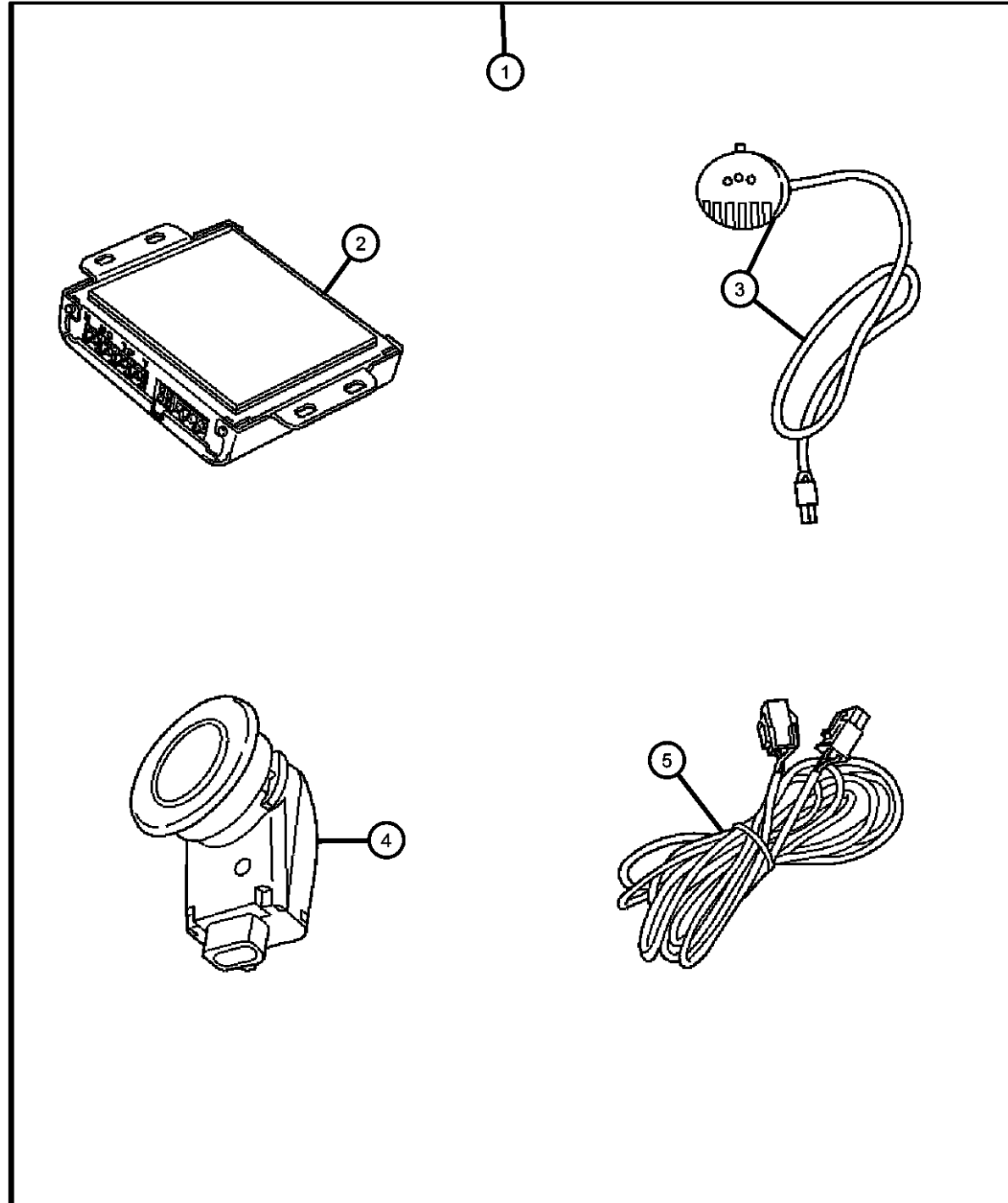
TRANSMISSION

DG0 = All Automatic Transmissions
 DGJ = Transmission - 5-Spd Auto, MB
 DGQ = Transmission-5-Spd Automatic
 5-45RFE

AR = use ase required - = Non illustrated part

2005 WK

Sensor Package Park/Distance
Figure 1-310



ITEM	PART NUMBER	QTY	LINE	SERIES	BODY	ENGINE	TRANS	TRIM	DESCRIPTION
1	82208246AB	1							SENSOR KIT, Park Distance
2	05137541AA	1							MODULE, Parking Assist
3	05137539AA	1							DISPLAY, Parking Assist
4	05137536AA	1							SENSOR
5	05137540AA	1							WIRING, Distance Sensor

GRAND CHEROKEE (WK)

SERIES	LINE
H = Laredo	T = JEEP - 2WD
P = Limited	J = JEEP - 4WD

BODY

74 = SPORT UTILITY 4-DOOR

ENGINE

EKG = Engine - 3.7L V6
 EVA = Engine- 4.7L V8 MPI
 EZB = Engine-5.7L HEMI

TRANSMISSION

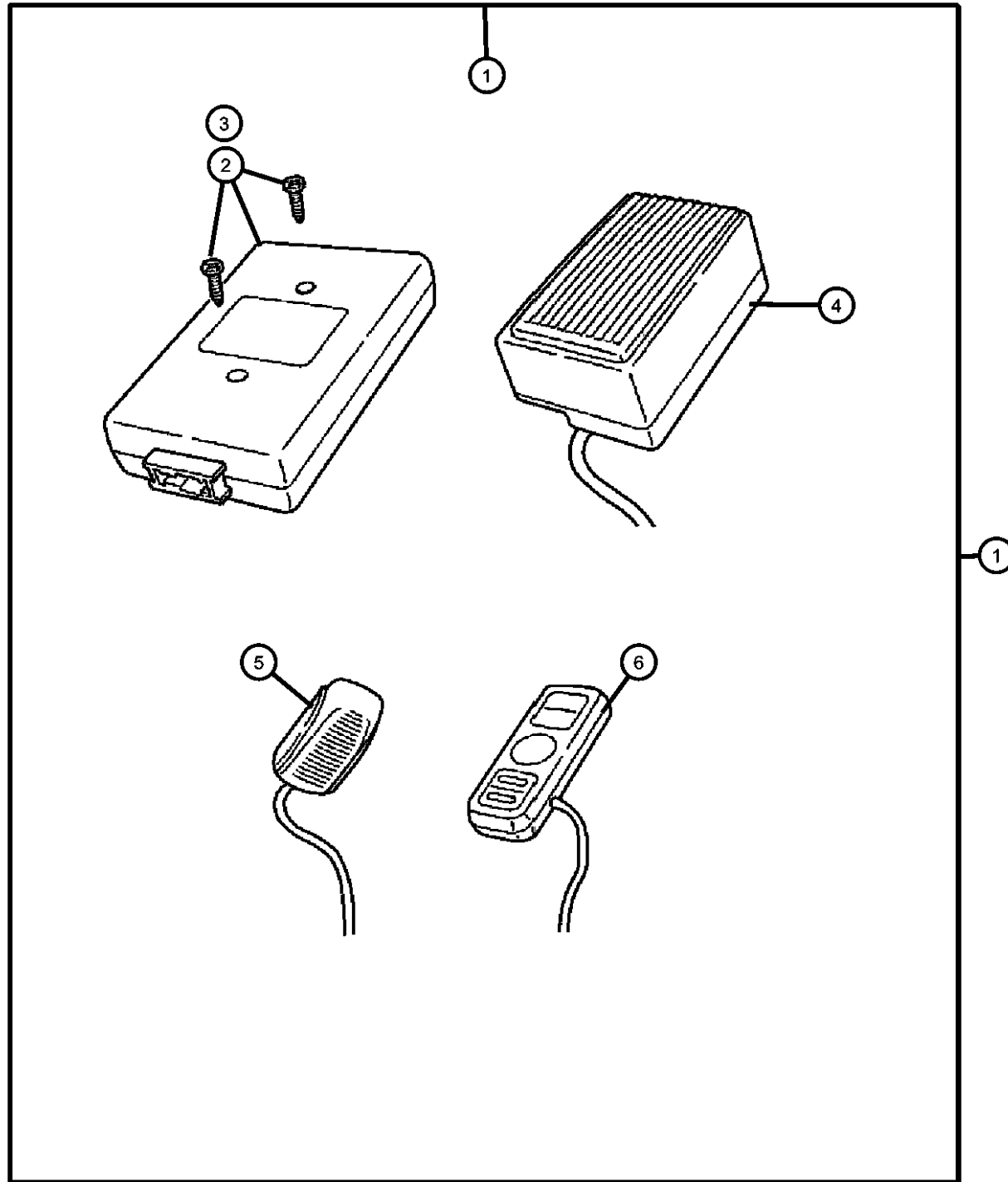
DG0 = All Automatic Transmissions
 DGJ = Transmission - 5-Spd Auto, MB
 DGQ = Transmission-5-Spd Automatic
 5-45RFE

AR = use ase required - = Non illustrated part

2005 WK

Hands Free Kit - Cellular Phone
Figure 1-330

ITEM	PART NUMBER	QTY	LINE	SERIES	BODY	ENGINE	TRANS	TRIM	DESCRIPTION
------	-------------	-----	------	--------	------	--------	-------	------	-------------



Note: For Warranty Repair On Item 2, Order Using Z Prefix
 NOTES: Sales Codes:
 [RSP] = UConnect Hands Free Communication

1	82207853AD	1							HANDS FREE KIT, Cellular Phone
2	05114359AD	1							MODULE, U Connect
3	56038710AH	1							MODULE, Telematics, [RSP]
4	05102026AA	1							SPEAKER, Front
5	05102025AA	1							MICROPHONE, Audio
6	05102027AA	1							CONTROLLER, Audio

GRAND CHEROKEE (WK)

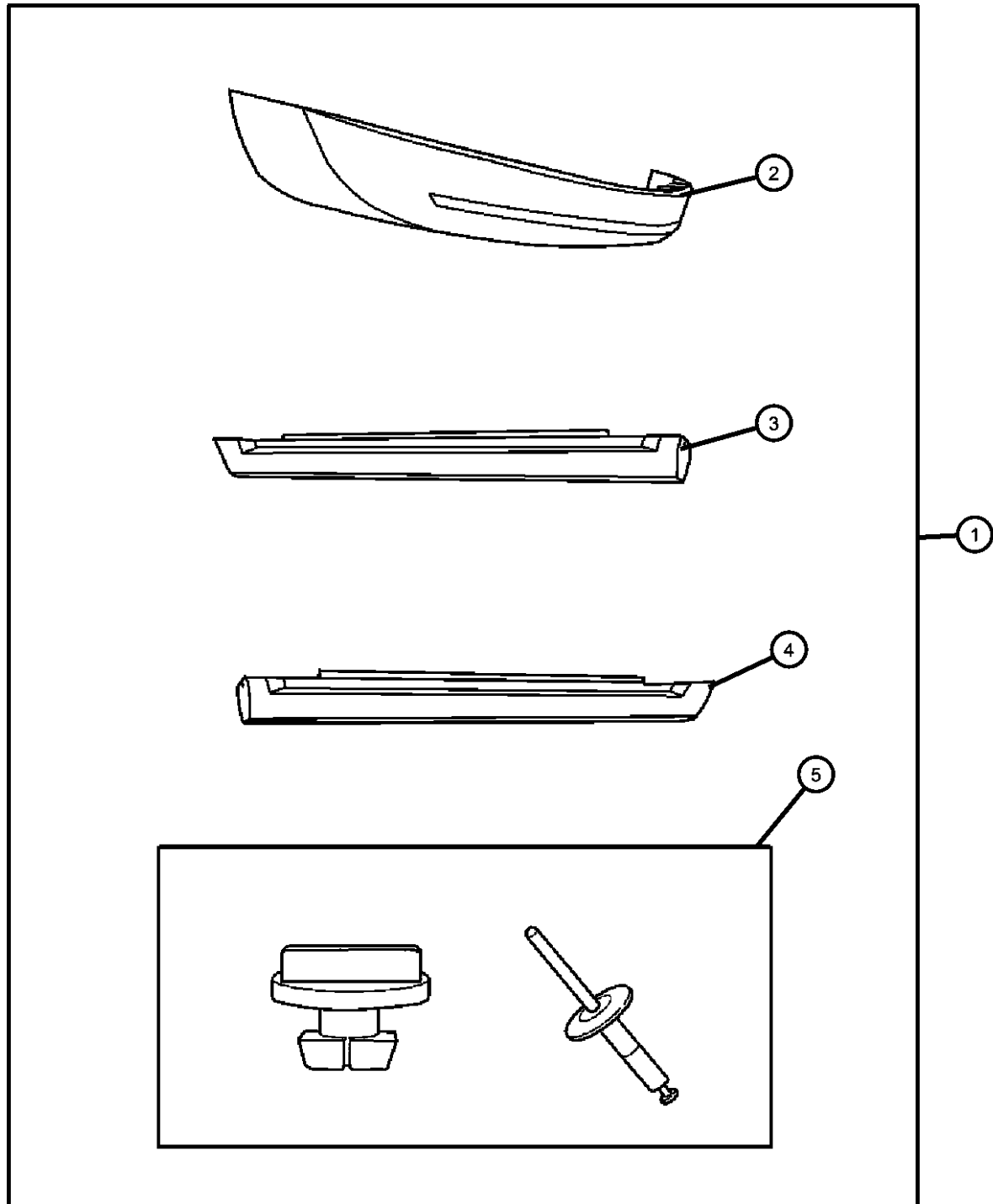
SERIES	LINE	BODY	ENGINE	TRANSMISSION
H = Laredo	T = JEEP - 2WD	74 = SPORT UTILITY 4-DOOR	EKG = Engine - 3.7L V6	DG0 = All Automatic Transmissions
P = Limited	J = JEEP - 4WD		EVA = Engine- 4.7L V8 MPI	DGJ = Transmission - 5-Spd Auto, MB
			EZB = Engine-5.7L HEMI	DGQ = Transmission-5-Spd Automatic 5-45RFE

AR = use ase required - = Non illustrated part

2005 WK

Cladding Kit
Figure 1-510

ITEM	PART NUMBER	QTY	LINE	SERIES	BODY	ENGINE	TRANS	TRIM	DESCRIPTION
1									CLADDING KIT, Lowerside
	82208329	1							Midnight Blue [PB8]
	82208330	1							Brilliant Black [PXR]
	82208331	1							Khaki [PJT]
	82208332	1							Inferno Red [PRJ]
	82208333	1							Bright Silver [PSB]
	82208334	1							Primed
	82209459	1							LT. Khaki [PJC]
2	05166227AA	1							AIR DAM
3	05166229AA	1							SILL, Body SideLeft
4	05166228AA	1							SILL, Body SideRight
5	05166232AA	1							HARDWARE KIT, ATTACHMENT



GRAND CHEROKEE (WK)

SERIES LINE
H = Laredo T = JEEP - 2WD
P = Limited J = JEEP - 4WD

BODY

74 = SPORT UTILITY 4-DOOR

ENGINE

EKG = Engine - 3.7L V6
EVA = Engine- 4.7L V8 MPI
EZB = Engine-5.7L HEMI

TRANSMISSION

DG0 = All Automatic Transmissions
DGJ = Transmission - 5-Spd Auto, MB
DGQ = Transmission-5-Spd Automatic
5-45RFE

AR = use ase required - = Non illustrated part

2005 WK

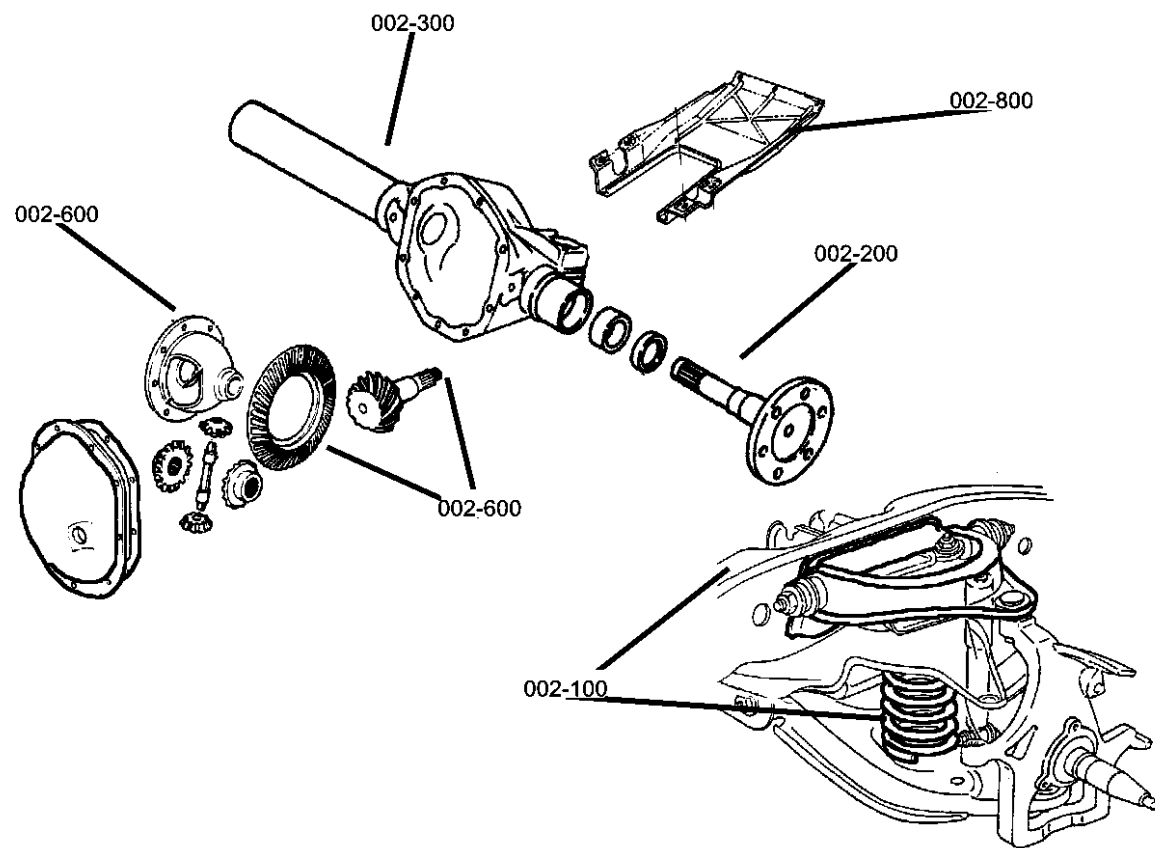
Group - 2

Front Suspension & Drive

Group - 2 Front Suspension & Drive

Illustration Title

Group-Fig. No.



Front Suspension

Suspension,Front,Springs,Control Arms and Shocks	Fig. 2 - 110
Front Stabilizer Bar.....	Fig. 2 - 120
Cradle,Front Suspension	Fig. 2 - 130

Front Axle Drive Shafts

Front Axle Shafts [DJA].....	Fig. 2 - 210
------------------------------	--------------

Front Axle Housing

Housing,Front Axle [DJA].....	Fig. 2 - 310
-------------------------------	--------------

Front Axle Assembly

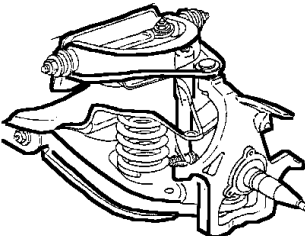
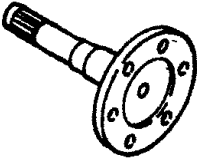
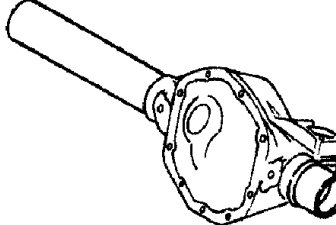
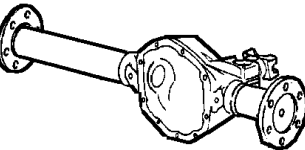
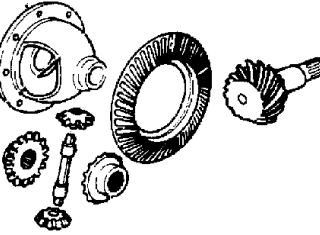
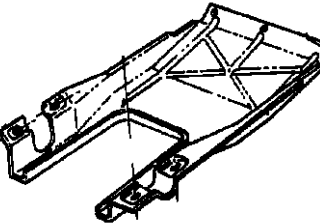
Front Axle Assembly,[DJA]	Fig. 2 - 410
---------------------------------	--------------

Front Axle Differential

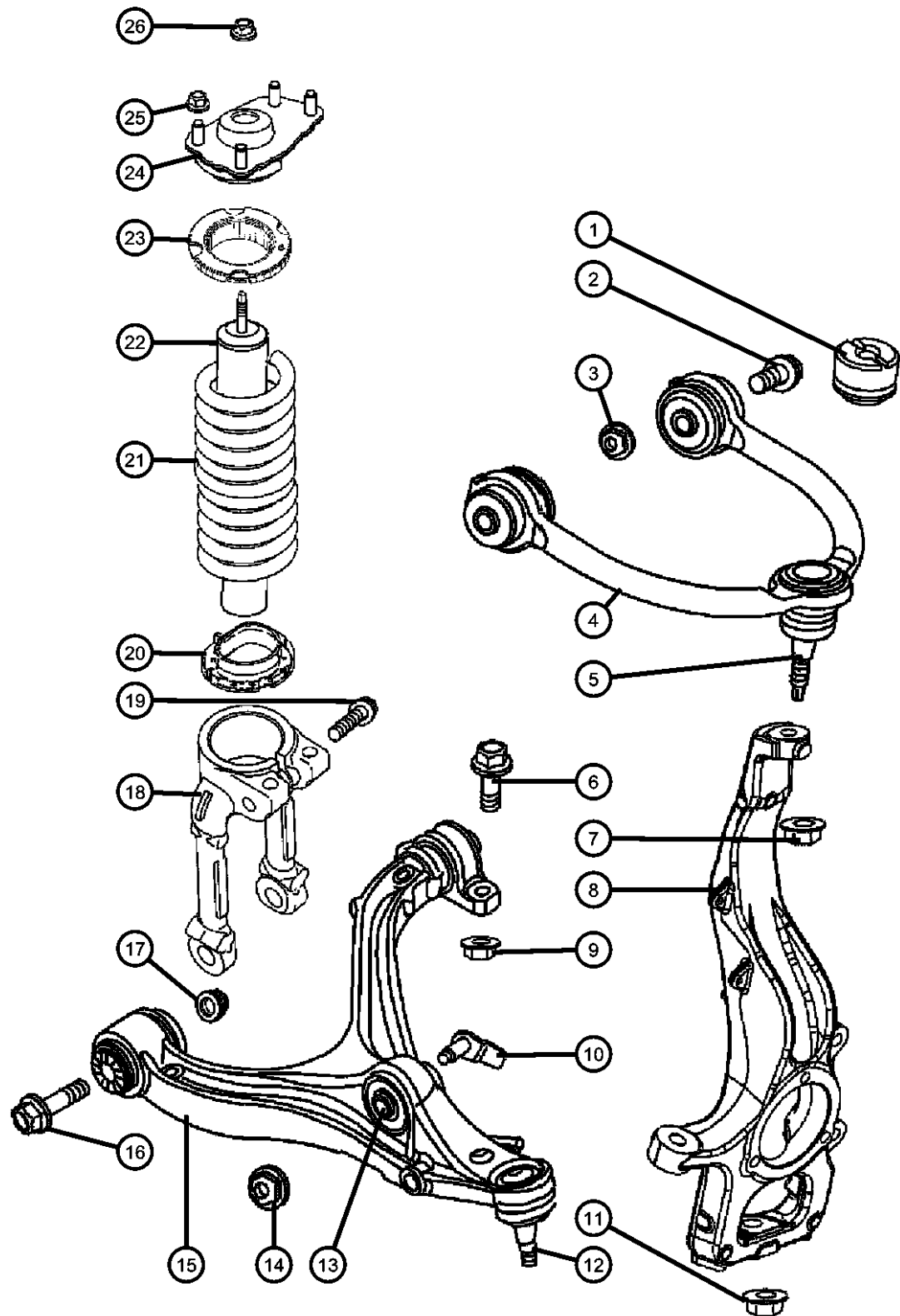
Differential, Front Axle,[DJA]	Fig. 2 - 610
--------------------------------------	--------------

Front Axle Skid Plate

Skid Plate, Front Axle.....	Fig. 2 - 810
-----------------------------	--------------

<p>002-100 Front Suspension</p> 	<p>002-200 Front Axle Drive Shafts</p> 	<p>002-300 Front Axle Housing</p> 	<p>002-400 Front Axle Assembly</p> 
<p>002-600 Front Axle Differential</p> 	<p>002-800 Front Axle Skid Plate</p> 		

Suspension,Front,Springs,Control Arms and Shocks
Figure 2-110



ITEM	PART NUMBER	QTY	LINE	SERIES	BODY	ENGINE	TRANS	TRIM	DESCRIPTION
------	-------------	-----	------	--------	------	--------	-------	------	-------------

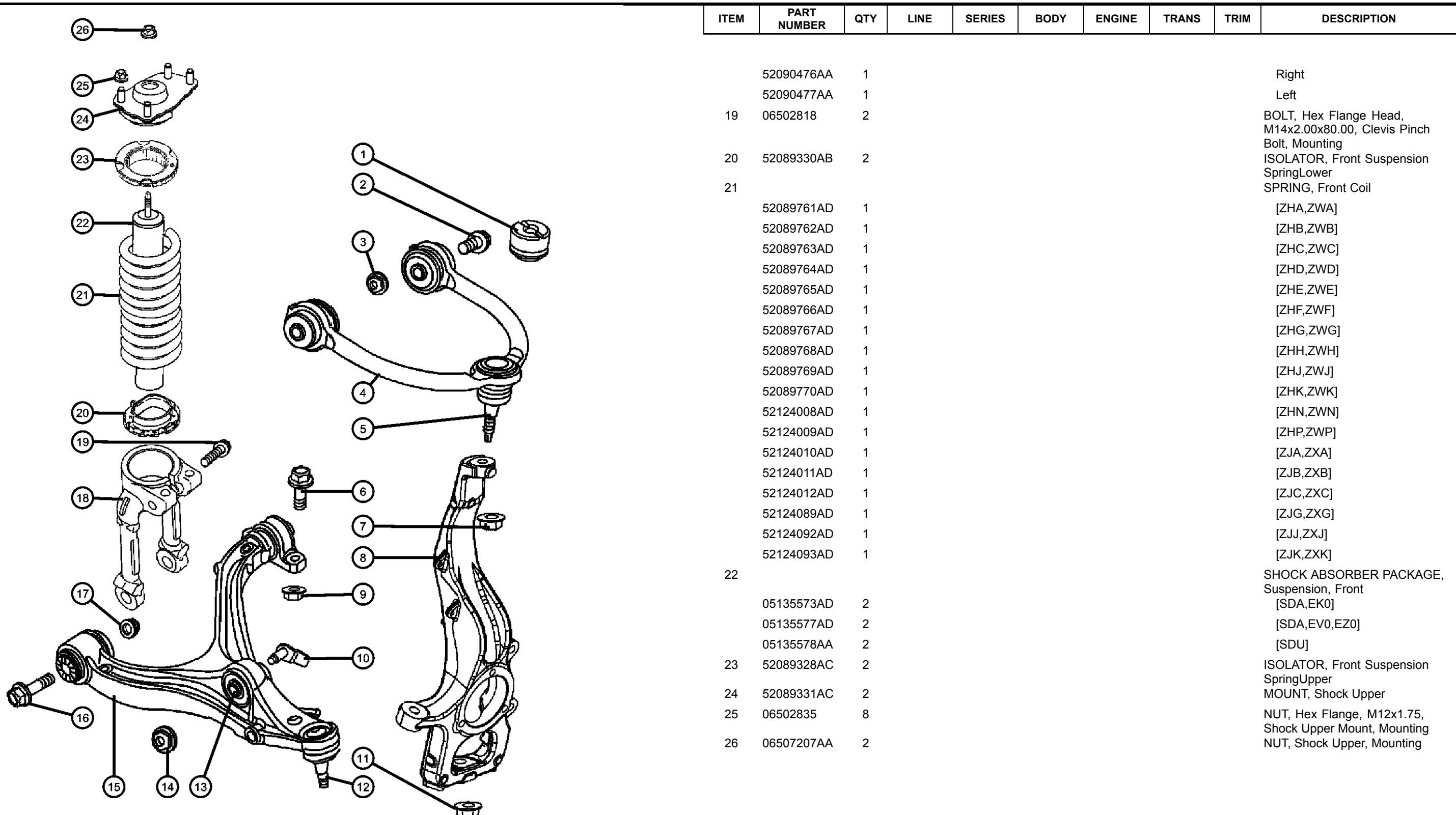
Note:Sales Codes;
[EK0]=Engines - All 3.7L 6 Cylinder Gas
[EV0]=Engines - All 4.7L Gas
[EZ0]=Engines - All 5.7L 8Cylinder Gas

1	52089347AA	2							BUMPER, Jounce
2	06507770AA	4							BOLT, Hex Head, UCA to Body, Mounting
3	06502697	4							NUT, Hex Flange Lock, M12x1.75, UCA to Body, Mounting
4	52090206AF	2							ARM, Control, Upper-With Bushings,and Items 5,7, Right or Left
5		2							BALL JOINT PACKAGE, Upper Control Arm, Purchase UCA, (NOT SERVICED)
6	06101984	4							BOLT, LCA to Cradle Rear, Mounting
7	06507676AA	2							NUT, Hex, UCA to Knuckle, Mounting
8									KNUCKLE, Front
	52090179AC	1							Left
	52090180AC	1							Right
9	06508257AA	4							NUT AND WASHER, LCA to Cradle Rear, Mounting
10	06503047	2							BOLT, Hex Flange Head, M16x2.00x135, Clevis, Mounting
11	06505623AA	2							NUT AND WASHER, LCA to Knuckle, Mounting
12	05135651AB	1							BALL JOINT PACKAGE, Lower Control Arm Right or Left
13		1							BUSHING, Control Arm, For the Clevis-Purchase Control Arm Assembly, (NOT SERVICED)
14	06102252AA	2							NUT, Hex Flange Lock, Clevis, Mounting
15									ARM, Lower Control, Front
	52089980AD	1							With Bushing and Items 11,12,13, Right
	52089981AD	1							With Bushing and Items 11,12,13, Left
16	06503047	2							BOLT, Hex Flange Head, M16x2.00x135, LCA to Cradle Front, Mounting
17	06507869AA	2							NUT, Hex Flange Lock, LCA to Cradle Front, Mounting
18									CLEVIS, Front

GRAND CHEROKEE (WK)		BODY	ENGINE	TRANSMISSION
SERIES	LINE			
H = Laredo	T = JEEP - 2WD	74 = SPORT UTILITY 4-DOOR	EKG = Engine - 3.7L V6	DG0 = All Automatic Transmissions
P = Limited	J = JEEP - 4WD		EVA = Engine- 4.7L V8 MPI	DGJ = Transmission - 5-Spd Auto, MB
			EZB = Engine-5.7L HEMI	DGQ = Transmission-5-Spd Automatic 5-45RFE

AR = use ase required - = Non illustrated part

Suspension,Front,Springs,Control Arms and Shocks
Figure 2-110



ITEM	PART NUMBER	QTY	LINE	SERIES	BODY	ENGINE	TRANS	TRIM	DESCRIPTION
	52090476AA	1							Right
	52090477AA	1							Left
19	06502818	2							BOLT, Hex Flange Head, M14x2.00x80.00, Clevis Pinch Bolt, Mounting
20	52089330AB	2							ISOLATOR, Front Suspension SpringLower
21									SPRING, Front Coil
	52089761AD	1							[ZHA,ZWA]
	52089762AD	1							[ZHB,ZWB]
	52089763AD	1							[ZHC,ZWC]
	52089764AD	1							[ZHD,ZWD]
	52089765AD	1							[ZHE,ZWE]
	52089766AD	1							[ZHF,ZWF]
	52089767AD	1							[ZHG,ZWG]
	52089768AD	1							[ZHH,ZWH]
	52089769AD	1							[ZHJ,ZWJ]
	52089770AD	1							[ZHK,ZWK]
	52124008AD	1							[ZHN,ZWN]
	52124009AD	1							[ZHP,ZWP]
	52124010AD	1							[ZJA,ZXA]
	52124011AD	1							[ZJB,ZXB]
	52124012AD	1							[ZJC,ZXC]
	52124089AD	1							[ZJG,ZXG]
	52124092AD	1							[ZJJ,ZXJ]
	52124093AD	1							[ZJK,ZXK]
22									SHOCK ABSORBER PACKAGE, Suspension, Front
	05135573AD	2							[SDA,EK0]
	05135577AD	2							[SDA,EV0,EZ0]
	05135578AA	2							[SDU]
23	52089328AC	2							ISOLATOR, Front Suspension SpringUpper
24	52089331AC	2							MOUNT, Shock Upper
25	06502835	8							NUT, Hex Flange, M12x1.75, Shock Upper Mount, Mounting
26	06507207AA	2							NUT, Shock Upper, Mounting

GRAND CHEROKEE (WK)
 SERIES LINE
 H = Laredo T = JEEP - 2WD
 P = Limited J = JEEP - 4WD

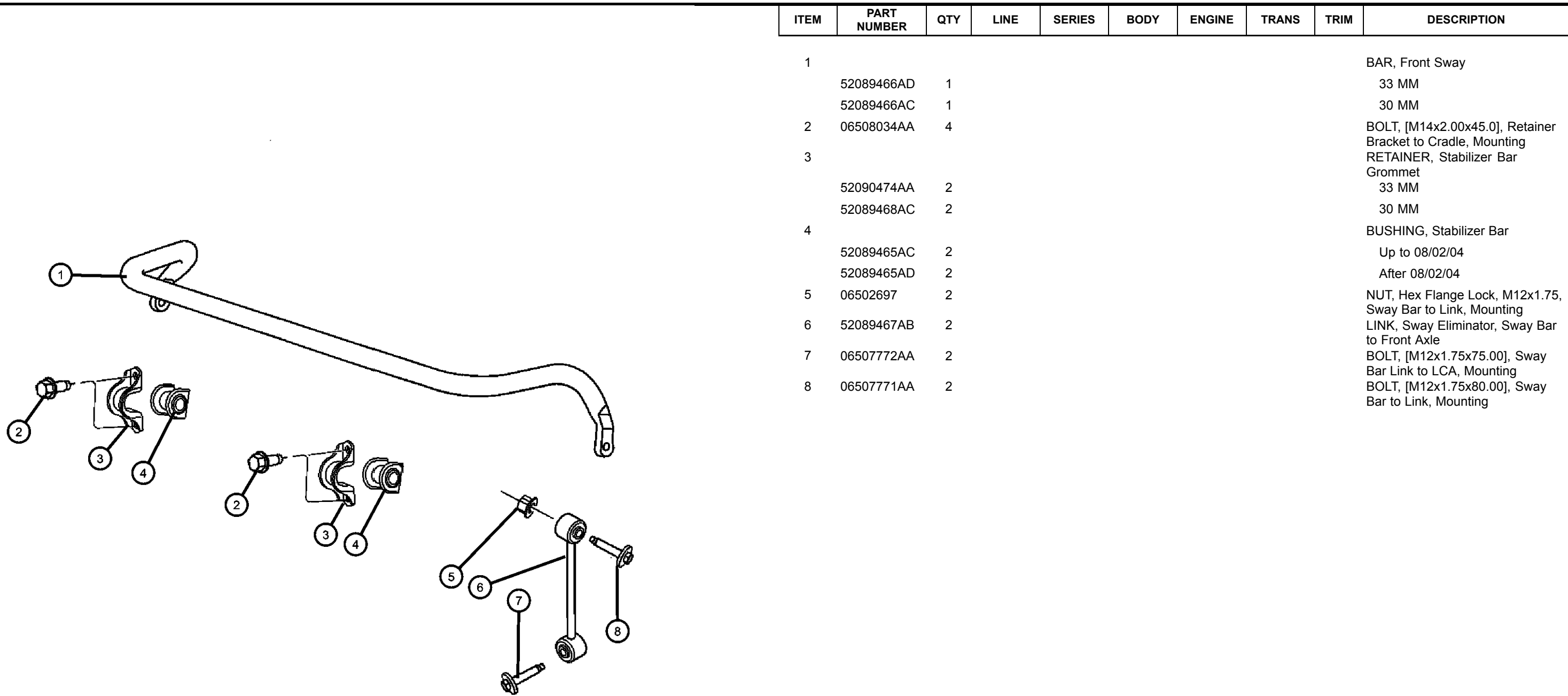
BODY
 74 = SPORT UTILITY 4-DOOR

ENGINE
 EKG = Engine - 3.7L V6
 EVA = Engine- 4.7L V8 MPI
 EZB = Engine-5.7L HEMI

TRANSMISSION
 DG0 = All Automatic Transmissions
 DGJ = Transmission - 5-Spd Auto, MB
 DGQ = Transmission-5-Spd Automatic 5-45RFE

AR = use ase required - = Non illustrated part

**Front Stabilizer Bar
Figure 2-120**



ITEM	PART NUMBER	QTY	LINE	SERIES	BODY	ENGINE	TRANS	TRIM	DESCRIPTION
1	52089466AD	1							BAR, Front Sway 33 MM
	52089466AC	1							30 MM
2	06508034AA	4							BOLT, [M14x2.00x45.0], Retainer Bracket to Cradle, Mounting
3									RETAINER, Stabilizer Bar Grommet
	52090474AA	2							33 MM
	52089468AC	2							30 MM
4									BUSHING, Stabilizer Bar
	52089465AC	2							Up to 08/02/04
	52089465AD	2							After 08/02/04
5	06502697	2							NUT, Hex Flange Lock, M12x1.75, Sway Bar to Link, Mounting
6	52089467AB	2							LINK, Sway Eliminator, Sway Bar to Front Axle
7	06507772AA	2							BOLT, [M12x1.75x75.00], Sway Bar Link to LCA, Mounting
8	06507771AA	2							BOLT, [M12x1.75x80.00], Sway Bar to Link, Mounting

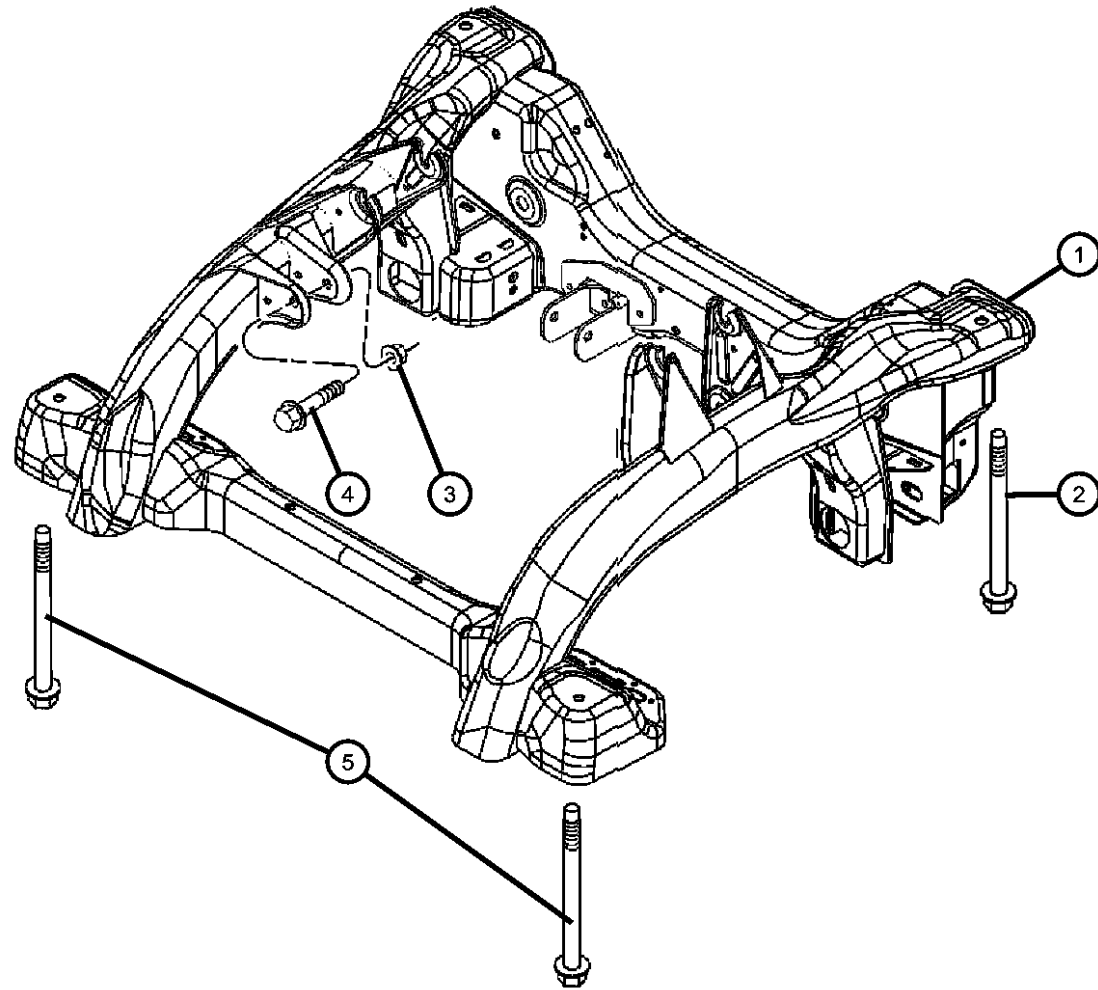
GRAND CHEROKEE (WK)

SERIES	LINE	BODY	ENGINE	TRANSMISSION
H = Laredo	T = JEEP - 2WD	74 = SPORT UTILITY 4-DOOR	EKG = Engine - 3.7L V6	DG0 = All Automatic Transmissions
P = Limited	J = JEEP - 4WD		EVA = Engine- 4.7L V8 MPI	DGJ = Transmission - 5-Spd Auto, MB
			EZB = Engine-5.7L HEMI	DGQ = Transmission-5-Spd Automatic 5-45RFE

AR = use ase required - = Non illustrated part

Cradle,Front Suspension
Figure 2-130

ITEM	PART NUMBER	QTY	LINE	SERIES	BODY	ENGINE	TRANS	TRIM	DESCRIPTION
1	52089493AF	1							CRADLE, Front Suspension
2	06507957AA	2							BOLT
3	06502835	2	J						NUT, Hex Flange, M12x1.75, Front Differential Bushing to Cradle, Mounting
4	06507770AA	2	J						BOLT, Hex Head, Front Differential Bushing to Cradle, Mounting
5	06507958AA	2							BOLT



GRAND CHEROKEE (WK)

SERIES	LINE
H = Laredo	T = JEEP - 2WD
P = Limited	J = JEEP - 4WD

BODY

74 = SPORT UTILITY 4-DOOR

ENGINE

EKG = Engine - 3.7L V6
 EVA = Engine- 4.7L V8 MPI
 EZB = Engine-5.7L HEMI

TRANSMISSION

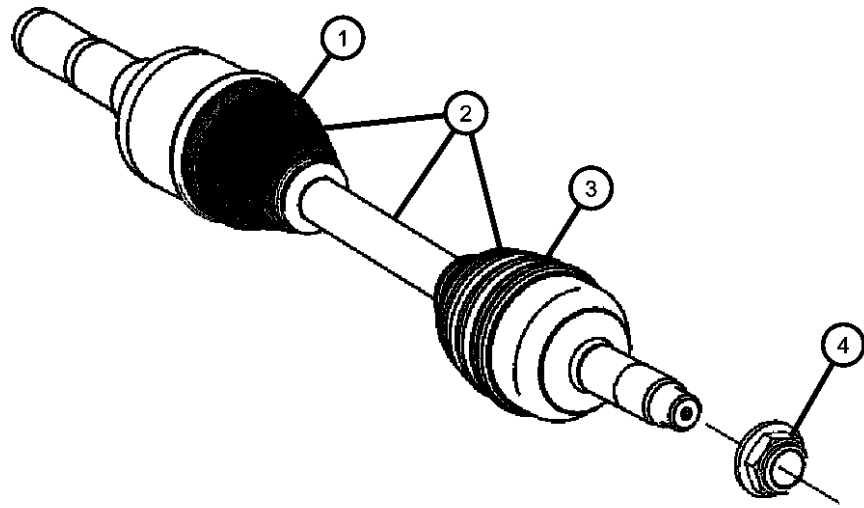
DG0 = All Automatic Transmissions
 DGJ = Transmission - 5-Spd Auto, MB
 DGQ = Transmission-5-Spd Automatic 5-45RFE

AR = use ase required - = Non illustrated part

2005 WK

**Front Axle Shafts [DJA]
Figure 2-210**

ITEM	PART NUMBER	QTY	LINE	SERIES	BODY	ENGINE	TRANS	TRIM	DESCRIPTION
Note:Sales Codes; [DJA]=Axle - Front,200MM [DSG]=Axle - Electric Limited Slip Differential,Front [DS7]=Conventional Differential Front Axle									
1	05140758AA	1	J						BOOT KIT, Half Shaft, InnerRight or Left
2									SHAFT, Axle Half
	52104590AA	1	J						[DS7,DSG], Right
	52104591AB	1	J						[DS7], Left
	52104701AB	1	J						[DSG], Left
3	05140759AA	1	J						BOOT KIT, Half Shaft, OuterRight or Left
4	06506454AA	2	J						NUT, HexRight or Left



GRAND CHEROKEE (WK)

SERIES
H = Laredo
P = Limited

LINE
T = JEEP - 2WD
J = JEEP - 4WD

BODY
74 = SPORT UTILITY 4-DOOR

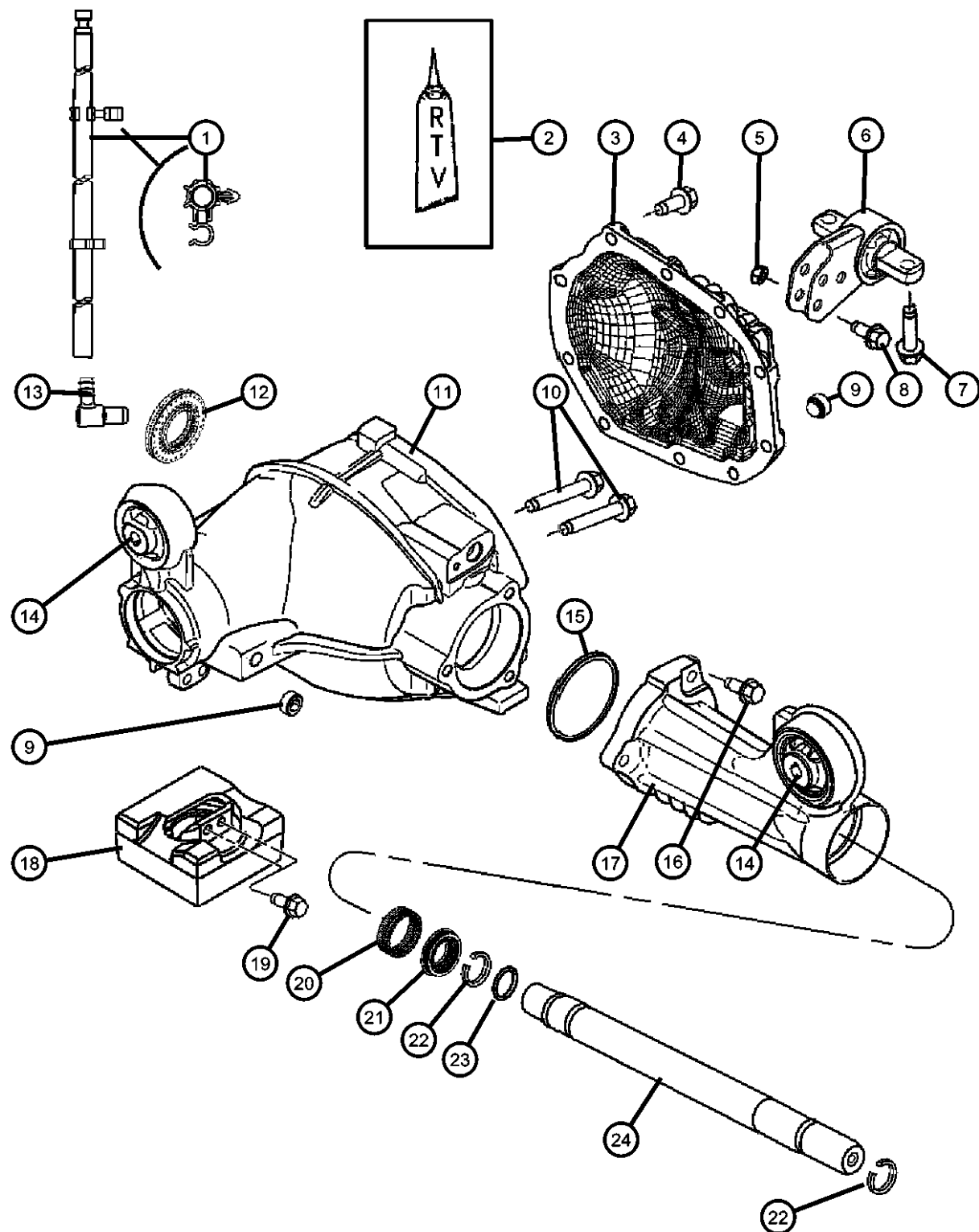
ENGINE
EKG = Engine - 3.7L V6
EVA = Engine- 4.7L V8 MPI
EZB = Engine-5.7L HEMI

TRANSMISSION
DG0 = All Automatic Transmissions
DGJ = Transmission - 5-Spd Auto, MB
DGQ = Transmission-5-Spd Automatic 5-45RFE

AR = use ase required - = Non illustrated part

2005 WK

Housing,Front Axle [DJA]
Figure 2-310



ITEM	PART NUMBER	QTY	LINE	SERIES	BODY	ENGINE	TRANS	TRIM	DESCRIPTION
Note:Sales Codes; [DJA]=Axle - Front,200MM [DME]=Axle Ratio 3.73 [DMM]=Axle Ratio 3.07 [DSG]=Axle - Electric Limited Slip Differential,Front									
1	52114148AB	1	J						HOSE, Axle Vent
2	05010884AA	1	J						SEALANT, RTV
3	52111342AC	1	J						COVER, Differential Without [DSG]
	52111964AC	1	J						With [DSG]
4	06507903AA	8	J						BOLT, Differential Cover Without [DSG], Mounting
		10	J						With [DSG], Mounting
5	06104718AA	3	J						NUT, Axle Bracket, Mounting
6	52114354AA	1	J						BRACKET, Mounting, Axle
7	06508159AA	2	J						BOLT, Differential Dogbone to Cradle, Mounting
8	06104237AA	3	J						BOLT, Axle Bracket, Mounting
9	05097712AB	1	J						PLUG, Oil Drain
10	03432695	2	J						SCREW, Hex Head, .50-13x2.38, Carrier Cap-With [DSG] Only, Mounting
11	52114326AA	1	J						HOUSING, Axle With [DSG] Includes 9,10,14
	52114331AA	1	J						Without [DSG] Includes 9,13,14,
12	52111338AC	1	J						SEAL, Axle Drive Shaft
13	52114325AA	1	J						VENT, Axle
14	52089516AB	2	J						ISOLATOR, Axle Mounting
15	52114079AA	1	J						O RING, Axle Housing Tube to Axle Housing, Mounting
16	06507903AA	3	J						BOLT, Differential Cover, Axle Housing Tube to Axle Housing, Mounting
17	52111343AC	1	J						TUBE, Axle Housing Without [DSG]
	52111966AC	1	J						With [DSG]
18	52114554AA	1	J						DAMPER, Axle [DME]
	52114561AA	1	J						[DMM]

GRAND CHEROKEE (WK)

SERIES LINE
H = Laredo T = JEEP - 2WD
P = Limited J = JEEP - 4WD

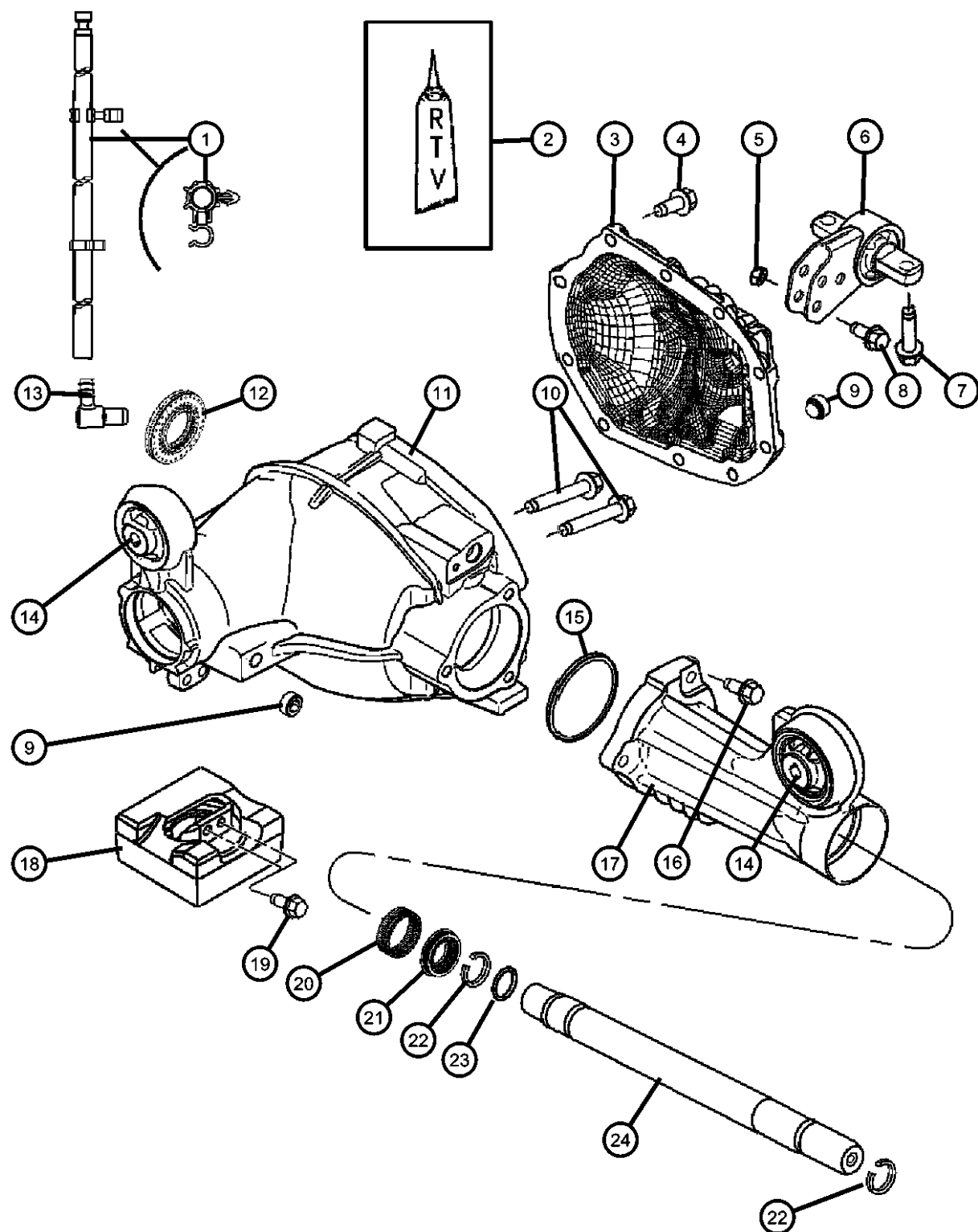
BODY ENGINE TRANSMISSION
74 = SPORT UTILITY 4-DOOR EKG = Engine - 3.7L V6
EVA = Engine- 4.7L V8 MPI
EZB = Engine-5.7L HEMI

DG0 = All Automatic Transmissions
DGJ = Transmission - 5-Spd Auto, MB
DGQ = Transmission-5-Spd Automatic
5-45RFE

AR = use ase required - = Non illustrated part

2005 WK

Housing,Front Axle [DJA]
Figure 2-310



ITEM	PART NUMBER	QTY	LINE	SERIES	BODY	ENGINE	TRANS	TRIM	DESCRIPTION
19	06508346AA	2	J						BOLT, Axle Damper, Mounting
20	52111167AA	1	J						BUSHING, Axle Shaft
21	52069706AB	1	J						SEAL, Axle Drive Shaft
22	52069710AB	2	J						SNAP RING, Axle Shaft
23	52069888AB	1	J						O RING, Shaft Disconnect
24									SHAFT, Axle
	52111347AB	1	J						Without [DSG]
	52111969AC	1	J						With [DSG]

GRAND CHEROKEE (WK)

SERIES LINE
H = Laredo T = JEEP - 2WD
P = Limited J = JEEP - 4WD

BODY

74 = SPORT UTILITY 4-DOOR

ENGINE

EKG = Engine - 3.7L V6
EVA = Engine- 4.7L V8 MPI
EZB = Engine-5.7L HEMI

TRANSMISSION

DG0 = All Automatic Transmissions
DGJ = Transmission - 5-Spd Auto, MB
DGQ = Transmission-5-Spd Automatic
5-45RFE

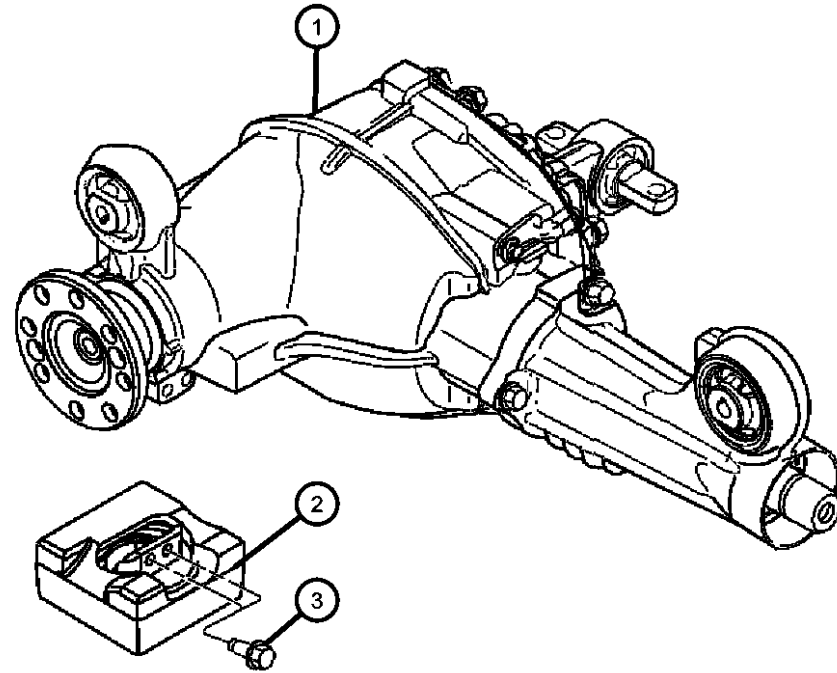
AR = use ase required - = Non illustrated part

2005 WK

**Front Axle Assembly,[DJA]
Figure 2-410**

ITEM	PART NUMBER	QTY	LINE	SERIES	BODY	ENGINE	TRANS	TRIM	DESCRIPTION
------	-------------	-----	------	--------	------	--------	-------	------	-------------

Note:Sales Codes;
[DJA]=Axle - Front,200MM
[DME]=Axle Ratio 3.73
[DMM]=Axle Ratio 3.07
[DSG]=Axle - Electric Limited Slip Differential,Front
[DS7]=Axle-Conventional Differential,Front



1									AXLE, Service Front
	05135676AC	1	J						[DME,DSG]
	05135690AC	1	J						[DME,DS7]
	05135693AD	1	J						[DMM]
2									DAMPER, Axle
	52114554AB	1	J						[DME]
	52114561AB	1	J						[DMM]
3	06508346AA	2	J						BOLT, Axle Damper, Mounting

GRAND CHEROKEE (WK)

SERIES	LINE
H = Laredo	T = JEEP - 2WD
P = Limited	J = JEEP - 4WD

BODY

74 = SPORT UTILITY 4-DOOR

ENGINE

EKG = Engine - 3.7L V6
EVA = Engine- 4.7L V8 MPI
EZB = Engine-5.7L HEMI

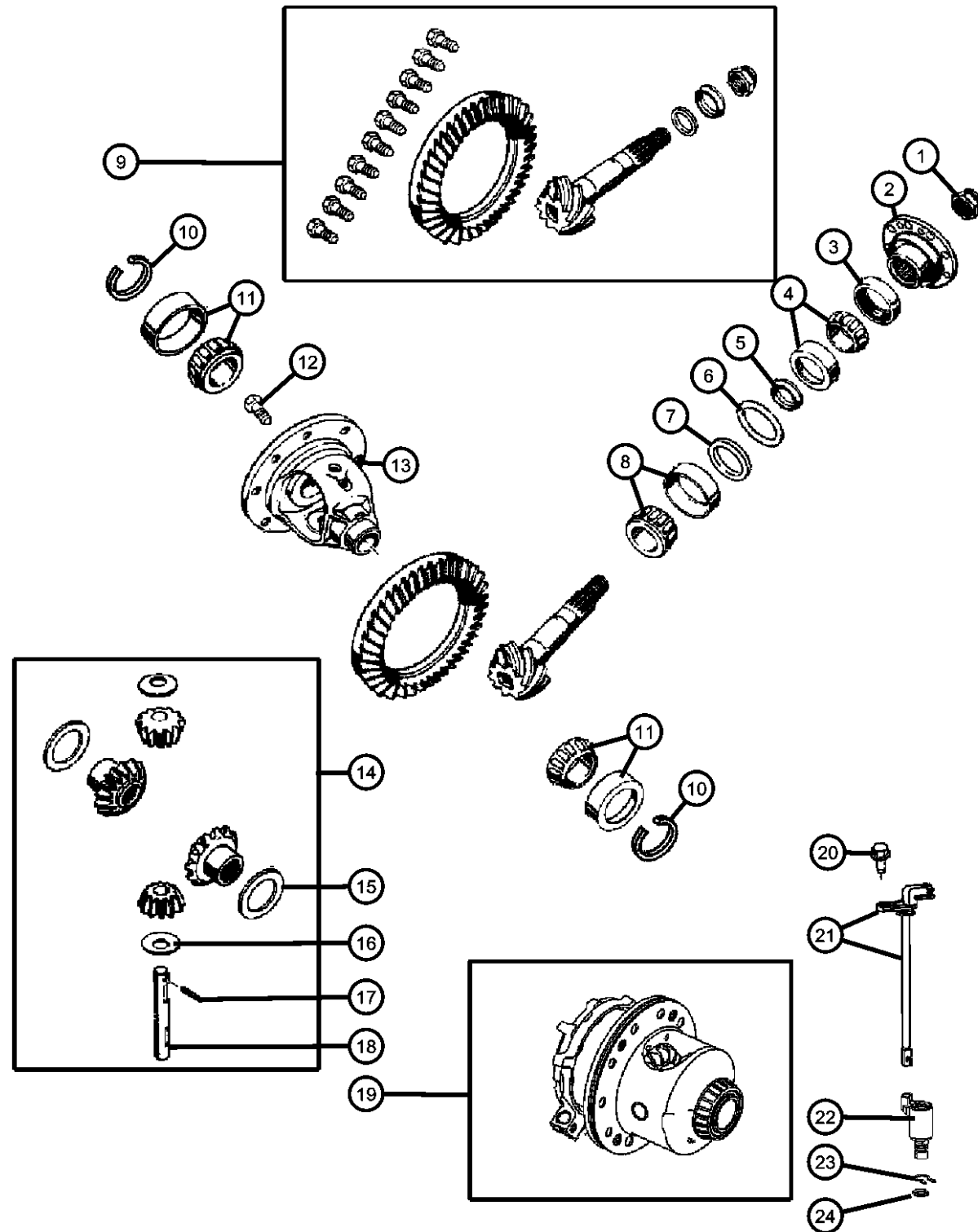
TRANSMISSION

DG0 = All Automatic Transmissions
DGJ = Transmission - 5-Spd Auto, MB
DGQ = Transmission-5-Spd Automatic 5-45RFE

AR = use ase required - = Non illustrated part

2005 WK

Differential, Front Axle,[DJA]
Figure 2-610



ITEM	PART NUMBER	QTY	LINE	SERIES	BODY	ENGINE	TRANS	TRIM	DESCRIPTION
------	-------------	-----	------	--------	------	--------	-------	------	-------------

Note:Sales Codes;
[DJA]=Axle - Front,200MM
[DME]=Axle Ratio 3.73
[DMM]=Axle Ratio 3.07
[DSG]=Axle - Electric Limited Slip Differential,Front
[DS7]=Axle-Conventional Differential,Front

1	06507901AA	1	J						NUT, Hex
2	52111954AB	1	J						FLANGE, Driveshaft Yoke
3	52111953AC	1	J						SEAL, Drive Pinion
4	05135674AA	1	J						BEARING, Drive Pinion, Bearing and Cup, Front
5	52111336AA	1	J						SPACER, Drive Pinion Bearing, Crush
6									SHIM, Drive Pinion Bearing
	52111254AA	1	J						[6.38MM]
	52111255AA	1	J						[6.36MM]
	52111256AA	1	J						[6.34MM]
	52111258AA	1	J						[6.30MM]
	52111259AA	1	J						[6.28MM]
	52111260AA	1	J						[6.26MM]
	52111257AA	1	J						[6.32MM]
	52111263AA	1	J						[6.20MM]
	52111264AA	1	J						[6.18MM]
	52111261AA	1	J						[6.24MM]
	52111262AA	1	J						[6.22MM]
	52111267AA	1	J						[6.12MM]
	52111270AA	1	J						[6.10MM]
	52111265AA	1	J						[6.16MM]
	52111266AA	1	J						[6.14MM]
	52111273AA	1	J						[6.04MM]
	52111274AA	1	J						[6.02MM]
	52111271AA	1	J						[6.08MM]
	52111272AA	1	J						[6.06MM]
	52111278AA	1	J						[5.94MM]
	52111275AA	1	J						[6.00MM]
	52111276AA	1	J						[5.98MM]
	52111277AA	1	J						[5.96MM]
	52111282AA	1	J						[5.86MM]

GRAND CHEROKEE (WK)

SERIES LINE
H = Laredo T = JEEP - 2WD
P = Limited J = JEEP - 4WD

BODY

74 = SPORT UTILITY 4-DOOR

ENGINE

EKG = Engine - 3.7L V6
EVA = Engine- 4.7L V8 MPI
EZB = Engine-5.7L HEMI

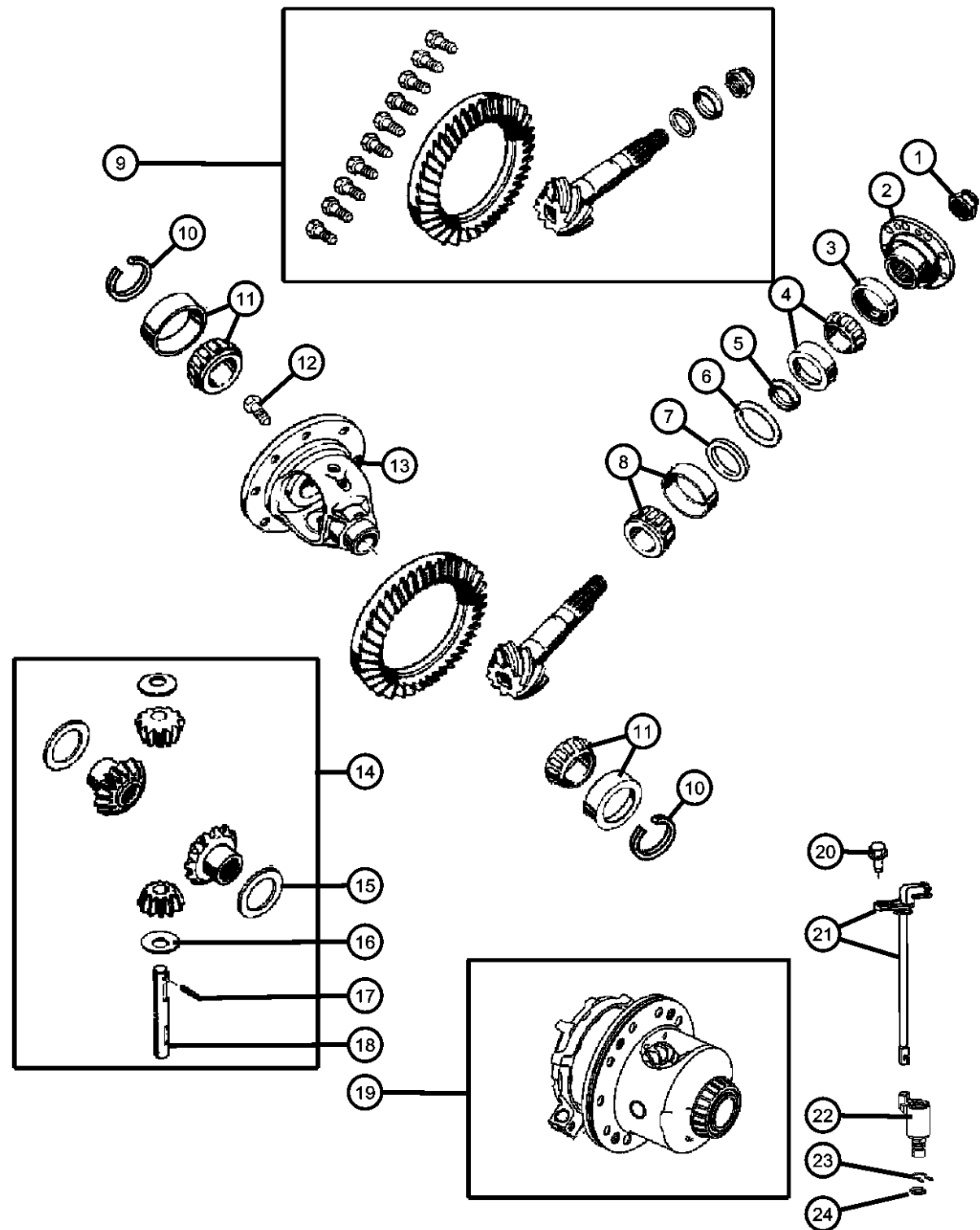
TRANSMISSION

DG0 = All Automatic Transmissions
DGJ = Transmission - 5-Spd Auto, MB
DGQ = Transmission-5-Spd Automatic 5-45RFE

AR = use ase required - = Non illustrated part

2005 WK

Differential, Front Axle,[DJA]
Figure 2-610



ITEM	PART NUMBER	QTY	LINE	SERIES	BODY	ENGINE	TRANS	TRIM	DESCRIPTION
	52111279AA	1	J						[5.92MM]
	52111280AA	1	J						[5.90MM]
	52111281AA	1	J						[5.88MM]
	52111286AA	1	J						[5.78MM]
	52111283AA	1	J						[5.84MM]
	52111284AA	1	J						[5.82MM]
	52111285AA	1	J						[5.80MM]
	52111287AA	1	J						[5.76MM]
	52111288AA	1	J						[5.74MM]
	52111289AA	1	J						[5.72MM]
	52111290AA	1	J						[5.70MM]
	52111291AA	1	J						[5.68MM]
	52111292AA	1	J						[5.66MM]
	52111293AA	1	J						[5.64MM]
	52111294AA	1	J						[5.62MM]
	52111295AA	1	J						[5.60MM]
	52111296AA	1	J						[5.58MM]
	52111297AA	1	J						[5.56MM]
	52111298AA	1	J						[5.54MM]
	52111299AA	1	J						[5.52MM]
	52111300AA	1	J						[5.50MM]
	52111301AA	1	J						[5.48MM]
	52111302AA	1	J						[5.46MM]
	52111304AA	1	J						[5.42MM]
	52111305AA	1	J						[5.40MM]
	52111306AA	1	J						[5.38MM]
	52111303AA	1	J						[5.44MM]
	52111308AA	1	J						[5.34MM]
	52111309AA	1	J						[5.32MM]
	52111310AA	1	J						[5.30MM]
	52111307AA	1	J						[5.36MM]
	52111315AA	1	J						[5.28MM]
	52111316AA	1	J						[5.26MM]
	52111317AA	1	J						[5.24MM]

GRAND CHEROKEE (WK)
 SERIES LINE
 H = Laredo T = JEEP - 2WD
 P = Limited J = JEEP - 4WD

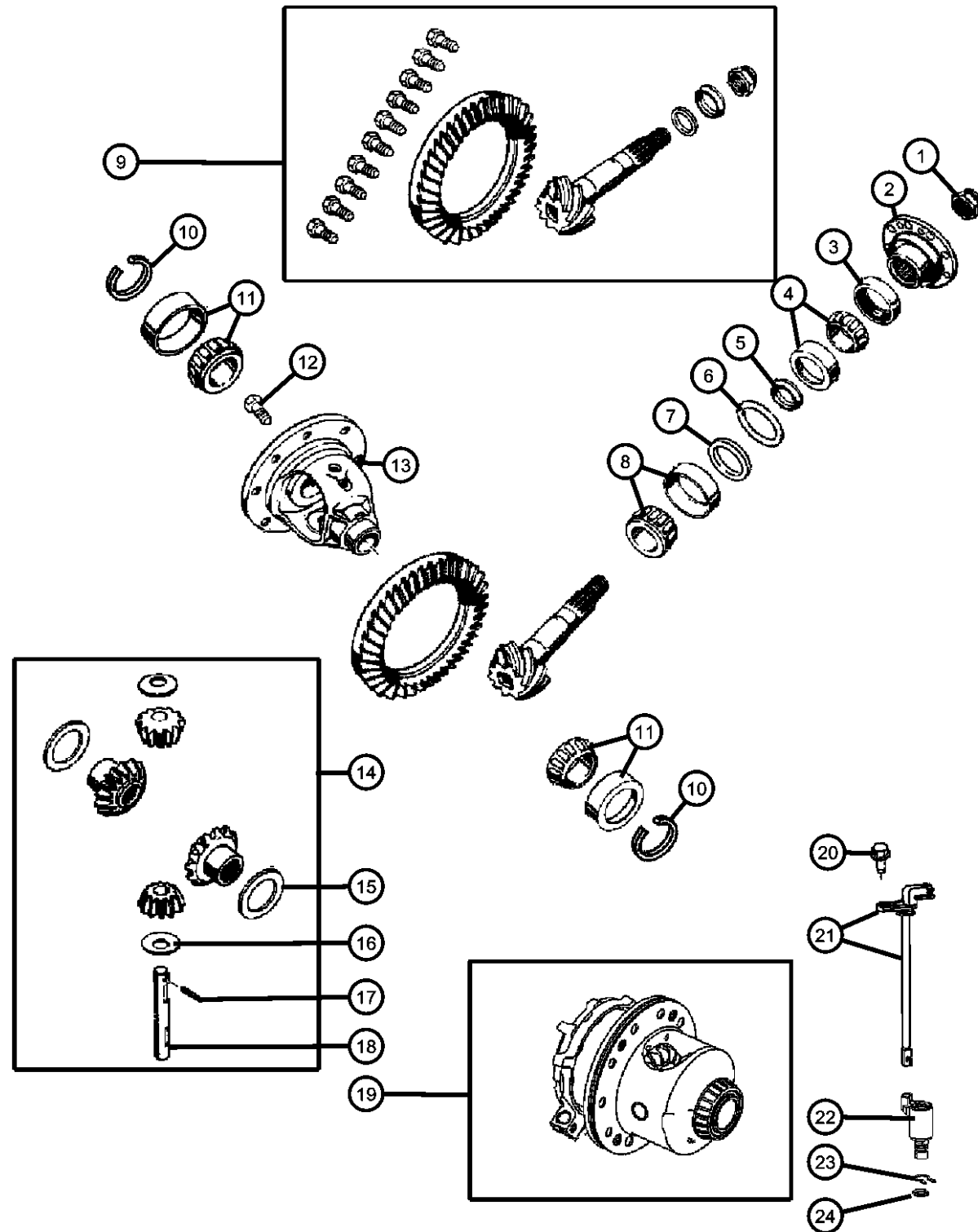
BODY
 74 = SPORT UTILITY 4-DOOR

ENGINE
 EKG = Engine - 3.7L V6
 EVA = Engine- 4.7L V8 MPI
 EZB = Engine-5.7L HEMI

TRANSMISSION
 DG0 = All Automatic Transmissions
 DGJ = Transmission - 5-Spd Auto, MB
 DGQ = Transmission-5-Spd Automatic
 5-45RFE

AR = use ase required - = Non illustrated part

Differential, Front Axle,[DJA]
Figure 2-610



ITEM	PART NUMBER	QTY	LINE	SERIES	BODY	ENGINE	TRANS	TRIM	DESCRIPTION
	52111318AA	1	J						[5.22MM]
	52111319AA	1	J						[5.20MM]
	52111320AA	1	J						[5.18MM]
	52111321AA	1	J						[5.16MM]
	52111322AA	1	J						[5.14MM]
	52111323AA	1	J						[5.12MM]
	52111325AA	1	J						[5.08MM]
	52111324AA	1	J						[5.10MM]
	52111326AA	1	J						[5.06MM]
	52111327AA	1	J						[5.04MM]
	52111328AA	1	J						[5.02MM]
	52111330AA	1	J						[5.00MM]
	52111331AA	1	J						[4.98MM]
	52111332AA	1	J						[4.96MM]
	52111333AA	1	J						[4.94MM]
	52111334AA	1	J						[4.92MM]
	52111335AA	1	J						[4.90MM]
7	52111356AA	1	J						RING, Pinion Spacer
8	05135673AA	1	J						BEARING, Drive Pinion, Bearing and Cup, Rear
9									GEAR KIT, Ring And Pinion
	05135661AB	1	J						[DME]
	05135691AB	1	J						[DMM]
10									RETAINING RING/SHIM, Differential Bearing
	52111230AA	1	J						[3.60MM]
	52111231AA	1	J						[3.62MM]
	52111233AA	1	J						[3.66MM]
	52111234AA	1	J						[3.68MM]
	52111232AA	1	J						[3.64MM]
	52111235AA	1	J						[3.70MM]
	52111236AA	1	J						[3.72MM]
	52111238AA	1	J						[3.76MM]
	52111239AA	1	J						[3.78MM]
	52111240AA	1	J						[3.80MM]
	52111241AA	1	J						[3.82MM]

GRAND CHEROKEE (WK)

SERIES LINE
H = Laredo T = JEEP - 2WD
P = Limited J = JEEP - 4WD

BODY

74 = SPORT UTILITY 4-DOOR

ENGINE

EKG = Engine - 3.7L V6
EVA = Engine- 4.7L V8 MPI
EZB = Engine-5.7L HEMI

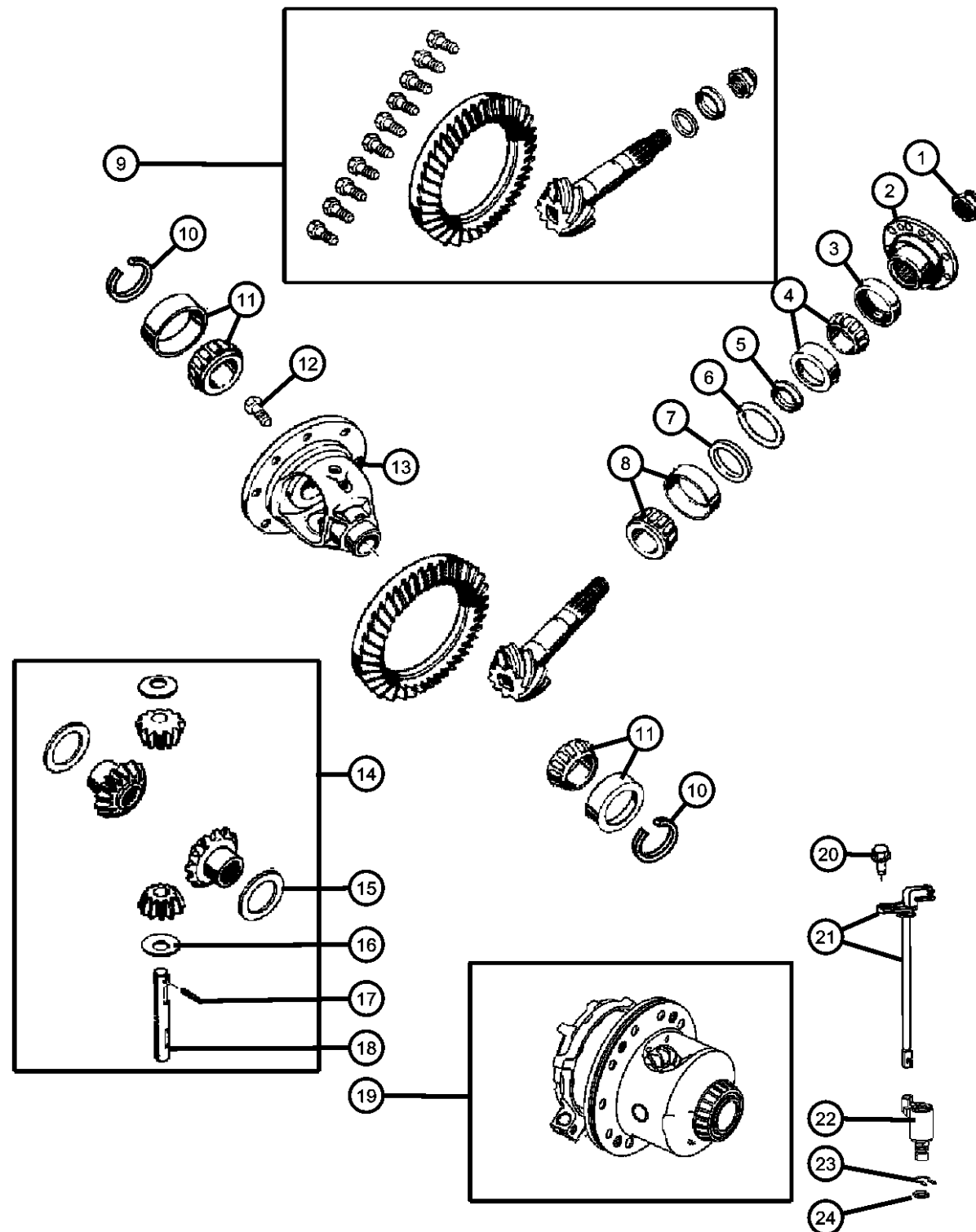
TRANSMISSION

DG0 = All Automatic Transmissions
DGJ = Transmission - 5-Spd Auto, MB
DGQ = Transmission-5-Spd Automatic 5-45RFE

AR = use ase required - = Non illustrated part

2005 WK

Differential, Front Axle,[DJA]
Figure 2-610



ITEM	PART NUMBER	QTY	LINE	SERIES	BODY	ENGINE	TRANS	TRIM	DESCRIPTION
	52111242AA	1	J						[3.84MM]
	52111243AA	1	J						[3.86MM]
	52111244AA	1	J						[3.88MM]
	52111245AA	1	J						[3.90MM]
	52114083AA	1	J						[3.92MM]
	52114084AA	1	J						[3.94MM]
	52114085AA	1	J						[3.96MM]
	52114086AA	1	J						[3.98MM]
	52114087AA	1	J						[4.00MM]
	52114088AA	1	J						[4.02MM]
	52114089AA	1	J						[4.04MM]
	52114090AA	1	J						[4.06MM]
	52114092AA	1	J						[4.10MM]
	52114093AA	1	J						[4.12MM]
	52114091AA	1	J						[4.08MM]
	52114095AA	1	J						[4.16MM]
	52114094AA	1	J						[4.14MM]
	52114097AA	1	J						[4.20MM]
	52114096AA	1	J						[4.18MM]
	52114100AA	1	J						[4.26MM]
	52114098AA	1	J						[4.22MM]
	52114099AA	1	J						[4.24MM]
	52114102AA	1	J						[4.30MM]
	52114101AA	1	J						[4.28MM]
	52114103AA	1	J						[4.32MM]
	52114105AA	1	J						[4.36MM]
	52114104AA	1	J						[4.34MM]
	52114106AA	1	J						[4.38MM]
	52114109AA	1	J						[4.44MM]
	52114107AA	1	J						[4.40MM]
	52114108AA	1	J						[4.42MM]
	52114110AA	1	J						[4.46MM]
	52114111AA	1	J						[4.48MM]
	52114112AA	1	J						[4.50MM]

GRAND CHEROKEE (WK)
 SERIES LINE
 H = Laredo T = JEEP - 2WD
 P = Limited J = JEEP - 4WD

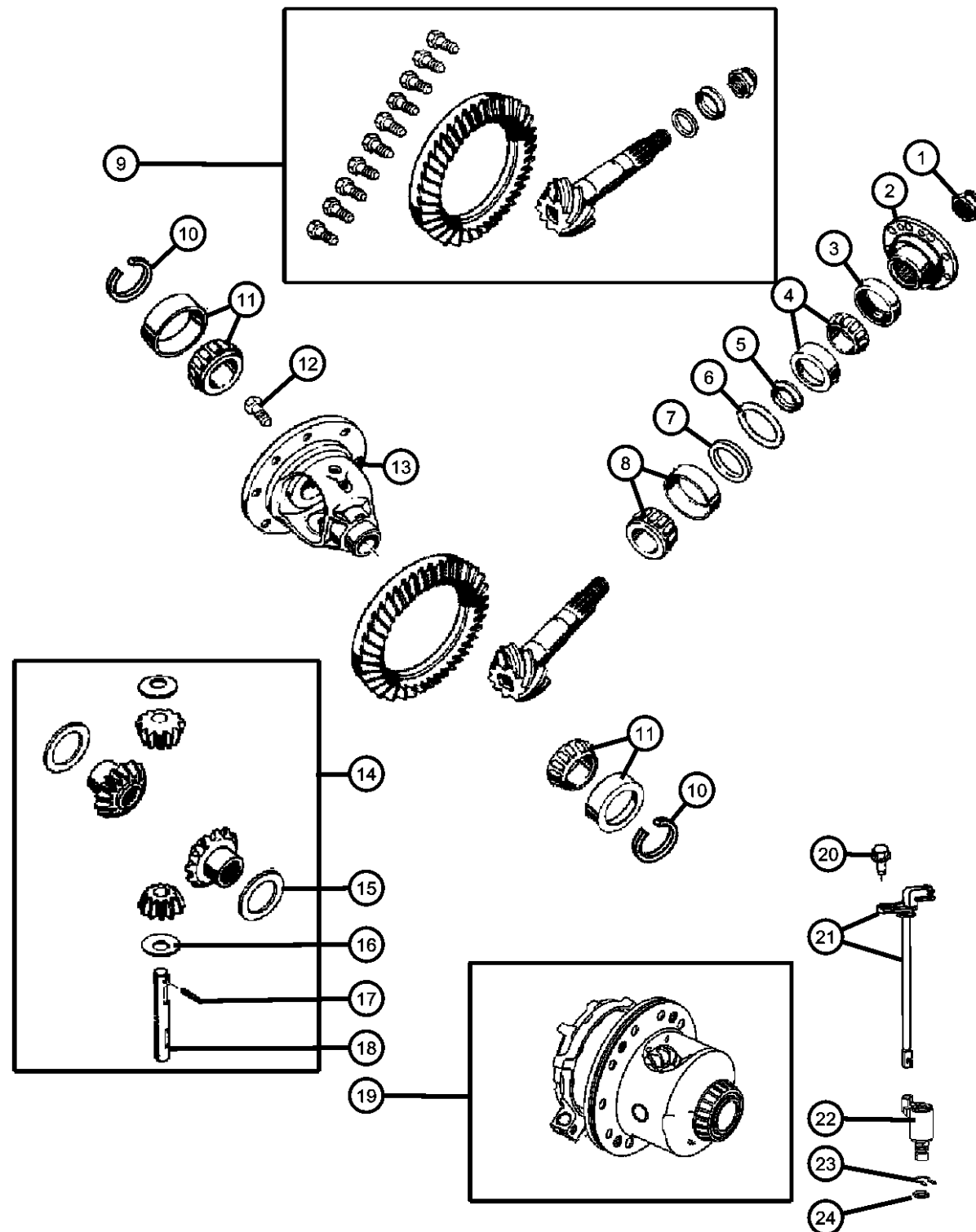
BODY
 74 = SPORT UTILITY 4-DOOR

ENGINE
 EKG = Engine - 3.7L V6
 EVA = Engine- 4.7L V8 MPI
 EZB = Engine-5.7L HEMI

TRANSMISSION
 DG0 = All Automatic Transmissions
 DGJ = Transmission - 5-Spd Auto, MB
 DGQ = Transmission-5-Spd Automatic 5-45RFE

AR = use ase required - = Non illustrated part

Differential, Front Axle,[DJA]
Figure 2-610



ITEM	PART NUMBER	QTY	LINE	SERIES	BODY	ENGINE	TRANS	TRIM	DESCRIPTION
	52114113AA	1	J						[4.52MM]
	52114114AA	1	J						[4.54MM]
	52114115AA	1	J						[4.56MM]
	52114116AA	1	J						[4.58MM]
	52114117AA	1	J						[4.60MM]
	52114118AA	1	J						[4.62MM]
	52114119AA	1	J						[4.64MM]
	52114121AA	1	J						[4.68MM]
	52114120AA	1	J						[4.66MM]
	52114123AA	1	J						[4.72MM]
	52114124AA	1	J						[4.74MM]
	52114122AA	1	J						[4.70MM]
	52114125AA	1	J						[4.76MM]
	52114126AA	1	J						[4.78MM]
	52114128AA	1	J						[4.82MM]
	52114129AA	1	J						[4.84MM]
	52114127AA	1	J						[4.80MM]
	52114130AA	1	J						[4.86MM]
	52114131AA	1	J						[4.88MM]
	52114132AA	1	J						[4.90MM]
	52114135AA	1	J						[4.96MM]
	52114133AA	1	J						[4.92MM]
	52114134AA	1	J						[4.94MM]
	52114137AA	1	J						[5.00MM]
	52114136AA	1	J						[4.98MM]
	52114140AA	1	J						[5.06MM]
	52114138AA	1	J						[5.02MM]
	52114139AA	1	J						[5.04MM]
	52114142AA	1	J						[5.10MM]
	52114141AA	1	J						[5.08MM]
	52114145AA	1	J						[5.16MM]
	52114143AA	1	J						[5.12MM]
	52114144AA	1	J						[5.14MM]
	52114146AA	1	J						[5.18MM]

GRAND CHEROKEE (WK)
 SERIES LINE
 H = Laredo T = JEEP - 2WD
 P = Limited J = JEEP - 4WD

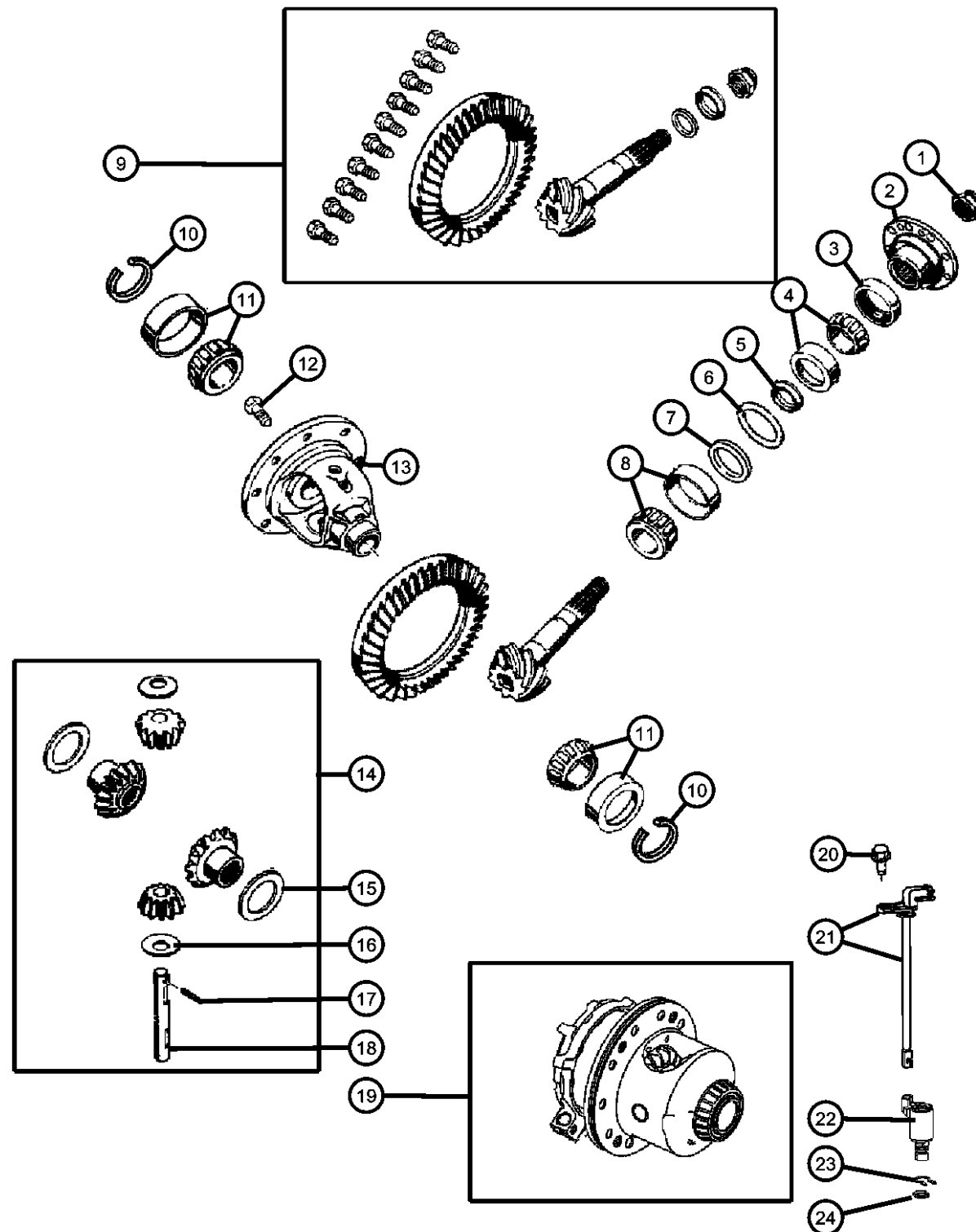
BODY
 74 = SPORT UTILITY 4-DOOR

ENGINE
 EKG = Engine - 3.7L V6
 EVA = Engine- 4.7L V8 MPI
 EZB = Engine-5.7L HEMI

TRANSMISSION
 DG0 = All Automatic Transmissions
 DGJ = Transmission - 5-Spd Auto, MB
 DGQ = Transmission-5-Spd Automatic
 5-45RFE

AR = use ase required - = Non illustrated part

Differential, Front Axle,[DJA]
Figure 2-610



ITEM	PART NUMBER	QTY	LINE	SERIES	BODY	ENGINE	TRANS	TRIM	DESCRIPTION
	52114147AA	1	J						[5.20MM]
	52114352AA	2	J						[3.74MM]
11	05135660AB	1	J						BEARING PACKAGE, Differential, Contains 2 Bearing and 2 Cups
12									BOLT, Ring Gear
	06507634AA	10	J						Without [DSG], Mounting
	06508058AA	10	J						With [DSG], Mounting
13	52111226AB	1	J						CASE ASSEMBLY, Differential, Without [DSG] With Internal Parts
14	05072492AA	1	J						GEAR PACKAGE, Differential, Without [DSG]
15	05015864AA	1	J						WASHER PACKAGE, Side Gear Thrust, Contains 2 each .031,.036,.041,.046,Washers, Without [DSG]
16	02852912	2	J						WASHER, Pinion Gear, Without [DSG], Thrust
17	52070338AA	1	J						PIN, Differential Shaft, Without [DSG]
18	52069657	1	J						SHAFT, Differential Pinion, Without [DSG]
19	52104673AD	1	J						CASE ASSEMBLY, Differential, With [DSG] With Internal Parts
20	06501979	1							SCREW AND WASHER, Hex Head, M6x1x17, With [DSG]
21	52114327AC	1	J						HARNES, Electronic Front Axle, With [DSG]
22	52114003AD	1	J						ACTUATOR, Axle Locker, With [DSG]
23	05135813AA	1	J						SNAP RING, With [DSG]
24	05135814AA	1	J						O RING, With [DSG]

GRAND CHEROKEE (WK)
 SERIES LINE
 H = Laredo T = JEEP - 2WD
 P = Limited J = JEEP - 4WD

BODY
 74 = SPORT UTILITY 4-DOOR

ENGINE
 EKG = Engine - 3.7L V6
 EVA = Engine- 4.7L V8 MPI
 EZB = Engine-5.7L HEMI

TRANSMISSION
 DG0 = All Automatic Transmissions
 DGJ = Transmission - 5-Spd Auto, MB
 DGQ = Transmission-5-Spd Automatic 5-45RFE

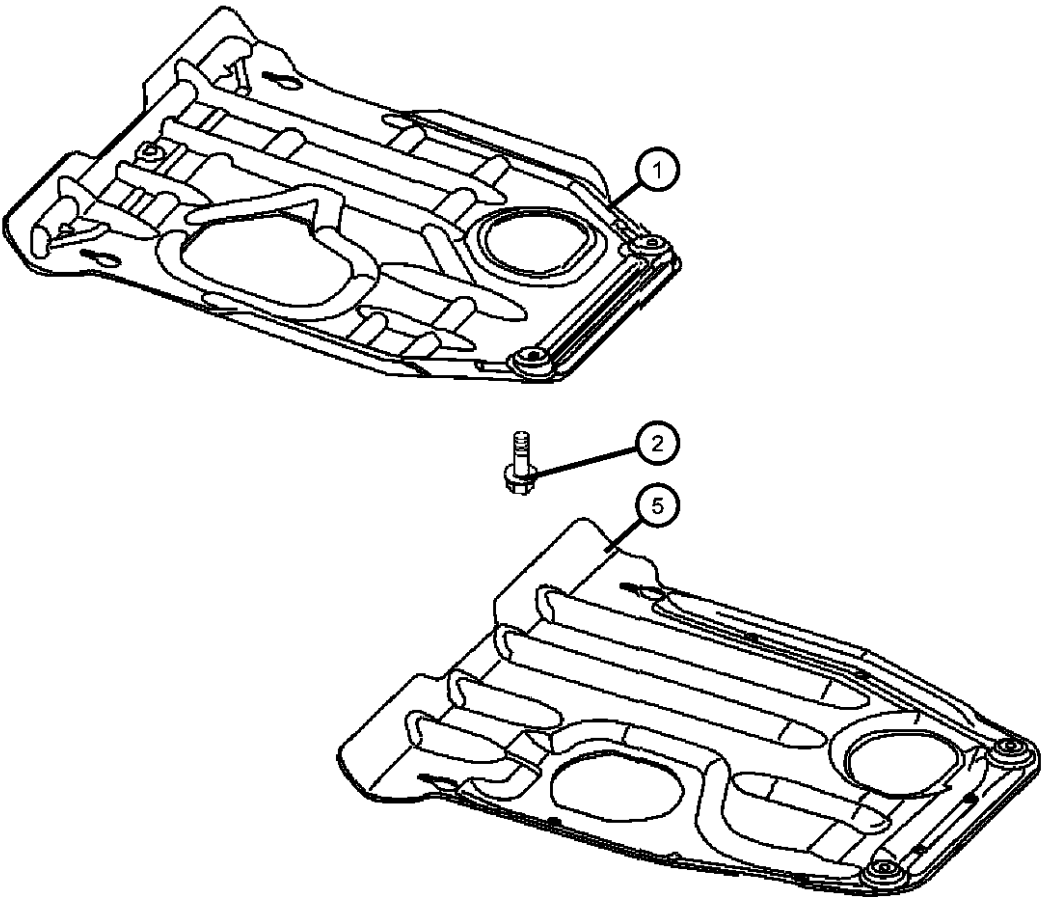
AR = use ase required - = Non illustrated part

**Skid Plate, Front Axle
Figure 2-810**

ITEM	PART NUMBER	QTY	LINE	SERIES	BODY	ENGINE	TRANS	TRIM	DESCRIPTION
------	-------------	-----	------	--------	------	--------	-------	------	-------------

Note: Sales Codes;
[XEU]=Skid Plate - Front Suspension

1	55157121AB	1							COVER, Front Side Rail, Without [XEU]
2	06505269AA	4							SCREW AND WASHER, Head Head Lock, M8-1.25x30.00Mounting
-3	06101696	2	J						NUT, [M10x1.50], Skid Plate to Rail, Mounting
-4	06101916	1							NUT, Hex Weld, M8x1.25, Skid Plate to Rail, Mounting
5	52090316AC	1	J						SKID PLATE, Front, With [XEU]



GRAND CHEROKEE (WK)

SERIES	LINE	BODY	ENGINE	TRANSMISSION
H = Laredo	T = JEEP - 2WD	74 = SPORT UTILITY 4-DOOR	EKG = Engine - 3.7L V6	DG0 = All Automatic Transmissions
P = Limited	J = JEEP - 4WD		EVA = Engine- 4.7L V8 MPI	DGJ = Transmission - 5-Spd Auto, MB
			EZB = Engine-5.7L HEMI	DGQ = Transmission-5-Spd Automatic 5-45RFE

AR = use ase required - = Non illustrated part

Group - 3

Rear Axle

Group - 3 Rear Axle

Illustration Title

Group-Fig. No.

Rear Axle

Axle Assembly,Rear [DRS] Fig. 3 - 110

Differential and Housing

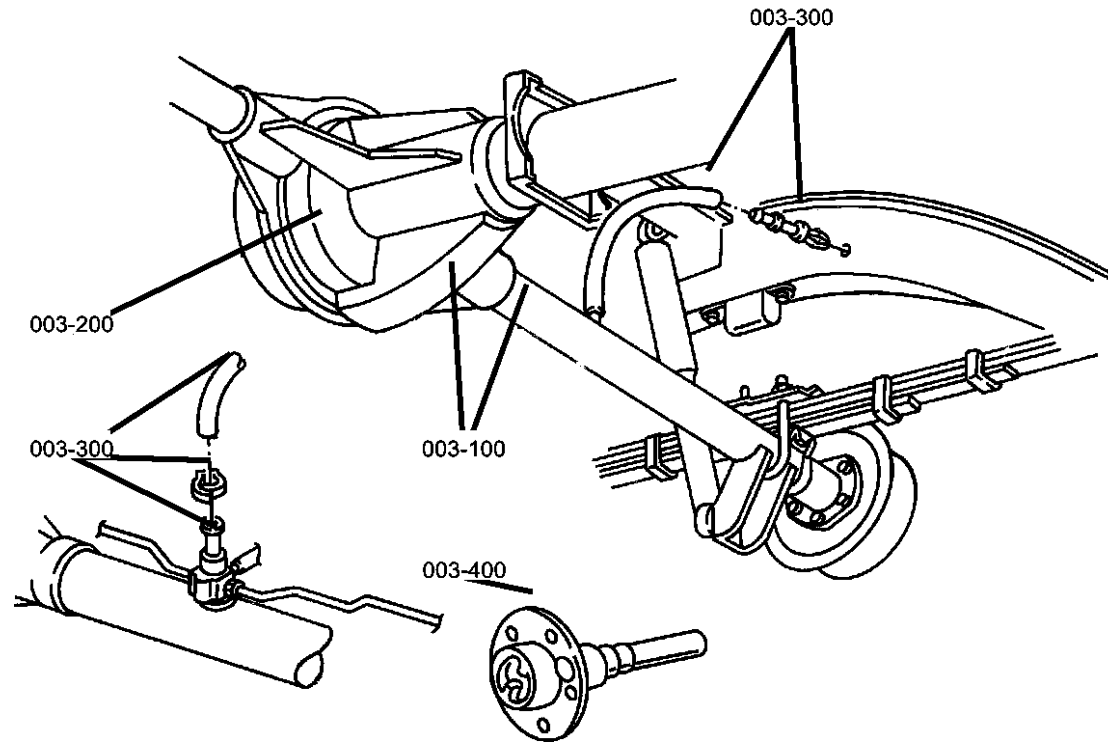
Axle,Rear,With Differential,Housing and Axle Shafts..... Fig. 3 - 210

Rear Axle Vent

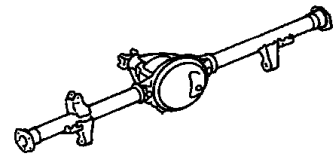
Rear Axle Vent Fig. 3 - 310

Rear Axle Shafts

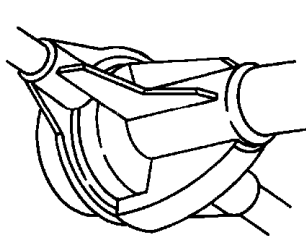
Axle Shaft,Rear..... Fig. 3 - 410



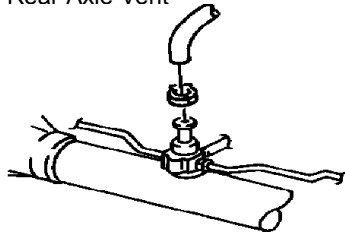
003-100
Rear Axle



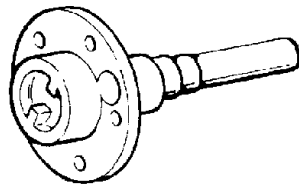
003-200
Differential and Housing



003-300
Rear Axle Vent



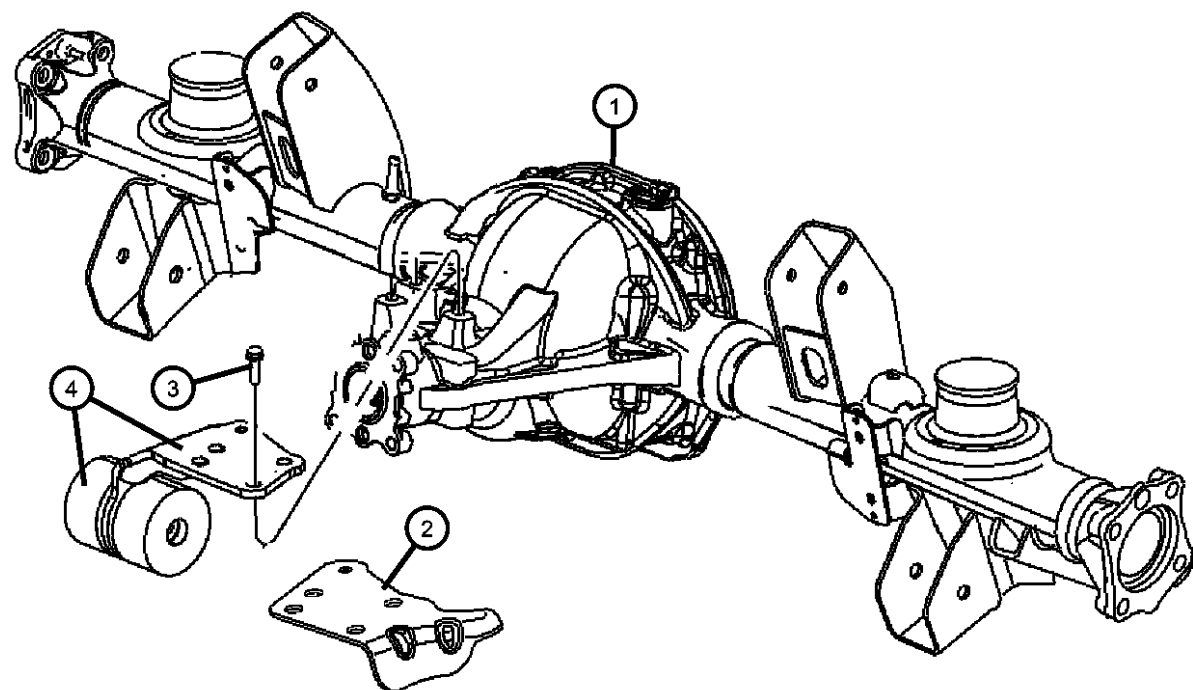
003-400
Rear Axle Shafts



**Axle Assembly,Rear [DRS]
Figure 3-110**

ITEM	PART NUMBER	QTY	LINE	SERIES	BODY	ENGINE	TRANS	TRIM	DESCRIPTION
------	-------------	-----	------	--------	------	--------	-------	------	-------------

Note:Sales Codes;
[DME]=Axle Ratio - 3.73
[DMM]=Axle Ratio - 3.07
[DRS]=Axle - Rear,213MM
[DSC]=Axles - Vari-Lok Progressive
[DSF]=Axle - Electric Limited Slip Differential Rear
[DS8]=Axle - Conventional Differential Rear



1									AXLE, Service Rear
	05135812AC	1							[DME,DS8]
	05135770AD	1							[DMM,DSC]
	04874469								Mopar SAE 75W-140 Synthetic Gear and Axle Lube Quart
	68003055AA								Mopar SAE 75W-140 Synthetic Gear and Axle Lube 16 Gallon Keg
	05135772AC	1							[DMM,DS8]
	05135810AD	1							[DME,DSC]
	05135811AD	1							[DME,DSF]
2	52124135AA	1							BRACKET, Parking Brake Cable, Guide
3									BOLT
	06105070AA	2			T				Axle Damper and Cable Bracket-05-31-05 and After
	06507369AA	3							Axle Damper and Cable Bracket-Up To 05-30-05, Mounting
4									DAMPER, Axle
	52114082AC	1							Up To 05-30-05
	52114861AA	1			T				05-31-05 and After

GRAND CHEROKEE (WK)

SERIES	LINE
H = Laredo	T = JEEP - 2WD
P = Limited	J = JEEP - 4WD

BODY

74 = SPORT UTILITY 4-DOOR

ENGINE

EKG = Engine - 3.7L V6
EVA = Engine- 4.7L V8 MPI
EZB = Engine-5.7L HEMI

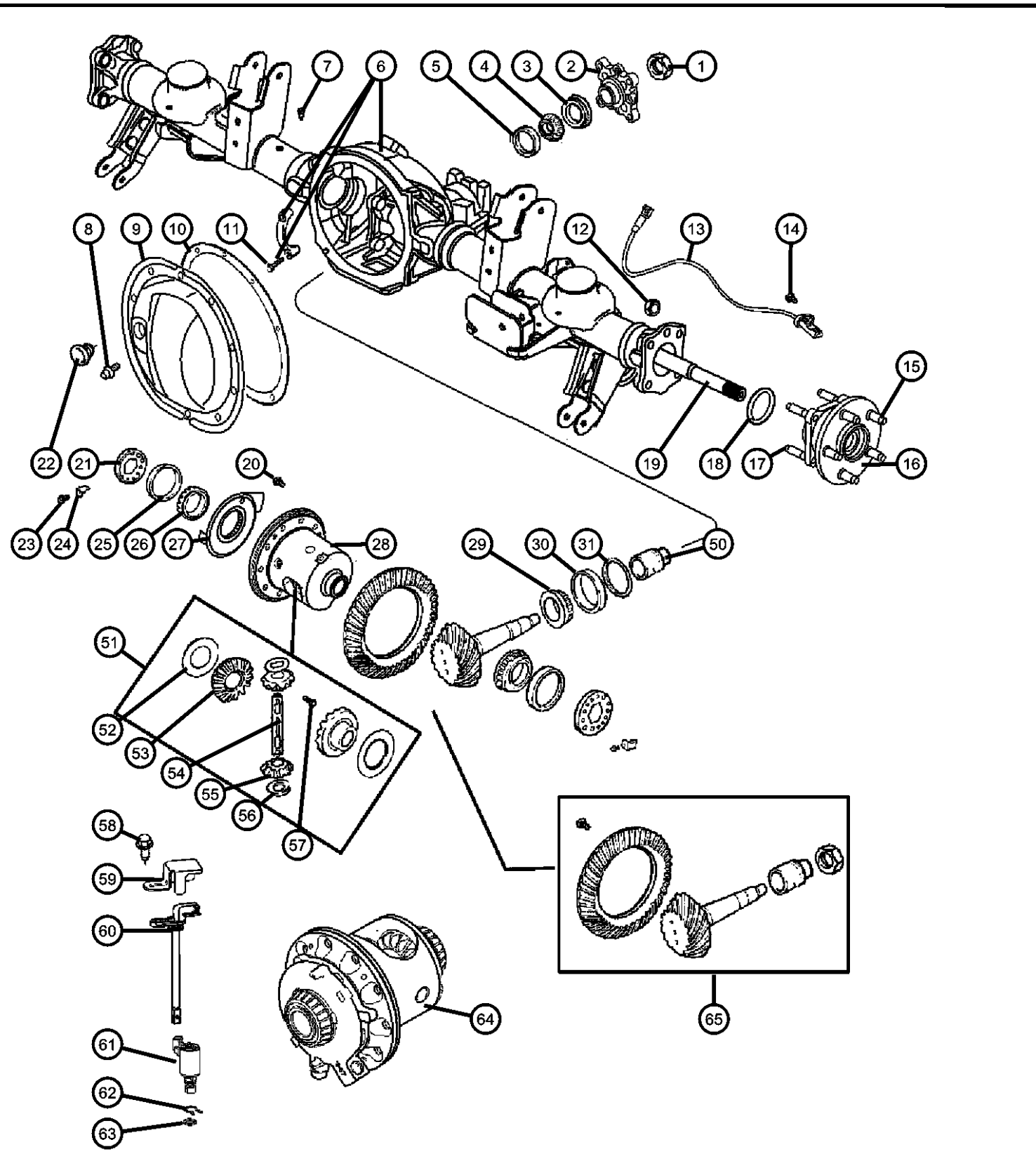
TRANSMISSION

DG0 = All Automatic Transmissions
DGJ = Transmission - 5-Spd Auto, MB
DGQ = Transmission-5-Spd Automatic 5-45RFE

AR = use ase required - = Non illustrated part

2005 WK

Axle,Rear,With Differential,Housing and Axle Shafts
Figure 3-210



ITEM	PART NUMBER	QTY	LINE	SERIES	BODY	ENGINE	TRANS	TRIM	DESCRIPTION
------	-------------	-----	------	--------	------	--------	-------	------	-------------

Note:Sales Codes;
[DME]=Axle Ratio - 3.73
[DMM]=Axle Ratio - 3.07
[DRS]=Axle - Rear,213MM
[DSC]=Axles - Vari-Lok Progressive
[DSF]=Axle - Electric Limited Slip Differential Rear
[DS8]=Axle - Conventional Differential Rear

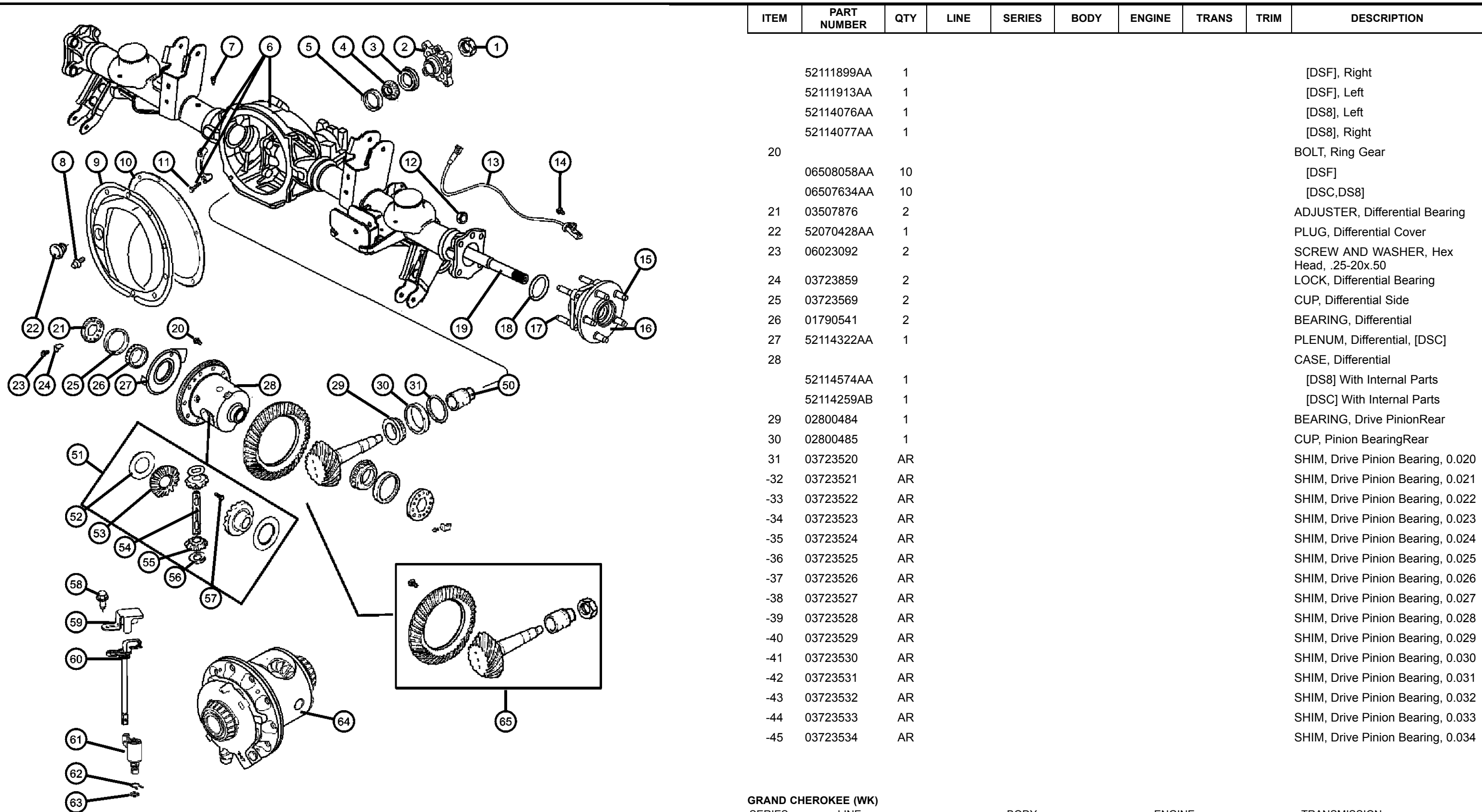
1	06036572AA	1							NUT, Hex, .875-14
2	52114046AC	1							FLANGE, Driveshaft Yoke
3	52070339AB	1							SEAL, Drive Pinion
4	02070316	1							BEARING, Drive PinionFront
5	02070317	1							CUP, Pinion BearingFront
6									HOUSING, Axle
	05135769AD	1							[DSC,DS8]
	05142347AB	1							[DSF]
7	04137696AB	1							BOLT, Axle Vent
8	06033043	12							SCREW AND WASHER, Hex Flange Head, .312-18x.562, Differential Cover, Mounting COVER, Differential
9									[DSC,DS8]
	03723681AC	1							[DSF]
	52114002AA	1							SEALANT, RTV
10	05010884AA	1							SCREW, Hex Head, .50-13x2.38, Carrier Bearing Cap, Mounting
11	03432695	4							NUT, Hex Lock, M12x1.75, Hub and Bearing to Axle Housing, Mounting
12	06101688	8							SENSOR, Wheel SpeedRight or Left
13	56044146AA	2							SCREW, Hex Head, M6 x 1.00 x 17.50, Wheel Speed Sensor, Mounting
14	06506968AA	2							BOLT, Hub and Rotor
15	06036424AA	10							HUB AND BEARING, Wheel
16	52111884AA	2							STUD, Hub and Bearing to Axle Housing, Mounting
17	06508071AA	8							O RING, Hub and Bearing to Axle Housing, Mounting
18	52114079AA	2							SHAFT, Axle
19									[DSC], Right
	52114374AA	1							[DSC], Left
	52114375AA	1							

GRAND CHEROKEE (WK)		BODY	ENGINE	TRANSMISSION
SERIES	LINE			
H = Laredo	T = JEEP - 2WD	74 = SPORT UTILITY 4-DOOR	EKG = Engine - 3.7L V6	DG0 = All Automatic Transmissions
P = Limited	J = JEEP - 4WD		EVA = Engine- 4.7L V8 MPI	DGJ = Transmission - 5-Spd Auto, MB
			EZB = Engine-5.7L HEMI	DGQ = Transmission-5-Spd Automatic 5-45RFE

AR = use ase required - = Non illustrated part

Axle,Rear,With Differential,Housing and Axle Shafts

Figure 3-210



ITEM	PART NUMBER	QTY	LINE	SERIES	BODY	ENGINE	TRANS	TRIM	DESCRIPTION
	52111899AA	1							[DSF], Right
	52111913AA	1							[DSF], Left
	52114076AA	1							[DS8], Left
	52114077AA	1							[DS8], Right
20									BOLT, Ring Gear
	06508058AA	10							[DSF]
	06507634AA	10							[DSC,DS8]
21	03507876	2							ADJUSTER, Differential Bearing
22	52070428AA	1							PLUG, Differential Cover
23	06023092	2							SCREW AND WASHER, Hex Head, .25-20x.50
24	03723859	2							LOCK, Differential Bearing
25	03723569	2							CUP, Differential Side
26	01790541	2							BEARING, Differential
27	52114322AA	1							PLENUM, Differential, [DSC]
28									CASE, Differential
	52114574AA	1							[DS8] With Internal Parts
	52114259AB	1							[DSC] With Internal Parts
29	02800484	1							BEARING, Drive PinionRear
30	02800485	1							CUP, Pinion BearingRear
31	03723520	AR							SHIM, Drive Pinion Bearing, 0.020
-32	03723521	AR							SHIM, Drive Pinion Bearing, 0.021
-33	03723522	AR							SHIM, Drive Pinion Bearing, 0.022
-34	03723523	AR							SHIM, Drive Pinion Bearing, 0.023
-35	03723524	AR							SHIM, Drive Pinion Bearing, 0.024
-36	03723525	AR							SHIM, Drive Pinion Bearing, 0.025
-37	03723526	AR							SHIM, Drive Pinion Bearing, 0.026
-38	03723527	AR							SHIM, Drive Pinion Bearing, 0.027
-39	03723528	AR							SHIM, Drive Pinion Bearing, 0.028
-40	03723529	AR							SHIM, Drive Pinion Bearing, 0.029
-41	03723530	AR							SHIM, Drive Pinion Bearing, 0.030
-42	03723531	AR							SHIM, Drive Pinion Bearing, 0.031
-43	03723532	AR							SHIM, Drive Pinion Bearing, 0.032
-44	03723533	AR							SHIM, Drive Pinion Bearing, 0.033
-45	03723534	AR							SHIM, Drive Pinion Bearing, 0.034

GRAND CHEROKEE (WK)
 SERIES LINE
 H = Laredo T = JEEP - 2WD
 P = Limited J = JEEP - 4WD

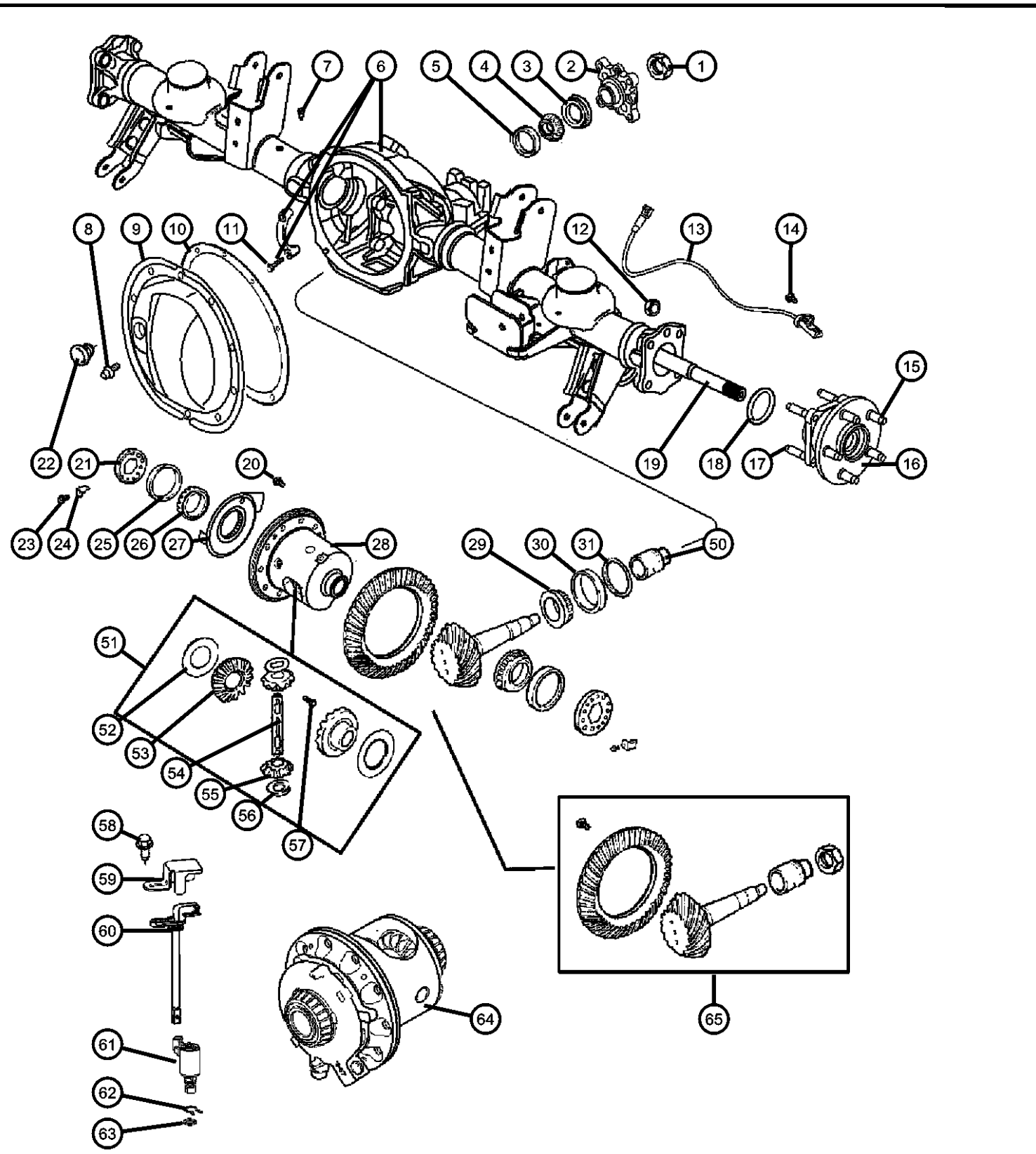
BODY
 74 = SPORT UTILITY 4-DOOR

ENGINE
 EKG = Engine - 3.7L V6
 EVA = Engine- 4.7L V8 MPI
 EZB = Engine-5.7L HEMI

TRANSMISSION
 DG0 = All Automatic Transmissions
 DGJ = Transmission - 5-Spd Auto, MB
 DGQ = Transmission-5-Spd Automatic 5-45RFE

AR = use ase required - = Non illustrated part

Axle,Rear,With Differential,Housing and Axle Shafts
Figure 3-210



ITEM	PART NUMBER	QTY	LINE	SERIES	BODY	ENGINE	TRANS	TRIM	DESCRIPTION
-46	03723535	AR							SHIM, Drive Pinion Bearing, 0.035
-47	03723536	AR							SHIM, Drive Pinion Bearing, 0.036
-48	03723537	AR							SHIM, Drive Pinion Bearing, 0.037
-49	03723538	AR							SHIM, Drive Pinion Bearing, 0.038
50	03507575	1							SPACER, Drive Pinion Bearing, Crush
51	04883087AB	1							GEAR PACKAGE, Differential, [DS8] Only
52	04883085	1							WASHER PACKAGE, Side Gear Thrust, [DS8] Only
53		1							GEAR, Differential, (NOT SERVICED)
54	52069657	1							SHAFT, Differential Pinion, Also Serviced In Differential Gear Package, [DS8] Only
55		1							PINION, Differential, (NOT SERVICED)
56	02852912	2							WASHER, Pinion Gear, [DS8] Only, Thrust
57	03507724	1							SCREW, Hex Head, .312-18x1.80, Also Serviced in Differential Gear Package, [DS8] Only
58	06501979	1							SCREW AND WASHER, Hex Head, M6x1x17, [DSF] Only
59	52114530AB	1							SHIELD, Wiring, [DSF] Only
60	52114328AC	1							HARNESS, Electronic Rear Axle, [DSF] Only
61	52114003AD	1							ACTUATOR, Axle Locker, [DSF] Only
62	05135813AA	1							SNAP RING, [DSF] Only
63	05135814AA	1							O RING, [DSF] Only
64	52104674AD	1							CASE, Differential, [DSF] Only With internal Parts
65									GEAR KIT, Ring And Pinion [DMM]
	05135768AB	1							[DME]
	05143812AA	1							[DME]

GRAND CHEROKEE (WK)
 SERIES LINE
 H = Laredo T = JEEP - 2WD
 P = Limited J = JEEP - 4WD

BODY
 74 = SPORT UTILITY 4-DOOR

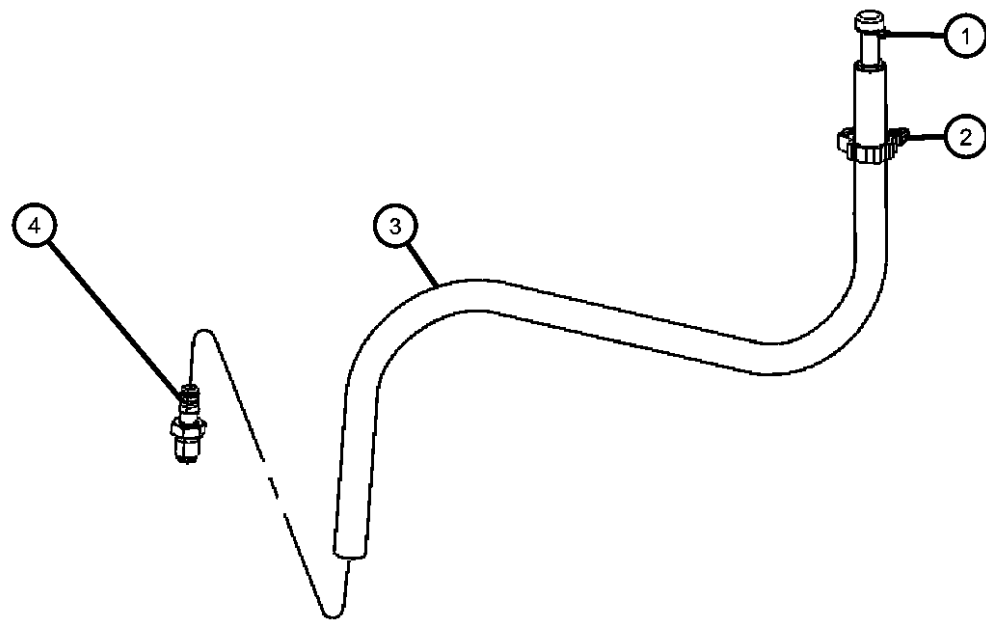
ENGINE
 EKG = Engine - 3.7L V6
 EVA = Engine- 4.7L V8 MPI
 EZB = Engine-5.7L HEMI

TRANSMISSION
 DG0 = All Automatic Transmissions
 DGJ = Transmission - 5-Spd Auto, MB
 DGQ = Transmission-5-Spd Automatic 5-45RFE

AR = use ase required - = Non illustrated part

Rear Axle Vent
Figure 3-310

ITEM	PART NUMBER	QTY	LINE	SERIES	BODY	ENGINE	TRANS	TRIM	DESCRIPTION
1	J5352955	1							VENT, Axle
2	06036291AA	1							CLIP, Vent Tube
3	HFV00516AB	1							HOSE, Fuel And Vapor, 25 Foot Roll 5/16"
4	52114267AA	1							VENT, Axle



GRAND CHEROKEE (WK)

SERIES LINE
H = Laredo T = JEEP - 2WD
P = Limited J = JEEP - 4WD

BODY

74 = SPORT UTILITY 4-DOOR

ENGINE

EKG = Engine - 3.7L V6
EVA = Engine- 4.7L V8 MPI
EZB = Engine-5.7L HEMI

TRANSMISSION

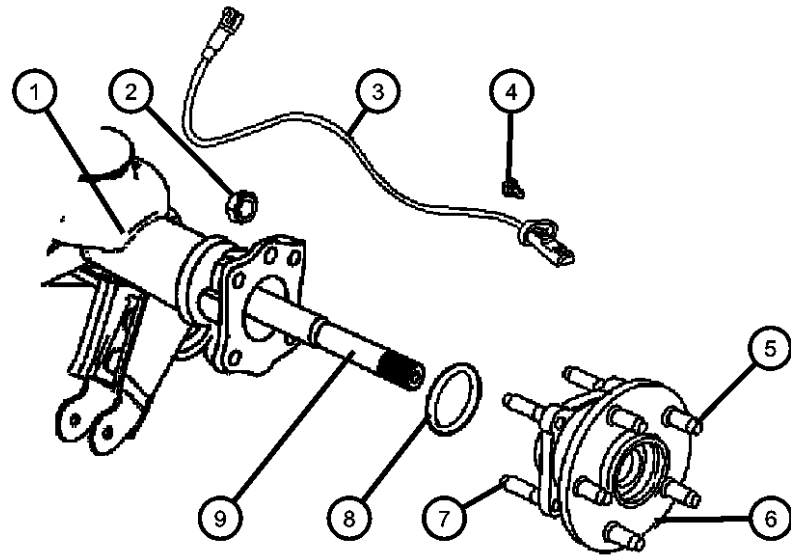
DG0 = All Automatic Transmissions
DGJ = Transmission - 5-Spd Auto, MB
DGQ = Transmission-5-Spd Automatic 5-45RFE

AR = use ase required - = Non illustrated part

2005 WK

**Axle Shaft,Rear
Figure 3-410**

ITEM	PART NUMBER	QTY	LINE	SERIES	BODY	ENGINE	TRANS	TRIM	DESCRIPTION
1		1							HOUSING, Axle, See 3-210 for part number, (NOT SERVICED)
2	06101688	8							NUT, Hex Lock, M12x1.75, Hub and Bearing to Axle Housing, Mounting
3	56044146AA	2							SENSOR, Wheel SpeedRight or Left
4	06506968AA	2							SCREW, Hex Head, M6 x 1.00 x 17.50, Wheel Speed Sensor, Right or Left
5	06036424AA	10							BOLT, Hub and RotorRight or Left
6	52111884AA	2							HUB AND BEARING, WheelRight or Left
7	06508071AA	8							STUD, Hub and Bearing to Axle Housing, Mounting
8	52114079AA	2							O RING, Hub and Bearing to Axle Housing, Mounting
9									SHAFT, Axle Rear
	52111899AA	1							[DSF], Right
	52111913AA	1							[DSF], Left
	52114076AA	1							[DS8], Left
	52114077AA	1							[DS8], Right
	52114374AA	1							[DSC], Right
	52114375AA	1							[DSC], Left



GRAND CHEROKEE (WK)

SERIES LINE
H = Laredo T = JEEP - 2WD
P = Limited J = JEEP - 4WD

BODY

74 = SPORT UTILITY 4-DOOR

ENGINE

EKG = Engine - 3.7L V6
EVA = Engine- 4.7L V8 MPI
EZB = Engine-5.7L HEMI

TRANSMISSION

DG0 = All Automatic Transmissions
DGJ = Transmission - 5-Spd Auto, MB
DGQ = Transmission-5-Spd Automatic 5-45RFE

AR = use ase required - = Non illustrated part

2005 WK

Group - 4

Parking Brake

Group - 4 Parking Brake

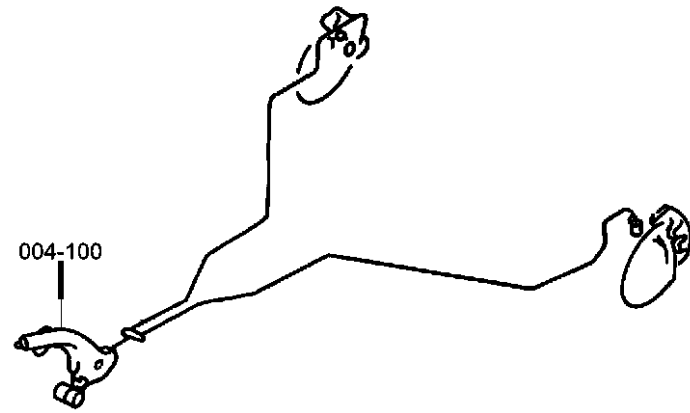
Illustration Title

Group-Fig. No.

Parking Brake Lever and Cables

Lever And Cable - Parking Brake Fig. 4 - 110

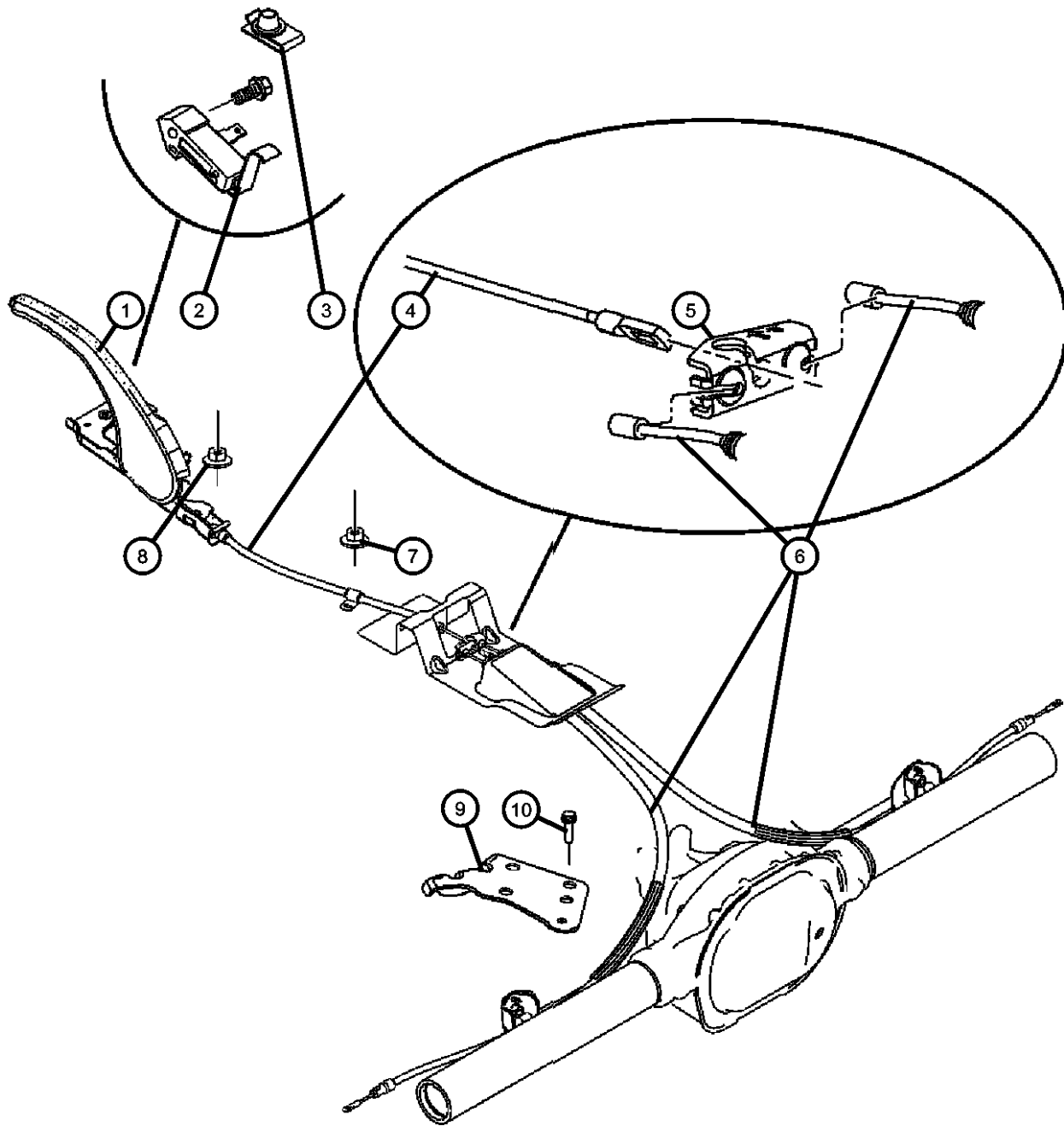
Rear Disc Parking Brake Assembly..... Fig. 4 - 120



004-100
Parking Brake Lever and Cables



**Lever And Cable - Parking Brake
Figure 4-110**



ITEM	PART NUMBER	QTY	LINE	SERIES	BODY	ENGINE	TRANS	TRIM	DESCRIPTION
1	5KD70BD1AB	1							LEVER, Parking Brake [J1]
	5KD70BD5AB	1							[D5]
	5KD70ZJ3AB	1							[J3]
2	04671936AA	1							SWITCH, Parking Brake
3	06506035AA	1							NUT, U, M6x1.00, Console to Park Brake Bracket, Mounting
4	05134701AB	1							CABLE, Parking Brake/Intermediate
5	52124029AA	1							EQUALIZER, Parking Brake Cable
6	52124333AA	1							CABLE, Parking Brake Left
	52124334AA	1							Right
7	05096978AA	1							NUT, Hex, M6, Intermediate Cable, Mounting
8	05096978AA	3							NUT, Hex, M6, Parking Brake Assembly, Mounting
9	52124135AA	1							BRACKET, Parking Brake Cable, Guide
10	06507369AA	3							BOLT, Axle Damper and Cable Bracket, Mounting
-11	52124158AA	1							INSULATOR, Parking brake cable, Cable to Underbody Isolator

GRAND CHEROKEE (WK)

SERIES	LINE
H = Laredo	T = JEEP - 2WD
P = Limited	J = JEEP - 4WD

BODY

74 = SPORT UTILITY 4-DOOR

ENGINE

EKG = Engine - 3.7L V6
EVA = Engine- 4.7L V8 MPI
EZB = Engine-5.7L HEMI

TRANSMISSION

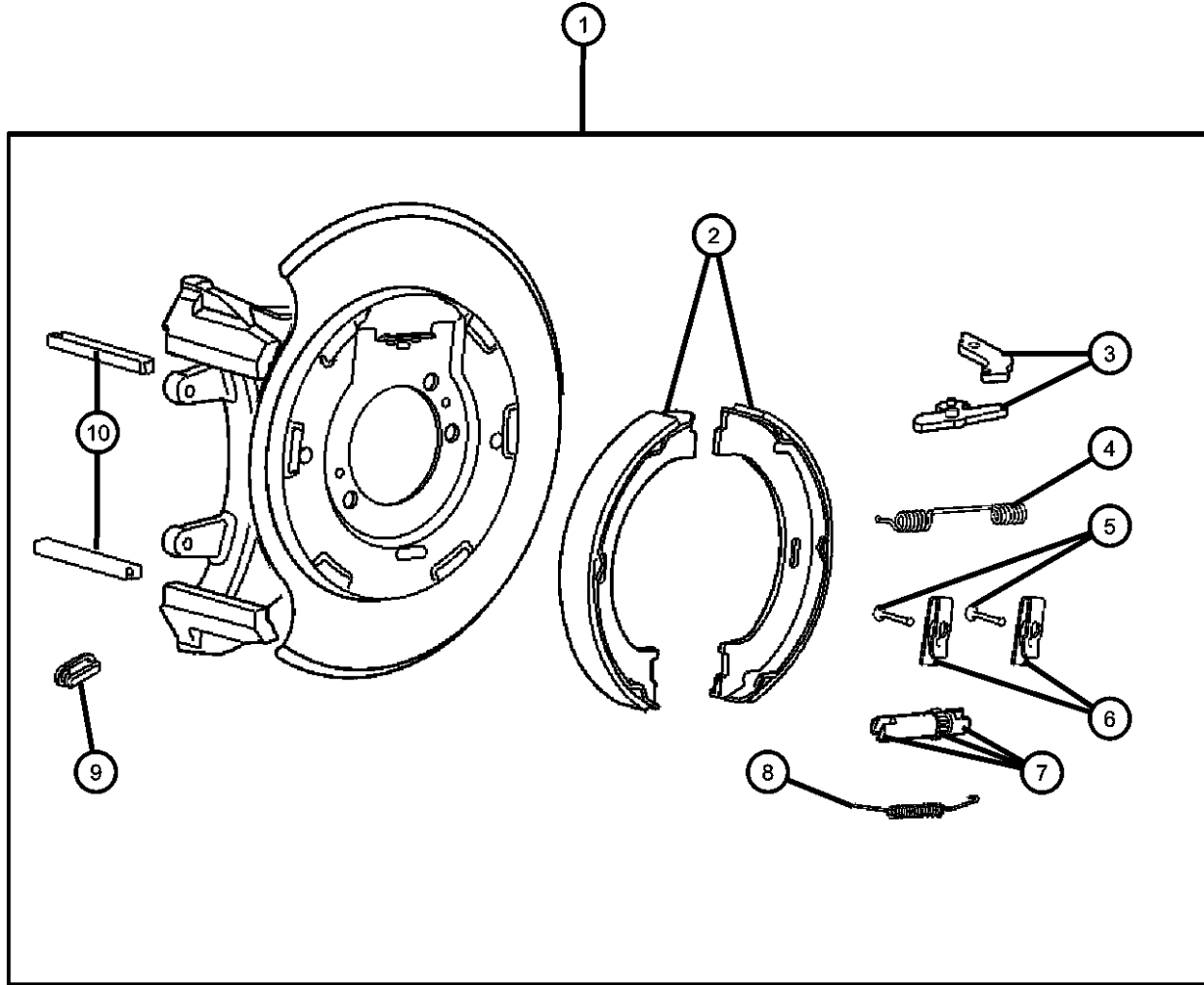
DG0 = All Automatic Transmissions
DGJ = Transmission - 5-Spd Auto, MB
DGQ = Transmission-5-Spd Automatic 5-45RFE

AR = use ase required - = Non illustrated part

2005 WK

**Rear Disc Parking Brake Assembly
Figure 4-120**

ITEM	PART NUMBER	QTY	LINE	SERIES	BODY	ENGINE	TRANS	TRIM	DESCRIPTION
1	52089418AA	2							ADAPTER, Parking BrakeRight or Left
2	05086930AA	1							SHOE AND LINING KIT, Drum, Complete
	VRWK0871AA								Make It New Brake Kits
3	05143737AA	2							LEVER, Parking Brake
4	05143732AA	2							SPRING, Park Brake Shoe Return
5	04762126	4							PIN, Brake Shoe Hold Down
6	04762125	4							CLIP, Parking Brake Hold Down
7	05143736AA	2							ADJUSTER, Parking Brake
8	04762116	2							SPRING, Park Brake Shoe Return
9	04762121	2							PLUG, Brake Adjusting Hole
10	05143705AA	2							SLIPPER KIT, Caliper



GRAND CHEROKEE (WK)

SERIES	LINE
H = Laredo	T = JEEP - 2WD
P = Limited	J = JEEP - 4WD

BODY

74 = SPORT UTILITY 4-DOOR

ENGINE

EKG = Engine - 3.7L V6
EVA = Engine- 4.7L V8 MPI
EZB = Engine-5.7L HEMI

TRANSMISSION

DG0 = All Automatic Transmissions
DGJ = Transmission - 5-Spd Auto, MB
DGQ = Transmission-5-Spd Automatic 5-45RFE

AR = use ase required - = Non illustrated part

2005 WK

Group - 5

Service Brakes

Group - 5 Service Brakes

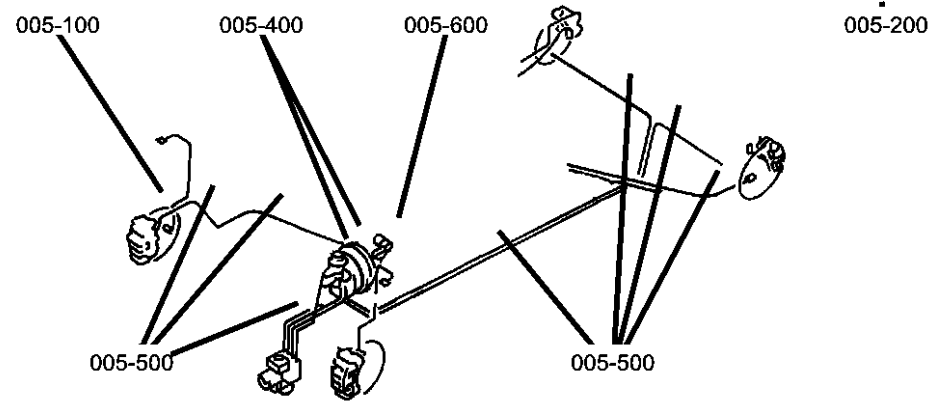


Illustration Title

Group-Fig. No.

Front Brakes

Front Disc Brake Caliper..... Fig. 5 - 110

Rear Brakes

Rear Disc Brake Caliper and Rotor..... Fig. 5 - 210

Power Brake Booster

Power Brake Booster..... Fig. 5 - 310

Brake Master Cylinder

Master Cylinder, Brake..... Fig. 5 - 410

H C U and Brake Lines From HCU to Master Cylinder..... Fig. 5 - 420

Brake Lines and Hoses

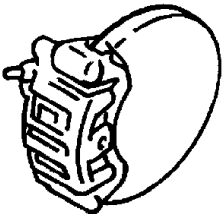
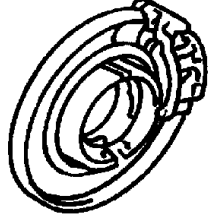
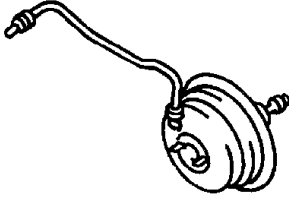
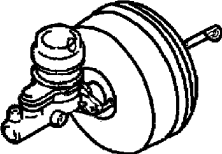
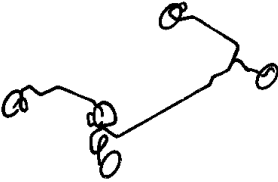

Brake Lines and Hoses, Front, 2 Wheel Drive..... Fig. 5 - 510

Brake Lines and Hoses, Front, 4 Wheel Drive..... Fig. 5 - 520

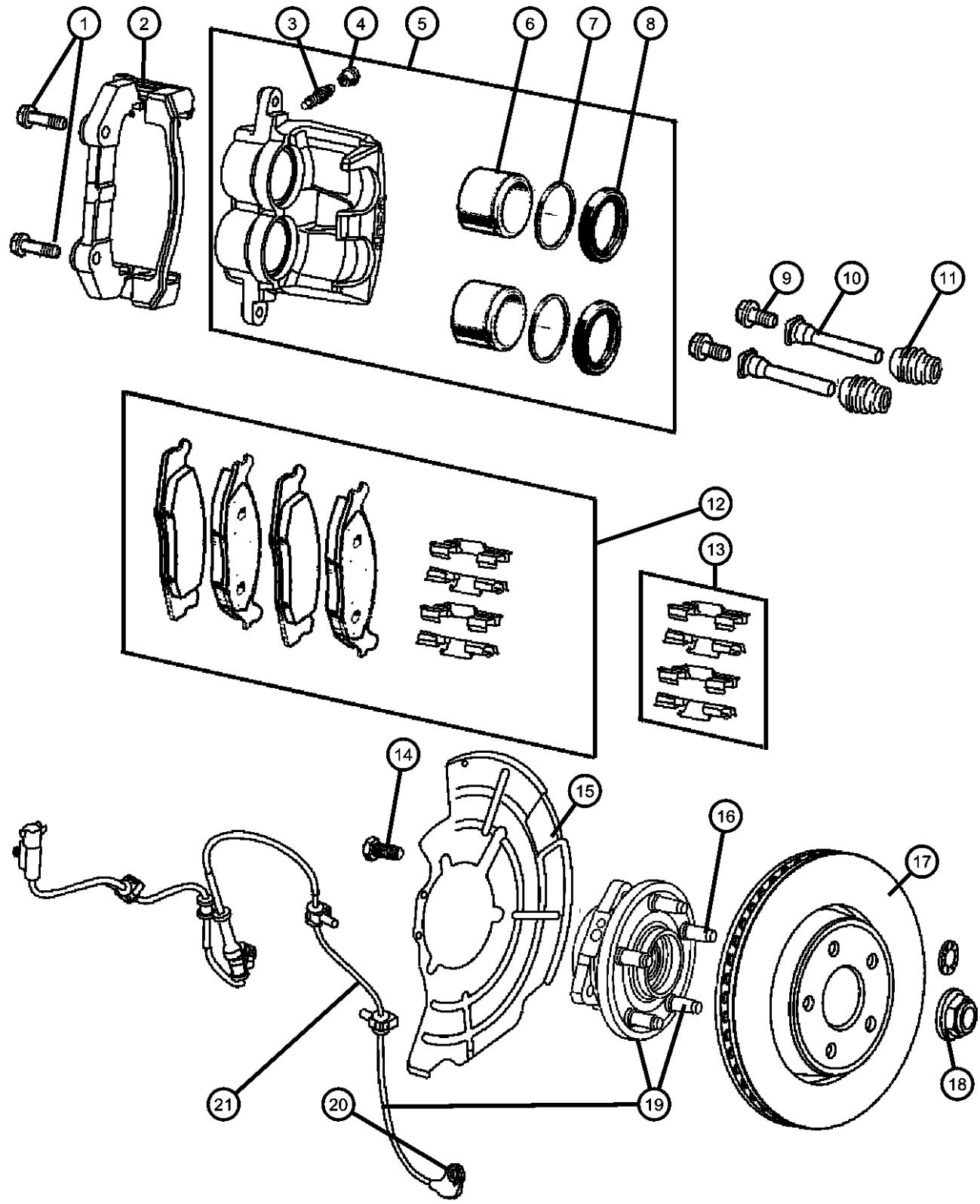
Brake Lines and Hoses, Rear and Chassis..... Fig. 5 - 530

Brake Pedals

Brake Pedals, Standard [XA8] and Adjustable [XAM, XAP]..... Fig. 5 - 610

<p>005-100 Front Brakes</p> 	<p>005-200 Rear Brakes</p> 	<p>005-300 Power Brake Booster</p> 	<p>005-400 Brake Master Cylinder</p> 
<p>005-500 Brake Lines and Hoses</p> 	<p>005-600 Brake Pedals</p> 		

**Front Disc Brake Caliper
Figure 5-110**



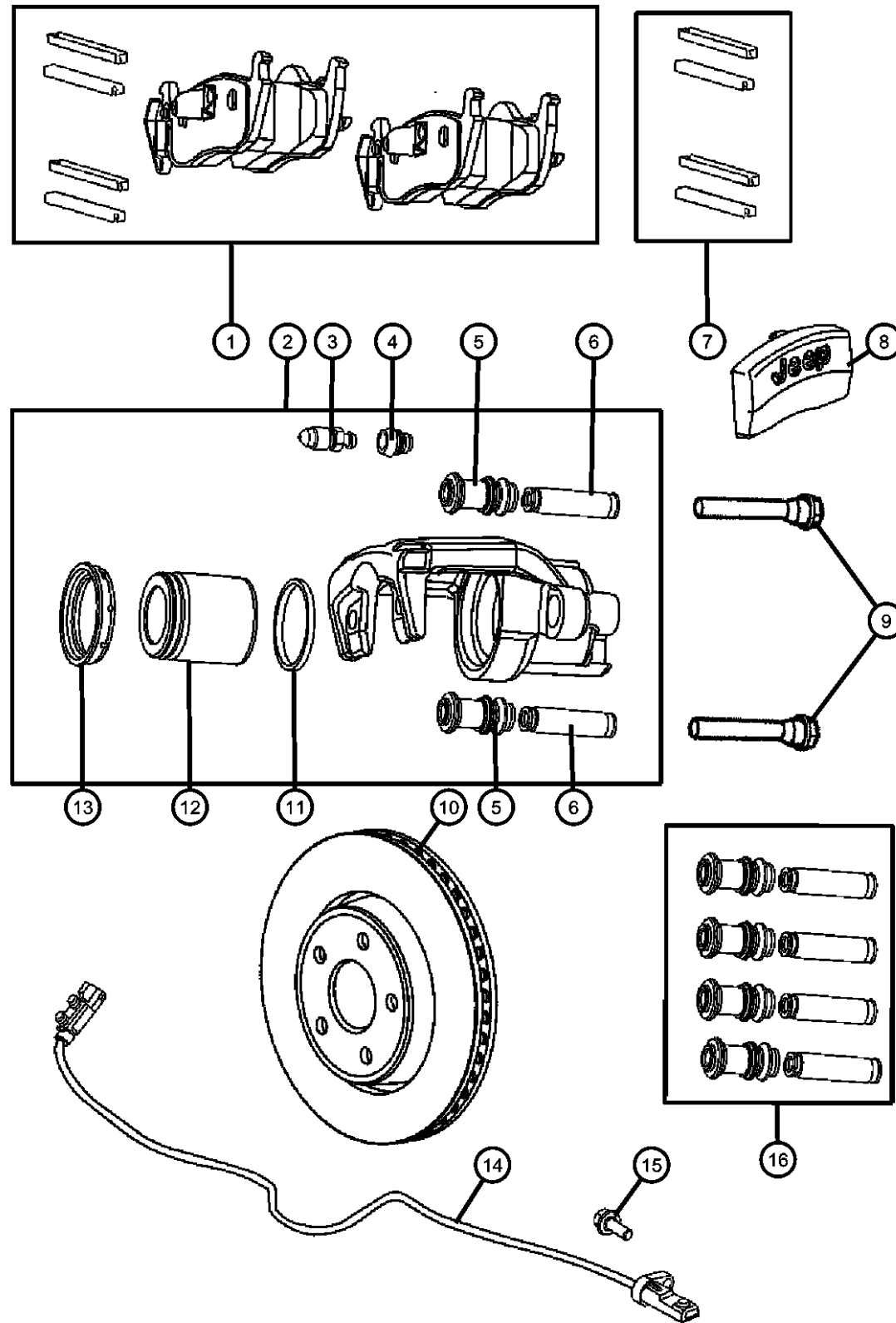
ITEM	PART NUMBER	QTY	LINE	SERIES	BODY	ENGINE	TRANS	TRIM	DESCRIPTION
1	06507152AA	4							BOLT, Hex Flange Head, Caliper Bracket to Knuckle, Mounting
2	05143699AA	1							BRACKET, Caliper, Right or Left
3	05093343AA	1							BLEEDER SCREW, Brake
4	05093278AA	1							CAP, Bleeder
5									CALIPER ASSEMBLY, Disc Brake, Front
	05143692AA	1							Right
	05143693AA	1							Left
6	05143696AA	2							PISTON, Brake
7	05143694AA	2							SEAL, Caliper Piston
8	05143691AA	2							BOOT, Brake Piston
9	05093355AA	2							BOLT
10	05143697AA	2							PIN, Caliper
11	05103112AA	2							BOOT, Caliper Pin
12	05080868AA	1							PAD KIT, Front Disc Brake
	V3010868								Mopar V-Line Alternative Part Ceramic
	VWKXK868AA								Make It New Brake Kits
	VCWK0868AA								Make It Ceramic Brake Kit
	V1010868AB								Mopar V-Line Alternative Part
	VWKX0868AB								Make It New Brake Kits
13	05143700AA	1							SLIPPER KIT, Caliper
14	06505935AA	6							SCREW, Hub and Bearing to Knuckle, Mounting
15									SHIELD, Splash
	52090432AA	1							Right
	52090433AA	1							Left
16	06036424AA	5							BOLT, Hub and Rotor
17	52089269AB	2							ROTOR, Brake
	VWKX0868AB								Make It New Brake Kits
18	06506454AA	2			J				NUT, Hex, Halfshaft to Hub Assembly, Mounting
19	52089434AB	2							HUB AND BEARING, Brake
20	05175374AA	2							BOLT, ABS Sensor, Mounting
21	56044144AB	2							SENSOR, Anti-Lock Brakes

GRAND CHEROKEE (WK)

SERIES	LINE	BODY	ENGINE	TRANSMISSION
H = Laredo	T = JEEP - 2WD	74 = SPORT UTILITY 4-DOOR	EKG = Engine - 3.7L V6	DG0 = All Automatic Transmissions
P = Limited	J = JEEP - 4WD		EVA = Engine- 4.7L V8 MPI	DGJ = Transmission - 5-Spd Auto, MB
			EZB = Engine-5.7L HEMI	DGQ = Transmission-5-Spd Automatic 5-45RFE

AR = use ase required - = Non illustrated part

Rear Disc Brake Caliper and Rotor
Figure 5-210



ITEM	PART NUMBER	QTY	LINE	SERIES	BODY	ENGINE	TRANS	TRIM	DESCRIPTION
1	05080871AB	1							PAD KIT, Rear Disc Brake
	V2010871								Mopar V-Line Alternative Part
	V4010871								Mopar V-Line Alternative Part Ceramic
	VCWK0871AB								Make It Ceramic Rear Brake Kit
	VRWK0871AB								Make It New Brake Kits
2	05143702AB	1							CALIPER, Disc Brake Right
	05143703AB	1							Left
3	05093343AA	2							BLEEDER SCREW, Brake
4	05093278AA	2							CAP, Bleeder
5	04762105	4							SLEEVE, Brake Caliper
6	04762106	4							BUSHING, Caliper
7	05143705AA	1							SLIPPER KIT, Caliper
8	52090410AC	2							COVER, Brake Caliper
9	06507603AA	4							PIN, Caliper
10	52089275AB	2							ROTOR, Brake
	V5019275AA								Mopar V-Line Alternative Brake Rotors
	VCWK0871AB								Make It Ceramic Rear Brake Kit
	VRWK0871AB								Make It New Brake Kits
11	05143694AA	2							SEAL, Caliper Piston
12	05143704AA	2							PISTON, Brake
13	05143691AA	2							BOOT, Brake Piston
14	56044146AA	2							SENSOR, Wheel Speed
15	06508345AA	2							SCREW, Hex Head, Wheel Speed Sensor, Mounting
16	05103158AA	1							BUSHING AND SLEEVE KIT, Caliper

GRAND CHEROKEE (WK)

SERIES LINE
H = Laredo T = JEEP - 2WD
P = Limited J = JEEP - 4WD

BODY ENGINE
74 = SPORT UTILITY 4-DOOR EKG = Engine - 3.7L V6
EVA = Engine- 4.7L V8 MPI
EZB = Engine-5.7L HEMI

TRANSMISSION
DG0 = All Automatic Transmissions
DGJ = Transmission - 5-Spd Auto, MB
DGQ = Transmission-5-Spd Automatic
5-45RFE

AR = use ase required - = Non illustrated part

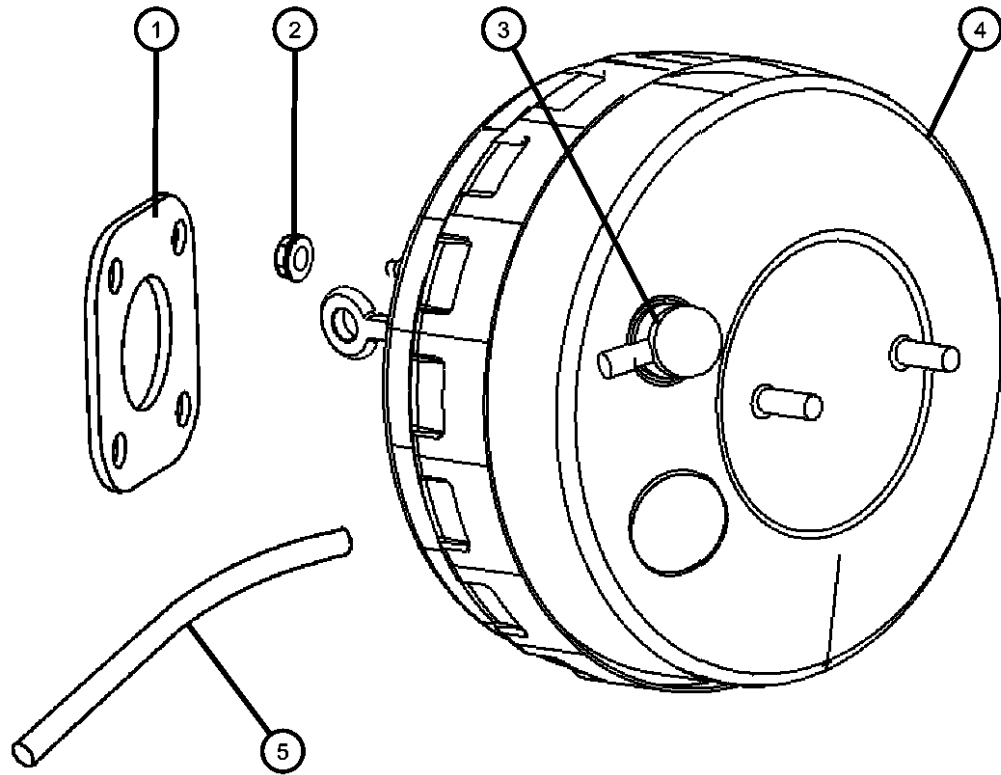
2005 WK

**Power Brake Booster
Figure 5-310**

ITEM	PART NUMBER	QTY	LINE	SERIES	BODY	ENGINE	TRANS	TRIM	DESCRIPTION
------	-------------	-----	------	--------	------	--------	-------	------	-------------

Note:Sales Codes;
 [EKG]=Engines - All 3.7L 6 Cylinder Gas
 [EV0]=Engines - All 4.7L Gas
 [EZ0]=Engines - All 5.7L 8Cylinder Gas

1	05143281AA	1							GASKET, Booster to Dash, Mounting
2	06101695	4							NUT, Hex Flange Lock, Booster to Dash, Mounting
3	05143282AA	1							VALVE, Check, Elbow, With Grommet
4									BOOSTER, Power Brake
	05143280AA	1	J						With [BNB] Includes Item 3
	05143288AA	1							Without [BNB] Includes Item 3
5									HOSE, Brake Vacuum
	52089263AB	1							[EV0]
	52089996AB	1							[EZ0]
	52124112AA	1							[EK0]



GRAND CHEROKEE (WK)

SERIES	LINE
H = Laredo	T = JEEP - 2WD
P = Limited	J = JEEP - 4WD

BODY

74 = SPORT UTILITY 4-DOOR

ENGINE

EKG = Engine - 3.7L V6
 EVA = Engine- 4.7L V8 MPI
 EZB = Engine-5.7L HEMI

TRANSMISSION

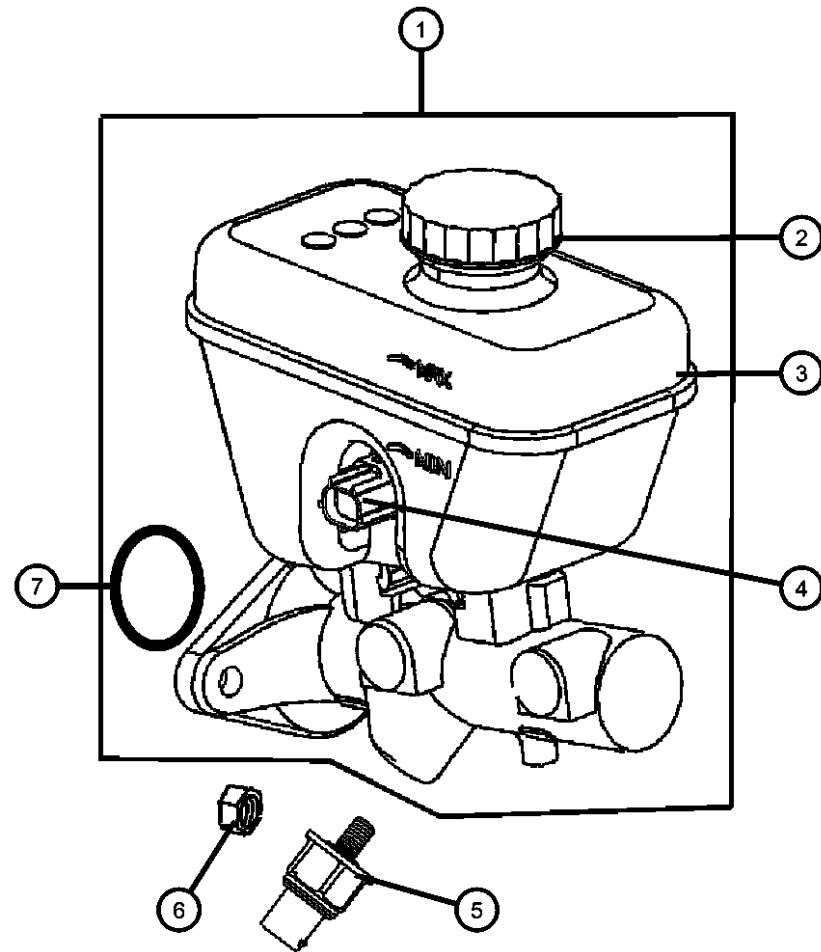
DG0 = All Automatic Transmissions
 DGJ = Transmission - 5-Spd Auto, MB
 DGQ = Transmission-5-Spd Automatic 5-45RFE

AR = use ase required - = Non illustrated part

2005 WK

**Master Cylinder, Brake
Figure 5-410**

ITEM	PART NUMBER	QTY	LINE	SERIES	BODY	ENGINE	TRANS	TRIM	DESCRIPTION
1	05143279AA	1	J						MASTER CYLINDER, Brake With [BNB]
	05143289AA	1							Without [BNB]
2	05014518AA	1							CAP, Master Cylinder Reservoir
3	05143283AA	1							RESERVOIR, Brake Master Cylinder
4	05013903AA	1							SENSOR, Brake Fluid Level
5	05143284AA	1	J						SENSOR, Pressure, With [BNB] Only
6	05179375AA	2							NUT, Master Cylinder to Booster, Mounting
7	68027828AA	1	J		74				O RING, Master Cylinder to Booster, Mounting



GRAND CHEROKEE (WK)

SERIES	LINE
H = Laredo	T = JEEP - 2WD
P = Limited	J = JEEP - 4WD

BODY

74 = SPORT UTILITY 4-DOOR

ENGINE

EKG = Engine - 3.7L V6
EVA = Engine- 4.7L V8 MPI
EZB = Engine-5.7L HEMI

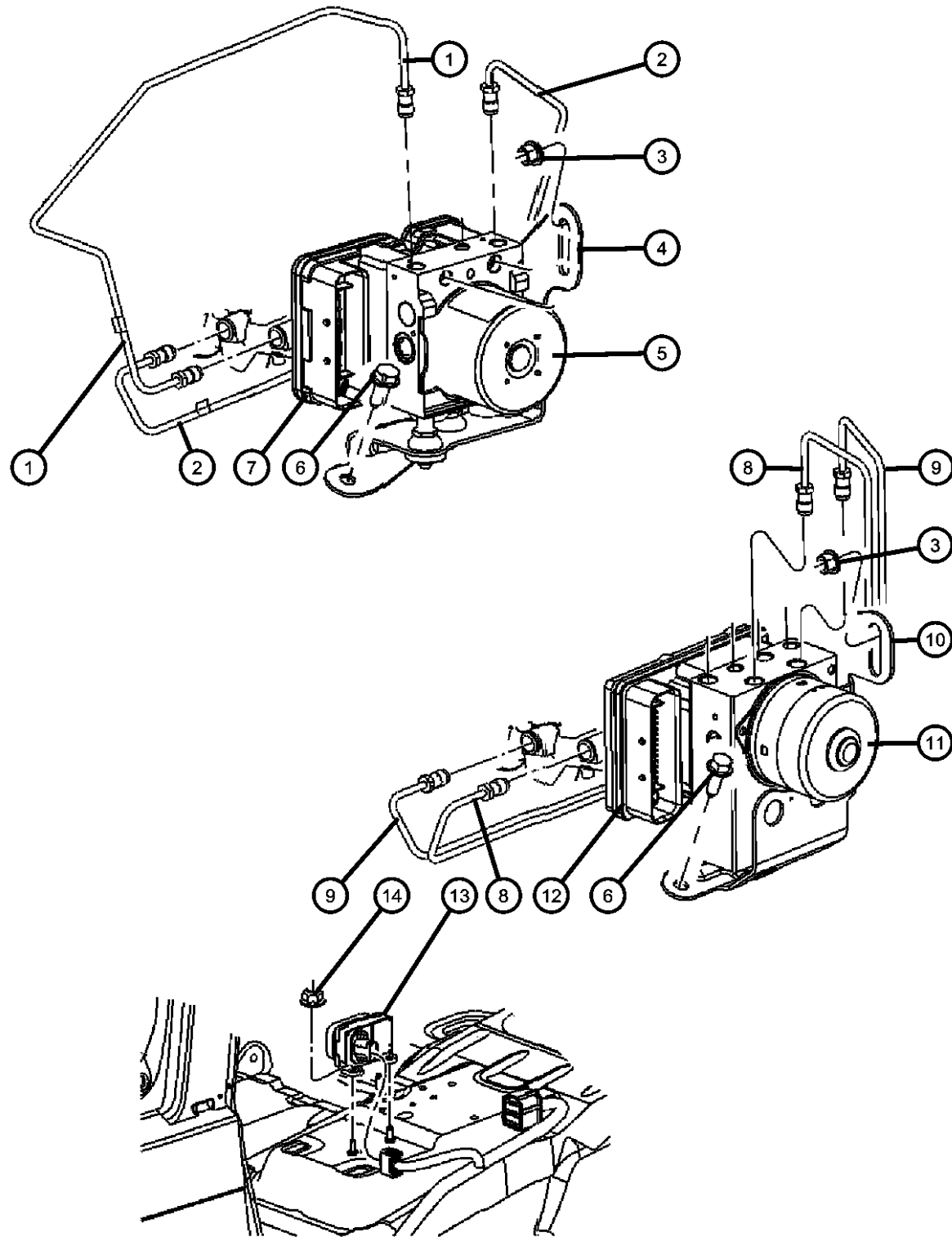
TRANSMISSION

DG0 = All Automatic Transmissions
DGJ = Transmission - 5-Spd Auto, MB
DGQ = Transmission-5-Spd Automatic
5-45RFE

AR = use ase required - = Non illustrated part

2005 WK

H C U and Brake Lines From HCU to Master Cylinder
Figure 5-420



ITEM	PART NUMBER	QTY	LINE	SERIES	BODY	ENGINE	TRANS	TRIM	DESCRIPTION
------	-------------	-----	------	--------	------	--------	-------	------	-------------

Note:Sales Codes;
 [BNB]=Electronic Stability Program
 [BNR]=TRaction Control - Four Wheel
 [BRY]=Brakes - Anti-Lock 4-Wheel Disc

1	52089237AC	1	J						TUBE, Brake, Master Cylinder to HCU, Secondary
2	52089236AC	1	J						TUBE, Brake, Master Cylinder to HCU, Primary
3	34201711	1							NUT, Hex Flange, M8x1.25, HCU Bracket, Mounting
4									BRACKET, Hydraulic Control Unit
	05134963AA	1	J						[BRY,BNB], Mounting
		1	J						[BRY,BNR], Mounting
5									CONTROL UNIT, Anti-Lock Brake
	05134962AA	1	J						[BRY,BNB]
		1	J						[BRY,BNR]
6	06104338AA	1							SCREW, HCU Bracket, Mounting
7									MODULE, Anti-lock Brakes
	05134960AA	1	J						[BRY,BNR,BNB]
	05134961AA	1	J						[BRY,BNR]
8	52090405AD	1	T						TUBE, Brake, Master Cylinder to HCU, Secondary
9	52090406AC	1	T						TUBE, Brake, Master Cylinder to HCU, Primary
10	05140723AA	1	T						BRACKET, Hydraulic Control Unit, [BRY], Mounting
11	05140724AA	1	T						CONTROL UNIT, Anti-Lock Brake, [BRY]
12	05140725AA	1	T						MODULE, Anti-lock Brakes, [BRY]
13	56044148AA	1							MODULE, Electronic Stability
14	06101694	2							NUT, M6x1.00, ORC to Center Tunnel, Mounting

GRAND CHEROKEE (WK)

SERIES LINE
 H = Laredo T = JEEP - 2WD
 P = Limited J = JEEP - 4WD

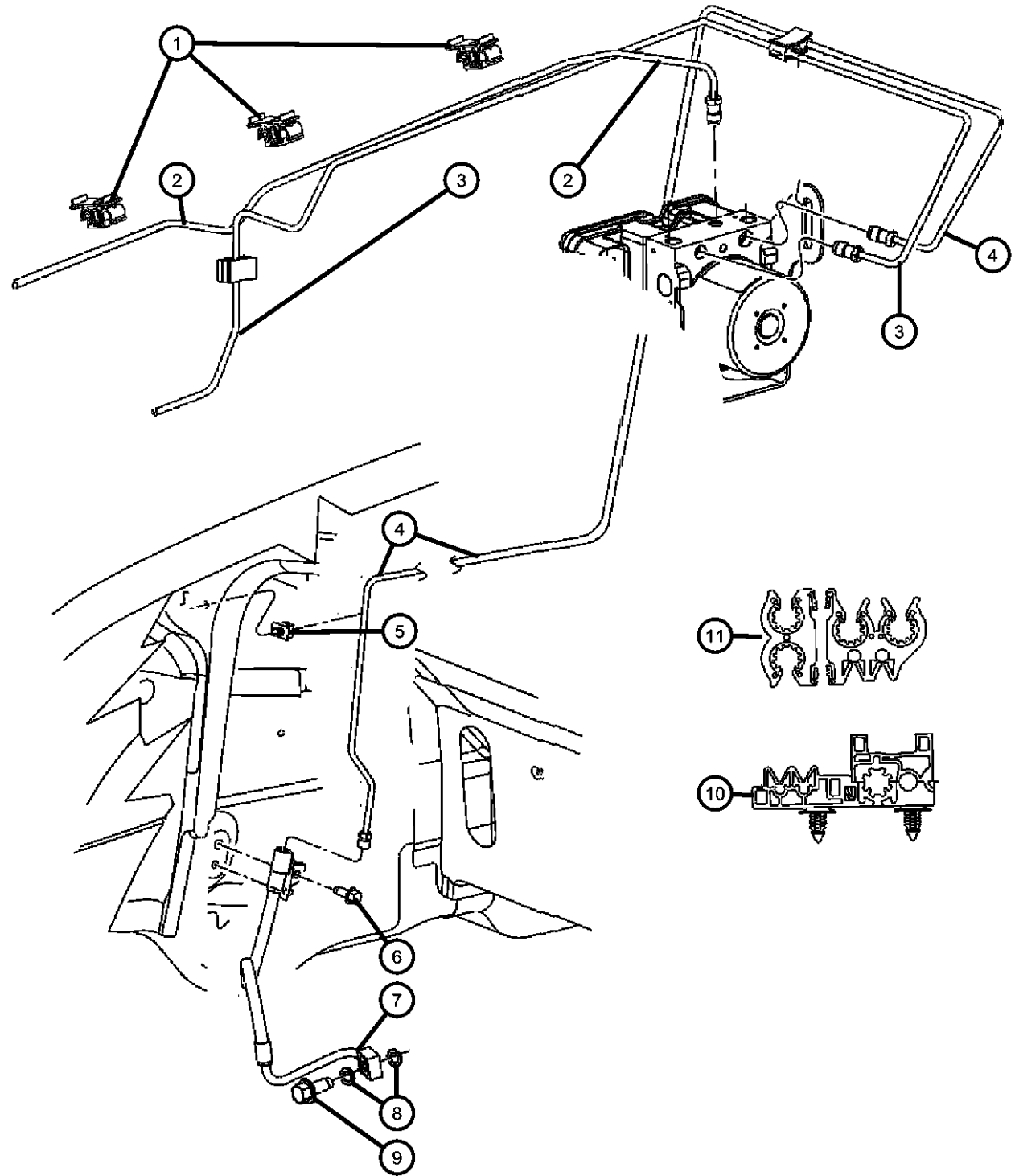
BODY
 74 = SPORT UTILITY 4-DOOR
 ENGINE
 EKG = Engine - 3.7L V6
 EVA = Engine- 4.7L V8 MPI
 EZB = Engine-5.7L HEMI

TRANSMISSION
 DG0 = All Automatic Transmissions
 DGJ = Transmission - 5-Spd Auto, MB
 DGQ = Transmission-5-Spd Automatic 5-45RFE

AR = use ase required - = Non illustrated part

2005 WK

Brake Lines and Hoses,Front,2 Wheel Drive
Figure 5-510



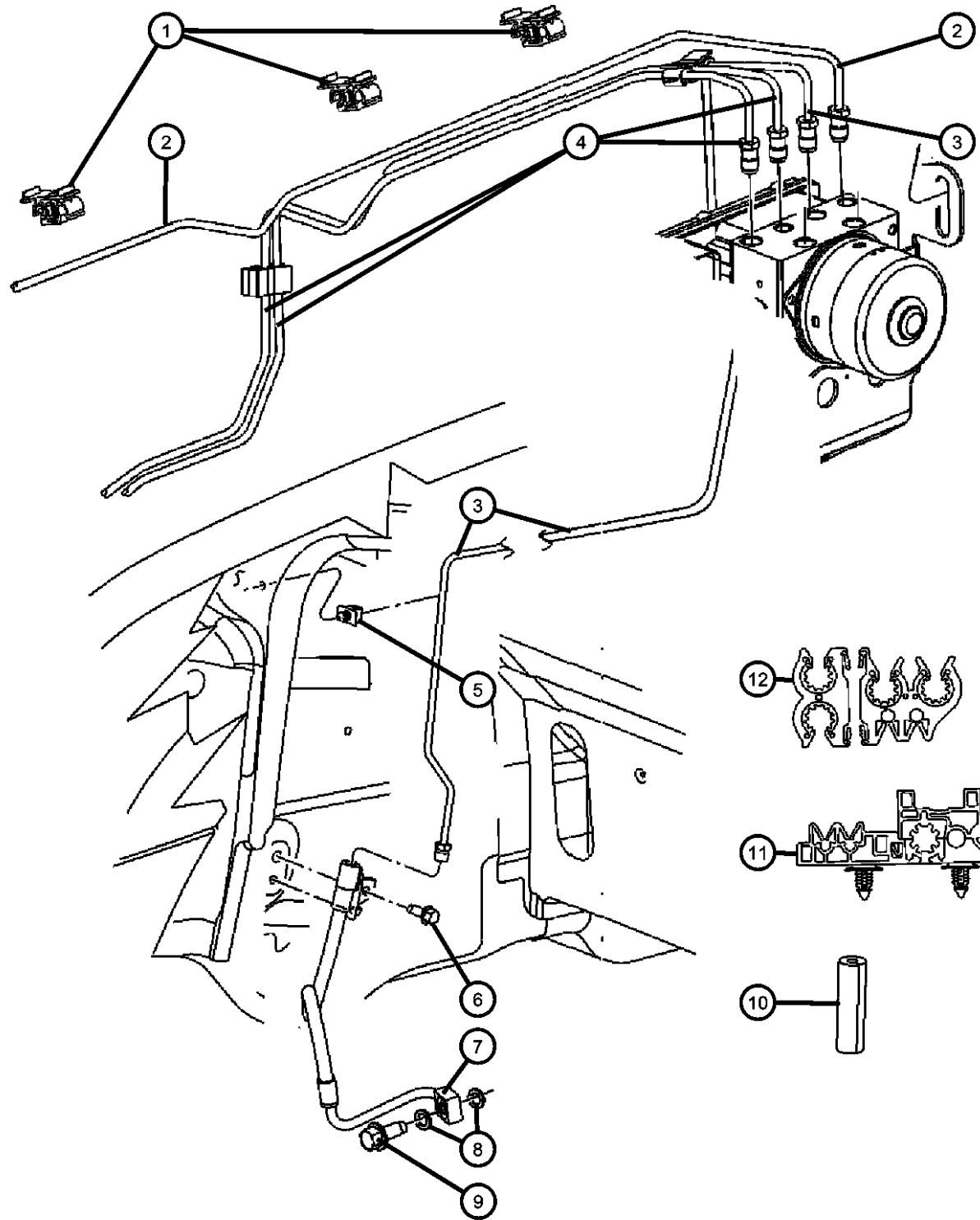
ITEM	PART NUMBER	QTY	LINE	SERIES	BODY	ENGINE	TRANS	TRIM	DESCRIPTION
1	52128214	3							CLIP, Brake Line, To Front of Plenum, Mounting
2	52090404AC	1	T						TUBE, Brake, HCU to Front Brake Hose, Right
3	52089918AF	1	T						BUNDLE, Fuel and Brake Tube, HCU to Rear Brake Hose, Chassis
4	52090403AC	1	T						TUBE, Brake, HCU to Front Brake Hose, Left
5	52009234	2							CLIP, Brake/Fuel Line, Brake Tube to Sill, Mounting
6	06102003	1							BOLT AND CONED WASHER, Hex Head, M6x16x14, Brake Hose to Sill, Right or Left
7									HOSE, Brake
	52089256AC	1							Right
	52089258AC	1							Left
8	J3237672	8							GASKET, Brake Hose To CaliperMounting
9	06035911AA	4							BOLT, Banjo, To Caliper, Mounting
10	05189383AA	2	T						CLIP, 4 Way, For Item 3, Mounting
11	05189382AA	4	T						CLIP, 4 Way, For Item 3, Mounting

GRAND CHEROKEE (WK)

SERIES	LINE	BODY	ENGINE	TRANSMISSION
H = Laredo	T = JEEP - 2WD	74 = SPORT UTILITY 4-DOOR	EKG = Engine - 3.7L V6	DG0 = All Automatic Transmissions
P = Limited	J = JEEP - 4WD		EVA = Engine- 4.7L V8 MPI	DGJ = Transmission - 5-Spd Auto, MB
			EZB = Engine-5.7L HEMI	DGQ = Transmission-5-Spd Automatic 5-45RFE

AR = use ase required - = Non illustrated part

Brake Lines and Hoses,Front,4 Wheel Drive
Figure 5-520



ITEM	PART NUMBER	QTY	LINE	SERIES	BODY	ENGINE	TRANS	TRIM	DESCRIPTION
------	-------------	-----	------	--------	------	--------	-------	------	-------------

Note:Sales Codes;
[EK0]=Engine - All 3.7L 6 Cylinder Gas
[EV0]=Engines - All 4.7L Gas
[EZ0]=Engines - All 5.7L 8Cylinder Gas

1	52128214	3							CLIP, Brake Line, To Front of Plenum, Mounting
2	52089230AD	1	J						TUBE, Brake, HCU to Front Brake Hose, Right
3	52089231AC	1	J						TUBE, Brake, HCU to Front Brake Hose, Left
4									BUNDLE, Fuel and Brake Tube
	52090174AF	1	J						[EK0,EV0] To Rear Brake Hose, Chassis
	52124116AA	1	J						[EZ0] To Rear Brake Hose, Chassis
5	52009234	2							CLIP, Brake/Fuel Line, Brake Tube to Sill, Mounting
6	06102003	1							BOLT AND CONED WASHER, Hex Head, M6x16x14, Brake Hose to Sill, Right or Left
7									HOSE, Brake
	52089256AC	1							Right
	52089258AC	1							Left
8	J3237672	8							GASKET, Brake Hose To CaliperMounting
9	06035911AA	4							BOLT, Banjo, To Caliper, Mounting
10	05189384AA	1	J						GROMMET, For Item 4 [EK0,EV0], Mounting
11									CLIP, 4 Way
	05189383AA	2	J						For Item 4 [EK0,EV0], Mounting
		2	J						For Item 4 [EZ0], Mounting
12									CLIP, 4 Way
	05189382AA	4	J						For Item 4 [EK0,EV0], Mounting
	05189385AA	4	J						For Item 4 [EZ0], Mounting

GRAND CHEROKEE (WK)

SERIES LINE
H = Laredo T = JEEP - 2WD
P = Limited J = JEEP - 4WD

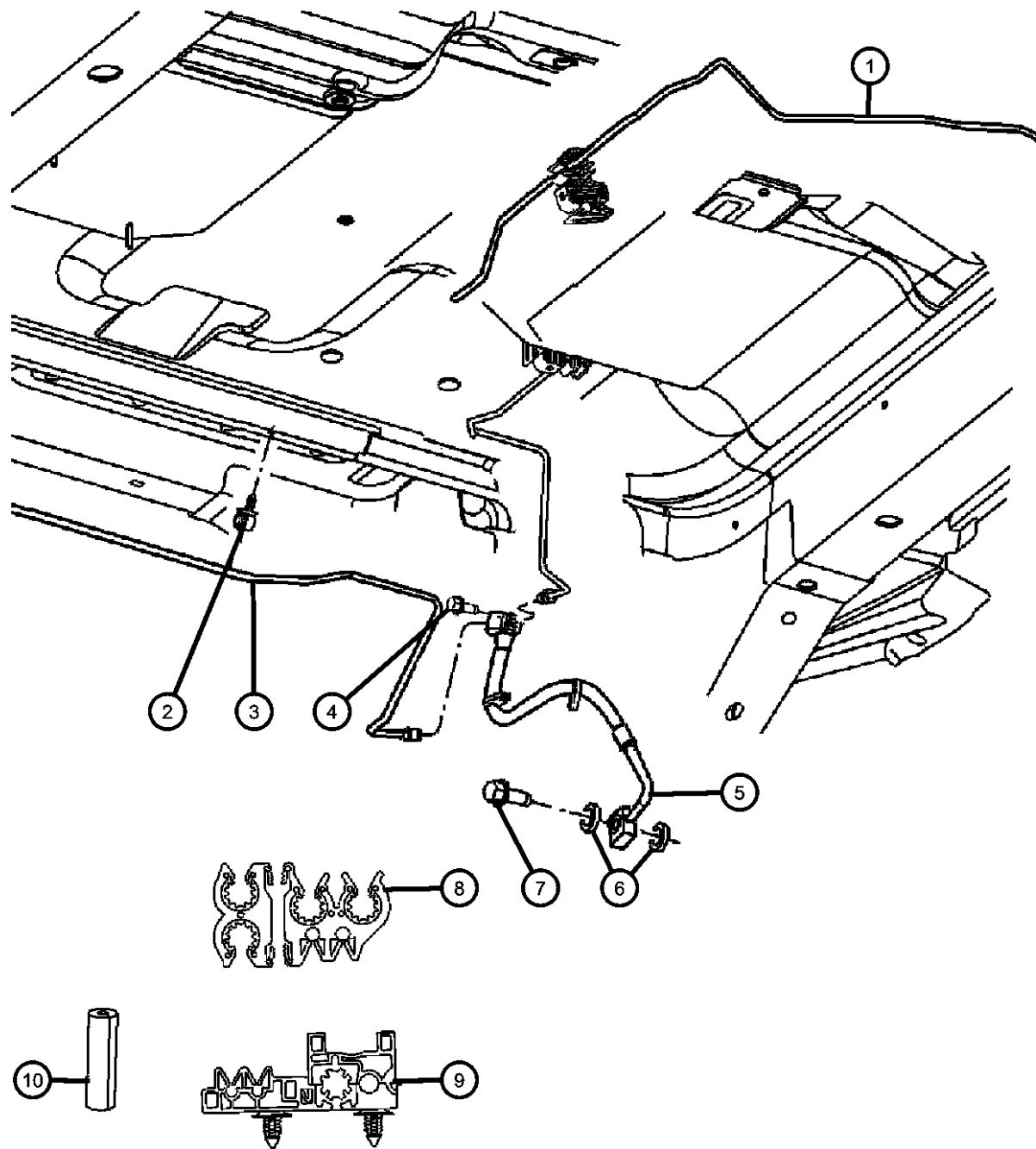
BODY ENGINE
74 = SPORT UTILITY 4-DOOR EKG = Engine - 3.7L V6
EVA = Engine- 4.7L V8 MPI
EZB = Engine-5.7L HEMI

TRANSMISSION
DG0 = All Automatic Transmissions
DGJ = Transmission - 5-Spd Auto, MB
DGQ = Transmission-5-Spd Automatic 5-45RFE

AR = use ase required - = Non illustrated part

2005 WK

**Brake Lines and Hoses,Rear and Chassis
Figure 5-530**



ITEM	PART NUMBER	QTY	LINE	SERIES	BODY	ENGINE	TRANS	TRIM	DESCRIPTION
Note:Sales Codes: [BRY]=Brakes - Anti-Lock 4-Wheel Disc Brakes [EK0]=Engines - All 3.7L 6 Cylinder Gas [EV0]=Engines - All 4.7L Gas [EZ0]=Engines - All 5.7L 8 Cylinder Gas									
1	52089918AG	1	T						BUNDLE, Fuel and Brake Tube [EK0,EV0] Includes Purge Line, Chassis
	52090174AH	1	J						[EK0,EV0] Includes Purge Line, Chassis
	52124116AB	1	J						[EZ0] Includes Purge Line, Chassis
2	06506087AA	1							CLIP, TubeMounting
3	52089995AB	1							TUBE, Brake, Left Hose to Right Hose
4	06102003	2							BOLT AND CONED WASHER, Hex Head, M6x16x14, Rear Brake Hose to Sill, Mounting
5	52089259AC	1							HOSE, Brake With [BRY], Right
	52089260AD	1							With [BRY], Left
	52089997AD	1							Without [BRY], Left
6	J3237672	8							GASKET, Brake Hose To CaliperMounting
7	06035911AA	4							BOLT, BanjoMounting
8	05189382AA	4	J						CLIP, 4 Way [EK0,EV0], Mounting
		4	T						[EK0,EV0], Mounting
	05189385AA	4	J						[EZ0], Mounting
9	05189383AA	2	J						CLIP, 4 Way [EK0,EV0,EZ0], Mounting
		2	T						[EK0,EV0], Mounting
10	05189384AA	1	J						GROMMET, [EK0,EV0], Mounting

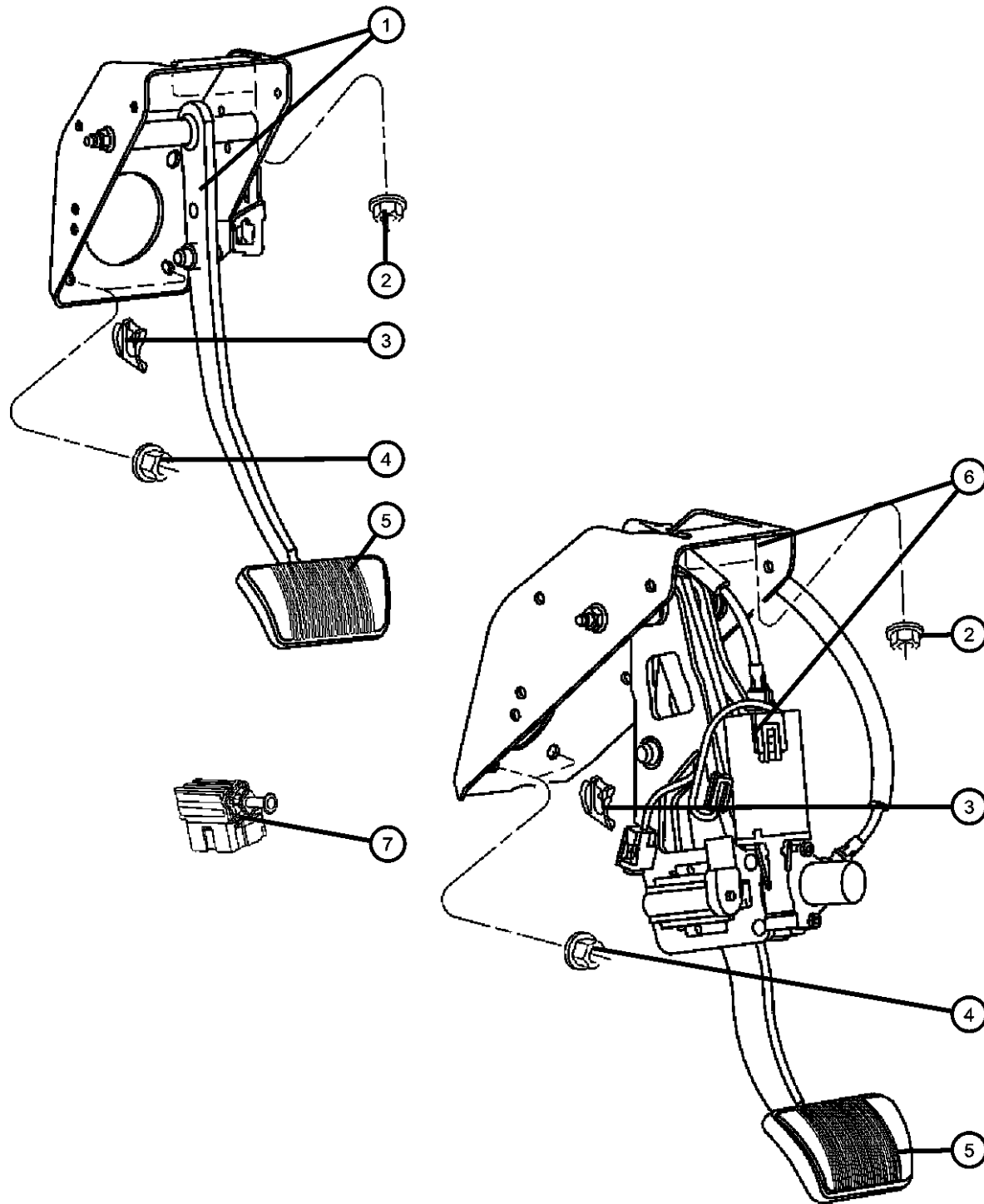
GRAND CHEROKEE (WK)

SERIES	LINE	BODY	ENGINE	TRANSMISSION
H = Laredo	T = JEEP - 2WD	74 = SPORT UTILITY 4-DOOR	EKG = Engine - 3.7L V6	DG0 = All Automatic Transmissions
P = Limited	J = JEEP - 4WD		EVA = Engine- 4.7L V8 MPI	DGJ = Transmission - 5-Spd Auto, MB
			EZB = Engine-5.7L HEMI	DGQ = Transmission-5-Spd Automatic 5-45RFE

AR = use ase required - = Non illustrated part

**Brake Pedals, Standard [XA8] and Adjustable [XAM,XAP]
Figure 5-610**

ITEM	PART NUMBER	QTY	LINE	SERIES	BODY	ENGINE	TRANS	TRIM	DESCRIPTION
------	-------------	-----	------	--------	------	--------	-------	------	-------------



Note: Sales Codes;
[XAM]=Pedals - Power Adjustable with Memory
[XAP]=Pedals - Power Adjustable
[XA8]=Pedals - Non Adjustable

1	52089244AB	1							PEDAL, Brake, [XA8]
2	06101695	2							NUT, Hex Flange Lock, Pedal Bracket, Mounting
3	06035334	1							CLIP, Brake Push Rod, Booster Push Rod to Pedal Pin, Mounting
4	06101695	4							NUT, Hex Flange Lock, Booster To Sled, Mounting
5									PAD, Pedal
	05102023AB	1							[XAM,XAP] 09-05-04 and After
		1							[XA8]
	05174040AA	1							[XAM,XAP] Up To and Including 09-04-04
6	52089242AB	1							PEDAL, Brake, [XAM,XAP]
7	56054001AA	1							SWITCH, Stop Lamp

GRAND CHEROKEE (WK)

SERIES	LINE
H = Laredo	T = JEEP - 2WD
P = Limited	J = JEEP - 4WD

BODY	ENGINE
74 = SPORT UTILITY 4-DOOR	EKG = Engine - 3.7L V6
	EVA = Engine- 4.7L V8 MPI
	EZB = Engine-5.7L HEMI

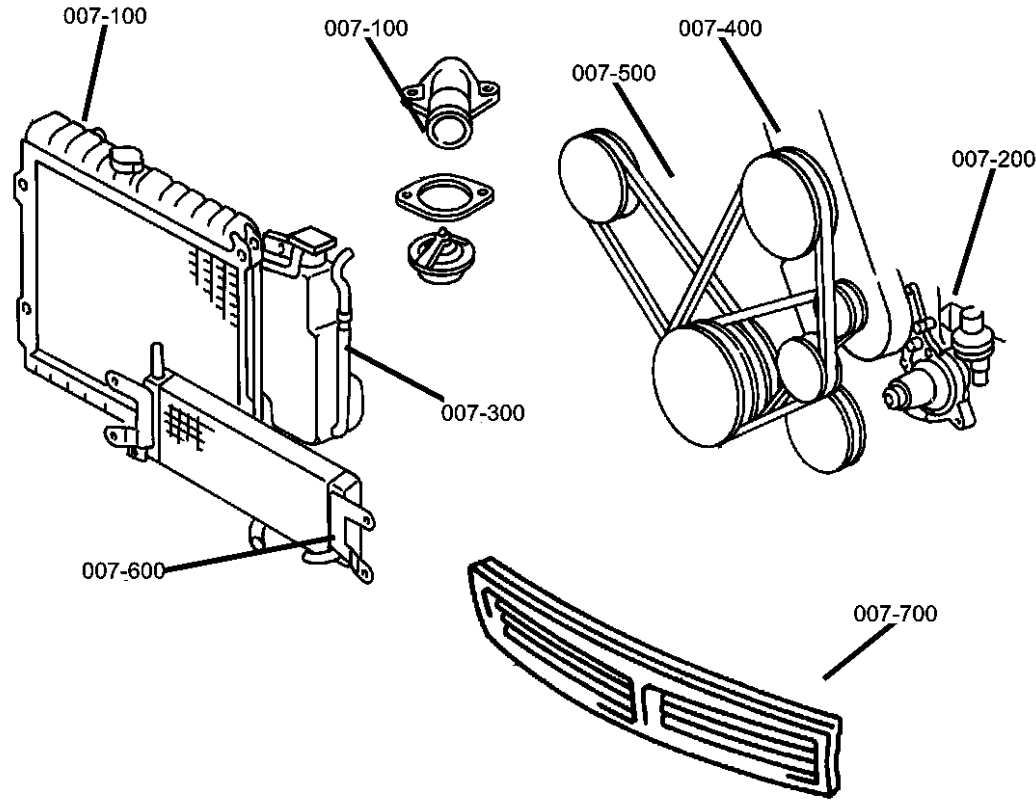
TRANSMISSION
DG0 = All Automatic Transmissions
DGJ = Transmission - 5-Spd Auto, MB
DGQ = Transmission-5-Spd Automatic 5-45RFE

AR = use ase required - = Non illustrated part

2005 WK

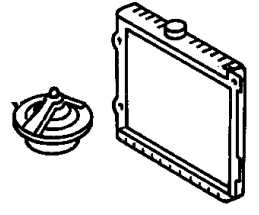
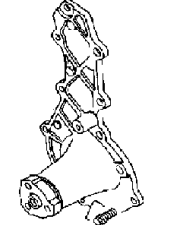
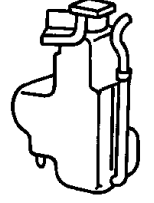
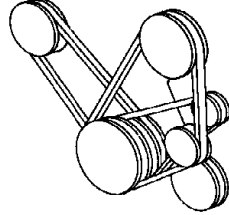
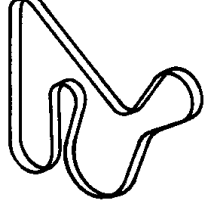
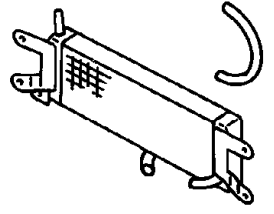
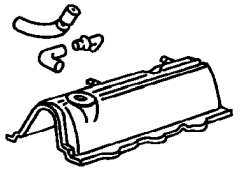
Group - 7

Cooling

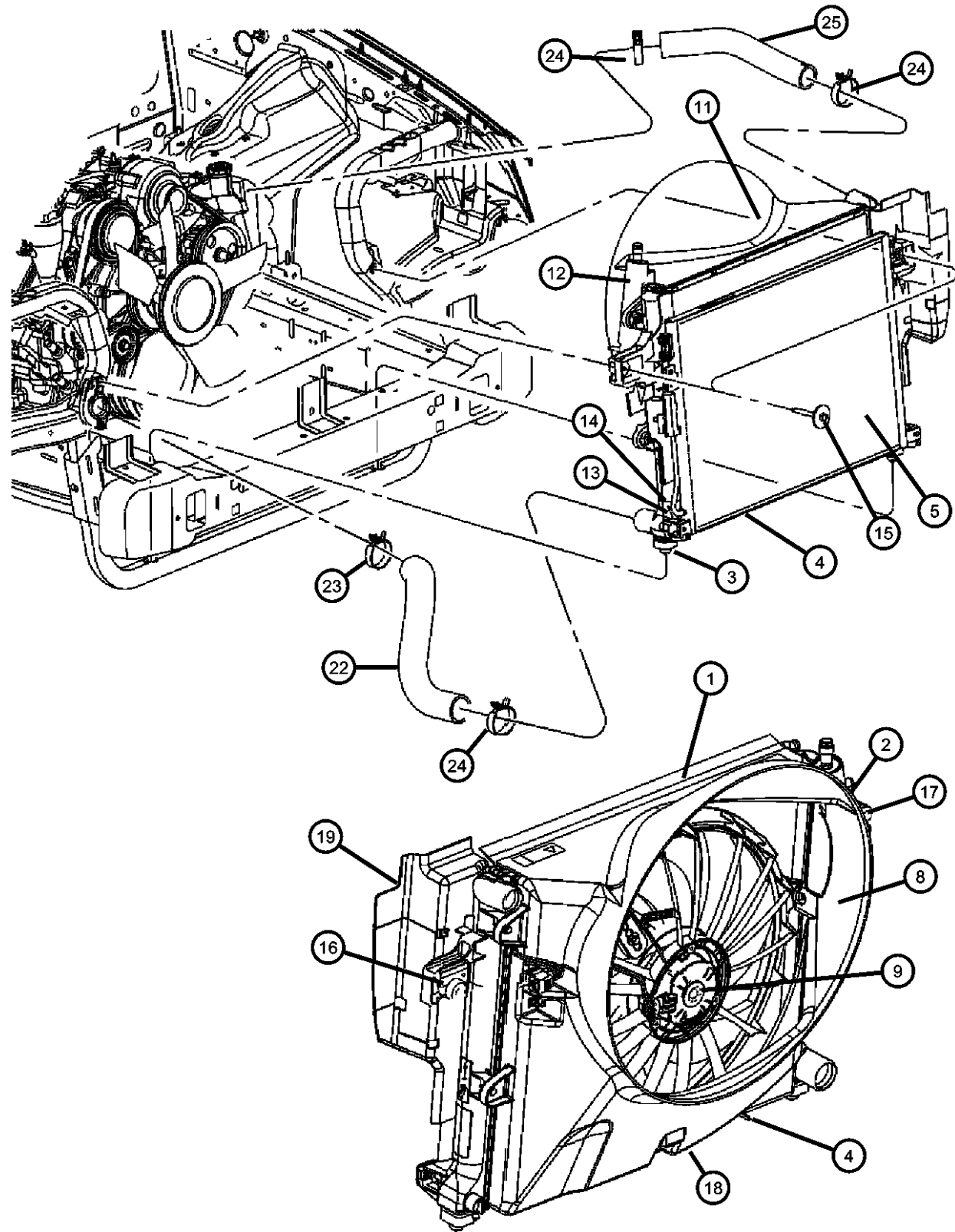


Group - 7 Cooling

Illustration Title	Group-Fig. No.
Radiator and Related Parts	
Radiator and Related Parts 3.7, 4.7L Engines.....	Fig. 7 - 160
Radiator and Related Parts 5.7L Engines.....	Fig. 7 - 165
Radiator Upper Support	Fig. 7 - 170
Water Pump and Related Parts	
Water Pump and Related Parts 3.7, 4.7L Engine.....	Fig. 7 - 220
Water Pump and Related Parts 5.7L Engine.....	Fig. 7 - 230
Tank, Coolant Engine	
Coolant Tank	Fig. 7 - 310
Pulleys and Related Parts	
Drive Pulleys 4.7L Engine	Fig. 7 - 430
Drive Pulleys 5.7L Engine	Fig. 7 - 440
Drive Belts	
Drive Belts 3.7,4.7L Engines	Fig. 7 - 510
Drive Belts 5.7L Engine.....	Fig. 7 - 520
Lines, Transmission Oil Cooler	
Oil Cooler and Lines	Fig. 7 - 620
Grilles	
Grille and Related Parts	Fig. 7 - 720

007-100 Radiator and Related Parts 	007-200 Water Pump and Related Parts 	007-300 Tank, Coolant Engine 	007-400 Pulleys and Related Parts 
007-500 Drive Belts 	007-600 Lines, Transmission Oil Cooler 	007-700 Grilles 	

**Radiator and Related Parts 3.7, 4.7L Engines
Figure 7-160**

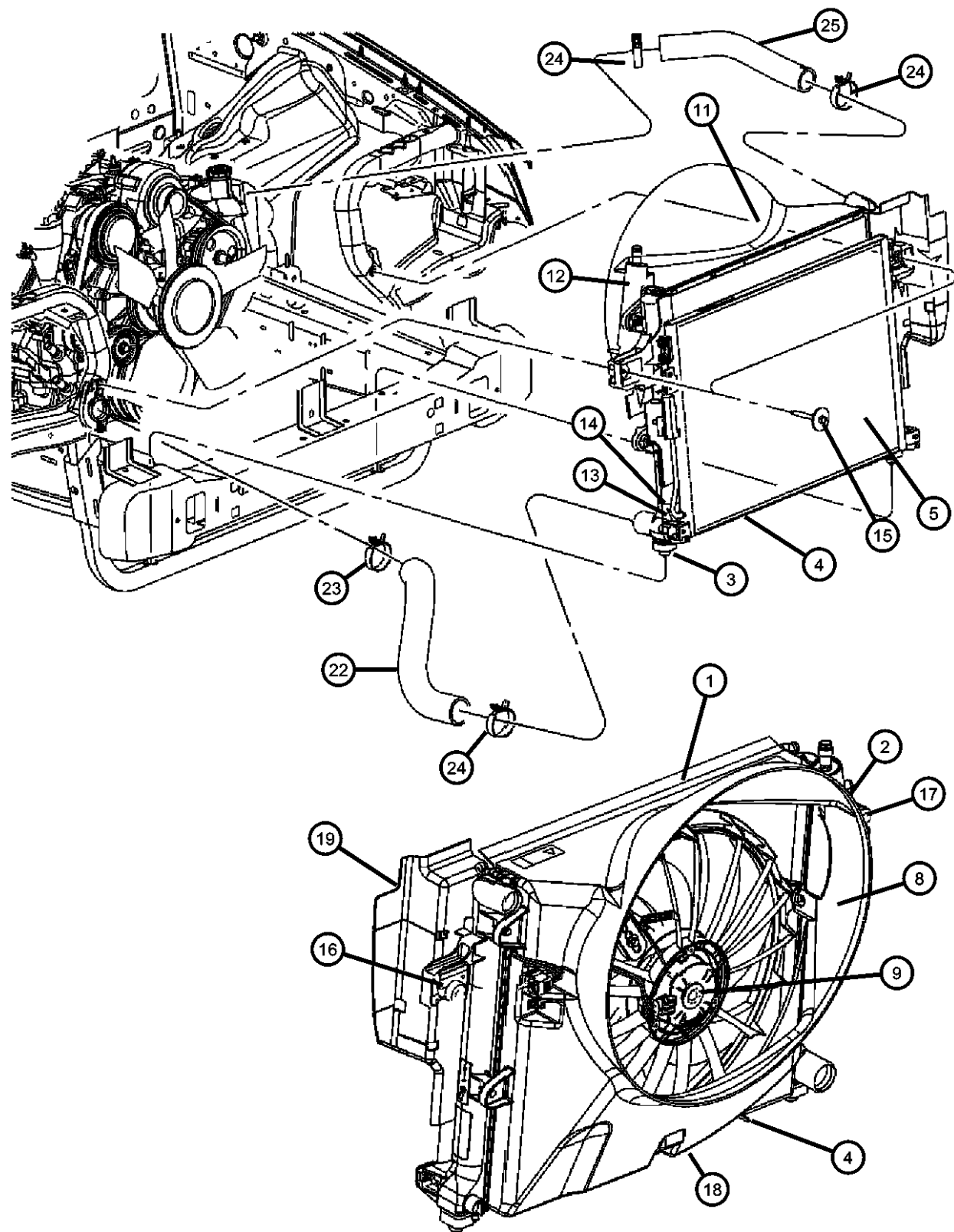


ITEM	PART NUMBER	QTY	LINE	SERIES	BODY	ENGINE	TRANS	TRIM	DESCRIPTION
Note: ER0 = All 4.0L Engines EV0 = All 4.7L Engine									
1	55116849AB	1				EK0, EV0	DG0		RADIATOR, Engine Cooling
2	55116897AA	1				EK0, EV0	DG0		CAP, Radiator
3									ISOLATOR, Radiator
	52079419	1				EK0, EV0	DG0		Upper
	52079884AA	1				EK0, EV0	DG0		Lower
4	04644269	1				EZ0	DG0		DRAINCOCK, Radiator
5	55116928AA	1				EK0, EV0	DG0		CONDENSER, A/C
-6	52090052AB	1				EK0, EV0	DG0		COOLER, Power Steering
-7	05137778AA	1		J, T		EK0, EV0	DG0		RETAINER PACKAGE, Power Steering Cooler
8									SHROUD, Fan
	05143209AA	1				EK0, EV0	DG0		Electric
	05166423AA	1				EK0, EV0	DG0		Manual
9	05143208AA	1				EK0, EV0	DG0		FAN & MOTOR ASSY, FAN & MOTOR ASSY
-10	05166424AA	1				EK0, EV0	DG0		HARNESS, Wiring
11	55116955AB	1				EK0, EV0	DG0		LABEL, Belt Routing
12	05166426AA	1				EK0, EV0	DG0		RECEIVER DRIER
13	06101445	1				EK0, EV0	DG0		NUT AND WASHER, Hex Nut-Coned Washer, M8 x 1.25
14	05166428AA	1				EK0, EV0	DG0		RETAINER PACKAGE, Power Steering Cooler
15	06507225AA	8							SCREW AND WASHER, Hex Head, M6x1x20
16	52079419	1				EK0, EV0	DG0		ISOLATOR, Radiator
17	52079884AA	1				EK0, EV0	DG0		ISOLATOR, Radiator
18	55116920AA	2				EK0, EV0	DG0		SEAL, Radiator Lower
19	55037711AA	1				EK0, EV0	DG0		SEAL, Radiator SideLeft
-20	55116884AA	1				EV0			FAN, Cooling
-21	55116882AA	1				EV0			VISCOUS CLUTCH, Fan Drive
22									HOSE, Radiator Outlet
	55116869AA	1				EV0			
	55116870AA	1				EK0			Bottom
23	06032277	1				EK0, EV0			CLAMP, Radiator
24		1							CLAMP, Hose to Radiator, 52005580, (NOT SERVICED)

GRAND CHEROKEE (WK)				
SERIES	LINE	BODY	ENGINE	TRANSMISSION
H = Laredo	T = JEEP - 2WD	74 = SPORT UTILITY 4-DOOR	EKG = Engine - 3.7L V6	DG0 = All Automatic Transmissions
P = Limited	J = JEEP - 4WD		EVA = Engine- 4.7L V8 MPI	DGJ = Transmission - 5-Spd Auto, MB
			EZB = Engine-5.7L HEMI	DGQ = Transmission-5-Spd Automatic 5-45RFE

AR = use ase required - = Non illustrated part

**Radiator and Related Parts 3.7, 4.7L Engines
Figure 7-160**



ITEM	PART NUMBER	QTY	LINE	SERIES	BODY	ENGINE	TRANS	TRIM	DESCRIPTION
------	-------------	-----	------	--------	------	--------	-------	------	-------------

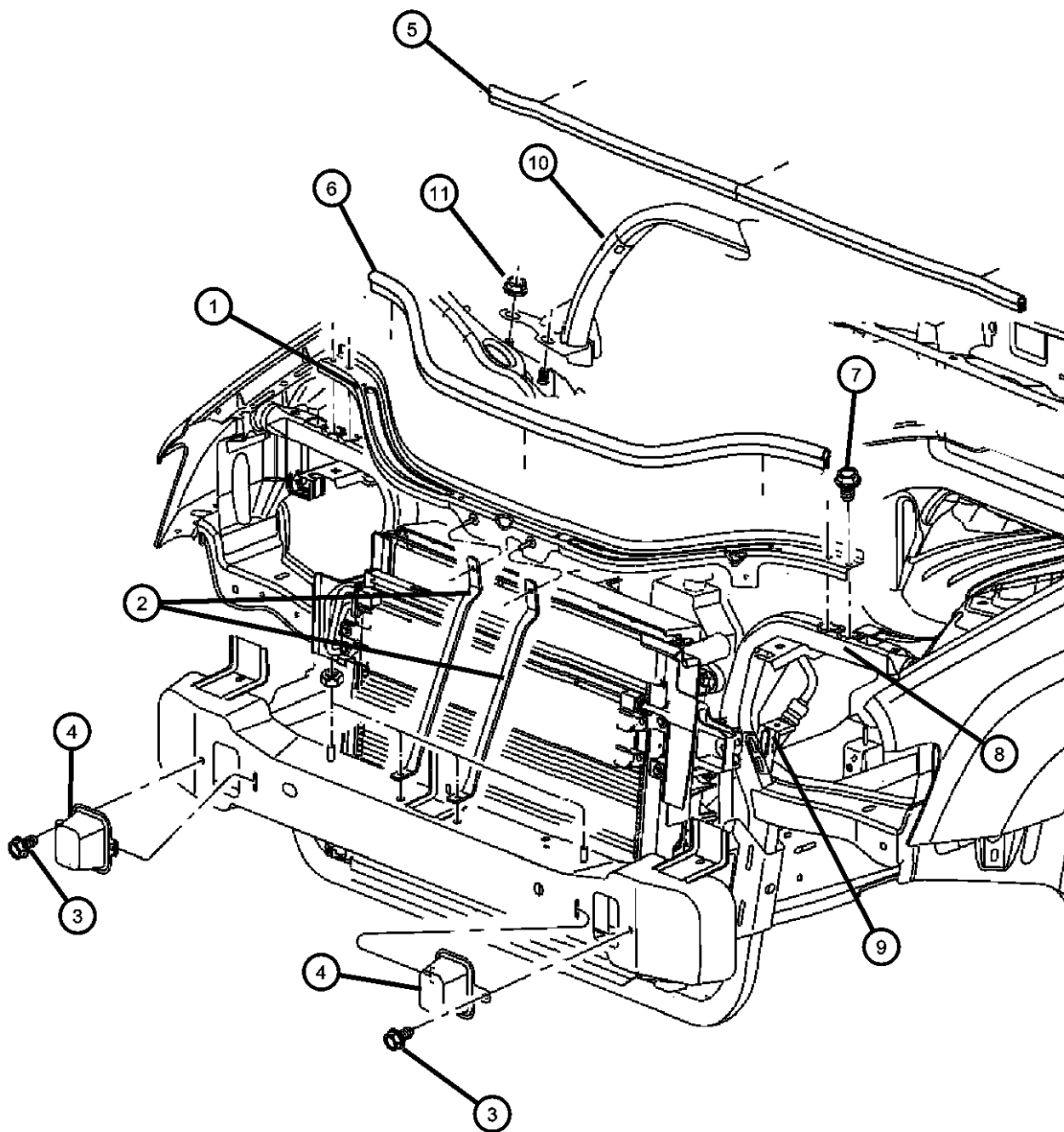
25	55116866AA	1				EVO			HOSE, Radiator Inlet
	55116867AA	1				EK0			Top

GRAND CHEROKEE (WK)				
SERIES	LINE	BODY	ENGINE	TRANSMISSION
H = Laredo	T = JEEP - 2WD	74 = SPORT UTILITY 4-DOOR	EKG = Engine - 3.7L V6	DG0 = All Automatic Transmissions
P = Limited	J = JEEP - 4WD		EVA = Engine- 4.7L V8 MPI	DGJ = Transmission - 5-Spd Auto, MB
			EZB = Engine-5.7L HEMI	DGQ = Transmission-5-Spd Automatic 5-45RFE

AR = use ase required - = Non illustrated part

**Radiator Upper Support
Figure 7-170**

ITEM	PART NUMBER	QTY	LINE	SERIES	BODY	ENGINE	TRANS	TRIM	DESCRIPTION
1	55394951AD	1							CROSSMEMBER, Radiator
2	55394098AC	2							BRACE, Radiator Crossmember
3	06505903AA	2							SCREW AND WASHER, Self Tapping, M6x1x22
4	55360410AA	2							BUMPER, Suspension Jounce
5	55394777AA	1							SEAL, Hood To Plenum
6	55394851AA	1							WEATHERSTRIP, Hood
7	06104368AA	4							SCREW
8	05143322AB	1							CROSSMEMBER, Radiator
9									BRACKET, Air Bag
	55396820AB	1							Right
	55396821AB	1							Left
10	55396886AB	1							BRACE, Suspension
11	06502697	8							NUT, Hex Flange Lock, M12x1.75



GRAND CHEROKEE (WK)

SERIES	LINE
H = Laredo	T = JEEP - 2WD
P = Limited	J = JEEP - 4WD

BODY	ENGINE
74 = SPORT UTILITY 4-DOOR	EKG = Engine - 3.7L V6
	EVA = Engine- 4.7L V8 MPI
	EZB = Engine-5.7L HEMI

TRANSMISSION
DG0 = All Automatic Transmissions
DGJ = Transmission - 5-Spd Auto, MB
DGQ = Transmission-5-Spd Automatic 5-45RFE

AR = use ase required - = Non illustrated part

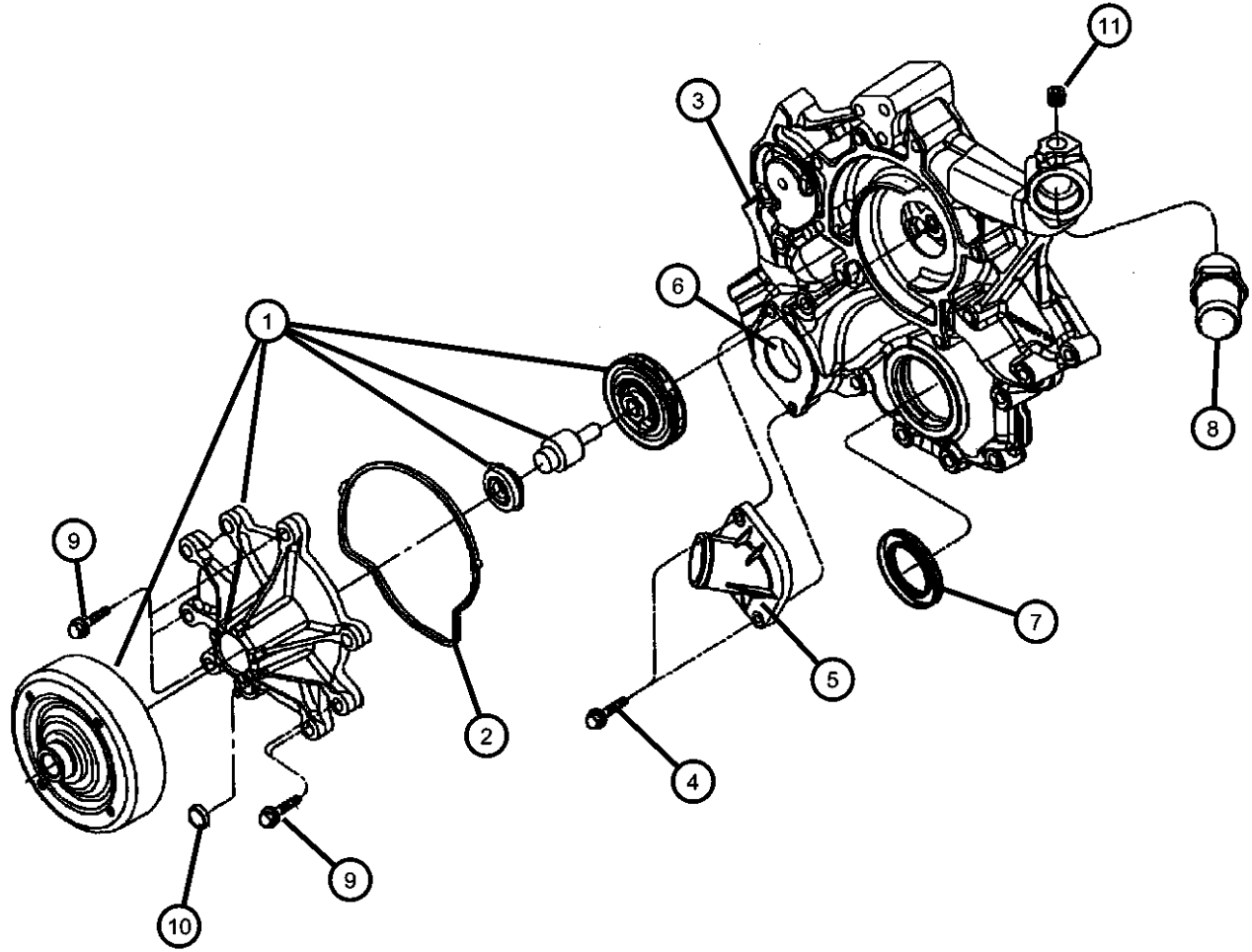
2005 WK

**Water Pump and Related Parts 3.7, 4.7L Engine
Figure 7-220**

ITEM	PART NUMBER	QTY	LINE	SERIES	BODY	ENGINE	TRANS	TRIM	DESCRIPTION
------	-------------	-----	------	--------	------	--------	-------	------	-------------

Note: Sales Code EV0 = 4.7L Engine

1	53021187AA	1				EK0, EV0			PUMP, Water
2	53020865	1				EK0, EV0			GASKET, Water Pump
3	06035854	2				EV0			FITTING, Y-Style
4	06505502AA	2				EK0, EV0			SCREW
5	53020887AB	1				EK0, EV0			HOUSING, Thermostat
6	52079476AC	1				EK0, EV0			THERMOSTAT, with Seal
7									SEAL, Crankshaft Oil, Front
	53021313AA	1				EK0			
		1				EV0			
8		1							PIPE FITTING, Chain Case Cover, .375-18x2, (NOT SERVICED)
9		1							SCREW, M6x1x25, (NOT SERVICED)
10		1							PLUG, (NOT SERVICED)
11		1							PLUG, (NOT SERVICED)



GRAND CHEROKEE (WK)

SERIES	LINE
H = Laredo	T = JEEP - 2WD
P = Limited	J = JEEP - 4WD

BODY

74 = SPORT UTILITY 4-DOOR

ENGINE

EKG = Engine - 3.7L V6
EVA = Engine- 4.7L V8 MPI
EZB = Engine-5.7L HEMI

TRANSMISSION

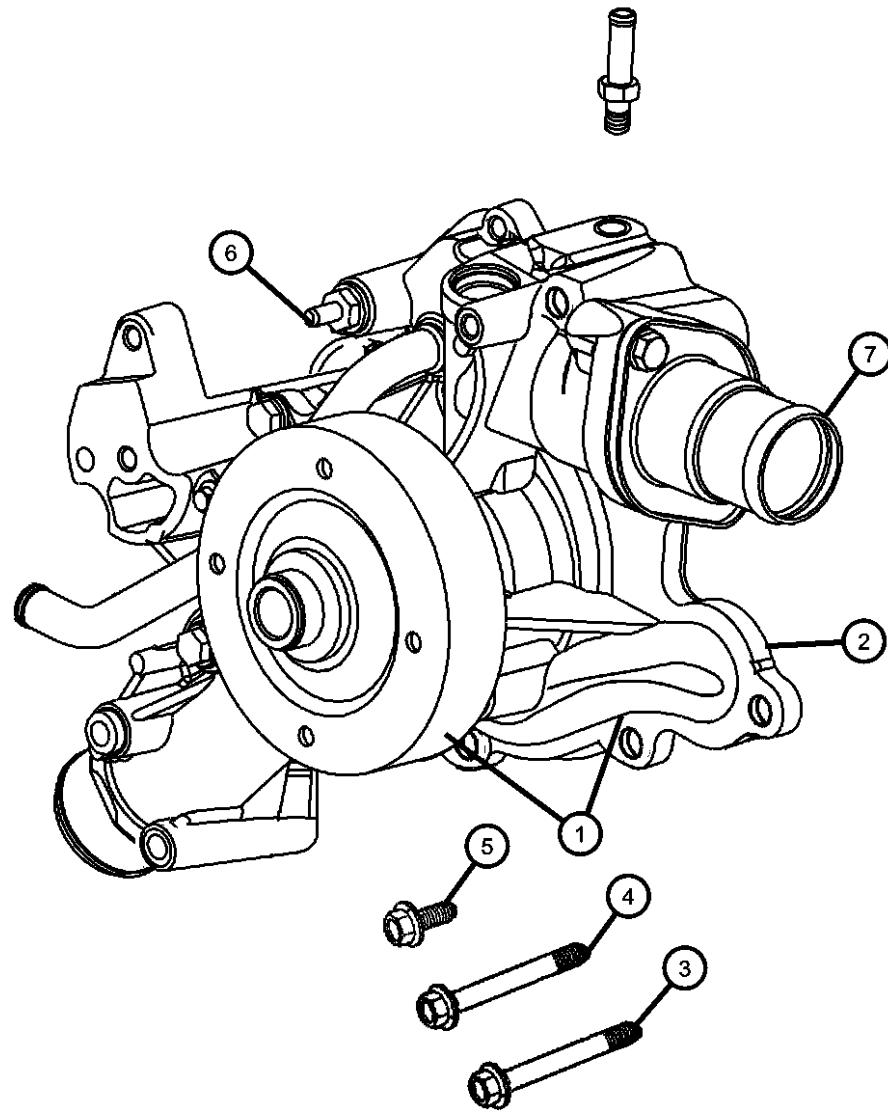
DG0 = All Automatic Transmissions
DGJ = Transmission - 5-Spd Auto, MB
DGQ = Transmission-5-Spd Automatic 5-45RFE

AR = use ase required - = Non illustrated part

2005 WK

**Water Pump and Related Parts 5.7L Engine
Figure 7-230**

ITEM	PART NUMBER	QTY	LINE	SERIES	BODY	ENGINE	TRANS	TRIM	DESCRIPTION
1	04792838AA	1				EZ0			PUMP, Water, Includes Gasket and Pulley
2	04792922AA	1				EZ0			GASKET, Water Pump
3	06506270AA	3				EZ0			SCREW AND WASHER, Hex
4	06506269AA	5				EZ0			SCREW AND WASHER, Hex
5	06506270AA	5				EZ0			SCREW AND WASHER, Hex
6	06506684AA	1				EZ0			STUD
7	53021536AC	1				EZ0			HOUSING, Thermostat
8	06036307AA	1				EZ0			PLUG, Pipe, .250-18X.413



GRAND CHEROKEE (WK)

SERIES LINE
H = Laredo T = JEEP - 2WD
P = Limited J = JEEP - 4WD

BODY

74 = SPORT UTILITY 4-DOOR

ENGINE

EKG = Engine - 3.7L V6
EVA = Engine- 4.7L V8 MPI
EZB = Engine-5.7L HEMI

TRANSMISSION

DG0 = All Automatic Transmissions
DGJ = Transmission - 5-Spd Auto, MB
DGQ = Transmission-5-Spd Automatic 5-45RFE

AR = use ase required - = Non illustrated part

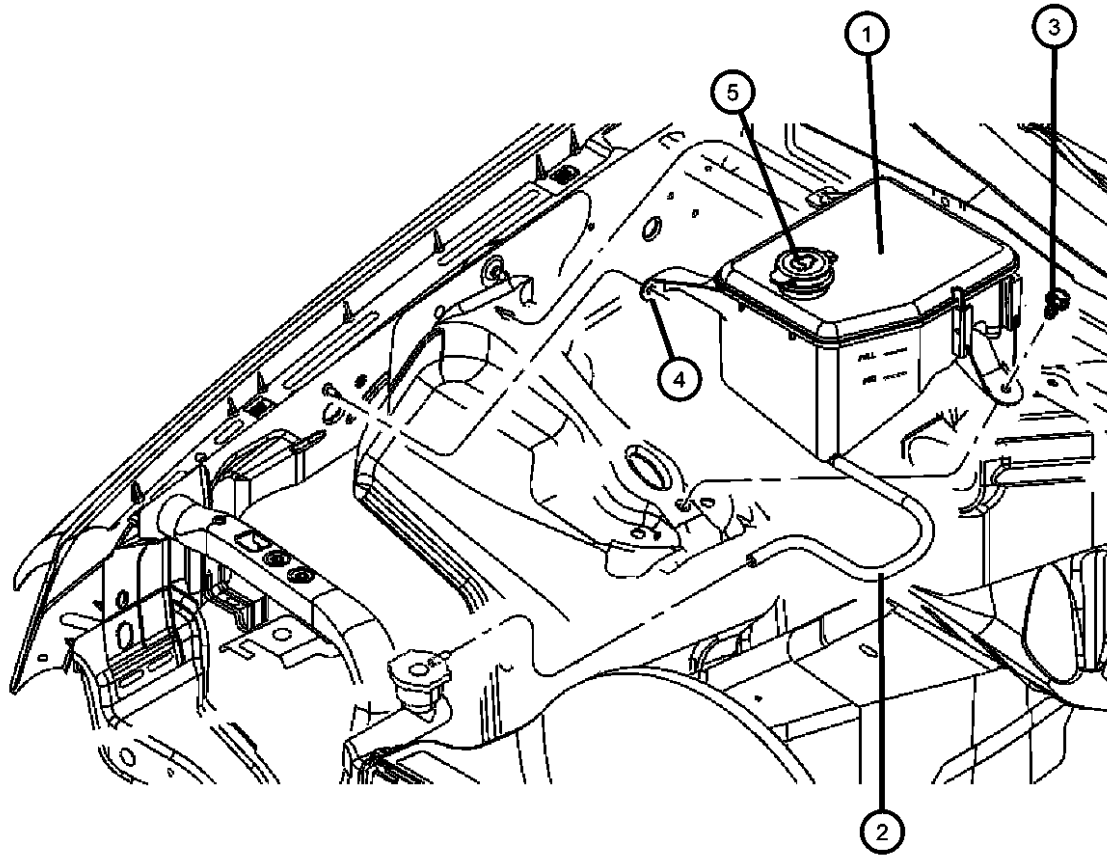
2005 WK

**Coolant Tank
Figure 7-310**

ITEM	PART NUMBER	QTY	LINE	SERIES	BODY	ENGINE	TRANS	TRIM	DESCRIPTION
------	-------------	-----	------	--------	------	--------	-------	------	-------------

Note: Sales Code EZ0 = 5.7L Engine
Note: Sales Code EV0 = 4.7L Engine

1	55116874AD	1							BOTTLE, Pressurized Coolant
2		1							SCREW, Tapping, M6x1x20, M6X1.00X25.00, (NOT SERVICED)
3		1							HOSE, Coolant Reserve Tank, 04026148, (NOT SERVICED)
4	55037857AA	1							CAP, Coolant Recovery Bottle, Mounting
5	05174456AA	1							CAP, Coolant Recovery Bottle



GRAND CHEROKEE (WK)

SERIES	LINE	BODY	ENGINE	TRANSMISSION
H = Laredo	T = JEEP - 2WD	74 = SPORT UTILITY 4-DOOR	EKG = Engine - 3.7L V6	DG0 = All Automatic Transmissions
P = Limited	J = JEEP - 4WD		EVA = Engine- 4.7L V8 MPI	DGJ = Transmission - 5-Spd Auto, MB
			EZB = Engine-5.7L HEMI	DGQ = Transmission-5-Spd Automatic 5-45RFE

AR = use ase required - = Non illustrated part

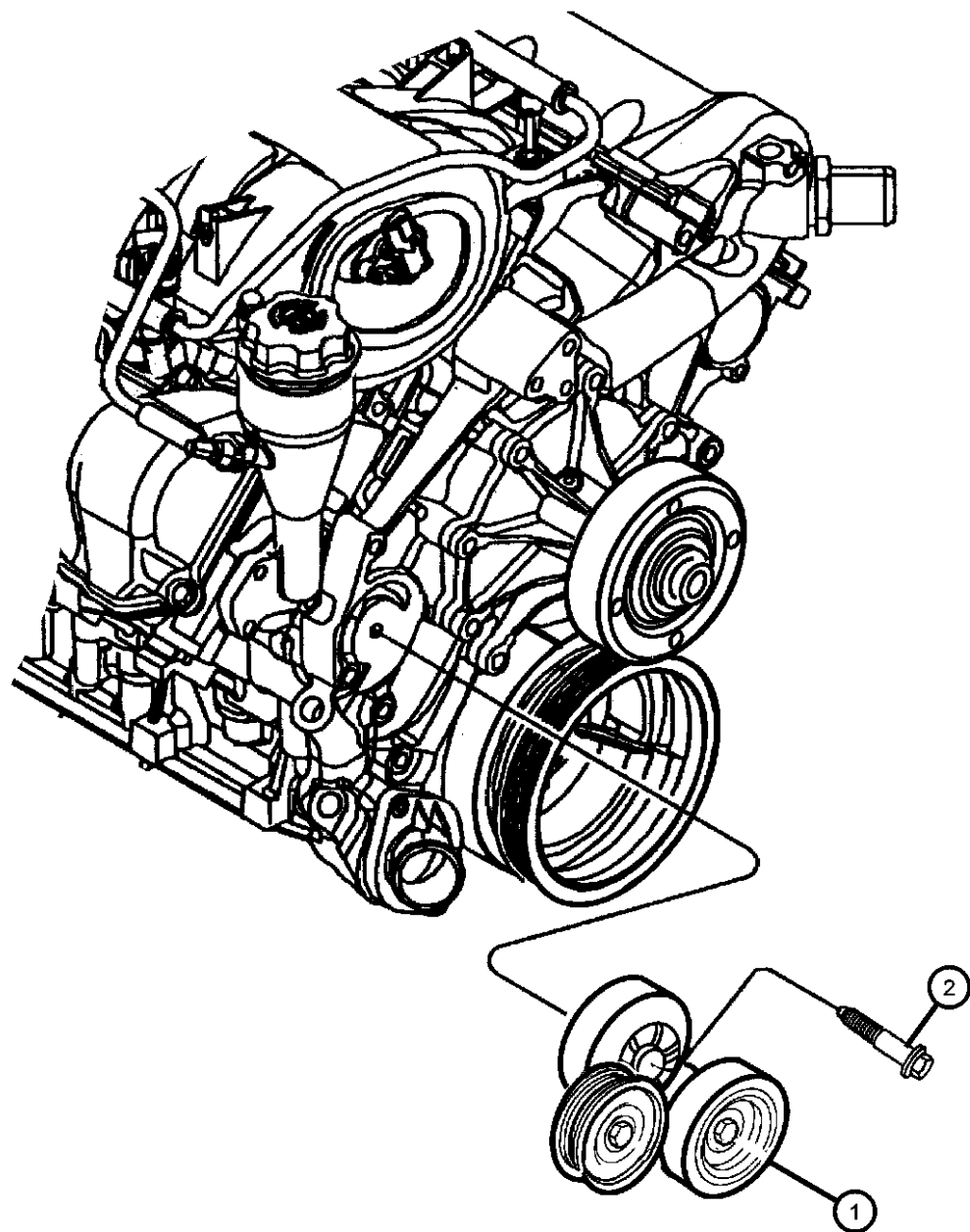
2005 WK

Drive Pulleys 4.7L Engine
Figure 7-430

ITEM	PART NUMBER	QTY	LINE	SERIES	BODY	ENGINE	TRANS	TRIM	DESCRIPTION
------	-------------	-----	------	--------	------	--------	-------	------	-------------

Note: Sales Code EV0 = 4.7L Engine

1									TENSIONER, Alternator Belt
	53030958AC	1				EV0			
	53030958AD	1				EK0			
2	06504930AA	1				EV0			SCREW AND WASHER, Hex Head, M10x1.5x70



GRAND CHEROKEE (WK)

SERIES LINE
H = Laredo T = JEEP - 2WD
P = Limited J = JEEP - 4WD

BODY

74 = SPORT UTILITY 4-DOOR

ENGINE

EKG = Engine - 3.7L V6
EVA = Engine- 4.7L V8 MPI
EZB = Engine-5.7L HEMI

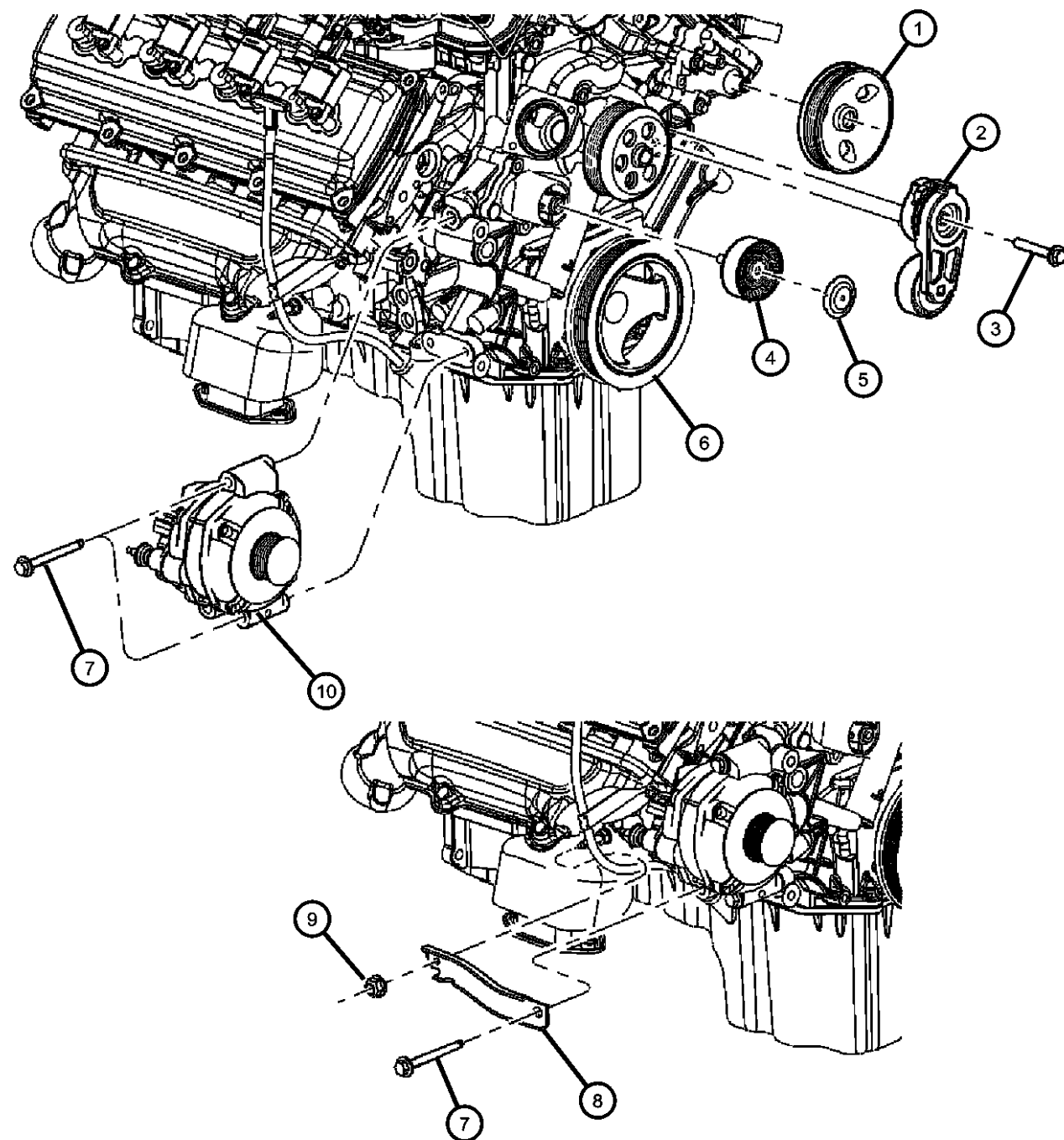
TRANSMISSION

DG0 = All Automatic Transmissions
DGJ = Transmission - 5-Spd Auto, MB
DGQ = Transmission-5-Spd Automatic 5-45RFE

AR = use ase required - = Non illustrated part

2005 WK

Drive Pulleys 5.7L Engine
Figure 7-440



ITEM	PART NUMBER	QTY	LINE	SERIES	BODY	ENGINE	TRANS	TRIM	DESCRIPTION
1	53013677AB	1				EZ0			PULLEY, Power Steering Pump
2	04861660AA	1				EZ0			TENSIONER, Belt
3	06507479AA	3				EZ0			SCREW AND WASHER, Hex, Tensioner to Block
4	04792835AA	1				EZ0			PULLEY, Idler
5	04792875AA	1				EZ0			CAP, Pulley
6	04792815AA	1				EZ0			DAMPER, Crankshaft
7	06102120AA	2				EK0, EVO, EZ0			SCREW, Alternator
8		2							STRUT, Alternator Bracket, (NOT REQUIRED)
9	06101695	2							NUT, Hex Flange Lock
10	56044380AC	1				EZ0			ALTERNATOR

GRAND CHEROKEE (WK)

SERIES LINE
H = Laredo T = JEEP - 2WD
P = Limited J = JEEP - 4WD

BODY
74 = SPORT UTILITY 4-DOOR

ENGINE
EKG = Engine - 3.7L V6
EVA = Engine- 4.7L V8 MPI
EZB = Engine-5.7L HEMI

TRANSMISSION
DG0 = All Automatic Transmissions
DGJ = Transmission - 5-Spd Auto, MB
DGQ = Transmission-5-Spd Automatic 5-45RFE

AR = use ase required - = Non illustrated part

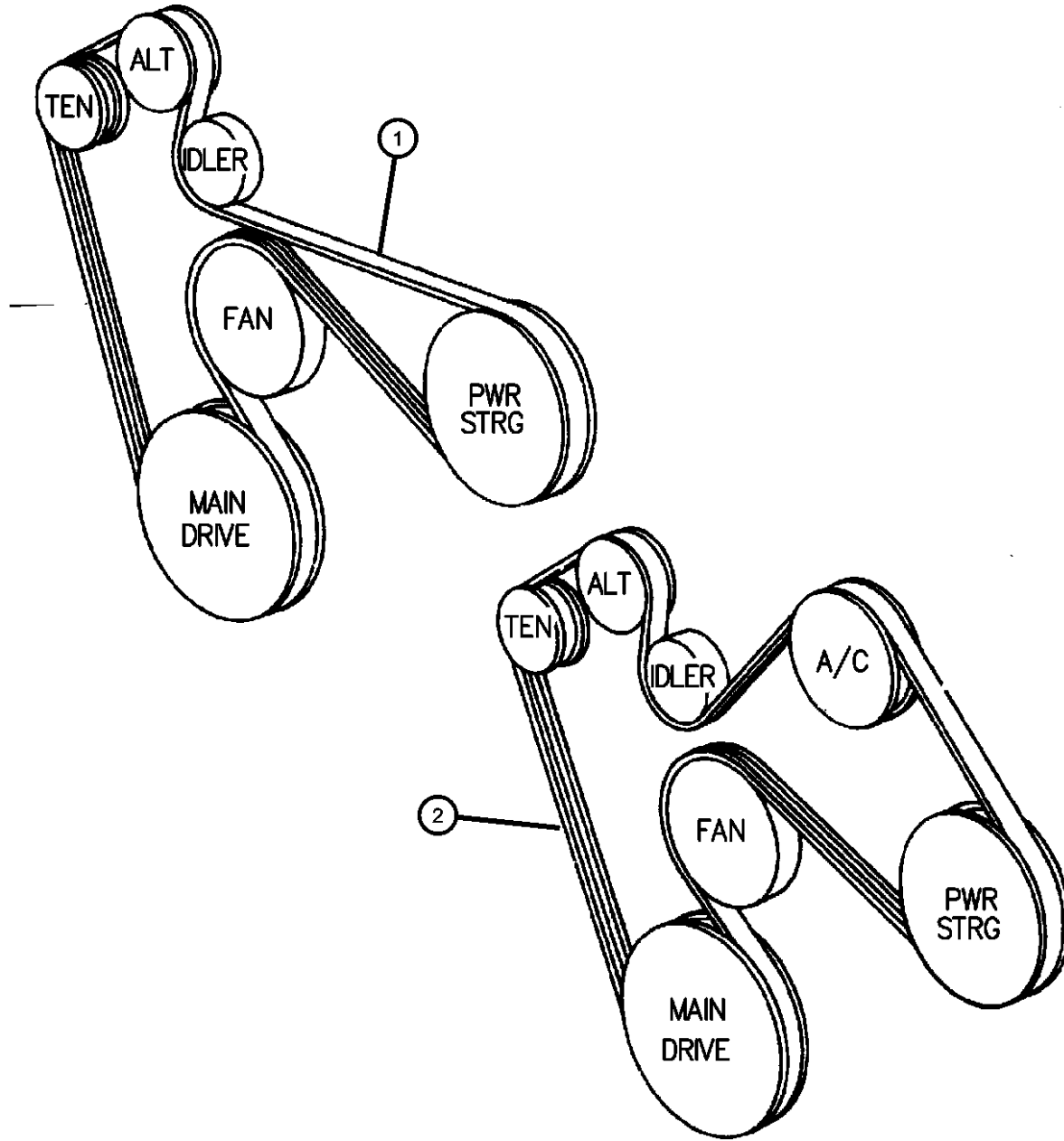
2005 WK

Drive Belts 3.7,4.7L Engines
Figure 7-510

ITEM	PART NUMBER	QTY	LINE	SERIES	BODY	ENGINE	TRANS	TRIM	DESCRIPTION
------	-------------	-----	------	--------	------	--------	-------	------	-------------

Note: Sales Code EK0 = 3.7L Engine
Note: Sales Code EV0 = 4.7L Engine

1									BELT, Accessory Drive
	53032037AJ	1				EV0			
		1				EK0			
2									BELT, Accessory Drive
	53032037AJ	1				EV0			
		1				EK0			



GRAND CHEROKEE (WK)

SERIES LINE
H = Laredo T = JEEP - 2WD
P = Limited J = JEEP - 4WD

BODY

74 = SPORT UTILITY 4-DOOR

ENGINE

EKG = Engine - 3.7L V6
EVA = Engine- 4.7L V8 MPI
EZB = Engine-5.7L HEMI

TRANSMISSION

DG0 = All Automatic Transmissions
DGJ = Transmission - 5-Spd Auto, MB
DGQ = Transmission-5-Spd Automatic 5-45RFE

AR = use ase required - = Non illustrated part

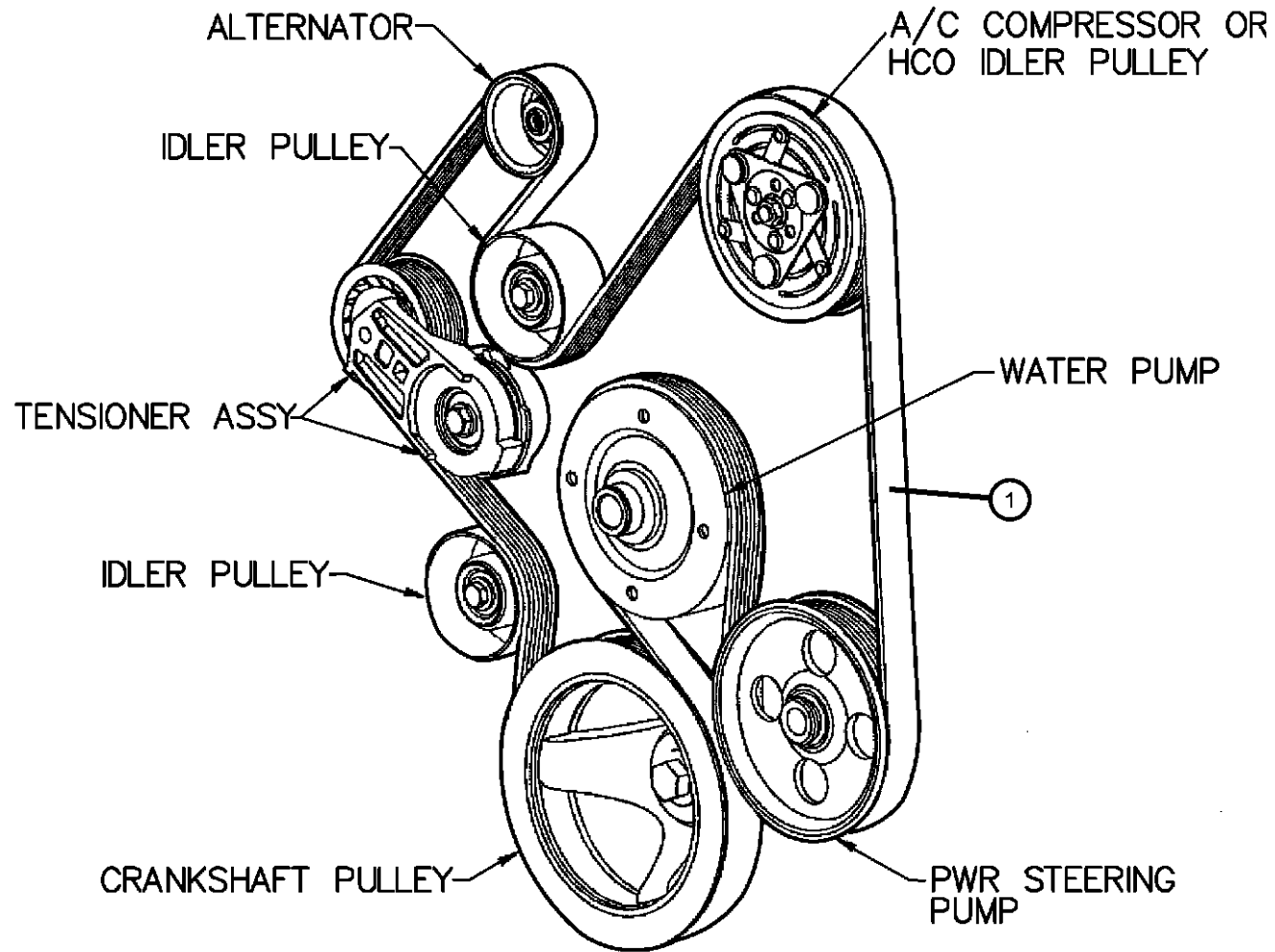
2005 WK

Drive Belts 5.7L Engine
Figure 7-520

ITEM	PART NUMBER	QTY	LINE	SERIES	BODY	ENGINE	TRANS	TRIM	DESCRIPTION
------	-------------	-----	------	--------	------	--------	-------	------	-------------

Note: Sales Code EZ0 = 5.7L Engine

1	53013676AB	1				EZ0			BELT, Accessory Drive
---	------------	---	--	--	--	-----	--	--	-----------------------



GRAND CHEROKEE (WK)

SERIES	LINE
H = Laredo	T = JEEP - 2WD
P = Limited	J = JEEP - 4WD

BODY

74 = SPORT UTILITY 4-DOOR

ENGINE

EKG = Engine - 3.7L V6
EVA = Engine- 4.7L V8 MPI
EZB = Engine-5.7L HEMI

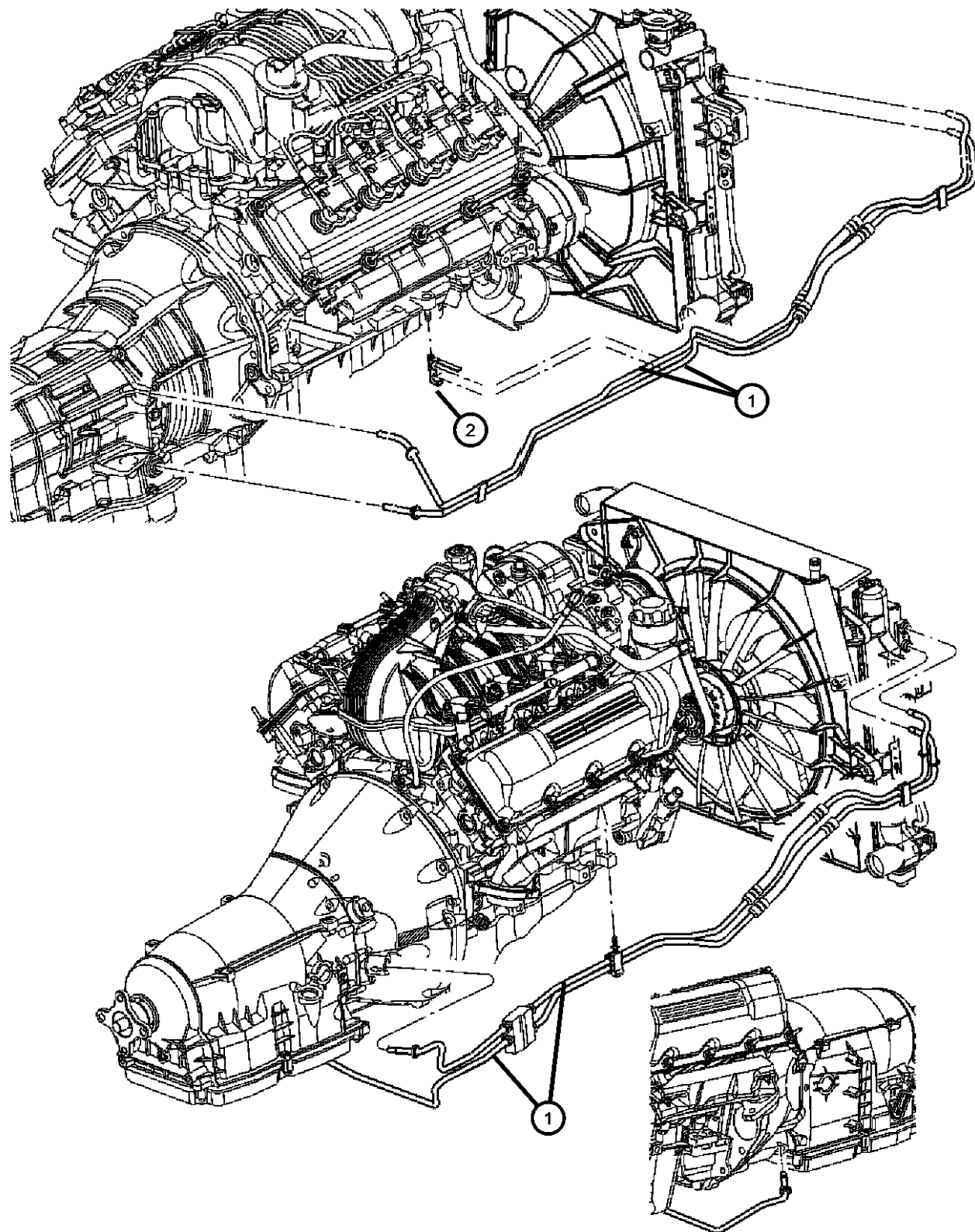
TRANSMISSION

DG0 = All Automatic Transmissions
DGJ = Transmission - 5-Spd Auto, MB
DGQ = Transmission-5-Spd Automatic 5-45RFE

AR = use ase required - = Non illustrated part

2005 WK

**Oil Cooler and Lines
Figure 7-620**



ITEM	PART NUMBER	QTY	LINE	SERIES	BODY	ENGINE	TRANS	TRIM	DESCRIPTION
Note: EK0 = 3.7L Engine EV0 = 4.7L Engine EZ0 = 5.7L Engine DG0 = All Automatic Transmissions									
1									TUBE & HOSE, Supply & Return
	55116875AC	1				EV0, EZ0	DG0		
	55116877AC	1				EK0	DG0		
2	52079789AB	1				EV0, EZ0	DG0		CLIP, Cooler Lines
-3									CONNECTOR, Oil Cooler Tube
	05137722AA	2				EZ0	DG0		
		2				EK0, EV0	DG0		

GRAND CHEROKEE (WK)

SERIES	LINE
H = Laredo	T = JEEP - 2WD
P = Limited	J = JEEP - 4WD

BODY

74 = SPORT UTILITY 4-DOOR

ENGINE

EKG = Engine - 3.7L V6
EVA = Engine- 4.7L V8 MPI
EZB = Engine-5.7L HEMI

TRANSMISSION

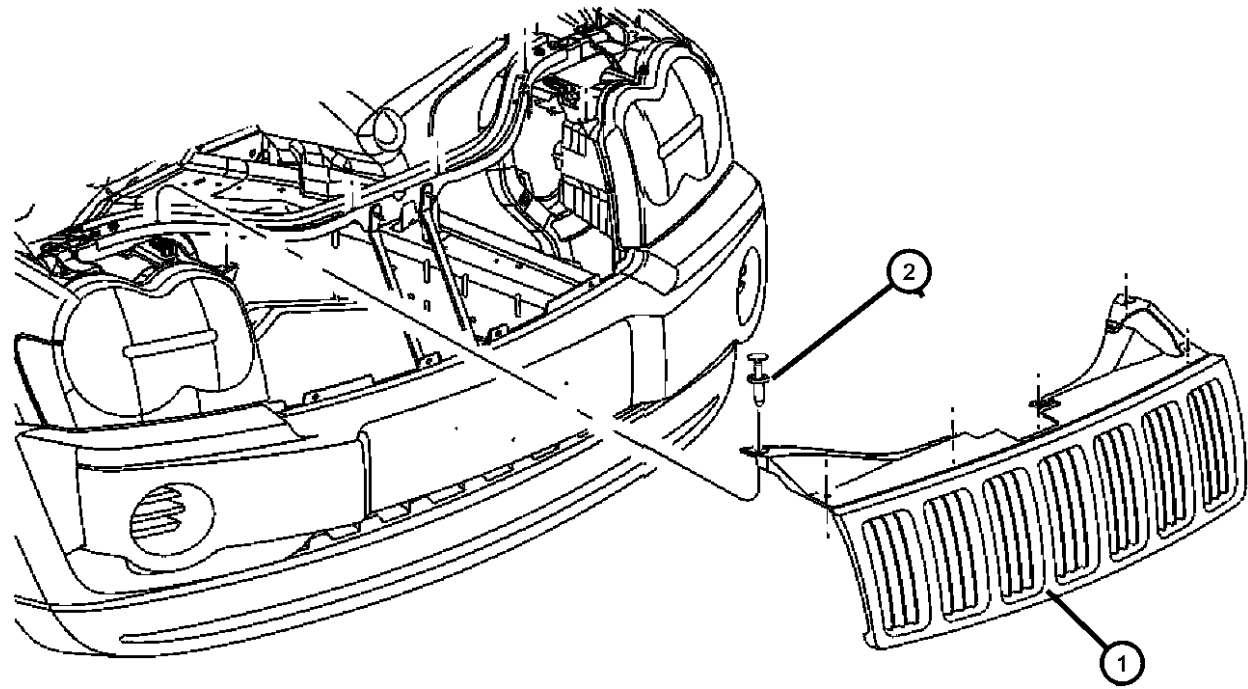
DG0 = All Automatic Transmissions
DGJ = Transmission - 5-Spd Auto, MB
DGQ = Transmission-5-Spd Automatic 5-45RFE

AR = use ase required - = Non illustrated part

2005 WK

**Grille and Related Parts
Figure 7-720**

ITEM	PART NUMBER	QTY	LINE	SERIES	BODY	ENGINE	TRANS	TRIM	DESCRIPTION
1									GRILLE, Radiator
	55156814AD	1							[MFZ]
	5JF941B8AD	1							[MFN], [B8]
	5JF941ELAD	1							[MFN], [EL]
	5JF941GVAD	1							[MFN], [GC]
	5JF941JCAD	1							[MFN], [JC]
	5JF941JTAD	1							[MFN], [JT]
	5JF941SBAD	1							[MFN], [SB]
	5JF941W1AD	1							[MFN], [W1]
	5JF941XRAD	1							[MFN], [XR]
	5JF941RJAE	1							[MFN], [RJ]
2	06503598	6							PIN, Push, M8x21



GRAND CHEROKEE (WK)

SERIES LINE
H = Laredo T = JEEP - 2WD
P = Limited J = JEEP - 4WD

BODY

74 = SPORT UTILITY 4-DOOR

ENGINE

EKG = Engine - 3.7L V6
EVA = Engine- 4.7L V8 MPI
EZB = Engine-5.7L HEMI

TRANSMISSION

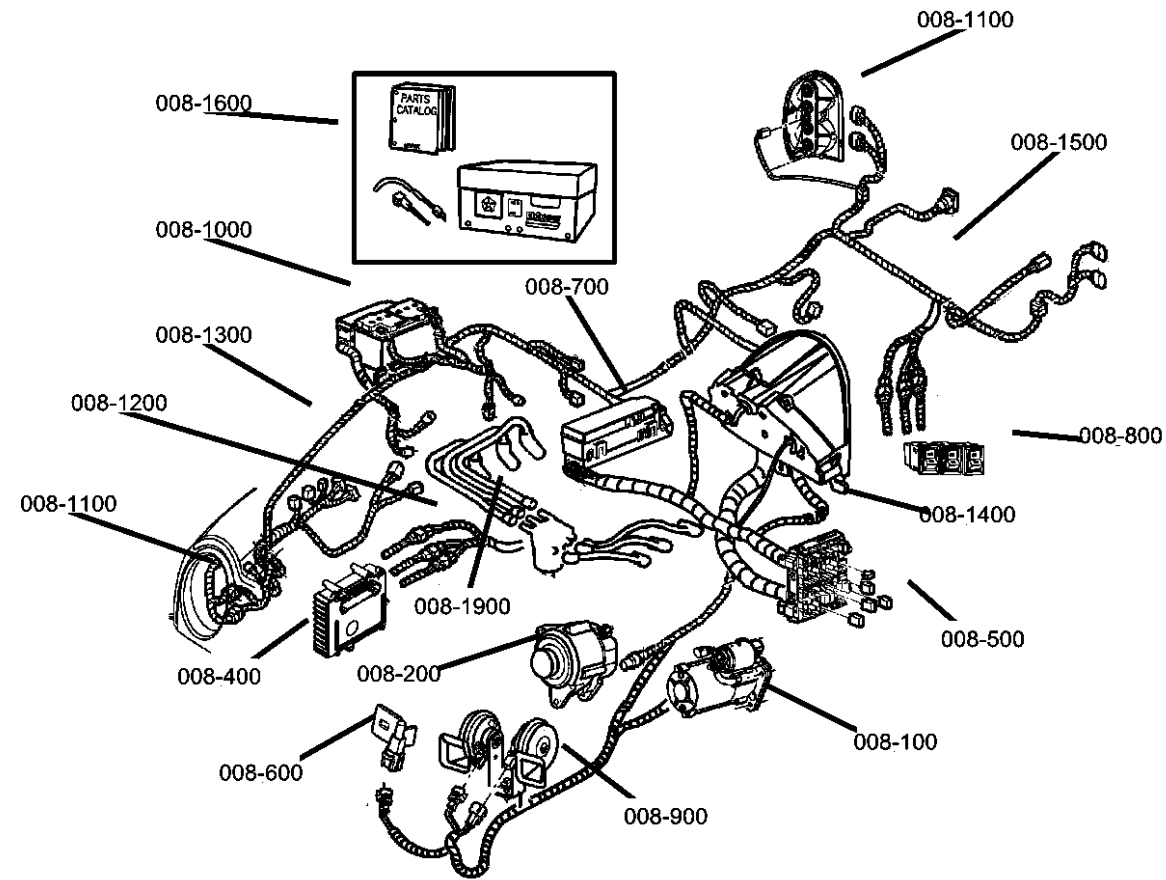
DG0 = All Automatic Transmissions
DGJ = Transmission - 5-Spd Auto, MB
DGQ = Transmission-5-Spd Automatic
5-45RFE

AR = use ase required - = Non illustrated part

2005 WK

Group - 8

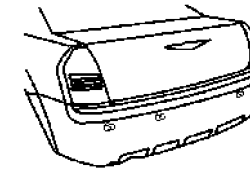
Electrical



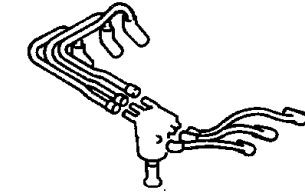
008-1700
Air Bag Systems



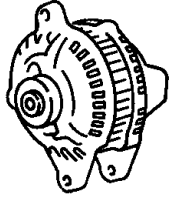
008-1800
Park Assist



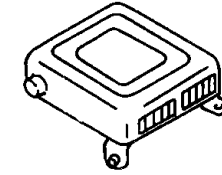
008-1900
Spark Plugs-Cables-Coils



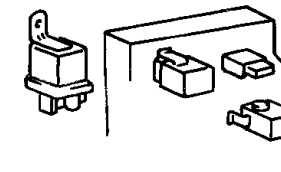
008-200
Alternators



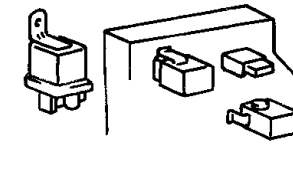
008-400
Modules



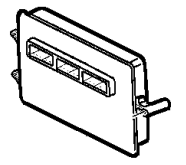
008-500
Relays



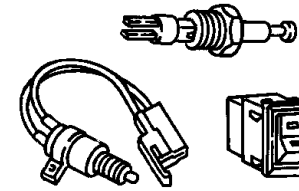
008-600
Sensors



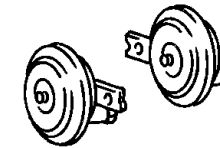
008-700
Single Board Engine Controllers

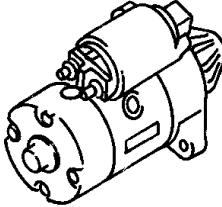
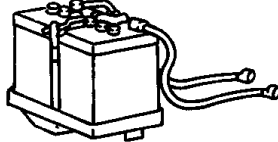
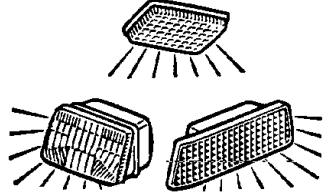
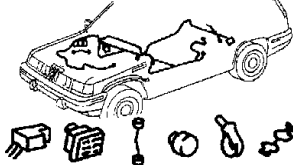


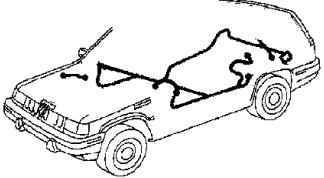


008-800
Switches



008-900
Horns



<p>008-100 Starters</p> 	<p>008-1000 Battery Tray and Cables</p> 	<p>008-1100 Lamps - Front, Rear and Courtesy</p> 	<p>008-1200 Wiring-Engine & Related Parts</p> 
<p>008-1300 Wiring-Headlamp to Dash</p> 	<p>008-1400 Wiring-Instrument Panel</p> 	<p>008-1500 Wiring-Body & Accessories</p> 	<p>008-1600 Wiring Repair</p> <p>WIRING REPAIR PKG.</p>

Group - 8 Electrical

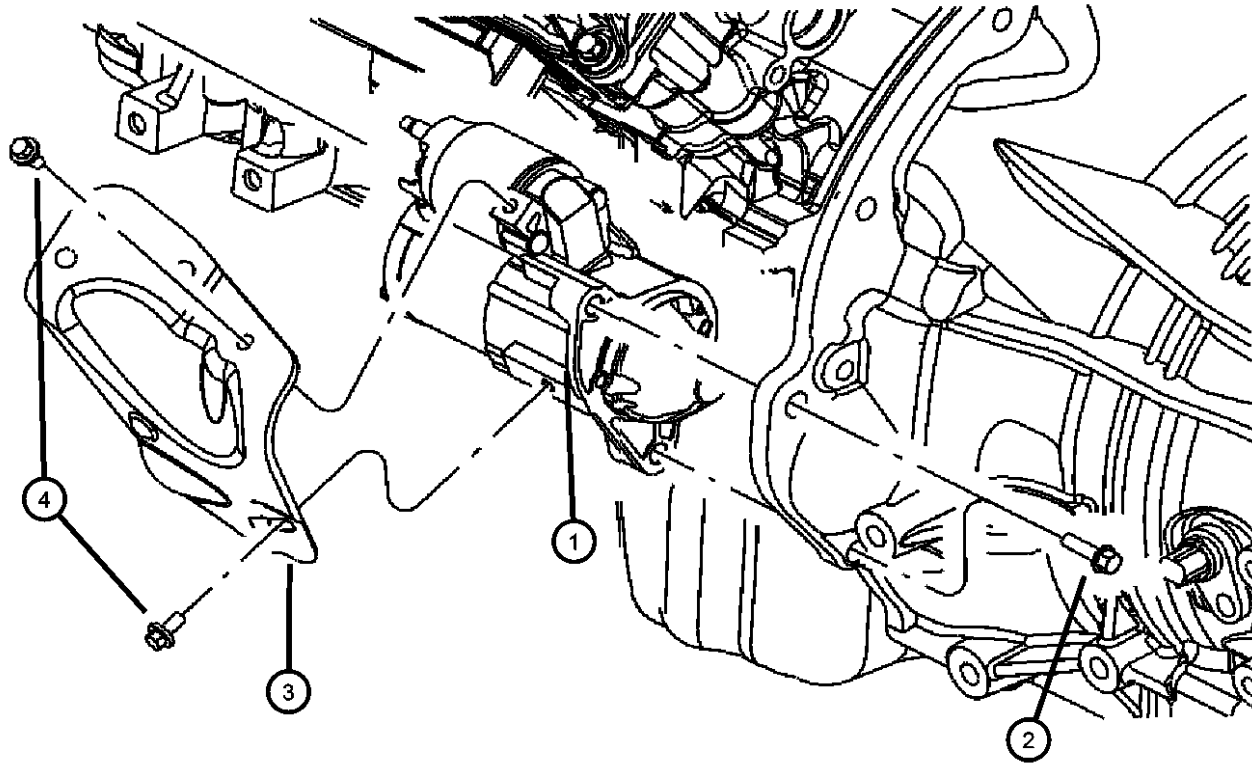
Illustration Title	Group-Fig. No.
Starters	
Starters.....	Fig. 8 - 110
Alternators	
Alternator [3.7L engine].....	Fig. 8 - 205
Alternator [4.7L Engine].....	Fig. 8 - 210
Alternator [5.7L Engine].....	Fig. 8 - 215
Modules	
Modules Floor Mounted.....	Fig. 8 - 405
Modules Under Hood.....	Fig. 8 - 410
Modules Body.....	Fig. 8 - 415
Relays	
Power Distribution Center Front.....	Fig. 8 - 505
Power Distribution Center Rear.....	Fig. 8 - 510
Junction Block, Relays, Circuit Breaker.....	Fig. 8 - 515
Sensors	
Sensors Engine [3.7L engine].....	Fig. 8 - 605
Sensors, Engine (4.7L) [EV0].....	Fig. 8 - 610
Sensors Engine [5.7L engine].....	Fig. 8 - 615
Sensors Oxygen [3.7L engine].....	Fig. 8 - 620
Sensors, Oxygen 4.7L [EV0].....	Fig. 8 - 625
Sensors Oxygen [5.7L Engine].....	Fig. 8 - 630
Sensors Drivetrain.....	Fig. 8 - 635
Sensors Body.....	Fig. 8 - 640
Single Board Engine Controllers	
Powertrain Control Modules.....	Fig. 8 - 705
Switches	
Switches (Instrument Panel and Console).....	Fig. 8 - 810
Switches, (Drive Train).....	Fig. 8 - 820
Switches, (Body).....	Fig. 8 - 830
Horns	
Horns.....	Fig. 8 - 905
Battery Tray and Cables	
Battery Tray & Wiring [3.7L and 4.7L Engines].....	Fig. 8 - 1005
Battery Tray and Wiring [5.7L Engine].....	Fig. 8 - 1010
Block Heaters [3.7L and 4.7L Engines].....	Fig. 8 - 1015
Block Heaters [5.7L Engine].....	Fig. 8 - 1020
Lamps - Front, Rear and Courtesy	
Lamp - Front End.....	Fig. 8 - 1110
Lamp - Rear End.....	Fig. 8 - 1120
Lamp - Courtesy - Dome - Reading.....	Fig. 8 - 1130
Bulbs.....	Fig. 8 - 1140
Wiring-Engine & Related Parts	
Wiring - Engine [3.7L and 4.7L Engine].....	Fig. 8 - 1205
Wiring Engine [5.7L Engine].....	Fig. 8 - 1210
Ground Straps.....	Fig. 8 - 1215
Wiring-Headlamp to Dash	
Wiring - Headlamp / Dash.....	Fig. 8 - 1305
Wiring-Instrument Panel	
Wiring - Instrument Panel.....	Fig. 8 - 1410
Wiring-Body & Accessories	
Wiring Body.....	Fig. 8 - 1505
Wiring - Doors and Liftgate.....	Fig. 8 - 1510
Wiring Seats.....	Fig. 8 - 1515
Wiring Repair	
Wiring Repair Packages.....	Fig. 8 - 1605
Air Bag Systems	
Air Bag Modules and Sensors.....	Fig. 8 - 1705
Air Bags and Clock Spring.....	Fig. 8 - 1710
Park Assist	
Park Assist Detection System.....	Fig. 8 - 1805
Spark Plugs-Cables-Coils	
Spark Plugs and Coils [3.7L and 4.7L Engines].....	Fig. 8 - 1905
Spark Plug, Ignition Wires, and Coil [5.7L Engine].....	Fig. 8 - 1910

Starters
Figure 8-110

ITEM	PART NUMBER	QTY	LINE	SERIES	BODY	ENGINE	TRANS	TRIM	DESCRIPTION
------	-------------	-----	------	--------	------	--------	-------	------	-------------

Notes:
 [ER0]=4.0L Engine
 [EV0]=4.7L Engine
 [DGQ]=5 Speed Automatic Transmission

1									STARTER
	56044734AA	1				EK0			
	56044735AB	1				EVO			
	56044736AB	1				EZO			
2	06102120AA	2				EK0, EVO, EZO			SCREW AND WASHER, Hex Head, Starter mounting
3	56044116AD	1				EVO, EZO			SHIELD, Starter
4		1							SCREW, Hex Flange Head, M6x1x12, (NOT SERVICED)



GRAND CHEROKEE (WK)

SERIES	LINE
H = Laredo	T = JEEP - 2WD
P = Limited	J = JEEP - 4WD

BODY

74 = SPORT UTILITY 4-DOOR

ENGINE

EKG = Engine - 3.7L V6
 EVA = Engine- 4.7L V8 MPI
 EZB = Engine-5.7L HEMI

TRANSMISSION

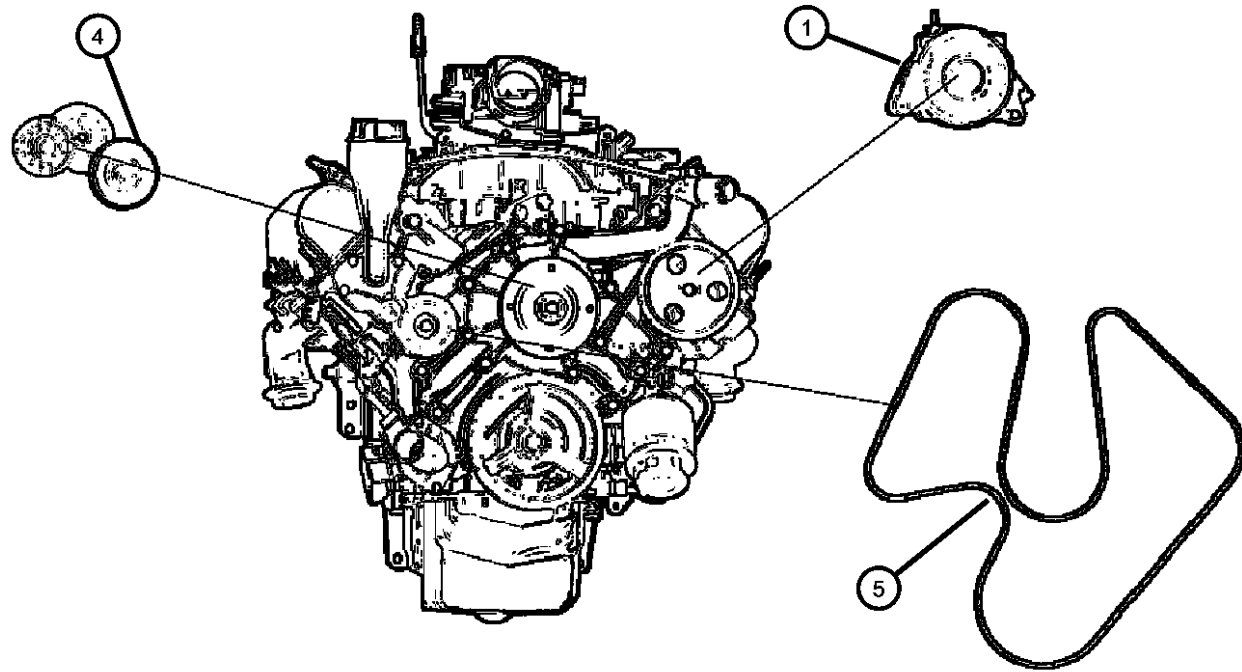
DG0 = All Automatic Transmissions
 DGJ = Transmission - 5-Spd Auto, MB
 DGQ = Transmission-5-Spd Automatic
 5-45RFE

AR = use ase required - = Non illustrated part

2005 WK

**Alternator [3.7L engine]
Figure 8-205**

ITEM	PART NUMBER	QTY	LINE	SERIES	BODY	ENGINE	TRANS	TRIM	DESCRIPTION
1	05170748AA	1				EK0, EVO			ALTERNATOR
-2	06504344	1				EK0			SCREW AND WASHER, Hex Head, Alternator to Front Cover Attaching
-3	06505482AA	1				EK0			SCREW AND WASHER, Hex Head, M8x1.25x50, Alternator to Cylinder Head
4	53030958AD	1				EK0			TENSIONER, Alternator Belt
5	53032037AJ	1				EK0			BELT, Accessory Drive
-6	06505488AA	1				EK0			SCREW AND WASHER, Hex, Alternator to Front Cover attaching



GRAND CHEROKEE (WK)

SERIES LINE
H = Laredo T = JEEP - 2WD
P = Limited J = JEEP - 4WD

BODY

74 = SPORT UTILITY 4-DOOR

ENGINE

EKG = Engine - 3.7L V6
EVA = Engine- 4.7L V8 MPI
EZB = Engine-5.7L HEMI

TRANSMISSION

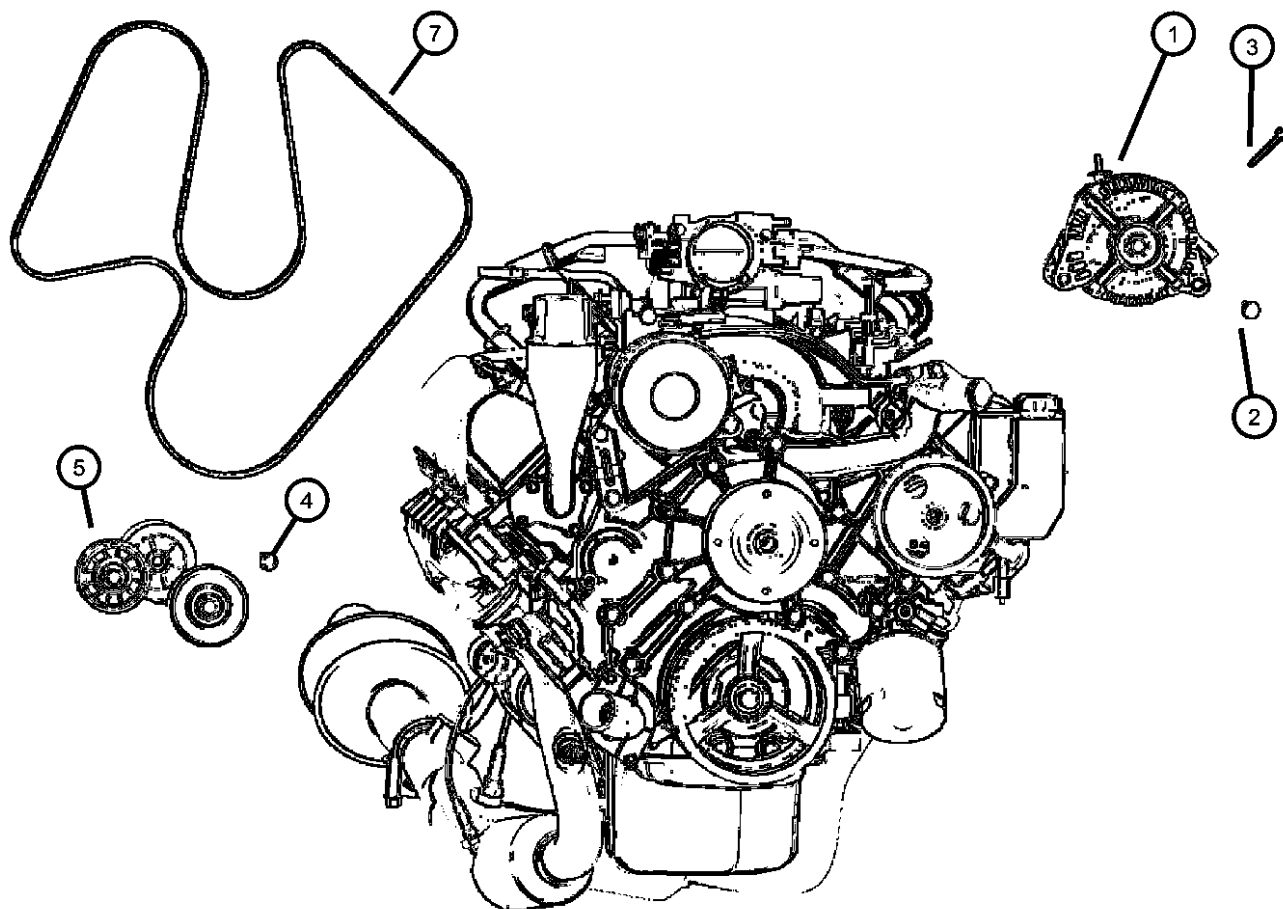
DG0 = All Automatic Transmissions
DGJ = Transmission - 5-Spd Auto, MB
DGQ = Transmission-5-Spd Automatic 5-45RFE

AR = use ase required - = Non illustrated part

2005 WK

Alternator [4.7L Engine]
Figure 8-210

ITEM	PART NUMBER	QTY	LINE	SERIES	BODY	ENGINE	TRANS	TRIM	DESCRIPTION
1	05170748AA	1				EK0, EVO			ALTERNATOR
2	06505488AA	1				EVO			SCREW AND WASHER, Hex
3	06505482AA	1				EVO			SCREW AND WASHER, Hex Head, M8x1.25x50
4	06504930AA	1				EVO			SCREW AND WASHER, Hex Head, M10x1.5x70
5	53030958AC	1				EVO			TENSIONER, Alternator Belt
-6	06506929AA	1							NUT, Hex Flange Lock, M8x1.25, B+ connection
7	53032037AJ	1				EVO			BELT, Accessory Drive



GRAND CHEROKEE (WK)

SERIES LINE
H = Laredo T = JEEP - 2WD
P = Limited J = JEEP - 4WD

BODY

74 = SPORT UTILITY 4-DOOR

ENGINE

EKG = Engine - 3.7L V6
EVA = Engine- 4.7L V8 MPI
EZB = Engine-5.7L HEMI

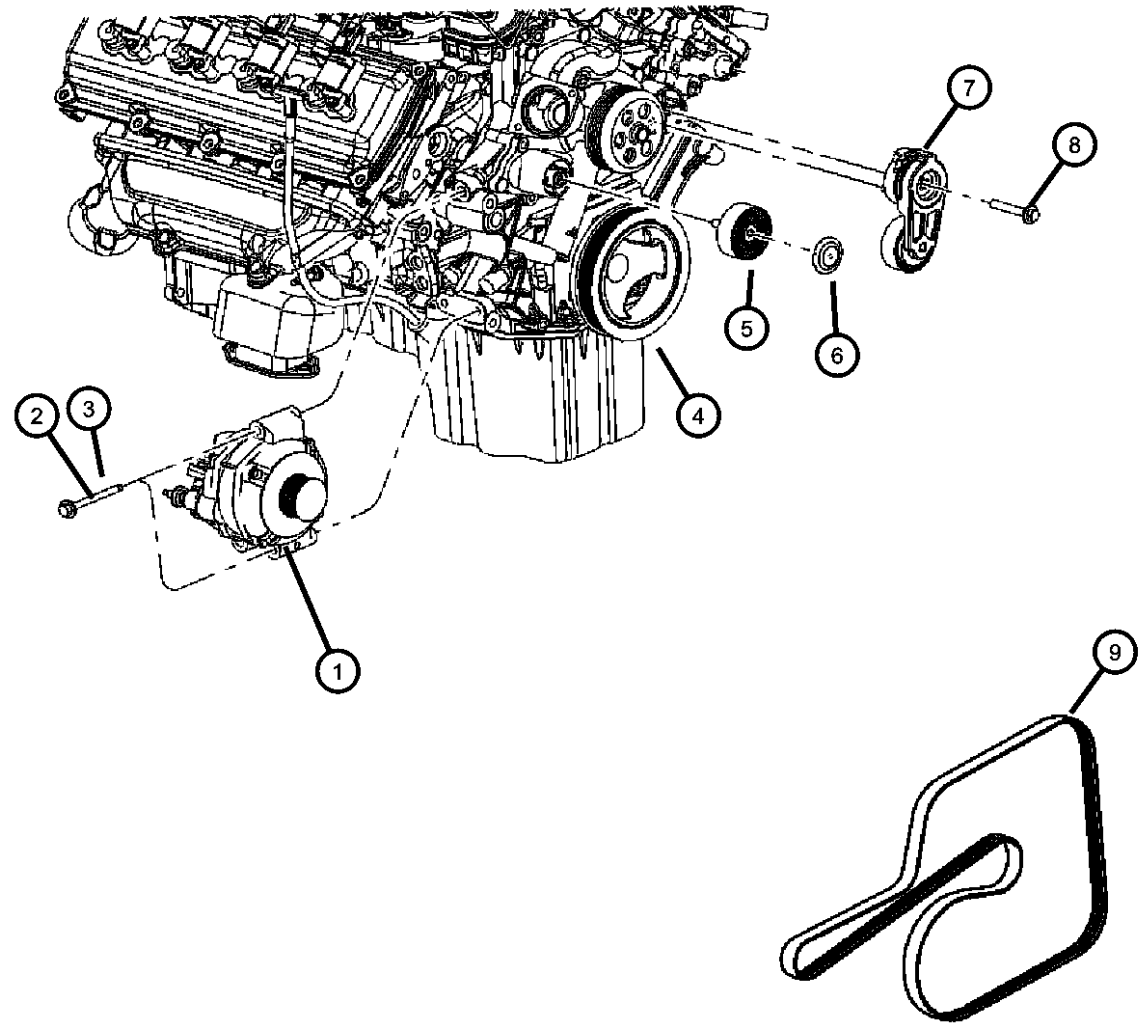
TRANSMISSION

DG0 = All Automatic Transmissions
DGJ = Transmission - 5-Spd Auto, MB
DGQ = Transmission-5-Spd Automatic
5-45RFE

AR = use ase required - = Non illustrated part

2005 WK

Alternator [5.7L Engine]
Figure 8-215



ITEM	PART NUMBER	QTY	LINE	SERIES	BODY	ENGINE	TRANS	TRIM	DESCRIPTION
1	56044380AC	1				EZ0			ALTERNATOR
2	06101985	1				EZ0			SCREW AND WASHER, M10x1.50x45.00, Alternator to front cover lower
3	06504344	1				EZ0			SCREW AND WASHER, Hex Head, ALternator to front cover
4	04792815AA	1				EZ0			DAMPER, Crankshaft
5	04792835AA	1				EZ0			PULLEY, Idler
6	04792875AA	1				EZ0			CAP, Pulley
7	04861660AA	1				EZ0			TENSIONER, Belt
8	06101998	1				EZ0			SCREW AND WASHER, Hex
9	53013676AB	1				EZ0			BELT, Accessory Drive

GRAND CHEROKEE (WK)

SERIES LINE
H = Laredo T = JEEP - 2WD
P = Limited J = JEEP - 4WD

BODY
74 = SPORT UTILITY 4-DOOR

ENGINE
EKG = Engine - 3.7L V6
EVA = Engine- 4.7L V8 MPI
EZB = Engine-5.7L HEMI

TRANSMISSION
DG0 = All Automatic Transmissions
DGJ = Transmission - 5-Spd Auto, MB
DGQ = Transmission-5-Spd Automatic 5-45RFE

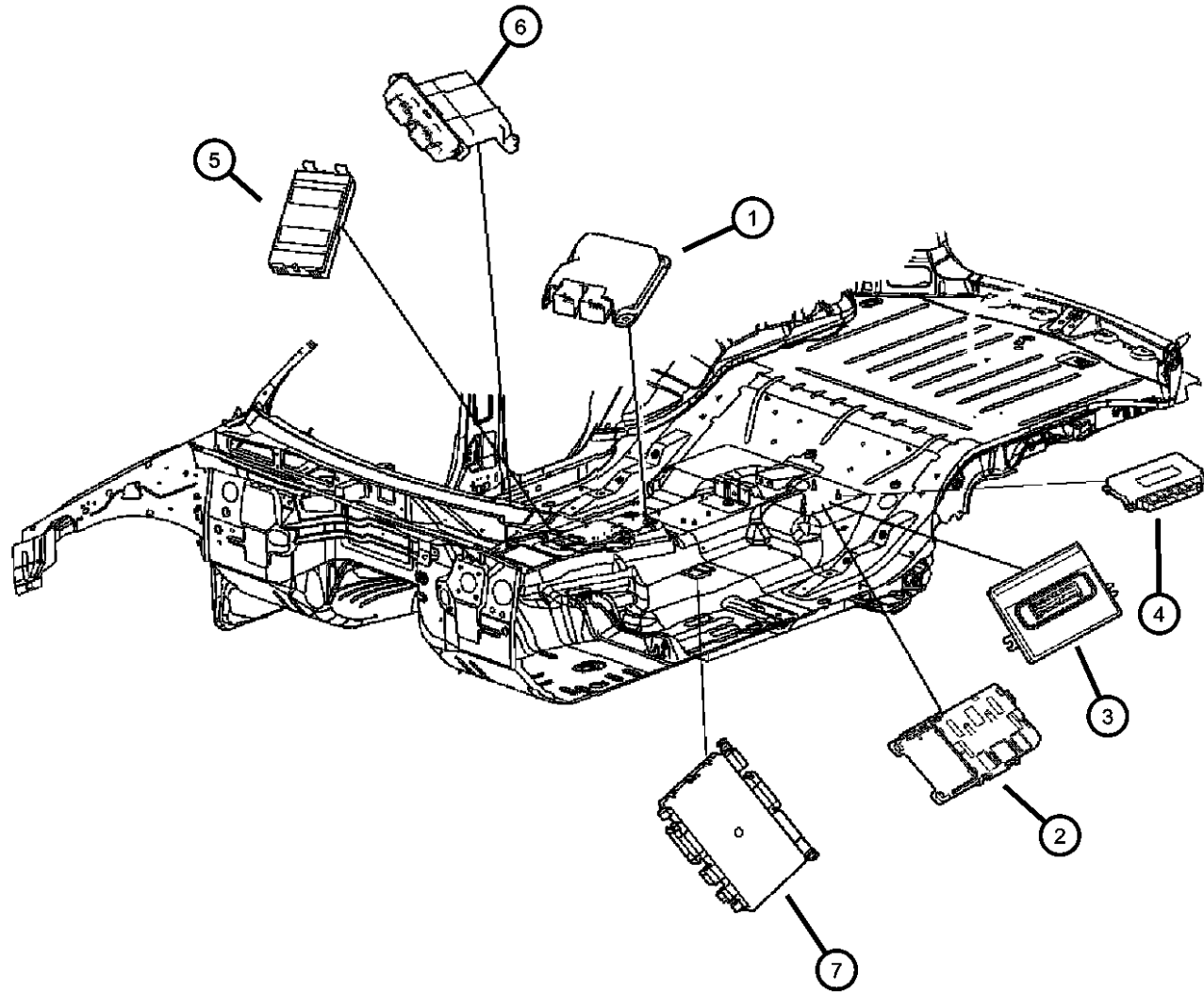
AR = use ase required - = Non illustrated part

2005 WK

Modules Floor Mounted
Figure 8-405

ITEM	PART NUMBER	QTY	LINE	SERIES	BODY	ENGINE	TRANS	TRIM	DESCRIPTION
------	-------------	-----	------	--------	------	--------	-------	------	-------------

Notes:
 [ER0]=4.0L Engine
 [EV0]=4.7L Engine
 [DGQ]=5 Speed Automatic Transmission



1									MODULE, Occupant Restraint
	56010425AH	1							
	56010426AH	1							[CGS]
2	56038805AC	1							BRACKET, Module, Park assist and transfer case control module
3									MODULE, Transfer Case Control
	56044199AF	1	J						[DHX,DSG]
	56044204AE	1	J						[DHX,SNA]
	56044129AF	1	J						[DHX,DS7]
4									MODULE, Parking Assist
	05026016AA	1							[XAA]
	05137541AA	1							
5	04602327AE	1							MODULE, Heated Seat Control
6	56043195AU	1							MODULE, Occupant Classification
7	04602437AJ	1							MODULE, Seat Memory

GRAND CHEROKEE (WK)

SERIES	LINE
H = Laredo	T = JEEP - 2WD
P = Limited	J = JEEP - 4WD

BODY

74 = SPORT UTILITY 4-DOOR

ENGINE

EKG = Engine - 3.7L V6
 EVA = Engine- 4.7L V8 MPI
 EZB = Engine-5.7L HEMI

TRANSMISSION

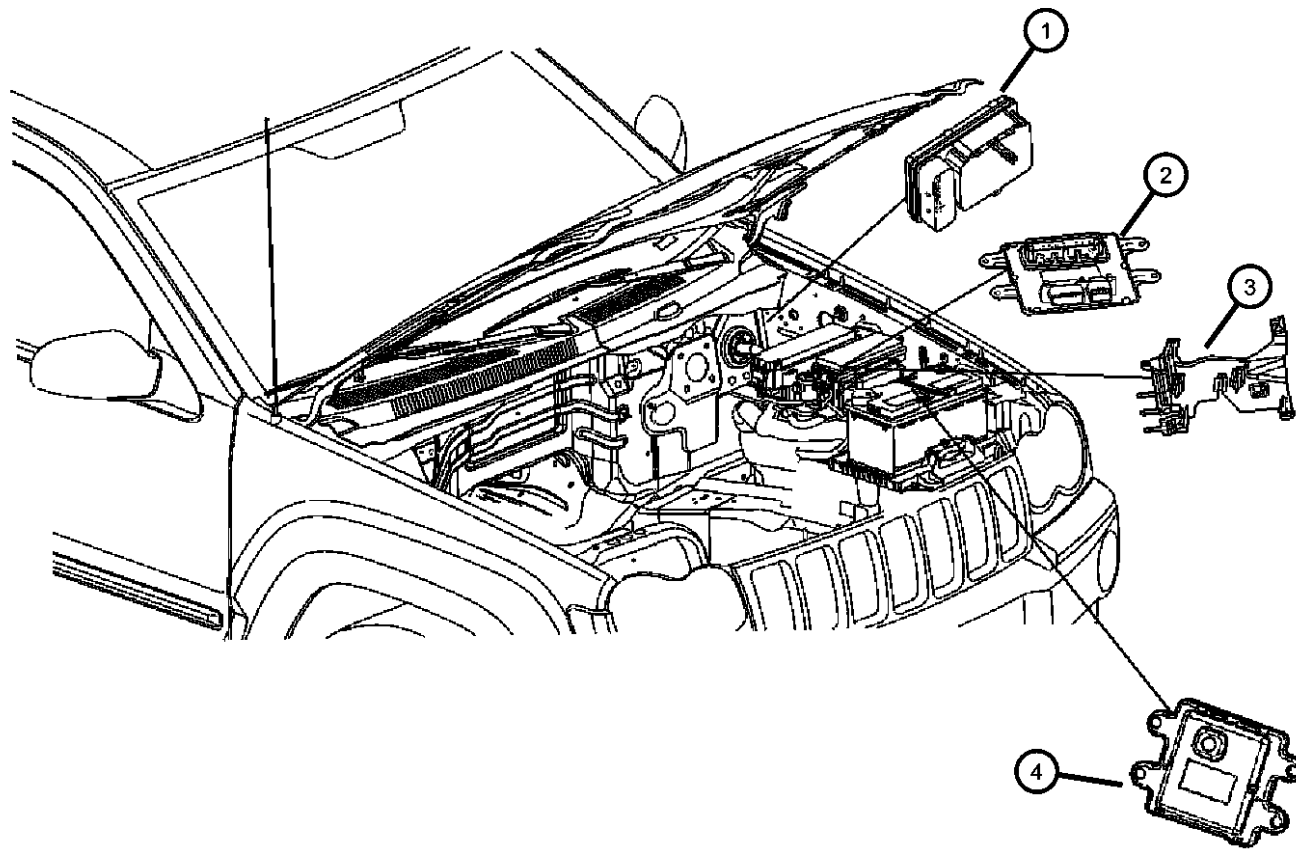
DG0 = All Automatic Transmissions
 DGJ = Transmission - 5-Spd Auto, MB
 DGQ = Transmission-5-Spd Automatic 5-45RFE

AR = use ase required - = Non illustrated part

2005 WK

**Modules Under Hood
Figure 8-410**

ITEM	PART NUMBER	QTY	LINE	SERIES	BODY	ENGINE	TRANS	TRIM	DESCRIPTION
1	05134961AA	1	J						MODULE, Anti-lock Brakes [BRY,BNR]
	05140725AA	1	T						[BRY]
	05134960AA	1	J						[BRY,BNB,BNR]
2	56040662AH	1				EK0, EV0			MODULE, Front Control EZ0
		1							
3	56050148AE	1							BRACKET, Power Distribution Center, Front Control Module
4	04842420AA	1				EK0, EV0			COVER, Control Unit Front control module
		1				EZ0			Front control module



GRAND CHEROKEE (WK)

SERIES	LINE
H = Laredo	T = JEEP - 2WD
P = Limited	J = JEEP - 4WD

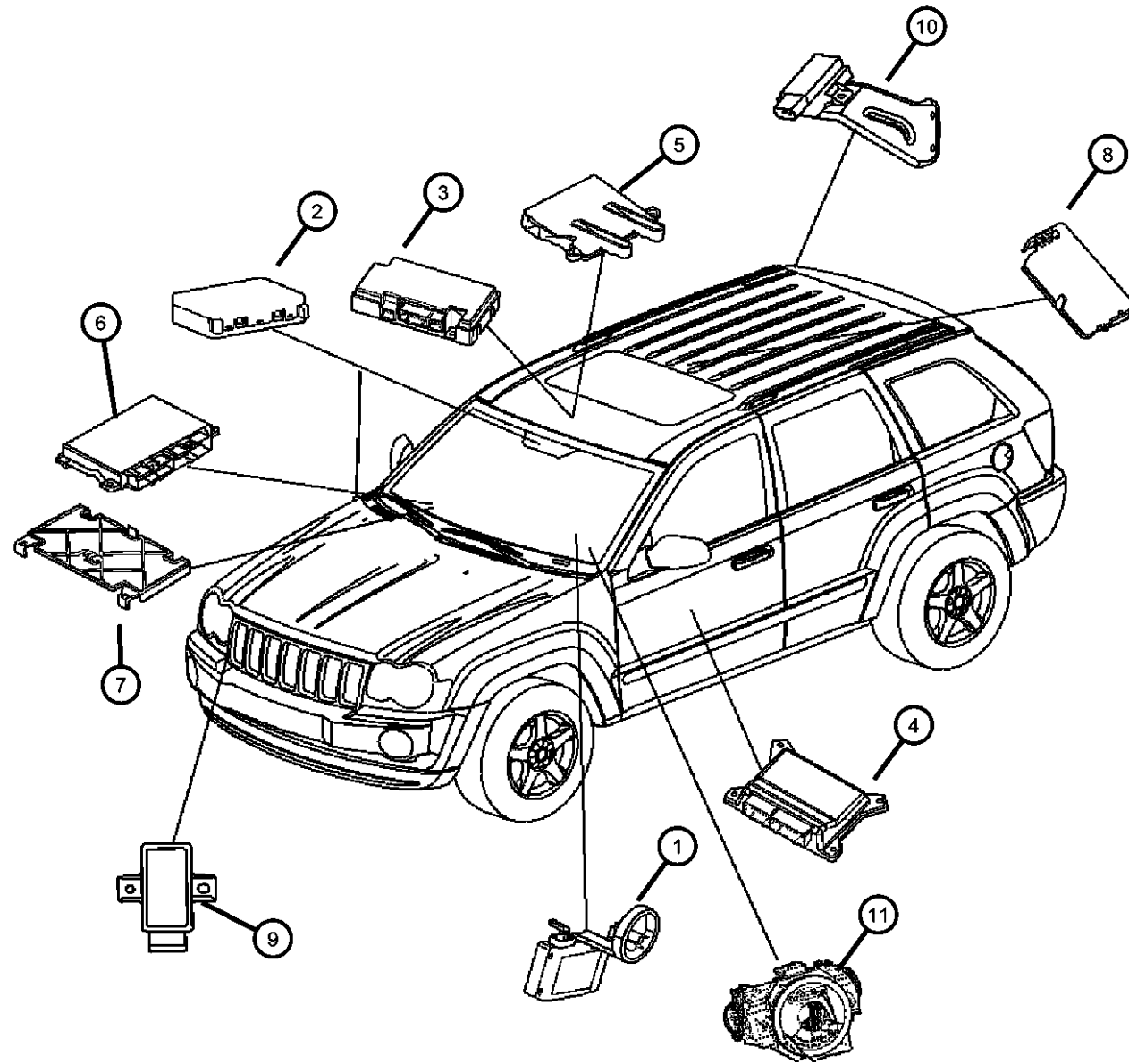
BODY	ENGINE
74 = SPORT UTILITY 4-DOOR	EKG = Engine - 3.7L V6
	EVA = Engine- 4.7L V8 MPI
	EZB = Engine-5.7L HEMI

TRANSMISSION
DG0 = All Automatic Transmissions
DGJ = Transmission - 5-Spd Auto, MB
DGQ = Transmission-5-Spd Automatic 5-45RFE

AR = use ase required - = Non illustrated part

2005 WK

Modules Body
Figure 8-415



ITEM	PART NUMBER	QTY	LINE	SERIES	BODY	ENGINE	TRANS	TRIM	DESCRIPTION
1	56040543AN	1							RECEIVER, Control Module [XGM,GXM,GXX] Up to 10/04/04
	56040543AO	1							[XGM,GXM,GXX] After 10/04/04
	56053016AN	1							[LABGXM,GXX] Up to 10/04/04
	56053016AO	1							[LABGXM,GXX] After 10/04/04
2	56050078AH	1							MODULE, Rain Sensor Up to 10/04/04
	56050078AI	1							After 10/04/04
3	05064013AM	1							MODULE, Telematics, HANDS-FREE MODULE
4	56038721AJ	2							MODULE, Memory
5	56050243AE	1							MODULE, Compass Temperature
6	04692390AF	1					DGJ		MODULE, Transmission Control
7	56044171AC	1					DGJ		BRACKET, Control Unit, Trans module
8	05137557AA	1							MOTOR/MODULE, Sunroof
9	56053034AB	2							MODULE, Low Tire Pressure Warning, Wheel sensor trigger
10	56044729AB	1							MODULE, Low Tire Pressure Warning, Trigger
11	05143320AC	1							MODULE, Steering Control [BNB]
	05143319AC	1							

GRAND CHEROKEE (WK)

SERIES LINE
H = Laredo T = JEEP - 2WD
P = Limited J = JEEP - 4WD

BODY ENGINE TRANSMISSION
74 = SPORT UTILITY 4-DOOR EKG = Engine - 3.7L V6
EVA = Engine- 4.7L V8 MPI
EZB = Engine-5.7L HEMI

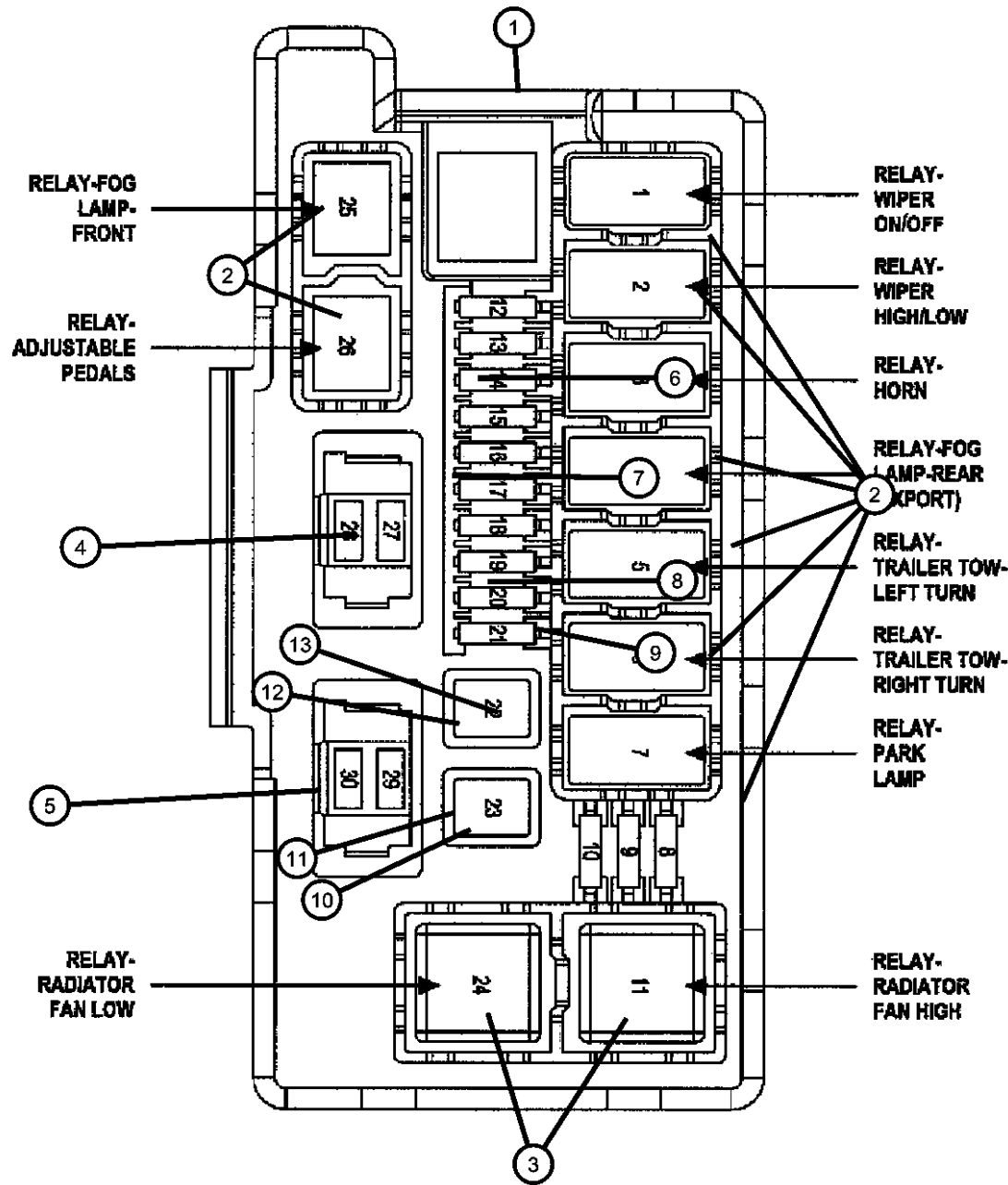
DG0 = All Automatic Transmissions
DGJ = Transmission - 5-Spd Auto, MB
DGQ = Transmission-5-Spd Automatic
5-45RFE

AR = use ase required - = Non illustrated part

2005 WK

**Power Distribution Center Front
Figure 8-505**

ITEM	PART NUMBER	QTY	LINE	SERIES	BODY	ENGINE	TRANS	TRIM	DESCRIPTION
1	04839336AD	1				EK0, EV0			POWER DISTRIBUTION CENTER [AHT,AHX]
		1				EZ0			[AHX]
	04839337AD	1				EK0, EV0			
		1				EZ0			
2	04671168	1							RELAY, Mini
3									RELAY, Mini
	56006709	2				EK0, EV0			
		2				EZ0			
4	04868007AA	1				EK0, EV0			FUSE CARTRIDGE, 30 Amp
		1				EZ0			
5	06102078AA	1				EK0, EV0			FUSE CARTRIDGE, 50 Amp
		1				EZ0			
6	000ATM10	5				EK0, EV0			FUSE, Mini, 10 AMP, Red
		5				EZ0			
7	000ATM15	1				EK0, EV0			FUSE, Mini, 15 AMP, Light Blue
		1				EZ0			
8	000ATM20	11				EK0, EV0			FUSE, Mini, 20 AMP, Yellow
		11				EZ0			
9	000ATM25	1	T			EK0			FUSE, Mini, 25 Amp, Natural
10	000MAX50	1	T			EK0			FUSE, Maxi, 50 AMP, Red
11	000ATM30	1	T			EK0			FUSE, Mini, 30 AMP, Green
12	000MAX30	1	T			EK0			FUSE, Maxi, 30 Amp, Green
13	000MAX40	1	T			EK0			FUSE, Maxi, 40 AMP, Amber
-14									COVER, Power Distribution Center
	05127783AA	1				EK0, EV0			
		1				EZ0			



GRAND CHEROKEE (WK)

SERIES LINE
H = Laredo T = JEEP - 2WD
P = Limited J = JEEP - 4WD

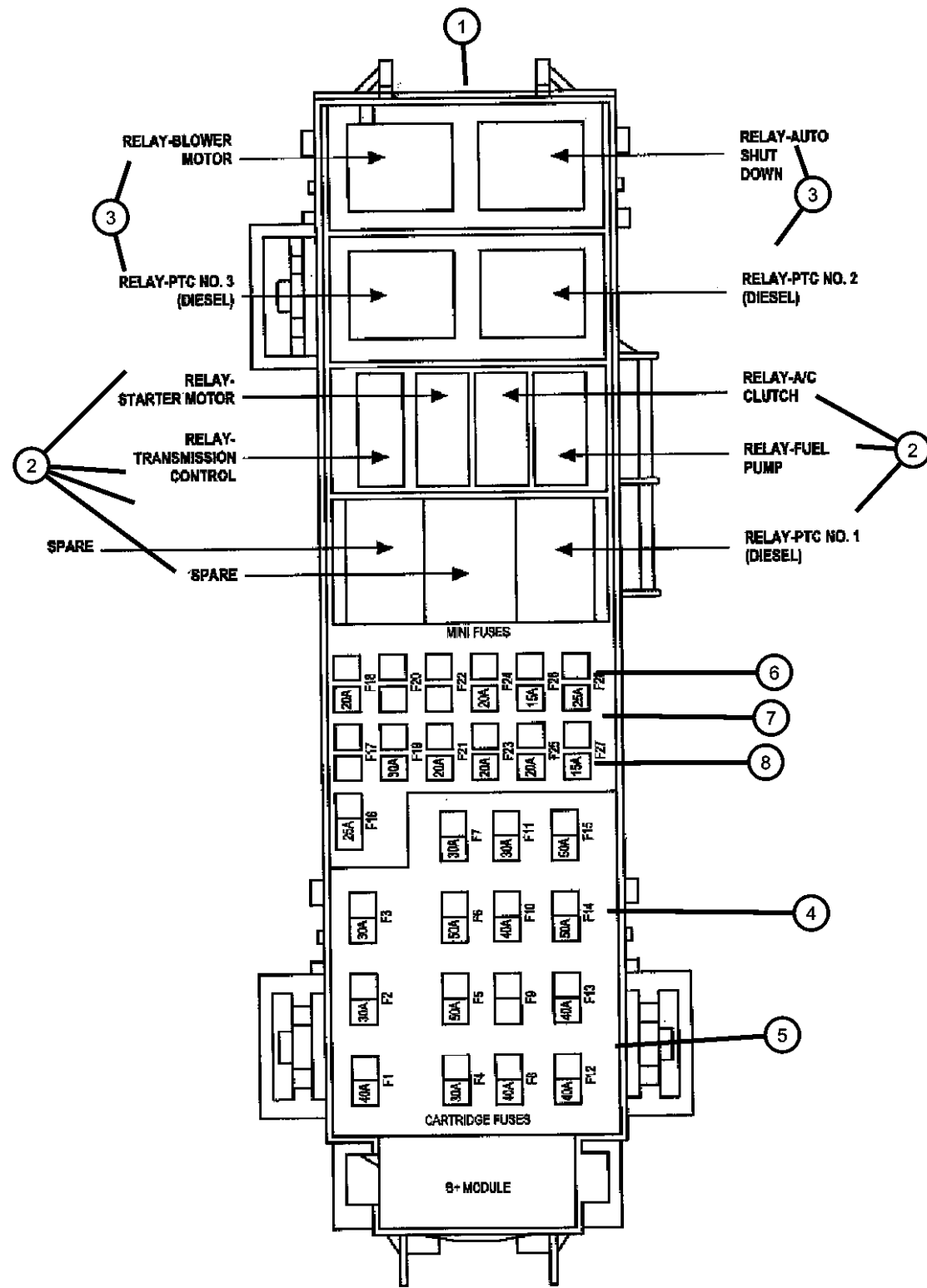
BODY ENGINE
74 = SPORT UTILITY 4-DOOR EKG = Engine - 3.7L V6
EVA = Engine- 4.7L V8 MPI
EZB = Engine-5.7L HEMI

TRANSMISSION
DG0 = All Automatic Transmissions
DGJ = Transmission - 5-Spd Auto, MB
DGQ = Transmission-5-Spd Automatic 5-45RFE

AR = use ase required - = Non illustrated part

2005 WK

Power Distribution Center Rear
Figure 8-510



ITEM	PART NUMBER	QTY	LINE	SERIES	BODY	ENGINE	TRANS	TRIM	DESCRIPTION
1		1							POWER DISTRIBUTION CENTER, Serviced in Headlamp to Dash Wiring, (NOT SERVICED)
2	04671168	1							RELAY, Mini
3	56049018AB	1	T			EK0			RELAY, Micro
4	04868007AA	1				EK0, EVO			FUSE CARTRIDGE, 30 Amp
5	06102078AA	1				EK0, EVO			FUSE CARTRIDGE, 50 Amp
6	000ATM10	5				EK0, EVO			FUSE, Mini, 10 AMP, Red
7									FUSE, Mini, 15 AMP, Light Blue
	000ATM15	1				EK0, EVO			
		1				EZ0			
8									FUSE, Mini, 20 AMP, Yellow
	000ATM20	11				EK0, EVO			
		11				EZ0			

GRAND CHEROKEE (WK)

SERIES LINE
H = Laredo T = JEEP - 2WD
P = Limited J = JEEP - 4WD

BODY
74 = SPORT UTILITY 4-DOOR

ENGINE
EKG = Engine - 3.7L V6
EVA = Engine- 4.7L V8 MPI
EZB = Engine-5.7L HEMI

TRANSMISSION
DG0 = All Automatic Transmissions
DGJ = Transmission - 5-Spd Auto, MB
DGQ = Transmission-5-Spd Automatic 5-45RFE

AR = use ase required - = Non illustrated part

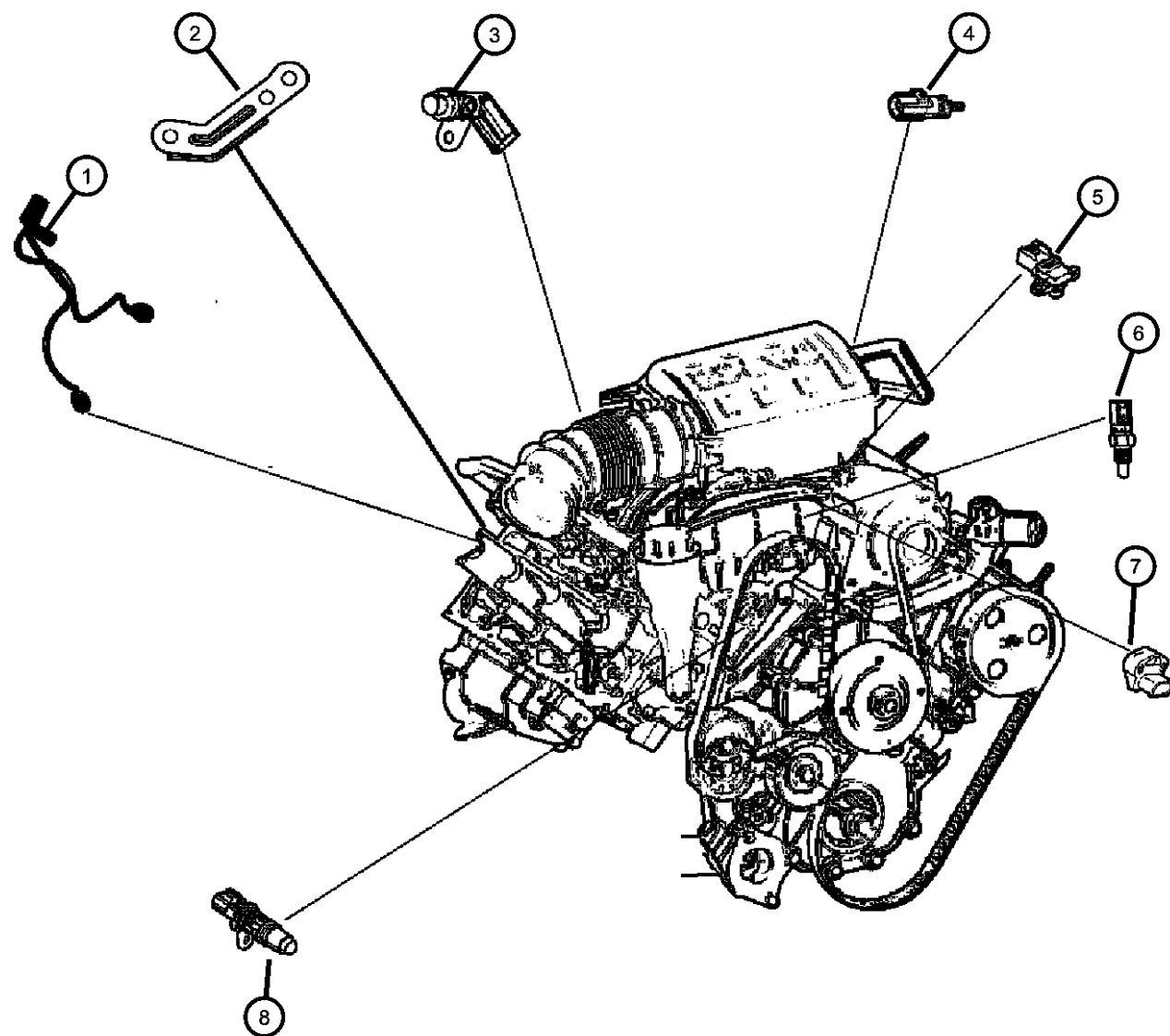
2005 WK

Sensors Engine [3.7L engine]
Figure 8-605

ITEM	PART NUMBER	QTY	LINE	SERIES	BODY	ENGINE	TRANS	TRIM	DESCRIPTION
------	-------------	-----	------	--------	------	--------	-------	------	-------------

Notes:
[EK0]=3.7L V6 Engine

1	56041679AC	1				EK0			SENSOR, Knock
2	56041849AA	1				EK0			BRACKET, Knock Sensor
3	56044180AB	1				EK0			SENSOR, Crankshaft Position
4	56028364AA	1				EK0			SENSOR, Air Temperature
5	56041018AC	1				EK0			SENSOR, MAP
6	56027873	1				EK0, EVO			SENSOR, Coolant Temperature
7	05019411AC	1				EK0			SENSOR KIT, Throttle Position
8	56041584AE	1				EK0, EVO			SENSOR, Camshaft



GRAND CHEROKEE (WK)

SERIES LINE
H = Laredo T = JEEP - 2WD
P = Limited J = JEEP - 4WD

BODY

74 = SPORT UTILITY 4-DOOR

ENGINE

EKG = Engine - 3.7L V6
EVA = Engine- 4.7L V8 MPI
EZB = Engine-5.7L HEMI

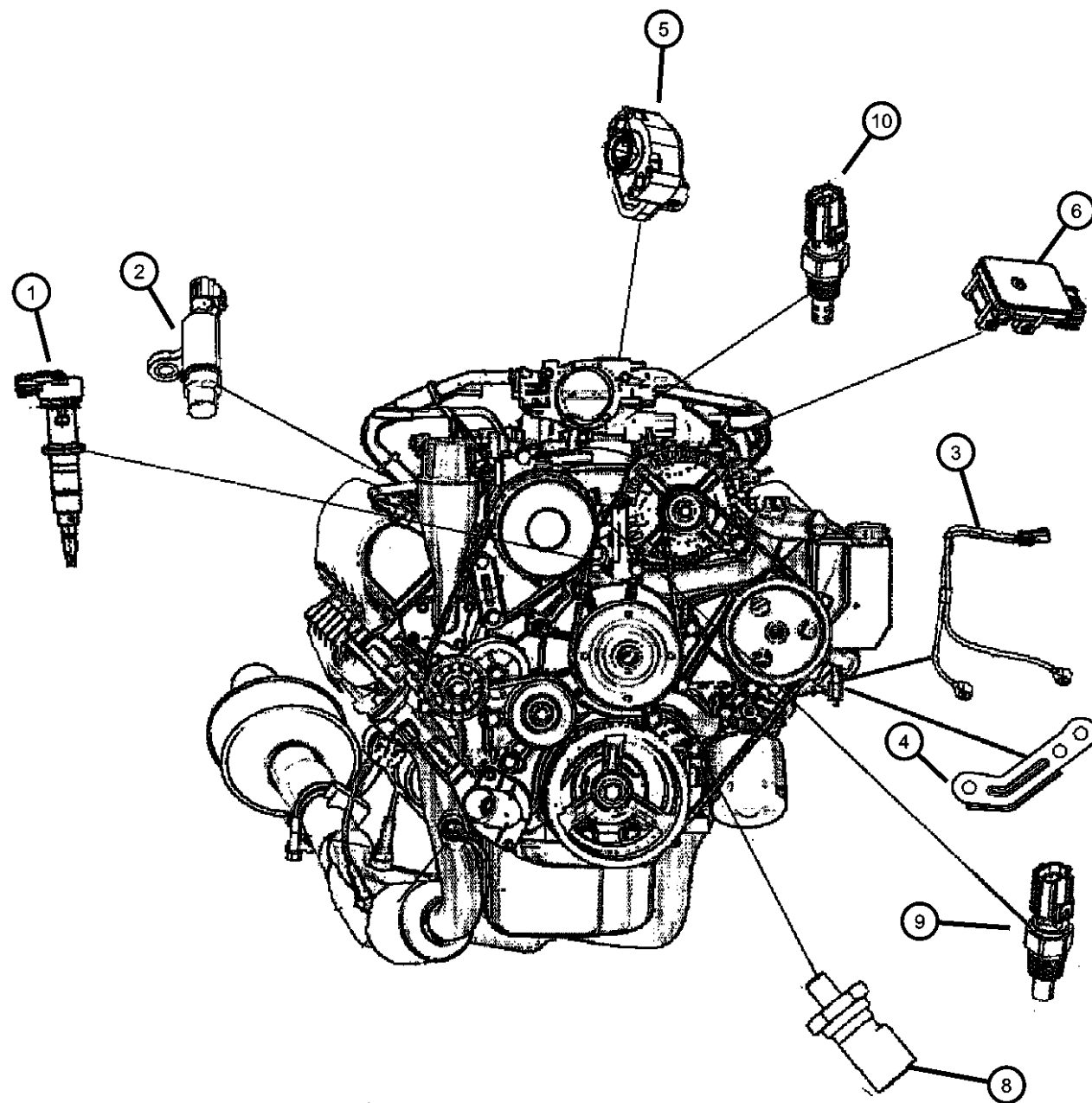
TRANSMISSION

DG0 = All Automatic Transmissions
DGJ = Transmission - 5-Spd Auto, MB
DGQ = Transmission-5-Spd Automatic
5-45RFE

AR = use ase required - = Non illustrated part

2005 WK

Sensors, Engine (4.7L) [EV0]
Figure 8-610



ITEM	PART NUMBER	QTY	LINE	SERIES	BODY	ENGINE	TRANS	TRIM	DESCRIPTION
1	56041584AE	1				EK0, EV0			SENSOR, Camshaft
2	56028666AA	1				EV0			SENSOR, Crankshaft Position
3	56041677AB	1				EV0			SENSOR, Knock
4	56041849AA	1				EV0			BRACKET, Knock Sensor
5	05017479AA	1				EV0			SENSOR KIT, Throttle Position
6	56041018AC	1				EV0			SENSOR, MAP
-7	06505501AA	2				EK0, EV0			SCREW, M4x16, MAP Sensor mounting
8	04868672AA	1				EK0, EV0			SWITCH, Oil Pressure
9	56027873	1				EK0, EV0			SENSOR, Coolant Temperature
10		1							SENSOR, Air Temperature, Serviced in duct, (NOT SERVICED)

GRAND CHEROKEE (WK)

SERIES LINE
H = Laredo T = JEEP - 2WD
P = Limited J = JEEP - 4WD

BODY ENGINE
74 = SPORT UTILITY 4-DOOR EKG = Engine - 3.7L V6
EVA = Engine- 4.7L V8 MPI
EZB = Engine-5.7L HEMI

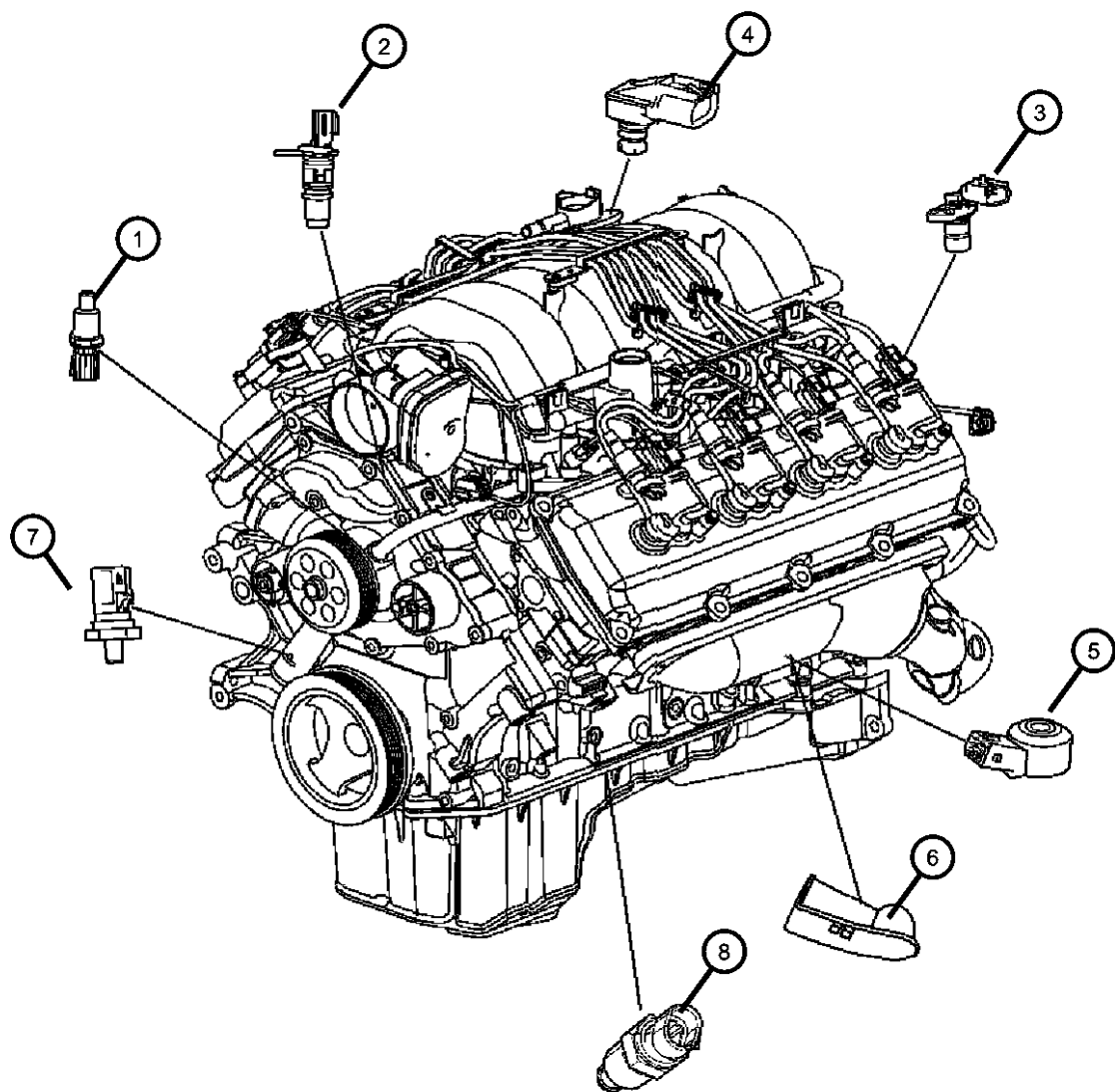
TRANSMISSION
DG0 = All Automatic Transmissions
DGJ = Transmission - 5-Spd Auto, MB
DGQ = Transmission-5-Spd Automatic 5-45RFE

AR = use ase required - = Non illustrated part

2005 WK

**Sensors Engine [5.7L engine]
Figure 8-615**

ITEM	PART NUMBER	QTY	LINE	SERIES	BODY	ENGINE	TRANS	TRIM	DESCRIPTION
1	05269870AB	1				EZ0			SENSOR, Coolant Temperature
2	56041584AE	1				EZ0			SENSOR, Camshaft
3	56028815AA	1				EZ0			SENSOR, Crankshaft Position
4	56028562AB	1				EZ0			SENSOR, MAP
5	56028563AA	2				EZ0			SENSOR, Knock
6	55394453AA	1							SHIELD, Heat
7	56044777AA	1				EZ0			SENDING UNIT, Oil Pressure
8	05149008AA	1				EZB			SENSOR, Temperature, Oil temperature



GRAND CHEROKEE (WK)

SERIES LINE
H = Laredo T = JEEP - 2WD
P = Limited J = JEEP - 4WD

BODY ENGINE
74 = SPORT UTILITY 4-DOOR EKG = Engine - 3.7L V6
EVA = Engine- 4.7L V8 MPI
EZB = Engine-5.7L HEMI

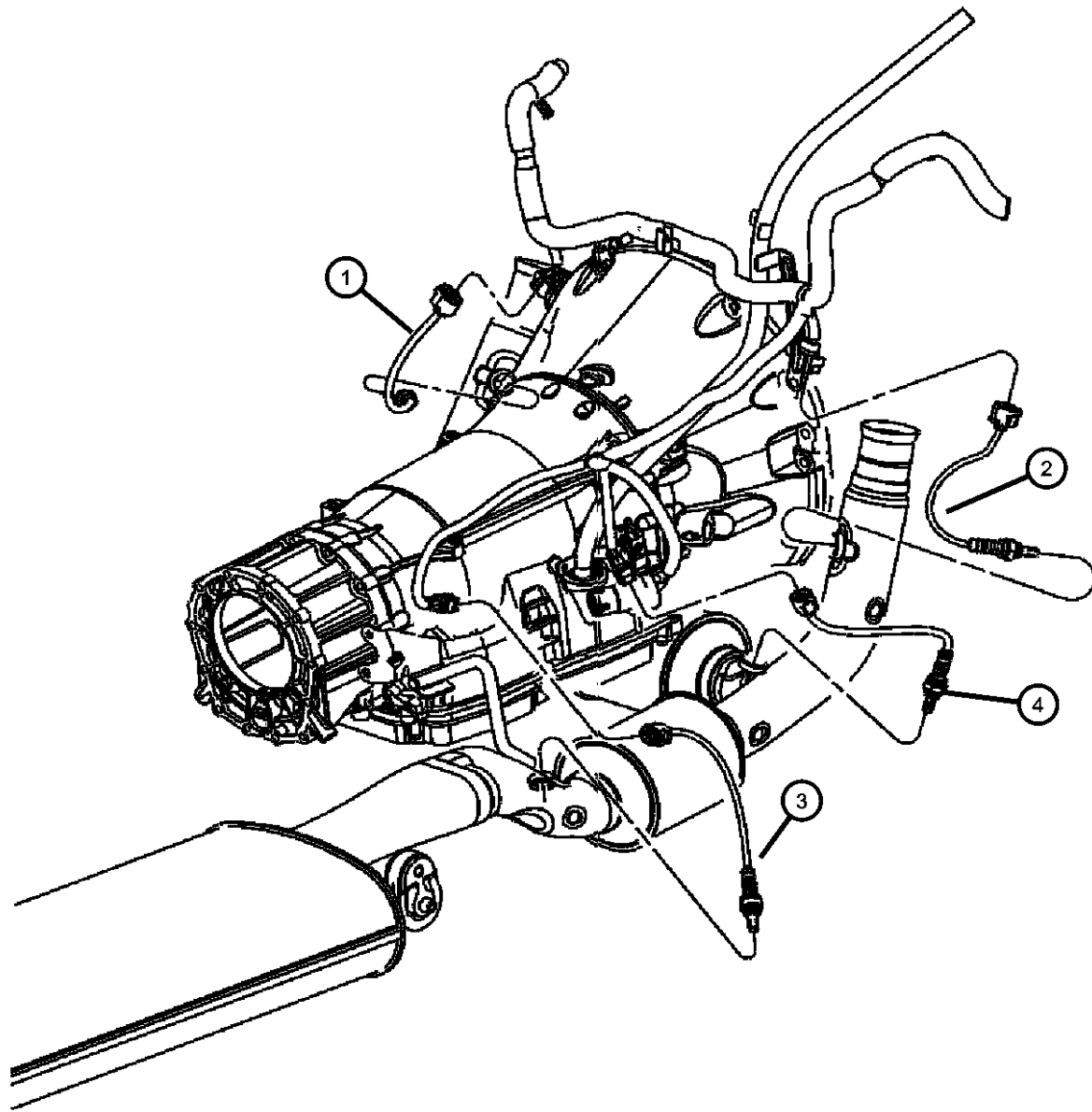
TRANSMISSION
DG0 = All Automatic Transmissions
DGJ = Transmission - 5-Spd Auto, MB
DGQ = Transmission-5-Spd Automatic 5-45RFE

AR = use ase required - = Non illustrated part

2005 WK

Sensors Oxygen [3.7L engine]
Figure 8-620

ITEM	PART NUMBER	QTY	LINE	SERIES	BODY	ENGINE	TRANS	TRIM	DESCRIPTION
1	56028994AB	1				EK0			SENSOR, OxygenBefore Catalyst, Left
2	56028994AB	1				EK0			SENSOR, OxygenBefore Catalyst, Right
3	56029049AA	1				EK0			SENSOR, OxygenAfter Catalyst, Left
4	56029049AA	1				EK0			SENSOR, OxygenAfter Catalyst, Right



GRAND CHEROKEE (WK)

SERIES LINE
H = Laredo T = JEEP - 2WD
P = Limited J = JEEP - 4WD

BODY
74 = SPORT UTILITY 4-DOOR

ENGINE
EKG = Engine - 3.7L V6
EVA = Engine- 4.7L V8 MPI
EZB = Engine-5.7L HEMI

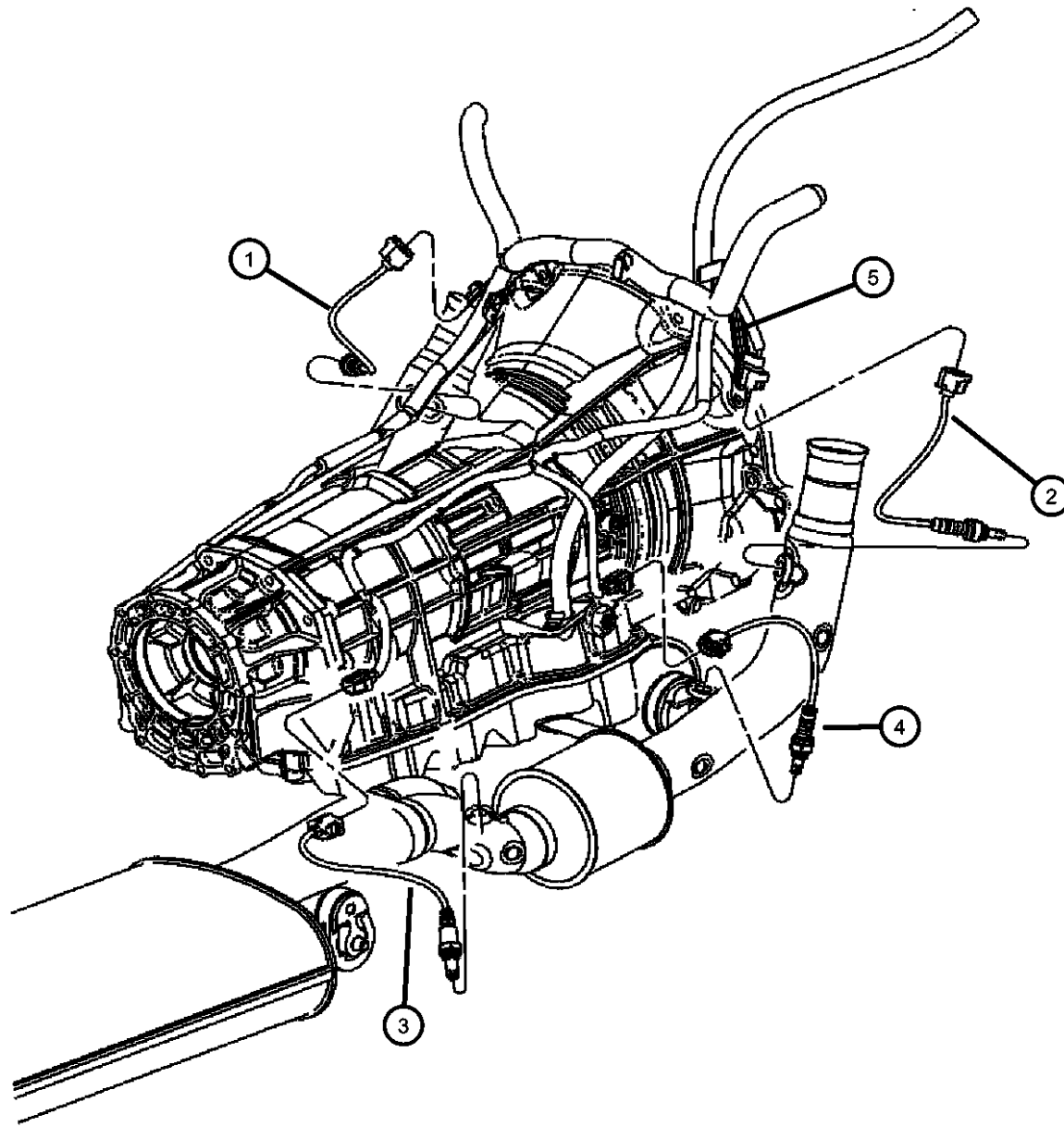
TRANSMISSION
DG0 = All Automatic Transmissions
DGJ = Transmission - 5-Spd Auto, MB
DGQ = Transmission-5-Spd Automatic 5-45RFE

AR = use ase required - = Non illustrated part

2005 WK

Sensors, Oxygen 4.7L [EV0]
Figure 8-625

ITEM	PART NUMBER	QTY	LINE	SERIES	BODY	ENGINE	TRANS	TRIM	DESCRIPTION
1	56028998AB	1				EV0			SENSOR, OxygenBefore Catalyst, Left
2	56028998AB	1				EV0			SENSOR, OxygenBefore Catalyst, Right
3	56028998AB	1				EV0			SENSOR, OxygenAfter Catalyst, Left
4	56028998AB	1				EV0			SENSOR, OxygenAfter Catalyst, Right
5	56041823AB	1				EV0, EZ0			BRACKET, Oxygen Sensor



GRAND CHEROKEE (WK)

SERIES LINE
H = Laredo T = JEEP - 2WD
P = Limited J = JEEP - 4WD

BODY ENGINE
74 = SPORT UTILITY 4-DOOR EKG = Engine - 3.7L V6
EVA = Engine- 4.7L V8 MPI
EZB = Engine-5.7L HEMI

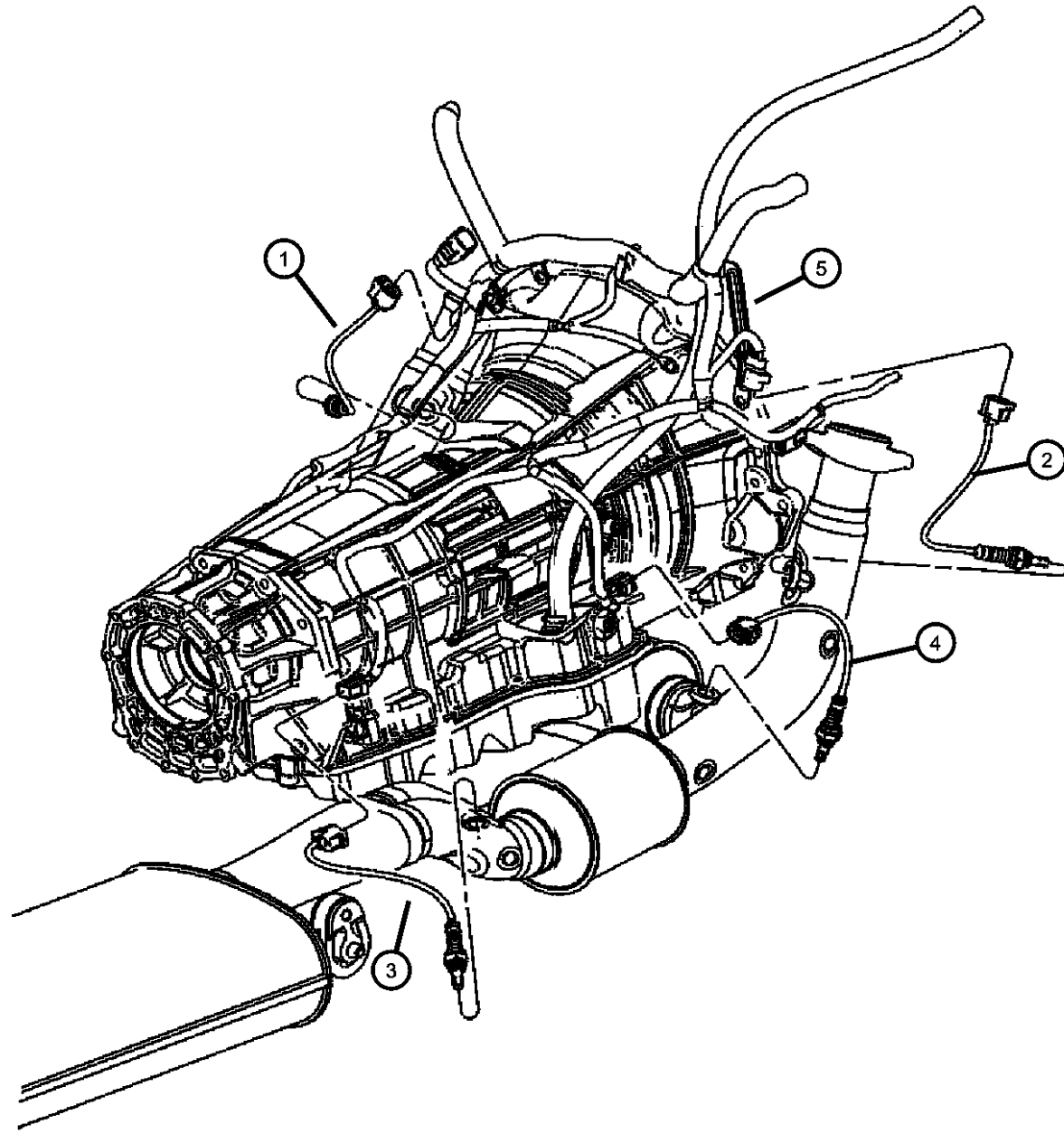
TRANSMISSION
DG0 = All Automatic Transmissions
DGJ = Transmission - 5-Spd Auto, MB
DGQ = Transmission-5-Spd Automatic 5-45RFE

AR = use ase required - = Non illustrated part

2005 WK

**Sensors Oxygen [5.7L Engine]
Figure 8-630**

ITEM	PART NUMBER	QTY	LINE	SERIES	BODY	ENGINE	TRANS	TRIM	DESCRIPTION
1	56028994AB	1				EZ0			SENSOR, OxygenBefore Catalyst, Left
2	56028994AB	1				EZ0			SENSOR, OxygenBefore Catalyst, Right
3	56029049AA	1				EZ0			SENSOR, OxygenAfter Catalyst, Left
4	56029049AA	1				EZ0			SENSOR, OxygenAfter Catalyst, Right
5	56041823AB	1				EV0, EZ0			BRACKET, Oxygen Sensor



GRAND CHEROKEE (WK)

SERIES	LINE
H = Laredo	T = JEEP - 2WD
P = Limited	J = JEEP - 4WD

BODY	ENGINE
74 = SPORT UTILITY 4-DOOR	EKG = Engine - 3.7L V6
	EVA = Engine- 4.7L V8 MPI
	EZB = Engine-5.7L HEMI

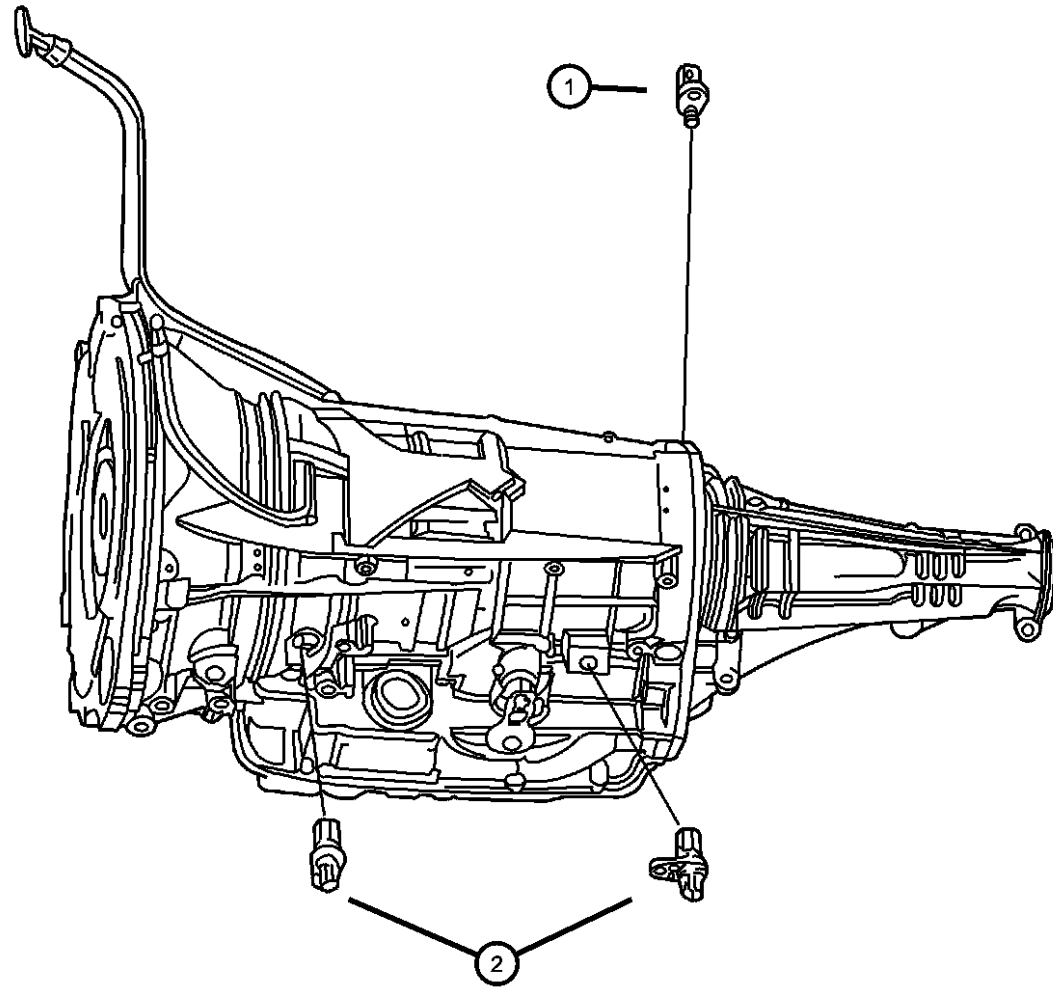
TRANSMISSION
DG0 = All Automatic Transmissions
DGJ = Transmission - 5-Spd Auto, MB
DGQ = Transmission-5-Spd Automatic 5-45RFE

AR = use ase required - = Non illustrated part

2005 WK

Sensors Drivetrain
Figure 8-635

ITEM	PART NUMBER	QTY	LINE	SERIES	BODY	ENGINE	TRANS	TRIM	DESCRIPTION
1	04799758	1	J			EVO	DGQ		TRANSDUCER, Pressure Sensor
		1	T				DGQ		
		1	J			EZO	DGQ		
2	04799061AB	2	J			EVO	DGQ		SENSOR, Transmission Input Speed
		2	T				DGQ		Input/output
		2	J			EZO	DGQ		Input/output
-3	52108308AB	1	T				DGJ		CONNECTOR
		1	J				DGJ		Input speed sensor



GRAND CHEROKEE (WK)

SERIES LINE
H = Laredo T = JEEP - 2WD
P = Limited J = JEEP - 4WD

BODY
74 = SPORT UTILITY 4-DOOR

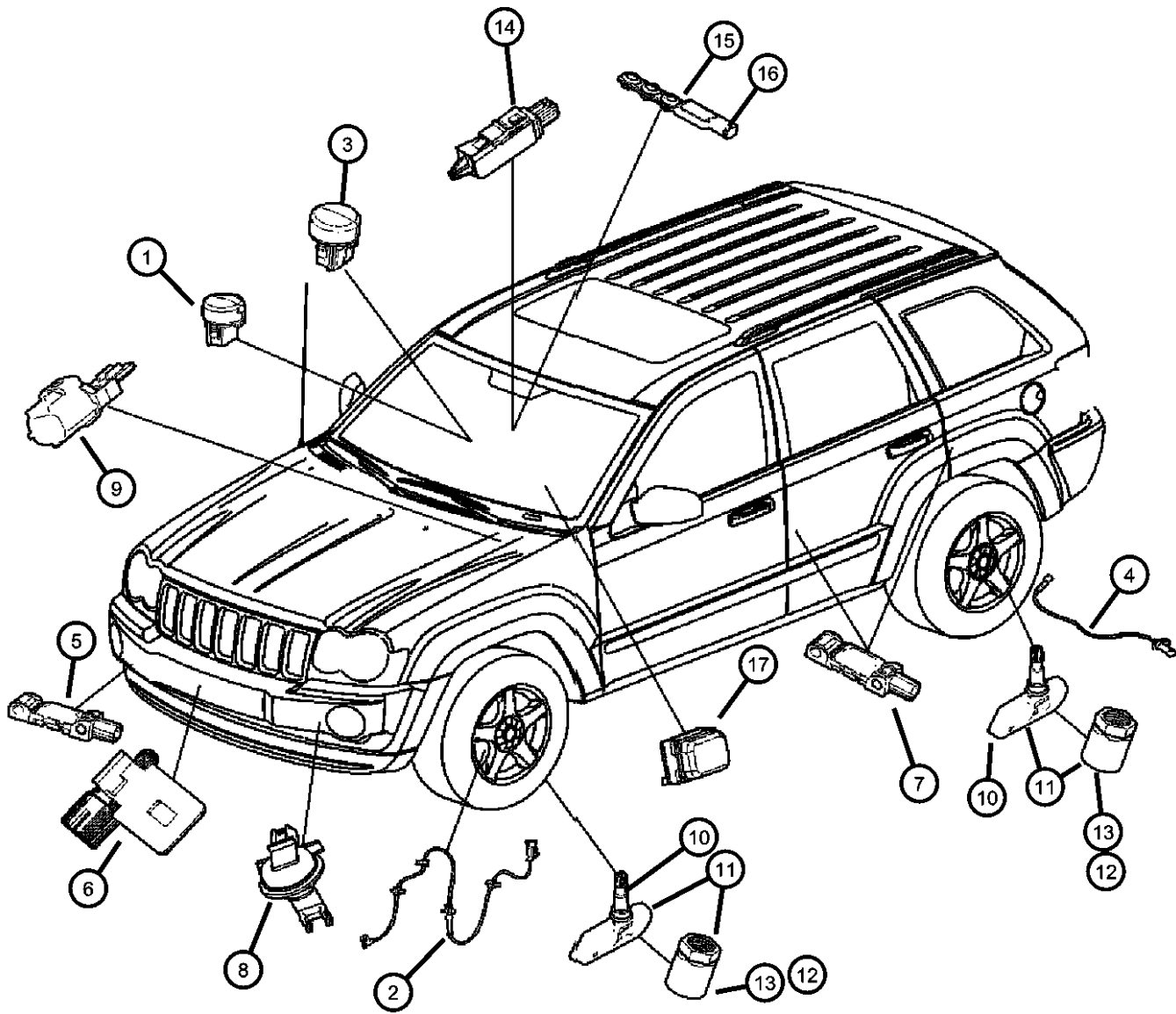
ENGINE
EKG = Engine - 3.7L V6
EVA = Engine- 4.7L V8 MPI
EZB = Engine-5.7L HEMI

TRANSMISSION
DG0 = All Automatic Transmissions
DGJ = Transmission - 5-Spd Auto, MB
DGQ = Transmission-5-Spd Automatic 5-45RFE

AR = use ase required - = Non illustrated part

2005 WK

**Sensors Body
Figure 8-640**



ITEM	PART NUMBER	QTY	LINE	SERIES	BODY	ENGINE	TRANS	TRIM	DESCRIPTION
1	55116838AB	1							SENSOR, A.T.C. Sun
2	56044144AA	2							SENSOR, Anti-Lock Brakes, Front
3	56050241AB	1							SENSOR, Headlamp
4	56044146AA	2							SENSOR, Wheel Speed, Rear
5	04671779AC	2							SENSOR, Side Airbag Impact, Front
6	56042395	1							SENSOR, Ambient Temperature
7	04671779AC	4							SENSOR, Side Airbag Impact, Side
8	05161966AA	1							SENSOR, Washer Fluid Level
9	05013903AA	1							SENSOR, Brake Fluid Level
10	56053030AA	4							SENSOR, Tire Pressure, Valve stem
11	68001696AA	1	J, T		74				SENSOR PACKAGE, Tire Pressure, THIS PACKAGE CONTAINS: 56053030AC SENSOR - TIRE PRESSURE 56053033AA NUT - TIRE PRESSURE K6855511 INSTRUCTION SHEET -
12	68001743AA	4	J, T		74				HARDWARE KIT, Mounting, THIS KIT CONTAINS: 1- S120120001, NUT, TPM RETAINING 1- S122990001, WASHER, SEAL SUPPORT 1- S122140001, CAP, VALVE STEM, BLACK, EURO 1- S120121001, CAP, VALVE STE
13	68001744AA	4	J, T		74				HARDWARE KIT, Mounting, THIS KIT CONTAINS: 1- S122914001, VALVE CORE, TPM 1- S120121001, CAP, VALVE STEM, GREY, DOMESTIC 1- S122140001, CAP, VALVE STEM, BLACK, EURO
14	56043206AC	2							SENSOR, Seat track position
15	05143488AA	4							SENSOR KIT, Strain Gauge
16	56043196AF	4							SENSOR, Strain Gauge, Sensor only
17	56044148AA	1							SENSOR, Dynamics, Lateral Acceleration and YAW Rate

GRAND CHEROKEE (WK)

SERIES LINE
H = Laredo T = JEEP - 2WD
P = Limited J = JEEP - 4WD

BODY ENGINE TRANSMISSION
74 = SPORT UTILITY 4-DOOR EKG = Engine - 3.7L V6
EVA = Engine- 4.7L V8 MPI
EZB = Engine-5.7L HEMI

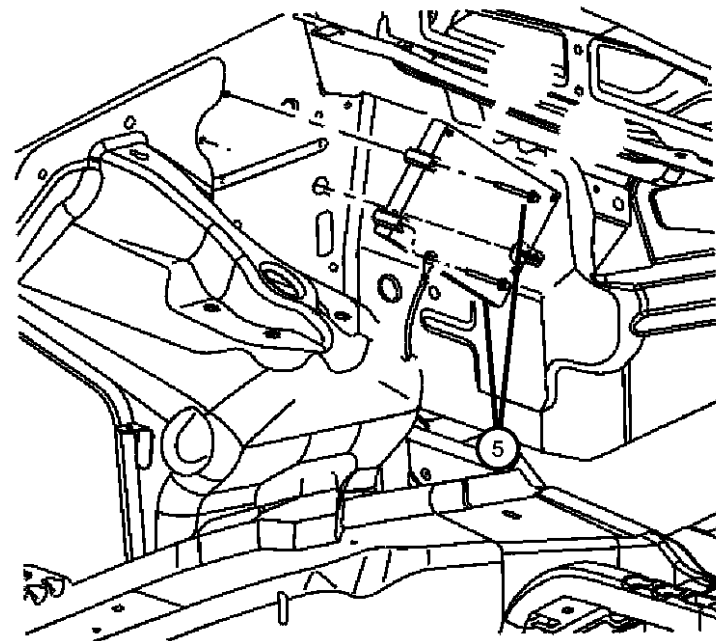
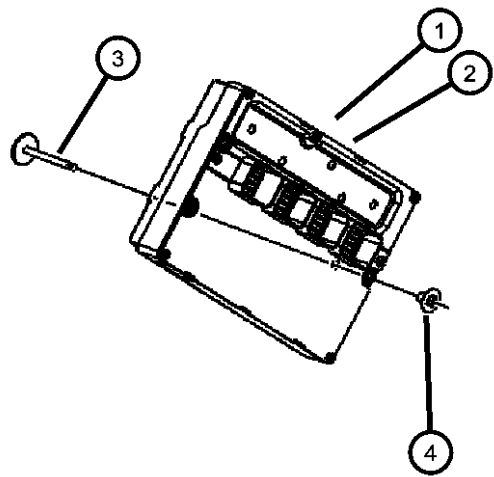
DG0 = All Automatic Transmissions
DGJ = Transmission - 5-Spd Auto, MB
DGQ = Transmission-5-Spd Automatic 5-45RFE

AR = use ase required - = Non illustrated part

2005 WK

**Powertrain Control Modules
Figure 8-705**

ITEM	PART NUMBER	QTY	LINE	SERIES	BODY	ENGINE	TRANS	TRIM	DESCRIPTION
1									MODULE, Powertrain Control
	05094165AA	1	T			EK0	DGJ		[NAS,NB5]
	56044547AF	1	J			EK0	DGJ		[NAS,NB5]
	56044551AF	1				EV0	DGQ		[NAS,NBG]
	56044552AF	1				EV0	DGQ		[NAS,NBE]
	56044555AF	1				EZ0	DGQ		[NAS,NBE]
2									MODULE, Powertrain Control, Generic
	56044515AE	1				EV0	DGQ		
	56044516AE	1	J			EK0	DGJ		
		1	T			EK0	DGJ		
	56044517AD	1				EZ0	DGQ		
3	04712006AB	1				EK0, EV0, EZ0			FASTENER
4	06506655AA	1				EK0, EV0, EZ0			PLUG, Door Trim Panel, PCM attaching
5		1							SCREW, Tapping, M5x8, (NOT SERVICED)



GRAND CHEROKEE (WK)

SERIES LINE
H = Laredo T = JEEP - 2WD
P = Limited J = JEEP - 4WD

BODY ENGINE
74 = SPORT UTILITY 4-DOOR EKG = Engine - 3.7L V6
EVA = Engine- 4.7L V8 MPI
EZB = Engine-5.7L HEMI

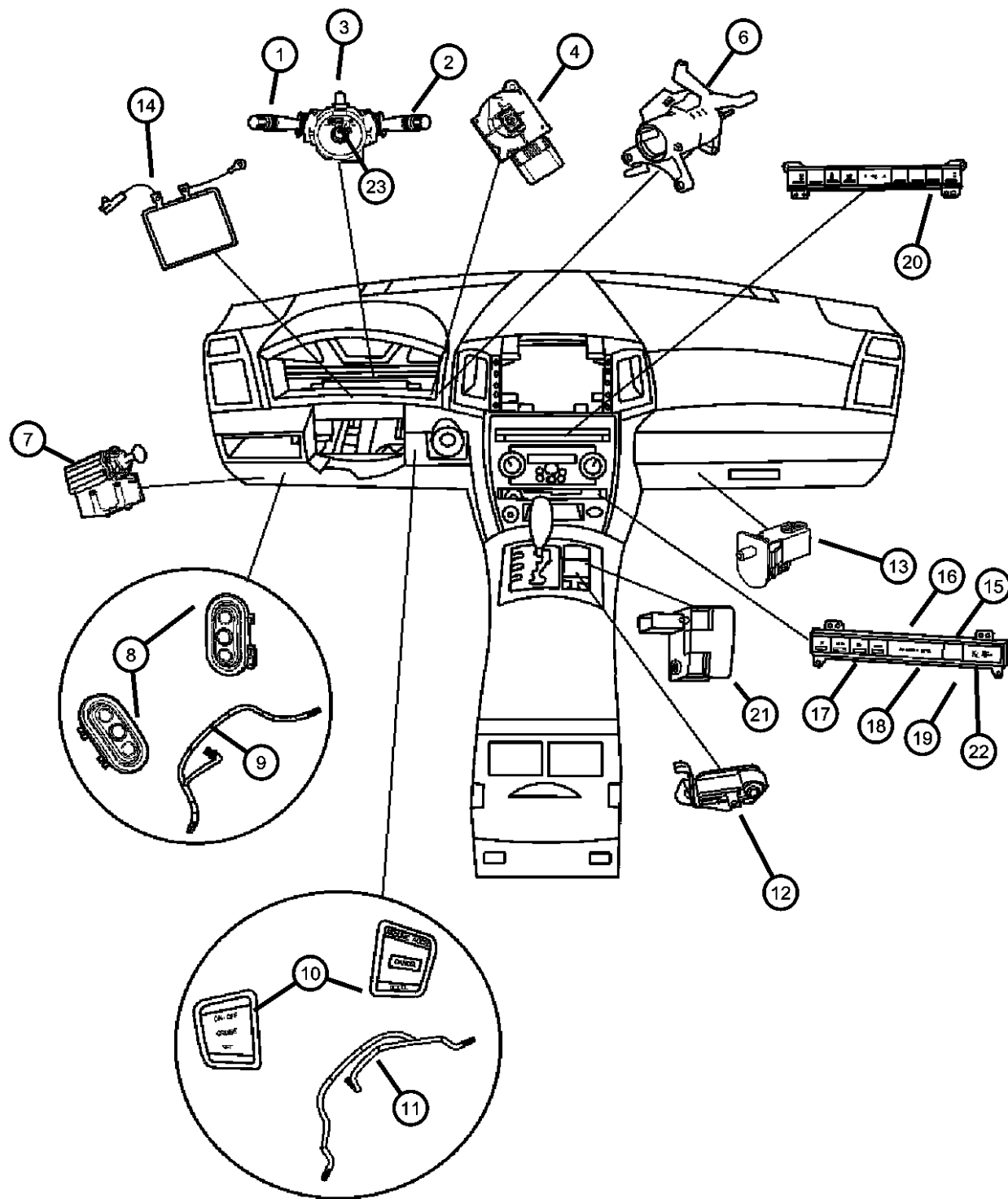
TRANSMISSION
DG0 = All Automatic Transmissions
DGJ = Transmission - 5-Spd Auto, MB
DGQ = Transmission-5-Spd Automatic 5-45RFE

AR = use ase required - = Non illustrated part

2005 WK

Switches (Instrument Panel and Console)

Figure 8-810



ITEM	PART NUMBER	QTY	LINE	SERIES	BODY	ENGINE	TRANS	TRIM	DESCRIPTION
1	05143312AA	1							SWITCH, Multifunction [LNJ]
	05143313AA	1							[LNJ,LMG]
	05143311AA	1							
2	05143310AA	1							SWITCH, Wiper and Washer
3	05143309AA	1							SWITCH, Hazard Warning
4	04685719AB	1							SWITCH, Ignition
-5	06035021	1							SCREW, Pan Head Tapping, .125-40x.437
6	56010566AC	1							HOUSING, Ignition Switch
7	56054001AA	1							SWITCH, Stop Lamp
8									SWITCH, Remote Radio
	04685728AB	1							Right
	04685729AB	1							Left
9	52029319AA	1							WIRING, Steering Wheel, Radio switches
10									SWITCH KIT, Cruise Control
	05143545AA	1							Left
	05143546AA	1							Right
11	56050266AA	1							WIRING, Speed Control, Speed control switches
12	04671936AA	1							SWITCH, Parking Brake
13	04565022	1							SWITCH AND LAMP, Glove Box
14	05143588AA	1							SWITCH, Horn
15	56010655AD	1					DGQ		SWITCH, 6 Gang, [XAM,XAA,JPM,BNB,BNR]
16	56010658AD	1					DGQ		SWITCH, 5 Gang [XAM,XAP,JPM,BNB,BNR]
	56050771AC	1			T		DGQ		[XAM,XAP,XAA,JPM]
17	56010667AC	1			T		DGQ		SWITCH, 4 Gang [XAM,XAP,JPM]
	56050137AD	1					DGJ		[XAP,JPM,BNB,BNR]
	56050767AC	1					DGQ		[XAM,XAP,XAA,BNB,BNR]
18	56050138AD	1			T		DGJ		SWITCH, 3 Gang [XAP,JPM]
	56050766AC	1			T		DGQ		[XAM,XAP,XAA]
	56050774AC	1					DGQ		[XAM,XAP,BNB,BNR]

GRAND CHEROKEE (WK)

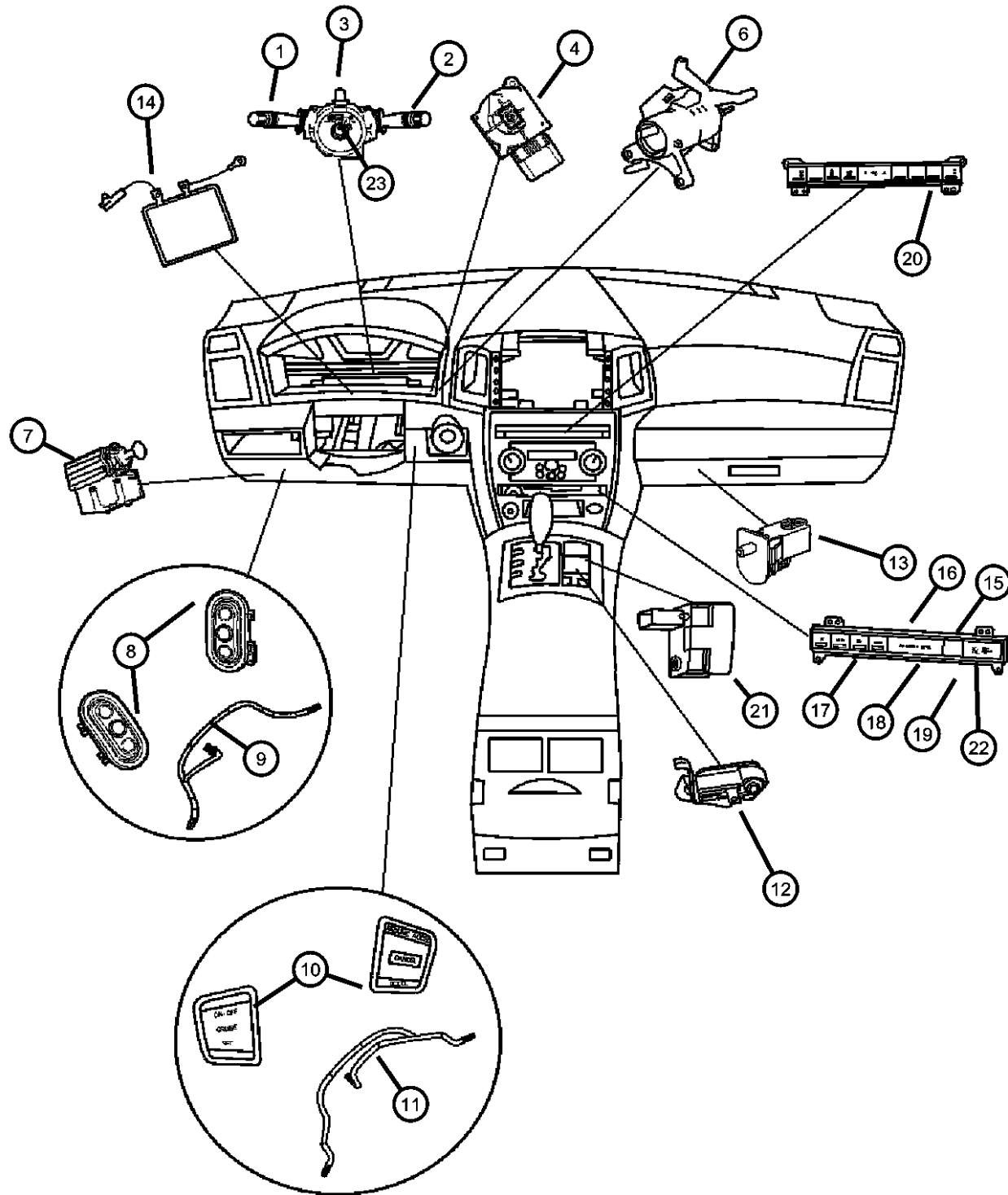
SERIES LINE
 H = Laredo T = JEEP - 2WD
 P = Limited J = JEEP - 4WD

BODY ENGINE TRANSMISSION
 74 = SPORT UTILITY 4-DOOR EKG = Engine - 3.7L V6
 EVA = Engine- 4.7L V8 MPI
 EZB = Engine-5.7L HEMI

DG0 = All Automatic Transmissions
 DGJ = Transmission - 5-Spd Auto, MB
 DGQ = Transmission-5-Spd Automatic
 5-45RFE

AR = use ase required - = Non illustrated part

Switches (Instrument Panel and Console)
Figure 8-810



ITEM	PART NUMBER	QTY	LINE	SERIES	BODY	ENGINE	TRANS	TRIM	DESCRIPTION
19	56010668AD	1					DGQ		SWITCH, 2 Gang [XA8,BNR,BNB]
	56010669AC	1	T				DGQ		[XAM,XAP,]
	56050152AD	1					DGJ		[XAP,BNB,BNR]
20	56010654AD	1	T				DGJ		SWITCH, 1 Gang [XAP]
	56050153AE	1					DGJ		[XA8,BNB,BNR]
	56050768AD	1	T				DGQ		[XA8]
21	56050139AE	1	J				DGQ		SWITCH, Transfer Case
22	56050093AC	1							SWITCH, Instrument Panel [XCA] EVIC and Pad Lamp
	56050149AC	1							EVIC and Pad Lamp
23	05143321AA	1							CAM, Turn Signal Cancel

GRAND CHEROKEE (WK)

SERIES LINE
H = Laredo T = JEEP - 2WD
P = Limited J = JEEP - 4WD

BODY ENGINE
74 = SPORT UTILITY 4-DOOR EKG = Engine - 3.7L V6
EVA = Engine- 4.7L V8 MPI
EZB = Engine-5.7L HEMI

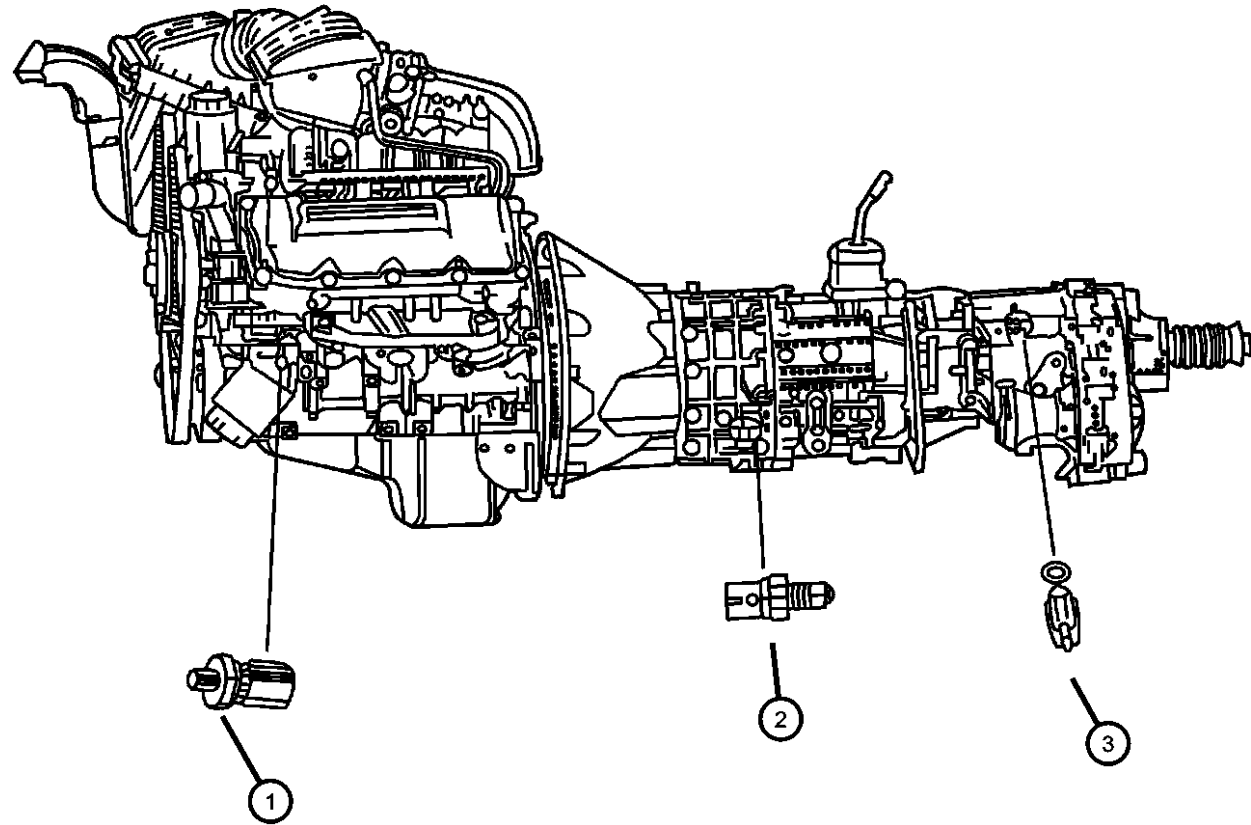
TRANSMISSION
DG0 = All Automatic Transmissions
DGJ = Transmission - 5-Spd Auto, MB
DGQ = Transmission-5-Spd Automatic
5-45RFE

AR = use ase required - = Non illustrated part

2005 WK

Switches, (Drive Train)
Figure 8-820

ITEM	PART NUMBER	QTY	LINE	SERIES	BODY	ENGINE	TRANS	TRIM	DESCRIPTION
1	04868672AA	1				EK0, EVO			SWITCH, Oil Pressure
2		1							SWITCH, Neutral Safety, Back Up, (NOT SERVICED)
3	56050139AE	1	J				DGQ		SWITCH, Transfer Case



GRAND CHEROKEE (WK)

SERIES LINE
H = Laredo T = JEEP - 2WD
P = Limited J = JEEP - 4WD

BODY

74 = SPORT UTILITY 4-DOOR

ENGINE

EKG = Engine - 3.7L V6
EVA = Engine- 4.7L V8 MPI
EZB = Engine-5.7L HEMI

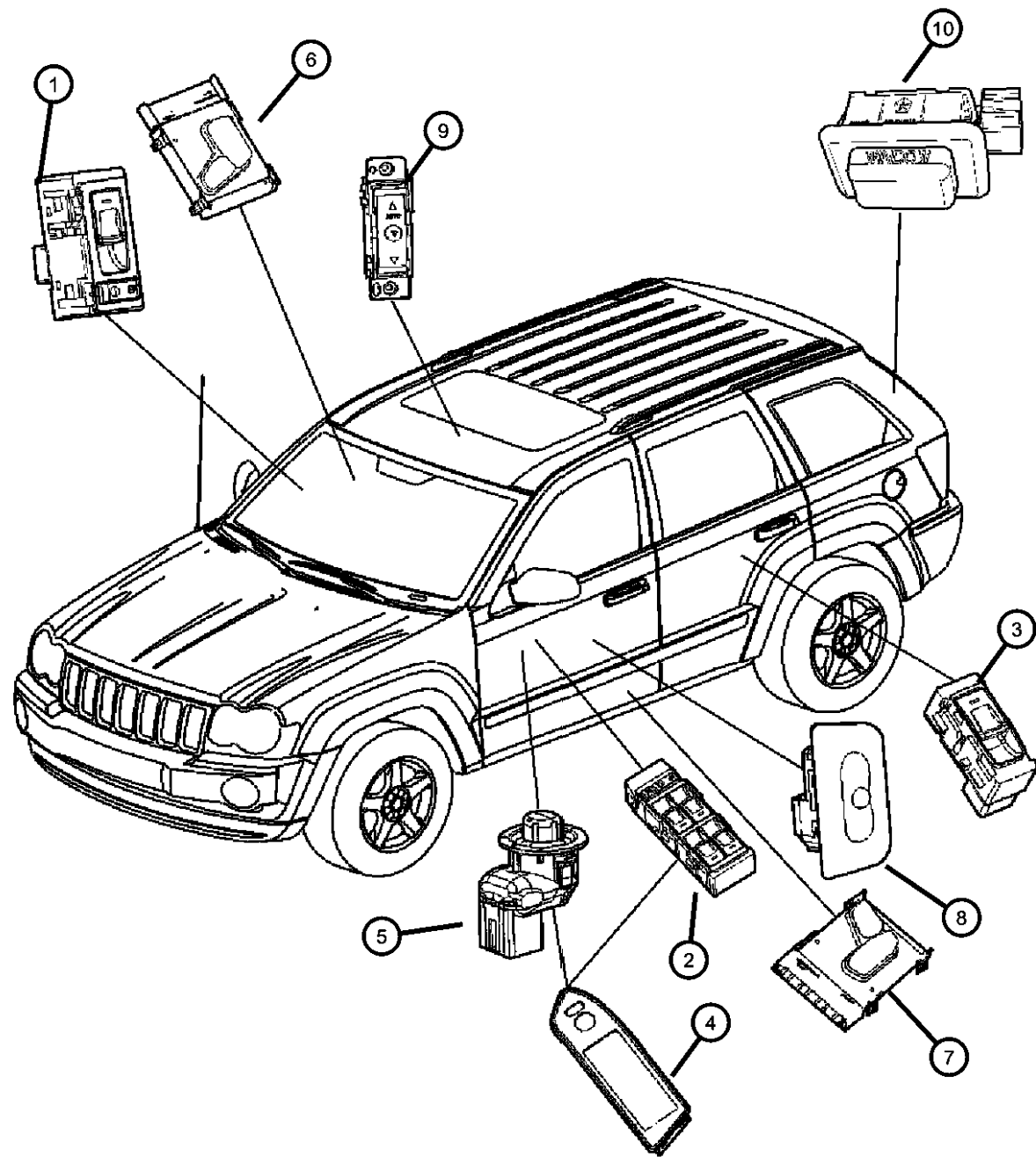
TRANSMISSION

DG0 = All Automatic Transmissions
DGJ = Transmission - 5-Spd Auto, MB
DGQ = Transmission-5-Spd Automatic
5-45RFE

AR = use ase required - = Non illustrated part

2005 WK

Switches, (Body)
Figure 8-830



ITEM	PART NUMBER	QTY	LINE	SERIES	BODY	ENGINE	TRANS	TRIM	DESCRIPTION
1	04602324AF V7700004AA	1							SWITCH, Power Window, 2 gang Mopar Alternative Switch
2	04602342AF V7700001AA	1							SWITCH, Power Window, 6 gang Mopar Alternative Switch
3	04602345AF V7700006AA	1							SWITCH, Power Window, 1 gang Mopar Alternative Switch
4		1							BEZEL, Switch, All the door switch bezels are serviced in door trim panels, (NOT SERVICED)
5	56040524AE V7700007AA	1							SWITCH, Mirror Mopar Alternative Switch
6	56040636AB	1							SWITCH, Seat, 4 way, Right
7									SWITCH, Seat
	56049431AD	1							[JPK] 8 way, Left
	56049433AD	1							[JPR] 8 way, Left
		1							[JTB] 8 way, Left
8									SWITCH, Memory Selector
	5JF971D1AC	1							[J1]
	5JF971D5AC	1							[D5]
	5JF971J3AC	1							[J3]
9		1							SWITCH, Sunroof, Heat staked to Overhead Console, (NOT SERVICED),
10	56042450AB	1			P				SWITCH, Flipper Window

GRAND CHEROKEE (WK)

SERIES LINE
H = Laredo T = JEEP - 2WD
P = Limited J = JEEP - 4WD

BODY

74 = SPORT UTILITY 4-DOOR

ENGINE

EKG = Engine - 3.7L V6
EVA = Engine- 4.7L V8 MPI
EZB = Engine-5.7L HEMI

TRANSMISSION

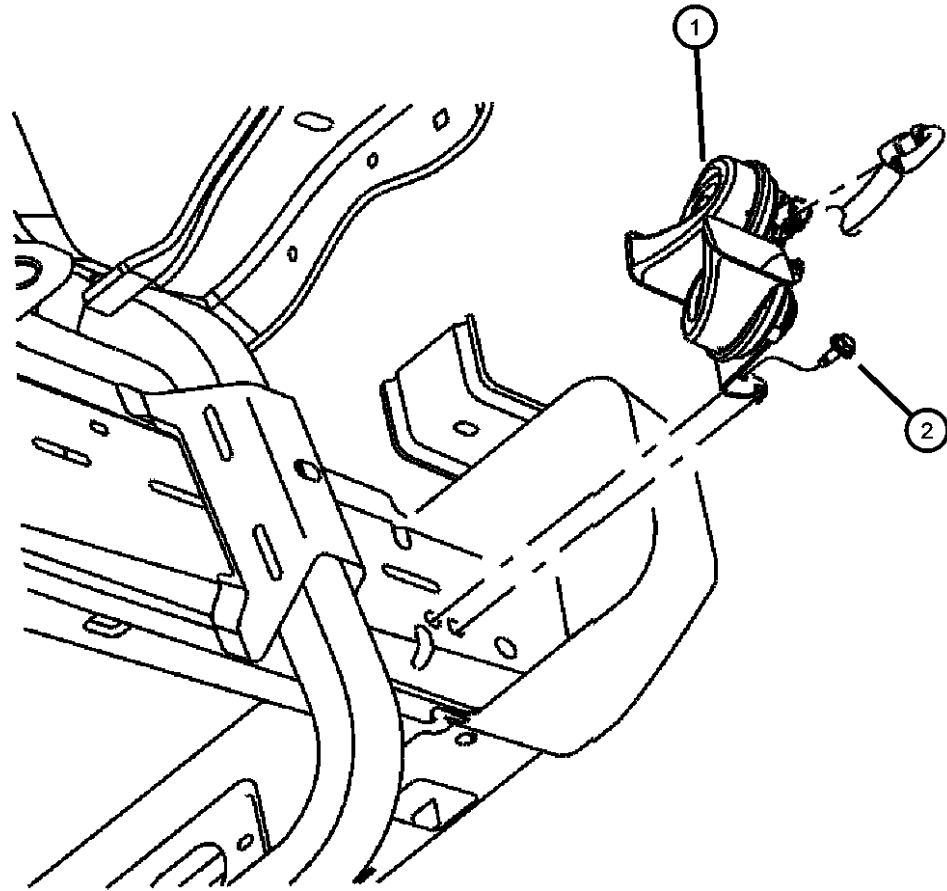
DG0 = All Automatic Transmissions
DGJ = Transmission - 5-Spd Auto, MB
DGQ = Transmission-5-Spd Automatic 5-45RFE

AR = use ase required - = Non illustrated part

2005 WK

Horns
Figure 8-905

ITEM	PART NUMBER	QTY	LINE	SERIES	BODY	ENGINE	TRANS	TRIM	DESCRIPTION
1	56050166AB	1							HORN AND BRACKET, Dual
2		1							SCREW AND WASHER, Hex Flange Head, M8x1.25x25, (NOT SERVICED)



GRAND CHEROKEE (WK)

SERIES LINE
H = Laredo T = JEEP - 2WD
P = Limited J = JEEP - 4WD

BODY

74 = SPORT UTILITY 4-DOOR

ENGINE

EKG = Engine - 3.7L V6
EVA = Engine- 4.7L V8 MPI
EZB = Engine-5.7L HEMI

TRANSMISSION

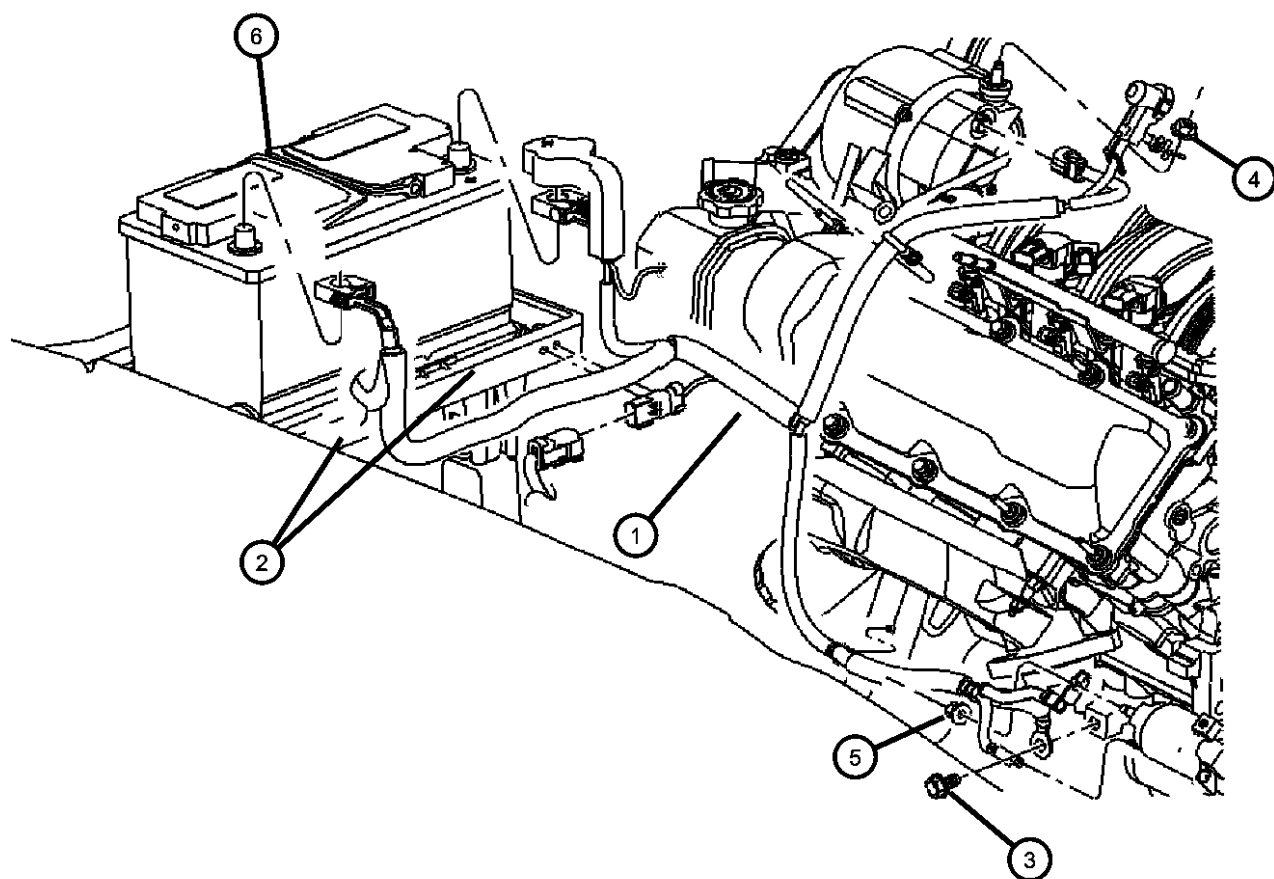
DG0 = All Automatic Transmissions
DGJ = Transmission - 5-Spd Auto, MB
DGQ = Transmission-5-Spd Automatic 5-45RFE

AR = use ase required - = Non illustrated part

2005 WK

**Battery Tray & Wiring [3.7L and 4.7L Engines]
Figure 8-1005**

ITEM	PART NUMBER	QTY	LINE	SERIES	BODY	ENGINE	TRANS	TRIM	DESCRIPTION
1									WIRING, Alternator and Battery
	56044130AE	1				EK0			
	56044131AE	1				EVO			
2	55396408AB	1							SUPPORT, Battery
3	06101794	1				EK0, EVO			SCREW, Hex Head, M10x1.5x115
4	06506929AA	1				EK0, EVO, EZO			NUT, Hex Flange Lock, M8x1.25
5	06506929AA	1							NUT, Hex Flange Lock, M8x1.25, Alternator wiring connector
6									BATTERY
	04608719AB	1							
	05080706AA	1							Dry, Export
	05170018AA	1							Wet, Export



GRAND CHEROKEE (WK)

SERIES	LINE
H = Laredo	T = JEEP - 2WD
P = Limited	J = JEEP - 4WD

BODY

74 = SPORT UTILITY 4-DOOR

ENGINE

EKG = Engine - 3.7L V6
EVA = Engine- 4.7L V8 MPI
EZB = Engine-5.7L HEMI

TRANSMISSION

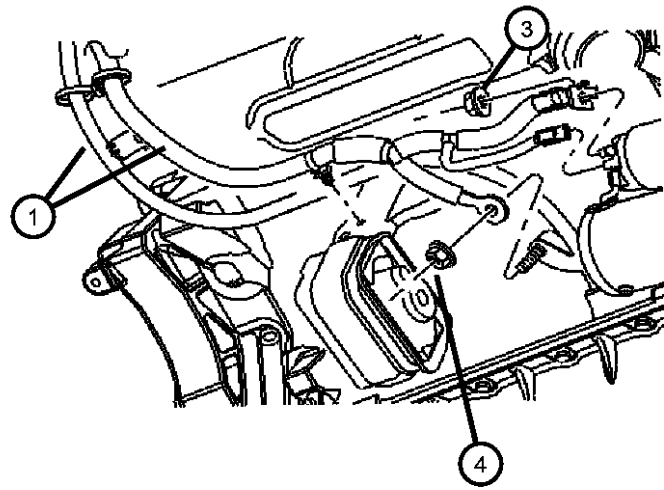
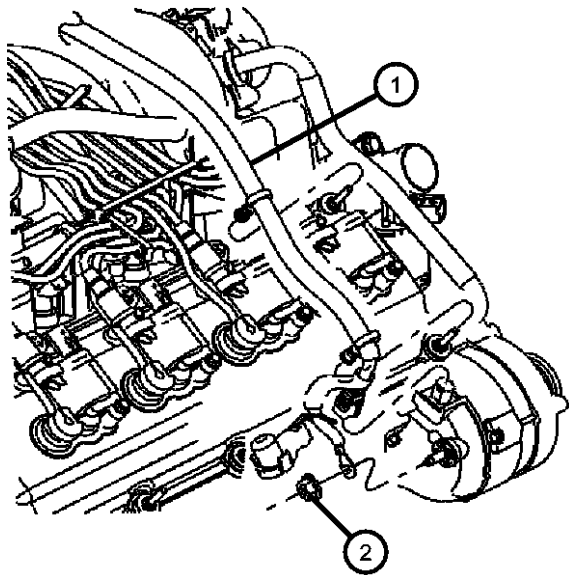
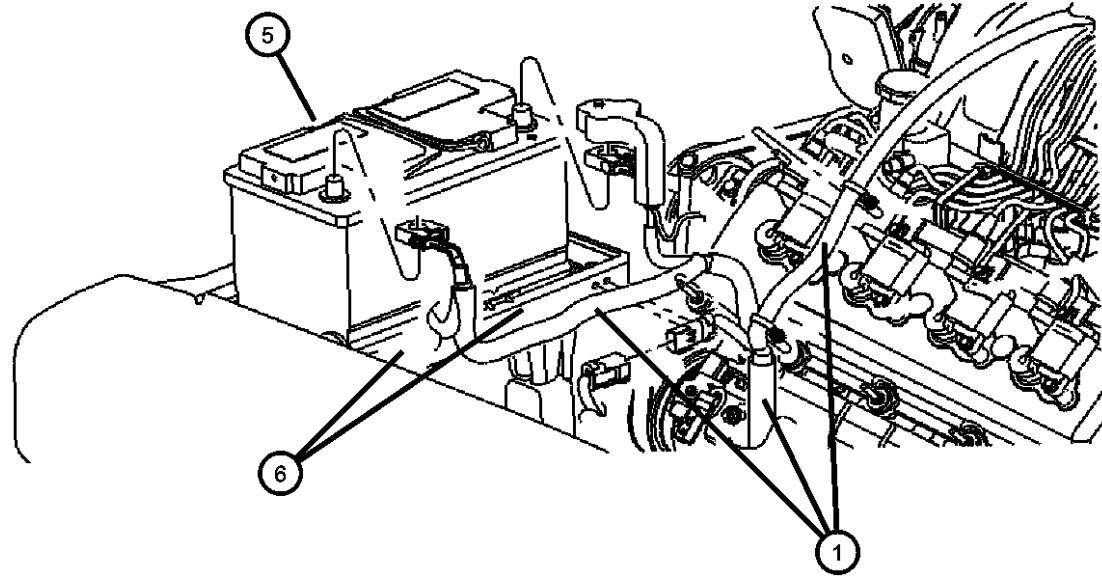
DG0 = All Automatic Transmissions
DGJ = Transmission - 5-Spd Auto, MB
DGQ = Transmission-5-Spd Automatic
5-45RFE

AR = use ase required - = Non illustrated part

2005 WK

**Battery Tray and Wiring [5.7L Engine]
Figure 8-1010**

ITEM	PART NUMBER	QTY	LINE	SERIES	BODY	ENGINE	TRANS	TRIM	DESCRIPTION
1	56044194AE	1				EZ0			WIRING, Alternator and Battery
2	06506929AA	1							NUT, Hex Flange Lock, M8x1.25, B+ connector
3	06506929AA	1				EK0, EV0, EZ0			NUT, Hex Flange Lock, M8x1.25, Starter cable mounting
4	06101968	1				EZ0			NUT, M6x1.00, Battery wiring ground connector
5									BATTERY
	04608719AB	1							
	05080706AA	1							Dry, Export
	05170018AA	1							Wet, Export
6	55396408AB	1							SUPPORT, Battery



GRAND CHEROKEE (WK)

SERIES	LINE
H = Laredo	T = JEEP - 2WD
P = Limited	J = JEEP - 4WD

BODY	ENGINE
74 = SPORT UTILITY 4-DOOR	EKG = Engine - 3.7L V6
	EVA = Engine- 4.7L V8 MPI
	EZB = Engine-5.7L HEMI

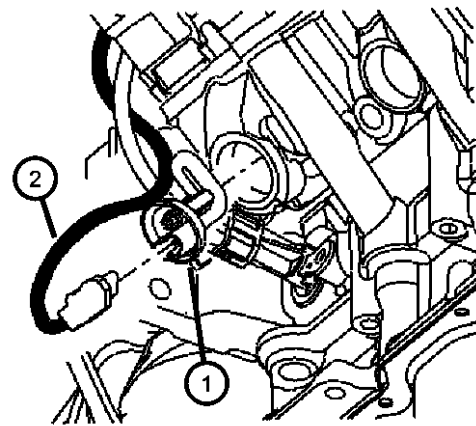
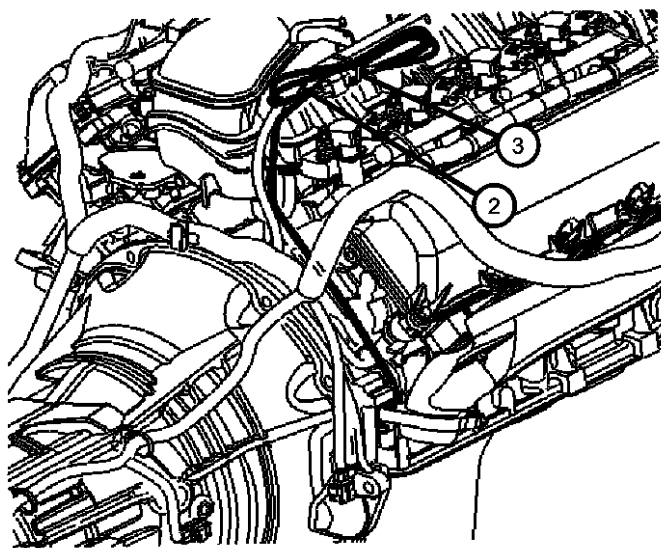
TRANSMISSION
DG0 = All Automatic Transmissions
DGJ = Transmission - 5-Spd Auto, MB
DGQ = Transmission-5-Spd Automatic 5-45RFE

AR = use ase required - = Non illustrated part

2005 WK

**Block Heaters [3.7L and 4.7L Engines]
Figure 8-1015**

ITEM	PART NUMBER	QTY	LINE	SERIES	BODY	ENGINE	TRANS	TRIM	DESCRIPTION
1	56041304AB	1				EK0, EV0			HEATER, Engine
2	56027117	1				EK0, EV0			CORD, Engine Block Heater
3									STRAP, Tie
	05073039AA	1				EK0			
	56008876	1				EV0, EZ0			



GRAND CHEROKEE (WK)

SERIES	LINE
H = Laredo	T = JEEP - 2WD
P = Limited	J = JEEP - 4WD

BODY

74 = SPORT UTILITY 4-DOOR

ENGINE

EKG = Engine - 3.7L V6
EVA = Engine- 4.7L V8 MPI
EZB = Engine-5.7L HEMI

TRANSMISSION

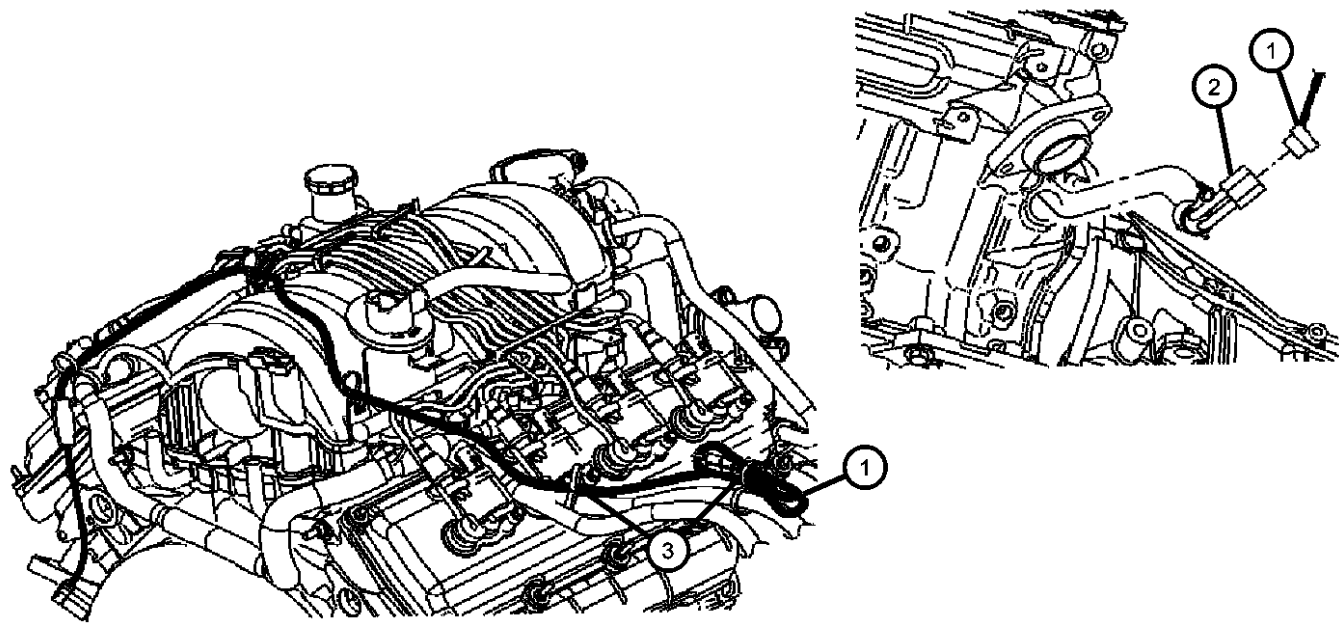
DG0 = All Automatic Transmissions
DGJ = Transmission - 5-Spd Auto, MB
DGQ = Transmission-5-Spd Automatic 5-45RFE

AR = use ase required - = Non illustrated part

2005 WK

**Block Heaters [5.7L Engine]
Figure 8-1020**

ITEM	PART NUMBER	QTY	LINE	SERIES	BODY	ENGINE	TRANS	TRIM	DESCRIPTION
1	56044577AB	1				EZ0			CORD, Engine Block Heater
2	05149022AA	1				EZ0			HEATER, Engine Block
3	56008876	1				EV0, EZ0			STRAP, Tie



GRAND CHEROKEE (WK)

SERIES	LINE
H = Laredo	T = JEEP - 2WD
P = Limited	J = JEEP - 4WD

BODY

74 = SPORT UTILITY 4-DOOR

ENGINE

EKG = Engine - 3.7L V6
EVA = Engine- 4.7L V8 MPI
EZB = Engine-5.7L HEMI

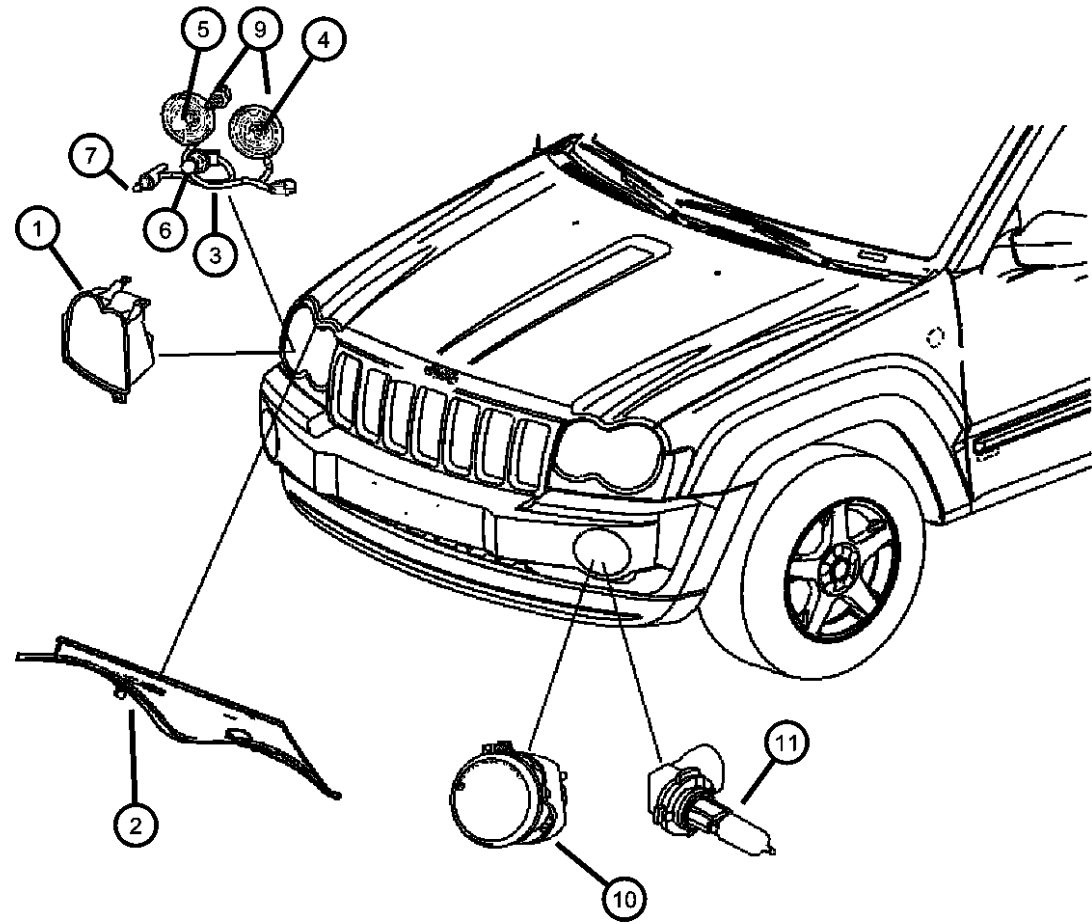
TRANSMISSION

DG0 = All Automatic Transmissions
DGJ = Transmission - 5-Spd Auto, MB
DGQ = Transmission-5-Spd Automatic 5-45RFE

AR = use ase required - = Non illustrated part

2005 WK

Lamp - Front End
Figure 8-1110



ITEM	PART NUMBER	QTY	LINE	SERIES	BODY	ENGINE	TRANS	TRIM	DESCRIPTION
1									LAMP, Headlamp Park And Turn
	55156350AG	1							Up to 05/18/05 with key hole slot, Right
	55156350AH	1							After 05/18/05 without key hole slot, Right
	55156351AG	1							Up to 05/18/05 with key hole slot, Left
	55156351AH	1							After 05/18/05 without key hole slot, Left
2									COVER, Headlamp
	55157128AA	1							Right
	55157129AA	1							Left
3	05143153AA	1							WIRING, HeadlampRight or Left
4	L0009005	1							BULB, HeadlampHigh Beam
	P0009005EB								SilverStar
5	L0009006	1							BULB, HeadlampLow Beam
	P0009006EB								SilverStar
6	L0003157AK	1							BULB, 3157 NAK
7	L0000194	1							BULB, 194
-8	05139055AA	1							VENT, Headlamp
9	05143152AA	2							BOOT, Headlamp
10	04805859AA	2							LAMP, Fog
11	L0009145	2							BULB, Fog Lamp, 50 Watt
-12	06506579AA	4							SCREW, Fog Lamp
-13	04806110AA	2							PIN, Headlamp to body mounting
-14	06508072AA	6							NUT, Headlamp to body mounting
-15	06508237AA	6							SCREW, Headlamp to body mounting

GRAND CHEROKEE (WK)

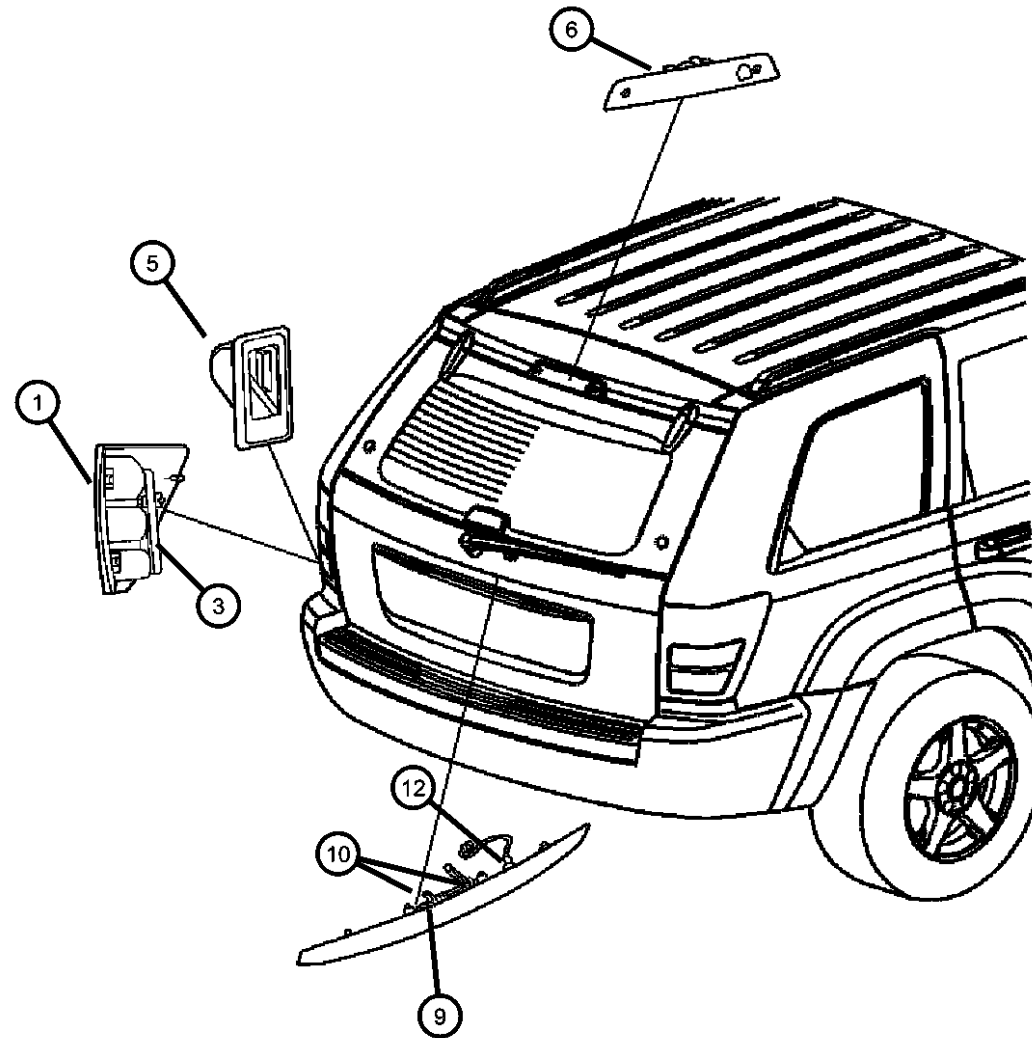
SERIES LINE
H = Laredo T = JEEP - 2WD
P = Limited J = JEEP - 4WD

BODY ENGINE TRANSMISSION
74 = SPORT UTILITY 4-DOOR EKG = Engine - 3.7L V6
EVA = Engine- 4.7L V8 MPI DG0 = All Automatic Transmissions
EZB = Engine-5.7L HEMI DGJ = Transmission - 5-Spd Auto, MB
DGQ = Transmission-5-Spd Automatic 5-45RFE

AR = use ase required - = Non illustrated part

2005 WK

Lamp - Rear End
Figure 8-1120



ITEM	PART NUMBER	QTY	LINE	SERIES	BODY	ENGINE	TRANS	TRIM	DESCRIPTION
1									LAMP, Tail Stop Turn Sidemarker
	55156614AB	1							Right
	55156615AB	1							Left
-2	L0003157	3							BULB, 3157
3	05143157AA	3							SOCKET, Lamp
-4		3							SCREW, Tapping, .19-16x.75, (NOT SERVICED)
5	55156879AB	4							GROMMET, Lamp
6	55156389AC	1							LAMP, Center High Mounted Stop
-7	06104635AB	2							SCREW, CHMSL attaching
-8	06035211	2							NUT, Snap In, CHMSL attaching
9									HANDLE, Liftgate
	55156354AD	1			H				
	5HU81AJCAD	1			P				[JC]
	5HU81AXRAD	1			P				[XR]
	5HU81BB8AD	1			P				[B8]
	5HU81BJTAD	1			P				[JT]
	5HU81CG-VAD	1			P				[GV]
	5HU81SW1AD	1			P				[W1]
	5HU81WE-LAD	1			P				[EL]
	5HU81WS-BAD	1			P				[SB]
	5HU81DX8AE	1			P				[X8]
10									LENS, License Lamp
	05166874AA	1			P				Right
	05166875AA	1			P				Left
-11	05183039AA	1			P				WIRING, License Lamp
12	56042450AB	1			P				SWITCH, Flipper Window
-13	L0000168	1			P				BULB, 168

GRAND CHEROKEE (WK)

SERIES LINE
H = Laredo T = JEEP - 2WD
P = Limited J = JEEP - 4WD

BODY ENGINE TRANSMISSION
74 = SPORT UTILITY 4-DOOR EKG = Engine - 3.7L V6
EVA = Engine- 4.7L V8 MPI
EZB = Engine-5.7L HEMI

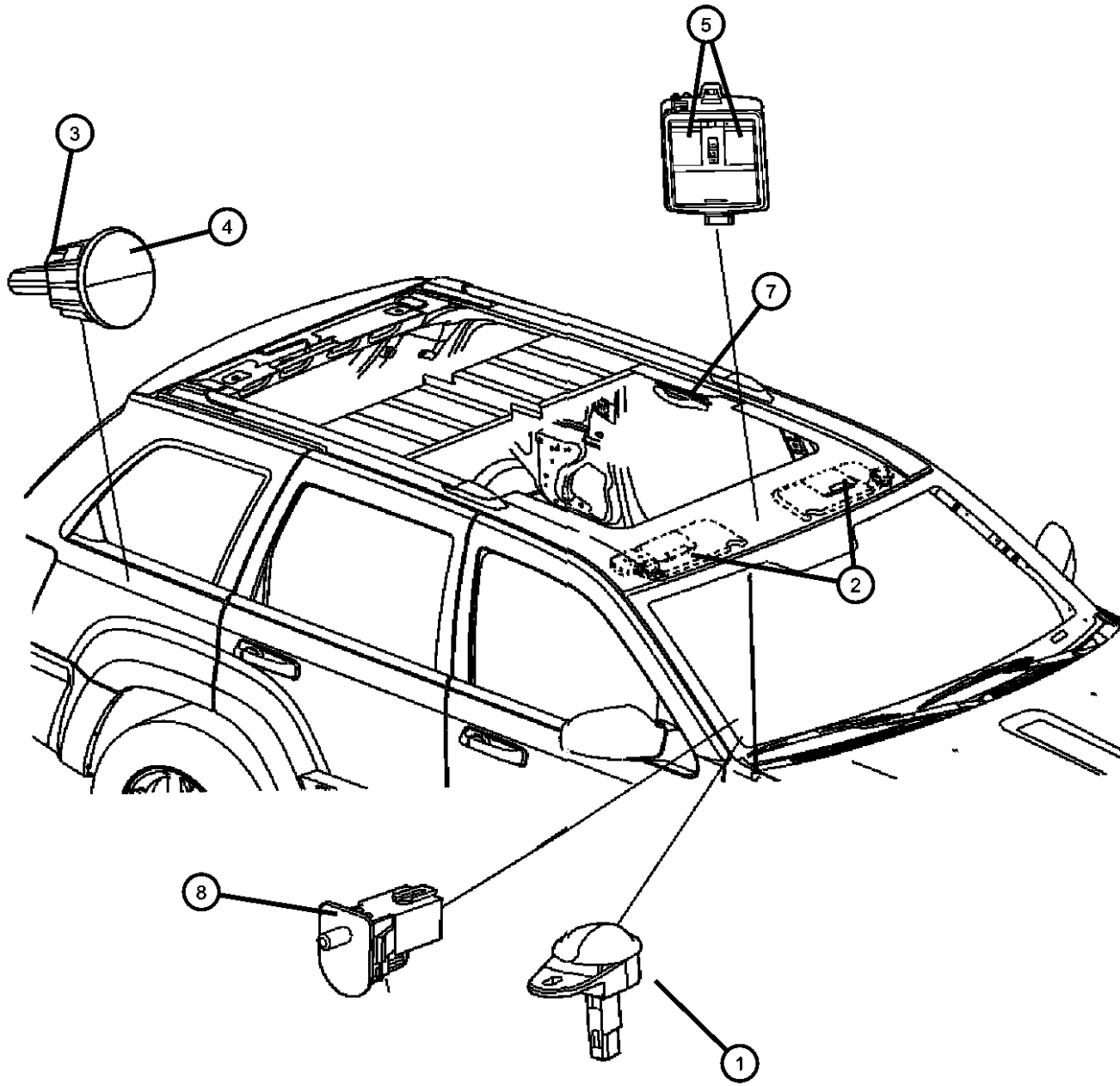
DG0 = All Automatic Transmissions
DGJ = Transmission - 5-Spd Auto, MB
DGQ = Transmission-5-Spd Automatic
5-45RFE

AR = use ase required - = Non illustrated part

2005 WK

Lamp - Courtesy - Dome - Reading
Figure 8-1130

ITEM	PART NUMBER	QTY	LINE	SERIES	BODY	ENGINE	TRANS	TRIM	DESCRIPTION
1	56042559AA	2							LAMP, Courtesy, I/Panel Lower
2	05139210AA	2							LENS, Illuminated Visor
3	05023881AA	1							LAMP, Cargo
4	05018023AA	1							LENS, Cargo Lamp
5									LENS
	05137526AA	1							Right, Over Head Console
	05137527AA	1							Left, Over Head Console
-6	05137535AA	2							SWITCH, Map Light
7									LENS
	05137528AA	1							Right, Grab Handle
	05137529AA	1							Left, Grab Handle
8	04565022	1							SWITCH AND LAMP, Glove Box



GRAND CHEROKEE (WK)

SERIES LINE
H = Laredo T = JEEP - 2WD
P = Limited J = JEEP - 4WD

BODY ENGINE TRANSMISSION
74 = SPORT UTILITY 4-DOOR EKG = Engine - 3.7L V6
EVA = Engine- 4.7L V8 MPI
EZB = Engine-5.7L HEMI

DG0 = All Automatic Transmissions
DGJ = Transmission - 5-Spd Auto, MB
DGQ = Transmission-5-Spd Automatic
5-45RFE

AR = use ase required - = Non illustrated part

2005 WK

Bulbs
Figure 8-1140

ITEM	PART NUMBER	QTY	LINE	SERIES	BODY	ENGINE	TRANS	TRIM	DESCRIPTION
1	L0003157	3							BULB, 3157
2	L0009145	2							BULB, Fog Lamp, 50 Watt
3	L0000194	1							BULB, 194
4	L0003157AK	1							BULB, 3157 NAK
5	L0009005	1							BULB, Headlamp, High Beam
	P0009005EB								SilverStar
6	L0000168	1		P					BULB, 168
7	L0009006	1							BULB, Headlamp, Low Beam
	P0009006EB								SilverStar
8	L0000578	2							BULB, 578
9	L002825W5W	1							BULB, W10/5
10	L0000906	2							BULB, 906, Under Dash Courtesy Lamp
11	L0000579	1							BULB, 579
12	06501966	1							BULB, Sunvisor
-13	09437882	1							BULB, 904

EXTERIOR LAMPS

CAUTION: Do not use bulbs other than the bulbs listed in the Bulb Application Table. Damage to lamp can result. Do not touch halogen bulbs with fingers or other oily surfaces. Bulb life will be reduced.

LAMP	BULB TYPE
BACK-UP	3157A (1)
FOG LAMP	9145 (2)
FRONT PARK LAMP	194NA (3)
FRONT SIDE MARKER	194NA (3)
FRONT TURN SIGNAL	3157A (4)
HIGH BEAM	9005 (5)
LICENSE PLATE	168 (6)
LOW BEAM	9006 (7)
TAIL/STOP	3157A (1)
REAR TURN SIGNAL	3157A (1)
LAMP	BULB TYPE
GLOVE COMPARTMENT	194 (3)
OVERHEAD CONSOLE	VT4976 (8)
PASSENGER ASSIST HANDLE	L002825W5W (9)
REAR CARGO	214-2 (11)
UNDER PANEL COURTESY	906 (10)
VANITY MIRROR	V26377 (12)

GRAND CHEROKEE (WK)

SERIES LINE
H = Laredo T = JEEP - 2WD
P = Limited J = JEEP - 4WD

BODY

74 = SPORT UTILITY 4-DOOR

ENGINE

EKG = Engine - 3.7L V6
EVA = Engine- 4.7L V8 MPI
EZB = Engine-5.7L HEMI

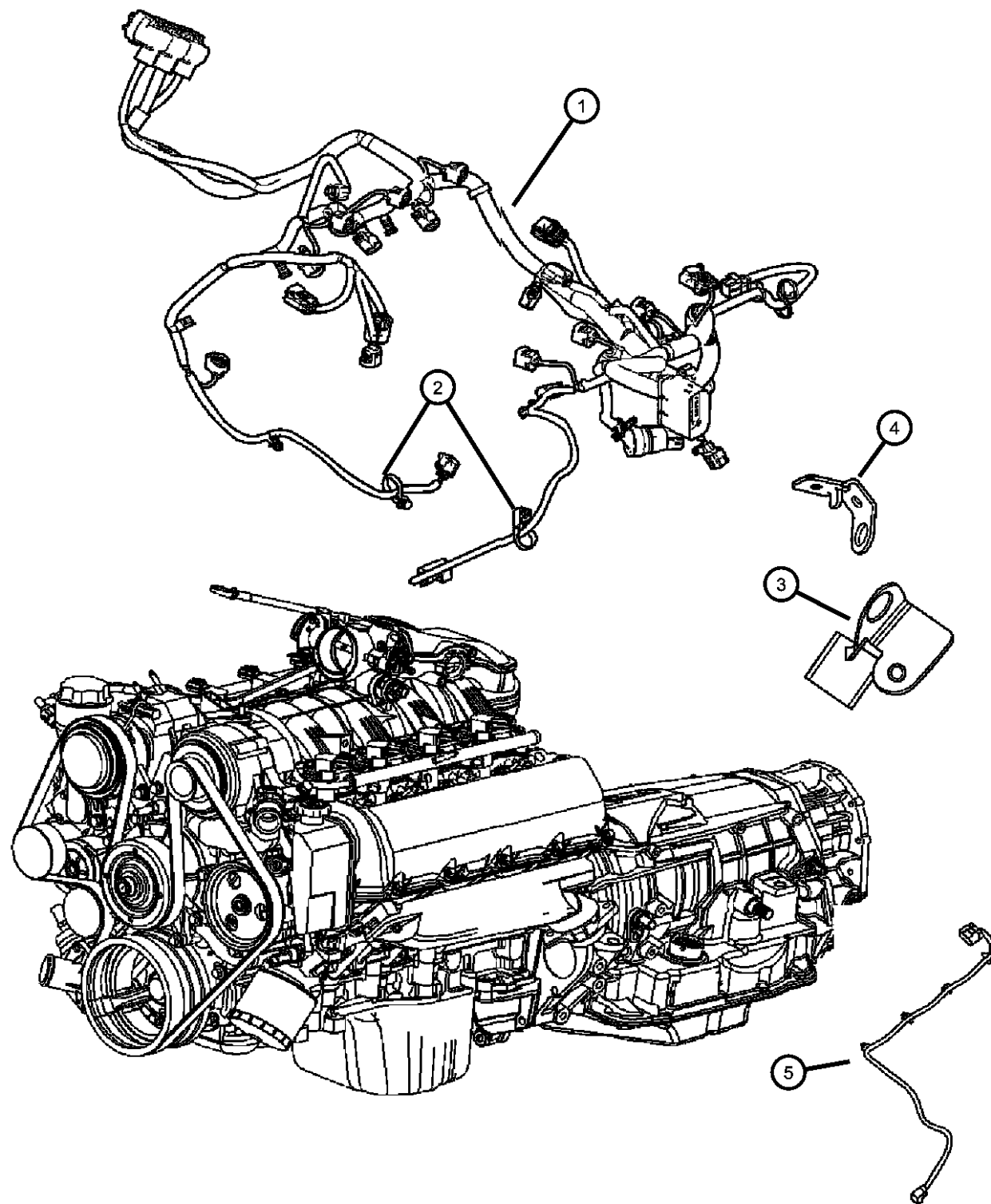
TRANSMISSION

DG0 = All Automatic Transmissions
DGJ = Transmission - 5-Spd Auto, MB
DGQ = Transmission-5-Spd Automatic 5-45RFE

AR = use ase required - = Non illustrated part

2005 WK

Wiring - Engine [3.7L and 4.7L Engine]
Figure 8-1205



ITEM	PART NUMBER	QTY	LINE	SERIES	BODY	ENGINE	TRANS	TRIM	DESCRIPTION
1	56044132AF	1				EK0			WIRING, Injector
	56044135AF	1				EVO			
2	05073039AA	1				EK0			STRAP, Tie
	56008876	1				EVO, EZ0			
3	53008550	1	T				DGQ		CLIP, Transmission Wiring
4	56041379AA	1				EK0, EVO, EZ0			CLIP, Housing, Oxygen sensor wiring
5	56050223AD	1				EVO, EZ0			WIRING, Cradle

GRAND CHEROKEE (WK)

SERIES LINE
H = Laredo T = JEEP - 2WD
P = Limited J = JEEP - 4WD

BODY
74 = SPORT UTILITY 4-DOOR
ENGINE
EKG = Engine - 3.7L V6
EVA = Engine- 4.7L V8 MPI
EZB = Engine-5.7L HEMI

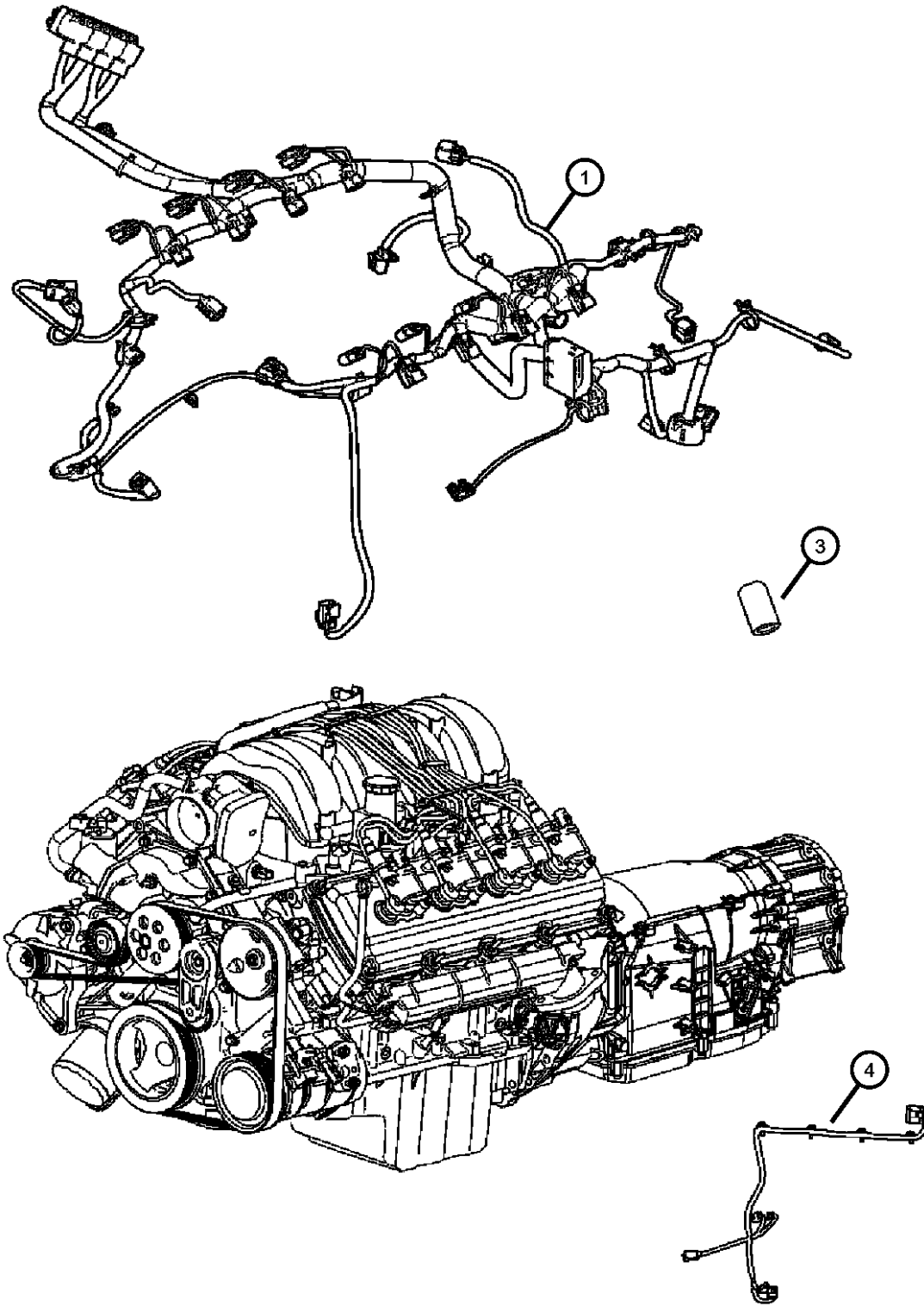
TRANSMISSION
DG0 = All Automatic Transmissions
DGJ = Transmission - 5-Spd Auto, MB
DGQ = Transmission-5-Spd Automatic 5-45RFE

AR = use ase required - = Non illustrated part

2005 WK

**Wiring Engine [5.7L Engine]
Figure 8-1210**

ITEM	PART NUMBER	QTY	LINE	SERIES	BODY	ENGINE	TRANS	TRIM	DESCRIPTION
1	56044237AF	1				EZ0			WIRING, Injector
-2	56045793AC	1				EZ0			WIRING, Jumper, Multiple displacement solenoid
3	04801330AA	4				EZ0			CAP, Protective, Goes on the inner valve cover studs to protect injector harness
4	56050223AD	1				EV0, EZ0			WIRING, Cradle



GRAND CHEROKEE (WK)

SERIES	LINE
H = Laredo	T = JEEP - 2WD
P = Limited	J = JEEP - 4WD

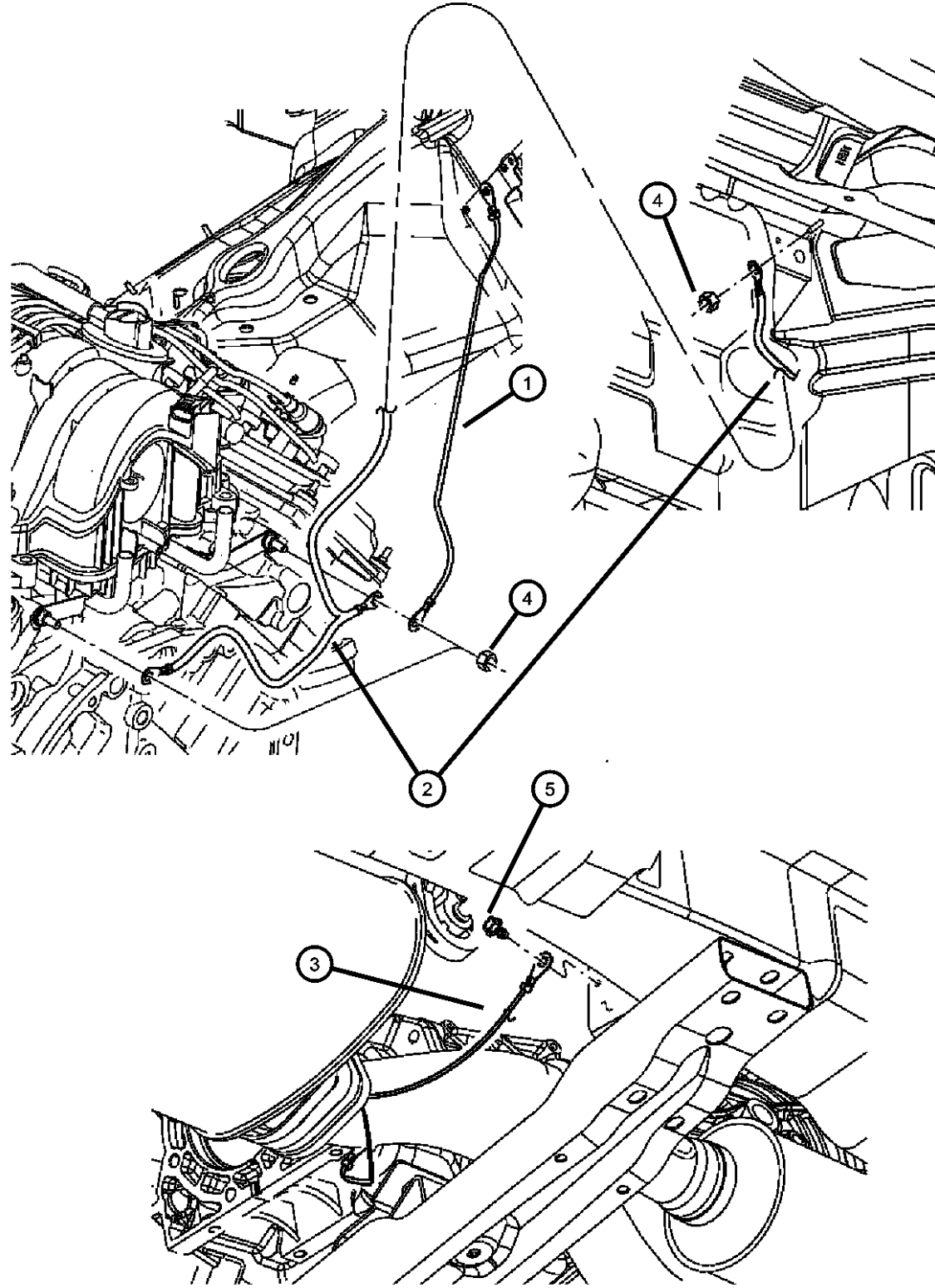
BODY	ENGINE
74 = SPORT UTILITY 4-DOOR	EKG = Engine - 3.7L V6
	EVA = Engine- 4.7L V8 MPI
	EZB = Engine-5.7L HEMI

TRANSMISSION
DG0 = All Automatic Transmissions
DGJ = Transmission - 5-Spd Auto, MB
DGQ = Transmission-5-Spd Automatic 5-45RFE

AR = use ase required - = Non illustrated part

2005 WK

**Ground Straps
Figure 8-1215**



ITEM	PART NUMBER	QTY	LINE	SERIES	BODY	ENGINE	TRANS	TRIM	DESCRIPTION
1	56029062AC	2				EZ0			STRAP, Ground Cylinder head
	56038680AA	1				EK0, EV0, EZ0			Engine to plenum
2	56038682AD	1				EK0, EV0, EZ0			STRAP, Ground, NGC to Engine
3	56038740AD	1	J			EK0, EV0, EZ0			STRAP, Ground, Exhaust
4	06101802	2				EZ0			NUT
5		2							SCREW, Hex Flange Head, M6x1.00x25.00, (NOT SERVICED)

GRAND CHEROKEE (WK)

SERIES LINE
H = Laredo T = JEEP - 2WD
P = Limited J = JEEP - 4WD

BODY
74 = SPORT UTILITY 4-DOOR

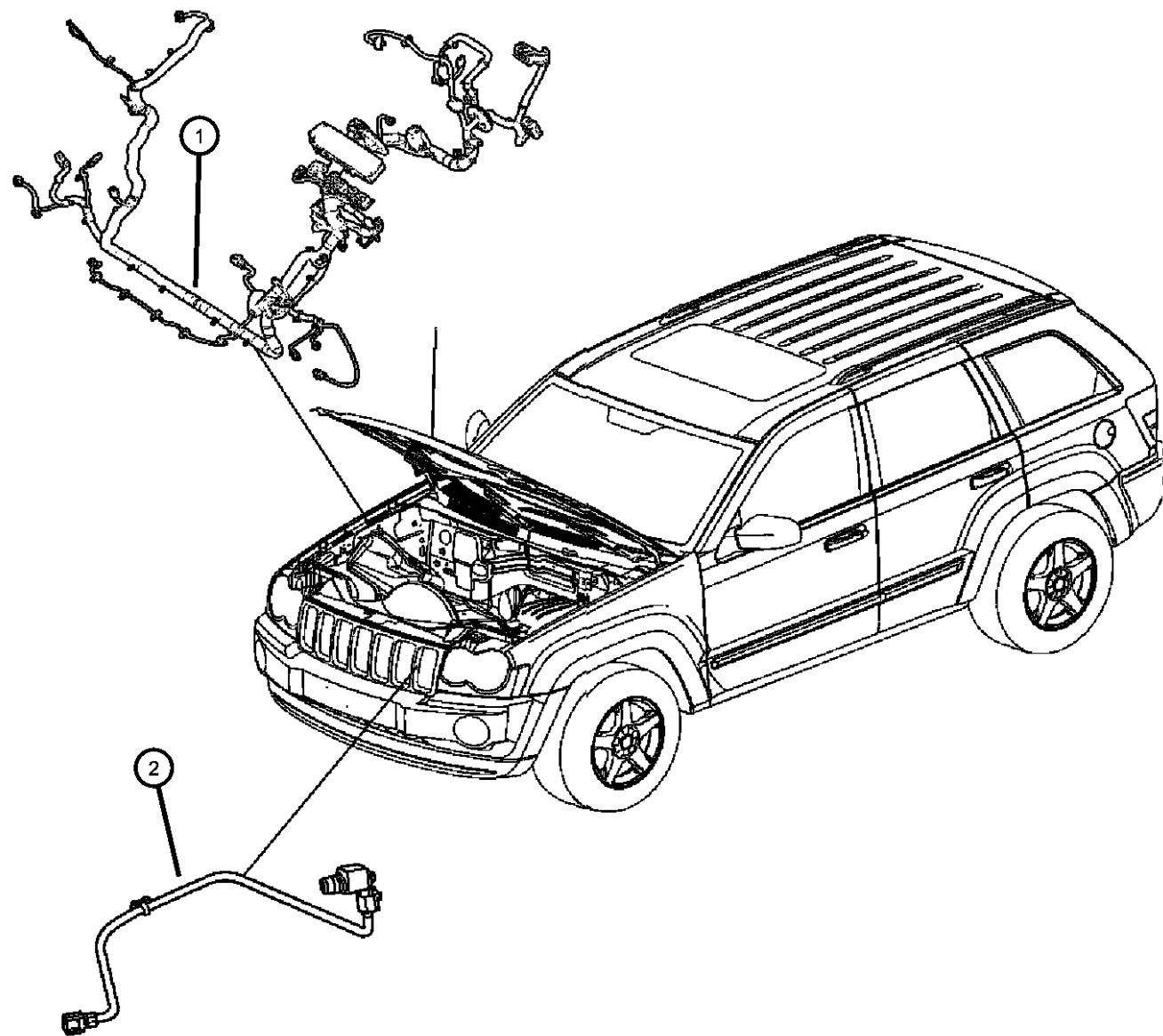
ENGINE
EKG = Engine - 3.7L V6
EVA = Engine- 4.7L V8 MPI
EZB = Engine-5.7L HEMI

TRANSMISSION
DG0 = All Automatic Transmissions
DGJ = Transmission - 5-Spd Auto, MB
DGQ = Transmission-5-Spd Automatic
5-45RFE

AR = use ase required - = Non illustrated part

2005 WK

Wiring - Headlamp / Dash
Figure 8-1305



ITEM	PART NUMBER	QTY	LINE	SERIES	BODY	ENGINE	TRANS	TRIM	DESCRIPTION
1									WIRING, Headlamp to Dash
	56050190AF	1	J			EK0			After 01/03/05
	56050191AE	1	J			EVO			[LAB] Up to 01/03/05
	56050191AF	1	J			EVO			[LAB] After 01/03/05
	56050192AE	1	T			EVO			[LAB] Up to 01/03/05
	56050192AF	1	T			EVO			[LAB] After 01/03/05
	56050195AE	1	J			EZ0			[LAB] Up to 01/03/05
	56050195AF	1	J			EZ0			[LAB] After 01/03/05
	56050330AE	1	J			EVO			[BNB] Up to 01/03/05
	56050330AF	1	J			EVO			[BNB] After 01/03/05
	56050332AE	1	T			EVO			XGM] up to 01/03/05
	56050332AF	1	T			EVO			XGM] after 01/03/05
	56050333AE	1	J			EVO			XGM] up to 01/03/05
	56050333AF	1	J			EVO			XGM] after 01/03/05
	56050334AE	1	J			EZ0			XGM] up to 01/03/05
	56050334AF	1	J			EZ0			XGM] after 01/03/05
	56050335AE	1	J			EK0			[BNB] Up to 01/03/05
	56050335AF	1	J			EK0			[BNB] After 01/03/05
	56050599AD	1	J			EVO			[BNB,LAB] Up to 01/03/05
	56050599AE	1	J			EVO			[BNB,LAB] After 01/03/05
	56050189AE	1	T			EK0			Up to 01/03/05
	56050189AF	1	T			EK0			After 01/03/05
	56050190AE	1	J			EK0			Up to 01/03/05
2									HARNESS, Jumper
	05143200AA	1				EZ0	DG0		Cooling fan
	05143210AA	1				EK0, EVO	DG0		Cooling fan

GRAND CHEROKEE (WK)

SERIES LINE
H = Laredo T = JEEP - 2WD
P = Limited J = JEEP - 4WD

BODY ENGINE
74 = SPORT UTILITY 4-DOOR EKG = Engine - 3.7L V6
EVA = Engine- 4.7L V8 MPI
EZB = Engine-5.7L HEMI

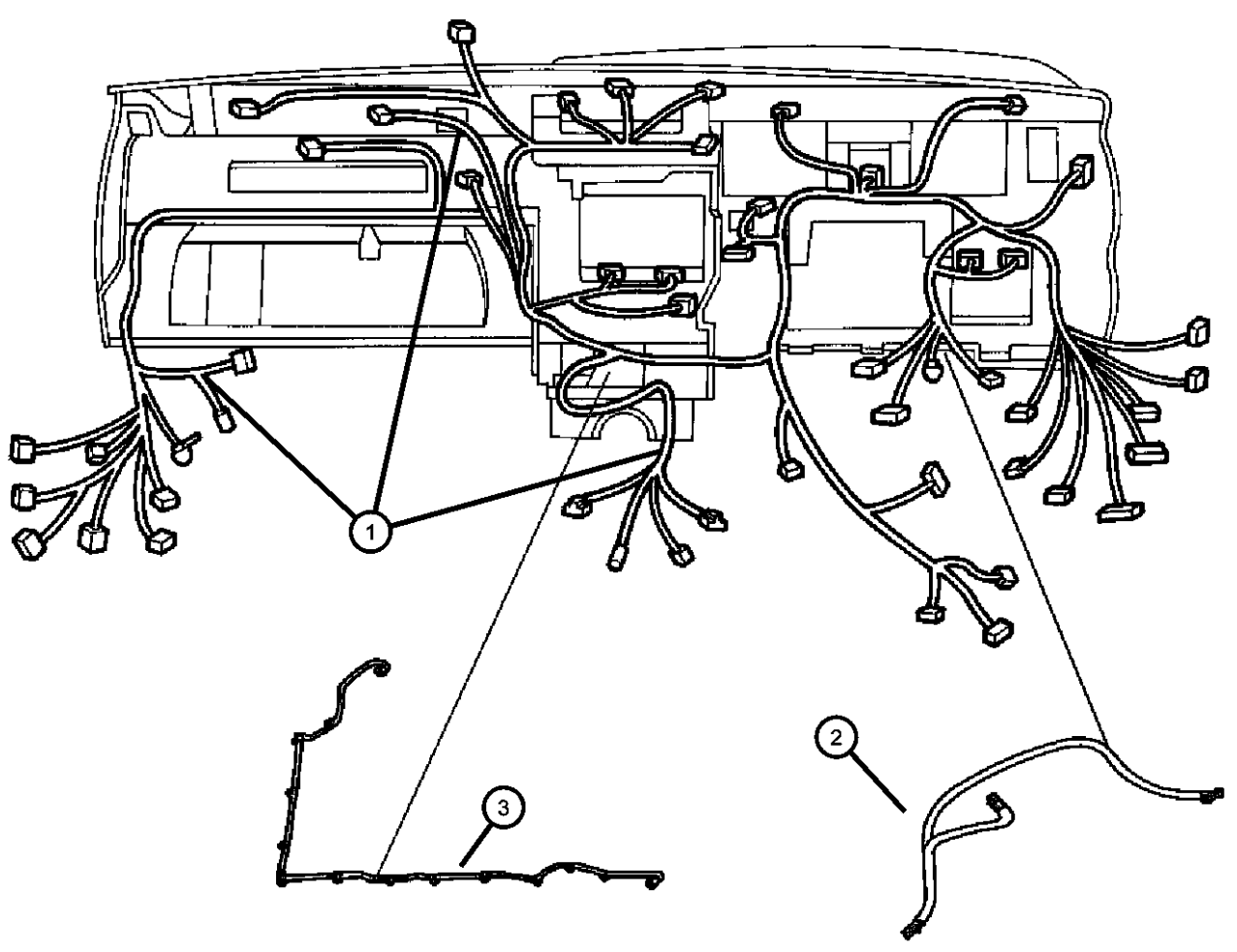
TRANSMISSION
DG0 = All Automatic Transmissions
DGJ = Transmission - 5-Spd Auto, MB
DGQ = Transmission-5-Spd Automatic
5-45RFE

AR = use ase required - = Non illustrated part

2005 WK

Wiring - Instrument Panel
Figure 8-1410

ITEM	PART NUMBER	QTY	LINE	SERIES	BODY	ENGINE	TRANS	TRIM	DESCRIPTION
1									WIRING, Instrument Panel
	56050088AE	1		H		EK0, EV0			[RCG] Up to 12/20/04
	56050088AF	1		H		EK0, EV0			[RCG] After 12/20/04
	56050089AE	1		H		EK0, EV0			[LMG,RSP,XRV,RC6] Up to 12/20/04
	56050089AF	1		H		EK0, EV0			[LMG,RSP,XRV,RC6] After 12/20/04
	56050090AE	1		H		EK0, EV0			[RC6,RSP,LMG] Up to 12/20/04
	56050090AF	1		H		EK0, EV0			[RC6,RSP,LMG] After 12/20/04
	56050314AB	1		H		EK0, EV0			[LMG,RSA,RSP,RC6] Up to 12/20/04
	56050314AC	1		H		EK0, EV0			[LMG,RSA,RSP,RC6] After 12/20/04
	56050471AE	1		P		EV0, EZ0			[RSP,LMG] Up to 12/20/04
	56050471AF	1		P		EV0, EZ0			[RSP,LMG] After 12/20/04
	56050473AE	1		P		EV0, EZ0			[RSP,LMG,XRV] Up to 12/20/04
	56050473AF	1		P		EV0, EZ0			[RSP,LMG,XRV] After 12/20/04
	56050564AB	1		P		EV0, EZ0			[LMG,RSA,XRV] Up to 12/20/04
	56050564AC	1		P		EV0, EZ0			[LMG,RSA,XRV] After 12/20/04
	56050565AB	1		P		EV0, EZ0			[LMG,RSA,RSP] Up to 12/20/04
	56050565AC	1		P		EV0, EZ0			[LMG,RSA,RSP] After 12/20/04
	56050566AB	1		H		EK0, EV0			[RC6,LMG] Up to 12/20/04
	56050566AC	1		H		EK0, EV0			[RC6,LMG] After 12/20/04
	56050572AB	1		P		EV0, EZ0			[LMG,RSA,RSP,XRV] Up to 12/20/04
	56050572AC	1		P		EV0, EZ0			[LMG,RSA,RSP,XRV] After 12/20/04
	56050573AB	1		H		EK0, EV0			[XRV,RC6,LMG] Up to 12/20/04
	56050573AC	1		H		EK0, EV0			[XRV,RC6,LMG] After 12/20/04
	56050579AB	1		H		EK0, EV0			[LMG,RSA,RC6] Up to 12/20/04
	56050579AC	1		H		EK0, EV0			[LMG,RSA,RC6] After 12/20/04
	56050580AB	1		H		EK0, EV0			[LMG,RSA,XRV,RC6] Up to 12/20/04
	56050580AC	1		H		EK0, EV0			[LMG,RSA,XRV,RC6] After 12/20/04
	56050581AB	1		H		EK0, EV0			[LMG,RSA,RSP,XRV,RC6] Up to 12/20/04
	56050581AC	1		H		EK0, EV0			[LMG,RSA,RSP,XRV,RC6] After 12/20/04
	56050582AB	1		P		EV0, EZ0			[LMG] Up 12/20/04
	56050582AC	1		P		EV0, EZ0			[LMG] After 12/20/04



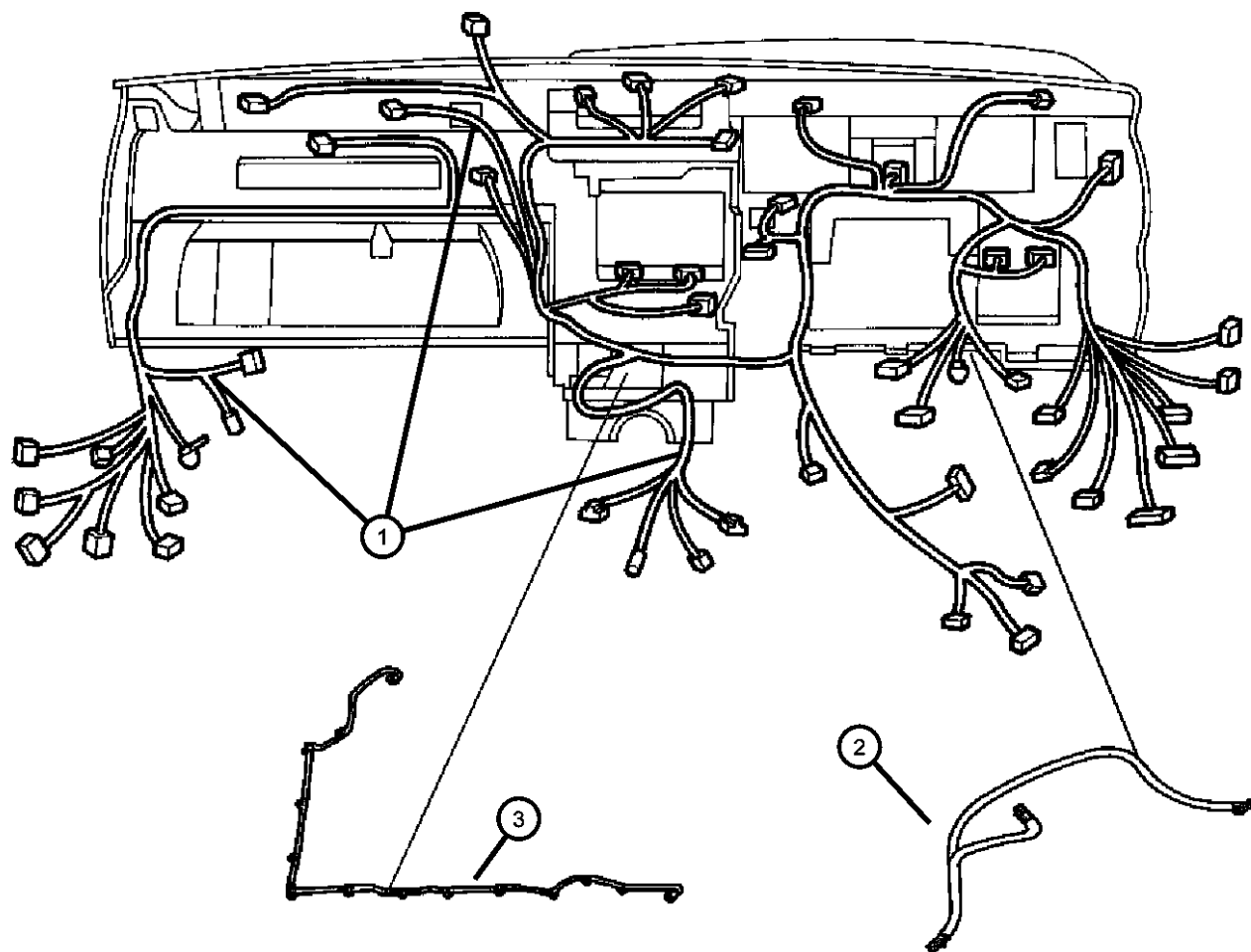
GRAND CHEROKEE (WK)

SERIES	LINE	BODY	ENGINE	TRANSMISSION
H = Laredo	T = JEEP - 2WD	74 = SPORT UTILITY 4-DOOR	EKG = Engine - 3.7L V6	DG0 = All Automatic Transmissions
P = Limited	J = JEEP - 4WD		EVA = Engine- 4.7L V8 MPI	DGJ = Transmission - 5-Spd Auto, MB
			EZB = Engine-5.7L HEMI	DGQ = Transmission-5-Spd Automatic 5-45RFE

AR = use ase required - = Non illustrated part

Wiring - Instrument Panel
Figure 8-1410

ITEM	PART NUMBER	QTY	LINE	SERIES	BODY	ENGINE	TRANS	TRIM	DESCRIPTION
	56050583AB	1		P		EV0, EZ0			[XRV,LMG] Up to 12/20/04
	56050583AC	1		P		EV0, EZ0			[XRV,LMG] After 12/20/04
	56050803AB	1		P		EV0, EZ0			[LMG,RSA] Up to 12/20/04
	56050803AC	1		P		EV0, EZ0			[LMG,RSA] After 12/20/04
2	52029319AA	1							WIRING, Steering Wheel
3	56050609AC	1							WIRING, Hands Free Communication



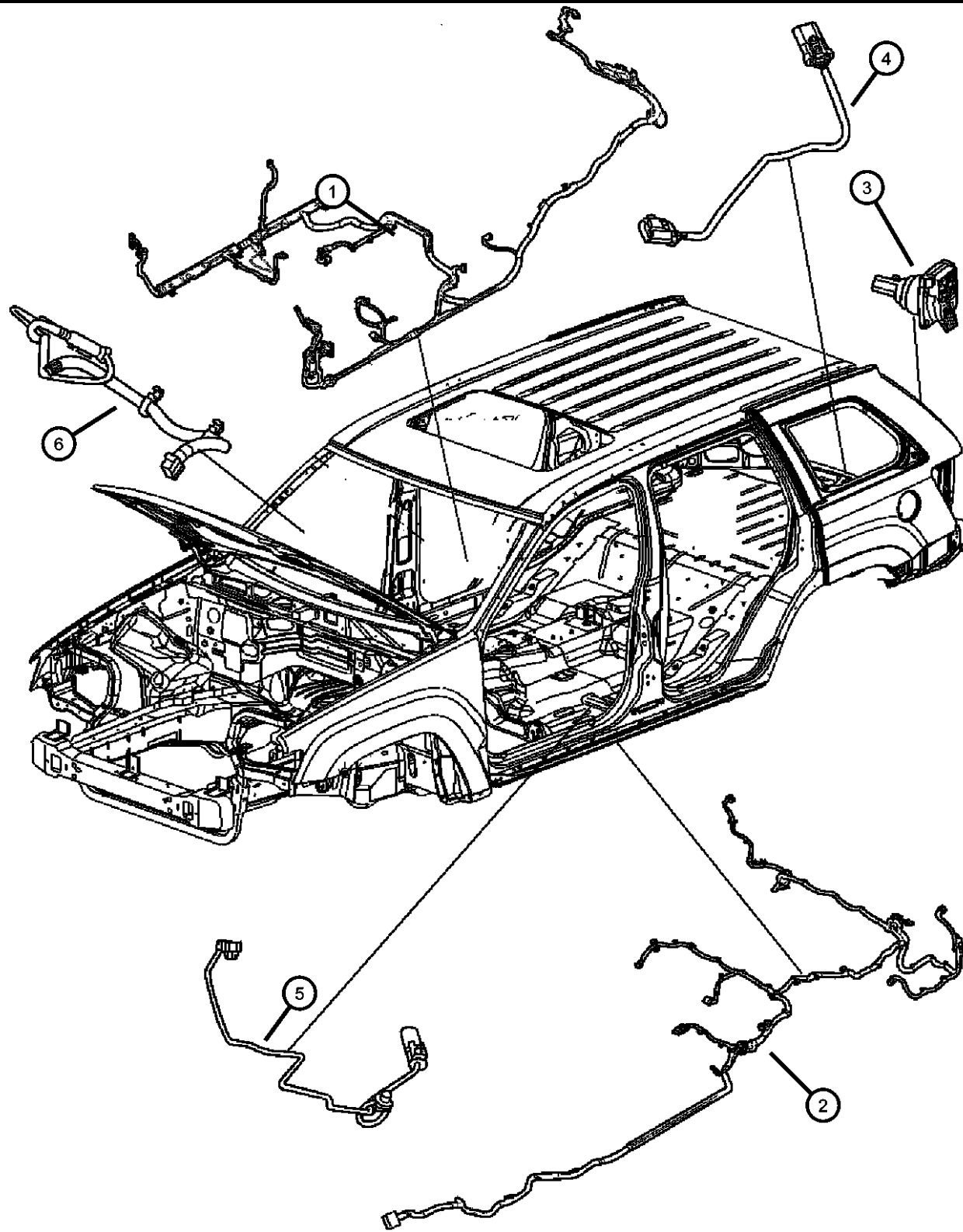
GRAND CHEROKEE (WK)

SERIES	LINE	BODY	ENGINE	TRANSMISSION
H = Laredo	T = JEEP - 2WD	74 = SPORT UTILITY 4-DOOR	EKG = Engine - 3.7L V6	DG0 = All Automatic Transmissions
P = Limited	J = JEEP - 4WD		EVA = Engine- 4.7L V8 MPI	DGJ = Transmission - 5-Spd Auto, MB
			EZB = Engine-5.7L HEMI	DGQ = Transmission-5-Spd Automatic 5-45RFE

AR = use ase required - = Non illustrated part

2005 WK

Wring Body
Figure 8-1505



ITEM	PART NUMBER	QTY	LINE	SERIES	BODY	ENGINE	TRANS	TRIM	DESCRIPTION
		1	T			EVO			Base
	56050355AD	1	J			EVO			[XGM]
	56050356AD	1	J			EVO			[AHX,AHT,XGM]
	56050357AD	1	J			EVO, EZO			[DSF,XGM]
	56050358AD	1	J			EVO, EZO			[AHX,AHT,DSF,XGM]
	56050360AD	1	J			EVO			[XAA,AHX,AHT]
	56050362AD	1	J			EVO			[XAA,XGM,AHX,AHT]
	56050364AD	1	J			EVO, EZO			[XAA,XGM,AHX,AHT,DSF]
	56050366AD	1	J			EVO			[XAA,XGM]
	56050367AD	1	T			EVO			[AHX,AHT,XGM]
	56050369AD	1	T			EVO			[XAA,XGM]
	56050370AD	1	T			EVO			[XAA,XGM,AHT,AHX]
	56050371AD	1	T			EVO			[XGM]
3	56038366AB	1							CONNECTOR, 7 Way, [XFH]
4	05143963AA	1							WIRING, Fuel Module
5									WIRING, Seat Belt Jumper
	05143384AA	1							Right
	05143387AA	1							Left
6	56050461AB	1					DGJ		WIRING, Control Module

GRAND CHEROKEE (WK)

SERIES LINE
H = Laredo T = JEEP - 2WD
P = Limited J = JEEP - 4WD

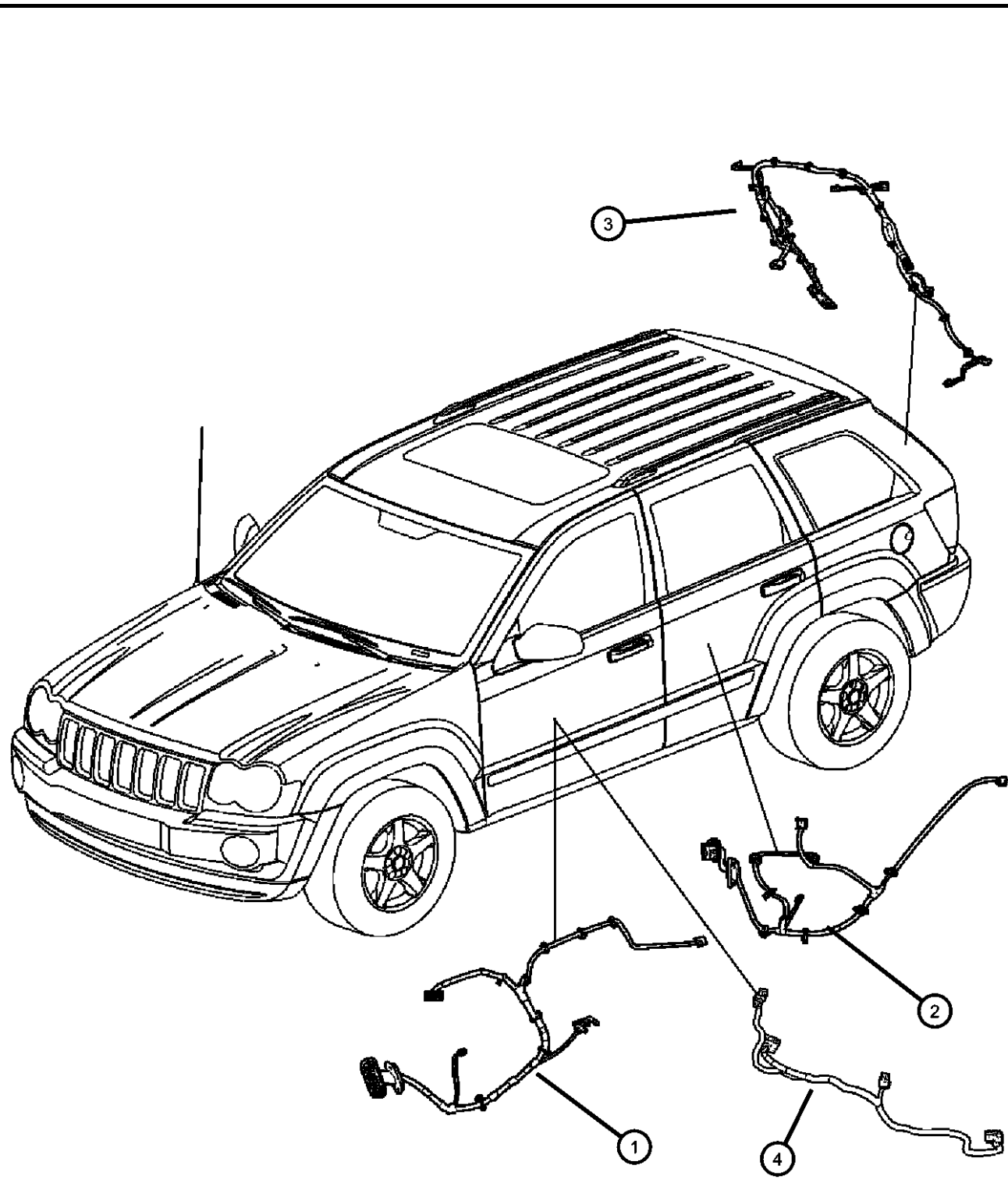
BODY ENGINE
74 = SPORT UTILITY 4-DOOR EKG = Engine - 3.7L V6
EVA = Engine- 4.7L V8 MPI
EZB = Engine-5.7L HEMI

TRANSMISSION
DG0 = All Automatic Transmissions
DGJ = Transmission - 5-Spd Auto, MB
DGQ = Transmission-5-Spd Automatic
5-45RFE

AR = use ase required - = Non illustrated part

2005 WK

Wiring - Doors and Liftgate
Figure 8-1510



ITEM	PART NUMBER	QTY	LINE	SERIES	BODY	ENGINE	TRANS	TRIM	DESCRIPTION
1									WIRING, Front Door
	56044236AF	1		H					[GTS], Right
	56050070AF	1		P					Base, Right
	56050073AF	1		H					[GTN], Left
	56050168AF	1		H					[GTN], Right
	56050221AF	1		H					[GTS], Left
	56050598AE	1		P					Base, Left
2	56050067AE	2							WIRING, Rear Door
3	56050072AD	1							WIRING, Liftgate
4									WIRING, Door Jumper
	05174820AA	1							[CTL] To switches, Right
	05174821AA	1							[CTL] To switches, Left
	05174822AA	1							[CBF] To switches, Right
	05174823AA	1							[CBF] To switches, Left

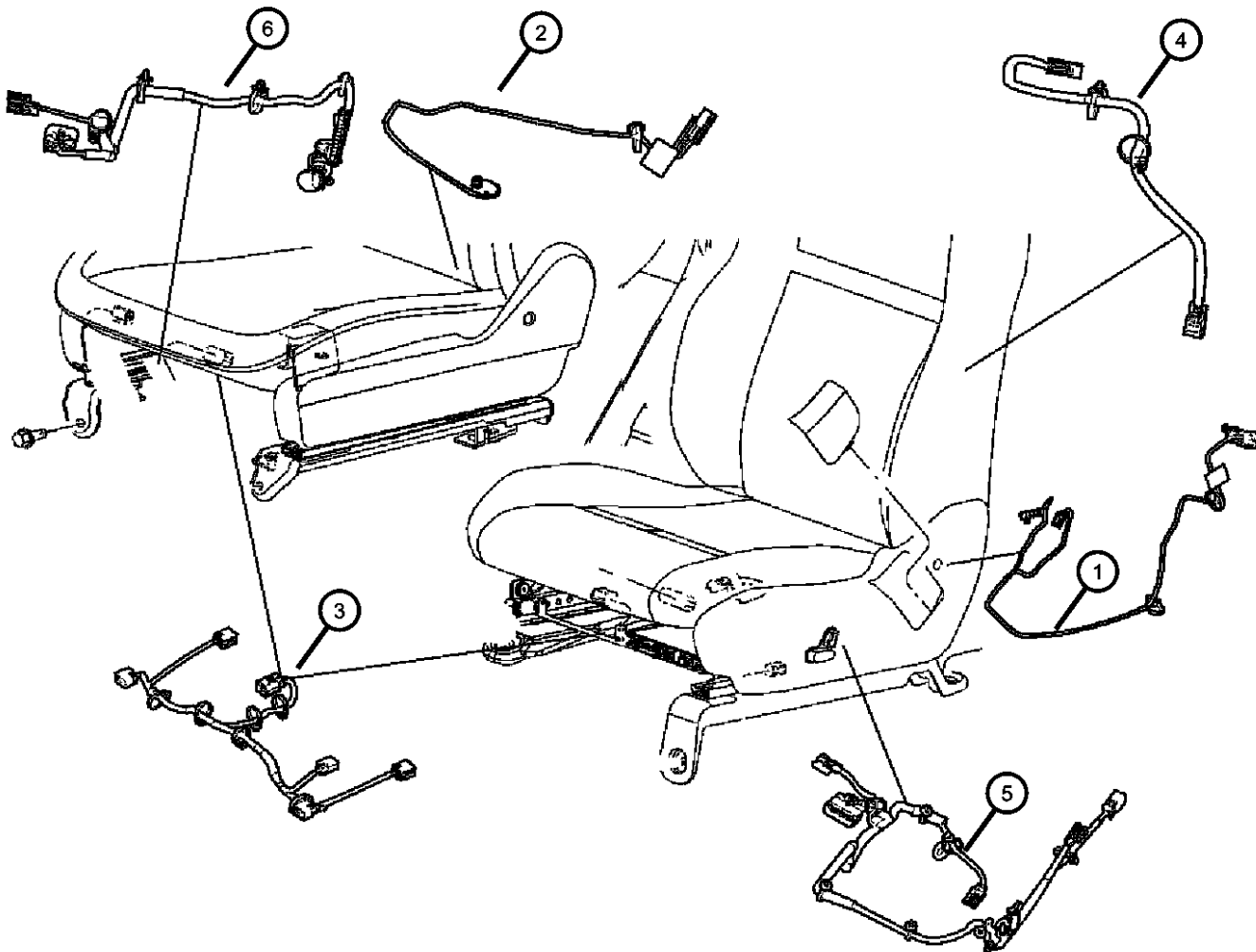
GRAND CHEROKEE (WK)

SERIES	LINE	BODY	ENGINE	TRANSMISSION
H = Laredo	T = JEEP - 2WD	74 = SPORT UTILITY 4-DOOR	EKG = Engine - 3.7L V6	DG0 = All Automatic Transmissions
P = Limited	J = JEEP - 4WD		EVA = Engine- 4.7L V8 MPI	DGJ = Transmission - 5-Spd Auto, MB
			EZB = Engine-5.7L HEMI	DGQ = Transmission-5-Spd Automatic 5-45RFE

AR = use ase required - = Non illustrated part

**Wiring Seats
Figure 8-1515**

ITEM	PART NUMBER	QTY	LINE	SERIES	BODY	ENGINE	TRANS	TRIM	DESCRIPTION
1	05143387AA	1							WIRING, Seat Belt Jumper
2	05143384AA	1							WIRING, Seat Belt Jumper
3	05143370AA	1							WIRING, Seat, OCS Wiring
4									WIRING, Power Seat
	05143366AA	1							Power back wiring, Right
	05143367AA	1							Power back wiring, Left
	05143368AA	1							Power back wiring [JPM], Right
	05143369AA	1							Power back wiring [JPM], Left
	05143371AA	1							Power back wiring [JPK], Left
	05143373AA	1							Power back wiring [JPK,-JPM], Left
	05143383AA	1							Power back wiring [JPK,JPM], Left
5									WIRING, Power Seat
	05143371AA	1							Power track wiring [JPR]
	05143377AA	1							Power track wiring [JPK]
	05143379AA	1							Power track wiring [JPK,JPM]
	05143381AA	1							Power track wiring [JTB,JPM]
6									WIRING, Power Seat
	05143378AA	1							Power track wiring
	05143380AA	1							[JPK,JPM]



GRAND CHEROKEE (WK)

SERIES LINE
H = Laredo T = JEEP - 2WD
P = Limited J = JEEP - 4WD

BODY ENGINE
74 = SPORT UTILITY 4-DOOR EKG = Engine - 3.7L V6
EVA = Engine- 4.7L V8 MPI
EZB = Engine-5.7L HEMI

TRANSMISSION
DG0 = All Automatic Transmissions
DGJ = Transmission - 5-Spd Auto, MB
DGQ = Transmission-5-Spd Automatic 5-45RFE

AR = use ase required - = Non illustrated part

2005 WK

**Wiring Repair Packages
Figure 8-1605**

ITEM	PART NUMBER	QTY	LINE	SERIES	BODY	ENGINE	TRANS	TRIM	DESCRIPTION
-1									STRAP, Tie, For Electrical Connector Repair Information visit the World Wide Web at http://dto.vftis.com/mopar/disclaimer.asp
	05073039AA	1				EK0			
	56008876	1				EV0, EZ0			
-2	52124121AA	2							CLIP, Wiring
-3									STRAP, Ground
	56029062AC	2				EZ0			Cylinder head
	56038680AA	1				EK0, EV0, EZ0			Engine to plenum
	56038682AD	1				EK0, EV0, EZ0			NGC to engine
	56038740AD	1	J			EK0, EV0, EZ0			Exhaust

For Electrical Connector Repair Information visit the World Wide Web at

<http://dto.vftis.com/mopar/disclaimer.asp>

GRAND CHEROKEE (WK)

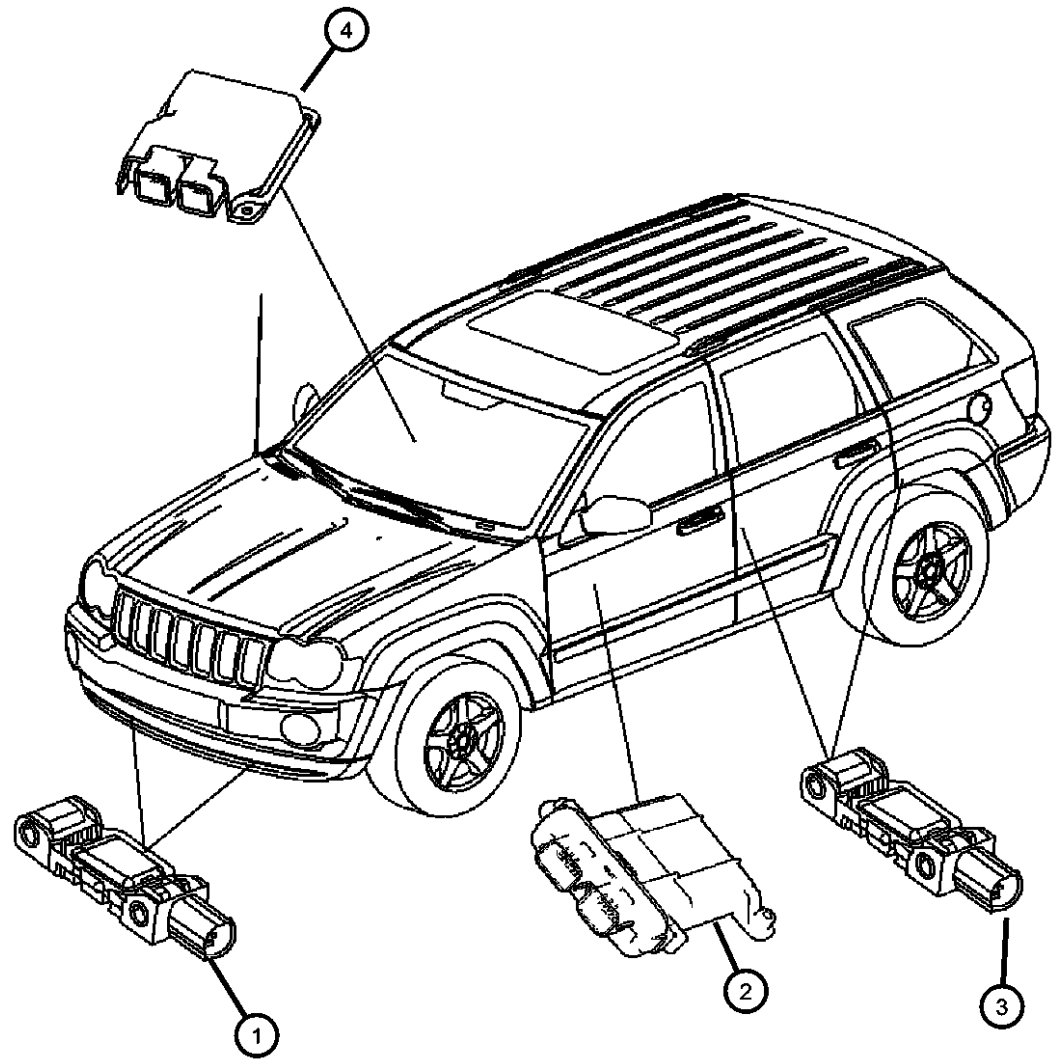
SERIES	LINE
H = Laredo	T = JEEP - 2WD
P = Limited	J = JEEP - 4WD

BODY	ENGINE
74 = SPORT UTILITY 4-DOOR	EKG = Engine - 3.7L V6
	EVA = Engine- 4.7L V8 MPI
	EZB = Engine-5.7L HEMI

TRANSMISSION
DG0 = All Automatic Transmissions
DGJ = Transmission - 5-Spd Auto, MB
DGQ = Transmission-5-Spd Automatic 5-45RFE

**Air Bag Modules and Sensors
Figure 8-1705**

ITEM	PART NUMBER	QTY	LINE	SERIES	BODY	ENGINE	TRANS	TRIM	DESCRIPTION
1	04671779AC	2							SENSOR, Side Airbag Impact MODULE, Occupant Restraint [CGS] Up to 11/29/04 After 11/29/04 [CGS] After 11/29/04 Up to 11/29/04
2	56010426AJ	1							
	04896018AA	1							
	04896019AA	1							
	56010425AJ	1							
3	04671779AC	4							SENSOR, Side Airbag Impact
4	56043195AS	1							MODULE, Occupant Classification



GRAND CHEROKEE (WK)

SERIES LINE
H = Laredo T = JEEP - 2WD
P = Limited J = JEEP - 4WD

BODY

74 = SPORT UTILITY 4-DOOR

ENGINE

EKG = Engine - 3.7L V6
EVA = Engine- 4.7L V8 MPI
EZB = Engine-5.7L HEMI

TRANSMISSION

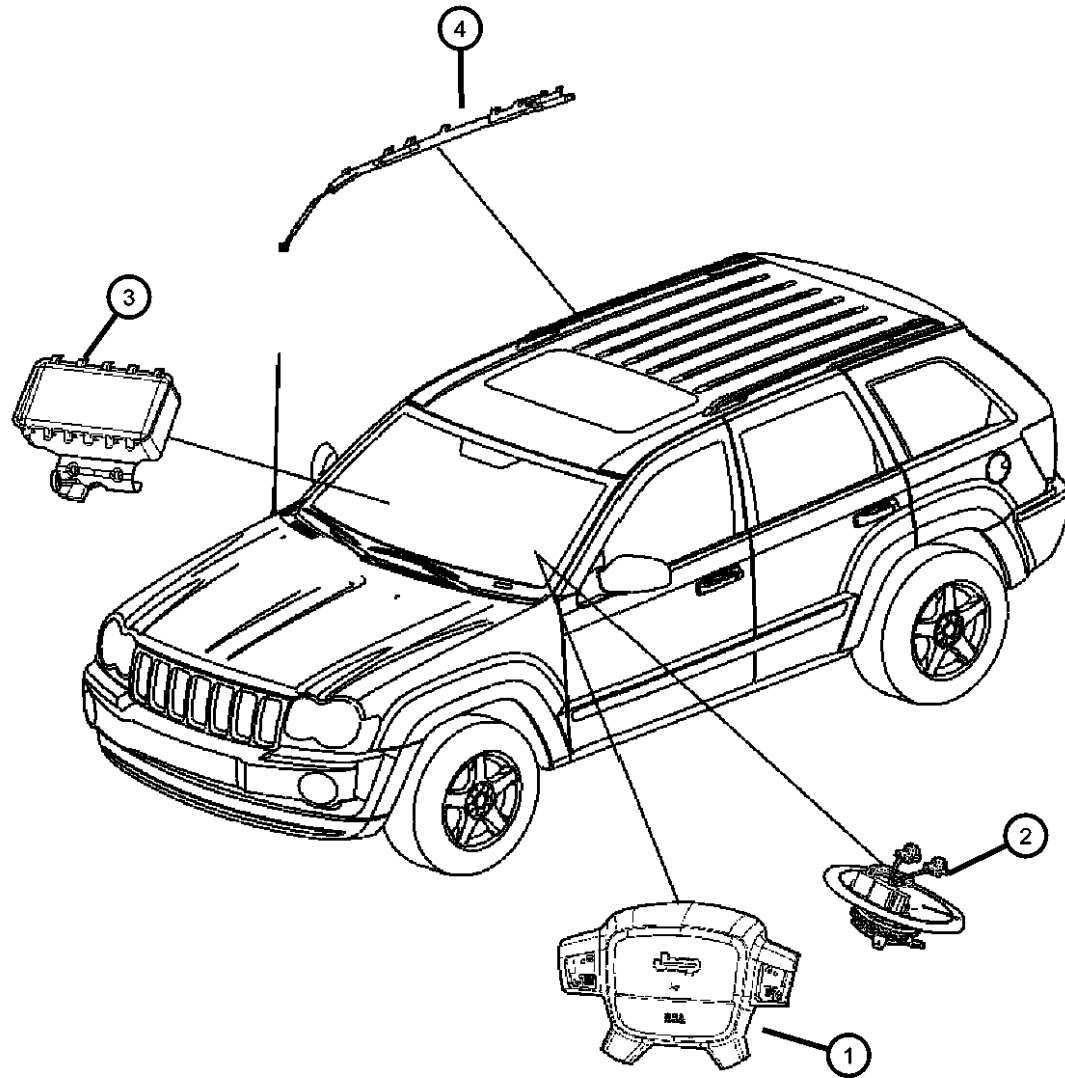
DG0 = All Automatic Transmissions
DGJ = Transmission - 5-Spd Auto, MB
DGQ = Transmission-5-Spd Automatic
5-45RFE

AR = use ase required - = Non illustrated part

2005 WK

**Air Bags and Clock Spring
Figure 8-1710**

ITEM	PART NUMBER	QTY	LINE	SERIES	BODY	ENGINE	TRANS	TRIM	DESCRIPTION
1									AIR BAG, Driver
	5JJ281D1AC	1							[J1] Up to 11/29/04
	5JJ281D5AC	1							[D5] Up to 11/29/04
	5JJ281J3AC	1							[J3] Up to 11/29/04
	5JJ281D1AD	1							[J1] After 11/29/04
	5JJ281D5AD	1							[D5] After 11/29/04
	5JJ281J3AD	1							[J3] After 11/29/04
2									MODULE, Steering Control
	05143319AC	1							Includes clock spring
	05143320AC	1							[BNB] Includes clock spring
3	55117000AF	1							AIR BAG, Passenger
4									AIR BAG, Side Curtain
	55116640AF	1							Right
	55116641AF	1							Left



GRAND CHEROKEE (WK)

SERIES	LINE
H = Laredo	T = JEEP - 2WD
P = Limited	J = JEEP - 4WD

BODY	ENGINE
74 = SPORT UTILITY 4-DOOR	EKG = Engine - 3.7L V6
	EVA = Engine- 4.7L V8 MPI
	EZB = Engine-5.7L HEMI

TRANSMISSION
DG0 = All Automatic Transmissions
DGJ = Transmission - 5-Spd Auto, MB
DGQ = Transmission-5-Spd Automatic 5-45RFE

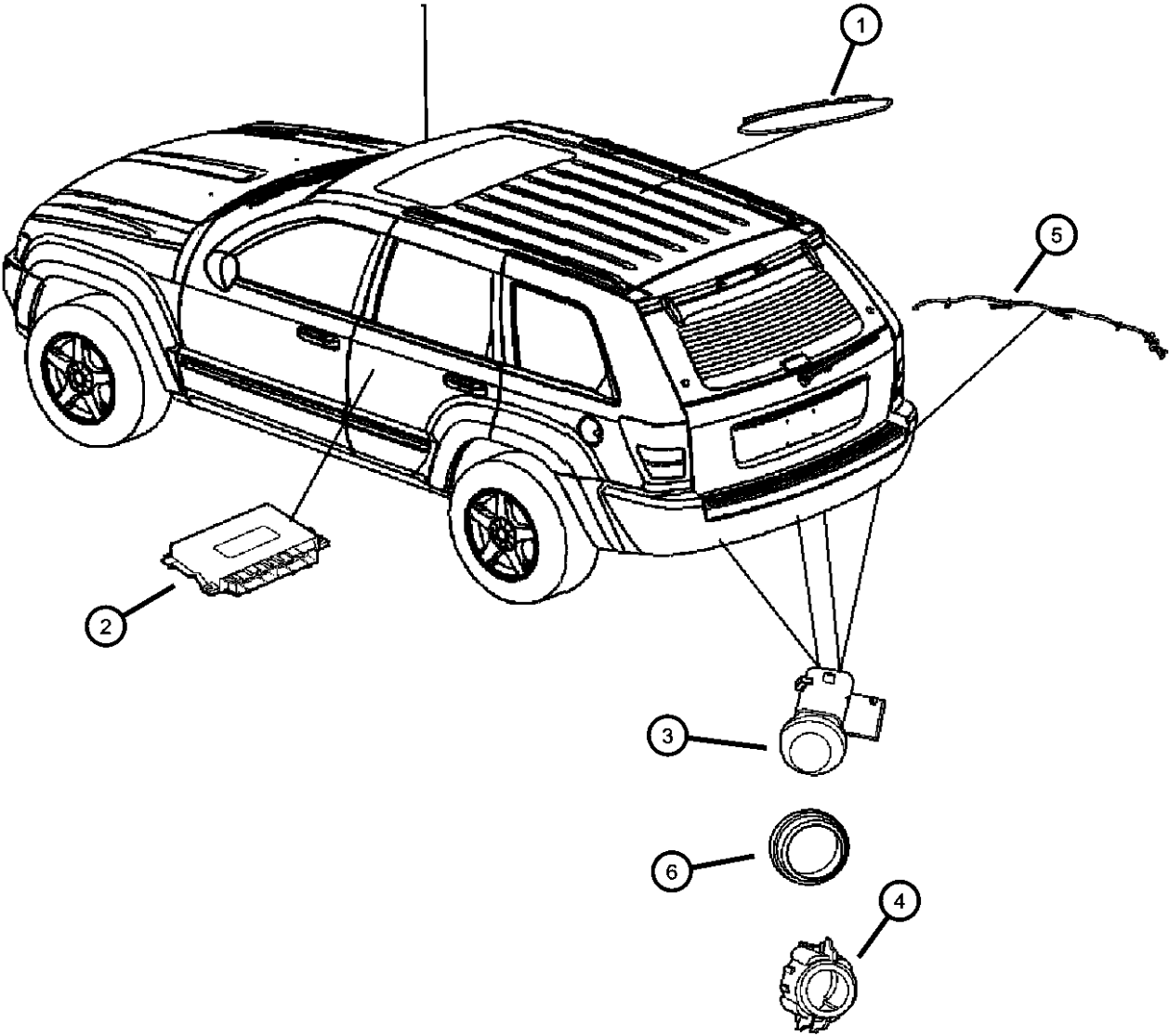
AR = use ase required - = Non illustrated part

2005 WK

Park Assist Detection System

Figure 8-1805

ITEM	PART NUMBER	QTY	LINE	SERIES	BODY	ENGINE	TRANS	TRIM	DESCRIPTION
1	04602364AA	1							DISPLAY, Parking Assist
2	05026016AA	1							MODULE, Parking Assist
3	5HX08SZ0AB	4							SENSOR, Park Assist
4	05159097AA	4							BRACKET, Sensor Mounting, Park Assist Sensor
5	05159098AA	1							HARNESS, Sensor Wiring
6	05159096AA	4							SPACER, Sensor



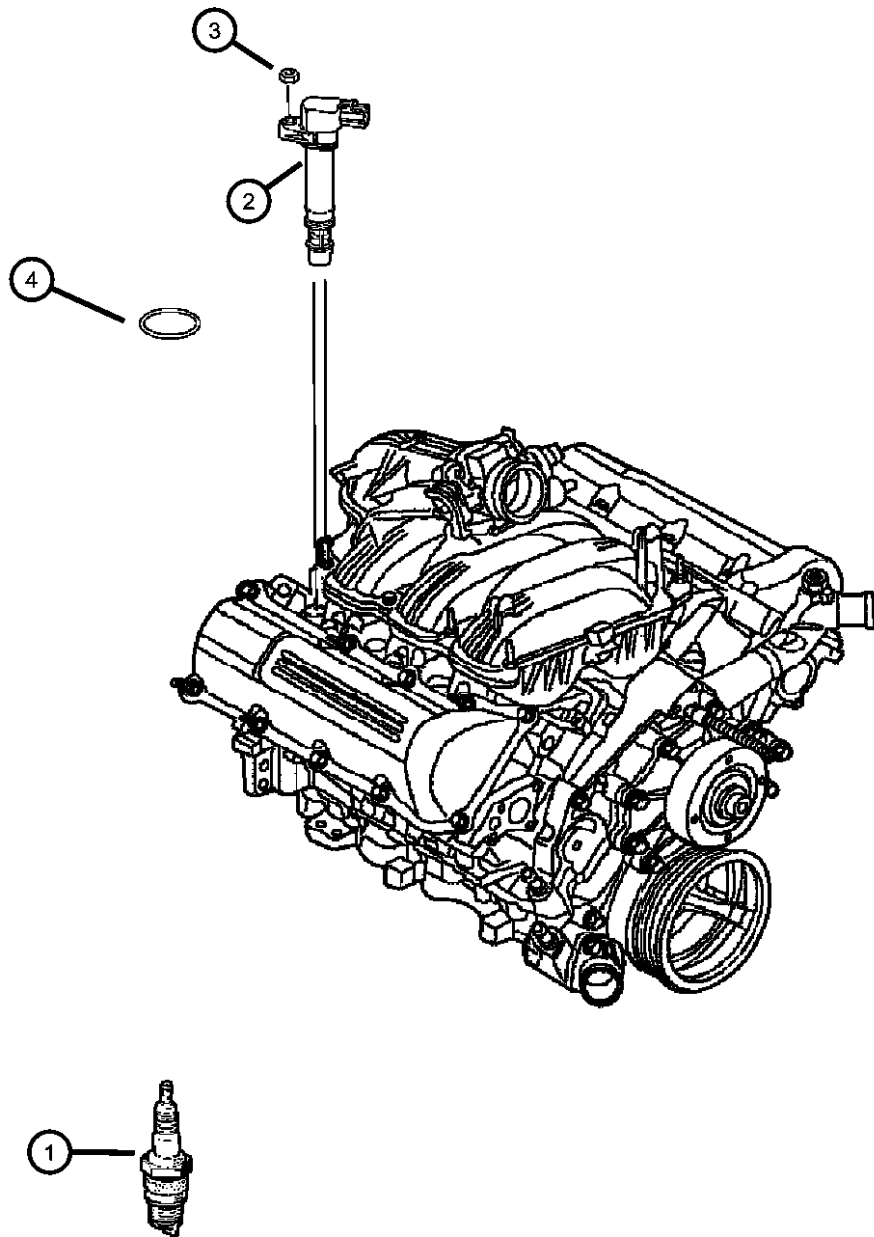
GRAND CHEROKEE (WK)

SERIES	LINE	BODY	ENGINE	TRANSMISSION
H = Laredo	T = JEEP - 2WD	74 = SPORT UTILITY 4-DOOR	EKG = Engine - 3.7L V6	DG0 = All Automatic Transmissions
P = Limited	J = JEEP - 4WD		EVA = Engine- 4.7L V8 MPI	DGJ = Transmission - 5-Spd Auto, MB
			EZB = Engine-5.7L HEMI	DGQ = Transmission-5-Spd Automatic 5-45RFE

AR = use ase required - = Non illustrated part

**Spark Plugs and Coils [3.7L and 4.7L Engines]
Figure 8-1905**

ITEM	PART NUMBER	QTY	LINE	SERIES	BODY	ENGINE	TRANS	TRIM	DESCRIPTION
1	SPRC12MCC4	8				EVA			SPARK PLUG
	SPZFR6F11G	6				EK0			
2	56028138AE	8				EVO			COIL, Ignition
		6				EK0			
3		6							NUT AND WASHER, Hex, M6x1.0, (NOT SERVICED)
4	05072382AA	8				EVO			O RING Coil to plug
		6				EK0			



GRAND CHEROKEE (WK)

SERIES LINE
H = Laredo T = JEEP - 2WD
P = Limited J = JEEP - 4WD

BODY ENGINE
74 = SPORT UTILITY 4-DOOR EKG = Engine - 3.7L V6
EVA = Engine- 4.7L V8 MPI
EZB = Engine-5.7L HEMI

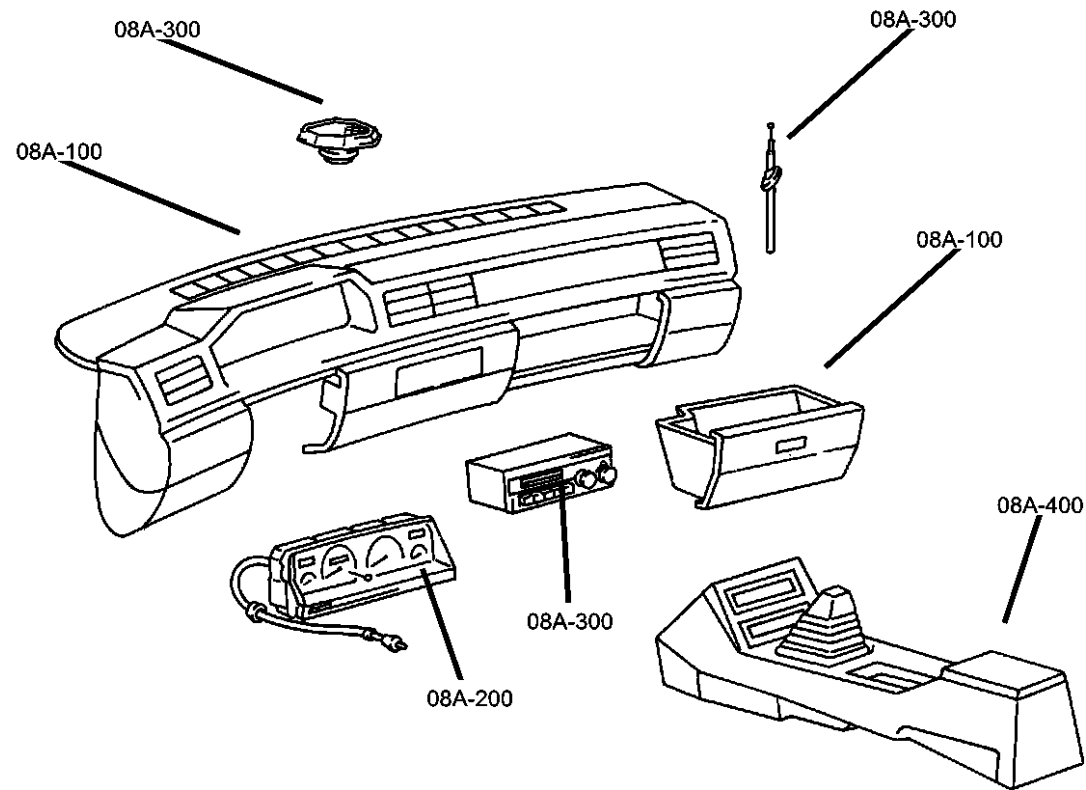
TRANSMISSION
DG0 = All Automatic Transmissions
DGJ = Transmission - 5-Spd Auto, MB
DGQ = Transmission-5-Spd Automatic
5-45RFE

AR = use ase required - = Non illustrated part

2005 WK

Group - 08A

Instrument Panel and Radios and Consoles



Group - 08A Instrument Panel and Radios and Consoles

Illustration Title

Group-Fig. No.

Instrument Panel

Instrument Panel - Upper.....	Fig. 08A - 110
Instrument Panel - Lower.....	Fig. 08A - 120

Instrument Panel Cluster

Instrument Cluster.....	Fig. 08A - 210
-------------------------	----------------

Radio, Antenna, and Speakers

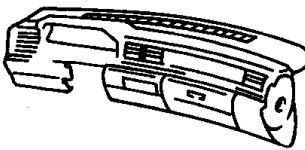
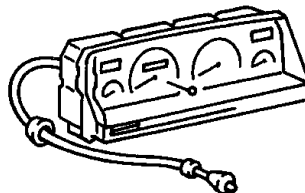
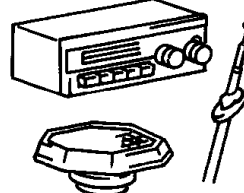
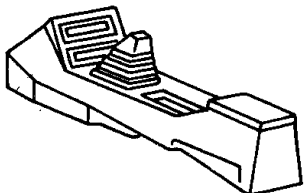
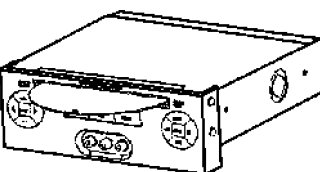
Radio.....	Fig. 08A - 310
Antenna.....	Fig. 08A - 320
Satellite Radio/Antenna.....	Fig. 08A - 325
Speakers.....	Fig. 08A - 330

Consoles

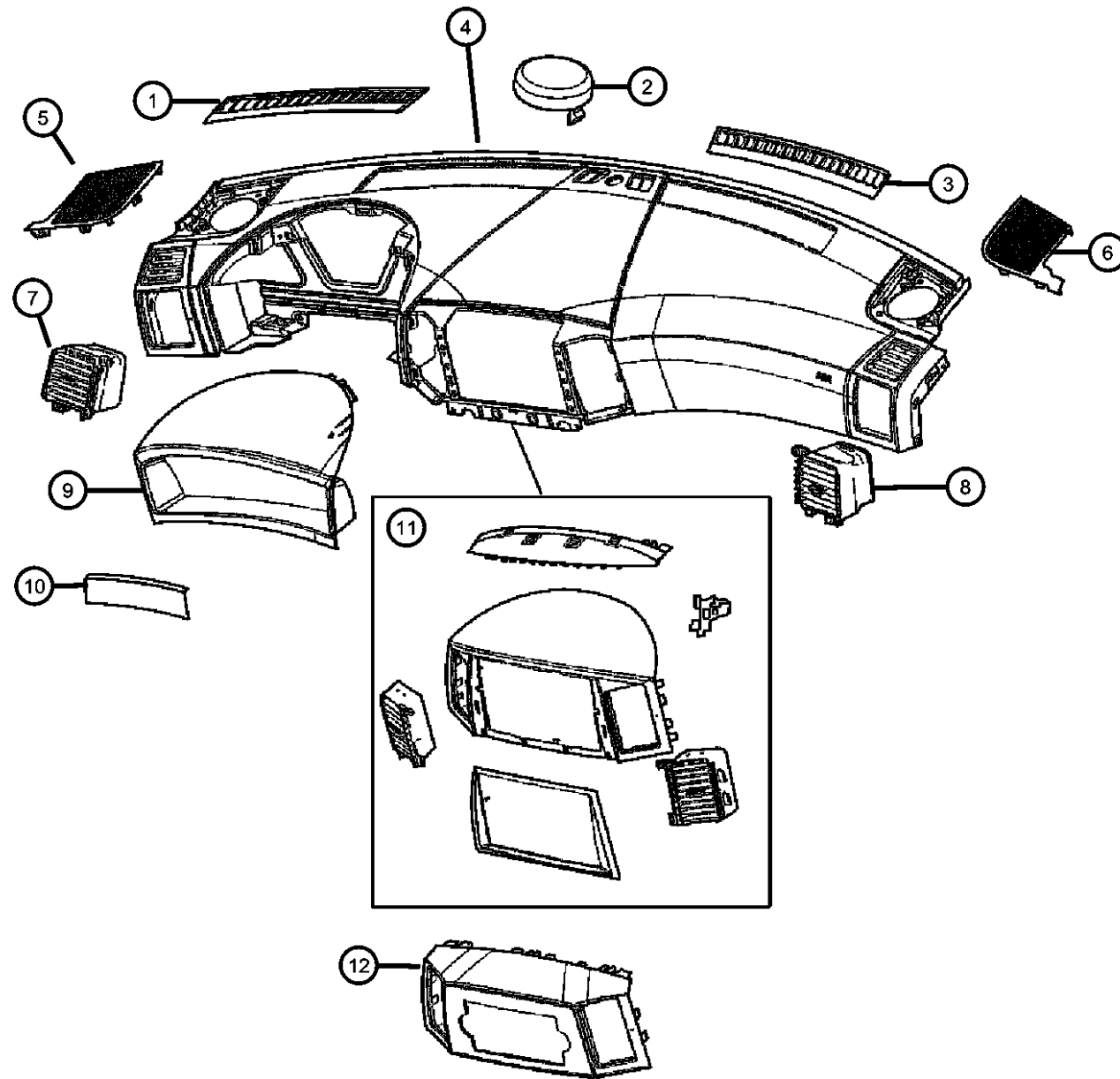
Floor Console.....	Fig. 08A - 410
Overhead Console.....	Fig. 08A - 420

Entertainment Systems

DVD Player/Media System.....	Fig. 08A - 710
Media System Brackets.....	Fig. 08A - 720

<p>08A-100 Instrument Panel</p> 	<p>08A-200 Instrument Panel Cluster</p> 	<p>08A-300 Radio, Antenna, and Speakers</p> 	<p>08A-400 Consoles</p> 
<p>08A-700 Entertainment Systems</p> 			

Instrument Panel - Upper
Figure 08A-110



ITEM	PART NUMBER	QTY	LINE	SERIES	BODY	ENGINE	TRANS	TRIM	DESCRIPTION
1	5JM67XDHAF	1							GRILLE, Defroster [D5], Left
	5JM67ZJ8AF	1							[J1], Left
		1							[J3], Left
2	5JN32ZJ8AD	1							PLUG, Solar Sensor [J1]
		1							[J3]
	5JN32XDHAD	1							[D5]
3	5JM66XDHAF	1							GRILLE, Defroster [D5], Right
	5JM66ZJ8AF	1							[J1], Right
		1							[J3], Right
4	5JY791D5AB	1							PANEL, Instrument Upper [D5]
	5JY791J1AB	1							[J1]
	5JY791J3AB	1							[J3]
5	5KB011D5AE	1							GRILLE, Instrument Panel Speaker [D5], Left
	5KB011J1AE	1							[J1], Left
	5KB011J3AD	1							[J3], Left
6	5KB001D5AE	1							GRILLE, Instrument Panel Speaker [D5], Right
	5KB001J1AE	1							[J1], Right
	5KB001J3AE	1							[J3], Right
7	1BL771J8AA	1							OUTLET, Air Conditioning & Heater [J1], Left
		1							[J3], Left
	1BL771DHAA	1							[D5], Left
8	1BL761DHAA	1							OUTLET, Air Conditioning & Heater [D5], Right
	1BL761J8AA	1							[J1], Right
		1							[J3], Right
9	5JY711J1AB	1							BEZEL, Cluster [J1]
	5JY71XDHAC	1							[D5]

GRAND CHEROKEE (WK)

SERIES LINE
H = Laredo T = JEEP - 2WD
P = Limited J = JEEP - 4WD

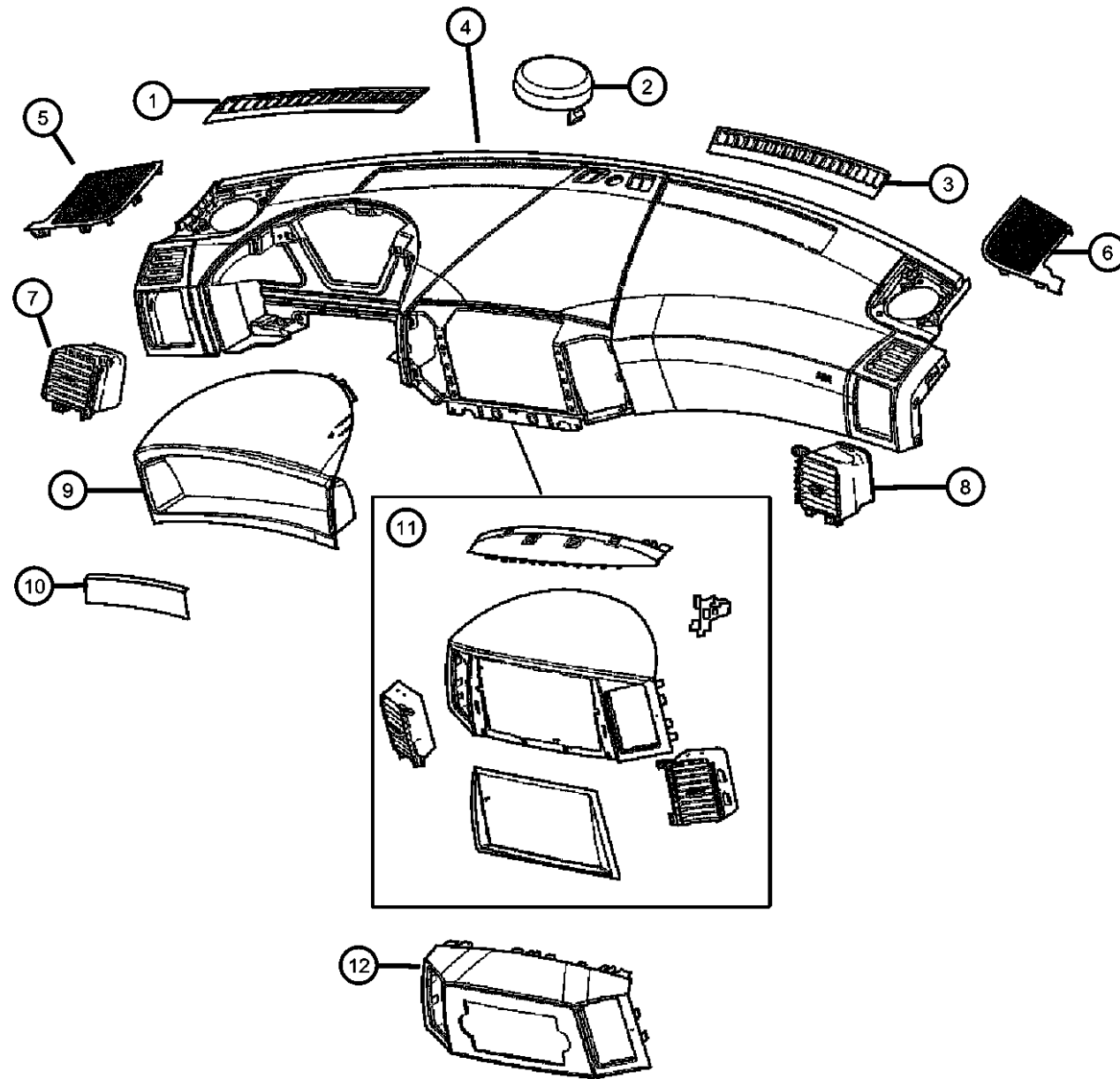
BODY ENGINE TRANSMISSION
74 = SPORT UTILITY 4-DOOR EKG = Engine - 3.7L V6
EVA = Engine- 4.7L V8 MPI
EZB = Engine-5.7L HEMI

DG0 = All Automatic Transmissions
DGJ = Transmission - 5-Spd Auto, MB
DGQ = Transmission-5-Spd Automatic
5-45RFE

AR = use ase required - = Non illustrated part

2005 WK

Instrument Panel - Upper
Figure 08A-110



ITEM	PART NUMBER	QTY	LINE	SERIES	BODY	ENGINE	TRANS	TRIM	DESCRIPTION
	5JY71ZJ8AC	1							[J3]
10		1							COVER, Instrument Panel, Steering Column Opening, (NOT SERVICED),
11									BEZEL, Instrument Panel, Upper
	5JN301DHAN	1							[D5][RAQ,REF]
	5JN301J8AN	1							[J1][RAQ,REF]
	5JN301DHAL	1							[D5][RAK,RAQ,REF]
	5JN301J8AL	1							[J1][RAK,RAQ,REF]
		1							[J3][RAK,RAQ,REF]
	5JN301DHAM	1							[D5][RSA,RAQ,REF]
	5JN301J8AM	1							[J1][RSA,RAQ,REF]
		1							[J3][RSA,RAQ,REF]
		1							[J3][RAQ,REF]
	5JN311DHAJ	1							[D5] [REC]
	5JN311J8AJ	1							[J1] [REC]
		1							[J3] [REC]
12									BEZEL, Instrument Panel, Upper
	5JN301DHAL	1							[D5]
	5JN301J8AL	1							[J1]
		1							[J3]
-13									PANEL, Instrument Panel Closeout
	55116775AI	1							Left
	55116780AJ	1							Right

GRAND CHEROKEE (WK)

SERIES LINE
H = Laredo T = JEEP - 2WD
P = Limited J = JEEP - 4WD

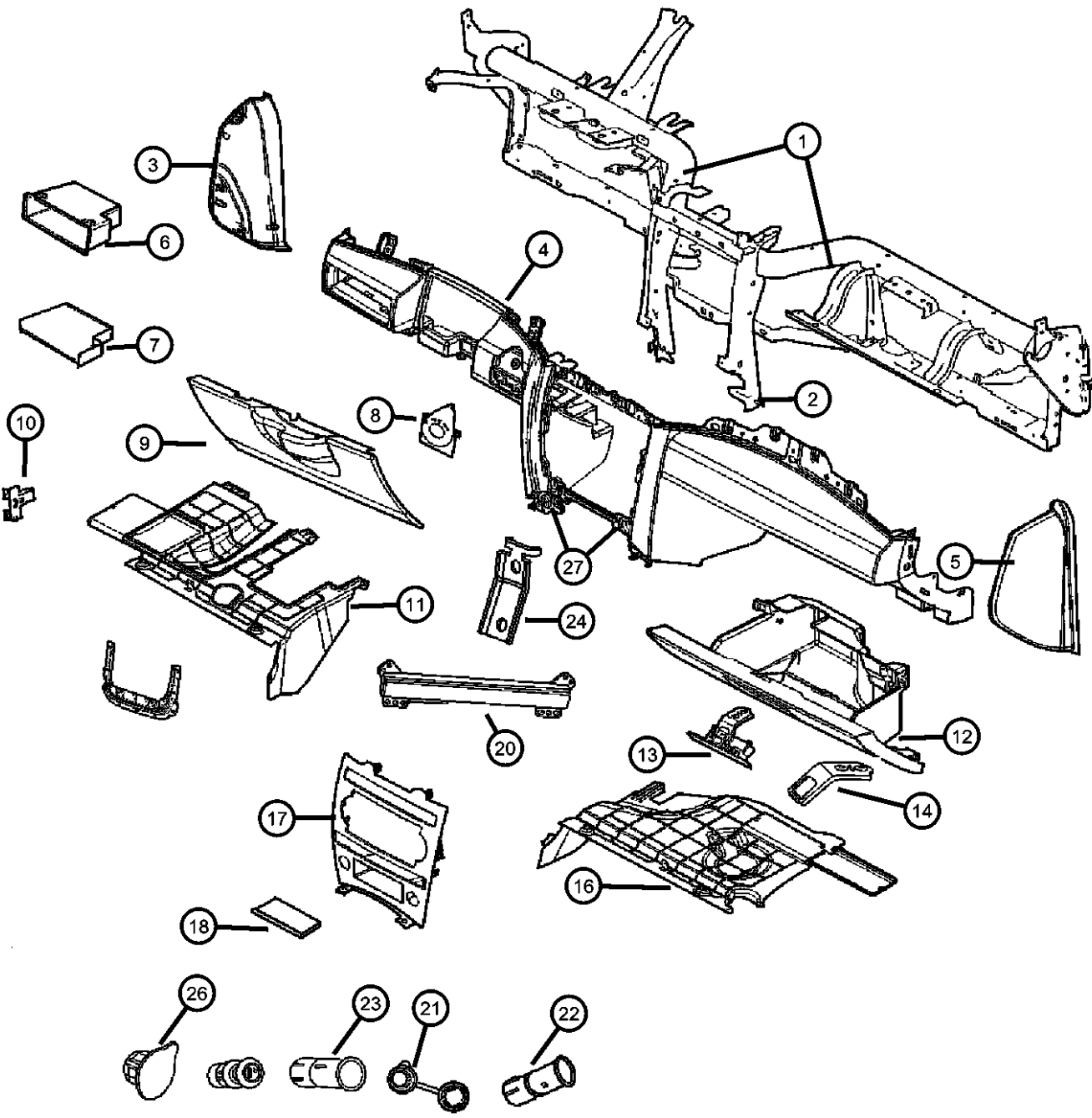
BODY ENGINE
74 = SPORT UTILITY 4-DOOR EKG = Engine - 3.7L V6
EVA = Engine- 4.7L V8 MPI
EZB = Engine-5.7L HEMI

TRANSMISSION
DG0 = All Automatic Transmissions
DGJ = Transmission - 5-Spd Auto, MB
DGQ = Transmission-5-Spd Automatic 5-45RFE

AR = use ase required - = Non illustrated part

2005 WK

**Instrument Panel - Lower
Figure 08A-120**



ITEM	PART NUMBER	QTY	LINE	SERIES	BODY	ENGINE	TRANS	TRIM	DESCRIPTION
------	-------------	-----	------	--------	------	--------	-------	------	-------------

NOTES:
Item #2 - Pincher Bracket Assy. can be used with Standard or Navigation Radio. Take out Middle Bracket as needed.

1	05161446AA	1							FRAME, Instrument Panel
2	05159195AA	1							BRACKET, Radio, See Note
3									CAP, Instrument Panel End
	5HS95XDHAI	1							[D5], Left
	5HS95ZJ8AI	1							[J1], Left
		1							[J3], Left
4									PANEL, Instrument Lower
	5JY781D5AH	1							[D5]
	5JY781J1AH	1							[J1]
	5JY781J3AH	1							[J3]
5									CAP, Instrument Panel End
	5HU58XDHAI	1							[D5], Right
	5HU58ZJ8AI	1							[J1], Right
		1							[J3], Right
6									BIN, Instrument Panel
	1BK891D5AA	1							[D5]
	1BK891J1AA	1							[J1]
	1BK891J3AA	1							[J3]
7	05159061AA	1							MAT, Instrument Panel
8									BEZEL, Switch
	5JY751D5AD	1							[D5]
	5JY751J1AD	1							[J1]
	5JY751J3AD	1							[J3]
9									COVER, Instrument Panel, Steering Column Opening
	5HS93BD1AG	1							[J1]
	5HS93BD5AG	1							[D5]
	5HS93ZJ3AG	1							[J3]
10	05159062AA	1							CLIP, Console
11	55116775AG	1							PANEL, Instrument Panel CloseoutLeft
12									GLOVE BOX, Instrument Panel
	5JY771D5AE	1							[D5]
	5JY771J1AE	1							[J1]
	5JY771J3AE	1							[J3]

GRAND CHEROKEE (WK)				
SERIES	LINE	BODY	ENGINE	TRANSMISSION
H = Laredo	T = JEEP - 2WD	74 = SPORT UTILITY 4-DOOR	EKG = Engine - 3.7L V6	DG0 = All Automatic Transmissions
P = Limited	J = JEEP - 4WD		EVA = Engine- 4.7L V8 MPI	DGJ = Transmission - 5-Spd Auto, MB
			EZB = Engine-5.7L HEMI	DGQ = Transmission-5-Spd Automatic 5-45RFE

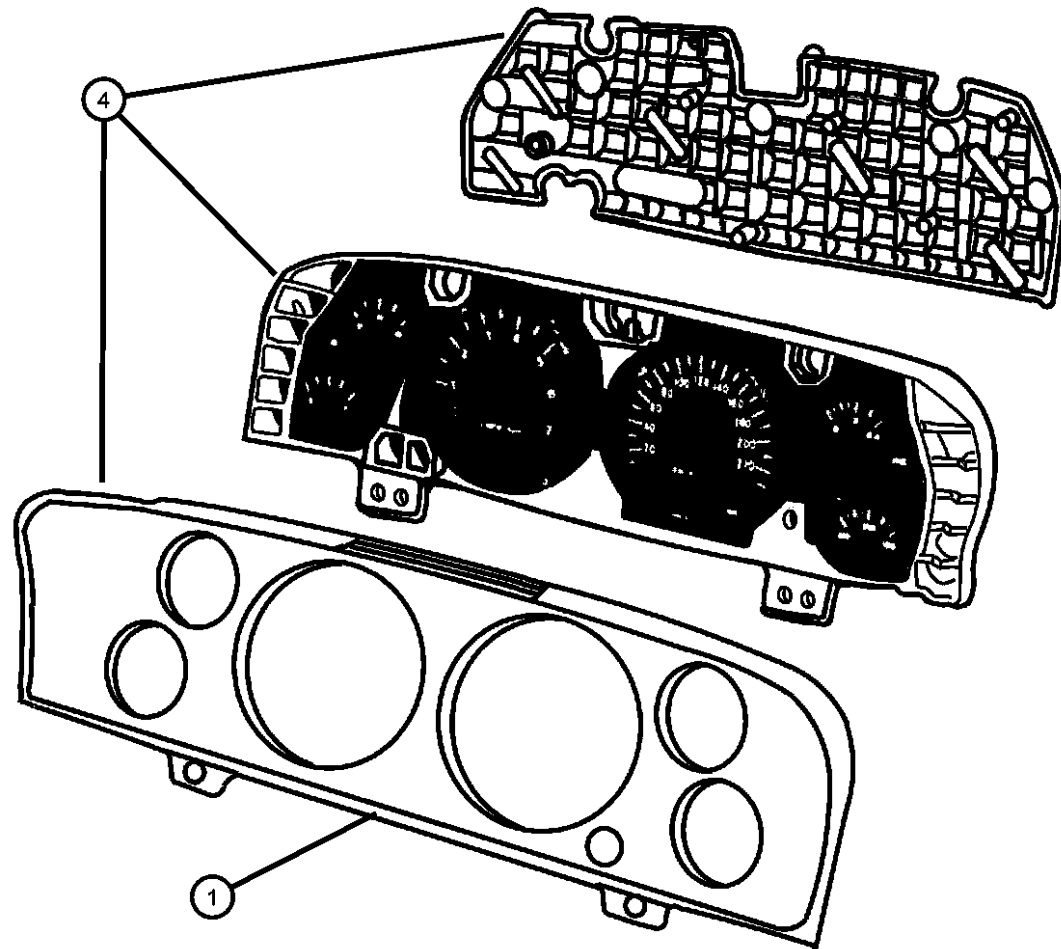
AR = use ase required - = Non illustrated part

**Instrument Cluster
Figure 08A-210**

ITEM	PART NUMBER	QTY	LINE	SERIES	BODY	ENGINE	TRANS	TRIM	DESCRIPTION
------	-------------	-----	------	--------	------	--------	-------	------	-------------

Notes:

[EK0] = Engines - All 3.7L 6 Cylinder Gas
 [EV0] = Engines - All 4.7L Gas
 [EZ0] = Engines - All 5.7L 8 Cylinder Gas
 [JCE] = Speedometer - 140 MPH Primary
 No Serviceable Bulbs - all LED's.



1									LENS, Cluster
	05142356AA	1		H		EK0			[JCE]
		1		H		EK0			[JDH]
		1		H		EV0			[JDH]
		1		H		EV0			[JCE]
		1		P		EV0, EZ0			[JDH]
		1		P		EV0, EZ0			[JCE]
-2	06101946	4							SCREW, Tapping
-3	06032723	6							SCREW, Self Tapping, M4.2x1.69x19.05
4									CLUSTER, Complete Cluster Assembly w/Lens & Gauges
	56010589AG	1		H		EK0			[JCE]
	56010617AG	1		H		EK0			[JDH]
	56050117AG	1		H		EV0			[JDH]
	56050119AG	1		H		EV0			[JCE]
	56050224AG	1		P		EV0, EZ0			[JDH]
	56050228AG	1		P		EV0, EZ0			[JCE]

GRAND CHEROKEE (WK)

SERIES LINE
 H = Laredo T = JEEP - 2WD
 P = Limited J = JEEP - 4WD

BODY

74 = SPORT UTILITY 4-DOOR

ENGINE

EKG = Engine - 3.7L V6
 EVA = Engine- 4.7L V8 MPI
 EZB = Engine-5.7L HEMI

TRANSMISSION

DG0 = All Automatic Transmissions
 DGJ = Transmission - 5-Spd Auto, MB
 DGQ = Transmission-5-Spd Automatic
 5-45RFE

AR = use ase required - = Non illustrated part

2005 WK

**Radio
Figure 08A-310**

ITEM	PART NUMBER	QTY	LINE	SERIES	BODY	ENGINE	TRANS	TRIM	DESCRIPTION
1									
	05064072AA	1							RADIO, AM/FM with CD and Equalizer [RAQ+HAF]
	05091720AB	1							[RAQ+HAA]
2	05091710AC	1							RADIO, AM/FM with CD and Equalizer, [REF]
3	05064032AF	1							RADIO, AM/FM/Cassette With CD [RAK+HAF]
	05091523AD	1							[RAK+HAA]
4	56038646AE	1							RADIO, AM/FM CD W/NAV/DVD & CD-CTRL, [REC]
5	05059073AJ	1							AMPLIFIER, Radio, [RC6]
-6	06102003	3							BOLT AND CONED WASHER, Hex Head, M6x16x14, [RC6], Amplifier Attaching
7	56038680AA	1				EK0, EV0, EZ0			STRAP, Ground Radio Noise Suppression
	56038740AD	1	J			EK0, EV0, EZ0			Exhaust
8	05159195AA	1							BRACKET, Radio, Pincher Type
9	06101945	2							SCREW
10	56038682AD	1				EK0, EV0, EZ0			STRAP, Ground
11	06505178AA	1				EK0, EV0			SCREW, Hex Head
12	06505903AA	1	J			EK0, EV0, EZ0			SCREW AND WASHER, Self Tapping, M6x1x22, Exhaust Ground Strap to Body
-13	05064033AB	1							DVD, Geographic Database Up to 09/07/04
	05064033AC	1							After 09/07/04
-14	05161571AA	1							COVER, Radio, Navigation Disc opening

Notes:

Item #8 -Take out Middle Bracket and use As Needed with Standard or Navigation Radio

- [HAA] = Air Conditioning
- [HAF] = Air Conditioning ATC with Dual Zone Control
- [RAK] = AM/FM Cassette/CD, 6 Disc, MP3
- [RAQ] = AM/FM CD, 6 Disc, MP3
- [RC6] = Speakers, 6 Boston Acoustics
- [REC] = Radio - 6 CD/Full MAP GPS Display Na
- [REF] = AM/FM Compact Disc with Changer Ctr

GRAND CHEROKEE (WK)			
SERIES	LINE	BODY	ENGINE
H = Laredo	T = JEEP - 2WD	74 = SPORT UTILITY 4-DOOR	EKG = Engine - 3.7L V6
P = Limited	J = JEEP - 4WD		EVA = Engine- 4.7L V8 MPI
			EZB = Engine-5.7L HEMI
			TRANSMISSION
			DG0 = All Automatic Transmissions
			DGJ = Transmission - 5-Spd Auto, MB
			DGQ = Transmission-5-Spd Automatic 5-45RFE

AR = use ase required - = Non illustrated part

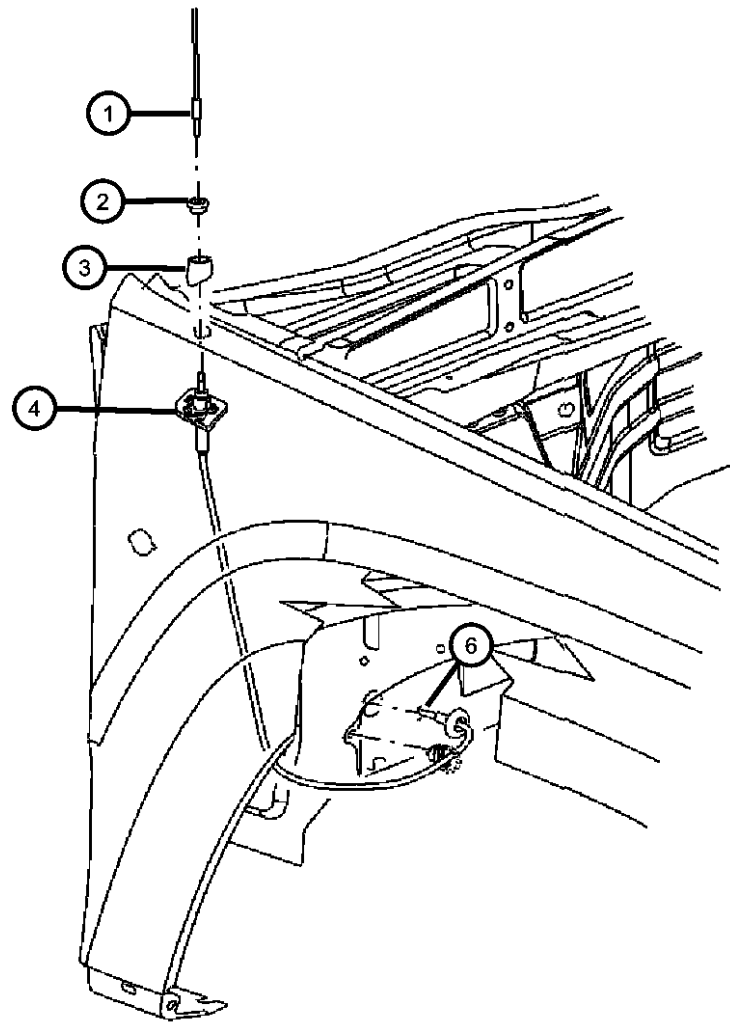
**Antenna
Figure 08A-320**

ITEM	PART NUMBER	QTY	LINE	SERIES	BODY	ENGINE	TRANS	TRIM	DESCRIPTION
------	-------------	-----	------	--------	------	--------	-------	------	-------------

Notes:

[RDD] = Antenna - Fixed

1	56038725AB	1							MAST, Antenna - Fixed
2	56038729AD	1							CAP NUT, Antenna
3	56038730AC	1							ESCUTCHEON, Antenna
4	56038731AF	1							BASE, Antenna, Base and Cable
-5	56038799AB	1							ANTENNA, Global Positioning
6	56038732AF	1							CABLE, Antenna, Instrument panel [RDD]



GRAND CHEROKEE (WK)

SERIES	LINE	BODY	ENGINE	TRANSMISSION
H = Laredo	T = JEEP - 2WD	74 = SPORT UTILITY 4-DOOR	EKG = Engine - 3.7L V6	DG0 = All Automatic Transmissions
P = Limited	J = JEEP - 4WD		EVA = Engine- 4.7L V8 MPI	DGJ = Transmission - 5-Spd Auto, MB
			EZB = Engine-5.7L HEMI	DGQ = Transmission-5-Spd Automatic 5-45RFE

AR = use ase required - = Non illustrated part

2005 WK

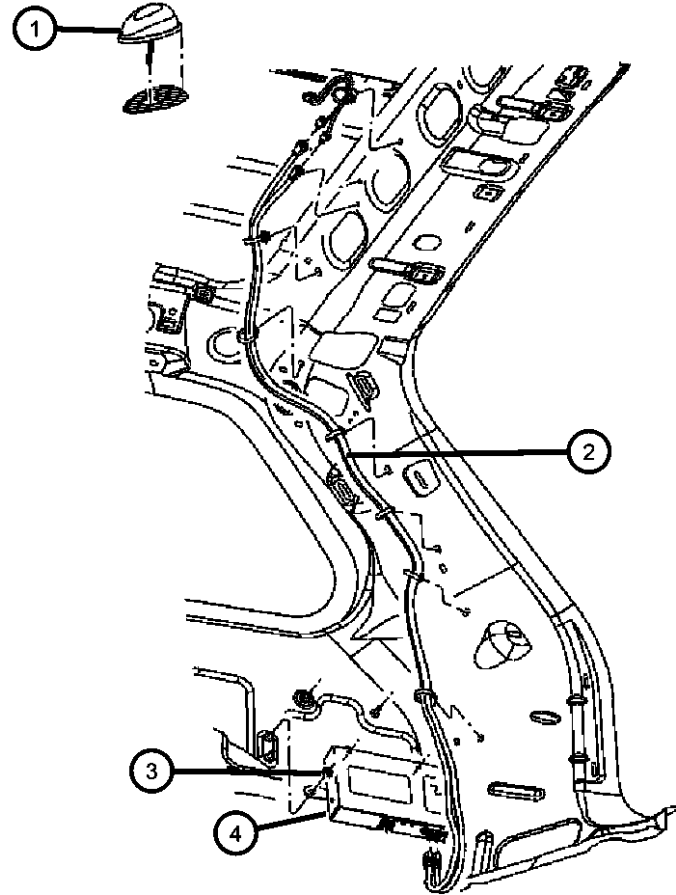
**Satellite Radio/Antenna
Figure 08A-325**

ITEM	PART NUMBER	QTY	LINE	SERIES	BODY	ENGINE	TRANS	TRIM	DESCRIPTION
------	-------------	-----	------	--------	------	--------	-------	------	-------------

NOTE:

Dial Function 11 - Order the appropriate Receiver Kit from Mopar Accessory Catalog
[RSA] = Sirius Satellite Radio

1	05091504AC	1							ANTENNA, Satellite, [RSA]
2	56038716AC	1							CABLE, Antenna, [RSA]
3	06503825	3							NUT AND WASHER, Hex Nut-Coned Washer, M6 x 1.00, [RSA]
4	05064002AJ	1							RECEIVER, Satellite, See Note, [RSA]



GRAND CHEROKEE (WK)

SERIES	LINE
H = Laredo	T = JEEP - 2WD
P = Limited	J = JEEP - 4WD

BODY

74 = SPORT UTILITY 4-DOOR

ENGINE

EKG = Engine - 3.7L V6
EVA = Engine- 4.7L V8 MPI
EZB = Engine-5.7L HEMI

TRANSMISSION

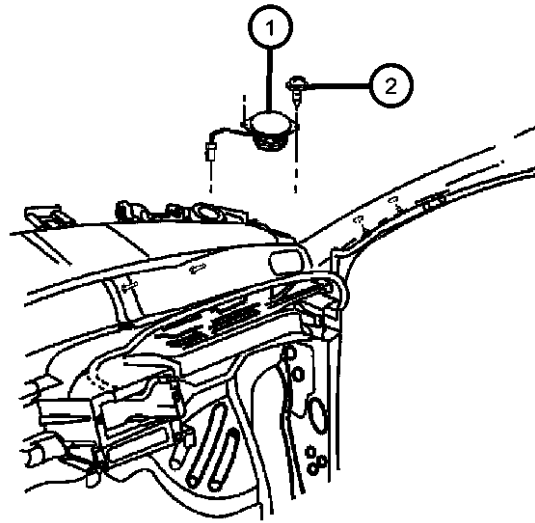
DG0 = All Automatic Transmissions
DGJ = Transmission - 5-Spd Auto, MB
DGQ = Transmission-5-Spd Automatic
5-45RFE

AR = use ase required - = Non illustrated part

2005 WK

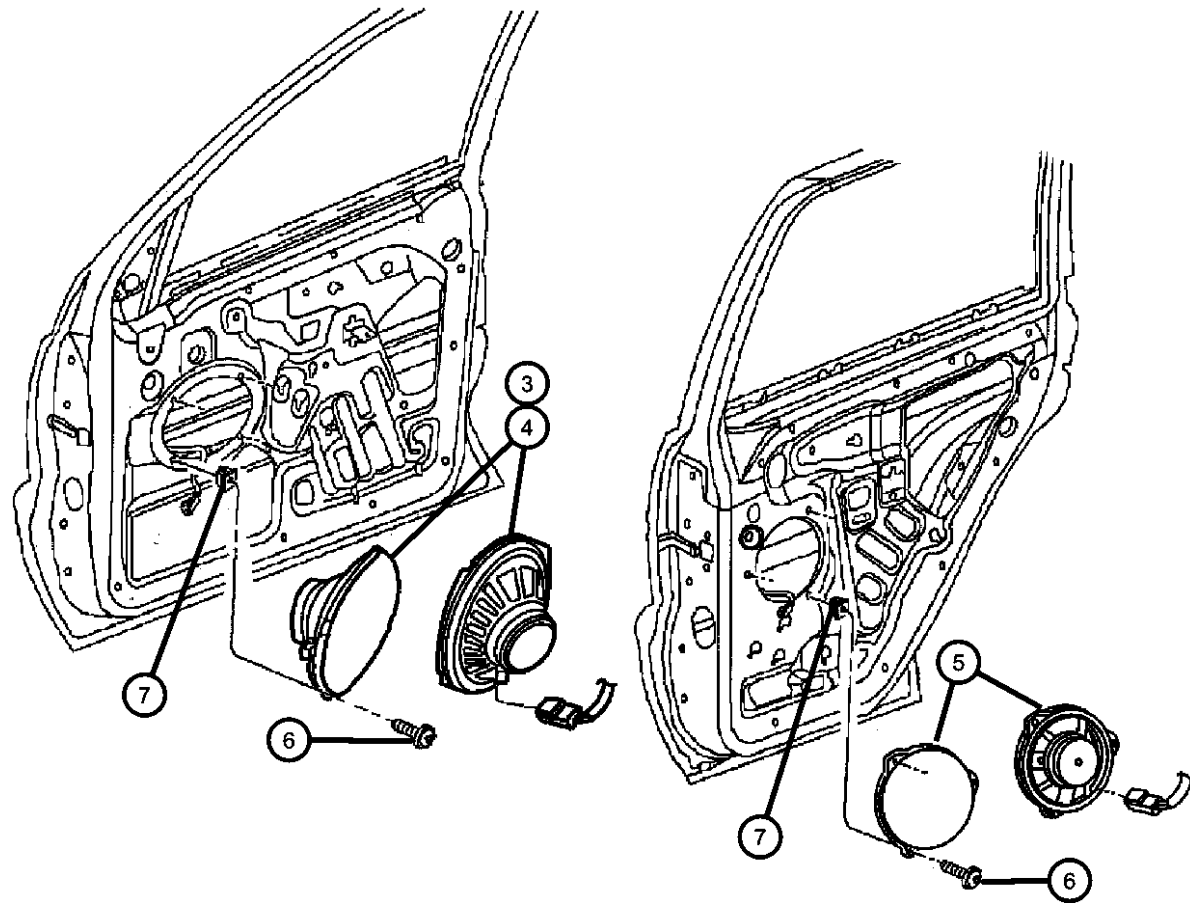
Speakers Figure 08A-330

ITEM	PART NUMBER	QTY	LINE	SERIES	BODY	ENGINE	TRANS	TRIM	DESCRIPTION
------	-------------	-----	------	--------	------	--------	-------	------	-------------



Notes:
 [RCG] = Sparkers, 6
 [RC6] = Speakers, 6 Boston Acoustics

1									SPEAKER, Instrument Panel [RCG]
	05059062AA	2							[RC6]
	05059068AB	2							[RC6]
2		2							SCREW, Tapping, (NOT SERVICED),
3	05082450AB	2							SPEAKER, 6"X9", [RCG], Front Door
4	05059063AB	2							SPEAKER, Rear, 6x9, Front Door [RC6]
5									SPEAKER, 6.5", Rear Door
	05081670AB	2							[RC6], Premium
	05082451AC	2							[RCG], Base
6		2							SCREW, (NOT SERVICED),
7									NUT, Plastic Snap-in
	06507009AA	8							Speaker Mounting, Front Door
		6							Speaker Mounting, Rear Door



GRAND CHEROKEE (WK)

SERIES	LINE
H = Laredo	T = JEEP - 2WD
P = Limited	J = JEEP - 4WD

BODY

74 = SPORT UTILITY 4-DOOR

ENGINE

EKG = Engine - 3.7L V6
 EVA = Engine- 4.7L V8 MPI
 EZB = Engine-5.7L HEMI

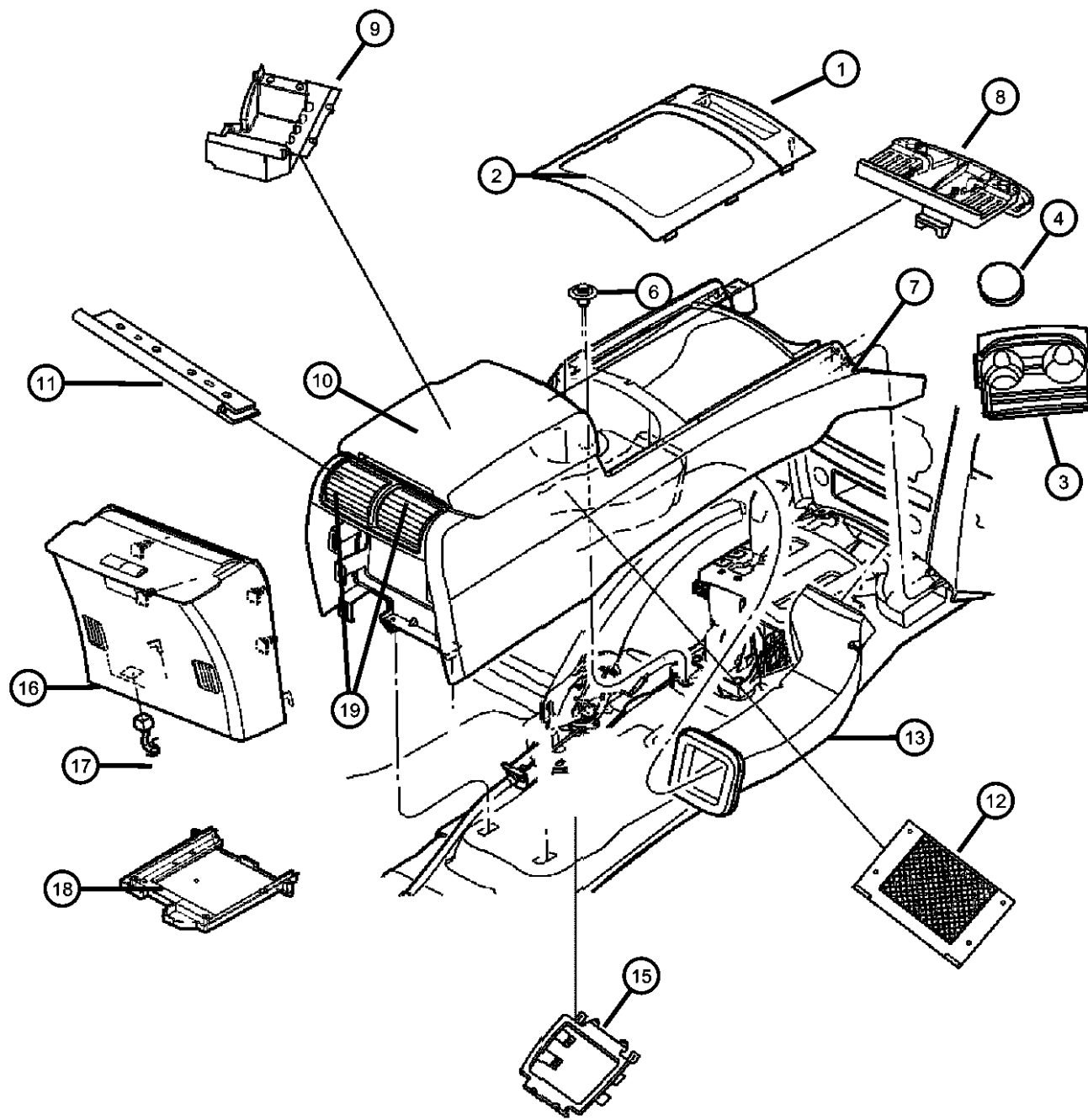
TRANSMISSION

DG0 = All Automatic Transmissions
 DGJ = Transmission - 5-Spd Auto, MB
 DGQ = Transmission-5-Spd Automatic 5-45RFE

AR = use ase required - = Non illustrated part

2005 WK

Floor Console
Figure 08A-410



ITEM	PART NUMBER	QTY	LINE	SERIES	BODY	ENGINE	TRANS	TRIM	DESCRIPTION
1	0XG86DX9AC	1		H					BEZEL, Gear Shift Indicator
	0XH38AAAAC	1		P					Shifter ATX Base
	5KH83AAAAA	1		P					Shifter ATX Premium without Quadra Drive 4WD System
									Shifter ATX Premium with Quadra Drive 4WD System
2	5JN05SZ0AB	1							RING, Trim
3	05143592AA	1							CUPHOLDER, Floor Console
4	1BN50DX9AA	1							MAT, Console Cup Holder
-5		1							SCREW, Self Piercing, .164-15x.625, (NOT SERVICED)
6		1							SCREW, (NOT SERVICED)
7									CONSOLE, Base
	1BJ011D1AA	1							[J1]
	1BJ011D5AA	1							[D5]
	1BJ011J3AA	1							[J3]
8	05143594AA	1							LATCH, Console Lock
9	05143596AA	1							BIN, Floor Console
10									LID, Floor Console Bin
	1BJ001D1AA	1							[J1]
	1BJ001D5AA	1							[D5]
	1BJ001J3AA	1							[J3]
11	05143595AA	1							HINGE, Floor Console Lid
12	05143593AA	1							NET, Storage
13									DUCT, Floor Console
	05143598AA	1							Between the Outlet at the Rear of the Floor Console and the Front Duct to the HVAC. Includes Foam and Fasteners
	55197077AB	1							Between HVAC and Instrument Panel. Includes foam and a clip, Front
-14		1							SCREW, .164-18x.50, (NOT SERVICED),
15	05143597AA	1							BRACKET, Console, With Clips
16									CAP, Floor Console End
	1BK64BD1AA	1							[J1] With DVD Player, Bracket, End Cap, End Cap Lid, Spring and Foam

GRAND CHEROKEE (WK)

SERIES LINE
H = Laredo T = JEEP - 2WD
P = Limited J = JEEP - 4WD

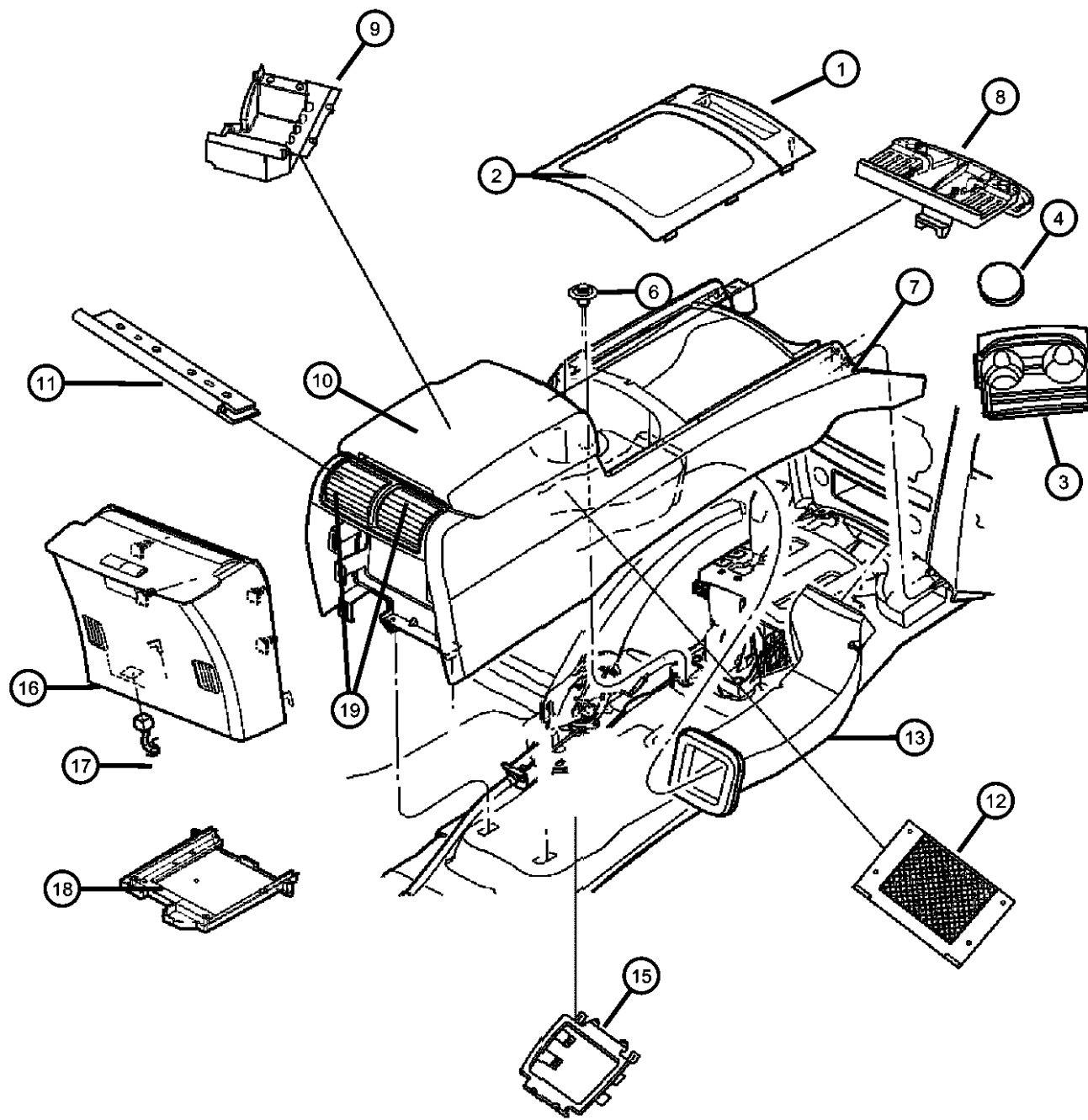
BODY ENGINE TRANSMISSION
74 = SPORT UTILITY 4-DOOR EKG = Engine - 3.7L V6
EVA = Engine - 4.7L V8 MPI
EZB = Engine - 5.7L HEMI

DG0 = All Automatic Transmissions
DGJ = Transmission - 5-Spd Auto, MB
DGQ = Transmission - 5-Spd Automatic 5-45RFE

AR = use ase required - = Non illustrated part

2005 WK

Floor Console
Figure 08A-410



ITEM	PART NUMBER	QTY	LINE	SERIES	BODY	ENGINE	TRANS	TRIM	DESCRIPTION
	1BK64BD5AA	1							[D5] With DVD Player, Bracket, End Cap, End Cap Lid, Spring and Foam
	1BK64ZJ3AA	1							[J3] With DVD Player, Bracket, End Cap, End Cap Lid, Spring and Foam
	5KB96BD1AB	1							[J1]
	5KB96BD5AB	1							[D5]
	5KB96ZJ3AB	1							[J3]
17		1							CONNECTOR, Serviced with Body Wiring, (NOT SERVICED),
18		1							PLATE, Serviced with Console Assy., (NOT SERVICED)
19									OUTLET, Air Conditioning & Heater
	1BJ021D1AA	1							[J1]
	1BJ021D5AA	1							[D5]
	1BJ021J3AA	1							[J3]

GRAND CHEROKEE (WK)

SERIES LINE
H = Laredo T = JEEP - 2WD
P = Limited J = JEEP - 4WD

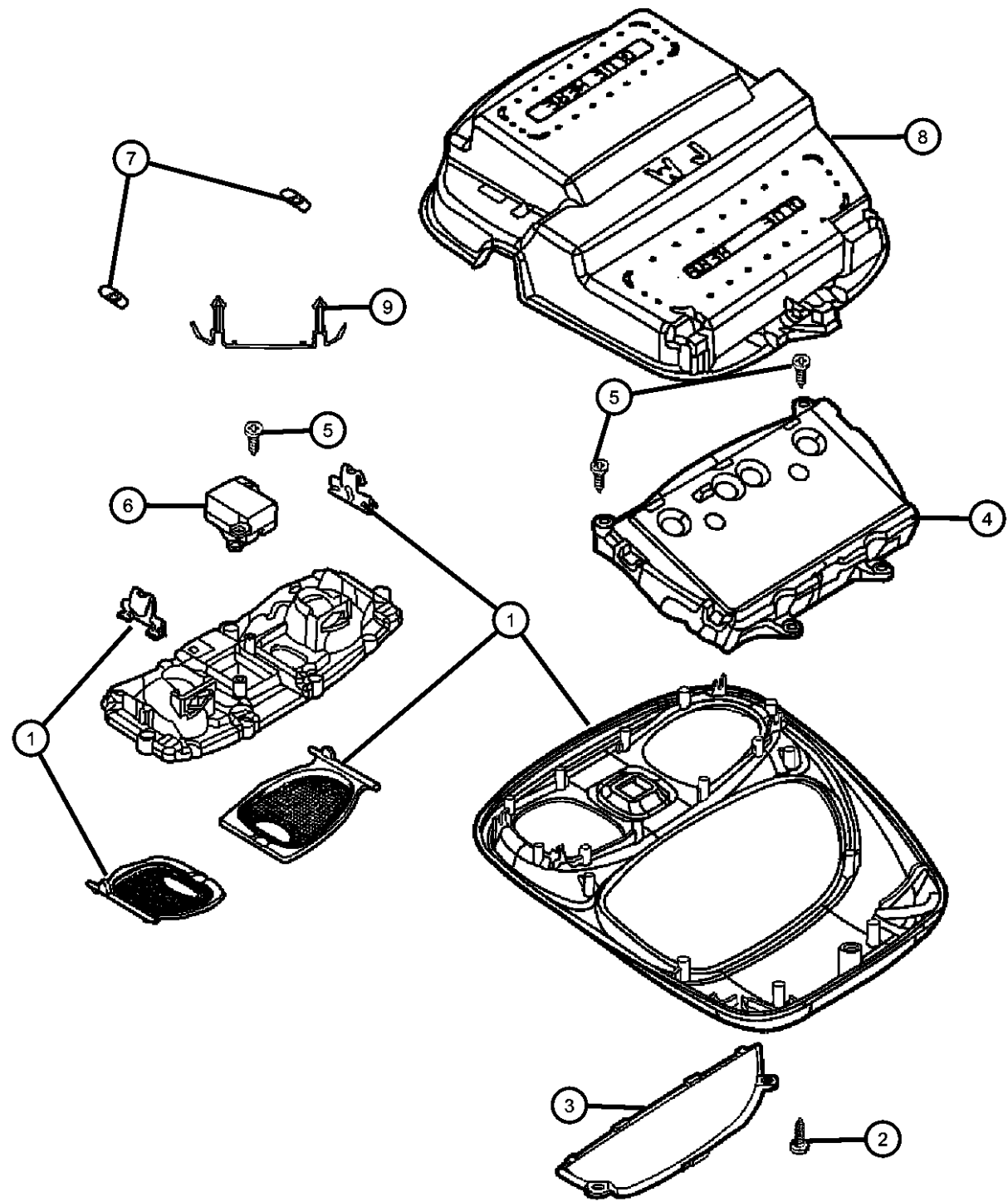
BODY ENGINE TRANSMISSION
74 = SPORT UTILITY 4-DOOR EKG = Engine - 3.7L V6
EVA = Engine- 4.7L V8 MPI
EZB = Engine-5.7L HEMI

DG0 = All Automatic Transmissions
DGJ = Transmission - 5-Spd Auto, MB
DGQ = Transmission-5-Spd Automatic 5-45RFE

AR = use ase required - = Non illustrated part

2005 WK

Overhead Console
Figure 08A-420



ITEM	PART NUMBER	QTY	LINE	SERIES	BODY	ENGINE	TRANS	TRIM	DESCRIPTION
1	1AR29BD1AA	1							CONSOLE, Overhead Without Sunroof
	1AR301D1AA	1							With Sunroof
2		1							SCREW, .164-18x.500, (NOT SERVICED),
3									LENS
	05137526AA	1							Right
	05137527AA	1							Left
4	56050243AE	1							MODULE, Compass Temperature, With Universal Garage Door Opener
5		1							SCREW, (NOT SERVICED)
6		1							SWITCH, 1 Gang, (NOT SERVICED)
7	L0000578	2							BULB, 578
8	05139449AA	1							RETAINER, Overhead Console
9	04746232	4							CLIP, Z-Axis
-10	05069186AA	3							CLIP, Console, With Sunroof
-11	05166015AA	2							PLATE, Retaining
-12	05137535AA	1							SWITCH, Map Light

GRAND CHEROKEE (WK)

SERIES LINE
H = Laredo T = JEEP - 2WD
P = Limited J = JEEP - 4WD

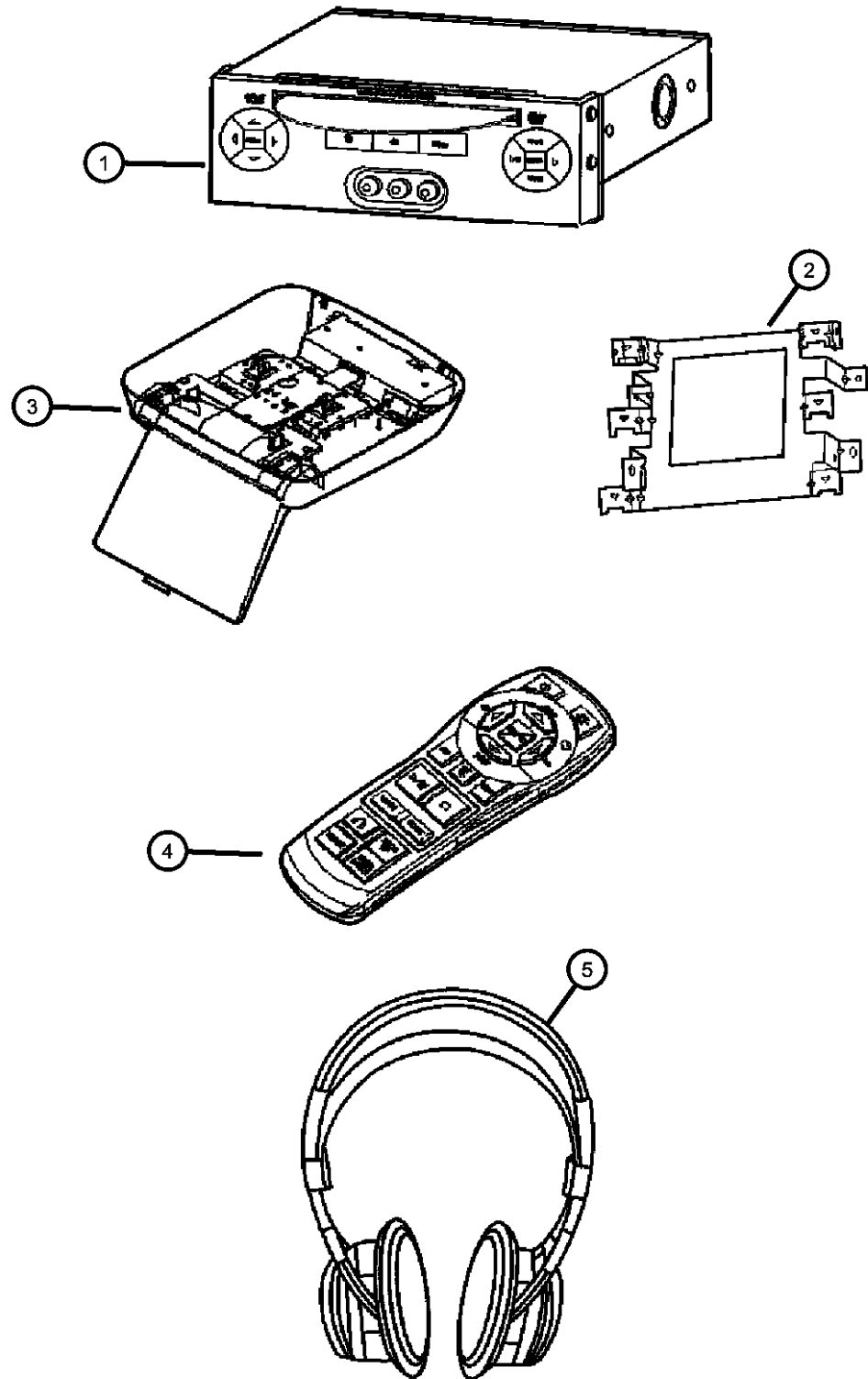
BODY ENGINE
74 = SPORT UTILITY 4-DOOR EKG = Engine - 3.7L V6
EVA = Engine- 4.7L V8 MPI
EZB = Engine-5.7L HEMI

TRANSMISSION
DG0 = All Automatic Transmissions
DGJ = Transmission - 5-Spd Auto, MB
DGQ = Transmission-5-Spd Automatic
5-45RFE

AR = use ase required - = Non illustrated part

2005 WK

DVD Player/Media System
Figure 08A-710



ITEM	PART NUMBER	QTY	LINE	SERIES	BODY	ENGINE	TRANS	TRIM	DESCRIPTION
1	56038783AC	1							PLAYER, DVD
2	05159015AA	1							BRACKET, Console, Consists of: Bracket with 2 Dart Clips
3									MEDIA SYSTEM, Monitor with DVD
	56038784AD	1							
	82208820	1							With or Without Sunroof-Complete Kit
4									REMOTE, Wireless Infrared
	05064041AA	1							After 05/31/04
	56043231AA	1							Up to 05/31/04
5	05064037AA	1							HEADPHONES, Wireless

GRAND CHEROKEE (WK)

SERIES LINE
H = Laredo T = JEEP - 2WD
P = Limited J = JEEP - 4WD

BODY

74 = SPORT UTILITY 4-DOOR

ENGINE

EKG = Engine - 3.7L V6
EVA = Engine- 4.7L V8 MPI
EZB = Engine-5.7L HEMI

TRANSMISSION

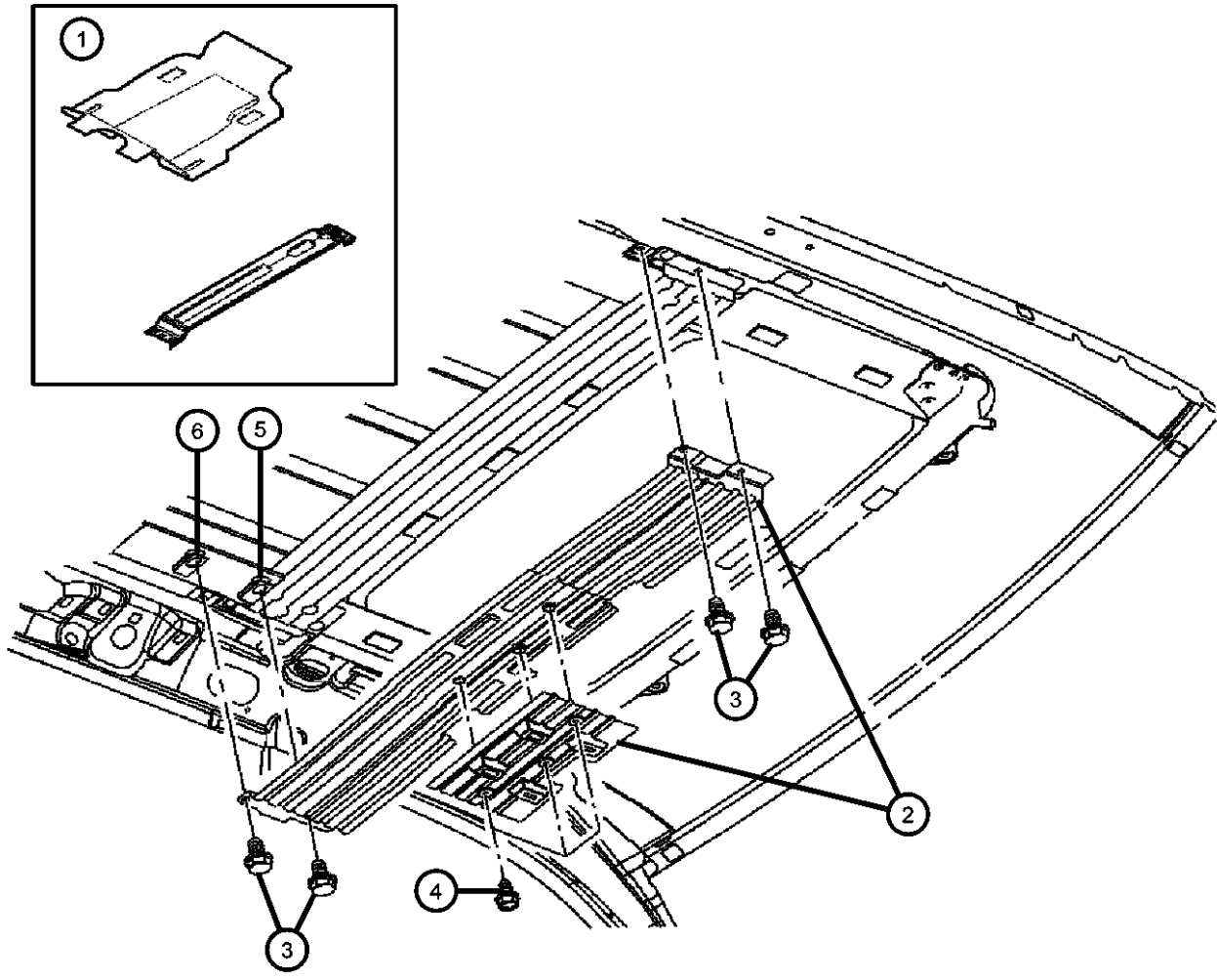
DG0 = All Automatic Transmissions
DGJ = Transmission - 5-Spd Auto, MB
DGQ = Transmission-5-Spd Automatic
5-45RFE

AR = use ase required - = Non illustrated part

2005 WK

**Media System Brackets
Figure 08A-720**

ITEM	PART NUMBER	QTY	LINE	SERIES	BODY	ENGINE	TRANS	TRIM	DESCRIPTION
1	56053029AC	1							BRACKET ASSY, REAR SEAT VIDEO
2	55396383AD	1							BRACKET ASSY, REAR SEAT VIDEO, With Sunroof
3									SCREW AND WASHER, Hex Head, M6x1x20
	06101455	8							Sunroof To Roof Reinforcement
		2							DVD Screen Bracket to Sunroof Mid Beam, Sunroof To Roof Reinforcement
4	06104172AA	3							SCREW
5	06506081AA	4							NUT, U, DVD Screen backet attaching
6	06506035AA	2							NUT, U, M6x1.00, DVD Screen Bracket to Sunroof Mid Beam



GRAND CHEROKEE (WK)

SERIES	LINE	BODY	ENGINE	TRANSMISSION
H = Laredo	T = JEEP - 2WD	74 = SPORT UTILITY 4-DOOR	EKG = Engine - 3.7L V6	DG0 = All Automatic Transmissions
P = Limited	J = JEEP - 4WD		EVA = Engine- 4.7L V8 MPI	DGJ = Transmission - 5-Spd Auto, MB
			EZB = Engine-5.7L HEMI	DGQ = Transmission-5-Spd Automatic 5-45RFE

AR = use ase required - = Non illustrated part

Group - 9

Engine Mounting

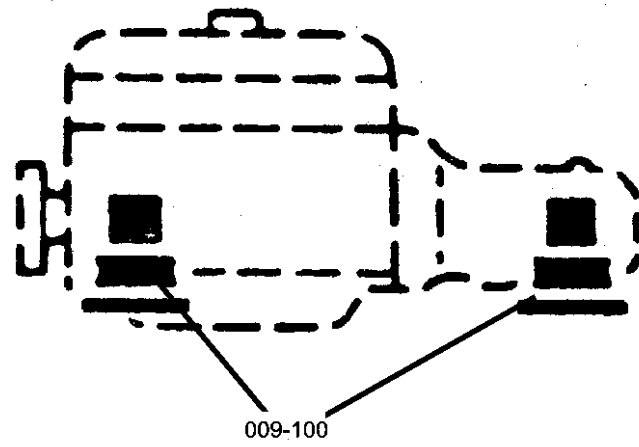
Group - 9 Engine Mounting

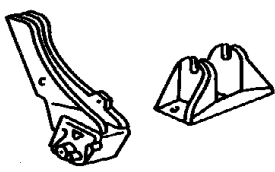
Illustration Title

Group-Fig. No.

Engine Mounting

Front, Engine Mounts ALL.....	Fig. 9 - 105
Mount, Transmission, ALL.....	Fig. 9 - 120
Collar, Structural.....	Fig. 9 - 145
Crossmember Transmission Support.....	Fig. 9 - 150

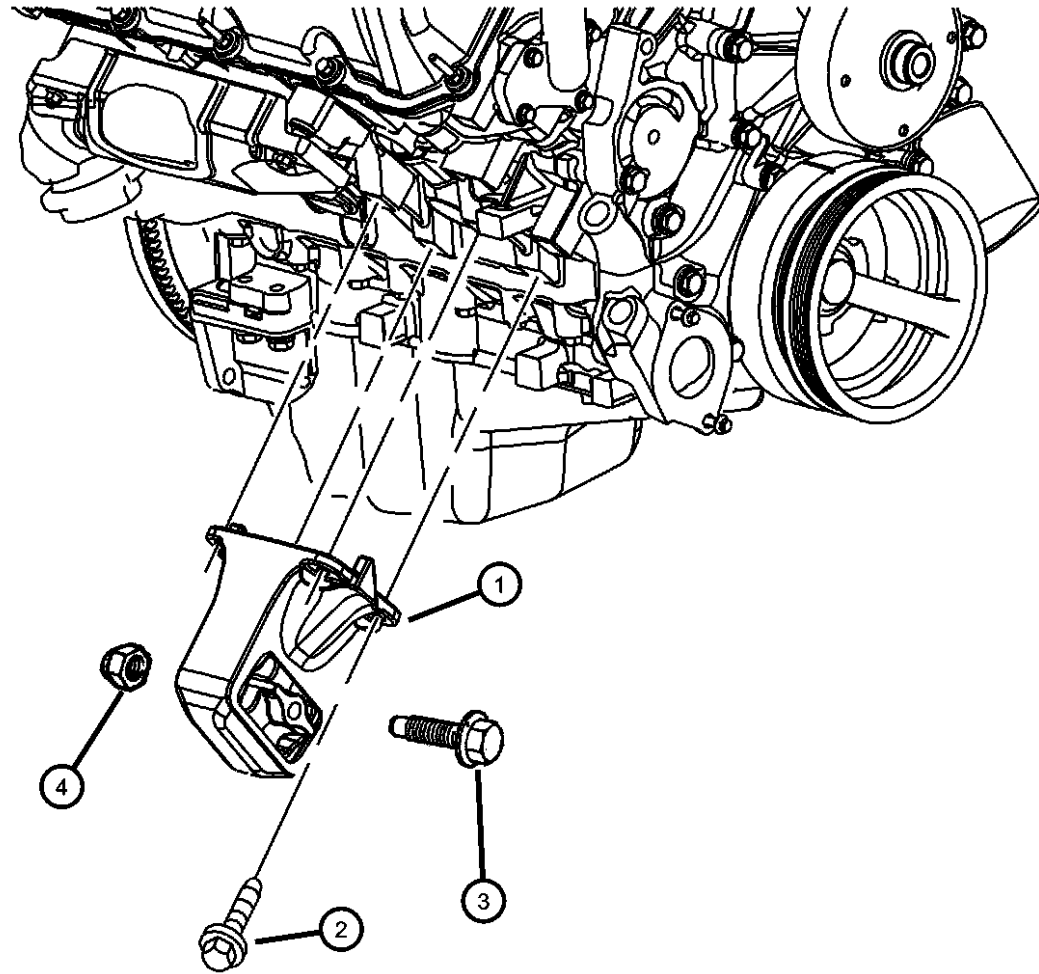


<p>009-100 Engine Mounting</p> 			
--	--	--	--

Front, Engine Mounts ALL
Figure 9-105

ITEM	PART NUMBER	QTY	LINE	SERIES	BODY	ENGINE	TRANS	TRIM	DESCRIPTION
------	-------------	-----	------	--------	------	--------	-------	------	-------------

NOTE:
Sales Codes:
[EK0]=All 3.7L V-6 Engines
[EV0]=All 4.7L V-8 Engines
[EZ0]=All 5.7L V-8 Engines



1									BRACKET, Engine Mount
	52090296AD	1				EK0			Right
	52090297AD	1				EK0			Left
	52090300AD	1				EV0			Right
	52090301AD	1				EV0			Left
	52090304AD	1				EZ0			Right
	52090305AD	1				EZ0			Left
2									SCREW
	06104214AA	8				EK0, EV0			
		4				EZ0			Right
		4				EZ0			Left
3	06508081AA	2							SCREW AND WASHER, Hex Head, Mount To Cradle
4	06502585	2							NUT

GRAND CHEROKEE (WK)

SERIES	LINE
H = Laredo	T = JEEP - 2WD
P = Limited	J = JEEP - 4WD

BODY	ENGINE
74 = SPORT UTILITY 4-DOOR	EKG = Engine - 3.7L V6
	EVA = Engine- 4.7L V8 MPI
	EZB = Engine-5.7L HEMI

TRANSMISSION
DG0 = All Automatic Transmissions
DGJ = Transmission - 5-Spd Auto, MB
DGQ = Transmission-5-Spd Automatic 5-45RFE

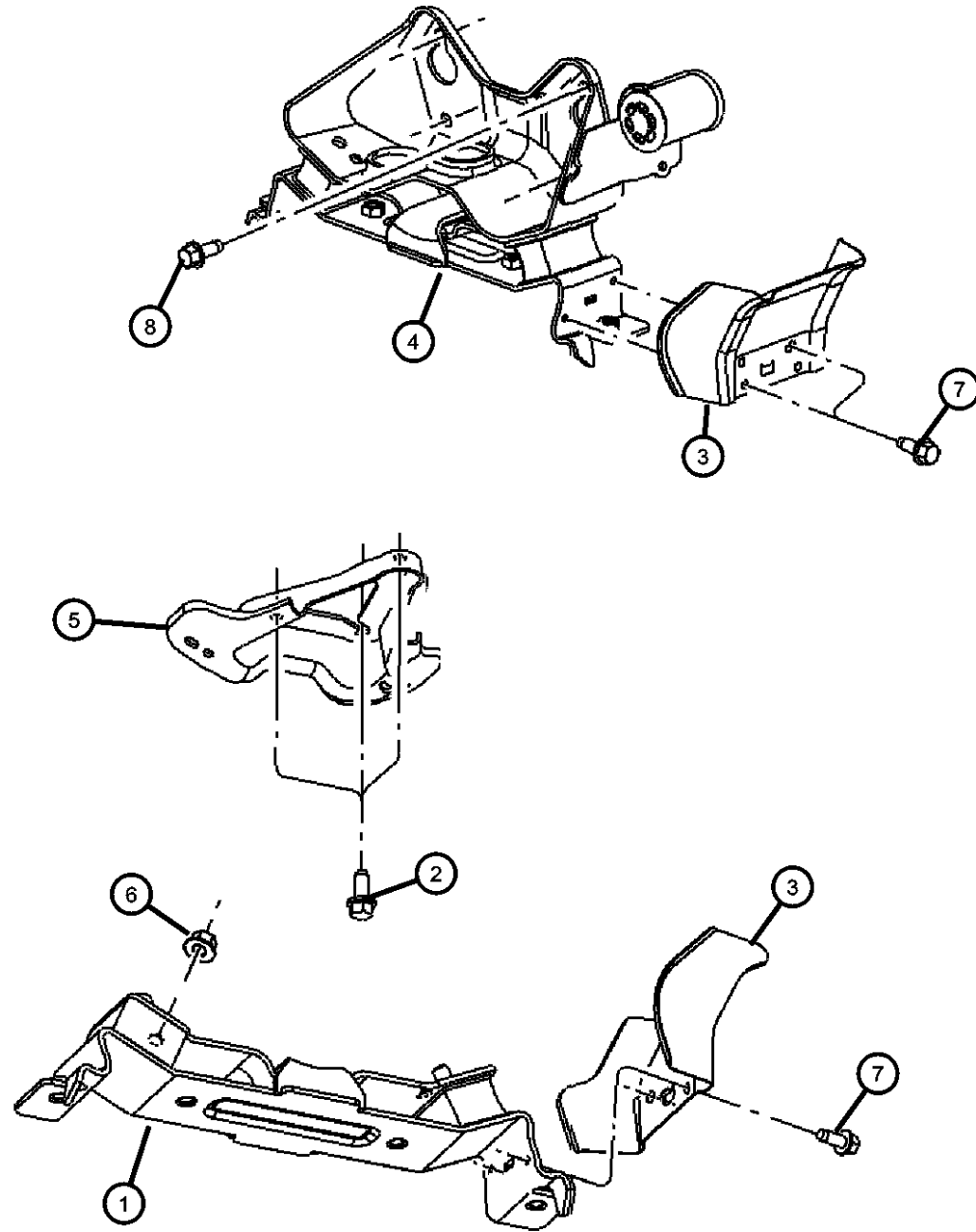
AR = use ase required - = Non illustrated part

2005 WK

Mount, Transmission, ALL
Figure 9-120

ITEM	PART NUMBER	QTY	LINE	SERIES	BODY	ENGINE	TRANS	TRIM	DESCRIPTION
------	-------------	-----	------	--------	------	--------	-------	------	-------------

NOTE:
Sales Codes:
[DG0]=All Automatic Transmissions
[EK0]=All 3.7L V-6 Engines



1									INSULATOR, Transmission support
	52089932AF	1	J			EK0	DG0		
	52089938AH	1	T			EK0	DG0		
	52124104AA	1	J			EZ0	DG0		
2									BOLT, Hex Flange Head, M10x1.50x25
	06104215AA	3	T			EK0	DG0		
		4	J						Mount To Transmission
3	52124126AA	1							SHIELD, Heat
4									MOUNT, Transmission
	52089934AH	1	T			EK0	DG0		
	52089936AH	1	J			EK0	DG0		
5	52089933AB	1	T			EK0	DG0		BRACKET, Insulator
6	06104717AA	2				EK0, EZ0			NUT
7	06505911AA	2							SCREW, Hex Head
8	06101611	4	T			EK0	DG0		SCREW AND WASHER, Hex Head, M8x1.25x25

GRAND CHEROKEE (WK)

SERIES LINE
H = Laredo T = JEEP - 2WD
P = Limited J = JEEP - 4WD

BODY ENGINE
74 = SPORT UTILITY 4-DOOR EKG = Engine - 3.7L V6
EVA = Engine- 4.7L V8 MPI
EZB = Engine-5.7L HEMI

TRANSMISSION
DG0 = All Automatic Transmissions
DGJ = Transmission - 5-Spd Auto, MB
DGQ = Transmission-5-Spd Automatic 5-45RFE

AR = use ase required - = Non illustrated part

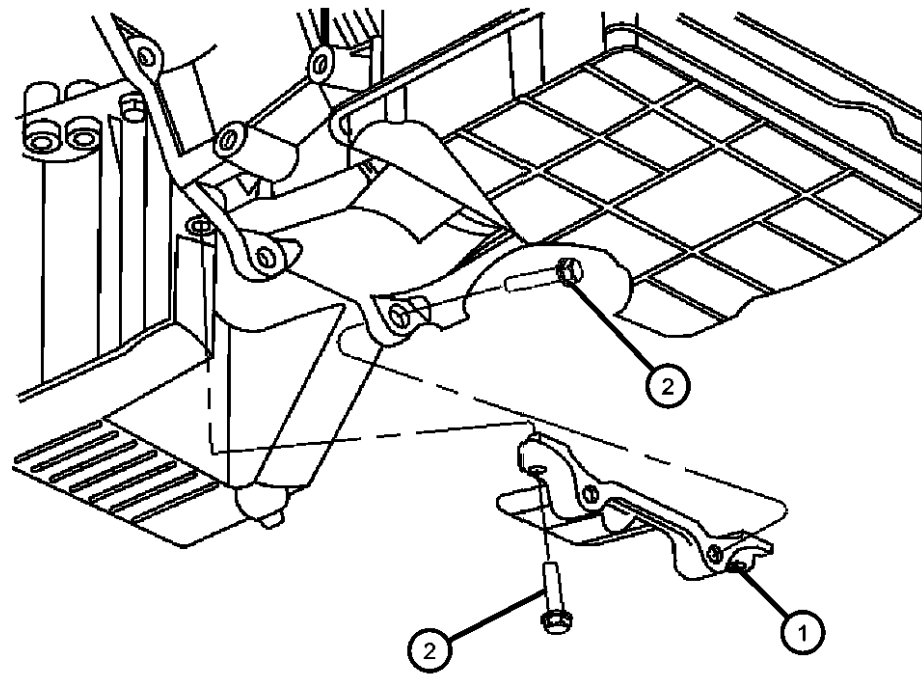
2005 WK

**Collar, Structural
Figure 9-145**

ITEM	PART NUMBER	QTY	LINE	SERIES	BODY	ENGINE	TRANS	TRIM	DESCRIPTION
------	-------------	-----	------	--------	------	--------	-------	------	-------------

NOTE:
Sales Codes:
[EZ0]=All 5.7L V-8 Engines

1	53021898AB	1				EZ0	DG0		COVER, Engine
2	06101985	1				EZ0			SCREW AND WASHER, M10x1.50x45.00



GRAND CHEROKEE (WK)

SERIES	LINE
H = Laredo	T = JEEP - 2WD
P = Limited	J = JEEP - 4WD

BODY

74 = SPORT UTILITY 4-DOOR

ENGINE

EKG = Engine - 3.7L V6
EVA = Engine- 4.7L V8 MPI
EZB = Engine-5.7L HEMI

TRANSMISSION

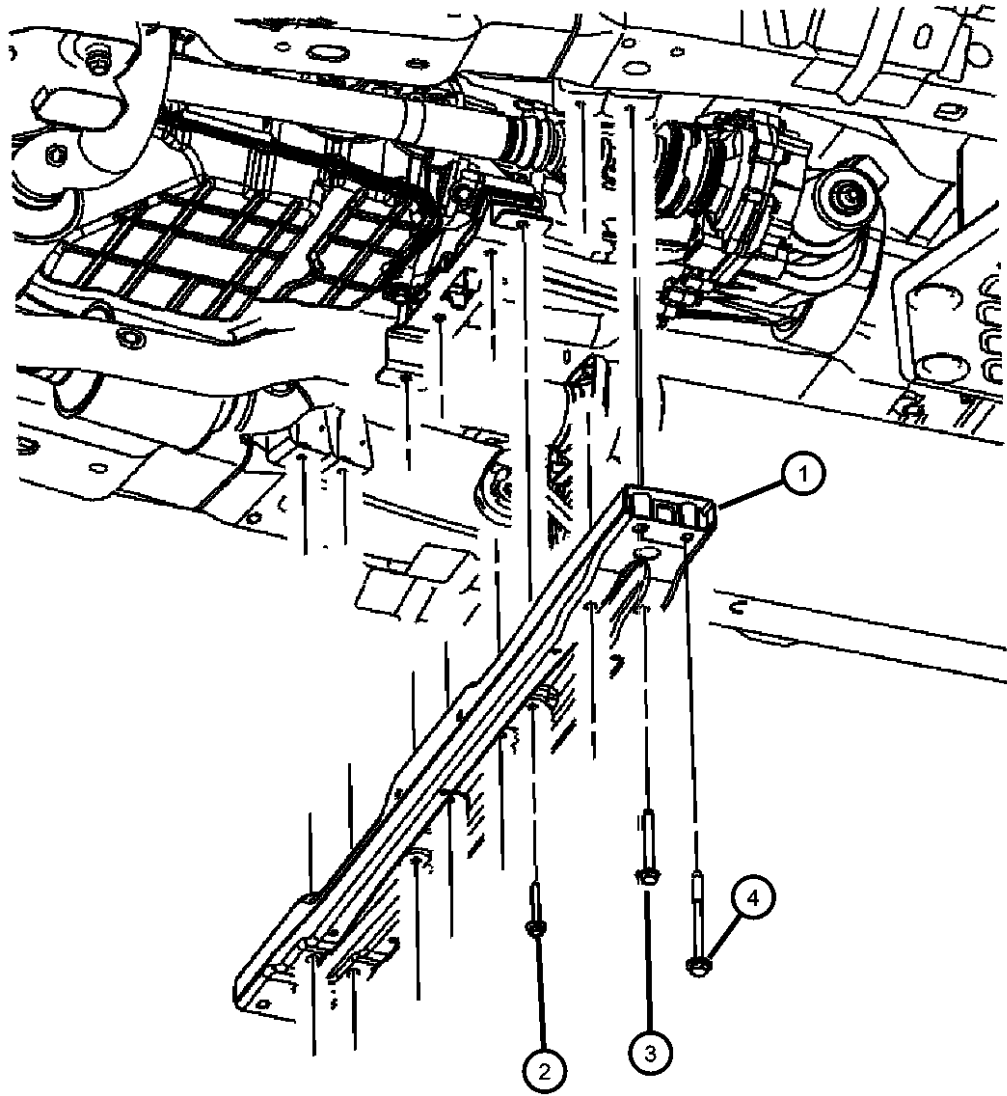
DG0 = All Automatic Transmissions
DGJ = Transmission - 5-Spd Auto, MB
DGQ = Transmission-5-Spd Automatic
5-45RFE

AR = use ase required - = Non illustrated part

2005 WK

**Crossmember Transmission Support
Figure 9-150**

ITEM	PART NUMBER	QTY	LINE	SERIES	BODY	ENGINE	TRANS	TRIM	DESCRIPTION
1	52090070AG	1							CROSSMEMBER, Transmission
2	06508082AA	4							SCREW, [M8X1.25X58.00], Transmount To Crossmember
3	06105073AA	4							SCREW, [M10X1.50X90.00], Inner Rail To Crossmember
4	06508083AA	4							SCREW, Hex Flange Head, [M10X1.50X135.00], Outer Rail To Crossmember



GRAND CHEROKEE (WK)

SERIES	LINE
H = Laredo	T = JEEP - 2WD
P = Limited	J = JEEP - 4WD

BODY
74 = SPORT UTILITY 4-DOOR

ENGINE
EKG = Engine - 3.7L V6
EVA = Engine- 4.7L V8 MPI
EZB = Engine-5.7L HEMI

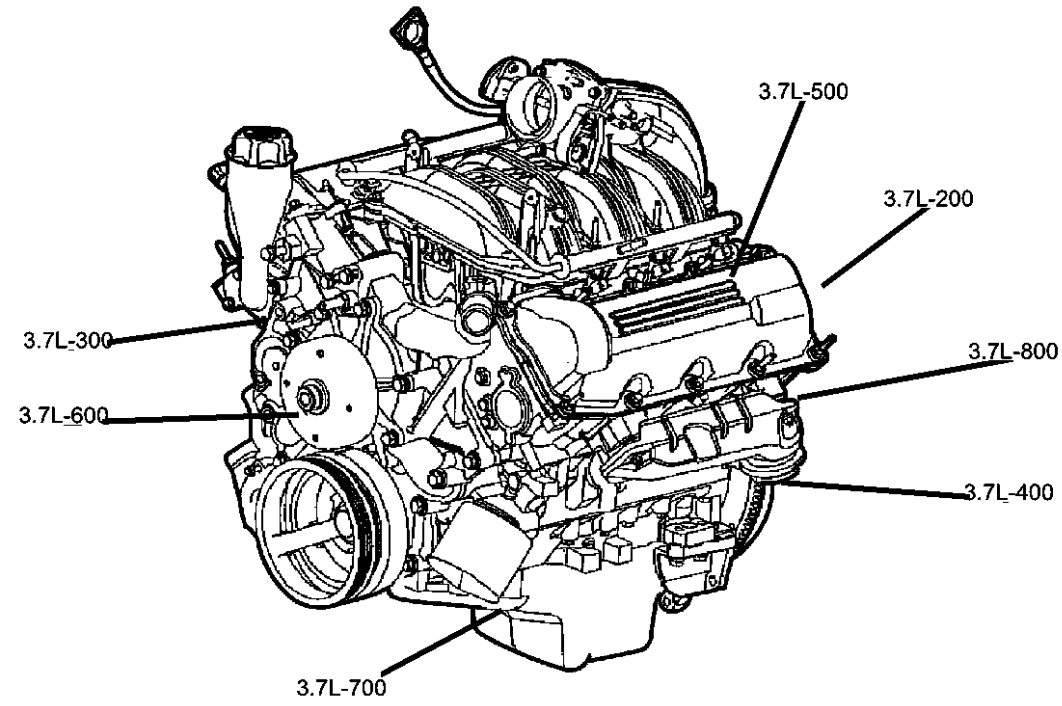
TRANSMISSION
DG0 = All Automatic Transmissions
DGJ = Transmission - 5-Spd Auto, MB
DGQ = Transmission-5-Spd Automatic 5-45RFE

AR = use ase required - = Non illustrated part

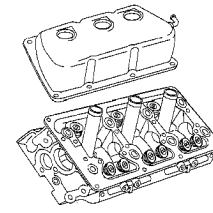
2005 WK

Group - 3.7L

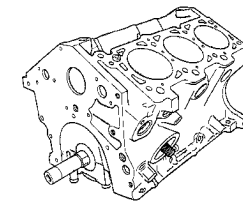
Engine 3.7L Six Cylinder



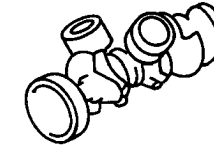
3.7L-200
Cylinder Head



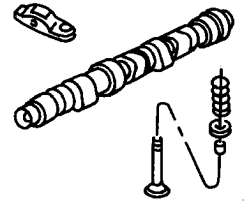
3.7L-300
Cylinder Block



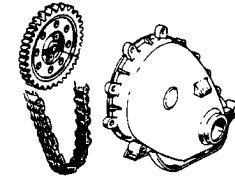
3.7L-400
Crankshaft, Piston and Torque Converter



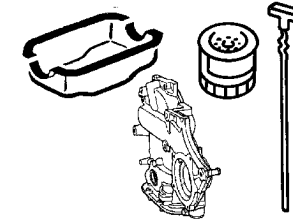
3.7L-500
Camshafts & Valves



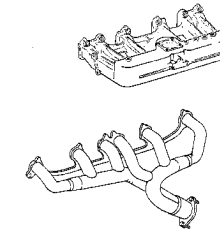
3.7L-600
Timing Belt and Cover



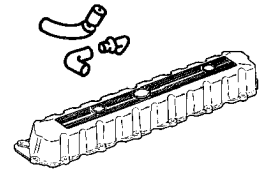
3.7L-700
Engine Oiling



3.7L-800
Manifolds



3.7L-900
Crankcase Ventilation



Group - 3.7L Engine 3.7L Six Cylinder

Illustration Title	Group-Fig. No.
Cylinder Head	
Cylinder Head 3.7L [EKG]	Fig. 3.7L - 210
Cylinder Block	
Cylinder Block 3.7L [EKG]	Fig. 3.7L - 310
Crankshaft, Piston and Torque Converter	
Crankshaft, Piston and Torque Converter 3.7L [EKG]	Fig. 3.7L - 410
Camshafts & Valves	
Camshaft And Valves, 3.7L [EKG]	Fig. 3.7L - 510
Timing Belt and Cover	
Timing Cover 3.7L [EGK]	Fig. 3.7L - 610
Timing Chain And Guides, 3.7L [EKG]	Fig. 3.7L - 620
Engine Oiling	
Engine Oiling, 3.7L [EKG]	Fig. 3.7L - 710
Engine Oil Filter And Splash Guard	Fig. 3.7L - 720
Manifolds	
Manifolds, Intake and Exhasut 3.7L [EKG]	Fig. 3.7L - 810
Crankcase Ventilation	
Crankcase Ventilation 3.7L [EKG]	Fig. 3.7L - 910

**Cylinder Head 3.7L [EKG]
Figure 3.7L-210**

ITEM	PART NUMBER	QTY	LINE	SERIES	BODY	ENGINE	TRANS	TRIM	DESCRIPTION
------	-------------	-----	------	--------	------	--------	-------	------	-------------

NOTES: Upper Gasket Package Contains: Cylinder Head and Cylinder Head Cover Gaskets, Intake and Exhaust Manifold Gaskets, Throttle Body
SALES CODES:
[EK0] = All 3.7L 6 Cylinder Gas Engines

-1									GASKET PACKAGE, Engine Upper, See Notes For Metal Cylinder Head Covers
	05135792AA	1				EK0			For Plastic Cylinder Head Covers
	05170703AA	1				EK0			For Plastic Cylinder Head Covers
2	53020987AC	1				EK0			HEAD, Cylinder, Left
3	53020988AC	1				EK0			HEAD, Cylinder, Right
4	06506785AA	8				EK0			SCREW AND WASHER, Hex Head
5	06505528AA	16				EK0			SCREW AND WASHER, Hex Head
6	53020989	2				EK0			GASKET, Cylinder Head, Left and Right
7	01122532	2				EK0, EVO			DOWEL, Block To Clutch Housing
8									GASKET, Valve Cover
	53021958AA	1				EK0			Use with Plastic Cylinder Head Covers, Right
	53021959AA	1				EK0			Use with Plastic Cylinder Head Covers, Left
9									COVER, Cylinder Head, Left
	53020995	1				EK0			Metal Cover, with Gasket and Screws, Left
	53021937AA	1				EK0			Plastic Cover, with Gasket and Screws, Left
10									COVER, Cylinder Head, Right
	53020996	1				EK0			Metal Cover, with Gasket and Screws, Right
	53021938AA	1				EK0			Plastic Cover, with Gasket and Screws, Right
11									SCREW
	06508296AA	4				EK0			Use with Plastic Cylinder Head Covers, Right
		5				EK0			Use with Plastic Cylinder Head Covers, Left
	53021309AA	5				EK0			Use with Metal Cylinder Head Covers, Left
		4				EK0			Use with Metal Cylinder Head Covers, Right
12		4							STUD, Serviced With Valve Cover, (NOT SERVICED),
13	04556020	2				EK0			PLUG, Core, 1.25 Diameter, Water Jacket Core
14	06036307AA	1				EK0			PLUG, Oil Gallery .25-18x.413, Rear of Head

GRAND CHEROKEE (WK)

SERIES LINE
H = Laredo T = JEEP - 2WD
P = Limited J = JEEP - 4WD

BODY ENGINE TRANSMISSION
74 = SPORT UTILITY 4-DOOR EKG = Engine - 3.7L V6
EVA = Engine- 4.7L V8 MPI
EZB = Engine-5.7L HEMI

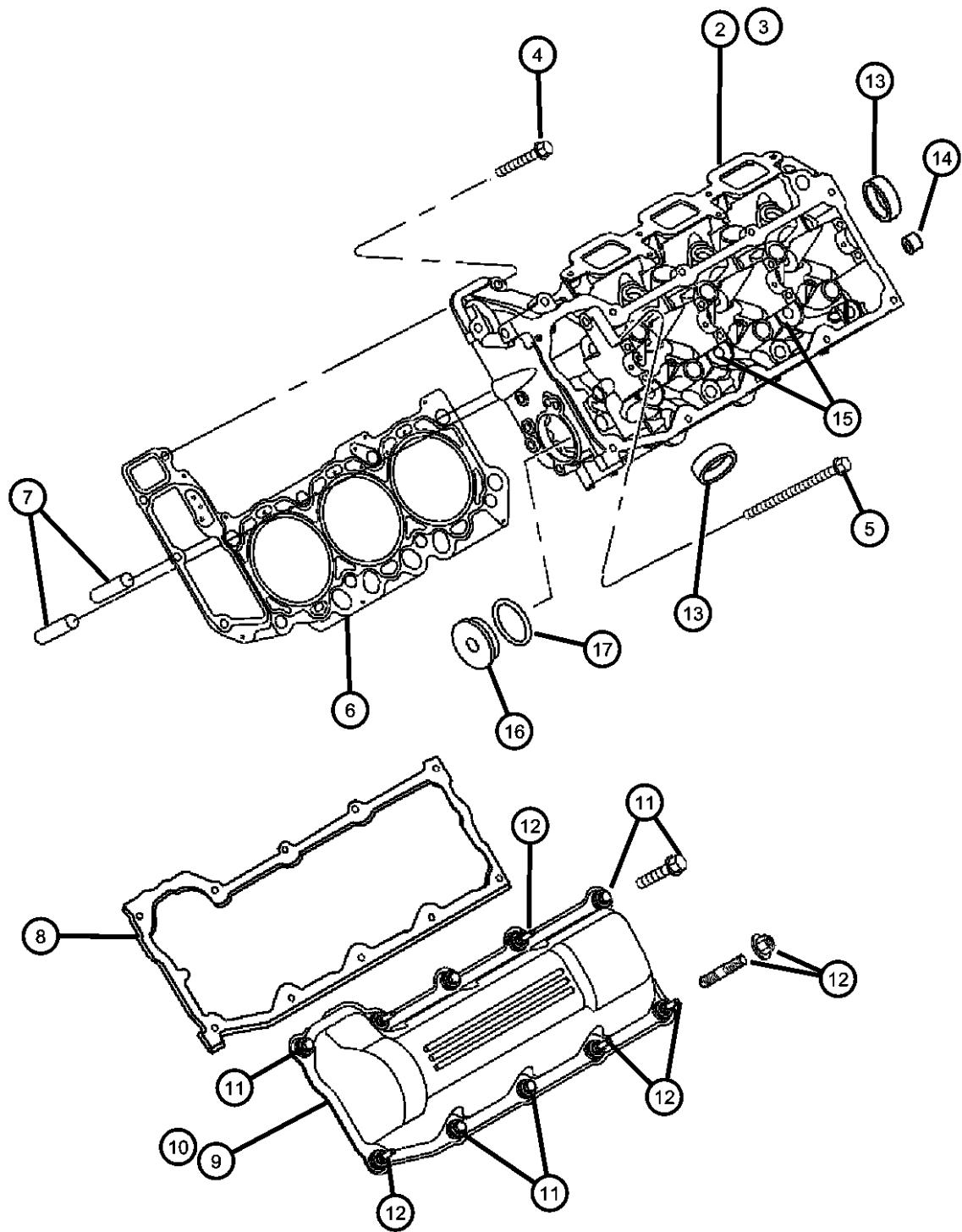
DG0 = All Automatic Transmissions
DGJ = Transmission - 5-Spd Auto, MB
DGQ = Transmission-5-Spd Automatic 5-45RFE

AR = use ase required - = Non illustrated part

2005 WK

**Cylinder Head 3.7L [EKG]
Figure 3.7L-210**

ITEM	PART NUMBER	QTY	LINE	SERIES	BODY	ENGINE	TRANS	TRIM	DESCRIPTION
15	06034331	2				EK0			PLUG, Hex Socket, 3/8-18NPTx.475
		2				EK0			Left Head
									Right Head
16	53021031	1				EK0, EV0			PLUG, Access Hole
17	53021032	1				EK0, EV0			O RING, Access Hole Plug



GRAND CHEROKEE (WK)

SERIES	LINE
H = Laredo	T = JEEP - 2WD
P = Limited	J = JEEP - 4WD

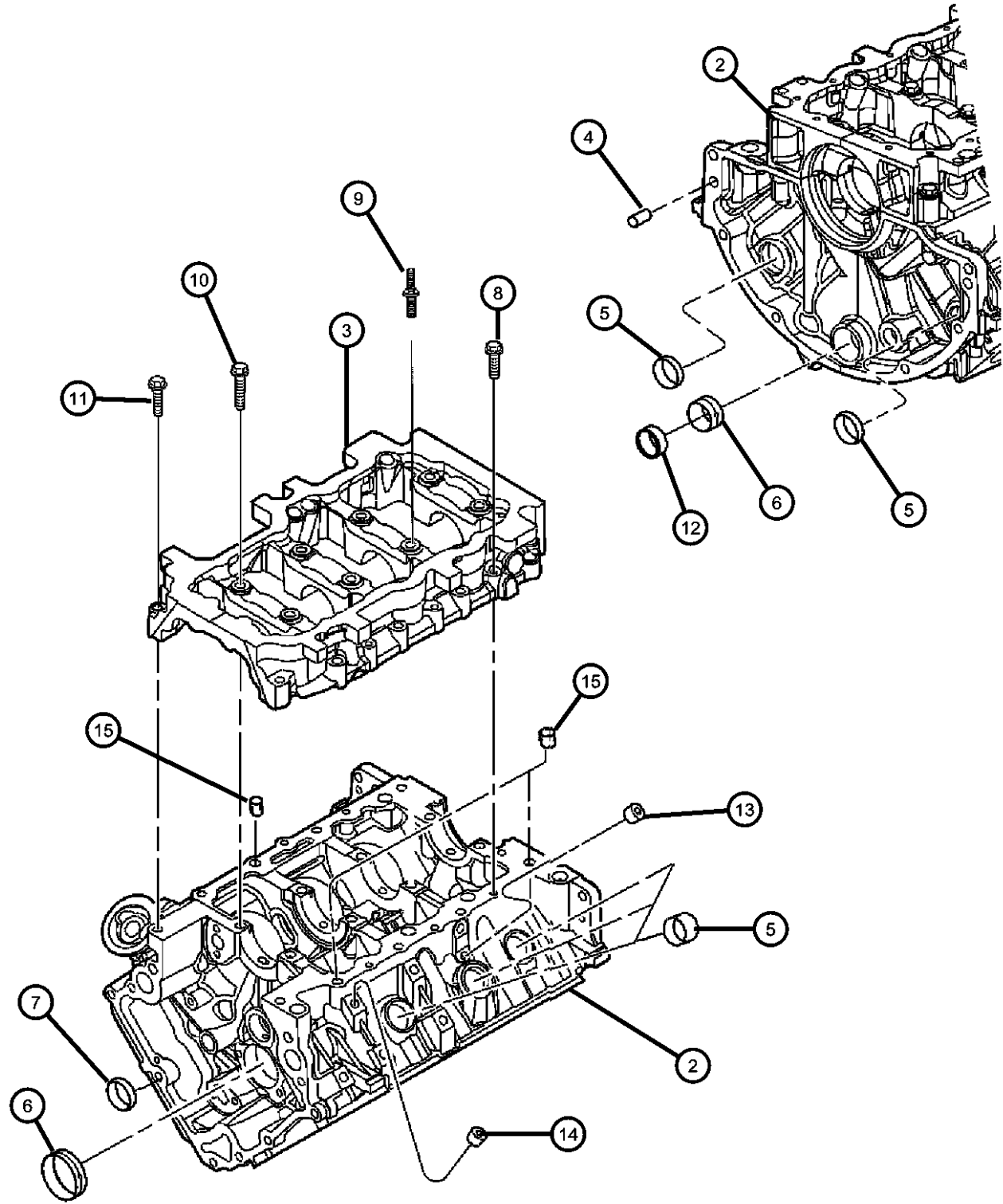
BODY	ENGINE
74 = SPORT UTILITY 4-DOOR	EKG = Engine - 3.7L V6
	EVA = Engine- 4.7L V8 MPI
	EZB = Engine-5.7L HEMI

TRANSMISSION
DG0 = All Automatic Transmissions
DGJ = Transmission - 5-Spd Auto, MB
DGQ = Transmission-5-Spd Automatic 5-45RFE

AR = use ase required - = Non illustrated part

2005 WK

**Cylinder Block 3.7L [EKG]
Figure 3.7L-310**



ITEM	PART NUMBER	QTY	LINE	SERIES	BODY	ENGINE	TRANS	TRIM	DESCRIPTION
------	-------------	-----	------	--------	------	--------	-------	------	-------------

NOTES: Lower Gasket Package contains: Front and Rear Crankshaft Seals, Oil Pick Up Tube Seal; Oil Pan, Chain Case and Water Pump Gaskets
Sales Codes
[EK0] = All 3.7L 6 Cylinder Gas Engines

-1	05135793AA	1				EK0, EV0			GASKET PACKAGE, Engine Lower, See Notes
2	05103475AA 04761838AB 04761844AC	1				EK0			BLOCK, Short Mopar 5W-30 Engine Oil Quart Mopar 5W-30 Engine Oil Gallon
3		1							BEDPLATE, Serviced With Short Block, (NOT SERVICED)
4	01122532	2				EK0, EV0			DOWEL, Block To Clutch Housing
5	06034804	8				EK0			PLUG, Core, 1.39 Diameter
6		8							BUSHING, Balance Shaft, Serviced In Short Block Only, (NOT SERVICED)
7	06034804	8				EK0			PLUG, Core, 1.39 Diameter
8	06102156AA	5				EK0			SCREW, Hex Flange Head, M8x1.25x44
9	06506187AA	2				EK0			STUD
10	06505394AA	6				EK0			SCREW AND WASHER
11	06504410	7				EK0			SCREW, Hex Head
12	04663942	1				EK0			PLUG, Core, 1.50 Diameter
13	06036307AA	3				EK0			PLUG, Cylinder Block Coolant Drain, [.25-18x.413]
14	06036114AA	4				EK0, EV0			PLUG, Pipe, Cylinder Block Oil Hole, [.50-14x.56]
15	53010533AA	5				EK0			DOWEL

GRAND CHEROKEE (WK)

SERIES	LINE
H = Laredo	T = JEEP - 2WD
P = Limited	J = JEEP - 4WD

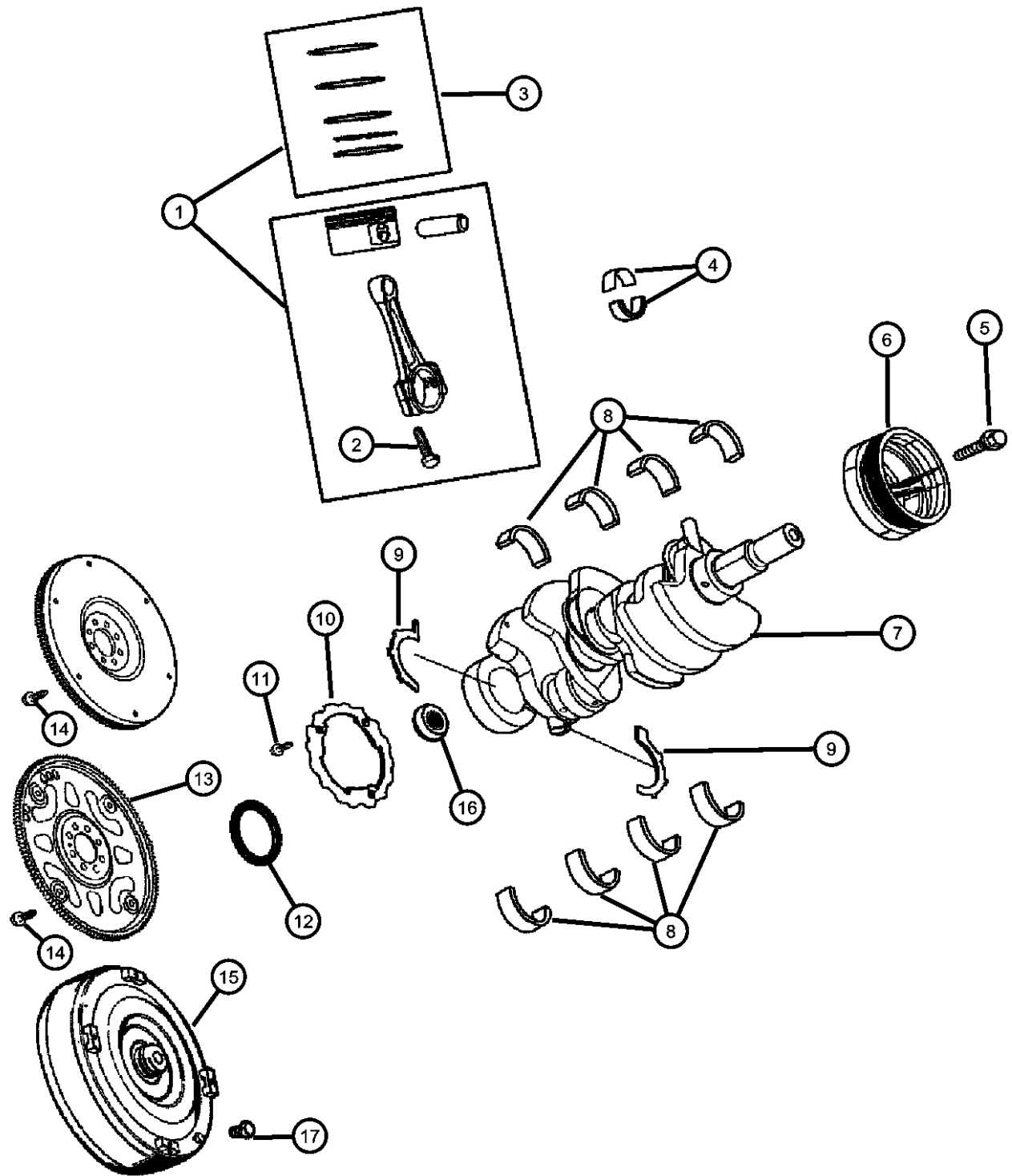
BODY	ENGINE
74 = SPORT UTILITY 4-DOOR	EKG = Engine - 3.7L V6
	EVA = Engine- 4.7L V8 MPI
	EZB = Engine-5.7L HEMI

TRANSMISSION
DG0 = All Automatic Transmissions
DGJ = Transmission - 5-Spd Auto, MB
DGQ = Transmission-5-Spd Automatic 5-45RFE

AR = use ase required - = Non illustrated part

2005 WK

**Crankshaft, Piston and Torque Converter 3.7L [EKG]
Figure 3.7L-410**



ITEM	PART NUMBER	QTY	LINE	SERIES	BODY	ENGINE	TRANS	TRIM	DESCRIPTION
------	-------------	-----	------	--------	------	--------	-------	------	-------------

NOTES: For Crankshaft Identification, Stamping Location and Bearing Information Refer to the Service Manual
Sales Codes:
[DBB] = All Manual Transmissions
[DG0] = All Automatic Transmissions
[EK0] = All 3.7L 6 Cylinder Gas Engines

1	05019316AA	1				EK0			PISTON PIN AND ROD, STD
2	06504720	12				EK0			BOLT, Connecting Rod
3	05012364AD	6				EK0			RING PACKAGE, Piston, Standard Size
4	05019447AA	6				EK0			BEARING PACKAGE, Connecting Rod, Standard
5	06504415	1				EK0, EVO			SCREW AND WASHER
6	53020689AB	1				EK0, EVA			DAMPER, Crankshaft
7	53020959AB	1				EK0			CRANKSHAFT
8									BEARING PACKAGE, Crankshaft, A Grade
	05066735AA	4				EK0			[S] Crankshaft, Mains 1 and 4
	05066736AA	4				EK0			[S] Crankshaft, Mains 2 and 3
	05066737AA	4				EK0			[T] Crankshaft, Mains 1 and 4
	05066738AA	4				EK0			[T] Crankshaft, Mains 2 and 3
	05066739AA	4				EK0			[U] Crankshaft, Mains 1 and 4
	05066733AA	4				EK0			[R] Crankshaft, Mains 1 and 4
	05066734AA	4				EK0			[R] Crankshaft, Mains 2 and 3
	05066740AA	4				EK0			[U] Crankshaft, Mains 2 and 3
9	05012356AC	1				EK0, EVO			WASHER PACKAGE, Washer, Thrust
10		1							RING, Tone, Serviced with Crankshaft, (NOT SERVICED)
11	06504480	3				EK0			SCREW, M6x1x25
12	53020788AB	1				EK0, EVO			SEAL, Crankshaft Bearing Oil
13	04752574AB	1				EK0	DG0		PLATE, Torque Converter Drive
14	06503465	8				EK0, EVO	DG0		BOLT, Drive Plate and Flywheel
15									CONVERTER, Torque
	04736478AA	1			T		DGJ		
		1			J		DGJ		
16	04736483AA	1				EK0	DGJ		BEARING, Pilot
17	06507095AA	6				EK0	DG0		SCREW, Torque Converter To Flexplate, Mounting

GRAND CHEROKEE (WK)

SERIES LINE
H = Laredo T = JEEP - 2WD
P = Limited J = JEEP - 4WD

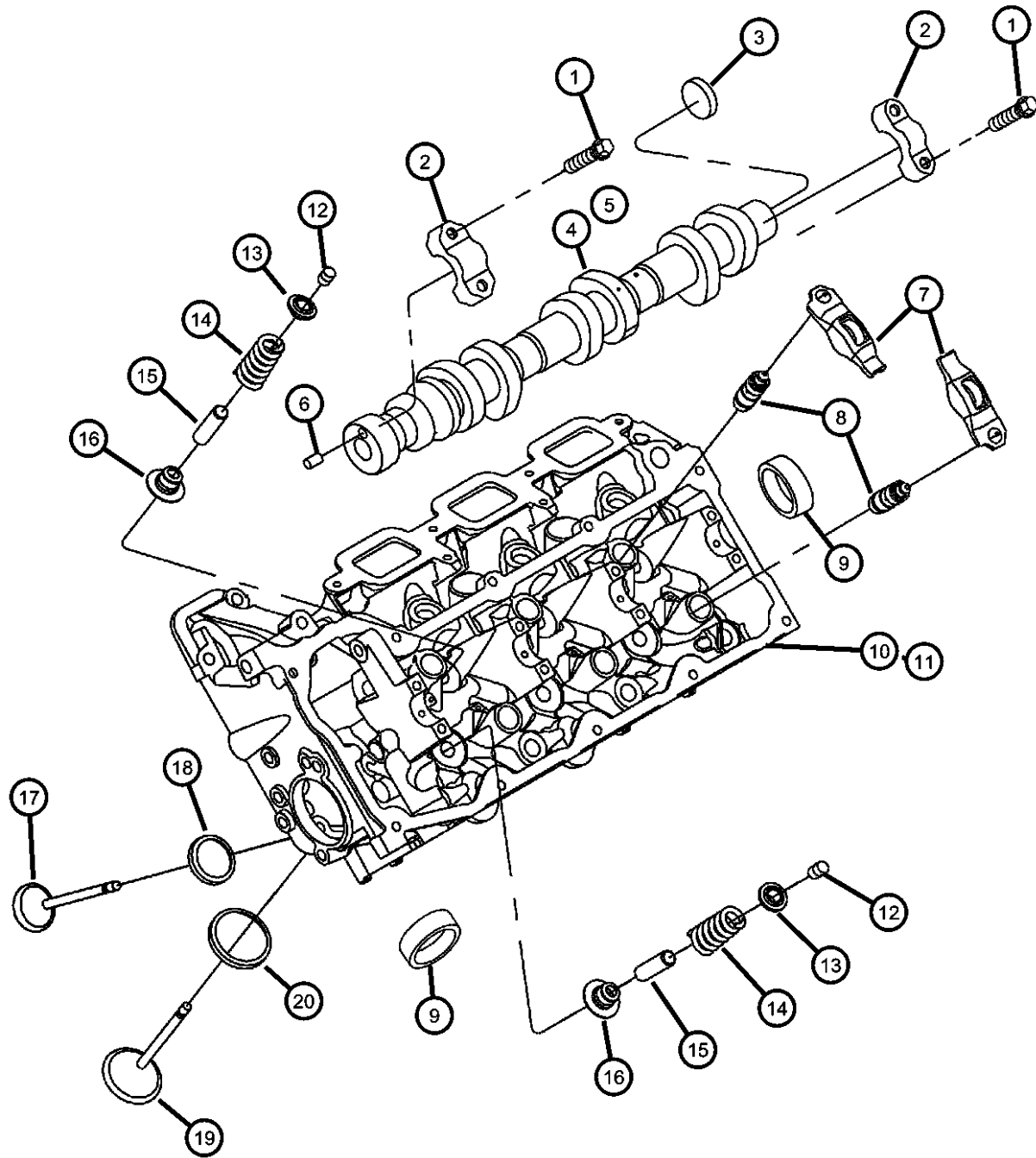
BODY ENGINE
74 = SPORT UTILITY 4-DOOR EKG = Engine - 3.7L V6
EVA = Engine - 4.7L V8 MPI
EZB = Engine - 5.7L HEMI

TRANSMISSION
DG0 = All Automatic Transmissions
DGJ = Transmission - 5-Spd Auto, MB
DGQ = Transmission - 5-Spd Automatic 5-45RFE

AR = use ase required - = Non illustrated part

2005 WK

**Camshaft And Valves, 3.7L [EKG]
Figure 3.7L-510**



ITEM	PART NUMBER	QTY	LINE	SERIES	BODY	ENGINE	TRANS	TRIM	DESCRIPTION
Note; Sales Codes [EK0]= All 3.7L 6 Cylinder Gas Engines									
1	06505034AA	8				EK0			SCREW, M6x1x40
2		8							CAP, Serviced With Head Only, (NOT SERVICED)
3		8							WASHER, (NOT REQUIRED)
4	53021893AA	1				EK0			CAMSHAFT, Engine, Left
5	53021892AA	1				EK0			CAMSHAFT, Engine, Right
6	06100902	1				EK0			DOWEL, M6x14
7	53021913AB	12				EK0			ROCKER ARM, Valve
8	53021894AA	12				EK0			ADJUSTER, Valve Lash
9	04556020	2				EK0			PLUG, Core, 1.25 Diameter
10	53020987AC	1				EK0			HEAD, Cylinder, Left
11	53020988AC	1				EK0			HEAD, Cylinder, Right
12	04536513AB	24				EK0			LOCK, Valve Spring Retainer
13	04781090AA	12				EK0			RETAINER, Valve Spring
14									SPRING, Valve
	53021873AA	6				EK0			Exhaust
	53021887AA	6				EK0			Inlet
15		6							INSERT, Valve Guide, Serviced With Head Only, (NOT SERVICED)
16	53020752AD	12				EK0			SEAL, Valve Guide
17	53021916AA	6				EK0			VALVE, Exhaust, Standard, After [12/17/02]
18		6							SEAT, Exhaust Valve, Serviced With Head Only, (NOT SERVICED)
19	53020747AB	6				EK0			VALVE, Intake, Standard
20		6							SEAT, Intake Valve, Serviced With Head Only, (NOT SERVICED)

GRAND CHEROKEE (WK)

SERIES	LINE
H = Laredo	T = JEEP - 2WD
P = Limited	J = JEEP - 4WD

BODY

74 = SPORT UTILITY 4-DOOR

ENGINE

EKG = Engine - 3.7L V6
EVA = Engine- 4.7L V8 MPI
EZB = Engine-5.7L HEMI

TRANSMISSION

DG0 = All Automatic Transmissions
DGJ = Transmission - 5-Spd Auto, MB
DGQ = Transmission-5-Spd Automatic 5-45RFE

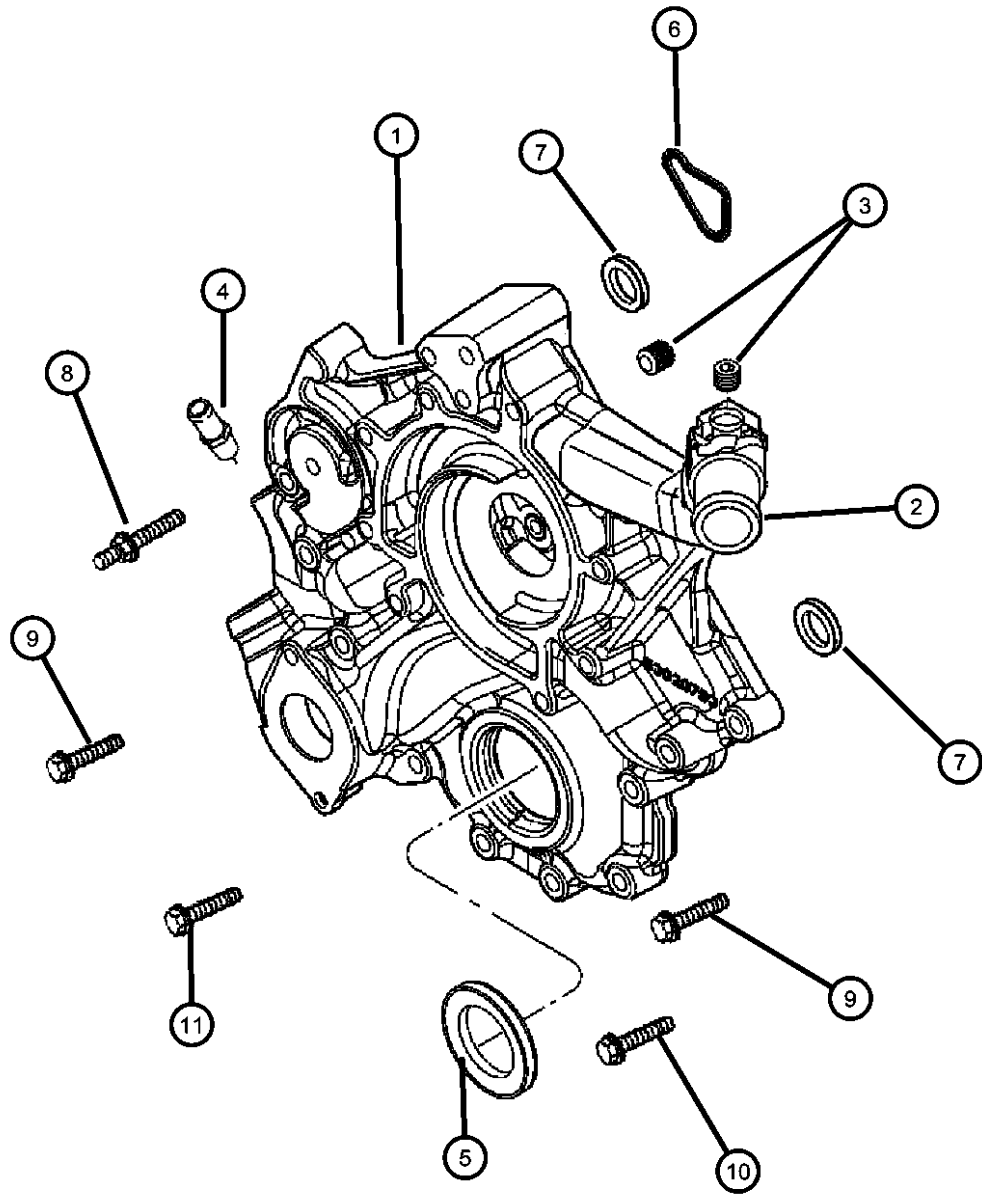
AR = use ase required - = Non illustrated part

2005 WK

**Timing Cover 3.7L [EGK]
Figure 3.7L-610**

ITEM	PART NUMBER	QTY	LINE	SERIES	BODY	ENGINE	TRANS	TRIM	DESCRIPTION
------	-------------	-----	------	--------	------	--------	-------	------	-------------

NOTES:
Sales Codes
[EK0] = All 3.7L 6 Cylinder Gas Engines



1	53021238AB	1				EK0			COVER, Chain Case, Items 2,3,4,5,6,7 Included
2		1							PIPE FITTING, Chain Case Cover, .375-18x2, Serviced with Cover, (NOT SERVICED)
3	06034331	3				EK0			PLUG, Hex Socket, 3/8-18NPTx.475, Also serviced wih Cover
4	06035854	2				EK0			NIPPLE, Also serviced wih Cover
5	53021313AA	1				EK0			SEAL, Crankshaft Oil, Front, Also serviced wih Cover
6	53021226AA	1				EK0			GASKET, Chain Case Cover, Also serviced wih Cover
7	53021239AA	2				EK0			O RING, Also serviced wih Cover
8	06505293AA	1				EK0, EVO			STUD, Timing Chain Cover
9	06507776AA	3				EK0			SCREW, Hex Flange Head, Timing Chain Cover
10	06102380AA	5				EK0, EVO			SCREW, Hex Flange Head, Timing Chain Cover
11	06102381AA	5				EK0, EVO			SCREW, Hex Flange Head, Timing Chain Cover

GRAND CHEROKEE (WK)

SERIES	LINE
H = Laredo	T = JEEP - 2WD
P = Limited	J = JEEP - 4WD

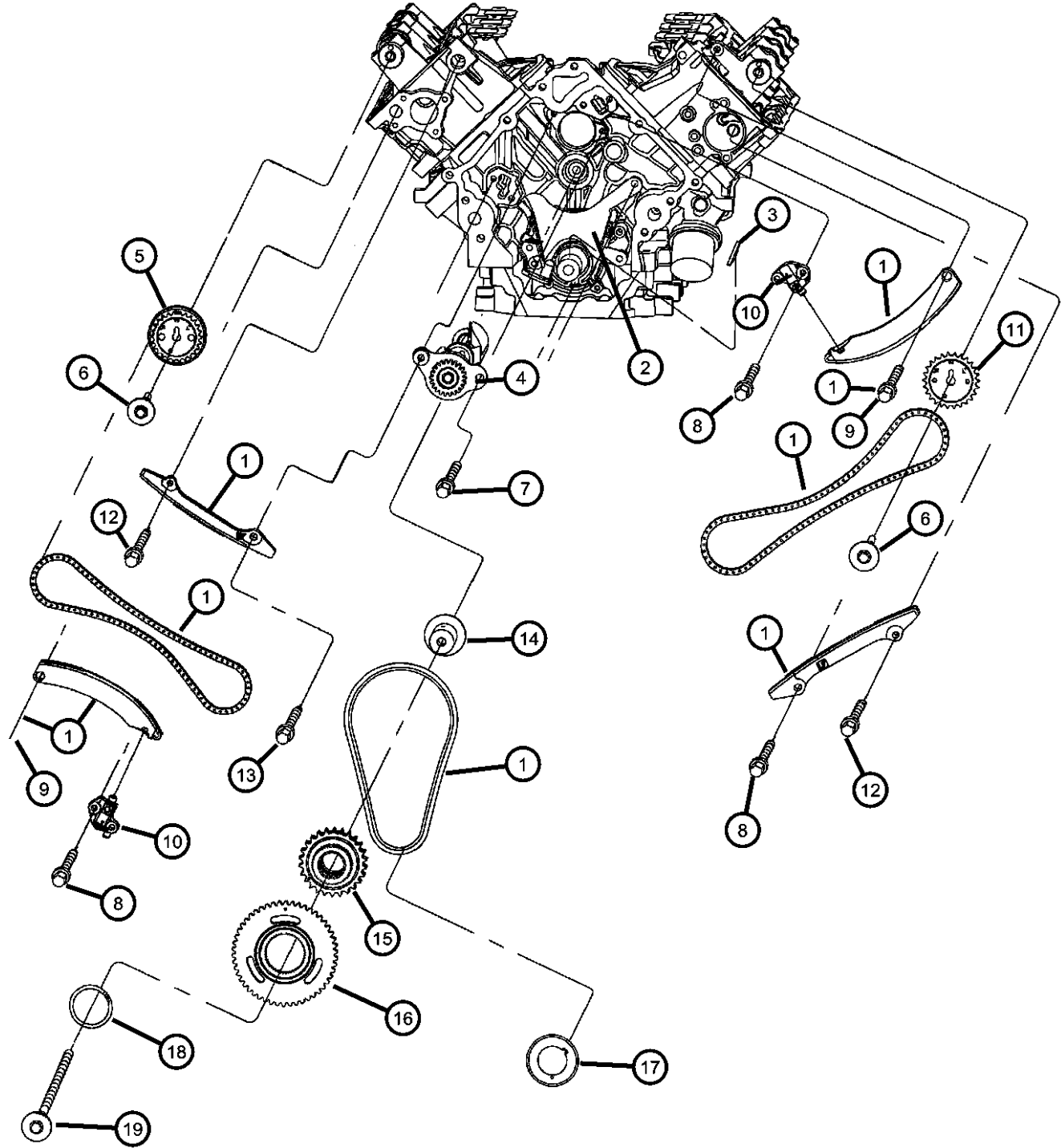
BODY	ENGINE
74 = SPORT UTILITY 4-DOOR	EKG = Engine - 3.7L V6
	EVA = Engine- 4.7L V8 MPI
	EZB = Engine-5.7L HEMI

TRANSMISSION
DG0 = All Automatic Transmissions
DGJ = Transmission - 5-Spd Auto, MB
DGQ = Transmission-5-Spd Automatic 5-45RFE

AR = use ase required - = Non illustrated part

2005 WK

**Timing Chain And Guides, 3.7L [EKG]
Figure 3.7L-620**

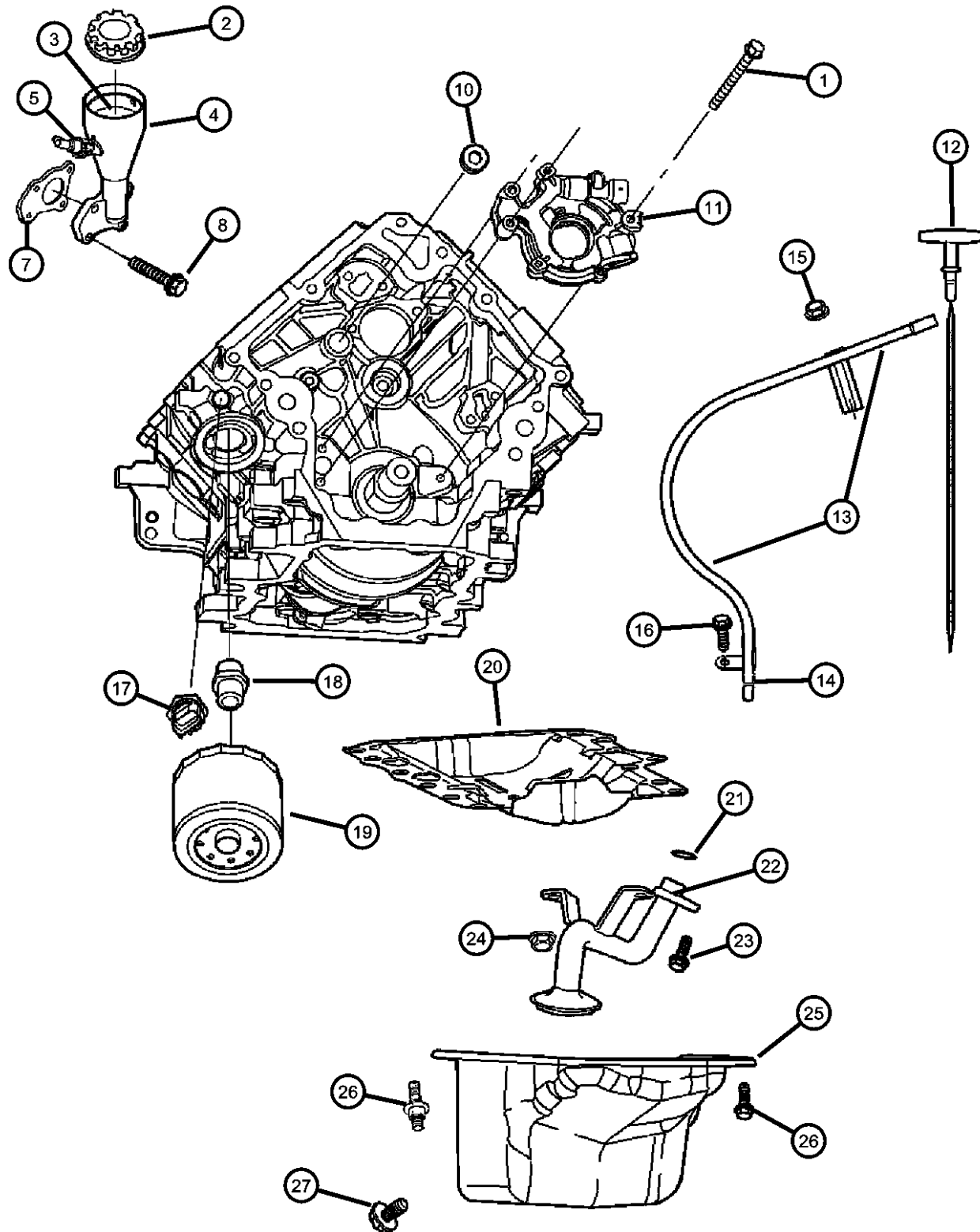


ITEM	PART NUMBER	QTY	LINE	SERIES	BODY	ENGINE	TRANS	TRIM	DESCRIPTION
Note; Sales Codes [EK0]= All 3.7L, 6 Cylinder Gas									
1	05019423AC	1				EK0			TIMING DRIVE PACKAGE, Engine
2	53020681	1				EK0, EVO			TENSIONER, Chain, Primary
3	06504471	1				EK0, EVO			KEY, Woodruff
4	53020818	1				EK0			SHAFT, Balance
5	53021291AD	1				EK0			SPROCKET, Camshaft, Right
6	06504429	2				EK0, EVO			SCREW AND WASHER, Hex
7	06100295	1				EK0			SCREW AND WASHER, Hex Head, M8x1.25x20, Thrust Plate
8	06503257	5				EK0			BOLT, Hex Head, M8x1.25x37.50
9	06506028AA	2				EK0			SCREW
10									TENSIONER, Chain
	53021249AA	1				EK0			Secondary, Right
	53021250AA	1				EK0			Secondary, Left
11	53021290AA	1				EK0			SPROCKET, Camshaft, Left
12	06102111AA	2				EK0, EVO			SCREW AND WASHER
13	06102190AA	1				EK0			SCREW
14	53020835	1				EK0, EVO			SHAFT, Idler
15	53021298AB	1				EK0			SHAFT, Balance, Driver
16	53021170AA	1				EK0			SPROCKET, Idler
17	53020679	1				EK0			SPROCKET, Crankshaft
18		1							RETAINING RING, Idler, (NOT REQUIRED)
19	06504370	1				EK0, EVO			SCREW AND WASHER, Hex

GRAND CHEROKEE (WK)				
SERIES	LINE	BODY	ENGINE	TRANSMISSION
H = Laredo	T = JEEP - 2WD	74 = SPORT UTILITY 4-DOOR	EKG = Engine - 3.7L V6	DG0 = All Automatic Transmissions
P = Limited	J = JEEP - 4WD		EVA = Engine- 4.7L V8 MPI	DGJ = Transmission - 5-Spd Auto, MB
			EZB = Engine-5.7L HEMI	DGQ = Transmission-5-Spd Automatic 5-45RFE

AR = use ase required - = Non illustrated part

**Engine Oiling, 3.7L [EKG]
Figure 3.7L-710**



ITEM	PART NUMBER	QTY	LINE	SERIES	BODY	ENGINE	TRANS	TRIM	DESCRIPTION
Note; Sales Code [EK0]= All 3.7L 6 Cylinder Gas Engine [EV0]= All 4.7L Gas Engines									
1	06100932	1				EK0, EV0			BOLT, HexMounting
2	53032389AD	1				EK0, EV0			CAP, Oil Filler
3	53032126AA	1				EK0, EV0			BAFFLE, Oil Fill, None
4	53020890	1				EK0			HOUSING, Oil Fill
5	53032800AA	1				EK0			VALVE, Crankcase Vent
-6	53031711AA	1				EK0			O RING, Crankcase Vent Valve
7	53020889AC	1				EK0			GASKET, Oil Fill HousingMounting
8	06505504AA	3				EK0, EV0			SCREW, Oil Fill Housing to Cylinder Block, Mounting
-9	06505566AA	1				EK0, EV0			STUD, Oil Fill Housing to Cylinder Block, Mounting
10	06036114AA	4				EK0, EV0			PLUG, Pipe, Cylinder Block Oil Hole
11	53020827	1				EK0, EV0			PUMP, Engine Oil
12	53021747AD	1				EK0			INDICATOR, Engine Oil Level
13	53021741AD	1				EK0			TUBE, Engine Oil Indicator
14	53021144AA	1				EK0			O RING, Engine Oil Indicator
15	06102050AA	1				EK0			SCREW, Hex Flange Head, M6.3 x 1.81 x 15.00, Oil Level Indicator Tube
16	06504810AA	1				EK0, EV0			SCREW AND WASHER, Hex, Oil Level Indicator Tube
17	04868672AA	1				EK0, EV0			SWITCH, Oil Pressure
18	53007563	1				EK0, EV0			CONNECTOR, Oil Filter
19	04781452AA	1				EK0			FILTER, Engine Oil
20	53021001AB	1				EK0			GASKET, Oil Pan
21	53020861	1				EK0, EV0			SEAL, Oil Pick Up Tube
22	53021776AA	1				EK0			TUBE, Oil Pickup
23	06102046AA	1				EK0, EV0			SCREW AND WASHER
24	06502756	2				EK0			NUT, Hex Lock, M8x1.25
25	53021755AA	1				EK0			PAN, Engine Oil, With Plug
26	06504810AA	1				EK0, EV0			SCREW AND WASHER, Hex
27	06506100AA	1				EK0			PLUG, Oil Drain

GRAND CHEROKEE (WK)

SERIES	LINE
H = Laredo	T = JEEP - 2WD
P = Limited	J = JEEP - 4WD

BODY

74 = SPORT UTILITY 4-DOOR

ENGINE

EKG = Engine - 3.7L V6
EVA = Engine- 4.7L V8 MPI
EZB = Engine-5.7L HEMI

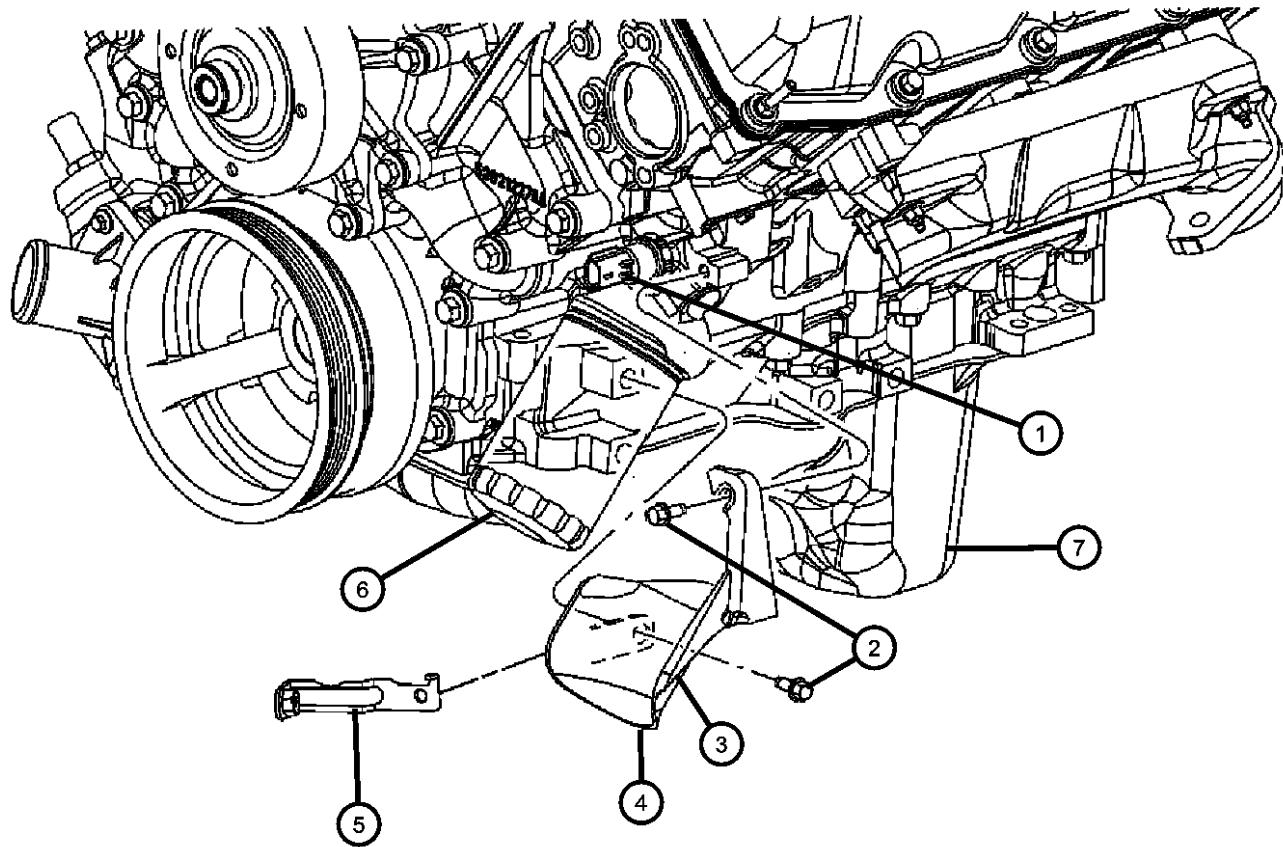
TRANSMISSION

DG0 = All Automatic Transmissions
DGJ = Transmission - 5-Spd Auto, MB
DGQ = Transmission-5-Spd Automatic 5-45RFE

AR = use ase required - = Non illustrated part

2005 WK

**Engine Oil Filter And Splash Guard
Figure 3.7L-720**



ITEM	PART NUMBER	QTY	LINE	SERIES	BODY	ENGINE	TRANS	TRIM	DESCRIPTION
------	-------------	-----	------	--------	------	--------	-------	------	-------------

NOTE:

Sales Codes:

- [DGJ] = 5-Speed Automatic W5A580 Transmission
- [DGQ] = 5-Speed Automatic 545RFE Transmission
- [DGU] = 5-Speed Automatic W5J400 Transmission
- [DG0] = All Automatic Transmissions
- [DHB] = Quadra -Trac Active On Demand NVG 146 Transfer Case
- [DHX] = Quadra -Trac 2 Full Time Active NVG 245 Transfer Case
- [DHZ] = Quadra -Trac 1 Full time 4WD NVG 140 Transfer Case
- [EKG] = 3.7L [Magnum] V-6 Engine
- [EK0] = All 3.7L 6-Cylinder Gas Engines
- [ESF] = 6.1L SRT Hemi SMPI V-8 Engine
- [ES0] = All 6.1L 8-Cylinder Gas Engines
- [EVA] = 4.7L [Magnum] V-8 Engine
- [EVD] = 4.7L V-8 FFV Engine
- [EV0] = All 4.7L 8-Cylinder Gas Engines
- [EXL] = 3.0L V-6 Turbo Diesel Engine
- [EX0] = All 3.0L Cylinder Turbo Diesel Engines
- [EZB] = 5.7L Hemi Multi-Displacement Engine
- [EZ0] = All 5.7L 8-Cylinder Gas Engines
- [NAA] = Federal Emissions
- [NAE] = California Emissions
- [NAS] = 50 State Emissions
- [NA1] = Export Emissions
- [XEF] = Transfer Case Skid Plate Sheild

1	04868672AA	1				EK0, EV0			SWITCH, Oil Pressure
2	06505178AA	1				EK0, EV0			SCREW, Hex Head, [M8X1.25X25.00] Bracket To Cradle, Mounting
		1				EK0, EV0			Splash Guard To Bracket, Mounting
		1				EK0, EV0			Spash Gurard To Cradle, Mounting
3	53013815AA	1				EK0			SPLASH GUARD, Engine Oil
4	53013710AC	1				EK0, EV0			GUARD, SplashSecondary
5	53013737AC	1				EK0, EV0			BRACKET
6	04781452BB	1				EK0			FILTER, Engine Oil
7	53021779AB	1				EK0			PAN, Engine Oil

GRAND CHEROKEE (WK)

SERIES	LINE	BODY	ENGINE	TRANSMISSION
H = Laredo	T = JEEP - 2WD	74 = SPORT UTILITY 4-DOOR	EKG = Engine - 3.7L V6	DG0 = All Automatic Transmissions
P = Limited	J = JEEP - 4WD		EVA = Engine- 4.7L V8 MPI	DGJ = Transmission - 5-Spd Auto, MB
			EZB = Engine-5.7L HEMI	DGQ = Transmission-5-Spd Automatic 5-45RFE

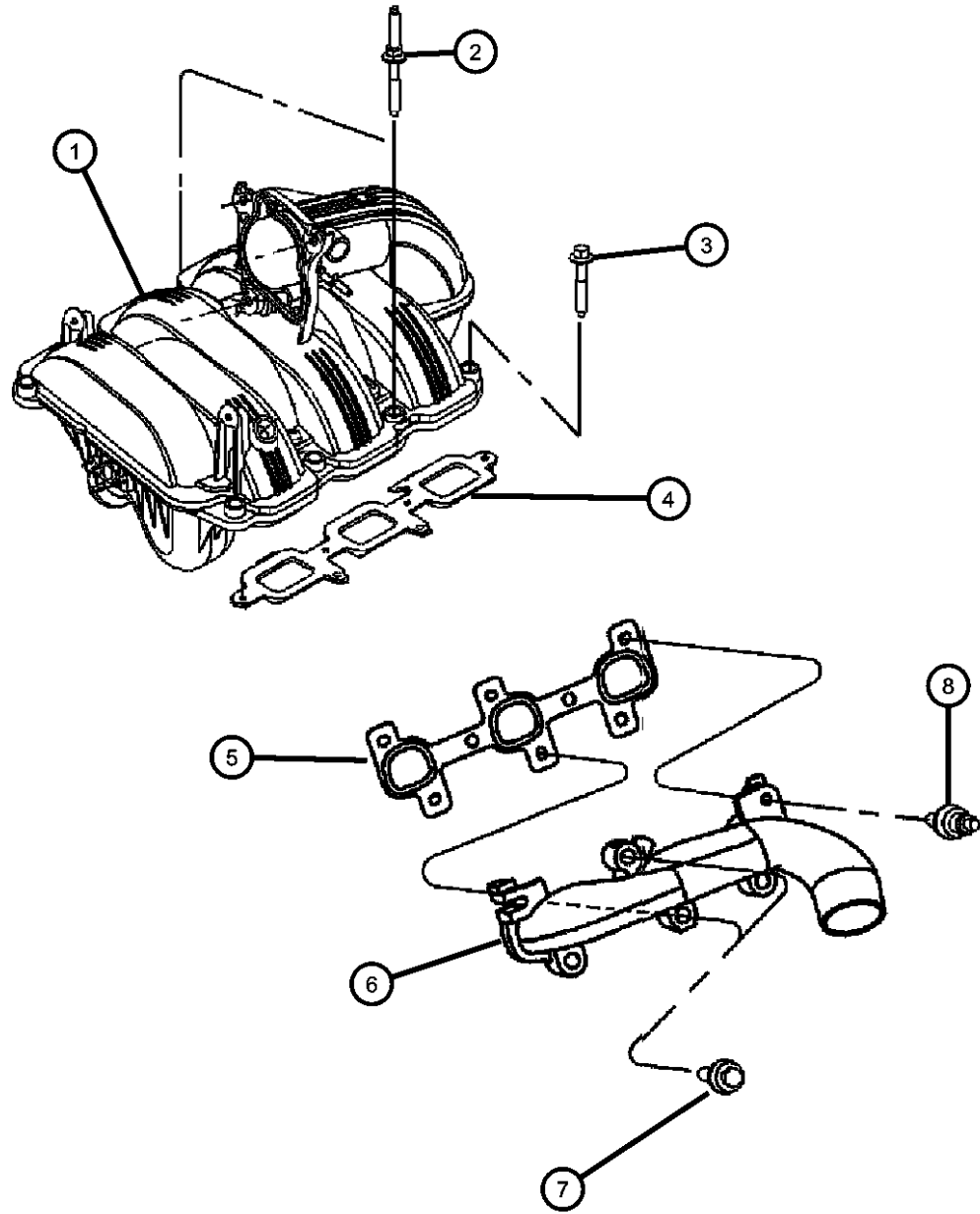
AR = use ase required - = Non illustrated part

2005 WK

**Manifolds, Intake and Exhasut 3.7L [EKG]
Figure 3.7L-810**

ITEM	PART NUMBER	QTY	LINE	SERIES	BODY	ENGINE	TRANS	TRIM	DESCRIPTION
------	-------------	-----	------	--------	------	--------	-------	------	-------------

NOTES:
Sales Codes
[EK0] = All 3.7L 6 Cylinder Gas Engines



1	53032795AA	1				EK0			MANIFOLD, Intake
2	06507434AA	7				EK0			STUD, Double EndedMounting
3	06507433AA	1				EK0			SCREW, Hex Flange HeadMounting
4	53010310AB	6				EK0			SEAL, Intake ManifoldMounting
5									GASKET, Exhaust Manifold
	53031090	1				EK0			Right
	53031091	1				EK0			Left
6									MANIFOLD, Exhaust
	53013691AA	1				EK0			Left
	53013692AA	1				EK0			Right
7	06507746AA	4				EK0			BOLT, Exhaust ManifoldMounting
8	06508220AA	8				EK0			STUD, Exhaust ManifoldMounting
-9	53032787AB	1				EK0			PAD, Engine

GRAND CHEROKEE (WK)

SERIES LINE
H = Laredo T = JEEP - 2WD
P = Limited J = JEEP - 4WD

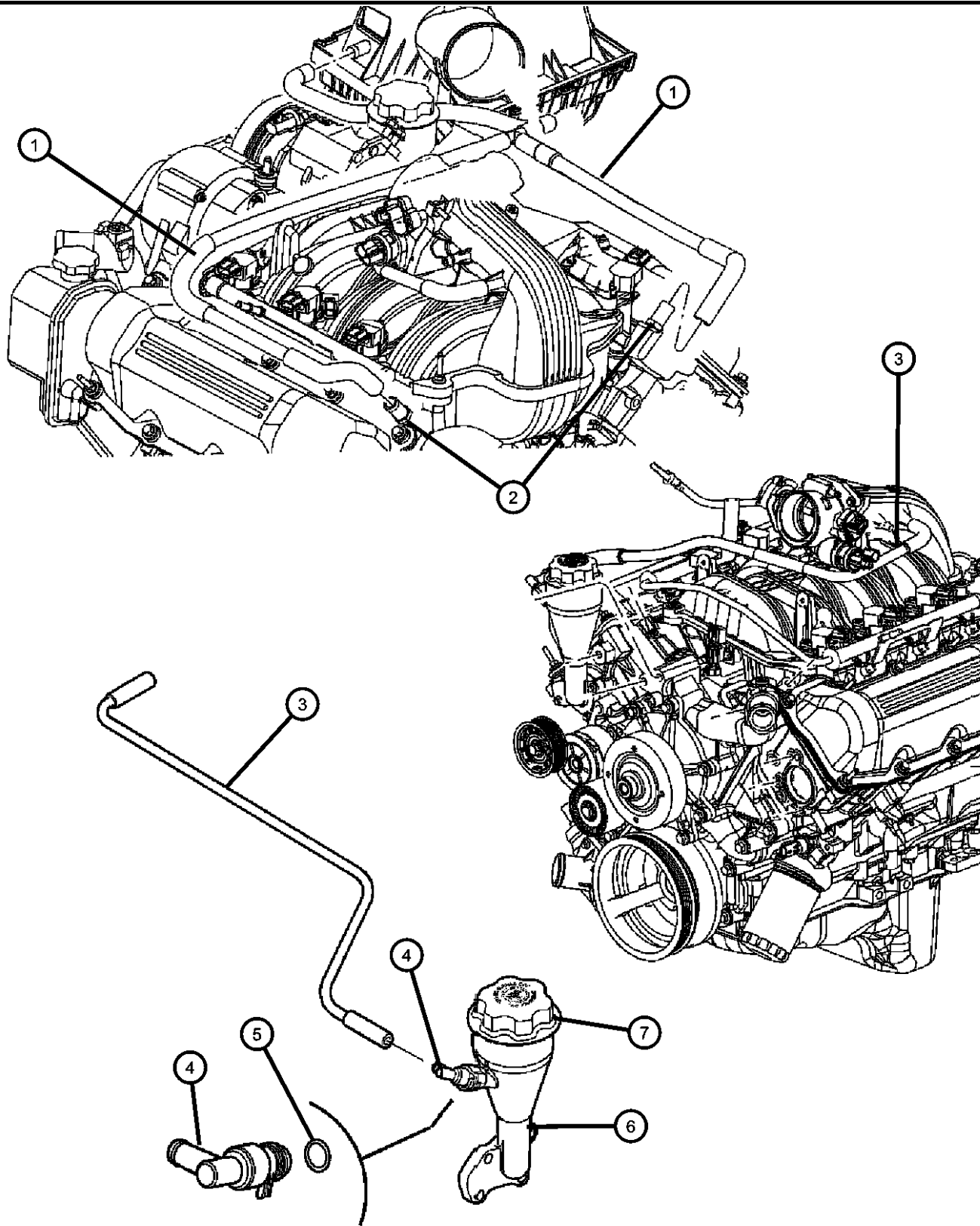
BODY ENGINE
74 = SPORT UTILITY 4-DOOR EKG = Engine - 3.7L V6
EVA = Engine- 4.7L V8 MPI
EZB = Engine-5.7L HEMI

TRANSMISSION
DG0 = All Automatic Transmissions
DGJ = Transmission - 5-Spd Auto, MB
DGQ = Transmission-5-Spd Automatic
5-45RFE

AR = use ase required - = Non illustrated part

2005 WK

**Crankcase Ventilation 3.7L [EKG]
Figure 3.7L-910**



ITEM	PART NUMBER	QTY	LINE	SERIES	BODY	ENGINE	TRANS	TRIM	DESCRIPTION
------	-------------	-----	------	--------	------	--------	-------	------	-------------

NOTE:
Sales Codes:
[DGJ] = 5-Speed Automatic W5A580 Transmission
[DGQ] = 5-Speed Automatic 5-45RFE Transmission
[DG0] = All Automatic Transmissions
[EKG] = 3.7L "Magnum" V-6 Engine
[EK0] = All 3.7L 6-Cylinder Gas Engines
[EVA] = 4.7L "Magnum"

1	53013758AB	1				EK0			TUBE, Crankcase Vent To Air Cleaner
2	06036575AA	2				EK0, EVO			NIPPLE, .375-18X2.00
3	53031133AE	1				EK0			TUBE, Crankcase Vent To Intake Manifold
4	53032800AA	1				EK0			VALVE, Crankcase Vent
5	53031711AA	1				EK0			O RING
6	53020890	1				EK0			HOUSING, Oil Fill
7	53032389AD	1				EK0, EVO			CAP, Oil Filler

GRAND CHEROKEE (WK)

SERIES	LINE	BODY	ENGINE	TRANSMISSION
H = Laredo	T = JEEP - 2WD	74 = SPORT UTILITY 4-DOOR	EKG = Engine - 3.7L V6	DG0 = All Automatic Transmissions
P = Limited	J = JEEP - 4WD		EVA = Engine- 4.7L V8 MPI	DGJ = Transmission - 5-Spd Auto, MB
			EZB = Engine-5.7L HEMI	DGQ = Transmission-5-Spd Automatic 5-45RFE

AR = use ase required - = Non illustrated part

2005 WK

Group - 4.7L

Engine 4.7L Eight Cylinder

Group - 4.7L Engine 4.7L Eight Cylinder

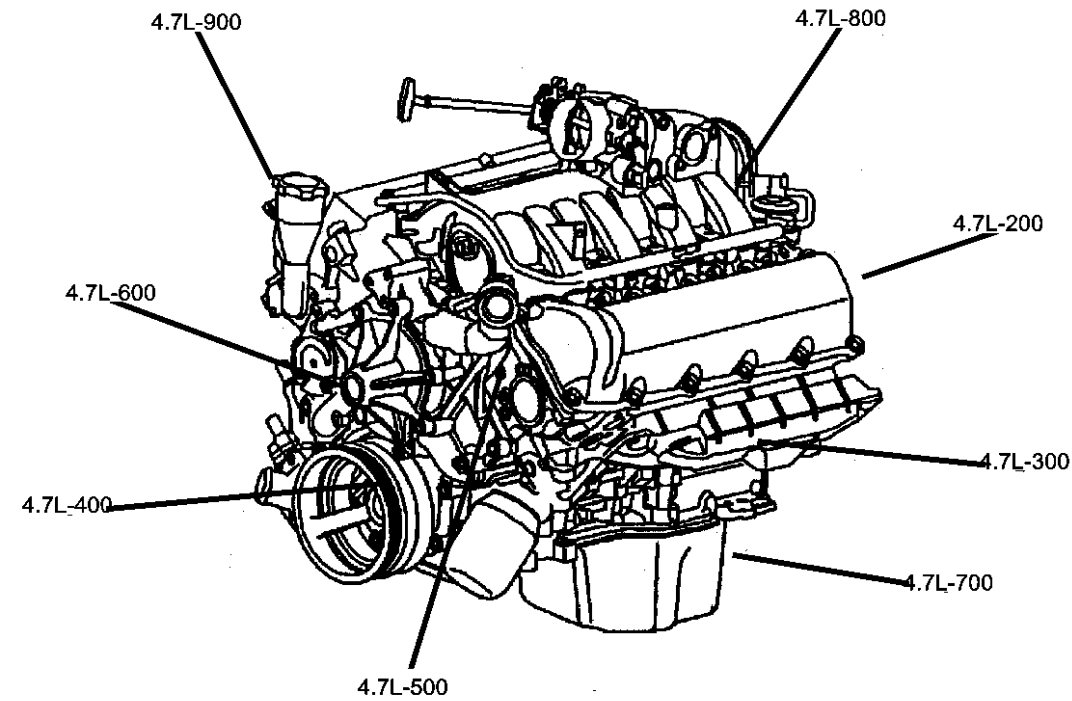


Illustration Title

Group-Fig. No.

Cylinder Head

Cylinder Head, 4.7L, [EVA] Fig. 4.7L - 210

Cylinder Block

Cylinder Block, 4.7L [EVA] Fig. 4.7L - 310

Crankshaft, Pistons and Torque Converter

Crankshaft, Pistons, Bearings, Torque Converter And Flywheel [EVA] Fig. 4.7L - 410

Camshafts and Valves

Camshaft And Valves, 4.7L [EVA] Fig. 4.7L - 510

Timing Belt and Cover

Timing Cover, 4.7L [EVA] Fig. 4.7L - 610

Timing Chain And Guides, 4.7L [EVA] Fig. 4.7L - 620

Engine Oiling

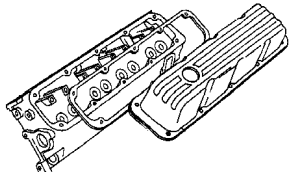
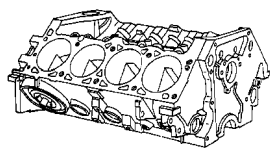
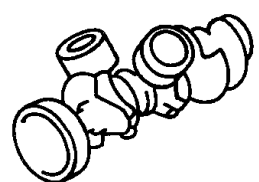
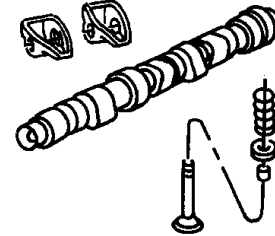
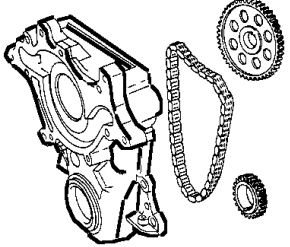
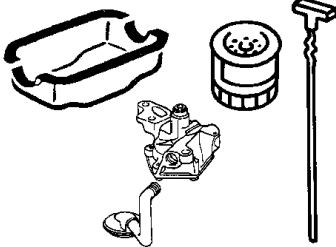
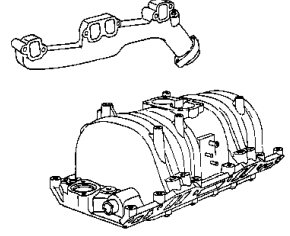
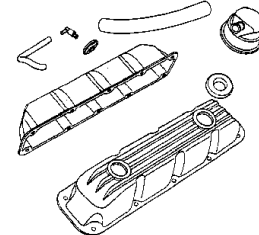
Engine Oiling 4.7L [EVA] Fig. 4.7L - 710

Manifolds

Manifolds, Intake and Exhaust 4.7L Fig. 4.7L - 810

Crankcase Ventilation

Crankcase Ventilatoin, 4.7L [EVA] Fig. 4.7L - 910

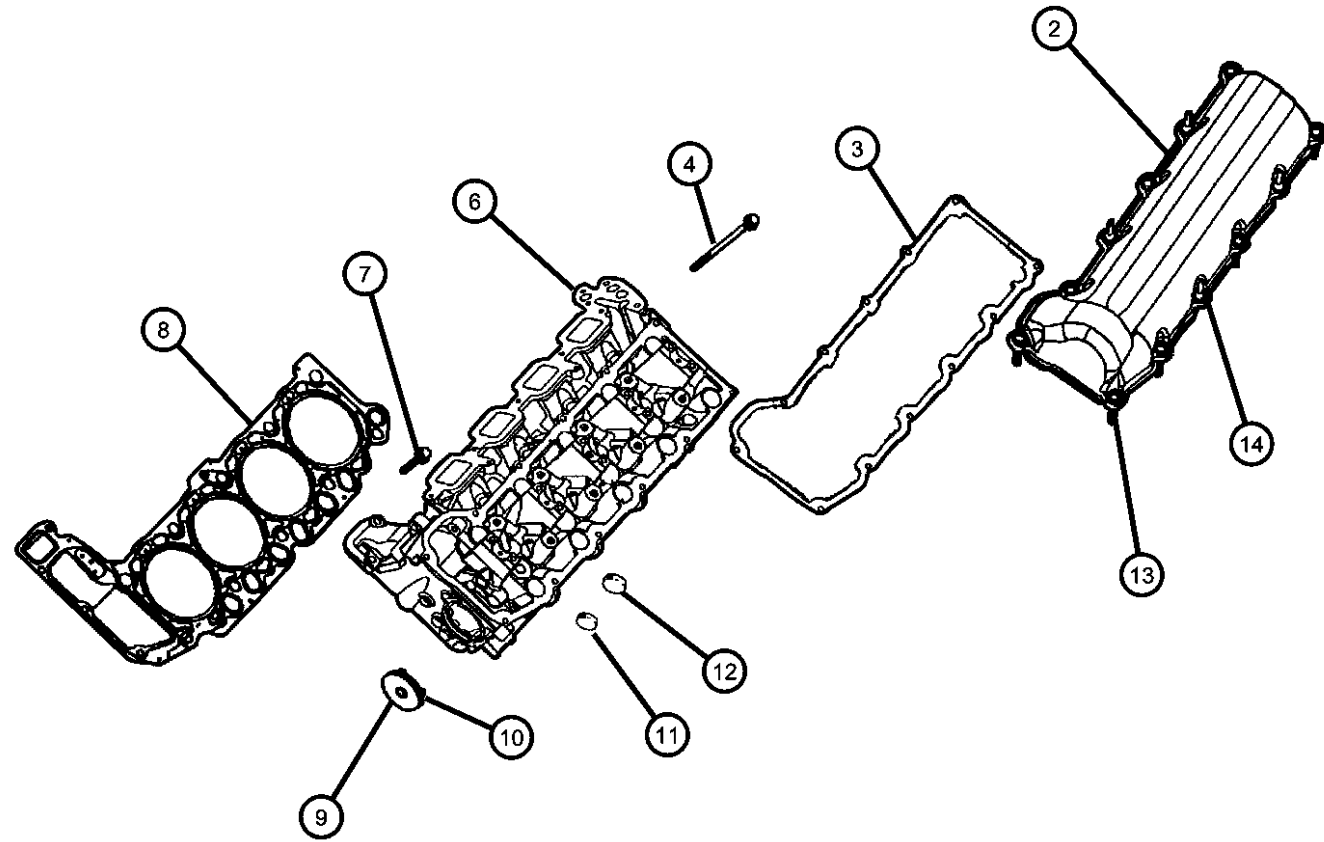
<p>4.7L-200 Cylinder Head</p> 	<p>4.7L-300 Cylinder Block</p> 	<p>4.7L-400 Crankshaft, Pistons and Torque Converter</p> 	<p>4.7L-500 Camshafts and Valves</p> 
<p>4.7L-600 Timing Belt and Cover</p> 	<p>4.7L-700 Engine Oiling</p> 	<p>4.7L-800 Manifolds</p> 	<p>4.7L-900 Crankcase Ventilation</p> 

**Cylinder Head, 4.7L, [EVA]
Figure 4.7L-210**

ITEM	PART NUMBER	QTY	LINE	SERIES	BODY	ENGINE	TRANS	TRIM	DESCRIPTION
------	-------------	-----	------	--------	------	--------	-------	------	-------------

NOTES: Upper Gasket Package Contains: Cylinder Head and Cylinder Head Cover Gaskets, Intake and Exhaust Manifold Gaskets, Throttle Body
Sales Codes

[EV0]= All 4.7L, 8 Cylinder Gas Engines



-1	05135797AA	8				EVO			GASKET PACKAGE, Engine Upper, See Notes
2									COVER, Cylinder Head
	53021828AA	1				EVO			Includes Item 3, Right
	53021829AA	1				EVO			Includes Item 3, Left
3									GASKET, Valve Cover
	53021842AA	1				EVO			Right
	53021843AA	1				EVO			Left
4	06505528AA	20				EVA			BOLT, Hex Flange Head, M11X1.50X173.00
-5	53020798AB	1				EVA			HEAD, Cylinder, Right, Includes Items 11,12,13,14,15
6	53020797AC	1				EVA			HEAD, Cylinder, Left, Includes Items 11,12,13,14,15
7	06506785AA	8				EVO			SCREW AND WASHER, Hex Head, Cylinder Head, Mounting
8	53020673AC	2				EVO			GASKET, Cylinder Head, LeftMounting
9	53021031	1				EK0, EVO			PLUG, Access Hole, Cylinder Head-Includes O-Ring
10	53021032	1				EK0, EVO			O RING, Access Hole Plug, Mounting
11	04556020	2				EVA			PLUG, Core, 1.25 Diameter, Water Jacket Core
12	06034331	2				EVA			PLUG, Hex Socket, 3/8-18NPTx.475, Water Jacket Vent
13		2							SCREW, Serviced in Cylinder Head Cover, (NOT SERVICED)
14		2							STUD, Serviced in Cylinder Head Cover, (NOT SERVICED)
-15	06036307AA	1				EVA			PLUG, Oil Gallery

GRAND CHEROKEE (WK)

SERIES LINE
H = Laredo T = JEEP - 2WD
P = Limited J = JEEP - 4WD

BODY ENGINE
74 = SPORT UTILITY 4-DOOR EKG = Engine - 3.7L V6
EVA = Engine- 4.7L V8 MPI
EZB = Engine-5.7L HEMI

TRANSMISSION
DG0 = All Automatic Transmissions
DGJ = Transmission - 5-Spd Auto, MB
DGQ = Transmission-5-Spd Automatic 5-45RFE

AR = use ase required - = Non illustrated part

2005 WK

**Cylinder Block, 4.7L [EVA]
Figure 4.7L-310**

ITEM	PART NUMBER	QTY	LINE	SERIES	BODY	ENGINE	TRANS	TRIM	DESCRIPTION
------	-------------	-----	------	--------	------	--------	-------	------	-------------

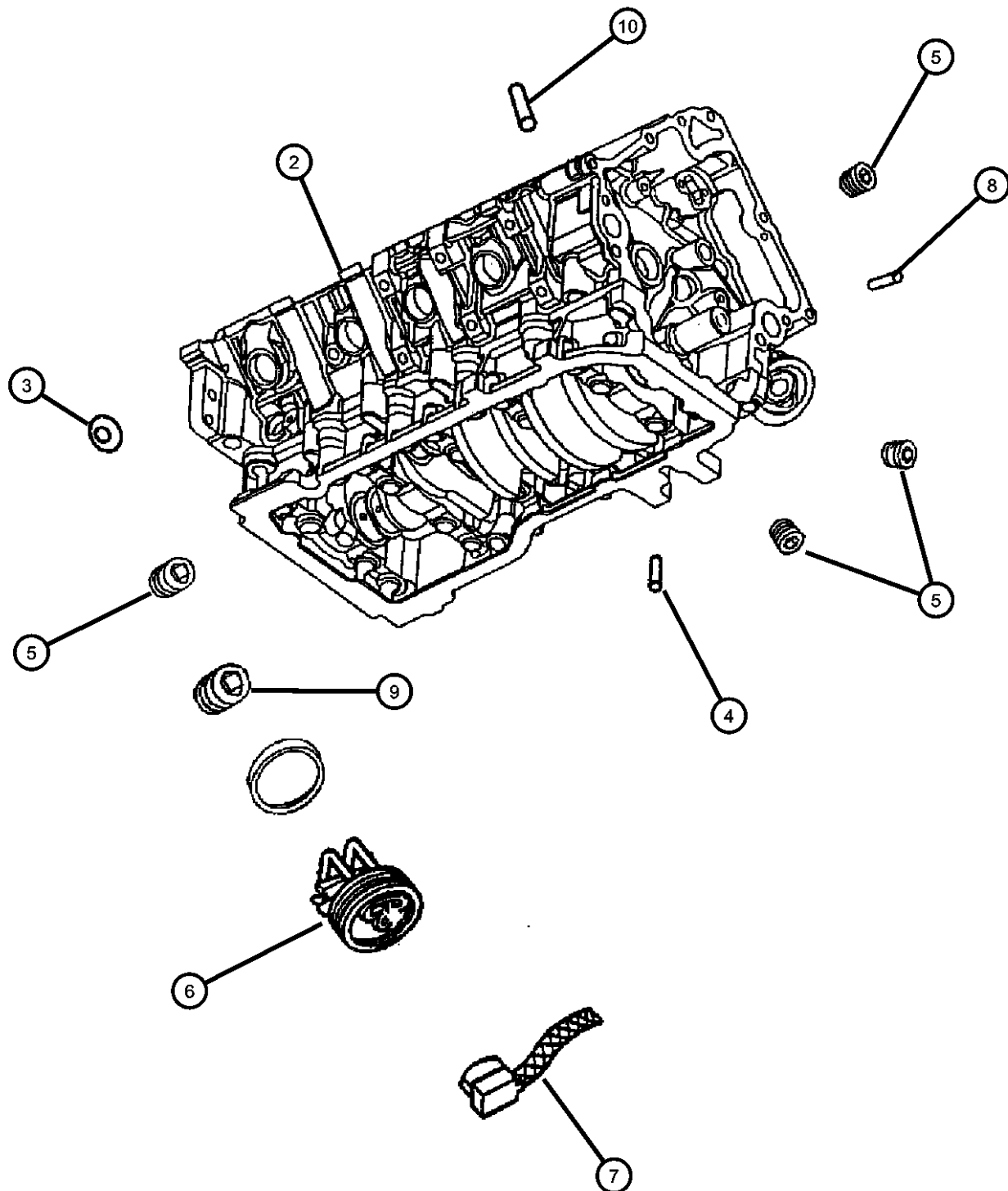
NOTES:

Lower Gasket Package contains: Front and Rear Crankshaft Seals, Oil Pick Up Tube Seal, Oil Pan, Chain Case and Water Pump Gaskets, Chain C

SALES CODES:

[EV0]= All 4.7L, 8 Cylinder Gas Engines

-1	05135798AB	1				EVA	DG0		GASKET PACKAGE, Engine Lower, See Notes
2	05102738AC	1				EVA	DG0		BLOCK, Short
	04761838AB								Mopar 5W-30 Engine Oil Quart
	04761844AC								Mopar 5W-30 Engine Oil Gallon
3	06034804	10				EV0			PLUG, Core, 1.39 Diameter
4	06505457AA	3				EV0			PIN
5	06036114AA	4				EK0, EV0			PLUG, Pipe
6	82203640AB	1				EKG, EVA			HEATER PACKAGE, Engine Block
7	56027117	1				EK0, EV0			CORD, Engine Block Heater
8									DOWEL
	05240849	4				EK0, EV0			Block to Cylinder Head
	53010533AA	2				EV0			Block to Front Cover
9	06034866	2							SCREW
10	06505457AA	3				EV0			PIN, Block to Bedplate
-11	01122532	2				EK0, EV0			DOWEL, Block To Clutch Housing



GRAND CHEROKEE (WK)

SERIES	LINE
H = Laredo	T = JEEP - 2WD
P = Limited	J = JEEP - 4WD

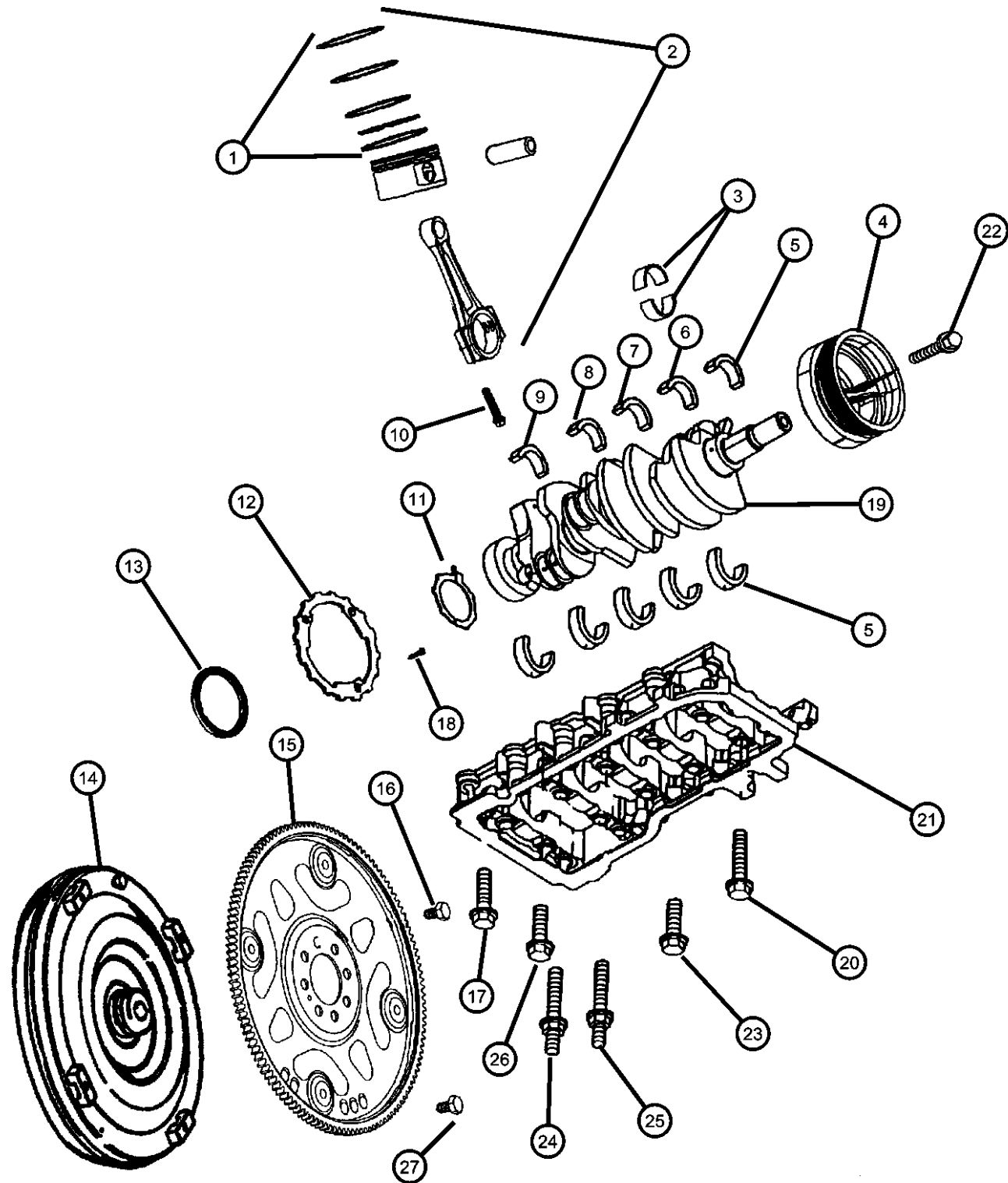
BODY	ENGINE
74 = SPORT UTILITY 4-DOOR	EKG = Engine - 3.7L V6
	EVA = Engine- 4.7L V8 MPI
	EZB = Engine-5.7L HEMI

TRANSMISSION
DG0 = All Automatic Transmissions
DGJ = Transmission - 5-Spd Auto, MB
DGQ = Transmission-5-Spd Automatic 5-45RFE

AR = use ase required - = Non illustrated part

2005 WK

**Crankshaft,Pistons, Bearings, Torque Converter And Flywheel [EVA]
Figure 4.7L-410**



ITEM	PART NUMBER	QTY	LINE	SERIES	BODY	ENGINE	TRANS	TRIM	DESCRIPTION
21		7							BEDPLATE, Serviced in Short Block Assembly, (NOT SERVICED)
22	06504415	1				EK0, EVO			SCREW AND WASHER, Bedplate to Block, Mounting
23	06504410	5				EVO			SCREW, Hex Head, Bedplate to Block, Mounting
24	06506187AA	2				EVO			STUD, Crankshaft Bearing, Mounting
25	06506186AA	1				EVO			STUD, Crankshaft Bearing, Mounting
26	06102047AA	6				EVO			SCREW, Hex Head, M8x1.25x50, Crankshaft Bearing, Mounting
27	01949765	4				EVO, EZ0	DG0		SCREW, Hex Head Header Point, .312-24x.44, Drive Plate to Torque Converter, Mounting

GRAND CHEROKEE (WK)

SERIES	LINE
H = Laredo	T = JEEP - 2WD
P = Limited	J = JEEP - 4WD

BODY

74 = SPORT UTILITY 4-DOOR

ENGINE

EKG = Engine - 3.7L V6
EVA = Engine- 4.7L V8 MPI
EZB = Engine-5.7L HEMI

TRANSMISSION

DG0 = All Automatic Transmissions
DGJ = Transmission - 5-Spd Auto, MB
DGQ = Transmission-5-Spd Automatic 5-45RFE

AR = use ase required - = Non illustrated part

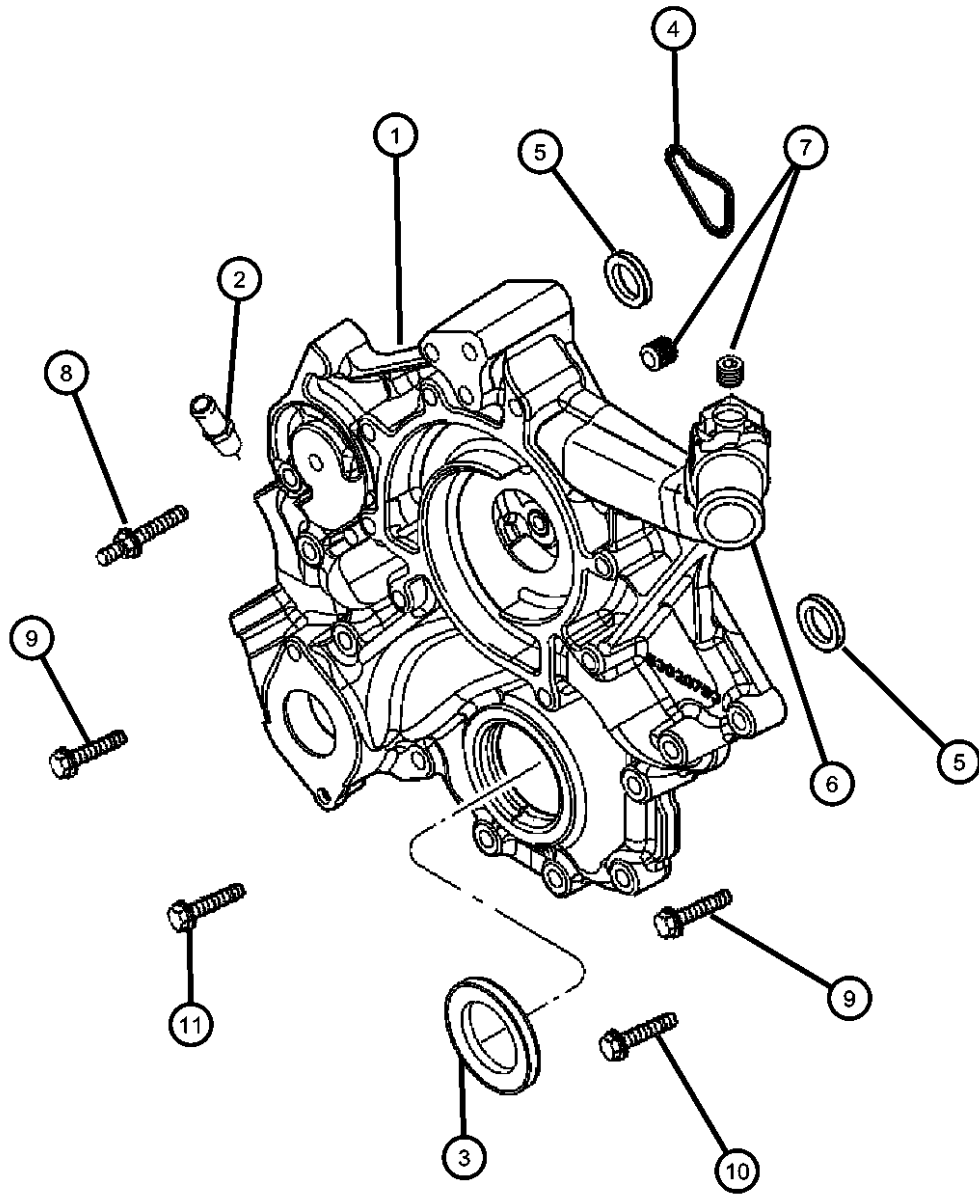
2005 WK

Timing Cover, 4.7L [EVA]
Figure 4.7L-610

ITEM	PART NUMBER	QTY	LINE	SERIES	BODY	ENGINE	TRANS	TRIM	DESCRIPTION
------	-------------	-----	------	--------	------	--------	-------	------	-------------

NOTES:
Sales Codes
[EV0] = All 4.7L Gas Engines

1	53021714AC	1				EV0			COVER, Timing Belt
2	06035854	2				EV0			NIPPLE
3	53021313AA	1				EV0			SEAL, Crankshaft Oil, Front, Serviced with Cover
4	53021226AA	1				EV0			GASKET, Chain Case Cover, Serviced with Cover
5	53021239AA	2				EV0			O RING, Serviced with Cover
6	06034331	3				EV0			PLUG, Hex Socket, 3/8-18NPTx.475, Serviced with Cover
7	06034331	3				EV0			PLUG, Hex Socket, 3/8-18NPTx.475
8	06505293AA	1				EK0, EV0			STUD
9	06507776AA	3				EV0			SCREW, Hex Flange Head
10	06102381AA	5				EK0, EV0			SCREW, Hex Flange Head
11	06102380AA	5				EK0, EV0			SCREW, Hex Flange Head



GRAND CHEROKEE (WK)

SERIES LINE
H = Laredo T = JEEP - 2WD
P = Limited J = JEEP - 4WD

BODY

74 = SPORT UTILITY 4-DOOR

ENGINE

EKG = Engine - 3.7L V6
EVA = Engine- 4.7L V8 MPI
EZB = Engine-5.7L HEMI

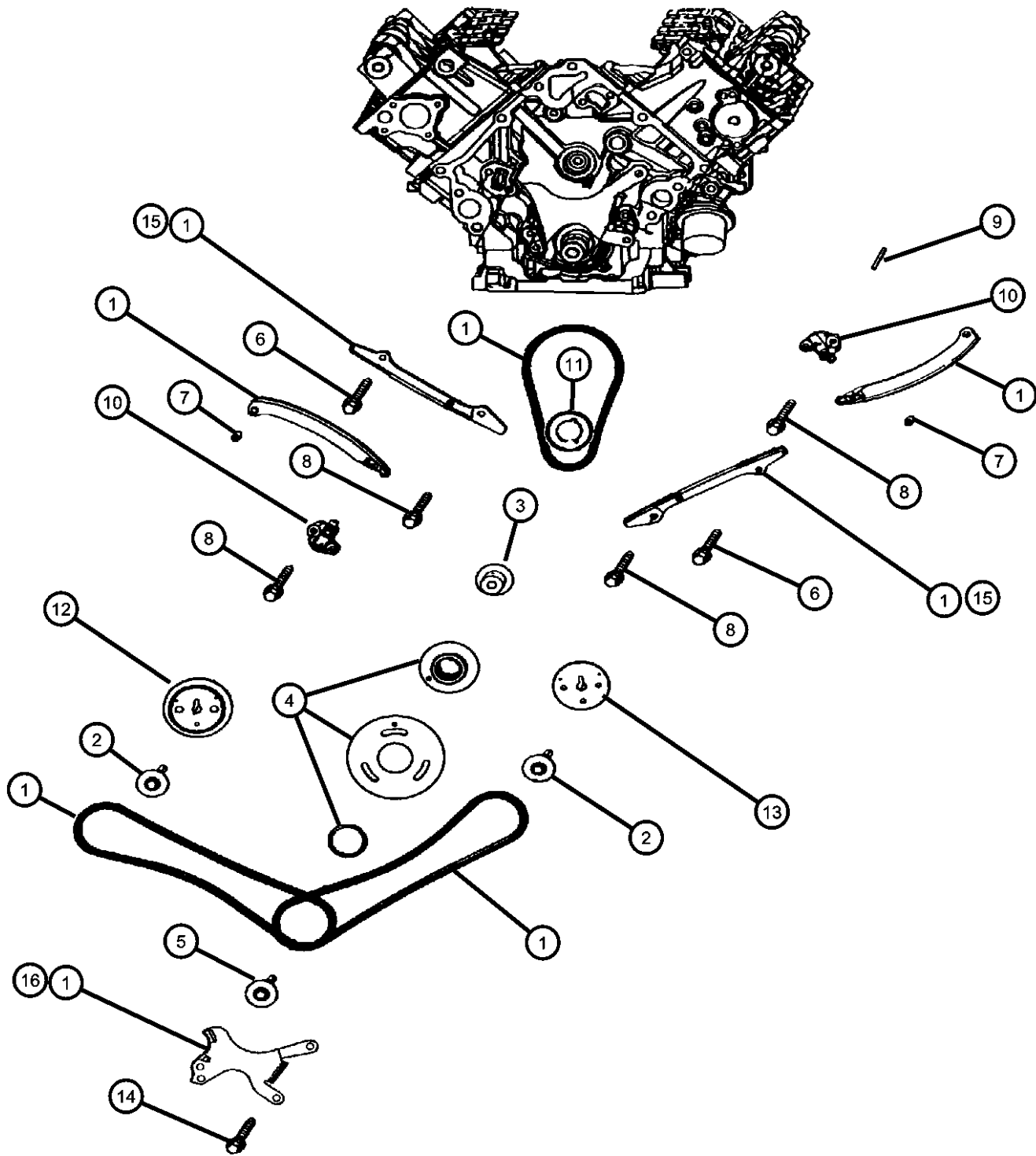
TRANSMISSION

DG0 = All Automatic Transmissions
DGJ = Transmission - 5-Spd Auto, MB
DGQ = Transmission-5-Spd Automatic 5-45RFE

AR = use ase required - = Non illustrated part

2005 WK

**Timing Chain And Guides, 4.7L [EVA]
Figure 4.7L-620**



ITEM	PART NUMBER	QTY	LINE	SERIES	BODY	ENGINE	TRANS	TRIM	DESCRIPTION
------	-------------	-----	------	--------	------	--------	-------	------	-------------

Note; Sales Codes
[EVO]= All 4.7L, 8 Cylinder Gas Engines

1	05013867AC	1				EVO			TIMING DRIVE PACKAGE, Engine
2	06504429	2				EK0, EVO			SCREW AND WASHER, Hex, Sprocket to Camshaft, Mounting SHAFT, Idler
3	53020835	1				EK0, EVO			SPROCKET, Idler
4	05013868AB	1				EVO			SCREW AND WASHER, Hex, Idler Sprocket to Engine Block, Mounting
5	06504370	1				EK0, EVO			SCREW AND WASHER, Timing Guide to Cylinder Head, Mounting
6	06102111AA	2				EK0, EVO			SCREW, Secondary Tensioner Arm, Mounting
7	06504440	2				EVO			BOLT, Hex Head, M8x1.25x37.50, Chain Guide and Secondary Tensioner
8	06503257	6				EVO			KEY, Woodruff, For Crankshaft Sprocket
9	06504471	1				EK0, EVO			TENSIONER, Chain
10	53020779	1				EVO			Secondary, Right
	53021168AA	1				EVO			Secondary, Left
11	53020679	1				EVO			SPROCKET, Crankshaft
12	53021393AA	1				EVO			SPROCKET, Camshaft, Right
13	53020938	1				EVO			SPROCKET, Camshaft, Left
14	06100932	1				EK0, EVO			BOLT, Hex
15	53021796AA	2				EVO			GUIDE, Timing Chain
16	53020681	1				EK0, EVO			TENSIONER, Chain, Primary

GRAND CHEROKEE (WK)

SERIES	LINE
H = Laredo	T = JEEP - 2WD
P = Limited	J = JEEP - 4WD

BODY

74 = SPORT UTILITY 4-DOOR

ENGINE

EKG = Engine - 3.7L V6
EVA = Engine- 4.7L V8 MPI
EZB = Engine-5.7L HEMI

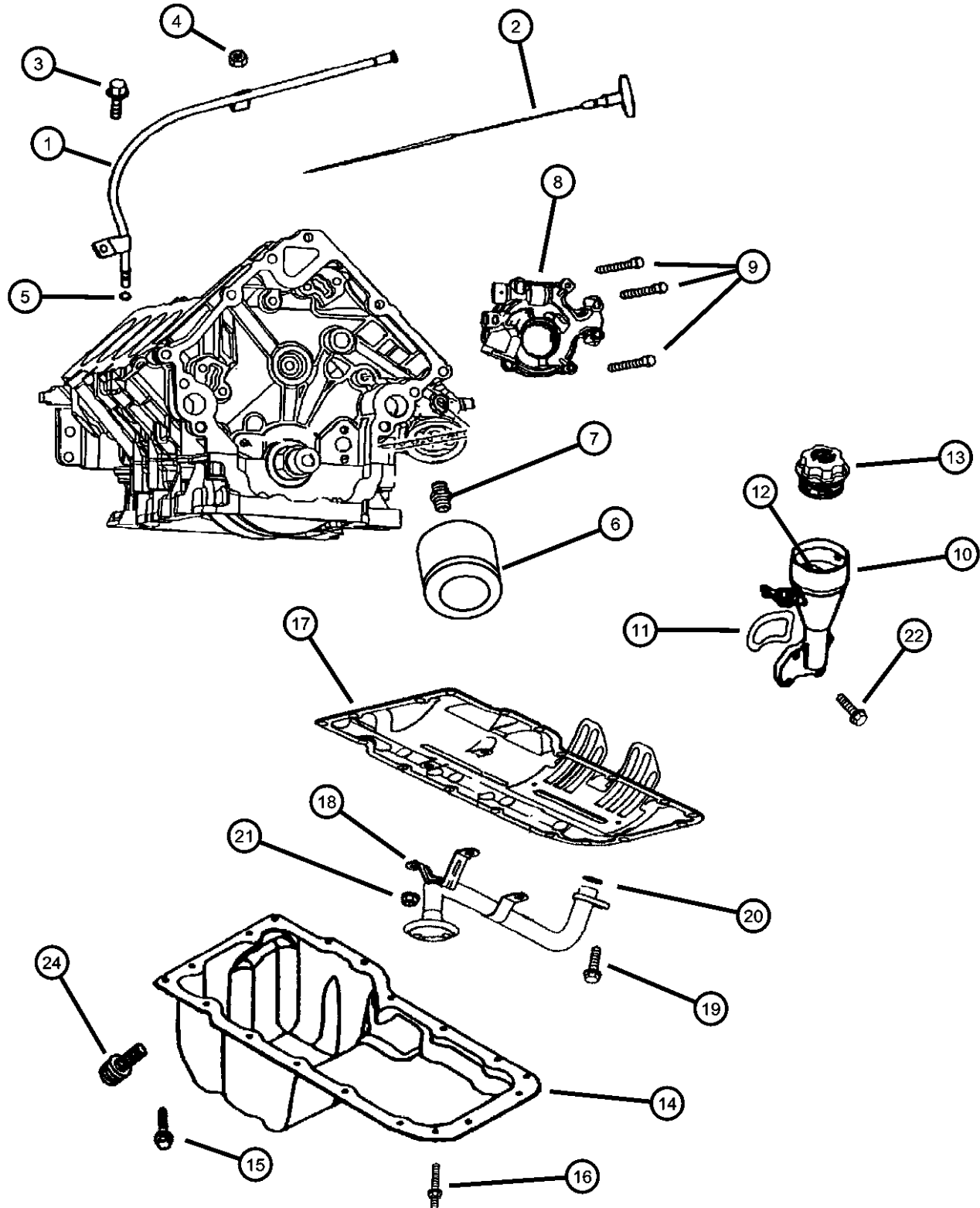
TRANSMISSION

DG0 = All Automatic Transmissions
DGJ = Transmission - 5-Spd Auto, MB
DGQ = Transmission-5-Spd Automatic 5-45RFE

AR = use ase required - = Non illustrated part

2005 WK

**Engine Oiling 4.7L [EVA]
Figure 4.7L-710**



ITEM	PART NUMBER	QTY	LINE	SERIES	BODY	ENGINE	TRANS	TRIM	DESCRIPTION
Note; Sales Codes [EV0]= All 4.7L V-6 Engines									
1	53021743AB	1				EV0			TUBE, Engine Oil Indicator
2	53021749AD	1				EV0			INDICATOR, Engine Oil Level
3	06504810AA	1				EK0, EV0			SCREW AND WASHER, Hex, Engine Oil Pan, Mounting
4	06101802	1				EV0			NUT, Engine Oil Indicator, Mounting
5	53021144AA	1				EV0			O RING, Engine Oil Indicator
6	05281090	1				EV0			FILTER, Engine Oil
	0FE00292								Canadian Aftermarket Part
	05281090BA								BULK PACK (12)
7	53007563	1				EK0, EV0			CONNECTOR, Oil FilterMounting
8	53020827	1				EK0, EV0			PUMP, Engine Oil
9	06100932	1				EK0, EV0			BOLT, Hex
10	53020890	1				EV0			HOUSING, Oil Fill
11	53020889AC	1				EV0			GASKET, Oil Fill Housing
12	53032126AA	1				EK0, EV0			BAFFLE, Oil Fill, None
13	53032389AD	1				EK0, EV0			CAP, Oil Filler
14	53021756AA	1				EV0			PAN, Engine Oil, Includes Plug
15	06504810AA	1				EK0, EV0			SCREW AND WASHER, Hex
16	06505889AA	1				EV0			STUD, Oil Pick Up Tube, Mounting
17	53020675AE	1				EV0			GASKET, Oil Pan
18	53020828	1				EV0			TUBE, Oil Pickup
19	06102046AA	1				EK0, EV0			SCREW AND WASHER, Oil Pick Up Tube, Mounting
20	53020861	1				EK0, EV0			SEAL, Oil Pick Up TubeMounting
21	06502756	3				EV0			NUT, Hex Lock, M8x1.25, Oil Pick Up Tube, Mounting
22	06505504AA	3				EK0, EV0			SCREW, Oil Fill Housing to Cylinder Block, Mounting
-23	06505566AA	1				EK0, EV0			STUD, Oil Fill Housing to Cylinder Block, Mounting
24	06506100AA	1				EV0			PLUG, Oil Drain

GRAND CHEROKEE (WK)

SERIES	LINE
H = Laredo	T = JEEP - 2WD
P = Limited	J = JEEP - 4WD

BODY

74 = SPORT UTILITY 4-DOOR

ENGINE

EKG = Engine - 3.7L V6
EVA = Engine- 4.7L V8 MPI
EZB = Engine-5.7L HEMI

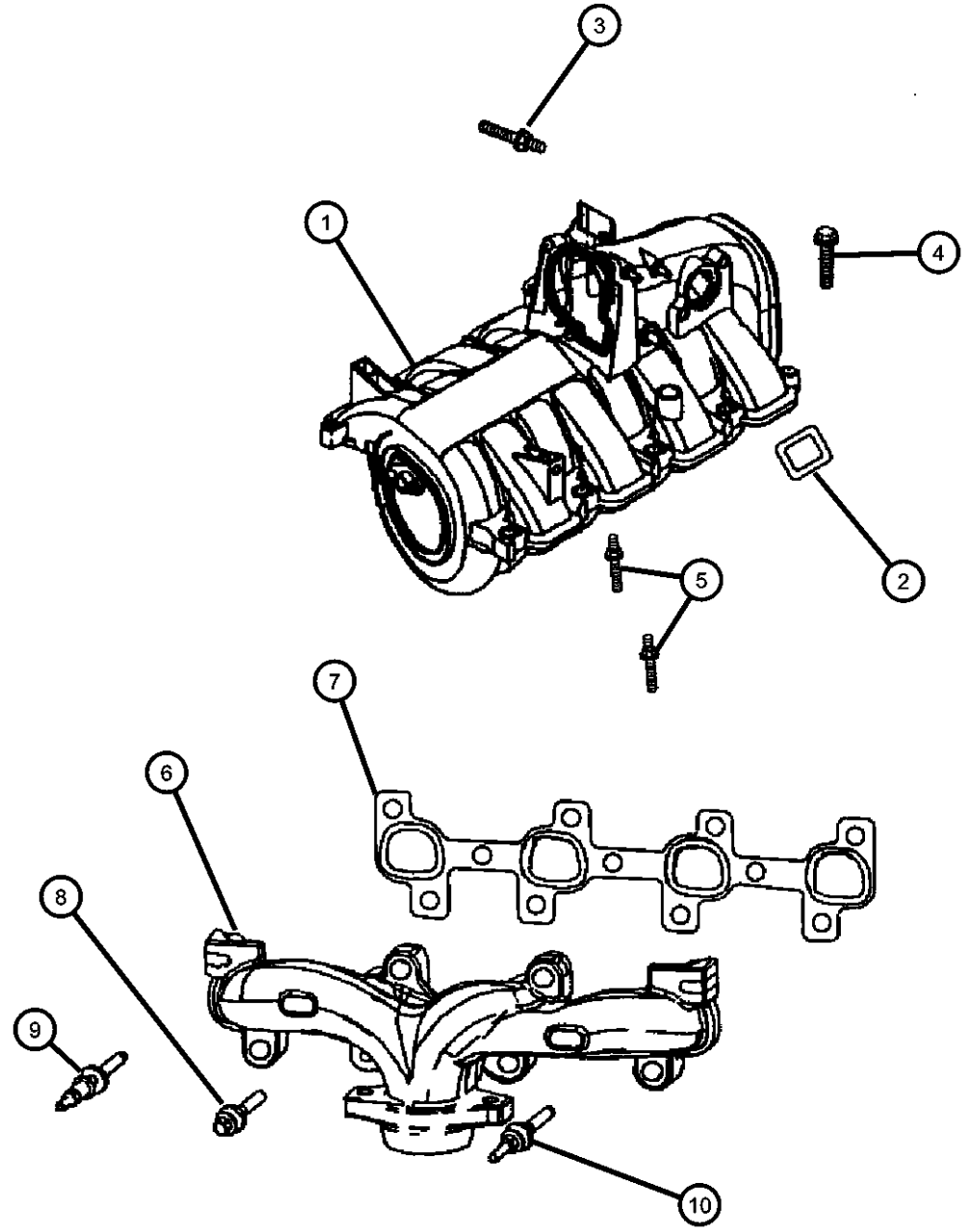
TRANSMISSION

DG0 = All Automatic Transmissions
DGJ = Transmission - 5-Spd Auto, MB
DGQ = Transmission-5-Spd Automatic 5-45RFE

AR = use ase required - = Non illustrated part

2005 WK

**Manifolds, Intake and Exhaust 4.7L
Figure 4.7L-810**



ITEM	PART NUMBER	QTY	LINE	SERIES	BODY	ENGINE	TRANS	TRIM	DESCRIPTION
Note: Sales Codes: [EV0]= All 4.7L V-8 Engines									
1	53032774AA	1				EV0			MANIFOLD, Intake
2	53010310AB	8				EV0			SEAL, Intake ManifoldMounting
3	06507598AA	1				EV0			STUD, Bracket to Intake Manifold, Mounting
4	06507433AA	2				EV0			SCREW, Hex Flange Head, Intake Manifold to Cylinder Head, Mounting
5	06507434AA	8				EV0			STUD, Double Ended, Intake Manifold To Head
6									MANIFOLD, Exhaust
	53013598AB	1				EV0			Right
	53013599AB	1				EV0			Left
7									GASKET, Exhaust Manifold
	53030812	1				EV0			Right
	53030813	1				EV0			Left
8	06507746AA	8				EV0			BOLT, Exhaust Manifold
9	06508219AA	4				EV0			STUD, Exhaust Manifold, Exhaust Manifold to Cylinder Head, Mounting
10	06508220AA	4				EV0			STUD, Exhaust Manifold, Exhaust Manifold to Cylinder Head, Mounting
-11	04669657	1				EV0			CAP, Vacuum Port, Intake Manifold

GRAND CHEROKEE (WK)

SERIES	LINE	BODY	ENGINE	TRANSMISSION
H = Laredo	T = JEEP - 2WD	74 = SPORT UTILITY 4-DOOR	EKG = Engine - 3.7L V6	DG0 = All Automatic Transmissions
P = Limited	J = JEEP - 4WD		EVA = Engine- 4.7L V8 MPI	DGJ = Transmission - 5-Spd Auto, MB
			EZB = Engine-5.7L HEMI	DGQ = Transmission-5-Spd Automatic 5-45RFE

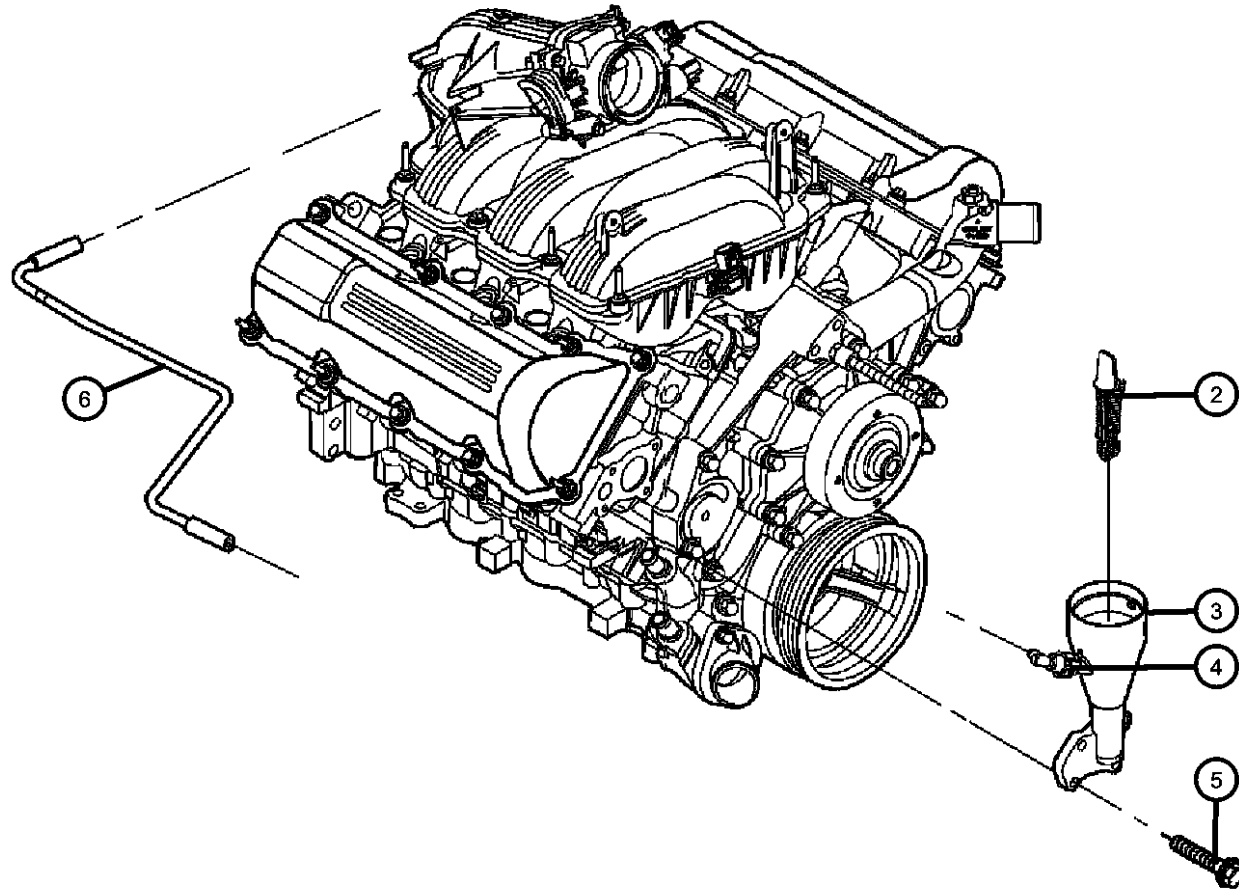
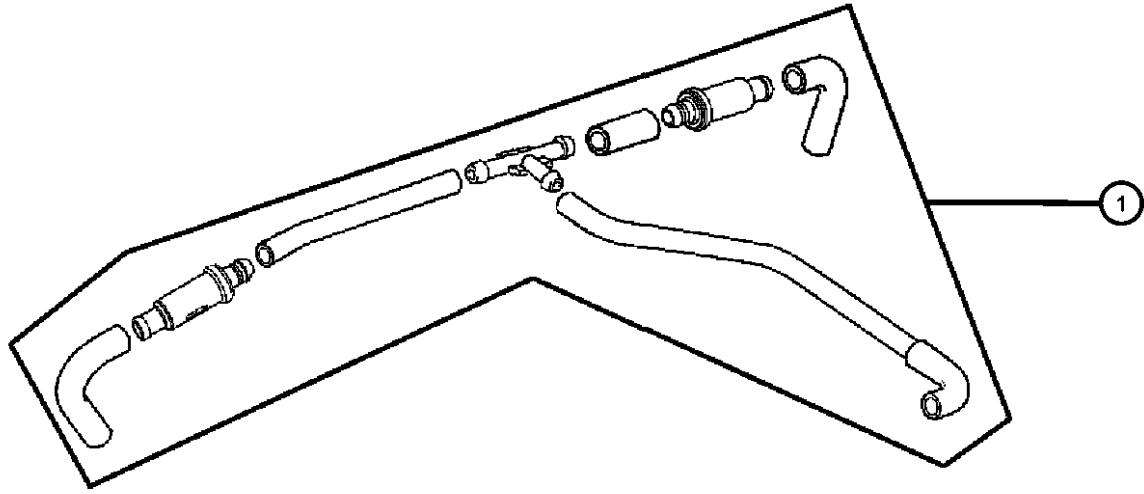
AR = use ase required - = Non illustrated part

**Crankcase Ventilatoin, 4.7L [EVA]
Figure 4.7L-910**

ITEM	PART NUMBER	QTY	LINE	SERIES	BODY	ENGINE	TRANS	TRIM	DESCRIPTION
------	-------------	-----	------	--------	------	--------	-------	------	-------------

Note; Sales Code
[EVA]= Engine - Next Generation 4.7L MAGNUM V8

1	53013757AA	1				EVO			TUBE, Crankcase Vent To Air Cleaner
2	53032126AA	1				EK0, EVO			BAFFLE, Oil Fill, None
3	53020890	1				EVO			HOUSING, Oil Fill
4	53032800AA	1				EVO			VALVE, Crankcase Vent
5	06505504AA	3				EK0, EVO			SCREW
6	53032617AD	1				EVO			TUBE, Crankcase Vent To Intake Manifold



GRAND CHEROKEE (WK)

SERIES	LINE
H = Laredo	T = JEEP - 2WD
P = Limited	J = JEEP - 4WD

BODY	ENGINE
74 = SPORT UTILITY 4-DOOR	EKG = Engine - 3.7L V6
	EVA = Engine- 4.7L V8 MPI
	EZB = Engine-5.7L HEMI

TRANSMISSION
DG0 = All Automatic Transmissions
DGJ = Transmission - 5-Spd Auto, MB
DGQ = Transmission-5-Spd Automatic 5-45RFE

AR = use ase required - = Non illustrated part

2005 WK

Group - 5.7L

Engine 5.7L Eight Cylinder

Group - 5.7L Engine 5.7L Eight Cylinder

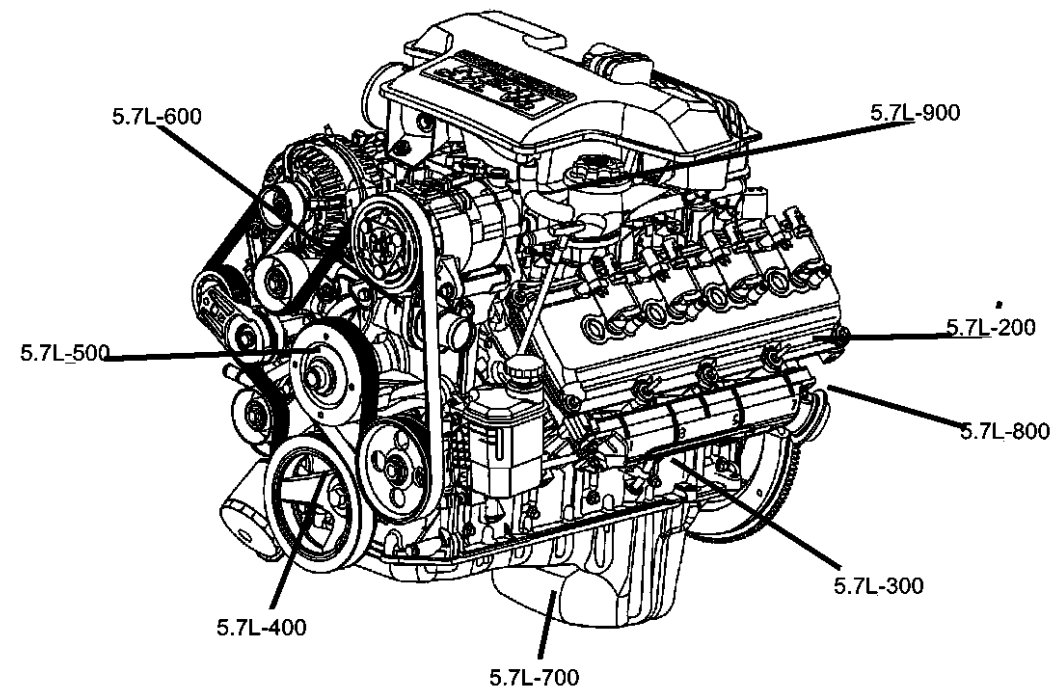


Illustration Title

Group-Fig. No.

Cylinder Head

Cylinder Head 5.7L [EZB] Fig. 5.7L - 210

Cylinder Block

Cylinder Block 5.7L [EZB] Fig. 5.7L - 310

Crankshaft, Pistons and Torque Converter

Crankshaft, Pistons and Torque Converter 5.7L [EZB] Fig. 5.7L - 410

Camshafts and Valves

Camshaft and Valves 5.7L [EZB] Fig. 5.7L - 510

Timing Belt and Cover

Timing Cover and Related Parts 5.7L [EZB] Fig. 5.7L - 610

Engine Oiling

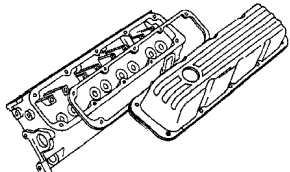
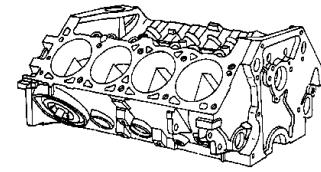
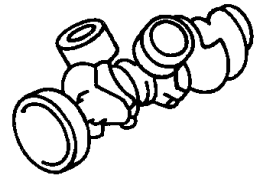
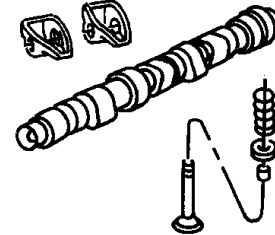
Engine Oiling 5.7L [EZB] Fig. 5.7L - 710

Manifolds

Manifolds, Intake and Exhaust 5.7L [EZB] Fig. 5.7L - 810

Crankcase Ventilation

Crankcase Ventilation 5.7L [EZB] Fig. 5.7L - 910

<p>5.7L-200 Cylinder Head</p> 	<p>5.7L-300 Cylinder Block</p> 	<p>5.7L-400 Crankshaft, Pistons and Torque Converter</p> 	<p>5.7L-500 Camshafts and Valves</p> 
<p>5.7L-600 Timing Belt and Cover</p>	<p>5.7L-700 Engine Oiling</p>	<p>5.7L-800 Manifolds</p>	<p>5.7L-900 Crankcase Ventilation</p>

**Cylinder Head 5.7L [EZB]
Figure 5.7L-210**

ITEM	PART NUMBER	QTY	LINE	SERIES	BODY	ENGINE	TRANS	TRIM	DESCRIPTION
------	-------------	-----	------	--------	------	--------	-------	------	-------------

NOTES:

Upper Engine Gasket Package Includes: Cylinder Head Gaskets, Rocker Cover Gasket Kits, Intake and Exhaust Manifold Seals, Valve Guide Seals

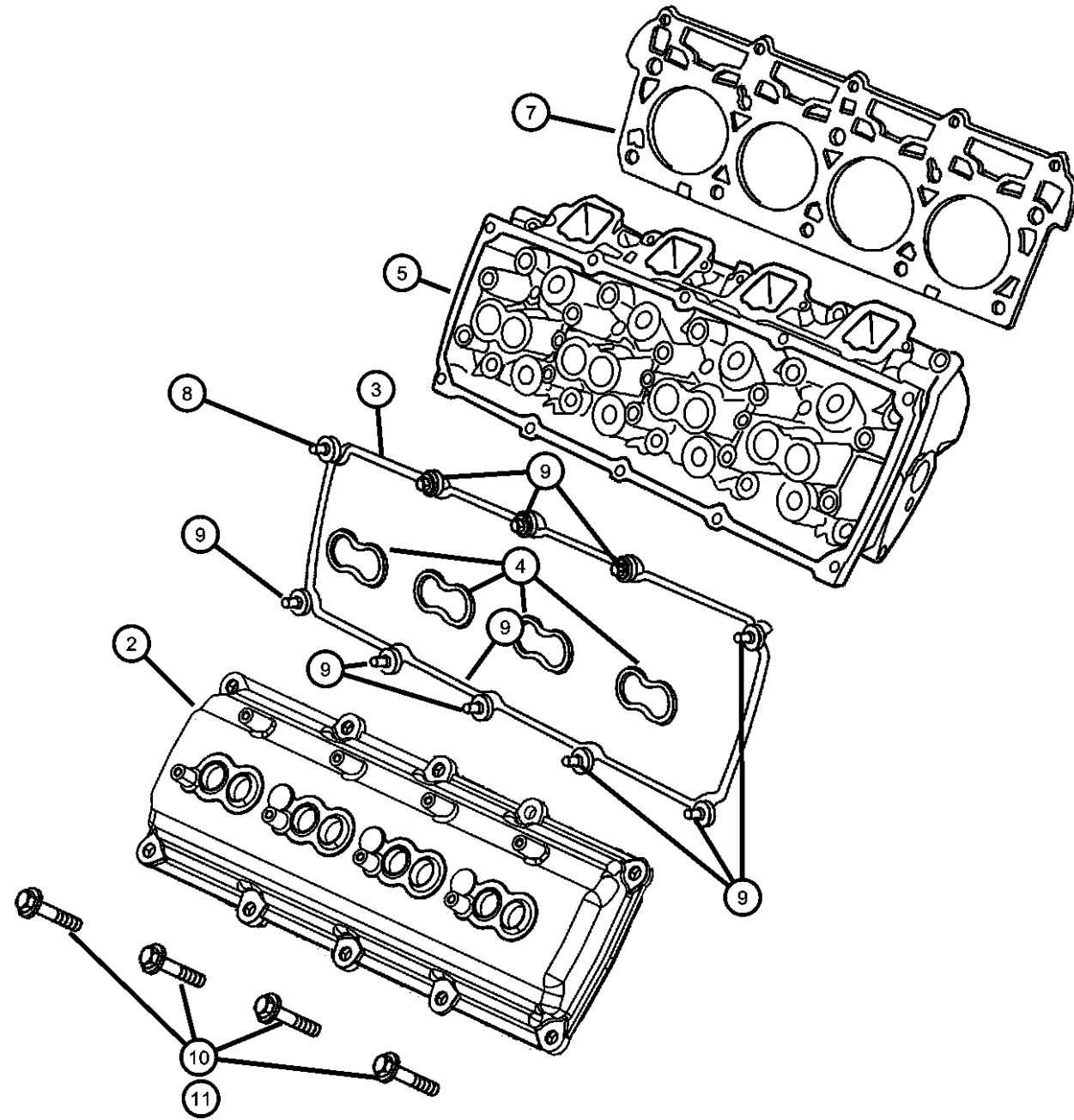
NOTES:

Gasket Kit Contains: 1 Valve Cover Gasket and 4 Spark Plug Well Gaskets

SALES CODES:

[EZA]=Engine - Hemi "MAGNUM" 5.7L SMPI V8

[EZ0] = All 5.7L, 8 Cylinder Gas Engines



-1	05135357AE	1				EZ0			GASKET PACKAGE, Engine Upper, See Notes
2	53021599AH	2				EZ0			COVER, Cylinder Head
3	05114179AB	2				EZ0			GASKET KIT, Rocker Cover, See Notes
4	53021569AC	8				EZ0			GASKET, Spark Plug Well
5	53021609BK	1				EZ0			HEAD, Cylinder, Left
-6	53021608BK	1				EZ0			HEAD, Cylinder, Right
7									GASKET, Cylinder Head
	53021620AE	1				EZ0			Right
	53021621AE	1				EZ0			Left
8	06507007AA	2				EZ0			STUD, Double Ended
9	06507366AA	18				EZ0			STUD, Double Ended
10	06506694AA	20				EZ0			SCREW AND WASHER, Hex HeadPrimary
11	06506334AA	10				EZ0			SCREW AND WASHER, Hex HeadSecondary
-12	04556020	2				EZ0			PLUG, Core, 1.25 Diameter
-13	56029062AC	2				EZ0			STRAP, Ground

GRAND CHEROKEE (WK)

SERIES	LINE
H = Laredo	T = JEEP - 2WD
P = Limited	J = JEEP - 4WD

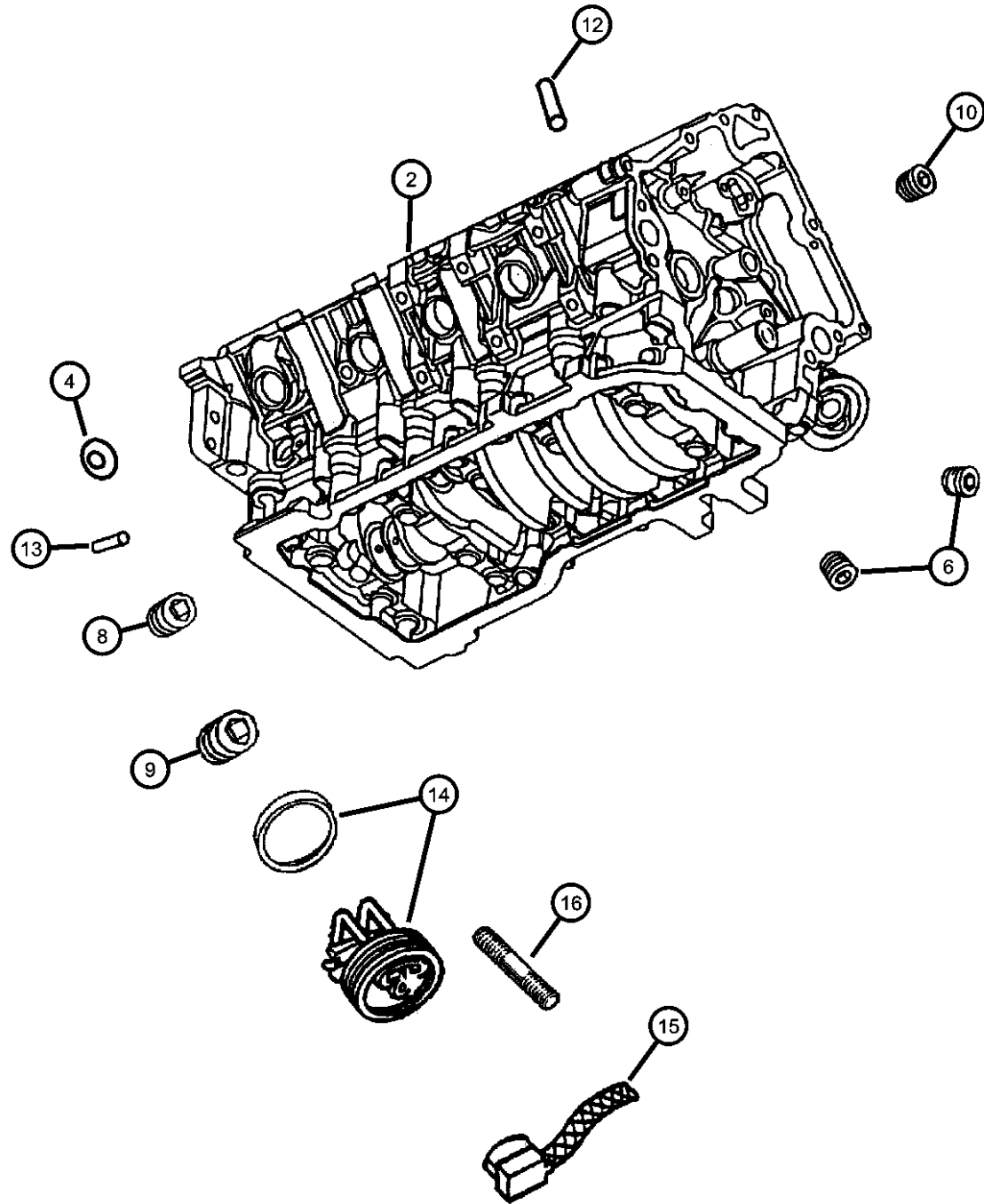
BODY	ENGINE
74 = SPORT UTILITY 4-DOOR	EKG = Engine - 3.7L V6
	EVA = Engine- 4.7L V8 MPI
	EZB = Engine-5.7L HEMI

TRANSMISSION
DG0 = All Automatic Transmissions
DGJ = Transmission - 5-Spd Auto, MB
DGQ = Transmission-5-Spd Automatic 5-45RFE

AR = use ase required - = Non illustrated part

2005 WK

**Cylinder Block 5.7L [EZB]
Figure 5.7L-310**



ITEM	PART NUMBER	QTY	LINE	SERIES	BODY	ENGINE	TRANS	TRIM	DESCRIPTION
------	-------------	-----	------	--------	------	--------	-------	------	-------------

Note; Lower Gasket Package Contains: Front and Rear Crankshaft Seals; Oil Pan, Front Cover and Water Pump Gaskets; Oil Level Tube O-Ring and
Short Block does not include Camshaft or Lifters
Long Block Includes: Short Block Components Plus Complete Cylinder Heads With Covers, Chain Case Cover, Oil Pump, Oil Pan And Water Pump
Sales Codes
[EZB] = 5.7L Hemi Multi Displacement

-1									ENGINE, Long Block, SERVICE WARNING: If The Original Engine Has Experienced A Catastrophic Failure - Including Piston, Cylinder Bore, Valve, or Valve Seat Failure - The Intake Manifold Must Be Replaced With A New Manifold. With [EZB] Multi-Displacement System
	RL025379AA	1				EZ0			
	R2857355AA	1				EZ0			Remanufactured With [EZB] Multi-Displacement System
2									ENGINE, Short Block, SERVICE WARNING: If The Original Engine Has Experienced A Catastrophic Failure - Including Piston, Cylinder Bore, Valve, or Valve Seat Failure - The Intake Manifold Must Be Replaced With A New Manifold. With [EZB] Multi-Displacement System
	05139102AB	1				EZ0			Mopar 5W-20 Engine Oil Quart
	04761872AB								Mopar 5W-20 Engine Oil Gallon
	04761851AC								
	R9257057AA	1				EZ0			Remanufactured With [EZB] Multi-Displacement System
-3	05135457AA	1				EZ0			GASKET PACKAGE, Engine Lower, See Notes
4	06507663AA	1				EZ0			PLUG
-5	06506332AA	2				EZ0			PIN, Dowel
6	06034331	2				EZ0			PLUG, Hex Socket, 3/8-18NPTx.475
-7		2							BEARING KIT, Camshaft, Standard, Serviced in Block, (NOT SERVICED)
8									PLUG
	06036307AA	2				EZ0			[.25x18x4.75]
	06036308AA	2				EZ0			[.375x18x.475]
9	06036286AA	1				EZ0			PLUG, Cylinder Block, Oil Gallery, Front, [.562x.28]
10	06036417AA	4				EZ0			PLUG, Cylinder Block, Oil Gallery, [.375x18x1.34]
-11	06507663AA	1				EZ0			PLUG, [.415x.28]

GRAND CHEROKEE (WK)

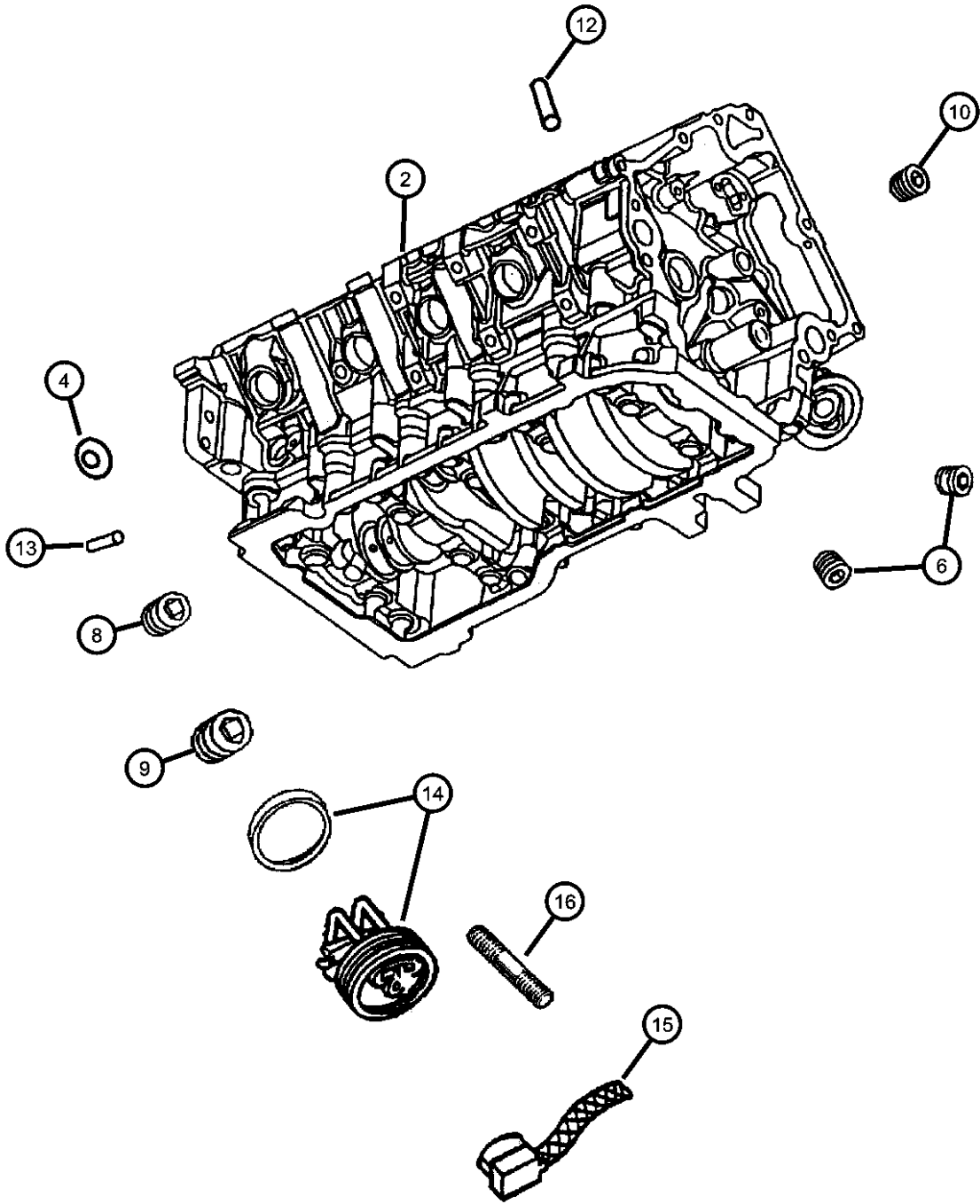
SERIES	LINE	BODY	ENGINE	TRANSMISSION
H = Laredo	T = JEEP - 2WD	74 = SPORT UTILITY 4-DOOR	EKG = Engine - 3.7L V6	DG0 = All Automatic Transmissions
P = Limited	J = JEEP - 4WD		EVA = Engine- 4.7L V8 MPI	DGJ = Transmission - 5-Spd Auto, MB
			EZB = Engine-5.7L HEMI	DGQ = Transmission-5-Spd Automatic 5-45RFE

AR = use ase required - = Non illustrated part

2005 WK

**Cylinder Block 5.7L [EZB]
Figure 5.7L-310**

ITEM	PART NUMBER	QTY	LINE	SERIES	BODY	ENGINE	TRANS	TRIM	DESCRIPTION
12	05240849	4				EZ0			DOWEL
13	01122532	2				EZ0			DOWEL, Block To Clutch Housing
14	05149022AA	1				EZ0			HEATER, Engine Block
15	56044577AB	1				EZ0			CORD, Engine Block Heater
16	06501957	1				EZ0			SCREW

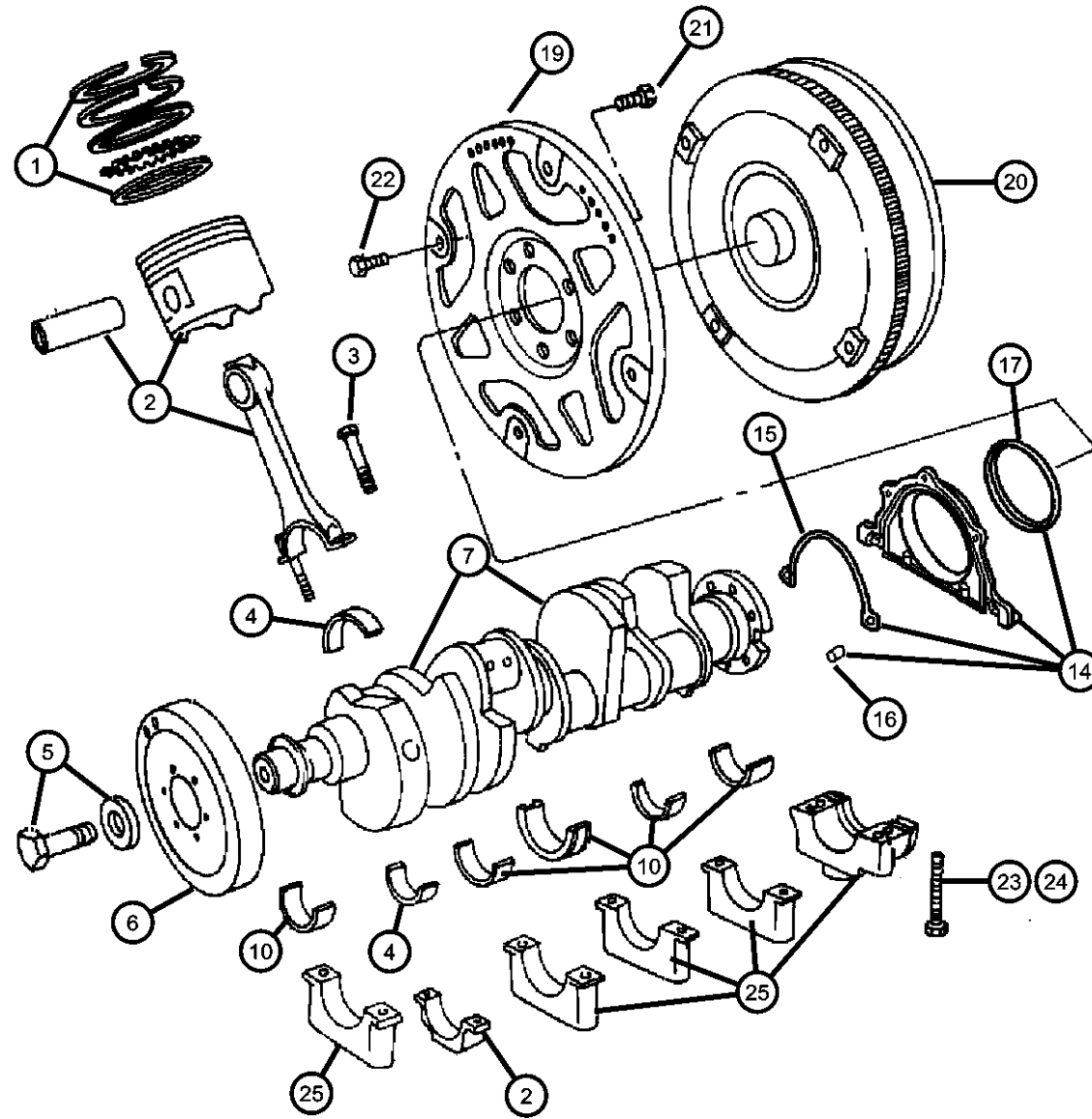


GRAND CHEROKEE (WK)

SERIES	LINE	BODY	ENGINE	TRANSMISSION
H = Laredo	T = JEEP - 2WD	74 = SPORT UTILITY 4-DOOR	EKG = Engine - 3.7L V6	DG0 = All Automatic Transmissions
P = Limited	J = JEEP - 4WD		EVA = Engine- 4.7L V8 MPI	DGJ = Transmission - 5-Spd Auto, MB
			EZB = Engine-5.7L HEMI	DGQ = Transmission-5-Spd Automatic 5-45RFE

AR = use ase required - = Non illustrated part

**Crankshaft, Pistons and Torque Converter 5.7L [EZB]
Figure 5.7L-410**



ITEM	PART NUMBER	QTY	LINE	SERIES	BODY	ENGINE	TRANS	TRIM	DESCRIPTION
Note; Sales Codes: [EZB] = 5.7L Hemi Multi Displacement									
1	05086002AB	8				EZ0			RING PACKAGE, Piston, Standard Size
2									PISTON PIN AND ROD
	05086010AB	4				EZ0			Right
	05086011AB	4				EZ0			Left
3	06506335AA	8				EZ0			SCREW, Hex Flange Head
4	05086003AA	8				EZ0			BEARING PACKAGE, Connecting Rod, Standard
5	06506340AA	1				EZ0			SCREW AND WASHER
6	04792815AA	1				EZ0			DAMPER, Crankshaft
7	53021302AA	1				EZ0			CRANKSHAFT
-8		1							TONE RING, Sensor, Serviced With Crankshaft Assembly, (NOT SERVICED)
-9	06502808	2							SCREW, M6x1x25, Serviced With Crankshaft Assembly
10	05083993AA	5				EZ0			BEARING PACKAGE, Crankshaft, A Grade
-11	05083994AA	5				EZ0			BEARING PACKAGE, Crankshaft, B Grade
-12	05083995AA	5				EZ0			BEARING PACKAGE, Crankshaft, C Grade
-13	05083979AA	1				EZ0			WASHER PACKAGE, Washer
14	05140028AA	1				EZ0			RETAINER PACKAGE, Crankshaft Rear Oil Seal
15	53021339AC	1				EZ0			GASKET, Rear Oil Seal Retainer, Also Serviced In Retainer Package
16	05203466	2				EZ0			PIN, Dowel, Also Serviced In Retainer Package
17	53021338AB	1				EZ0			SEAL, Crankshaft Bearing Oil, Also Serviced In Retainer Package
-18	06506342AA	5				EZ0			SCREW, Hex Flange Head
19	04736604AA	1				EZ0	DG0		PLATE, Torque Converter Drive
20	04736352AA	1	J			EZ0	DGQ		TORQUE CONVERTER
21	06503465	8				EZ0	DG0		BOLT, Drive Plate and Flywheel
22	06507719AA	1				EZ0			SCREW
23	06507697AA	10				EZ0			SCREW AND WASHER, Hex, [M8x1.25x45]

GRAND CHEROKEE (WK)

SERIES	LINE
H = Laredo	T = JEEP - 2WD
P = Limited	J = JEEP - 4WD

BODY	ENGINE
74 = SPORT UTILITY 4-DOOR	EKG = Engine - 3.7L V6
	EVA = Engine- 4.7L V8 MPI
	EZB = Engine-5.7L HEMI

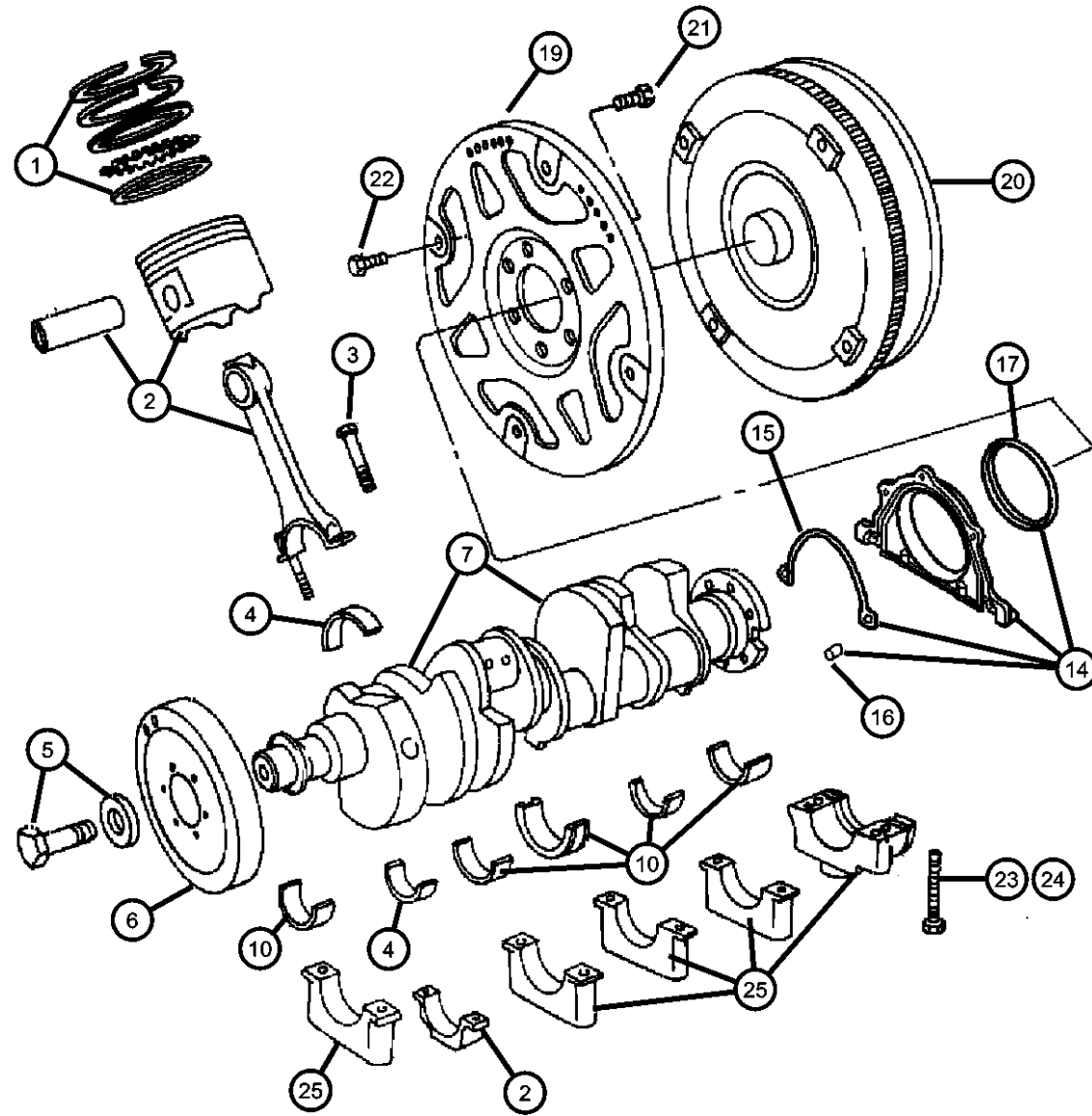
TRANSMISSION
DG0 = All Automatic Transmissions
DGJ = Transmission - 5-Spd Auto, MB
DGQ = Transmission-5-Spd Automatic 5-45RFE

AR = use ase required - = Non illustrated part

2005 WK

**Crankshaft, Pistons and Torque Converter 5.7L [EZB]
Figure 5.7L-410**

ITEM	PART NUMBER	QTY	LINE	SERIES	BODY	ENGINE	TRANS	TRIM	DESCRIPTION
------	-------------	-----	------	--------	------	--------	-------	------	-------------



24	06506272AA	10				EZ0			SCREW, Hex Flange Head, [M12x1.75x91.2]
25		10							CAP, Serviced With Short Block Assembly, (NOT SERVICED)

GRAND CHEROKEE (WK)

SERIES	LINE
H = Laredo	T = JEEP - 2WD
P = Limited	J = JEEP - 4WD

BODY

74 = SPORT UTILITY 4-DOOR

ENGINE

EKG = Engine - 3.7L V6
EVA = Engine- 4.7L V8 MPI
EZB = Engine-5.7L HEMI

TRANSMISSION

DG0 = All Automatic Transmissions
DGJ = Transmission - 5-Spd Auto, MB
DGQ = Transmission-5-Spd Automatic 5-45RFE

AR = use ase required - = Non illustrated part

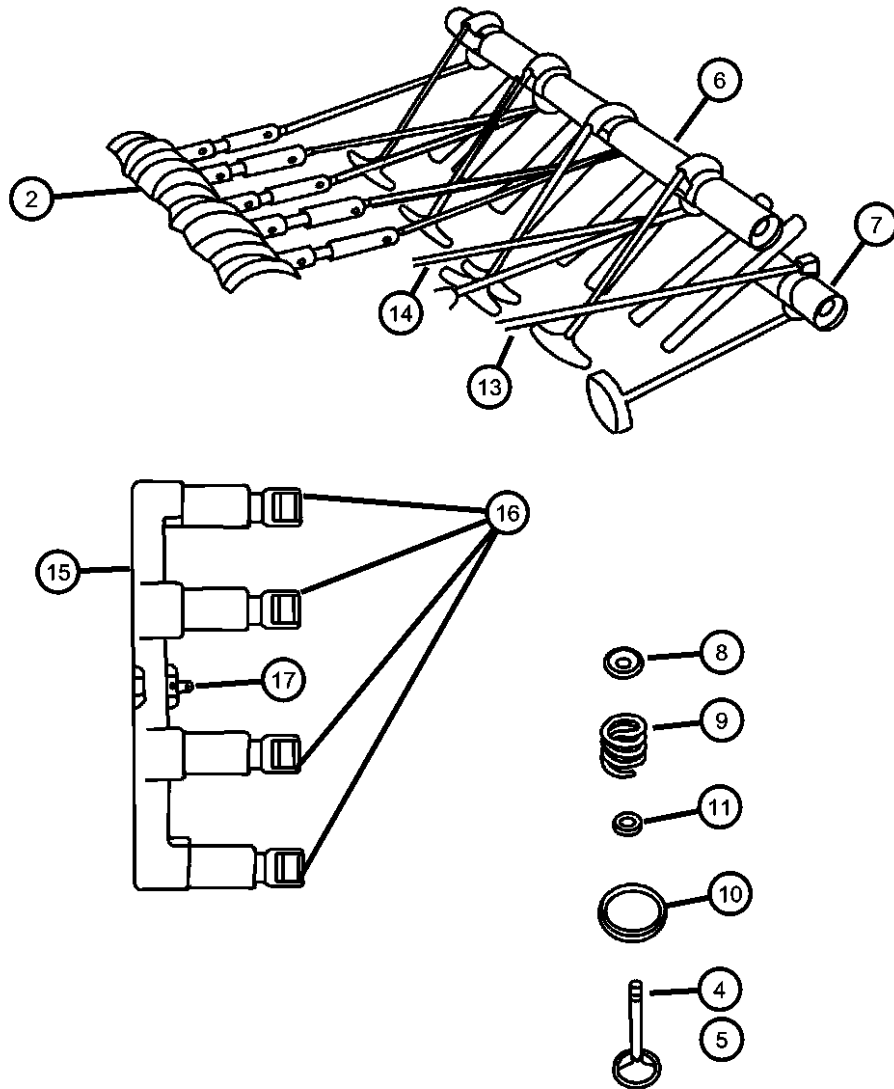
2005 WK

**Camshaft and Valves 5.7L [EZB]
Figure 5.7L-510**

ITEM	PART NUMBER	QTY	LINE	SERIES	BODY	ENGINE	TRANS	TRIM	DESCRIPTION
------	-------------	-----	------	--------	------	--------	-------	------	-------------

Notes;
Sales Codes:
[EZB] = 5.7L Hemi Multi Displacement

-1	53032152AC	4				EZB			SOLENOID, Multiple Displacement
2	53021731AB	1				EZB			CAMSHAFT, Engine
-3	06507663AA	1				EZ0			PLUG
4	53021550AA	8				EZ0			VALVE, Intake, Standard
5	53021551AA	8				EZ0			VALVE, Exhaust, Standard
6	53021552AA	2				EZ0			ROCKER ARM, Intake
7	53021553AA	2				EZ0			ROCKER ARM, Exhaust
8	53021676AB	16				EZ0			RETAINER, Valve Spring
9	53021580AE	16				EZ0			SPRING, Valve
10	53021578AA	16				EZ0			SEAL, Valve Guide
11	53010515AA	32				EZ0			LOCK, Valve Spring Retainer
-12	06507072AA	10				EZ0			SCREW, Hex Flange Head, Rocker Shaft Mounting
13	53021556AA	8				EZ0			PUSH ROD, ValveIntake
14	53021557AA	8				EZ0			PUSH ROD, ValveExhaust
15									YOKE, Tappet Aligning
	53021727AC	2				EZB			Front
	53021729AC	2				EZB			Rear
16									TAPPET, Hyd. Roller
	53021726AD	2				EZB			Front
	53021728AD	2				EZB			Rear
17	06507067AA	2				EZB			SCREW, Hex Flange Head



GRAND CHEROKEE (WK)

SERIES	LINE
H = Laredo	T = JEEP - 2WD
P = Limited	J = JEEP - 4WD

BODY

74 = SPORT UTILITY 4-DOOR

ENGINE

EKG = Engine - 3.7L V6
EVA = Engine- 4.7L V8 MPI
EZB = Engine-5.7L HEMI

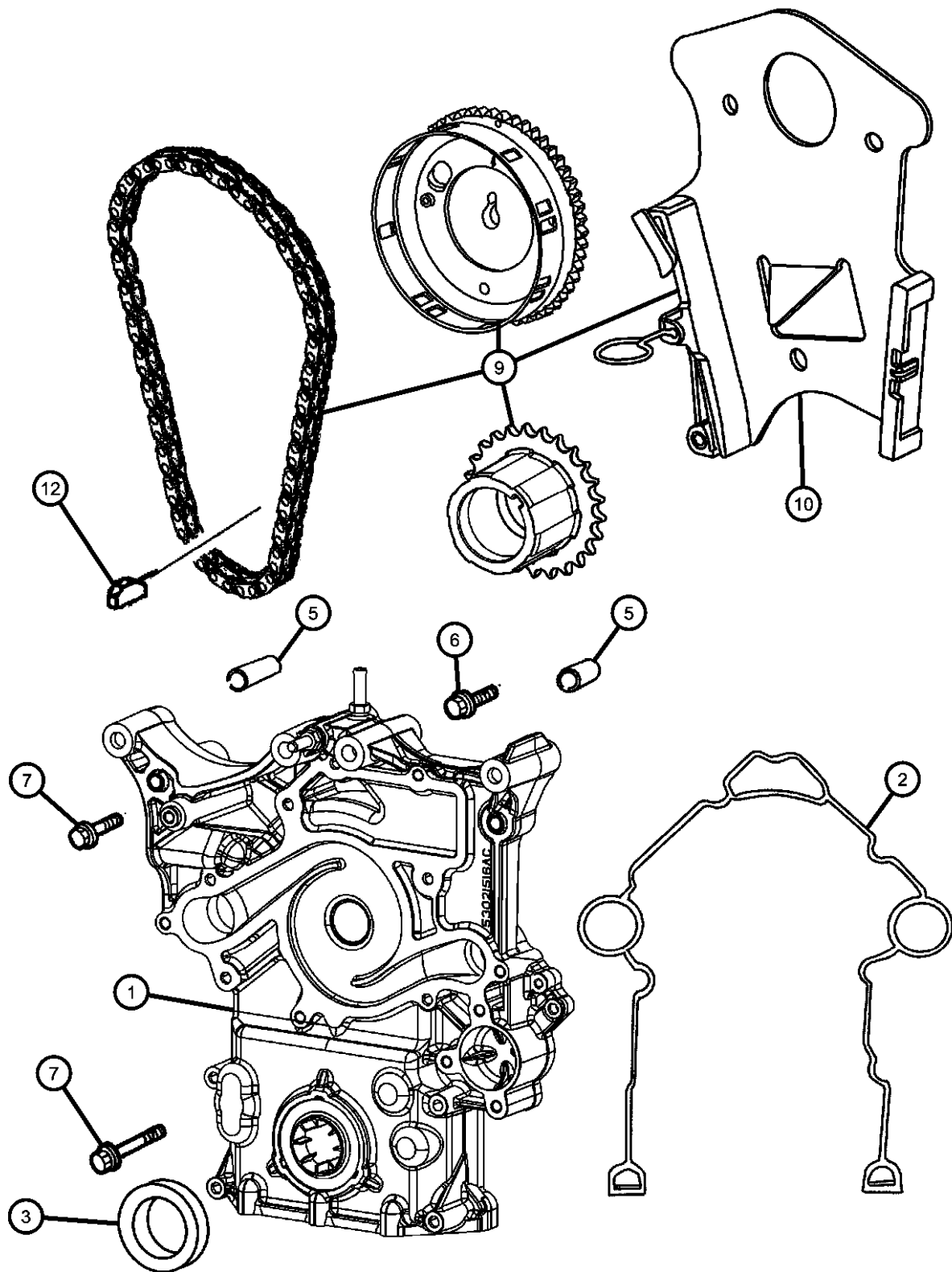
TRANSMISSION

DG0 = All Automatic Transmissions
DGJ = Transmission - 5-Spd Auto, MB
DGQ = Transmission-5-Spd Automatic 5-45RFE

AR = use ase required - = Non illustrated part

2005 WK

**Timing Cover and Related Parts 5.7L [EZB]
Figure 5.7L-610**



ITEM	PART NUMBER	QTY	LINE	SERIES	BODY	ENGINE	TRANS	TRIM	DESCRIPTION
------	-------------	-----	------	--------	------	--------	-------	------	-------------

Note;
Sales Codes::
[EZB] = 5.7L Hemi Multi Displacement

1	04792795AC	1				EZ0			COVER, Timing Case
2	05139933AB	1				EZ0			GASKET PACKAGE, Front Cover
3	53021585AB	1				EZ0			SEAL, Crankshaft Oil, Front
-4	06506343AA	1				EZ0			STUD
5	06506697AA	2				EZ0			BUSHING, Timing Cover
6	06502929	1				EZ0			SCREW AND WASHER, Hex Head, M8x1.25x110
7	06102157AA	1				EZ0			BOLT, [M8x1.25x58.0], Front Cover To Block
-8	06506270AA	3				EZ0			SCREW AND WASHER, Hex
9	53021581AC	1				EZ0			TIMING DRIVE KIT, Engine
10	53021582AD	1				EZ0			TENSIONER, Belt
-11	06507479AA	3				EZ0			SCREW AND WASHER, Hex Tensioner To Block
12	06506397AA	1				EZ0			KEY, Woodruff
-13	06507480AA	1				EZ0			SCREW AND WASHER, Hex
-14	06506332AA	2				EZ0			PIN, Dowel

GRAND CHEROKEE (WK)

SERIES	LINE
H = Laredo	T = JEEP - 2WD
P = Limited	J = JEEP - 4WD

BODY

74 = SPORT UTILITY 4-DOOR

ENGINE

EKG = Engine - 3.7L V6
EVA = Engine- 4.7L V8 MPI
EZB = Engine-5.7L HEMI

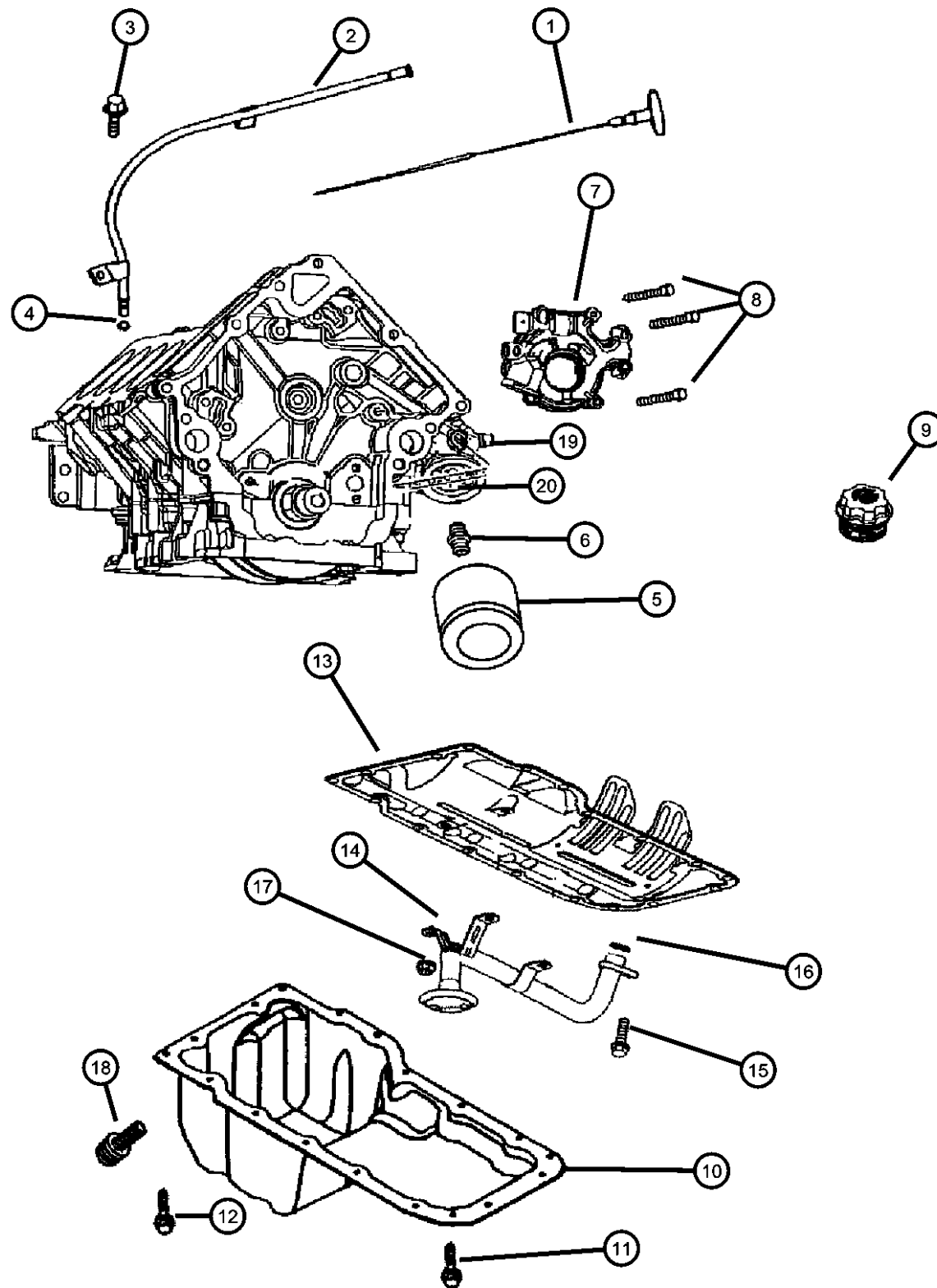
TRANSMISSION

DG0 = All Automatic Transmissions
DGJ = Transmission - 5-Spd Auto, MB
DGQ = Transmission-5-Spd Automatic 5-45RFE

AR = use ase required - = Non illustrated part

2005 WK

**Engine Oiling 5.7L [EZB]
Figure 5.7L-710**



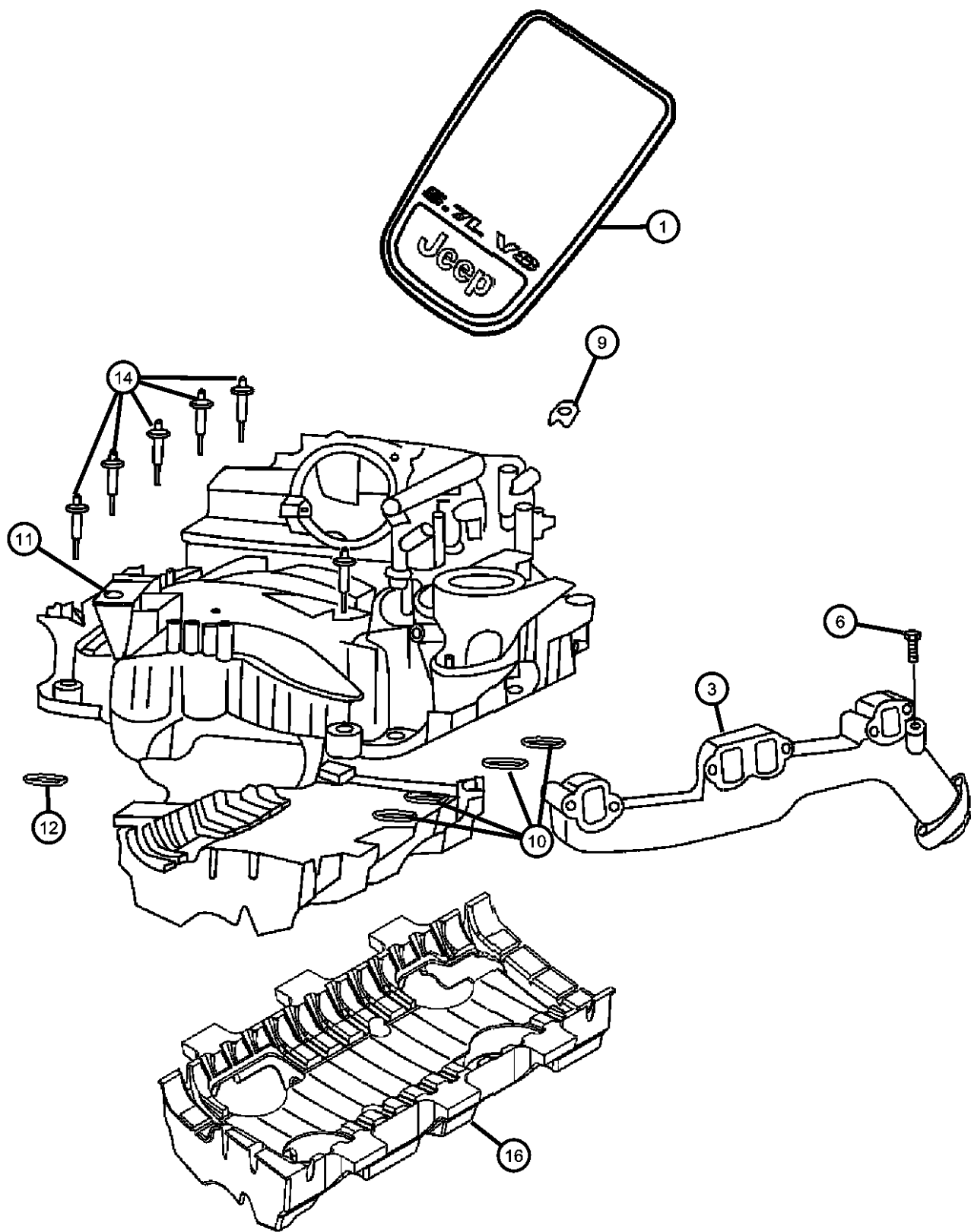
ITEM	PART NUMBER	QTY	LINE	SERIES	BODY	ENGINE	TRANS	TRIM	DESCRIPTION
Notes; Sales Codes: [EZB] = 5.7L Hemi Multi Displacement									
1	53021858AC	1				EZ0			INDICATOR, Engine Oil Level
2	53021859AC	1				EZ0			TUBE, Engine Oil Indicator
3	06508065AA	1				EZ0			BOLT
4	53021144AA	1				EZ0			O RING, Engine Oil Indicator
5	05281090	1				EZ0			FILTER, Engine Oil
	0FE00292								Canadian Aftermarket Part
	05281090BA								BULK PACK (12)
6	04104511AB	1				EZ0			CONNECTOR, Oil Filter Adapter
7	53021622AE	1				EZ0			PUMP, Engine Oil
8	06101383	4				EZ0			SCREW AND WASHER, Hex Head, M8x1.25x55
9	04892006AA	1				EZ0			CAP, Oil Filler
10	53021860AC	1				EZ0			PAN, Engine Oil
11	06102012	18				EZ0			BOLT, [M6x1.0x25.0], Oil Pan
12	06102210AA	4				EZ0			SCREW, [M10x1.5x40.0], Oil Pan
13	04792874AA	1				EZ0			GASKET, Oil Pan
14	53021522AD	1				EZ0			TUBE, Oil Pickup
15	06102046AA	1				EZ0			SCREW AND WASHER
16	53020861	1				EZ0			SEAL, Oil Pick Up Tube
17	06502756	1				EZ0			NUT, Hex Lock, M8x1.25
18	06507741AA	1				EZ0			PLUG, Oil Drain
19	53013680AB	1				EZ0			ADAPTER, Oil Filter
20									SEAL
	53021660AC	1				EZ0			Inner
	53021661AA	1				EZ0			Outer
-21	06102041AA	3				EZ0			SCREW, Oil Filter Adapter To Cylinder Block, Mounting

GRAND CHEROKEE (WK)			
SERIES	LINE	BODY	ENGINE
H = Laredo	T = JEEP - 2WD	74 = SPORT UTILITY 4-DOOR	EKG = Engine - 3.7L V6
P = Limited	J = JEEP - 4WD		EVA = Engine- 4.7L V8 MPI
			EZB = Engine-5.7L HEMI
			TRANSMISSION
			DG0 = All Automatic Transmissions
			DGJ = Transmission - 5-Spd Auto, MB
			DGQ = Transmission-5-Spd Automatic 5-45RFE

AR = use ase required - = Non illustrated part

Manifolds, Intake and Exhaust 5.7L [EZB]

Figure 5.7L-810



ITEM	PART NUMBER	QTY	LINE	SERIES	BODY	ENGINE	TRANS	TRIM	DESCRIPTION
MeNotes; Sales Codes: [EZB] = 5.7L Hemi Multi Displacement									
1									COVER, Engine
	53013718AA	1				EZ0			Large Lower Cover With Hemi Logo
	53013789AA	1				EZ0			Small Upper Cover With Jeep Logo
-2	53013748AB	4				EZ0			CONNECTOR, Cover
3									MANIFOLD, Exhaust
	53013606AB	1				EZ0			Right
	53013605AB	1				EZ0			Left
-4									GASKET, Exhaust Manifold
	53032097AD	1				EZ0			Left
	53032098AD	1				EZ0			Right
-5	06507813AA	9				EZ0			STUD, Exhaust Manifold
6	06507746AA	8				EZ0			BOLT, Exhaust Manifold
-7	53032208AH	2				EZ0			SHIELD, Exhaust Manifold
-8	06505316AA	8				EZ0			NUT, [M6x1.0], Heat Shield Attaching
9	06504968AA	4				EZ0			NUT, J
10	05139132AA	1				EZ0			MANIFOLD PACKAGE, Intake
11		1							MANIFOLD, Intake, Serviced in Package, (NOT SERVICED)
12	53032382AA	8				EZ0			SEAL, Intake Manifold
-13	53032383AA	1				EZ0			SEAL, Throttle Body to Intake
14	06506725AA	10				EZ0			SCREW, Hex Flange Head
-15	53032384AB	2				EZ0			SEAL, PCV
16									PAD, Engine
	53013735AA	1				EZ0			Round Foam
	53013747AB	1				EZ0			

GRAND CHEROKEE (WK)

SERIES LINE
H = Laredo T = JEEP - 2WD
P = Limited J = JEEP - 4WD

BODY ENGINE TRANSMISSION
74 = SPORT UTILITY 4-DOOR EKG = Engine - 3.7L V6
EVA = Engine- 4.7L V8 MPI
EZB = Engine-5.7L HEMI

DG0 = All Automatic Transmissions
DGJ = Transmission - 5-Spd Auto, MB
DGQ = Transmission-5-Spd Automatic 5-45RFE

AR = use ase required - = Non illustrated part

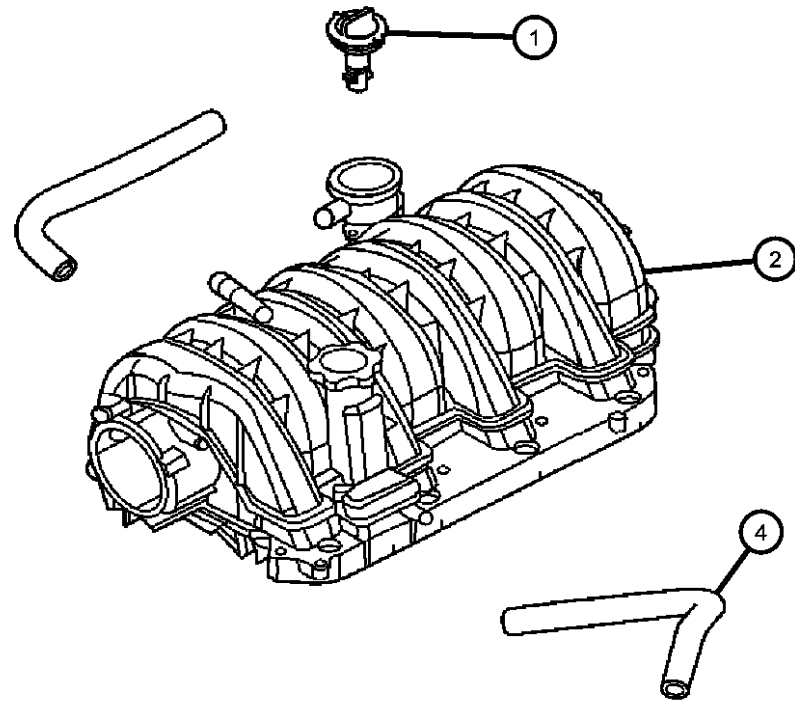
2005 WK

**Crankcase Ventilation 5.7L [EZB]
Figure 5.7L-910**

ITEM	PART NUMBER	QTY	LINE	SERIES	BODY	ENGINE	TRANS	TRIM	DESCRIPTION
------	-------------	-----	------	--------	------	--------	-------	------	-------------

Notes:
SALES CODES;
[EZ0] = All 5.7L, 8 Cylinder Gas Engines

1	53032531AE	1				EZB			VALVE, Crankcase Vent
2		1							MANIFOLD, Engine Intake, Reference, (NOT SERVICED)
-3	53032384AB	2				EZB			SEAL, PCV
4	53013759AB	1				EZB			HOSE, Make Up Air



GRAND CHEROKEE (WK)

SERIES	LINE
H = Laredo	T = JEEP - 2WD
P = Limited	J = JEEP - 4WD

BODY

74 = SPORT UTILITY 4-DOOR
EKG = Engine - 3.7L V6
EVA = Engine- 4.7L V8 MPI
EZB = Engine-5.7L HEMI

ENGINE

TRANSMISSION

DG0 = All Automatic Transmissions
DGJ = Transmission - 5-Spd Auto, MB
DGQ = Transmission-5-Spd Automatic 5-45RFE

AR = use ase required - = Non illustrated part

2005 WK

Group - 11

Exhaust

Group - 11 Exhaust

Illustration Title

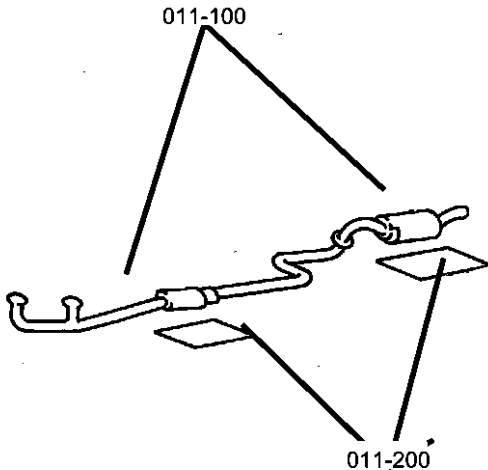
Group-Fig. No.

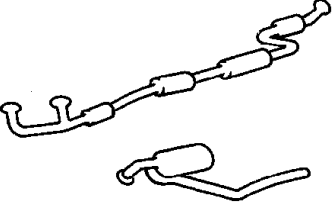
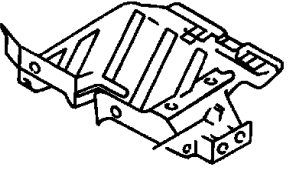
Exhaust System

Exhaust System, 3.7L [EK0] 4.7L [EV0] 5.7L [EZ0] Fig. 11 - 110

Heat Shields

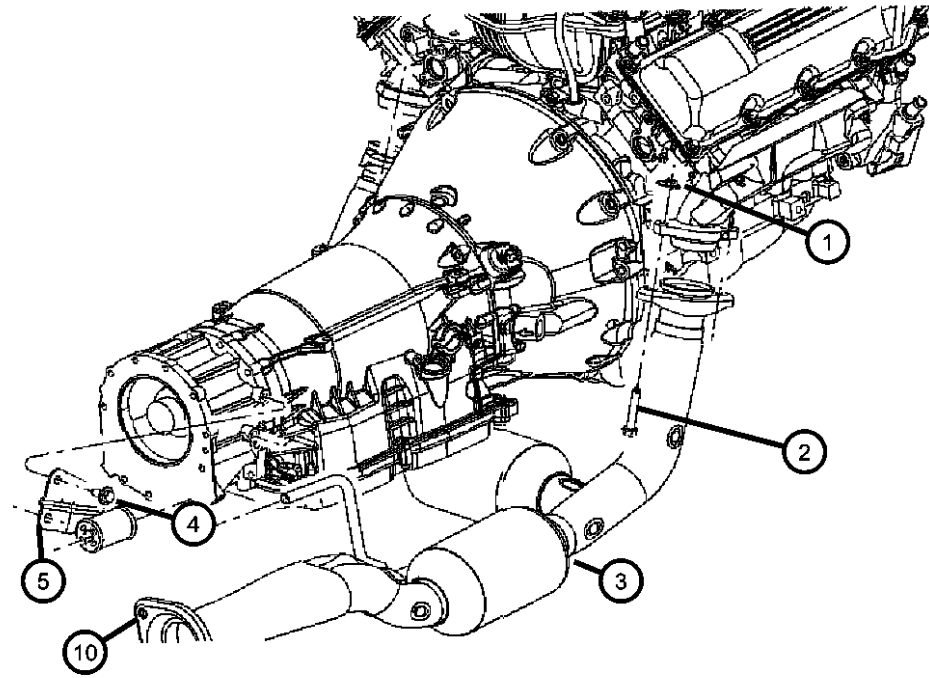
Heat Shields, 3.7 [EK0] 4.7 [EV0] 5.7 [EZ0] Fig. 11 - 210



<p>011-100 Exhaust System</p> 	<p>011-200 Heat Shields</p> 		
---	--	--	--

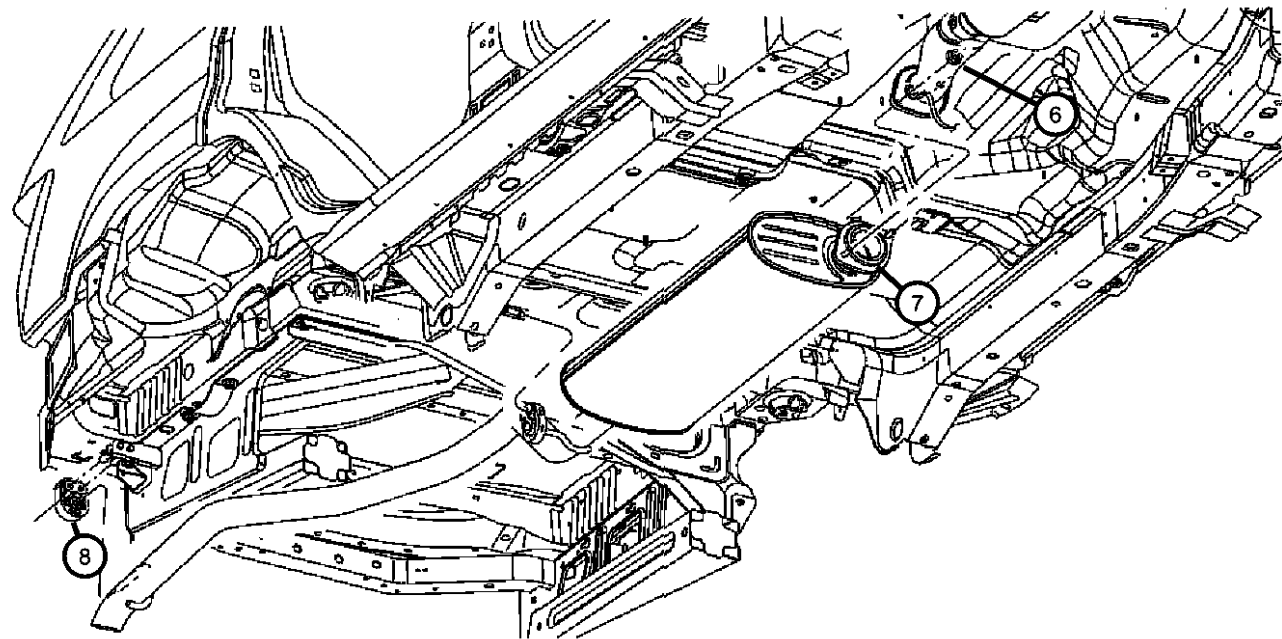
**Exhaust System, 3.7L [EK0] 4.7L [EV0] 5.7L [EZ0]
Figure 11-110**

ITEM	PART NUMBER	QTY	LINE	SERIES	BODY	ENGINE	TRANS	TRIM	DESCRIPTION
------	-------------	-----	------	--------	------	--------	-------	------	-------------



Note; Sales Codes; [EKG]=3.7L Magnum
[EVA]=All 4.7L Gas
[EZB]5.7L Hemi

1	06503231	4				EK0, EV0, EZ0			NUT
2	06505699AA	4				EK0, EV0, EZ0			SCREW
3									PIPE AND CONVERTER, Exhaust, To Manifold
	52090045AE	1				EK0			
	52090043AD	1				EZ0			
	52090044AD	1				EV0			
4									BOLT, Hex Head
	06507770AA	2	J						
		4							
5	52124079AA	1	J			EK0			BRACKET AND ISOLATOR, Exhaust
6									NUT, Hex Flange, M10x1.5
	06104717AA	1				EZ0			
		2	T			EK0	DG0		
7									MUFFLER AND TAILPIPE, Exhaust
	52124039AC	1				EZ0			Up to 1/03/05
	52124039AD	1				EZ0			After 1/03/05
	52124037AC	1				EK0			Up to 1/03/05
	52124037AE	1				EK0			After 1/03/05
	52124038AC	1				EV0			Up to 1/03/05
	52124038AE	1				EV0			After 1/03/05
8	52124115AB	1							ISOLATOR, Exhaust
-9		1							CLAMP, Exhaust, Serviced With Muffler and Tailpipe, (NOT SERVICED)
10	05175688AA	1				EZ0			GASKET, Exhaust Pipe



GRAND CHEROKEE (WK)

SERIES LINE
H = Laredo T = JEEP - 2WD
P = Limited J = JEEP - 4WD

BODY
74 = SPORT UTILITY 4-DOOR
ENGINE
EKG = Engine - 3.7L V6
EVA = Engine- 4.7L V8 MPI
EZB = Engine-5.7L HEMI

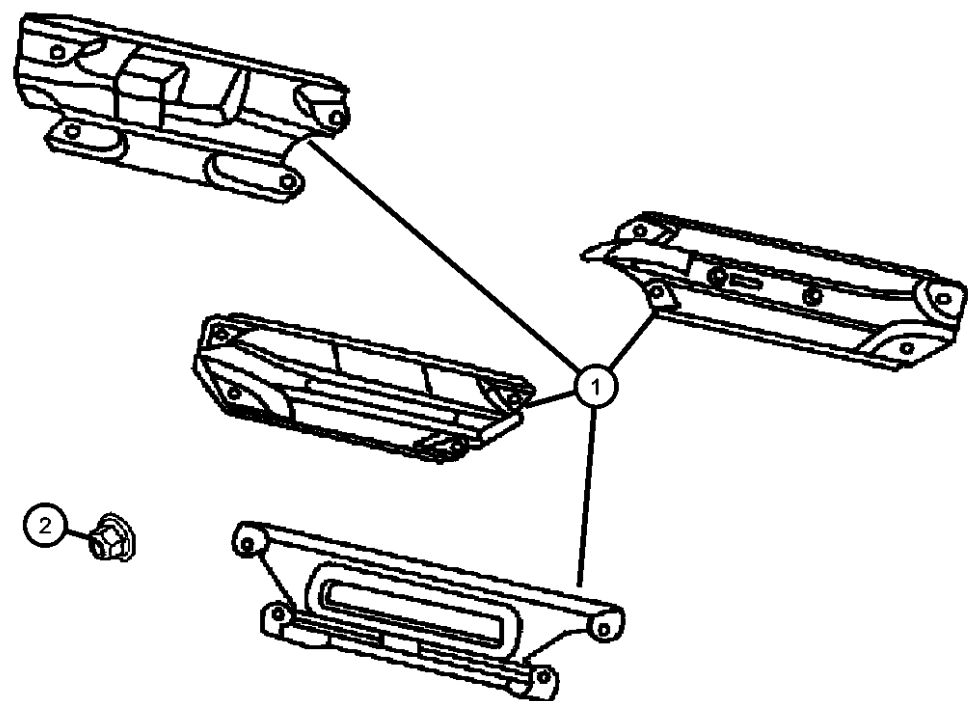
TRANSMISSION
DG0 = All Automatic Transmissions
DGJ = Transmission - 5-Spd Auto, MB
DGQ = Transmission-5-Spd Automatic 5-45RFE

AR = use ase required - = Non illustrated part

2005 WK

Heat Shields, 3.7 [EK0] 4.7 [EV0] 5.7 [EZ0]
Figure 11-210

ITEM	PART NUMBER	QTY	LINE	SERIES	BODY	ENGINE	TRANS	TRIM	DESCRIPTION
1									SHIELD, Exhaust Manifold
	53013603AA	1				EVO			Left
	53013604AB	1				EVO			Right
	53032208AH	2				EZO			
	53032674AE	1				EK0			Right
	53032675AD	1				EK0			Left
2									NUT
	06505316AA	8				EVO			
		8				EK0			
		8				EZO			



GRAND CHEROKEE (WK)

SERIES LINE
H = Laredo T = JEEP - 2WD
P = Limited J = JEEP - 4WD

BODY

74 = SPORT UTILITY 4-DOOR

ENGINE

EKG = Engine - 3.7L V6
EVA = Engine- 4.7L V8 MPI
EZB = Engine-5.7L HEMI

TRANSMISSION

DG0 = All Automatic Transmissions
DGJ = Transmission - 5-Spd Auto, MB
DGQ = Transmission-5-Spd Automatic 5-45RFE

AR = use ase required - = Non illustrated part

2005 WK

Group - 13

Frames and Bumpers

Group - 13 Frames and Bumpers

Group-Fig. No.

Illustration Title

Front Bumper and Fascia

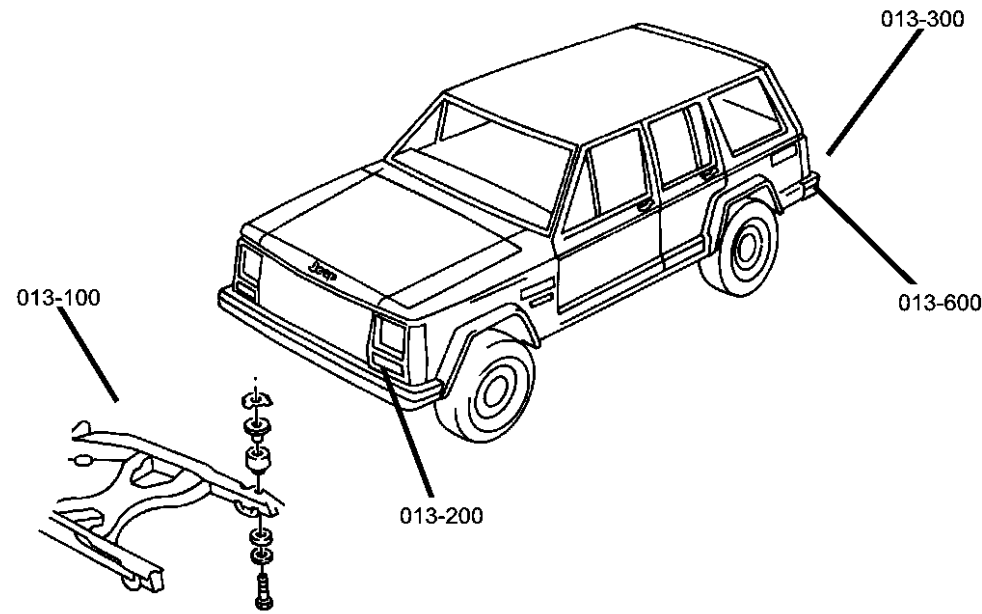
Bumper, FrontFig. 13 - 240
 Frame Upper SupportsFig. 13 - 250

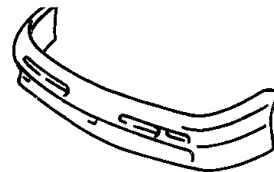

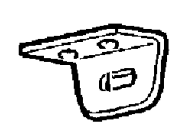
Rear Bumper and Fascia

Bumper, RearFig. 13 - 340

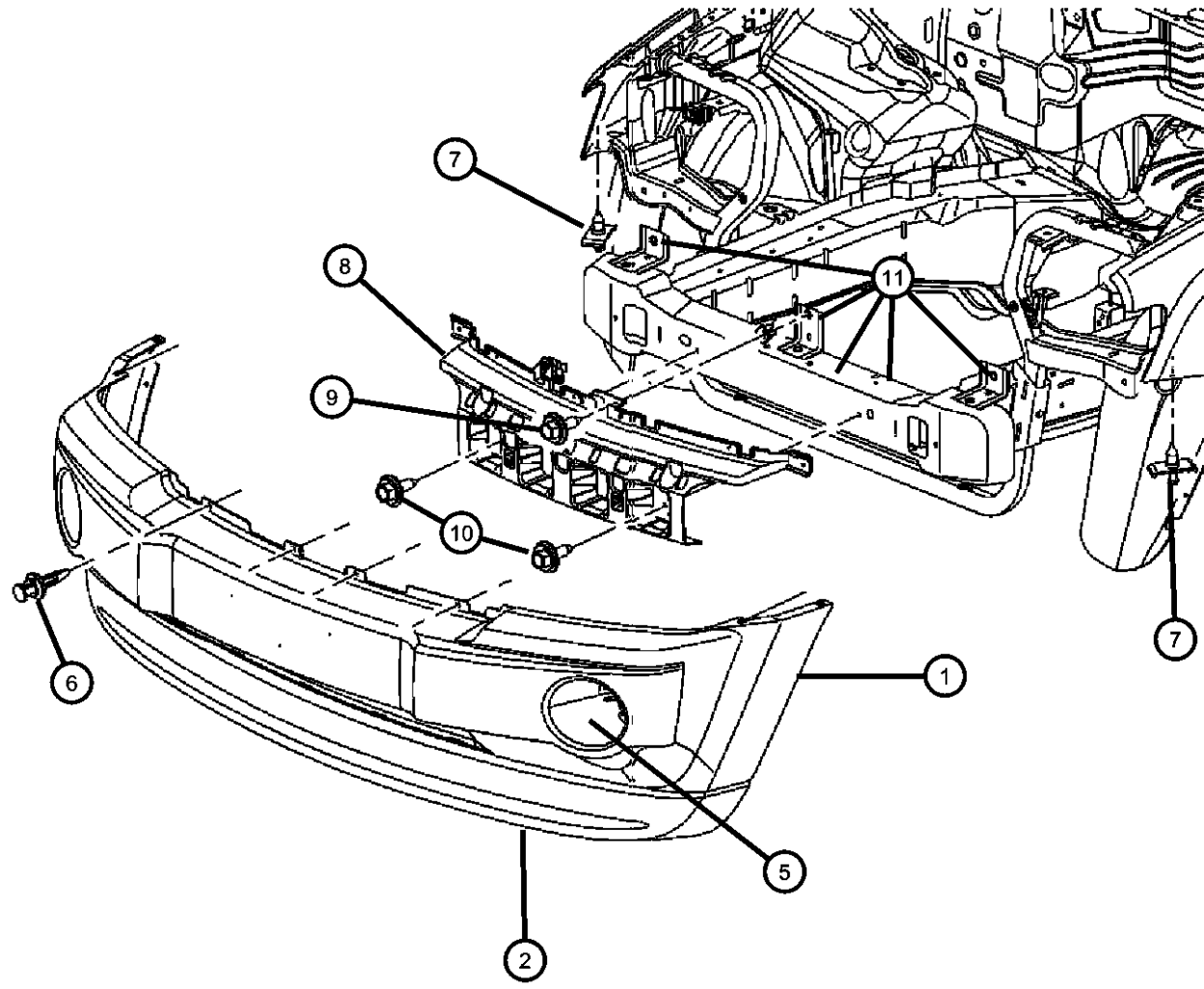
Trailer Tow

Tow EyeFig. 13 - 610
 Rear HitchFig. 13 - 620



<p>013-200 Front Bumper and Fascia</p> 	<p>013-300 Rear Bumper and Fascia</p> 	<p>013-600 Trailer Tow</p> 	
--	--	--	--

Bumper, Front
Figure 13-240



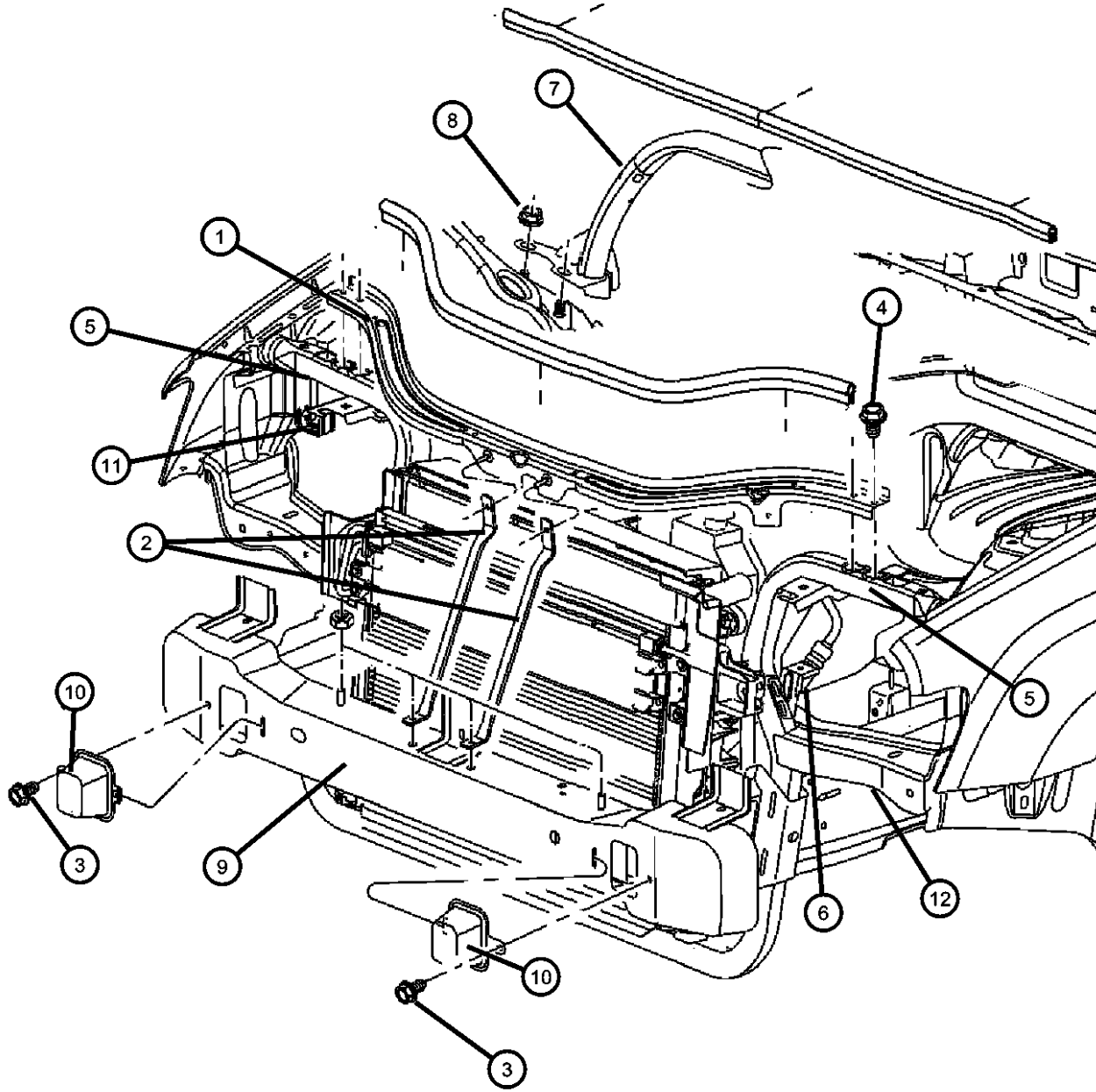
ITEM	PART NUMBER	QTY	LINE	SERIES	BODY	ENGINE	TRANS	TRIM	DESCRIPTION
1	05159124AA	1							FASCIA, Front [MCX]
	05159130AA	1							[MLA]
2	05159125AA	1							AIR DAM [MCX]
		1							[MLA]
-3	05159132AA	9							RETAINER, Air Dam [MCX]
		9							[MLA]
-4	05159127AA	1							APPLIQUE, Fascia, [MCX]
5	05159128AA	1							COVER, Lamp Opening Up to 5/15/05, Right
	05159129AA	1							, Left
	05183440AA	2							After 5/15/05, Right & Left
6	04857108	4							RETAINER, Fascia Attaching
7	55157112AA	4							PIN, Push
8	55156878AD	1							BRACKET, Fascia
9	06508237AA	1							SCREW
10	06505903AA	2							SCREW AND WASHER, Self Tapping, M6x1x22
11	05166082AA	1							CROSSMEMBER, Underbody
-12	55156796AA	1							LICENSE PLATE KIT

GRAND CHEROKEE (WK)

SERIES	LINE	BODY	ENGINE	TRANSMISSION
H = Laredo	T = JEEP - 2WD	74 = SPORT UTILITY 4-DOOR	EKG = Engine - 3.7L V6	DG0 = All Automatic Transmissions
P = Limited	J = JEEP - 4WD		EVA = Engine- 4.7L V8 MPI	DGJ = Transmission - 5-Spd Auto, MB
			EZB = Engine-5.7L HEMI	DGQ = Transmission-5-Spd Automatic 5-45RFE

AR = use ase required - = Non illustrated part

Frame Upper Supports
Figure 13-250



ITEM	PART NUMBER	QTY	LINE	SERIES	BODY	ENGINE	TRANS	TRIM	DESCRIPTION
1	55394951AD	1							CROSSMEMBER, Radiator
2	55394098AC	2							BRACE, Radiator Crossmember
3	06505903AA	2							SCREW AND WASHER, Self Tapping, M6x1x22
4	06104368AA	4							SCREW
5	05143322AB	1							CROSSMEMBER, Radiator
6									BRACKET, Air Bag
	55396820AB	1							Right
	55396821AB	1							Left
7	55396886AB	1							BRACE, Suspension
8	06502697	8							NUT, Hex Flange Lock, M12x1.75
9	05166082AA	1							CROSSMEMBER, Underbody
10	55360410AA	2							SPACER, Jounce Bumper
11									BRACKET, Headlamp
	68019040AA	1	J, T		74				Right
	68019041AA	1	J, T		74				Left
12									BRACKET, Fender Dog Leg
	68019060AA	1	J, T		74				Right
	68019061AA	1	J, T		74				Left

GRAND CHEROKEE (WK)

SERIES LINE
H = Laredo T = JEEP - 2WD
P = Limited J = JEEP - 4WD

BODY
74 = SPORT UTILITY 4-DOOR

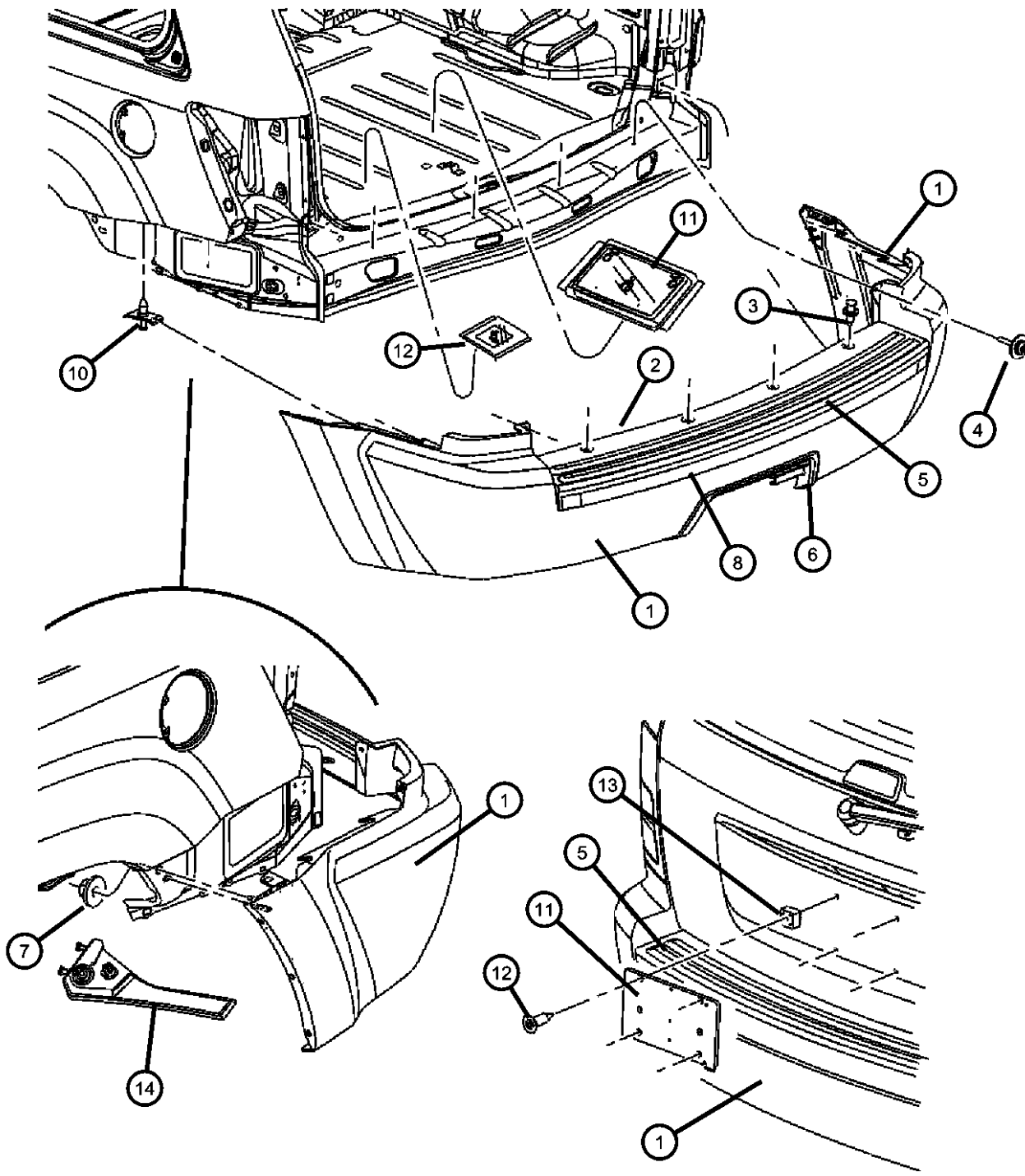
ENGINE
EKG = Engine - 3.7L V6
EVA = Engine- 4.7L V8 MPI
EZB = Engine-5.7L HEMI

TRANSMISSION
DG0 = All Automatic Transmissions
DGJ = Transmission - 5-Spd Auto, MB
DGQ = Transmission-5-Spd Automatic 5-45RFE

AR = use ase required - = Non illustrated part

2005 WK

Bumper, Rear
Figure 13-340



ITEM	PART NUMBER	QTY	LINE	SERIES	BODY	ENGINE	TRANS	TRIM	DESCRIPTION
------	-------------	-----	------	--------	------	--------	-------	------	-------------

Note:
 MLA = Fascia Body Color
 MCX = Fascia Body Color with Bright
 AHT = Trailer Tow Group
 AHX = Trailer Tow Group IV
 XAA = Parksense

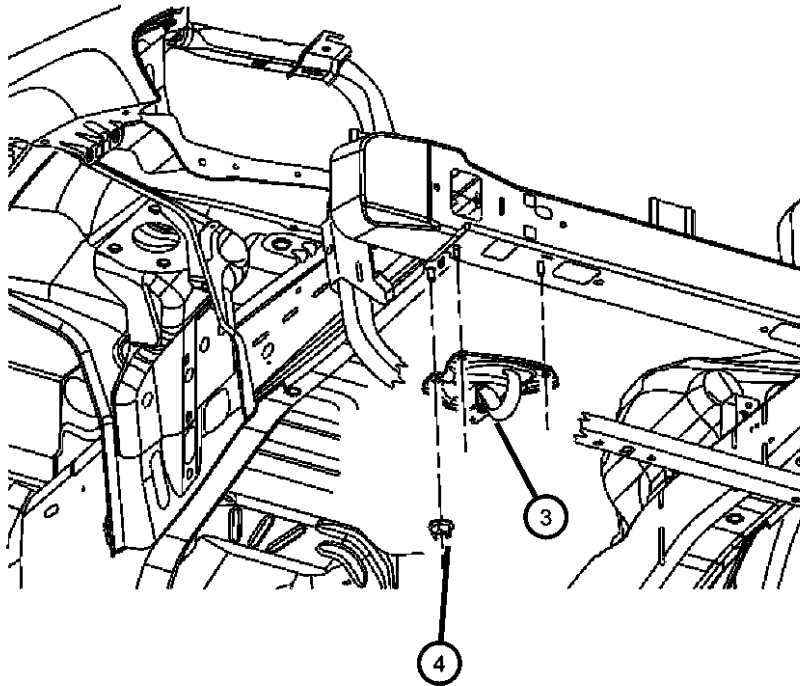
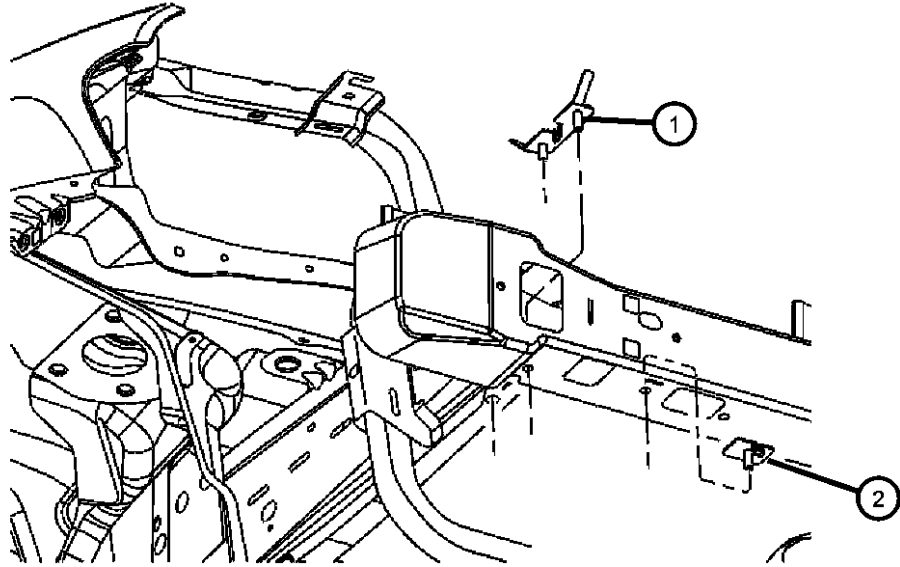
1									FASCIA, Rear
	05159058AA	1							[MLA-AHT-AHX]
	05159086AA	1							[MCX+AHX-XAA]
		1							[MCX+XAA+AHX]
	05159091AA	1							[MCX-AHX-XAA]
		1							[MCX+XAA-AHX]
	05159094AA	1							[MLA+AHT,AHX]
2	05159059AA	1							ABSORBER, Rear Energy
3	06503598	6							PIN, Push, M8x21
4	06036585AA	2							SCREW
5	05159080AA	1							STEP PAD, Rear Fascia
6	05159088AA	1							BEZEL, Hitch
7	06100815	4							NUT AND WASHER, Hex Nut-Coned Washer, M6 x 1.00
8									NERF, Fascia, Bright
	05159087AA	1							[-XAA]
	05159095AA	1							[XAA]
-9	04806226AA	3							CLIP, Spring, Nerf to fascia
10	55157112AB	4							PIN, Push
11	55156796AA	1							LICENSE PLATE KIT, PlateFront
12	04270974	1							LICENSE PLATE KIT, Hardware
13	04860786AB	4							NUT, Plastic Snap-in
14									RETAINER, Fascia, Wing Tip Retainer
	05159078AA	1							Right
	05159079AA	1							Left
-15	05159077AA	2							CLIP, Fascia, Under Tail Lamps

GRAND CHEROKEE (WK)		BODY	ENGINE	TRANSMISSION
SERIES	LINE			
H = Laredo	T = JEEP - 2WD	74 = SPORT UTILITY 4-DOOR	EKG = Engine - 3.7L V6	DG0 = All Automatic Transmissions
P = Limited	J = JEEP - 4WD		EVA = Engine- 4.7L V8 MPI	DGJ = Transmission - 5-Spd Auto, MB
			EZB = Engine-5.7L HEMI	DGQ = Transmission-5-Spd Automatic 5-45RFE

AR = use ase required - = Non illustrated part

Tow Eye
Figure 13-610

ITEM	PART NUMBER	QTY	LINE	SERIES	BODY	ENGINE	TRANS	TRIM	DESCRIPTION
1	52090140AA	2							STUD PLATE
2	52090141AA	2							STUD PLATE
3									HOOK, Tow
	52089357AB	1							Right
	52089360AB	1							Left
4	06101696	6							NUT
-5	52089364AC	1							BRACKET, Tow Hook



GRAND CHEROKEE (WK)

SERIES LINE
H = Laredo T = JEEP - 2WD
P = Limited J = JEEP - 4WD

BODY

74 = SPORT UTILITY 4-DOOR

ENGINE

EKG = Engine - 3.7L V6
EVA = Engine- 4.7L V8 MPI
EZB = Engine-5.7L HEMI

TRANSMISSION

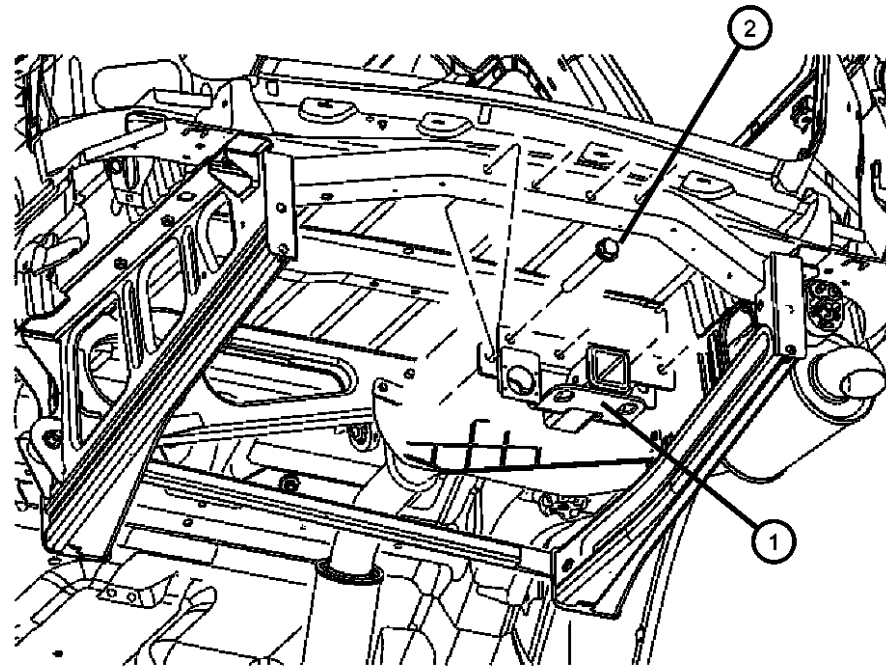
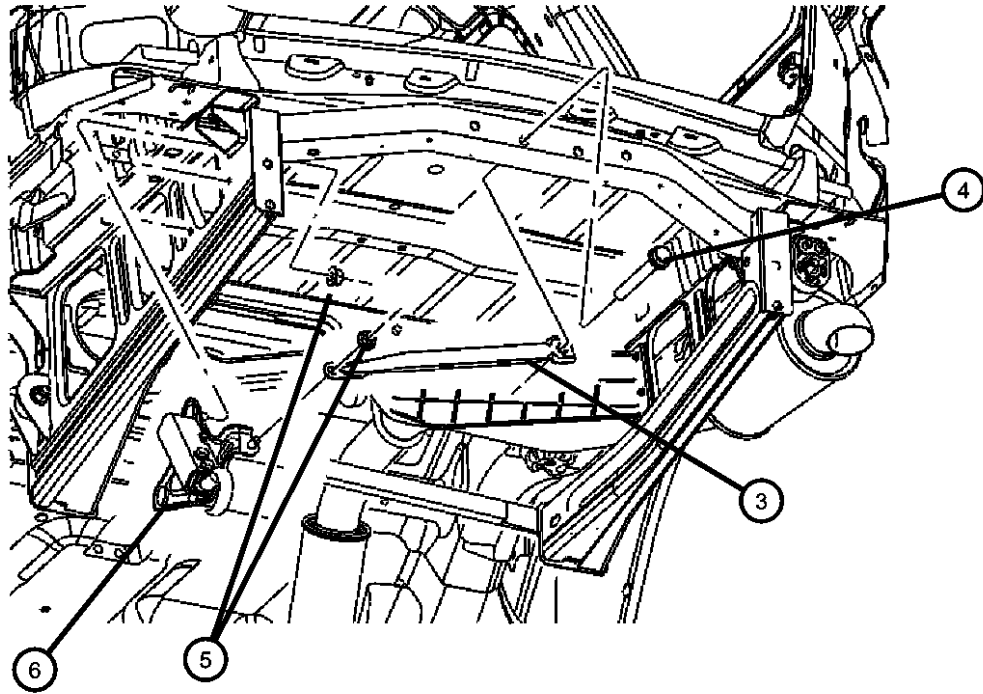
DG0 = All Automatic Transmissions
DGJ = Transmission - 5-Spd Auto, MB
DGQ = Transmission-5-Spd Automatic 5-45RFE

AR = use ase required - = Non illustrated part

2005 WK

Rear Hitch
Figure 13-620

ITEM	PART NUMBER	QTY	LINE	SERIES	BODY	ENGINE	TRANS	TRIM	DESCRIPTION
1	52090195AB	1							HITCH, Trailer [XFN]
	52090196AC	1							[XFH]
2		1							SCREW, Hex Flange Head, M14x2x110, 06101994, (NOT SERVICED),
3	52090399AC	1							BRACE, Tow Hook
4	06104462AA	1							SCREW, Hex Head
5	06502835	4							NUT, Lock
6	52089363AC	1							HOOK, Tow



GRAND CHEROKEE (WK)

SERIES LINE
H = Laredo T = JEEP - 2WD
P = Limited J = JEEP - 4WD

BODY

74 = SPORT UTILITY 4-DOOR

ENGINE

EKG = Engine - 3.7L V6
EVA = Engine- 4.7L V8 MPI
EZB = Engine-5.7L HEMI

TRANSMISSION

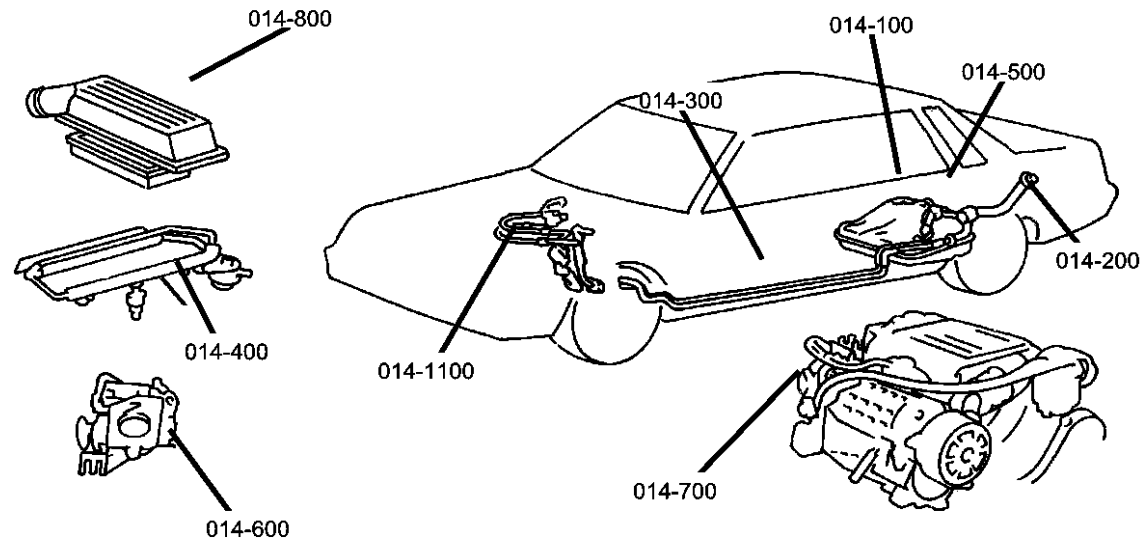
DG0 = All Automatic Transmissions
DGJ = Transmission - 5-Spd Auto, MB
DGQ = Transmission-5-Spd Automatic
5-45RFE

AR = use ase required - = Non illustrated part

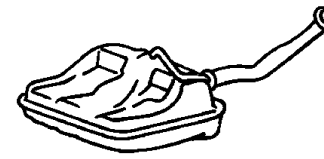
2005 WK

Group - 14

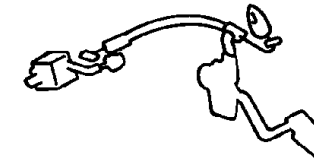
Fuel



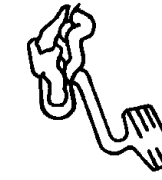
014-100
Tank, Fuel



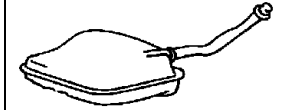
014-1000
Speed Control



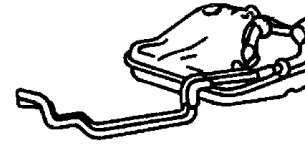
014-1100
Accelerator Pedal



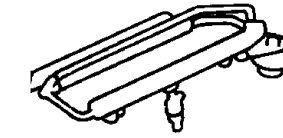
014-200
Fuel Tank Filler Tube



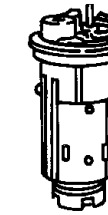
014-300
Fuel Lines



014-400
Fuel Rail



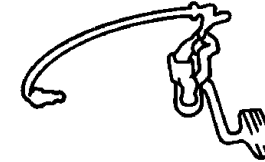
014-500
Fuel Pump and Sending Unit



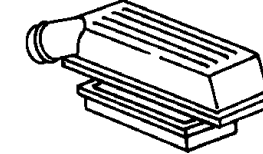
014-600
Throttle Body



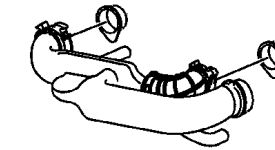
014-700
Throttle Controls



014-800
Air Cleaner



014-900
Air Intake System

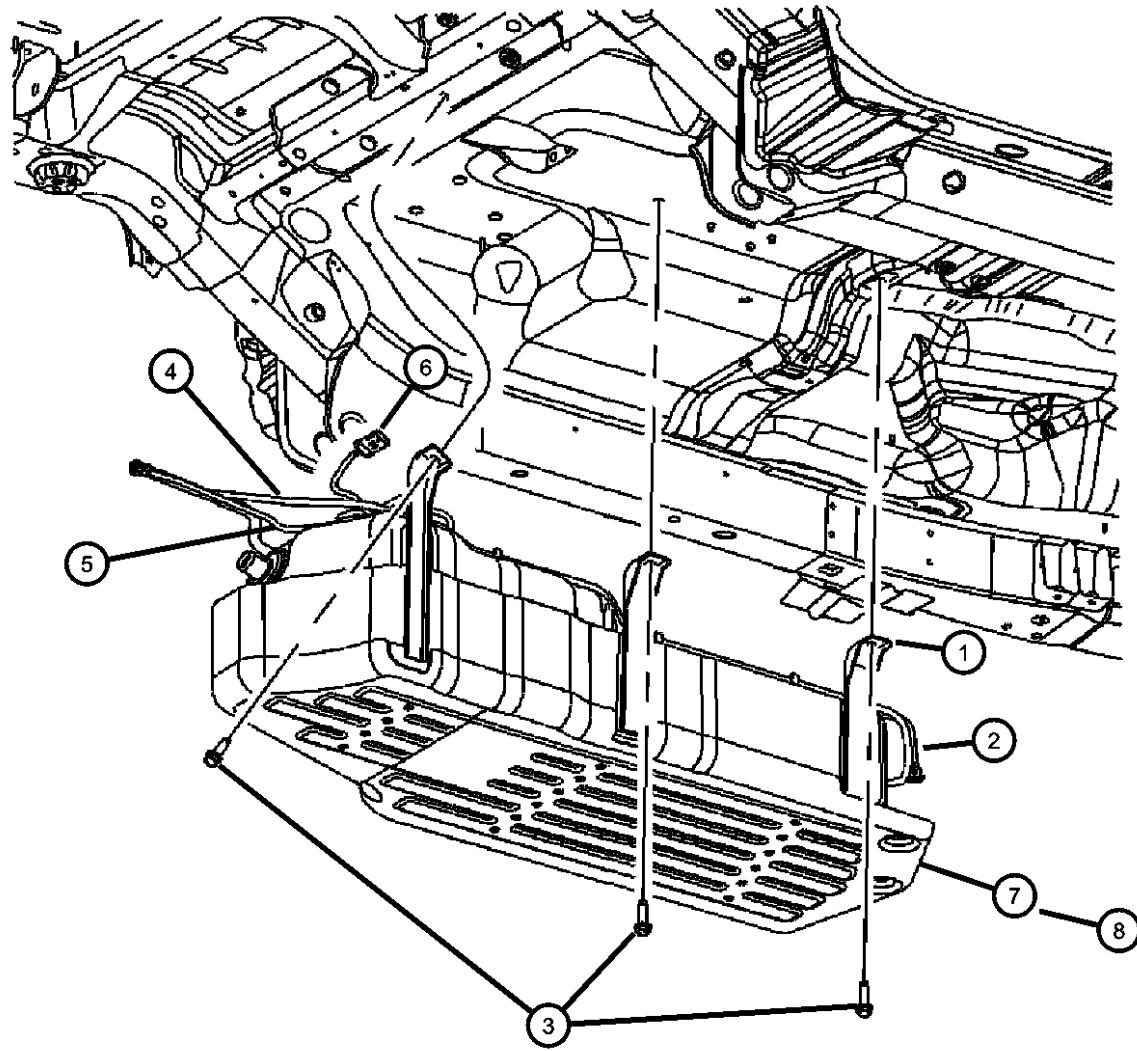


Group - 14 Fuel

Illustration Title	Group-Fig. No.
Tank, Fuel	
Fuel Tank	Fig. 14 - 110
Fuel Tank Filler Tube	
Fuel Tank Filler Tube.....	Fig. 14 - 210
Fuel Lines	
Fuel Lines,Chassis Bundle 3.7L [EK0] 4.7L [EV0].....	Fig. 14 - 330
Fuel Line Chassis Bundle 5.7L [EZ0].....	Fig. 14 - 340
Fuel Rail	
Fuel Rail	Fig. 14 - 410
Fuel Pump and Sending Unit	
Fuel Pump and Sending Unit,.....	Fig. 14 - 510
Throttle Body	
Throttle Body	Fig. 14 - 610
Throttle Controls	
Throttle Controls.....	Fig. 14 - 720
Air Cleaner	
Air Cleaner.....	Fig. 14 - 820
Air Intake System	
Air Intake System	Fig. 14 - 910
Speed Control	
Speed Control	Fig. 14 - 1010
Accelerator Pedal	
Pedal Brake, Power Adjustable	Fig. 14 - 1110

Fuel Tank
Figure 14-110

ITEM	PART NUMBER	QTY	LINE	SERIES	BODY	ENGINE	TRANS	TRIM	DESCRIPTION
1	52090411AC	1							BRACKET, Fuel Tank
2	05143934AB	1							TANK, Fuel, Liquid Shutoff Control -Fuel Fill Check -Tank Pressure Relief & Rollover Valves. Service with tank
3	06508173AA	3							SCREW AND WASHER, Hex Head, M12x1.75x35
4	05143790AA	1							TUBE, Control Valve to Canister
5	05143791AA	1							TUBE, Fuel Vapor Recirculation
6	05143963AA	1							WIRING, Fuel Module
7	52090270AF	1							GUARD, Brush, Fuel Tank
8	52090274AF	1							SKID PLATE, Fuel Tank, [XEE]
-9	05143792AA	1							TUBE, Fuel Supply



GRAND CHEROKEE (WK)

SERIES	LINE
H = Laredo	T = JEEP - 2WD
P = Limited	J = JEEP - 4WD

BODY	ENGINE
74 = SPORT UTILITY 4-DOOR	EKG = Engine - 3.7L V6
	EVA = Engine- 4.7L V8 MPI
	EZB = Engine-5.7L HEMI

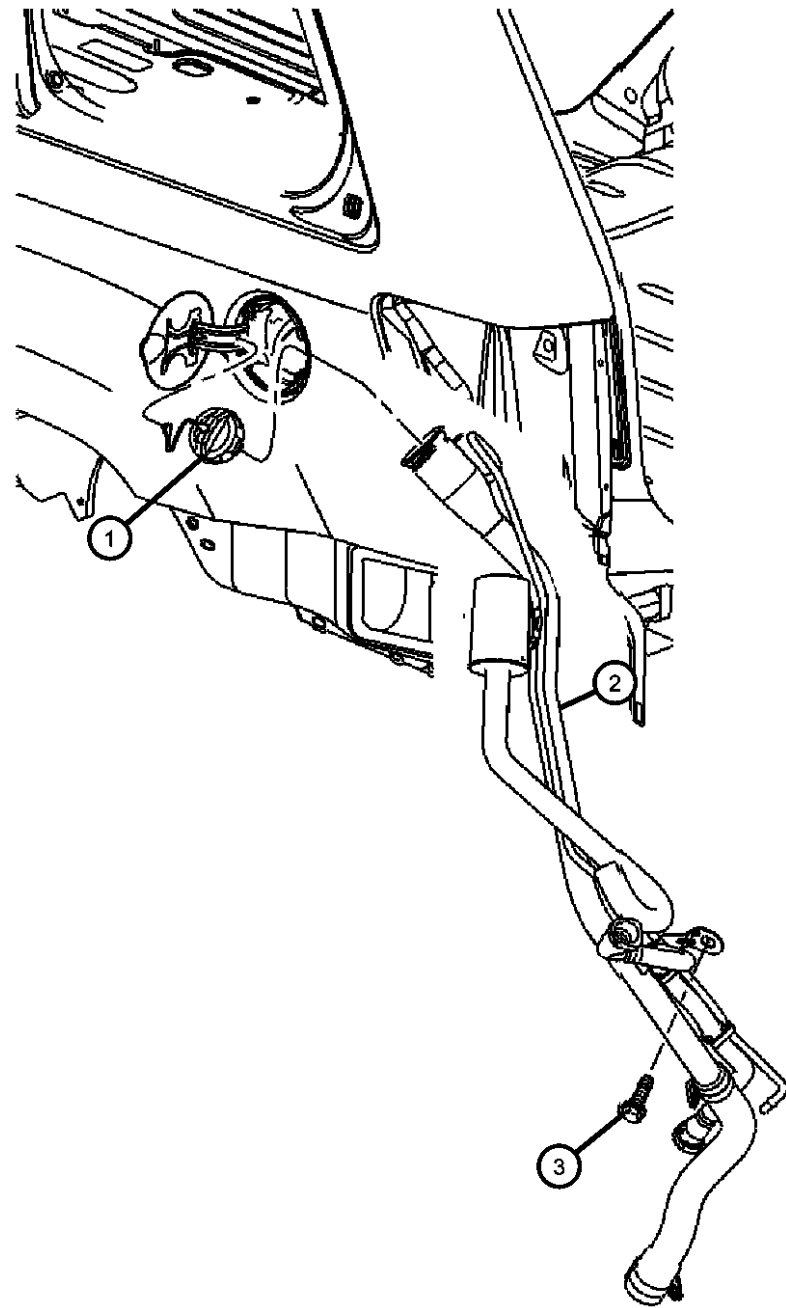
TRANSMISSION
DG0 = All Automatic Transmissions
DGJ = Transmission - 5-Spd Auto, MB
DGQ = Transmission-5-Spd Automatic 5-45RFE

AR = use ase required - = Non illustrated part

2005 WK

Fuel Tank Filler Tube
Figure 14-210

ITEM	PART NUMBER	QTY	LINE	SERIES	BODY	ENGINE	TRANS	TRIM	DESCRIPTION
1	52102464AC	1							CAP, Fuel Filler
2	52090315AG	1							TUBE, Fuel Filler
3	06104386AA	1							SCREW, M8x1.25x25



GRAND CHEROKEE (WK)

SERIES
H = Laredo
P = Limited

LINE
T = JEEP - 2WD
J = JEEP - 4WD

BODY
74 = SPORT UTILITY 4-DOOR

ENGINE
EKG = Engine - 3.7L V6
EVA = Engine- 4.7L V8 MPI
EZB = Engine-5.7L HEMI

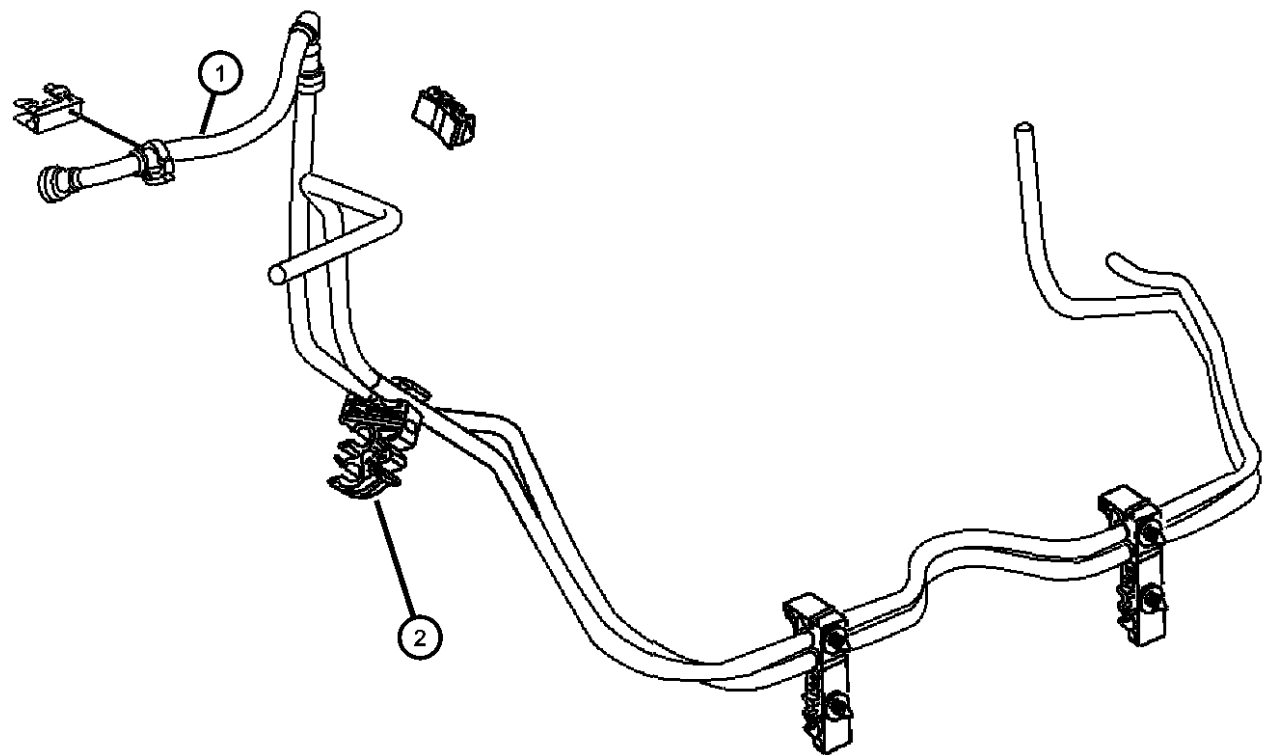
TRANSMISSION
DG0 = All Automatic Transmissions
DGJ = Transmission - 5-Spd Auto, MB
DGQ = Transmission-5-Spd Automatic 5-45RFE

AR = use ase required - = Non illustrated part

2005 WK

Fuel Lines,Chassis Bundle 3.7L [EK0] 4.7L [EV0]
Figure 14-330

ITEM	PART NUMBER	QTY	LINE	SERIES	BODY	ENGINE	TRANS	TRIM	DESCRIPTION
Note; Sales Codes [EV0]= All 4.7L V-8 Gas Engines									
1									BUNDLE, Fuel and Brake Tube
	52089918AF	1	T			EK0, EV0			
	52090174AF	1	J			EK0, EV0			
2									CLIP, 4 Way
	05189382AA	4	J			EK0, EV0			
	05189383AA	2	J			EK0, EV0			



GRAND CHEROKEE (WK)

SERIES LINE
H = Laredo T = JEEP - 2WD
P = Limited J = JEEP - 4WD

BODY

74 = SPORT UTILITY 4-DOOR

ENGINE

EKG = Engine - 3.7L V6
EVA = Engine- 4.7L V8 MPI
EZB = Engine-5.7L HEMI

TRANSMISSION

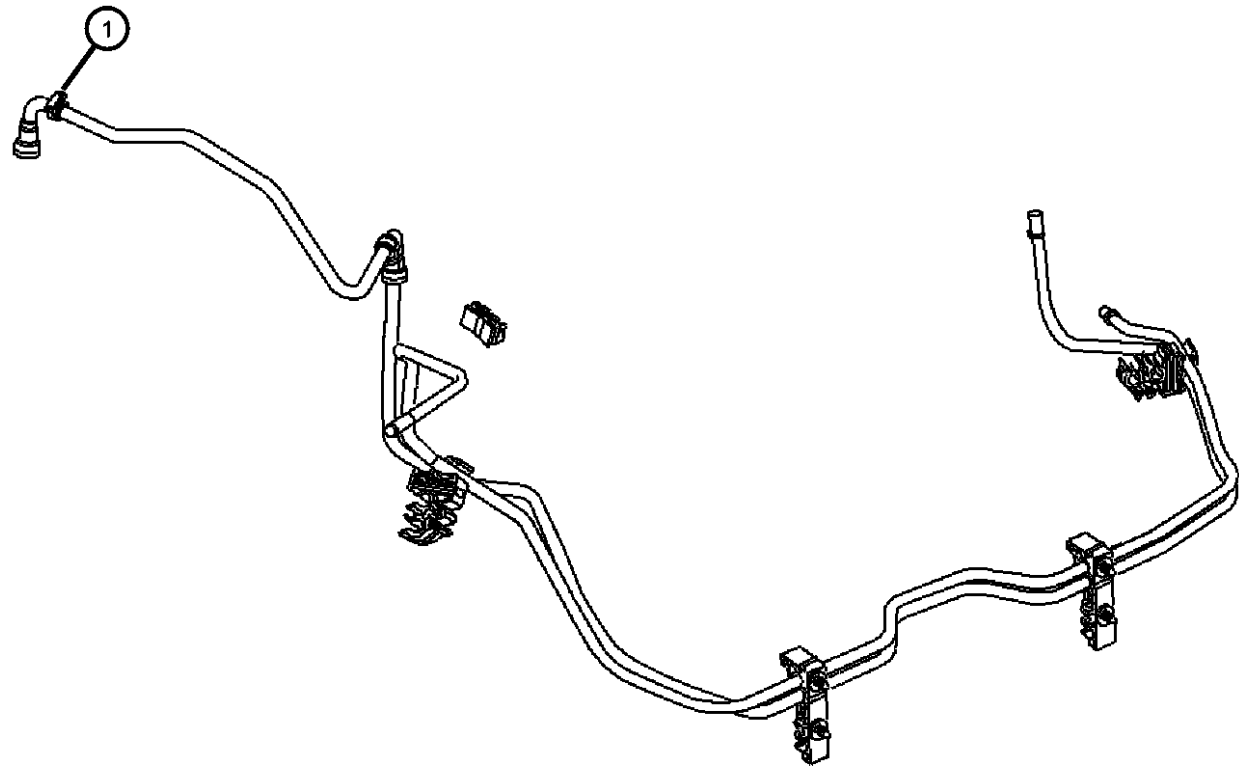
DG0 = All Automatic Transmissions
DGJ = Transmission - 5-Spd Auto, MB
DGQ = Transmission-5-Spd Automatic 5-45RFE

AR = use ase required - = Non illustrated part

2005 WK

Fuel Line Chassis Bundle 5.7L [EZ0]
Figure 14-340

ITEM	PART NUMBER	QTY	LINE	SERIES	BODY	ENGINE	TRANS	TRIM	DESCRIPTION
1	52124116AA	1	J			EZ0			BUNDLE, Fuel and Brake Tube



GRAND CHEROKEE (WK)

SERIES LINE
H = Laredo T = JEEP - 2WD
P = Limited J = JEEP - 4WD

BODY
74 = SPORT UTILITY 4-DOOR

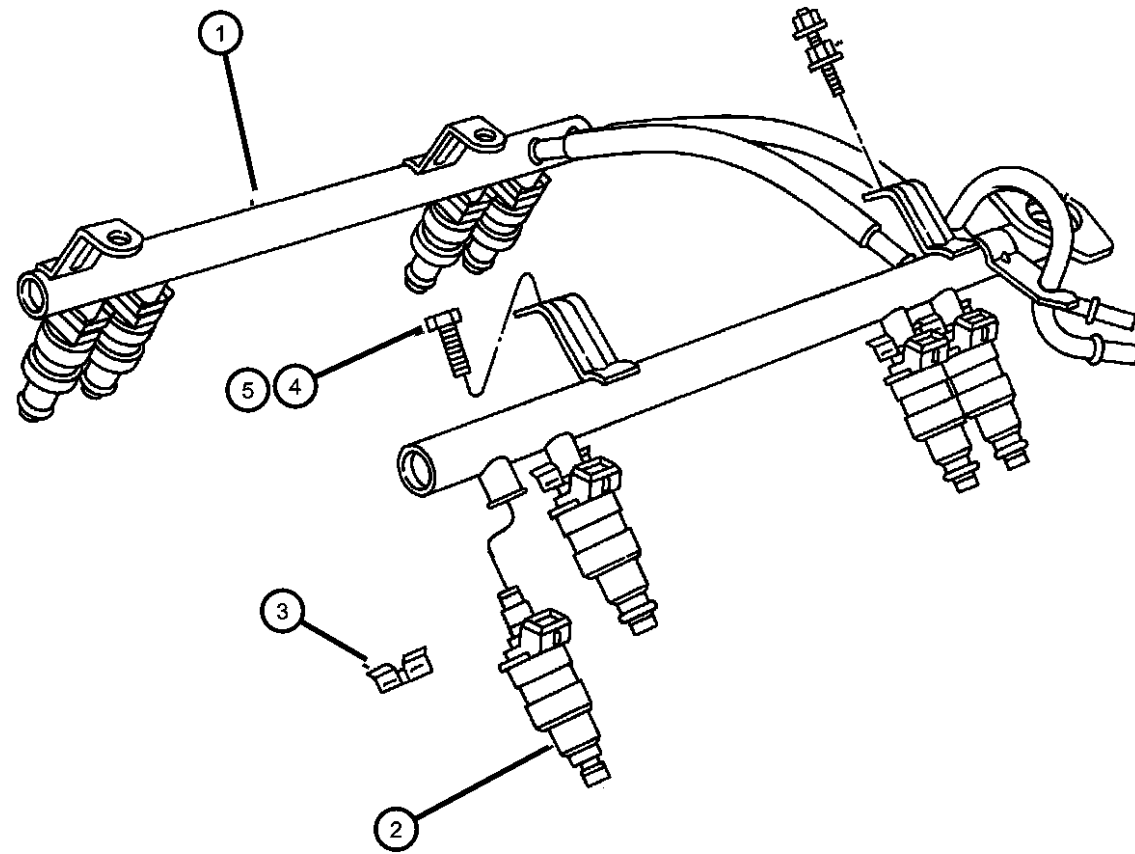
ENGINE
EKG = Engine - 3.7L V6
EVA = Engine- 4.7L V8 MPI
EZB = Engine-5.7L HEMI

TRANSMISSION
DG0 = All Automatic Transmissions
DGJ = Transmission - 5-Spd Auto, MB
DGQ = Transmission-5-Spd Automatic
5-45RFE

AR = use ase required - = Non illustrated part

2005 WK

Fuel Rail
Figure 14-410



ITEM	PART NUMBER	QTY	LINE	SERIES	BODY	ENGINE	TRANS	TRIM	DESCRIPTION
Note; Sales Codes [ER0]= All 4.0L, 6 Cylinder Gas Engines [EV0]= All 4.7L V-8 Gas Engines									
1									RAIL, Fuel
	04591853AE	1				EZ0			
	53031102AB	1				EK0			
	53032721AA	1				EV0			
2									INJECTOR, Fuel
	53032704AB	8				EV0			
	04591851AA	8				EZ0			
	53032701AA	6				EK0			
	68000881AA								Wholesale Bulk Injector Package - 70 pieces of 53032701AA
3									CLIP, Fuel Injector
	04418257AB	6				EK0			
		8				EZ0			
	53032722AA	8				EV0			
4	06501979	1					DG0		SCREW AND WASHER, Hex Head, M6x1x17
5	06505504AA	4				EV0			SCREW
-6									O RING KIT, Fuel Injector
	04897125AA	8				EV0			
		8				EZ0			

GRAND CHEROKEE (WK)

SERIES LINE
H = Laredo T = JEEP - 2WD
P = Limited J = JEEP - 4WD

BODY ENGINE
74 = SPORT UTILITY 4-DOOR EKG = Engine - 3.7L V6
EVA = Engine- 4.7L V8 MPI
EZB = Engine-5.7L HEMI

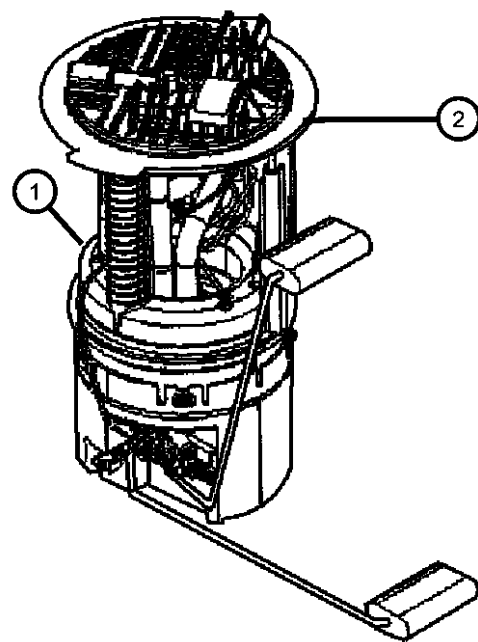
TRANSMISSION
DG0 = All Automatic Transmissions
DGJ = Transmission - 5-Spd Auto, MB
DGQ = Transmission-5-Spd Automatic
5-45RFE

AR = use ase required - = Non illustrated part

2005 WK

**Fuel Pump and Sending Unit,
Figure 14-510**

ITEM	PART NUMBER	QTY	LINE	SERIES	BODY	ENGINE	TRANS	TRIM	DESCRIPTION
1	05143579AB	1							MODULE KIT, Fuel Pump/Level Unit
2	52113610AB	1							SEAL, Fuel Pump and Level Unit
-3	05143578AA	1							LEVEL UNIT KIT, Fuel
-4	52110282AA	1							RING, Lock, Fuel Module
-5	05143791AA	1							TUBE, Fuel Vapor Recirculation



GRAND CHEROKEE (WK)

SERIES	LINE
H = Laredo	T = JEEP - 2WD
P = Limited	J = JEEP - 4WD

BODY

74 = SPORT UTILITY 4-DOOR

ENGINE

EKG = Engine - 3.7L V6
 EVA = Engine- 4.7L V8 MPI
 EZB = Engine-5.7L HEMI

TRANSMISSION

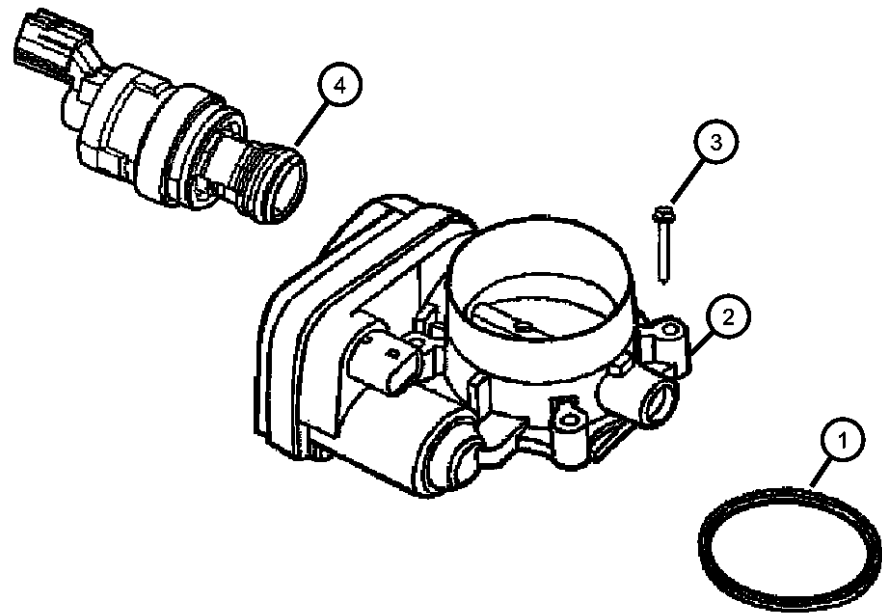
DG0 = All Automatic Transmissions
 DGJ = Transmission - 5-Spd Auto, MB
 DGQ = Transmission-5-Spd Automatic 5-45RFE

AR = use ase required - = Non illustrated part

2005 WK

Throttle Body
Figure 14-610

ITEM	PART NUMBER	QTY	LINE	SERIES	BODY	ENGINE	TRANS	TRIM	DESCRIPTION
1	05017478AA	1				EVO			GASKET, Throttle Body
2									THROTTLE BODY
	04591847AC	1				EZB			
	05114397AA	1				EVO			
	05139073AB	1				EK0			
3		1							SCREW, M6X1.00X40.00, (NOT SERVICED)
4									SOLENOID, Linear IACV
	04861552AC	1				EVO			
		1				EK0			
-5	83503642	1				EVO			O RING, Throttle Body
-6									SENSOR KIT, Throttle Position
	05017479AA	1				EVO			
	05019411AC	1				EK0			
-7									GASKET, Throttle Body To Intake
	53013292AB	1				EK0			
	53030952AB	1				EVO			
-8									O RING KIT, Linear Solenoid
	05114356AA	1				EVO			
		1				EK0			



GRAND CHEROKEE (WK)

SERIES LINE
H = Laredo T = JEEP - 2WD
P = Limited J = JEEP - 4WD

BODY ENGINE TRANSMISSION
74 = SPORT UTILITY 4-DOOR EKG = Engine - 3.7L V6
EVA = Engine- 4.7L V8 MPI
EZB = Engine-5.7L HEMI

DG0 = All Automatic Transmissions
DGJ = Transmission - 5-Spd Auto, MB
DGQ = Transmission-5-Spd Automatic 5-45RFE

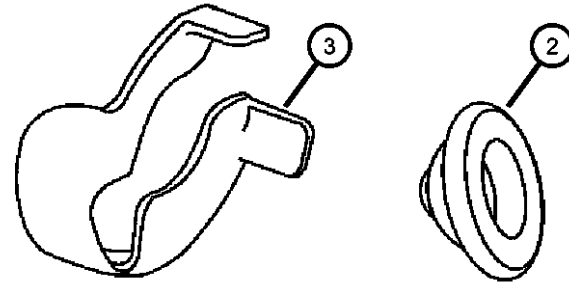
AR = use ase required - = Non illustrated part

2005 WK

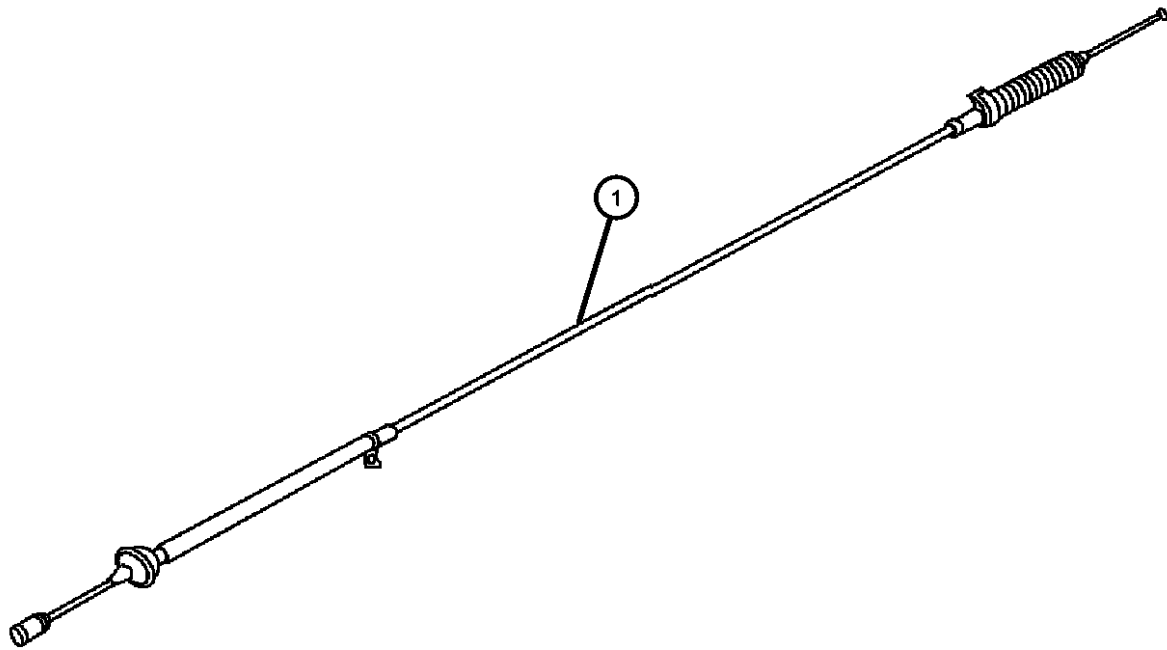
Throttle Controls
Figure 14-720

ITEM	PART NUMBER	QTY	LINE	SERIES	BODY	ENGINE	TRANS	TRIM	DESCRIPTION
------	-------------	-----	------	--------	------	--------	-------	------	-------------

Note; Sales Codes
[EVA]= Next Generation 4.7L Magnum Engines
[EVC]= 4.7L Power Tech High Output V-8
[EVO]= All 4.7L Gas Engines



1	52109653AD	1				EK0, EVO			CABLE, Accelerator
2	04674441	1				EZ0			PLUG, Body, .75 Diameter
3	05214613	1				EK0, EVO			CLIP, Cable



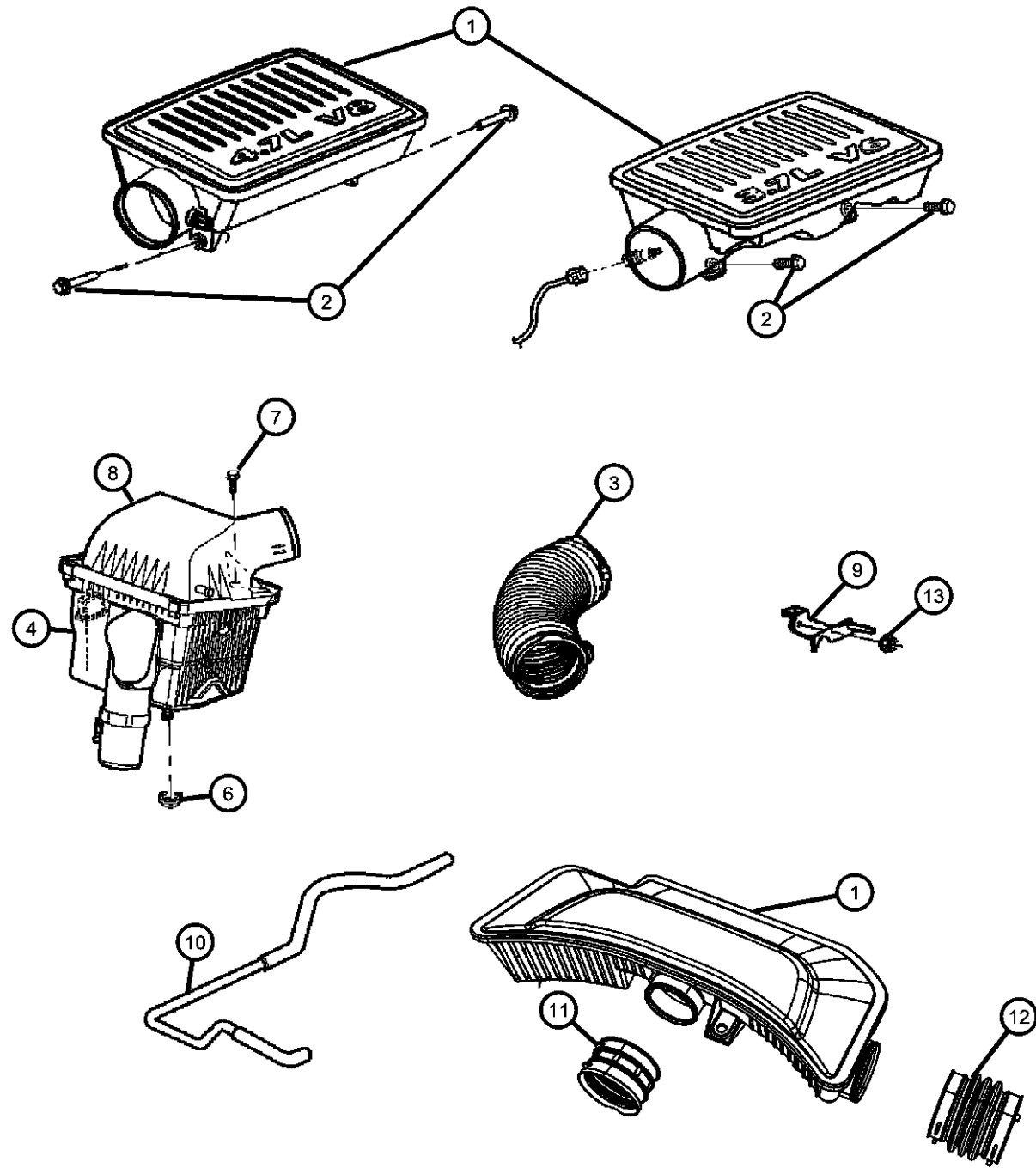
GRAND CHEROKEE (WK)

SERIES	LINE	BODY	ENGINE	TRANSMISSION
H = Laredo	T = JEEP - 2WD	74 = SPORT UTILITY 4-DOOR	EKG = Engine - 3.7L V6	DG0 = All Automatic Transmissions
P = Limited	J = JEEP - 4WD		EVA = Engine- 4.7L V8 MPI	DGJ = Transmission - 5-Spd Auto, MB
			EZB = Engine-5.7L HEMI	DGQ = Transmission-5-Spd Automatic 5-45RFE

AR = use ase required - = Non illustrated part

2005 WK

**Air Cleaner
Figure 14-820**



ITEM	PART NUMBER	QTY	LINE	SERIES	BODY	ENGINE	TRANS	TRIM	DESCRIPTION
1	53013517AD	1				EZB			RESONATOR, Air Cleaner
	53013521AB	1				EK0			Air cleaner hose serviced with resonator
	53013588AB	1				EVA			
2	06101769	2				EVO			SCREW, Hex Head, M6x1x35
3	53013522AC	1				EK0, EVO			HOSE, Clean Air
4	05159169AA	1				EK0, EVO			BODY, Air Cleaner
		1				EZO			
-5	05018777AB	1				EZO			FILTER, Air
	VMWK30K1AA								Mopar HEMI 5.7L Maintenance Kit 30,000 Mile (Air/Oil Filters, Plugs, PCV)
	VMWK60K1AA								Mopar HEMI 5.7L Maintenance Kit 60,000 Mile (Air/Oil Filters, Plugs, PCV, Drive Belt, LX Cabin Filter)
		1				EK0, EVO			
	VMWK30K1AA								Mopar HEMI 5.7L Maintenance Kit 30,000 Mile (Air/Oil Filters, Plugs, PCV)
	VMWK60K1AA								Mopar HEMI 5.7L Maintenance Kit 60,000 Mile (Air/Oil Filters, Plugs, PCV, Drive Belt, LX Cabin Filter)
6	53013357AA	1							GROMMET, Air Cleaner
7	06505846AA	1							BOLT, Hex Flange Head
8	05143968AA	1				EK0, EVO			COVER, Air Cleaner
	05143969AA	1				EZO			
9	53013774AB	1				EZB			BRACKET, Resonator
10	53013759AB	1				EZB			HOSE, Make Up Air
11	68057659AA	1				EZB			COUPLER
12	68057654AA	1				EZB			COUPLER
13	06104717AA	2				EVO, EZO			NUT, Hex Flange Lock, M10x1.50

GRAND CHEROKEE (WK)

SERIES LINE
H = Laredo T = JEEP - 2WD
P = Limited J = JEEP - 4WD

BODY ENGINE TRANSMISSION
74 = SPORT UTILITY 4-DOOR EKG = Engine - 3.7L V6
EVA = Engine- 4.7L V8 MPI
EZB = Engine-5.7L HEMI

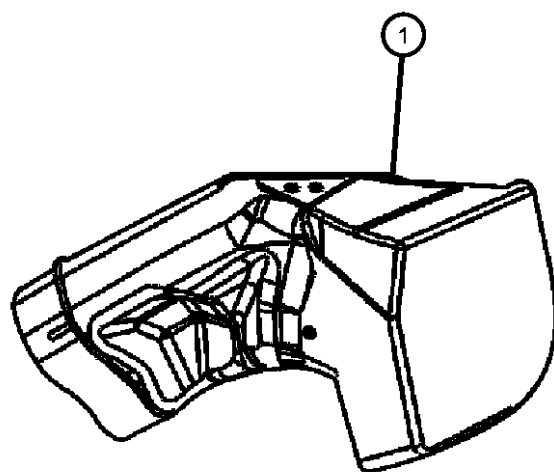
DG0 = All Automatic Transmissions
DGJ = Transmission - 5-Spd Auto, MB
DGQ = Transmission-5-Spd Automatic 5-45RFE

AR = use ase required - = Non illustrated part

2005 WK

**Air Intake System
Figure 14-910**

ITEM	PART NUMBER	QTY	LINE	SERIES	BODY	ENGINE	TRANS	TRIM	DESCRIPTION
1	53013730AB	1							DUCT, Ambient Air



GRAND CHEROKEE (WK)

SERIES	LINE
H = Laredo	T = JEEP - 2WD
P = Limited	J = JEEP - 4WD

BODY
74 = SPORT UTILITY 4-DOOR

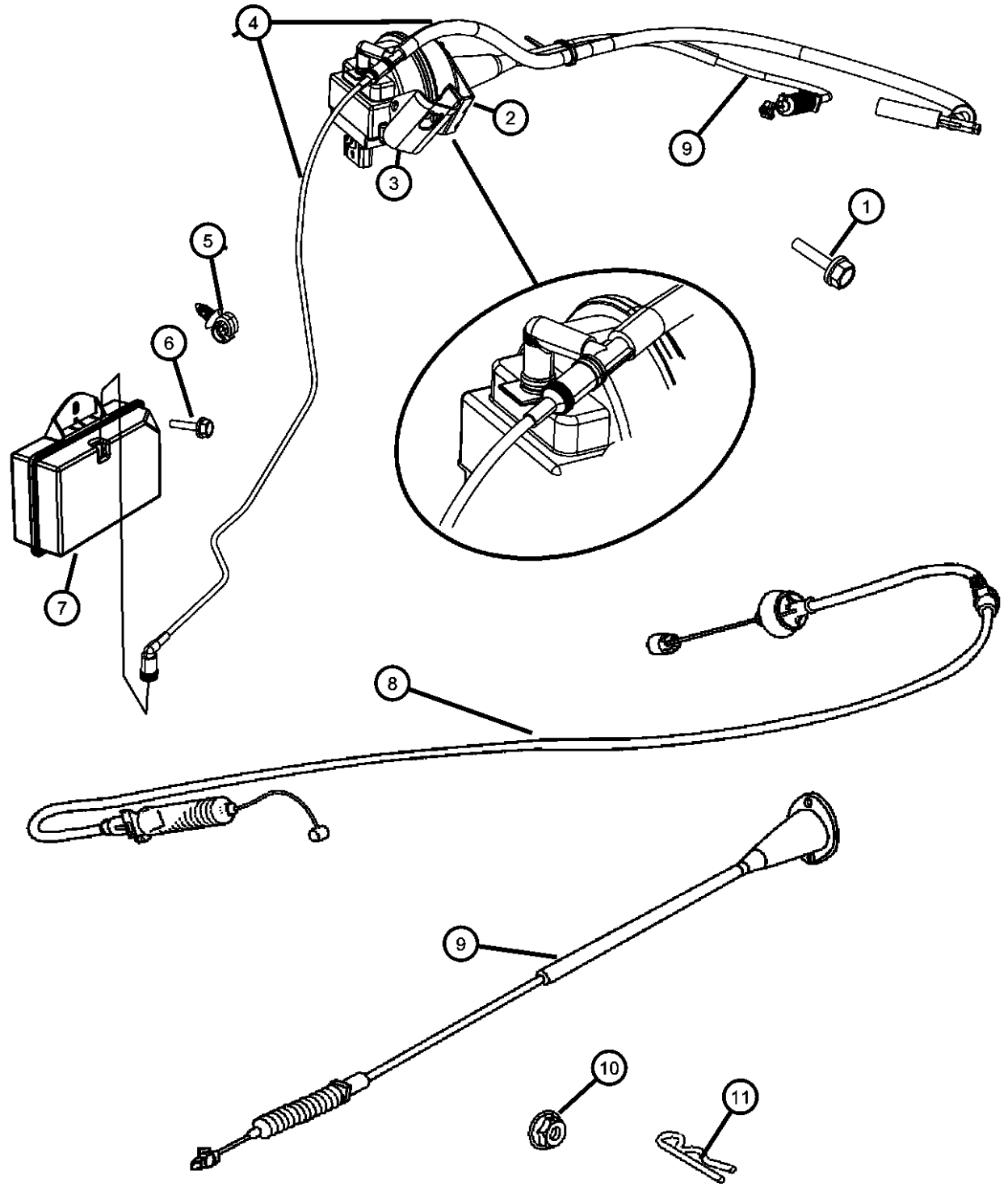
ENGINE
EKG = Engine - 3.7L V6
EVA = Engine- 4.7L V8 MPI
EZB = Engine-5.7L HEMI

TRANSMISSION
DG0 = All Automatic Transmissions
DGJ = Transmission - 5-Spd Auto, MB
DGQ = Transmission-5-Spd Automatic 5-45RFE

AR = use ase required - = Non illustrated part

2005 WK

**Speed Control
Figure 14-1010**



ITEM	PART NUMBER	QTY	LINE	SERIES	BODY	ENGINE	TRANS	TRIM	DESCRIPTION
1	06104382AA	1				EK0, EVO			SCREW AND CONED WASHER, Hex Head, M6x1x60
2	04669979	1				EK0, EVO			SERVO, Speed Control
3	52124035AB	1				EK0, EVO			BRACKET, Speed Control Servo
4	52124088AA	1				EK0, EVO			HARNESS, Speed Control Vacuum
5	06506087AA	1				EK0, EVO			CLIP, Tube
6		1							SCREW, M5.28X1.81X15.0, (NOT SERVICED)
7	52090376AB	1				EK0, EVO			RESERVOIR, Speed Control Vacuum
8	52109653AD	1				EK0, EVO			CABLE, Accelerator
9	52109775AC	1				EK0, EVO			CABLE, Speed Control
10	06502493	2				EK0, EVO			NUT, Hex Flange Serration, M6x1
11	06025867	1				EK0, EVO			CLIP, Cable to Servo Attach

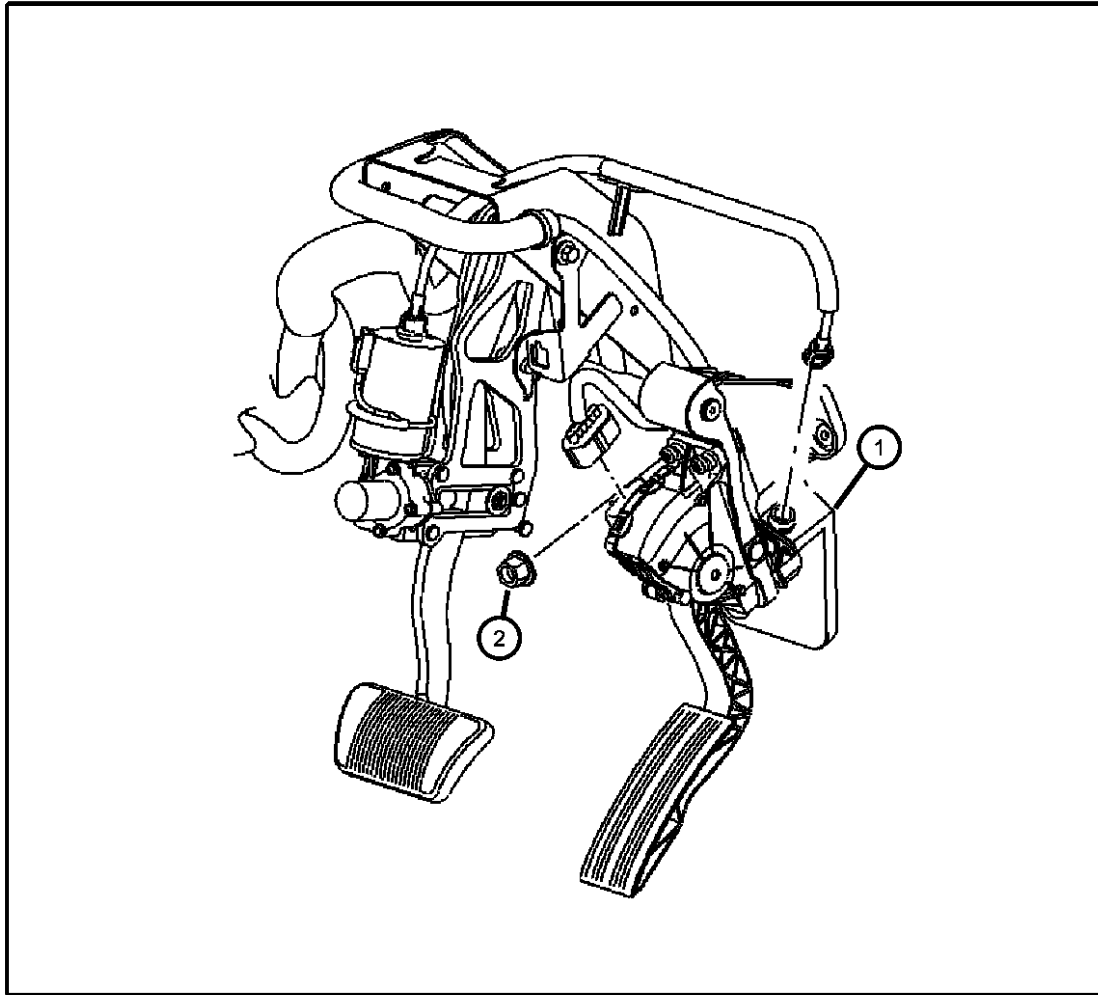
GRAND CHEROKEE (WK)

SERIES	LINE	BODY	ENGINE	TRANSMISSION
H = Laredo	T = JEEP - 2WD	74 = SPORT UTILITY 4-DOOR	EKG = Engine - 3.7L V6	DG0 = All Automatic Transmissions
P = Limited	J = JEEP - 4WD		EVA = Engine- 4.7L V8 MPI	DGJ = Transmission - 5-Spd Auto, MB
			EZB = Engine-5.7L HEMI	DGQ = Transmission-5-Spd Automatic 5-45RFE

AR = use ase required - = Non illustrated part

**Pedal Brake, Power Adjustable
Figure 14-1110**

ITEM	PART NUMBER	QTY	LINE	SERIES	BODY	ENGINE	TRANS	TRIM	DESCRIPTION
1									PEDAL, Accelerator
	52109654AB	1				EK0, EV0			Non Adjustable
	52109683AB	1				EZ0			Non Adjustable
	52109759AB	1				EK0, EV0			Power Adjustable
	52109760AB	1				EZ0			Power Adjustable
2	06502726	2							NUT



GRAND CHEROKEE (WK)

SERIES	LINE
H = Laredo	T = JEEP - 2WD
P = Limited	J = JEEP - 4WD

BODY

74 = SPORT UTILITY 4-DOOR

ENGINE

EKG = Engine - 3.7L V6
EVA = Engine- 4.7L V8 MPI
EZB = Engine-5.7L HEMI

TRANSMISSION

DG0 = All Automatic Transmissions
DGJ = Transmission - 5-Spd Auto, MB
DGQ = Transmission-5-Spd Automatic 5-45RFE

AR = use ase required - = Non illustrated part

2005 WK

Group - 16

Propeller Shafts and U-Joints

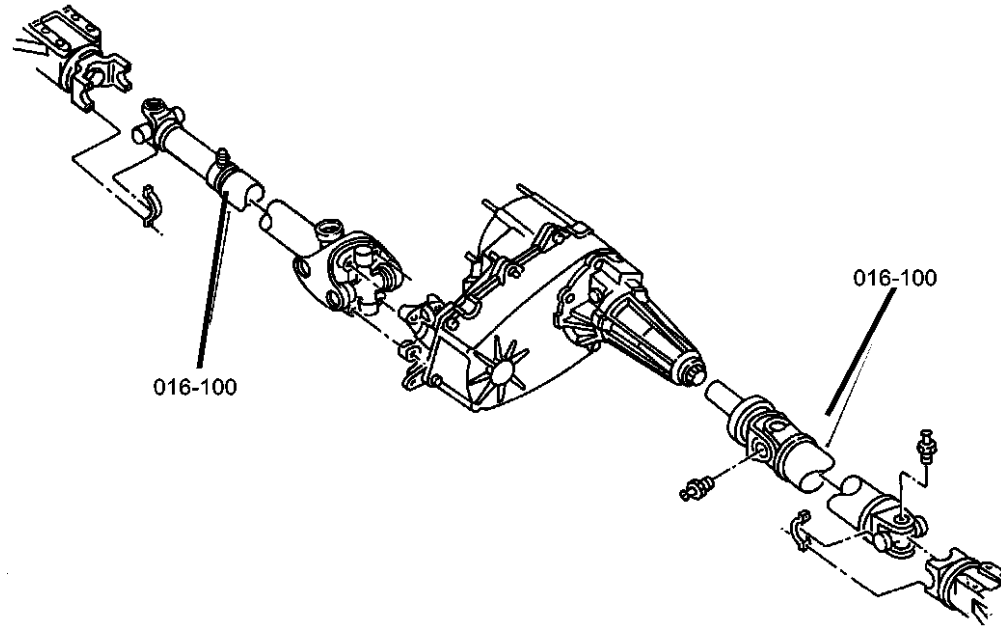
Group - 16 Propeller Shafts and U-Joints

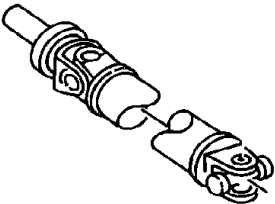
Group-Fig. No.

Illustration Title

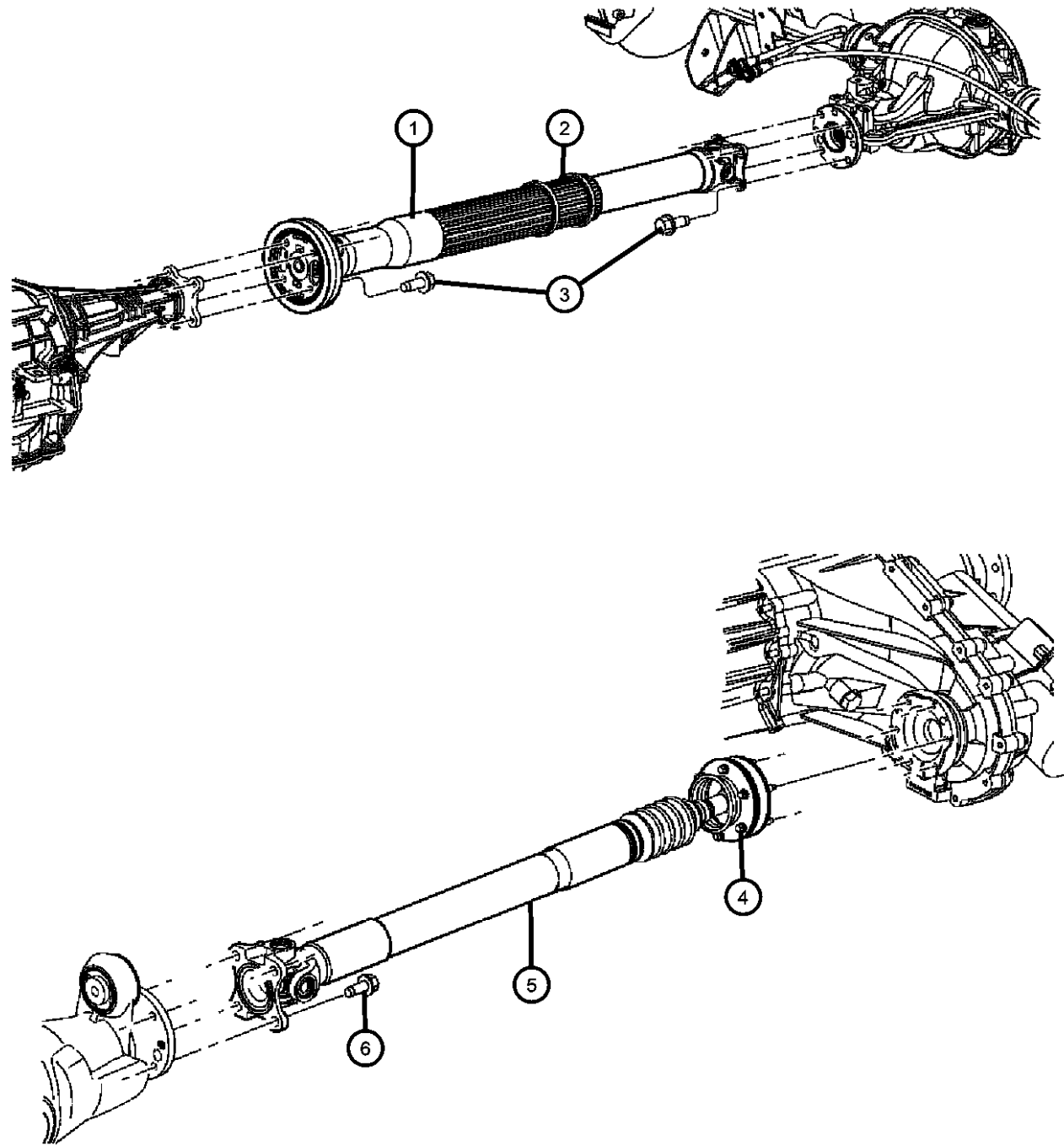
Propeller Shaft

Propeller Shafts, Front and Rear Fig. 16 - 110



<p>016-100 Propeller Shaft</p> 			
--	--	--	--

**Propeller Shafts,Front and Rear
Figure 16-110**



ITEM	PART NUMBER	QTY	LINE	SERIES	BODY	ENGINE	TRANS	TRIM	DESCRIPTION
------	-------------	-----	------	--------	------	--------	-------	------	-------------

Note:Sales Codes;
 [EKG]=Engine - "MAGNUM" 3.7L V6
 [EV0]=Engines - All 4.7L Gas
 [EZ0]=Engines - All 5.7L 8Cylinder Gas
 [DGJ]=Transmission - 5-Speed Automatic W5A580
 [DGQ]=Transmission - 5-Speed Automatic 5-45RF
 [DG0]=Transmissions - All Automatic

1									SHAFT, Drive, Rear 1-Piece
	52853004AD	1	T			EKG	DGJ		
	52853006AD	1	J			EKG	DGJ		
	52105726AD	1	T			EV0	DG0		
	52105760AD	1	J			EV0, EZ0	DGQ		
2		1							BOOT KIT, Drive Shaft, (NOT SERVICED)
3	06506497AA	8							BOLT, Hex Head, M12, Rear Drive Shaft to Rear Axle and Transfer Case, Mounting
4									BOLT AND WASHER
	05015109AA	3	J			EV0, EZ0	DGQ		Front Drive Shaft to Transfer Case, Mounting
		3	J			EK0	DG0		Front Drive Shaft to Transfer Case, Mounting
5									SHAFT, Drive, Front
	52105728AC	1	J			EV0, EZ0	DGQ		
	52105758AC	1	J			EK0	DG0		
6	06506497AA	4	J						BOLT, Hex Head, M12, Front Drive Shaft to Front Axle, Mounting

GRAND CHEROKEE (WK)

SERIES	LINE
H = Laredo	T = JEEP - 2WD
P = Limited	J = JEEP - 4WD

BODY	ENGINE
74 = SPORT UTILITY 4-DOOR	EKG = Engine - 3.7L V6
	EVA = Engine- 4.7L V8 MPI
	EZB = Engine-5.7L HEMI

TRANSMISSION
DG0 = All Automatic Transmissions
DGJ = Transmission - 5-Spd Auto, MB
DGQ = Transmission-5-Spd Automatic 5-45RFE

AR = use ase required - = Non illustrated part

2005 WK

Group - 17

Rear Suspension

Group - 17 Rear Suspension

Group-Fig. No.

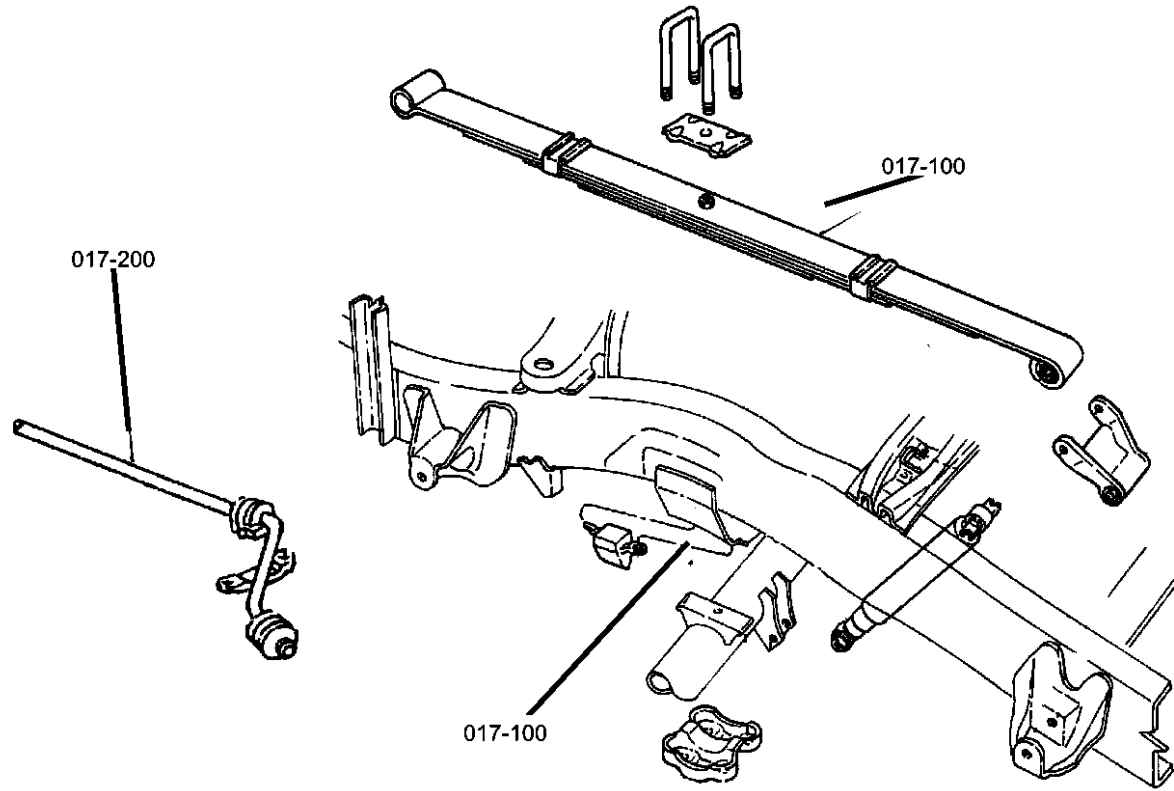
Illustration Title

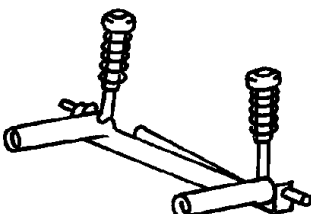
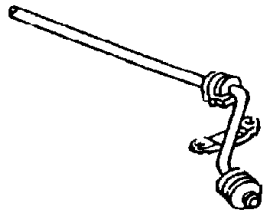
Rear Suspension

Rear Coil Springs Control Arms And Shocks Fig. 17 - 110
 Rear Suspension Cradle and Track Bar Fig. 17 - 120

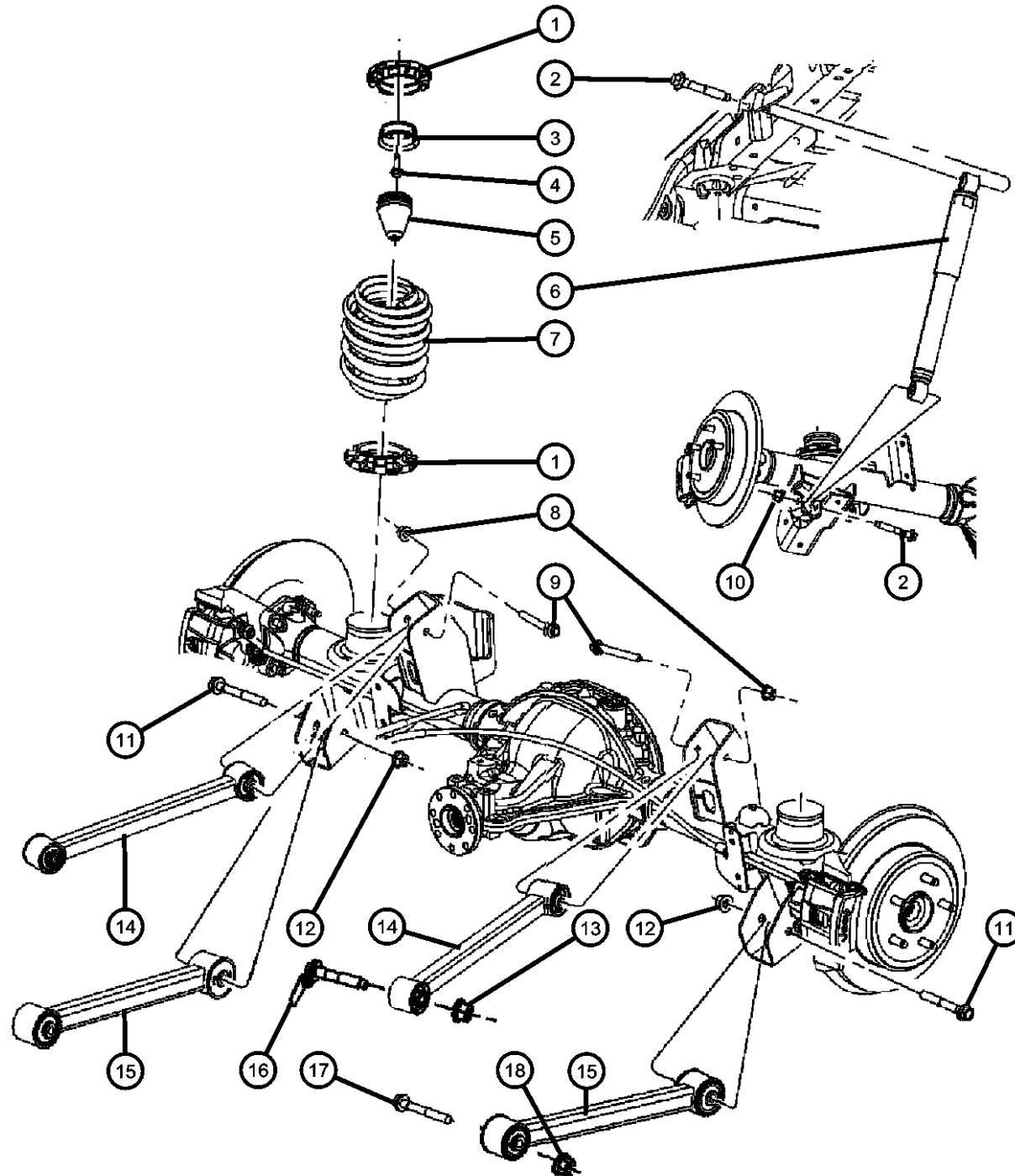
Rear Stabilizer

Rear Stabilizer Bar Fig. 17 - 210



<p>017-100 Rear Suspension</p> 	<p>017-200 Rear Stabilizer</p> 		
--	---	--	--

Rear Coil Springs Control Arms And Shocks
Figure 17-110



ITEM	PART NUMBER	QTY	LINE	SERIES	BODY	ENGINE	TRANS	TRIM	DESCRIPTION
1	52089341AC	2							ISOLATOR, Spring Lower
		2							Upper
2	06506147AA	2							SCREW, Hex Flange Head, M12x1.75x80 Rear Shock To Body, Mounting
		2							Rear Shock To Axle, Mounting
3	52089977AA	2							CUP, Jounce BumperMounting
4	06101838	2							SCREW, Hex Head, Jounce Bumper to Rail, Mounting
5	52089343AA	2							BUMPER, Jounce
6									SHOCK ABSORBER, Suspension, Rear
	52089751AD	2				EK0			
	52089752AD	2				EV0, EZ0			
7									SPRING, Suspension, Rear
	52089818AC	1							[ZHT,ZWT]
	52089819AC	1							[ZHU,ZWU]
	52089820AC	1							[ZHV,ZWV]
	52089821AC	1							[ZHW,ZWW]
	52089823AC	1							[ZHY,ZWY]
	52090248AC	1							[ZHR,ZWR]
	52090249AC	1							[ZHZ,ZWZ]
	52124016AC	1							[ZJR,ZXR]
8	06502697	2							NUT, Hex Flange Lock, M12x1.75, UCA to Axle, Mounting
9	06502725	2							BOLT, Hex Flange, M12x1.75x90, UCA to Axle, Mounting
10		2							NUT, Purchase Axle Assembly, (NOT SERVICED)
11	06507620AA	2							SCREW, LCA to Axle, Mounting
12	06502698	2							NUT, Hex Flange Lock, LCA to Axle, Mounting
13	06502697	1							NUT, Hex Flange Lock, M12x1.75, UCA to Body Mounting, Right or Left
14	52089629AB	2							ARM, Upper Control, RearRight or Left
15	52089630AB	2							ARM, Lower Control, RearRight or Left
16	06508216AA	1							SCREW, UCA to Body Mounting, Right or Left

GRAND CHEROKEE (WK)

SERIES LINE
H = Laredo T = JEEP - 2WD
P = Limited J = JEEP - 4WD

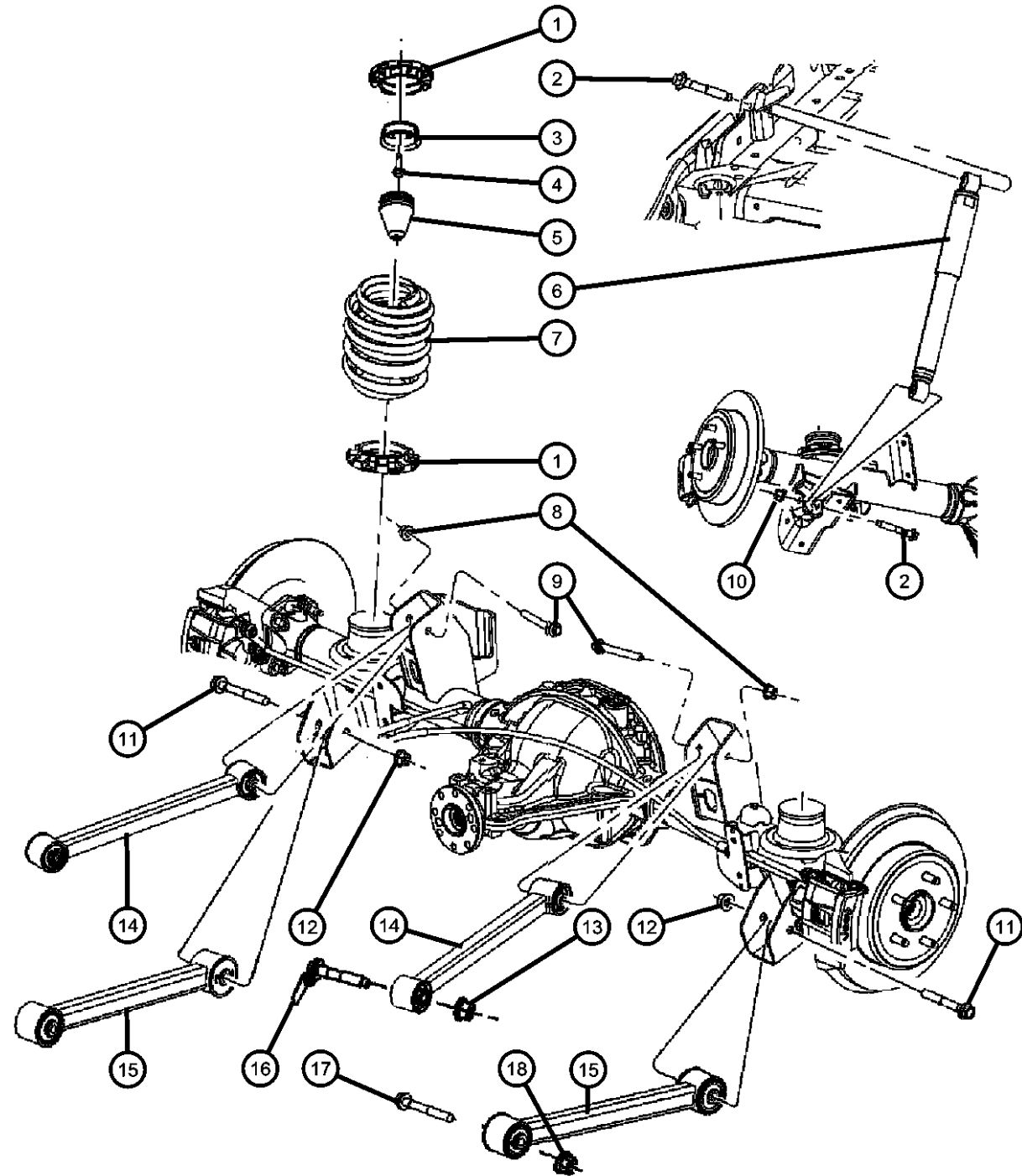
BODY
74 = SPORT UTILITY 4-DOOR
ENGINE
EKG = Engine - 3.7L V6
EVA = Engine- 4.7L V8 MPI
EZB = Engine-5.7L HEMI

TRANSMISSION
DG0 = All Automatic Transmissions
DGJ = Transmission - 5-Spd Auto, MB
DGQ = Transmission-5-Spd Automatic
5-45RFE

AR = use ase required - = Non illustrated part

2005 WK

Rear Coil Springs Control Arms And Shocks
Figure 17-110



ITEM	PART NUMBER	QTY	LINE	SERIES	BODY	ENGINE	TRANS	TRIM	DESCRIPTION
------	-------------	-----	------	--------	------	--------	-------	------	-------------

17	06507971AA	2							SCREW, LCA to Body, Mounting
18	06502698	2							NUT, Hex Flange Lock, LCA to Body

SCREW, LCA to Body, Mounting
NUT, Hex Flange Lock, LCA to Body

GRAND CHEROKEE (WK)

SERIES	LINE
H = Laredo	T = JEEP - 2WD
P = Limited	J = JEEP - 4WD

BODY

74 = SPORT UTILITY 4-DOOR

ENGINE

EKG = Engine - 3.7L V6
EVA = Engine- 4.7L V8 MPI
EZB = Engine-5.7L HEMI

TRANSMISSION

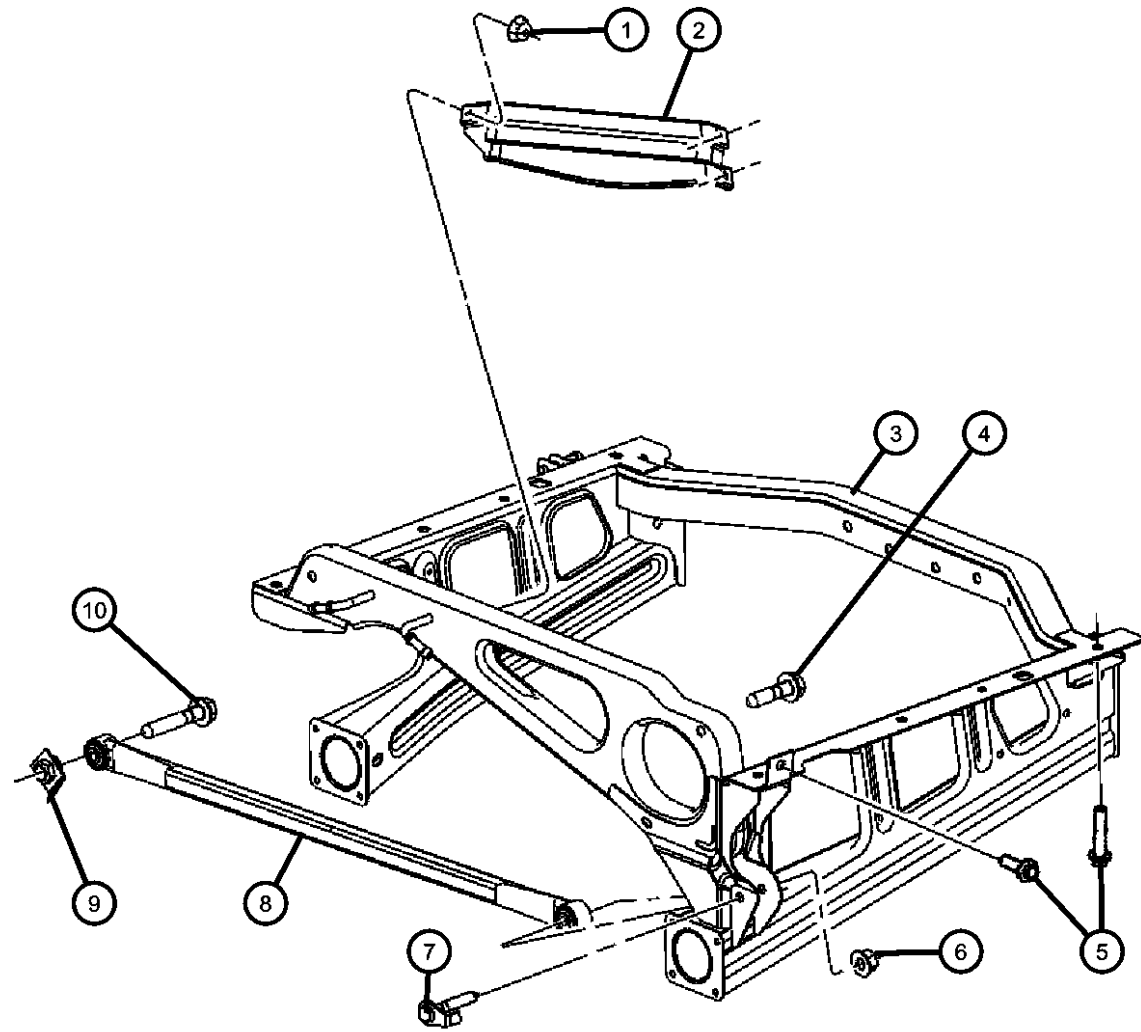
DG0 = All Automatic Transmissions
DGJ = Transmission - 5-Spd Auto, MB
DGQ = Transmission-5-Spd Automatic 5-45RFE

AR = use ase required - = Non illustrated part

2005 WK

**Rear Suspension Cradle and Track Bar
Figure 17-120**

ITEM	PART NUMBER	QTY	LINE	SERIES	BODY	ENGINE	TRANS	TRIM	DESCRIPTION
1	06505199AA	3							NUT, Spare Tire Heat Shield to Rear Suspension Cradle, Mounting
2	52090420AD	1							SHIELD, Spare Tire, Heat
3	52090278AF	1							CRADLE, Rear Suspension
4	06507231AA	2							SCREW, Rear Suspension Cradle to Rail Brackets, Mounting
5	06508267AA	9							BOLT, Rear Suspension Cradle to Rails, Mounting
6	06502698	1							NUT, Hex Flange Lock, Track Bar to Body, Mounting
7	06508079AA	1							BOLT, Track Bar to Body, Mounting
8	52089605AD	1							TRACK BAR, Rear
9	06508132AA	1							NUT AND RETAINER, Hex Flange Locking, M14 x 2.00, Track Bar to Axle, Mounting
10	06502818	1							BOLT, Hex Flange Head, M14x2.00x80.00, Track Bar to Axle, Mounting



GRAND CHEROKEE (WK)

SERIES LINE
H = Laredo T = JEEP - 2WD
P = Limited J = JEEP - 4WD

BODY
74 = SPORT UTILITY 4-DOOR

ENGINE
EKG = Engine - 3.7L V6
EVA = Engine- 4.7L V8 MPI
EZB = Engine-5.7L HEMI

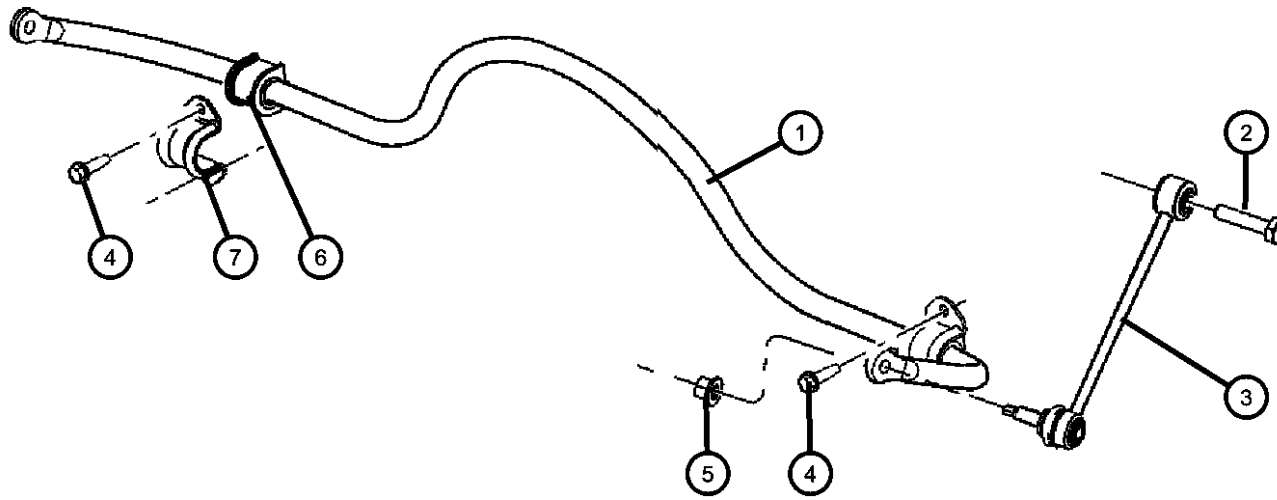
TRANSMISSION
DG0 = All Automatic Transmissions
DGJ = Transmission - 5-Spd Auto, MB
DGQ = Transmission-5-Spd Automatic 5-45RFE

AR = use ase required - = Non illustrated part

2005 WK

**Rear Stabilizer Bar
Figure 17-210**

ITEM	PART NUMBER	QTY	LINE	SERIES	BODY	ENGINE	TRANS	TRIM	DESCRIPTION
1	52089484AC	1							STABILIZER BAR, Rear Suspension
2	06101984	2							BOLT, Sway Bar Link to Sill Bracket, Mounting
3	52089486AC	2							LINK, Sway Eliminator
4	06504010	4							SCREW AND WASHER, Hex Head, M10x1.50x35, Sway Bar Retainer to Axle, Mounting
5	06502835	2							NUT, Hex Flange, M12x1.75, End Link to Sway Bar, Mounting
6	52089485AB	2							BUSHING, Stabilizer Bar
7	52090271AA	2							RETAINER, Stabilizer Bar Grommet, Bushing



GRAND CHEROKEE (WK)

SERIES	LINE
H = Laredo	T = JEEP - 2WD
P = Limited	J = JEEP - 4WD

BODY

74 = SPORT UTILITY 4-DOOR

ENGINE

EKG = Engine - 3.7L V6
EVA = Engine- 4.7L V8 MPI
EZB = Engine-5.7L HEMI

TRANSMISSION

DG0 = All Automatic Transmissions
DGJ = Transmission - 5-Spd Auto, MB
DGQ = Transmission-5-Spd Automatic 5-45RFE

AR = use ase required - = Non illustrated part

2005 WK

Group - 19

Steering

Group - 19 Steering

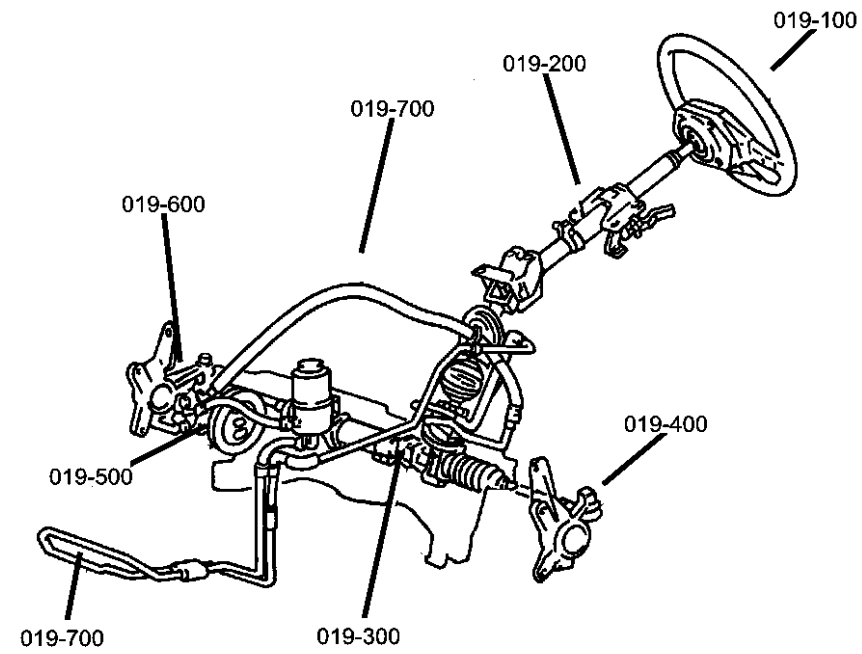


Illustration Title

Group-Fig. No.

Steering Wheel

Steering Wheel Assembly Fig. 19 - 110

Steering Column

Steering Column Assy Fig. 19 - 210

Steering Gear

Gear Rack & Pinion Power Steering Fig. 19 - 310

Steering Linkage

Steering Linkage Fig. 19 - 410

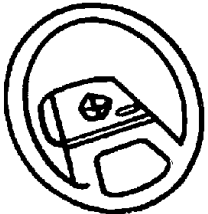
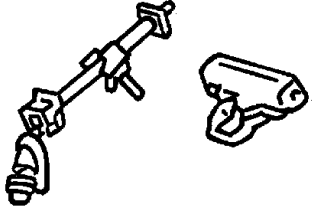
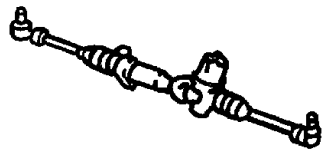
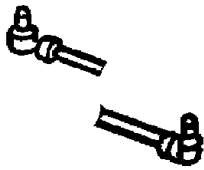
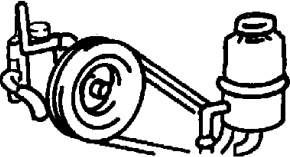
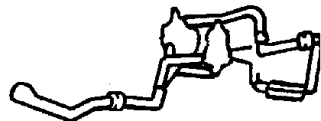
Power Steering Pump

Power Steering Pump Fig. 19 - 510

Power Steering Hoses

Power Steering Hose 3.7L [EK0] 4.7L [EV0] Fig. 19 - 710

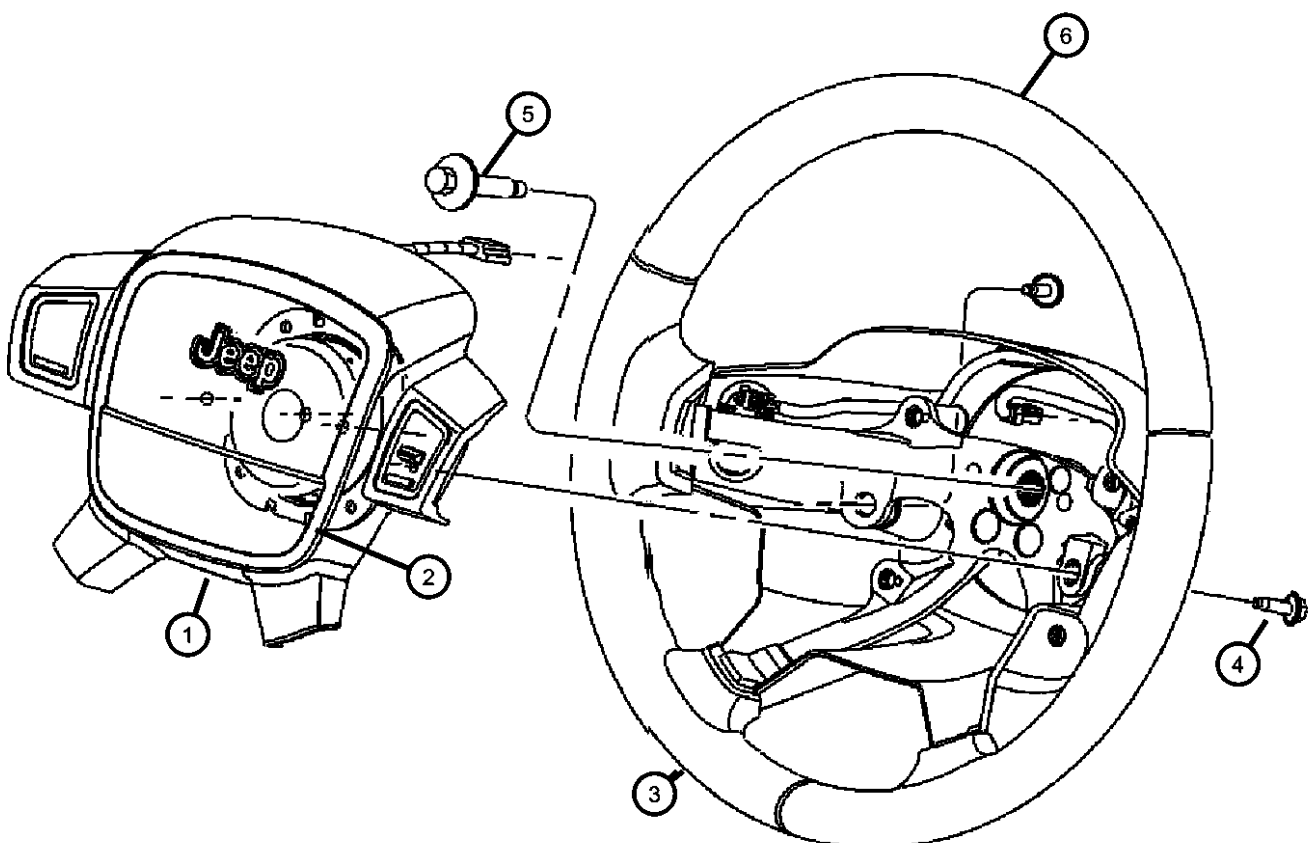
Power Steering Hose 5.7L [EZ0] Fig. 19 - 720

<p>019-100 Steering Wheel</p> 	<p>019-200 Steering Column</p> 	<p>019-300 Steering Gear</p> 	<p>019-400 Steering Linkage</p> 
<p>019-500 Power Steering Pump</p> 	<p>019-700 Power Steering Hoses</p> 		

**Steering Wheel Assembly
Figure 19-110**

ITEM	PART NUMBER	QTY	LINE	SERIES	BODY	ENGINE	TRANS	TRIM	DESCRIPTION
------	-------------	-----	------	--------	------	--------	-------	------	-------------

Note: Sales Codes;
 [DG0]=Transmissions - All Automatic
 [GXX]=Sentry Key Theft Deterrent System
 [SCA]=Steering Wheel
 [SCL]=Steering Wheel - Leather Wrapped
 [SCW]=Steering Wheel - Wood/Leather Wrapped



1									AIR BAG, Driver Next Generation
	5JJ281D1AC	1							Use up to 11/29/04 Advanced
	5JJ281D5AC	1							Advanced Next Generation
	5JJ281J3AC	1							Use after 11/29/04
	5JJ281D1AD	1							
2									COVER, Air Bag Module Next Generation
	1BH821D1AA	1							Advanced
	1BH821D5AA	1							
	1BH821J3AA	1							
3									WHEEL, Steering Slate Gray
	5HM76BD5AB	1							Khaki
	5HM76ZJ3AB	1							
4	06507294AA	2							SCREW, Air Bag Module to Steering Wheel
5	06505656AA	1							SCREW, Hex Flange Head, M10x1.5x35.
6	1AQ661D1AC	1							WHEEL, Steering, Leather

GRAND CHEROKEE (WK)

SERIES	LINE
H = Laredo	T = JEEP - 2WD
P = Limited	J = JEEP - 4WD

BODY	ENGINE
74 = SPORT UTILITY 4-DOOR	EKG = Engine - 3.7L V6
	EVA = Engine- 4.7L V8 MPI
	EZB = Engine-5.7L HEMI

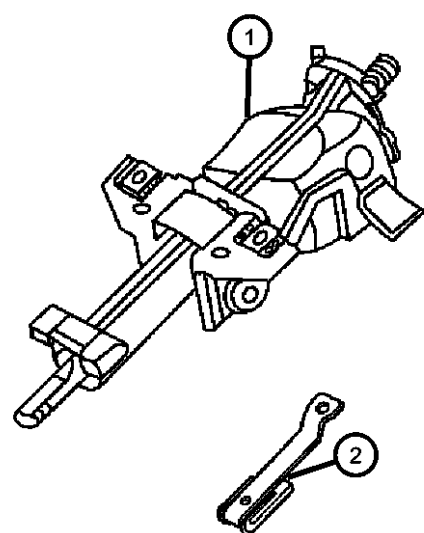
TRANSMISSION
DG0 = All Automatic Transmissions
DGJ = Transmission - 5-Spd Auto, MB
DGQ = Transmission-5-Spd Automatic 5-45RFE

AR = use ase required - = Non illustrated part

2005 WK

**Steering Column Assy
Figure 19-210**

ITEM	PART NUMBER	QTY	LINE	SERIES	BODY	ENGINE	TRANS	TRIM	DESCRIPTION
1	05057151AD	1							COLUMN, Steering, Tilt
2	55315087AB	1							BRACKET, Steering Column
-3	06506367AA	1							SCREW, M8-1.25
-4	06504030	1							NUT AND WASHER, Hex, M6x1
-5									SHROUD, Steering Column
	5KB11BD1AD	1							Lt. Graystone
	5KB11BD5AD	1							Med. Slate Gray
	5KB11ZJ3AD	1							Med. Khaki
-6	06508179AA	1							SCREW, Steering Column, Steering Column to IP Pivot



GRAND CHEROKEE (WK)

SERIES LINE
H = Laredo T = JEEP - 2WD
P = Limited J = JEEP - 4WD

BODY

74 = SPORT UTILITY 4-DOOR

ENGINE

EKG = Engine - 3.7L V6
EVA = Engine- 4.7L V8 MPI
EZB = Engine-5.7L HEMI

TRANSMISSION

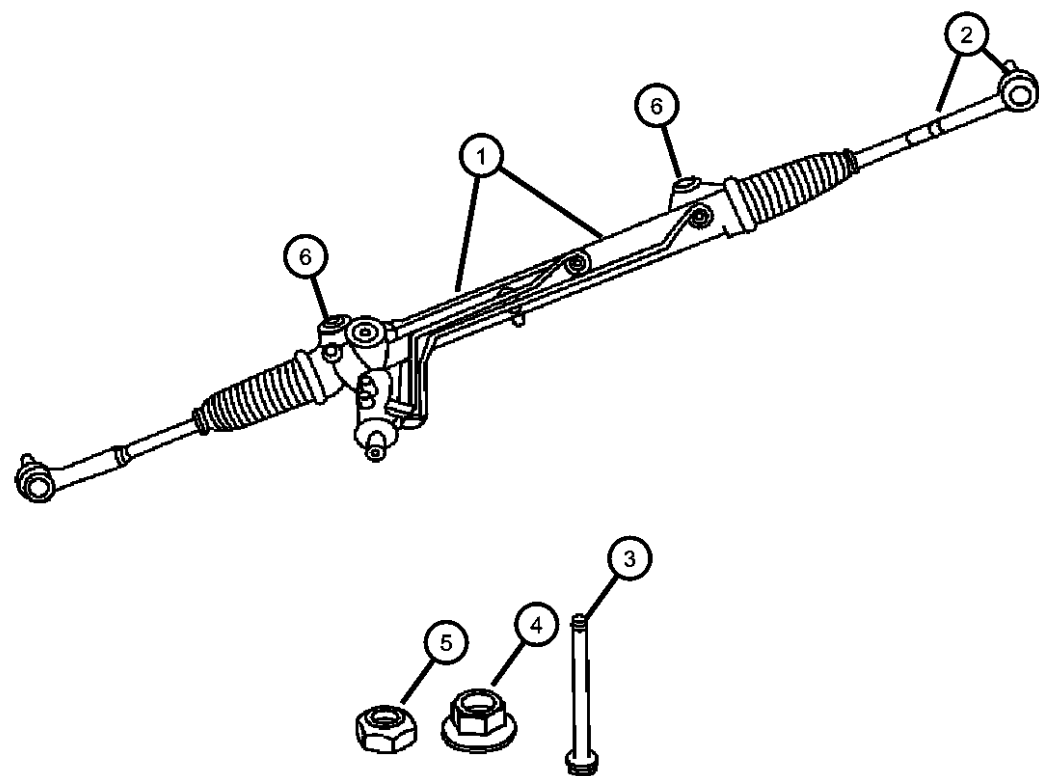
DG0 = All Automatic Transmissions
DGJ = Transmission - 5-Spd Auto, MB
DGQ = Transmission-5-Spd Automatic
5-45RFE

AR = use ase required - = Non illustrated part

2005 WK

**Gear Rack & Pinion Power Steering
Figure 19-310**

ITEM	PART NUMBER	QTY	LINE	SERIES	BODY	ENGINE	TRANS	TRIM	DESCRIPTION
1	52089292AB	1							GEAR, Power Steering
2									END PACKAGE, Tie Rod
	05143555AA	1							Left
	05143556AA	1							Right
3	06507661AA	2							SCREW, Hex Flange Head
4	06505623AA	2							NUT AND WASHER
5	06507706AA	2							NUT, Power Steering Gear
6	52089312AA	2							BUSHING, Steering Gear



GRAND CHEROKEE (WK)

SERIES LINE
H = Laredo T = JEEP - 2WD
P = Limited J = JEEP - 4WD

BODY

74 = SPORT UTILITY 4-DOOR

ENGINE

EKG = Engine - 3.7L V6
EVA = Engine- 4.7L V8 MPI
EZB = Engine-5.7L HEMI

TRANSMISSION

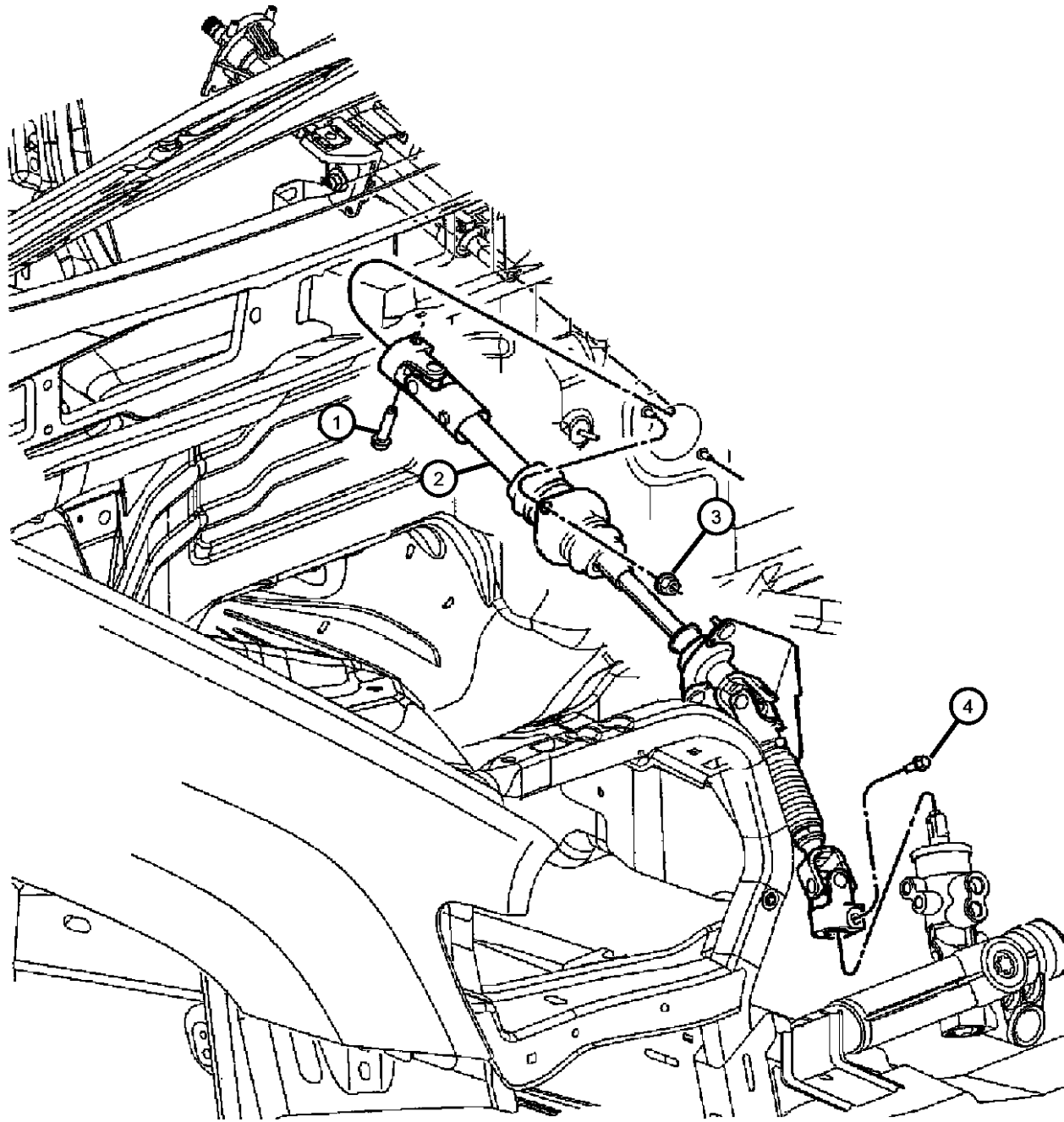
DG0 = All Automatic Transmissions
DGJ = Transmission - 5-Spd Auto, MB
DGQ = Transmission-5-Spd Automatic
5-45RFE

AR = use ase required - = Non illustrated part

2005 WK

Steering Linkage
Figure 19-410

ITEM	PART NUMBER	QTY	LINE	SERIES	BODY	ENGINE	TRANS	TRIM	DESCRIPTION
1	06504926AA	1							SCREW, Hex Flange Head, M10x1.5x40
2	55197223AB	1							SHAFT, Intermediate
3	05096978AA	2							NUT, Hex, M6
4	06504926AA	1							SCREW, Hex Flange Head, M10x1.5x40



GRAND CHEROKEE (WK)

SERIES LINE
H = Laredo T = JEEP - 2WD
P = Limited J = JEEP - 4WD

BODY

74 = SPORT UTILITY 4-DOOR

ENGINE

EKG = Engine - 3.7L V6
EVA = Engine- 4.7L V8 MPI
EZB = Engine-5.7L HEMI

TRANSMISSION

DG0 = All Automatic Transmissions
DGJ = Transmission - 5-Spd Auto, MB
DGQ = Transmission-5-Spd Automatic 5-45RFE

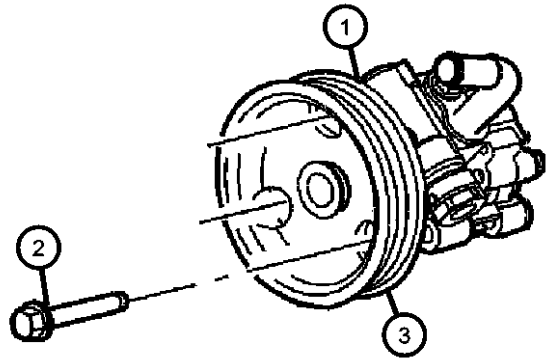
AR = use ase required - = Non illustrated part

2005 WK

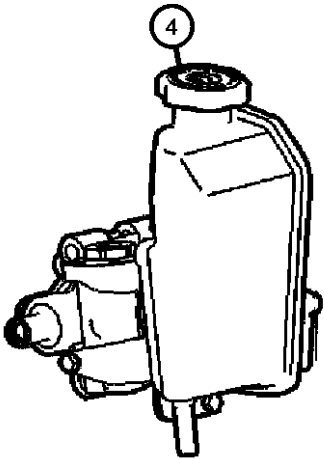
**Power Steering Pump
Figure 19-510**

ITEM	PART NUMBER	QTY	LINE	SERIES	BODY	ENGINE	TRANS	TRIM	DESCRIPTION
------	-------------	-----	------	--------	------	--------	-------	------	-------------

Note: Sales Codes;
[ER0] = 4.0L 6 Cyl Engine
[EV0] = 4.7L Gas Engine



1	52089339AC	1				EK0, EV0			PUMP ASSEMBLY, Power Steering with Pulley
	05142893AA								Mopar Special Hydraulic System/Power Steering Fluid 1qt
	52089883AC	1				EZ0			
2	06102045AA	3				EK0			SCREW AND WASHER, Hex Head
						EVO			
	06102184AA	3				EZ0			
3	53013677AB	1				EZ0			PULLEY, Power Steering Pump
	53013688AB	1				EK0, EV0			
4	05143614AA	1				EK0, EV0			CAP, Power Steering Reservoir
		1				EZ0			

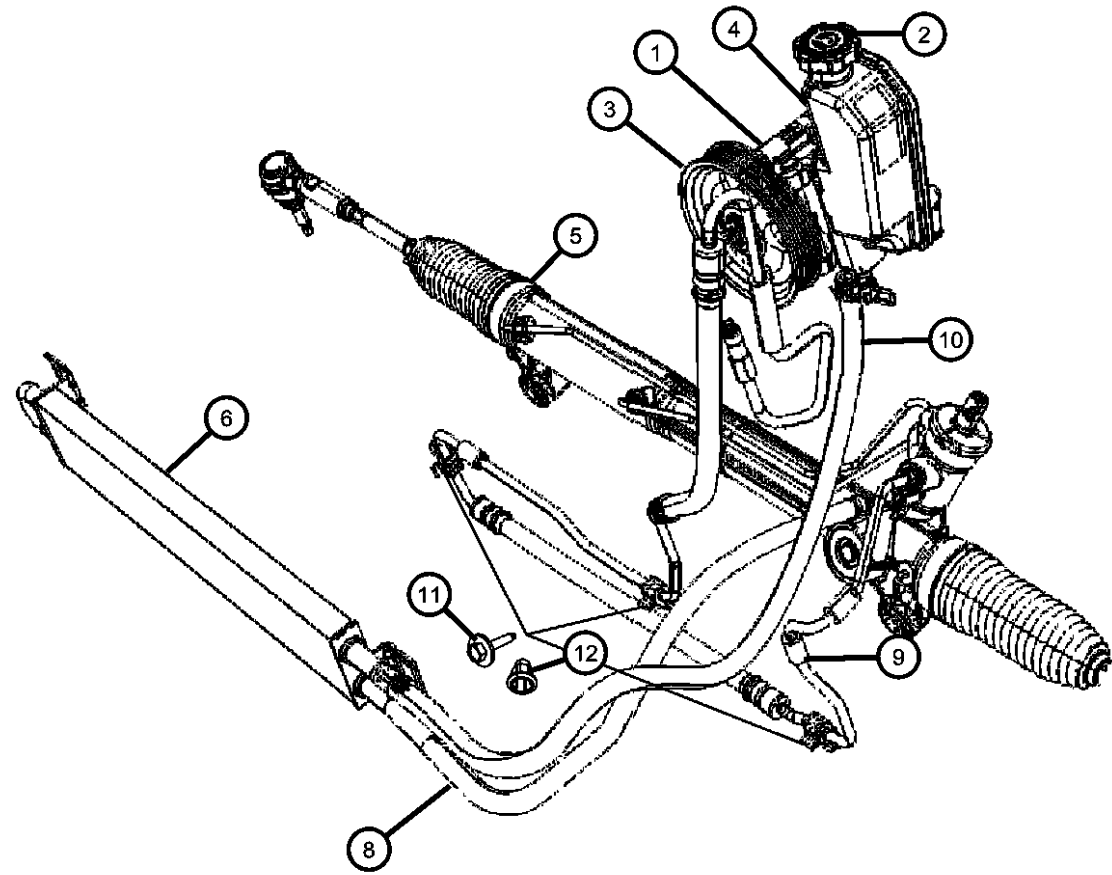


GRAND CHEROKEE (WK)

SERIES	LINE	BODY	ENGINE	TRANSMISSION
H = Laredo	T = JEEP - 2WD	74 = SPORT UTILITY 4-DOOR	EKG = Engine - 3.7L V6	DG0 = All Automatic Transmissions
P = Limited	J = JEEP - 4WD		EVA = Engine- 4.7L V8 MPI	DGJ = Transmission - 5-Spd Auto, MB
			EZB = Engine-5.7L HEMI	DGQ = Transmission-5-Spd Automatic 5-45RFE

AR = use ase required - = Non illustrated part

**Power Steering Hose 3.7L [EK0] 4.7L [EV0]
Figure 19-710**



ITEM	PART NUMBER	QTY	LINE	SERIES	BODY	ENGINE	TRANS	TRIM	DESCRIPTION
	NOTES: Sales Codes: [DG0] = All Automatic Transmissions [EK0] = All 3.7L V6 Engines [ES0] = All 6L V8 Engines [EV0] = All 4.7L V8 Engines [SBA] = Power Rack and Pinion Steering [SBX] = Performance Tuned Steering								
1	52089339AC	1				EK0, EV0			PUMP ASSEMBLY, Power Steering with Pulley
	05142893AA								Mopar Special Hydraulic System/Power Steering Fluid 1qt
2	05143614AA	1				EV0, EK0			CAP, Power Steering Reservoir
3	53013688AB	1				EK0, EV0			PULLEY, Power Steering Pump
4		1							RESERVOIR, Power Steering Fluid, Serviced with Pump, (NOT SERVICED)
5	52089292AB	1							GEAR, Power Steering
6	52090052AB	1				EK0, EV0	DG0		COOLER, Power Steering
-7	05137778AA	1	J, T		74	EK0, EV0	DG0		RETAINER PACKAGE, Power Steering Cooler, Contains: Retainer and Locking Clip
8	52089865AC	1				EK0, EV0			HOSE, Power Steering Return, Gear to Reservoir
9	52089325AB	1				EK0, EV0			HOSE, Power Steering Pressure, Pump to Steering Gear
10									HOSE, Power Steering Return
	52089317AC	1				EK0			P/S Cooler to Reservoir
	52124131AA	1				EV0			P/S Cooler to Reservoir
11									SCREW, Hex, M6x1x35
	06506669AA	3	J, T		74	EK0			P/S Hose to Cradle
		3	J, T		74	EV0			P/S Hose to Cradle
12									RIVET
	06503245	3				EK0			P/S Hose to Cradle
		3				EV0			P/S Hose to Cradle

GRAND CHEROKEE (WK)

SERIES LINE
H = Laredo T = JEEP - 2WD
P = Limited J = JEEP - 4WD

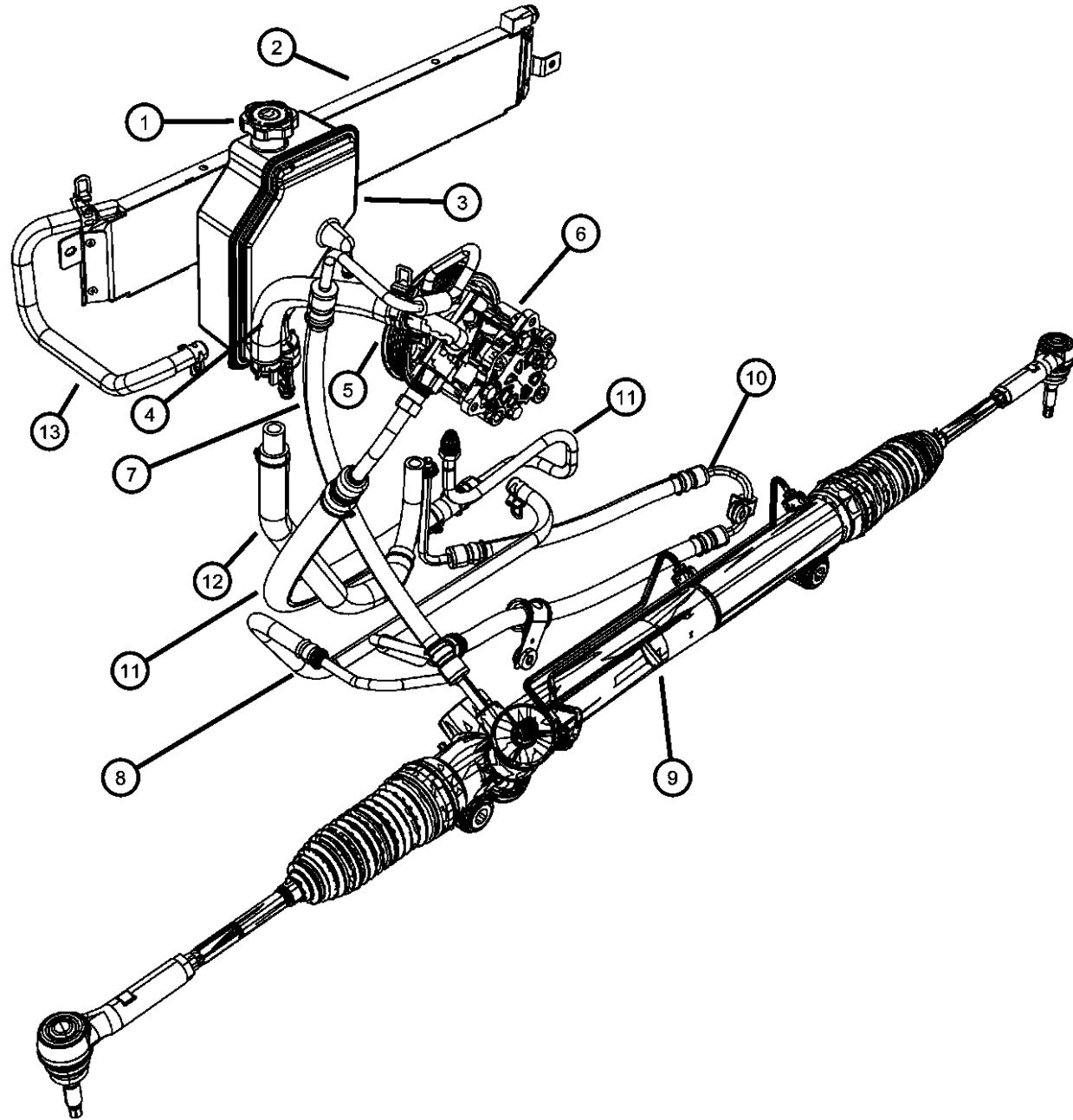
BODY
74 = SPORT UTILITY 4-DOOR
ENGINE
EKG = Engine - 3.7L V6
EVA = Engine- 4.7L V8 MPI
EZB = Engine-5.7L HEMI

TRANSMISSION
DG0 = All Automatic Transmissions
DGJ = Transmission - 5-Spd Auto, MB
DGQ = Transmission-5-Spd Automatic 5-45RFE

AR = use ase required - = Non illustrated part

2005 WK

**Power Steering Hose 5.7L [EZ0]
Figure 19-720**



ITEM	PART NUMBER	QTY	LINE	SERIES	BODY	ENGINE	TRANS	TRIM	DESCRIPTION
1	05143614AA	1				EZ0	DG0		CAP, Power Steering Reservoir
2	55116927AA	1				EZ0	DG0		COOLER, Power Steering
3	52089905AC	1				EZ0	DG0		RESERVOIR, Power Steering Fluid
4	52089487AA	1				EZ0	DG0		HOSE, Power Steering Pressure, Pump to Reservoir
5	53013677AB	1				EZ0			PULLEY, Power Steering Pump
6	52089883AC	1				EZ0			PUMP ASSEMBLY, Power Steering with Pulley
7	05143196AA	1				EZ0	DG0		TUBE, Oil Cooler
8	52090121AA	1				EZ0			HOSE, Power Steering Return, Gear to Cooler
9	52089292AC	1							GEAR, Power Steering
10	52124114AA	1				EZ0			HOSE, Power Steering Pressure, HEC to Steering Gear
11	52080154AA	1				EZ0	DG0		HOSE, Power Steering Pressure, HEC to Pump
12	52089641AB	1				EZ0	DG0		HOSE, Power Steering Return, Hec To Reservoir
13	52089318AA	1				EZ0	DG0		HOSE, Power Steering Return, Cooler to Reservoir
-14	06503245	2				EZ0			RIVET, P/S Hose to Cradle
-15	06506669AA	2	J, T		74	EZ0			SCREW, Hex, M6x1x35, P/S Hose to Cradle
-16	52079928AA	1				EZ0	DG0		CLIP, Line, PS HOSE TO HYDROLIC MOTOR FAN

GRAND CHEROKEE (WK)

SERIES LINE
H = Laredo T = JEEP - 2WD
P = Limited J = JEEP - 4WD

BODY
74 = SPORT UTILITY 4-DOOR
ENGINE
EKG = Engine - 3.7L V6
EVA = Engine- 4.7L V8 MPI
EZB = Engine-5.7L HEMI

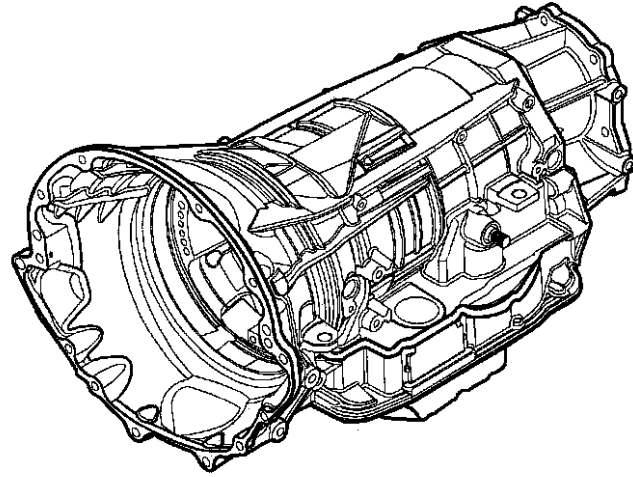
TRANSMISSION
DG0 = All Automatic Transmissions
DGJ = Transmission - 5-Spd Auto, MB
DGQ = Transmission-5-Spd Automatic 5-45RFE

AR = use ase required - = Non illustrated part

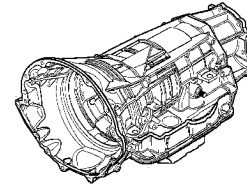
2005 WK

Group - 45RFE

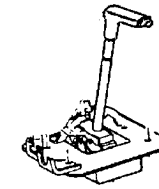
Automatic Transmission Multi-Speed



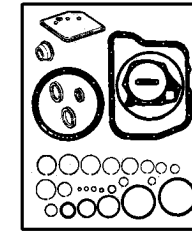
45RFE-100
Transmission Assembly



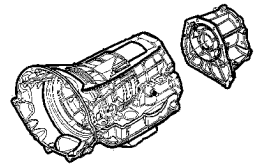
45RFE-1200
Gearshift Controls



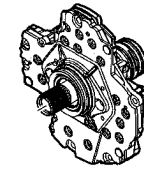
45RFE-1300
Seal and Shim Packages



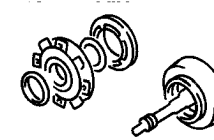
45RFE-200
Case and Extension



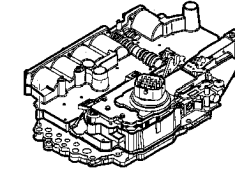
45RFE-300
Oil Pump



45RFE-400
Gear Train



45RFE-700
Valve Body



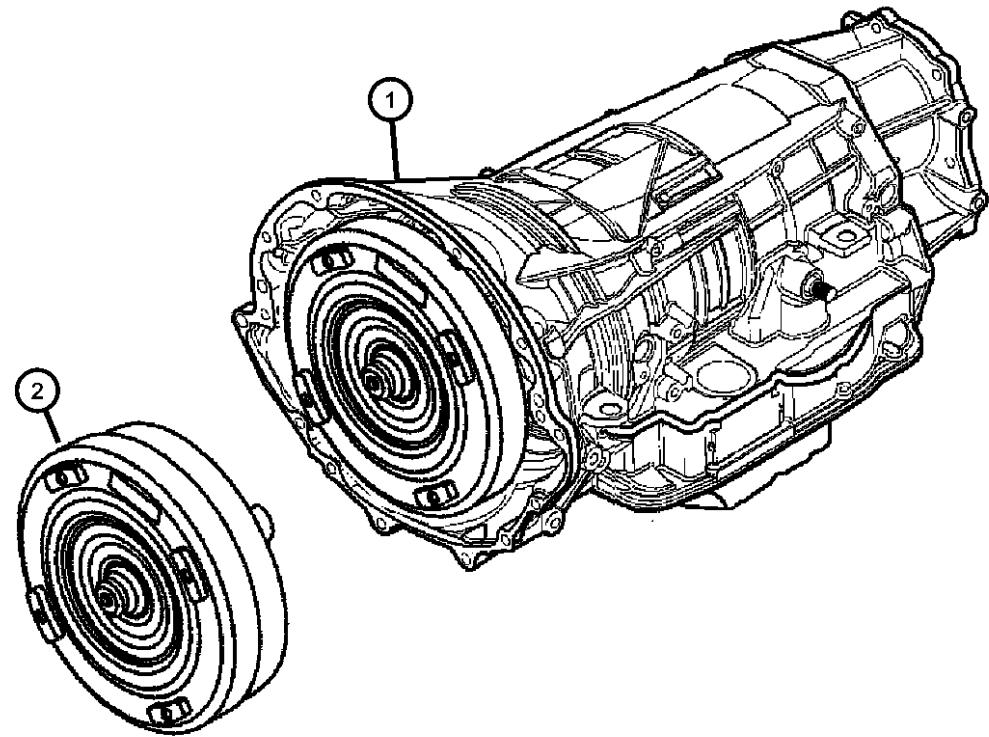
Group - 45RFE Automatic Transmission Multi-Speed

Illustration Title	Group-Fig. No.
Transmission Assembly	
Transmission [DGQ]	Fig. 45RFE - 110
Case and Extension	
Transmission Case Related Parts	Fig. 45RFE - 210
Adapter.....	Fig. 45RFE - 220
Oil Pump	
Oil Pump	Fig. 45RFE - 310
Gear Train	
Input Shaft	Fig. 45RFE - 410
Underdrive	Fig. 45RFE - 420
Overdrive	Fig. 45RFE - 430
2 & 4 Clutch Retainer	Fig. 45RFE - 440
Input / Reverse Planetary [DGQ].....	Fig. 45RFE - 450
Reaction Annulus / Sun Gear	Fig. 45RFE - 460
Low / Reverse Clutch	Fig. 45RFE - 470
Valve Body	
Valve Body.....	Fig. 45RFE - 710
Parking Sprag	Fig. 45RFE - 720
Gearshift Controls	
Gearshift Control	Fig. 45RFE - 1210
Seal and Shim Packages	
LR Clutch	Fig. 45RFE - 1310
2 & 4 Clutch.....	Fig. 45RFE - 1320
Input Clutch Plate	Fig. 45RFE - 1330
Overhaul	Fig. 45RFE - 1340
Input Clutch.....	Fig. 45RFE - 1350
Planetary Clutch.....	Fig. 45RFE - 1360

Transmission [DGQ]
Figure 45RFE-110

ITEM	PART NUMBER	QTY	LINE	SERIES	BODY	ENGINE	TRANS	TRIM	DESCRIPTION
------	-------------	-----	------	--------	------	--------	-------	------	-------------

NOTE:
Sales Codes:
[DGQ]=5 Speed Automatic Transmission - [5-45RFE]
[EV0] = All 4.7L 8 Cylinder Engines
[EZ0] = All 5.7L 8 Cylinder Engines



1									TRANSMISSION KIT, Automatic
	05143576AB	1	J			EZ0	DGQ		Includes Torque Converter / With Stamp # [52119653AA]
	05143599AA	1	T			EV0	DGQ		Includes Torque Converter / With Stamp # [52119098AF]
	05143600AA	1	J			EV0	DGQ		Includes Torque Converter / With Stamp # [52119099AF]
2									TORQUE CONVERTER
	R4736600AB	1	T			EV0	DGQ		Remanufactured
		1	T			EZ0	DGQ		Remanufactured
	04736352AA	1	J			EZ0	DGQ		
	04736600AA	1	J			EV0	DGQ		
		1	T			EV0	DGQ		
		1	J			EV0	DGQ		Remanufactured
		1	J			EZ0	DGQ		Remanufactured

GRAND CHEROKEE (WK)

SERIES LINE
H = Laredo T = JEEP - 2WD
P = Limited J = JEEP - 4WD

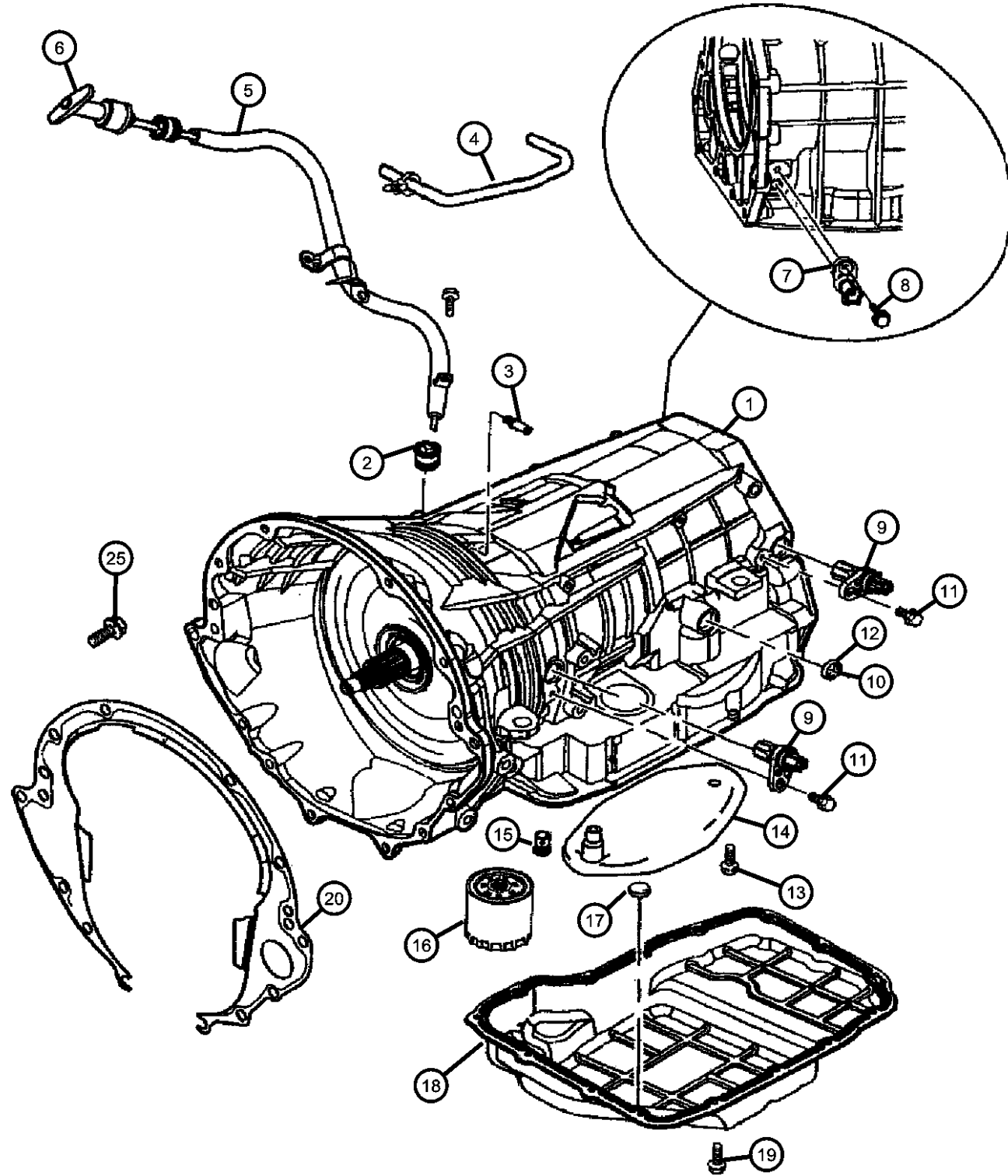
BODY ENGINE
74 = SPORT UTILITY 4-DOOR EKG = Engine - 3.7L V6
EVA = Engine- 4.7L V8 MPI
EZB = Engine-5.7L HEMI

TRANSMISSION
DG0 = All Automatic Transmissions
DGJ = Transmission - 5-Spd Auto, MB
DGQ = Transmission-5-Spd Automatic 5-45RFE

AR = use ase required - = Non illustrated part

2005 WK

Transmission Case Related Parts
Figure 45RFE-210



ITEM	PART NUMBER	QTY	LINE	SERIES	BODY	ENGINE	TRANS	TRIM	DESCRIPTION
------	-------------	-----	------	--------	------	--------	-------	------	-------------

NOTE:
Sales Codes:
[DGQ]=5 Speed Automatic Transmission - [5-45RFE]
[EV0] = All 4.7L 8 Cylinder Engines
[EZ0] = All 5.7L 8 Cylinder Engines

1	04799613AB	1	T				DGQ		CASE, Transmission
		1	J			EV0	DGQ		
		1	J			EZ0	DGQ		
2	04810021	1	J			EV0	DGQ		GROMMET
		1	T				DGQ		
		1	J			EZ0	DGQ		
3	04799861AB	1	J			EV0	DGQ		VENT, Transmission
		1	T				DGQ		
		1	J			EZ0	DGQ		
4	53032457AA	1					DGJ, DGQ		TUBE, Vent
5	53013685AC	1					DGQ		TUBE, Transmission Oil Filler [Up to and includes 3/09/05]
	53013685AD	1					DGQ		[After 3/09/05]
6	53013686AB	1					DGQ		INDICATOR, Transmission Fluid Level
	53013686AC	1					DGQ		[Up to and includes 3/09/05]
7	04799758	1	J			EV0	DGQ		TRANSDUCER, Pressure Sensor
		1	T				DGQ		
		1	J			EZ0	DGQ		
8	06101221	15	T				DGQ		SCREW
		15	J			EV0	DGQ		
		15	J			EZ0	DGQ		
9	04799061AB	2	J			EV0	DGQ		SENSOR, Transmission Input Speed
		2	T				DGQ		

GRAND CHEROKEE (WK)

SERIES LINE
H = Laredo T = JEEP - 2WD
P = Limited J = JEEP - 4WD

BODY

74 = SPORT UTILITY 4-DOOR
EKG = Engine - 3.7L V6
EVA = Engine- 4.7L V8 MPI
EZB = Engine-5.7L HEMI

ENGINE

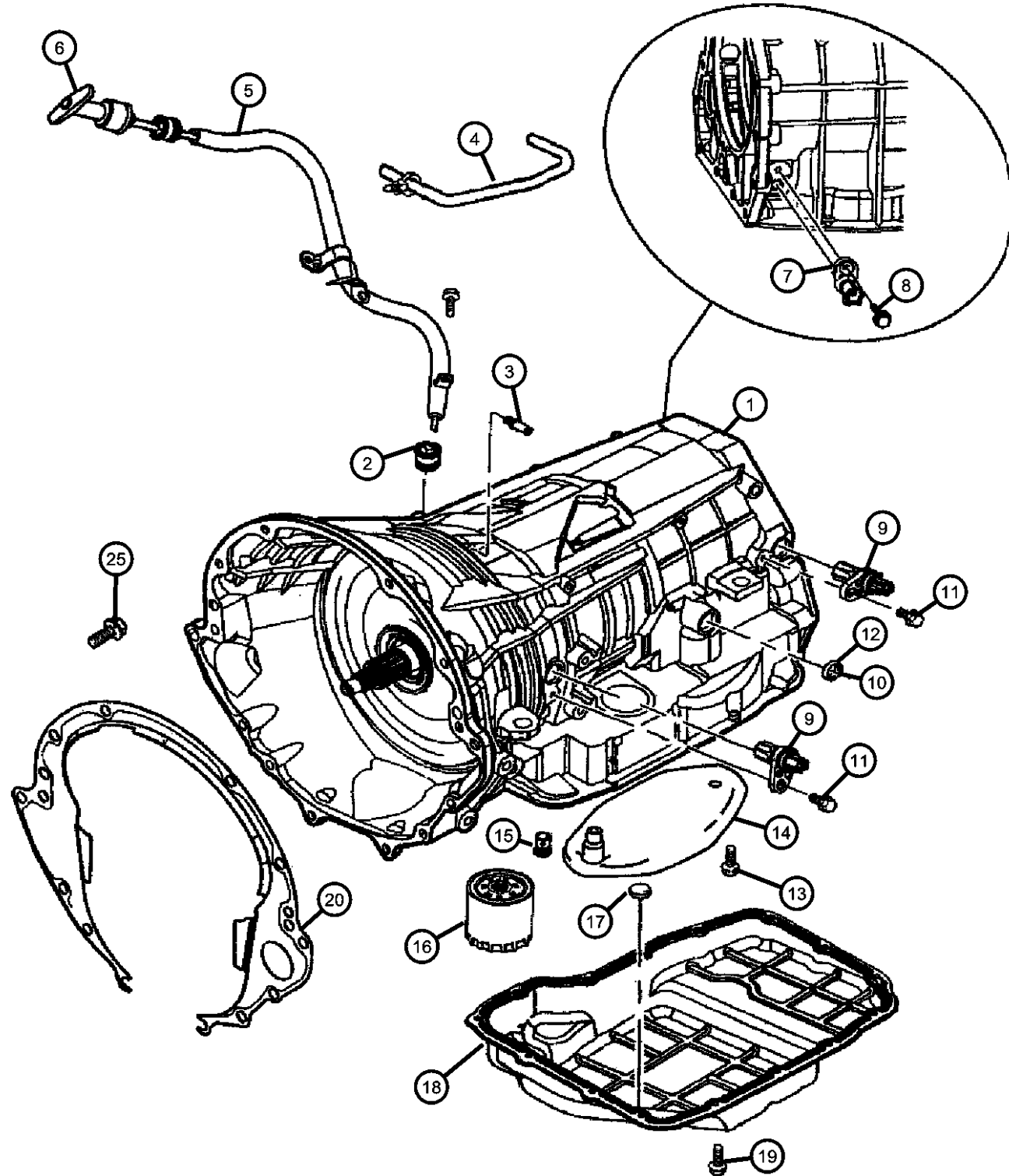
TRANSMISSION

DG0 = All Automatic Transmissions
DGJ = Transmission - 5-Spd Auto, MB
DGQ = Transmission-5-Spd Automatic 5-45RFE

AR = use ase required - = Non illustrated part

2005 WK

**Transmission Case Related Parts
Figure 45RFE-210**



ITEM	PART NUMBER	QTY	LINE	SERIES	BODY	ENGINE	TRANS	TRIM	DESCRIPTION
	04800078AA	1	T				DGQ		
	05013681AA	1	J			EVO	DGQ		
		1	J			EZO	DGQ		
19									SCREW
	06101221	15	T				DGQ		
		15	J			EVO	DGQ		
		15	J			EZO	DGQ		
20	52104344AA	1					DGQ		COVER, Transmission Dust
-21									SNAP RING, Transmission
	04799103	1	J			EVO	DGQ		
		1	T				DGQ		
		1	J			EZO	DGQ		
-22									O RING, Control Valve
	06505335AA	1	J			EVO	DGQ		
		1	T				DGQ		
		1	J			EZO	DGQ		
-23									SEAL, Torque Converter Hub
	04736547	1	T				DGQ		
		1	J			EVO	DGQ		
		1	J			EZO	DGQ		
-24									FITTING, Quick Connect
	52119547AA	2	T				DGQ		
		2	J			EVO	DGQ		
		2	J			EZO	DGQ		
25									SCREW, Hex Head, .375-16x1.5
	06022266	1	T				DGQ		
		1	J			EVO	DGQ		
		1	J			EZO	DGQ		

GRAND CHEROKEE (WK)

SERIES LINE
H = Laredo T = JEEP - 2WD
P = Limited J = JEEP - 4WD

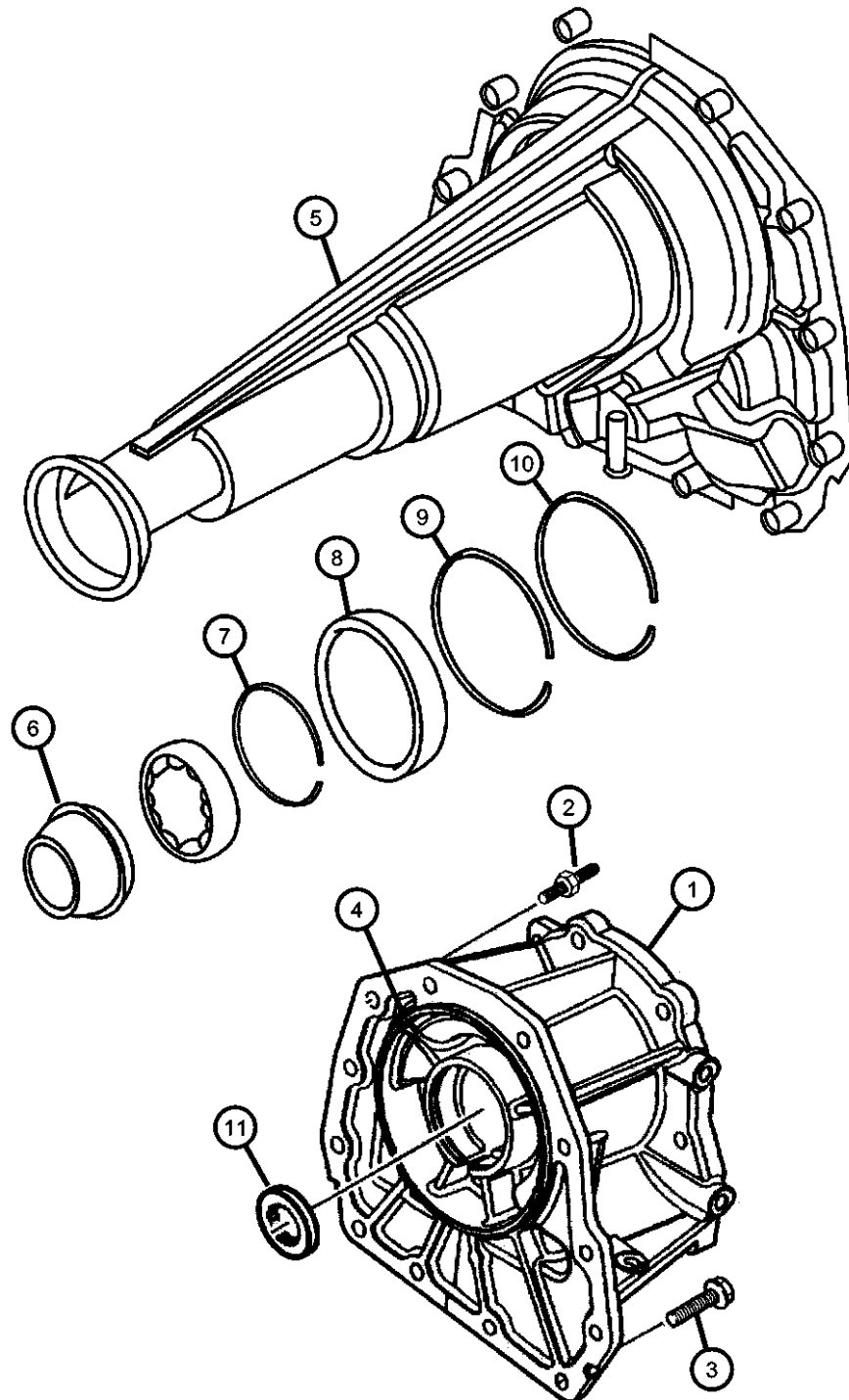
BODY ENGINE
74 = SPORT UTILITY 4-DOOR EKG = Engine - 3.7L V6
EVA = Engine- 4.7L V8 MPI
EZB = Engine-5.7L HEMI

TRANSMISSION
DG0 = All Automatic Transmissions
DGJ = Transmission - 5-Spd Auto, MB
DGQ = Transmission-5-Spd Automatic
5-45RFE

AR = use ase required - = Non illustrated part

2005 WK

**Adapter
Figure 45RFE-220**



ITEM	PART NUMBER	QTY	LINE	SERIES	BODY	ENGINE	TRANS	TRIM	DESCRIPTION
1	52119463AA	1	J			EVO	DGQ		ADAPTER, Transfer Case
	52119463AB	1	J			EZO	DGQ		
2	06505064AA	2	J			EVO	DGQ		STUD, M10x1.5x62
		2	T				DGQ		
		2	J			EZO	DGQ		
3	06504774	10	T				DGQ		SCREW AND WASHER, Hex Head, M10x1.5x37
		10	J			EVO	DGQ		
		10	J			EZO	DGQ		
4	04799090	1	T				DGQ		SEAL, Input
		1	J			EZO	DGQ		
		1	J			EVO	DGQ		
5	52119499AA	1	T				DGQ		HOUSING, Transmission Rear Extension
6	68024699AA	1	T			EVO	DGQ		SEAL, Output Shaft
7	04799097	1	T				DGQ		SNAP RING
		1	J			EZO	DGQ		
		1	J			EVO	DGQ		
8	05012997AA	1	J						BEARING, Input Gear
9	04799247	1	J			EVO	DGQ		SNAP RING
	04799313	1	J			EZO	DGQ		
		1	T				DGQ		
10	04799863AA	1	T				DGQ		SNAP RING
		1	J			EZO	DGQ		
		1	J			EVO	DGQ		

GRAND CHEROKEE (WK)

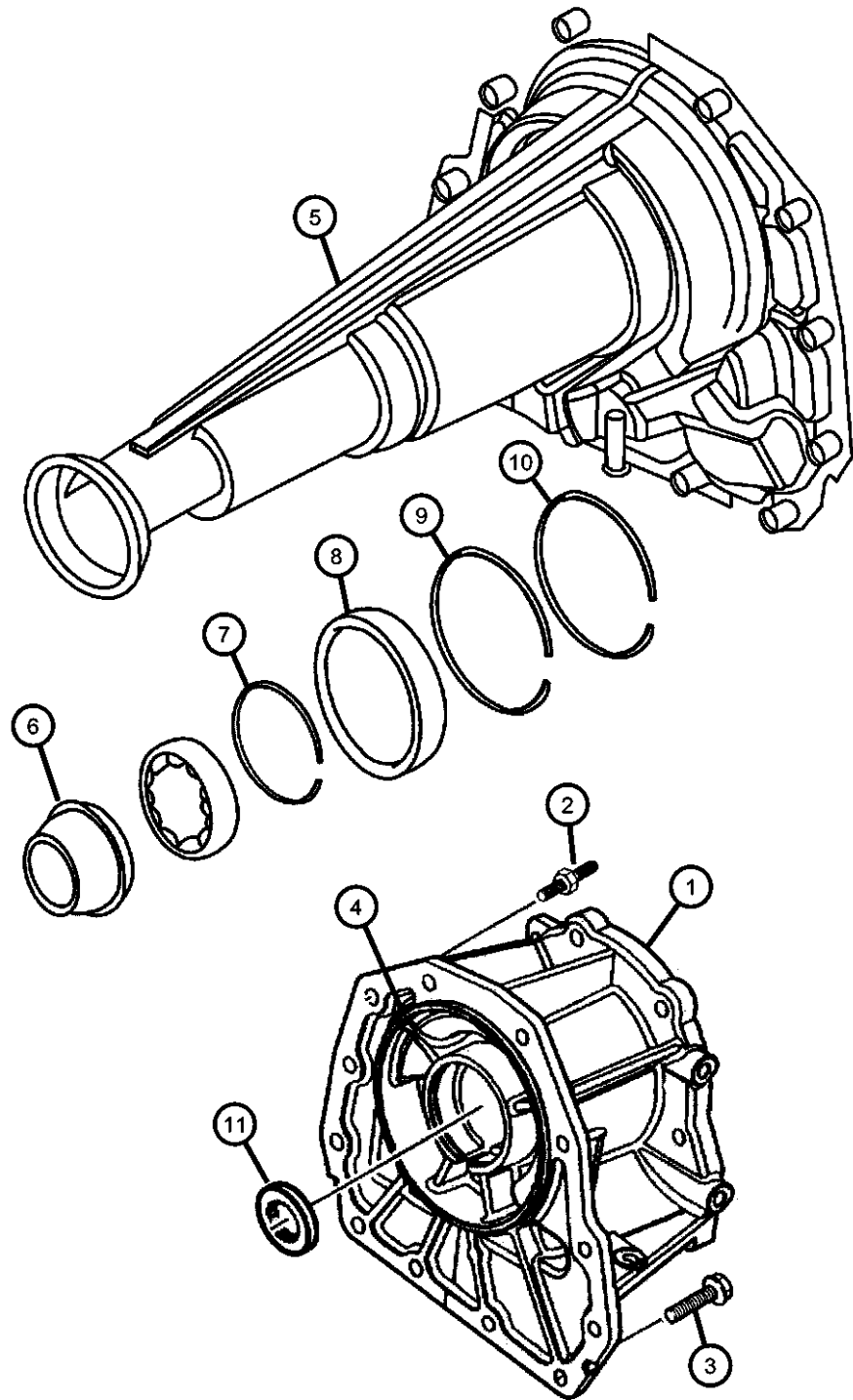
SERIES	LINE	BODY	ENGINE	TRANSMISSION
H = Laredo	T = JEEP - 2WD	74 = SPORT UTILITY 4-DOOR	EKG = Engine - 3.7L V6	DG0 = All Automatic Transmissions
P = Limited	J = JEEP - 4WD		EVA = Engine- 4.7L V8 MPI	DGJ = Transmission - 5-Spd Auto, MB
			EZB = Engine-5.7L HEMI	DGQ = Transmission-5-Spd Automatic 5-45RFE

AR = use ase required - = Non illustrated part

Adapter
Figure 45RFE-220

ITEM	PART NUMBER	QTY	LINE	SERIES	BODY	ENGINE	TRANS	TRIM	DESCRIPTION
------	-------------	-----	------	--------	------	--------	-------	------	-------------

11	52119498AA	1	J			EVO	DGQ		SEAL, Adapter
		1	J			EZO	DGQ		



GRAND CHEROKEE (WK)

SERIES	LINE
H = Laredo	T = JEEP - 2WD
P = Limited	J = JEEP - 4WD

BODY

74 = SPORT UTILITY 4-DOOR

ENGINE

EKG = Engine - 3.7L V6
EVA = Engine- 4.7L V8 MPI
EZB = Engine-5.7L HEMI

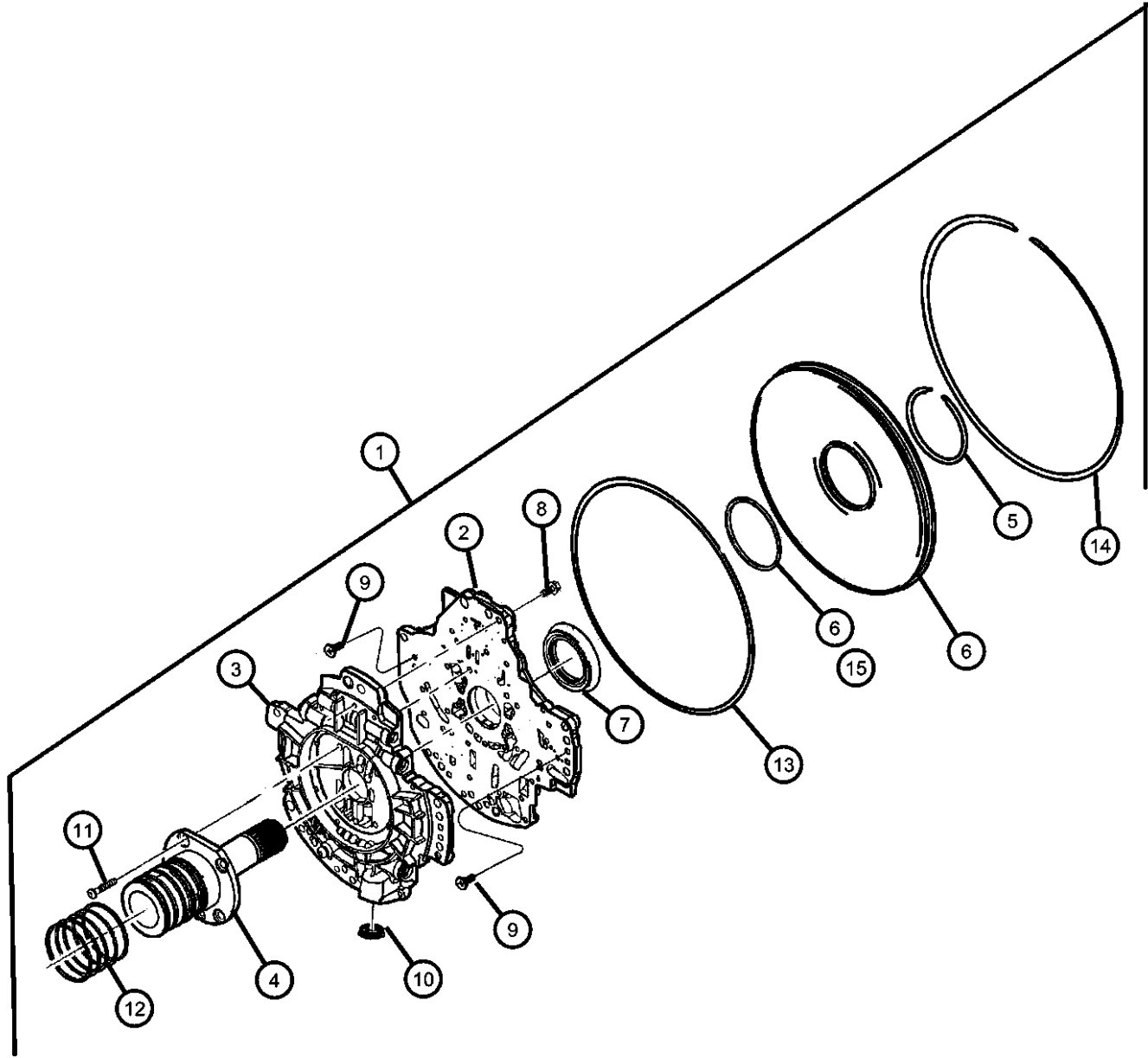
TRANSMISSION

DG0 = All Automatic Transmissions
DGJ = Transmission - 5-Spd Auto, MB
DGQ = Transmission-5-Spd Automatic 5-45RFE

AR = use ase required - = Non illustrated part

2005 WK

**Oil Pump
Figure 45RFE-310**



ITEM	PART NUMBER	QTY	LINE	SERIES	BODY	ENGINE	TRANS	TRIM	DESCRIPTION
------	-------------	-----	------	--------	------	--------	-------	------	-------------

NOTE:
Sales Codes:
[DGQ]=5 Speed Automatic Transmission - [5-45RFE]
[EV0] = All 4.7L 8 Cylinder Engines
[EZ0] = All 5.7L 8 Cylinder Engines

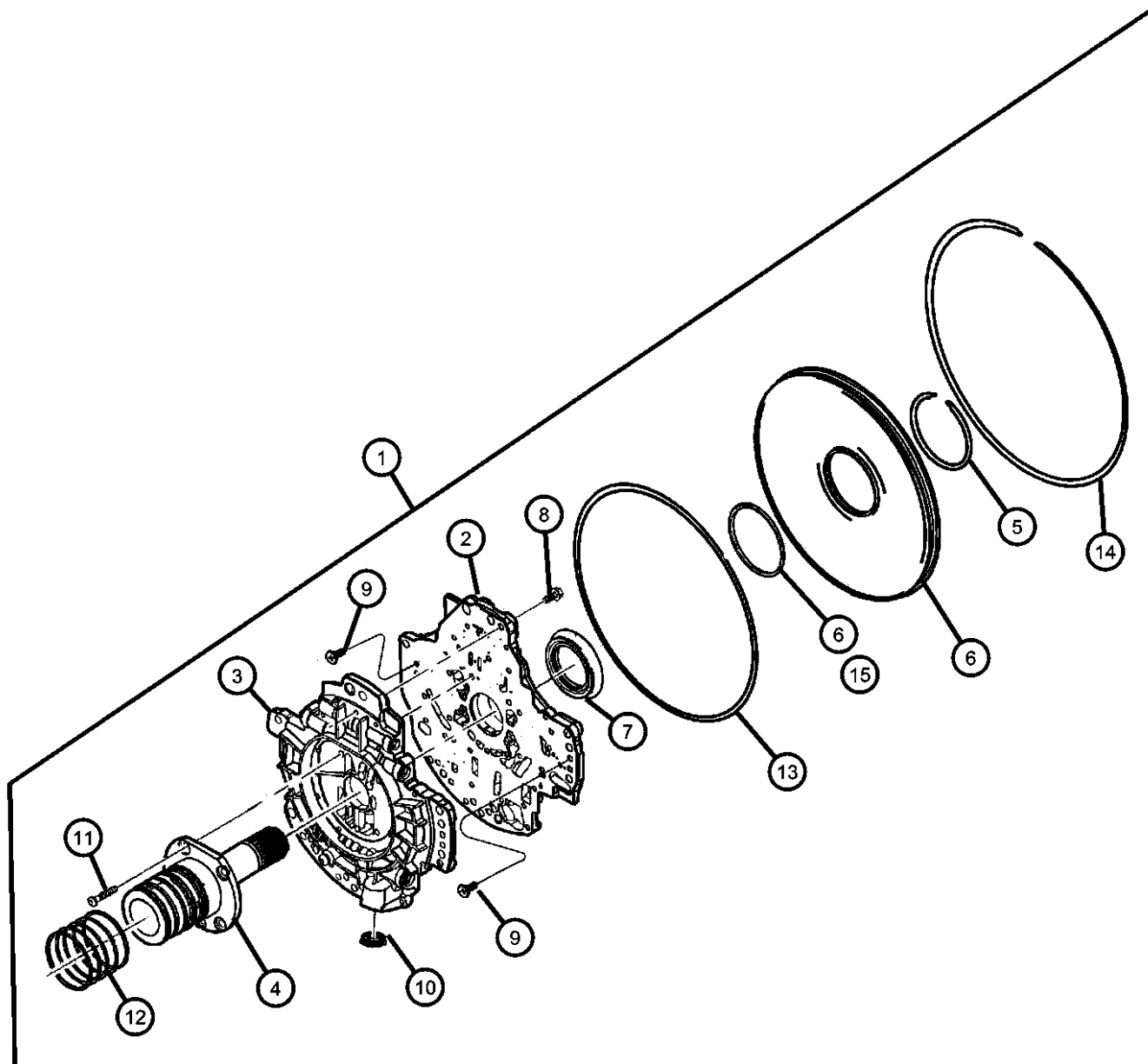
1									PUMP PACKAGE, Transmission
	05073004AC	1	J			EV0	DGQ		
		1	T				DGQ		
	05073004AD	1	J			EZ0	DGQ		
2		1							HOUSING, Pump, (NOT SERVICED)
3		1							BODY, Oil Pump Valve, (NOT SERVICED)
4		1							SUPPORT, Reaction Shaft, (NOT SERVICED)
5									SNAP RING, Transmission
	04799082	1	J			EV0	DGQ		
		1	T				DGQ		
		1	J			EZ0	DGQ		
6									COVER, Oil Pump
	04799609	1	J			EV0	DGQ		
		1	T				DGQ		
		1	J			EZ0	DGQ		
7									SEAL, Transmission Oil Pump
	04617919	1	J			EV0	DGQ		
		1	T				DGQ		
		1	J			EZ0	DGQ		
8									SCREW AND WASHER, Pan Head, M5x.8x25
	06500215	24	J			EV0	DGQ		
		24	T				DGQ		
		24	J			EZ0	DGQ		
9									SCREW, Pan Head, M5 x 0.8 x 12.60
	06503232	1	J			EV0	DGQ		
		1	T				DGQ		
		1	J			EZ0	DGQ		
10									SEAL, Oil Pump
	04799964AB	1	J			EV0	DGQ		

GRAND CHEROKEE (WK)

SERIES	LINE	BODY	ENGINE	TRANSMISSION
H = Laredo	T = JEEP - 2WD	74 = SPORT UTILITY 4-DOOR	EKG = Engine - 3.7L V6	DG0 = All Automatic Transmissions
P = Limited	J = JEEP - 4WD		EVA = Engine- 4.7L V8 MPI	DGJ = Transmission - 5-Spd Auto, MB
			EZB = Engine-5.7L HEMI	DGQ = Transmission-5-Spd Automatic 5-45RFE

AR = use ase required - = Non illustrated part

Oil Pump
Figure 45RFE-310



ITEM	PART NUMBER	QTY	LINE	SERIES	BODY	ENGINE	TRANS	TRIM	DESCRIPTION
		1	T				DGQ		
		1	J			EZ0	DGQ		
11	06504661	5	J			EVO	DGQ		SCREW, Button Head
		5	T				DGQ		
		5	J			EZ0	DGQ		
12	04799056	5	J			EVO	DGQ		RING, Transmission
		5	T				DGQ		
		5	J			EZ0	DGQ		
13	04799003	1	J			EVO	DGQ		O RING, Oil Pump, .
		1	T				DGQ		
		1	J			EZ0	DGQ		
14	04799005	1	J			EVO	DGQ		SNAP RING, Transmission
		1	T				DGQ		
		1	J			EZ0	DGQ		
15	04736547	1	T				DGQ		SEAL, Torque Converter Hub
		1	J			EVO	DGQ		
		1	J			EZ0	DGQ		

GRAND CHEROKEE (WK)

SERIES LINE
H = Laredo T = JEEP - 2WD
P = Limited J = JEEP - 4WD

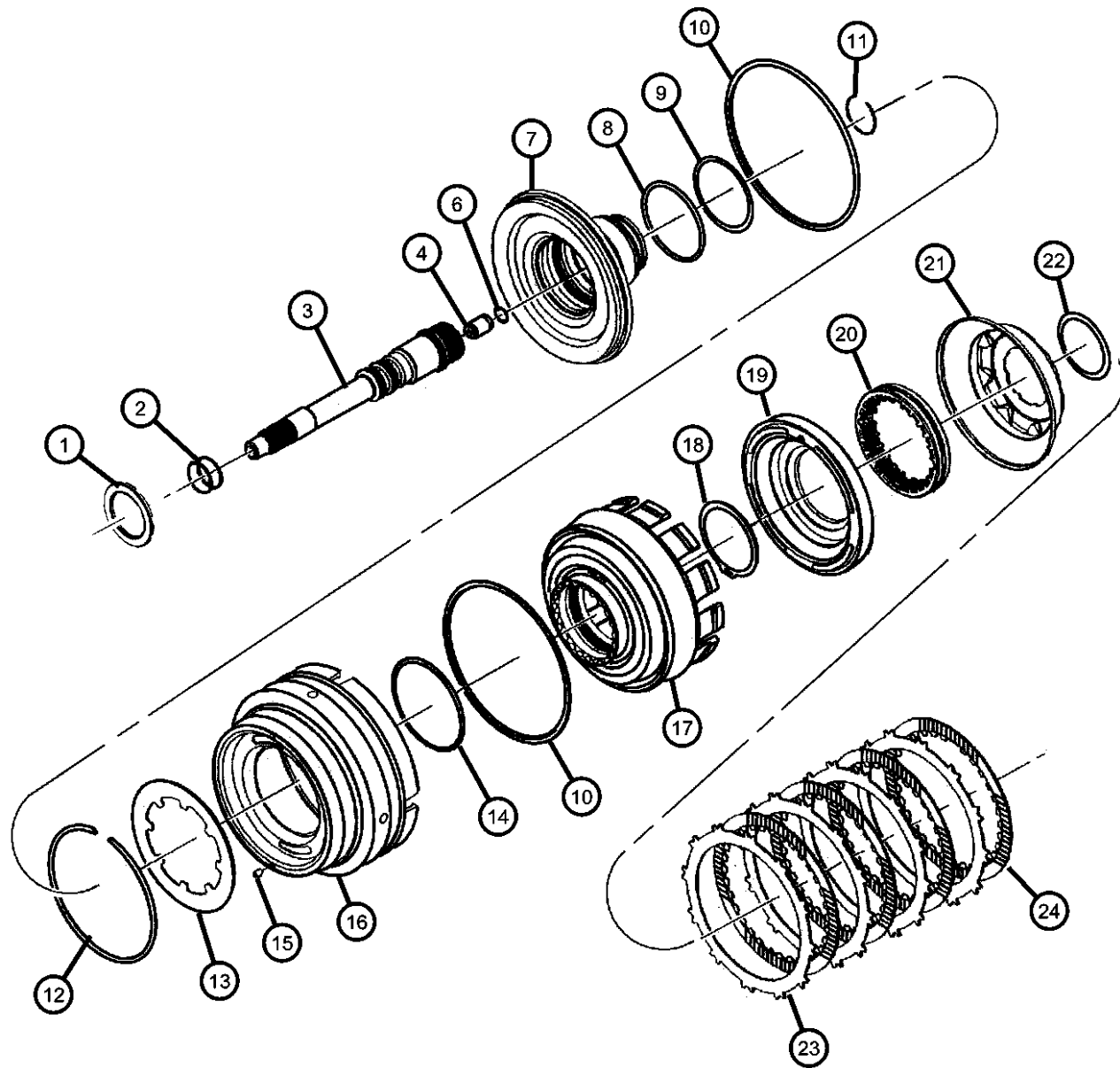
BODY ENGINE TRANSMISSION
74 = SPORT UTILITY 4-DOOR EKG = Engine - 3.7L V6
EVA = Engine- 4.7L V8 MPI
EZB = Engine-5.7L HEMI

DG0 = All Automatic Transmissions
DGJ = Transmission - 5-Spd Auto, MB
DGQ = Transmission-5-Spd Automatic 5-45RFE

AR = use ase required - = Non illustrated part

2005 WK

**Input Shaft
Figure 45RFE-410**



ITEM	PART NUMBER	QTY	LINE	SERIES	BODY	ENGINE	TRANS	TRIM	DESCRIPTION
1	04799469	1	J			EVO	DGQ		THRUST BEARING, Needle Roller
		1	T				DGQ		
		1	J			EZO	DGQ		
2	04799539	2	J			EZO	DGQ		SEAL, Input Shaft, PKG 05013090AC
		2	J			EVO	DGQ		
		2	T				DGQ		
3	05114582AA	AR	T				DGQ		SHAFT, Input
		AR	J			EVO	DGQ		
		AR	J			EZO	DGQ		
4	04799974AA	1	J			EZO	DGQ		CHECK VALVE, Transmission
		1	J			EVO	DGQ		
		1	T				DGQ		
-5	06505335AA	1	J			EZO	DGQ		O RING, Control Valve
		1	J			EVO	DGQ		
		1	T				DGQ		
6	04799097	1	J			EVO	DGQ		SNAP RING
		1	T				DGQ		
		1	J			EZO	DGQ		
7	04799536AC	1	J			EZO	DGQ		HUB, Input Clutch
		1	J			EVO	DGQ		
		1	T				DGQ		
8	04799073	1	T				DGQ		O RING, Transmission Clutch, PKG 05013090AC

GRAND CHEROKEE (WK)

SERIES LINE
H = Laredo T = JEEP - 2WD
P = Limited J = JEEP - 4WD

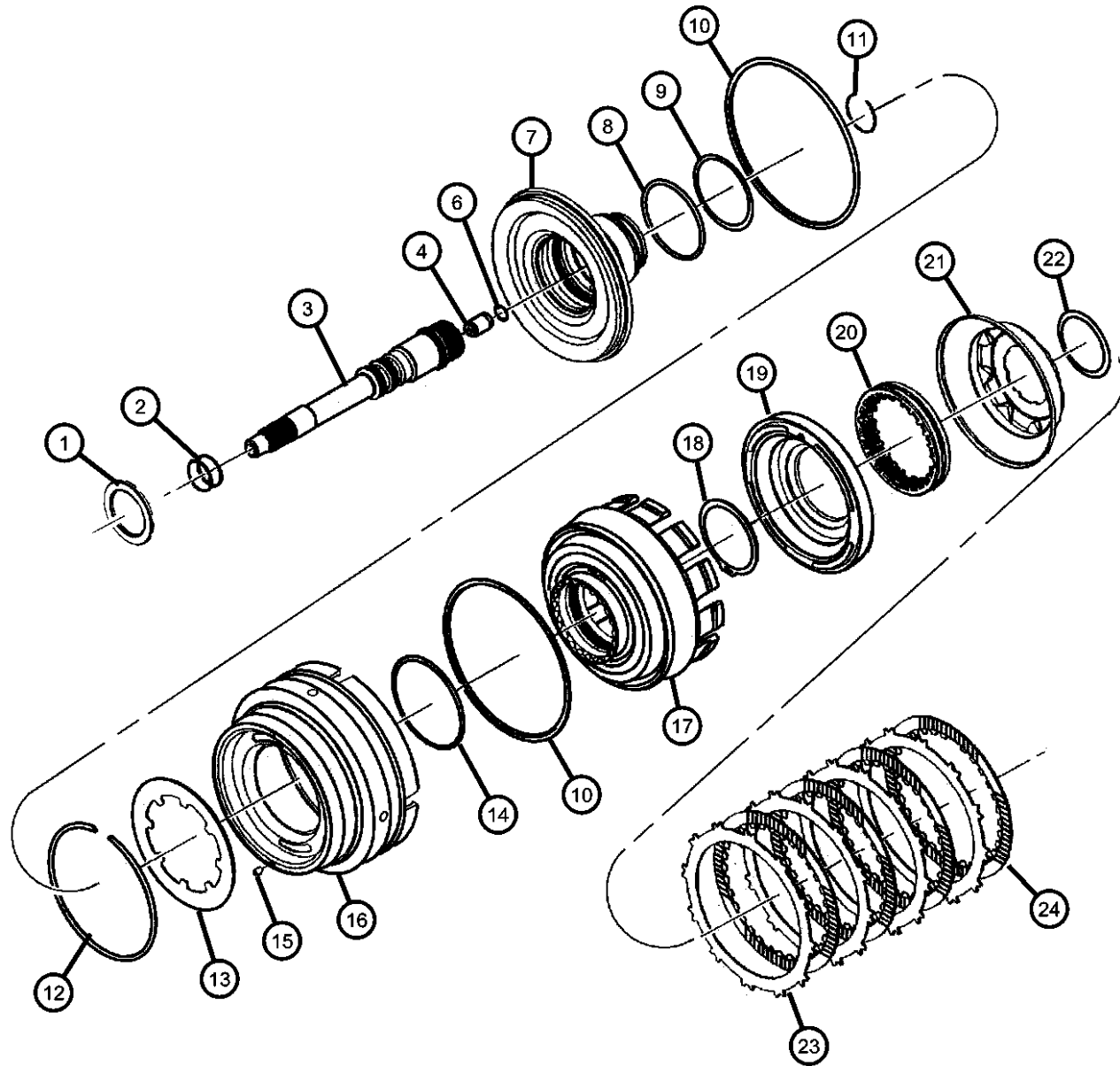
BODY ENGINE
74 = SPORT UTILITY 4-DOOR EKG = Engine - 3.7L V6
EVA = Engine- 4.7L V8 MPI
EZB = Engine-5.7L HEMI

TRANSMISSION
DG0 = All Automatic Transmissions
DGJ = Transmission - 5-Spd Auto, MB
DGQ = Transmission-5-Spd Automatic 5-45RFE

AR = use ase required - = Non illustrated part

2005 WK

**Input Shaft
Figure 45RFE-410**



ITEM	PART NUMBER	QTY	LINE	SERIES	BODY	ENGINE	TRANS	TRIM	DESCRIPTION
		AR	J			EZ0	DGQ		
		1	J			EV0	DGQ		
9	04799755	AR	J			EZ0	DGQ		O RING, Transmission Clutch, PKG 05013090AC
		1	J			EV0	DGQ		
		1	T				DGQ		
10	04799090	1	T				DGQ		SEAL, Input, PKG 05013090AC
		AR	J			EZ0	DGQ		
		1	J			EV0	DGQ		
11	04799538	1	T				DGQ		SNAP RING, Input Shaft
		AR	J			EZ0	DGQ		
		1	J			EV0	DGQ		
12	04799088	1	J			EV0	DGQ		SNAP RING, Transmission
		AR	J			EZ0	DGQ		
		1	T				DGQ		
13	04799087	AR	J			EZ0	DGQ		SPRING, Piston Return
		1	J			EV0	DGQ		
		1	T				DGQ		
14	04799089	1	J			EV0	DGQ		O RING, Reverse & O/Drive Clutch Piston, Transmission, PKG 05013090AC
		1	T				DGQ		
		1	J			EZ0	DGQ		
15	04531903	1	J			EV0	DGQ		FILTER, Reverse And O/D Clutch
		AR	J			EZ0	DGQ		
		1	T				DGQ		
16	05073525AA	AR	J			EZ0	DGQ		PISTON, Reverse and Overdrive
		1	T				DGQ		

GRAND CHEROKEE (WK)

SERIES LINE
H = Laredo T = JEEP - 2WD
P = Limited J = JEEP - 4WD

BODY

74 = SPORT UTILITY 4-DOOR
EKG = Engine - 3.7L V6
EVA = Engine- 4.7L V8 MPI
EZB = Engine-5.7L HEMI

ENGINE

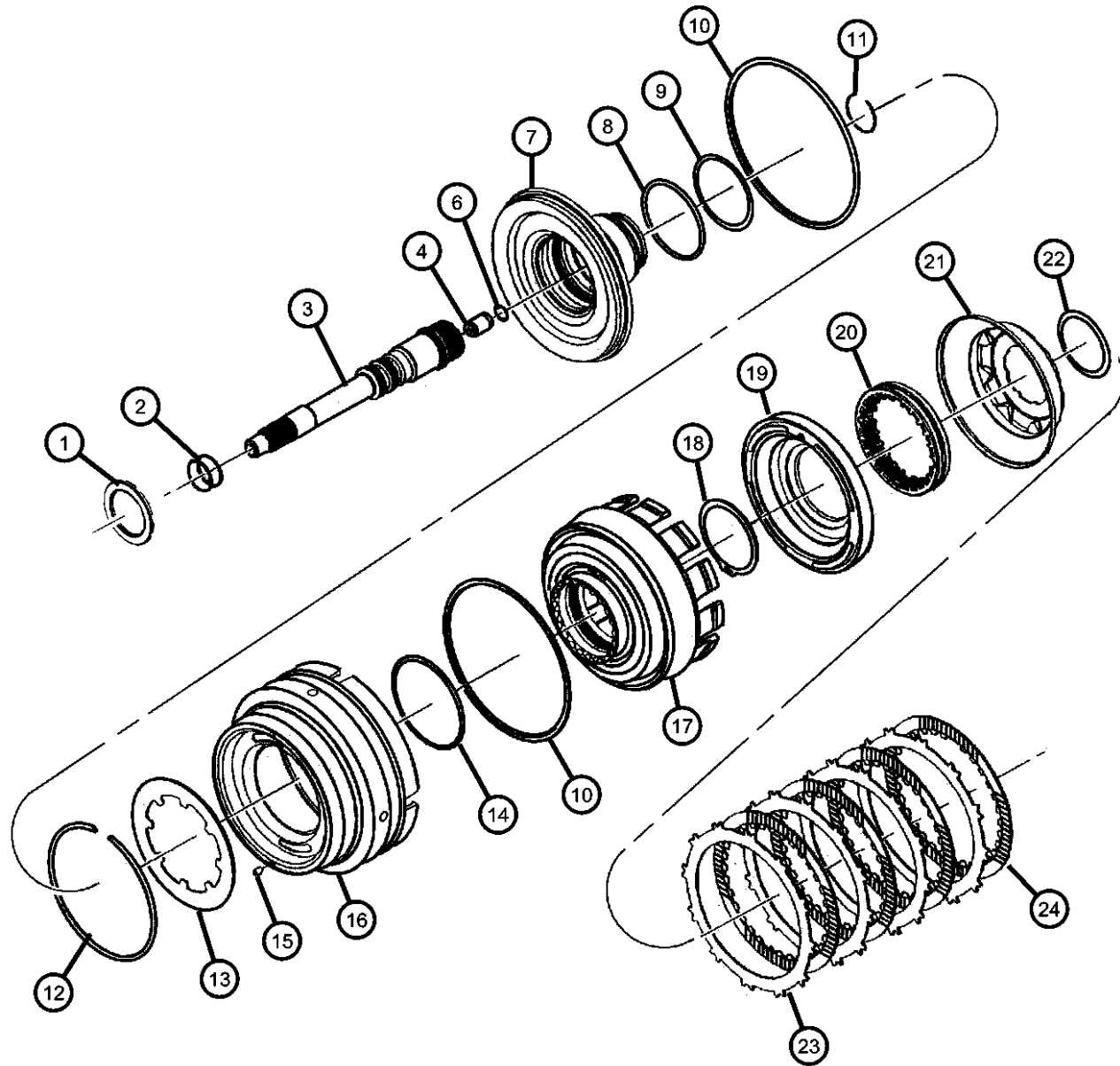
TRANSMISSION

DG0 = All Automatic Transmissions
DGJ = Transmission - 5-Spd Auto, MB
DGQ = Transmission-5-Spd Automatic 5-45RFE

AR = use ase required - = Non illustrated part

2005 WK

**Input Shaft
Figure 45RFE-410**



ITEM	PART NUMBER	QTY	LINE	SERIES	BODY	ENGINE	TRANS	TRIM	DESCRIPTION
17		1	J			EVO	DGQ		RETAINER, Transmission Input Clutch
	04799648	1	J			EVO	DGQ		
		1	T				DGQ		
		AR	J			EZO	DGQ		
18									SNAP RING
	04799097	AR	J			EZO	DGQ		
		AR	T				DGQ		
		AR	J			EVO	DGQ		
19									PISTON, Underdrive
	04799650	1	J			EVO	DGQ		
		1	T				DGQ		
		AR	J			EZO	DGQ		
20									SPRING, Undredrive Piston, PKG 05013090AC
	04799101	1	T				DGQ		
		AR	J			EZO	DGQ		
		1	J			EVO	DGQ		
21									PISTON, Underdrive
	04799652	1	J			EVO	DGQ		
		AR	J			EZO	DGQ		
		1	T				DGQ		
22									SNAP RING, Transmission
	04799103	1	J			EVO	DGQ		
		1	T				DGQ		
		AR	J			EVO	DGQ		
23		AR							PLATE, PKG 05013090AC, (NOT SERVICED)
24		AR							DISC, Clutch, PKG 05013090AC, (NOT SERVICED)

GRAND CHEROKEE (WK)

SERIES LINE
H = Laredo T = JEEP - 2WD
P = Limited J = JEEP - 4WD

BODY
74 = SPORT UTILITY 4-DOOR
ENGINE
EKG = Engine - 3.7L V6
EVA = Engine- 4.7L V8 MPI
EZB = Engine-5.7L HEMI

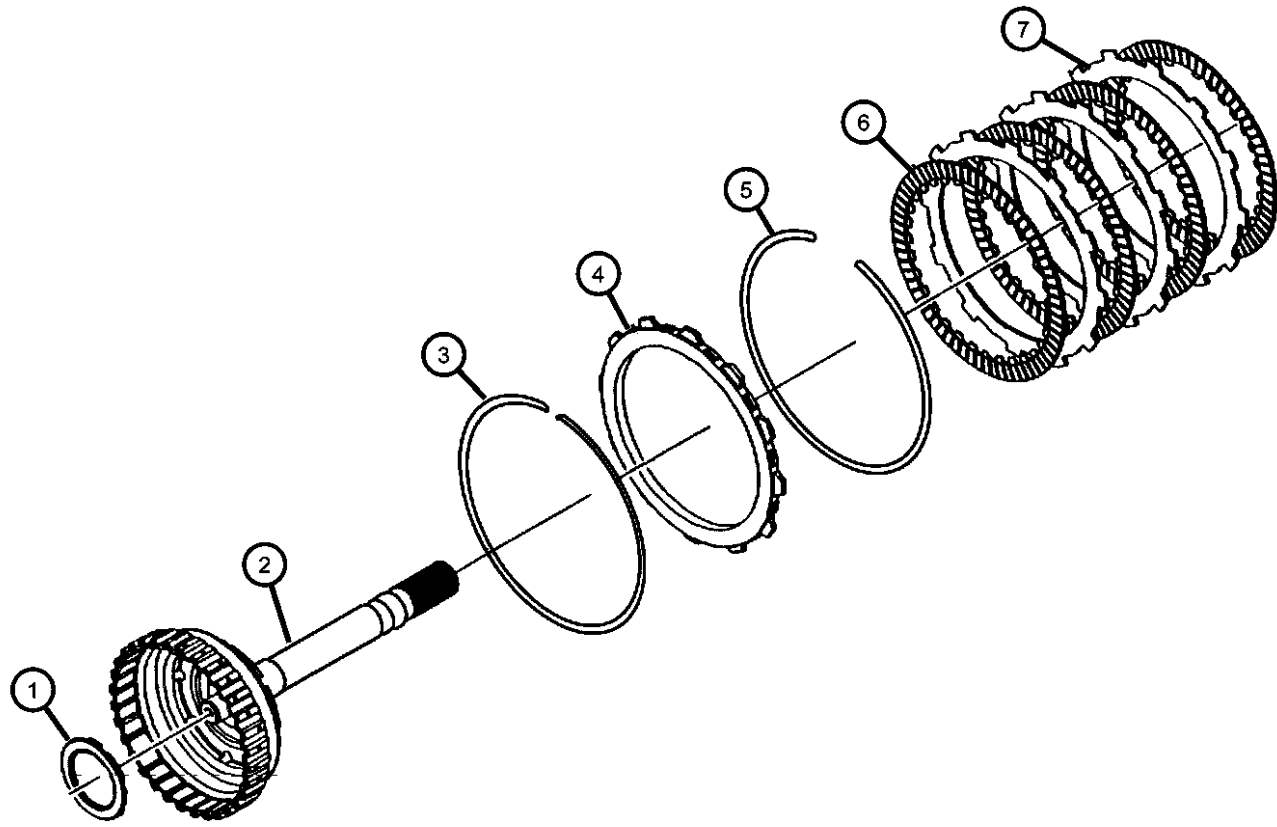
TRANSMISSION
DG0 = All Automatic Transmissions
DGJ = Transmission - 5-Spd Auto, MB
DGQ = Transmission-5-Spd Automatic 5-45RFE

AR = use ase required - = Non illustrated part

**Underdrive
Figure 45RFE-420**

ITEM	PART NUMBER	QTY	LINE	SERIES	BODY	ENGINE	TRANS	TRIM	DESCRIPTION
------	-------------	-----	------	--------	------	--------	-------	------	-------------

NOTE:
Sales Codes:
[DGQ]=5 Speed Automatic Transmission - [5-45RFE]
[EV0] = All 4.7L 8 Cylinder Engines
[EZ0] = All 5.7L 8 Cylinder Engines



1									THRUST BEARING, Needle Roller
	04799469	1	J			EV0	DGQ		
		1	T				DGQ		
		1	J			EZ0	DGQ		
2									HUB AND SHAFT, Underdrive Clutch
	05127485AA	AR	J			EZ0	DGQ		
		AR	T				DGQ		
		AR	J			EV0	DGQ		
3									SNAP RING, Transmission
	04799760	1	J			EV0	DGQ		
		1	T				DGQ		
		AR	J			EZ0	DGQ		
4									PLATE, Transmission Clutch Reaction
	04799108AD	AR	J			EV0	DGQ		
		AR	T				DGQ		
		AR	J			EZ0	DGQ		
5		AR							SNAP RING, PKG 05013090AA, (NOT SERVICED)
6		AR							DISC, Clutch, PKG 05013090AA, (NOT SERVICED)
7		AR							PLATE, PKG 05013090AA, (NOT SERVICED)
-8									PLATE, Transmission Clutch Reaction
	04799667	1	J			EV0	DGQ		
		1	T				DGQ		
		1	J			EZ0	DGQ		
-9									PLATE, Transmission Clutch Reaction
	04799687AB	1	J			EV0	DGQ		
		1	T				DGQ		
		1	J			EZ0	DGQ		

GRAND CHEROKEE (WK)

SERIES LINE
H = Laredo T = JEEP - 2WD
P = Limited J = JEEP - 4WD

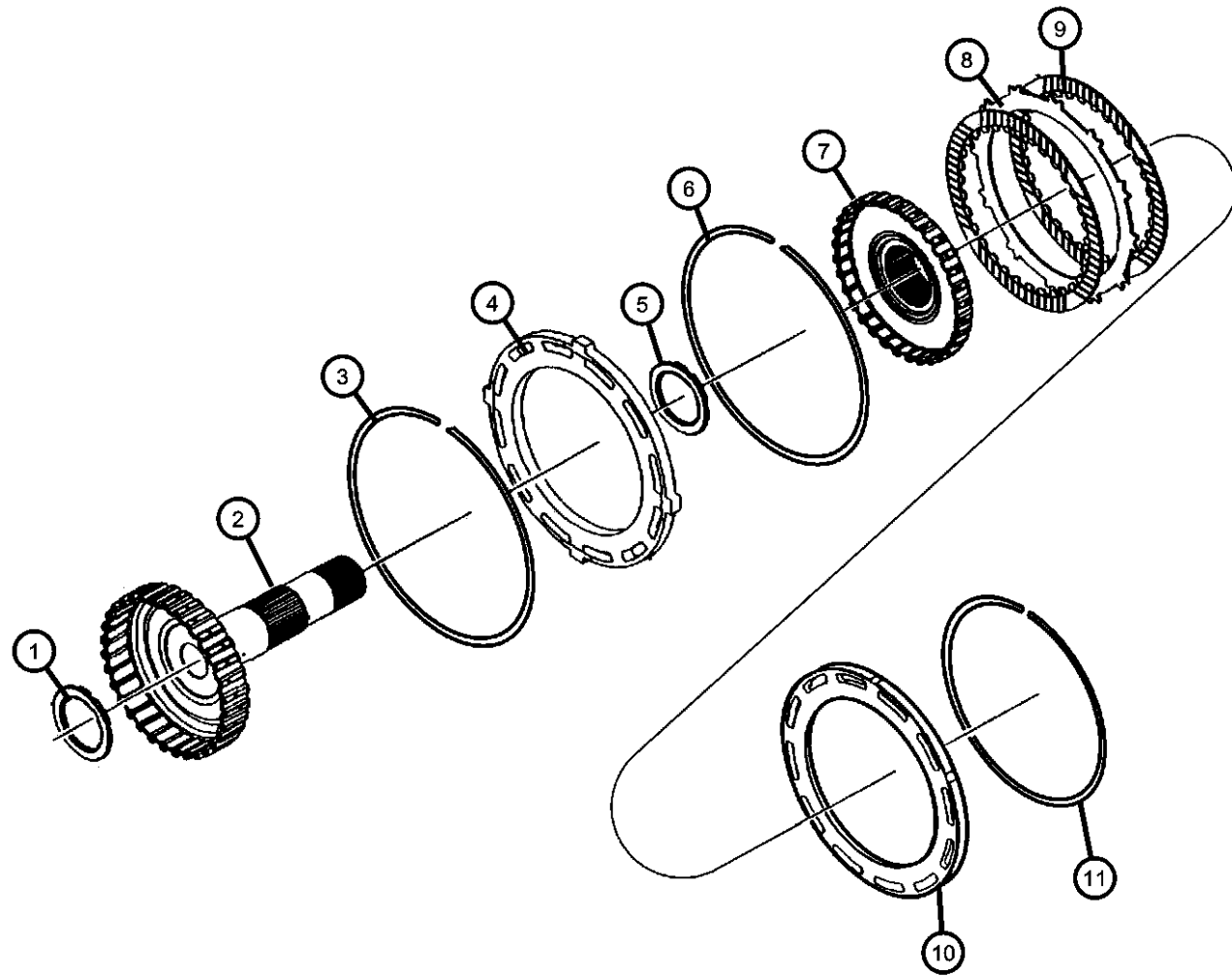
BODY ENGINE
74 = SPORT UTILITY 4-DOOR EKG = Engine - 3.7L V6
EVA = Engine- 4.7L V8 MPI
EZB = Engine-5.7L HEMI

TRANSMISSION
DG0 = All Automatic Transmissions
DGJ = Transmission - 5-Spd Auto, MB
DGQ = Transmission-5-Spd Automatic 5-45RFE

AR = use ase required - = Non illustrated part

2005 WK

**Overdrive
Figure 45RFE-430**



ITEM	PART NUMBER	QTY	LINE	SERIES	BODY	ENGINE	TRANS	TRIM	DESCRIPTION
1	04799469	1	J			EVO	DGQ		THRUST BEARING, Needle Roller
		1	T				DGQ		
		1	J			EZO	DGQ		
2	04799550	1	J			EVO	DGQ		HUB AND SHAFT, Overdrive Clutch
		1	T				DGQ		
		1	J			EZO	DGQ		
3	04799118	1	J			EVO	DGQ		SNAP RING, Overdrive Clutch
		1	T				DGQ		
		1	J			EZO	DGQ		
4	04799116AB	1	J			EVO	DGQ		PLATE, Clutch Pressure
		1	T				DGQ		
		1	J			EZO	DGQ		
5	04799469	1	J			EVO	DGQ		THRUST BEARING, Needle Roller
		1	T				DGQ		
		1	J			EZO	DGQ		
6	04799117	1	J			EVO	DGQ		SNAP RING, Transmission
		1	T				DGQ		
		1	J			EZO	DGQ		
7	04799556	1	J			EVO	DGQ		HUB AND SHAFT, Reverse Clutch
		1	T				DGQ		
		1	J			EZO	DGQ		
8		1							PLATE, PKG 05013090AC, (NOT SERVICED)
9		1							DISC, Clutch, PKG 05013090AC, (NOT SERVICED)

GRAND CHEROKEE (WK)

SERIES LINE
H = Laredo T = JEEP - 2WD
P = Limited J = JEEP - 4WD

BODY ENGINE
74 = SPORT UTILITY 4-DOOR EKG = Engine - 3.7L V6
EVA = Engine- 4.7L V8 MPI
EZB = Engine-5.7L HEMI

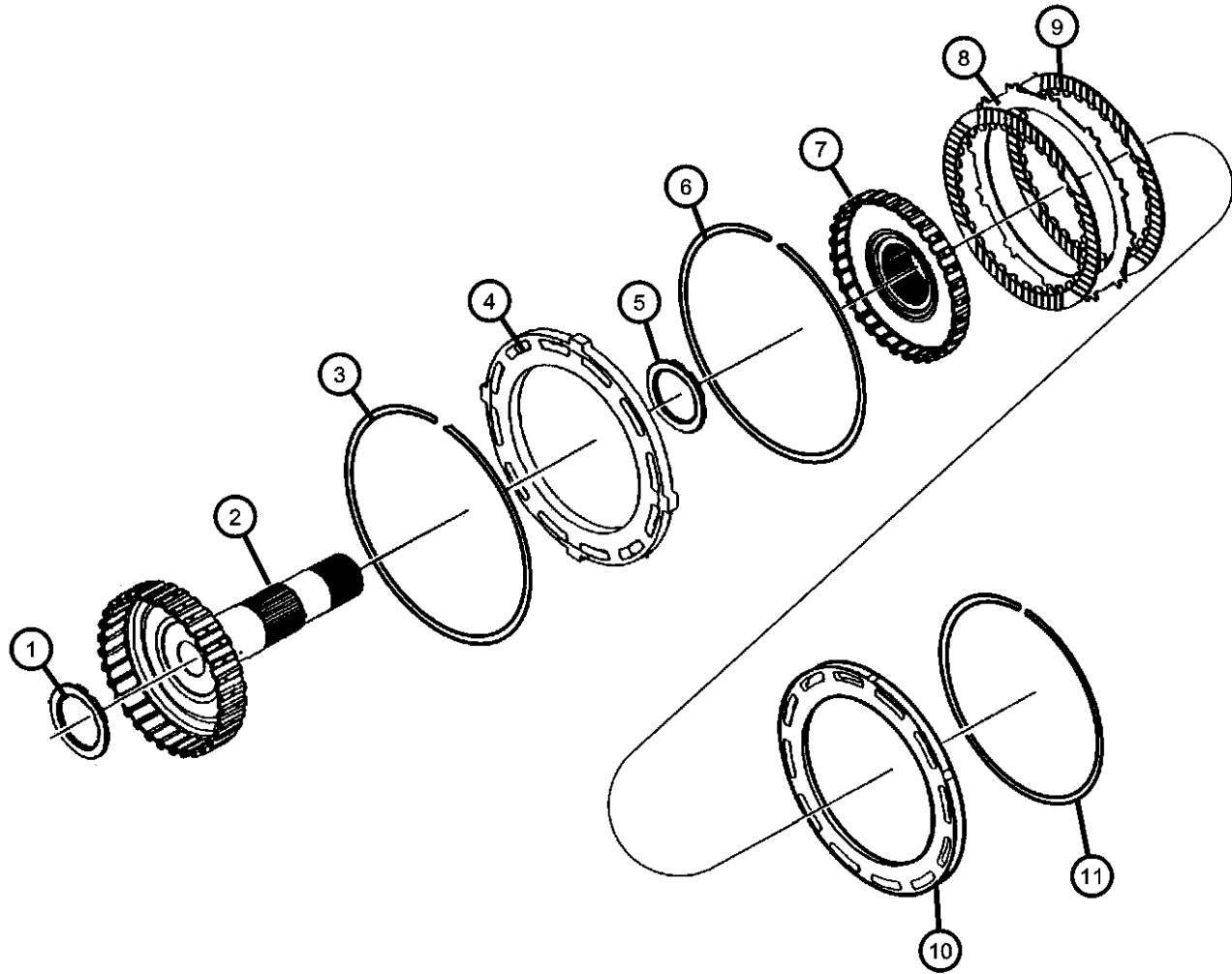
TRANSMISSION
DG0 = All Automatic Transmissions
DGJ = Transmission - 5-Spd Auto, MB
DGQ = Transmission-5-Spd Automatic 5-45RFE

AR = use ase required - = Non illustrated part

2005 WK

Overdrive
Figure 45RFE-430

ITEM	PART NUMBER	QTY	LINE	SERIES	BODY	ENGINE	TRANS	TRIM	DESCRIPTION
10									PLATE, Transmission Clutch Reaction
	04799121	1	J			EVO	DGQ		
		1	T				DGQ		
		1	J			EZO	DGQ		
11		1							SNAP RING, PKG 05013090AC, (NOT SERVICED)



GRAND CHEROKEE (WK)

SERIES LINE
H = Laredo T = JEEP - 2WD
P = Limited J = JEEP - 4WD

BODY

74 = SPORT UTILITY 4-DOOR

ENGINE

EKG = Engine - 3.7L V6
EVA = Engine- 4.7L V8 MPI
EZB = Engine-5.7L HEMI

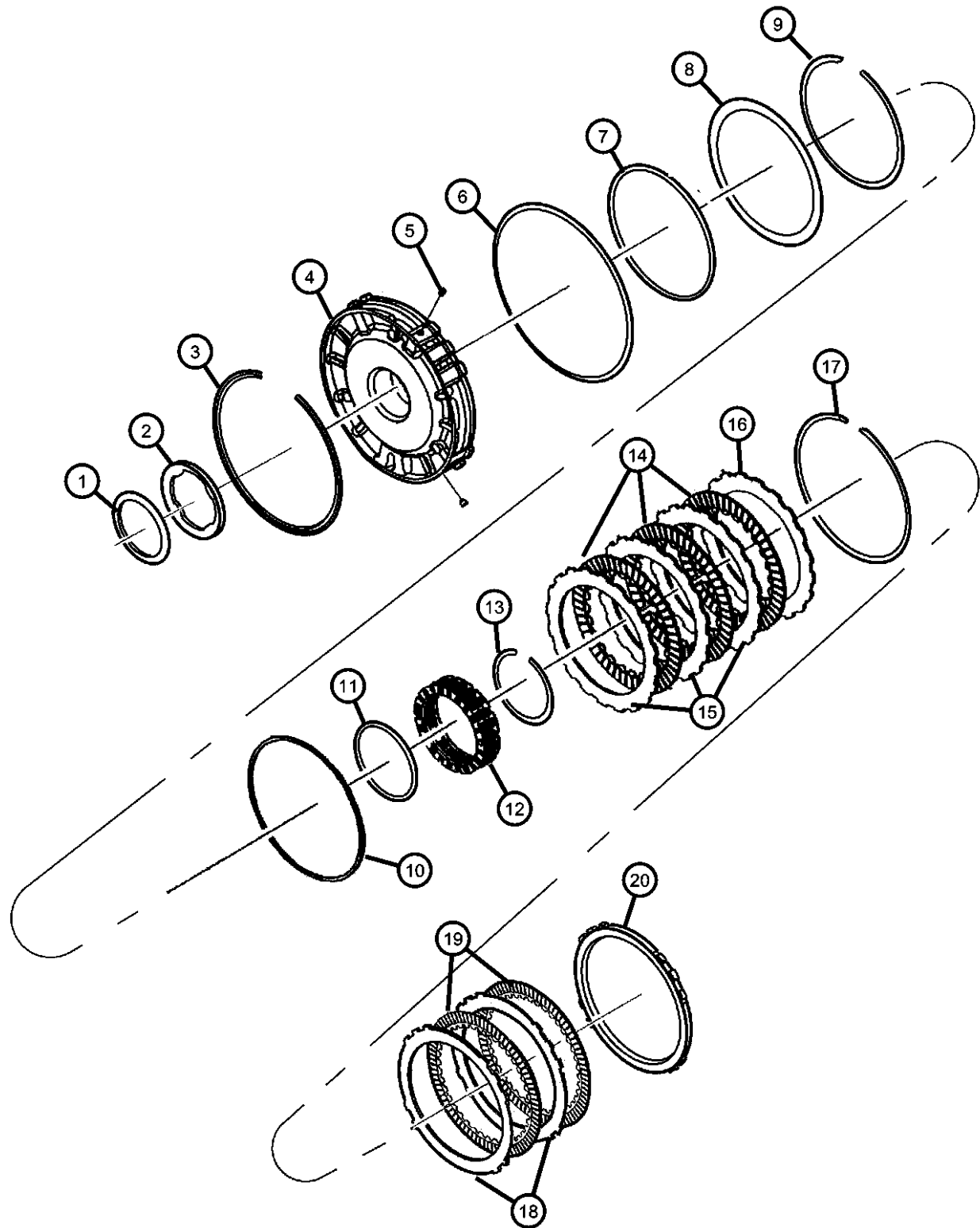
TRANSMISSION

DG0 = All Automatic Transmissions
DGJ = Transmission - 5-Spd Auto, MB
DGQ = Transmission-5-Spd Automatic 5-45RFE

AR = use ase required - = Non illustrated part

2005 WK

2 & 4 Clutch Retainer
Figure 45RFE-440



ITEM	PART NUMBER	QTY	LINE	SERIES	BODY	ENGINE	TRANS	TRIM	DESCRIPTION
NOTE: Sales Codes: [DGQ]=5 Speed Automatic Transmission - [5-45RFE] [EV0] = All 4.7L 8 Cylinder Engines [EZ0] = All 5.7L 8 Cylinder Engines									
1	04799936AB	1	J			EV0	DGQ		THRUST BEARING, Needle Roller
		1	T				DGQ		
		1	J			EZ0	DGQ		
2		1							PLATE, Clutch Hub Thrust, PKG 05013093AB, (NOT SERVICED)
3	04799680AB	1	J			EV0	DGQ		SNAP RING, Transmission
		1	T				DGQ		
		1	J			EZ0	DGQ		
4	04799498AB	1	J			EV0	DGQ		RETAINER, Transmission 2nd and 4th Clutch Piston
		1	T				DGQ		
		1	J			EZ0	DGQ		
5	04799086	1	J			EV0	DGQ		BLEED ORIFICE, Transmission
		1	T				DGQ		
		1	J			EZ0	DGQ		
6	04799174	1	J			EV0	DGQ		SNAP RING, Transmission
		1	T				DGQ		
		1	J			EZ0	DGQ		
7		1							RING, PKG 05013093AB, (NOT SERVICED)
8	04799521	1	J			EV0	DGQ		SPRING, 2nd And 4th Clutch Piston
		1	T				DGQ		
		1	J			EZ0	DGQ		
9	04799522AB	1	J			EV0	DGQ		SNAP RING, Transmission
		1	T				DGQ		
		1	J			EZ0	DGQ		

GRAND CHEROKEE (WK)

SERIES LINE
H = Laredo T = JEEP - 2WD
P = Limited J = JEEP - 4WD

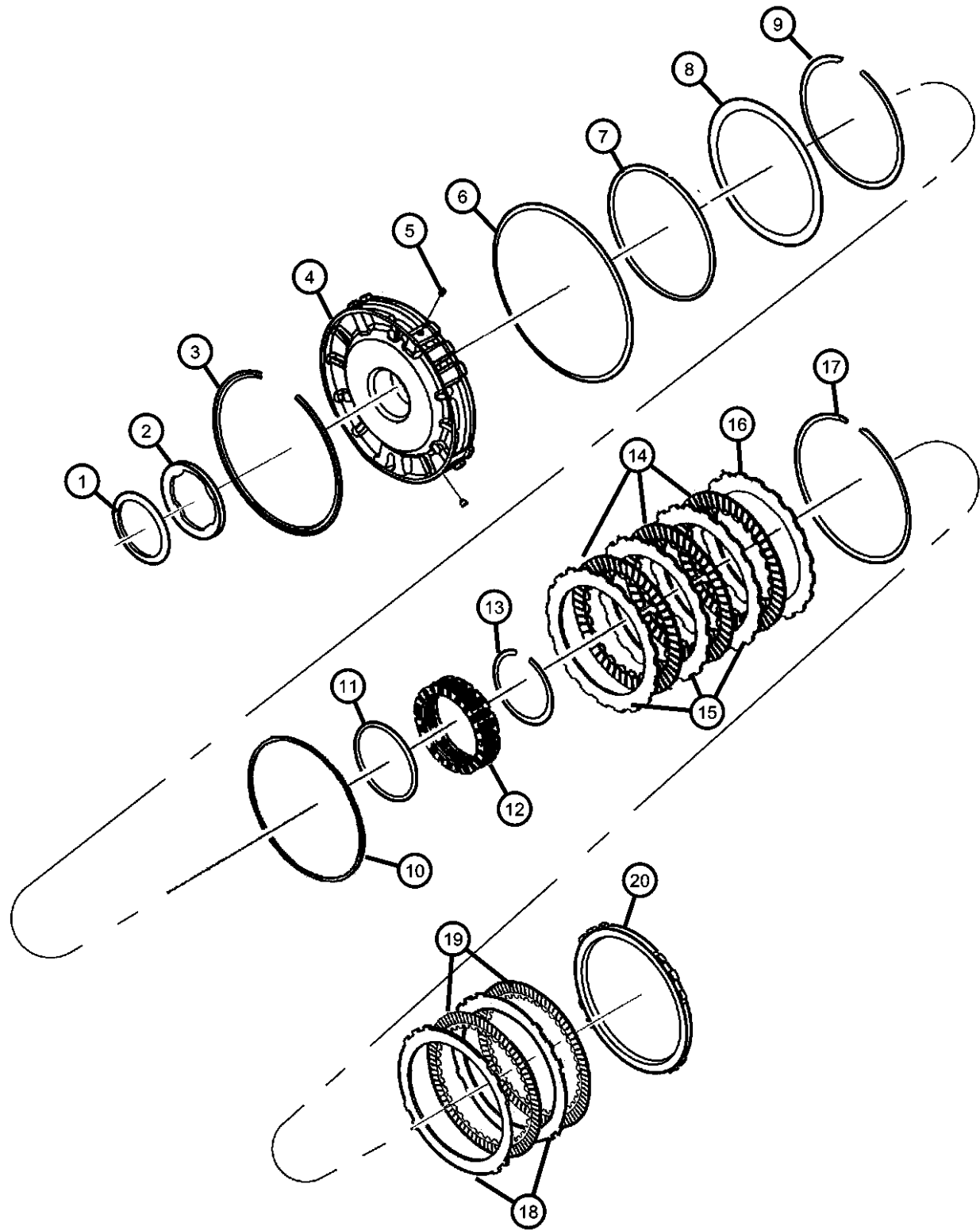
BODY ENGINE TRANSMISSION
74 = SPORT UTILITY 4-DOOR EKG = Engine - 3.7L V6
EVA = Engine- 4.7L V8 MPI
EZB = Engine-5.7L HEMI

DG0 = All Automatic Transmissions
DGJ = Transmission - 5-Spd Auto, MB
DGQ = Transmission-5-Spd Automatic 5-45RFE

AR = use ase required - = Non illustrated part

2005 WK

**2 & 4 Clutch Retainer
Figure 45RFE-440**



ITEM	PART NUMBER	QTY	LINE	SERIES	BODY	ENGINE	TRANS	TRIM	DESCRIPTION
10		1							RING, PKG 05013093AB, (NOT SERVICED)
11		1							RING, PKG 05013093AB, (NOT SERVICED)
12									SPRING, 2nd And 4th Clutch Piston
	04799527AB	1	J			EVO	DGQ		
		1	T				DGQ		
		1	J			EZO	DGQ		
13									SNAP RING, Transmission
	04799528AB	1	J			EVO	DGQ		
		1	T				DGQ		
		1	J			EZO	DGQ		
14		1							DISC, Clutch, PKG 05013087AA, (NOT SERVICED)
15		1							PLATE, Clutch Separator, PKG 05013087AA, (NOT SERVICED)
16									PLATE, Transmission Clutch Reaction
	04799533	1	J			EVO	DGQ		
		1	T				DGQ		
		1	J			EZO	DGQ		
17		1							SNAP RING, Transmission, PKG 05013087AA, (NOT SERVICED)
18		1							PLATE, PKG 05013087AA, (NOT SERVICED)
19		1							DISC, Clutch, PKG 05013087AA, (NOT SERVICED)
20									PLATE, Transmission Clutch Reaction
	04799687AB	1	J			EVO	DGQ		
		1	T				DGQ		
		1	J			EZO	DGQ		
-21									CLUTCH, L/R Clutch
	04799457AB	1	J			EVO	DGQ		
		1	T				DGQ		
		1	J			EZO	DGQ		
-22									CLUTCH, Overrunning
	04799465	1	J			EVO	DGQ		
		1	T				DGQ		

GRAND CHEROKEE (WK)

SERIES	LINE
H = Laredo	T = JEEP - 2WD
P = Limited	J = JEEP - 4WD

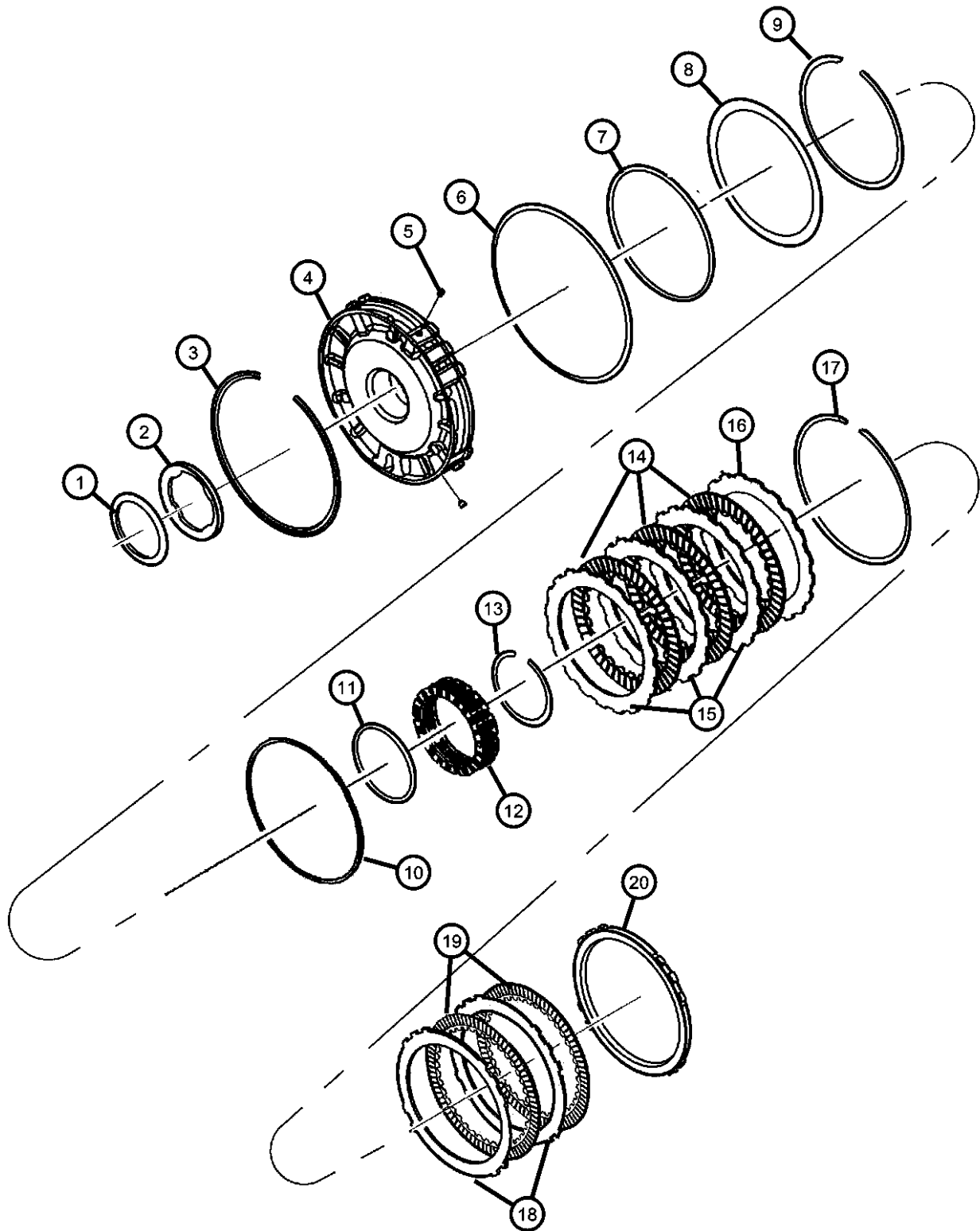
BODY	ENGINE
74 = SPORT UTILITY 4-DOOR	EKG = Engine - 3.7L V6
	EVA = Engine- 4.7L V8 MPI
	EZB = Engine-5.7L HEMI

TRANSMISSION
DG0 = All Automatic Transmissions
DGJ = Transmission - 5-Spd Auto, MB
DGQ = Transmission-5-Spd Automatic 5-45RFE

AR = use ase required - = Non illustrated part

2005 WK

2 & 4 Clutch Retainer
Figure 45RFE-440



ITEM	PART NUMBER	QTY	LINE	SERIES	BODY	ENGINE	TRANS	TRIM	DESCRIPTION
-23		1	J			EZ0	DGQ		SPRING, Low/Reverse Clutch Piston
	04799640AC	1	T				DGQ		
		1	J			EVO	DGQ		
		1	J			EZ0	DGQ		

GRAND CHEROKEE (WK)

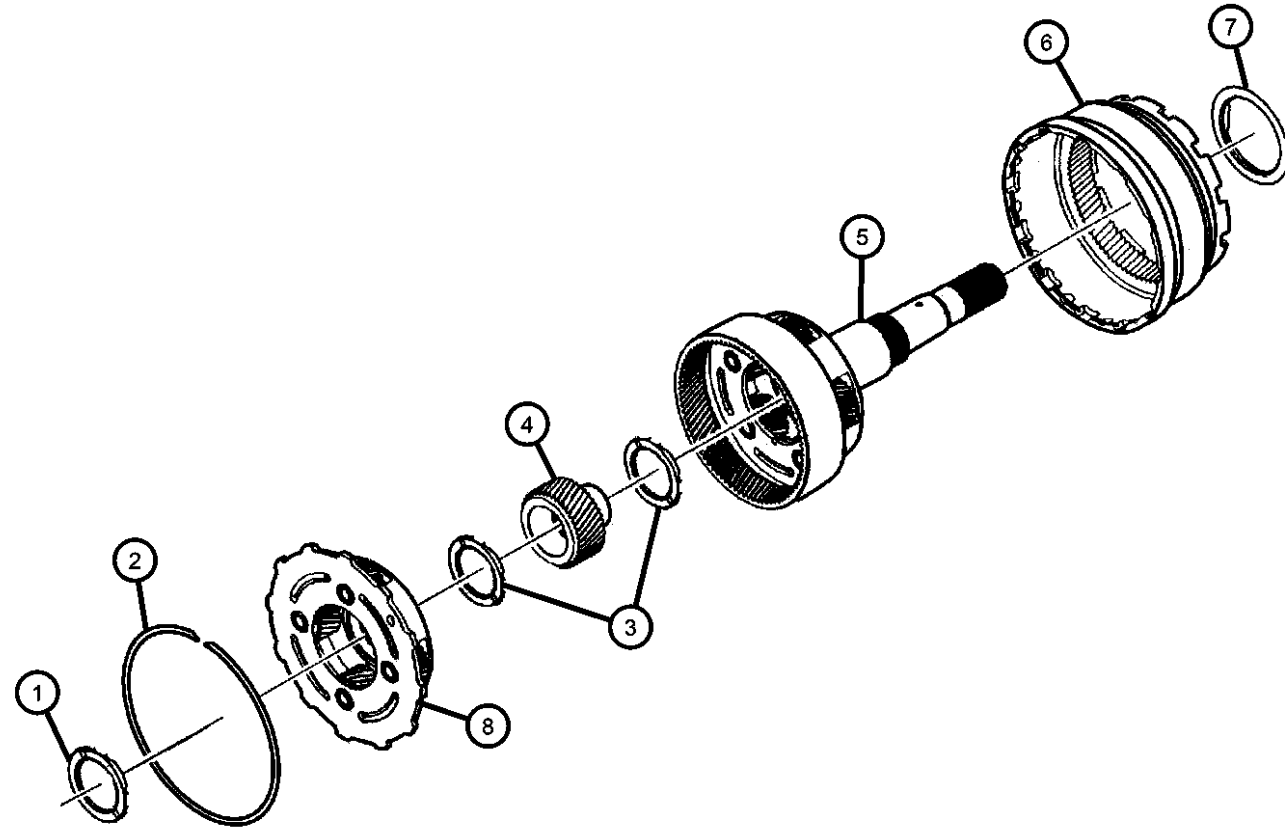
SERIES LINE
H = Laredo T = JEEP - 2WD
P = Limited J = JEEP - 4WD

BODY
74 = SPORT UTILITY 4-DOOR
ENGINE
EKG = Engine - 3.7L V6
EVA = Engine- 4.7L V8 MPI
EZB = Engine-5.7L HEMI

TRANSMISSION
DG0 = All Automatic Transmissions
DGJ = Transmission - 5-Spd Auto, MB
DGQ = Transmission-5-Spd Automatic 5-45RFE

AR = use ase required - = Non illustrated part

**Input / Reverse Planetary [DGQ]
Figure 45RFE-450**



ITEM	PART NUMBER	QTY	LINE	SERIES	BODY	ENGINE	TRANS	TRIM	DESCRIPTION
1									THRUST BEARING, Needle Roller
	04799469	1	J			EVO	DGQ		
		1	T				DGQ		
		AR	J			EZO	DGQ		
2									SNAP RING
	04799247	1	J			EVO	DGQ		
		1	T				DGQ		
		1	J			EZO	DGQ		
3									THRUST BEARING, Needle Roller
	52119464AA	1	J			EVO	DGQ		
		1	T				DGQ		
		1	J			EZO	DGQ		
4									GEAR, Input Sun
	04799586AB	1	J			EVO	DGQ		
		1	T				DGQ		
		1	J			EZO	DGQ		
5									CARRIER, Input Complete
	04799500AE	1	J			EVO	DGQ		
		1	T				DGQ		
		1	J			EZO	DGQ		
6									GEAR, Annulus
	04799501	1	J			EVO	DGQ		
		1	T				DGQ		
		1	J			EZO	DGQ		
7									THRUST BEARING, Needle Roller
	04799459	1	J			EVO	DGQ		
		1	T				DGQ		
		1	J			EZO	DGQ		
8									CARRIER, Reverse Complete
	04799503AE	1	T				DGQ		
		1	J			EVO	DGQ		
		1	J			EZO	DGQ		

GRAND CHEROKEE (WK)

SERIES LINE
H = Laredo T = JEEP - 2WD
P = Limited J = JEEP - 4WD

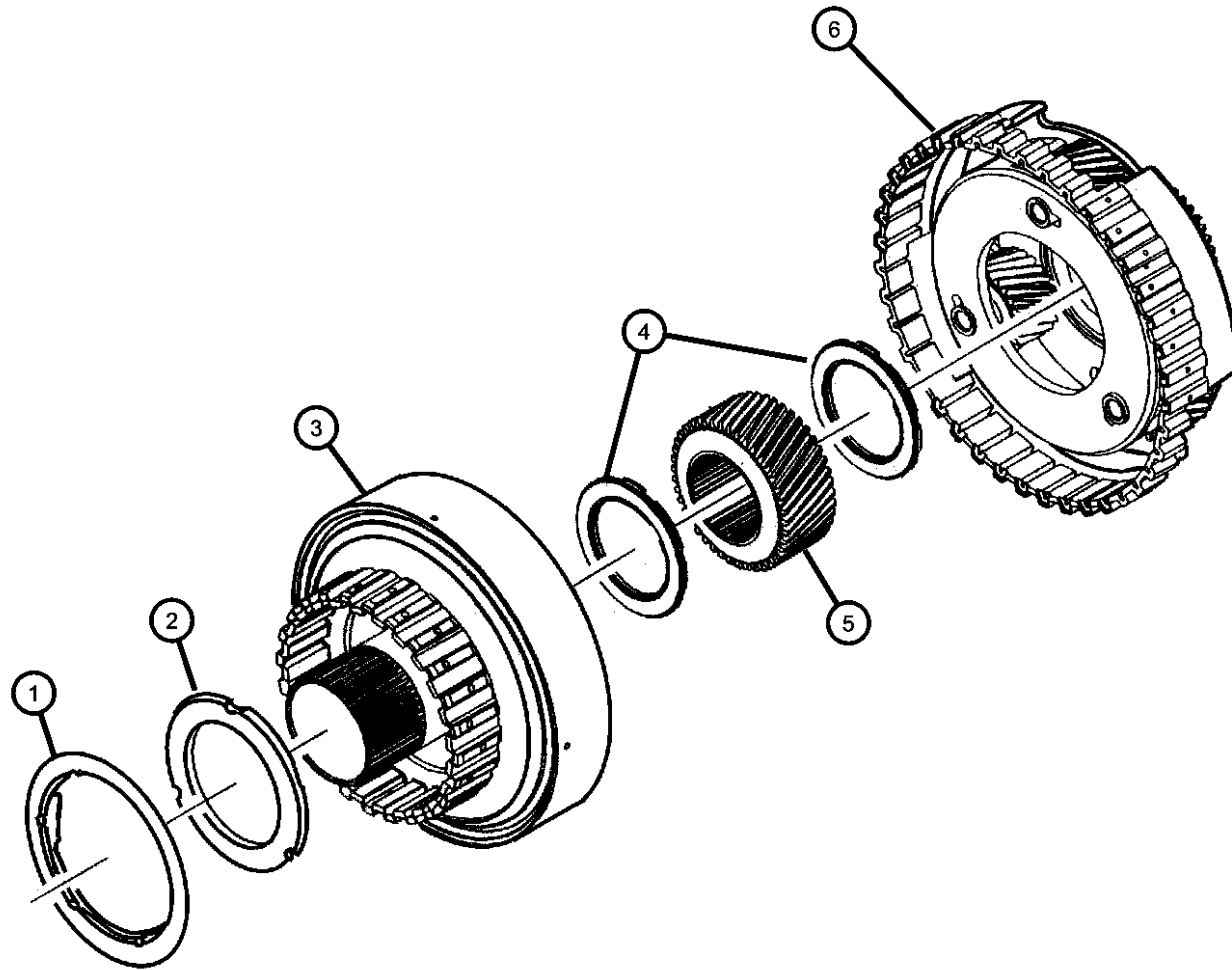
BODY ENGINE
74 = SPORT UTILITY 4-DOOR EKG = Engine - 3.7L V6
EVA = Engine- 4.7L V8 MPI
EZB = Engine-5.7L HEMI

TRANSMISSION
DG0 = All Automatic Transmissions
DGJ = Transmission - 5-Spd Auto, MB
DGQ = Transmission-5-Spd Automatic
5-45RFE

AR = use ase required - = Non illustrated part

2005 WK

**Reaction Annulus / Sun Gear
Figure 45RFE-460**



ITEM	PART NUMBER	QTY	LINE	SERIES	BODY	ENGINE	TRANS	TRIM	DESCRIPTION
------	-------------	-----	------	--------	------	--------	-------	------	-------------

NOTE:
Sales Codes:
[DGQ]=5 Speed Automatic Transmission - [5-45RFE]
[EV0] = All 4.7L 8 Cylinder Engines
[EZ0] = All 5.7L 8 Cylinder Engines

1	04799459	1	J			EV0	DGQ		THRUST BEARING, Needle Roller
		1	T				DGQ		
		1	J			EZ0	DGQ		
2		1							THRUST WASHER, Planetary Carrier, PKG 05013092AA, (NOT SERVICED)
3	04799604	1	J			EV0	DGQ		GEAR, Annulus
		1	T				DGQ		
		1	J			EZ0	DGQ		
4	04799469	1	J			EV0	DGQ		THRUST BEARING, Needle Roller
		1	T				DGQ		
		1	J			EZ0	DGQ		
5	04799602	1	J			EV0	DGQ		GEAR, Reaction Sun
		1	T				DGQ		
		1	J			EZ0	DGQ		
6	04799619AB	1	J			EV0	DGQ		CARRIER, Reaction Complete
		1	T				DGQ		
		1	J			EZ0	DGQ		

GRAND CHEROKEE (WK)

SERIES LINE
H = Laredo T = JEEP - 2WD
P = Limited J = JEEP - 4WD

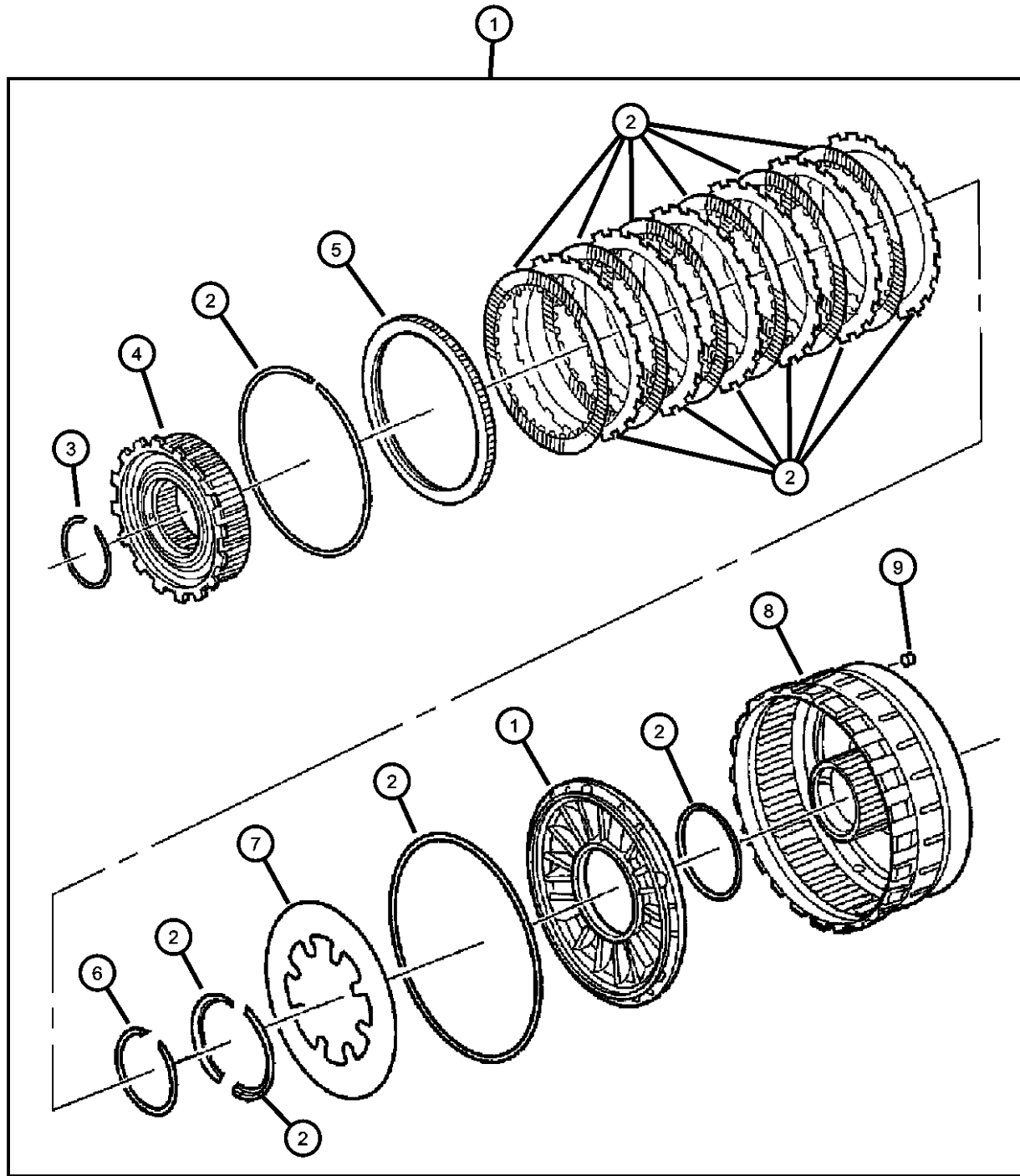
BODY ENGINE
74 = SPORT UTILITY 4-DOOR EKG = Engine - 3.7L V6
EVA = Engine- 4.7L V8 MPI
EZB = Engine-5.7L HEMI

TRANSMISSION
DG0 = All Automatic Transmissions
DGJ = Transmission - 5-Spd Auto, MB
DGQ = Transmission-5-Spd Automatic 5-45RFE

AR = use ase required - = Non illustrated part

2005 WK

Low / Reverse Clutch
Figure 45RFE-470



ITEM	PART NUMBER	QTY	LINE	SERIES	BODY	ENGINE	TRANS	TRIM	DESCRIPTION
1	04799457AB	1	J			EVO	DGQ		CLUTCH, L/R Clutch
		1	T				DGQ		
		1	J			EZO	DGQ		
2	05073003AA	1	T				DGQ		CLUTCH PACKAGE, Automatic Transmission, Low/Reverse
		1	J			EVO	DGQ		
		1	J			EZO	DGQ		
3	04799863AA	1	J			EVO	DGQ		SNAP RING
		1	T				DGQ		
		1	J			EZO	DGQ		
4	04799465	1	J			EVO	DGQ		CLUTCH, Overrunning
		1	T				DGQ		
		1	J			EZO	DGQ		
5	04799667	1	J			EVO	DGQ		PLATE, Transmission Clutch Reaction
		1	T				DGQ		
		1	J			EZO	DGQ		
6	04799863AA	1	J			EVO	DGQ		SNAP RING
		1	T				DGQ		
		1	J			EZO	DGQ		
7	04799640AC	1	T				DGQ		SPRING, Low/Reverse Clutch Piston
		1	J			EVO	DGQ		
		1	J			EZO	DGQ		
8	04799648	1	J			EVO	DGQ		RETAINER, Transmission Input Clutch

NOTE:

Sales Codes:

[DGQ]=5 Speed Automatic Transmission - [5-45RFE]

[EVO] = All 4.7L 8 Cylinder Engines

[EZO] = All 5.7L 8 Cylinder Engines

GRAND CHEROKEE (WK)

SERIES LINE
H = Laredo T = JEEP - 2WD
P = Limited J = JEEP - 4WD

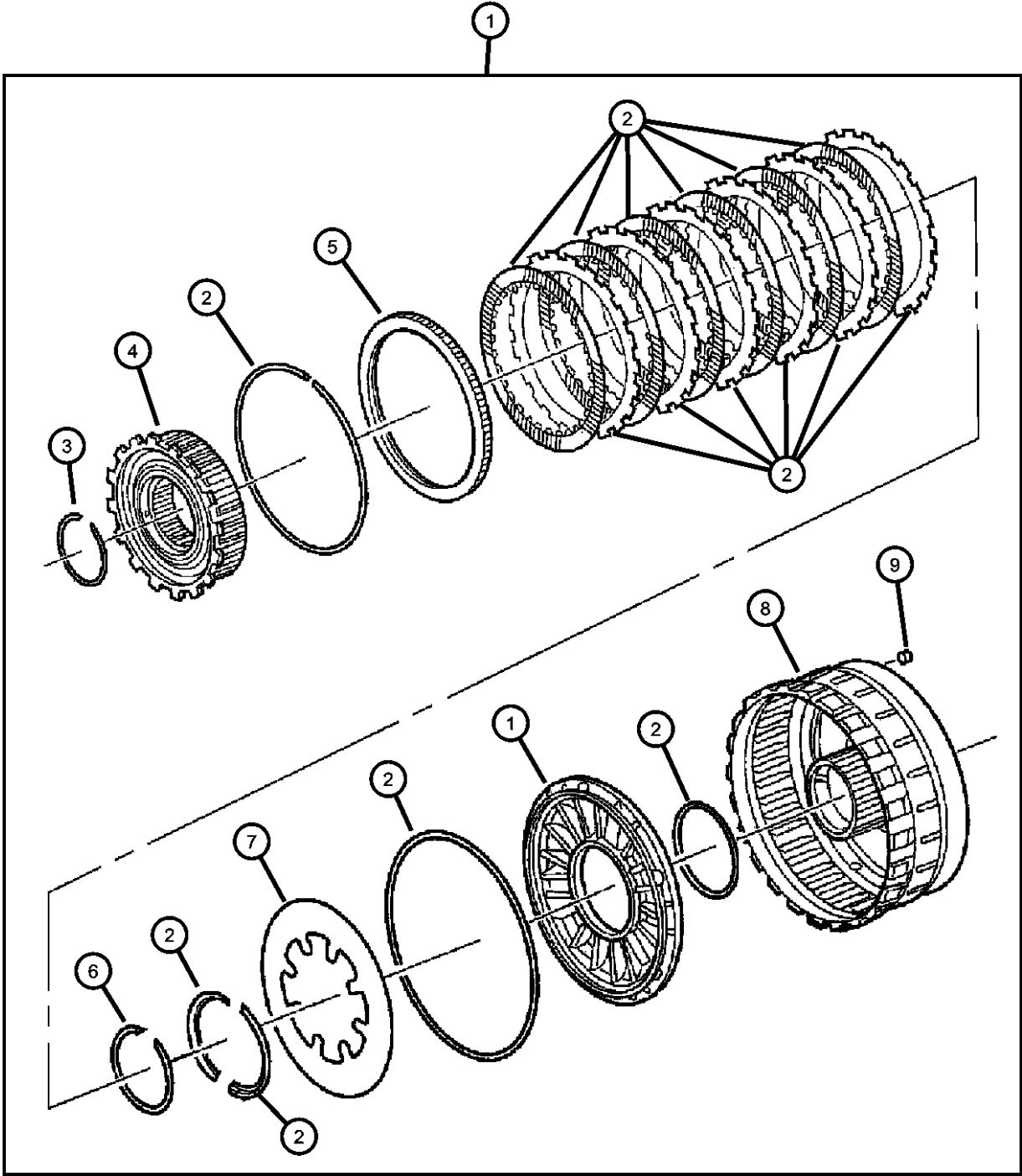
BODY ENGINE TRANSMISSION
74 = SPORT UTILITY 4-DOOR EKG = Engine - 3.7L V6
EVA = Engine- 4.7L V8 MPI
EZB = Engine-5.7L HEMI

DG0 = All Automatic Transmissions
DGJ = Transmission - 5-Spd Auto, MB
DGQ = Transmission-5-Spd Automatic 5-45RFE

AR = use ase required - = Non illustrated part

2005 WK

Low / Reverse Clutch
Figure 45RFE-470



ITEM	PART NUMBER	QTY	LINE	SERIES	BODY	ENGINE	TRANS	TRIM	DESCRIPTION
		1	T				DGQ		
		AR	J			EZ0	DGQ		
9	04799086	1	J			EVO	DGQ		BLEED ORIFICE, Transmission
		1	T				DGQ		
		2	J			EZ0	DGQ		

GRAND CHEROKEE (WK)

SERIES LINE
H = Laredo T = JEEP - 2WD
P = Limited J = JEEP - 4WD

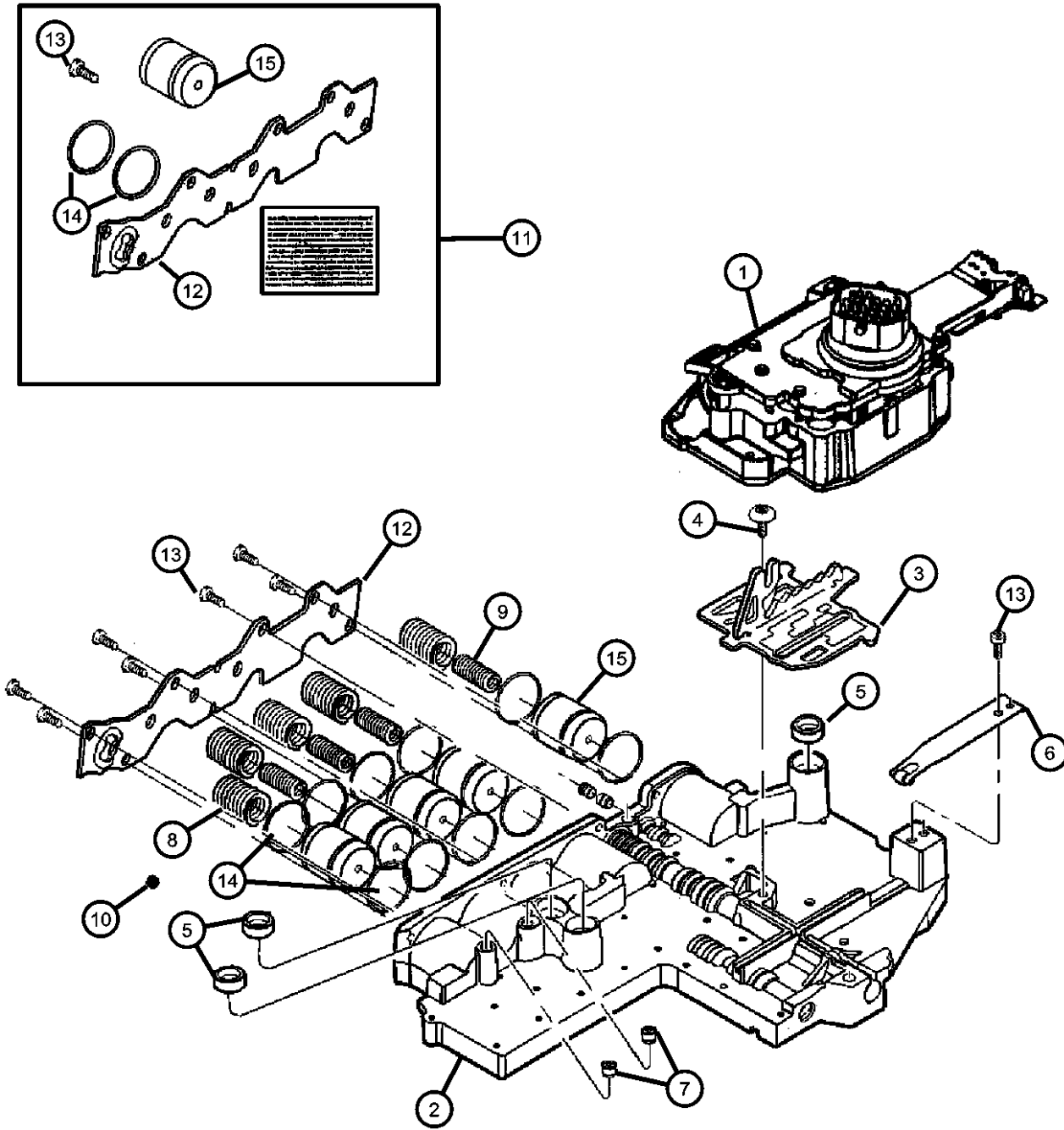
BODY ENGINE
74 = SPORT UTILITY 4-DOOR EKG = Engine - 3.7L V6
EVA = Engine- 4.7L V8 MPI
EZB = Engine-5.7L HEMI

TRANSMISSION
DG0 = All Automatic Transmissions
DGJ = Transmission - 5-Spd Auto, MB
DGQ = Transmission-5-Spd Automatic 5-45RFE

AR = use ase required - = Non illustrated part

2005 WK

**Valve Body
Figure 45RFE-710**



ITEM	PART NUMBER	QTY	LINE	SERIES	BODY	ENGINE	TRANS	TRIM	DESCRIPTION
NOTE: Sales Codes: [DGQ]=5 Speed Automatic Transmission - [5-45RFE] [EV0] = All 4.7L 8 Cylinder Engines [EZ0] = All 5.7L 8 Cylinder Engines									
1									SOLENOID, Transmission
	52119435AA	1	J			EV0	DGQ		
		1	T				DGQ		
		1	J			EZ0	DGQ		
2									VALVE BODY, Transfer Plate and Valve
	05166834AA	1	T				DGQ		
		1	J			EV0	DGQ		
		1	J			EZ0	DGQ		
3									PLATE, Manual Valve Cam
	04799654AC	1	J			EV0	DGQ		
		1	T				DGQ		
		1	J			EZ0	DGQ		
4									SCREW, Shoulder/Truss, M5x.8x12.5
	06508087AA	1	T				DGQ		
		1	J			EV0	DGQ		
		1	J			EZ0	DGQ		
5									SEAL, Clutch Feed
	04799778	3	J			EV0	DGQ		
		3	T				DGQ		
		3	J			EZ0	DGQ		
6									DETENT, Valve Body
	52119501AA	1	J			EV0	DGQ		
		1	T				DGQ		
		1	J			EZ0	DGQ		
7									BLEED ORIFICE, Transmission
	04799086	1	J			EV0	DGQ		
		1	T				DGQ		
		1	J			EZ0	DGQ		
8									SPRING, Accumulator
	04471880	AR	J			EV0	DGQ		

GRAND CHEROKEE (WK)

SERIES	LINE
H = Laredo	T = JEEP - 2WD
P = Limited	J = JEEP - 4WD

BODY

74 = SPORT UTILITY 4-DOOR
EKG = Engine - 3.7L V6
EVA = Engine- 4.7L V8 MPI
EZB = Engine-5.7L HEMI

ENGINE

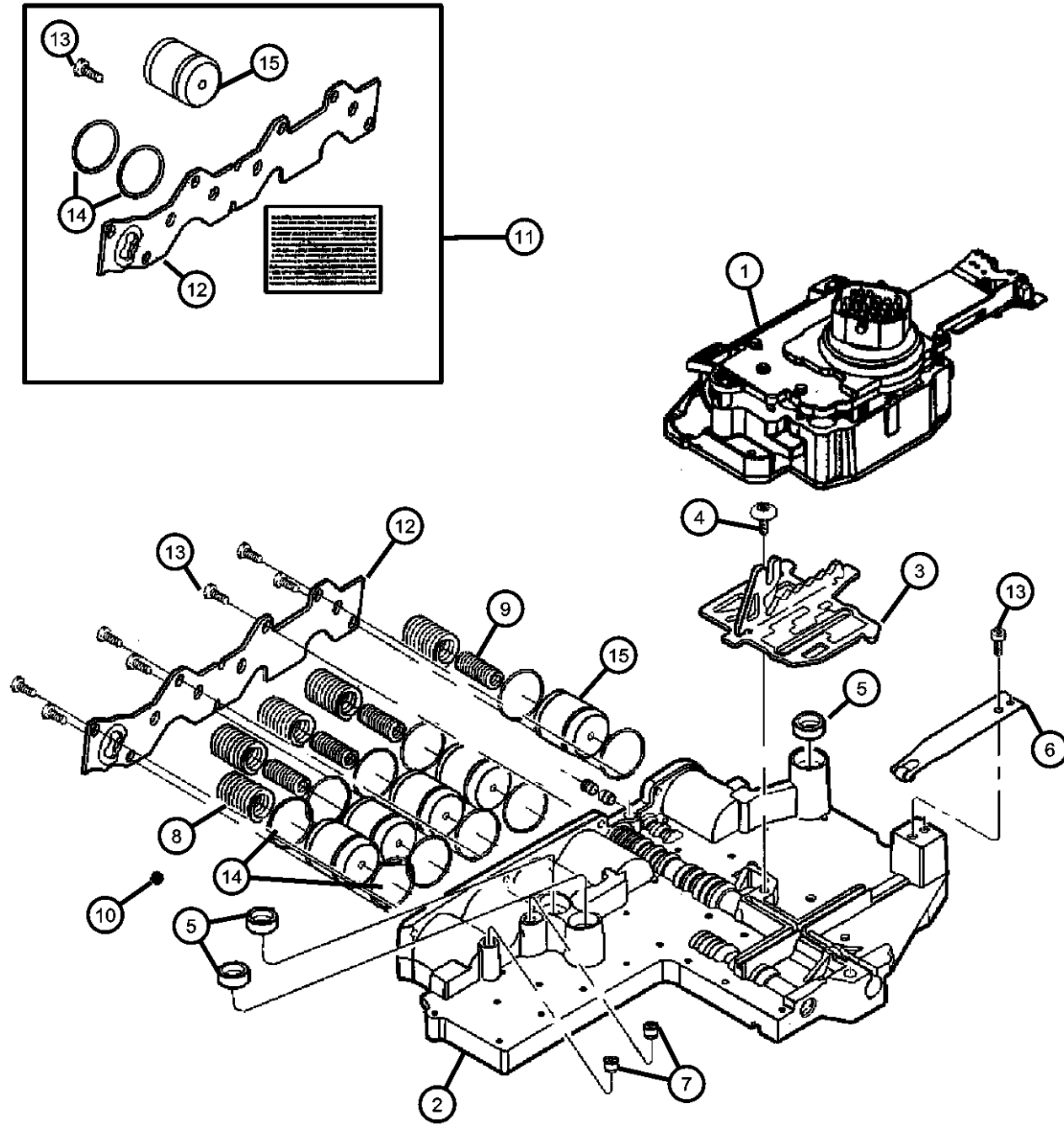
TRANSMISSION

DG0 = All Automatic Transmissions
DGJ = Transmission - 5-Spd Auto, MB
DGQ = Transmission-5-Spd Automatic 5-45RFE

AR = use ase required - = Non illustrated part

2005 WK

Valve Body
Figure 45RFE-710



ITEM	PART NUMBER	QTY	LINE	SERIES	BODY	ENGINE	TRANS	TRIM	DESCRIPTION
		AR	T				DGQ		
		5	J			EZ0	DGQ		
9	04567575	4	T				DGQ		SPRING, Accumulator
		1	J			EV0	DGQ		
		4	J			EZ0	DGQ		
10	04446602	7	T				DGQ		BALL, Check
		7	J			EV0	DGQ		
		7	J			EZ0	DGQ		
11	05174633AA	1	T				DGQ		ACCUMULATOR KIT, Accumulator Cover
		1	J			EV0	DGQ		
		1	J			EZ0	DGQ		
12	04799598AB	1	J			EV0	DGQ		COVER, Accumulator
		1	T			EV0	DGQ		
		1	J			EZ0	DGQ		
13	06503232	7	J				DGQ		SCREW, Pan Head, M5 x 0.8 x 12.60
		7	T				DGQ		
		7	J			EZ0	DGQ		
14	04446544	10	T				DGQ		SEAL, Accumulator
		10	J			EV0	DGQ		
		10	J			EZ0	DGQ		
15	04446620AC	5	J			EV0	DGQ		PISTON, Accumulator
		5	J			EZ0	DGQ		
		5	T			EV0	DGQ		

GRAND CHEROKEE (WK)

SERIES LINE
H = Laredo T = JEEP - 2WD
P = Limited J = JEEP - 4WD

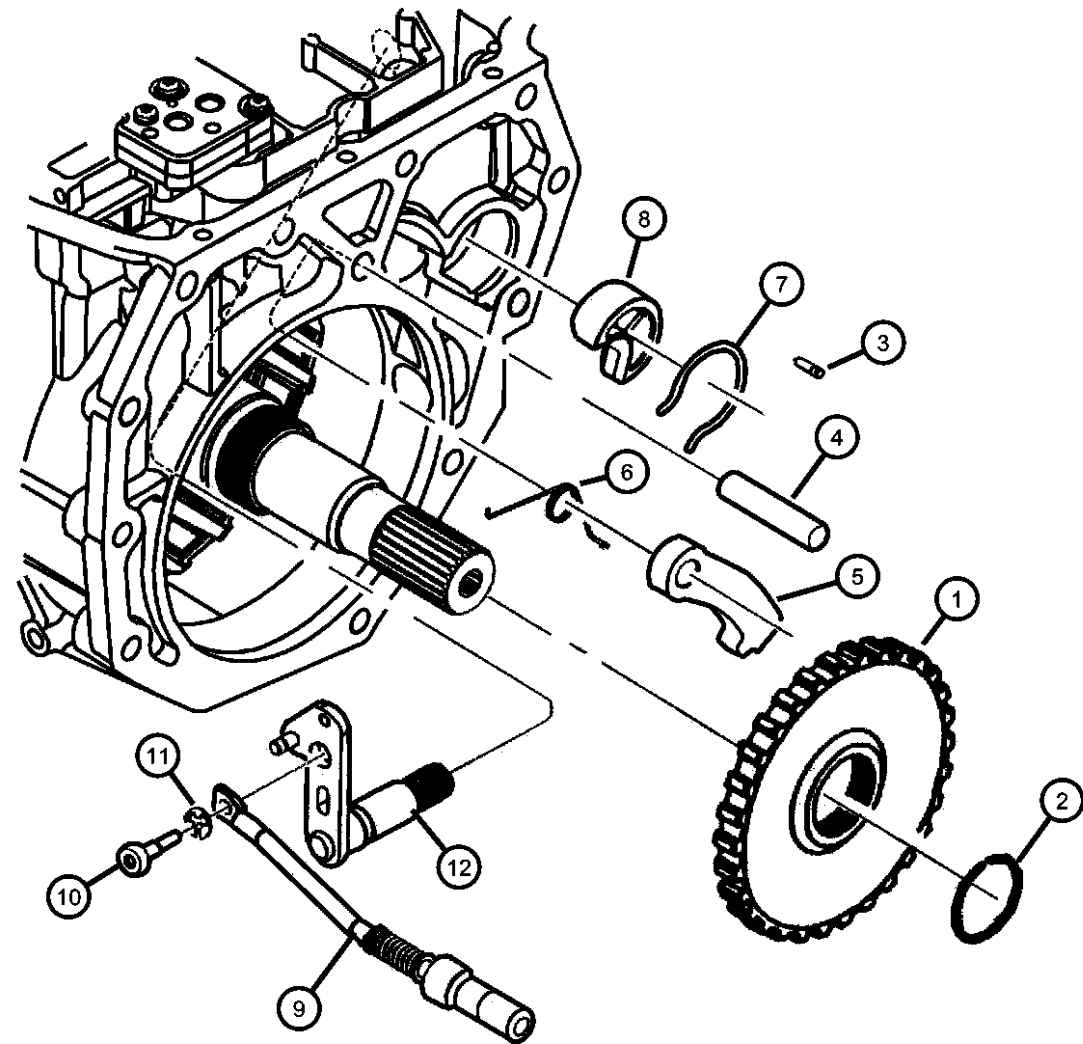
BODY ENGINE TRANSMISSION
74 = SPORT UTILITY 4-DOOR EKG = Engine - 3.7L V6
EVA = Engine- 4.7L V8 MPI
EZB = Engine-5.7L HEMI

DG0 = All Automatic Transmissions
DGJ = Transmission - 5-Spd Auto, MB
DGQ = Transmission-5-Spd Automatic 5-45RFE

AR = use ase required - = Non illustrated part

2005 WK

**Parking Sprag
Figure 45RFE-720**



ITEM	PART NUMBER	QTY	LINE	SERIES	BODY	ENGINE	TRANS	TRIM	DESCRIPTION
1	04799493AB	1	J			EVO	DGQ		SPRAG, Transmission Parking
		1	T				DGQ		
		1	J			EZO	DGQ		
2	04799704	1	J			EVO	DGQ		SNAP RING, Transmission
		1	T				DGQ		
		1	J			EZO	DGQ		
3	00456636	1	J			EVO	DGQ		PIN
		1	T				DGQ		
		1	J			EZO	DGQ		
4	04799450	1	J			EVO	DGQ		SHAFT, Parking Pawl
		1	T				DGQ		
		1	J			EZO	DGQ		
5	04799744AD	1	J			EVO	DGQ		PAWL, Parking Sprag
		1	T				DGQ		
		1	J			EZO	DGQ		
6	04799451	1	J			EVO	DGQ		SPRING, Torsion
		1	T				DGQ		
		1	J			EZO	DGQ		
7	04799313	1	J			EVO	DGQ		SNAP RING
		1	T				DGQ		
		1	J			EZO	DGQ		
8	04799774	1	J			EVO	DGQ		GUIDE, Parking Sprag Pawl
		1	T				DGQ		

GRAND CHEROKEE (WK)

SERIES	LINE
H = Laredo	T = JEEP - 2WD
P = Limited	J = JEEP - 4WD

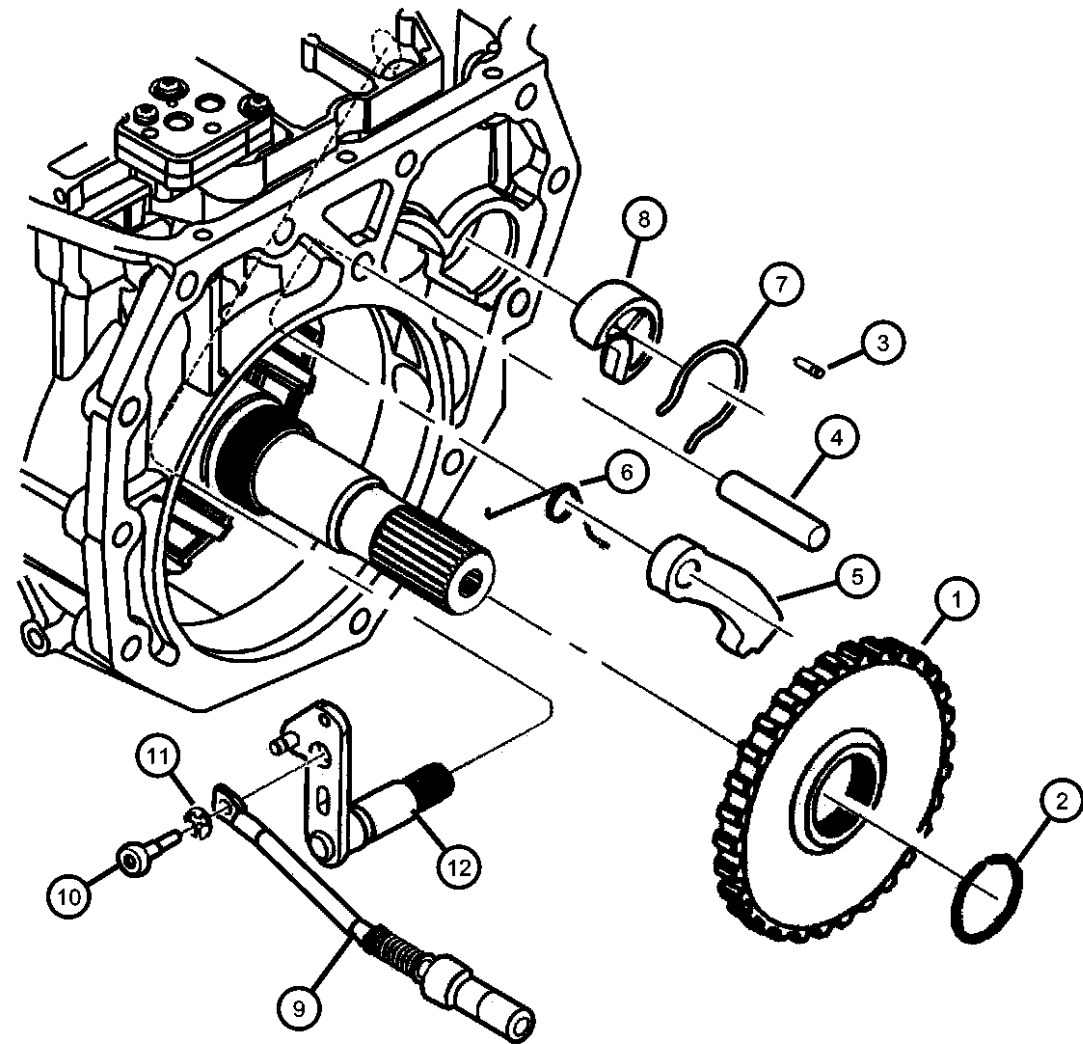
BODY	ENGINE
74 = SPORT UTILITY 4-DOOR	EKG = Engine - 3.7L V6
	EVA = Engine- 4.7L V8 MPI
	EZB = Engine-5.7L HEMI

TRANSMISSION
DG0 = All Automatic Transmissions
DGJ = Transmission - 5-Spd Auto, MB
DGQ = Transmission-5-Spd Automatic 5-45RFE

AR = use ase required - = Non illustrated part

2005 WK

**Parking Sprag
Figure 45RFE-720**



ITEM	PART NUMBER	QTY	LINE	SERIES	BODY	ENGINE	TRANS	TRIM	DESCRIPTION
9		1	J			EZ0	DGQ		ROD, Parking Sprag
	04799611AB	1	J			EVO	DGQ		
		1	T				DGQ		
		1	J			EZ0	DGQ		
10		1	J			EVO	DGQ		SCREW, M6x1x30
	06504548	1	J			EVO	DGQ		
		1	T				DGQ		
		1	J			EZ0	DGQ		
11		1	T				DGQ		SNAP RING, Rod
	06035256	1	T				DGQ		
		1	J			EVO	DGQ		
		1	J			EZ0	DGQ		
12		1	J			EVO	DGQ		LEVER, Shift Shaft
	04799453	1	J			EVO	DGQ		
		1	T				DGQ		
		1	J			EZ0	DGQ		

GRAND CHEROKEE (WK)

SERIES	LINE
H = Laredo	T = JEEP - 2WD
P = Limited	J = JEEP - 4WD

BODY	ENGINE
74 = SPORT UTILITY 4-DOOR	EKG = Engine - 3.7L V6
	EVA = Engine- 4.7L V8 MPI
	EZB = Engine-5.7L HEMI

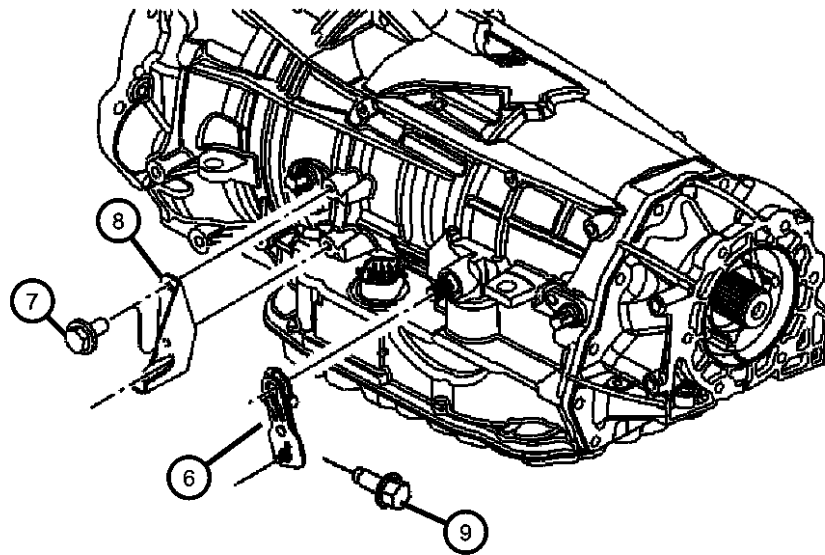
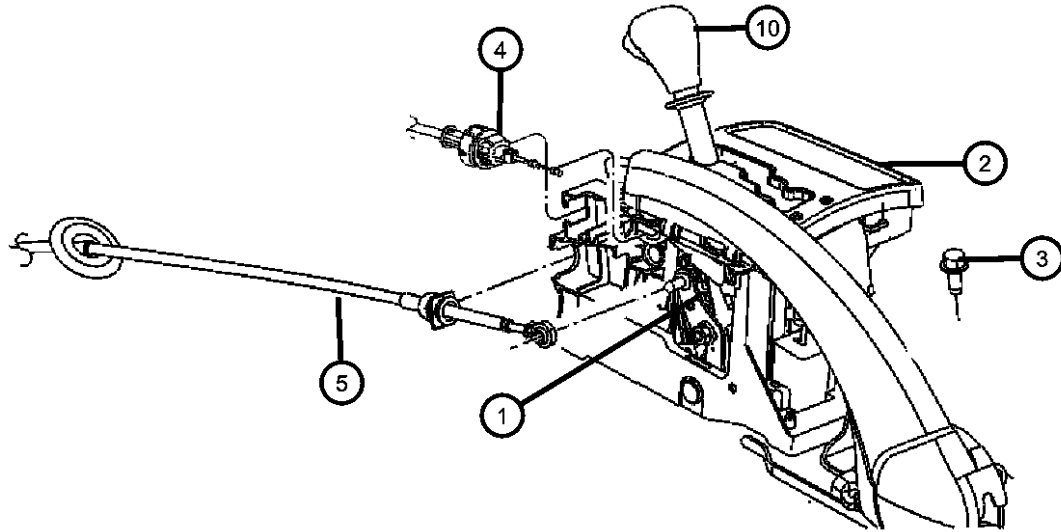
TRANSMISSION
DG0 = All Automatic Transmissions
DGJ = Transmission - 5-Spd Auto, MB
DGQ = Transmission-5-Spd Automatic 5-45RFE

AR = use ase required - = Non illustrated part

2005 WK

**Gearshift Control
Figure 45RFE-1210**

ITEM	PART NUMBER	QTY	LINE	SERIES	BODY	ENGINE	TRANS	TRIM	DESCRIPTION
NOTE: Sales Codes:									
1									HOUSING AND LEVER, Shifter, Includes Bezel, Handle and Mat
	52109665AE	1	T				DGQ		
	52109678AF	1	J				DGQ		
2									PRNDL BEZEL, Gear selector, Includes Mat
	68004145AE	1	T	S			DGQ		
	68004146AE	1	J				DGQ		
		1	T	H, P			DGQ		
3	06508083AA	4							SCREW, Hex Flange Head, Shifter Assembly Attach to Floor
4	52109667AD	1				EK0, EV0, EZ0	DG0		CABLE, Gearshift Control
5	52109666AC	1					DG0		CABLE, Park Interlock
6	52109706AB	1					DGQ		LEVER, Manual Control
7	06101758	2					DG0		SCREW, Hex Head, M8x1.25x20, Bracket Attach to Transmission
8	52104371AG	1					DGQ		BRACKET, Shift Cable
9	06101978	1					DGQ		SCREW AND WASHER, Hex Head, M8-1.25x40
10									HANDLE, Gearshift
	52090460AB	1	T				DGQ		
		1	J				DGQ		



GRAND CHEROKEE (WK)

SERIES	LINE
H = Laredo	T = JEEP - 2WD
P = Limited	J = JEEP - 4WD

BODY	ENGINE
74 = SPORT UTILITY 4-DOOR	EKG = Engine - 3.7L V6
	EVA = Engine- 4.7L V8 MPI
	EZB = Engine-5.7L HEMI

TRANSMISSION
DG0 = All Automatic Transmissions
DGJ = Transmission - 5-Spd Auto, MB
DGQ = Transmission-5-Spd Automatic 5-45RFE

AR = use ase required - = Non illustrated part

2005 WK

**LR Clutch
Figure 45RFE-1310**

LR CLUTCH PACKAGE 05013091aa

	D-ring, external (L/R piston outer)
	D-ring, internal (L/R piston inner)
(6)	Plate, clutch separator (1.74mm thk)
(6)	Disc assy, clutch (L/R)
	Snap ring, flat (1.5/1.6 thk)
	Snap ring, flat (2.03/2.13 thk)
	Snap ring, flat (2.54/2.68 thk)
(2)	Retainer, c-clip

①

ITEM	PART NUMBER	QTY	LINE	SERIES	BODY	ENGINE	TRANS	TRIM	DESCRIPTION
------	-------------	-----	------	--------	------	--------	-------	------	-------------

NOTE:

Sales Codes:

[DGQ]=5 Speed Automatic Transmission - [5-45RFE]

[EV0] = All 4.7L 8 Cylinder Engines

[EZ0] = All 5.7L 8 Cylinder Engines

1

05073003AA	1	T					DGQ		CLUTCH PACKAGE, Automatic Transmission, Low/Reverse
	1	J				EV0	DGQ		
	1	J				EZ0	DGQ		

-2

04799457AB	1	J				EV0	DGQ		CLUTCH, L/R Clutch
	1	T					DGQ		
	1	J				EZ0	DGQ		

GRAND CHEROKEE (WK)

SERIES	LINE
H = Laredo	T = JEEP - 2WD
P = Limited	J = JEEP - 4WD

BODY	ENGINE
74 = SPORT UTILITY 4-DOOR	EKG = Engine - 3.7L V6
	EVA = Engine- 4.7L V8 MPI
	EZB = Engine-5.7L HEMI

TRANSMISSION
DG0 = All Automatic Transmissions
DGJ = Transmission - 5-Spd Auto, MB
DGQ = Transmission-5-Spd Automatic 5-45RFE

AR = use ase required - = Non illustrated part

2005 WK

**2 & 4 Clutch
Figure 45RFE-1320**

ITEM	PART NUMBER	QTY	LINE	SERIES	BODY	ENGINE	TRANS	TRIM	DESCRIPTION
------	-------------	-----	------	--------	------	--------	-------	------	-------------

NOTE:
Sales Codes:
[DGQ]=5 Speed Automatic Transmission - [5-45RFE]
[EV0] = All 4.7L 8 Cylinder Engines
[EZ0] = All 5.7L 8 Cylinder Engines

1									CLUTCH PACKAGE, Automatic Transmission, 2/4
	05013087AC	1	T				DGQ		
		1	J			EV0	DGQ		
		1	J			EZ0	DGQ		
-2									PLATE, Transmission Clutch Reaction
	04799687AB	1	J			EV0	DGQ		
		1	T				DGQ		
		1	J			EZ0	DGQ		

2&4 CLUTCH PACKAGE 05013087aa

(2)	Disc assy, clutch (2nd clutch)
(2)	Plate, clutch separator
	D-ring, external (2nd outer)
	D-ring, internal (2nd inner)
	D-ring, internal (4th outer)
	D-ring, internal (4th inner)
(3)	Plate, clutch separator (4th clutch)
(3)	Disc assy, clutch (4th clutch)
	Snap ring (4th, 1.74/1.84 thk)
	Snap ring (4th, 2.15/2.25 thk)
	Snap ring (4th, 2.56/2.66 thk)

GRAND CHEROKEE (WK)

SERIES LINE
H = Laredo T = JEEP - 2WD
P = Limited J = JEEP - 4WD

BODY

74 = SPORT UTILITY 4-DOOR

ENGINE

EKG = Engine - 3.7L V6
EVA = Engine- 4.7L V8 MPI
EZB = Engine-5.7L HEMI

TRANSMISSION

DG0 = All Automatic Transmissions
DGJ = Transmission - 5-Spd Auto, MB
DGQ = Transmission-5-Spd Automatic 5-45RFE

AR = use ase required - = Non illustrated part

2005 WK

Input Clutch Plate
Figure 45RFE-1330

SELECTIVE THRUST PLATES **05013093aa**
INPUT CLUTCH THRUST PLATE PKG

Thrust plate, input clutc 1.52 / 1.61
Thrust plate, input clutc 1.66 / 1.75
Thrust plate, input clutc 1.80 / 1.89
Thrust plate, input clutc 1.94 / 2.03
Thrust plate, input clutc 2.08 / 2.17
Thrust plate, input clutc 2.22 / 2.31
Thrust plate, input clutc 2.36 / 2.45
Thrust plate, input clutc 2.50 / 2.59
Thrust plate, input clutc 2.64 / 2.73
Thrust plate, input clutc 2.78 / 2.87
Thrust plate, input clutc 2.92 / 3.01
Thrust plate, input clutc 3.06 / 3.15
Thrust plate, input clutc 3.20 / 3.29
Thrust plate, input clutc 3.34 / 3.43
Thrust plate, input clutc 3.62 / 3.71

1

ITEM	PART NUMBER	QTY	LINE	SERIES	BODY	ENGINE	TRANS	TRIM	DESCRIPTION
------	-------------	-----	------	--------	------	--------	-------	------	-------------

NOTE:
Sales Codes:
[DGQ]=5 Speed Automatic Transmission - [5-45RFE]
[EV0] = All 4.7L 8 Cylinder Engines
[EZ0] = All 5.7L 8 Cylinder Engines

1									PLATE PACKAGE, Input Clutch Thrust
	05013093AA	1	T				DGQ		
		1	J			EV0	DGQ		
		1	J			EZ0	DGQ		

GRAND CHEROKEE (WK)				
SERIES	LINE	BODY	ENGINE	TRANSMISSION
H = Laredo	T = JEEP - 2WD	74 = SPORT UTILITY 4-DOOR	EKG = Engine - 3.7L V6	DG0 = All Automatic Transmissions
P = Limited	J = JEEP - 4WD		EVA = Engine- 4.7L V8 MPI	DGJ = Transmission - 5-Spd Auto, MB
			EZB = Engine-5.7L HEMI	DGQ = Transmission-5-Spd Automatic 5-45RFE

AR = use ase required - = Non illustrated part

**Overhaul
Figure 45RFE-1340**

ITEM	PART NUMBER	QTY	LINE	SERIES	BODY	ENGINE	TRANS	TRIM	DESCRIPTION
------	-------------	-----	------	--------	------	--------	-------	------	-------------

NOTE:
Sales Codes:
[DGQ]=5 Speed Automatic Transmission - [5-45RFE]
[EV0] = All 4.7L 8 Cylinder Engines
[EZ0] = All 5.7L 8 Cylinder Engines

1									OVERHAUL PACKAGE, Transmission
	05014221AJ	1	T				DGQ		
		1	J			EV0	DGQ		
		1	J			EZ0	DGQ		

O/H seal/gasket package 05014221ac

	2&4 clutch package	
	Input clutch package	
	L/R clutch package	
	Sump filter & seal package	
	Cooler filter	
	fill tube seal	
	Frt pmp cover o-ring/seal assy	
	Rotating shaft seal,pmp hsg	
	Adapter seal, 4x4	
	Extension seal,4x2	
	Manual lever seal	
(2)	Speed sensor seal	
	Reaction supt ring seal	
	Rev O/D clutch filter	
(10)	Accumulator ring seal	
(3)	Valve body seal	
	Check valve o-ring	
	Solenoid insulator seal	
	T/C seal	

GRAND CHEROKEE (WK)

SERIES LINE
H = Laredo T = JEEP - 2WD
P = Limited J = JEEP - 4WD

BODY

74 = SPORT UTILITY 4-DOOR
EKG = Engine - 3.7L V6
EVA = Engine- 4.7L V8 MPI
EZB = Engine-5.7L HEMI

TRANSMISSION

DG0 = All Automatic Transmissions
DGJ = Transmission - 5-Spd Auto, MB
DGQ = Transmission-5-Spd Automatic 5-45RFE

AR = use ase required - = Non illustrated part

2005 WK

**Input Clutch
Figure 45RFE-1350**

INPUT CLUTCH PACKAGE 05013090aa

	O-ring, large (2.62mm x 79.84 ID,gm)
	O-ring, small (2.62mm x 70.56 ID,red)
(2)	Seal, internal lip
(2)	Ring seal, I-shaft
	O-ring, piston inner (2.62mm x 93.54 ID)
(5)	Plate, clutch separator (1.74mm thk)
(4)	Disc assy, clutch (u/d clutch)
(4)	Disc assy, clutch (o/d clutch)
(3)	PLate, clutch separator (2.21mm thk, O/D)
(2)	Disc assy, clutch (rev clutch)
	Snap ring,tapered, internal butterfly end
	Snap ring, flat (1.5/1.6 thk)
	Snap ring, flat (1.80/1.90 thk)
	Snap ring, flat (2.15/2.25 thk)
	Piston & seal, underdrive
	Piston & seal, underdrive balance

1

ITEM	PART NUMBER	QTY	LINE	SERIES	BODY	ENGINE	TRANS	TRIM	DESCRIPTION
------	-------------	-----	------	--------	------	--------	-------	------	-------------

NOTE:

Sales Codes:

[DGQ]=5 Speed Automatic Transmission - [5-45RFE]

[EV0] = All 4.7L 8 Cylinder Engines

[EZ0] = All 5.7L 8 Cylinder Engines

1

05013090AC	1	T					DGQ		
	1	J				EV0	DGQ		
	1	J				EZ0	DGQ		

CLUTCH PACKAGE, Automatic
Transmission, Input

GRAND CHEROKEE (WK)

SERIES	LINE
H = Laredo	T = JEEP - 2WD
P = Limited	J = JEEP - 4WD

BODY	ENGINE
74 = SPORT UTILITY 4-DOOR	EKG = Engine - 3.7L V6
	EVA = Engine- 4.7L V8 MPI
	EZB = Engine-5.7L HEMI

TRANSMISSION
DG0 = All Automatic Transmissions
DGJ = Transmission - 5-Spd Auto, MB
DGQ = Transmission-5-Spd Automatic 5-45RFE

AR = use ase required - = Non illustrated part

2005 WK

Planetary Clutch
Figure 45RFE-1360

ITEM	PART NUMBER	QTY	LINE	SERIES	BODY	ENGINE	TRANS	TRIM	DESCRIPTION
------	-------------	-----	------	--------	------	--------	-------	------	-------------

SELECTIVE THRUST PLATES

PLANETARY THRUST PLATE PKG 05013092aa

	Thrust plate, planetary	1.62 / 1.75
	Thrust plate, planetary	1.81 / 1.94
	Thrust plate, planetary	1.96 / 2.09
	Thrust plate, planetary	2.11 / 2.24
	Thrust plate, planetary	2.26 / 2.39
	Thrust plate, planetary	2.41 / 2.54
	Thrust plate, planetary	2.56 / 2.69
	Thrust plate, planetary	2.71 / 2.84
	Thrust plate, planetary	2.86 / 2.99
	Thrust plate, planetary	3.01 / 3.14
	Thrust plate, planetary	3.16 / 3.29
	Thrust plate, planetary	3.31 / 3.44
	Thrust plate, planetary	3.46 / 3.59
	Thrust plate, planetary	3.61 / 3.74
	Thrust plate, planetary	3.76 / 3.89
	Thrust plate, planetary	3.91 / 4.04
	Thrust plate, planetary	4.06 / 4.19
	Thrust plate, planetary	4.21 / 4.34
	Thrust plate, planetary	4.36 / 4.49

①

NOTE:

Sales Codes:

[DGQ]=5 Speed Automatic Transmission - [5-45RFE]

[EV0] = All 4.7L 8 Cylinder Engines

[EZ0] = All 5.7L 8 Cylinder Engines

1									PLATE PACKAGE, Planetary Thrust
	05013092AB	1	T				DGQ		
		1	J			EV0	DGQ		
		1	J			EZ0	DGQ		
-2									PLATE, Clutch Hub Thrust
	04799830AB	AR	J			EV0	DGQ		[1.94/2.03]
		AR	T				DGQ		[1.94/2.03]
		AR	J			EZ0	DGQ		[1.94/2.03]
	04799831AB	AR	J			EV0	DGQ		[2.08/2.17]
		AR	T				DGQ		[2.08/2.17]
		AR	J			EZ0	DGQ		[2.08/2.17]
	04799832AB	AR	J			EV0	DGQ		[2.22/2.31]
		AR	T				DGQ		[2.22/2.31]
		AR	J			EZ0	DGQ		[2.22/2.31]
	04799833AB	AR	J			EV0	DGQ		[2.36/2.45]
		AR	T				DGQ		[2.36/2.45]
		AR	J			EZ0	DGQ		[2.36/2.45]
	04799834AB	AR	J			EV0	DGQ		[2.50/2.59]
		AR	T				DGQ		[2.50/2.59]
		AR	J			EZ0	DGQ		[2.50/2.59]
	04799835AB	AR	J			EV0	DGQ		[2.64/2.73]
		AR	T				DGQ		[2.64/2.73]
		AR	J			EZ0	DGQ		[2.64/2.73]
	04799836AB	AR	J			EV0	DGQ		[2.78/2.87]
		AR	T				DGQ		[2.78/2.87]
		AR	J			EZ0	DGQ		[2.78/2.87]
	04799837AB	AR	J			EV0	DGQ		[2.92/3.01]
		AR	T				DGQ		[2.92/3.01]
		AR	J			EZ0	DGQ		[2.92/3.01]
-3									PLATE, Planetary
	04799810AC	AR	J			EV0	DGQ		[2.26/2.39]

GRAND CHEROKEE (WK)

SERIES

H = Laredo
P = Limited

LINE

T = JEEP - 2WD
J = JEEP - 4WD

BODY

74 = SPORT UTILITY 4-DOOR

ENGINE

EKG = Engine - 3.7L V6
EVA = Engine- 4.7L V8 MPI
EZB = Engine-5.7L HEMI

TRANSMISSION

DG0 = All Automatic Transmissions
DGJ = Transmission - 5-Spd Auto, MB
DGQ = Transmission-5-Spd Automatic 5-45RFE

AR = use ase required - = Non illustrated part

2005 WK

Planetary Clutch
Figure 45RFE-1360

ITEM	PART NUMBER	QTY	LINE	SERIES	BODY	ENGINE	TRANS	TRIM	DESCRIPTION
							DGQ		[2.26/2.39]
						EZO	DGQ		[2.26/2.39]
	04799811AC		J			EVO	DGQ		[2.41/2.54]
			T				DGQ		[2.41/2.54]
			J			EZO	DGQ		[2.41/2.54]
	04799812AC		J			EVO	DGQ		[2.56/2.69]
			T				DGQ		[2.56/2.69]
			J			EZO	DGQ		[2.56/2.69]
	04799813AC		J			EVO	DGQ		[2.71/2.84]
			T				DGQ		[2.71/2.84]
			J			EZO	DGQ		[2.71/2.84]
	04799814AC		J			EVO	DGQ		[2.86/2.99]
			T				DGQ		[2.86/2.99]
			J			EZO	DGQ		[2.86/2.99]
	04799816AC		J			EVO	DGQ		[3.16/3.29]
			T				DGQ		[3.16/3.29]
			J			EZO	DGQ		[3.16/3.29]
	04799817AC		J			EVO	DGQ		[3.31/3.44]
			T				DGQ		[3.31/3.44]
			J			EZO	DGQ		[3.31/3.44]
	04799818AC		J			EVO	DGQ		[3.46/3.59]
			T				DGQ		[3.46/3.59]
			J			EZO	DGQ		[3.46/3.59]
	04799819AC		J			EVO	DGQ		[3.61/3.74]
			T				DGQ		[3.61/3.74]
			J			EZO	DGQ		[3.61/3.74]
	04799843AC		J			EVO	DGQ		[3.01/3.14]
			T				DGQ		[3.01/3.14]
			J			EZO	DGQ		[3.01/3.14]

SELECTIVE THRUST PLATES

PLANETARY THRUST PLATE PKG 05013092aa

	Thrust plate, planetary	1.62 / 1.75
	Thrust plate, planetary	1.81 / 1.94
	Thrust plate, planetary	1.96 / 2.09
	Thrust plate, planetary	2.11 / 2.24
	Thrust plate, planetary	2.26 / 2.39
	Thrust plate, planetary	2.41 / 2.54
	Thrust plate, planetary	2.56 / 2.69
	Thrust plate, planetary	2.71 / 2.84
	Thrust plate, planetary	2.86 / 2.99
	Thrust plate, planetary	3.01 / 3.14
	Thrust plate, planetary	3.16 / 3.29
	Thrust plate, planetary	3.31 / 3.44
	Thrust plate, planetary	3.46 / 3.59
	Thrust plate, planetary	3.61 / 3.74
	Thrust plate, planetary	3.76 / 3.89
	Thrust plate, planetary	3.91 / 4.04
	Thrust plate, planetary	4.06 / 4.19
	Thrust plate, planetary	4.21 / 4.34
	Thrust plate, planetary	4.36 / 4.49

①

GRAND CHEROKEE (WK)

SERIES LINE
H = Laredo T = JEEP - 2WD
P = Limited J = JEEP - 4WD

BODY

74 = SPORT UTILITY 4-DOOR
EKG = Engine - 3.7L V6
EVA = Engine- 4.7L V8 MPI
EZB = Engine-5.7L HEMI

TRANSMISSION

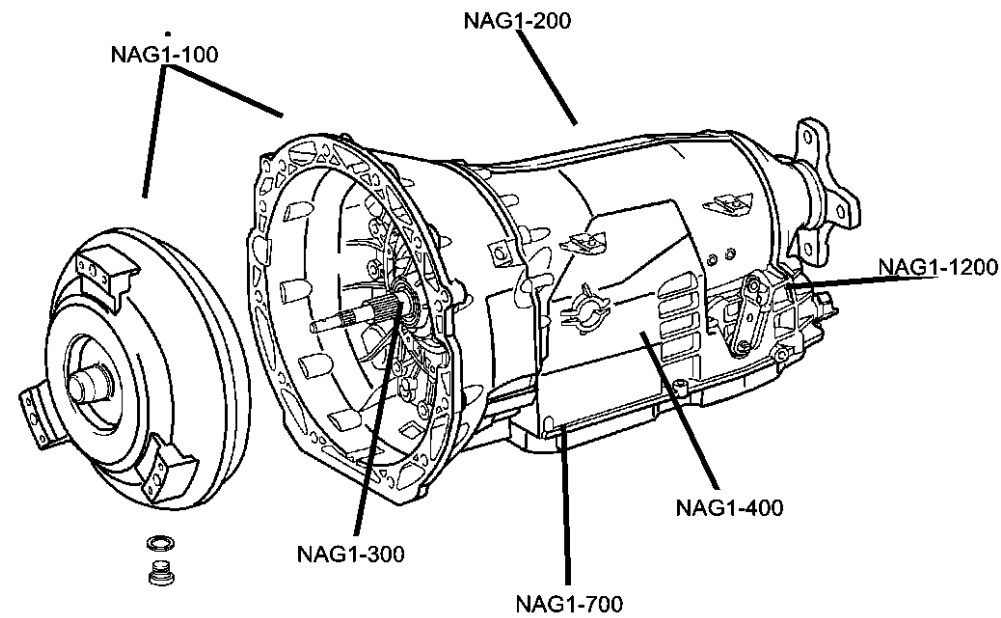
DG0 = All Automatic Transmissions
DGJ = Transmission - 5-Spd Auto, MB
DGQ = Transmission-5-Spd Automatic 5-45RFE

AR = use ase required - = Non illustrated part

2005 WK

Group - NAG1

Automatic Transmission 5 Speed [DGJ]



Group - NAG1 Automatic Transmission 5 Speed [DGJ]

Illustration Title

Group-Fig. No.

Transmission Assembly

Transmission Assembly Fig. NAG1 - 110

Case and Extension

Overhaul Seal & Gasket Package Fig. NAG1 - 205
 Transmission Case & Related Parts Fig. NAG1 - 210
 Transmission Case & Related Parts Fig. NAG1 - 220
 Oil Filler Tube Fig. NAG1 - 230
 Transmission Harness Heat Shield Fig. NAG1 - 240
 Transmission Mounting Fig. NAG1 - 250

Oil Pump

Pump, Oil Fig. NAG1 - 310

Gear Train

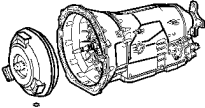
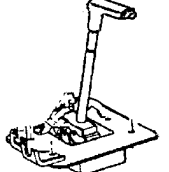
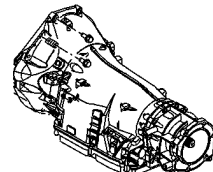
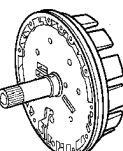
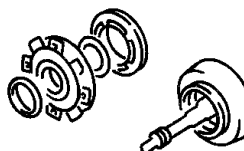
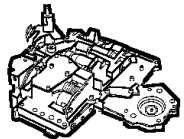
Multi-Disc Holding Clutch - [B1] Fig. NAG1 - 410
 Driving Clutch, Front Planetary - [K1] Fig. NAG1 - 420
 Planetary Carrier - [K1] - [VPLS] Fig. NAG1 - 430
 Driving Clutch - [K2] Fig. NAG1 - 440
 Center & Rear Planetary Set - Output Shaft - [MPLS / HPLS] Fig. NAG1 - 450
 Driving Clutch - [K3] Fig. NAG1 - 460
 Multiple Disc Brake & Parking Lock Gearwheel - [B2 & B3] Fig. NAG1 - 470
 Multiple Disc Brake & Parking Lock Gearwheel - [B2 & B3] Fig. NAG1 - 480
 Multiple Disc Brake & Parking Lock Gearwheel - [B2 & B3] Fig. NAG1 - 490

Valve Body

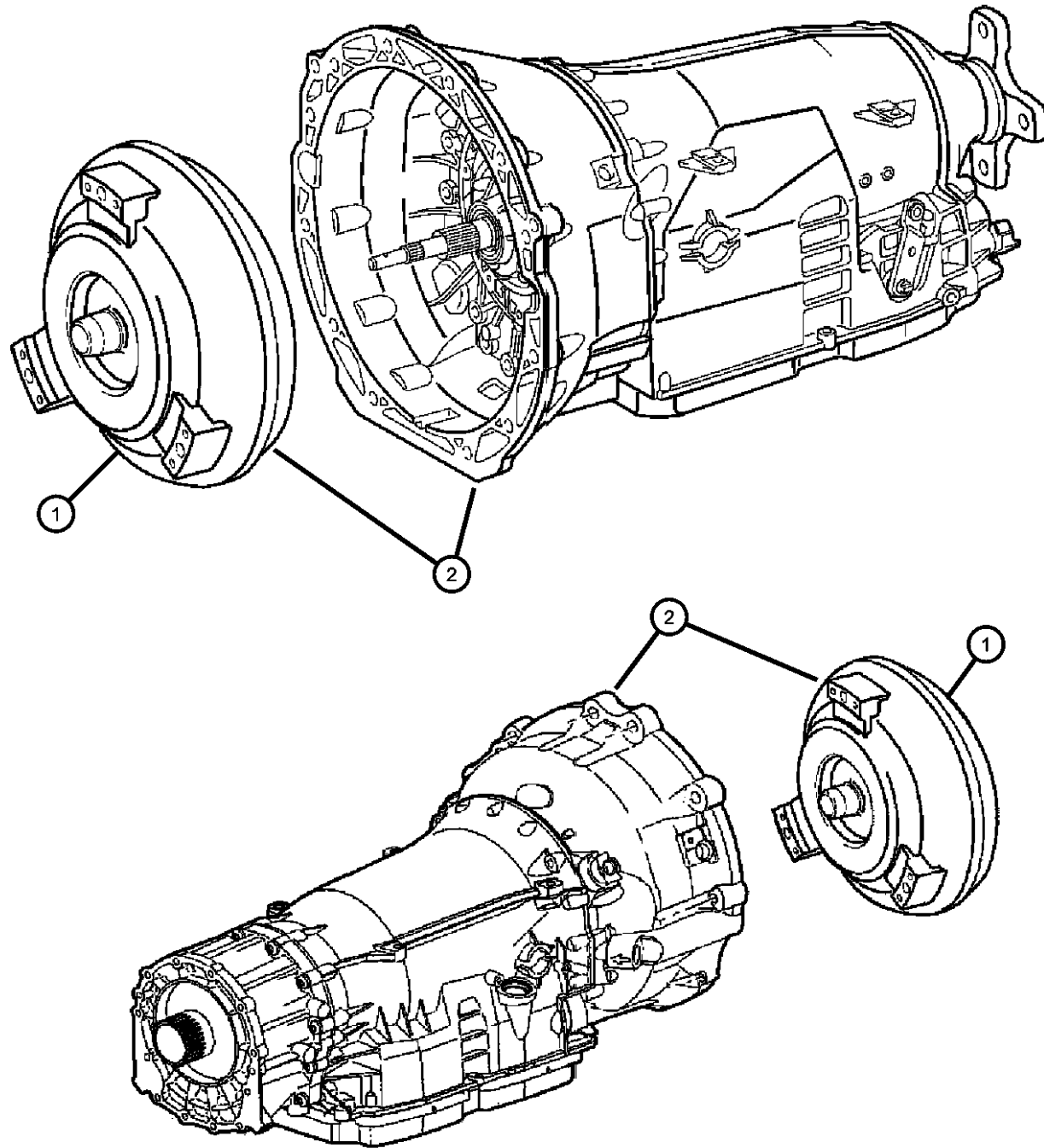
Electronic - Hydraulic Control Unit Fig. NAG1 - 710
 Oil Pan, Gasket & Filter Fig. NAG1 - 720

Gearshift Controls

Gearshift Control Fig. NAG1 - 1210
 Shifter Cable & Transmission Shifter Cable Bracket Fig. NAG1 - 1220

<p>NAG1-100 Transmission Assembly</p> 	<p>NAG1-1200 Gearshift Controls</p> 	<p>NAG1-200 Case and Extension</p> 	<p>NAG1-300 Oil Pump</p> 
<p>NAG1-400 Gear Train</p> 	<p>NAG1-700 Valve Body</p> 		

**Transmission Assembly
Figure NAG1-110**



ITEM	PART NUMBER	QTY	LINE	SERIES	BODY	ENGINE	TRANS	TRIM	DESCRIPTION
------	-------------	-----	------	--------	------	--------	-------	------	-------------

NOTE:

Sales Codes:

[DGJ]=5 Speed Automatic Transmission - [NAG1] - [W5A580]

[EKG]=3.7L V-6 Engine

1	04736478AA	1	T				DGJ		CONVERTER, Torque
		1	J				DGJ		
2	52108400AA	1	T				DGJ		TRANSMISSION, With Torque Converter
	52108421AA	1	J				DGJ		

GRAND CHEROKEE (WK)

SERIES	LINE
H = Laredo	T = JEEP - 2WD
P = Limited	J = JEEP - 4WD

BODY	ENGINE
74 = SPORT UTILITY 4-DOOR	EKG = Engine - 3.7L V6
	EVA = Engine- 4.7L V8 MPI
	EZB = Engine-5.7L HEMI

TRANSMISSION
DG0 = All Automatic Transmissions
DGJ = Transmission - 5-Spd Auto, MB
DGQ = Transmission-5-Spd Automatic 5-45RFE

AR = use ase required - = Non illustrated part

2005 WK

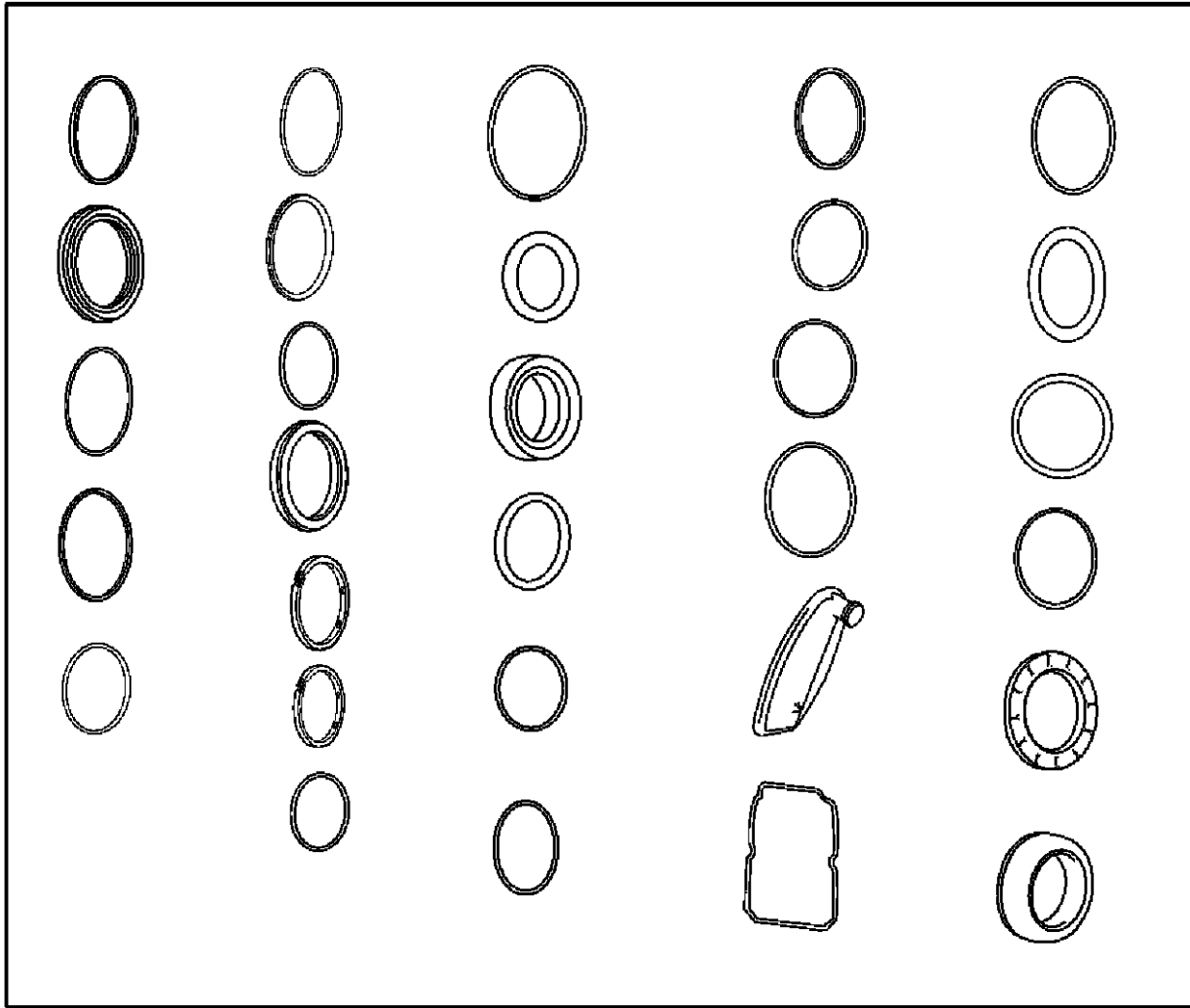
**Overhaul Seal & Gasket Package
Figure NAG1-205**

ITEM	PART NUMBER	QTY	LINE	SERIES	BODY	ENGINE	TRANS	TRIM	DESCRIPTION
------	-------------	-----	------	--------	------	--------	-------	------	-------------

NOTE: PARTS ILLUSTRATED ARE NOT IN SCALE OR IN CORRECT SIZE. THIS IS A GASKET AND SEAL PACKAGE. IT DOES NOT INCLUDE

1	05139580AA	1	J, T				DGJ		SEAL AND GASKET PACKAGE, Transmission, See Note:
---	------------	---	------	--	--	--	-----	--	--

①



GRAND CHEROKEE (WK)

SERIES	LINE
H = Laredo	T = JEEP - 2WD
P = Limited	J = JEEP - 4WD

BODY

74 = SPORT UTILITY 4-DOOR

ENGINE

EKG = Engine - 3.7L V6
EVA = Engine- 4.7L V8 MPI
EZB = Engine-5.7L HEMI

TRANSMISSION

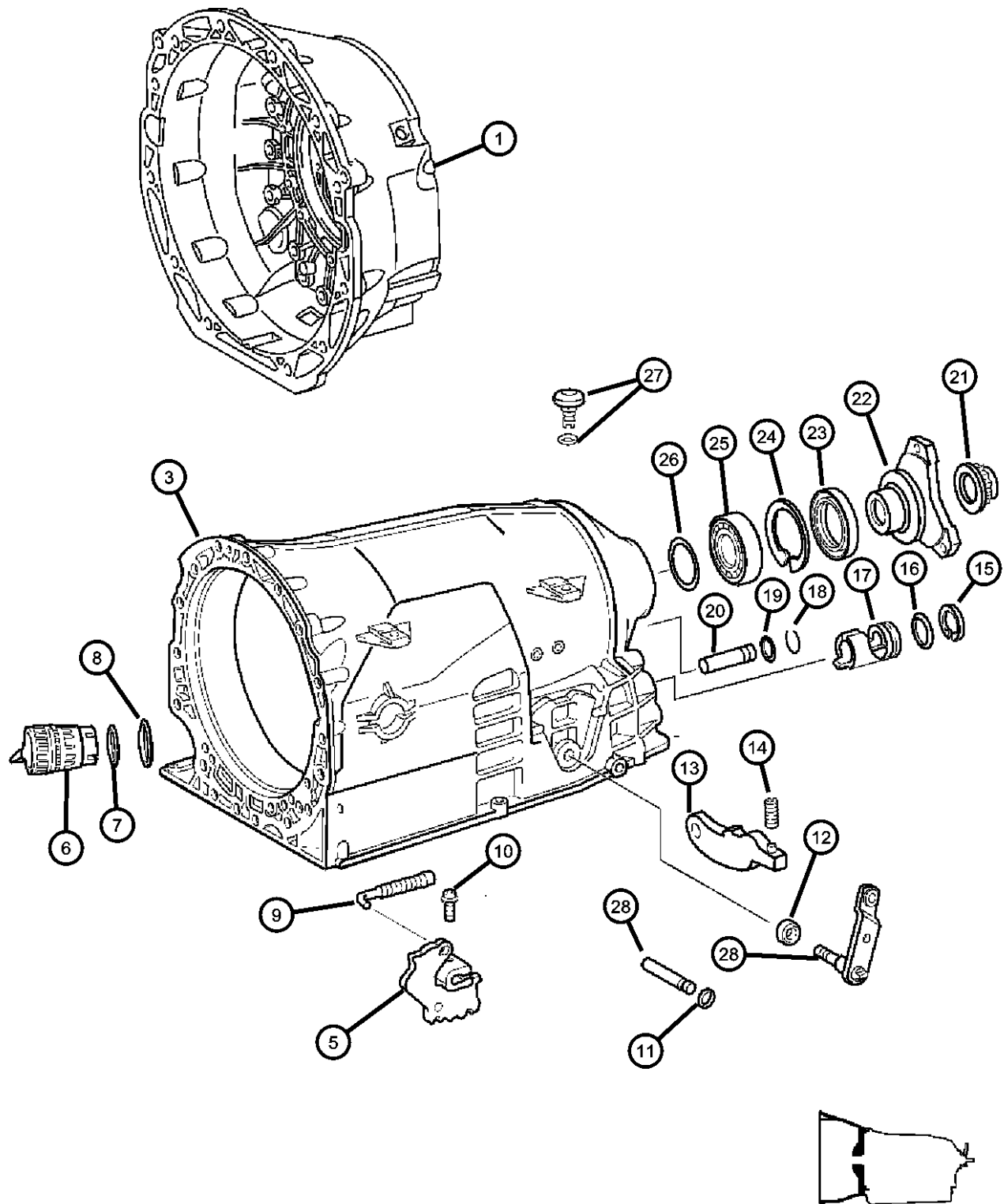
DG0 = All Automatic Transmissions
DGJ = Transmission - 5-Spd Auto, MB
DGQ = Transmission-5-Spd Automatic 5-45RFE

AR = use ase required - = Non illustrated part

2005 WK

**Transmission Case & Related Parts
Figure NAG1-210**

ITEM	PART NUMBER	QTY	LINE	SERIES	BODY	ENGINE	TRANS	TRIM	DESCRIPTION
NOTE: Complete Repair Gasket Package Not Available. Must Order Gaskets, Seals & Related Parts Individually									
Sales Codes:									
[DGJ]=5 Speed Automatic Transmission - [NAG1] - [W5A580]									
[EKG]=3.7L V-6 Engine									
1	52108422AA	1	T				DGJ		HOUSING, Torque Converter
-2	52108206AA	15	T				DGJ		SCREW
3	52108431AA	1	T				DGJ		CASE, Transmission, Serviced With Transmission Assembly
-4	52119547AA	2	T				DGJ		FITTING, Quick Connect
5	52108349AA	1	T				DGJ		DETENT, Gearshift
6	52108322AA	1	T				DGJ		PLUG, Adapter
7	52108324AA	1	T				DGJ		O RING, Adapter Plug
8	52108323AA	1	T				DGJ		O RING, Adapter Plug
9	52108166AA	1	T				DGJ		LINKAGE, Transmission
10	52108178AA	1	T				DGJ		SCREW
11	52108156AA	1	T				DGJ		SEAL, Transmission
12	05134933AB	AR	T				DGJ		SEAL, Transmission
13	52108154AA	1	T				DGJ		PAWL, Parking Sprag
14	52108157AA	1	T				DGJ		SPRING
15	52107976AA	1	T				DGJ		SNAP RING
16	52108177AA	1	T				DGJ		SEAL, Transmission
17	52108176AA	1	T				DGJ		GUIDE
18	52107975AA	1	T				DGJ		SNAP RING
19	52108156AA	1	T				DGJ		SEAL, Transmission
20	52108155AA	1	T				DGJ		PIN
21	52108234AA	1	T				DGJ		NUT
22	52108628AA	1	T				DGJ		FLANGE, Output
23	52108428AA	1	T				DGJ		SEAL, Transmission
24	52108210AA	AR	T				DGJ		LOCK, Mounting
25	52108207AA	1	T				DGJ		BEARING, Ball
26									SPACER
	52108220AA	1	T				DGJ		[3MM]
	52108230AA	AR	T				DGJ		[2MM]
	52108231AA	AR	T				DGJ		[4MM]
	52108232AA	AR	T				DGJ		[5MM]



GRAND CHEROKEE (WK)

SERIES LINE
H = Laredo T = JEEP - 2WD
P = Limited J = JEEP - 4WD

BODY ENGINE
74 = SPORT UTILITY 4-DOOR EKG = Engine - 3.7L V6
EVA = Engine- 4.7L V8 MPI
EZB = Engine-5.7L HEMI

TRANSMISSION
DG0 = All Automatic Transmissions
DGJ = Transmission - 5-Spd Auto, MB
DGQ = Transmission-5-Spd Automatic 5-45RFE

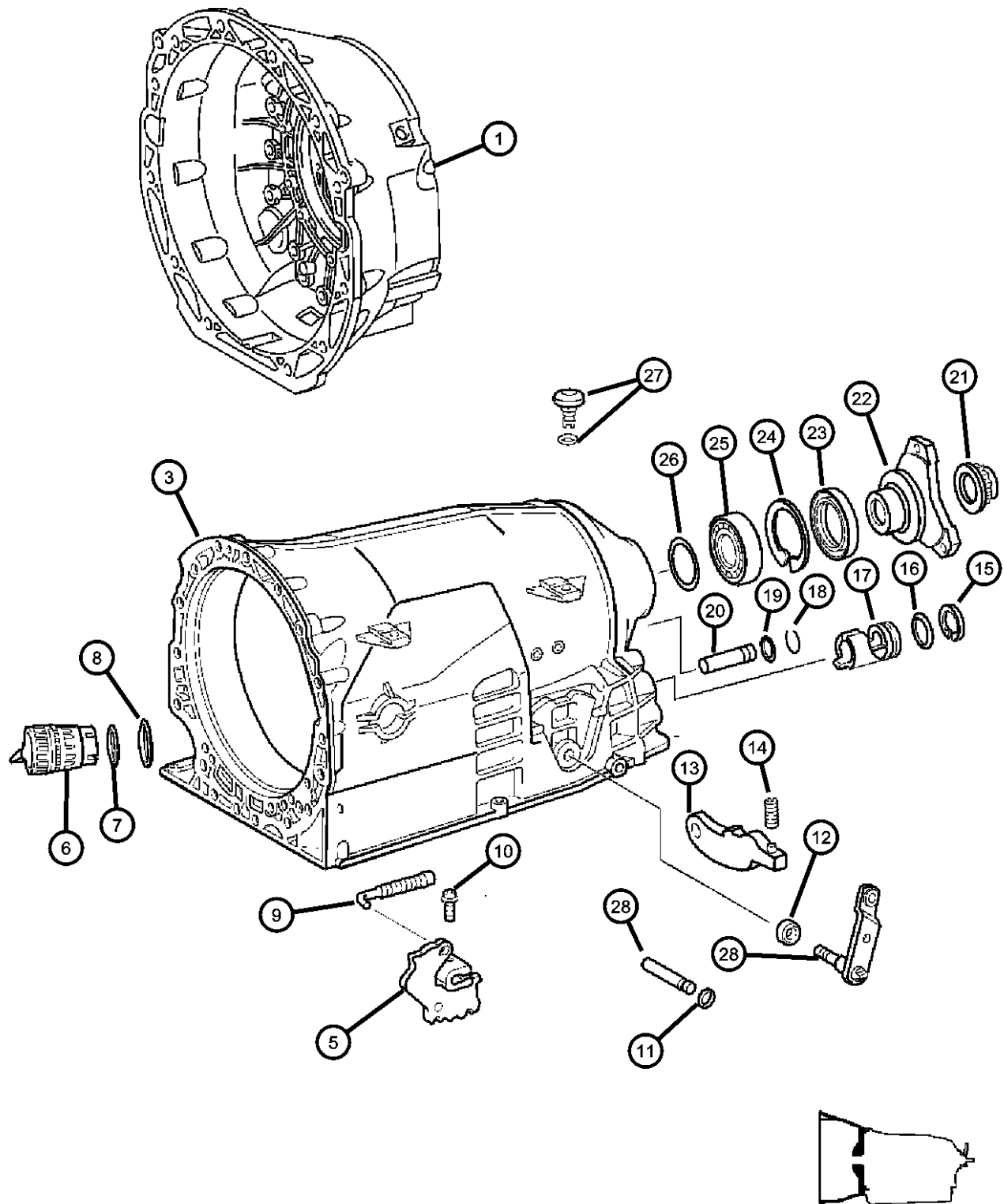
AR = use ase required - = Non illustrated part

2005 WK

**Transmission Case & Related Parts
Figure NAG1-210**

ITEM	PART NUMBER	QTY	LINE	SERIES	BODY	ENGINE	TRANS	TRIM	DESCRIPTION
------	-------------	-----	------	--------	------	--------	-------	------	-------------

27	52108397AA	1	T				DGJ		BREATHER, Transmission, Includes Oring
28	52108432AA	1	T				DGJ		SHAFT, Shift Lever



GRAND CHEROKEE (WK)

SERIES	LINE
H = Laredo	T = JEEP - 2WD
P = Limited	J = JEEP - 4WD

BODY
74 = SPORT UTILITY 4-DOOR

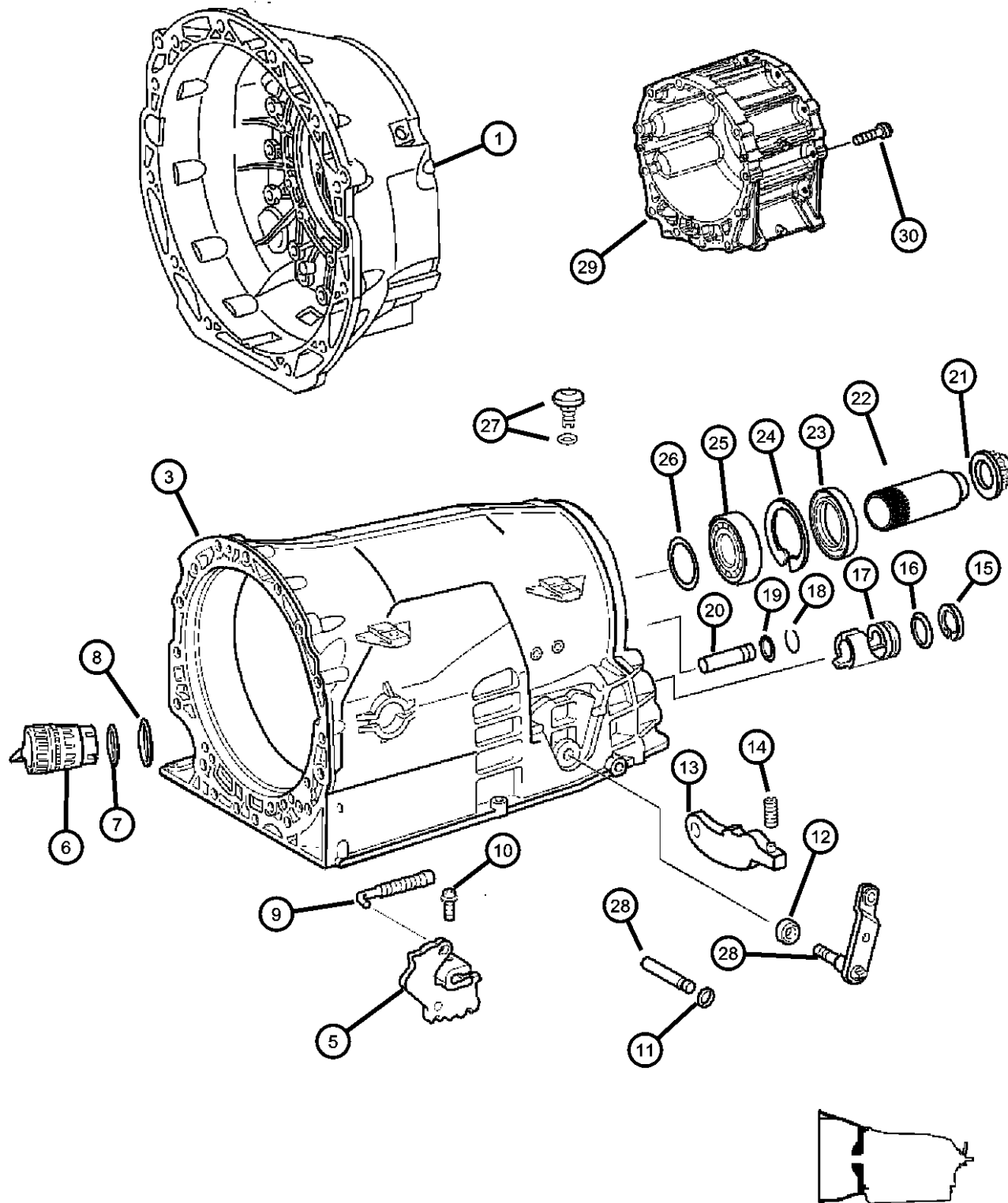
ENGINE
EKG = Engine - 3.7L V6
EVA = Engine- 4.7L V8 MPI
EZB = Engine-5.7L HEMI

TRANSMISSION
DG0 = All Automatic Transmissions
DGJ = Transmission - 5-Spd Auto, MB
DGQ = Transmission-5-Spd Automatic 5-45RFE

AR = use ase required - = Non illustrated part

2005 WK

**Transmission Case & Related Parts
Figure NAG1-220**



ITEM	PART NUMBER	QTY	LINE	SERIES	BODY	ENGINE	TRANS	TRIM	DESCRIPTION
------	-------------	-----	------	--------	------	--------	-------	------	-------------

NOTE: Complete Repair Gasket Package Not Available. Must Order Seals, Gaskets Separate
Sales Codes:
[DGJ]=5 Speed Automatic Transmission - [NAG1] - [W5A580]
[EKG]=3.7L V-6 Engine

1	52108422AA	1	J				DGJ		HOUSING, Torque Converter
-2	52108206AA	15	J				DGJ		SCREW
3	52108447AA	1	J				DGJ		CASE, Transmission
-4	52119547AA	2	J				DGJ		FITTING, Quick Connect
5	52108349AA	1	J				DGJ		DETENT, Gearshift
6	52108322AA	1	J				DGJ		PLUG, Adapter
7	52108324AA	1	J				DGJ		O RING, Adapter Plug
8	52108323AA	1	J				DGJ		O RING, Adapter Plug
9	52108166AA	1	J				DGJ		LINKAGE, Transmission
10	52108178AA	1	J				DGJ		SCREW
11	52108156AA	1	J				DGJ		SEAL, Transmission
12	05134933AB	AR	J				DGJ		SEAL, Transmission
13	52108154AA	1	J				DGJ		PAWL, Parking Sprag
14	52108157AA	1	J				DGJ		SPRING
15	52107976AA	1	J				DGJ		SNAP RING
16	05134933AB	AR	J				DGJ		SEAL, Transmission
17	52108176AA	1	J				DGJ		GUIDE
18	52107975AA	1	J				DGJ		SNAP RING
19	52108156AA	1	J				DGJ		SEAL, Transmission
20	52108155AA	1	J				DGJ		PIN
21	52108234AA	1	J				DGJ		NUT
22	05179989AA	1	J				DGJ		FLANGE PACKAGE
23	52108428AA	1	J				DGJ		SEAL, Transmission
24	52108210AA	AR	J				DGJ		LOCK, Mounting
25	52108207AA	1	J				DGJ		BEARING, Ball
26	52108220AA	1	J				DGJ		SPACER
27	52108397AA	1	J				DGJ		BREATHER, Transmission
28	52108432AA	1	J				DGJ		SHAFT, Shift Lever
29									ADAPTER, Transfer Case
	52108451AA	1	J				DGJ		Up To [05/09/05]
	52108451AB	1	J				DGJ		After [05/09/05]
30	06104157AA	12	J				DGJ		SCREW

GRAND CHEROKEE (WK)

SERIES	LINE
H = Laredo	T = JEEP - 2WD
P = Limited	J = JEEP - 4WD

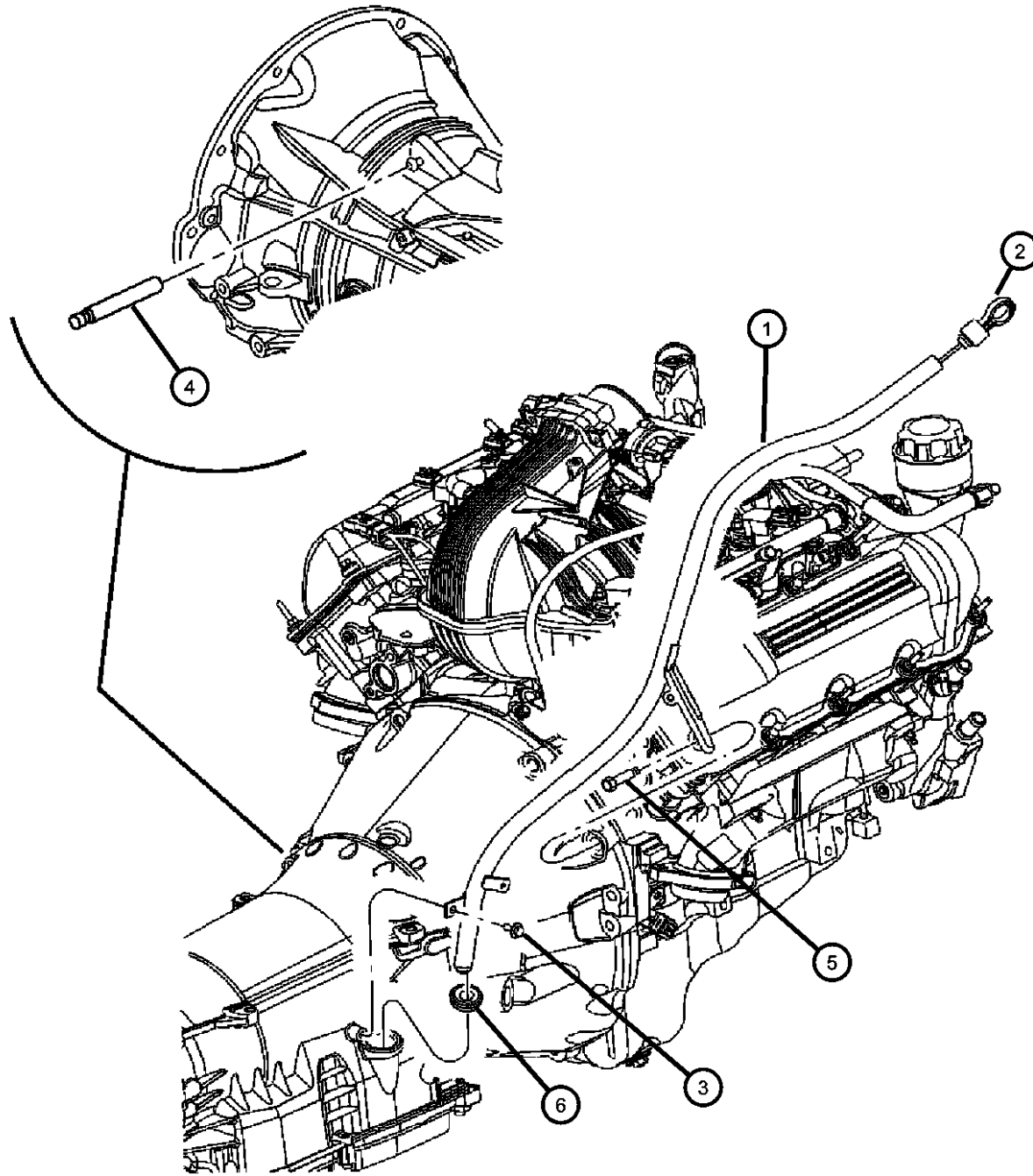
BODY	ENGINE
74 = SPORT UTILITY 4-DOOR	EKG = Engine - 3.7L V6
	EVA = Engine- 4.7L V8 MPI
	EZB = Engine-5.7L HEMI

TRANSMISSION
DG0 = All Automatic Transmissions
DGJ = Transmission - 5-Spd Auto, MB
DGQ = Transmission-5-Spd Automatic 5-45RFE

AR = use ase required - = Non illustrated part

2005 WK

**Oil Filler Tube
Figure NAG1-230**



ITEM	PART NUMBER	QTY	LINE	SERIES	BODY	ENGINE	TRANS	TRIM	DESCRIPTION
NOTE: Sales Codes: [DGJ]=5 Speed Automatic Transmission - [NAG1] - [W5A580] [DGQ]=5 Speed Automatic Transmission - [5-45RFE] [EK0]=All 3.7L V-6 Engines									
1	53013578AD	1				EK0	DGJ		TUBE, Transmission Oil Filler
2	53013577AC	1				EK0	DGJ		INDICATOR, Transmission Fluid Level
3	06501979	1					DG0		SCREW AND WASHER, Hex Head, M6x1x17
4	53032457AA	1					DGJ, DGQ		TUBE, Vent
5	06036612AA	4				EK0	DG0		SCREW, Hex Head
6									GROMMET
	04810021	1	T				DGJ		
		1	J				DGJ		

GRAND CHEROKEE (WK)

SERIES LINE
H = Laredo T = JEEP - 2WD
P = Limited J = JEEP - 4WD

BODY ENGINE
74 = SPORT UTILITY 4-DOOR EKG = Engine - 3.7L V6
EVA = Engine- 4.7L V8 MPI
EZB = Engine-5.7L HEMI

TRANSMISSION
DG0 = All Automatic Transmissions
DGJ = Transmission - 5-Spd Auto, MB
DGQ = Transmission-5-Spd Automatic 5-45RFE

AR = use ase required - = Non illustrated part

2005 WK

**Transmission Harness Heat Shield
Figure NAG1-240**

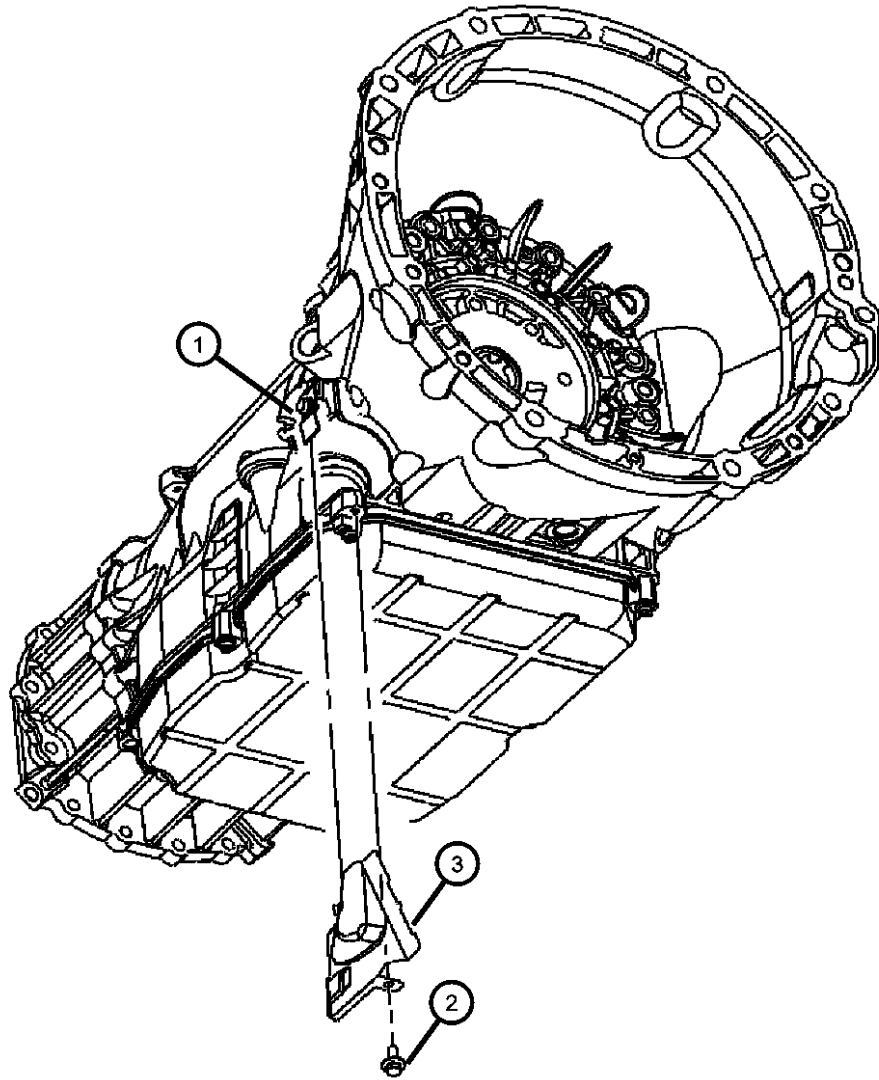
ITEM	PART NUMBER	QTY	LINE	SERIES	BODY	ENGINE	TRANS	TRIM	DESCRIPTION
------	-------------	-----	------	--------	------	--------	-------	------	-------------

NOTE:

Sales Codes:

[DGJ]=5 Speed Automatic Transmission - [NAG1] - [W5A580]

1									SPRING
	52108179AA	1	J				DGJ		
		1	T				DGJ		
2		1							SCREW, [M6X1.00X14.00], (NOT SERVICED)
3	53013508AA	1					DGJ		SHIELD, Heat



GRAND CHEROKEE (WK)

SERIES	LINE
H = Laredo	T = JEEP - 2WD
P = Limited	J = JEEP - 4WD

BODY

74 = SPORT UTILITY 4-DOOR

ENGINE

EKG = Engine - 3.7L V6
EVA = Engine- 4.7L V8 MPI
EZB = Engine-5.7L HEMI

TRANSMISSION

DG0 = All Automatic Transmissions
DGJ = Transmission - 5-Spd Auto, MB
DGQ = Transmission-5-Spd Automatic 5-45RFE

AR = use ase required - = Non illustrated part

2005 WK

**Transmission Mounting
Figure NAG1-250**

ITEM	PART NUMBER	QTY	LINE	SERIES	BODY	ENGINE	TRANS	TRIM	DESCRIPTION
------	-------------	-----	------	--------	------	--------	-------	------	-------------

NOTE:

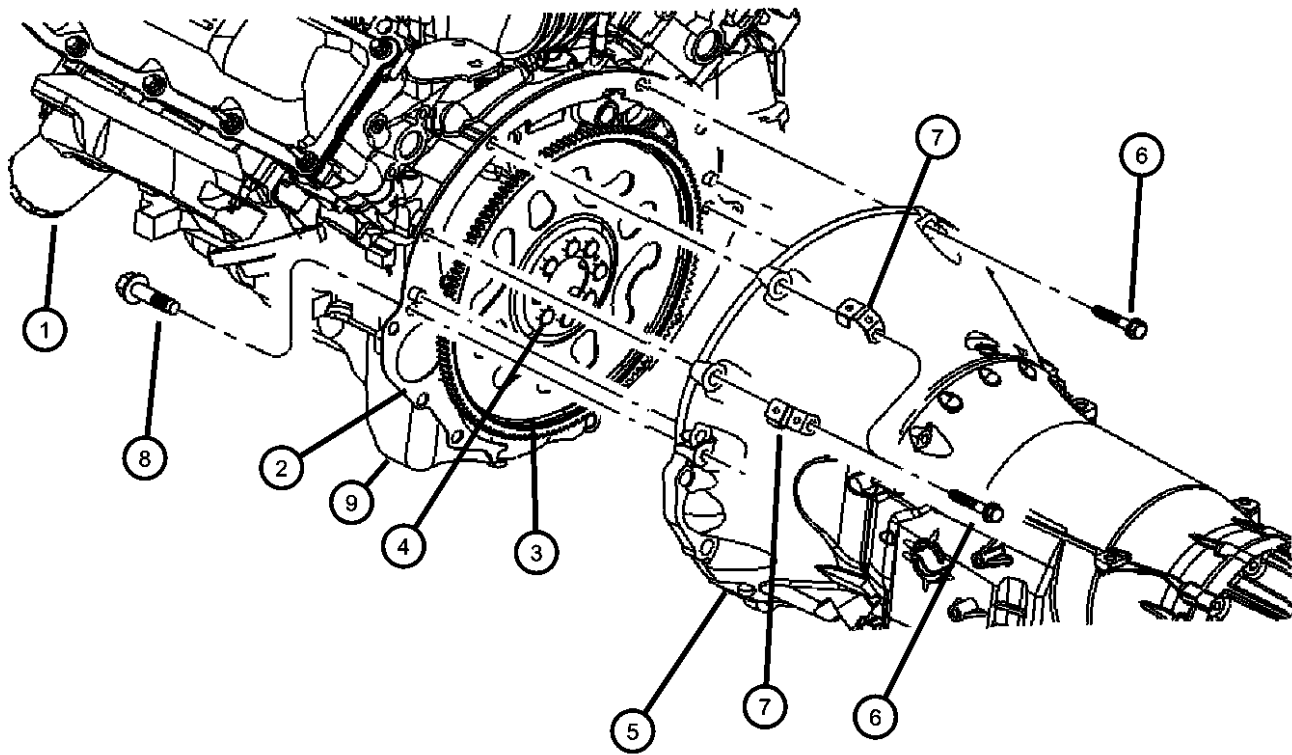
Sales Codes:

[DGJ]=5 Speed Automatic Transmission - [NAG1] - [W5A580]

[DG0]=All 5 Speed Automatic Transmissions

[EK0]=All 3.7L V-6 Engines

[EV0]=All 4.7L V-8 Engines



1		1							ENGINE, Complete, See Engine Group, (NOT SERVICED)
2	53013573AB	1				EK0	DGJ		COVER, Transmission Dust
3	04752574AB	1				EK0	DG0		PLATE, Torque Converter Drive
4	06503465	8				EK0, EV0	DG0		BOLT, Drive Plate and Flywheel
5									TRANSMISSION, With Torque Converter
	52108400AA	1	T				DGJ		
	52108421AA	1	J				DGJ		
6	06036612AA	4				EK0	DG0		SCREW, Hex Head
7	56041379AA	1							CLIP, Housing
8	06036385AA	2					DG0		SCREW AND WASHER, Hex Head, .437-14x2.00
9									COVER, Engine
	53021897AB	1	T			EK0	DG0		
	53022113AA	1	J			EK0	DG0		

GRAND CHEROKEE (WK)

SERIES	LINE
H = Laredo	T = JEEP - 2WD
P = Limited	J = JEEP - 4WD

BODY	ENGINE
74 = SPORT UTILITY 4-DOOR	EKG = Engine - 3.7L V6
	EVA = Engine- 4.7L V8 MPI
	EZB = Engine-5.7L HEMI

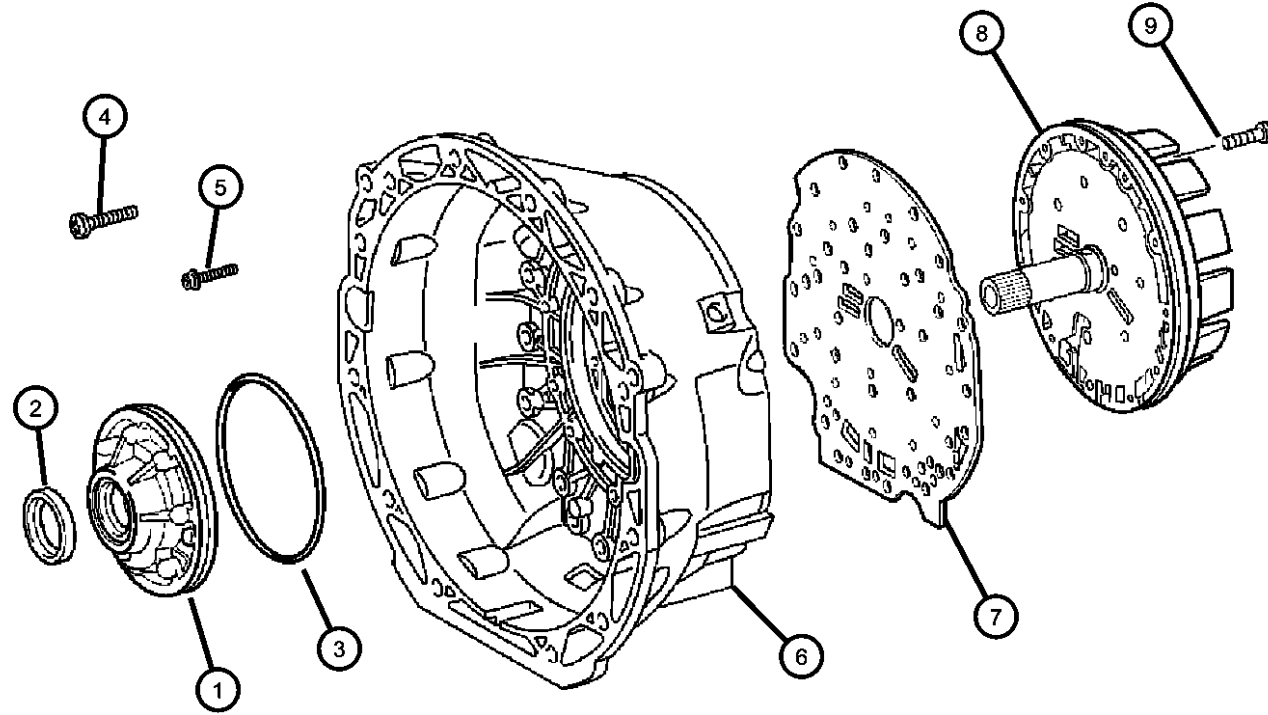
TRANSMISSION
DG0 = All Automatic Transmissions
DGJ = Transmission - 5-Spd Auto, MB
DGQ = Transmission-5-Spd Automatic 5-45RFE

AR = use ase required - = Non illustrated part

2005 WK

**Pump, Oil
Figure NAG1-310**

ITEM	PART NUMBER	QTY	LINE	SERIES	BODY	ENGINE	TRANS	TRIM	DESCRIPTION
NOTE: Sales Codes: [DGJ]=5 Speed Automatic Transmission - [NAG1] - [W5A380]									
1	05080070AA	1	T				DGJ		PUMP, Transmission Oil
		1	J				DGJ		Complete Oil Pump
2	52108424AA	AR	T				DGJ		SEAL
		AR	J				DGJ		Complete Oil Pump
3	52107900AA	1	J				DGJ		O RING
		1	T				DGJ		Complete Oil Pump
4	06104158AA	2	T				DGJ		SCREW
		2	J				DGJ		Case To Bellhousing
5	52107934AA	11	T				DGJ		SCREW
		11	J				DGJ		Case To Bellhousing
6	52108422AA	1	T				DGJ		HOUSING, Torque Converter
		1	J				DGJ		HOUSING, Torque Converter
7	52108147AA	1	J				DGJ		PLATE, Intermediate
		1	T				DGJ		PLATE, Intermediate
8	52108504AA	1	T				DGJ		RETAINER, Clutch
		1	J				DGJ		RETAINER, Clutch
9	52107933AA	7	T				DGJ		SCREW
		7	J				DGJ		SCREW



GRAND CHEROKEE (WK)

SERIES LINE
H = Laredo T = JEEP - 2WD
P = Limited J = JEEP - 4WD

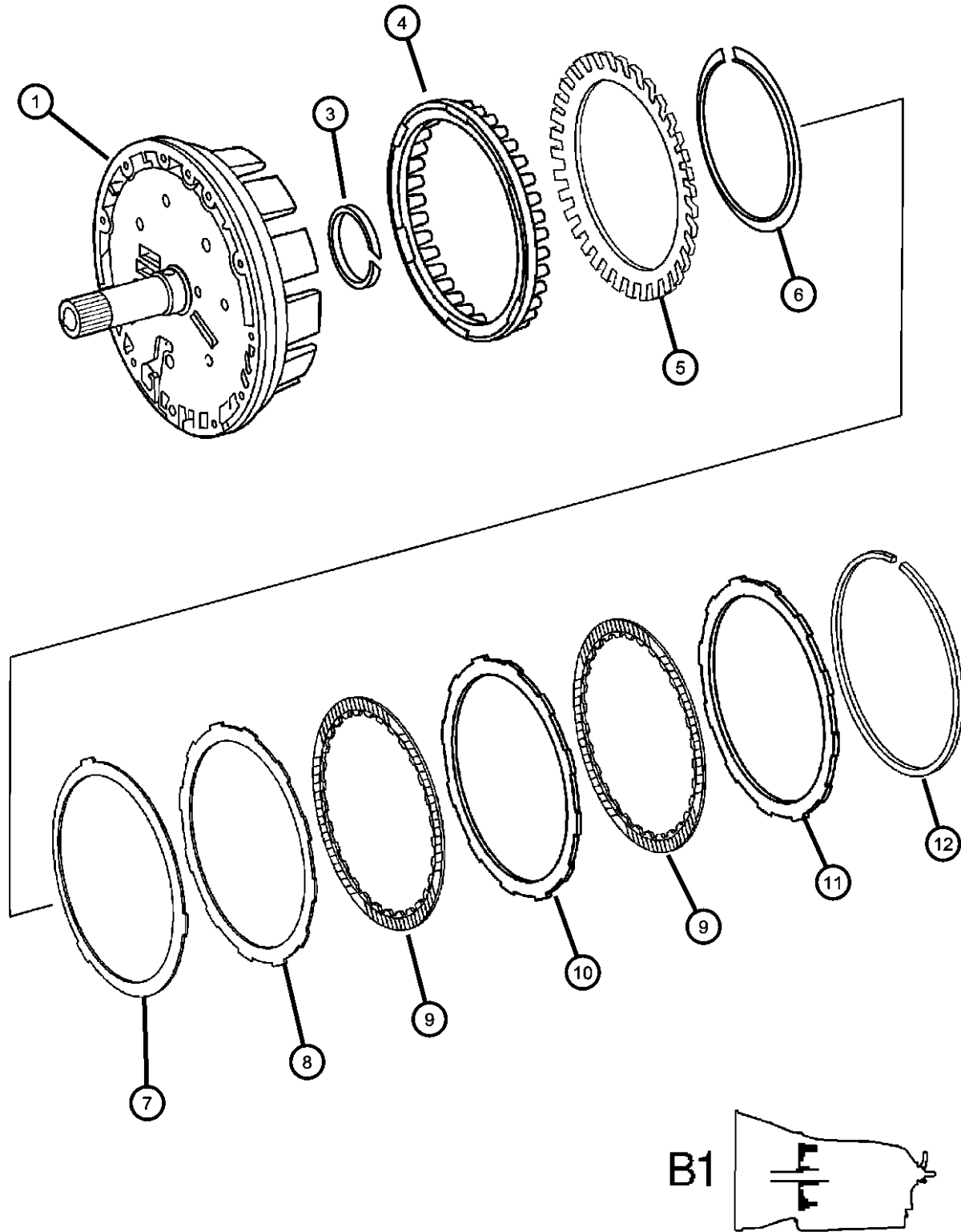
BODY ENGINE
74 = SPORT UTILITY 4-DOOR EKG = Engine - 3.7L V6
EVA = Engine- 4.7L V8 MPI
EZB = Engine-5.7L HEMI

TRANSMISSION
DG0 = All Automatic Transmissions
DGJ = Transmission - 5-Spd Auto, MB
DGQ = Transmission-5-Spd Automatic
5-45RFE

AR = use ase required - = Non illustrated part

2005 WK

**Multi-Disc Holding Clutch - [B1]
Figure NAG1-410**



ITEM	PART NUMBER	QTY	LINE	SERIES	BODY	ENGINE	TRANS	TRIM	DESCRIPTION
NOTE: Sales Codes: [DGJ]=5 Speed Automatic Transmission - [NAG1] - [W5A580]									
1	52108539AC	1	T				DGJ		HOLDING CLUTCH, Outer carrier, B1
-2	05138365AA	1	T				DGJ		DISC, Support
3									SEAL, Transmission
	52108028AA	2	J				DGJ		
		2	T				DGJ		
4									PISTON
	52108506AA	1	J				DGJ		
		1	T				DGJ		
5									DISC, Spring
	52108023AA	1	T				DGJ		
		1	J				DGJ		
6									SNAP RING
	52107936AA	1	J				DGJ		
		1	T				DGJ		
7									DISC, Spring
	52108024AA	1	T				DGJ		
		1	J				DGJ		
8									DISC, Outer
	52108508AA	3	J				DGJ		
		3	T				DGJ		
9									DISC, Inner
	52108507AA	3	J				DGJ		
		3	T				DGJ		
10									DISC, Outer
	52108508AA	3	J				DGJ		
		3	T				DGJ		
11									DISC, Outer
	52107994AA	1	T				DGJ		
		1	J				DGJ		
12									SNAP RING
	52107949AA	1	T				DGJ		[2.6MM]
		1	J				DGJ		[2.6MM]

GRAND CHEROKEE (WK)

SERIES LINE
H = Laredo T = JEEP - 2WD
P = Limited J = JEEP - 4WD

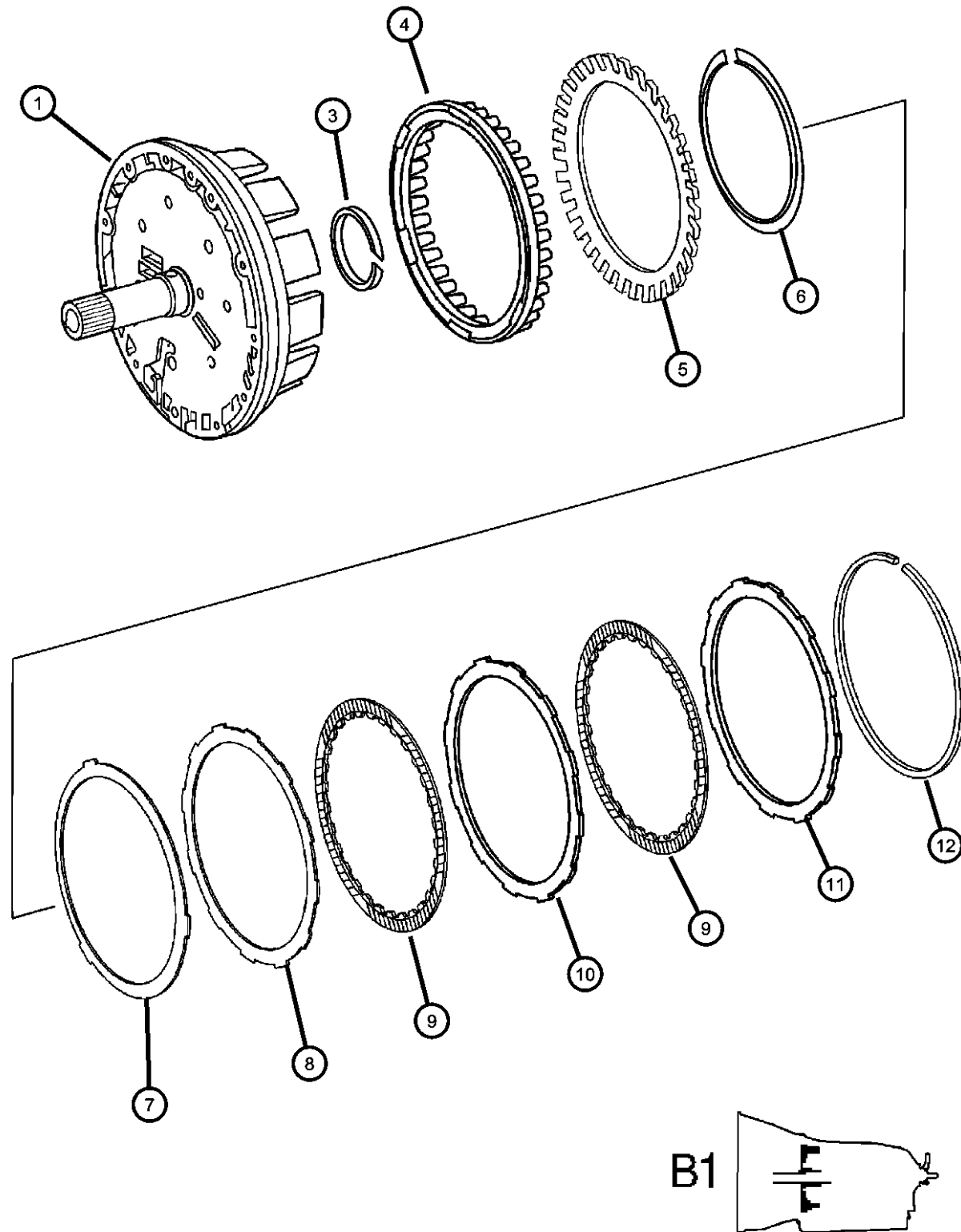
BODY ENGINE
74 = SPORT UTILITY 4-DOOR EKG = Engine - 3.7L V6
EVA = Engine- 4.7L V8 MPI
EZB = Engine-5.7L HEMI

TRANSMISSION
DG0 = All Automatic Transmissions
DGJ = Transmission - 5-Spd Auto, MB
DGQ = Transmission-5-Spd Automatic 5-45RFE

AR = use ase required - = Non illustrated part

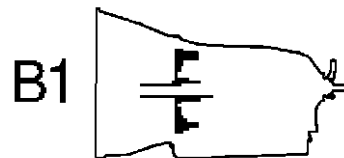
2005 WK

**Multi-Disc Holding Clutch - [B1]
Figure NAG1-410**



ITEM	PART NUMBER	QTY	LINE	SERIES	BODY	ENGINE	TRANS	TRIM	DESCRIPTION
	52107950AA	1	T				DGJ		[2.9MM]
		1	J				DGJ		[2.9MM]
	52107951AA	1	T				DGJ		[3.2MM]
		1	J				DGJ		[3.2MM]
	52107952AA	1	T				DGJ		[3.5MM]
		1	J				DGJ		[3.5MM]
-13									PIN
	06507381AA	1	J				DGJ		
		1	T				DGJ		

GRAND CHEROKEE (WK)		BODY	ENGINE	TRANSMISSION
SERIES	LINE	74 = SPORT UTILITY 4-DOOR	EKG = Engine - 3.7L V6 EVA = Engine- 4.7L V8 MPI EZB = Engine-5.7L HEMI	DG0 = All Automatic Transmissions DGJ = Transmission - 5-Spd Auto, MB DGQ = Transmission-5-Spd Automatic 5-45RFE
H = Laredo P = Limited	T = JEEP - 2WD J = JEEP - 4WD			



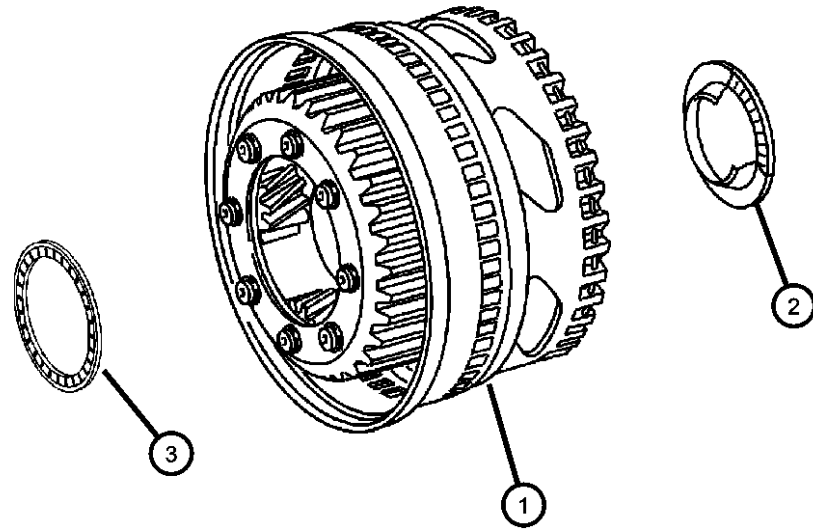
AR = use ase required - = Non illustrated part

2005 WK

**Planetary Carrier - [K1] - [VPLS]
Figure NAG1-430**

ITEM	PART NUMBER	QTY	LINE	SERIES	BODY	ENGINE	TRANS	TRIM	DESCRIPTION
------	-------------	-----	------	--------	------	--------	-------	------	-------------

NOTE:
Sales Codes:
[DGJ]=5 Speed Automatic Transmission - [NAG1] - [W5A580]



1	52108513AA	1	T				DGJ		CARRIER, Planetary
		1	J				DGJ		
2	52108123AA	1	T				DGJ		NEEDLE BEARING
		1	J				DGJ		
3	52108122AA	1	T				DGJ		NEEDLE BEARING
		1	J				DGJ		



GRAND CHEROKEE (WK)

SERIES	LINE
H = Laredo	T = JEEP - 2WD
P = Limited	J = JEEP - 4WD

BODY

74 = SPORT UTILITY 4-DOOR

ENGINE

EKG = Engine - 3.7L V6
EVA = Engine- 4.7L V8 MPI
EZB = Engine-5.7L HEMI

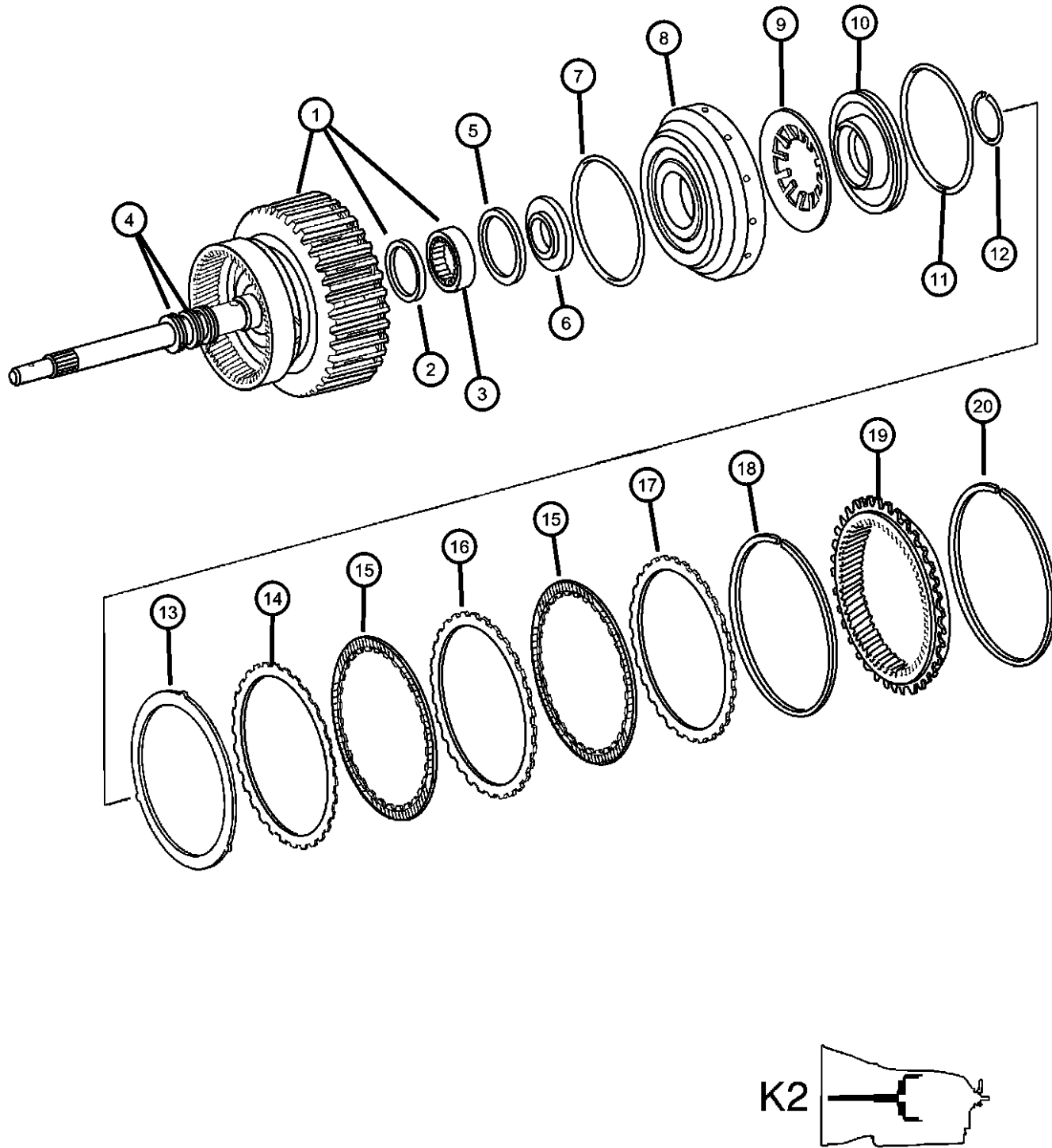
TRANSMISSION

DG0 = All Automatic Transmissions
DGJ = Transmission - 5-Spd Auto, MB
DGQ = Transmission-5-Spd Automatic 5-45RFE

AR = use ase required - = Non illustrated part

2005 WK

Driving Clutch - [K2]
Figure NAG1-440



ITEM	PART NUMBER	QTY	LINE	SERIES	BODY	ENGINE	TRANS	TRIM	DESCRIPTION
1	52108044AA	1	T				DGJ		SHAFT, Input
		1	J				DGJ		
2	52108127AA	1	J				DGJ		SEAL, Transmission
		1	T				DGJ		
3	52108126AA	1	J				DGJ		NEEDLE BEARING
		1	T				DGJ		
4	52108534AA	3	J				DGJ		SEAL, Transmission
		3	T				DGJ		
5	52108134AA	1	T				DGJ		SEAL, Transmission
		1	J				DGJ		
6	52107928AA	1	J				DGJ		PLATE
		1	T				DGJ		
7	52108135AA	1	T				DGJ		SEAL, Input Shaft
		1	J				DGJ		
8	52108191AA	1	T				DGJ		PISTON
		1	J				DGJ		
9	52108137AA	1	T				DGJ		DISC, Spring
		1	J				DGJ		
10	52108138AB	1	T				DGJ		SPRING, Retainer
		1	J				DGJ		
11		1	J						SEAL, Transmission

NOTE:

Sales Codes:

[DGJ]=5 Speed Automatic Transmission - [NAG1] - [W5A580]

[EGG]=3.5L High Output V-6 Engine

[EZB]=5.7L HEMI V-8 Engine

GRAND CHEROKEE (WK)

SERIES LINE

H = Laredo T = JEEP - 2WD
P = Limited J = JEEP - 4WD

BODY

74 = SPORT UTILITY 4-DOOR

ENGINE

EKG = Engine - 3.7L V6
EVA = Engine- 4.7L V8 MPI
EZB = Engine-5.7L HEMI

TRANSMISSION

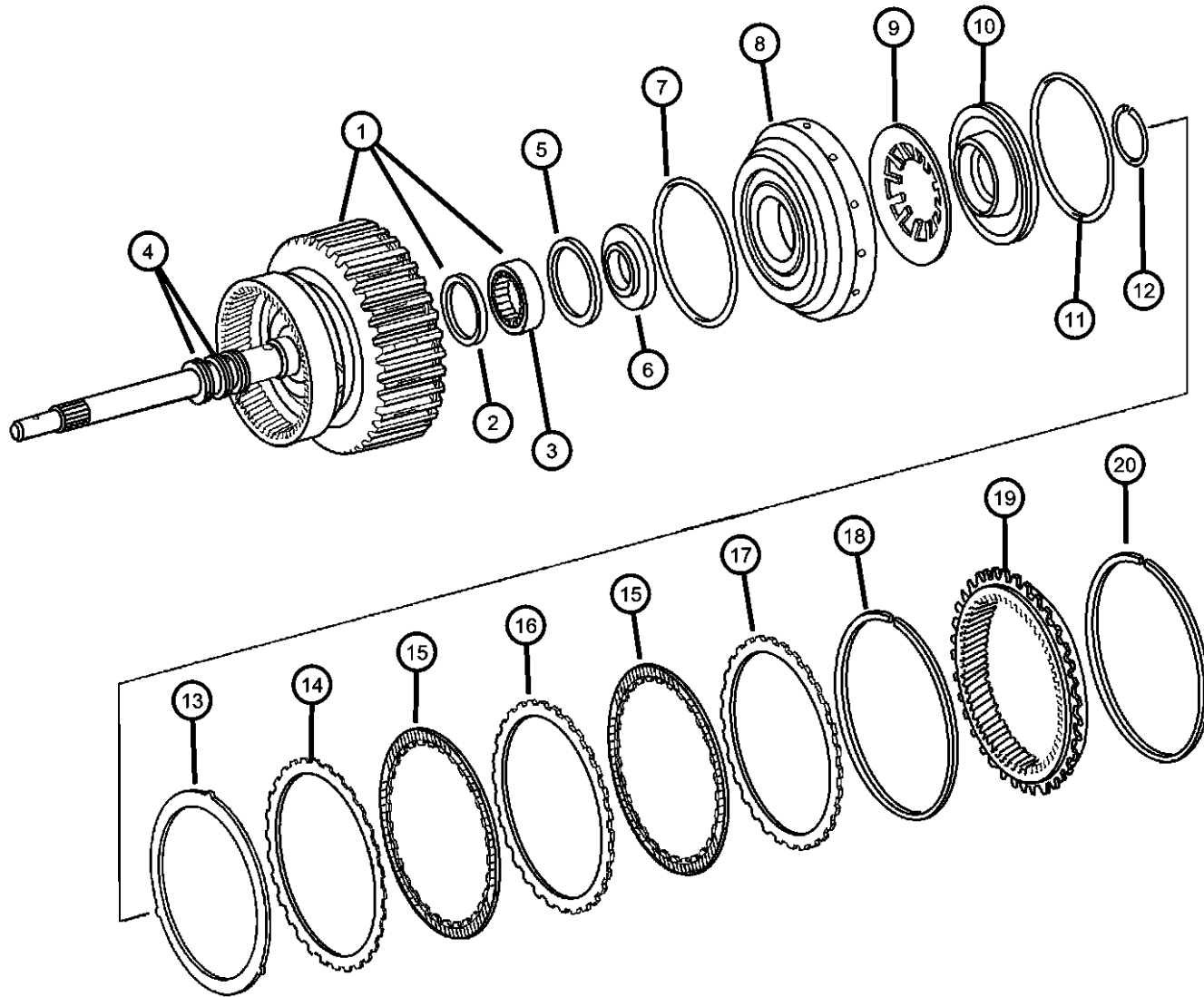
DG0 = All Automatic Transmissions
DGJ = Transmission - 5-Spd Auto, MB
DGQ = Transmission-5-Spd Automatic
5-45RFE

AR = use ase required - = Non illustrated part

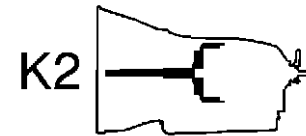
2005 WK

Driving Clutch - [K2]
Figure NAG1-440

ITEM	PART NUMBER	QTY	LINE	SERIES	BODY	ENGINE	TRANS	TRIM	DESCRIPTION
------	-------------	-----	------	--------	------	--------	-------	------	-------------



20	52107926AA	1	J				DGJ		SNAP RING
		1	T				DGJ		



GRAND CHEROKEE (WK)

SERIES LINE
H = Laredo T = JEEP - 2WD
P = Limited J = JEEP - 4WD

BODY

74 = SPORT UTILITY 4-DOOR
EKG = Engine - 3.7L V6
EVA = Engine- 4.7L V8 MPI
EZB = Engine-5.7L HEMI

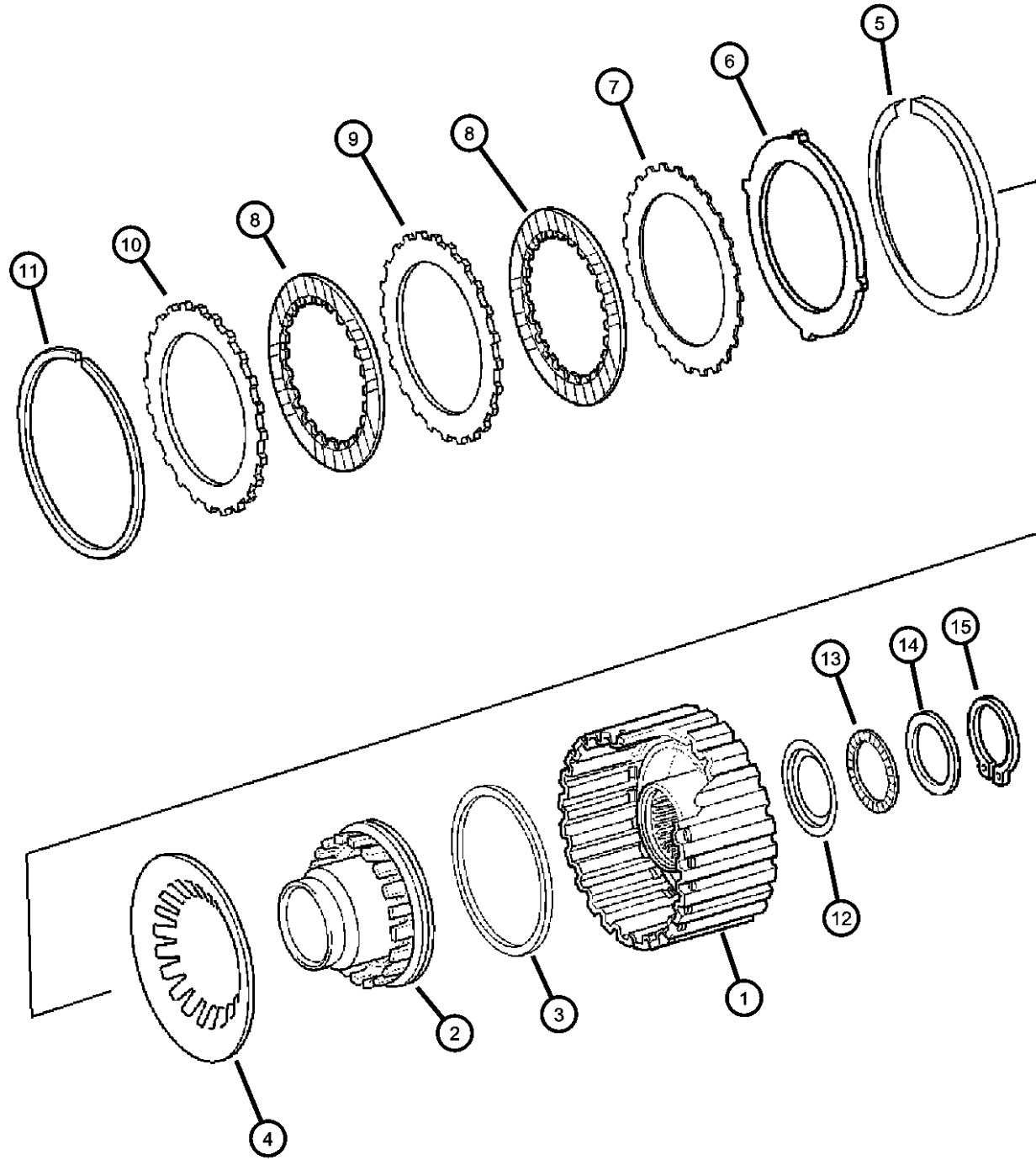
TRANSMISSION

DG0 = All Automatic Transmissions
DGJ = Transmission - 5-Spd Auto, MB
DGQ = Transmission-5-Spd Automatic 5-45RFE

AR = use ase required - = Non illustrated part

2005 WK

Driving Clutch - [K3]
Figure NAG1-460



ITEM	PART NUMBER	QTY	LINE	SERIES	BODY	ENGINE	TRANS	TRIM	DESCRIPTION
NOTE: Sales Codes: [DGJ]=5 Speed Automatic Transmission - [NAG1] - [W5A580]									
1	52108524AA	1	T				DGJ		RETAINER, Clutch
		1	J				DGJ		
2	52108094AA	1	T				DGJ		PISTON
		1	J				DGJ		
3	52108093AA	1	T				DGJ		SEAL, Transmission
		1	J				DGJ		
4	52108095AA	1	T				DGJ		DISC, Spring
		1	J				DGJ		
5	52107968AA	1	T				DGJ		SNAP RING
		1	J				DGJ		
6	52108096AA	1	T				DGJ		DISC, Spring
		1	J				DGJ		
7	52108529AA	4	J				DGJ		DISC, Outer [2.8MM]
		4	T				DGJ		[2.8MM]
8	52108528AA	4	J				DGJ		DISC, Inner
		4	T				DGJ		
9	52108529AA	4	J				DGJ		DISC, Outer [2.8MM]
		4	T				DGJ		[2.8MM]
10	52108011AA	1	T				DGJ		DISC, Outer
		1	J				DGJ		
11	52107970AA	1	T				DGJ		SNAP RING [2.3MM]
		1	J				DGJ		[2.3MM]

GRAND CHEROKEE (WK)

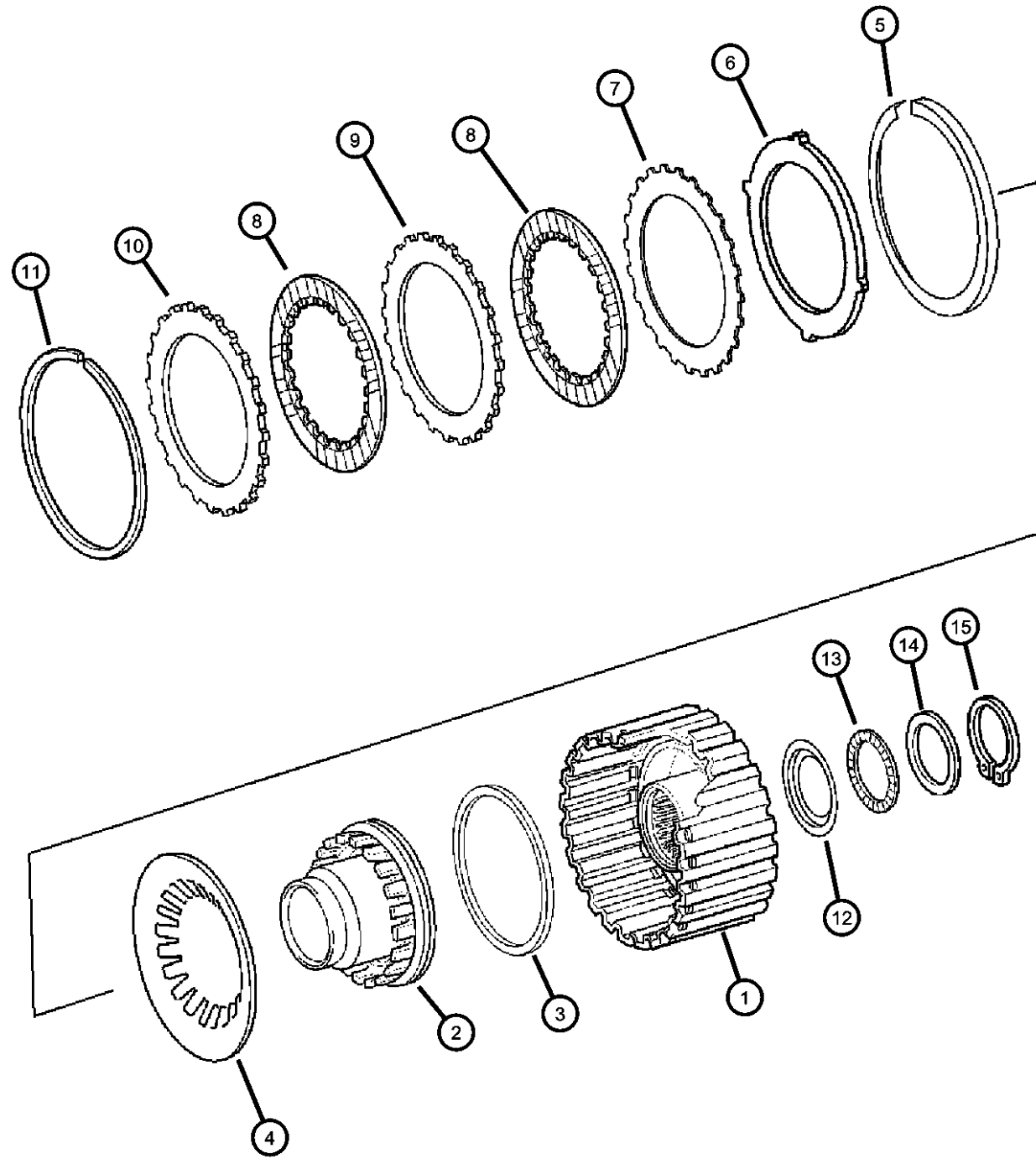
SERIES LINE
H = Laredo T = JEEP - 2WD
P = Limited J = JEEP - 4WD

BODY ENGINE TRANSMISSION
74 = SPORT UTILITY 4-DOOR EKG = Engine - 3.7L V6
EVA = Engine- 4.7L V8 MPI DG0 = All Automatic Transmissions
EZB = Engine-5.7L HEMI DGJ = Transmission - 5-Spd Auto, MB
DGQ = Transmission-5-Spd Automatic
5-45RFE

AR = use ase required - = Non illustrated part

2005 WK

Driving Clutch - [K3]
Figure NAG1-460



ITEM	PART NUMBER	QTY	LINE	SERIES	BODY	ENGINE	TRANS	TRIM	DESCRIPTION
	52107971AA	1	T				DGJ		[2.6MM]
		1	J				DGJ		[2.6MM]
	52107972AA	1	T				DGJ		[2.9MM]
		1	J				DGJ		[2.9MM]
	52107974AA	1	T				DGJ		[2.0MM]
		1	J				DGJ		[2.0MM]
12									SPACER
	52108148AA	1	J				DGJ		
		1	T				DGJ		
13									NEEDLE BEARING
	52108152AA	1	J				DGJ		
		1	T				DGJ		
14									PLATE
	52108149AA	AR	J				DGJ		[3.7MM]
		AR	T				DGJ		[3.7MM]
	52108150AA	AR	J				DGJ		[3.1MM]
		AR	T				DGJ		[3.1MM]
	52108151AA	AR	J				DGJ		[3.4MM]
		AR	T				DGJ		[3.4MM]
15									RING
	06507358AA	1	J				DGJ		
		1	T				DGJ		

GRAND CHEROKEE (WK)

SERIES LINE
H = Laredo T = JEEP - 2WD
P = Limited J = JEEP - 4WD

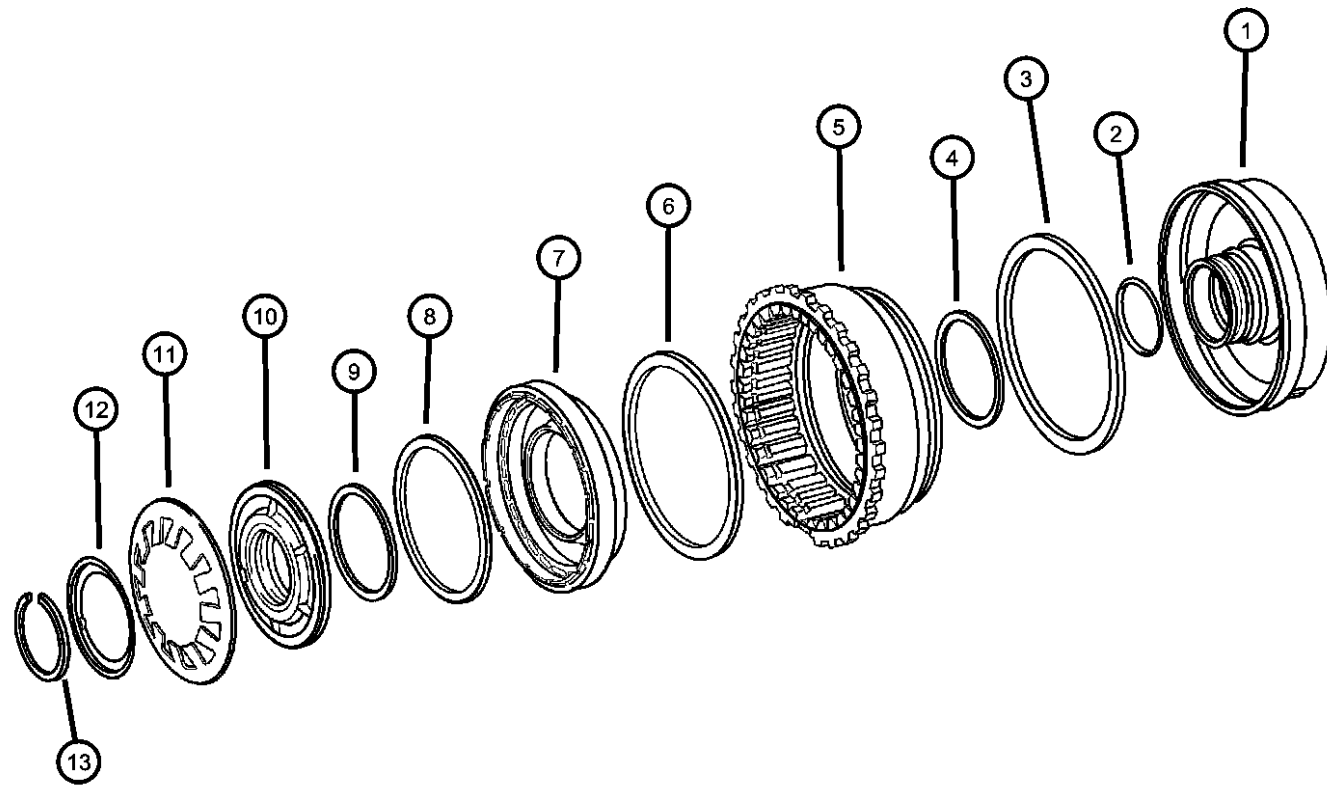
BODY ENGINE
74 = SPORT UTILITY 4-DOOR EKG = Engine - 3.7L V6
EVA = Engine- 4.7L V8 MPI
EZB = Engine-5.7L HEMI

TRANSMISSION
DG0 = All Automatic Transmissions
DGJ = Transmission - 5-Spd Auto, MB
DGQ = Transmission-5-Spd Automatic
5-45RFE

AR = use ase required - = Non illustrated part

2005 WK

**Multiple Disc Brake & Parking Lock Gearwheel - [B2 & B3]
Figure NAG1-470**



B2/B3



ITEM	PART NUMBER	QTY	LINE	SERIES	BODY	ENGINE	TRANS	TRIM	DESCRIPTION
NOTE: Sales Codes: [DGJ]=5 Speed Automatic Transmission - [NAG1] - [W5A580]									
1	52108182AA	1	T				DGJ		PLUNGER
		1	J				DGJ		
2	52108185AA	2	T				DGJ		SEAL, Transmission
		2	J				DGJ		
3	52108188AA	1	T				DGJ		SEAL, Transmission
		1	J				DGJ		
4	52108189AA	1	T				DGJ		SEAL, Transmission
		1	J				DGJ		
5	52108395AA	1	J				DGJ		PISTON
		1	T				DGJ		
6	52108199AA	1	T				DGJ		SEAL, Transmission
		1	J				DGJ		
7	52108191AA	1	T				DGJ		PISTON
		1	J				DGJ		
8	52108200AA	1	T				DGJ		SEAL, Transmission
		1	J				DGJ		
9	52108201AA	1	T				DGJ		SEAL, Transmission
		1	J				DGJ		
10	52108351AA	1	T				DGJ		RING, Piston
		1	J				DGJ		
11	52108202AA	1	T				DGJ		DISC, Spring
		1	J				DGJ		

GRAND CHEROKEE (WK)

SERIES LINE
H = Laredo T = JEEP - 2WD
P = Limited J = JEEP - 4WD

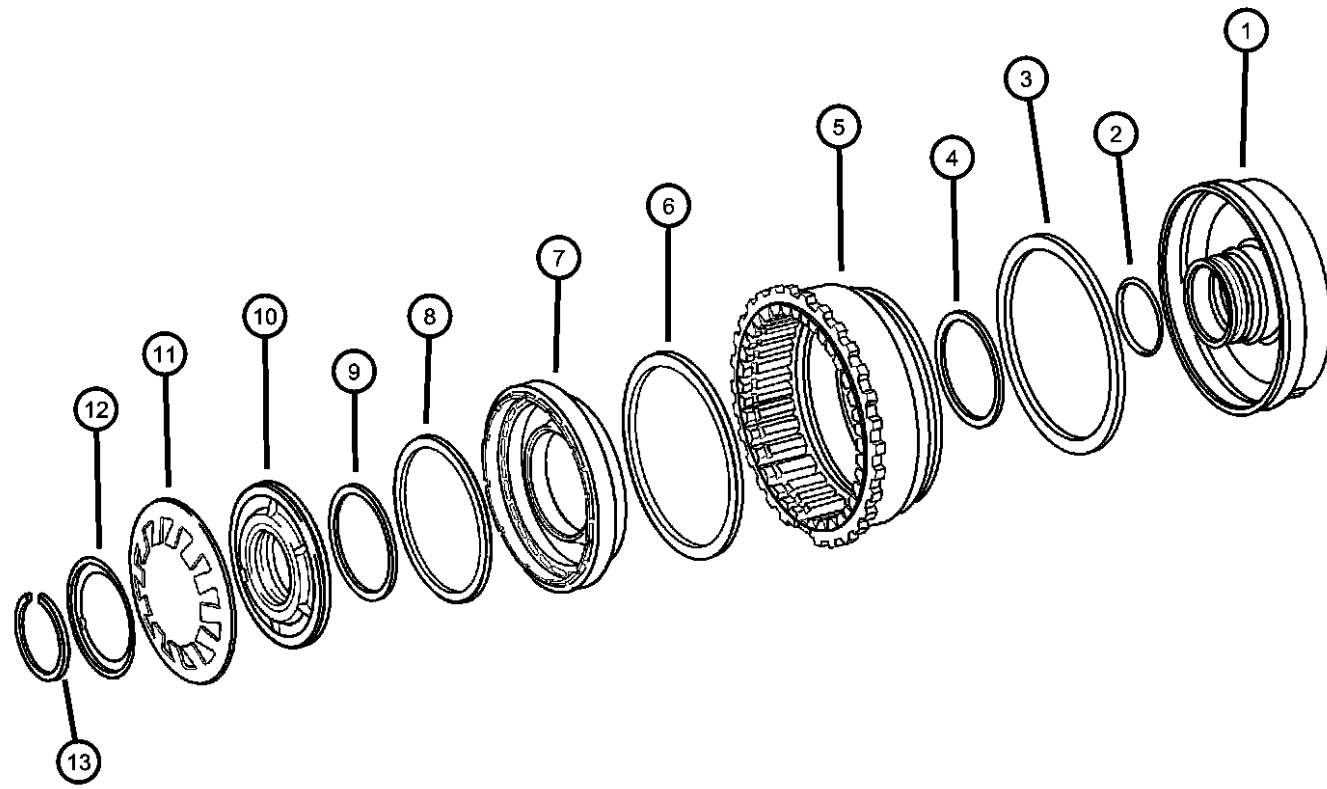
BODY ENGINE
74 = SPORT UTILITY 4-DOOR EKG = Engine - 3.7L V6
EVA = Engine- 4.7L V8 MPI
EZB = Engine-5.7L HEMI

TRANSMISSION
DG0 = All Automatic Transmissions
DGJ = Transmission - 5-Spd Auto, MB
DGQ = Transmission-5-Spd Automatic 5-45RFE

AR = use ase required - = Non illustrated part

2005 WK

**Multiple Disc Brake & Parking Lock Gearwheel - [B2 & B3]
Figure NAG1-470**



ITEM	PART NUMBER	QTY	LINE	SERIES	BODY	ENGINE	TRANS	TRIM	DESCRIPTION
12	52108203AA	1	T				DGJ		SPRING, Retainer
		1	J				DGJ		
13	52107977AA	1	T				DGJ		SNAP RING
		1	J				DGJ		

B2/B3



GRAND CHEROKEE (WK)

SERIES	LINE
H = Laredo	T = JEEP - 2WD
P = Limited	J = JEEP - 4WD

BODY

74 = SPORT UTILITY 4-DOOR

ENGINE

EKG = Engine - 3.7L V6
EVA = Engine- 4.7L V8 MPI
EZB = Engine-5.7L HEMI

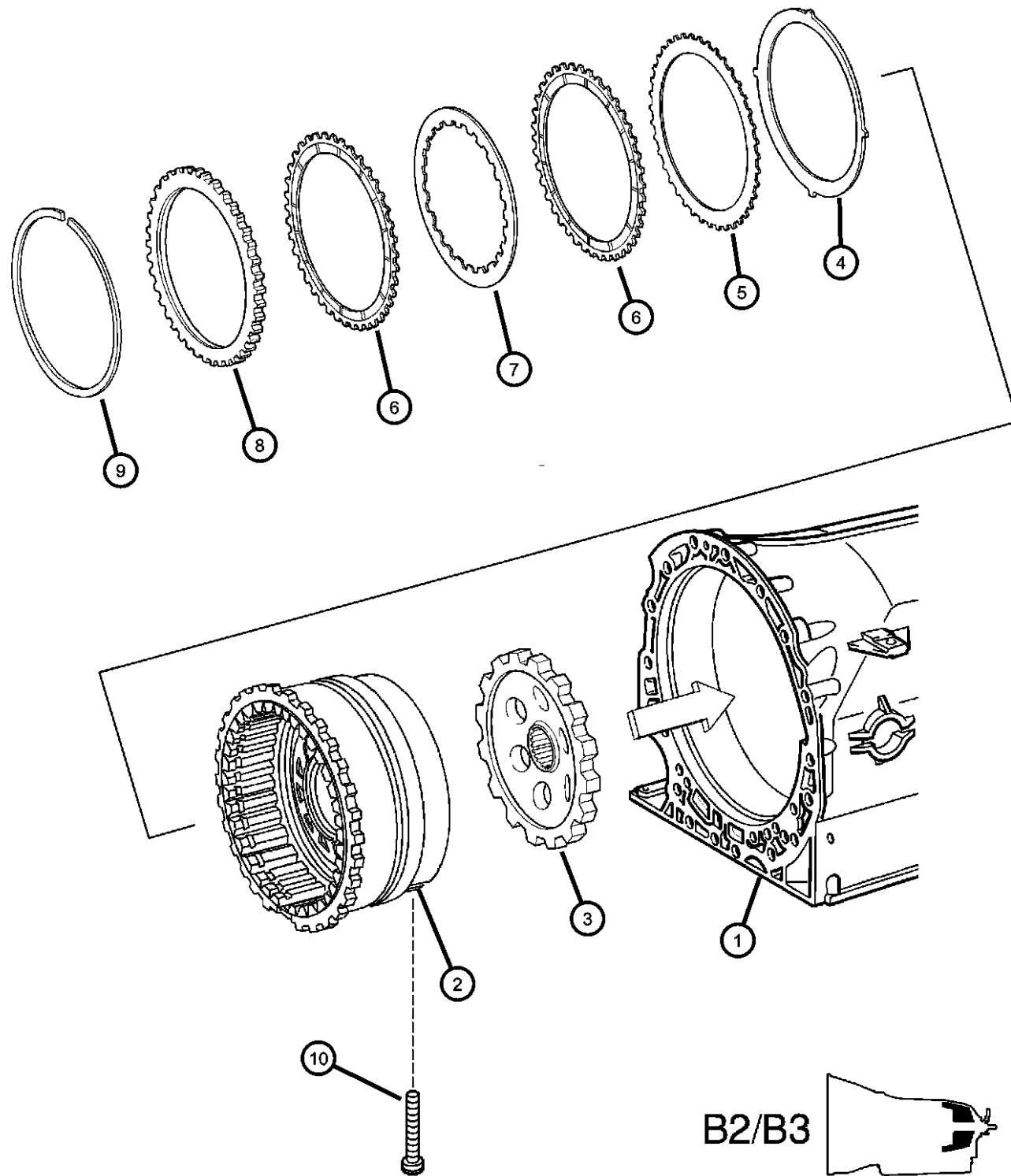
TRANSMISSION

DG0 = All Automatic Transmissions
DGJ = Transmission - 5-Spd Auto, MB
DGQ = Transmission-5-Spd Automatic 5-45RFE

AR = use ase required - = Non illustrated part

2005 WK

**Multiple Disc Brake & Parking Lock Gearwheel - [B2 & B3]
Figure NAG1-480**



ITEM	PART NUMBER	QTY	LINE	SERIES	BODY	ENGINE	TRANS	TRIM	DESCRIPTION
------	-------------	-----	------	--------	------	--------	-------	------	-------------

NOTE: Drum Package Is Not Serviced In An Assembly. Please See Illustration [#470] Callouts [1,2,3,4 & 5] To Obtain Part Numbers
Sales Codes:

[DGJ]=5 Speed Automatic Transmission - [NAG1] - [W5A580]

1		1							CASE, Transmission, See Illustration [#210], (NOT SERVICED)
2		1							DRUM PACKAGE, Transmission, See Illustration [#470] Callout [#1,2,3,4 & 5], (NOT SERVICED)
3									LOCK, Parking Wheel
	52108180AA	1	J				DGJ		
		1	T				DGJ		
4									DISC, Spring
	52108354AA	1	T				DGJ		
		1	J				DGJ		
5									DISC, Outer
	52108013AA	1	T				DGJ		
		1	J				DGJ		
6									DISC, Outer
	52108572AA	5	J				DGJ		
		5	T				DGJ		
7									DISC, Inner
	52108015AA	4	T				DGJ		
		4	J				DGJ		
8									DISC, Outer
	52108014AA	1	T				DGJ		
		1	J				DGJ		
9									SNAP RING
	52107979AA	1	T				DGJ		[4.1MM]
		1	J				DGJ		[4.1MM]
	52107980AA	1	T				DGJ		[3.8MM]
		1	J				DGJ		[3.8MM]
	52107981AA	1	T				DGJ		[3.5MM]
		1	J				DGJ		[3.5MM]
	52107982AA	1	T				DGJ		[3.2MM]
		1	J				DGJ		[3.2MM]
	52107983AA	1	T				DGJ		[2.9MM]

GRAND CHEROKEE (WK)

SERIES LINE
H = Laredo T = JEEP - 2WD
P = Limited J = JEEP - 4WD

BODY

74 = SPORT UTILITY 4-DOOR

ENGINE

EKG = Engine - 3.7L V6
EVA = Engine- 4.7L V8 MPI
EZB = Engine-5.7L HEMI

TRANSMISSION

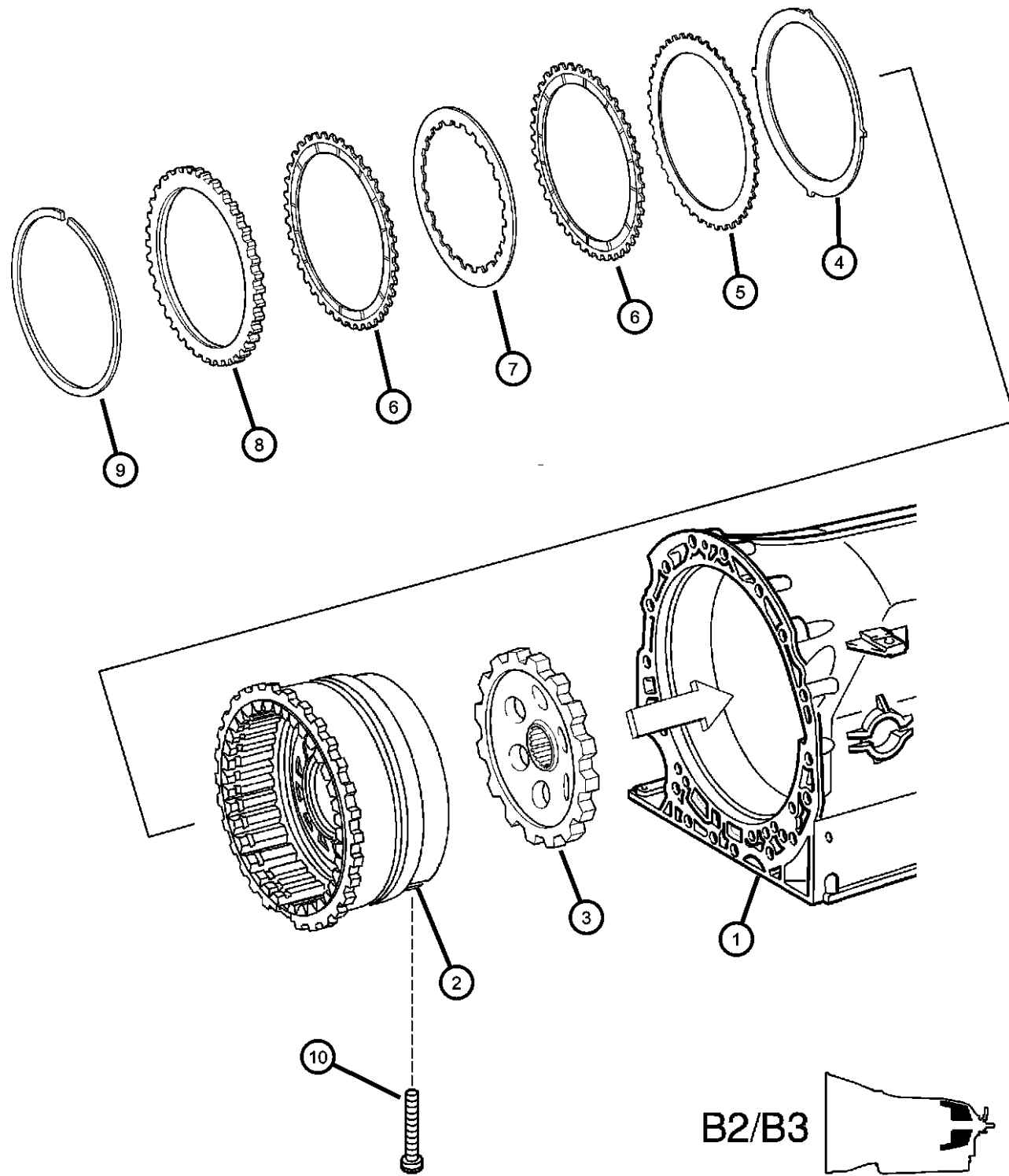
DG0 = All Automatic Transmissions
DGJ = Transmission - 5-Spd Auto, MB
DGQ = Transmission-5-Spd Automatic 5-45RFE

AR = use ase required - = Non illustrated part

2005 WK

**Multiple Disc Brake & Parking Lock Gearwheel - [B2 & B3]
Figure NAG1-480**

ITEM	PART NUMBER	QTY	LINE	SERIES	BODY	ENGINE	TRANS	TRIM	DESCRIPTION
------	-------------	-----	------	--------	------	--------	-------	------	-------------



10		1	J				DGJ		[2.9MM] SCREW
	52108205AA	2	T				DGJ		
		2	J				DGJ		

GRAND CHEROKEE (WK)

SERIES	LINE
H = Laredo	T = JEEP - 2WD
P = Limited	J = JEEP - 4WD

BODY

74 = SPORT UTILITY 4-DOOR

ENGINE

EKG = Engine - 3.7L V6
EVA = Engine- 4.7L V8 MPI
EZB = Engine-5.7L HEMI

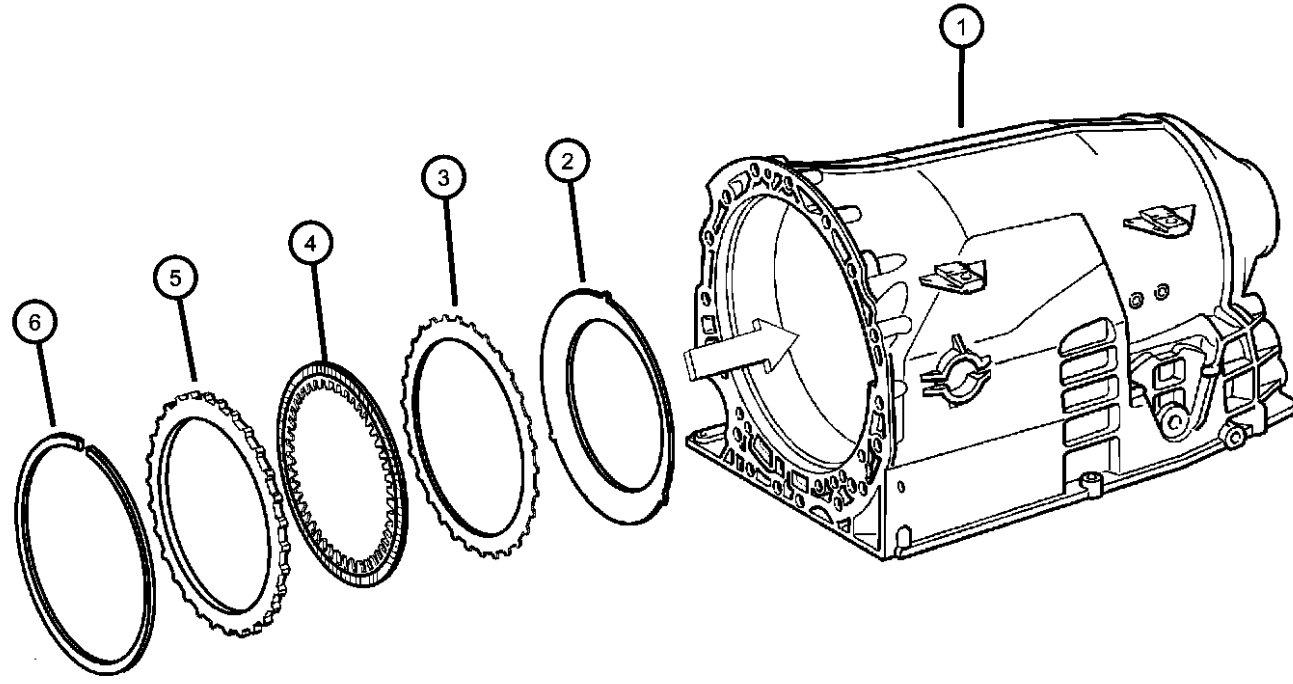
TRANSMISSION

DG0 = All Automatic Transmissions
DGJ = Transmission - 5-Spd Auto, MB
DGQ = Transmission-5-Spd Automatic
5-45RFE

AR = use ase required - = Non illustrated part

2005 WK

**Multiple Disc Brake & Parking Lock Gearwheel - [B2 & B3]
Figure NAG1-490**



ITEM	PART NUMBER	QTY	LINE	SERIES	BODY	ENGINE	TRANS	TRIM	DESCRIPTION
------	-------------	-----	------	--------	------	--------	-------	------	-------------

NOTE:
Sales Codes:
[DGJ]=5 Speed Automatic Transmission - [NAG1] - [W5A580]

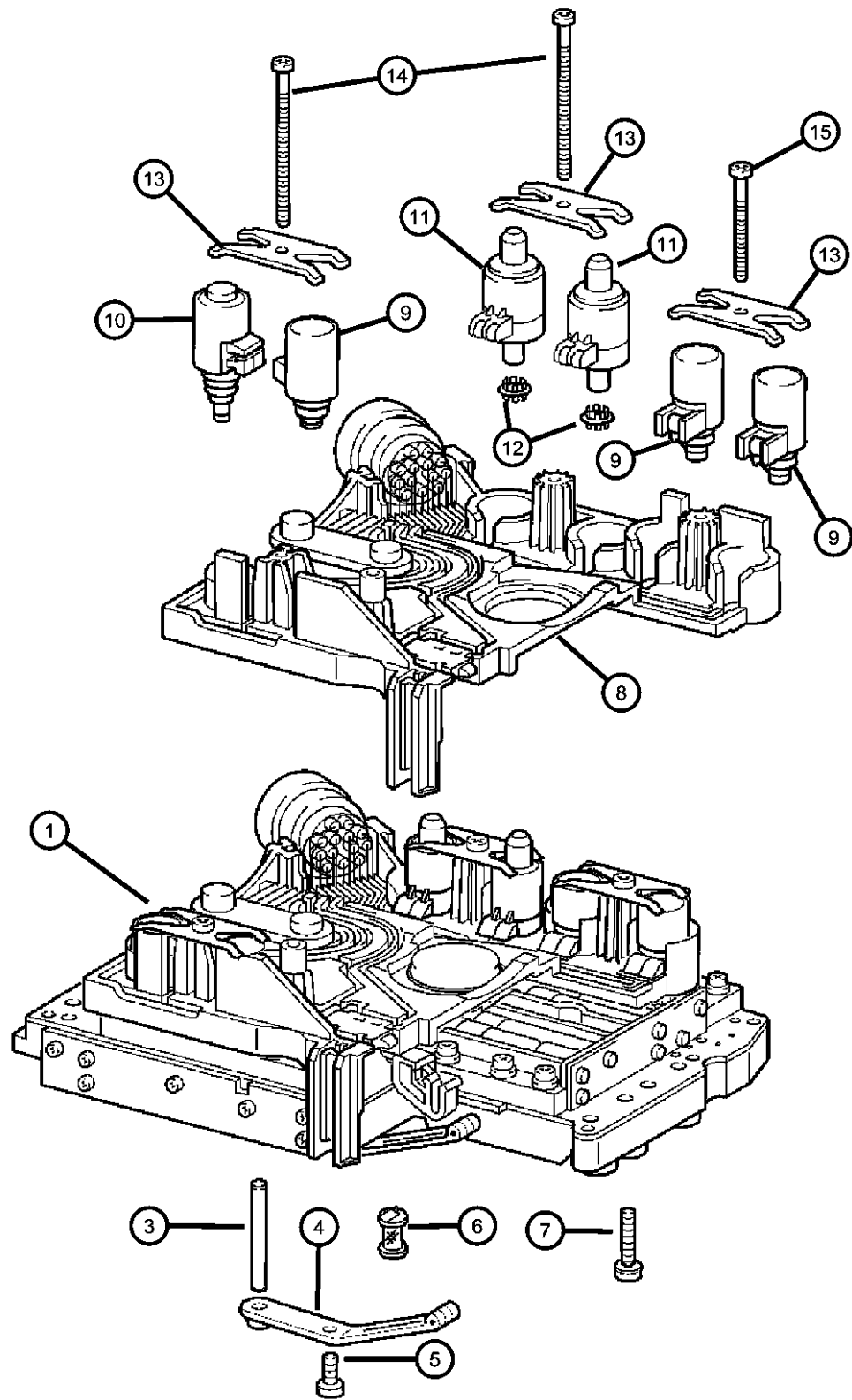
1		2							HOUSING, Transmission Case, Serviced With Transmission Assembly, (NOT SERVICED)
2	52108356AA	1	J				DGJ		DISC, Spring
		1	T				DGJ		
3	52108017AA	5	J				DGJ		DISC, Outer
		5	T				DGJ		
4	52108573AA	5	J				DGJ		DISC, Inner
		5	T				DGJ		
5	52108018AA	1	J				DGJ		DISC, Outer
		1	T				DGJ		[6.5MM]
6									SNAP RING
	52107985AA	AR	T				DGJ		[3.2MM]
		AR	J				DGJ		[3.2MM]
	52107986AA	AR	T				DGJ		[3.5MM]
		AR	J				DGJ		[3.5MM]
	52107987AA	AR	T				DGJ		[3.8MM]
		AR	J				DGJ		[3.8MM]
	52107988AA	AR	T				DGJ		[4.1MM]
		AR	J				DGJ		[4.1MM]
	52107989AA	AR	T				DGJ		[4.4MM]
		AR	J				DGJ		[4.4MM]
	52107990AA	AR	T				DGJ		[4.8MM]
		AR	J				DGJ		[4.8MM]



GRAND CHEROKEE (WK)				
SERIES	LINE	BODY	ENGINE	TRANSMISSION
H = Laredo	T = JEEP - 2WD	74 = SPORT UTILITY 4-DOOR	EKG = Engine - 3.7L V6	DG0 = All Automatic Transmissions
P = Limited	J = JEEP - 4WD		EVA = Engine- 4.7L V8 MPI	DGJ = Transmission - 5-Spd Auto, MB
			EZB = Engine-5.7L HEMI	DGQ = Transmission-5-Spd Automatic 5-45RFE

AR = use ase required - = Non illustrated part

**Electronic - Hydraulic Control Unit
Figure NAG1-710**



ITEM	PART NUMBER	QTY	LINE	SERIES	BODY	ENGINE	TRANS	TRIM	DESCRIPTION
------	-------------	-----	------	--------	------	--------	-------	------	-------------

Sales Codes:
 [DGJ]=5 Speed Automatic Transmission - [NAG1] - [W5A580]
 [EGG]=3.5L High Output V-6 Engine
 [EZB]=5.7L HEMI V-8 Engine

1									VALVE BODY, Complete
	52108213AA	1	T				DGJ		
		1	J				DGJ		
-2									SHIELD, Transmission Solenoid
	52108320AA	1	J				DGJ		
		1	T				DGJ		
3									DOWEL
	05098951AA	1	J				DGJ		
		1	T				DGJ		
4									SPRING
	52108258AA	1	J				DGJ		
		1	T				DGJ		
5									SCREW
	52108266AB	1	T				DGJ		
		1	J				DGJ		
6									FILTER, Transmission Oil
	52108304AA	2	J				DGJ		
		2	T				DGJ		
7									SCREW
	52108267AA	10	T				DGJ		
		10	J				DGJ		
8									CONNECTOR ASSEMBLY, Electrical
	52108308AB	1	T				DGJ		Includes Speed Sensor
		1	J				DGJ		Includes Speed Sensor
9									SOLENOID, Transmission
	52108313AA	3	J				DGJ		Shift Solenoid
		3	T				DGJ		Shift Solenoid
10									SOLENOID, Transmission
	52108314AA	1	J				DGJ		Lock Up Solenoid
		1	T				DGJ		Lock Up Solenoid
11									SOLENOID, Transmission
	52108312AA	2	J				DGJ		Pressure Solenoid

GRAND CHEROKEE (WK)

SERIES	LINE
H = Laredo	T = JEEP - 2WD
P = Limited	J = JEEP - 4WD

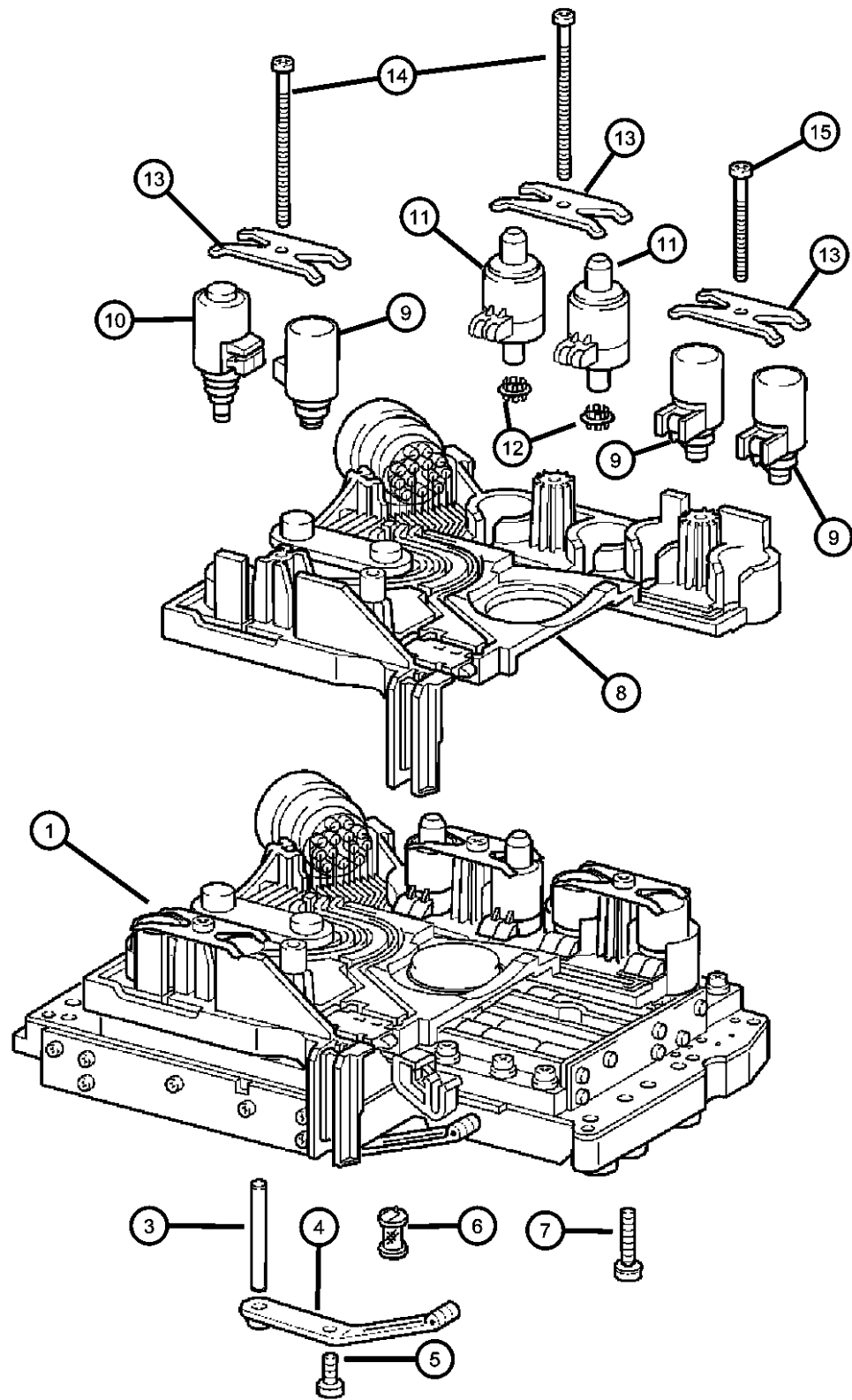
BODY	ENGINE
74 = SPORT UTILITY 4-DOOR	EKG = Engine - 3.7L V6
	EVA = Engine- 4.7L V8 MPI
	EZB = Engine-5.7L HEMI

TRANSMISSION
DG0 = All Automatic Transmissions
DGJ = Transmission - 5-Spd Auto, MB
DGQ = Transmission-5-Spd Automatic 5-45RFE

AR = use ase required - = Non illustrated part

2005 WK

**Electronic - Hydraulic Control Unit
Figure NAG1-710**



ITEM	PART NUMBER	QTY	LINE	SERIES	BODY	ENGINE	TRANS	TRIM	DESCRIPTION
12		2	T				DGJ		Pressure Solenoid FILTER, Transmission Oil
	52108316AA	2	J				DGJ		
		2	T				DGJ		
13		3	J				DGJ		PLATE
	52108315AA	3	T				DGJ		
14		2	T				DGJ		SCREW [M6x80.0]
	52108268AA	2	J				DGJ		[M6x80.0]
15		1	J				DGJ		SCREW [6x55.0]
	52108269AA	1	T				DGJ		[6x55.0]

GRAND CHEROKEE (WK)

SERIES	LINE
H = Laredo	T = JEEP - 2WD
P = Limited	J = JEEP - 4WD

BODY

74 = SPORT UTILITY 4-DOOR

ENGINE

EKG = Engine - 3.7L V6
EVA = Engine- 4.7L V8 MPI
EZB = Engine-5.7L HEMI

TRANSMISSION

DG0 = All Automatic Transmissions
DGJ = Transmission - 5-Spd Auto, MB
DGQ = Transmission-5-Spd Automatic
5-45RFE

AR = use ase required - = Non illustrated part

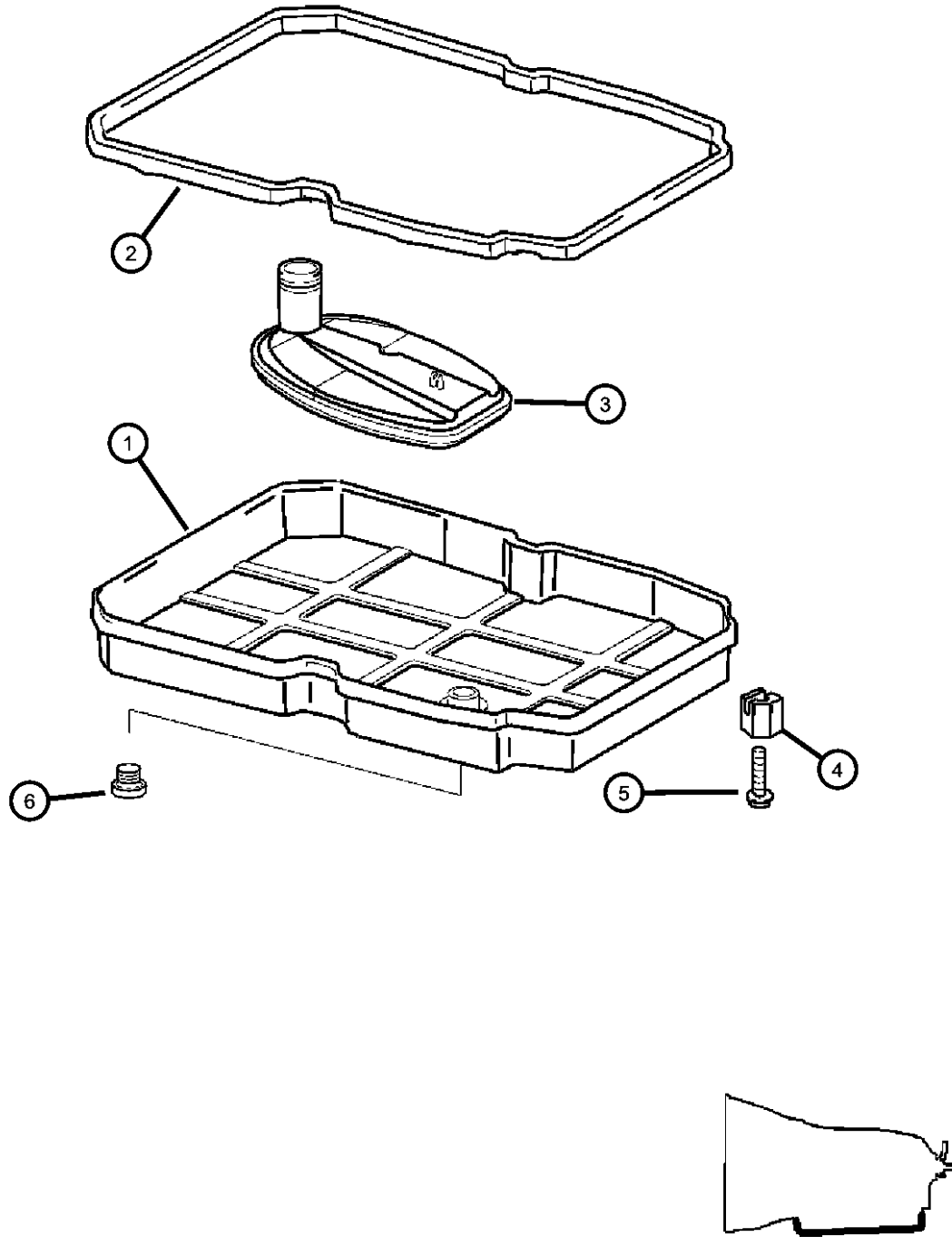
2005 WK

Oil Pan, Gasket & Filter
Figure NAG1-720

ITEM	PART NUMBER	QTY	LINE	SERIES	BODY	ENGINE	TRANS	TRIM	DESCRIPTION
------	-------------	-----	------	--------	------	--------	-------	------	-------------

NOTE:
Sales Codes:
[DGJ]=5 Speed Automatic Transmission - [NAG1] - [W5A580]

1	52108327AA	1	T				DGJ		PAN, Transmission Oil
		1	J				DGJ		
2	52108332AA	1	J				DGJ		GASKET
		1	T				DGJ		
3	52108325AA	1	J				DGJ		FILTER, Transmission Oil
		1	T				DGJ		
4	52108334AA	6	J				DGJ		NUT
		6	T				DGJ		
5	52108270AA	6	T				DGJ		SCREW
		6	J				DGJ		
6	52108331AA	1	J				DGJ		MAGNET
		1	T				DGJ		



GRAND CHEROKEE (WK)

SERIES	LINE
H = Laredo	T = JEEP - 2WD
P = Limited	J = JEEP - 4WD

BODY

74 = SPORT UTILITY 4-DOOR

ENGINE

EKG = Engine - 3.7L V6
EVA = Engine- 4.7L V8 MPI
EZB = Engine-5.7L HEMI

TRANSMISSION

DG0 = All Automatic Transmissions
DGJ = Transmission - 5-Spd Auto, MB
DGQ = Transmission-5-Spd Automatic 5-45RFE

AR = use ase required - = Non illustrated part

2005 WK

**Gearshift Control
Figure NAG1-1210**

ITEM	PART NUMBER	QTY	LINE	SERIES	BODY	ENGINE	TRANS	TRIM	DESCRIPTION
------	-------------	-----	------	--------	------	--------	-------	------	-------------

NOTE:

Sales Codes:

[DGJ]=5 Speed Automatic Transmission - [NAG1] - [W5A580]

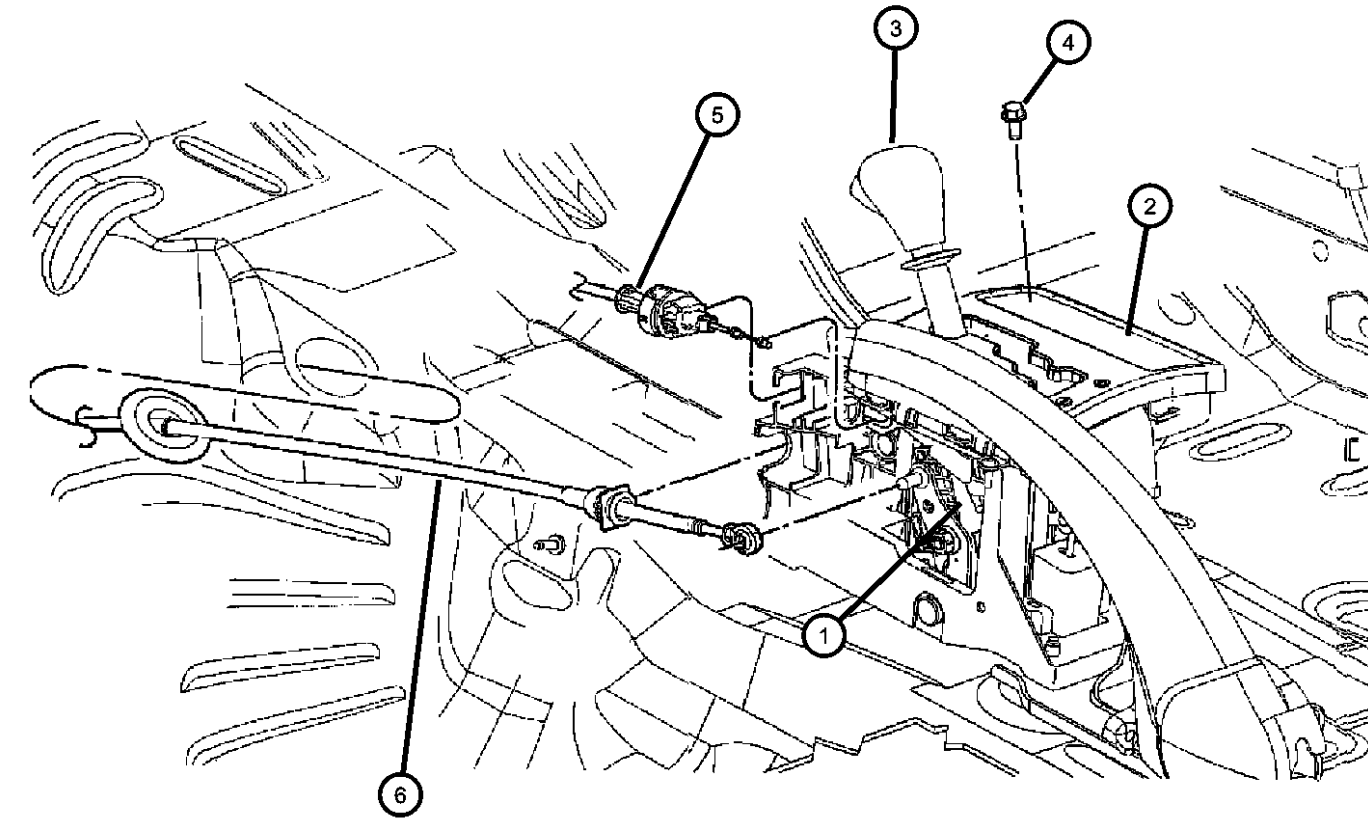
[DG0]=All Automatic Transmissions

[EK0]=All 3.7L V-6 Engines

[EV0]=All 4.7L V-8 Engines

[EZ0]=All 5.7L V-8 Engines

1	52109682AE	1					DGJ		HOUSING AND LEVER, Shifter, Includes Bezel And Handle
2									PRND BEZEL, Gear selector
	68004143AC	1	J, T				DGJ		
	68004144AC	1	J				DGJ		[DHX]
3	52090460AB	1					DGJ		HANDLE, Gearshift
4		1							SCREW, [M6X1.00X35.00] Shifter To Floor, (NOT SERVICED)
5	52109666AC	1					DG0		CABLE, Park Interlock
6	52109667AD	1				EK0, EV0, EZ0	DG0		CABLE, Gearshift Control



GRAND CHEROKEE (WK)

SERIES	LINE
H = Laredo	T = JEEP - 2WD
P = Limited	J = JEEP - 4WD

BODY

74 = SPORT UTILITY 4-DOOR

ENGINE

EKG = Engine - 3.7L V6
EVA = Engine- 4.7L V8 MPI
EZB = Engine-5.7L HEMI

TRANSMISSION

DG0 = All Automatic Transmissions
DGJ = Transmission - 5-Spd Auto, MB
DGQ = Transmission-5-Spd Automatic 5-45RFE

AR = use ase required - = Non illustrated part

2005 WK

Shifter Cable & Transmission Shifter Cable Bracket
Figure NAG1-1220

ITEM	PART NUMBER	QTY	LINE	SERIES	BODY	ENGINE	TRANS	TRIM	DESCRIPTION
------	-------------	-----	------	--------	------	--------	-------	------	-------------

NOTE:

Sales Codes:

[DGJ]=5 Speed Automatic Transmission - [NAG1] - [W5A580]

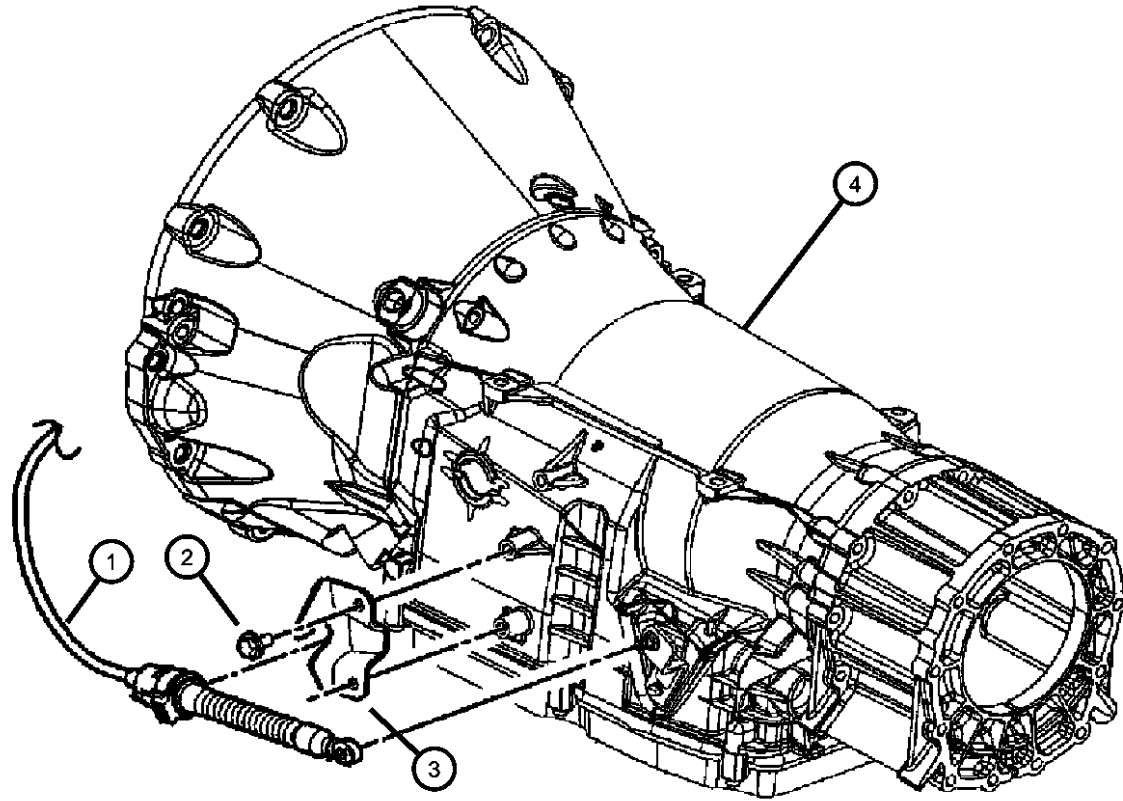
[DG0]=All Automatic Transmissions

[EK0]=All 3.7L V-6 Engines

[EV0]=All 4.7L V-8 Engines

[EZ0]=All 5.7L V-8 Engines

1	52109667AD	1				EK0, EV0, EZ0	DG0		CABLE, Gearshift Control
2	06101758	2					DG0		SCREW, Hex Head, M8x1.25x20
3	52109699AC	1					DGJ		BRACKET, Shift Cable
4		1							TRANSMISSION, 5 Speed, See Illustration 110, (NOT SERVICED)



GRAND CHEROKEE (WK)

SERIES	LINE
H = Laredo	T = JEEP - 2WD
P = Limited	J = JEEP - 4WD

BODY	ENGINE
74 = SPORT UTILITY 4-DOOR	EKG = Engine - 3.7L V6
	EVA = Engine- 4.7L V8 MPI
	EZB = Engine-5.7L HEMI

TRANSMISSION
DG0 = All Automatic Transmissions
DGJ = Transmission - 5-Spd Auto, MB
DGQ = Transmission-5-Spd Automatic 5-45RFE

AR = use ase required - = Non illustrated part

2005 WK

Group - 140

Transfer Case Model 140 [DHZ]

Group - 140 Transfer Case Model 140 [DHZ]

Illustration Title

Group-Fig. No.

Transfer Case Assembly

Transfer Case Single Mode [DHZ] Fig. 140 - 110

Case and Related Parts

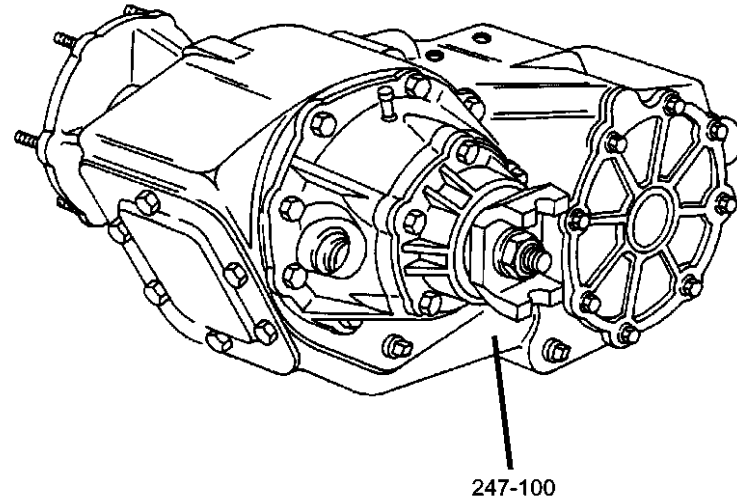
Case and Related Parts [DHZ] Fig. 140 - 210

Gear Train

Gear Train [DHZ] Fig. 140 - 410

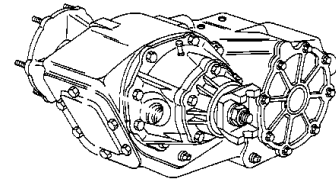
Gearshift Controls

Skid Plate Fig. 140 - 1210



247-100

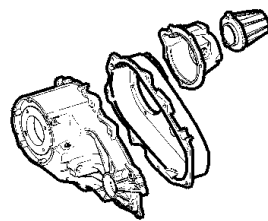
140-100
Transfer Case Assembly



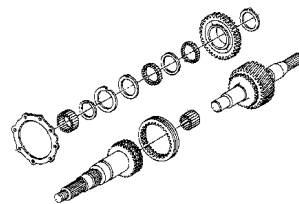
140-1200
Gearshift Controls



140-200
Case and Related Parts



140-400
Gear Train

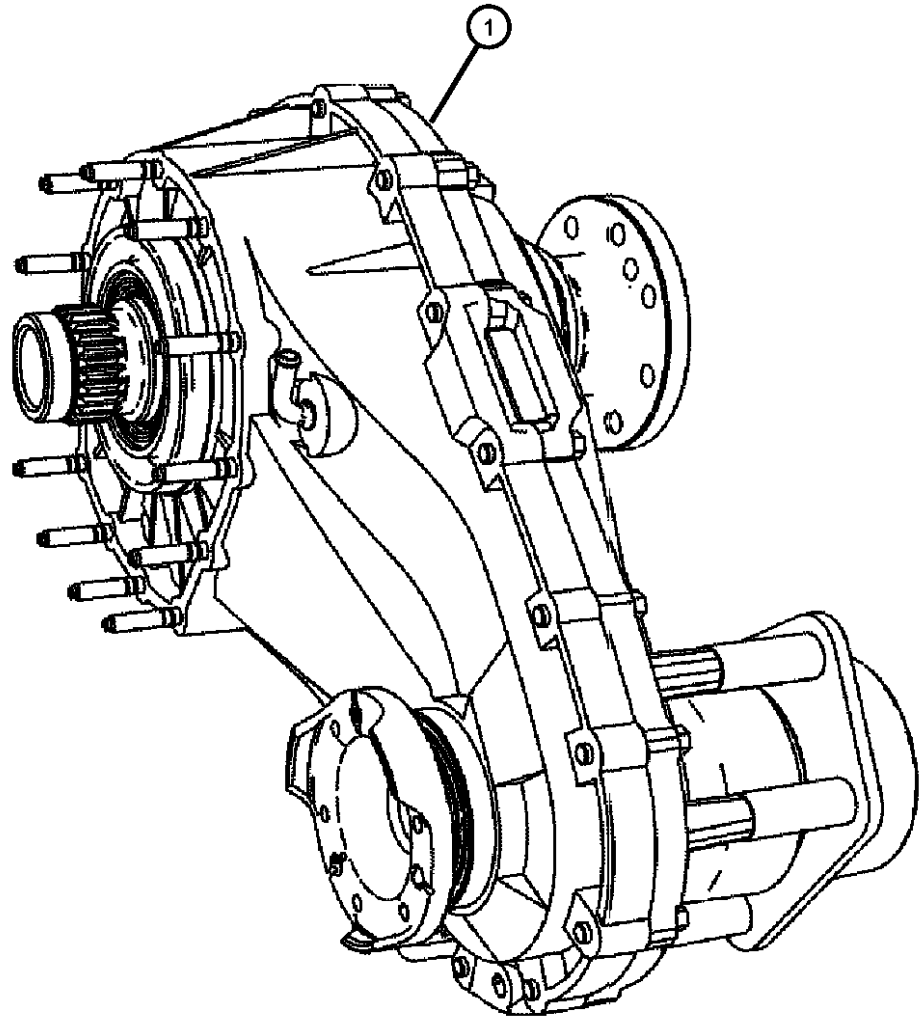


**Transfer Case Single Mode [DHZ]
Figure 140-110**

ITEM	PART NUMBER	QTY	LINE	SERIES	BODY	ENGINE	TRANS	TRIM	DESCRIPTION
------	-------------	-----	------	--------	------	--------	-------	------	-------------

Notes: Sales Codes
[EKG]=3.7L V-6 Engine

1	52105928AB	1	J						TRANSFER CASE, NVG140
---	------------	---	---	--	--	--	--	--	-----------------------



GRAND CHEROKEE (WK)

SERIES	LINE
H = Laredo	T = JEEP - 2WD
P = Limited	J = JEEP - 4WD

BODY

74 = SPORT UTILITY 4-DOOR

ENGINE

EKG = Engine - 3.7L V6
EVA = Engine- 4.7L V8 MPI
EZB = Engine-5.7L HEMI

TRANSMISSION

DG0 = All Automatic Transmissions
DGJ = Transmission - 5-Spd Auto, MB
DGQ = Transmission-5-Spd Automatic 5-45RFE

AR = use ase required - = Non illustrated part

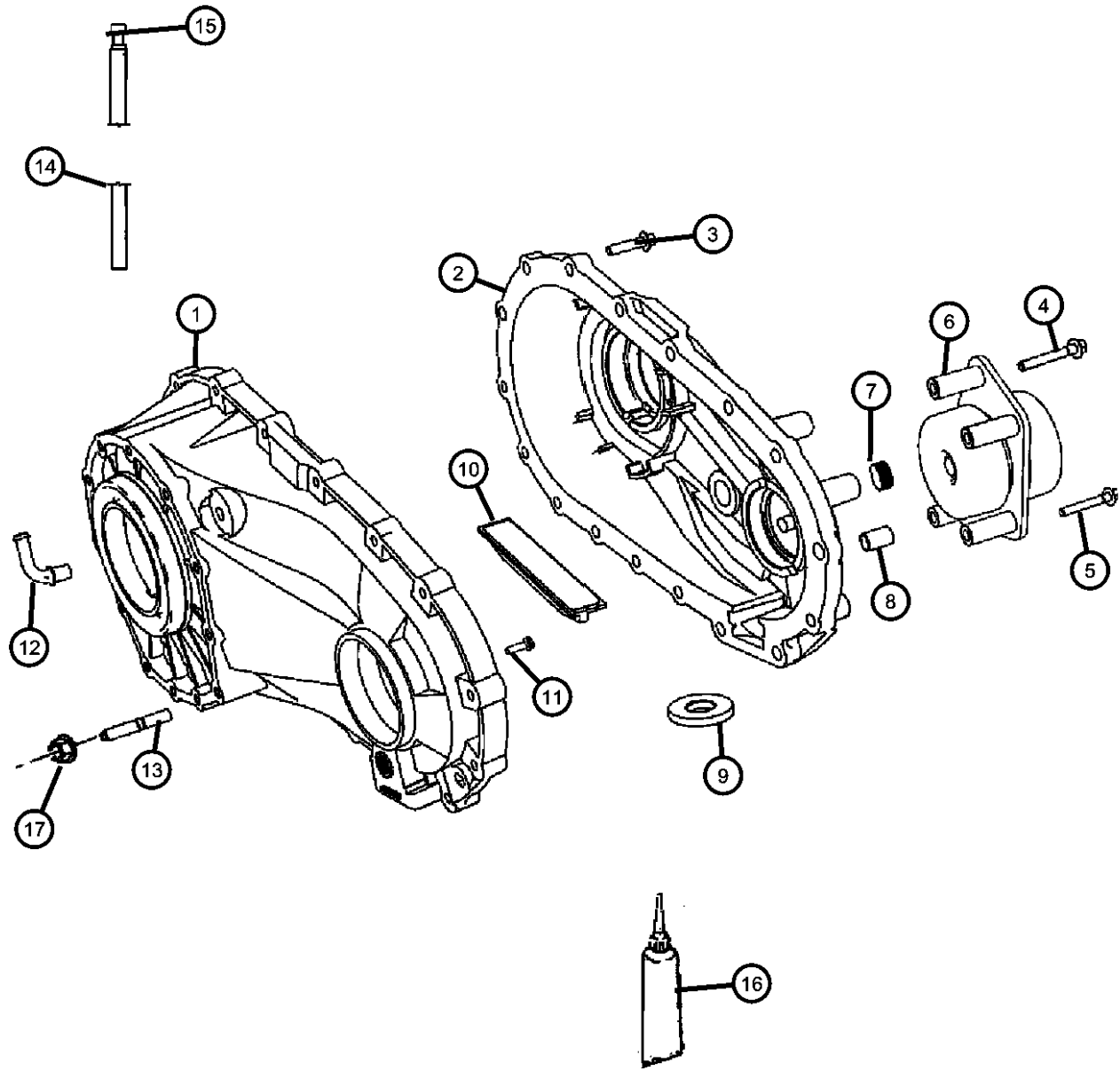
2005 WK

**Case and Related Parts [DHZ]
Figure 140-210**

ITEM	PART NUMBER	QTY	LINE	SERIES	BODY	ENGINE	TRANS	TRIM	DESCRIPTION
------	-------------	-----	------	--------	------	--------	-------	------	-------------

Notes: Sales Codes
[EKG]=3.7L V-Six Engine

1	05143713AA	1	J						CASE, Transfer Front
2	05143731AA	1	J						CASE, Transfer Rear
3	06101526	17	J						BOLT, Transfer Case
4	06100931	1	J						BOLT, Hex Flange Head, M8x1.25x55
5	06504257	3	J						BOLT, Hex Head, M8x1.25x70
6	52853176AA	1	J						DAMPER, Transfer Case
7	04856641	2	J						PLUG, Oil Fill
8	05086335AA	2	J						DOWEL, Transfer Case
9	03681601	1	J						MAGNET, Transmission
10	05012324AA	1	J						SNUBBER, Chain
11	05012325AA	2	J						BOLT
12	04796910	1	J						VENT, Transfer Case
13	05143725AA	12	J						STUD
14	HFV00516AB	1	J						HOSE, Fuel And Vapor, 25 Foot Roll 5/16"
15	J5352955	1	J						VENT, Axle
16	05010884AA	1	J						SEALANT, RTV
17	06507572AA	12	J						NUT AND WASHER, Hex



GRAND CHEROKEE (WK)

SERIES LINE
H = Laredo T = JEEP - 2WD
P = Limited J = JEEP - 4WD

BODY

74 = SPORT UTILITY 4-DOOR

ENGINE

EKG = Engine - 3.7L V6
EVA = Engine- 4.7L V8 MPI
EZB = Engine-5.7L HEMI

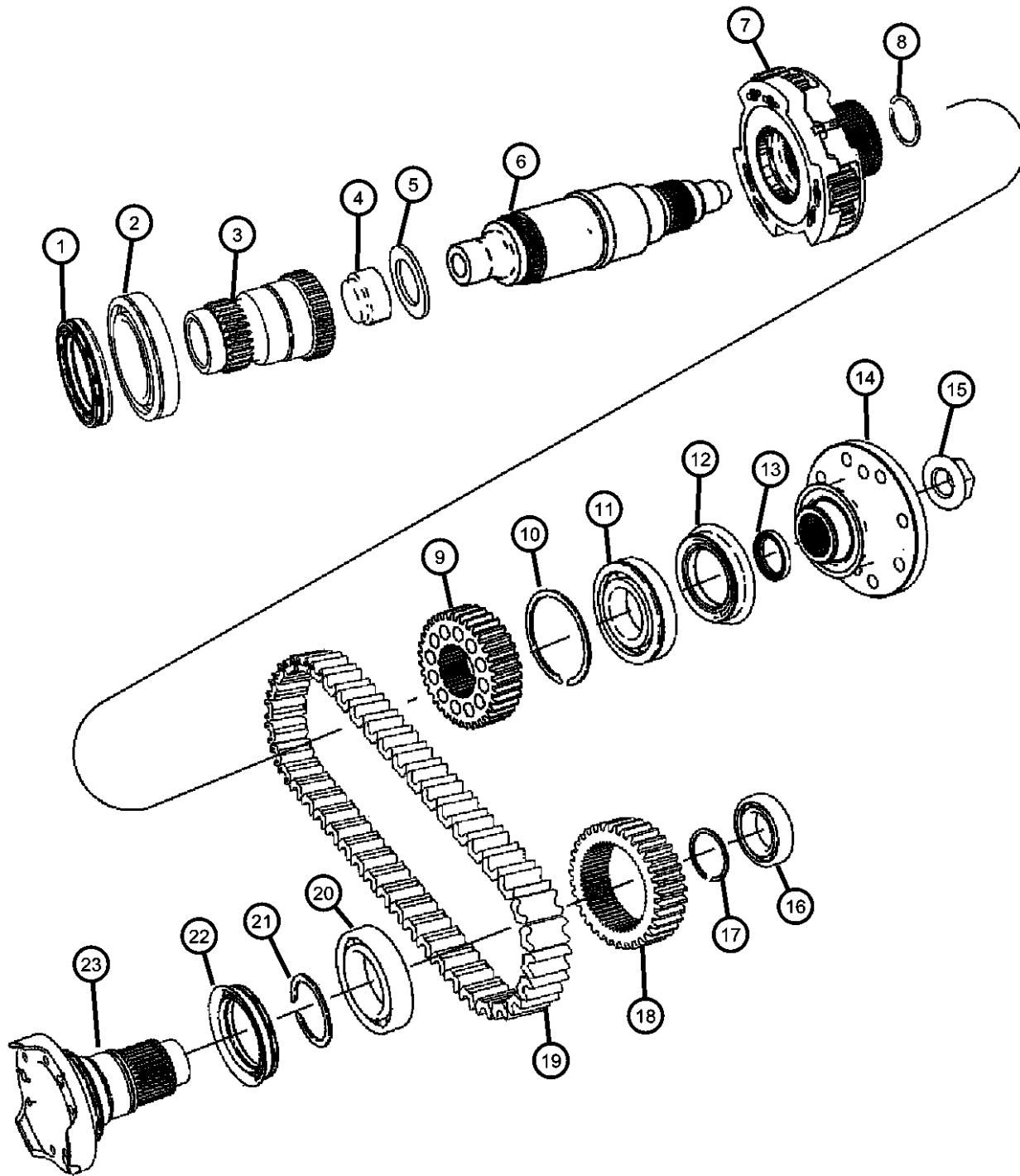
TRANSMISSION

DG0 = All Automatic Transmissions
DGJ = Transmission - 5-Spd Auto, MB
DGQ = Transmission-5-Spd Automatic 5-45RFE

AR = use ase required - = Non illustrated part

2005 WK

**Gear Train [DHZ]
Figure 140-410**



ITEM	PART NUMBER	QTY	LINE	SERIES	BODY	ENGINE	TRANS	TRIM	DESCRIPTION
Notes: Sales Codes [EKG]=3.7L V-6 Engine									
1	05143714AA	1	J						SEAL, Input
2	05143739AA	1	J						BEARING, Input Gear
3	05143717AA	1	J						SHAFT, Input
4	83503507	1	J						BEARING, Input Shaft
5	05103263AA	1	J						THRUST WASHER, Planetary Carrier
6	05143718AA	1	J						MAINSHAFT, Transfer Case
7	05143726AA	1	J						DIFFERENTIAL, Transfer Case
8	03821558	1	J						SNAP RING
9	05143727AA	1	J						SPROCKET, Transfer Case
10	83503532	1	J						SNAP RING
11	05143741AA	1	J						BEARING, Ball, [Front O/P Rear]
12	05143733AA	1	J						SEAL, Oil, [Rear Output]
13	05143743AA	1	J						SEAL
14	05143735AA	1	J						FLANGE, Driveshaft Yoke
15	05143738AA	1	J						NUT, Transfer Case Yoke
16	05161968AA	1	J						BEARING, Ball
17	05143728AA	1	J						SNAP RING
18	05143730AA	1	J						SPROCKET, Transfer Case
19	05166001AA	1	J						CHAIN, Transfer Case
20	05012997AA	1	J						BEARING, Input Gear, [Front Output]
21	05072901AA	1	J						SNAP RING
22	05143715AA	1	J						SEAL, Output, [Front Output]
23	05143716AA	1	J						OUTPUT SHAFT, Transfer Case

GRAND CHEROKEE (WK)

SERIES LINE
H = Laredo T = JEEP - 2WD
P = Limited J = JEEP - 4WD

BODY
74 = SPORT UTILITY 4-DOOR

ENGINE
EKG = Engine - 3.7L V6
EVA = Engine- 4.7L V8 MPI
EZB = Engine-5.7L HEMI

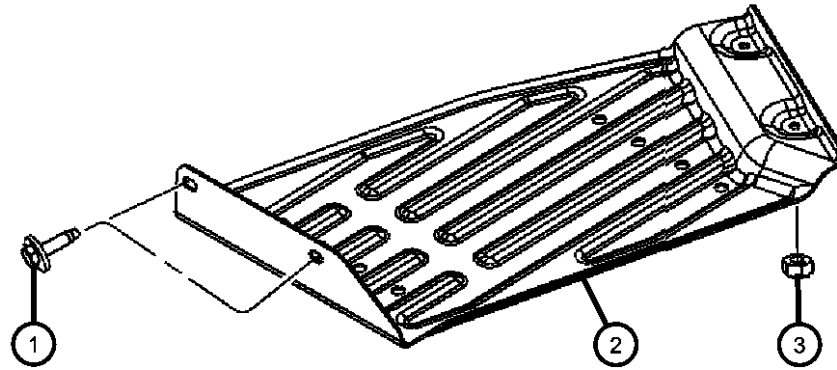
TRANSMISSION
DG0 = All Automatic Transmissions
DGJ = Transmission - 5-Spd Auto, MB
DGQ = Transmission-5-Spd Automatic 5-45RFE

AR = use ase required - = Non illustrated part

2005 WK

**Skid Plate
Figure 140-1210**

ITEM	PART NUMBER	QTY	LINE	SERIES	BODY	ENGINE	TRANS	TRIM	DESCRIPTION
1	06503571	2	J						SCREW AND WASHER, M10x1.50x35, Skid Plate to Rail and Crossmember, Mounting SKID PLATE, Transfer Case
2	52128499AC	1	J						
3	06101696	2	J						



GRAND CHEROKEE (WK)

SERIES	LINE
H = Laredo	T = JEEP - 2WD
P = Limited	J = JEEP - 4WD

BODY

74 = SPORT UTILITY 4-DOOR

ENGINE

EKG = Engine - 3.7L V6
 EVA = Engine- 4.7L V8 MPI
 EZB = Engine-5.7L HEMI

TRANSMISSION

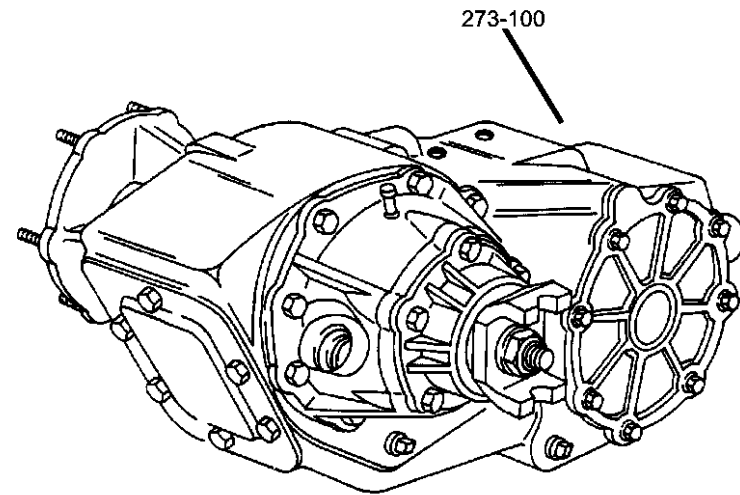
DG0 = All Automatic Transmissions
 DGJ = Transmission - 5-Spd Auto, MB
 DGQ = Transmission-5-Spd Automatic 5-45RFE

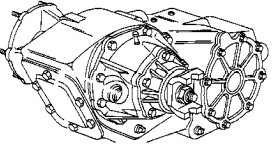

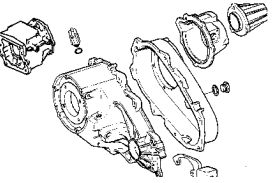
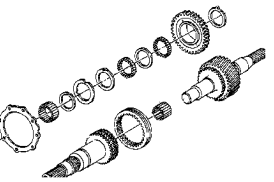
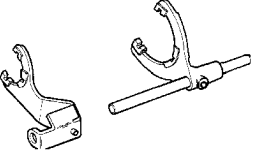
AR = use ase required - = Non illustrated part

2005 WK

Group - 245

Transfer Case Model 245 [DHX]



<p>245-100 Transfer Case Assembly</p> 	<p>245-1200 Gearshift Controls</p> 	<p>245-200 Case and Related Parts</p> 	<p>245-400 Gear Train</p> 
<p>245-900 Fork and Rails</p> 			

Group - 245 Transfer Case Model 245 [DHX]

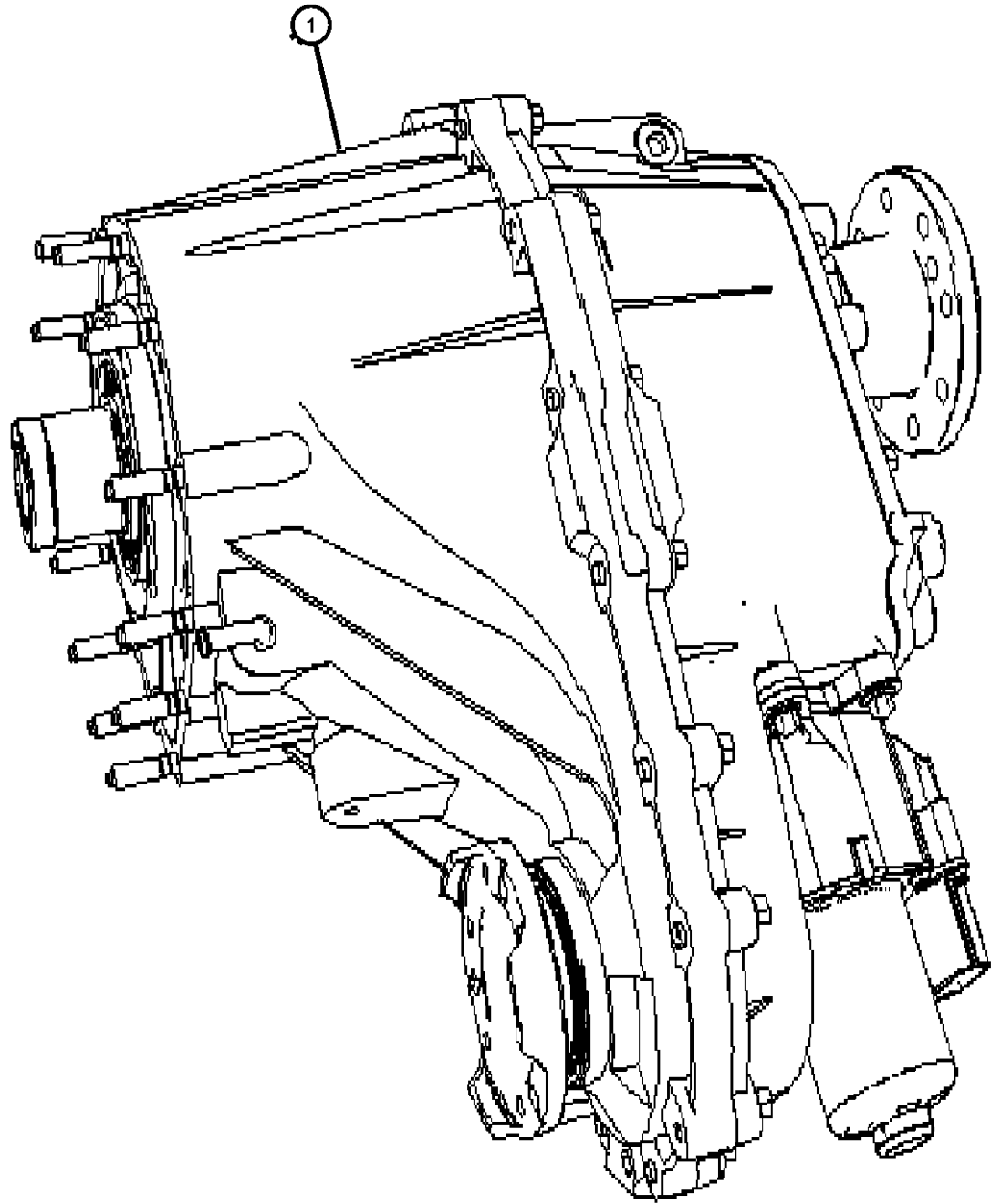
Illustration Title	Group-Fig. No.
Transfer Case Assembly	
Transfer Case [DHX].....	Fig. 245 - 110
Case and Related Parts	
Case and Related Parts [DHX].....	Fig. 245 - 210
Gear Train	
Gear Train [DHX].....	Fig. 245 - 410
Fork and Rails	
Fork and Rails [DHX]	Fig. 245 - 910
Gearshift Controls	
Skid Plate	Fig. 245 - 1210

Transfer Case [DHX]
Figure 245-110

ITEM	PART NUMBER	QTY	LINE	SERIES	BODY	ENGINE	TRANS	TRIM	DESCRIPTION
------	-------------	-----	------	--------	------	--------	-------	------	-------------

Note: Sales Codes
[EV0] = All 4.7L Gas Engines
[EZ0] = All 5.7 L Eight Cylinder Gas Engines

1	52105703AA	1	J			EV0, EZ0			TRANSFER CASE, NVG245
---	------------	---	---	--	--	----------	--	--	-----------------------



GRAND CHEROKEE (WK)

SERIES	LINE
H = Laredo	T = JEEP - 2WD
P = Limited	J = JEEP - 4WD

BODY

74 = SPORT UTILITY 4-DOOR

ENGINE

EKG = Engine - 3.7L V6
EVA = Engine- 4.7L V8 MPI
EZB = Engine-5.7L HEMI

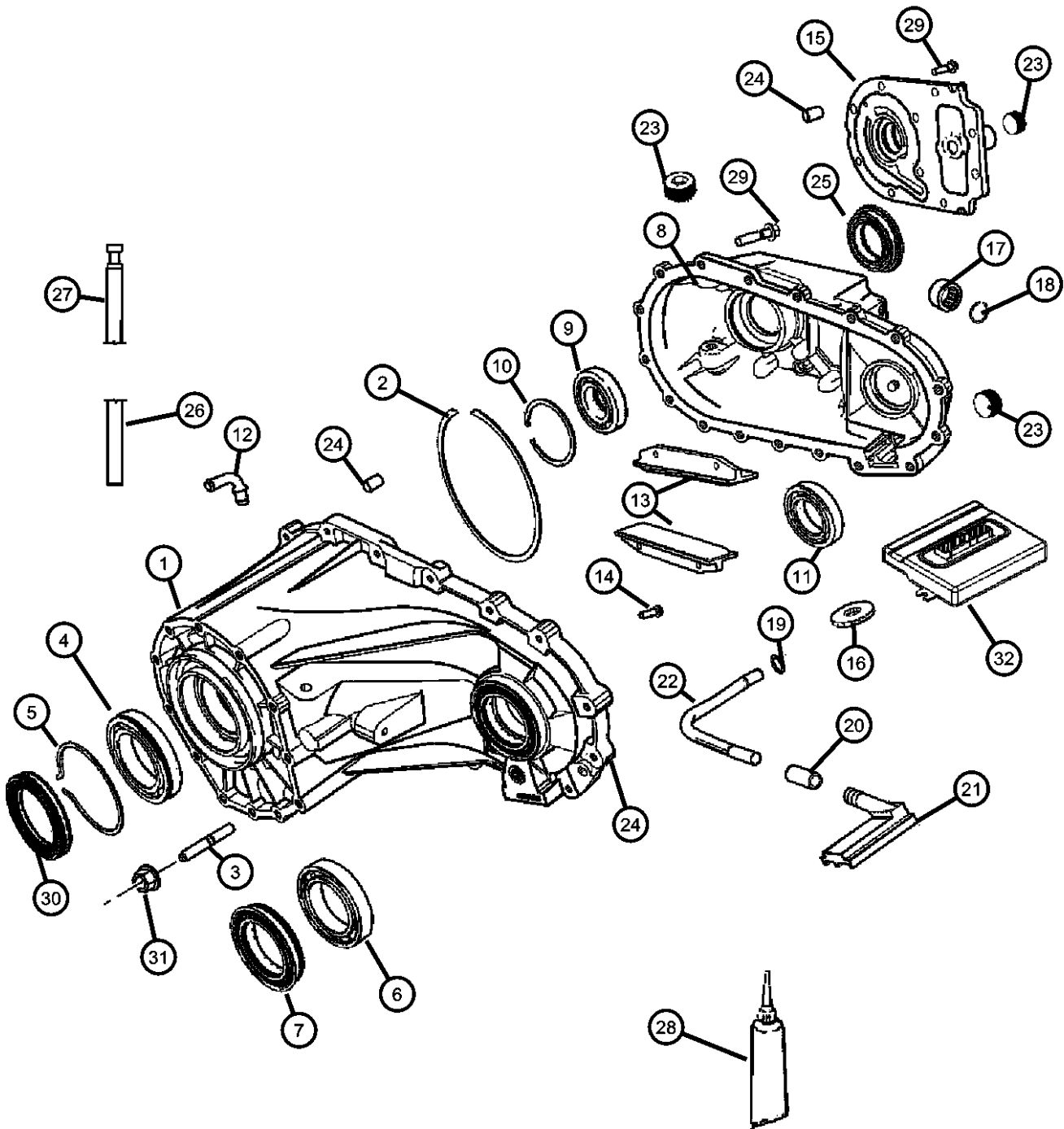
TRANSMISSION

DG0 = All Automatic Transmissions
DGJ = Transmission - 5-Spd Auto, MB
DGQ = Transmission-5-Spd Automatic 5-45RFE

AR = use ase required - = Non illustrated part

2005 WK

Case and Related Parts [DHX]
Figure 245-210



ITEM	PART NUMBER	QTY	LINE	SERIES	BODY	ENGINE	TRANS	TRIM	DESCRIPTION
------	-------------	-----	------	--------	------	--------	-------	------	-------------

Note: Sales Codes
[EV0] = All 4.7L Gas Engines
[EZ0] = All 5.7 L Eight Cylinder Gas Engines

1	05143749AA	1	J			EV0, EZ0			CASE, Transfer Front
2	04219065	1	J			EV0, EZ0			SNAP RING, Annulus Gear
3	05143725AA	12	J			EV0, EZ0			STUD
4	05143739AA	1	J			EV0, EZ0			BEARING, Input Gear
5	05143748AA	1	J			EV0, EZ0			SNAP RING
6	05012997AA	1	J			EV0, EZ0			BEARING, Input Gear
7	05143715AA	1	J			EV0, EZ0			SEAL, Output
8	05161965AA	1	J			EV0, EZ0			CASE, Transfer Rear
9	05161968AA	1	J			EV0, EZ0			BEARING, Ball
10	05143776AA	1	J			EV0, EZ0			SNAP RING
11	05143741AA	1	J			EV0, EZ0			BEARING, Ball
12	04796910	1	J			EV0, EZ0			VENT, Transfer Case
13	05012324AA	2	J			EV0, EZ0			SNUBBER, Chain
14	05012325AA	4	J			EV0, EZ0			BOLT
15	05143760AB	1	J			EV0, EZ0			RETAINER, Transfer Case Rear
16	03681601	1	J			EV0, EZ0			MAGNET, Transmission
17	05143982AA	1	J			EV0, EZ0			BEARING, Transfer Case Shift
18	05143774AA	1	J			EV0, EZ0			SNAP RING
19	05013016AB	1	J			EV0, EZ0			SEAL, Transfer Case
20	05012327AA	1	J			EV0, EZ0			CONNECTOR, Oil Tube Pickup
21	05012326AA	1	J			EV0, EZ0			FILTER, Transfer Case Oil
22	05143773AA	1	J			EV0, EZ0			TUBE, Oil Pickup
23	04856641	3	J			EV0, EZ0			PLUG, Oil Fill
24	05086335AA	5	J			EV0, EZ0			DOWEL, Transfer Case
25	05143733AA	1	J			EV0, EZ0			SEAL, Oil
26	HFV00516AB	1	J						HOSE, Fuel And Vapor, 25 Foot Roll 5/16"
27	J5352955	1	J						VENT, Axle
28	05010884AA	1	J			EV0, EZ0			SEALANT, RTV
29	06101526	31	J			EV0, EZ0			BOLT, Transfer Case
30	05143714AA	1	J			EV0, EZ0			SEAL, Input
31	06507572AA	12	J						NUT AND WASHER, Hex
32									MODULE, Transfer Case Control

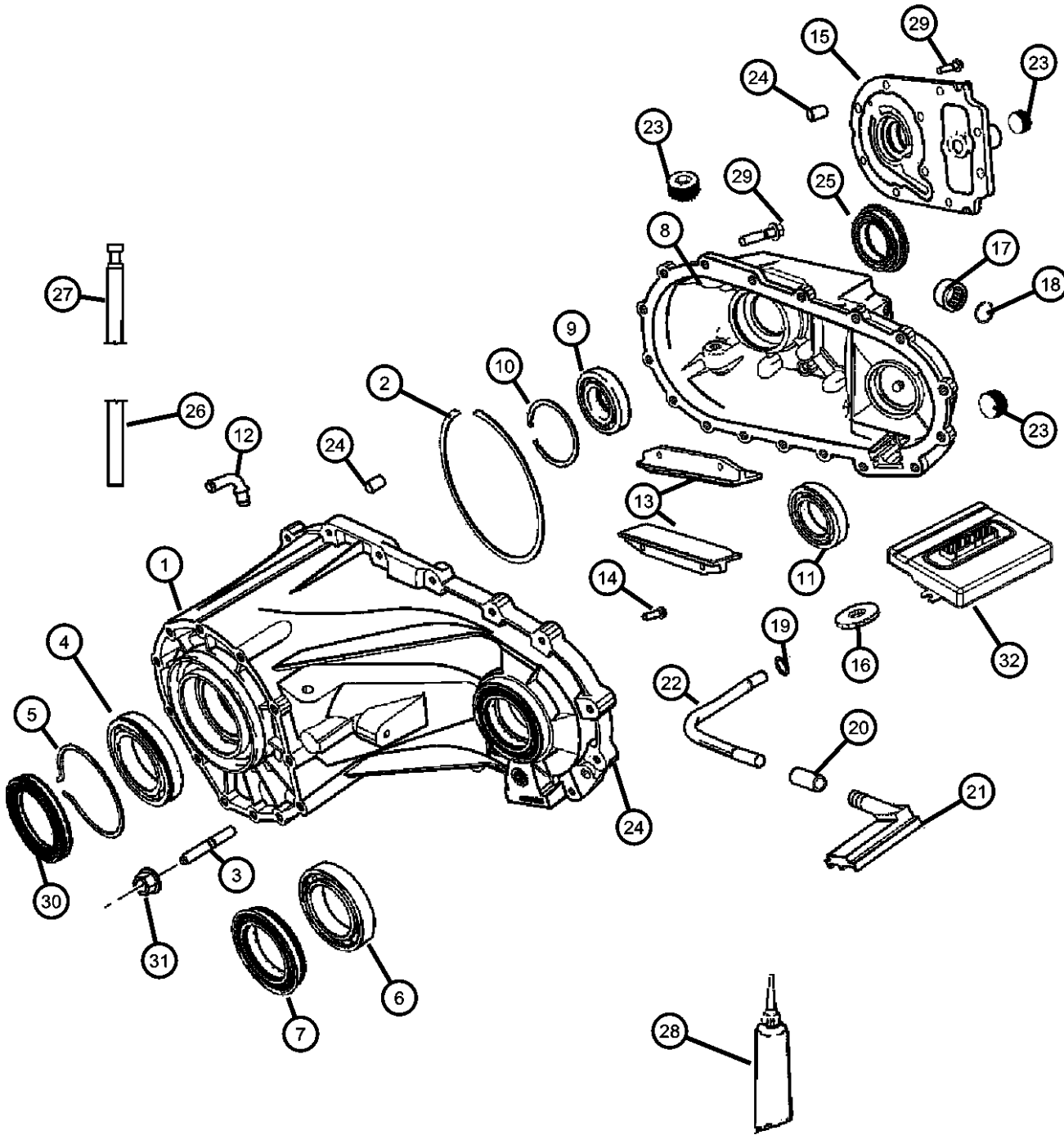
GRAND CHEROKEE (WK)		BODY	ENGINE	TRANSMISSION
SERIES	LINE			
H = Laredo	T = JEEP - 2WD	74 = SPORT UTILITY 4-DOOR	EKG = Engine - 3.7L V6	DG0 = All Automatic Transmissions
P = Limited	J = JEEP - 4WD		EVA = Engine- 4.7L V8 MPI	DGJ = Transmission - 5-Spd Auto, MB
			EZB = Engine-5.7L HEMI	DGQ = Transmission-5-Spd Automatic 5-45RFE

AR = use ase required - = Non illustrated part

Case and Related Parts [DHX]
Figure 245-210

ITEM	PART NUMBER	QTY	LINE	SERIES	BODY	ENGINE	TRANS	TRIM	DESCRIPTION
------	-------------	-----	------	--------	------	--------	-------	------	-------------

	56044129AJ	1	J						[DS7]
	56044199AJ	1	J						[DSG]



GRAND CHEROKEE (WK)

SERIES	LINE
H = Laredo	T = JEEP - 2WD
P = Limited	J = JEEP - 4WD

BODY

74 = SPORT UTILITY 4-DOOR

ENGINE

EKG = Engine - 3.7L V6
EVA = Engine- 4.7L V8 MPI
EZB = Engine-5.7L HEMI

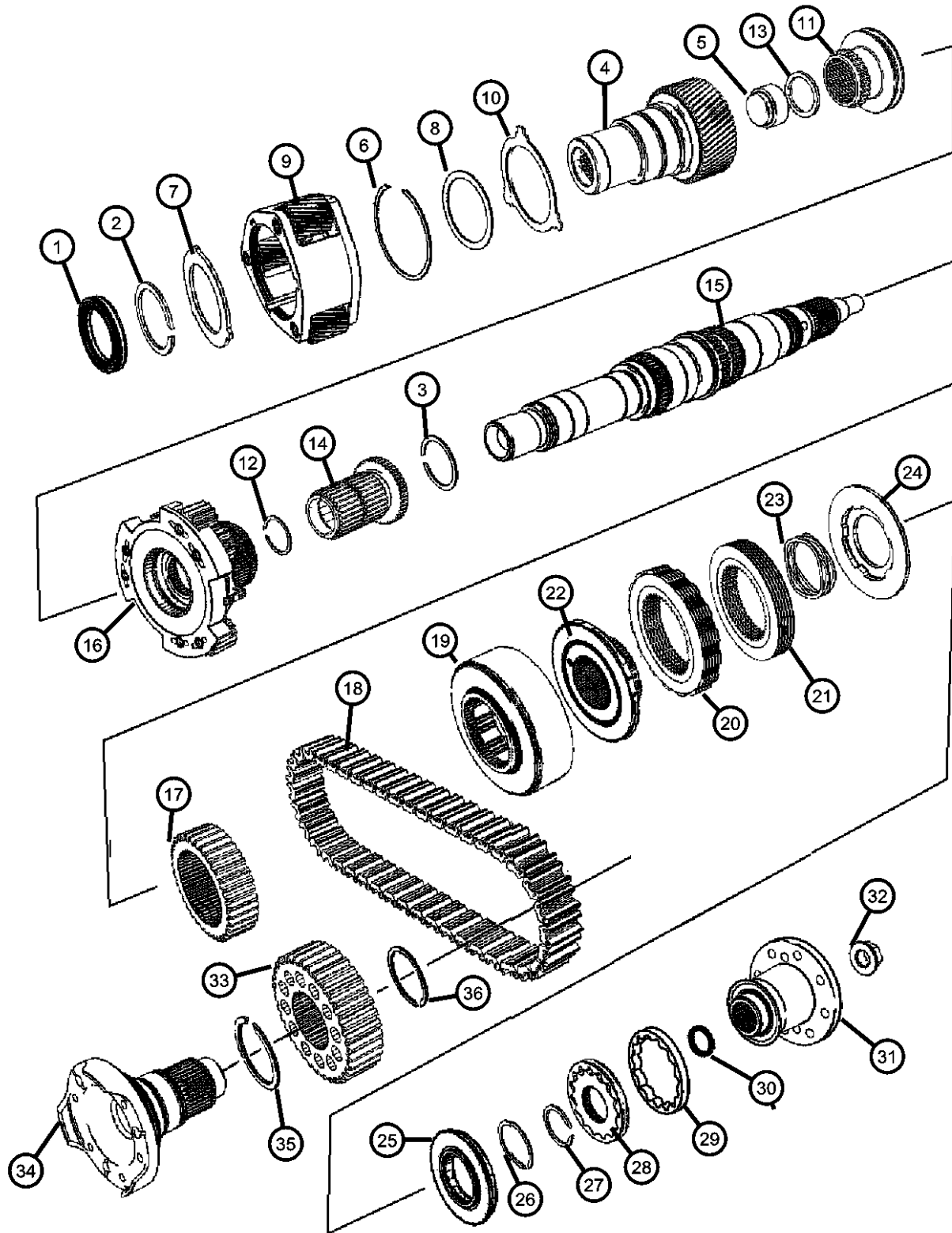
TRANSMISSION

DG0 = All Automatic Transmissions
DGJ = Transmission - 5-Spd Auto, MB
DGQ = Transmission-5-Spd Automatic 5-45RFE

AR = use ase required - = Non illustrated part

2005 WK

**Gear Train [DHX]
Figure 245-410**



ITEM	PART NUMBER	QTY	LINE	SERIES	BODY	ENGINE	TRANS	TRIM	DESCRIPTION
Note: Sales Codes [EV0] = All 4.7L Gas Engines [EZ0] = All 5.7 L Eight Cylinder Gas Engines									
1	05143751AA	1	J			EV0, EZ0			SNAP RING
2	05143748AA	1	J			EV0, EZ0			SNAP RING
3	05143728AA	1	J			EV0, EZ0			SNAP RING
4	05143747AA	1	J			EV0, EZ0			GEAR, Input
5	83503507	1	J			EV0, EZ0			BEARING, Input Shaft
6	04338910	1	J			EV0, EZ0			SNAP RING
7	05143750AA	1	J			EV0, EZ0			PLATE
8	05086313AA	1	J			EV0, EZ0			THRUST WASHER, Planetary Carrier
9	05143746AA	1	J			EV0, EZ0			PLANETARY, Transfer Case
10	05161956AA	1	J			EV0, EZ0			THRUST WASHER, Planetary Carrier, [Three Tab]
11	05003746AA	1	J			EV0, EZ0			SLEEVE, Shift Range
12	83503540	1	J			EV0, EZ0			SNAP RING
13	83503539	1	J			EV0, EZ0			WASHER, Intermediate Sleeve
14	05103314AA	1	J			EV0, EZ0			SHAFT, Intermediate
15	05143752AA	1	J			EV0, EZ0			MAINSHAFT, Transfer Case
16	05143726AA	1	J			EV0, EZ0			DIFFERENTIAL, Transfer Case
17	05143727AA	1	J			EV0, EZ0			SPROCKET, Transfer Case
18	05161964AA	1	J			EV0, EZ0			CHAIN, Transfer Case
19	05143983AA	1	J			EV0, EZ0			DRUM
20	05143986AB	6	J			EV0, EZ0			PLATE, [Outer]
21	05143987AB	6	J			EV0, EZ0			PLATE, [Inner]
22	05143984AA	1	J			EV0, EZ0			DRUM
23	05143989AA	1	J			EV0, EZ0			SPRING, Clutch
24	05161961AA	1	J			EV0, EZ0			PLATE
25	05161962AA	1	J			EV0, EZ0			BEARING, Thrust
26	83503537	1	J			EV0, EZ0			SNAP RING
27	04883597AA	1	J			EV0, EZ0			SNAP RING
28	05143772AA	1	J			EV0, EZ0			PUMP, Transfer Case Oil
29	05101880AA	1	J			EV0, EZ0			ROTOR, Outer
30	05143743AA	1	J			EV0, EZ0			SEAL
31	05143757AA	1	J			EV0, EZ0			FLANGE, Driveshaft Yoke
32	05143738AA	1	J			EV0, EZ0			NUT, Transfer Case Yoke

GRAND CHEROKEE (WK)

SERIES LINE
H = Laredo T = JEEP - 2WD
P = Limited J = JEEP - 4WD

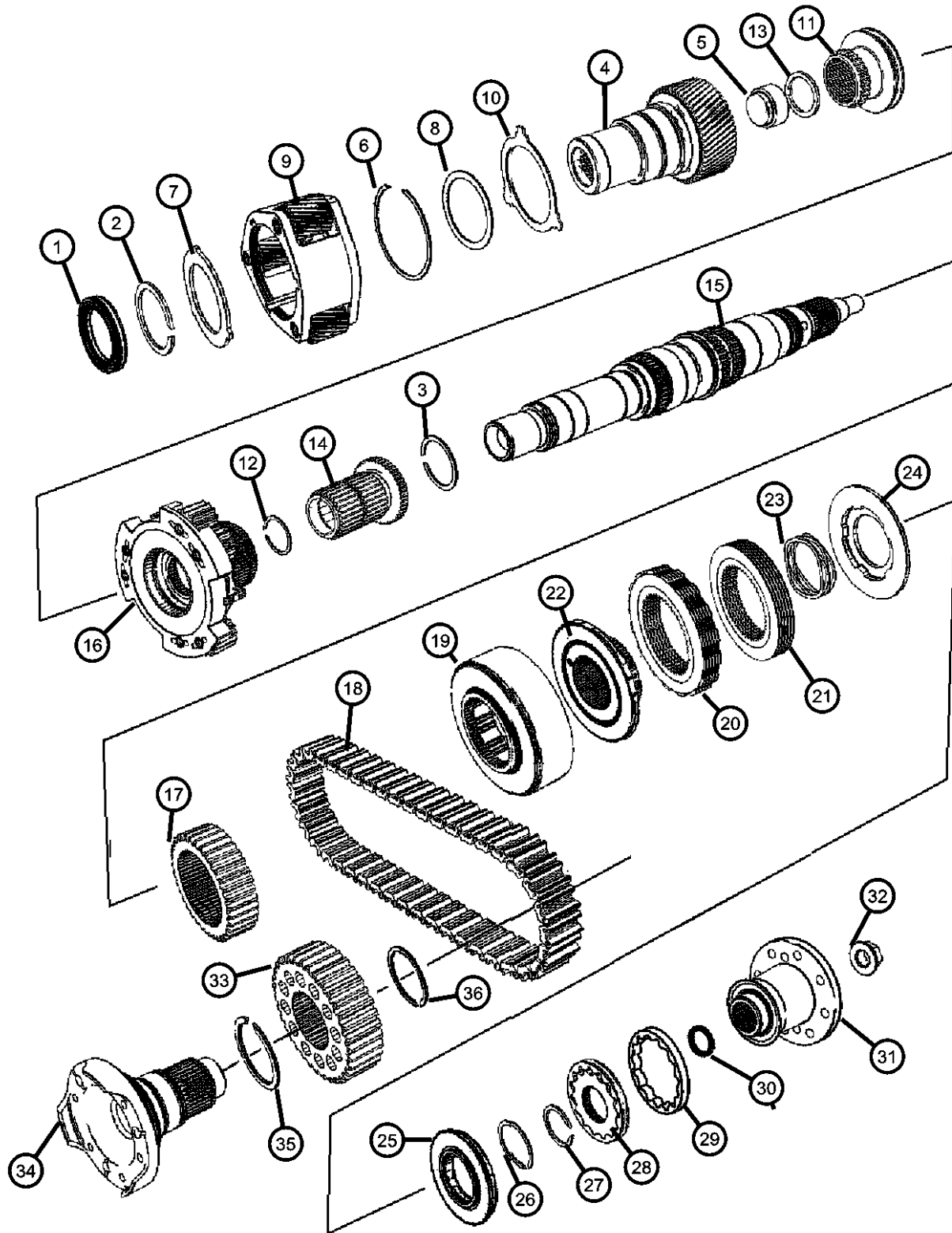
BODY ENGINE TRANSMISSION
74 = SPORT UTILITY 4-DOOR EKG = Engine - 3.7L V6
EVA = Engine- 4.7L V8 MPI
EZB = Engine-5.7L HEMI

DG0 = All Automatic Transmissions
DGJ = Transmission - 5-Spd Auto, MB
DGQ = Transmission-5-Spd Automatic 5-45RFE

AR = use ase required - = Non illustrated part

2005 WK

**Gear Train [DHX]
Figure 245-410**



ITEM	PART NUMBER	QTY	LINE	SERIES	BODY	ENGINE	TRANS	TRIM	DESCRIPTION
33	05143730AA	1	J			EV0, EZ0			SPROCKET, Transfer Case
34	05143716AA	1	J			EV0, EZ0			OUTPUT SHAFT, Transfer Case
35	03821558	1	J			EV0, EZ0			SNAP RING
36	05170294AA	1	J			EV0, EZ0			SNAP RING

GRAND CHEROKEE (WK)

SERIES LINE
H = Laredo T = JEEP - 2WD
P = Limited J = JEEP - 4WD

BODY
74 = SPORT UTILITY 4-DOOR

ENGINE
EKG = Engine - 3.7L V6
EVA = Engine- 4.7L V8 MPI
EZB = Engine-5.7L HEMI

TRANSMISSION
DG0 = All Automatic Transmissions
DGJ = Transmission - 5-Spd Auto, MB
DGQ = Transmission-5-Spd Automatic 5-45RFE

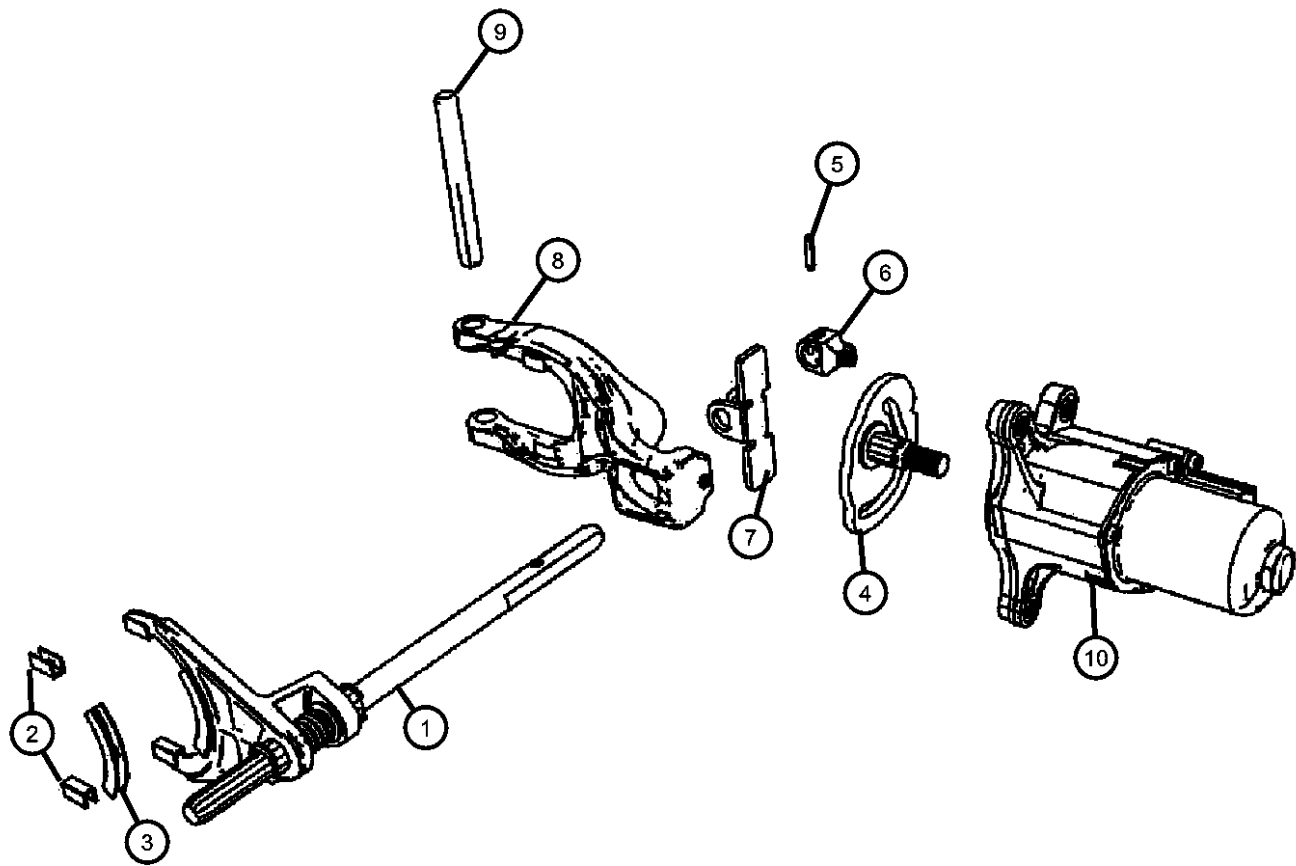
AR = use ase required - = Non illustrated part

Fork and Rails [DHX]
Figure 245-910

ITEM	PART NUMBER	QTY	LINE	SERIES	BODY	ENGINE	TRANS	TRIM	DESCRIPTION
------	-------------	-----	------	--------	------	--------	-------	------	-------------

Note: Sales Codes
[EV0] = All 4.7L Gas Engines
[EZ0] = All 5.7 L Eight Cylinder Gas Engines

1	05143753AA	1	J			EV0, EZ0			FORK, Transfer Case Mode Shift
2	05012018AA	2	J			EV0, EZ0			PAD, Shift Fork
3	05015832AA	1	J			EV0, EZ0			PAD, Shift Fork
4	05143769AB	1	J			EV0, EZ0			SECTOR, Transfer Case
5	06101475	1	J			EV0, EZ0			PIN
6	05170304AA	1	J			EV0, EZ0			BRACKET, Shift Rail
7	05170305AA	1	J			EV0, EZ0			ROLLER, Shift Rail
8	05161975AA	1	J			EV0, EZ0			LEVER, Transfer Case
9	05143981AA	1	J			EV0, EZ0			RAIL, Shift
10	05143786AA	1	J			EV0, EZ0			ACTUATOR



GRAND CHEROKEE (WK)

SERIES LINE
H = Laredo T = JEEP - 2WD
P = Limited J = JEEP - 4WD

BODY

74 = SPORT UTILITY 4-DOOR

ENGINE

EKG = Engine - 3.7L V6
EVA = Engine- 4.7L V8 MPI
EZB = Engine-5.7L HEMI

TRANSMISSION

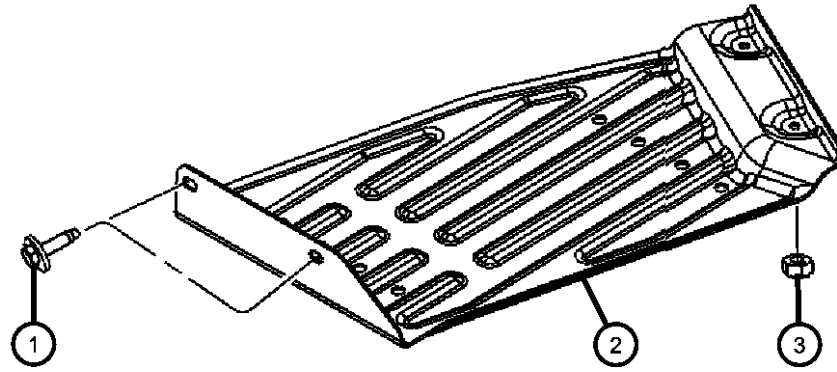
DG0 = All Automatic Transmissions
DGJ = Transmission - 5-Spd Auto, MB
DGQ = Transmission-5-Spd Automatic 5-45RFE

AR = use ase required - = Non illustrated part

2005 WK

**Skid Plate
Figure 245-1210**

ITEM	PART NUMBER	QTY	LINE	SERIES	BODY	ENGINE	TRANS	TRIM	DESCRIPTION
1	06503571	2	J						SCREW AND WASHER, M10x1.50x35, Skid Plate to Rail and Crossmember, Mounting SKID PLATE, Transfer Case
2	52128499AC	1	J						
3	06101696	2	J						



GRAND CHEROKEE (WK)

SERIES	LINE
H = Laredo	T = JEEP - 2WD
P = Limited	J = JEEP - 4WD

BODY

74 = SPORT UTILITY 4-DOOR

ENGINE

EKG = Engine - 3.7L V6
EVA = Engine- 4.7L V8 MPI
EZB = Engine-5.7L HEMI

TRANSMISSION

DG0 = All Automatic Transmissions
DGJ = Transmission - 5-Spd Auto, MB
DGQ = Transmission-5-Spd Automatic 5-45RFE

AR = use ase required - = Non illustrated part

2005 WK

Group - 22

Wheels, Covers and Jacks

Group - 22 Wheels, Covers and Jacks

Group-Fig. No.

Illustration Title

Wheels and Hardware

Wheels and Hardware Fig. 22 - 110

Wheel Covers and Center Caps

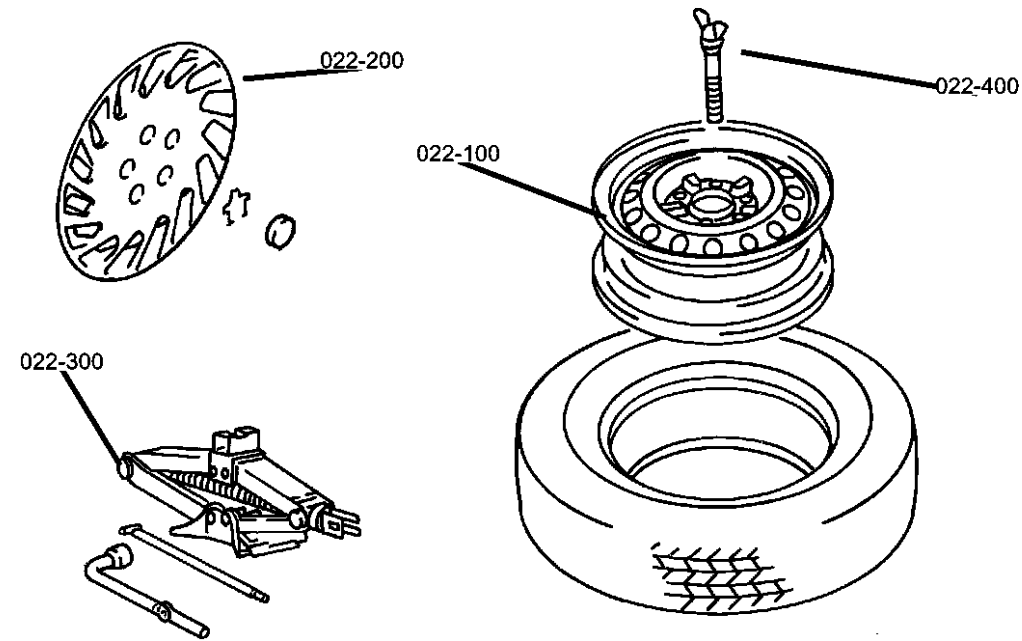
Caps, Wheel Cover and center Fig. 22 - 230


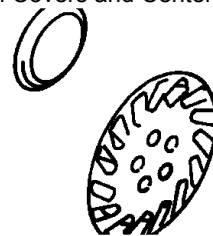
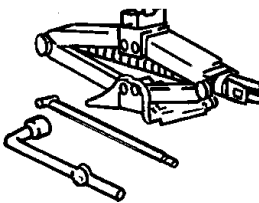
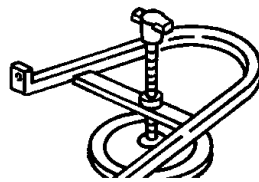
Jack Stowage

Jack Stowage..... Fig. 22 - 310

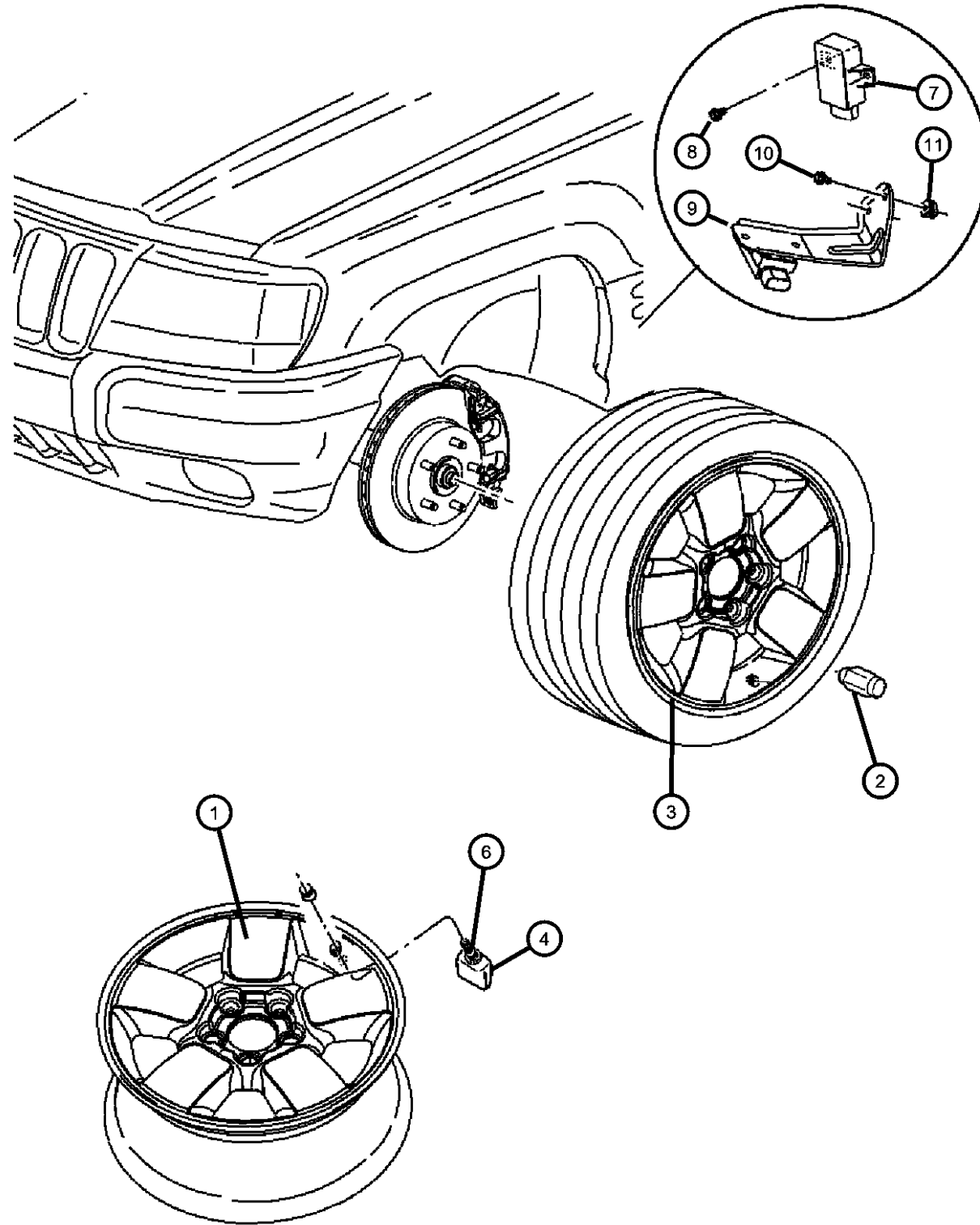
Spare Tire Stowage

Spare Wheel Stowage Fig. 22 - 460



<p>022-100 Wheels and Hardware</p> 	<p>022-200 Wheel Covers and Center Caps</p> 	<p>022-300 Jack Stowage</p> 	<p>022-400 Spare Tire Stowage</p> 
---	--	---	--

Wheels and Hardware
Figure 22-110



ITEM	PART NUMBER	QTY	LINE	SERIES	BODY	ENGINE	TRANS	TRIM	DESCRIPTION
------	-------------	-----	------	--------	------	--------	-------	------	-------------

Note: Sales Code: WFJ = 17x7.5 Aluminum Wheel
 Note: Sales Code: WGX = 17x7.5 Aluminum, Chrome Clad Wheel
 Note: Sales Code: WGQ = 17x7.5 Aluminum Wheel

1									WHEEL, Aluminum
	5HT49PAKAA	4							[WFW]
	5HT52SZ0AA	4							[WGX]
		4							[WGQ]
	5HT53ZDJAA	4							[WFJ] Up to 12-17-04 build date
	5HT52TR-MAA	4							
	5HT53PAKAA	4							[WFJ] After 12-17-04 build date
	1BN34ZDRAA	4							[WFZ]
2	06036310AA	20							NUT, Wheel, .50x20
3		20							WEIGHT, Wheel Balance Tape, (NOT SERVICED)
4									SENSOR, Tire Pressure, Valve stem
	56053030AB	4							
	56053030AA	1							Spare Tire
-5	68024258AA	1	J, T				74		CAP KIT, Valve Stem, Grey
6	56053033AA	4							NUT, Tire Pressure Sensor
7	56053034AB	2							MODULE, Low Tire Pressure Warning, Wheel Sensor
8	06104614AA	4							SCREW
9	56044729AB	1							MODULE, Low Tire Pressure Warning, Trigger, Rear Right
10	06104610AA	2							SCREW
11	06507010AA	2							NUT, U Multi Thread, M4.2x1.41
-12	68024258AA	1	J, T				74		CAP KIT, Valve Stem, Grey, Contains: Cap,Valve Stem,Grey,Qty.5

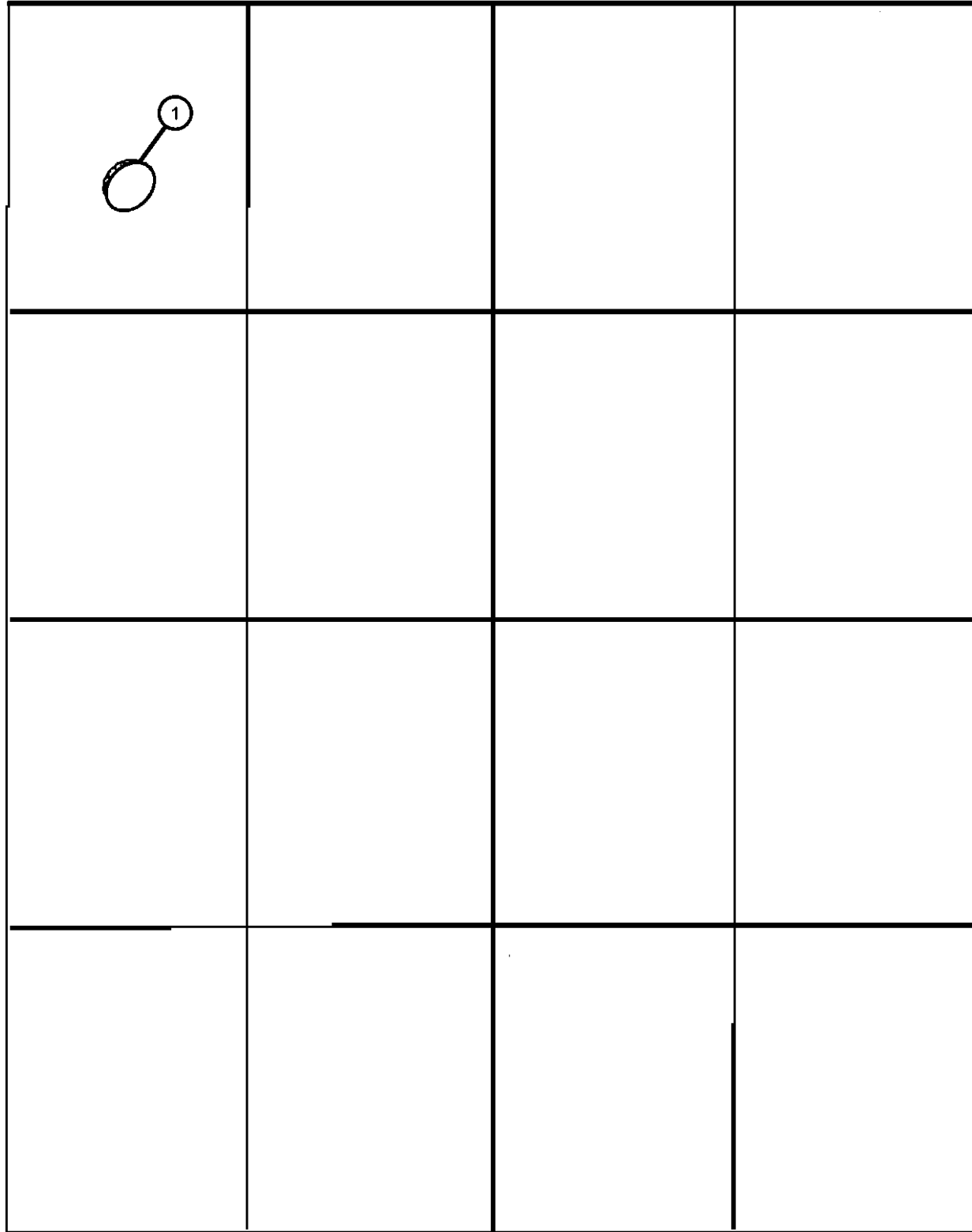
GRAND CHEROKEE (WK)

SERIES	LINE	BODY	ENGINE	TRANSMISSION
H = Laredo	T = JEEP - 2WD	74 = SPORT UTILITY 4-DOOR	EKG = Engine - 3.7L V6	DG0 = All Automatic Transmissions
P = Limited	J = JEEP - 4WD		EVA = Engine- 4.7L V8 MPI	DGJ = Transmission - 5-Spd Auto, MB
			EZB = Engine-5.7L HEMI	DGQ = Transmission-5-Spd Automatic 5-45RFE

AR = use ase required - = Non illustrated part

2005 WK

**Caps, Wheel Cover and center
Figure 22-230**



ITEM	PART NUMBER	QTY	LINE	SERIES	BODY	ENGINE	TRANS	TRIM	DESCRIPTION
------	-------------	-----	------	--------	------	--------	-------	------	-------------

Note: Sales Code: WFJ = 17x7.5 Aluminum Wheel
 Note: Sales Code: WGX = 17x7.5 Aluminum, Chrome Clad Wheel
 Note: Sales Code: WGQ = 17x7.5 Aluminum Wheel

1									CAP, Wheel Center
	52090401AA	4							[WGX]
	52090402AA	4							[WGQ]
		4							[WFZ]
		4							[WFW]
	5HT59ZDJAA	4							[WFJ]

GRAND CHEROKEE (WK)

SERIES	LINE	BODY	ENGINE	TRANSMISSION
H = Laredo	T = JEEP - 2WD	74 = SPORT UTILITY 4-DOOR	EKG = Engine - 3.7L V6	DG0 = All Automatic Transmissions
P = Limited	J = JEEP - 4WD		EVA = Engine- 4.7L V8 MPI	DGJ = Transmission - 5-Spd Auto, MB
			EZB = Engine-5.7L HEMI	DGQ = Transmission-5-Spd Automatic 5-45RFE

AR = use ase required - = Non illustrated part

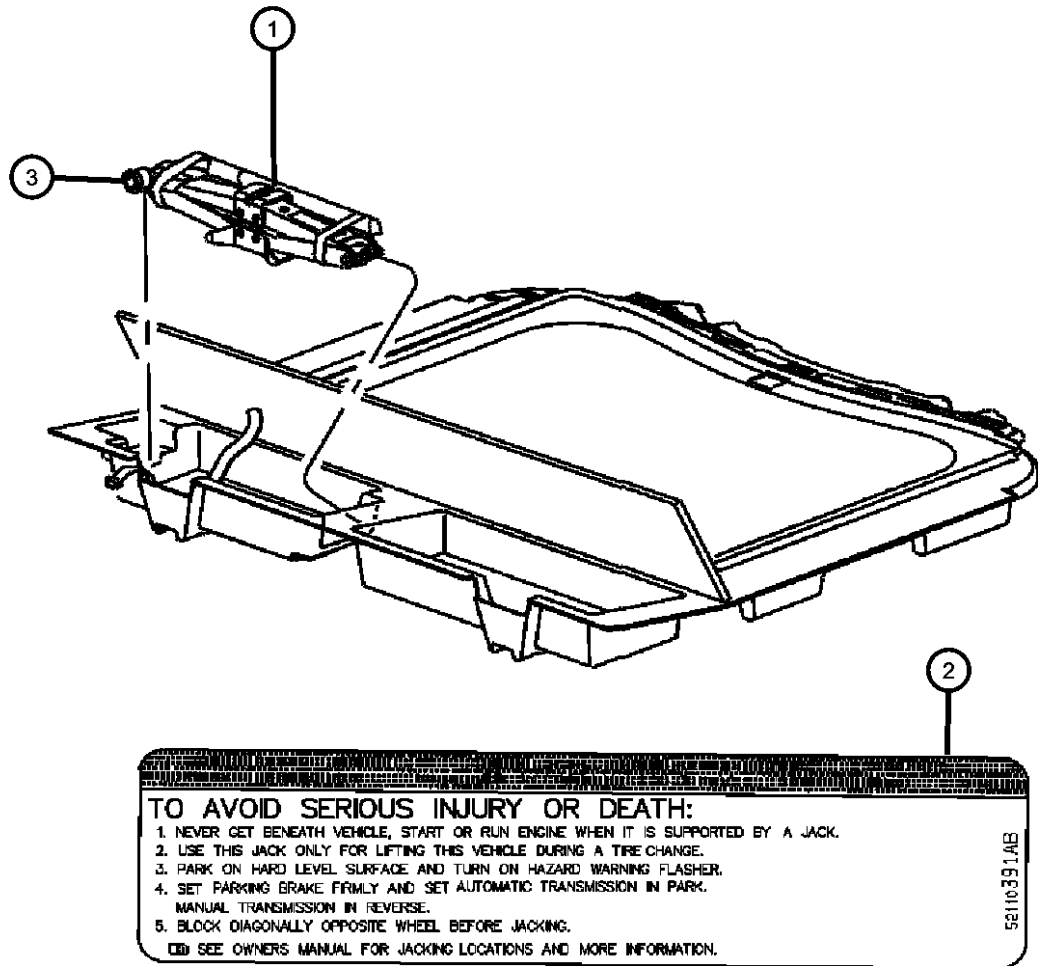
2005 WK

**Jack Stowage
Figure 22-310**

ITEM	PART NUMBER	QTY	LINE	SERIES	BODY	ENGINE	TRANS	TRIM	DESCRIPTION
------	-------------	-----	------	--------	------	--------	-------	------	-------------

Note: Jack includes: Storage Bag, 2 Extensions, Driver, and Caution Label

1									JACK
	52124168AA	1							Includes: Driver, Extensions, and Bag
	55366626AA	1							Jack Only
2	52110391AB	1							LABEL, Jack Caution
3	52124170AA	1	J, T		74				WRENCH, Wheel Lug Nut
-4	52124172AA	1	J, T		74				DRIVER, Jack Handle
-5	52124171AA	2	J, T		74				EXTENSION, Jack Handle
-6	52124169AA	1	J, T		74				BAG, Jack Tool Storage



GRAND CHEROKEE (WK)

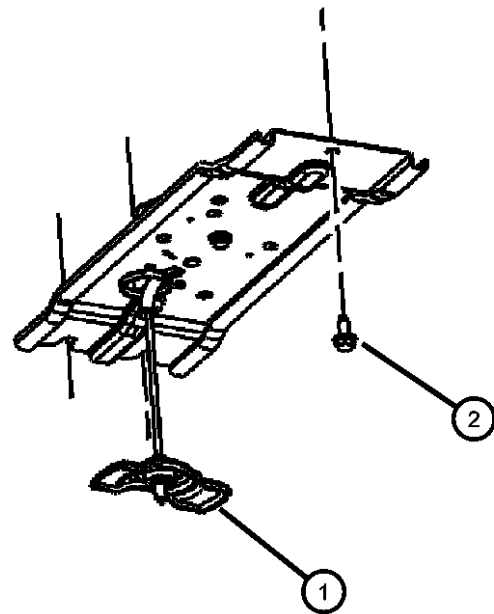
SERIES	LINE	BODY	ENGINE	TRANSMISSION
H = Laredo	T = JEEP - 2WD	74 = SPORT UTILITY 4-DOOR	EKG = Engine - 3.7L V6	DG0 = All Automatic Transmissions
P = Limited	J = JEEP - 4WD		EVA = Engine- 4.7L V8 MPI	DGJ = Transmission - 5-Spd Auto, MB
			EZB = Engine-5.7L HEMI	DGQ = Transmission-5-Spd Automatic 5-45RFE

AR = use ase required - = Non illustrated part

2005 WK

**Spare Wheel Stowage
Figure 22-460**

ITEM	PART NUMBER	QTY	LINE	SERIES	BODY	ENGINE	TRANS	TRIM	DESCRIPTION
1	52089369AD	1							WINCH, Spare Tire Carrier
2	06503543	3							BOLT AND CONED WASHER, Hex Head, M8x1.25x25



GRAND CHEROKEE (WK)

SERIES	LINE
H = Laredo	T = JEEP - 2WD
P = Limited	J = JEEP - 4WD

BODY

74 = SPORT UTILITY 4-DOOR

ENGINE

EKG = Engine - 3.7L V6
EVA = Engine- 4.7L V8 MPI
EZB = Engine-5.7L HEMI

TRANSMISSION

DG0 = All Automatic Transmissions
DGJ = Transmission - 5-Spd Auto, MB
DGQ = Transmission-5-Spd Automatic 5-45RFE

AR = use ase required - = Non illustrated part

2005 WK

Group - 23D

Wiper/Lock Cylinder and Keys

Group - 23D Wiper/Lock Cylinder and Keys

Illustration Title

Group-Fig. No.

Lock Cylinders and Keys

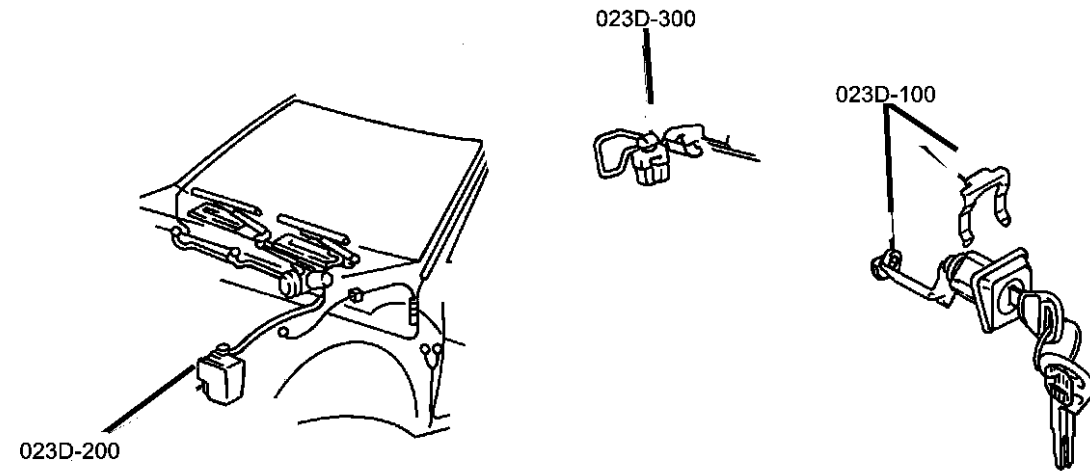
Lock Cylinders and Keys Fig. 23D - 110

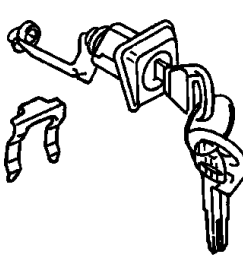
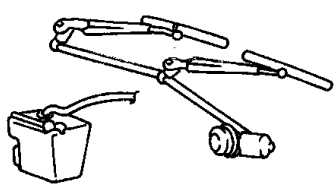
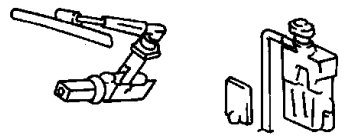
Windshield Wiper and Washer Systems

Windshield Wiper and Washer Fig. 23D - 210

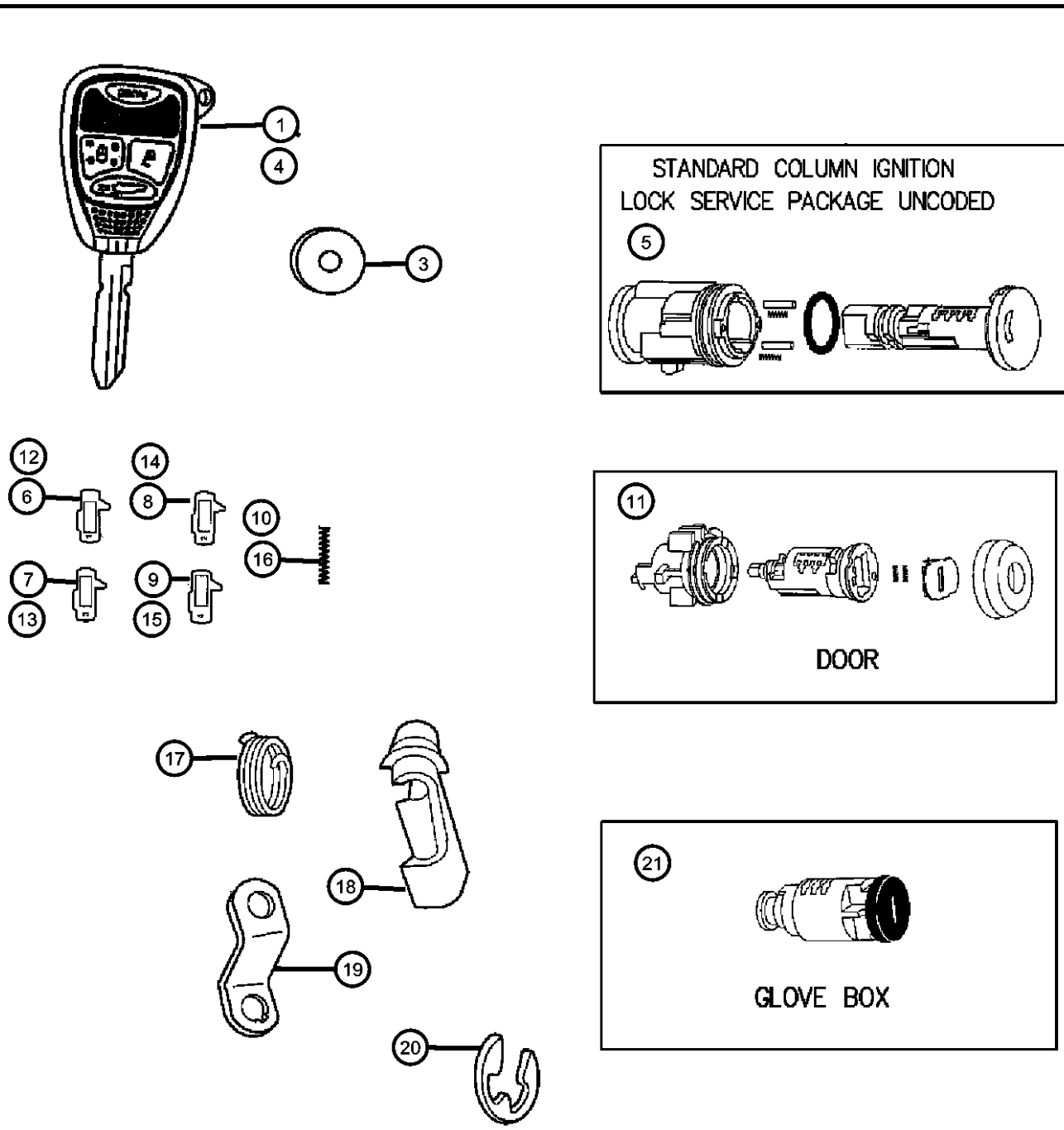
Rear Wiper and Washer System

Rear Wiper and Washer System Fig. 23D - 310



<p>23D-100 Lock Cylinders and Keys</p> 	<p>23D-200 Windshield Wiper and Washer Systems</p> 	<p>23D-300 Rear Wiper and Washer System</p> 	
--	---	---	--

Lock Cylinders and Keys
Figure 23D-110



ITEM	PART NUMBER	QTY	LINE	SERIES	BODY	ENGINE	TRANS	TRIM	DESCRIPTION
1	05143446AA	1							KEY, BLANK WITH TRANSMITTER, Sentry Key and Remote Entry Module
-2	05135541AA	1							SCREW, M2-0.78x6MM Pan Head
3	05066241AA	1							BATTERY, Transmitter, CR2032 - 3 Volts
4	05143553AA	1							KEY, Master Jeep Sentry
5	05139207AA	1							CYLINDER, Ignition Lock
6	05257132	1							TUMBLER, Number 1, Ignition, Glove Box
7	05257133	1							TUMBLER, Number 2, Ignition, Glove Box
8	05257134	1							TUMBLER, Number 3, Ignition, Glove Box
9	05257135	1							TUMBLER, Number 4, Ignition, Glove Box
10	04746873	1							SPRING, Lock Cylinder Tumbler, Ignition, Glove Box
11	05143554AA	1							CYLINDER, Door Lock, Without SAM Front Left
12	04778117AB	1							TUMBLER, Number 1, Wide
13	04778118AB	1							TUMBLER, Number 2, Wide
14	04778119AB	1							TUMBLER, Number 3, Wide
15	04778120AB	1							TUMBLER, Number 4, Wide
16	04778121	1							SPRING, Lock Cylinder Tumbler, Door, Deck Ignition
17		1							SPRING, Lock Cylinder Return, (NOT SERVICED)
18		1							CLIP, Retainer, (NOT SERVICED)
19	55136554AA	1							LEVER, Door Lock Cylinder
20	05071063AA	1							RETAINER, Lock Rod
21	04746315	1							CYLINDER, Glove Box Lock

GRAND CHEROKEE (WK)

SERIES LINE
H = Laredo T = JEEP - 2WD
P = Limited J = JEEP - 4WD

BODY

74 = SPORT UTILITY 4-DOOR

ENGINE

EKG = Engine - 3.7L V6
EVA = Engine- 4.7L V8 MPI
EZB = Engine-5.7L HEMI

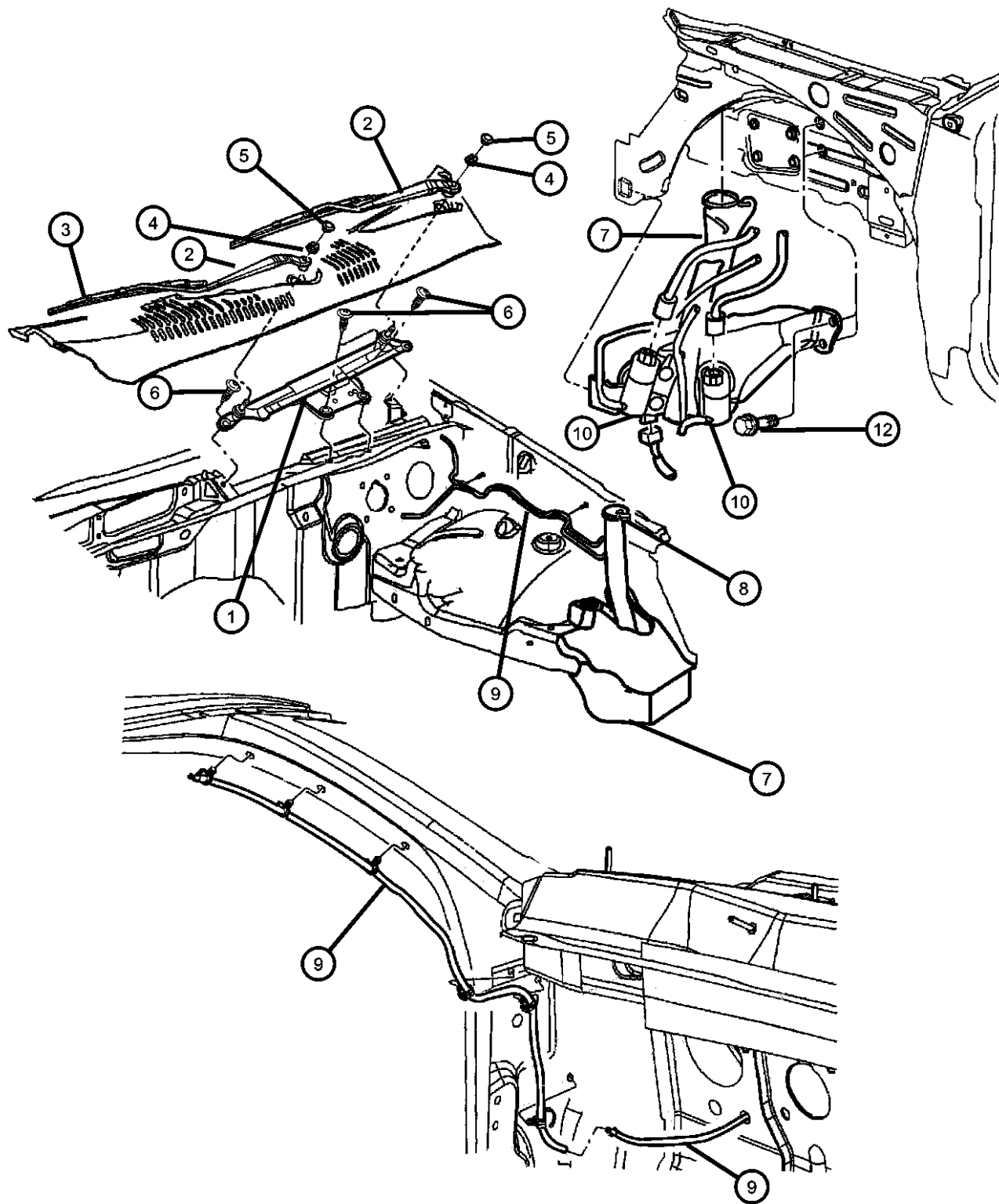
TRANSMISSION

DG0 = All Automatic Transmissions
DGJ = Transmission - 5-Spd Auto, MB
DGQ = Transmission-5-Spd Automatic 5-45RFE

AR = use ase required - = Non illustrated part

2005 WK

**Windshield Wiper and Washer
Figure 23D-210**



ITEM	PART NUMBER	QTY	LINE	SERIES	BODY	ENGINE	TRANS	TRIM	DESCRIPTION
1	55156313AB	1							MODULE, Wiper
2									ARM, Wiper
	05143534AA	1							Right
	05143533AA	1							Left
3	05139095AA	1							BLADE, Wiper
	WBFLAT07AA								Mopar Alternative Flat Blade Set
	WB000021AE								Mopar V-Line Alternative Part
	WBW00021AD								Mopar Alternative Winter Wiper Blades
4									NUT
	06104716AA	1							To Motor Shaft, Rear Wiper Arm
		2							Arm to Motor Shaft, Front Wiper
5	04389440	2							CAP, Wiper Arm Nut
6	06034860	4							BOLT AND WASHER, Implement Attaching
7	05143580AA	1							RESERVOIR, Washer
8	04797694	1							CAP, Washer Reservoir
9	HWV00532AB	1							HOSE 1FT, Windshield Washer, 5/32"
10	05143581AC	1	J, T		74				PUMP, Windshield Washer, Dual Outlet
-11	05011809AA	1							GROMMET, Windshield Washer Pump, Pump Grommet
12		1							SCREW, .250-14x.875, (NOT SERVICED)
-13	55157323AA	2							NOZZLE, Windshield washer
-14	05161966AA	1							SENSOR, Washer Fluid Level
-15	05013755AA	1							GROMMET, Washer Level Sensor
-16	55157373AA	1							CLIP, Hood Washer Hose, Washer hose attached

GRAND CHEROKEE (WK)

SERIES	LINE
H = Laredo	T = JEEP - 2WD
P = Limited	J = JEEP - 4WD

BODY	ENGINE
74 = SPORT UTILITY 4-DOOR	EKG = Engine - 3.7L V6
	EVA = Engine- 4.7L V8 MPI
	EZB = Engine-5.7L HEMI

TRANSMISSION
DG0 = All Automatic Transmissions
DGJ = Transmission - 5-Spd Auto, MB
DGQ = Transmission-5-Spd Automatic 5-45RFE

AR = use ase required - = Non illustrated part

2005 WK

**Rear Wiper and Washer System
Figure 23D-310**

ITEM	PART NUMBER	QTY	LINE	SERIES	BODY	ENGINE	TRANS	TRIM	DESCRIPTION
------	-------------	-----	------	--------	------	--------	-------	------	-------------

NOTES:

[JHB] = Wiper/Washer - Rear Window

1	55156325AB	1							MOTOR, Liftgate Wiper, [JHB]
-2	04778097	2	J, T		74				GROMMET, WIPER FRAME
3	05139836AA	1							ARM, Liftgate Wiper, [JHB]
4	05139835AA	1							BLADE, Rear window wiper, Liftgate [JHB]
5	05139871AA	1							REFILL, Wiper Blade, [JHB]
6	55156371AB	1							RAMP, Wiper Park, [JHB]
7	06505062AA	1							SCREW, Pilot Point
8	06104716AA	2							NUT, To Motor Shaft, Rear Wiper Arm
9	55156325AB	1							MOTOR, Liftgate Wiper, [JHB]
-10	55156372AB	1							BEZEL, Liftgate Wiper Motor, [JHB]
11	55156514AB	1							CAP, Wiper Arm Nut, [JHB]
12	06503245	1							RIVET, Ramp Attaching
13	05143121AA	1							NOZZLE, Liftgate Washer
-14	05143581AA	1							PUMP, Windshield Washer, Dual Outlet
-15	05161966AA	1							SENSOR, Washer Fluid Level
-16	HWV00532AB	AR							HOSE 1FT, Windshield Washer, 5/32"
-17	55156806AA	1							NUT, Rear Wiper Motor

GRAND CHEROKEE (WK)

SERIES	LINE
H = Laredo	T = JEEP - 2WD
P = Limited	J = JEEP - 4WD

BODY	ENGINE
74 = SPORT UTILITY 4-DOOR	EKG = Engine - 3.7L V6
	EVA = Engine- 4.7L V8 MPI
	EZB = Engine-5.7L HEMI

TRANSMISSION
DG0 = All Automatic Transmissions
DGJ = Transmission - 5-Spd Auto, MB
DGQ = Transmission-5-Spd Automatic 5-45RFE

AR = use ase required - = Non illustrated part

2005 WK

Group - 24

Air Conditioning & Heater

Group - 24 Air Conditioning & Heater

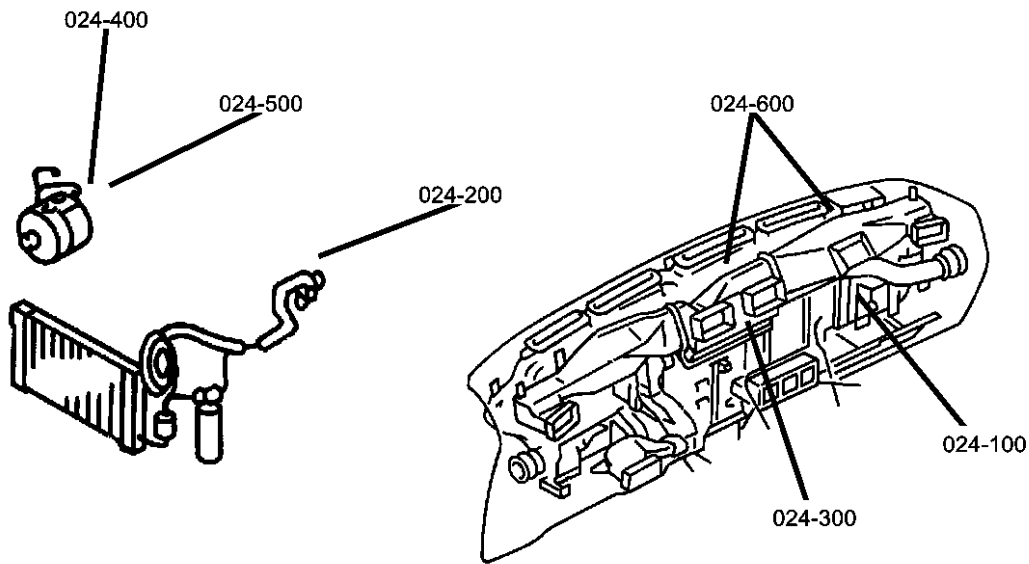


Illustration Title

Group-Fig. No.

Air Conditioner and Heater Units

HEVAC, Unit, LHDFig. 24 - 150

Air Conditioner and Heater Plumbing

Hoses, Heater 3.7, 4.7L Engine.....Fig. 24 - 245

Hoses, Heater 5.7L Engine.....Fig. 24 - 250

Accumulator, Condenser and Lines 3.7, 4.7L EngineFig. 24 - 255

Accumulator, Condenser and Lines 5.7L EngineFig. 24 - 257

Air Conditioner and Heater Controls

Control, Heater and Air ConditionerFig. 24 - 330

Air Conditioning Compressor

Compressor, Air Conditioning 3.7, 4.7L Engine.....Fig. 24 - 420

Compressor, Air Conditioning 5.7L Engine.....Fig. 24 - 430

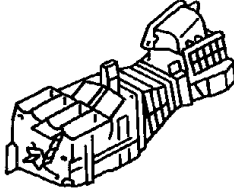
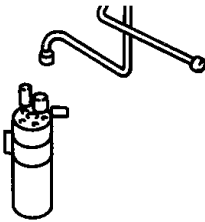
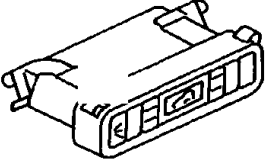
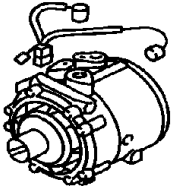
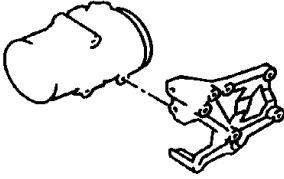
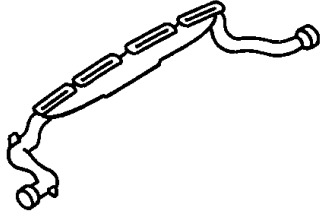
Air Conditioning Compressor Mounting

Compressor, Mounting 3.7, 4.7L EngineFig. 24 - 520

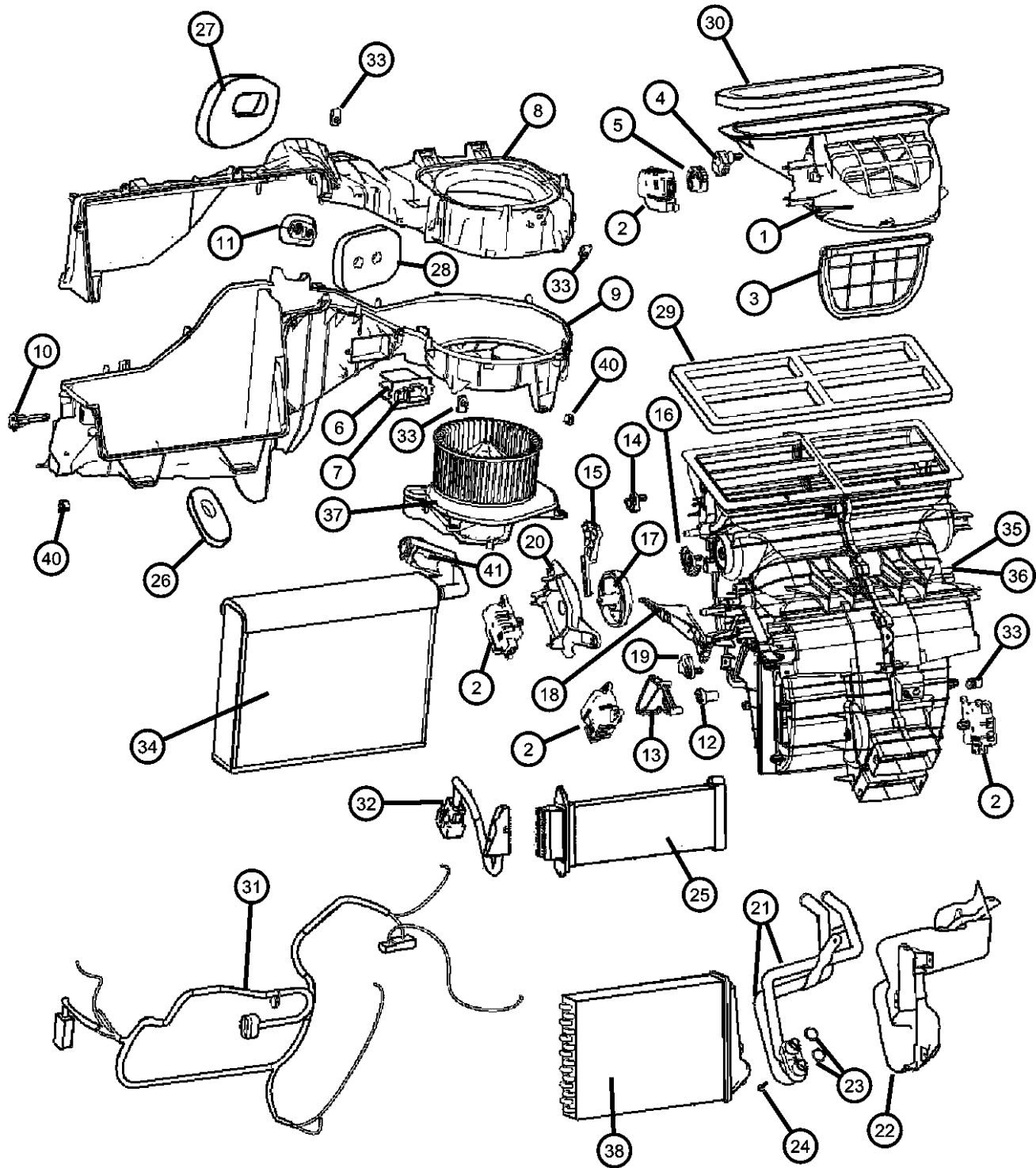
Compressor, Mounting 5.7L EngineFig. 24 - 530

Air Ducts and Outlets

Air Ducts and OutletsFig. 24 - 610

<p>024-100 Air Conditioner and Heater Units</p> 	<p>024-200 Air Conditioner and Heater Plumbing</p> 	<p>024-300 Air Conditioner and Heater Controls</p> 	<p>024-400 Air Conditioning Compressor</p> 
<p>024-500 Air Conditioning Compressor Mounting</p> 	<p>024-600 Air Ducts and Outlets</p> 		

HEVAC, Unit, LHD
Figure 24-150

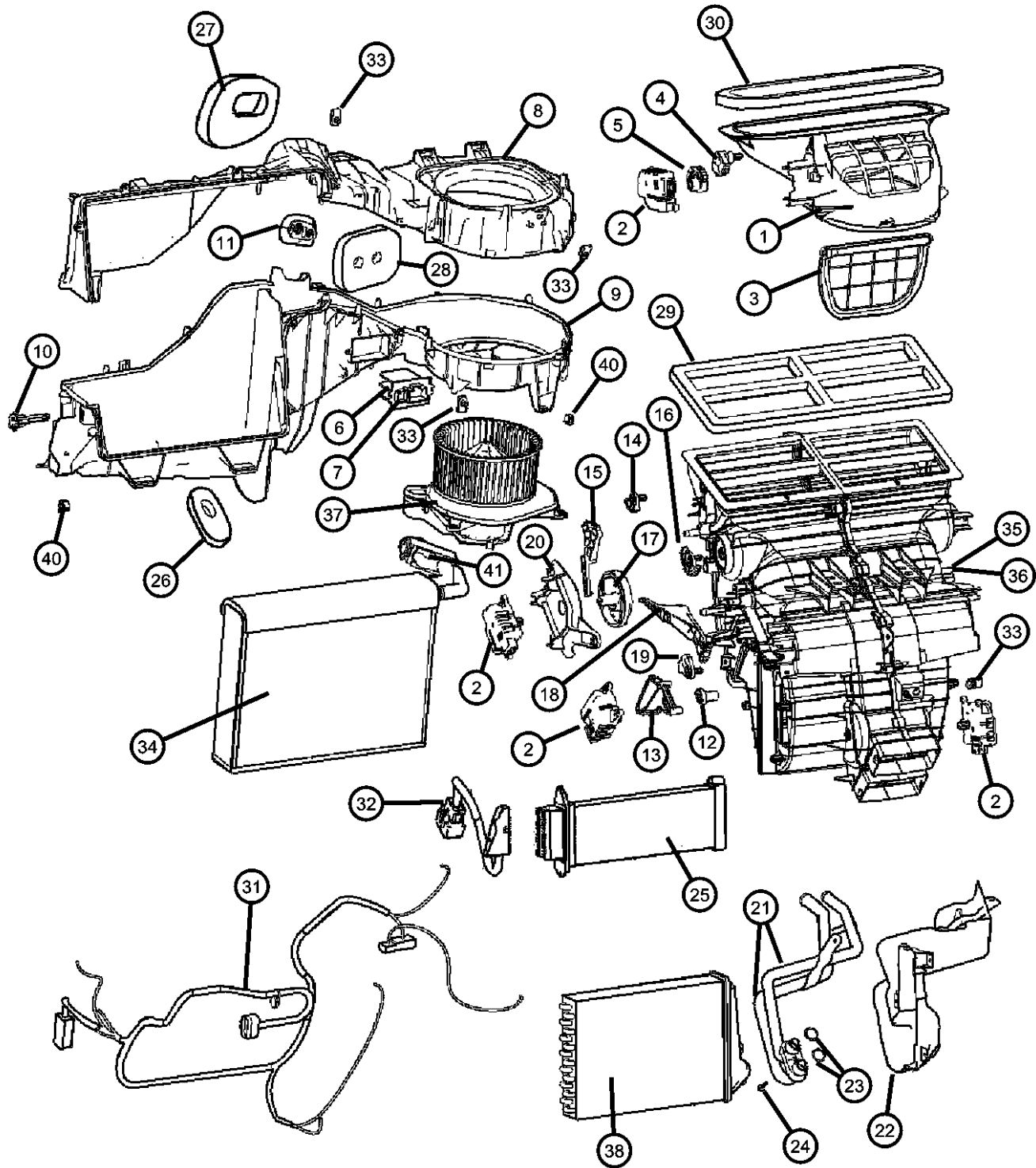


ITEM	PART NUMBER	QTY	LINE	SERIES	BODY	ENGINE	TRANS	TRIM	DESCRIPTION
Sales Codes: [EK0] = All 3.7L Engines [EV0] = All 4.7L Engines [EZ0] = All 5.7L Engines									
1									HOUSING, Air Inlet
	05143123AA	1				EV0, EZ0			
		1				EK0, EV0			
2									ACTUATOR, A/C and Heater
	05143192AA	5				EV0, EZ0			
		4				EK0, EV0			
3									DOOR, Air Inlet
	05143124AA	1				EV0, EZ0			
		1				EK0, EV0			
4									LEVER, A/C Recirculation Door
	05143125AA	1				EV0, EZ0			
		1				EK0, EV0			
5									LEVER, Door Actuator
	05143126AA	1				EV0, EZ0			
		1				EK0, EV0			
6	04885482AC	1				EV0, EZ0			MODULE, Power, Blower Motor
7	05143127AA	1				EV0, EK0			RESISTOR, Blower Motor
8									HOUSING, Evaporater Upper
	05143147AA	1				EV0, EZ0			
		1				EK0, EV0			
9									HOUSING, Evaporator Lower
	05143148AA	1				EV0, EZ0			
		1				EK0, EV0			
10									PROBE, Air Conditioning
	05143149AA	1				EV0, EZ0			
		1				EK0, EV0			
11									GROMMET, Evaporator Tubes
	05143150AA	1				EV0, EZ0			
		1				EK0, EV0			
12									LEVER, Panel Door
	05143183AA	2				EV0, EZ0			
		1				EK0, EV0			

GRAND CHEROKEE (WK)
 SERIES LINE BODY ENGINE TRANSMISSION
 H = Laredo T = JEEP - 2WD 74 = SPORT UTILITY 4-DOOR EKG = Engine - 3.7L V6 DG0 = All Automatic Transmissions
 P = Limited J = JEEP - 4WD EVA = Engine- 4.7L V8 MPI DGJ = Transmission - 5-Spd Auto, MB
 EZB = Engine-5.7L HEMI DGQ = Transmission-5-Spd Automatic 5-45RFE

AR = use ase required - = Non illustrated part

HEVAC, Unit, LHD
Figure 24-150

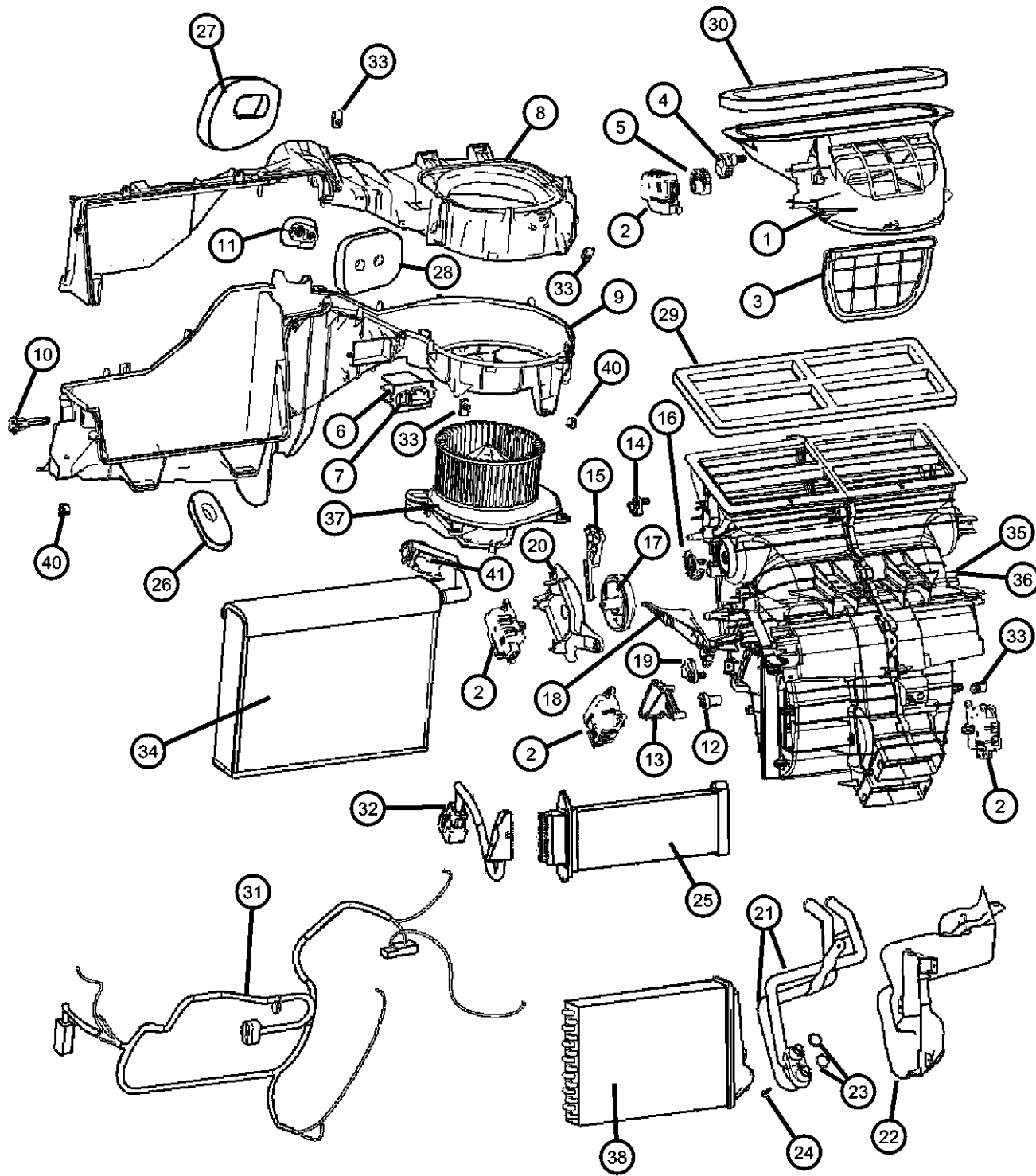


ITEM	PART NUMBER	QTY	LINE	SERIES	BODY	ENGINE	TRANS	TRIM	DESCRIPTION
13									PLATE, Actuator Mount
	05143190AA	2				EV0, EZ0			
		1				EK0, EV0			
14									LEVER, Panel Door
	05143184AA	1				EV0, EZ0			
		1				EK0, EV0			
15									LINK, Heater and Defroster Door
	05143188AA	1				EV0, EZ0			
		1				EK0, EV0			
16									LEVER, Panel Door
	05143185AA	1				EV0, EZ0			
		1				EK0, EV0			
17									CAM, Mode
	05143187AA	1				EV0, EZ0			
		1				EK0, EV0			
18									LINK, Floor Door
	05143189AA	1				EV0, EZ0			
		1				EK0, EV0			
19									LEVER, Panel Door
	05143186AA	1				EZ0, EV0			
		1				EK0, EV0			
20									PLATE, Actuator Mount
	05143191AA	1				EV0, EZ0			
		1				EK0, EV0			
21									TUBE, Heater Core
	05143117AA	1				EV0, EZ0			
		1				EK0, EV0			
22									COVER, Heater Core Tubes
	05143116AA	1				EK0, EV0			
		1				EV0, EZ0			
23									O RING, Heater Core
	04885024AC	2				EV0, EZ0			
		2				EK0, EV0			
24									SCREW, Heater Core Mounting

GRAND CHEROKEE (WK)
 SERIES LINE BODY ENGINE TRANSMISSION
 H = Laredo T = JEEP - 2WD 74 = SPORT UTILITY 4-DOOR EKG = Engine - 3.7L V6 DG0 = All Automatic Transmissions
 P = Limited J = JEEP - 4WD EVA = Engine- 4.7L V8 MPI DGJ = Transmission - 5-Spd Auto, MB
 EZB = Engine-5.7L HEMI DGQ = Transmission-5-Spd Automatic 5-45RFE

AR = use ase required - = Non illustrated part

HEVAC, Unit, LHD
Figure 24-150



ITEM	PART NUMBER	QTY	LINE	SERIES	BODY	ENGINE	TRANS	TRIM	DESCRIPTION
37	05143099AA	1				EV0, EZ0			MOTOR, Blower with Wheel
		1				EK0, EV0			
38	05143101AA	1				EK0, EV0			CORE, Heater
		1				EV0, EZ0			
-39	05143544AA	1				EK0, EV0			VALVE, A/C Expansion
		1				EV0, EZ0			
40	06035859	2				EV0, EZ0			CLIP, Retainer
41	05189825AA	1				EV0, EZ0			PLATE, Extension, Evaporator tubes to H-valve

GRAND CHEROKEE (WK)

SERIES LINE
H = Laredo T = JEEP - 2WD
P = Limited J = JEEP - 4WD

BODY

74 = SPORT UTILITY 4-DOOR

ENGINE

EKG = Engine - 3.7L V6
EVA = Engine- 4.7L V8 MPI
EZB = Engine-5.7L HEMI

TRANSMISSION

DG0 = All Automatic Transmissions
DGJ = Transmission - 5-Spd Auto, MB
DGQ = Transmission-5-Spd Automatic 5-45RFE

AR = use ase required - = Non illustrated part

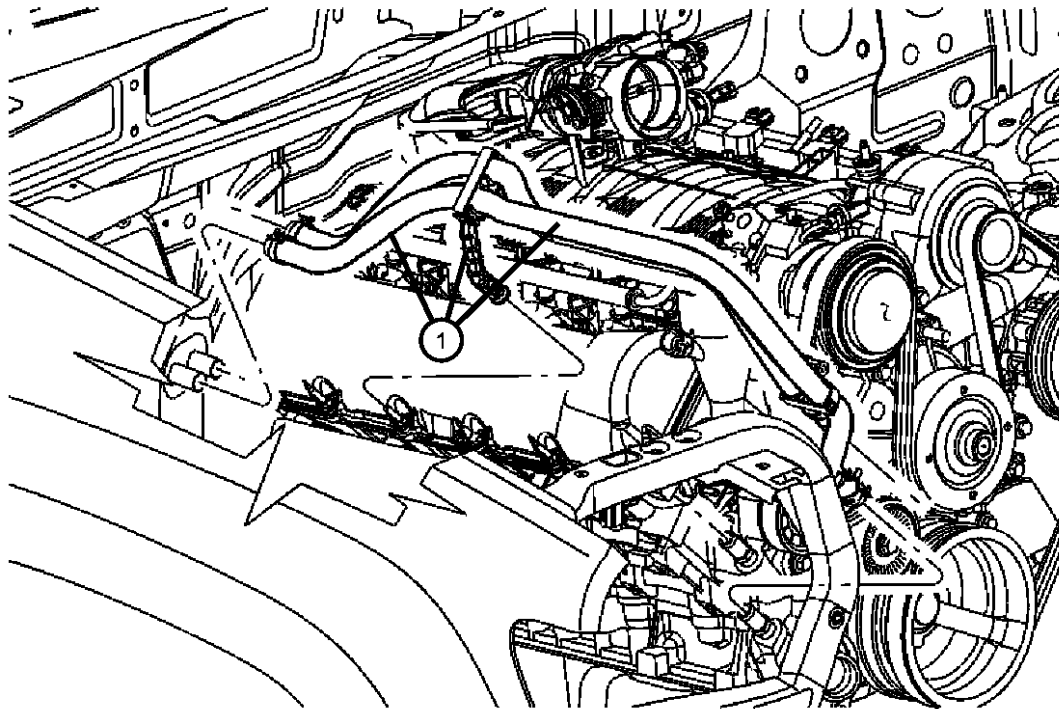
2005 WK

Hoses, Heater 3.7, 4.7L Engine
Figure 24-245

ITEM	PART NUMBER	QTY	LINE	SERIES	BODY	ENGINE	TRANS	TRIM	DESCRIPTION
------	-------------	-----	------	--------	------	--------	-------	------	-------------

Note: Sales Code EV0 = 4.7 L Engine

1									HOSE, Heater Supply and Return
	55116601AE	1				EK0			
	55116603AE	1				EV0			



GRAND CHEROKEE (WK)

SERIES LINE
H = Laredo T = JEEP - 2WD
P = Limited J = JEEP - 4WD

BODY

74 = SPORT UTILITY 4-DOOR

ENGINE

EKG = Engine - 3.7L V6
EVA = Engine- 4.7L V8 MPI
EZB = Engine-5.7L HEMI

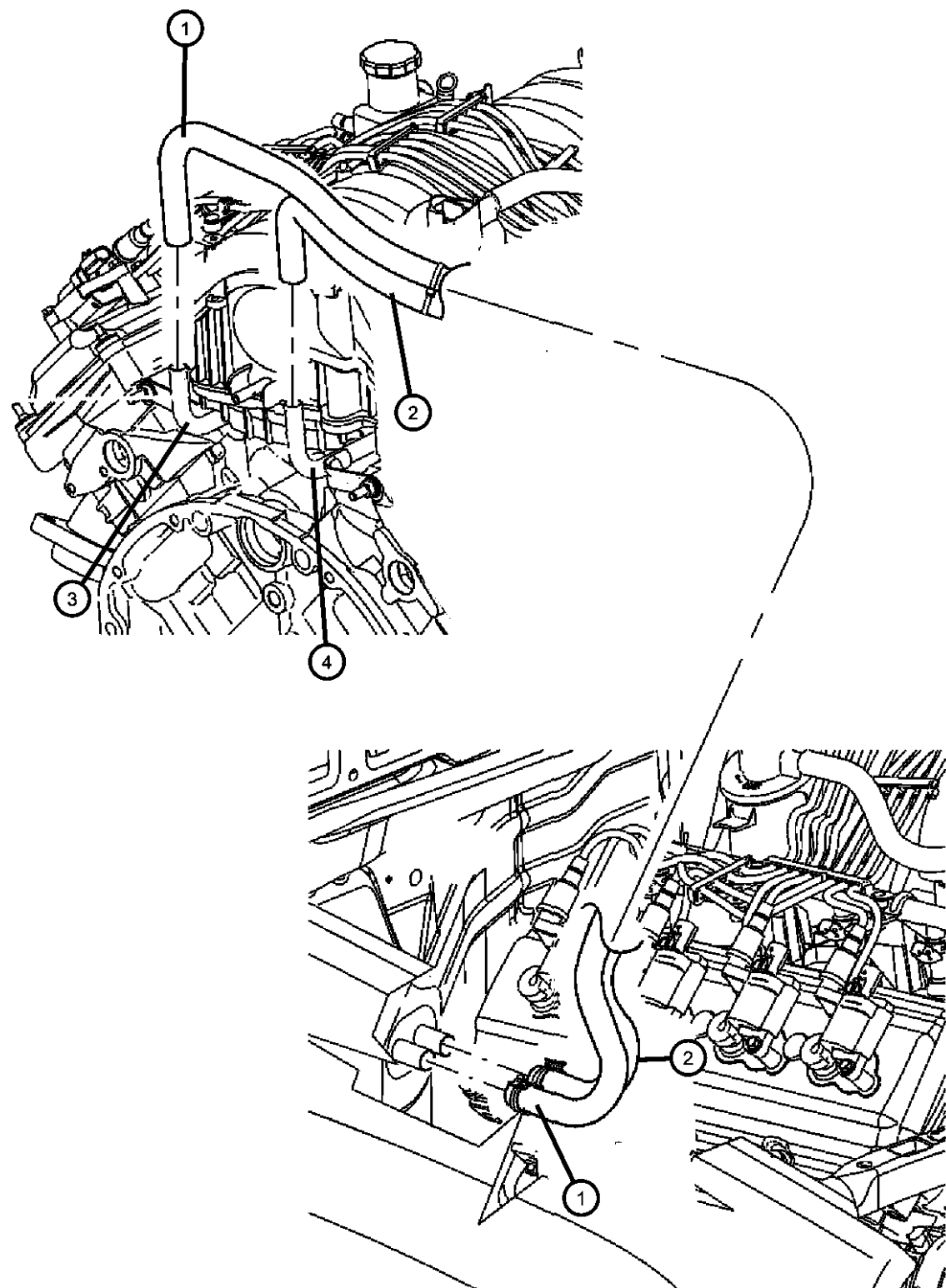
TRANSMISSION

DG0 = All Automatic Transmissions
DGJ = Transmission - 5-Spd Auto, MB
DGQ = Transmission-5-Spd Automatic
5-45RFE

AR = use ase required - = Non illustrated part

2005 WK

Hoses, Heater 5.7L Engine
Figure 24-250



ITEM	PART NUMBER	QTY	LINE	SERIES	BODY	ENGINE	TRANS	TRIM	DESCRIPTION
------	-------------	-----	------	--------	------	--------	-------	------	-------------

Sales Code:
[EZO] = All 5.7L Gas Engines

1	68000978AA	1				EZO			HOSE, Heater Return
2	68000979AA	1				EZO			HOSE, Heater Supply
3	04892345AD	1				EZO			TUBE, Coolant inlet
4	04892346AD	1				EZO			TUBE, Coolant outlet
-5	53013736AA	2				EZO			O RING, Heater Line

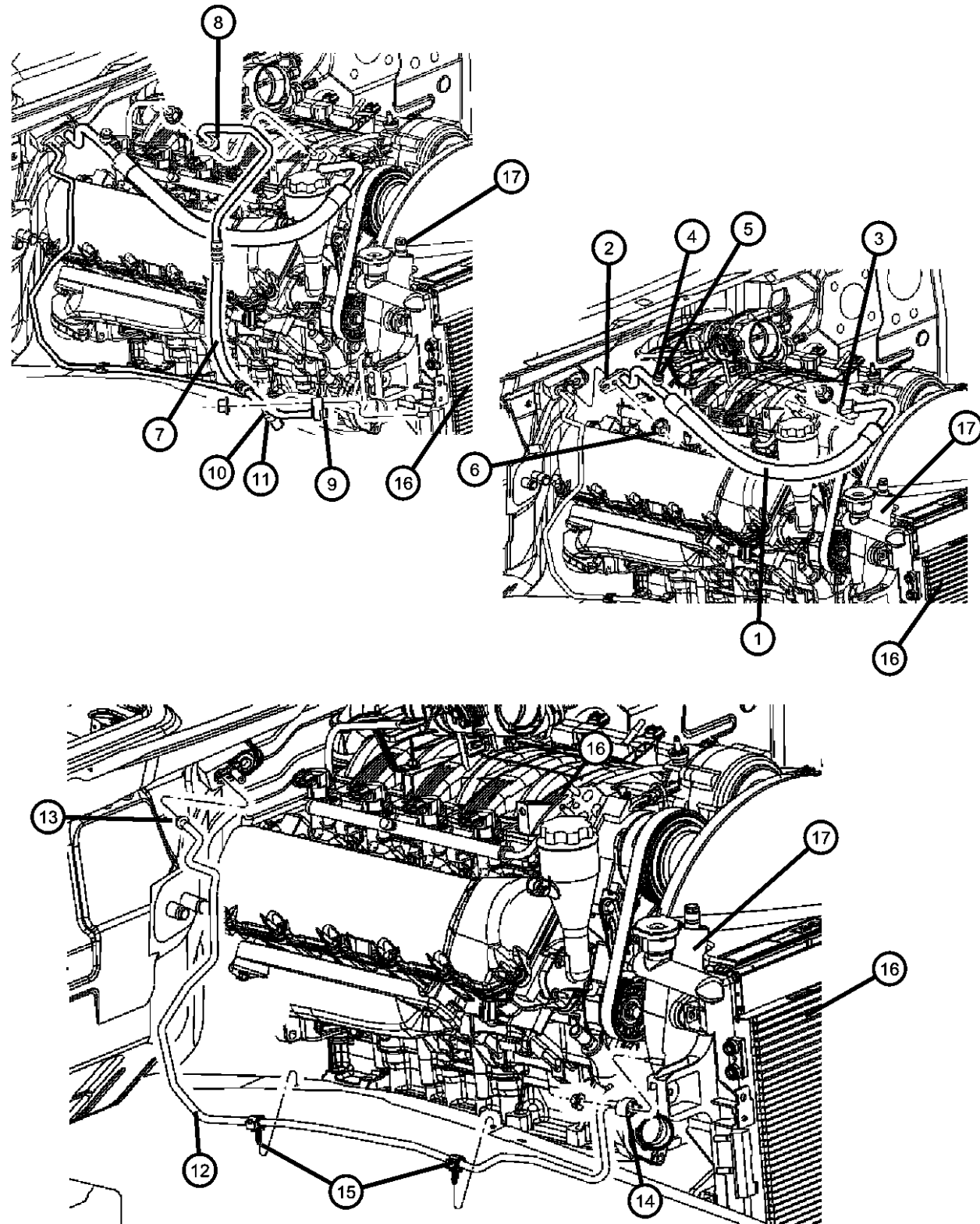
GRAND CHEROKEE (WK)

SERIES	LINE	BODY	ENGINE	TRANSMISSION
H = Laredo	T = JEEP - 2WD	74 = SPORT UTILITY 4-DOOR	EKG = Engine - 3.7L V6	DG0 = All Automatic Transmissions
P = Limited	J = JEEP - 4WD		EVA = Engine- 4.7L V8 MPI	DGJ = Transmission - 5-Spd Auto, MB
			EZB = Engine-5.7L HEMI	DGQ = Transmission-5-Spd Automatic 5-45RFE

AR = use ase required - = Non illustrated part

2005 WK

**Accumulator, Condenser and Lines 3.7, 4.7L Engine
Figure 24-255**



ITEM	PART NUMBER	QTY	LINE	SERIES	BODY	ENGINE	TRANS	TRIM	DESCRIPTION
------	-------------	-----	------	--------	------	--------	-------	------	-------------

Sales Code EKO = All 3.7L Engines
Sales Code EVO = All 4.7L Gas Engines

1									LINE, A/C Suction
	55116665AE	1				EKO			
	55116667AD	1				EVO			
2									WASHER, Sealing
	05161784AA	1				EKO			
		1				EVO			
3									WASHER, Sealing
	05161785AA	1				EVO			
		1				EKO			
4									CAP, A/C Check Valve
	05161786AA	1				EVO			
		1				EKO			
5									VALVE, A/C Discharge Line Check
	05003862AA	1				EVO			
		1				EKO			
6	06101445	1							NUT AND WASHER, Hex Nut-Coned Washer, M8 x 1.25
7									LINE, A/C Discharge
	55116663AB	1				EVO			
	55116664AD	1				EKO			
8									WASHER, Sealing
	05183303AA	1				EKO			Discharge line to Compressor
		1				EVO			Discharge line to Compressor
9									WASHER, Sealing
	05183303AA	1				EVO			Discharge Line To Condenser
		1				EKO			Discharge Line To Condenser
10									VALVE, A/C pressure Transducer
	05174039AB	1				EKO			
		1				EVO			
11									VALVE, A/C Discharge Line Check
	05003862AA	1				EKO			
		1				EVO			
12	55116909AD	1							LINE, A/C Liquid
13	05161787AA	1							WASHER, Sealing

GRAND CHEROKEE (WK)

SERIES	LINE
H = Laredo	T = JEEP - 2WD
P = Limited	J = JEEP - 4WD

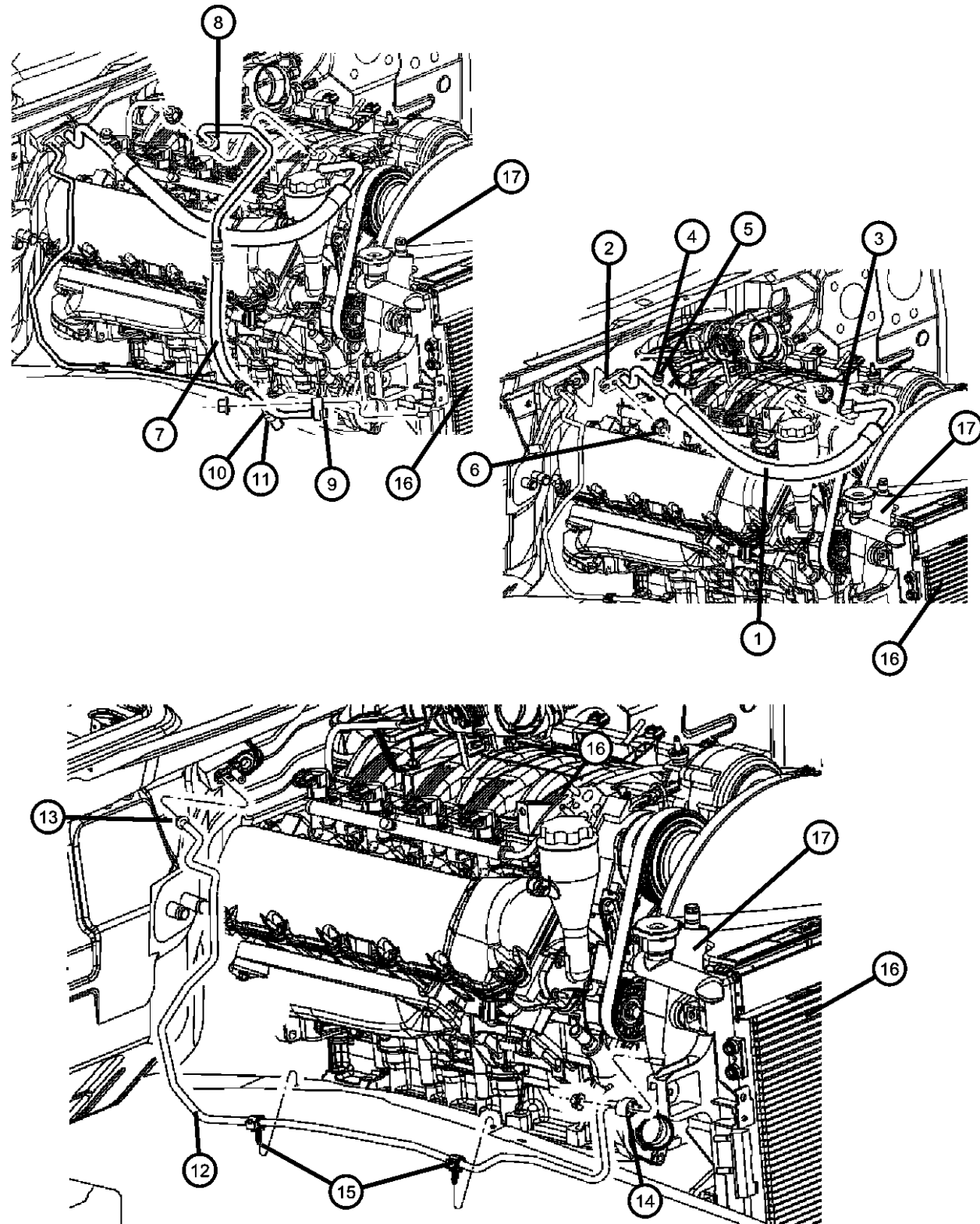
BODY	ENGINE
74 = SPORT UTILITY 4-DOOR	EKG = Engine - 3.7L V6
	EVA = Engine- 4.7L V8 MPI
	EZB = Engine-5.7L HEMI

TRANSMISSION
DG0 = All Automatic Transmissions
DGJ = Transmission - 5-Spd Auto, MB
DGQ = Transmission-5-Spd Automatic 5-45RFE

AR = use ase required - = Non illustrated part

2005 WK

Accumulator, Condenser and Lines 3.7, 4.7L Engine
Figure 24-255

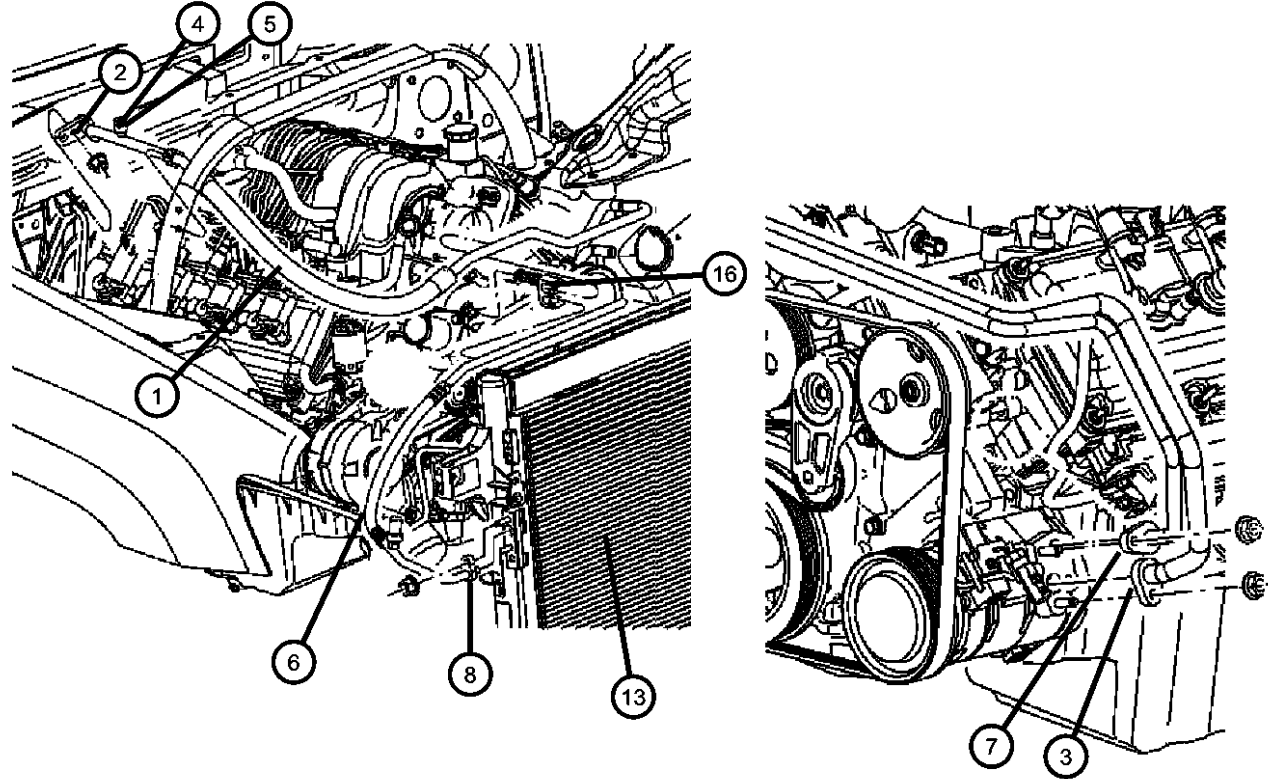


ITEM	PART NUMBER	QTY	LINE	SERIES	BODY	ENGINE	TRANS	TRIM	DESCRIPTION
14	05161788AA	1							WASHER, Sealing
15	04861553AC	2							PIN, Push
16	55116928AA	1				EVO, EK0			CONDENSER, Condenser and TOC
17	05166426AA	1				EK0, EVO			RECEIVER DRIER
-18	05161788AA	1				EK0, EVO			WASHER, Sealing, Drier to Condenser

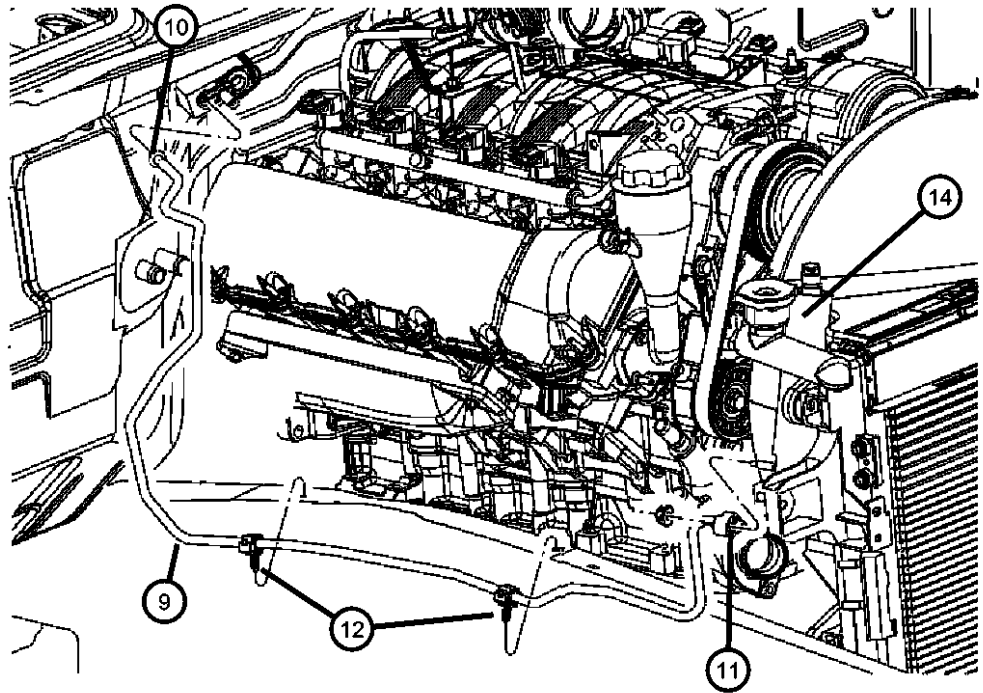
GRAND CHEROKEE (WK)				
SERIES	LINE	BODY	ENGINE	TRANSMISSION
H = Laredo	T = JEEP - 2WD	74 = SPORT UTILITY 4-DOOR	EKG = Engine - 3.7L V6	DG0 = All Automatic Transmissions
P = Limited	J = JEEP - 4WD		EVA = Engine- 4.7L V8 MPI	DGJ = Transmission - 5-Spd Auto, MB
			EZB = Engine-5.7L HEMI	DGQ = Transmission-5-Spd Automatic 5-45RFE

AR = use ase required - = Non illustrated part

**Accumulator, Condenser and Lines 5.7L Engine
Figure 24-257**



ITEM	PART NUMBER	QTY	LINE	SERIES	BODY	ENGINE	TRANS	TRIM	DESCRIPTION
1	55116718AD	1				EZ0			LINE, A/C Suction
2	05161784AA	1				EZ0			WASHER, Sealing, Suction line to H-Valve
3	05161785AA	1				EZ0			WASHER, Sealing Suction Line to Compressor
4	05161786AA	1				EZ0			CAP, A/C Check Valve
5	05003862AA	1				EZ0			VALVE, A/C Discharge Line Check
6	55116712AC	1				EZ0			LINE, A/C Discharge
7	05183303AA	1				EZ0			WASHER, Sealing, Discharge line to Compressor
8	05183303AA	1				EZ0			WASHER, Sealing Discharge Line To Condenser
9	55116909AD	1							LINE, A/C Liquid
10	05161787AA	1							WASHER, Sealing Liquid Line To H-Valve
11	05161788AA	1							WASHER, Sealing, Liquid line to Drier
12	04861553AA	1				EZ0			PIN, Push
13	55116928AA	1				EZ0			CONDENSER, Condenser and TOC
14	55116723AC	1				EZ0			DRIER, Receiver, Includes liquid line to Condenser
-15	05161788AA	1							WASHER, Sealing, Drier to Condenser
16	55037740AA	1				EZ0			BRACKET, A/C Line



GRAND CHEROKEE (WK)

SERIES	LINE
H = Laredo	T = JEEP - 2WD
P = Limited	J = JEEP - 4WD

BODY	ENGINE
74 = SPORT UTILITY 4-DOOR	EKG = Engine - 3.7L V6
	EVA = Engine- 4.7L V8 MPI
	EZB = Engine-5.7L HEMI

TRANSMISSION
DG0 = All Automatic Transmissions
DGJ = Transmission - 5-Spd Auto, MB
DGQ = Transmission-5-Spd Automatic 5-45RFE

AR = use ase required - = Non illustrated part

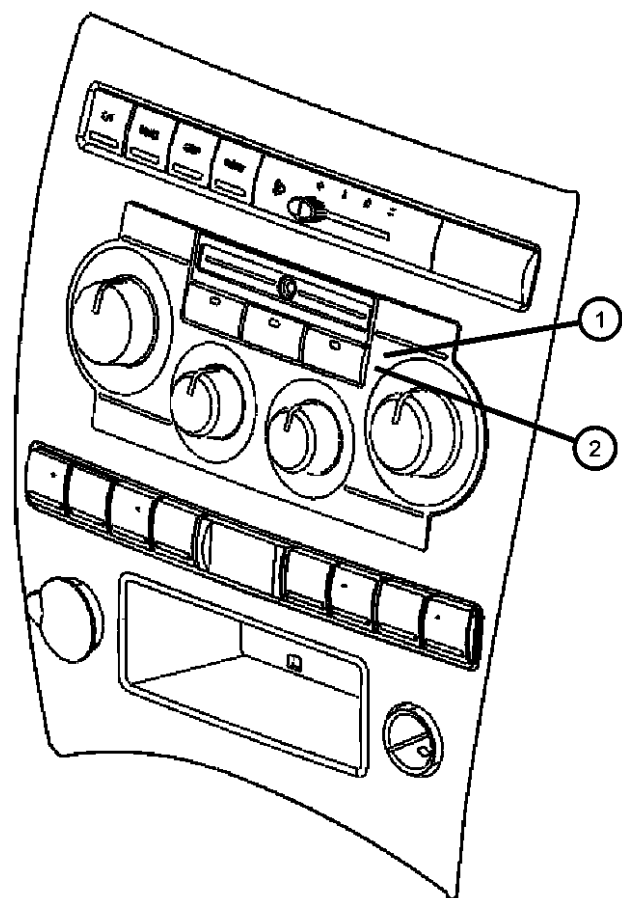
2005 WK

Control, Heater and Air Conditioner
Figure 24-330

ITEM	PART NUMBER	QTY	LINE	SERIES	BODY	ENGINE	TRANS	TRIM	DESCRIPTION
------	-------------	-----	------	--------	------	--------	-------	------	-------------

Note: Sales Code HAA = Air Conditioning
 Note: Sales Code HAF = Auto Temp Control

1									CONTROL, Auto Temp Control
	55111010AB	1							[HAF] , Fahrenheit
	55111011AB	1							[HAF] , Celsius
2	55111009AD	1							CONTROL, A/C And Heater, [HAA]



GRAND CHEROKEE (WK)

SERIES	LINE
H = Laredo	T = JEEP - 2WD
P = Limited	J = JEEP - 4WD

BODY

74 = SPORT UTILITY 4-DOOR

ENGINE

EKG = Engine - 3.7L V6
 EVA = Engine- 4.7L V8 MPI
 EZB = Engine-5.7L HEMI

TRANSMISSION

DG0 = All Automatic Transmissions
 DGJ = Transmission - 5-Spd Auto, MB
 DGQ = Transmission-5-Spd Automatic
 5-45RFE

AR = use ase required - = Non illustrated part

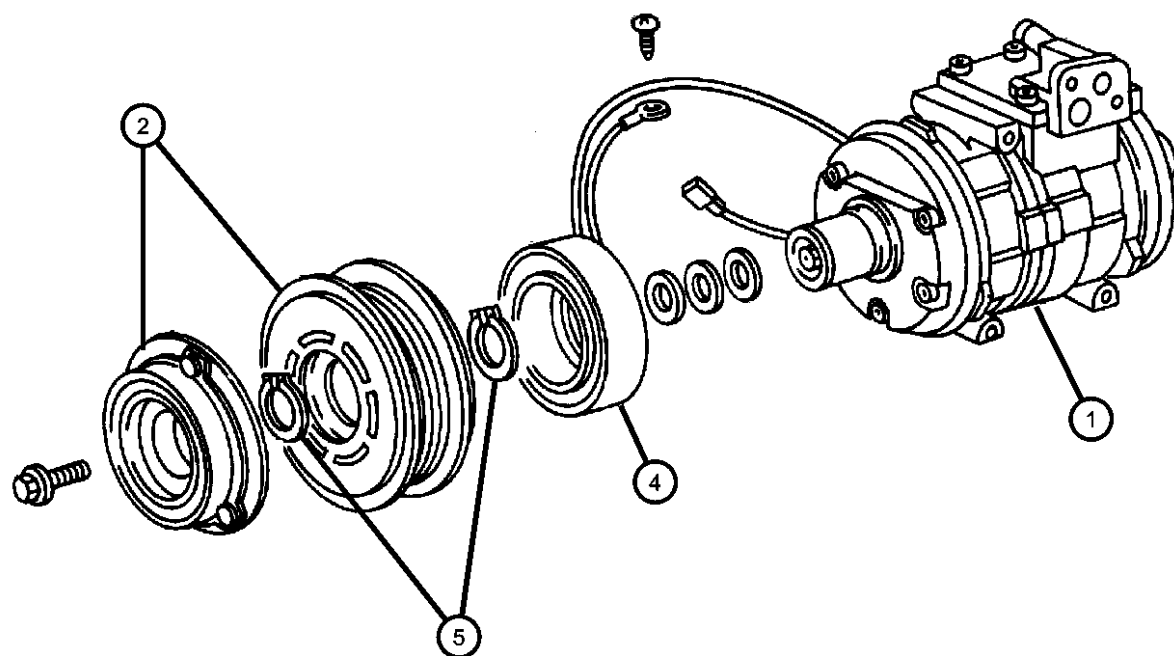
2005 WK

**Compressor, Air Conditioning 3.7, 4.7L Engine
Figure 24-420**

ITEM	PART NUMBER	QTY	LINE	SERIES	BODY	ENGINE	TRANS	TRIM	DESCRIPTION
------	-------------	-----	------	--------	------	--------	-------	------	-------------

Sales Code:
[EV0] = All 4.7L Engines

1	55116834AB	1				EK0, EV0			COMPRESSOR, Air Conditioning
2	05161810AA	1				EK0, EV0			PULLEY HUB KIT, A/C Compressor
-3	05066225AA	1				EK0, EV0			CLUTCH OVERHAUL KIT, A/C Compressor
4	05072863AA	1				EK0, EV0			COIL, Air Conditioning Clutch
5	05264454	1				EK0, EV0			SNAP RING KIT, A/C Clutch
-6	82300102	1				EK0, EV0			LUBRICANT, Oil, 75w90
-7	53031709AA	1				EK0, EV0			BRACE, A/C Compressor



GRAND CHEROKEE (WK)

SERIES	LINE
H = Laredo	T = JEEP - 2WD
P = Limited	J = JEEP - 4WD

BODY

74 = SPORT UTILITY 4-DOOR

ENGINE

EKG = Engine - 3.7L V6
EVA = Engine- 4.7L V8 MPI
EZB = Engine-5.7L HEMI

TRANSMISSION

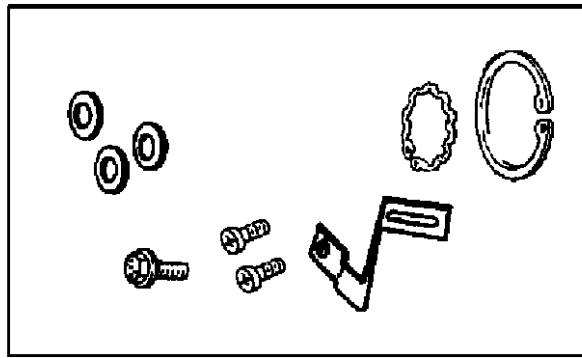
DG0 = All Automatic Transmissions
DGJ = Transmission - 5-Spd Auto, MB
DGQ = Transmission-5-Spd Automatic 5-45RFE

AR = use ase required - = Non illustrated part

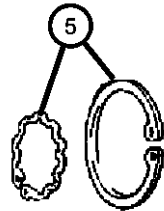
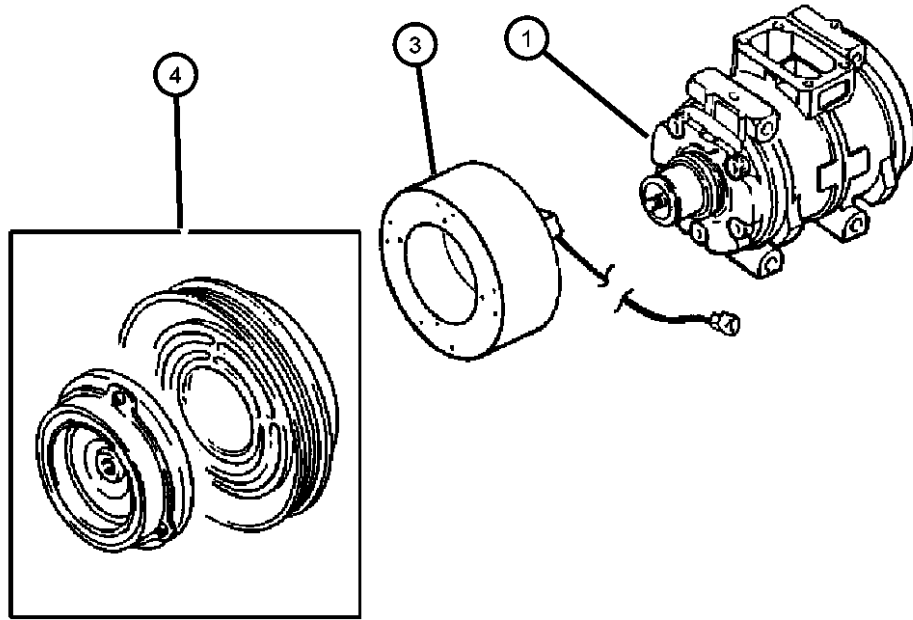
2005 WK

**Compressor, Air Conditioning 5.7L Engine
Figure 24-430**

ITEM	PART NUMBER	QTY	LINE	SERIES	BODY	ENGINE	TRANS	TRIM	DESCRIPTION
1	55116917AB	1				EZ0			COMPRESSOR, Air Conditioning, Complete
2	05140428AA	1				EZ0			CLUTCH OVERHAUL KIT, A/C Compressor
3	05072863AA	1				EZ0			COIL, Air Conditioning Clutch
4	05140426AA	1				EZ0			PULLEY HUB KIT, A/C Compressor
5	05264454	1				EZ0			SNAP RING KIT, A/C Clutch



2



GRAND CHEROKEE (WK)

SERIES	LINE
H = Laredo	T = JEEP - 2WD
P = Limited	J = JEEP - 4WD

BODY

74 = SPORT UTILITY 4-DOOR

ENGINE

EKG = Engine - 3.7L V6
EVA = Engine- 4.7L V8 MPI
EZB = Engine-5.7L HEMI

TRANSMISSION

DG0 = All Automatic Transmissions
DGJ = Transmission - 5-Spd Auto, MB
DGQ = Transmission-5-Spd Automatic 5-45RFE

AR = use ase required - = Non illustrated part

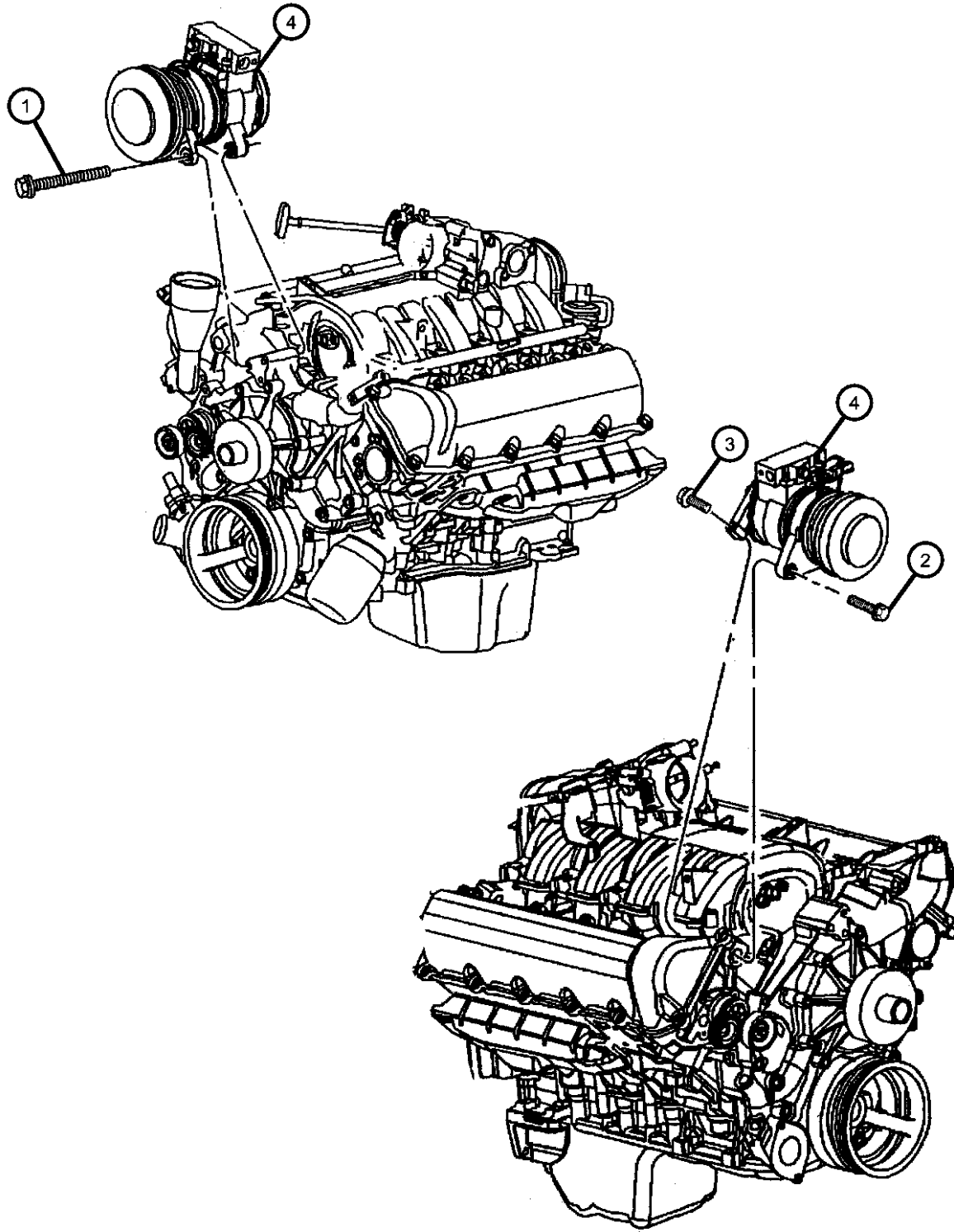
2005 WK

**Compressor, Mounting 3.7, 4.7L Engine
Figure 24-520**

ITEM	PART NUMBER	QTY	LINE	SERIES	BODY	ENGINE	TRANS	TRIM	DESCRIPTION
------	-------------	-----	------	--------	------	--------	-------	------	-------------

Note: Sales Code EV0 = 4.7 L Engine

1	06504344	1				EV0			SCREW AND WASHER, Hex Head
2	06505487AA	1				EV0			SCREW AND WASHER, M10x1.5x45
3	06102047AA	6				EV0			SCREW, Hex Head, M8x1.25x50
4	55116834AB	1				EK0, EV0			COMPRESSOR, Air Conditioning
-5	53031709AA	1				EK0, EV0			BRACE, A/C Compressor



GRAND CHEROKEE (WK)

SERIES	LINE
H = Laredo	T = JEEP - 2WD
P = Limited	J = JEEP - 4WD

BODY

74 = SPORT UTILITY 4-DOOR

ENGINE

EKG = Engine - 3.7L V6
EVA = Engine- 4.7L V8 MPI
EZB = Engine-5.7L HEMI

TRANSMISSION

DG0 = All Automatic Transmissions
DGJ = Transmission - 5-Spd Auto, MB
DGQ = Transmission-5-Spd Automatic
5-45RFE

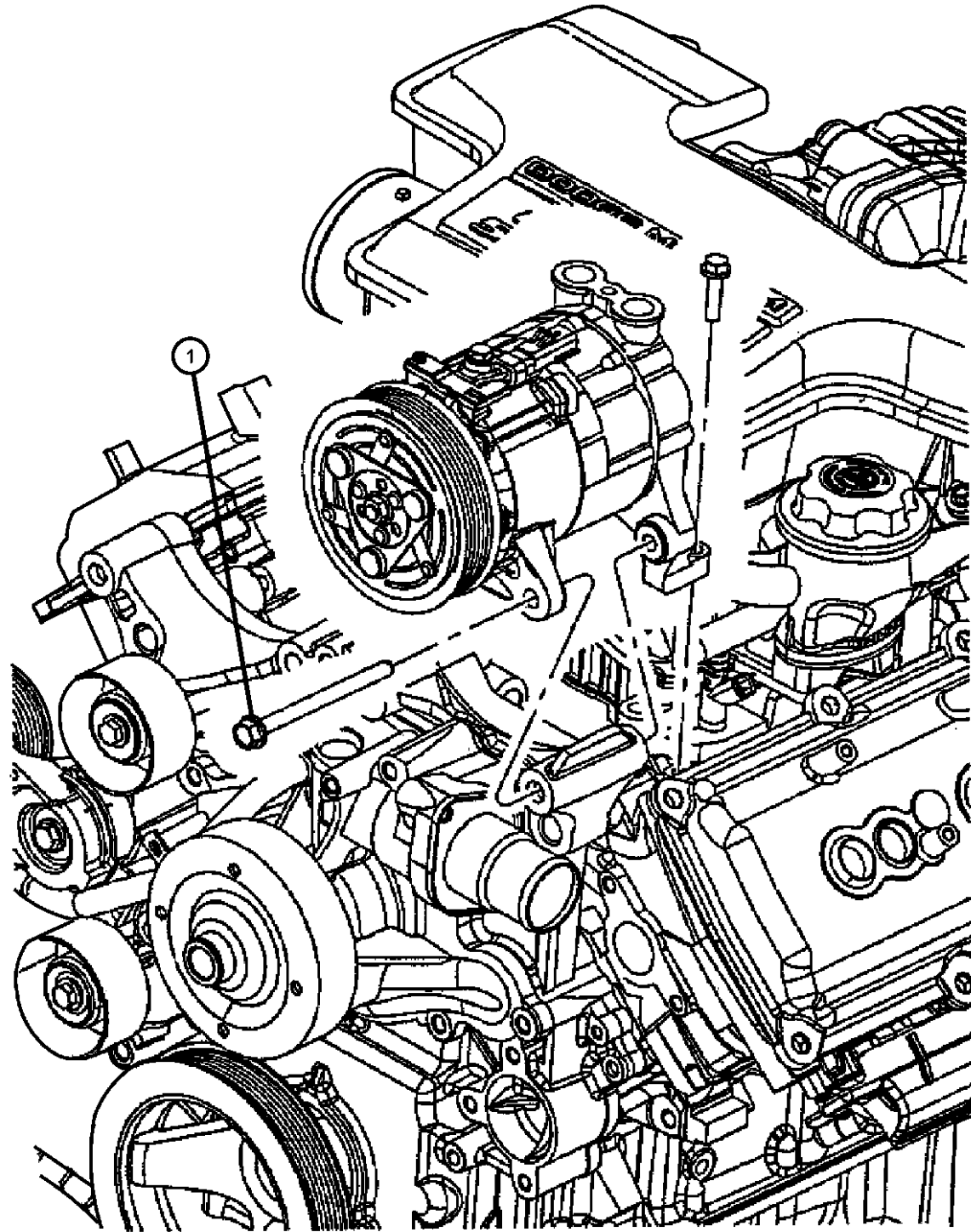
AR = use ase required - = Non illustrated part

2005 WK

**Compressor, Mounting 5.7L Engine
Figure 24-530**

ITEM	PART NUMBER	QTY	LINE	SERIES	BODY	ENGINE	TRANS	TRIM	DESCRIPTION
------	-------------	-----	------	--------	------	--------	-------	------	-------------

1	06101639	4				EZ0			SCREW AND WASHER, Hex Head, M10x1.5x100
---	----------	---	--	--	--	-----	--	--	---



GRAND CHEROKEE (WK)

SERIES	LINE
H = Laredo	T = JEEP - 2WD
P = Limited	J = JEEP - 4WD

BODY

74 = SPORT UTILITY 4-DOOR

ENGINE

EKG = Engine - 3.7L V6
EVA = Engine- 4.7L V8 MPI
EZB = Engine-5.7L HEMI

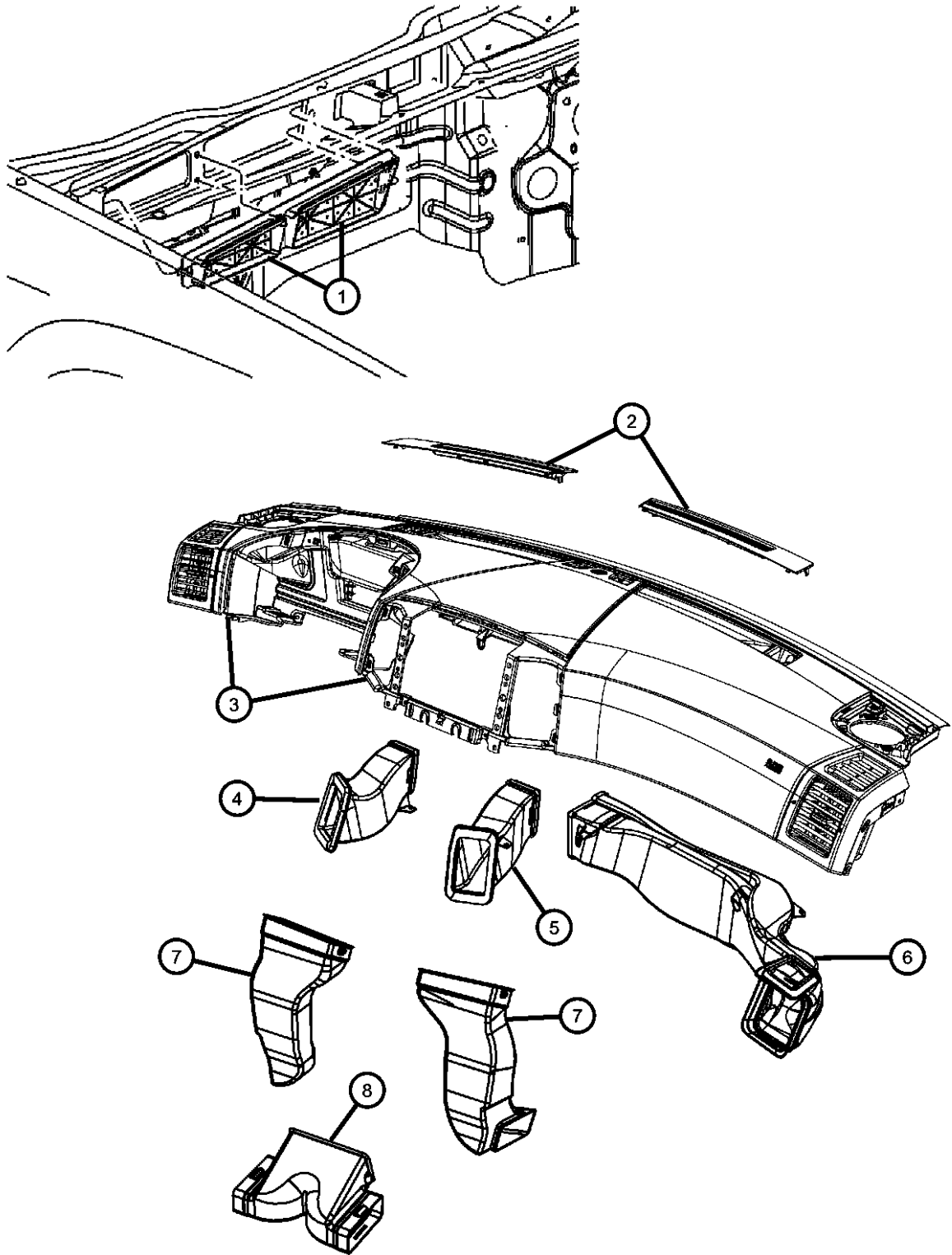
TRANSMISSION

DG0 = All Automatic Transmissions
DGJ = Transmission - 5-Spd Auto, MB
DGQ = Transmission-5-Spd Automatic 5-45RFE

AR = use ase required - = Non illustrated part

2005 WK

Air Ducts and Outlets
Figure 24-610



ITEM	PART NUMBER	QTY	LINE	SERIES	BODY	ENGINE	TRANS	TRIM	DESCRIPTION
------	-------------	-----	------	--------	------	--------	-------	------	-------------

Sale Codes:
[D5, J1, J3] Are Interior Trim Colors

1	55115885AC	1							BAFFLE, Air
2									GRILLE, Defroster, Upper
	5JM66XD-HAG	1							[D5], Right
	5JM66ZJ8AG	1							[J1,J3], Right
	5JM67XD-HAG	1							[D5], Left
	5JM67ZJ8AG	1							[J1,J3], Left
3									PANEL, Instrument Upper, Includes: Left Outer Duct [D5]
	5JY791DHAJ	1							[J1,J3]
	5JY791J8AJ	1							[J1,J3]
4	55117037AA	1							DUCT, Air Outlet, CenterLeft
5	55117036AA	1							DUCT, Air Outlet, CenterRight
6	55117050AA	1							DUCT, Instrument Panel, OuterRight
7									DUCT, Floor Distribution, Side Right
	55116599AC	1							Right
	55116741AC	1							Left
8	55116814AA	1							DUCT, Floor Distribution, Center Floor

GRAND CHEROKEE (WK)

SERIES	LINE	BODY	ENGINE	TRANSMISSION
H = Laredo	T = JEEP - 2WD	74 = SPORT UTILITY 4-DOOR	EKG = Engine - 3.7L V6	DG0 = All Automatic Transmissions
P = Limited	J = JEEP - 4WD		EVA = Engine- 4.7L V8 MPI	DGJ = Transmission - 5-Spd Auto, MB
			EZB = Engine-5.7L HEMI	DGQ = Transmission-5-Spd Automatic 5-45RFE

AR = use ase required - = Non illustrated part

Group - 25

Emission Systems

Group - 25 Emission Systems

Illustration Title

Group-Fig. No.

EGR Systems

EGR System.....Fig. 25 - 205

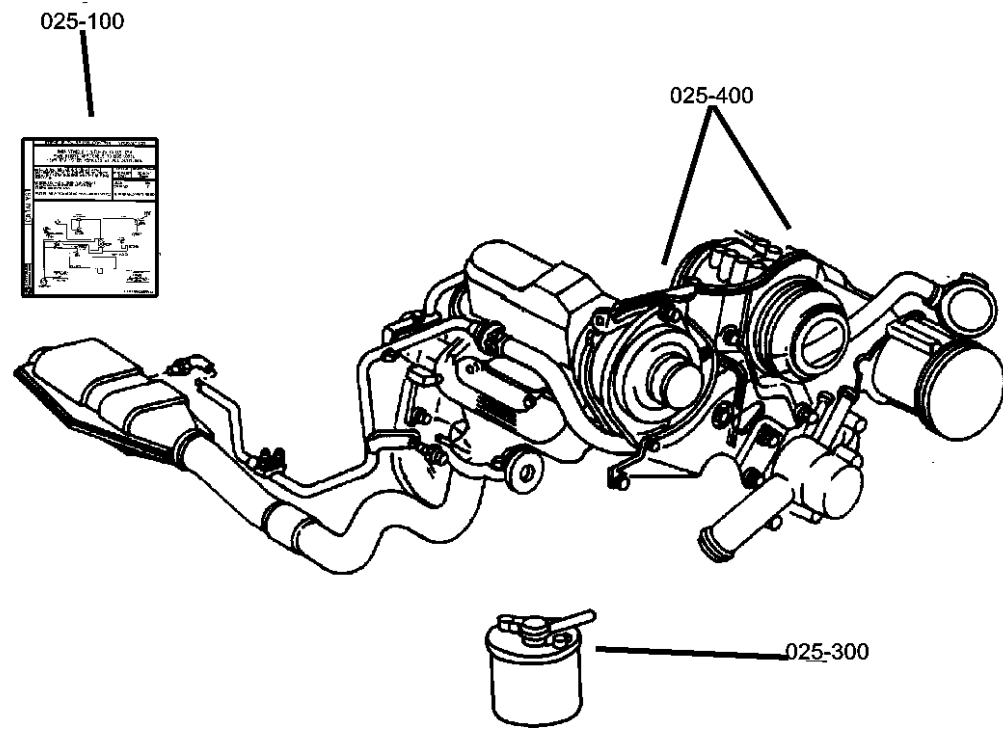
Vacuum Canister

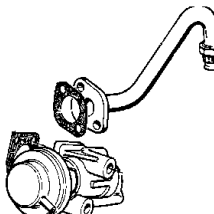
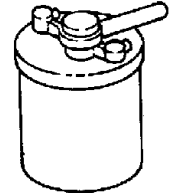
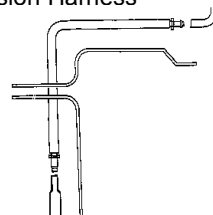
Vacuum Canister,Fig. 25 - 310

Emission Harness

Emission Control Vacuum HarnessFig. 25 - 410

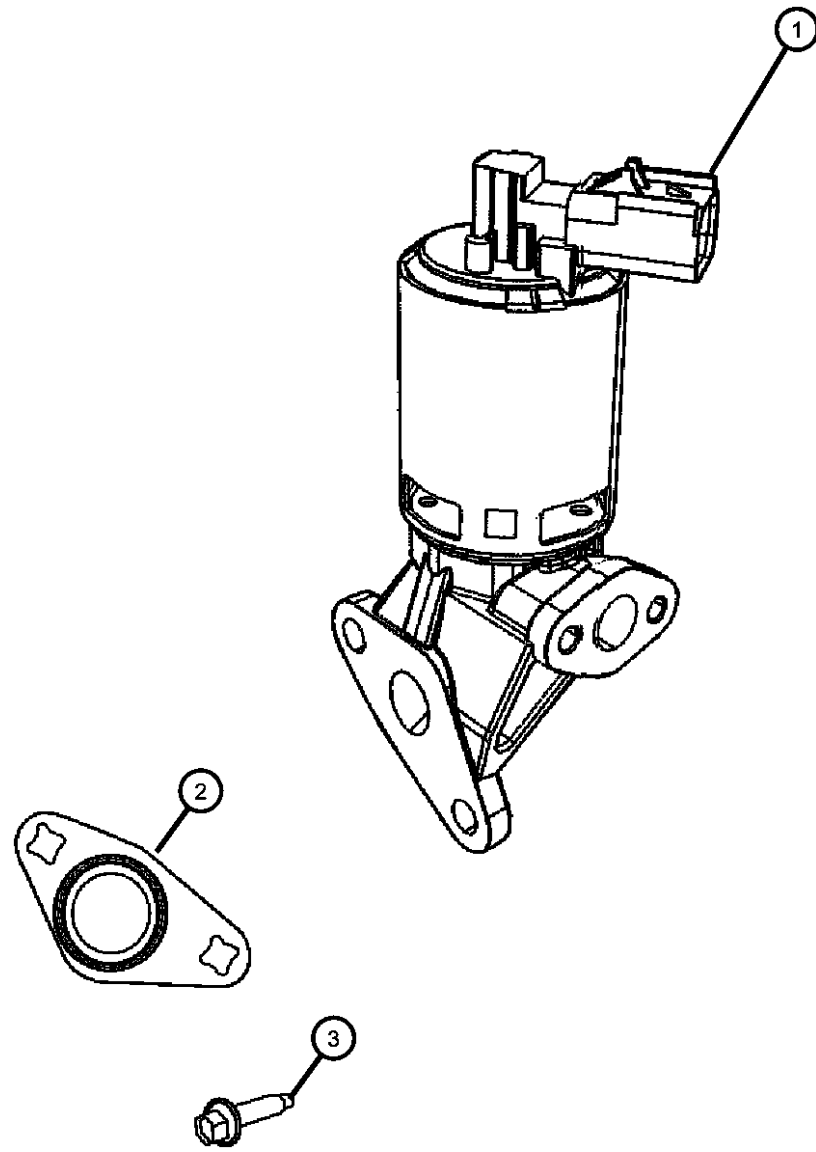
Leak Detection Pump,Fig. 25 - 420



<p>025-200 EGR Systems</p> 	<p>025-300 Vacuum Canister</p> 	<p>025-400 Emission Harness</p> 	
---	---	---	--

**EGR System
Figure 25-205**

ITEM	PART NUMBER	QTY	LINE	SERIES	BODY	ENGINE	TRANS	TRIM	DESCRIPTION
1	53032509AF	1				EZ0			VALVE, EGR
	53032776AD	1				EVA			
2	53030976AC	1				EVA			GASKET, EGR Valve
	53032212AA	1				EZ0			
3	06504793AA	2				EZ0			SCREW, Hex Flange Head, M8x1.25x28.00
-4	53032778AB	1				EVA			
-5	04591876AC	1				EZ0			TUBE, EGR Valve to Intake Manifold
-6	05277928	1				EZ0			GASKET, EGR Tube Flange
		1				EVA			



GRAND CHEROKEE (WK)

SERIES
H = Laredo
P = Limited

LINE
T = JEEP - 2WD
J = JEEP - 4WD

BODY
74 = SPORT UTILITY 4-DOOR

ENGINE
EKG = Engine - 3.7L V6
EVA = Engine- 4.7L V8 MPI
EZB = Engine-5.7L HEMI

TRANSMISSION
DG0 = All Automatic Transmissions
DGJ = Transmission - 5-Spd Auto, MB
DGQ = Transmission-5-Spd Automatic
5-45RFE

AR = use ase required - = Non illustrated part

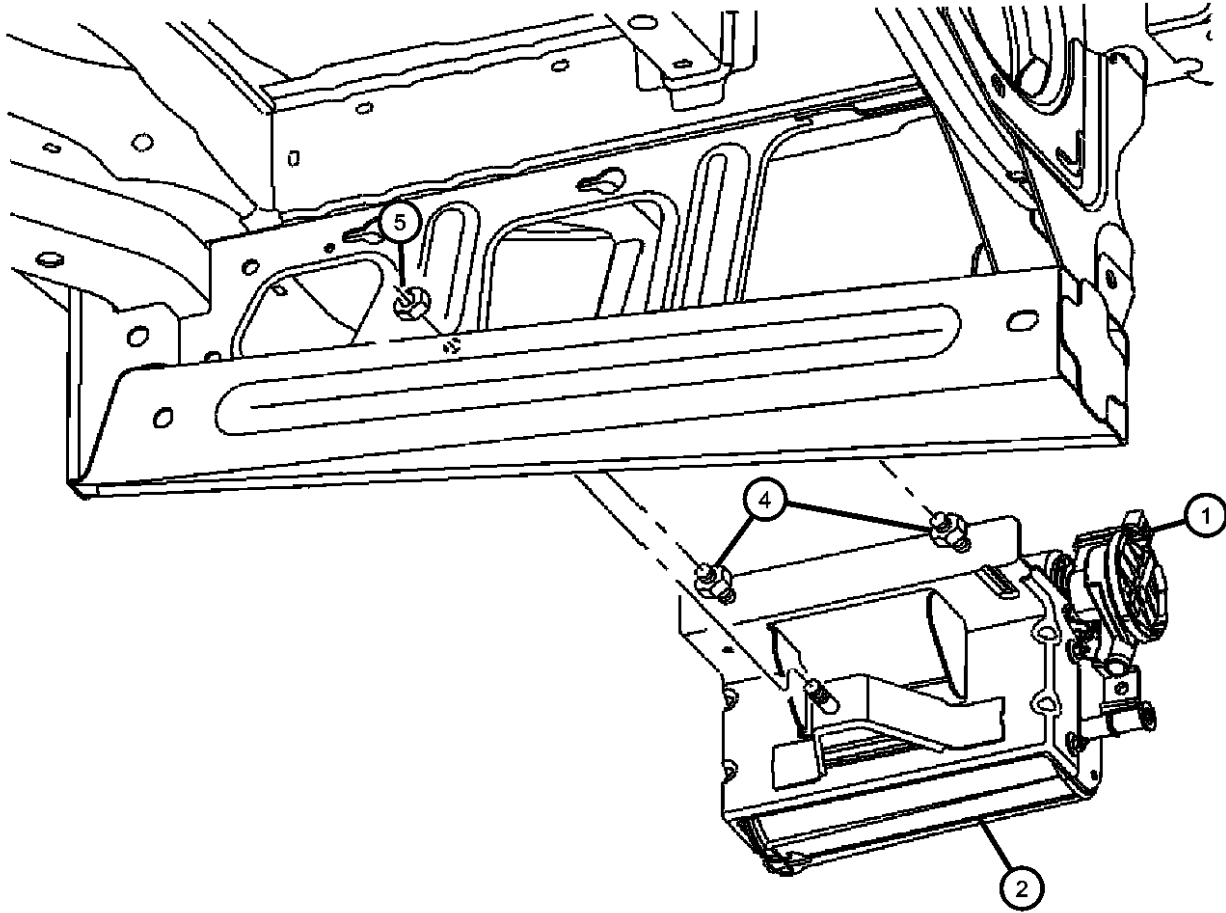
2005 WK

Vacuum Canister,
Figure 25-310

ITEM	PART NUMBER	QTY	LINE	SERIES	BODY	ENGINE	TRANS	TRIM	DESCRIPTION
------	-------------	-----	------	--------	------	--------	-------	------	-------------

Sales Codes
[ER0]= All, 6 Cylinder Gas Engines
[EV0]= All 4.7L V-8 Gas Engines

1	04891524AA	1							DETECTOR, Natural Vacuum Leak Detection
2	52090441AA	1							CANISTER, Fuel Vapor
-3	52090442AD	1							BRACKET, Vapor Canister
4		1							NUT, Service with Canister, (NOT SERVICED)
5	06104716AA	1							NUT
-6	05143790AA	1							TUBE, Control Valve to Canister
-7	05143791AA	1							TUBE, Fuel Vapor Recirculation



GRAND CHEROKEE (WK)

SERIES	LINE	BODY	ENGINE	TRANSMISSION
H = Laredo	T = JEEP - 2WD	74 = SPORT UTILITY 4-DOOR	EKG = Engine - 3.7L V6	DG0 = All Automatic Transmissions
P = Limited	J = JEEP - 4WD		EVA = Engine- 4.7L V8 MPI	DGJ = Transmission - 5-Spd Auto, MB
			EZB = Engine-5.7L HEMI	DGQ = Transmission-5-Spd Automatic 5-45RFE

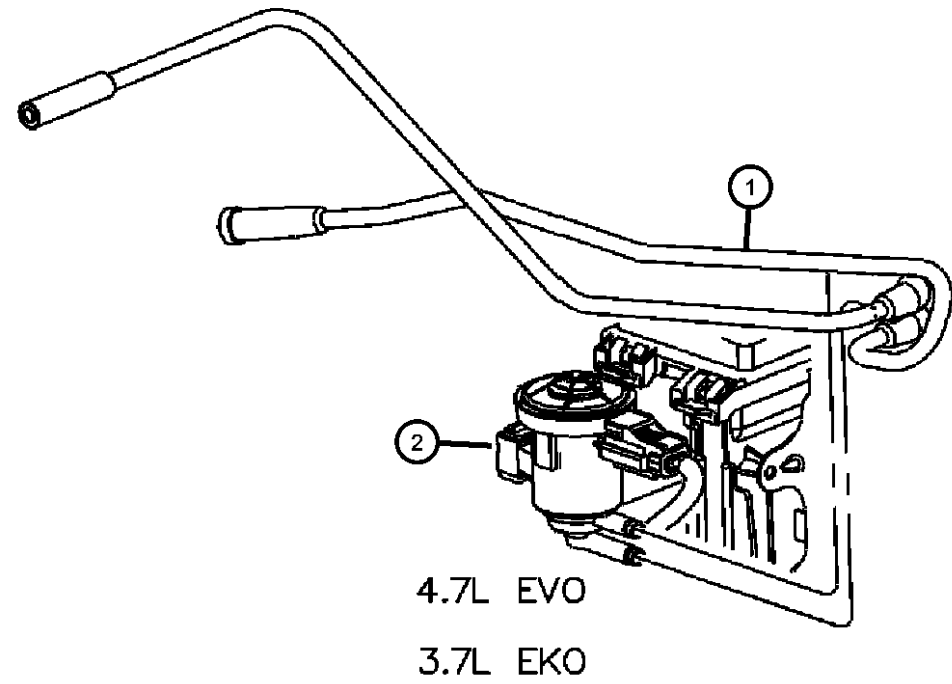
AR = use ase required - = Non illustrated part

2005 WK

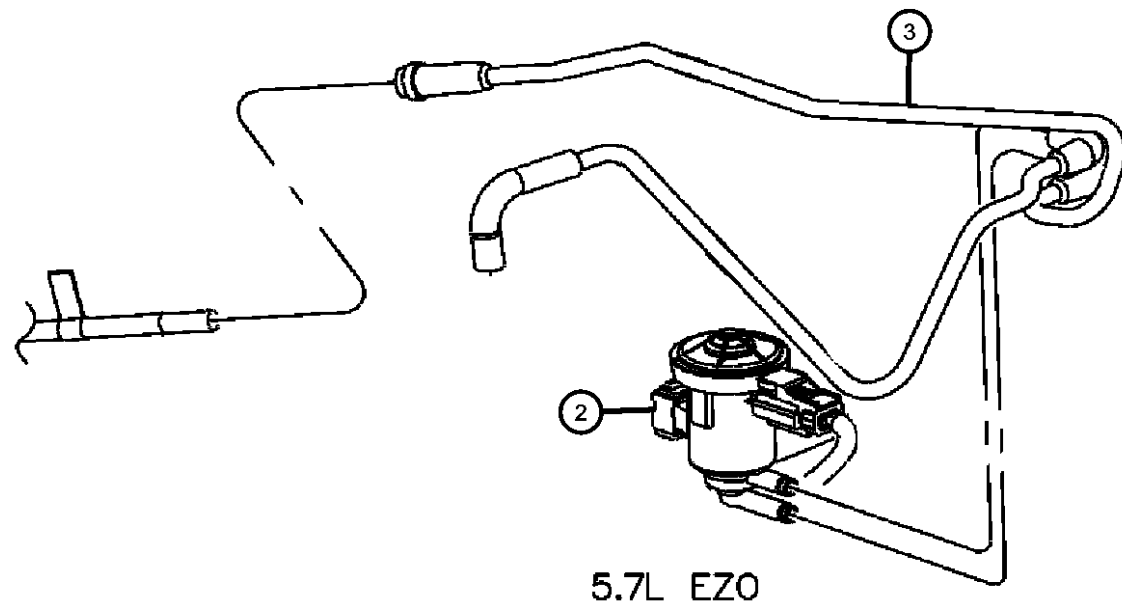
**Emission Control Vacuum Harness
Figure 25-410**

ITEM	PART NUMBER	QTY	LINE	SERIES	BODY	ENGINE	TRANS	TRIM	DESCRIPTION
------	-------------	-----	------	--------	------	--------	-------	------	-------------

Note; Sales Codes
[ER0]= All 4.0L, 6 Cylinder Gas Engines
[EV0]= All 4.7L V-8 Gas Engines



1									HARNESS, Proportional Purge Solenoid
	52059605AC	1				EK0			
	52089987AC	1				EV0			
2	52090419AA	1							SOLENOID, Proportional Purge
3	52059606AC	1				EZ0			HARNESS, Proportional Purge Solenoid



GRAND CHEROKEE (WK)

SERIES	LINE
H = Laredo	T = JEEP - 2WD
P = Limited	J = JEEP - 4WD

BODY

74 = SPORT UTILITY 4-DOOR

ENGINE

EKG = Engine - 3.7L V6
EVA = Engine- 4.7L V8 MPI
EZB = Engine-5.7L HEMI

TRANSMISSION

DG0 = All Automatic Transmissions
DGJ = Transmission - 5-Spd Auto, MB
DGQ = Transmission-5-Spd Automatic 5-45RFE

AR = use ase required - = Non illustrated part

2005 WK

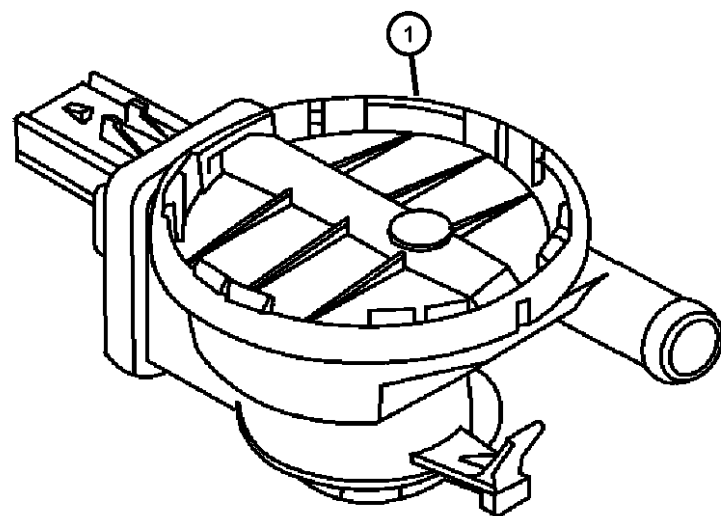
**Leak Detection Pump,
Figure 25-420**

ITEM	PART NUMBER	QTY	LINE	SERIES	BODY	ENGINE	TRANS	TRIM	DESCRIPTION
------	-------------	-----	------	--------	------	--------	-------	------	-------------

Note; Sales Codes
 [ER0]= All 4.0L, 6 Cylinder Gas Engines
 [EV0]= All 4.7L V-8 Gas Engines

1	04891524AA	1							
-2	04885827AA	1							

DETECTOR, Natural Vacuum Leak
 Detection
 SEAL, Canister and NVLD
 Mounting



GRAND CHEROKEE (WK)

SERIES	LINE
H = Laredo	T = JEEP - 2WD
P = Limited	J = JEEP - 4WD

BODY	ENGINE
74 = SPORT UTILITY 4-DOOR	EKG = Engine - 3.7L V6
	EVA = Engine- 4.7L V8 MPI
	EZB = Engine-5.7L HEMI

TRANSMISSION
DG0 = All Automatic Transmissions
DGJ = Transmission - 5-Spd Auto, MB
DGQ = Transmission-5-Spd Automatic 5-45RFE

AR = use ase required - = Non illustrated part

2005 WK

Group - DWK

Doors and Related Parts

Group - DWK Doors and Related Parts

Illustration Title

Group-Fig. No.

Front Door

Door, Front Shell and Hinges.....	Fig. DWK - 110
Door, Front Glass and Regulators	Fig. DWK - 120
Door, Front Lock and Controls	Fig. DWK - 130

Rear Door

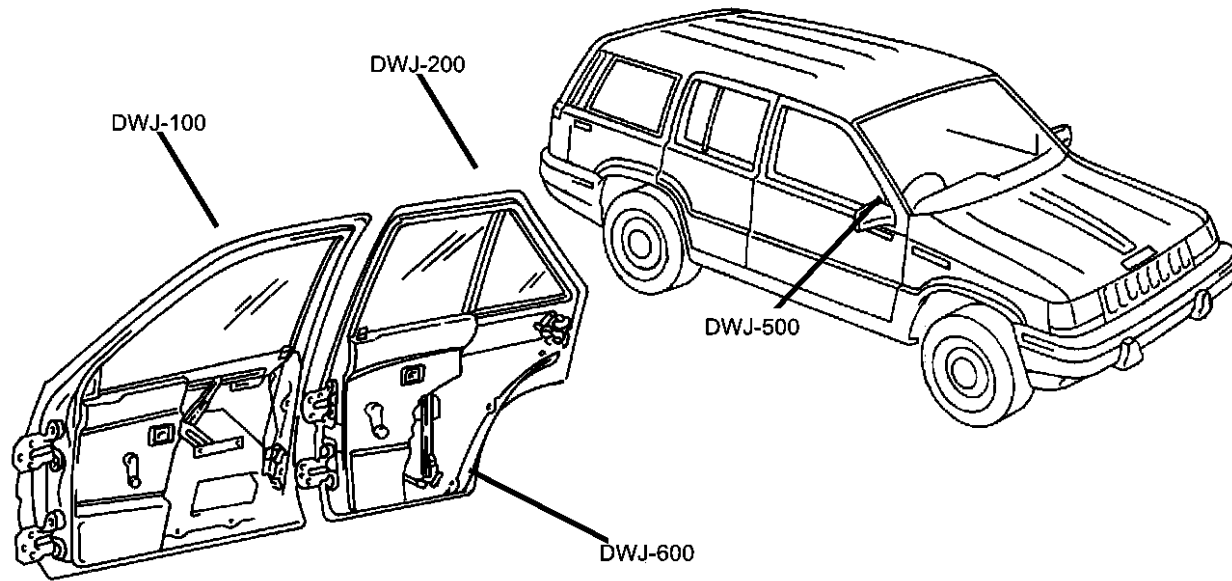
Door, Rear Shell and Hinges.....	Fig. DWK - 210
Door Rear , Glass and Regulator	Fig. DWK - 220
Door, Rear Lock and Controls.....	Fig. DWK - 230

Exterior Mirror

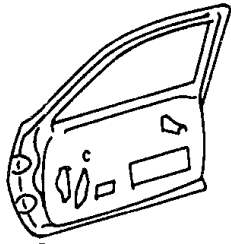
Mirrors, Exterior	Fig. DWK - 510
-------------------------	----------------

Weatherstrips and Seals

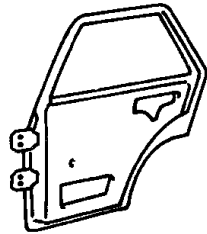
Door, Front Weatherstrips and Seals	Fig. DWK - 610
Door, Rear Weatherstrips and Seals	Fig. DWK - 620
Door, Rear Tail Gate Weatherstrips and Seals.....	Fig. DWK - 630



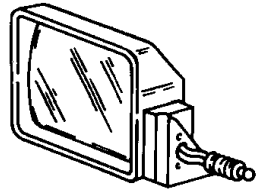
DWK-100
Front Door



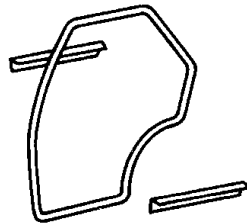
DWK-200
Rear Door



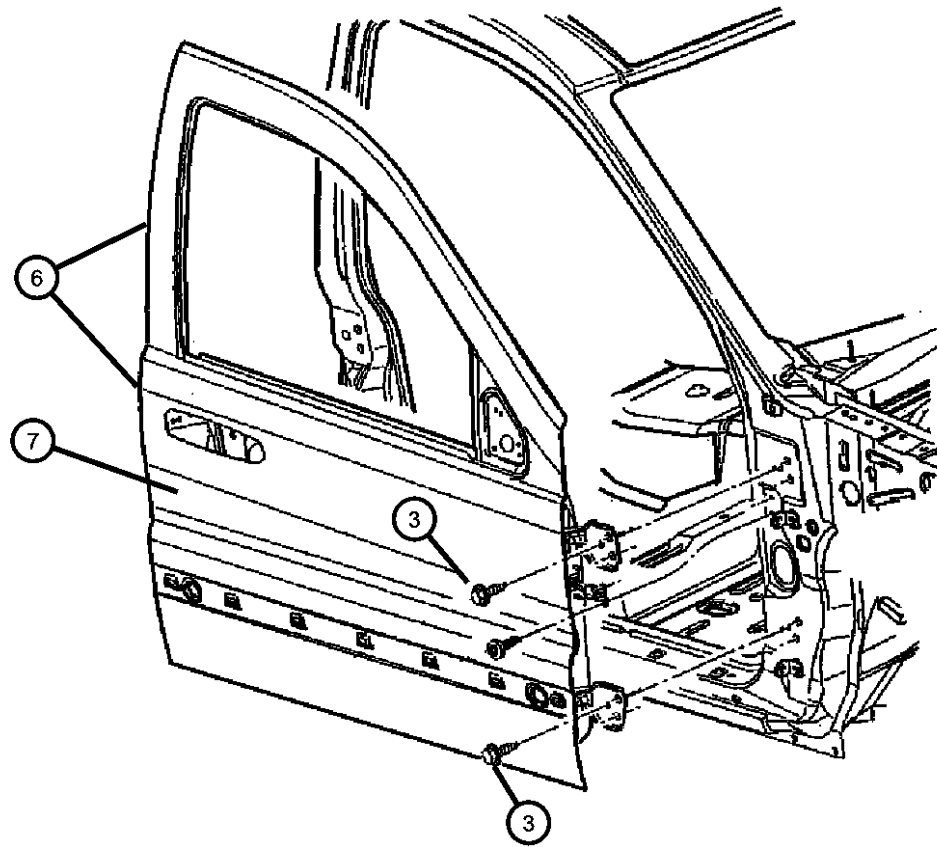
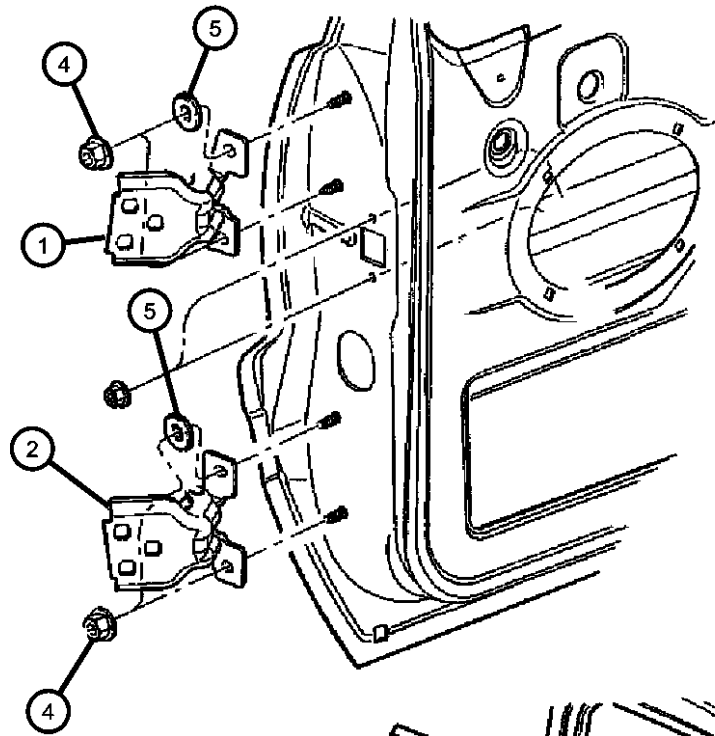
DWK-500
Exterior Mirror



DWK-600
Weatherstrips and Seals



Door, Front Shell and Hinges
Figure DWK-110



ITEM	PART NUMBER	QTY	LINE	SERIES	BODY	ENGINE	TRANS	TRIM	DESCRIPTION
1	55394222AA	1							HINGE, Door, Upper Right
	55394223AA	1							Left
2	55394220AA	2							HINGE, Door, LowerRight & Left
3	06508233AA	10							SCREW
4	06101446	8							NUT AND WASHER
5		8							WASHER, Flat, (NOT SERVICED)
6	55394352AB	1							DOOR, Front Right
	55394353AB	1							Left
7	55394354AA	1							PANEL, Front Door Outer Repair Right
	55394355AA	1							Left

GRAND CHEROKEE (WK)

SERIES LINE
H = Laredo T = JEEP - 2WD
P = Limited J = JEEP - 4WD

BODY

74 = SPORT UTILITY 4-DOOR

ENGINE

EKG = Engine - 3.7L V6
EVA = Engine- 4.7L V8 MPI
EZB = Engine-5.7L HEMI

TRANSMISSION

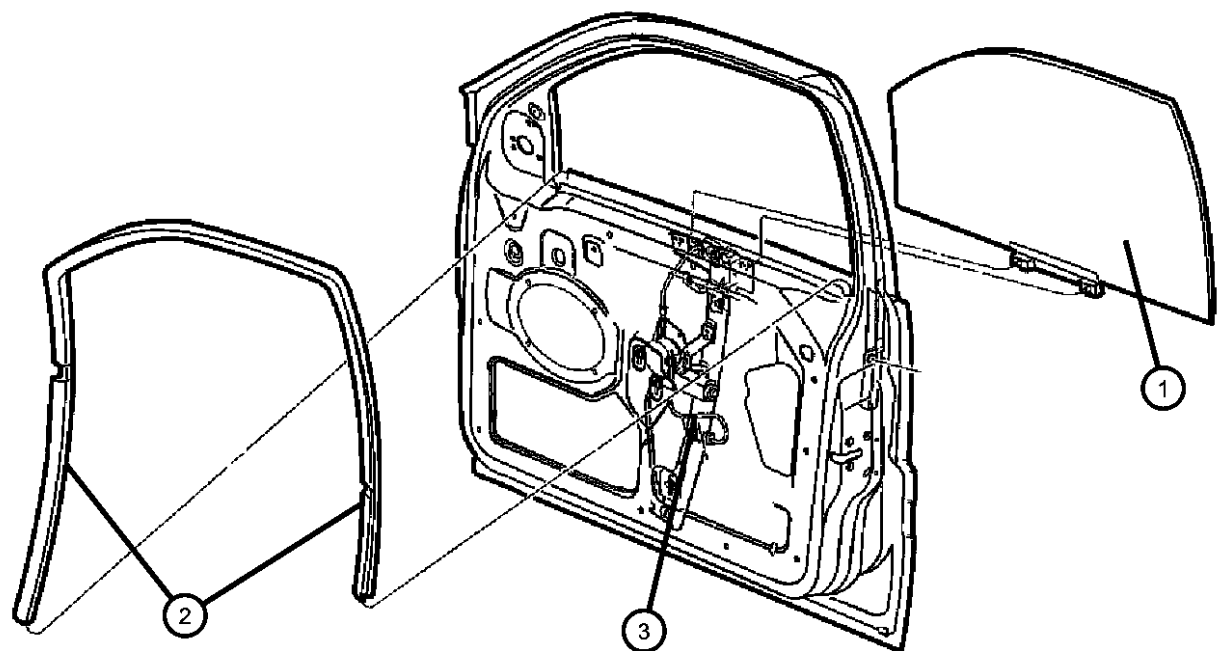
DG0 = All Automatic Transmissions
DGJ = Transmission - 5-Spd Auto, MB
DGQ = Transmission-5-Spd Automatic
5-45RFE

AR = use ase required - = Non illustrated part

2005 WK

Door, Front Glass and Regulators
Figure DWK-120

ITEM	PART NUMBER	QTY	LINE	SERIES	BODY	ENGINE	TRANS	TRIM	DESCRIPTION
1									GLASS, Front Door
	55394254AB	1							Up to 10/05/04, Right
	55394255AB	1							Up to 10/05/04, Left
	55396954AA	1							Laminated after 10/05/04, Right
	DD10849GTY								Collision Replacement Glass
	55396955AA	1							Laminated after 10/05/04, Left
	DD10850GTY								Collision Replacement Glass
2									SEAL, Front Door Glass
	55394052AD	1							Right
	55394053AD	1							Left
3									REGULATOR, Front Door Window
	55394226AC	1							Right
	55394227AC	1							Left
-4									CHANNEL, Front Door Glass
	55394358AC	1							Right
	55394359AC	1							Left



GRAND CHEROKEE (WK)

SERIES	LINE
H = Laredo	T = JEEP - 2WD
P = Limited	J = JEEP - 4WD

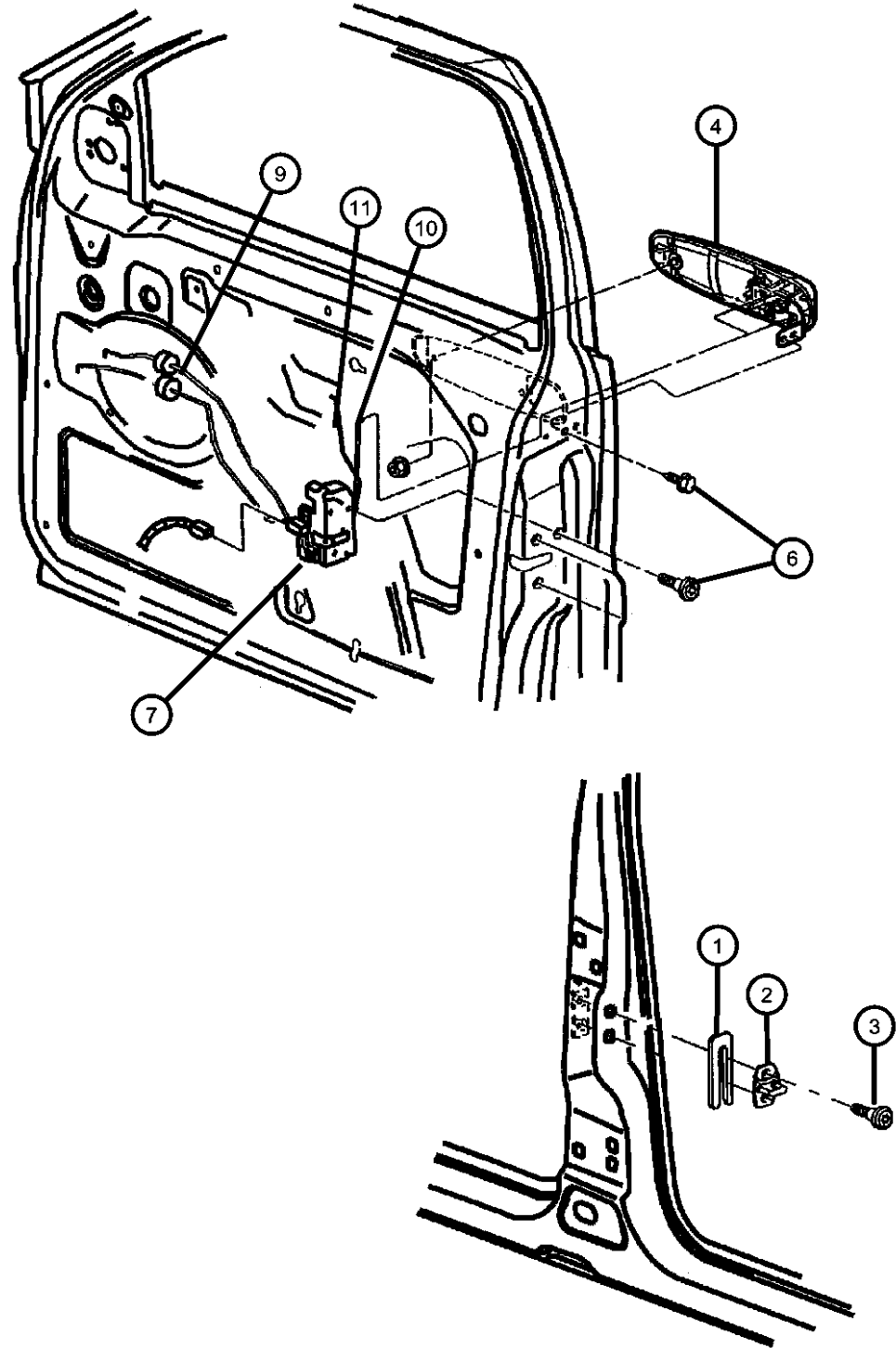
BODY	ENGINE
74 = SPORT UTILITY 4-DOOR	EKG = Engine - 3.7L V6
	EVA = Engine- 4.7L V8 MPI
	EZB = Engine-5.7L HEMI

TRANSMISSION
DG0 = All Automatic Transmissions
DGJ = Transmission - 5-Spd Auto, MB
DGQ = Transmission-5-Spd Automatic 5-45RFE

AR = use ase required - = Non illustrated part

2005 WK

Door, Front Lock and Controls
Figure DWK-130



ITEM	PART NUMBER	QTY	LINE	SERIES	BODY	ENGINE	TRANS	TRIM	DESCRIPTION
1	04520289	AR							SPACER, Door Latch Striker 3.75mm
	55075483	AR							2.0mm
2	04717779AB	2							STRIKER AND BUMPER, Door Latch
3	06506749AA	4							SCREW, 6 Lobed
4									HANDLE, Door Exterior
	5HS57BB8AG	1		P					[B8] Without lock cylinder hole, Left
	5HS57BJTAG	1		P					[JT] Without lock cylinder hole, Left
	5HS57CG-VAG	1		P					[GV] Without lock cylinder hole, Left
	5HS57SW1AG	1		P					[W1] Without lock cylinder hole, Left
	5HS57WE-LAG	1		P					[EL] Without lock cylinder hole, Left
	5HS57WS-BAG	1		P					[SB] Without lock cylinder hole, Left
	5HW79AJ-CAF	1		P					[JC], Left
	5HW79AXRAF	1		P					[XR], Left
	5HW79BB8AF	1		P					[B8], Left
	5HW79BJTAF	1		P					[JT], Left
	5HW79CG-VAF	1		P					[GV], Left
	55394237AG	1		H					Textured Black, Left
	55394240AG	1		H					Textured Black, Right
	5HS56AJCAG	1		P					[JC] Without lock cylinder hole, Right
	5HS56ARJAG	1		P					[RJ] Without lock cylinder hole, Right
	5HS56WE-LAG	1		P					[EL] Without lock cylinder hole, Right
	5HS56AXRAG	1		P					[XR] Without lock cylinder hole, Right
	5HS56BB8AG	1		P					[B8] Without lock cylinder hole, Right
	5HS56BJTAG	1		P					[JT] Without lock cylinder hole, Right
	5HS56CG-VAG	1		P					[GV] Without lock cylinder hole, Right
	5HS56SW1AG	1		P					[W1] Without lock cylinder hole, Right
	5HS56WS-BAG	1		P					[SB] Without lock cylinder hole, Right

GRAND CHEROKEE (WK)

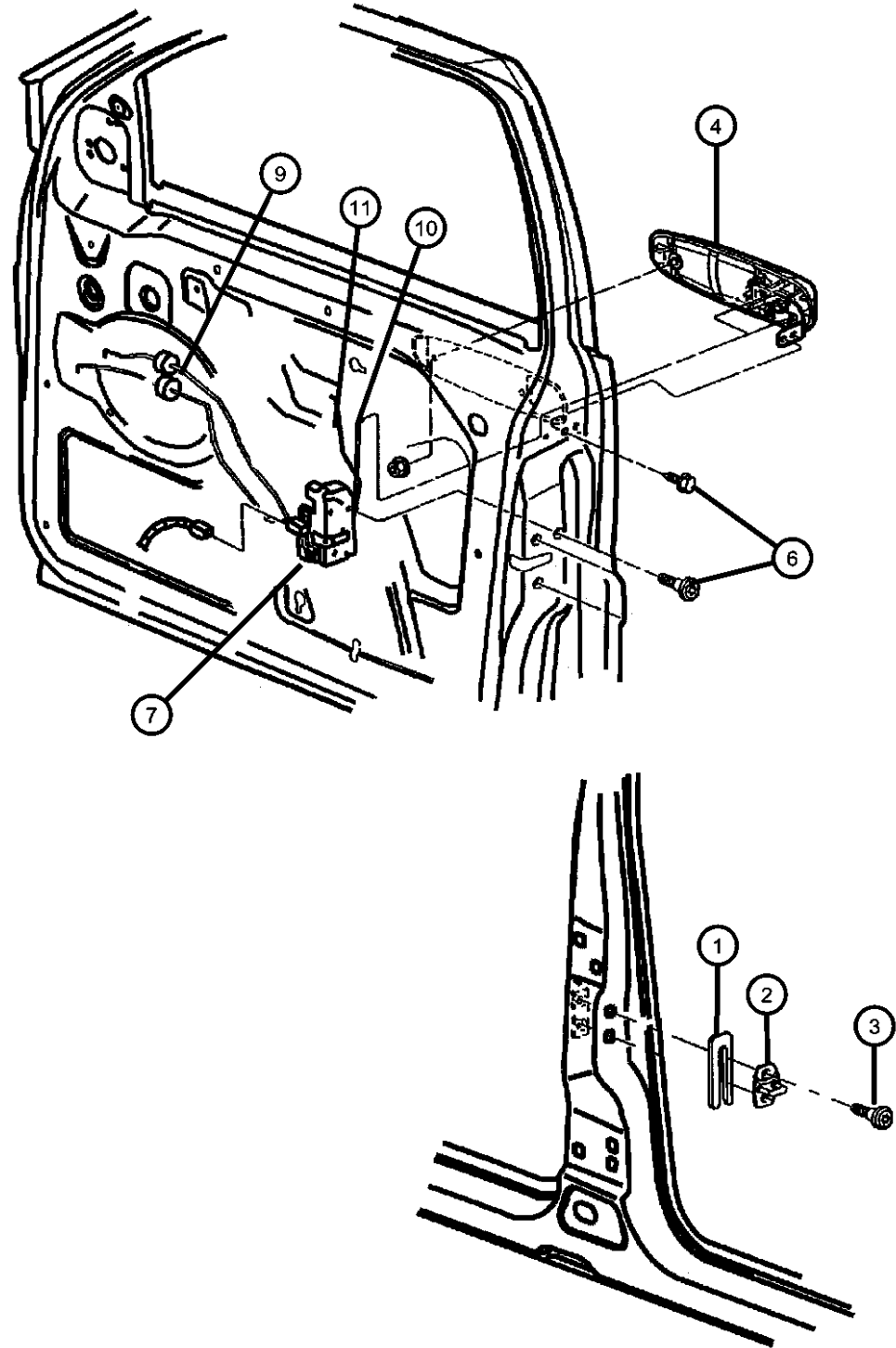
SERIES LINE
H = Laredo T = JEEP - 2WD
P = Limited J = JEEP - 4WD

BODY ENGINE
74 = SPORT UTILITY 4-DOOR EKG = Engine - 3.7L V6
EVA = Engine- 4.7L V8 MPI
EZB = Engine-5.7L HEMI

TRANSMISSION
DG0 = All Automatic Transmissions
DGJ = Transmission - 5-Spd Auto, MB
DGQ = Transmission-5-Spd Automatic 5-45RFE

AR = use ase required - = Non illustrated part

Door, Front Lock and Controls
Figure DWK-130



ITEM	PART NUMBER	QTY	LINE	SERIES	BODY	ENGINE	TRANS	TRIM	DESCRIPTION
	5HS57AJCAG	1		P					[JC] Without lock cylinder hole, Left
	5HS57AXRAG	1		P					[XR] Without lock cylinder hole, Left
	5HW79SW1AF	1		P					[W1], Left
	5HW79WE-LAF	1		P					[EL], Left
	5HW79WS-BAF	1		P					[SB], Left
-5									CLIP, Rod Door Lock
	05179176AA	1		H					Lock Rod To Cylinder
		1		P					Lock Rod To Cylinder
6	06507121AA	6							SCREW
7									LATCH, Front Door
	55394232AD	1							Right
	55394937AD	1							Left
-8									KNOB AND LINK, Door Latch
	55396907AA	1			J				Left
	55396906AA	1			J				Right
9									ROD, Inside Handle to Latch
	05166835AA	1							[-JPB], Right
	05166837AA	1							[-JPB], Left
	05166840AA	1							[JPB], Right
	05166842AA	1							[JPB], Left
10									LINK, Exterior Door Handle
	05166836AA	1							[-JPB], Right
	05166838AA	1							[-JPB], Left
	05166841AA	1							[JPB], Right
	05166843AA	1							[JPB], Left
11	05166839AA	1							LINK, Key Cylinder To Latch

GRAND CHEROKEE (WK)

SERIES LINE
H = Laredo T = JEEP - 2WD
P = Limited J = JEEP - 4WD

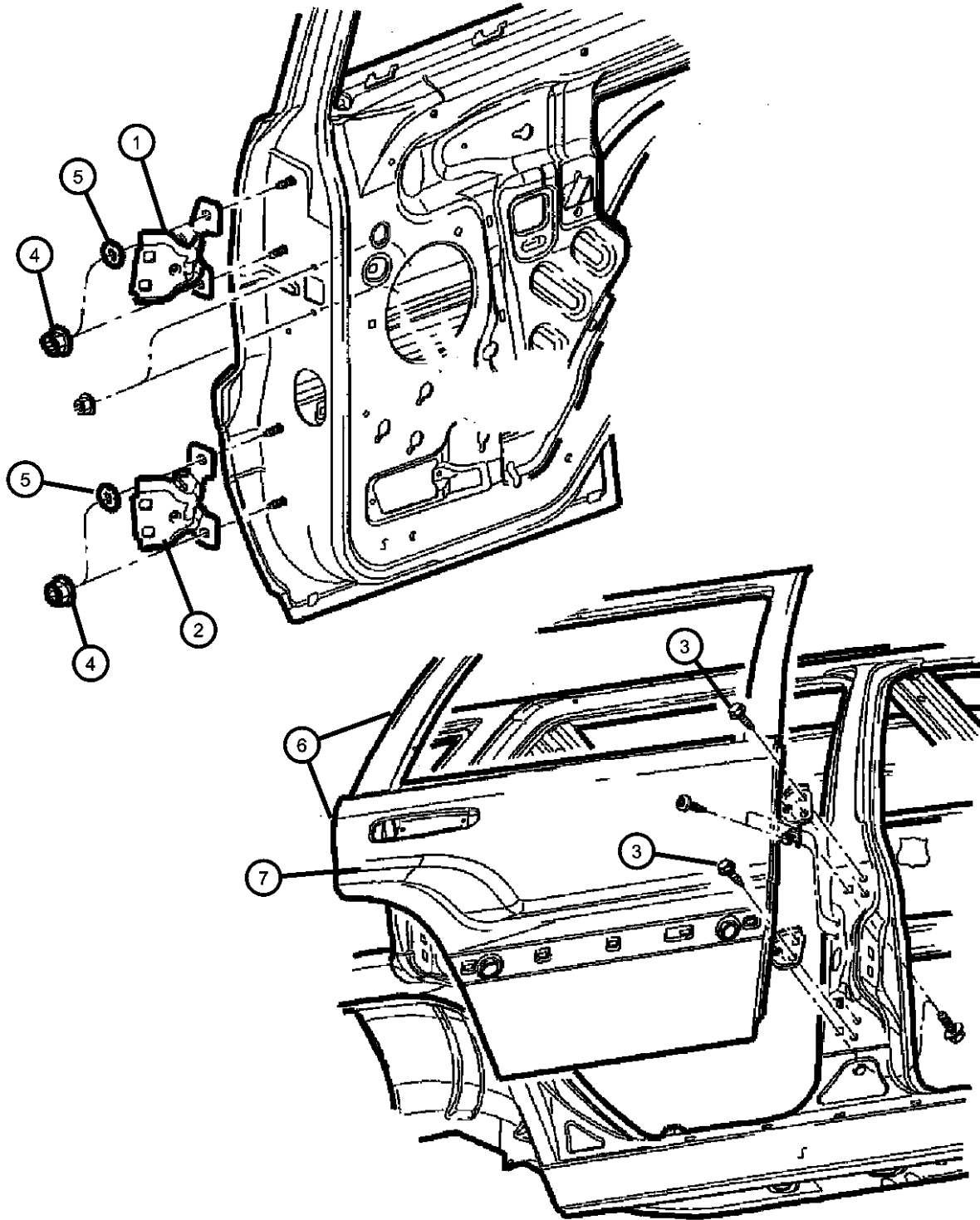
BODY ENGINE
74 = SPORT UTILITY 4-DOOR EKG = Engine - 3.7L V6
EVA = Engine- 4.7L V8 MPI
EZB = Engine-5.7L HEMI

TRANSMISSION
DG0 = All Automatic Transmissions
DGJ = Transmission - 5-Spd Auto, MB
DGQ = Transmission-5-Spd Automatic 5-45RFE

AR = use ase required - = Non illustrated part

2005 WK

Door, Rear Shell and Hinges
Figure DWK-210



ITEM	PART NUMBER	QTY	LINE	SERIES	BODY	ENGINE	TRANS	TRIM	DESCRIPTION
1	55394222AA	1							HINGE, Door, Upper Right
	55394223AA	1							Left
2	55394220AA	2							HINGE, Door, LowerRight & Left
3	06508233AA	10							SCREW
4	06101446	8							NUT AND WASHER
5		8							WASHER, Flat, (NOT SERVICED)
6									DOOR, Rear
	55394384AC	1							Right
	55394385AC	1							Left
7									PANEL, Rear Door
	55394386AB	1							Right
	55394387AB	1							Left

GRAND CHEROKEE (WK)

SERIES LINE
H = Laredo T = JEEP - 2WD
P = Limited J = JEEP - 4WD

BODY

74 = SPORT UTILITY 4-DOOR

ENGINE

EKG = Engine - 3.7L V6
EVA = Engine- 4.7L V8 MPI
EZB = Engine-5.7L HEMI

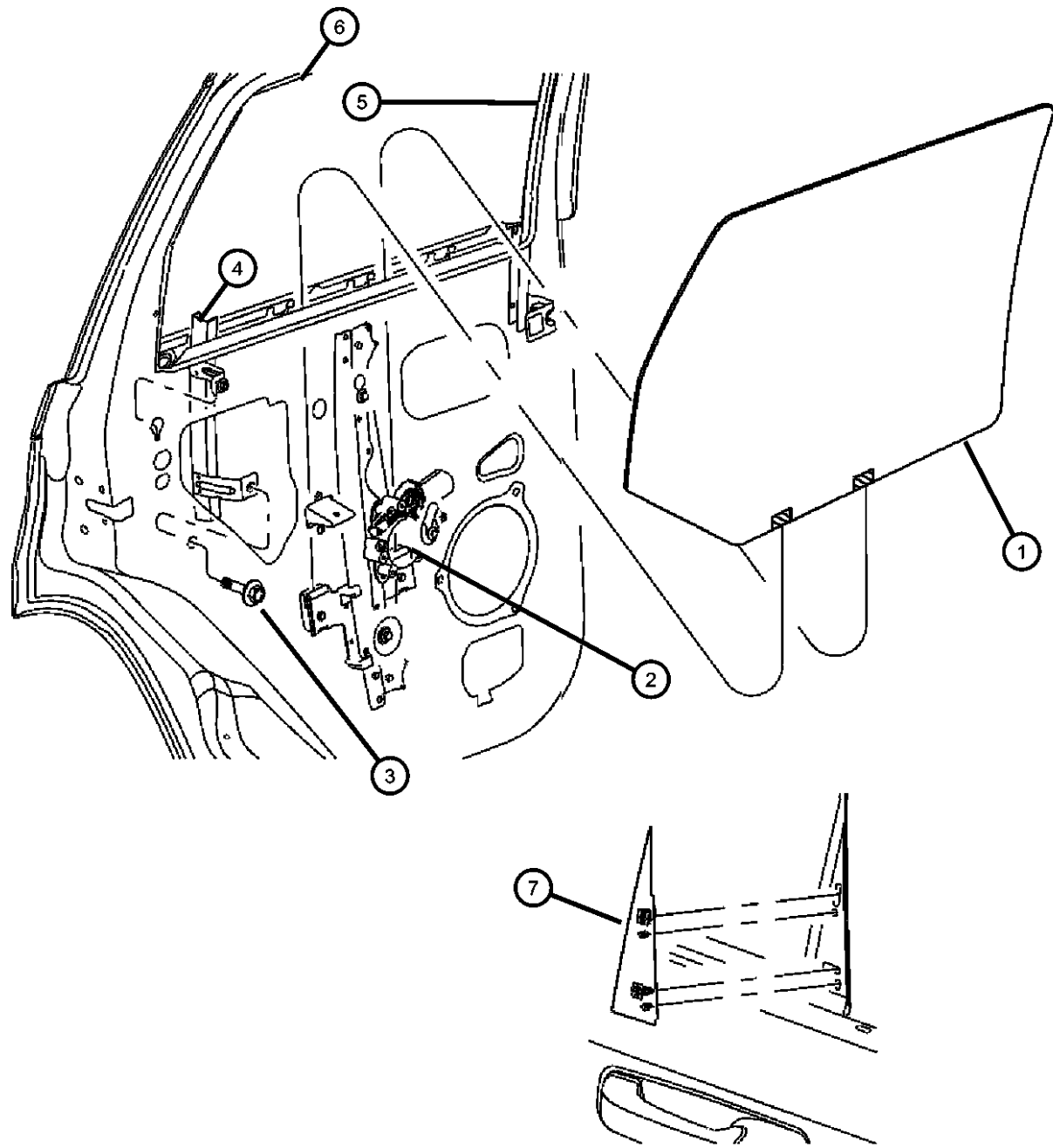
TRANSMISSION

DG0 = All Automatic Transmissions
DGJ = Transmission - 5-Spd Auto, MB
DGQ = Transmission-5-Spd Automatic
5-45RFE

AR = use ase required - = Non illustrated part

2005 WK

**Door Rear , Glass and Regulator
Figure DWK-220**



ITEM	PART NUMBER	QTY	LINE	SERIES	BODY	ENGINE	TRANS	TRIM	DESCRIPTION
Sales Codes [MMS]= Belt Moldings Bright									
1									GLASS, Rear Door
	55394310AA	1							Right
	55394311AA	1							Left
2									REGULATOR, Rear Door Window
	55394228AB	1							Right
	55394229AB	1							Left
3	06502064	1							SCREW, Tapping, M6x1x20
4									CHANNEL, Rear Door Glass Lower
	55394328AA	1							Right
	55394329AA	1							Left
5									WEATHERSTRIP, Door Glass
	55394054AC	1							Right
	55394055AC	1							Left
6									WEATHERSTRIP, Rear Door Belt
	55394032AB	1							Right, Inner
	55394033AB	1							Left, Inner
	55394034AC	1							Right, Outer
	55394035AC	1							Left, Outer
	55396320AB	1							With [MMS], Right, Outer
	55396321AB	1							With [MMS], Left, Outer
7									APPLIQUE, Rear Door
	55396380AB	1							Right
	55396381AB	1							Left

GRAND CHEROKEE (WK)

SERIES	LINE
H = Laredo	T = JEEP - 2WD
P = Limited	J = JEEP - 4WD

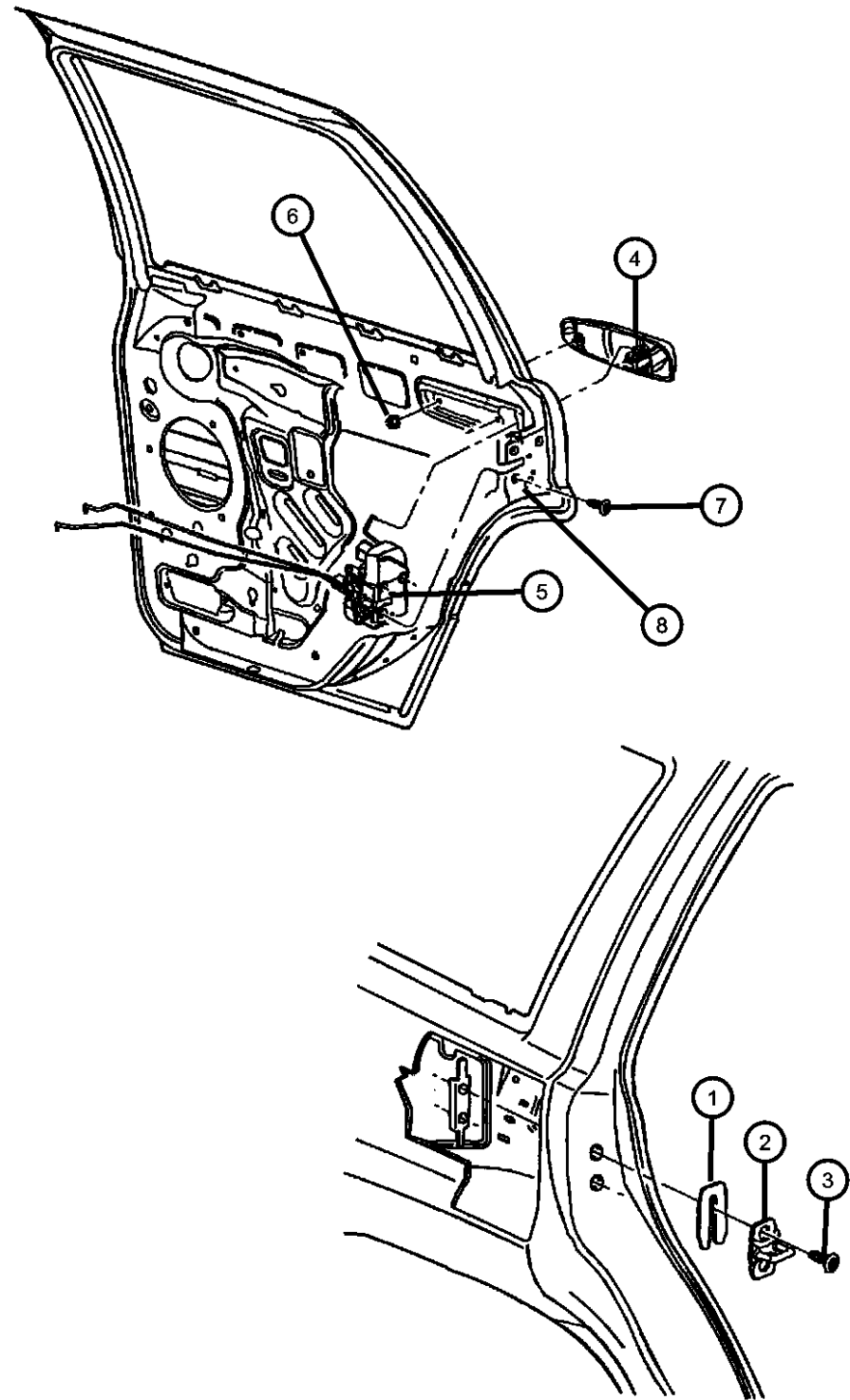
BODY	ENGINE
74 = SPORT UTILITY 4-DOOR	EKG = Engine - 3.7L V6
	EVA = Engine- 4.7L V8 MPI
	EZB = Engine-5.7L HEMI

TRANSMISSION
DG0 = All Automatic Transmissions
DGJ = Transmission - 5-Spd Auto, MB
DGQ = Transmission-5-Spd Automatic 5-45RFE

AR = use ase required - = Non illustrated part

2005 WK

Door, Rear Lock and Controls
Figure DWK-230



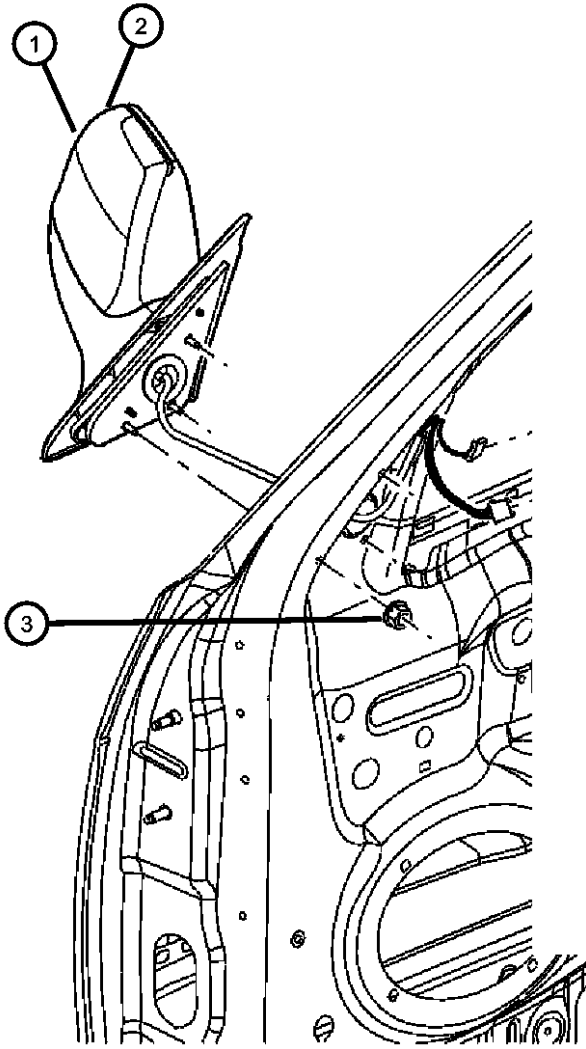
ITEM	PART NUMBER	QTY	LINE	SERIES	BODY	ENGINE	TRANS	TRIM	DESCRIPTION
1	04520289	AR							SPACER, Door Latch Striker 3.75 mm thick
	55075483	AR							2.0 mm thick
2	04717779AB	2							STRIKER AND BUMPER, Door Latch
3	06506749AA	4							SCREW, 6 Lobed Striker To Body
4									HANDLE, Rear Door Exterior
	55394240AF	1		H					Textured Black, Right
	55394241AF	1		H					Textured Black, Left
	5HS56AJCAE	1		P					[JC], Right
	5HS56AXRAE	1		P					[XR], Right
	5HS56BB8AE	1		P					[B8], Right
	5HS56BJTAE	1		P					[JT], Right
	5HS56CG-VAE	1		P					[GV], Right
	5HS57BB8AE	1		P					[B8], Left
	5HS57BJTAE	1		P					[JT], Left
	5HS57CG-VAE	1		P					[GV], Left
	5HS57SW1AE	1		P					[W1], Left
	5HS56SW1AE	1		P					[W1], Right
	5HS56WE-LAE	1		P					[EL], Right
	5HS56WS-BAE	1		P					[SB], Right
	5HS57AJCAE	1		P					[JC], Left
	5HS57AXRAE	1		P					[XR], Left
	5HS57WE-LAE	1		P					[EL], Left
	5HS57WS-BAE	1		P					[SB], Left
5									LATCH, Rear Door
	55394234AD	1							Right
	55394235AD	1							Left
6	06508074AA	6							SCREW, Tapping Outside Handle Attaching
7	06507121AA	6							SCREW Latch Attaching
8	05008292AB	2							SEAL, Child Lock Lever

GRAND CHEROKEE (WK)

SERIES	LINE	BODY	ENGINE	TRANSMISSION
H = Laredo	T = JEEP - 2WD	74 = SPORT UTILITY 4-DOOR	EKG = Engine - 3.7L V6	DG0 = All Automatic Transmissions
P = Limited	J = JEEP - 4WD		EVA = Engine- 4.7L V8 MPI	DGJ = Transmission - 5-Spd Auto, MB
			EZB = Engine-5.7L HEMI	DGQ = Transmission-5-Spd Automatic 5-45RFE

AR = use ase required - = Non illustrated part

Mirrors, Exterior
Figure DWK-510



ITEM	PART NUMBER	QTY	LINE	SERIES	BODY	ENGINE	TRANS	TRIM	DESCRIPTION
1									MIRROR, Outside, Rearview, Electric, Heated
	55156451AA	1							[GUD], Left
	55156452AA	1							[GTS], Right
	55156453AA	1							[GTS], Left
	55157072AA	1							[GUD], Right
2									MIRROR, Outside Rearview Electric Foldaway
	55156454AA	1							[GTN], Right
	55156455AA	1							[GTN], Left
3	06100045	6							NUT AND WASHER, Hex, M5x.80Mirror Attaching
-4									GLASS, Mirror Replacement
	05142872AA	1							[GTN], Right
	05142873AA	1							[GTN], Left
	05142874AA	1							[GUD], Right
		1							[GTS], Right
	05142875AA	1							[GTS], Left
	05142877AA	1							[GUD], Left

GRAND CHEROKEE (WK)

SERIES LINE
H = Laredo T = JEEP - 2WD
P = Limited J = JEEP - 4WD

BODY

74 = SPORT UTILITY 4-DOOR

ENGINE

EKG = Engine - 3.7L V6
EVA = Engine- 4.7L V8 MPI
EZB = Engine-5.7L HEMI

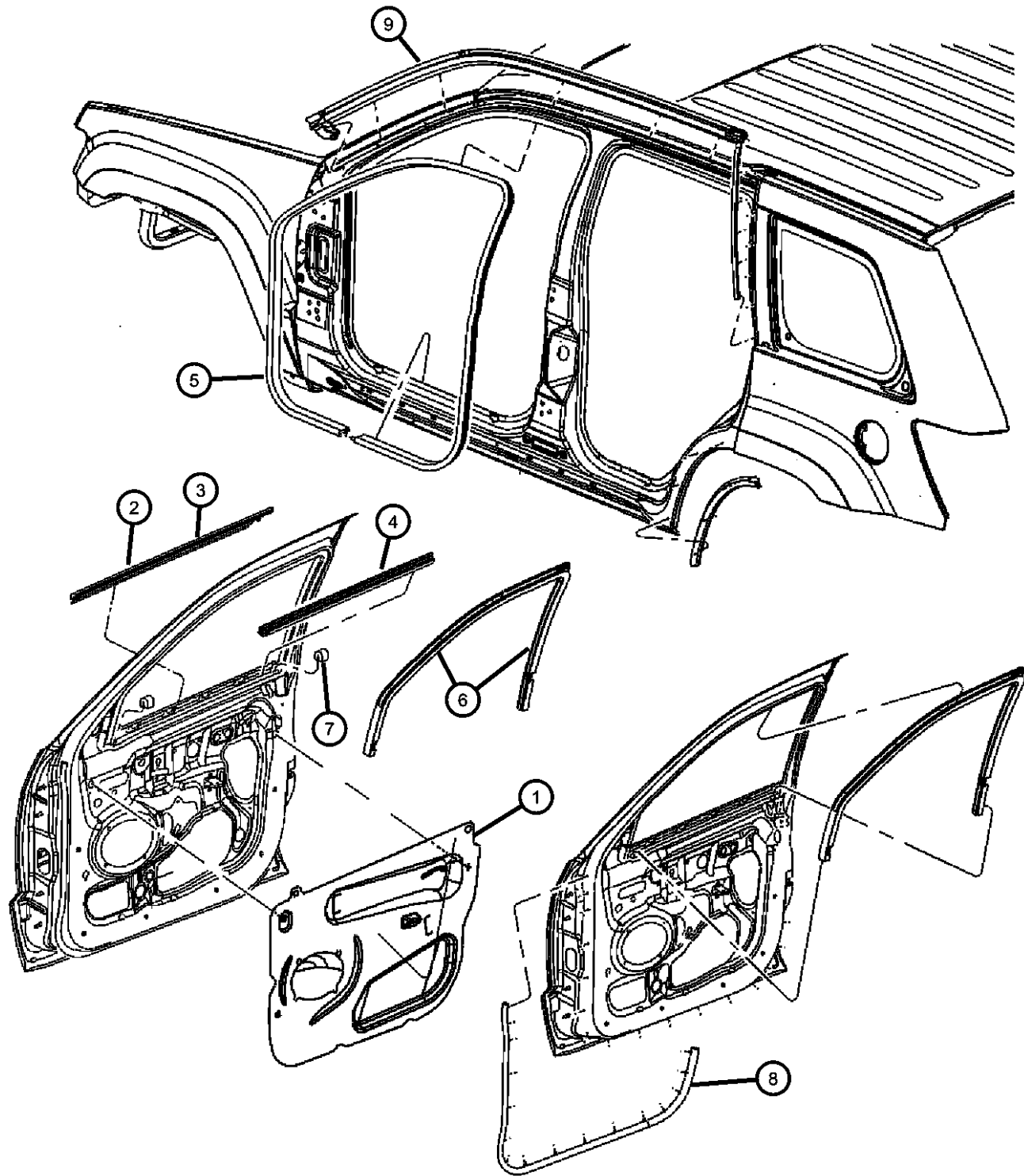
TRANSMISSION

DG0 = All Automatic Transmissions
DGJ = Transmission - 5-Spd Auto, MB
DGQ = Transmission-5-Spd Automatic 5-45RFE

AR = use ase required - = Non illustrated part

2005 WK

**Door, Front Weatherstrips and Seals
Figure DWK-610**



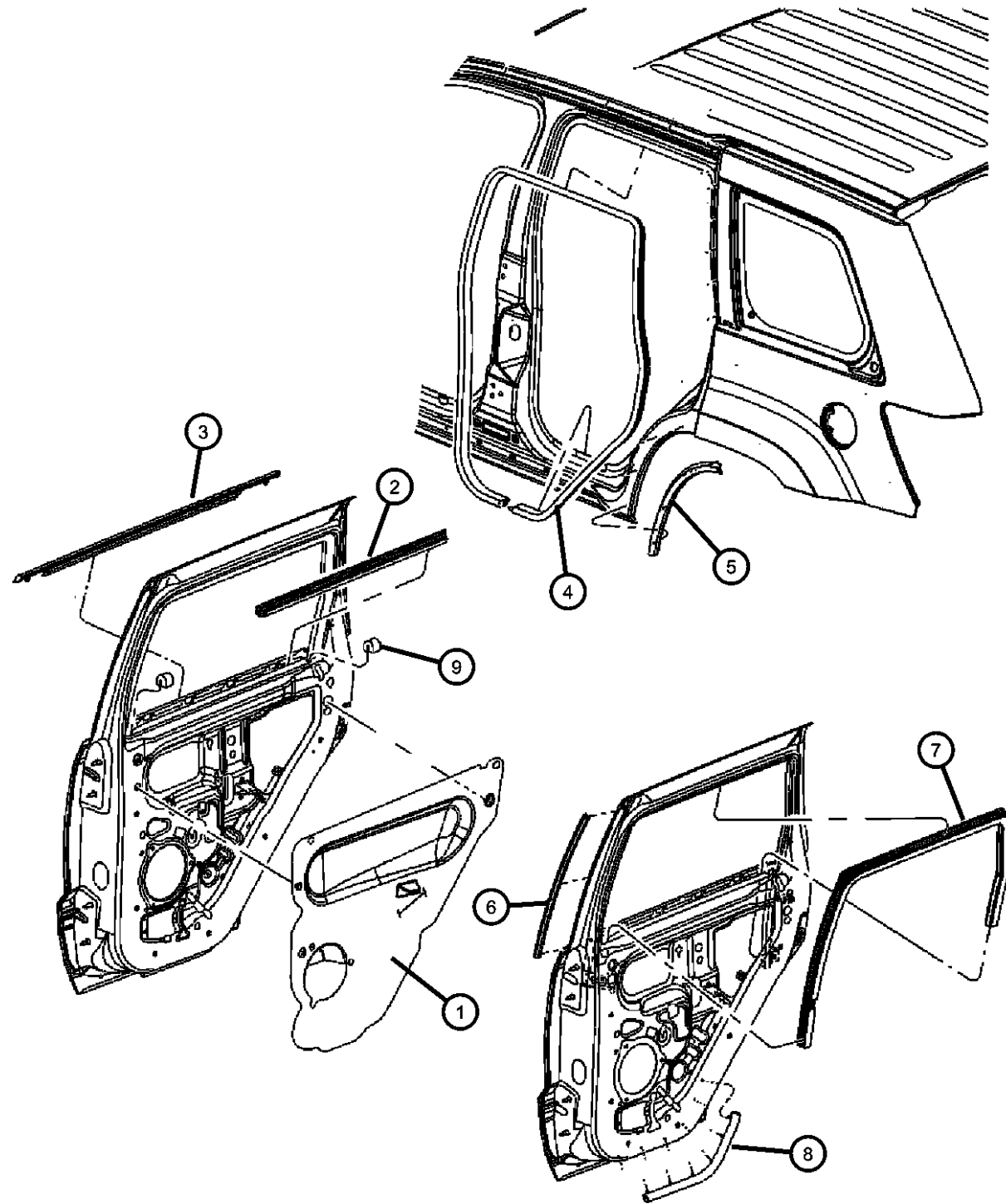
ITEM	PART NUMBER	QTY	LINE	SERIES	BODY	ENGINE	TRANS	TRIM	DESCRIPTION
1	55394026AC	1							INSULATOR, Front Door Right
	55394027AC	1							Left
2	55394030AC	1							WEATHERSTRIP, Front Door Outer Belt, Right
	55394031AC	1							Outer Belt, Left
3	55396318AB	1							WEATHERSTRIP, Front Door Belt [MMS], Right, Outer
	55396319AB	1							[MMS], Left, Outer
4	55394036AB	1							WEATHERSTRIP, Front Door Belt Right, Inner
	55394037AB	1							Left, Inner
5	55394040AC	2							SEAL, Front DoorBody Side
6	55394052AD	1							SEAL, Front Door Glass Glass Run, Right
	55394053AD	1							Glass Run, Left
7		1							SEAL, (NOT SERVICED),
8	55394042AB	1							SEAL, Front Door Lower Door Mounted, Right
	55394043AB	1							Lower Door Mounted, Left
9	55394050AC	1							SEAL, Body Side Right, Upper
	55394051AC	1							Left, Upper

GRAND CHEROKEE (WK)

SERIES	LINE	BODY	ENGINE	TRANSMISSION
H = Laredo	T = JEEP - 2WD	74 = SPORT UTILITY 4-DOOR	EKG = Engine - 3.7L V6	DG0 = All Automatic Transmissions
P = Limited	J = JEEP - 4WD		EVA = Engine- 4.7L V8 MPI	DGJ = Transmission - 5-Spd Auto, MB
			EZB = Engine-5.7L HEMI	DGQ = Transmission-5-Spd Automatic 5-45RFE

AR = use ase required - = Non illustrated part

**Door, Rear Weatherstrips and Seals
Figure DWK-620**



ITEM	PART NUMBER	QTY	LINE	SERIES	BODY	ENGINE	TRANS	TRIM	DESCRIPTION
1	55394028AC	1							SHIELD, Water Right
	55394029AC	1							Left
2	55394032AB	1							WEATHERSTRIP, Rear Door Belt Right
	55394033AB	1							Left
3	55394034AC	1							WEATHERSTRIP, Rear Door Belt [MMG], Right, Outer
	55394035AC	1							[MMG], Left, Outer
	55396320AC	1							[MMS] Chrome, Right, Outer
	55396321AC	1							[MMS] Chrome, Left, Outer
4	55394044AC	2							SEAL, Rear DoorBody Side
5	55396052AB	1							SEAL, Wheelhouse Right
	55396053AB	1							Left
6	55394038AB	1							SEAL, Door Right, B Pillar
	55394039AB	1							Left, B Pillar
7	55394054AC	1							WEATHERSTRIP, Door Glass Glass Run, Right Rear
	55394055AC	1							Glass Run, Left Rear
8	55394046AA	1							SEAL, Rear Door Lower Door Mounted, Right
	55394047AA	1							Lower Door Mounted, Left
9		1							SEAL, Foam, (NOT SERVICED),

GRAND CHEROKEE (WK)

SERIES LINE
H = Laredo T = JEEP - 2WD
P = Limited J = JEEP - 4WD

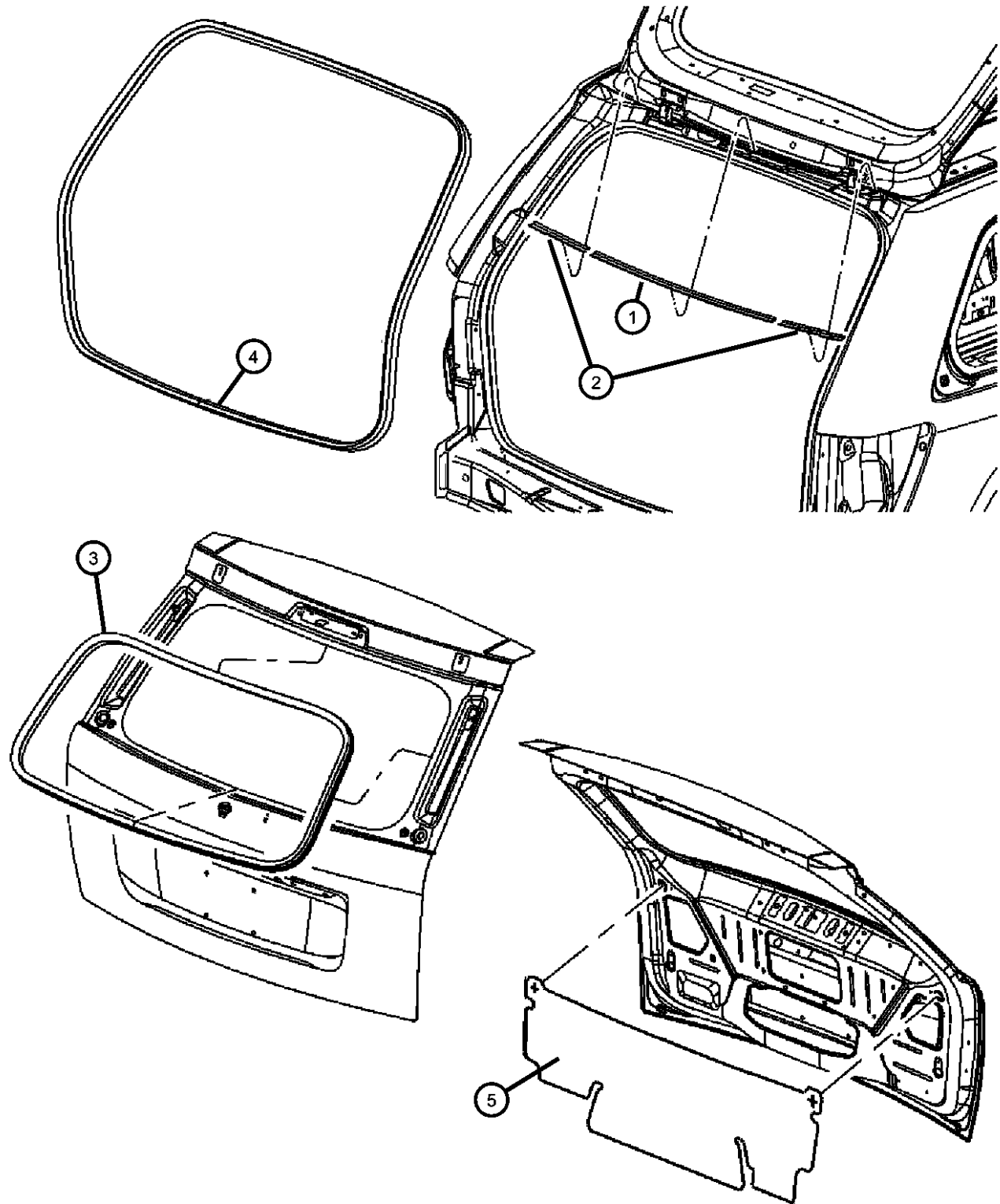
BODY ENGINE
74 = SPORT UTILITY 4-DOOR EKG = Engine - 3.7L V6
EVA = Engine- 4.7L V8 MPI
EZB = Engine-5.7L HEMI

TRANSMISSION
DG0 = All Automatic Transmissions
DGJ = Transmission - 5-Spd Auto, MB
DGQ = Transmission-5-Spd Automatic
5-45RFE

AR = use ase required - = Non illustrated part

2005 WK

**Door, Rear Tail Gate Weatherstrips and Seals
Figure DWK-630**



ITEM	PART NUMBER	QTY	LINE	SERIES	BODY	ENGINE	TRANS	TRIM	DESCRIPTION
1	55396939AA	1							SEAL, LiftgateCenter
2	55396851AB	2							SEAL, LiftgateOuter
3	55394780AD	1							WEATHERSTRIP, Liftgate Glass
4	55394782AC	1							WEATHERSEAL, LIFTGATE
5	55394781AA	1							INSULATION, Liftgate

GRAND CHEROKEE (WK)

SERIES	LINE
H = Laredo	T = JEEP - 2WD
P = Limited	J = JEEP - 4WD

BODY

74 = SPORT UTILITY 4-DOOR

ENGINE

EKG = Engine - 3.7L V6
EVA = Engine- 4.7L V8 MPI
EZB = Engine-5.7L HEMI

TRANSMISSION

DG0 = All Automatic Transmissions
DGJ = Transmission - 5-Spd Auto, MB
DGQ = Transmission-5-Spd Automatic 5-45RFE

AR = use ase required - = Non illustrated part

2005 WK

Group - EWK

Exterior Ornamentation

Group - EWK Exterior Ornamentation

Illustration Title

Group-Fig. No.

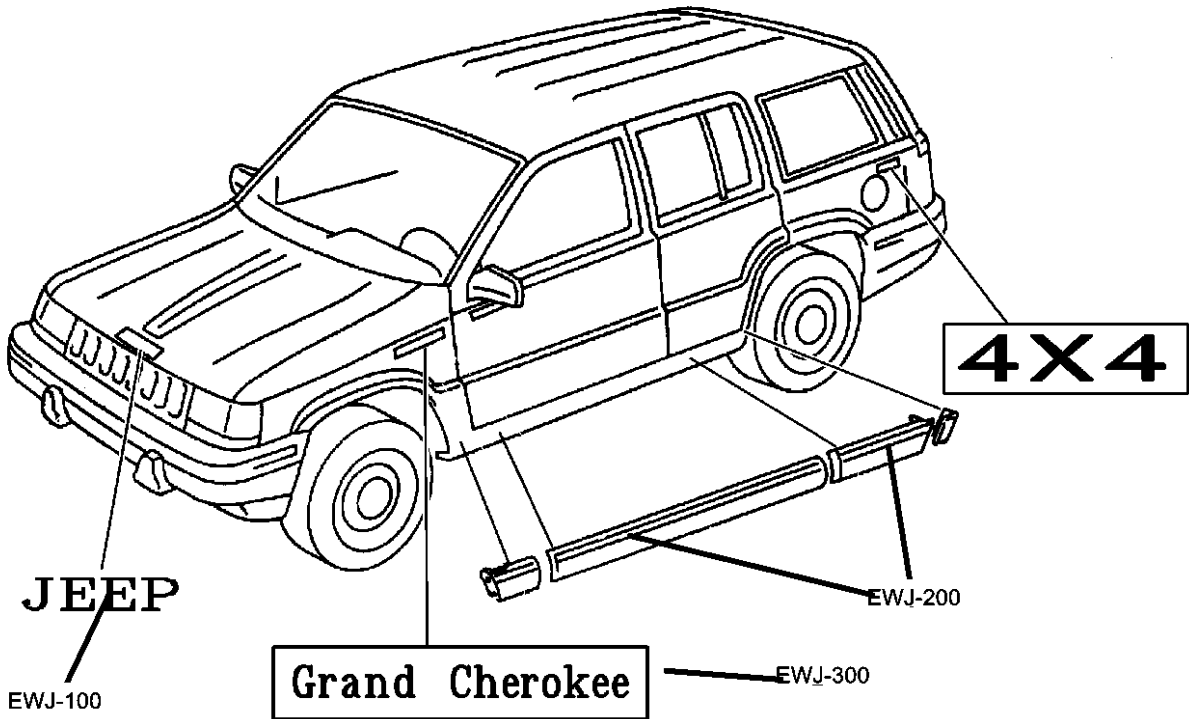
Nameplates

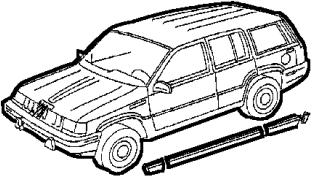
Nameplates and DecalsFig. EWK - 120

Moldings and Ornamentation

Moldings, Upper.....Fig. EWK - 210

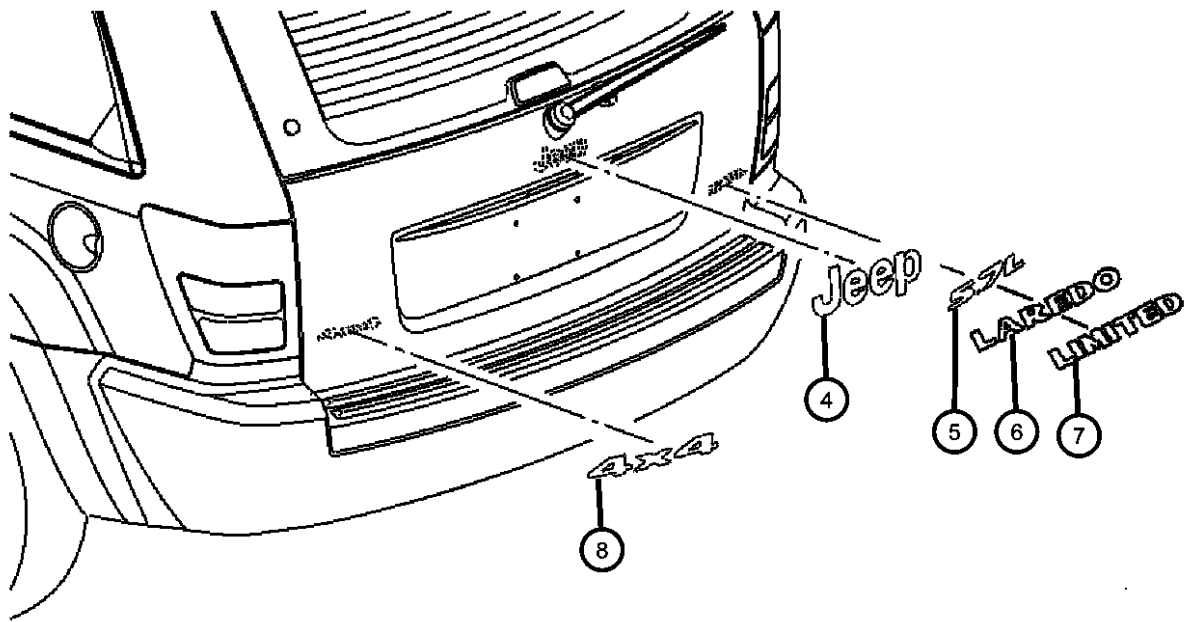
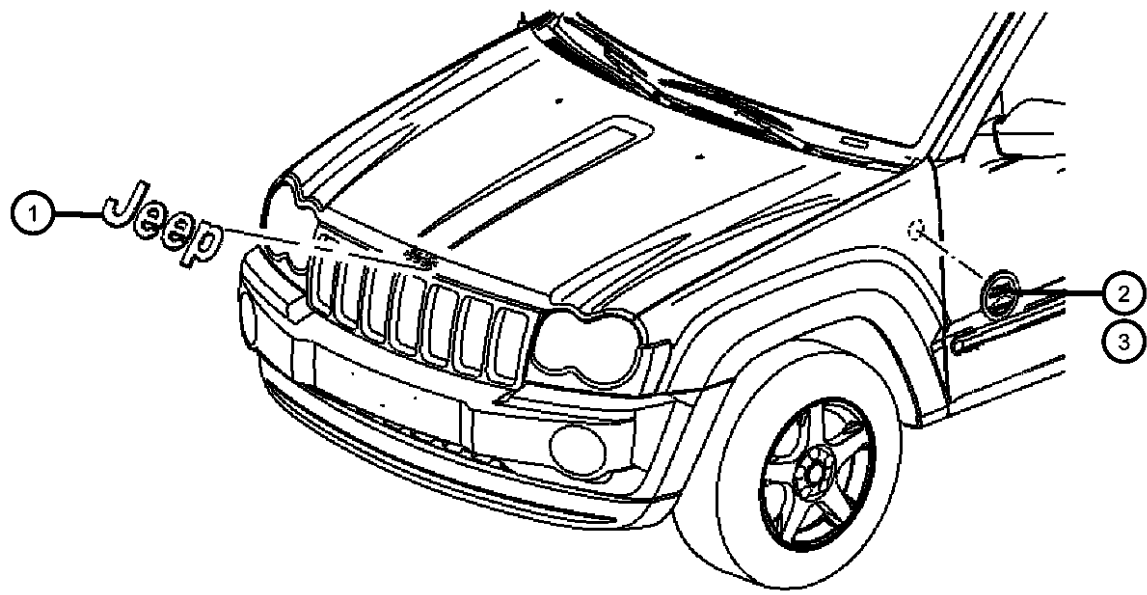
Cladding and Sill MoldingsFig. EWK - 220



<p>EWK-100 Nameplates</p> <p>Grand Cherokee JEEP</p>	<p>EWK-200 Moldings and Ornamentation</p> 		
---	--	--	--

**Nameplates and Decals
Figure EWK-120**

ITEM	PART NUMBER	QTY	LINE	SERIES	BODY	ENGINE	TRANS	TRIM	DESCRIPTION
1	55157088AA	1							NAMEPLATE, [MVC] Jeep, Hood
2	55157317AA	1							MEDALLION, [MT2] Trail Rated left side only, Fender
3	55157428AA	1							NAMEPLATE, [MZW] Rocky Mountain, Body Side
4	55157089AA	1							NAMEPLATE, [MVC] Jeep, Liftgate
5	55157092AA	1							NAMEPLATE, [MTL] 5.7L, Liftgate
6	55157303AB	1							NAMEPLATE, [MZK] Laredo, Liftgate
7	55157090AA	1							NAMEPLATE, [MVA] Limited, Liftgate
8	55157091AA	1							NAMEPLATE, [MWT] 4X4, Liftgate



GRAND CHEROKEE (WK)

SERIES	LINE
H = Laredo	T = JEEP - 2WD
P = Limited	J = JEEP - 4WD

BODY

74 = SPORT UTILITY 4-DOOR

ENGINE

EKG = Engine - 3.7L V6
EVA = Engine- 4.7L V8 MPI
EZB = Engine-5.7L HEMI

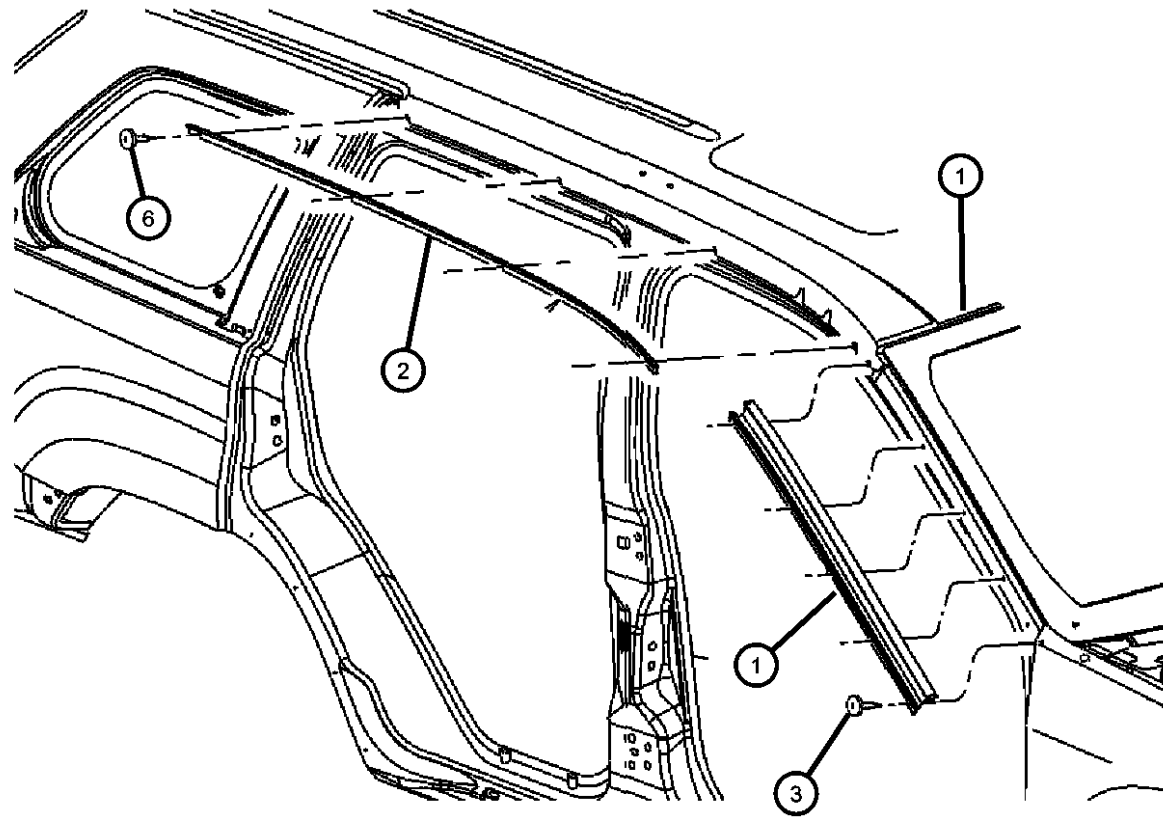
TRANSMISSION

DG0 = All Automatic Transmissions
DGJ = Transmission - 5-Spd Auto, MB
DGQ = Transmission-5-Spd Automatic 5-45RFE

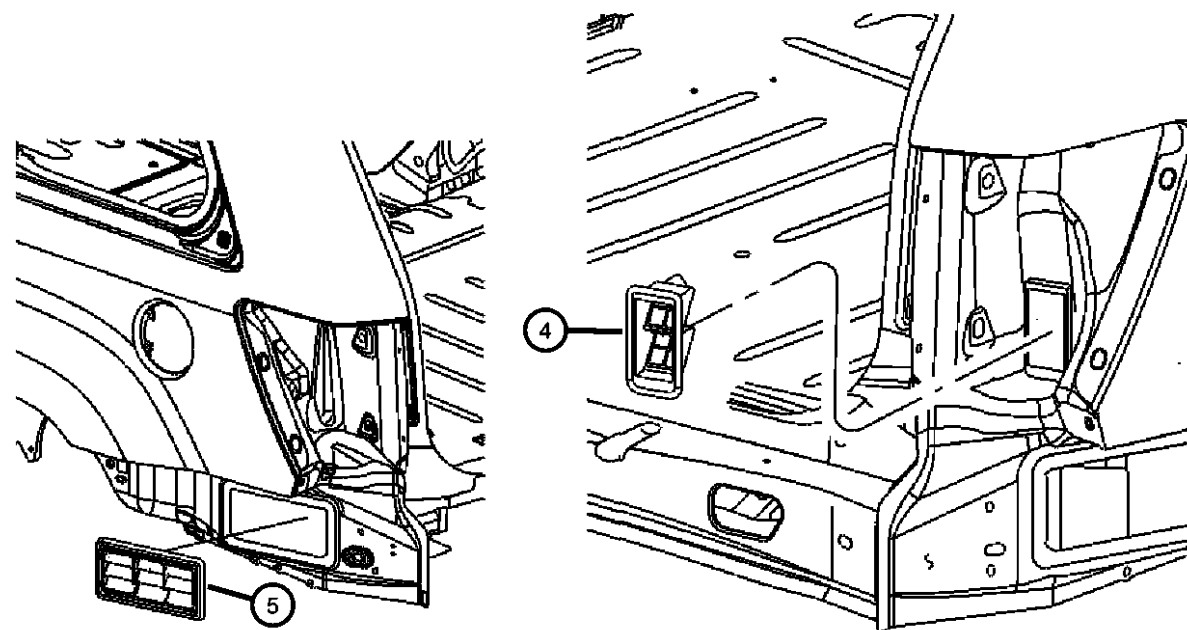
AR = use ase required - = Non illustrated part

2005 WK

Moldings, Upper
Figure EWK-210



ITEM	PART NUMBER	QTY	LINE	SERIES	BODY	ENGINE	TRANS	TRIM	DESCRIPTION
1									MOLDING, Windshield
	55394511AA	1							Upper
	55394512AA	1							Right
	55394513AA	1							Left
2									SEAL, Retainer
	55396866AA	1							Right
	55396867AA	1							Left
3		1							SCREW, .164-15x.500, (NOT SERVICED)
4	55136280AB	1							EXHAUSTER, Quarter Panel/Tail Lamp
5	55394330AB	1							EXHAUSTER, Bodyside Aperture
6	06104566AA	8							SCREW, Tapping



GRAND CHEROKEE (WK)

SERIES LINE
H = Laredo T = JEEP - 2WD
P = Limited J = JEEP - 4WD

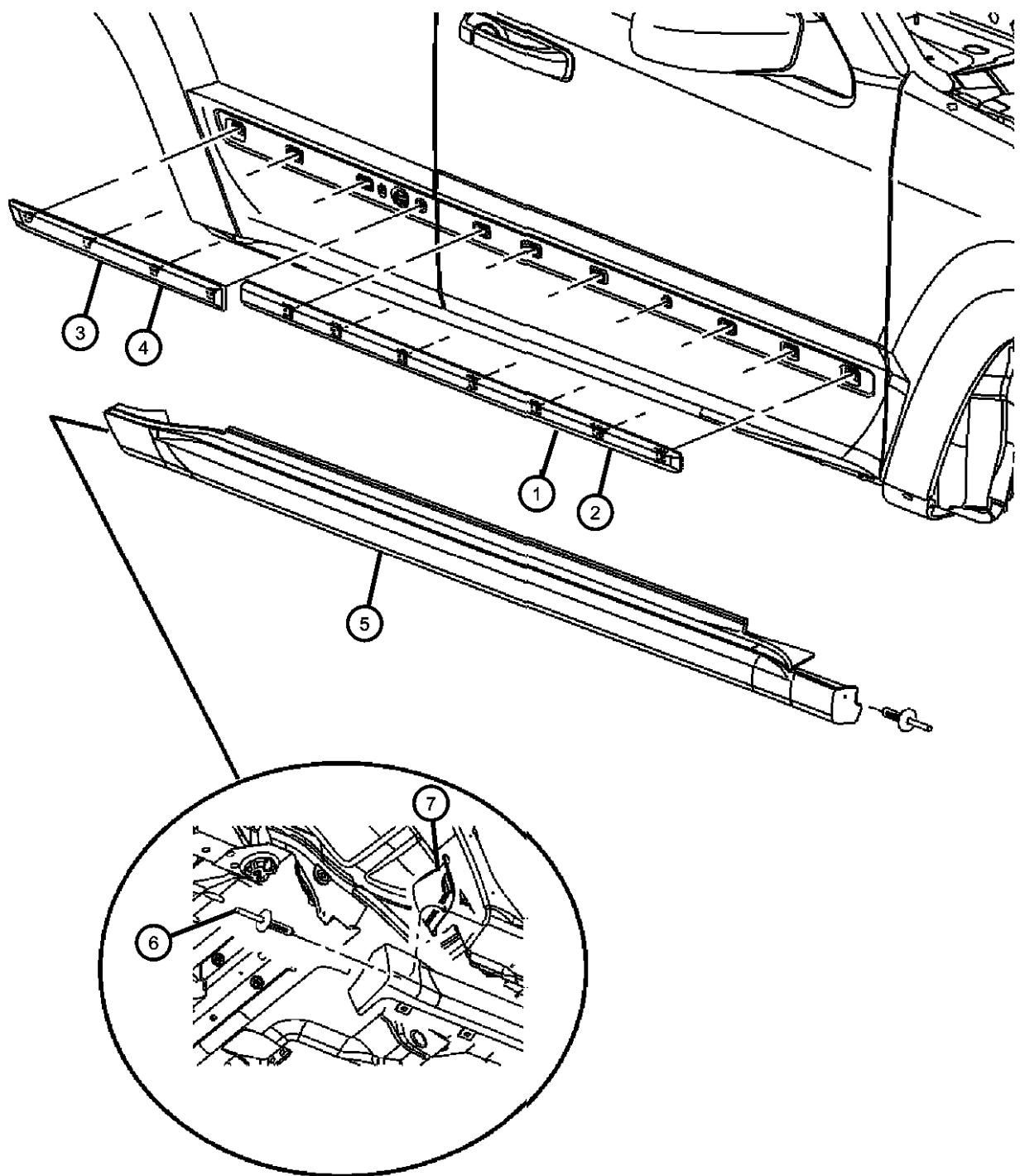
BODY
74 = SPORT UTILITY 4-DOOR
ENGINE
EKG = Engine - 3.7L V6
EVA = Engine- 4.7L V8 MPI
EZB = Engine-5.7L HEMI

TRANSMISSION
DG0 = All Automatic Transmissions
DGJ = Transmission - 5-Spd Auto, MB
DGQ = Transmission-5-Spd Automatic 5-45RFE

AR = use ase required - = Non illustrated part

2005 WK

Cladding and Sill Moldings
Figure EWK-220



ITEM	PART NUMBER	QTY	LINE	SERIES	BODY	ENGINE	TRANS	TRIM	DESCRIPTION
1	55156848AD	1							MOLDING, Front Door [MJB], Right
	55156849AD	1							[MJB], Left
2	5HU14RXFAC	1		H					MOLDING, Front Door [K1X], Right
	5HU15RXFAC	1		H					[K1X], Left
3	55156846AC	1							MOLDING, Rear Door [MJB], Right
	55156847AC	1							[MJB], Left
4	5HU20RXFAC	1		H					MOLDING, Rear Door [K1X], Right
	5HU21RXFAC	1		H					[K1X], Left
5	5HU24RXFAB	1							MOLDING, Sill Cover [K5X], Right
	5HU25RXFAB	1							[K5X], Left
6	06500911	4							RIVET, M6.25x28 Sill to wheel opening
		12							Sill to lower weld flange
7	55157080AC	1							SHIELD, Splash Right
	55157081AC	1							Left

GRAND CHEROKEE (WK)

SERIES	LINE	BODY	ENGINE	TRANSMISSION
H = Laredo	T = JEEP - 2WD	74 = SPORT UTILITY 4-DOOR	EKG = Engine - 3.7L V6	DG0 = All Automatic Transmissions
P = Limited	J = JEEP - 4WD		EVA = Engine- 4.7L V8 MPI	DGJ = Transmission - 5-Spd Auto, MB
			EZB = Engine-5.7L HEMI	DGQ = Transmission-5-Spd Automatic 5-45RFE

AR = use ase required - = Non illustrated part

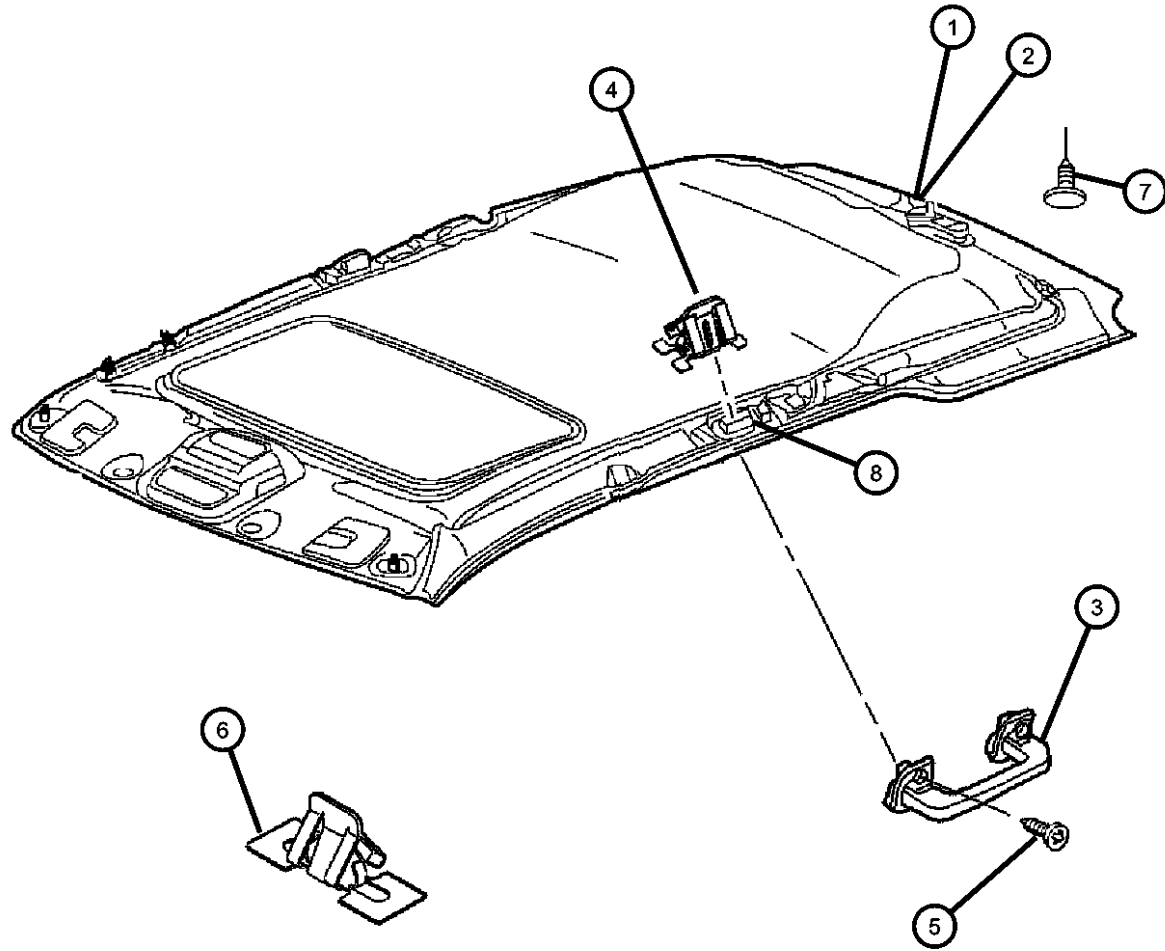
Group - IWK Interior Trim

Illustration Title	Group-Fig. No.
Headliner and Visor	
Headliner and Assist Handle	Fig. IWK - 110
Sunvisor	Fig. IWK - 120
Panel - Mouldings, Scuff Plates	
Front Trim Panels and Scuff Plates	Fig. IWK - 210
Rear Trim Panels	Fig. IWK - 220
Carpet	
Carpet	Fig. IWK - 310
Cover, Cargo	Fig. IWK - 320
Door Trim Panels	
Door Trim Panels	Fig. IWK - 410
Front Seats and Attaching Parts	
Front Seat, Cloth, Trim Code [A7]	Fig. IWK - 510
Front Seat, Leather, Trim Code [AL]	Fig. IWK - 520
Front Seat, Leather, Trim Code [PL]	Fig. IWK - 530
Front Seat, Leather, Trim Code [YL]	Fig. IWK - 540
Rear Seats and Attaching Parts	
Rear Seat, Trim Code [A7]	Fig. IWK - 610
Rear Seat, Trim Code [AL]	Fig. IWK - 620
Rear Seat, Trim Code [PL]	Fig. IWK - 630
Rear Seat, Trim Code [YL]	Fig. IWK - 640
Seat Belts - Front and Rear	
Front Seat Belts	Fig. IWK - 710
Rear Seat Belts	Fig. IWK - 720
Adjusters, Covers, Shields and Risers	
Adjuster, Recliners, Drivers Seat	Fig. IWK - 810
Adjuster, Recliners, Power Passenger Seat	Fig. IWK - 820
Adjuster, Recliners, Manual Passenger Seat	Fig. IWK - 830
Lift Gate Trim	
Liftgate Panel and Scuff Plate	Fig. IWK - 1010

Headliner and Assist Handle Figure IWK-110

ITEM	PART NUMBER	QTY	LINE	SERIES	BODY	ENGINE	TRANS	TRIM	DESCRIPTION
------	-------------	-----	------	--------	------	--------	-------	------	-------------

Sales Codes :
 [CGS] = With Side Airbags
 [CVE] = Overhead Console
 [GNV] = Non Illuminated Visors
 [GWA] = Sunroof
 [JHA] = Intermitten Wipers
 [JHC] = Windshield Wiper, Rain Sensitive
 [XAA] = Park Assist Rear Sensor



1									HEADLINER, Without Sunroof
	1AQ57BD1AA	1						*00	Without Overhead Console [CVE], Without Side Airbag [CGS], Without Park Assist Rear Sensor [XAA]
	1AQ58BD1AA	1						*00	Without Overhead Console [CVE], With Side Airbag [CGS], Without Park Assist Rear Sensor [XAA]
	1AQ59BD1AA	1						*00	Without Overhead Console [CVE], With Side Airbag [CGS] & With Park Assist Rear Sensor [XAA]
	1AQ60BD1AA	1						*00	With Overhead Console [CVE], Without Park Assist Rear Sensor [XAA], Without Side Airbag [CGS]
	1AQ61BD1AA	1						*00	With Overhead Console [CVE] & Side Airbag [CGS] & Intermittent Wipers [JHA]
	1AU82BD1AA	1						*00	Without Overhead Console [CVE], Without Side Airbag [CGS], With Park Assist Rear Sensor [XAA]
	1AU83BD1AA	1						*00	With Overhead Console [CVE] & Side Airbag [CGS], Without Intermittent Wipers [JHA]
	1AU84BD1AA	1						*00	With Overhead Console [CVE] & Park Assist Rear Sensor & Side Airbag [CGS]
2									HEADLINER, With Sunroof, [GWA]
	1AQ62BD1AA	1						*00	Without Overhead Console [CVE], Without Side Airbags [CGS], With Sun Visor non-Illuminated [GNV]
	1AU70BD1AA	1						*00	Without Overhead Console [CVE], Without Park Assist Rear Sensor [XAA], With Side Airbags [CGS]

GRAND CHEROKEE (WK)

SERIES	LINE
H = Laredo	T = JEEP - 2WD
P = Limited	J = JEEP - 4WD

BODY	ENGINE
74 = SPORT UTILITY 4-DOOR	EKG = Engine - 3.7L V6
	EVA = Engine- 4.7L V8 MPI
	EZB = Engine-5.7L HEMI

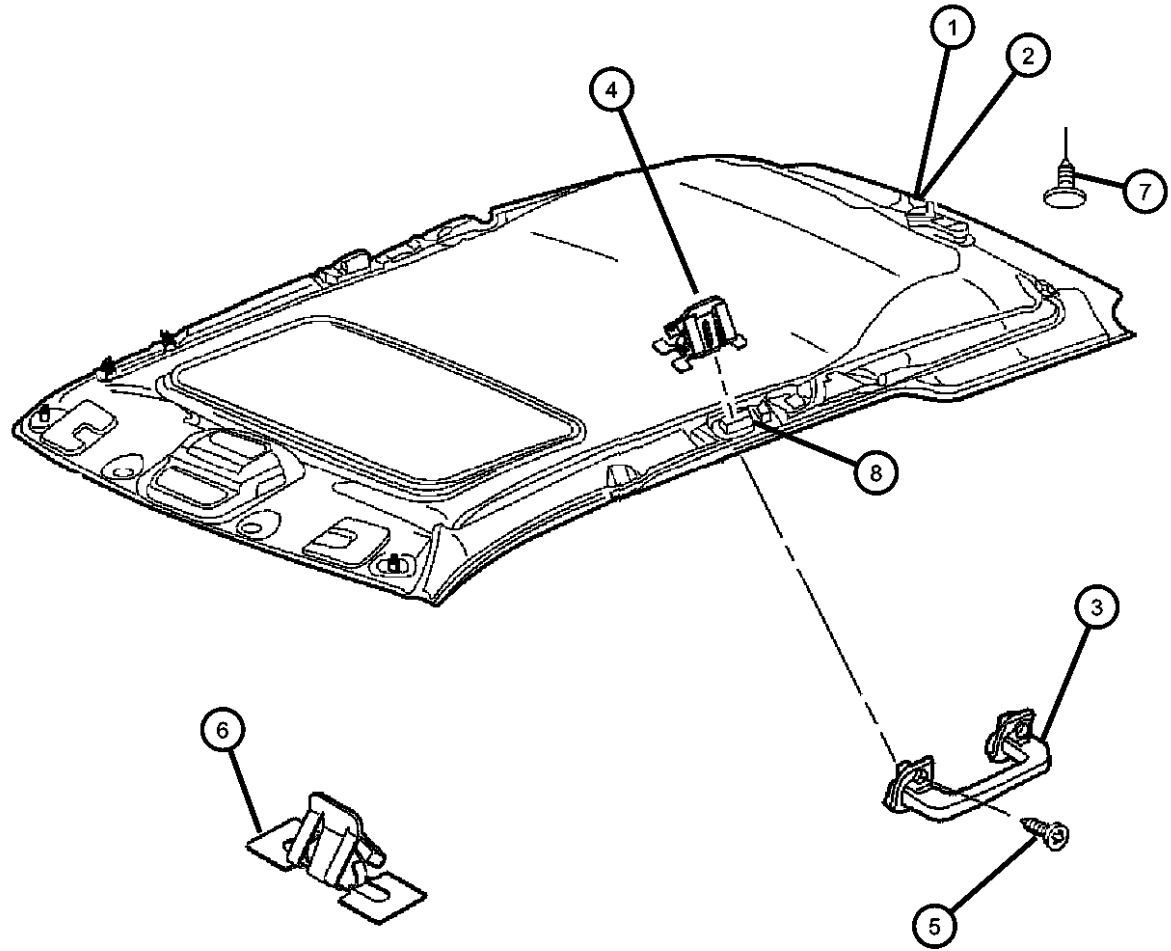
TRANSMISSION
DG0 = All Automatic Transmissions
DGJ = Transmission - 5-Spd Auto, MB
DGQ = Transmission-5-Spd Automatic 5-45RFE

AR = use ase required - = Non illustrated part

2005 WK

**Headliner and Assist Handle
Figure IWK-110**

ITEM	PART NUMBER	QTY	LINE	SERIES	BODY	ENGINE	TRANS	TRIM	DESCRIPTION
	1AU71BD1AA	1						*00	Without Overhead Console [CVE], With Side Airbags [CGS] & Park Assist Rear Sensor [XAA]
	1AU72BD1AA	1						*00	Without Overhead Console [CVE], Without Side Airbags [CGS], Without Park Assist Rear Sensor [XAA]
	1AU74BD1AA	1						*00	With Overhead Console [CVE], Without Side Airbags [CGS], Without Park Assist Rear Sensor [XAA]
	1AU75BD1AA	1						*00	With Overhead Console [CVE] & Side Airbags [CGS], Without Park Assist Rear Sensor [XAA]
	1AU76BD1AA	1						*00	Without Overhead Console [CVE], Without Side Airbags [CGS], With Park Assist Rear Sensor [XAA]
	1AU77BD1AA	1						*00	With Overhead Console [CVE] & Park Assist Rear Sensor [XAA] Without Side Airbags [CGS]
	1AU80BD1AA	1						*00	With Overhead Console [CVE] & Side Airbags [CGS] & Park Assist Rear Sensor [XAA]
3									HANDLE, Roof Grab
	1AK64BD1AA	1						*00	Right
	1AK65BD1AA	1						*00	Left
4	04746232	4						*00	CLIP, Z-Axis, Visor & Grab Handle Attach
5	05139455AA	4						*00	SCREW
6	05028203AA	2						*00	CLIP, Roof Rail
7	06503943	3							RETAINER, Headliner to Roof Rear
8	05166015AA	2						*00	PLATE, Retaining, Grab Handle Attach



GRAND CHEROKEE (WK)

SERIES LINE
H = Laredo T = JEEP - 2WD
P = Limited J = JEEP - 4WD

BODY ENGINE
74 = SPORT UTILITY 4-DOOR EKG = Engine - 3.7L V6
EVA = Engine- 4.7L V8 MPI
EZB = Engine-5.7L HEMI

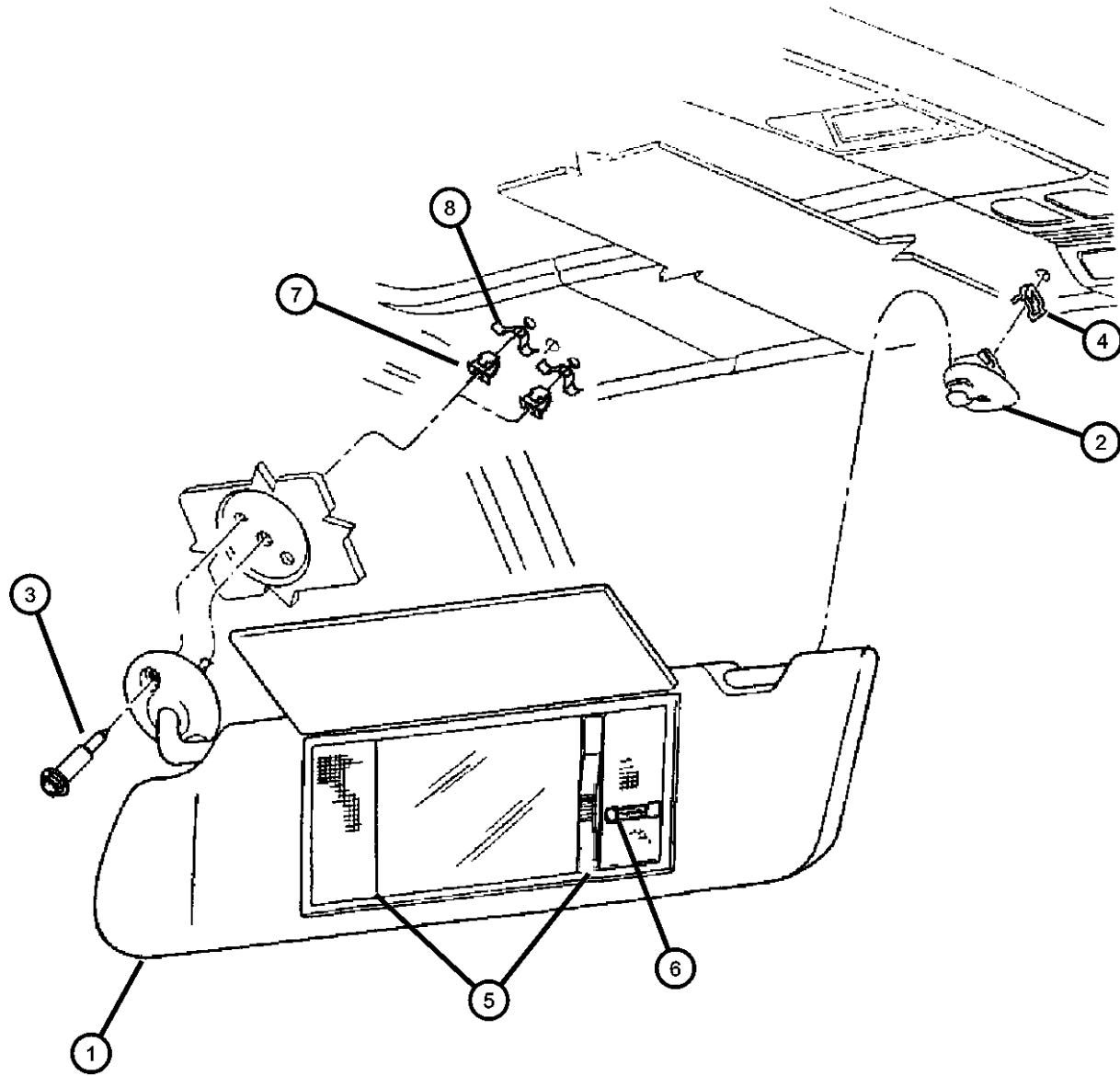
TRANSMISSION
DG0 = All Automatic Transmissions
DGJ = Transmission - 5-Spd Auto, MB
DGQ = Transmission-5-Spd Automatic 5-45RFE

AR = use ase required - = Non illustrated part

2005 WK

**Sunvisor
Figure IWK-120**

ITEM	PART NUMBER	QTY	LINE	SERIES	BODY	ENGINE	TRANS	TRIM	DESCRIPTION
1									VISOR
	1AK80BD1AA	1						*00	With Vanity Mirror [GNV], Right
	1AK81BD1AA	1						*00	With Vanity Mirror [GNV], Left
	1AK82BD1AA	1						*00	With Illuminated Vanity Mirror [GNC], Right
	1AK83BD1AA	1						*00	With Illuminated Vanity Mirror [GNC], Left
2	1AL25BD1AA	2						*00	SUPPORT, Visor
3	06036610AA	4						*00	SCREW, Trim
4	04746232	4						*00	CLIP, Z-Axis, Visor & Grab Handle Attach
5	05139210AA	1						*00	LENS, Illuminated Visor
6	06501966	1						*00	BULB, Sunvisor
7	06036480AA	4							NUT, Push, .164-18
8	05139219AA	2						*00	RETAINER, Visor



GRAND CHEROKEE (WK)

SERIES	LINE
H = Laredo	T = JEEP - 2WD
P = Limited	J = JEEP - 4WD

BODY

74 = SPORT UTILITY 4-DOOR

ENGINE

EKG = Engine - 3.7L V6
EVA = Engine- 4.7L V8 MPI
EZB = Engine-5.7L HEMI

TRANSMISSION

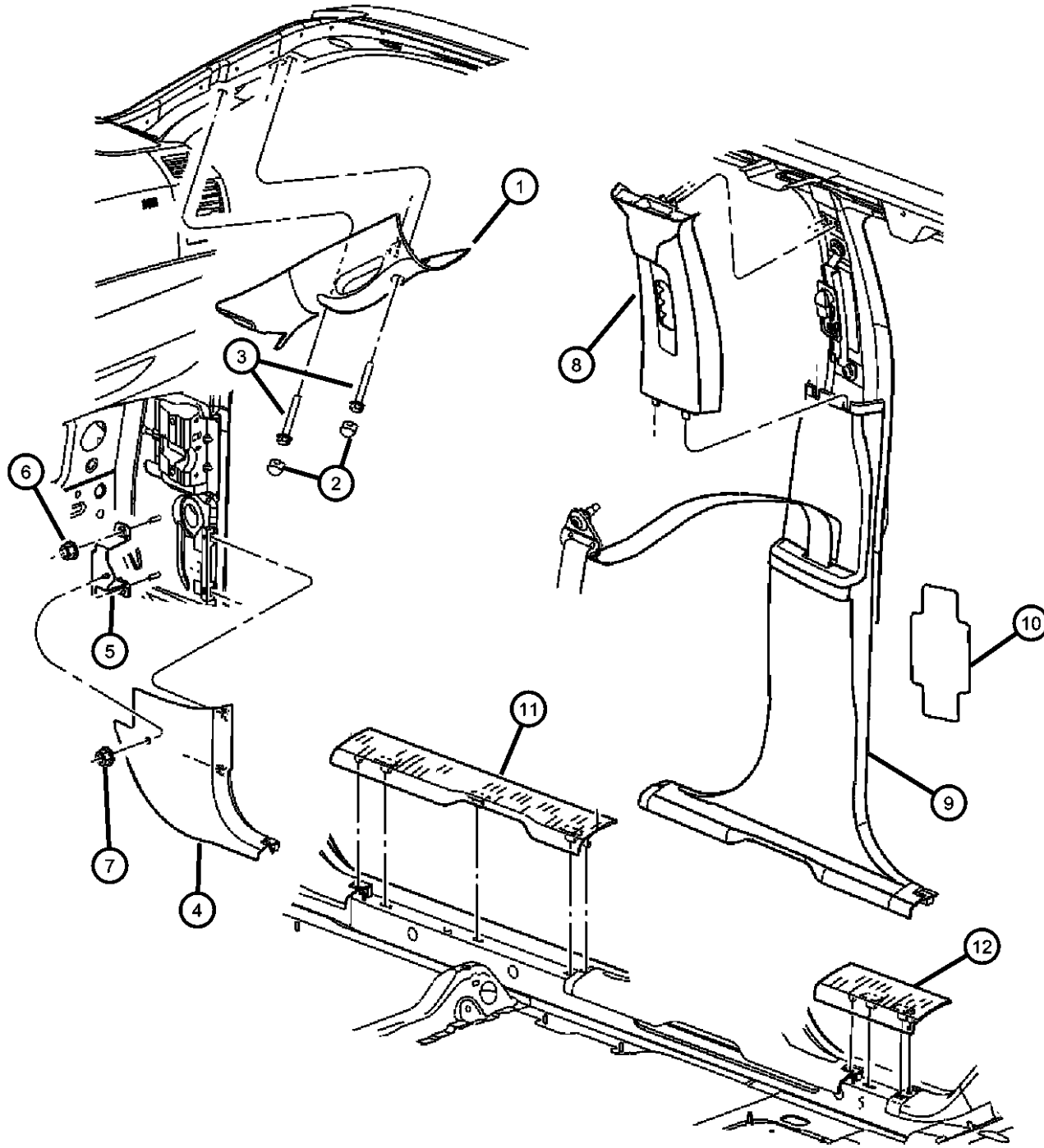
DG0 = All Automatic Transmissions
DGJ = Transmission - 5-Spd Auto, MB
DGQ = Transmission-5-Spd Automatic 5-45RFE

AR = use ase required - = Non illustrated part

2005 WK

**Front Trim Panels and Scuff Plates
Figure IWK-210**

ITEM	PART NUMBER	QTY	LINE	SERIES	BODY	ENGINE	TRANS	TRIM	DESCRIPTION
	5JQ20BD1AB	1						*00	[J1], Right
	5JQ21BD5AB	1						*00	[D5], Left
	5JQ21ZJ3AB	1						*00	[J3], Left
12									SILL COVER, Interior, Rear
	5JX65BD5AA	1						*00	[D5], Left
	5JX65ZJ3AA	1						*00	[J3], Left
	5JX64BD1AA	1						*00	[J1], Right
	5JX64BD5AA	1						*00	[D5], Right
	5JX64ZJ3AA	1						*00	[J3], Right
	5JX65BD1AA	1						*00	[J1], Left



GRAND CHEROKEE (WK)

SERIES	LINE
H = Laredo	T = JEEP - 2WD
P = Limited	J = JEEP - 4WD

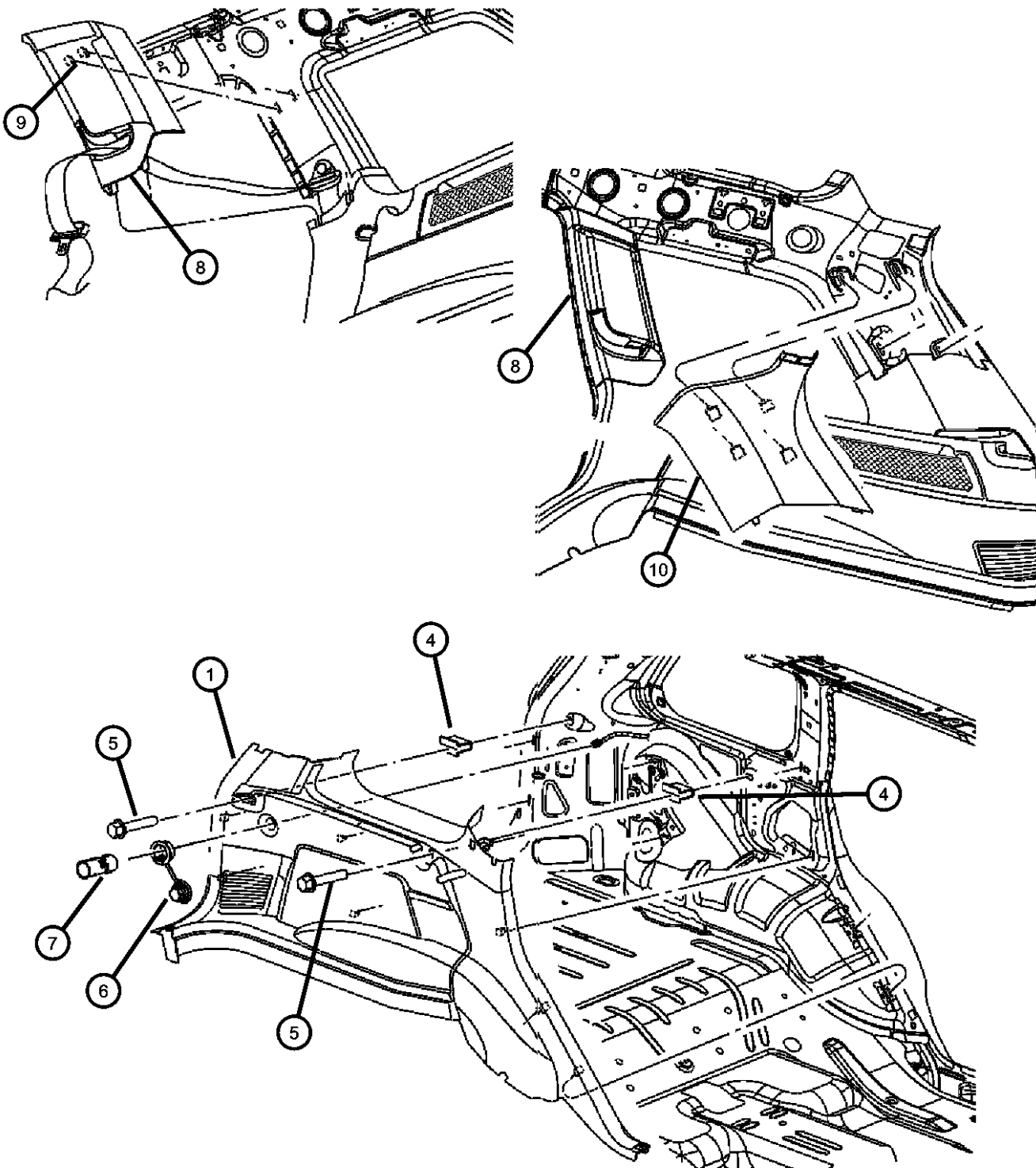
BODY	ENGINE
74 = SPORT UTILITY 4-DOOR	EKG = Engine - 3.7L V6
	EVA = Engine- 4.7L V8 MPI
	EZB = Engine-5.7L HEMI

TRANSMISSION
DG0 = All Automatic Transmissions
DGJ = Transmission - 5-Spd Auto, MB
DGQ = Transmission-5-Spd Automatic 5-45RFE

AR = use ase required - = Non illustrated part

2005 WK

Rear Trim Panels
Figure IWK-220



ITEM	PART NUMBER	QTY	LINE	SERIES	BODY	ENGINE	TRANS	TRIM	DESCRIPTION
1									PANEL, Quarter Trim
	5HS361D1AE	1						*00	[J1], Right
	5HS361D5AE	1						*00	[D5], Right
	5HS361J3AE	1						*00	[J3], Right
	5HS371D1AE	1						*00	[J1], Left
	5HS371D5AE	1						*00	[D5], Left
	5HS371J3AE	1						*00	[J3], Left
-2	1BR41DX9AA	2						*00	HOOK, Rear Shelf
-3	55196901AB	1						*00	LOOP, Cargo Tie Down
4	06035773	2							NUT
5	06101946	4							SCREW, Tapping
6	04685668AA	1							MOUNT, Power Outlet
7	04793554AB	1							POWER OUTLET
8									PANEL, C Pillar
	5HS34BDXAD	1						*00	Right
	5HS35BDXAD	1						*00	Left
9									PLUG, C Pillar
	1CL22BDXAA	1						*00	Right
	1CL23BDXAA	1						*00	Left
10									PANEL, D Pillar Trim
	5HS30ZJ3AE	1						*00	[J3], Right
	5HS31BD1AE	1						*00	[J1], Left
	5HS30BD1AE	1						*00	[J1], Right
	5HS30BD5AE	1						*00	[D5], Right
	5HS31BD5AE	1						*00	[D5], Left
	5HS31ZJ3AE	1						*00	[J3], Left

GRAND CHEROKEE (WK)

SERIES LINE
H = Laredo T = JEEP - 2WD
P = Limited J = JEEP - 4WD

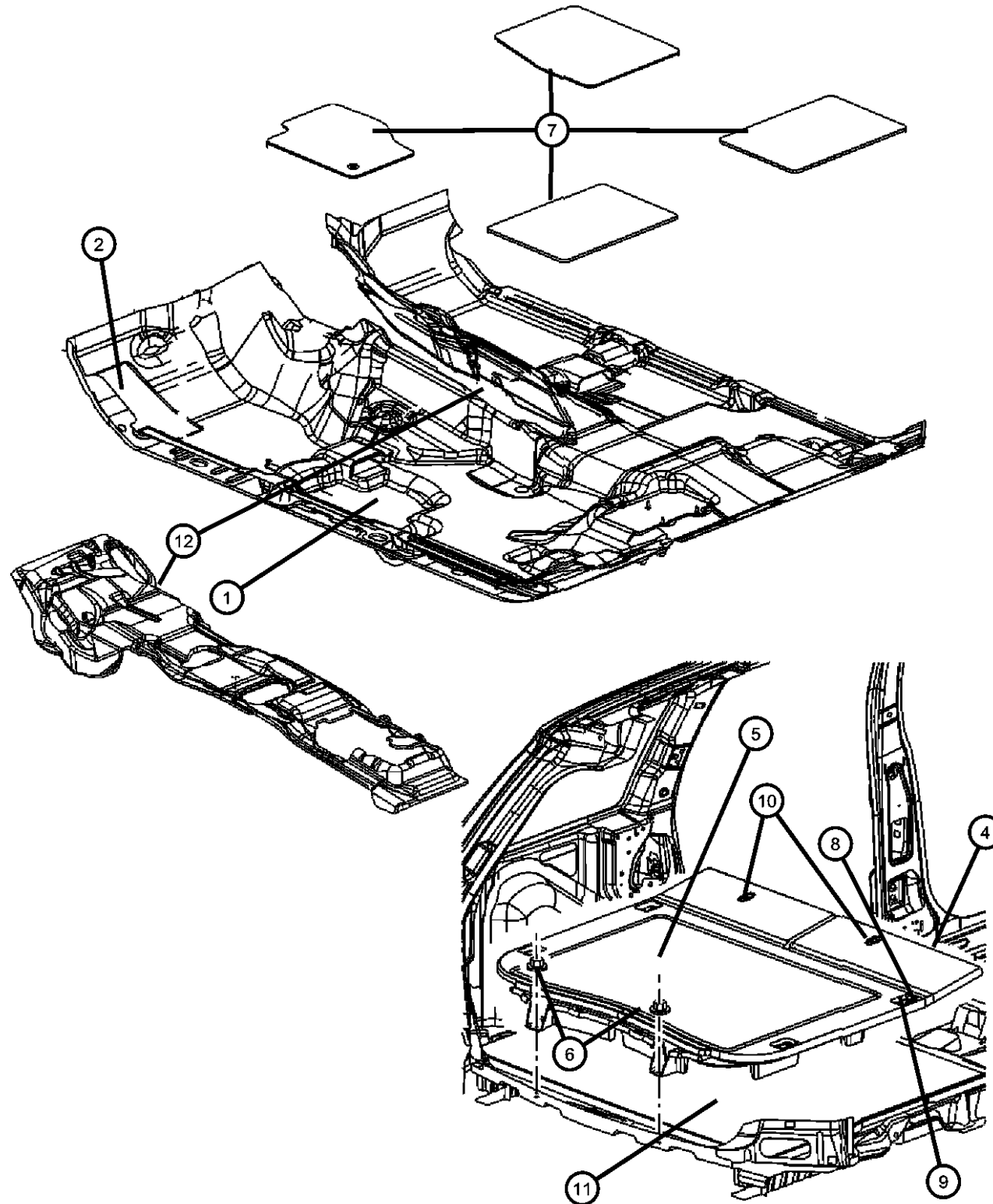
BODY ENGINE TRANSMISSION
74 = SPORT UTILITY 4-DOOR EKG = Engine - 3.7L V6
EVA = Engine- 4.7L V8 MPI
EZB = Engine-5.7L HEMI

DG0 = All Automatic Transmissions
DGJ = Transmission - 5-Spd Auto, MB
DGQ = Transmission-5-Spd Automatic
5-45RFE

AR = use ase required - = Non illustrated part

2005 WK

**Carpet
Figure IWK-310**



ITEM	PART NUMBER	QTY	LINE	SERIES	BODY	ENGINE	TRANS	TRIM	DESCRIPTION
1	5KC56XD-HAC	1						*O0 [D5]	CARPET, Floor, Front
	5KC56ZJ8AC	1						*O0 [J1]	
		1						*O0 [J3]	
2	55197048AB	1							FOOTREST
-3	06501916	1							RETAINER, Push On, Footrest to Insulation Dash
4									BASE, Load Floor, Lid not Included
	5JP981D1AF	1						*O0 [J1]	
	5JP981DHAF	1						*O0 [D5]	
	5JP981J8AF	1						*O0 [J3]	
5									LID, Load Floor
	5JY521J8AD	1						*O0 [J3]	
	5JY521D1AD	1						*O0 [J1]	
	5JY521DHAD	1						*O0 [D5]	
6	06101968	2							NUT, M6x1.00
7									MAT KIT, Floor
	5HS62XD-HAD	1						*O0 [D5]	
	5HS62ZJ8AD	1						*O0 [J1]	
		1						*O0 [J3]	
8	05142348AA	4						*O0	LOOP, Cargo Tie Down
9	05142349AA	8						*O0	RIVET
10	05142350AA	4						*O0	LATCH, Load Floor Cover
11									SILENCER, Wheelhouse
	55197216AB	1							Right
	55197217AB	1							Left
12	55196982AD	1							SILENCER, Tunnel
-13	55196834AA	1	J, T		74			*O0	CLIP, Carpet
-14	68028211AA	4	J, T		74			*O0	BEZEL, Load floor latch

GRAND CHEROKEE (WK)

SERIES LINE
H = Laredo T = JEEP - 2WD
P = Limited J = JEEP - 4WD

BODY
74 = SPORT UTILITY 4-DOOR
ENGINE
EKG = Engine - 3.7L V6
EVA = Engine- 4.7L V8 MPI
EZB = Engine-5.7L HEMI

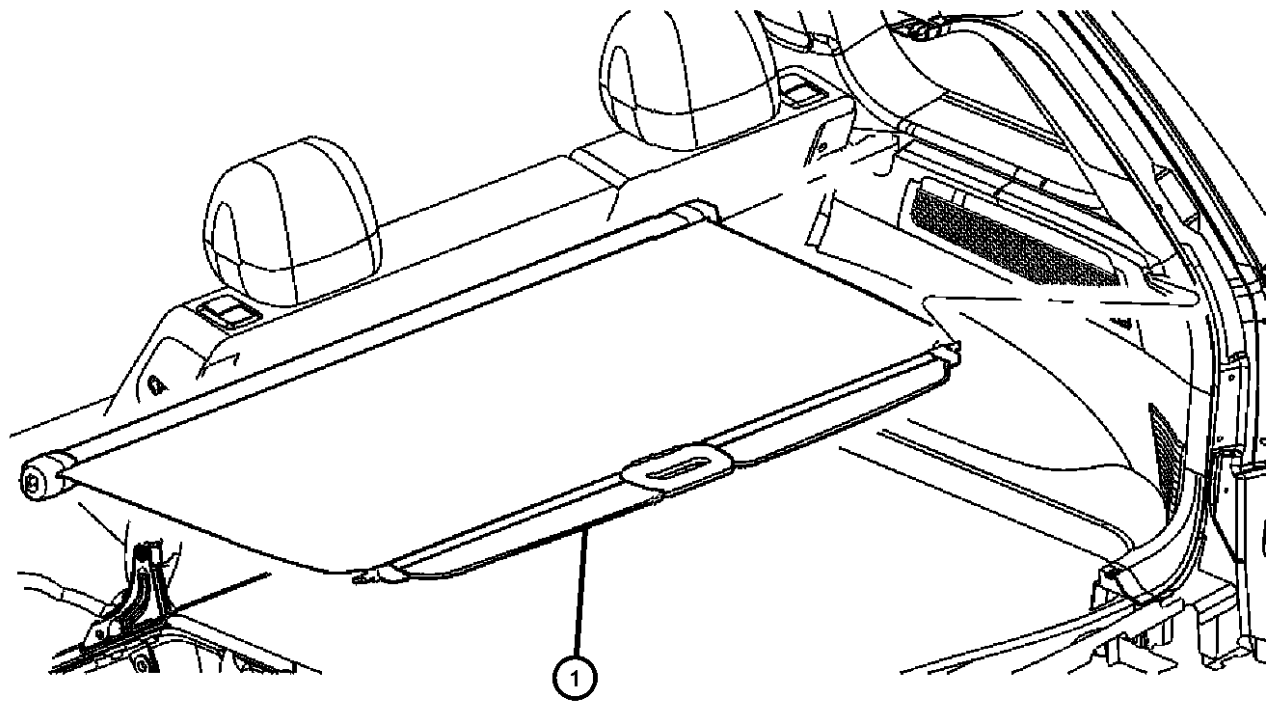
TRANSMISSION
DG0 = All Automatic Transmissions
DGJ = Transmission - 5-Spd Auto, MB
DGQ = Transmission-5-Spd Automatic 5-45RFE

AR = use ase required - = Non illustrated part

2005 WK

**Cover, Cargo
Figure IWK-320**

ITEM	PART NUMBER	QTY	LINE	SERIES	BODY	ENGINE	TRANS	TRIM	DESCRIPTION
1									COVER, Cargo Compartment
	5HS38BD1AA	1						*00 [J1]	
	5HS38BD5AA	1						*00 [D5]	
	5HS38ZJ3AA	1						*00 [J3]	



GRAND CHEROKEE (WK)

SERIES LINE
H = Laredo T = JEEP - 2WD
P = Limited J = JEEP - 4WD

BODY

74 = SPORT UTILITY 4-DOOR

ENGINE

EKG = Engine - 3.7L V6
EVA = Engine- 4.7L V8 MPI
EZB = Engine-5.7L HEMI

TRANSMISSION

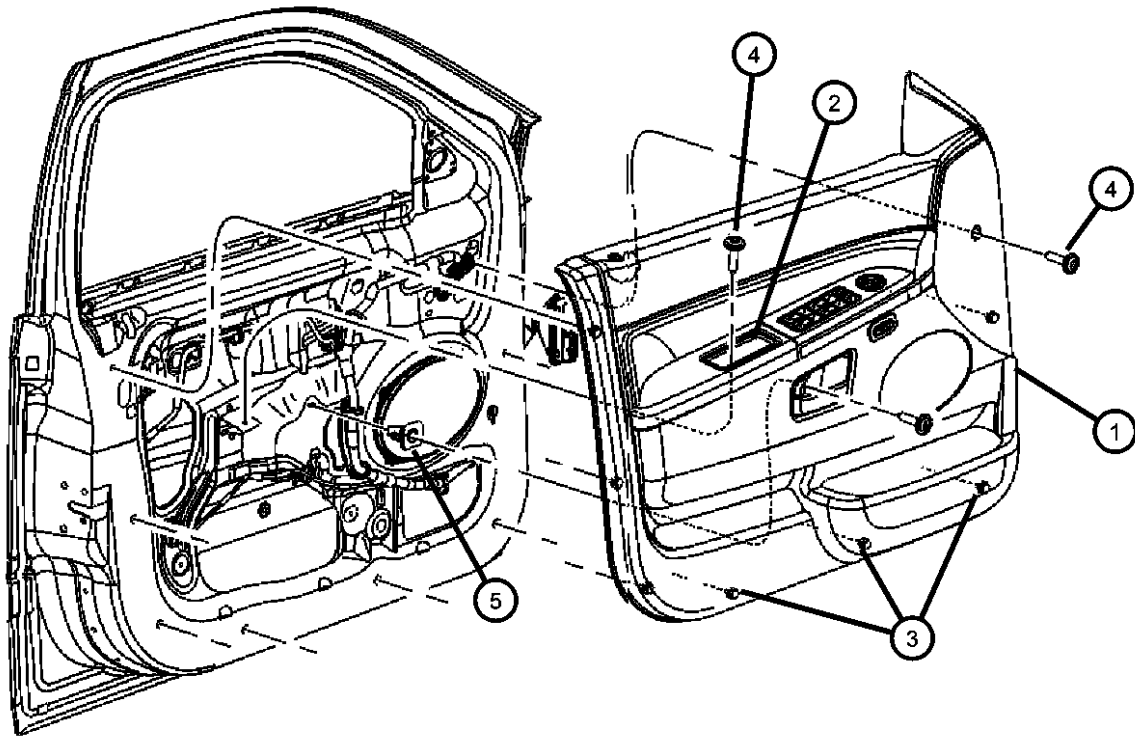
DG0 = All Automatic Transmissions
DGJ = Transmission - 5-Spd Auto, MB
DGQ = Transmission-5-Spd Automatic 5-45RFE

AR = use ase required - = Non illustrated part

2005 WK

Door Trim Panels
Figure IWK-410

ITEM	PART NUMBER	QTY	LINE	SERIES	BODY	ENGINE	TRANS	TRIM	DESCRIPTION
------	-------------	-----	------	--------	------	--------	-------	------	-------------



1									PANEL, Front Door Trim
	1BC141D1AA	1						*O0	[J1], With Bright Inside Release Handle, Right
	1BC141D5AA	1						*O0	[D5], With Bright Inside Release Handle, Right
	1BC141J3AA	1						*O0	[J3], With Bright Inside Release Handle, Right
	1BC151D1AA	1						*O0	[J1], With Bright Inside Release Handle, Left
	1BC151D5AA	1						*O0	[D5], With Bright Inside Release Handle, Left
	1BC151J3AA	1						*O0	[J3], With Bright Inside Release Handle, Left
	1BC161D5AA	1						*O0	[D5], With Inside Release Handle, Right
	1BC161J3AA	1						*O0	[J3], With Inside Release Handle, Right
	1BC171D5AA	1						*O0	[D5], With Inside Release Handle, Left
	1BC171J3AA	1						*O0	[J3], With Inside Release Handle, Left

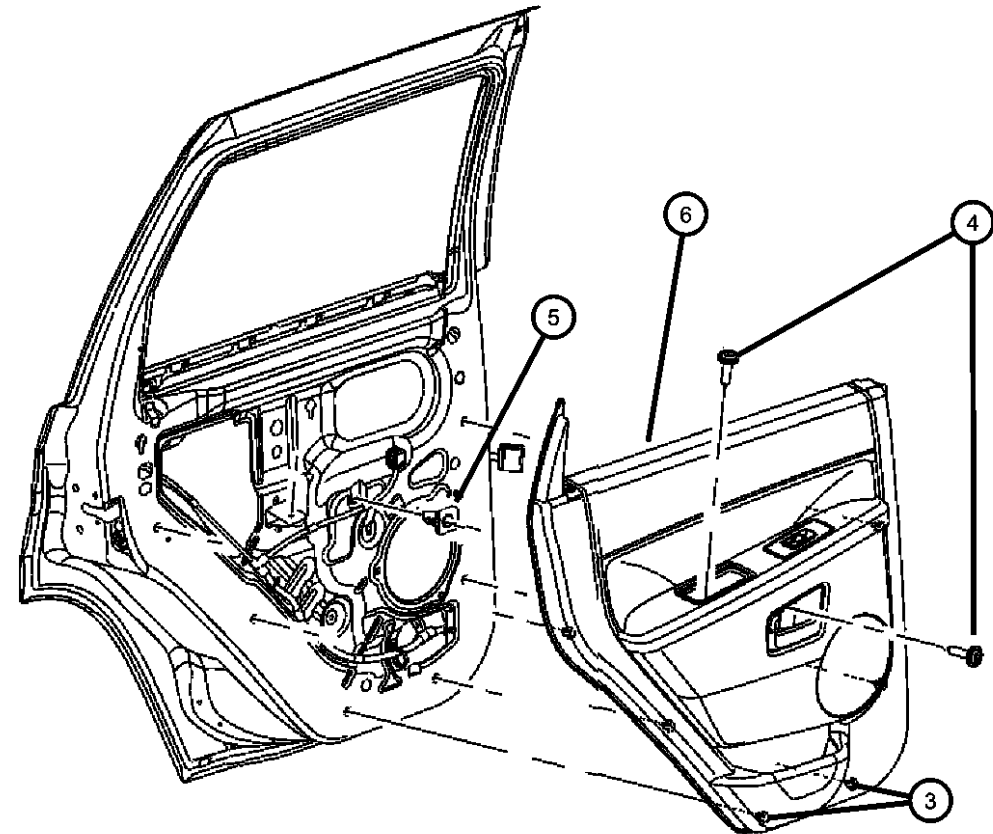
2	1BQ06XXXAA	2						*O0	MAT
---	------------	---	--	--	--	--	--	-----	-----

3									FASTENER, Door Trim Panel
	06507686AA	7						*O0	Rear
		8						*O0	Front

4									SCREW, Tapping
	06101946	4							Rear
		6							Front

5	06035807	2							NUT, Door Trim
---	----------	---	--	--	--	--	--	--	----------------

6									PANEL, Rear Door Trim
	5HR371D1AG	1						*O0	[J1], With Bright Inside Release Handle, Left
	5HR371D5AG	1						*O0	[D5], With Bright Inside Release Handle, Left
	5HR371J3AG	1						*O0	[J3], With Bright Inside Release Handle, Left
	5HR381D1AG	1						*O0	[J1], With Bright Inside Release Handle, Right
	5HR381D5AG	1						*O0	[D5], With Bright Inside Release Handle, Right
	5HR381J3AG	1						*O0	[J3], With Bright Inside Release Handle, Right
	5HR411D5AG	1						*O0	[D5], With Black Inside Release Handle, Left
	5HR411J3AG	1						*O0	[J3], With Black Inside Release Handle, Left



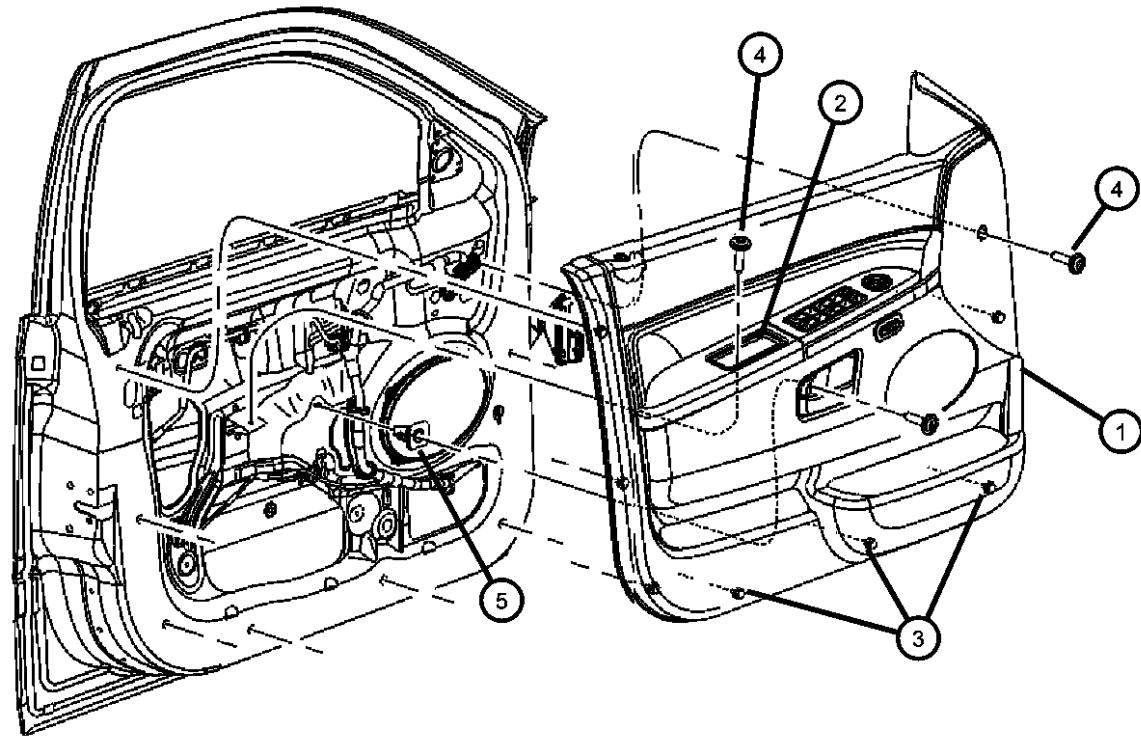
GRAND CHEROKEE (WK)		BODY	ENGINE	TRANSMISSION
SERIES	LINE			
H = Laredo	T = JEEP - 2WD	74 = SPORT UTILITY 4-DOOR	EKG = Engine - 3.7L V6	DG0 = All Automatic Transmissions
P = Limited	J = JEEP - 4WD		EVA = Engine- 4.7L V8 MPI	DGJ = Transmission - 5-Spd Auto, MB
			EZB = Engine-5.7L HEMI	DGQ = Transmission-5-Spd Automatic 5-45RFE

AR = use ase required - = Non illustrated part

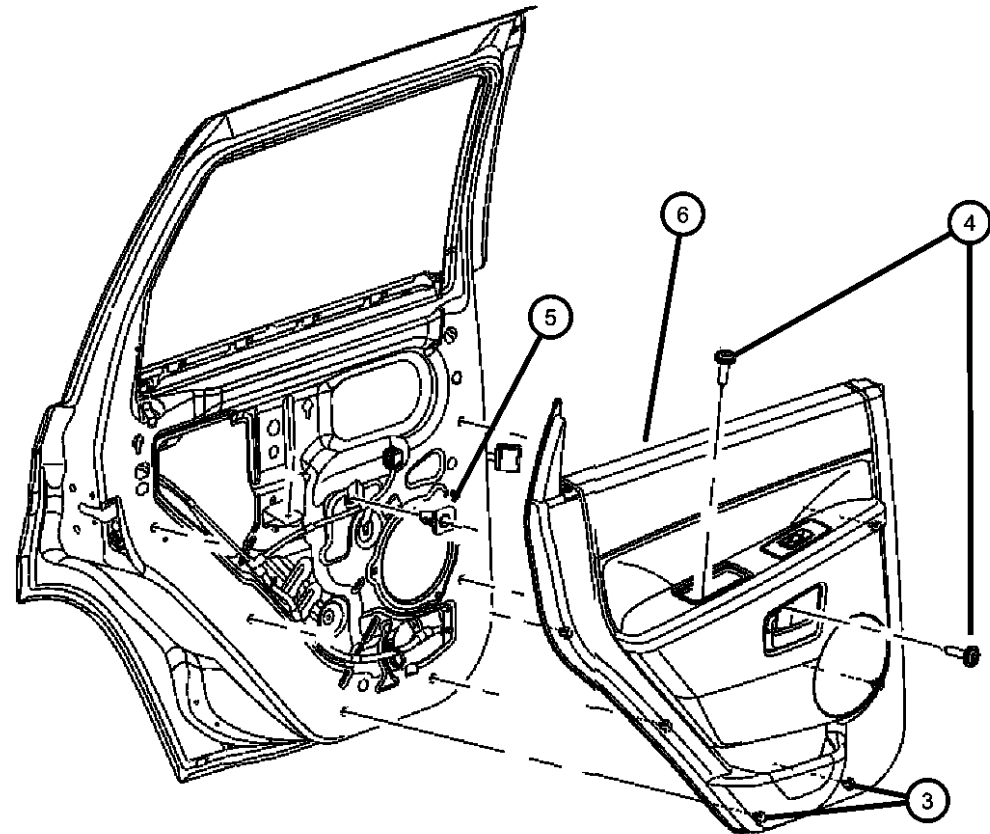
2005 WK

Door Trim Panels
Figure IWK-410

ITEM	PART NUMBER	QTY	LINE	SERIES	BODY	ENGINE	TRANS	TRIM	DESCRIPTION
------	-------------	-----	------	--------	------	--------	-------	------	-------------



	5HR421D5AG	1						*O0	[D5], With Black Inside Release Handle, Right
	5HR421J3AG	1						*O0	[J3], With Black Inside Release Handle, Right



GRAND CHEROKEE (WK)

SERIES	LINE
H = Laredo	T = JEEP - 2WD
P = Limited	J = JEEP - 4WD

BODY

74 = SPORT UTILITY 4-DOOR

ENGINE

EKG = Engine - 3.7L V6
EVA = Engine- 4.7L V8 MPI
EZB = Engine-5.7L HEMI

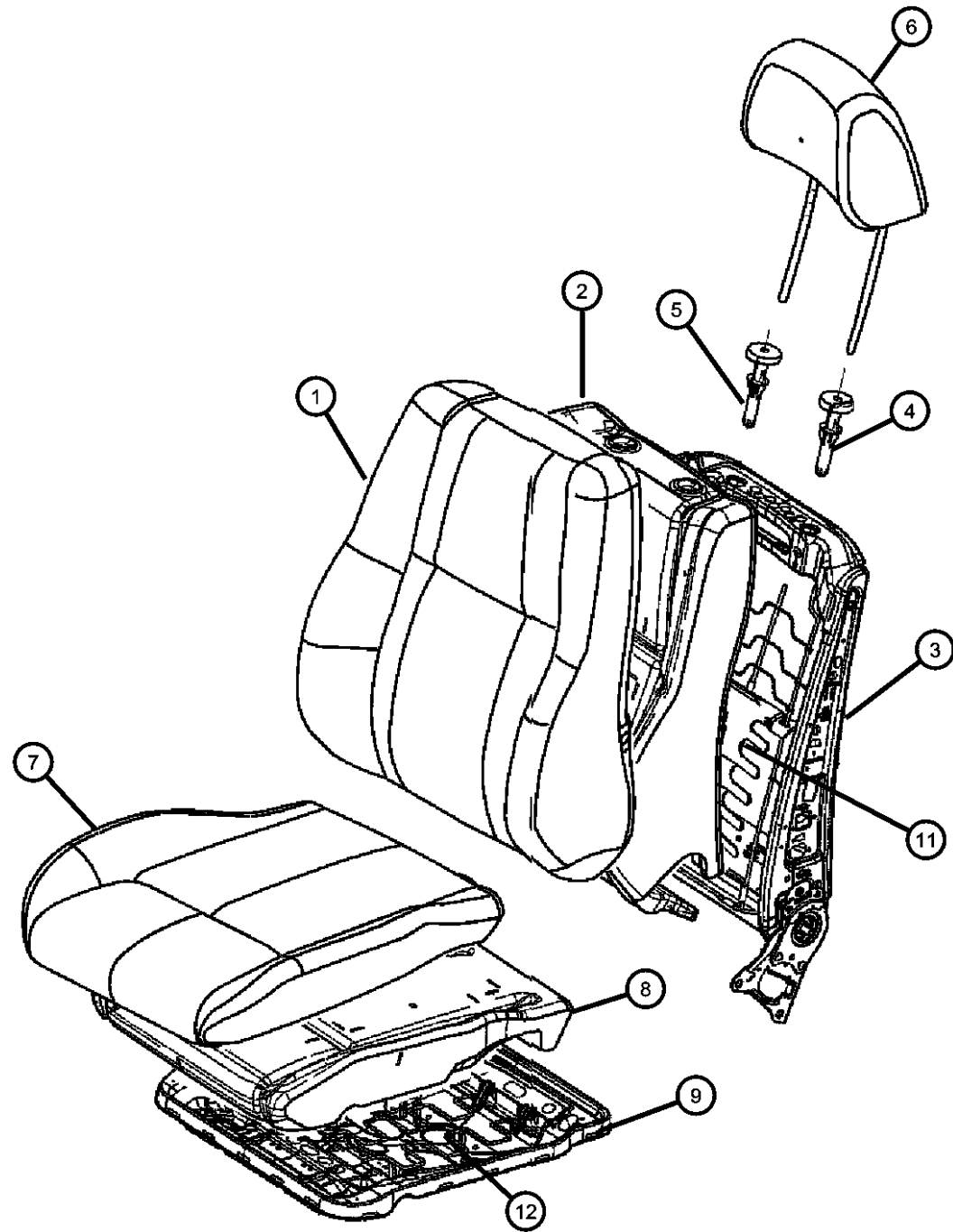
TRANSMISSION

DG0 = All Automatic Transmissions
DGJ = Transmission - 5-Spd Auto, MB
DGQ = Transmission-5-Spd Automatic 5-45RFE

AR = use ase required - = Non illustrated part

2005 WK

**Front Seat, Cloth, Trim Code [A7]
Figure IWK-510**



ITEM	PART NUMBER	QTY	LINE	SERIES	BODY	ENGINE	TRANS	TRIM	DESCRIPTION
1	1BF781D5AA	1						*A7	COVER, Front Seat Back
	1BF781J3AA	1						*A7	[D5], Right
	1BF791D5AA	1						*A7	[J3], Right
	1BF791J3AA	1						*A7	[D5], Left
								*A7	[J3], Left
2	05143345AA	1						*A7	FOAM, Seat Back
	05143344AA	1						*A7	Driver
								*A7	Passenger
3	05143571AA	1						*A7	FRAME, Front Seat Back
	05136181AA	1						*A7	Lumbar Included, Driver
	05143572AA	1						*A7	Without Lumbar, Passenger, Power
								*A7	Lumbar Included, Passenger, Manual
4	1DS911J3AA	2						*A7	SLEEVE, Headrest, With Button
	1DS911DDAA	2						*A7	[J3]
								*A7	[D5]
5	1DS941J3AA	2						*A7	SLEEVE, Headrest, Without Button
	1DS941DDAA	2						*A7	[J3]
								*A7	[D5]
6	1BD211D5AA	2						*A7	HEADREST, Front
	1BD211J3AA	2						*A7	[D5], Driver and Passenger
								*A7	[J3], Driver and Passenger
7	1BF811D5AA	2						*A7	COVER, Front Seat Cushion
	1BF811J3AA	2						*A7	[D5], Driver and Passenger
								*A7	, Driver and Passenger
8	05143343AA	2						*A7	FOAM, Seat Cushion Driver and Passenger
9	05134940AA	1						*A7	PAN, SEAT CUSHION
	05134939AA	1						*A7	Manual or Power Right, Manual Left
								*A7	Left, Power
-10	05143430AA	2						*A7	WIRE KIT, Trimming, Cushion Driver and Passenger
11	05140313AA	1						*A7	LUMBAR, Support
	05140312AA	1						*A7	Left
								*A7	Right
12	05135282AA	1						*A7	FRAME, Front Seat Cushion, Includes the complete seat adjuster

GRAND CHEROKEE (WK)

SERIES LINE
H = Laredo T = JEEP - 2WD
P = Limited J = JEEP - 4WD

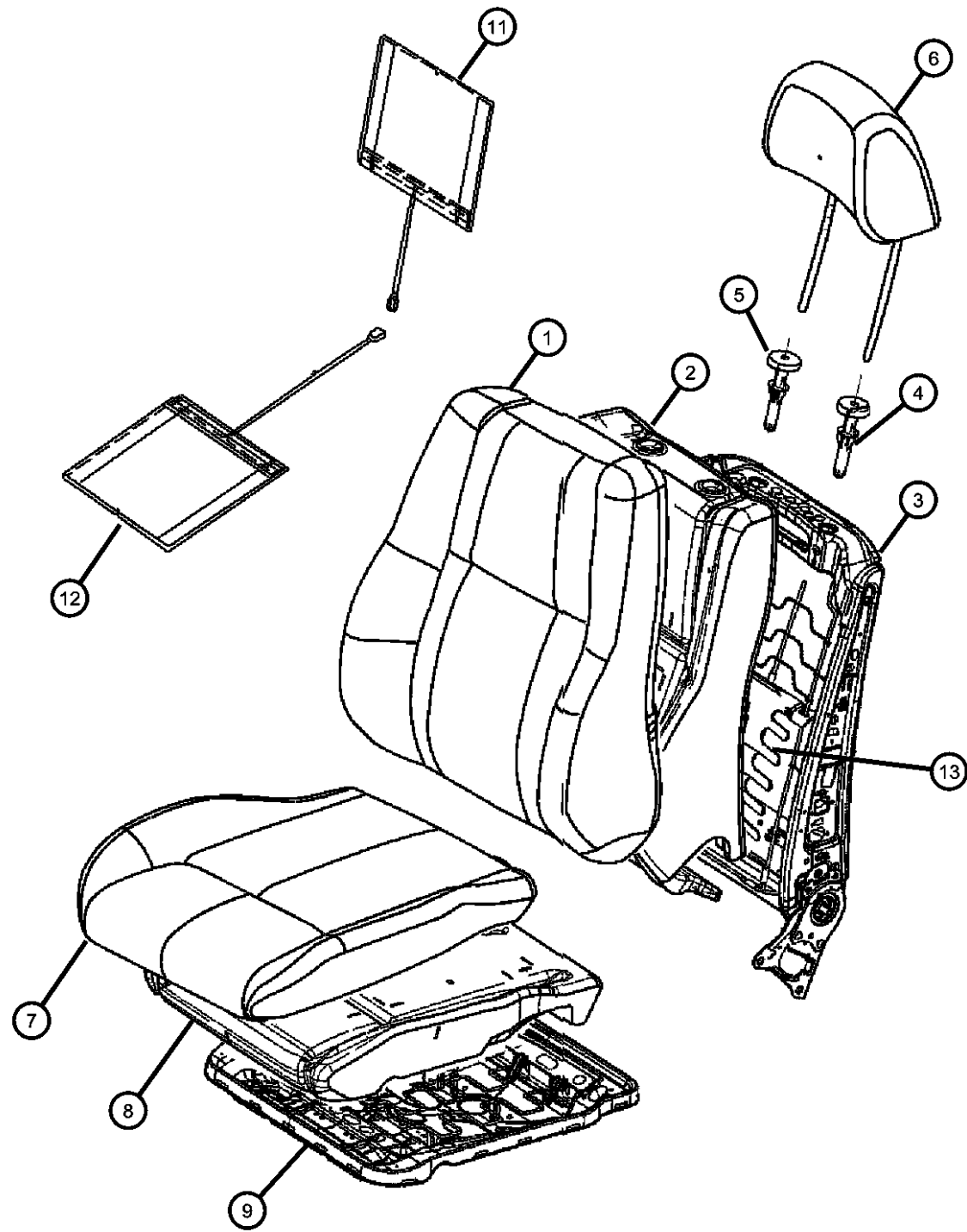
BODY ENGINE
74 = SPORT UTILITY 4-DOOR EKG = Engine - 3.7L V6
EVA = Engine- 4.7L V8 MPI
EZB = Engine-5.7L HEMI

TRANSMISSION
DG0 = All Automatic Transmissions
DGJ = Transmission - 5-Spd Auto, MB
DGQ = Transmission-5-Spd Automatic 5-45RFE

AR = use ase required - = Non illustrated part

2005 WK

**Front Seat, Leather, Trim Code [AL]
Figure IWK-520**



ITEM	PART NUMBER	QTY	LINE	SERIES	BODY	ENGINE	TRANS	TRIM	DESCRIPTION
1	1BF881D5AA	1						*AL	COVER, Front Seat Back [D5], Passenger
	1BF881J3AA	1						*AL	[J3], Passenger
	1BF891D5AA	1						*AL	[D5], Driver
	1BF891J3AA	1						*AL	[J3], Driver
2	05143345AA	1						*AL	FOAM, Seat Back Driver
	05143344AA	1						*AL	Passenger
3	05136181AA	1						*AL	FRAME, Front Seat Back Passenger, Power
	05143571AA	1						*AL	Lumbar Included, Driver, Power
4	1DS911DDAA	2						*AL	SLEEVE, Headrest, With Button [D5]
	1DS911J3AA	2						*AL	[J3]
5	1DS941DDAA	2						*AL	SLEEVE, Headrest, Without Button [D5]
	1DS941J3AA	2						*AL	[J3]
6	1BF861J3AA	2						*AL	HEADREST, Front [J3], Driver and Passenger
	1BF861D5AA	2						*AL	[D5], Driver and Passenger
7	1BF901D5AA	2						*AL	COVER, Front Seat Cushion [D5], Driver and Passenger
	1BF901J3AA	2						*AL	[J3], Driver and Passenger
8	05143343AA	2						*AL	FOAM, Seat Cushion Driver and Passenger
9	05134939AA	1						*AL	PAN, SEAT CUSHION Left, Power
	05134940AA	1						*AL	Manual or Power Right, Manual Left, Power
-10	05143430AA	2						*AL	WIRE KIT, Trimming, Cushion Driver and Passenger
11	05000022AA	2						*AL	PAD, Heater, Back Driver and Passenger
12	05000021AA	2						*AL	PAD, Heater, Cushion Driver and Passenger
13	05140312AA	1						*AL	LUMBAR, Support Right
	05140313AA	1						*AL	Left

GRAND CHEROKEE (WK)

SERIES LINE
H = Laredo T = JEEP - 2WD
P = Limited J = JEEP - 4WD

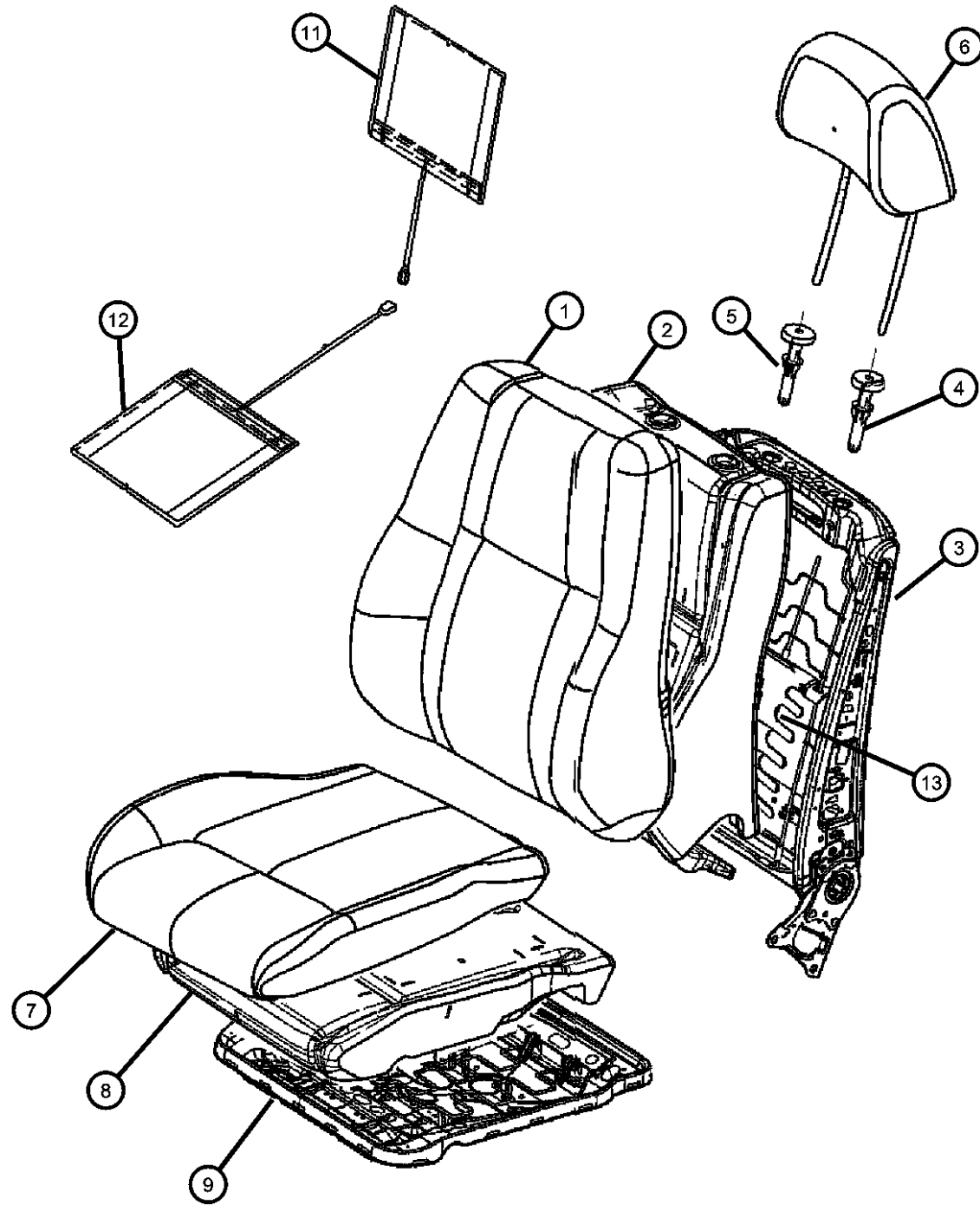
BODY ENGINE
74 = SPORT UTILITY 4-DOOR EKG = Engine - 3.7L V6
EVA = Engine- 4.7L V8 MPI
EZB = Engine-5.7L HEMI

TRANSMISSION
DG0 = All Automatic Transmissions
DGJ = Transmission - 5-Spd Auto, MB
DGQ = Transmission-5-Spd Automatic 5-45RFE

AR = use ase required - = Non illustrated part

2005 WK

**Front Seat, Leather, Trim Code [PL]
Figure IWK-530**



ITEM	PART NUMBER	QTY	LINE	SERIES	BODY	ENGINE	TRANS	TRIM	DESCRIPTION
1									COVER, Front Seat Back
	1BF961D1AA	1						*PL	[J1], Passenger
	1BF961D5AA	1						*PL	[D5], Passenger
	1BF961J3AA	1						*PL	[J3], Passenger
	1BF971D1AA	1						*PL	[J1], Driver
	1BF971D5AA	1						*PL	[D5], Driver
	1BF971J3AA	1						*PL	[J3], Driver
2									FOAM, Seat Back
	05143344AA	1						*PL	Passenger
	05143345AA	1						*PL	Driver
3									FRAME, Front Seat Back
	05136181AA	1						*PL	Passenger
	05136182AA	1						*PL	Recliner with Motor Included,Lumbar Included, Driver
4									SLEEVE, Headrest, With Button
	1DS911DDAA	2						*PL	[D5]
	1DS911J3AA	2						*PL	[J3]
5									SLEEVE, Headrest, Without Button
	1DS941J3AA	2						*PL	[J3]
	1DS941DDAA	2						*PL	[D5]
6									HEADREST, Front
	1BF941D1AA	2						*PL	[J1], Driver and Passenger
	1BF941D5AA	2						*PL	[D5], Driver and Passenger
	1BF941J3AA	2						*PL	[J3], Driver and Passenger
7									COVER, Front Seat Cushion
	1BF981D1AA	2						*PL	[J1], Driver and Passenger
	1BF981J3AA	2						*PL	[J3], Driver and Passenger
	1BF981D5AA	2						*PL	[D5], Driver and Passenger
8	05161387AA	2						*PL	FOAM, Seat CushionDriver and Passenger
9									PAN, SEAT CUSHION
	05134939AA	1						*PL	Left, Power
	05134940AA	1						*PL	Manual or Power Right, Manual Left, Power
-10	05143430AA	2						*PL	WIRE KIT, Trimming, CushionDriver and Passenger

GRAND CHEROKEE (WK)

SERIES LINE
H = Laredo T = JEEP - 2WD
P = Limited J = JEEP - 4WD

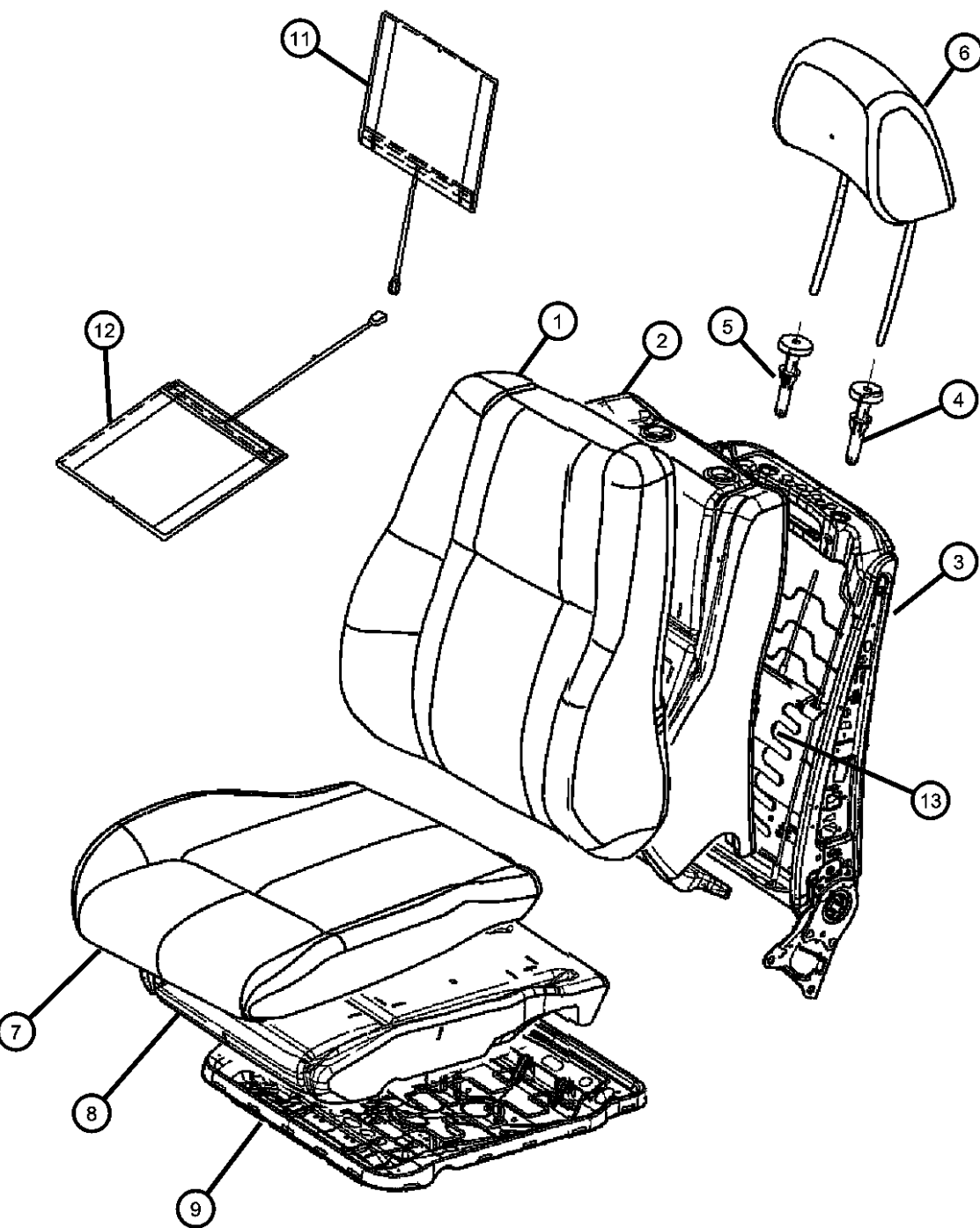
BODY ENGINE
74 = SPORT UTILITY 4-DOOR EKG = Engine - 3.7L V6
EVA = Engine- 4.7L V8 MPI
EZB = Engine-5.7L HEMI

TRANSMISSION
DG0 = All Automatic Transmissions
DGJ = Transmission - 5-Spd Auto, MB
DGQ = Transmission-5-Spd Automatic 5-45RFE

AR = use ase required - = Non illustrated part

2005 WK

Front Seat, Leather, Trim Code [PL]
Figure IWK-530



ITEM	PART NUMBER	QTY	LINE	SERIES	BODY	ENGINE	TRANS	TRIM	DESCRIPTION
11	05000022AA	2						*PL	PAD, Heater, BackDriver and Passenger
12	05000021AA	2						*PL	PAD, Heater, CushionDriver and Passenger
13									LUMBAR, Support
	05140312AA	1						*PL	Right
	05140313AB	1						*PL	Left

GRAND CHEROKEE (WK)

SERIES LINE
H = Laredo T = JEEP - 2WD
P = Limited J = JEEP - 4WD

BODY

74 = SPORT UTILITY 4-DOOR

ENGINE

EKG = Engine - 3.7L V6
EVA = Engine- 4.7L V8 MPI
EZB = Engine-5.7L HEMI

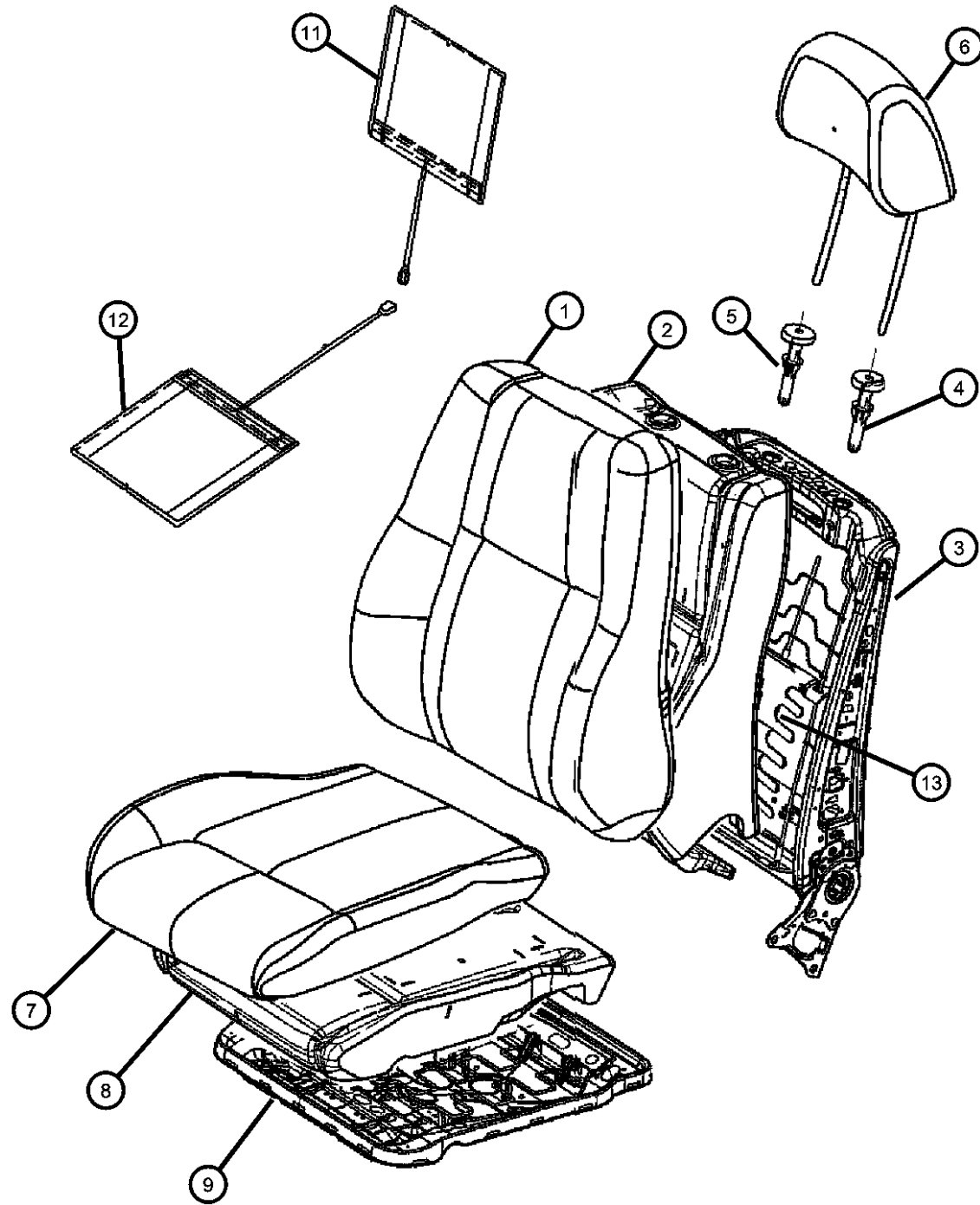
TRANSMISSION

DG0 = All Automatic Transmissions
DGJ = Transmission - 5-Spd Auto, MB
DGQ = Transmission-5-Spd Automatic 5-45RFE

AR = use ase required - = Non illustrated part

2005 WK

Front Seat, Leather, Trim Code [YL]
Figure IWK-540



ITEM	PART NUMBER	QTY	LINE	SERIES	BODY	ENGINE	TRANS	TRIM	DESCRIPTION
1									COVER, Front Seat Back
	1CW521D5AA	1						*YL	[D5], Right
	1CW521J3AA	1						*YL	[J3], Right
	1CW531D5AA	1						*YL	[D5], Left
	1CW531J3AA	1						*YL	[J3], Left
2									FOAM, Seat Back
	05143344AA	1						*YL	Right
	05143345AA	1						*YL	Left
3									FRAME, Front Seat Back
	05136181AA	1						*YL	Passenger
	05143571AA	1						*YL	Lumbar Included, Driver
4									SLEEVE, Headrest, With Button
	1DS911DDAA	2						*YL	[D5]
	1DS911J3AA	2						*YL	[J3]
5									SLEEVE, Headrest, Without Button
	1DS941DDAA	2						*YL	[D5]
	1DS941J3AA	2						*YL	[J3]
6									HEADREST, Front
	1BF861D5AA	2						*YL	D5]
	1BF861J3AA	2						*YL	[J3]
7									COVER, Front Seat Cushion
	1CW541D5AA	2						*YL	[D5]
	1CW541J3AA	2						*YL	[J3]
8	05143343AA	2						*YL	FOAM, Seat Cushion
9									PAN, SEAT CUSHION
	05134940AA	1						*YL	Manual or Power Right, Manual Left
	05134939AA	1						*YL	Left Power
-10	05143430AA	2						*YL	WIRE KIT, Trimming, CushionDriver and Passenger
11	05000022AA	2						*YL	PAD, Heater, BackDriver and Passenger
12	05000021AA	2						*YL	PAD, Heater, CushionDriver and Passenger
13									LUMBAR, Support
	05140312AA	1						*YL	Right
	05140313AA	1						*YL	Left

GRAND CHEROKEE (WK)

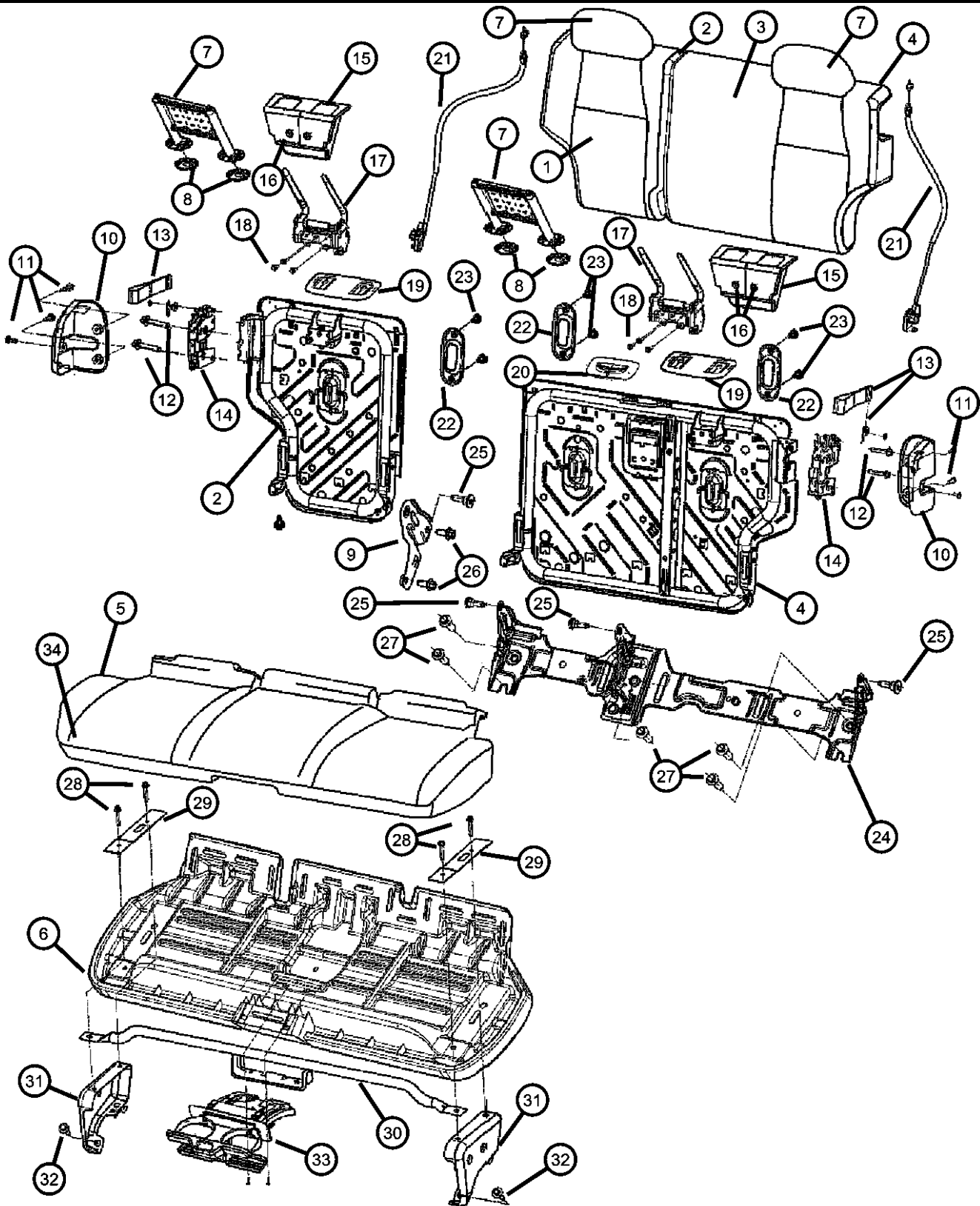
SERIES LINE
H = Laredo T = JEEP - 2WD
P = Limited J = JEEP - 4WD

BODY ENGINE TRANSMISSION
74 = SPORT UTILITY 4-DOOR EKG = Engine - 3.7L V6
EVA = Engine- 4.7L V8 MPI DG0 = All Automatic Transmissions
EZB = Engine-5.7L HEMI DGJ = Transmission - 5-Spd Auto, MB
DGQ = Transmission-5-Spd Automatic 5-45RFE

AR = use ase required - = Non illustrated part

2005 WK

Rear Seat, Trim Code [A7]
Figure IWK-610



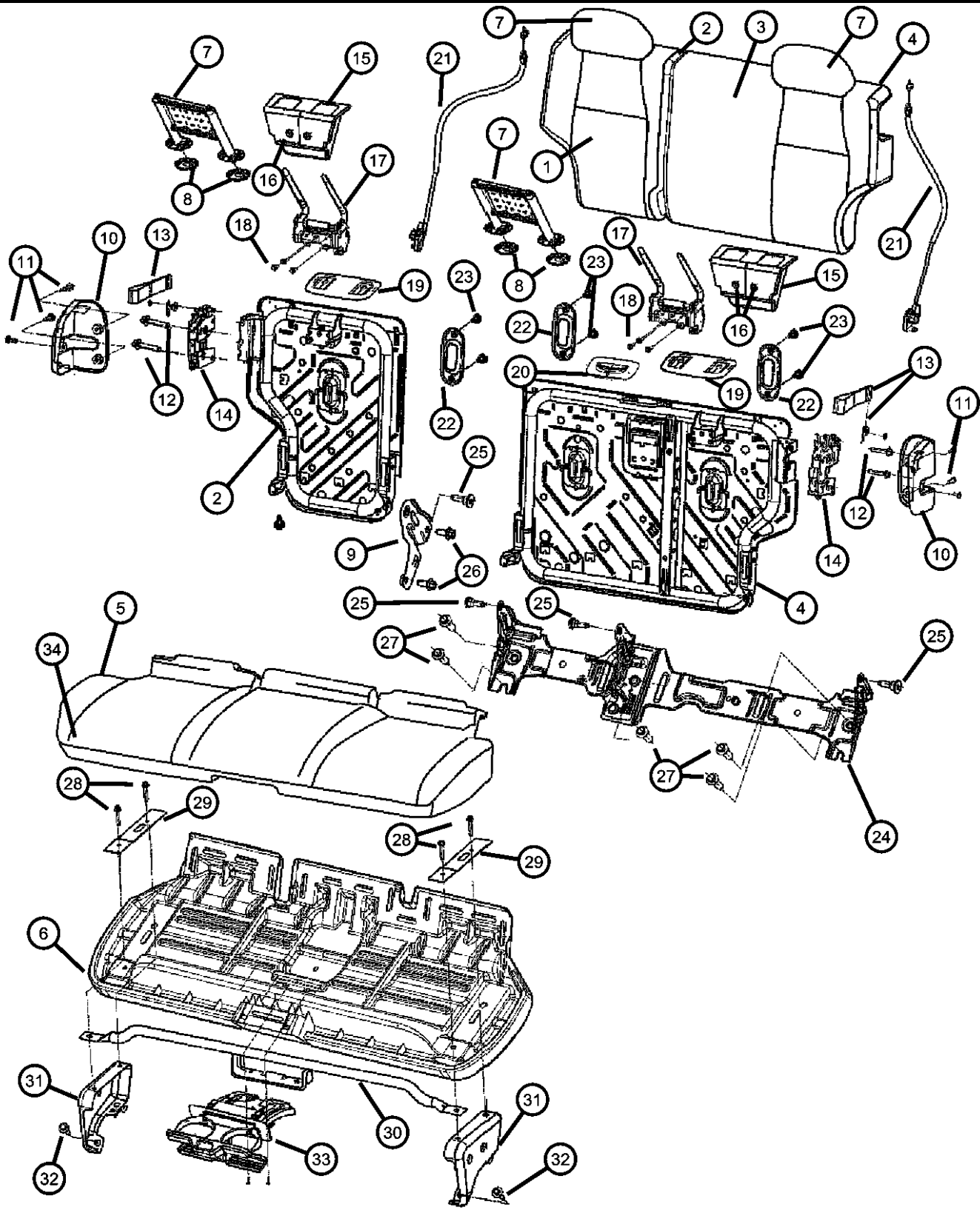
ITEM	PART NUMBER	QTY	LINE	SERIES	BODY	ENGINE	TRANS	TRIM	DESCRIPTION
------	-------------	-----	------	--------	------	--------	-------	------	-------------

34	05143433AA	1							*A7 FOAM, Seat Cushion
-35	05143454AA	1							*A7 WIRE KIT, Trimming

GRAND CHEROKEE (WK)		BODY	ENGINE	TRANSMISSION
SERIES	LINE			
H = Laredo	T = JEEP - 2WD	74 = SPORT UTILITY 4-DOOR	EKG = Engine - 3.7L V6	DG0 = All Automatic Transmissions
P = Limited	J = JEEP - 4WD		EVA = Engine- 4.7L V8 MPI	DGJ = Transmission - 5-Spd Auto, MB
			EZB = Engine-5.7L HEMI	DGQ = Transmission-5-Spd Automatic 5-45RFE

AR = use ase required - = Non illustrated part

Rear Seat, Trim Code [AL]
Figure IWK-620



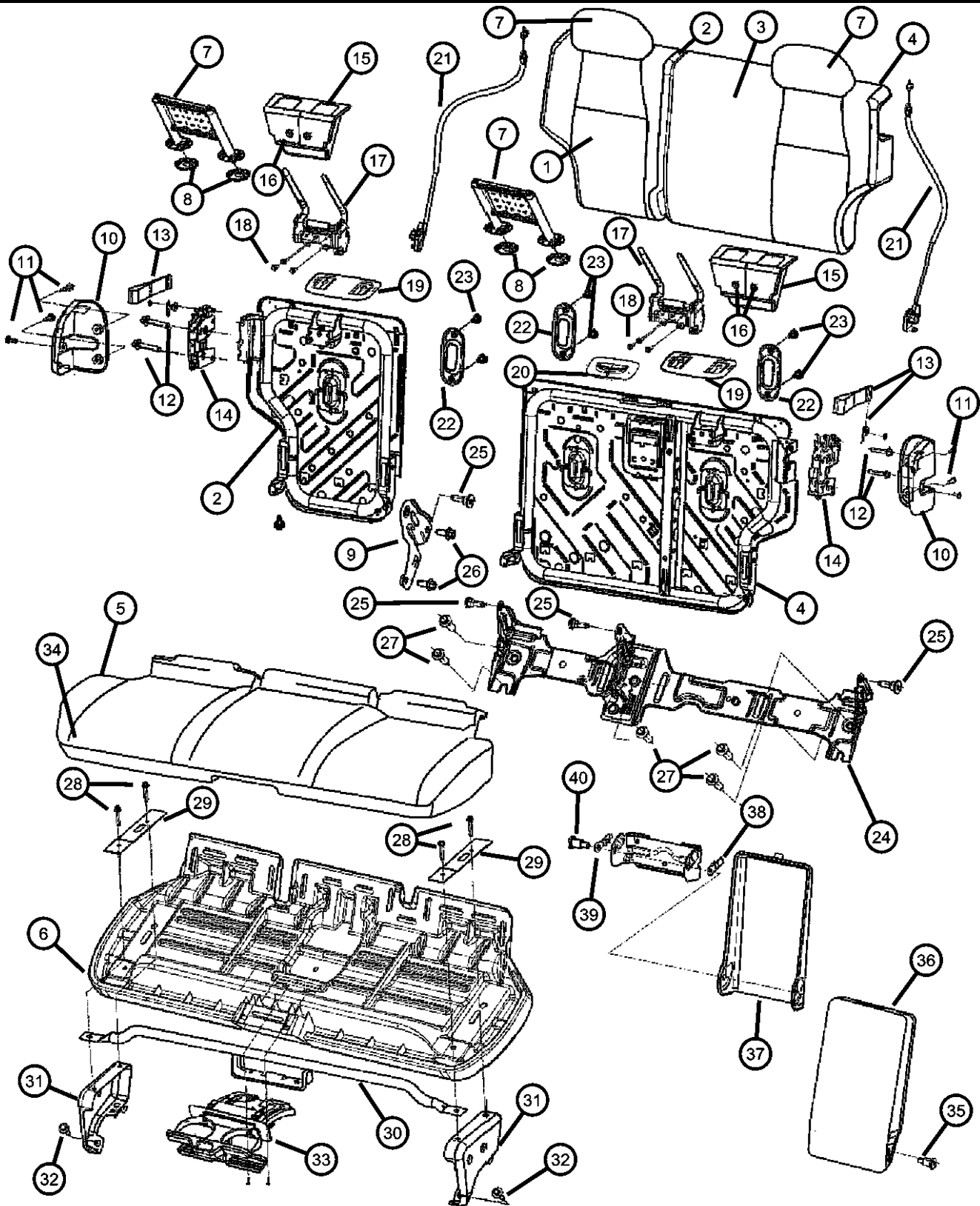
ITEM	PART NUMBER	QTY	LINE	SERIES	BODY	ENGINE	TRANS	TRIM	DESCRIPTION
------	-------------	-----	------	--------	------	--------	-------	------	-------------

34	05143433AA	1						*AL	FOAM, Seat Cushion
-35	05143454AA	1						*AL	WIRE KIT, Trimming

GRAND CHEROKEE (WK)		BODY	ENGINE	TRANSMISSION
SERIES	LINE			
H = Laredo	T = JEEP - 2WD	74 = SPORT UTILITY 4-DOOR	EKG = Engine - 3.7L V6	DG0 = All Automatic Transmissions
P = Limited	J = JEEP - 4WD		EVA = Engine- 4.7L V8 MPI	DGJ = Transmission - 5-Spd Auto, MB
			EZB = Engine-5.7L HEMI	DGQ = Transmission-5-Spd Automatic 5-45RFE

AR = use ase required - = Non illustrated part

Rear Seat, Trim Code [PL]
Figure IWK-630

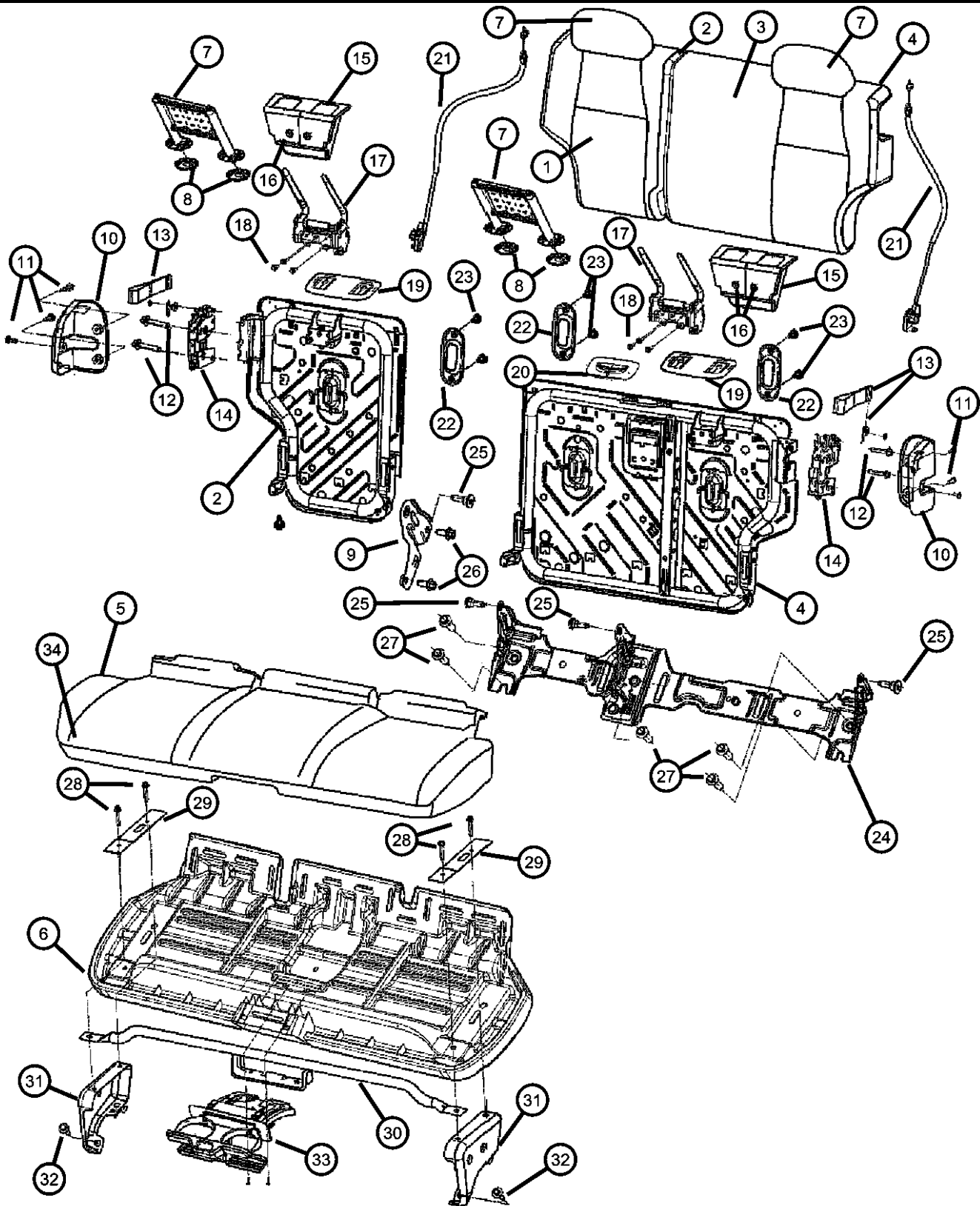


ITEM	PART NUMBER	QTY	LINE	SERIES	BODY	ENGINE	TRANS	TRIM	DESCRIPTION
26	05143464AA	2							*PL BOLT, Seat
27	06508360AA	1							*PL SCREW AND WASHER, Hex
28	05143445AA	4							*PL SCREW, Seat
29	05143431AA	2							*PL PLATE, Retaining
30	05143432AA	1							*PL SUPPORT, Rear Seat
31									RISER, Seat
	05143412AA	1							*PL Right
	05143413AA	1							*PL Left
32	06508360AA	2							SCREW AND WASHER, Hex
33									CUPHOLDER
	1BG491D1AA	1							*PL [J1]
	1BG491D5AA	1							*PL [D5]
	1BG491J3AA	1							*PL [J3]
34	05143433AA	1							*PL FOAM, Seat Cushion
35	05143494AA	2							*PL BOLT, Pivot
36									ARMREST, Rear Seat Center
	1BG801D1AA	1							*PL [J1]
	1BG801J3AA	1							*PL [J3]
	1BG801D5AA	1							*PL [D5]
37									PANEL, CLOSEOUT
	1BH031D1AA	1							*PL [J1]
	1BH031J3AA	1							*PL [J3]
	1BH031D5AA	1							*PL [D5]
38	05161493AA	1							*PL STOPPER, Seat
39	05161492AA	1							*PL STOPPER, Seat
40	05143494AA	2							*PL BOLT, Pivot
-41	05143454AA	1							*PL WIRE KIT, Trimming

GRAND CHEROKEE (WK)
 SERIES LINE BODY ENGINE TRANSMISSION
 H = Laredo T = JEEP - 2WD 74 = SPORT UTILITY 4-DOOR EKG = Engine - 3.7L V6 DG0 = All Automatic Transmissions
 P = Limited J = JEEP - 4WD EVA = Engine- 4.7L V8 MPI DGJ = Transmission - 5-Spd Auto, MB
 EZB = Engine-5.7L HEMI DGQ = Transmission-5-Spd Automatic 5-45RFE

AR = use ase required - = Non illustrated part

Rear Seat, Trim Code [YL]
Figure IWK-640

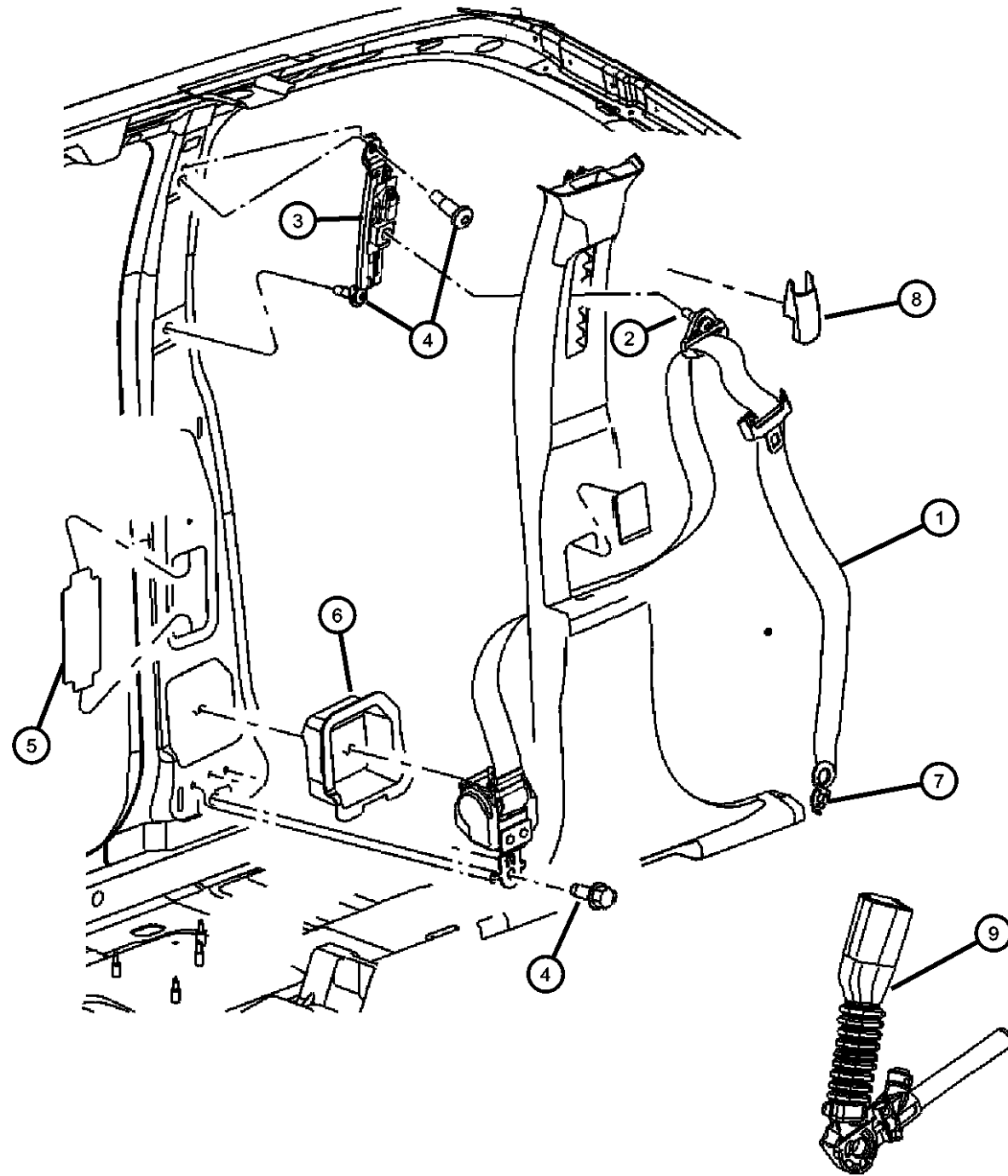


ITEM	PART NUMBER	QTY	LINE	SERIES	BODY	ENGINE	TRANS	TRIM	DESCRIPTION
32	06508360AA	2							SCREW AND WASHER, Hex
33									CUPHOLDER
	1BG491D5AA	1						*YL	[D5]
	1BG491J3AA	1						*YL	[J3]
34	05143433AA	1						*YL	FOAM, Seat Cushion
-35	05143454AA	1						*YL	WIRE KIT, Trimming

GRAND CHEROKEE (WK)		BODY	ENGINE	TRANSMISSION
SERIES	LINE	74 = SPORT UTILITY 4-DOOR	EKG = Engine - 3.7L V6 EVA = Engine- 4.7L V8 MPI EZB = Engine-5.7L HEMI	DG0 = All Automatic Transmissions DGJ = Transmission - 5-Spd Auto, MB DGQ = Transmission-5-Spd Automatic 5-45RFE
H = Laredo	T = JEEP - 2WD			
P = Limited	J = JEEP - 4WD			

AR = use ase required - = Non illustrated part

Front Seat Belts
Figure IWK-710



ITEM	PART NUMBER	QTY	LINE	SERIES	BODY	ENGINE	TRANS	TRIM	DESCRIPTION
1									SEAT BELT, Front Outer
	5HQ36BD1AC	1						*O0	[J1], Right
	5HQ36BD5AC	1						*O0	[D5], Right
	5HQ36ZJ3AC	1						*O0	[J3], Right
	5HQ37BD1AC	1						*O0	[J1], Left
	5HQ37BD5AC	1						*O0	[D5], Left
	5HQ37ZJ3AC	1						*O0	[J3], Left
2	06036522AA	1						*O0	SCREW, .437-20X37.9
3	0XE25BD1AC	2						*O0	ADJUSTER, Seat Belt Turning Loop
4	06036187AA	4						*O0	SCREW, Pan Head
5	55116545AC	2							SHIELD, Seat Belt Retractor
6									SHIELD, Seat Belt Retractor
	55197032AA	1							Right
	55197033AA	1							Left
7	06036523AA	1						*O0	SCREW
8	5HP13BD1AA	2						*O0	COVER, Adjustable Turning Loop
9									SEAT BELT, Front Inner
	5HP141D1AB	1						*PL	[J1], Right
	5HP141D5AB	1						*A7	[D5], Right
		1						*AL	[D5], Right
		1						*PL	[D5], Right
	5HP141J3AB	1						*A7	[J3], Right
		1						*AL	[J3], Right
		1						*PL	[J3], Right
	5HP151D1AB	1						*PL	[J1], Left
	5HP151D5AB	1						*A7	[D5], Left
		1						*AL	[D5], Left
		1						*PL	[D5], Left
	5HP151J3AB	1						*AL	[J3], Left
		1						*PL	[J3], Left
		1						*A7	[J3], Left
-10	05018505AA	AR						*O0	EXTENDER, Seat Belt

GRAND CHEROKEE (WK)

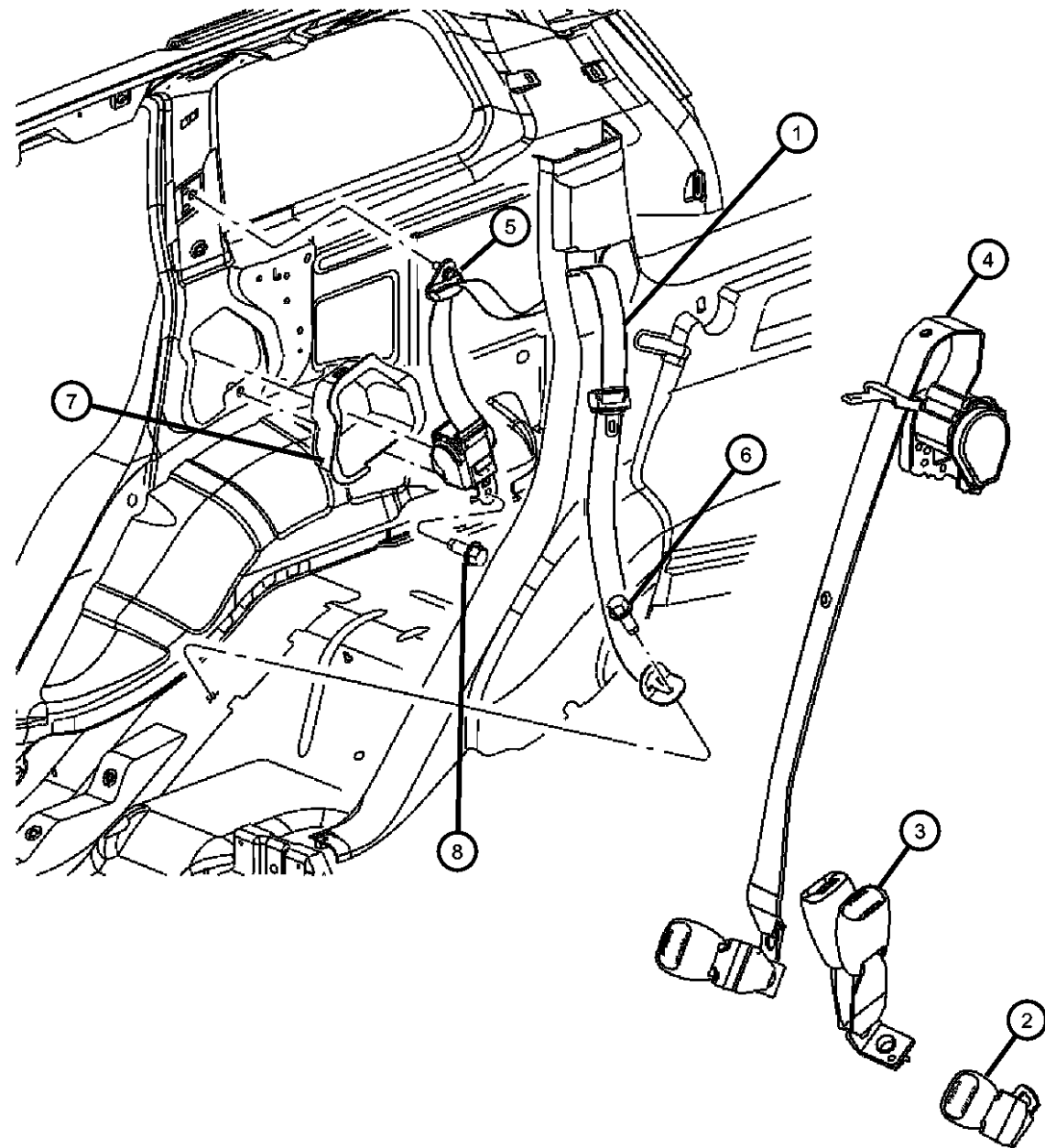
SERIES LINE
H = Laredo T = JEEP - 2WD
P = Limited J = JEEP - 4WD

BODY ENGINE TRANSMISSION
74 = SPORT UTILITY 4-DOOR EKG = Engine - 3.7L V6
EVA = Engine- 4.7L V8 MPI DG0 = All Automatic Transmissions
EZB = Engine-5.7L HEMI DGJ = Transmission - 5-Spd Auto, MB
DGQ = Transmission-5-Spd Automatic 5-45RFE

AR = use ase required - = Non illustrated part

2005 WK

Rear Seat Belts
Figure IWK-720



ITEM	PART NUMBER	QTY	LINE	SERIES	BODY	ENGINE	TRANS	TRIM	DESCRIPTION
1									SEAT BELT, Rear Outer
	5JB59BD5AC	1						*O0	[D5], Left
	5JB59ZJ3AC	1						*O0	[J3], Left
	5JB58BD1AC	1						*O0	[J1], Right
	5JB58BD5AC	1						*O0	[D5], Right
	5JB58ZJ3AC	1						*O0	[J3], Right
	5JB59BD1AC	1						*O0	[J1], Left
2									SEAT BELT, Rear Inner
	5HP161D1AA	1						*PL	[J1]
	5HP161J3AA	1						*AL	[J3]
		1						*YL	[J3]
	5HP161D5AA	1						*YL	[D5]
		1						*AL	[D5]
		1						*A7	[D5]
		1						*PL	[D5]
		1						*PL	[J3]
		1						*A7	[J3]
3									SEAT BELT, Two Buckles
	5HP171D5AA	1						*YL	[D5]
	5HP171J3AA	1						*YL	[J3]
	5HP171D1AA	1						*PL	[J1]
		1						*PL	[D5]
		1						*AL	[D5]
		1						*A7	[D5]
		1						*PL	[J3]
		1						*A7	[J3]
		1						*AL	[J3]
4									SEAT BELT, RR CNTR SHOULDER
	5JB571J3AD	1						*YL	[J3]
	5JB571D5AD	1						*YL	[D5]
	5JB571D5AB	1						*A7	[D5]
		1						*AL	[D5]
		1						*PL	[D5]
	5JB571D1AB	1						*PL	[J1]
	5JB571J3AB	1						*AL	[J3]

GRAND CHEROKEE (WK)

SERIES LINE
H = Laredo T = JEEP - 2WD
P = Limited J = JEEP - 4WD

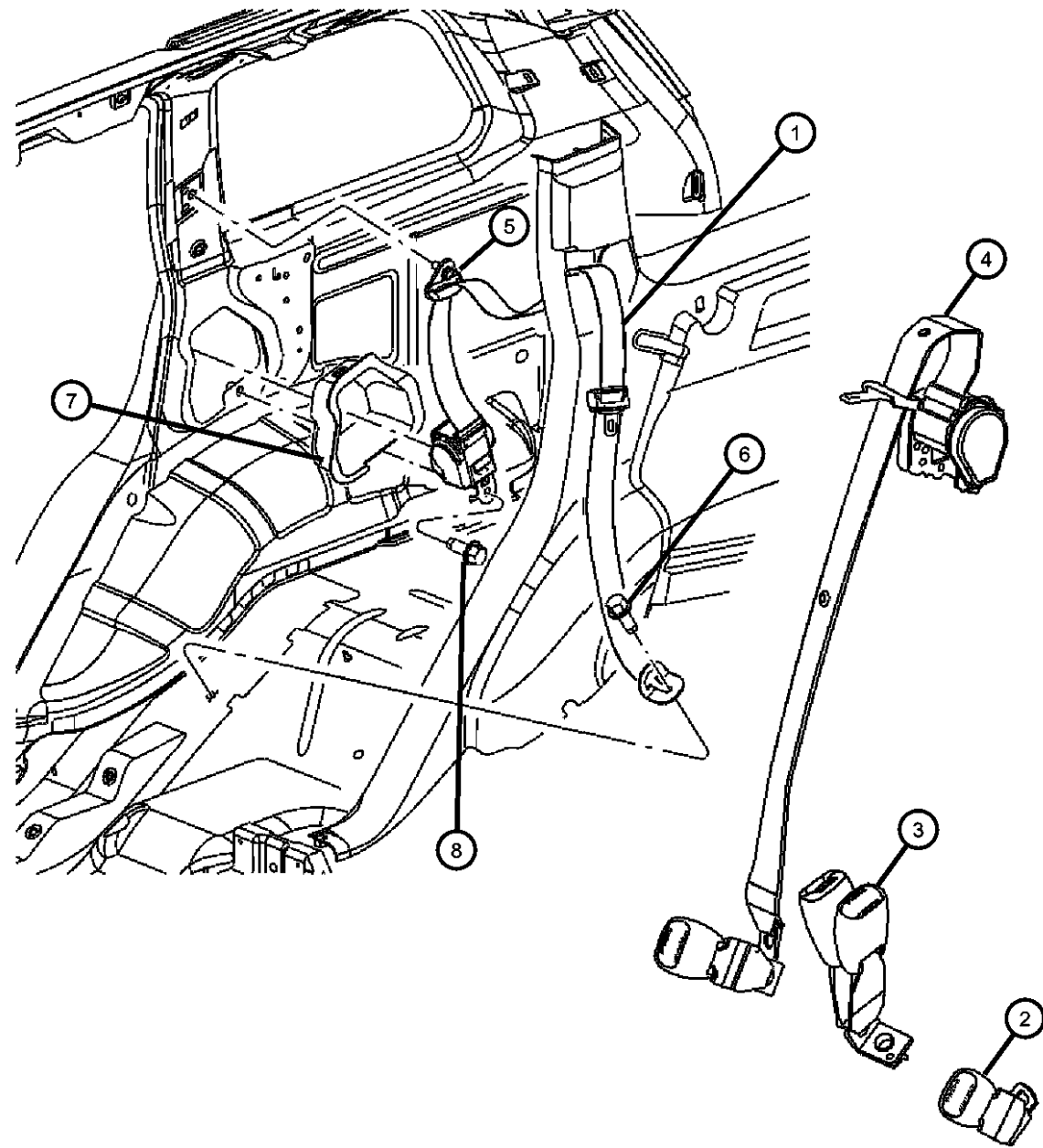
BODY ENGINE
74 = SPORT UTILITY 4-DOOR EKG = Engine - 3.7L V6
EVA = Engine- 4.7L V8 MPI
EZB = Engine-5.7L HEMI

TRANSMISSION
DG0 = All Automatic Transmissions
DGJ = Transmission - 5-Spd Auto, MB
DGQ = Transmission-5-Spd Automatic 5-45RFE

AR = use ase required - = Non illustrated part

2005 WK

Rear Seat Belts
Figure IWK-720



ITEM	PART NUMBER	QTY	LINE	SERIES	BODY	ENGINE	TRANS	TRIM	DESCRIPTION
		1						*A7	[J3]
		1						*PL	[J3]
5	06036438AA	1						*O0	BOLT, Seat Belt
6	06034384	1							SCREW, Pan Head, .437-20x1.15
7									SHIELD, Seat Belt Retractor
	55197034AB	1							Right
	55197035AB	1							Left
8	06036187AA	2							SCREW, Pan Head
-9	05018505AA	AR						*O0	EXTENDER, Seat Belt

GRAND CHEROKEE (WK)

SERIES LINE
H = Laredo T = JEEP - 2WD
P = Limited J = JEEP - 4WD

BODY

74 = SPORT UTILITY 4-DOOR

ENGINE

EKG = Engine - 3.7L V6
EVA = Engine- 4.7L V8 MPI
EZB = Engine-5.7L HEMI

TRANSMISSION

DG0 = All Automatic Transmissions
DGJ = Transmission - 5-Spd Auto, MB
DGQ = Transmission-5-Spd Automatic
5-45RFE

AR = use ase required - = Non illustrated part

2005 WK

**Adjuster, Recliners, Drivers Seat
Figure IWK-810**

	ITEM	PART NUMBER	QTY	LINE	SERIES	BODY	ENGINE	TRANS	TRIM	DESCRIPTION	
	1									HANDLE, Lumbar	
		1BG531D1AA	2						*PL	[J1]	
		1BG531D5AA	2						*PL	[D5]	
			2						*A7	[D5]	
			2						*AL	[D5]	
		1BG531J3AA	2						*PL	[J3]	
			2						*YL	[D5]	
			2						*A7	[J3]	
			2						*AL	[J3]	
			2						*YL	[J3]	
	2										SCREW
		05080813AA	4							*PL	
			4							*AL	
			4							*A7	
	3										SHIELD, Seat Adjuster
		1BG411D1AA	1							*PL	[J1]
		1BG411D5AA	1							*A7	[D5]
			1							*PL	[D5]
		1							*AL	[D5]	
	1BG411J3AA	1							*A7	[J3]	
		1							*PL	[J3]	
		1							*AL	[J3]	
4										SCREW, Seat	
	05143453AA	4							*PL		
		4							*AL		
		4							*A7		
5										SCREW, Seat	
	05166485AA	1							*A7		
		1							*AL		
		1							*PL		
		1							*YL		
6										PLATE, Front Seat	
	1BG591D1AA	1							*PL	[J1]	
	1BG591D5AA	1							*PL	[D5]	
		1							*A7	[D5]	

GRAND CHEROKEE (WK)

SERIES	LINE
H = Laredo	T = JEEP - 2WD
P = Limited	J = JEEP - 4WD

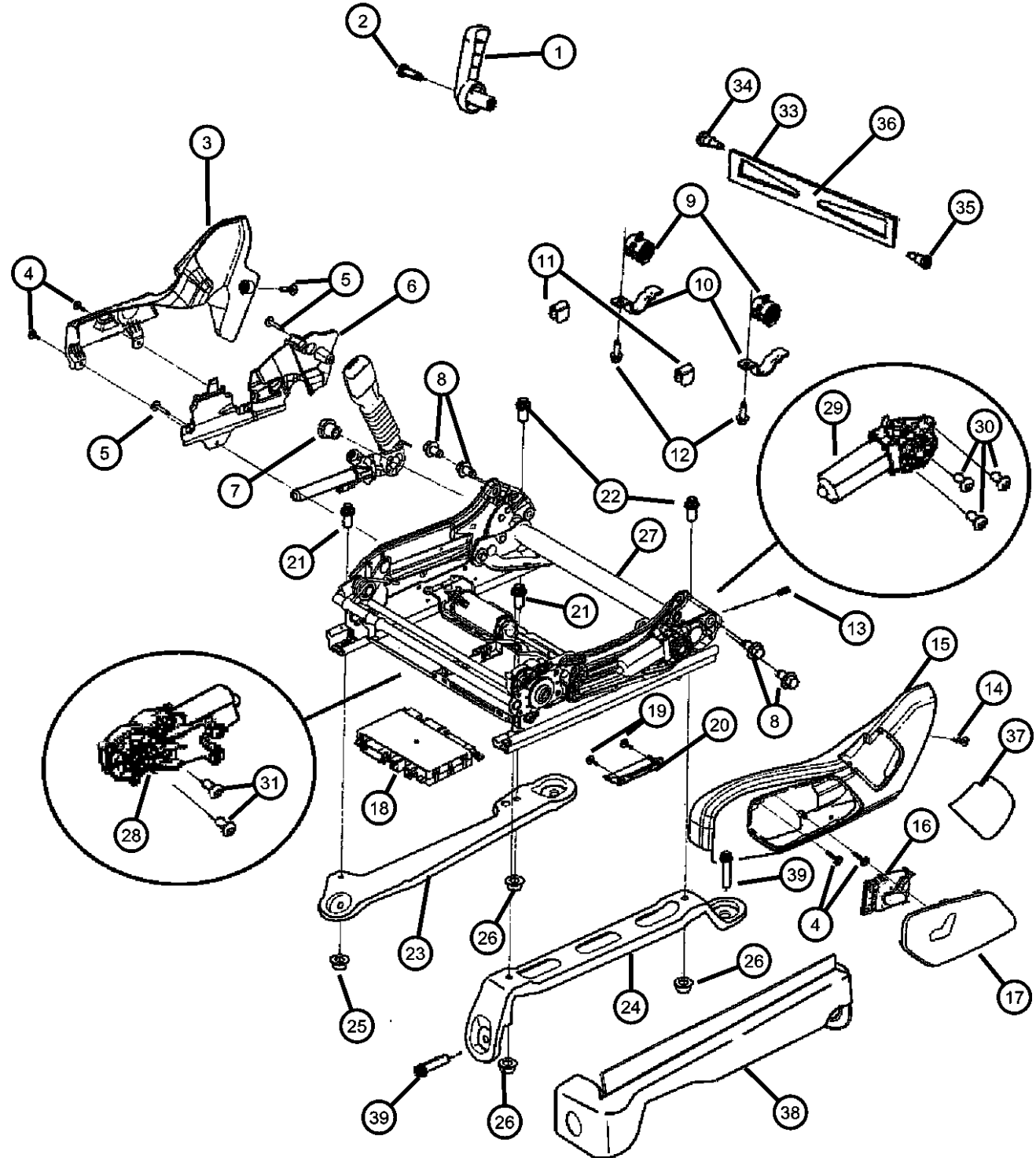
BODY	ENGINE
74 = SPORT UTILITY 4-DOOR	EKG = Engine - 3.7L V6
	EVA = Engine- 4.7L V8 MPI
	EZB = Engine-5.7L HEMI

TRANSMISSION
DG0 = All Automatic Transmissions
DGJ = Transmission - 5-Spd Auto, MB
DGQ = Transmission-5-Spd Automatic 5-45RFE

AR = use ase required - = Non illustrated part

2005 WK

**Adjuster, Recliners, Drivers Seat
Figure IWK-810**



ITEM	PART NUMBER	QTY	LINE	SERIES	BODY	ENGINE	TRANS	TRIM	DESCRIPTION
22	05143440AA	3						*AL	BOLT, Seat
		3						*A7	
		3						*PL	
23	05143416AA	1						*A7	RISER, Seat, Inboard
		1						*AL	
		1						*PL	
24	05143417AA	1						*A7	RISER, Seat, Outboard
		1						*AL	
		1						*PL	
25	05143448AA	1						*A7	NUT, Seat
		1						*AL	
		1						*PL	
26	05143442AA	15						*PL	NUT, Seat
		15						*AL	
		15						*A7	
27	68020712AA	1						*A7	ADJUSTER, Power Seat Without Memory
		1						*AL	Without Memory
	68020713AA	1						*PL	With Memory
28	05135155AA	1						*PL	MOTOR, Power Seat, Tilt With Memory
	05135157AA	1						*A7	Without Memory
		1						*AL	Without Memory
29	05135111AB	1						*AL	MOTOR, Power Seat, Height Without Memory
		1						*A7	Without Memory
	05135113AA	1						*PL	With Memory
30	05135305AA	3						*PL	SCREW, Seat, Height Motor

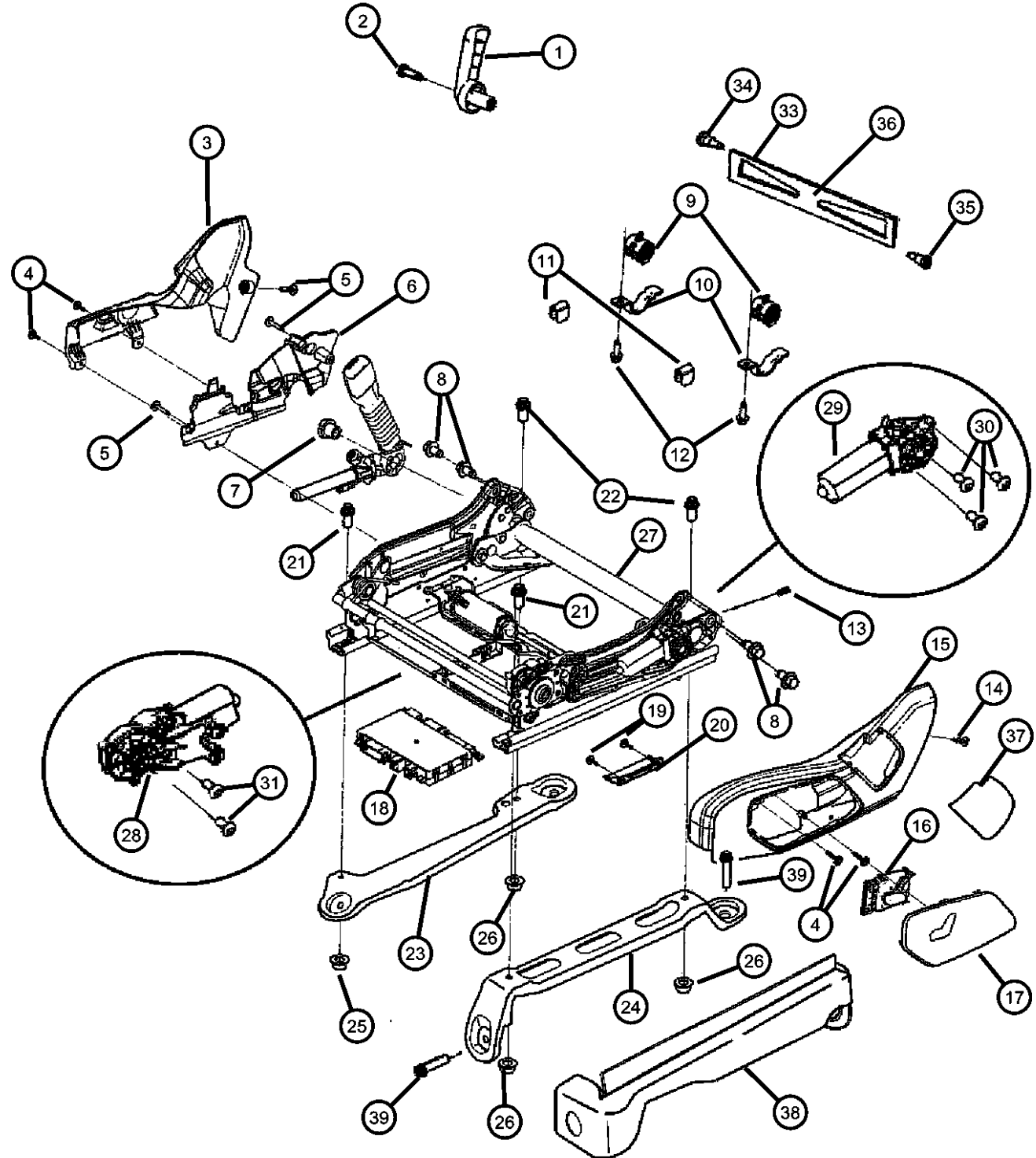
GRAND CHEROKEE (WK)

SERIES	LINE	BODY	ENGINE	TRANSMISSION
H = Laredo	T = JEEP - 2WD	74 = SPORT UTILITY 4-DOOR	EKG = Engine - 3.7L V6	DG0 = All Automatic Transmissions
P = Limited	J = JEEP - 4WD		EVA = Engine- 4.7L V8 MPI	DGJ = Transmission - 5-Spd Auto, MB
			EZB = Engine-5.7L HEMI	DGQ = Transmission-5-Spd Automatic 5-45RFE

AR = use ase required - = Non illustrated part

**Adjuster, Recliners, Drivers Seat
Figure IWK-810**

ITEM	PART NUMBER	QTY	LINE	SERIES	BODY	ENGINE	TRANS	TRIM	DESCRIPTION
		3						*AL	
		3						*A7	
31									SCREW, Seat, Tilt Motor
	05135307AA	2						*PL	
		2						*AL	
		2						*A7	
-32									HARDWARE KIT, Pan Mounting Kit
	05135235AA	1						*A7	
		1						*AL	
		1						*PL	
33									BRACE, Seat
	05166484AA	2						*PL	
		2						*A7	
		2						*AL	
34									SCREW, Seat, Upper
	05166485AA	4						*A7	
		4						*AL	
		4						*PL	
35									SCREW, Seat, Lower
	05143451AA	4						*PL	
		4						*AL	
		4						*A7	
36									COVER, Close-Out
	1CA801D5AA	2						*PL	[D5]
		2						*AL	[D5]
	1CA801D1AA	2						*PL	[J1]
		2						*A7	[D5]
	1CA801J3AA	2						*PL	[J3]
		2						*AL	[J3]
		2						*A7	[J3]
37									SHIELD, Seat Adjuster
	5KD27BD1AA	1						*O0	[J1]
	5KD27BD5AA	1						*O0	[D5]
	5KD27ZJ3AA	1						*O0	[J3]



GRAND CHEROKEE (WK)

SERIES LINE
H = Laredo T = JEEP - 2WD
P = Limited J = JEEP - 4WD

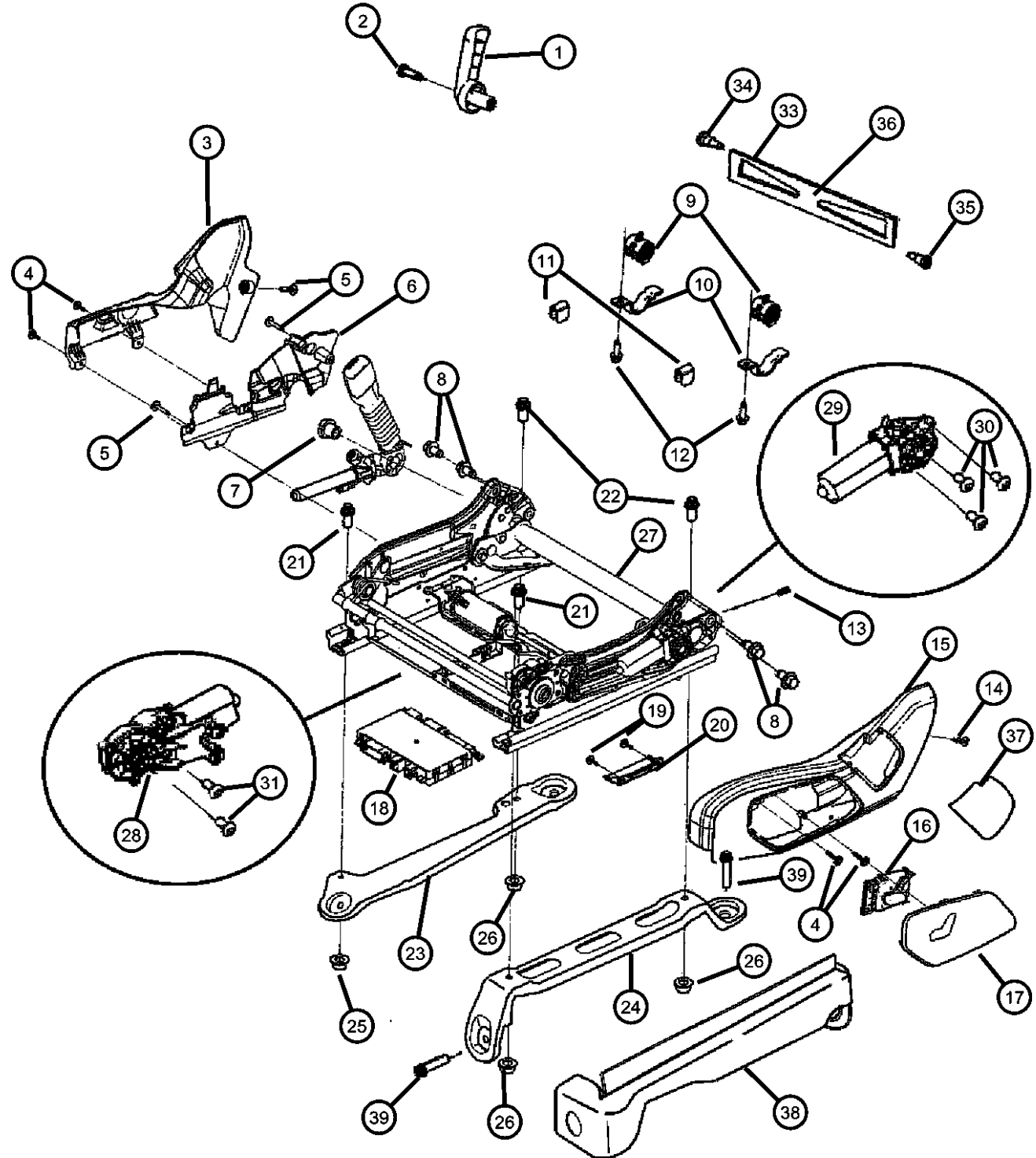
BODY ENGINE
74 = SPORT UTILITY 4-DOOR EKG = Engine - 3.7L V6
EVA = Engine- 4.7L V8 MPI
EZB = Engine-5.7L HEMI

TRANSMISSION
DG0 = All Automatic Transmissions
DGJ = Transmission - 5-Spd Auto, MB
DGQ = Transmission-5-Spd Automatic
5-45RFE

AR = use ase required - = Non illustrated part

2005 WK

**Adjuster, Recliners, Drivers Seat
Figure IWK-810**



ITEM	PART NUMBER	QTY	LINE	SERIES	BODY	ENGINE	TRANS	TRIM	DESCRIPTION
38	1BU251D1AA	1						*PL	COVER, Seat Track [J1]
	1BU251D5AA	1						*A7	[D5]
		1						*PL	[D5]
		1						*AL	[D5]
	1BU251J3AA	1						*PL	[J3]
		1						*AL	[J3]
		1						*A7	[J3]
39	06508286AA	8							BOLT, Seat

GRAND CHEROKEE (WK)

SERIES LINE
H = Laredo T = JEEP - 2WD
P = Limited J = JEEP - 4WD

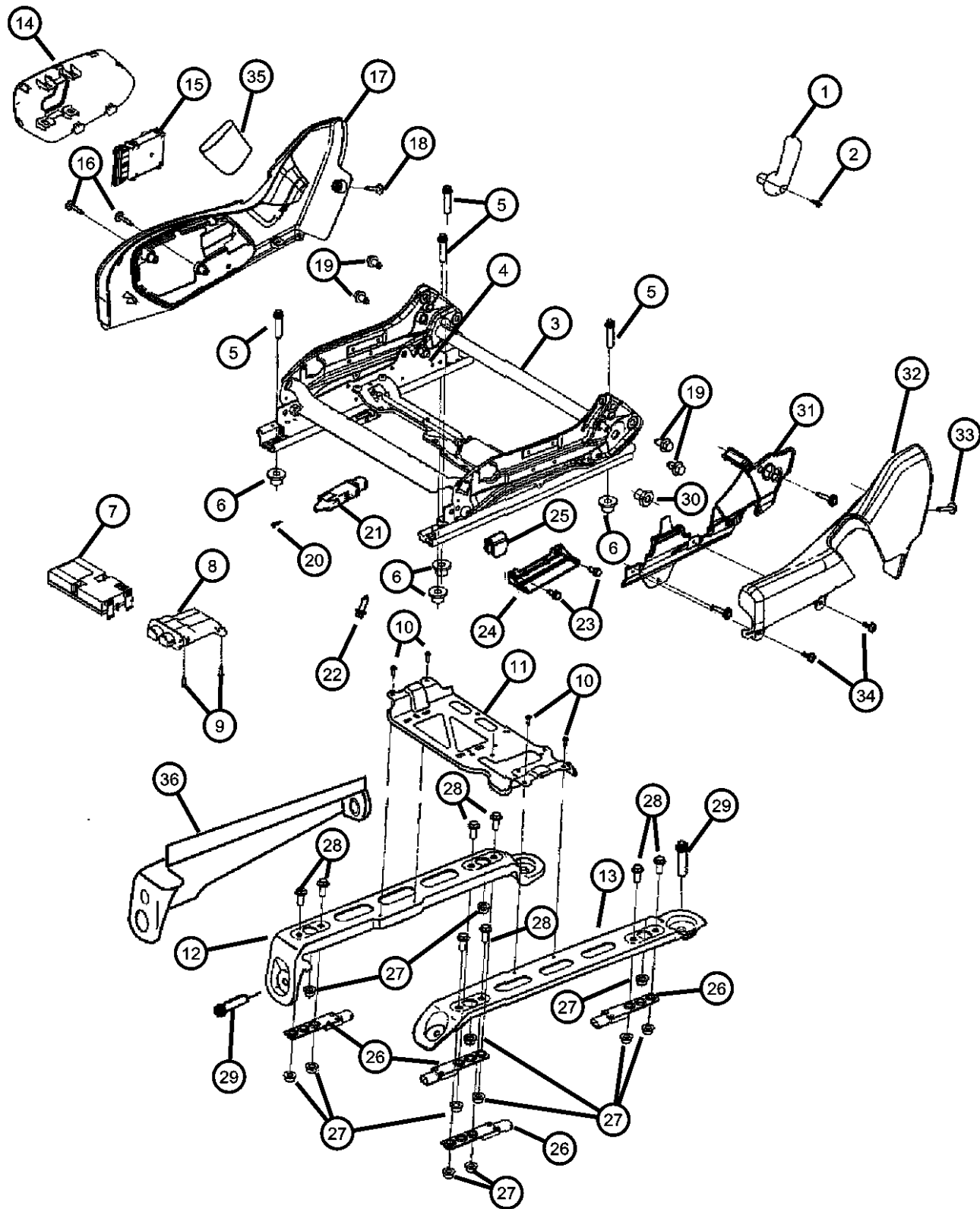
BODY ENGINE
74 = SPORT UTILITY 4-DOOR EKG = Engine - 3.7L V6
EVA = Engine- 4.7L V8 MPI
EZB = Engine-5.7L HEMI

TRANSMISSION
DG0 = All Automatic Transmissions
DGJ = Transmission - 5-Spd Auto, MB
DGQ = Transmission-5-Spd Automatic
5-45RFE

AR = use ase required - = Non illustrated part

2005 WK

**Adjuster, Recliners, Power Passenger Seat
Figure IWK-820**



ITEM	PART NUMBER	QTY	LINE	SERIES	BODY	ENGINE	TRANS	TRIM	DESCRIPTION
		2						*PL	
		2						*YL	
21									SENSOR, Seat track position
	56043206AC	2						*A7	
		2						*PL	
		2						*AL	
		2						*YL	
22									BOLT
	05139628AA	4						*AL	
		4						*A7	
		4						*PL	
		4						*YL	
23									SCREW
	05139630AA	4						*A7	
		4						*AL	
		4						*PL	
24									BRACKET, Seat
	05143422AA	2						*AL	
		2						*A7	
		2						*PL	
		2						*YL	
25									LIMITER, Seat Track Travel
	05139661AA	4						*PL	
		4						*A7	
		4						*AL	
		4						*YL	
26									SENSOR KIT, Strain Gauge
	05143488AA	4						*PL	
		4						*AL	
		1						*YL	
		4						*A7	
27									NUT, Seat
	05143442AA	15						*AL	
		15						*PL	

GRAND CHEROKEE (WK)

SERIES LINE
H = Laredo T = JEEP - 2WD
P = Limited J = JEEP - 4WD

BODY

74 = SPORT UTILITY 4-DOOR

ENGINE

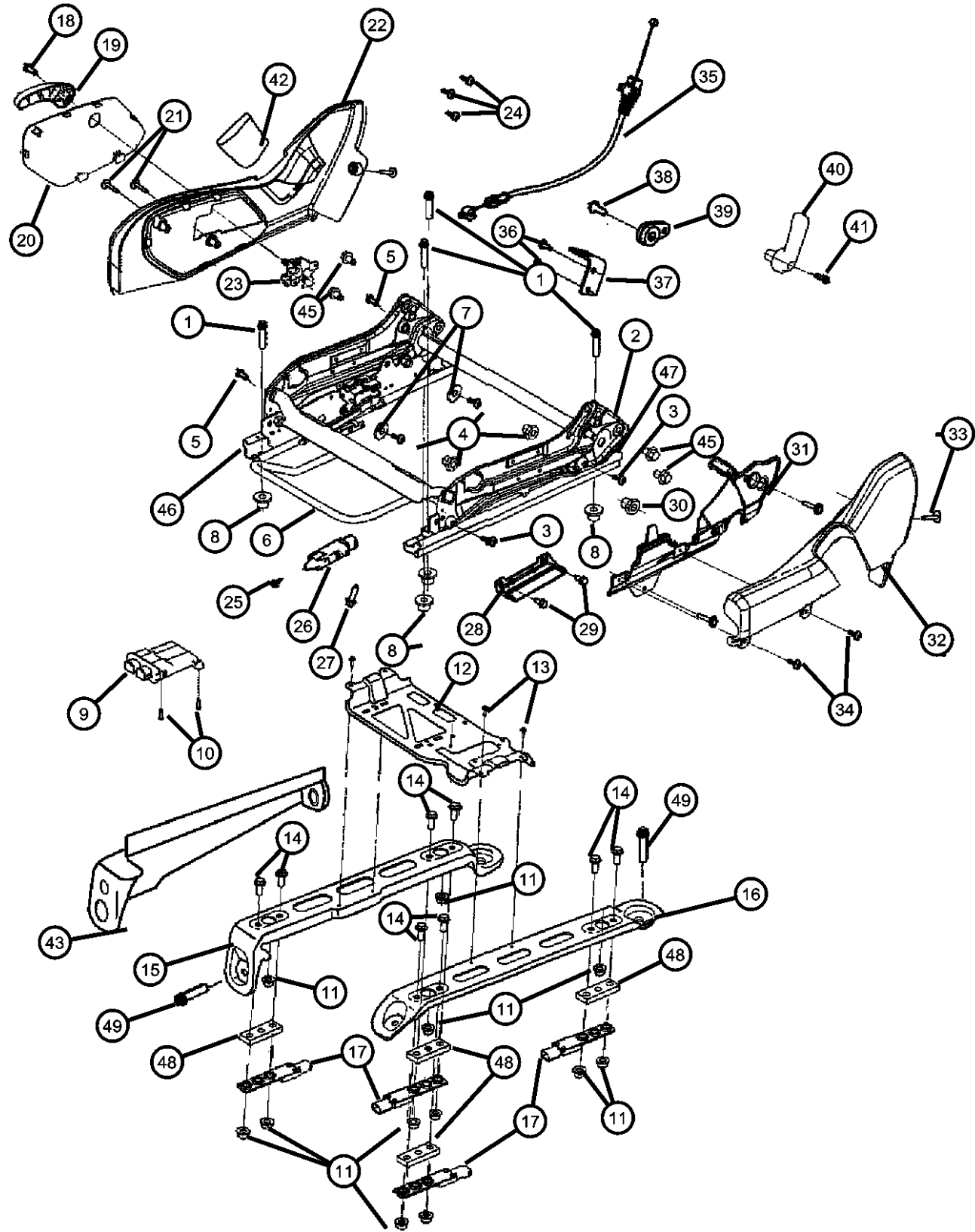
EKG = Engine - 3.7L V6
EVA = Engine- 4.7L V8 MPI
EZB = Engine-5.7L HEMI

TRANSMISSION

DG0 = All Automatic Transmissions
DGJ = Transmission - 5-Spd Auto, MB
DGQ = Transmission-5-Spd Automatic 5-45RFE

AR = use ase required - = Non illustrated part

**Adjuster, Recliners, Manual Passenger Seat
Figure IWK-830**



ITEM	PART NUMBER	QTY	LINE	SERIES	BODY	ENGINE	TRANS	TRIM	DESCRIPTION
1									BOLT, Seat
	05143450AA	4						*A7	
		2						*YL	
2									FRAME, Front Seat Cushion
	05135282AA	1						*A7	
		1						*YL	
3	05135308AA	2						*A7	BOLT, Seat
4	05135309AA	4						*A7	NUT, Seat
5	05135310AA	2						*A7	BOLT, Seat
6	05135236AA	1						*A7	HANDLE, Towel Bar
7	05135312AA	2						*A7	SPACER, Seat Track
8									SPACER
	05143444AA	4						*A7	
		4						*YL	
9									MODULE, Occupant Classification
	56043195AO	1						*A7	
	56043195AU	1						*YL	
10	05080813AA	4						*A7	SCREW
11									NUT, Seat
	05143442AA	15						*A7	
		4						*YL	
12									BRACKET, Module
	05143418AA	1						*A7	
		1						*YL	
13									SCREW, Seat
	05143451AA	4						*A7	
		8						*YL	
14									BOLT, Seat, Mexico
	05143443AA	8						*A7	
		2						*YL	
15									RISER, Seat, Outboard
	05143414AA	1						*A7	
		1						*YL	
16									RISER, Seat, Inboard
	05143415AA	1						*A7	

GRAND CHEROKEE (WK)

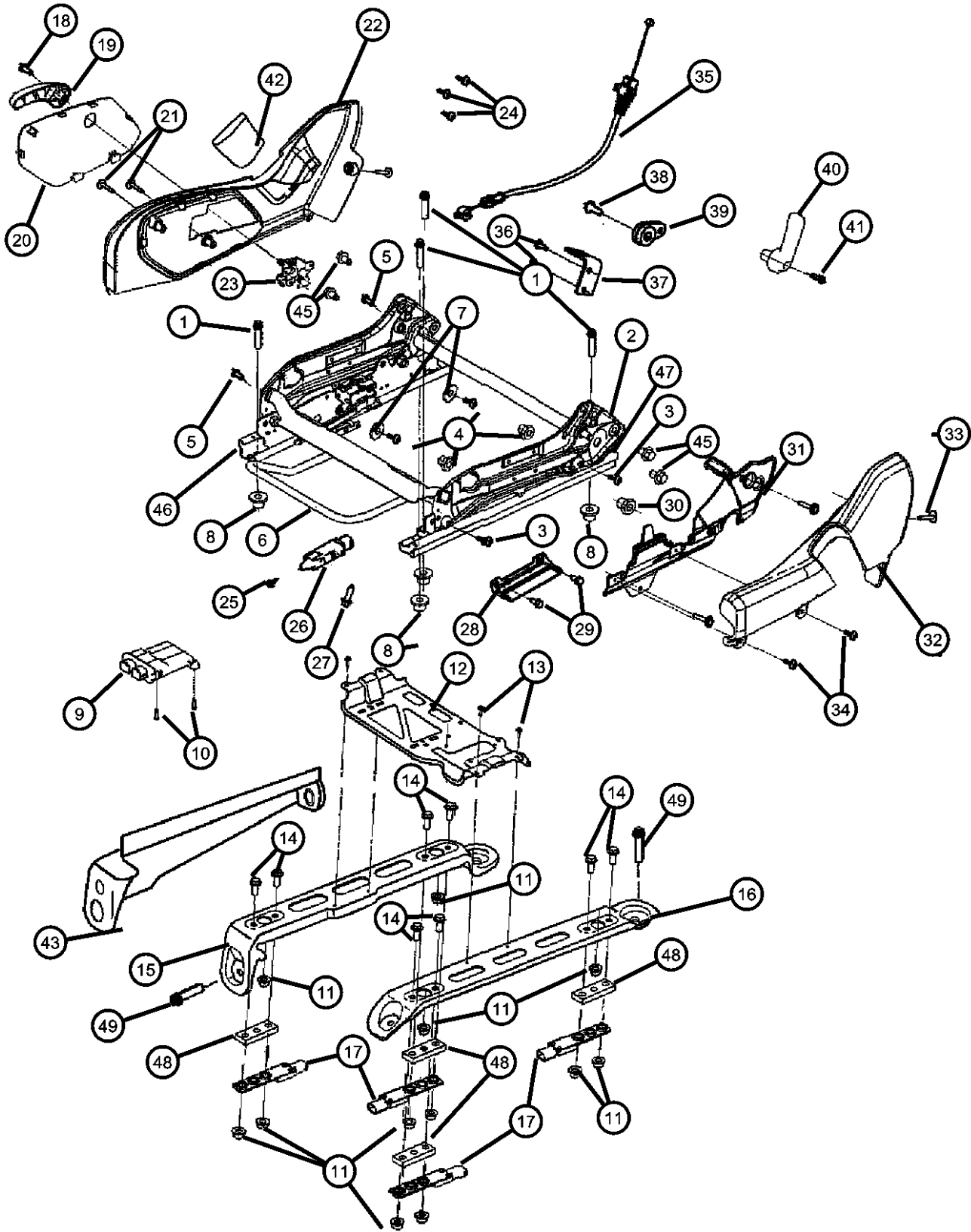
SERIES LINE
H = Laredo T = JEEP - 2WD
P = Limited J = JEEP - 4WD

BODY ENGINE
74 = SPORT UTILITY 4-DOOR EKG = Engine - 3.7L V6
EVA = Engine- 4.7L V8 MPI
EZB = Engine-5.7L HEMI

TRANSMISSION
DG0 = All Automatic Transmissions
DGJ = Transmission - 5-Spd Auto, MB
DGQ = Transmission-5-Spd Automatic
5-45RFE

AR = use ase required - = Non illustrated part

**Adjuster, Recliners, Manual Passenger Seat
Figure IWK-830**



ITEM	PART NUMBER	QTY	LINE	SERIES	BODY	ENGINE	TRANS	TRIM	DESCRIPTION
36	05143451AA	4						*A7	SCREW, Seat
37	05143426AA	1						*A7	BRACKET, Cable Mounting
38	04741274	1						*A7	SCREW, Torx Head, .25-20x.75
39	05143490AA	1						*A7	LEVER, Front Seat Recliner
40									HANDLE, Lumbar
	1BG531D5AA	2						*A7	[D5]
	1BG531J3AA	2						*A7	[J3]
41	05080813AA	4						*A7	SCREW
42									SHIELD, Seat Adjuster
	5KD26BD1AA	1						*O0	[J1]
	5KD26BD5AA	1						*O0	[D5]
	5KD26ZJ3AA	1						*O0	[J3]
43									COVER, Seat Track
	1BU241D1AA	1						*PL	[D1]
	1BU241D5AA	1						*PL	[D5]
		1						*AL	[D5]
		1						*A7	[D5]
	1BU241J3AA	1						*PL	[J3]
		1						*A7	[J3]
		1						*AL	[J3]
-44									HARDWARE KIT
	05136790AA	1						*A7	With Manual Seat Functions
		1						*AL	With Manual Seat Functions
		1						*PL	With Manual Seat Functions
45									BOLT
	05139629AA	8						*PL	
		8						*AL	
		8						*A7	
46	05143590AA	1						*A7	ADJUSTER, Manual Seat, Outboard
47	05143591AA	1						*A7	ADJUSTER, Manual Seat, Inboard
48	05143685AA	4						*PL	SPACER, Mexico
49	06508286AA	8							BOLT, Seat

GRAND CHEROKEE (WK)

SERIES	LINE
H = Laredo	T = JEEP - 2WD
P = Limited	J = JEEP - 4WD

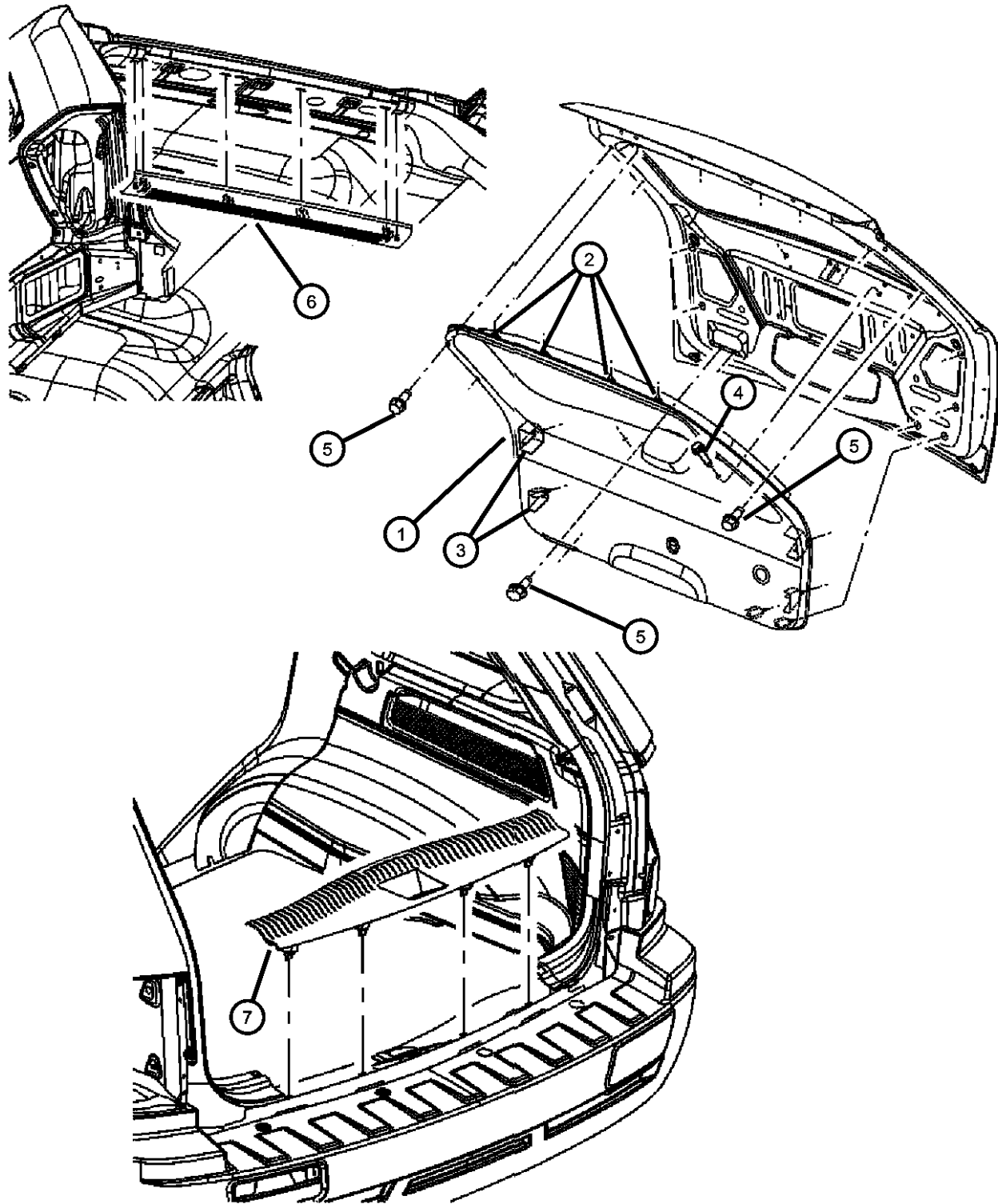
BODY	ENGINE
74 = SPORT UTILITY 4-DOOR	EKG = Engine - 3.7L V6
	EVA = Engine- 4.7L V8 MPI
	EZB = Engine-5.7L HEMI

TRANSMISSION
DG0 = All Automatic Transmissions
DGJ = Transmission - 5-Spd Auto, MB
DGQ = Transmission-5-Spd Automatic 5-45RFE

AR = use ase required - = Non illustrated part

2005 WK

Liftgate Panel and Scuff Plate
Figure IWK-1010



ITEM	PART NUMBER	QTY	LINE	SERIES	BODY	ENGINE	TRANS	TRIM	DESCRIPTION
1									PANEL, Liftgate Trim
	5JR56BD1AE	1						*O0 [J1]	
	5JR56BD5AE	1						*O0 [D5]	
	5JR56ZJ3AE	1						*O0 [J3]	
2	68002658AA	1						*O0	CLIP, Liftgate
3	06507686AA	8						*O0	FASTENER, Door Trim Panel
4		8							SCREW, Tapping, [.164-15x2.20], (NOT SERVICED)
5	06032723	6							SCREW, Self Tapping, M4.2x1.69x19.05
6									MOLDING, Rear Header, Upper
	5HS28BD1AC	1						*O0 [J1]	
	5HS28BD5AC	1						*O0 [D5]	
	5HS28ZJ3AC	1						*O0 [J3]	
7									PLATE, Liftgate Scuff
	5HS29BD1AD	1						*O0 [J1]	
	5HS29BD5AD	1						*O0 [D5]	
	5HS29ZJ3AD	1						*O0 [J3]	

GRAND CHEROKEE (WK)

SERIES LINE
H = Laredo T = JEEP - 2WD
P = Limited J = JEEP - 4WD

BODY ENGINE TRANSMISSION
74 = SPORT UTILITY 4-DOOR EKG = Engine - 3.7L V6
EVA = Engine- 4.7L V8 MPI
EZB = Engine-5.7L HEMI

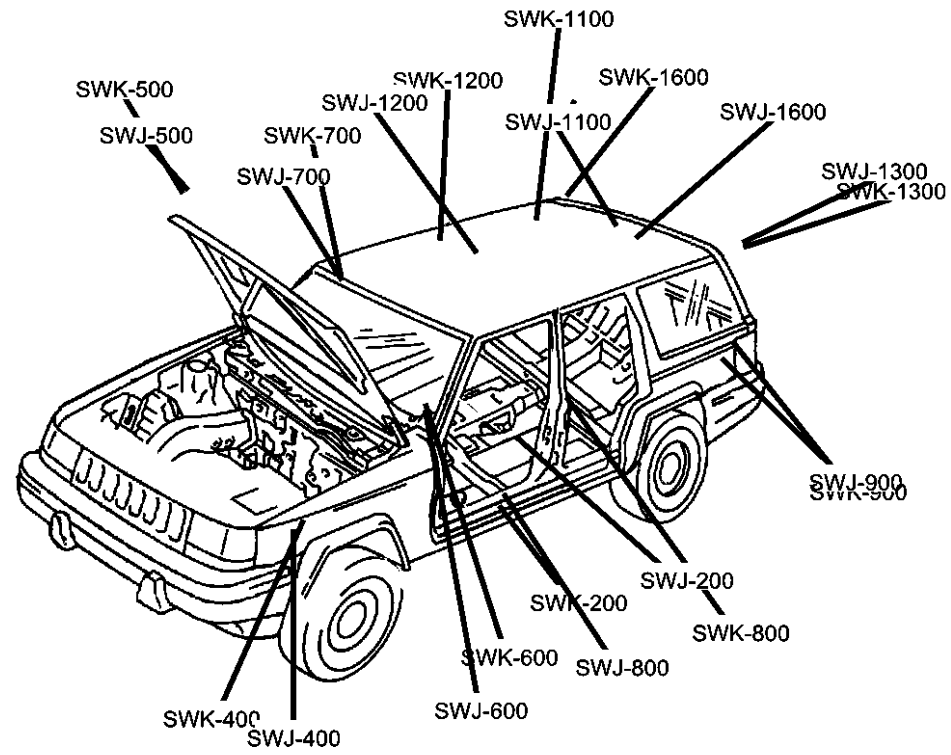
DG0 = All Automatic Transmissions
DGJ = Transmission - 5-Spd Auto, MB
DGQ = Transmission-5-Spd Automatic 5-45RFE

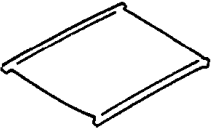

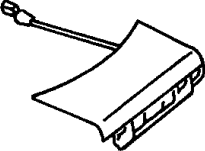
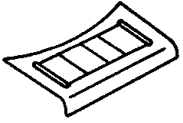
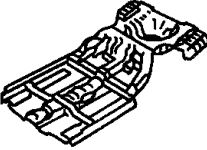

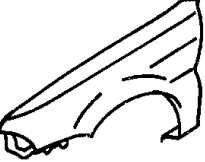
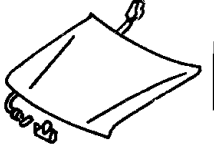
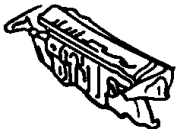
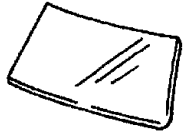
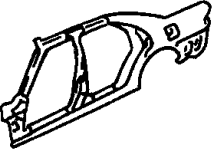
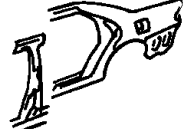
AR = use ase required - = Non illustrated part

2005 WK

Group - SWK

Body Sheet Metal Except Doors

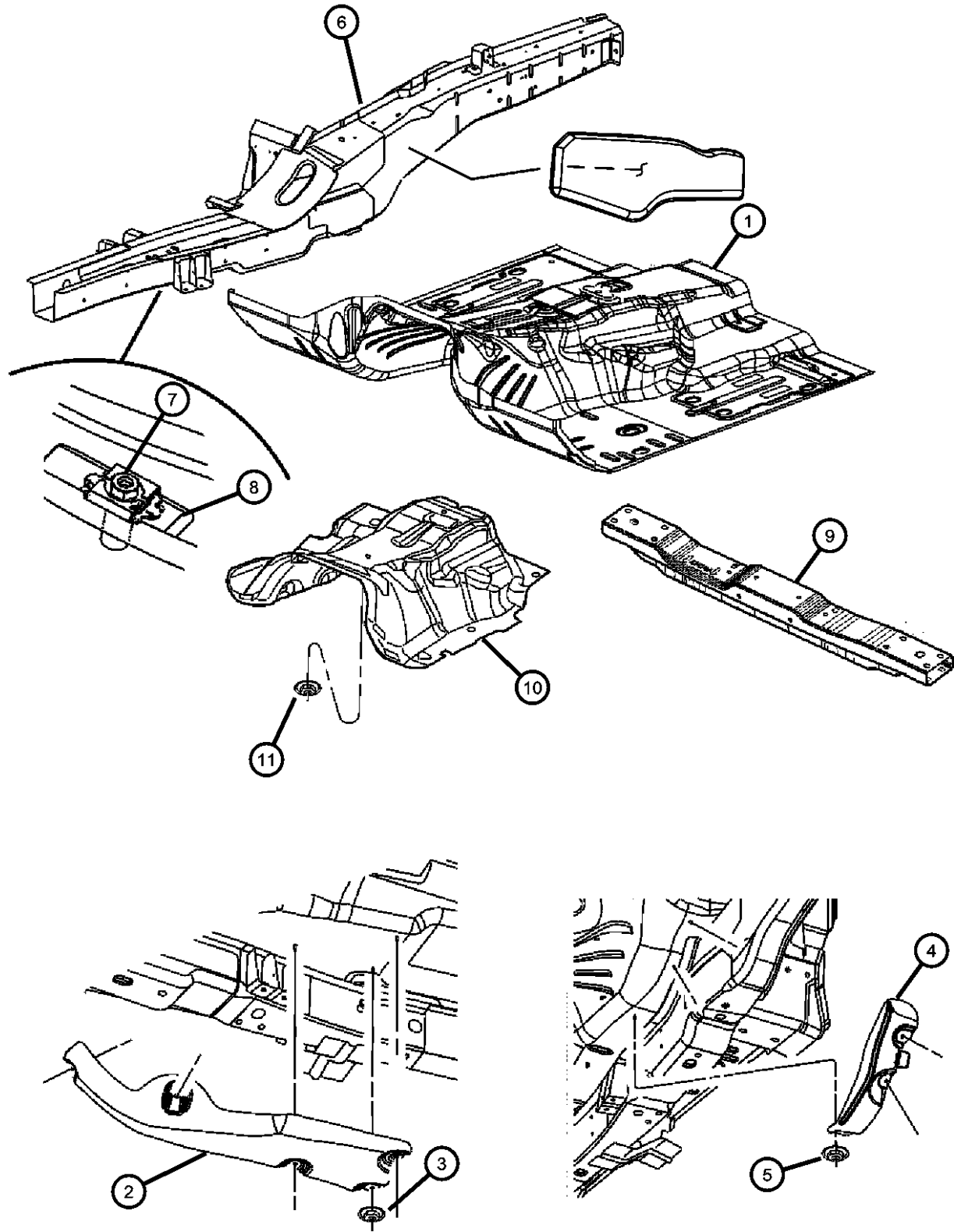


SWK-1100 Roof Panels 	SWK-1200 Sunroof 	SWK-1300 Liftgate Panel 	SWK-1600 Luggage Rack 
SWK-200 Floor Pans 	SWK-300 Plugs 	SWK-400 Front Fenders 	SWK-500 Hood and Hood Release 
SWK-600 Cowl and Dash Panel 	SWK-700 Glass and Rear View Mirror 	SWK-800 Aperture Panel 	SWK-900 Quarter Panel and Pillars 

Group - SWK Body Sheet Metal Except Doors

Illustration Title	Group-Fig. No.
Floor Pans	
Front Floor Pan.....	Fig. SWK - 210
Center and Rear Floor Pan.....	Fig. SWK - 220
Plugs	
Plugs.....	Fig. SWK - 310
Front Fenders	
Front Fender.....	Fig. SWK - 410
Hood and Hood Release	
Hood, Latch, Hinges.....	Fig. SWK - 510
Cowl and Dash Panel	
Panels, Cowl and Dash.....	Fig. SWK - 610
Insulation, Dash And Cowl.....	Fig. SWK - 620
Glass and Rear View Mirror	
Glass, Windshield, Backlite, Quarter Window, Rear View Mirror.....	Fig. SWK - 710
Aperture Panel	
Panels, Body Side.....	Fig. SWK - 810
Quarter Panel and Pillars	
Panels, Rear Quarter.....	Fig. SWK - 910
Roof Panels	
Panels, Roof.....	Fig. SWK - 1110
Sunroof	
Sunroof.....	Fig. SWK - 1210
Liftgate Panel	
Liftgate, Latch and Hinges.....	Fig. SWK - 1310
Luggage Rack	
Roof Rack.....	Fig. SWK - 1610

Front Floor Pan
Figure SWK-210



ITEM	PART NUMBER	QTY	LINE	SERIES	BODY	ENGINE	TRANS	TRIM	DESCRIPTION
1	55394418AD	1							PAN, Floor
2	55394456AA	1							SHIELD, Heat
3	06505199AA	5							NUT
4	55394453AA	1							SHIELD, Heat
5	06505199AA	4							NUT
6									RAIL, Frame Side
	55394058AJ	1							Right
	55394059AJ	1							Left
7	06101916	1							NUT, Hex Weld, M8x1.25
8	55136398AB	1							PLATE, Control Arm
9	52090070AG	1							CROSSMEMBER, Transmission
10	55197007AC	1							INSULATION, Floor
11	06507611AA	1							NUT, Plastic

GRAND CHEROKEE (WK)

SERIES	LINE
H = Laredo	T = JEEP - 2WD
P = Limited	J = JEEP - 4WD

BODY

74 = SPORT UTILITY 4-DOOR

ENGINE

EKG = Engine - 3.7L V6
EVA = Engine- 4.7L V8 MPI
EZB = Engine-5.7L HEMI

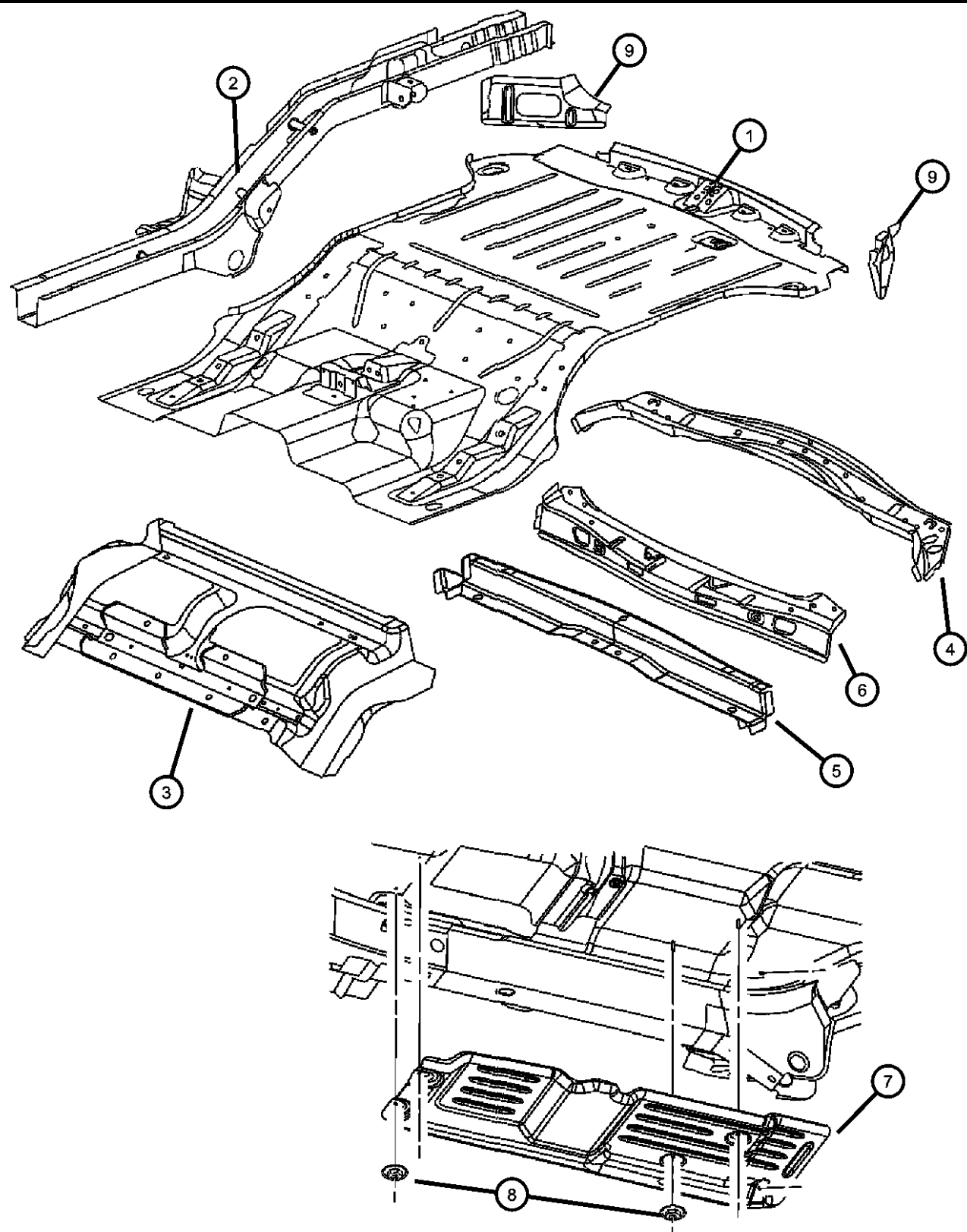
TRANSMISSION

DG0 = All Automatic Transmissions
DGJ = Transmission - 5-Spd Auto, MB
DGQ = Transmission-5-Spd Automatic 5-45RFE

AR = use ase required - = Non illustrated part

2005 WK

**Center and Rear Floor Pan
Figure SWK-220**



ITEM	PART NUMBER	QTY	LINE	SERIES	BODY	ENGINE	TRANS	TRIM	DESCRIPTION
1	55396322AG	1							PAN, Floor
2	05166026AA	1							RAIL, Rear Floor Pan Side Right
	05166027AA	1							Left
3	55396338AF	1							CROSSMEMBER, Floor PanCenter
4	55396340AD	1							CROSSMEMBER, Floor PanRear Inner
5	55396447AC	1							CROSSMEMBER, Floor PanSpare Tire
6	55396186AB	1							CROSSMEMBER, Rear FloorRear Outer
7	55394460AA	1							SHIELD, Heat
8	06505199AA	2							NUT
9									GUSSET, Side Member
	55394440AD	1							Right
	55394441AD	1							Left

GRAND CHEROKEE (WK)

SERIES	LINE
H = Laredo	T = JEEP - 2WD
P = Limited	J = JEEP - 4WD

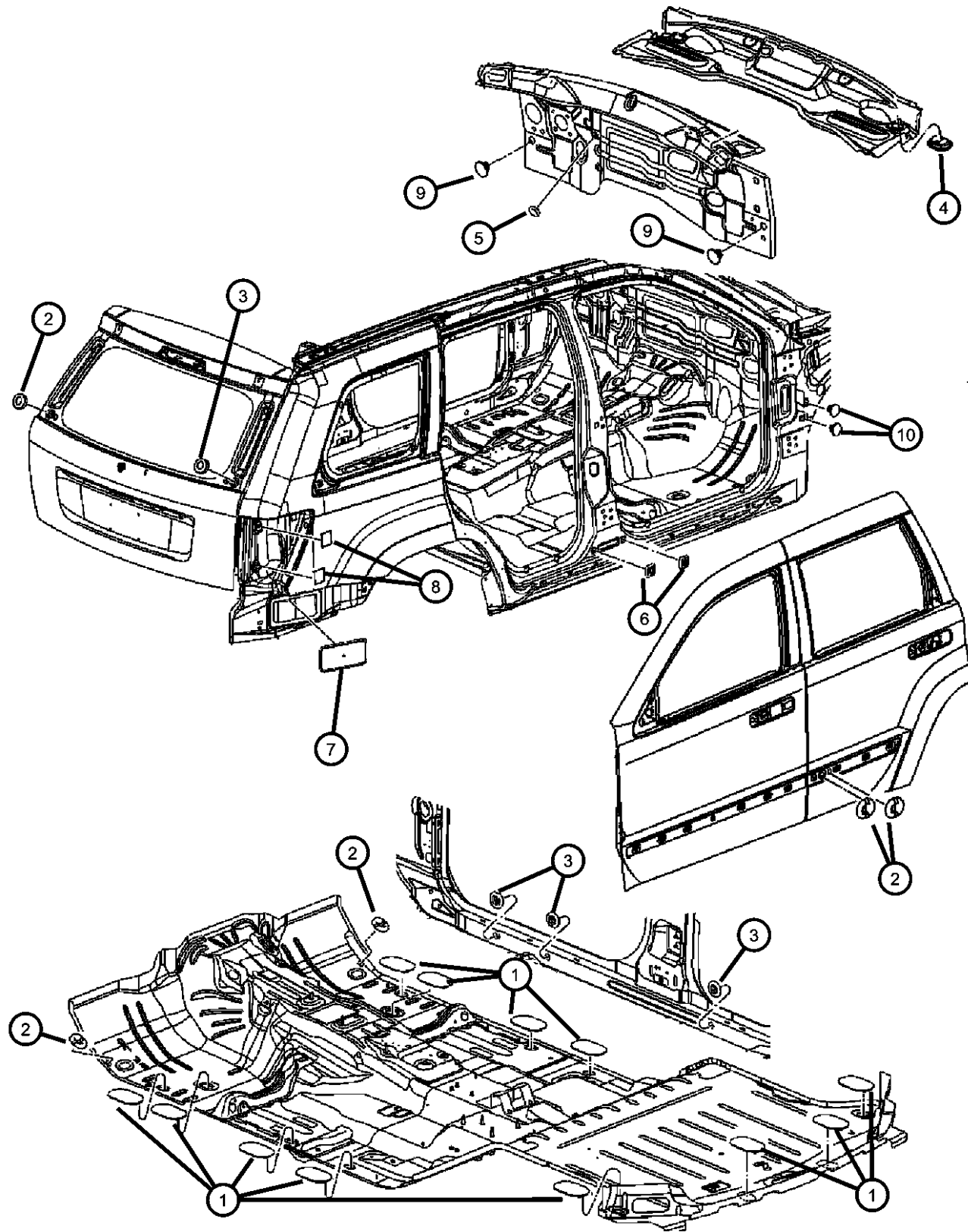
BODY	ENGINE
74 = SPORT UTILITY 4-DOOR	EKG = Engine - 3.7L V6
	EVA = Engine- 4.7L V8 MPI
	EZB = Engine-5.7L HEMI

TRANSMISSION
DG0 = All Automatic Transmissions
DGJ = Transmission - 5-Spd Auto, MB
DGQ = Transmission-5-Spd Automatic 5-45RFE

AR = use ase required - = Non illustrated part

2005 WK

Plugs
Figure SWK-310



ITEM	PART NUMBER	QTY	LINE	SERIES	BODY	ENGINE	TRANS	TRIM	DESCRIPTION
1	04646971	12							PLUG, Floor Pan
2	04440294	2							PLUG
3	05255216	1							PLUG, Body, .875 Diameter
4	55136456AB	1							PLUG, Body
5	04674441	1							PLUG, Body, .75 Diameter
6	55136566AA	4							PLUG, Body
7	55396896AA	1							PLUG, Body
8	55364097AA	4							TAPE
9	55360494AA	2							PLUG, Body, 1.00 Diameter
10		2							PLUG, Plastic Expandable, 19mm, (NOT SERVICED)

GRAND CHEROKEE (WK)

SERIES LINE
H = Laredo T = JEEP - 2WD
P = Limited J = JEEP - 4WD

BODY
74 = SPORT UTILITY 4-DOOR

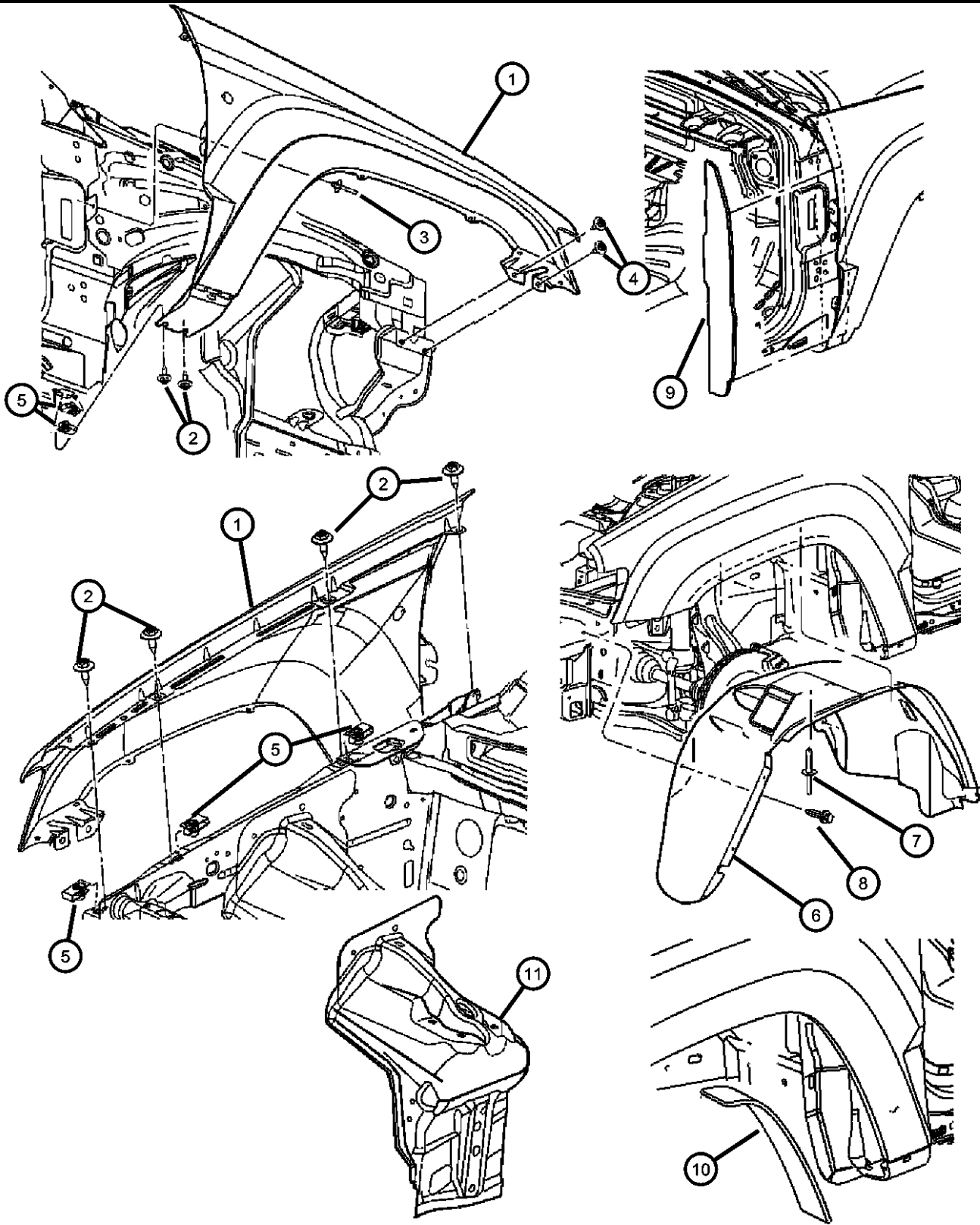
ENGINE
EKG = Engine - 3.7L V6
EVA = Engine- 4.7L V8 MPI
EZB = Engine-5.7L HEMI

TRANSMISSION
DG0 = All Automatic Transmissions
DGJ = Transmission - 5-Spd Auto, MB
DGQ = Transmission-5-Spd Automatic 5-45RFE

AR = use ase required - = Non illustrated part

2005 WK

Front Fender
Figure SWK-410

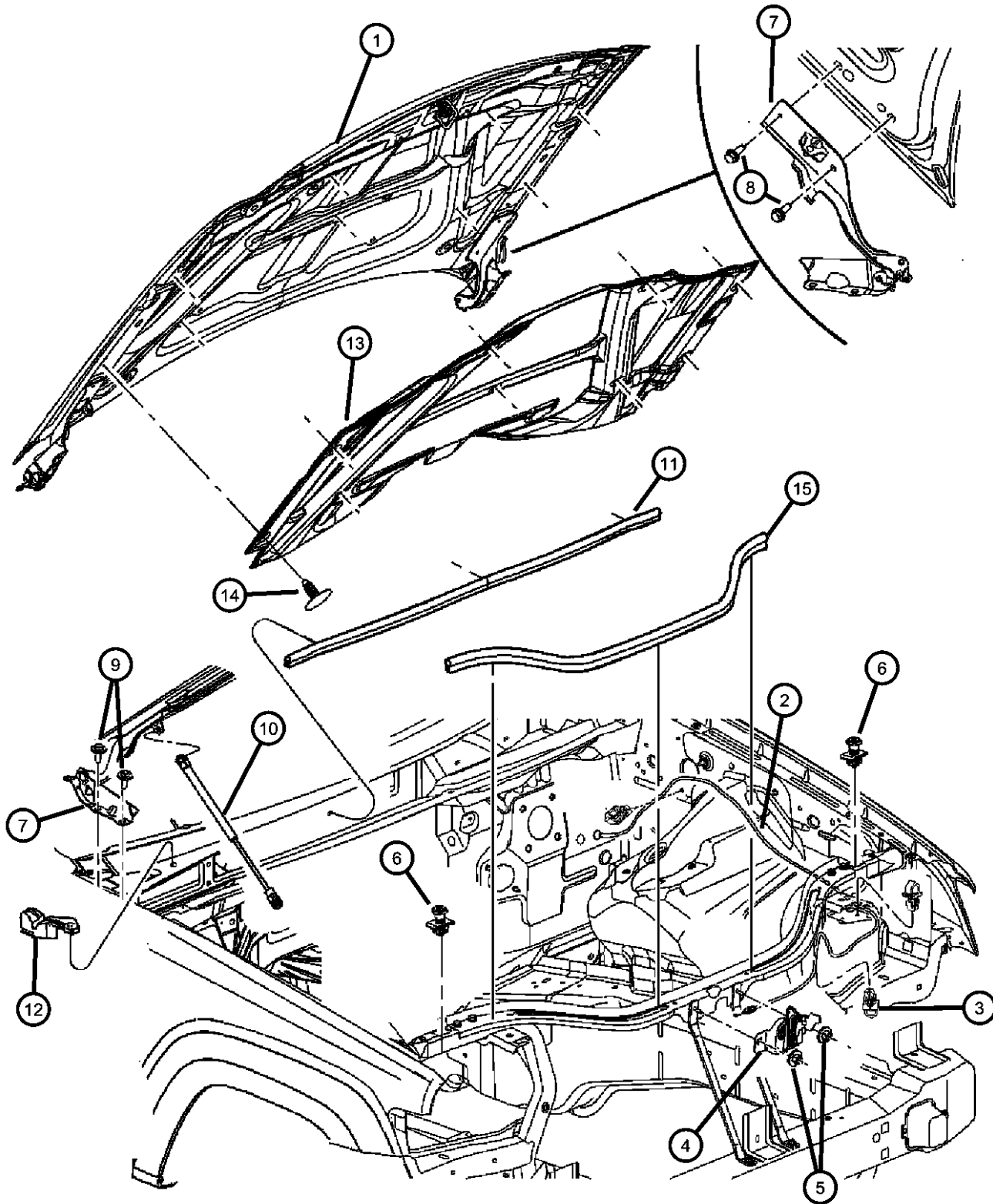


ITEM	PART NUMBER	QTY	LINE	SERIES	BODY	ENGINE	TRANS	TRIM	DESCRIPTION
1	55394451AB	1							FENDER, Front Left
	55394450AB	1							Right
2	06100286	4							BOLT AND CONED WASHER, Hex Head, M6x20x20
3		4							STUD, Double Ended, [M6x1.00x57.00], (NOT SERVICED)
4	06505903AA	4							SCREW AND WASHER, Self Tapping, M6x1x22
5		4							NUT, U Multi Thread, M6 x 1.00, (NOT SERVICED)
6									LINER, Fender Side
	55156620AD	1							Right
	55156621AD	1							Left
7	06500911	4							RIVET, M6.25x28
8	34201621	4							RIVET, M6.3x37.40
9	55196996AB	2							SILENCER, Cowl Side To FenderRight & Left
10	55197234AA	2							STUFFERRight & Left
11									SUPPORT, Suspension
	05161876AB	1							Right
	05161877AB	1							Left

GRAND CHEROKEE (WK)				
SERIES	LINE	BODY	ENGINE	TRANSMISSION
H = Laredo	T = JEEP - 2WD	74 = SPORT UTILITY 4-DOOR	EKG = Engine - 3.7L V6	DG0 = All Automatic Transmissions
P = Limited	J = JEEP - 4WD		EVA = Engine- 4.7L V8 MPI	DGJ = Transmission - 5-Spd Auto, MB
			EZB = Engine-5.7L HEMI	DGQ = Transmission-5-Spd Automatic 5-45RFE

AR = use ase required - = Non illustrated part

Hood, Latch, Hinges
Figure SWK-510



ITEM	PART NUMBER	QTY	LINE	SERIES	BODY	ENGINE	TRANS	TRIM	DESCRIPTION
1	55394496AD	1							PANEL, Hood
2	55394495AB	1							CABLE, Hood Release
3	06503794	3							CLIP, M6.3x11.2
4	55396247AC	1							LATCH, Hood
5	06104726AB	2							NUT
6	55364470AB	2							BUMPER, Hood
7									HINGE, Hood
	55394474AB	1							Right
	55394475AB	1							Left
8	06503543	4							BOLT AND CONED WASHER, Hex Head, M8x1.25x25
9	06100286	4							BOLT AND CONED WASHER, Hex Head, M6x20x20
10	55394472AA	1							PROP, Hood
11	55394777AA	1							SEAL, Hood To Plenum
12									SEAL, Hood To Plenum
	55396862AA	1							Right
	55396863AA	1							Left
13	55196983AD	1							INSULATION, Hood
14	06506293AA	9							PIN, Push
15	55394851AA	1							WEATHERSTRIP, Hood

GRAND CHEROKEE (WK)

SERIES LINE
H = Laredo T = JEEP - 2WD
P = Limited J = JEEP - 4WD

BODY

74 = SPORT UTILITY 4-DOOR

ENGINE

EKG = Engine - 3.7L V6
EVA = Engine- 4.7L V8 MPI
EZB = Engine-5.7L HEMI

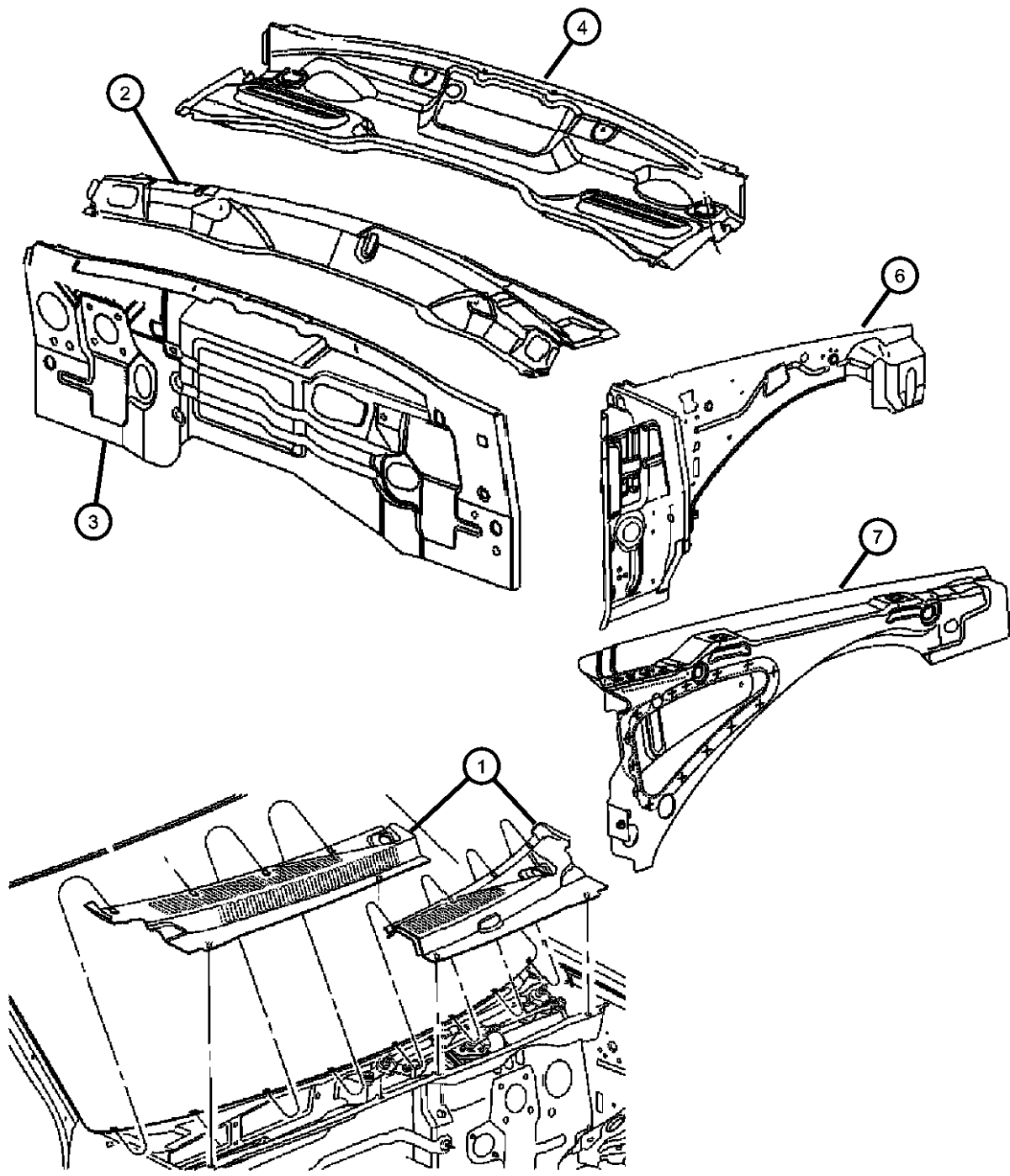
TRANSMISSION

DG0 = All Automatic Transmissions
DGJ = Transmission - 5-Spd Auto, MB
DGQ = Transmission-5-Spd Automatic 5-45RFE

AR = use ase required - = Non illustrated part

2005 WK

**Panels, Cowl and Dash
Figure SWK-610**



ITEM	PART NUMBER	QTY	LINE	SERIES	BODY	ENGINE	TRANS	TRIM	DESCRIPTION
1	55156852AD	1							COVER, Cowl Grille Right
	55156853AD	1							Left
2	55394116AC	1							PANEL, Cowl Top
3	55394100AD	1							PANEL, Dash
4	55394118AE	1							PANEL, Cowl And Plenum
-5	06505526AA	1							STUD
6	55394112AE	1							PANEL, Cowl Right
	55394113AE	1							Left
7	55394106AC	1							REINFORCEMENT, Cowl Side Right
	55394107AC	1							Left

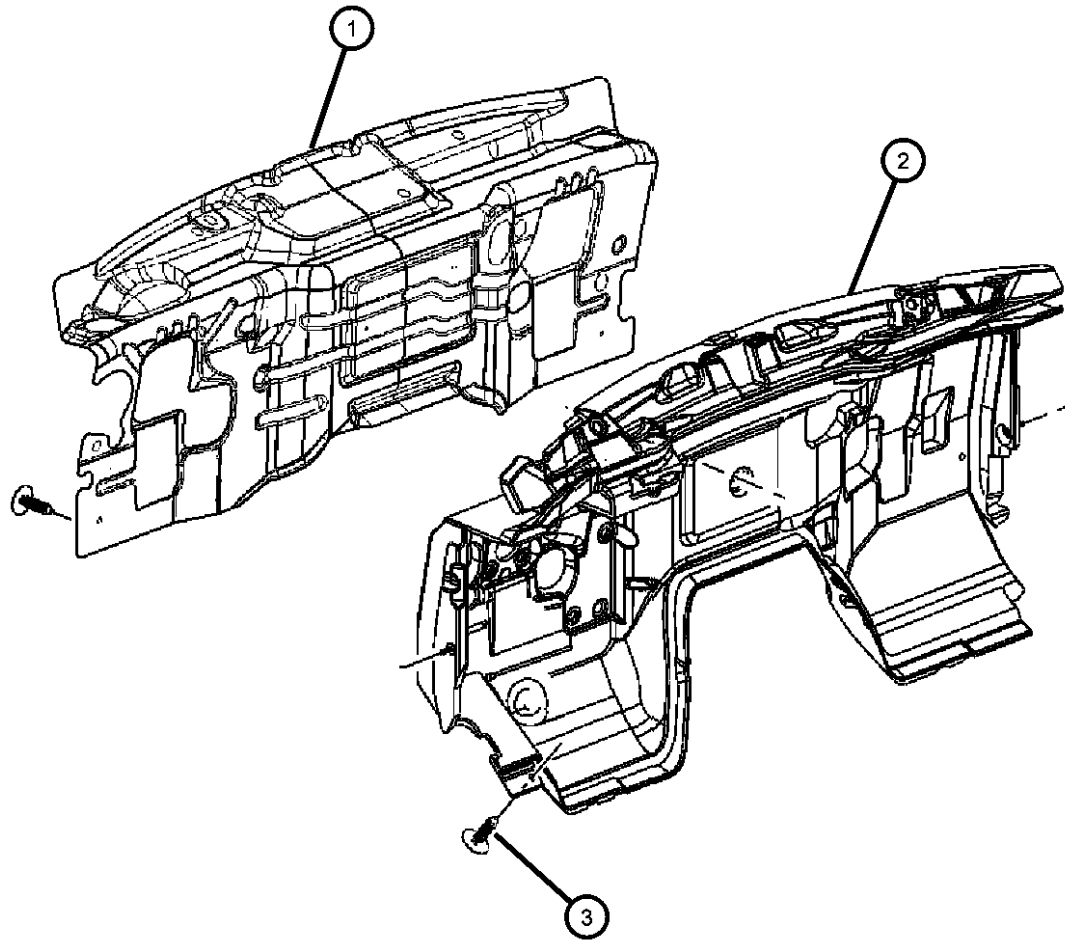
GRAND CHEROKEE (WK)

SERIES	LINE	BODY	ENGINE	TRANSMISSION
H = Laredo	T = JEEP - 2WD	74 = SPORT UTILITY 4-DOOR	EKG = Engine - 3.7L V6	DG0 = All Automatic Transmissions
P = Limited	J = JEEP - 4WD		EVA = Engine- 4.7L V8 MPI	DGJ = Transmission - 5-Spd Auto, MB
			EZB = Engine-5.7L HEMI	DGQ = Transmission-5-Spd Automatic 5-45RFE

AR = use ase required - = Non illustrated part

**Insulation, Dash And Cowl
Figure SWK-620**

ITEM	PART NUMBER	QTY	LINE	SERIES	BODY	ENGINE	TRANS	TRIM	DESCRIPTION
1	55196984AE	1							INSULATION, Dash Panel, Engine Side
2	55196981AE	1							INSULATION, Dash Panel, Interior
3	06507611AA	4							NUT, Plastic



GRAND CHEROKEE (WK)

SERIES	LINE
H = Laredo	T = JEEP - 2WD
P = Limited	J = JEEP - 4WD

BODY

74 = SPORT UTILITY 4-DOOR

ENGINE

EKG = Engine - 3.7L V6
EVA = Engine- 4.7L V8 MPI
EZB = Engine-5.7L HEMI

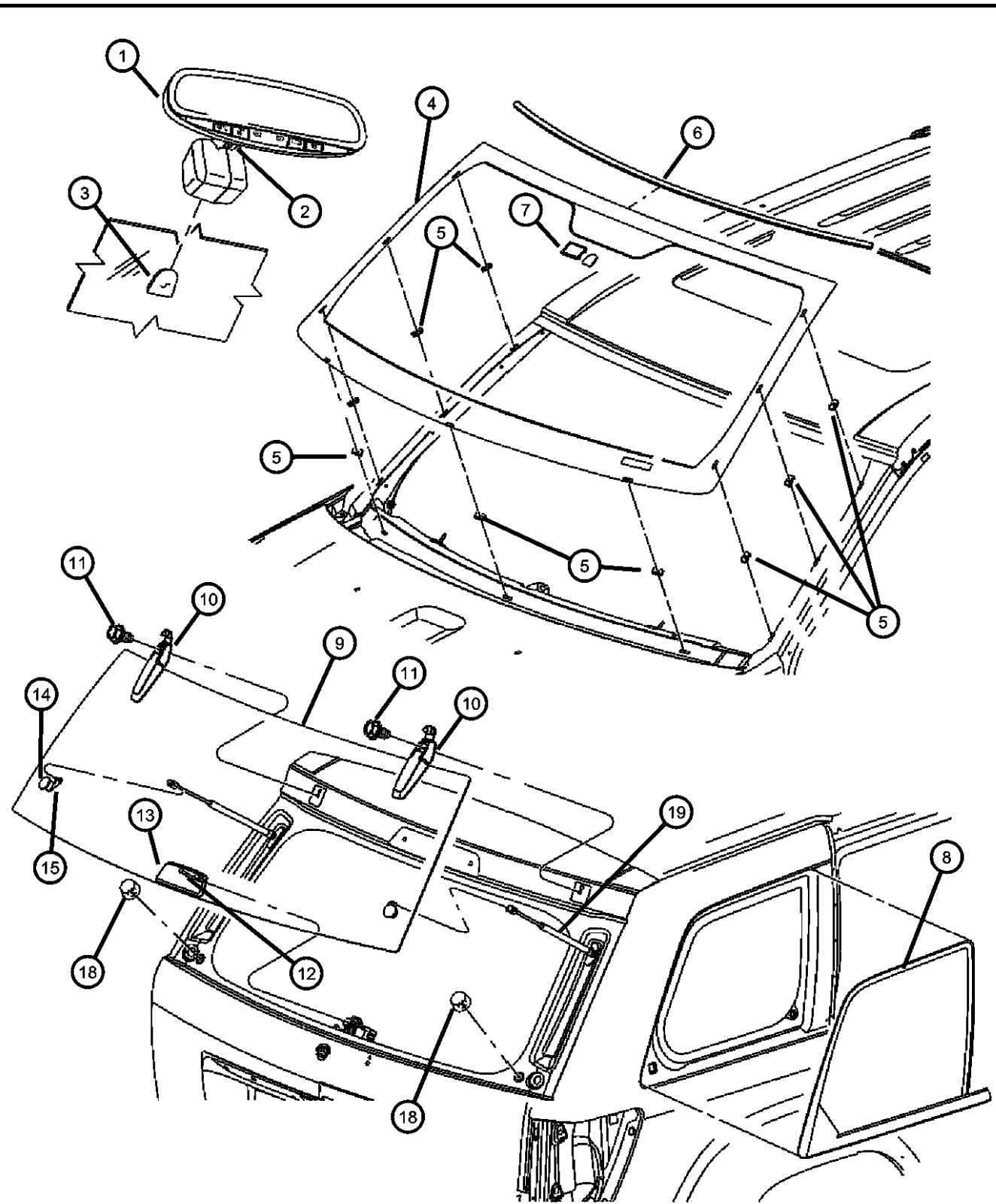
TRANSMISSION

DG0 = All Automatic Transmissions
DGJ = Transmission - 5-Spd Auto, MB
DGQ = Transmission-5-Spd Automatic 5-45RFE

AR = use ase required - = Non illustrated part

2005 WK

Glass, Windshield, Backlite, Quarter Window, Rear View Mirror
Figure SWK-710



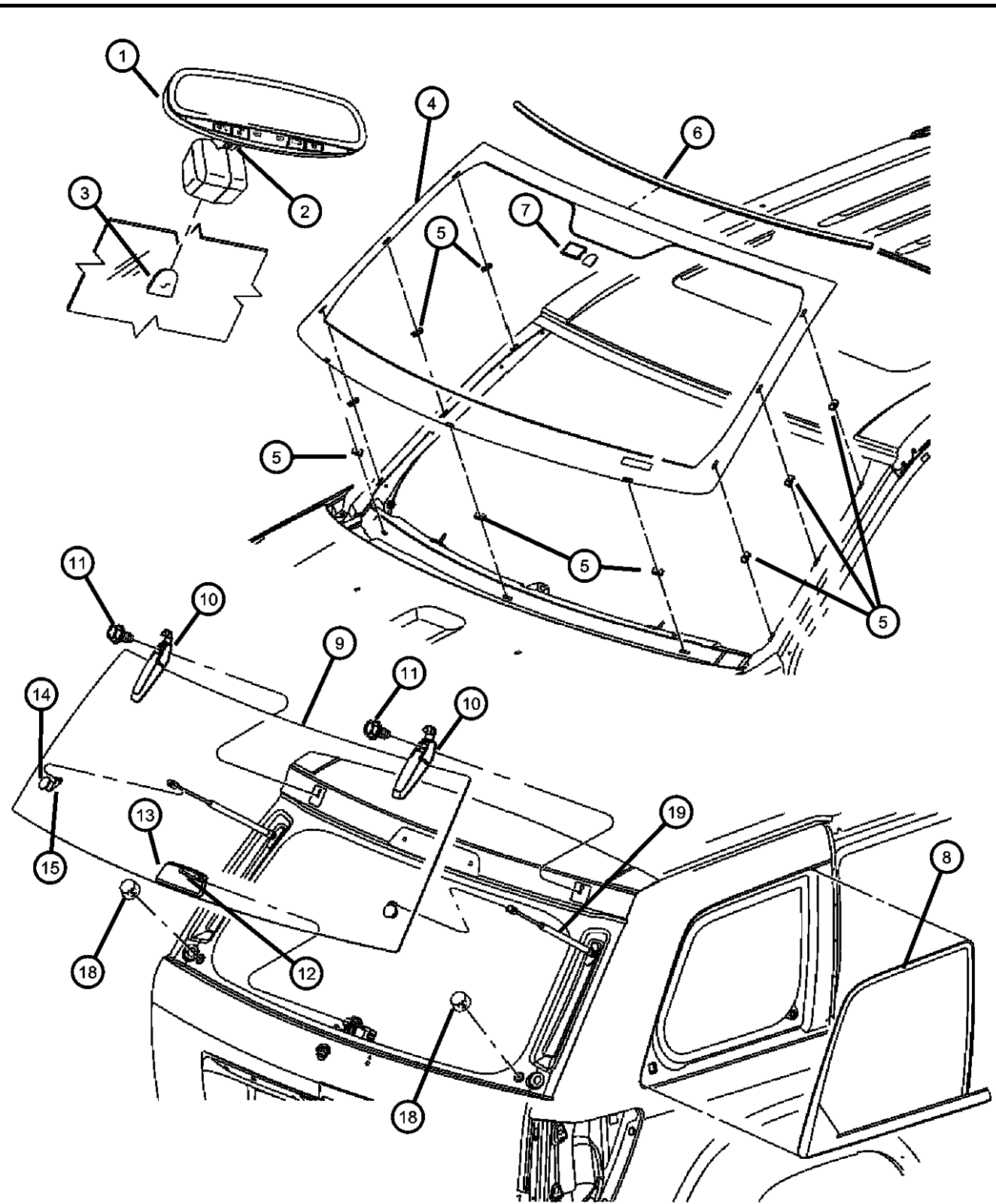
ITEM	PART NUMBER	QTY	LINE	SERIES	BODY	ENGINE	TRANS	TRIM	DESCRIPTION
1	04805332AB	1							MIRROR, Inside Rear View
	04806227AB	1							Prismatic [GNA]
	04806228AC	1							Limited, With Auto Dim GNK], Without Hands Free Communication [RSP]
	05064017AE	1							Limited, With Auto Dim GNK] and Hands Free Communication [RSP]
	55155380AD	1							Laredo, With Auto Dim GNK] and Hands Free Communication [RSP]
	55156726AC	1							Laredo, With Auto Dim GNK], Without Hands Free Communication [RSP]
2	06036548AA	1							With Auto Dim GNK], Hands Free Communication [RSP] and Headlamps Smartbeam [LMS]
3	55076401	1							SCREW
4	05170272AA	1							BUTTON, Rear View Mirror
	DW01591GTN	1							WINDSHIELD
	55394160AB	1							With [JHA] Intermittent Wipers
5	55360509AA	9							Collision Replacement Glass
6	55394511AA	1							With [JHC] Rain Sensor
7		1							SPACER, Windshield
8	55394169AA	1							MOLDING, Windshield
	55396304AA	1							BRACKET, Windshield, Rain Sensor Bracket Serviced With Windshield, (NOT SERVICED)
	DQ10793YPY	1							GLASS, Quarter Window
	55396305AA	1							Laredo, Left
	DQ10794YPY	1							Limited, With Chrome, Right
	55394168AA	1							Collision Replacement Glass
9	55394172AB	1							Limited, With Chrome, Left
10	55394178AB	1							Collision Replacement Glass
	55394179AB	1							Laredo, Right
11	06502808	2							BACKLITE
									HINGE, Liftglass
									Right
									Left
									SCREW, M6x1x25

GRAND CHEROKEE (WK)

SERIES	LINE	BODY	ENGINE	TRANSMISSION
H = Laredo	T = JEEP - 2WD	74 = SPORT UTILITY 4-DOOR	EKG = Engine - 3.7L V6	DG0 = All Automatic Transmissions
P = Limited	J = JEEP - 4WD		EVA = Engine- 4.7L V8 MPI	DGJ = Transmission - 5-Spd Auto, MB
			EZB = Engine-5.7L HEMI	DGQ = Transmission-5-Spd Automatic 5-45RFE

AR = use ase required - = Non illustrated part

**Glass, Windshield, Backlite, Quarter Window, Rear View Mirror
Figure SWK-710**



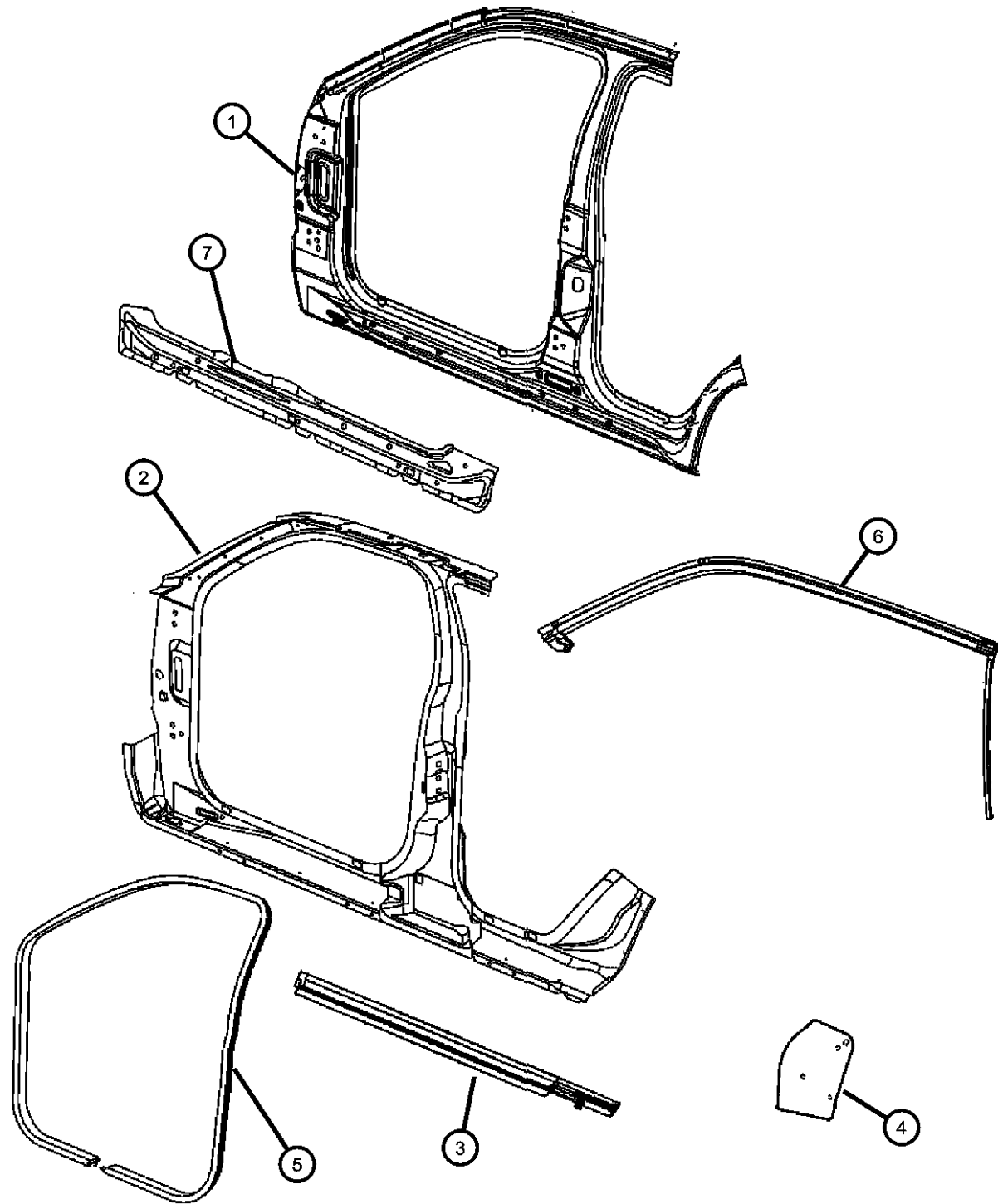
ITEM	PART NUMBER	QTY	LINE	SERIES	BODY	ENGINE	TRANS	TRIM	DESCRIPTION
12	55394182AA	1							STRIKER, Liftgate Glass, Includes Plate
13	55396413AA	1							PAD, Isolator
14									BALL STUD, Liftgate Glass
	55394184AA	1							Right
	55394185AA	1							Left
15	55295914	4							GASKET, Ball Stud
-16	06506200AA	2							FASTENER
-17	06101968	2							NUT, M6x1.00, Bracket Ball Stud Attach
18	55136845AA	2							BUMPER, Liftgate Glass, Overslam
19	55394245AB	2							GAS CYLINDER, Liftgate Glass

GRAND CHEROKEE (WK)

SERIES	LINE	BODY	ENGINE	TRANSMISSION
H = Laredo	T = JEEP - 2WD	74 = SPORT UTILITY 4-DOOR	EKG = Engine - 3.7L V6	DG0 = All Automatic Transmissions
P = Limited	J = JEEP - 4WD		EVA = Engine- 4.7L V8 MPI	DGJ = Transmission - 5-Spd Auto, MB
			EZB = Engine-5.7L HEMI	DGQ = Transmission-5-Spd Automatic 5-45RFE

AR = use ase required - = Non illustrated part

Panels, Body Side
Figure SWK-810



ITEM	PART NUMBER	QTY	LINE	SERIES	BODY	ENGINE	TRANS	TRIM	DESCRIPTION
1									PANEL, Body Side Aperture Front, Complete
	05142298AB	1							Right
	05142299AB	1							Left
2									PANEL, Body Side Aperture Front, Outer
	05142292AA	1							Right
	05142293AA	1							Left
3	55394824AB	2							REINFORCEMENT, Sill
4	55396276AB	2							EXTENSION, Body Side Aperture
5	55394040AC	2							SEAL, Front Door
6									SEAL, Body Side
	55394050AC	1							Right
	55394051AC	1							Left
7									SILL, Body Side
	55394454AC	1							Right
	55394455AC	1							Left

GRAND CHEROKEE (WK)

SERIES LINE
H = Laredo T = JEEP - 2WD
P = Limited J = JEEP - 4WD

BODY

74 = SPORT UTILITY 4-DOOR

ENGINE

EKG = Engine - 3.7L V6
EVA = Engine- 4.7L V8 MPI
EZB = Engine-5.7L HEMI

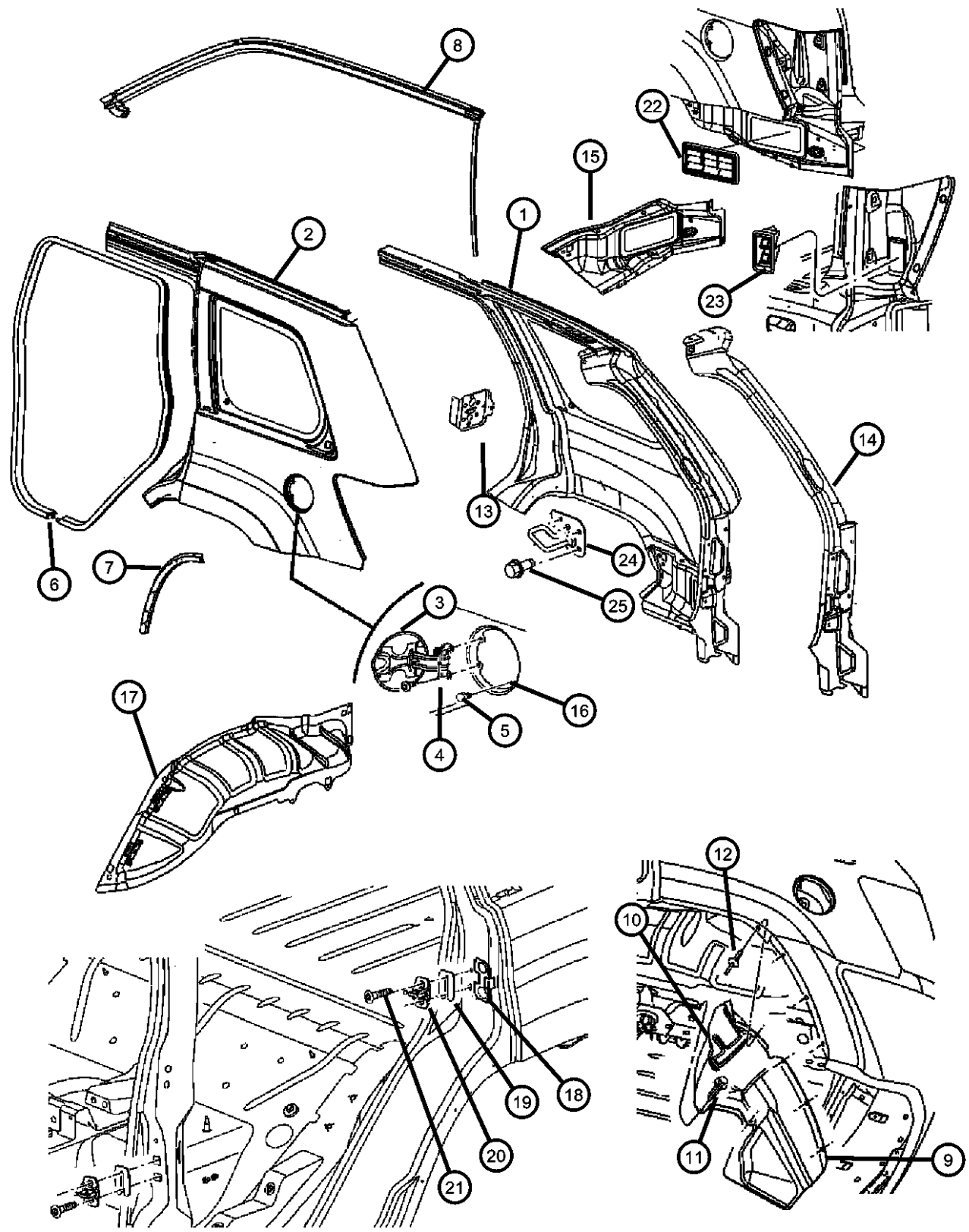
TRANSMISSION

DG0 = All Automatic Transmissions
DGJ = Transmission - 5-Spd Auto, MB
DGQ = Transmission-5-Spd Automatic 5-45RFE

AR = use ase required - = Non illustrated part

2005 WK

Panels, Rear Quarter
Figure SWK-910



ITEM	PART NUMBER	QTY	LINE	SERIES	BODY	ENGINE	TRANS	TRIM	DESCRIPTION
1	05142300AB	1							PANEL, Body Side Aperture Rear, Complete, Includes Tailamp Pocket Right
	05142301AB	1							Left
2	05142294AA	1							PANEL, Quarter, Outer Only, Without Tailamp Pocket Right
	05142295AA	1							Left
3	55394206AB	1							DOOR, Fuel Fill
4	06507847AA	2							BOLT
5	52102405AA	2							BUMPER, Fuel Door
6	55394044AC	2							SEAL, Rear Door
7									SEAL, Wheelhouse
	55396052AB	1							Right
	55396053AB	1							Left
8									SEAL, Body Side
	55394050AC	1							Right
	55394051AC	1							Left
9									SHIELD, Splash
	55156618AC	1							Rear Right
	55156619AC	1							Rear Left
	55157312AC	1							With Sales Code [EZ0], 8 Cylinder, Rear Right
	55157313AC	1							With Sales Code [EZ0], 8 Cylinder, Rear Left
10									SHIELD, Splash
	55157080AC	1							Rear Wheelhouse Inner Front, Right
	55157081AC	1							Rear Wheelhouse Inner Front, Left
11	34201621	4							RIVET, M6.3x37.40
12	06500911	6							RIVET, M6.25x28
13	55394200AA	2							REINFORCEMENT, Door Striker
14									TROUGH, Liftgate Opening
	55396058AB	1							Right
	55396059AB	1							Left
15									EXTENSION, Body Side Aperture
	55396442AB	1							Right
	55396443AB	1							Left

GRAND CHEROKEE (WK)

SERIES LINE
H = Laredo T = JEEP - 2WD
P = Limited J = JEEP - 4WD

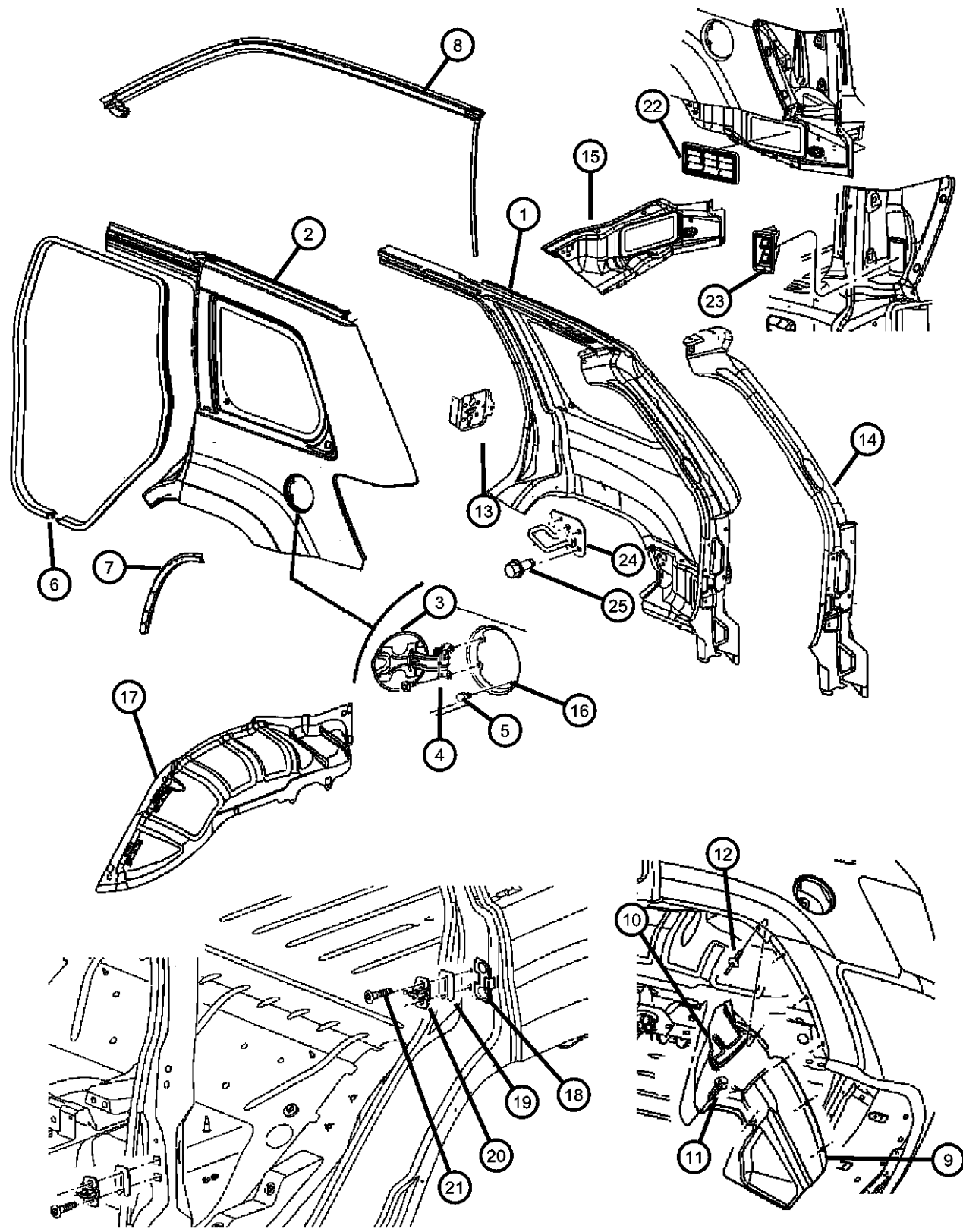
BODY ENGINE TRANSMISSION
74 = SPORT UTILITY 4-DOOR EKG = Engine - 3.7L V6
EVA = Engine- 4.7L V8 MPI
EZB = Engine-5.7L HEMI

DG0 = All Automatic Transmissions
DGJ = Transmission - 5-Spd Auto, MB
DGQ = Transmission-5-Spd Automatic 5-45RFE

AR = use ase required - = Non illustrated part

2005 WK

Panels, Rear Quarter
Figure SWK-910



ITEM	PART NUMBER	QTY	LINE	SERIES	BODY	ENGINE	TRANS	TRIM	DESCRIPTION
16	52090493AA	1							HOUSING, Fuel Filler
17	55394458AB	1							WHEELHOUSE, Rear Inner Right
	55394459AC	1							Left
18	04674669	2							PLATE, Striker
19	04520289	AR							SPACER, Door Latch Striker 3.75 Thick
	55075483	AR							2.0 to 2.5 Thick
20	04717779AB	2							STRIKER AND BUMPER, Door Latch
21	06506749AA	4							SCREW, 6 Lobed
22	55394330AB	1							EXHAUSTER, Bodyside ApertureLeft Side
23	55136280AC	1							EXHAUSTER, Quarter Panel, Tail Lamp ExhausterRight Side
24	55197084AA	1							STRIKER, Seat Back Latch Right
	55197085AA	1							Left
25	06508286AA	8							BOLT, Seat

GRAND CHEROKEE (WK)

SERIES LINE
H = Laredo T = JEEP - 2WD
P = Limited J = JEEP - 4WD

BODY ENGINE TRANSMISSION
74 = SPORT UTILITY 4-DOOR EKG = Engine - 3.7L V6
EVA = Engine- 4.7L V8 MPI
EZB = Engine-5.7L HEMI

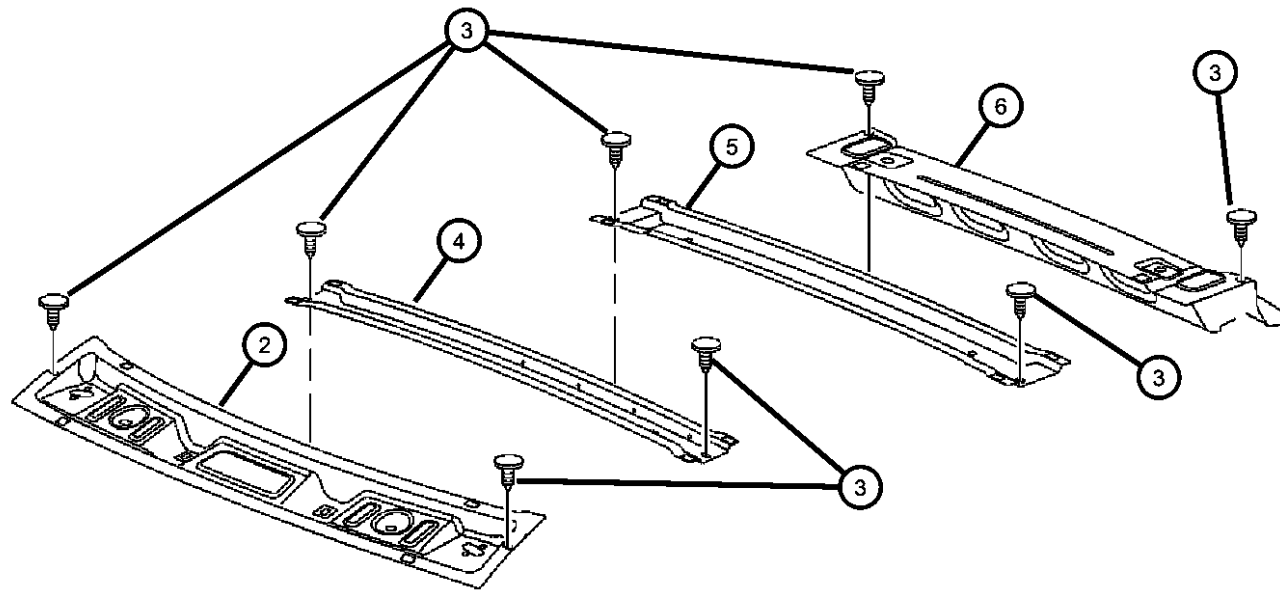
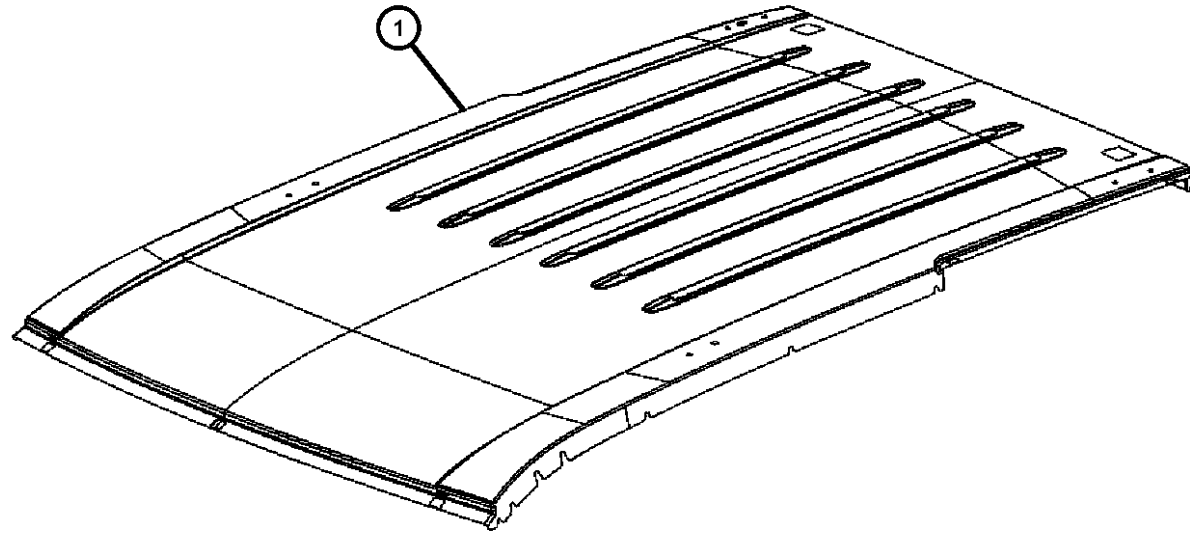
DG0 = All Automatic Transmissions
DGJ = Transmission - 5-Spd Auto, MB
DGQ = Transmission-5-Spd Automatic
5-45RFE

AR = use ase required - = Non illustrated part

2005 WK

Panels, Roof
Figure SWK-1110

ITEM	PART NUMBER	QTY	LINE	SERIES	BODY	ENGINE	TRANS	TRIM	DESCRIPTION
1									PANEL, Roof
	55394293AB	1							With sunroof
	55394298AC	1							
2	55363368AB	1							HEADER, PanelLower
3	06034608	2							PIN, Headline
4	55394300AA	1							BOW, Roof
5	55396908AA	1							BOW, Roof
6	55396055AD	1							HEADER, Panel



GRAND CHEROKEE (WK)

SERIES LINE
H = Laredo T = JEEP - 2WD
P = Limited J = JEEP - 4WD

BODY

74 = SPORT UTILITY 4-DOOR

ENGINE

EKG = Engine - 3.7L V6
EVA = Engine- 4.7L V8 MPI
EZB = Engine-5.7L HEMI

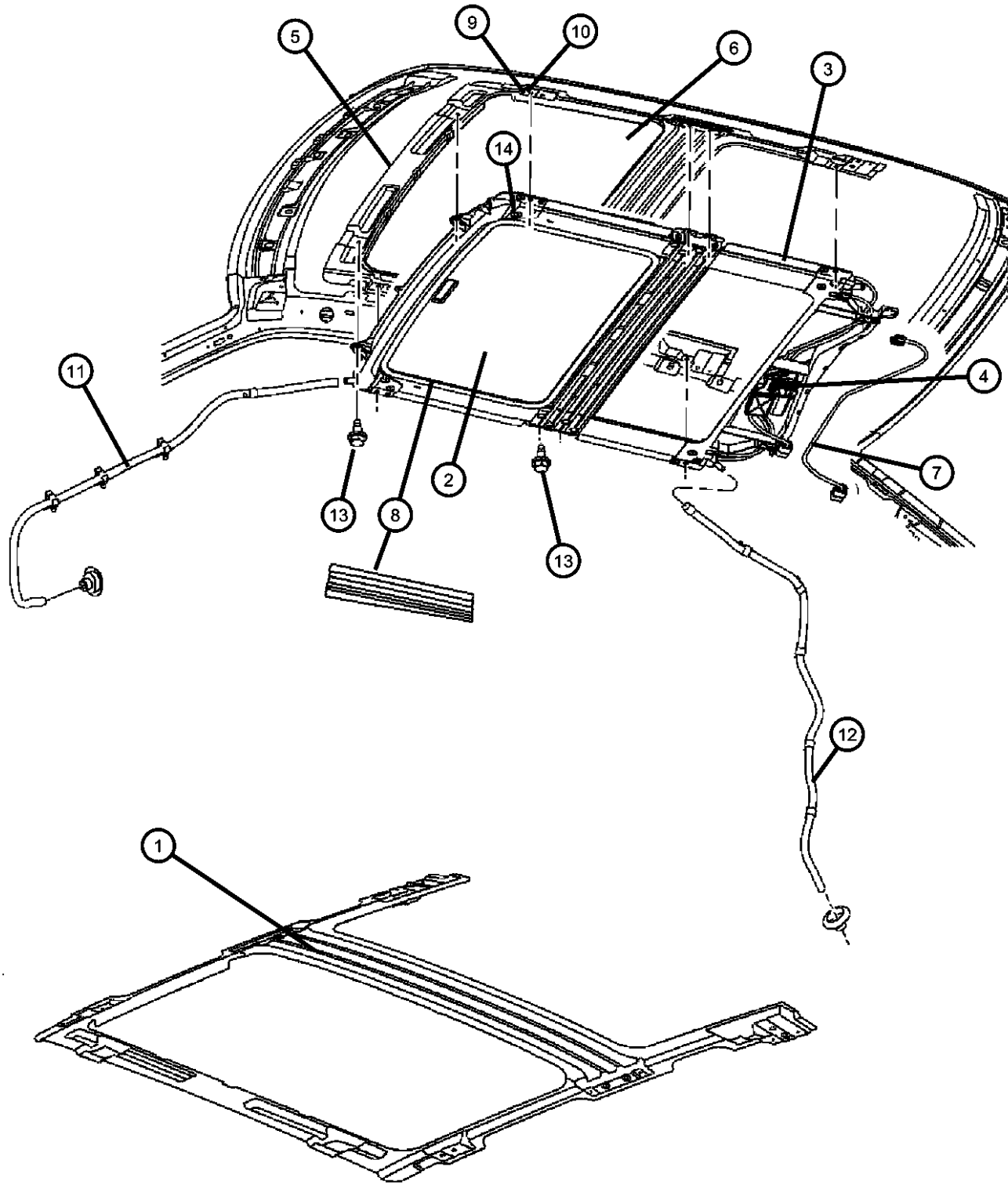
TRANSMISSION

DG0 = All Automatic Transmissions
DGJ = Transmission - 5-Spd Auto, MB
DGQ = Transmission-5-Spd Automatic
5-45RFE

AR = use ase required - = Non illustrated part

2005 WK

Sunroof
Figure SWK-1210



ITEM	PART NUMBER	QTY	LINE	SERIES	BODY	ENGINE	TRANS	TRIM	DESCRIPTION
1	05137559AA	1							CHANNEL, Sunroof Drain, Includes Weatherstrip
2	1AQ72BD1AB	1							SUNSHADE, Sunroof
3	05139927AA	1							FRAME, Sunroof
4	05137557AA	1							MOTOR/MODULE, Sunroof
5	05137554AC	1							DEFLECTOR, Sunroof Wind
6	05139931AA	1							GLASS, Sunroof, Includes Seal
7	05139930AA	1							WIRING, Sunroof
8	05137558AA	1							COVER, Sunroof Mechanism, Accordion Style Side Covers
9	05139814AA	1							GUIDE, Sunroof Glass
10	05139815AA	1							GUIDE, Sunroof Glass
11	55394318AC	2							HOSE, Sunroof DrainFront
12	55394324AC	2							HOSE, Sunroof DrainRear
13	06101455	8							SCREW AND WASHER, Hex Head, M6x1x20
14	06508405AA	4							SCREW

GRAND CHEROKEE (WK)

SERIES LINE
H = Laredo T = JEEP - 2WD
P = Limited J = JEEP - 4WD

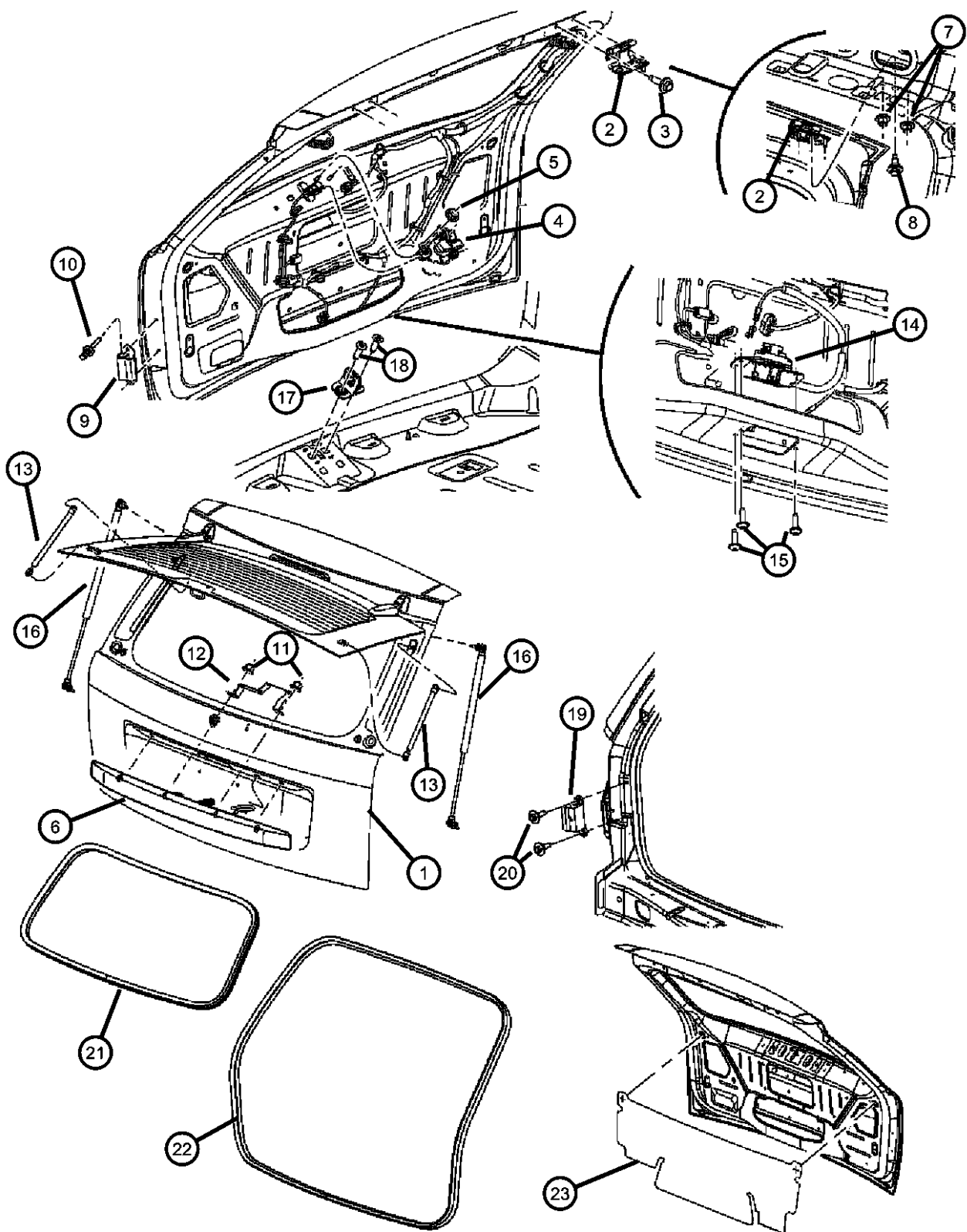
BODY
74 = SPORT UTILITY 4-DOOR
ENGINE
EKG = Engine - 3.7L V6
EVA = Engine- 4.7L V8 MPI
EZB = Engine-5.7L HEMI

TRANSMISSION
DG0 = All Automatic Transmissions
DGJ = Transmission - 5-Spd Auto, MB
DGQ = Transmission-5-Spd Automatic 5-45RFE

AR = use ase required - = Non illustrated part

2005 WK

Liftgate, Latch and Hinges
Figure SWK-1310



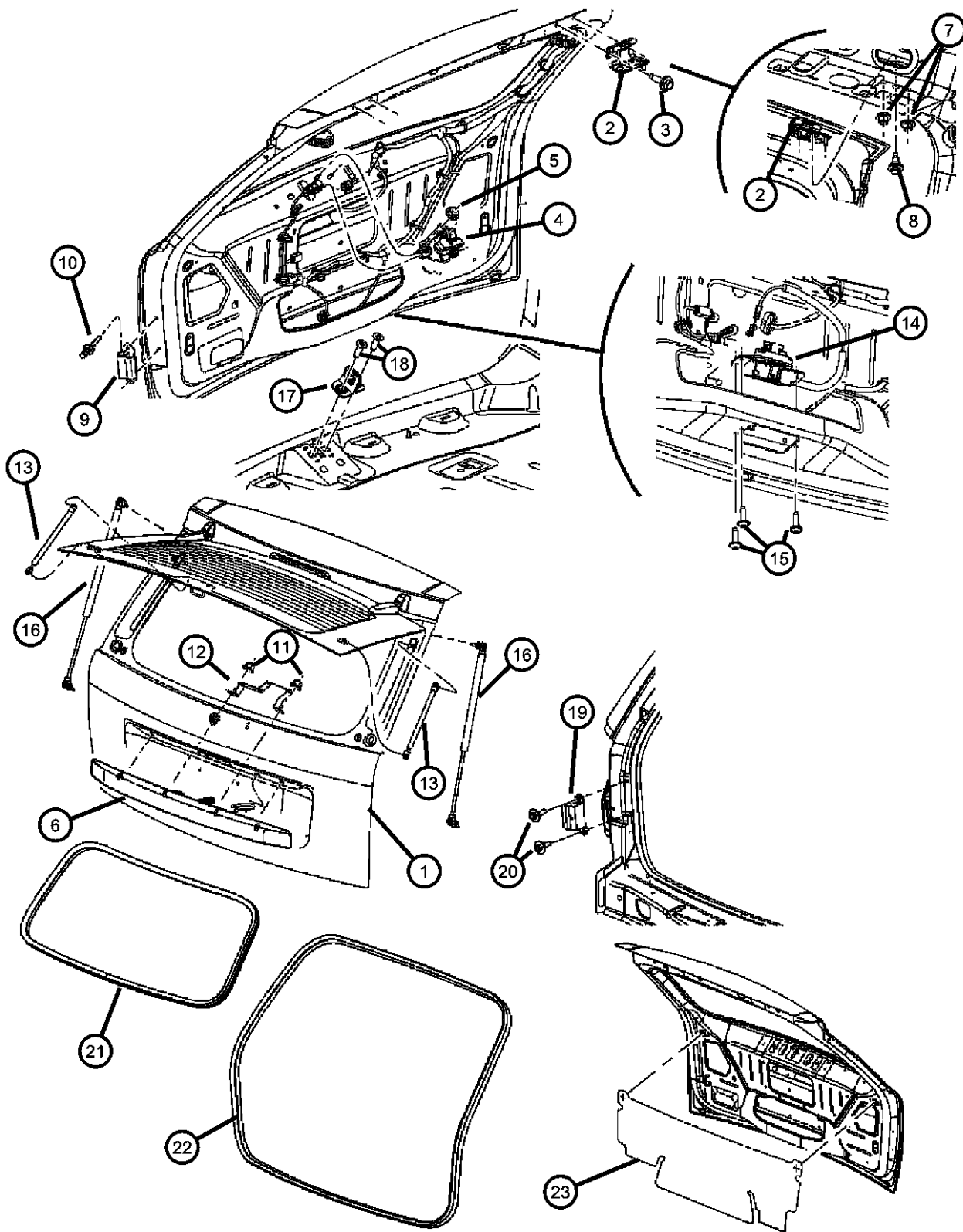
ITEM	PART NUMBER	QTY	LINE	SERIES	BODY	ENGINE	TRANS	TRIM	DESCRIPTION
1	55394517AC	1							PANEL, Liftgate
2	55396772AC	2							HINGE, Liftgate
3	06502975	4							SCREW AND WASHER, Hex Head, M8x1.25x33
4	55396445AA	1							LATCH, Liftgate Glass
5	06503102	2							NUT AND WASHER, Hex Nut-Coned Washer, M6 x 1.00
6									HANDLE, Liftgate
	05166876AA	1							Handle Only, Limited
	55156354AD	1							Laredo
	5HU81AJCAD	1							[PJC], Limited
	5HU81AXRAD	1							[PXR], Limited
	5HU81BB8AD	1							[PB8], Limited
	5HU81BJTAD	1							[PJT], Limited
	5HU81CG-VAD	1							[PGV], Limited
	5HU81SW1AD	1							[PW1], Limited
	5HU81WE-LAD	1							[PEL], Limited
	5HU81WS-BAD	1							[PSB], Limited
7	06504572	4							NUT AND WASHER, Hex Nut-Coned Washer, M8 x 1.25
8	06506802AA	2							SCREW AND WASHER, Hex Head
9	04860873AC	2							BUMPER, Liftgate
10		2							RIVET, Blind, .250 x .660, (NOT SERVICED)
11	06503856	2							NUT AND WASHER, Hex
12	55396922AA	1							BRACKET, Liftgate
13	55394245AB	2							GAS CYLINDER, Liftgate Glass
14	04589122AA	1							LATCH, Liftgate
15	06504212	3							SCREW, Large Round Washer Head Lock, M6x1.00x20.00
16									SUPPORT, Liftgate Opening
	55394322AA	1							Right
	55394323AA	1							Left
17	04717707AA	1							STRIKER, Liftgate
18	06503533	2							SCREW, Flange Head, M8x1.25x26
19	55396825AA	2							BUMPER, Rubber

GRAND CHEROKEE (WK)

SERIES	LINE	BODY	ENGINE	TRANSMISSION
H = Laredo	T = JEEP - 2WD	74 = SPORT UTILITY 4-DOOR	EKG = Engine - 3.7L V6	DG0 = All Automatic Transmissions
P = Limited	J = JEEP - 4WD		EVA = Engine- 4.7L V8 MPI	DGJ = Transmission - 5-Spd Auto, MB
			EZB = Engine-5.7L HEMI	DGQ = Transmission-5-Spd Automatic 5-45RFE

AR = use ase required - = Non illustrated part

Liftgate, Latch and Hinges
Figure SWK-1310



ITEM	PART NUMBER	QTY	LINE	SERIES	BODY	ENGINE	TRANS	TRIM	DESCRIPTION
20	06504324	4							SCREW AND WASHER, Hex Head
21	55394780AC	1							WEATHERSTRIP, Liftgate Glass
22	55394782AC	1							WEATHERSEAL, LIFTGATE
23	55394781AA	1							INSULATION, Liftgate
-24	55295615	AR							STRIP, Liftgate Edge Protector

GRAND CHEROKEE (WK)

SERIES LINE
H = Laredo T = JEEP - 2WD
P = Limited J = JEEP - 4WD

BODY

74 = SPORT UTILITY 4-DOOR

ENGINE

EKG = Engine - 3.7L V6
EVA = Engine- 4.7L V8 MPI
EZB = Engine-5.7L HEMI

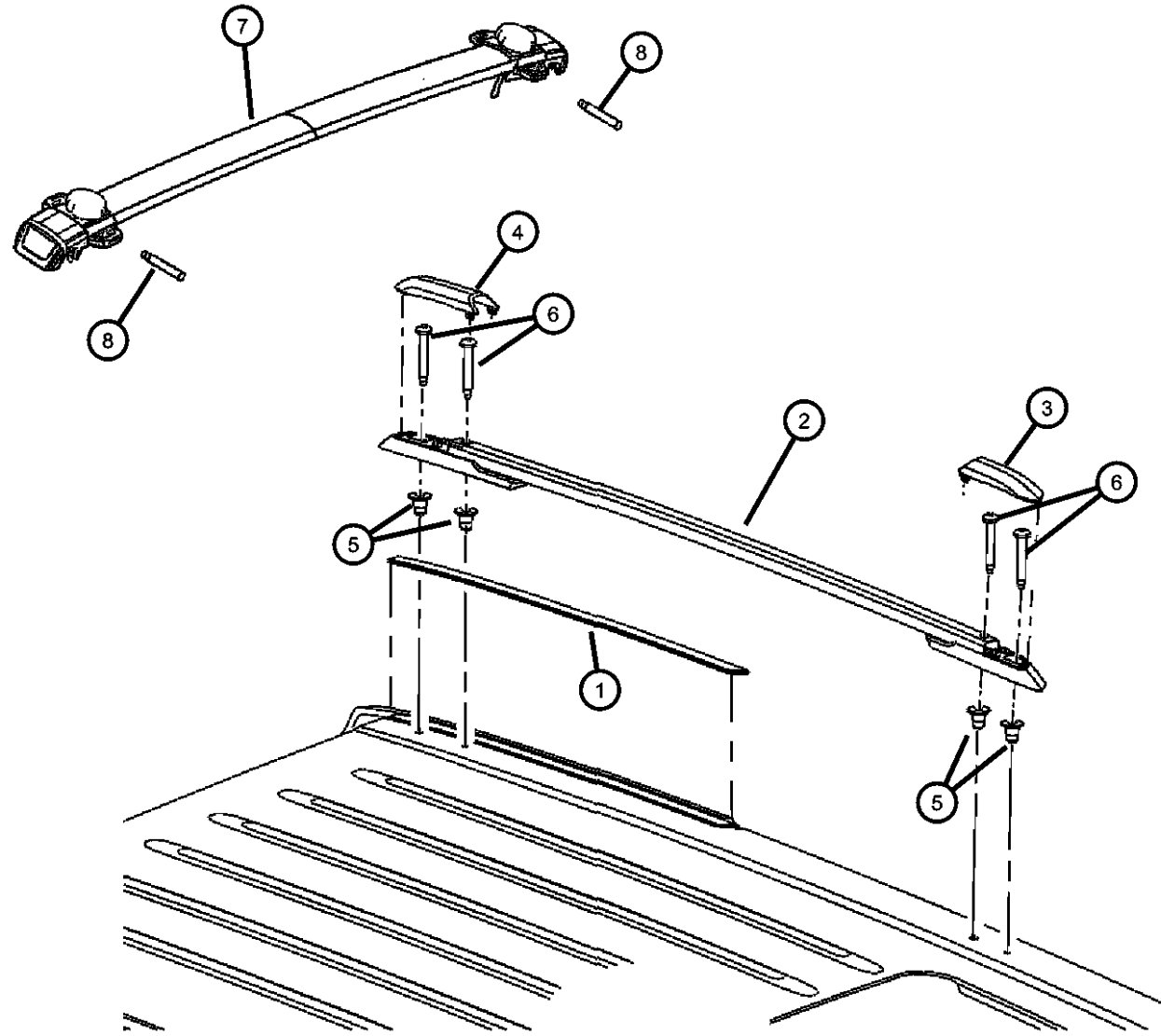
TRANSMISSION

DG0 = All Automatic Transmissions
DGJ = Transmission - 5-Spd Auto, MB
DGQ = Transmission-5-Spd Automatic
5-45RFE

AR = use ase required - = Non illustrated part

2005 WK

**Roof Rack
Figure SWK-1610**



ITEM	PART NUMBER	QTY	LINE	SERIES	BODY	ENGINE	TRANS	TRIM	DESCRIPTION
1	55156874AB	1							MOLDING, Roof Right
	55156875AB	1							Left
2	55394216AC	1							RAIL, Roof Right
	55394217AC	1							Left
3	55394342AB	1							COVER, Luggage Rack, Front Right
	55394343AB	1							Left
4	55394344AB	1							COVER, Luggage Rack, Rear Right
	55394345AB	1							Left
5	06508202AA	8							RIVNUT, Installation
6	06508138AA	8							SCREW
7	55157114AA	2							RAIL, Luggage Rack
8	05174361AA	2							PIN, PIN-LOCK

GRAND CHEROKEE (WK)

SERIES LINE
H = Laredo T = JEEP - 2WD
P = Limited J = JEEP - 4WD

BODY ENGINE
74 = SPORT UTILITY 4-DOOR EKG = Engine - 3.7L V6
EVA = Engine- 4.7L V8 MPI
EZB = Engine-5.7L HEMI

TRANSMISSION
DG0 = All Automatic Transmissions
DGJ = Transmission - 5-Spd Auto, MB
DGQ = Transmission-5-Spd Automatic
5-45RFE

AR = use ase required - = Non illustrated part

2005 WK

Group - LBLS

Labels All Vehicle Locations

Group - LBLS Labels All Vehicle Locations

Illustration Title

Group-Fig. No.

Interior

Instrument Panel and Visors Fig. LBLS - 110

Under Hood

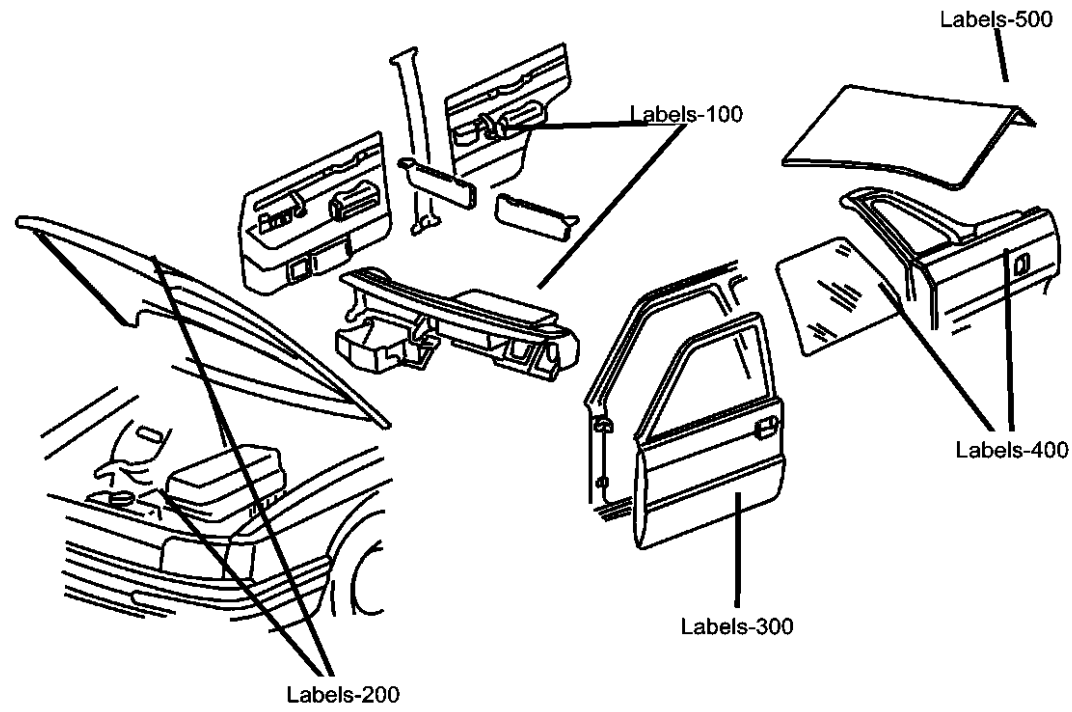
Engine Compartment Fig. LBLS - 210

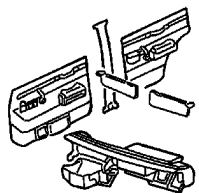
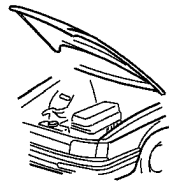


Doors

Doors and Pillars Fig. LBLS - 310

Rear Cargo & Storage

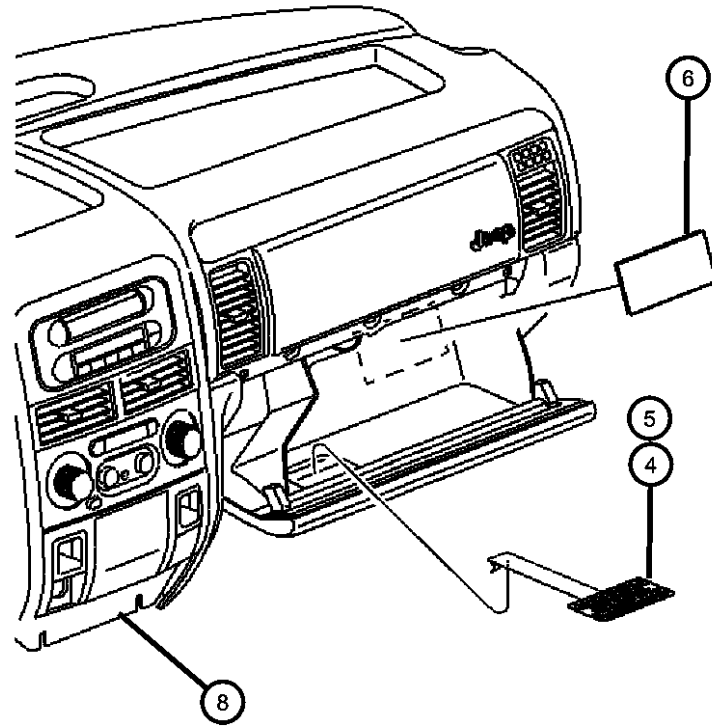
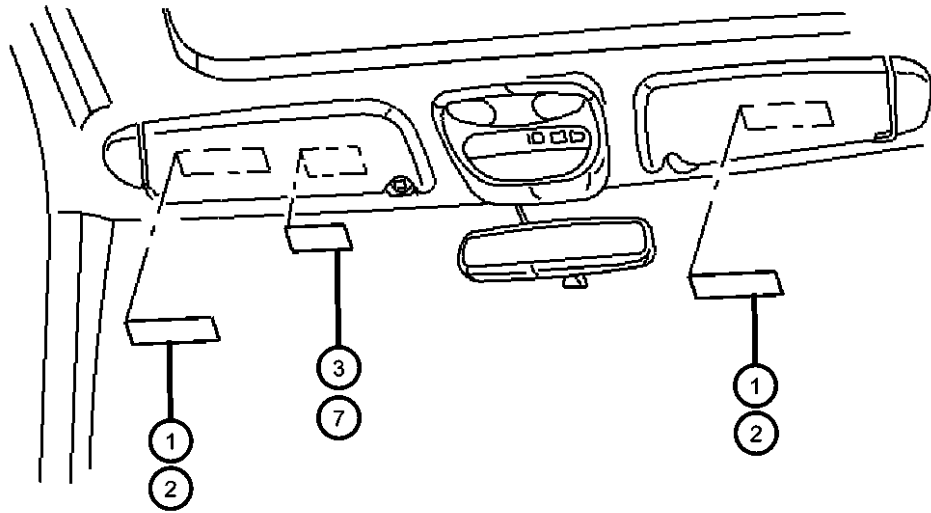
Rear Cargo and Storage..... Fig. LBLS - 510



<p>LBLS-100 Interior</p> 	<p>LBLS-200 Under Hood</p> 	<p>LBLS-300 Doors</p> 	<p>LBLS-500 Rear Cargo & Storage</p> 
---	---	--	---

**Instrument Panel and Visors
Figure LBL5-110**

ITEM	PART NUMBER	QTY	LINE	SERIES	BODY	ENGINE	TRANS	TRIM	DESCRIPTION
1	05108000AA	2							LABEL, Air Bag Warning
2	05032545AA	2							LABEL, Air Bag Warning, Spanish
3	05031307AA	1							LABEL, Visor Warning, Rollover Risk
4	04664280AD	4							LABEL, Air Bag Warning
5	04851416AA	1							LABEL, Air Bag Warning, Spanish, Mexico
6		1							LABEL, Tire Pressure, (NOT SERVICED)
7	55352825AA	1							LABEL, Warning, Rollover warning
8									LABEL, Air Bag
	05108001AB	1							Deactivation
	05108002AB	1							Canada deactivation



GRAND CHEROKEE (WK)

SERIES LINE
H = Laredo T = JEEP - 2WD
P = Limited J = JEEP - 4WD

BODY

74 = SPORT UTILITY 4-DOOR

ENGINE

EKG = Engine - 3.7L V6
EVA = Engine- 4.7L V8 MPI
EZB = Engine-5.7L HEMI

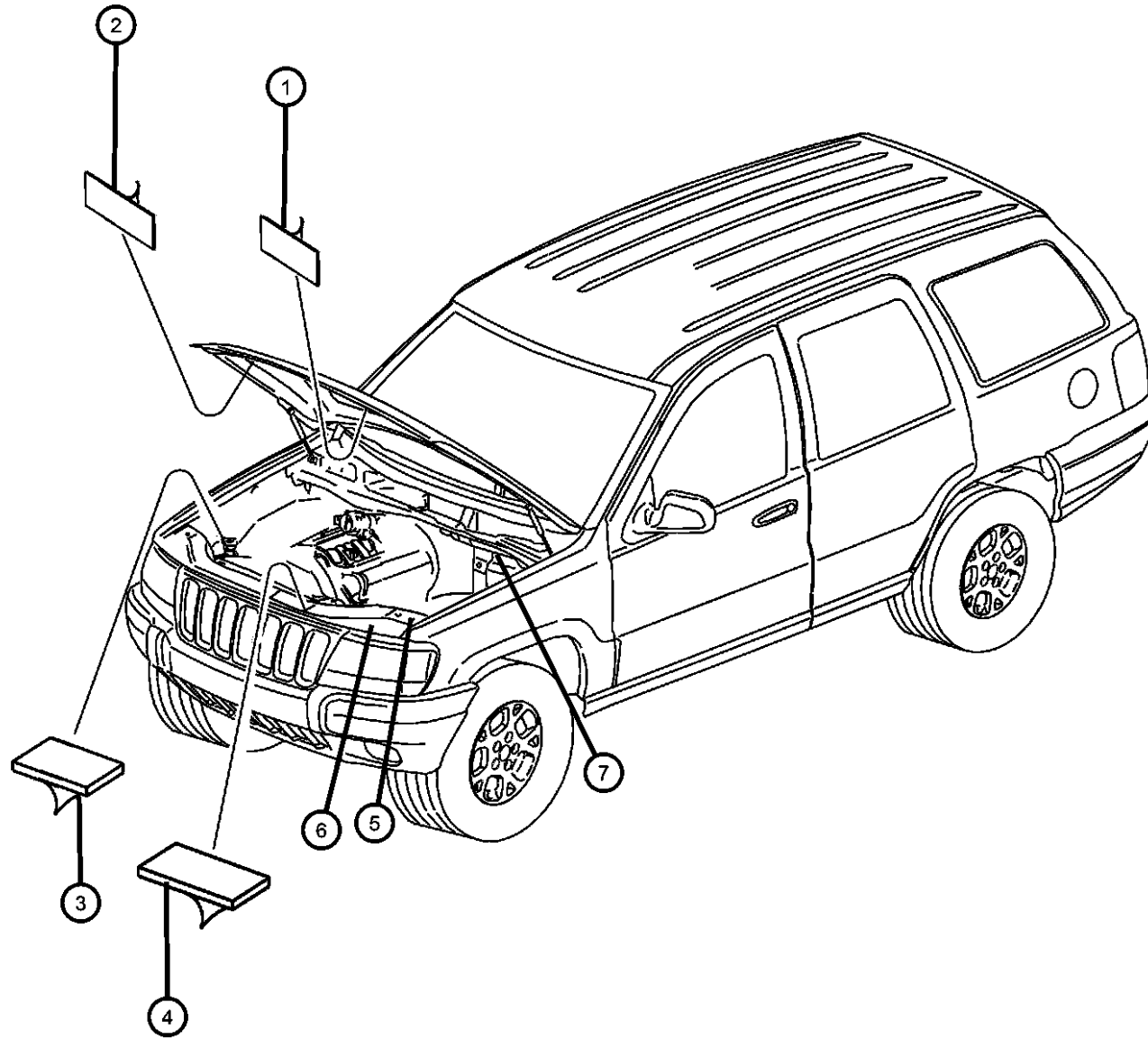
TRANSMISSION

DG0 = All Automatic Transmissions
DGJ = Transmission - 5-Spd Auto, MB
DGQ = Transmission-5-Spd Automatic 5-45RFE

AR = use ase required - = Non illustrated part

2005 WK

**Engine Compartment
Figure LBL5-210**



ITEM	PART NUMBER	QTY	LINE	SERIES	BODY	ENGINE	TRANS	TRIM	DESCRIPTION
1	05164004AA	1							LABEL, Air Conditioning System Mexico
	55056347AA	1							
2	05164029AA	1				EK0			LABEL, Emission Mexico
	05271999AA	1				EVO			Mexico
	05272000AA	1				EZO			Mexico
	52124094AA	1				EK0			
	52124095AA	1				EVA			[T model]
	52124096AA	1				EVA			
	52124097AA	1				EZB			
3	05032784AA	1							LABEL, Belt Routing Spanish
	05164008AA	1							Mexico
	55116955AB	1				EK0, EVO			
		1				EZO			
4	04809615AA	1				EK0			LABEL, Fan Caution
		1				EVO			
		1				EZO			
	05031287AA	1							Mexico
5	05032786AA	1							LABEL, Battery, Mexico
6	05164005AA	1							LABEL, Power Steering Fluid Mexico
	52124056AA	1				EZO			
		1				EK0, EVO			
7	05032882AB	1							LABEL, Master Cylinder Reservoir, Mexico

GRAND CHEROKEE (WK)

SERIES LINE
H = Laredo T = JEEP - 2WD
P = Limited J = JEEP - 4WD

BODY ENGINE
74 = SPORT UTILITY 4-DOOR EKG = Engine - 3.7L V6
EVA = Engine- 4.7L V8 MPI
EZB = Engine-5.7L HEMI

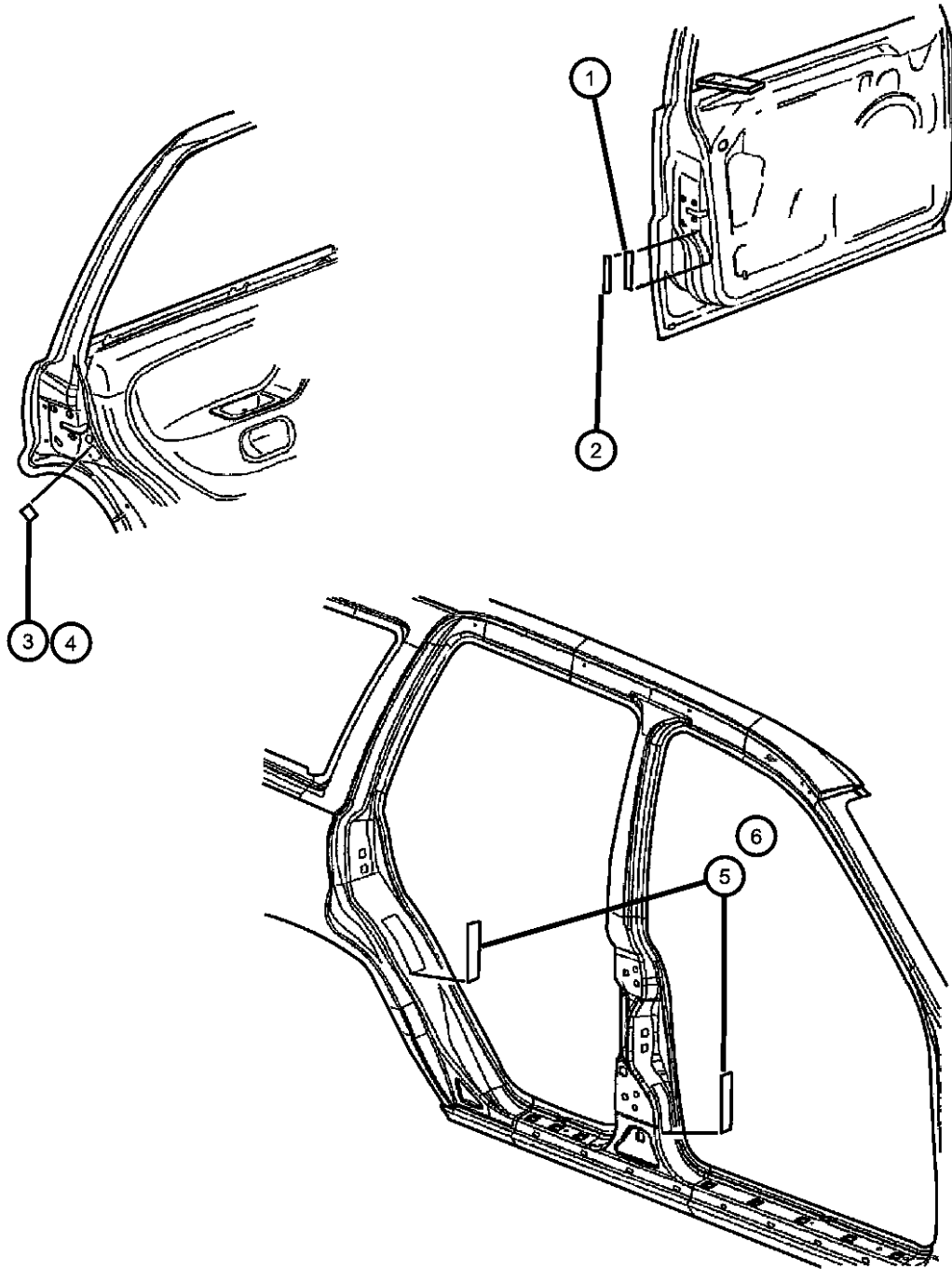
TRANSMISSION
DG0 = All Automatic Transmissions
DGJ = Transmission - 5-Spd Auto, MB
DGQ = Transmission-5-Spd Automatic
5-45RFE

AR = use ase required - = Non illustrated part

2005 WK

Doors and Pillars
Figure LBL5-310

ITEM	PART NUMBER	QTY	LINE	SERIES	BODY	ENGINE	TRANS	TRIM	DESCRIPTION
1		1							LABEL, Certification, (NOT SERVICED)
2		1							OVERLAY, Vehicle Certification, (NOT SERVICED)
3									LABEL, Child Protection Lock, English
	04615730	2							Canada
	55136932AA	1							Right
	55136933AA	1							Left
4									LABEL, Child Protection Lock
	04852524AA	1							Mexico, Right
	04852525AA	1							Mexico, Left
5									LABEL, Air Bag Warning
	04664279AD	4							Canada
	04664280AD	4							
	04664294AB	4							[ABD]
6	04898879AA	4							LABEL, Air Bag Warning, Spanish



GRAND CHEROKEE (WK)

SERIES LINE
H = Laredo T = JEEP - 2WD
P = Limited J = JEEP - 4WD

BODY

74 = SPORT UTILITY 4-DOOR

ENGINE

EKG = Engine - 3.7L V6
EVA = Engine- 4.7L V8 MPI
EZB = Engine-5.7L HEMI

TRANSMISSION

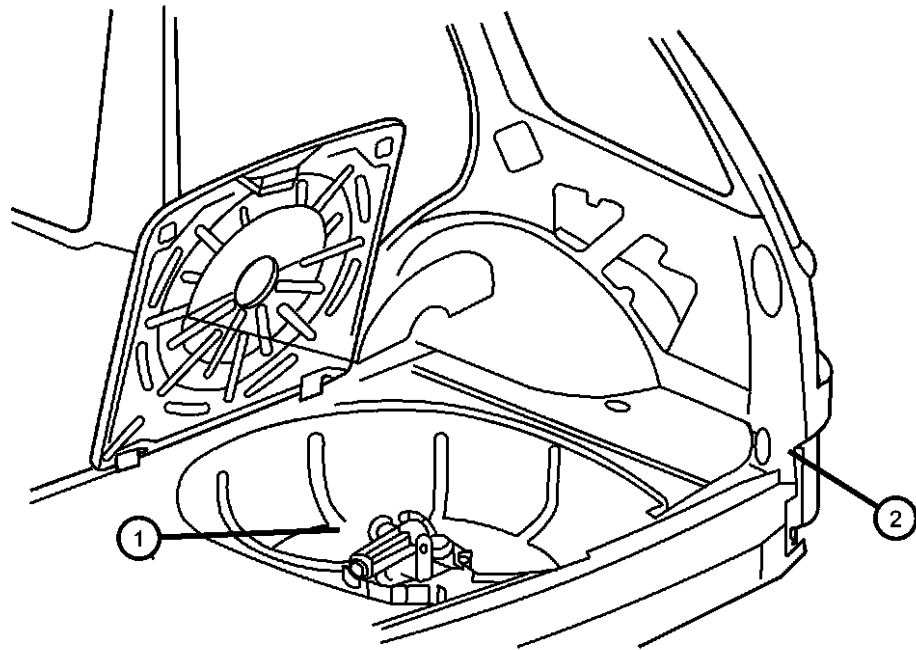
DG0 = All Automatic Transmissions
DGJ = Transmission - 5-Spd Auto, MB
DGQ = Transmission-5-Spd Automatic 5-45RFE

AR = use ase required - = Non illustrated part

2005 WK

**Rear Cargo and Storage
Figure LBL5-510**

ITEM	PART NUMBER	QTY	LINE	SERIES	BODY	ENGINE	TRANS	TRIM	DESCRIPTION
1	05271495AA	1							LABEL, Jack Caution Mexico
	52110391AB	1							
	52110392AB	1							[XLR]
2	04898702AA	1							LABEL, Exhaust Gas Warning, Mexico



GRAND CHEROKEE (WK)

SERIES LINE
H = Laredo T = JEEP - 2WD
P = Limited J = JEEP - 4WD

BODY

74 = SPORT UTILITY 4-DOOR

ENGINE

EKG = Engine - 3.7L V6
EVA = Engine- 4.7L V8 MPI
EZB = Engine-5.7L HEMI

TRANSMISSION

DG0 = All Automatic Transmissions
DGJ = Transmission - 5-Spd Auto, MB
DGQ = Transmission-5-Spd Automatic
5-45RFE

AR = use ase required - = Non illustrated part

2005 WK