

VIN PLATE DECODING INFORMATION

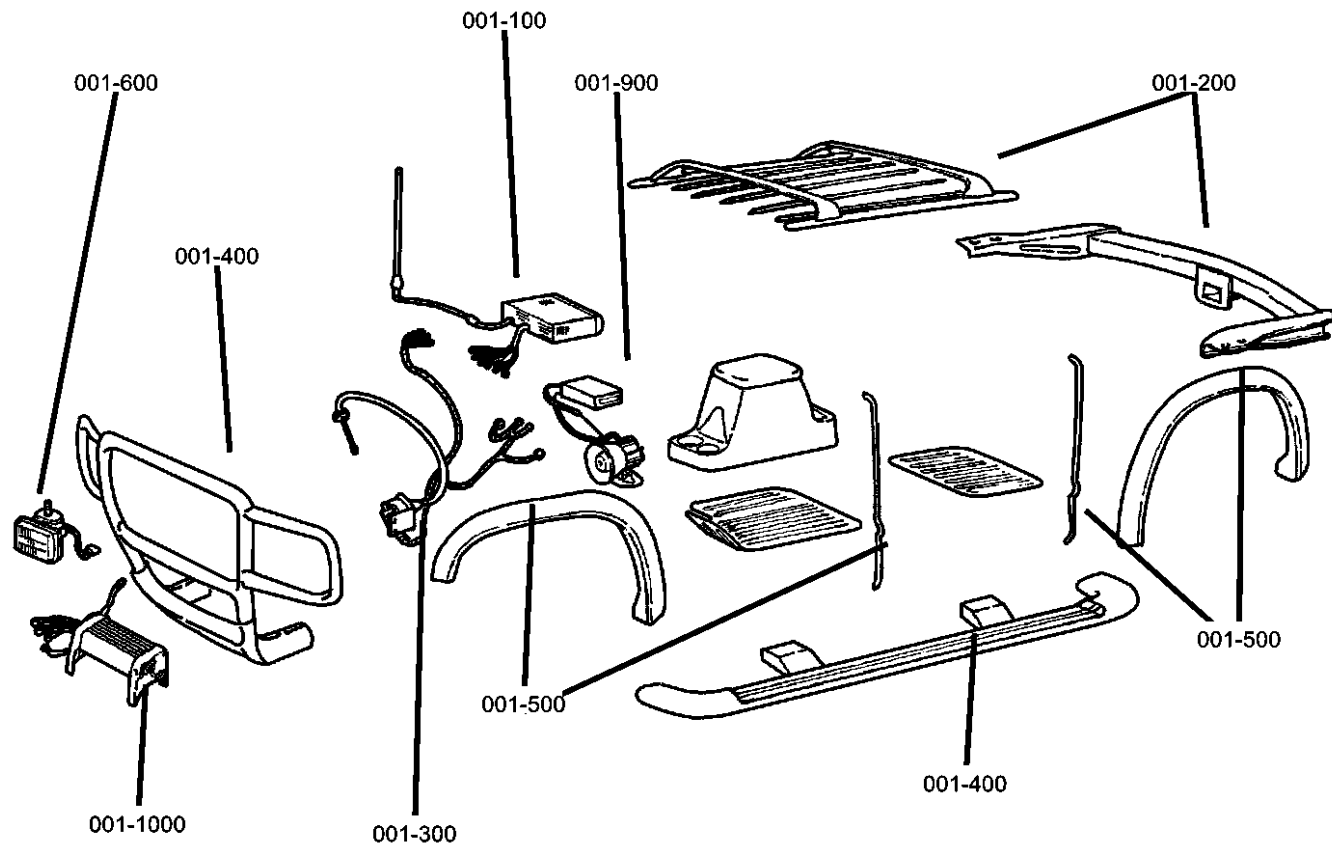
1	2	3	4	5	6	7	8	9	10	11	12 thru 17
Country	Make	Vehicle Type	Other	Line	Series	Body Style	Engine	Check Digit	Model Year	Assy. Plant	Sequence No.

The following table interprets the VIN Plate position shown above.

Position	Interpretation	Codes = Description
1	Country of Origin	1 = Built by DaimlerChrysler Corp.
2	Assembler	J = Jeep
3	Vehicle Type	4 = Multipurpose Passenger Vehicle Less Sales Code "CGS" Side Air Bags 8 = Multipurpose Passenger Vehicle With Sales Code "CGS" Side Air Bags
4	GVWR & Pass. Safety	D = 1-3000 lbs (0-1360 kg) E = 3001-4000 lbs (1361-1814 kg) F = 4001-5000 lbs (1815-2267 kg) G = 5001-6000 lbs (2268-2721 kg) H = 6001-7000 lbs (2722-3175 kg) J = 7001-8000 lbs (3176-3628 kg) K = 8001-9000 lbs (3629-4082 kg) L = 9001-10,000 lbs (4083-4535 kg) M = 10,001-14,000 lbs (4536-6350 kg)
5	Vehicle Line	R = Grand Cherokee 4x4 S = Grand Cherokee 4x2
6	Series	4 = Laredo 5 = Limited 6 = Overland 7 = SRT-8
7	Body Style	8 = 4 Door Sport Utility (74)
8	Engine	2 = 5.7L V8 HEMI Multiple Displacement (EZB) K = 3.7L V6 (EKG) N = 4.7L 8 Cyl. (EVA)
9	Check Digit	0 = Check Digit 0 = Check Digit
10	Model Year	7 = 2007
11	Assembly Plant	C = Jefferson North Assembly
12 thru 17	Vehicle Build Sequence	Model Year Assembly Sequence

Group - 1

Mopar Accessories - Component Parts



Group - 1 Mopar Accessories - Component Parts

Group-Fig. No.

Illustration Title

Audio & Electronics

Satellite Receiver Kit.....	Fig. 1 - 120
Install Kit Satellite Receiver	Fig. 1 - 125
Navigation Kit.....	Fig. 1 - 160
Rear Seat DVD Video System	Fig. 1 - 170

Carriers & Cargo Hauling


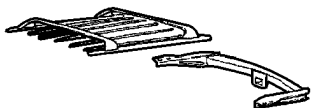

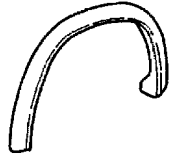
Bike Carrier - Hitch Mount Four Bikes	Fig. 1 - 210
Bike Carrier, Hitch Mount Two Bikes.....	Fig. 1 - 215
Bike Carrier - Roof Mount- Fork.....	Fig. 1 - 220
Bike Carrier- Roof Mount -Upright	Fig. 1 - 225
Carrier Kit - Canoe	Fig. 1 - 230
Carrier Kit - Watersports	Fig. 1 - 232
Carrier Kit, Snowboard or Ski	Fig. 1 - 235
Luggage Carrier Roof Vinyl.....	Fig. 1 - 264
Carrier Kit / Luggage.....	Fig. 1 - 266

Driving Convenience

Sensor Package Park/Distance	Fig. 1 - 310
Remote Start - Installation Kit	Fig. 1 - 320
Hands Free Kit - Cellular Phone	Fig. 1 - 330

Exterior Protection

Cladding Kit.....	Fig. 1 - 510
-------------------	--------------

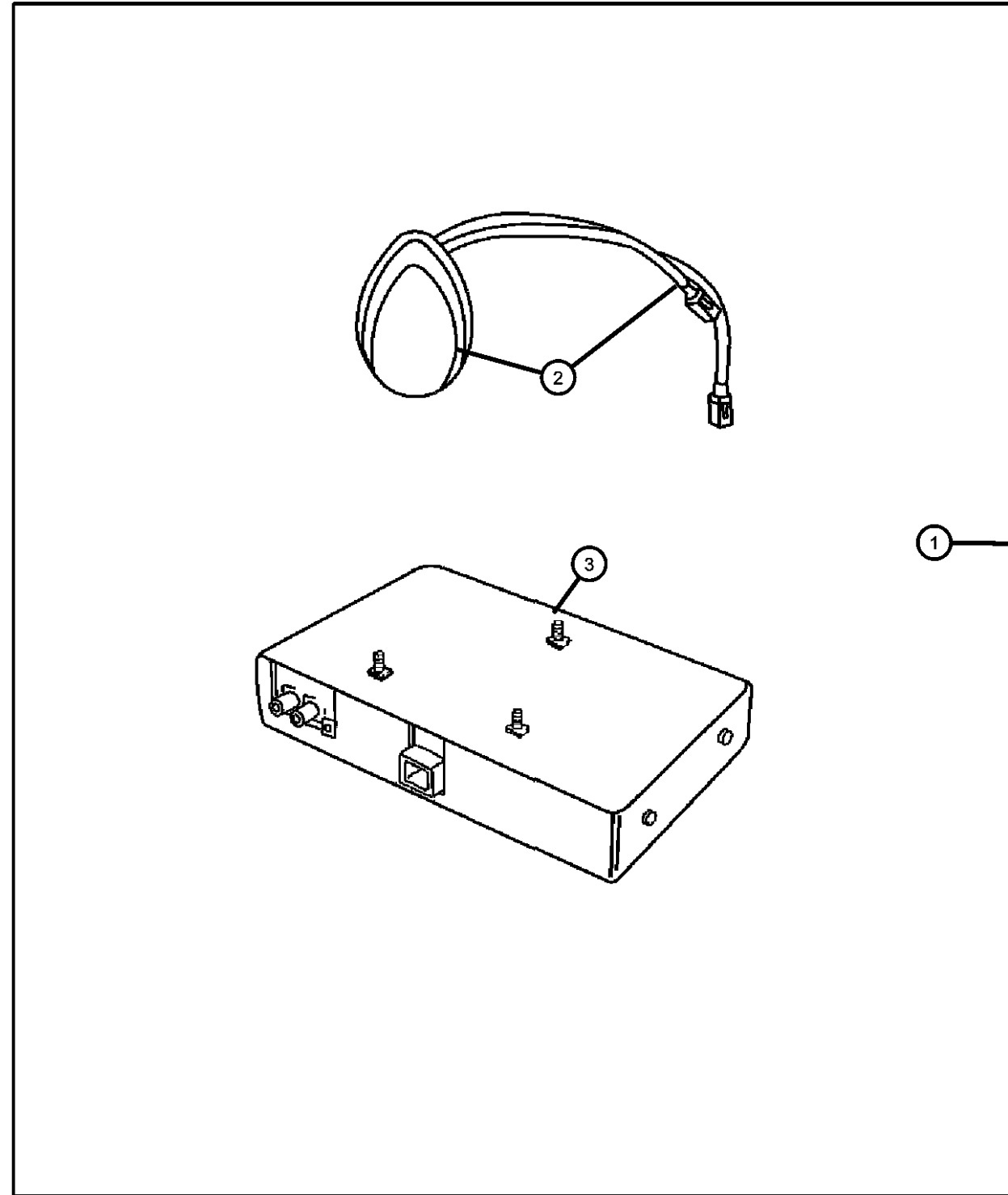
<p>001-100 Audio & Electronics</p> 	<p>001-200 Carriers & Cargo Hauling</p> 	<p>001-300 Driving Convenience</p> 	<p>001-500 Exterior Protection</p> 
---	--	--	---

**Satellite Receiver Kit
Figure 1-120**

ITEM	PART NUMBER	QTY	LINE	SERIES	BODY	ENGINE	TRANS	TRIM	DESCRIPTION
------	-------------	-----	------	--------	------	--------	-------	------	-------------

Note; For Warranty Repair On Item 3, Order Using Z Prefix

1	82208881AA	1							RECEIVER, Satellite
2	05091504AB	1							ANTENNA, Satellite
3	82208881AA	1							RECEIVER, Satellite



GRAND CHEROKEE (WK)

SERIES	LINE
H = HIGHLINE	T = JEEP - 2WD
P = PREMIUM	J = JEEP - 4WD
S = SPORT	
X = SPECIAL	

BODY
74 = SPORT UTILITY 4-DR

ENGINE
EKG = 3.7L V6 Engine
EVA = 4.7L V8 MPI Engine
EZB = 5.7L Hemi Multi Displacement Engine

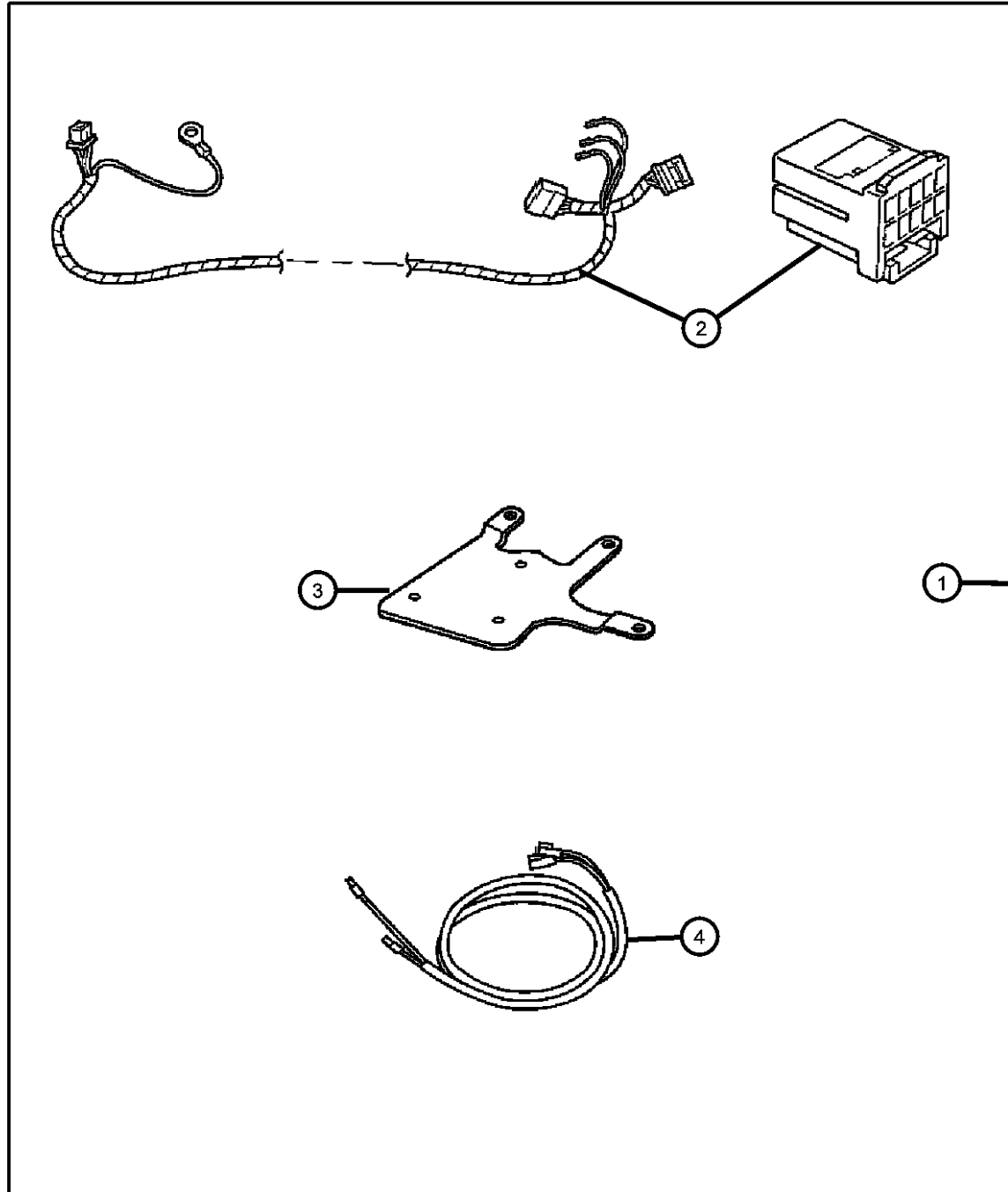
TRANSMISSION
DGQ = 5-Spd Automatic 5-45RFE Transmission
DGJ = 5-Speed Automatic MB Transmission

AR = use ase required - = Non illustrated part

2006 WK

**Install Kit Satellite Receiver
Figure 1-125**

ITEM	PART NUMBER	QTY	LINE	SERIES	BODY	ENGINE	TRANS	TRIM	DESCRIPTION
1	82209041AC	1							INSTALL KIT, Satelite Receiver
2	05159035AA	1							HARNESS, Overlay
3		1							BRACKET, Satelite Receiver, (NOT SERVICED)
4	05066207AB	1							CABLE, Antenna



GRAND CHEROKEE (WK)

SERIES	LINE
H = HIGHLINE	T = JEEP - 2WD
P = PREMIUM	J = JEEP - 4WD
S = SPORT	
X = SPECIAL	

BODY
74 = SPORT UTILITY 4-DR

ENGINE
EKG = 3.7L V6 Engine
EVA = 4.7L V8 MPI Engine
EZB = 5.7L Hemi Multi Displacement Engine

TRANSMISSION
DGQ = 5-Spd Automatic 5-45RFE Transmission
DGJ = 5-Speed Automatic MB Transmission

AR = use ase required - = Non illustrated part

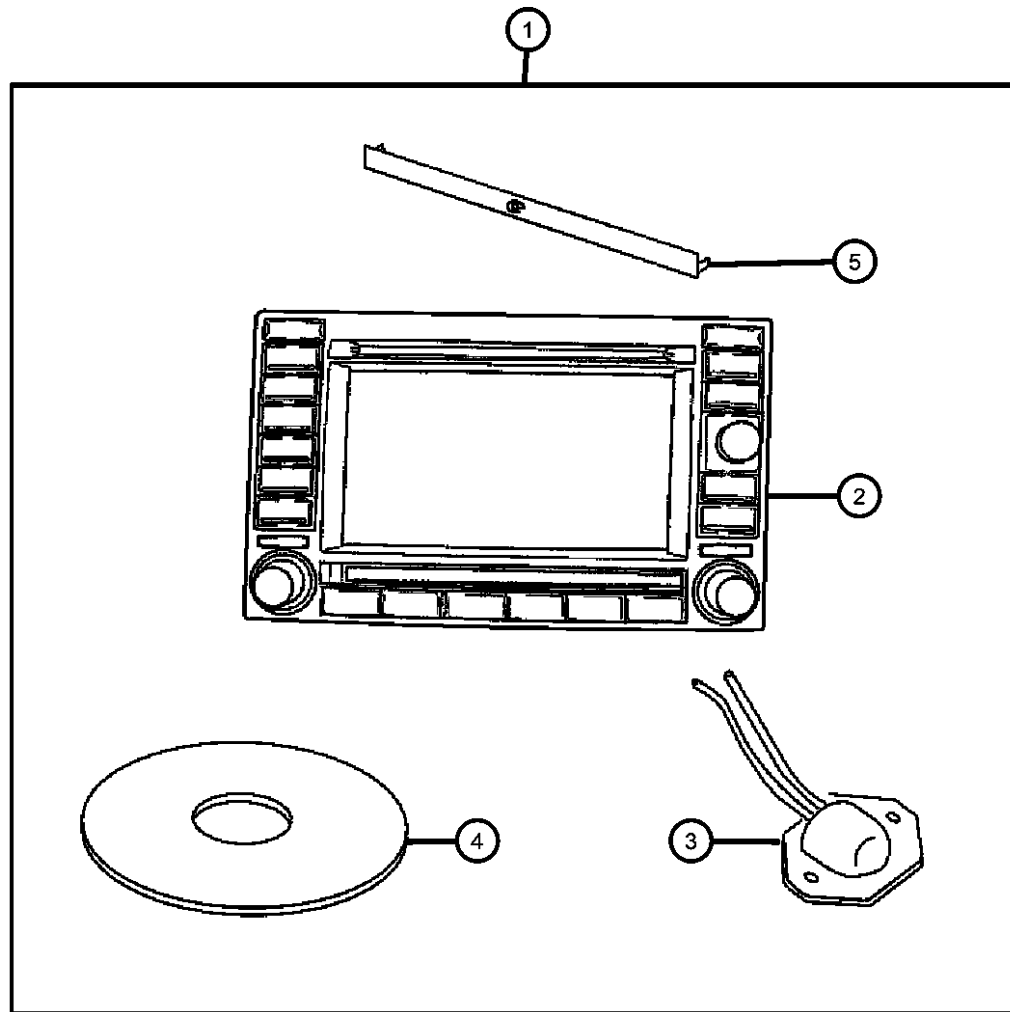
2006 WK

Navigation Kit
Figure 1-160

ITEM	PART NUMBER	QTY	LINE	SERIES	BODY	ENGINE	TRANS	TRIM	DESCRIPTION
------	-------------	-----	------	--------	------	--------	-------	------	-------------

Note: For Warranty Repair on Item 2, Order Using Z Prefix

1	82208653AC	1							RADIO, AM/FM CD W/NAV/DVD & CD-CTRL
2	56038646AL	1							RADIO, AM/FM CD W/NAV/DVD & CD-CTRL
3	56038630AA	1							ANTENNA, GPS
4	05064033AC	1							DVD, Geographic Database
5	05161571AA	1							COVER, Radio



GRAND CHEROKEE (WK)

SERIES LINE
H = HIGHLINE T = JEEP - 2WD
P = PREMIUM J = JEEP - 4WD
S = SPORT
X = SPECIAL

BODY
74 = SPORT UTILITY 4-DR

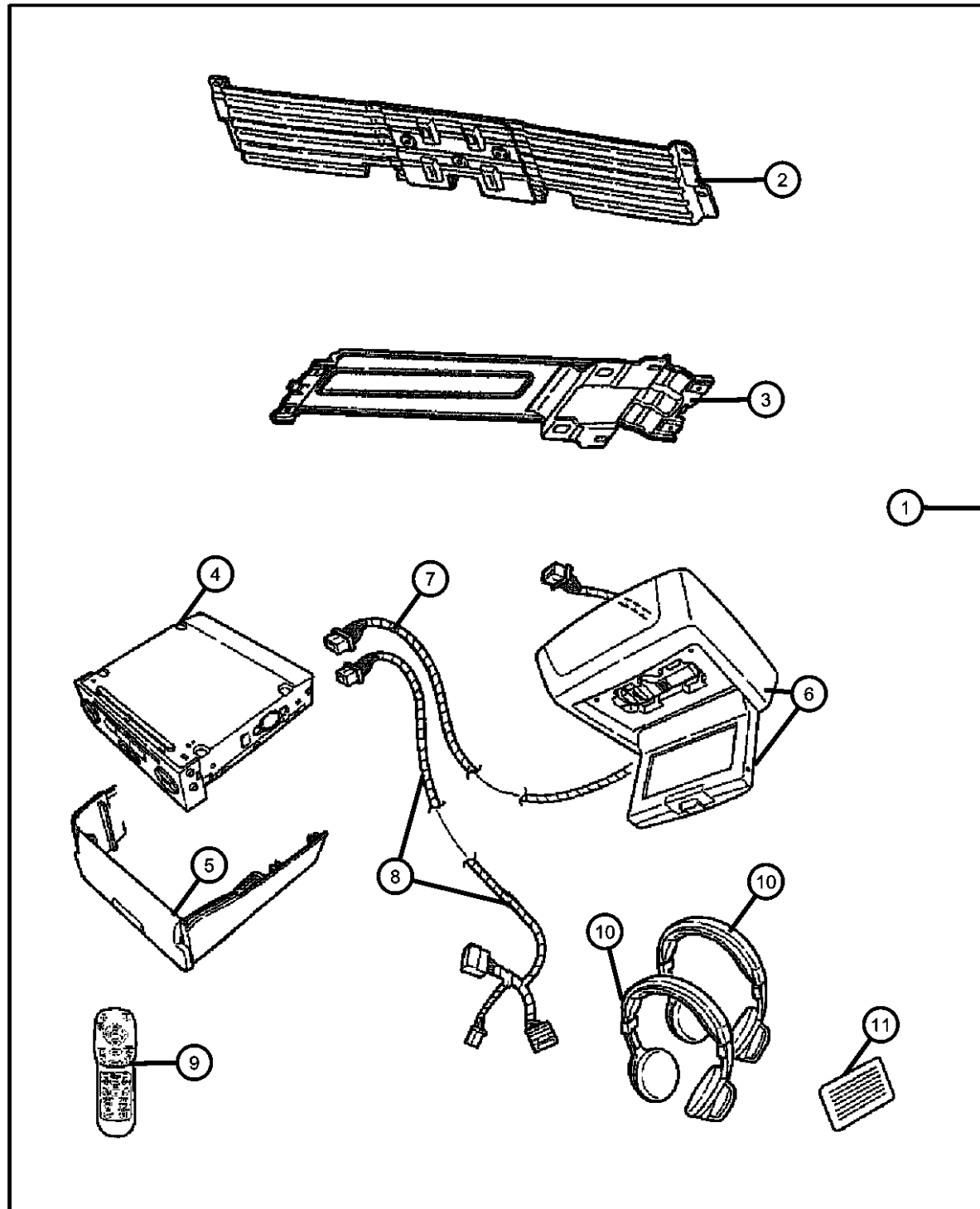
ENGINE
EKG = 3.7L V6 Engine
EVA = 4.7L V8 MPI Engine
EZB = 5.7L Hemi Multi Displacement Engine

TRANSMISSION
DGQ = 5-Spd Automatic 5-45RFE Transmission
DGJ = 5-Speed Automatic MB Transmission

AR = use ase required - = Non illustrated part

2006 WK

**Rear Seat DVD Video System
Figure 1-170**



ITEM	PART NUMBER	QTY	LINE	SERIES	BODY	ENGINE	TRANS	TRIM	DESCRIPTION
------	-------------	-----	------	--------	------	--------	-------	------	-------------

Note; For Warranty Repair On Items 4&6, Order Using Z Prefix

1	82208820	1							MEDIA SYSTEM, Monitor with DVD
2	55396383AD	1							BRACKET ASSY, REAR SEAT VIDEO, With Sunroof
3	56053029AC	1							BRACKET ASSY, REAR SEAT VIDEO, Without Sunroof
4	56038783AD	1							PLAYER, DVD
5									CAP, Floor Console End
	1BK64BD1AA	1							[J1]
	1BK64BD5AA	1							[D5]
	1BK64ZJ3AA	1							[J3]
6	56038784AF	1							MEDIA SYSTEM, Monitor with DVD
7	05166771AA	1							WIRING, DVD to Screen
8	05166772AA	1							WIRING, DVD Jumper
9	56043231AA	1							REMOTE, Wireless Infrared
10	05064037AA	1							HEADPHONES, Wireless, One Pair
11	05020533AA	1							LABEL, Mercury Warning

GRAND CHEROKEE (WK)

SERIES LINE
H = HIGHLINE T = JEEP - 2WD
P = PREMIUM J = JEEP - 4WD
S = SPORT
X = SPECIAL

BODY
74 = SPORT UTILITY 4-DR

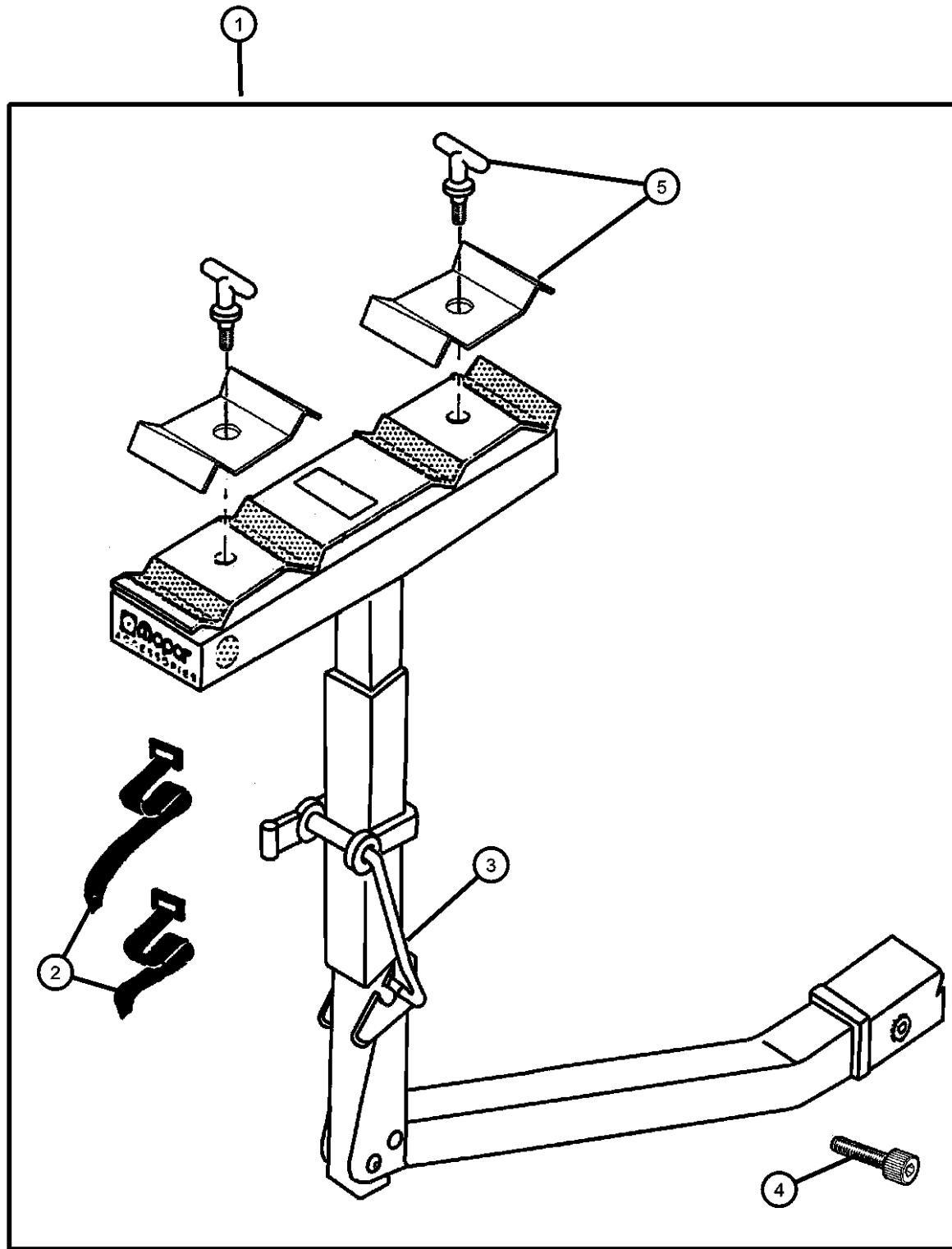
ENGINE
EKG = 3.7L V6 Engine
EVA = 4.7L V8 MPI Engine
EZB = 5.7L Hemi Multi Displacement Engine

TRANSMISSION
DGQ = 5-Spd Automatic 5-45RFE Transmission
DGJ = 5-Speed Automatic MB Transmission

AR = use ase required - = Non illustrated part

2006 WK

Bike Carrier - Hitch Mount Four Bikes
Figure 1-210



ITEM	PART NUMBER	QTY	LINE	SERIES	BODY	ENGINE	TRANS	TRIM	DESCRIPTION
------	-------------	-----	------	--------	------	--------	-------	------	-------------

Note; Requires 2 Inch Hitch Receiver

1	82204328	1							CARRIER KIT, Bike
2	04762880	1							STRAP KIT, Velcro
3	05016775AA	1							STRAP KIT, Bike Carrier Latch
4	05016776AA	1							BOLT KIT, Security
5	05018825AA	1							HARDWARE KIT, Bike Carrier

GRAND CHEROKEE (WK)

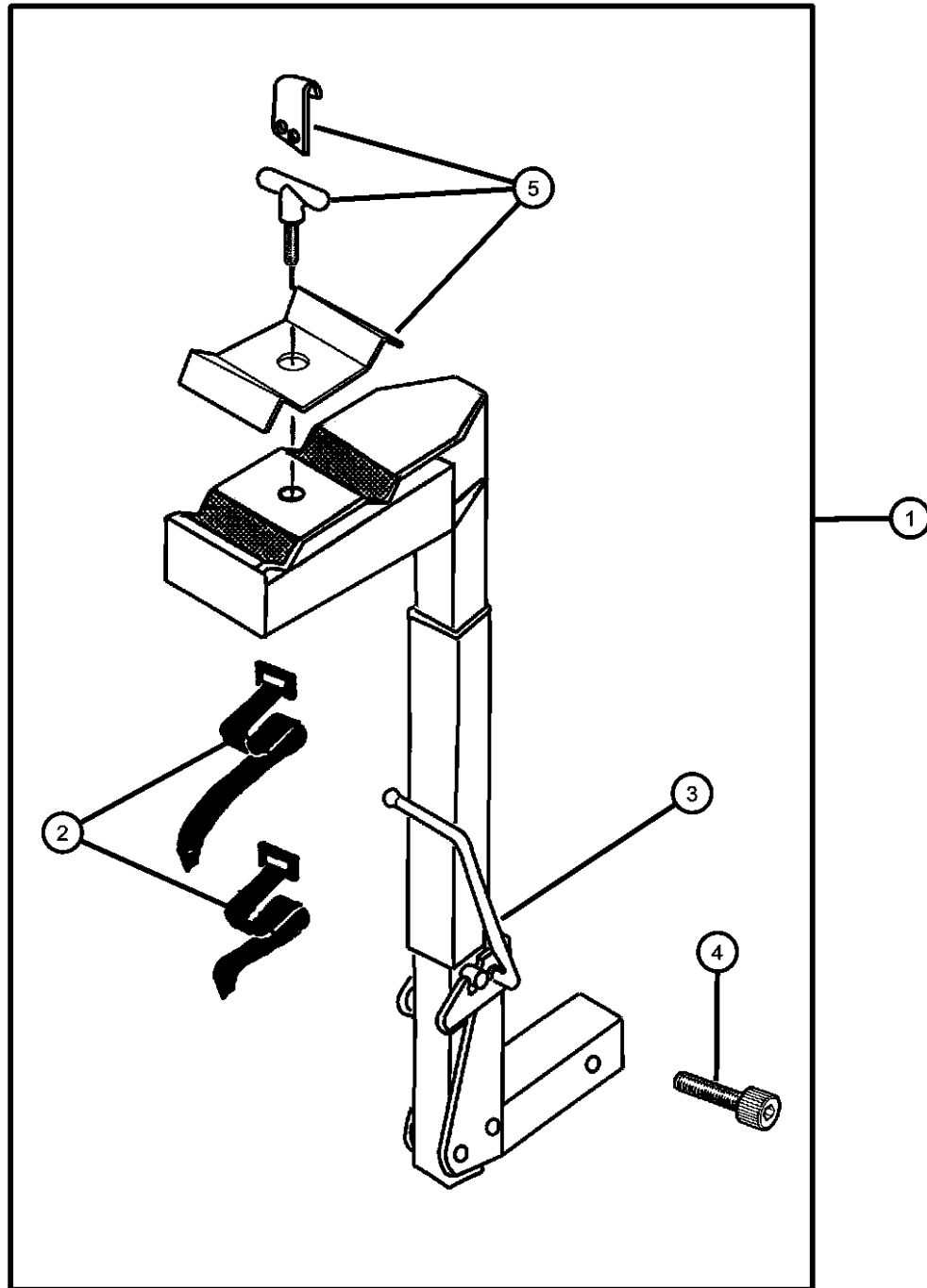
SERIES	LINE	BODY	ENGINE	TRANSMISSION
H = HIGHLINE	T = JEEP - 2WD	74 = SPORT UTILITY 4-DR	EKG = 3.7L V6 Engine	DGQ = 5-Spd Automatic 5-45RFE Transmission
P = PREMIUM	J = JEEP - 4WD		EVA = 4.7L V8 MPI Engine	DGJ = 5-Speed Automatic MB Transmission
S = SPORT			EZB = 5.7L Hemi Multi Displacement Engine	
X = SPECIAL				

AR = use ase required - = Non illustrated part

2006 WK

Bike Carrier, Hitch Mount Two Bikes
Figure 1-215

ITEM	PART NUMBER	QTY	LINE	SERIES	BODY	ENGINE	TRANS	TRIM	DESCRIPTION
1	82204452	1							CARRIER KIT, Bike Requires 1 1/4 inch Hitch Receiver
	82204453	1							Requires 2 Inch Hitch Receiver
2	04762880	1							STRAP KIT, Velcro
3	05016775AA	1							STRAP KIT, Bike Carrier Latch
4	05016776AA	1							BOLT KIT, Security
5	05018825AA	1							HARDWARE KIT, Bike Carrier



GRAND CHEROKEE (WK)

SERIES LINE
H = HIGHLINE T = JEEP - 2WD
P = PREMIUM J = JEEP - 4WD
S = SPORT
X = SPECIAL

BODY
74 = SPORT UTILITY 4-DR

ENGINE
EKG = 3.7L V6 Engine
EVA = 4.7L V8 MPI Engine
EZB = 5.7L Hemi Multi Displacement Engine

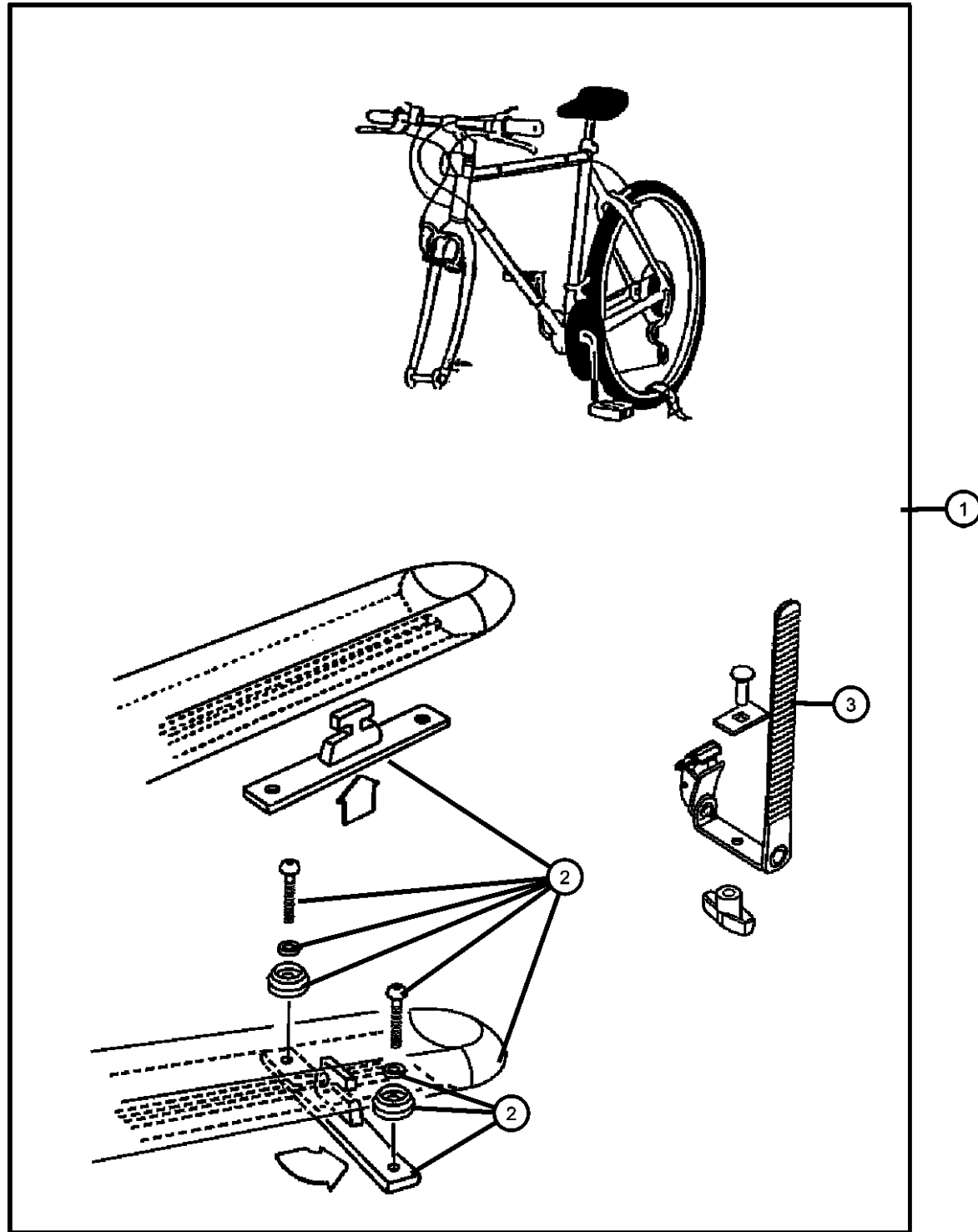
TRANSMISSION
DGQ = 5-Spd Automatic 5-45RFE Transmission
DGJ = 5-Speed Automatic MB Transmission

AR = use ase required - = Non illustrated part

2006 WK

Bike Carrier - Roof Mount- Fork
Figure 1-220

ITEM	PART NUMBER	QTY	LINE	SERIES	BODY	ENGINE	TRANS	TRIM	DESCRIPTION
1	82207943	1							CARRIER KIT, Bike, Fork - Mount
2	05093779AA	1							HARDWARE KIT, Accessory
3	05114532AA	1							STRAP, Cargo Tie Down



GRAND CHEROKEE (WK)

SERIES	LINE
H = HIGHLINE	T = JEEP - 2WD
P = PREMIUM	J = JEEP - 4WD
S = SPORT	
X = SPECIAL	

BODY
74 = SPORT UTILITY 4-DR

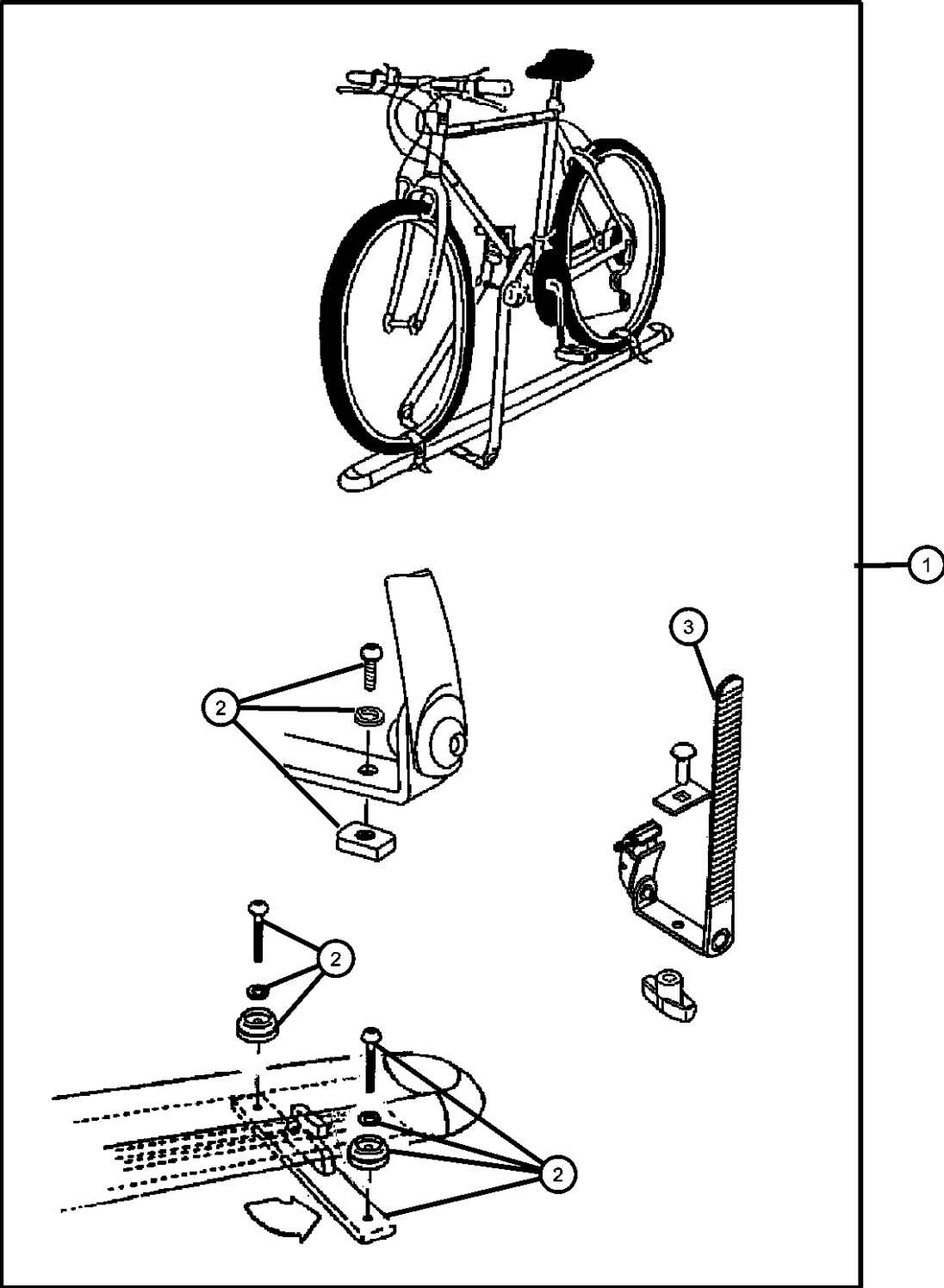
ENGINE
EKG = 3.7L V6 Engine
EVA = 4.7L V8 MPI Engine
EZB = 5.7L Hemi Multi Displacement Engine

TRANSMISSION
DGQ = 5-Spd Automatic 5-45RFE Transmission
DGJ = 5-Speed Automatic MB Transmission

AR = use ase required - = Non illustrated part

Bike Carrier- Roof Mount -Upright
Figure 1-225

ITEM	PART NUMBER	QTY	LINE	SERIES	BODY	ENGINE	TRANS	TRIM	DESCRIPTION
1	82207942	1							CARRIER KIT, Bike, Upright - Mount
2	05093779AA	1							HARDWARE KIT, Accessory
3	05114532AA	1							STRAP, Cargo Tie Down



GRAND CHEROKEE (WK)

SERIES	LINE	BODY	ENGINE	TRANSMISSION
H = HIGHLINE	T = JEEP - 2WD	74 = SPORT UTILITY 4-DR	EKG = 3.7L V6 Engine	DGQ = 5-Spd Automatic 5-45RFE Transmission
P = PREMIUM	J = JEEP - 4WD		EVA = 4.7L V8 MPI Engine	DGJ = 5-Speed Automatic MB Transmission
S = SPORT			EZB = 5.7L Hemi Multi Displacement Engine	
X = SPECIAL				

AR = use ase required - = Non illustrated part

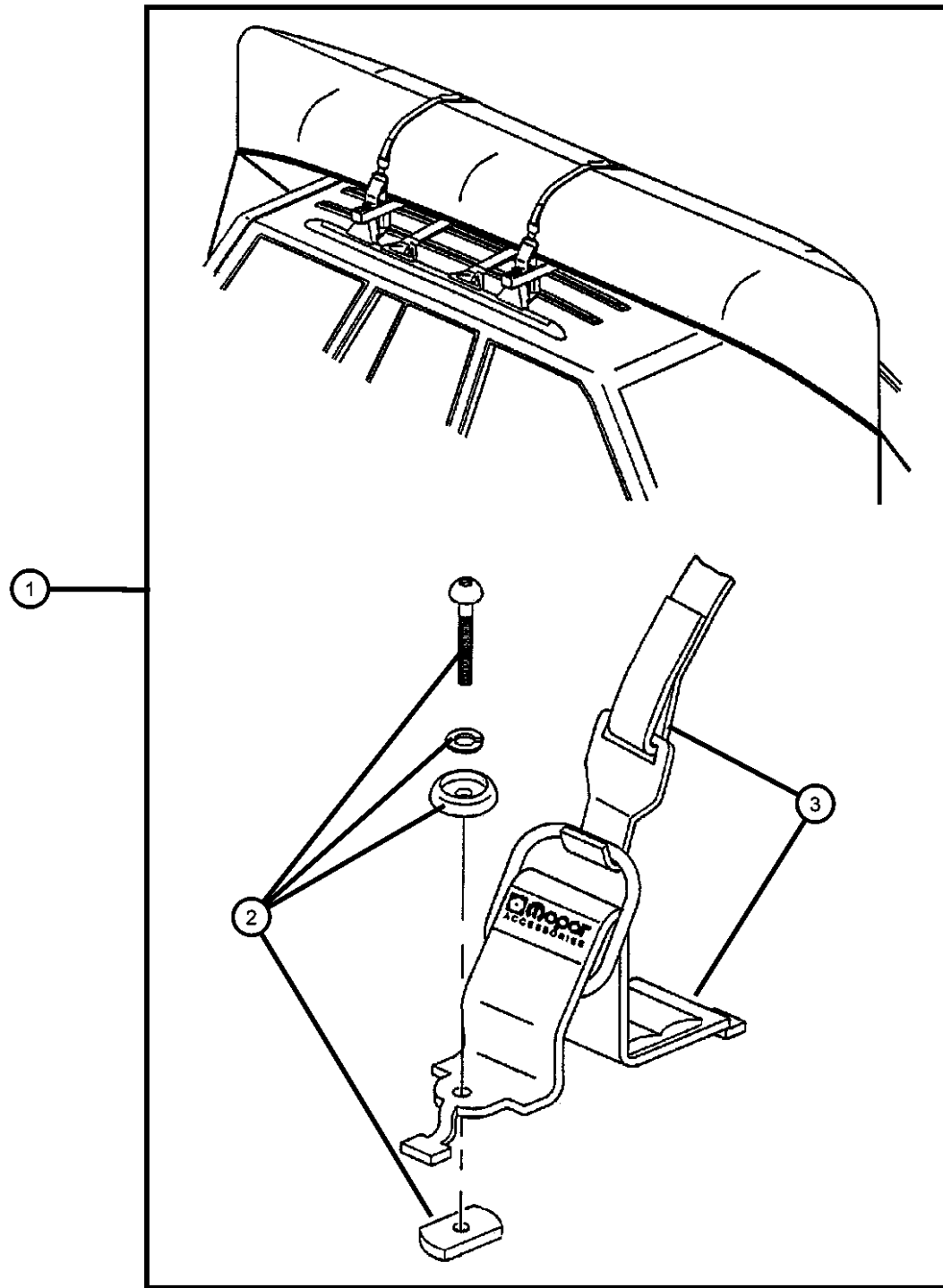
Carrier Kit - Canoe
Figure 1-230

ITEM	PART NUMBER	QTY	LINE	SERIES	BODY	ENGINE	TRANS	TRIM	DESCRIPTION
------	-------------	-----	------	--------	------	--------	-------	------	-------------

Note; Requires Sport Utility Bar

1	82204700	1							CARRIER KIT, Canoe
2	05016389AA	1							HARDWARE KIT, Accessory
3	05016511AA	1							STRAP, Cargo Tie Down

CARRIER KIT, Canoe
HARDWARE KIT, Accessory
STRAP, Cargo Tie Down



GRAND CHEROKEE (WK)

SERIES LINE
H = HIGHLINE T = JEEP - 2WD
P = PREMIUM J = JEEP - 4WD
S = SPORT
X = SPECIAL

BODY
74 = SPORT UTILITY 4-DR

ENGINE
EKG = 3.7L V6 Engine
EVA = 4.7L V8 MPI Engine
EZB = 5.7L Hemi Multi
Displacement Engine

TRANSMISSION
DGQ = 5-Spd Automatic 5-45RFE
Transmission
DGJ = 5-Speed Automatic MB
Transmission

AR = use ase required - = Non illustrated part

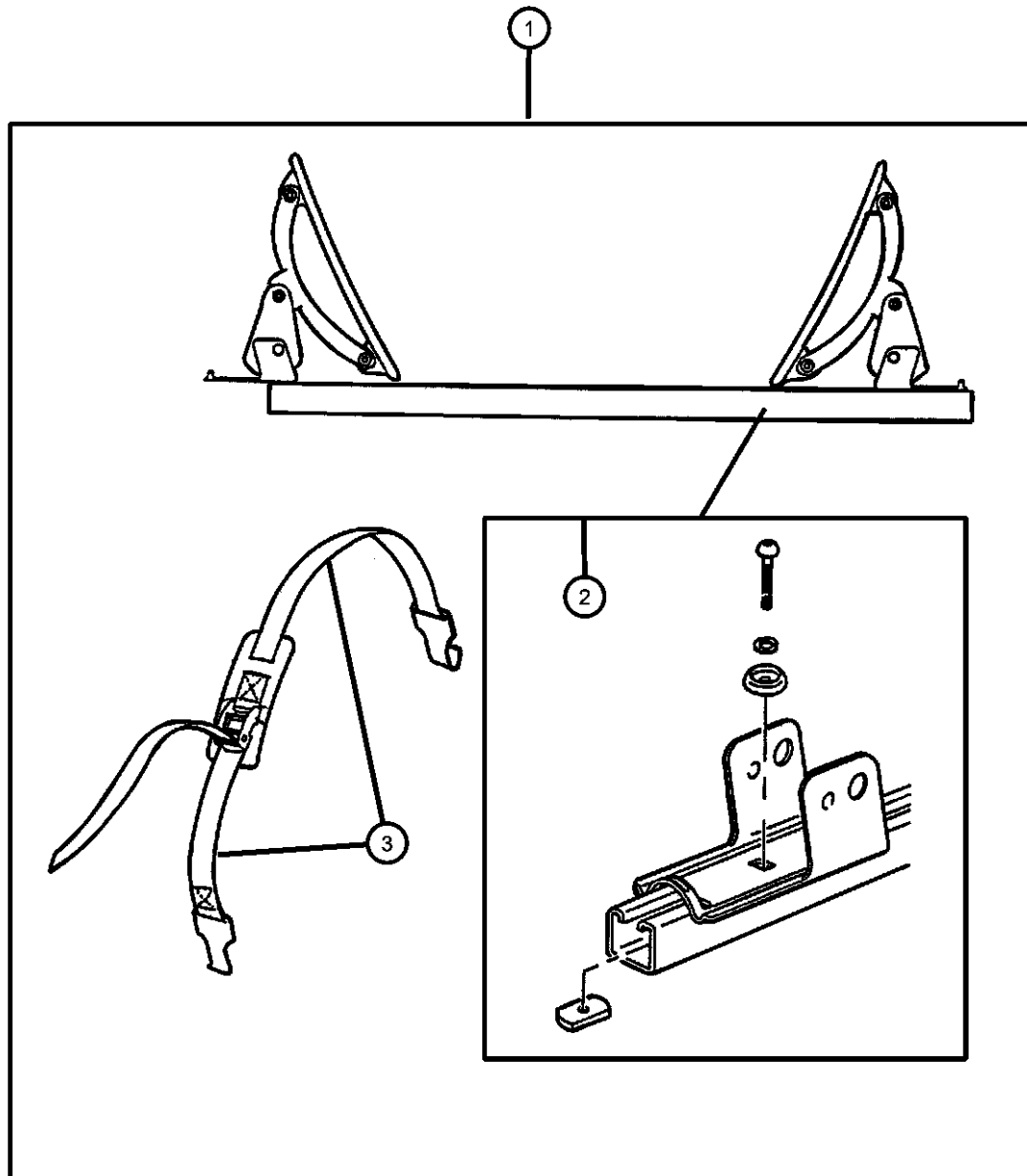
2006 WK

Carrier Kit - Watersports
Figure 1-232

ITEM	PART NUMBER	QTY	LINE	SERIES	BODY	ENGINE	TRANS	TRIM	DESCRIPTION
------	-------------	-----	------	--------	------	--------	-------	------	-------------

Note; Requires T-Slot Crossbar

1	82205416	1							CARRIER KIT, Water Sports, Kayak, Surfboard, Sail Board HARDWARE KIT, Accessory STRAP, Cargo Tie Down
2	05016389AA	1							
3	05016511AA	1							



GRAND CHEROKEE (WK)

SERIES LINE
H = HIGHLINE T = JEEP - 2WD
P = PREMIUM J = JEEP - 4WD
S = SPORT
X = SPECIAL

BODY
74 = SPORT UTILITY 4-DR

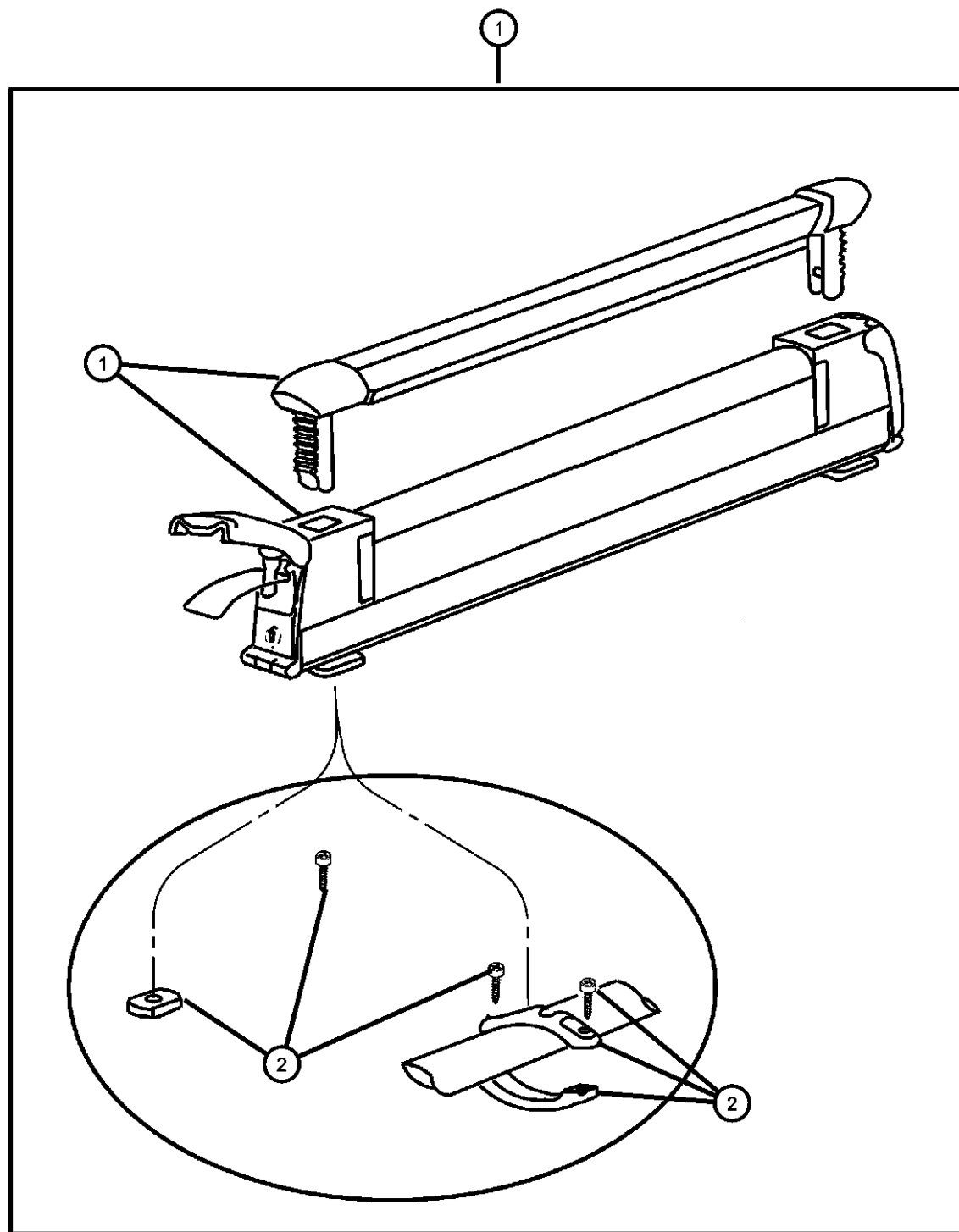
ENGINE
EKG = 3.7L V6 Engine
EVA = 4.7L V8 MPI Engine
EZB = 5.7L Hemi Multi
Displacement Engine

TRANSMISSION
DGQ = 5-Spd Automatic 5-45RFE
Transmission
DGJ = 5-Speed Automatic MB
Transmission

AR = use ase required - = Non illustrated part

2006 WK

Carrier Kit, Snowboard or Ski
Figure 1-235



ITEM	PART NUMBER	QTY	LINE	SERIES	BODY	ENGINE	TRANS	TRIM	DESCRIPTION
1	82207308	1							CARRIER KIT, Ski
	82207312	1							6 Pair Skis or 4 Snowboards
									3 Pair Skis or 2 Snowboards
2	05016389AA	1							HARDWARE KIT, Accessory
-3	05066632AA	1							TOOL, Screw Driver

GRAND CHEROKEE (WK)

SERIES LINE
H = HIGHLINE T = JEEP - 2WD
P = PREMIUM J = JEEP - 4WD
S = SPORT
X = SPECIAL

BODY
74 = SPORT UTILITY 4-DR

ENGINE
EKG = 3.7L V6 Engine
EVA = 4.7L V8 MPI Engine
EZB = 5.7L Hemi Multi
Displacement Engine

TRANSMISSION
DGQ = 5-Spd Automatic 5-45RFE
Transmission
DGJ = 5-Speed Automatic MB
Transmission

AR = use ase required - = Non illustrated part

2006 WK

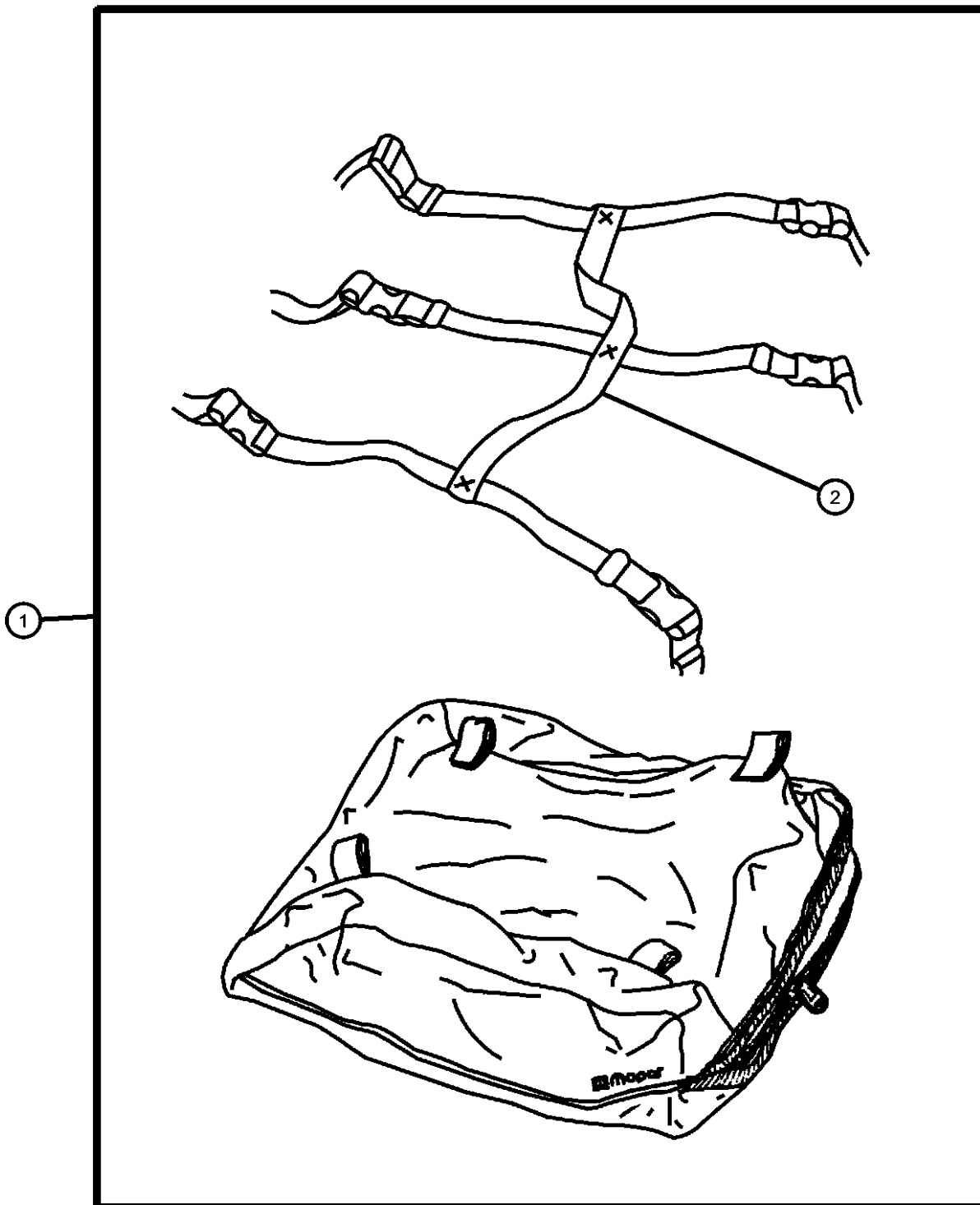
Luggage Carrier Roof Vinyl
Figure 1-264

ITEM	PART NUMBER	QTY	LINE	SERIES	BODY	ENGINE	TRANS	TRIM	DESCRIPTION
------	-------------	-----	------	--------	------	--------	-------	------	-------------

NOTE: Requires Roof Rack.

1	82207198	1							CARRIER KIT, Luggage
2	05066332AA	1							STRAP KIT, Luggage Carrier

CARRIER KIT, Luggage
STRAP KIT, Luggage Carrier



GRAND CHEROKEE (WK)

SERIES LINE
H = HIGHLINE T = JEEP - 2WD
P = PREMIUM J = JEEP - 4WD
S = SPORT
X = SPECIAL

BODY
74 = SPORT UTILITY 4-DR

ENGINE
EKG = 3.7L V6 Engine
EVA = 4.7L V8 MPI Engine
EZB = 5.7L Hemi Multi
Displacement Engine

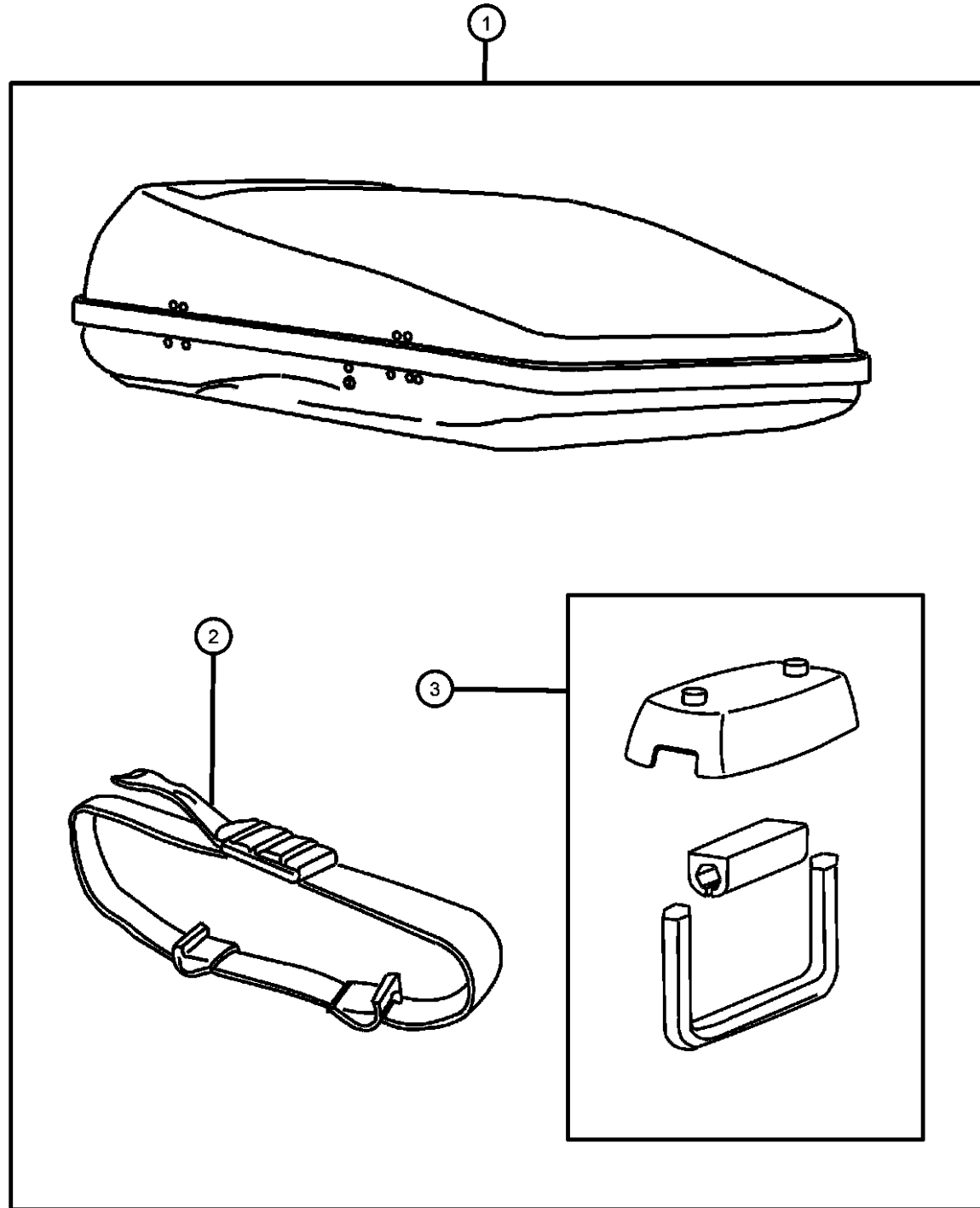
TRANSMISSION
DGQ = 5-Spd Automatic 5-45RFE
Transmission
DGJ = 5-Speed Automatic MB
Transmission

AR = use ase required - = Non illustrated part

2006 WK

Carrier Kit / Luggage
Figure 1-266

ITEM	PART NUMBER	QTY	LINE	SERIES	BODY	ENGINE	TRANS	TRIM	DESCRIPTION
------	-------------	-----	------	--------	------	--------	-------	------	-------------



Note; Requires Roof Rack

1	82207198	1							CARRIER KIT, Luggage
2	05086160AA	1							STRAP, Cargo Tie Down
3	05086159AA	1							HARDWARE KIT

GRAND CHEROKEE (WK)

SERIES LINE
H = HIGHLINE T = JEEP - 2WD
P = PREMIUM J = JEEP - 4WD
S = SPORT
X = SPECIAL

BODY
74 = SPORT UTILITY 4-DR

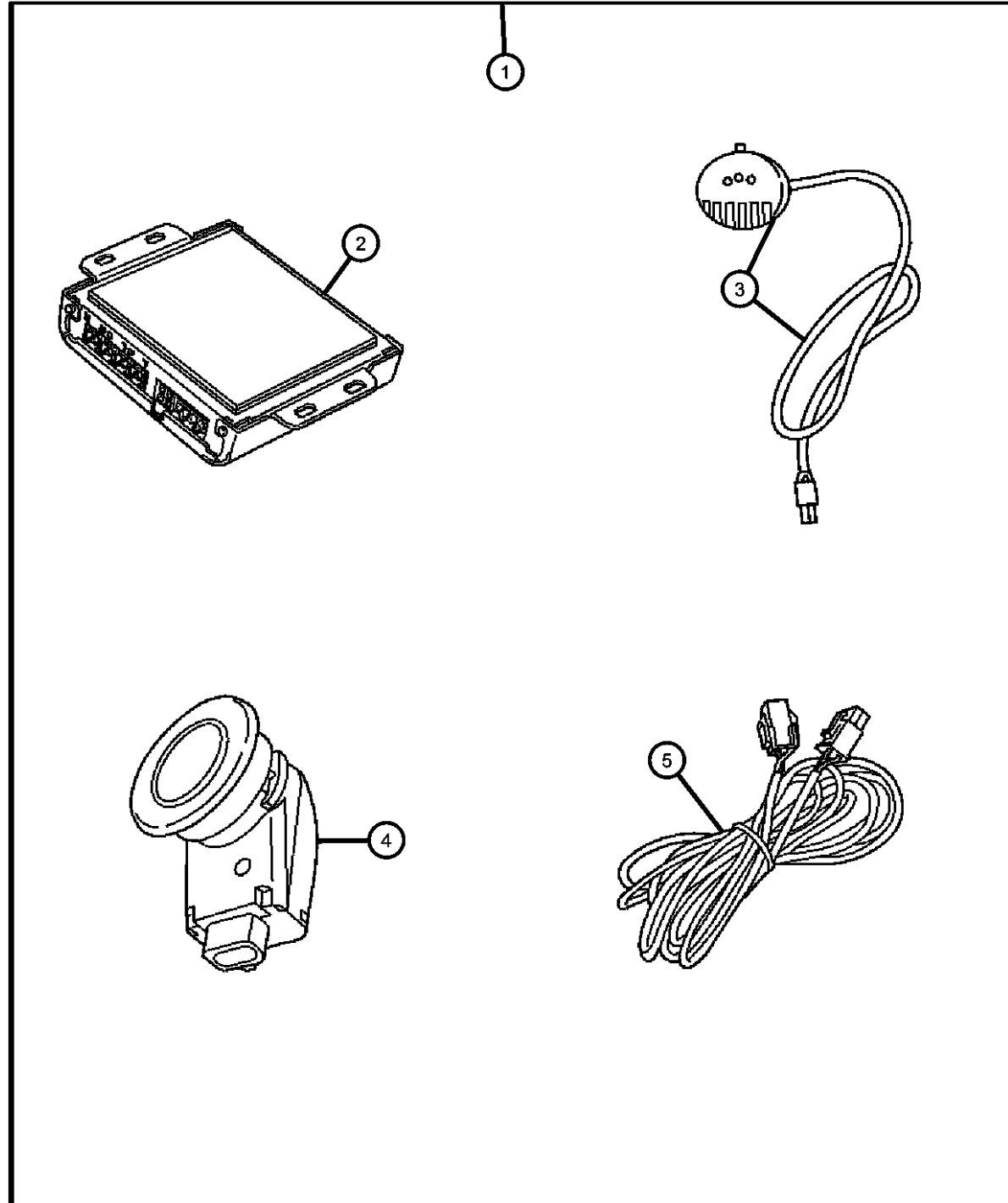
ENGINE
EKG = 3.7L V6 Engine
EVA = 4.7L V8 MPI Engine
EZB = 5.7L Hemi Multi
Displacement Engine

TRANSMISSION
DGQ = 5-Spd Automatic 5-45RFE
Transmission
DGJ = 5-Speed Automatic MB
Transmission

AR = use ase required - = Non illustrated part

2006 WK

**Sensor Package Park/Distance
Figure 1-310**



ITEM	PART NUMBER	QTY	LINE	SERIES	BODY	ENGINE	TRANS	TRIM	DESCRIPTION
1	82208246AB	1							SENSOR KIT, Park Distance
2	05137541AA	1							MODULE, Parking Assist
3	05137539AA	1							DISPLAY, Parking Assist
4	05137536AA	1							SENSOR
5	05137540AA	1							WIRING, Distance Sensor

GRAND CHEROKEE (WK)

SERIES LINE
H = HIGHLINE T = JEEP - 2WD
P = PREMIUM J = JEEP - 4WD
S = SPORT
X = SPECIAL

BODY
74 = SPORT UTILITY 4-DR

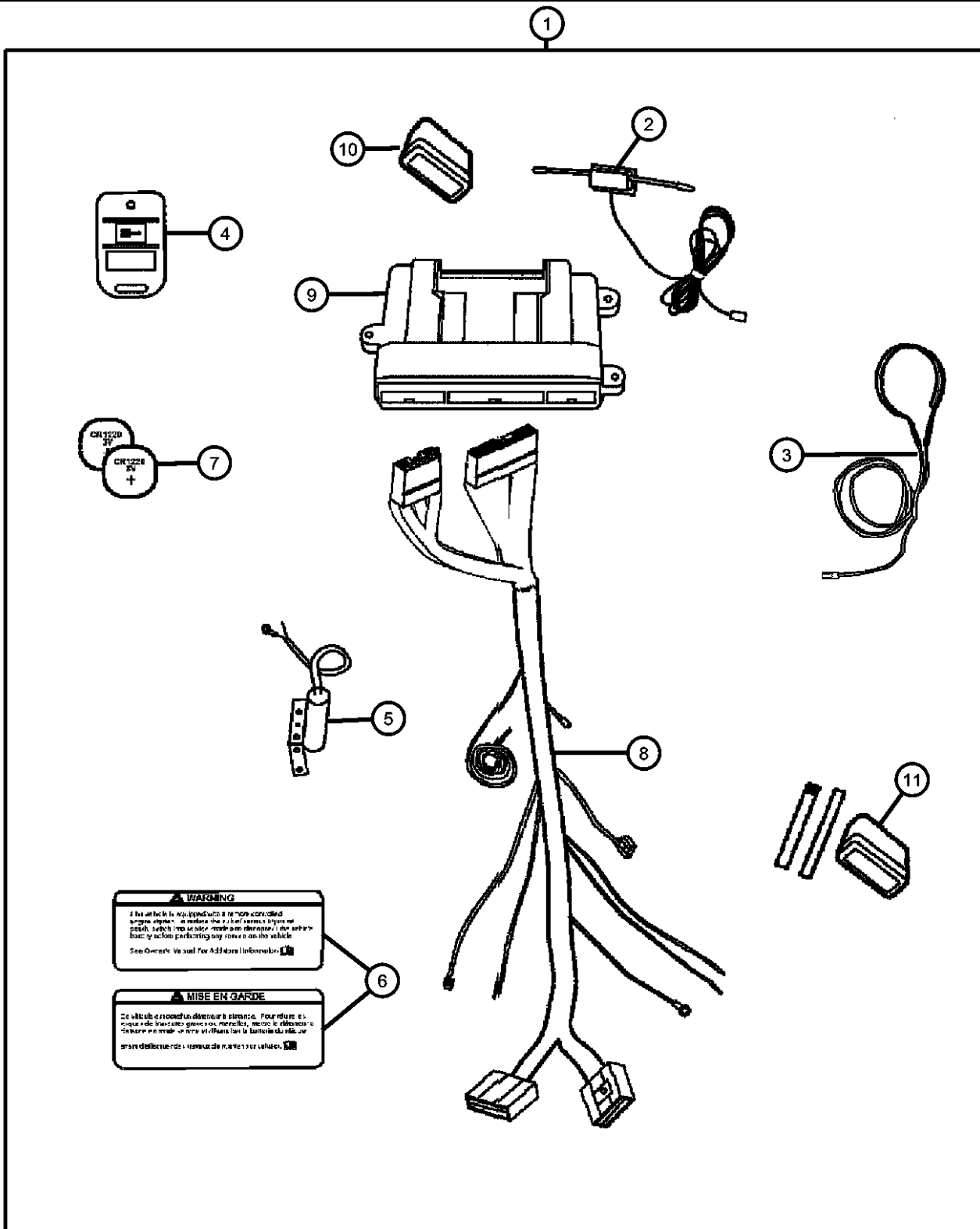
ENGINE
EKG = 3.7L V6 Engine
EVA = 4.7L V8 MPI Engine
EZB = 5.7L Hemi Multi
Displacement Engine

TRANSMISSION
DGQ = 5-Spd Automatic 5-45RFE
Transmission
DGJ = 5-Speed Automatic MB
Transmission

AR = use ase required - = Non illustrated part

2006 WK

Remote Start - Installation Kit
Figure 1-320



ITEM	PART NUMBER	QTY	LINE	SERIES	BODY	ENGINE	TRANS	TRIM	DESCRIPTION
1	82208994AB	1							INSTALL KIT, REMOTE START
2	05140470AA	1							ANTENNA
3	05140471AA	1							ANTENNA
4	05140472AA	1							TRANSMITTER
5	05140473AA	1							SWITCH
6	05140474AA	1							LABEL
7	05140773AA	1							BATTERY, Transmitter, 12 Per Package
8	05179434AA	1							HARNESS, Wiring
9	82208859AB	1							MODULE KIT, REMOTE START
10	05140466AA	1							MODULE, Remote Start
11	05140468AA	1							MODULE

GRAND CHEROKEE (WK)

SERIES LINE
H = HIGHLINE T = JEEP - 2WD
P = PREMIUM J = JEEP - 4WD
S = SPORT
X = SPECIAL

BODY
74 = SPORT UTILITY 4-DR

ENGINE
EKG = 3.7L V6 Engine
EVA = 4.7L V8 MPI Engine
EZB = 5.7L Hemi Multi Displacement Engine

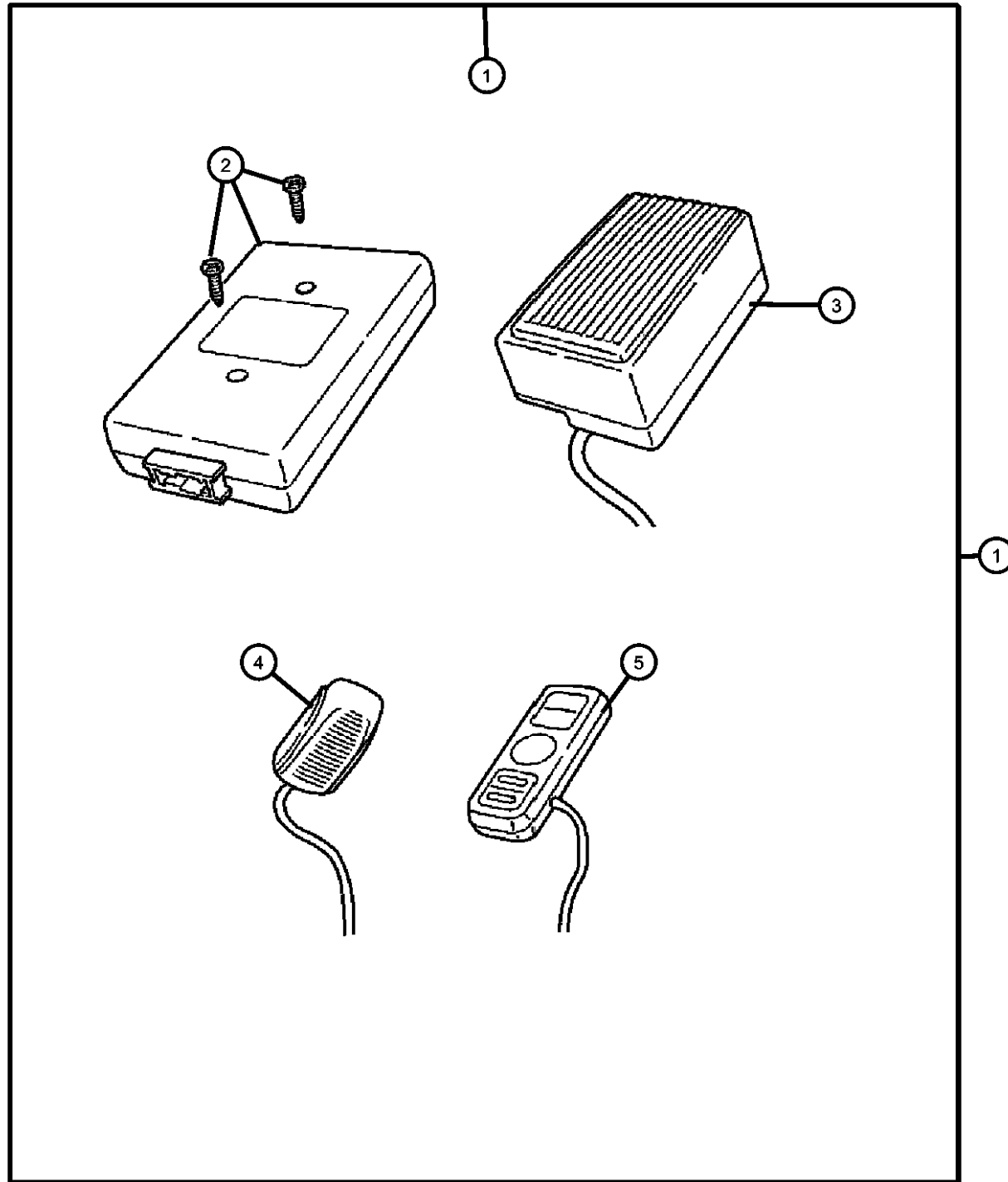
TRANSMISSION
DGQ = 5-Spd Automatic 5-45RFE Transmission
DGJ = 5-Speed Automatic MB Transmission

AR = use ase required - = Non illustrated part

2006 WK

Hands Free Kit - Cellular Phone
Figure 1-330

ITEM	PART NUMBER	QTY	LINE	SERIES	BODY	ENGINE	TRANS	TRIM	DESCRIPTION
1	82207853AD	1							HANDS FREE KIT, Cellular Phone
2	05114359AD	1							MODULE, U Connect
3	05102026AA	1							SPEAKER, Front
4	05102025AA	1							MICROPHONE, Audio
5	05102027AA	1							CONTROLLER, Audio



GRAND CHEROKEE (WK)

SERIES LINE
H = HIGHLINE T = JEEP - 2WD
P = PREMIUM J = JEEP - 4WD
S = SPORT
X = SPECIAL

BODY
74 = SPORT UTILITY 4-DR

ENGINE
EKG = 3.7L V6 Engine
EVA = 4.7L V8 MPI Engine
EZB = 5.7L Hemi Multi
Displacement Engine

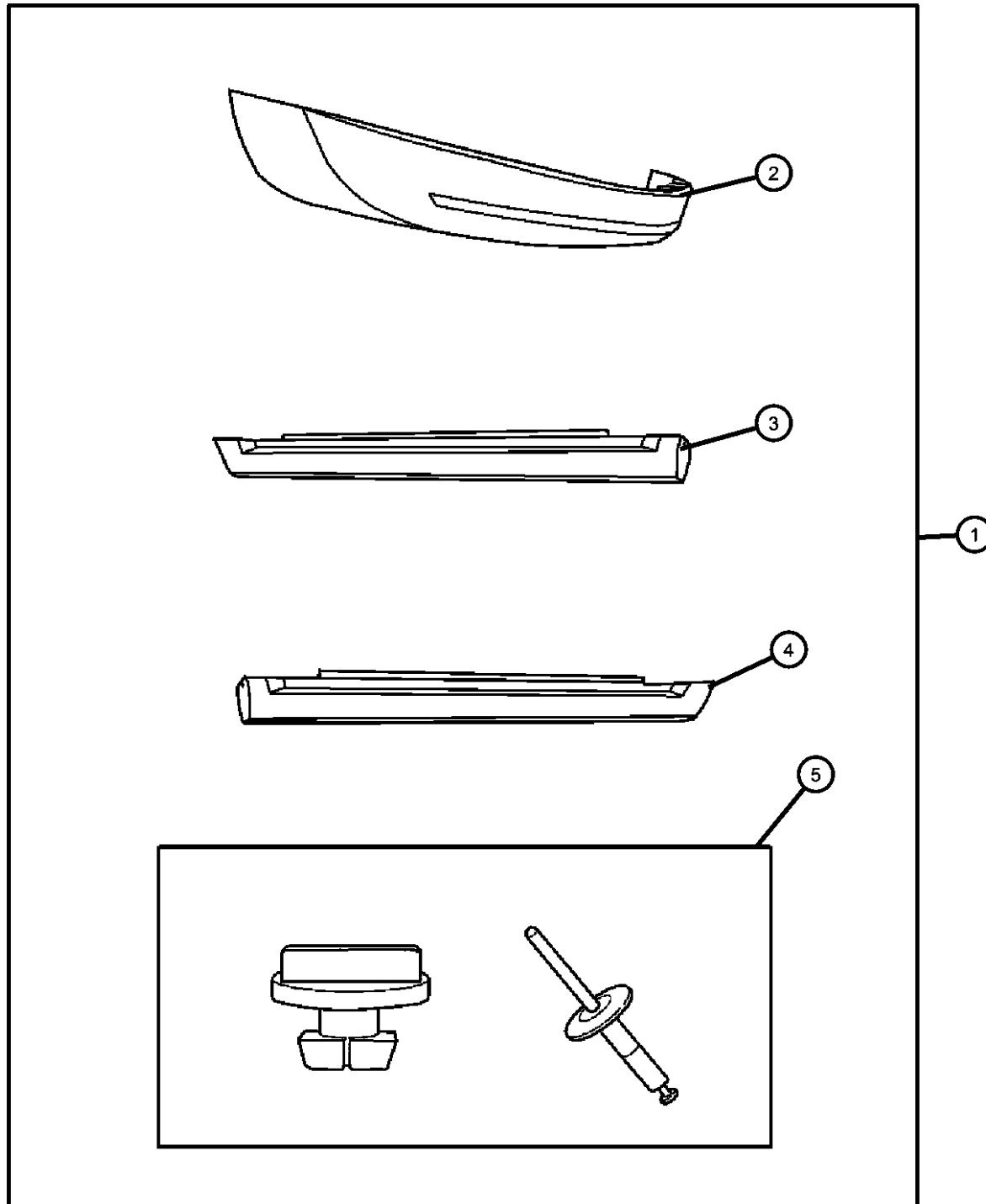
TRANSMISSION
DGQ = 5-Spd Automatic 5-45RFE
Transmission
DGJ = 5-Speed Automatic MB
Transmission

AR = use ase required - = Non illustrated part

2006 WK

**Cladding Kit
Figure 1-510**

ITEM	PART NUMBER	QTY	LINE	SERIES	BODY	ENGINE	TRANS	TRIM	DESCRIPTION
1									CLADDING KIT, Lowerside
	82208329	1							Midnight Blue [PB8]
	82208330	1							Brilliant Black [PXR]
	82208331	1							Khaki [PJT]
	82208332	1							Inferno Red [PRJ]
	82208333	1							Bright Silver [PSB]
	82208334	1							Primed
	82209459	1							LT. Khaki [PJC]
2	05166227AA	1							AIR DAM
3	05166229AA	1							SILL, Body SideLeft
4	05166228AA	1							SILL, Body SideRight
5	05166232AA	1							HARDWARE KIT, ATTACHMENT



GRAND CHEROKEE (WK)

SERIES LINE
H = HIGHLINE T = JEEP - 2WD
P = PREMIUM J = JEEP - 4WD
S = SPORT
X = SPECIAL

BODY
74 = SPORT UTILITY 4-DR

ENGINE
EKG = 3.7L V6 Engine
EVA = 4.7L V8 MPI Engine
EZB = 5.7L Hemi Multi
Displacement Engine

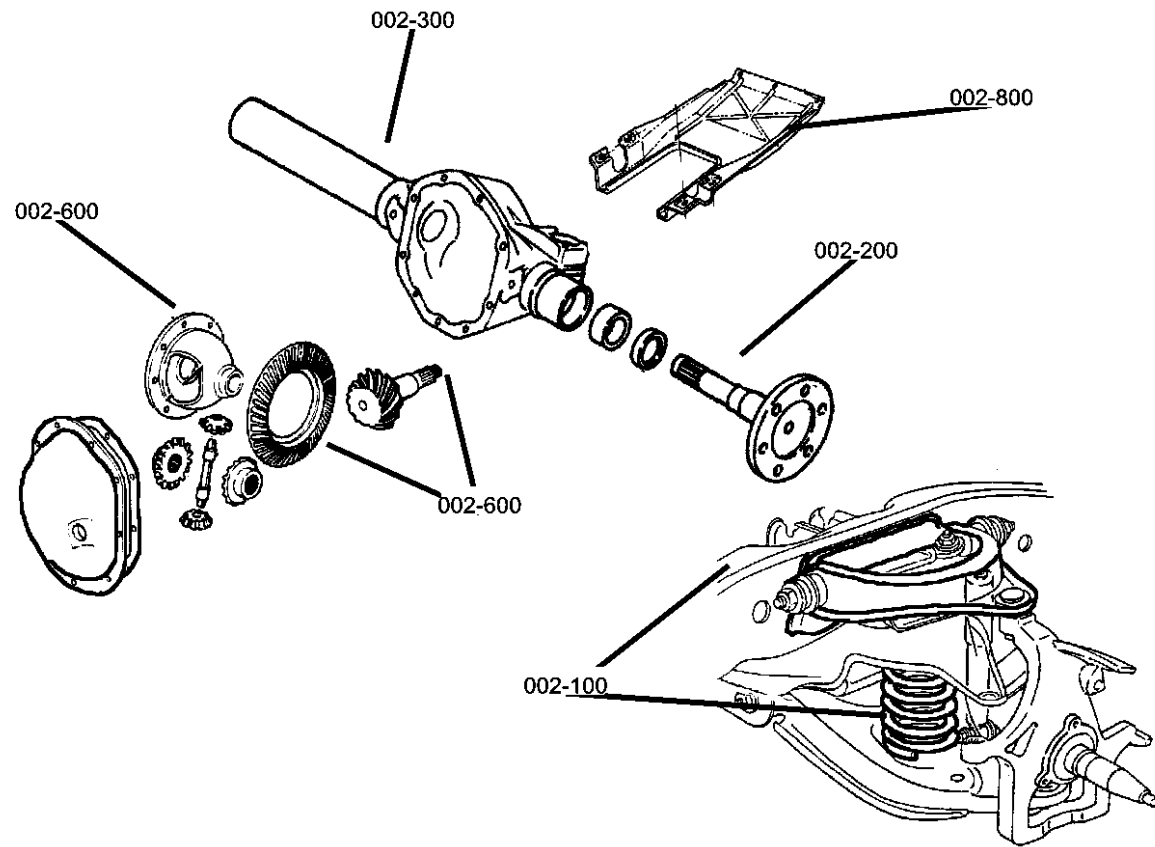
TRANSMISSION
DGQ = 5-Spd Automatic 5-45RFE
Transmission
DGJ = 5-Speed Automatic MB
Transmission

AR = use ase required - = Non illustrated part

2006 WK

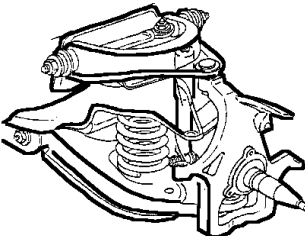
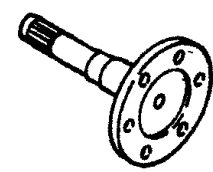
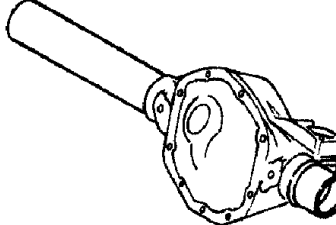
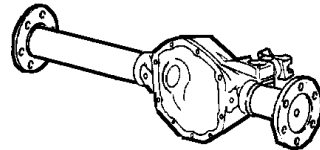
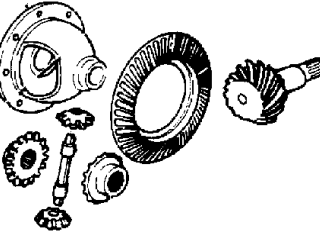
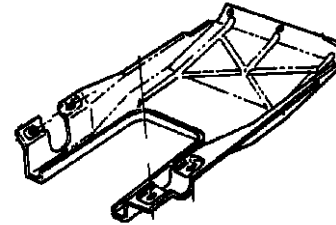
Group - 2

Front Suspension & Drive



Group - 2 Front Suspension & Drive

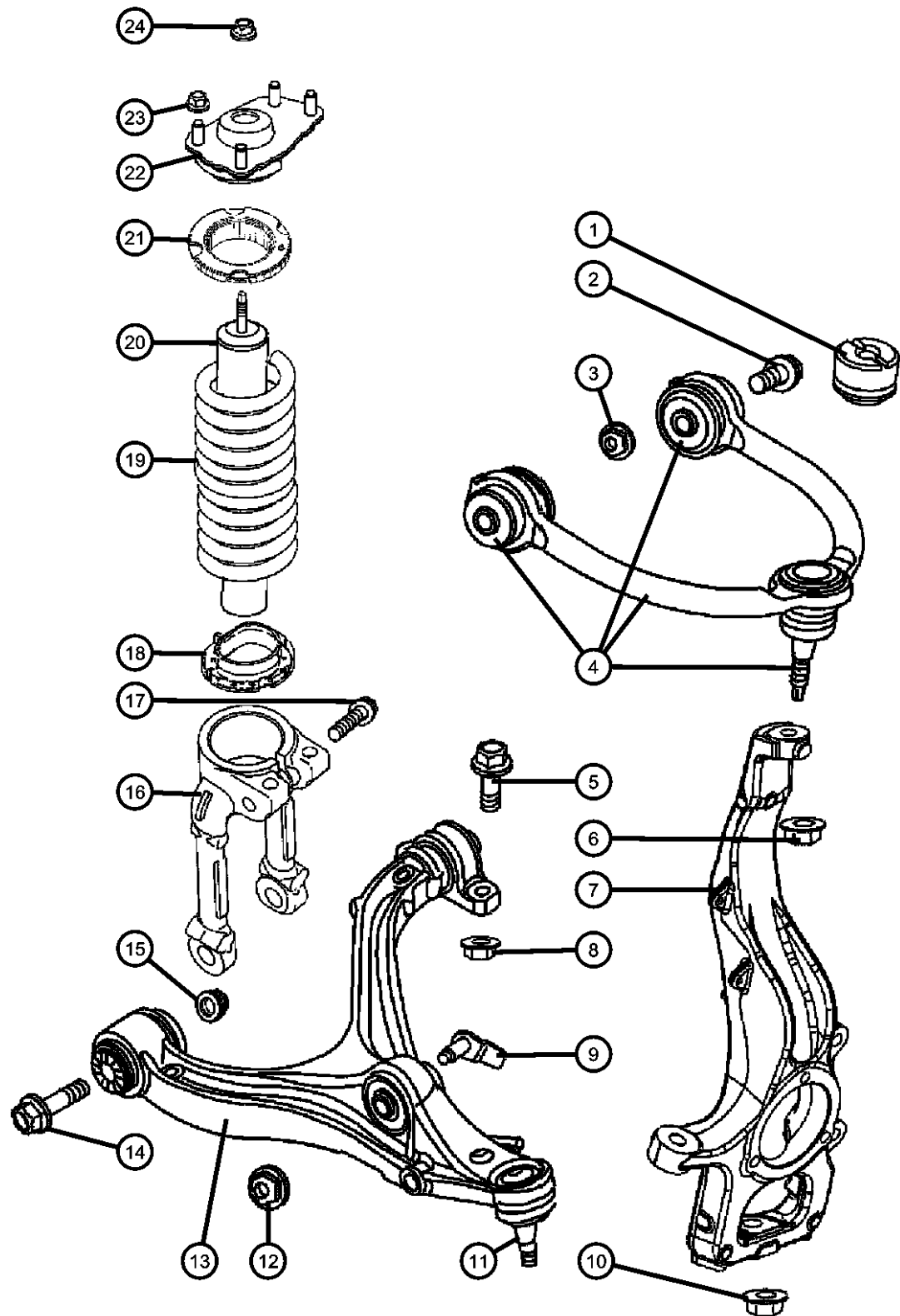
Illustration Title	Group-Fig. No.
Front Suspension	
Suspension,Front,Springs,Control Arms and Shocks	Fig. 2 - 110
Front Stabilizer Bar With [SDA] or [SDX]	Fig. 2 - 120
Cradle,Front Suspension	Fig. 2 - 140
Front Axle Drive Shafts	
Front Axle Shafts [DJA]	Fig. 2 - 210
Front Axle Housing	
Housing,Front Axle [DJA]	Fig. 2 - 310
Front Axle Assembly	
Front Axle Assembly,[DJA]	Fig. 2 - 410
Front Axle Differential	
Differential, Front Axle,[DJA]	Fig. 2 - 610
Front Axle Skid Plate	
Skid Plate, Front Axle	Fig. 2 - 810

<p>002-100 Front Suspension</p> 	<p>002-200 Front Axle Drive Shafts</p> 	<p>002-300 Front Axle Housing</p> 	<p>002-400 Front Axle Assembly</p> 
<p>002-600 Front Axle Differential</p> 	<p>002-800 Front Axle Skid Plate</p> 		

Suspension,Front,Springs,Control Arms and Shocks
Figure 2-110

ITEM	PART NUMBER	QTY	LINE	SERIES	BODY	ENGINE	TRANS	TRIM	DESCRIPTION
------	-------------	-----	------	--------	------	--------	-------	------	-------------

Note:Sales Codes;
[EK0]=Engines - All 3.7L 6 Cylinder Gas
[EV0]=Engines - ALL 4.7L Gas Engines
[ES0]=Engines - All 6 L Engines



1	52089347AA	2							BUMPER, Jounce
2	06507770AA	4							BOLT, Hex Head, UCA to Body, Mounting
3	06502697	4							NUT, Hex Flange Lock, M12x1.75, UCA to Body, Mounting
4	52090206AF	2							ARM, Control, Also Includes Item 6, Upper
5	06101984	4							BOLT, LCA to Cradle Rear, Mounting
6	06507676AA	2							NUT, Hex, UCA to Knuckle, Mounting
7									KNUCKLE, Front
	05290648AA	1			J				[ES0], Right
	05290649AA	1			J				[ES0], Left
	52090179AC	1							[EK0,EV0,EZ0], Left
	52090180AC	1							[EK0,EV0,EZ0], Right
8	06508257AA	4							NUT AND WASHER, LCA to Cradle Rear, Mounting
9	06503047	2							BOLT, Hex Flange Head, M16x2.00x135, Clevis, Mounting
10	06505623AA	2							NUT AND WASHER, LCA to Knuckle, Mounting
11	05135651AB	1							BALL JOINT PACKAGE, Lower Control Arm, [SDA] Only
12	06102252AA	2							NUT, Hex Flange Lock, Clevis, Mounting
13									ARM, Lower Control, Front
	05290634AA	1							[SDX] Includes Items 10,11and All Bushings, Right
	05290635AA	1							[SDX] Includes Items 10,11and All Bushings, Left
	52089980AD	1							[SDA] Includes Items 10,11and All Bushings, Right
	52089981AD	1							[SDA] Includes Items 10,11and All Bushings, Left
14	06503047	2							BOLT, Hex Flange Head, M16x2.00x135, LCA to Cradle Front, Mounting
15	06507869AA	2							NUT, Hex Flange Lock, LCA to Cradle Front, Mounting
16									CLEVIS, Front

GRAND CHEROKEE (WK)

SERIES LINE
H = HIGHLINE T = JEEP - 2WD
P = PREMIUM J = JEEP - 4WD
S = SPORT
X = SPECIAL

BODY
74 = SPORT UTILITY 4-DR

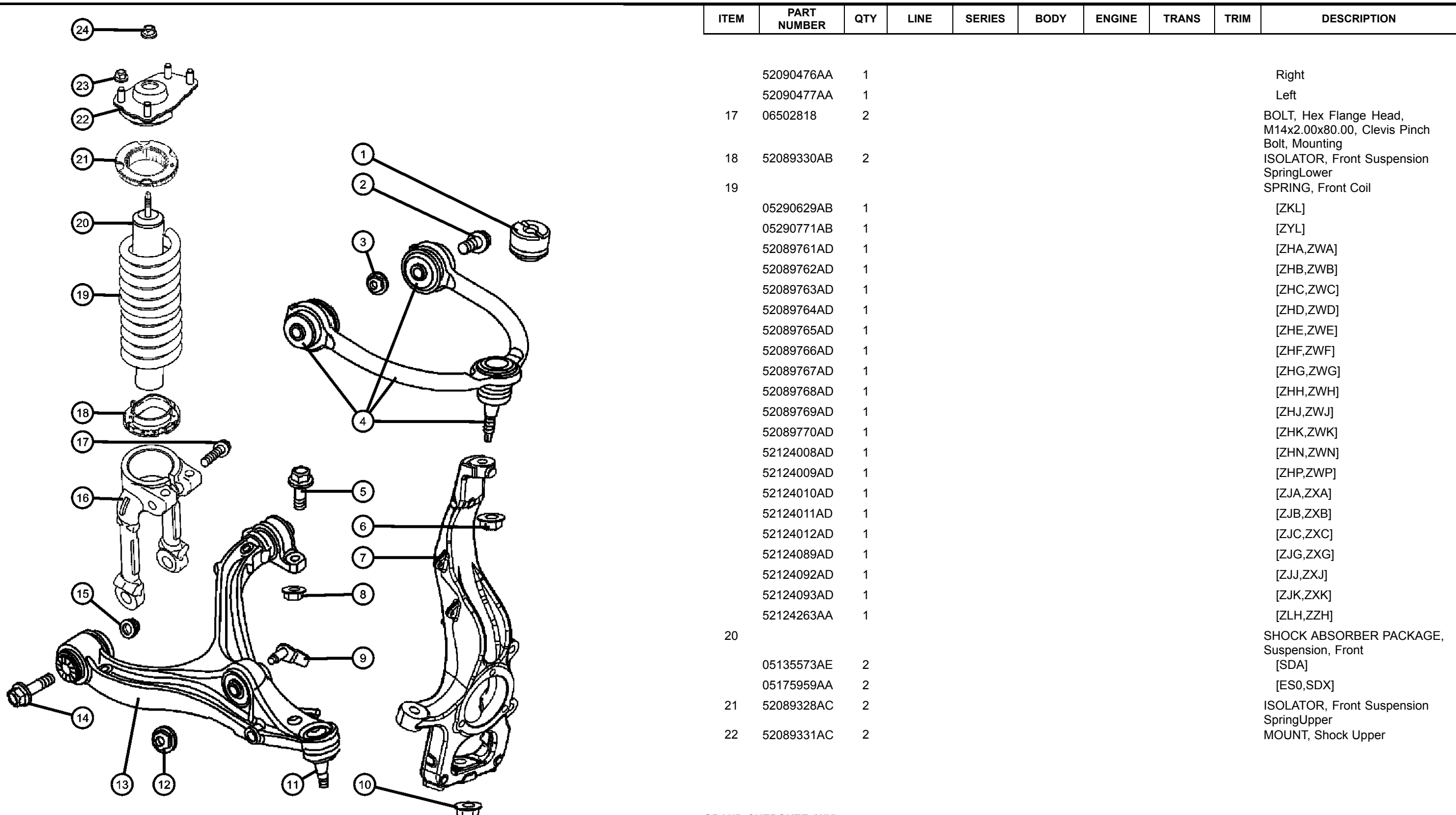
ENGINE
EKG = 3.7L V6 Engine
EVA = 4.7L V8 MPI Engine
EZB = 5.7L Hemi Multi Displacement Engine

TRANSMISSION
DGQ = 5-Spd Automatic 5-45RFE Transmission
DGJ = 5-Speed Automatic MB Transmission

AR = use ase required - = Non illustrated part

2006 WK

Suspension,Front,Springs,Control Arms and Shocks
Figure 2-110



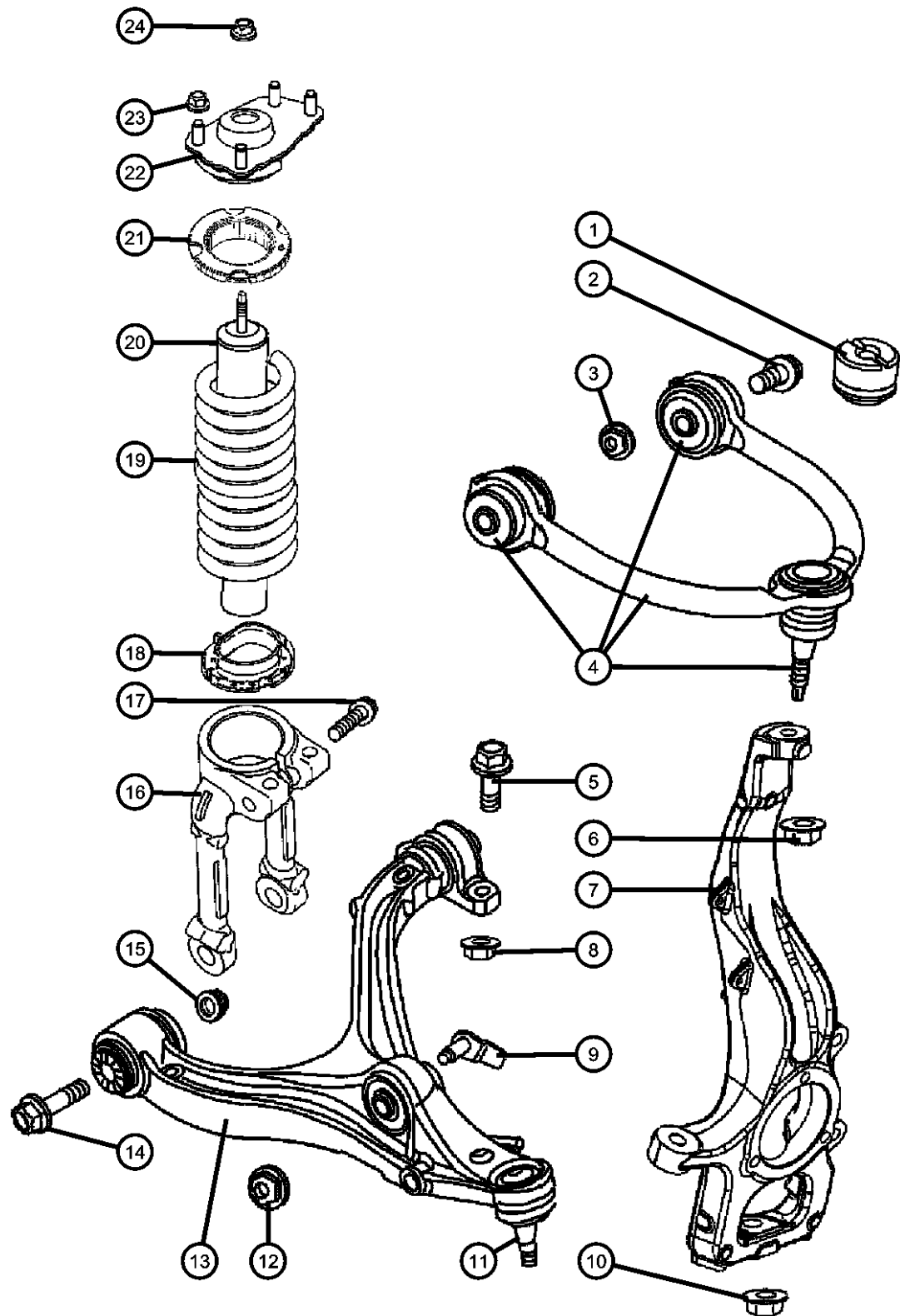
ITEM	PART NUMBER	QTY	LINE	SERIES	BODY	ENGINE	TRANS	TRIM	DESCRIPTION
	52090476AA	1							Right
	52090477AA	1							Left
17	06502818	2							BOLT, Hex Flange Head, M14x2.00x80.00, Clevis Pinch Bolt, Mounting
18	52089330AB	2							ISOLATOR, Front Suspension SpringLower
19									SPRING, Front Coil
	05290629AB	1							[ZKL]
	05290771AB	1							[ZYL]
	52089761AD	1							[ZHA,ZWA]
	52089762AD	1							[ZHB,ZWB]
	52089763AD	1							[ZHC,ZWC]
	52089764AD	1							[ZHD,ZWD]
	52089765AD	1							[ZHE,ZWE]
	52089766AD	1							[ZHF,ZWF]
	52089767AD	1							[ZHG,ZWG]
	52089768AD	1							[ZHH,ZWH]
	52089769AD	1							[ZHJ,ZWJ]
	52089770AD	1							[ZHK,ZWK]
	52124008AD	1							[ZHN,ZWN]
	52124009AD	1							[ZHP,ZWP]
	52124010AD	1							[ZJA,ZXA]
	52124011AD	1							[ZJB,ZXB]
	52124012AD	1							[ZJC,ZXC]
	52124089AD	1							[ZJG,ZXG]
	52124092AD	1							[ZJJ,ZXJ]
	52124093AD	1							[ZJK,ZXK]
	52124263AA	1							[ZLH,ZZH]
20									SHOCK ABSORBER PACKAGE, Suspension, Front
	05135573AE	2							[SDA]
	05175959AA	2							[ES0,SDX]
21	52089328AC	2							ISOLATOR, Front Suspension SpringUpper
22	52089331AC	2							MOUNT, Shock Upper

GRAND CHEROKEE (WK)
 SERIES LINE BODY ENGINE TRANSMISSION
 H = HIGHLINE T = JEEP - 2WD 74 = SPORT UTILITY 4-DR EKG = 3.7L V6 Engine DGQ = 5-Spd Automatic 5-45RFE
 P = PREMIUM J = JEEP - 4WD EVA = 4.7L V8 MPI Engine Transmission
 S = SPORT EZB = 5.7L Hemi Multi DGJ = 5-Speed Automatic MB
 X = SPECIAL Displacement Engine Transmission

AR = use ase required - = Non illustrated part

Suspension,Front,Springs,Control Arms and Shocks
Figure 2-110

ITEM	PART NUMBER	QTY	LINE	SERIES	BODY	ENGINE	TRANS	TRIM	DESCRIPTION
------	-------------	-----	------	--------	------	--------	-------	------	-------------



23	06502697	8							NUT, Hex Flange Lock, M12x1.75
24	06507207AA	2							NUT, Shock Upper, Mounting

GRAND CHEROKEE (WK)

SERIES LINE
H = HIGHLINE T = JEEP - 2WD
P = PREMIUM J = JEEP - 4WD
S = SPORT
X = SPECIAL

BODY
74 = SPORT UTILITY 4-DR

ENGINE
EKG = 3.7L V6 Engine
EVA = 4.7L V8 MPI Engine
EZB = 5.7L Hemi Multi Displacement Engine

TRANSMISSION
DGQ = 5-Spd Automatic 5-45RFE Transmission
DGJ = 5-Speed Automatic MB Transmission

AR = use ase required - = Non illustrated part

2006 WK

Front Stabilizer Bar With [SDA] or [SDX]

Figure 2-120

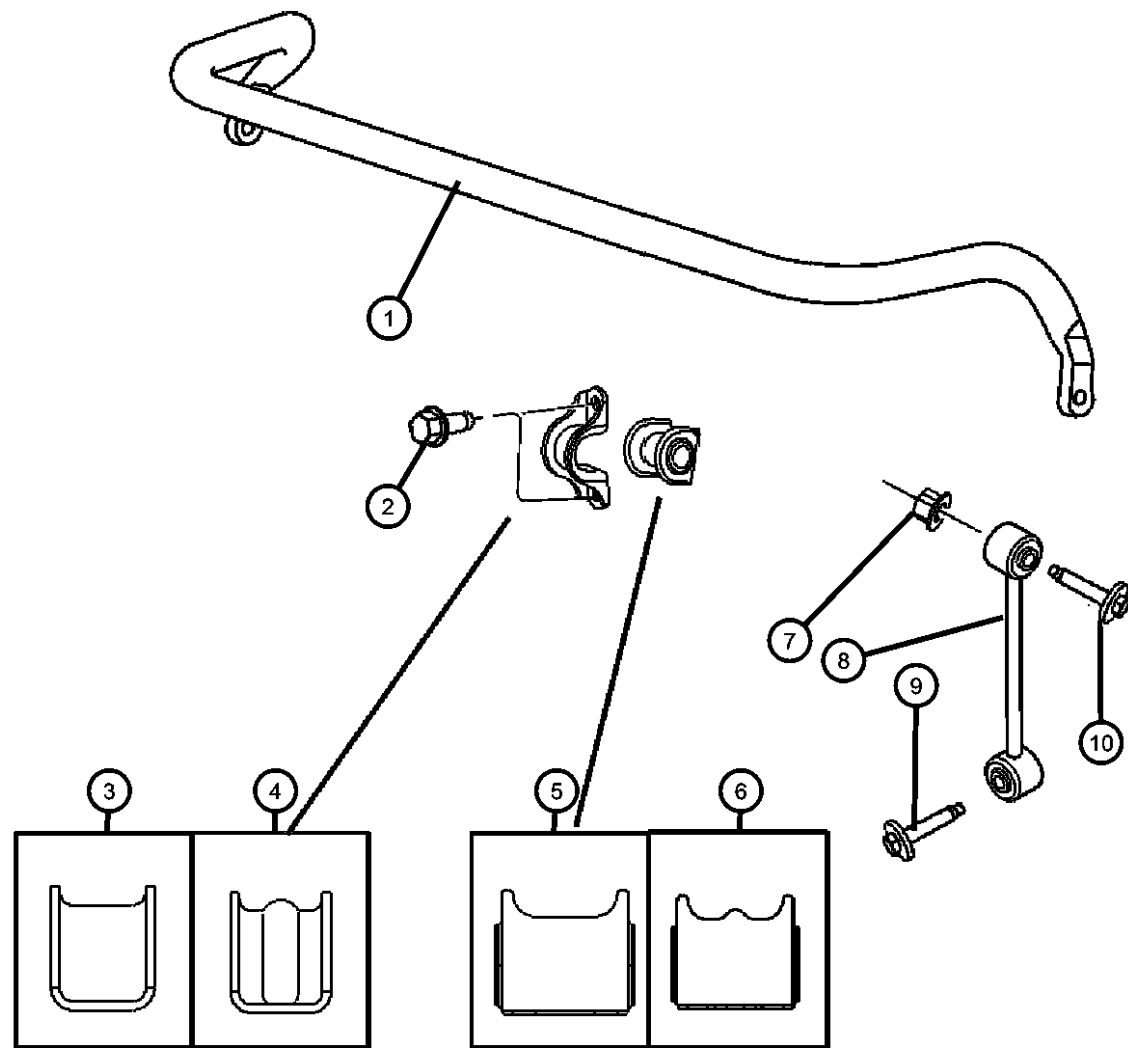
ITEM	PART NUMBER	QTY	LINE	SERIES	BODY	ENGINE	TRANS	TRIM	DESCRIPTION
------	-------------	-----	------	--------	------	--------	-------	------	-------------

Note: Sales Codes:

Note:SDX Sway Bars do not use bushing or retainers with the raised beads.

[SDA]=Normal Duty Suspension

[SDX]=High Performance Suspension



1									BAR, Front Sway
	52089466AD	1							[SDA]
	52090154AE	1							[SDX]
2	06508034AA	4							BOLT, [M14x2.00x45.0], Retainer Bracket to Cradle, Mounting
3	52090474AA	2							RETAINER, Stabilizer Bar Grommet, [SDA,SDX] Without Center Bead
4	52090474AB	2							RETAINER, Stabilizer Bar Grommet, [SDA] With Center Bead
5									BUSHING, Stabilizer Bar
	52089465AD	2							[SDA] Without Center Bead
	52090155AG	2							[SDX]
6	52089465AE	2							BUSHING, Stabilizer Bar, [SDA] With Center Bead
7	06502697	2							NUT, Hex Flange Lock, M12x1.75, Sway Bar to Link, Mounting
8	52089467AB	1							LINK, Sway Eliminator, [SDA,SDX]
9	06507772AA	2							BOLT, [M12x1.75x75.00], Sway Bar Link to LCA, Mounting
10	06507771AA	2							BOLT, [M12x1.75x80.00], Sway Bar to Link, Mounting

GRAND CHEROKEE (WK)

SERIES LINE
 H = HIGHLINE T = JEEP - 2WD
 P = PREMIUM J = JEEP - 4WD
 S = SPORT
 X = SPECIAL

BODY
 74 = SPORT UTILITY 4-DR

ENGINE
 EKG = 3.7L V6 Engine
 EVA = 4.7L V8 MPI Engine
 EZB = 5.7L Hemi Multi Displacement Engine

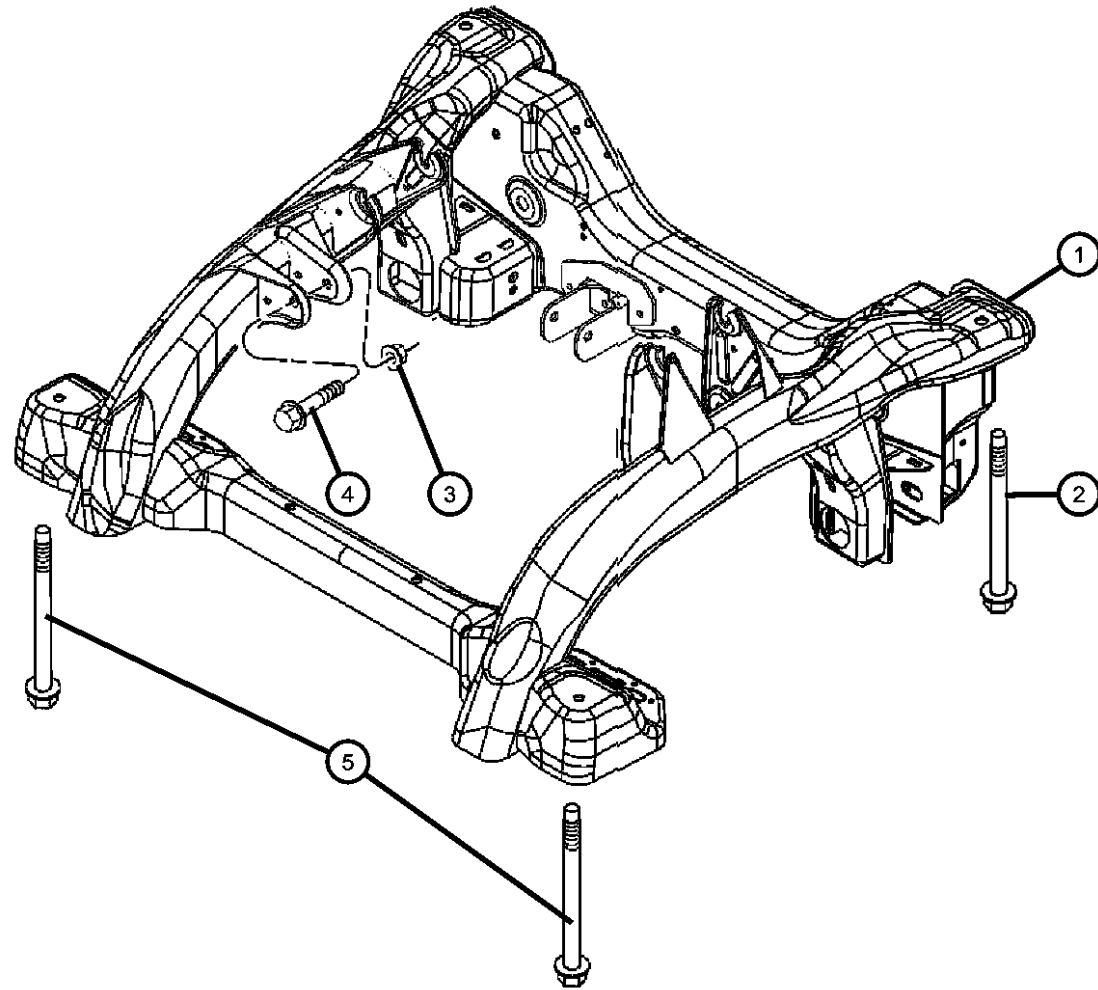
TRANSMISSION
 DGQ = 5-Spd Automatic 5-45RFE Transmission
 DGJ = 5-Speed Automatic MB Transmission

AR = use ase required - = Non illustrated part

2006 WK

**Cradle,Front Suspension
Figure 2-140**

ITEM	PART NUMBER	QTY	LINE	SERIES	BODY	ENGINE	TRANS	TRIM	DESCRIPTION
1	52089493AH	1							CRADLE, Front Suspension
2	06507957AA	2							BOLT, Cradle Front, Mounting
3	06502697	2	J						NUT, Hex Flange Lock, M12x1.75, Front Differential Bushing to Cradle, Mounting
4	06507770AA	2	J						BOLT, Hex Head, Front Differential Bushing to Cradle, Mounting
5	06507958AA	2							BOLT, Cradle Rear, Mounting



GRAND CHEROKEE (WK)

SERIES LINE
H = HIGHLINE T = JEEP - 2WD
P = PREMIUM J = JEEP - 4WD
S = SPORT
X = SPECIAL

BODY
74 = SPORT UTILITY 4-DR

ENGINE
EKG = 3.7L V6 Engine
EVA = 4.7L V8 MPI Engine
EZB = 5.7L Hemi Multi Displacement Engine

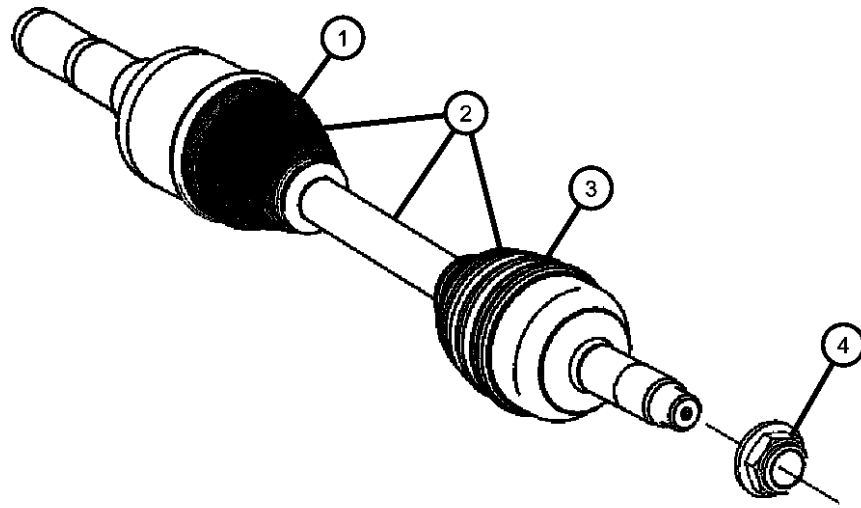
TRANSMISSION
DGQ = 5-Spd Automatic 5-45RFE Transmission
DGJ = 5-Speed Automatic MB Transmission

AR = use ase required - = Non illustrated part

2006 WK

**Front Axle Shafts [DJA]
Figure 2-210**

ITEM	PART NUMBER	QTY	LINE	SERIES	BODY	ENGINE	TRANS	TRIM	DESCRIPTION
Note:Sales Codes; [DJA]=Axle - Front,200MM [DSG]=Axle - Electric Limited Slip Differential,Front [DS7]=Conventional Differential Front Axle									
1	05140758AA	1	J						BOOT KIT, Half Shaft, InnerRight or Left
2									SHAFT, Axle Half
	52104590AA	1	J						Right
	52104591AB	1	J						Without [DSG], Left
	52104701AB	1	J						With [DSG], Left
3	05140759AA	1	J						BOOT KIT, Half Shaft, OuterRight or Left
4	06506454AA	2	J						NUT, Hex



GRAND CHEROKEE (WK)

SERIES LINE
H = HIGHLINE T = JEEP - 2WD
P = PREMIUM J = JEEP - 4WD
S = SPORT
X = SPECIAL

BODY
74 = SPORT UTILITY 4-DR

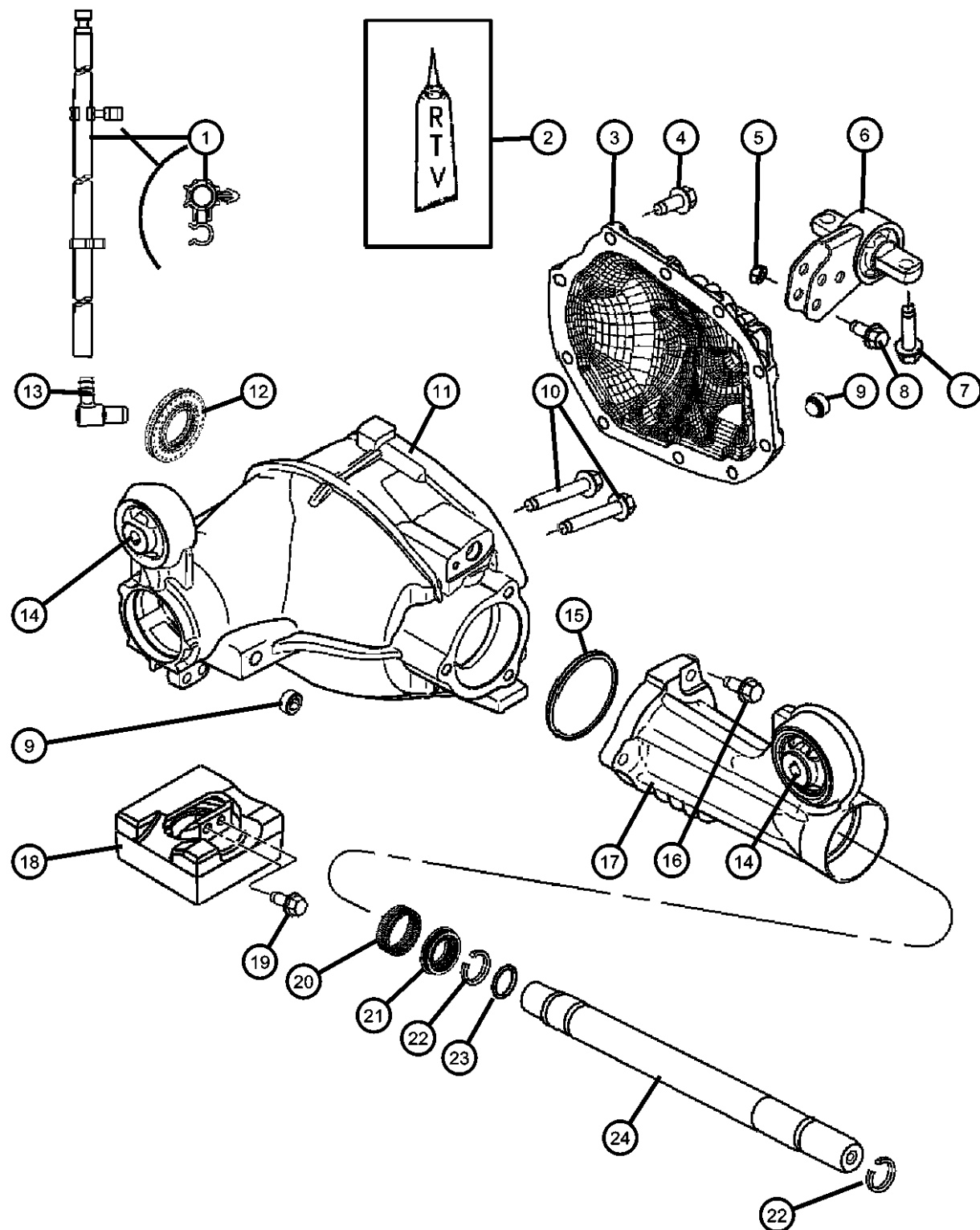
ENGINE
EKG = 3.7L V6 Engine
EVA = 4.7L V8 MPI Engine
EZB = 5.7L Hemi Multi Displacement Engine

TRANSMISSION
DGQ = 5-Spd Automatic 5-45RFE Transmission
DGJ = 5-Speed Automatic MB Transmission

AR = use ase required - = Non illustrated part

2006 WK

Housing,Front Axle [DJA]
Figure 2-310



ITEM	PART NUMBER	QTY	LINE	SERIES	BODY	ENGINE	TRANS	TRIM	DESCRIPTION
Note:Sales Codes; [DJA]=Axle - Front,200MM [DME]=Axle Ratio 3.73 [DMM]=Axle Ratio 3.07 [DSG]=Axle - Electric Limited Slip Differential,Front									
1	52114148AC	1	J						HOSE, Axle Vent
2	05010884AA	1	J						SEALANT, RTV
3	52111342AC	1	J						COVER, Differential Without [DSG]
	52111964AC	1	J						With [DSG]
4	06507903AA	8	J						BOLT, Differential Cover Without [DSG], Mounting
		10	J						With [DSG], Mounting
5	06104718AA	3	J						NUT, Axle Bracket, Mounting
6	52114354AA	1	J						BRACKET, Mounting, Axle
7	06508159AA	2	J						BOLT, Differential Dogbone to Cradle, Mounting
8	06104237AA	3	J						BOLT, Axle Bracket, Mounting
9	05097712AB	1	J						PLUG, Oil Drain
10	03432695	2	J						SCREW, Hex Head, .50-13x2.38, Carrier Cap-With [DSG] Only, Mounting
11	52114326AA	1	J						HOUSING, Axle With [DSG] Includes 9,10,14
	52114331AA	1	J						Without [DSG] Includes 9,13,14,
12	52111338AC	1	J						SEAL, Axle Drive Shaft
13	52114325AA	1	J						VENT, Axle
14	52089516AB	2	J						ISOLATOR, Axle Mounting
15	52114079AA	1	J						O RING, Axle Housing Tube to Axle Housing, Mounting
16	06507903AA	3	J						BOLT, Differential Cover, Axle Housing Tube to Axle Housing, Mounting
17	52111343AC	1	J						TUBE, Axle Housing Without [DSG]
	52111966AC	1	J						With [DSG]
18	52114554AB	1	J						DAMPER, Axle [DMD,DME]
	52114561AB	1	J						[DMM]

GRAND CHEROKEE (WK)

SERIES LINE
H = HIGHLINE T = JEEP - 2WD
P = PREMIUM J = JEEP - 4WD
S = SPORT
X = SPECIAL

BODY
74 = SPORT UTILITY 4-DR

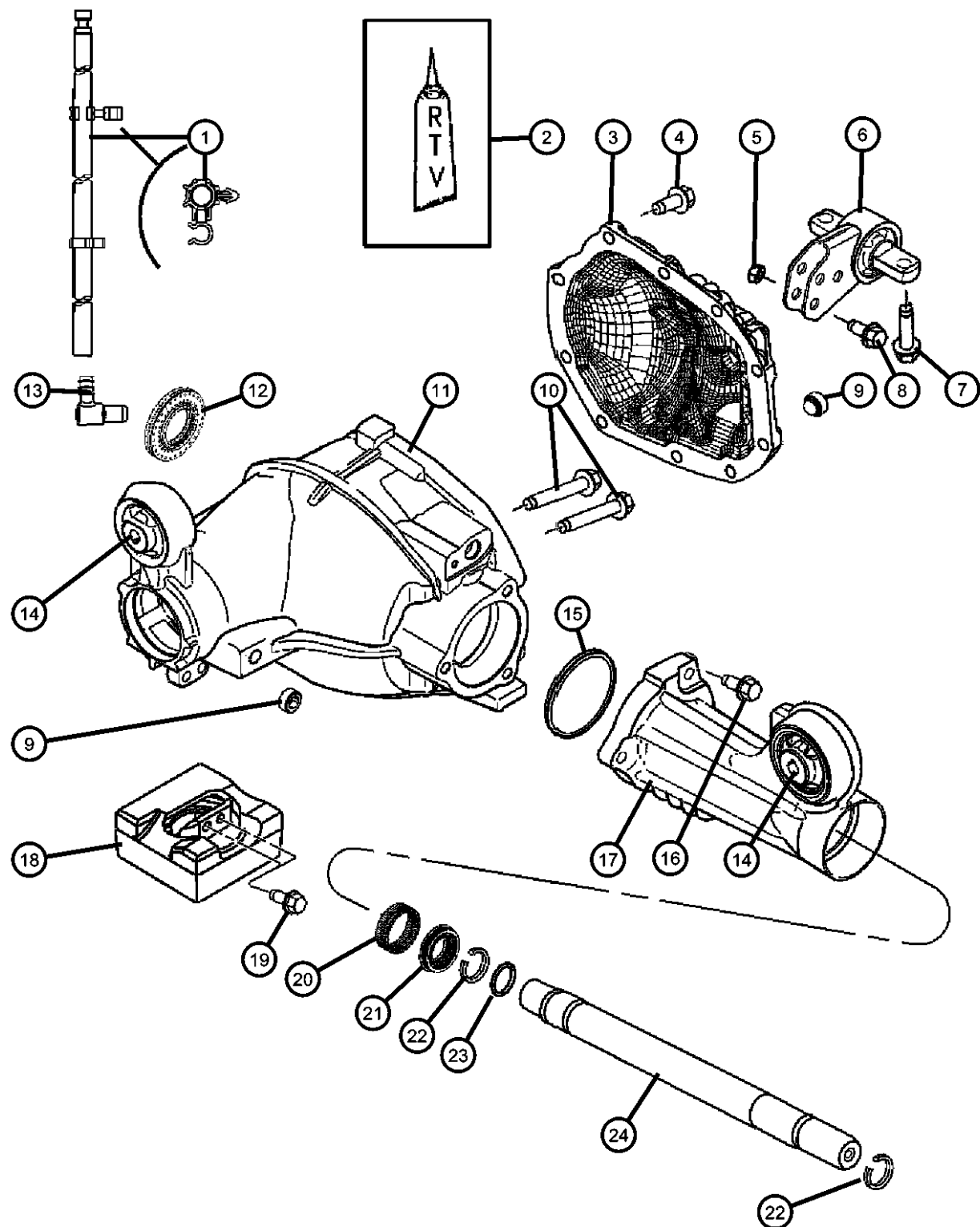
ENGINE
EKG = 3.7L V6 Engine
EVA = 4.7L V8 MPI Engine
EZB = 5.7L Hemi Multi
Displacement Engine

TRANSMISSION
DGQ = 5-Spd Automatic 5-45RFE
Transmission
DGJ = 5-Speed Automatic MB
Transmission

AR = use ase required - = Non illustrated part

2006 WK

Housing,Front Axle [DJA]
Figure 2-310



ITEM	PART NUMBER	QTY	LINE	SERIES	BODY	ENGINE	TRANS	TRIM	DESCRIPTION
19	06508346AA	2	J						BOLT, Axle Damper, Mounting
20	52111167AA	1	J						BUSHING, Axle Shaft
21	52069706AB	1	J						SEAL, Axle Drive Shaft
22	52069710AB	2	J						SNAP RING, Axle Shaft
23	52069888AB	1	J						O RING, Shaft Disconnect
24									SHAFT, Axle
	52111347AB	1	J						Without [DSG]
	52111969AC	1	J						With [DSG]

GRAND CHEROKEE (WK)

SERIES LINE
H = HIGHLINE T = JEEP - 2WD
P = PREMIUM J = JEEP - 4WD
S = SPORT
X = SPECIAL

BODY
74 = SPORT UTILITY 4-DR

ENGINE
EKG = 3.7L V6 Engine
EVA = 4.7L V8 MPI Engine
EZB = 5.7L Hemi Multi
Displacement Engine

TRANSMISSION
DGQ = 5-Spd Automatic 5-45RFE
Transmission
DGJ = 5-Speed Automatic MB
Transmission

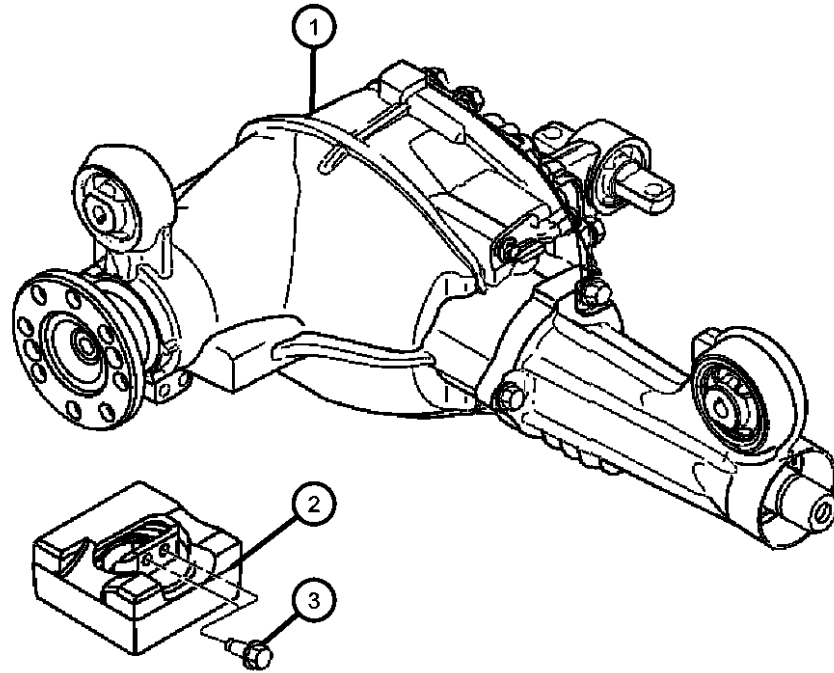
AR = use ase required - = Non illustrated part

2006 WK

**Front Axle Assembly,[DJA]
Figure 2-410**

ITEM	PART NUMBER	QTY	LINE	SERIES	BODY	ENGINE	TRANS	TRIM	DESCRIPTION
------	-------------	-----	------	--------	------	--------	-------	------	-------------

Note:Sales Codes;
[DJA]=Axle - Front,200MM
[DMD]=Axle Ratio 3.55
[DME]=Axle Ratio 3.73
[DMM]=Axle Ratio 3.07
[DSG]=Axle - Electric Limited Slip Differential,Front
[DS7]=Axle-Conventional Differential,Front



1	52111938AC 04874469 68003055AA	1	J						AXLE, Service Front [DMM] Mopar SAE 75W-140 Synthetic Gear and Axle Lube Quart Mopar SAE 75W-140 Synthetic Gear and Axle Lube 16 Gallon Keg
	52111369AC 04874469 68003055AA	1	J						[DME,DS7] Mopar SAE 75W-140 Synthetic Gear and Axle Lube Quart Mopar SAE 75W-140 Synthetic Gear and Axle Lube 16 Gallon Keg
	52111936AC 04874469 68003055AA	1	J						[DME,DSG] Mopar SAE 75W-140 Synthetic Gear and Axle Lube Quart Mopar SAE 75W-140 Synthetic Gear and Axle Lube 16 Gallon Keg
	52114728AB 04874469 68003055AA	1	J						[DMD] Mopar SAE 75W-140 Synthetic Gear and Axle Lube Quart Mopar SAE 75W-140 Synthetic Gear and Axle Lube 16 Gallon Keg
2	52114554AB	1	J						DAMPER, Axle [DME,DS7]
	52114561AB	1	J						[DME,DSG] [DMD,DMM]
3	06508346AA	2	J						BOLT, Axle Damper, Mounting

GRAND CHEROKEE (WK)

SERIES LINE
H = HIGHLINE T = JEEP - 2WD
P = PREMIUM J = JEEP - 4WD
S = SPORT
X = SPECIAL

BODY
74 = SPORT UTILITY 4-DR

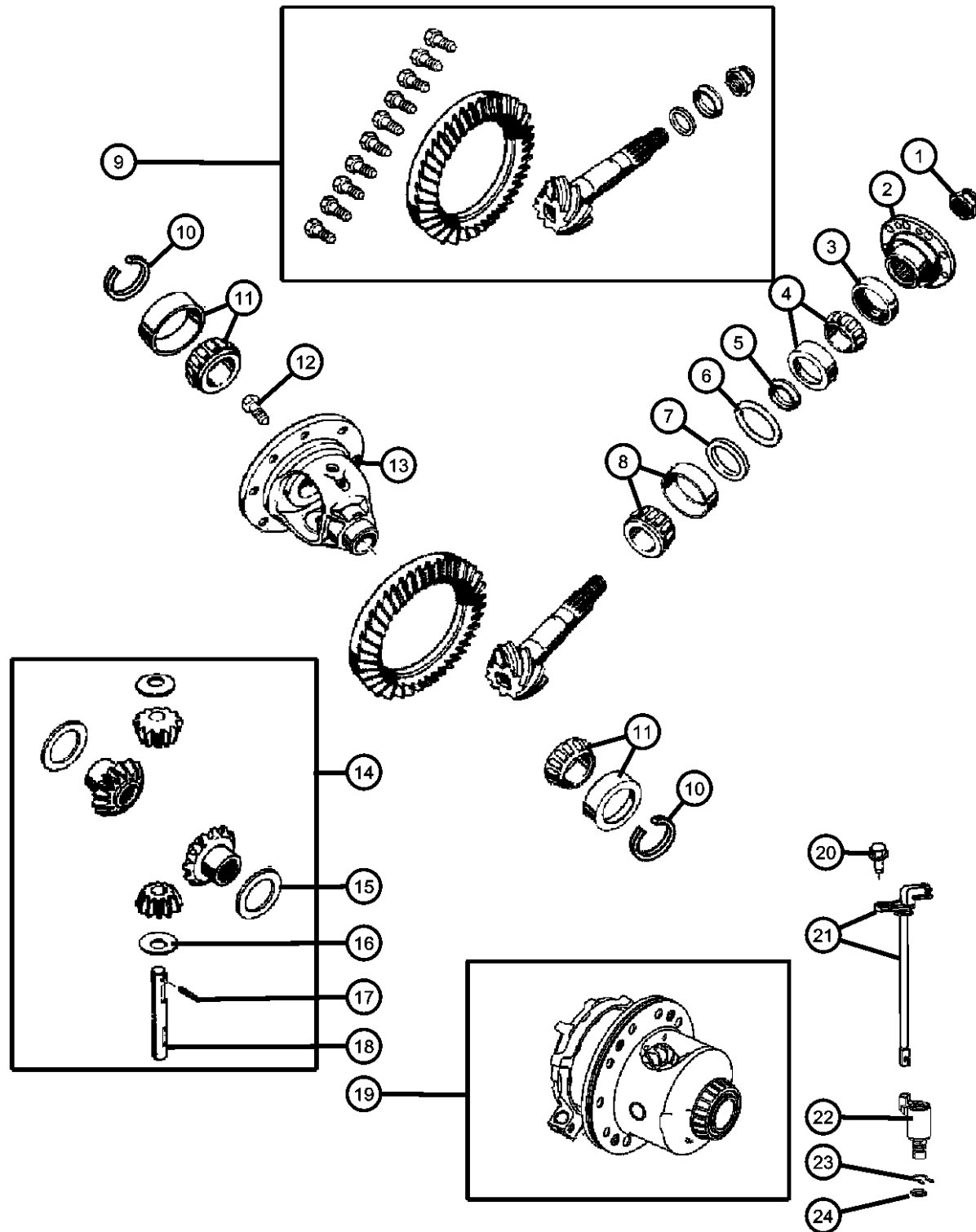
ENGINE
EKG = 3.7L V6 Engine
EVA = 4.7L V8 MPI Engine
EZB = 5.7L Hemi Multi Displacement Engine

TRANSMISSION
DGQ = 5-Spd Automatic 5-45RFE Transmission
DGJ = 5-Speed Automatic MB Transmission

AR = use ase required - = Non illustrated part

2006 WK

**Differential, Front Axle,[DJA]
Figure 2-610**



ITEM	PART NUMBER	QTY	LINE	SERIES	BODY	ENGINE	TRANS	TRIM	DESCRIPTION
------	-------------	-----	------	--------	------	--------	-------	------	-------------

Note:Sales Codes;
 [DJA]=Axle - Front,200MM
 [DMD]=Axle Ratio 3.55
 [DME]=Axle Ratio 3.73
 [DMM]=Axle Ratio 3.07
 [DSG]=Axle - Electric Limited Slip Differential,Front
 [DS7]=Axle-Conventional Differential,Front

1	06507901AA	1	J						NUT, Hex
2	52111954AB	1	J						FLANGE, Driveshaft Yoke
3	52111953AC	1	J						SEAL, Drive Pinion
4	05135674AA	1	J						BEARING, Drive Pinion, Bearing and Cup, Front
5	52111336AA	1	J						SPACER, Drive Pinion Bearing, Crush
6									SHIM, Drive Pinion Bearing
	52111254AA	1	J						[6.38MM]
	52111255AA	1	J						[6.36MM]
	52111256AA	1	J						[6.34MM]
	52111257AA	1	J						[6.32MM]
	52111258AA	1	J						[6.30MM]
	52111259AA	1	J						[6.28MM]
	52111260AA	1	J						[6.26MM]
	52111261AA	1	J						[6.24MM]
	52111262AA	1	J						[6.22MM]
	52111263AA	1	J						[6.20MM]
	52111264AA	1	J						[6.18MM]
	52111265AA	1	J						[6.16MM]
	52111266AA	1	J						[6.14MM]
	52111267AA	1	J						[6.12MM]
	52111270AA	1	J						[6.10MM]
	52111271AA	1	J						[6.08MM]
	52111272AA	1	J						[6.06MM]
	52111273AA	1	J						[6.04MM]
	52111274AA	1	J						[6.02MM]
	52111275AA	1	J						[6.00MM]
	52111276AA	1	J						[5.98MM]
	52111277AA	1	J						[5.96MM]
	52111278AA	1	J						[5.94MM]

GRAND CHEROKEE (WK)

SERIES LINE
 H = HIGHLINE T = JEEP - 2WD
 P = PREMIUM J = JEEP - 4WD
 S = SPORT
 X = SPECIAL

BODY
 74 = SPORT UTILITY 4-DR

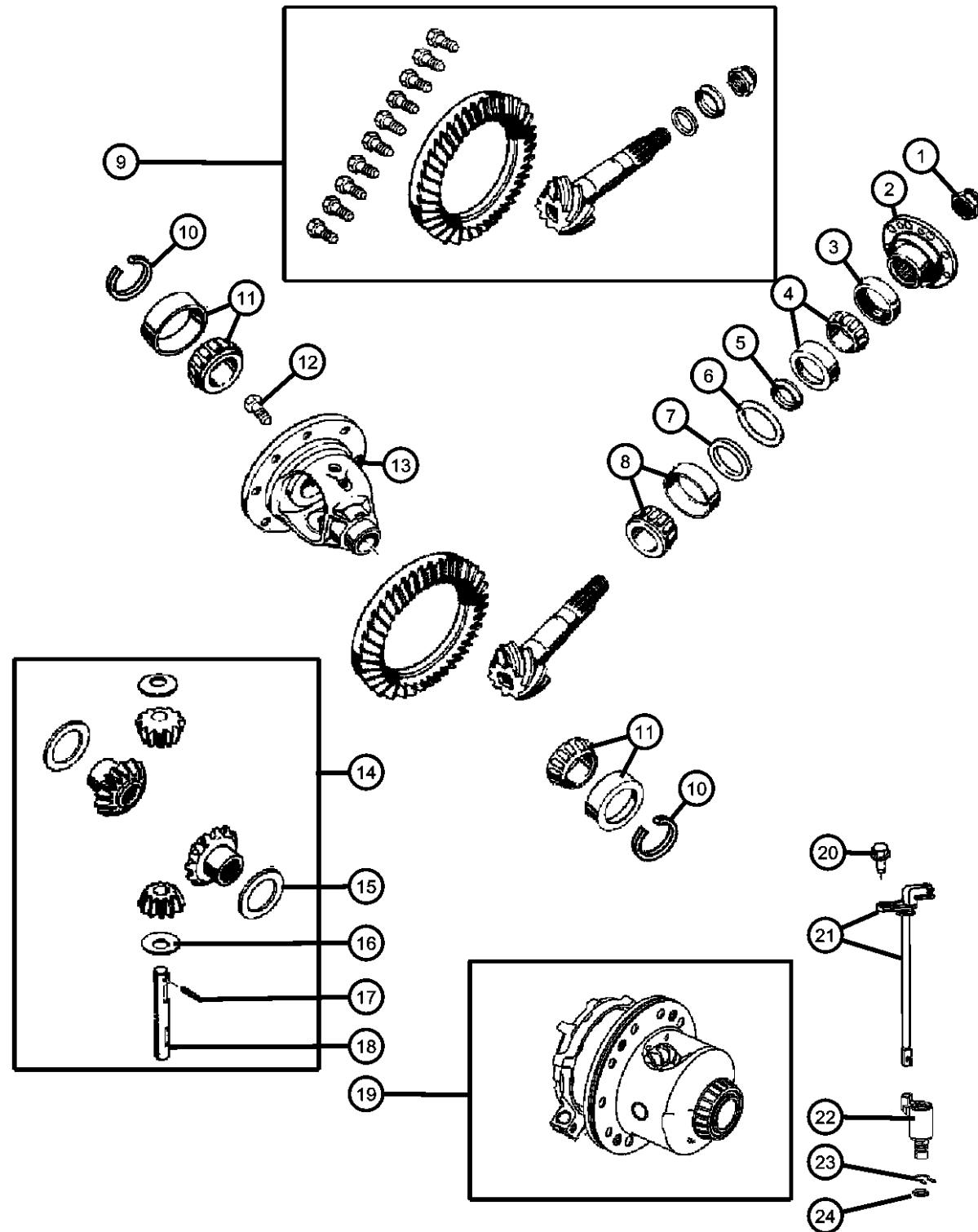
ENGINE
 EKG = 3.7L V6 Engine
 EVA = 4.7L V8 MPI Engine
 EZB = 5.7L Hemi Multi Displacement Engine

TRANSMISSION
 DGQ = 5-Spd Automatic 5-45RFE Transmission
 DGJ = 5-Speed Automatic MB Transmission

AR = use ase required - = Non illustrated part

2006 WK

Differential, Front Axle,[DJA]
Figure 2-610



ITEM	PART NUMBER	QTY	LINE	SERIES	BODY	ENGINE	TRANS	TRIM	DESCRIPTION
	52111279AA	1	J						[5.92MM]
	52111280AA	1	J						[5.90MM]
	52111281AA	1	J						[5.88MM]
	52111282AA	1	J						[5.86MM]
	52111283AA	1	J						[5.84MM]
	52111284AA	1	J						[5.82MM]
	52111285AA	1	J						[5.80MM]
	52111286AA	1	J						[5.78MM]
	52111287AA	1	J						[5.76MM]
	52111288AA	1	J						[5.74MM]
	52111289AA	1	J						[5.72MM]
	52111290AA	1	J						[5.70MM]
	52111291AA	1	J						[5.68MM]
	52111292AA	1	J						[5.66MM]
	52111293AA	1	J						[5.64MM]
	52111294AA	1	J						[5.62MM]
	52111295AA	1	J						[5.60MM]
	52111296AA	1	J						[5.58MM]
	52111297AA	1	J						[5.56MM]
	52111298AA	1	J						[5.54MM]
	52111299AA	1	J						[5.52MM]
	52111300AA	1	J						[5.50MM]
	52111301AA	1	J						[5.48MM]
	52111302AA	1	J						[5.46MM]
	52111303AA	1	J						[5.44MM]
	52111304AA	1	J						[5.42MM]
	52111305AA	1	J						[5.40MM]
	52111306AA	1	J						[5.38MM]
	52111307AA	1	J						[5.36MM]
	52111308AA	1	J						[5.34MM]
	52111309AA	1	J						[5.32MM]
	52111310AA	1	J						[5.30MM]
	52111315AA	1	J						[5.28MM]
	52111316AA	1	J						[5.26MM]

GRAND CHEROKEE (WK)

SERIES LINE
H = HIGHLINE T = JEEP - 2WD
P = PREMIUM J = JEEP - 4WD
S = SPORT
X = SPECIAL

BODY
74 = SPORT UTILITY 4-DR

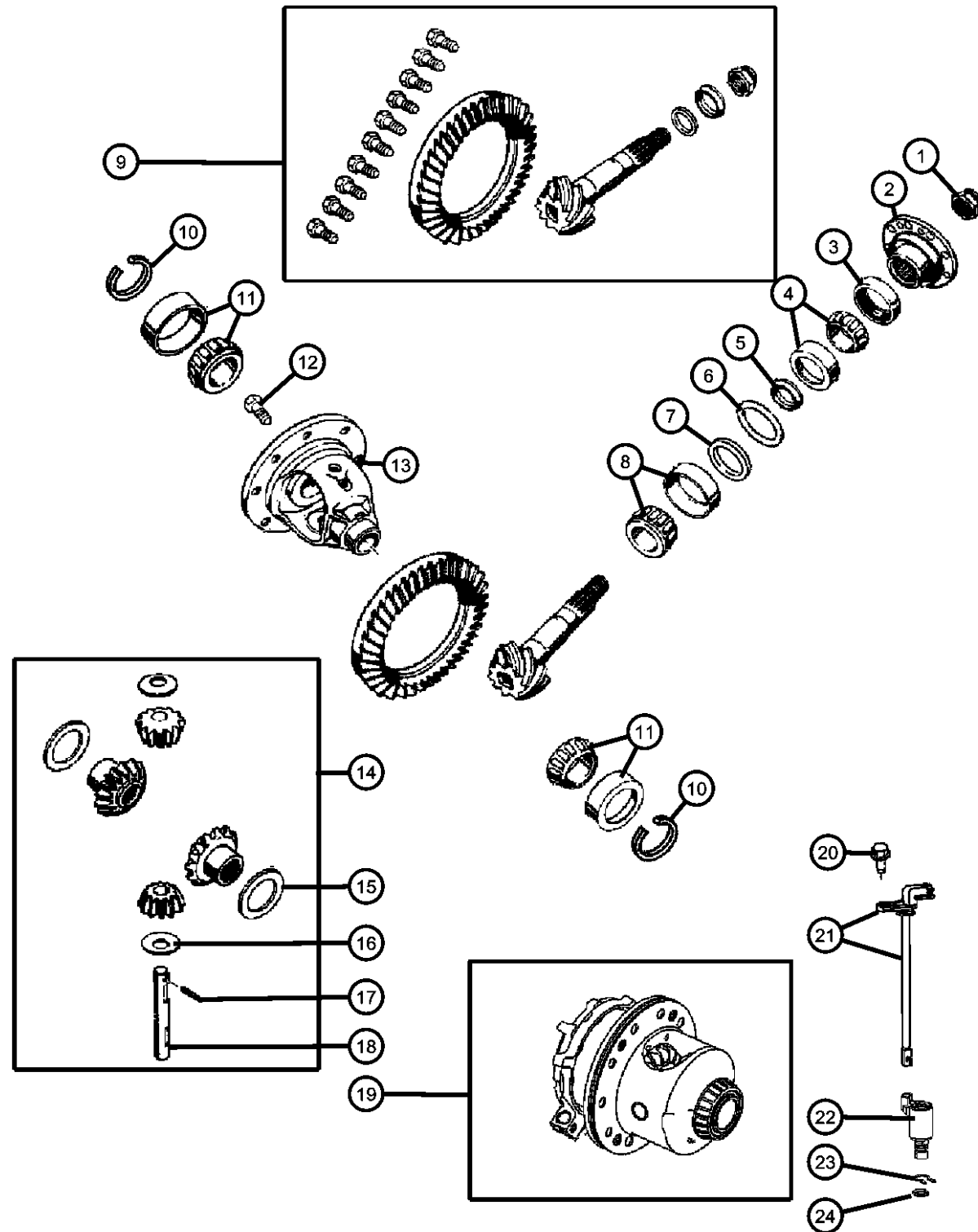
ENGINE
EKG = 3.7L V6 Engine
EVA = 4.7L V8 MPI Engine
EZB = 5.7L Hemi Multi
Displacement Engine

TRANSMISSION
DGQ = 5-Spd Automatic 5-45RFE
Transmission
DGJ = 5-Speed Automatic MB
Transmission

AR = use ase required - = Non illustrated part

2006 WK

Differential, Front Axle,[DJA]
Figure 2-610



ITEM	PART NUMBER	QTY	LINE	SERIES	BODY	ENGINE	TRANS	TRIM	DESCRIPTION
	52111317AA	1	J						[5.24MM]
	52111318AA	1	J						[5.22MM]
	52111319AA	1	J						[5.20MM]
	52111320AA	1	J						[5.18MM]
	52111321AA	1	J						[5.16MM]
	52111322AA	1	J						[5.14MM]
	52111323AA	1	J						[5.12MM]
	52111324AA	1	J						[5.10MM]
	52111325AA	1	J						[5.08MM]
	52111326AA	1	J						[5.06MM]
	52111327AA	1	J						[5.04MM]
	52111328AA	1	J						[5.02MM]
	52111330AA	1	J						[5.00MM]
	52111331AA	1	J						[4.98MM]
	52111332AA	1	J						[4.96MM]
	52111333AA	1	J						[4.94MM]
	52111334AA	1	J						[4.92MM]
	52111335AA	1	J						[4.90MM]
7	52111356AA	1	J						RING, Pinion Spacer
8	05135673AA	1	J						BEARING, Drive Pinion, Bearing and Cup, Rear
9									GEAR KIT, Ring And Pinion
	05135661AB	1	J						[DME]
	05135691AB	1	J						[DMM]
	05135939AB	1	J						[DMD]
10									RETAINING RING/SHIM, Differential Bearing
	52111230AA	1	J						[3.60MM]
	52111231AA	1	J						[3.62MM]
	52111232AA	1	J						[3.64MM]
	52111233AA	1	J						[3.66MM]
	52111234AA	1	J						[3.68MM]
	52111235AA	1	J						[3.70MM]
	52111236AA	1	J						[3.72MM]
	52111238AA	1	J						[3.76MM]
	52111239AA	1	J						[3.78MM]

GRAND CHEROKEE (WK)

SERIES LINE
H = HIGHLINE T = JEEP - 2WD
P = PREMIUM J = JEEP - 4WD
S = SPORT
X = SPECIAL

BODY
74 = SPORT UTILITY 4-DR

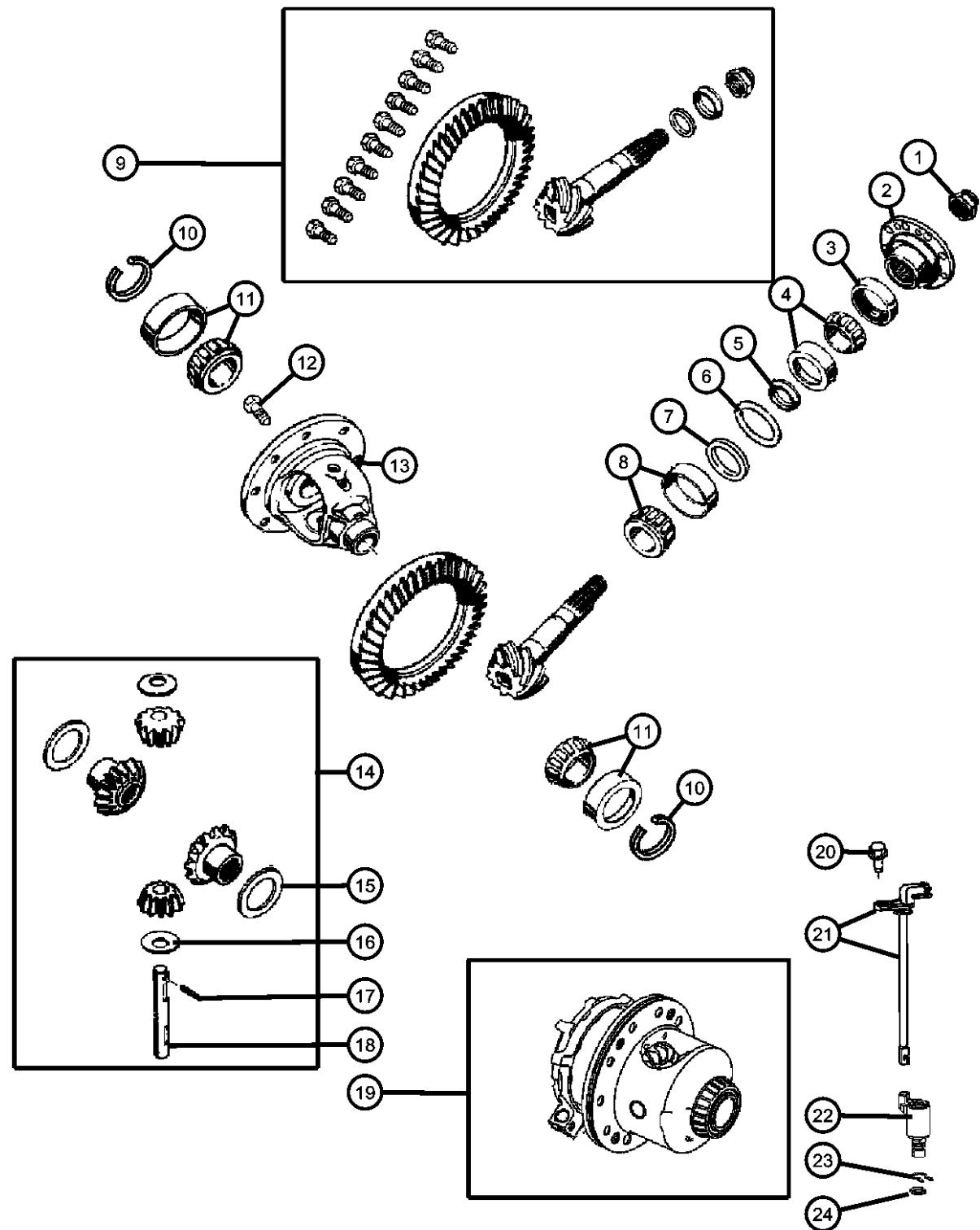
ENGINE
EKG = 3.7L V6 Engine
EVA = 4.7L V8 MPI Engine
EZB = 5.7L Hemi Multi Displacement Engine

TRANSMISSION
DGQ = 5-Spd Automatic 5-45RFE Transmission
DGJ = 5-Speed Automatic MB Transmission

AR = use ase required - = Non illustrated part

2006 WK

Differential, Front Axle,[DJA]
Figure 2-610



ITEM	PART NUMBER	QTY	LINE	SERIES	BODY	ENGINE	TRANS	TRIM	DESCRIPTION
	52111240AA	1	J						[3.80MM]
	52111241AA	1	J						[3.82MM]
	52111242AA	1	J						[3.84MM]
	52111243AA	1	J						[3.86MM]
	52111244AA	1	J						[3.88MM]
	52111245AA	1	J						[3.90MM]
	52114083AA	1	J						[3.92MM]
	52114084AA	1	J						[3.94MM]
	52114085AA	1	J						[3.96MM]
	52114086AA	1	J						[3.98MM]
	52114087AA	1	J						[4.00MM]
	52114088AA	1	J						[4.02MM]
	52114089AA	1	J						[4.04MM]
	52114090AA	1	J						[4.06MM]
	52114091AA	1	J						[4.08MM]
	52114092AA	1	J						[4.10MM]
	52114093AA	1	J						[4.12MM]
	52114094AA	1	J						[4.14MM]
	52114095AA	1	J						[4.16MM]
	52114096AA	1	J						[4.18MM]
	52114097AA	1	J						[4.20MM]
	52114098AA	1	J						[4.22MM]
	52114099AA	1	J						[4.24MM]
	52114100AA	1	J						[4.26MM]
	52114101AA	1	J						[4.28MM]
	52114102AA	1	J						[4.30MM]
	52114103AA	1	J						[4.32MM]
	52114104AA	1	J						[4.34MM]
	52114105AA	1	J						[4.36MM]
	52114106AA	1	J						[4.38MM]
	52114107AA	1	J						[4.40MM]
	52114108AA	1	J						[4.42MM]
	52114109AA	1	J						[4.44MM]
	52114110AA	1	J						[4.46MM]

GRAND CHEROKEE (WK)

SERIES LINE
H = HIGHLINE T = JEEP - 2WD
P = PREMIUM J = JEEP - 4WD
S = SPORT
X = SPECIAL

BODY
74 = SPORT UTILITY 4-DR

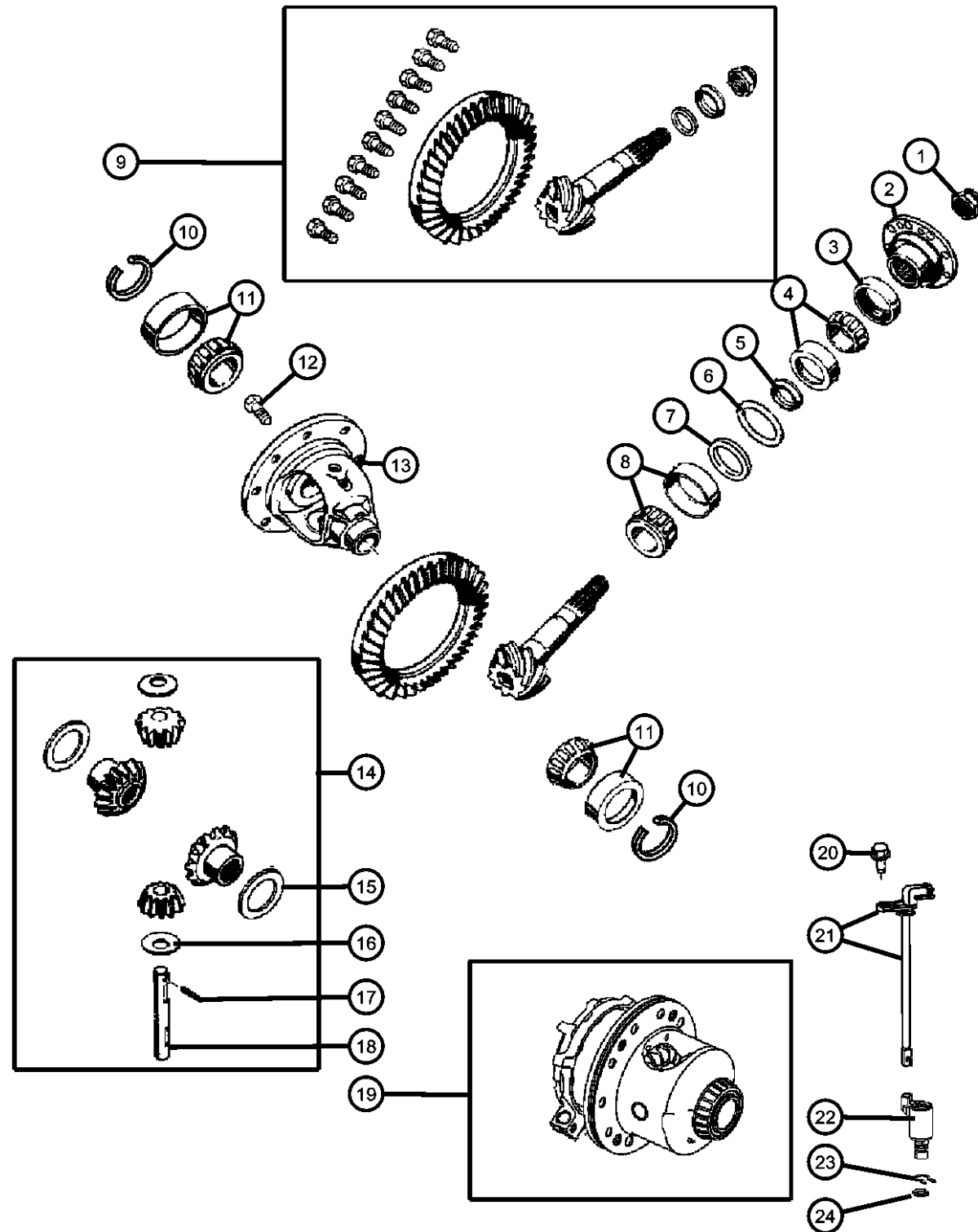
ENGINE
EKG = 3.7L V6 Engine
EVA = 4.7L V8 MPI Engine
EZB = 5.7L Hemi Multi Displacement Engine

TRANSMISSION
DGQ = 5-Spd Automatic 5-45RFE Transmission
DGJ = 5-Speed Automatic MB Transmission

AR = use ase required - = Non illustrated part

2006 WK

Differential, Front Axle,[DJA]
Figure 2-610



ITEM	PART NUMBER	QTY	LINE	SERIES	BODY	ENGINE	TRANS	TRIM	DESCRIPTION
	52114111AA	1	J						[4.48MM]
	52114112AA	1	J						[4.50MM]
	52114113AA	1	J						[4.52MM]
	52114114AA	1	J						[4.54MM]
	52114115AA	1	J						[4.56MM]
	52114116AA	1	J						[4.58MM]
	52114117AA	1	J						[4.60MM]
	52114118AA	1	J						[4.62MM]
	52114119AA	1	J						[4.64MM]
	52114120AA	1	J						[4.66MM]
	52114121AA	1	J						[4.68MM]
	52114122AA	1	J						[4.70MM]
	52114123AA	1	J						[4.72MM]
	52114124AA	1	J						[4.74MM]
	52114125AA	1	J						[4.76MM]
	52114126AA	1	J						[4.78MM]
	52114127AA	1	J						[4.80MM]
	52114128AA	1	J						[4.82MM]
	52114129AA	1	J						[4.84MM]
	52114130AA	1	J						[4.86MM]
	52114131AA	1	J						[4.88MM]
	52114132AA	1	J						[4.90MM]
	52114133AA	1	J						[4.92MM]
	52114134AA	1	J						[4.94MM]
	52114135AA	1	J						[4.96MM]
	52114136AA	1	J						[4.98MM]
	52114137AA	1	J						[5.00MM]
	52114138AA	1	J						[5.02MM]
	52114139AA	1	J						[5.04MM]
	52114140AA	1	J						[5.06MM]
	52114141AA	1	J						[5.08MM]
	52114142AA	1	J						[5.10MM]
	52114143AA	1	J						[5.12MM]
	52114144AA	1	J						[5.14MM]

GRAND CHEROKEE (WK)

SERIES LINE
H = HIGHLINE T = JEEP - 2WD
P = PREMIUM J = JEEP - 4WD
S = SPORT
X = SPECIAL

BODY
74 = SPORT UTILITY 4-DR

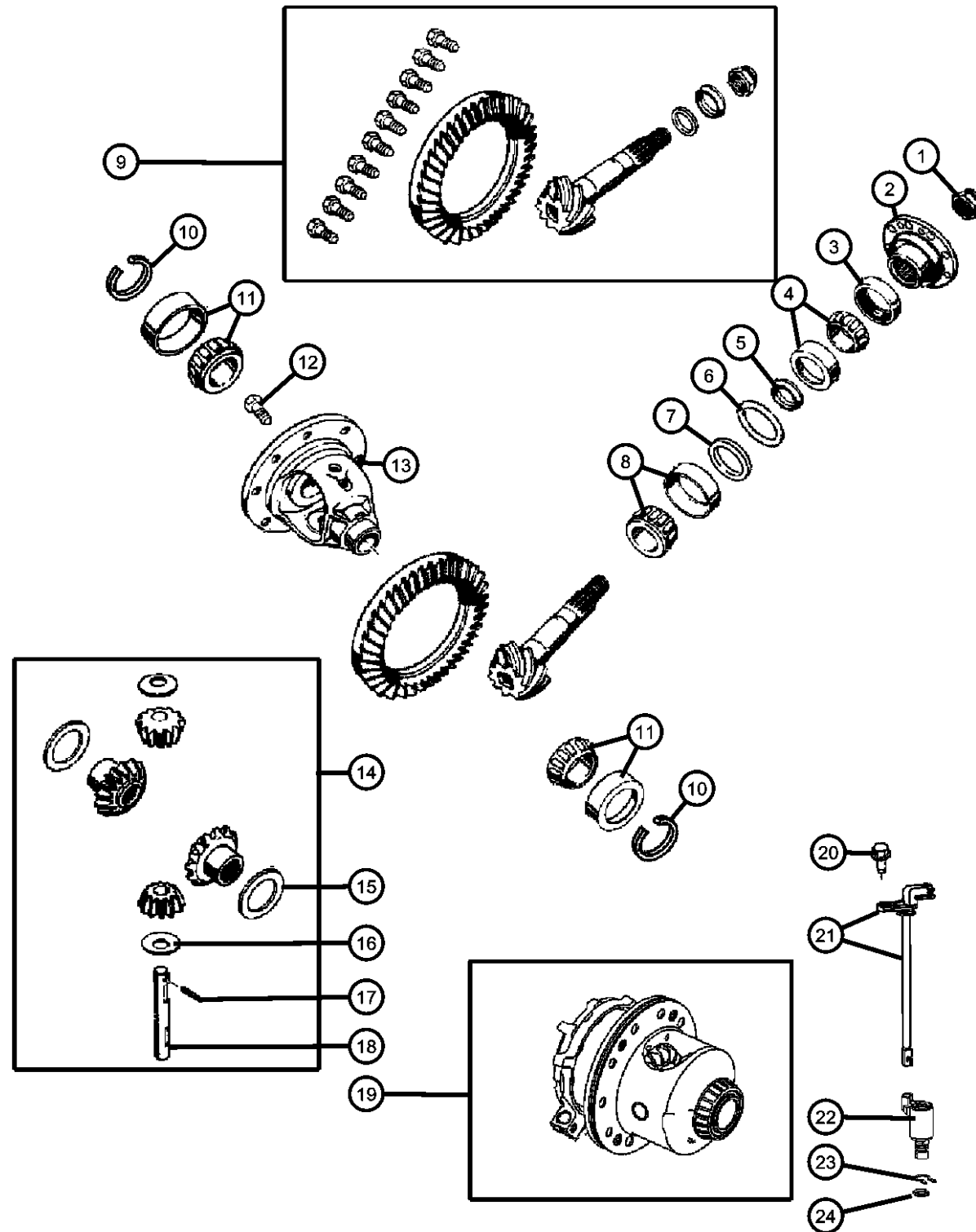
ENGINE
EKG = 3.7L V6 Engine
EVA = 4.7L V8 MPI Engine
EZB = 5.7L Hemi Multi Displacement Engine

TRANSMISSION
DGQ = 5-Spd Automatic 5-45RFE Transmission
DGJ = 5-Speed Automatic MB Transmission

AR = use ase required - = Non illustrated part

2006 WK

Differential, Front Axle,[DJA]
Figure 2-610



ITEM	PART NUMBER	QTY	LINE	SERIES	BODY	ENGINE	TRANS	TRIM	DESCRIPTION
	52114145AA	1	J						[5.16MM]
	52114146AA	1	J						[5.18MM]
	52114147AA	1	J						[5.20MM]
	52114352AA	2	J						[3.74MM]
11	05135660AB	1	J						BEARING PACKAGE, Differential, Contains 2 Bearing and 2 Cups
12	06507634AA	10	J						BOLT, Ring GearMounting
13	52111226AC	1	J						CASE ASSEMBLY, Differential, Without [DSG] With Internal Parts
14	05072492AA	1	J						GEAR PACKAGE, Differential, Without [DSG]
15	05015864AA	1	J						WASHER PACKAGE, Side Gear Thrust, Contains 2 each .031,.036,.041,.046,Washers, Without [DSG]
16	02852912	2	J						WASHER, Pinion Gear, Without [DSG], Thrust
17	52070338AA	1	J						PIN, Differential Shaft, Without [DSG]
18	52069657	1	J						SHAFT, Differential Pinion, Without [DSG]
19	52104673AE	1	J						CASE ASSEMBLY, Differential, With [DSG] With Internal Parts
20	06501979	1	J						SCREW AND WASHER, Hex Head, M6x1x17, With [DSG]
21	52114327AC	1	J						HARNES, Electronic Front Axle, With [DSG]
22	52114003AD	1	J						ACTUATOR, Axle Locker, With [DSG]
23	05135813AA	1	J						SNAP RING, With [DSG]
24	05135814AA	1	J						O RING, With [DSG]

GRAND CHEROKEE (WK)

SERIES LINE
H = HIGHLINE T = JEEP - 2WD
P = PREMIUM J = JEEP - 4WD
S = SPORT
X = SPECIAL

BODY
74 = SPORT UTILITY 4-DR

ENGINE
EKG = 3.7L V6 Engine
EVA = 4.7L V8 MPI Engine
EZB = 5.7L Hemi Multi Displacement Engine

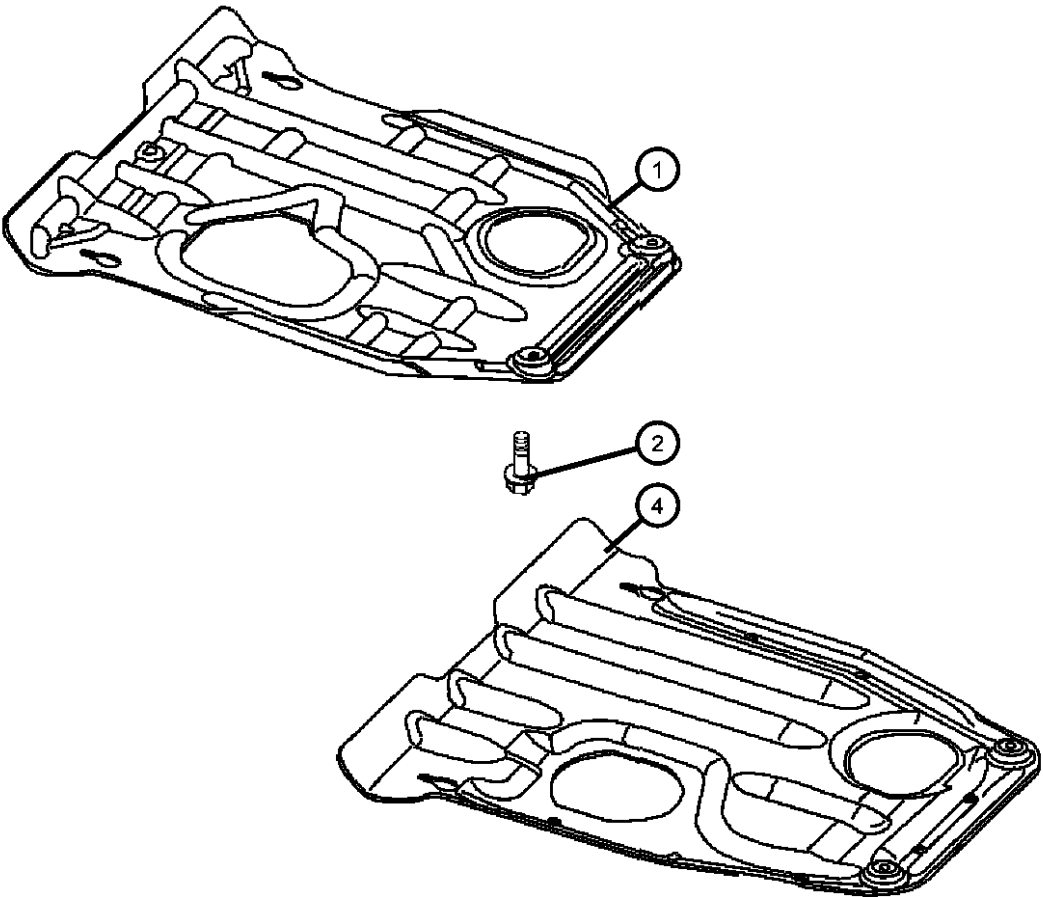
TRANSMISSION
DGQ = 5-Spd Automatic 5-45RFE Transmission
DGJ = 5-Speed Automatic MB Transmission

AR = use ase required - = Non illustrated part

2006 WK

**Skid Plate, Front Axle
Figure 2-810**

ITEM	PART NUMBER	QTY	LINE	SERIES	BODY	ENGINE	TRANS	TRIM	DESCRIPTION
Note: Sales Codes; [XEU]=Skid Plate - Front Suspension									
1	55157121AB	1		H, P, S					COVER, Front Side Rail, Without [XEU]
2	06505269AA	4							SCREW AND WASHER, Head Head Lock, M8-1.25x30.00Mounting
-3	06101696	2	J						NUT, [M10x1.50], Skid Plate to Rail, Mounting
4	52090316AE	1	J						SKID PLATE, Front, With [XEU]



GRAND CHEROKEE (WK)

SERIES	LINE	BODY	ENGINE	TRANSMISSION
H = HIGHLINE	T = JEEP - 2WD	74 = SPORT UTILITY 4-DR	EKG = 3.7L V6 Engine	DGQ = 5-Spd Automatic 5-45RFE
P = PREMIUM	J = JEEP - 4WD		EVA = 4.7L V8 MPI Engine	Transmission
S = SPORT			EZB = 5.7L Hemi Multi	DGJ = 5-Speed Automatic MB
X = SPECIAL			Displacement Engine	Transmission

AR = use ase required - = Non illustrated part

Group - 3

Rear Axle

Group - 3 Rear Axle

Illustration Title

Group-Fig. No.

Rear Axle

Axle Assembly,Rear,Corporate 8.25/213MM [DRS] Fig. 3 - 110
 Axle Assembly,Rear,Dana 44/226MM,[DRK] Fig. 3 - 120

Differential and Housing

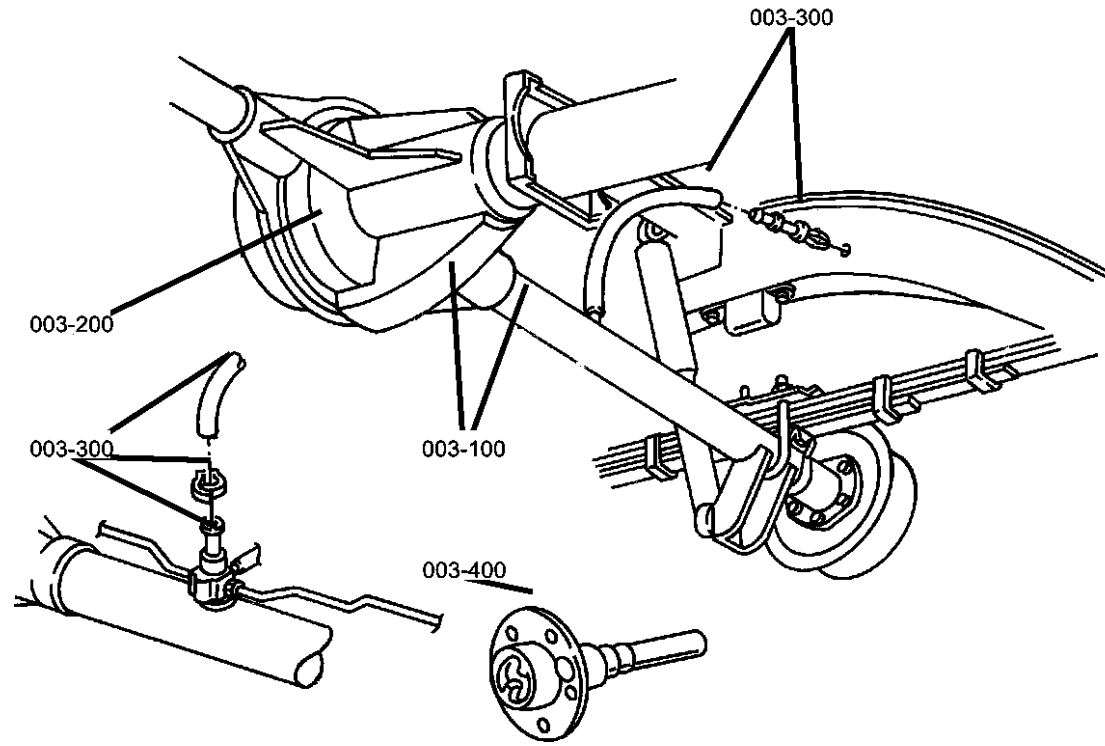
Axle,Rear,With Differential,Housing and Axle Shafts,[DRS],8.25/213MM Fig. 3 - 210
 Axle,Rear,With Differential,Housing and Axle Shafts,[DRK],Dana 44/226MM Fig. 3 - 220

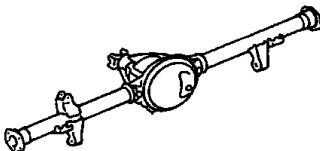
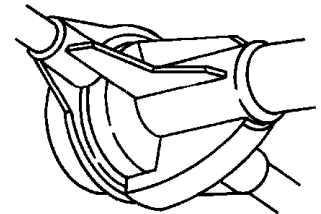
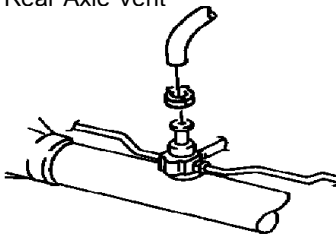
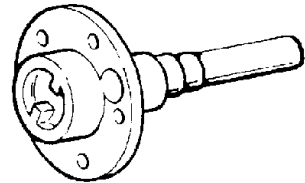
Rear Axle Vent

Rear Axle Vent Fig. 3 - 310

Rear Axle Shafts

Axle Shafts,Rear Fig. 3 - 410



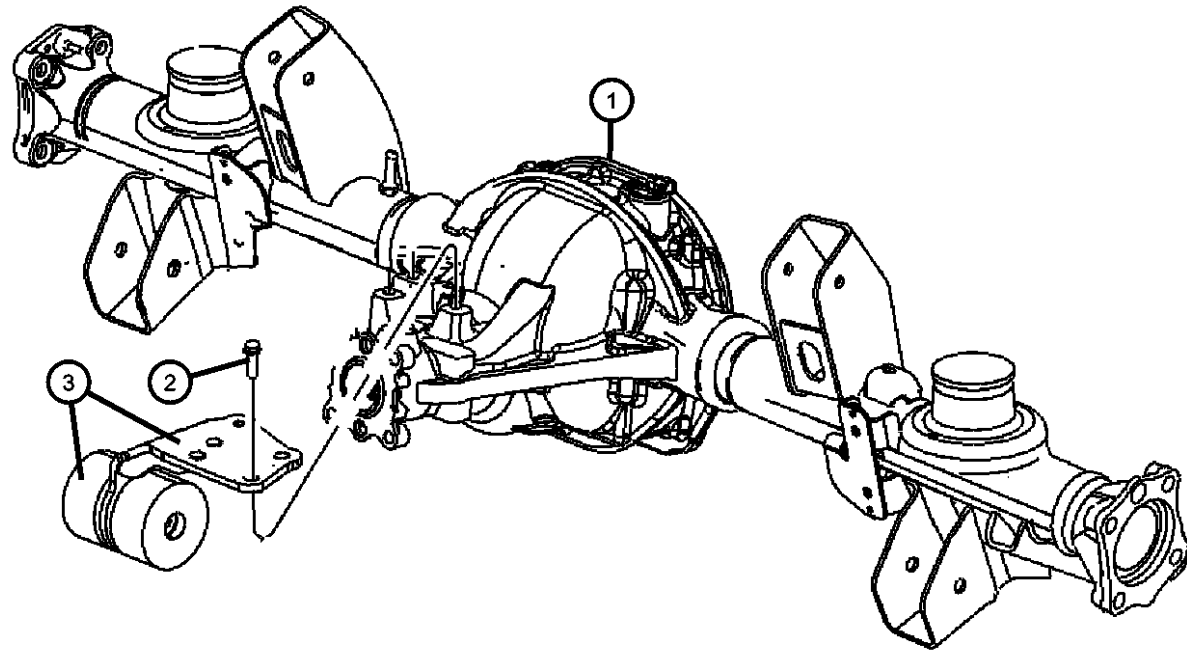
<p>003-100 Rear Axle</p> 	<p>003-200 Differential and Housing</p> 	<p>003-300 Rear Axle Vent</p> 	<p>003-400 Rear Axle Shafts</p> 
--	--	---	--

**Axle Assembly,Rear,Corporate 8.25/213MM [DRS]
Figure 3-110**

ITEM	PART NUMBER	QTY	LINE	SERIES	BODY	ENGINE	TRANS	TRIM	DESCRIPTION
------	-------------	-----	------	--------	------	--------	-------	------	-------------

Note:Sales Codes;
 [DMD]=Axle Ratio 3.55
 [DME]=Axle Ratio - 3.73
 [DMM]=Axle Ratio - 3.07
 [DRS]=Axle - Rear,213MM
 [DSF]=Axle - Electric Limited Slip Differential Rear
 [DS8]=Axle - Conventional Differential Rear

1									AXLE, Service Rear
	05135772AE	1							[DMM,DS8]
	05135811AF	1							[DME,DSF]
	05135812AE	1							[DME,DS8]
	05179266AB	1							[DMD,DS8]
2	06105070AA	2	T						BOLT, Axle Damper and Cable Bracket, Mounting
3	52114861AA	1	T						DAMPER, Axle



GRAND CHEROKEE (WK)

SERIES	LINE	BODY	ENGINE	TRANSMISSION
H = HIGHLINE	T = JEEP - 2WD	74 = SPORT UTILITY 4-DR	EKG = 3.7L V6 Engine	DGQ = 5-Spd Automatic 5-45RFE
P = PREMIUM	J = JEEP - 4WD		EVA = 4.7L V8 MPI Engine	Transmission
S = SPORT			EZB = 5.7L Hemi Multi	DGJ = 5-Speed Automatic MB
X = SPECIAL			Displacement Engine	Transmission

AR = use ase required - = Non illustrated part

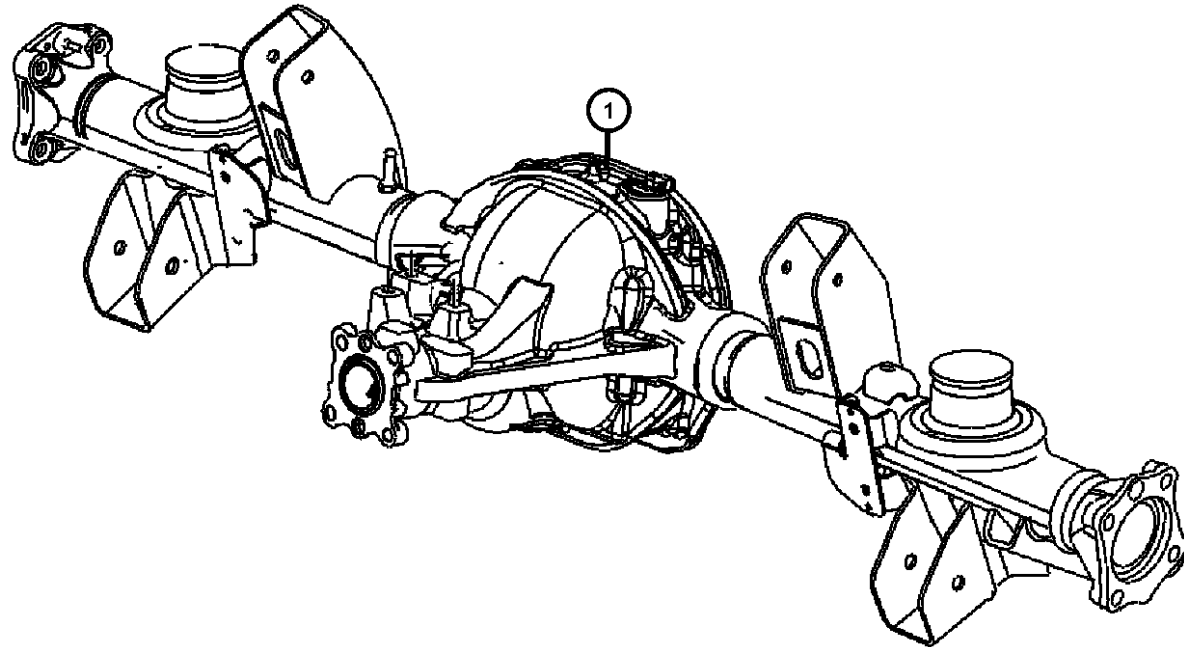
2006 WK

**Axle Assembly,Rear,Dana 44/226MM,[DRK]
Figure 3-120**

ITEM	PART NUMBER	QTY	LINE	SERIES	BODY	ENGINE	TRANS	TRIM	DESCRIPTION
------	-------------	-----	------	--------	------	--------	-------	------	-------------

Note:Sales Codes;
[DME]=Axle Ratio - 3.73
[DS8]=Axle - Conventional Differential Rear

1									AXLE, Service Rear
	05183509AA	1	J, T		74				[DME,BR4,DS8]
	04874469								Mopar SAE 75W-140 Synthetic Gear and Axle Lube Quart
	68003055AA								Mopar SAE 75W-140 Synthetic Gear and Axle Lube 16 Gallon Keg
	05191214AA	1							[DME,BRY,DS8]
	04874469								Mopar SAE 75W-140 Synthetic Gear and Axle Lube Quart
	68003055AA								Mopar SAE 75W-140 Synthetic Gear and Axle Lube 16 Gallon Keg



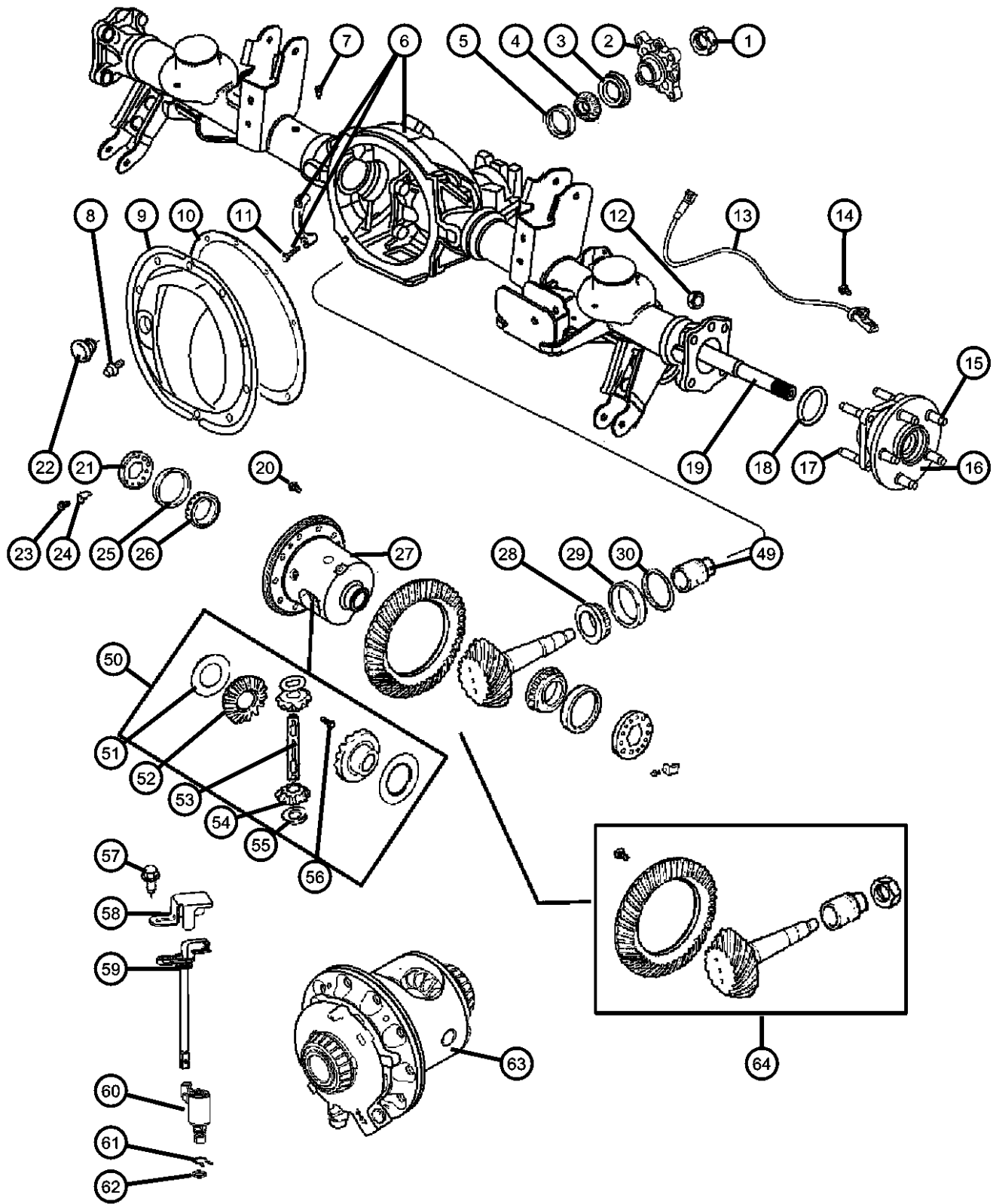
GRAND CHEROKEE (WK)

SERIES	LINE	BODY	ENGINE	TRANSMISSION
H = HIGHLINE	T = JEEP - 2WD	74 = SPORT UTILITY 4-DR	EKG = 3.7L V6 Engine	DGQ = 5-Spd Automatic 5-45RFE Transmission
P = PREMIUM	J = JEEP - 4WD		EVA = 4.7L V8 MPI Engine	DGJ = 5-Speed Automatic MB Transmission
S = SPORT			EZB = 5.7L Hemi Multi Displacement Engine	
X = SPECIAL				

AR = use ase required - = Non illustrated part

2006 WK

**Axle,Rear,With Differential,Housing and Axle Shafts,[DRS],8.25/213MM
Figure 3-210**



ITEM	PART NUMBER	QTY	LINE	SERIES	BODY	ENGINE	TRANS	TRIM	DESCRIPTION
------	-------------	-----	------	--------	------	--------	-------	------	-------------

Note:Sales Codes;
 [DMD]=Axle Ratio - 3.55
 [DME]=Axle Ratio - 3.73
 [DMM]=Axle Ratio - 3.07
 [DRS]=Axle - Rear,213MM
 [DSF]=Axle - Electric Limited Slip Differential Rear
 [DS8]=Axle - Conventional Differential Rear

1	06036572AA	1							NUT, Pinion Yoke
2	52114046AC	1							FLANGE, Driveshaft Yoke
3	52070339AB	1							SEAL, Drive Pinion
4	02070316	1							BEARING, Drive PinionFront
5	02070317	1							CUP, Pinion BearingFront
6									HOUSING, Axle
	05135769AG	1							[DS8]
	05142347AD	1							[DSF]
7	52114267AB	1							VENT, Axle
8	06033043	12							SCREW AND WASHER, Hex Flange Head, .312-18x.562, Differential Cover, Mounting COVER, Differential
9									[DS8]
	03723681AC	1							[DSF]
	52114002AA	1							SEALANT, RTV
10	05010884AA	1							SCREW, Hex Head, .50-13x2.38, Carrier Bearing Cap, Mounting
11	03432695	4							NUT, Hex Lock, M12x1.75, Hub and Bearing to Axle Housing, Mounting
12	06101688	8							SENSOR, Wheel SpeedRight or Left
13	56044146AA	2							SCREW, Hex Head, M6 x 1.00 x 17.50, Wheel Speed Sensor, Mounting
14	06506968AA	2							BOLT, Hub and Rotor
15	06036424AA	10							HUB AND BEARING, Wheel
16	52111884AA	2							STUD, Hub and Bearing to Axle Housing, Mounting
17	06508071AA	8							O RING, Hub and Bearing to Axle Housing, Mounting
18	52114079AA	2							SHAFT, Axle
19									[DSF], Right
	52111899AA	1							[DSF], Left
	52111913AA	1							

GRAND CHEROKEE (WK)

SERIES LINE
 H = HIGHLINE T = JEEP - 2WD
 P = PREMIUM J = JEEP - 4WD
 S = SPORT
 X = SPECIAL

BODY
 74 = SPORT UTILITY 4-DR

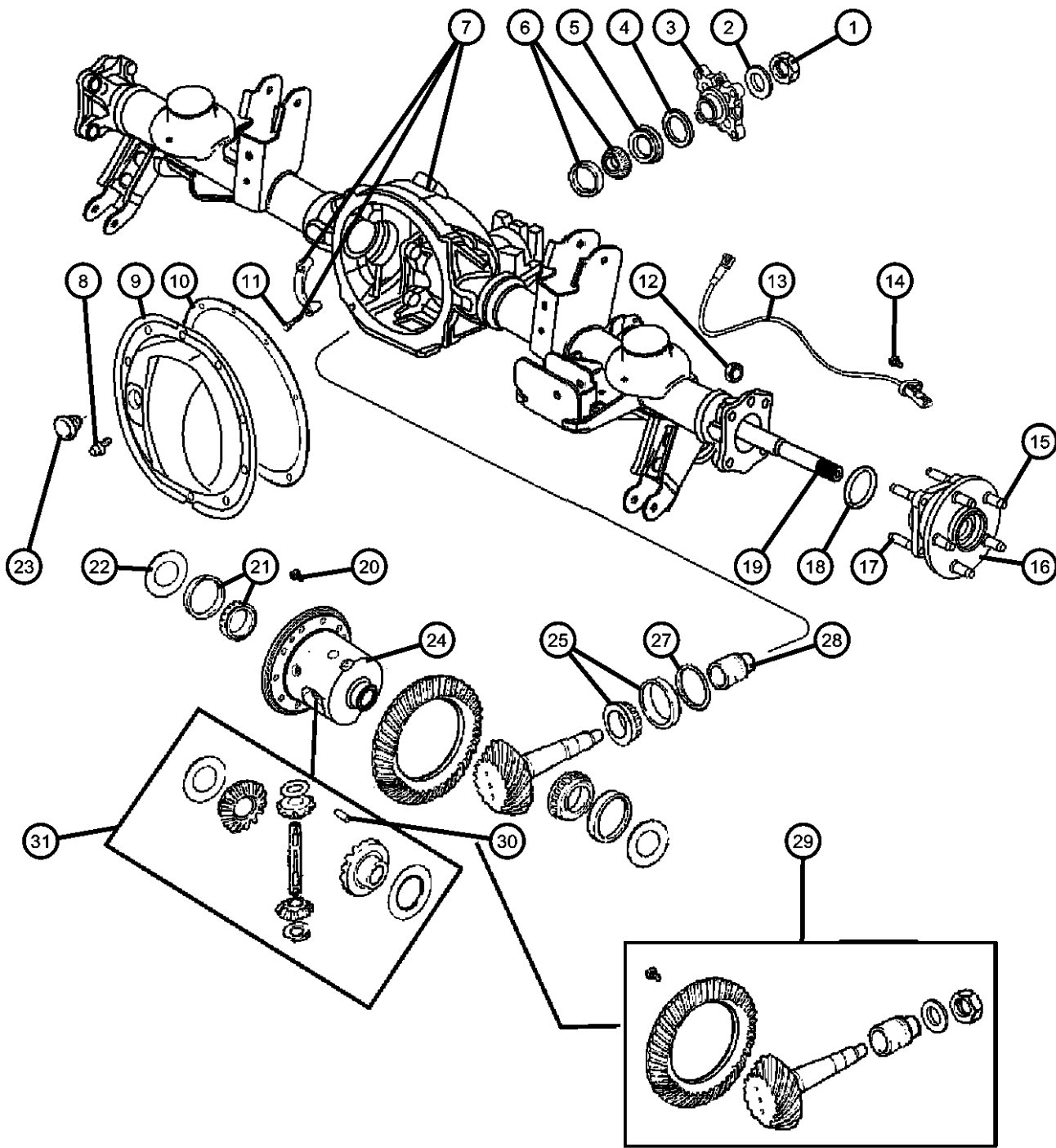
ENGINE
 EKG = 3.7L V6 Engine
 EVA = 4.7L V8 MPI Engine
 EZB = 5.7L Hemi Multi Displacement Engine

TRANSMISSION
 DGQ = 5-Spd Automatic 5-45RFE Transmission
 DGJ = 5-Speed Automatic MB Transmission

AR = use ase required - = Non illustrated part

2006 WK

**Axle,Rear,With Differential,Housing and Axle Shafts,[DRK],Dana 44/226MM
Figure 3-220**

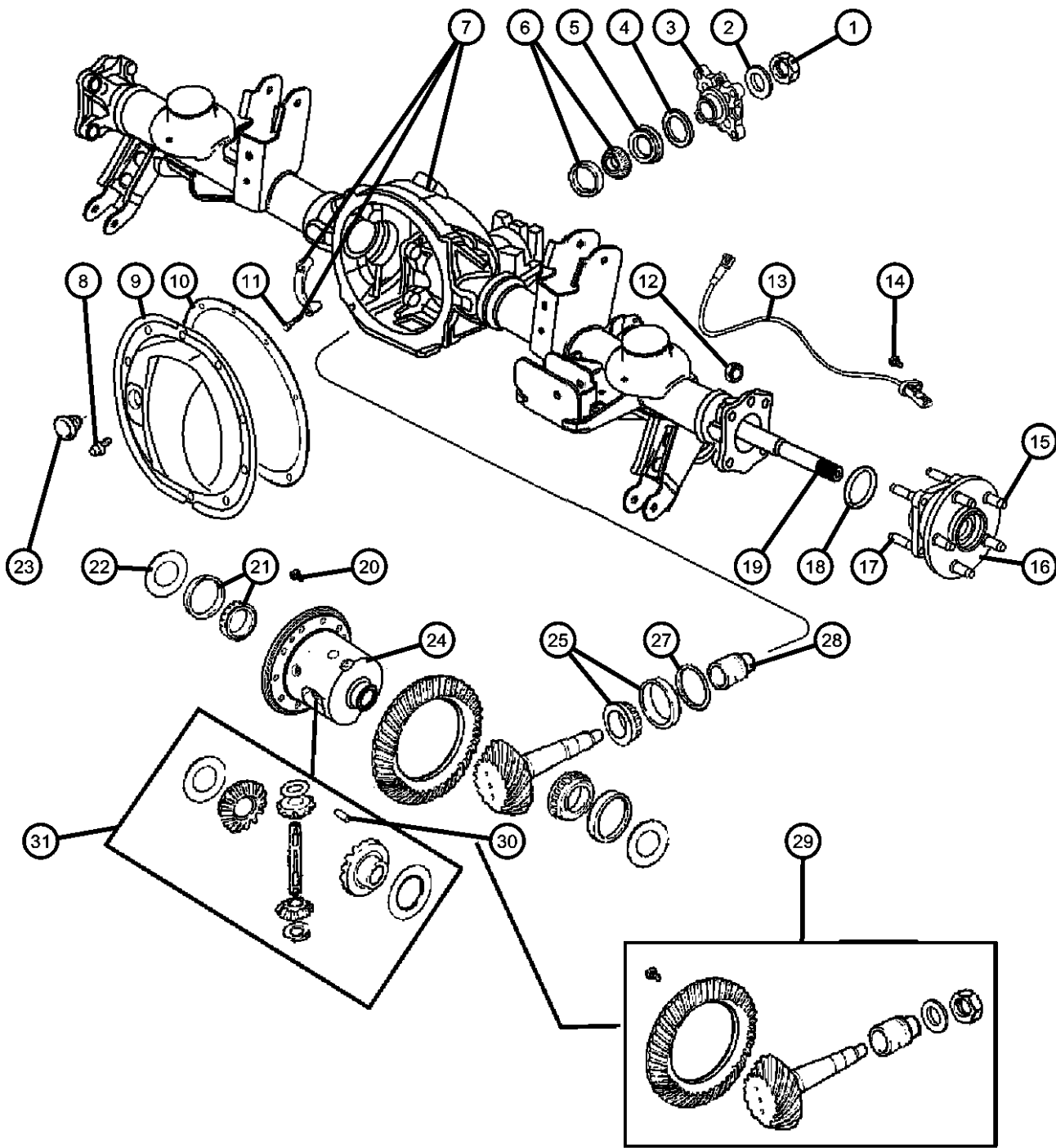


ITEM	PART NUMBER	QTY	LINE	SERIES	BODY	ENGINE	TRANS	TRIM	DESCRIPTION
Note:Sales Codes; [DME]=Axle Ratio - 3.73 [DMM]=Axle Ratio - 3.07 [DRK]=Rear Axle - Dana 44/226MM [DS8]=Axle - Conventional Differential Rear									
1	05191197AA	1							NUT, Pinion Yoke
2	01795175	1							WASHER, Pinion Yoke
3	05183523AA	1							FLANGE, Driveshaft Yoke
4	04746867	1							SLINGER, Drive Pinion
5	05183524AA	1							SEAL, Drive Pinion
6	04864210	1							BEARING, Drive Pinion, Cup and Cone, Front
7	05183511AA	1							HOUSING, Axle [BR4]
	05191205AA	1							
8	02954031	10							BOLT, Differential Cover, Differential Cover, Mounting
9	05183507AA	1							COVER, Differential
10	05010884AA	1							SEALANT, RTV
11	05003648AA	4							BOLT, Differential, Carrier Bearing Cap, Mounting
12	06101688	8							NUT, Hex Lock, M12x1.75, Hub and Bearing to Axle Housing
13	56044146AA	2							SENSOR, Wheel SpeedRight or Left
14	06508345AA	2							SCREW, Hex Head, Wheel Speed Sensor, Mounting
15	06036424AA	10							BOLT, Hub and Rotor
16	52111884AA	2							HUB AND BEARING, Wheel
17	06508071AA	8							STUD, Hub and Bearing to Axle Housing, Mounting
18	52114079AA	2							O RING, Hub and Bearing
19	05183528AA	1							SHAFT, Axle Right
	05183529AA	1							Left
20	05183517AA	1							BOLT KIT, Ring Gear, Mounting
21	05183508AA	1							BEARING, Differential, Contains 2 Cups and 2 Cones
22	05183516AA	1							SHIM KIT, Differential
23	J4004751	1							PLUG, Differential Cover

GRAND CHEROKEE (WK)				
SERIES	LINE	BODY	ENGINE	TRANSMISSION
H = HIGHLINE	T = JEEP - 2WD	74 = SPORT UTILITY 4-DR	EKG = 3.7L V6 Engine	DGQ = 5-Spd Automatic 5-45RFE
P = PREMIUM	J = JEEP - 4WD		EVA = 4.7L V8 MPI Engine	Transmission
S = SPORT			EZB = 5.7L Hemi Multi	DGJ = 5-Speed Automatic MB
X = SPECIAL			Displacement Engine	Transmission

AR = use ase required - = Non illustrated part

Axle,Rear,With Differential,Housing and Axle Shafts,[DRK],Dana 44/226MM
Figure 3-220



ITEM	PART NUMBER	QTY	LINE	SERIES	BODY	ENGINE	TRANS	TRIM	DESCRIPTION
24	05183518AA	1							CASE, Differential, With Internal Parts
25	05191196AA	1							BEARING, Drive Pinion, Cup and Cone, Rear
-26									SHIM KIT, Pinion Shaft
	04856368	1							Contains Shims [.035" to .039"]
	04856369	1							Contains Shims [.040" to .044"]
	04856370	1							Contains Shims [.045" to .049"]
	04856371	1							Contains Shims [.050" to .054"]
27									SHIM, Drive Pinion Bearing
	05017332AA	1							[.040"]
	05017333AA	1							[.041"]
	05017334AA	1							[.042"]
	05017335AA	1							[.043"]
	05017336AA	1							[.044"]
	05017337AA	1							[.045"]
	05017338AA	1							[.046"]
	05017339AA	1							[.047"]
	05017340AA	1							[.048"]
	05017341AA	1							[.049"]
	05017342AA	1							[.050"]
	05017343AA	1							[.051"]
	05017344AA	1							[.052"]
	05017345AA	1							[.053"]
	05017346AA	1							[.054"]
28	05183525AA	1							SPACER, Drive Pinion Bearing, Crush
29	05183522AA	1							GEAR KIT, Ring And Pinion, [DME]
30	01791563	1							PIN, Differential Shaft
31	05183520AA	1							GEAR KIT, Center Differential

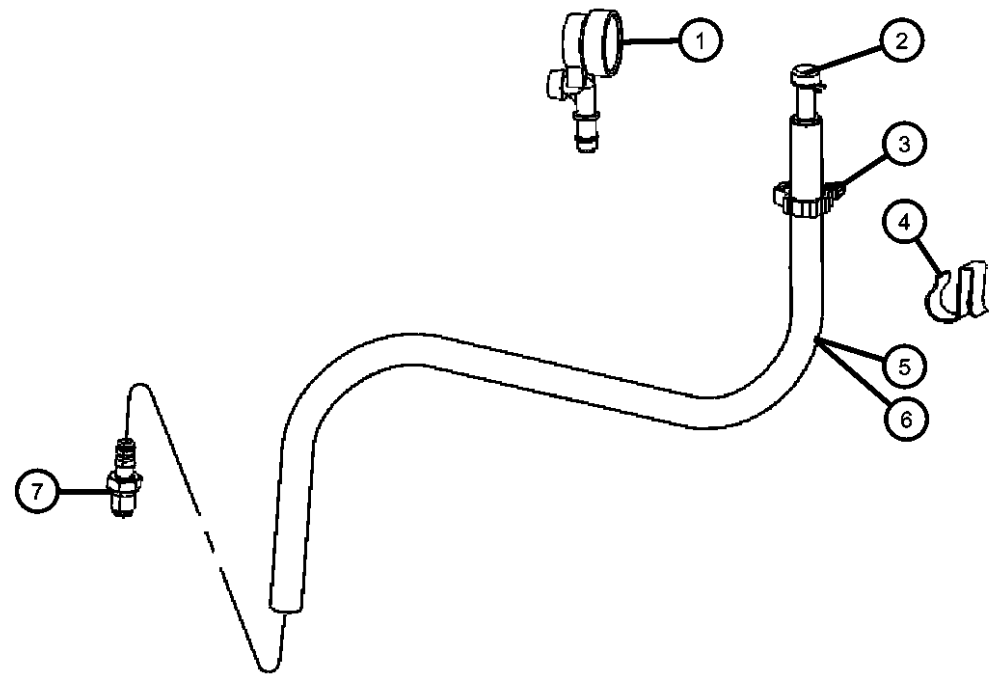
GRAND CHEROKEE (WK)

SERIES	LINE	BODY	ENGINE	TRANSMISSION
H = HIGHLINE	T = JEEP - 2WD	74 = SPORT UTILITY 4-DR	EKG = 3.7L V6 Engine	DGQ = 5-Spd Automatic 5-45RFE Transmission
P = PREMIUM	J = JEEP - 4WD		EVA = 4.7L V8 MPI Engine	DGJ = 5-Speed Automatic MB Transmission
S = SPORT			EZB = 5.7L Hemi Multi Displacement Engine	
X = SPECIAL				

AR = use ase required - = Non illustrated part

Rear Axle Vent
Figure 3-310

ITEM	PART NUMBER	QTY	LINE	SERIES	BODY	ENGINE	TRANS	TRIM	DESCRIPTION
1	52104552AC	1	J, T		74				VENT, Axle, [DRK,DRS+BRY]
2	J5352955	1	J, T		74				VENT, Axle, [DRK+BR4]
3	06036291AA	1							CLIP, Vent Tube
4	06032633AB	1							CLIP, Vent Tube
5	HFV00516AB	1	J, T		74				HOSE, Fuel And Vapor, 25 Foot Roll 5/16"
6	04854583AA	1							HOSE, Axle Vent, [ES0] Only
7	52114267AB	1							VENT, Axle



GRAND CHEROKEE (WK)

SERIES LINE
H = HIGHLINE T = JEEP - 2WD
P = PREMIUM J = JEEP - 4WD
S = SPORT
X = SPECIAL

BODY
74 = SPORT UTILITY 4-DR

ENGINE
EKG = 3.7L V6 Engine
EVA = 4.7L V8 MPI Engine
EZB = 5.7L Hemi Multi Displacement Engine

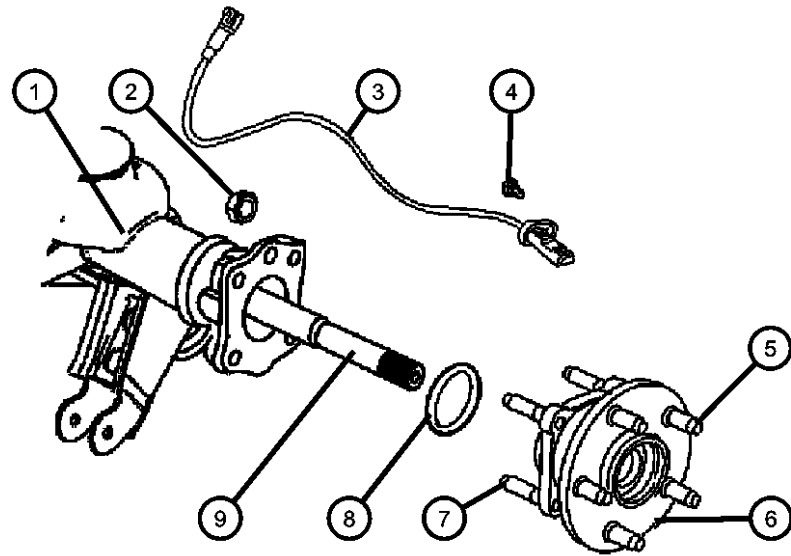
TRANSMISSION
DGQ = 5-Spd Automatic 5-45RFE Transmission
DGJ = 5-Speed Automatic MB Transmission

AR = use ase required - = Non illustrated part

2006 WK

**Axle Shafts,Rear
Figure 3-410**

ITEM	PART NUMBER	QTY	LINE	SERIES	BODY	ENGINE	TRANS	TRIM	DESCRIPTION
1		1							HOUSING, Axle, See 3-210 for part number, (NOT SERVICED)
2	06101688	8							NUT, Hex Lock, M12x1.75, Hub and Bearing to Axle Housing, Mounting
3	56044146AA	2							SENSOR, Wheel SpeedRight or Left
4	06506968AA	2							SCREW, Hex Head, M6 x 1.00 x 17.50Right or Left
5	06036424AA	5							BOLT, Hub and RotorRight or Left
6	52111884AA	1							HUB AND BEARING, WheelRight or Left
7	06508071AA	4							STUDRight or Left
8	52114079AA	1							O RINGRight or Left
9									SHAFT, Axle
	05183528AA	1							[DRK,DS8], Right
	52111899AA	1							[DRS,DSF], Right
	52111913AA	1							[DRS,DSF], Left
	05183529AA	1							[DRK,DS8], Left
	52114077AA	1							[DRS,DS8], Right
	52114076AA	1							[DRS,DS8], Left



GRAND CHEROKEE (WK)

SERIES LINE
H = HIGHLINE T = JEEP - 2WD
P = PREMIUM J = JEEP - 4WD
S = SPORT
X = SPECIAL

BODY
74 = SPORT UTILITY 4-DR

ENGINE
EKG = 3.7L V6 Engine
EVA = 4.7L V8 MPI Engine
EZB = 5.7L Hemi Multi Displacement Engine

TRANSMISSION
DGQ = 5-Spd Automatic 5-45RFE Transmission
DGJ = 5-Speed Automatic MB Transmission

AR = use ase required - = Non illustrated part

2006 WK

Group - 4

Parking Brake

Group - 4 Parking Brake

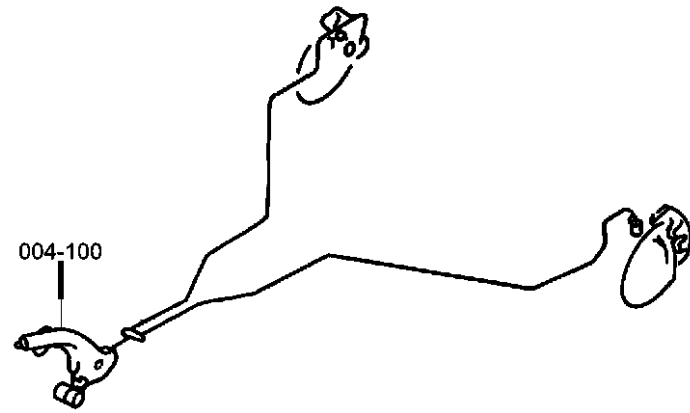
Illustration Title

Group-Fig. No.

Parking Brake Lever and Cables

Lever And Cable - Parking Brake Fig. 4 - 110

Rear Disc Parking Brake Assembly..... Fig. 4 - 120

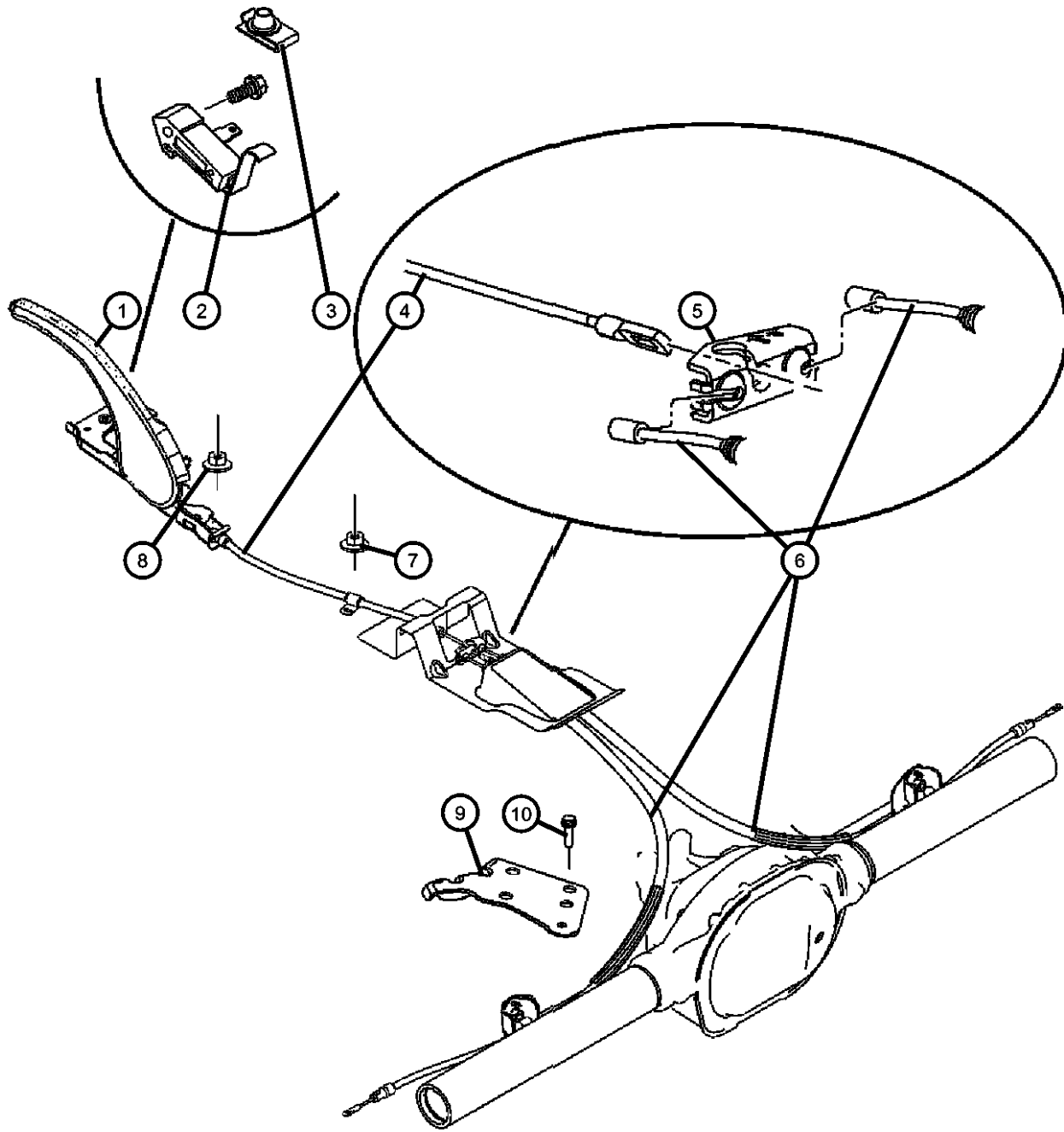


004-100

004-100
Parking Brake Lever and Cables



Lever And Cable - Parking Brake
Figure 4-110



ITEM	PART NUMBER	QTY	LINE	SERIES	BODY	ENGINE	TRANS	TRIM	DESCRIPTION
1	5KD70BD1AC	1							LEVER, Parking Brake [J1]
	5KD70BD5AC	1							[D5]
	5KD70ZJ3AC	1							[J3]
2	04671936AA	1							SWITCH, Parking Brake
3	06506035AA	1							NUT, U, M6x1.00
4	05134701AB	1							CABLE, Parking Brake
5	52124029AA	1							EQUALIZER, Parking Brake Cable
6									CABLE, Parking Brake
	52124333AA	1							Left
	52124334AA	1							Right
7	05096978AA	1							NUT, Hex, M6, Intermediate Cable, Mounting
8	05096978AA	3							NUT, Hex, M6, Parking Brake Assembly, Mounting
9		3							BRACKET, Parking Brake Cable, (NOT SERVICED)
10		3							BOLT, (NOT SERVICED)
-11	52124158AA	1							INSULATOR, Parking brake cable, Cable to Unerbody Isolator

GRAND CHEROKEE (WK)

SERIES	LINE
H = HIGHLINE	T = JEEP - 2WD
P = PREMIUM	J = JEEP - 4WD
S = SPORT	
X = SPECIAL	

BODY
74 = SPORT UTILITY 4-DR

ENGINE
EKG = 3.7L V6 Engine
EVA = 4.7L V8 MPI Engine
EZB = 5.7L Hemi Multi Displacement Engine

TRANSMISSION
DGQ = 5-Spd Automatic 5-45RFE Transmission
DGJ = 5-Speed Automatic MB Transmission

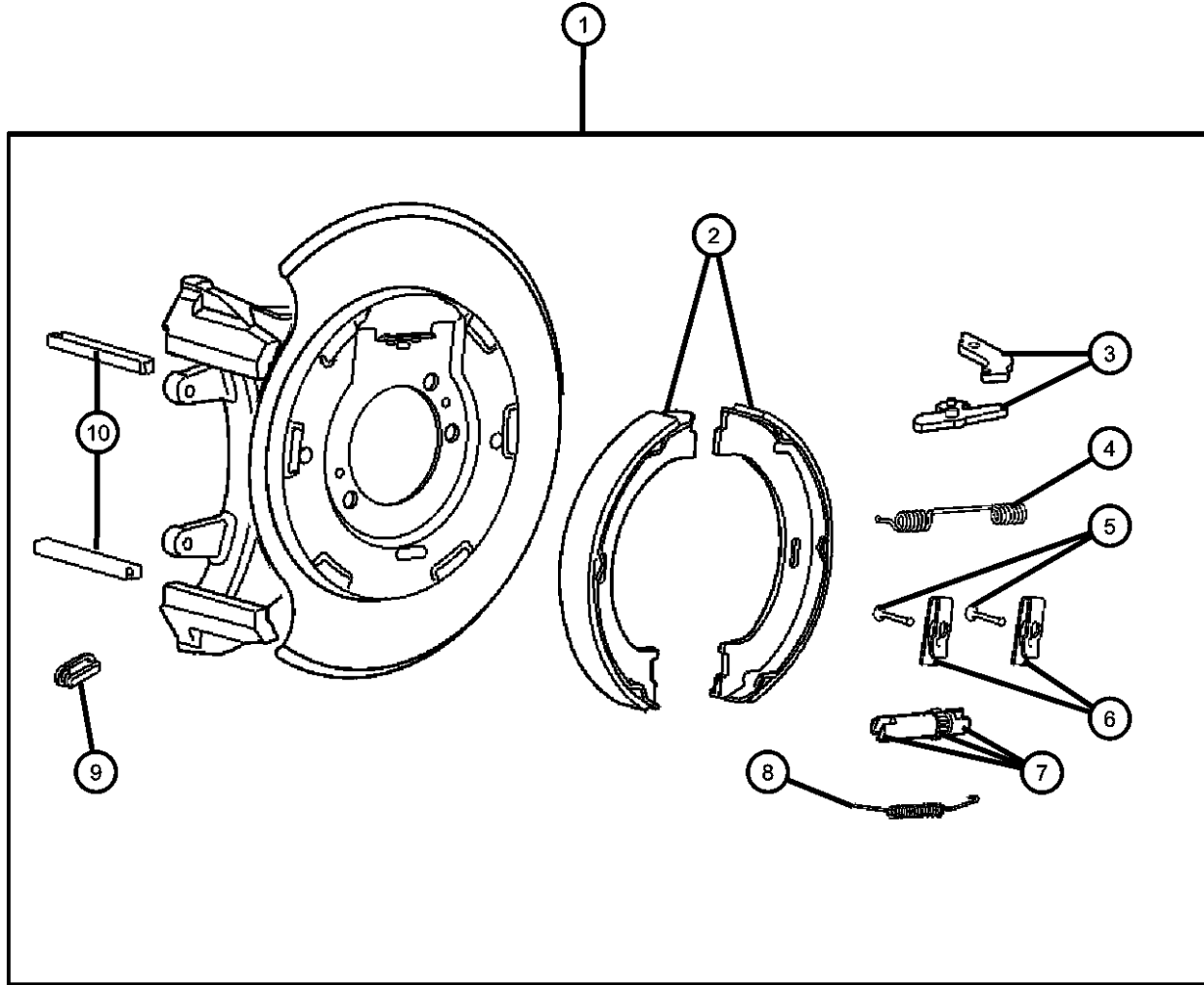
AR = use ase required - = Non illustrated part

2006 WK

**Rear Disc Parking Brake Assembly
Figure 4-120**

ITEM	PART NUMBER	QTY	LINE	SERIES	BODY	ENGINE	TRANS	TRIM	DESCRIPTION
------	-------------	-----	------	--------	------	--------	-------	------	-------------

Note:Sales Codes;
[DRK]=DANA 44/226MM REAR AXLE
[DRS]=Rear Axle - 8.25 [213MM]



1									ADAPTER, Parking Brake
	05290734AA	2							[DRK,BR4], Right or Left
	52089418AA	1							[DRS], Right or Left
		2							[DRK,BRY], Right or Left
2	05086930AA	1							SHOE AND LINING KIT, Drum, Complete
	VRWK0871AA								Make It New Brake Kits
3	05143737AA	2							LEVER, Parking Brake
4	05143732AA	2							SPRING, Park Brake Shoe Return
5									PIN, Brake Shoe Hold Down
	04762126	4							[DRS]
	05179890AA	4							[DRK]
6									CLIP, Parking Brake Hold Down
	04762125	4							[DRS]
	05179889AA	4							[DRK]
7									ADJUSTER, Parking Brake
	05143736AA	2							[DRS]
	05179888AA	2							[DRK]
8	04762116	2							SPRING, Park Brake Shoe Return
9	04762121	2							PLUG, Brake Adjusting Hole
10	05143705AA	1							SLIPPER KIT, Caliper, Contains 4 Slippers

GRAND CHEROKEE (WK)

SERIES LINE
H = HIGHLINE T = JEEP - 2WD
P = PREMIUM J = JEEP - 4WD
S = SPORT
X = SPECIAL

BODY
74 = SPORT UTILITY 4-DR

ENGINE
EKG = 3.7L V6 Engine
EVA = 4.7L V8 MPI Engine
EZB = 5.7L Hemi Multi Displacement Engine

TRANSMISSION
DGQ = 5-Spd Automatic 5-45RFE Transmission
DGJ = 5-Speed Automatic MB Transmission

AR = use ase required - = Non illustrated part

2006 WK

Group - 5

Service Brakes

Group - 5 Service Brakes

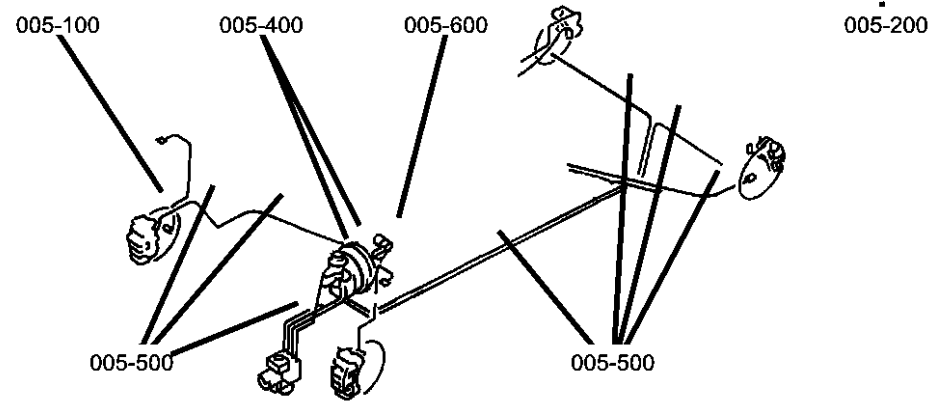


Illustration Title

Group-Fig. No.

Front Brakes

Front Disc Brake Caliper..... Fig. 5 - 110
 Front Disc Brake Caliper With [ES0]..... Fig. 5 - 120

Rear Brakes

Rear Disc Brake Caliper and Rotor,[DRS],8.25/213MM,[DRK] With [BRY] Brakes Fig. 5 - 210
 Rear Disc Brake Caliper and Rotor,[DRK],Dana 44/226MM,With [BR4] Brakes Fig. 5 - 220

Power Brake Booster

Power Brake Booster Fig. 5 - 310

Brake Master Cylinder

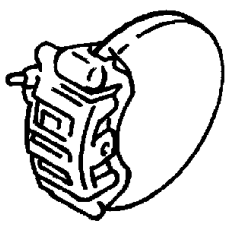
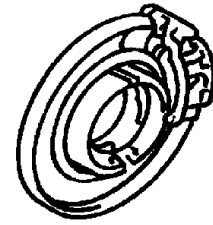
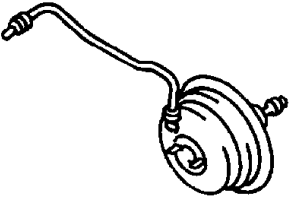
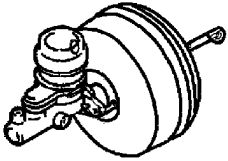
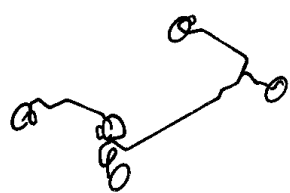

Master Cylinder,Brake Fig. 5 - 410
 H C U and Brake Lines From HCU to Master Cylinder..... Fig. 5 - 420

Brake Lines and Hoses

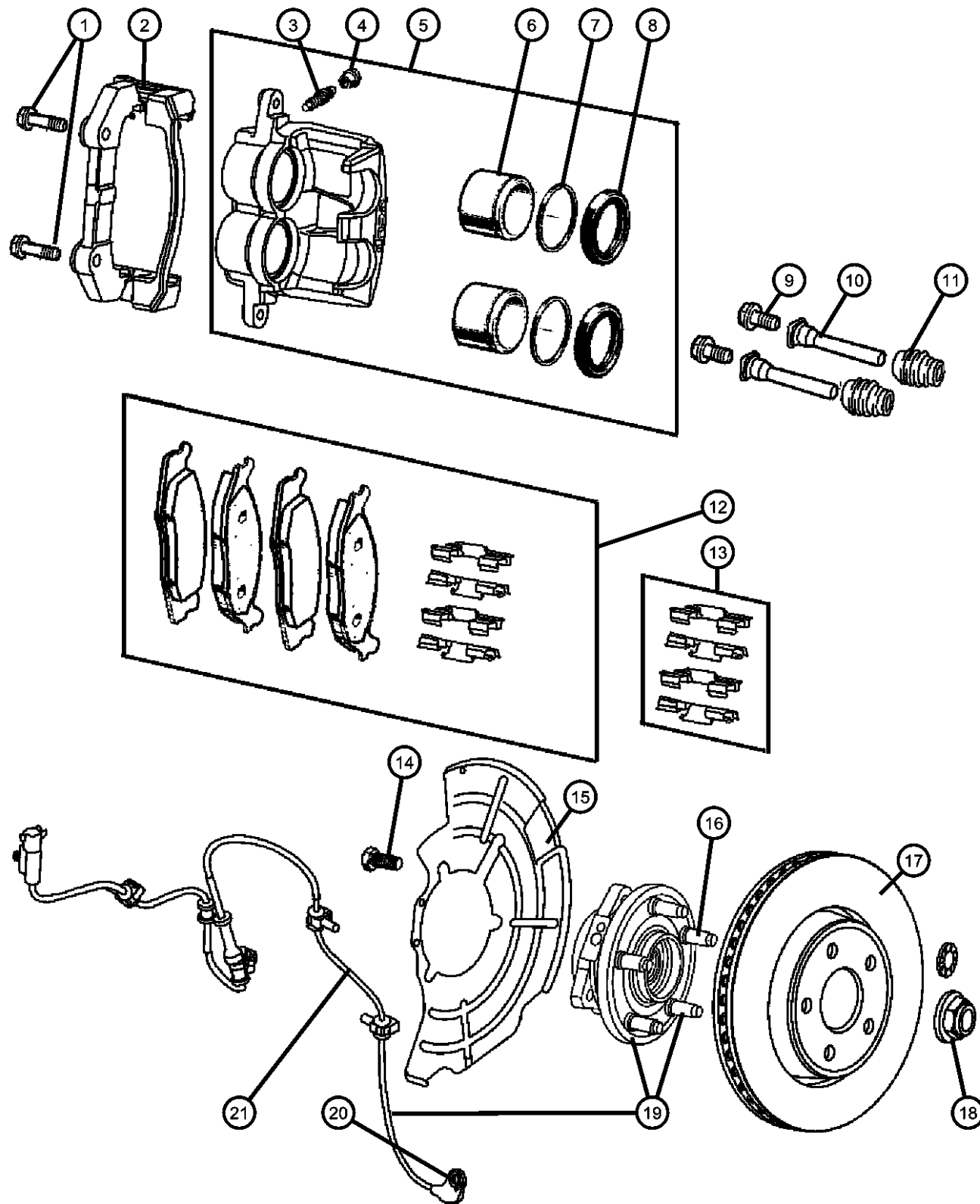
Brake Lines and Hoses,Front,2 Wheel Drive Fig. 5 - 510
 Brake Lines and Hoses,Front,4 Wheel Drive Fig. 5 - 520
 Brake Lines and Hoses,Rear and Chassis..... Fig. 5 - 530

Brake Pedals

Brake Pedals,Standard [XA8] and Adjustable [XAM,XAP]..... Fig. 5 - 610

<p>005-100 Front Brakes</p> 	<p>005-200 Rear Brakes</p> 	<p>005-300 Power Brake Booster</p> 	<p>005-400 Brake Master Cylinder</p> 
<p>005-500 Brake Lines and Hoses</p> 	<p>005-600 Brake Pedals</p> 		

**Front Disc Brake Caliper
Figure 5-110**



ITEM	PART NUMBER	QTY	LINE	SERIES	BODY	ENGINE	TRANS	TRIM	DESCRIPTION
Note:Sales Codes; [EK0]=ALL 3.7L 6-CYL GAS ENGINES [EV0]=ALL 4.7L GAS ENGINES [EZ0]=ALL 5.7L 8CYL GAS ENGINES									
1	06507152AA	4							BOLT, Hex Flange Head, Caliper Bracket to Knuckle, Mounting
2	05143699AB	1							BRACKET
3	05093343AA	1							BLEEDER SCREW, Brake
4	05093278AA	1							CAP, Bleeder
5									CALIPER ASSEMBLY, Disc Brake, Front
	05143692AA	1							Right
	05143693AA	1							Left
6	05143696AA	2							PISTON, Brake
7	05143694AA	2							SEAL, Caliper Piston
8	05143691AA	2							BOOT, Brake Piston
9	05093355AA	2							BOLT
10	05143697AA	2							PIN, Caliper
11	05103112AA	2							BOOT, Caliper Pin
12	05080868AC	1							PAD KIT, Front Disc Brake
	V3010868								Mopar V-Line Alternative Part Ceramic
	VCWK0868AA								Make It Ceramic Brake Kit
	VWKXK868AA								Make It New Brake Kits
	V1010868AB								Mopar V-Line Alternative Part
13	05143700AA	1							SLIPPER KIT, Caliper
14	06505935AA	6							SCREW, Hub and Bearing to Knuckle, Mounting
15									SHIELD, Splash
	52090432AA	1							Right
	52090433AC	1							Left
16	06036424AA	5							BOLT, Hub and Rotor
17	52089269AB	2							ROTOR, Brake
	VWKX0868AB								Make It New Brake Kits
18	06506454AA	2			J				NUT, Hex, Halfshaft to Hub Assembly, Mounting
19	52089434AB	2							HUB AND BEARING, Brake
20	05175374AA	2							BOLT, ABS Sensor, Mounting
21	56044144AB	2							SENSOR, Anti-Lock Brakes

GRAND CHEROKEE (WK)

SERIES LINE
H = HIGHLINE T = JEEP - 2WD
P = PREMIUM J = JEEP - 4WD
S = SPORT
X = SPECIAL

BODY
74 = SPORT UTILITY 4-DR

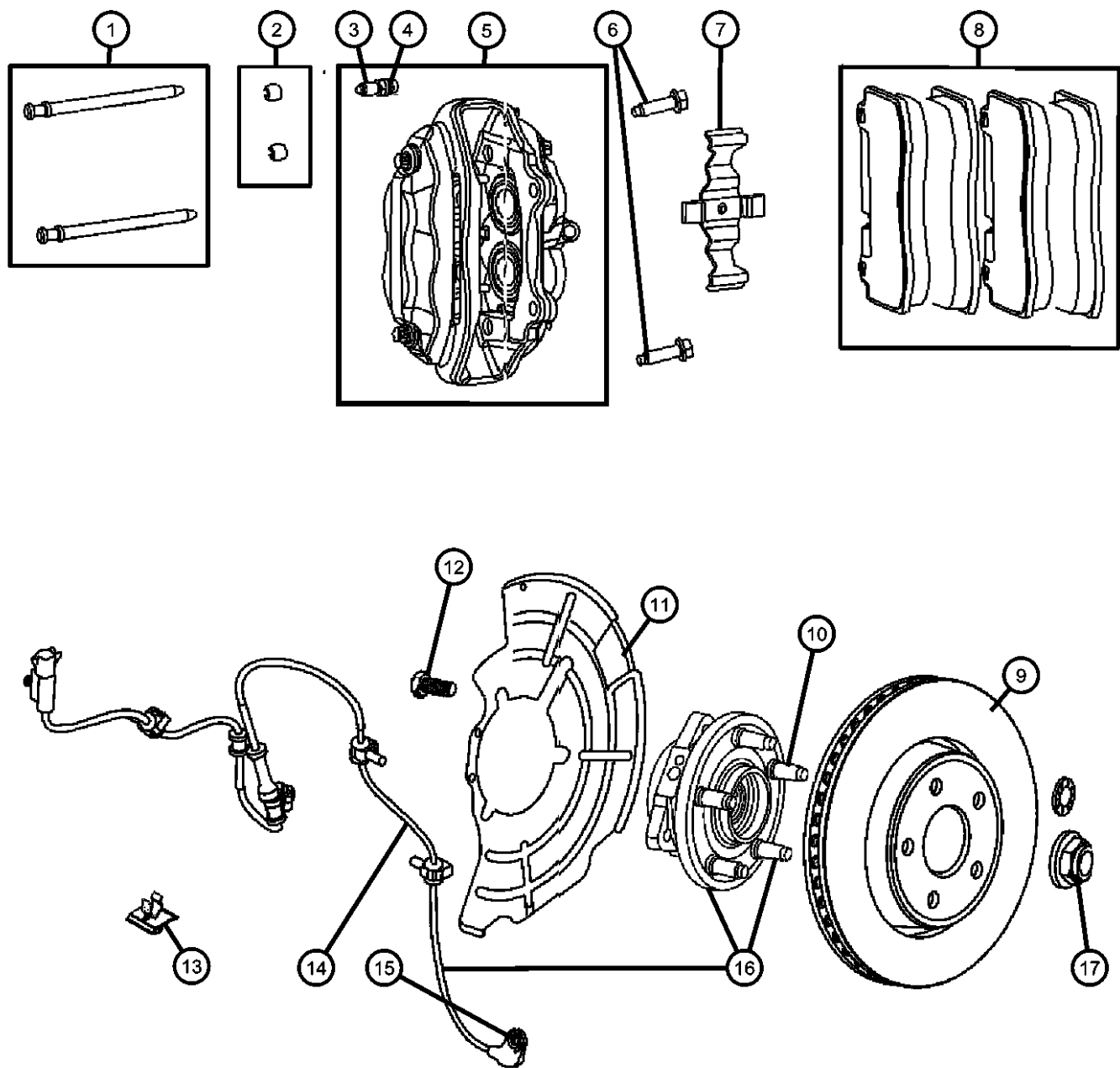
ENGINE
EKG = 3.7L V6 Engine
EVA = 4.7L V8 MPI Engine
EZB = 5.7L Hemi Multi Displacement Engine

TRANSMISSION
DGQ = 5-Spd Automatic 5-45RFE Transmission
DGJ = 5-Speed Automatic MB Transmission

AR = use ase required - = Non illustrated part

2006 WK

**Front Disc Brake Caliper With [ES0]
Figure 5-120**



ITEM	PART NUMBER	QTY	LINE	SERIES	BODY	ENGINE	TRANS	TRIM	DESCRIPTION
Sales Codes: [ES0]= ALL 6 L ENGINES [ESF]= 6.1L SRT HEMI SMPI V8 ENGINE									
1	05174320AA	1	J		74				PIN KIT, Disc Brake
2	05174318AA	1	J		74				BOOT KIT, Disc brake, For the Pin Kit
3	05174319AA	1	J		74				BLEEDER SCREW, Brake
4		1							CAP, Bleeder, (NOT SERVICED)
5									CALIPER ASSEMBLY, Disc Brake, Front
	68002158AA	1	J		74				Painted Black, Right
	68002159AA	1	J		74				Painted Black, Left
6	06104258AA	4	J, T		74				SCREW, Hex Flange Head, Caliper to Knuckle, Mounting
7	05174321AA	1	J		74				CLIP, Brake Anti-Rattle
8	68002193AA	1	J		74				PAD KIT, Front Disc Brake
9	05290733AA	2							ROTOR, Brake
10	06036424AA	10							BOLT, Hub and Rotor
11									SHIELD, Splash
	05290650AA	1							Right
	05290651AA	1							Left
12	06505935AA	6							SCREW, Bearing to Knuckle, Mounting
13	52124121AA	2							CLIP, Wiring, ABS Sensor
14	56044144AB	2							SENSOR, Anti-Lock Brakes
15	05175374AA	2							BOLT, ABS Sensor, Mounting
16	52089434AB	2							HUB AND BEARING, Brake
17	06506454AA	2	J						NUT, Hex

GRAND CHEROKEE (WK)

SERIES LINE
H = HIGHLINE T = JEEP - 2WD
P = PREMIUM J = JEEP - 4WD
S = SPORT
X = SPECIAL

BODY
74 = SPORT UTILITY 4-DR

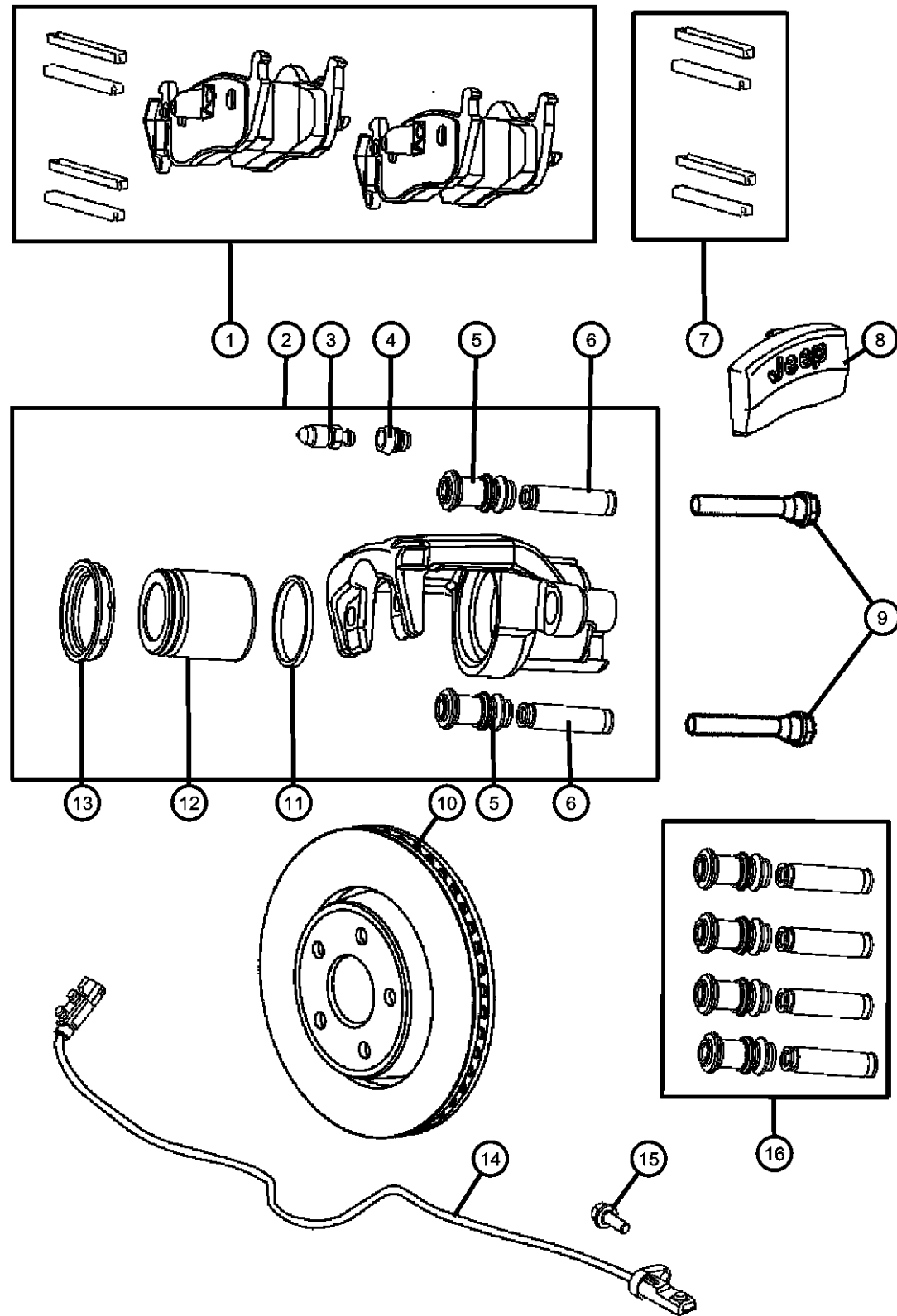
ENGINE
EKG = 3.7L V6 Engine
EVA = 4.7L V8 MPI Engine
EZB = 5.7L Hemi Multi Displacement Engine

TRANSMISSION
DGQ = 5-Spd Automatic 5-45RFE Transmission
DGJ = 5-Speed Automatic MB Transmission

AR = use ase required - = Non illustrated part

2006 WK

Rear Disc Brake Caliper and Rotor,[DRS],8.25/213MM,[DRK] With [BRY] Brakes
Figure 5-210



ITEM	PART NUMBER	QTY	LINE	SERIES	BODY	ENGINE	TRANS	TRIM	DESCRIPTION
1	05080871AB V2010871 V4010871 VCWK0871AB VRWK0871AB	1							PAD KIT, Rear Disc Brake [DRS] Mopar V-Line Alternative Part Mopar V-Line Alternative Part Ceramic Make It Ceramic Rear Brake Kit Make It New Brake Kits
	V2010871 V4010871 VCWK0871AB VRWK0871AB	2							[DRK,BRY] Mopar V-Line Alternative Part Mopar V-Line Alternative Part Ceramic Make It Ceramic Rear Brake Kit Make It New Brake Kits
2	05143702AB 05143703AB	1 1							CALIPER, Disc Brake Right Left
3	05093343AA	2							BLEEDER SCREW, Brake
4	05093278AA	2							CAP, Bleeder
5	04762105	4							SLEEVE, Brake Caliper
6	04762106	4							BUSHING, Caliper
7	05143705AA	1							SLIPPER KIT, Caliper
8	52090410AC	2							COVER, Brake Caliper
9	06507603AA	4							PIN, Caliper
10	52089275AB V5019275AA VCWK0871AB VRWK0871AB	2							ROTOR, Brake Mopar V-Line Alternative Brake Rotors Make It Ceramic Rear Brake Kit Make It New Brake Kits
11	05143694AA	2							SEAL, Caliper Piston
12	05143704AA	2							PISTON, Brake
13	05143691AA	2							BOOT, Brake Piston
14	56044146AA	2							SENSOR, Wheel Speed
15	06508345AA	2							SCREW, Hex Head, Wheel Speed Sensor, Mounting
16	05103158AA	1							BUSHING AND SLEEVE KIT, Caliper

GRAND CHEROKEE (WK)

SERIES LINE
H = HIGHLINE T = JEEP - 2WD
P = PREMIUM J = JEEP - 4WD
S = SPORT
X = SPECIAL

BODY
74 = SPORT UTILITY 4-DR

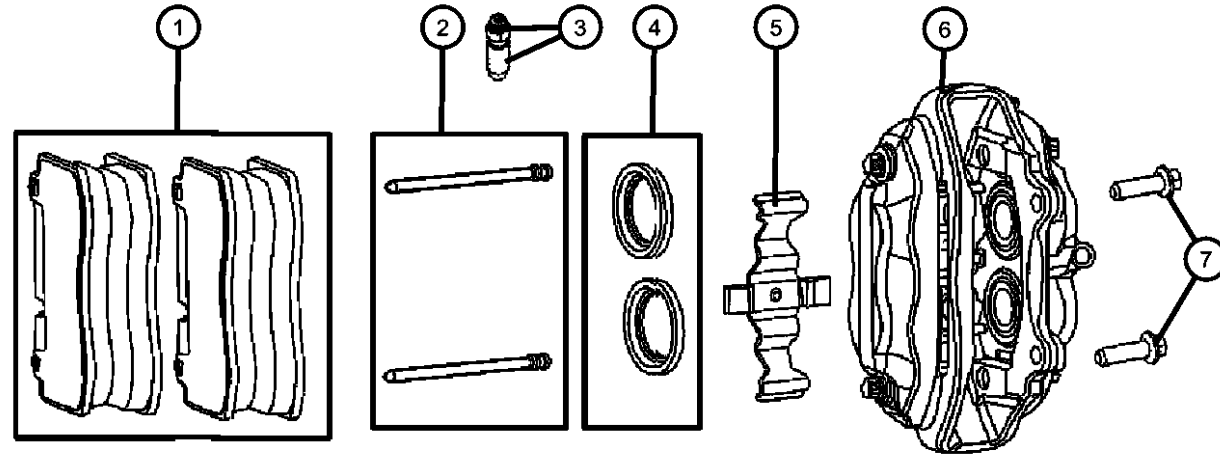
ENGINE
EKG = 3.7L V6 Engine
EVA = 4.7L V8 MPI Engine
EZB = 5.7L Hemi Multi
Displacement Engine

TRANSMISSION
DGQ = 5-Spd Automatic 5-45RFE
Transmission
DGJ = 5-Speed Automatic MB
Transmission

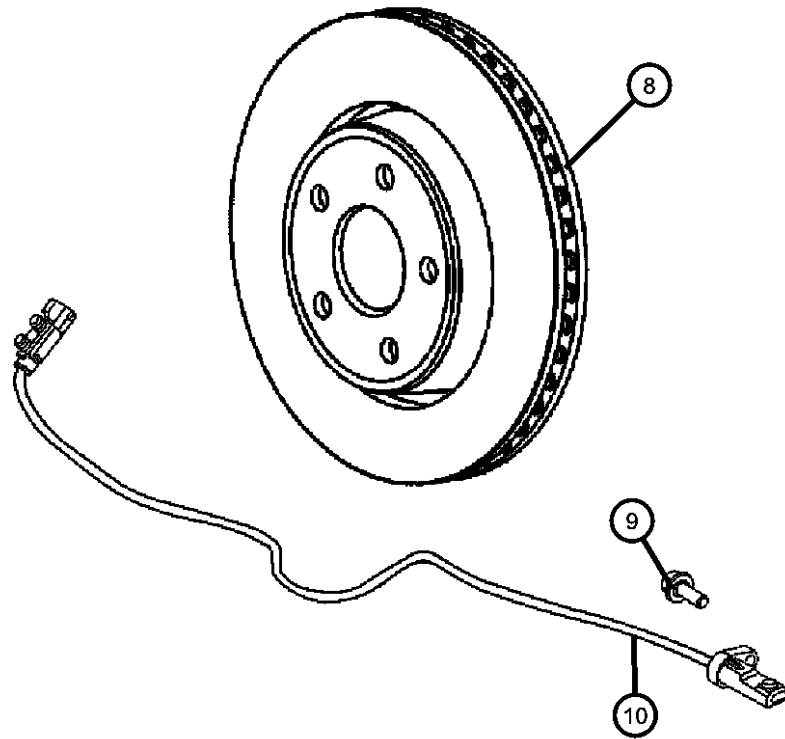
AR = use ase required - = Non illustrated part

2006 WK

Rear Disc Brake Caliper and Rotor,[DRK],Dana 44/226MM,With [BR4] Brakes
Figure 5-220



ITEM	PART NUMBER	QTY	LINE	SERIES	BODY	ENGINE	TRANS	TRIM	DESCRIPTION
1	68003610AA	1	J, T		74				PAD KIT, Rear Disc Brake
2	05174332AA	1	J, T		74				PIN KIT, Disc Brake
3	05174331AA	1	J, T		74				BLEEDER SCREW, Brake
4	05174330AB	1	J, T		74				BOOT KIT, Disc brake
5	05174333AA	1	J, T		74				CLIP, Brake Anti-Rattle
6									CALIPER ASSEMBLY, Disc Brake, Rear
	68002194AA	1	J, T		74				Painted Black, Right Rear
	68002195AA	1	J, T		74				Painted Black, Left Rear
7	06104258AA	4	J, T		74				SCREW, Hex Flange Head, Caliper to Knuckle, Mounting
8	05290731AA	2	J, T		74				ROTOR, Brake
	V5010731AA								Mopar V-Line Alternative Brake Rotors
9	06508345AA	2	J, T		74				SCREW, Hex Head, Wheel Speed Sensor, Mounting
10	56044146AA	2	J, T		74				SENSOR, Wheel Speed



GRAND CHEROKEE (WK)

SERIES LINE
H = HIGHLINE T = JEEP - 2WD
P = PREMIUM J = JEEP - 4WD
S = SPORT
X = SPECIAL

BODY
74 = SPORT UTILITY 4-DR

ENGINE
EKG = 3.7L V6 Engine
EVA = 4.7L V8 MPI Engine
EZB = 5.7L Hemi Multi Displacement Engine

TRANSMISSION
DGQ = 5-Spd Automatic 5-45RFE Transmission
DGJ = 5-Speed Automatic MB Transmission

AR = use ase required - = Non illustrated part

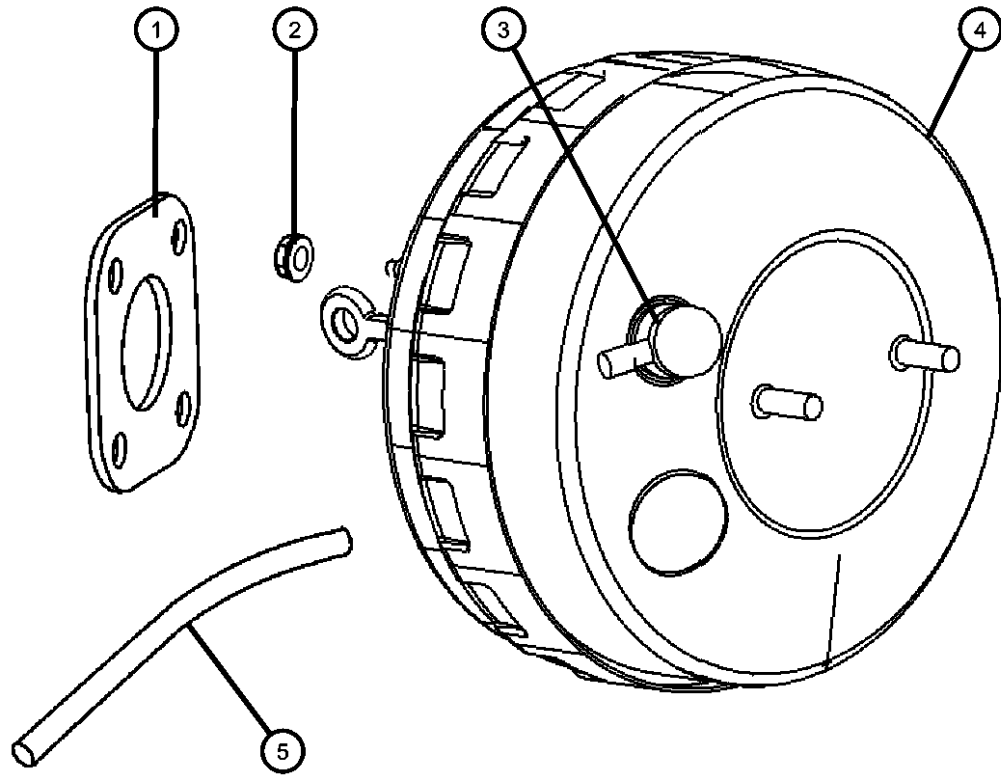
2006 WK

**Power Brake Booster
Figure 5-310**

ITEM	PART NUMBER	QTY	LINE	SERIES	BODY	ENGINE	TRANS	TRIM	DESCRIPTION
------	-------------	-----	------	--------	------	--------	-------	------	-------------

Note:Sales Codes;
 [EK0]=Engine - All 3.7L 6 Cylinder Gas
 [ES0]=Engines - All 6 L Engines
 [EV0]=Engines - All 4.7L Gas
 [EZ0]=Engines - All 5.7L 8 Cylinder Gas

1	05143281AA	1							GASKET, Booster to Dash, Mounting
2	06101695	4							NUT, Hex Flange Lock, Booster to Dash, Mounting
3	05143282AA	1							VALVE, Check, Elbow, With Grommet
4	05175731AA	1							BOOSTER, Power Brake
5									HOSE, Brake Vacuum
	52089263AB	1							[EV0]
	52089996AC	1							[EZ0]
		1							[ES0]
	52124112AA	1							[EK0]



GRAND CHEROKEE (WK)

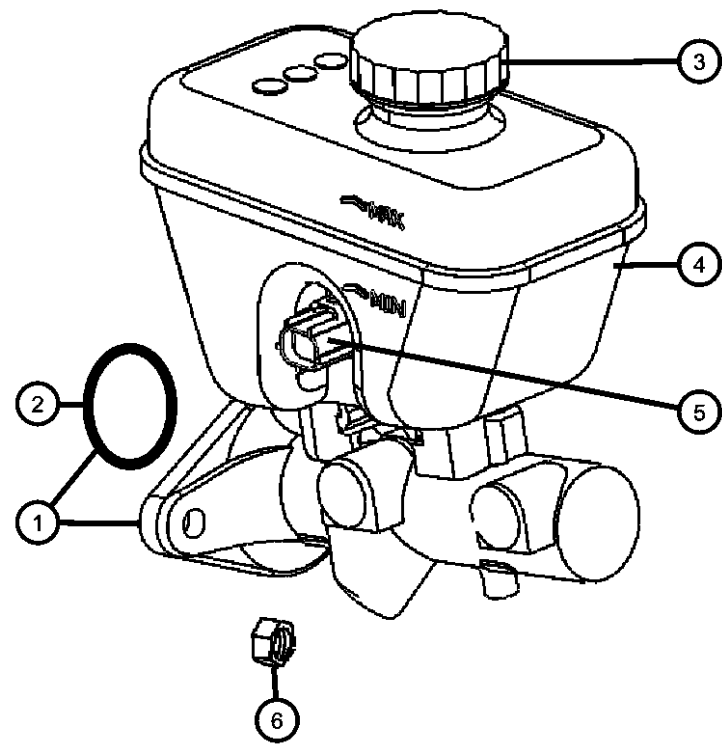
SERIES	LINE	BODY	ENGINE	TRANSMISSION
H = HIGHLINE	T = JEEP - 2WD	74 = SPORT UTILITY 4-DR	EKG = 3.7L V6 Engine	DGQ = 5-Spd Automatic 5-45RFE Transmission
P = PREMIUM	J = JEEP - 4WD		EVA = 4.7L V8 MPI Engine	DGJ = 5-Speed Automatic MB Transmission
S = SPORT			EZB = 5.7L Hemi Multi Displacement Engine	
X = SPECIAL				

AR = use ase required - = Non illustrated part

2006 WK

**Master Cylinder, Brake
Figure 5-410**

ITEM	PART NUMBER	QTY	LINE	SERIES	BODY	ENGINE	TRANS	TRIM	DESCRIPTION
1	05175732AA	1							MASTER CYLINDER, Brake
2	68027828AA	1	J, T		74				O RING, Master Cylinder to Booster, Mounting
3	05014518AA	1							CAP, Master Cylinder Reservoir
4	05143283AA	1							RESERVOIR, Brake Master Cylinder
5	05013903AA	1							SENSOR, Brake Fluid Level
6	05179375AA	2							NUT, Master Cylinder to Booster, Mounting



GRAND CHEROKEE (WK)

SERIES LINE
H = HIGHLINE T = JEEP - 2WD
P = PREMIUM J = JEEP - 4WD
S = SPORT
X = SPECIAL

BODY
74 = SPORT UTILITY 4-DR

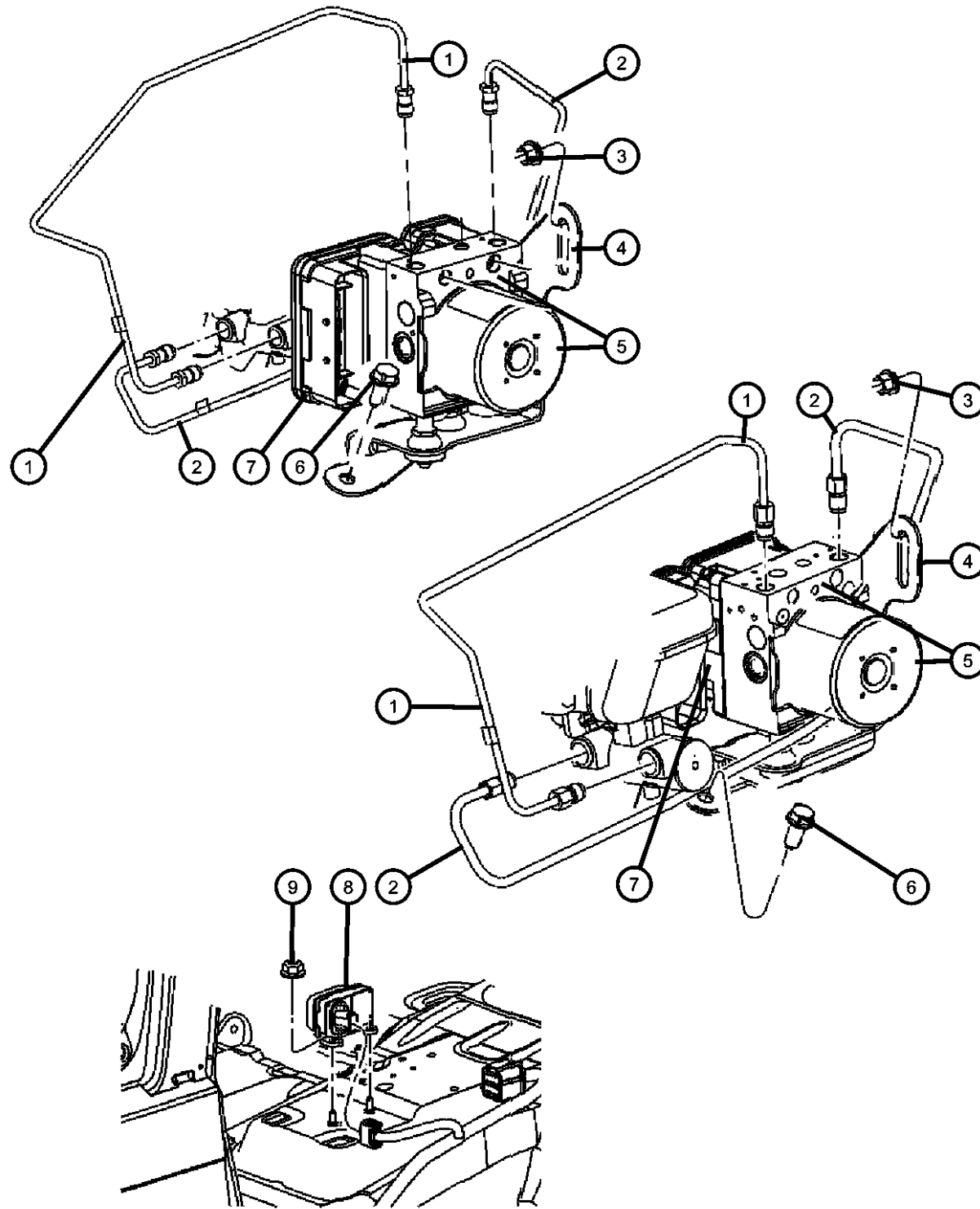
ENGINE
EKG = 3.7L V6 Engine
EVA = 4.7L V8 MPI Engine
EZB = 5.7L Hemi Multi
Displacement Engine

TRANSMISSION
DGQ = 5-Spd Automatic 5-45RFE
Transmission
DGJ = 5-Speed Automatic MB
Transmission

AR = use ase required - = Non illustrated part

2006 WK

**H C U and Brake Lines From HCU to Master Cylinder
Figure 5-420**



ITEM	PART NUMBER	QTY	LINE	SERIES	BODY	ENGINE	TRANS	TRIM	DESCRIPTION
------	-------------	-----	------	--------	------	--------	-------	------	-------------

Note:Sales Codes;
 [BNB]=Electronic Stability Program
 [DHB]=Quadra-Trac Active On Demand 4WD
 [DHX]=Quadra-Trac II Full-Time Active 4WD
 [DHZ]=Quadra-Trac k I Full-Time 4WD
 [EK0]=ALL 3.7L 6-CYL GAS ENGINES
 [ES0]=ALL 6 L ENGINES
 [EVO]=ALL 4.7L GAS ENGINES
 [EZ0]=ALL 5.7L 8CYL GAS ENGINES

1	52090405AF	1							TUBE, BrakeSecondary
2	52124077AB	1							TUBE, BrakePrimary
3	34201711	1							NUT, Hex Flange, M8x1.25, HCU Bracket, Mounting
4	05179774AA	1							BRACKET, Hydraulic Control UnitMounting
5	05179771AA	1							CONTROL UNIT, Anti-Lock Brake
6	06104024AA	1							SCREW, HCU Bracket, Mounting
7	05179776AA	1							MODULE, Anti-lock Brakes
8									MODULE, Electronic Stability
	56029328AB	1			J				[BNB,DHZ]
		1			T				[BNB]
	56029349AA	1							[BNB,DHB,DHX]
9	06104715AA	2							NUT, Electronic Stability Module, Mounting
-10	05159024AA	1							O RING, Pump Tower, Mounting

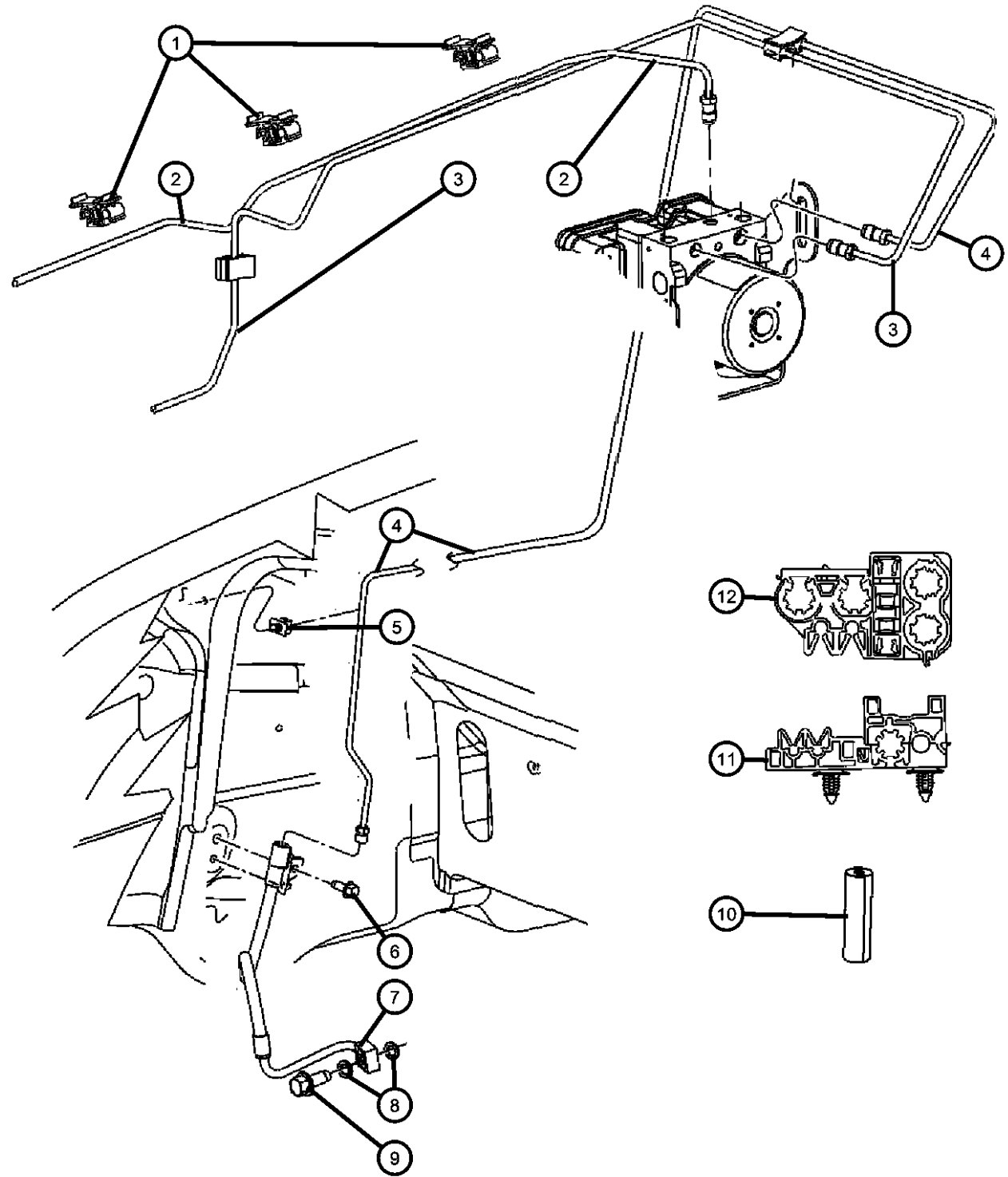
GRAND CHEROKEE (WK)

SERIES	LINE	BODY	ENGINE	TRANSMISSION
H = HIGHLINE	T = JEEP - 2WD	74 = SPORT UTILITY 4-DR	EKG = 3.7L V6 Engine	DGQ = 5-Spd Automatic 5-45RFE Transmission
P = PREMIUM	J = JEEP - 4WD		EVA = 4.7L V8 MPI Engine	DGJ = 5-Speed Automatic MB Transmission
S = SPORT			EZB = 5.7L Hemi Multi Displacement Engine	
X = SPECIAL				

AR = use ase required - = Non illustrated part

2006 WK

**Brake Lines and Hoses,Front,2 Wheel Drive
Figure 5-510**



ITEM	PART NUMBER	QTY	LINE	SERIES	BODY	ENGINE	TRANS	TRIM	DESCRIPTION
1	52128214	3							CLIP, Brake Line, To Front of Plenum, Mounting
2	52124132AB	1							TUBE, Brake, HCU to Front Brake Hose, Right
3									BUNDLE, Fuel and Brake Tube
	52124026AE	1							[EK0,EV0] HCU to Rear Brake Hose
	52124240AB	1							[ESF,EZ0] HCU to Rear Brake Hose
4	52090403AD	1							TUBE, Brake, HCU to Front Brake Hose, Left
5	52009234	2							CLIP, Brake Line, Brake Tube to Sill, Mounting
6		2							SCREW AND WASHER, Hex Head, M6x1x18.5, Quantity 2, (NOT SERVICED)
7									HOSE, Brake
	52089256AC	1	J, T				74		Right
	52089258AC	1	J, T				74		Left
8									GASKET, Brake Hose To Caliper
	06502114	4							[BR4], Mounting
	J3237672	4							[BRY], Mounting
9									BOLT, Banjo
	06035911AA	4	J, T				74		[BRY], Mounting
	06508914AA	4	J, T				74		[BR4], Mounting
10	05189384AA	1							GROMMET, For Item 3
11	05189383AA	2							CLIP, 4 Way, For Item 3
12	05189386AA	4							CLIP, 4 Way, For Item 3

GRAND CHEROKEE (WK)

SERIES LINE
H = HIGHLINE T = JEEP - 2WD
P = PREMIUM J = JEEP - 4WD
S = SPORT
X = SPECIAL

BODY
74 = SPORT UTILITY 4-DR

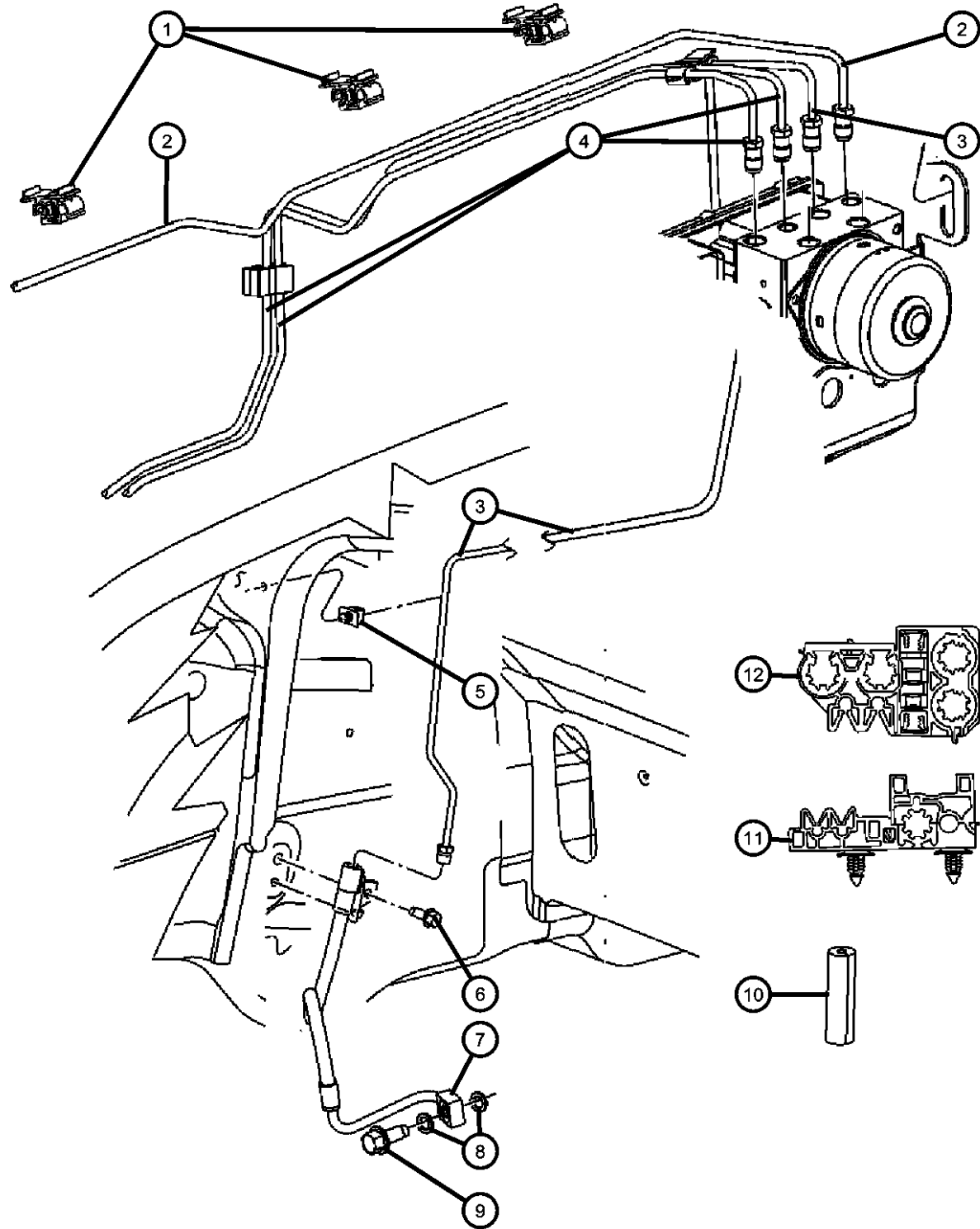
ENGINE
EKG = 3.7L V6 Engine
EVA = 4.7L V8 MPI Engine
EZB = 5.7L Hemi Multi Displacement Engine

TRANSMISSION
DGQ = 5-Spd Automatic 5-45RFE Transmission
DGJ = 5-Speed Automatic MB Transmission

AR = use ase required - = Non illustrated part

2006 WK

**Brake Lines and Hoses,Front,4 Wheel Drive
Figure 5-520**



ITEM	PART NUMBER	QTY	LINE	SERIES	BODY	ENGINE	TRANS	TRIM	DESCRIPTION
Note:Sales Codes; [EK0]=Engine - All 3.7L 6 Cylinder Gas [ES0]=Engines - All 6 L Engines [EV0]=Engines - All 4.7L Gas [EZ0]=Engines - All 5.7L 8 Cylinder Gas									
1	52128214	3							CLIP, Brake Line, To Front of Plenum, Mounting
2	52124132AB	1							TUBE, BrakeRight
3	52090403AD	1							TUBE, BrakeLeft
4									BUNDLE, Fuel and Brake Tube
	52124026AE	1							[EK0,EV0] To Rear Brake Hoses
	52124240AB	1							[ES0,EZ0] To Rear Brake Hoses
5	52009234	2							CLIP, Brake Line, Brake Tube to Sill, Mounting
6		2							SCREW AND WASHER, M6x1x18.50, (NOT SERVICED)
7									HOSE, Brake
	05290656AA	1							[ES0], Right
	05290657AA	1							[ES0], Left
	52089256AC	1	J, T			74			[EK0,EV0,EZ0], Right
	52089258AC	1	J, T			74			[EK0,EV0,EZ0], Left
8									GASKET, Brake Hose To Caliper
	06502114	4							[BR4], Mounting
	J3237672	4							[BRY], Mounting
9									BOLT, Banjo
	06035911AA	4							[BRY], Mounting
	06508914AA	4	J, T			74			[BR4], Mounting
10	05189384AA	1							GROMMET, For Item 4
11	05189383AA	2							CLIP, 4 Way, For Item 4
12	05189386AA	4							CLIP, 4 Way, For Item 4

GRAND CHEROKEE (WK)

SERIES	LINE	BODY	ENGINE	TRANSMISSION
H = HIGHLINE	T = JEEP - 2WD	74 = SPORT UTILITY 4-DR	EKG = 3.7L V6 Engine	DGQ = 5-Spd Automatic 5-45RFE
P = PREMIUM	J = JEEP - 4WD		EVA = 4.7L V8 MPI Engine	Transmission
S = SPORT			EZB = 5.7L Hemi Multi	DGJ = 5-Speed Automatic MB
X = SPECIAL			Displacement Engine	Transmission

AR = use ase required - = Non illustrated part

Brake Lines and Hoses,Rear and Chassis
Figure 5-530

ITEM	PART NUMBER	QTY	LINE	SERIES	BODY	ENGINE	TRANS	TRIM	DESCRIPTION
------	-------------	-----	------	--------	------	--------	-------	------	-------------

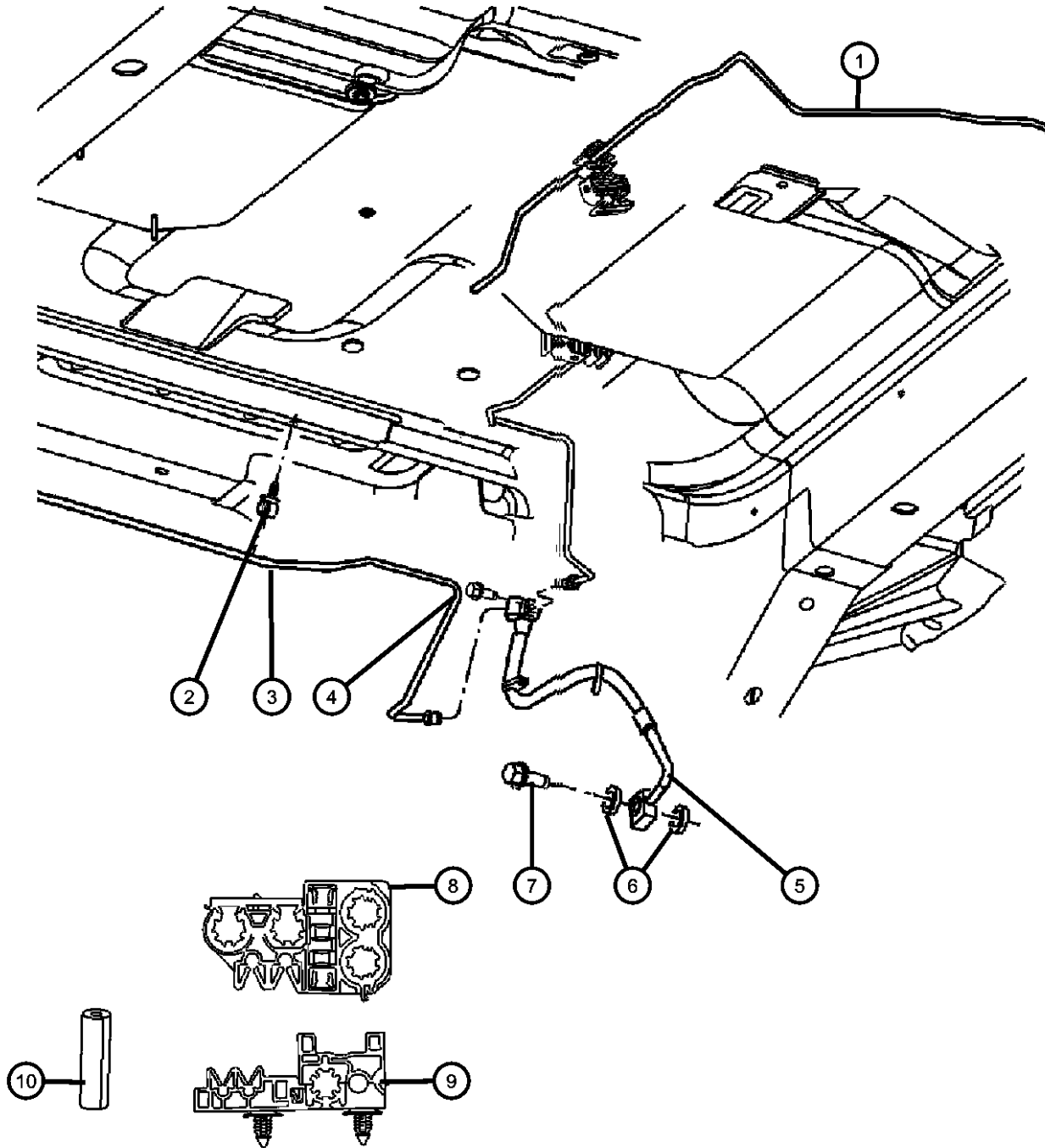
Note:Sales Codes:

[EK0]=Engines - All 3.7L 6 Cylinder Gas

[ESF]=Engine - 6.1L SRT Hemi SMPI V8 Engine

[EV0]=Engines - All 4.7L Gas

[EZ0]=Engines - All 5.7L 8 Cylinder Gas



1	52124026AE	1							BUNDLE, Fuel and Brake Tube [EK0,EV0], Chassis
	52124240AB	1							[ESF,EZ0], Chassis
2	06506087AA	1							CLIP, Brake Line, Brake Line to Sill, Mounting
3	52089995AE	1							TUBE, Brake, Left Hose to Right Hose
4		1							SCREW AND WASHER, Hex Head, M6x1x18.5, Quantity 2, (NOT SERVICED)
5									HOSE, Brake
	05290642AA	1							[DRK], Right
	05290643AA	1							[DRK], Left
	52089259AC	1							[DRA], Right
	52089997AD	1							[DRA], Left
6									GASKET, Brake Hose To Caliper
	06502114	4							[BR4]
	J3237672	4							[BRY]
7									BOLT, Banjo
	06035911AA	4							[BRY]
	06508914AA	1			J				74
		4			J, T				74
8	05189386AA	4							CLIP, 4 Way, For Item 1, Mounting
9	05189383AA	2							CLIP, 4 Way, For Item 1, Mounting
10	05189384AA	1							GROMMET, For Item 1, Mounting

GRAND CHEROKEE (WK)

SERIES LINE
H = HIGHLINE T = JEEP - 2WD
P = PREMIUM J = JEEP - 4WD
S = SPORT
X = SPECIAL

BODY
74 = SPORT UTILITY 4-DR

ENGINE
EKG = 3.7L V6 Engine
EVA = 4.7L V8 MPI Engine
EZB = 5.7L Hemi Multi
Displacement Engine

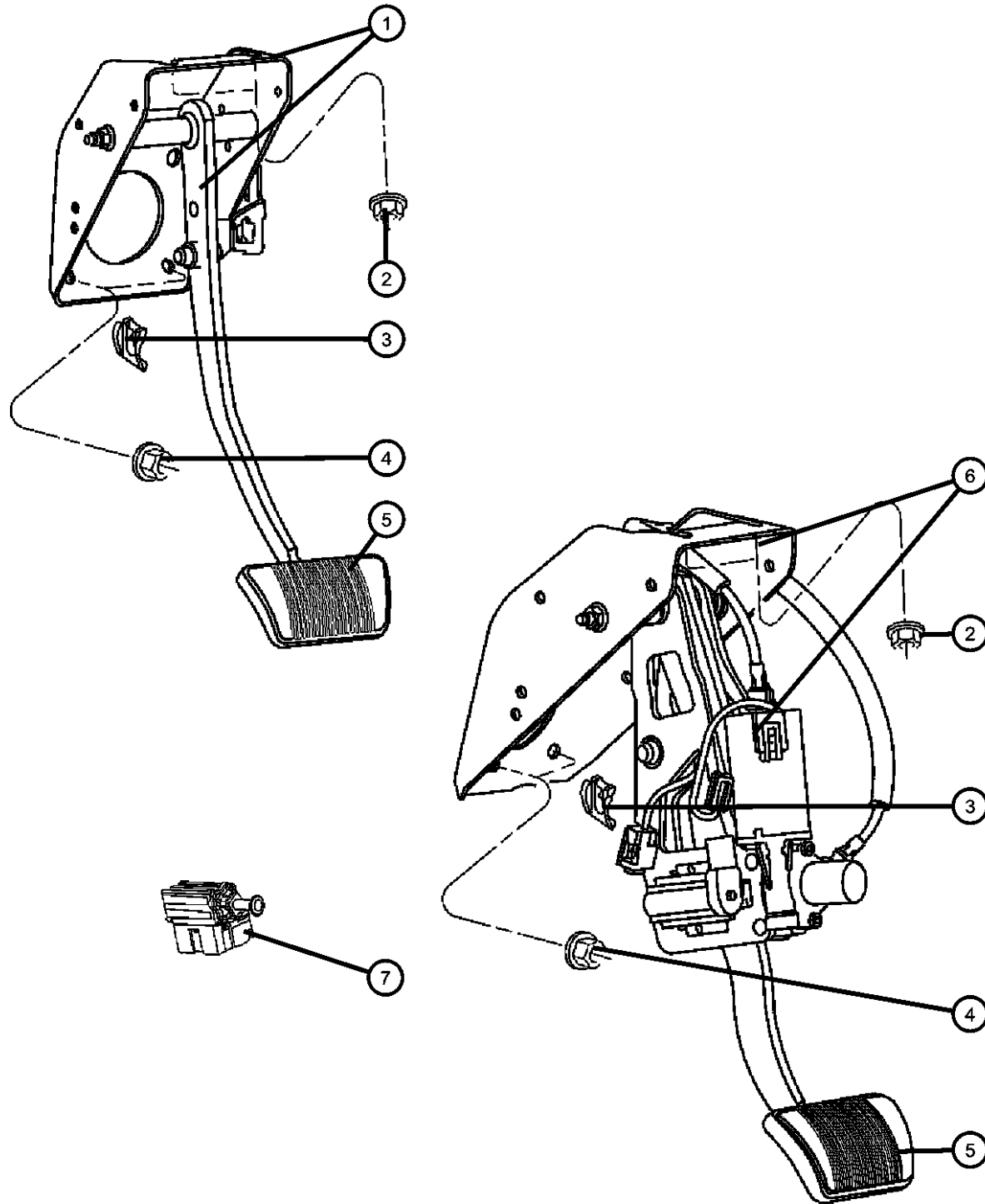
TRANSMISSION
DGQ = 5-Spd Automatic 5-45RFE
Transmission
DGJ = 5-Speed Automatic MB
Transmission

AR = use ase required - = Non illustrated part

2006 WK

**Brake Pedals, Standard [XA8] and Adjustable [XAM,XAP]
Figure 5-610**

ITEM	PART NUMBER	QTY	LINE	SERIES	BODY	ENGINE	TRANS	TRIM	DESCRIPTION
------	-------------	-----	------	--------	------	--------	-------	------	-------------



Note: Sales Codes;
[XAM]=Pedals - Power Adjustable with Memory
[XAP]=Pedals - Power Adjustable
[XA8]=Pedals - Non Adjustable

1	52089244AD	1							PEDAL, Brake, [XA8]
2	06101695	2							NUT, Hex Flange Lock, Pedal Bracket, Mounting
3	06035334	1							CLIP, Booster Push Rod to Pedal Pin, Mounting
4	06101695	4							NUT, Hex Flange Lock, Booster To Sled, Mounting
5	05102023AB	1							PAD, Pedal
6	52089242AD	1							PEDAL, Brake, [XAM,XAP]
7	56054001AA	1							SWITCH, Stop Lamp
-8	05290949AB	1	J, T					74	OVERLAY KIT, Brake and Accel Pads, Bright Pedals [XAR]

GRAND CHEROKEE (WK)

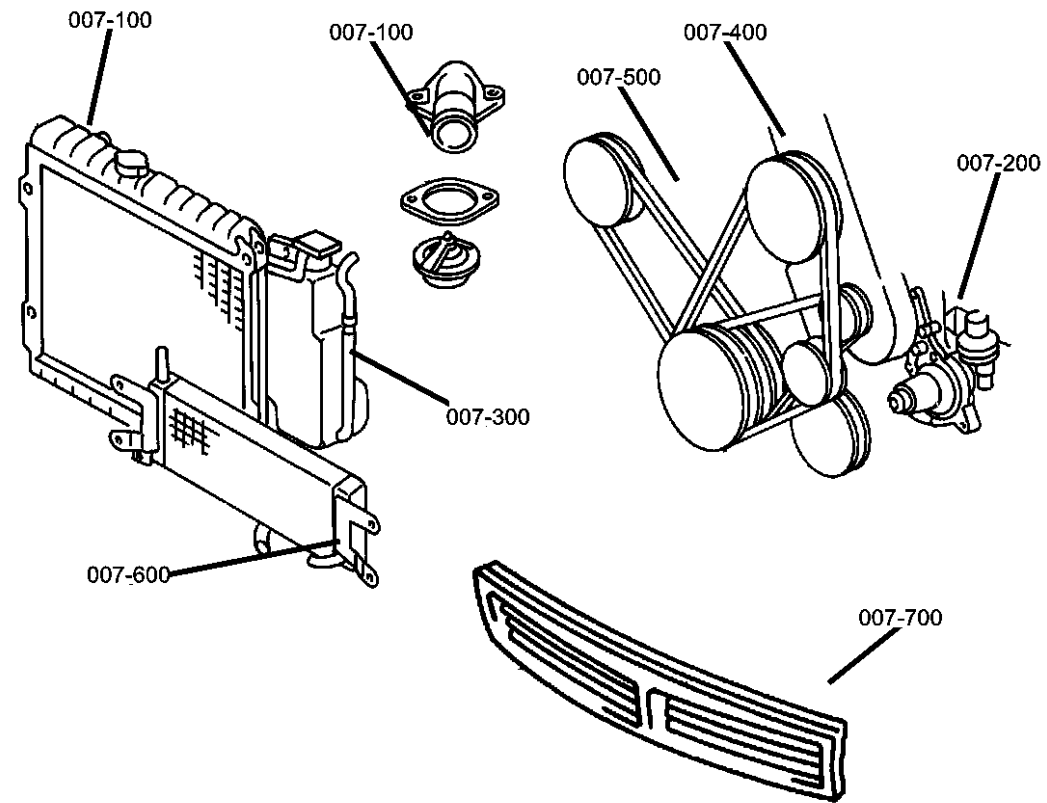
SERIES	LINE	BODY	ENGINE	TRANSMISSION
H = HIGHLINE	T = JEEP - 2WD	74 = SPORT UTILITY 4-DR	EKG = 3.7L V6 Engine	DGQ = 5-Spd Automatic 5-45RFE Transmission
P = PREMIUM	J = JEEP - 4WD		EVA = 4.7L V8 MPI Engine	DGJ = 5-Speed Automatic MB Transmission
S = SPORT			EZB = 5.7L Hemi Multi Displacement Engine	
X = SPECIAL				

AR = use ase required - = Non illustrated part

2006 WK

Group - 7

Cooling



Group - 7 Cooling

Illustration Title

Group-Fig. No.

Radiator and Related Parts

Radiator and Related Parts 3.7, 4.7L Engines	Fig. 7 - 160
Radiator and Related Parts 5.7L, 6.1L Engines	Fig. 7 - 165
Radiator Upper Support	Fig. 7 - 170
Air Ducts, Brake Cooling, 6.1L Engine	Fig. 7 - 175

Water Pump and Related Parts

Water Pump and Related Parts 3.7, 4.7L Engine	Fig. 7 - 220
Water Pump and Related Parts 5.7L, 6.1L Engine	Fig. 7 - 230

Tank, Coolant Engine

Coolant Tank	Fig. 7 - 310
--------------------	--------------

Pulleys and Related Parts

Drive Pulleys 3.7L,4.7L Engines	Fig. 7 - 430
Drive Pulleys 5.7L,6.1L Engines	Fig. 7 - 440

Drive Belts

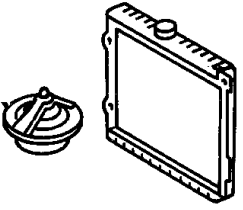
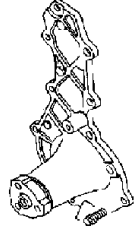
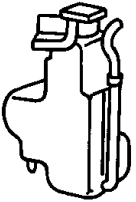
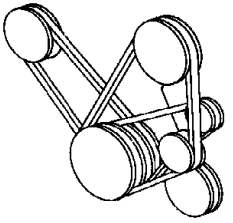
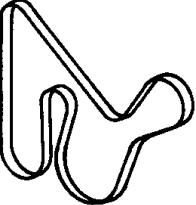
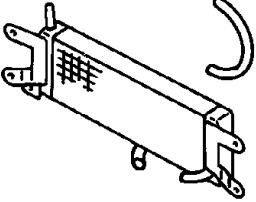
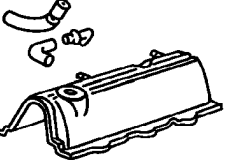
Drive Belts 3.7,4.7L Engines	Fig. 7 - 510
Drive Belts 5.7L, 6.1L Engines	Fig. 7 - 520

Lines, Transmission Oil Cooler

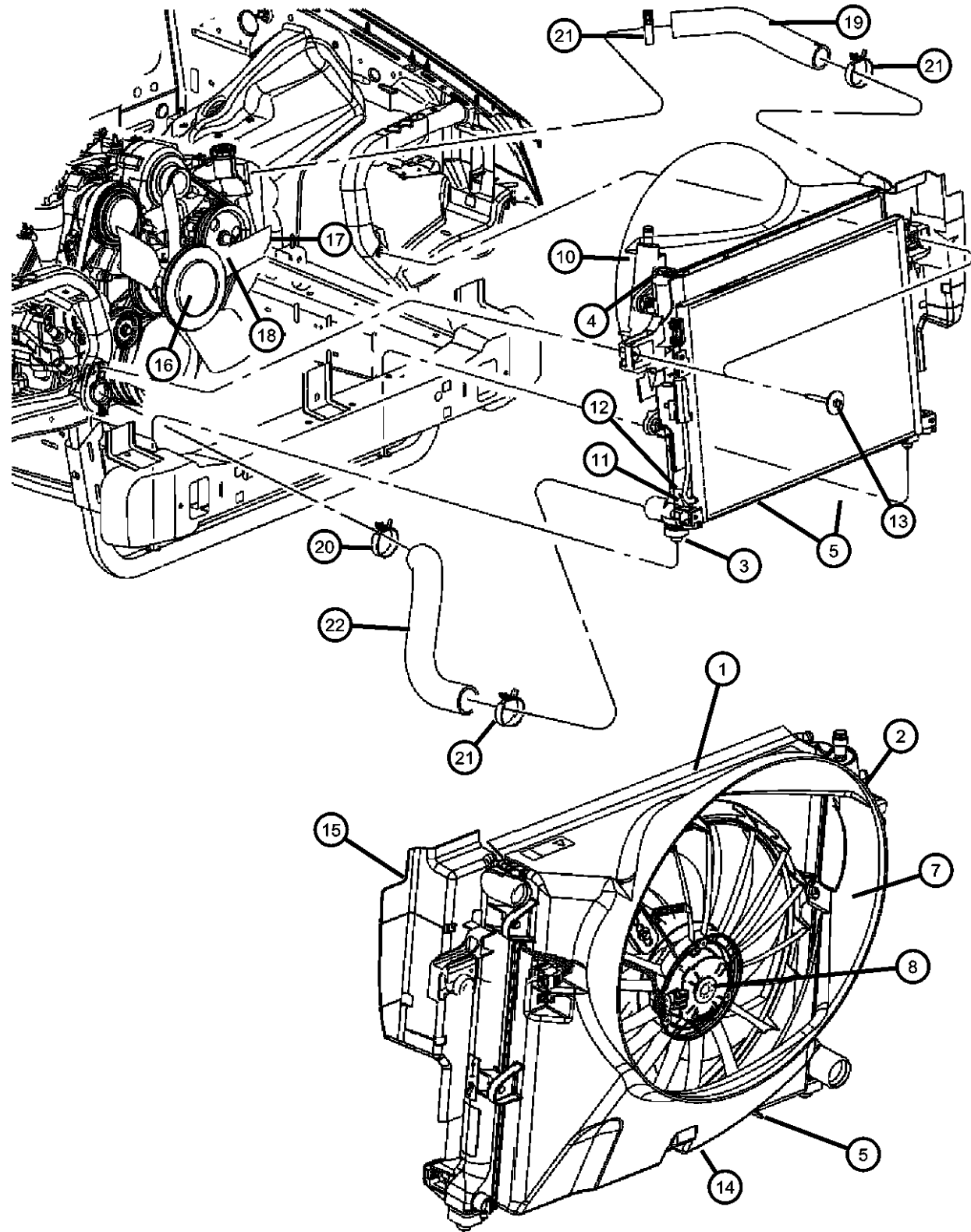
Oil Cooler and Lines	Fig. 7 - 620
----------------------------	--------------

Grilles

Grille and Related Parts	Fig. 7 - 720
--------------------------------	--------------

<p>007-100 Radiator and Related Parts</p> 	<p>007-200 Water Pump and Related Parts</p> 	<p>007-300 Tank, Coolant Engine</p> 	<p>007-400 Pulleys and Related Parts</p> 
<p>007-500 Drive Belts</p> 	<p>007-600 Lines, Transmission Oil Cooler</p> 	<p>007-700 Grilles</p> 	

**Radiator and Related Parts 3.7, 4.7L Engines
Figure 7-160**



ITEM	PART NUMBER	QTY	LINE	SERIES	BODY	ENGINE	TRANS	TRIM	DESCRIPTION
------	-------------	-----	------	--------	------	--------	-------	------	-------------

NOTES: Sales Codes:
[EK0] = ALL 3.7L 6-CYL GAS ENGINES
[EV0] = ALL 4.7L GAS ENGINES

1	55116849AB	1				EK0, EV0	DG0		RADIATOR, Engine Cooling
2	55116897AA	1				EK0, EV0	DG0		CAP, Radiator
3	52079884AA	1				EK0, EV0	DG0		ISOLATOR, Radiator, Lower
4	52079419	1				EK0, EV0	DG0		ISOLATOR, Radiator, Upper
5	04644269	1				EK0, EV0	DG0		DRAINCOCK, Radiator
-6	06503943	3							RETAINER
7	05143209AA	1				EK0, EV0	DG0		SHROUD, Fan, Manual
8	05143208AA	1				EK0, EV0	DG0		FAN & MOTOR ASSY, FAN & MOTOR ASSY
-9	05166424AA	1				EK0, EV0	DG0		HARNESS, Wiring
10	05166426AA	1				EK0, EV0	DG0		RECEIVER DRIER
11	06101445	1				EK0, EV0	DG0		NUT AND WASHER, Hex, M8x1.25
12	06503943	3							RETAINER
13	06101455	8							SCREW AND WASHER, Hex Head, M6x1x20
14	55116920AA	2				EK0, EV0	DG0		SEAL, Radiator Lower
15									SEAL, Radiator Side
	55037711AA	1				EV0, EK0	DG0		Left
	55037710AA	1				EK0, EV0	DG0		Right
16	55116884AA	1				EV0			FAN, Cooling
17	55116882AA	1				EV0			VISCOUS CLUTCH, Fan Drive
18	06034860	4				EV0			BOLT AND WASHER, Implement Attaching, Fan to Viscous Drive
19									HOSE, Radiator Inlet
	55116866AA	1				EV0			
	55116867AA	1				EK0			
20	06032277	1				EK0, EV0			CLAMP, Radiator
21		1							CLAMP, Hose to Radiator, 52005580, (NOT SERVICED)
22									HOSE, Radiator Outlet
	55116869AB	1				EV0			
	55116870AB	1				EK0			

GRAND CHEROKEE (WK)

SERIES LINE
H = HIGHLINE T = JEEP - 2WD
P = PREMIUM J = JEEP - 4WD
S = SPORT
X = SPECIAL

BODY
74 = SPORT UTILITY 4-DR

ENGINE
EKG = 3.7L V6 Engine
EVA = 4.7L V8 MPI Engine
EZB = 5.7L Hemi Multi Displacement Engine

TRANSMISSION
DGQ = 5-Spd Automatic 5-45RFE Transmission
DGJ = 5-Speed Automatic MB Transmission

AR = use ase required - = Non illustrated part

2006 WK

Radiator and Related Parts 5.7L, 6.1L Engines
Figure 7-165

ITEM	PART NUMBER	QTY	LINE	SERIES	BODY	ENGINE	TRANS	TRIM	DESCRIPTION
------	-------------	-----	------	--------	------	--------	-------	------	-------------

NOTES: Sales Codes:
 [EK0] = ALL 3.7L 6-CYL GAS ENGINES
 [ESF] = 6.1L SRT HEMI SMPI V8 ENGINE
 [EV0] = ALL 4.7L GAS ENGINES
 [EZ0]= ALL 5.7L 8CYL GAS ENGINES

1									RADIATOR, Engine Cooling
	55116842AB	1				EZ0	DG0		
	55116849AB	1				EK0, ESF, EV0	DG0		
2									DRIER, DRIER-RECEIVER
	55116723AC	1				EZ0	DG0		
		1				EK0, ESF, EV0	DG0		
3									CONDENSER, A/C
	55116928AA	1				EZ0	DG0		
		1				EK0, ESF, EV0	DG0		
4	52089905AC	1				EZ0	DG0		RESERVOIR, Power Steering Fluid
5	55116951AE	1				EZ0	DG0		MOTOR, Hydraulic
6									HOSE, Radiator Inlet
	05290720AA	1				ES0			
	55116865AC	1				EZ0			
7		1							CLAMP, 06033135, (NOT SERVICED)
8		1							CLAMP, Hose to Radiator, 52005580, (NOT SERVICED)
9	55116868AB	1				ESF, EZ0			HOSE, Radiator Outlet
10	06032277	1				ESF, EZ0			CLAMP, Radiator
-11	05143201AA	1				EZ0	DG0		SOLENOID, Hydraulic Fan Control
12	55037858AA	1				EZ0	DG0		FITTING, Quick Connect
-13									THERMOSTAT, 195 Degrees
	52028898AE	1				EZ0			
		1				ESF			
-14									SCREW AND WASHER, Hex
	06507071AA	2				EZ0			
		2				ESF			
-15	52124074AA	2				EZ0	DG0		CLAMP, Hose
16									SHROUD, Fan
	05143209AA	1				EK0, EV0	DG0		Soleniod. Motor,Fitting,Clip

GRAND CHEROKEE (WK)

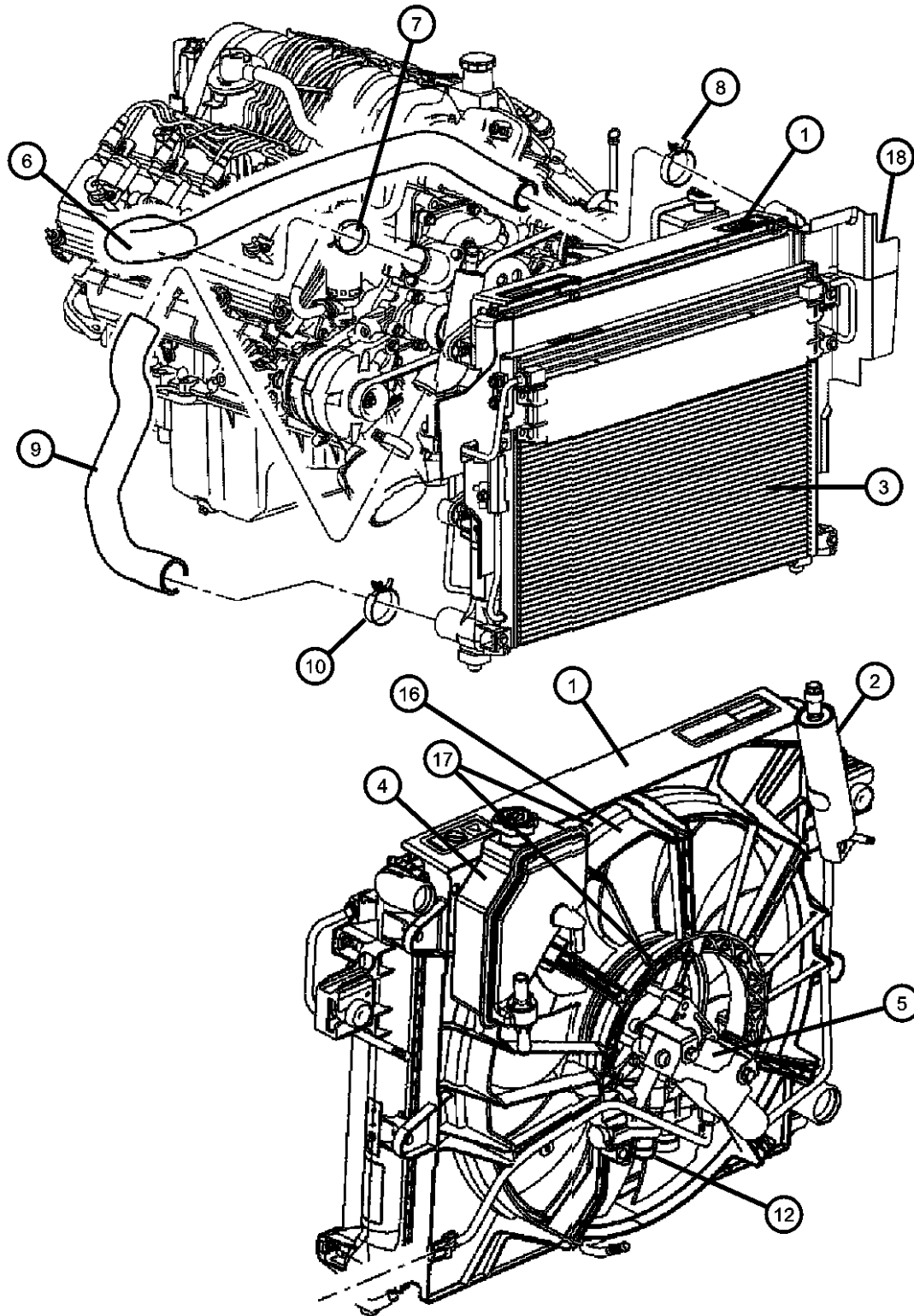
SERIES	LINE	BODY	ENGINE	TRANSMISSION
H = HIGHLINE	T = JEEP - 2WD	74 = SPORT UTILITY 4-DR	EKG = 3.7L V6 Engine	DGQ = 5-Spd Automatic 5-45RFE Transmission
P = PREMIUM	J = JEEP - 4WD		EVA = 4.7L V8 MPI Engine	DGJ = 5-Speed Automatic MB Transmission
S = SPORT			EZB = 5.7L Hemi Multi Displacement Engine	
X = SPECIAL				

AR = use ase required - = Non illustrated part

2006 WK

**Radiator and Related Parts 5.7L, 6.1L Engines
Figure 7-165**

ITEM	PART NUMBER	QTY	LINE	SERIES	BODY	ENGINE	TRANS	TRIM	DESCRIPTION
		1				EK0, ESF, EVO	DG0		Soleniod. Motor,Fitting,Clip
17	05143208AB	1				EK0, ESF, EVO	DG0		FAN & MOTOR ASSY, FAN & MOTOR ASSY, Includes Shroud SEAL, Radiator Side
18	55116953AA	1	J, T			EZ0	DG0		
		1	J, T			EK0, ESF, EVO	DG0		



GRAND CHEROKEE (WK)

SERIES	LINE
H = HIGHLINE	T = JEEP - 2WD
P = PREMIUM	J = JEEP - 4WD
S = SPORT	
X = SPECIAL	

BODY
74 = SPORT UTILITY 4-DR

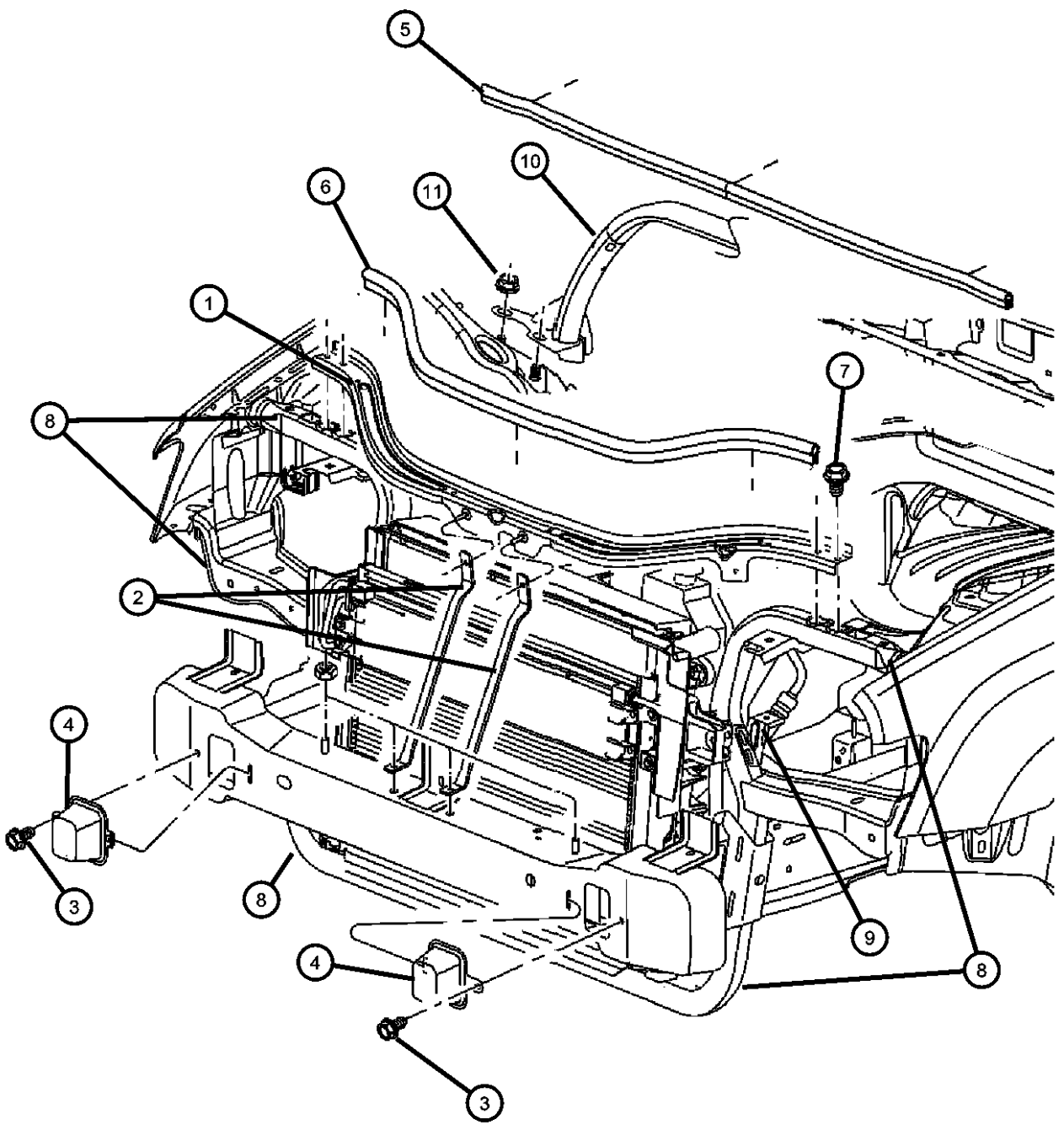
ENGINE
EKG = 3.7L V6 Engine
EVA = 4.7L V8 MPI Engine
EZB = 5.7L Hemi Multi Displacement Engine

TRANSMISSION
DGQ = 5-Spd Automatic 5-45RFE Transmission
DGJ = 5-Speed Automatic MB Transmission

AR = use ase required - = Non illustrated part

2006 WK

**Radiator Upper Support
Figure 7-170**



ITEM	PART NUMBER	QTY	LINE	SERIES	BODY	ENGINE	TRANS	TRIM	DESCRIPTION
1	55394951AF	1							CROSSMEMBER, Radiator
2	55394098AD	2							BRACE, Radiator Crossmember
3	06505903AA	2							SCREW AND WASHER, Self Tapping, M6x1x22
4	55360410AA	2							BUMPER, Suspension Jounce
5	55394777AB	1							SEAL, Hood To Plenum
6	55394851AA	1							WEATHERSTRIP, Hood
7	06104368AA	4							SCREW
8	05143322AD	1	J, T						CROSSMEMBER, Radiator
9									BRACKET, Air Bag
	55396820AB	1							Right
	55396821AB	1							Left
10	55396886AB	1		H, P, S					BRACE, Suspension
11	06502697	8							NUT, Hex Flange Lock, M12x1.75
-12	06508012AA	2							BOLT, Cooling Module to Support

GRAND CHEROKEE (WK)

SERIES	LINE	BODY	ENGINE	TRANSMISSION
H = HIGHLINE	T = JEEP - 2WD	74 = SPORT UTILITY 4-DR	EKG = 3.7L V6 Engine	DGQ = 5-Spd Automatic 5-45RFE
P = PREMIUM	J = JEEP - 4WD		EVA = 4.7L V8 MPI Engine	Transmission
S = SPORT			EZB = 5.7L Hemi Multi	DGJ = 5-Speed Automatic MB
X = SPECIAL			Displacement Engine	Transmission

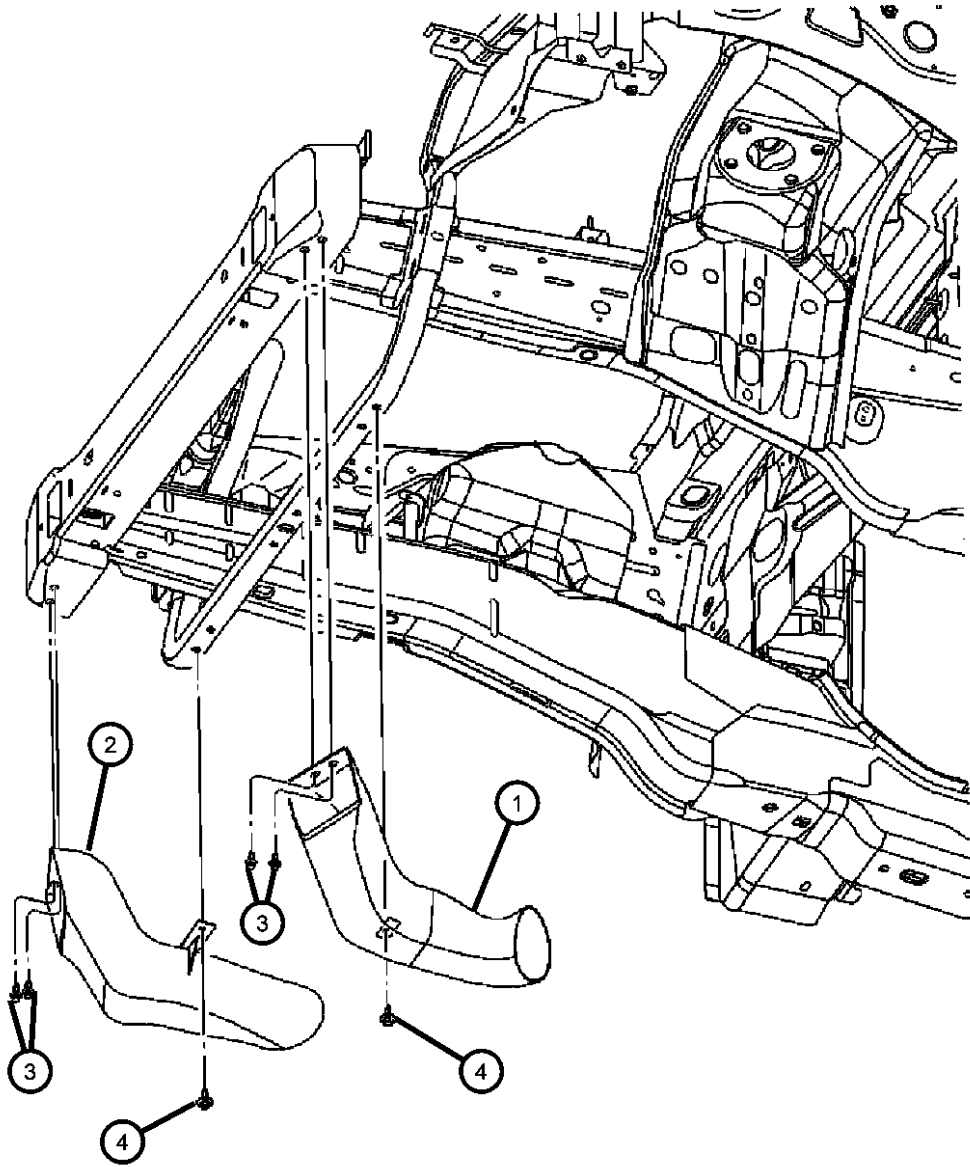
AR = use ase required - = Non illustrated part

**Air Ducts, Brake Cooling, 6.1L Engine
Figure 7-175**

ITEM	PART NUMBER	QTY	LINE	SERIES	BODY	ENGINE	TRANS	TRIM	DESCRIPTION
------	-------------	-----	------	--------	------	--------	-------	------	-------------

NOTE:
Sales Codes:
[MCZ]=Body Color Fascias with Bright Insert

1	05029993AA	1							AIR DUCT, Brake Cooling, [MCZ], Left
2	05029992AA	1							AIR DUCT, Brake Cooling, [MCZ], Right
3	06503598	4							PIN, Push, M8x21, [MCZ]
4	06508146AA	2							SCREW, Hex Head, M8x1.25x25, [MCZ]



GRAND CHEROKEE (WK)

SERIES	LINE	BODY	ENGINE	TRANSMISSION
H = HIGHLINE	T = JEEP - 2WD	74 = SPORT UTILITY 4-DR	EKG = 3.7L V6 Engine	DGQ = 5-Spd Automatic 5-45RFE Transmission
P = PREMIUM	J = JEEP - 4WD		EVA = 4.7L V8 MPI Engine	DGJ = 5-Speed Automatic MB Transmission
S = SPORT			EZB = 5.7L Hemi Multi Displacement Engine	
X = SPECIAL				

AR = use ase required - = Non illustrated part

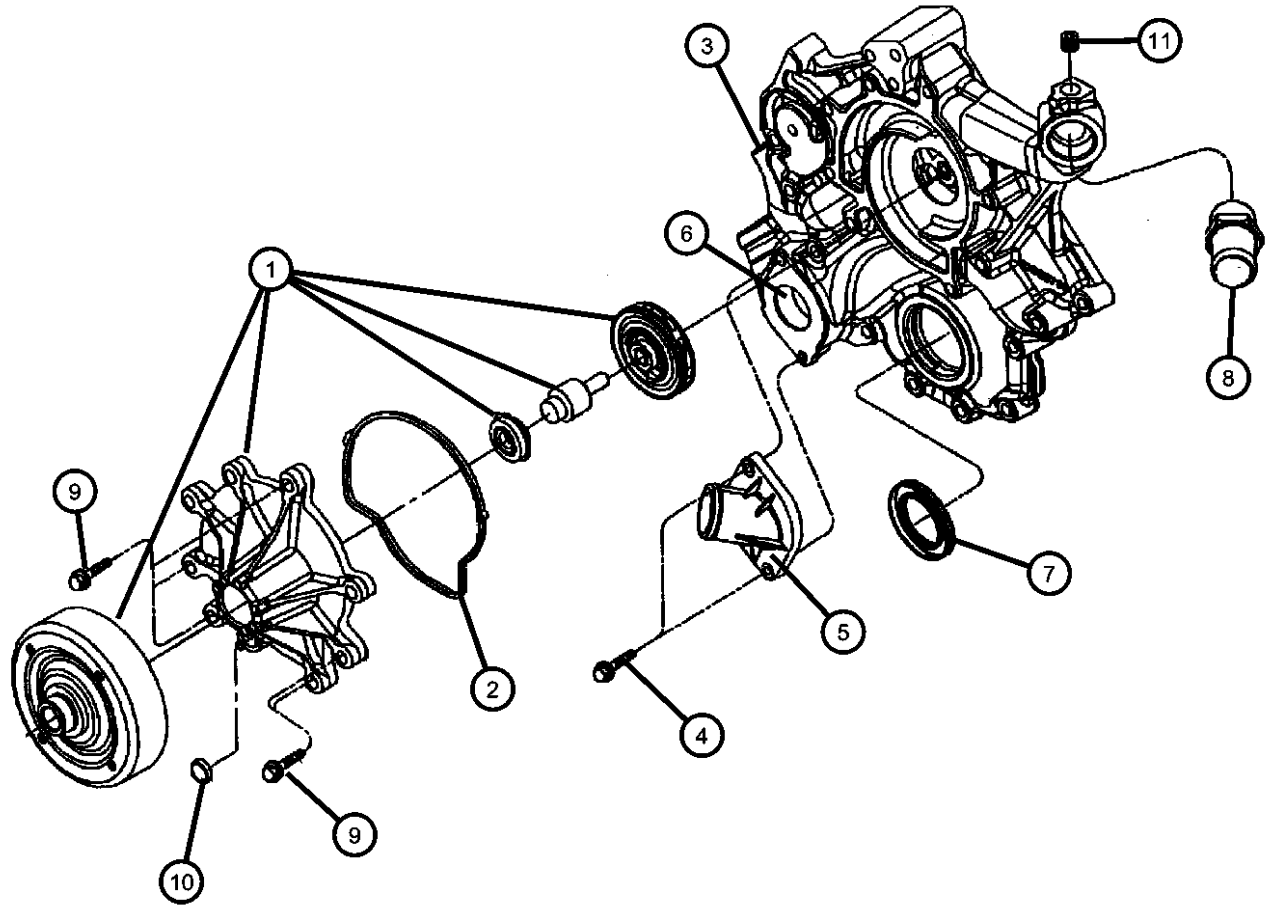
2006 WK

**Water Pump and Related Parts 3.7, 4.7L Engine
Figure 7-220**

ITEM	PART NUMBER	QTY	LINE	SERIES	BODY	ENGINE	TRANS	TRIM	DESCRIPTION
------	-------------	-----	------	--------	------	--------	-------	------	-------------

NOTES: Sales Codes
[EK0] = ALL 3.7L 6-CYL GAS ENGINES
[EV0] = ALL 4.7L GAS ENGINES

1	53022189AA	1				EK0, EV0			PUMP, Water
2	53020865	1				EK0, EV0			GASKET, Water Pump
3									NIPPLE
	06035854	2				EK0			
		2				EV0			
4	06505502AA	2				EK0, EV0			SCREW
5	53020887AC	1				EK0, EV0			HOUSING, Thermostat
6	52079476AC	1				EK0, EV0			THERMOSTAT, with Seal
7									SEAL, Crankshaft Oil, Front
	53021313AA	1				EK0			
		1				EV0			
8		1							PIPE FITTING, Chain Case Cover, .375-18x2, (NOT SERVICED)
9		1							SCREW, M6x1x25, (NOT SERVICED)
10		1							PLUG, (NOT SERVICED)
11		1							PLUG, (NOT SERVICED)



GRAND CHEROKEE (WK)

SERIES	LINE	BODY	ENGINE	TRANSMISSION
H = HIGHLINE	T = JEEP - 2WD	74 = SPORT UTILITY 4-DR	EKG = 3.7L V6 Engine	DGQ = 5-Spd Automatic 5-45RFE
P = PREMIUM	J = JEEP - 4WD		EVA = 4.7L V8 MPI Engine	Transmission
S = SPORT			EZB = 5.7L Hemi Multi	DGJ = 5-Speed Automatic MB
X = SPECIAL			Displacement Engine	Transmission

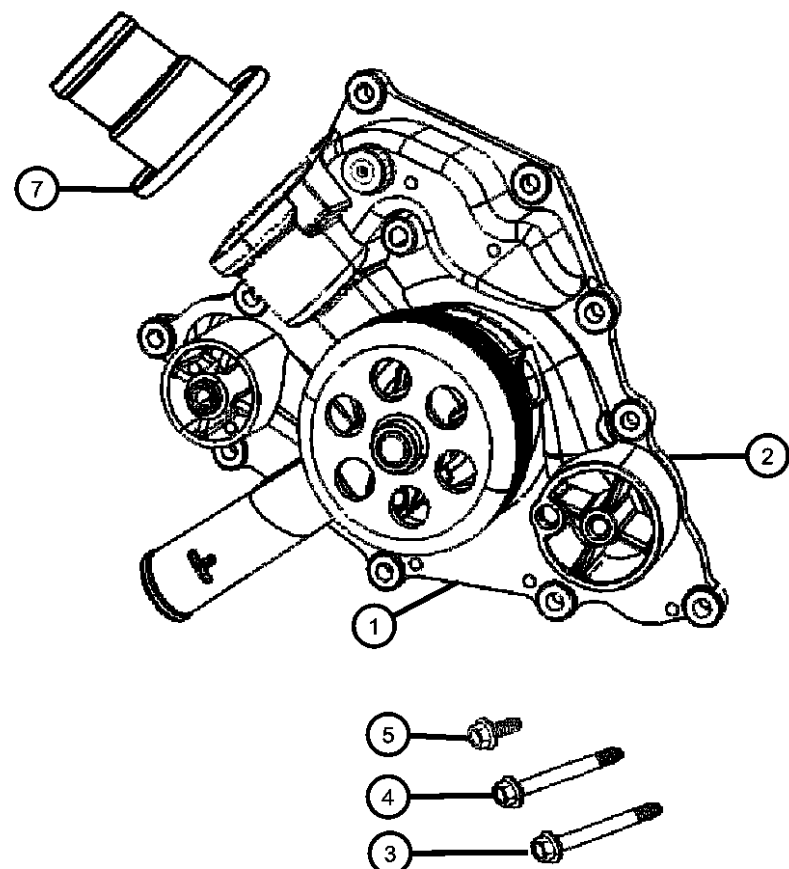
AR = use ase required - = Non illustrated part

2006 WK

**Water Pump and Related Parts 5.7L, 6.1L Engine
Figure 7-230**

ITEM	PART NUMBER	QTY	LINE	SERIES	BODY	ENGINE	TRANS	TRIM	DESCRIPTION
------	-------------	-----	------	--------	------	--------	-------	------	-------------

NOTES: Sales Codes:
[ESF] = 6.1L SRT HEMI SMPI V8 ENGINE
[EZ0] = ALL 5.7L 8CYL GAS ENGINES



1									PUMP, Water
	04792838AA	1				EZ0			
		1				ESF			
	04792838AB	1	J, T			EZ0			
		1	J, T			ESF			
2	04792922AA	1				EZ0			GASKET, Water Pump
3									SCREW AND WASHER, Hex
	06506270AA	3				EZ0			
	06507697AA	10				ESF			
4									SCREW AND WASHER, Hex
	06506269AA	5				EZ0			
	06507697AA	10				ESF			
5									SCREW AND WASHER, Hex
	06507697AA	10				ESF			
	06506270AA	3				EZ0			
-6									STUD
	06506684AA	1				EZ0			
		1				ESF			
7									HOUSING, Thermostat
	53021536AC	1				EZ0			
		1				ESF			
-8	06036307AA	1				EZ0			PLUG, Pipe, .250-18X.413, WATER PUMP BLEED

GRAND CHEROKEE (WK)

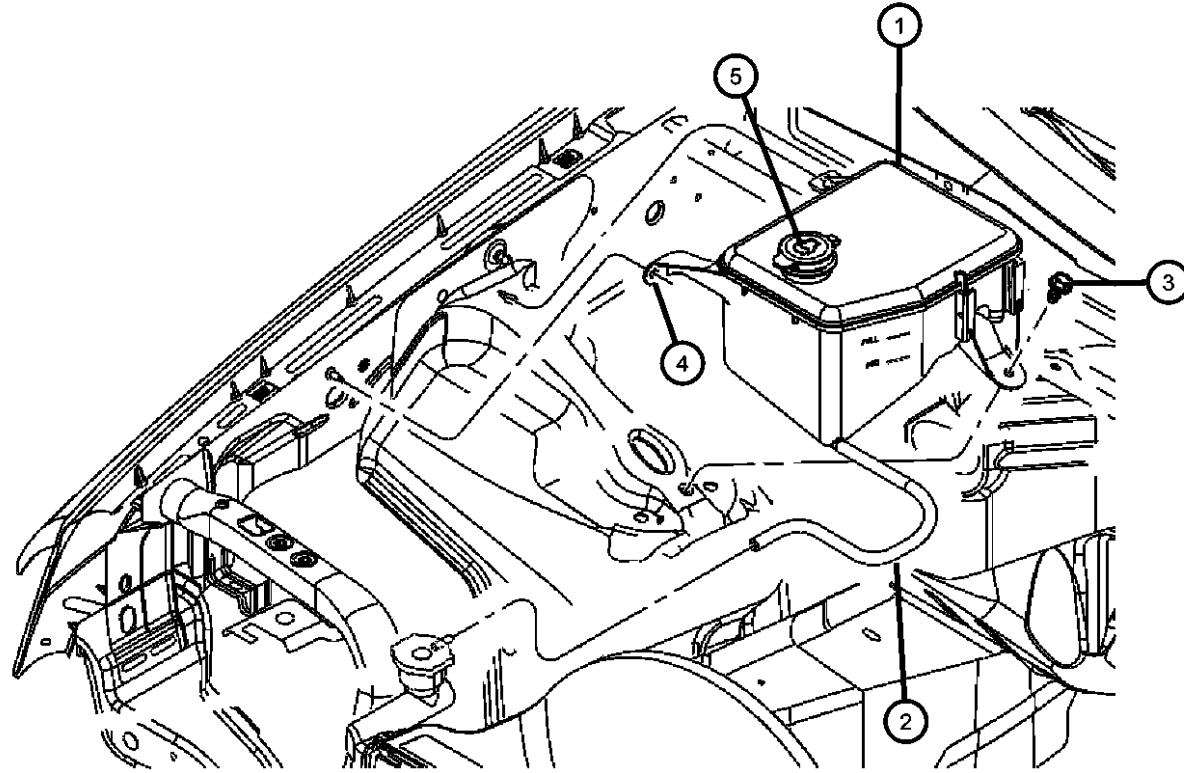
SERIES	LINE	BODY	ENGINE	TRANSMISSION
H = HIGHLINE	T = JEEP - 2WD	74 = SPORT UTILITY 4-DR	EKG = 3.7L V6 Engine	DGQ = 5-Spd Automatic 5-45RFE
P = PREMIUM	J = JEEP - 4WD		EVA = 4.7L V8 MPI Engine	Transmission
S = SPORT			EZB = 5.7L Hemi Multi	DGJ = 5-Speed Automatic MB
X = SPECIAL			Displacement Engine	Transmission

AR = use ase required - = Non illustrated part

2006 WK

**Coolant Tank
Figure 7-310**

ITEM	PART NUMBER	QTY	LINE	SERIES	BODY	ENGINE	TRANS	TRIM	DESCRIPTION
1	55116874AD	1							BOTTLE, Pressurized Coolant
2		1							HOSE, Coolant Reserve Tank, 04026148, (NOT SERVICED)
3		1							SCREW, Tapping, M6x1x20, M6X1.00X25.00, (NOT SERVICED)
4	55037857AA	1							CAP, Coolant Recovery Bottle, Mounting
5	05174456AA	1							CAP, Coolant Recovery Bottle
-6									TUBE, Coolant inlet
	04892345AD	1				EZ0			
	05037891AA	1				ESF			
-7	04892346AD	1				EZ0			TUBE, Coolant outlet
-8	06502018	2				EZ0	DG0		CLAMP, Hose, M28.9 x 1.60



GRAND CHEROKEE (WK)

SERIES LINE
H = HIGHLINE T = JEEP - 2WD
P = PREMIUM J = JEEP - 4WD
S = SPORT
X = SPECIAL

BODY
74 = SPORT UTILITY 4-DR

ENGINE
EKG = 3.7L V6 Engine
EVA = 4.7L V8 MPI Engine
EZB = 5.7L Hemi Multi Displacement Engine

TRANSMISSION
DGQ = 5-Spd Automatic 5-45RFE Transmission
DGJ = 5-Speed Automatic MB Transmission

AR = use ase required - = Non illustrated part

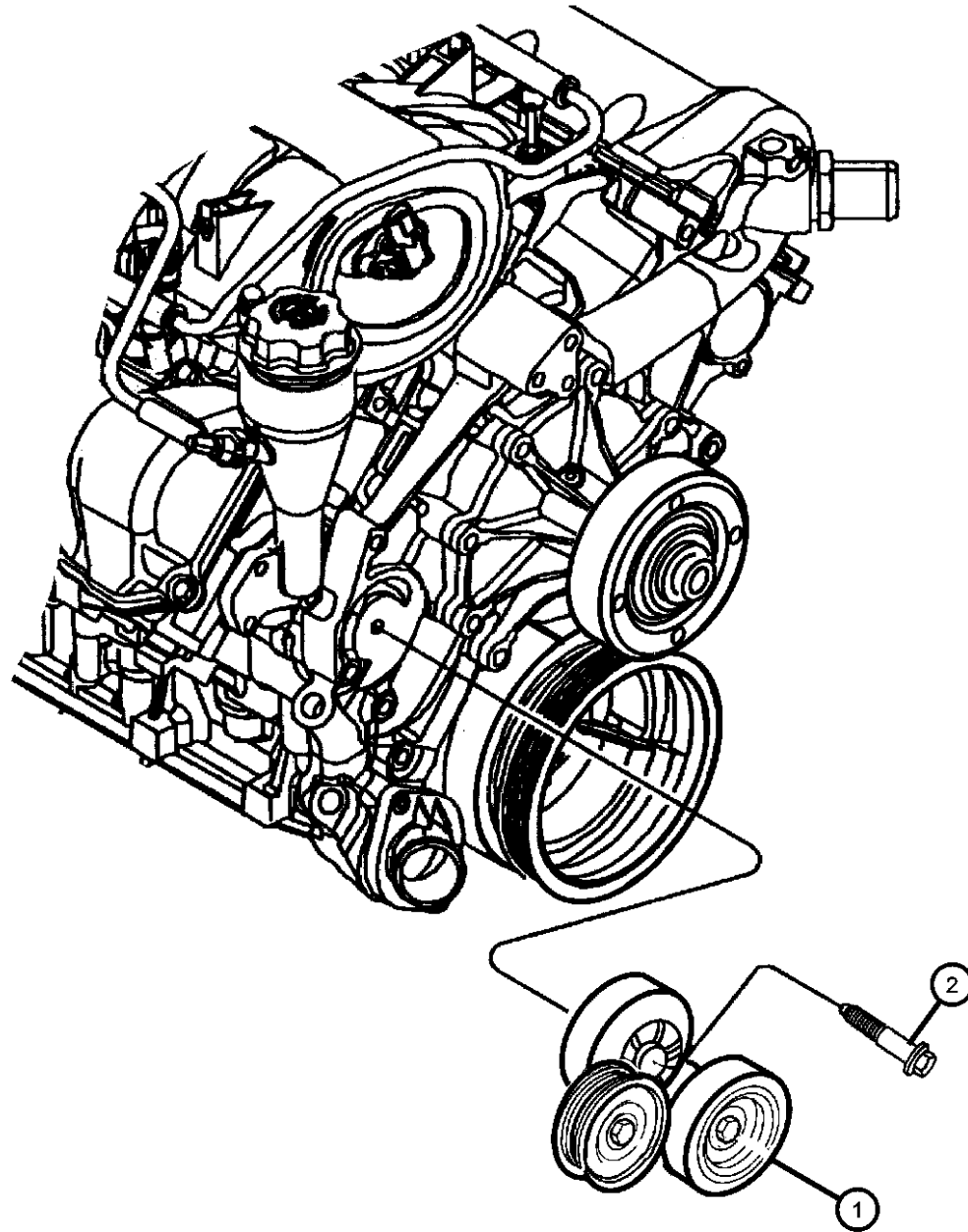
2006 WK

Drive Pulleys 3.7L,4.7L Engines
Figure 7-430

ITEM	PART NUMBER	QTY	LINE	SERIES	BODY	ENGINE	TRANS	TRIM	DESCRIPTION
------	-------------	-----	------	--------	------	--------	-------	------	-------------

NOTES: Sales Codes:
[EK0] = ALL 3.7L 6-CYL GAS ENGINES
[EV0] = ALL 4.7L GAS ENGINES

1									TENSIONER, Alternator Belt
	53030958AD	1				EK0			
	53030958AC	1				EV0			
2	06504930AA	1				EV0			SCREW AND WASHER, Hex Head, M10x1.5x70



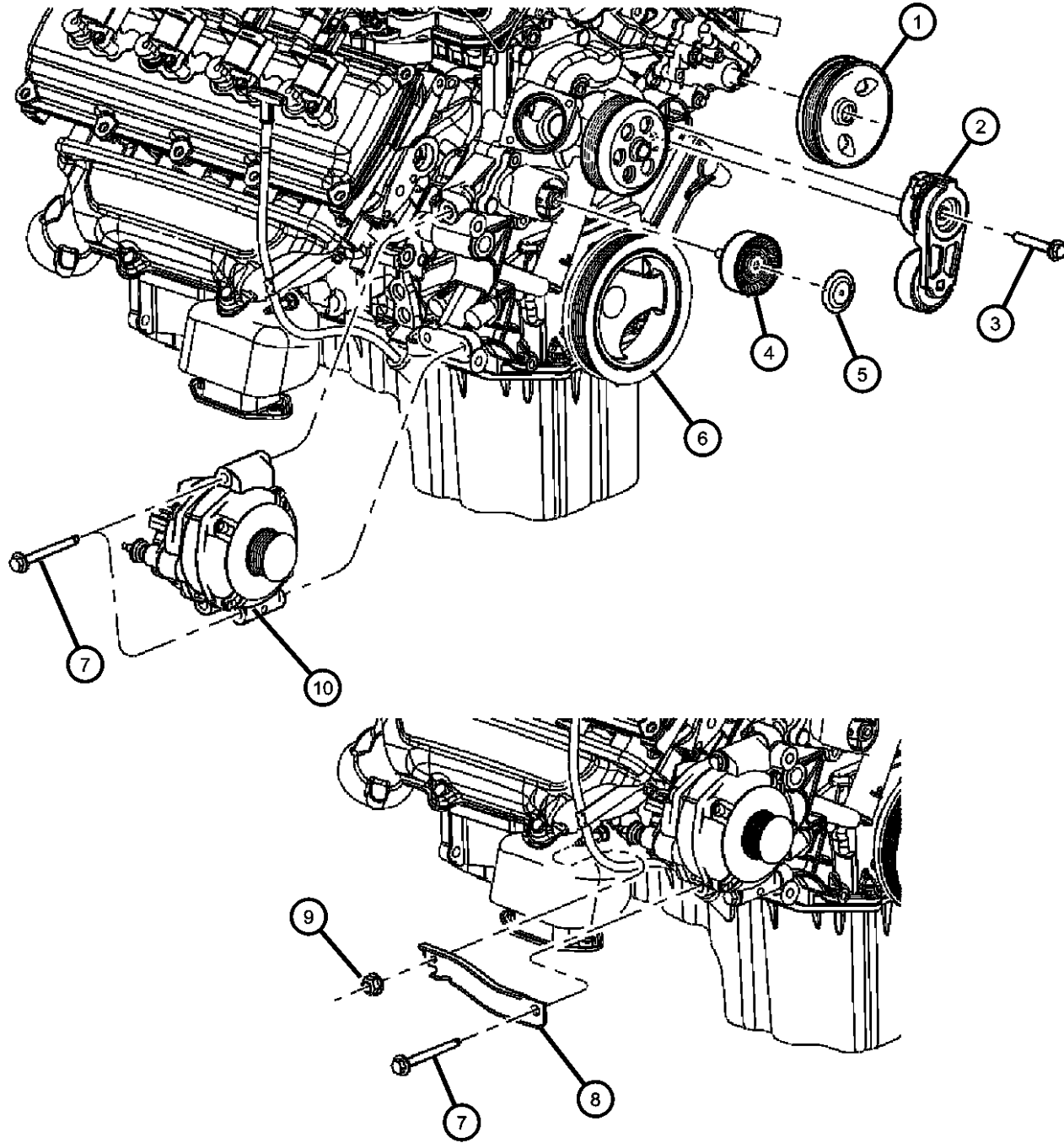
GRAND CHEROKEE (WK)

SERIES	LINE	BODY	ENGINE	TRANSMISSION
H = HIGHLINE	T = JEEP - 2WD	74 = SPORT UTILITY 4-DR	EKG = 3.7L V6 Engine	DGQ = 5-Spd Automatic 5-45RFE Transmission
P = PREMIUM	J = JEEP - 4WD		EVA = 4.7L V8 MPI Engine	DGJ = 5-Speed Automatic MB Transmission
S = SPORT			EZB = 5.7L Hemi Multi Displacement Engine	
X = SPECIAL				

AR = use ase required - = Non illustrated part

2006 WK

Drive Pulleys 5.7L,6.1L Engines
Figure 7-440



ITEM	PART NUMBER	QTY	LINE	SERIES	BODY	ENGINE	TRANS	TRIM	DESCRIPTION
NOTES: Sales Codes: [ESF] = 6.1L SRT HEMI SMPI V8 ENGINE [EZO] = ALL 5.7L 8CYL GAS ENGINES									
1	53013677AB	1				EZO			PULLEY, Power Steering Pump, Purchased in Assy. 52089883AC
2	04861660AA	1				EZO			TENSIONER, Belt
3	06507479AA	3				EZO			SCREW AND WASHER, Hex, Tensioner to Block
4	04792835AA	1				EZO			PULLEY, Idler
5	04792875AA	1				ESF			CAP, Pulley
6	04792815AB	1				EZO			DAMPER, Crankshaft
	05037394AA	1				ESF			
7	06102120AA	2				EK0, ESF, EV0, EZO			SCREW AND WASHER, Hex Head
8		2							STRUT, Alternator Bracket, (NOT REQUIRED)
9	06101695	2							NUT, Hex Flange Lock
10	56044380AC	1				ESF, EZO			ALTERNATOR
-11	06506340AA	1				EZO			SCREW AND WASHER
		1				ESF			Damper and Pulley Assy. to Crankshaft

GRAND CHEROKEE (WK)				
SERIES	LINE	BODY	ENGINE	TRANSMISSION
H = HIGHLINE	T = JEEP - 2WD	74 = SPORT UTILITY 4-DR	EKG = 3.7L V6 Engine	DGQ = 5-Spd Automatic 5-45RFE
P = PREMIUM	J = JEEP - 4WD		EVA = 4.7L V8 MPI Engine	Transmission
S = SPORT			EZB = 5.7L Hemi Multi	DGJ = 5-Speed Automatic MB
X = SPECIAL			Displacement Engine	Transmission

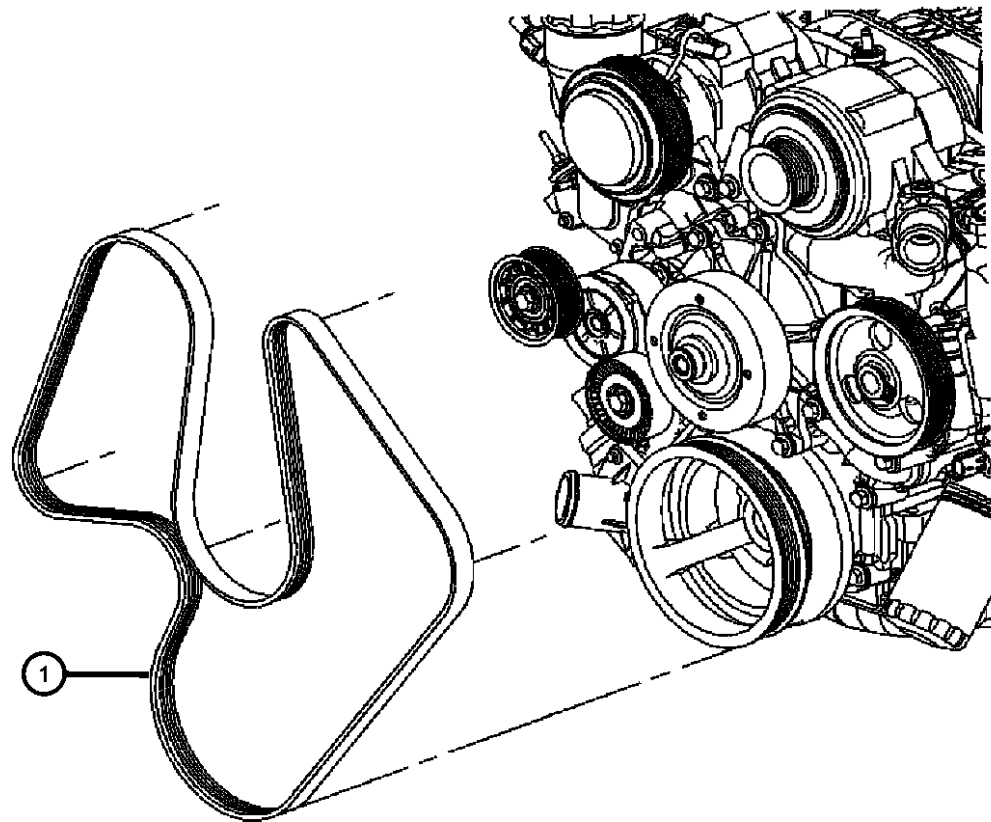
AR = use ase required - = Non illustrated part

**Drive Belts 3.7,4.7L Engines
Figure 7-510**

ITEM	PART NUMBER	QTY	LINE	SERIES	BODY	ENGINE	TRANS	TRIM	DESCRIPTION
------	-------------	-----	------	--------	------	--------	-------	------	-------------

NOTES: Sales Codes:
[EK0] = ALL 3.7L 6-CYL GAS ENGINES
[EV0] = ALL 4.7L GAS ENGINES

1	53032037AJ	1				EK0, EV0			BELT, Accessory Drive
---	------------	---	--	--	--	----------	--	--	-----------------------



GRAND CHEROKEE (WK)

SERIES	LINE
H = HIGHLINE	T = JEEP - 2WD
P = PREMIUM	J = JEEP - 4WD
S = SPORT	
X = SPECIAL	

BODY
74 = SPORT UTILITY 4-DR

ENGINE
EKG = 3.7L V6 Engine
EVA = 4.7L V8 MPI Engine
EZB = 5.7L Hemi Multi Displacement Engine

TRANSMISSION
DGQ = 5-Spd Automatic 5-45RFE Transmission
DGJ = 5-Speed Automatic MB Transmission

AR = use ase required - = Non illustrated part

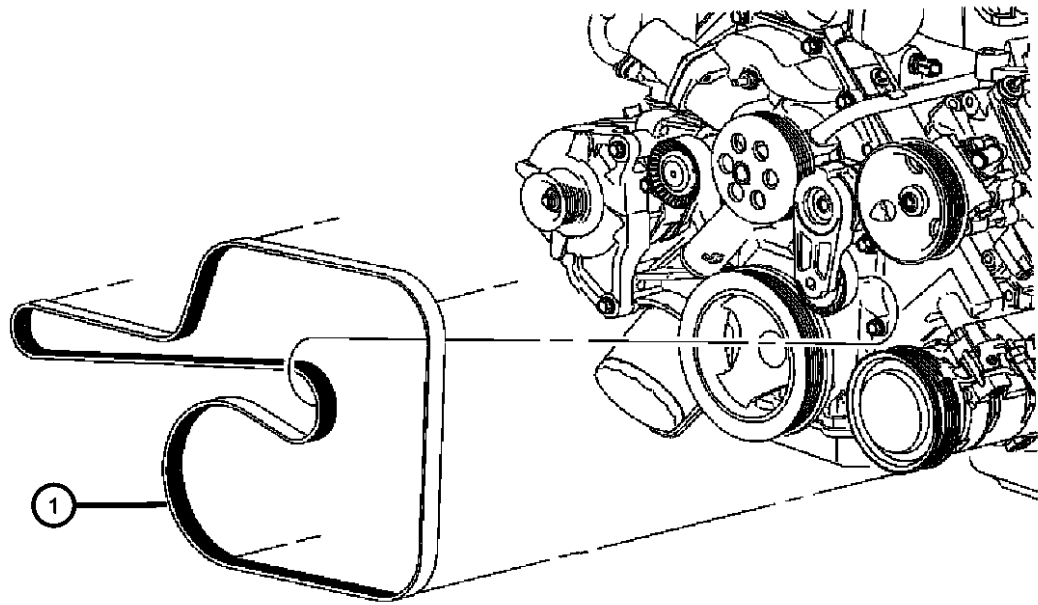
2006 WK

Drive Belts 5.7L, 6.1L Engines
Figure 7-520

ITEM	PART NUMBER	QTY	LINE	SERIES	BODY	ENGINE	TRANS	TRIM	DESCRIPTION
------	-------------	-----	------	--------	------	--------	-------	------	-------------

NOTES: Sales Codes:
 [ESF] = 6.1L SRT HEMI SMPI V8 ENGINE
 [EZ0] = ALL 5.7L 8CYL GAS ENGINES

1									BELT, Accessory Drive
	05037542AA	1				ESF			
	53013676AB	1				EZ0			



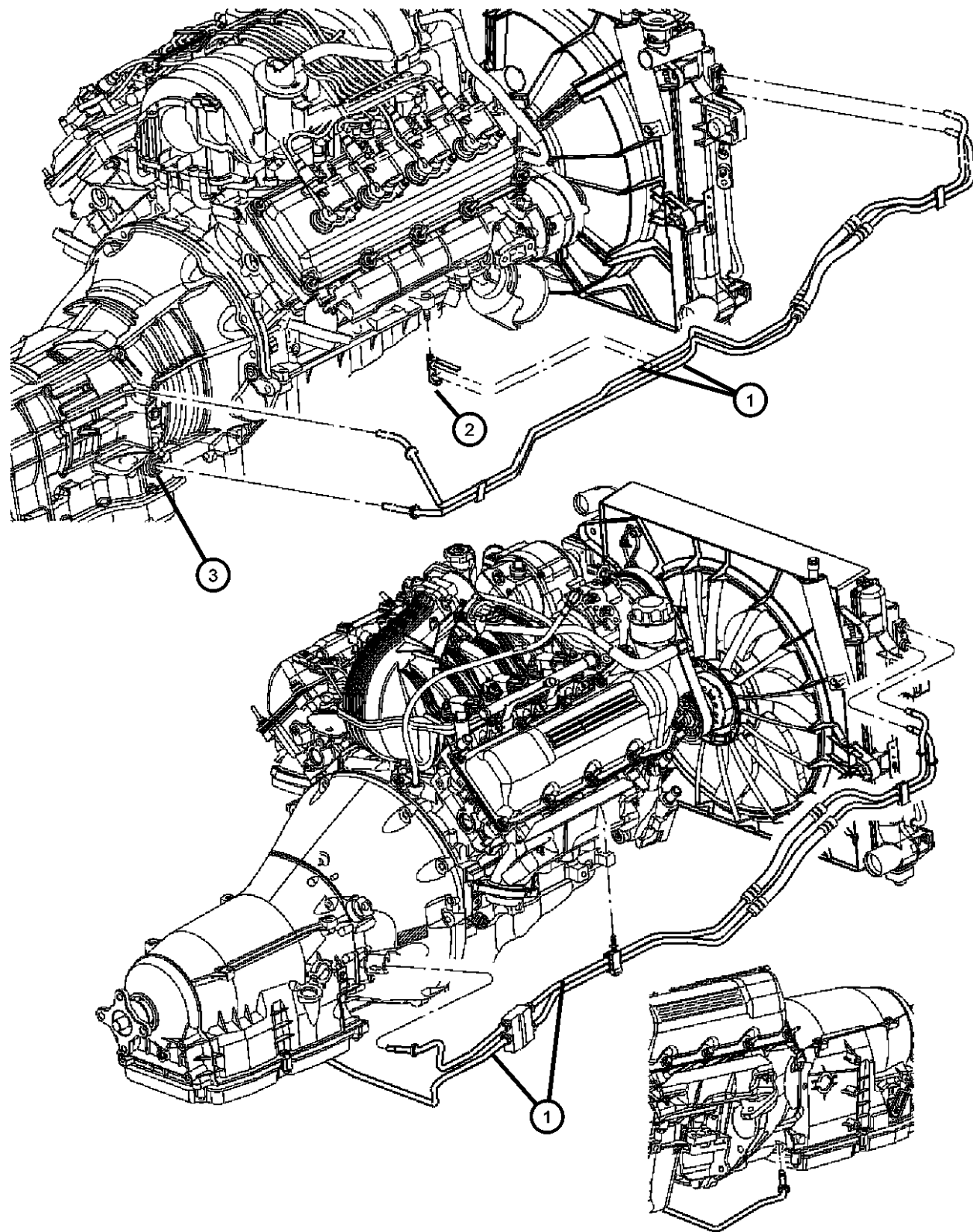
GRAND CHEROKEE (WK)

SERIES	LINE	BODY	ENGINE	TRANSMISSION
H = HIGHLINE	T = JEEP - 2WD	74 = SPORT UTILITY 4-DR	EKG = 3.7L V6 Engine	DGQ = 5-Spd Automatic 5-45RFE
P = PREMIUM	J = JEEP - 4WD		EVA = 4.7L V8 MPI Engine	Transmission
S = SPORT			EZB = 5.7L Hemi Multi	DGJ = 5-Speed Automatic MB
X = SPECIAL			Displacement Engine	Transmission

AR = use ase required - = Non illustrated part

2006 WK

Oil Cooler and Lines
Figure 7-620



ITEM	PART NUMBER	QTY	LINE	SERIES	BODY	ENGINE	TRANS	TRIM	DESCRIPTION
Note: EK0 = 3.7L Engine EV0 = 4.7L Engine EZ0 = 5.7L Engine DG0 = All Automatic Transmissions									
1									TUBE & HOSE, Supply & Return
	55116875AC	1				EV0, EZ0	DG0		
	55116877AC	1				EK0, ESF	DG0		Serviced With Clips
2	52079789AB	1				EV0, EZ0	DG0		CLIP, Cooler Lines
3									FITTING, Quick Connect
	52119547AA	2	J			EK0	DGJ		
		2	T			EK0	DGJ		
		2	J			ESF	DGJ		
		2	J			EV0	DGQ		
		2	T			EV0	DGQ		
		2	T			EZ0	DGQ		
		2	J			EZ0	DGQ		
-4	68034089AA	1	J, T			EK0, ESF, EV0	DG0		CONNECTOR, Oil Cooler Tube

GRAND CHEROKEE (WK)

SERIES	LINE
H = HIGHLINE	T = JEEP - 2WD
P = PREMIUM	J = JEEP - 4WD
S = SPORT	
X = SPECIAL	

BODY
74 = SPORT UTILITY 4-DR

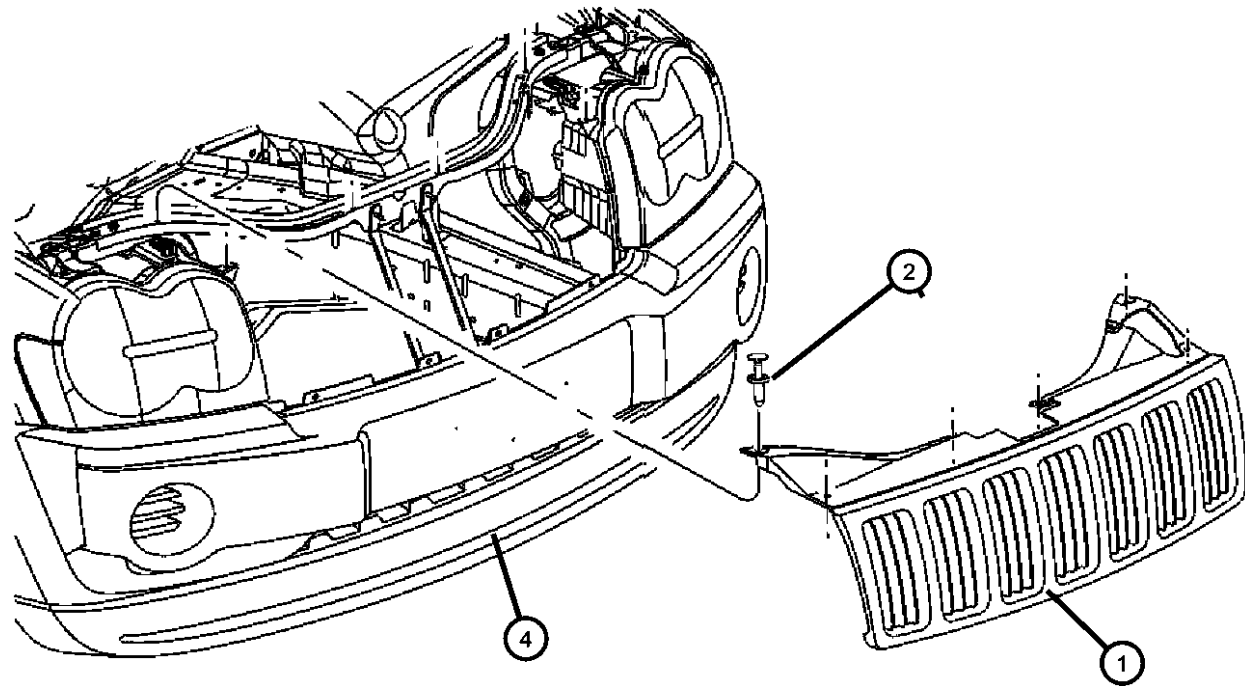
ENGINE
EKG = 3.7L V6 Engine
EVA = 4.7L V8 MPI Engine
EZB = 5.7L Hemi Multi
Displacement Engine

TRANSMISSION
DGQ = 5-Spd Automatic 5-45RFE
Transmission
DGJ = 5-Speed Automatic MB
Transmission

AR = use ase required - = Non illustrated part

2006 WK

**Grille and Related Parts
Figure 7-720**



ITEM	PART NUMBER	QTY	LINE	SERIES	BODY	ENGINE	TRANS	TRIM	DESCRIPTION
1									GRILLE, Radiator
	1CH981RJAA	1		X					[RJ]
	1CH981SBAA	1		X					[SB]
	1CH981BMAA	1		X					[BM]
	5JF941B8AE	1							[B8]
		1	J, T						
	5JF941DAAE	1	J, T						[DA]
	5JF941EMAE	1	J, T						[EM]
	1CH981X8AA	1		X					[X8]
	55156814AE	1							Chrome
	55157372AA	1		S					Platinum
	5JF941SBAE	1							[SB]
	5JF941W1AE	1							[W1]
	5JF941GVAE	1							[GV]
	5JF941JCAE	1							[JC]
	5JF941JTAE	1							[JT]
	5JF941RJAE	1							[RJ]
	5JF941X8AE	1							[X8]
2	06503598	6							PIN, Push, M8x21
-3	05030066AB	1		X					GRILLE, Fascia, Texture, Lower Fascia
4									APPLIQUE, Fascia
	05030069AA	1		X					[MCZ]
	05179394AA	1		S					[MCY]

GRAND CHEROKEE (WK)

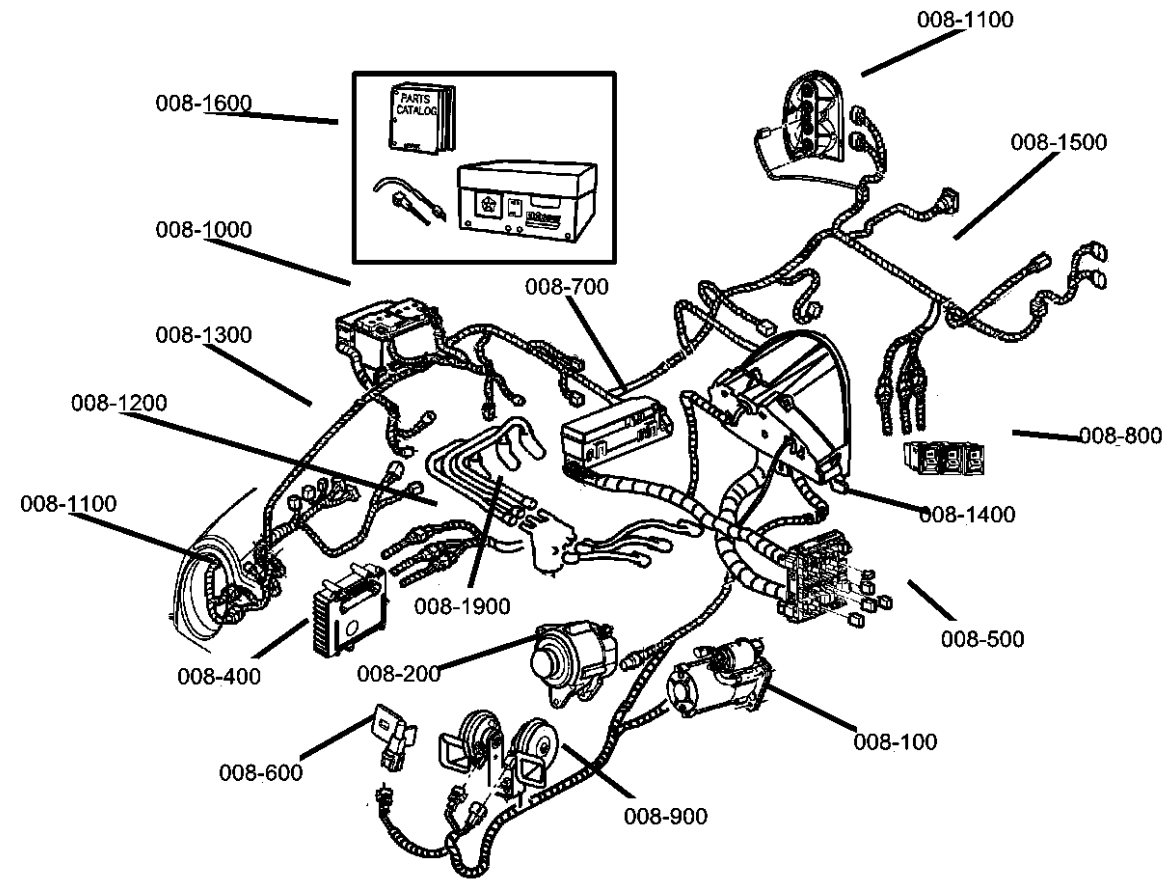
SERIES	LINE	BODY	ENGINE	TRANSMISSION
H = HIGHLINE	T = JEEP - 2WD	74 = SPORT UTILITY 4-DR	EKG = 3.7L V6 Engine	DGQ = 5-Spd Automatic 5-45RFE
P = PREMIUM	J = JEEP - 4WD		EVA = 4.7L V8 MPI Engine	Transmission
S = SPORT			EZB = 5.7L Hemi Multi	DGJ = 5-Speed Automatic MB
X = SPECIAL			Displacement Engine	Transmission


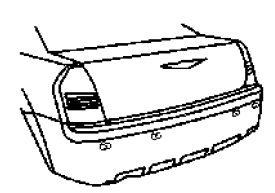
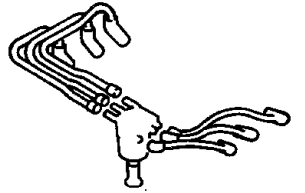
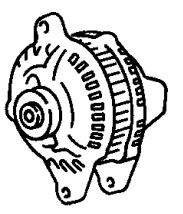
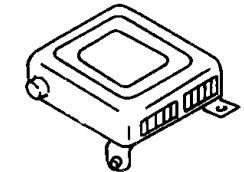
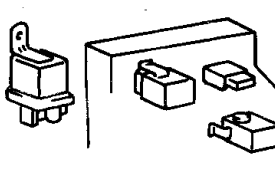
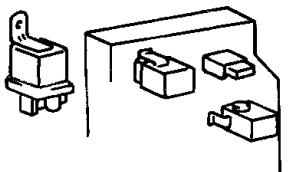
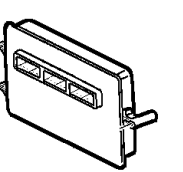
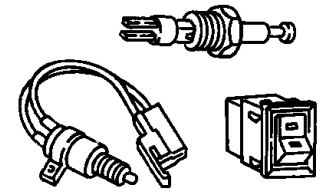
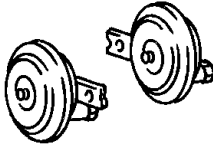
AR = use ase required - = Non illustrated part

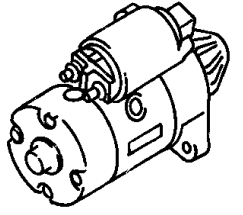
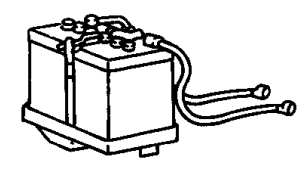
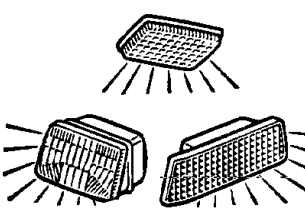
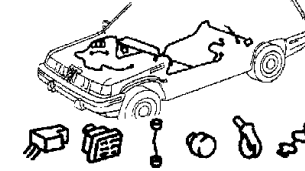
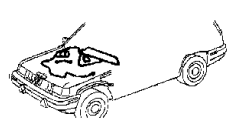
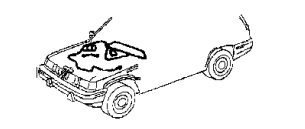
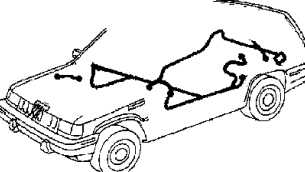
2006 WK

Group - 8

Electrical



008-1700 Air Bag Systems 	008-1800 Park Assist 	008-1900 Spark Plugs-Cables-Coils 	008-200 Alternators 
008-400 Modules 	008-500 Relays 	008-600 Sensors 	008-700 Single Board Engine Controllers 
008-800 Switches 	008-900 Horns 		

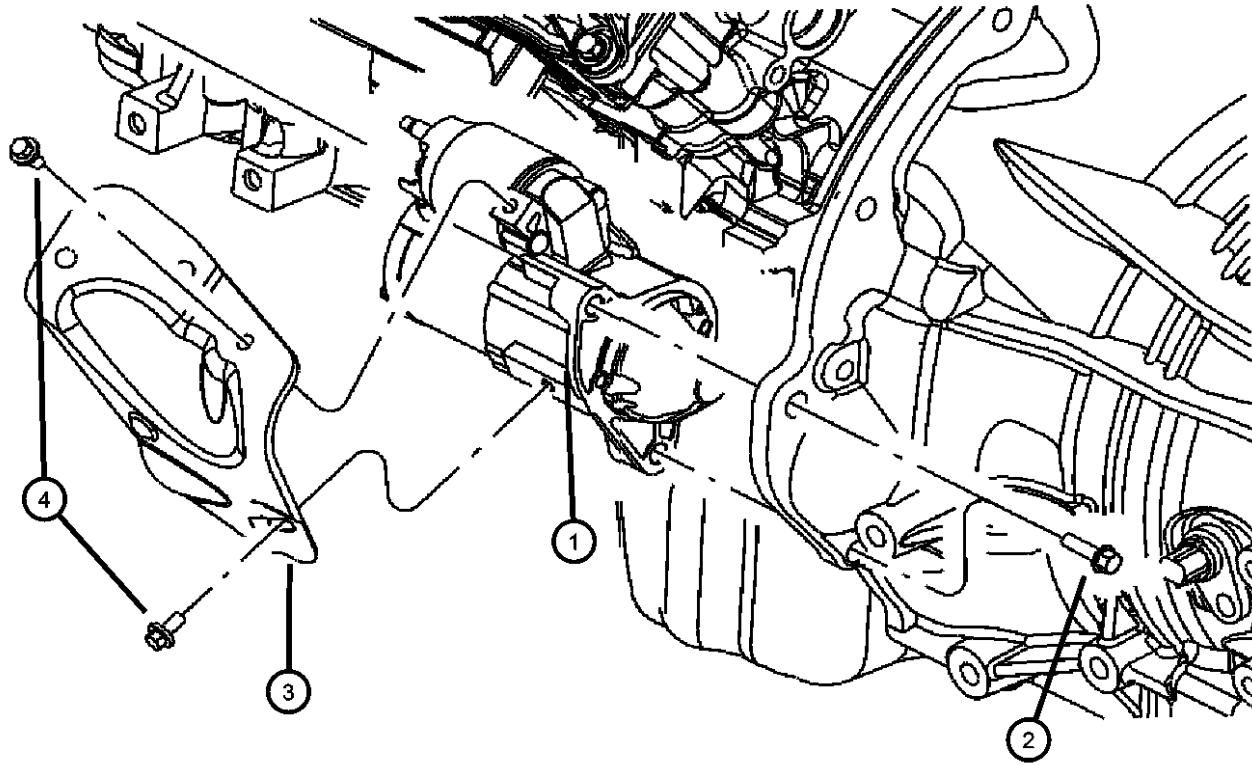
008-100 Starters 	008-1000 Battery Tray and Cables 	008-1100 Lamps - Front, Rear and Courtesy 	008-1200 Wiring-Engine & Related Parts 
008-1300 Wiring-Headlamp to Dash 	008-1400 Wiring-Instrument Panel 	008-1500 Wiring-Body & Accessories 	008-1600 Wiring Repair <p>WIRING REPAIR PKG.</p>

Group - 8 Electrical

Illustration Title	Group-Fig. No.
Starters	
Starters.....	Fig. 8 - 110
Alternators	
Alternator [3.7L engine].....	Fig. 8 - 205
Alternator [4.7L Engine].....	Fig. 8 - 210
Alternator [5.7L, 6.1L Engines].....	Fig. 8 - 215
Modules	
Modules Floor Mounted.....	Fig. 8 - 405
Modules Under Hood.....	Fig. 8 - 410
Modules Body.....	Fig. 8 - 415
Relays	
Power Distribution Center Front.....	Fig. 8 - 505
Power Distribution Center Rear.....	Fig. 8 - 510
Junction Block, Relays, Circuit Breaker.....	Fig. 8 - 515
Sensors	
Sensors Engine [3.7L engine].....	Fig. 8 - 605
Sensors, Engine (4.7L) [EV0].....	Fig. 8 - 610
Sensors Engine [5.7L, 6.1L Engines].....	Fig. 8 - 615
Sensors Oxygen [3.7L engine].....	Fig. 8 - 620
Sensors, Oxygen [4.7L Engine].....	Fig. 8 - 625
Sensors Oxygen [5.7L, 6.1L Engines].....	Fig. 8 - 630
Sensors Drivetrain.....	Fig. 8 - 635
Sensors Body.....	Fig. 8 - 640
Single Board Engine Controllers	
Powertrain Control Modules.....	Fig. 8 - 705
Switches	
Switches (Instrument Panel and Console).....	Fig. 8 - 810
Switches, (Drive Train).....	Fig. 8 - 820
Switches, (Body).....	Fig. 8 - 830
Horns	
Horns.....	Fig. 8 - 905
Battery Tray and Cables	
Battery Tray & Wiring [3.7L and 4.7L Engines].....	Fig. 8 - 1005
Battery Tray and Wiring [5.7L, 6.1L Engines].....	Fig. 8 - 1010
Block Heaters [3.7L and 4.7L Engines].....	Fig. 8 - 1015
Block Heaters [5.7L Engine][6.1L Engine].....	Fig. 8 - 1020
Lamps - Front, Rear and Courtesy	
Lamp - Front End.....	Fig. 8 - 1110
Lamp - Rear End.....	Fig. 8 - 1120
Lamp - Courtesy - Dome - Reading.....	Fig. 8 - 1130
Bulbs.....	Fig. 8 - 1140
Wiring-Engine & Related Parts	
Wiring - Engine [3.7L and 4.7L Engine].....	Fig. 8 - 1205
Wiring Engine [5.7L, 6.1L Engines].....	Fig. 8 - 1210
Ground Straps.....	Fig. 8 - 1215
Wiring-Headlamp to Dash	
Wiring - Headlamp / Dash.....	Fig. 8 - 1305
Wiring-Instrument Panel	
Wiring - Instrument Panel.....	Fig. 8 - 1410
Wiring-Body & Accessories	
Wiring Body.....	Fig. 8 - 1505
Wiring - Doors and Liftgate.....	Fig. 8 - 1510
Wiring Seats.....	Fig. 8 - 1515
Wiring Repair	
Wiring Repair Packages.....	Fig. 8 - 1605
Air Bag Systems	
Air Bag Modules and Sensors.....	Fig. 8 - 1705
Air Bags and Clock Spring.....	Fig. 8 - 1710
Park Assist	
Park Assist Detection System.....	Fig. 8 - 1805
Spark Plugs-Cables-Coils	
Spark Plugs and Coils [3.7L and 4.7L Engines].....	Fig. 8 - 1905
Spark Plug, Ignition Wires, and Coil [5.7L, 6.7L Engines].....	Fig. 8 - 1910

Starters
Figure 8-110

ITEM	PART NUMBER	QTY	LINE	SERIES	BODY	ENGINE	TRANS	TRIM	DESCRIPTION
1	05030023AA	1				ESF			STARTER
	56044734AA	1				EK0			
	56044735AB	1				EVO			
	56044736AB	1				EZO			
2	06102120AA	2				EK0, ESF, EVO, EZO			SCREW AND WASHER, Hex Head
3	05030024AB	1				ESF			SHIELD, Starter
	56044116AD	1				EVO, EZO			
4		1							SCREW, Hex Flange Head, M6x1x12, (NOT SERVICED)



GRAND CHEROKEE (WK)

SERIES LINE
H = HIGHLINE T = JEEP - 2WD
P = PREMIUM J = JEEP - 4WD
S = SPORT
X = SPECIAL

BODY
74 = SPORT UTILITY 4-DR

ENGINE
EKG = 3.7L V6 Engine
EVA = 4.7L V8 MPI Engine
EZB = 5.7L Hemi Multi
Displacement Engine

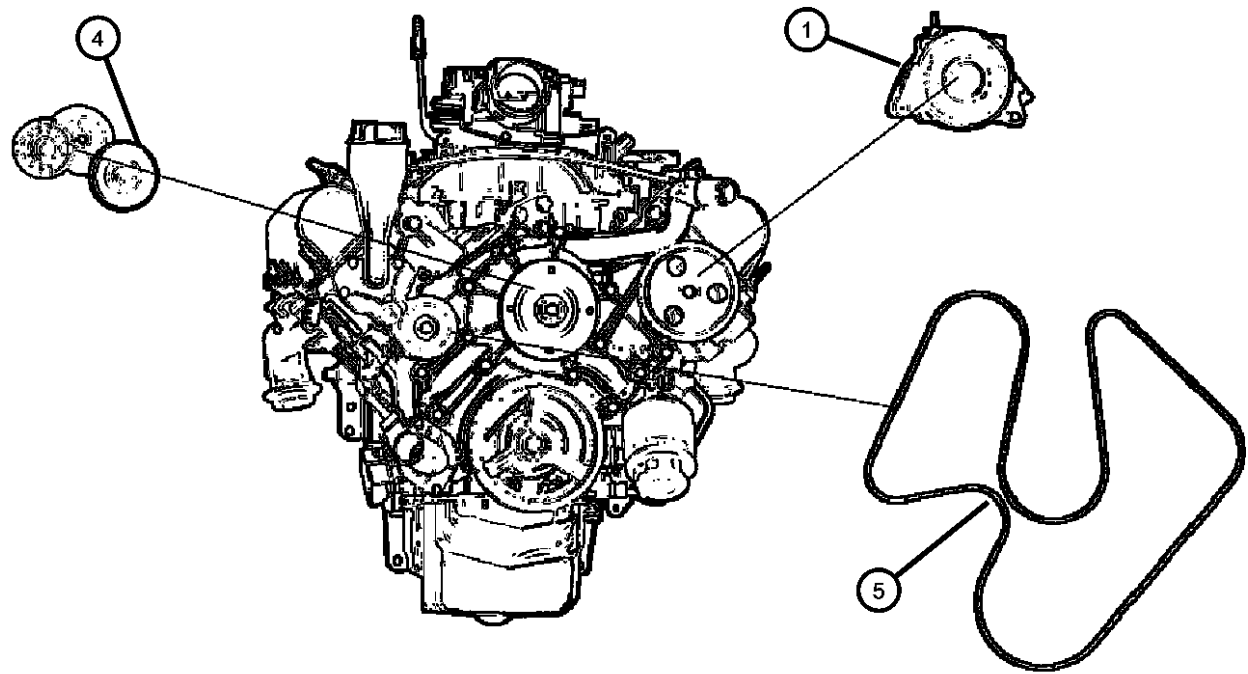
TRANSMISSION
DGQ = 5-Spd Automatic 5-45RFE
Transmission
DGJ = 5-Speed Automatic MB
Transmission

AR = use ase required - = Non illustrated part

2006 WK

**Alternator [3.7L engine]
Figure 8-205**

ITEM	PART NUMBER	QTY	LINE	SERIES	BODY	ENGINE	TRANS	TRIM	DESCRIPTION
1	56029914AA	1				EK0, EVO			ALTERNATOR
-2	06504344	1				EK0			SCREW AND WASHER, Hex Head, Alternator to Front Cover Attaching
-3	06505482AA	1				EK0			SCREW AND WASHER, Hex Head, M8x1.25x50, Alternator to Cylinder Head
4	53030958AD	1				EK0			TENSIONER, Alternator Belt
5									BELT, Accessory Drive
	04892791AA	1				EK0, EVO			After 09/28/05
	53032037AJ	1				EK0, EVO			Up to 09/28/05
-6	06505488AA	1				EK0			SCREW AND WASHER, Hex, Alternator to Front Cover attaching



GRAND CHEROKEE (WK)

SERIES LINE
H = HIGHLINE T = JEEP - 2WD
P = PREMIUM J = JEEP - 4WD
S = SPORT
X = SPECIAL

BODY
74 = SPORT UTILITY 4-DR

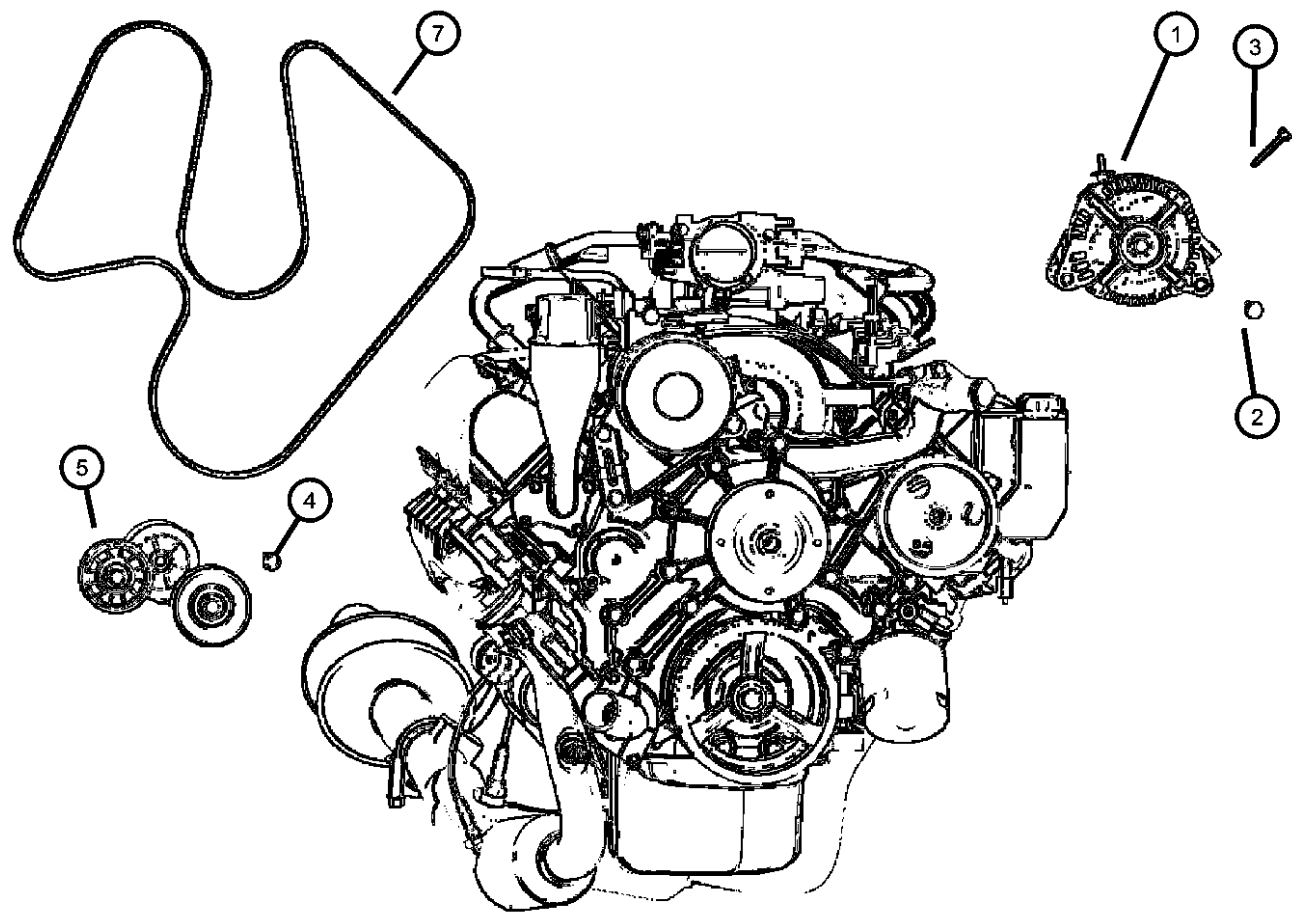
ENGINE
EKG = 3.7L V6 Engine
EVA = 4.7L V8 MPI Engine
EZB = 5.7L Hemi Multi Displacement Engine

TRANSMISSION
DGQ = 5-Spd Automatic 5-45RFE Transmission
DGJ = 5-Speed Automatic MB Transmission

AR = use ase required - = Non illustrated part

2006 WK

**Alternator [4.7L Engine]
Figure 8-210**



ITEM	PART NUMBER	QTY	LINE	SERIES	BODY	ENGINE	TRANS	TRIM	DESCRIPTION
1	05170748AA	1				EK0, EVO			ALTERNATOR
2	06505488AA	1				EVO			SCREW AND WASHER, Hex
3	06505482AA	1				EVO			SCREW AND WASHER, Hex
4	06504930AA	1				EVO			Head, M8x1.25x50
5	53030958AC	1				EVO			SCREW AND WASHER, Hex
-6	06506929AA	1							Head, M10x1.5x70
7									TENSIONER, Alternator Belt
									NUT, Hex Flange Lock, M8x1.25,
									B+ connection
									BELT, Accessory Drive
	04892791AA	1				EK0, EVO			After to 09/28/05
	53032037AJ	1				EK0, EVO			Up to 09/28/05

GRAND CHEROKEE (WK)

SERIES	LINE
H = HIGHLINE	T = JEEP - 2WD
P = PREMIUM	J = JEEP - 4WD
S = SPORT	
X = SPECIAL	

BODY
74 = SPORT UTILITY 4-DR

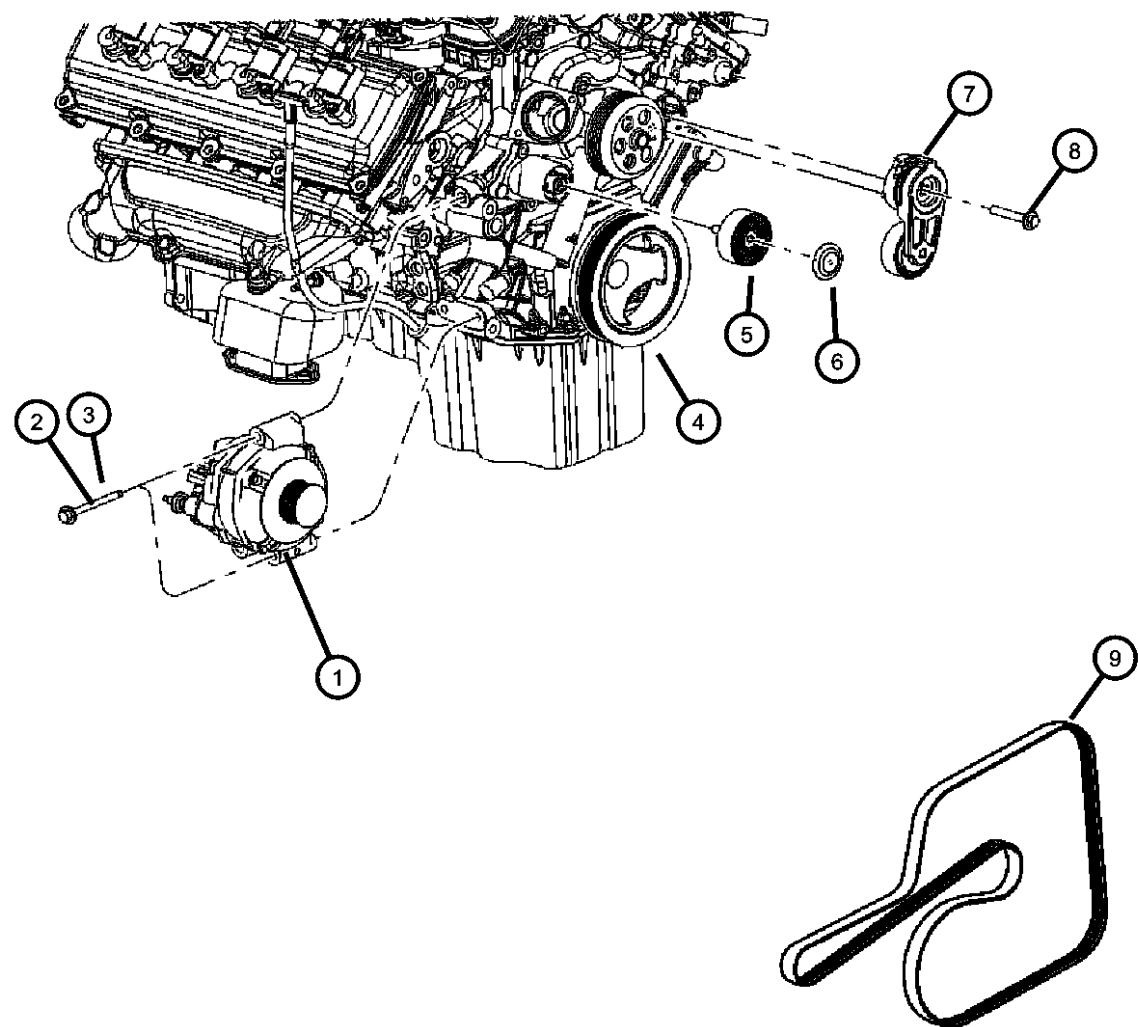
ENGINE
EKG = 3.7L V6 Engine
EVA = 4.7L V8 MPI Engine
EZB = 5.7L Hemi Multi
Displacement Engine

TRANSMISSION
DGQ = 5-Spd Automatic 5-45RFE
Transmission
DGJ = 5-Speed Automatic MB
Transmission

AR = use ase required - = Non illustrated part

2006 WK

**Alternator [5.7L, 6.1L Engines]
Figure 8-215**



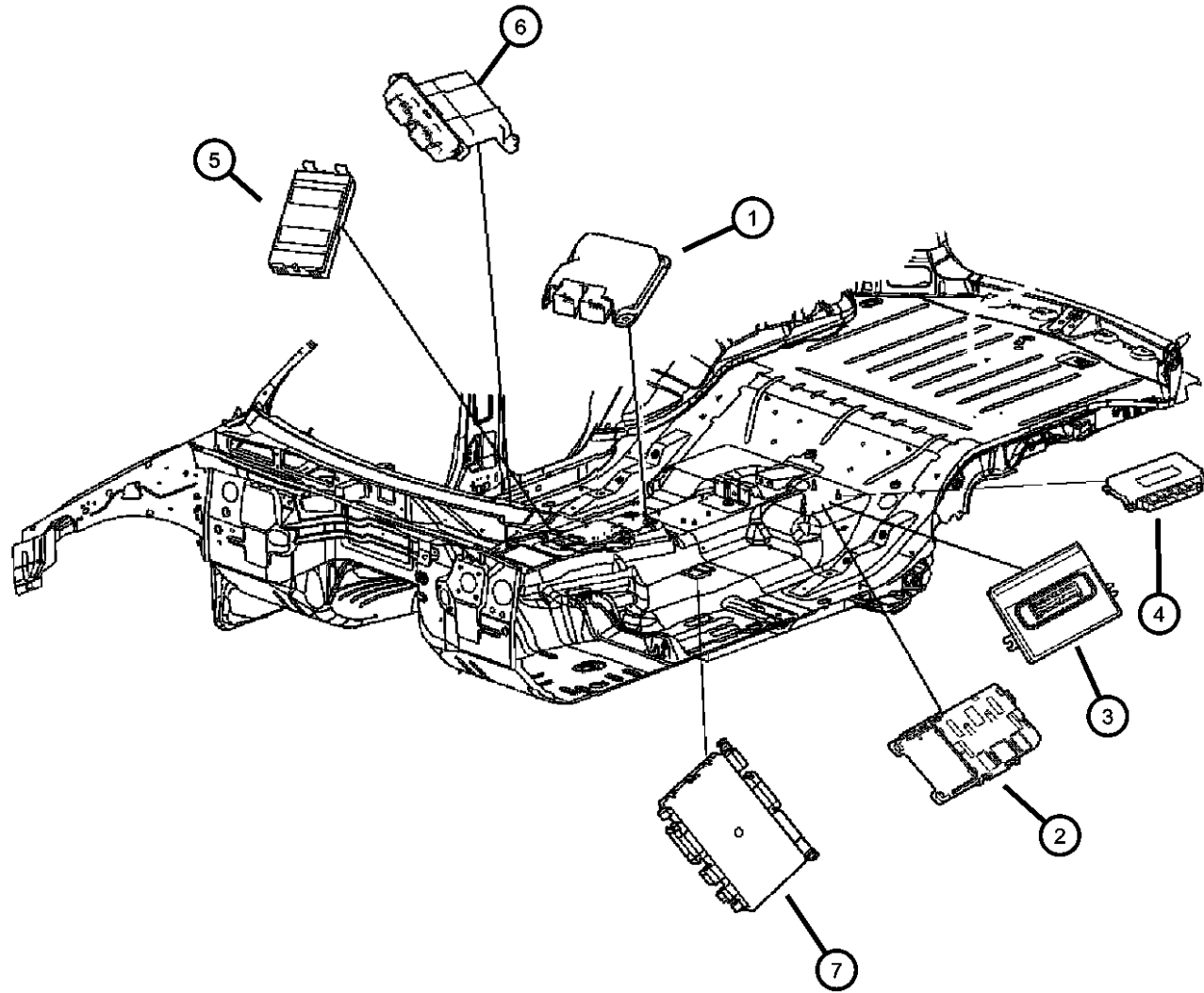
ITEM	PART NUMBER	QTY	LINE	SERIES	BODY	ENGINE	TRANS	TRIM	DESCRIPTION
1	56044380AC	1				ESF, EZ0			ALTERNATOR
2	06101985	1				EZ0			SCREW AND WASHER, M10x1.50x45.00, Alternator to front cover lower
3	06504344	1				EZ0			SCREW AND WASHER, Hex Head, ALternator to front cover
4	04792815AB	1				EZ0			DAMPER, Crankshaft
	05037394AA	1				ESF			
5	04792835AA	1				EZ0			PULLEY, Idler
6	04792875AA	1				EZ0			CAP, Pulley
7	04861660AA	1				EZ0			TENSIONER, Belt
		1				ESF			
8	06102381AA	1				EZ0			SCREW, Hex Flange Head
9	05037542AA	1				ESF			BELT, Accessory Drive
	53013676AB	1				EZ0			

GRAND CHEROKEE (WK)

SERIES	LINE	BODY	ENGINE	TRANSMISSION
H = HIGHLINE	T = JEEP - 2WD	74 = SPORT UTILITY 4-DR	EKG = 3.7L V6 Engine	DGQ = 5-Spd Automatic 5-45RFE
P = PREMIUM	J = JEEP - 4WD		EVA = 4.7L V8 MPI Engine	Transmission
S = SPORT			EZB = 5.7L Hemi Multi	DGJ = 5-Speed Automatic MB
X = SPECIAL			Displacement Engine	Transmission

AR = use ase required - = Non illustrated part

Modules Floor Mounted
Figure 8-405



ITEM	PART NUMBER	QTY	LINE	SERIES	BODY	ENGINE	TRANS	TRIM	DESCRIPTION
1									MODULE, Occupant Restraint
	05030557AA	1		X					Up to 01/21/06
	05030715AA	1	J, T	X	74				After 01/21/06
	05030716AA	1	J, T	X	74				[CGS] After 01/21/06
	56010425AI	1							Up to 02/07/06
	68002177AA	1	J, T	H, P, S	74				[CG3,CGS] After 01/25/06
	68002601AA	1	J, T	H, P, S	74				[CG3] After 01/25/06
	04896258AA	1	J, T	H, P, S	74				[CG1,CG3,CGS] Up to 01/25/06
	04896369AA	1		H, P, S					[CG1,CG3] Up to 01/25/06
	05030556AA	1		X					[CGS] Up to 01/21/06
	04896018AB	1		H, P, S					After 02/07/06
	04896133AD	1		H, P, S					[CGS]
2	56038805AD	1							BRACKET, Module, Park assist module and transfer case control module mounting
3									MODULE, Transfer Case Control
	56044204AJ	1	J						[DHX,SNA]
	56044199AF	1	J						[DXH,DSG] Up to 08/15/05
	56044199AK	1	J						[DXH,DSG] After 08/15/05
	05030061AA	1	J			ESF			[DHB]
	56044129AK	1	J						[DXH,DS7]
4									MODULE, Parking Assist
	05137541AA	1							[XAA]
	05026016AC	1							
5	04602327AG	1							MODULE, Heated Seat Control
6	56043195AU	1							MODULE, Occupant Classification
7	04602437AL	1							MODULE, Seat Memory

GRAND CHEROKEE (WK)

SERIES LINE
H = HIGHLINE T = JEEP - 2WD
P = PREMIUM J = JEEP - 4WD
S = SPORT
X = SPECIAL

BODY
74 = SPORT UTILITY 4-DR

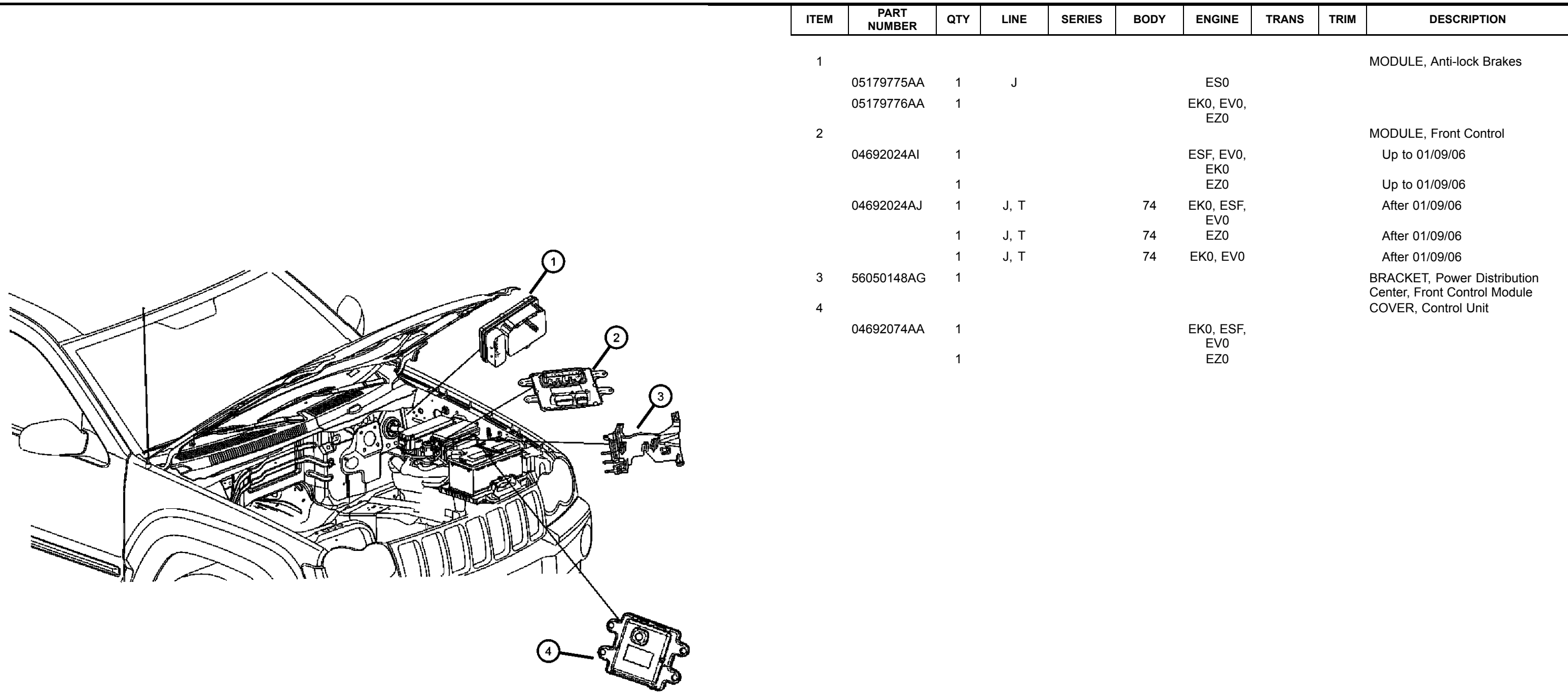
ENGINE
EKG = 3.7L V6 Engine
EVA = 4.7L V8 MPI Engine
EZB = 5.7L Hemi Multi Displacement Engine

TRANSMISSION
DGQ = 5-Spd Automatic 5-45RFE Transmission
DGJ = 5-Speed Automatic MB Transmission

AR = use ase required - = Non illustrated part

2006 WK

Modules Under Hood
Figure 8-410



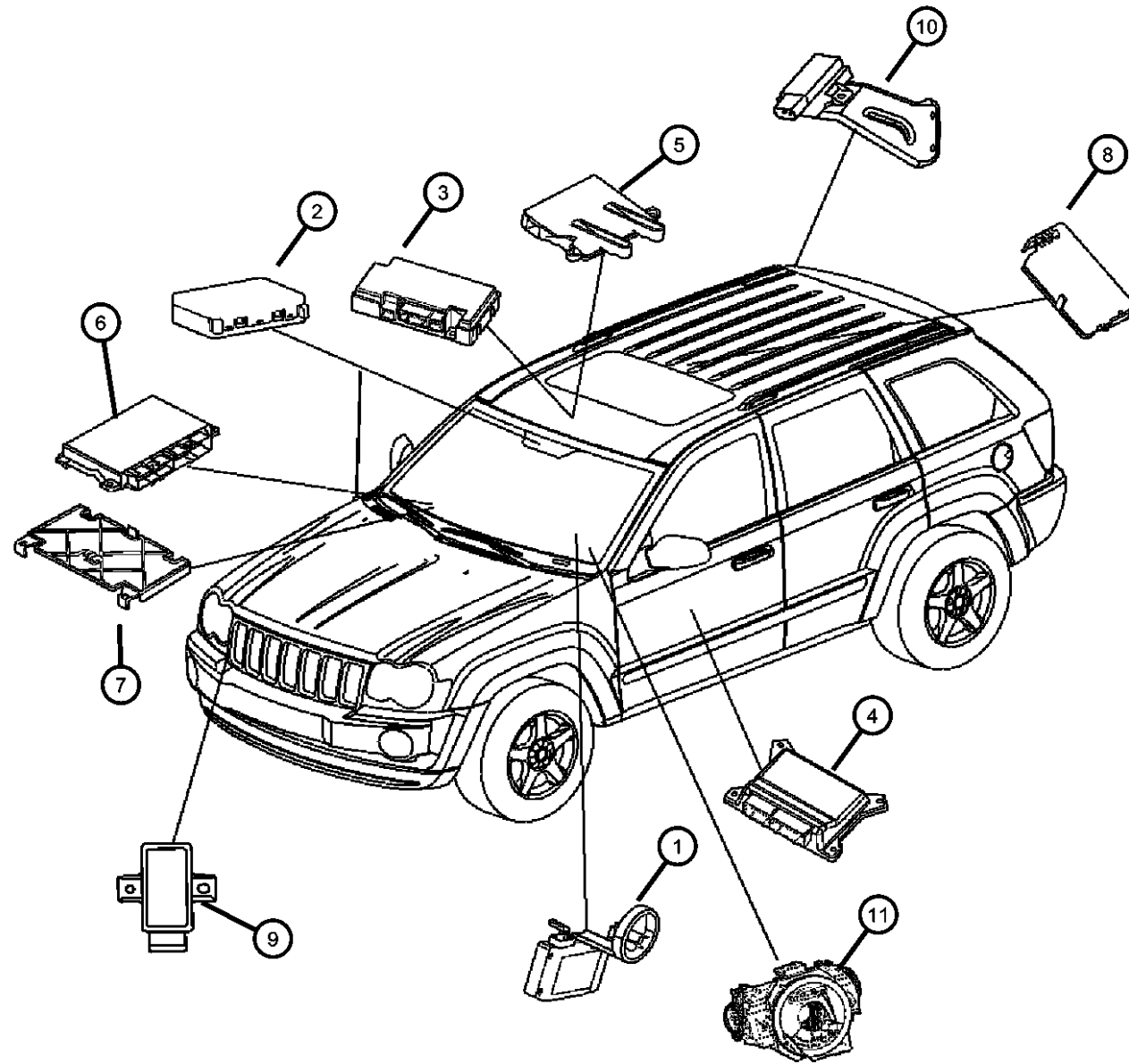
ITEM	PART NUMBER	QTY	LINE	SERIES	BODY	ENGINE	TRANS	TRIM	DESCRIPTION
1	05179775AA	1	J			ES0			MODULE, Anti-lock Brakes
	05179776AA	1				EK0, EVO, EZ0			
2	04692024AI	1				ESF, EVO, EK0			MODULE, Front Control Up to 01/09/06 Up to 01/09/06 After 01/09/06 After 01/09/06
	04692024AJ	1	J, T		74	EK0, ESF, EVO			
		1	J, T		74	EZ0			
		1	J, T		74	EK0, EVO			
3	56050148AG	1							BRACKET, Power Distribution Center, Front Control Module COVER, Control Unit
4	04692074AA	1				EK0, ESF, EVO			
		1				EZ0			

GRAND CHEROKEE (WK)

SERIES	LINE	BODY	ENGINE	TRANSMISSION
H = HIGHLINE	T = JEEP - 2WD	74 = SPORT UTILITY 4-DR	EKG = 3.7L V6 Engine	DGQ = 5-Spd Automatic 5-45RFE Transmission
P = PREMIUM	J = JEEP - 4WD		EVA = 4.7L V8 MPI Engine	DGJ = 5-Speed Automatic MB Transmission
S = SPORT			EZB = 5.7L Hemi Multi Displacement Engine	
X = SPECIAL				

AR = use ase required - = Non illustrated part

**Modules Body
Figure 8-415**



ITEM	PART NUMBER	QTY	LINE	SERIES	BODY	ENGINE	TRANS	TRIM	DESCRIPTION
Note: Optical Element is not Supplied with rain sensor, must order Windshield									
1	56040543AQ	1							RECEIVER, Control Module [XGM]
	56053016AN	1							[LAB]
	56053017AT	1							Export
2	56050078AL	1							MODULE, Rain Sensor, See Note
3	05064013AU	1							MODULE, Telematics, HANDS-FREE MODULE
4	04602620AC	2							MODULE, Door
	04602621AC	2							[LEW]
5	56050242AG	1							MODULE, Compass Temperature
	56050243AE	1							With universal garage door opener
6	04692392AD	1					DGJ		MODULE, Transmission Control
7	56044171AC	1					DGJ		BRACKET, Control Unit, Trans module
8	05137557AD	1	J, T		74				MOTOR/MODULE, Sunroof
9	56053034AC	2							MODULE, Low Tire Pressure Warning, Wheel sensor trigger
10	56044729AC	1							MODULE, Low Tire Pressure Warning, Trigger
11	05143320AD	1							MODULE, Steering Control

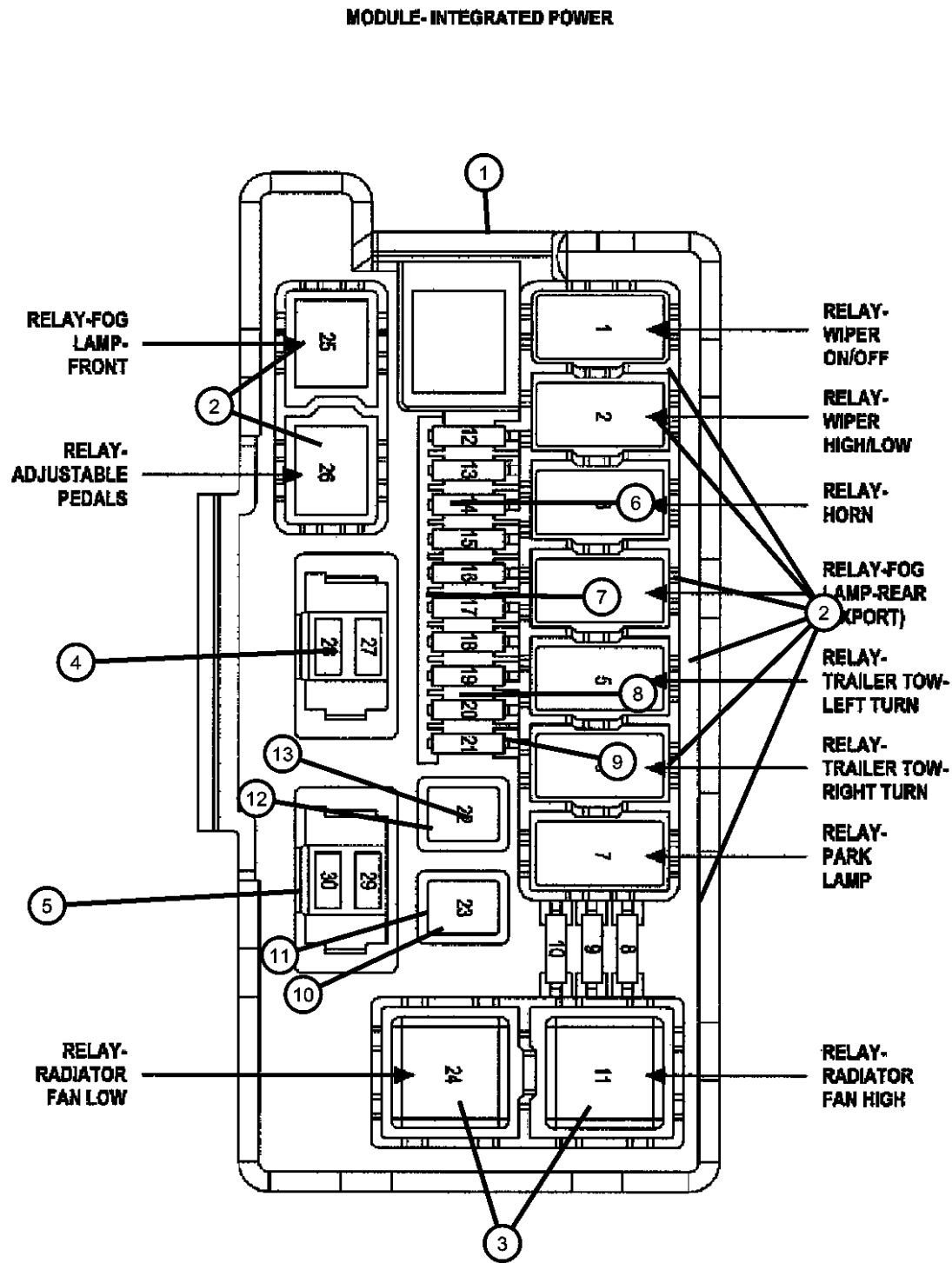
GRAND CHEROKEE (WK)

SERIES	LINE	BODY	ENGINE	TRANSMISSION
H = HIGHLINE	T = JEEP - 2WD	74 = SPORT UTILITY 4-DR	EKG = 3.7L V6 Engine	DGQ = 5-Spd Automatic 5-45RFE Transmission
P = PREMIUM	J = JEEP - 4WD		EVA = 4.7L V8 MPI Engine	DGJ = 5-Speed Automatic MB Transmission
S = SPORT			EZB = 5.7L Hemi Multi Displacement Engine	
X = SPECIAL				

AR = use ase required - = Non illustrated part

**Power Distribution Center Front
Figure 8-505**

ITEM	PART NUMBER	QTY	LINE	SERIES	BODY	ENGINE	TRANS	TRIM	DESCRIPTION
1	04692084AB	1				EK0, ESF, EV0			POWER DISTRIBUTION CENTER [AHT]
	04692085AA	1				EK0, EV0			
	04692086AA	1				EZ0			[AXH]
	04692087AA	1				EZ0			
2	04671168	1							RELAY, Mini
3									RELAY, Mini
	56006709	2				EK0, ESF, EV0			
		1				EZ0			
4	04868007AA	1				EV0, EK0, ESF			FUSE CARTRIDGE, 30 Amp
		1				EZ0			
5	06102078AA	1				EK0, ESF, EV0			FUSE CARTRIDGE, 50 Amp
		1				EZ0			
6	000ATM10	5				EZ0			FUSE, Mini, 10 AMP, Red
		5				EK0, ESF, EV0			
7	000ATM15	1				EK0, ESF, EV0			FUSE, Mini, 15 AMP, Light Blue
		1				EZ0			
8	000ATM20	11				EK0, ESF, EV0			FUSE, Mini, 20 AMP, Yellow
		11				EZ0			
9	000ATM25	AR							FUSE, Mini, 25 Amp, Natural
10	000MAX50	AR							FUSE, Maxi, 50 AMP, Red
11	000ATM30	AR							FUSE, Mini, 30 AMP, Green
12	000MAX30	AR							FUSE, Maxi, 30 Amp, Green
13	000MAX40	AR							FUSE, Maxi, 40 AMP, Amber
-14									COVER, Power Distribution Center



GRAND CHEROKEE (WK)
 SERIES LINE BODY ENGINE TRANSMISSION
 H = HIGHLINE T = JEEP - 2WD 74 = SPORT UTILITY 4-DR EKG = 3.7L V6 Engine DGQ = 5-Spd Automatic 5-45RFE
 P = PREMIUM J = JEEP - 4WD EVA = 4.7L V8 MPI Engine Transmission
 S = SPORT EZB = 5.7L Hemi Multi DGJ = 5-Speed Automatic MB
 X = SPECIAL Displacement Engine Transmission

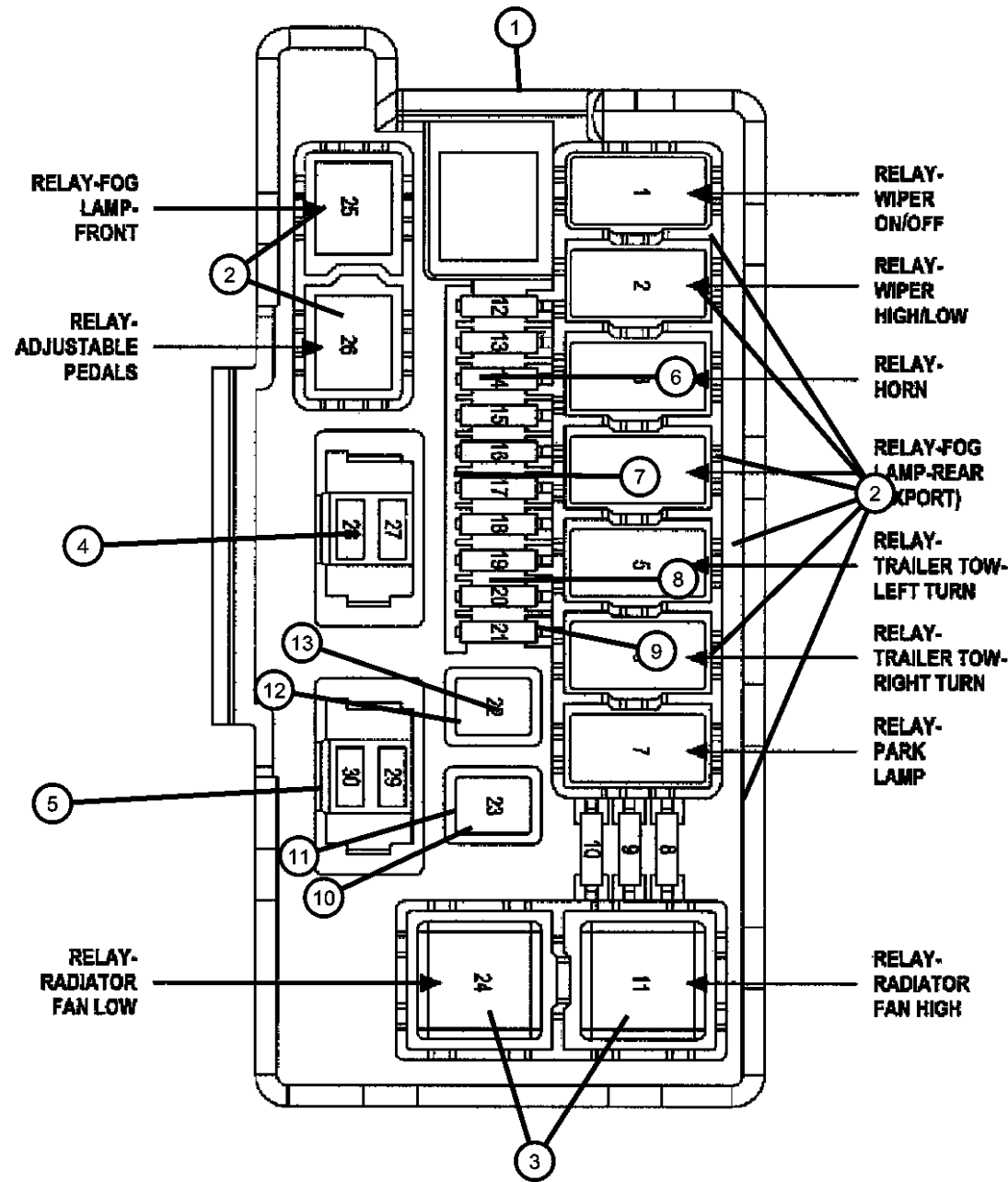
AR = use ase required - = Non illustrated part

Power Distribution Center Front
Figure 8-505

ITEM	PART NUMBER	QTY	LINE	SERIES	BODY	ENGINE	TRANS	TRIM	DESCRIPTION
------	-------------	-----	------	--------	------	--------	-------	------	-------------

MODULE-INTEGRATED POWER

	05127783AB	1				EK0, ESF, EVO EZO			
		1							



GRAND CHEROKEE (WK)

SERIES LINE
H = HIGHLINE T = JEEP - 2WD
P = PREMIUM J = JEEP - 4WD
S = SPORT
X = SPECIAL

BODY
74 = SPORT UTILITY 4-DR

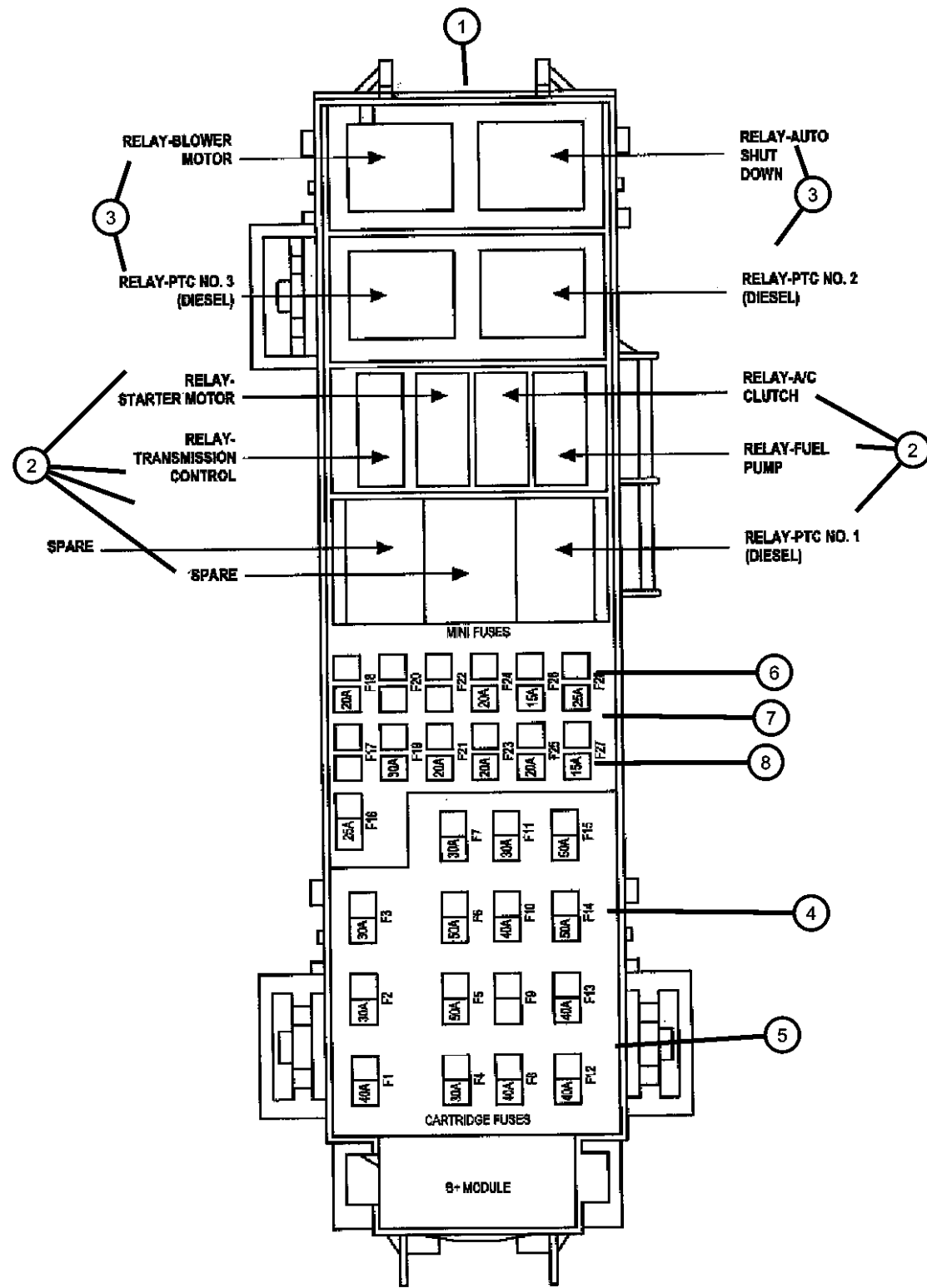
ENGINE
EKG = 3.7L V6 Engine
EVA = 4.7L V8 MPI Engine
EZB = 5.7L Hemi Multi
Displacement Engine

TRANSMISSION
DGQ = 5-Spd Automatic 5-45RFE
Transmission
DGJ = 5-Speed Automatic MB
Transmission

AR = use ase required - = Non illustrated part

2006 WK

**Power Distribution Center Rear
Figure 8-510**



ITEM	PART NUMBER	QTY	LINE	SERIES	BODY	ENGINE	TRANS	TRIM	DESCRIPTION
1		1							POWER DISTRIBUTION CENTER, Serviced in Headlamp to Dash Wiring, (NOT SERVICED)
2	04671168	1							RELAY, Mini
3	56049018AB	AR							RELAY, Micro
4	04868007AA	1				EK0, ESF, EVO, EZ0			FUSE CARTRIDGE, 30 Amp
5	06102078AA	1				EK0, ESF, EVO, EZ0			FUSE CARTRIDGE, 50 Amp
6	000ATM10	5				EK0, ESF, EVO, EZ0			FUSE, Mini, 10 AMP, Red
7	000ATM15	1				EK0, ESF, EVO, EZ0			FUSE, Mini, 15 AMP, Light Blue
8	000ATM20	11				EK0, ESF, EVO, EZ0			FUSE, Mini, 20 AMP, Yellow

GRAND CHEROKEE (WK)

SERIES LINE
H = HIGHLINE T = JEEP - 2WD
P = PREMIUM J = JEEP - 4WD
S = SPORT
X = SPECIAL

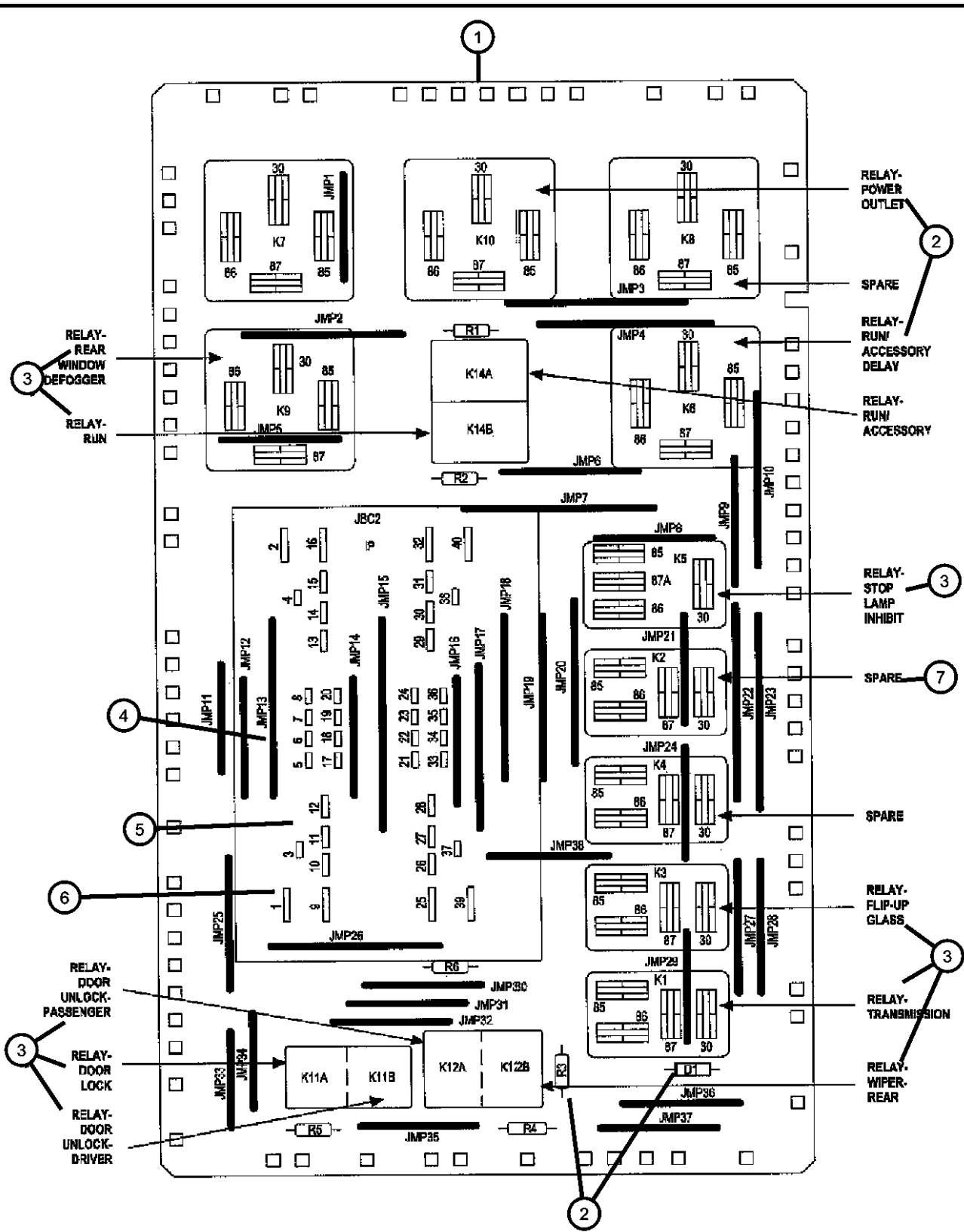
BODY
74 = SPORT UTILITY 4-DR

ENGINE
EKG = 3.7L V6 Engine
EVA = 4.7L V8 MPI Engine
EZB = 5.7L Hemi Multi Displacement Engine

TRANSMISSION
DGQ = 5-Spd Automatic 5-45RFE Transmission
DGJ = 5-Speed Automatic MB Transmission

AR = use ase required - = Non illustrated part

Junction Block, Relays, Circuit Breaker
Figure 8-515



ITEM	PART NUMBER	QTY	LINE	SERIES	BODY	ENGINE	TRANS	TRIM	DESCRIPTION
1	56050066AC	1							JUNCTION BLOCK, Relay
2	05143950AA	2							BREAKER, Circuit Silver
	05143953AA	1							Gold
3	04671168	1							RELAY, Mini
4									FUSE, Mini, 10 AMP, Red
	000ATM10	5				EK0, ESF, EV0 EZ0			
		5							FUSE, Mini, 15 AMP, Light Blue
5									
	000ATM15	1				EK0, ESF, EV0 EZ0			
		1							FUSE, Mini, 20 AMP, Yellow
6									
	000ATM20	11				EK0, ESF, EV0 EZ0			
		11							
7	04671168	1				EK0, ESF	DGJ		RELAY, Mini, For ESP or TCM slot

GRAND CHEROKEE (WK)

SERIES	LINE	BODY	ENGINE	TRANSMISSION
H = HIGHLINE	T = JEEP - 2WD	74 = SPORT UTILITY 4-DR	EKG = 3.7L V6 Engine	DGQ = 5-Spd Automatic 5-45RFE
P = PREMIUM	J = JEEP - 4WD		EVA = 4.7L V8 MPI Engine	Transmission
S = SPORT			EZB = 5.7L Hemi Multi	DGJ = 5-Speed Automatic MB
X = SPECIAL			Displacement Engine	Transmission

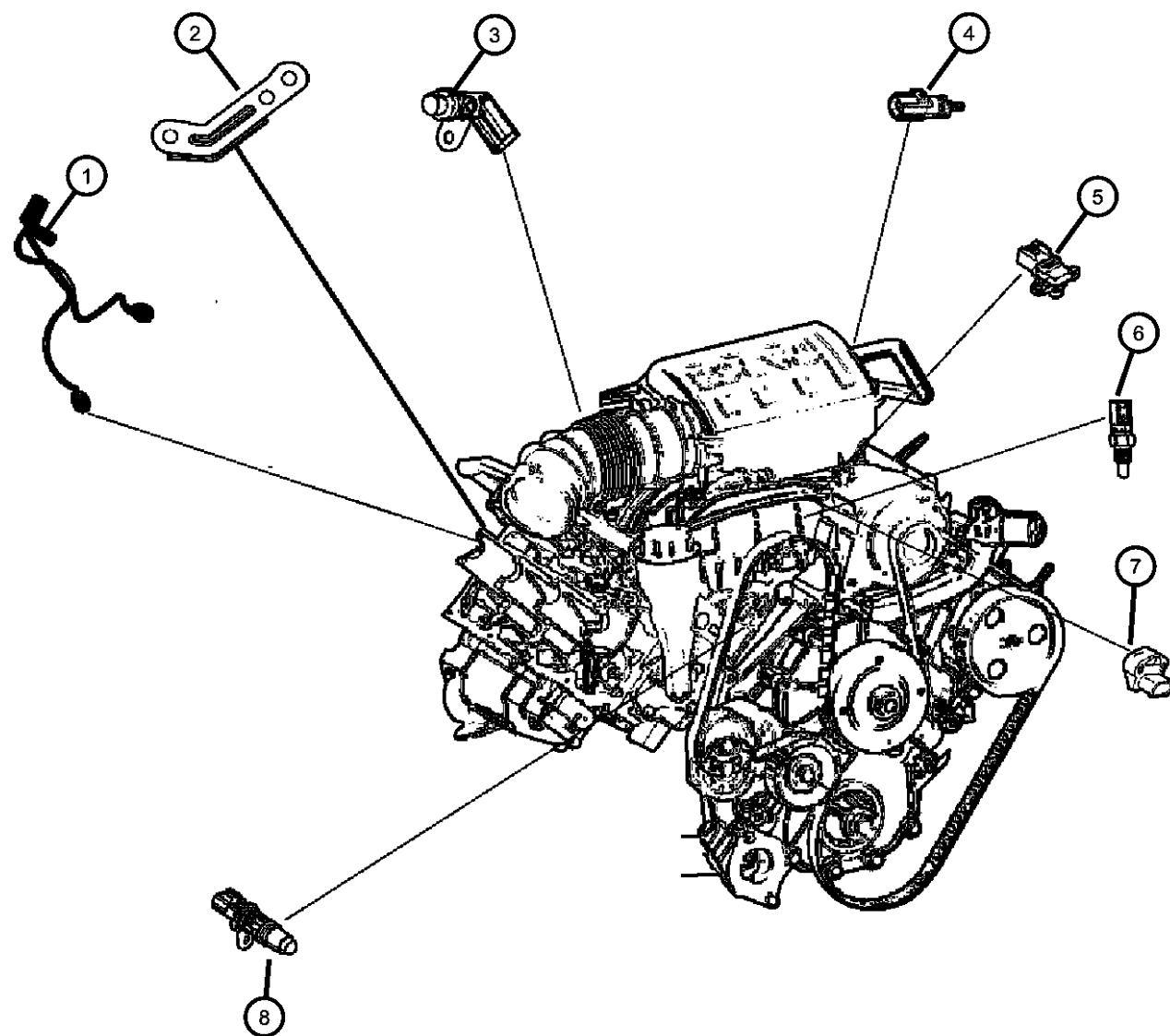
AR = use as required - = Non illustrated part

Sensors Engine [3.7L engine]
Figure 8-605

ITEM	PART NUMBER	QTY	LINE	SERIES	BODY	ENGINE	TRANS	TRIM	DESCRIPTION
------	-------------	-----	------	--------	------	--------	-------	------	-------------

Notes:
[EK0]=3.7L V6 Engine

1	56041679AC	1				EK0			SENSOR, Knock
2	56041849AA	1				EK0			BRACKET, Knock Sensor
3	56044180AB	1				EK0			SENSOR, Crankshaft Position
4	56028364AA	1				EK0			SENSOR, Air Temperature
5	56041018AC	1				EK0			SENSOR, MAP
6	56027873	1				EK0, EVO			SENSOR, Coolant Temperature
7	05019411AC	1				EK0			SENSOR KIT, Throttle Position
8	56041584AE	1				EK0, EVO			SENSOR, Camshaft



GRAND CHEROKEE (WK)

SERIES LINE
H = HIGHLINE T = JEEP - 2WD
P = PREMIUM J = JEEP - 4WD
S = SPORT
X = SPECIAL

BODY
74 = SPORT UTILITY 4-DR

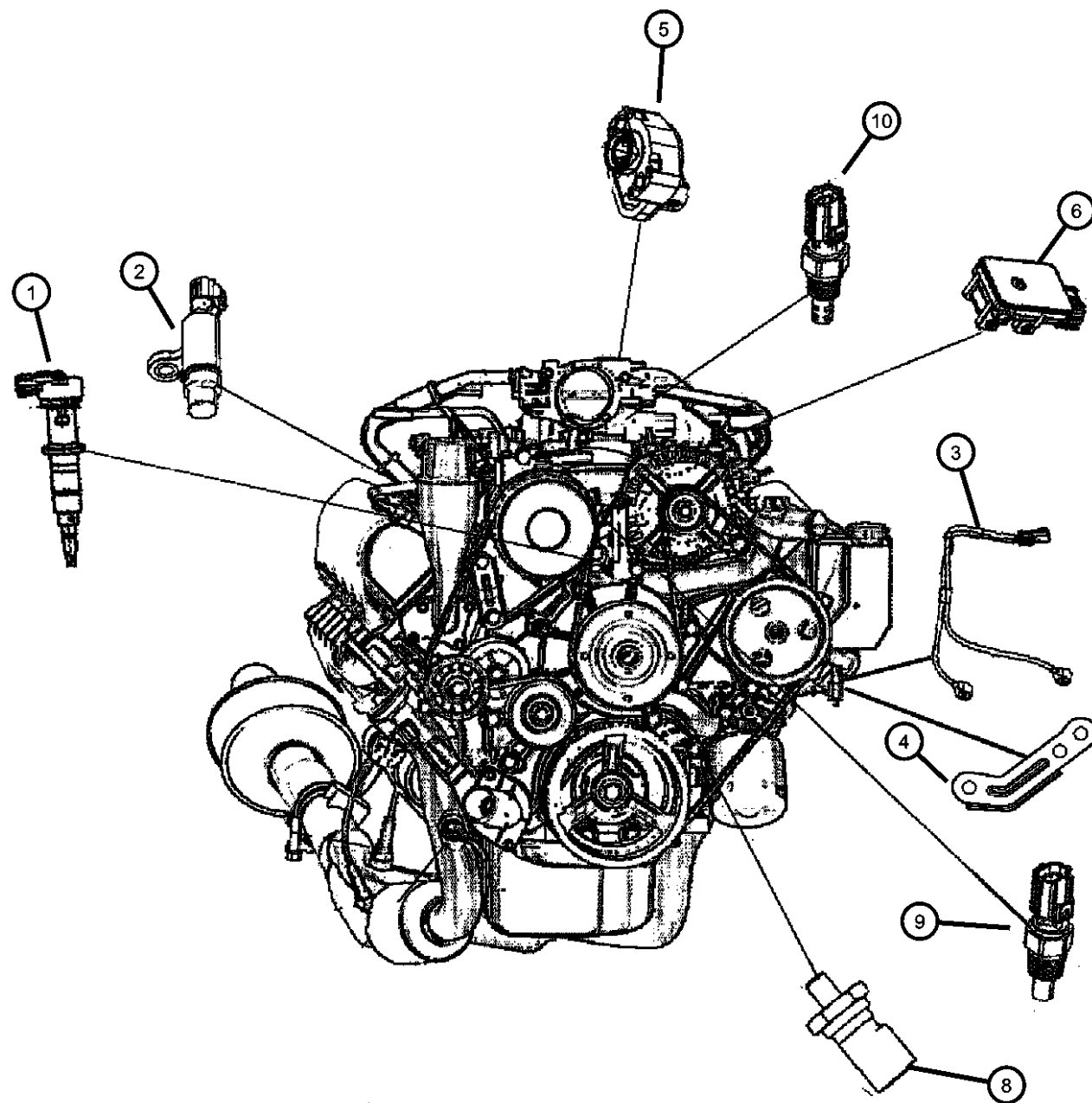
ENGINE
EKG = 3.7L V6 Engine
EVA = 4.7L V8 MPI Engine
EZB = 5.7L Hemi Multi Displacement Engine

TRANSMISSION
DGQ = 5-Spd Automatic 5-45RFE Transmission
DGJ = 5-Speed Automatic MB Transmission

AR = use ase required - = Non illustrated part

2006 WK

Sensors, Engine (4.7L) [EV0]
Figure 8-610



ITEM	PART NUMBER	QTY	LINE	SERIES	BODY	ENGINE	TRANS	TRIM	DESCRIPTION
1	56041584AE	1				EK0, EV0			SENSOR, Camshaft
2	56028666AA	1				EV0			SENSOR, Crankshaft Position
3	56041677AB	1				EV0			SENSOR, Knock
4	56041849AA	1				EV0			BRACKET, Knock Sensor
5	05017479AA	1				EV0			SENSOR KIT, Throttle Position
6	56041018AC	1				EV0			SENSOR, MAP
-7	06102192AA	1				EV0			SCREW, Intake Manifold, MAP sensor attaching
8	04868672AA	1				EK0, EV0			SWITCH, Oil Pressure
9	56027873	1				EK0, EV0			SENSOR, Coolant Temperature
10		1							SENSOR, Air Temperature, Serviced in duct, (NOT SERVICED)

GRAND CHEROKEE (WK)

SERIES LINE
H = HIGHLINE T = JEEP - 2WD
P = PREMIUM J = JEEP - 4WD
S = SPORT
X = SPECIAL

BODY
74 = SPORT UTILITY 4-DR

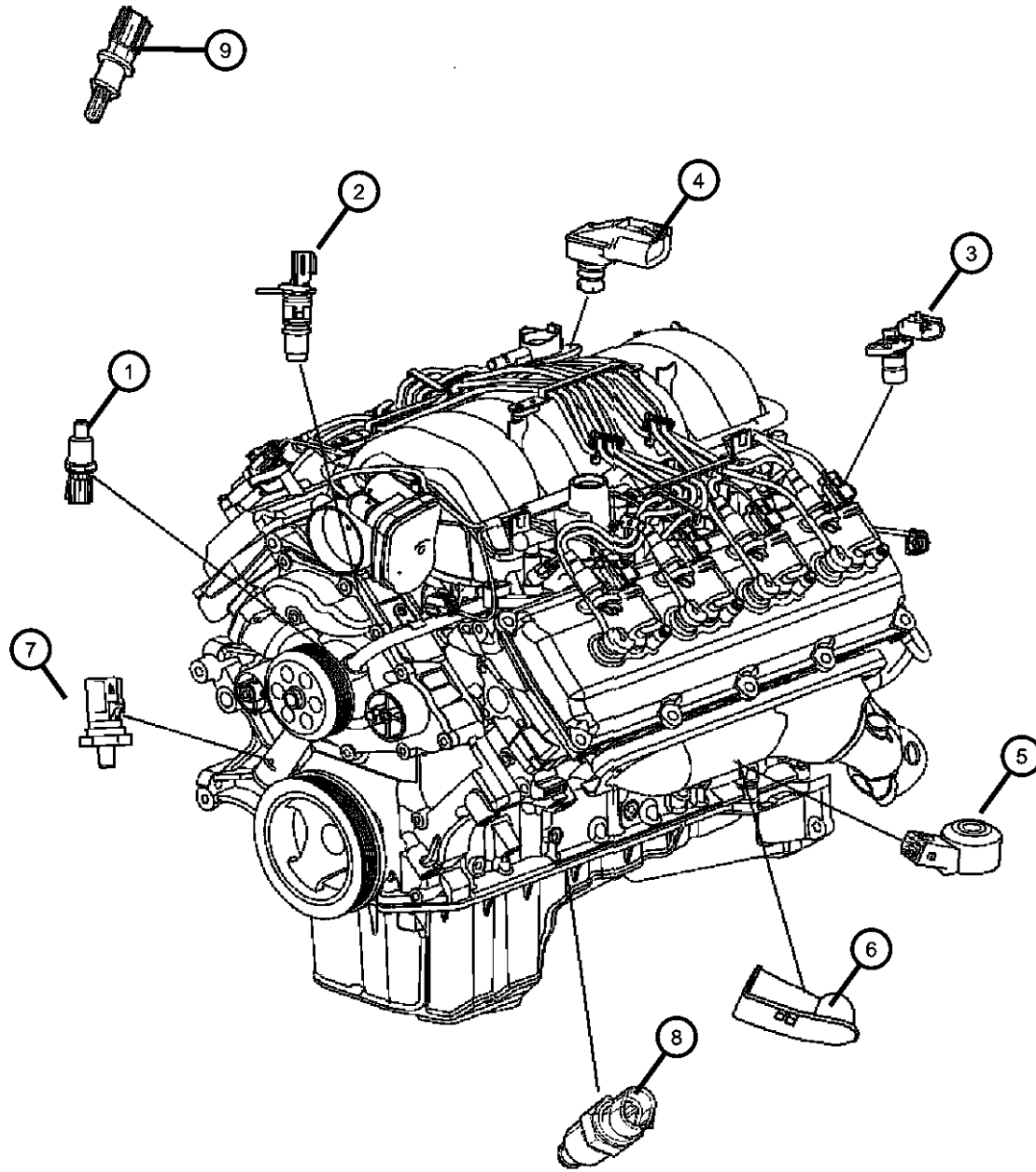
ENGINE
EKG = 3.7L V6 Engine
EVA = 4.7L V8 MPI Engine
EZB = 5.7L Hemi Multi Displacement Engine

TRANSMISSION
DGQ = 5-Spd Automatic 5-45RFE Transmission
DGJ = 5-Speed Automatic MB Transmission

AR = use ase required - = Non illustrated part

2006 WK

**Sensors Engine [5.7L, 6.1L Engines]
Figure 8-615**



ITEM	PART NUMBER	QTY	LINE	SERIES	BODY	ENGINE	TRANS	TRIM	DESCRIPTION
1	05269870AB	1				EZ0			SENSOR, Coolant Temperature
		1				ESF			
2	56041584AE	1				ESF			SENSOR, Camshaft
		1				EZ0			
3	56028815AA	1				EZ0			SENSOR, Crankshaft Position
		1				ESF			
4	56028562AB	1				EZB			SENSOR, MAP
5	56028563AA	2				EZ0			SENSOR, Knock
6	55394453AA	1							SHIELD, Heat
7	56044777AA	1				EZ0			SENDING UNIT, Oil Pressure
8	05149008AA	1				EZB			SENSOR, Oil temperature
		1				ESF			
9	04606487AB	1				ESF			SENSOR, Charge Air Temp, Located in clean air duct

GRAND CHEROKEE (WK)

SERIES LINE
H = HIGHLINE T = JEEP - 2WD
P = PREMIUM J = JEEP - 4WD
S = SPORT
X = SPECIAL

BODY
74 = SPORT UTILITY 4-DR

ENGINE
EKG = 3.7L V6 Engine
EVA = 4.7L V8 MPI Engine
EZB = 5.7L Hemi Multi
Displacement Engine

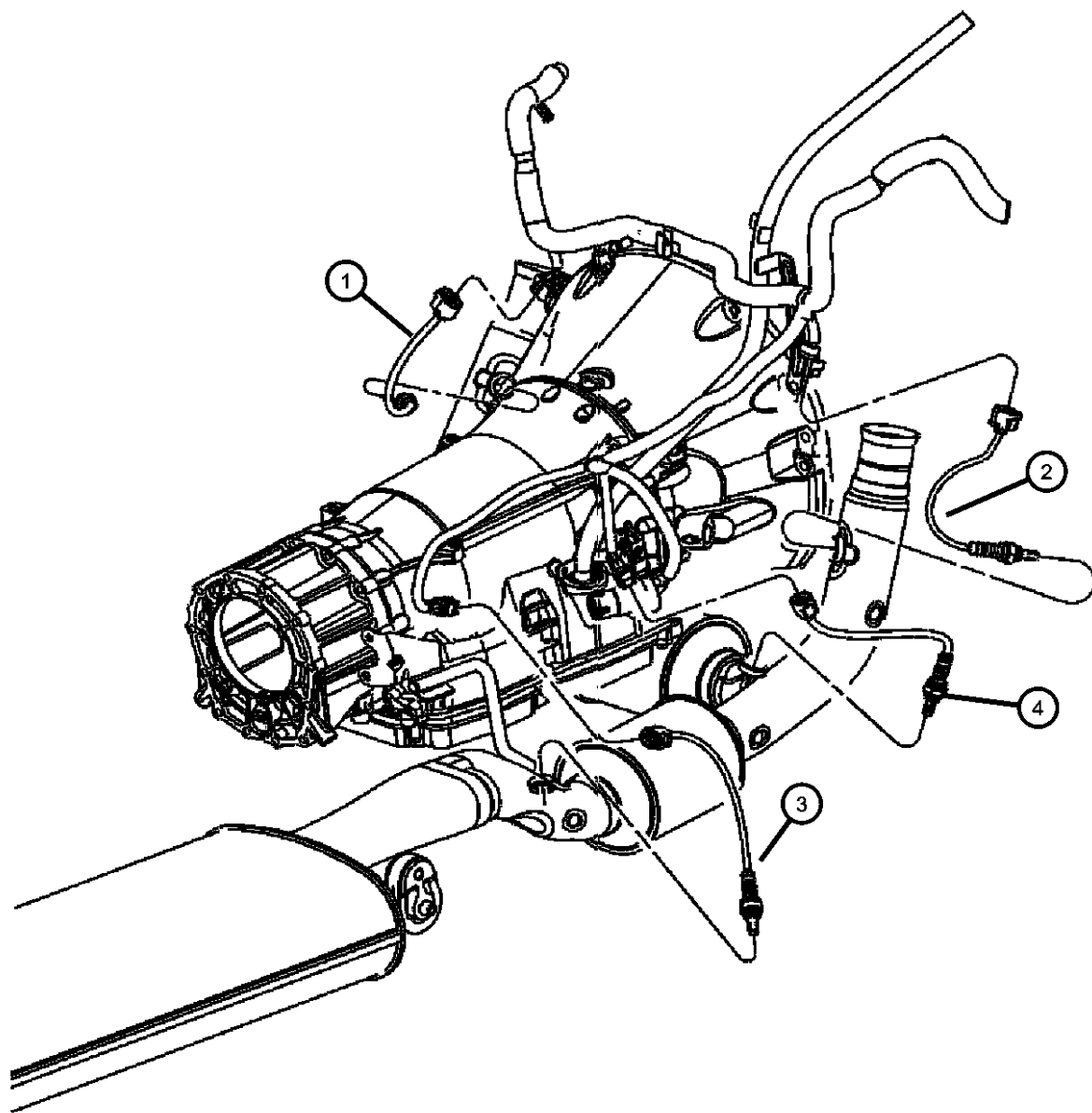
TRANSMISSION
DGQ = 5-Spd Automatic 5-45RFE
Transmission
DGJ = 5-Speed Automatic MB
Transmission

AR = use ase required - = Non illustrated part

2006 WK

Sensors Oxygen [3.7L engine]
Figure 8-620

ITEM	PART NUMBER	QTY	LINE	SERIES	BODY	ENGINE	TRANS	TRIM	DESCRIPTION
1	56028994AB	1				EK0			SENSOR, OxygenBefore Catalyst, Left
2	56028994AB	1				EK0			SENSOR, OxygenBefore Catalyst, Right
3	56029049AA	1				EK0			SENSOR, OxygenAfter Catalyst, Left
4	56029049AA	1				EK0			SENSOR, OxygenAfter Catalyst, Right



GRAND CHEROKEE (WK)

SERIES LINE
H = HIGHLINE T = JEEP - 2WD
P = PREMIUM J = JEEP - 4WD
S = SPORT
X = SPECIAL

BODY
74 = SPORT UTILITY 4-DR

ENGINE
EKG = 3.7L V6 Engine
EVA = 4.7L V8 MPI Engine
EZB = 5.7L Hemi Multi Displacement Engine

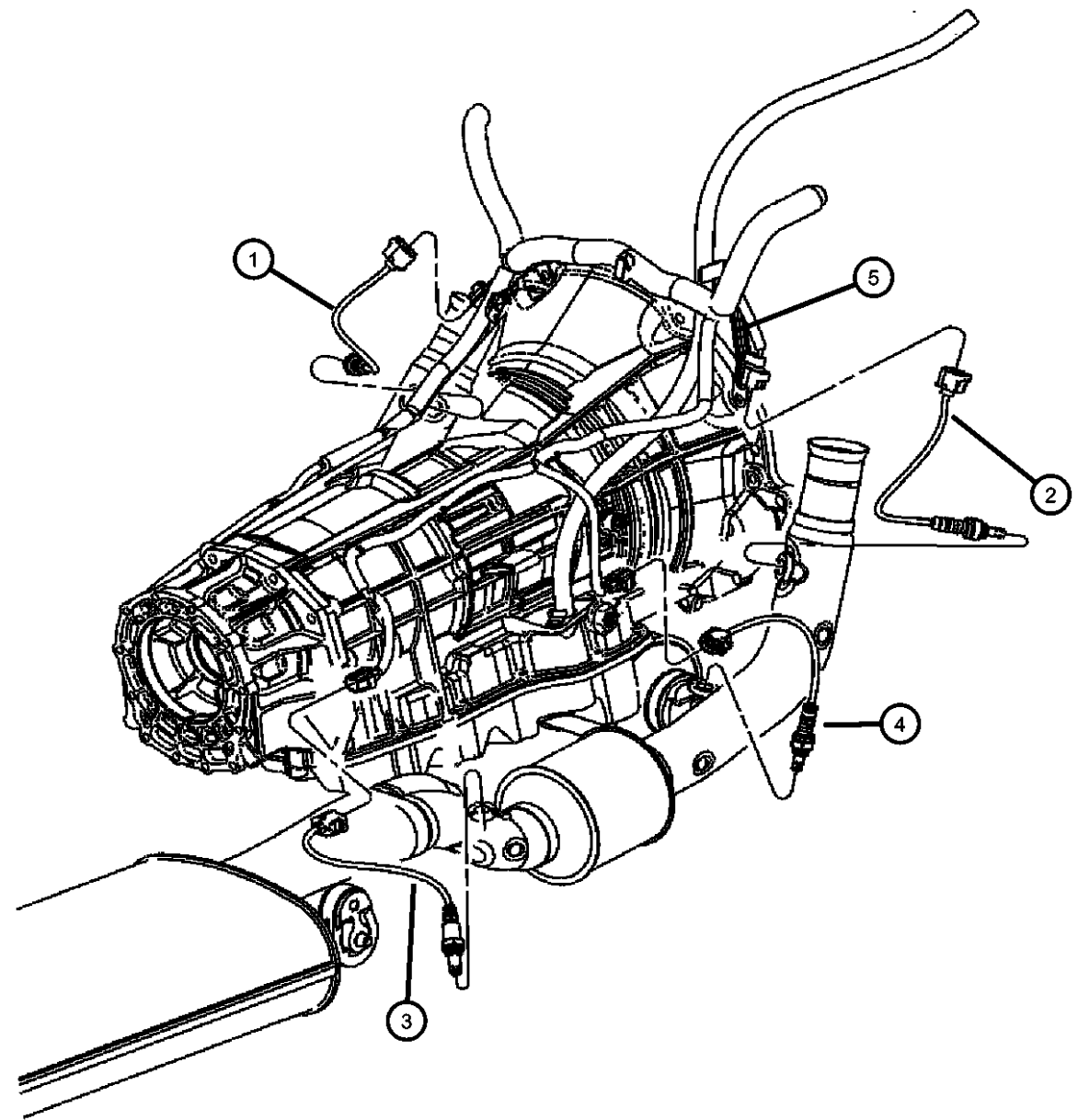
TRANSMISSION
DGQ = 5-Spd Automatic 5-45RFE Transmission
DGJ = 5-Speed Automatic MB Transmission

AR = use ase required - = Non illustrated part

2006 WK

Sensors, Oxygen [4.7L Engine]
Figure 8-625

ITEM	PART NUMBER	QTY	LINE	SERIES	BODY	ENGINE	TRANS	TRIM	DESCRIPTION
1	56028998AB	1				EVO			SENSOR, OxygenBefore Catalyst, Left
2	56028998AB	1				EVO			SENSOR, OxygenBefore Catalyst, Right
3	56028998AB	1				EVO			SENSOR, OxygenAfter Catalyst, Left
4	56028998AB	1				EVO			SENSOR, OxygenAfter Catalyst, Right
5		1							BRACKET, Oxygen Sensor, (NOT REQUIRED)

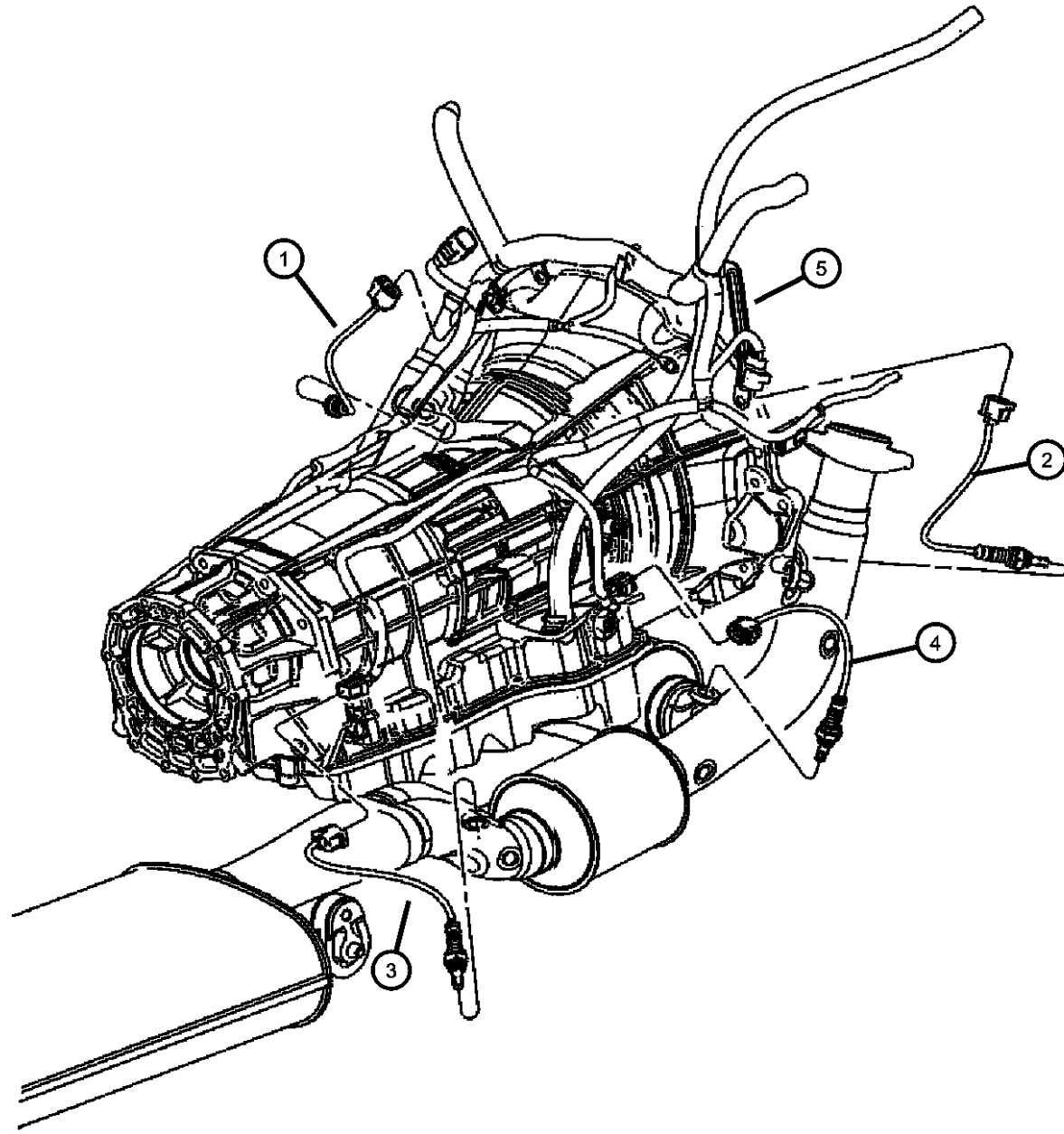


GRAND CHEROKEE (WK)

SERIES	LINE	BODY	ENGINE	TRANSMISSION
H = HIGHLINE	T = JEEP - 2WD	74 = SPORT UTILITY 4-DR	EKG = 3.7L V6 Engine	DGQ = 5-Spd Automatic 5-45RFE
P = PREMIUM	J = JEEP - 4WD		EVA = 4.7L V8 MPI Engine	Transmission
S = SPORT			EZB = 5.7L Hemi Multi	DGJ = 5-Speed Automatic MB
X = SPECIAL			Displacement Engine	Transmission

AR = use ase required - = Non illustrated part

**Sensors Oxygen [5.7L, 6.1L Engines]
Figure 8-630**



ITEM	PART NUMBER	QTY	LINE	SERIES	BODY	ENGINE	TRANS	TRIM	DESCRIPTION
1	56028994AB	1				ESF			SENSOR, Oxygen Before Catalyst, Left
		1				EZ0			Before Catalyst, Left
2	56028994AB	1				ESF			SENSOR, Oxygen Before Catalyst, Right
		1				EZ0			Before Catalyst, Right
3	56029049AA	1				ESF			SENSOR, Oxygen After Catalyst, Left
		1				EZ0			After Catalyst, Left
4	56029049AA	1				ESF			SENSOR, Oxygen After Catalyst, Right
		1				EZ0			After Catalyst, Right
5		1							BRACKET, Oxygen Sensor, (NOT REQUIRED)
-6	56041379AA	1				EK0, EVO, EZ0			CLIP, Housing

GRAND CHEROKEE (WK)

SERIES LINE
H = HIGHLINE T = JEEP - 2WD
P = PREMIUM J = JEEP - 4WD
S = SPORT
X = SPECIAL

BODY
74 = SPORT UTILITY 4-DR

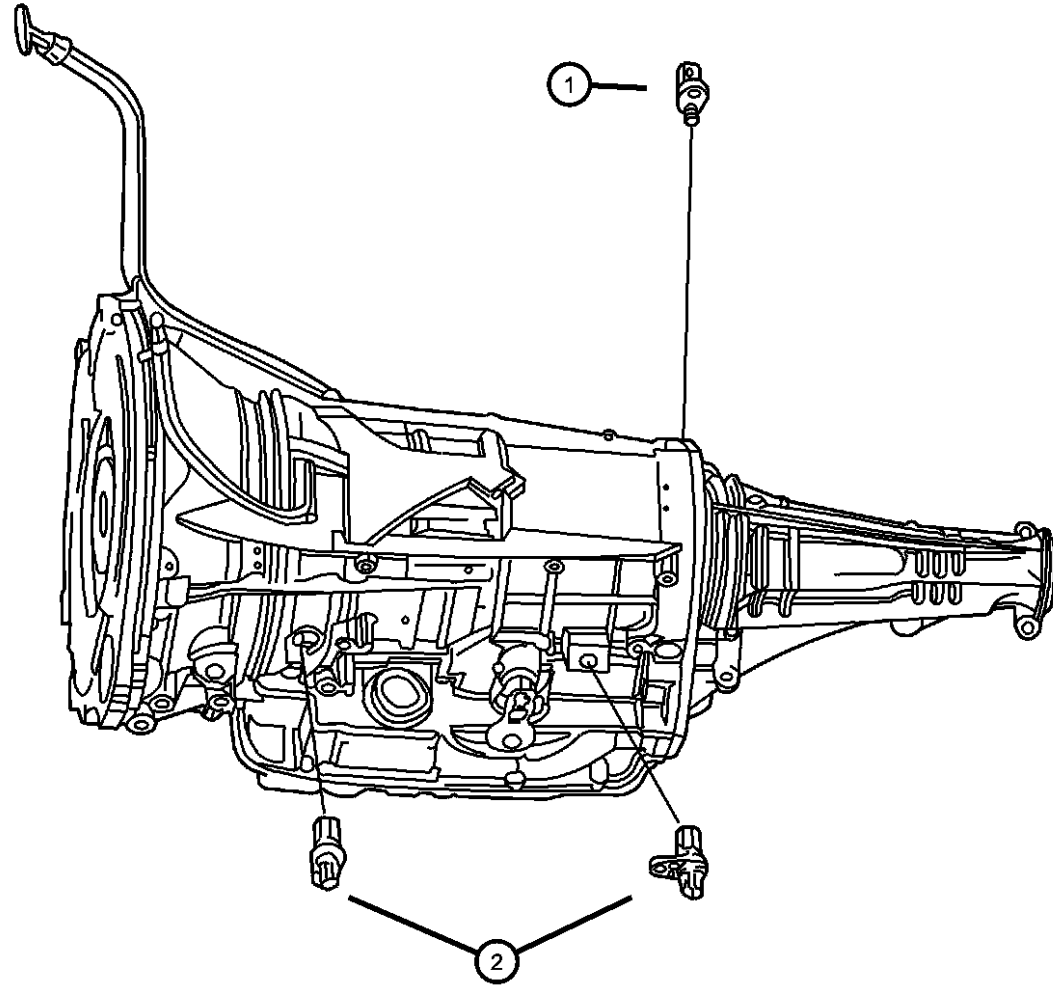
ENGINE
EKG = 3.7L V6 Engine
EVA = 4.7L V8 MPI Engine
EZB = 5.7L Hemi Multi
Displacement Engine

TRANSMISSION
DGQ = 5-Spd Automatic 5-45RFE
Transmission
DGJ = 5-Speed Automatic MB
Transmission

AR = use ase required - = Non illustrated part

2006 WK

Sensors Drivetrain
Figure 8-635



ITEM	PART NUMBER	QTY	LINE	SERIES	BODY	ENGINE	TRANS	TRIM	DESCRIPTION	
1	04799758	1	T			EVO	DGQ		TRANSDUCER, Pressure Sensor	
		1	J			EVO	DGQ			
		1	J			EZO	DGQ			
		1	T			EZO	DGQ			
2	04799061AB	2	T			EVO	DGQ		SENSOR, Transmission Input Speed	
		2	J			EVO	DGQ			
		2	J			EZO	DGQ			
		2	T			EZO	DGQ			
-3	52108308AB	1	J			EKO	DGJ		CONNECTOR Includes input speed sensor	
		1	T			EKO	DGJ			Includes input speed sensor
		1	J			ESF	DGJ			Includes input speed sensor

GRAND CHEROKEE (WK)

SERIES LINE
H = HIGHLINE T = JEEP - 2WD
P = PREMIUM J = JEEP - 4WD
S = SPORT
X = SPECIAL

BODY
74 = SPORT UTILITY 4-DR

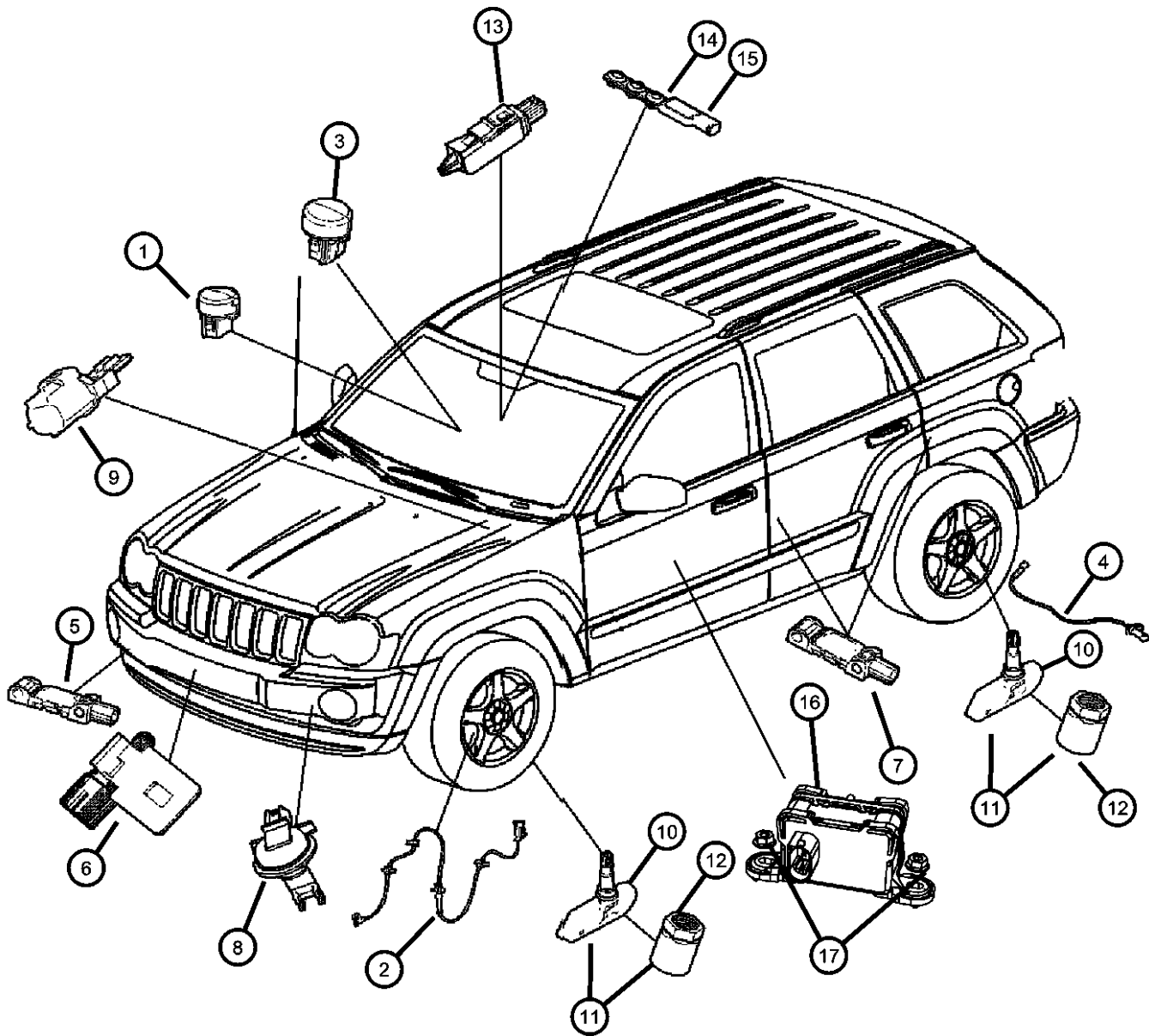
ENGINE
EKG = 3.7L V6 Engine
EVA = 4.7L V8 MPI Engine
EZB = 5.7L Hemi Multi
Displacement Engine

TRANSMISSION
DGQ = 5-Spd Automatic 5-45RFE
Transmission
DGJ = 5-Speed Automatic MB
Transmission

AR = use ase required - = Non illustrated part

2006 WK

**Sensors Body
Figure 8-640**



ITEM	PART NUMBER	QTY	LINE	SERIES	BODY	ENGINE	TRANS	TRIM	DESCRIPTION
1	55116838AB	1							SENSOR, A.T.C. Sun
2	56044144AB	2							SENSOR, Anti-Lock Brakes
3	56050241AB	1							SENSOR, Headlamp
4	56044146AA	2							SENSOR, Wheel Speed
5	04671779AC	2							SENSOR, Side Airbag Impact, Front
6	56042395	1							SENSOR, Ambient Temperature
7	04671779AC	4							SENSOR, Side Airbag Impact, Side
8	05161966AA	1							SENSOR, Washer Fluid Level
9	05013903AA	1							SENSOR, Brake Fluid Level
10	56053030AB	4							SENSOR, Tire Pressure, Valve stem
11	68001696AA	4	J, T		74				SENSOR PACKAGE, Tire Pressure, THIS PACKAGE CONTAINS: 56053030AC SENSOR - TIRE PRESSU 56053033AA NUT - TIRE PRESSURE K6855511 INSTRUCTION SHEET - HARDWARE KIT, Mounting
12	68001743AA	4	J, T		74				THIS KIT CONTAINS: 1- S120120001, NUT, TPM RETAINING 1- S122990001, WASHER, SEAL SUPPORT 1- S122140001, CAP, VALVE STEM, BLACK, EURO 1- S120121001, CAP, VALVE STE THIS KIT CONTAINS: 1- S122914001, VALVE CORE, TPM 1- S120121001, CAP, VALVE STEM, GREY, DOMESTIC 1- S122140001, CAP, VALVE STEM, BLACK, EURO
	68001744AA	4	J, T		74				THIS KIT CONTAINS: 1- S122914001, VALVE CORE, TPM 1- S120121001, CAP, VALVE STEM, GREY, DOMESTIC 1- S122140001, CAP, VALVE STEM, BLACK, EURO
13	56043206AC	2							SENSOR, Seat track position
14	05143488AA	4							SENSOR KIT, Strain Gauge, Kit contains necessary attaching parts
15	56043196AF	4							SENSOR, Strain Gauge, Sensor only
16									SENSOR, Dynamics, Lateral Acceleration and YAW Rate [DHB,DHX]
	56029349AA	1	J, T		74				
	56029328AB	1	T						

GRAND CHEROKEE (WK)

SERIES LINE
H = HIGHLINE T = JEEP - 2WD
P = PREMIUM J = JEEP - 4WD
S = SPORT
X = SPECIAL

BODY
74 = SPORT UTILITY 4-DR

ENGINE
EKG = 3.7L V6 Engine
EVA = 4.7L V8 MPI Engine
EZB = 5.7L Hemi Multi Displacement Engine

TRANSMISSION
DGQ = 5-Spd Automatic 5-45RFE Transmission
DGJ = 5-Speed Automatic MB Transmission

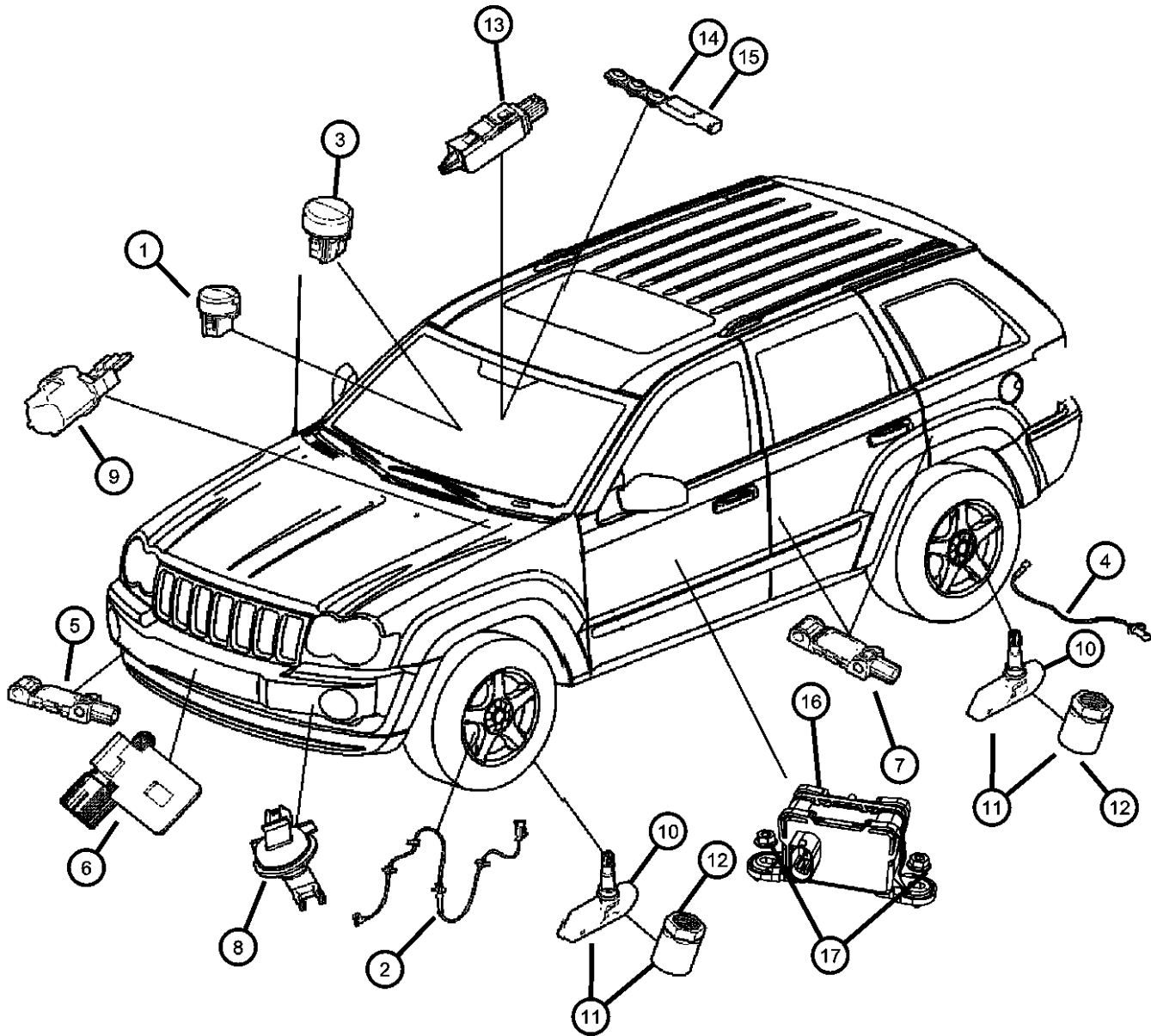
AR = use ase required - = Non illustrated part

2006 WK

Sensors Body
Figure 8-640

ITEM	PART NUMBER	QTY	LINE	SERIES	BODY	ENGINE	TRANS	TRIM	DESCRIPTION
------	-------------	-----	------	--------	------	--------	-------	------	-------------

		1	J						[DHZ]
17	06104715AA	2							NUT, Hex Flange Lock, M6X1.00



GRAND CHEROKEE (WK)

SERIES LINE
H = HIGHLINE T = JEEP - 2WD
P = PREMIUM J = JEEP - 4WD
S = SPORT
X = SPECIAL

BODY
74 = SPORT UTILITY 4-DR

ENGINE
EKG = 3.7L V6 Engine
EVA = 4.7L V8 MPI Engine
EZB = 5.7L Hemi Multi
Displacement Engine

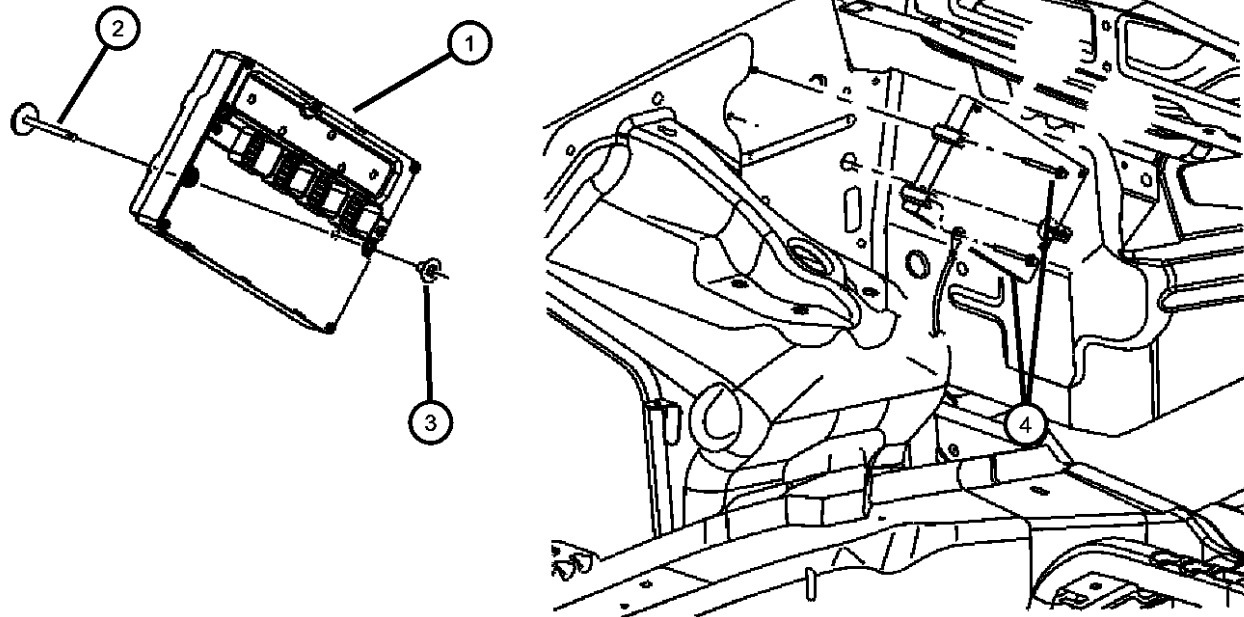
TRANSMISSION
DGQ = 5-Spd Automatic 5-45RFE
Transmission
DGJ = 5-Speed Automatic MB
Transmission

AR = use ase required - = Non illustrated part

2006 WK

**Powertrain Control Modules
Figure 8-705**

ITEM	PART NUMBER	QTY	LINE	SERIES	BODY	ENGINE	TRANS	TRIM	DESCRIPTION
1									MODULE, Powertrain Control, Generic
	05030062AB	1				ESF	DGJ		
	56044742AB	1	T			EK0	DGJ		
		1	J			EK0	DGJ		
	56044743AC	1				EVO	DGQ		
	56044744AB	1	J			EZ0	DGQ		
		1	T			EZ0	DGQ		
2	04712006AB	1				EK0, ESF, EVO, EZ0			FASTENER, Module attaching
3	06506655AA	1				EK0, EVO, EZ0, ESF			PLUG, Door Trim Panel, Module attaching
4		1							SCREW, Tapping, M5x8, (NOT SERVICED)



GRAND CHEROKEE (WK)

SERIES	LINE
H = HIGHLINE	T = JEEP - 2WD
P = PREMIUM	J = JEEP - 4WD
S = SPORT	
X = SPECIAL	

BODY
74 = SPORT UTILITY 4-DR

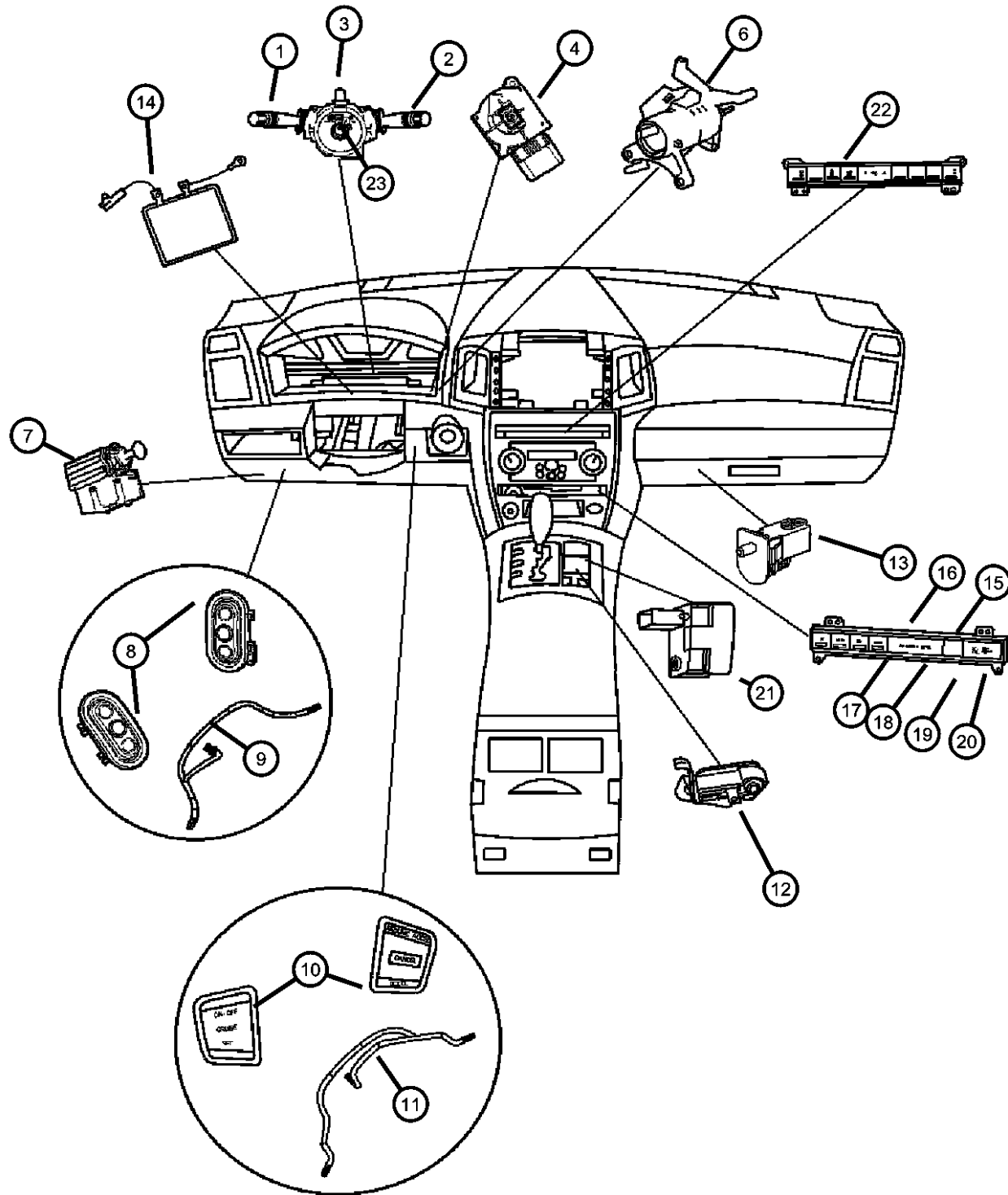
ENGINE
EKG = 3.7L V6 Engine
EVA = 4.7L V8 MPI Engine
EZB = 5.7L Hemi Multi Displacement Engine

TRANSMISSION
DGQ = 5-Spd Automatic 5-45RFE Transmission
DGJ = 5-Speed Automatic MB Transmission

AR = use ase required - = Non illustrated part

2006 WK

Switches (Instrument Panel and Console)
Figure 8-810



ITEM	PART NUMBER	QTY	LINE	SERIES	BODY	ENGINE	TRANS	TRIM	DESCRIPTION
1	05143311AD	1							SWITCH, Multifunction
	05143312AD	1							[LNJ]
	05143313AD	1							[LNJ,LMG]
2	05143310AB	1							SWITCH, Wiper and Washer
3	05143309AA	1							SWITCH, Hazard Warning
4	04685719AB	1							SWITCH, Ignition
-5	06035021	1							SCREW, Pan Head Tapping, .125-40x.437
6	56010566AC	1							HOUSING, Ignition Switch
7	56054001AA	1							SWITCH, Stop Lamp
8									SWITCH, Remote Radio
	04685729AB	1							Left
	04685728AB	1							Right
9	52029319AA	1							WIRING, Steering Wheel
10									SWITCH KIT, Cruise Control
	05143546AA	1		H, P, S					Right
		1		X					Right
	05143545AA	1		H, P, S					Left
		1		X					Left
11									WIRING, Speed Control
	56050266AA	1		H, P, S					
		1		X					
12	04671936AA	1				EK0, EV0, EZ0			SWITCH, Parking Brake
13	04565022	1							SWITCH AND LAMP, Glove Box
14									SWITCH, Horn
	05143588AA	1		H, P, S					
	05175930AB	1	J, T	X	74				
15	56010655AE	1					DGQ		SWITCH, 6 Gang, [XAM,XAA,JPM,BNB,BNR]
16									SWITCH, 5 Gang
	56010658AE	1					DGQ		[XAM,XAP,JPM,BNB,BNR]
	56050136AE	1					DGJ		[XAM,XAP,XAA,JPM,BNB,BNR]
17									SWITCH, 4 Gang
	56050767AD	1					DGQ		[XAM,XAP,XAA,BNB,BNR]
	56050137AE	1					DGJ		[XAP,JPM,BNB,BNR]

GRAND CHEROKEE (WK)

SERIES LINE
H = HIGHLINE T = JEEP - 2WD
P = PREMIUM J = JEEP - 4WD
S = SPORT
X = SPECIAL

BODY
74 = SPORT UTILITY 4-DR

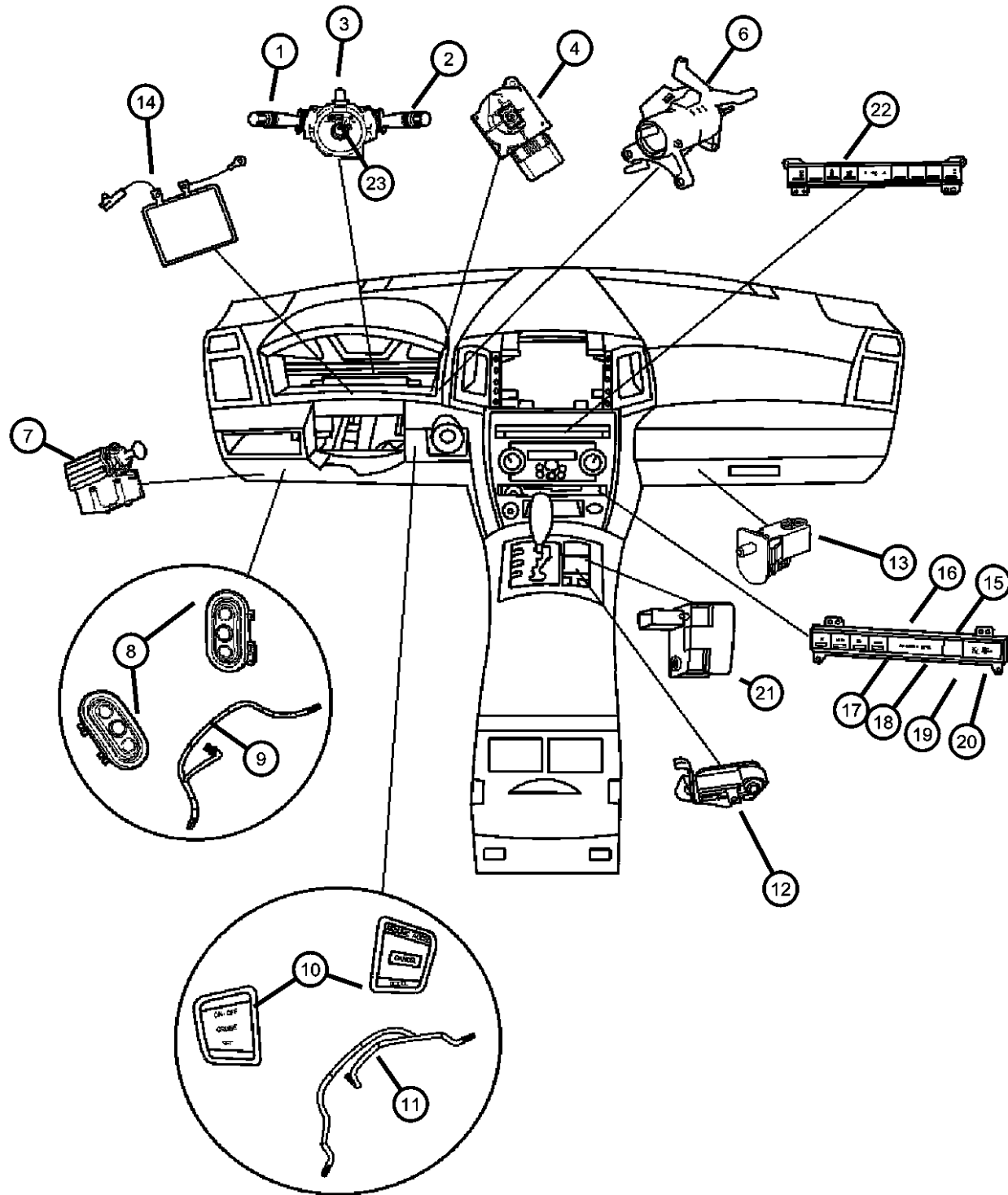
ENGINE
EKG = 3.7L V6 Engine
EVA = 4.7L V8 MPI Engine
EZB = 5.7L Hemi Multi
Displacement Engine

TRANSMISSION
DGQ = 5-Spd Automatic 5-45RFE
Transmission
DGJ = 5-Speed Automatic MB
Transmission

AR = use ase required - = Non illustrated part

2006 WK

Switches (Instrument Panel and Console)
Figure 8-810



ITEM	PART NUMBER	QTY	LINE	SERIES	BODY	ENGINE	TRANS	TRIM	DESCRIPTION
18	56050769AE	1					DGQ		SWITCH, 3 Gang [XA8,XAA,BNB,BNR]
	56050774AD	1					DGQ		[XAM,XAP,BNB,BNR]
19	56010659AF	1					DGJ		SWITCH, 2 Gang [XA8,XAA,BNB,BNR]
	56010668AE	1					DGQ		[XA8,BNR,BNB]
	56050152AE	1					DGJ		[XAP,BNB,BNR]
20	56050153AF	1					DGJ		SWITCH, 1 Gang, [XA8,BNB,BNR]
21	56050139AF	1	J			EK0	DGJ		SWITCH, Transfer Case
		1	J	H, P			DGQ		
		1	J	S			DGQ		
22	56050093AC	1							SWITCH, Instrument Panel [LAZ,XCA] EVIC and Pad Lamp up ro 01/02/06
	56050149AC	1							[LAZ] EVIC and Pad Lamp
	68000123AA	1							[LAZ] EVIC and Pad Lamp after 01/02/06
23	05143321AA	1							CAM, Turn Signal Cancel

GRAND CHEROKEE (WK)

SERIES LINE
H = HIGHLINE T = JEEP - 2WD
P = PREMIUM J = JEEP - 4WD
S = SPORT
X = SPECIAL

BODY
74 = SPORT UTILITY 4-DR

ENGINE
EKG = 3.7L V6 Engine
EVA = 4.7L V8 MPI Engine
EZB = 5.7L Hemi Multi
Displacement Engine

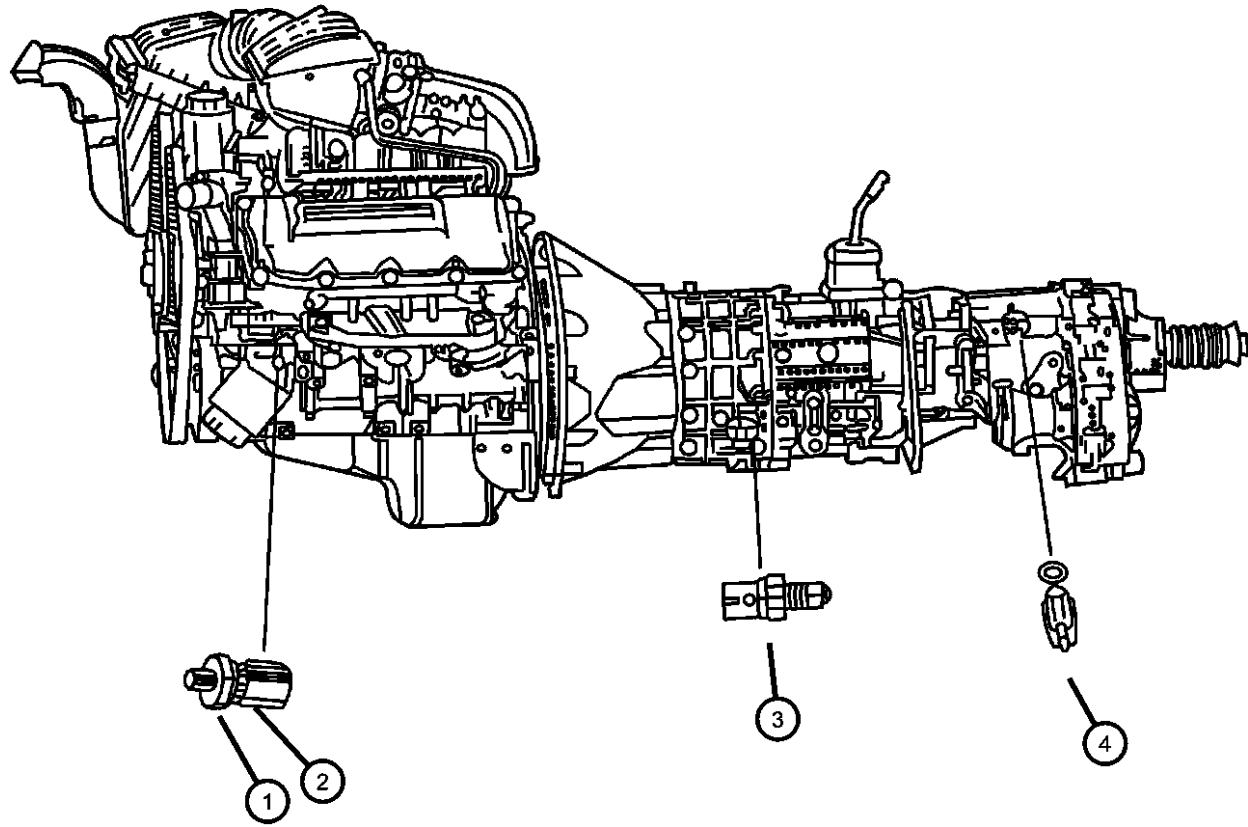
TRANSMISSION
DGQ = 5-Spd Automatic 5-45RFE
Transmission
DGJ = 5-Speed Automatic MB
Transmission

AR = use ase required - = Non illustrated part

2006 WK

**Switches, (Drive Train)
Figure 8-820**

ITEM	PART NUMBER	QTY	LINE	SERIES	BODY	ENGINE	TRANS	TRIM	DESCRIPTION
1	04868672AA	1				EK0, EVO			SWITCH, Oil Pressure
2	56044777AA	1				EZ0			SENDING UNIT, Oil Pressure
		1				ESF			
3		1							SWITCH, Neutral Safety, Back Up, (NOT REQUIRED)
4		1							SWITCH, Transfer Case, 5 Position, (NOT REQUIRED)



GRAND CHEROKEE (WK)

SERIES LINE
H = HIGHLINE T = JEEP - 2WD
P = PREMIUM J = JEEP - 4WD
S = SPORT
X = SPECIAL

BODY
74 = SPORT UTILITY 4-DR

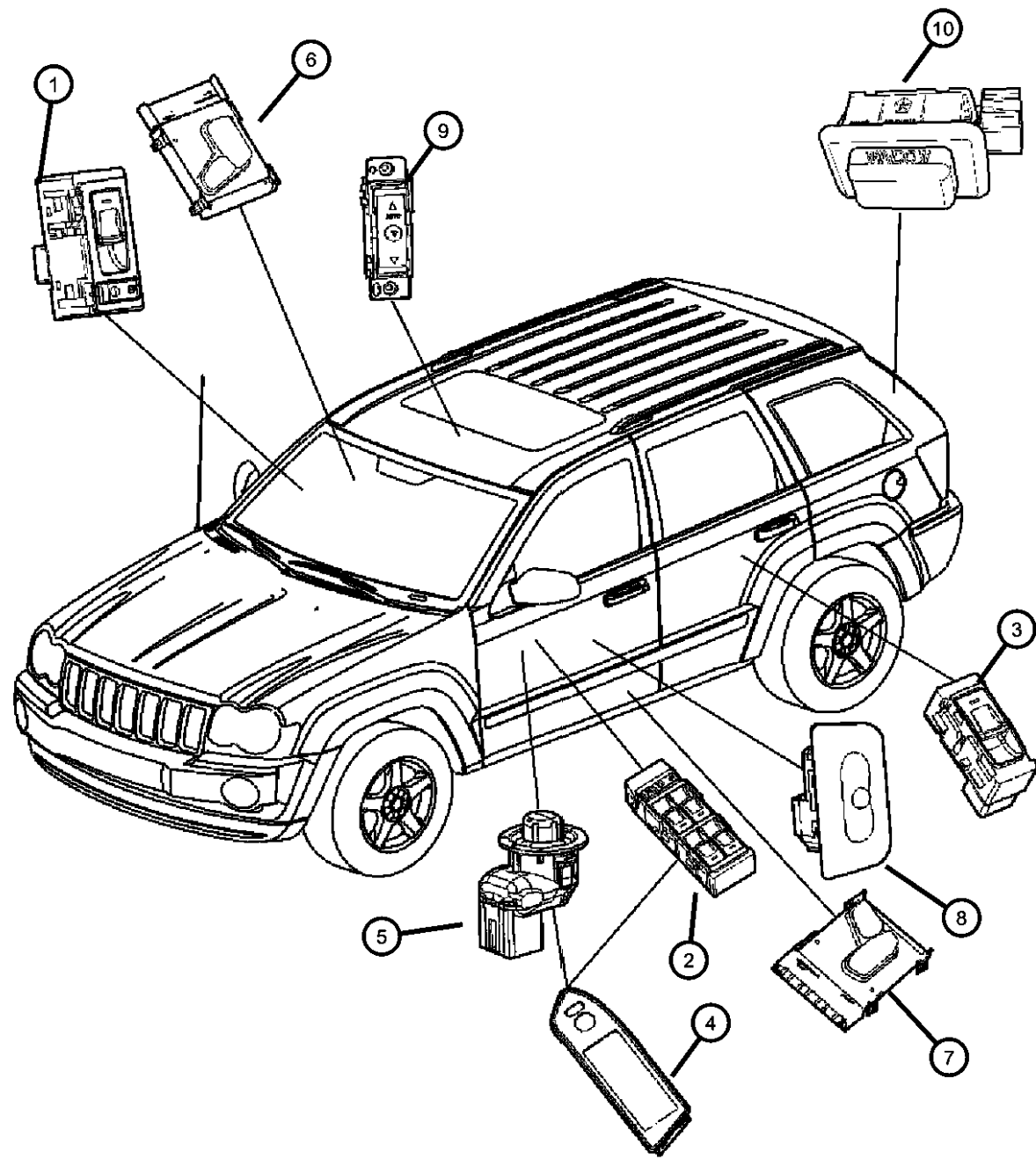
ENGINE
EKG = 3.7L V6 Engine
EVA = 4.7L V8 MPI Engine
EZB = 5.7L Hemi Multi
Displacement Engine

TRANSMISSION
DGQ = 5-Spd Automatic 5-45RFE
Transmission
DGJ = 5-Speed Automatic MB
Transmission

AR = use ase required - = Non illustrated part

2006 WK

Switches, (Body)
Figure 8-830



ITEM	PART NUMBER	QTY	LINE	SERIES	BODY	ENGINE	TRANS	TRIM	DESCRIPTION
1	04602742AA V7700005AA	1							SWITCH, Power Window, 2 gang Mopar Alternative Switch
2	04602736AA V7700002AA	1							SWITCH, Power Window, 6 gang Mopar Alternative Switch
3	04602743AA V7700006AA	2							SWITCH, Power Window, 1 gang Mopar Alternative Switch
4		2							BEZEL, Switch, All the door switch bezels are serviced in door trim panels, (NOT SERVICED)
5									SWITCH, Mirror
	56040524AF V7700007AA	1							[GTN,GTS,GUD] Mopar Alternative Switch
	V7700007AA	1							[GTN,GTS,GUD,GUK,GUT] Mopar Alternative Switch
	V7700007AA	1							[CTL] Mopar Alternative Switch
	V7700007AA	1			P				[CBF] Mopar Alternative Switch
	56040536AF V7700008AA	1							[CTC] Mopar Alternative Switch
6	56040636AB	1							SWITCH, Seat, 4 way, Right
7									SWITCH, Seat
	56049431AD	1							[JPK] 8 way, Left
	56049433AD	1							[JPR] 8 way, [JTB] 8 way
8									SWITCH, Memory Selector
	5JF971D1AC	1							[J1]
	5JF971D5AC	1							[D5]
	5JF971J3AC	1							[J3]
9		1							SWITCH, Sunroof, Heat staked to Overhead Console, (NOT SERVICED),
10									SWITCH, Flipper Window
	56042450AB	1			P				
		1			X				
		1			H, P				

GRAND CHEROKEE (WK)

SERIES LINE
H = HIGHLINE T = JEEP - 2WD
P = PREMIUM J = JEEP - 4WD
S = SPORT
X = SPECIAL

BODY
74 = SPORT UTILITY 4-DR

ENGINE
EKG = 3.7L V6 Engine
EVA = 4.7L V8 MPI Engine
EZB = 5.7L Hemi Multi
Displacement Engine

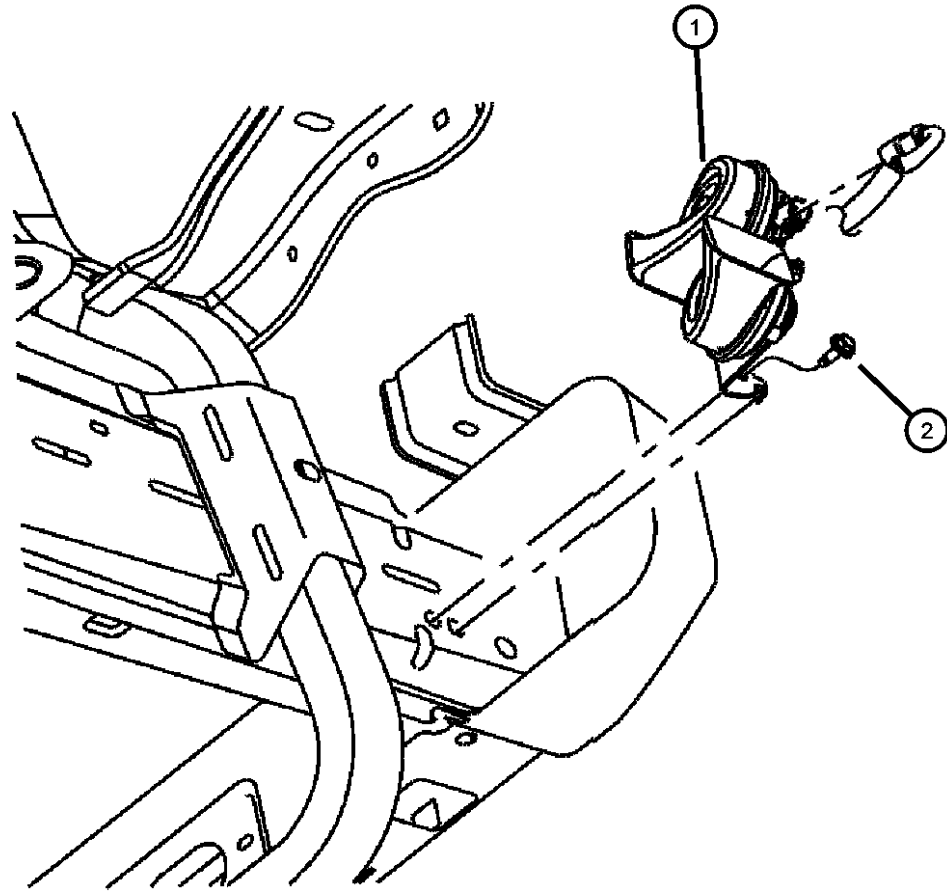
TRANSMISSION
DGQ = 5-Spd Automatic 5-45RFE
Transmission
DGJ = 5-Speed Automatic MB
Transmission

AR = use ase required - = Non illustrated part

2006 WK

Horns
Figure 8-905

ITEM	PART NUMBER	QTY	LINE	SERIES	BODY	ENGINE	TRANS	TRIM	DESCRIPTION
1	56050166AB	1							HORN AND BRACKET, Dual
2		1							SCREW AND WASHER, Hex Flange Head, M8x1.25x25, (NOT SERVICED)



GRAND CHEROKEE (WK)

SERIES LINE
H = HIGHLINE T = JEEP - 2WD
P = PREMIUM J = JEEP - 4WD
S = SPORT
X = SPECIAL

BODY
74 = SPORT UTILITY 4-DR

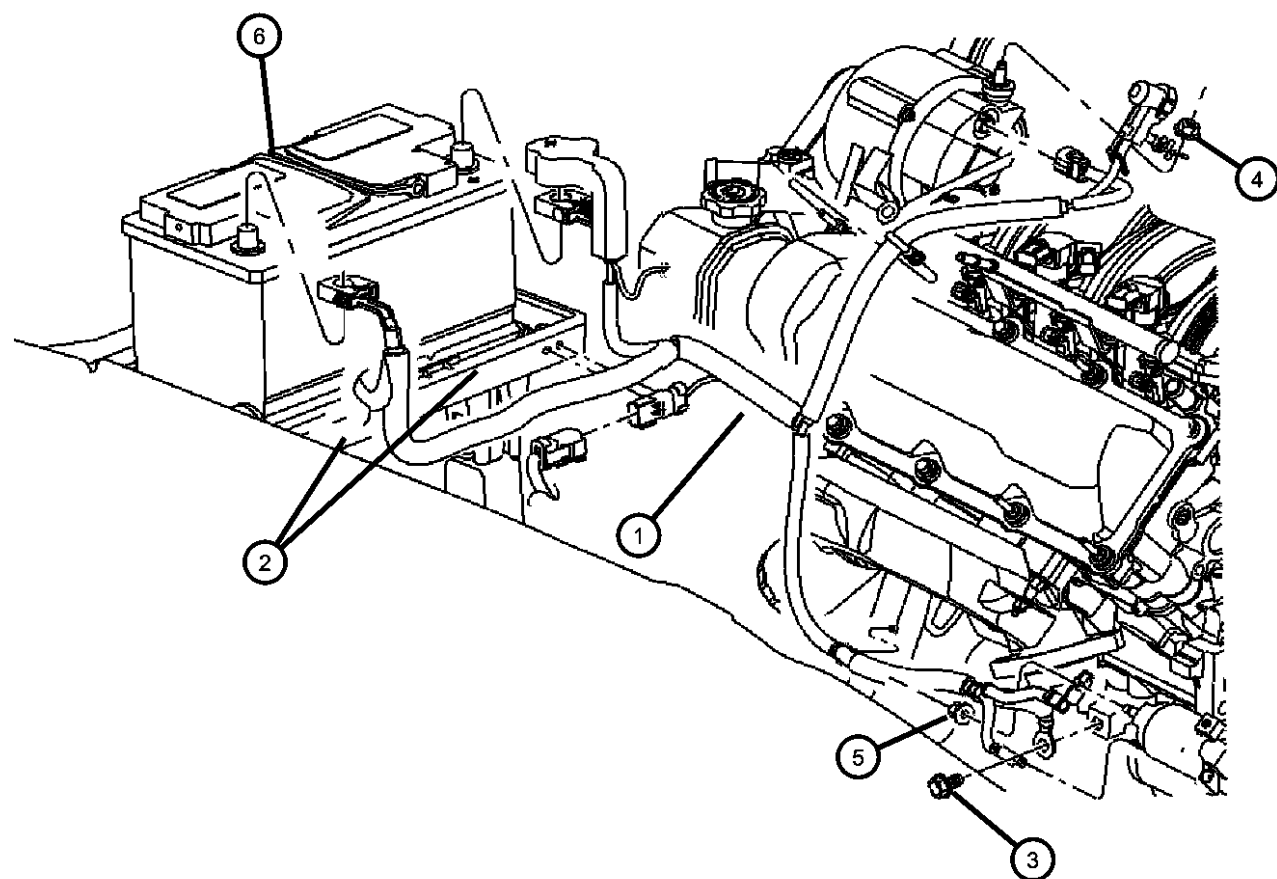
ENGINE
EKG = 3.7L V6 Engine
EVA = 4.7L V8 MPI Engine
EZB = 5.7L Hemi Multi Displacement Engine

TRANSMISSION
DGQ = 5-Spd Automatic 5-45RFE Transmission
DGJ = 5-Speed Automatic MB Transmission

AR = use ase required - = Non illustrated part

2006 WK

**Battery Tray & Wiring [3.7L and 4.7L Engines]
Figure 8-1005**



ITEM	PART NUMBER	QTY	LINE	SERIES	BODY	ENGINE	TRANS	TRIM	DESCRIPTION
1									WIRING, Alternator and Battery
	56044130AG	1	J, T		74	EK0			Up to 05/16/06
	56044130AH	1	J, T		74	EK0			After 05/16/06
	56044131AG	1	J, T		74	EVO			Up to 05/16/06
	56044131AH	1	J, T		74	EVO			After 05/16/06
2	55396408AC	1							SUPPORT, Battery
3	06101794	1				EK0, EVO			SCREW, Hex Head, M10x1.5x115
4	06506929AA	1							NUT, Hex Flange Lock, M8x1.25
5	06506929AA	1							NUT, Hex Flange Lock, M8x1.25, Alternator wiring connector
6									BATTERY
	04608719AD	1							
	05080706AA	1							Dry, Export
	05170018AA	1							Wet, Export
	05179563AA	1							Japan, Export

GRAND CHEROKEE (WK)

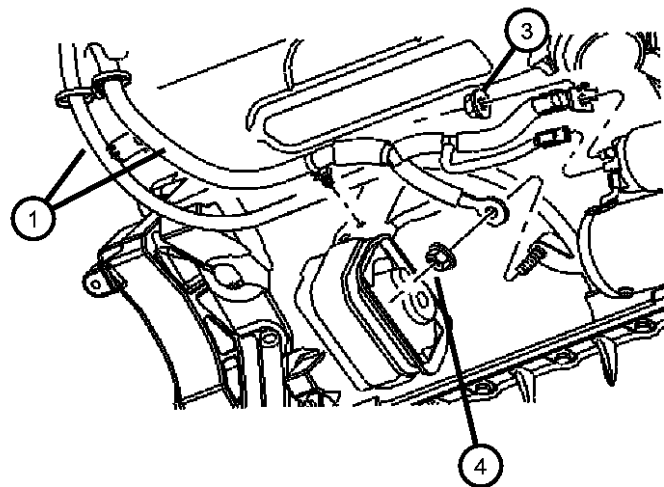
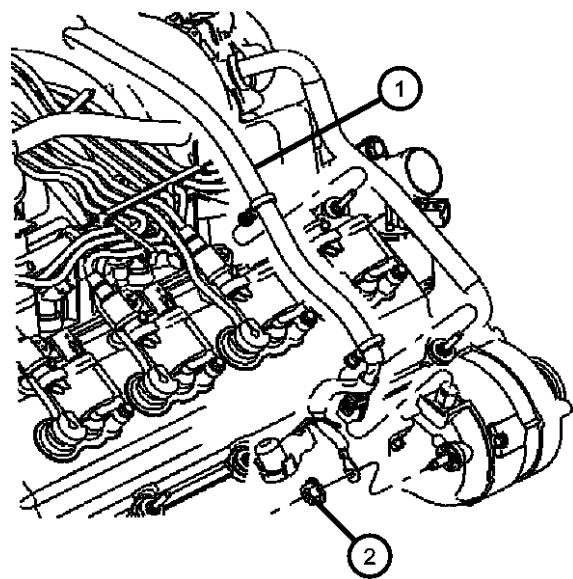
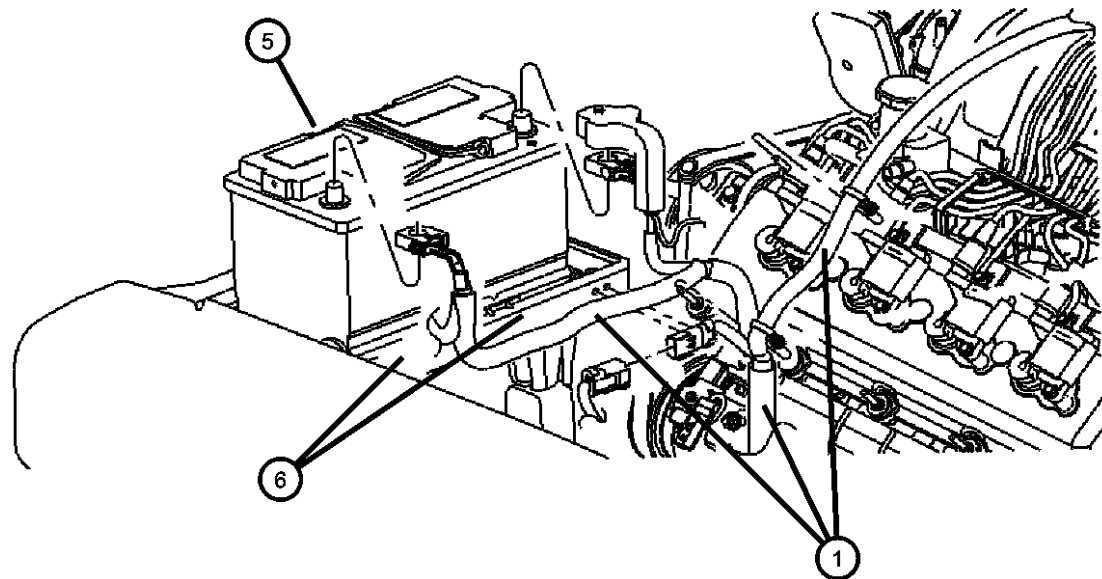
SERIES	LINE	BODY	ENGINE	TRANSMISSION
H = HIGHLINE	T = JEEP - 2WD	74 = SPORT UTILITY 4-DR	EKG = 3.7L V6 Engine	DGQ = 5-Spd Automatic 5-45RFE Transmission
P = PREMIUM	J = JEEP - 4WD		EVA = 4.7L V8 MPI Engine	DGJ = 5-Speed Automatic MB Transmission
S = SPORT			EZB = 5.7L Hemi Multi Displacement Engine	
X = SPECIAL				

AR = use ase required - = Non illustrated part

2006 WK

**Battery Tray and Wiring [5.7L, 6.1L Engines]
Figure 8-1010**

ITEM	PART NUMBER	QTY	LINE	SERIES	BODY	ENGINE	TRANS	TRIM	DESCRIPTION
1									WIRING, Alternator and Battery
	05029964AC	1	J, T	X	74	ESF			
	56044194AG	1	J, T		74	EZ0			Up to 05/16/06
	56044194AH	1	J, T		74	EZ0			After 05/16/06
2	06506929AA	1							NUT, Hex Flange Lock, M8x1.25, B+ connector
3	06506929AA	1							NUT, Hex Flange Lock, M8x1.25
4	06101968	1				ESF, EZ0			NUT, M6x1.00
5									BATTERY
	04608719AD	1							
	05080706AA	1							Dry, Export
	05170018AA	1							Wet, Export
	05179563AA	1							Japan, Export
6	55396408AC	1							SUPPORT, Battery



GRAND CHEROKEE (WK)

SERIES LINE
H = HIGHLINE T = JEEP - 2WD
P = PREMIUM J = JEEP - 4WD
S = SPORT
X = SPECIAL

BODY
74 = SPORT UTILITY 4-DR

ENGINE
EKG = 3.7L V6 Engine
EVA = 4.7L V8 MPI Engine
EZB = 5.7L Hemi Multi Displacement Engine

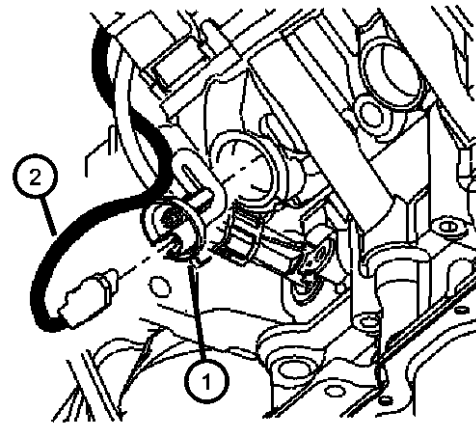
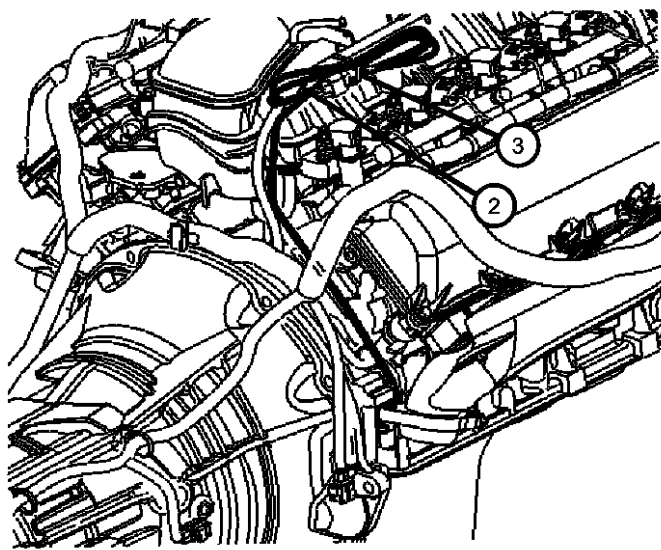
TRANSMISSION
DGQ = 5-Spd Automatic 5-45RFE Transmission
DGJ = 5-Speed Automatic MB Transmission

AR = use ase required - = Non illustrated part

2006 WK

**Block Heaters [3.7L and 4.7L Engines]
Figure 8-1015**

ITEM	PART NUMBER	QTY	LINE	SERIES	BODY	ENGINE	TRANS	TRIM	DESCRIPTION
1	56041304AB	1				EK0, EV0			HEATER, Engine
2	56027117	1				EK0, EV0			CORD, Engine Block Heater
3									STRAP, Tie
	05073039AA	1				EK0			
	56008876	1				ES0, EV0, EZ0			



GRAND CHEROKEE (WK)

SERIES LINE
H = HIGHLINE T = JEEP - 2WD
P = PREMIUM J = JEEP - 4WD
S = SPORT
X = SPECIAL

BODY
74 = SPORT UTILITY 4-DR

ENGINE
EKG = 3.7L V6 Engine
EVA = 4.7L V8 MPI Engine
EZB = 5.7L Hemi Multi
Displacement Engine

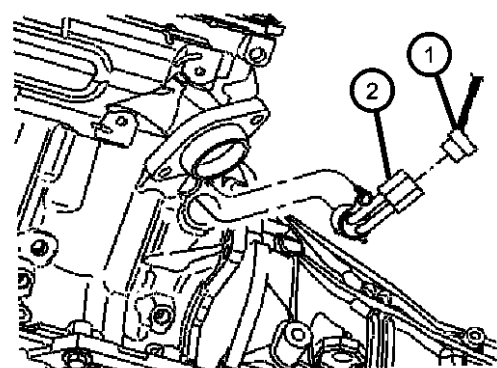
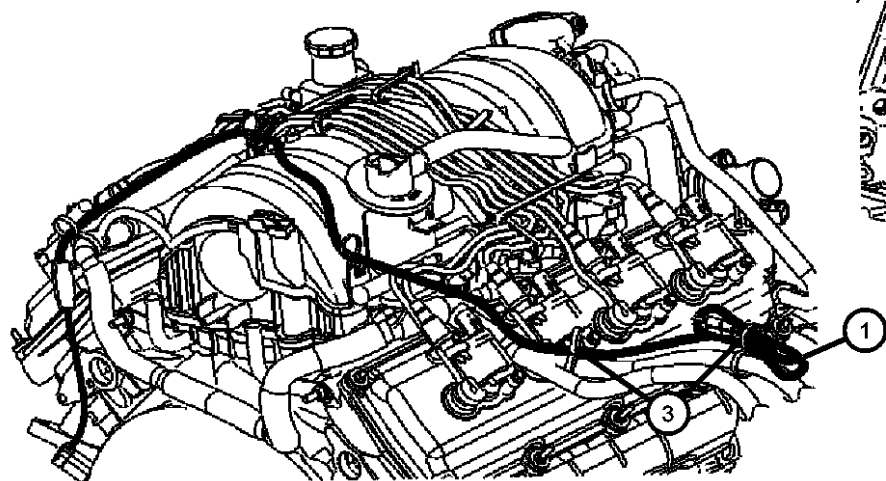
TRANSMISSION
DGQ = 5-Spd Automatic 5-45RFE
Transmission
DGJ = 5-Speed Automatic MB
Transmission

AR = use ase required - = Non illustrated part

2006 WK

**Block Heaters [5.7L Engine][6.1L Engine]
Figure 8-1020**

ITEM	PART NUMBER	QTY	LINE	SERIES	BODY	ENGINE	TRANS	TRIM	DESCRIPTION
1	56044577AB	1				ES0, EZ0			CORD, Engine Block Heater
2	05149022AA	1				EZ0			HEATER, Engine Block
	05149055AA	1				ESF			
3	56008876	1				ES0, EV0, EZ0			STRAP, Tie



GRAND CHEROKEE (WK)

SERIES LINE
H = HIGHLINE T = JEEP - 2WD
P = PREMIUM J = JEEP - 4WD
S = SPORT
X = SPECIAL

BODY
74 = SPORT UTILITY 4-DR

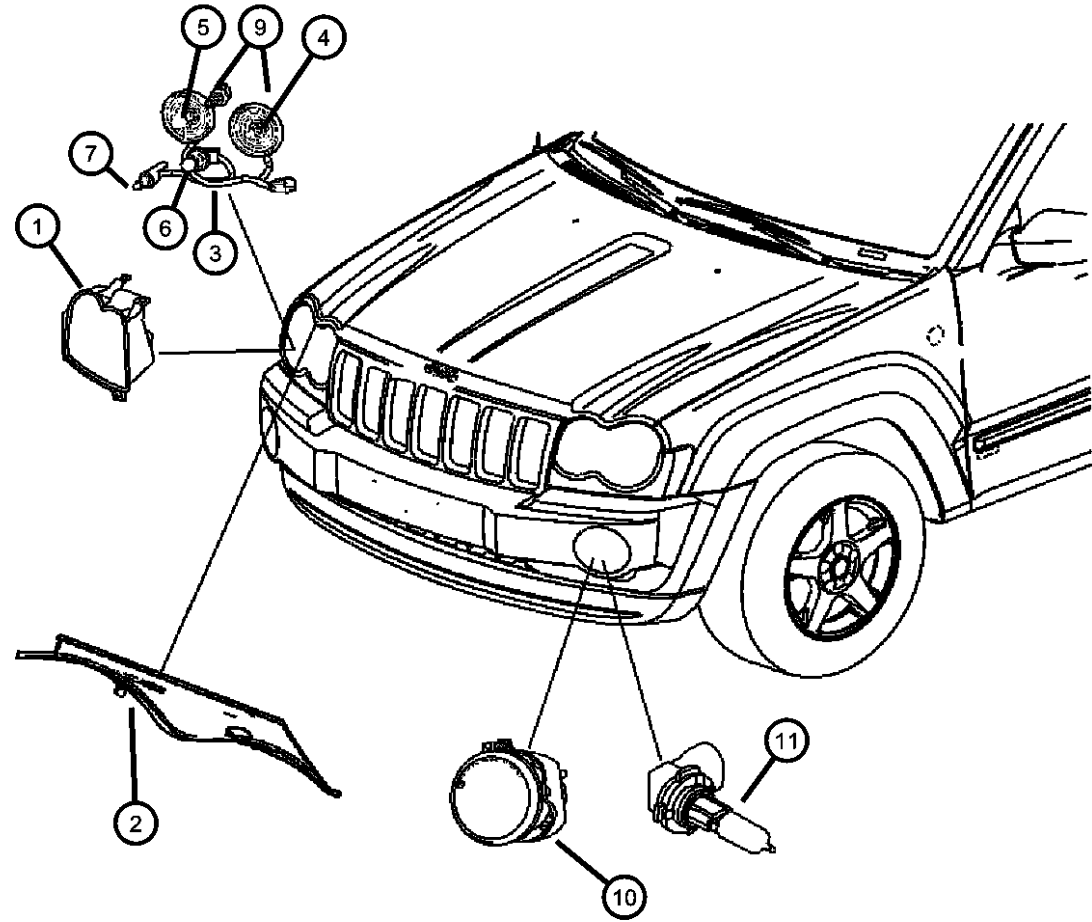
ENGINE
EKG = 3.7L V6 Engine
EVA = 4.7L V8 MPI Engine
EZB = 5.7L Hemi Multi
Displacement Engine

TRANSMISSION
DGQ = 5-Spd Automatic 5-45RFE
Transmission
DGJ = 5-Speed Automatic MB
Transmission

AR = use ase required - = Non illustrated part

2006 WK

Lamp - Front End
Figure 8-1110



ITEM	PART NUMBER	QTY	LINE	SERIES	BODY	ENGINE	TRANS	TRIM	DESCRIPTION
1	55156351AI LBK15009	1	J, T		74				LAMP, Headlamp Park And Turn Up to 05/10/06, Left
	55156351AJ LBK15009	1	J, T		74				Light Bulb Kit (Assorted Bulbs and Fuses) After 05/10/06, Left
	55156350AI LBK15009	1	J, T		74				Light Bulb Kit (Assorted Bulbs and Fuses) Up to 05/10/06, Right
	55156350AJ LBK15009	1	J, T		74				Light Bulb Kit (Assorted Bulbs and Fuses) After 05/10/06, Right
2	55157128AA	1							COVER, Headlamp Right
	55157129AA	1							Left
3	05143153AA	1							WIRING, Headlamp
4	L0009005 P0009005EB	1							BULB, HeadlampHigh Beam SilverStar
5	L0009006 P0009006EB	1							BULB, HeadlampLow Beam SilverStar
6	L0003157AK	1							BULB, 3157 NAK
7	L0000194	1							BULB, 194
-8	05139055AA	1							VENT, Headlamp
9	05143152AA	2							BOOT, Headlamp
10	04805859AA	2			H, P				LAMP, Fog
		2			S				
11	L0009145	2			H, P				BULB, Fog Lamp, 50 Watt
		2			S				
-12	06506579AA	4			H, P				SCREW, Fog Lamp
		4			S				
-13	06508072AA	6							NUT
-14	06508237AA	6							SCREW

GRAND CHEROKEE (WK)

SERIES LINE
H = HIGHLINE T = JEEP - 2WD
P = PREMIUM J = JEEP - 4WD
S = SPORT
X = SPECIAL

BODY
74 = SPORT UTILITY 4-DR

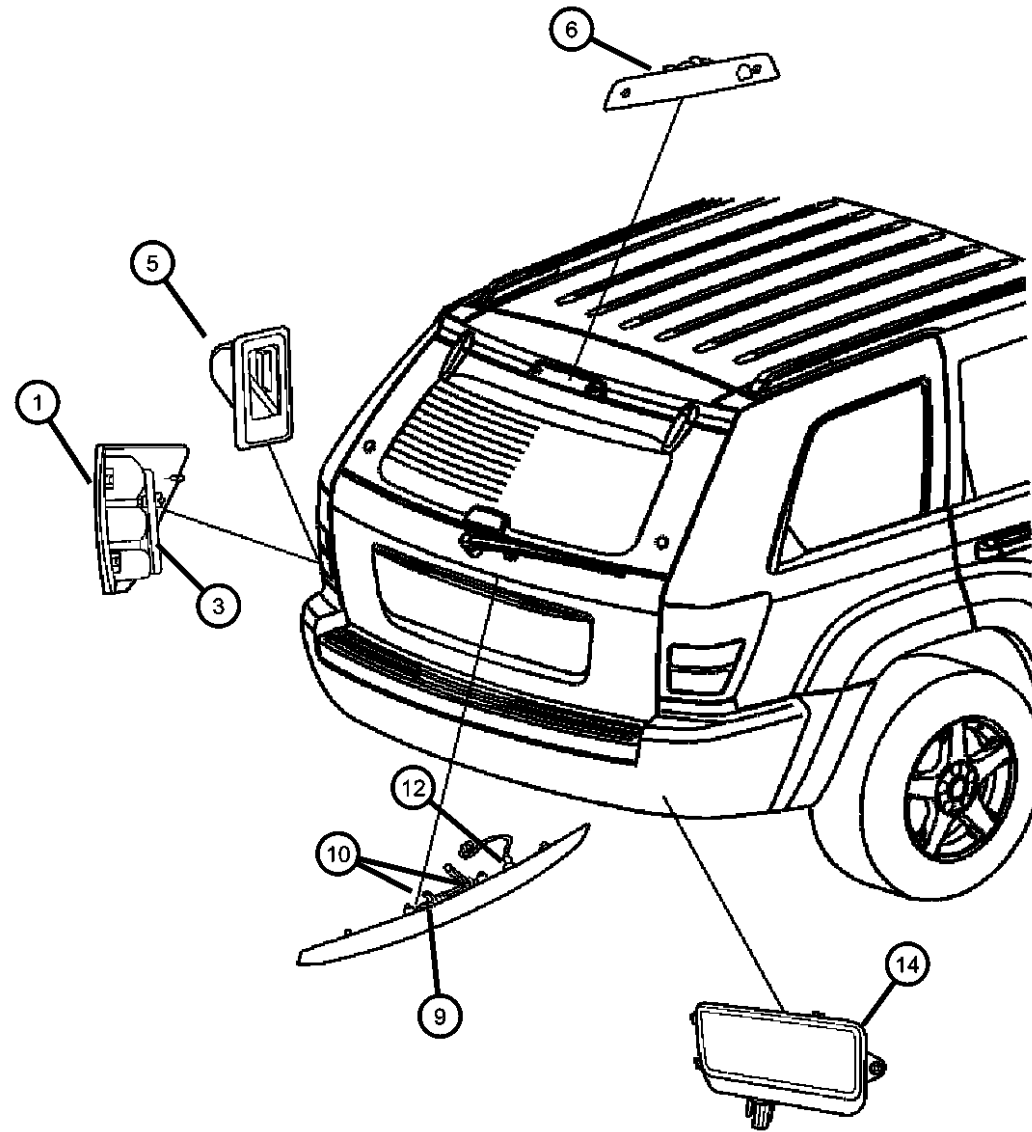
ENGINE
EKG = 3.7L V6 Engine
EVA = 4.7L V8 MPI Engine
EZB = 5.7L Hemi Multi
Displacement Engine

TRANSMISSION
DGQ = 5-Spd Automatic 5-45RFE
Transmission
DGJ = 5-Speed Automatic MB
Transmission

AR = use ase required - = Non illustrated part

2006 WK

Lamp - Rear End
Figure 8-1120



ITEM	PART NUMBER	QTY	LINE	SERIES	BODY	ENGINE	TRANS	TRIM	DESCRIPTION
1									LAMP, Tail Stop Turn Sidemarker
	55156614AE	1							Right
	55156615AE	1							Left
-2	L003757A	3							BULB, 3757APY27/7W
3	05143157AA	3							SOCKET, Lamp
-4		3							SCREW, Tapping, .19-16x.75, (NOT SERVICED)
5	55156879AB	4							GROMMET, Lamp
6	55156389AC	1							LAMP, Center High Mounted Stop
-7	06104635AB	2							SCREW, CHMSL attaching
-8	06035211	2							NUT, Snap In, CHMSL attaching
9									HANDLE, Liftgate
	05166876AA	1			X				[MNN]
		1			H, P				[MNN]
	55156354AF	1			H				[MNS]
	55157359AA	1			S				[MNL]
	5HU81AJCAE	1			H, P				[JC]
	5HU81ARJAE	1			X				[RJ]
		1			H, P				[RJ]
	5HU81BB8AE	1			H, P				[B8]
	5HU81BJTAE	1			H, P				[JT]
	5HU81CG-VAE	1			H, P				[GV]
	5HU81DB-MAE	1			X				[BM]
	5HU81DX8AE	1			X				[X8]
		1			H, P				[X8]
	5HU81SW1AE	1			H, P				[W1]
	5HU81WS-BAE	1			X				[SB]
		1			H, P				[SB]
10									LENS, License Lamp
	05166874AA	1			X				Right
		1			H, P				Right
	05166875AA	1			X				Left
		1			H, P				Left
-11									WIRING, License Lamp

GRAND CHEROKEE (WK)

SERIES LINE
H = HIGHLINE T = JEEP - 2WD
P = PREMIUM J = JEEP - 4WD
S = SPORT
X = SPECIAL

BODY
74 = SPORT UTILITY 4-DR

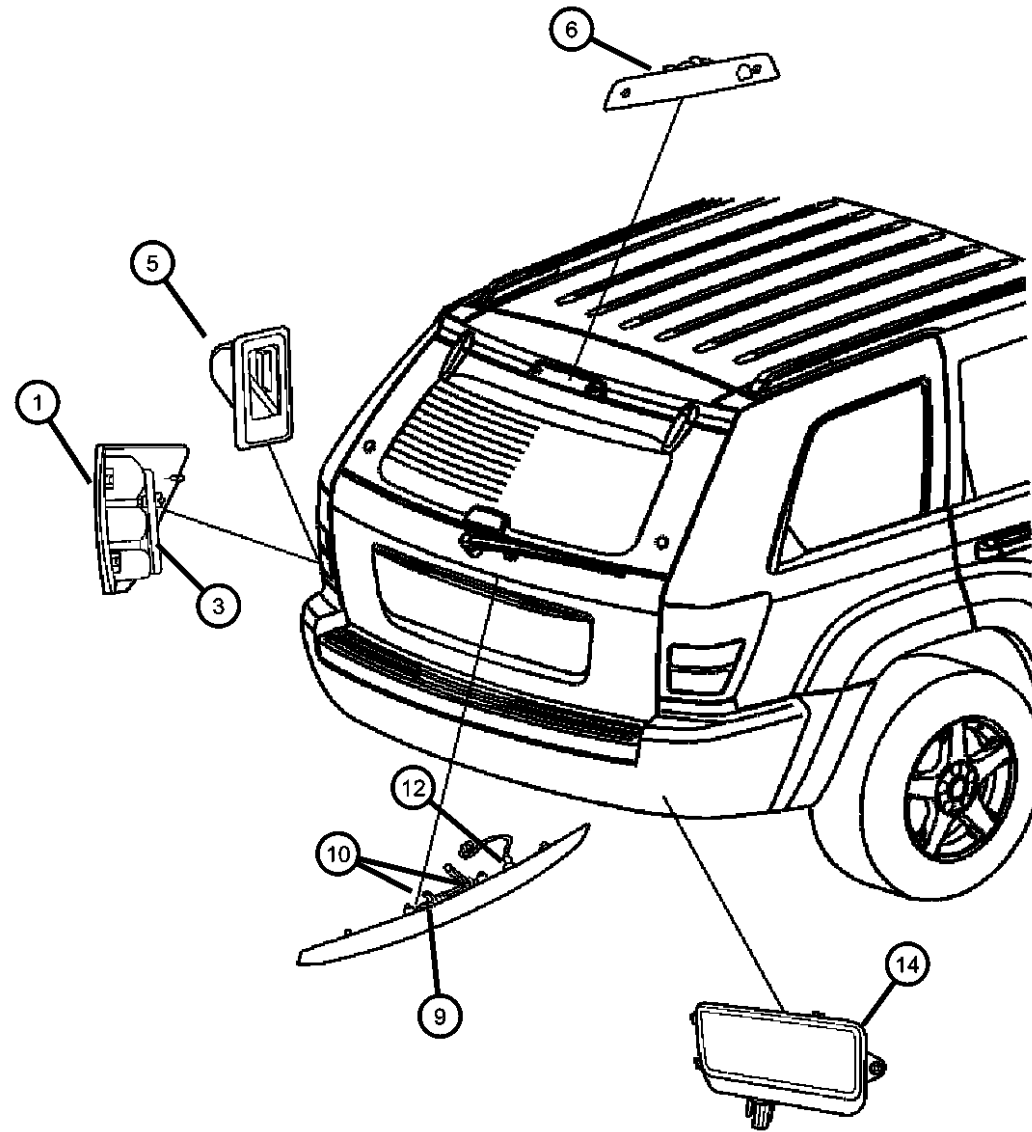
ENGINE
EKG = 3.7L V6 Engine
EVA = 4.7L V8 MPI Engine
EZB = 5.7L Hemi Multi
Displacement Engine

TRANSMISSION
DGQ = 5-Spd Automatic 5-45RFE
Transmission
DGJ = 5-Speed Automatic MB
Transmission

AR = use ase required - = Non illustrated part

2006 WK

Lamp - Rear End
Figure 8-1120



ITEM	PART NUMBER	QTY	LINE	SERIES	BODY	ENGINE	TRANS	TRIM	DESCRIPTION
	05183039AA	1		X					
		1		H, P					
12	56042450AB	1		P					SWITCH, Flipper Window
		1		X					
-13	L0000168	1		X					BULB, 168
		1		H, P					
14	55156102AA	1		X					LAMP, Rear Fog Right
	55156103AA	1		X					Left

GRAND CHEROKEE (WK)

SERIES LINE
H = HIGHLINE T = JEEP - 2WD
P = PREMIUM J = JEEP - 4WD
S = SPORT
X = SPECIAL

BODY
74 = SPORT UTILITY 4-DR

ENGINE
EKG = 3.7L V6 Engine
EVA = 4.7L V8 MPI Engine
EZB = 5.7L Hemi Multi
Displacement Engine

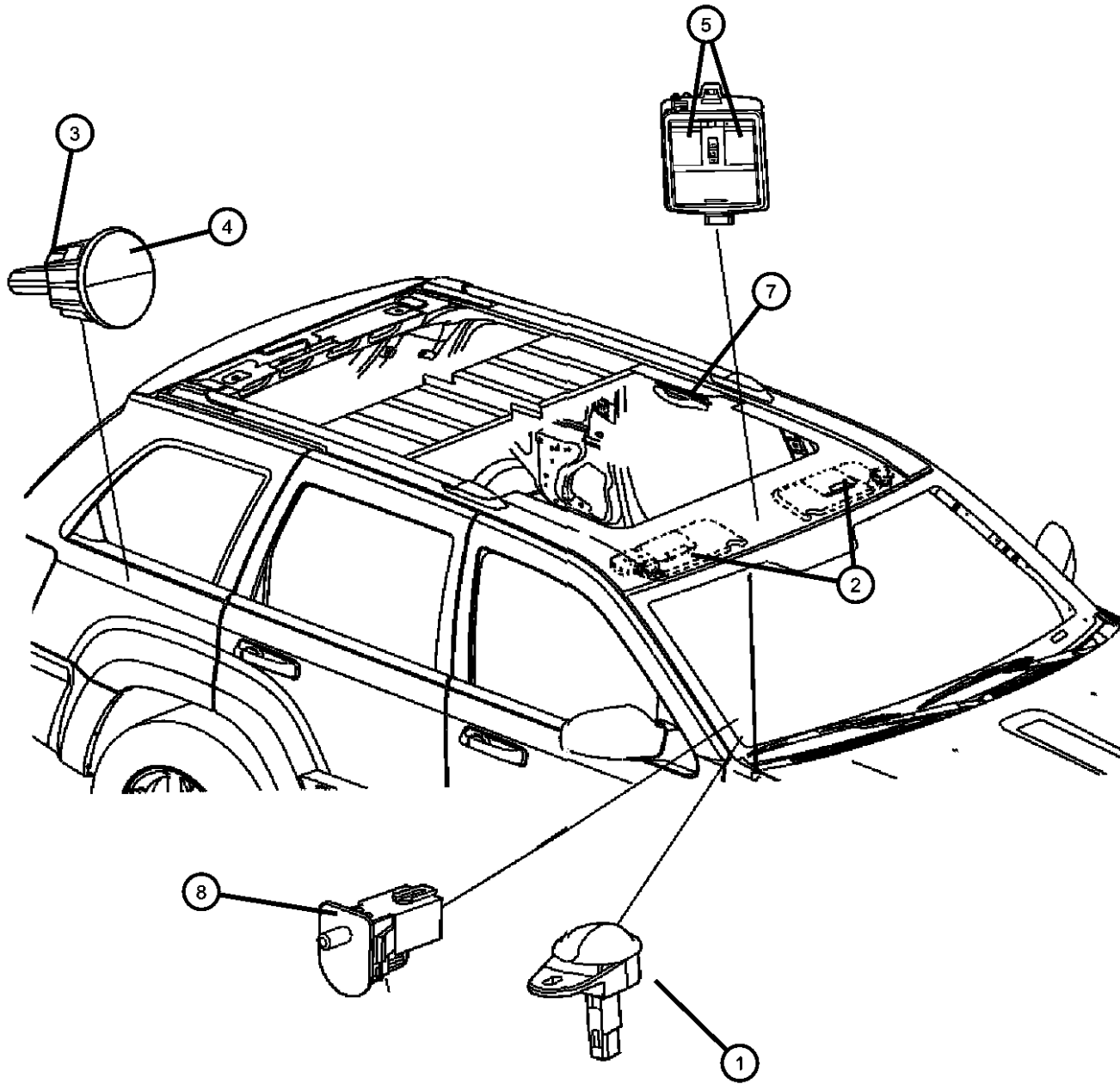
TRANSMISSION
DGQ = 5-Spd Automatic 5-45RFE
Transmission
DGJ = 5-Speed Automatic MB
Transmission

AR = use ase required - = Non illustrated part

2006 WK

Lamp - Courtesy - Dome - Reading
Figure 8-1130

ITEM	PART NUMBER	QTY	LINE	SERIES	BODY	ENGINE	TRANS	TRIM	DESCRIPTION
1	56042559AA	2							LAMP, Courtesy, I/Panel Lower
2	05139210AA	1							LENS, Illuminated Visor
3	05023881AA	1							LAMP, Cargo
4	05018023AA	1							LENS, Cargo Lamp
5									LENS
	05137526AA	1							Right, Over Head Console
	05137527AA	1							Left, Over Head Console
-6	05137535AA	1							SWITCH, Map Light
7									LENS
	05137528AA	1							Right, Grab Handle
	05137529AA	1							Left, Grab Handle
8	04565022	1							SWITCH AND LAMP, Glove Box



GRAND CHEROKEE (WK)

SERIES LINE
H = HIGHLINE T = JEEP - 2WD
P = PREMIUM J = JEEP - 4WD
S = SPORT
X = SPECIAL

BODY
74 = SPORT UTILITY 4-DR

ENGINE
EKG = 3.7L V6 Engine
EVA = 4.7L V8 MPI Engine
EZB = 5.7L Hemi Multi
Displacement Engine

TRANSMISSION
DGQ = 5-Spd Automatic 5-45RFE
Transmission
DGJ = 5-Speed Automatic MB
Transmission

AR = use ase required - = Non illustrated part

2006 WK

Bulbs
Figure 8-1140

ITEM	PART NUMBER	QTY	LINE	SERIES	BODY	ENGINE	TRANS	TRIM	DESCRIPTION
1	L003757A	3							BULB, 3757APY27/7W
2	L0009145	2		H, P					BULB, Fog Lamp, 50 Watt
3	L0000194	1							BULB, 194
4	L0003157AK	1							BULB, 3157 NAK
5	L0009005	1							BULB, HeadlampHigh Beam
	P0009005EB								SilverStar
6									BULB, 168
	L0000168	1		X					
		1		H, P					
7	L0009005	1							BULB, HeadlampLow Beam
	P0009005EB								SilverStar
8	L0000578	2							BULB, 578
9	L002825W5W	1							BULB, W10/5
10	L0000906	2							BULB, 906, Under Dash Courtesy Lamp
11	L0000579	1							BULB, 579
12	06501966	1							BULB, Sunvisor
-13	09437882	1							BULB, 904
14	00153622	1		X					BULB, P-25-1, Rear fog lamp

EXTERIOR LAMPS

CAUTION: Do not use bulbs other than the bulbs listed in the Bulb Application Table. Damage to lamp can result. Do not touch halogen bulbs with fingers or other oily surfaces. Bulb life will be reduced.

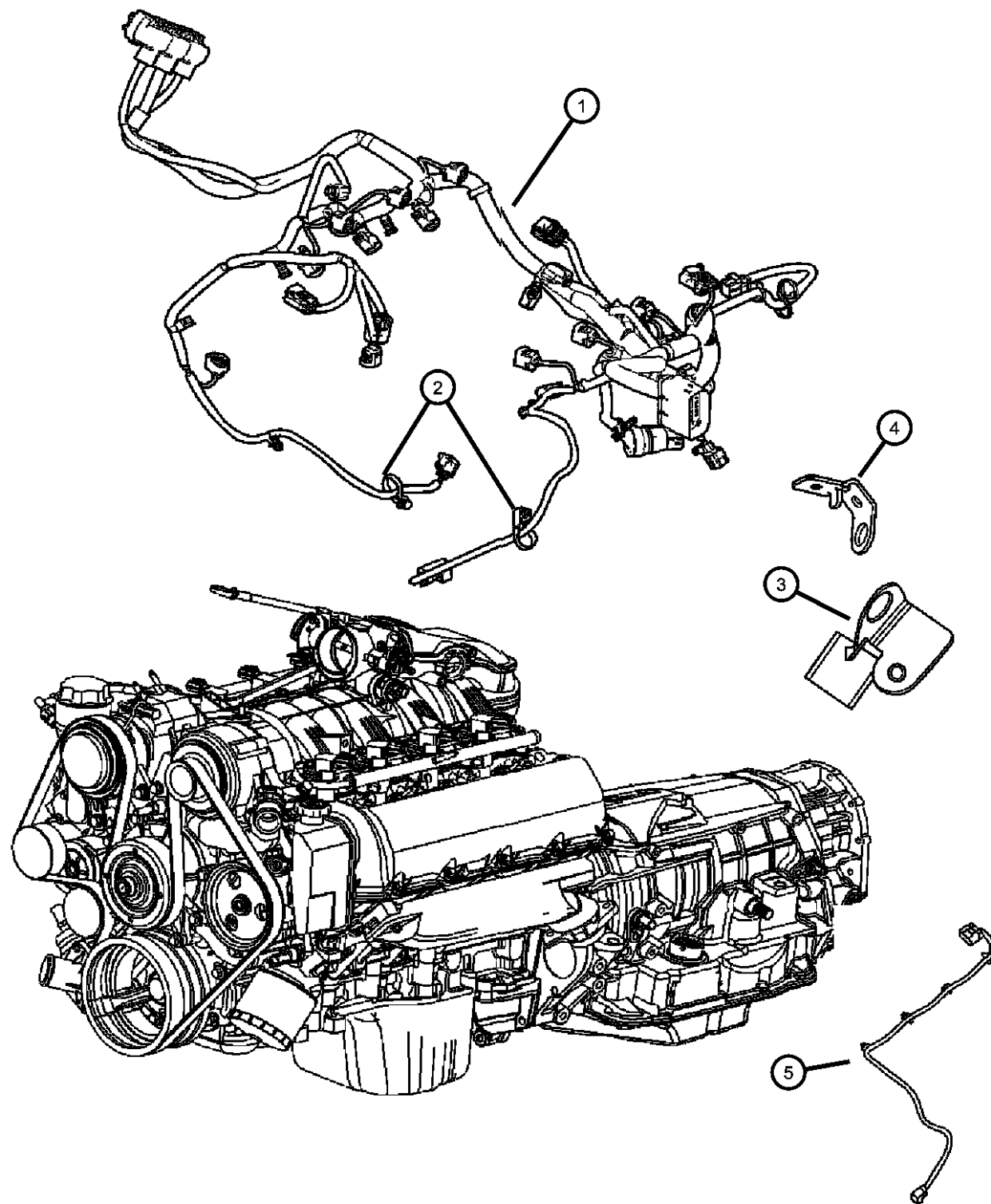
LAMP	BULB TYPE
BACK-UP	3157A (1)
FOG LAMP	9145 (2) (14)
FRONT PARK LAMP	194NA (3)
FRONT SIDE MARKER	194NA (3)
FRONT TURN SIGNAL	3157A (4)
HIGH BEAM	9005 (5)
LICENSE PLATE	168 (6)
LOW BEAM	9006 (7)
TAIL/STOP	3157A (1)
REAR TURN SIGNAL	3157A (1)
LAMP	BULB TYPE
GLOVE COMPARTMENT	194 (3)
OVERHEAD CONSOLE	VT4976 (8)
PASSENGER ASSIST HANDLE	L002825W5W (9)
REAR CARGO	214-2 (11)
UNDER PANEL COURTESY	906 (10)
VANITY MIRROR	V26377 (12)

GRAND CHEROKEE (WK)

SERIES	LINE	BODY	ENGINE	TRANSMISSION
H = HIGHLINE	T = JEEP - 2WD	74 = SPORT UTILITY 4-DR	EKG = 3.7L V6 Engine	DGQ = 5-Spd Automatic 5-45RFE
P = PREMIUM	J = JEEP - 4WD		EVA = 4.7L V8 MPI Engine	Transmission
S = SPORT			EZB = 5.7L Hemi Multi	DGJ = 5-Speed Automatic MB
X = SPECIAL			Displacement Engine	Transmission

AR = use ase required - = Non illustrated part

**Wiring - Engine [3.7L and 4.7L Engine]
Figure 8-1205**



ITEM	PART NUMBER	QTY	LINE	SERIES	BODY	ENGINE	TRANS	TRIM	DESCRIPTION
1	04801294AC	1				EK0			WIRING, Injector
	04801351AB	1				EVO			
2	05073039AA	1				EK0			STRAP, Tie
	56008876	1				ES0, EVO, EZ0			
3	53008550	1	T			EVO	DGQ		CLIP, Transmission Wiring
4	56041379AA	1				EK0, EVO, EZ0			CLIP, Housing, Oxygen sensor wiring
5	56050222AD	1							WIRING, Cradle [SNA]
	56050223AD	1							

GRAND CHEROKEE (WK)

SERIES	LINE
H = HIGHLINE	T = JEEP - 2WD
P = PREMIUM	J = JEEP - 4WD
S = SPORT	
X = SPECIAL	

BODY
74 = SPORT UTILITY 4-DR

ENGINE
EKG = 3.7L V6 Engine
EVA = 4.7L V8 MPI Engine
EZB = 5.7L Hemi Multi Displacement Engine

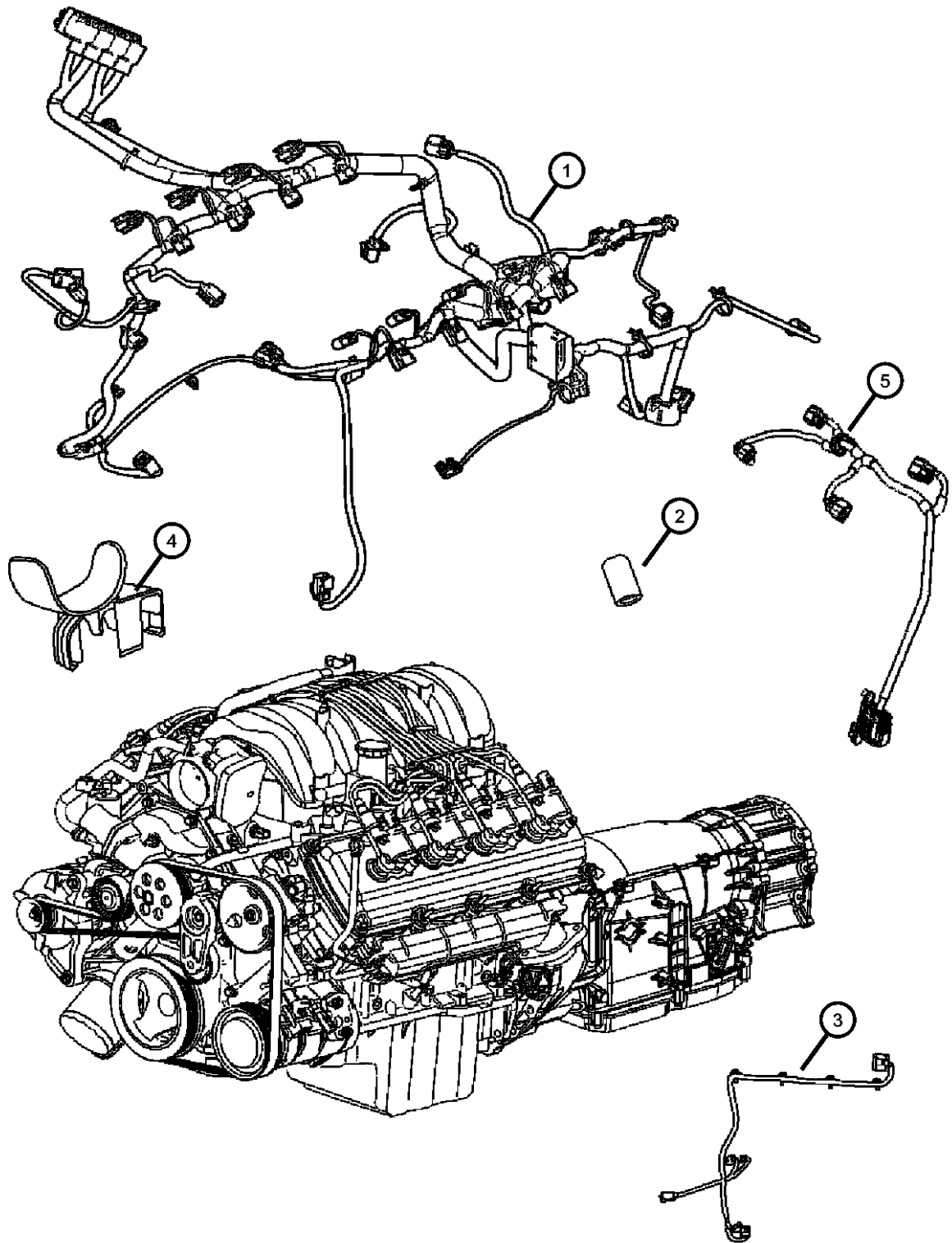
TRANSMISSION
DGQ = 5-Spd Automatic 5-45RFE Transmission
DGJ = 5-Speed Automatic MB Transmission

AR = use ase required - = Non illustrated part

2006 WK

**Wiring Engine [5.7L, 6.1L Engines]
Figure 8-1210**

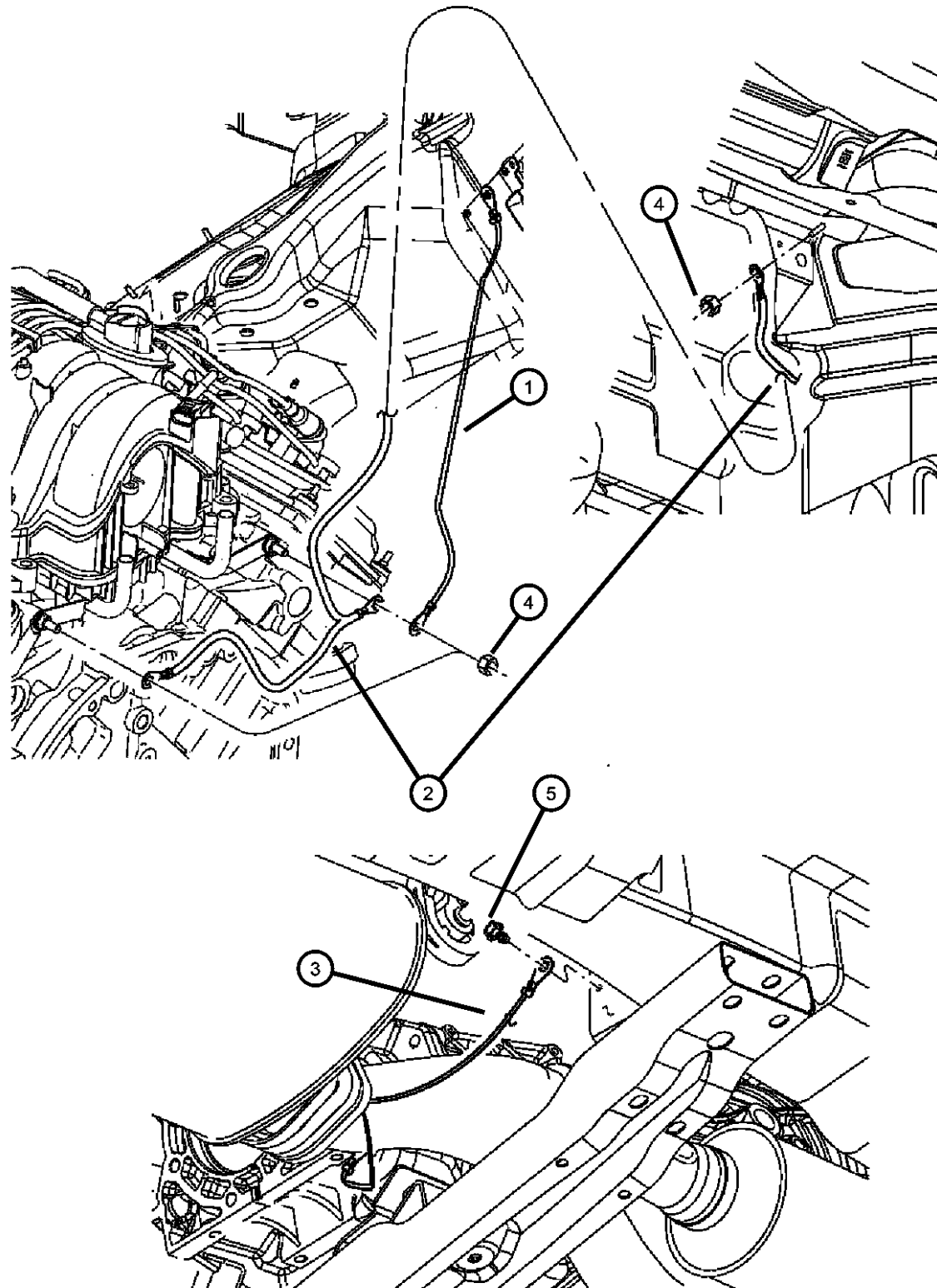
ITEM	PART NUMBER	QTY	LINE	SERIES	BODY	ENGINE	TRANS	TRIM	DESCRIPTION
1	05029962AD 56050838AE	1 1		X		ESF EZ0			WIRING, Injector
2	04801330AA	4				EZ0			CAP, Protective, Goes on the inner valve cover studs to protect injector harness
3	56050222AD 56050223AD 56050837AB	1 1 1				EZ0 EZ0			WIRING, Cradle [DSF,SNA] [DSF] [SNA]
4	04801474AA	2				EZ0			TROUGH, Snaps over coils 5 and 6 to hold engine wiring up off the coils
5	56045793AC	1				EZ0			LINK, Jumper, Multiple displacement soleniod



GRAND CHEROKEE (WK)				
SERIES	LINE	BODY	ENGINE	TRANSMISSION
H = HIGHLINE	T = JEEP - 2WD	74 = SPORT UTILITY 4-DR	EKG = 3.7L V6 Engine	DGQ = 5-Spd Automatic 5-45RFE
P = PREMIUM	J = JEEP - 4WD		EVA = 4.7L V8 MPI Engine	Transmission
S = SPORT			EZB = 5.7L Hemi Multi	DGJ = 5-Speed Automatic MB
X = SPECIAL			Displacement Engine	Transmission

AR = use ase required - = Non illustrated part

**Ground Straps
Figure 8-1215**



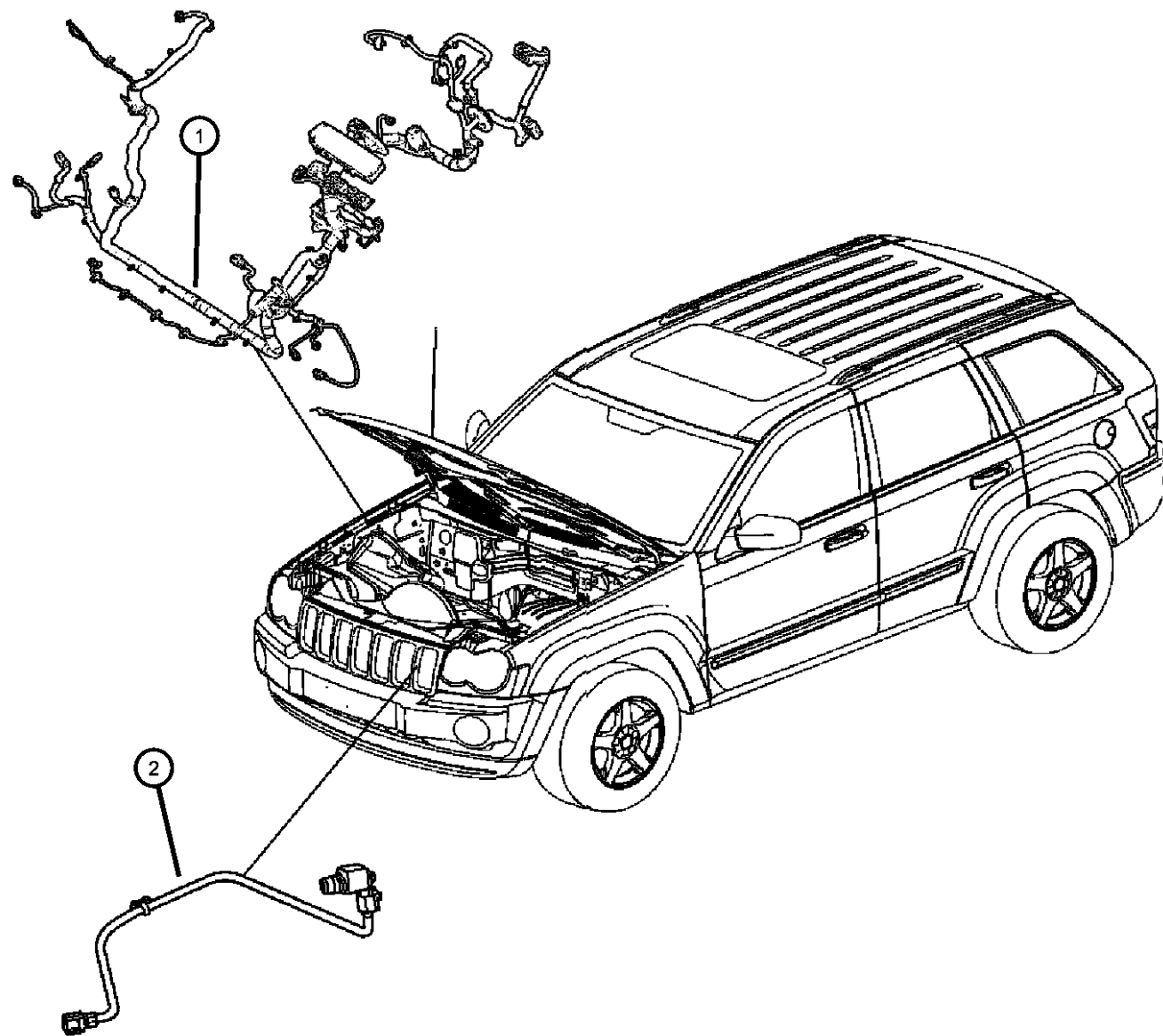
ITEM	PART NUMBER	QTY	LINE	SERIES	BODY	ENGINE	TRANS	TRIM	DESCRIPTION
1	56038680AA	1				EK0, ESF, EV0, EZ0			STRAP, Ground, Engine to plenum
2	56038682AD	1				EK0, EV0, EZ0			STRAP, Ground, NGC to Engine
3	56038740AD	1	J			EK0, ESF, EV0, EZ0			STRAP, Ground, Exhaust
4									NUT
	06101802	2				EZ0			
		2				ESF, EZ0			
5		2							SCREW, Hex Flange Head, M6x1.00x25.00, (NOT SERVICED)

GRAND CHEROKEE (WK)

SERIES	LINE	BODY	ENGINE	TRANSMISSION
H = HIGHLINE	T = JEEP - 2WD	74 = SPORT UTILITY 4-DR	EKG = 3.7L V6 Engine	DGQ = 5-Spd Automatic 5-45RFE
P = PREMIUM	J = JEEP - 4WD		EVA = 4.7L V8 MPI Engine	Transmission
S = SPORT			EZB = 5.7L Hemi Multi	DGJ = 5-Speed Automatic MB
X = SPECIAL			Displacement Engine	Transmission

AR = use ase required - = Non illustrated part

Wiring - Headlamp / Dash
Figure 8-1305



ITEM	PART NUMBER	QTY	LINE	SERIES	BODY	ENGINE	TRANS	TRIM	DESCRIPTION
1									WIRING, Headlamp to Dash
	05029963AD	1	J, T	X	74	ESF			After 01/04/06
	56047964AA	1				EK0			[LAB] Up to 11/28/05
	56047964AB	1	J, T		74	EK0			[LAB] After 11/28/05
	56050736AD	1	J			EK0			[LAB,DHX] Up to 12/05/05
	56050736AE	1	J			EK0			[LAB,DHX] After 12/05/05
	05029963AC	1		X		ESF			Up to 01/04/06
	56050783AC	1				EVO			[XGM] Up to 09/29/05
	56050783AD	1				EVO			[XGM] After 09/29/05
	56050784AC	1				EZ0			[XGM] Up to 09/29/05
	56050784AD	1				EZ0			[XGM] After 09/29/05
	56050738AC	1				EVO			[LAB] Up to 09/29/05
	56050738AD	1				EVO			[LAB] After 09/29/05
2									HARNESSES, Jumper
	05143200AA	1				EZ0	DG0		Fan module
	05143210AA	1				EK0, EVO	DG0		Fan module

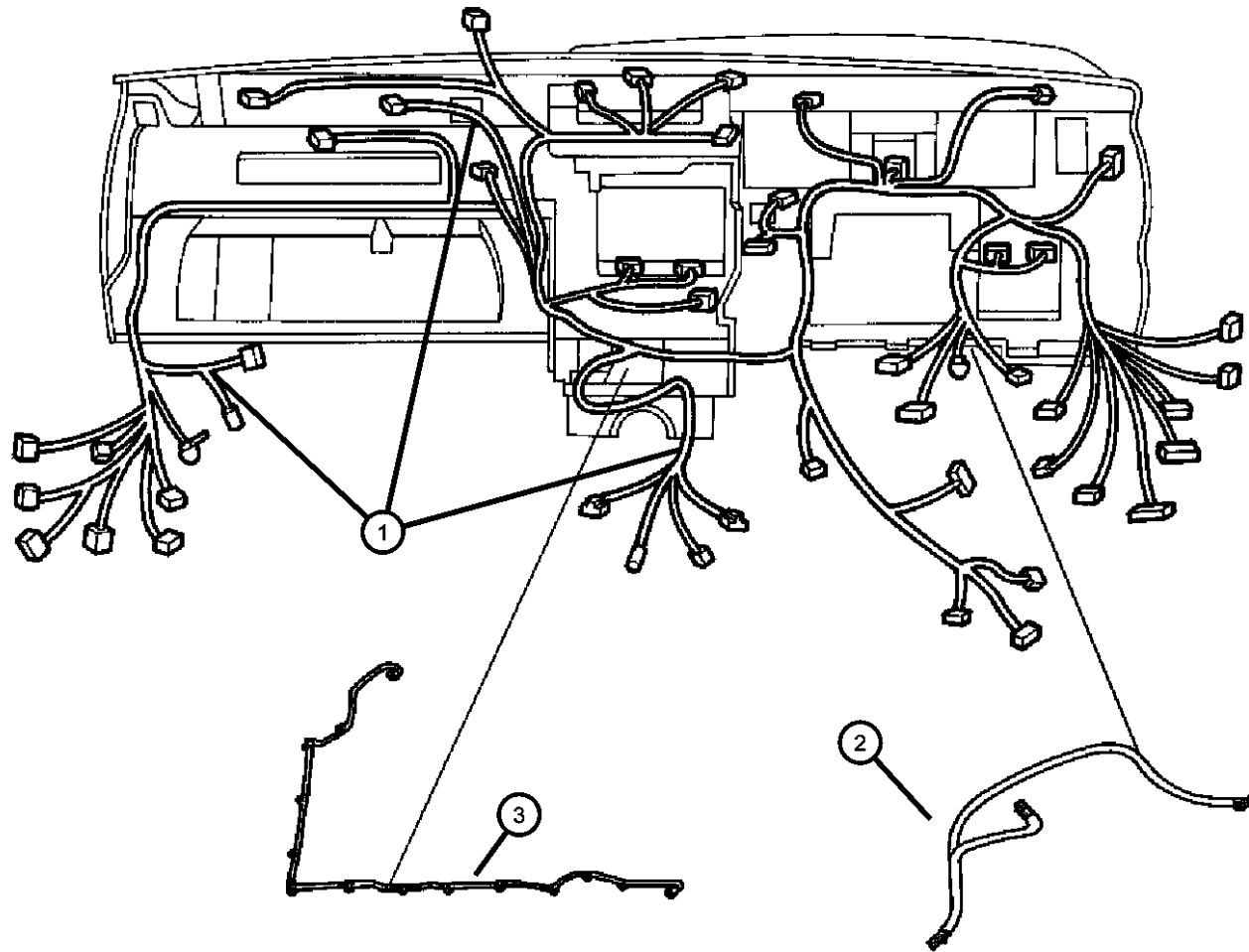
GRAND CHEROKEE (WK)

SERIES	LINE	BODY	ENGINE	TRANSMISSION
H = HIGHLINE	T = JEEP - 2WD	74 = SPORT UTILITY 4-DR	EKG = 3.7L V6 Engine	DGQ = 5-Spd Automatic 5-45RFE
P = PREMIUM	J = JEEP - 4WD		EVA = 4.7L V8 MPI Engine	Transmission
S = SPORT			EZB = 5.7L Hemi Multi	DGJ = 5-Speed Automatic MB
X = SPECIAL			Displacement Engine	Transmission

AR = use ase required - = Non illustrated part

2006 WK

Wiring - Instrument Panel
Figure 8-1410



ITEM	PART NUMBER	QTY	LINE	SERIES	BODY	ENGINE	TRANS	TRIM	DESCRIPTION
1									WIRING, Instrument Panel
	56047433AC	1		H		EK0, EV0			[LMG,RSA,XRV,RC6] Up to 04/03/06
	56047433AD	1	J, T	H	74	EK0, EV0			[LMG,RSA,XRV,RC6] After 04/03/06
	56047434AC	1		H		EK0, EV0			[LMG,RSA,RSP,XRV,RC6] Up to 04/03/06
	56047434AD	1	J, T	H	74	EK0, EV0			[LMG,RSA,RSP,XRV,RC6] After 04/03/06
	56047435AC	1		P, S, X		ES0, EV0, EZ0			[LMG,RSA,RSP,XRV] Up to 04/03/06
	56047435AD	1	J, T	P, S, X	74	ES0, EV0, EZ0			[LMG,RSA,RSP,XRV] After 04/03/06
	56047436AC	1		P, S		EV0, EZ0			[LMG] Up to 04/03/06
	56047436AD	1	J, T	P, S	74	EV0, EZ0			[LMG] After 04/03/06
	56047437AC	1		P, S, X		ES0, EV0, EZ0			[LMG,RSA,RSP] Up to 04/03/06
	56047437AD	1	J, T	P, S, X	74	ES0, EV0, EZ0			[LMG,RSA,RSP] After 04/03/06
	56047438AC	1		P, S		EV0, EZ0			[LMG,RSA] Up to 04/03/06
	56047438AD	1	J, T	P, S	74	EV0, EZ0			[LMG,RSA] After 04/03/06
	56047439AC	1		P, S		EV0, EZ0			[XRV,LMG] Up to 04/03/06
	56047439AD	1	J, T	P, S	74	EV0, EZ0			[XRV,LMG] After 04/03/06
	56047440AC	1		H		EK0, EV0			[XRV,LMG,RC6] Up to 04/03/06
	56047440AD	1	J, T	H	74	EK0, EV0			[XRV,LMG,RC6] After 04/03/06
	56047441AC	1		H		EK0, EV0			[LMG,RSA,RC6] Up to 04/03/06
	56047441AD	1	J, T	H	74	EK0, EV0			[LMG,RSA,RC6] After 04/03/06
	56047442AC	1		H		EK0, EV0			[LMG,RSA,RC6,RSP] Up to 04/03/06
	56047442AD	1	J, T	H	74	EK0, EV0			[LMG,RSA,RC6,RSP] After 04/03/06
	56047443AC	1		H		EK0, EV0			[RCG] Up to 04/03/06
	56047443AD	1	J, T	H	74	EK0, EV0			[RCG] After 04/03/06
	56047444AC	1		H		EK0, EV0			[LMG,RSP,XRV,RC6] Up to 04/03/06
	56047444AD	1	J, T	H	74	EK0, EV0			[LMG,RSP,XRV,RC6] After 04/03/06
	56047445AC	1		H, X		EK0, ES0, EV0			[RC6,LMG] Up to 04/03/06
	56047445AD	1	J, T	H, X	74	EK0, ES0, EV0			[RC6,LMG] After 04/03/06
	56047446AC	1		H		EK0, EV0			[RC6,RSP,LMG] Up to 04/03/06
	56047446AD	1	J, T	H	74	EK0, EV0			[RC6,RSP,LMG] After 04/03/06

GRAND CHEROKEE (WK)

SERIES LINE
H = HIGHLINE T = JEEP - 2WD
P = PREMIUM J = JEEP - 4WD
S = SPORT
X = SPECIAL

BODY
74 = SPORT UTILITY 4-DR

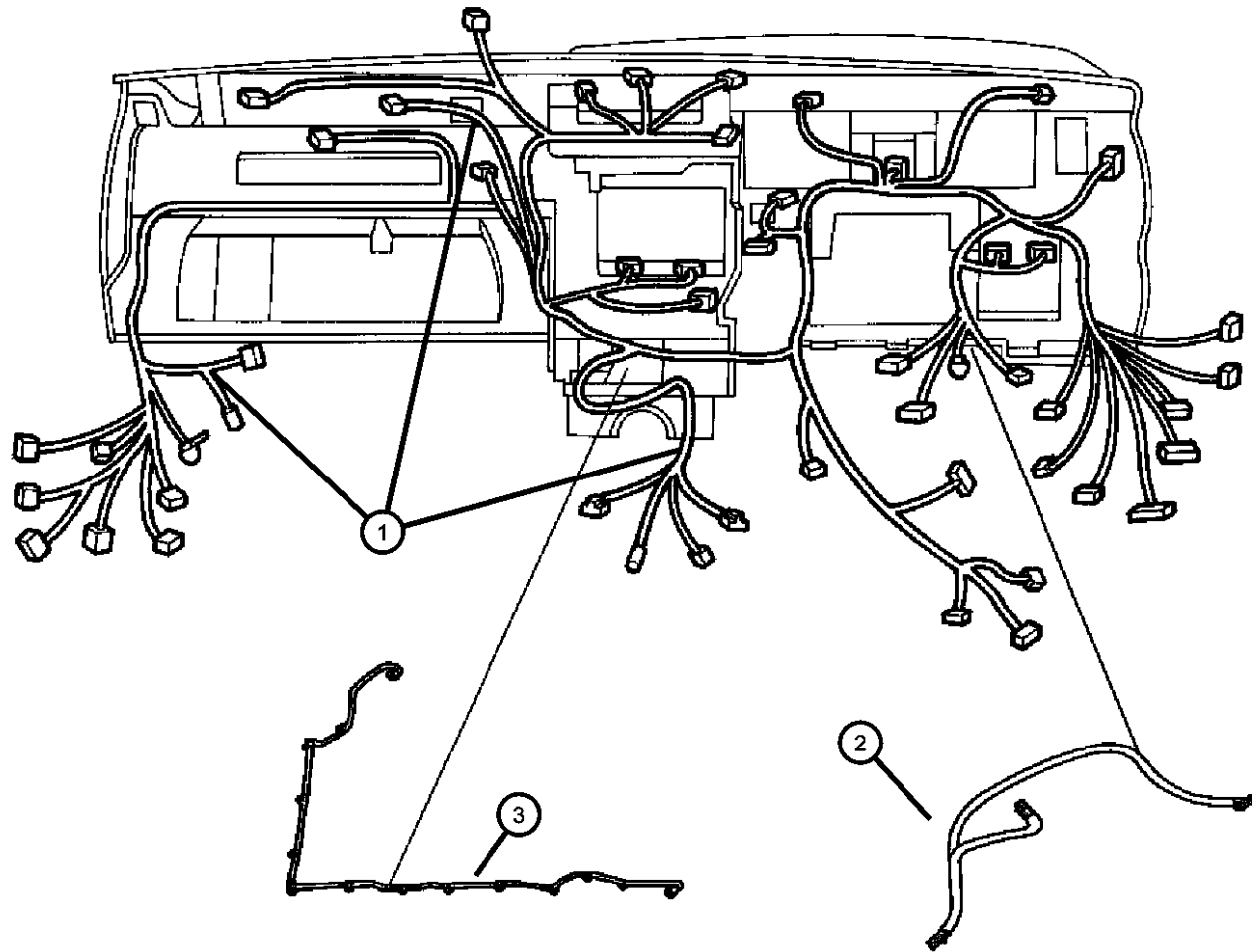
ENGINE
EKG = 3.7L V6 Engine
EVA = 4.7L V8 MPI Engine
EZB = 5.7L Hemi Multi Displacement Engine

TRANSMISSION
DGQ = 5-Spd Automatic 5-45RFE Transmission
DGJ = 5-Speed Automatic MB Transmission

AR = use ase required - = Non illustrated part

2006 WK

Wiring - Instrument Panel
Figure 8-1410



ITEM	PART NUMBER	QTY	LINE	SERIES	BODY	ENGINE	TRANS	TRIM	DESCRIPTION
	56047447AC	1		P, S		EV0, EZ0			[RSP,LMG] Up to 04/03/06
	56047447AD	1	J, T	P, S, X	74	ES0, EV0, EZ0			[RSP,LMG] After 04/03/06
	56047448AC	1		P, S		EV0, EZ0			[LMG,RSP,XRV] Up to 04/03/06
	56047448AD	1	J, T	P, S, X	74	ES0, EV0, EZ0			[LMG,RSP,XRV] After 04/03/06
	56047449AC	1		P, S		EV0, EZ0			[LMG,RSA,XRV] Up to 04/03/06
	56047449AD	1	J, T	P, S	74	EV0, EZ0			[LMG,RSA,XRV] After 04/03/06
	56048103AA	1	J, T	H	74	EK0, EV0			[RSP,XAC,RC6]
	56048104AA	1	J, T	H	74	EK0, EV0			[RSP,XAC,XRV,RC6]
	56048105AA	1	J, T	H	74	EK0, EV0			[XAC,RC6]
	56048106AA	1	J, T	H	74	EK0, EV0			[XAC,XRV,RC6]
	56048107AA	1	J, T	H	74	EK0, EV0			[XAC,RSA,RC6]
	56048108AA	1	J, T	H	74	EK0, EV0			[XAC,RSA,XRV,RC6]
	56048109AA	1	J, T	H	74	EK0, EV0			[XAC,RSA,RSP,RC6]
	56048110AA	1	J, T	H	74	EK0, EV0			[XAC,RSA,RSP,XRV,RC6]
	56048111AA	1	J, T	P, S	74	EV0, EZ0			[RSP,XRV,XAC]
	56048112AA	1	J, T	P, S	74	EV0, EZ0			[RSP,XAC]
	56048113AA	1	J, T	P, S	74	EV0, EZ0			[XAC,XRV]
	56048114AA	1	J, T	P, S	74	EV0, EZ0			[XAC]
	56048115AA	1	J, T	P, S	74	EV0, EZ0			[RSA,XAC]
	56048116AA	1	J, T	P, S	74	EV0, EZ0			[RSA,XAC,XRV]
	56048117AA	1	J, T	P, S	74	EV0, EZ0			[RSA,XAC,RSP]
	56048118AA	1	J, T	P, S	74	EV0, EZ0			[RSA,XAC,RSP,XRV]
	56048644AA	1	J, T	H	74	EK0, EV0			[RCG,XAP,JPM] Up to 04/03/06
	56048644AB	1	J, T	H	74	EK0, EV0			[RCG,XAP,JPM] After 04/03/06
2									WIRING, Steering Wheel
	52029319AA	1							[SCL]
		1							[SCC]
		1							[SCW]
3	56050609AC	1							WIRING, Hands Free Communication

GRAND CHEROKEE (WK)

SERIES LINE
H = HIGHLINE T = JEEP - 2WD
P = PREMIUM J = JEEP - 4WD
S = SPORT
X = SPECIAL

BODY
74 = SPORT UTILITY 4-DR

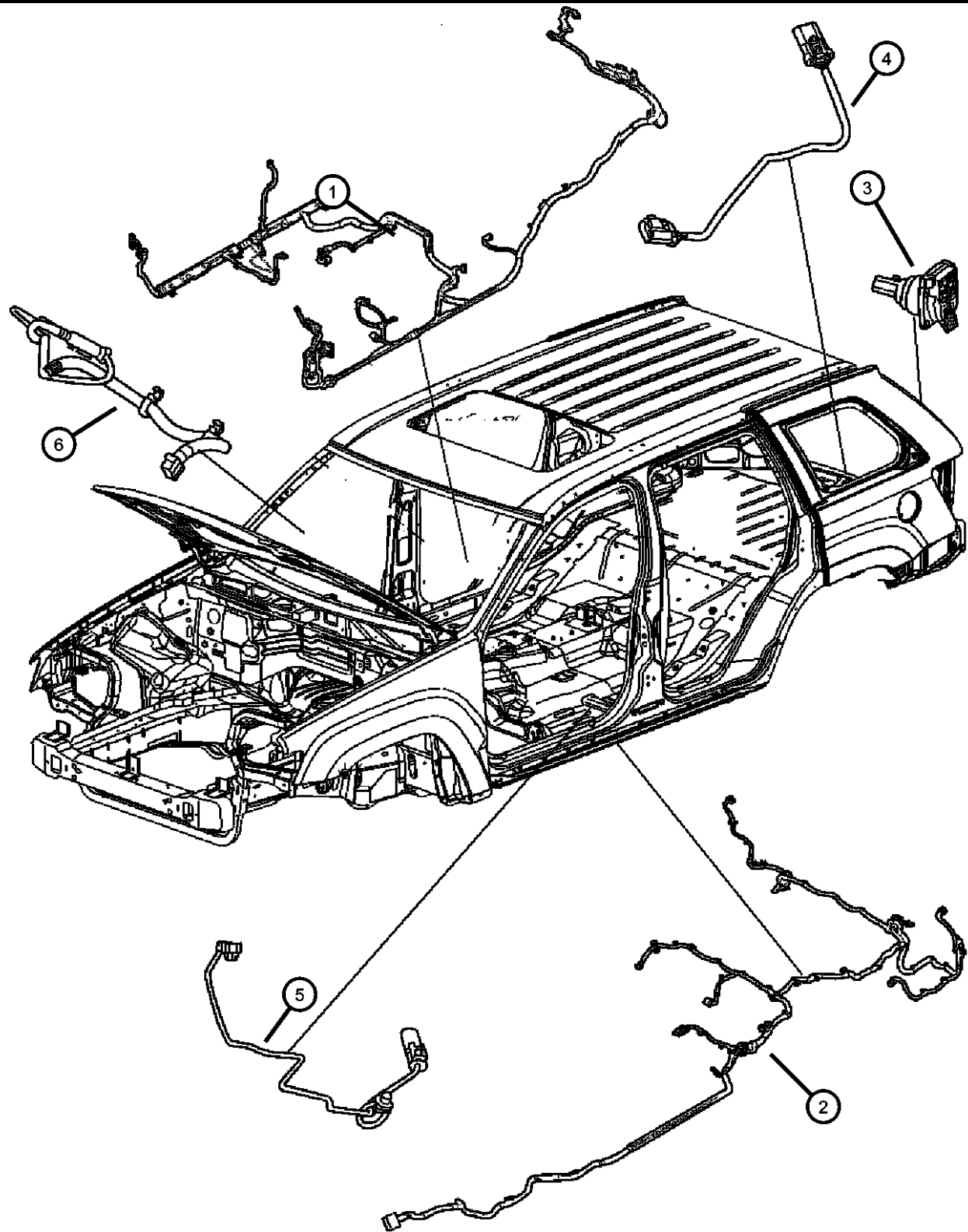
ENGINE
EKG = 3.7L V6 Engine
EVA = 4.7L V8 MPI Engine
EZB = 5.7L Hemi Multi Displacement Engine

TRANSMISSION
DGQ = 5-Spd Automatic 5-45RFE Transmission
DGJ = 5-Speed Automatic MB Transmission

AR = use ase required - = Non illustrated part

2006 WK

Wring Body
Figure 8-1505



ITEM	PART NUMBER	QTY	LINE	SERIES	BODY	ENGINE	TRANS	TRIM	DESCRIPTION
		1	J			EK0, EVO			[AHX,AHT,DHX]
	56050193AE	1	J			EK0, EVO			[XAA,DHX]
	56050194AE	1	J			EVO			Base
		1	J			EK0, EVO			[DHX]
	05029965AB	1		X		ESF			[XGM]
	05030305AB	1	J			ESF			[XAA,XGM]
		1	T			EVO			[AHX,AHT,XAA]
	56050354AE	1				EK0			Base
	56050355AE	1	J			EVO			[XGM]
	56050356AE	1	J			EVO			[AHX,AHT,XGM]
	56050357AE	1	J			EVO, EZ0			[DSF,XGM]
		1	J			EVO			[DSF,XGM]
	56050358AE	1	J			EVO, EZ0			[AHX,AHT,XGM,DSF]
		1	J			EVO			[AHX,AHT,XGM,DSF]
	56050360AE	1	J			EK0, EVO			[AHX,AHT,XAA,DHX]
	56050200AE	1	T			EVO			[XAA]
		1				EK0			[XAA]
	56050353AE	1	J			EVO, EZ0			[XAA,XGM,DSF]
		1	T			EVO			Base
	56050370AF	1	T			EVO			[AHT,AHX,XAA,XGM]
	56050371AE	1	T			EVO			[XGM]
	56050835AD	1	T			EZ0			[XAA,XGM]
	56050836AE	1	T		74	EZ0			[AHT,AHX,XAA,XGM]
	56050362AE	1	J			EVO			[XAA,XGM,AHX,AHT]
	56050364AE	1	J			EVO, EZ0			[XAA,XGM,AHX,AHT,DSF]
	56050366AE	1	J			EVO			[XAA,XGM]
	56050367AE	1	T			EVO			[AHX,AHT,XGM]
	56050369AE	1	T			EVO			[XAA,XGM]
3	56038366AB	1							CONNECTOR, 7 Way
4									WIRING, Fuel Module
	05143963AA	1							[XEE]
5									WIRING, Seat Belt Jumper
	05143384AA	1							Right

GRAND CHEROKEE (WK)

SERIES LINE
H = HIGHLINE T = JEEP - 2WD
P = PREMIUM J = JEEP - 4WD
S = SPORT
X = SPECIAL

BODY
74 = SPORT UTILITY 4-DR

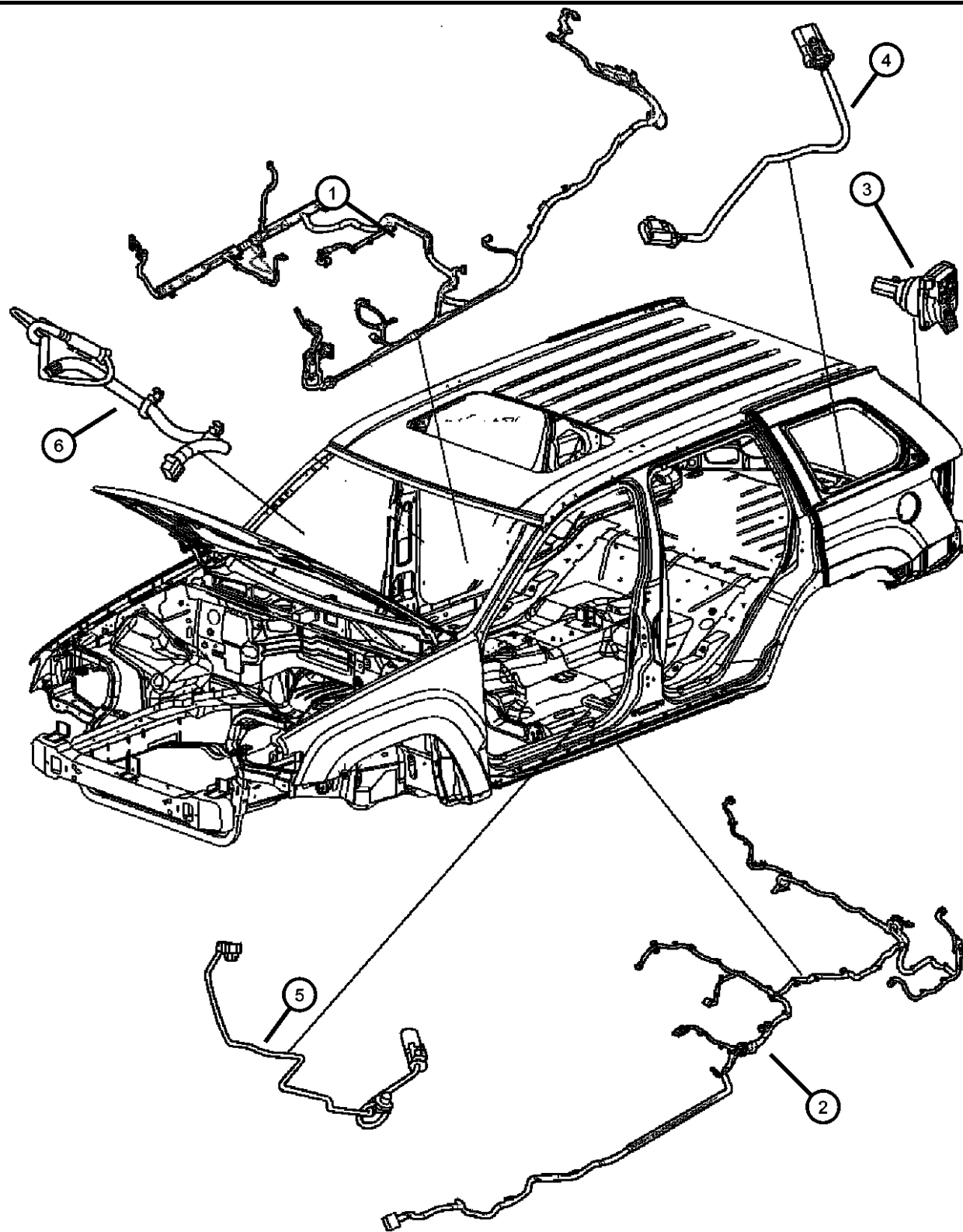
ENGINE
EKG = 3.7L V6 Engine
EVA = 4.7L V8 MPI Engine
EZB = 5.7L Hemi Multi Displacement Engine

TRANSMISSION
DGQ = 5-Spd Automatic 5-45RFE Transmission
DGJ = 5-Speed Automatic MB Transmission

AR = use ase required - = Non illustrated part

2006 WK

Wring Body
Figure 8-1505



ITEM	PART NUMBER	QTY	LINE	SERIES	BODY	ENGINE	TRANS	TRIM	DESCRIPTION
	05143387AA	1							Left
6	56050461AC	1					DGJ		WIRING, Control Module, Transmission control module

GRAND CHEROKEE (WK)

SERIES LINE
H = HIGHLINE T = JEEP - 2WD
P = PREMIUM J = JEEP - 4WD
S = SPORT
X = SPECIAL

BODY
74 = SPORT UTILITY 4-DR

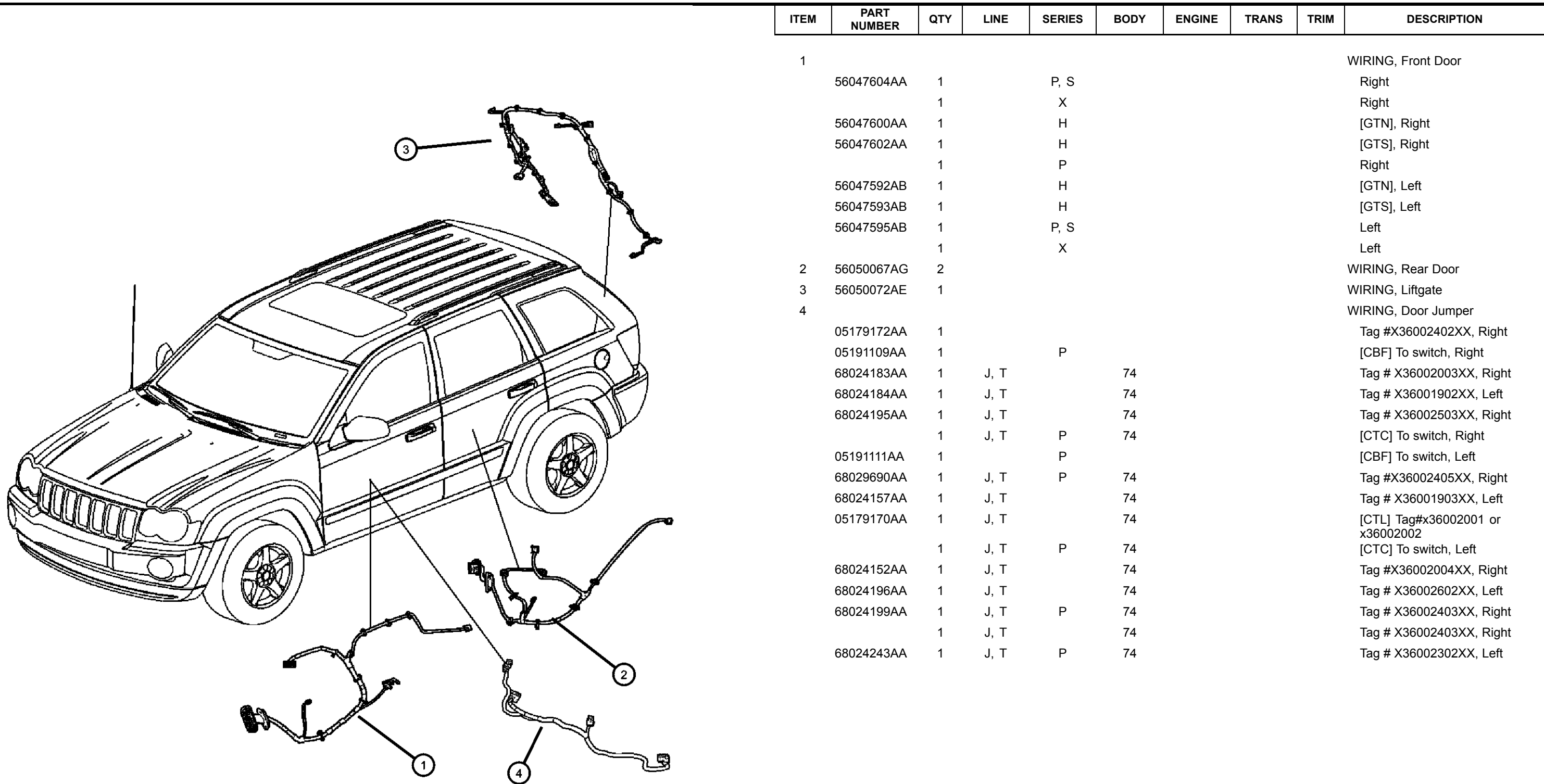
ENGINE
EKG = 3.7L V6 Engine
EVA = 4.7L V8 MPI Engine
EZB = 5.7L Hemi Multi Displacement Engine

TRANSMISSION
DGQ = 5-Spd Automatic 5-45RFE Transmission
DGJ = 5-Speed Automatic MB Transmission

AR = use ase required - = Non illustrated part

2006 WK

Wiring - Doors and Liftgate
Figure 8-1510



ITEM	PART NUMBER	QTY	LINE	SERIES	BODY	ENGINE	TRANS	TRIM	DESCRIPTION
1									WIRING, Front Door
	56047604AA	1		P, S					Right
		1		X					Right
	56047600AA	1		H					[GTN], Right
	56047602AA	1		H					[GTS], Right
		1		P					Right
	56047592AB	1		H					[GTN], Left
	56047593AB	1		H					[GTS], Left
	56047595AB	1		P, S					Left
		1		X					Left
2	56050067AG	2							WIRING, Rear Door
3	56050072AE	1							WIRING, Liftgate
4									WIRING, Door Jumper
	05179172AA	1							Tag #X36002402XX, Right
	05191109AA	1		P					[CBF] To switch, Right
	68024183AA	1	J, T		74				Tag # X36002003XX, Right
	68024184AA	1	J, T		74				Tag # X36001902XX, Left
	68024195AA	1	J, T		74				Tag # X36002503XX, Right
		1	J, T	P	74				[CTC] To switch, Right
	05191111AA	1		P					[CBF] To switch, Left
	68029690AA	1	J, T	P	74				Tag #X36002405XX, Right
	68024157AA	1	J, T		74				Tag # X36001903XX, Left
	05179170AA	1	J, T		74				[CTL] Tag#x36002001 or x36002002
		1	J, T	P	74				[CTC] To switch, Left
	68024152AA	1	J, T		74				Tag #X36002004XX, Right
	68024196AA	1	J, T		74				Tag # X36002602XX, Left
	68024199AA	1	J, T	P	74				Tag # X36002403XX, Right
		1	J, T		74				Tag # X36002403XX, Right
	68024243AA	1	J, T	P	74				Tag # X36002302XX, Left

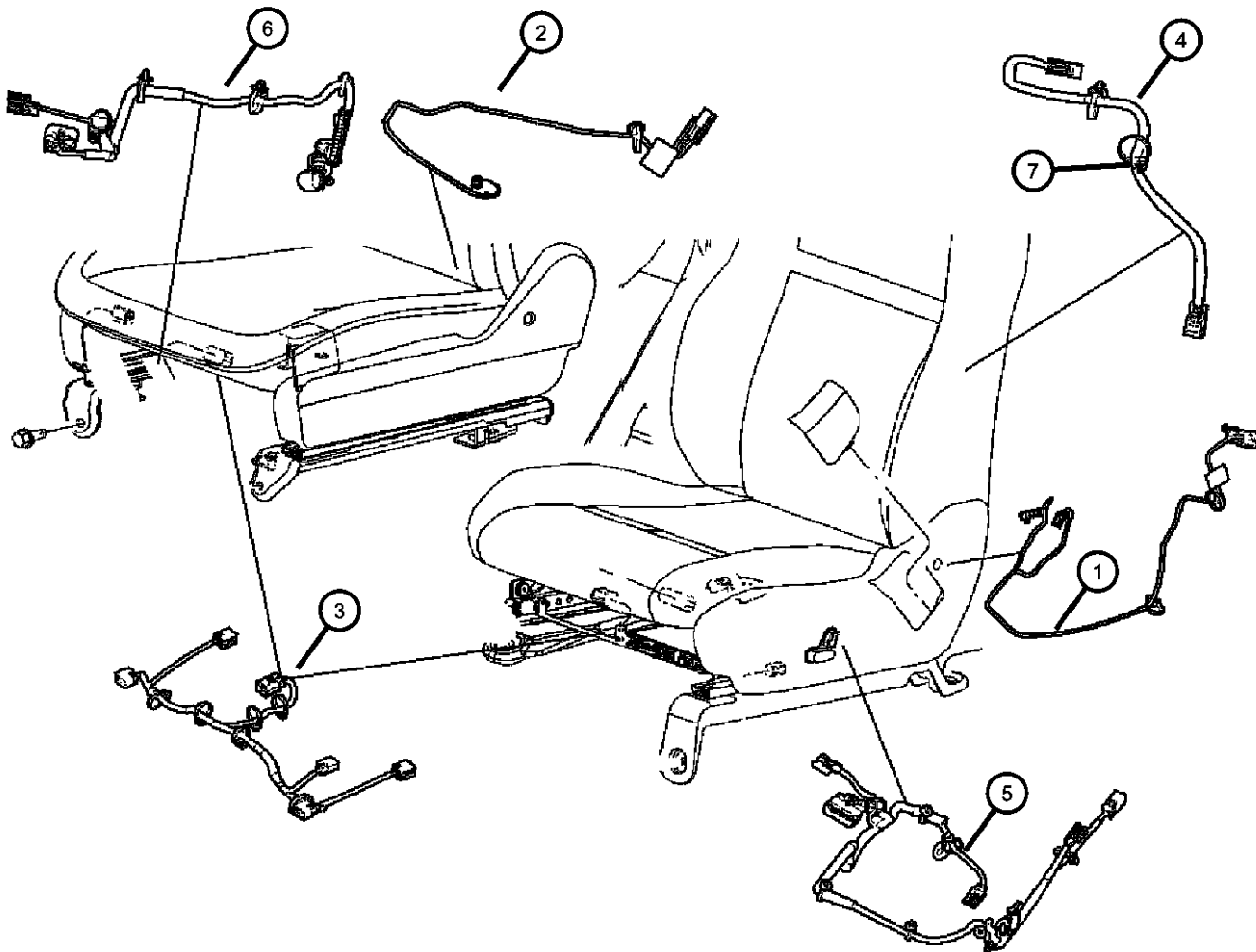
GRAND CHEROKEE (WK)

SERIES	LINE	BODY	ENGINE	TRANSMISSION
H = HIGHLINE	T = JEEP - 2WD	74 = SPORT UTILITY 4-DR	EKG = 3.7L V6 Engine	DGQ = 5-Spd Automatic 5-45RFE
P = PREMIUM	J = JEEP - 4WD		EVA = 4.7L V8 MPI Engine	Transmission
S = SPORT			EZB = 5.7L Hemi Multi	DGJ = 5-Speed Automatic MB
X = SPECIAL			Displacement Engine	Transmission

AR = use ase required - = Non illustrated part

**Wiring Seats
Figure 8-1515**

ITEM	PART NUMBER	QTY	LINE	SERIES	BODY	ENGINE	TRANS	TRIM	DESCRIPTION
1	05143387AA	1							WIRING, Seat Belt Jumper
2	05143384AA	1							WIRING, Seat Belt Jumper
3									WIRING, Seat
	05143370AA	1							OCS wiring
		1	J, T		74				Occupant classification system
4									WIRING, Power Seat
	05143368AA	1							[JTB,JPM] Power Back Wiring, Right
	05143366AA	1							[JTB] Power Back Wiring, Right
	05143367AA	1							[JTB] Power Back Wiring, Left
	05143379AA	1							Power track
	05143373AA	1							[JPK,-JPM] Power Back Wiring, Left
	05143383AA	1							[JTK,JPM] Power Back Wiring, Left
	05143369AA	1							[JTB,JPM] Power Back Wiring, Left
	05143371AA	1							[JPK] Power Back Wiring, Left
5									WIRING, Power Seat
	05143371AA	1							[JTK] Power Track Wiring
	05143381AA	1							[JTB,JPM] Power Track Wiring
	05143377AA	1							[JTK,JPM] Power Track Wiring
	05143379AA	1							[JPR] Power Track Wiring
6									WIRING, Power Seat
	05143378AA	1							[JTB] Power Track Wiring
	05143380AA	1							[JTB,JPM] Power Track Wiring
7	05143367AA	1							WIRING, Seat Back, Power back



GRAND CHEROKEE (WK)

SERIES LINE
 H = HIGHLINE T = JEEP - 2WD
 P = PREMIUM J = JEEP - 4WD
 S = SPORT
 X = SPECIAL

BODY
 74 = SPORT UTILITY 4-DR

ENGINE
 EKG = 3.7L V6 Engine
 EVA = 4.7L V8 MPI Engine
 EZB = 5.7L Hemi Multi Displacement Engine

TRANSMISSION
 DGQ = 5-Spd Automatic 5-45RFE Transmission
 DGJ = 5-Speed Automatic MB Transmission

AR = use ase required - = Non illustrated part

2006 WK

**Wiring Repair Packages
Figure 8-1605**

ITEM	PART NUMBER	QTY	LINE	SERIES	BODY	ENGINE	TRANS	TRIM	DESCRIPTION
-1									STRAP, Tie, For Electrical Connector Repair Information visit the World Wide Web at http://dto.vftis.com/mopar/disclaimer.asp
	05073039AA	1				EK0			
	56008876	1				ES0, EV0, EZ0			
-2	52124121AA	2							CLIP, Wiring
-3	56038682AD	1				EK0, EV0, EZ0			STRAP, Ground, NGC to engine

For Electrical Connector Repair Information visit the World Wide Web at

<http://dto.vftis.com/mopar/disclaimer.asp>

GRAND CHEROKEE (WK)

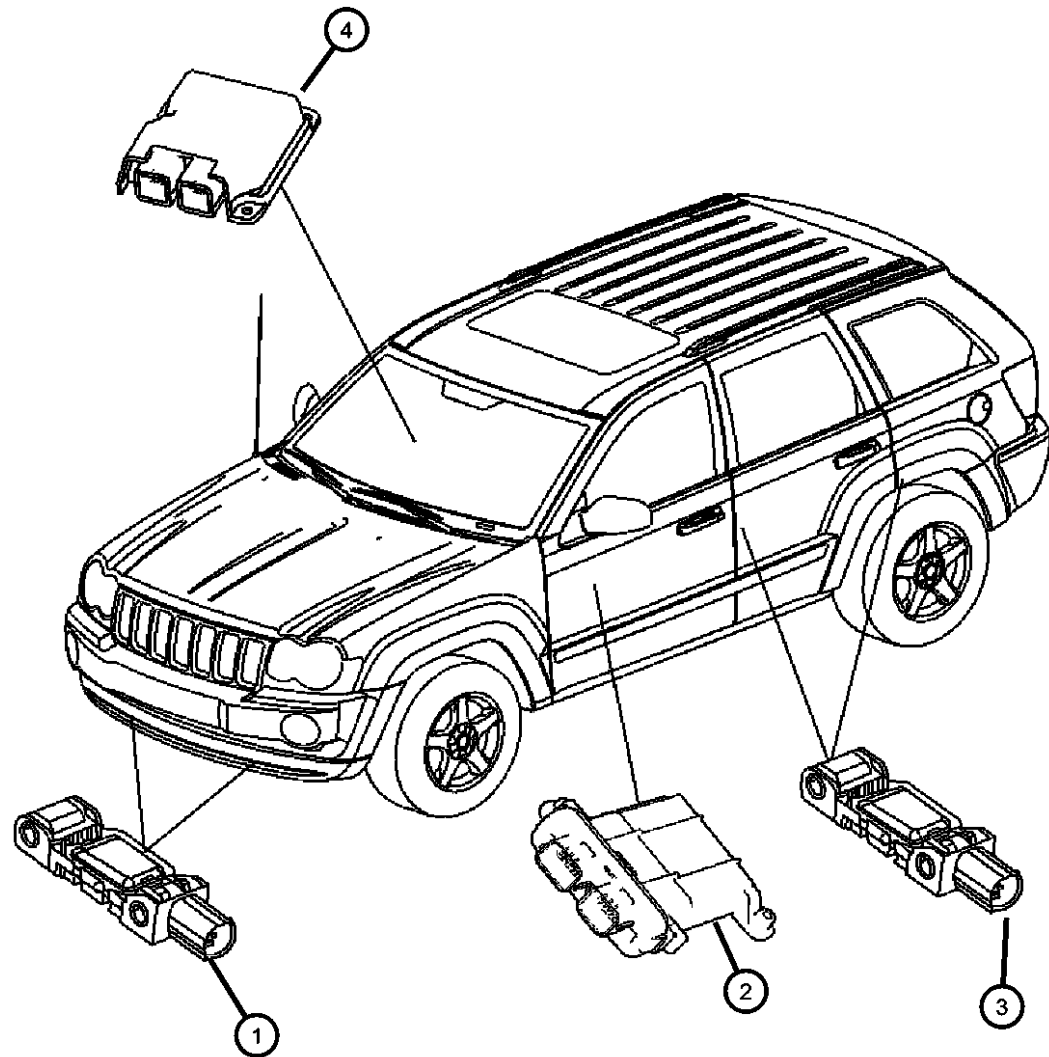
SERIES	LINE	BODY	ENGINE	TRANSMISSION
H = HIGHLINE	T = JEEP - 2WD	74 = SPORT UTILITY 4-DR	EKG = 3.7L V6 Engine	DGQ = 5-Spd Automatic 5-45RFE Transmission
P = PREMIUM	J = JEEP - 4WD		EVA = 4.7L V8 MPI Engine	DGJ = 5-Speed Automatic MB Transmission
S = SPORT			EZB = 5.7L Hemi Multi Displacement Engine	
X = SPECIAL				

AR = use ase required - = Non illustrated part

2006 WK

**Air Bag Modules and Sensors
Figure 8-1705**

ITEM	PART NUMBER	QTY	LINE	SERIES	BODY	ENGINE	TRANS	TRIM	DESCRIPTION
1	04671779AC	2							SENSOR, Side Airbag Impact MODULE, Occupant Restraint
2	04896018AB	1		H, P, S				After 02/07/05 up to 01/02/06	
	04896133AD	1		H, P, S				[CGS] Up to 01/02/06	
	04896258AA	1	J, T	H, P, S	74			[CGS,CG3,CGS] After 01/02/06 up to 01/25/06	
	04896369AA	1		H, P, S				[CG1,CG3] After 01/02/06 up to 01/25/06	
	05030556AA	1		X				[CGS]	
	05030557AA	1		X					
	56010425AI	1							Up to 02/07/05
	68002177AA	1	J, T	H, P, S	74			[CG3,CGS] After 01/25/06	
	68002601AA	1	J, T	H, P, S	74			[CG3] After 01/25/06	
3	04671779AC	4							SENSOR, Side Airbag Impact
4	56043195AU	1							MODULE, Occupant Classification



GRAND CHEROKEE (WK)

SERIES	LINE
H = HIGHLINE	T = JEEP - 2WD
P = PREMIUM	J = JEEP - 4WD
S = SPORT	
X = SPECIAL	

BODY
74 = SPORT UTILITY 4-DR

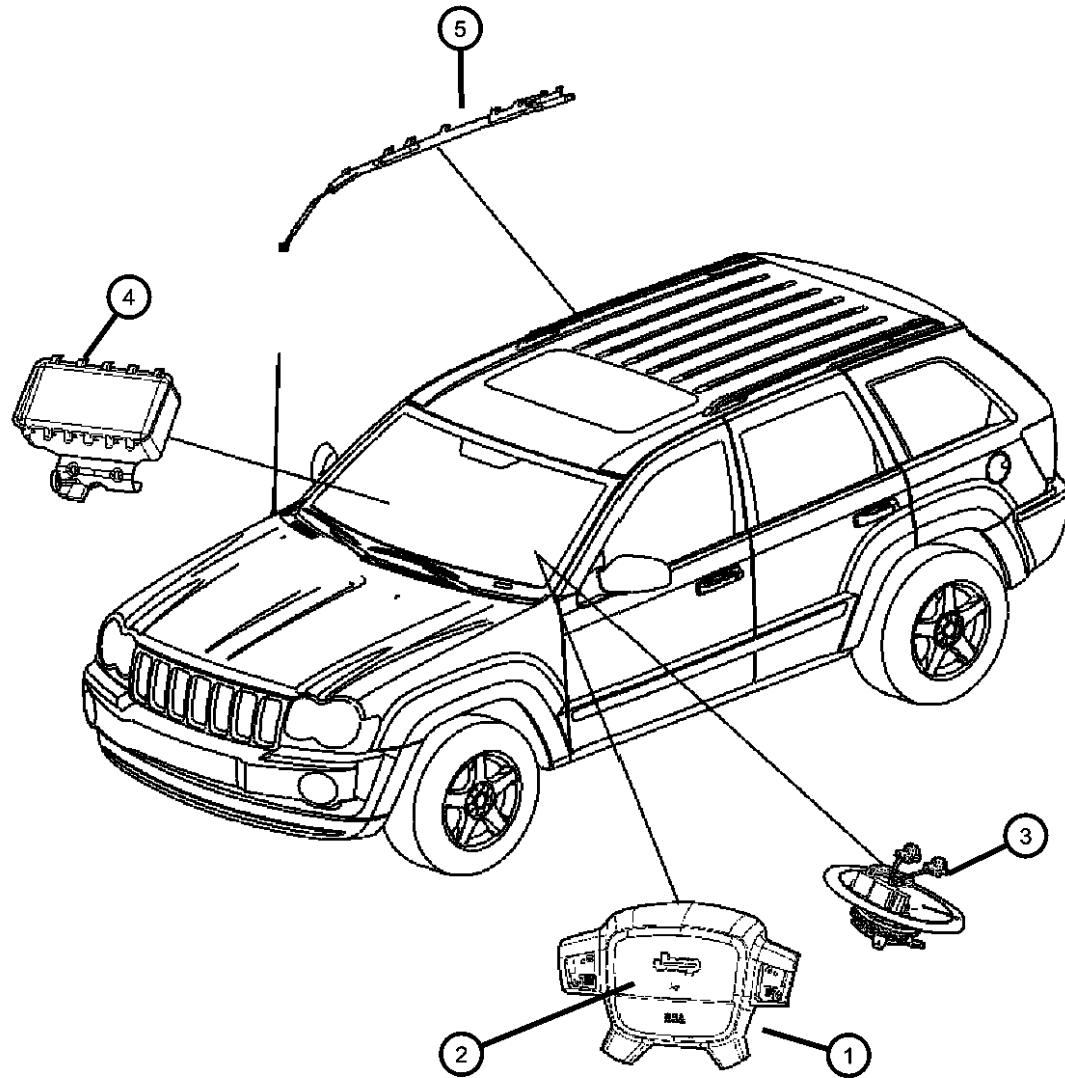
ENGINE
EKG = 3.7L V6 Engine
EVA = 4.7L V8 MPI Engine
EZB = 5.7L Hemi Multi
Displacement Engine

TRANSMISSION
DGQ = 5-Spd Automatic 5-45RFE
Transmission
DGJ = 5-Speed Automatic MB
Transmission

AR = use ase required - = Non illustrated part

2006 WK

**Air Bags and Clock Spring
Figure 8-1710**



ITEM	PART NUMBER	QTY	LINE	SERIES	BODY	ENGINE	TRANS	TRIM	DESCRIPTION
1	5JJ281D1AD	1		H, P, S					AIR BAG, Driver [J1]
	5JJ281D5AD	1		H, P, S					[D5]
	5JJ281J3AD	1		H, P, S					[J3]
	5JY991DVAD	1		X					[D5]
2	1BH821D1AA	1		H, P, S					COVER, Air Bag Module [J1]
	1BH821D5AA	1		H, P, S					[D5]
	1BH821J3AA	1		H, P, S					[J3]
	1CJ841DVAA	1		X					[D5]
3	05143320AD	1							MODULE, Steering Control, Includes clock spring
4	55117000AG	1							AIR BAG, Passenger
5	52029296AC	1							AIR BAG, Side Curtain Right
	52029297AC	1							Left

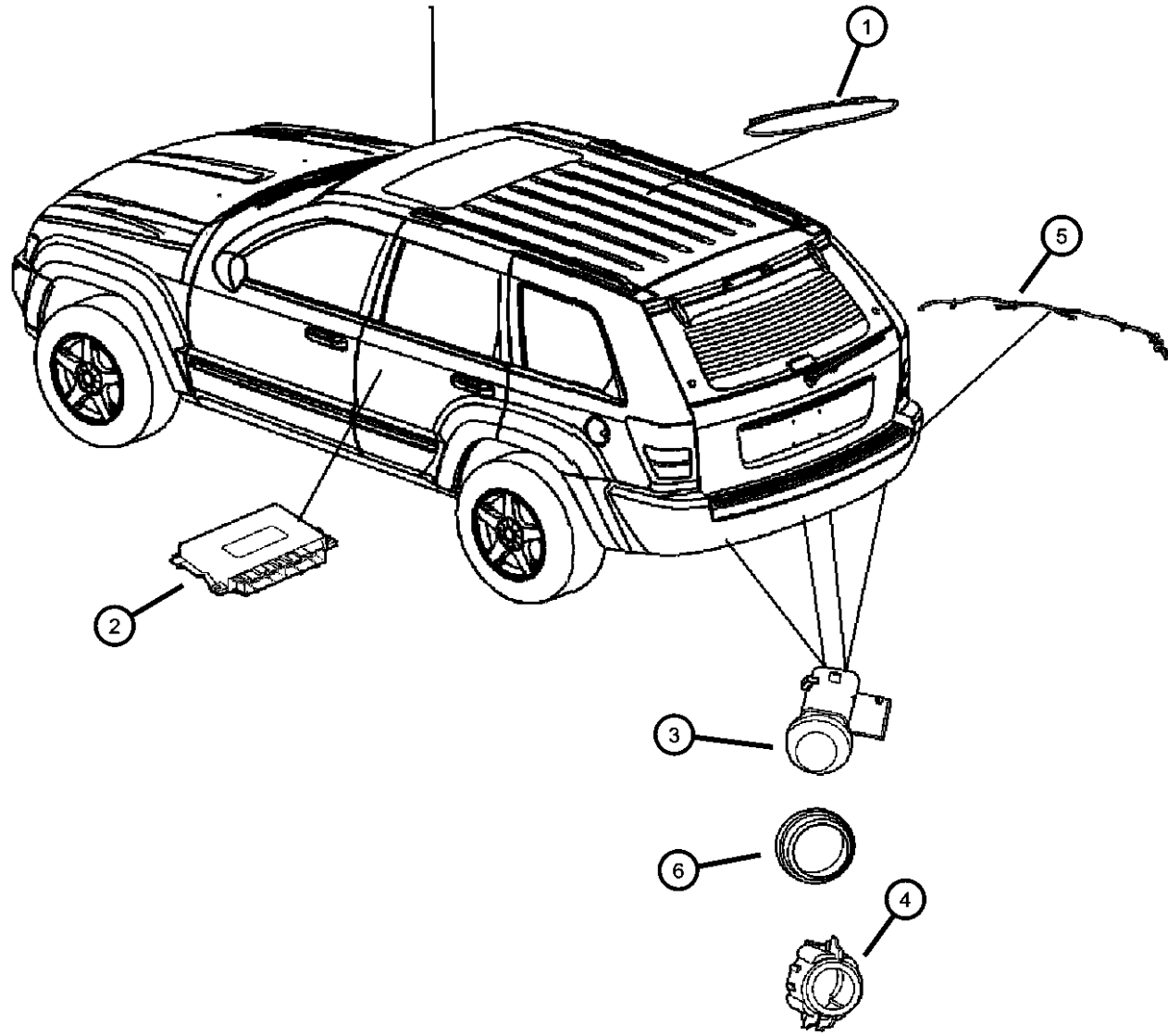
GRAND CHEROKEE (WK)

SERIES	LINE	BODY	ENGINE	TRANSMISSION
H = HIGHLINE	T = JEEP - 2WD	74 = SPORT UTILITY 4-DR	EKG = 3.7L V6 Engine	DGQ = 5-Spd Automatic 5-45RFE
P = PREMIUM	J = JEEP - 4WD		EVA = 4.7L V8 MPI Engine	Transmission
S = SPORT			EZB = 5.7L Hemi Multi	DGJ = 5-Speed Automatic MB
X = SPECIAL			Displacement Engine	Transmission

AR = use ase required - = Non illustrated part

**Park Assist Detection System
Figure 8-1805**

ITEM	PART NUMBER	QTY	LINE	SERIES	BODY	ENGINE	TRANS	TRIM	DESCRIPTION
1	56046042AA	1							DISPLAY, Parking Assist
2	05026016AC	1							MODULE, Parking Assist
3									SENSOR, Park Assist
	5HX08SZ7AB	4		S					
	5HX08SZ0AB	4							
4	05159097AB	1							BRACKET, Sensor Mounting, Park Assist Sensor
5									HARNESS, Sensor Wiring
	68039281AA	1	J, T	X	74				
	05159098AA	1							
6	05159096AB	1							SPACER, Sensor



GRAND CHEROKEE (WK)

SERIES LINE
H = HIGHLINE T = JEEP - 2WD
P = PREMIUM J = JEEP - 4WD
S = SPORT
X = SPECIAL

BODY
74 = SPORT UTILITY 4-DR

ENGINE
EKG = 3.7L V6 Engine
EVA = 4.7L V8 MPI Engine
EZB = 5.7L Hemi Multi Displacement Engine

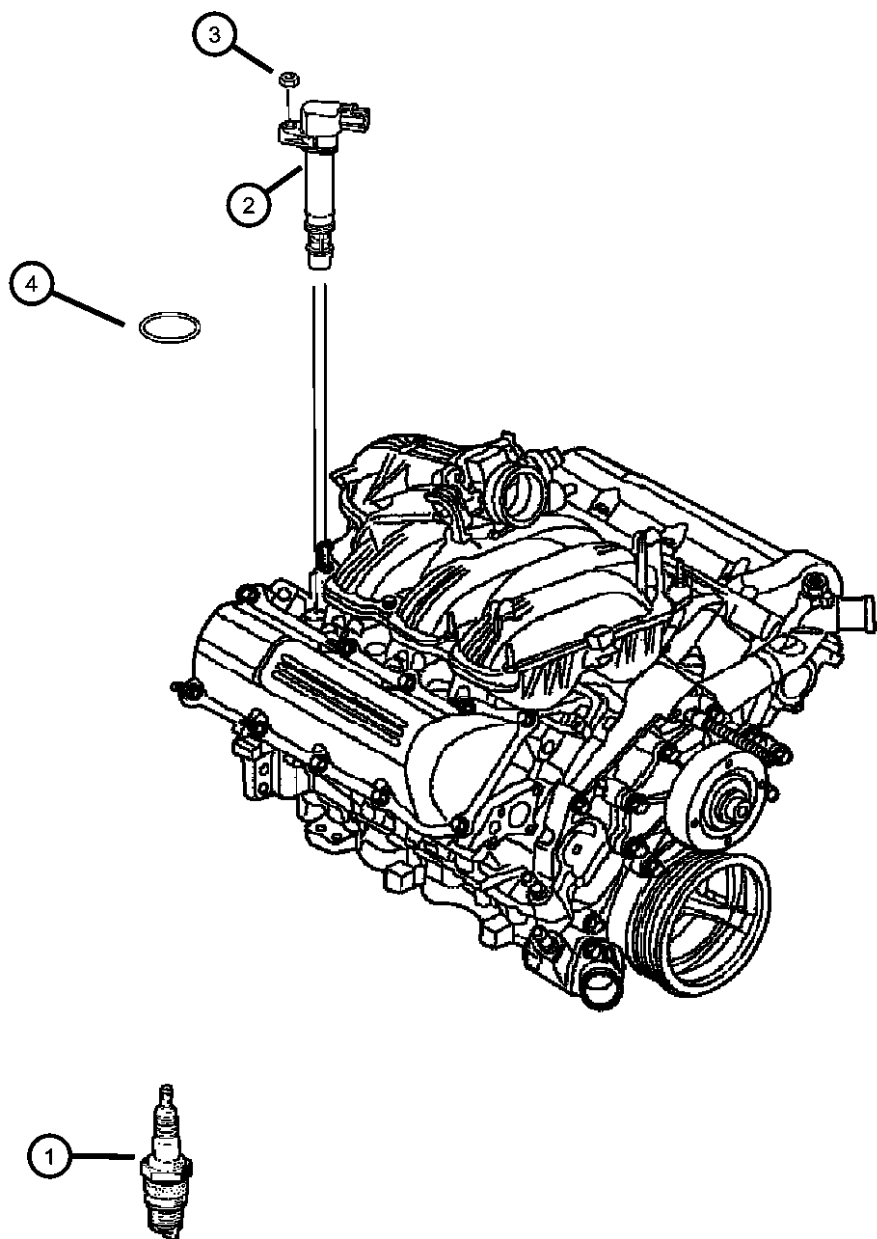
TRANSMISSION
DGQ = 5-Spd Automatic 5-45RFE Transmission
DGJ = 5-Speed Automatic MB Transmission

AR = use ase required - = Non illustrated part

2006 WK

**Spark Plugs and Coils [3.7L and 4.7L Engines]
Figure 8-1905**

ITEM	PART NUMBER	QTY	LINE	SERIES	BODY	ENGINE	TRANS	TRIM	DESCRIPTION
1	SPRC12MCC4	8				EVA			SPARK PLUG
	SPZFR6F11G	6				EK0			
2	56028138AF	8				EVO			COIL, Ignition
		6				EK0			
3		6							NUT AND WASHER, Hex, M6x1.0, (NOT SERVICED)
4	05072382AA	8				EVO			O RING
		6				EK0			



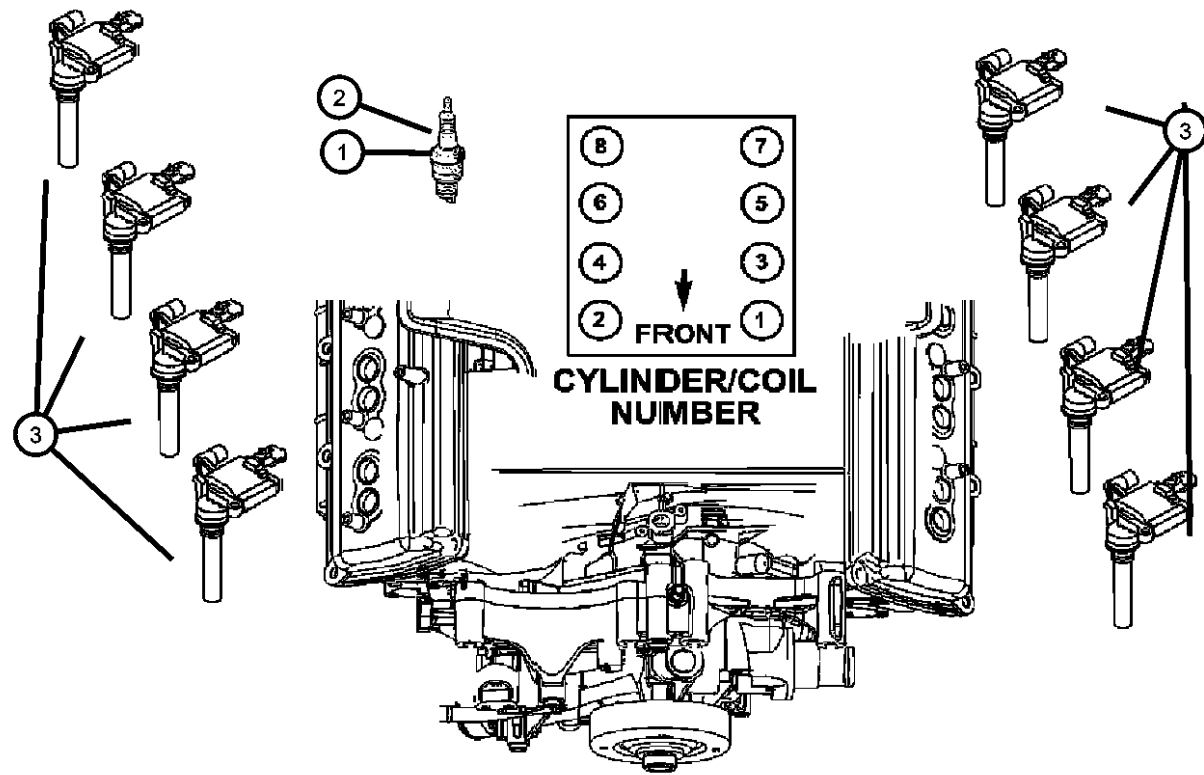
GRAND CHEROKEE (WK)

SERIES	LINE	BODY	ENGINE	TRANSMISSION
H = HIGHLINE	T = JEEP - 2WD	74 = SPORT UTILITY 4-DR	EKG = 3.7L V6 Engine	DGQ = 5-Spd Automatic 5-45RFE
P = PREMIUM	J = JEEP - 4WD		EVA = 4.7L V8 MPI Engine	Transmission
S = SPORT			EZB = 5.7L Hemi Multi	DGJ = 5-Speed Automatic MB
X = SPECIAL			Displacement Engine	Transmission

AR = use ase required - = Non illustrated part

2006 WK

**Spark Plug, Ignition Wires, and Coil [5.7L, 6.7L Engines]
Figure 8-1910**



ITEM	PART NUMBER	QTY	LINE	SERIES	BODY	ENGINE	TRANS	TRIM	DESCRIPTION
1	SPRE14MCC4	16				EZ0			SPARK PLUG
2	05037404AA	16				ESF			SPARKPLUG, Engine
3	56029129AA	8				EZ0			COIL, Ignition
		8				ESF			
-4	06508513AA	16				EZ0			SCREW AND WASHER, Hex Head, M6X1.00X24.75 Coil attaching
		16				ESF			Coil attaching
-5	05149011AA	1				ESF			CAPACITOR, Ignition

GRAND CHEROKEE (WK)

SERIES LINE
H = HIGHLINE T = JEEP - 2WD
P = PREMIUM J = JEEP - 4WD
S = SPORT
X = SPECIAL

BODY
74 = SPORT UTILITY 4-DR

ENGINE
EKG = 3.7L V6 Engine
EVA = 4.7L V8 MPI Engine
EZB = 5.7L Hemi Multi Displacement Engine

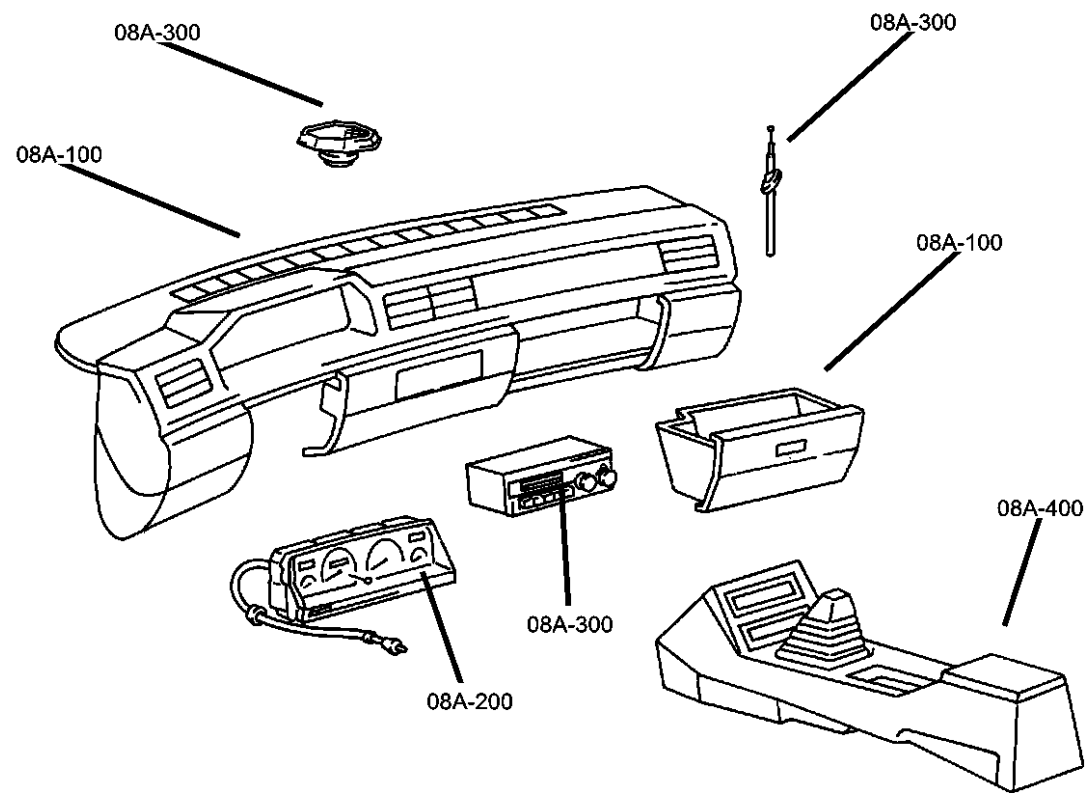
TRANSMISSION
DGQ = 5-Spd Automatic 5-45RFE Transmission
DGJ = 5-Speed Automatic MB Transmission

AR = use ase required - = Non illustrated part

2006 WK

Group - 08A

Instrument Panel and Radios and Consoles



Group - 08A Instrument Panel and Radios and Consoles

Illustration Title

Group-Fig. No.

Instrument Panel

Instrument Panel - Upper	Fig. 08A - 110
Instrument Panel - Lower	Fig. 08A - 120

Instrument Panel Cluster

Instrument Cluster	Fig. 08A - 210
--------------------------	----------------

Radio, Antenna, and Speakers

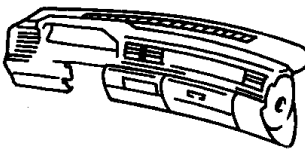
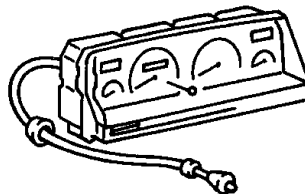
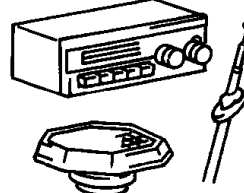
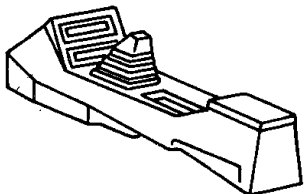
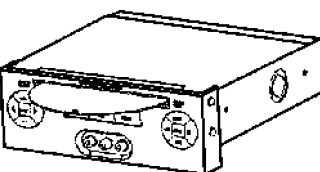
Radio	Fig. 08A - 310
Antenna	Fig. 08A - 320
Satellite Radio/Antenna	Fig. 08A - 325
Speakers	Fig. 08A - 330

Consoles

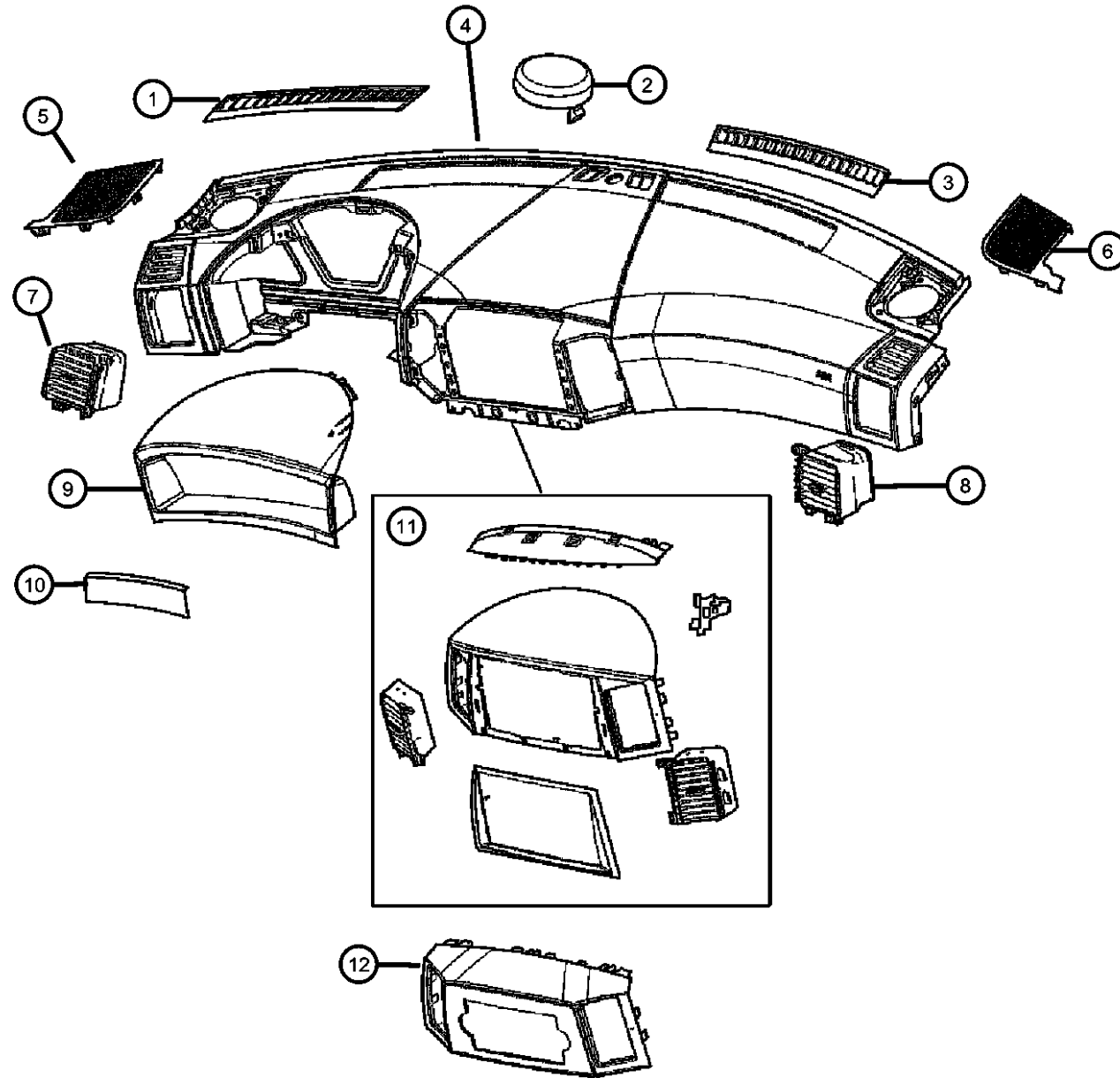
Floor Console	Fig. 08A - 410
Overhead Console	Fig. 08A - 420

Entertainment Systems

DVD Player/Media System	Fig. 08A - 710
Media System Brackets	Fig. 08A - 720

<p>08A-100 Instrument Panel</p> 	<p>08A-200 Instrument Panel Cluster</p> 	<p>08A-300 Radio, Antenna, and Speakers</p> 	<p>08A-400 Consoles</p> 
<p>08A-700 Entertainment Systems</p> 			

Instrument Panel - Upper
Figure 08A-110



ITEM	PART NUMBER	QTY	LINE	SERIES	BODY	ENGINE	TRANS	TRIM	DESCRIPTION
1	1DQ55ZJ8AA	1							GRILLE, Defroster [J1], Left
		1							[J3], Left
	1DQ55XD-HAA	1							[D5], Left
2	5JN32ZJ8AD	1							PLUG, Solar Sensor [J3]
	5JN32XDHAD	1							[D5]
		1							[J1]
3	1DQ54XD-HAA	1							GRILLE, Defroster [D5], Right
	1DQ54ZJ8AA	1							[J1], Right
		1							[J3], Right
4	5JY791DHAN	1							PANEL, Instrument Upper [D5]
	5JY791J8AN	1							[J1]
		1							[J3]
5	5KB01XDHAE	1							GRILLE, Instrument Panel Speaker [D5]
	5KB01ZJ8AE	1							[J1]
		1							[J3]
6	5KB00XDHAE	1							GRILLE, Instrument Panel Speaker [D5]
	5KB00ZJ8AE	1							[J1]
		1							[J3]
7	1BL771DHAA	1							OUTLET, Air Conditioning & Heater [D5]
	1BL771J8AA	1							[J1]
		1							[J3]
8	1BL761J8AA	1							OUTLET, Air Conditioning & Heater [J3]
	1BL761DHAA	1							[D5]
		1							[J1]
9	5JY71XDHAF	1		H, P					BEZEL, Cluster [D5]

GRAND CHEROKEE (WK)

SERIES LINE
H = HIGHLINE T = JEEP - 2WD
P = PREMIUM J = JEEP - 4WD
S = SPORT
X = SPECIAL

BODY
74 = SPORT UTILITY 4-DR

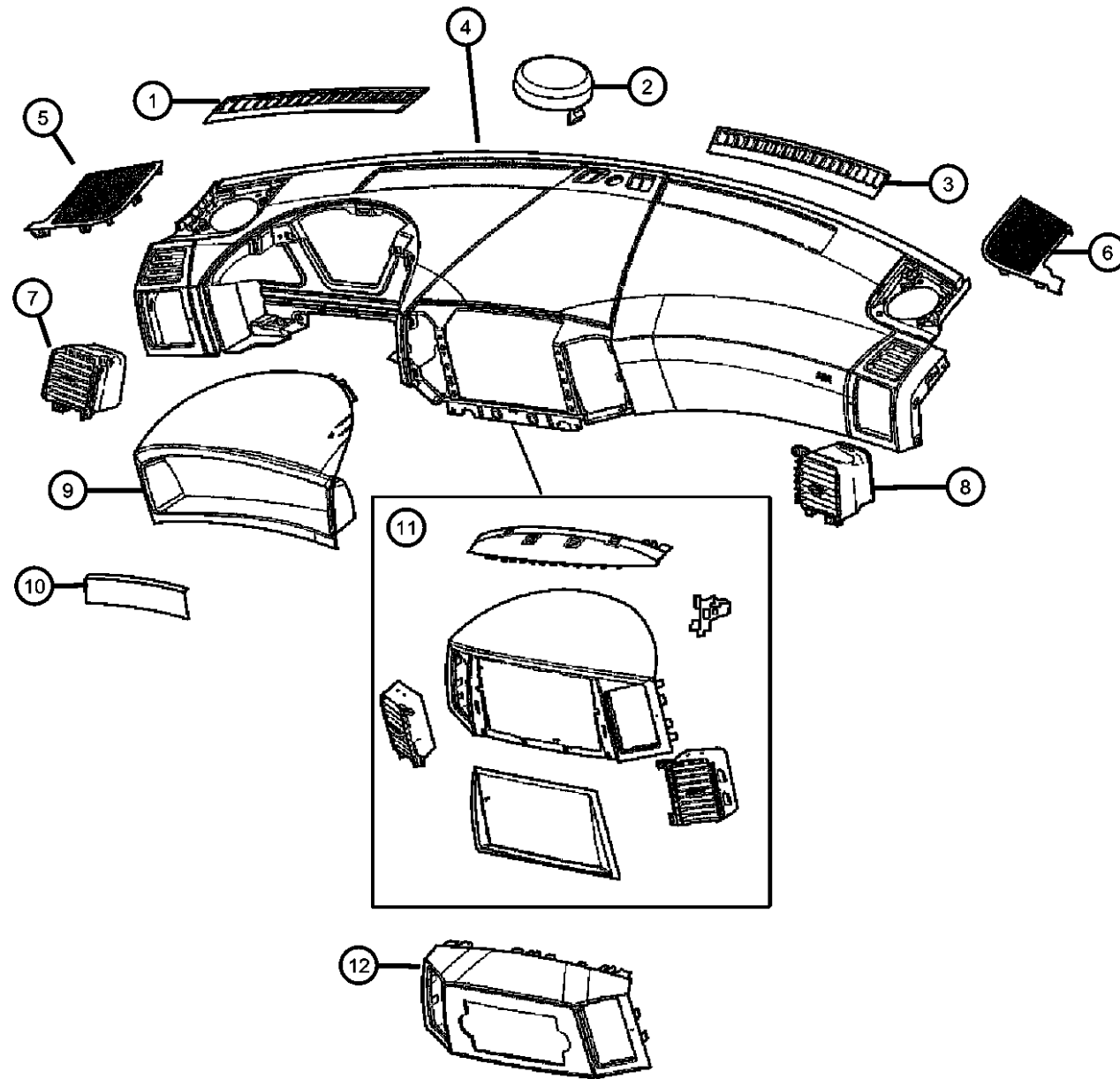
ENGINE
EKG = 3.7L V6 Engine
EVA = 4.7L V8 MPI Engine
EZB = 5.7L Hemi Multi
Displacement Engine

TRANSMISSION
DGQ = 5-Spd Automatic 5-45RFE
Transmission
DGJ = 5-Speed Automatic MB
Transmission

AR = use ase required - = Non illustrated part

2006 WK

Instrument Panel - Upper
Figure 08A-110



ITEM	PART NUMBER	QTY	LINE	SERIES	BODY	ENGINE	TRANS	TRIM	DESCRIPTION
		1							[D5]
	5JY71ZJ8AF	1		H, P					[J1]
		1		H, P					[J3]
		1							[J1]
		1							[J3]
10									GAP HIDER, Steering Column Shroud
	1CB57BD5AC	1							[D5]
	1CB57ZJ3AC	1							[J3]
	1CB57BD1AC	1							[J1]
11									BEZEL, Instrument Panel, Upper
	5JN301DHAN	1							[D5][RAQ,REF,RSA]
	5JN301J8AN	1							[J1][RAQ,REF,RSA]
		1							[J3][RAQ,REF,RSA]
	5JN311DHAN	1	J, T		74				[D5][REC]
	5JN311J8AN	1	J, T		74				[J1][REC]
		1	J, T		74				[J3][REC]
	5JN301DHAO	1	J, T		74				[D5][RAQ,REF]
	5JN301J8AO	1	J, T		74				[J1][RAQ,REF]
		1	J, T		74				[J3][RAQ,REF]
12									BEZEL, Instrument Panel, Upper
	5JN301DHAN	1							[D5]
	5JN301J8AN	1							[J1]
		1							[J3]
-13									GAP HIDER, Steering Column Shroud
	1CB57BD1AC	1							[J1]
	1CB57BD5AC	1							[D5]
	1CB57ZJ3AC	1							[J3]

GRAND CHEROKEE (WK)

SERIES LINE
H = HIGHLINE T = JEEP - 2WD
P = PREMIUM J = JEEP - 4WD
S = SPORT
X = SPECIAL

BODY
74 = SPORT UTILITY 4-DR

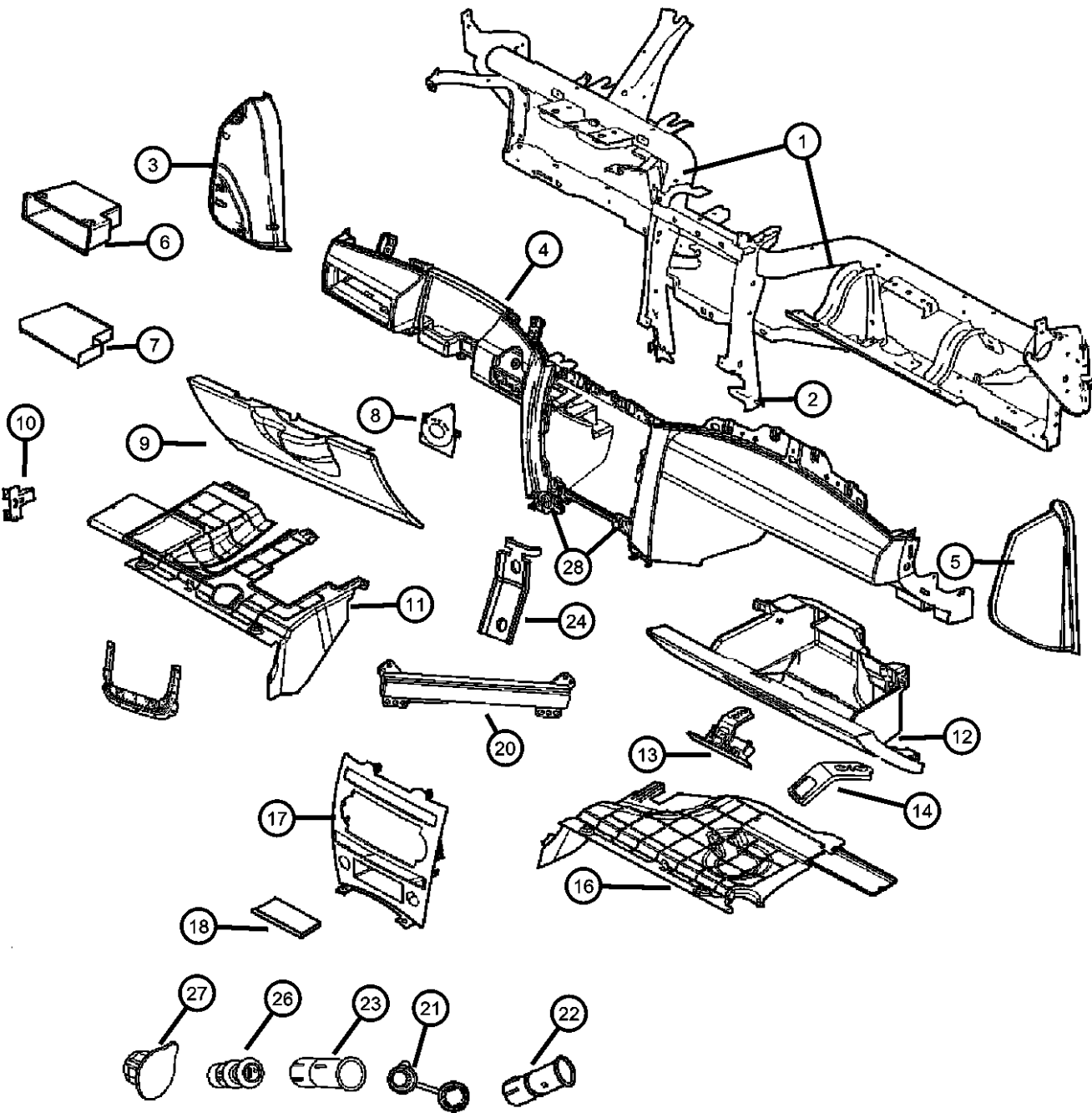
ENGINE
EKG = 3.7L V6 Engine
EVA = 4.7L V8 MPI Engine
EZB = 5.7L Hemi Multi Displacement Engine

TRANSMISSION
DGQ = 5-Spd Automatic 5-45RFE Transmission
DGJ = 5-Speed Automatic MB Transmission

AR = use ase required - = Non illustrated part

2006 WK

**Instrument Panel - Lower
Figure 08A-120**



ITEM	PART NUMBER	QTY	LINE	SERIES	BODY	ENGINE	TRANS	TRIM	DESCRIPTION
------	-------------	-----	------	--------	------	--------	-------	------	-------------

NOTES:

Item #2 - Pincher Bracket Assy. can be used with Standard or Navigation Radio. Take out Middle Bracket as needed.

1	56052761AB	1							FRAME, Instrument Panel
2									BRACKET, Radio, See Note
	55117038AC	1							Pincher
	55117039AC	1							Navigation
3									CAP, Instrument Panel End
	5HS95XDHAI	1							[D5], Left
	5HS95ZJ8AI	1							[J1], Left
		1							[J3], Left
4									PANEL, Instrument Lower
	5JY781D1AK	1							[J1]
	5JY781D5AK	1							[D5]
	5JY781J3AK	1							[J3]
5									CAP, Instrument Panel End
	5HU58XDHAI	1							[D5], Right
	5HU58ZJ8AI	1							[J1], Right
		1							[J3], Right
6									BIN, Instrument Panel
	1BK891D5AA	1							[D5]
	1BK891J1AA	1							[J1]
	1BK891J3AA	1							[J3]
7	05159061AA	1							MAT, Instrument Panel
8									BEZEL, Switch
	5JY75BD1AD	1							[J1]
	5JY75BD5AD	1							[D5]
	5JY75ZJ3AD	1							[J3]
9									COVER, Instrument Panel, Steering Column Opening
	5HS93BD1AH	1							[J1]
	5HS93BD5AH	1							[D5]
	5HS93ZJ3AH	1							[J3]
10	05159062AA	2							CLIP, Console
11	55116775AJ	1							PANEL, Instrument Panel CloseoutLeft
12									GLOVE BOX, Instrument Panel
	5JY771D1AH	1							[J1]

GRAND CHEROKEE (WK)

SERIES LINE
H = HIGHLINE T = JEEP - 2WD
P = PREMIUM J = JEEP - 4WD
S = SPORT
X = SPECIAL

BODY
74 = SPORT UTILITY 4-DR

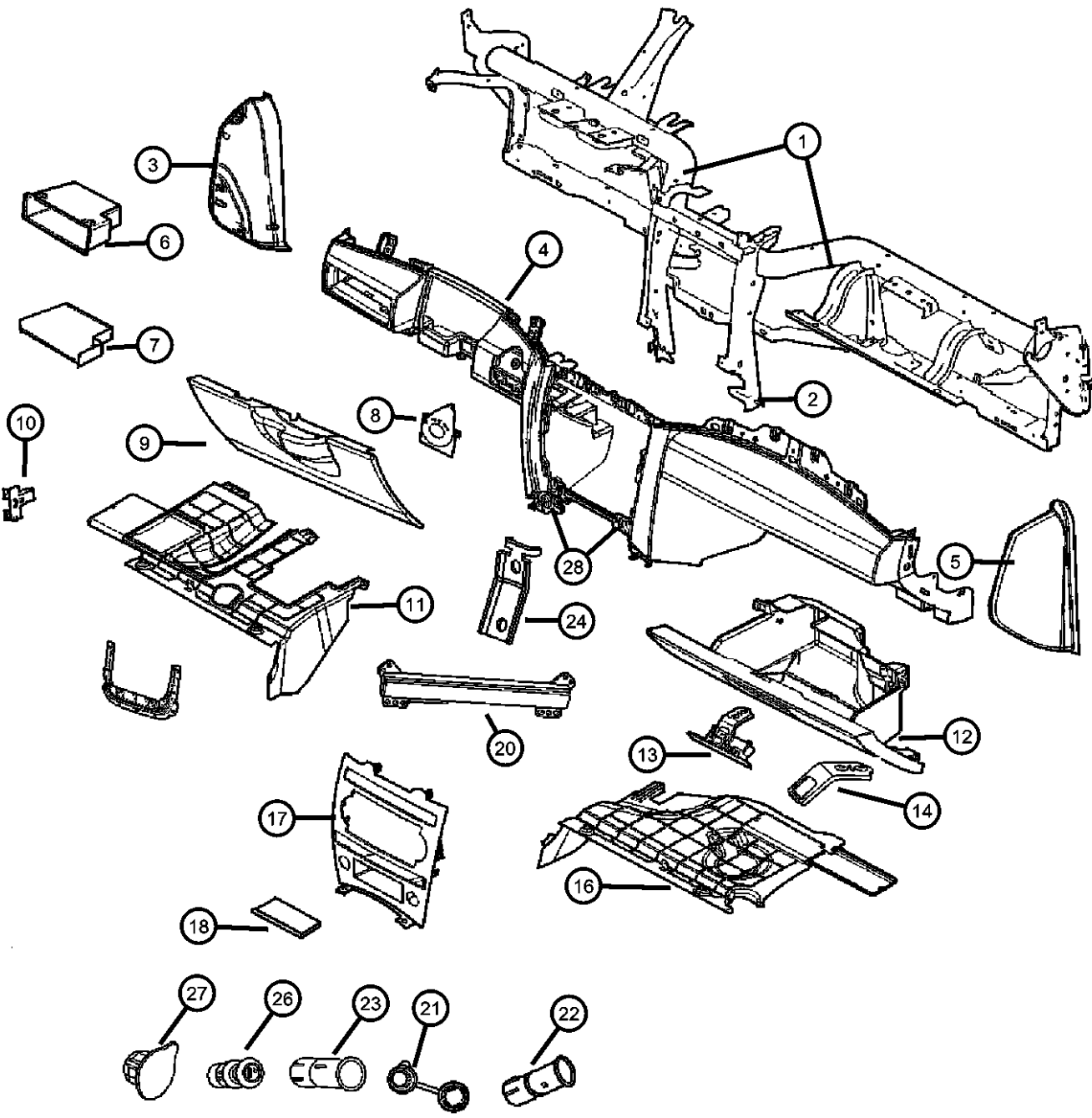
ENGINE
EKG = 3.7L V6 Engine
EVA = 4.7L V8 MPI Engine
EZB = 5.7L Hemi Multi
Displacement Engine

TRANSMISSION
DGQ = 5-Spd Automatic 5-45RFE
Transmission
DGJ = 5-Speed Automatic MB
Transmission

AR = use ase required - = Non illustrated part

2006 WK

**Instrument Panel - Lower
Figure 08A-120**



ITEM	PART NUMBER	QTY	LINE	SERIES	BODY	ENGINE	TRANS	TRIM	DESCRIPTION
	5JY771D5AH	1							[D5]
	5JY771J3AH	1							[J3]
13	5JM55BD1AB	1							LATCH, Glovebox Door
	5JM55BD5AB	1							[D5]
	5JM55ZJ3AB	1							[J3]
14	55116991AB	1							STRIKER, Glove Box Door Latch
-15	55117034AB	1							DAMPENER, Glove Box Door
16	55116780AJ	1							PANEL, Instrument Panel CloseoutRight
17									BEZEL, Instrument Panel, Lower
	05143547AA	1	J, T	H	74				
	05143548AA	1		P					Woodgrain
	05179196AA	1		X					Refined aluminum finish
	05179197AA	1		S					Vavonna burl
	05179215AB	1	J, T	H	74				[ACH]
18									MAT, Instrument Panel
	05143549AA	1		X					
		1		P					
		1		H					
		1		S					
-19	06101945	2							SCREW, Close Out to Instrument Panel, Driver Side
20	55116923AF	1					DGJ		COVER, Switch Opening
21	56008852	1							CAP, Cigar Lighter
22	04793554AB	1							POWER OUTLET
23	04685590	1							BASE, Cigar Lighter
24	55116622AB	2							BRACKET, Instrument Panel
-25	04793555	1							RING, Cigar Lighter Mounting
26		1							KNOB AND ELEMENT, Cigar Lighter, (NOT SERVICED)
27	04685668AA	1							MOUNT, Power Outlet
28	05159062AA	2							CLIP, Console, Console attaching to instrument panel

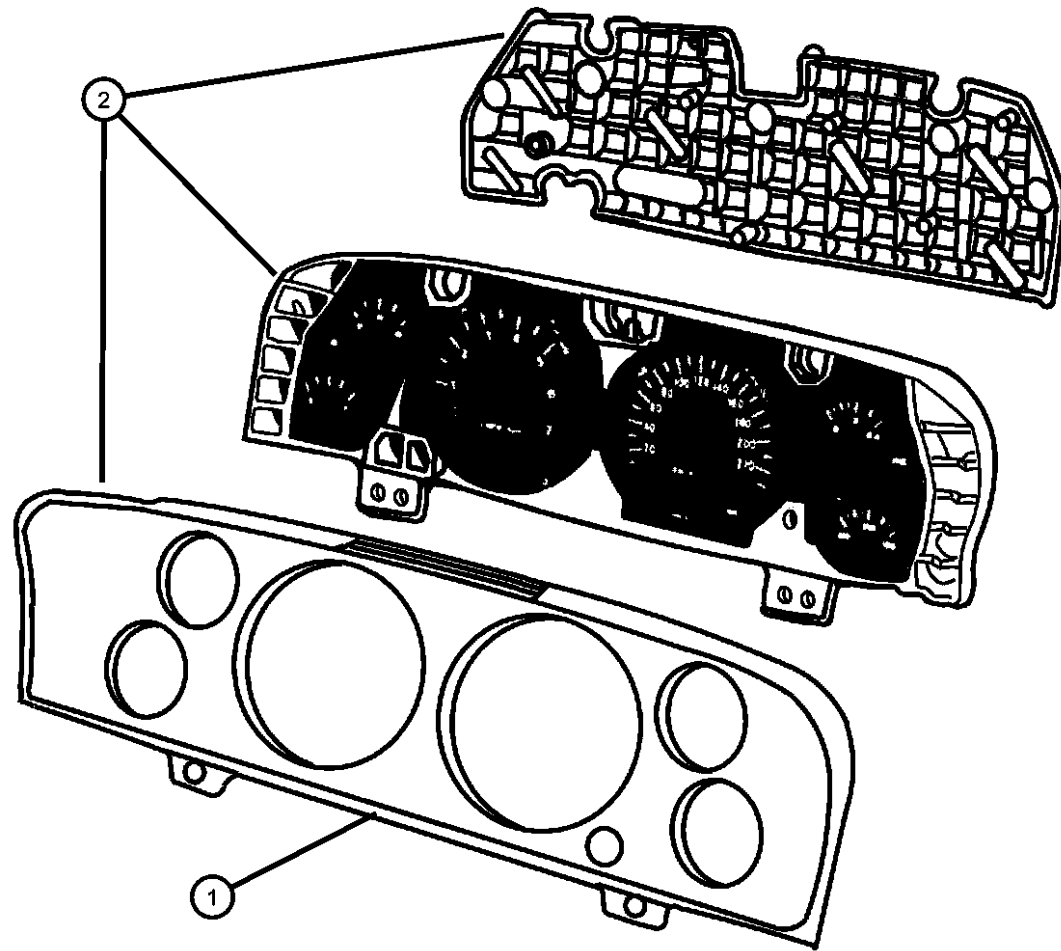
GRAND CHEROKEE (WK)

SERIES	LINE	BODY	ENGINE	TRANSMISSION
H = HIGHLINE	T = JEEP - 2WD	74 = SPORT UTILITY 4-DR	EKG = 3.7L V6 Engine	DGQ = 5-Spd Automatic 5-45RFE Transmission
P = PREMIUM	J = JEEP - 4WD		EVA = 4.7L V8 MPI Engine	DGJ = 5-Speed Automatic MB Transmission
S = SPORT			EZB = 5.7L Hemi Multi Displacement Engine	
X = SPECIAL				

AR = use ase required - = Non illustrated part

**Instrument Cluster
Figure 08A-210**

ITEM	PART NUMBER	QTY	LINE	SERIES	BODY	ENGINE	TRANS	TRIM	DESCRIPTION
1	05142356AA	1		H		EVO			LENS, Cluster
		1		H		EK0			
		1		P, S		EVO, EZ0			
		1		X		ES0			
2	05029967AB	1		X		ES0			CLUSTER [JCG] [JDU] [JCE,ACH] [JCE] [JCE] [JDH] [JCE] [JCE,ACH] [JDH] [JDH] [JDH,ACH]
	05029970AB	1		X		ES0			
	05172901AH	1	J, T	H	74	EK0			
	56054009AF	1		H		EVO			
	56054010AF	1		H		EK0			
	56054011AF	1		H		EK0			
	56054012AF	1		P, S		EVO, EZ0			
	56054012AH	1	J, T	H	74	EVO			
	56054013AF	1		H		EVO			
	56054014AF	1		P, S		EVO, EZ0			
	56054014AH	1	J, T	H	74	EVO			



GRAND CHEROKEE (WK)

SERIES LINE
H = HIGHLINE T = JEEP - 2WD
P = PREMIUM J = JEEP - 4WD
S = SPORT
X = SPECIAL

BODY
74 = SPORT UTILITY 4-DR

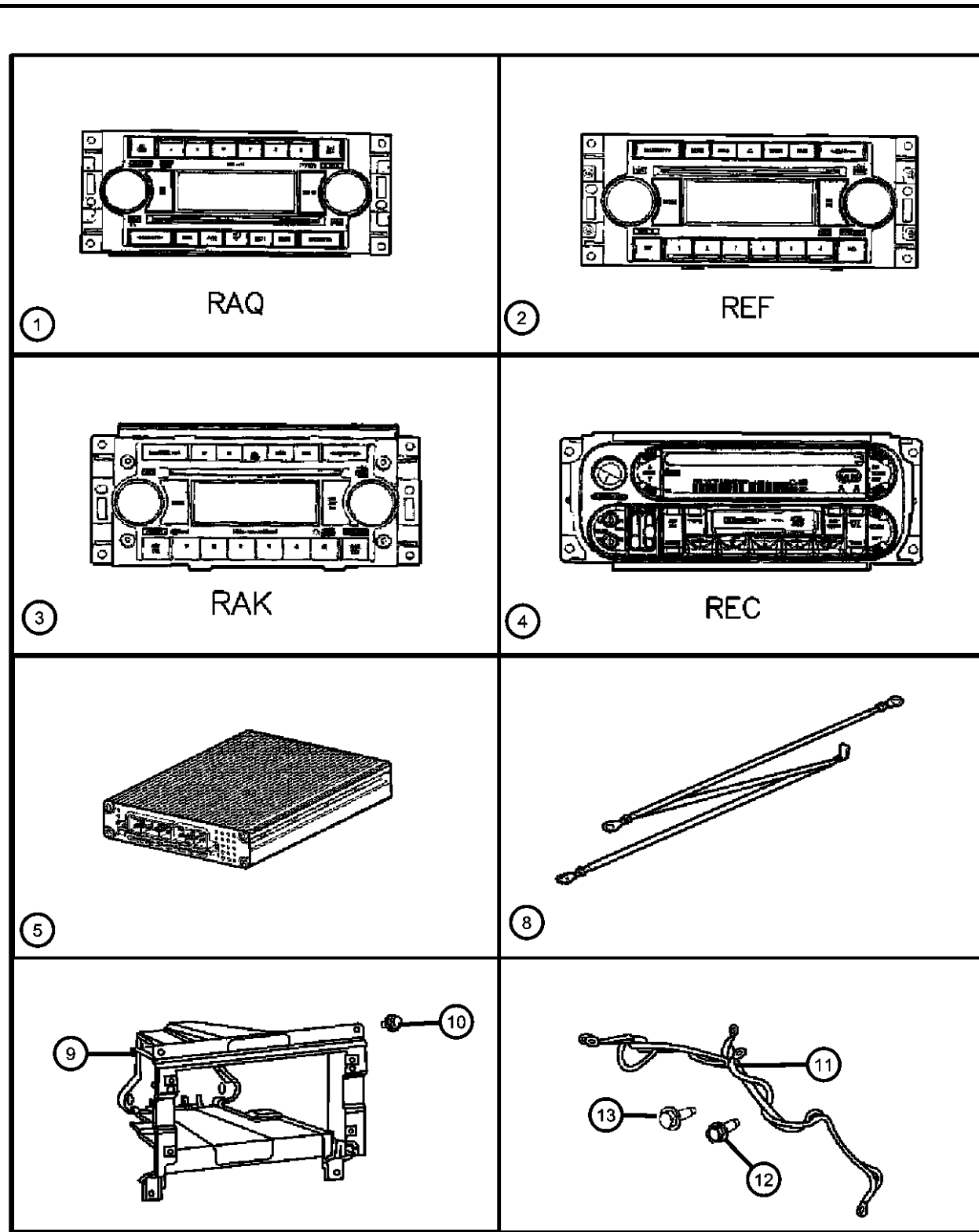
ENGINE
EKG = 3.7L V6 Engine
EVA = 4.7L V8 MPI Engine
EZB = 5.7L Hemi Multi
Displacement Engine

TRANSMISSION
DGQ = 5-Spd Automatic 5-45RFE
Transmission
DGJ = 5-Speed Automatic MB
Transmission

AR = use ase required - = Non illustrated part

2006 WK

Radio
Figure 08A-310



ITEM	PART NUMBER	QTY	LINE	SERIES	BODY	ENGINE	TRANS	TRIM	DESCRIPTION
------	-------------	-----	------	--------	------	--------	-------	------	-------------

Notes:
 Item #8 -Take out Middle Bracket and use As Needed with Standard or Navigation Radio
 [HAA] = Air Conditioning
 [HAF] = Air Conditioning ATC with Dual Zone Control
 [RAK] = AM/FM Cassette/CD, 6 Disc, MP3
 [RAQ] = AM/FM CD, 6 Disc, MP3
 [RC6] = Speakers, 6 Boston Acoustics
 [REC] = Radio - 6 CD/Full MAP GPS Display Na
 [REF] = AM/FM Compact Disc with Changer Ctr

1									RADIO, AM/FM with CD and Equalizer [RAQ]
	05064172AC	1							[RAQ,HAA]
	05064174AC	1							[RAQ,HAA]
2	05091710AG	1							RADIO, AM/FM with CD and Equalizer, [REF]
3	05091523AJ	1							RADIO, AM/FM/Cassette With CD, [RAK,HAA]
4	56038646AL	1							RADIO, AM/FM CD W/NAV/DVD & CD-CTRL, [REC]
5	05064118AD	1							AMPLIFIER, Audio, [RC6]
-6	05134251AA	1							BRACKET, Amplifier
-7		1							SCREW, Tapping, M6X1.00X16.00 hex head, (NOT SERVICED)
8									STRAP, Ground
	56038682AD	1				EK0, EV0, EZ0			NGC to engien
	56038740AD	1	J			EK0, ESF, EV0, EZ0			Exhaust
	56038680AA	1				EK0, ESF, EV0, EZ0			Engine to plenum
9									BRACKET, Radio
	55117039AC	1							Navigation
	55117038AC	1							Pincher
10	06101945	2							SCREW
11	56038682AD	1				EK0, EV0, EZ0			STRAP, Ground
12	06505178AA	1				EK0, EV0			SCREW, Hex Head
13	06505903AA	1	J			EK0, EV0, EZ0			SCREW AND WASHER, Self Tapping, M6x1x22, Exhaust Ground Strap to Body
-14	05064033AC	1							DVD, Geographic Database
-15	05161571AA	1							COVER, Radio
-16	05064013AU	1							MODULE, Telematics

GRAND CHEROKEE (WK)		BODY	ENGINE	TRANSMISSION
SERIES	LINE	74 = SPORT UTILITY 4-DR	EKG = 3.7L V6 Engine	DGQ = 5-Spd Automatic 5-45RFE
H = HIGHLINE	T = JEEP - 2WD		EVA = 4.7L V8 MPI Engine	Transmission
P = PREMIUM	J = JEEP - 4WD		EZB = 5.7L Hemi Multi Displacement Engine	DGJ = 5-Speed Automatic MB Transmission
S = SPORT				
X = SPECIAL				

AR = use ase required - = Non illustrated part

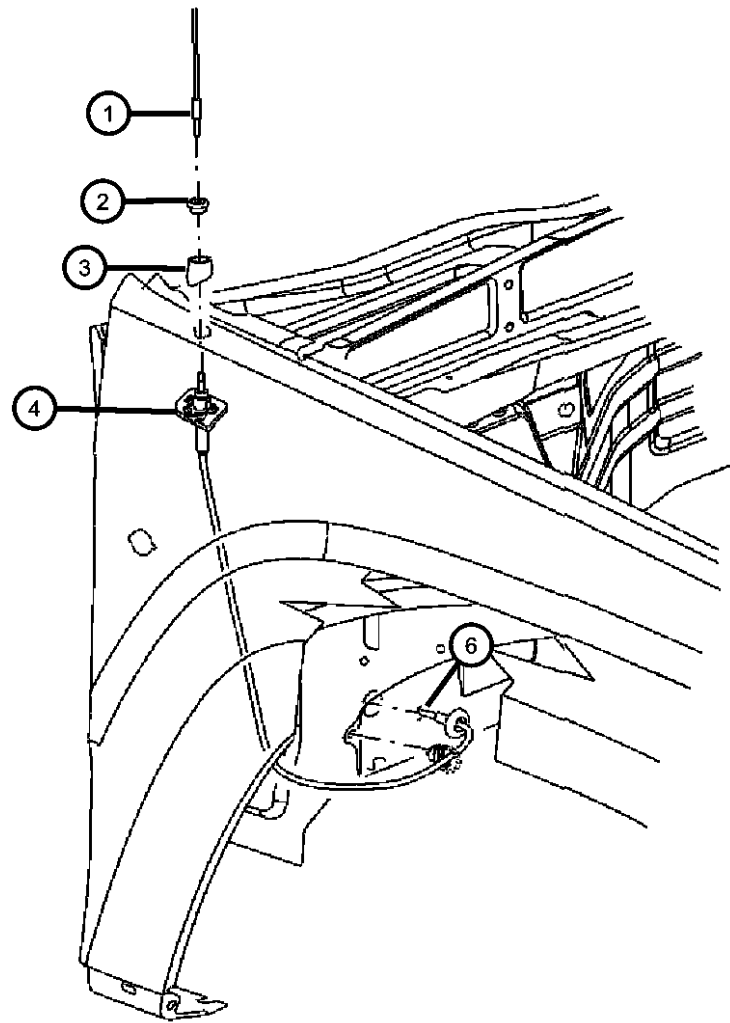
**Antenna
Figure 08A-320**

ITEM	PART NUMBER	QTY	LINE	SERIES	BODY	ENGINE	TRANS	TRIM	DESCRIPTION
------	-------------	-----	------	--------	------	--------	-------	------	-------------

Notes:

[RDD] = Antenna - Fixed

1	56038725AC	1	J, T		74				MAST, Antenna - Fixed
2	56038729AE	1	J, T		74				CAP NUT, Antenna
3	56038730AC	1	J, T		74				ESCUTCHEON, Antenna
4	56038731AH	1	J, T		74				BASE, Antenna, Base and Cable
-5	56038799AB	1	J, T		74				ANTENNA, Global Positioning
6	56038732AG	1	J, T		74				CABLE, Antenna, Instrument panel [RDD]



GRAND CHEROKEE (WK)

SERIES	LINE	BODY	ENGINE	TRANSMISSION
H = HIGHLINE	T = JEEP - 2WD	74 = SPORT UTILITY 4-DR	EKG = 3.7L V6 Engine	DGQ = 5-Spd Automatic 5-45RFE
P = PREMIUM	J = JEEP - 4WD		EVA = 4.7L V8 MPI Engine	Transmission
S = SPORT			EZB = 5.7L Hemi Multi	DGJ = 5-Speed Automatic MB
X = SPECIAL			Displacement Engine	Transmission

AR = use ase required - = Non illustrated part

2006 WK

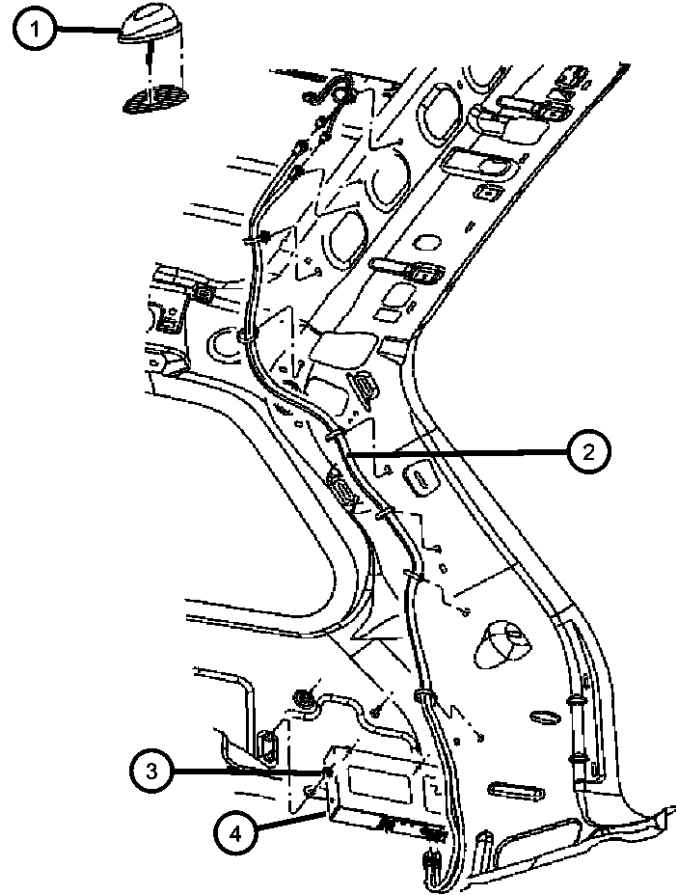
**Satellite Radio/Antenna
Figure 08A-325**

ITEM	PART NUMBER	QTY	LINE	SERIES	BODY	ENGINE	TRANS	TRIM	DESCRIPTION
------	-------------	-----	------	--------	------	--------	-------	------	-------------

NOTE:

Dial Function 11 - Order the appropriate Receiver Kit from Mopar Accessory Catalog
[RSA] = Sirius Satellite Radio

1	05150048AA	1							ANTENNA, Satellite, [RSA]
2	56038716AD	1							CABLE, Antenna, [RSA]
3	06503825	3							NUT AND WASHER, Hex Nut-Coned Washer, M6 x 1.00, [RSA]
4	05064075AC	1	J, T				74		RECEIVER, Satellite, See Note, [RSA]



GRAND CHEROKEE (WK)

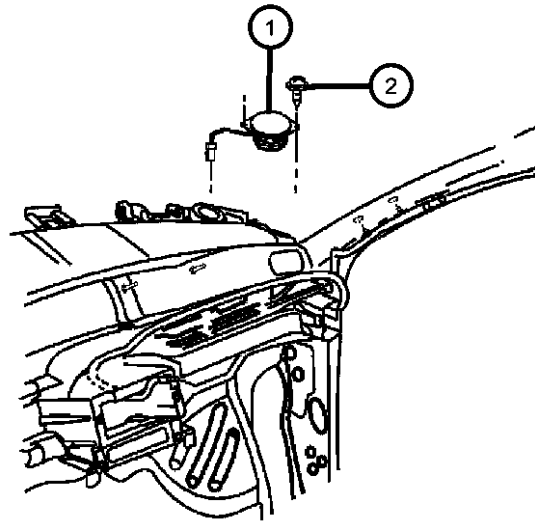
SERIES	LINE	BODY	ENGINE	TRANSMISSION
H = HIGHLINE	T = JEEP - 2WD	74 = SPORT UTILITY 4-DR	EKG = 3.7L V6 Engine	DGQ = 5-Spd Automatic 5-45RFE Transmission
P = PREMIUM	J = JEEP - 4WD		EVA = 4.7L V8 MPI Engine	DGJ = 5-Speed Automatic MB Transmission
S = SPORT			EZB = 5.7L Hemi Multi Displacement Engine	
X = SPECIAL				

AR = use ase required - = Non illustrated part

2006 WK

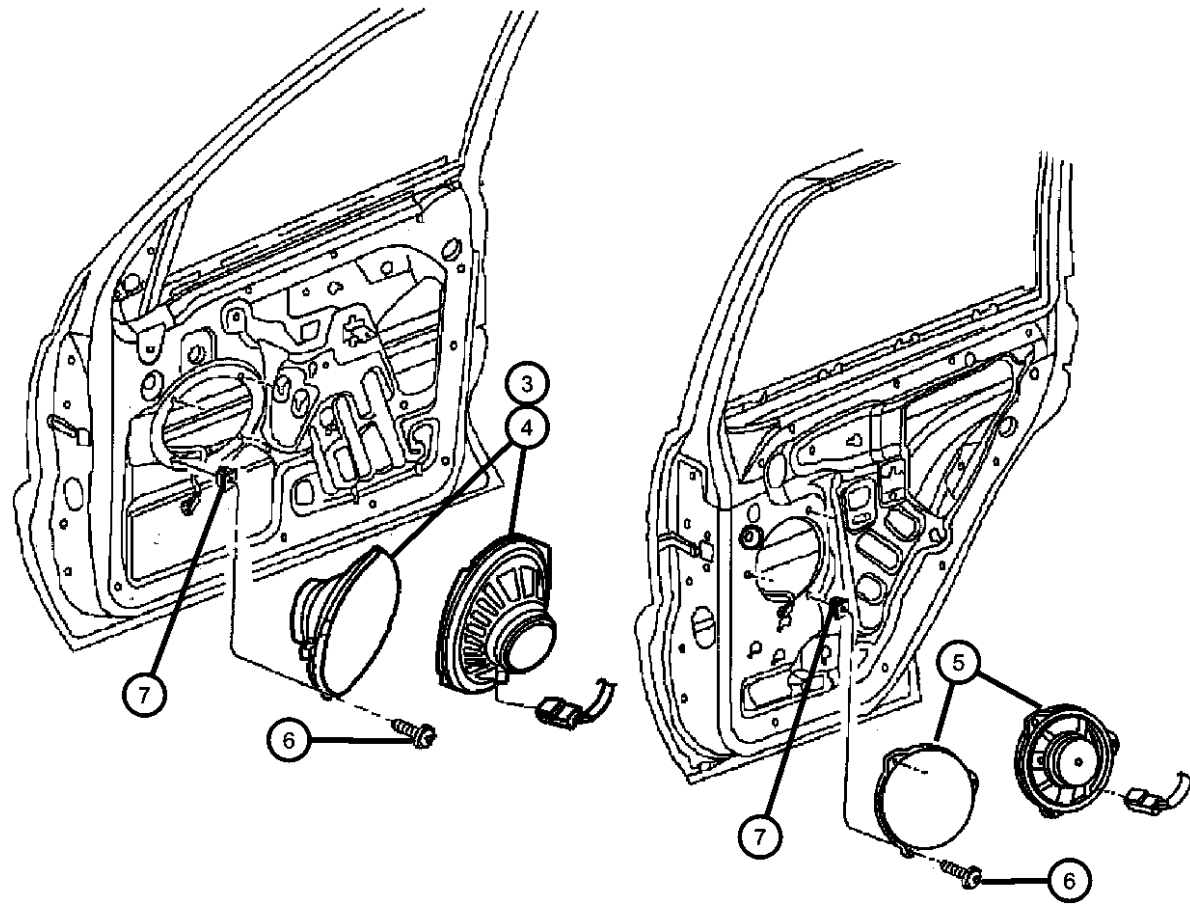
Speakers Figure 08A-330

ITEM	PART NUMBER	QTY	LINE	SERIES	BODY	ENGINE	TRANS	TRIM	DESCRIPTION
------	-------------	-----	------	--------	------	--------	-------	------	-------------



Notes:
 [RCG] = Speakers, 6
 [RC6] = Speakers, 6 Boston Acoustics

1									SPEAKER, Instrument Panel [RCG]
	05059062AB	2							[RC6]
	05059068AB	2							[RC6]
2		2							SCREW, Tapping, (NOT SERVICED),
3	05091019AB	2							SPEAKER, 6"X9", [RCG]
4	05059063AB	2							SPEAKER, Rear, 6x9, Front Door [RC6]
5									SPEAKER, 6.5", Rear Door [RC6], Premium
	05081670AB	2							[RCG],
	05091020AB	2							[RCG],
6		2							SCREW, (NOT SERVICED),
7									NUT, Plastic Snap-in
	06507009AA	8							Speaker Mounting, Front Door
		6							Speaker Mounting, Rear Door



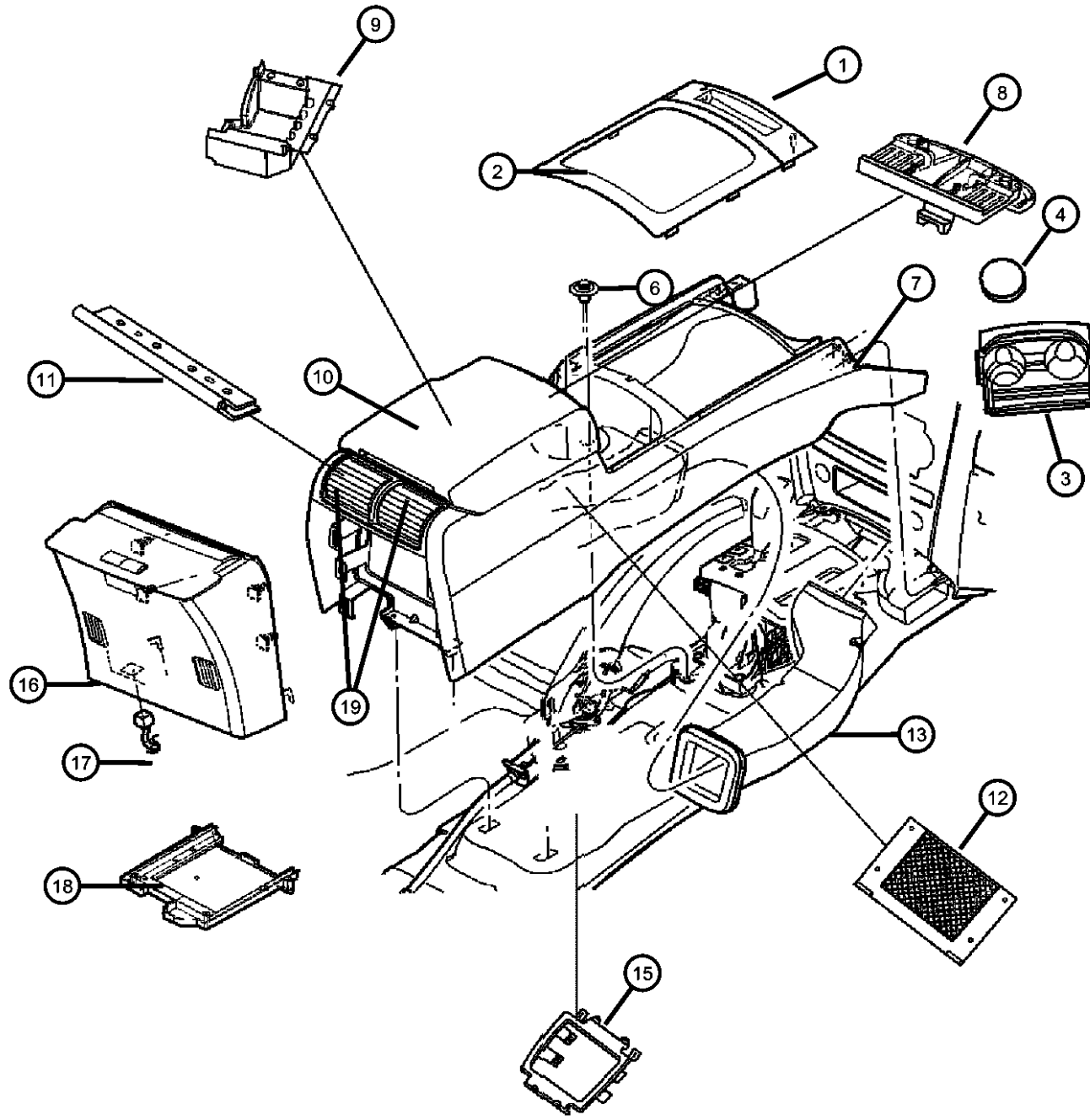
GRAND CHEROKEE (WK)

SERIES H = HIGHLINE P = PREMIUM S = SPORT X = SPECIAL	LINE T = JEEP - 2WD J = JEEP - 4WD	BODY 74 = SPORT UTILITY 4-DR	ENGINE EKG = 3.7L V6 Engine EVA = 4.7L V8 MPI Engine EZB = 5.7L Hemi Multi Displacement Engine	TRANSMISSION DGQ = 5-Spd Automatic 5-45RFE Transmission DGJ = 5-Speed Automatic MB Transmission
---	--	---------------------------------	---	---

AR = use ase required - = Non illusttrated part

2006 WK

Floor Console
Figure 08A-410



ITEM	PART NUMBER	QTY	LINE	SERIES	BODY	ENGINE	TRANS	TRIM	DESCRIPTION
1	0XG86DX9AD	1		H					BEZEL, Gear Shift Indicator
	0XH38AAAAD	1		P					Shifter ATX Base
	1BN37AAAAA	1		S					[AWB]
	1BN40AAAAA	1		S					[AWB]
	1CG89AAAAA	1		X					[ACH]
	55353896AA	1	J, T	H	74				[ACH]
	5KH83AAAAB	1		P					[AWB]
2	5JN05SZ0AB	1							RING, Trim
3	1FB241D5AA	1	J, T		74				CUPHOLDER, Floor Console
	1FB241J3AA	1	J, T		74				[D5][ACH]
	05143592AB	1		H, P					[J3][ACH]
		1		S					
		1		X					
4	1BN50DX9AA	1							MAT, Console Cup Holder
-5		1							SCREW, Self Piercing, .164-15x.625, (NOT SERVICED)
6		1							SCREW, (NOT SERVICED)
7									CONSOLE, Base
	1BJ011D1AB	1		H, P					[J1]
	1BJ011D5AB	1		H, P					[D5]
		1		S					[D5]
	1BJ011J1AB	1		S					[J1]
	1BJ011J3AB	1		H, P					[J3]
	1BJ012D5AB	1		X					[D5]
8									LATCH, Console Lock
	05143594AA	1		S					
		1		X					
		1		H, P					
9									BIN, Floor Console
	05143596AA	1		H, P					
		1		S					
		1		X					
10									LID, Floor Console Bin
	1BJ001D1AB	1		H, P					[J1]

GRAND CHEROKEE (WK)

SERIES LINE
H = HIGHLINE T = JEEP - 2WD
P = PREMIUM J = JEEP - 4WD
S = SPORT
X = SPECIAL

BODY
74 = SPORT UTILITY 4-DR

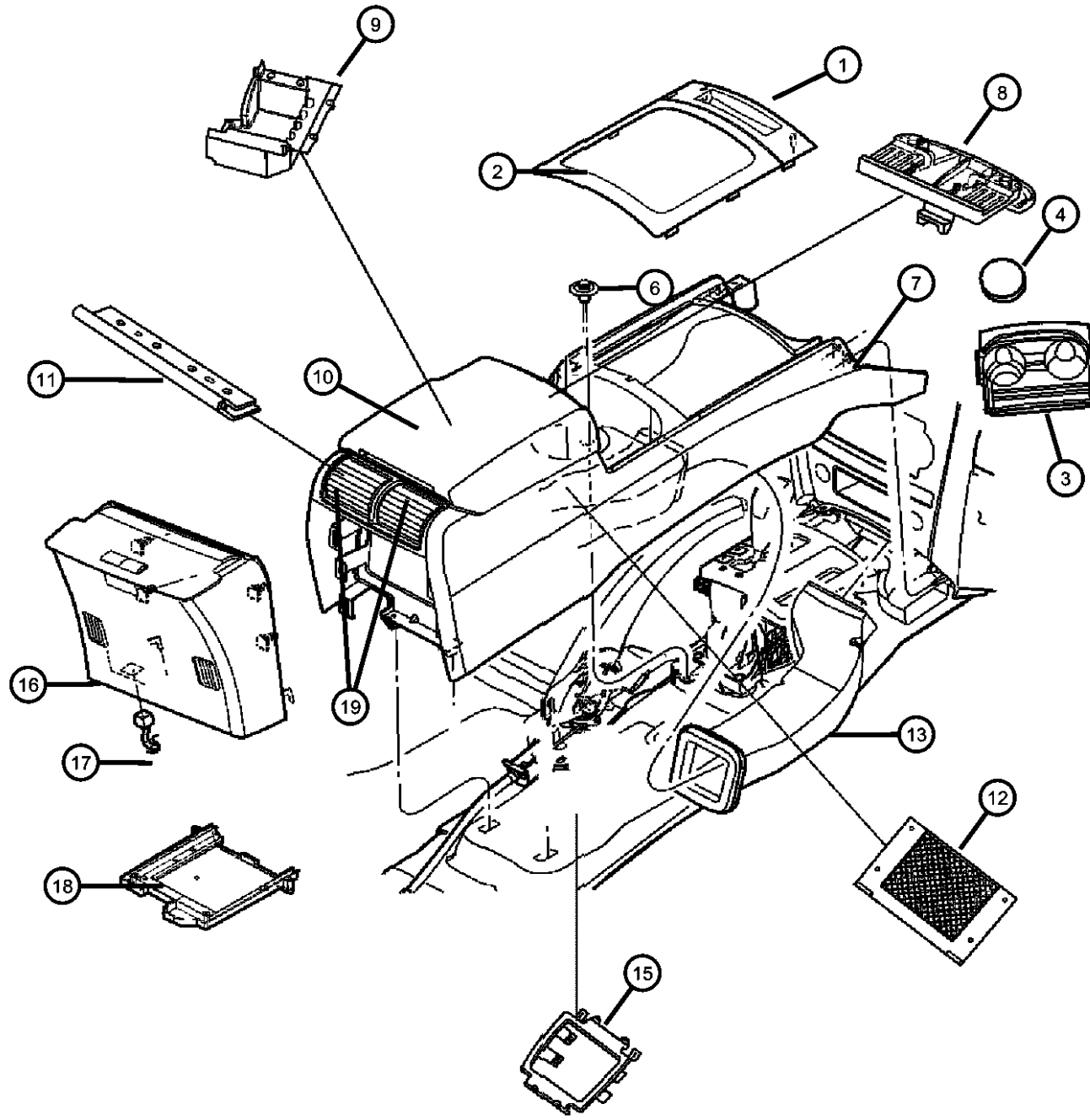
ENGINE
EKG = 3.7L V6 Engine
EVA = 4.7L V8 MPI Engine
EZB = 5.7L Hemi Multi
Displacement Engine

TRANSMISSION
DGQ = 5-Spd Automatic 5-45RFE
Transmission
DGJ = 5-Speed Automatic MB
Transmission

AR = use ase required - = Non illustrated part

2006 WK

Floor Console
Figure 08A-410



ITEM	PART NUMBER	QTY	LINE	SERIES	BODY	ENGINE	TRANS	TRIM	DESCRIPTION
	1BJ001J3AB	1		H, P					[J3]
	1ED671D5AA	1	J, T	S	74				[D5]
	1ED671J1AA	1	J, T	S	74				[J1]
	1ED672D5AA	1		X					[D5]
	1BJ001D5AB	1		H, P					[D5]
11									HINGE, Floor Console Lid
	05143595AA	1		H, P					
		1		S					
		1		X					
12									NET, Storage
	05143593AA	1		H, P					
		1		S					
		1		X					
13	55197077AB	1							DUCT, Floor Console, Between HVAC and Instrument Panel. Includes foam and a clip, Front
-14		1							SCREW, .164-18x.50, (NOT SERVICED)
15									BRACKET, Console
	05143597AB	1		H, P					
		1		S					
		1		X					
16									CAP, Floor Console End
	1BK64BD1AA	1							[J1][XRV]
	1BK64BD5AA	1							[D5][XRV]
	1BK64ZJ3AA	1							[J3][XRV]
	5KB96BD1AB	1							[J1]
	5KB96BD5AB	1							[D5]
	5KB96ZJ3AB	1							[J3]
17		1							CONNECTOR, Serviced with Body Wiring, (NOT SERVICED),
18		1							PLATE, Serviced with Console Assy., (NOT SERVICED)
19									OUTLET, Air Conditioning & Heater
	1BJ021D1AA	1		H, P					[J1]
		1		S					[J1]
	1BJ021D5AA	1		H, P					[D5]

GRAND CHEROKEE (WK)

SERIES LINE
H = HIGHLINE T = JEEP - 2WD
P = PREMIUM J = JEEP - 4WD
S = SPORT
X = SPECIAL

BODY
74 = SPORT UTILITY 4-DR

ENGINE
EKG = 3.7L V6 Engine
EVA = 4.7L V8 MPI Engine
EZB = 5.7L Hemi Multi Displacement Engine

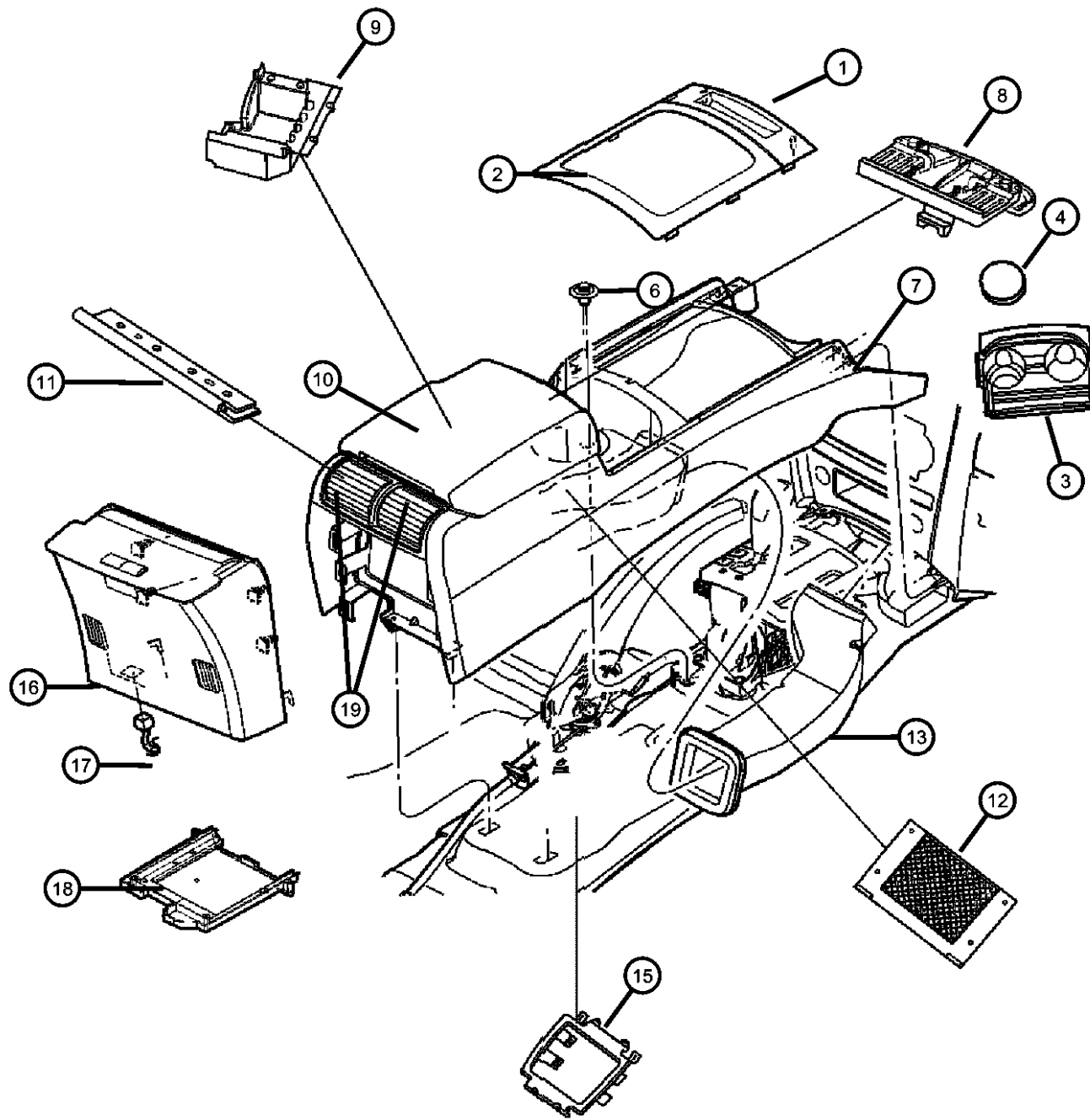
TRANSMISSION
DGQ = 5-Spd Automatic 5-45RFE Transmission
DGJ = 5-Speed Automatic MB Transmission

AR = use ase required - = Non illustrated part

2006 WK

Floor Console
Figure 08A-410

ITEM	PART NUMBER	QTY	LINE	SERIES	BODY	ENGINE	TRANS	TRIM	DESCRIPTION
		1		X					[D5]
	1BJ021J3AA	1		H, P					[J3]
-20	05159015AB	1							BRACKET, Console, DVD player



GRAND CHEROKEE (WK)

SERIES LINE
H = HIGHLINE T = JEEP - 2WD
P = PREMIUM J = JEEP - 4WD
S = SPORT
X = SPECIAL

BODY
74 = SPORT UTILITY 4-DR

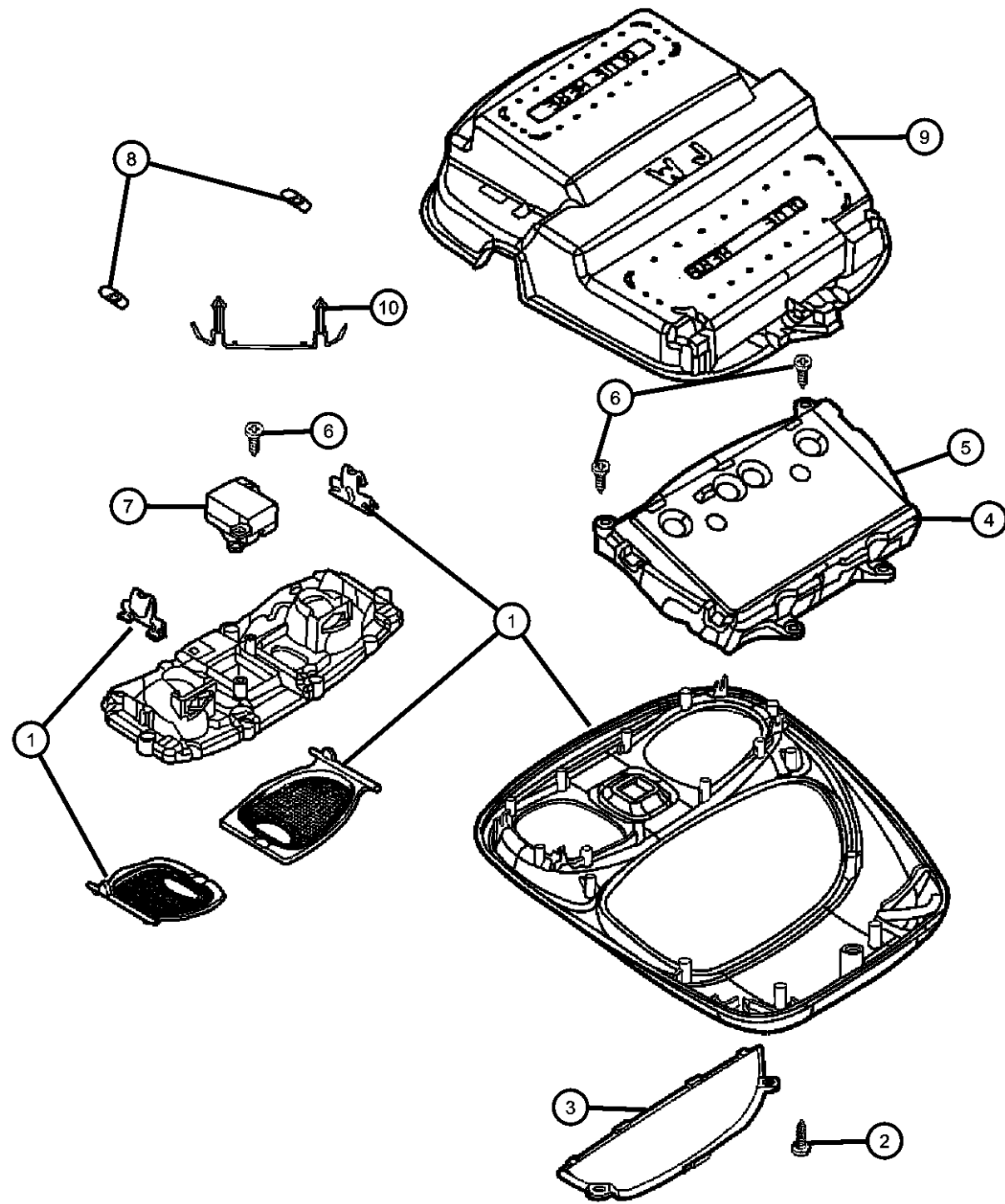
ENGINE
EKG = 3.7L V6 Engine
EVA = 4.7L V8 MPI Engine
EZB = 5.7L Hemi Multi Displacement Engine

TRANSMISSION
DGQ = 5-Spd Automatic 5-45RFE Transmission
DGJ = 5-Speed Automatic MB Transmission

AR = use ase required - = Non illustrated part

2006 WK

Overhead Console
Figure 08A-420



ITEM	PART NUMBER	QTY	LINE	SERIES	BODY	ENGINE	TRANS	TRIM	DESCRIPTION
1	1AR29BD1AA	1							CONSOLE, Overhead
	1AR301D1AA	1							[GWA]
2		1							SCREW, .164-18x.500, (NOT SERVICED),
3									LENS
	05137527AA	1							Left
	05137526AA	1							Right
4									MODULE, Compass Temperature
	56050243AE	1							With universal garage door opener
	56050242AG	1							
5	56050242AH	1	J, T		74				MODULE, Compass
6		1							SCREW, (NOT SERVICED)
7		1							SWITCH, 1 Gang, (NOT SERVICED)
8	L0000578	2							BULB, 578
9	05139449AA	1							RETAINER, Overhead Console
10	04746232	4							CLIP, Z-Axis
-11	05069186AA	3							CLIP, Console
-12	05166015AA	2							PLATE, Retaining
-13	05137535AA	2							SWITCH, Map Light

GRAND CHEROKEE (WK)

SERIES LINE
H = HIGHLINE T = JEEP - 2WD
P = PREMIUM J = JEEP - 4WD
S = SPORT
X = SPECIAL

BODY
74 = SPORT UTILITY 4-DR

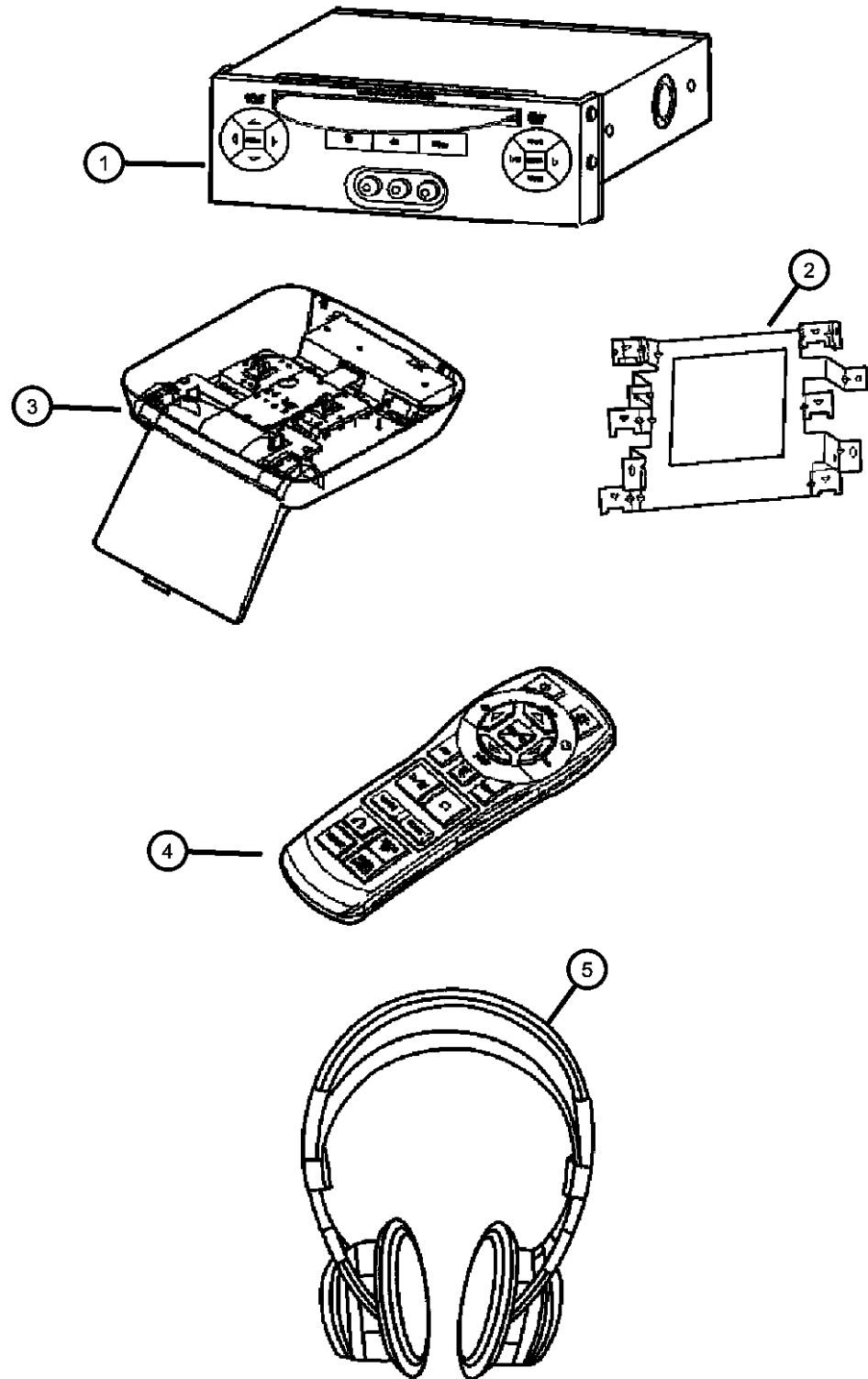
ENGINE
EKG = 3.7L V6 Engine
EVA = 4.7L V8 MPI Engine
EZB = 5.7L Hemi Multi Displacement Engine

TRANSMISSION
DGQ = 5-Spd Automatic 5-45RFE Transmission
DGJ = 5-Speed Automatic MB Transmission

AR = use ase required - = Non illustrated part

2006 WK

DVD Player/Media System
Figure 08A-710



ITEM	PART NUMBER	QTY	LINE	SERIES	BODY	ENGINE	TRANS	TRIM	DESCRIPTION
1	56038783AD	1							PLAYER, DVD
2	05159015AB	1							BRACKET, Console
3									MEDIA SYSTEM, Monitor with DVD
	56038784AF	1							With or Without Sunroof-Complete Kit
	82208820	1							
4	05064041AA	1							REMOTE, Wireless Infrared, [XRV]
5	05064037AA	1							HEADPHONES, Wireless

GRAND CHEROKEE (WK)

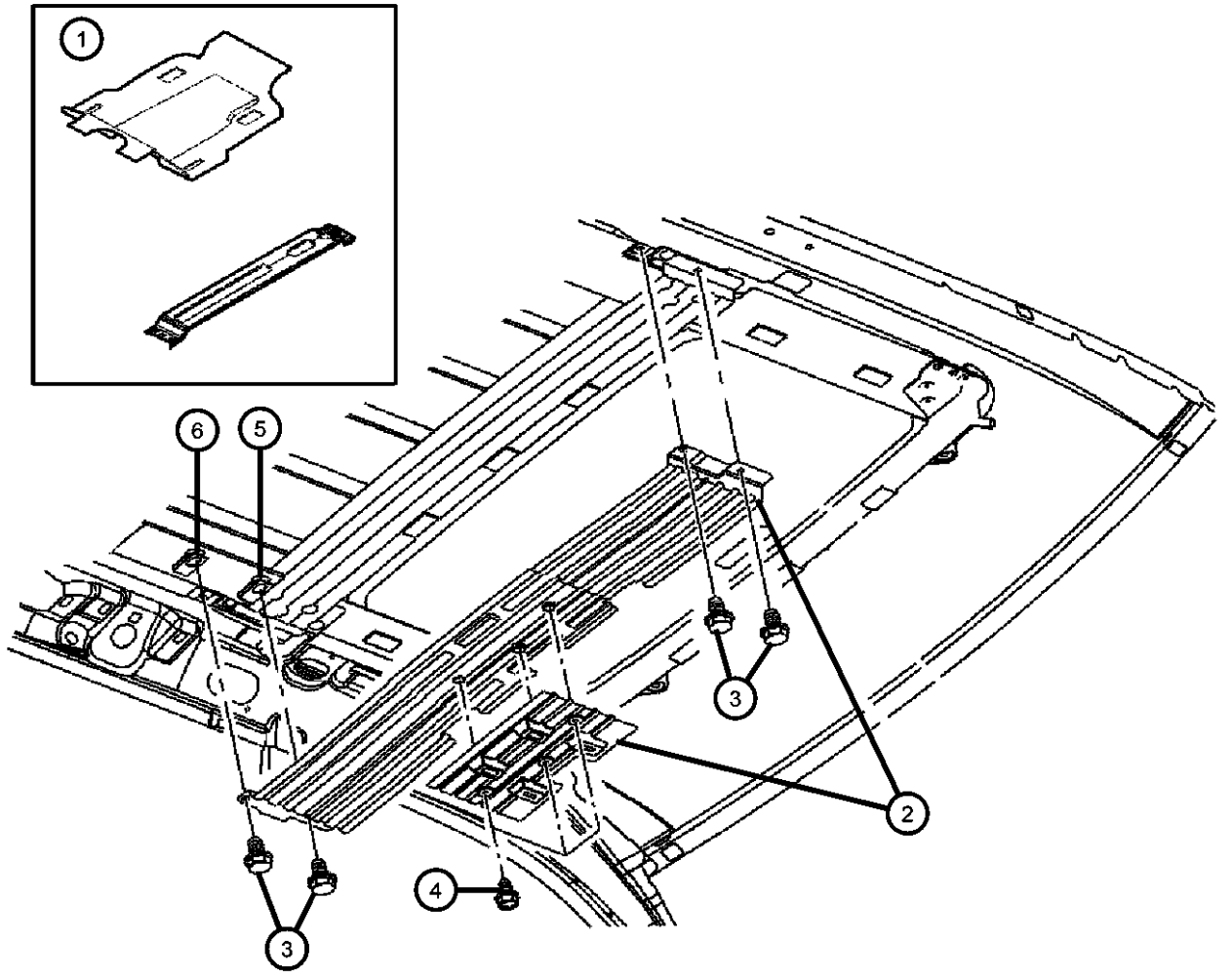
SERIES	LINE	BODY	ENGINE	TRANSMISSION
H = HIGHLINE	T = JEEP - 2WD	74 = SPORT UTILITY 4-DR	EKG = 3.7L V6 Engine	DGQ = 5-Spd Automatic 5-45RFE
P = PREMIUM	J = JEEP - 4WD		EVA = 4.7L V8 MPI Engine	Transmission
S = SPORT			EZB = 5.7L Hemi Multi	DGJ = 5-Speed Automatic MB
X = SPECIAL			Displacement Engine	Transmission

AR = use ase required - = Non illustrated part

2006 WK

**Media System Brackets
Figure 08A-720**

ITEM	PART NUMBER	QTY	LINE	SERIES	BODY	ENGINE	TRANS	TRIM	DESCRIPTION
1	56053029AC	1							BRACKET ASSY, REAR SEAT VIDEO
2	55396383AD	1							BRACKET ASSY, REAR SEAT VIDEO, With Sunroof
3									SCREW AND WASHER, Hex Head, M6x1x20
	06101455	8							Sunroof To Roof Reinforcement
		2							DVD Screen Bracket to Sunroof Mid Beam, Sunroof To Roof Reinforcement
4	06104172AA	3							SCREW
5	06506081AA	4							NUT, U, DVD Screen backet attaching
6	06506035AA	2							NUT, U, M6x1.00, DVD Screen Bracket to Sunroof Mid Beam



GRAND CHEROKEE (WK)

SERIES	LINE	BODY	ENGINE	TRANSMISSION
H = HIGHLINE	T = JEEP - 2WD	74 = SPORT UTILITY 4-DR	EKG = 3.7L V6 Engine	DGQ = 5-Spd Automatic 5-45RFE
P = PREMIUM	J = JEEP - 4WD		EVA = 4.7L V8 MPI Engine	Transmission
S = SPORT			EZB = 5.7L Hemi Multi	DGJ = 5-Speed Automatic MB
X = SPECIAL			Displacement Engine	Transmission

AR = use ase required - = Non illustrated part

Group - 9 Engine Mounting

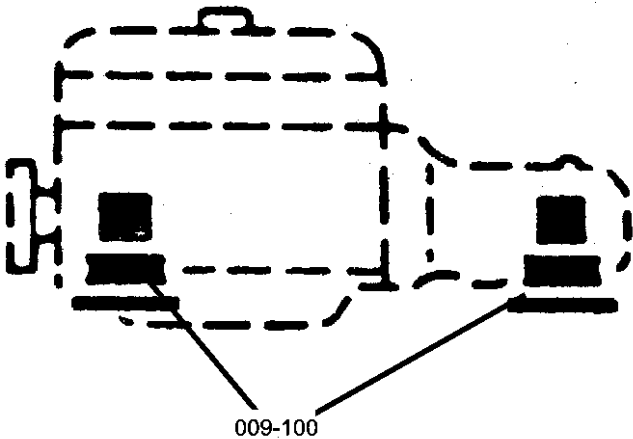
Group - 9 Engine Mounting

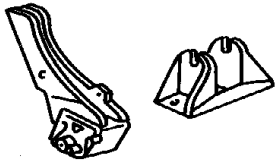
Illustration Title

Group-Fig. No.

Engine Mounting

- Front, Mounts..... Fig. 9 - 110
- Front, Mounts..... Fig. 9 - 115
- Front, Mounts..... Fig. 9 - 120
- Front, Mounts..... Fig. 9 - 125
- Mount, Transmission..... Fig. 9 - 135
- Mount, Transmission..... Fig. 9 - 140
- Mount, Transmission..... Fig. 9 - 145
- Mount, Transmission..... Fig. 9 - 150
- Crossmember, Transmission Support..... Fig. 9 - 155
- Collar, Structural..... Fig. 9 - 160
- Collar, Structural..... Fig. 9 - 165
- Collar, Structural..... Fig. 9 - 170



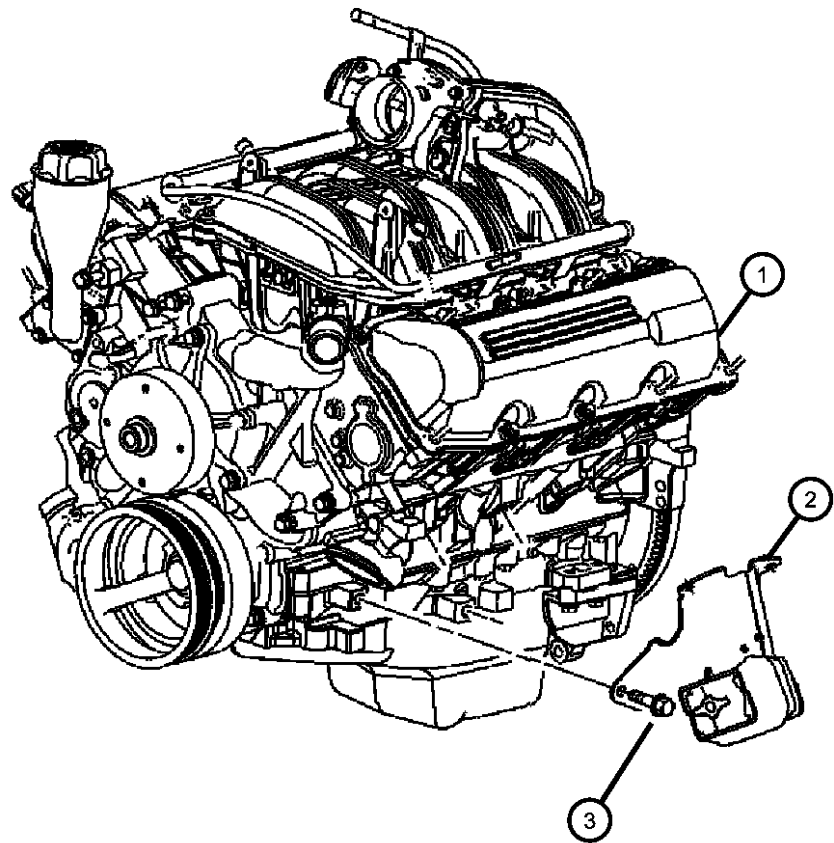
<p>009-100 Engine Mounting</p> 			
--	--	--	--

Front, Mounts
Figure 9-110

ITEM	PART NUMBER	QTY	LINE	SERIES	BODY	ENGINE	TRANS	TRIM	DESCRIPTION
------	-------------	-----	------	--------	------	--------	-------	------	-------------

NOTE:
Sales Code:
[EK0]=All 3.7L V-6 Engines
[EV0]=All 4.7L V-6 Engines

1		2							ENGINE, Complete, See Engine Group, (NOT SERVICED)
2									BRACKET, Engine Mount
	52090296AD	1				EK0			Right
	52090297AD	1				EK0			Left
3	06104214AA	8				EK0, EVO			SCREW



GRAND CHEROKEE (WK)

SERIES LINE
H = HIGHLINE T = JEEP - 2WD
P = PREMIUM J = JEEP - 4WD
S = SPORT
X = SPECIAL

BODY
74 = SPORT UTILITY 4-DR

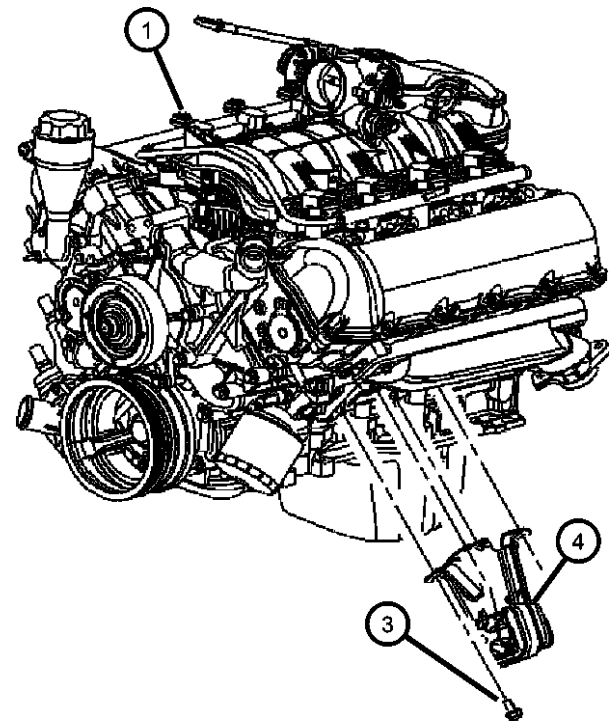
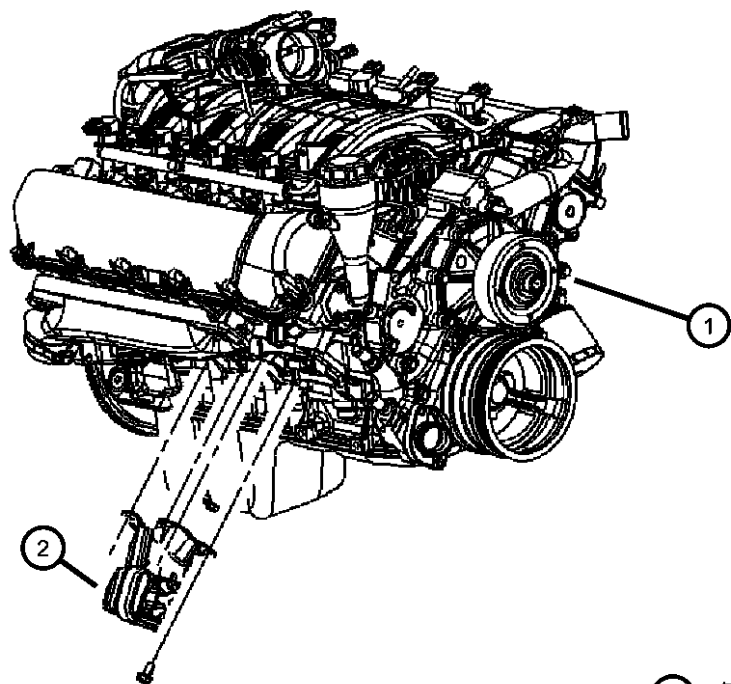
ENGINE
EKG = 3.7L V6 Engine
EVA = 4.7L V8 MPI Engine
EZB = 5.7L Hemi Multi Displacement Engine

TRANSMISSION
DGQ = 5-Spd Automatic 5-45RFE Transmission
DGJ = 5-Speed Automatic MB Transmission

AR = use ase required - = Non illustrated part

2006 WK

Front, Mounts
Figure 9-115



ITEM	PART NUMBER	QTY	LINE	SERIES	BODY	ENGINE	TRANS	TRIM	DESCRIPTION
------	-------------	-----	------	--------	------	--------	-------	------	-------------

NOTE:
Sales Code:
[EK0]=All 3.7L V-6 Engines
[EV0]=All 4.7L V-8 Engines

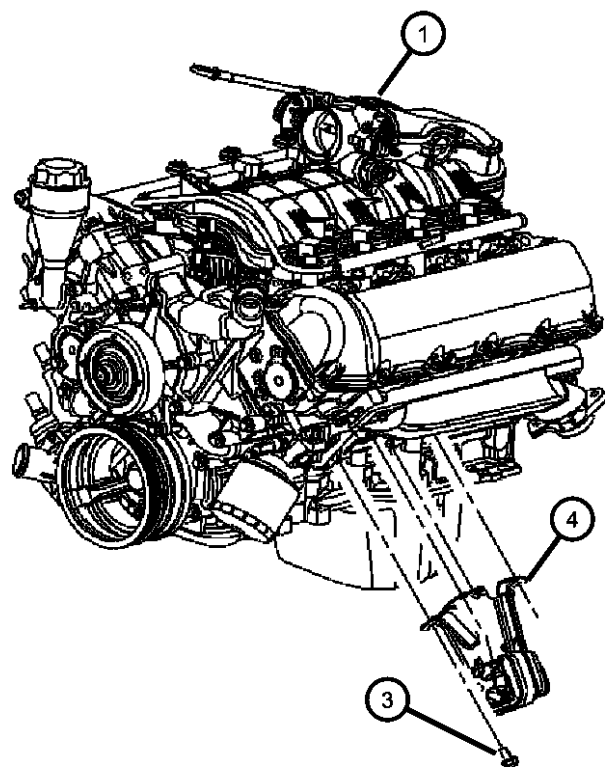
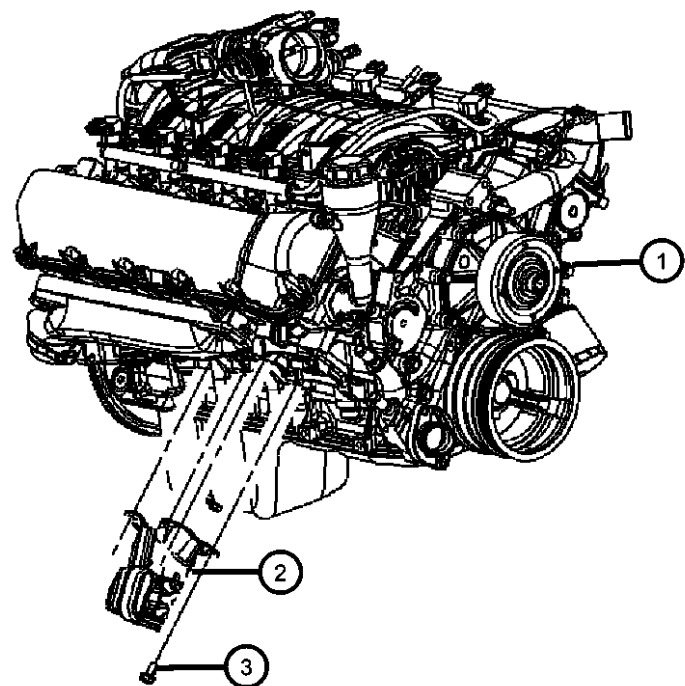
1		8							ENGINE, Complete, (NOT SERVICED)
2	52090300AD	1				EV0			BRACKET, Engine MountRight
3	06104214AA	8				EK0, EV0			SCREW
4	52090301AD	1				EV0			BRACKET, Engine MountLeft

GRAND CHEROKEE (WK)

SERIES	LINE	BODY	ENGINE	TRANSMISSION
H = HIGHLINE	T = JEEP - 2WD	74 = SPORT UTILITY 4-DR	EKG = 3.7L V6 Engine	DGQ = 5-Spd Automatic 5-45RFE Transmission
P = PREMIUM	J = JEEP - 4WD		EVA = 4.7L V8 MPI Engine	DGJ = 5-Speed Automatic MB Transmission
S = SPORT			EZB = 5.7L Hemi Multi Displacement Engine	
X = SPECIAL				

AR = use ase required - = Non illustrated part

Front, Mounts
Figure 9-120



ITEM	PART NUMBER	QTY	LINE	SERIES	BODY	ENGINE	TRANS	TRIM	DESCRIPTION
------	-------------	-----	------	--------	------	--------	-------	------	-------------

NOTE:
Sales Code:
[EK0]=All 3.7L V-6 Engines
[EV0]=All 4.7L V-8 Engines

1		1							ENGINE, Complete, (NOT SERVICED)
2	52090304AE	1				EZ0			BRACKET, Engine MountRight
3	06104214AA	4				EZ0			SCREW
4	52090304AE	1				EZ0			BRACKET, Engine MountLeft

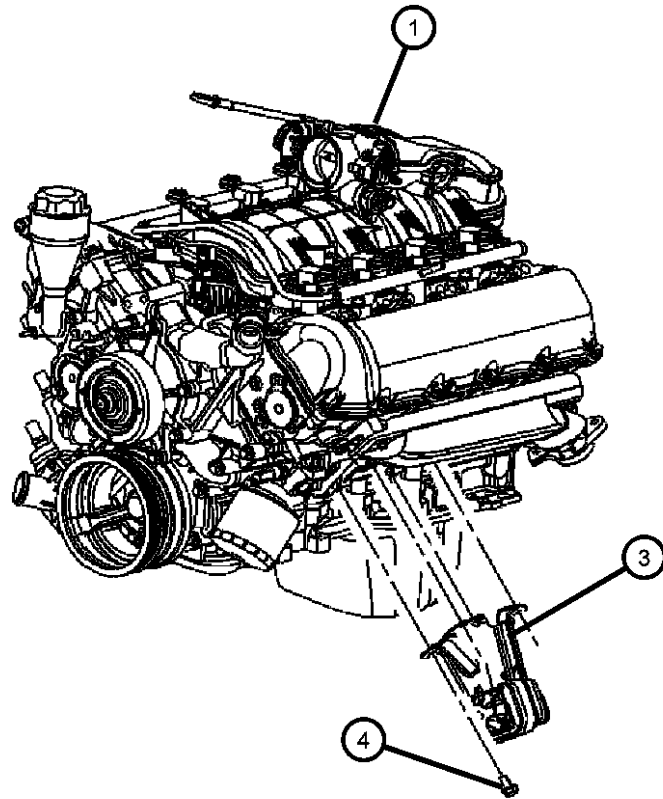
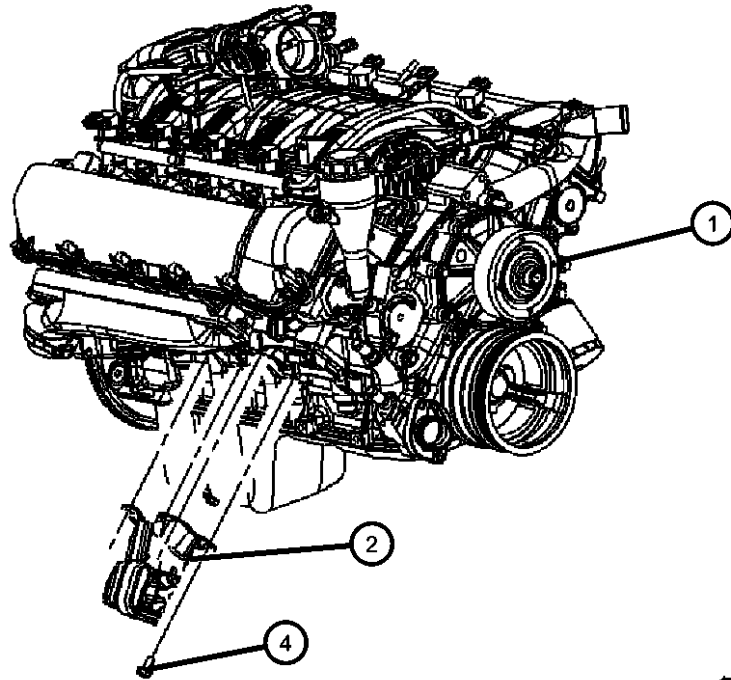
GRAND CHEROKEE (WK)

SERIES	LINE	BODY	ENGINE	TRANSMISSION
H = HIGHLINE	T = JEEP - 2WD	74 = SPORT UTILITY 4-DR	EKG = 3.7L V6 Engine	DGQ = 5-Spd Automatic 5-45RFE Transmission
P = PREMIUM	J = JEEP - 4WD		EVA = 4.7L V8 MPI Engine	DGJ = 5-Speed Automatic MB Transmission
S = SPORT			EZB = 5.7L Hemi Multi Displacement Engine	
X = SPECIAL				

AR = use ase required - = Non illustrated part

2006 WK

Front, Mounts
Figure 9-125



ITEM	PART NUMBER	QTY	LINE	SERIES	BODY	ENGINE	TRANS	TRIM	DESCRIPTION
------	-------------	-----	------	--------	------	--------	-------	------	-------------

NOTE:
Sales Codes:
[ES0]=All 6 L Engines
[EZ0]=All 5.7L V-8 Gas Engines

1		1							ENGINE, Complete, See Group [6.1L], (NOT SERVICED)
2	04854565AA	1				ES0			BRACKET, Engine MountRight
3	04854564AA	1				ES0			BRACKET, Engine MountLeft
4									SCREW
	06104214AA	4				ES0, EZ0			Left
		4				ES0, EZ0			Right

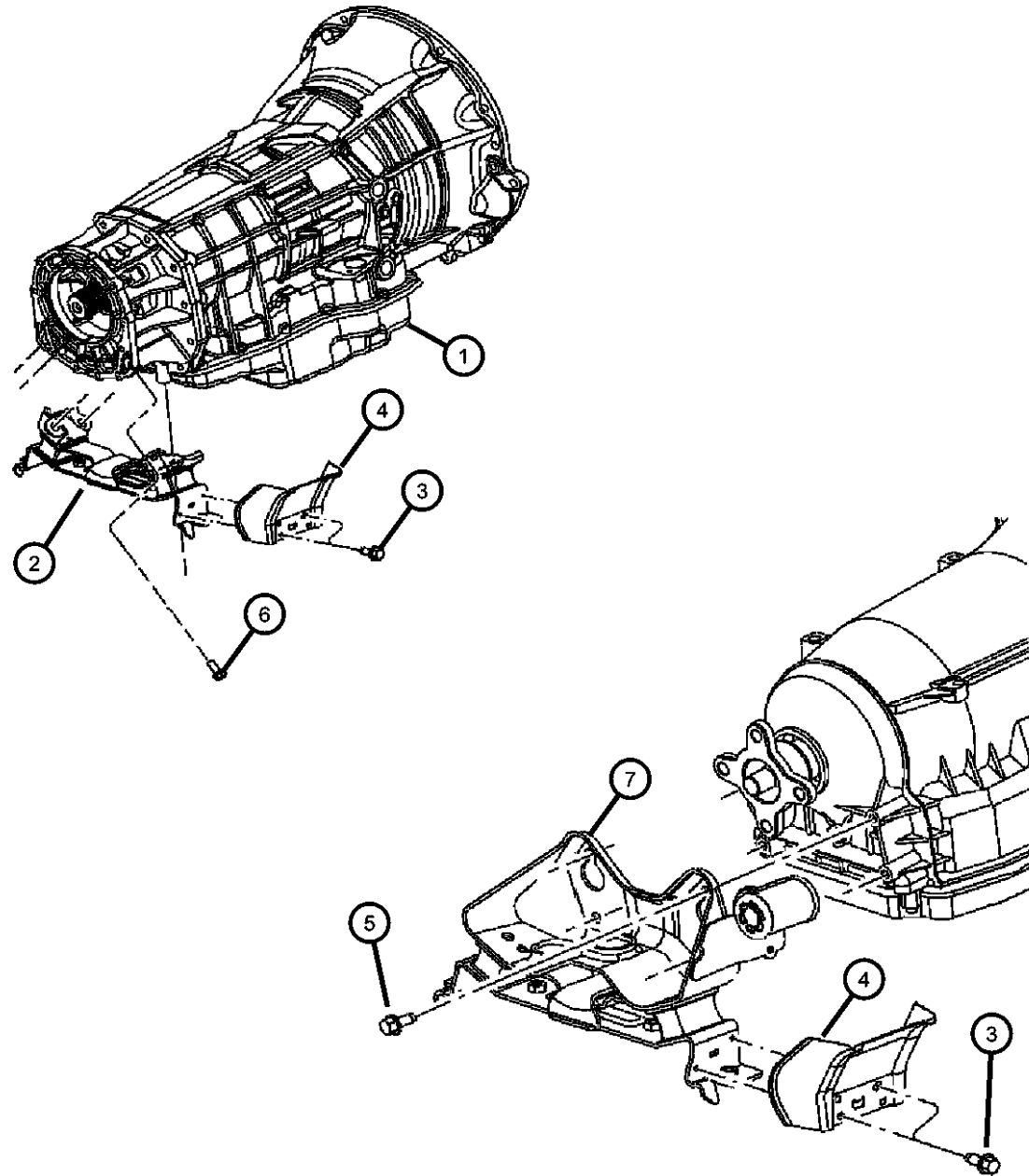
GRAND CHEROKEE (WK)

SERIES	LINE	BODY	ENGINE	TRANSMISSION
H = HIGHLINE	T = JEEP - 2WD	74 = SPORT UTILITY 4-DR	EKG = 3.7L V6 Engine	DGQ = 5-Spd Automatic 5-45RFE Transmission
P = PREMIUM	J = JEEP - 4WD		EVA = 4.7L V8 MPI Engine	DGJ = 5-Speed Automatic MB Transmission
S = SPORT			EZB = 5.7L Hemi Multi Displacement Engine	
X = SPECIAL				

AR = use ase required - = Non illustrated part

2006 WK

**Mount, Transmission
Figure 9-135**



ITEM	PART NUMBER	QTY	LINE	SERIES	BODY	ENGINE	TRANS	TRIM	DESCRIPTION
------	-------------	-----	------	--------	------	--------	-------	------	-------------

NOTE:
Sales Codes:
[DG0]=All Automatic Transmissions
[EK0]=All 3.7L V-6 Engines

1		4							TRANSMISSION, See Transmission Group, (NOT SERVICED)
2	52089932AG	1	J			EK0	DG0		INSULATOR, Transmission support
3	06505911AA	2							SCREW, Hex Head
4	52124126AA	1							SHIELD, Heat
5	06101611	2	T			EK0	DG0		SCREW AND WASHER, Hex Head, M8x1.25x25
6	06104215AA	2	J			EK0			BOLT, Hex Flange Head, M10x1.50x25
7	52089934AI	1	T			EK0	DG0		MOUNT, Transmission

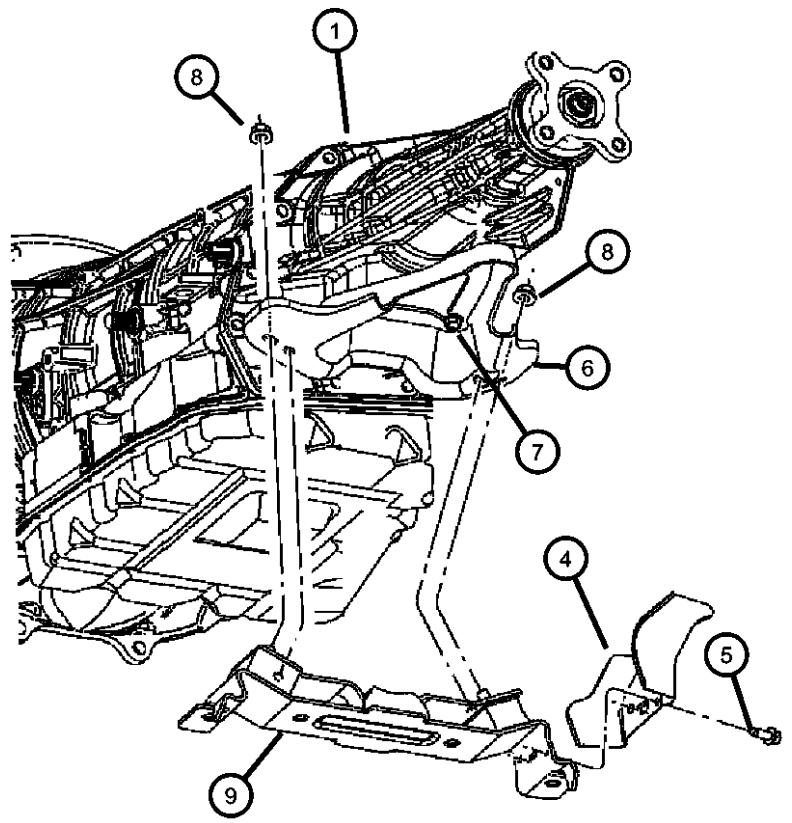
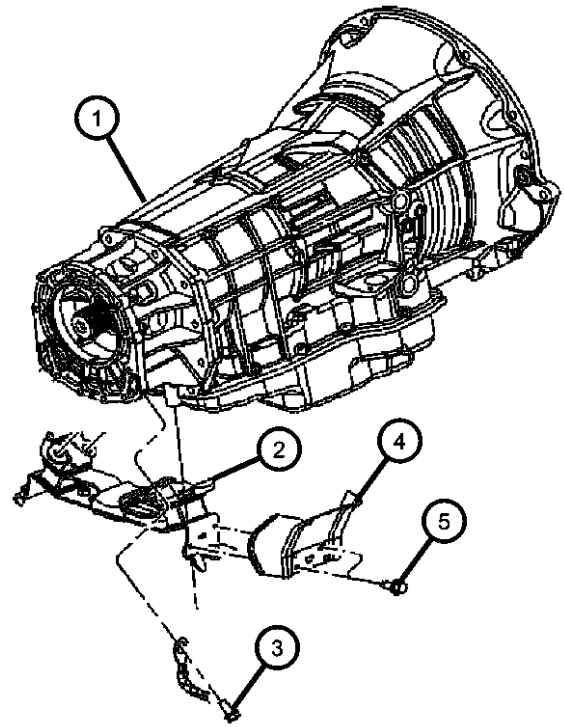
GRAND CHEROKEE (WK)

SERIES	LINE	BODY	ENGINE	TRANSMISSION
H = HIGHLINE	T = JEEP - 2WD	74 = SPORT UTILITY 4-DR	EKG = 3.7L V6 Engine	DGQ = 5-Spd Automatic 5-45RFE Transmission
P = PREMIUM	J = JEEP - 4WD		EVA = 4.7L V8 MPI Engine	DGJ = 5-Speed Automatic MB Transmission
S = SPORT			EZB = 5.7L Hemi Multi Displacement Engine	
X = SPECIAL				

AR = use ase required - = Non illustrated part

2006 WK

Mount, Transmission
Figure 9-140



ITEM	PART NUMBER	QTY	LINE	SERIES	BODY	ENGINE	TRANS	TRIM	DESCRIPTION
------	-------------	-----	------	--------	------	--------	-------	------	-------------

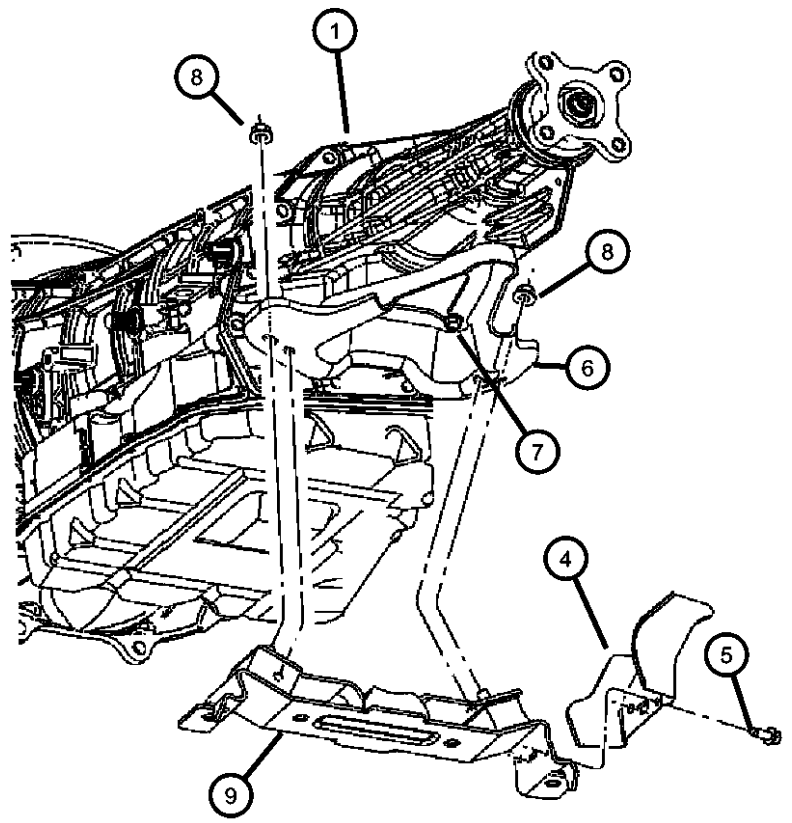
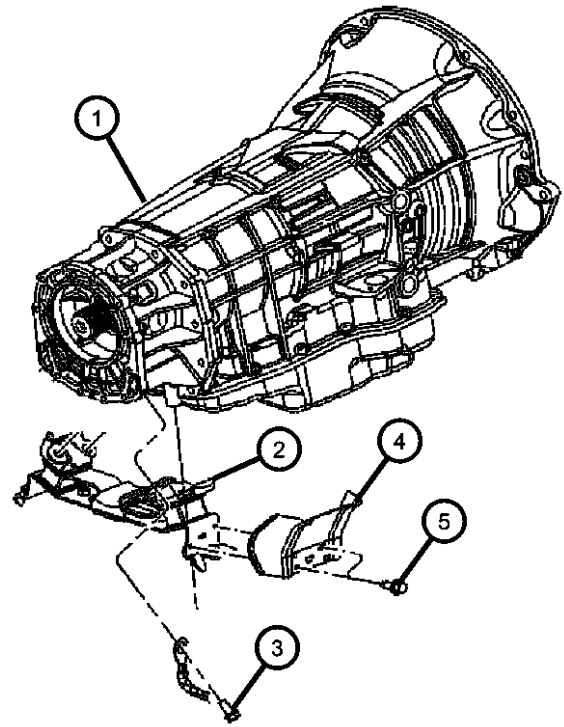
NOTE:
Sales Code:
[DG0]=All Automatic Transmissions
[EV0]=All 4.7L V-8 Engines
[EZ0]=All 5.7L V-8 Engines

1		1							TRANSMISSION, See Transmission Group, (NOT SERVICED)
2	52089936AH	1	J			EV0	DG0		MOUNT, Transmission
3	06104215AA	4	J						BOLT, Hex Flange Head, M10x1.50x25
4	52124126AA	1							SHIELD, Heat
5	06505911AA	2							SCREW, Hex Head
6	52089933AB	1	T			EV0, EZ0	DG0		BRACKET, Insulator
7	06104215AA	3	T			EV0	DG0		BOLT, Hex Flange Head, M10x1.50x25
8	06104717AA	2	T			EV0	DG0		NUT, Hex Flange, M10x1.5
9	52124133AA	1	T			EZ0	DG0		INSULATOR, Transmission support

GRAND CHEROKEE (WK)				
SERIES	LINE	BODY	ENGINE	TRANSMISSION
H = HIGHLINE	T = JEEP - 2WD	74 = SPORT UTILITY 4-DR	EKG = 3.7L V6 Engine	DGQ = 5-Spd Automatic 5-45RFE Transmission
P = PREMIUM	J = JEEP - 4WD		EVA = 4.7L V8 MPI Engine	DGJ = 5-Speed Automatic MB Transmission
S = SPORT			EZB = 5.7L Hemi Multi Displacement Engine	
X = SPECIAL				

AR = use ase required - = Non illustrated part

Mount, Transmission
Figure 9-145



ITEM	PART NUMBER	QTY	LINE	SERIES	BODY	ENGINE	TRANS	TRIM	DESCRIPTION
------	-------------	-----	------	--------	------	--------	-------	------	-------------

NOTE:
Sales Code:
[DG0]=All Automatic Transmissions
[EV0]=All 4.7L V-8 Engines
[EZ0]=All 5.7L V-8 Engines

1		1							TRANSMISSION, See Transmission Group, (NOT SERVICED)
2	52124104AB	1	J			EZ0	DG0		INSULATOR, Transmission support
3	06104215AA	4	J						BOLT, Hex Flange Head, M10x1.50x25
4	52124126AA	1							SHIELD, Heat
5	06505911AA	2							SCREW, Hex Head
6	52089933AB	1	T			EV0, EZ0	DG0		BRACKET, Insulator
7	06104215AA	3	T			EV0	DG0		BOLT, Hex Flange Head, M10x1.50x25
8	06104717AA	2	T			EK0	DG0		NUT, Hex Flange, M10x1.5
9	52124133AA	1	T			EZ0	DG0		INSULATOR, Transmission support

GRAND CHEROKEE (WK)				
SERIES	LINE	BODY	ENGINE	TRANSMISSION
H = HIGHLINE	T = JEEP - 2WD	74 = SPORT UTILITY 4-DR	EKG = 3.7L V6 Engine	DGQ = 5-Spd Automatic 5-45RFE Transmission
P = PREMIUM	J = JEEP - 4WD		EVA = 4.7L V8 MPI Engine	DGJ = 5-Speed Automatic MB Transmission
S = SPORT			EZB = 5.7L Hemi Multi Displacement Engine	
X = SPECIAL				

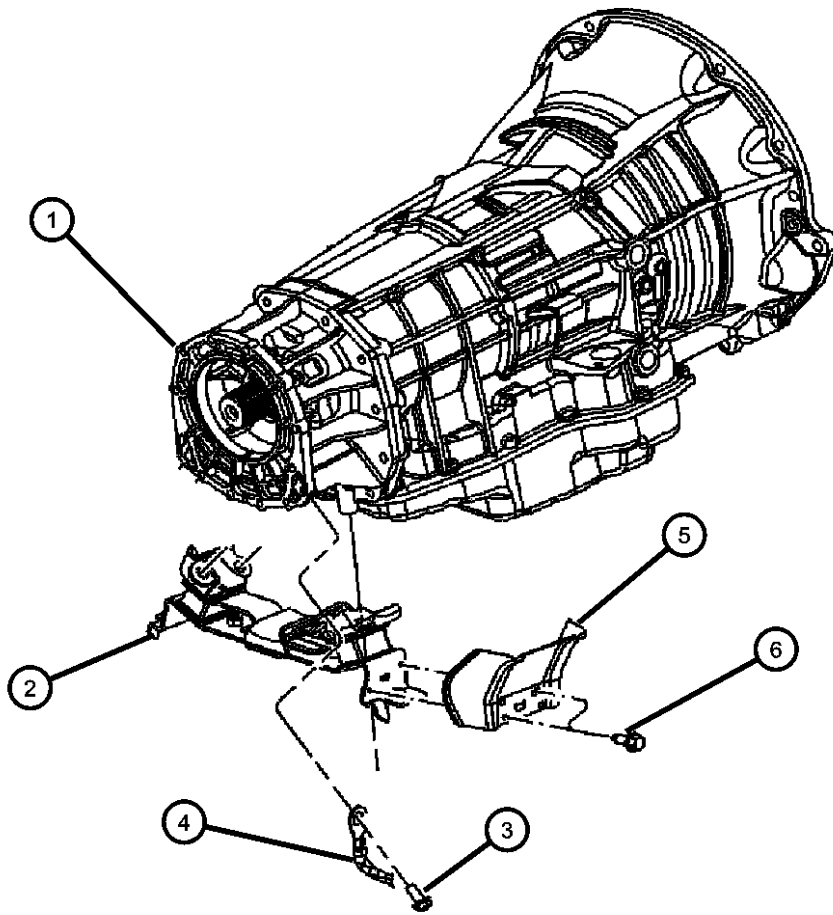
AR = use ase required - = Non illustrated part

**Mount, Transmission
Figure 9-150**

ITEM	PART NUMBER	QTY	LINE	SERIES	BODY	ENGINE	TRANS	TRIM	DESCRIPTION
------	-------------	-----	------	--------	------	--------	-------	------	-------------

NOTE:
Sales Codes:
[DG0]=All Automatic Transmissions
[ES0]=All 6 L Engines

1		1							TRANSMISSION, See Group [NAG1], (NOT SERVICED)
2	52124085AB	1				ES0	DG0		INSULATOR, Transmission support
3	06104215AA	4	J						BOLT, Hex Flange Head, M10x1.50x25
4		4							STRAP, Ground, See Group 008, (NOT SERVICED)
5	52124126AA	1							SHIELD, Heat
6	06505911AA	2							SCREW, Hex Head



GRAND CHEROKEE (WK)

SERIES	LINE
H = HIGHLINE	T = JEEP - 2WD
P = PREMIUM	J = JEEP - 4WD
S = SPORT	
X = SPECIAL	

BODY
74 = SPORT UTILITY 4-DR

ENGINE
EKG = 3.7L V6 Engine
EVA = 4.7L V8 MPI Engine
EZB = 5.7L Hemi Multi Displacement Engine

TRANSMISSION
DGQ = 5-Spd Automatic 5-45RFE Transmission
DGJ = 5-Speed Automatic MB Transmission

AR = use ase required - = Non illustrated part

2006 WK

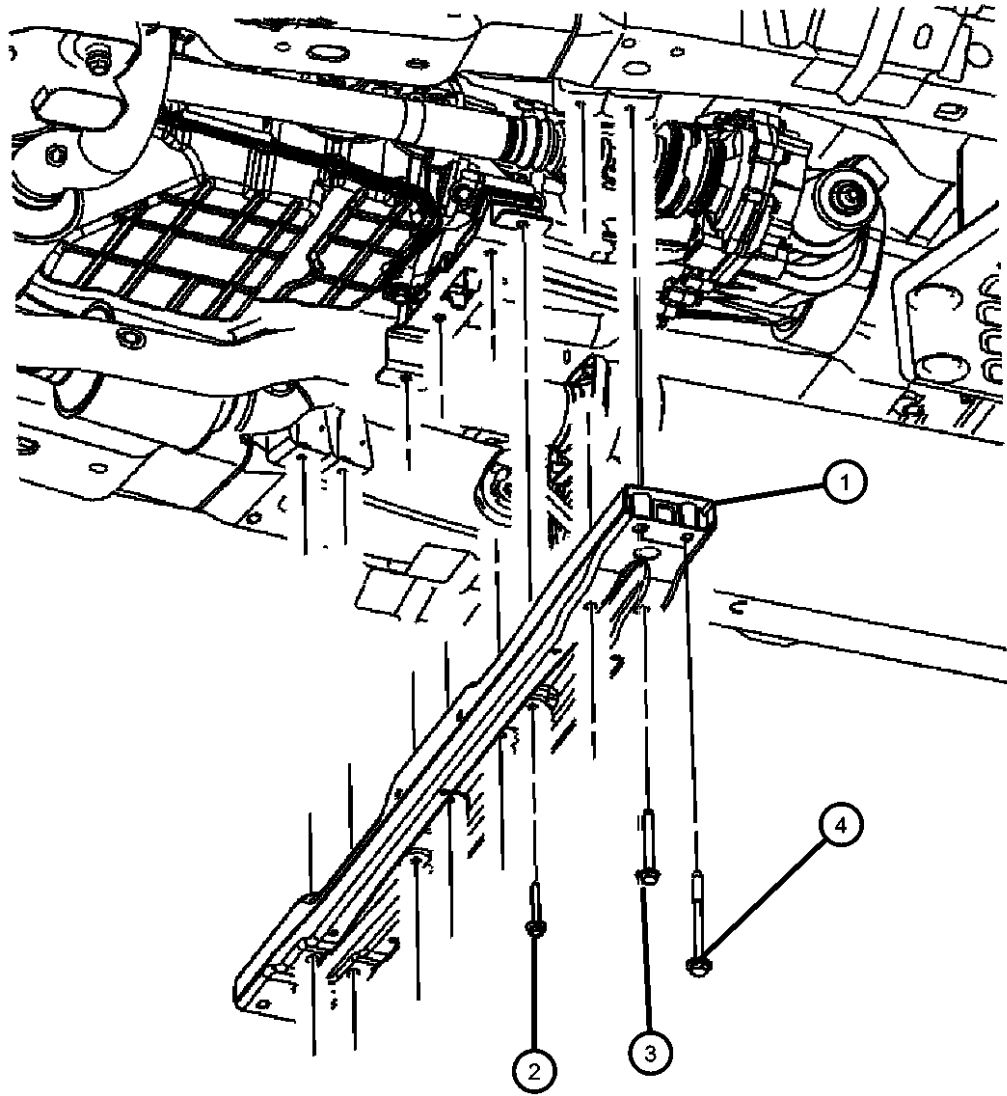
Crossmember, Transmission Support
Figure 9-155

ITEM	PART NUMBER	QTY	LINE	SERIES	BODY	ENGINE	TRANS	TRIM	DESCRIPTION
------	-------------	-----	------	--------	------	--------	-------	------	-------------

NOTE:
Sales Codes:

1	52090070AI	1							
2	06508082AA	4							
3	06104344AA	4							
4	06508083AA	4							

CROSSMEMBER, Transmission
 SCREW, [M8X1.25X58.00],
 Transmission Support Bracket to
 Crossmember
 SCREW, [M10X1.50X90.00], Inner
 Rail to Crossmember
 SCREW, Hex Flange Head,
 [M10X1.50X135.00], Transmission
 Support Crossmember to Sill
 (Outboard)



GRAND CHEROKEE (WK)

SERIES	LINE
H = HIGHLINE	T = JEEP - 2WD
P = PREMIUM	J = JEEP - 4WD
S = SPORT	
X = SPECIAL	

BODY
74 = SPORT UTILITY 4-DR

ENGINE
EKG = 3.7L V6 Engine
EVA = 4.7L V8 MPI Engine
EZB = 5.7L Hemi Multi Displacement Engine

TRANSMISSION
DGQ = 5-Spd Automatic 5-45RFE Transmission
DGJ = 5-Speed Automatic MB Transmission

AR = use ase required - = Non illustrated part

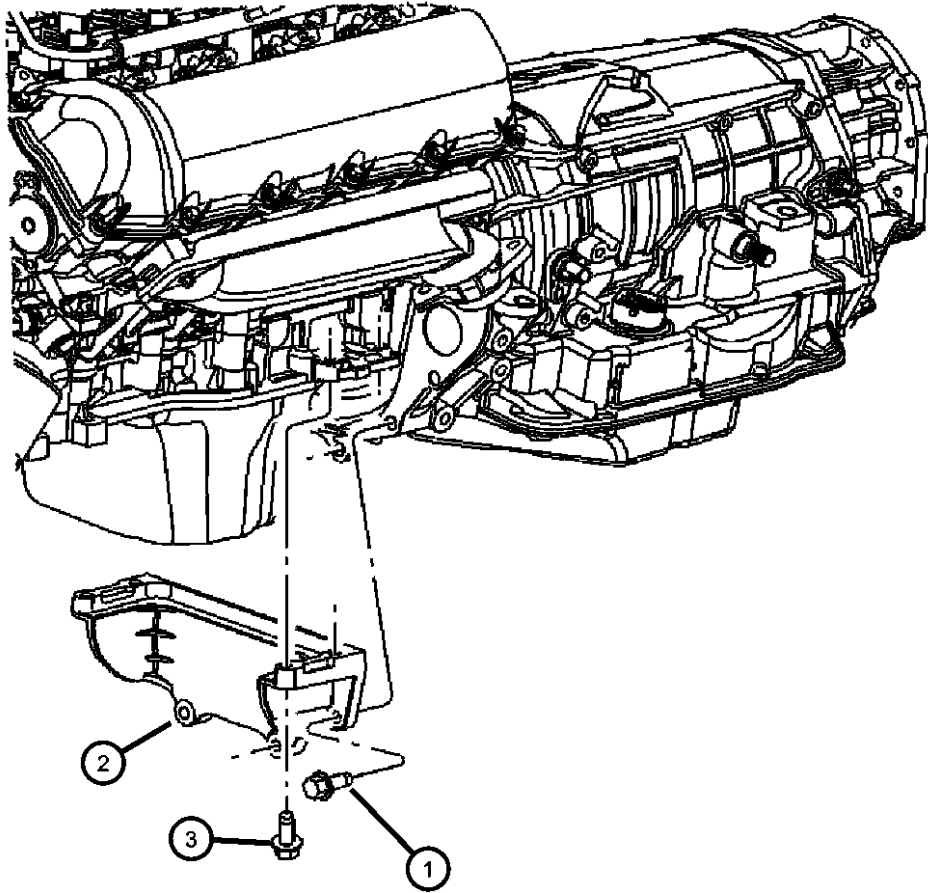
2006 WK

**Collar, Structural
Figure 9-160**

ITEM	PART NUMBER	QTY	LINE	SERIES	BODY	ENGINE	TRANS	TRIM	DESCRIPTION
------	-------------	-----	------	--------	------	--------	-------	------	-------------

NOTE:
Sales Code:
[DG0]=All Automatic Transmission
[EK0]=All 3.7L V-6 Engines
[EV0]=All 4.7L V-8 Engines

1	06101985	8				EK0, EV0			SCREW AND WASHER, M10x1.50x45.00
2									COVER, Engine
	53021897AB	1	T			EK0	DG0		Structural Collar
		1	J			EK0	DG0		Structural Collar
3	53020885	1				EV0	DG0		COVER, Bedplate, Structural Collar & Bedplate Cover



GRAND CHEROKEE (WK)

SERIES	LINE	BODY	ENGINE	TRANSMISSION
H = HIGHLINE	T = JEEP - 2WD	74 = SPORT UTILITY 4-DR	EKG = 3.7L V6 Engine	DGQ = 5-Spd Automatic 5-45RFE
P = PREMIUM	J = JEEP - 4WD		EVA = 4.7L V8 MPI Engine	Transmission
S = SPORT			EZB = 5.7L Hemi Multi	DGJ = 5-Speed Automatic MB
X = SPECIAL			Displacement Engine	Transmission

AR = use ase required - = Non illustrated part

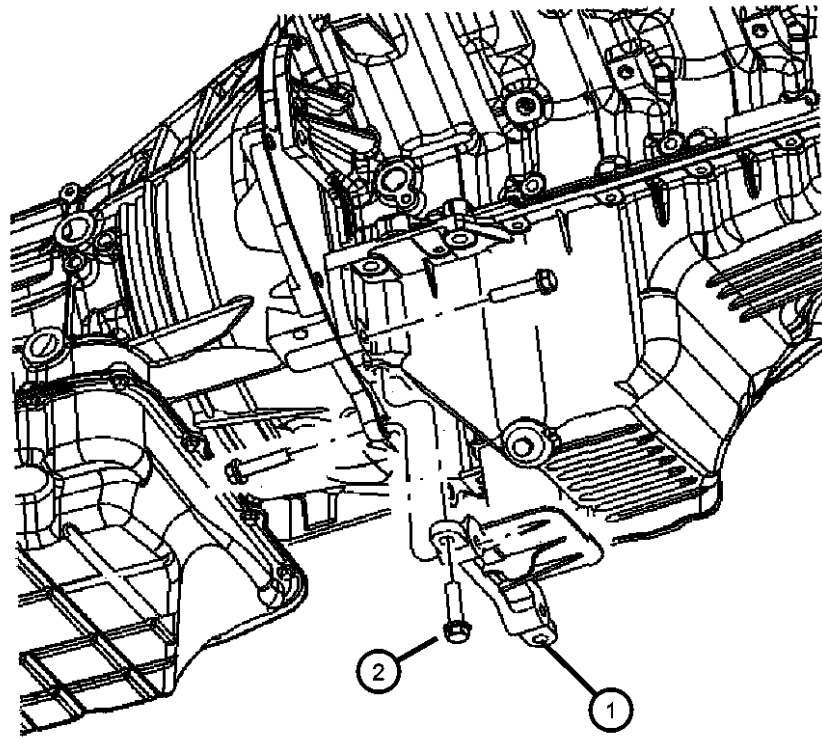
2006 WK

**Collar, Structural
Figure 9-165**

ITEM	PART NUMBER	QTY	LINE	SERIES	BODY	ENGINE	TRANS	TRIM	DESCRIPTION
------	-------------	-----	------	--------	------	--------	-------	------	-------------

NOTE:
Sales Codes:
[EZ0]=All 5.7L V-8 Engines
[DG0]=All Automatic Transmissions

1	53021898AB	1				EZ0	DG0		COVER, Engine, Structural Collar
2	06101985	6				EZ0			SCREW AND WASHER, M10x1.50x45.00



GRAND CHEROKEE (WK)

SERIES	LINE	BODY	ENGINE	TRANSMISSION
H = HIGHLINE	T = JEEP - 2WD	74 = SPORT UTILITY 4-DR	EKG = 3.7L V6 Engine	DGQ = 5-Spd Automatic 5-45RFE Transmission
P = PREMIUM	J = JEEP - 4WD		EVA = 4.7L V8 MPI Engine	DGJ = 5-Speed Automatic MB Transmission
S = SPORT			EZB = 5.7L Hemi Multi Displacement Engine	
X = SPECIAL				

AR = use ase required - = Non illustrated part

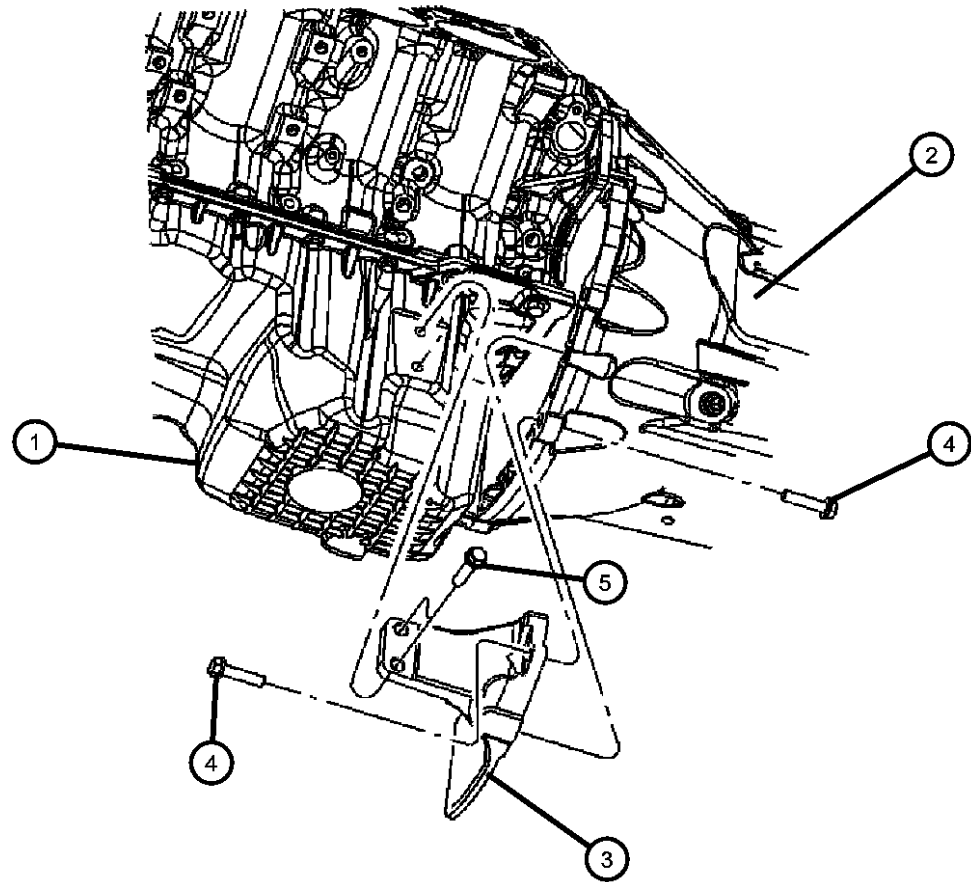
2006 WK

**Collar, Structural
Figure 9-170**

ITEM	PART NUMBER	QTY	LINE	SERIES	BODY	ENGINE	TRANS	TRIM	DESCRIPTION
------	-------------	-----	------	--------	------	--------	-------	------	-------------

NOTE:
Sales Codes:
[DGJ]=5 Speed Automatic [W5A580] Transmission
[ES0]=All 6 L Engines

1		6							ENGINE, Complete, See Group [6.1L], (NOT SERVICED)
2		6							TRANSMISSION, See Group [NAG1], (NOT SERVICED)
3	05037892AA	1				ES0	DGJ		COVER, Engine, Structural Dust Cover
4	06101985	2				ES0	DGJ		SCREW AND WASHER, M10x1.50x45.00, Structural Dust Cover to Bell Housing
5	06101985	2				ES0	DGJ		SCREW AND WASHER, M10x1.50x45.00, Structural Dust Cover to Oil Pan



GRAND CHEROKEE (WK)

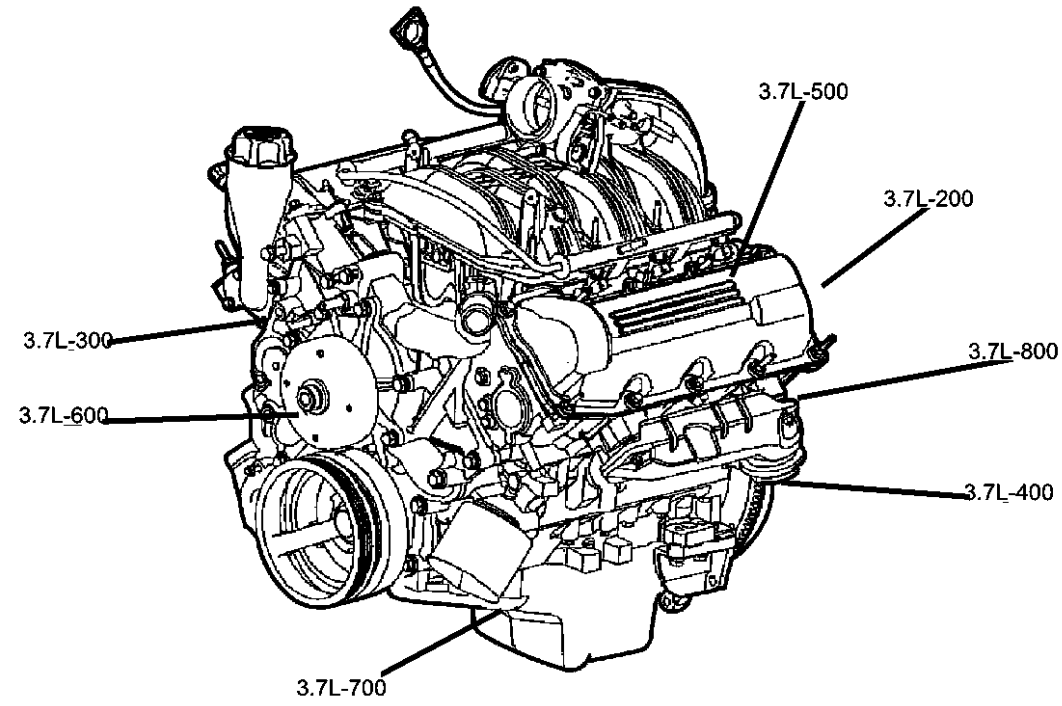
SERIES	LINE	BODY	ENGINE	TRANSMISSION
H = HIGHLINE	T = JEEP - 2WD	74 = SPORT UTILITY 4-DR	EKG = 3.7L V6 Engine	DGQ = 5-Spd Automatic 5-45RFE Transmission
P = PREMIUM	J = JEEP - 4WD		EVA = 4.7L V8 MPI Engine	DGJ = 5-Speed Automatic MB Transmission
S = SPORT			EZB = 5.7L Hemi Multi Displacement Engine	
X = SPECIAL				

AR = use ase required - = Non illustrated part

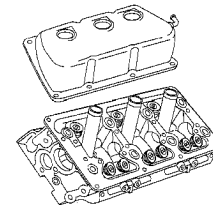
2006 WK

Group - 3.7L

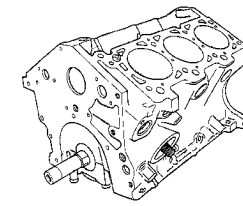
Engine 3.7L Six Cylinder [EKG]



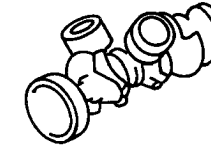
3.7L-200
Cylinder Head



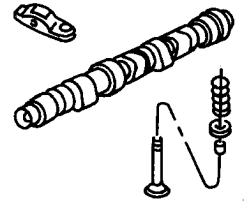
3.7L-300
Cylinder Block



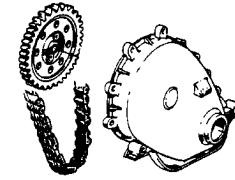
3.7L-400
Crankshaft, Piston and Torque Converter



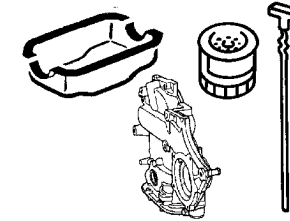
3.7L-500
Camshafts & Valves



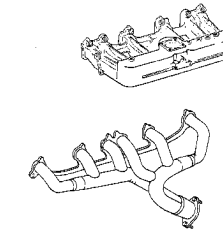
3.7L-600
Timing Belt and Cover



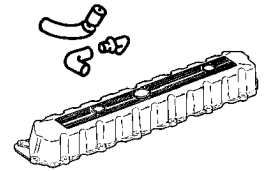
3.7L-700
Engine Oiling



3.7L-800
Manifolds



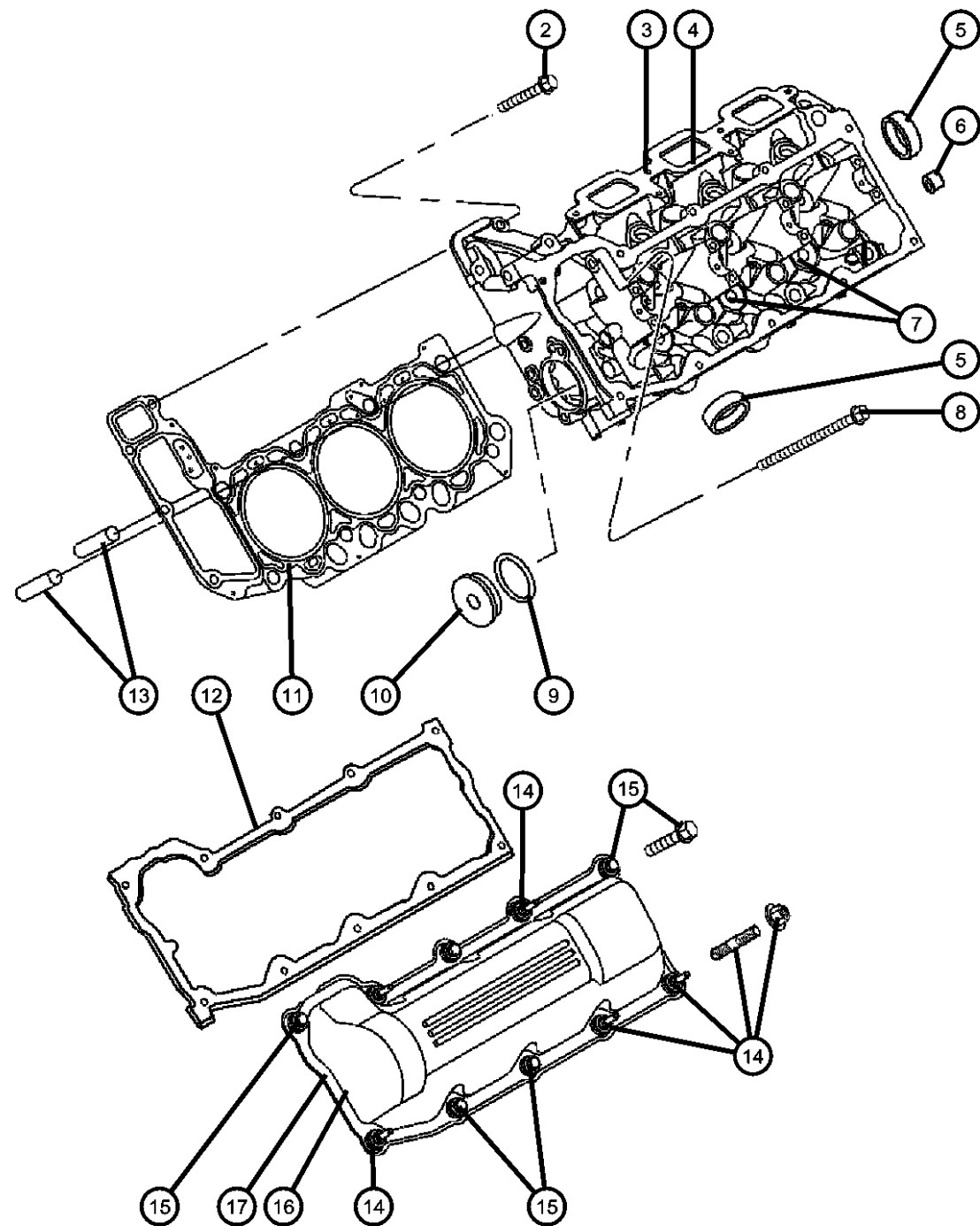
3.7L-900
Crankcase Ventilation



Group - 3.7L Engine 3.7L Six Cylinder [EKG]

Illustration Title	Group-Fig. No.
Cylinder Head	
Cylinder Head 3.7L [EKG]	Fig. 3.7L - 210
Cylinder Block	
Cylinder Block 3.7L [EKG]	Fig. 3.7L - 310
Crankshaft, Piston and Torque Converter	
Crankshaft, Piston and Torque Converter 3.7L [EKG]	Fig. 3.7L - 410
Camshafts & Valves	
Camshaft And Valves, 3.7L [EKG]	Fig. 3.7L - 510
Timing Belt and Cover	
Timing Cover 3.7L [EKG]	Fig. 3.7L - 610
Timing Chain And Guides, 3.7L [EKG]	Fig. 3.7L - 620
Engine Oiling	
Engine Oiling, 3.7L [EKG]	Fig. 3.7L - 710
Engine Oil Filter And Splash Guard 3.7L [EKG]	Fig. 3.7L - 720
Manifolds	
Manifolds, Intake and Exhasut 3.7L [EKG]	Fig. 3.7L - 810
Crankcase Ventilation	
Crankcase Ventilation, 3.7L [EKG]	Fig. 3.7L - 910

**Cylinder Head 3.7L [EKG]
Figure 3.7L-210**



ITEM	PART NUMBER	QTY	LINE	SERIES	BODY	ENGINE	TRANS	TRIM	DESCRIPTION
------	-------------	-----	------	--------	------	--------	-------	------	-------------

NOTES: Upper Gasket Package Contains: Cylinder Head and Cylinder Head Cover Gaskets, Intake and Exhaust Manifold Gaskets, Throttle Body
SALES CODES:
[EK0] = All 3.7L 6 Cylinder Gas Engines

-1	05170703AA	1				EK0	DG0		GASKET PACKAGE, Engine Upper, See Notes
2	06506785AA	8				EK0			SCREW AND WASHER, Hex Head, Cylinder Head to Block, Mounting
3	53020987AC	1				EK0			HEAD, Cylinder, Left
4	53020988AC	1				EK0			HEAD, Cylinder, Right
5	04556020	2				EK0			PLUG, Core, 1.25 Diameter, Water Jacket Core
6	06036307AA	1				EK0			PLUG, Oil Gallery .25-18x.413, Rear of Head
7									PLUG, Hex Socket, 3/8-18NPTx.475
	06034331	2				EK0			Right Head
		2				EK0			Left Head
8	06505528AA	16				EK0			SCREW AND WASHER, Hex Head, Cylinder Head to Block, Mounting
9	53021032	1				EK0, EV0			O RING, Access Hole Plug, Mounting
10	53021031	1				EK0, EV0			PLUG, Access Hole, With O Ring
11	53020989	2				EK0			GASKET, Cylinder Head
12									GASKET, Valve Cover
	53021958AA	1				EK0			For Plastic Cylinder Head Covers, Right
	53021959AA	1				EK0			For Plastic Cylinder Head Covers, Left
13	05240849	4				EK0, EV0			DOWEL, Block to Cylinder Head, Mounting
14		4							STUD, Serviced With Valve Cover, (NOT SERVICED)
15									SCREW
	06508296AA	4				EK0			For Plastic Cylinder Head Covers, Right
		5				EK0			For Plastic Cylinder Head Covers, Left
16	53021937AA	1				EK0			COVER, Cylinder Head, Left, Plastic Cover, with Gasket and Screws, Left
17	53021938AA	1				EK0			COVER, Cylinder Head, Right, Plastic Cover, with Gasket and Screws, Right

GRAND CHEROKEE (WK)

SERIES LINE
H = HIGHLINE T = JEEP - 2WD
P = PREMIUM J = JEEP - 4WD
S = SPORT
X = SPECIAL

BODY
74 = SPORT UTILITY 4-DR

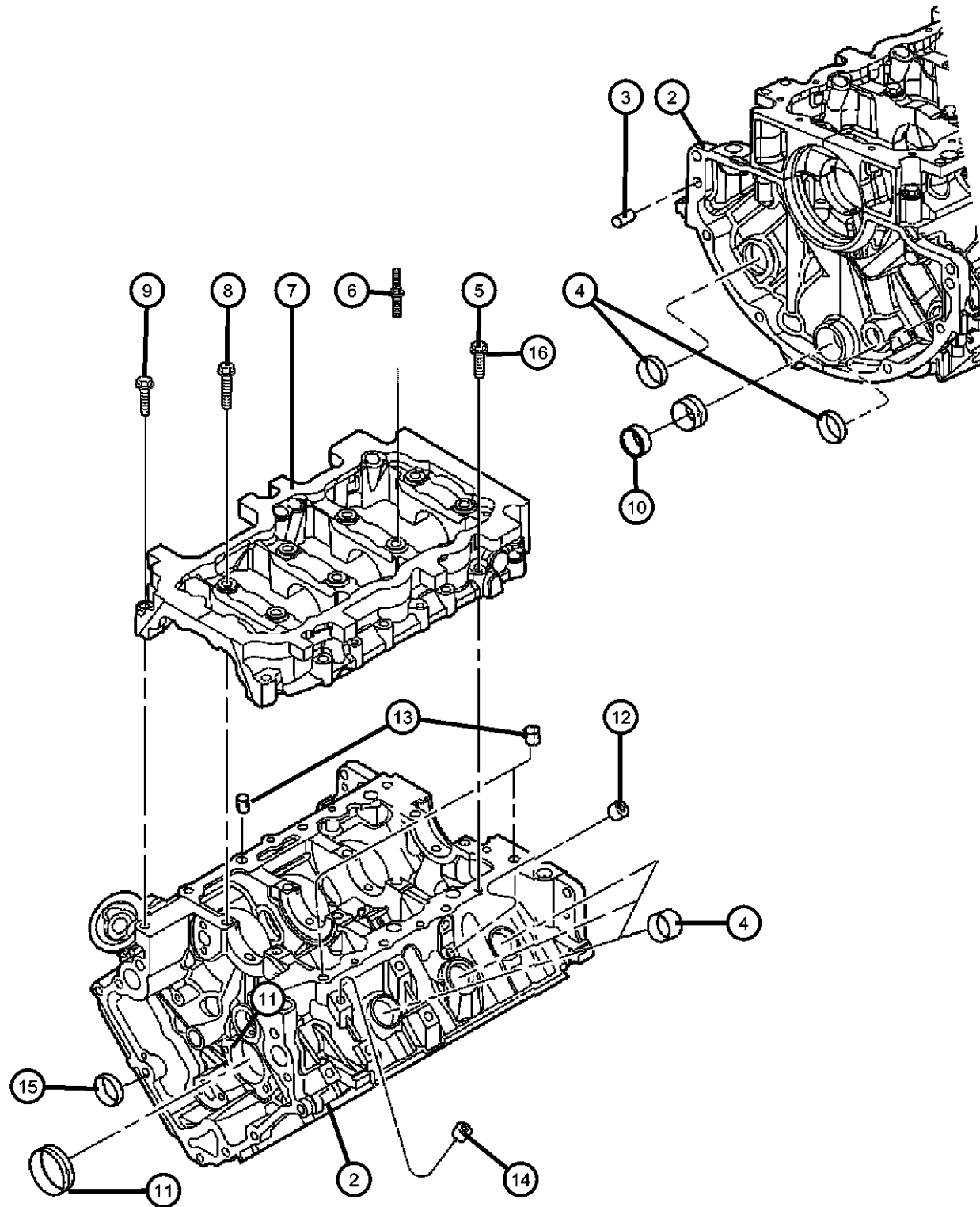
ENGINE
EKG = 3.7L V6 Engine
EVA = 4.7L V8 MPI Engine
EZB = 5.7L Hemi Multi Displacement Engine

TRANSMISSION
DGQ = 5-Spd Automatic 5-45RFE Transmission
DGJ = 5-Speed Automatic MB Transmission

AR = use ase required - = Non illustrated part

2006 WK

**Cylinder Block 3.7L [EKG]
Figure 3.7L-310**



ITEM	PART NUMBER	QTY	LINE	SERIES	BODY	ENGINE	TRANS	TRIM	DESCRIPTION
------	-------------	-----	------	--------	------	--------	-------	------	-------------

NOTES: Lower Gasket Package contains: Front and Rear Crankshaft Seals, Oil Pick Up Tube Seal; Oil Pan, Chain Case and Water Pump Gaskets
Sales Codes
[EK0] = All 3.7L 6 Cylinder Gas Engines

-1	05135793AA	1				EK0	DG0		GASKET PACKAGE, Engine Lower, See Notes
2	05174604AA	1				EK0	DG0		BLOCK, SHORT
3	01122532	2				EK0, EV0			DOWEL, Block To Clutch Housing, Or Transmission, Mounting
4	06034804	8				EK0			PLUG, Core, 1.39 Diameter
5	06102156AA	5				EK0			SCREW, Hex Flange Head, M8x1.25x44, BedPlate to Cylinder Block
6	06508259AA	1				EK0			STUD, BedPlate to Cylinder Block
7		1							BEDPLATE, Serviced With Short Block, (NOT SERVICED)
8	06505394AA	6				EK0			SCREW AND WASHER, BedPlate to Cylinder Block
9	06504410	7				EK0			SCREW, Hex Head, BedPlate to Cylinder Block
10	04663942	1				EK0			PLUG, Core, 1.50 Diameter
11	05083878AA	1				EK0			BEARING PACKAGE, Balance Shaft
12	06036307AA	3				EK0			PLUG, Cylinder Block Coolant Drain
13	53010533AA	5				EK0			DOWEL, Cylinder Block to Bedplate
14	06036114AA	4				EK0, EV0			PLUG, Pipe, Cylinder Block Oil Hole, [.50-14x.56]
15	06034804	8				EK0			PLUG, Core, 1.39 Diameter
16	06036119AA	1				EK0			WASHER

GRAND CHEROKEE (WK)

SERIES	LINE
H = HIGHLINE	T = JEEP - 2WD
P = PREMIUM	J = JEEP - 4WD
S = SPORT	
X = SPECIAL	

BODY
74 = SPORT UTILITY 4-DR

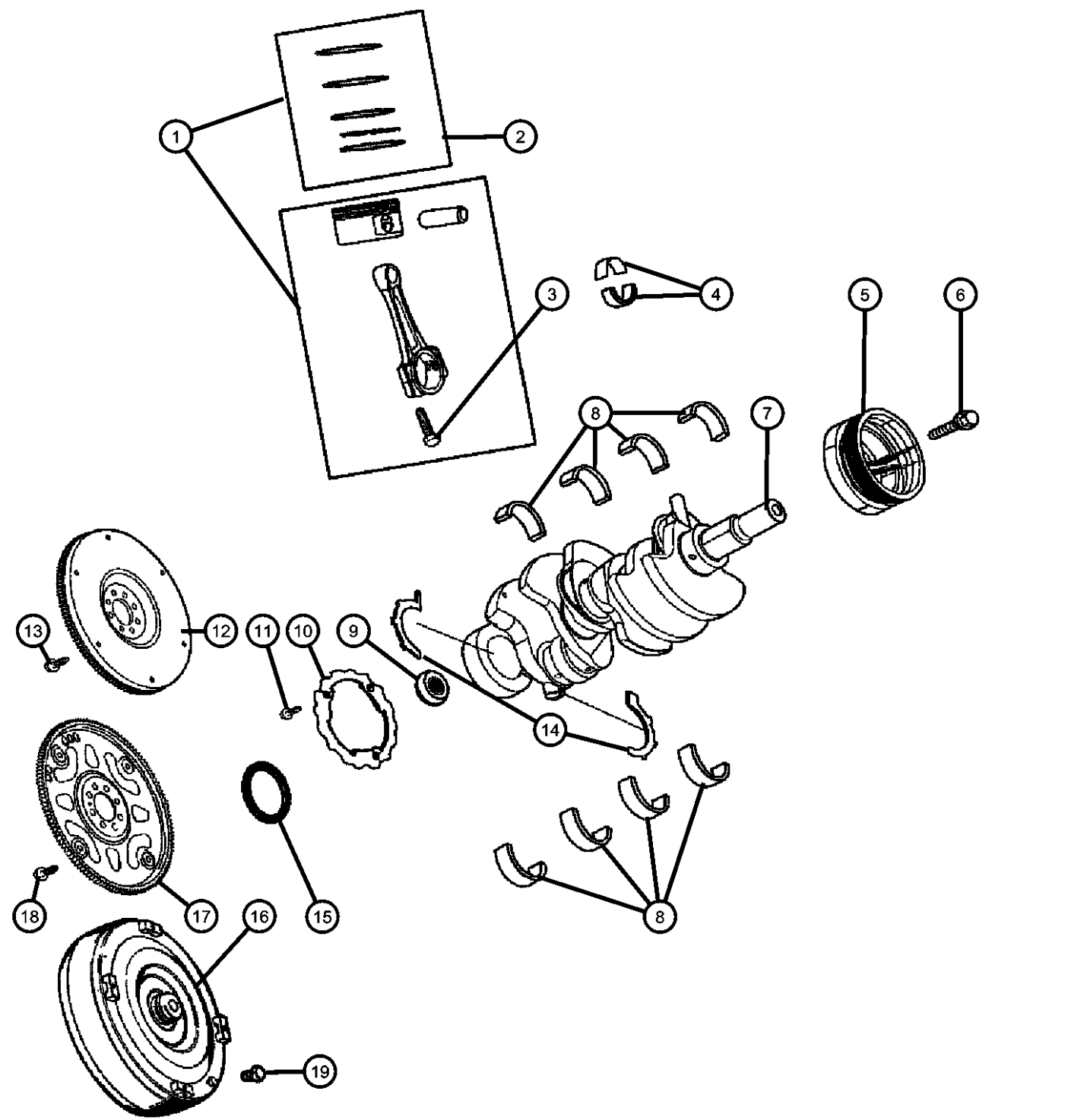
ENGINE
EKG = 3.7L V6 Engine
EVA = 4.7L V8 MPI Engine
EZB = 5.7L Hemi Multi Displacement Engine

TRANSMISSION
DGQ = 5-Spd Automatic 5-45RFE Transmission
DGJ = 5-Speed Automatic MB Transmission

AR = use ase required - = Non illustrated part

2006 WK

**Crankshaft, Piston and Torque Converter 3.7L [EKG]
Figure 3.7L-410**



ITEM	PART NUMBER	QTY	LINE	SERIES	BODY	ENGINE	TRANS	TRIM	DESCRIPTION
------	-------------	-----	------	--------	------	--------	-------	------	-------------

NOTES: For Crankshaft Identification, Stamping Location and Bearing Information Refer to the Service Manual
Sales Codes:
[DBB] = All Manual Transmissions
[DG0] = All Automatic Transmissions
[EK0] = All 3.7L 6 Cylinder Gas Engines

1									PISTON PIN AND ROD, STD, Superseded Piston No Longer Contains Piston Rings. Must Be Ordered Separate Up to 04/04/05
	05012362AC	6				EK0			After 04/04/05
	05019316AA	1				EK0			
2	05012364AD	6				EK0			RING PACKAGE, Piston, Standard Size
3	06503928	12				EK0			BOLT, Connecting Rod
4	05019447AA	6				EK0			BEARING PACKAGE, Connecting Rod, Standard
5	53020689AB	1				EK0, EVA			DAMPER, Crankshaft
6	06504415	1				EK0, EV0			SCREW AND WASHER, Damper/Pulley to Crankshaft, Mounting
7	53020959AB	1				EK0			CRANKSHAFT
8									BEARING PACKAGE, Crankshaft, A Grade
	05066733AB	4				EK0			[R] Crankshaft Mains 1 and 4
	05066736AB	4				EK0			[S] Crankshaft Mains 2 and 3
	05066734AB	4				EK0	DG0		[R] Crankshaft Mains 2 and 3
	05066735AB	4				EK0			[S] Crankshaft Mains 1 and 4
	05066739AB	4				EK0			[U] Crankshaft Mains 1 and 4
	05066737AB	4				EK0			[T] Crankshaft Mains 1 and 4
	05066738AB	4				EK0			[T] Crankshaft Mains 2 and 3
	05066740AB	4				EK0	DG0		[U] Crankshaft Mains 2 and 3
9	04736483AA	1				EK0	DGJ		BEARING, Pilot
10		1							RING, Tone, Serviced with Crankshaft, (NOT SERVICED)
11	06504480	3				EK0			SCREW, M6x1x25, Tone Ring, Mounting
12		3							FLYWHEEL, (NOT SERVICED)
13		3							BOLT, Flywheel, (NOT SERVICED)
14	05012356AC	1				EK0, EV0			WASHER PACKAGE, Washer, Thrust
15	53020788AB	1				EK0, EV0			SEAL, Crankshaft Bearing Oil
16									CONVERTER, Torque

GRAND CHEROKEE (WK)

SERIES LINE
H = HIGHLINE T = JEEP - 2WD
P = PREMIUM J = JEEP - 4WD
S = SPORT
X = SPECIAL

BODY
74 = SPORT UTILITY 4-DR

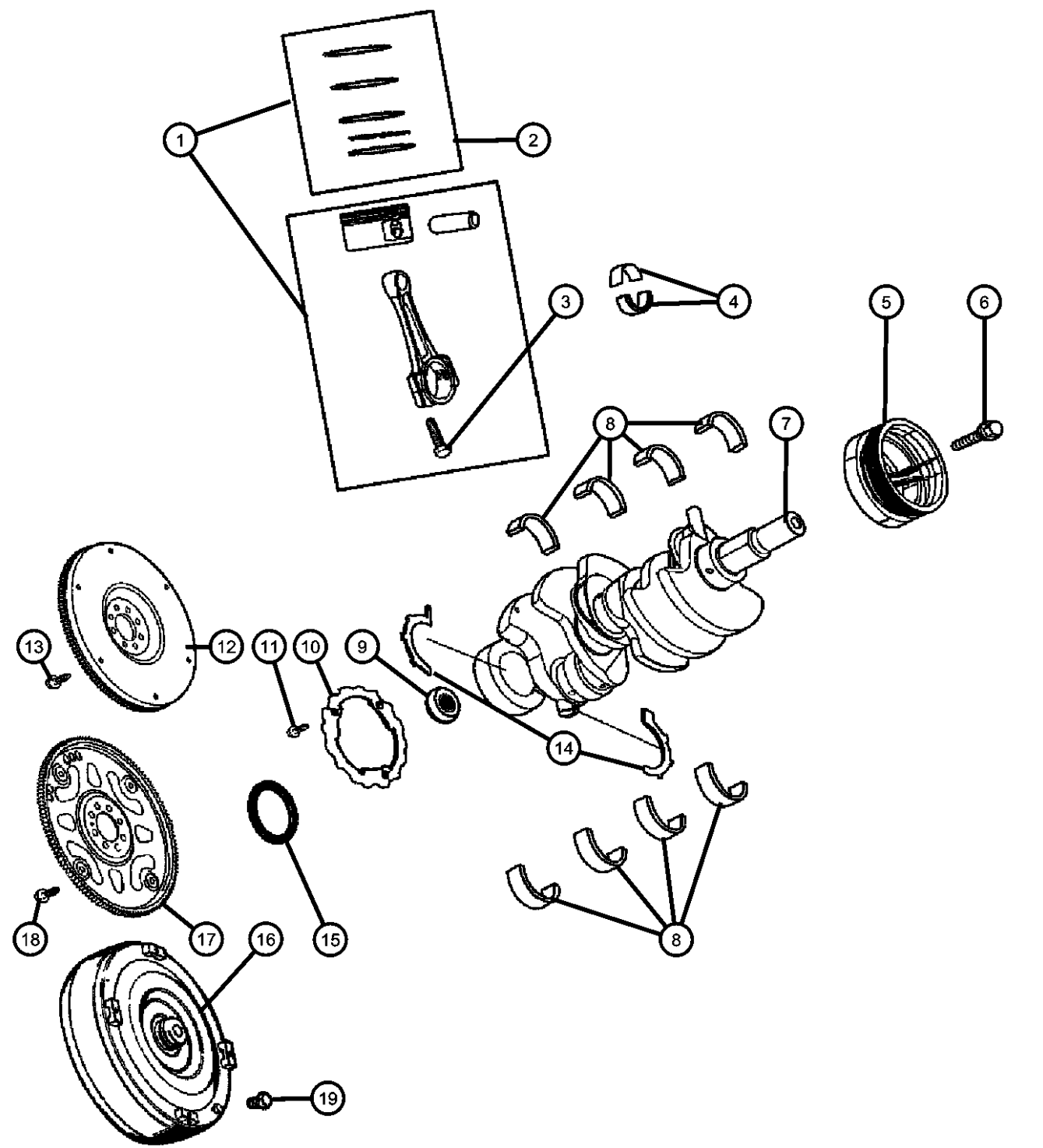
ENGINE
EKG = 3.7L V6 Engine
EVA = 4.7L V8 MPI Engine
EZB = 5.7L Hemi Multi Displacement Engine

TRANSMISSION
DGQ = 5-Spd Automatic 5-45RFE Transmission
DGJ = 5-Speed Automatic MB Transmission

AR = use ase required - = Non illustrated part

2006 WK

**Crankshaft, Piston and Torque Converter 3.7L [EKG]
Figure 3.7L-410**

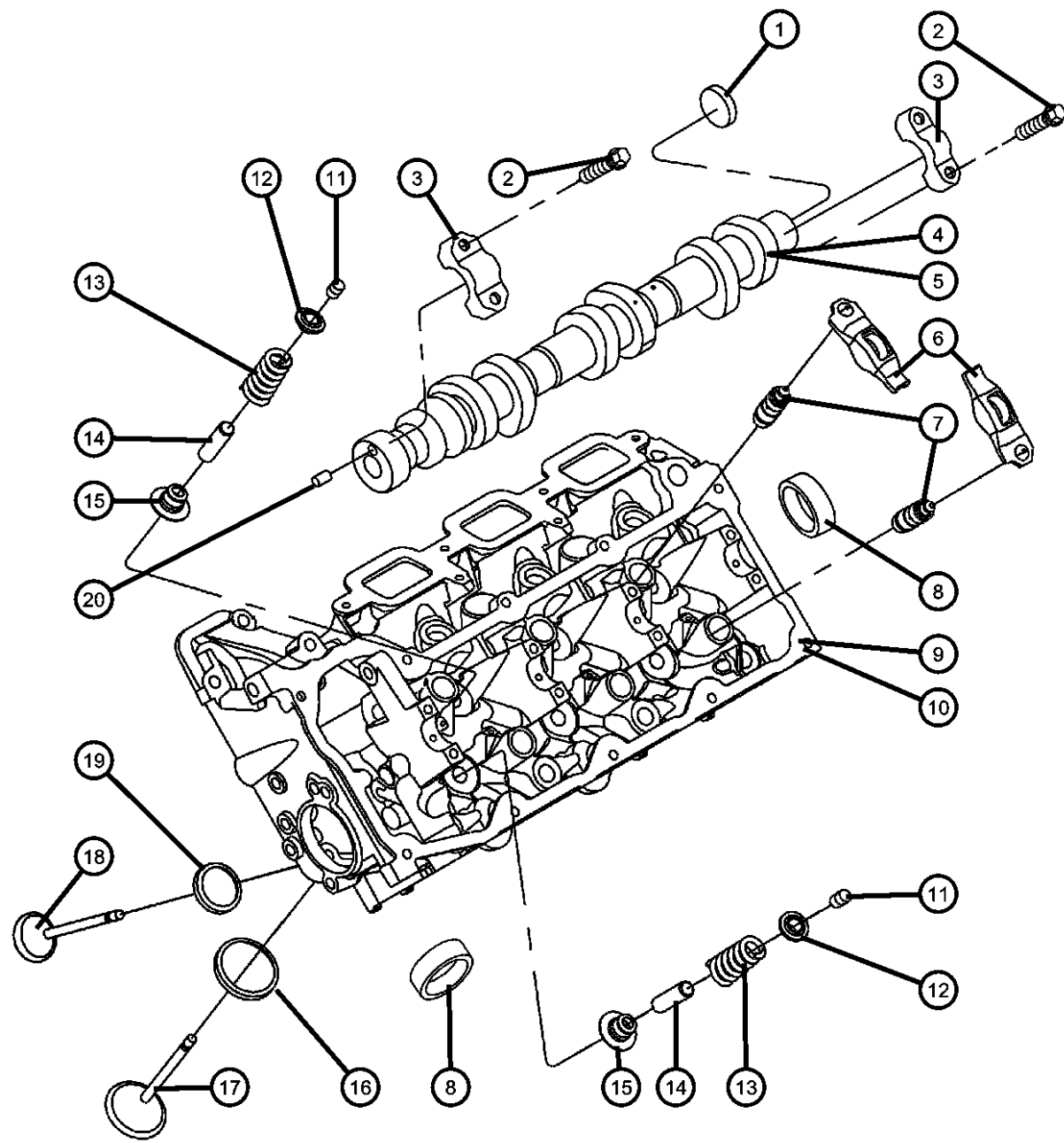


ITEM	PART NUMBER	QTY	LINE	SERIES	BODY	ENGINE	TRANS	TRIM	DESCRIPTION
	04752603AA	1	J			EK0	DGJ		
		1	T			EK0	DGJ		
17	04752574AB	1				EK0	DG0		PLATE, Torque Converter Drive
18	06503465	8				EK0, EV0	DG0		BOLT, Drive Plate and Flywheel, Drive Plate to Crankshaft, Mounting
19	06507095AA	6				EK0	DG0		SCREW, Drive Plate to Torque Converter, Mounting

GRAND CHEROKEE (WK)				
SERIES	LINE	BODY	ENGINE	TRANSMISSION
H = HIGHLINE	T = JEEP - 2WD	74 = SPORT UTILITY 4-DR	EKG = 3.7L V6 Engine	DGQ = 5-Spd Automatic 5-45RFE Transmission
P = PREMIUM	J = JEEP - 4WD		EVA = 4.7L V8 MPI Engine	DGJ = 5-Speed Automatic MB Transmission
S = SPORT			EZB = 5.7L Hemi Multi Displacement Engine	
X = SPECIAL				

AR = use ase required - = Non illustrated part

**Camshaft And Valves, 3.7L [EKG]
Figure 3.7L-510**



ITEM	PART NUMBER	QTY	LINE	SERIES	BODY	ENGINE	TRANS	TRIM	DESCRIPTION
1		6							WASHER, (NOT REQUIRED)
2	06505034AA	8				EK0			SCREW, M6x1x40, Cam Cap Mounting, Right or Left
3		8							CAP, Serviced With Head Only, (NOT SERVICED)
4	53021893AA	1				EK0			CAMSHAFT, Engine, Left
5	53021892AA	1				EK0			CAMSHAFT, Engine, Right
6	53021913AB	6				EK0			ROCKER ARM, ValveRight or Left
7	53021894AA	6				EK0			ADJUSTER, Valve LashRight or Left
8	04556020	2				EK0			PLUG, Core, 1.25 Diameter
9	53020987AC	1				EK0			HEAD, Cylinder, Left
10	53020988AC	1				EK0			HEAD, Cylinder, Right
11	04536513AB	12				EK0			LOCK, Valve Spring RetainerRight or Left
12	04781090AA	6				EK0			RETAINER, Valve SpringRight or Left
13									SPRING, Valve
	53021873AA	3				EK0			Exhaust
	53021887AA	3				EK0			Intake
14		3							INSERT, Valve Guide, Serviced With Head Only, (NOT SERVICED)
15	53020752AD	6				EK0			SEAL, Valve GuideRight or Left
16		6							SEAT, Intake Valve, Serviced With Head Only, (NOT SERVICED)
17	53020747AB	3				EK0			VALVE, Intake, StandardRight or Left
18	53021644AB	3				EK0			VALVE, Exhaust, StandardRight or Left
19		3							SEAT, Exhaust Valve, Serviced With Head Only, (NOT SERVICED)
20	06100902	1				EK0			DOWEL, M6x14, Sprocket to Cam, Mounting

GRAND CHEROKEE (WK)				
SERIES	LINE	BODY	ENGINE	TRANSMISSION
H = HIGHLINE	T = JEEP - 2WD	74 = SPORT UTILITY 4-DR	EKG = 3.7L V6 Engine	DGQ = 5-Spd Automatic 5-45RFE
P = PREMIUM	J = JEEP - 4WD		EVA = 4.7L V8 MPI Engine	Transmission
S = SPORT			EZB = 5.7L Hemi Multi	DGJ = 5-Speed Automatic MB
X = SPECIAL			Displacement Engine	Transmission

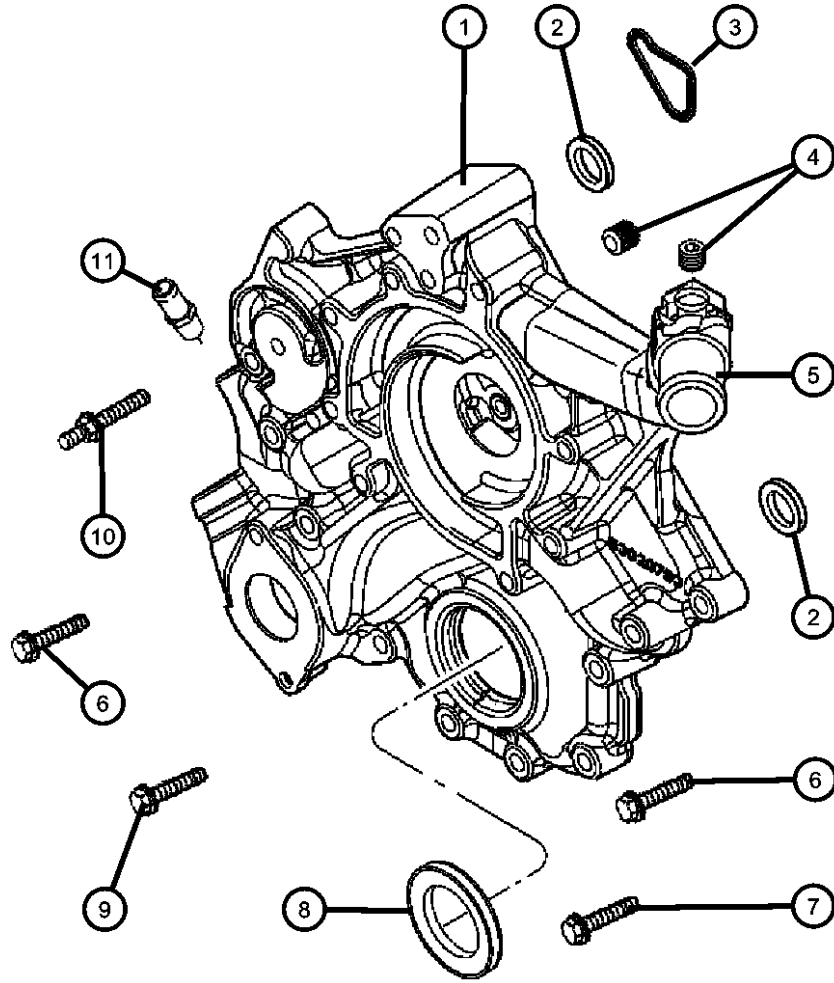
AR = use ase required - = Non illustrated part

**Timing Cover 3.7L [EGK]
Figure 3.7L-610**

ITEM	PART NUMBER	QTY	LINE	SERIES	BODY	ENGINE	TRANS	TRIM	DESCRIPTION
------	-------------	-----	------	--------	------	--------	-------	------	-------------

NOTES:
Sales Codes
[EK0] = All 3.7L 6 Cylinder Gas Engines

1	53021238AB	1				EK0			COVER, Chain Case, Items 2,3,4,5,6,7 Included
2	53021239AA	2				EK0			O RING, Also serviced with Cover, Chain Case Cover, Mounting
3	53021226AA	1				EK0			GASKET, Chain Case Cover, Also serviced with Cover
4	06034331	3				EK0			PLUG, Hex Socket, 3/8-18NPTx.475, Also serviced with Cover
5		3							PIPE FITTING, Chain Case Cover, .375-18x2, Serviced with Cover, (NOT SERVICED)
6	06507776AA	3				EK0			SCREW, Hex Flange Head, Chain Case Cover, Mounting
7	06102380AA	5				EK0, EV0			SCREW, Hex Flange Head, Chain Case Cover, Mounting
8	53021313AA	1				EK0			SEAL, Crankshaft Oil, Front, Also serviced with Cover
9	06102381AA	5				EK0, EV0			SCREW, Hex Flange Head, Chain Case Cover, Mounting
10	06505566AA	1				EK0, EV0			STUD, Chain Case Cover, Mounting
11	06035854	2				EK0			NIPPLE, Also serviced with Cover



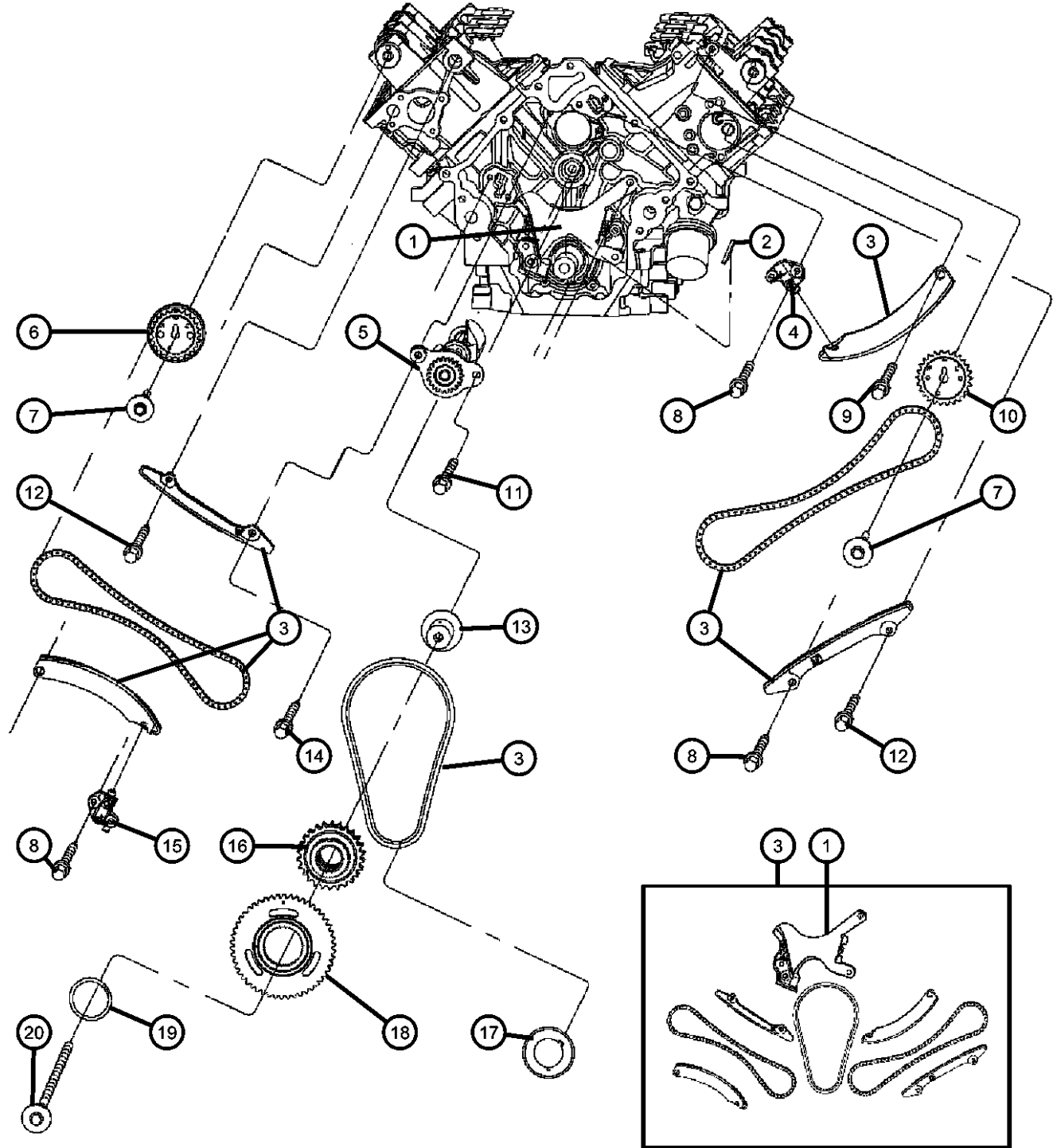
GRAND CHEROKEE (WK)

SERIES	LINE	BODY	ENGINE	TRANSMISSION
H = HIGHLINE	T = JEEP - 2WD	74 = SPORT UTILITY 4-DR	EKG = 3.7L V6 Engine	DGQ = 5-Spd Automatic 5-45RFE Transmission
P = PREMIUM	J = JEEP - 4WD		EVA = 4.7L V8 MPI Engine	DGJ = 5-Speed Automatic MB Transmission
S = SPORT			EZB = 5.7L Hemi Multi Displacement Engine	
X = SPECIAL				

AR = use ase required - = Non illustrated part

2006 WK

**Timing Chain And Guides, 3.7L [EKG]
Figure 3.7L-620**

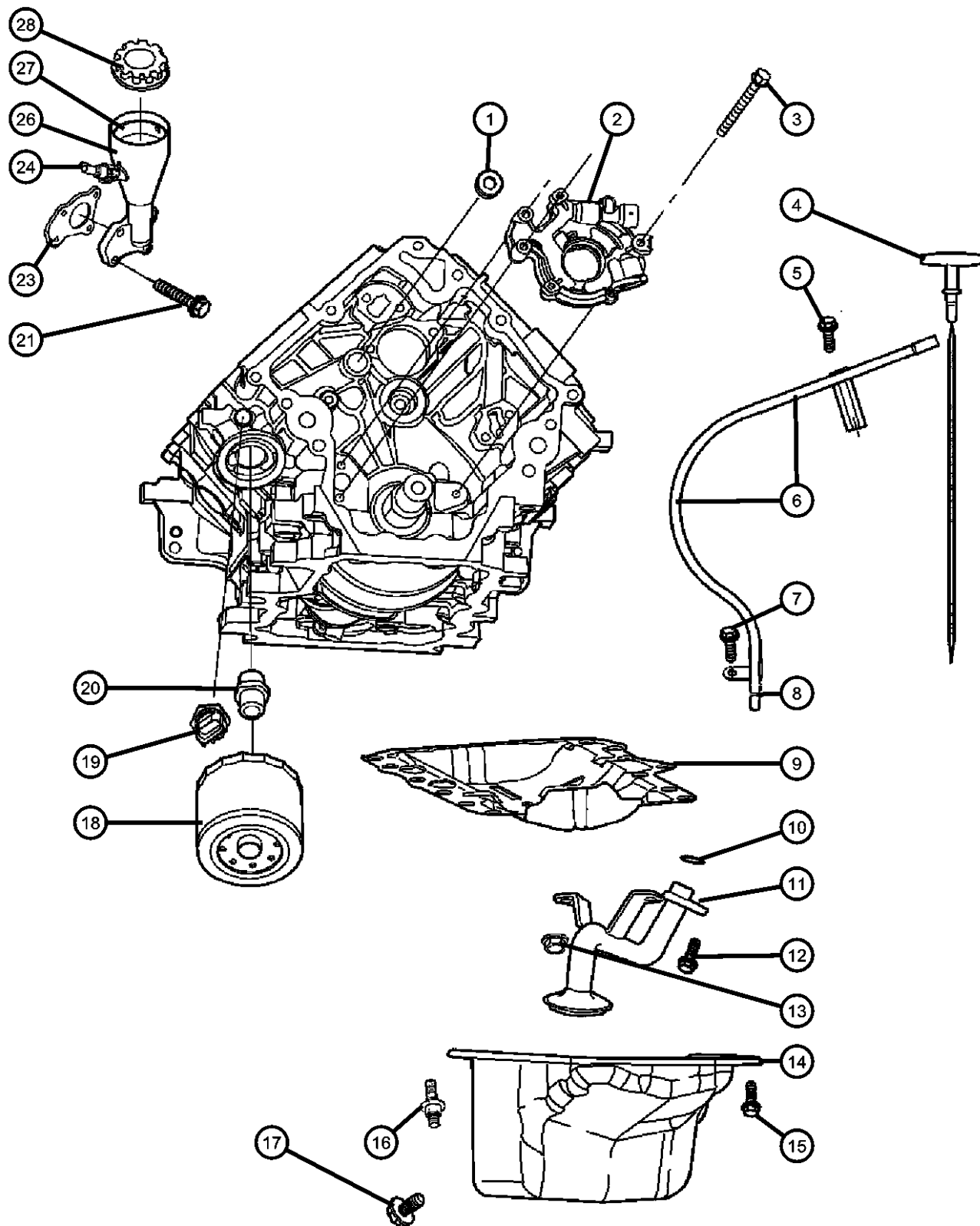


ITEM	PART NUMBER	QTY	LINE	SERIES	BODY	ENGINE	TRANS	TRIM	DESCRIPTION
Note; Sales Codes [EK0]= All 3.7L, 6 Cylinder Gas									
1	53020681	1				EK0, EVO			TENSIONER, Chain, Primary
2	06504471	1				EK0, EVO			KEY, Woodruff, Crankshaft Sprocket, Mounting
3	05019423AD	1				EK0			TIMING DRIVE PACKAGE, Engine
4	53021250AA	1				EK0			TENSIONER, Chain, Secondary, Left
5	53020818	1				EK0			SHAFT, Balance
6	53021291AD	1				EK0			SPROCKET, Camshaft, Right
7	06504429	2				EK0, EVO			SCREW AND WASHER, Hex, Camshaft Sprocket, Mounting
8	06503257	5				EK0			BOLT, Hex Head, M8x1.25x37.50, Chain Guide/Tensioner, Mounting
9	06506028AA	2				EK0			SCREW, Secondary Tensioner Arm, Mounting
10	53021290AA	1				EK0			SPROCKET, Camshaft, Left
11	06100295	1				EK0			SCREW AND WASHER, Hex Head, M8x1.25x20, Thrust Plate, Mounting
12	06102111AA	2				EK0, EVO			SCREW AND WASHER, Guide, Mounting
13	53020835	1				EK0, EVO			SHAFT, Idler
14	06102190AA	1				EK0			SCREW, Guide, Mounting
15	53021249AA	1				EK0			TENSIONER, Chain, Secondary, Right
16	53021298AB	1				EK0			SHAFT, Balance, Driver
17	53020679	1				EK0			SPROCKET, Crankshaft
18	53021170AA	1				EK0			SPROCKET, Idler
19		1							RETAINING RING, Idler, (NOT SERVICED)
20	06504370	1				EK0, EVO			SCREW AND WASHER, Hex, Idler Sprocket, Mounting

GRAND CHEROKEE (WK)		BODY	ENGINE	TRANSMISSION
SERIES	LINE	74 = SPORT UTILITY 4-DR	EKG = 3.7L V6 Engine	DGQ = 5-Spd Automatic 5-45RFE
H = HIGHLINE	T = JEEP - 2WD		EVA = 4.7L V8 MPI Engine	Transmission
P = PREMIUM	J = JEEP - 4WD		EZB = 5.7L Hemi Multi	DGJ = 5-Speed Automatic MB
S = SPORT			Displacement Engine	Transmission
X = SPECIAL				

AR = use ase required - = Non illustrated part

**Engine Oiling, 3.7L [EKG]
Figure 3.7L-710**



ITEM	PART NUMBER	QTY	LINE	SERIES	BODY	ENGINE	TRANS	TRIM	DESCRIPTION
Note; Sales Code [EK0]= All 3.7L 6 Cylinder Gas Engine									
1	06036114AA	4				EK0, EV0			PLUG, Pipe, Cylinder Block Oil Hole
2	53020827AB	1				EK0, EV0			PUMP, Engine Oil
3	06100932	2				EK0, EV0			BOLT, Hex, Oil Pump, Mounting
4	53021747AD	1				EK0			INDICATOR, Engine Oil Level
5	06102050AA	1				EK0			SCREW, Hex Flange Head, M6.3 x 1.81 x 15.00, Oil Level Indicator Tube, Mounting
6	53021741AD	1				EK0			TUBE, Engine Oil Indicator
7	06504810AA	1				EK0, EV0			SCREW AND WASHER, Hex, Oil Level Indicator Tube, Mounting
8	53021144AA	1				EK0			O RING, Engine Oil Indicator
9	53021001AB	1				EK0			GASKET, Oil PanMounting
10	53020861	1				EK0, EV0			SEAL, Oil Pick Up Tube
11	53021776AA	1				EK0			TUBE, Oil Pickup
12	06102046AA	1				EK0, EV0			SCREW AND WASHER, Pickup Tube, Mounting
13	06502756	2				EK0			NUT, Hex Lock, M8x1.25, Pickup Tube, Mounting
14	53021755AA	1				EK0			PAN, Engine Oil, With Plug
15	06504810AA	16				EK0			SCREW AND WASHER, Hex, Oil Pan to Block, Mounting
16	06505889AA	1				EK0			STUD, Oil Pan to Block, Mounting
17	06506100AA	1				EK0			PLUG, Oil Drain
18	04781452BB	1				EK0			FILTER, Engine Oil
19	04868672AA	1				EV0, EK0			SWITCH, Oil Pressure
20	53007563	1				EK0, EV0			CONNECTOR, Oil Filter
21	06505504AA	3				EK0, EV0			SCREW, Oil Fill Housing to Cylinder Block, Mounting
-22	06505566AA	1				EK0, EV0			STUD, Oil Fill Housing to Cylinder Block, Mounting
23	53020889AC	1				EK0			GASKET, Oil Fill Housing
24	53032800AA	1				EK0			VALVE, Crankcase Vent
-25	53031711AA	1				EK0			O RING
26	53020890	1				EK0			HOUSING, Oil Fill
27	53032126AA	1				EK0			BAFFLE, Oil Fill, None
28	53032389AD	1				EK0			CAP, Oil Filler, With 5W30 Marking

GRAND CHEROKEE (WK)

SERIES LINE
H = HIGHLINE T = JEEP - 2WD
P = PREMIUM J = JEEP - 4WD
S = SPORT
X = SPECIAL

BODY
74 = SPORT UTILITY 4-DR

ENGINE
EKG = 3.7L V6 Engine
EVA = 4.7L V8 MPI Engine
EZB = 5.7L Hemi Multi Displacement Engine

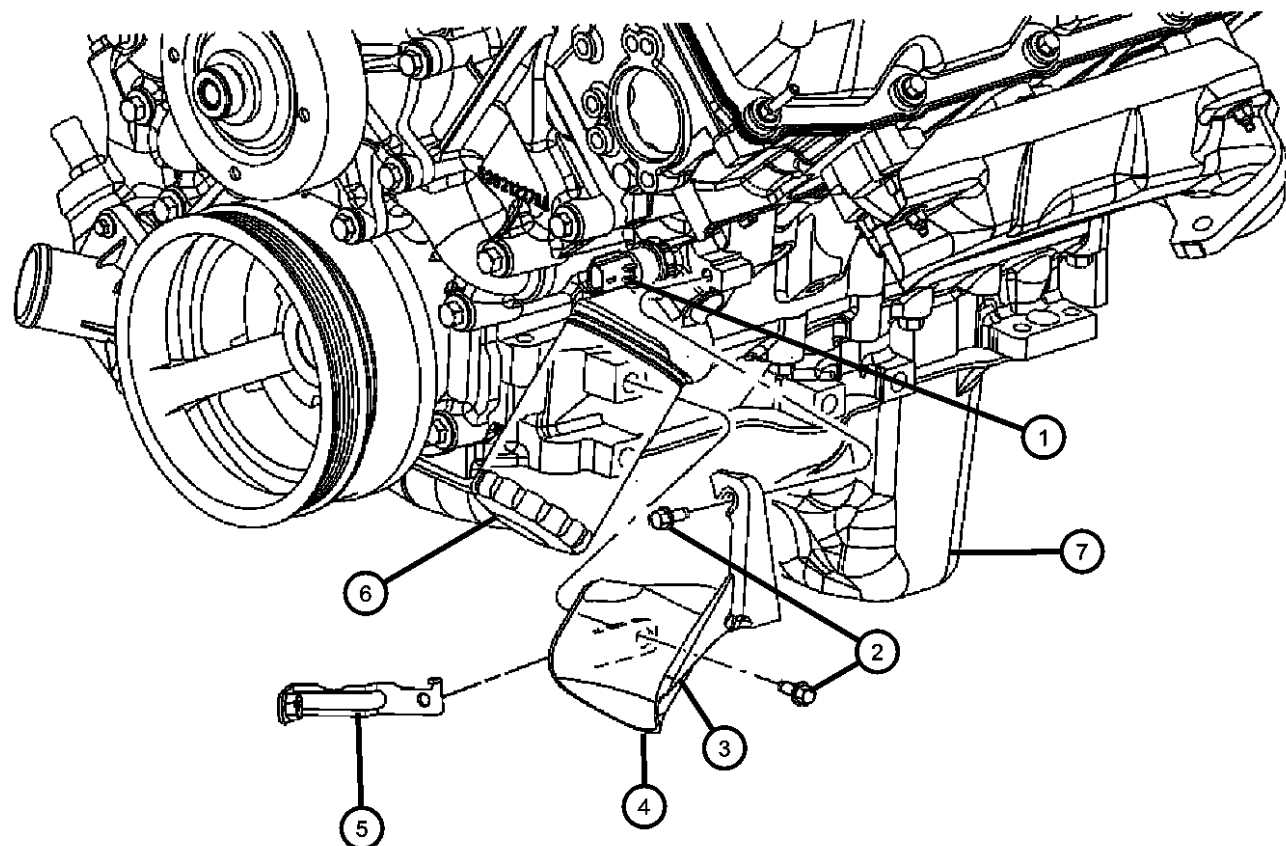
TRANSMISSION
DGQ = 5-Spd Automatic 5-45RFE Transmission
DGJ = 5-Speed Automatic MB Transmission

AR = use ase required - = Non illustrated part

2006 WK

**Engine Oil Filter And Splash Guard 3.7L [EKG]
Figure 3.7L-720**

ITEM	PART NUMBER	QTY	LINE	SERIES	BODY	ENGINE	TRANS	TRIM	DESCRIPTION
------	-------------	-----	------	--------	------	--------	-------	------	-------------



NOTE:

Sales Codes:

- [DGJ] = 5-Speed Automatic W5A580 Transmission
- [DGQ] = 5-Speed Automatic 545RFE Transmission
- [DGU] = 5-Speed Automatic W5J400 Transmission
- [DG0] = All Automatic Transmissions
- [DHB] = Quadra -Trac Active On Demand NVG 146 Transfer Case
- [DHX] = Quadra -Trac 2 Full Time Active NVG 245 Transfer Case
- [DHZ] = Quadra -Trac 1 Full time 4WD NVG 140 Transfer Case
- [EKG] = 3.7L [Magnum] V-6 Engine
- [EK0] = All 3.7L 6-Cylinder Gas Engines
- [ESF] = 6.1L SRT Hemi SMPI V-8 Engine
- [ES0] = All 6.1L 8-Cylinder Gas Engines
- [EVA] = 4.7L [Magnum] V-8 Engine
- [EVD] = 4.7L V-8 FFV Engine
- [EV0] = All 4.7L 8-Cylinder Gas Engines
- [EXL] = 3.0L V-6 Turbo Diesel Engine
- [EX0] = All 3.0L Cylinder Turbo Diesel Engines
- [EZB] = 5.7L Hemi Multi-Displacement Engine
- [EZ0] = All 5.7L 8-Cylinder Gas Engines
- [NAA] = Federal Emissions
- [NAE] = California Emissions
- [NAS] = 50 State Emissions
- [NA1] = Export Emissions
- [XEF] = Transfer Case Skid Plate Sheild

1	05149097AA	1				EK0, EV0			SWITCH, Oil Pressure
2	06505178AA	1				EK0, EV0			SCREW, Hex Head, [M8X1.25X25.00] Bracket To Cradle, Mounting
		1				EK0, EV0			Splash Gurard To Cradle, Mounting
		1				EK0, EV0			Splash Guard To Bracket, Mounting
3	53013815AA	1				EK0			SPLASH GUARD, Engine Oil
4	53013710AC	1				EK0, EV0			GUARD, SplashSecondary
5	53013737AC	1				EK0, EV0			BRACKET
6	04781452BB	1				EK0			FILTER, Engine Oil
7	53021755AA	1				EK0			PAN, Engine Oil

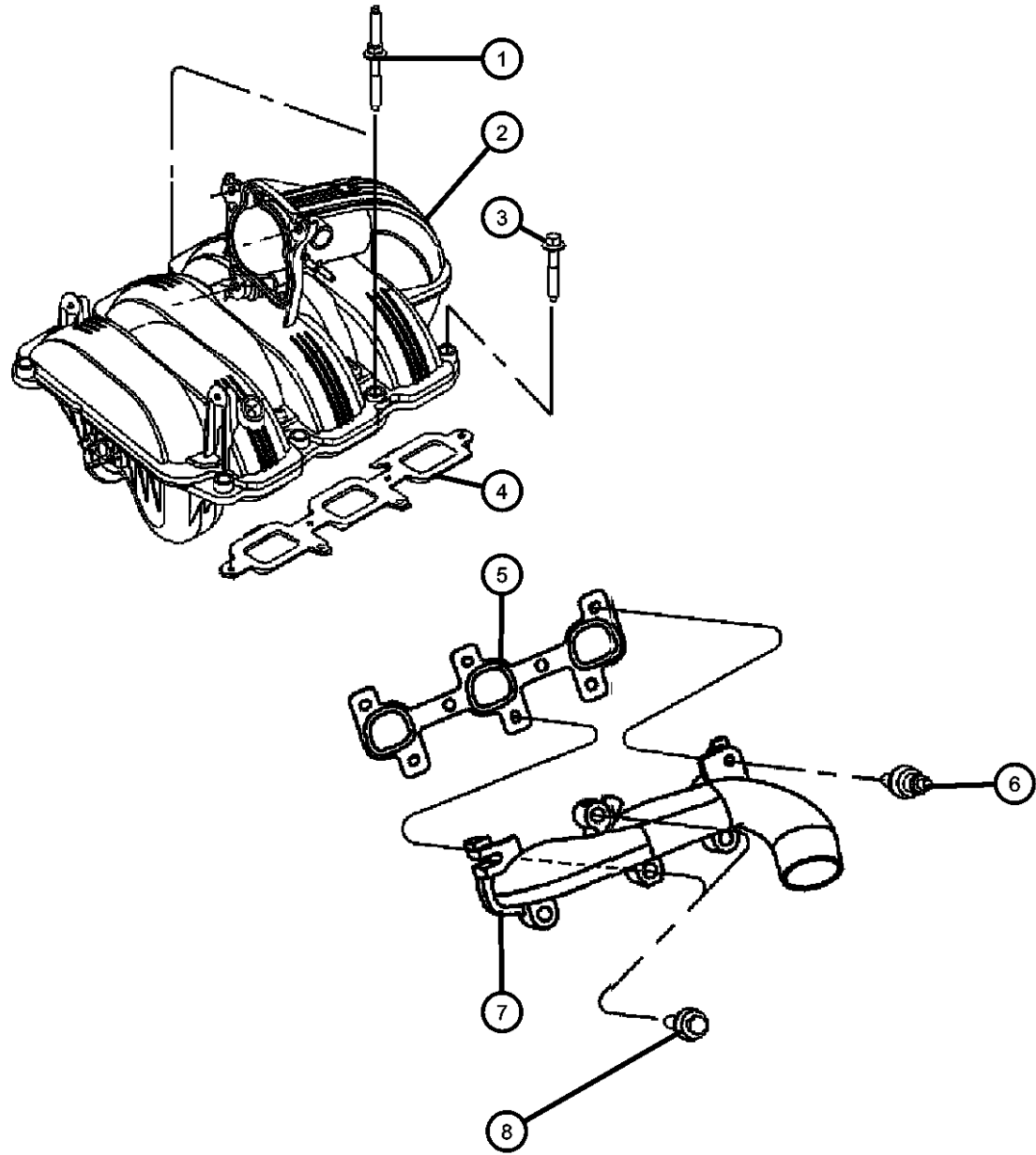
GRAND CHEROKEE (WK)

SERIES	LINE	BODY	ENGINE	TRANSMISSION
H = HIGHLINE	T = JEEP - 2WD	74 = SPORT UTILITY 4-DR	EKG = 3.7L V6 Engine	DGQ = 5-Spd Automatic 5-45RFE Transmission
P = PREMIUM	J = JEEP - 4WD		EVA = 4.7L V8 MPI Engine	DGJ = 5-Speed Automatic MB Transmission
S = SPORT			EZB = 5.7L Hemi Multi Displacement Engine	
X = SPECIAL				

AR = use ase required - = Non illustrated part

2006 WK

**Manifolds, Intake and Exhasut 3.7L [EKG]
Figure 3.7L-810**



ITEM	PART NUMBER	QTY	LINE	SERIES	BODY	ENGINE	TRANS	TRIM	DESCRIPTION
Note:Sales Codes [EK0] = All 3.7L 6 Cylinder Gas Engines									
1	06507434AA	7				EK0			STUD, Double Ended, Intake Manifold to Cylinder Head, Mounting
2	53032795AB	1				EK0			MANIFOLD, Intake
3	06507661AA	2							SCREW, Hex Flange Head, Intake Manifold to Cylinder Head, Mounting
4	53010310AB	6				EK0			SEAL, Intake Manifold, Intake Manifold to Cylinder Head, Mounting
5									GASKET, Exhaust Manifold
	53031090	1				EK0			Right
	53031091	1				EK0			Left
6	06508220AA	8				EK0			STUD, Exhaust Manifold, Exhaust Manifold to Cylinder Head, Mounting
7									MANIFOLD, Exhaust
	53013691AA	1				EK0			Left
	53013692AA	1				EK0			Right
8	06507746AA	4				EK0			BOLT, Exhaust Manifold, Exhaust Manifold to Cylinder Head, Mounting
-9	53032787AA	1				EK0			PAD, Engine

GRAND CHEROKEE (WK)

SERIES	LINE	BODY	ENGINE	TRANSMISSION
H = HIGHLINE	T = JEEP - 2WD	74 = SPORT UTILITY 4-DR	EKG = 3.7L V6 Engine	DGQ = 5-Spd Automatic 5-45RFE
P = PREMIUM	J = JEEP - 4WD		EVA = 4.7L V8 MPI Engine	Transmission
S = SPORT			EZB = 5.7L Hemi Multi	DGJ = 5-Speed Automatic MB
X = SPECIAL			Displacement Engine	Transmission

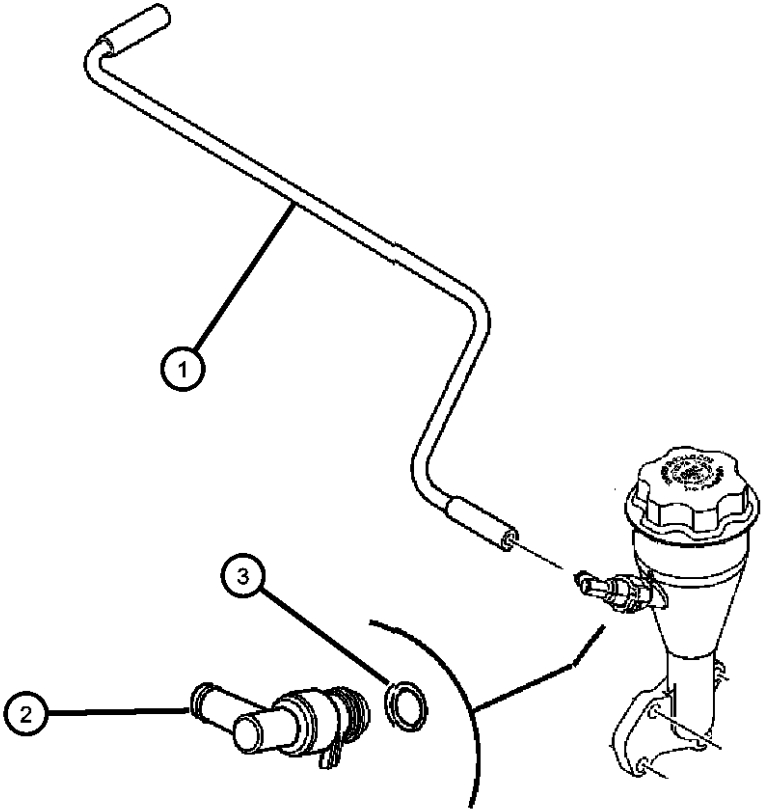
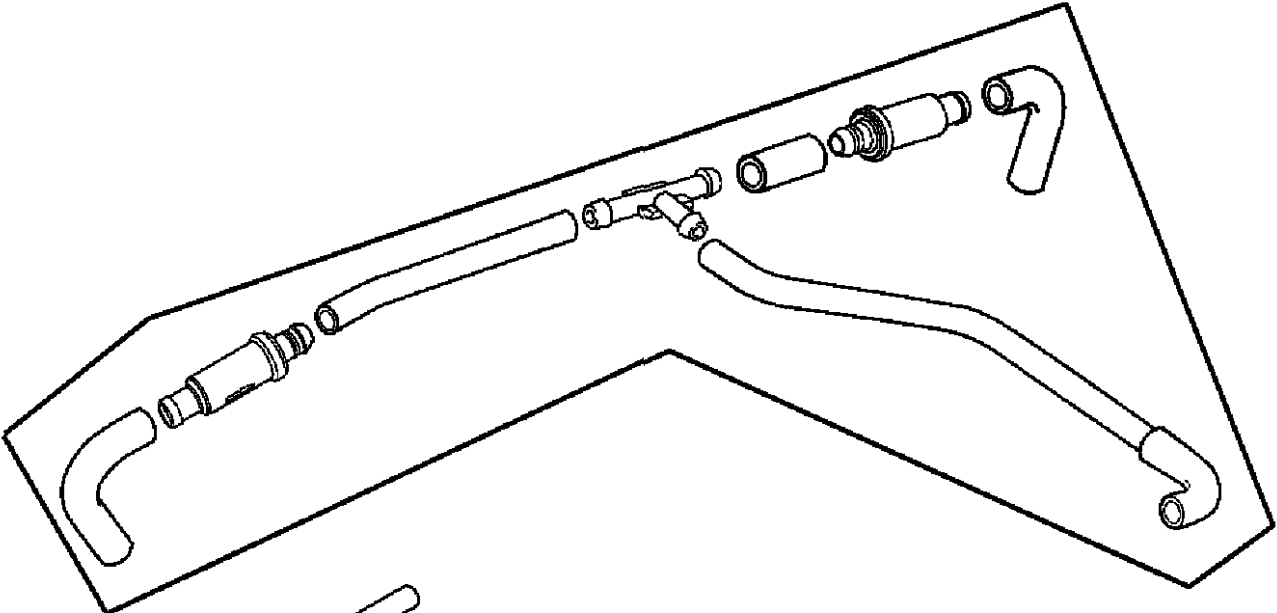
AR = use ase required - = Non illustrated part

**Crankcase Ventilation, 3.7L [EKG]
Figure 3.7L-910**

ITEM	PART NUMBER	QTY	LINE	SERIES	BODY	ENGINE	TRANS	TRIM	DESCRIPTION
------	-------------	-----	------	--------	------	--------	-------	------	-------------

NOTE:
Sales Code:
[EV0] = All 4.7L V-8 Engines

1	53013758AB	1				EK0			TUBE, Crankcase Vent To Air Cleaner
2	53032800AA	1				EK0			VALVE, Crankcase Vent
3	53031711AA	1				EK0			O RING
-4	06035854	2				EK0			NIPPLE



GRAND CHEROKEE (WK)

SERIES	LINE	BODY	ENGINE	TRANSMISSION
H = HIGHLINE	T = JEEP - 2WD	74 = SPORT UTILITY 4-DR	EKG = 3.7L V6 Engine	DGQ = 5-Spd Automatic 5-45RFE Transmission
P = PREMIUM	J = JEEP - 4WD		EVA = 4.7L V8 MPI Engine	DGJ = 5-Speed Automatic MB Transmission
S = SPORT			EZB = 5.7L Hemi Multi Displacement Engine	
X = SPECIAL				

AR = use ase required - = Non illustrated part

2006 WK

Group - 4.7L

Engine 4.7L Eight Cylinder [EVA]

Group - 4.7L Engine 4.7L Eight Cylinder [EVA]

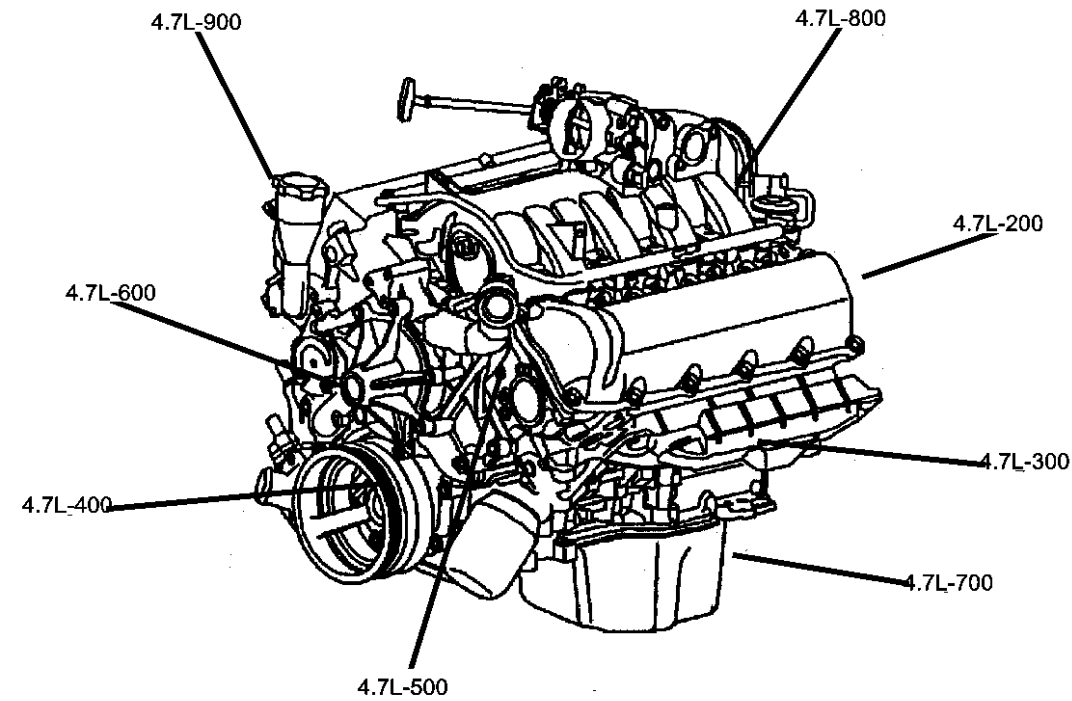


Illustration Title

Group-Fig. No.

Cylinder Head

Cylinder Head, 4.7L, [EVA] Fig. 4.7L - 210

Cylinder Block

Cylinder Block, 4.7L [EVA]..... Fig. 4.7L - 310

Crankshaft, Pistons and Torque Converter

Crankshaft,Pistons, Bearings, Torque Converter And Flywheel [EVA]..... Fig. 4.7L - 410

Camshafts and Valves

Camshaft And Valves, 4.7L [EVA] Fig. 4.7L - 510

Timing Belt and Cover

Timing Cover, 4.7L [EVA] Fig. 4.7L - 610

Timing Chain And Guides, 4.7L [EVA]..... Fig. 4.7L - 620

Engine Oiling

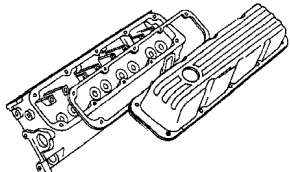
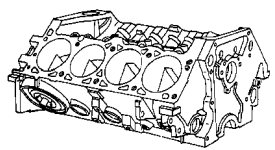
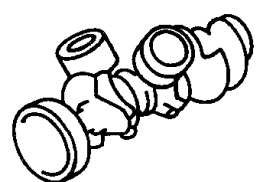
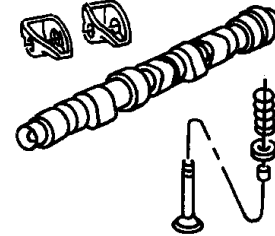
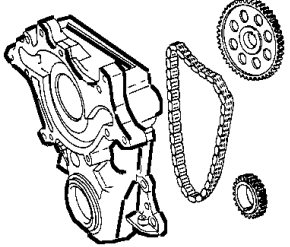
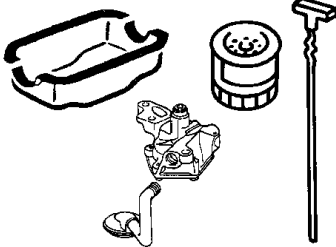
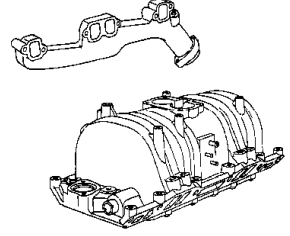
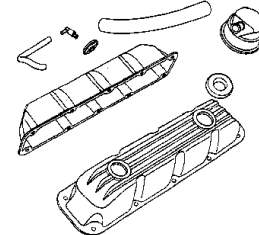
Engine Oiling 4.7L [EVA] Fig. 4.7L - 710

Manifolds

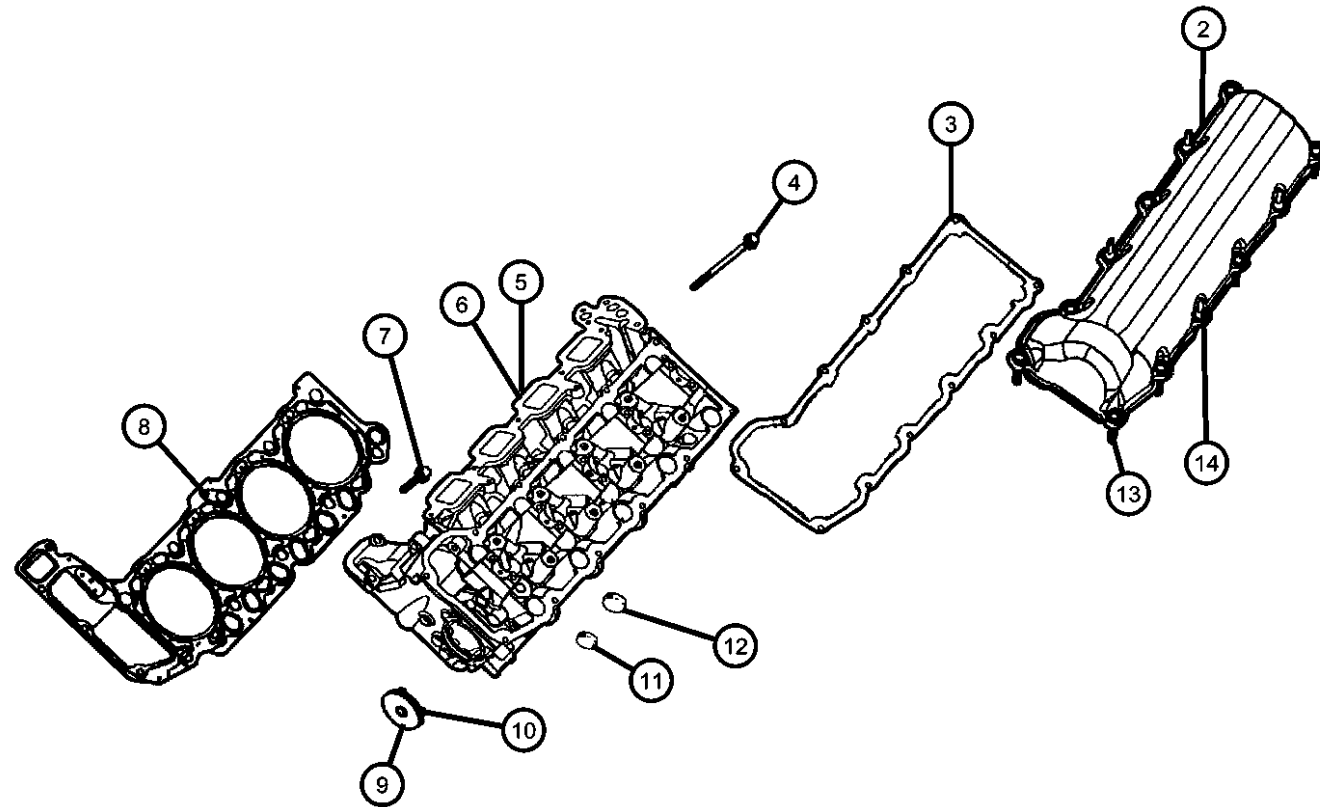
Manifolds, Intake and Exhaust 4.7L Fig. 4.7L - 810

Crankcase Ventilation

Crankcase Ventilation, 4.7L [EVA] Fig. 4.7L - 910

<p>4.7L-200 Cylinder Head</p> 	<p>4.7L-300 Cylinder Block</p> 	<p>4.7L-400 Crankshaft, Pistons and Torque Converter</p> 	<p>4.7L-500 Camshafts and Valves</p> 
<p>4.7L-600 Timing Belt and Cover</p> 	<p>4.7L-700 Engine Oiling</p> 	<p>4.7L-800 Manifolds</p> 	<p>4.7L-900 Crankcase Ventilation</p> 

**Cylinder Head, 4.7L, [EVA]
Figure 4.7L-210**



ITEM	PART NUMBER	QTY	LINE	SERIES	BODY	ENGINE	TRANS	TRIM	DESCRIPTION
NOTES: Upper Gasket Package Contains: Cylinder Head and Cylinder Head Cover Gaskets, Intake and Exhaust Manifold Gaskets, Throttle Body Sales Codes [EV0]= All 4.7L, 8 Cylinder Gas Engines									
-1	05135797AA	1				EVA	DG0		GASKET PACKAGE, Engine Upper, See Notes
2									COVER, Cylinder Head
	53021828AA	1				EV0			Includes Item 3, Right
	53021829AD	1				EV0			Includes Item 3, Left
3									GASKET, Valve Cover
	53021842AA	1				EV0			Includes Items 13,14, Right
	53021843AA	1				EV0			Includes Items 13,14, Left
4	06505528AA	20				EVA			SCREW AND WASHER, Hex Head, [M14x1.50x43.00], Cylinder Head, Mounting
5	53020798AB	1				EVA			HEAD, Cylinder, Right, Includes Items 11,12,15
6	53020797AC	1				EVA			HEAD, Cylinder, Left, Includes Items 11,12,15
7	06506785AA	8				EV0			SCREW AND WASHER, Hex Head, [M8x1.25x31.00], Cylinder Head, Mounting
8	53020673AC	2				EV0			GASKET, Cylinder HeadMounting
9	53021031	1				EK0, EV0			PLUG, Access Hole, Cylinder Head-Includes O-Ring
10	53021032	1				EK0, EV0			O RING, Access Hole Plug, Mounting
11	04556020	2				EVA			PLUG, Core, 1.25 Diameter, Water Jacket Core
12	06034331	2				EVA			PLUG, Hex Socket, 3/8-18NPTx.475, Water Jacket Vent
13		2							SCREW, Serviced in Cylinder Head Cover, (NOT SERVICED)
14		2							STUD, Serviced in Cylinder Head Cover, (NOT SERVICED)
-15	06036307AA	1				EVA			PLUG, Oil Gallery

GRAND CHEROKEE (WK)

SERIES LINE
H = HIGHLINE T = JEEP - 2WD
P = PREMIUM J = JEEP - 4WD
S = SPORT
X = SPECIAL

BODY
74 = SPORT UTILITY 4-DR

ENGINE
EKG = 3.7L V6 Engine
EVA = 4.7L V8 MPI Engine
EZB = 5.7L Hemi Multi Displacement Engine

TRANSMISSION
DGQ = 5-Spd Automatic 5-45RFE Transmission
DGJ = 5-Speed Automatic MB Transmission

AR = use ase required - = Non illustrated part

2006 WK

**Cylinder Block, 4.7L [EVA]
Figure 4.7L-310**

ITEM	PART NUMBER	QTY	LINE	SERIES	BODY	ENGINE	TRANS	TRIM	DESCRIPTION
------	-------------	-----	------	--------	------	--------	-------	------	-------------

NOTES:

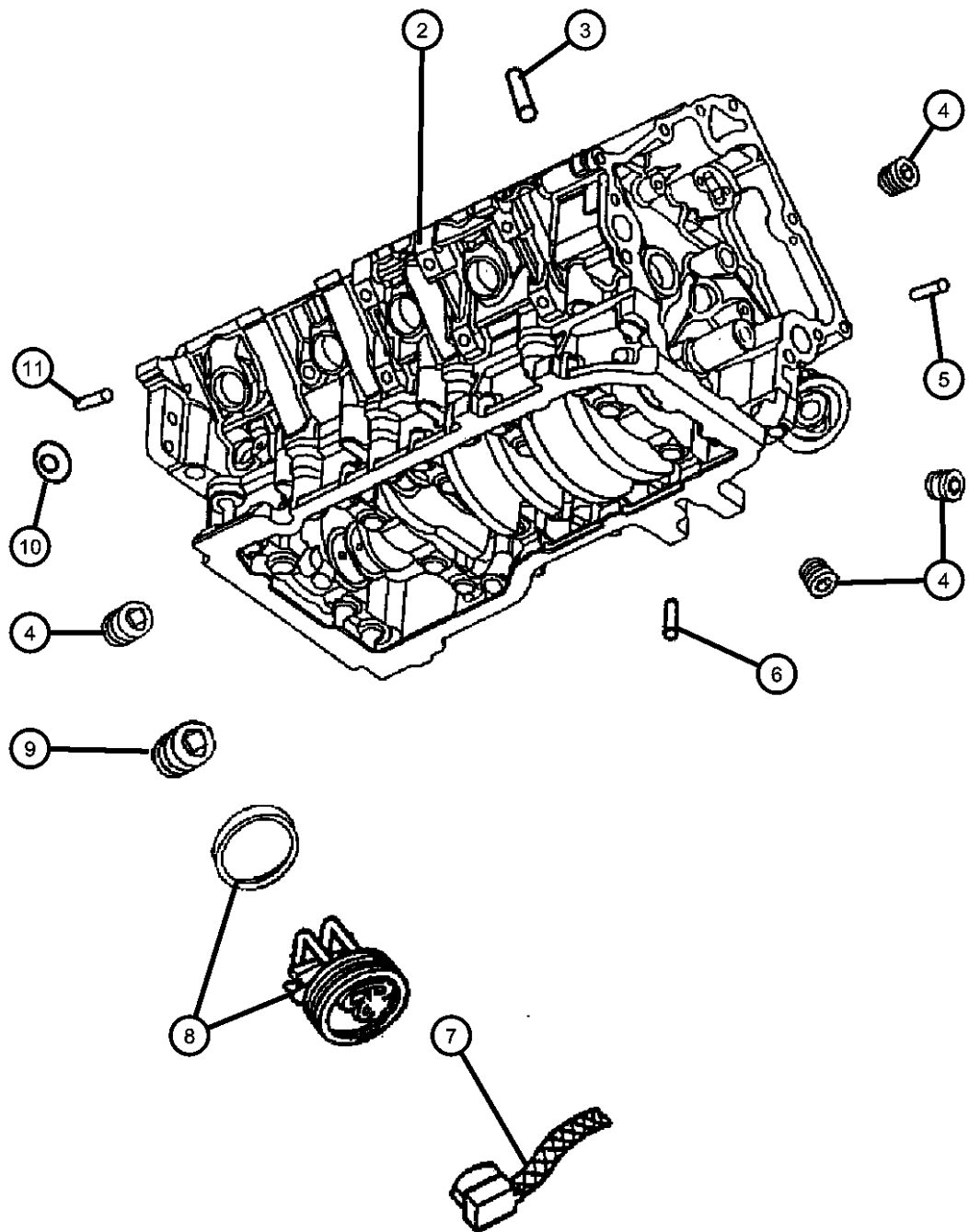
Lower Gasket Package contains: Front and Rear Crankshaft Seals, Oil Pick Up Tube Seal, Oil Pan, Chain Case and Water Pump Gaskets, Chain C

SALES CODES:

[EV0] = All 4.7L, 8 Cylinder Gas Engines

[EVA] = Next Generation 4.7L Magnum V8

-1	05135798AB	1				EVA	DG0		GASKET PACKAGE, Engine Lower
2	05102738AD	1				EVA	DG0		BLOCK, SHORT
3	05240849	4				EK0, EV0			DOWEL, Cylinder Block to Cylinder Head, Mounting
4	06036114AA	4				EK0, EV0			PLUG, Pipe, Cylinder Block Oil Hole
5	53010533AA	2				EV0			DOWEL, Cylinder Block to Front Cover, Mounting
6	06505457AA	3				EV0			PIN, Cylinder Block to Bedplate, Mounting
7	56027117	1				EK0, EV0			CORD, Engine Block Heater
8	82203640AB	1				EKG, EVA			HEATER PACKAGE, Engine Block PLUG
9	06034366	2				EV0			Cylinder Block Water Jacket Drain
	06036592AA	2				EV0			
10	06034804	10				EV0			PLUG, Core, 1.39 Diameter, Cylinder Block Water Jacket
11	01122532	2				EK0, EV0			DOWEL, Block To Clutch HousingMounting



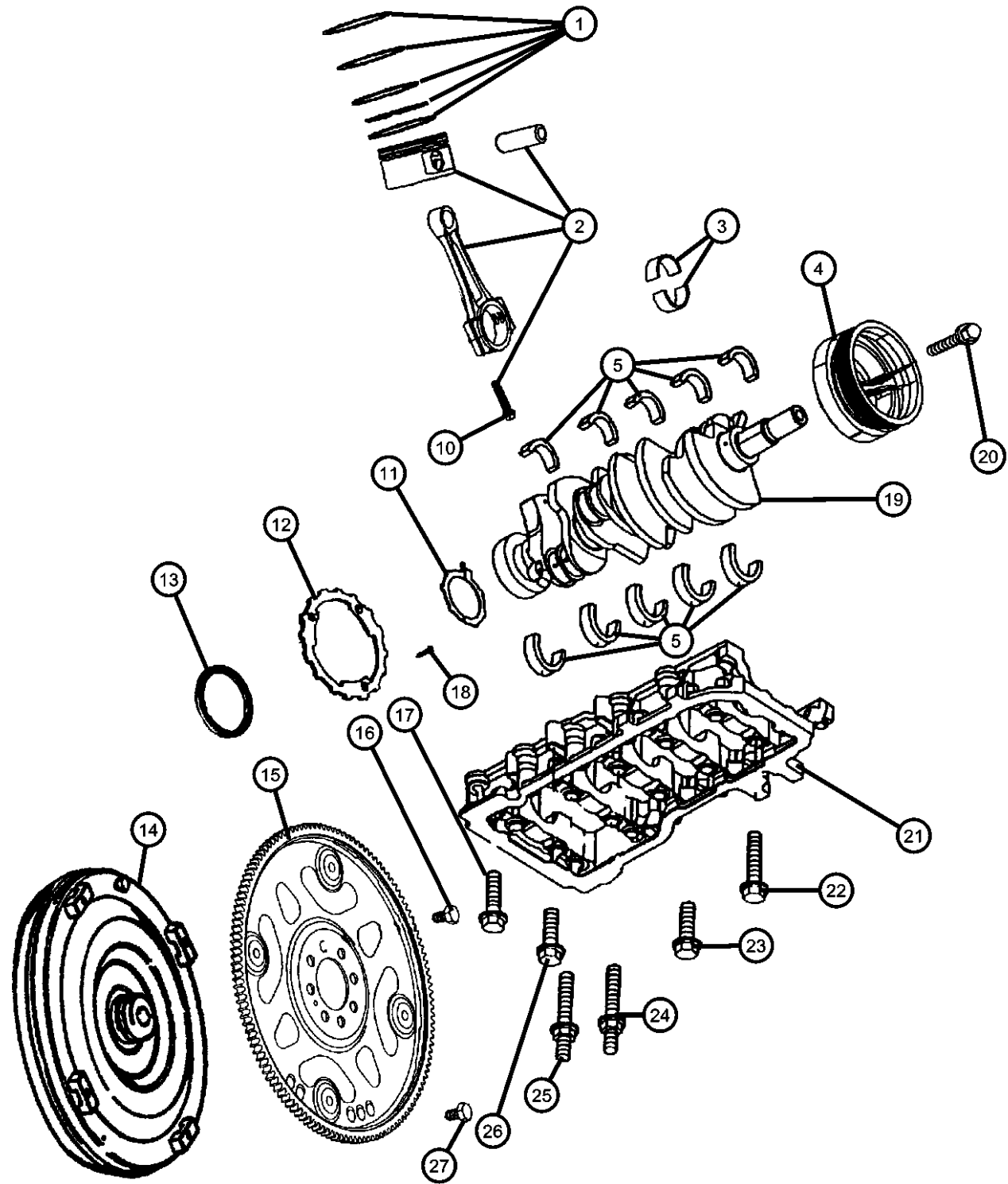
GRAND CHEROKEE (WK)

SERIES	LINE	BODY	ENGINE	TRANSMISSION
H = HIGHLINE	T = JEEP - 2WD	74 = SPORT UTILITY 4-DR	EKG = 3.7L V6 Engine	DGQ = 5-Spd Automatic 5-45RFE Transmission
P = PREMIUM	J = JEEP - 4WD		EVA = 4.7L V8 MPI Engine	DGJ = 5-Speed Automatic MB Transmission
S = SPORT			EZB = 5.7L Hemi Multi Displacement Engine	
X = SPECIAL				

AR = use ase required - = Non illustrated part

2006 WK

**Crankshaft,Pistons, Bearings, Torque Converter And Flywheel [EVA]
Figure 4.7L-410**



ITEM	PART NUMBER	QTY	LINE	SERIES	BODY	ENGINE	TRANS	TRIM	DESCRIPTION
Note; Sales Codes [DBB]= All Manual Transmissions [DG0]= All Automatic Transmissions [DGQ] = 5-Speed Automatic 5-45RF [EV0] = All 4.7L 8 Cylinder Gas Engines									
1	05012364AD	8				EVA			RING PACKAGE, Piston, Standard Size
2	05012362AC	8				EVA			PISTON PIN AND ROD, STD, Superseded Piston No Longer Contains Piston Rings. Must Be Ordered Seperate
3	05012363AC	16				EVA			BEARING PACKAGE, Connecting Rod, Standard
4	53020689AB	1				EK0, EVA			DAMPER, Crankshaft
5	05014183AA	5				EVA			BEARING PACKAGE, Crankshaft, A Grade
-6	05013586AB	5				EVA			BEARING PACKAGE, Crankshaft, B Grade
-7	05014186AA	5				EVA			BEARING PACKAGE, Crankshaft, C Grade
-8	05013587AA	5				EV0			BEARING PACKAGE, Crankshaft, .025mm Undersize
-9	05013588AA	5				EV0			BEARING PACKAGE, Crankshaft, .25mm Undersize
10	06503928	16				EVA			BOLT, Connecting Rod
11	05012356AC	1				EV0, EK0			WASHER PACKAGE, Washer
12		1							TONE RING, Sensor, Serviced in Crankshaft Assembly, (NOT SERVICED)
13	53020788AB	1				EK0, EV0			SEAL, Crankshaft Bearing Oil
14	04736352AA	1		J		EV0	DGQ		TORQUE CONVERTER
		1		T		EV0	DGQ		
15	04736604AA	1				EV0	DG0		PLATE, Torque Converter Drive
16	06503465	8				EK0, EV0	DG0		BOLT, Drive Plate and Flywheel, To Crankshaft, Mounting
17	06504411	7				EV0			SCREW, Crankshaft Bearing, Mounting
18	06504480	3				EVA	DG0		SCREW, M6x1x25, Tone Ring, Mounting
19	53021387AA	1				EVA	DG0		CRANKSHAFT
20	06504415	1				EK0, EV0			SCREW AND WASHER, Damper to Crankshaft, Mounting
21		1							BEDPLATE, Serviced in Short Block Assembly, (NOT SERVICED)

GRAND CHEROKEE (WK)

SERIES LINE
H = HIGHLINE T = JEEP - 2WD
P = PREMIUM J = JEEP - 4WD
S = SPORT
X = SPECIAL

BODY
74 = SPORT UTILITY 4-DR

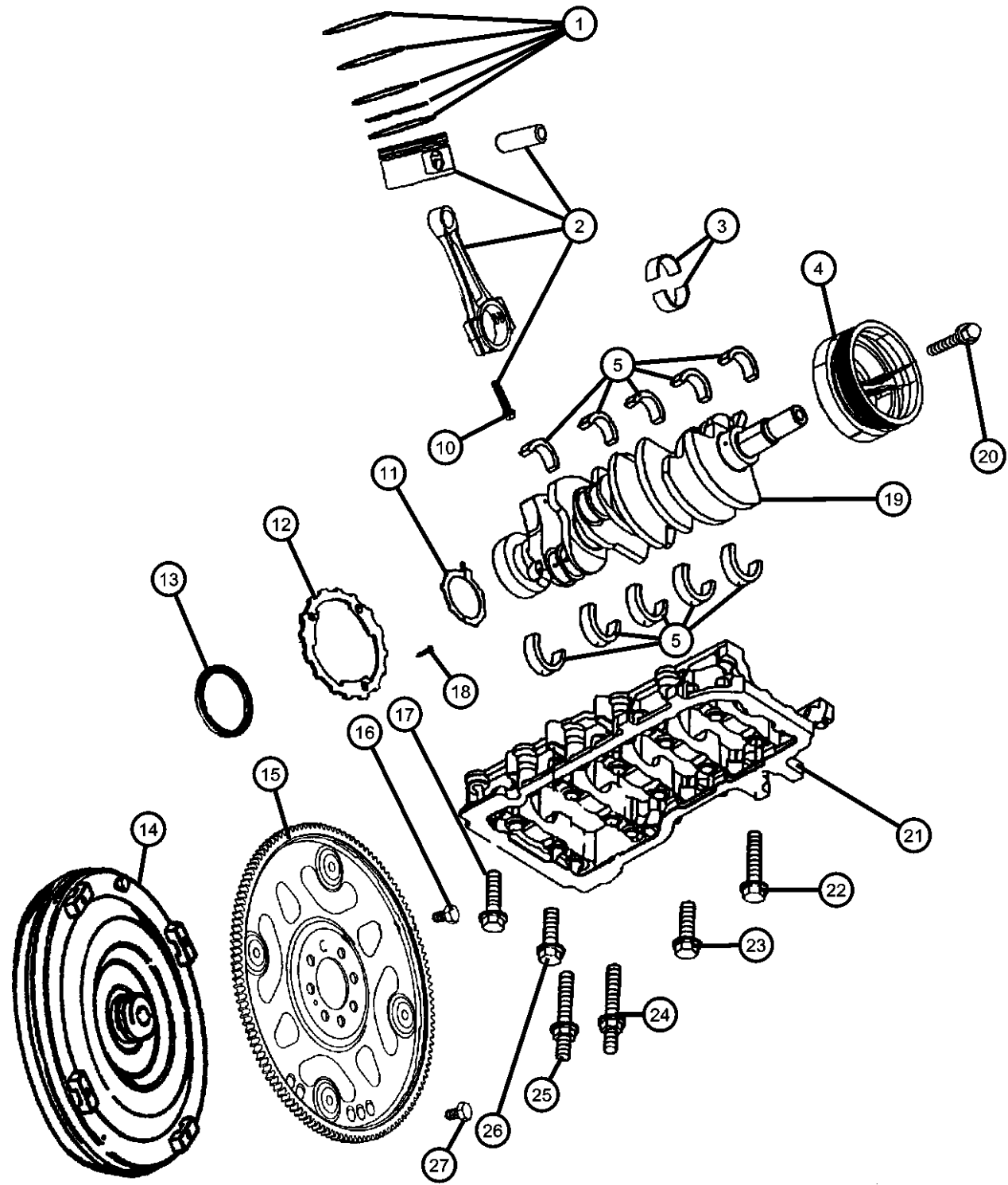
ENGINE
EKG = 3.7L V6 Engine
EVA = 4.7L V8 MPI Engine
EZB = 5.7L Hemi Multi Displacement Engine

TRANSMISSION
DGQ = 5-Spd Automatic 5-45RFE Transmission
DGJ = 5-Speed Automatic MB Transmission

AR = use ase required - = Non illustrated part

2006 WK

**Crankshaft,Pistons, Bearings, Torque Converter And Flywheel [EVA]
Figure 4.7L-410**



ITEM	PART NUMBER	QTY	LINE	SERIES	BODY	ENGINE	TRANS	TRIM	DESCRIPTION
22	06505394AA	7				EVO			SCREW AND WASHER, M11x1.50x90.0, Crankshaft Bearing, Mounting
23	06504410	5				EVO			SCREW, Hex Head, M10x1.50x55.00, Crankshaft Bearing, Mounting
24	06506186AA	1				EVO			STUD, M11x1.50xM8x1.25x118.50, Crankshaft Bearing, Mounting
25	06506187AA	2				EVO			STUD, M11x1.50xM8x1.25x142.75, Crankshaft Bearing, Mounting
26	06102047AA	6				EVO			SCREW, Hex Head, M8x1.25x50, M8x1.25x50.00, Crankshaft Bearing, Mounting
27	01949765	4				EVO, EZO	DG0		SCREW, Hex Head Header Point, .312-24x.44, Drive Plate to Torque Converter, Mounting

GRAND CHEROKEE (WK)

SERIES	LINE
H = HIGHLINE	T = JEEP - 2WD
P = PREMIUM	J = JEEP - 4WD
S = SPORT	
X = SPECIAL	

BODY
74 = SPORT UTILITY 4-DR

ENGINE
EKG = 3.7L V6 Engine
EVA = 4.7L V8 MPI Engine
EZB = 5.7L Hemi Multi Displacement Engine

TRANSMISSION
DGQ = 5-Spd Automatic 5-45RFE Transmission
DGJ = 5-Speed Automatic MB Transmission

AR = use ase required - = Non illustrated part

2006 WK

**Timing Cover, 4.7L [EVA]
Figure 4.7L-610**

ITEM	PART NUMBER	QTY	LINE	SERIES	BODY	ENGINE	TRANS	TRIM	DESCRIPTION
------	-------------	-----	------	--------	------	--------	-------	------	-------------

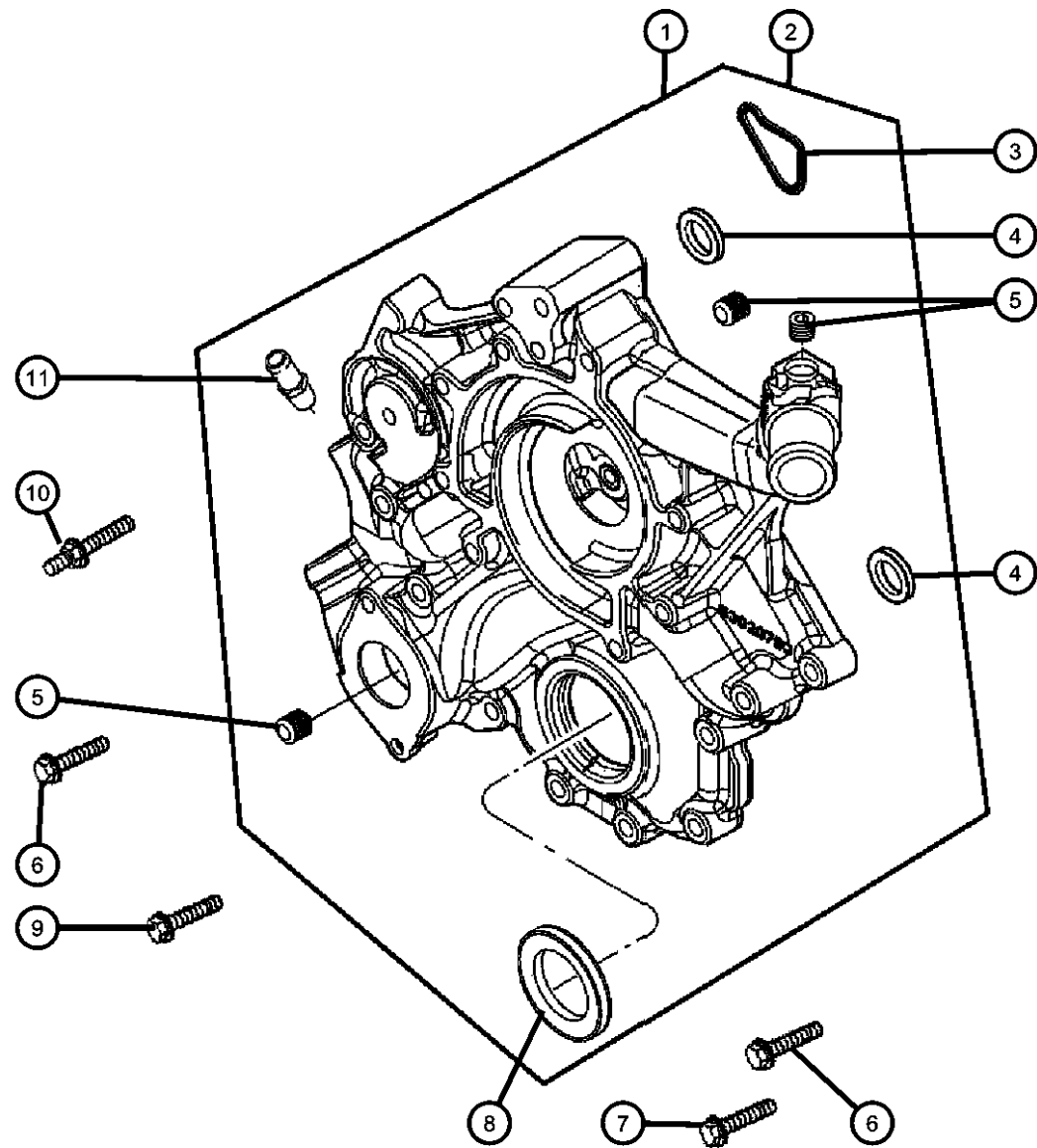
Note:

Timing Cover Kit includes all parts in box PLUS the Water Pump and Gasket, Thermostat Housing, Thermostat and Gasket
Chain Case Cover includes all parts in box EXCEPT Water Pump and Gasket, Thermostat Housing, Thermostat and Gasket

Sales Codes:

[EV0] = All 4.7L, 8 Cylinder Gas Engines

[EVA] = Next Generation 4.7L Magnum V8



1	05134142AD	1				EV0			COVER KIT, Timing, See Notes, See Notes
2	53021238AB	1				EV0			COVER, Chain Case, See Notes, See Notes
3	53021226AA	1				EV0			GASKET, Chain Case CoverMounting
4	53021239AA	2				EV0			O RING, Chain Case Cover, Mounting
5	06034331	3				EV0			PLUG, Hex Socket, 3/8-18NPTx.475, Chain Case Cover
6	06507776AA	3				EV0			SCREW, Hex Flange Head, M10x1.50x87.00, Chain Case Cover/Water Pump, Mounting
7	06102381AA	5				EK0, EV0			SCREW, Hex Flange Head, M10x1.50x65.00, Chain Case Cover/Water Pump, Mounting
8	53021313AA	1				EV0			SEAL, Crankshaft Oil, Front
9	06102380AA	5				EK0, EV0			SCREW, Hex Flange Head, M10x1.50x45.00, Chain Case Cover/Water Pump, Mounting
10	06505293AA	1				EK0, EV0			STUD, M10x1.50x.437-14x145.20, Chain Case Cover, Mounting
11	06035854	2				EV0			NIPPLE, [.375-18x2.00], Heater Hose

GRAND CHEROKEE (WK)

SERIES	LINE
H = HIGHLINE	T = JEEP - 2WD
P = PREMIUM	J = JEEP - 4WD
S = SPORT	
X = SPECIAL	

BODY
74 = SPORT UTILITY 4-DR

ENGINE
EKG = 3.7L V6 Engine
EVA = 4.7L V8 MPI Engine
EZB = 5.7L Hemi Multi Displacement Engine

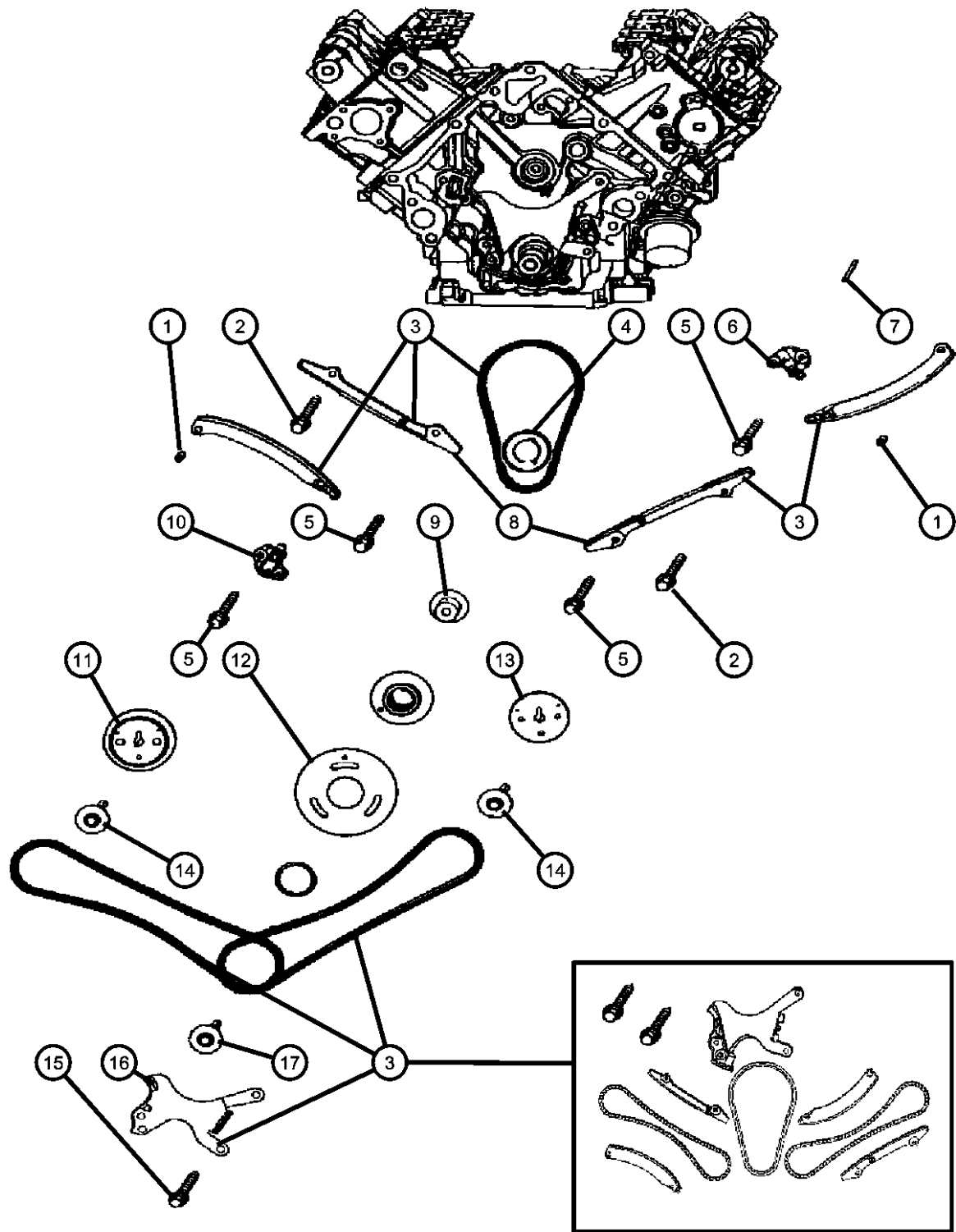
TRANSMISSION
DGQ = 5-Spd Automatic 5-45RFE Transmission
DGJ = 5-Speed Automatic MB Transmission

AR = use ase required - = Non illustrated part

2006 WK

**Timing Chain And Guides, 4.7L [EVA]
Figure 4.7L-620**

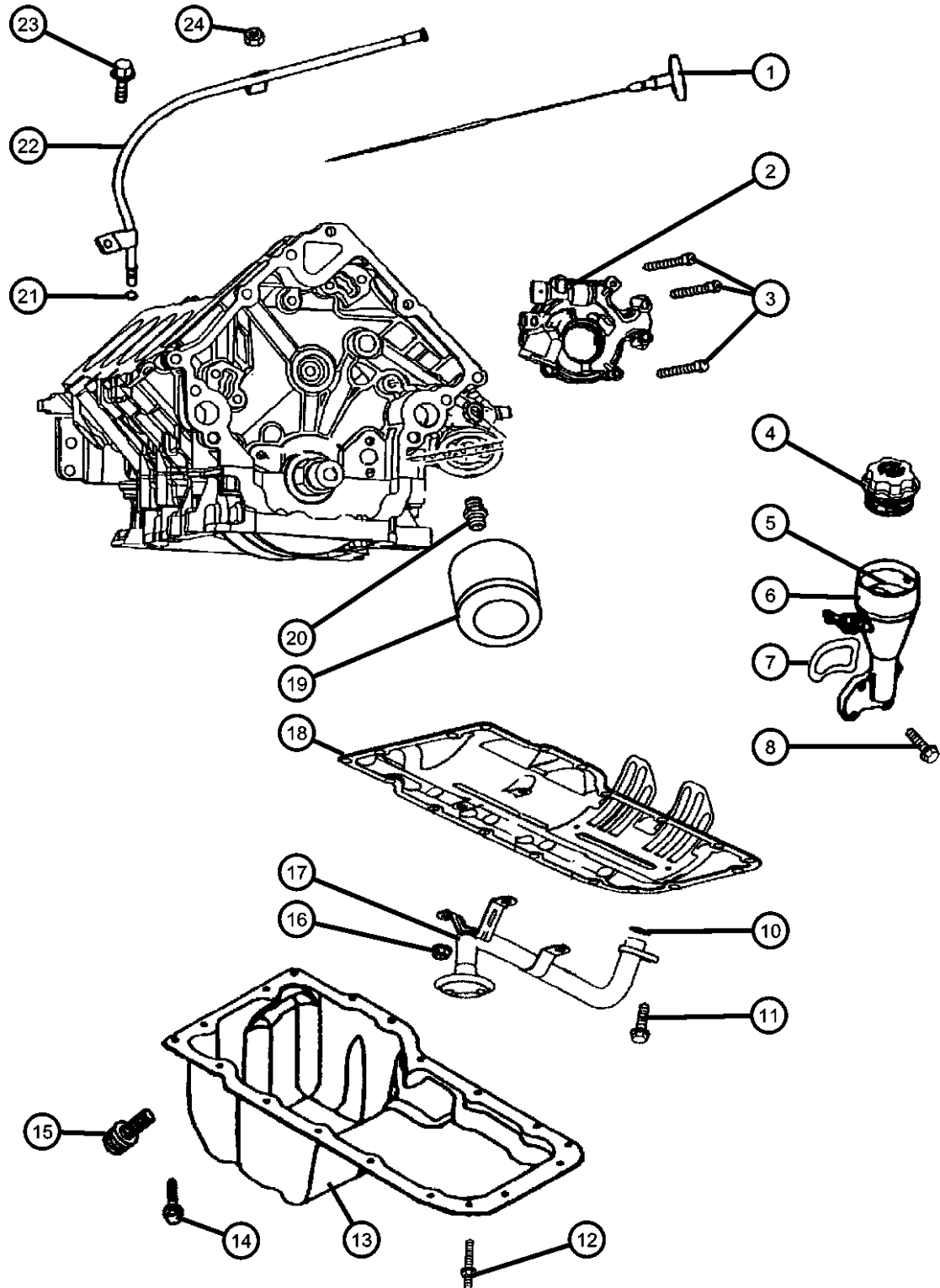
ITEM	PART NUMBER	QTY	LINE	SERIES	BODY	ENGINE	TRANS	TRIM	DESCRIPTION
Note;Sales Codes [EV0] = All 4.7L, 8 Cylinder Gas Engines [EVA] = Next Generation 4.7L Magnum V8									
1	06504440	2				EV0			SCREW, Secondary Tensioner Arm, Mounting
2	06102111AA	2				EK0, EV0			SCREW AND WASHER, Timing Guide to Cylinder Head, Mounting
3	05013867AC	1				EV0			TIMING DRIVE PACKAGE, Engine
4	53020679	1				EV0			SPROCKET, Crankshaft
5	06503257	6				EV0			BOLT, Hex Head, M8x1.25x37.50, Chain Guide and Secondary Tensioner, Mounting
6	53020779	1				EV0			TENSIONER, Chain
7	06504471	1				EK0, EV0			KEY, Woodruff, For Crankshaft Sprocket
8	53021796AA	2				EV0			GUIDE, Timing Chain
9	53020835	1				EK0, EV0			SHAFT, Idler
10	53020779	1				EV0			TENSIONER, Chain, Secondary Right
11	53021393AA	1				EV0			SPROCKET, Camshaft, Right
12	05013868AB	1	J, T			EV0			SPROCKET, Idler
13	53020938	1				EV0			SPROCKET, Camshaft, Left
14	06504429	2				EK0, EV0			SCREW AND WASHER, Hex, Sprocket to Camshaft, Mounting
15	06100932	1				EK0, EV0			BOLT, Hex, Oil Pump to Engine Block, Mounting
16	53020681	1				EK0, EV0			TENSIONER, Chain, Primary
17	06504370	1				EK0, EV0			SCREW AND WASHER, Hex, Idler Sprocket to Engine Block, Mounting



GRAND CHEROKEE (WK)				
SERIES	LINE	BODY	ENGINE	TRANSMISSION
H = HIGHLINE	T = JEEP - 2WD	74 = SPORT UTILITY 4-DR	EKG = 3.7L V6 Engine	DGQ = 5-Spd Automatic 5-45RFE Transmission
P = PREMIUM	J = JEEP - 4WD		EVA = 4.7L V8 MPI Engine	DGJ = 5-Speed Automatic MB Transmission
S = SPORT			EZB = 5.7L Hemi Multi Displacement Engine	
X = SPECIAL				

AR = use ase required - = Non illustrated part

**Engine Oiling 4.7L [EVA]
Figure 4.7L-710**

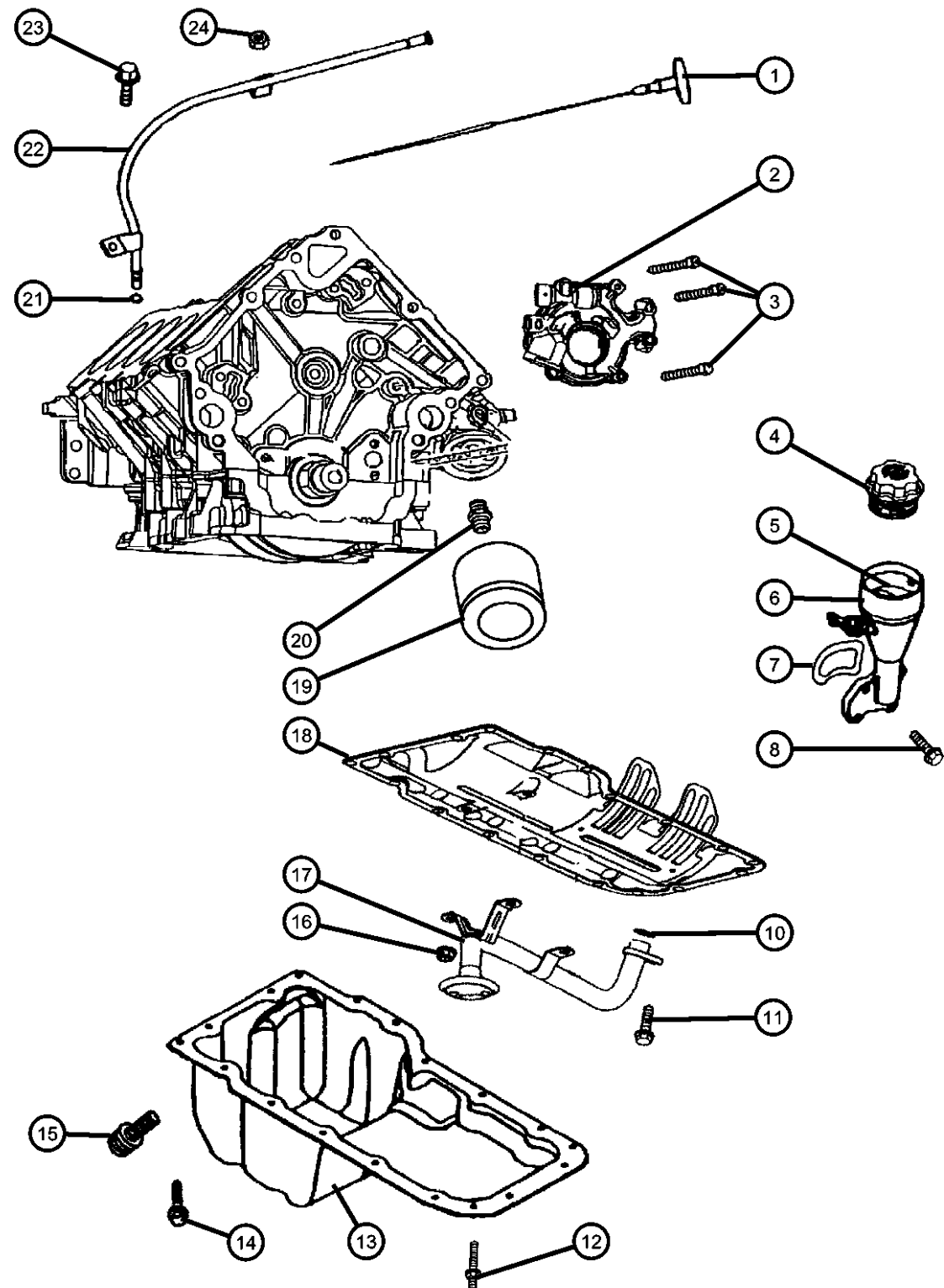


ITEM	PART NUMBER	QTY	LINE	SERIES	BODY	ENGINE	TRANS	TRIM	DESCRIPTION
Note;Sales Codes [EV0] = All 4.7L, 8 Cylinder Gas Engines [EVA] = Next Generation 4.7L Magnum V8									
1	53021749AD	1				EV0			INDICATOR, Engine Oil Level
2	53020827AB	1				EK0, EV0			PUMP, Engine Oil
3									BOLT, Hex
	06100932	2				EK0, EV0			Primary Tensioner to Engine Block, Mounting
		1				EK0, EV0			Oil Pump to Engine Block, Mounting
4	53034048AA	1				EV0			CAP, Oil Filler
5		1							BAFFLE, Oil Fill, None, (NOT REQUIRED)
6	53020891AE	1				EV0			HOUSING, Oil Fill
7	53020889AC	1				EV0			GASKET, Oil Fill HousingMounting
8	06505504AA	3				EK0, EV0			SCREW, Oil Fill Housing To Cylinder Block, Mounting
-9	06505566AA	1				EK0, EV0			STUD, Oil Fill Housing To Cylinder Block, Mounting
10	53020861	1				EK0, EV0			SEAL, Oil Pick Up TubeMounting
11	06102046AA	1				EK0, EV0			SCREW AND WASHER, Oil Pick Up Tube, Mounting
12	06508066AA	1				EV0			STUD, Oil Pick Up Tube, Mounting
13	53021756AA	1				EV0			PAN, Engine Oil, Includes 15
14	06504810AA	17				EV0			SCREW AND WASHER, Hex, Engine Oil Pan, Mounting
15	06506100AA	1				EV0			PLUG, Oil Drain
16	06502756	3				EV0			NUT, Hex Lock, M8x1.25, Oil Pick Up Tube, Mounting
17	53020828	1				EV0			TUBE, Oil Pickup
18	53020675AE	1				EV0			GASKET, Oil Pan
19	05281090	1				EV0			FILTER, Engine Oil
	0FE00292								Canadian Aftermarket Part
	05281090BA								BULK PACK (12)
20	53007563	1				EK0, EV0			CONNECTOR, Oil FilterMounting
21	53021144AA	1				EV0			O RING, Engine Oil IndicatorMounting
22	53021743AB	1				EV0			TUBE, Engine Oil Indicator

GRAND CHEROKEE (WK)			
SERIES	LINE	BODY	ENGINE
H = HIGHLINE	T = JEEP - 2WD	74 = SPORT UTILITY 4-DR	EKG = 3.7L V6 Engine
P = PREMIUM	J = JEEP - 4WD		EVA = 4.7L V8 MPI Engine
S = SPORT			EZB = 5.7L Hemi Multi Displacement Engine
X = SPECIAL			
			TRANSMISSION
			DGQ = 5-Spd Automatic 5-45RFE Transmission
			DGJ = 5-Speed Automatic MB Transmission

AR = use ase required - = Non illustrated part

**Engine Oiling 4.7L [EVA]
Figure 4.7L-710**



ITEM	PART NUMBER	QTY	LINE	SERIES	BODY	ENGINE	TRANS	TRIM	DESCRIPTION
------	-------------	-----	------	--------	------	--------	-------	------	-------------

23	06504810AA	1				EK0, EVO			SCREW AND WASHER, Hex, Engine Oil Indicator Tube, Mounting
24	06101802	1				EVO			NUT, Engine Oil Indicator Tube, Mounting

GRAND CHEROKEE (WK)

SERIES	LINE
H = HIGHLINE	T = JEEP - 2WD
P = PREMIUM	J = JEEP - 4WD
S = SPORT	
X = SPECIAL	

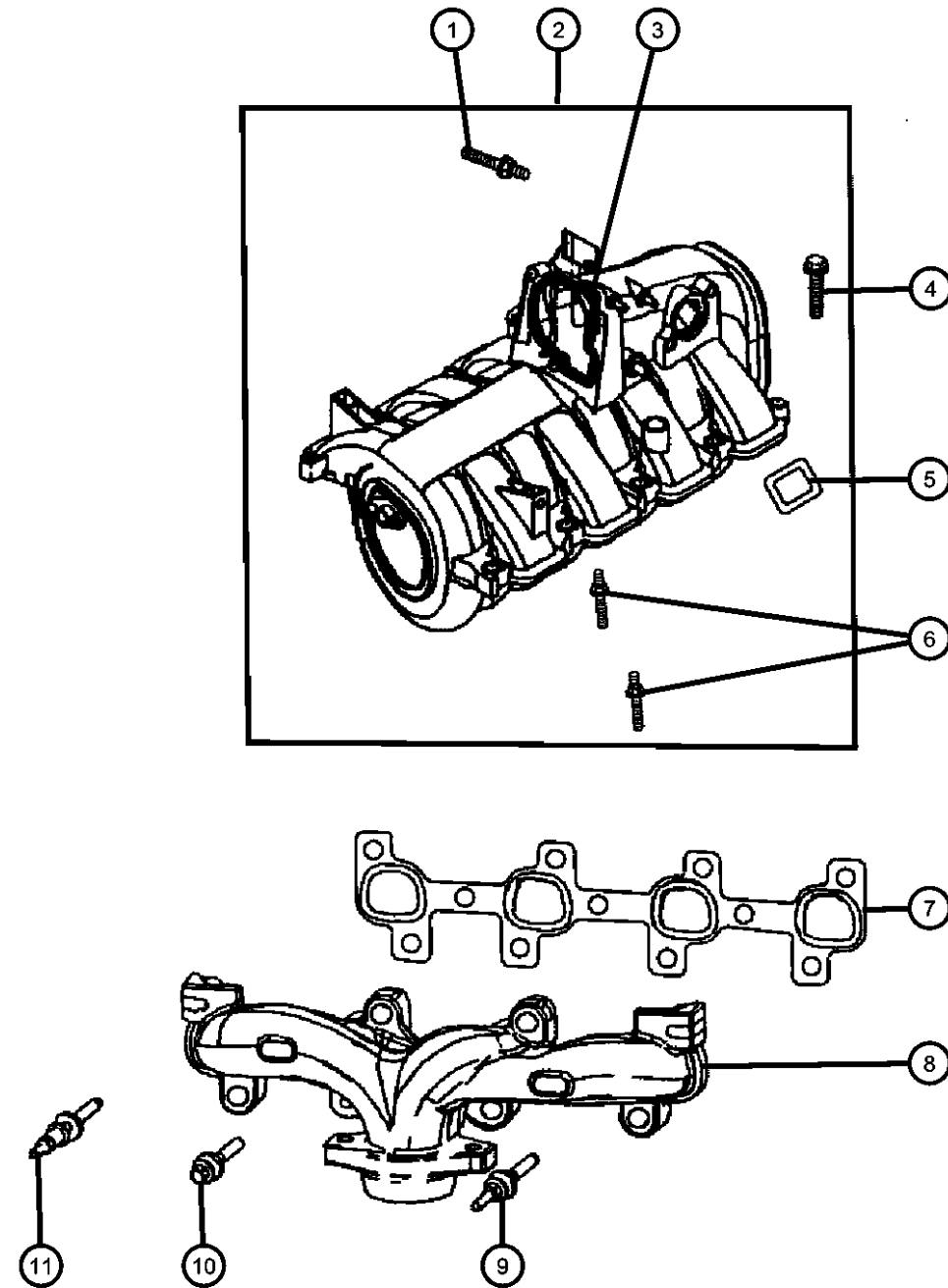
BODY
74 = SPORT UTILITY 4-DR

ENGINE
EKG = 3.7L V6 Engine
EVA = 4.7L V8 MPI Engine
EZB = 5.7L Hemi Multi Displacement Engine

TRANSMISSION
DGQ = 5-Spd Automatic 5-45RFE Transmission
DGJ = 5-Speed Automatic MB Transmission

AR = use ase required - = Non illustrated part

**Manifolds, Intake and Exhaust 4.7L
Figure 4.7L-810**



ITEM	PART NUMBER	QTY	LINE	SERIES	BODY	ENGINE	TRANS	TRIM	DESCRIPTION
Note;Sales Codes: [EV0] = All 4.7L, 8 Cylinder Gas Engines [EVA] = Next Generation 4.7L Magnum V8									
1	06507598AA	1				EV0			STUD, M6x1.00x28.50, Bracket to Intake Manifold, Mounting
2	53032774AA	1				EV0			MANIFOLD, Intake
3	53030952AB	1				EV0			GASKET, Throttle Body To IntakeMounting
4	06507433AA	2				EV0			SCREW, Hex Flange Head, M6x1.00x43.00, Intake Manifold to Cylinder Head, Mounting
5	53010310AB	8				EV0			SEAL, Intake ManifoldMounting
6	06507434AA	8				EV0			STUD, Double Ended, M6x1.00x80.00, Intake Manifold to Cylinder Head, Mounting
7									GASKET, Exhaust Manifold
	53030812	1				EV0			Right
	53030813	1				EV0			Left
8									MANIFOLD, Exhaust
	53013598AB	1				EV0			Right
	53013599AB	1				EV0			Left
9	06508220AA	4				EV0			STUD, Exhaust Manifold, M8x1.25xM6x1x73., Exhaust Manifold to Cylinder Head, Mounting
10	06507746AA	8				EV0			BOLT, Exhaust Manifold, M8x1.25x46.00, Exhaust Manifold to Cylinder Head, Mounting
11	06508219AA	4				EV0			STUD, Exhaust Manifold, M8x1.25xM6x1x73.0, Exhaust Manifold to Cylinder Head, Mounting
-12	04669657	1				EV0			CAP, Vacuum Port, Intake Manifold, Also included in item 2

GRAND CHEROKEE (WK)

SERIES	LINE
H = HIGHLINE	T = JEEP - 2WD
P = PREMIUM	J = JEEP - 4WD
S = SPORT	
X = SPECIAL	

BODY
74 = SPORT UTILITY 4-DR

ENGINE
EKG = 3.7L V6 Engine
EVA = 4.7L V8 MPI Engine
EZB = 5.7L Hemi Multi Displacement Engine

TRANSMISSION
DGQ = 5-Spd Automatic 5-45RFE Transmission
DGJ = 5-Speed Automatic MB Transmission

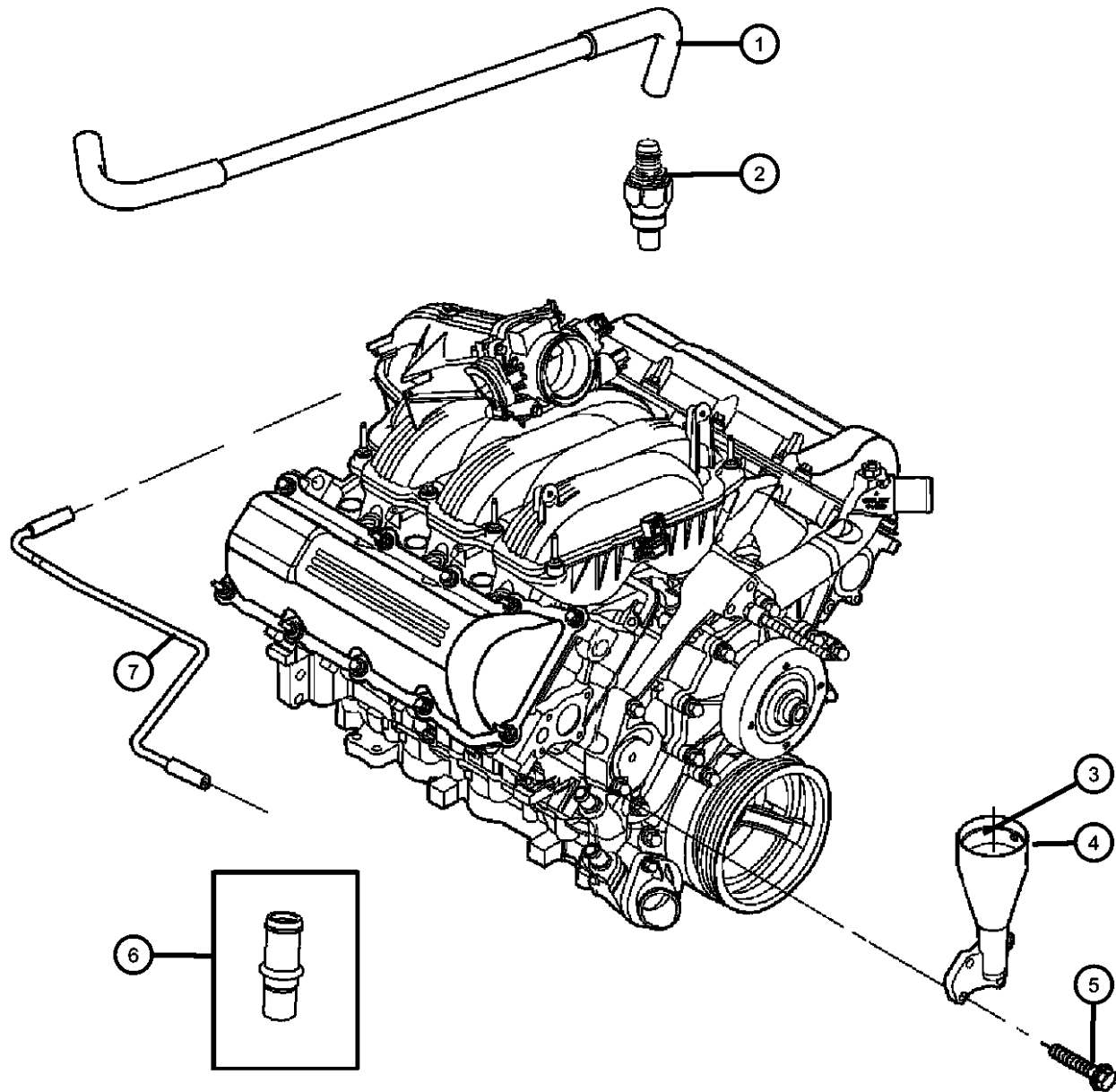
AR = use ase required - = Non illustrated part

**Crankcase Ventilation, 4.7L [EVA]
Figure 4.7L-910**

ITEM	PART NUMBER	QTY	LINE	SERIES	BODY	ENGINE	TRANS	TRIM	DESCRIPTION
------	-------------	-----	------	--------	------	--------	-------	------	-------------

Note; Sales Code
[EVA]= Engine - Next Generation 4.7L MAGNUM V8

1	53013884AA	1				EVO			HOSE, Make Up Air
2	53032925AC	1				EVO			VALVE, Crankcase Vent
3	53032126AA	1				EK0			BAFFLE, Oil Fill, None
4	53020891AE	1				EVO			HOUSING, Oil Fill
5	06505504AA	3				EK0, EVO			SCREW, Oil Fill Housing to Cylinder Block, Mounting
6	06036575AA	1				EVO			FITTING, Crankcase Vent Tube
7	53032617AE	1				EVO			TUBE, Crankcase Vent To Intake Manifold



GRAND CHEROKEE (WK)

SERIES	LINE	BODY	ENGINE	TRANSMISSION
H = HIGHLINE	T = JEEP - 2WD	74 = SPORT UTILITY 4-DR	EKG = 3.7L V6 Engine	DGQ = 5-Spd Automatic 5-45RFE
P = PREMIUM	J = JEEP - 4WD		EVA = 4.7L V8 MPI Engine	Transmission
S = SPORT			EZB = 5.7L Hemi Multi	DGJ = 5-Speed Automatic MB
X = SPECIAL			Displacement Engine	Transmission

AR = use ase required - = Non illustrated part

2006 WK

Group - 5.7L

Engine 5.7L Eight Cylinder [EZB]

Group - 5.7L Engine 5.7L Eight Cylinder [EZB]

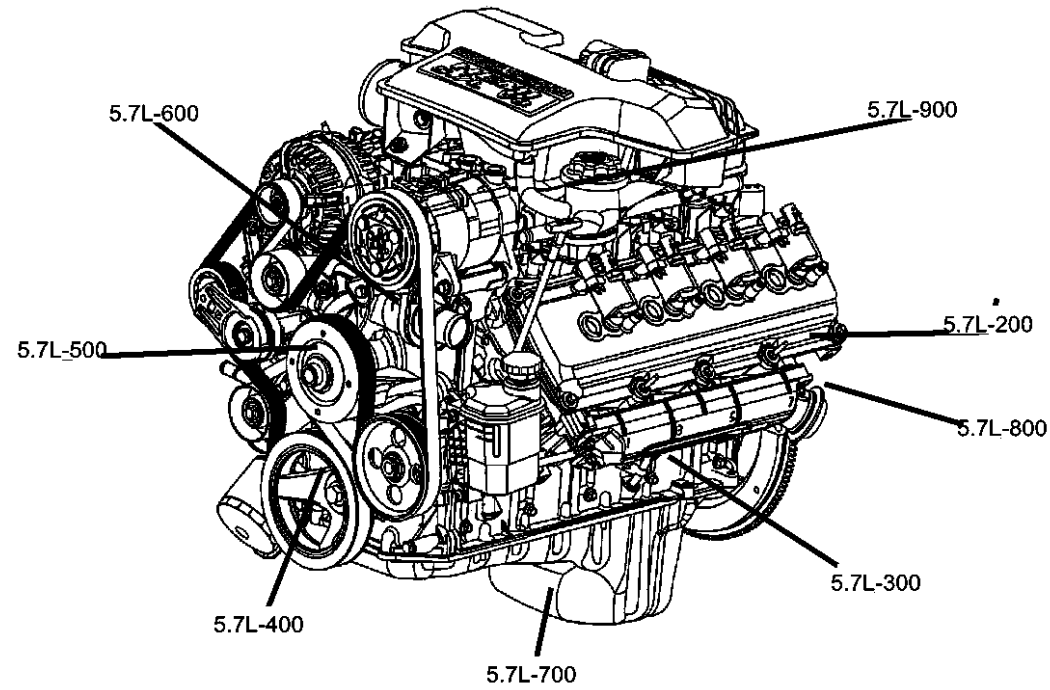


Illustration Title

Group-Fig. No.

Cylinder Head

Cylinder Head 5.7L [EZB] Fig. 5.7L - 210

Cylinder Block

Cylinder Block 5.7L [EZB] Fig. 5.7L - 310

Crankshaft, Pistons and Torque Converter

Crankshaft, Pistons and Torque Converter 5.7L [EZB] Fig. 5.7L - 410

Camshafts and Valves

Camshaft and Valves 5.7L [EZB] Fig. 5.7L - 510

Timing Belt and Cover

Timing Chain And Related Parts Fig. 5.7L - 610

Engine Oiling

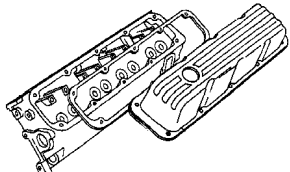
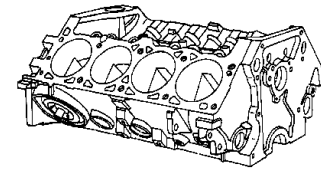
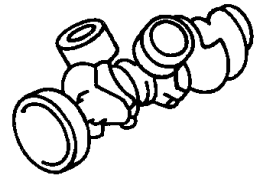
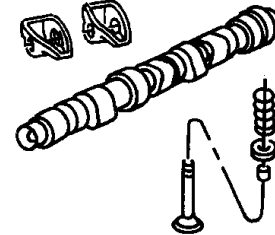
Engine Oiling 5.7L [EZB] Fig. 5.7L - 710

Manifolds

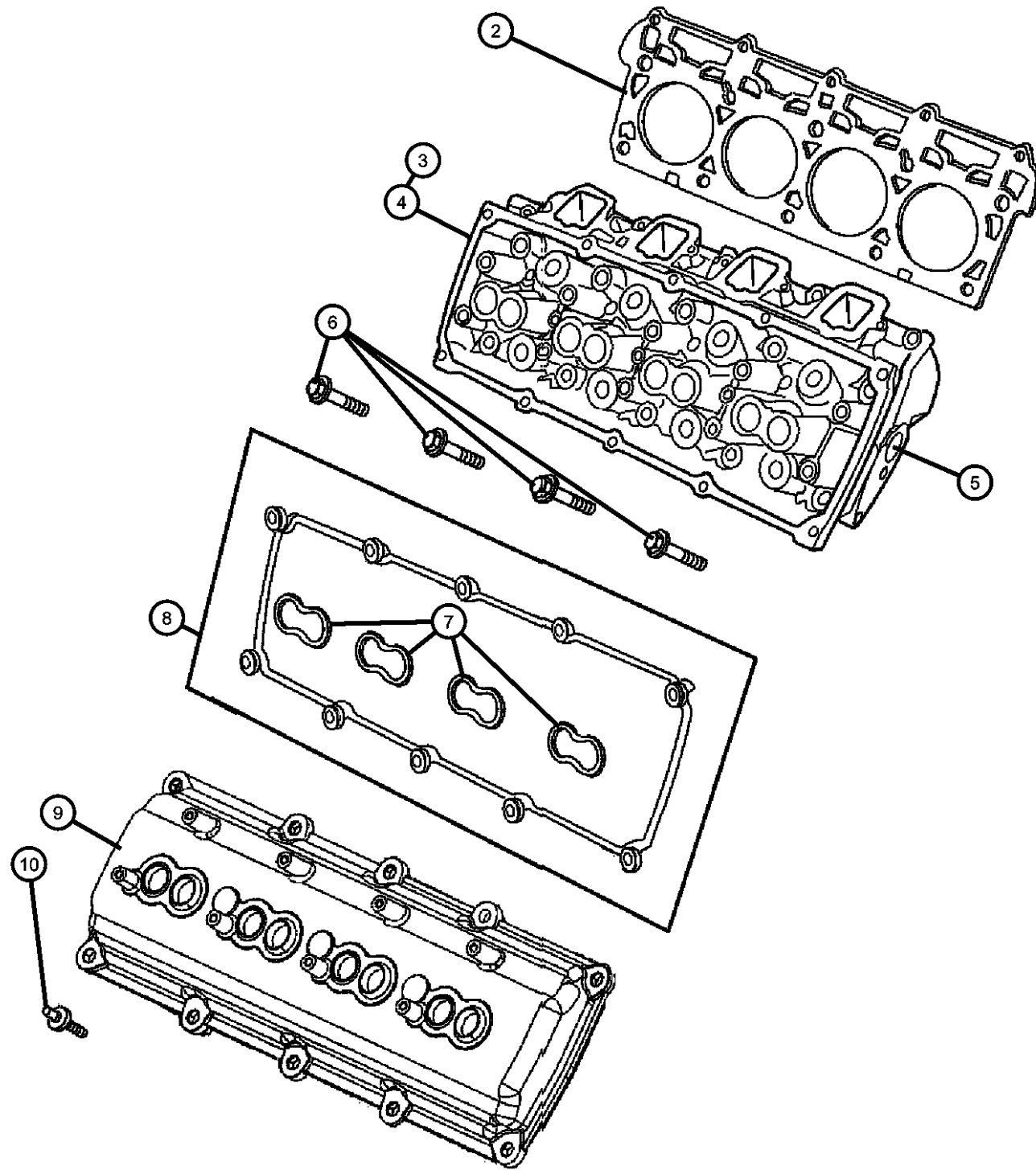
Intake And Exhaust Manifolds 5.7L [EZB] Fig. 5.7L - 810

Crankcase Ventilation

Crankcase Ventilation 5.7L [EZB] Fig. 5.7L - 910

<p>5.7L-200 Cylinder Head</p> 	<p>5.7L-300 Cylinder Block</p> 	<p>5.7L-400 Crankshaft, Pistons and Torque Converter</p> 	<p>5.7L-500 Camshafts and Valves</p> 
<p>5.7L-600 Timing Belt and Cover</p>	<p>5.7L-700 Engine Oiling</p>	<p>5.7L-800 Manifolds</p>	<p>5.7L-900 Crankcase Ventilation</p>

**Cylinder Head 5.7L [EZB]
Figure 5.7L-210**



ITEM	PART NUMBER	QTY	LINE	SERIES	BODY	ENGINE	TRANS	TRIM	DESCRIPTION
------	-------------	-----	------	--------	------	--------	-------	------	-------------

NOTES:
Upper Engine Gasket Package Includes: Cylinder Head Gaskets, Rocker Cover Gasket Kits, Intake and Exhaust Manifold Seals, Valve Guide Seals

NOTES:
Gasket Kit Contains: 1 Valve Cover Gasket and 4 Spark Plug Well Gaskets

SALES CODES:
[EZA]=Engine - Hemi "MAGNUM" 5.7L SMPI V8
[EZ0] = All 5.7L, 8 Cylinder Gas Engines

-1	05135357AE	1				EZ0			GASKET PACKAGE, Engine Upper, See Notes
2									GASKET, Cylinder Head Right
	53021620AE	1				EZ0			Right
	53021621AE	1				EZ0			Left
3	05143396AB	1				EZ0			HEAD, Cylinder, Right
4	05143397AB	1				EZ0			HEAD, Cylinder, Left
5	04556020	2				EZ0			PLUG, Core, 1.25 Diameter
6									SCREW AND WASHER, Hex Head
	06506334AA	10				EZ0			Secondary-Cylinder Head-[M8x1.25x45], Mounting
	06506694AA	20				EZ0			Primary-Cylinder Head-[M12x1.50x175], Mounting
7	53021569AD	8				EZ0			GASKET, Spark Plug Well Mounting
8	05114179AB	2				EZ0			GASKET KIT, Rocker Cover, See Notes
9	53021333BA	2				EZ0			COVER, Cylinder Head
10	06507366AA	20				EZ0			STUD, Double Ended, M6x1.00x50.50, Cylinder Head Cover to Cylinder Head, Mounting

GRAND CHEROKEE (WK)

SERIES	LINE	BODY	ENGINE	TRANSMISSION
H = HIGHLINE	T = JEEP - 2WD	74 = SPORT UTILITY 4-DR	EKG = 3.7L V6 Engine	DGQ = 5-Spd Automatic 5-45RFE Transmission
P = PREMIUM	J = JEEP - 4WD		EVA = 4.7L V8 MPI Engine	DGJ = 5-Speed Automatic MB Transmission
S = SPORT			EZB = 5.7L Hemi Multi Displacement Engine	
X = SPECIAL				

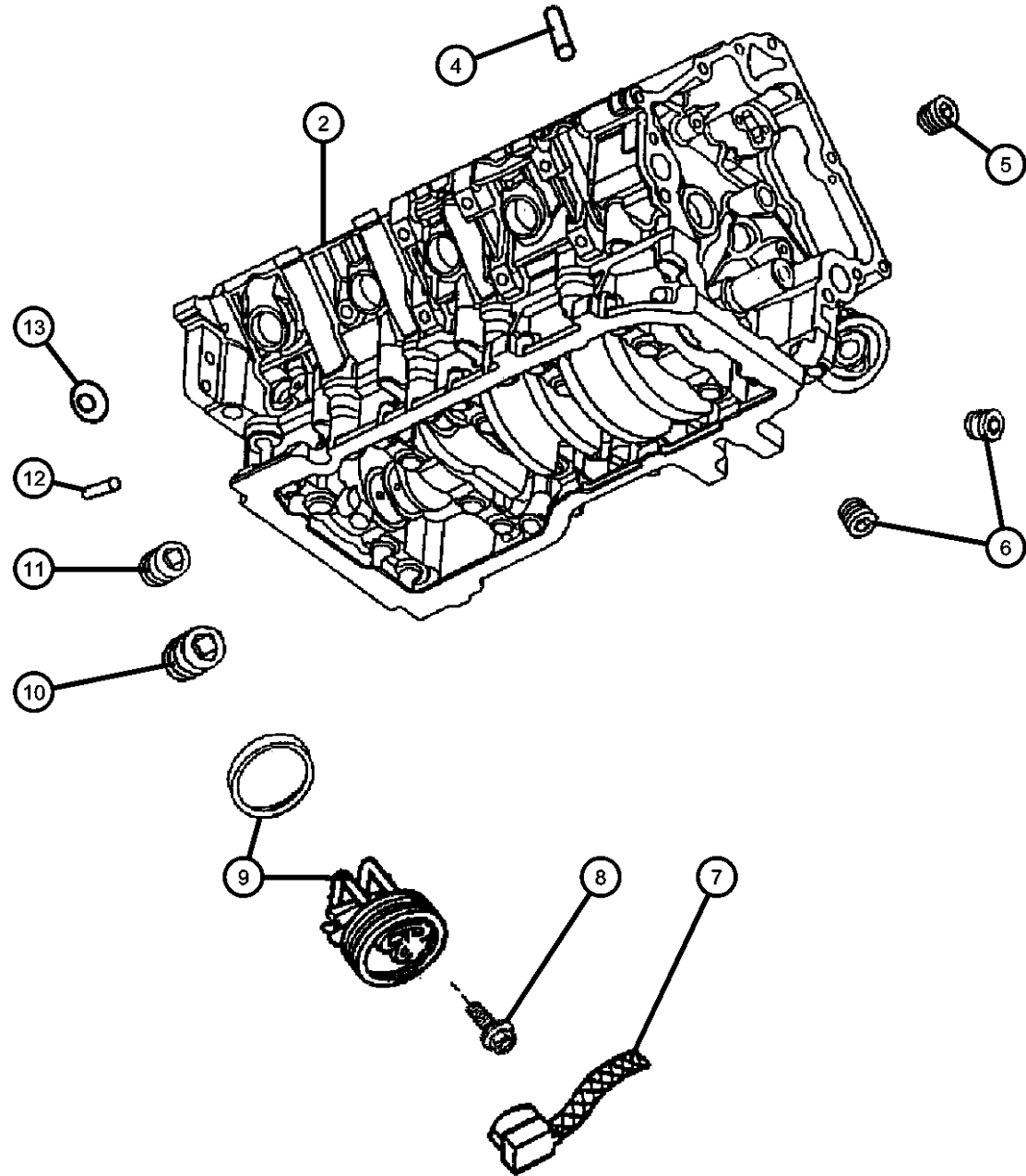
AR = use ase required - = Non illustrated part

2006 WK

**Cylinder Block 5.7L [EZB]
Figure 5.7L-310**

ITEM	PART NUMBER	QTY	LINE	SERIES	BODY	ENGINE	TRANS	TRIM	DESCRIPTION
------	-------------	-----	------	--------	------	--------	-------	------	-------------

Note; Lower Gasket Package Contains: Front and Rear Crankshaft Seals; Oil Pan, Front Cover and Water Pump Gaskets; Oil Level Tube O-Ring and
Short Block Does Not Include Camshaft or Lifters
Long Block Includes: Short Block Components Plus Complete Cylinder Heads With Covers, Chain Case Cover, Oil Pump, Oil Pan And Water Pump
Sales Codes:
[DGQ]=5 Speed Automatic 5-45RFE Transmission
[EZB] = 5.7L - Hemi Multi Displacement V8
[EZ0]= All 5.7L 8 Cylinder Gas Engines



-1									ENGINE, Long Block
	R2857367AA	1				EZ0			Remanufactured With [EZB] Multi-Displacement System
	RL025384AA	1	J, T			EZ0			With [EZB] Multi-Displacement System
2	R9257057AA	1				EZB			ENGINE, Short Block, Remanufactured With [EZB] Multi-Displacement System
-3	05135818AB	1				EZ0			GASKET PACKAGE, Engine Lower, See Notes
4	05240849	4				EZ0			DOWEL, Cylinder Head to Block
5	06036417AA	4				EZ0			PLUG, Cylinder Block, Oil Gallery, [.375x18x1.34]
6	06034331	2				EZ0			PLUG, Hex Socket, 3/8-18NPTx.475, Oil Passage
7	56044577AB	1				ES0, EZ0			CORD, Engine Block Heater
8	06501373	1				EZ0			SCREW AND WASHER, Hex Head, M6x1x20, Engine Block Heater, Mounting
9	05149022AA	1				EZ0			HEATER, Engine Block
10	06036592AA	2				EZ0			PLUG, Oil Gallery, Front, Block Coolant Drain
11	06036308AA	2				EZ0			PLUG, [.375x18x.475]-
12	01122532	2				EZ0			DOWEL, Block To Clutch HousingMounting
13	06507663AA	1				EZ0			PLUG, Camshaft Rear

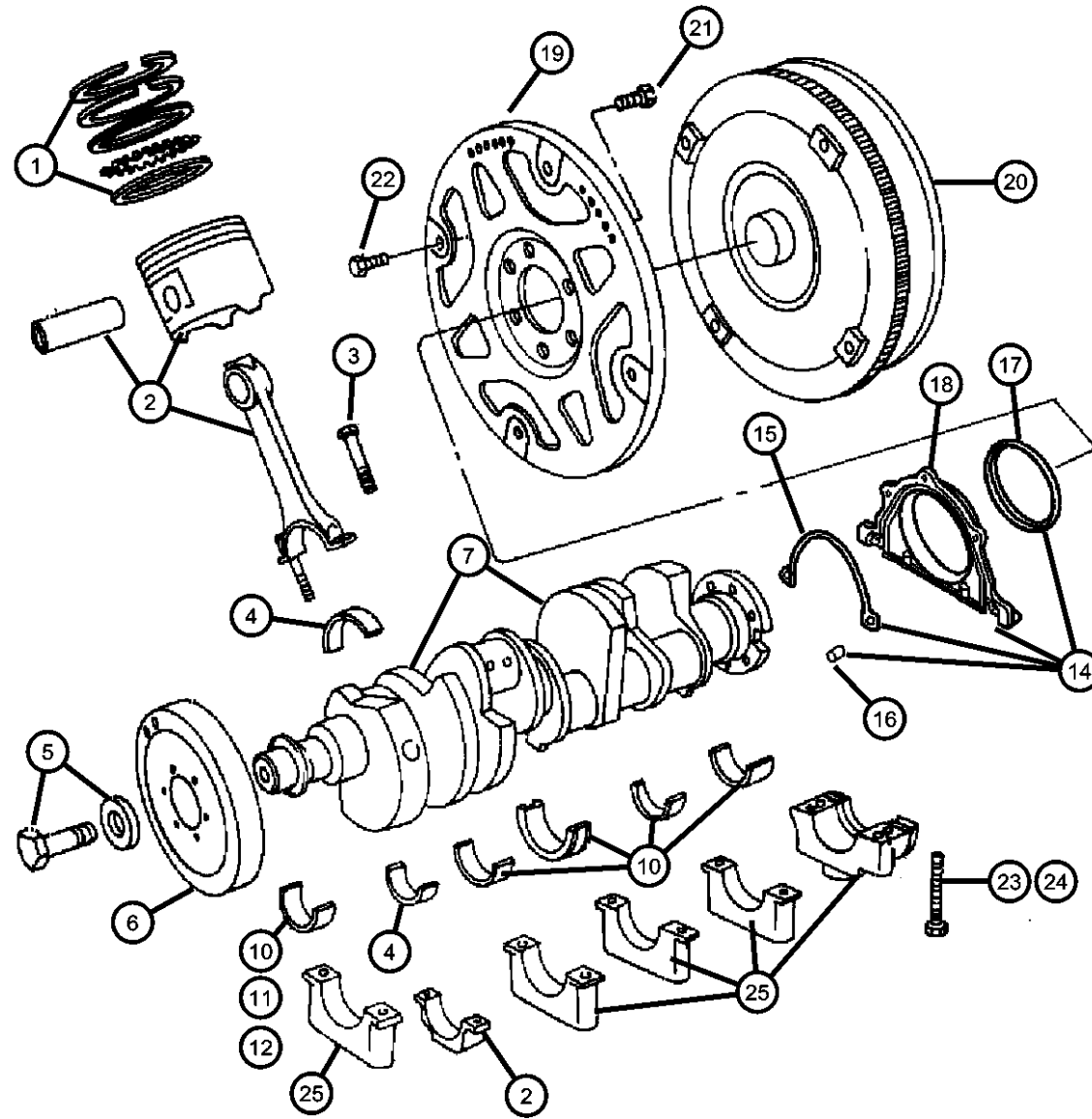
GRAND CHEROKEE (WK)

SERIES	LINE	BODY	ENGINE	TRANSMISSION
H = HIGHLINE	T = JEEP - 2WD	74 = SPORT UTILITY 4-DR	EKG = 3.7L V6 Engine	DGQ = 5-Spd Automatic 5-45RFE Transmission
P = PREMIUM	J = JEEP - 4WD		EVA = 4.7L V8 MPI Engine	DGJ = 5-Speed Automatic MB Transmission
S = SPORT			EZB = 5.7L Hemi Multi Displacement Engine	
X = SPECIAL				

AR = use ase required - = Non illustrated part

2006 WK

**Crankshaft, Pistons and Torque Converter 5.7L [EZB]
Figure 5.7L-410**



NOTE:

Sales Codes:

[DGQ]=5-Speed Automatic 5-45RFE Transmission

[EZB] = 5.7L Hemi Multi Displacement V8

[EZ0]= 5.7L 8 Cylinder Gas Engines

ITEM	PART NUMBER	QTY	LINE	SERIES	BODY	ENGINE	TRANS	TRIM	DESCRIPTION
1	05086002AC	8				EZ0			RING PACKAGE, Piston, Standard Size
2									PISTON PIN AND ROD
	05086010AB	1				EZ0			Right Side Cylinders 2-4-6-8
	05086011AB	1				EZ0			Left Side Cylinders 1-3-5-7
3	06506335AA	8				EZ0			SCREW, Hex Flange Head
4	68029429AA	AR	J, T			EZ0			BEARING PACKAGE, Connecting Rod, Standard
5									SCREW AND WASHER
	06506340AA	1				EZ0			With M14 Threads
	06508400AA	1				EZ0			With 3/4" Threads
6	04792815AB	1				EZ0			DAMPER, Crankshaft
7	53021302AD	1				EZ0			CRANKSHAFT
-8		1							TONE RING, Sensor, Serviced With Crankshaft Assembly, (NOT SERVICED)
-9		1							SCREW, M6x1x25, Serviced With Crankshaft Assembly, (NOT SERVICED)
10	05083993AA	5				EZ0			BEARING PACKAGE, Crankshaft, A Grade
11	05083994AA	5				EZ0			BEARING PACKAGE, Crankshaft, B Grade
12	05083995AA	5				EZ0			BEARING PACKAGE, Crankshaft, C Grade
-13	05083979AA	1				EZ0			WASHER PACKAGE, Washer, Contains Front And Rear Thrust Washers
14	05140028AA	1				EZ0			RETAINER PACKAGE, Crankshaft Rear Oil Seal
15		1							GASKET, Rear Oil Seal Retainer, Serviced In Retainer Package Only, (NOT SERVICED)
16	05203466	2				EZ0			PIN, Dowel, Also Serviced In Retainer Package
17	53021338AB	1				EZ0			SEAL, Crankshaft Bearing Oil, Also Serviced In Retainer Package
18	06506342AA	5				EZ0			SCREW, Hex Flange Head
19	04736604AA	1				EZ0	DG0		PLATE, Torque Converter Drive

GRAND CHEROKEE (WK)

SERIES

H = HIGHLINE

P = PREMIUM

S = SPORT

X = SPECIAL

LINE

T = JEEP - 2WD

J = JEEP - 4WD

BODY

74 = SPORT UTILITY 4-DR

ENGINE

EKG = 3.7L V6 Engine

EVA = 4.7L V8 MPI Engine

EZB = 5.7L Hemi Multi Displacement Engine

TRANSMISSION

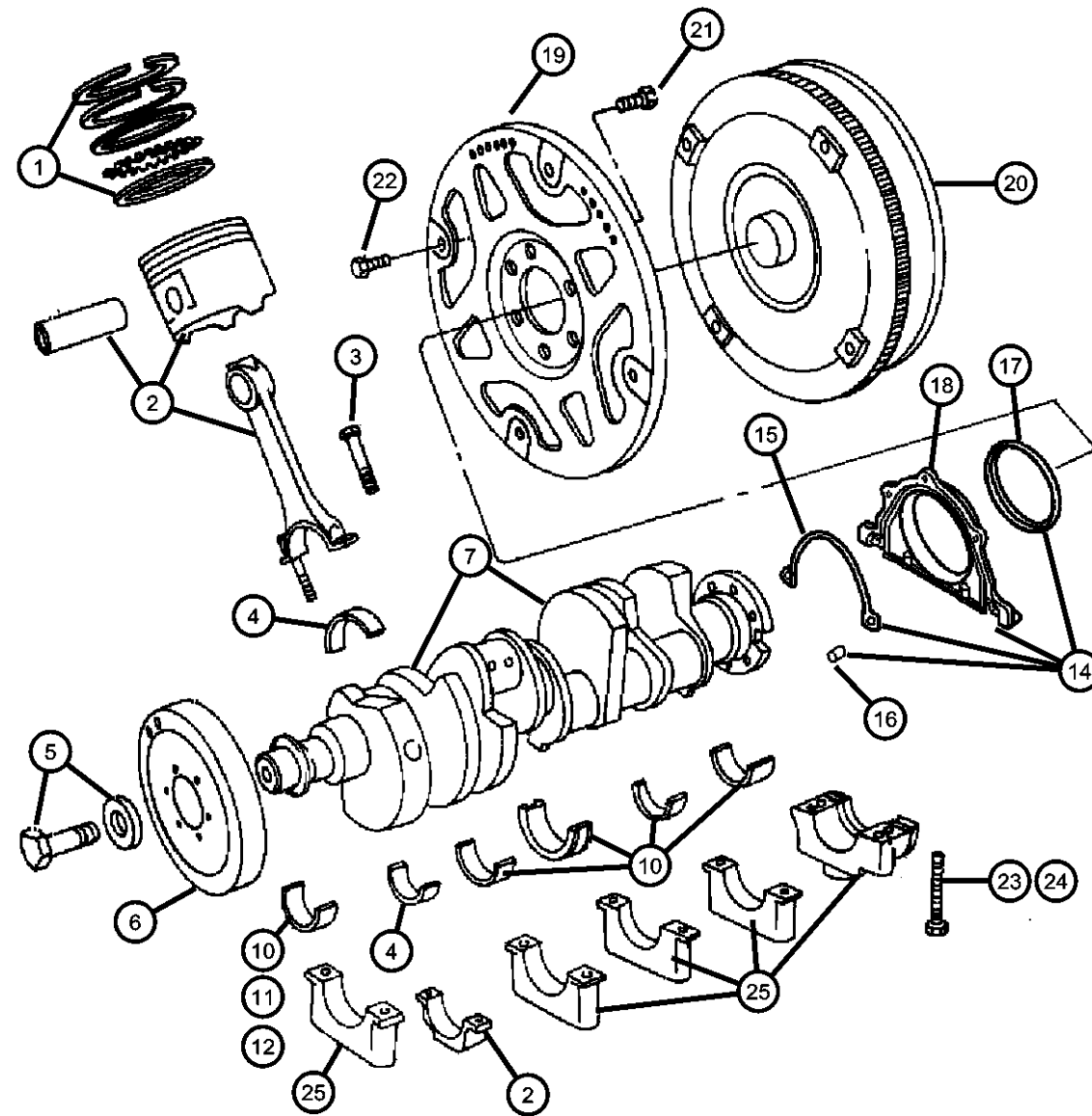
DGQ = 5-Spd Automatic 5-45RFE Transmission

DGJ = 5-Speed Automatic MB Transmission

AR = use ase required - = Non illustrated part

2006 WK

**Crankshaft, Pistons and Torque Converter 5.7L [EZB]
Figure 5.7L-410**



ITEM	PART NUMBER	QTY	LINE	SERIES	BODY	ENGINE	TRANS	TRIM	DESCRIPTION
20	04736352AA	1	T			EZ0	DGQ		TORQUE CONVERTER 2 Wheel Drive
		1	J			EZ0	DGQ		4 Wheel Drive
21	06503465	8				EZ0	DG0		BOLT, Drive Plate and Flywheel
22	06507719AA	1				EZ0			SCREW
23	06507697AA	10				EZ0			SCREW AND WASHER, Hex, [M8x1.25x45]
24	06506272AA	10				EZ0			SCREW, Hex Flange Head, [M12x1.75x91.2]
25		10							CAP, Serviced With Short Block Assembly, (NOT SERVICED)

GRAND CHEROKEE (WK)

SERIES LINE
H = HIGHLINE T = JEEP - 2WD
P = PREMIUM J = JEEP - 4WD
S = SPORT
X = SPECIAL

BODY
74 = SPORT UTILITY 4-DR

ENGINE
EKG = 3.7L V6 Engine
EVA = 4.7L V8 MPI Engine
EZB = 5.7L Hemi Multi
Displacement Engine

TRANSMISSION
DGQ = 5-Spd Automatic 5-45RFE
Transmission
DGJ = 5-Speed Automatic MB
Transmission

AR = use ase required - = Non illustrated part

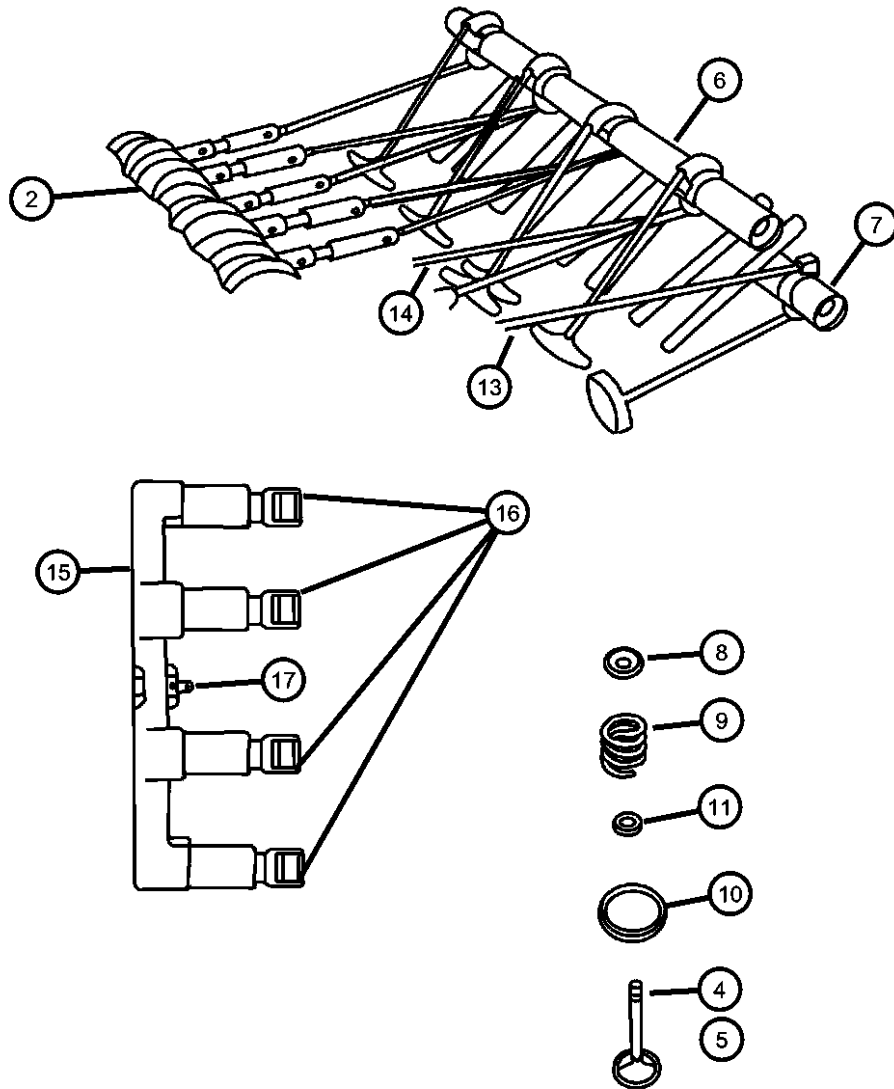
2006 WK

**Camshaft and Valves 5.7L [EZB]
Figure 5.7L-510**

ITEM	PART NUMBER	QTY	LINE	SERIES	BODY	ENGINE	TRANS	TRIM	DESCRIPTION
------	-------------	-----	------	--------	------	--------	-------	------	-------------

NOTE:
Sales Codes:
[DGQ]= 5-Speed Automatic 5-45RFE Transmission
[EZB] = 5.7L Hemi Multi Displacement V8
[EZ0]= All 5.7L 8 Cylinder Gas Engines

-1	53032152AC	4				EZB			SOLENOID, Multiple Displacement
2	53021731AD	1				EZB			CAMSHAFT, Engine
-3	06507663AA	1				EZ0			PLUG
4	53021550AA	8				EZ0			VALVE, Intake, Standard
5	53021551AB	8				EZ0			VALVE, Exhaust, Standard
6	53021552AA	2				EZ0			ROCKER ARM, Intake
7	53021553AA	2				EZ0			ROCKER ARM, Exhaust
8	53021676AB	16				EZ0			RETAINER, Valve Spring
9	53021580AE	16				EZ0			SPRING, Valve
10	53021578AA	16				EZ0			SEAL, Valve Guide
11	53010515AA	32				EZ0			LOCK, Valve Spring Retainer
-12	06507072AA	10				EZ0			SCREW, Hex Flange Head, Rocker Shaft Mounting
13	53021556AA	8				EZ0			PUSH ROD, ValveIntake
14	53021557AA	8				EZ0			PUSH ROD, ValveExhaust
15									YOKE, Tappet Aligning
	53021727AC	2				EZB			Front
	53021729AC	2				EZB			Rear
16									TAPPET, Hyd. Roller
	53021726AD	2				EZB			Front
	53021728AD	2				EZB			Rear
17	06507067AA	2				EZB			SCREW, Hex Flange Head



GRAND CHEROKEE (WK)

SERIES LINE
H = HIGHLINE T = JEEP - 2WD
P = PREMIUM J = JEEP - 4WD
S = SPORT
X = SPECIAL

BODY
74 = SPORT UTILITY 4-DR

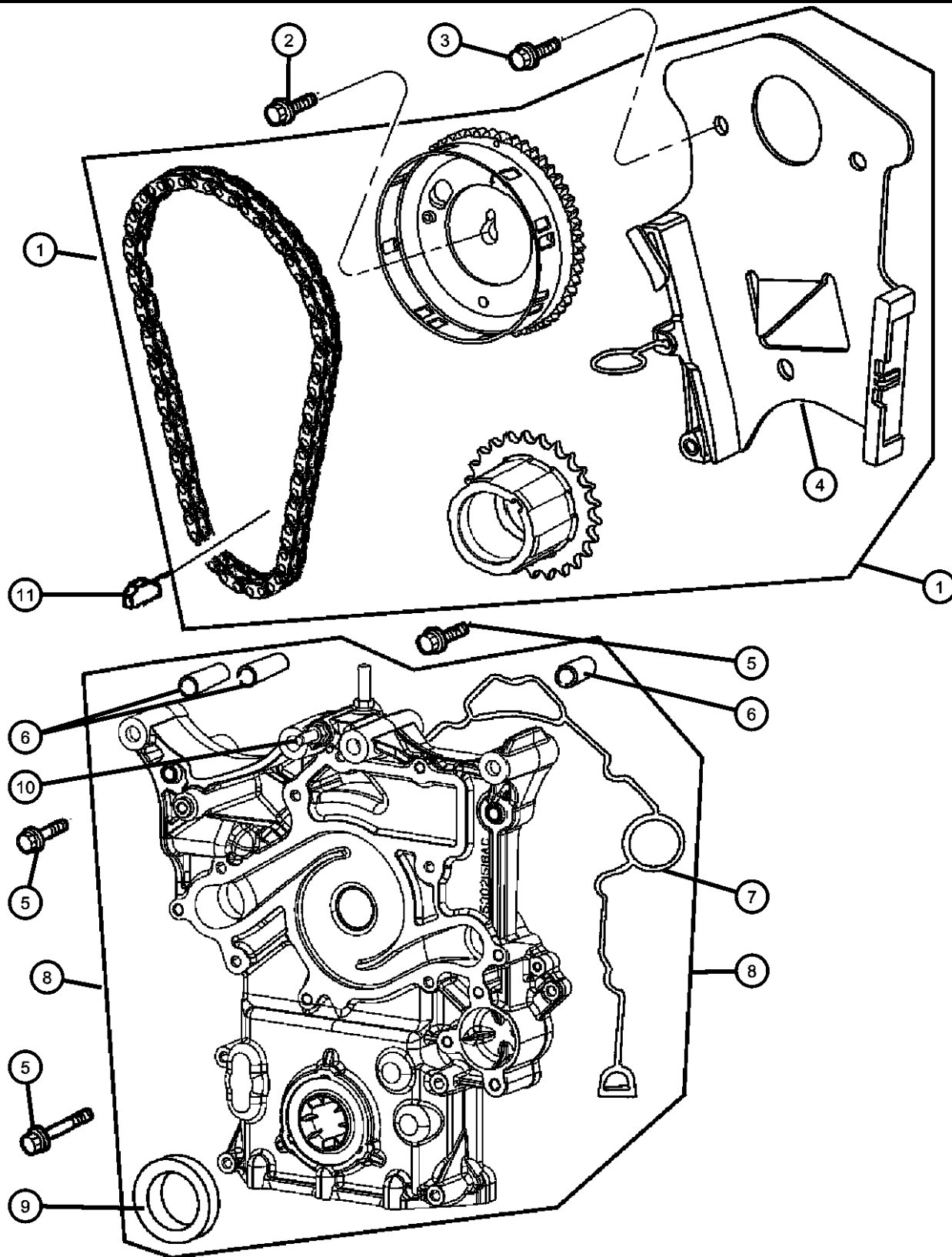
ENGINE
EKG = 3.7L V6 Engine
EVA = 4.7L V8 MPI Engine
EZB = 5.7L Hemi Multi Displacement Engine

TRANSMISSION
DGQ = 5-Spd Automatic 5-45RFE Transmission
DGJ = 5-Speed Automatic MB Transmission

AR = use ase required - = Non illustrated part

2006 WK

**Timing Chain And Related Parts
Figure 5.7L-610**



ITEM	PART NUMBER	QTY	LINE	SERIES	BODY	ENGINE	TRANS	TRIM	DESCRIPTION
NOTE: Sales Codes: [DGQ]=5-Speed Automatic 5-45RFE Transmission [EZB]=5.7L Hemi Multi Displacment V-8 [EZ0]=All 5.7L 8 Cylinder Gas Engines									
1	53021581AC	1				EZ0			TIMING DRIVE KIT, Engine
2	06507480AA	1				EZ0			SCREW AND WASHER, Hex
3	06507479AA	3				EZ0			SCREW AND WASHER, Hex
4	53021582AD	1				EZ0			TENSIONER, Belt
5									SCREW AND WASHER, Hex
	06506269AA	5				EZ0			
	06506270AA	3				EZ0			
6	06506697AA	2				EZ0			BUSHING, Timing Cover
7		2							GASKET, Chain Case Cover, Serviced With Timing Cover, (NOT SERVICED)
8	04792795AD	1				EZ0			COVER, Timing Case
9	53021585AD	1				EZ0			SEAL, Crankshaft Oil, Front
10	06506343AA	1				EZ0			STUD
11	06506397AA	1				EZ0			KEY, Woodruff
-12	06506332AA	2				EZ0			PIN, Dowel, Front Cover To Cylinder Block

GRAND CHEROKEE (WK)

SERIES	LINE
H = HIGHLINE	T = JEEP - 2WD
P = PREMIUM	J = JEEP - 4WD
S = SPORT	
X = SPECIAL	

BODY
74 = SPORT UTILITY 4-DR

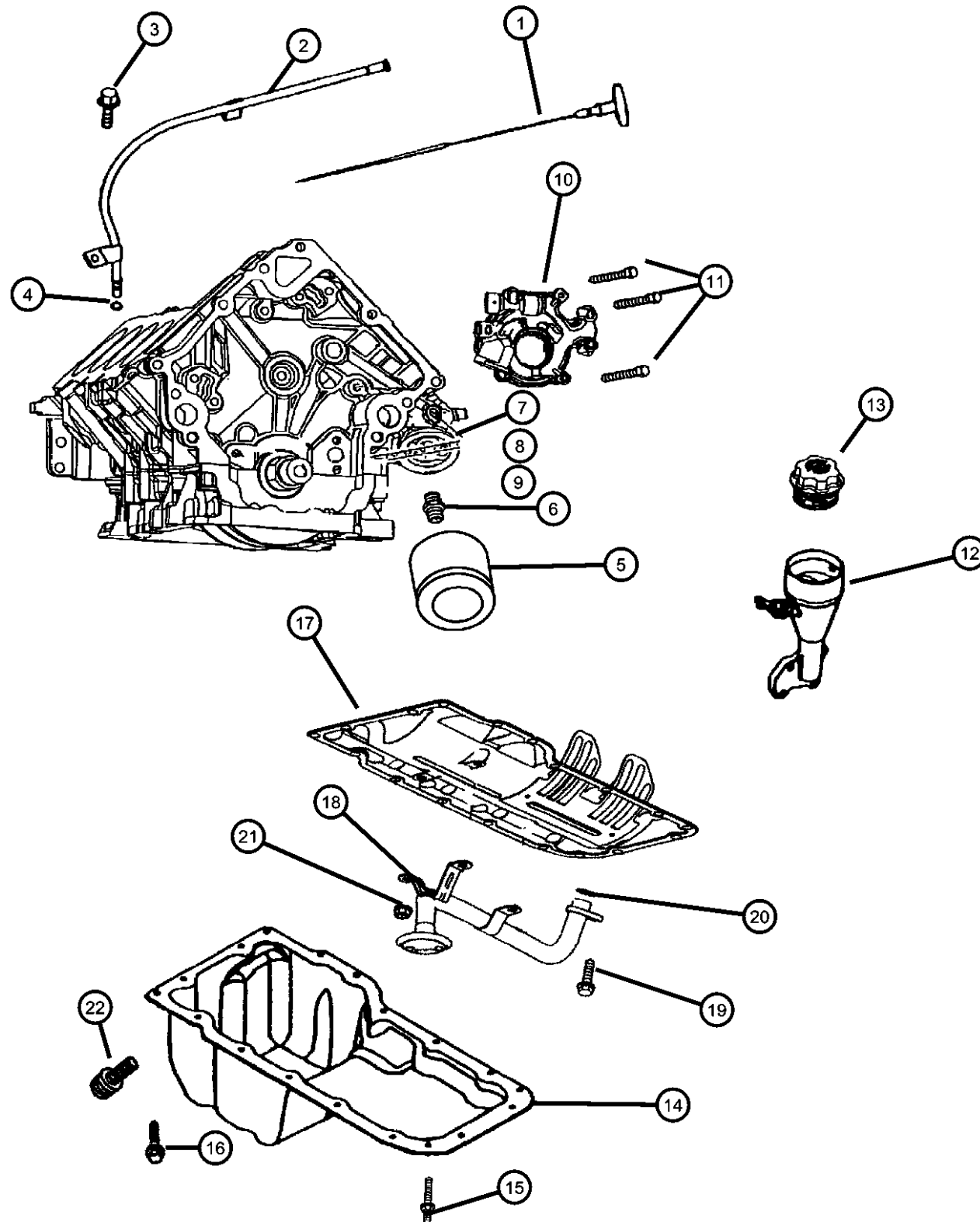
ENGINE
EKG = 3.7L V6 Engine
EVA = 4.7L V8 MPI Engine
EZB = 5.7L Hemi Multi Displacement Engine

TRANSMISSION
DGQ = 5-Spd Automatic 5-45RFE Transmission
DGJ = 5-Speed Automatic MB Transmission

AR = use ase required - = Non illustrated part

2006 WK

**Engine Oiling 5.7L [EZB]
Figure 5.7L-710**



ITEM	PART NUMBER	QTY	LINE	SERIES	BODY	ENGINE	TRANS	TRIM	DESCRIPTION
------	-------------	-----	------	--------	------	--------	-------	------	-------------

NOTE:
Sales Codes:
[DGQ]= 5-Speed Automatic 5-45RFE Transmission
[EZB]= 5.7L Hemi Multi Displacement V8
[EZ0] = All 5.7L 8 Cylinder Gas Engines

1	53021858AC	1				EZ0			INDICATOR, Engine Oil Level
2	53021859AC	1				EZ0			TUBE, Engine Oil Indicator
3	06506407AA	1				EZ0			BOLT
4	53021144AA	1				EZ0			O RING, Engine Oil Indicator
5	05281090	1				EZ0			FILTER, Engine Oil
	0FE00292								Canadian Aftermarket Part
	05281090BA								BULK PACK (12)
6	04104511AB	1				EZ0			CONNECTOR, Oil Filter Adapter
7	53013680AB	1				EZ0			ADAPTER, Oil Filter
8									SEAL
	53021660AC	1				EZ0			Inner Adapter
	53021661AA	1				EZ0			Outer Adapter
9	06102041AA	3				EZ0			SCREW
10	53021622AE	1				EZ0			PUMP, Engine Oil
11	06101383	4				EZ0			SCREW AND WASHER, Hex Head, M8x1.25x55
12		4							HOUSING, Oil Fill, Serviced With Intake Manifold Assembly, (NOT SERVICED)
13	53013775AA	1				EZB			CAP, Oil Filler
14	53021860AC	1				EZ0			PAN, Engine Oil
15	06102210AA	4				EZ0			SCREW
16	06508448AA	18				EZ0			BOLT
17	04792874AA	1				EZ0			GASKET, Oil Pan
18	53021522AD	1				EZ0			TUBE, Oil Pickup
19	06102046AA	1				EZ0			SCREW AND WASHER
20	53020861	1				EZ0			SEAL, Oil Pick Up Tube
21	06502756	1				EZ0			NUT, Hex Lock, M8x1.25
22	06507741AA	1				EZ0			PLUG, Oil Drain

GRAND CHEROKEE (WK)

SERIES LINE
H = HIGHLINE T = JEEP - 2WD
P = PREMIUM J = JEEP - 4WD
S = SPORT
X = SPECIAL

BODY
74 = SPORT UTILITY 4-DR

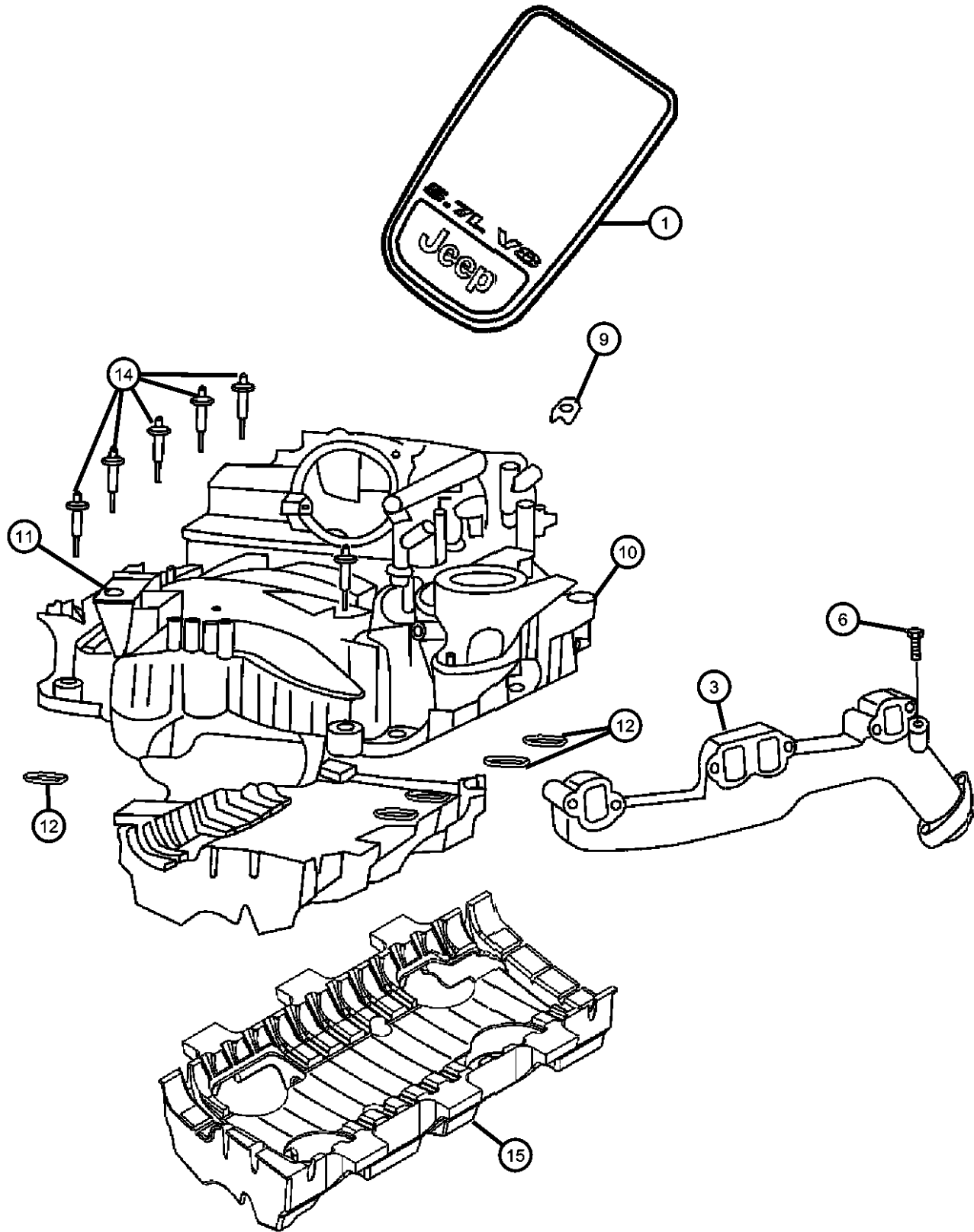
ENGINE
EKG = 3.7L V6 Engine
EVA = 4.7L V8 MPI Engine
EZB = 5.7L Hemi Multi Displacement Engine

TRANSMISSION
DGQ = 5-Spd Automatic 5-45RFE Transmission
DGJ = 5-Speed Automatic MB Transmission

AR = use ase required - = Non illustrated part

2006 WK

**Intake And Exhaust Manifolds 5.7L [EZB]
Figure 5.7L-810**



ITEM	PART NUMBER	QTY	LINE	SERIES	BODY	ENGINE	TRANS	TRIM	DESCRIPTION
NOTE: Sales Codes: [DGQ] = 5 Speed Automatic 5-45RFE Transmission [EZB] = 5.7L Hemi Multi Displacement V8 [EZ0] = All 5.7L 8 Cylinder Gas Engines									
1	53013718AB	1				EZ0			COVER, Engine Large Cover With Hemi Logo
	53013789AA	1				EZ0			Small Cover On Top With Jeep logo.
-2	53013748AB	4				EZB			CONNECTOR, Cover
3	53013606AB	1				EZ0			MANIFOLD, Exhaust Right
	53013605AB	1				EZ0			Left
-4	53032097AD	1				EZ0			GASKET, Exhaust Manifold Left
	53032098AD	1				EZ0			Right
-5	06508218AA	9				EZ0			STUD, Exhaust Manifold
6	06507746AA	8				EZ0			BOLT, Exhaust Manifold
-7	53032208AH	2				EZ0			SHIELD, Exhaust Manifold
-8	06505316AA	8				EZ0			NUT, [M6x1.0], Heat Shield Attaching
9	06504968AA	4				EZB			NUT, J
10	04591846AH	1				EZB			MANIFOLD, Intake
11		1							MANIFOLD, Intake, Serviced in Package, (NOT SERVICED)
12	53032382AB	8				EZB			SEAL, Intake Manifold
-13	53032383AB	1				EZB			SEAL, Throttle Body to Intake
14	06506725AA	10				EZB			SCREW, Hex Flange Head
15	53013747AC	1				EZB			PAD, Engine
	53013735AA	1				EZB			Round Foam

GRAND CHEROKEE (WK)

SERIES LINE
H = HIGHLINE T = JEEP - 2WD
P = PREMIUM J = JEEP - 4WD
S = SPORT
X = SPECIAL

BODY
74 = SPORT UTILITY 4-DR

ENGINE
EKG = 3.7L V6 Engine
EVA = 4.7L V8 MPI Engine
EZB = 5.7L Hemi Multi Displacement Engine

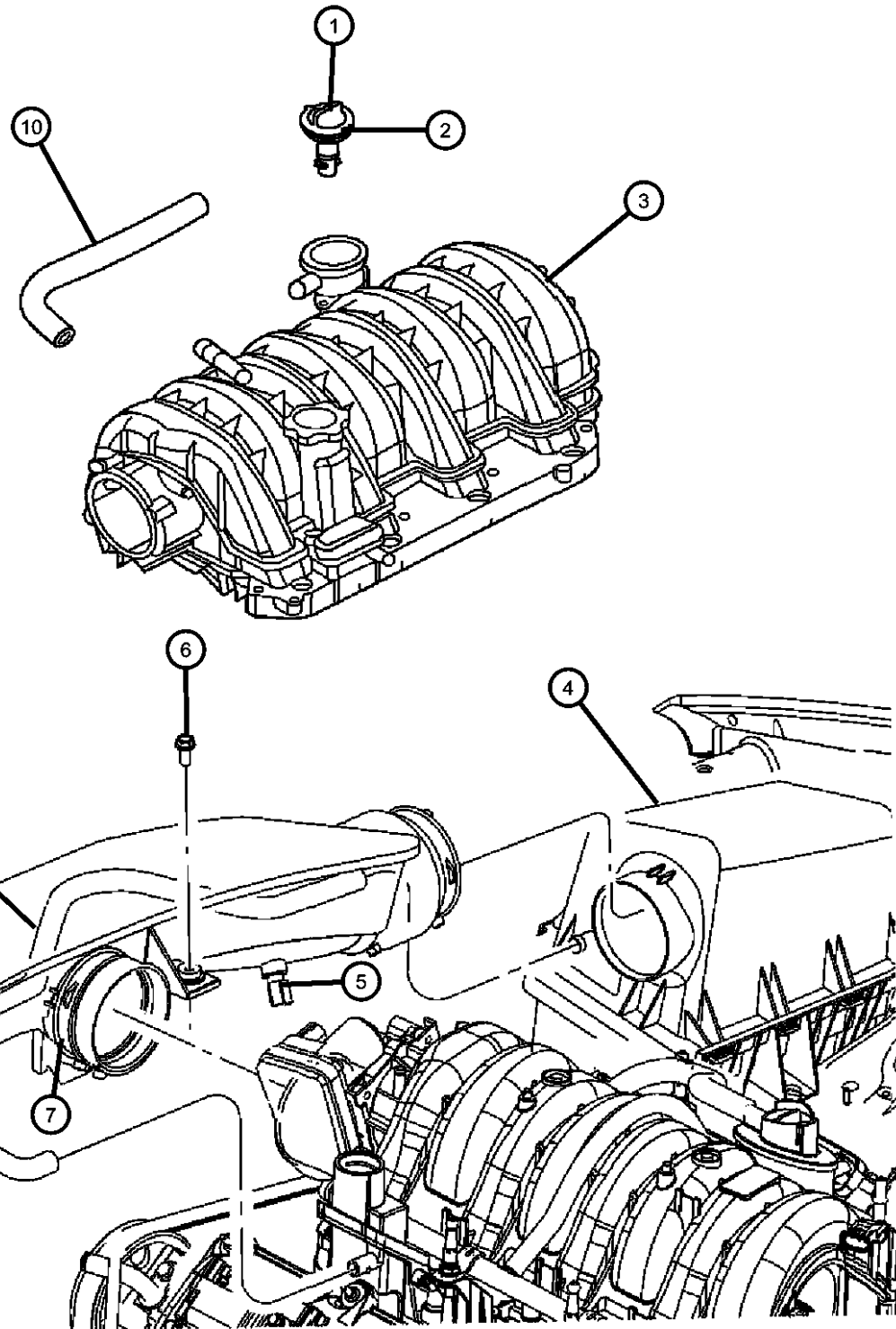
TRANSMISSION
DGQ = 5-Spd Automatic 5-45RFE Transmission
DGJ = 5-Speed Automatic MB Transmission

AR = use ase required - = Non illustrated part

2006 WK

**Crankcase Ventilation 5.7L [EZB]
Figure 5.7L-910**

ITEM	PART NUMBER	QTY	LINE	SERIES	BODY	ENGINE	TRANS	TRIM	DESCRIPTION
------	-------------	-----	------	--------	------	--------	-------	------	-------------



NOTE:

Sales Codes:

[DGJ]=5-Speed Automatic W5A580 Transmission

[EZB]=5.7L Hemi Multi Displacement Engine

[EZ0]=All 5.7L 8 Cylinder Gas Engines

1	53032531AE	1				EZB			VALVE, Crankcase Vent
2	53032384AB	1				EZ0			SEAL, PCV
3		1							MANIFOLD, Engine Intake, Reference, (NOT REQUIRED)
4	05143969AA	1				EZ0			COVER, Air Cleaner
5	56028364AA	1				EZB			SENSOR, Air Temperature
6	06105039AA	1				EZ0			SCREW, Hex Flange Head, M6-1.00x30.00, Resonator To Bracket, Mounting
7	53013714AA	1				EZB			CLAMP, Air Cleaner to T/Body
8	53013759AB	1				EZB			HOSE, Make Up Air
9	53013517AD	1				EZB			RESONATOR, Air Cleaner
10	04591961AB	1				EZB			HOSE, Cylinder Head To Intake Manifold PCV

GRAND CHEROKEE (WK)

SERIES	LINE
H = HIGHLINE	T = JEEP - 2WD
P = PREMIUM	J = JEEP - 4WD
S = SPORT	
X = SPECIAL	

BODY
74 = SPORT UTILITY 4-DR

ENGINE
EKG = 3.7L V6 Engine
EVA = 4.7L V8 MPI Engine
EZB = 5.7L Hemi Multi Displacement Engine

TRANSMISSION
DGQ = 5-Spd Automatic 5-45RFE Transmission
DGJ = 5-Speed Automatic MB Transmission

AR = use ase required - = Non illustrated part

2006 WK

Group - 6.1L

Engine 6.1L Eight Cylinder [ESF]

Group - 6.1L Engine 6.1L Eight Cylinder [ESF]

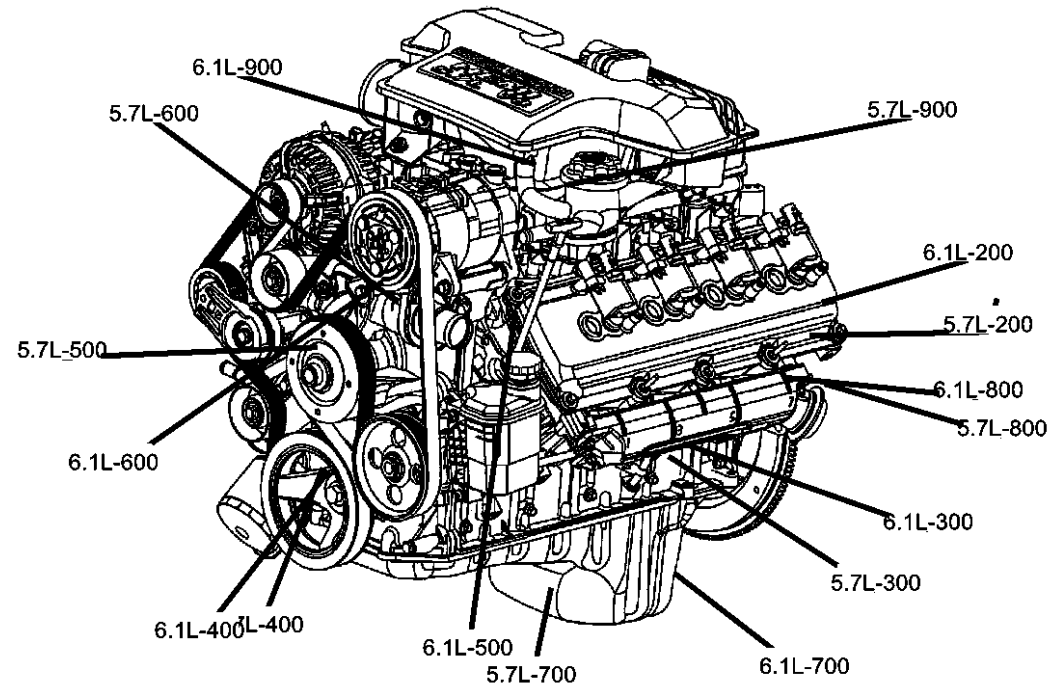


Illustration Title

Group-Fig. No.

Cylinder Head

Engine Covers And Components 6.1L [ESF] Fig. 6.1L - 210
 Cylinder Head 6.1L [ESF] Fig. 6.1L - 220

Cylinder Block

Cylinder Block 6.1L [ESF] Fig. 6.1L - 310

Crankshaft, Pistons and Torque Converter

Crankshaft, Pistons and Torque Converter 6.1L [ESF] Fig. 6.1L - 410

Camshafts and Valves

Camshaft and Valves 6.1L [ESF] Fig. 6.1L - 510

Timing Belt and Cover

Timing Cover and Related Parts 6.1L [ESF] Fig. 6.1L - 610

Engine Oiling

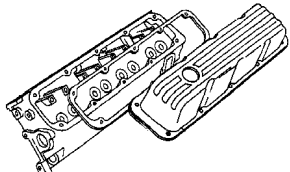
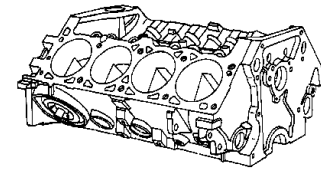
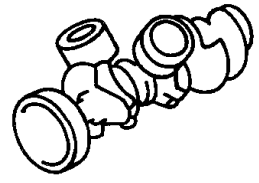
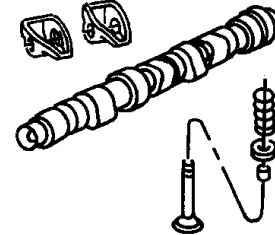
Engine Oiling 6.1L [ESF] Fig. 6.1L - 710

Manifolds

Intake Manifold - 6.1L [ESF] Fig. 6.1L - 810
 Exhaust Manifolds, 6.1L [ESF] Fig. 6.1L - 820

Crankcase Ventilation

Crankcase Ventilation 6.1L [ESF] Fig. 6.1L - 910

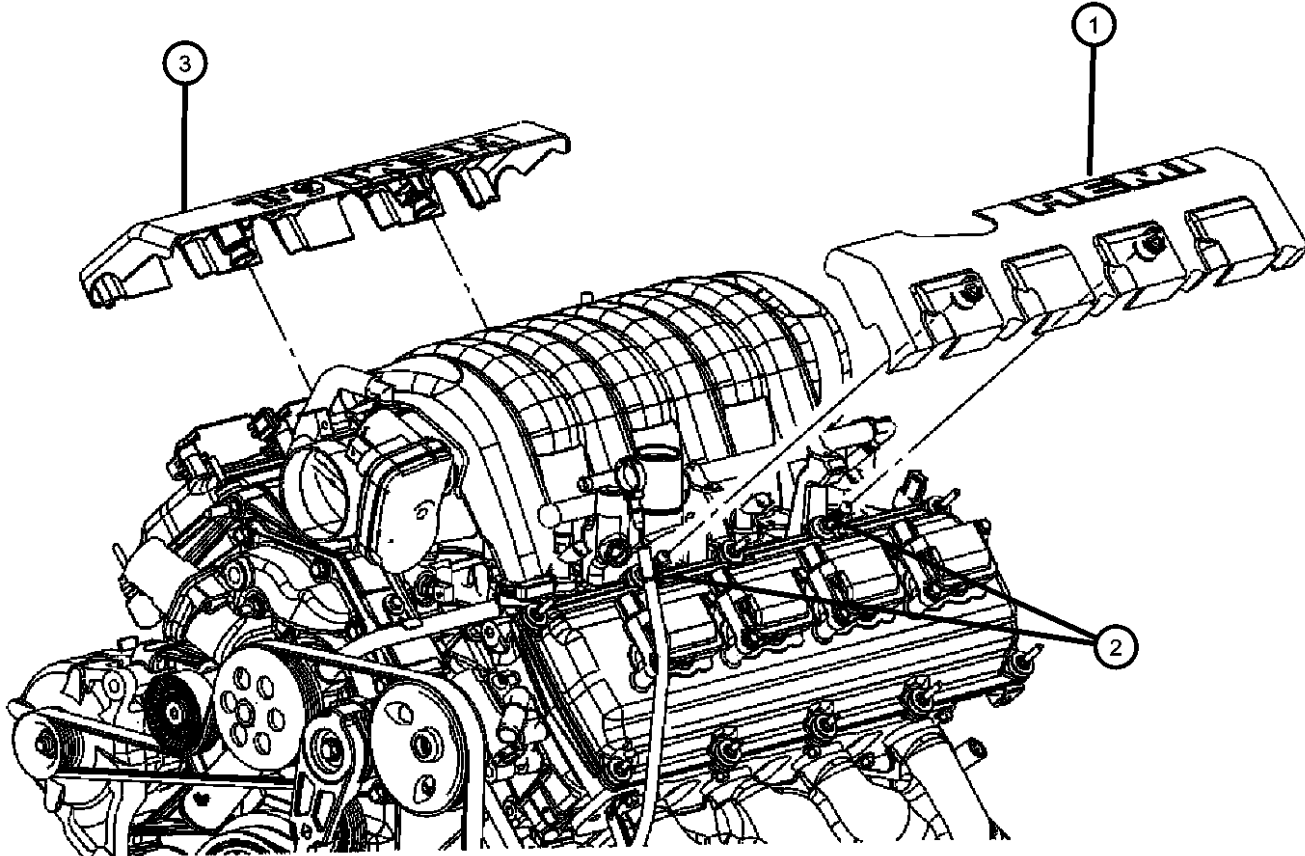
<p>6.1L-200 Cylinder Head</p> 	<p>6.1L-300 Cylinder Block</p> 	<p>6.1L-400 Crankshaft, Pistons and Torque Converter</p> 	<p>6.1L-500 Camshafts and Valves</p> 
<p>6.1L-600 Timing Belt and Cover</p>	<p>6.1L-700 Engine Oiling</p>	<p>6.1L-800 Manifolds</p>	<p>6.1L-900 Crankcase Ventilation</p>

**Engine Covers And Components 6.1L [ESF]
Figure 6.1L-210**

ITEM	PART NUMBER	QTY	LINE	SERIES	BODY	ENGINE	TRANS	TRIM	DESCRIPTION
------	-------------	-----	------	--------	------	--------	-------	------	-------------

NOTE:
Sales Codes:
[DGJ]=5-Speed Automatic W5A580 Transmission
[ESF] = 6.1L SRT Hemi SMPI V8 Engine

1	05037535AA	1				ESF			COVER, Wiring Protector, With [Hemi], Left
2									BALL STUD, Wiring Retension Cover To Engine
	05037581AA	4				ESF			Engines Built 2-23-2006 And Before [39.3 MM], Mounting
	05037581AB	4	J, T			ESF			Engines Built 2-24-2006 And After [42.04 MM], Mounting
3	05037534AA	1				ESF			COVER, Wiring Protector, With [Hemi 6.1L], Right



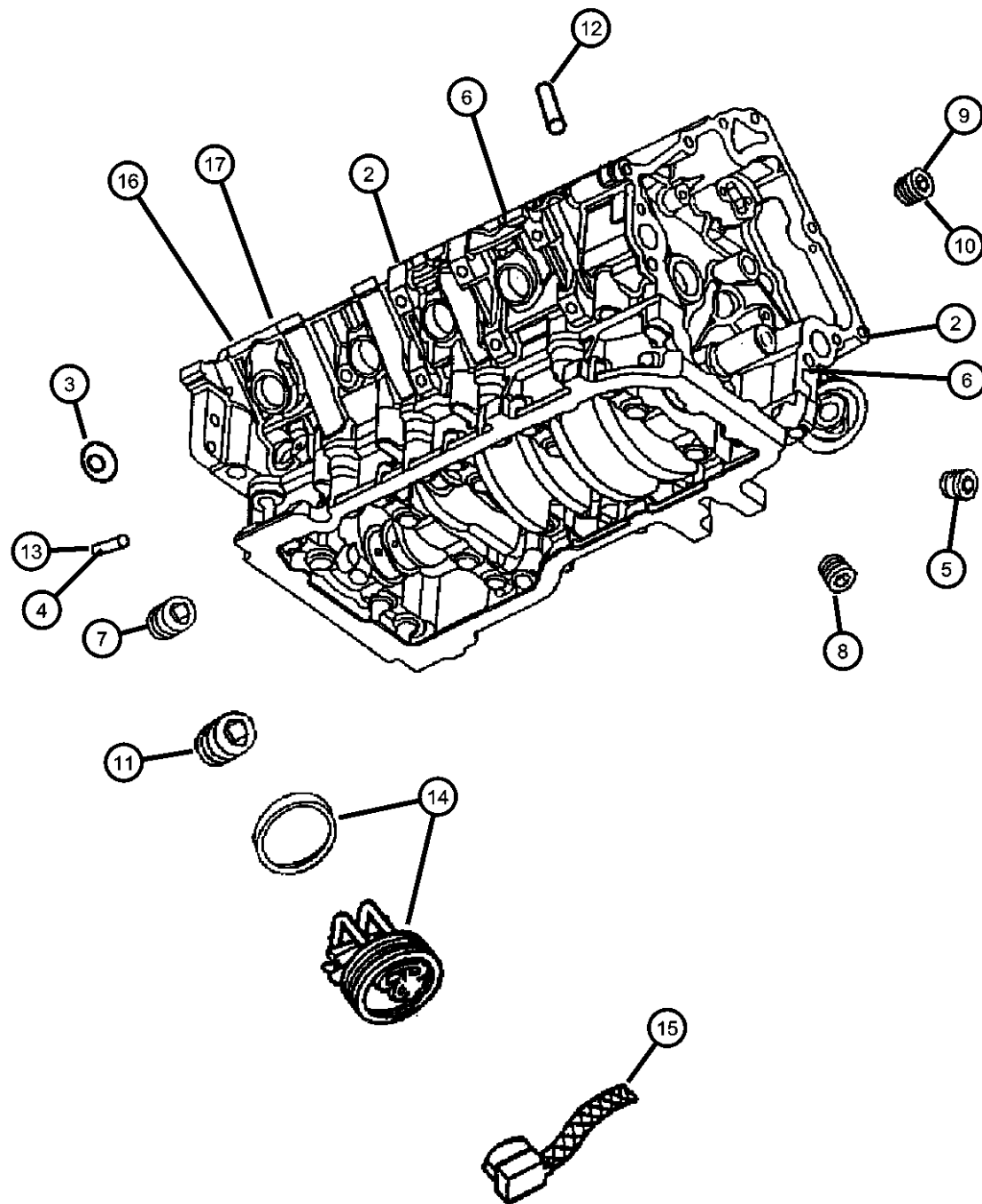
GRAND CHEROKEE (WK)

SERIES	LINE	BODY	ENGINE	TRANSMISSION
H = HIGHLINE	T = JEEP - 2WD	74 = SPORT UTILITY 4-DR	EKG = 3.7L V6 Engine	DGQ = 5-Spd Automatic 5-45RFE Transmission
P = PREMIUM	J = JEEP - 4WD		EVA = 4.7L V8 MPI Engine	DGJ = 5-Speed Automatic MB Transmission
S = SPORT			EZB = 5.7L Hemi Multi Displacement Engine	
X = SPECIAL				

AR = use ase required - = Non illustrated part

2006 WK

**Cylinder Block 6.1L [ESF]
Figure 6.1L-310**



ITEM	PART NUMBER	QTY	LINE	SERIES	BODY	ENGINE	TRANS	TRIM	DESCRIPTION
------	-------------	-----	------	--------	------	--------	-------	------	-------------

NOTE:
 Lower Gasket Package Contains: Front and Rear Crankshaft Seals; Oil Pan, Front Cover and Water Pump Gaskets; Oil Level Tube O-Ring and Oil
 Shortblock Does Not Include Camshaft, Lifters, Oil Pump or Oil Pan
 Sales Codes:
 [DGJ]=5-Speed Automatic W5A580 Transmission
 [ESF] = 6.1L SRT Hemi SMPI V8 Engine

-1	05179684AA	1				ESF			GASKET PACKAGE, Engine Lower, See Notes
2	05159561AA	1				ESF			BLOCK, Short, See Notes
	05127394AA								Mopar 0W-40 Mobil 1 Engine Oil
3	06507663AA	1				ESF			PLUG, Camshaft Rear, Camshaft, Rear
4	06506332AA	2				ESF			PIN, Dowel
5	06034331	4				ESF			PLUG, Hex Socket, 3/8-18NPTx.475
6		4							BEARING KIT, Camshaft, Standard, Serviced in Short Block, (NOT SERVICED)
7									PLUG
	06036307AA	2				ESF			[.25x18x.413]
	06036308AA	2				ESF			[.375x18x.475]
8	06036286AA	1				ESF			PLUG, Cylinder Block, Oil Gallery, Front
9	06036417AA	1				ESF			PLUG, Cylinder Block, [.375x18x1.34]
10	53032221AA	4				ESF			PLUG, Cylinder Block, Multiple Solenoid Displacement
11	06036592AA	2				ESF			PLUG
12	05240849	4				ESF			DOWEL, Cylinder Block To Head
13	01122532	2				ESF			DOWEL, Block To Clutch Housing
14		2							HEATER, Engine, (NOT SERVICED)
15		2							CORD, Engine Block Heater, (NOT SERVICED)
16	05037524AA	4				ESF			JET, Piston Oil Cooler
17	06104179AA	4				ESF			BOLT, [M6x1.0x12.0], Piston Oil Jet Cooler To Cylinder Block, Mounting

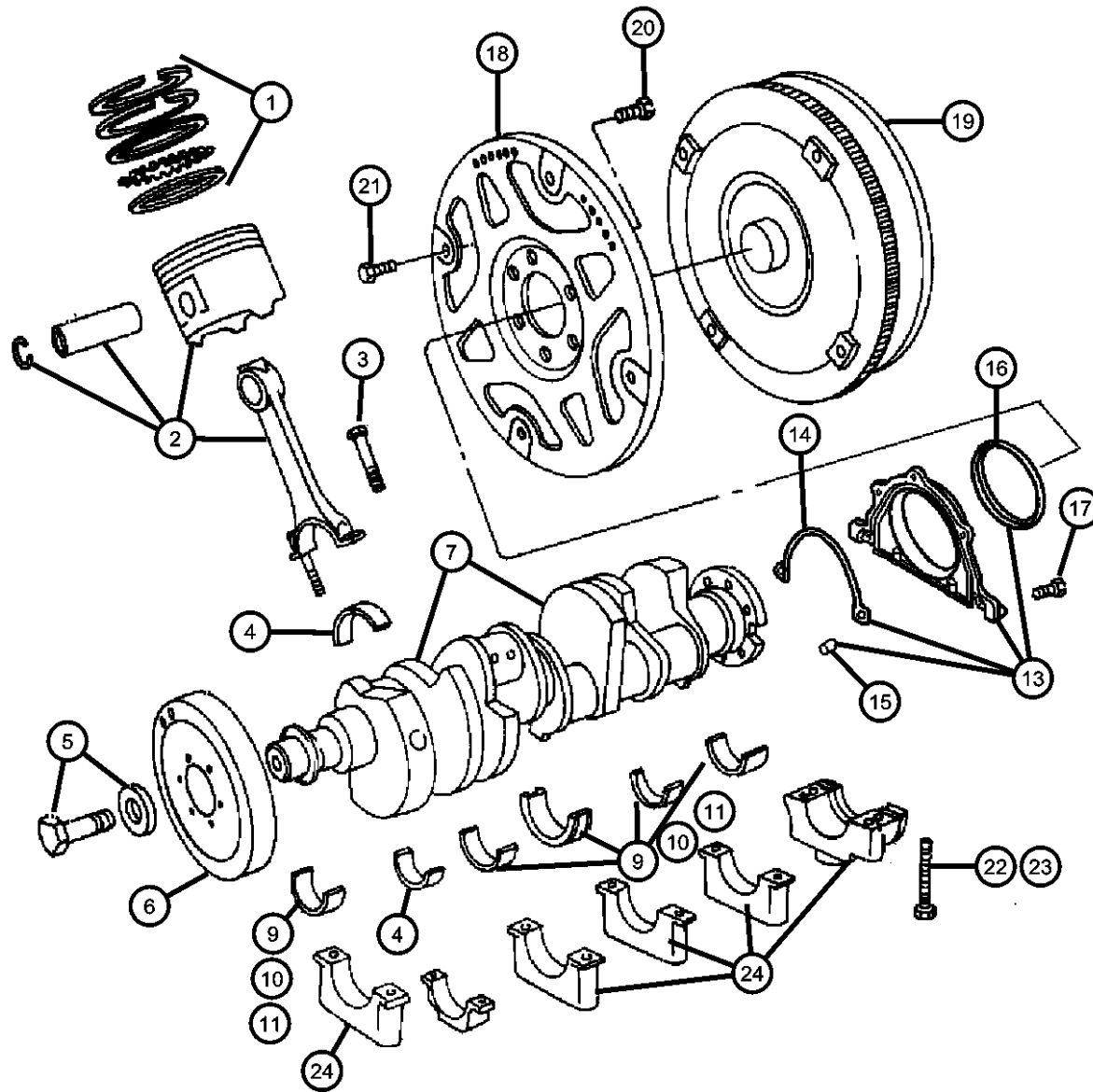
GRAND CHEROKEE (WK)

SERIES	LINE	BODY	ENGINE	TRANSMISSION
H = HIGHLINE	T = JEEP - 2WD	74 = SPORT UTILITY 4-DR	EKG = 3.7L V6 Engine	DGQ = 5-Spd Automatic 5-45RFE
P = PREMIUM	J = JEEP - 4WD		EVA = 4.7L V8 MPI Engine	Transmission
S = SPORT			EZB = 5.7L Hemi Multi Displacement Engine	DGJ = 5-Speed Automatic MB Transmission
X = SPECIAL				

AR = use ase required - = Non illustrated part

2006 WK

**Crankshaft, Pistons and Torque Converter 6.1L [ESF]
Figure 6.1L-410**



ITEM	PART NUMBER	QTY	LINE	SERIES	BODY	ENGINE	TRANS	TRIM	DESCRIPTION
NOTE: Sales Codes: [DGJ]=5-Speed Automatic W5A580 Transmission [ESF] = 6.1L SRT Hemi SMPI V8 Engine									
1	05159661AA	1				ESF			RING PACKAGE, Piston, Standard Size, One [1] Package Is For The Complete Engine
2	05037490AB	4	J, T			ESF			PISTON PIN AND ROD, STD Cylinders 2,4,6,8 Includes Rings And Bearings
	05037491AB	4	J, T			ESF			Cylinders 1,3,5,7 Includes Rings And Bearings
3	06508245AA	8				ESF			SCREW, Hex Flange Head
4	05086003AB	1				ESF			BEARING PACKAGE, Connecting Rod, Standard
5	06506340AA	1				ESF			SCREW AND WASHER
6	05037394AA	1				ESF			DAMPER, Crankshaft
7	05037458AA	1				ESF			CRANKSHAFT, Engine, Includes Tone Ring For Crank Sensor. Tone Ring Screws
-8	04736283AA	1				ESF			SLEEVE, Also Serviced in Crankshaft Assembly
9	05174002AA	1				ESF			BEARING KIT, Crankshaft, .008mm U/S
10	05174003AA	1				ESF			BEARING KIT, Crankshaft, Standard
11	05174004AA	1				ESF			BEARING KIT, Crankshaft, .008mm O/S
-12	05083979AA	1				ESF			WASHER PACKAGE, Washer, Crankshaft Thrust Washer, Includes Front And Rear Washers
13	05140028AA	1				ESF			RETAINER PACKAGE, Crankshaft Rear Oil Seal
14		1							GASKET, Rear Oil Seal Retainer, Serviced In Retainer Package, (NOT SERVICED)
15	05203466	2				ESF			PIN, Dowel, Also Serviced In Retainer Package
16	53021338AB	1				ESF			SEAL, Crankshaft Bearing Oil, Also Serviced In Retainer Package
17	06506342AA	5				ESF			SCREW, Hex Flange Head
18	04752574AB	1				ESF	DG0		PLATE, Torque Converter Drive
19	05174299AA	1	J			ESF	DGJ		CONVERTER PACKAGE, Torque
20	06503465	8				ESF	DG0		BOLT, Drive Plate and Flywheel
21	06507095AA	6				EK0, ES0	DG0		SCREW

GRAND CHEROKEE (WK)

SERIES LINE
H = HIGHLINE T = JEEP - 2WD
P = PREMIUM J = JEEP - 4WD
S = SPORT
X = SPECIAL

BODY
74 = SPORT UTILITY 4-DR

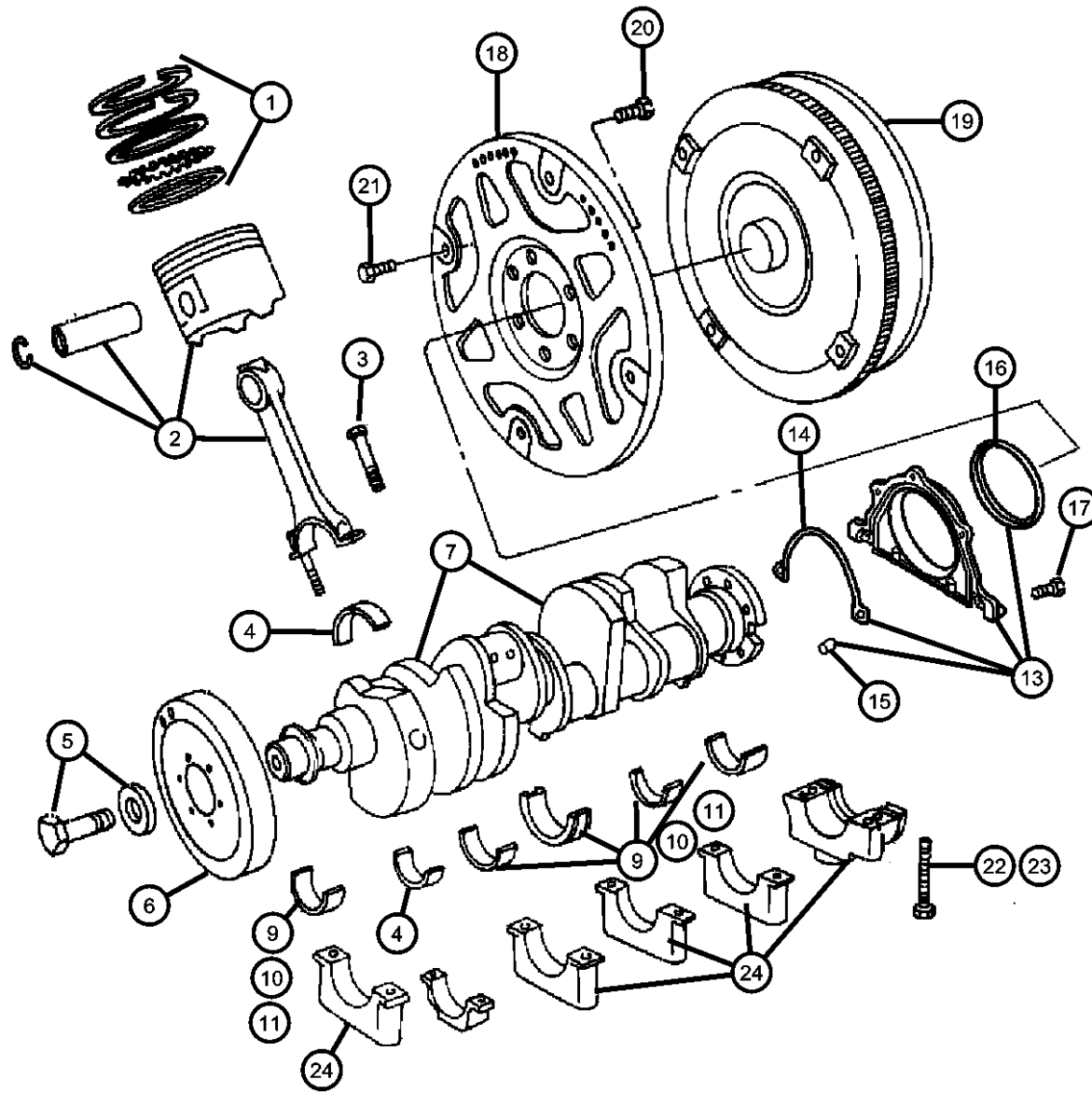
ENGINE
EKG = 3.7L V6 Engine
EVA = 4.7L V8 MPI Engine
EZB = 5.7L Hemi Multi Displacement Engine

TRANSMISSION
DGQ = 5-Spd Automatic 5-45RFE Transmission
DGJ = 5-Speed Automatic MB Transmission

AR = use ase required - = Non illustrated part

2006 WK

**Crankshaft, Pistons and Torque Converter 6.1L [ESF]
Figure 6.1L-410**



ITEM	PART NUMBER	QTY	LINE	SERIES	BODY	ENGINE	TRANS	TRIM	DESCRIPTION
22	06507697AA	10				ESF			SCREW AND WASHER, Hex, [M8x1.25x45.00]
23	06506272AA	10				ESF			SCREW, Hex Flange Head, For Main Bearing Cap, [M12x1.75x91.5]
24		10							CAP, Serviced With Short Block Assembly, (NOT SERVICED)

GRAND CHEROKEE (WK)

SERIES LINE
H = HIGHLINE T = JEEP - 2WD
P = PREMIUM J = JEEP - 4WD
S = SPORT
X = SPECIAL

BODY
74 = SPORT UTILITY 4-DR

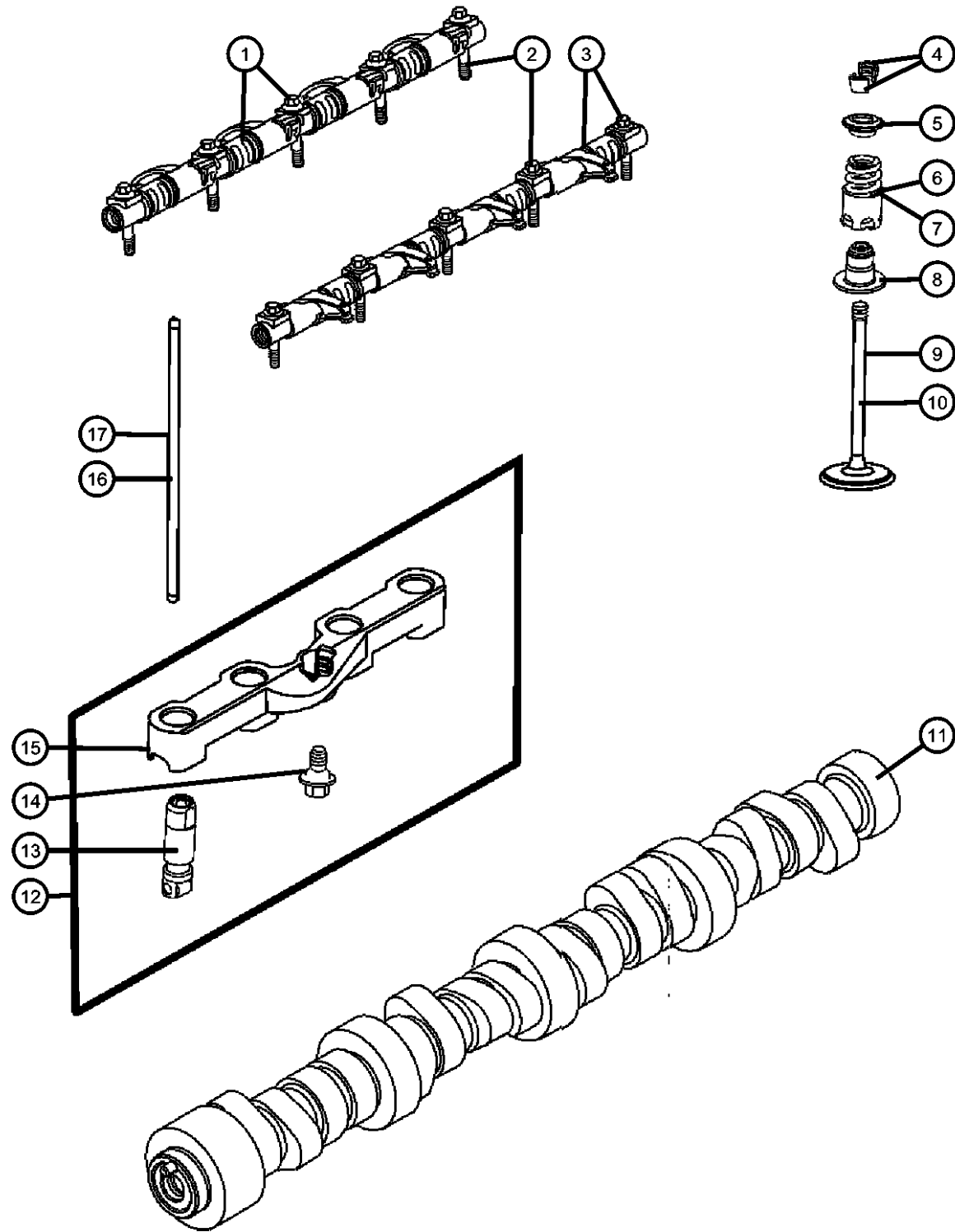
ENGINE
EKG = 3.7L V6 Engine
EVA = 4.7L V8 MPI Engine
EZB = 5.7L Hemi Multi Displacement Engine

TRANSMISSION
DGQ = 5-Spd Automatic 5-45RFE Transmission
DGJ = 5-Speed Automatic MB Transmission

AR = use ase required - = Non illustrated part

2006 WK

**Camshaft and Valves 6.1L [ESF]
Figure 6.1L-510**

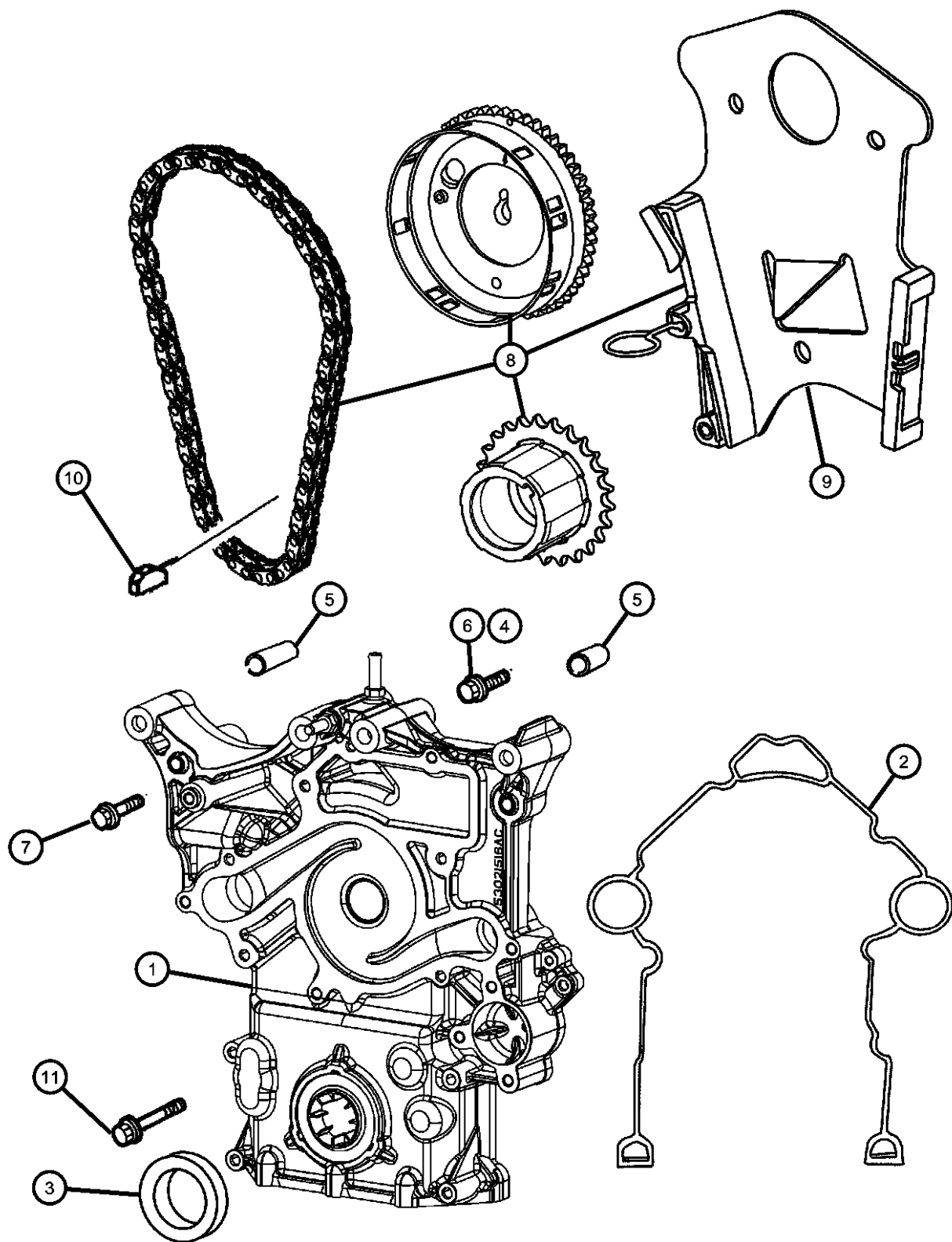


ITEM	PART NUMBER	QTY	LINE	SERIES	BODY	ENGINE	TRANS	TRIM	DESCRIPTION
NOTE:Sales Codes: [DGJ]=5-Speed Automatic W5A580 Transmission [ESF] = 6.1L SRT Hemi SMPI V8 Engine									
1	53021552AA	2				ESF			ROCKER ARM, Intake
2	06507072AA	10				ESF			SCREW, Hex Flange Head, Rocker Shaft to Head, Mounting
3	53021553AA	2				ESF			ROCKER ARM, Exhaust
4	53010515AA	32				ESF			LOCK, Valve Spring Retainer
5	53021676AB	16				ESF			RETAINER, Valve Spring
6	05037382AB	8				ESF			SPRING, Intake Valve
7	05037477AB	8				ESF			SPRING, Exhaust Valve
8									SEAL, Valve Guide
	05037798AA	8				ESF			Exhaust
	53021578AA	8				ESF			Intake
9	05037372AB	8				ESF			VALVE, Intake, Standard
10	05037373AB	8				ESF			VALVE, Exhaust, Standard
11	05037379AB	1				ESF			CAMSHAFT, Engine
12	53021720AB	4				ESF			LIFTERS AND YOKE, Hydraulic, Engine
13		4							TAPPET, Hyd. Roller, (NOT SERVICED)
14	06507067AA	4				ESF			SCREW, Hex Flange HeadYoke
15	53021721AA	4				ESF			YOKE, Tappet Aligning
16	05037476AB	8				ESF			PUSH ROD, Intake Valve
17	05037475AB	8				ESF			PUSH ROD, Exhaust Valve

GRAND CHEROKEE (WK)				
SERIES	LINE	BODY	ENGINE	TRANSMISSION
H = HIGHLINE	T = JEEP - 2WD	74 = SPORT UTILITY 4-DR	EKG = 3.7L V6 Engine	DGQ = 5-Spd Automatic 5-45RFE
P = PREMIUM	J = JEEP - 4WD		EVA = 4.7L V8 MPI Engine	Transmission
S = SPORT			EZB = 5.7L Hemi Multi	DGJ = 5-Speed Automatic MB
X = SPECIAL			Displacement Engine	Transmission

AR = use ase required - = Non illustrated part

**Timing Cover and Related Parts 6.1L [ESF]
Figure 6.1L-610**



ITEM	PART NUMBER	QTY	LINE	SERIES	BODY	ENGINE	TRANS	TRIM	DESCRIPTION
------	-------------	-----	------	--------	------	--------	-------	------	-------------

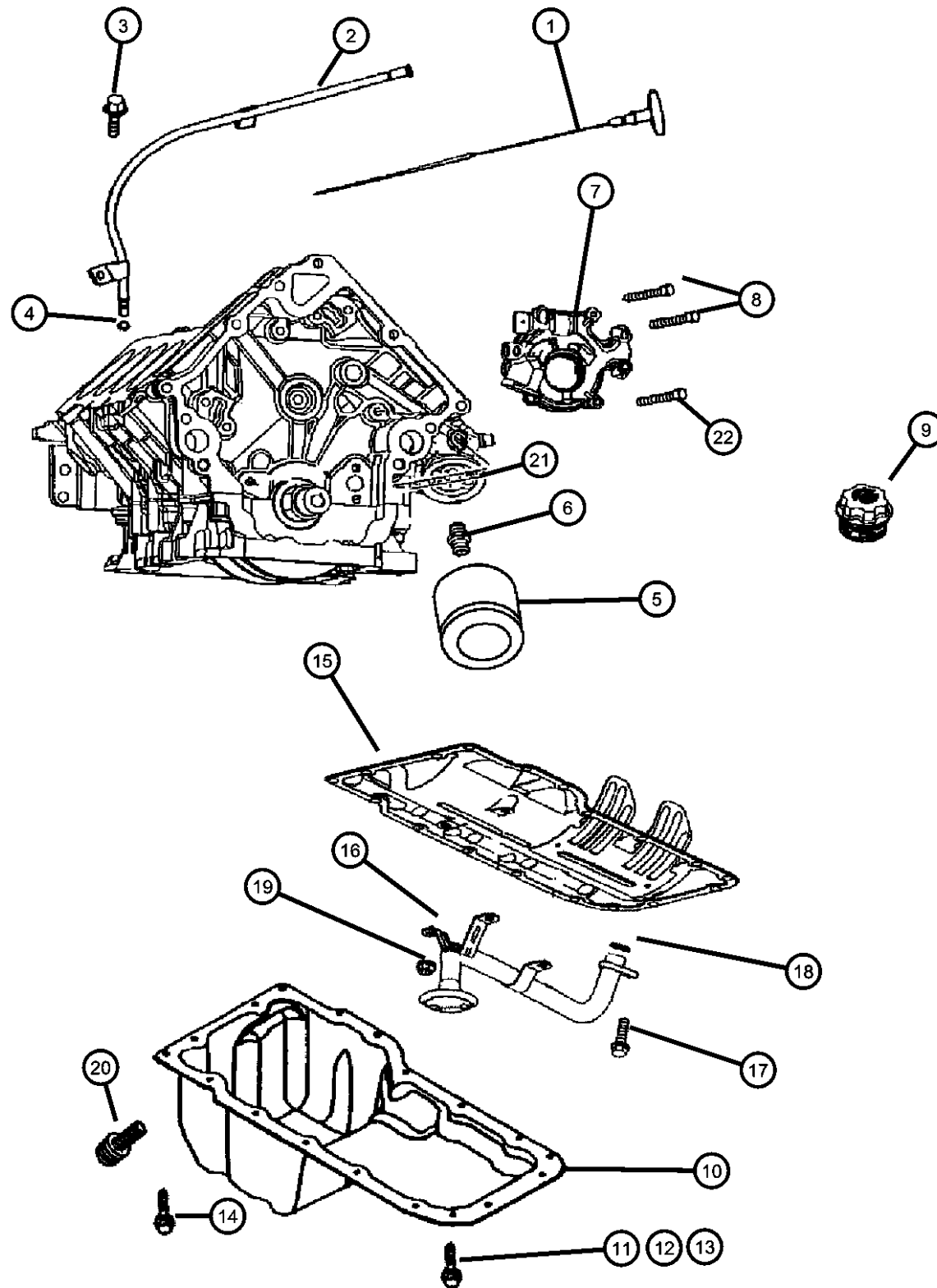
NOTE:
Front Timing Chain Cover Package Includes=Front Crank Seal Cover Gasket Cover Bushings And Stud
Sales Codes:
[DGJ]=5-Speed Automatic W5A580 Transmission
[ESF] = 6.1L SRT Hemi SMPI V8 Engine

1	04792795AC	1				ESF			COVER, Timing Case, See Note
2	05139933AB	1				ESF			GASKET PACKAGE, Front Cover
3	53021585AB	1				ESF			SEAL, Crankshaft Oil, Front
4	06506343AA	1				ESF			STUD, [M10x1.5x25x57]
5	06506697AA	2				ESF			BUSHING, Timing Cover, Also Serviced In Cover Package
6	06502929	1				ESF			SCREW AND WASHER, Hex Head, M8x1.25x110
7									SCREW AND WASHER, Hex [M8x1.25x35.0]
	06506269AA	5				ESF			[M8x1.25x80.0]
	06506270AA	3				ESF			[M8x1.25x20.00]
	06507479AA	3				ESF			
8	05037579AA	1				ESF			TIMING DRIVE KIT, Engine
9	05037593AA	1				ESF			TENSIONER, Chain
10	06506397AA	1				ESF			KEY, Woodruff
11	06507480AA	1				ESF			SCREW AND WASHER, Hex
-12	06506332AA	2				ESF			PIN, Dowel

GRAND CHEROKEE (WK)		BODY	ENGINE	TRANSMISSION
SERIES	LINE			
H = HIGHLINE	T = JEEP - 2WD	74 = SPORT UTILITY 4-DR	EKG = 3.7L V6 Engine	DGQ = 5-Spd Automatic 5-45RFE Transmission
P = PREMIUM	J = JEEP - 4WD		EVA = 4.7L V8 MPI Engine	DGJ = 5-Speed Automatic MB Transmission
S = SPORT			EZB = 5.7L Hemi Multi Displacement Engine	
X = SPECIAL				

AR = use ase required - = Non illustrated part

**Engine Oiling 6.1L [ESF]
Figure 6.1L-710**



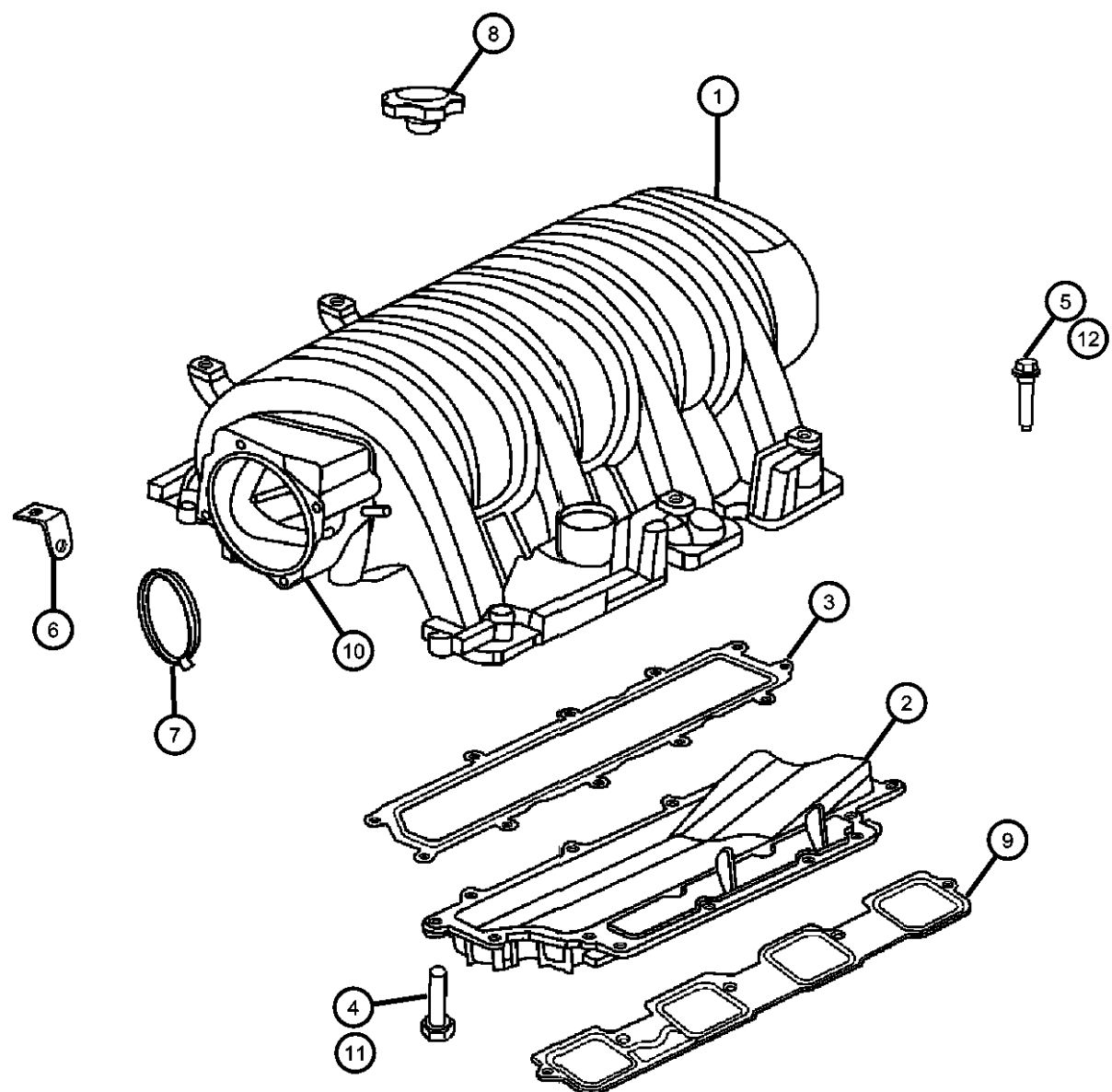
ITEM	PART NUMBER	QTY	LINE	SERIES	BODY	ENGINE	TRANS	TRIM	DESCRIPTION
NOTE: Sales Codes: [DGJ]=5-Speed Automatic W5A580 Transmission [ESF] = 6.1L SRT Hemi SMPI V8 Engine									
1	05037757AA	1				ESF			INDICATOR, Engine Oil Level
2	05037683AA	1				ESF			TUBE, Engine Oil Indicator
3	06506407AA	1				ESF			BOLT
4	53021144AA	1				ESF			O RING, Engine Oil Indicator
5	05281090	1				ESF			FILTER, Engine Oil
	0FE00292								Canadian Aftermarket Part
	05281090BA								BULK PACK (12)
6	04104511	1				ESF			ADAPTER, Oil Filter, Connector
7	05037687AA	1				ESF			PUMP, Engine Oil
8	06101383	4				ESF			SCREW AND WASHER, Hex Head, M8x1.25x55
9	05037665AA	1				ESF			CAP, Oil Filter
10	05037685AA	1				ESF			PAN, Engine Oil
11	06508448AA	16				ESF			BOLT, [M6x1.00x25.00]
12	06101985	2				ES0	DGJ		SCREW AND WASHER, M10x1.50x45.00, [M10X1.50X45.00], Oil Pan To Transmission Bell Housing, Mounting
13	06508067AA	3				ESF			STUD
14	06102210AA	4				ESF			SCREW, [M10x1.50x40.00]
15	05037692AA	1				ESF			GASKET, Oil Pan
16	53021522AD	1				ESF			TUBE, Oil Pickup
17	06102046AA	1				ESF			SCREW AND WASHER
18	53020861	1				ESF			SEAL, Oil Pick Up Tube
19	06502756	1				ESF			NUT, Hex Lock, M8x1.25, [M8x1.25]
20	06507741AA	1				ESF			PLUG, Oil Drain
21									SEAL
	53021660AC	1				ESF			Oil Filter Adapter Inner
	53021661AA	1				ESF			Oil Filter Adapter Outer
22	06102041AA	3				ESF			SCREW, Oil Filter Adapter To Block
-23	53013680AB	1				ESF			ADAPTER, Oil Filter

GRAND CHEROKEE (WK)				
SERIES	LINE	BODY	ENGINE	TRANSMISSION
H = HIGHLINE	T = JEEP - 2WD	74 = SPORT UTILITY 4-DR	EKG = 3.7L V6 Engine	DGQ = 5-Spd Automatic 5-45RFE Transmission
P = PREMIUM	J = JEEP - 4WD		EVA = 4.7L V8 MPI Engine	DGJ = 5-Speed Automatic MB Transmission
S = SPORT			EZB = 5.7L Hemi Multi Displacement Engine	
X = SPECIAL				

AR = use ase required - = Non illustrated part

**Intake Manifold - 6.1L [ESF]
Figure 6.1L-810**

ITEM	PART NUMBER	QTY	LINE	SERIES	BODY	ENGINE	TRANS	TRIM	DESCRIPTION
NOTE: Sales Codes: [DGJ]=5-Speed Automatic W5A580 Transmission [ESF] = 6.1L SRT 8 Hemi Engine									
1	05175361AA	1				ESF			MANIFOLD, Intake
2		1							PAN, Intake Manifold, (NOT SERVICED)
3	05037555AA	1				ESF			GASKET, Intake Manifold Pan
4	06101451	16				ESF			SCREW AND WASHER, Hex Head, M6x1x25
5	06508208AA	10				ESF			SCREW
6	05037679AA	1				ESF			BRACKET, Wire Harness
7	53032383AB	1				ESF			SEAL, Throttle Body to Intake
8	05037665AA	1				ESF			CAP, Oil Filler
9	05037503AA	2				ESF			GASKET, Intake Manifold
10	04591847AC	1				ESF			THROTTLE BODY
11	06101770	4				ESF			SCREW AND WASHER, Hex Head, .19-16x1.00
12	06101331	4				ESF			BOLT, M6x1.00x20, Fuel Rail To Intake Manifold



GRAND CHEROKEE (WK)

SERIES	LINE	BODY	ENGINE	TRANSMISSION
H = HIGHLINE	T = JEEP - 2WD	74 = SPORT UTILITY 4-DR	EKG = 3.7L V6 Engine	DGQ = 5-Spd Automatic 5-45RFE
P = PREMIUM	J = JEEP - 4WD		EVA = 4.7L V8 MPI Engine	Transmission
S = SPORT			EZB = 5.7L Hemi Multi	DGJ = 5-Speed Automatic MB
X = SPECIAL			Displacement Engine	Transmission

AR = use ase required - = Non illustrated part

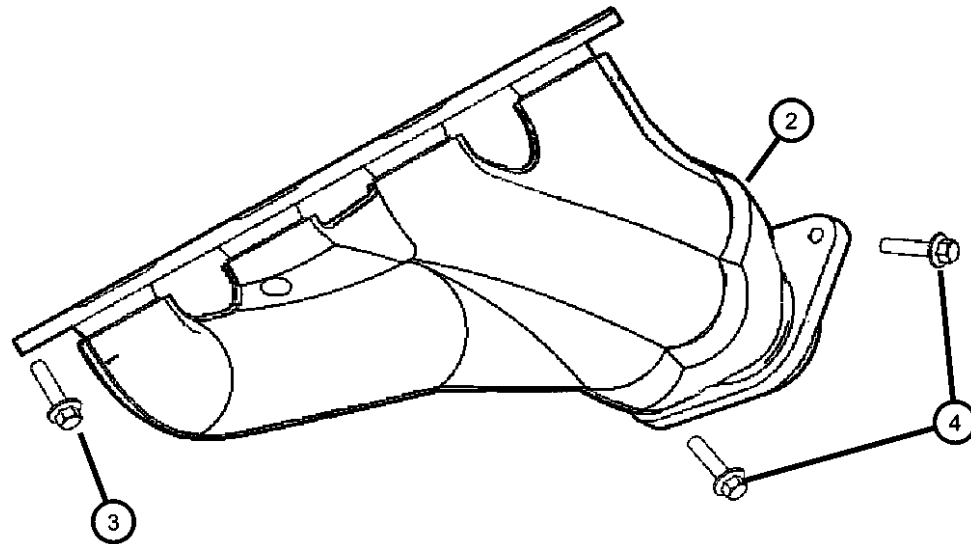
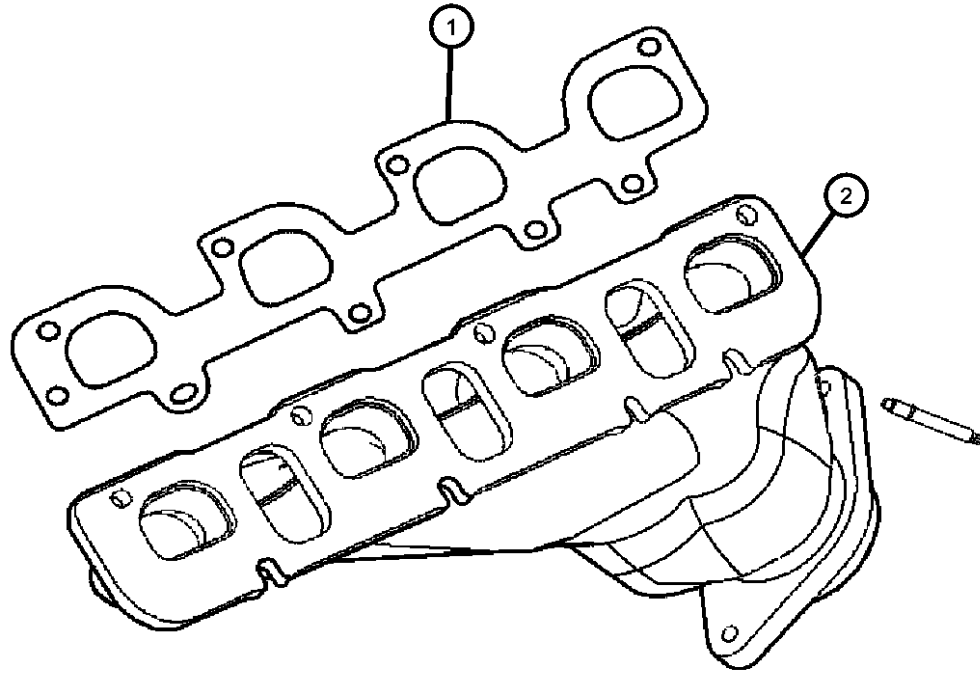
2006 WK

Exhaust Manifolds, 6.1L [ESF]
Figure 6.1L-820

ITEM	PART NUMBER	QTY	LINE	SERIES	BODY	ENGINE	TRANS	TRIM	DESCRIPTION
------	-------------	-----	------	--------	------	--------	-------	------	-------------

NOTE:
Sales Codes:
[DGJ]=5-Speed Automatic W5A580 Transmission
[ESF] = 6.1L SRT Hemi SMPI V8 Engine

1	05037398AC	2				ESF			GASKET, Exhaust ManifoldRight & Left
2	05037638AC	1				ESF			MANIFOLD, Exhaust Right
	05037637AC	1				ESF			Left
3	06503131	16				ESF			BOLT, Hex Flange Head, M8x1.25x30Exhaust Manifold Attaching
4	06505699AA	4							SCREW



GRAND CHEROKEE (WK)

SERIES	LINE	BODY	ENGINE	TRANSMISSION
H = HIGHLINE	T = JEEP - 2WD	74 = SPORT UTILITY 4-DR	EKG = 3.7L V6 Engine	DGQ = 5-Spd Automatic 5-45RFE Transmission
P = PREMIUM	J = JEEP - 4WD		EVA = 4.7L V8 MPI Engine	DGJ = 5-Speed Automatic MB Transmission
S = SPORT			EZB = 5.7L Hemi Multi Displacement Engine	
X = SPECIAL				

AR = use ase required - = Non illustrated part

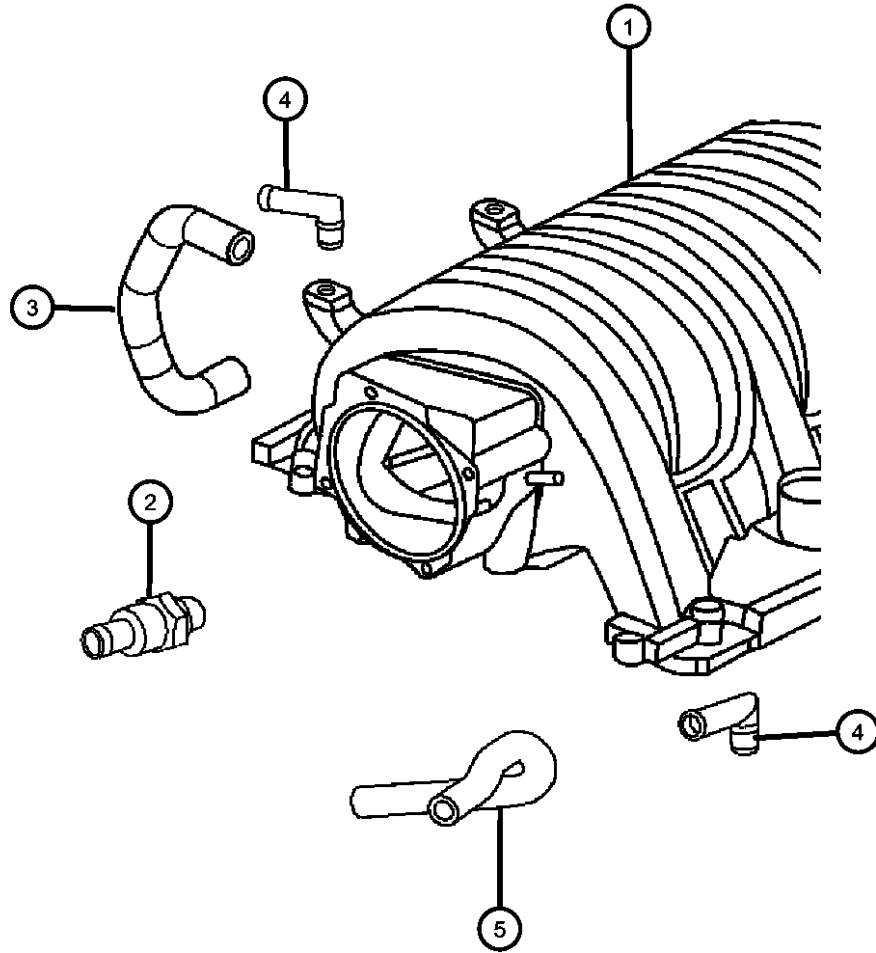
2006 WK

**Crankcase Ventilation 6.1L [ESF]
Figure 6.1L-910**

ITEM	PART NUMBER	QTY	LINE	SERIES	BODY	ENGINE	TRANS	TRIM	DESCRIPTION
------	-------------	-----	------	--------	------	--------	-------	------	-------------

NOTE:
Sales Codes:
[DGJ]=5-Speed Automatic W5A580 Transmission
[ESF] = 6.1L SRT Hemi SMPI V8 Engine

1	05175361AA	1				ESF			MANIFOLD, Intake
2	05037831AA	1				ESF			VALVE, PCV
3	05037515AA	1				ESF			HOSE, PCV Valve To intake Manifold
4		1							NIPPLE, Intake Manifold, Serviced in Intake Assembly, (NOT SERVICED)
5	05037763AB	1				ESF			HOSE, Make Up Air



GRAND CHEROKEE (WK)

SERIES	LINE	BODY	ENGINE	TRANSMISSION
H = HIGHLINE	T = JEEP - 2WD	74 = SPORT UTILITY 4-DR	EKG = 3.7L V6 Engine	DGQ = 5-Spd Automatic 5-45RFE
P = PREMIUM	J = JEEP - 4WD		EVA = 4.7L V8 MPI Engine	Transmission
S = SPORT			EZB = 5.7L Hemi Multi	DGJ = 5-Speed Automatic MB
X = SPECIAL			Displacement Engine	Transmission

AR = use ase required - = Non illustrated part

2006 WK

Group - 11

Exhaust

Group - 11 Exhaust

Illustration Title

Group-Fig. No.

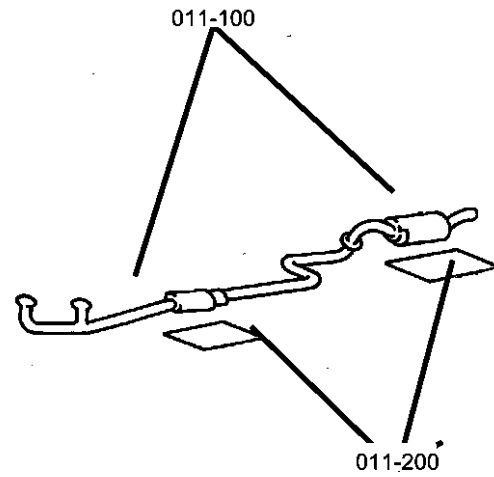
Exhaust System

Exhaust System, 3.7L [EK0] 4.7L [EV0] 5.7L [EZ0] Fig. 11 - 110

Exhaust System 6.1L [ES0] Fig. 11 - 120

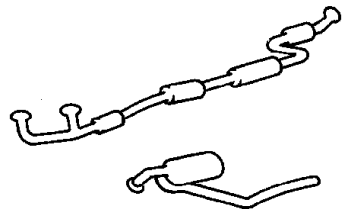
Heat Shields

Heat Shields, 3.7 [EK0] 4.7 [EV0] 5.7 [EZ0] Fig. 11 - 210



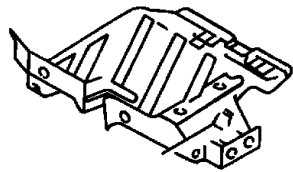
011-100

Exhaust System



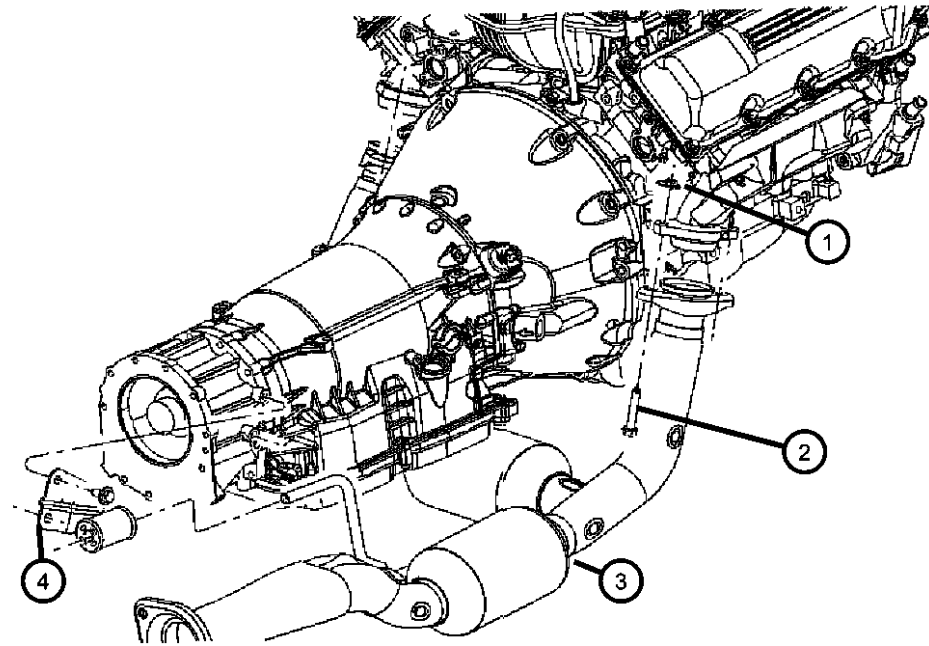
011-200

Heat Shields



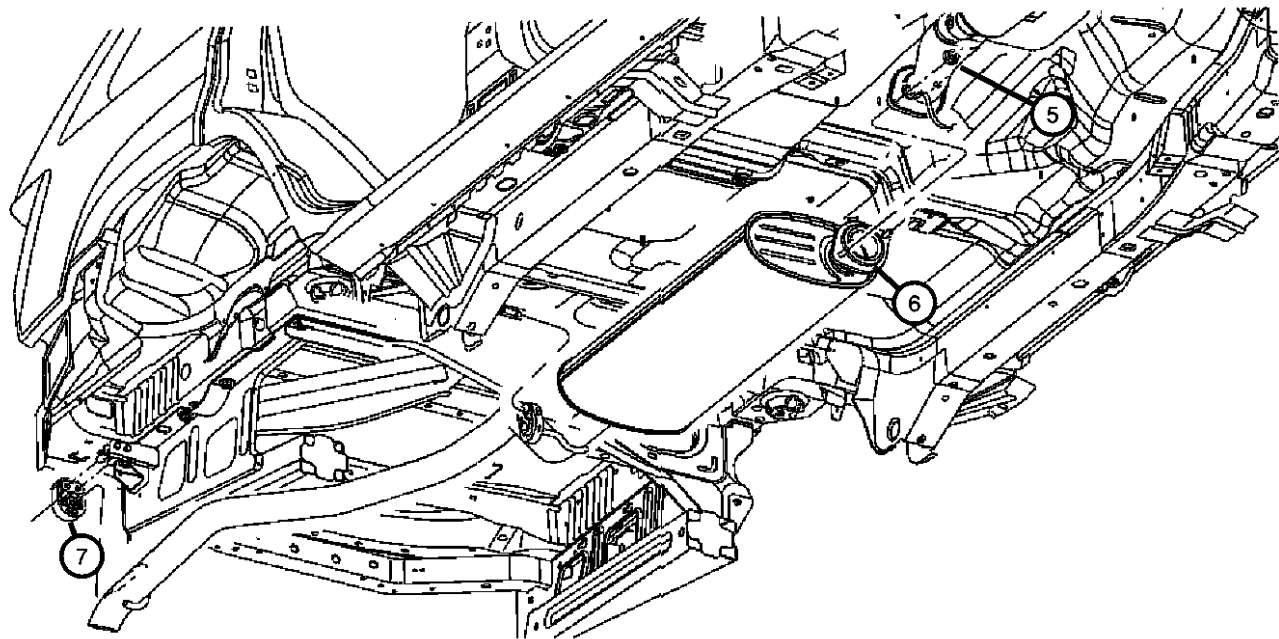
**Exhaust System, 3.7L [EK0] 4.7L [EV0] 5.7L [EZ0]
Figure 11-110**

ITEM	PART NUMBER	QTY	LINE	SERIES	BODY	ENGINE	TRANS	TRIM	DESCRIPTION
------	-------------	-----	------	--------	------	--------	-------	------	-------------



Note Sale Code: [EK0]="MAGNUM" 3.7L V6 ENGINE
[EV0]="MAGNUM" 4.7L V8 ENGINE
[EZ0]=5.7L HEMI MULTI DISPLACEMENT

1	06503231	4				EK0, EV0, EZ0			NUT
2	06505699AA	4				EK0, EV0, EZ0			SCREW
3									PIPE AND CONVERTER, Exhaust, To Manifold
	52090043AD	1				EZ0			
	52090044AD	1				EV0			
	52124165AA	1				EK0			
	52124789AA	1	J, T		74	EK0			
4									BRACKET AND ISOLATOR, Exhaust
	52090057AB	1				EV0, EZ0			
	52124079AA	1	J			EK0			
5	06502696	2							NUT, Hex Flange Lock, M14x1.50, FRT PIPE TO MUFFLER ASSY AT TRANS
6									MUFFLER AND TAILPIPE, Exhaust
	52124038AF	1				EV0			
	E0019421								Dynomax Cat Back Single Exhaust
	52124039AE	1				EZ0			
	52124037AF	1				EK0			
	E0019421								Dynomax Cat Back Single Exhaust
7	52124115AC	1							ISOLATOR, Exhaust
-8		1							CLAMP, Exhaust, Serviced With Muffler and Tailpipe, (NOT SERVICED)



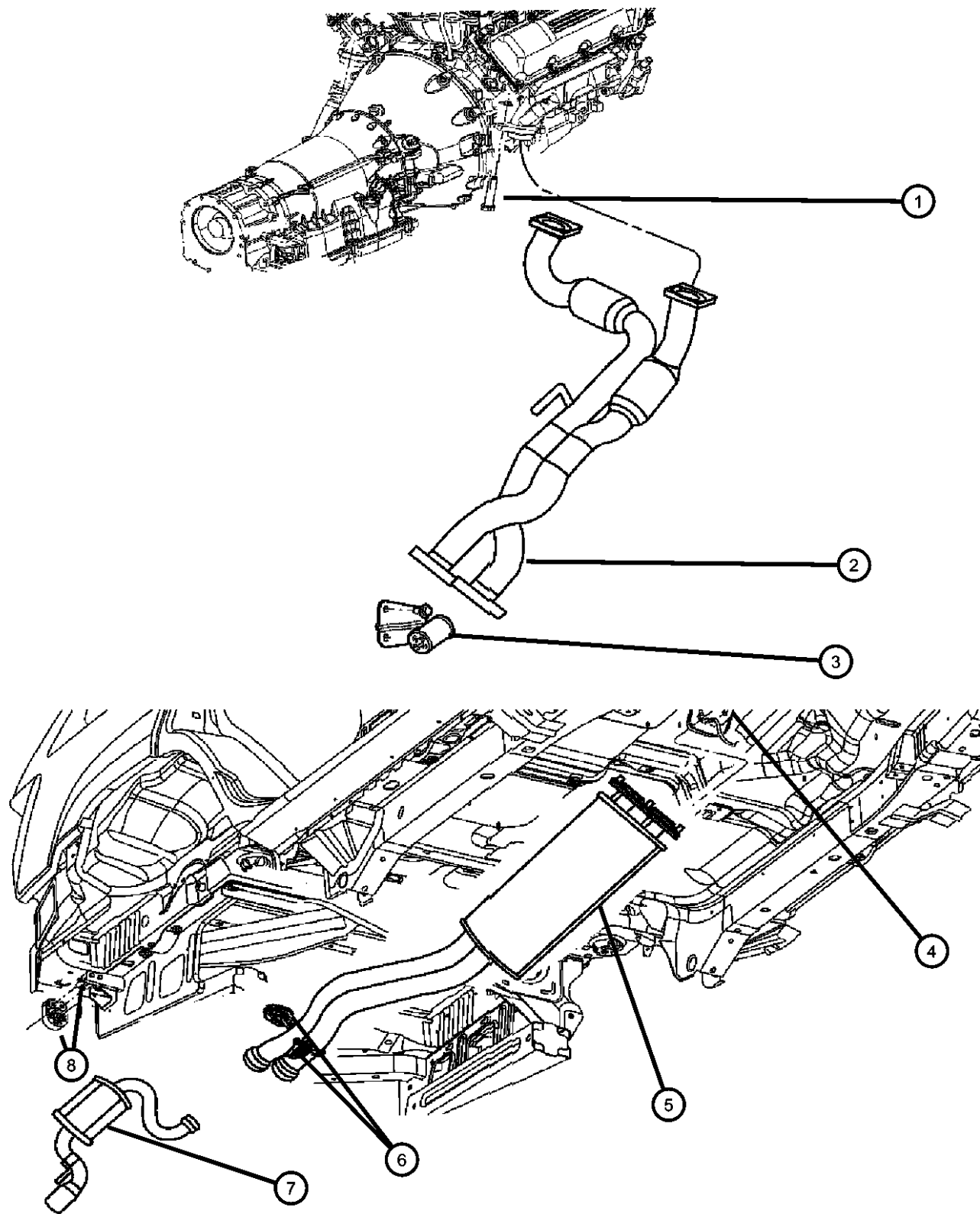
GRAND CHEROKEE (WK)

SERIES	LINE	BODY	ENGINE	TRANSMISSION
H = HIGHLINE	T = JEEP - 2WD	74 = SPORT UTILITY 4-DR	EKG = 3.7L V6 Engine	DGQ = 5-Spd Automatic 5-45RFE Transmission
P = PREMIUM	J = JEEP - 4WD		EVA = 4.7L V8 MPI Engine	DGJ = 5-Speed Automatic MB Transmission
S = SPORT			EZB = 5.7L Hemi Multi Displacement Engine	
X = SPECIAL				

AR = use ase required - = Non illustrated part

2006 WK

Exhaust System 6.1L [ES0]
Figure 11-120



ITEM	PART NUMBER	QTY	LINE	SERIES	BODY	ENGINE	TRANS	TRIM	DESCRIPTION
1	06505699AA	4							SCREW, Manifold/Exhaust
2	05290722AA	1	J			ES0			PIPE AND CONVERTER, Exhaust, To Manifold
3	52124079AA	1	J			EK0, ES0			BRACKET AND ISOLATOR, Exhaust
4	06502696	2	J						NUT, Hex Flange Lock, M14x1.50, Frt Pipe to Muffler Assy at Trans
5	05290726AA	1	J			ES0			MUFFLER, Exhaust
6	52124115AC	1							ISOLATOR, Exhaust
7									RESONATOR AND TAILPIPE, Exhaust
	05290728AA	1	J			ES0			Left
	05290729AA	1	J			ES0			Right
8	05290823AB	1	J, T	X	74	ES0			HANGER, Tailpipe

GRAND CHEROKEE (WK)

SERIES LINE
H = HIGHLINE T = JEEP - 2WD
P = PREMIUM J = JEEP - 4WD
S = SPORT
X = SPECIAL

BODY
74 = SPORT UTILITY 4-DR

ENGINE
EKG = 3.7L V6 Engine
EVA = 4.7L V8 MPI Engine
EZB = 5.7L Hemi Multi Displacement Engine

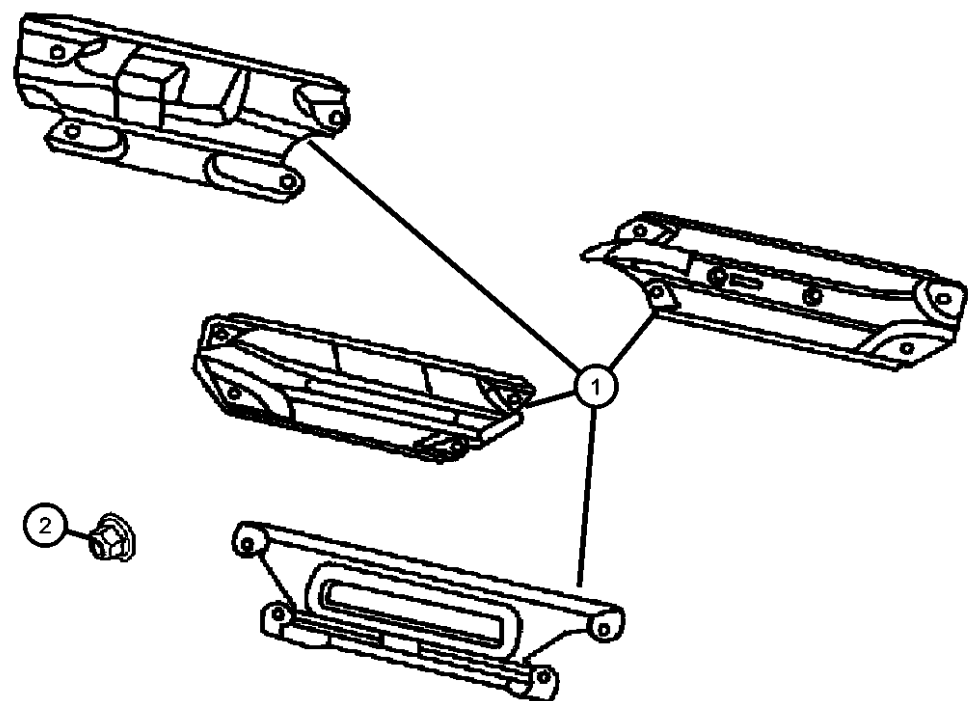
TRANSMISSION
DGQ = 5-Spd Automatic 5-45RFE Transmission
DGJ = 5-Speed Automatic MB Transmission

AR = use ase required - = Non illustrated part

2006 WK

Heat Shields, 3.7 [EK0] 4.7 [EV0] 5.7 [EZ0]
Figure 11-210

ITEM	PART NUMBER	QTY	LINE	SERIES	BODY	ENGINE	TRANS	TRIM	DESCRIPTION
1									SHIELD, Exhaust Manifold
	53013603AA	1				EV0			Left
	53013604AB	1				EV0			Right
	53032208AH	2				EZ0			
	53032674AE	1				EK0			Right
	53032675AD	1				EK0			Left
2									NUT
	06505316AA	8				EV0			
		8				EK0			
		8				EZ0			



GRAND CHEROKEE (WK)

SERIES LINE
H = HIGHLINE T = JEEP - 2WD
P = PREMIUM J = JEEP - 4WD
S = SPORT
X = SPECIAL

BODY
74 = SPORT UTILITY 4-DR

ENGINE
EKG = 3.7L V6 Engine
EVA = 4.7L V8 MPI Engine
EZB = 5.7L Hemi Multi
Displacement Engine

TRANSMISSION
DGQ = 5-Spd Automatic 5-45RFE
Transmission
DGJ = 5-Speed Automatic MB
Transmission

AR = use ase required - = Non illustrated part

2006 WK

Group - 13

Frames and Bumpers

Group - 13 Frames and Bumpers

Group-Fig. No.

Illustration Title

Front Bumper and Fascia

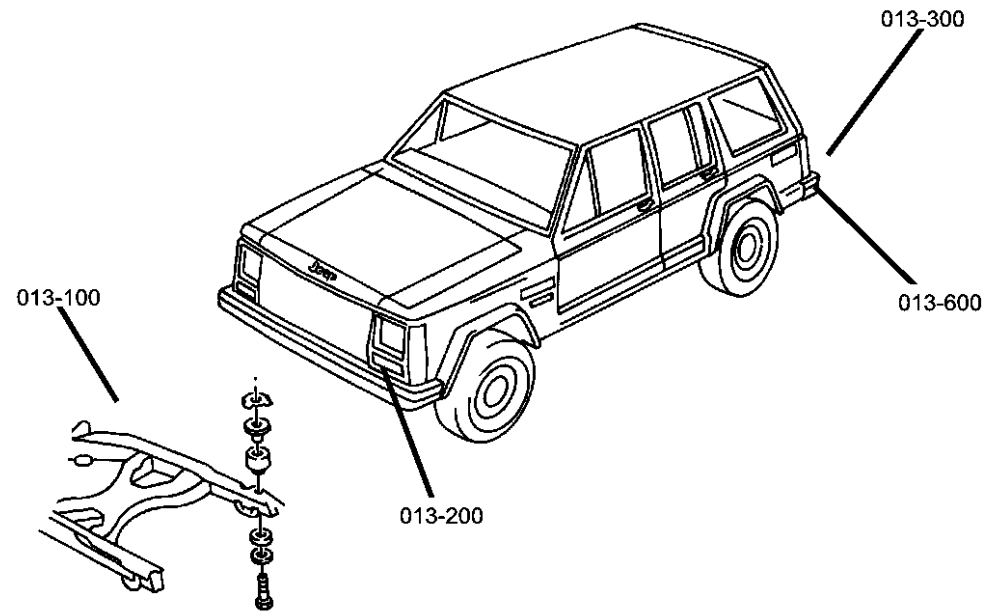
Bumper, FrontFig. 13 - 210
 Frame Upper SupportsFig. 13 - 220

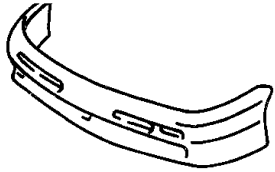


Rear Bumper and Fascia

Bumper, RearFig. 13 - 340

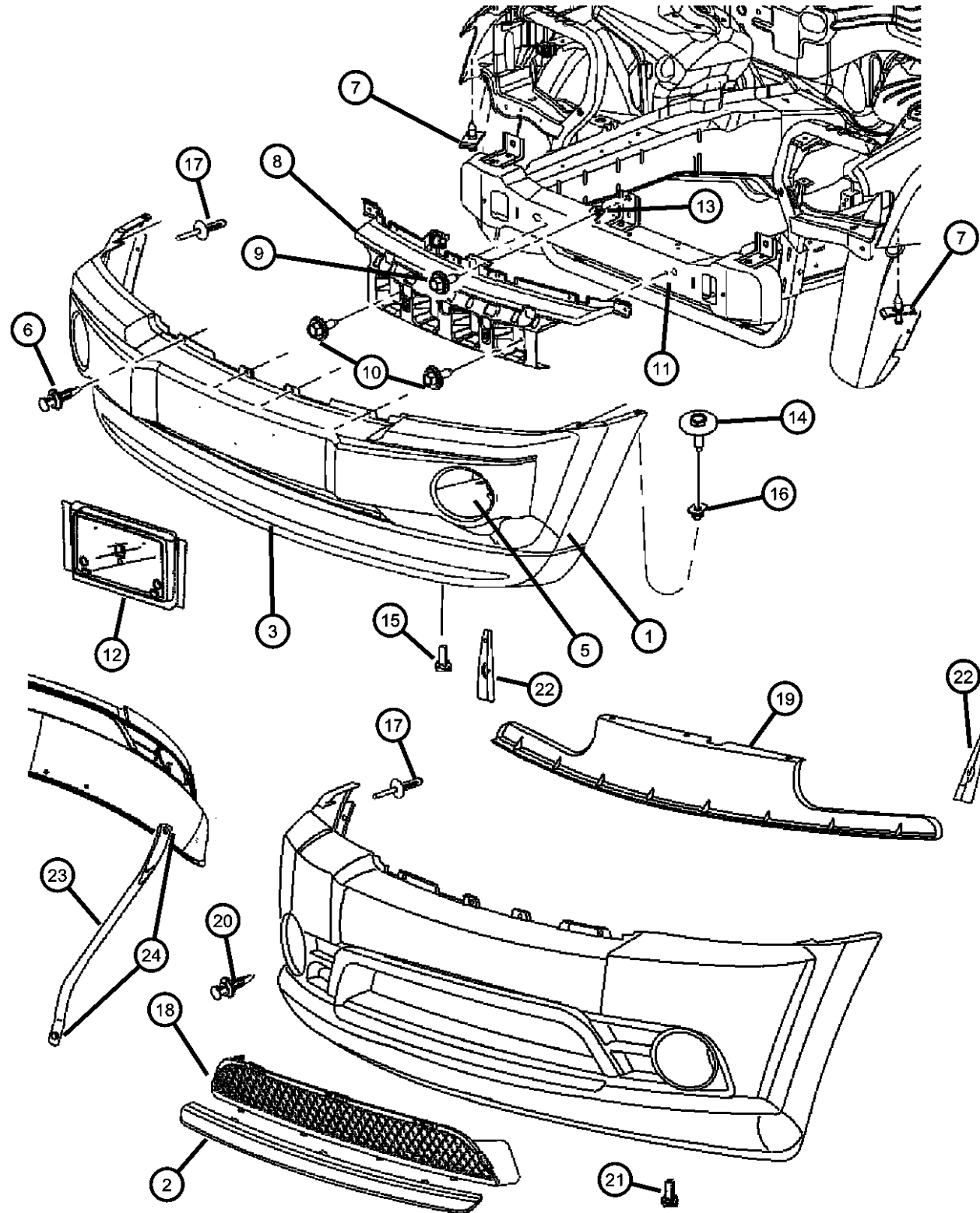
Trailer Tow

Tow EyeFig. 13 - 610
 Rear HitchFig. 13 - 620



<p>013-200 Front Bumper and Fascia</p> 	<p>013-300 Rear Bumper and Fascia</p> 	<p>013-600 Trailer Tow</p> 	
--	--	---	--

Bumper, Front
Figure 13-210



ITEM	PART NUMBER	QTY	LINE	SERIES	BODY	ENGINE	TRANS	TRIM	DESCRIPTION
1	05029989AB	1		X					FASCIA, Front [SRT-8], With Bright Insert, Not included see item #2
	05159124AA	1		H, P					With Bright Insert, Not included see item #2
	05159130AA	1		S					Without Bright Insert
2	05030069AA	1		X					APPLIQUE, Fascia
	05159127AA	1		H, P					
	05179394AA	1		S					
3	05159125AA	1		H, P					AIR DAM
	05179393AA	1		S					
4	05159132AA	5							RETAINER, Air Dam
5	05183440AA	2							COVER, Lamp Opening Right Left
6	04857108	4							RETAINER, Fascia Attaching
7	55157112AB	2							PIN, Push, Fascia to Fender
8	55156878AD	1							BRACKET, Fascia, To Lower Crossmember
9	06508237AA	1							SCREW
10	06505903AA	2							SCREW AND WASHER, Self Tapping, M6x1x22
11	05166082AA	1							CROSSMEMBER, Underbody
12	55156796AA	1							LICENSE PLATE KIT
13	06508072AA	1							NUT, Fascia to Crossmember
14	06505520AA	2							SCREW, Hex Head, M4.2 x 1.70 x 33.50, Fascia Attach
15	06505903AA	3							SCREW AND WASHER, Self Tapping, M6x1x22, Fascia Bracket to Body
16	55157298AB	2							GROMMET, Fascia, Fascia to Fender
17	06500911	4							RIVET, M6.25x28, Fender Liner to Fascia
18	05030066AB	1		X					GRILLE, Fascia
19	05029991AA	1		X					BRACKET, Fascia
20	06503598	6							PIN, Push, M8x21, Grille Attach

GRAND CHEROKEE (WK)

SERIES LINE
H = HIGHLINE T = JEEP - 2WD
P = PREMIUM J = JEEP - 4WD
S = SPORT
X = SPECIAL

BODY
74 = SPORT UTILITY 4-DR

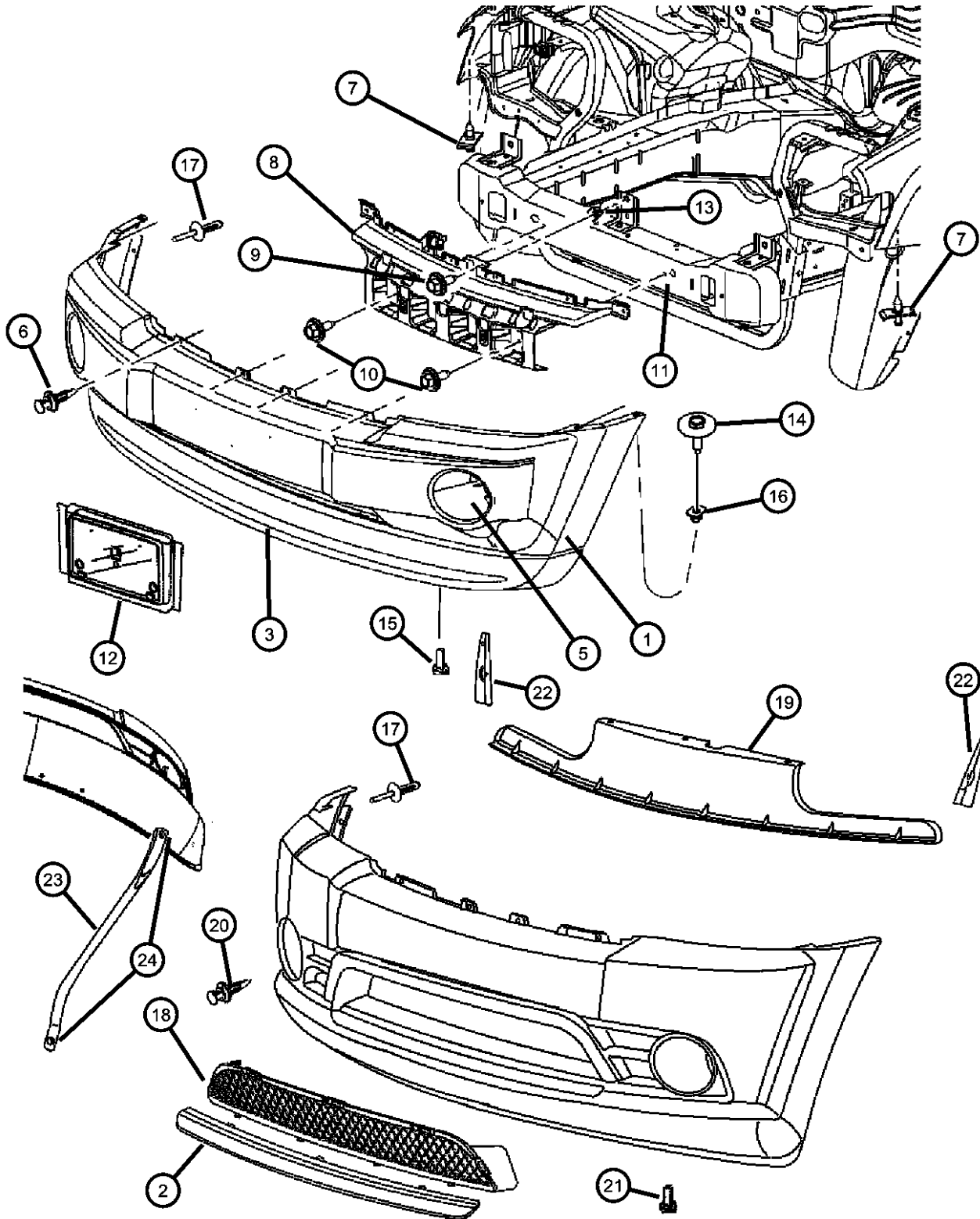
ENGINE
EKG = 3.7L V6 Engine
EVA = 4.7L V8 MPI Engine
EZB = 5.7L Hemi Multi Displacement Engine

TRANSMISSION
DGQ = 5-Spd Automatic 5-45RFE Transmission
DGJ = 5-Speed Automatic MB Transmission

AR = use ase required - = Non illustrated part

2006 WK

Bumper, Front
Figure 13-210



ITEM	PART NUMBER	QTY	LINE	SERIES	BODY	ENGINE	TRANS	TRIM	DESCRIPTION
21	06506579AA	4		X					SCREW, Fog Lamp
22	05030266AA	1		X					EXTENSION, Front Fascia Right
	05030267AA	1		X					Left
23	05030620AA	2	J, T	X	74				SUPPORT, Front Fascia, [SRT8]
24	06505269AA	4							SCREW AND WASHER, Head Head Lock, M8-1.25x30.00

GRAND CHEROKEE (WK)

SERIES

H = HIGHLINE T = JEEP - 2WD

P = PREMIUM J = JEEP - 4WD

S = SPORT

X = SPECIAL

LINE

BODY

74 = SPORT UTILITY 4-DR

ENGINE

EKG = 3.7L V6 Engine

EVA = 4.7L V8 MPI Engine

EZB = 5.7L Hemi Multi

Displacement Engine

TRANSMISSION

DGQ = 5-Spd Automatic 5-45RFE

Transmission

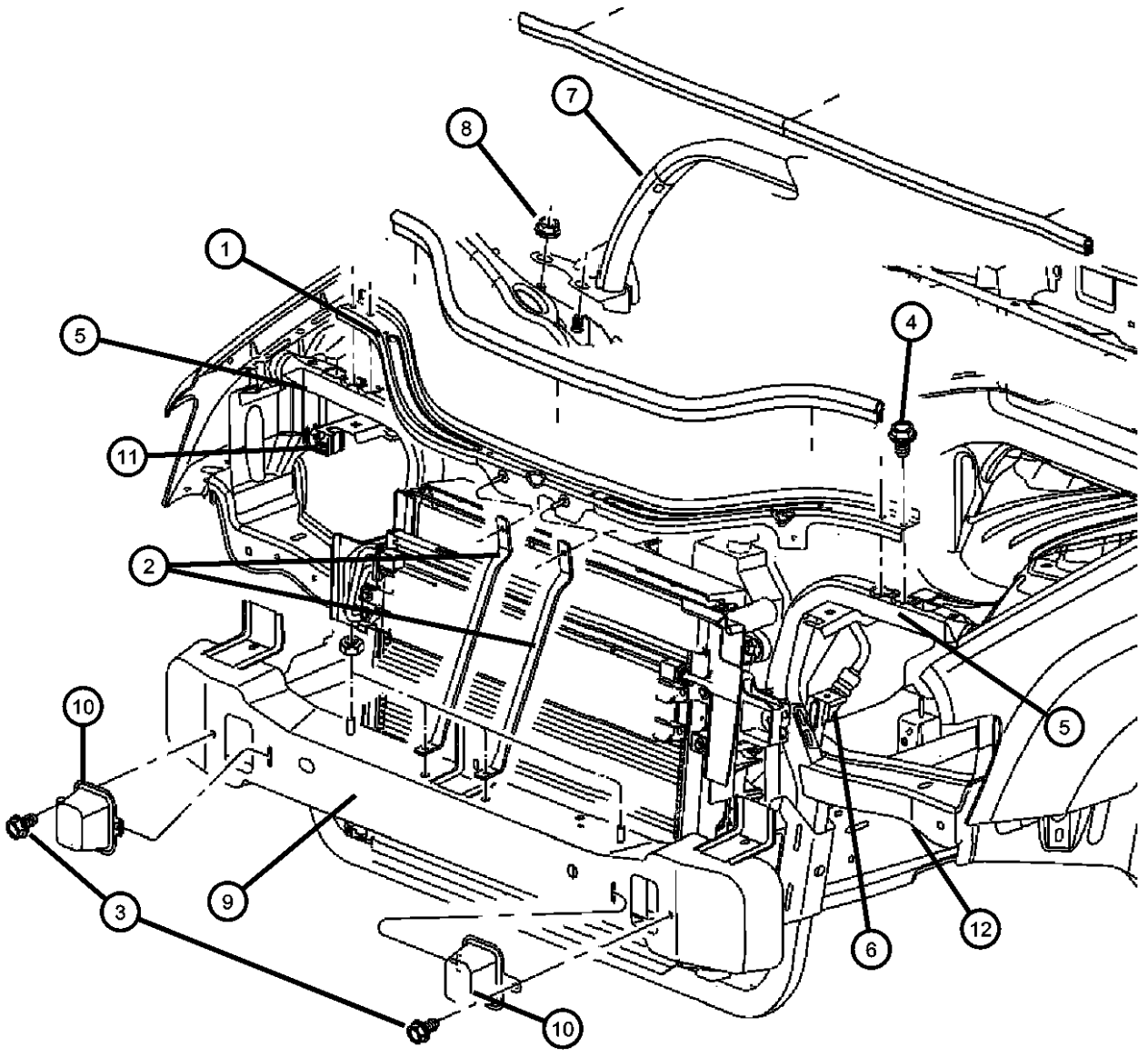
DGJ = 5-Speed Automatic MB

Transmission

AR = use ase required - = Non illustrated part

2006 WK

Frame Upper Supports
Figure 13-220



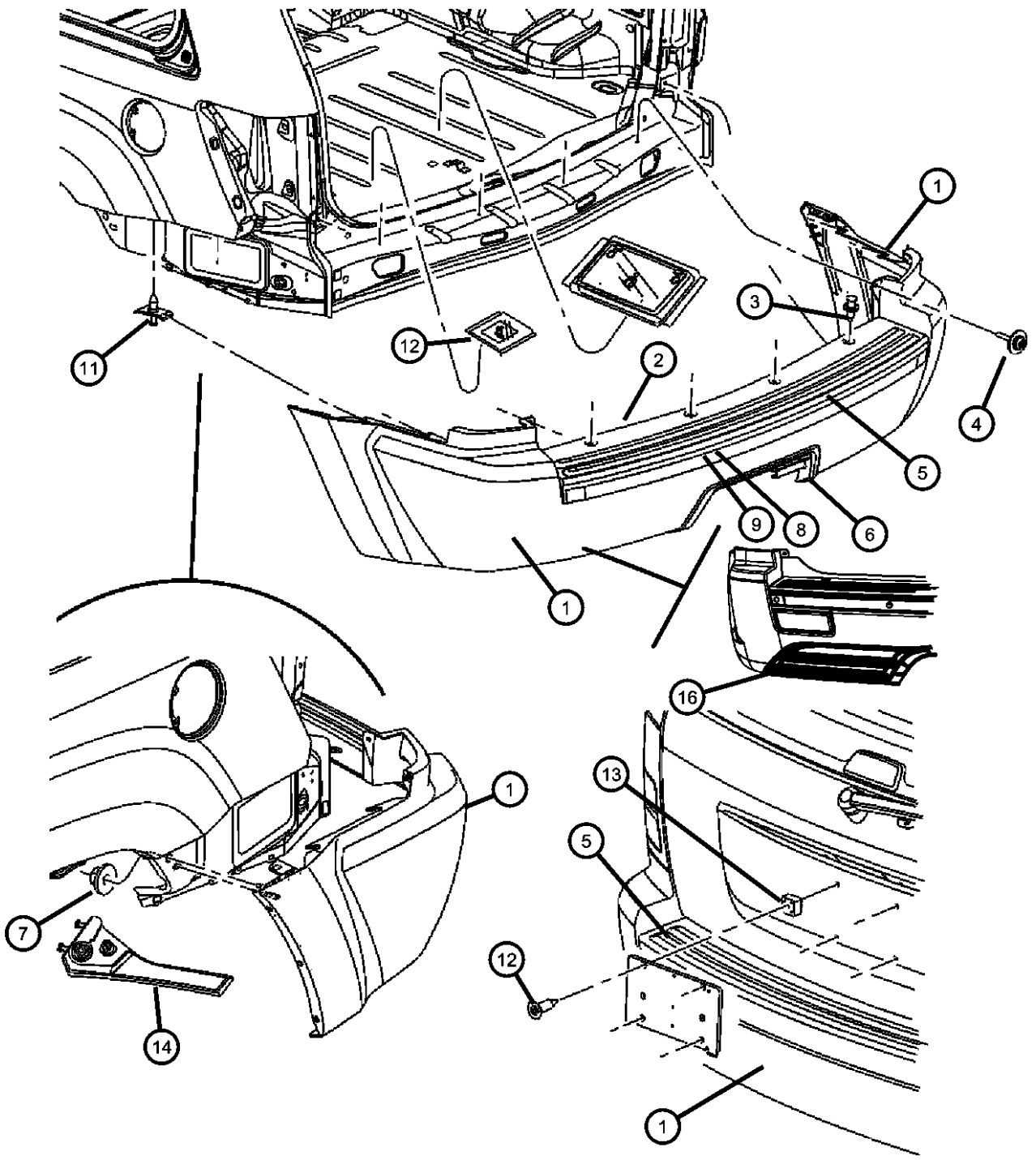
ITEM	PART NUMBER	QTY	LINE	SERIES	BODY	ENGINE	TRANS	TRIM	DESCRIPTION
1	55394951AF	1							CROSSMEMBER, Radiator
2	55394098AD	2							BRACE, Radiator Crossmember
3	06505903AA	2							SCREW AND WASHER, Self Tapping, M6x1x22, Crush Can Attaching
4	06104368AA	4							SCREW
5	05143322AC	1							CROSSMEMBER, Radiator
6									BRACKET, Air Bag
	55396820AB	1							Right
	55396821AB	1							Left
7									BRACE, Suspension
	05030257AB	1		X					
	55396886AB	1		H, P, S					
8	06502697	8							NUT, Hex Flange Lock, M12x1.75
9	05166082AA	1							CROSSMEMBER, Underbody
10	55360410AA	2							SPACER, Jounce Bumper
11									BRACKET, Headlamp
	68019040AA	1	J, T				74		Right
	68019041AA	1	J, T				74		Left
12									BRACKET, Fender Dog Leg
	68019060AA	1	J, T				74		Right
	68019061AA	1	J, T				74		Left

GRAND CHEROKEE (WK)

SERIES	LINE	BODY	ENGINE	TRANSMISSION
H = HIGHLINE	T = JEEP - 2WD	74 = SPORT UTILITY 4-DR	EKG = 3.7L V6 Engine	DGQ = 5-Spd Automatic 5-45RFE
P = PREMIUM	J = JEEP - 4WD		EVA = 4.7L V8 MPI Engine	Transmission
S = SPORT			EZB = 5.7L Hemi Multi	DGJ = 5-Speed Automatic MB
X = SPECIAL			Displacement Engine	Transmission

AR = use ase required - = Non illustrated part

Bumper, Rear
Figure 13-340

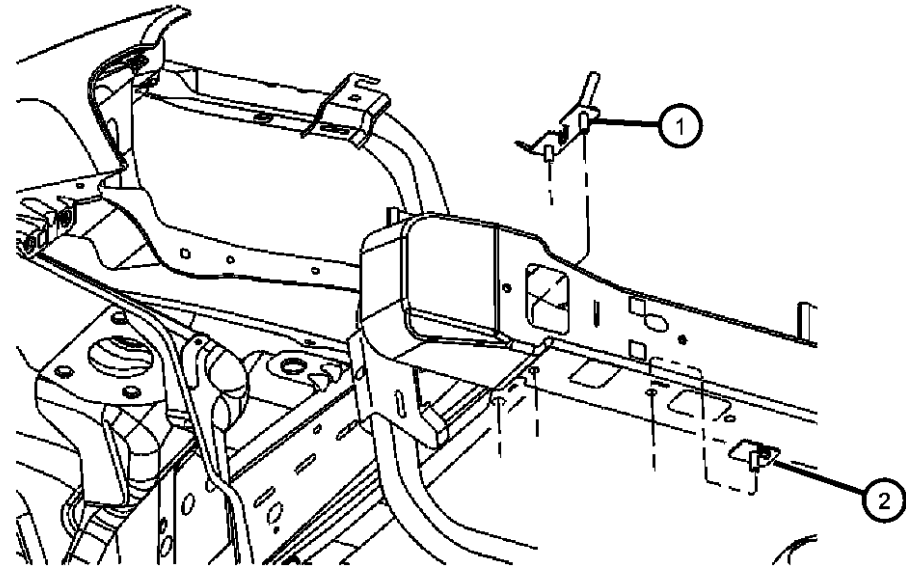


ITEM	PART NUMBER	QTY	LINE	SERIES	BODY	ENGINE	TRANS	TRIM	DESCRIPTION
1	05029990AA	1		X					FASCIA, Rear [SRT-8], With Bright Insert, This part number is grained and rules to a smooth fascia
	05159058AC	1							Laredo, Without Hitch Bezel, Without Bright Insert
	05159086AA	1							Limited or Overland, With Hitch Bezel, With Bright Insert
	05159091AA	1							Limited, Without Hitch Bezel, With Bright Insert
	05159094AC	1							Laredo, With Hitch Bezel, Without Bright Insert
2	05159059AB	1							ABSORBER, Rear Energy
	68001049AA	1	J, T	X	74				[SRT-8]
3	06503598	4							PIN, Push, M8x21, Step Pad to Fascia
4	06036585AA	2							SCREW
5	05159080AA	1							STEP PAD, Rear Fascia
6	05159088AA	1							BEZEL, Hitch
7	06100048	2							NUT, Hex, M6x1.00, Fascia to Body Side
8	05159087AA	1							NERF, Fascia, Bright
9	05159095AA	1							NERF, Fascia [MCX,XAA]
	05179427AA	1	J, T	X	74				[MCZ] [MCY,XAA,AHX]
-10	04806226AA	3		X					CLIP, Spring
11	55157112AB	4							PIN, Push
12	04270974	1							LICENSE PLATE KIT, Hardware
13	04860786AB	4							NUT, Plastic Snap-in
14	05159078AA	1							RETAINER, Fascia, Wing Tip Retainer Right
	05159079AA	1							Left
-15	05159077AB	2		S					CLIP, Fascia, Under Tail Lamps
16	68036603AA	1	J, T	X	74				TAPE KIT, Rear Fascia, Blackout, Red & Silver Vehicles Only

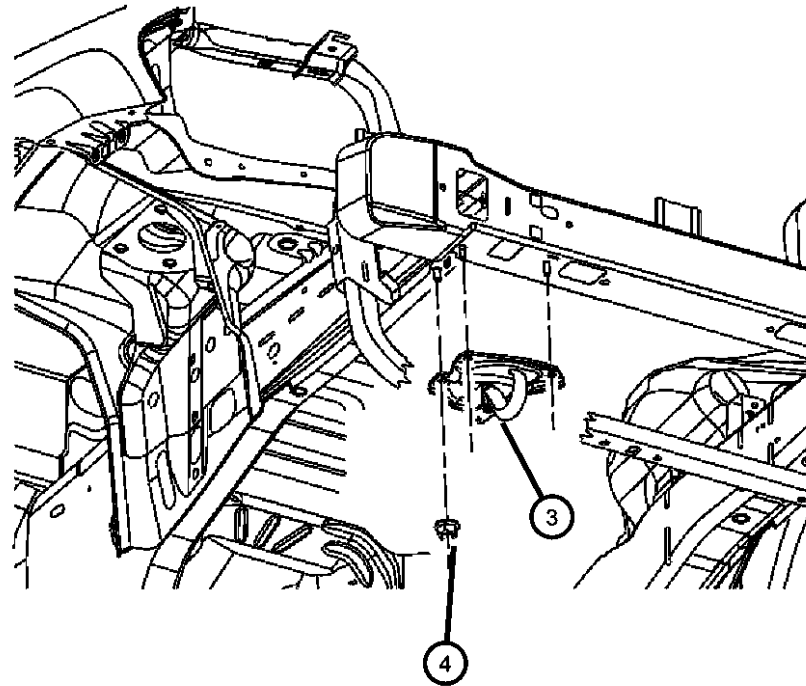
GRAND CHEROKEE (WK)
SERIES **LINE** **BODY** **ENGINE** **TRANSMISSION**
H = HIGHLINE T = JEEP - 2WD 74 = SPORT UTILITY 4-DR EKG = 3.7L V6 Engine DGQ = 5-Spd Automatic 5-45RFE
P = PREMIUM J = JEEP - 4WD EVA = 4.7L V8 MPI Engine Transmission
S = SPORT EZB = 5.7L Hemi Multi DGJ = 5-Speed Automatic MB
X = SPECIAL Displacement Engine Transmission

AR = use ase required - = Non illustrated part

Tow Eye
Figure 13-610



ITEM	PART NUMBER	QTY	LINE	SERIES	BODY	ENGINE	TRANS	TRIM	DESCRIPTION
1	52090140AA	2							STUD PLATE
2	52090141AA	2							STUD PLATE
3									HOOK, Tow
	52089357AB	1							Right
	52089360AB	1							Left
	55396914AA	1							Bright, Right
	55396915AA	1							Bright, Left
4	06101696	6							NUT



GRAND CHEROKEE (WK)

SERIES LINE
H = HIGHLINE T = JEEP - 2WD
P = PREMIUM J = JEEP - 4WD
S = SPORT
X = SPECIAL

BODY
74 = SPORT UTILITY 4-DR

ENGINE
EKG = 3.7L V6 Engine
EVA = 4.7L V8 MPI Engine
EZB = 5.7L Hemi Multi
Displacement Engine

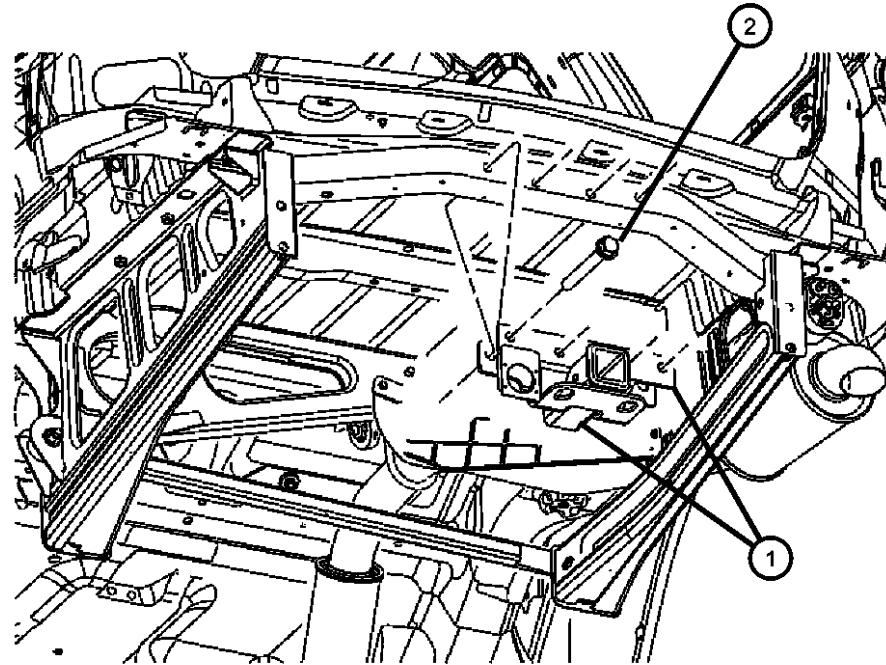
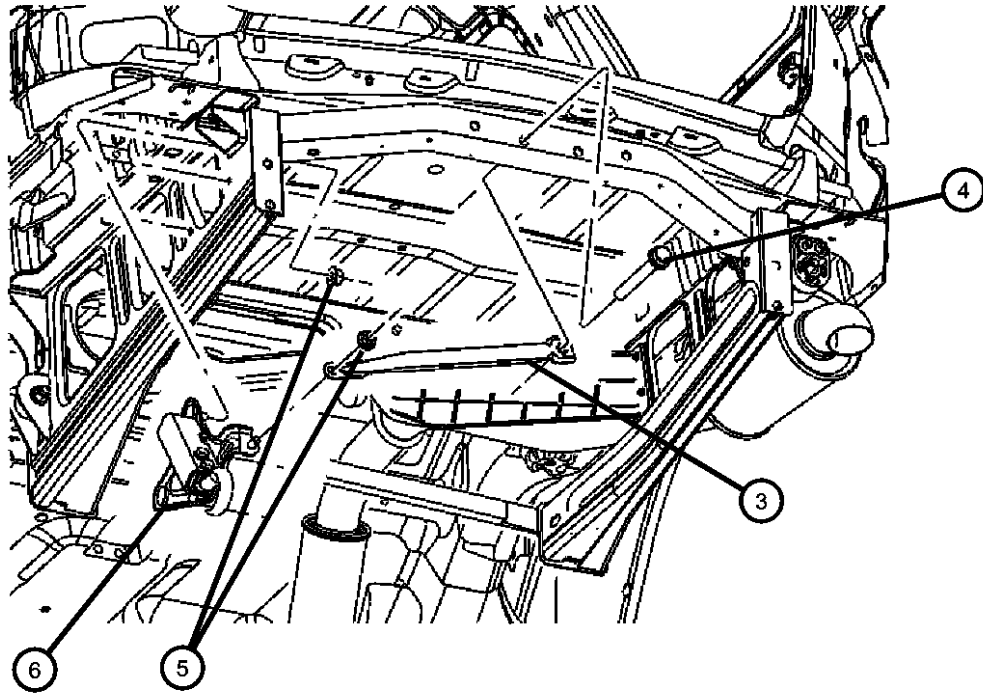
TRANSMISSION
DGQ = 5-Spd Automatic 5-45RFE
Transmission
DGJ = 5-Speed Automatic MB
Transmission

AR = use ase required - = Non illustrated part

2006 WK

Rear Hitch
Figure 13-620

ITEM	PART NUMBER	QTY	LINE	SERIES	BODY	ENGINE	TRANS	TRIM	DESCRIPTION
1	52090195AB	1							HITCH, Trailer
2		1							SCREW, Hex Flange Head, M14x2x110, 10x1.5x20, (NOT SERVICED)
3	52090399AC	1							BRACE, Tow Hook
4	06104462AA	1							SCREW, Hex Head, Brace to Cradle
5	06502835	4							NUT, Hex Flange, M12x1.75, Attaching to Rear Cradle
6	52089363AC	1							HOOK, Tow



GRAND CHEROKEE (WK)

SERIES LINE
H = HIGHLINE T = JEEP - 2WD
P = PREMIUM J = JEEP - 4WD
S = SPORT
X = SPECIAL

BODY
74 = SPORT UTILITY 4-DR

ENGINE
EKG = 3.7L V6 Engine
EVA = 4.7L V8 MPI Engine
EZB = 5.7L Hemi Multi Displacement Engine

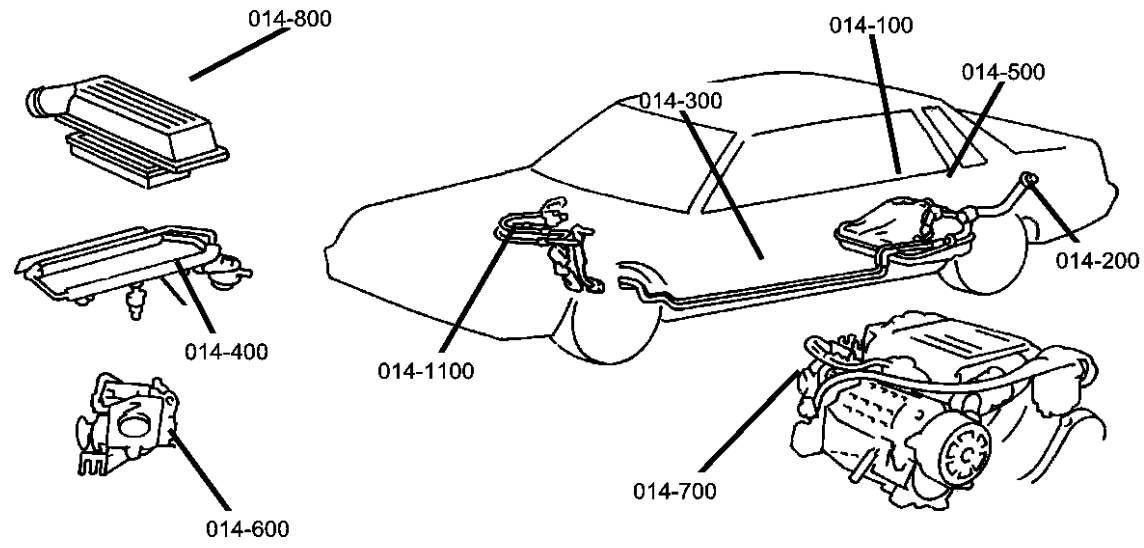
TRANSMISSION
DGQ = 5-Spd Automatic 5-45RFE Transmission
DGJ = 5-Speed Automatic MB Transmission

AR = use ase required - = Non illustrated part

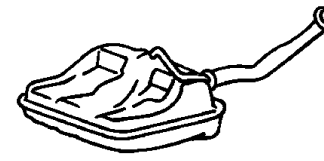
2006 WK

Group - 14

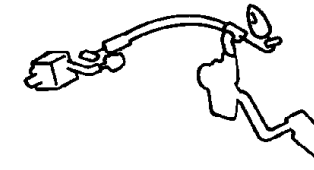
Fuel



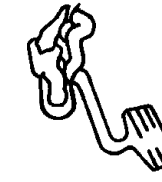
014-100
Tank, Fuel



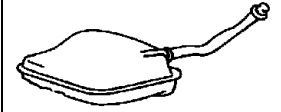
014-1000
Speed Control



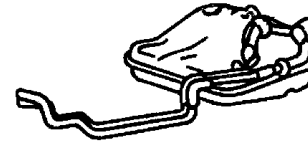
014-1100
Accelerator Pedal



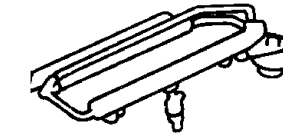
014-200
Fuel Tank Filler Tube



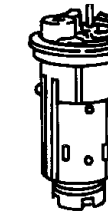
014-300
Fuel Lines



014-400
Fuel Rail



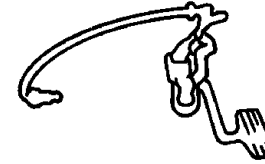
014-500
Fuel Pump and Sending Unit



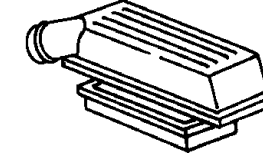
014-600
Throttle Body



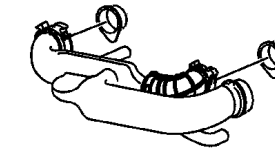
014-700
Throttle Controls



014-800
Air Cleaner



014-900
Air Intake System

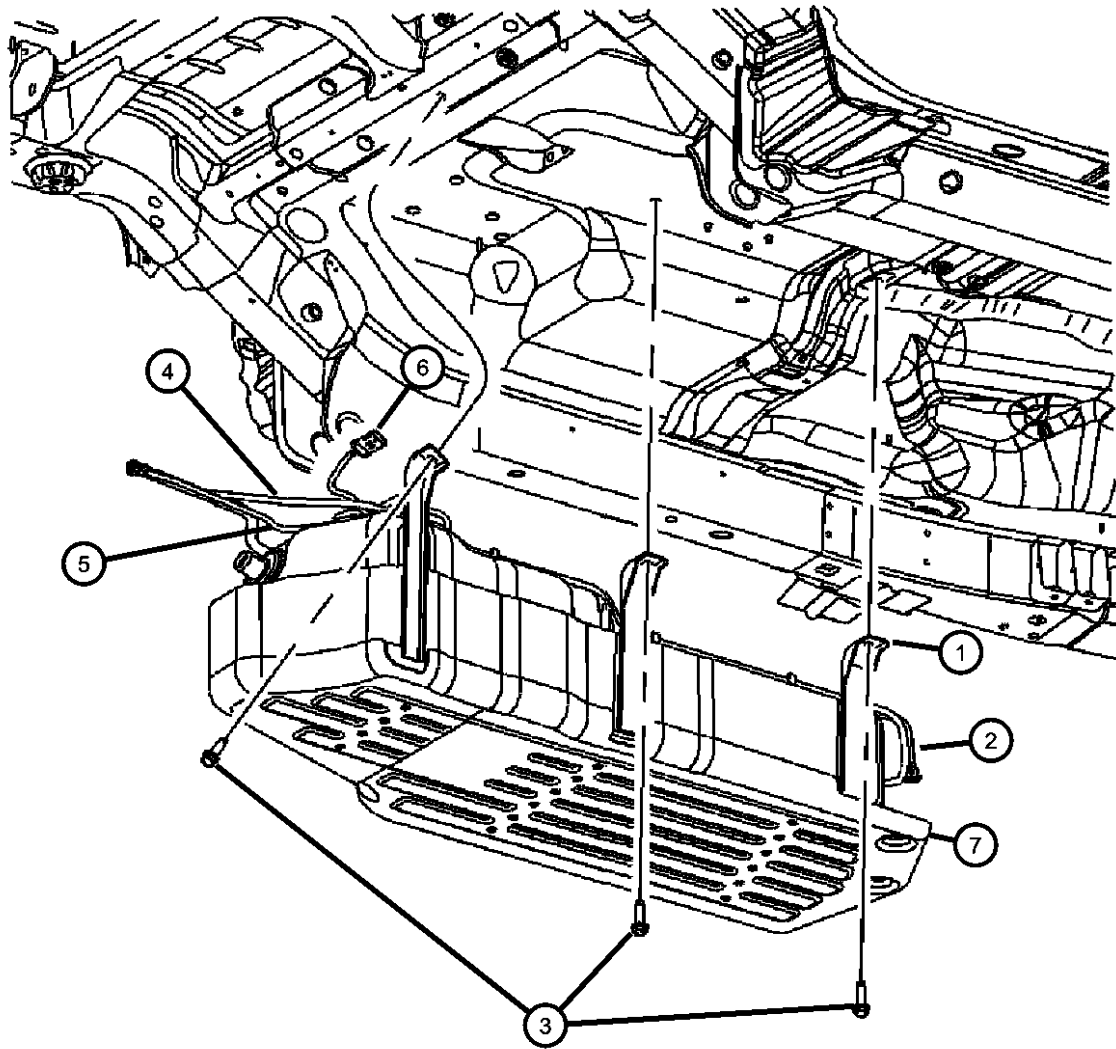


Group - 14 Fuel

Illustration Title	Group-Fig. No.
Tank, Fuel	
Fuel Tank	Fig. 14 - 110
Fuel Tank Filler Tube	
Fuel Tank Filler Tube.....	Fig. 14 - 210
Fuel Lines	
Fuel Lines,Chassis Bundle 3.7L [EK0] 4.7L [EV0] 5.7L [EZB] 6.1L [ESF]	Fig. 14 - 330
Fuel Line Chassis Bundle 5.7L [EZ0].....	Fig. 14 - 340
Fuel Rail	
Fuel Rail	Fig. 14 - 410
Fuel Pump and Sending Unit	
Fuel Pump and Sending Unit,.....	Fig. 14 - 510
Throttle Body	
Throttle Body	Fig. 14 - 610
Throttle Controls	
Throttle Controls.....	Fig. 14 - 720
Air Cleaner	
Air Cleaner.....	Fig. 14 - 820
Air Intake System	
Air Intake System	Fig. 14 - 910
Speed Control	
Speed Control	Fig. 14 - 1010
Accelerator Pedal	
Pedal Brake, Power Adjustable	Fig. 14 - 1110

Fuel Tank
Figure 14-110

ITEM	PART NUMBER	QTY	LINE	SERIES	BODY	ENGINE	TRANS	TRIM	DESCRIPTION
1	52090411AC	1							BRACKET, Fuel Tank
2	05143934AB	1							TANK, Fuel, Liquid Shutoff Control -Fuel Fill Check -Tank Pressure Relief & Rollover Valves. Service with tank
3	06508267AA	3							BOLT
4	05174671AA	1							TUBE, Control Valve to Canister
5	05143791AA	1							TUBE, Fuel Vapor Recirculation
6	05143963AA	1							WIRING, Fuel Module
7	52090274AF	1							SKID PLATE, Fuel Tank
-8	52090270AF	1							GUARD, Brush, Fuel Tank



GRAND CHEROKEE (WK)

SERIES LINE
H = HIGHLINE T = JEEP - 2WD
P = PREMIUM J = JEEP - 4WD
S = SPORT
X = SPECIAL

BODY
74 = SPORT UTILITY 4-DR

ENGINE
EKG = 3.7L V6 Engine
EVA = 4.7L V8 MPI Engine
EZB = 5.7L Hemi Multi
Displacement Engine

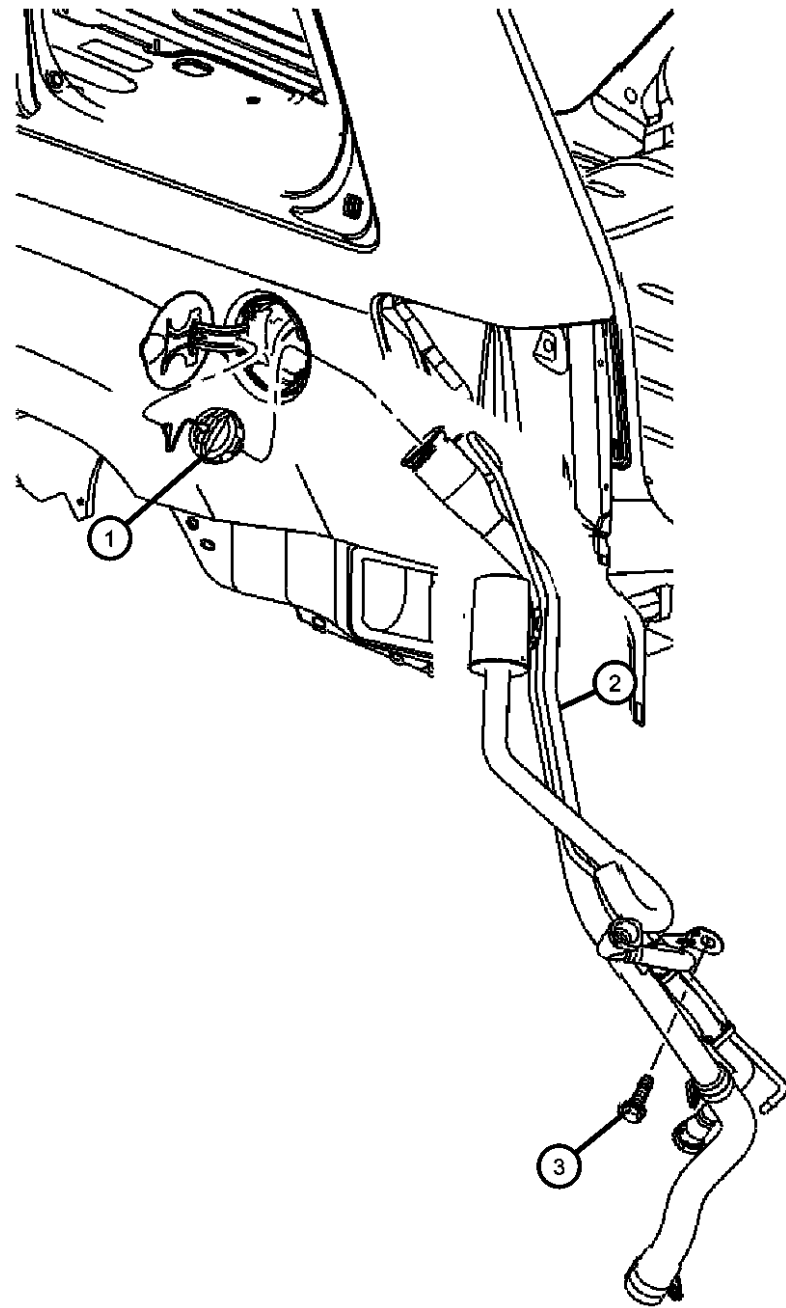
TRANSMISSION
DGQ = 5-Spd Automatic 5-45RFE
Transmission
DGJ = 5-Speed Automatic MB
Transmission

AR = use ase required - = Non illustrated part

2006 WK

Fuel Tank Filler Tube
Figure 14-210

ITEM	PART NUMBER	QTY	LINE	SERIES	BODY	ENGINE	TRANS	TRIM	DESCRIPTION
1	52102464AC	1							CAP, Fuel Filler
2	52090315AG	1							TUBE, Fuel Filler
3	06104386AA	1							SCREW, M8x1.25x25



GRAND CHEROKEE (WK)

SERIES LINE
H = HIGHLINE T = JEEP - 2WD
P = PREMIUM J = JEEP - 4WD
S = SPORT
X = SPECIAL

BODY
74 = SPORT UTILITY 4-DR

ENGINE
EKG = 3.7L V6 Engine
EVA = 4.7L V8 MPI Engine
EZB = 5.7L Hemi Multi Displacement Engine

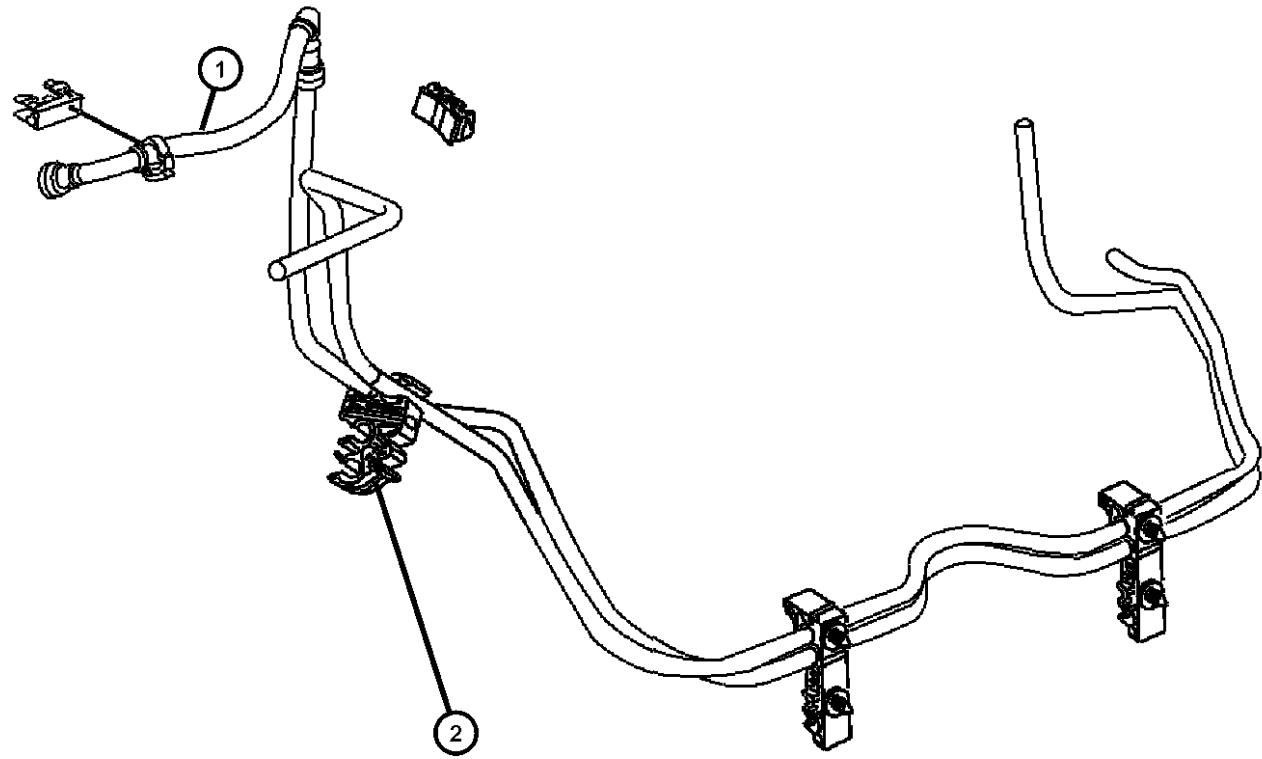
TRANSMISSION
DGQ = 5-Spd Automatic 5-45RFE Transmission
DGJ = 5-Speed Automatic MB Transmission

AR = use ase required - = Non illustrated part

2006 WK

Fuel Lines,Chassis Bundle 3.7L [EK0] 4.7L [EV0] 5.7L [EZB] 6.1L [ESF]
Figure 14-330

ITEM	PART NUMBER	QTY	LINE	SERIES	BODY	ENGINE	TRANS	TRIM	DESCRIPTION
Note Sale Code: [EK0]="MAGNUM" 3.7L V6 ENGINE [ESF]=6.1L SRT HEMI SMPI V8 ENGINE [EVA]="MAGNUM" 4.7L V8 ENGINE [EZB]=5.7L HEMI MULTI DISPLACEMENT									
1									BUNDLE, Fuel and Brake Tube
	52124026AE	1				EK0, EV0			
	52124240AB	1				ESF, EZ0			
2									CLIP, 4 Way, Fuel Bundle
	05189383AA	2				EK0, EV0			
		2				ESF, EZ0			
	05189386AA	1				EK0, EV0			
		1				ESF, EZ0			



GRAND CHEROKEE (WK)

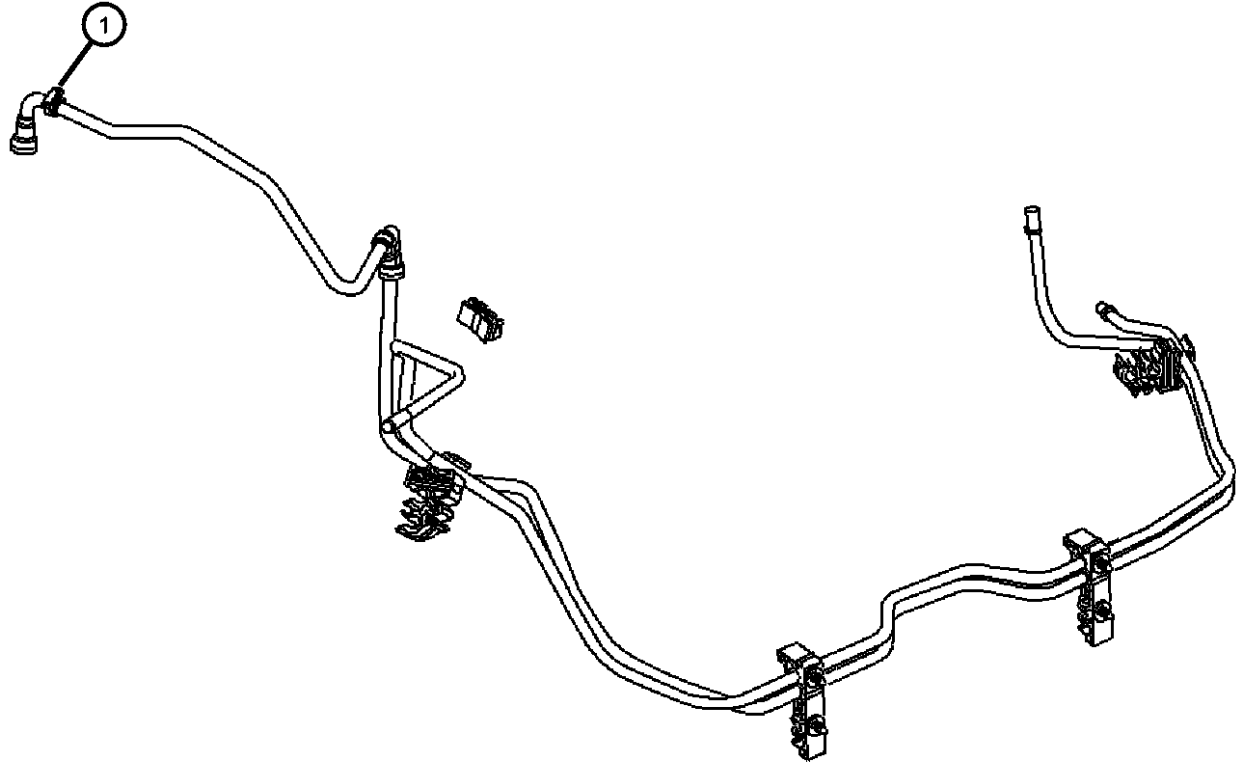
SERIES	LINE	BODY	ENGINE	TRANSMISSION
H = HIGHLINE	T = JEEP - 2WD	74 = SPORT UTILITY 4-DR	EKG = 3.7L V6 Engine	DGQ = 5-Spd Automatic 5-45RFE
P = PREMIUM	J = JEEP - 4WD		EVA = 4.7L V8 MPI Engine	Transmission
S = SPORT			EZB = 5.7L Hemi Multi	DGJ = 5-Speed Automatic MB
X = SPECIAL			Displacement Engine	Transmission

AR = use ase required - = Non illustrated part

2006 WK

Fuel Line Chassis Bundle 5.7L [EZ0]
Figure 14-340

ITEM	PART NUMBER	QTY	LINE	SERIES	BODY	ENGINE	TRANS	TRIM	DESCRIPTION
1	52124027AD	1				EZ0			BUNDLE, Fuel and Brake Tube



GRAND CHEROKEE (WK)

SERIES LINE
H = HIGHLINE T = JEEP - 2WD
P = PREMIUM J = JEEP - 4WD
S = SPORT
X = SPECIAL

BODY
74 = SPORT UTILITY 4-DR

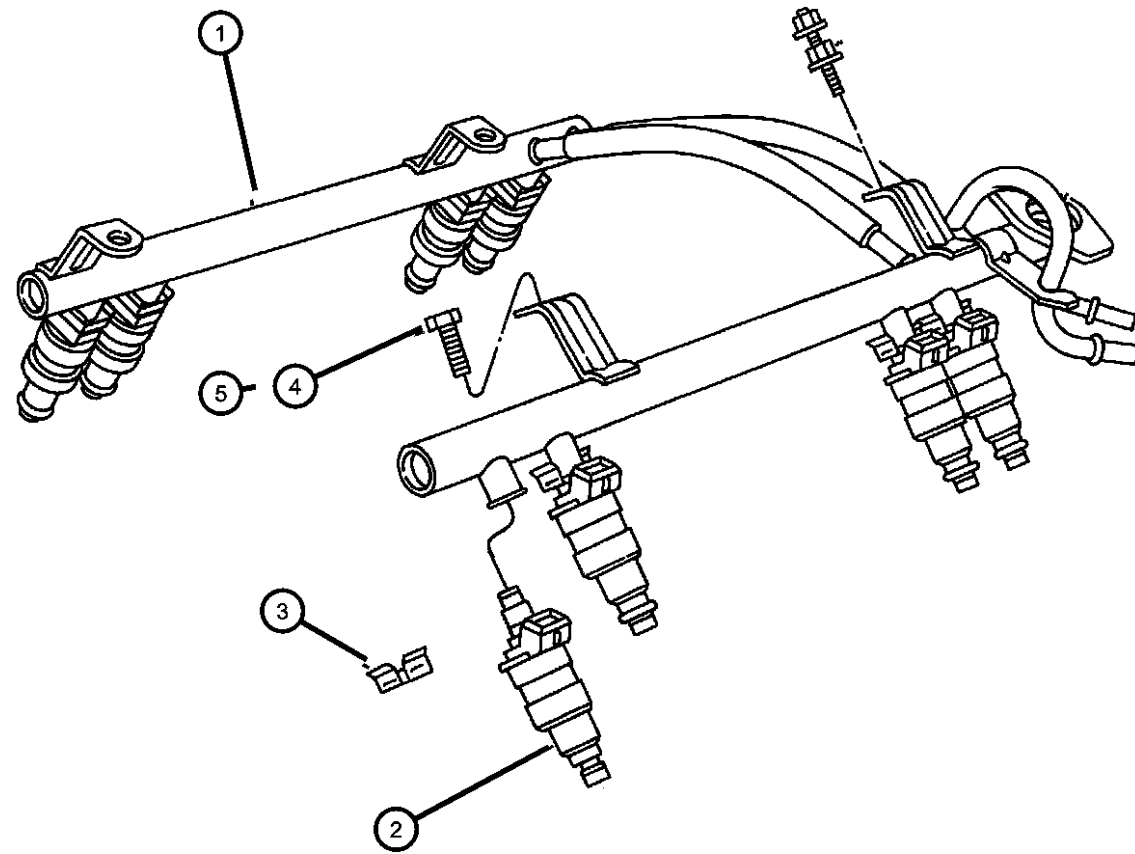
ENGINE
EKG = 3.7L V6 Engine
EVA = 4.7L V8 MPI Engine
EZB = 5.7L Hemi Multi
Displacement Engine

TRANSMISSION
DGQ = 5-Spd Automatic 5-45RFE
Transmission
DGJ = 5-Speed Automatic MB
Transmission

AR = use ase required - = Non illustrated part

2006 WK

Fuel Rail
Figure 14-410



ITEM	PART NUMBER	QTY	LINE	SERIES	BODY	ENGINE	TRANS	TRIM	DESCRIPTION
1									RAIL, Fuel
	53031102AB	1				EK0			
	53032721AA	1				EVO			
	04591853AF	1				EZB			
	05037480AA	1				ESF			
2									INJECTOR, Fuel
	04591851AA	8				EZB			
	05037479AA	8				ESF			
	53032701AA	6				EK0			
	68000881AA								Wholesale Bulk Injector Package - 70 pieces of 53032701AA
	53032704AB	8				EVO			
3									CLIP, Fuel Injector
	04418257AB	8				ESF			
		6				EK0			
		8				EZB			
	53032722AA	8				EVO			
4	06501979	1					DG0		SCREW AND WASHER, Hex Head, M6x1x17
5	06505504AA	4				EVO			BOLT, Hex Flange Head, M6X1.00X27.00
-6									O RING KIT, Fuel Injector
	04897125AA	8				EZB			
		8				ESF			
		8				EVO			
	05083745AA	6				EK0			

GRAND CHEROKEE (WK)

SERIES LINE
H = HIGHLINE T = JEEP - 2WD
P = PREMIUM J = JEEP - 4WD
S = SPORT
X = SPECIAL

BODY
74 = SPORT UTILITY 4-DR

ENGINE
EKG = 3.7L V6 Engine
EVA = 4.7L V8 MPI Engine
EZB = 5.7L Hemi Multi
Displacement Engine

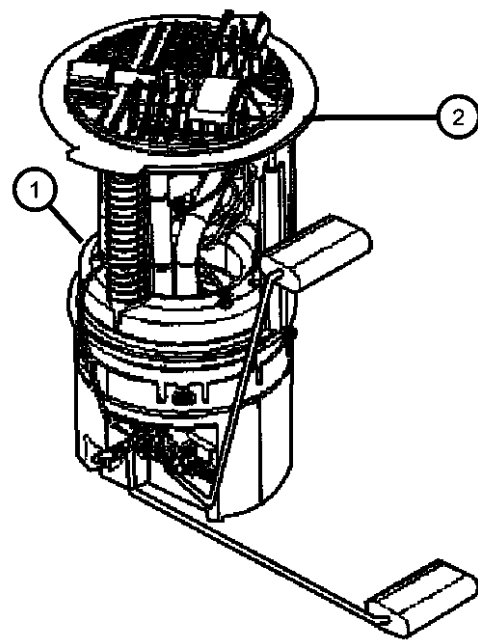
TRANSMISSION
DGQ = 5-Spd Automatic 5-45RFE
Transmission
DGJ = 5-Speed Automatic MB
Transmission

AR = use ase required - = Non illustrated part

2006 WK

**Fuel Pump and Sending Unit,
Figure 14-510**

ITEM	PART NUMBER	QTY	LINE	SERIES	BODY	ENGINE	TRANS	TRIM	DESCRIPTION
1	05143579AC	1							MODULE KIT, Fuel Pump/Level Unit
2	52113610AB	1							SEAL, Fuel Pump and Level Unit
-3	05143578AA	1							LEVEL UNIT KIT, Fuel
-4	52110282AA	1							RING, Lock, Fuel Module
-5	05174672AA	1							TUBE, Fuel Module to Supply Line



GRAND CHEROKEE (WK)

SERIES LINE
H = HIGHLINE T = JEEP - 2WD
P = PREMIUM J = JEEP - 4WD
S = SPORT
X = SPECIAL

BODY
74 = SPORT UTILITY 4-DR

ENGINE
EKG = 3.7L V6 Engine
EVA = 4.7L V8 MPI Engine
EZB = 5.7L Hemi Multi Displacement Engine

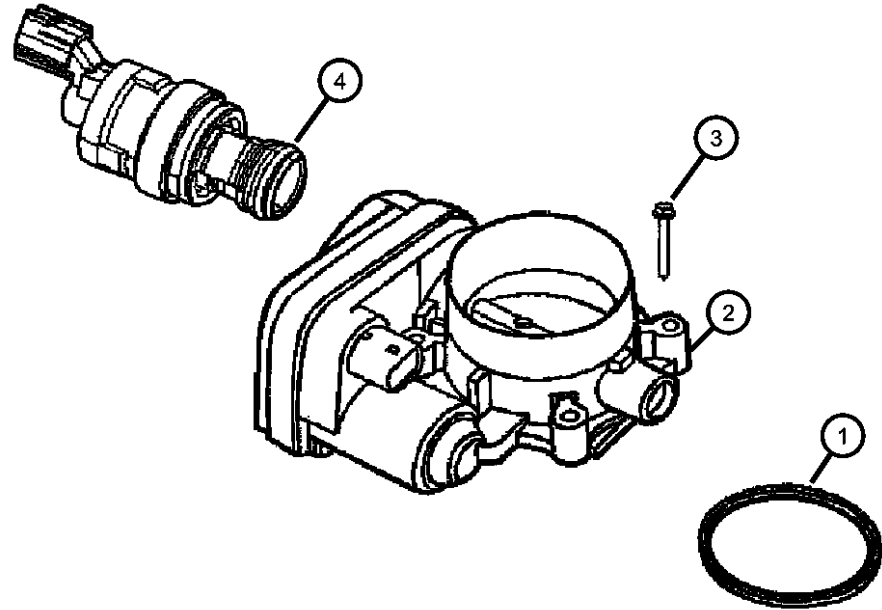
TRANSMISSION
DGQ = 5-Spd Automatic 5-45RFE Transmission
DGJ = 5-Speed Automatic MB Transmission

AR = use ase required - = Non illustrated part

2006 WK

**Throttle Body
Figure 14-610**

ITEM	PART NUMBER	QTY	LINE	SERIES	BODY	ENGINE	TRANS	TRIM	DESCRIPTION
1	05017478AA	1				EVO			GASKET, Throttle Body
2	05114397AA	1				EVO			THROTTLE BODY
	04591847AC	1				EZB			
	05139073AB	1				EK0			
3		1							SCREW, M6X1.00X40.00, (NOT SERVICED)
4		1							SOLENOID, Linear IACV
	04861552AC	1				EVO			
		1				EK0			
-5	83503642	1				EVO			O RING, Throttle Body
-6		1							SENSOR KIT, Throttle Position
	05017479AA	1				EVO			
	05019411AC	1				EK0			
-7		1							GASKET, Throttle Body To Intake
	53013292AB	1				EK0			
	53030952AB	1				EVO			
-8		1							O RING KIT, Linear Solenoid
	05114356AA	1				EK0			
		1				EVO			



GRAND CHEROKEE (WK)

SERIES LINE
H = HIGHLINE T = JEEP - 2WD
P = PREMIUM J = JEEP - 4WD
S = SPORT
X = SPECIAL

BODY
74 = SPORT UTILITY 4-DR

ENGINE
EKG = 3.7L V6 Engine
EVA = 4.7L V8 MPI Engine
EZB = 5.7L Hemi Multi
Displacement Engine

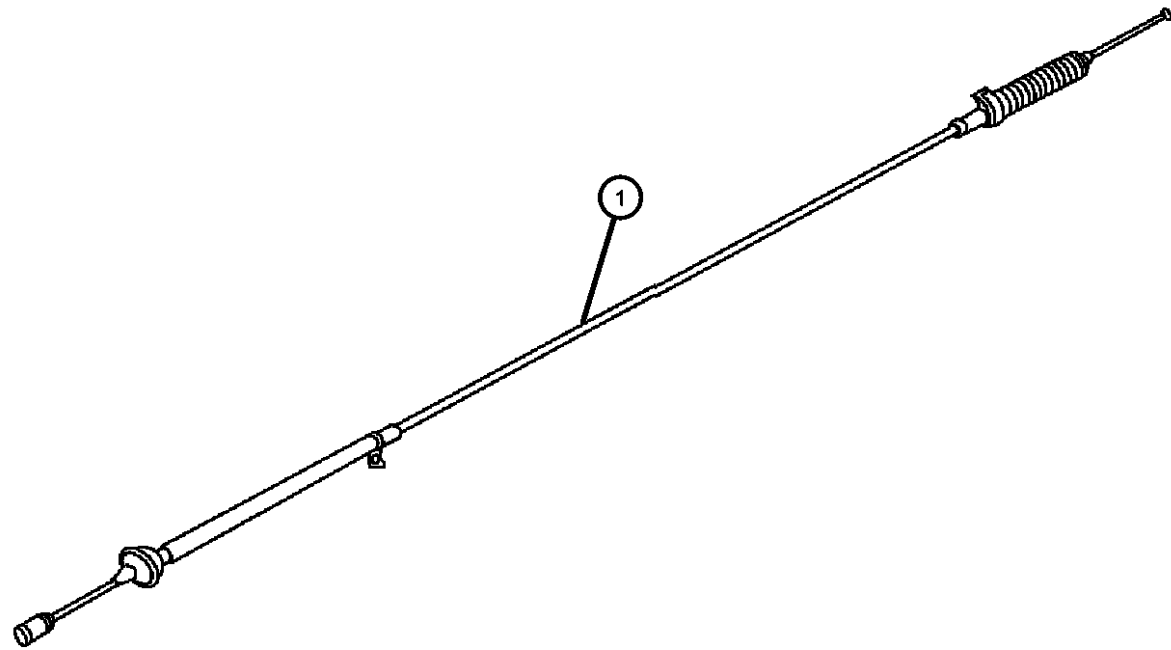
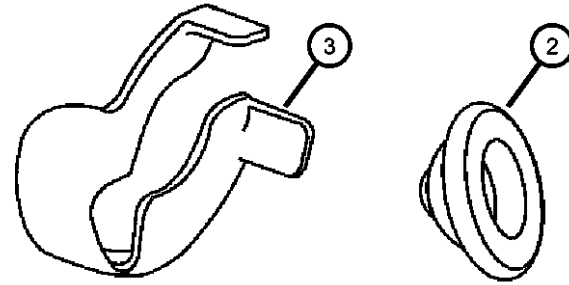
TRANSMISSION
DGQ = 5-Spd Automatic 5-45RFE
Transmission
DGJ = 5-Speed Automatic MB
Transmission

AR = use ase required - = Non illustrated part

2006 WK

Throttle Controls
Figure 14-720

ITEM	PART NUMBER	QTY	LINE	SERIES	BODY	ENGINE	TRANS	TRIM	DESCRIPTION
1	52109653AD	1				EK0, EVO			CABLE, Accelerator
2	04674441	1				ES0, EZ0			PLUG, Body, .75 Diameter
3	05214613	1				EK0, EVO			CLIP, Cable



GRAND CHEROKEE (WK)

SERIES LINE
H = HIGHLINE T = JEEP - 2WD
P = PREMIUM J = JEEP - 4WD
S = SPORT
X = SPECIAL

BODY
74 = SPORT UTILITY 4-DR

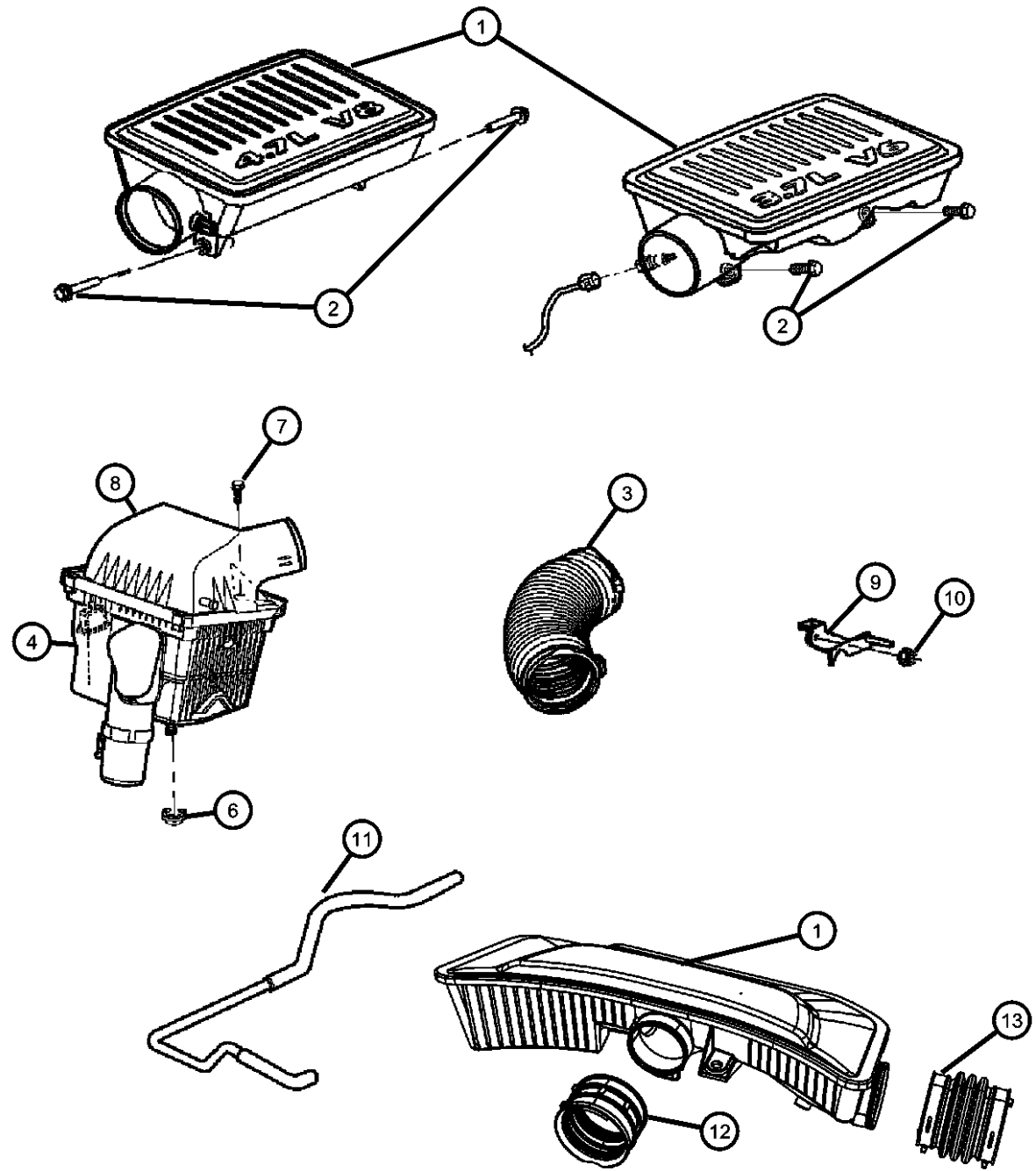
ENGINE
EKG = 3.7L V6 Engine
EVA = 4.7L V8 MPI Engine
EZB = 5.7L Hemi Multi Displacement Engine

TRANSMISSION
DGQ = 5-Spd Automatic 5-45RFE Transmission
DGJ = 5-Speed Automatic MB Transmission

AR = use ase required - = Non illustrated part

2006 WK

**Air Cleaner
Figure 14-820**



ITEM	PART NUMBER	QTY	LINE	SERIES	BODY	ENGINE	TRANS	TRIM	DESCRIPTION
1	53013588AB	1				EVA			RESONATOR, Air Cleaner
	53013517AD	1				EZB			
	53013521AB	1				EK0			
2	06101769	2				EVO			SCREW, Hex Head, M6x1x35
3	53013522AC	1				EK0, EVO			HOSE, Clean Air
4									BODY, Air Cleaner
	05159169AA	1				EK0, EVO			
		1				EZO			
-5									FILTER, Air
	05018777AB	1				EK0, EVO			
	VMWK30K1AA								Mopar HEMI 5.7L Maintenance Kit 30,000 Mile (Air/Oil Filters, Plugs, PCV)
	VMWK60K1AA								Mopar HEMI 5.7L Maintenance Kit 60,000 Mile (Air/Oil Filters, Plugs, PCV, Drive Belt, LX Cabin Filter)
		1				EZO			
	VMWK30K1AA								Mopar HEMI 5.7L Maintenance Kit 30,000 Mile (Air/Oil Filters, Plugs, PCV)
	VMWK60K1AA								Mopar HEMI 5.7L Maintenance Kit 60,000 Mile (Air/Oil Filters, Plugs, PCV, Drive Belt, LX Cabin Filter)
6	53013357AA	1							GROMMET, Air Cleaner
7	06505846AA	1							BOLT, Hex Flange Head
8									COVER, Air Cleaner
	05143969AA	1				EZO			
	05143968AA	1				EK0, EVO			
9	53013774AB	1				EZB			BRACKET, Resonator
10	06104717AA	2				EVO, EZO			NUT, Hex Flange Lock, M10x1.50
11	53013759AB	1				EZB			HOSE, Make Up Air
12	68057659AA	1				EZB			COUPLER
13	68057654AA	1	J, T		74	EZB			COUPLER

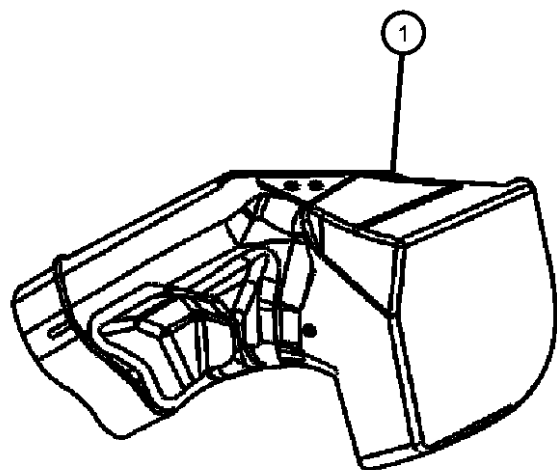
GRAND CHEROKEE (WK)

SERIES	LINE	BODY	ENGINE	TRANSMISSION
H = HIGHLINE	T = JEEP - 2WD	74 = SPORT UTILITY 4-DR	EKG = 3.7L V6 Engine	DGQ = 5-Spd Automatic 5-45RFE Transmission
P = PREMIUM	J = JEEP - 4WD		EVA = 4.7L V8 MPI Engine	DGJ = 5-Speed Automatic MB Transmission
S = SPORT			EZB = 5.7L Hemi Multi Displacement Engine	
X = SPECIAL				

AR = use ase required - = Non illustrated part

**Air Intake System
Figure 14-910**

ITEM	PART NUMBER	QTY	LINE	SERIES	BODY	ENGINE	TRANS	TRIM	DESCRIPTION
1									DUCT, Ambient Air
	05037815AA	1				ESF			
	53013730AC	1		H, P, S					



GRAND CHEROKEE (WK)

SERIES	LINE
H = HIGHLINE	T = JEEP - 2WD
P = PREMIUM	J = JEEP - 4WD
S = SPORT	
X = SPECIAL	

BODY
74 = SPORT UTILITY 4-DR

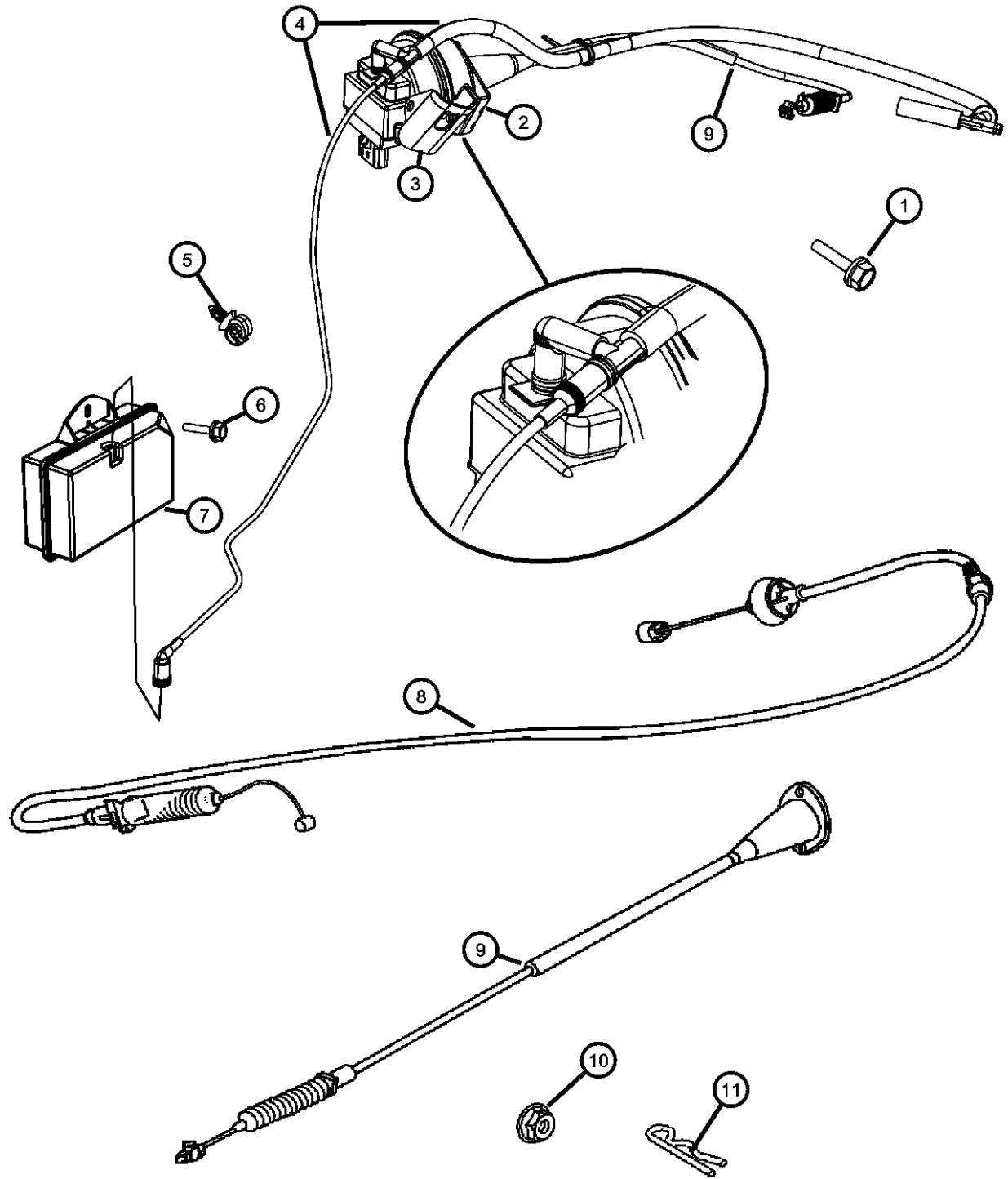
ENGINE
EKG = 3.7L V6 Engine
EVA = 4.7L V8 MPI Engine
EZB = 5.7L Hemi Multi Displacement Engine

TRANSMISSION
DGQ = 5-Spd Automatic 5-45RFE Transmission
DGJ = 5-Speed Automatic MB Transmission

AR = use ase required - = Non illustrated part

2006 WK

**Speed Control
Figure 14-1010**



ITEM	PART NUMBER	QTY	LINE	SERIES	BODY	ENGINE	TRANS	TRIM	DESCRIPTION
1	06104382AA	1				EK0, EVO			SCREW AND CONED WASHER, Hex Head, M6x1x60
2	04669979	1				EK0, EVO			SERVO, Speed Control
3	52124035AC	1				EK0, EVO			BRACKET, Speed Control Servo
4	52124088AA	1				EK0, EVO			HARNESS, Speed Control Vacuum
5	06506087AA	1				EK0, EVO			CLIP, Brake Line, VACUUM RESERVOIR LINE TO BODY
6		1							SCREW, M5.28X1.81X15.0, (NOT SERVICED)
7	52090376AB	1				EK0, EVO			RESERVOIR, Speed Control Vacuum
8	52109653AD	1				EK0, EVO			CABLE, Accelerator
9	52109775AC	1				EK0, EVO			CABLE, Speed Control
10	06502493	2				EK0, EVO			NUT, Hex Flange Serration, M6x1
11	06025867	1				EK0, EVO			CLIP, Cable to Servo Attach

GRAND CHEROKEE (WK)

SERIES LINE
H = HIGHLINE T = JEEP - 2WD
P = PREMIUM J = JEEP - 4WD
S = SPORT
X = SPECIAL

BODY
74 = SPORT UTILITY 4-DR

ENGINE
EKG = 3.7L V6 Engine
EVA = 4.7L V8 MPI Engine
EZB = 5.7L Hemi Multi Displacement Engine

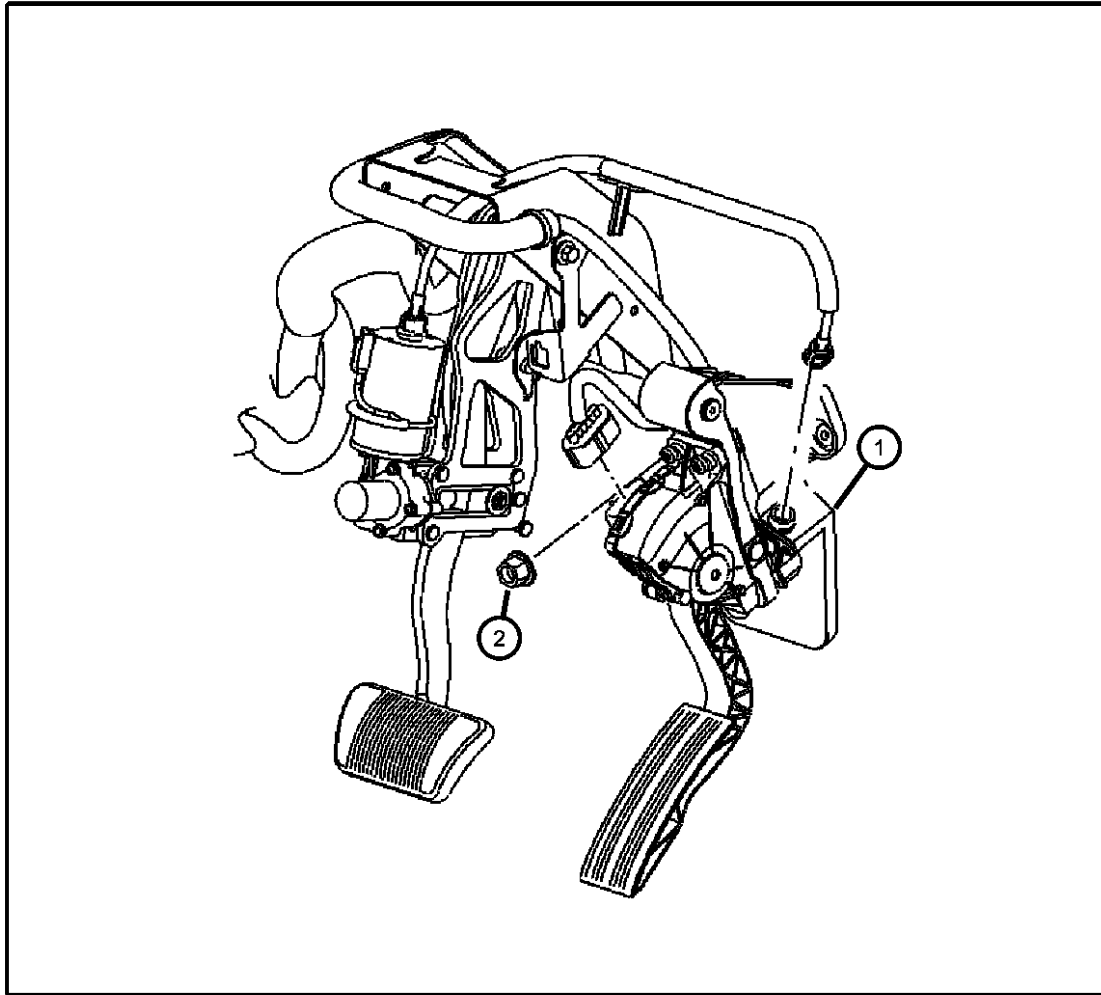
TRANSMISSION
DGQ = 5-Spd Automatic 5-45RFE Transmission
DGJ = 5-Speed Automatic MB Transmission

AR = use ase required - = Non illustrated part

2006 WK

**Pedal Brake, Power Adjustable
Figure 14-1110**

ITEM	PART NUMBER	QTY	LINE	SERIES	BODY	ENGINE	TRANS	TRIM	DESCRIPTION
1									PEDAL, Accelerator
	52109654AC	1				EK0, EV0			NON ADJUSTABLE PEDALS
	52109683AC	1				ES0, EZ0			NON ADJUSTABLE PEDALS
	52109759AC	1				EK0, EV0			POWER ADJUSTABLE PEDALS W/MEMO
	52109760AC	1				ES0, EZ0			POWER ADJUSTABLE PEDALS W/MEMO
2	06502726	2							NUT
-3	05290949AA	1			X				OVERLAY KIT, Brake Pedal Pads, With Bright Pedals [XAR]



GRAND CHEROKEE (WK)

SERIES	LINE	BODY	ENGINE	TRANSMISSION
H = HIGHLINE	T = JEEP - 2WD	74 = SPORT UTILITY 4-DR	EKG = 3.7L V6 Engine	DGQ = 5-Spd Automatic 5-45RFE
P = PREMIUM	J = JEEP - 4WD		EVA = 4.7L V8 MPI Engine	Transmission
S = SPORT			EZB = 5.7L Hemi Multi	DGJ = 5-Speed Automatic MB
X = SPECIAL			Displacement Engine	Transmission

AR = use ase required - = Non illustrated part

2006 WK

Group - 16

Propeller Shafts and U-Joints

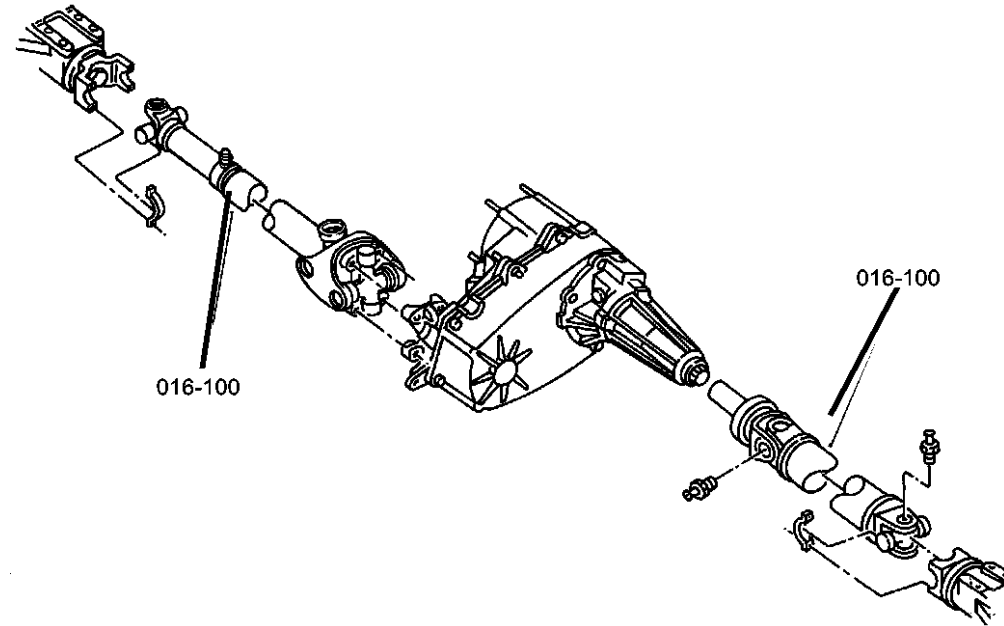
Group - 16 Propeller Shafts and U-Joints

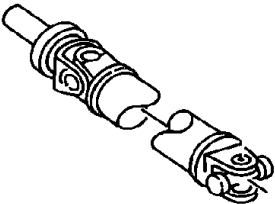
Group-Fig. No.

Illustration Title

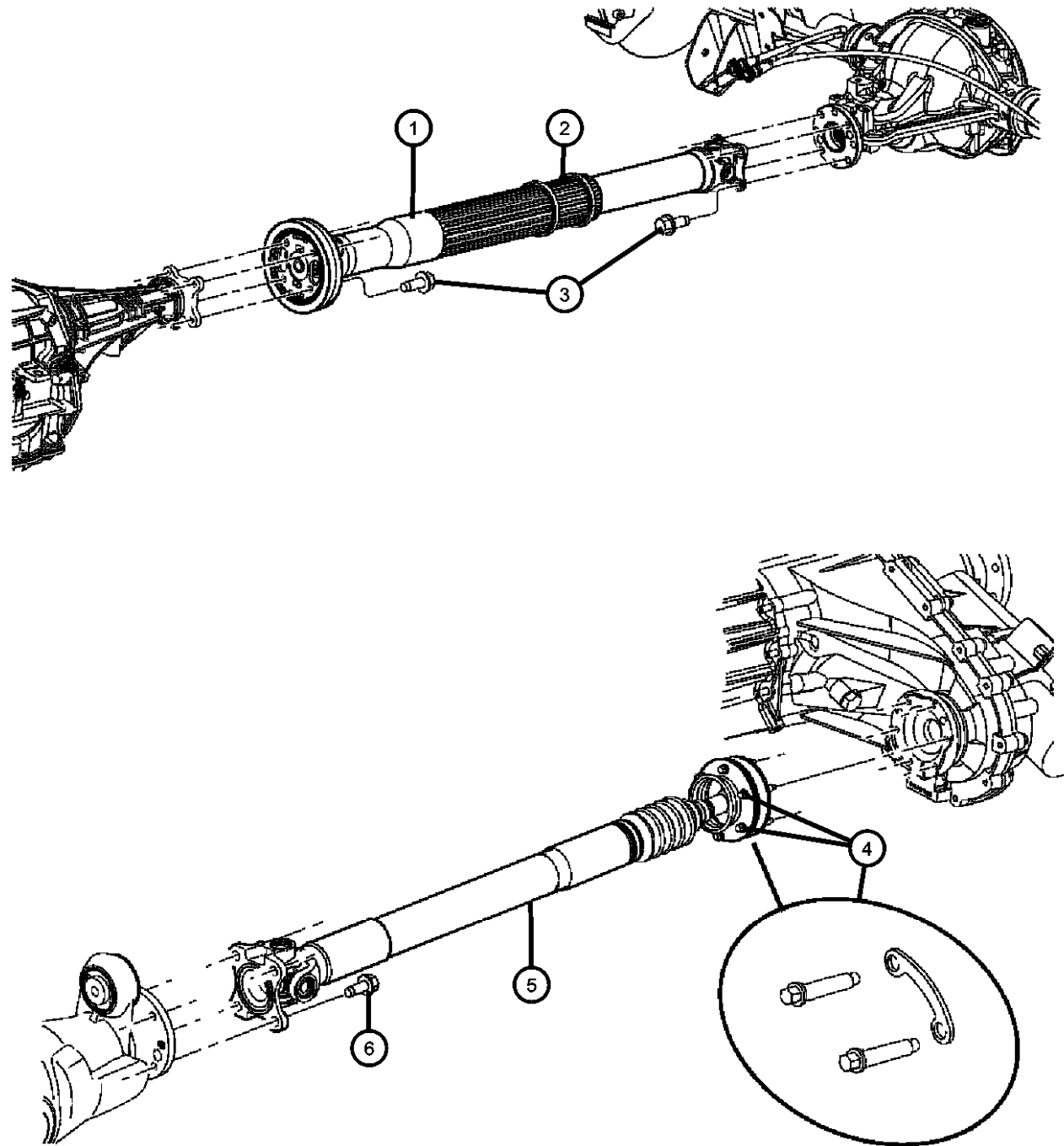
Propeller Shaft

Propeller Shafts, Front and Rear Fig. 16 - 110



<p>016-100 Propeller Shaft</p> 			
--	--	--	--

Propeller Shafts,Front and Rear
Figure 16-110



ITEM	PART NUMBER	QTY	LINE	SERIES	BODY	ENGINE	TRANS	TRIM	DESCRIPTION
------	-------------	-----	------	--------	------	--------	-------	------	-------------

Note:Sales Codes;

[DHB]=Quadra-Trac Active On Demand 4WD

[DHX]=Quadra-Trac II Full-Time Active 4WD

[DHZ]=Quadra-Trac I Full-Time 4WD

[DRK]=Dana 44/226MM Rear Axle

[DRX]=213MM Rear Axle

1									SHAFT, Drive, Rear 1-Piece
	52105726AE	1	T			EV0	DG0		
	52105760AE	1	J			EV0, EZ0	DGQ		[DHX]
		1	J			EK0	DG0		[DHX]
	52853003AE	1	J			ESF	DGJ		[DRK,DHB]
	52853004AE	1	T			EKG	DGJ		[DRS]
	52853006AE	1	J			EKG	DGJ		[DRS,DHZ]
	52853433AA	1	T			EZ0	DG0		
2		1							BOOT KIT, Drive Shaft, (NOT SERVICED)
3	06506497AA	8							BOLT, Hex Head, M12, Rear Drive Shaft to Rear Axle and Transfer Case, Mounting
4									BOLT AND WASHER
	05015109AA	3	J			EV0, EZ0	DGQ		[DHX] Front Drive Shaft to Transfer Case, Mounting
		3	J			EK0	DG0		[DHX] Front Drive Shaft to Transfer Case, Mounting
		3	J			EK0, ES0	DG0		[DHB,DHZ] Front Drive Shaft to Transfer Case, Mounting
5									SHAFT, Drive, Front
	52105728AD	1	J			EV0, EZ0	DGQ		[DHX]
		1	J			EK0	DG0		[DHX]
	52105758AD	1	J			EK0, ES0	DG0		[DHB,DHZ]
6	06506497AA	4	J						BOLT, Hex Head, M12, Front Drive Shaft to Front Axle, Mounting

GRAND CHEROKEE (WK)

SERIES	LINE
H = HIGHLINE	T = JEEP - 2WD
P = PREMIUM	J = JEEP - 4WD
S = SPORT	
X = SPECIAL	

BODY
74 = SPORT UTILITY 4-DR

ENGINE
EKG = 3.7L V6 Engine
EVA = 4.7L V8 MPI Engine
EZB = 5.7L Hemi Multi Displacement Engine

TRANSMISSION
DGQ = 5-Spd Automatic 5-45RFE Transmission
DGJ = 5-Speed Automatic MB Transmission

AR = use ase required - = Non illustrated part

2006 WK

Group - 17

Rear Suspension

Group - 17 Rear Suspension

Group-Fig. No.

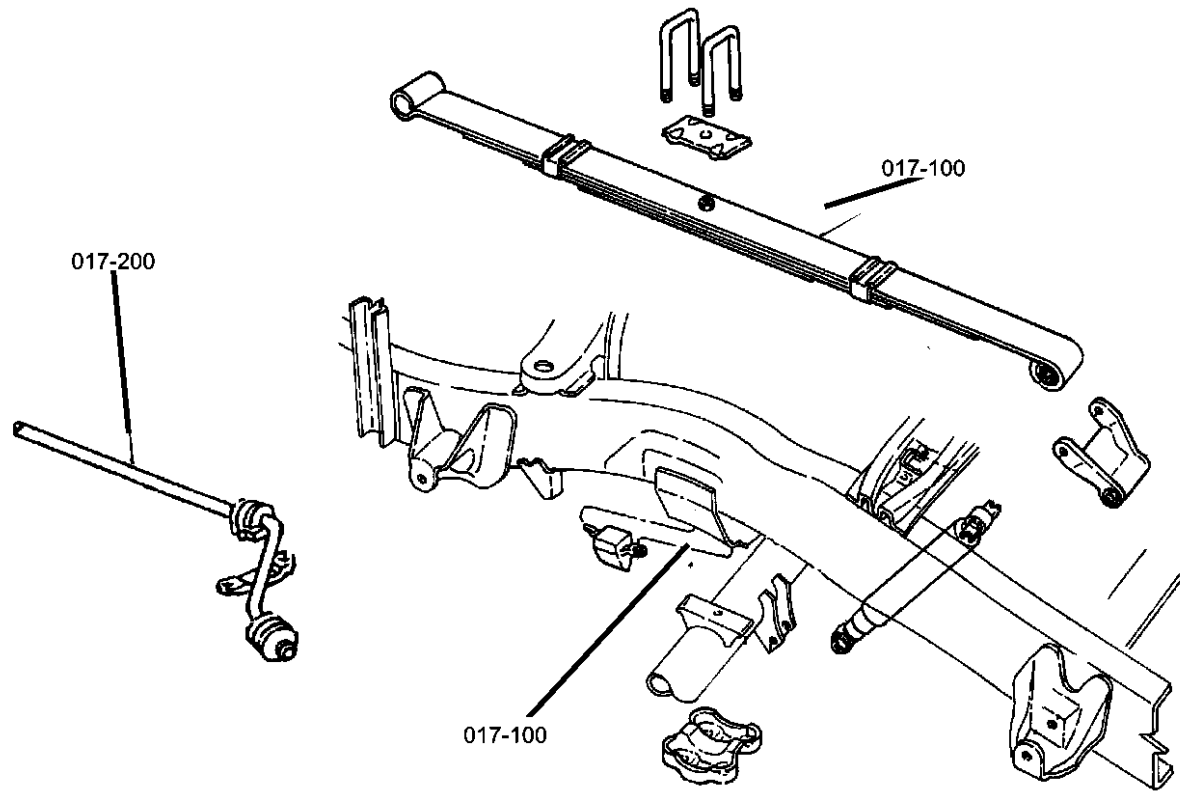
Illustration Title

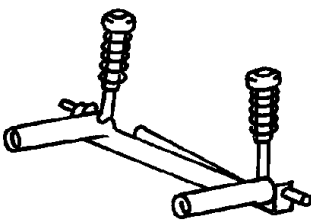
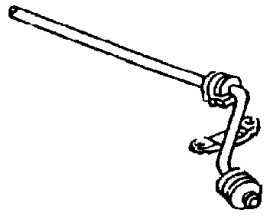
Rear Suspension

Rear Coil Springs Control Arms And Shocks Fig. 17 - 110
 Rear Suspension Cradle and Track Bar Fig. 17 - 120

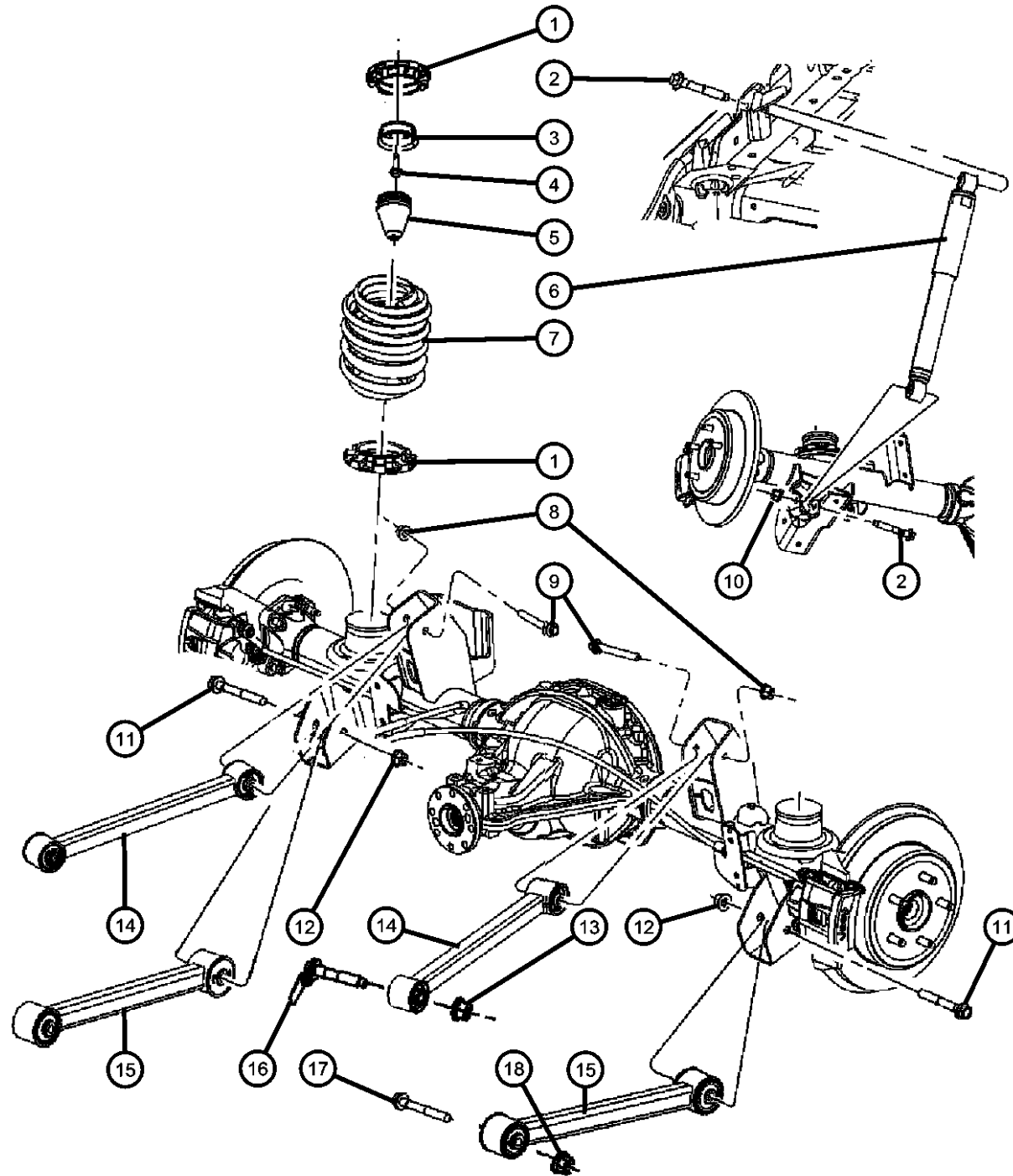
Rear Stabilizer

Stabilizer Bar,Rear,With [SDA] or [SDX]..... Fig. 17 - 210



<p>017-100 Rear Suspension</p> 	<p>017-200 Rear Stabilizer</p> 		
--	---	--	--

Rear Coil Springs Control Arms And Shocks
Figure 17-110



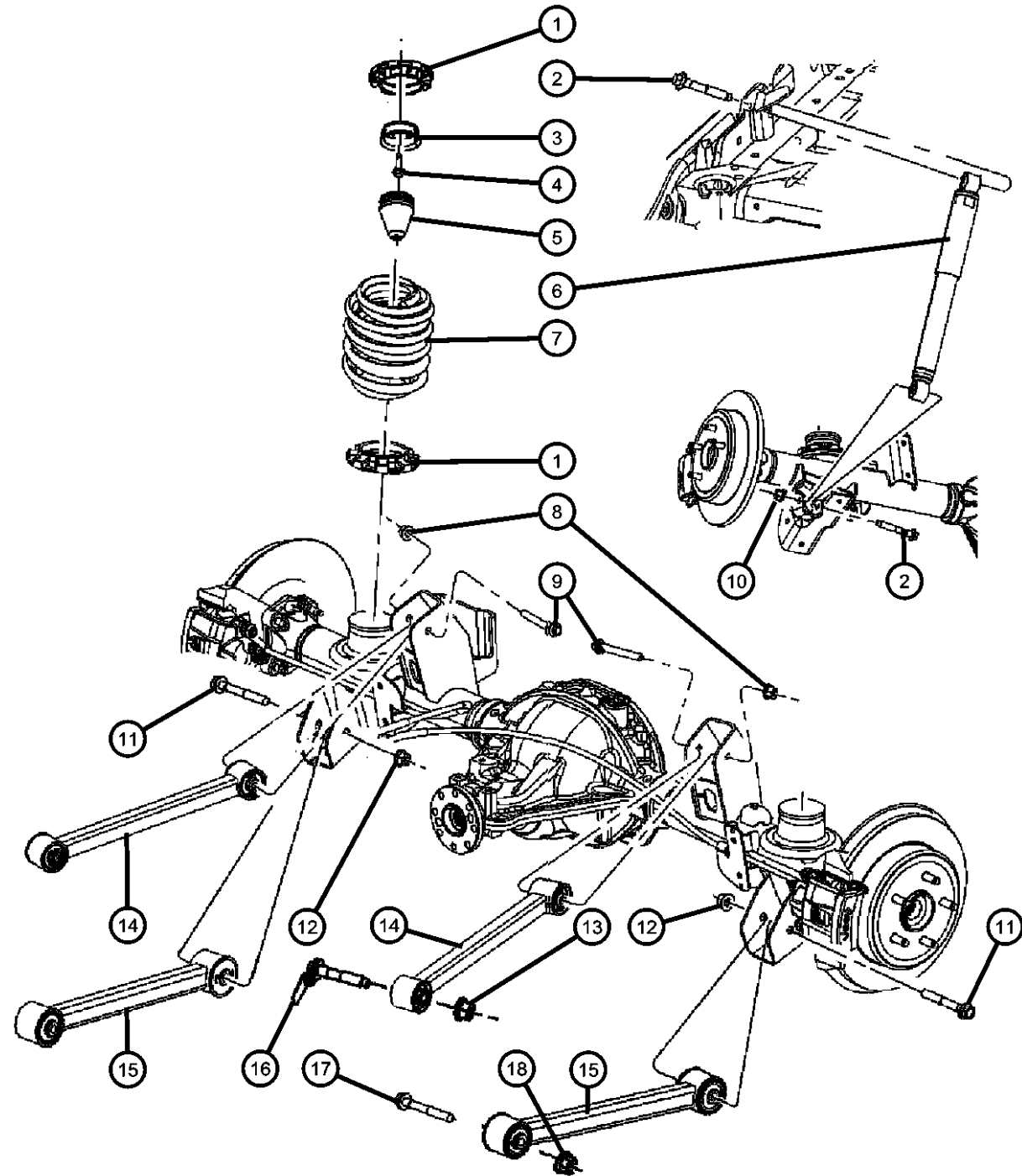
ITEM	PART NUMBER	QTY	LINE	SERIES	BODY	ENGINE	TRANS	TRIM	DESCRIPTION
Note:Sales Codes; [SDA]=Normal Duty Suspension [SDX]=High Performance Suspension [SNA]=Dynamic Handling System									
1									ISOLATOR, Spring
	52089341AD	2							Lower
		2							Upper
2									SCREW, Hex Flange Head, M12x1.75x80
	06506147AA	2							Rear Shock To Body, Mounting
		2							Rear Shock To Axle, Mounting
3									CUP, Jounce Bumper
	05290783AA	2							[SDX]
	52089977AA	2							[SDA]
4	06101838	2							SCREW, Hex Head, Jounce Bumper to Rail, Mounting
5									BUMPER, Jounce
	05290639AB	2		X					[SDX]
	52089343AA	2		H, P, S					Standard
6									SHOCK ABSORBER, Suspension, Rear
	05290641AA	2					ES0		[SDX]
	52089751AG	2	J, T		74				[SDA]
7									SPRING, Suspension, Rear
	05290638AA	1							[ZAZ]
	05290773AA	1							[ZNZ]
	52089818AC	1							[ZHT,ZWT]
	52089819AC	1							[ZHU,ZWU]
	52089820AC	1							[ZHV,ZWV]
	52089821AC	1							[ZHW,ZWW]
	52089823AC	1							[ZHY,ZWY]
	52090248AC	1							[ZHR,ZWR]
	52090249AC	1							[ZHZ,ZWZ]
	52124016AC	1							[ZJR,ZXR]
	52124020AC	1							[ZJV,ZXV]
	52124220AA	1							[ZJX,ZXX]
	52124221AA	1							[ZJY,ZXY]

GRAND CHEROKEE (WK)

SERIES	LINE	BODY	ENGINE	TRANSMISSION
H = HIGHLINE	T = JEEP - 2WD	74 = SPORT UTILITY 4-DR	EKG = 3.7L V6 Engine	DGQ = 5-Spd Automatic 5-45RFE
P = PREMIUM	J = JEEP - 4WD		EVA = 4.7L V8 MPI Engine	Transmission
S = SPORT			EZB = 5.7L Hemi Multi	DGJ = 5-Speed Automatic MB
X = SPECIAL			Displacement Engine	Transmission

AR = use ase required - = Non illustrated part

Rear Coil Springs Control Arms And Shocks
Figure 17-110



ITEM	PART NUMBER	QTY	LINE	SERIES	BODY	ENGINE	TRANS	TRIM	DESCRIPTION
8	06502697	2							NUT, Hex Flange Lock, M12x1.75, UCA to Axle, Mounting
9	06502725	2							BOLT, Hex Flange, M12x1.75x90, UCA to Axle, Mounting
10		2							NUT, Purchase Axle Assembly, (NOT SERVICED)
11	06507620AA	2							SCREW, LCA to Axle, Mounting
12	06502698	2							NUT, Hex Flange Lock, LCA to Axle, Mounting
13									NUT, Hex Flange Lock, M12x1.75
	06502697	1							UCA to Body Mounting, Left
		1							UCA to Body Mounting, Right
14									ARM, Upper Control, Rear
	05290953AA	2							[SDX]
	52089629AC	2							[SDA]
15									ARM, Lower Control, Rear
	05290957AA	2							[SDX]
	52089630AC	2							[SDA]
16									SCREW
	06508216AA	1							UCA to Body Mounting, Left
		1							UCA to Body Mounting, Right
17	06507971AA	2							SCREW, LCA to Body, Mounting
18	06502698	2							NUT, Hex Flange Lock, LCA to Body, Mounting

GRAND CHEROKEE (WK)

SERIES LINE
H = HIGHLINE T = JEEP - 2WD
P = PREMIUM J = JEEP - 4WD
S = SPORT
X = SPECIAL

BODY
74 = SPORT UTILITY 4-DR

ENGINE
EKG = 3.7L V6 Engine
EVA = 4.7L V8 MPI Engine
EZB = 5.7L Hemi Multi Displacement Engine

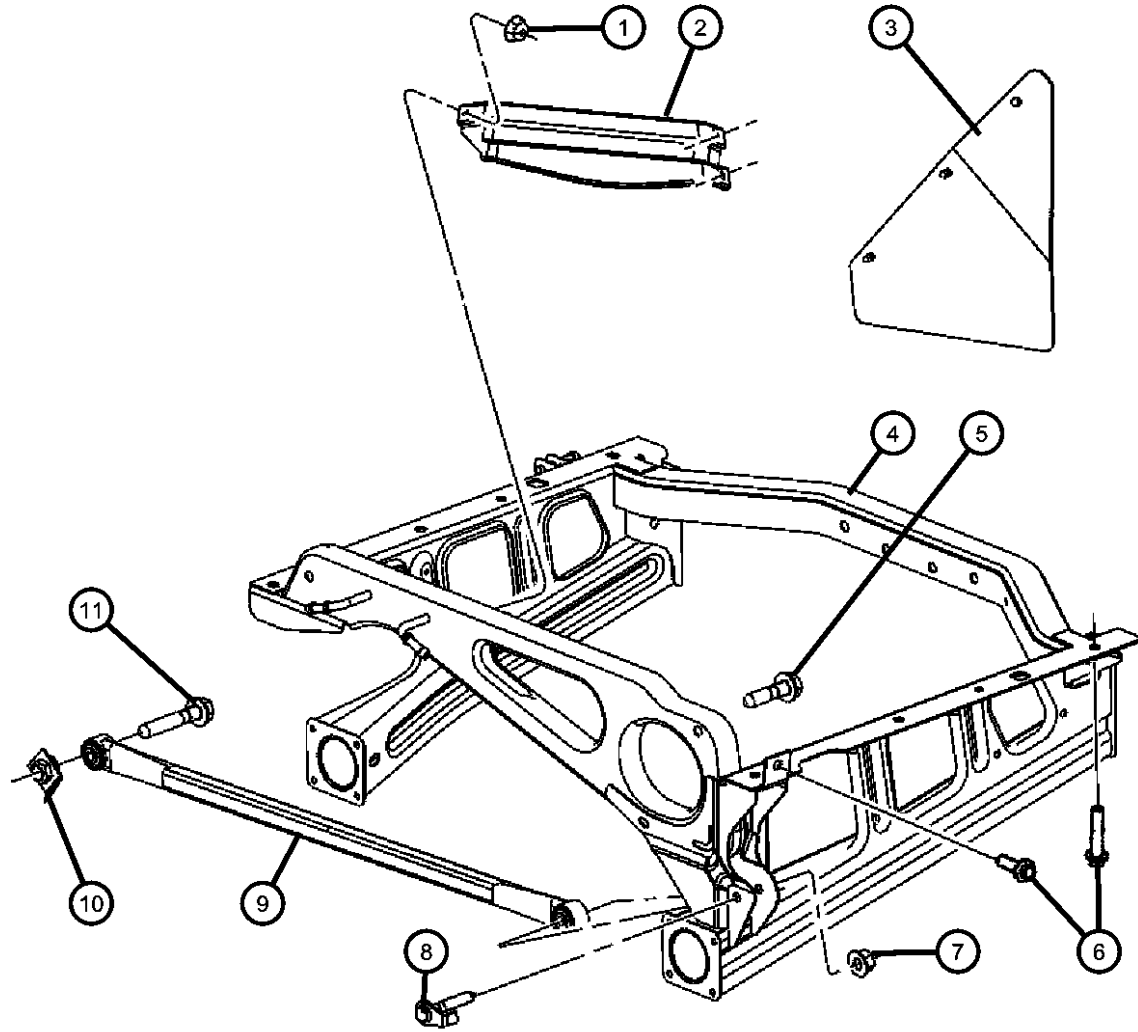
TRANSMISSION
DGQ = 5-Spd Automatic 5-45RFE Transmission
DGJ = 5-Speed Automatic MB Transmission

AR = use ase required - = Non illustrated part

2006 WK

**Rear Suspension Cradle and Track Bar
Figure 17-120**

ITEM	PART NUMBER	QTY	LINE	SERIES	BODY	ENGINE	TRANS	TRIM	DESCRIPTION
1	06100050	3		H, P, S					NUT AND WASHER, Hex, M8x1.25, Spare Tire Heat Shield to Rear Suspension Cradle, Mounting SHIELD, Spare Tire, Heat
2	52090420AE	1		H, P, S					SHIELD, Spare Tire, [AHT,AHX] Used With Item 2
3	52124516AA	1	J, T		74	EV0, EZ0			CRADLE, Rear Suspension
4	52090278AJ	1							SCREW, Rear Suspension Cradle to Rail Brackets, Mounting
5	06507231AA	2							BOLT, Rear Suspension Cradle to Rails, Mounting
6	06508267AA	9							NUT, Hex Flange Lock, Track Bar to Body, Mounting
7	06502698	1							BOLT, Track Bar to Body, Mounting
8	06508079AA	1							TRACK BAR, Rear
9	52089605AD	1							NUT AND RETAINER, Hex Flange Locking, M14 x 2.00, Track Bar to Axle, Mounting
10	06508132AA	1							BOLT, Hex Flange Head, M14x2.00x80.00, Track Bar to Axle, Mounting
11	06502818	1							



GRAND CHEROKEE (WK)

SERIES	LINE
H = HIGHLINE	T = JEEP - 2WD
P = PREMIUM	J = JEEP - 4WD
S = SPORT	
X = SPECIAL	

BODY
74 = SPORT UTILITY 4-DR

ENGINE
EKG = 3.7L V6 Engine
EVA = 4.7L V8 MPI Engine
EZB = 5.7L Hemi Multi Displacement Engine

TRANSMISSION
DGQ = 5-Spd Automatic 5-45RFE Transmission
DGJ = 5-Speed Automatic MB Transmission

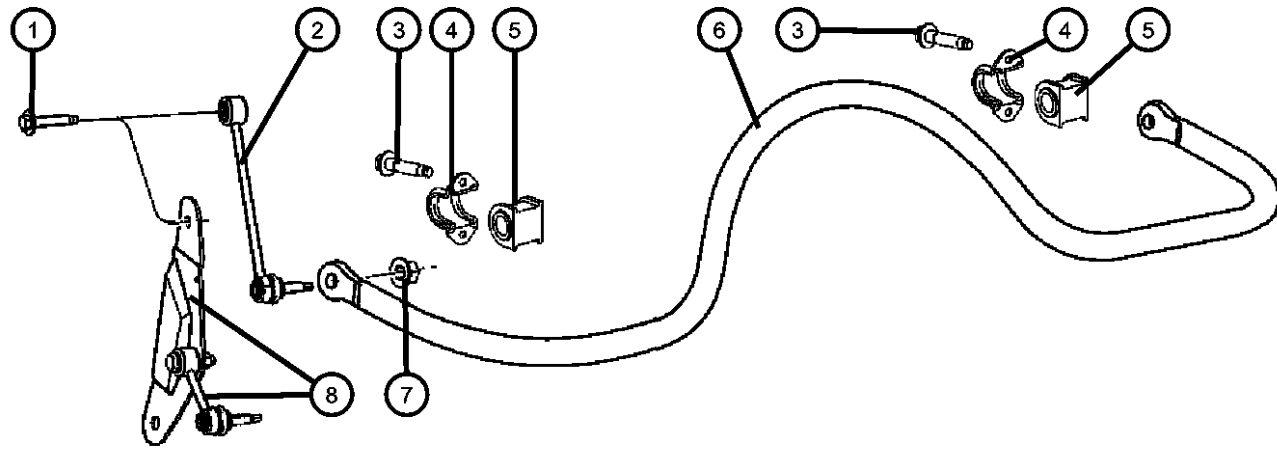
AR = use ase required - = Non illustrated part

2006 WK

**Stabilizer Bar,Rear,With [SDA] or [SDX]
Figure 17-210**

ITEM	PART NUMBER	QTY	LINE	SERIES	BODY	ENGINE	TRANS	TRIM	DESCRIPTION
------	-------------	-----	------	--------	------	--------	-------	------	-------------

Note:Sales Codes;
[SDA]=Normal Duty Suspension
[SDX]=High Performance Suspension



1	06101984	2							BOLT, Sway Bar Link to Sill Bracket, Mounting
2	52089486AC	2							LINK, Sway Eliminator, [SDA]
3	06508505AA	4							SCREW AND WASHER, Hex Head, M10x1.50x35
4									RETAINER, Stabilizer Bar Grommet
	52090271AA	2							[SDA]
		2							[SDX]
5									BUSHING, Stabilizer Bar
	52089485AC	2							[SDA]
	52124302AA	2							[SDX]
6									STABILIZER BAR, Rear Suspension
	52089484AC	1							[SDA]
	52124303AA	1							[SDX]
7	06502835	2							NUT, Hex Flange, M12x1.75, End Link to Sway Bar, Mounting
8									LINK, Sway Eliminator
	05290768AB	1							[SDX], Right
	05290769AB	1							[SDX], Left

GRAND CHEROKEE (WK)

SERIES	LINE	BODY	ENGINE	TRANSMISSION
H = HIGHLINE	T = JEEP - 2WD	74 = SPORT UTILITY 4-DR	EKG = 3.7L V6 Engine	DGQ = 5-Spd Automatic 5-45RFE Transmission
P = PREMIUM	J = JEEP - 4WD		EVA = 4.7L V8 MPI Engine	DGJ = 5-Speed Automatic MB Transmission
S = SPORT			EZB = 5.7L Hemi Multi Displacement Engine	
X = SPECIAL				

AR = use ase required - = Non illustrated part

2006 WK

Group - 19

Steering

Group - 19 Steering

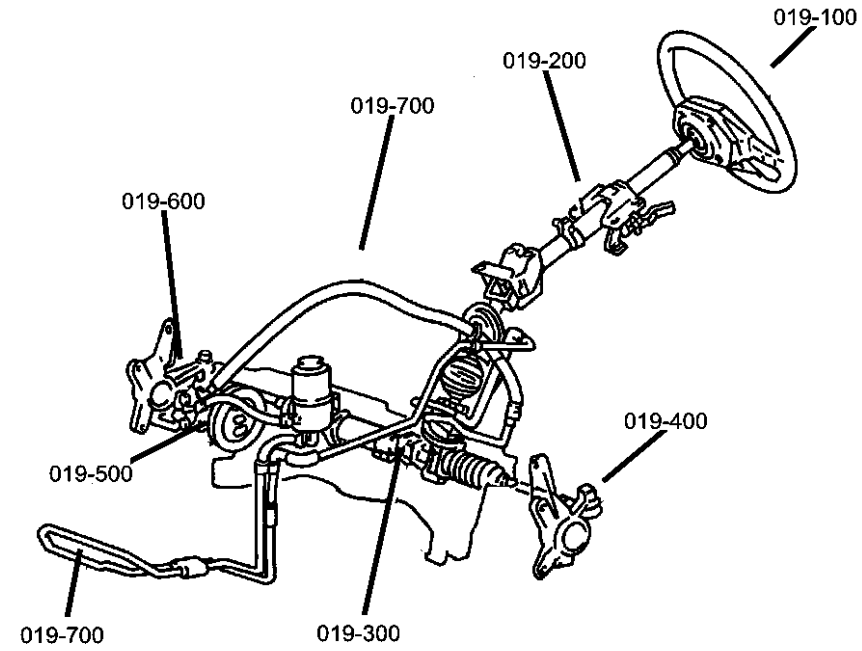


Illustration Title

Group-Fig. No.

Steering Wheel

Steering Wheel Assembly Fig. 19 - 110

Steering Column

Steering Column Assy Fig. 19 - 210

Steering Gear

Gear Rack & Pinion Power Steering Fig. 19 - 310

Steering Linkage

Steering Linkage Fig. 19 - 410

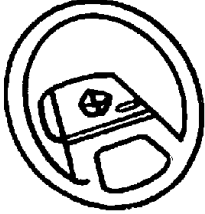
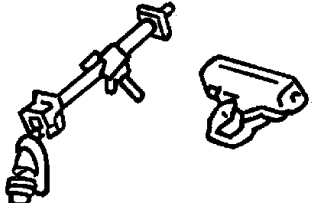
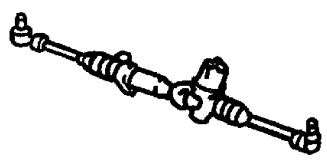
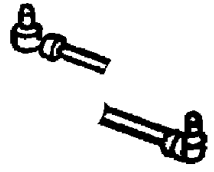
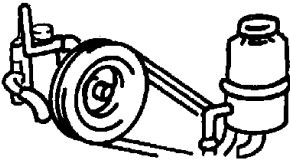
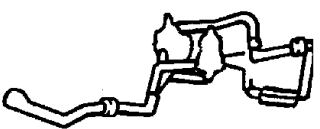
Power Steering Pump

Power Steering Pump Fig. 19 - 510

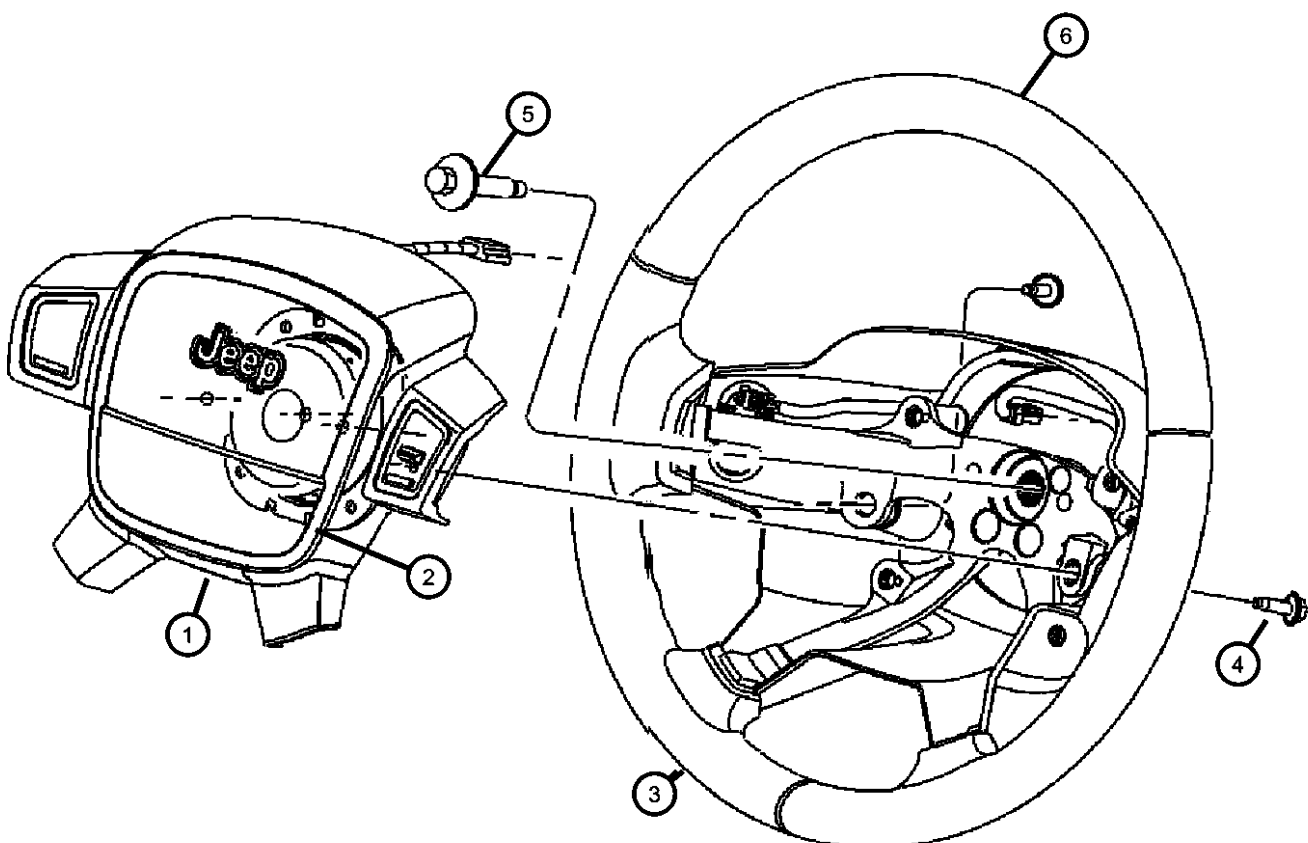
Power Steering Hoses

Power Steering Hose 3.7L [EK0] 4.7L [EV0] 6.1L [ES0] Fig. 19 - 710

Power Steering Hose 5.7L [EZ0] Fig. 19 - 720

<p>019-100 Steering Wheel</p> 	<p>019-200 Steering Column</p> 	<p>019-300 Steering Gear</p> 	<p>019-400 Steering Linkage</p> 
<p>019-500 Power Steering Pump</p> 	<p>019-700 Power Steering Hoses</p> 		

**Steering Wheel Assembly
Figure 19-110**



ITEM	PART NUMBER	QTY	LINE	SERIES	BODY	ENGINE	TRANS	TRIM	DESCRIPTION
1									AIR BAG, Driver
	5JJ281D1AD	1		H, P, S					NEXT GEN MULTISTAGE
	5JJ281D5AD	1		H, P, S					ADVANCED MULTISTAGE
	5JJ281J3AD	1		H, P, S					
2									COVER, Air Bag Module
	1BH821D1AA	1		H, P, S					[J1]
	1BH821D5AA	1		H, P, S					[D5]
	1BH821J3AA	1		H, P, S					[J3]
	1CJ841DVAA	1		X					
3									WHEEL, Steering
	5HM76BD5AC	1							Slate Gray
	5HM76ZJ3AC	1							Khaki
4	06507294AA	2							SCREW, Air Bag Module to Steering Wheel
5	06505656AA	1							SCREW, Hex Flange Head, M10x1.5x35.
6									WHEEL, Steering, Leather
	1AQ661J3AD	1							LEATHER WRAPPER
	1CY221DVAA	1							RADIO CONTROLS
	1CY231D1AA	1							LEATHER/WGRAIN/RADIO CONT
	1CY231D5AA	1							WOOD/LEATHER WRAPPED STEERING
	1AQ661D1AD	1							LEATHER W/RADIO CONTROLS
	1AQ661D5AD	1							LEATHER WRAPPED STEERING WHEEL

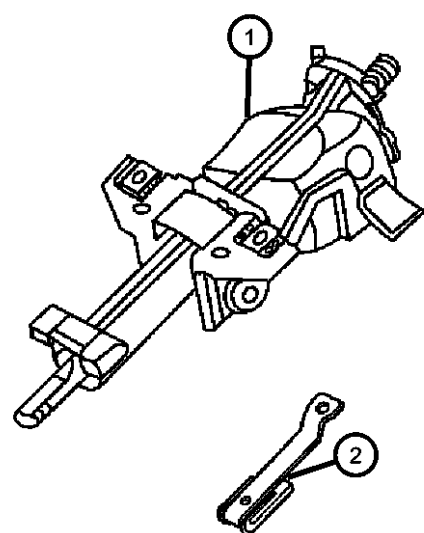
GRAND CHEROKEE (WK)

SERIES	LINE	BODY	ENGINE	TRANSMISSION
H = HIGHLINE	T = JEEP - 2WD	74 = SPORT UTILITY 4-DR	EKG = 3.7L V6 Engine	DGQ = 5-Spd Automatic 5-45RFE Transmission
P = PREMIUM	J = JEEP - 4WD		EVA = 4.7L V8 MPI Engine	DGJ = 5-Speed Automatic MB Transmission
S = SPORT			EZB = 5.7L Hemi Multi Displacement Engine	
X = SPECIAL				

AR = use ase required - = Non illustrated part

**Steering Column Assy
Figure 19-210**

ITEM	PART NUMBER	QTY	LINE	SERIES	BODY	ENGINE	TRANS	TRIM	DESCRIPTION
1	05057151AD	1							COLUMN, Steering, Tilt
2	55315087AB	1							BRACKET, Steering Column
-3	06506367AA	1							SCREW, M8-1.25
-4	06504030	1							NUT AND WASHER, Hex, M6x1
-5									SHROUD, Steering Column
	5KB11BD1AD	1							Lt. Graystone
	5KB11BD5AD	1							Med. Slate Gray
	5KB11ZJ3AD	1							Med. Khaki
-6	06508179AA	1							SCREW, Steering Column, Steering Column to IP Pivot



GRAND CHEROKEE (WK)

SERIES LINE
H = HIGHLINE T = JEEP - 2WD
P = PREMIUM J = JEEP - 4WD
S = SPORT
X = SPECIAL

BODY
74 = SPORT UTILITY 4-DR

ENGINE
EKG = 3.7L V6 Engine
EVA = 4.7L V8 MPI Engine
EZB = 5.7L Hemi Multi
Displacement Engine

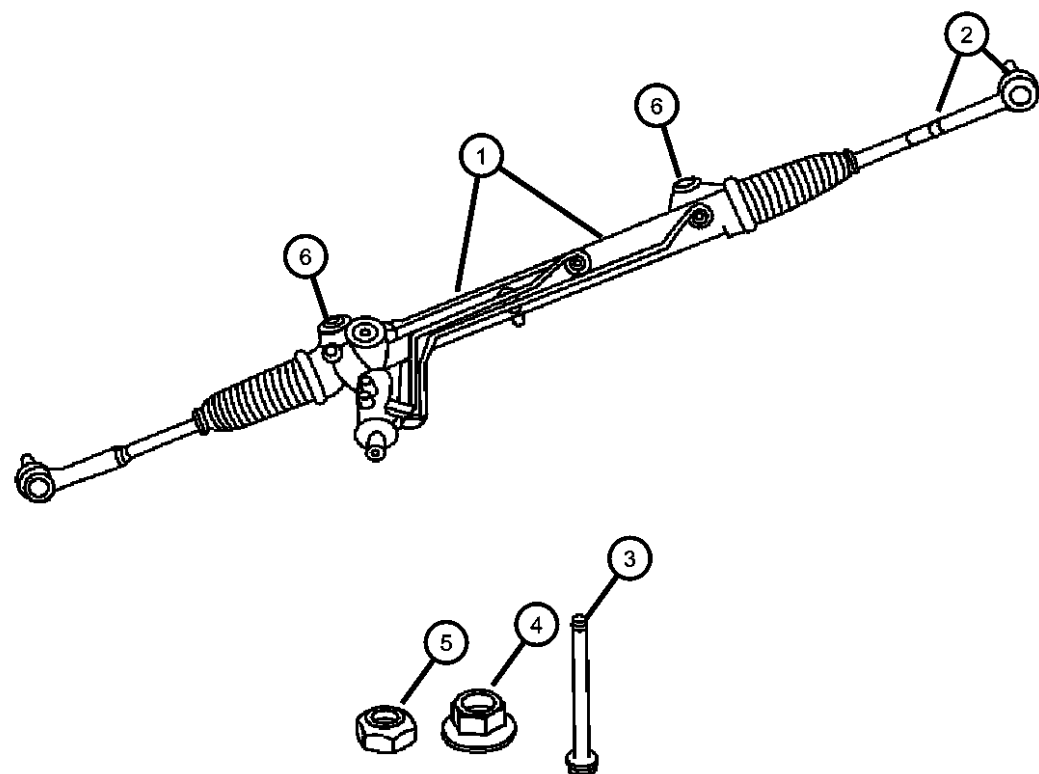
TRANSMISSION
DGQ = 5-Spd Automatic 5-45RFE
Transmission
DGJ = 5-Speed Automatic MB
Transmission

AR = use ase required - = Non illustrated part

2006 WK

**Gear Rack & Pinion Power Steering
Figure 19-310**

ITEM	PART NUMBER	QTY	LINE	SERIES	BODY	ENGINE	TRANS	TRIM	DESCRIPTION
1	05181063AA	1	J, T		74				GEAR, Power Steering [SBX]
	52089292AD	1	J, T		74				[SBA]
2	05143555AB	1							END PACKAGE, Tie Rod Left
	05143556AB	1							Right
3	06507661AA	2							SCREW, Hex Flange Head
4	06505623AA	2							NUT AND WASHER
5	06507706AA	2							NUT, Power Steering Gear
6	52089312AA	2							BUSHING, Steering Gear



GRAND CHEROKEE (WK)

SERIES LINE
H = HIGHLINE T = JEEP - 2WD
P = PREMIUM J = JEEP - 4WD
S = SPORT
X = SPECIAL

BODY
74 = SPORT UTILITY 4-DR

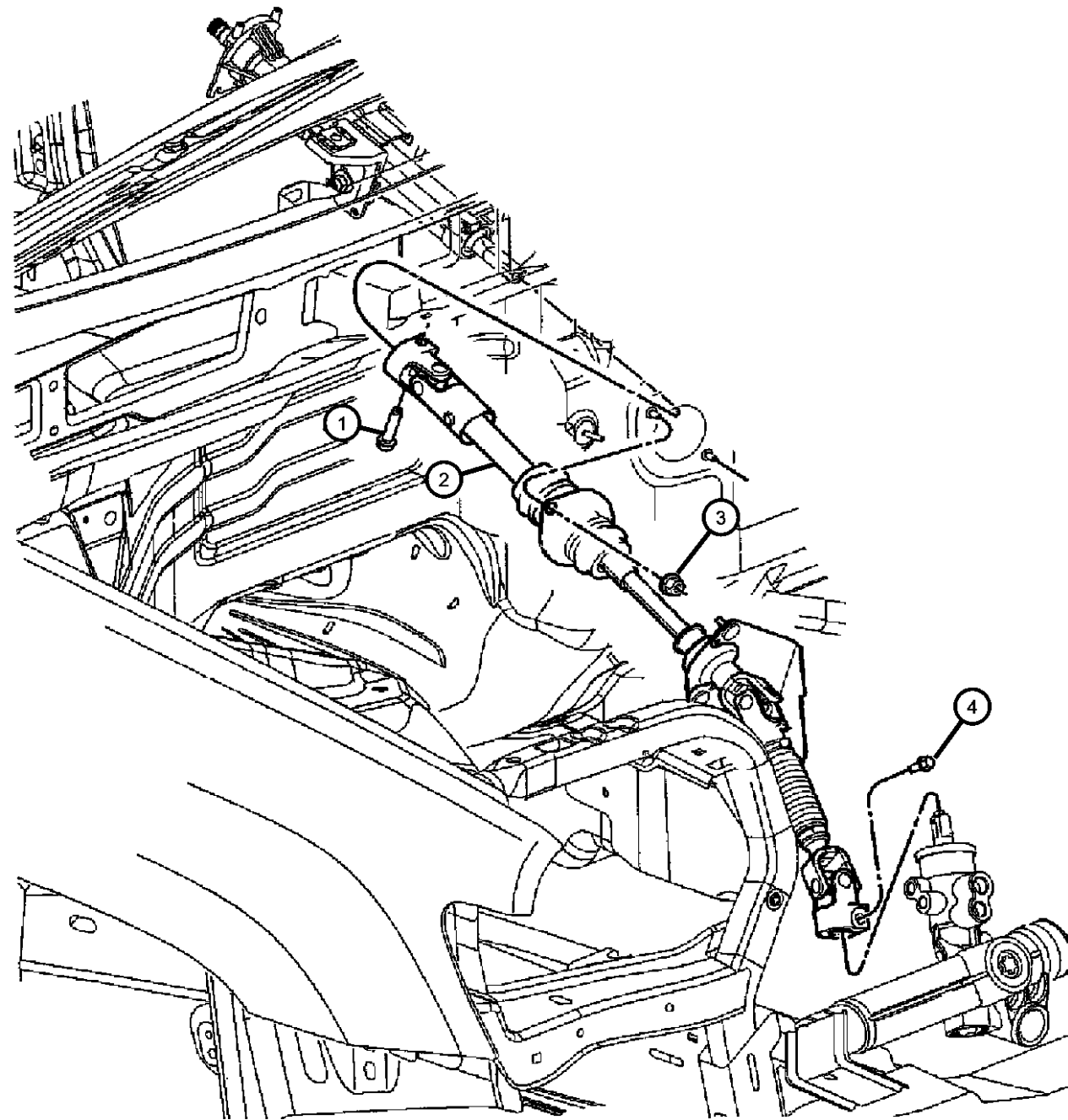
ENGINE
EKG = 3.7L V6 Engine
EVA = 4.7L V8 MPI Engine
EZB = 5.7L Hemi Multi
Displacement Engine

TRANSMISSION
DGQ = 5-Spd Automatic 5-45RFE
Transmission
DGJ = 5-Speed Automatic MB
Transmission

AR = use ase required - = Non illustrated part

2006 WK

Steering Linkage
Figure 19-410



ITEM	PART NUMBER	QTY	LINE	SERIES	BODY	ENGINE	TRANS	TRIM	DESCRIPTION
1	06504926AA	1							SCREW, Hex Flange Head, M10x1.5x40
2	55197266AA	1							SHAFT, Intermediate
3	05096978AA	2							NUT, Hex, M6
4	06504926AA	1							SCREW, Hex Flange Head, M10x1.5x40

GRAND CHEROKEE (WK)

SERIES LINE
H = HIGHLINE T = JEEP - 2WD
P = PREMIUM J = JEEP - 4WD
S = SPORT
X = SPECIAL

BODY
74 = SPORT UTILITY 4-DR

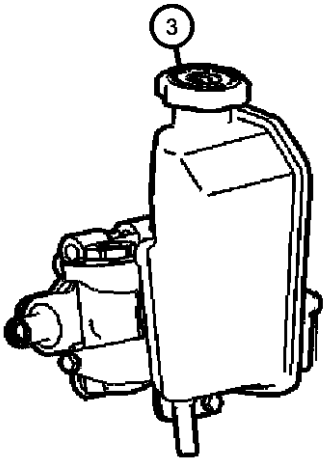
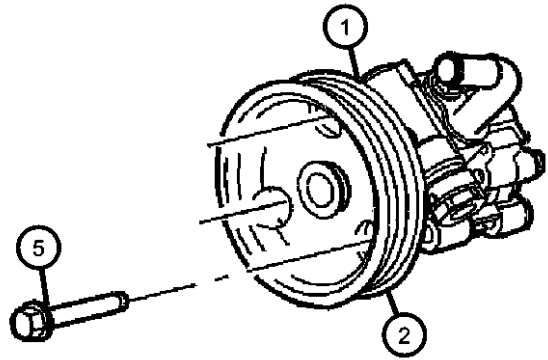
ENGINE
EKG = 3.7L V6 Engine
EVA = 4.7L V8 MPI Engine
EZB = 5.7L Hemi Multi Displacement Engine

TRANSMISSION
DGQ = 5-Spd Automatic 5-45RFE Transmission
DGJ = 5-Speed Automatic MB Transmission

AR = use ase required - = Non illustrated part

2006 WK

**Power Steering Pump
Figure 19-510**



ITEM	PART NUMBER	QTY	LINE	SERIES	BODY	ENGINE	TRANS	TRIM	DESCRIPTION
1									PUMP ASSEMBLY, Power Steering with Pulley
	52089339AC	1				EK0, EV0			
	05142893AA								Mopar Special Hydraulic System/Power Steering Fluid 1qt
	52089883AC	1				EZ0			
	05290778AA	1	J			ES0			
2	53013677AB	1				EZ0			PULLEY, Power Steering Pump
3	05143614AA	1				EK0, EV0			CAP, Power Steering Reservoir
-4									LABEL, Power Steering Fluid
	52124056AA	1				EK0, EV0			
		1				EZ0	DG0		
5									SCREW AND WASHER, Hex Head
	06102045AA	3				EK0			
		3				EV0			
	06102184AA	3				EZ0			

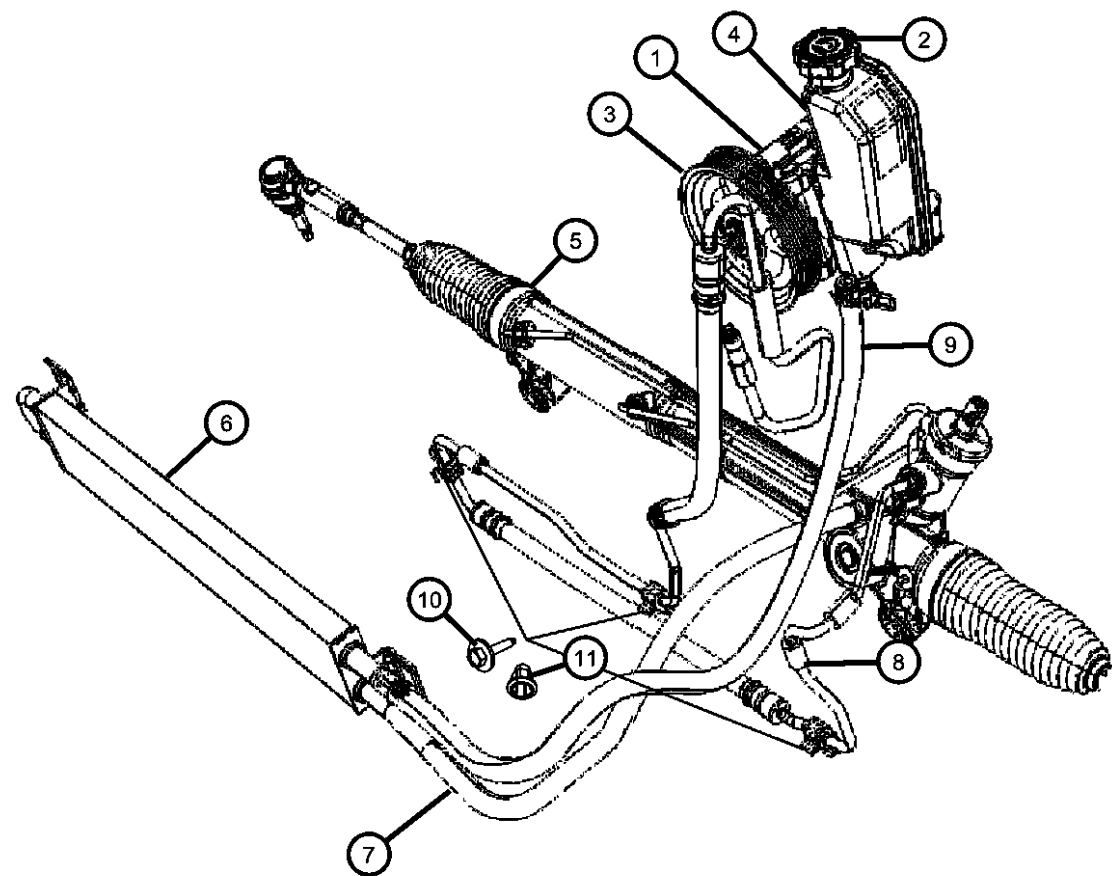
GRAND CHEROKEE (WK)

SERIES	LINE	BODY	ENGINE	TRANSMISSION
H = HIGHLINE	T = JEEP - 2WD	74 = SPORT UTILITY 4-DR	EKG = 3.7L V6 Engine	DGQ = 5-Spd Automatic 5-45RFE Transmission
P = PREMIUM	J = JEEP - 4WD		EVA = 4.7L V8 MPI Engine	DGJ = 5-Speed Automatic MB Transmission
S = SPORT			EZB = 5.7L Hemi Multi Displacement Engine	
X = SPECIAL				

AR = use ase required - = Non illustrated part

Power Steering Hose 3.7L [EK0] 4.7L [EV0] 6.1L [ES0]

Figure 19-710



ITEM	PART NUMBER	QTY	LINE	SERIES	BODY	ENGINE	TRANS	TRIM	DESCRIPTION
1	52089339AC 05142893AA	1	J, T		74	EK0, EV0			PUMP ASSEMBLY, Power Steering with Pulley Mopar Special Hydraulic System/Power Steering Fluid 1qt
2	05143614AA	1	J, T		74	EK0, EV0			CAP, Power Steering Reservoir
3	53013688AB	1	J, T		74	EK0, EV0			PULLEY, Power Steering Pump
4		1							RESERVOIR, Power Steering Fluid, Serviced with Pump, (NOT SERVICED)
5	52089292AC	1							GEAR, Power Steering
6	52090052AB	1	J, T		74	EK0, EV0	DG0		COOLER, Power Steering
	05181117AA	1	J, T		74	ES0	DG0		
7	52089865AC	1				EK0, EV0			HOSE, Power Steering Return Gear to Reservoir
		1				ES0			Gear to Reservoir
8	05290781AB	1	J			ES0			HOSE, Power Steering Pressure Pump to Steering Gear
	52089325AB	1				EK0, EV0			Pump to Steering Gear
9	52124131AB	1	J, T		74	EV0			HOSE, Power Steering Return P/S Cooler to Reservoir
	52089317AC	1				EK0			P/S Cooler to Reservoir
	52124131AA	1				ES0			P/S Cooler to Reservoir
10	06506669AA	3	J, T		74	EK0			SCREW, Hex, M6x1x35 P/S Hose to Cradle
		3	J, T		74	ESF, EV0			P/S Hose to Cradle
11	06503245	3				EK0			RIVET P/S Hose to Cradle
		3	J, T		74	ESF, EV0			P/S Hose to Cradle

GRAND CHEROKEE (WK)

SERIES LINE
 H = HIGHLINE T = JEEP - 2WD
 P = PREMIUM J = JEEP - 4WD
 S = SPORT
 X = SPECIAL

BODY
 74 = SPORT UTILITY 4-DR

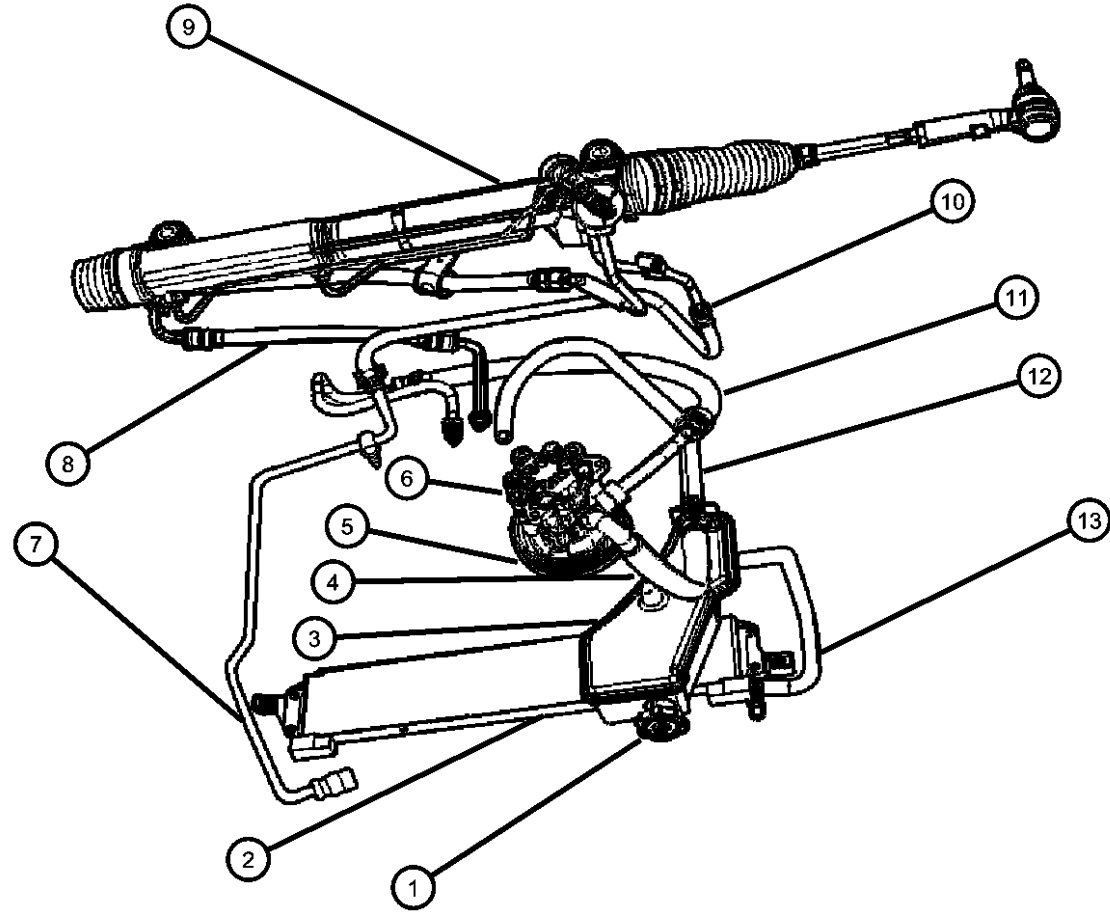
ENGINE
 EKG = 3.7L V6 Engine
 EVA = 4.7L V8 MPI Engine
 EZB = 5.7L Hemi Multi Displacement Engine

TRANSMISSION
 DGQ = 5-Spd Automatic 5-45RFE Transmission
 DGJ = 5-Speed Automatic MB Transmission

AR = use ase required - = Non illustrated part

2006 WK

**Power Steering Hose 5.7L [EZ0]
Figure 19-720**



ITEM	PART NUMBER	QTY	LINE	SERIES	BODY	ENGINE	TRANS	TRIM	DESCRIPTION
1	05143614AA	1				EZ0	DG0		CAP, Power Steering Reservoir
2	55116927AA	1				EZ0	DG0		COOLER, Power Steering
3	52089905AC	1				EZ0	DG0		RESERVOIR, Power Steering Fluid
4	52089487AA	1				EZ0	DG0		HOSE, Power Steering Pressure, Pump to Reservoir
5	53013677AB	1				EZ0			PULLEY, Power Steering Pump
6	52089883AC	1				EZ0			PUMP ASSEMBLY, Power Steering with Pulley
7	05143196AA	1				EZ0	DG0		TUBE, Oil Cooler
8	52124114AA	1				EZ0			HOSE, Power Steering Pressure, Hec To Steering Gear
9	52089292AC	1							GEAR, Power Steering
10	52090121AA	1				EZ0			HOSE, Power Steering Return, Gear to cooler tube
11	52080154AA	1				EZ0	DG0		HOSE, Power Steering Pressure, HEC to Pump
12	52089641AB	1				EZ0	DG0		HOSE, Power Steering Return, Hec To Reservoir
13	52089318AA	1				EZ0	DG0		HOSE, Power Steering Return, Cooler to Reservoir
-14	06503245	2				EZ0			RIVET, P/S Hose to Cradle
-15	06506669AA	2	J, T		74	EZ0			SCREW, Hex, M6x1x35, P/S Hose to Cradle

GRAND CHEROKEE (WK)

SERIES LINE
H = HIGHLINE T = JEEP - 2WD
P = PREMIUM J = JEEP - 4WD
S = SPORT
X = SPECIAL

BODY
74 = SPORT UTILITY 4-DR

ENGINE
EKG = 3.7L V6 Engine
EVA = 4.7L V8 MPI Engine
EZB = 5.7L Hemi Multi Displacement Engine

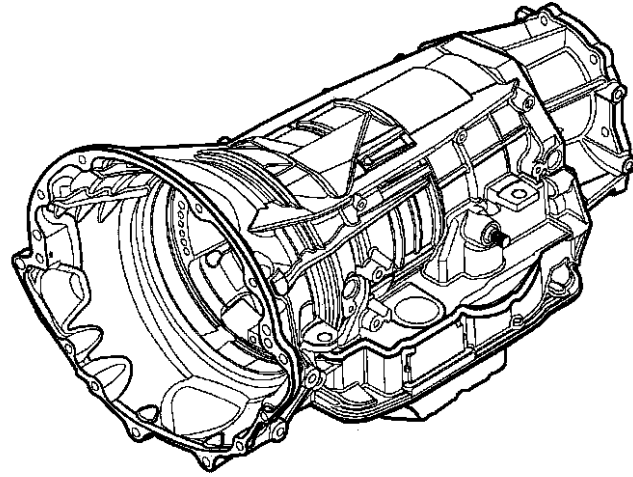
TRANSMISSION
DGQ = 5-Spd Automatic 5-45RFE Transmission
DGJ = 5-Speed Automatic MB Transmission

AR = use ase required - = Non illustrated part

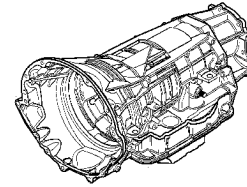
2006 WK

Group - 45RFE

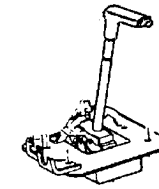
Automatic Transmission Multi-Speed



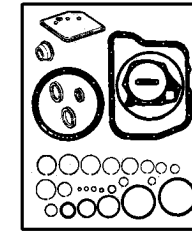
45RFE-100
Transmission Assembly



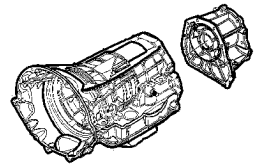
45RFE-1200
Gearshift Controls



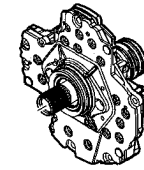
45RFE-1300
Seal and Shim Packages



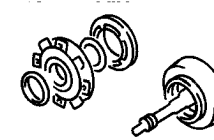
45RFE-200
Case and Extension



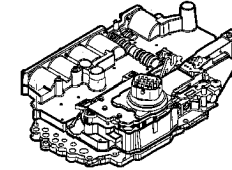
45RFE-300
Oil Pump



45RFE-400
Gear Train



45RFE-700
Valve Body



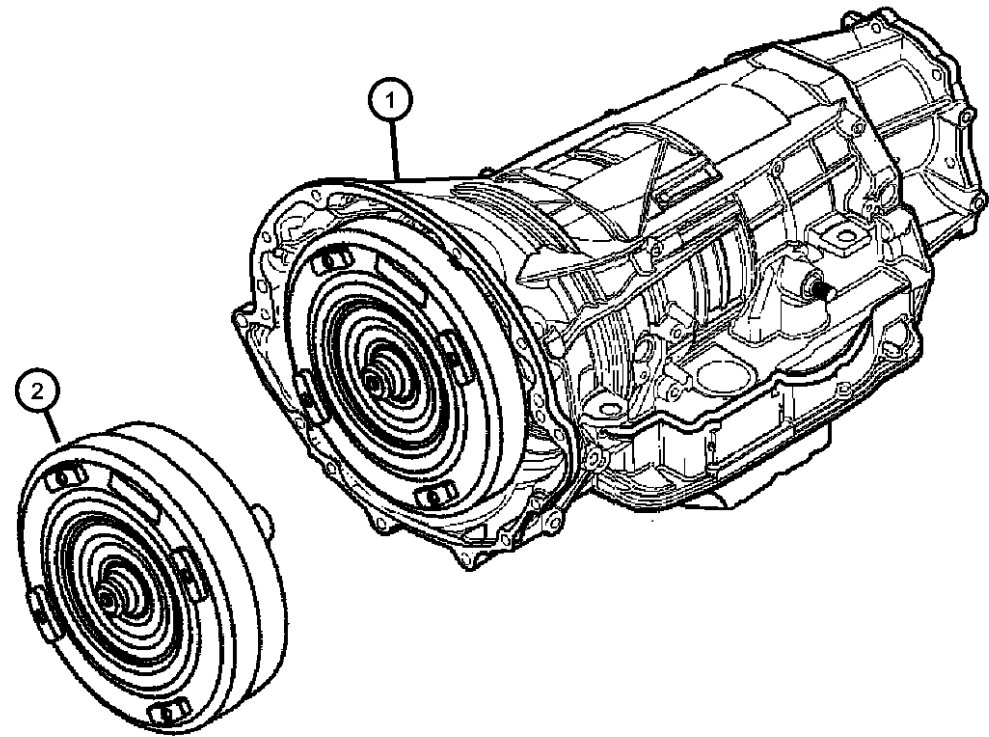
Group - 45RFE Automatic Transmission Multi-Speed

Illustration Title	Group-Fig. No.
Transmission Assembly	
Transmission Assembly	Fig. 45RFE - 110
Case and Extension	
Transmission Case & Related Parts	Fig. 45RFE - 210
Adapter & Extension	Fig. 45RFE - 220
Oil Pump	
Oil Pump	Fig. 45RFE - 310
Gear Train	
Input Shaft	Fig. 45RFE - 410
Underdrive	Fig. 45RFE - 420
Overdrive	Fig. 45RFE - 430
2 & 4 Clutch Retainer	Fig. 45RFE - 440
Input / Reverse Planetary [DGQ].....	Fig. 45RFE - 450
Reaction Annulus / Sun Gear	Fig. 45RFE - 460
Low / Reverse Clutch	Fig. 45RFE - 470
Valve Body	
Valve Body	Fig. 45RFE - 710
Parking Sprag	Fig. 45RFE - 720
Gearshift Controls	
Gearshift Control	Fig. 45RFE - 1210
Seal and Shim Packages	
LR Clutch	Fig. 45RFE - 1310
2 & 4 Clutch.....	Fig. 45RFE - 1320
Input Clutch Plate	Fig. 45RFE - 1330
Overhaul	Fig. 45RFE - 1340
Input Clutch.....	Fig. 45RFE - 1350
Planetary Clutch.....	Fig. 45RFE - 1360

**Transmission Assembly
Figure 45RFE-110**

ITEM	PART NUMBER	QTY	LINE	SERIES	BODY	ENGINE	TRANS	TRIM	DESCRIPTION
------	-------------	-----	------	--------	------	--------	-------	------	-------------

NOTE:
Sales Codes:
[DGQ]=5 Speed Automatic Transmission - [5-45RFE]
[EV0] = All 4.7L 8 Cylinder Engines
[EZ0] = All 5.7L 8 Cylinder Engines



1									TRANSMISSION KIT, Automatic
	05179050AA	1	T			EV0	DGQ		With Stamp # [52119098AG]
		1	T			EZ0	DGQ		With Stamp # [52119098AG]
	05179051AA	1	J			EV0	DGQ		With Stamp # [52119099AG]
		1	J			EZ0	DGQ		With Stamp # [52119099AG]
2									TORQUE CONVERTER
	04736352AA	1	J			EV0	DGQ		
	04736352AB	1	T			EZ0	DGQ		
	R4736352AC	1	T			EV0	DGQ		Remanufactured
		1	T			EV0	DGQ		
		1	J			EZ0	DGQ		Remanufactured
		1	T			EZ0	DGQ		Remanufactured
		1	J			EV0	DGQ		Remanufactured
		1	J			EZ0	DGQ		

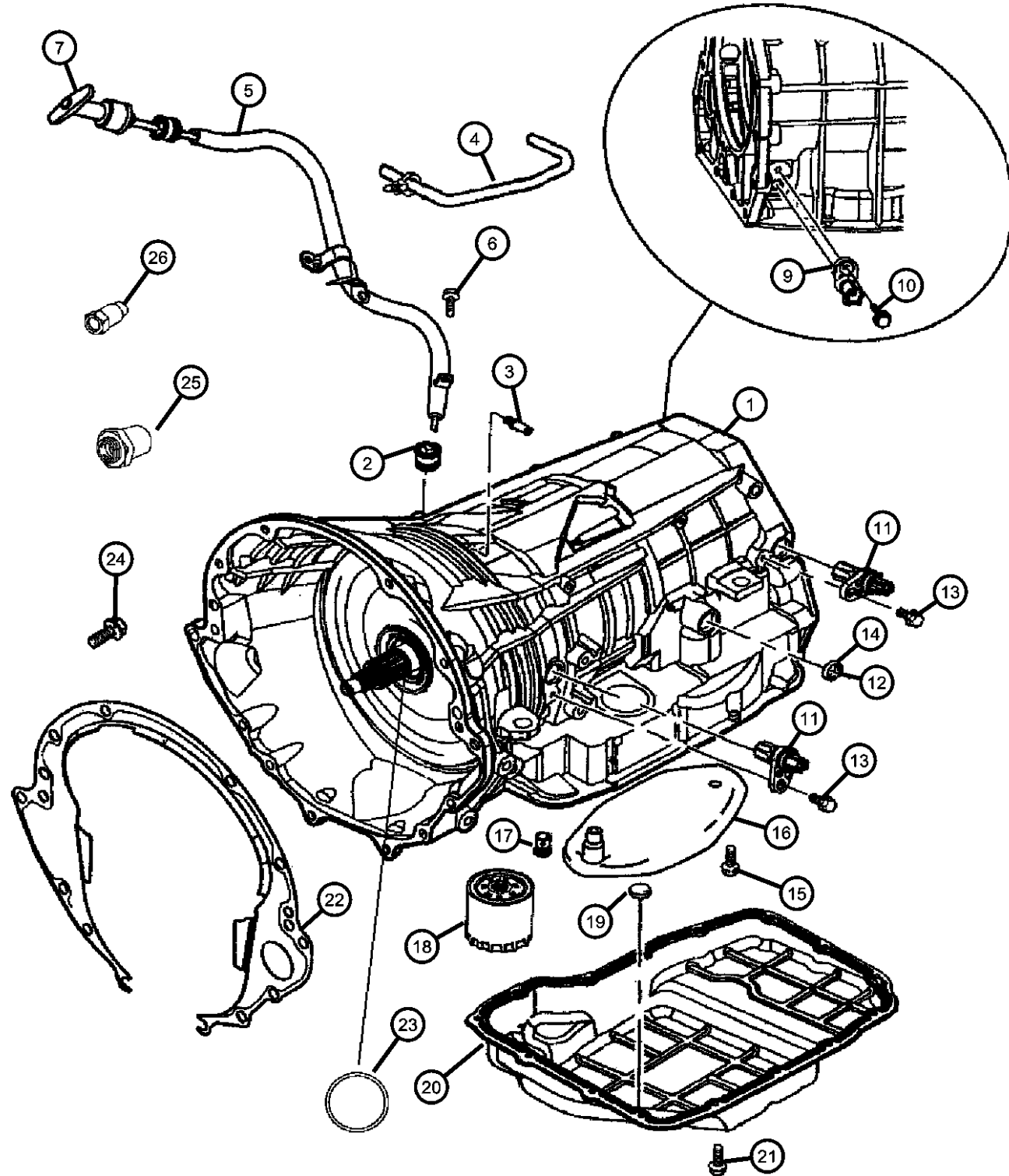
GRAND CHEROKEE (WK)

SERIES	LINE	BODY	ENGINE	TRANSMISSION
H = HIGHLINE	T = JEEP - 2WD	74 = SPORT UTILITY 4-DR	EKG = 3.7L V6 Engine	DGQ = 5-Spd Automatic 5-45RFE Transmission
P = PREMIUM	J = JEEP - 4WD		EVA = 4.7L V8 MPI Engine	DGJ = 5-Speed Automatic MB Transmission
S = SPORT			EZB = 5.7L Hemi Multi Displacement Engine	
X = SPECIAL				

AR = use ase required - = Non illustrated part

2006 WK

**Transmission Case & Related Parts
Figure 45RFE-210**



ITEM	PART NUMBER	QTY	LINE	SERIES	BODY	ENGINE	TRANS	TRIM	DESCRIPTION
------	-------------	-----	------	--------	------	--------	-------	------	-------------

NOTE::After [04/03/06] The Transmission Oil Level Indicator Was Replaced With A Oil Filler Cap. To Verify Transmission Oil Level Special Tool Will Transmission Fluid Indicator Is Not Serviced, Tech Must Refer To Service Manual For Proper Miller Special Tool And Procedure.

Sales Codes:

[DGQ]=5 Speed Automatic Transmission - [5-45RFE]

[EV0] = All 4.7L 8 Cylinder Engines

[EZ0] = All 5.7L 8 Cylinder Engines

1									CASE, Transmission
	04799613AB	1	T			EVO	DGQ		
		1	J			EVO	DGQ		
		1	T			EZ0	DGQ		
		1	J			EZ0	DGQ		
2									GROMMET
	04810021	1	T			EVO	DGQ		
		1	J			EVO	DGQ		
		1	J			EZ0	DGQ		
		1	T			EZ0	DGQ		
3									VENT, Transmission
	04799861AB	1	T			EVO	DGQ		
		1	J			EVO	DGQ		
		1	T			EZ0	DGQ		
		1	J			EZ0	DGQ		
4	53032457AA	1					DGJ, DGQ		TUBE, Vent
5									TUBE, Transmission Oil Filler
	53013685AD	1					DGQ		Up To [04/03/05]
	53013685AE	1					DGQ		After [04/03/05]
6	06501979	1							SCREW AND WASHER, Hex Head, M6x1x17
7	53013686AD	1					DGQ		INDICATOR, Transmission Fluid Level, Up To [04/03/06]
-8	04591959AA	1					DGQ		CAP, Oil Filler, After [04/03/06]
9									TRANSDUCER, Pressure Sensor
	04799758	1	T			EVO	DGQ		
		1	J			EVO	DGQ		
		1	J			EZ0	DGQ		
		1	T			EZ0	DGQ		
10									BOLT, M6x1.00x20
	06101331	2	T			EVO	DGQ		
		2	J			EVO	DGQ		

GRAND CHEROKEE (WK)

SERIES LINE
H = HIGHLINE T = JEEP - 2WD
P = PREMIUM J = JEEP - 4WD
S = SPORT
X = SPECIAL

BODY
74 = SPORT UTILITY 4-DR

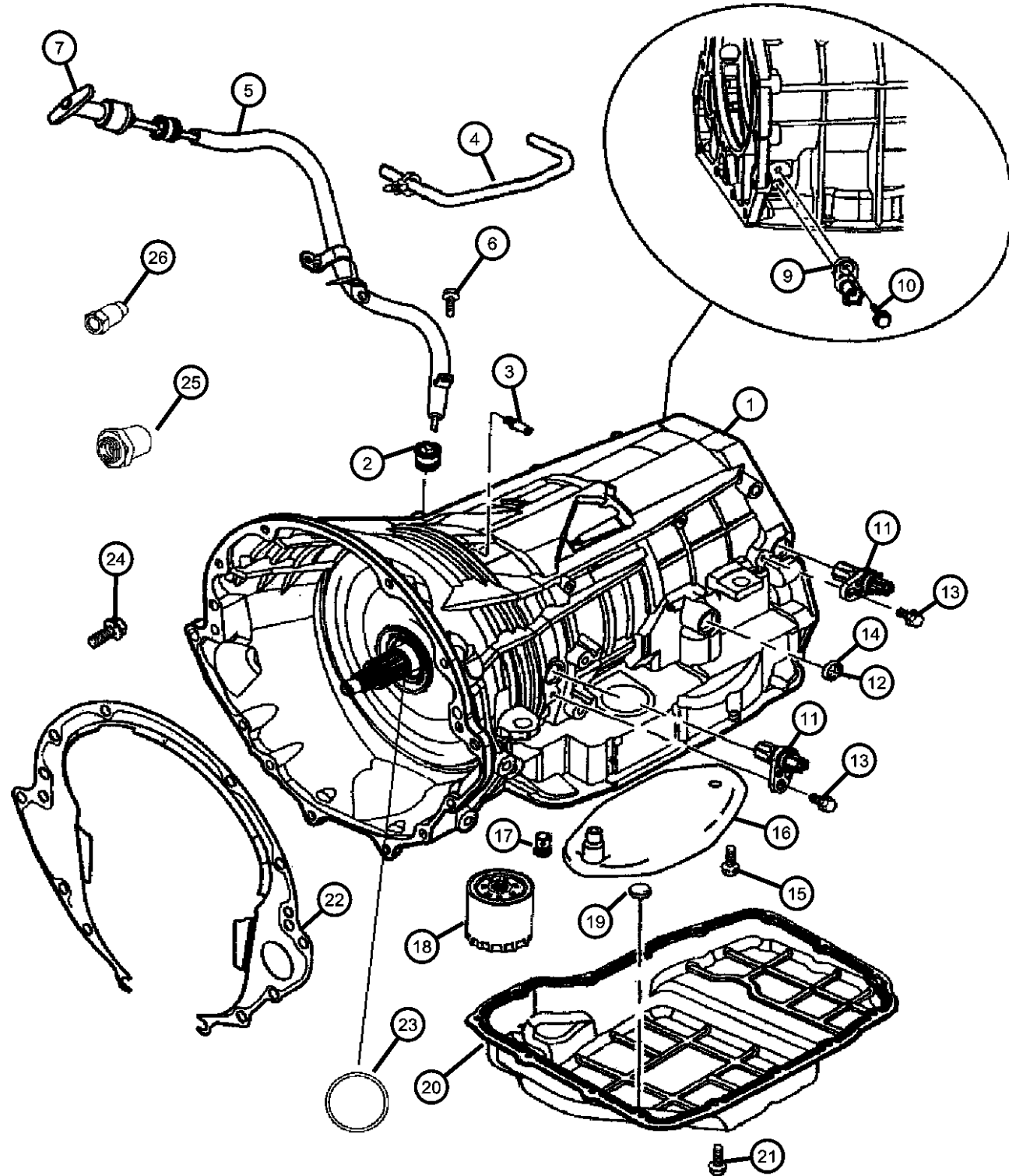
ENGINE
EKG = 3.7L V6 Engine
EVA = 4.7L V8 MPI Engine
EZB = 5.7L Hemi Multi Displacement Engine

TRANSMISSION
DGQ = 5-Spd Automatic 5-45RFE Transmission
DGJ = 5-Speed Automatic MB Transmission

AR = use ase required - = Non illustrated part

2006 WK

**Transmission Case & Related Parts
Figure 45RFE-210**

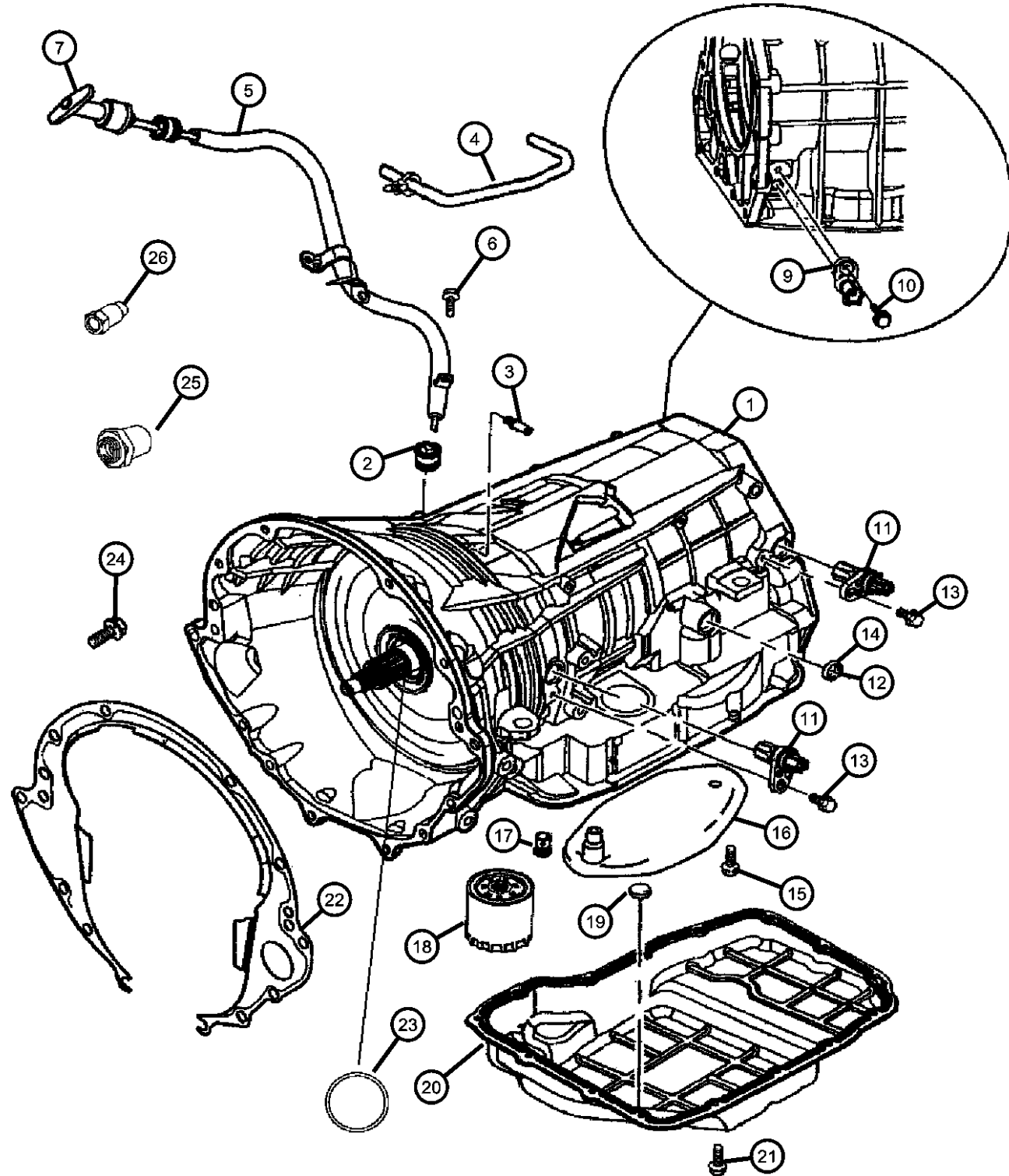


ITEM	PART NUMBER	QTY	LINE	SERIES	BODY	ENGINE	TRANS	TRIM	DESCRIPTION
18	04799681	1	T			EVO	DGQ		FILTER PACKAGE, Transmission Oil
		1	J			EVO	DGQ		
		1	J			EZO	DGQ		
19	05179267AC	1	T			EVO	DGQ		MAGNET, Transmission
		1	T			EZO	DGQ		
		1	J			EVO	DGQ		
		1	J			EZO	DGQ		
20	04446728	7	T			EVO	DGQ		PAN, Transmission Oil
		1	J			EVO	DGQ		
		1	J			EZO	DGQ		
		1	T			EZO	DGQ		
21	04799607	1	J			EVO	DGQ		SCREW AND WASHER, Hex Head, M6x1x12
		1	J			EZO	DGQ		
	04800078AA	1	T			EVO	DGQ		
22	06101221	15	T			EZO	DGQ		COVER, Transmission Dust SEAL, Torque Converter Hub
		15	J			EZO	DGQ		
		15	T			EVO	DGQ		
		15	J			EVO	DGQ		
	52104344AA	1					DGQ		
23	04736547	1	T			EVO	DGQ		SCREW, Hex Head, .375-16x1.5
		1	J			EVO	DGQ		
		1	T			EZO	DGQ		
		1	J			EZO	DGQ		
24	06022266	1	T			EVO	DGQ		SCREW, Hex Head, .375-16x1.5
		1	J			EVO	DGQ		
		1	T			EZO	DGQ		
		1	J			EZO	DGQ		

GRAND CHEROKEE (WK)
 SERIES LINE BODY ENGINE TRANSMISSION
 H = HIGHLINE T = JEEP - 2WD 74 = SPORT UTILITY 4-DR EKG = 3.7L V6 Engine DGQ = 5-Spd Automatic 5-45RFE
 P = PREMIUM J = JEEP - 4WD EVA = 4.7L V8 MPI Engine Transmission
 S = SPORT EZB = 5.7L Hemi Multi DGJ = 5-Speed Automatic MB
 X = SPECIAL Displacement Engine Transmission

AR = use ase required - = Non illustrated part

**Transmission Case & Related Parts
Figure 45RFE-210**



ITEM	PART NUMBER	QTY	LINE	SERIES	BODY	ENGINE	TRANS	TRIM	DESCRIPTION
25	52119547AA	2	T			EVO	DGQ		FITTING, Quick Connect
		2	J			EVO	DGQ		
		2	T			EZO	DGQ		
		2	J			EZO	DGQ		
26	06030035	2	T			EVO	DGQ		PLUG, Pressure Check
		2	J			EVO	DGQ		
		2	J			EZO	DGQ		
		2	T			EZO	DGQ		

GRAND CHEROKEE (WK)

SERIES	LINE
H = HIGHLINE	T = JEEP - 2WD
P = PREMIUM	J = JEEP - 4WD
S = SPORT	
X = SPECIAL	

BODY
74 = SPORT UTILITY 4-DR

ENGINE
EKG = 3.7L V6 Engine
EVA = 4.7L V8 MPI Engine
EZB = 5.7L Hemi Multi Displacement Engine

TRANSMISSION
DGQ = 5-Spd Automatic 5-45RFE Transmission
DGJ = 5-Speed Automatic MB Transmission

AR = use ase required - = Non illustrated part

2006 WK

Adapter & Extension
Figure 45RFE-220

ITEM	PART NUMBER	QTY	LINE	SERIES	BODY	ENGINE	TRANS	TRIM	DESCRIPTION
1	52119463AB	1	J			EVO	DGQ		ADAPTER, Transfer Case
		1	J			EZO	DGQ		
2	52119499AA	1	T			EVO	DGQ		HOUSING, Transmission Rear Extension
		1	T			EZO	DGQ		
3	05143738AA	1	T			EVO	DGQ		NUT, Transfer Case Yoke
4	05143743AA	1	T			EVO	DGQ		SEAL
		1	T			EZO	DGQ		
5	05086304AA	1	T			EVO	DGQ		SNAP RING
		1	T			EZO	DGQ		
6	04461069	1	T			EVO	DGQ		SNAP RING
		1	T			EZO	DGQ		
7	05086314AA	1	T			EVO	DGQ		SNAP RING
		1	T			EZO	DGQ		
8	52119498AA	1	J			EVO	DGQ		SEAL, Adapter
		1	J			EZO	DGQ		
9	04799090	1	T			EVO	DGQ		SEAL, Input
		1	J			EVO	DGQ		
		1	J			EZO	DGQ		
		1	T			EZO	DGQ		
10	06505064AA	2	T			EVO	DGQ		STUD, M10x1.5x62
		2	J			EVO	DGQ		
		2	J			EZO	DGQ		

GRAND CHEROKEE (WK)

SERIES LINE
H = HIGHLINE T = JEEP - 2WD
P = PREMIUM J = JEEP - 4WD
S = SPORT
X = SPECIAL

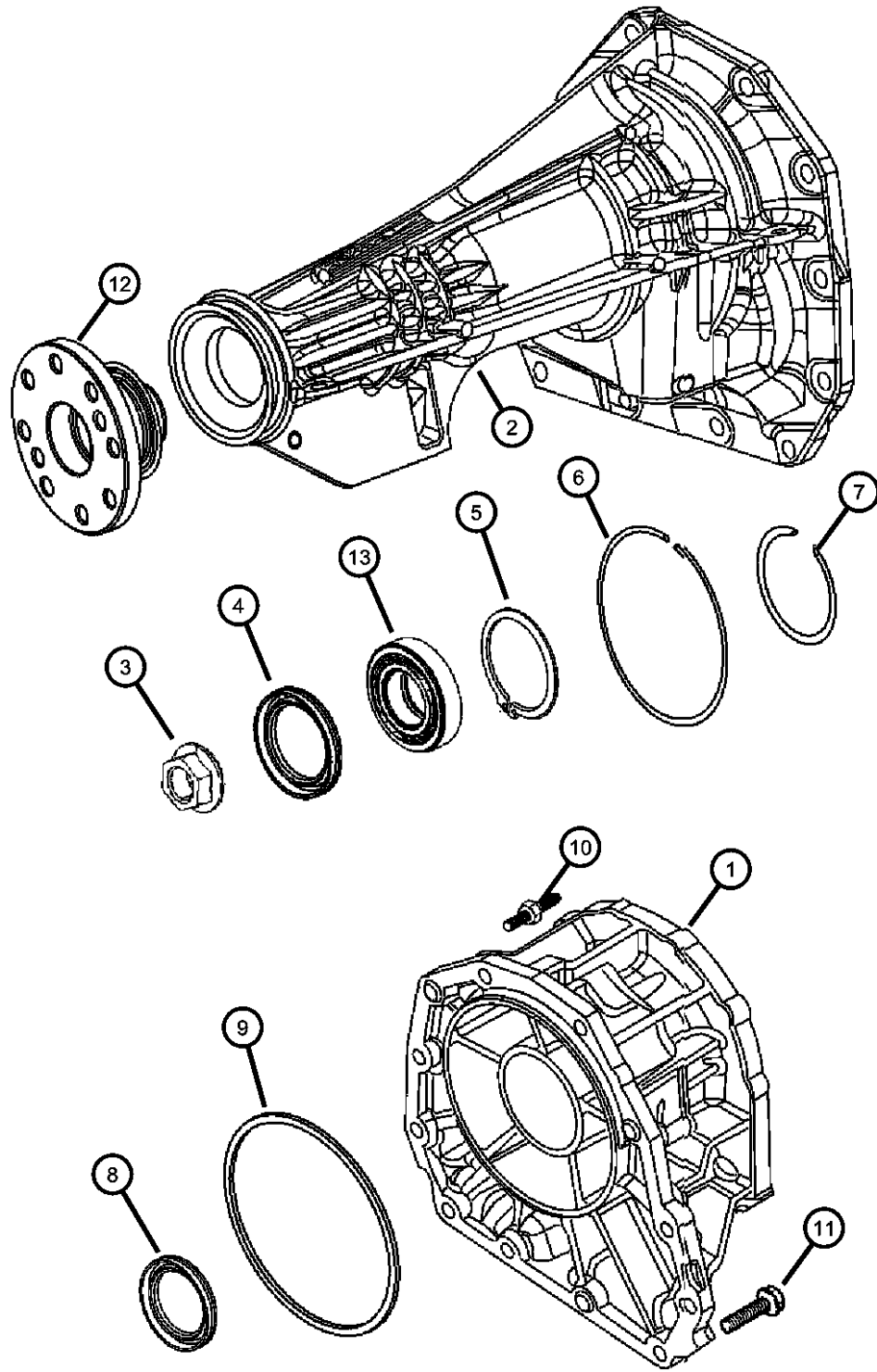
BODY
74 = SPORT UTILITY 4-DR

ENGINE
EKG = 3.7L V6 Engine
EVA = 4.7L V8 MPI Engine
EZB = 5.7L Hemi Multi Displacement Engine

TRANSMISSION
DGQ = 5-Spd Automatic 5-45RFE Transmission
DGJ = 5-Speed Automatic MB Transmission

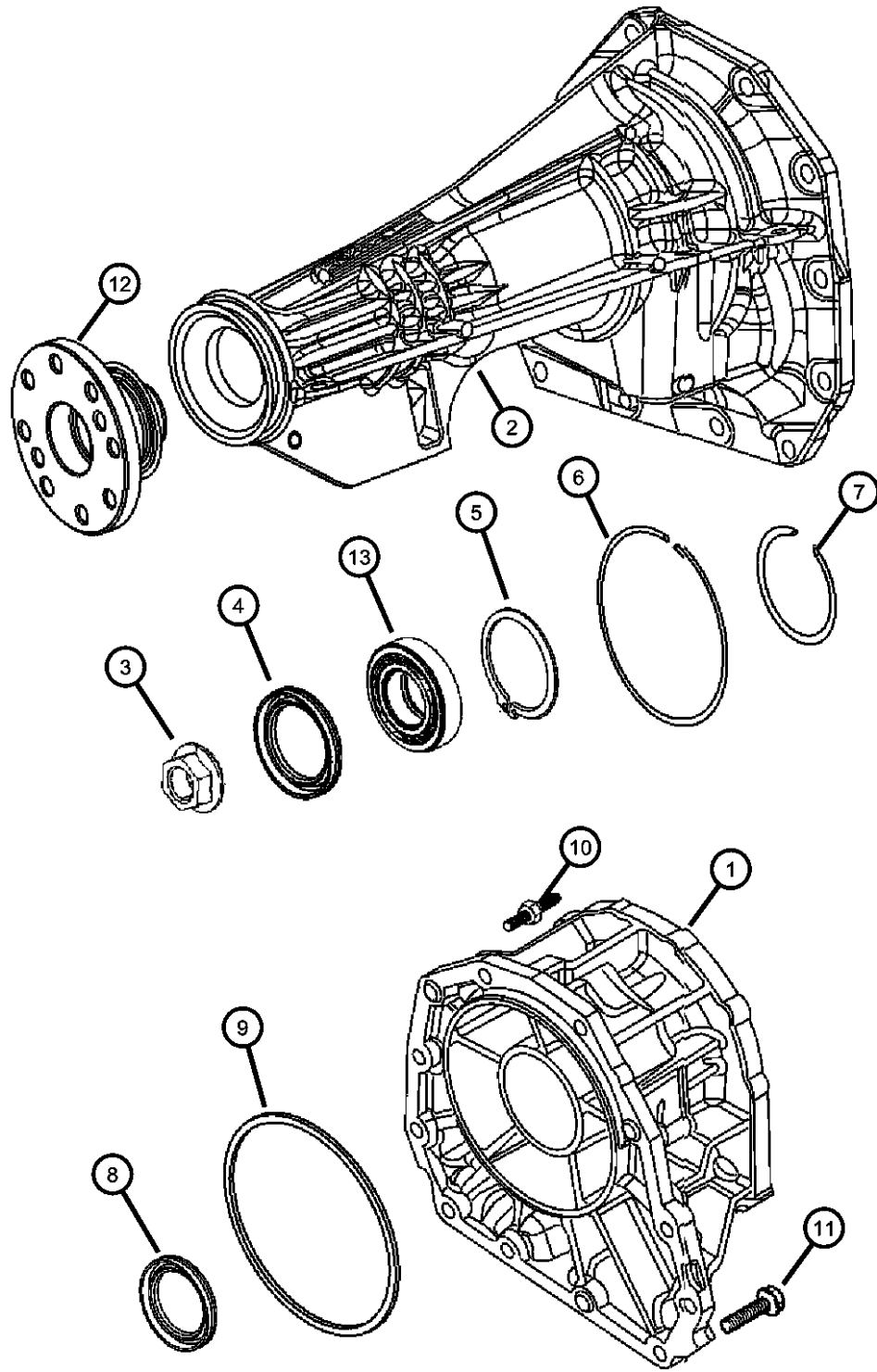
AR = use ase required - = Non illustrated part

2006 WK



Adapter & Extension
Figure 45RFE-220

ITEM	PART NUMBER	QTY	LINE	SERIES	BODY	ENGINE	TRANS	TRIM	DESCRIPTION
11		2	T			EZ0	DGQ		SCREW AND WASHER, Hex Head, M10x1.5x37
	06504774	10	T				DGQ		
		10	J				DGQ		
12	05143735AB	1	T			EV0	DGQ		FLANGE, Driveshaft Yoke
13		1	T			EV0	DGQ		BEARING, Input Gear
	05086303AA	1	T			EV0	DGQ		
		1	T			EZ0	DGQ		



GRAND CHEROKEE (WK)

SERIES LINE
H = HIGHLINE T = JEEP - 2WD
P = PREMIUM J = JEEP - 4WD
S = SPORT
X = SPECIAL

BODY
74 = SPORT UTILITY 4-DR

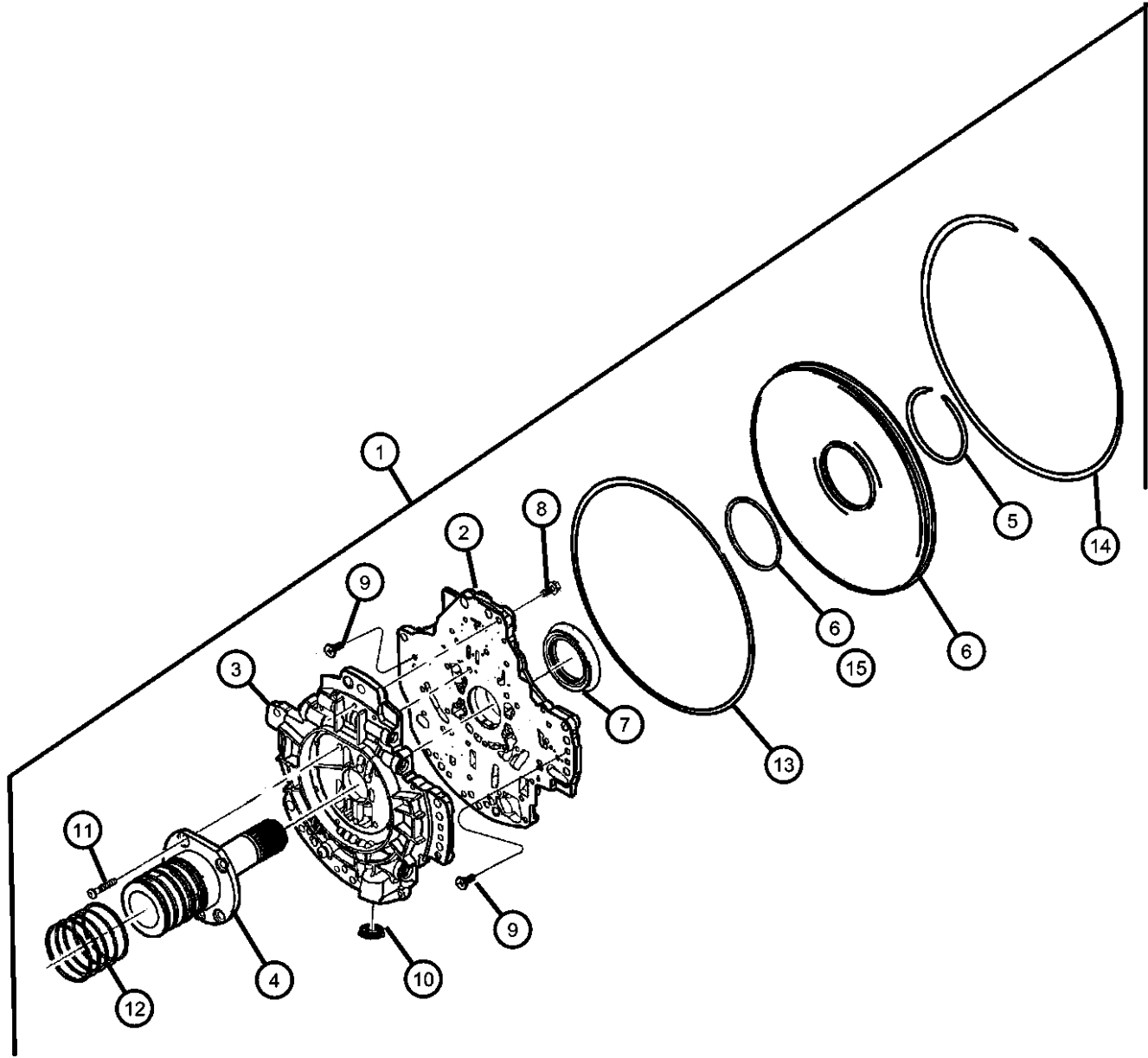
ENGINE
EKG = 3.7L V6 Engine
EVA = 4.7L V8 MPI Engine
EZB = 5.7L Hemi Multi Displacement Engine

TRANSMISSION
DGQ = 5-Spd Automatic 5-45RFE Transmission
DGJ = 5-Speed Automatic MB Transmission

AR = use ase required - = Non illustrated part

2006 WK

**Oil Pump
Figure 45RFE-310**



ITEM	PART NUMBER	QTY	LINE	SERIES	BODY	ENGINE	TRANS	TRIM	DESCRIPTION
------	-------------	-----	------	--------	------	--------	-------	------	-------------

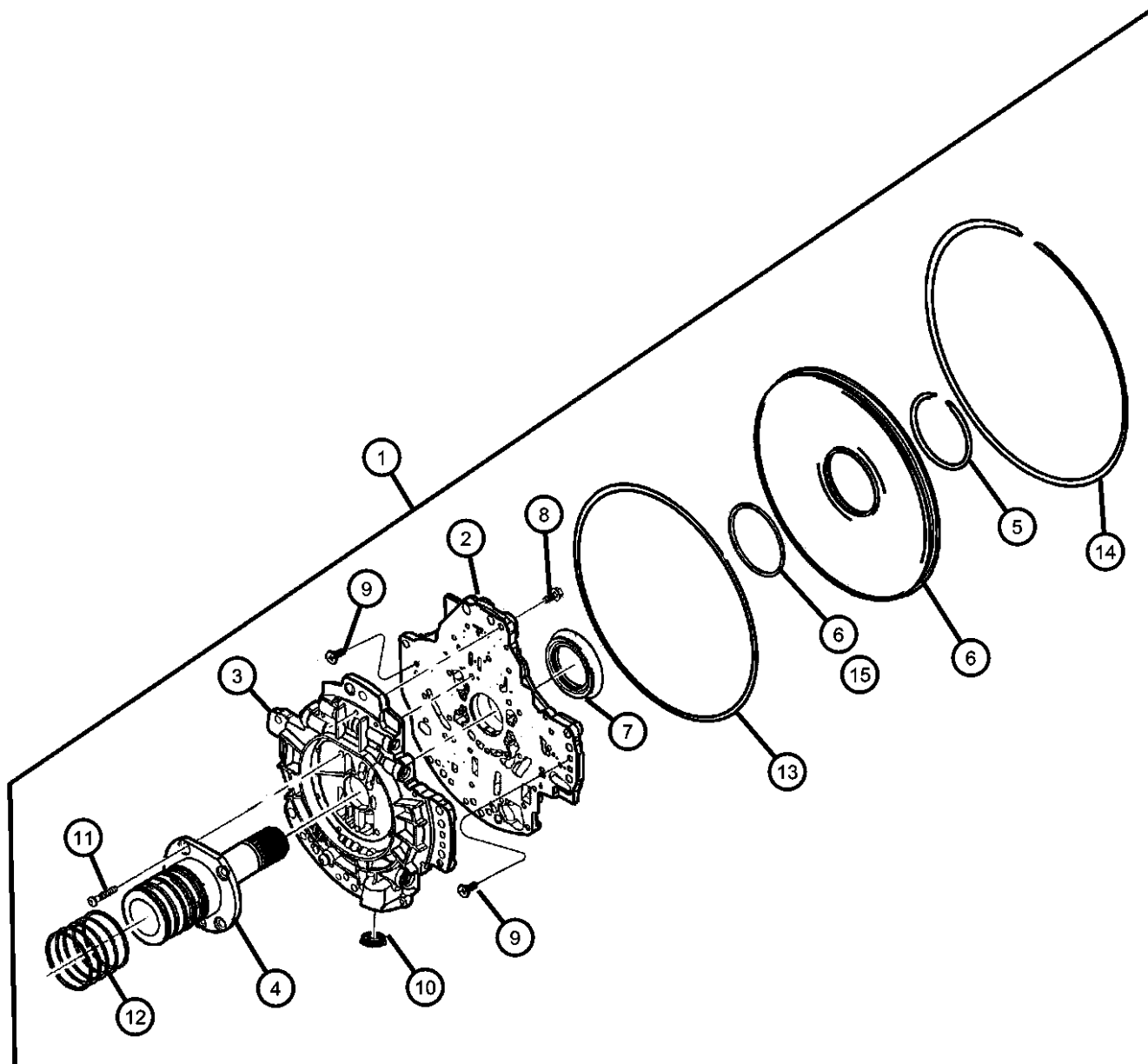
NOTE:
Sales Codes:
[DGQ]=5 Speed Automatic Transmission - [5-45RFE]
[EV0] = All 4.7L 8 Cylinder Engines
[EZ0] = All 5.7L 8 Cylinder Engines

1									PUMP PACKAGE, Transmission
	05073004AD	1	T			EV0	DGQ		
		1	J			EV0	DGQ		
		1	J			EZ0	DGQ		
		1	T			EZ0	DGQ		
2		1							HOUSING, Pump, (NOT SERVICED)
3		1							BODY, Oil Pump Valve, (NOT SERVICED)
4		1							SUPPORT, Reaction Shaft, (NOT SERVICED)
5		1							SNAP RING, Transmission
	04799082	1	J			EV0	DGQ		
		1	T			EV0	DGQ		
		1	J			EZ0	DGQ		
		1	T			EZ0	DGQ		
6		1							COVER, Oil Pump
	04799609	1	T			EV0	DGQ		
		1	J			EV0	DGQ		
		1	J			EZ0	DGQ		
		1	T			EZ0	DGQ		
7		1							SEAL, Transmission Oil Pump
	04617919	1	T			EV0	DGQ		
		1	J			EV0	DGQ		
		1	T			EZ0	DGQ		
		1	J			EZ0	DGQ		
8		24							SCREW AND WASHER, Pan Head, M5x.8x25
	06500215	24	T			EV0	DGQ		
		24	J			EV0	DGQ		
		24	T			EZ0	DGQ		
		24	J			EZ0	DGQ		
9									SCREW, Pan Head, M5 x 0.8 x 12.60

GRAND CHEROKEE (WK)				
SERIES	LINE	BODY	ENGINE	TRANSMISSION
H = HIGHLINE	T = JEEP - 2WD	74 = SPORT UTILITY 4-DR	EKG = 3.7L V6 Engine	DGQ = 5-Spd Automatic 5-45RFE Transmission
P = PREMIUM	J = JEEP - 4WD		EVA = 4.7L V8 MPI Engine	DGJ = 5-Speed Automatic MB Transmission
S = SPORT			EZB = 5.7L Hemi Multi Displacement Engine	
X = SPECIAL				

AR = use ase required - = Non illustrated part

**Oil Pump
Figure 45RFE-310**



ITEM	PART NUMBER	QTY	LINE	SERIES	BODY	ENGINE	TRANS	TRIM	DESCRIPTION
	06503232	1	T			EVO	DGQ		
		1	J			EVO	DGQ		
		1	T			EZO	DGQ		
		1	J			EZO	DGQ		
10									SEAL, Oil Pump
	04799964AB	1	T			EVO	DGQ		
		1	J			EVO	DGQ		
		1	T			EZO	DGQ		
		1	J			EZO	DGQ		
11									SCREW, Button Head
	06504661	5	T			EVO	DGQ		
		5	J			EVO	DGQ		
		5	T			EZO	DGQ		
		5	J			EZO	DGQ		
12									RING, Transmission
	04799056	5	T			EVO	DGQ		
		5	J			EVO	DGQ		
		5	T			EZO	DGQ		
		5	J			EZO	DGQ		
13									O RING, Oil Pump, .
	04799003	1	T			EVO	DGQ		
		1	J			EVO	DGQ		
		1	J			EZO	DGQ		
		1	T			EZO	DGQ		
14									SNAP RING, Transmission
	04799005	1	T			EVO	DGQ		
		1	J			EVO	DGQ		
		1	J			EZO	DGQ		
		1	T			EZO	DGQ		
15									SEAL, Torque Converter Hub
	04736547	1	T			EVO	DGQ		
		1	J			EVO	DGQ		
		1	T			EZO	DGQ		
		1	J			EZO	DGQ		

GRAND CHEROKEE (WK)

SERIES LINE
H = HIGHLINE T = JEEP - 2WD
P = PREMIUM J = JEEP - 4WD
S = SPORT
X = SPECIAL

BODY
74 = SPORT UTILITY 4-DR

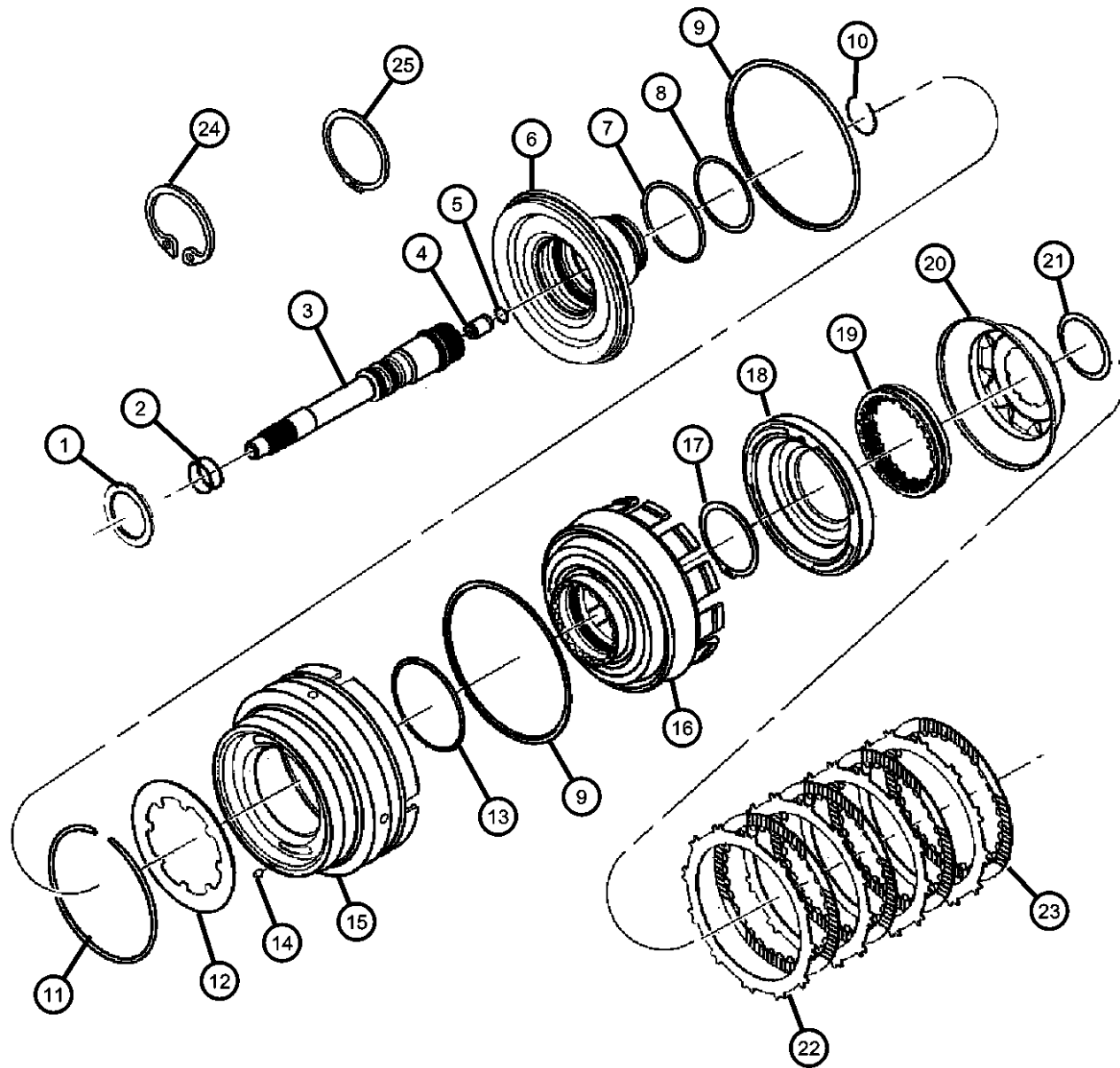
ENGINE
EKG = 3.7L V6 Engine
EVA = 4.7L V8 MPI Engine
EZB = 5.7L Hemi Multi
Displacement Engine

TRANSMISSION
DGQ = 5-Spd Automatic 5-45RFE
Transmission
DGJ = 5-Speed Automatic MB
Transmission

AR = use ase required - = Non illustrated part

2006 WK

**Input Shaft
Figure 45RFE-410**



ITEM	PART NUMBER	QTY	LINE	SERIES	BODY	ENGINE	TRANS	TRIM	DESCRIPTION
NOTE: Sales Codes: [DGQ]=5 Speed Automatic Transmission - [5-45RFE] [EV0] = All 4.7L 8 Cylinder Engines [EZ0] = All 5.7L 8 Cylinder Engines									
1									THRUST BEARING, Needle Roller
	04799469	1	T			EV0	DGQ		
		1	J			EV0	DGQ		
		1	J			EZ0	DGQ		
		1	T			EZ0	DGQ		
2									SEAL, Input Shaft, PKG 05013090AC
	04799539	2	J			EV0	DGQ		
		2	J			EZ0	DGQ		
		2	T			EV0	DGQ		
		2	T			EZ0	DGQ		
3									SHAFT, Input
	05114582AA	AR	J			EZ0	DGQ		
		AR	T			EZ0	DGQ		
		AR	J			EV0	DGQ		
		AR	T			EV0	DGQ		
4									CHECK VALVE, Transmission
	04799974AA	1	T			EV0	DGQ		
		1	J			EV0	DGQ		
		1	J			EZ0	DGQ		
		1	T			EZ0	DGQ		
5									O RING, Control Valve
	06505335AA	1	J			EV0	DGQ		
		1	J			EZ0	DGQ		
		1	T			EV0	DGQ		
		1	T			EZ0	DGQ		
6									HUB, Input Clutch
	04799536AC	1	T			EV0	DGQ		
		1	T			EZ0	DGQ		
		1	J			EV0	DGQ		
		1	J			EZ0	DGQ		

GRAND CHEROKEE (WK)

SERIES LINE
H = HIGHLINE T = JEEP - 2WD
P = PREMIUM J = JEEP - 4WD
S = SPORT
X = SPECIAL

BODY
74 = SPORT UTILITY 4-DR

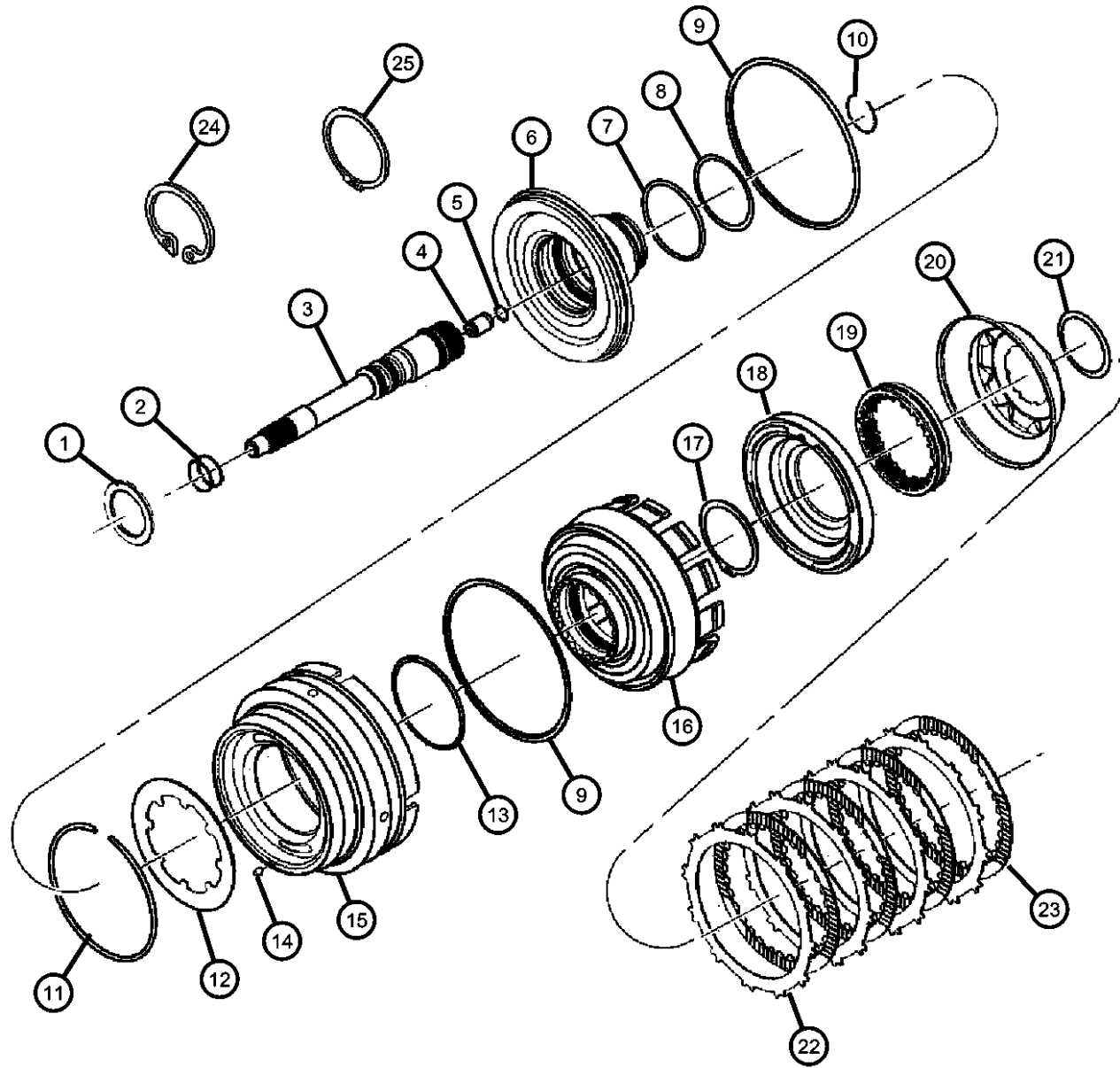
ENGINE
EKG = 3.7L V6 Engine
EVA = 4.7L V8 MPI Engine
EZB = 5.7L Hemi Multi Displacement Engine

TRANSMISSION
DGQ = 5-Spd Automatic 5-45RFE Transmission
DGJ = 5-Speed Automatic MB Transmission

AR = use ase required - = Non illustrated part

2006 WK

**Input Shaft
Figure 45RFE-410**



ITEM	PART NUMBER	QTY	LINE	SERIES	BODY	ENGINE	TRANS	TRIM	DESCRIPTION
	04799652	1	J			EVO	DGQ		
		1	J			EZO	DGQ		
		1	T			EZO	DGQ		
		1	T			EVO	DGQ		
21									SNAP RING, Transmission
	04799103	1	J			EVO	DGQ		
		1	J			EZO	DGQ		
		1	T			EVO	DGQ		
		1	T			EZO	DGQ		
22		1							PLATE, PKG 05013090AC, (NOT SERVICED)
23		1							DISC, Clutch, PKG 05013090AC, (NOT SERVICED)
24									SNAP RING
	04799097	1	T			EVO	DGQ		
		1	J			EVO	DGQ		
		1	J			EZO	DGQ		
		1	T			EZO	DGQ		
25									SNAP RING
	04799978AA	1	J			EVO	DGQ		
		1	J			EZO	DGQ		
		1	T			EZO	DGQ		
		1	T			EVO	DGQ		

GRAND CHEROKEE (WK)

SERIES LINE
H = HIGHLINE T = JEEP - 2WD
P = PREMIUM J = JEEP - 4WD
S = SPORT
X = SPECIAL

BODY
74 = SPORT UTILITY 4-DR

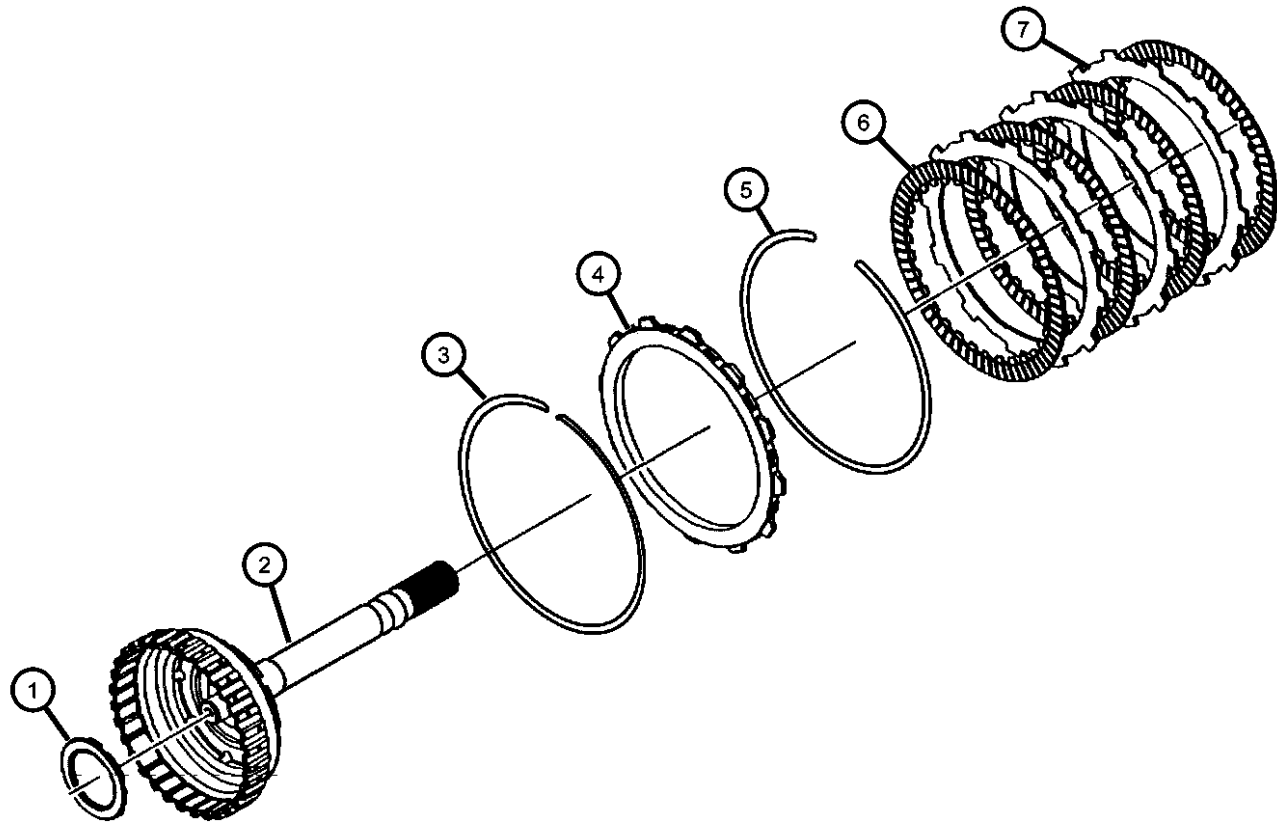
ENGINE
EKG = 3.7L V6 Engine
EVA = 4.7L V8 MPI Engine
EZB = 5.7L Hemi Multi Displacement Engine

TRANSMISSION
DGQ = 5-Spd Automatic 5-45RFE Transmission
DGJ = 5-Speed Automatic MB Transmission

AR = use ase required - = Non illustrated part

2006 WK

**Underdrive
Figure 45RFE-420**



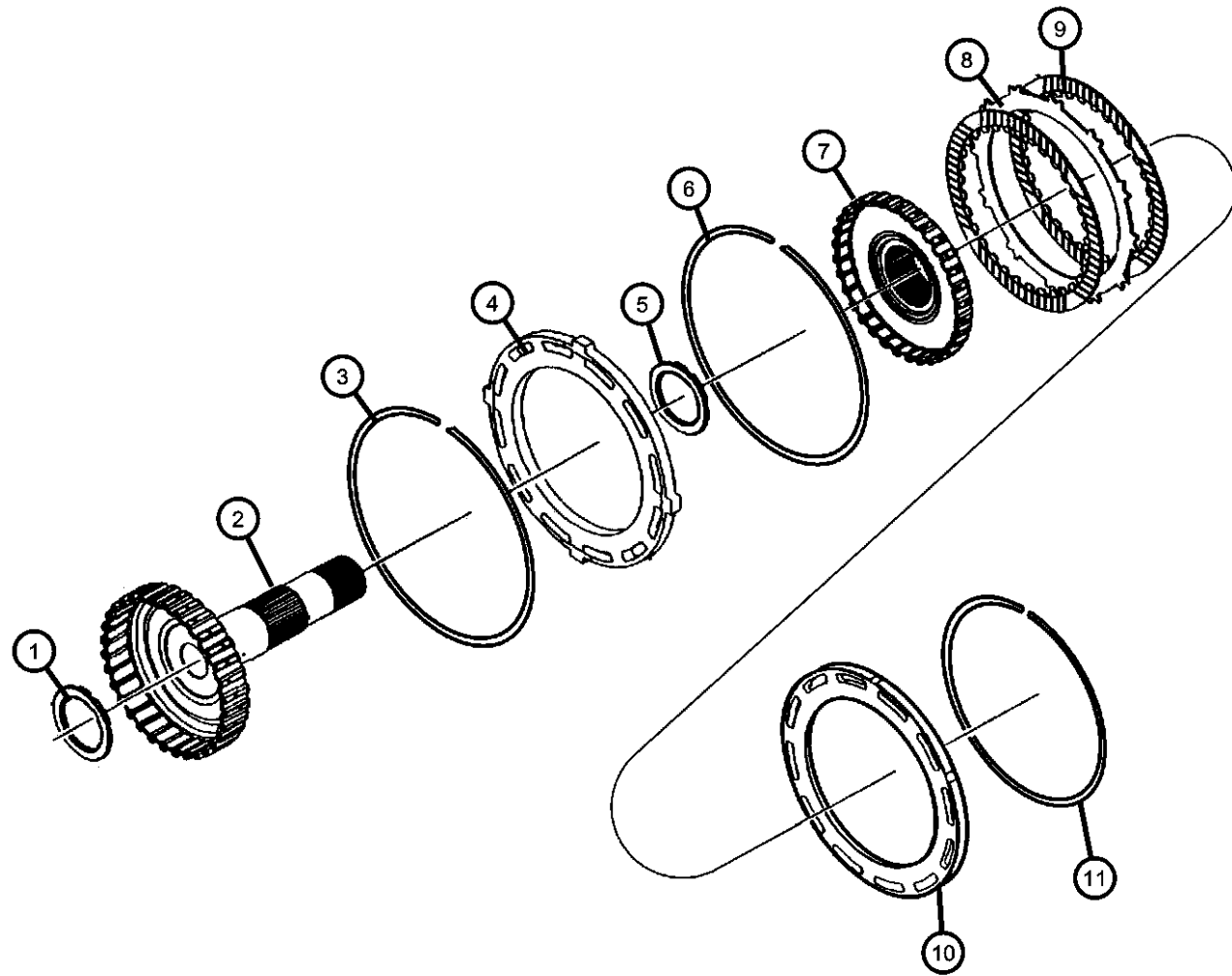
ITEM	PART NUMBER	QTY	LINE	SERIES	BODY	ENGINE	TRANS	TRIM	DESCRIPTION
1	04799469	1	T			EVO	DGQ		THRUST BEARING, Needle Roller
		1	J			EVO	DGQ		
		1	J			EZO	DGQ		
		1	T			EZO	DGQ		
2	05127485AA	AR	T			EVO	DGQ		HUB AND SHAFT, Underdrive Clutch
		AR	T			EZO	DGQ		
		AR	J			EVO	DGQ		
		AR	J			EZO	DGQ		
3	04799760	1	T			EVO	DGQ		SNAP RING, Transmission
		1	J			EVO	DGQ		
		1	J			EZO	DGQ		
		1	T			EZO	DGQ		
4	04799108AD	AR	T			EVO	DGQ		PLATE, Transmission Clutch Reaction
		AR	T			EZO	DGQ		
		AR	J			EVO	DGQ		
		AR	J			EZO	DGQ		
5	04799111AB	1	T			EVO	DGQ		SNAP RING, Transmission, PKG 05013090AA
		1	J			EVO	DGQ		
		1	J			EZO	DGQ		
		1	T			EZO	DGQ		
6		1						DISC, Clutch, PKG 05013090AA, (NOT SERVICED)	
7		1						PLATE, PKG 05013090AA, (NOT SERVICED)	

GRAND CHEROKEE (WK)

SERIES	LINE	BODY	ENGINE	TRANSMISSION
H = HIGHLINE	T = JEEP - 2WD	74 = SPORT UTILITY 4-DR	EKG = 3.7L V6 Engine	DGQ = 5-Spd Automatic 5-45RFE Transmission
P = PREMIUM	J = JEEP - 4WD		EVA = 4.7L V8 MPI Engine	DGJ = 5-Speed Automatic MB Transmission
S = SPORT			EZB = 5.7L Hemi Multi Displacement Engine	
X = SPECIAL				

AR = use ase required - = Non illustrated part

**Overdrive
Figure 45RFE-430**



ITEM	PART NUMBER	QTY	LINE	SERIES	BODY	ENGINE	TRANS	TRIM	DESCRIPTION
------	-------------	-----	------	--------	------	--------	-------	------	-------------

NOTE:
Sales Codes:
[DGQ]=5 Speed Automatic Transmission - [5-45RFE]
[EV0] = All 4.7L 8 Cylinder Engines
[EZ0] = All 5.7L 8 Cylinder Engines

1	04799469	1	T			EV0	DGQ		THRUST BEARING, Needle Roller
		1	J			EV0	DGQ		
		1	J			EZ0	DGQ		
		1	T			EZ0	DGQ		
2	04799550	1	T			EV0	DGQ		HUB AND SHAFT, Overdrive Clutch
		1	J			EV0	DGQ		
		1	J			EZ0	DGQ		
		1	T			EZ0	DGQ		
3	04799118	1	T			EV0	DGQ		SNAP RING, Overdrive Clutch
		1	J			EV0	DGQ		
		1	J			EZ0	DGQ		
		1	T			EZ0	DGQ		
4	04799116AB	1	T			EV0	DGQ		PLATE, Clutch Pressure
		1	J			EV0	DGQ		
		1	J			EZ0	DGQ		
		1	T			EZ0	DGQ		
5	04799469	1	T			EV0	DGQ		THRUST BEARING, Needle Roller
		1	J			EV0	DGQ		
		1	J			EZ0	DGQ		
		1	T			EZ0	DGQ		
6	04799117	1	T			EV0	DGQ		SNAP RING, Transmission
		1	J			EV0	DGQ		
		1	J			EZ0	DGQ		
		1	T			EZ0	DGQ		
7									HUB AND SHAFT, Reverse Clutch

GRAND CHEROKEE (WK)

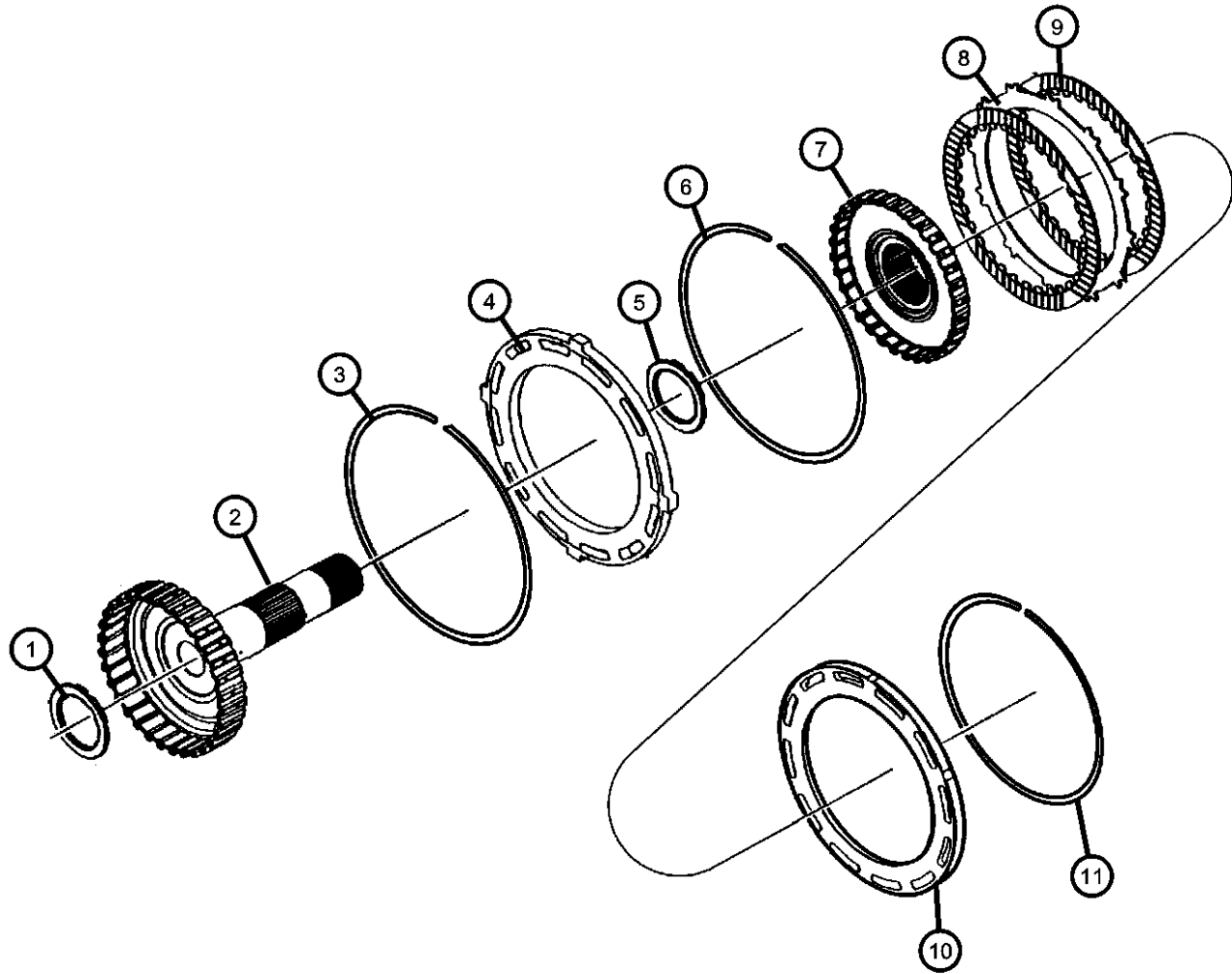
SERIES	LINE	BODY	ENGINE	TRANSMISSION
H = HIGHLINE	T = JEEP - 2WD	74 = SPORT UTILITY 4-DR	EKG = 3.7L V6 Engine	DGQ = 5-Spd Automatic 5-45RFE
P = PREMIUM	J = JEEP - 4WD		EVA = 4.7L V8 MPI Engine	Transmission
S = SPORT			EZB = 5.7L Hemi Multi	DGJ = 5-Speed Automatic MB
X = SPECIAL			Displacement Engine	Transmission

AR = use ase required - = Non illustrated part

2006 WK

**Overdrive
Figure 45RFE-430**

ITEM	PART NUMBER	QTY	LINE	SERIES	BODY	ENGINE	TRANS	TRIM	DESCRIPTION
	04799556	1	T			EVO	DGQ		
		1	J			EVO	DGQ		
		1	J			EZO	DGQ		
		1	T			EZO	DGQ		
8		1							PLATE, PKG 05013090AC, (NOT SERVICED)
9		1							DISC, Clutch, PKG 05013090AC, (NOT SERVICED)
10									PLATE, Transmission Clutch Reaction
	04799121	1	T			EVO	DGQ		
		1	J			EVO	DGQ		
		1	J			EZO	DGQ		
		1	T			EZO	DGQ		
11		1							SNAP RING, PKG 05013090AC, (NOT SERVICED)



GRAND CHEROKEE (WK)

SERIES LINE
H = HIGHLINE T = JEEP - 2WD
P = PREMIUM J = JEEP - 4WD
S = SPORT
X = SPECIAL

BODY
74 = SPORT UTILITY 4-DR

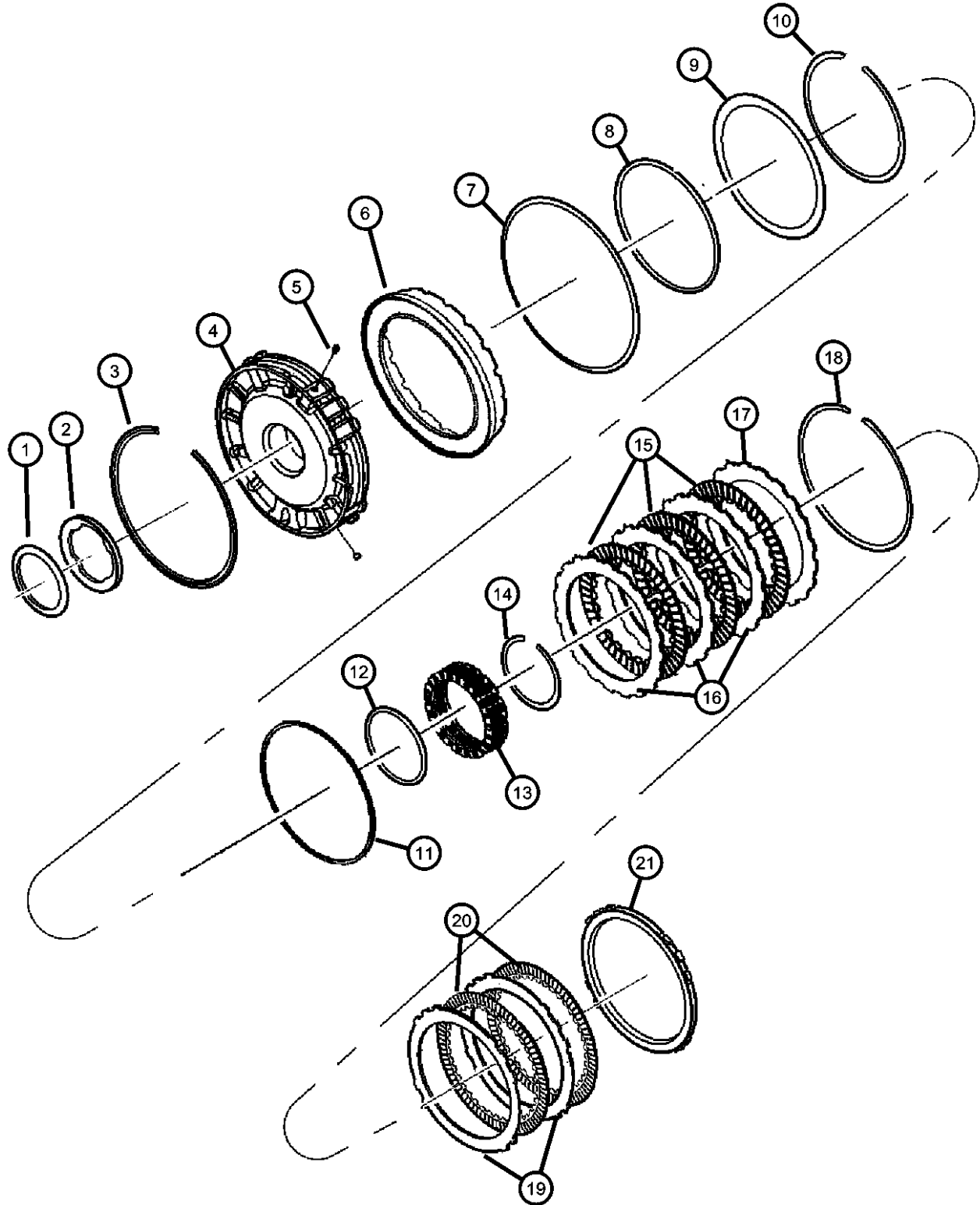
ENGINE
EKG = 3.7L V6 Engine
EVA = 4.7L V8 MPI Engine
EZB = 5.7L Hemi Multi Displacement Engine

TRANSMISSION
DGQ = 5-Spd Automatic 5-45RFE Transmission
DGJ = 5-Speed Automatic MB Transmission

AR = use ase required - = Non illustrated part

2006 WK

2 & 4 Clutch Retainer
Figure 45RFE-440



ITEM	PART NUMBER	QTY	LINE	SERIES	BODY	ENGINE	TRANS	TRIM	DESCRIPTION
18		1							SNAP RING, Transmission, PKG 05013087AA, (NOT SERVICED)
19		1							PLATE, PKG 05013087AA, (NOT SERVICED)
20		1							DISC, Clutch, PKG 05013087AA, (NOT SERVICED)
21									PLATE, Transmission Clutch Reaction
	04799687AB	1	T			EVO	DGQ		
		1	J			EVO	DGQ		
		1	J			EZO	DGQ		
		1	T			EZO	DGQ		

GRAND CHEROKEE (WK)

SERIES LINE
H = HIGHLINE T = JEEP - 2WD
P = PREMIUM J = JEEP - 4WD
S = SPORT
X = SPECIAL

BODY
74 = SPORT UTILITY 4-DR

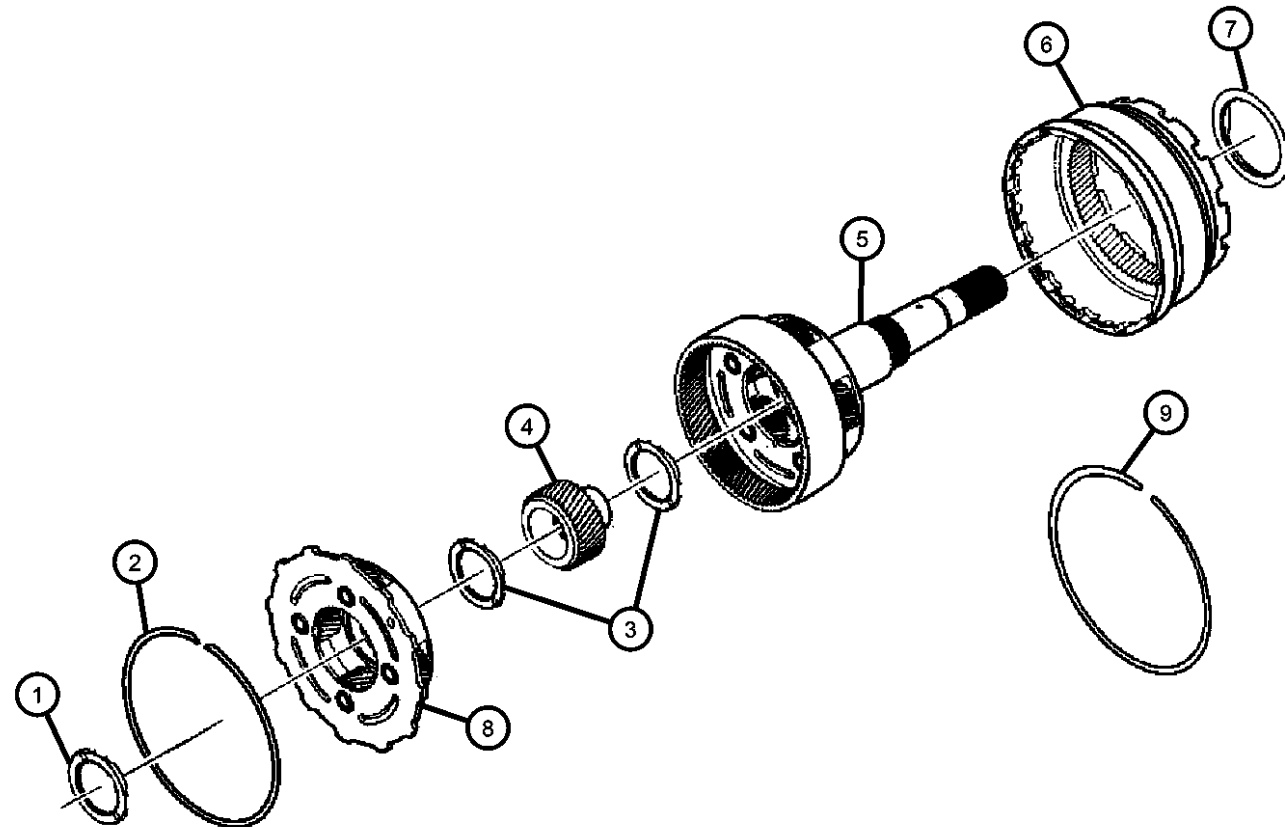
ENGINE
EKG = 3.7L V6 Engine
EVA = 4.7L V8 MPI Engine
EZB = 5.7L Hemi Multi Displacement Engine

TRANSMISSION
DGQ = 5-Spd Automatic 5-45RFE Transmission
DGJ = 5-Speed Automatic MB Transmission

AR = use ase required - = Non illustrated part

2006 WK

**Input / Reverse Planetary [DGQ]
Figure 45RFE-450**



ITEM	PART NUMBER	QTY	LINE	SERIES	BODY	ENGINE	TRANS	TRIM	DESCRIPTION
NOTE: Sales Codes: [DGQ]=Multi Speed Automatic Transmission [5-45RFE]									
1									THRUST BEARING, Needle Roller
	04799459	1	J			EZ0	DGQ		
		1	T			EZ0	DGQ		
	04799469	1	T			EVO	DGQ		
		1	J			EVO	DGQ		
2									SNAP RING
	04799247	1	T			EVO	DGQ		
		1	J			EVO	DGQ		
		1	T			EZ0	DGQ		
		1	J			EZ0	DGQ		
3									THRUST BEARING, Needle Roller
	52119464AA	1	T			EVO	DGQ		
		1	T			EZ0	DGQ		
		1	J			EVO	DGQ		
		1	J			EZ0	DGQ		
4									GEAR, Input Sun
	04799586AB	1	T			EVO	DGQ		
		1	J			EVO	DGQ		
		1	T			EZ0	DGQ		
		1	J			EZ0	DGQ		
5									CARRIER, Input Complete
	04799500AD	1	T			EVO	DGQ		
		1	T			EZ0	DGQ		
		1	J			EVO	DGQ		
		1	J			EZ0	DGQ		
6									GEAR, Annulus
	04799501	1	T			EVO	DGQ		
		1	J			EVO	DGQ		
		1	T			EZ0	DGQ		
		1	J			EZ0	DGQ		
7									THRUST BEARING, Needle Roller
	04799459	1	T			EVO	DGQ		
		1	J			EVO	DGQ		

GRAND CHEROKEE (WK)

SERIES LINE
H = HIGHLINE T = JEEP - 2WD
P = PREMIUM J = JEEP - 4WD
S = SPORT
X = SPECIAL

BODY
74 = SPORT UTILITY 4-DR

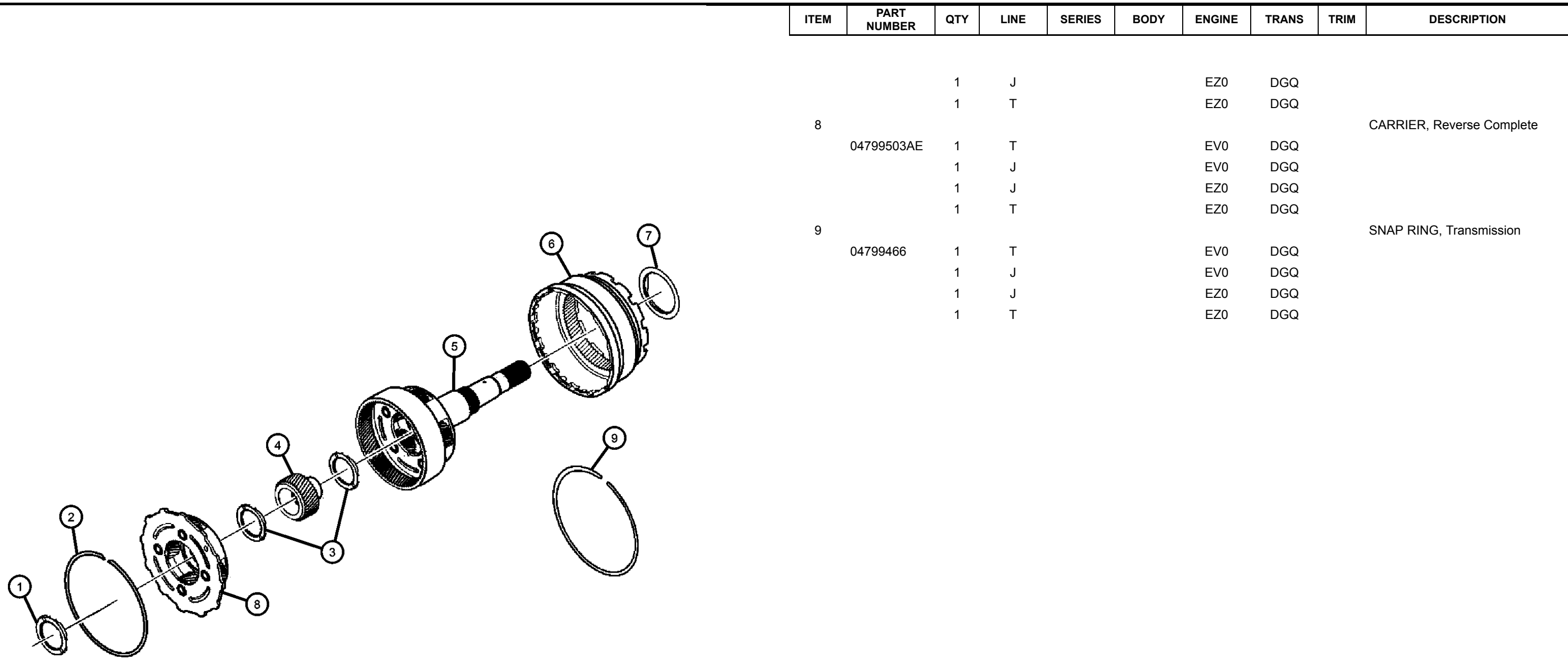
ENGINE
EKG = 3.7L V6 Engine
EVA = 4.7L V8 MPI Engine
EZB = 5.7L Hemi Multi Displacement Engine

TRANSMISSION
DGQ = 5-Spd Automatic 5-45RFE Transmission
DGJ = 5-Speed Automatic MB Transmission

AR = use ase required - = Non illustrated part

2006 WK

**Input / Reverse Planetary [DGQ]
Figure 45RFE-450**



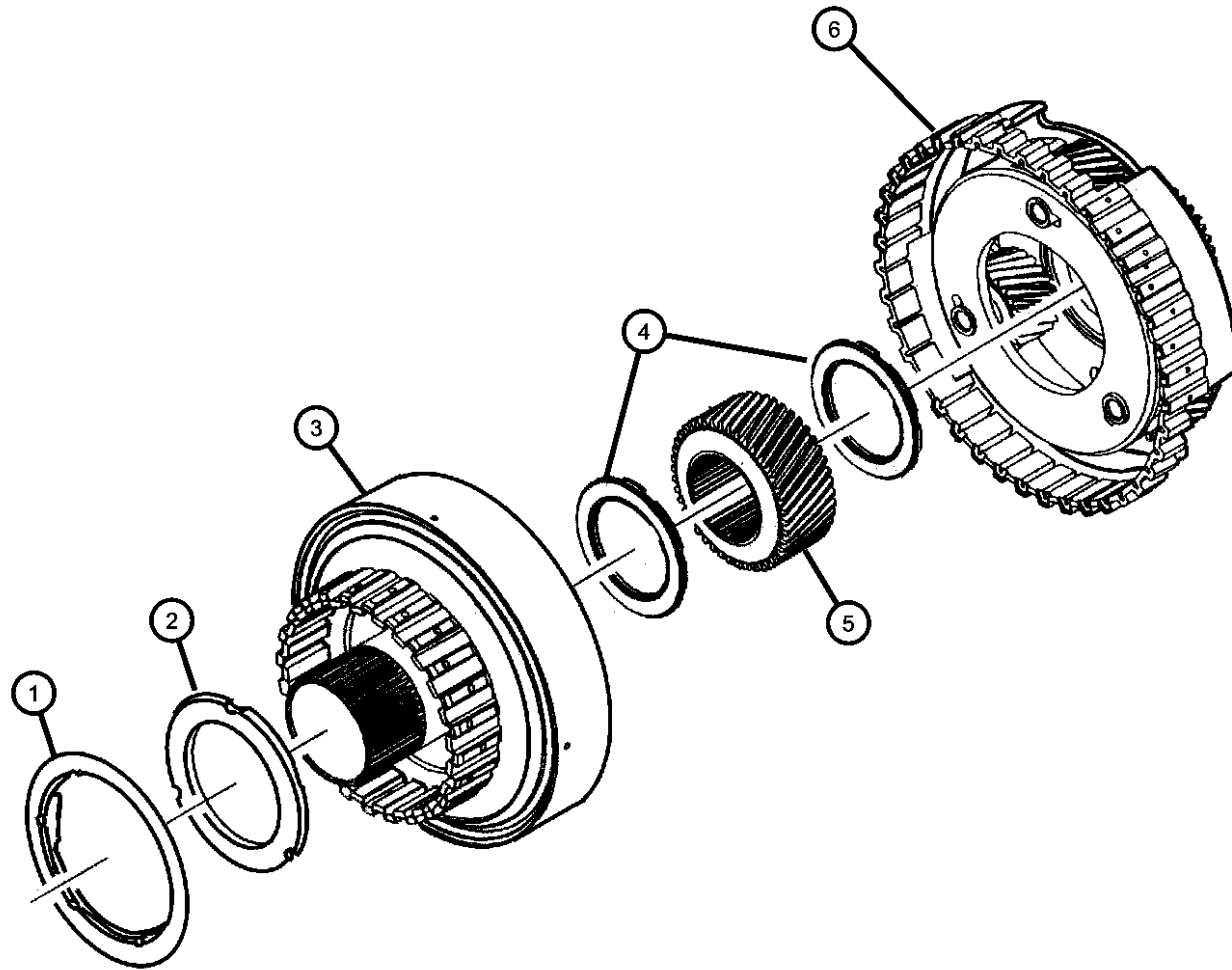
ITEM	PART NUMBER	QTY	LINE	SERIES	BODY	ENGINE	TRANS	TRIM	DESCRIPTION
		1	J			EZ0	DGQ		
		1	T			EZ0	DGQ		
8									CARRIER, Reverse Complete
	04799503AE	1	T			EVO	DGQ		
		1	J			EVO	DGQ		
		1	J			EZ0	DGQ		
		1	T			EZ0	DGQ		
9									SNAP RING, Transmission
	04799466	1	T			EVO	DGQ		
		1	J			EVO	DGQ		
		1	J			EZ0	DGQ		
		1	T			EZ0	DGQ		

GRAND CHEROKEE (WK)

SERIES	LINE	BODY	ENGINE	TRANSMISSION
H = HIGHLINE	T = JEEP - 2WD	74 = SPORT UTILITY 4-DR	EKG = 3.7L V6 Engine	DGQ = 5-Spd Automatic 5-45RFE
P = PREMIUM	J = JEEP - 4WD		EVA = 4.7L V8 MPI Engine	Transmission
S = SPORT			EZB = 5.7L Hemi Multi	DGJ = 5-Speed Automatic MB
X = SPECIAL			Displacement Engine	Transmission

AR = use ase required - = Non illustrated part

**Reaction Annulus / Sun Gear
Figure 45RFE-460**



ITEM	PART NUMBER	QTY	LINE	SERIES	BODY	ENGINE	TRANS	TRIM	DESCRIPTION
NOTE: Sales Codes: [DGQ]=5 Speed Automatic Transmission - [5-45RFE] [EV0] = All 4.7L 8 Cylinder Engines [EZ0] = All 5.7L 8 Cylinder Engines									
1									THRUST BEARING, Needle Roller
	04799459	1	T			EV0	DGQ		
		1	J			EV0	DGQ		
		1	J			EZ0	DGQ		
		1	T			EZ0	DGQ		
2		1							THRUST WASHER, Planetary Carrier, PKG 05013092AA, (NOT SERVICED)
3									GEAR, Annulus
	04799604	1	T			EV0	DGQ		
		1	J			EV0	DGQ		
		1	J			EZ0	DGQ		
		1	T			EZ0	DGQ		
4									THRUST BEARING, Needle Roller
	04799469	1	T			EV0	DGQ		
		1	J			EV0	DGQ		
		1	J			EZ0	DGQ		
		1	T			EZ0	DGQ		
5									GEAR, Reaction Sun
	04799602	1	T			EV0	DGQ		
		1	J			EV0	DGQ		
		1	J			EZ0	DGQ		
		1	T			EZ0	DGQ		
6									CARRIER, Reaction Complete
	04799619AB	1	T			EV0	DGQ		
		1	J			EV0	DGQ		
		1	J			EZ0	DGQ		
		1	T			EZ0	DGQ		

GRAND CHEROKEE (WK)

SERIES LINE
H = HIGHLINE T = JEEP - 2WD
P = PREMIUM J = JEEP - 4WD
S = SPORT
X = SPECIAL

BODY
74 = SPORT UTILITY 4-DR

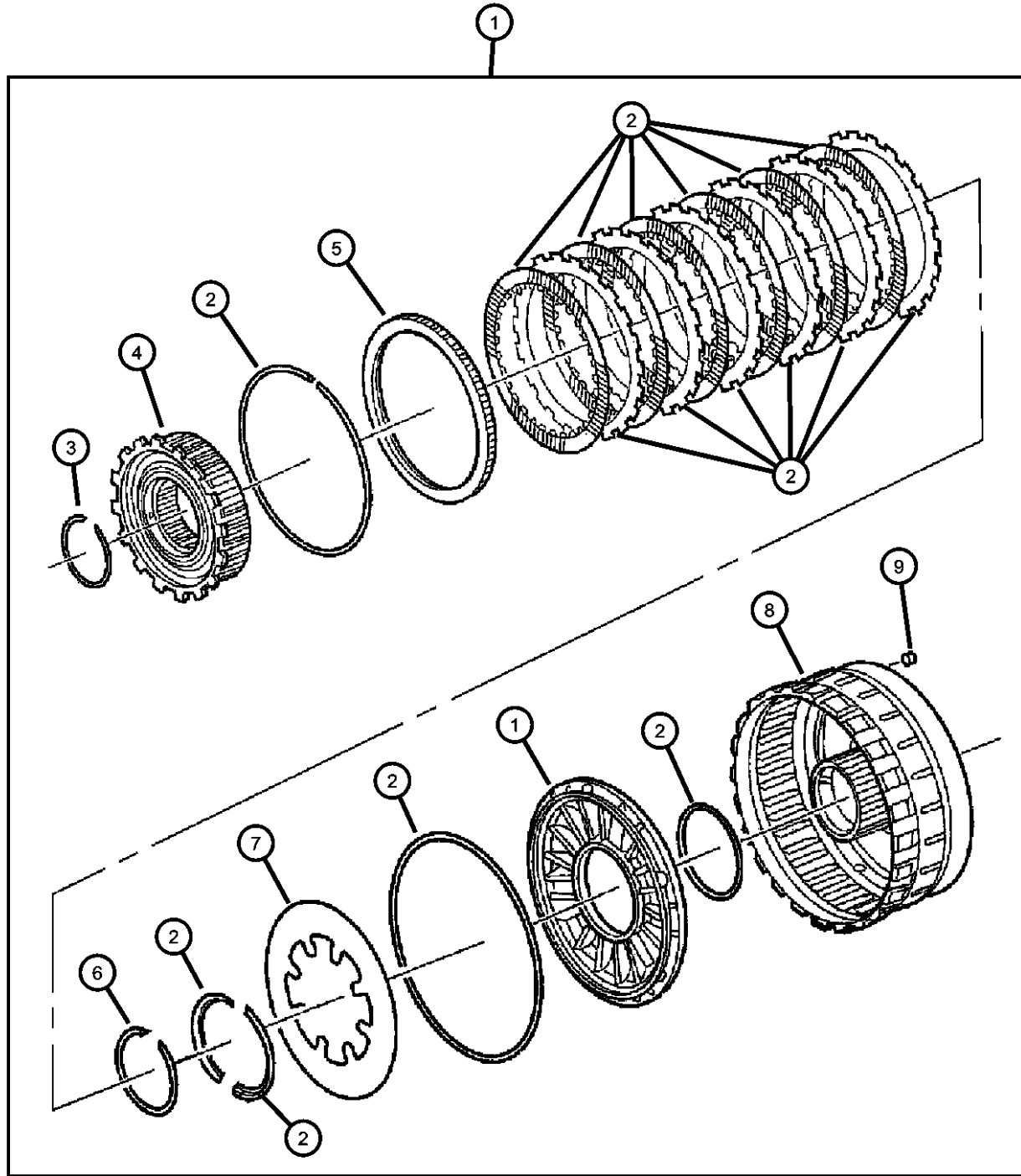
ENGINE
EKG = 3.7L V6 Engine
EVA = 4.7L V8 MPI Engine
EZB = 5.7L Hemi Multi Displacement Engine

TRANSMISSION
DGQ = 5-Spd Automatic 5-45RFE Transmission
DGJ = 5-Speed Automatic MB Transmission

AR = use ase required - = Non illustrated part

2006 WK

Low / Reverse Clutch
Figure 45RFE-470



ITEM	PART NUMBER	QTY	LINE	SERIES	BODY	ENGINE	TRANS	TRIM	DESCRIPTION
1	04799457AB	1	T			EVO	DGQ		CLUTCH, L/R Clutch
		1	T			EZO	DGQ		
		1	J			EZO	DGQ		
		1	J			EVO	DGQ		
2	05073003AB	1	T			EVO	DGQ		CLUTCH PACKAGE, Automatic Transmission, Low/Reverse
		1	J			EVO	DGQ		
		1	J			EZO	DGQ		
		1	T			EZO	DGQ		
3	04799863AA	1	J			EVO	DGQ		SNAP RING
		1	J			EZO	DGQ		
		1	T			EZO	DGQ		
		1	T			EVO	DGQ		
4	04799465	1	T			EVO	DGQ		CLUTCH, Overrunning
		1	J			EVO	DGQ		
		1	J			EZO	DGQ		
		1	T			EZO	DGQ		
5	04799667	1	T			EVO	DGQ		PLATE, Transmission Clutch Reaction
		1	J			EVO	DGQ		
		1	J			EZO	DGQ		
		1	T			EZO	DGQ		
6	04799863AA	1	T			EVO	DGQ		SNAP RING
		1	J			EVO	DGQ		
		1	T			EZO	DGQ		
		1	J			EZO	DGQ		

NOTE:

Sales Codes:

[DGQ]=5 Speed Automatic Transmission - [5-45RFE]

[EVO] = All 4.7L 8 Cylinder Engines

[EZO] = All 5.7L 8 Cylinder Engines

GRAND CHEROKEE (WK)

SERIES LINE
H = HIGHLINE T = JEEP - 2WD
P = PREMIUM J = JEEP - 4WD
S = SPORT
X = SPECIAL

BODY
74 = SPORT UTILITY 4-DR

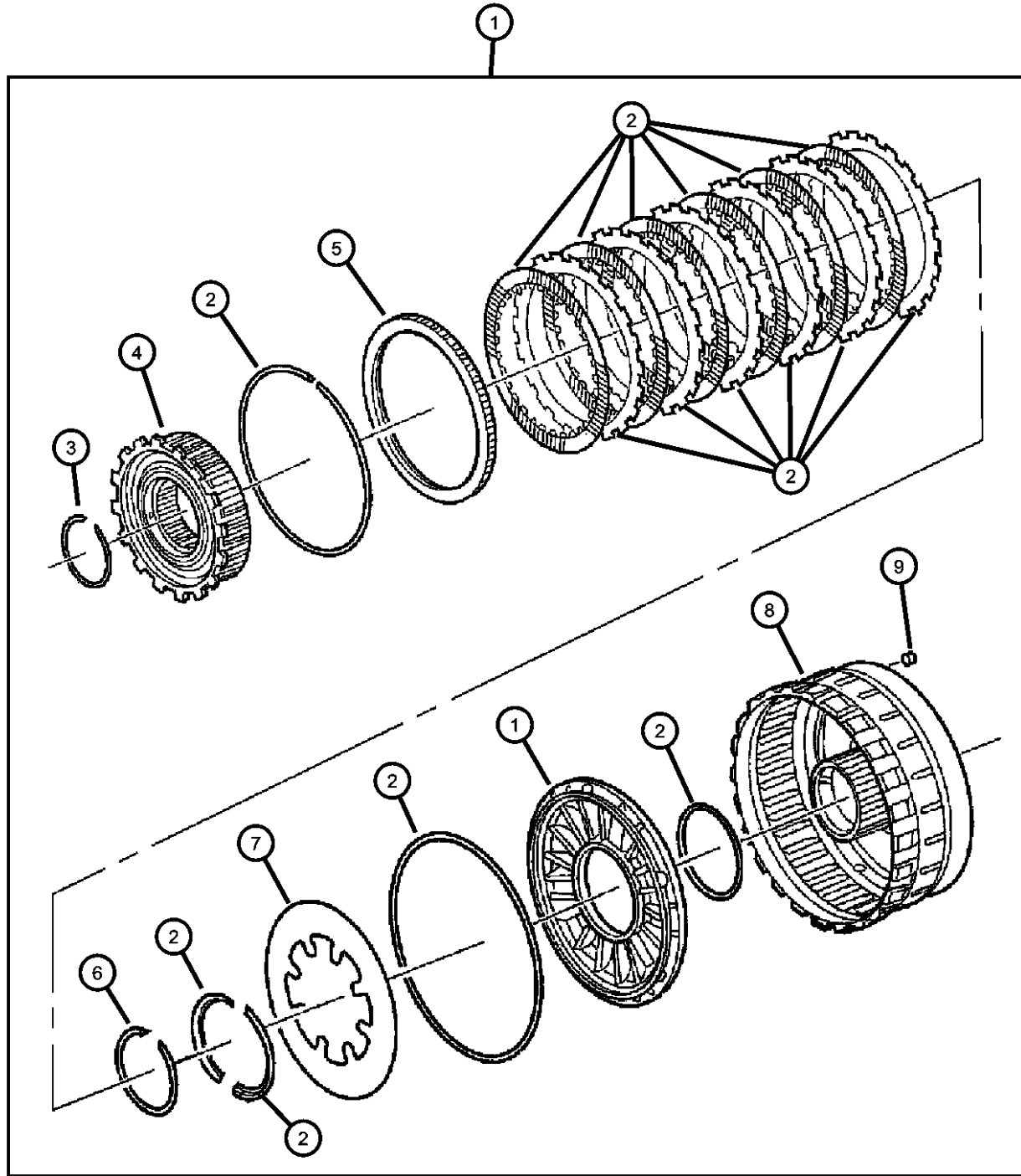
ENGINE
EKG = 3.7L V6 Engine
EVA = 4.7L V8 MPI Engine
EZB = 5.7L Hemi Multi Displacement Engine

TRANSMISSION
DGQ = 5-Spd Automatic 5-45RFE Transmission
DGJ = 5-Speed Automatic MB Transmission

AR = use ase required - = Non illustrated part

2006 WK

Low / Reverse Clutch
Figure 45RFE-470



ITEM	PART NUMBER	QTY	LINE	SERIES	BODY	ENGINE	TRANS	TRIM	DESCRIPTION
7	05073003AA	1	J			EVO	DGQ		CLUTCH PACKAGE, Automatic Transmission, Low/Reverse
		1	J			EZO	DGQ		
		1	T			EVO	DGQ		
		1	T			EZO	DGQ		
8	04799648	1	T			EVO	DGQ		RETAINER, Transmission Input Clutch
		1	J			EVO	DGQ		
		1	J			EZO	DGQ		
		1	T			EZO	DGQ		
9	04799086	1	J			EVO	DGQ		BLEED ORIFICE, Transmission
		1	T			EVO	DGQ		
		1	T			EZO	DGQ		
		1	J			EZO	DGQ		

GRAND CHEROKEE (WK)

SERIES LINE
H = HIGHLINE T = JEEP - 2WD
P = PREMIUM J = JEEP - 4WD
S = SPORT
X = SPECIAL

BODY
74 = SPORT UTILITY 4-DR

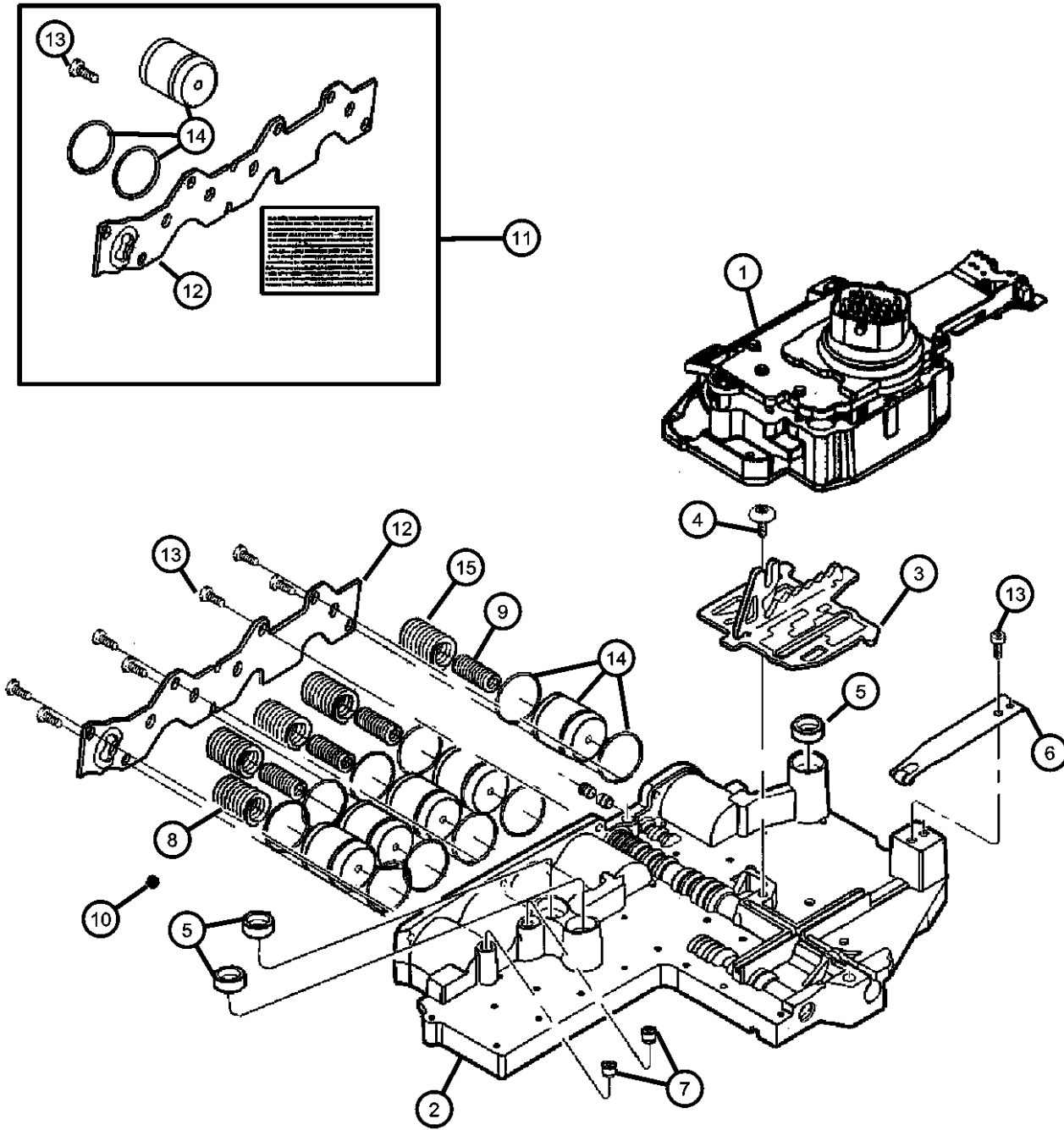
ENGINE
EKG = 3.7L V6 Engine
EVA = 4.7L V8 MPI Engine
EZB = 5.7L Hemi Multi Displacement Engine

TRANSMISSION
DGQ = 5-Spd Automatic 5-45RFE Transmission
DGJ = 5-Speed Automatic MB Transmission

AR = use ase required - = Non illustrated part

2006 WK

**Valve Body
Figure 45RFE-710**



ITEM	PART NUMBER	QTY	LINE	SERIES	BODY	ENGINE	TRANS	TRIM	DESCRIPTION
NOTE: Sales Codes: [DGQ]=5 Speed Automatic Transmission - [5-45RFE] [EV0] = All 4.7L 8 Cylinder Engines [EZ0] = All 5.7L 8 Cylinder Engines									
1	05170877AA	1	T			EV0	DGQ		SOLENOID PACKAGE, Valve Body
		1	T			EZ0	DGQ		
		1	J			EV0	DGQ		
		1	J			EZ0	DGQ		
2	52119450AB	1	T			EV0	DGQ		VALVE BODY, Transfer Plate and Valve
		1	T			EZ0	DGQ		
		1	J			EV0	DGQ		
		1	J			EZ0	DGQ		
3	04799654AC	1	T			EV0	DGQ		PLATE, Manual Valve Cam
		1	J			EV0	DGQ		
		1	J			EZ0	DGQ		
		1	T			EZ0	DGQ		
4	06508087AA	1	T			EV0	DGQ		SCREW, Shoulder/Truss, M5x.8x12.5
		1	J			EV0	DGQ		
		1	J			EZ0	DGQ		
		1	T			EZ0	DGQ		
5	04799778	3	T			EV0	DGQ		SEAL, Clutch Feed
		3	J			EV0	DGQ		
		3	T			EZ0	DGQ		
		3	J			EZ0	DGQ		
6	52119501AA	1	T			EV0	DGQ		DETENT, Valve Body
		1	J			EV0	DGQ		
		1	J			EZ0	DGQ		
		1	T			EZ0	DGQ		

GRAND CHEROKEE (WK)

SERIES LINE
H = HIGHLINE T = JEEP - 2WD
P = PREMIUM J = JEEP - 4WD
S = SPORT
X = SPECIAL

BODY
74 = SPORT UTILITY 4-DR

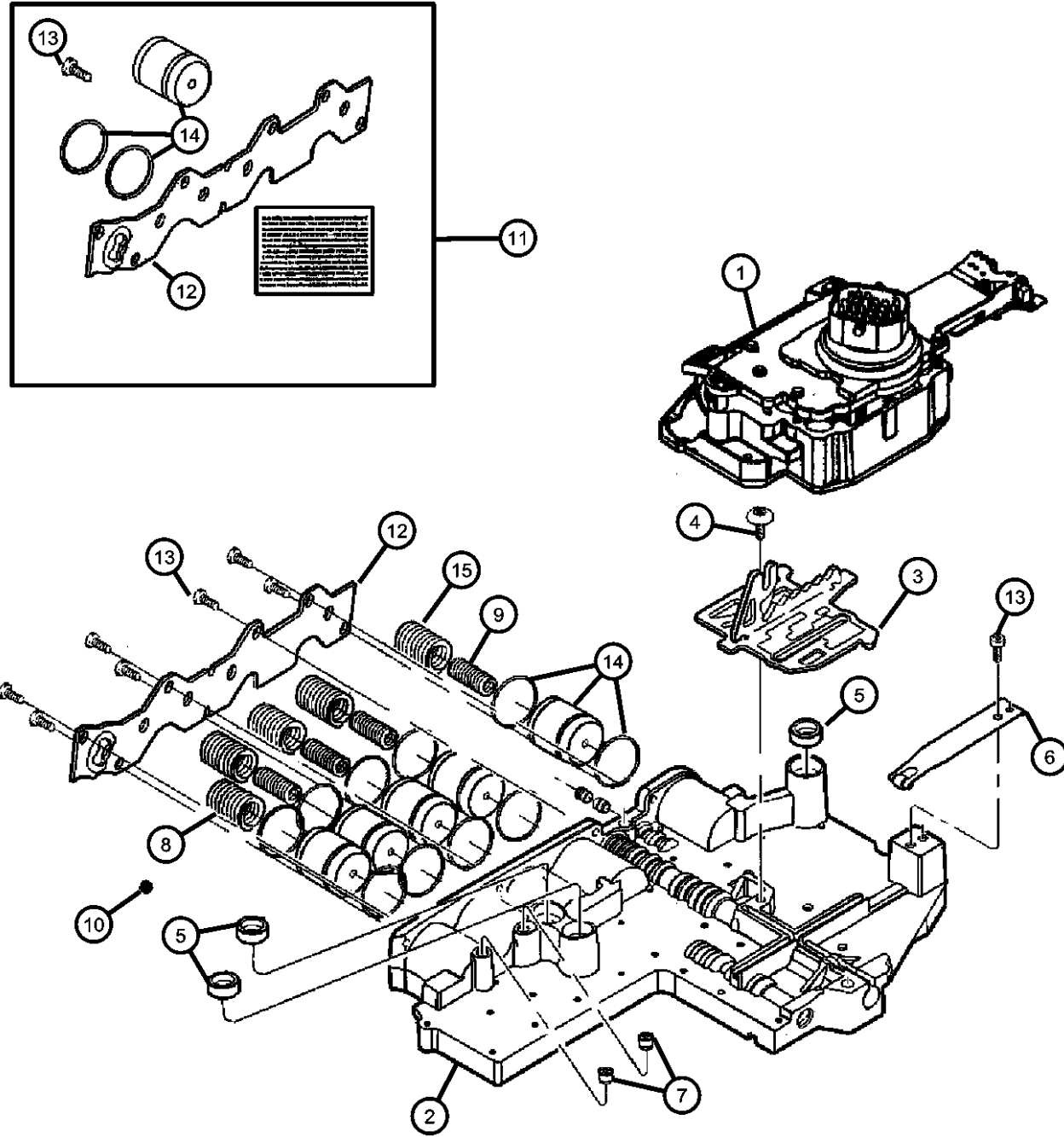
ENGINE
EKG = 3.7L V6 Engine
EVA = 4.7L V8 MPI Engine
EZB = 5.7L Hemi Multi Displacement Engine

TRANSMISSION
DGQ = 5-Spd Automatic 5-45RFE Transmission
DGJ = 5-Speed Automatic MB Transmission

AR = use ase required - = Non illustrated part

2006 WK

Valve Body
Figure 45RFE-710



ITEM	PART NUMBER	QTY	LINE	SERIES	BODY	ENGINE	TRANS	TRIM	DESCRIPTION
		1	J			EZ0	DGQ		
14	04446620AC	5	T			EVO	DGQ		PISTON, Accumulator Seals Bonded To Pistons
		5	T			EZ0	DGQ		Seals Bonded To Pistons
		5	J			EVO	DGQ		Seals Bonded To Pistons
		5	J			EZ0	DGQ		Seals Bonded To Pistons
15	04567575	4	T			EVO	DGQ		SPRING, Accumulator
		4	J			EVO	DGQ		
		4	T			EZ0	DGQ		
		4	J			EZ0	DGQ		

GRAND CHEROKEE (WK)

SERIES LINE
H = HIGHLINE T = JEEP - 2WD
P = PREMIUM J = JEEP - 4WD
S = SPORT
X = SPECIAL

BODY
74 = SPORT UTILITY 4-DR

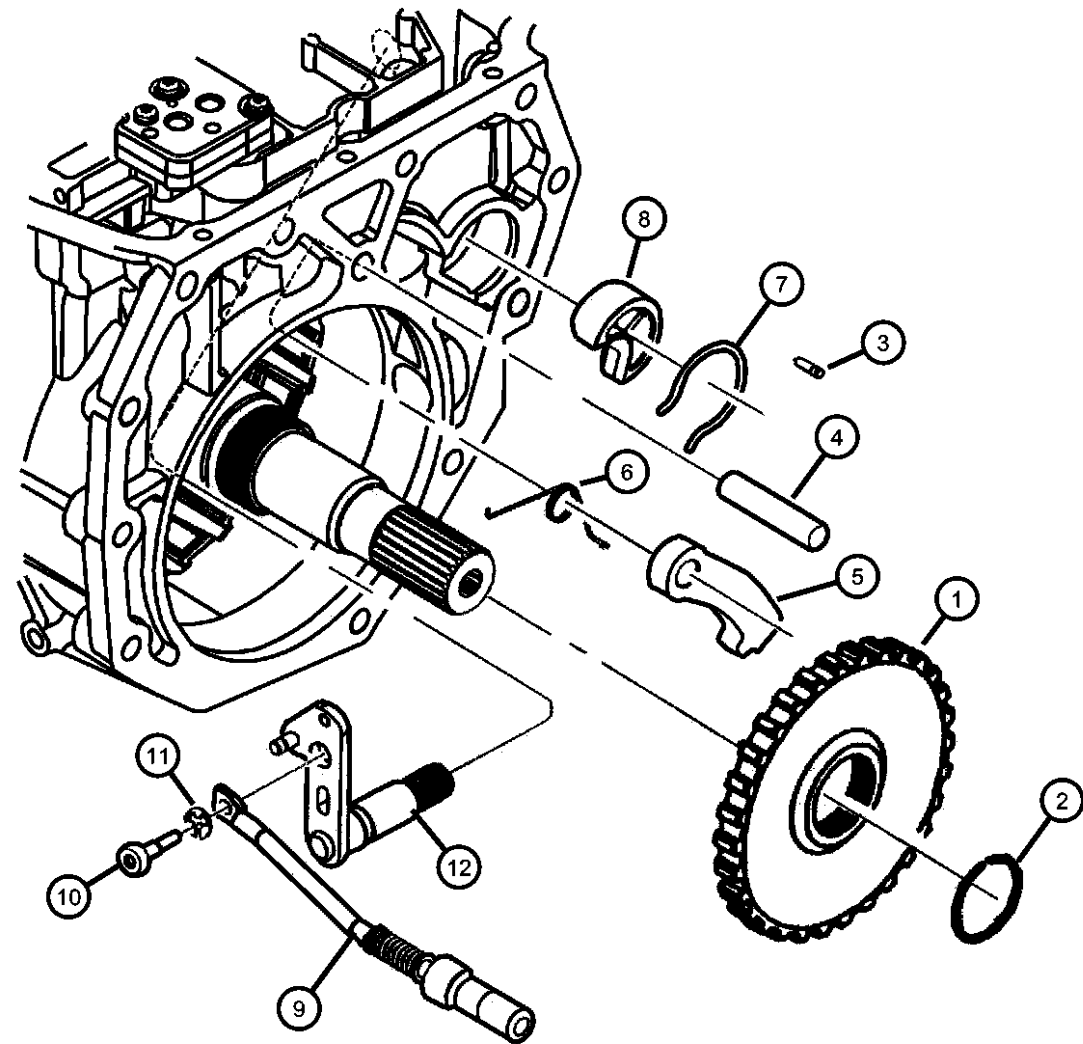
ENGINE
EKG = 3.7L V6 Engine
EVA = 4.7L V8 MPI Engine
EZB = 5.7L Hemi Multi
Displacement Engine

TRANSMISSION
DGQ = 5-Spd Automatic 5-45RFE
Transmission
DGJ = 5-Speed Automatic MB
Transmission

AR = use ase required - = Non illustrated part

2006 WK

**Parking Sprag
Figure 45RFE-720**



ITEM	PART NUMBER	QTY	LINE	SERIES	BODY	ENGINE	TRANS	TRIM	DESCRIPTION
1									SPRAG, Transmission Parking
	04799493AB	1	T			EVO	DGQ		
		1	J			EVO	DGQ		
		1	J			EZO	DGQ		
		1	T			EZO	DGQ		
2									SNAP RING, Transmission
	04799704	1	T			EVO	DGQ		
		1	J			EVO	DGQ		
		1	J			EZO	DGQ		
		1	T			EZO	DGQ		
3									PIN
	00456636	1	T			EVO	DGQ		
		1	J			EVO	DGQ		
		1	T			EZO	DGQ		
		1	J			EZO	DGQ		
4									SHAFT, Parking Pawl
	04799450	1	T			EVO	DGQ		
		1	J			EVO	DGQ		
		1	T			EZO	DGQ		
		1	J			EZO	DGQ		
5									PAWL AND ROD KIT
	05166452AA	1	T			EVO	DGQ		
		1	T			EZO	DGQ		
		1	J			EVO	DGQ		
		1	J			EZO	DGQ		
6									SPRING, Torsion
	04799451	1	T			EVO	DGQ		
		1	J			EVO	DGQ		
		1	T			EZO	DGQ		
		1	J			EZO	DGQ		
7									SNAP RING

GRAND CHEROKEE (WK)

SERIES LINE
H = HIGHLINE T = JEEP - 2WD
P = PREMIUM J = JEEP - 4WD
S = SPORT
X = SPECIAL

BODY
74 = SPORT UTILITY 4-DR

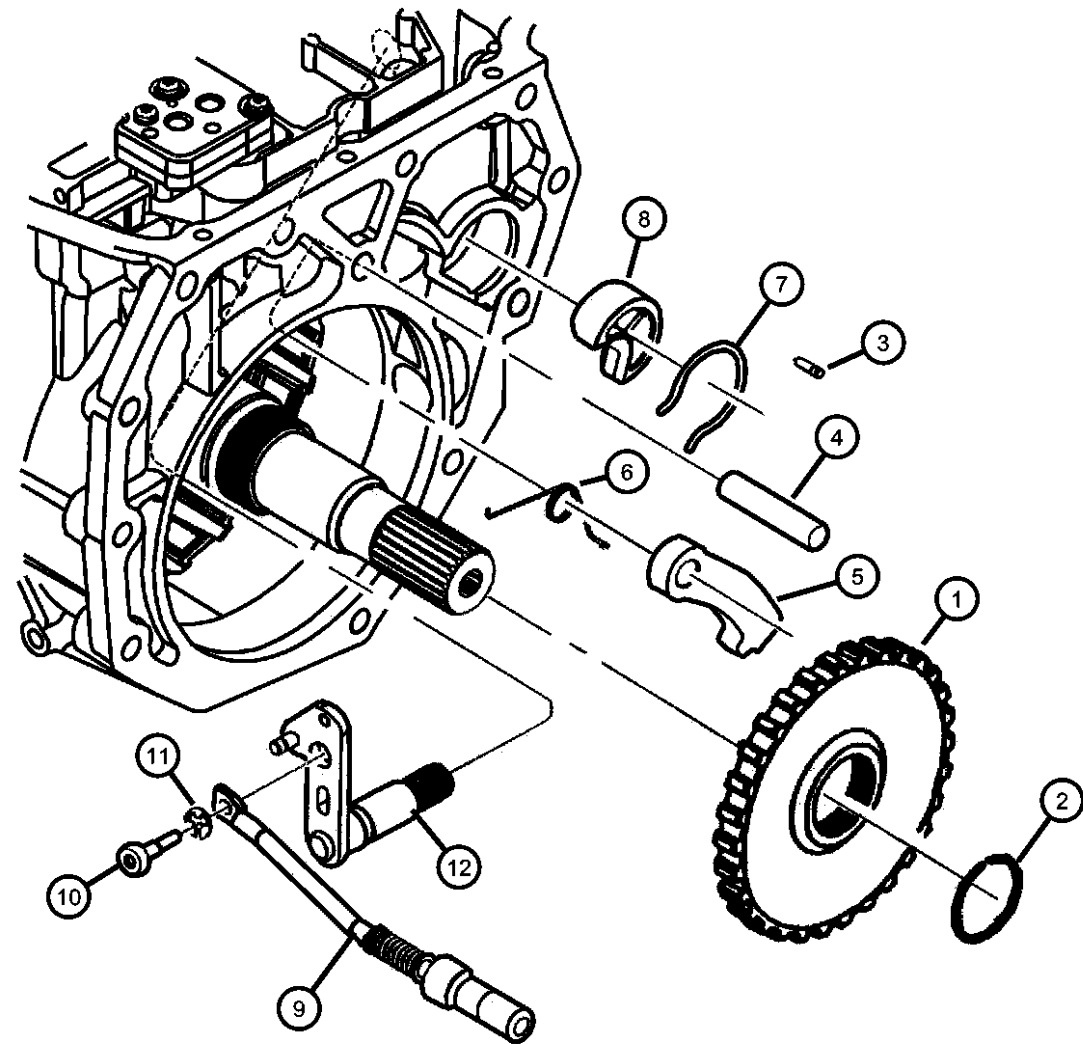
ENGINE
EKG = 3.7L V6 Engine
EVA = 4.7L V8 MPI Engine
EZB = 5.7L Hemi Multi
Displacement Engine

TRANSMISSION
DGQ = 5-Spd Automatic 5-45RFE
Transmission
DGJ = 5-Speed Automatic MB
Transmission

AR = use ase required - = Non illustrated part

2006 WK

**Parking Sprag
Figure 45RFE-720**



ITEM	PART NUMBER	QTY	LINE	SERIES	BODY	ENGINE	TRANS	TRIM	DESCRIPTION
	04799313	1	T			EVO	DGQ		
		1	J			EVO	DGQ		
		1	T			EZO	DGQ		
		1	J			EZO	DGQ		
8									GUIDE, Parking Sprag Pawl
	04799774AB	1	T			EVO	DGQ		
		1	J			EVO	DGQ		
		1	T			EZO	DGQ		
		1	J			EZO	DGQ		
9									PAWL AND ROD KIT
	05166452AA	1	T			EVO	DGQ		
		1	T			EZO	DGQ		
		1	J			EVO	DGQ		
		1	J			EZO	DGQ		
10									SCREW, M6x1x30
	06504548	1	T			EVO	DGQ		
		1	J			EVO	DGQ		
		1	T			EZO	DGQ		
		1	J			EZO	DGQ		
11									SNAP RING, Rod
	06035256	1	T			EVO	DGQ		
		1	J			EVO	DGQ		
		1	T			EZO	DGQ		
		1	J			EZO	DGQ		
12									LEVER, Shift Shaft
	04799453	1	T			EVO	DGQ		
		1	J			EVO	DGQ		
		1	T			EZO	DGQ		
		1	J			EZO	DGQ		

GRAND CHEROKEE (WK)

SERIES LINE
H = HIGHLINE T = JEEP - 2WD
P = PREMIUM J = JEEP - 4WD
S = SPORT
X = SPECIAL

BODY
74 = SPORT UTILITY 4-DR

ENGINE
EKG = 3.7L V6 Engine
EVA = 4.7L V8 MPI Engine
EZB = 5.7L Hemi Multi
Displacement Engine

TRANSMISSION
DGQ = 5-Spd Automatic 5-45RFE
Transmission
DGJ = 5-Speed Automatic MB
Transmission

AR = use ase required - = Non illustrated part

2006 WK

**Gearshift Control
Figure 45RFE-1210**

ITEM	PART NUMBER	QTY	LINE	SERIES	BODY	ENGINE	TRANS	TRIM	DESCRIPTION
------	-------------	-----	------	--------	------	--------	-------	------	-------------

NOTE:

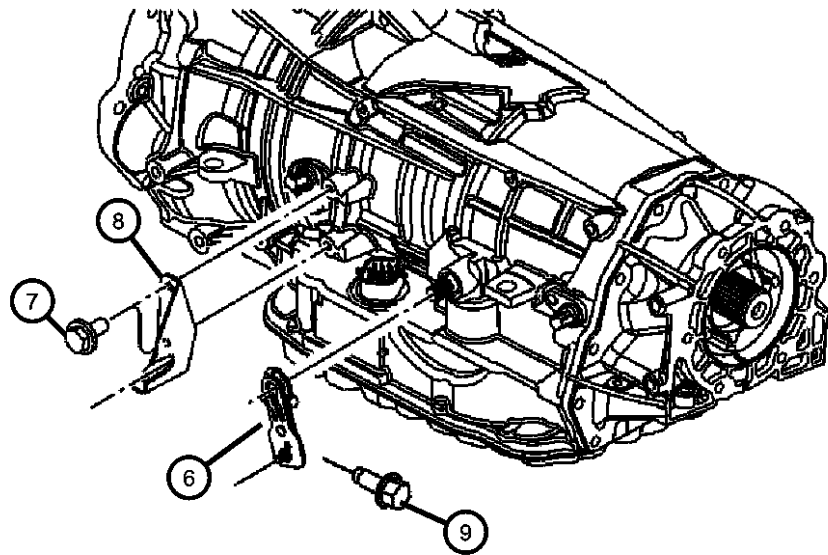
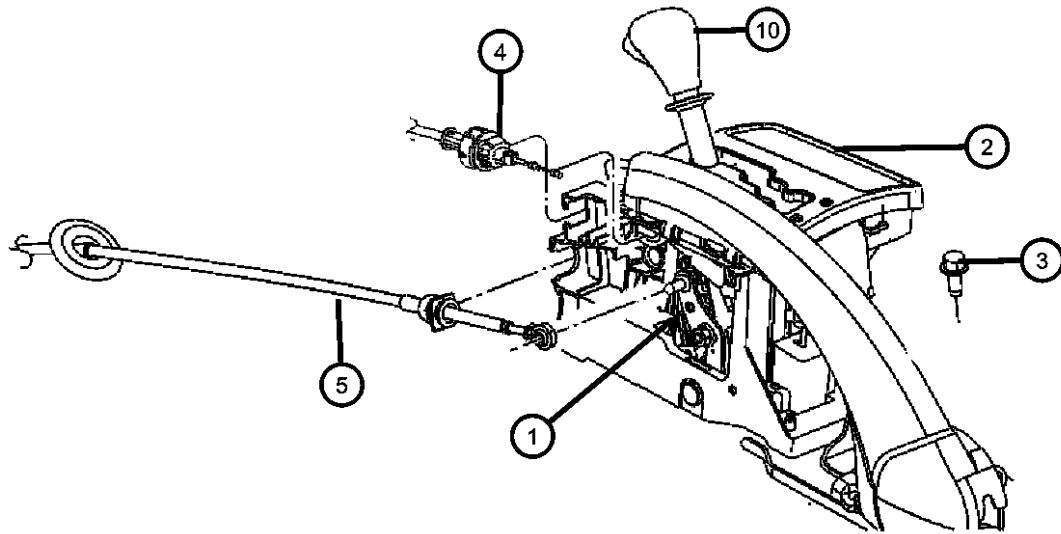
Sales Codes:

[DGQ]=5 Speed Automatic Transmission - [5-45RFE]

[EK0] = All 3.7L 6 Cylinder Engines

[EV0] = All 4.7L 8 Cylinder Engines

[EZ0] = All 5.7L 8 Cylinder Engines



1									HOUSING AND LEVER, Shifter, Includes Bezel, Handle and Mat
	52124139AA	1	T	H, P			DGQ		
	52124140AA	1	J	H, P			DGQ		
	52124141AA	1	T	S			DGQ		
	52124142AA	1	J	S			DGQ		
2									PRNDL BEZEL, Gear selector, Includes Mat
	68004146AE	1	J	H, P			DGQ		
		1	J	S			DGQ		
	68004145AE	1	T	H, P			DGQ		
		1	T	S			DGQ		
3	06505846AA	3					DG0		BOLT, Hex Flange Head
4	52109667AD	1					DG0		CABLE, Gearshift Control
5	52109666AD	1					DG0		CABLE, Park Interlock
6	52109706AB	1					DGQ		LEVER, Manual Control
7	06101758	2					DG0		SCREW, Hex Head, M8x1.25x20, Bracket Attach to Transmission
8	52104371AG	1					DGQ		BRACKET, Shift Cable
9	06101978	1					DGQ		SCREW AND WASHER, Hex Head, M8-1.25x40
10									HANDLE, Gearshift
	52124148AA	1	T	S			DGQ		
		1	J	S			DGQ		
	52090460AB	1	T	H, P			DGQ		
		1	J	H, P			DGQ		

GRAND CHEROKEE (WK)

SERIES

LINE

BODY

ENGINE

TRANSMISSION

H = HIGHLINE T = JEEP - 2WD

74 = SPORT UTILITY 4-DR

EKG = 3.7L V6 Engine

DGQ = 5-Spd Automatic 5-45RFE

P = PREMIUM J = JEEP - 4WD

EVA = 4.7L V8 MPI Engine

Transmission

S = SPORT

EZB = 5.7L Hemi Multi

DGJ = 5-Speed Automatic MB

X = SPECIAL

Displacement Engine

Transmission

AR = use ase required - = Non illustrated part

2006 WK

LR Clutch
Figure 45RFE-1310

LR CLUTCH PACKAGE 05013091aa

	D-ring, external (L/R piston outer)
	D-ring, internal (L/R piston inner)
(6)	Plate, clutch separator (1.74mm thk)
(6)	Disc assy, clutch (L/R)
	Snap ring, flat (1.5/1.6 thk)
	Snap ring, flat (2.03/2.13 thk)
	Snap ring, flat (2.54/2.68 thk)
(2)	Retainer, c-clip

①

ITEM	PART NUMBER	QTY	LINE	SERIES	BODY	ENGINE	TRANS	TRIM	DESCRIPTION
NOTE: Sales Codes: [DGQ]=5 Speed Automatic Transmission - [5-45RFE] [EV0] = All 4.7L 8 Cylinder Engines [EZ0] = All 5.7L 8 Cylinder Engines									
1									CLUTCH PACKAGE, Automatic Transmission, Low/Reverse
	05073003AA	1	T			EV0	DGQ		
		1	T			EZ0	DGQ		
		1	J			EV0	DGQ		
		1	J			EZ0	DGQ		
-2									CLUTCH, L/R Clutch
	04799457AB	1	T			EV0	DGQ		
		1	T			EZ0	DGQ		
		1	J			EV0	DGQ		
		1	J			EZ0	DGQ		

GRAND CHEROKEE (WK)

SERIES	LINE	BODY	ENGINE	TRANSMISSION
H = HIGHLINE	T = JEEP - 2WD	74 = SPORT UTILITY 4-DR	EKG = 3.7L V6 Engine	DGQ = 5-Spd Automatic 5-45RFE Transmission
P = PREMIUM	J = JEEP - 4WD		EVA = 4.7L V8 MPI Engine	DGJ = 5-Speed Automatic MB Transmission
S = SPORT			EZB = 5.7L Hemi Multi Displacement Engine	
X = SPECIAL				

AR = use ase required - = Non illustrated part

2006 WK

**2 & 4 Clutch
Figure 45RFE-1320**

ITEM	PART NUMBER	QTY	LINE	SERIES	BODY	ENGINE	TRANS	TRIM	DESCRIPTION
------	-------------	-----	------	--------	------	--------	-------	------	-------------

NOTE:
Sales Codes:
[DGQ]=5 Speed Automatic Transmission - [5-45RFE]
[EV0] = All 4.7L 8 Cylinder Engines
[EZ0] = All 5.7L 8 Cylinder Engines

1									CLUTCH PACKAGE, Automatic Transmission, 2/4
	05013087AC	1	T			EV0	DGQ		
		1	T			EZ0	DGQ		
		1	J			EV0	DGQ		
		1	J			EZ0	DGQ		
-2									PLATE, Transmission Clutch Reaction
	04799687AB	1	T			EV0	DGQ		
		1	J			EV0	DGQ		
		1	J			EZ0	DGQ		
		1	T			EZ0	DGQ		

2&4 CLUTCH PACKAGE 05013087aa

(2)	Disc assy, clutch (2nd clutch)
(2)	Plate, clutch separator
	D-ring, external (2nd outer)
	D-ring, internal (2nd inner)
	D-ring, internal (4th outer)
	D-ring, internal (4th inner)
(3)	Plate, clutch separator (4th clutch)
(3)	Disc assy, clutch (4th clutch)
	Snap ring (4th, 1.74/1.84 thk)
	Snap ring (4th, 2.15/2.25 thk)
	Snap ring (4th, 2.56/2.66 thk)

GRAND CHEROKEE (WK)

SERIES LINE
H = HIGHLINE T = JEEP - 2WD
P = PREMIUM J = JEEP - 4WD
S = SPORT
X = SPECIAL

BODY
74 = SPORT UTILITY 4-DR

ENGINE
EKG = 3.7L V6 Engine
EVA = 4.7L V8 MPI Engine
EZB = 5.7L Hemi Multi Displacement Engine

TRANSMISSION
DGQ = 5-Spd Automatic 5-45RFE Transmission
DGJ = 5-Speed Automatic MB Transmission

AR = use ase required - = Non illustrated part

2006 WK

Input Clutch Plate
Figure 45RFE-1330

SELECTIVE THRUST PLATES **05013093aa**
INPUT CLUTCH THRUST PLATE PKG

Thrust plate, input clutc 1.52 / 1.61
Thrust plate, input clutc 1.66 / 1.75
Thrust plate, input clutc 1.80 / 1.89
Thrust plate, input clutc 1.94 / 2.03
Thrust plate, input clutc 2.08 / 2.17
Thrust plate, input clutc 2.22 / 2.31
Thrust plate, input clutc 2.36 / 2.45
Thrust plate, input clutc 2.50 / 2.59
Thrust plate, input clutc 2.64 / 2.73
Thrust plate, input clutc 2.78 / 2.87
Thrust plate, input clutc 2.92 / 3.01
Thrust plate, input clutc 3.06 / 3.15
Thrust plate, input clutc 3.20 / 3.29
Thrust plate, input clutc 3.34 / 3.43
Thrust plate, input clutc 3.62 / 3.71

1

ITEM	PART NUMBER	QTY	LINE	SERIES	BODY	ENGINE	TRANS	TRIM	DESCRIPTION
------	-------------	-----	------	--------	------	--------	-------	------	-------------

NOTE:
Sales Codes:
[DGQ]=5 Speed Automatic Transmission - [5-45RFE]
[EV0] = All 4.7L 8 Cylinder Engines
[EZ0] = All 5.7L 8 Cylinder Engines

1									PLATE PACKAGE, Input Clutch Thrust
	05013093AA	1	T			EV0	DGQ		
		1	T			EZ0	DGQ		
		1	J			EV0	DGQ		
		1	J			EZ0	DGQ		

GRAND CHEROKEE (WK)				
SERIES	LINE	BODY	ENGINE	TRANSMISSION
H = HIGHLINE	T = JEEP - 2WD	74 = SPORT UTILITY 4-DR	EKG = 3.7L V6 Engine	DGQ = 5-Spd Automatic 5-45RFE Transmission
P = PREMIUM	J = JEEP - 4WD		EVA = 4.7L V8 MPI Engine	DGJ = 5-Speed Automatic MB Transmission
S = SPORT			EZB = 5.7L Hemi Multi Displacement Engine	
X = SPECIAL				

AR = use ase required - = Non illustrated part

**Overhaul
Figure 45RFE-1340**

ITEM	PART NUMBER	QTY	LINE	SERIES	BODY	ENGINE	TRANS	TRIM	DESCRIPTION
------	-------------	-----	------	--------	------	--------	-------	------	-------------

NOTE:
Sales Codes:
[DGQ]=5 Speed Automatic Transmission - [5-45RFE]
[EV0] = All 4.7L 8 Cylinder Engines
[EZ0] = All 5.7L 8 Cylinder Engines

1									OVERHAUL PACKAGE, Transmission
	05014221AJ	1	T			EV0	DGQ		
		1	T			EZ0	DGQ		
		1	J			EV0	DGQ		
		1	J			EZ0	DGQ		

O/H seal/gasket package		05014221ac
	2&4 clutch package	
	Input clutch package	
	L/R clutch package	
	Sump filter & seal package	
	Cooler filter	
	fill tube seal	
	Frt pmp cover o-ring/seal assy	
	Rotating shaft seal,pmp hsg	
	Adapter seal, 4x4	
	Extension seal,4x2	
	Manual lever seal	
(2)	Speed sensor seal	
	Reaction supt ring seal	
	Rev O/D clutch filter	
(10)	Accumulator ring seal	
(3)	Valve body seal	
	Check valve o-ring	
	Solenoid insulator seal	
	T/C seal	

GRAND CHEROKEE (WK)

SERIES	LINE	BODY	ENGINE	TRANSMISSION
H = HIGHLINE	T = JEEP - 2WD	74 = SPORT UTILITY 4-DR	EKG = 3.7L V6 Engine	DGQ = 5-Spd Automatic 5-45RFE
P = PREMIUM	J = JEEP - 4WD		EVA = 4.7L V8 MPI Engine	Transmission
S = SPORT			EZB = 5.7L Hemi Multi	DGJ = 5-Speed Automatic MB
X = SPECIAL			Displacement Engine	Transmission

AR = use ase required - = Non illustrated part

2006 WK

**Input Clutch
Figure 45RFE-1350**

INPUT CLUTCH PACKAGE 05013090aa

	O-ring, large (2.62mm x 79.84 ID,gm)
	O-ring, small (2.62mm x 70.56 ID,red)
(2)	Seal, internal lip
(2)	Ring seal, I-shaft
	O-ring, piston inner (2.62mm x 93.54 ID)
(5)	Plate, clutch separator (1.74mm thk)
(4)	Disc assy, clutch (u/d clutch)
(4)	Disc assy, clutch (o/d clutch)
(3)	PLate, clutch separator (2.21mm thk, O/D)
(2)	Disc assy, clutch (rev clutch)
	Snap ring,tapered, internal butterfly end
	Snap ring, flat (1.5/1.6 thk)
	Snap ring, flat (1.80/1.90 thk)
	Snap ring, flat (2.15/2.25 thk)
	Piston & seal, underdrive
	Piston & seal, underdrive balance



ITEM	PART NUMBER	QTY	LINE	SERIES	BODY	ENGINE	TRANS	TRIM	DESCRIPTION
------	-------------	-----	------	--------	------	--------	-------	------	-------------

NOTE:
Sales Codes:
[DGQ]=5 Speed Automatic Transmission - [5-45RFE]
[EV0] = All 4.7L 8 Cylinder Engines
[EZ0] = All 5.7L 8 Cylinder Engines

1									CLUTCH PACKAGE, Automatic Transmission, Input
	05013090AC	1	T			EV0	DGQ		
		1	T			EZ0	DGQ		
		1	J			EV0	DGQ		
		1	J			EZ0	DGQ		

GRAND CHEROKEE (WK)

SERIES	LINE	BODY	ENGINE	TRANSMISSION
H = HIGHLINE	T = JEEP - 2WD	74 = SPORT UTILITY 4-DR	EKG = 3.7L V6 Engine	DGQ = 5-Spd Automatic 5-45RFE Transmission
P = PREMIUM	J = JEEP - 4WD		EVA = 4.7L V8 MPI Engine	DGJ = 5-Speed Automatic MB Transmission
S = SPORT			EZB = 5.7L Hemi Multi Displacement Engine	
X = SPECIAL				

AR = use ase required - = Non illustrated part

Planetary Clutch
Figure 45RFE-1360

ITEM	PART NUMBER	QTY	LINE	SERIES	BODY	ENGINE	TRANS	TRIM	DESCRIPTION
------	-------------	-----	------	--------	------	--------	-------	------	-------------

SELECTIVE THRUST PLATES

PLANETARY THRUST PLATE PKG 05013092aa

	Thrust plate, planetary	1.62 / 1.75
	Thrust plate, planetary	1.81 / 1.94
	Thrust plate, planetary	1.96 / 2.09
	Thrust plate, planetary	2.11 / 2.24
	Thrust plate, planetary	2.26 / 2.39
	Thrust plate, planetary	2.41 / 2.54
	Thrust plate, planetary	2.56 / 2.69
	Thrust plate, planetary	2.71 / 2.84
	Thrust plate, planetary	2.86 / 2.99
	Thrust plate, planetary	3.01 / 3.14
	Thrust plate, planetary	3.16 / 3.29
	Thrust plate, planetary	3.31 / 3.44
	Thrust plate, planetary	3.46 / 3.59
	Thrust plate, planetary	3.61 / 3.74
	Thrust plate, planetary	3.76 / 3.89
	Thrust plate, planetary	3.91 / 4.04
	Thrust plate, planetary	4.06 / 4.19
	Thrust plate, planetary	4.21 / 4.34
	Thrust plate, planetary	4.36 / 4.49

①

NOTE:

Sales Codes:

[DGQ]=5 Speed Automatic Transmission - [5-45RFE]

[EV0] = All 4.7L 8 Cylinder Engines

[EZ0] = All 5.7L 8 Cylinder Engines

1

PLATE PACKAGE, Planetary Thrust

05013092AB	1	T				EV0	DGQ	
	1	T				EZ0	DGQ	
	1	J				EV0	DGQ	
	1	J				EZ0	DGQ	

-2

PLATE, Clutch Hub Thrust

04799830AB	AR	T				EV0	DGQ	[1.94/2.03MM]
	AR	T				EZ0	DGQ	[1.94/2.03MM]
	AR	J				EV0	DGQ	[1.94/2.03MM]
	AR	J				EZ0	DGQ	[1.94/2.03MM]
04799831AB	AR	T				EV0	DGQ	[2.08/2.17MM]
	AR	T				EZ0	DGQ	[2.08/2.17MM]
	AR	J				EV0	DGQ	[2.08/2.17MM]
	AR	J				EZ0	DGQ	[2.08/2.17MM]
04799832AB	AR	T				EV0	DGQ	[2.22/2.31MM]
	AR	T				EZ0	DGQ	[2.22/2.31MM]
	AR	J				EV0	DGQ	[2.22/2.31MM]
	AR	J				EZ0	DGQ	[2.22/2.31MM]
04799833AB	AR	T				EV0	DGQ	[2.36/2.45MM]
	AR	T				EZ0	DGQ	[2.36/2.45MM]
	AR	J				EV0	DGQ	[2.36/2.45MM]
	AR	J				EZ0	DGQ	[2.36/2.45MM]
04799834AB	AR	T				EV0	DGQ	[2.50/2.59MM]
	AR	T				EZ0	DGQ	[2.50/2.59MM]
	AR	J				EV0	DGQ	[2.50/2.59MM]
	AR	J				EZ0	DGQ	[2.50/2.59MM]
04799835AB	AR	T				EV0	DGQ	[2.64/2.73MM]
	AR	T				EZ0	DGQ	[2.64/2.73MM]
	AR	J				EV0	DGQ	[2.64/2.73MM]
	AR	J				EZ0	DGQ	[2.64/2.73MM]
04799836AB	AR	T				EV0	DGQ	[2.78/2.87MM]

GRAND CHEROKEE (WK)

SERIES LINE
H = HIGHLINE T = JEEP - 2WD
P = PREMIUM J = JEEP - 4WD
S = SPORT
X = SPECIAL

BODY
74 = SPORT UTILITY 4-DR

ENGINE
EKG = 3.7L V6 Engine
EVA = 4.7L V8 MPI Engine
EZB = 5.7L Hemi Multi Displacement Engine

TRANSMISSION
DGQ = 5-Spd Automatic 5-45RFE Transmission
DGJ = 5-Speed Automatic MB Transmission

AR = use ase required - = Non illustrated part

2006 WK

Planetary Clutch
Figure 45RFE-1360

ITEM	PART NUMBER	QTY	LINE	SERIES	BODY	ENGINE	TRANS	TRIM	DESCRIPTION
						EZ0	DGQ		[2.78/2.87MM]
						EVO	DGQ		[2.78/2.87MM]
						EZ0	DGQ		[2.78/2.87MM]
	04799837AB					EZ0	DGQ		[2.92/3.01MM]
						EVO	DGQ		[2.92/3.01MM]
						EZ0	DGQ		[2.92/3.01MM]
						EVO	DGQ		[2.92/3.01MM]
		-3							PLATE, Planetary
	04799809AC	1	T			EVO	DGQ		[2.11/2.24MM]
		1	J			EVO	DGQ		[2.11/2.24MM]
		1	J			EZ0	DGQ		[2.11/2.24MM]
		1	T			EZ0	DGQ		[2.11/2.24MM]
	04799810AC					EVO	DGQ		[2.26/2.39MM]
						EZ0	DGQ		[2.26/2.39MM]
						EVO	DGQ		[2.26/2.39MM]
						EZ0	DGQ		[2.26/2.39MM]
	04799811AC					EVO	DGQ		[2.41/2.54MM]
						EZ0	DGQ		[2.41/2.54MM]
						EVO	DGQ		[2.41/2.54MM]
						EZ0	DGQ		[2.41/2.54MM]
	04799812AC					EVO	DGQ		[2.56./2.69MM]
						EZ0	DGQ		[2.56./2.69MM]
						EVO	DGQ		[2.56./2.69MM]
						EZ0	DGQ		[2.56./2.69MM]
	04799813AC					EVO	DGQ		[2.71/2.84MM]
						EZ0	DGQ		[2.71/2.84MM]
						EVO	DGQ		[2.71/2.84MM]
						EZ0	DGQ		[2.71/2.84MM]
	04799814AC					EVO	DGQ		[2.86/2.99MM]
						EZ0	DGQ		[2.86/2.99MM]
						EVO	DGQ		[2.86/2.99MM]
						EZ0	DGQ		[2.86/2.99MM]
	04799816AC					EVO	DGQ		[3.16/3.29MM]
						EZ0	DGQ		[3.16/3.29MM]

SELECTIVE THRUST PLATES
PLANETARY THRUST PLATE PKG 05013092aa ①

Thrust plate, planetary	1.62 / 1.75
Thrust plate, planetary	1.81 / 1.94
Thrust plate, planetary	1.96 / 2.09
Thrust plate, planetary	2.11 / 2.24
Thrust plate, planetary	2.26 / 2.39
Thrust plate, planetary	2.41 / 2.54
Thrust plate, planetary	2.56 / 2.69
Thrust plate, planetary	2.71 / 2.84
Thrust plate, planetary	2.86 / 2.99
Thrust plate, planetary	3.01 / 3.14
Thrust plate, planetary	3.16 / 3.29
Thrust plate, planetary	3.31 / 3.44
Thrust plate, planetary	3.46 / 3.59
Thrust plate, planetary	3.61 / 3.74
Thrust plate, planetary	3.76 / 3.89
Thrust plate, planetary	3.91 / 4.04
Thrust plate, planetary	4.06 / 4.19
Thrust plate, planetary	4.21 / 4.34
Thrust plate, planetary	4.36 / 4.49

GRAND CHEROKEE (WK)

SERIES LINE
H = HIGHLINE T = JEEP - 2WD
P = PREMIUM J = JEEP - 4WD
S = SPORT
X = SPECIAL

BODY
74 = SPORT UTILITY 4-DR

ENGINE
EKG = 3.7L V6 Engine
EVA = 4.7L V8 MPI Engine
EZB = 5.7L Hemi Multi Displacement Engine

TRANSMISSION
DGQ = 5-Spd Automatic 5-45RFE Transmission
DGJ = 5-Speed Automatic MB Transmission

AR = use ase required - = Non illustrated part

2006 WK

Planetary Clutch
Figure 45RFE-1360

ITEM	PART NUMBER	QTY	LINE	SERIES	BODY	ENGINE	TRANS	TRIM	DESCRIPTION
------	-------------	-----	------	--------	------	--------	-------	------	-------------

SELECTIVE THRUST PLATES

PLANETARY THRUST PLATE PKG 05013092aa

	Thrust plate, planetary	1.62 / 1.75
	Thrust plate, planetary	1.81 / 1.94
	Thrust plate, planetary	1.96 / 2.09
	Thrust plate, planetary	2.11 / 2.24
	Thrust plate, planetary	2.26 / 2.39
	Thrust plate, planetary	2.41 / 2.54
	Thrust plate, planetary	2.56 / 2.69
	Thrust plate, planetary	2.71 / 2.84
	Thrust plate, planetary	2.86 / 2.99
	Thrust plate, planetary	3.01 / 3.14
	Thrust plate, planetary	3.16 / 3.29
	Thrust plate, planetary	3.31 / 3.44
	Thrust plate, planetary	3.46 / 3.59
	Thrust plate, planetary	3.61 / 3.74
	Thrust plate, planetary	3.76 / 3.89
	Thrust plate, planetary	3.91 / 4.04
	Thrust plate, planetary	4.06 / 4.19
	Thrust plate, planetary	4.21 / 4.34
	Thrust plate, planetary	4.36 / 4.49

①

		AR	J			EVO	DGQ		[3.16/3.29MM]
		AR	J			EZO	DGQ		[3.16/3.29MM]
	04799817AC	AR	T			EVO	DGQ		[3.31/3.44MM]
		AR	T			EZO	DGQ		[3.31/3.44MM]
		AR	J			EVO	DGQ		[3.31/3.44MM]
		AR	J			EZO	DGQ		[3.31/3.44MM]
	04799818AC	AR	T			EVO	DGQ		[3.46/3.59MM]
		AR	T			EZO	DGQ		[3.46/3.59MM]
		AR	J			EVO	DGQ		[3.46/3.59MM]
		AR	J			EZO	DGQ		[3.46/3.59MM]
	04799819AC	AR	T			EVO	DGQ		[3.61/3.74MM]
		AR	T			EZO	DGQ		[3.61/3.74MM]
		AR	J			EVO	DGQ		[3.61/3.74MM]
		AR	J			EZO	DGQ		[3.61/3.74MM]
	04799843AC	AR	T			EVO	DGQ		[3.01/3.14MM]
		AR	T			EZO	DGQ		[3.01/3.14MM]
		AR	J			EVO	DGQ		[3.01/3.14MM]
		AR	J			EZO	DGQ		[3.01/3.14MM]

GRAND CHEROKEE (WK)

SERIES LINE
H = HIGHLINE T = JEEP - 2WD
P = PREMIUM J = JEEP - 4WD
S = SPORT
X = SPECIAL

BODY
74 = SPORT UTILITY 4-DR

ENGINE
EKG = 3.7L V6 Engine
EVA = 4.7L V8 MPI Engine
EZB = 5.7L Hemi Multi
Displacement Engine

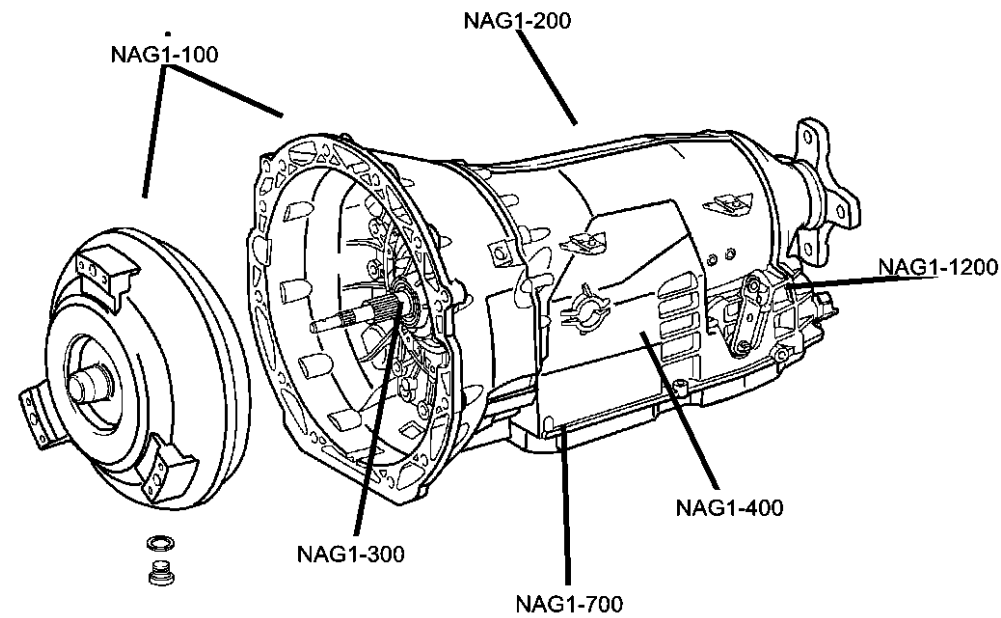
TRANSMISSION
DGQ = 5-Spd Automatic 5-45RFE
Transmission
DGJ = 5-Speed Automatic MB
Transmission

AR = use ase required - = Non illustrated part

2006 WK

Group - NAG1

Automatic Transmission 5 Speed [DGJ]



Group - NAG1 Automatic Transmission 5 Speed [DGJ]

Illustration Title

Group-Fig. No.

Transmission Assembly

Transmission Assembly Fig. NAG1 - 110

Case and Extension

Overhaul Seal & Gasket Package Fig. NAG1 - 205
 Transmission Case & Related Parts Fig. NAG1 - 210
 Transmission Case & Related Parts Fig. NAG1 - 220
 Oil Filler Tube Fig. NAG1 - 230
 Heat Shield Fig. NAG1 - 240
 Transmission Mounting Fig. NAG1 - 250

Oil Pump

Pump, Oil Fig. NAG1 - 310

Gear Train

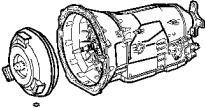
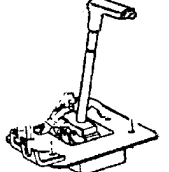
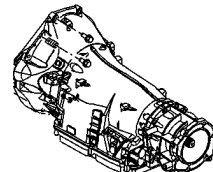
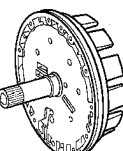
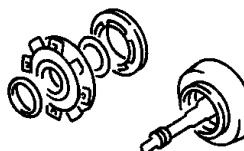
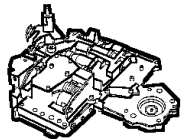
Multi-Disc Holding Clutch - [B1] Fig. NAG1 - 410
 Driving Clutch, Front Planetary - [K1] Fig. NAG1 - 420
 Planetary Carrier - [K1] - [VPLS] Fig. NAG1 - 430
 Driving Clutch - [K2] Fig. NAG1 - 440
 Center & Rear Planetary Set - Output Shaft - [MPLS / HPLS] Fig. NAG1 - 450
 Driving Clutch - [K3] Fig. NAG1 - 460
 Multiple Disc Brake & Parking Lock Gearwheel - [B2 & B3] Fig. NAG1 - 470
 Multiple Disc Brake & Parking Lock Gearwheel - [B2 & B3] Fig. NAG1 - 480
 Multiple Disc Brake & Parking Lock Gearwheel - [B2 & B3] Fig. NAG1 - 490

Valve Body

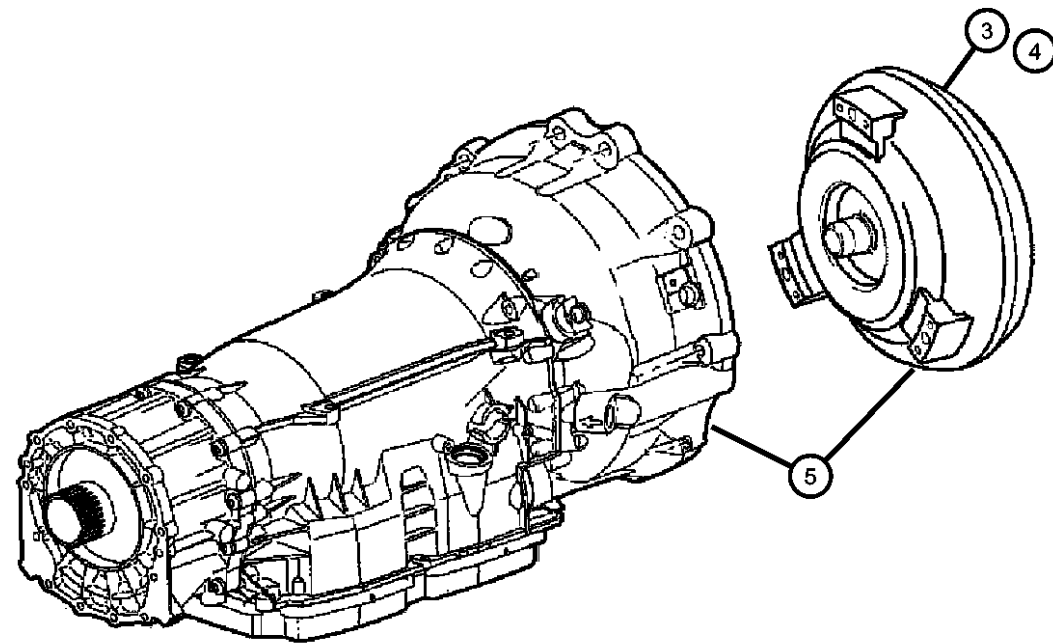
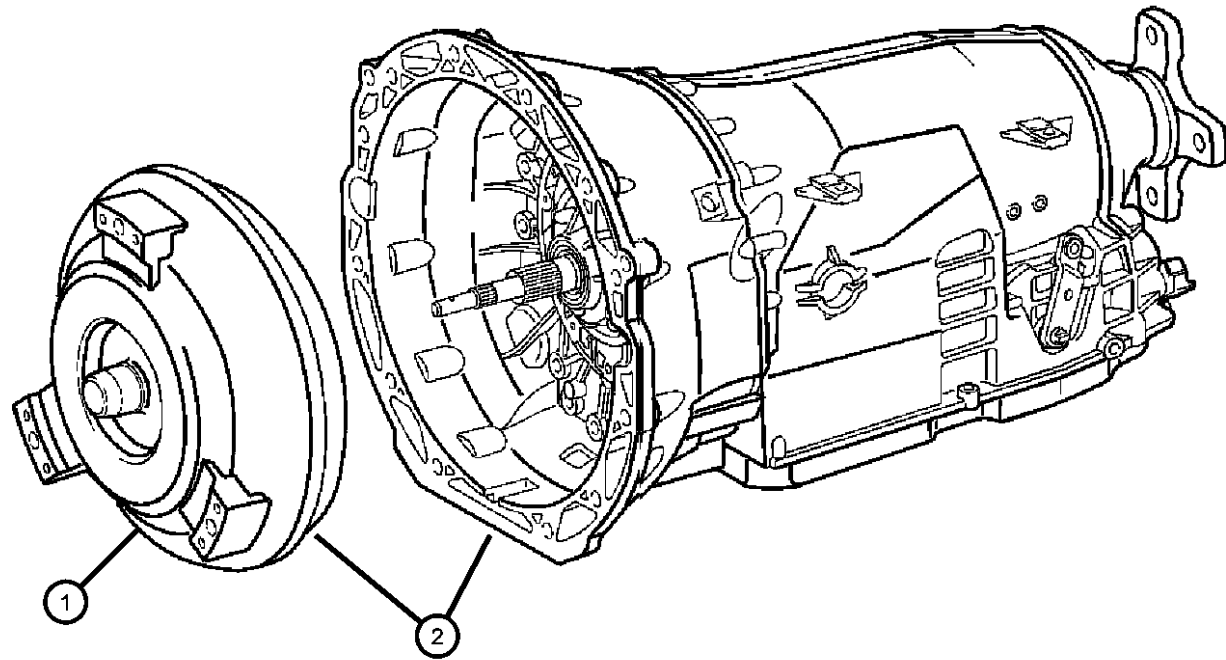
Electronic - Hydraulic Control Unit Fig. NAG1 - 710
 Oil Pan, Gasket & Filter Fig. NAG1 - 720

Gearshift Controls

Gearshift Control Fig. NAG1 - 1210
 Shifter Cable & Transmission Shifter Cable Bracket Fig. NAG1 - 1220

<p>NAG1-100 Transmission Assembly</p> 	<p>NAG1-1200 Gearshift Controls</p> 	<p>NAG1-200 Case and Extension</p> 	<p>NAG1-300 Oil Pump</p> 
<p>NAG1-400 Gear Train</p> 	<p>NAG1-700 Valve Body</p> 		

**Transmission Assembly
Figure NAG1-110**



ITEM	PART NUMBER	QTY	LINE	SERIES	BODY	ENGINE	TRANS	TRIM	DESCRIPTION
------	-------------	-----	------	--------	------	--------	-------	------	-------------

NOTE:

Sales Codes:

[DGJ]=5 Speed Automatic Transmission - [NAG1] - [W5A580]

[ESF]=6.1L SRT V-8 HEMI Engine

[EK0]=All 3.7L V-6 Engines

1	04752603AA	1	T			EK0	DGJ		CONVERTER, Torque
2	05179338AA	1	T			EK0	DGJ		TRANSMISSION PACKAGE, With Torque Converter, With Stamp # [52108400AB]
3	04752603AA	1	J			EK0	DGJ		CONVERTER, Torque
4	05174299AA	1	J			ESF	DGJ		CONVERTER PACKAGE, Torque
5									TRANSMISSION PACKAGE, With Torque Converter
	05179336AA	1	J			EK0	DGJ		With Stamp # [52108421AB]
	05179337AA	1	J			ESF	DGJ		With Stamp # [52108630AA]

GRAND CHEROKEE (WK)

SERIES	LINE	BODY	ENGINE	TRANSMISSION
H = HIGHLINE	T = JEEP - 2WD	74 = SPORT UTILITY 4-DR	EKG = 3.7L V6 Engine	DGQ = 5-Spd Automatic 5-45RFE Transmission
P = PREMIUM	J = JEEP - 4WD		EVA = 4.7L V8 MPI Engine	DGJ = 5-Speed Automatic MB Transmission
S = SPORT			EZB = 5.7L Hemi Multi Displacement Engine	
X = SPECIAL				

AR = use ase required - = Non illustrated part

2006 WK

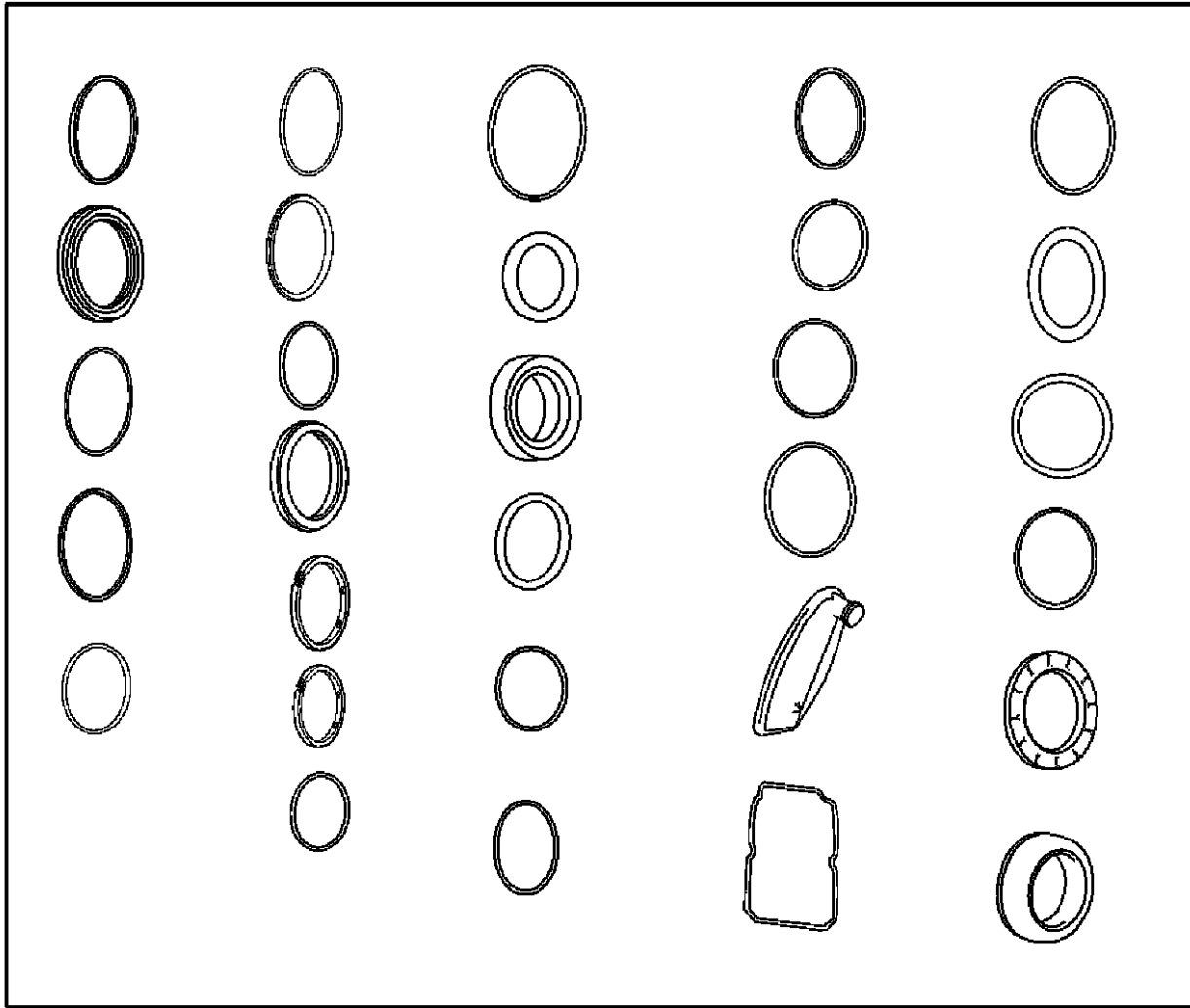
**Overhaul Seal & Gasket Package
Figure NAG1-205**

ITEM	PART NUMBER	QTY	LINE	SERIES	BODY	ENGINE	TRANS	TRIM	DESCRIPTION
------	-------------	-----	------	--------	------	--------	-------	------	-------------

NOTE: PARTS ILLUSTRATED ARE NOT IN SCALE OR IN CORRECT SIZE. THIS IS A GASKET AND SEAL PACKAGE. IT DOES NOT INCLUDE

1	05139580AA	1	J				DGJ		SEAL AND GASKET PACKAGE, Transmission, See Note:
---	------------	---	---	--	--	--	-----	--	--

1



GRAND CHEROKEE (WK)

SERIES	LINE
H = HIGHLINE	T = JEEP - 2WD
P = PREMIUM	J = JEEP - 4WD
S = SPORT	
X = SPECIAL	

BODY
74 = SPORT UTILITY 4-DR

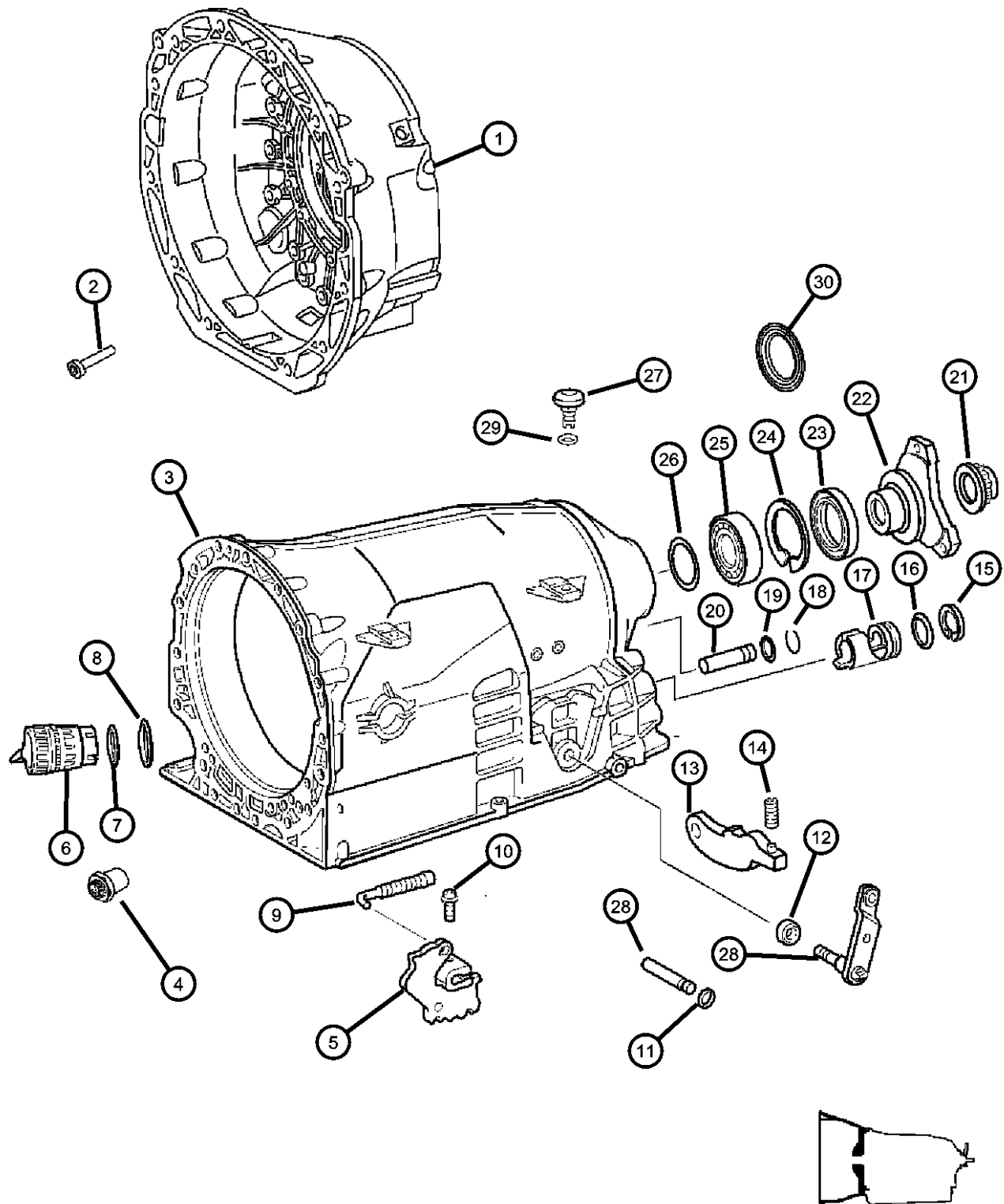
ENGINE
EKG = 3.7L V6 Engine
EVA = 4.7L V8 MPI Engine
EZB = 5.7L Hemi Multi Displacement Engine

TRANSMISSION
DGQ = 5-Spd Automatic 5-45RFE Transmission
DGJ = 5-Speed Automatic MB Transmission

AR = use ase required - = Non illustrated part

2006 WK

**Transmission Case & Related Parts
Figure NAG1-210**



ITEM	PART NUMBER	QTY	LINE	SERIES	BODY	ENGINE	TRANS	TRIM	DESCRIPTION
------	-------------	-----	------	--------	------	--------	-------	------	-------------

NOTE: Complete Repair Gasket Package Not Available. Must Order Gaskets, Seals & Related Parts Individually

Sales Codes:

[DGJ]=5 Speed Automatic Transmission - [NAG1] - [W5A580]

[EK0]=All 3.7L V-6 Engines

1	52108422AA	1	T			EK0	DGJ		HOUSING, Torque Converter
2	52108206AA	15	T			EK0	DGJ		SCREW
3	52108431AA	1	T			EK0	DGJ		CASE, Transmission, Serviced With Transmission Assembly
4									FITTING, Quick Connect
	52119547AA	2	T			EZ0	DGQ		
		2	T			EVO	DGQ		
5	52108349AA	1	T			EK0	DGJ		DETENT, Gearshift
6	05166827AA	1	T			EK0	DGJ		PLUG, Adapter
7	52108323AB	1	T			EK0	DGJ		O RING, Adapter Plug
8	52108324AB	1	T			EK0	DGJ		O RING, Adapter Plug
9	52108166AA	1	T			EK0	DGJ		LINKAGE, Transmission
10	52108178AA	1	T			EK0	DGJ		SCREW
11	52108156AA	1	T			EK0	DGJ		SEAL, Transmission
12	05134933AB	AR	T			EK0	DGJ		SEAL, Transmission
13	52108154AA	1	T			EK0	DGJ		PAWL, Parking Sprag
14	52108157AA	1	T			EK0	DGJ		SPRING
15	52107976AA	1	T			EK0	DGJ		SNAP RING
16	52108177AA	1	T			EK0	DGJ		SEAL, Transmission
17	52108176AA	1	T			EK0	DGJ		GUIDE
18	52107975AA	1	T			EK0	DGJ		SNAP RING
19	52108156AA	1	T			EK0	DGJ		SEAL, Transmission
20	52108155AA	1	T			EK0	DGJ		PIN
21	52108234AA	1	T			EK0	DGJ		NUT
22	52108628AB	1	T			EK0	DGJ		FLANGE, Output
23	52108428AA	1	T			EK0	DGJ		SEAL, Transmission
24	52108210AA	AR	T			EK0	DGJ		LOCK, Mounting
25	52108207AA	1	T			EK0	DGJ		BEARING, Ball
26									SPACER
	52108220AA	1	T			EK0	DGJ		[3MM]
	52108231AA	AR	T			EK0	DGJ		[4MM]
	52108230AA	AR	T			EK0	DGJ		[2MM]
	52108232AA	AR	T			EK0	DGJ		[5MM]

GRAND CHEROKEE (WK)

SERIES LINE
H = HIGHLINE T = JEEP - 2WD
P = PREMIUM J = JEEP - 4WD
S = SPORT
X = SPECIAL

BODY
74 = SPORT UTILITY 4-DR

ENGINE
EKG = 3.7L V6 Engine
EVA = 4.7L V8 MPI Engine
EZB = 5.7L Hemi Multi Displacement Engine

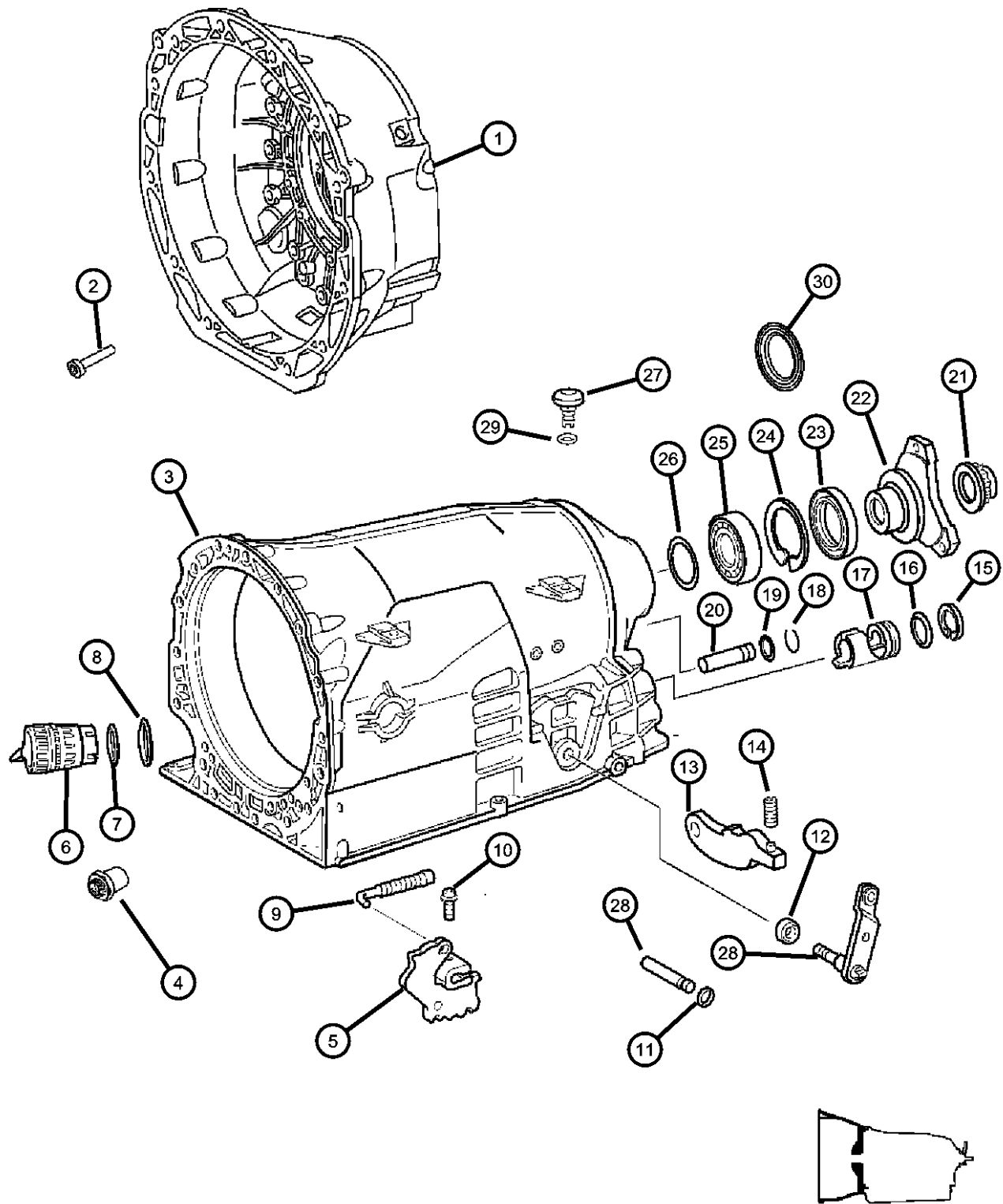
TRANSMISSION
DGQ = 5-Spd Automatic 5-45RFE Transmission
DGJ = 5-Speed Automatic MB Transmission

AR = use ase required - = Non illustrated part

2006 WK

**Transmission Case & Related Parts
Figure NAG1-210**

ITEM	PART NUMBER	QTY	LINE	SERIES	BODY	ENGINE	TRANS	TRIM	DESCRIPTION
27	52108397AA	1	T			EK0	DGJ		BREATHER, Transmission, Includes O ring
28	52108432AA	1	T			EK0	DGJ		SHAFT, Shift Lever
29									O RING
	52108399AA	1	J			EK0	DGJ		
		1	T			EK0	DGJ		
		1	J			ESF	DGJ		
30	52108626AA	1	T			EK0	DGJ		SLINGER, Front Yoke



GRAND CHEROKEE (WK)

SERIES	LINE
H = HIGHLINE	T = JEEP - 2WD
P = PREMIUM	J = JEEP - 4WD
S = SPORT	
X = SPECIAL	

BODY
74 = SPORT UTILITY 4-DR

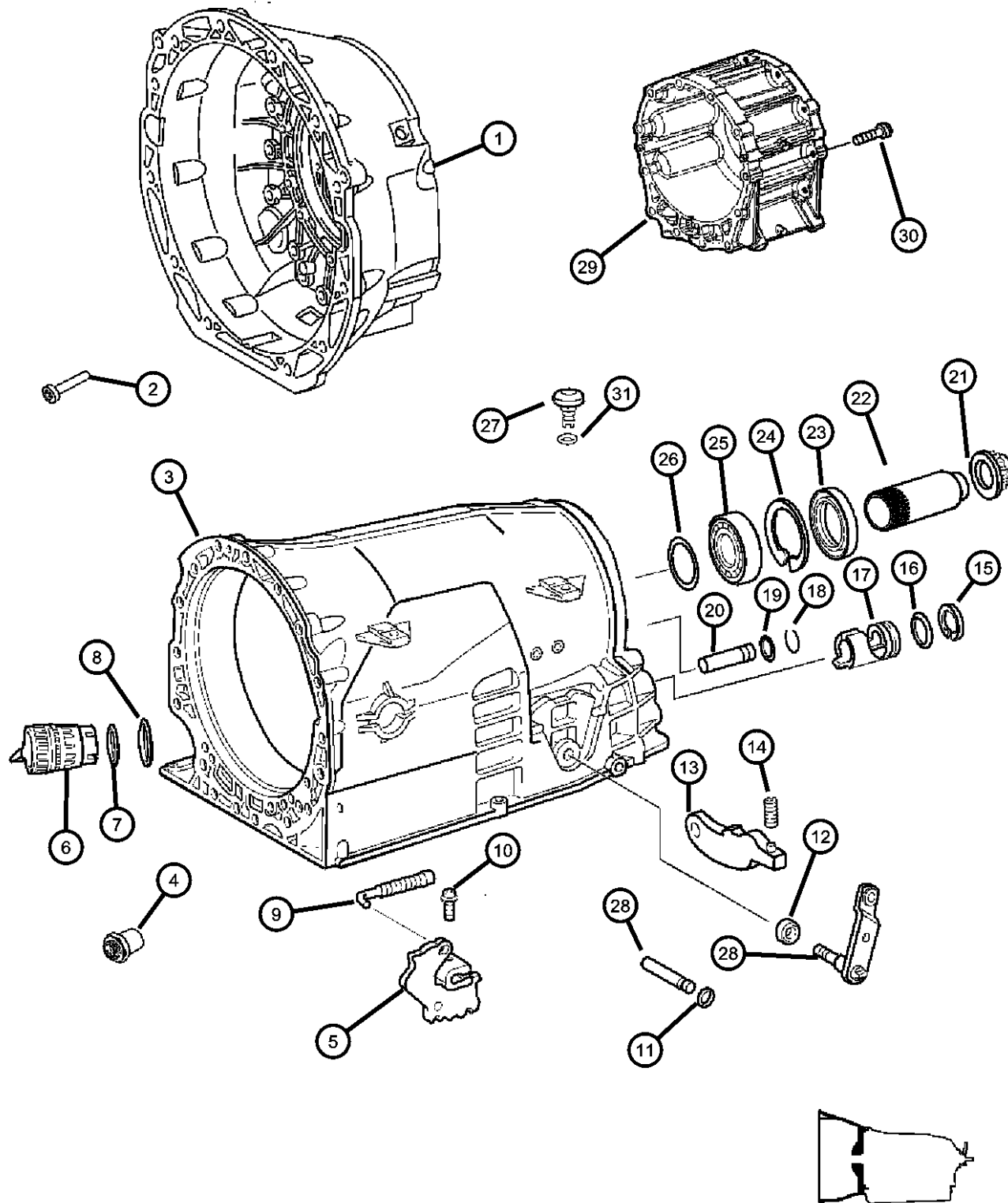
ENGINE
EKG = 3.7L V6 Engine
EVA = 4.7L V8 MPI Engine
EZB = 5.7L Hemi Multi Displacement Engine

TRANSMISSION
DGQ = 5-Spd Automatic 5-45RFE Transmission
DGJ = 5-Speed Automatic MB Transmission

AR = use ase required - = Non illustrated part

2006 WK

**Transmission Case & Related Parts
Figure NAG1-220**



ITEM	PART NUMBER	QTY	LINE	SERIES	BODY	ENGINE	TRANS	TRIM	DESCRIPTION
11		1	J			ESF	DGJ		SEAL, Transmission
	52108156AA	1	J			EK0	DGJ		
12		1	J			ESF	DGJ		SEAL, Transmission
	05134933AB	AR	J			EK0	DGJ		
13		AR	J			ESF	DGJ		PAWL, Parking Sprag
	52108154AA	1	J			EK0	DGJ		
14		1	J			ESF	DGJ		SPRING
	52108157AA	1	J			EK0	DGJ		
15		1	J			ESF	DGJ		SNAP RING
	52107976AA	1	J			EK0	DGJ		
16		1	J			ESF	DGJ		SEAL, Transmission
	05134933AB	AR	J			EK0	DGJ		
17		AR	J			ESF	DGJ		GUIDE
	52108176AA	1	J			EK0	DGJ		
18		1	J			ESF	DGJ		SNAP RING
	52107975AA	1	J			EK0	DGJ		
19		1	J			ESF	DGJ		SEAL, Transmission
	52108156AA	1	J			EK0	DGJ		
20		1	J			ESF	DGJ		PIN
	52108155AA	1	J			EK0	DGJ		
21		1	J			ESF	DGJ		NUT
	52108234AA	1	J			EK0	DGJ		
		1	J			ESF	DGJ		

GRAND CHEROKEE (WK)

SERIES LINE
H = HIGHLINE T = JEEP - 2WD
P = PREMIUM J = JEEP - 4WD
S = SPORT
X = SPECIAL

BODY
74 = SPORT UTILITY 4-DR

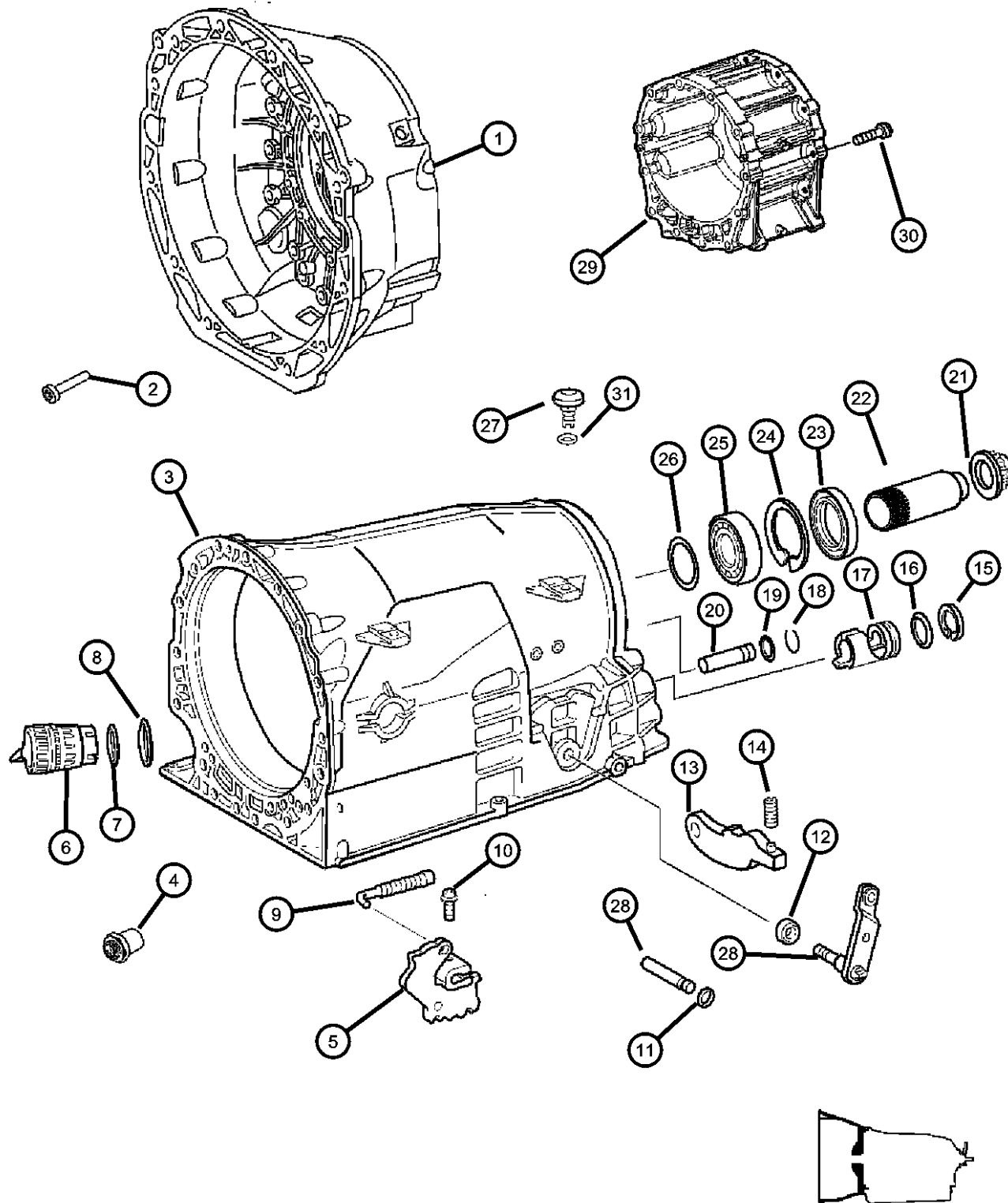
ENGINE
EKG = 3.7L V6 Engine
EVA = 4.7L V8 MPI Engine
EZB = 5.7L Hemi Multi
Displacement Engine

TRANSMISSION
DGQ = 5-Spd Automatic 5-45RFE
Transmission
DGJ = 5-Speed Automatic MB
Transmission

AR = use ase required - = Non illustrated part

2006 WK

**Transmission Case & Related Parts
Figure NAG1-220**



ITEM	PART NUMBER	QTY	LINE	SERIES	BODY	ENGINE	TRANS	TRIM	DESCRIPTION
22	05179989AA	1	J			EK0	DGJ		FLANGE PACKAGE
		1	J			ESF	DGJ		
23	52108428AA	1	J			EK0	DGJ		SEAL, Transmission
		1	J			ESF	DGJ		
24	52108210AA	AR	J			EK0	DGJ		LOCK, Mounting
		AR	J			ESF	DGJ		
25	52108207AA	1	J			EK0	DGJ		BEARING, Ball
		1	J			ESF	DGJ		
26	52108220AA	AR	J			EK0	DGJ		SPACER [3MM]
		AR	J			ESF	DGJ		[3MM]
	52108230AA	AR	J			EK0	DGJ		[2MM]
		AR	J			ESF	DGJ		[2MM]
	52108231AA	AR	J			EK0	DGJ		[4MM]
		AR	J			ESF	DGJ		[4MM]
	52108232AA	AR	J			EK0	DGJ		[5MM]
		AR	J			ESF	DGJ		[5MM]
27	52108397AA	1	J			EK0	DGJ		BREATHER, Transmission
		1	J			ESF	DGJ		
28	52108432AA	1	J			EK0	DGJ		SHAFT, Shift Lever
		1	J			ESF	DGJ		
29	52108451AA	1	J			EK0	DGJ		ADAPTER, Transfer Case
		1	J			ESF	DGJ		
30	06104157AB	1	J			EK0	DGJ		SCREW
		1	J			ESF	DGJ		
31									O RING

GRAND CHEROKEE (WK)

SERIES LINE
H = HIGHLINE T = JEEP - 2WD
P = PREMIUM J = JEEP - 4WD
S = SPORT
X = SPECIAL

BODY
74 = SPORT UTILITY 4-DR

ENGINE
EKG = 3.7L V6 Engine
EVA = 4.7L V8 MPI Engine
EZB = 5.7L Hemi Multi
Displacement Engine

TRANSMISSION
DGQ = 5-Spd Automatic 5-45RFE
Transmission
DGJ = 5-Speed Automatic MB
Transmission

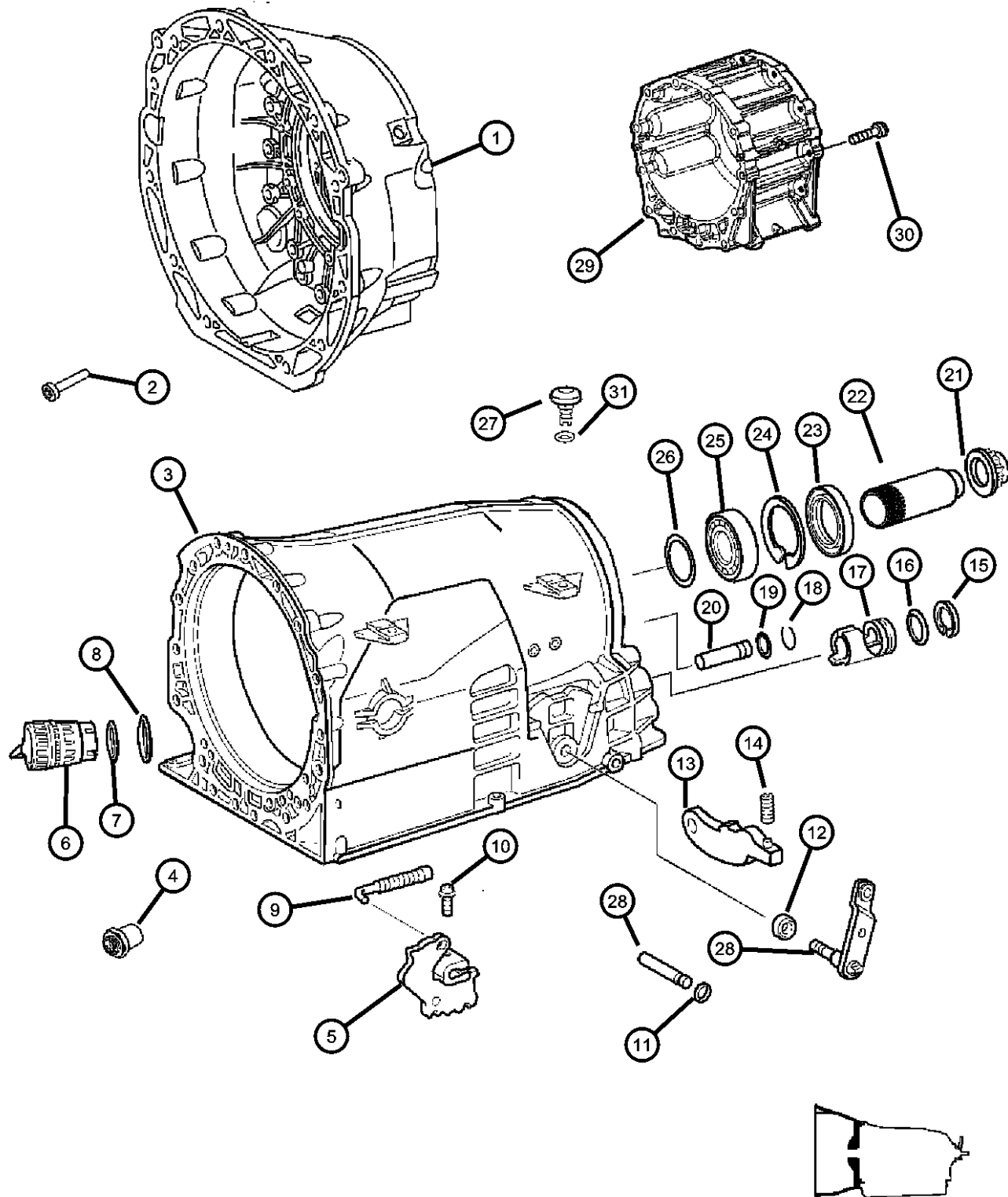
AR = use ase required - = Non illustrated part

2006 WK

Transmission Case & Related Parts
Figure NAG1-220

ITEM	PART NUMBER	QTY	LINE	SERIES	BODY	ENGINE	TRANS	TRIM	DESCRIPTION
------	-------------	-----	------	--------	------	--------	-------	------	-------------

	52107900AA	1	J			EK0	DGJ		
		1	T			EK0	DGJ		
		1	J			ESF	DGJ		



GRAND CHEROKEE (WK)

SERIES LINE
 H = HIGHLINE T = JEEP - 2WD
 P = PREMIUM J = JEEP - 4WD
 S = SPORT
 X = SPECIAL

BODY
 74 = SPORT UTILITY 4-DR

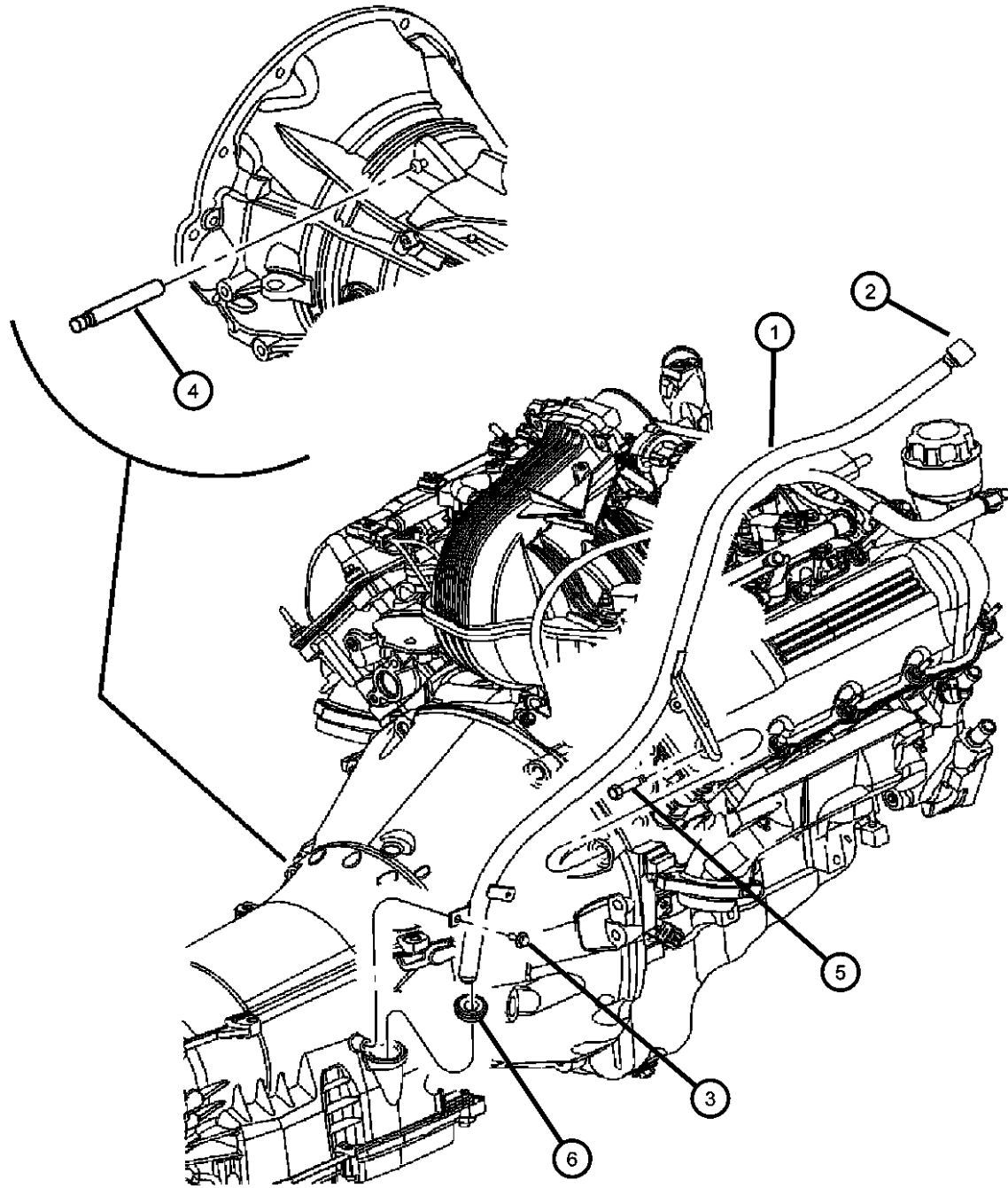
ENGINE
 EKG = 3.7L V6 Engine
 EVA = 4.7L V8 MPI Engine
 EZB = 5.7L Hemi Multi
 Displacement Engine

TRANSMISSION
 DGQ = 5-Spd Automatic 5-45RFE
 Transmission
 DGJ = 5-Speed Automatic MB
 Transmission

AR = use ase required - = Non illustrated part

2006 WK

Oil Filler Tube
Figure NAG1-230



ITEM	PART NUMBER	QTY	LINE	SERIES	BODY	ENGINE	TRANS	TRIM	DESCRIPTION
------	-------------	-----	------	--------	------	--------	-------	------	-------------

NOTE:

Sales Codes:

[DGJ]=5 Speed Automatic Transmission - [NAG1] - [W5A580]

[ESF]=6.1L SRT V-8 HEMI Engine

[EK0]=All 3.7L V-6 Engines

1									TUBE, Transmission Oil Filler
	05037752AC	1				ESF	DGJ		
	53013578AF	1				EK0	DGJ		
2									CAP, Oil Filler
	04591959AA	1				EK0	DGJ		
		1				ESF	DGJ		
3	06501979	1					DG0		SCREW AND WASHER, Hex Head, M6x1x17
4	53032457AA	1					DGJ, DGQ		TUBE, Vent
5	00154938AA	4				EK0, ES0	DG0		SCREW AND WASHER, Hex Head, .375-16x1.75
6									GROMMET
	04810021	1	J			EK0	DGJ		
		1	T			EK0	DGJ		
		1	J			ESF	DGJ		

GRAND CHEROKEE (WK)

SERIES LINE
H = HIGHLINE T = JEEP - 2WD
P = PREMIUM J = JEEP - 4WD
S = SPORT
X = SPECIAL

BODY
74 = SPORT UTILITY 4-DR

ENGINE
EKG = 3.7L V6 Engine
EVA = 4.7L V8 MPI Engine
EZB = 5.7L Hemi Multi Displacement Engine

TRANSMISSION
DGQ = 5-Spd Automatic 5-45RFE Transmission
DGJ = 5-Speed Automatic MB Transmission

AR = use ase required - = Non illustrated part

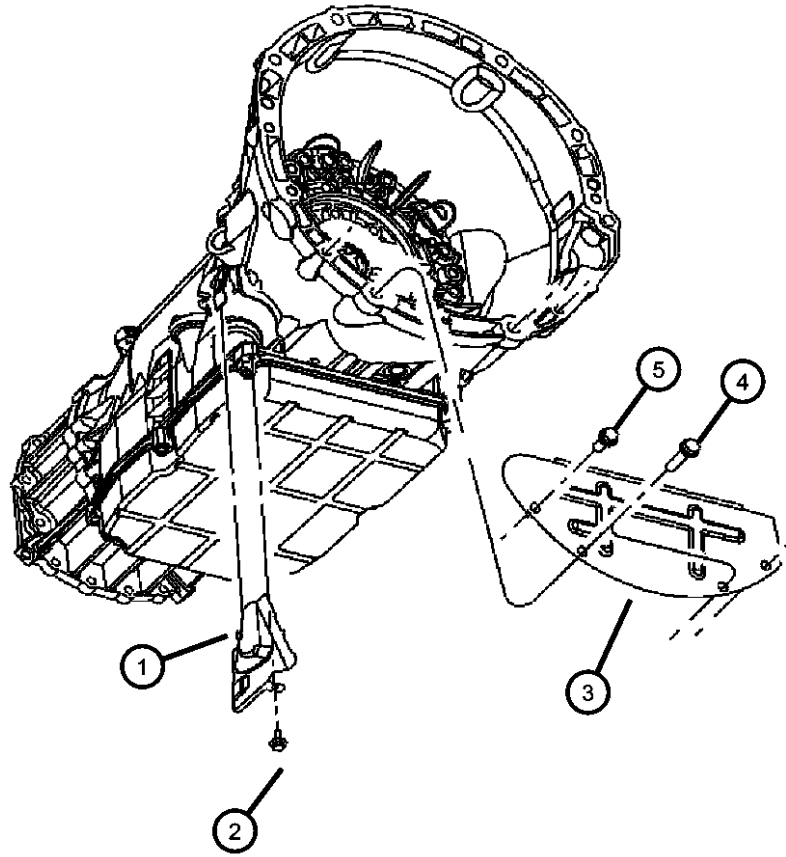
2006 WK

**Heat Shield
Figure NAG1-240**

ITEM	PART NUMBER	QTY	LINE	SERIES	BODY	ENGINE	TRANS	TRIM	DESCRIPTION
------	-------------	-----	------	--------	------	--------	-------	------	-------------

NOTE:
Sales Note:
[DGJ]=5 Speed Automatic Transmission - [W5A580]
[ESF]=6.1L SRT HEMI V-8 Engine
[EK0]=All 3.7L V-6 Engines
[EV0]=All 4.7L V-8 Engines

1	53013915AA	1					DGJ		SHIELD, Heat
2	06507210AA	1					DGJ		SCREW AND WASHER, Hex Head
3	53013867AA	1	J			EK0	DGJ		SHIELD, Transmission
4	06101985	1				ESF			SCREW AND WASHER, M10x1.50x45.00
5	06101794	1				EK0, ESF, EV0			SCREW, Hex Head, M10x1.5x115



GRAND CHEROKEE (WK)

SERIES	LINE	BODY	ENGINE	TRANSMISSION
H = HIGHLINE	T = JEEP - 2WD	74 = SPORT UTILITY 4-DR	EKG = 3.7L V6 Engine	DGQ = 5-Spd Automatic 5-45RFE
P = PREMIUM	J = JEEP - 4WD		EVA = 4.7L V8 MPI Engine	Transmission
S = SPORT			EZB = 5.7L Hemi Multi	DGJ = 5-Speed Automatic MB
X = SPECIAL			Displacement Engine	Transmission

AR = use ase required - = Non illustrated part

2006 WK

**Transmission Mounting
Figure NAG1-250**

ITEM	PART NUMBER	QTY	LINE	SERIES	BODY	ENGINE	TRANS	TRIM	DESCRIPTION
------	-------------	-----	------	--------	------	--------	-------	------	-------------

NOTE:

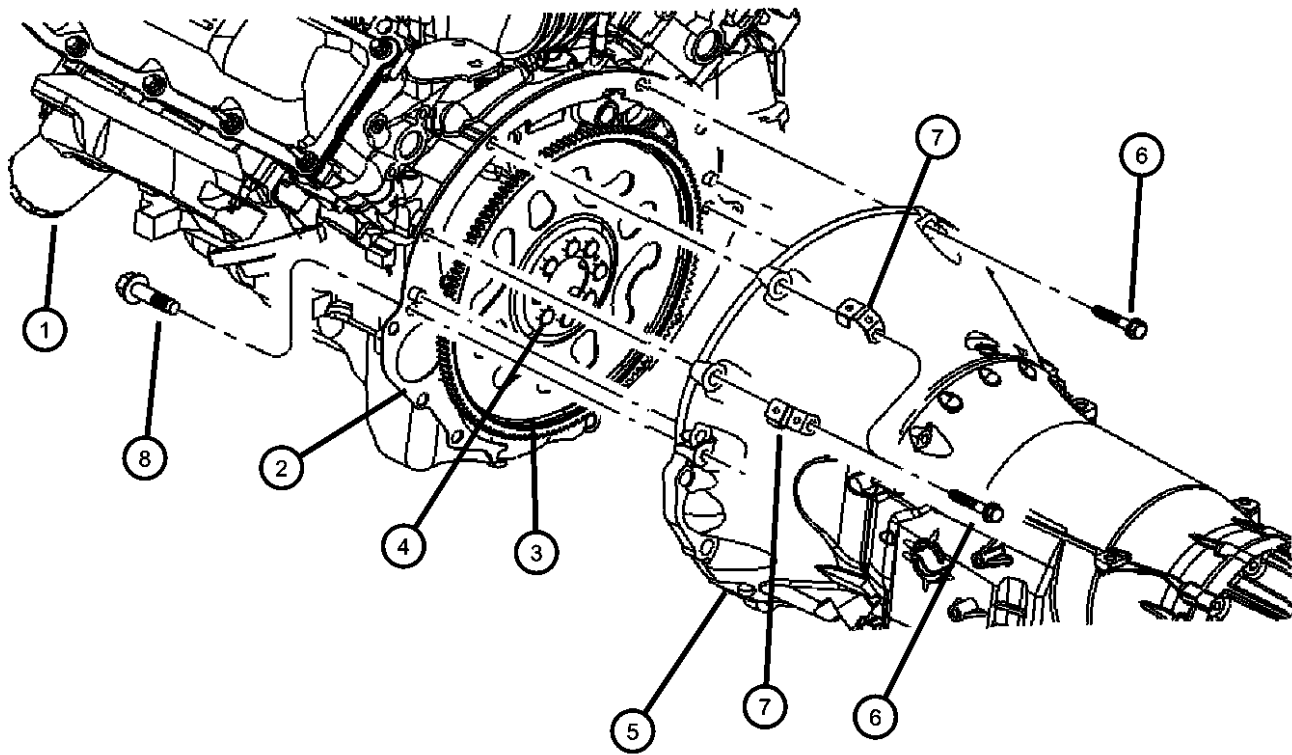
Sales Codes:

[DGJ]=5 Speed Automatic Transmission - [NAG1] - [W5A580]

[DG0]=All 5 Speed Automatic Transmissions

[EK0]=All 3.7L V-6 Engines

[EV0]=All 4.7L V-8 Engines



1		1							ENGINE, Complete, See Engine Group, (NOT SERVICED)
2	53013573AB	1				EK0, ES0	DGJ		COVER, Transmission Dust
3									PLATE, Torque Converter Drive
	04752574AB	1				EK0	DG0		
		1				ESF	DG0		
4									BOLT, Drive Plate and Flywheel
	06503465	8				EK0, EV0	DG0		
		8				ESF	DG0		
5		8							TRANSMISSION, With Torque Converter, See Transmission Illustration, (NOT SERVICED)
6	00154938AA	4				EK0, ES0	DG0		SCREW AND WASHER, Hex Head, .375-16x1.75
7	56041379AA	1							CLIP, Housing
8	06036385AA	2					DG0		SCREW AND WASHER, Hex Head, .437-14x2.00

GRAND CHEROKEE (WK)

SERIES	LINE
H = HIGHLINE	T = JEEP - 2WD
P = PREMIUM	J = JEEP - 4WD
S = SPORT	
X = SPECIAL	

BODY
74 = SPORT UTILITY 4-DR

ENGINE
EKG = 3.7L V6 Engine
EVA = 4.7L V8 MPI Engine
EZB = 5.7L Hemi Multi Displacement Engine

TRANSMISSION
DGQ = 5-Spd Automatic 5-45RFE Transmission
DGJ = 5-Speed Automatic MB Transmission

AR = use ase required - = Non illustrated part

2006 WK

**Pump, Oil
Figure NAG1-310**

ITEM	PART NUMBER	QTY	LINE	SERIES	BODY	ENGINE	TRANS	TRIM	DESCRIPTION
------	-------------	-----	------	--------	------	--------	-------	------	-------------

NOTE: Call Out [#2] Is The Oil Pump Housing Only. It Does Not Include The Oil Pump Gears, Seal & Housing O Ring.

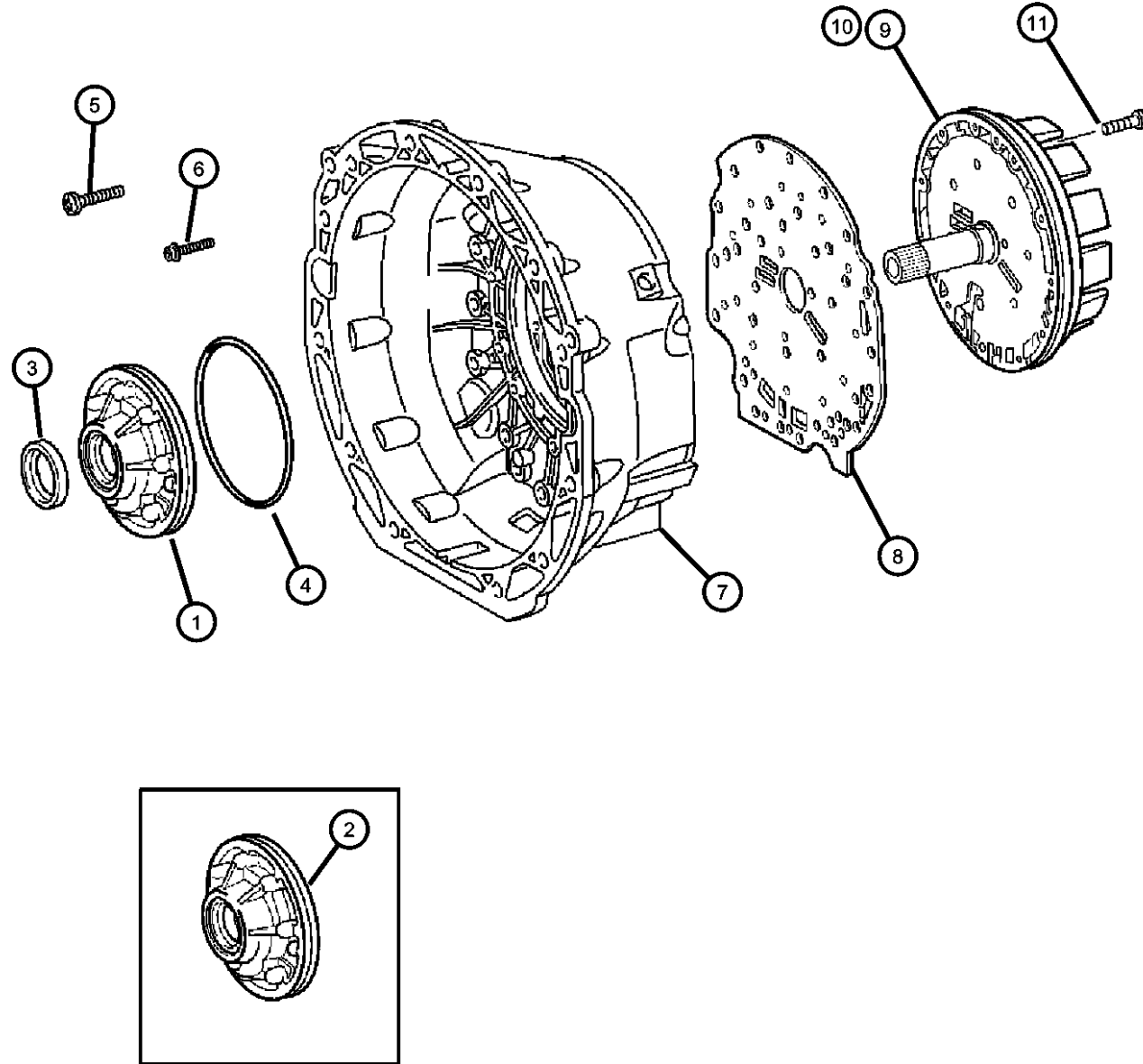
Sales Codes:

[DGJ]=5 Speed Automatic Transmission - [NAG1] - [W5A580]

[DG0]=All 5 Speed Automatic Transmissions

[EK0]=All 3.7L V-6 Engines

[EV0]=All 4.7L V-8 Engines



1	05080070AA	1	J			EK0	DGJ		PUMP, Transmission Oil
		1	T			EK0	DGJ		
		1	J			ESF	DGJ		
2	52107892AA	1	J			EK0	DGJ		PUMP, Transmission Oil, Outer Oil Pump Housing Only / Gears, Seal, O Ring Not Included
		1	T			EK0	DGJ		
		1	J			ESF	DGJ		
3	52108424AA	AR	J			EK0	DGJ		SEAL
		AR	T			EK0	DGJ		
		1	J			ESF	DGJ		
4	52107900AA	1	J			EK0	DGJ		O RING
		1	T			EK0	DGJ		
		1	J			ESF	DGJ		
5	06104158AA	2	J			EK0	DGJ		SCREW
		2	T			EK0	DGJ		
	52108206AA	15	J			EK0	DGJ		Bell Housing To Transmission Case
		15	T			EK0	DGJ		Bell Housing To Transmission Case
		15	J			ESF	DGJ		Bell Housing To Transmission Case
6	52107934AA	11	J			EK0	DGJ		SCREW
		11	T			EK0	DGJ		
		11	J			ESF	DGJ		
7	52108422AA	1	J			EK0	DGJ		HOUSING, Torque Converter

GRAND CHEROKEE (WK)

SERIES LINE
H = HIGHLINE T = JEEP - 2WD
P = PREMIUM J = JEEP - 4WD
S = SPORT
X = SPECIAL

BODY
74 = SPORT UTILITY 4-DR

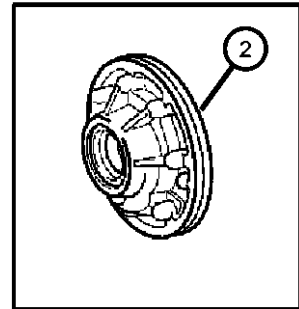
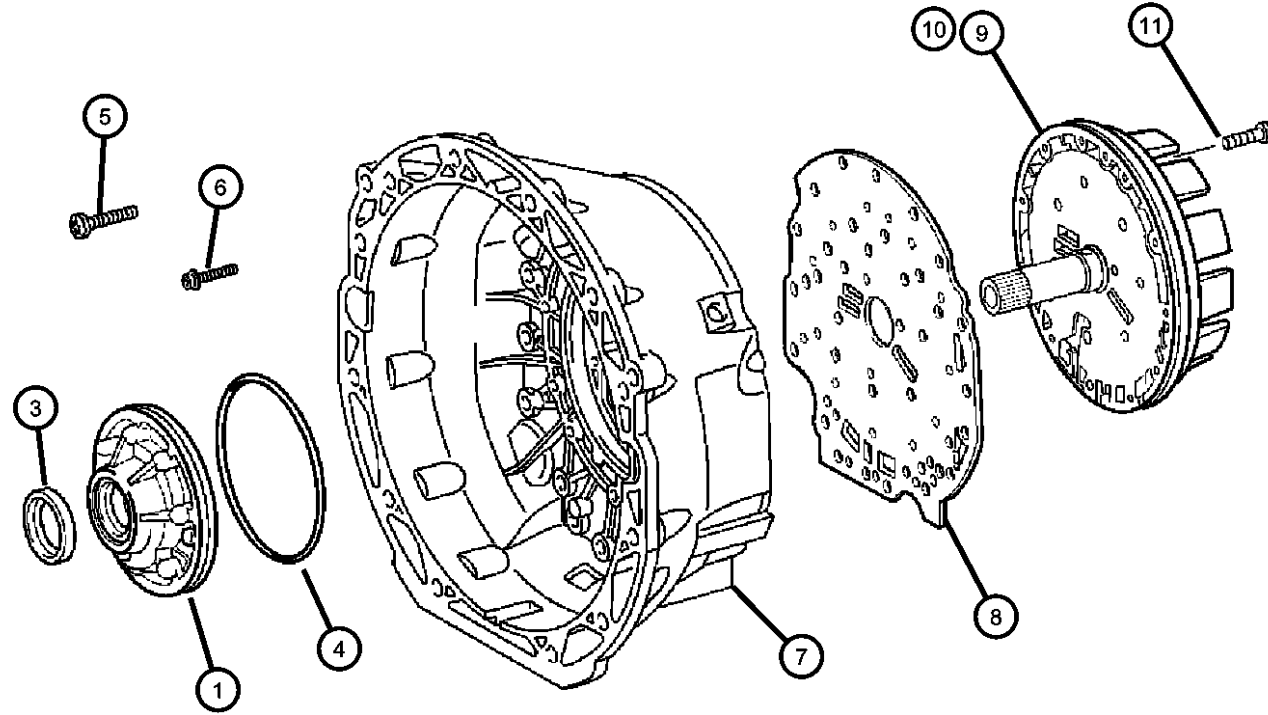
ENGINE
EKG = 3.7L V6 Engine
EVA = 4.7L V8 MPI Engine
EZB = 5.7L Hemi Multi Displacement Engine

TRANSMISSION
DGQ = 5-Spd Automatic 5-45RFE Transmission
DGJ = 5-Speed Automatic MB Transmission

AR = use ase required - = Non illustrated part

2006 WK

Pump, Oil
Figure NAG1-310



ITEM	PART NUMBER	QTY	LINE	SERIES	BODY	ENGINE	TRANS	TRIM	DESCRIPTION
		1	T			EK0	DGJ		
		1	J			ESF	DGJ		
8	52108147AA	1	J			EK0	DGJ		PLATE, Intermediate
		1	T			EK0	DGJ		
		1	J			ESF	DGJ		
9	05138365AA	1	J			EK0	DGJ		DISC, Support
		1	T			EK0	DGJ		
10	52108539AB	1	J			ESF	DGJ		CARRIER
11	52107933AA	7	J			EK0	DGJ		SCREW
		7	T			EK0	DGJ		
		7	J			ESF	DGJ		

GRAND CHEROKEE (WK)

SERIES LINE
H = HIGHLINE T = JEEP - 2WD
P = PREMIUM J = JEEP - 4WD
S = SPORT
X = SPECIAL

BODY
74 = SPORT UTILITY 4-DR

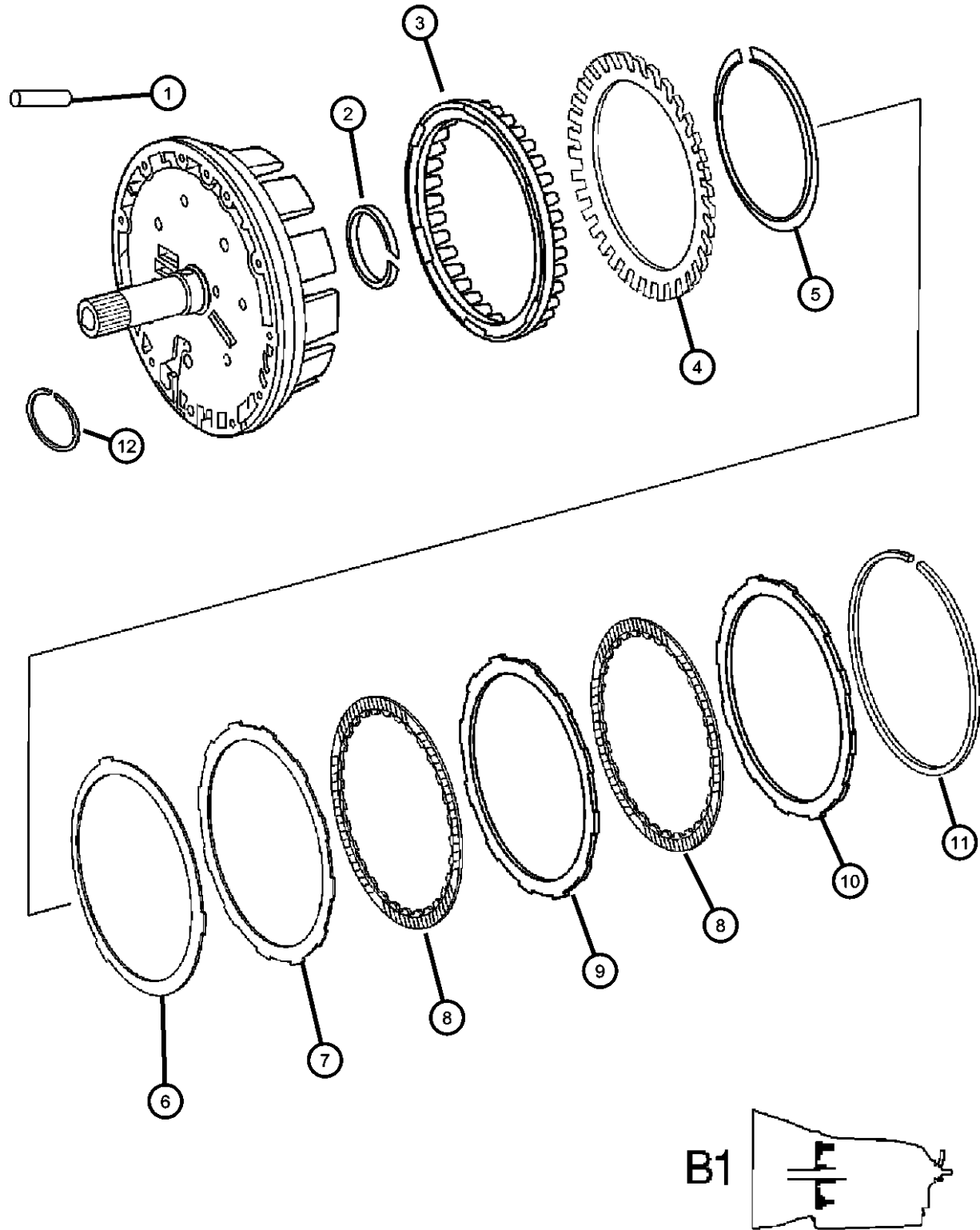
ENGINE
EKG = 3.7L V6 Engine
EVA = 4.7L V8 MPI Engine
EZB = 5.7L Hemi Multi Displacement Engine

TRANSMISSION
DGQ = 5-Spd Automatic 5-45RFE Transmission
DGJ = 5-Speed Automatic MB Transmission

AR = use ase required - = Non illustrated part

2006 WK

**Multi-Disc Holding Clutch - [B1]
Figure NAG1-410**



ITEM	PART NUMBER	QTY	LINE	SERIES	BODY	ENGINE	TRANS	TRIM	DESCRIPTION
------	-------------	-----	------	--------	------	--------	-------	------	-------------

NOTE:
Sales Codes:
[DGJ]=5 Speed Automatic Transmission - [NAG1] - [W5A580]
[DG0]=All 5 Speed Automatic Transmissions
[EK0]=All 3.7L V-6 Engines
[EV0]=All 4.7L V-8 Engines

1	06507381AA	1	J			EK0	DGJ		PIN
		1	T			EK0	DGJ		
		1	J			ESF	DGJ		
2	52108028AA	2	J			EK0	DGJ		SEAL, Transmission
		2	T			EK0	DGJ		
		2	J			ESF	DGJ		
3	52108506AA	1	J			EK0	DGJ		PISTON
		1	T			EK0	DGJ		
		1	J			ESF	DGJ		
4	52108023AA	1	J			EK0	DGJ		DISC, Spring
		1	T			EK0	DGJ		
		1	J			ESF	DGJ		
5	52107936AA	1	J			EK0	DGJ		SNAP RING
		1	T			EK0	DGJ		
		1	J			ESF	DGJ		
6	52108024AA	1	T			EK0	DGJ		DISC, Spring
		1	J			ESF	DGJ		
		1	J			EK0	DGJ		
7	52108508AA	3	J			EK0	DGJ		DISC, Outer
		3	T			EK0	DGJ		
		4	J			ESF	DGJ		
8	52108507AA	4	J			ESF	DGJ		DISC, Inner
		3	J			EK0	DGJ		

GRAND CHEROKEE (WK)

SERIES LINE
H = HIGHLINE T = JEEP - 2WD
P = PREMIUM J = JEEP - 4WD
S = SPORT
X = SPECIAL

BODY
74 = SPORT UTILITY 4-DR

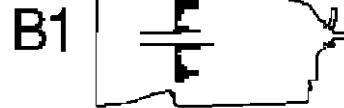
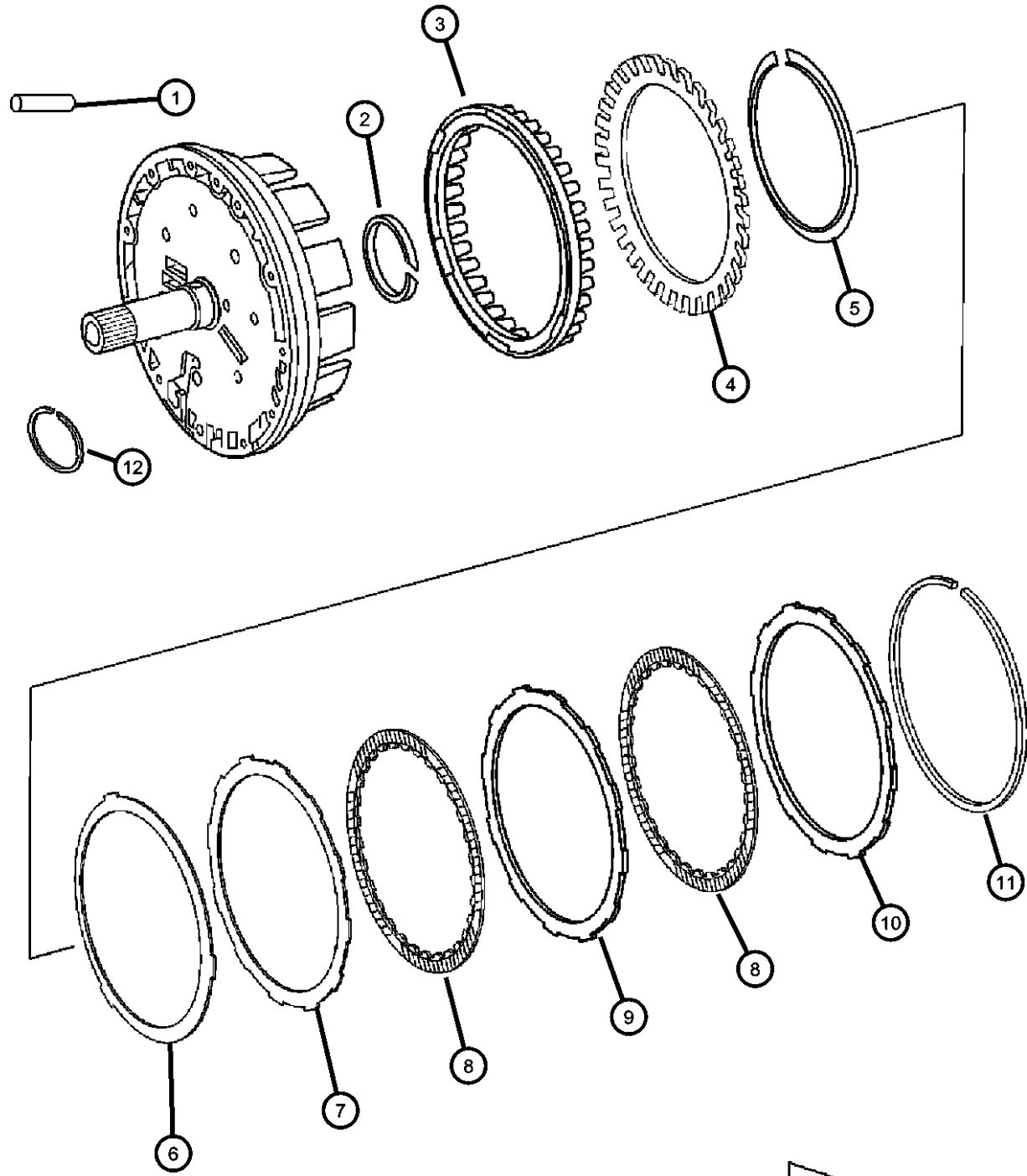
ENGINE
EKG = 3.7L V6 Engine
EVA = 4.7L V8 MPI Engine
EZB = 5.7L Hemi Multi Displacement Engine

TRANSMISSION
DGQ = 5-Spd Automatic 5-45RFE Transmission
DGJ = 5-Speed Automatic MB Transmission

AR = use ase required - = Non illustrated part

2006 WK

**Multi-Disc Holding Clutch - [B1]
Figure NAG1-410**



ITEM	PART NUMBER	QTY	LINE	SERIES	BODY	ENGINE	TRANS	TRIM	DESCRIPTION	
9	52108508AA	3	T			EK0	DGJ		DISC, Outer	
		3	J			EK0	DGJ			
		3	T			EK0	DGJ			
10	52107994AA	4	J			ESF	DGJ		DISC, Outer	
		1	J			EK0	DGJ			
		1	T			EK0	DGJ			
		1	J			ESF	DGJ			
11	52107949AA	AR	T			EK0	DGJ		SNAP RING [2.6MM]	
		AR	J			ESF	DGJ			
		52107950AA	AR	J			EK0	DGJ		
		AR	J			EK0	DGJ			
		52107951AA	AR	J			ESF	DGJ		
		AR	T			EK0	DGJ			
		AR	J			ESF	DGJ			
		AR	J			EK0	DGJ			
		52107952AA	AR	J			EK0	DGJ		
		AR	T			EK0	DGJ			
		AR	J			ESF	DGJ			
		AR	J			ESF	DGJ			
12	52107948AA	1	J			EK0	DGJ		RING, Snap	
		1	T			EK0	DGJ			
		1	J			ESF	DGJ			

GRAND CHEROKEE (WK)

SERIES LINE
H = HIGHLINE T = JEEP - 2WD
P = PREMIUM J = JEEP - 4WD
S = SPORT
X = SPECIAL

BODY
74 = SPORT UTILITY 4-DR

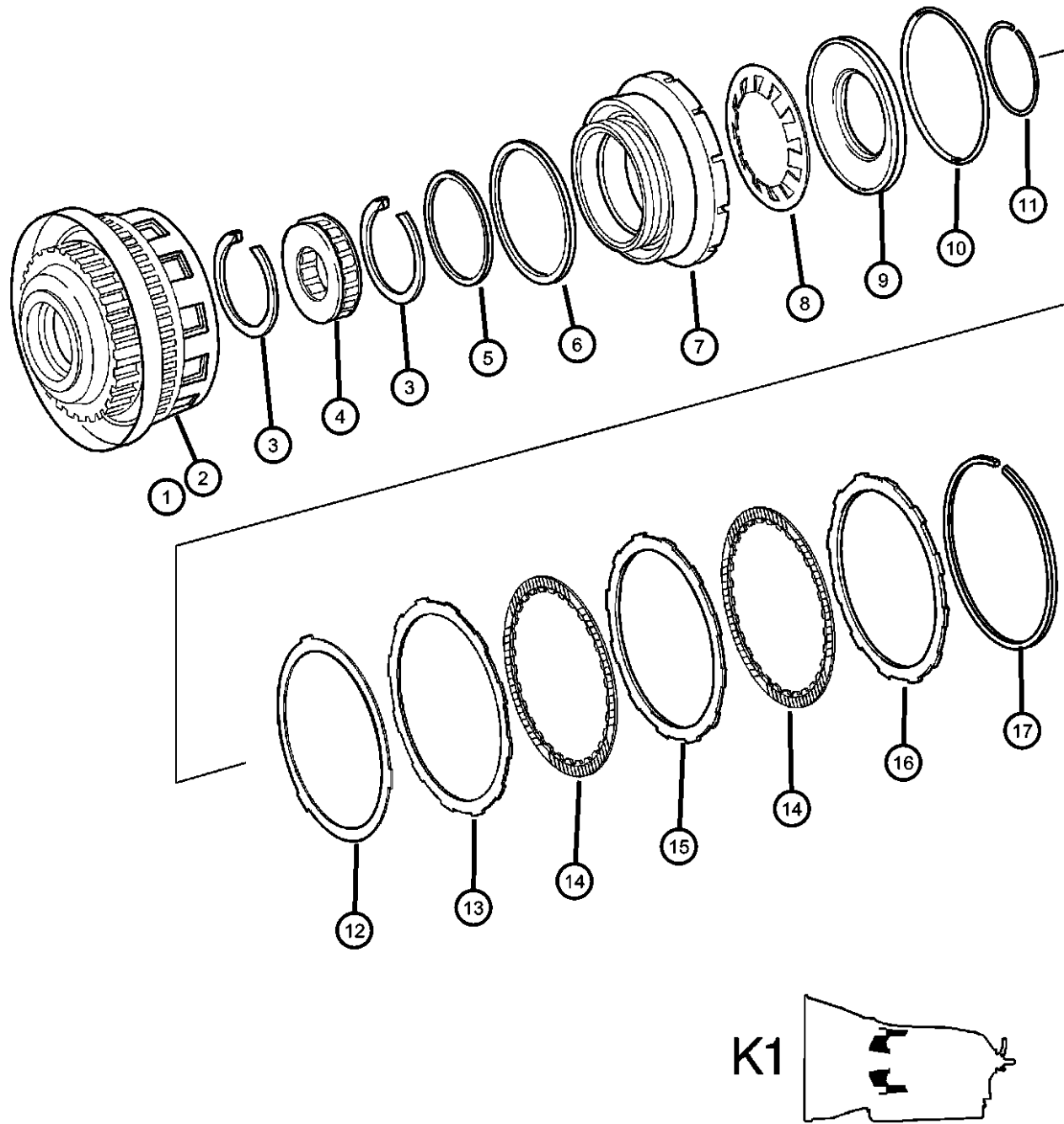
ENGINE
EKG = 3.7L V6 Engine
EVA = 4.7L V8 MPI Engine
EZB = 5.7L Hemi Multi
Displacement Engine

TRANSMISSION
DGQ = 5-Spd Automatic 5-45RFE
Transmission
DGJ = 5-Speed Automatic MB
Transmission

AR = use ase required - = Non illustrated part

2006 WK

**Driving Clutch, Front Planetary - [K1]
Figure NAG1-420**



ITEM	PART NUMBER	QTY	LINE	SERIES	BODY	ENGINE	TRANS	TRIM	DESCRIPTION
------	-------------	-----	------	--------	------	--------	-------	------	-------------

NOTE:

Sales Codes:

[DGJ]=5 Speed Automatic Transmission - [NAG1] - [W5A580]

1	52108541AB	1	J			ESF	DGJ		RETAINER, Clutch
2	52108510AA	1	J			EK0	DGJ		DISC, Support
		1	T			EK0	DGJ		
3	52107955AA	2	J			ESF	DGJ		SNAP RING
		2	J			EK0	DGJ		
		2	T			EK0	DGJ		
4	52108342AB	1	J			EK0	DGJ		WHEEL
		1	T			EK0	DGJ		
		1	J			ESF	DGJ		
5	52107938AA	1	J			EK0	DGJ		SEAL, Transmission
		1	T			EK0	DGJ		
		1	J			ESF	DGJ		
6	52107939AA	1	J			EK0	DGJ		SEAL, Transmission
		1	T			EK0	DGJ		
		1	J			ESF	DGJ		
7	52108059AA	1	J			EK0	DGJ		PISTON
		1	T			EK0	DGJ		
		1	J			ESF	DGJ		
8	52108057AA	1	J			EK0	DGJ		DISC, Spring
		1	T			EK0	DGJ		
		1	J			ESF	DGJ		
9	52108058AA	1	J			EK0	DGJ		SPRING, Retainer
		1	T			EK0	DGJ		
		1	J			ESF	DGJ		
10									SEAL, Transmission

GRAND CHEROKEE (WK)

SERIES LINE
H = HIGHLINE T = JEEP - 2WD
P = PREMIUM J = JEEP - 4WD
S = SPORT
X = SPECIAL

BODY
74 = SPORT UTILITY 4-DR

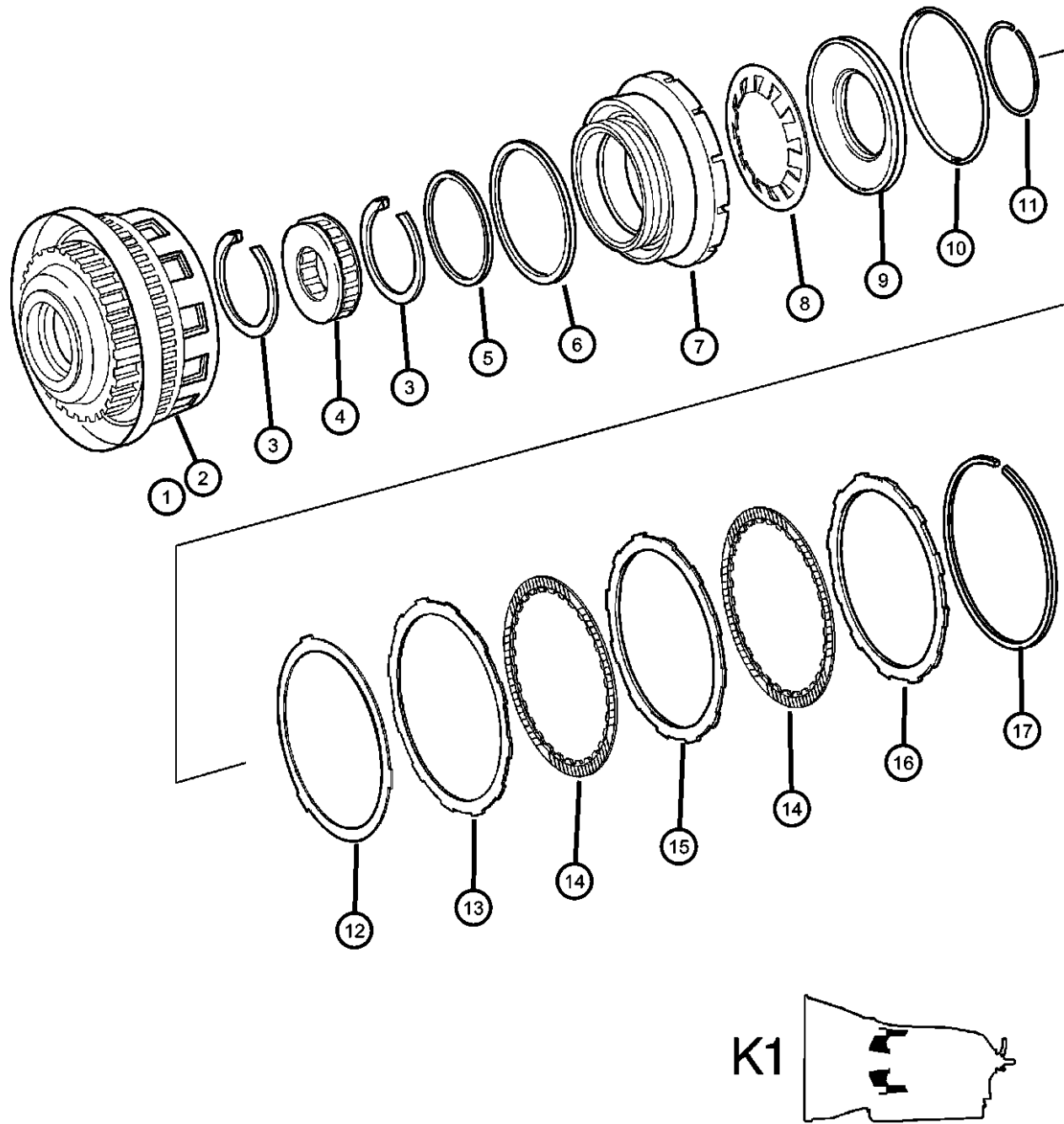
ENGINE
EKG = 3.7L V6 Engine
EVA = 4.7L V8 MPI Engine
EZB = 5.7L Hemi Multi
Displacement Engine

TRANSMISSION
DGQ = 5-Spd Automatic 5-45RFE
Transmission
DGJ = 5-Speed Automatic MB
Transmission

AR = use ase required - = Non illustrated part

2006 WK

Driving Clutch, Front Planetary - [K1]
Figure NAG1-420

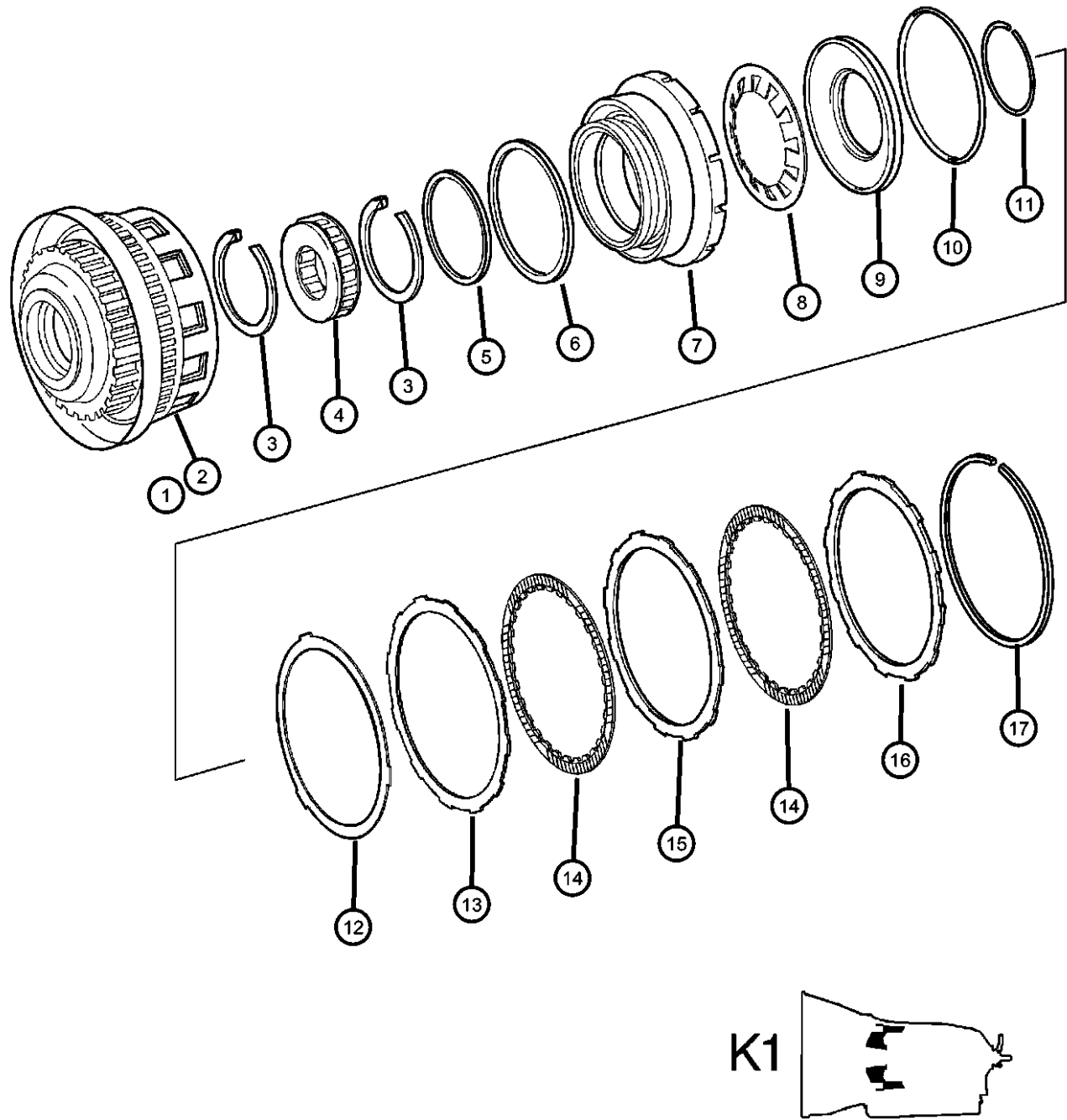


ITEM	PART NUMBER	QTY	LINE	SERIES	BODY	ENGINE	TRANS	TRIM	DESCRIPTION
	52107941AA	1	J			EK0	DGJ		
		1	T			EK0	DGJ		
		1	J			ESF	DGJ		
11	52107954AA	1	J			EK0	DGJ		SNAP RING
		1	T			EK0	DGJ		
		1	J			ESF	DGJ		
12	52108024AA	1	J			EK0	DGJ		DISC, Spring
		1	T			EK0	DGJ		
		1	J			ESF	DGJ		
13	52108508AA	5	J			EK0	DGJ		DISC, Outer
		5	T			EK0	DGJ		
		4	J			ESF	DGJ		
14	52108507AA	5	J			EK0	DGJ		DISC, Inner
		5	T			EK0	DGJ		
		6	J			ESF	DGJ		
15	52107994AA	1	J			EK0	DGJ		DISC, Outer
		1	T			EK0	DGJ		
		1	J			ESF	DGJ		
16	52107994AA	1	J			EK0	DGJ		DISC, Outer
		1	T			EK0	DGJ		
		1	J			ESF	DGJ		
17	52107949AA	AR	J			EK0	DGJ		SNAP RING [2.6MM]
		AR	T			EK0	DGJ		[2.6MM]
		AR	J			ESF	DGJ		[2.6MM]
	52107950AA	AR	J			EK0	DGJ		[2.9MM]
		AR	T			EK0	DGJ		[2.9MM]
		AR	J			ESF	DGJ		[2.9MM]

GRAND CHEROKEE (WK)
 SERIES LINE BODY ENGINE TRANSMISSION
 H = HIGHLINE T = JEEP - 2WD 74 = SPORT UTILITY 4-DR EKG = 3.7L V6 Engine DGQ = 5-Spd Automatic 5-45RFE
 P = PREMIUM J = JEEP - 4WD EVA = 4.7L V8 MPI Engine Transmission
 S = SPORT EZB = 5.7L Hemi Multi DGJ = 5-Speed Automatic MB
 X = SPECIAL Displacement Engine Transmission

AR = use ase required - = Non illustrated part

Driving Clutch, Front Planetary - [K1]
Figure NAG1-420



ITEM	PART NUMBER	QTY	LINE	SERIES	BODY	ENGINE	TRANS	TRIM	DESCRIPTION
	52107951AA	AR	J			EK0	DGJ		[3.2MM]
		AR	T			EK0	DGJ		[3.2MM]
		AR	J			ESF	DGJ		[3.2MM]
	52107952AA	AR	J			EK0	DGJ		[3.5MM]
		AR	T			EK0	DGJ		[3.5MM]
		AR	J			ESF	DGJ		[3.5MM]
	52108373AA	AR	J			EK0	DGJ		[3.8MM]
		AR	T			EK0	DGJ		[3.8MM]
		AR	J			ESF	DGJ		[3.8MM]

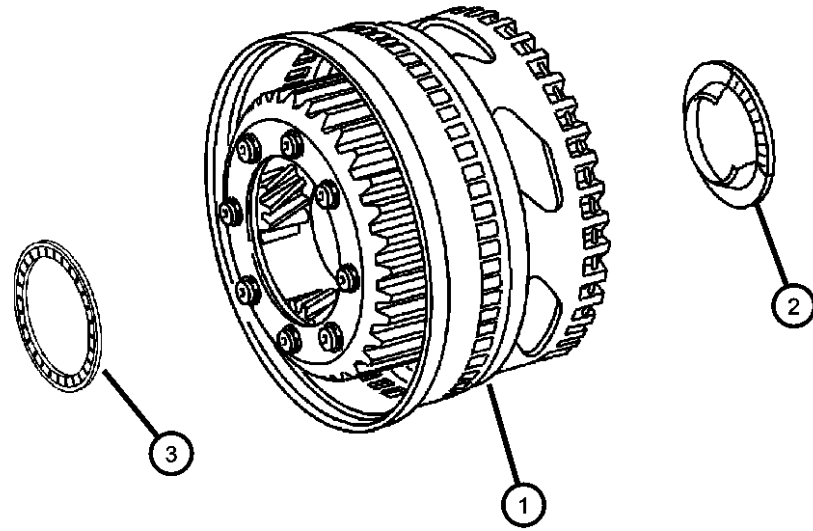
GRAND CHEROKEE (WK)				
SERIES	LINE	BODY	ENGINE	TRANSMISSION
H = HIGHLINE	T = JEEP - 2WD	74 = SPORT UTILITY 4-DR	EKG = 3.7L V6 Engine	DGQ = 5-Spd Automatic 5-45RFE
P = PREMIUM	J = JEEP - 4WD		EVA = 4.7L V8 MPI Engine	Transmission
S = SPORT			EZB = 5.7L Hemi Multi	DGJ = 5-Speed Automatic MB
X = SPECIAL			Displacement Engine	Transmission

AR = use ase required - = Non illustrated part

**Planetary Carrier - [K1] - [VPLS]
Figure NAG1-430**

ITEM	PART NUMBER	QTY	LINE	SERIES	BODY	ENGINE	TRANS	TRIM	DESCRIPTION
------	-------------	-----	------	--------	------	--------	-------	------	-------------

NOTE:
Sales Codes:
[DGJ]=5 Speed Automatic Transmission - [NAG1] - [W5A580]
[ESF]=6.1L SRT HEMI V-8 Engine
[EK0]=All 3.7L V6 Engines



1	52108513AA	1	J			EK0	DGJ		CARRIER, Planetary
		1	T			EK0	DGJ		
		1	J			ESF	DGJ		
2	52108123AA	1	J			EK0	DGJ		NEEDLE BEARING
		1	T			EK0	DGJ		
		1	J			ESF	DGJ		
3	52108122AA	1	J			EK0	DGJ		NEEDLE BEARING
		1	T			EK0	DGJ		
		1	J			ESF	DGJ		



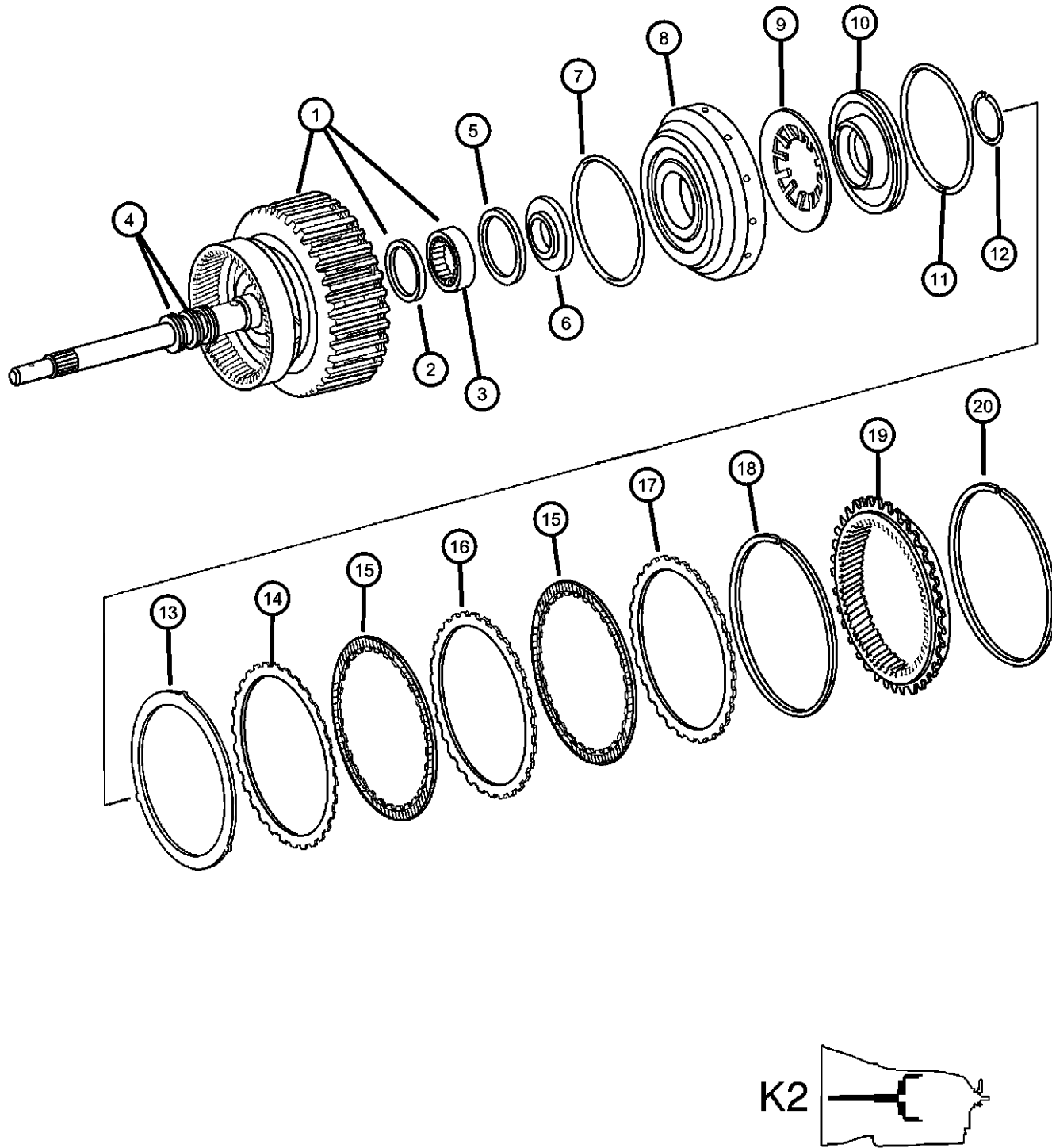
GRAND CHEROKEE (WK)

SERIES	LINE	BODY	ENGINE	TRANSMISSION
H = HIGHLINE	T = JEEP - 2WD	74 = SPORT UTILITY 4-DR	EKG = 3.7L V6 Engine	DGQ = 5-Spd Automatic 5-45RFE
P = PREMIUM	J = JEEP - 4WD		EVA = 4.7L V8 MPI Engine	Transmission
S = SPORT			EZB = 5.7L Hemi Multi	DGJ = 5-Speed Automatic MB
X = SPECIAL			Displacement Engine	Transmission

AR = use ase required - = Non illustrated part

2006 WK

Driving Clutch - [K2]
Figure NAG1-440



ITEM	PART NUMBER	QTY	LINE	SERIES	BODY	ENGINE	TRANS	TRIM	DESCRIPTION
NOTE: Sales Codes: [DGJ]=5 Speed Automatic Transmission - [NAG1] - [W5A580] [ESF]=6.1L SRT HEMI V-8 Engine [EK0]=All 3.7L V-6 Engines									
1	52108044AA	1	J			ESF	DGJ		SHAFT, Input
		1	J			EK0	DGJ		
		1	T			EK0	DGJ		
2	52108127AA	1	J			EK0	DGJ		SEAL, Transmission
		1	T			EK0	DGJ		
		1	J			ESF	DGJ		
3	52108126AA	1	J			EK0	DGJ		NEEDLE BEARING
		1	T			EK0	DGJ		
		1	J			ESF	DGJ		
4	52108534AA	3	J			EK0	DGJ		SEAL, Transmission
		3	T			EK0	DGJ		
		3	J			ESF	DGJ		
5	52108134AA	1	J			EK0	DGJ		SEAL, Transmission
		1	T			EK0	DGJ		
		1	J			ESF	DGJ		
6	52107928AA	1	J			EK0	DGJ		PLATE
		1	T			EK0	DGJ		
		1	J			ESF	DGJ		
7	52108135AA	1	J			EK0	DGJ		SEAL, Input Shaft
		1	T			EK0	DGJ		
		1	J			ESF	DGJ		
8	52108136AA	1	J			ESF	DGJ		PISTON
	52108517AA	1	J			EK0	DGJ		

GRAND CHEROKEE (WK)

SERIES LINE
H = HIGHLINE T = JEEP - 2WD
P = PREMIUM J = JEEP - 4WD
S = SPORT
X = SPECIAL

BODY
74 = SPORT UTILITY 4-DR

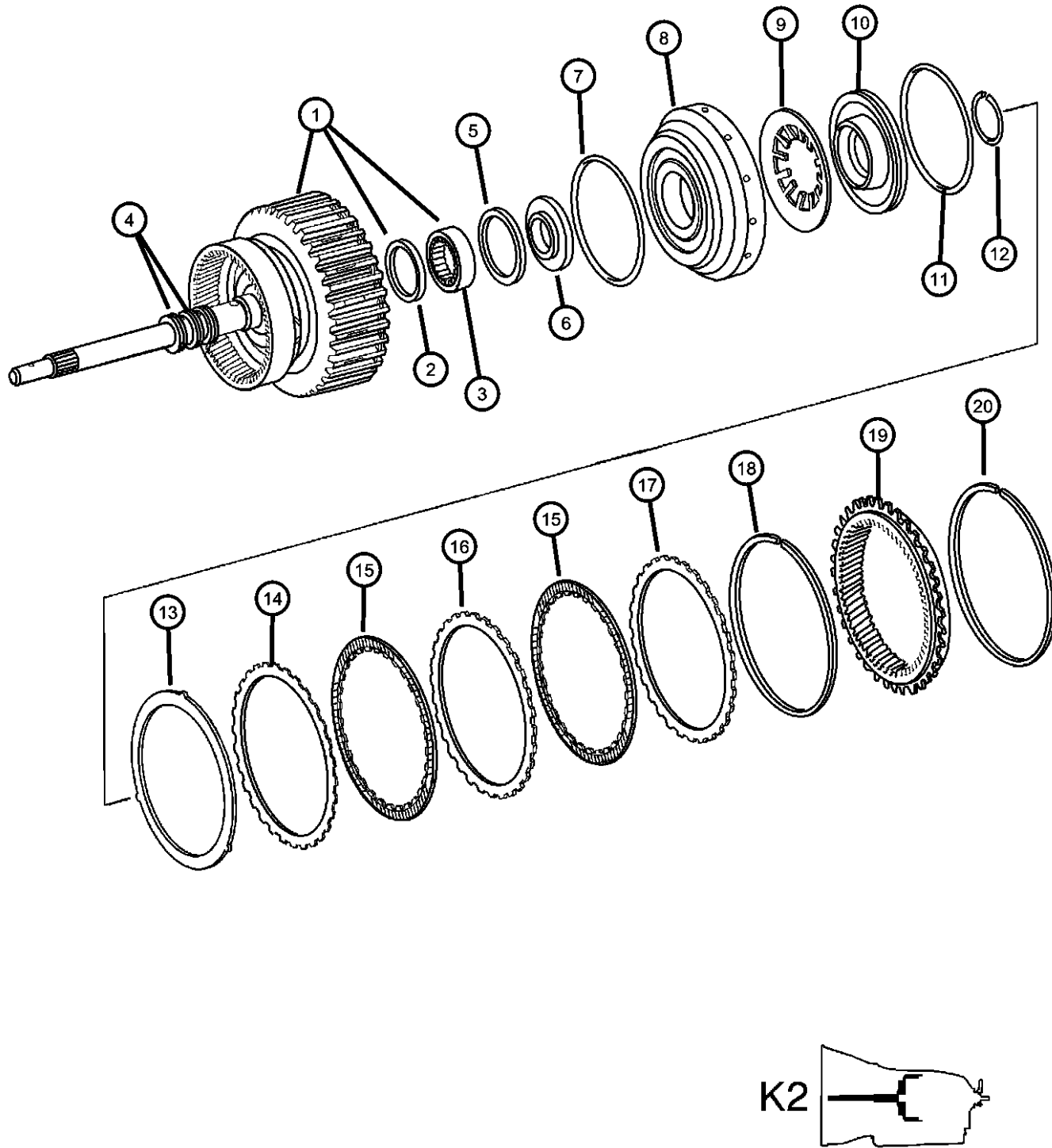
ENGINE
EKG = 3.7L V6 Engine
EVA = 4.7L V8 MPI Engine
EZB = 5.7L Hemi Multi Displacement Engine

TRANSMISSION
DGQ = 5-Spd Automatic 5-45RFE Transmission
DGJ = 5-Speed Automatic MB Transmission

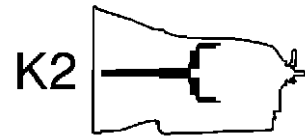
AR = use ase required - = Non illustrated part

2006 WK

Driving Clutch - [K2]
Figure NAG1-440



ITEM	PART NUMBER	QTY	LINE	SERIES	BODY	ENGINE	TRANS	TRIM	DESCRIPTION
9	52108137AA	1	T			EK0	DGJ		DISC, Spring
		1	J			EK0	DGJ		
		1	T			EK0	DGJ		
10	52108138AB	1	J			ESF	DGJ		SPRING, Retainer
		1	T			EK0	DGJ		
		1	J			ESF	DGJ		
11	52108140AA	1	J			EK0	DGJ		SEAL, Transmission
		1	T			EK0	DGJ		
		1	J			ESF	DGJ		
12	52107962AA	1	J			EK0	DGJ		SNAP RING
		1	T			EK0	DGJ		
		1	J			ESF	DGJ		
13	52108533AA	AR	J			ESF	DGJ		DISC, Spring
		AR	J			EK0	DGJ		
		AR	T			EK0	DGJ		
14	52108346AA	1	J			EK0	DGJ		DISC, Outer
		1	T			EK0	DGJ		
		1	J			ESF	DGJ		
15	52107996AA	1	J			EK0	DGJ		DISC, Inner
		1	T			EK0	DGJ		
		1	J			ESF	DGJ		
16	52108141AB	6	J			ESF	DGJ		DISC, Outer
		5	J			EK0	DGJ		
		5	T			EK0	DGJ		
16	52107997AA	4	J			EK0	DGJ		



GRAND CHEROKEE (WK)

SERIES LINE
H = HIGHLINE T = JEEP - 2WD
P = PREMIUM J = JEEP - 4WD
S = SPORT
X = SPECIAL

BODY
74 = SPORT UTILITY 4-DR

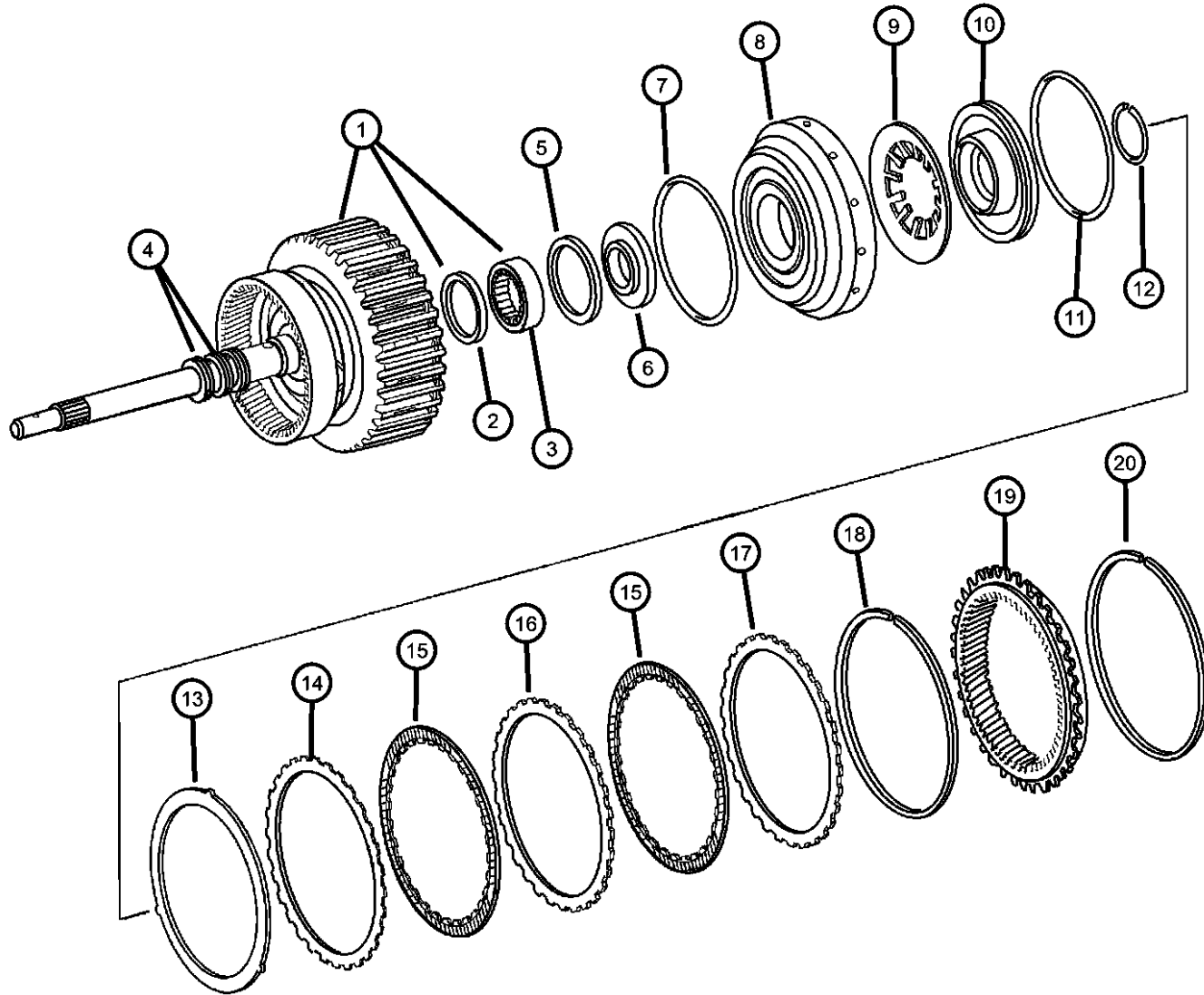
ENGINE
EKG = 3.7L V6 Engine
EVA = 4.7L V8 MPI Engine
EZB = 5.7L Hemi Multi Displacement Engine

TRANSMISSION
DGQ = 5-Spd Automatic 5-45RFE Transmission
DGJ = 5-Speed Automatic MB Transmission

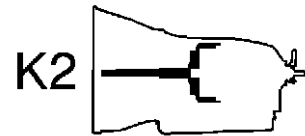
AR = use ase required - = Non illustrated part

2006 WK

Driving Clutch - [K2]
Figure NAG1-440



ITEM	PART NUMBER	QTY	LINE	SERIES	BODY	ENGINE	TRANS	TRIM	DESCRIPTION
17	52107998AA	4	T			EK0	DGJ		DISC, Outer
		5	J			ESF	DGJ		
		1	J			EK0	DGJ		
		1	T			EK0	DGJ		
		1	J			ESF	DGJ		
18	52107958AA	AR	J			ESF	DGJ		SNAP RING
		AR	J			EK0	DGJ		Clutch Retainer [2.3MM]
		AR	T			EK0	DGJ		Clutch Retainer [2.3MM]
		AR	J			ESF	DGJ		Clutch Retainer [2.6MM]
		AR	J			EK0	DGJ		Clutch Retainer [2.6MM]
		AR	T			EK0	DGJ		Clutch Retainer [2.6MM]
		AR	J			ESF	DGJ		Clutch Retainer [2.9MM]
		AR	J			EK0	DGJ		Clutch Retainer [2.9MM]
		AR	T			EK0	DGJ		Clutch Retainer [2.9MM]
		AR	J			ESF	DGJ		Clutch Retainer [3.2MM]
		AR	J			EK0	DGJ		Clutch Retainer [3.2MM]
		AR	T			EK0	DGJ		Clutch Retainer [3.2MM]
19	52107962AA	AR	J			ESF	DGJ		Clutch Retainer [3.5MM]
		AR	J			EK0	DGJ		Clutch Retainer [3.5MM]
		AR	T			EK0	DGJ		Clutch Retainer [3.5MM]
		1	J			EK0	DGJ		GEAR, Rear Annulus
		1	T			EK0	DGJ		
		1	J			ESF	DGJ		
20	52107926AA	1	J			EK0	DGJ		SNAP RING
		1	T			EK0	DGJ		
		1	J			ESF	DGJ		



GRAND CHEROKEE (WK)

SERIES LINE
H = HIGHLINE T = JEEP - 2WD
P = PREMIUM J = JEEP - 4WD
S = SPORT
X = SPECIAL

BODY
74 = SPORT UTILITY 4-DR

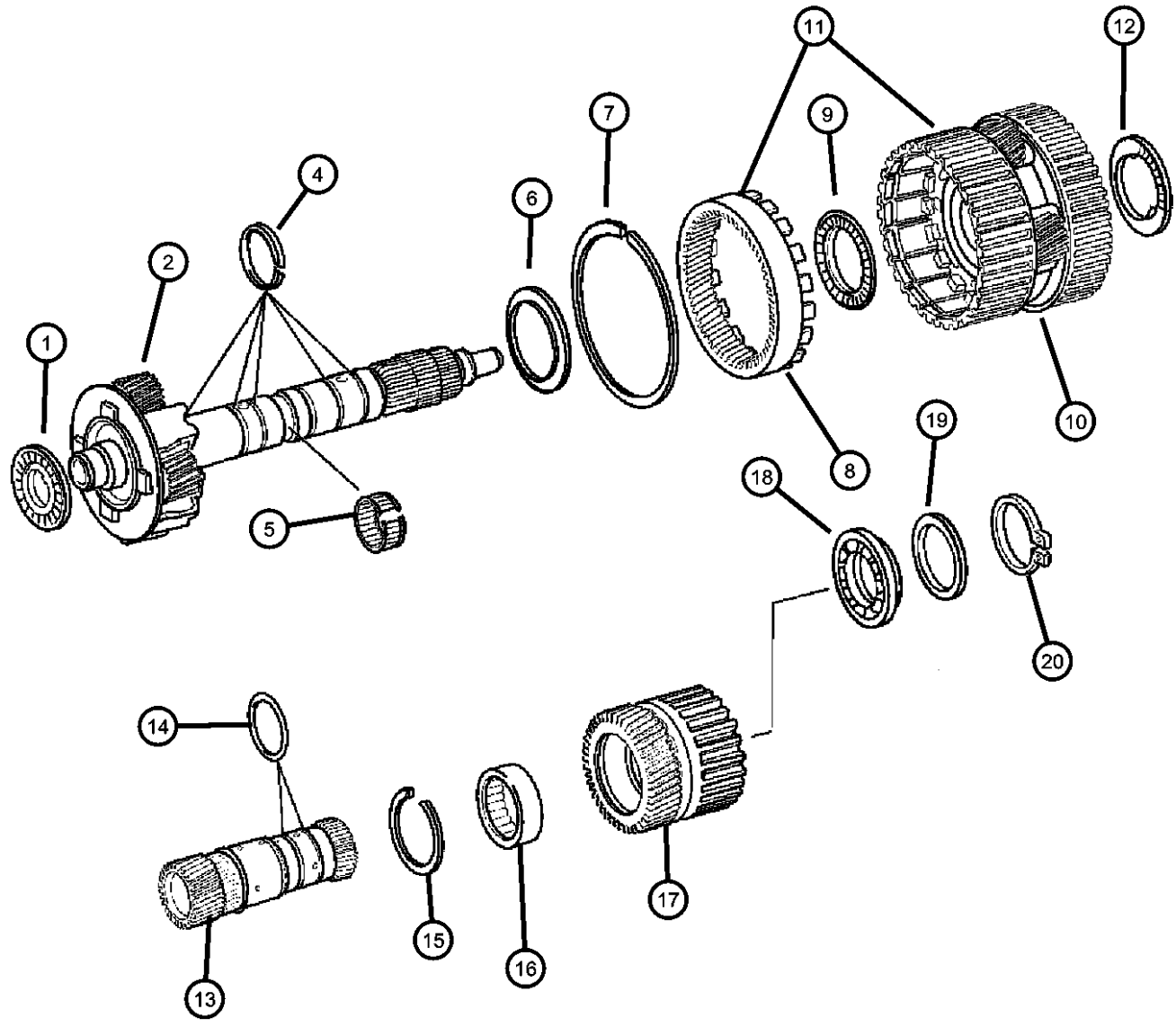
ENGINE
EKG = 3.7L V6 Engine
EVA = 4.7L V8 MPI Engine
EZB = 5.7L Hemi Multi Displacement Engine

TRANSMISSION
DGQ = 5-Spd Automatic 5-45RFE Transmission
DGJ = 5-Speed Automatic MB Transmission

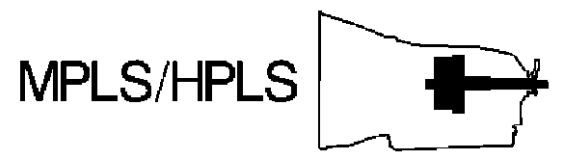
AR = use ase required - = Non illustrated part

2006 WK

**Center & Rear Planetary Set - Output Shaft - [MPLS / HPLS]
Figure NAG1-450**



ITEM	PART NUMBER	QTY	LINE	SERIES	BODY	ENGINE	TRANS	TRIM	DESCRIPTION
	52108519AA	1	J			EK0	DGJ		
		1	T			EK0	DGJ		
		1	J			ESF	DGJ		
18	52108084AA	1	J			EK0	DGJ		BEARING
		1	T			EK0	DGJ		
		1	J			ESF	DGJ		
19	52108379AA	1	J			EK0	DGJ		SPACER
		1	T			EK0	DGJ		
		1	J			ESF	DGJ		
20	52107967AA	1	J			EK0	DGJ		SNAP RING
		1	T			EK0	DGJ		
		1	J			ESF	DGJ		

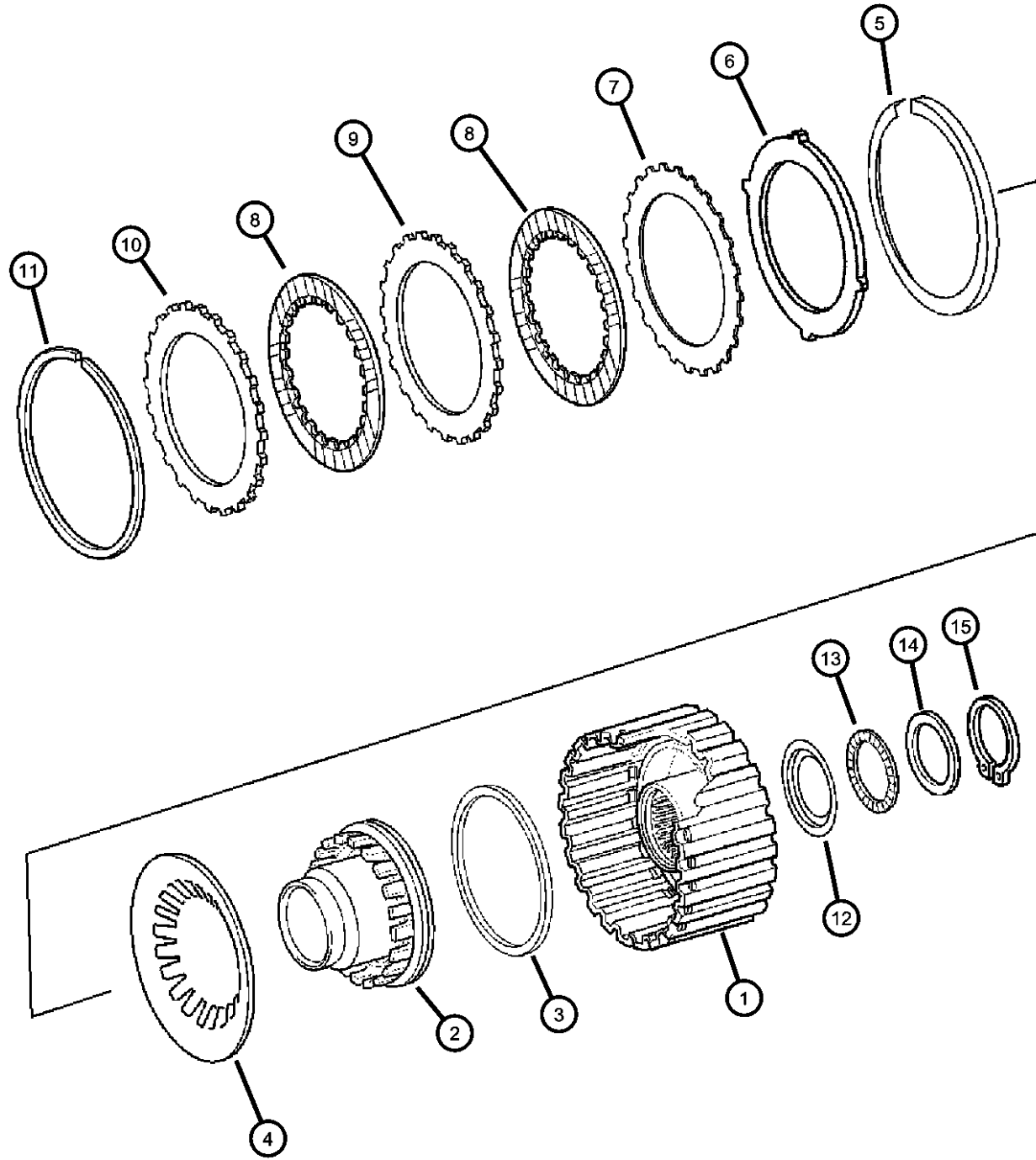


GRAND CHEROKEE (WK)

SERIES	LINE	BODY	ENGINE	TRANSMISSION
H = HIGHLINE	T = JEEP - 2WD	74 = SPORT UTILITY 4-DR	EKG = 3.7L V6 Engine	DGQ = 5-Spd Automatic 5-45RFE
P = PREMIUM	J = JEEP - 4WD		EVA = 4.7L V8 MPI Engine	Transmission
S = SPORT			EZB = 5.7L Hemi Multi	DGJ = 5-Speed Automatic MB
X = SPECIAL			Displacement Engine	Transmission

AR = use ase required - = Non illustrated part

Driving Clutch - [K3]
Figure NAG1-460



ITEM	PART NUMBER	QTY	LINE	SERIES	BODY	ENGINE	TRANS	TRIM	DESCRIPTION
NOTE: Sales Codes: [DGJ]=5 Speed Automatic Transmission - [NAG1] - [W5A580] [ESF]=6.1L SRT HEMI V-8 Engine [EK0]=All 3.7L V-6 Engine									
1									RETAINER, Clutch
	52108524AA	1	J			EK0	DGJ		
		1	T			EK0	DGJ		
	52108548AA	1	J			ESF	DGJ		
2									PISTON
	52108094AA	1	J			EK0	DGJ		
		1	T			EK0	DGJ		
		1	J			ESF	DGJ		
3									SEAL, Transmission
	52108093AA	1	J			EK0	DGJ		
		1	T			EK0	DGJ		
		1	J			ESF	DGJ		
4									DISC, Spring
	52108095AA	1	J			EK0	DGJ		
		1	T			EK0	DGJ		
		1	J			ESF	DGJ		
5									SNAP RING
	52107968AA	1	J			EK0	DGJ		
		1	T			EK0	DGJ		
		1	J			ESF	DGJ		
6									DISC, Spring
	52108096AA	1	J			EK0	DGJ		
		1	T			EK0	DGJ		
		1	J			ESF	DGJ		
7									DISC, Outer
	52108529AA	4	J			EK0	DGJ		[2.8MM]
		4	T			EK0	DGJ		[2.8MM]
		5	J			ESF	DGJ		[2.8MM]
8									DISC, Inner
	52108528AA	4	J			EK0	DGJ		
		4	T			EK0	DGJ		

GRAND CHEROKEE (WK)

SERIES LINE
H = HIGHLINE T = JEEP - 2WD
P = PREMIUM J = JEEP - 4WD
S = SPORT
X = SPECIAL

BODY
74 = SPORT UTILITY 4-DR

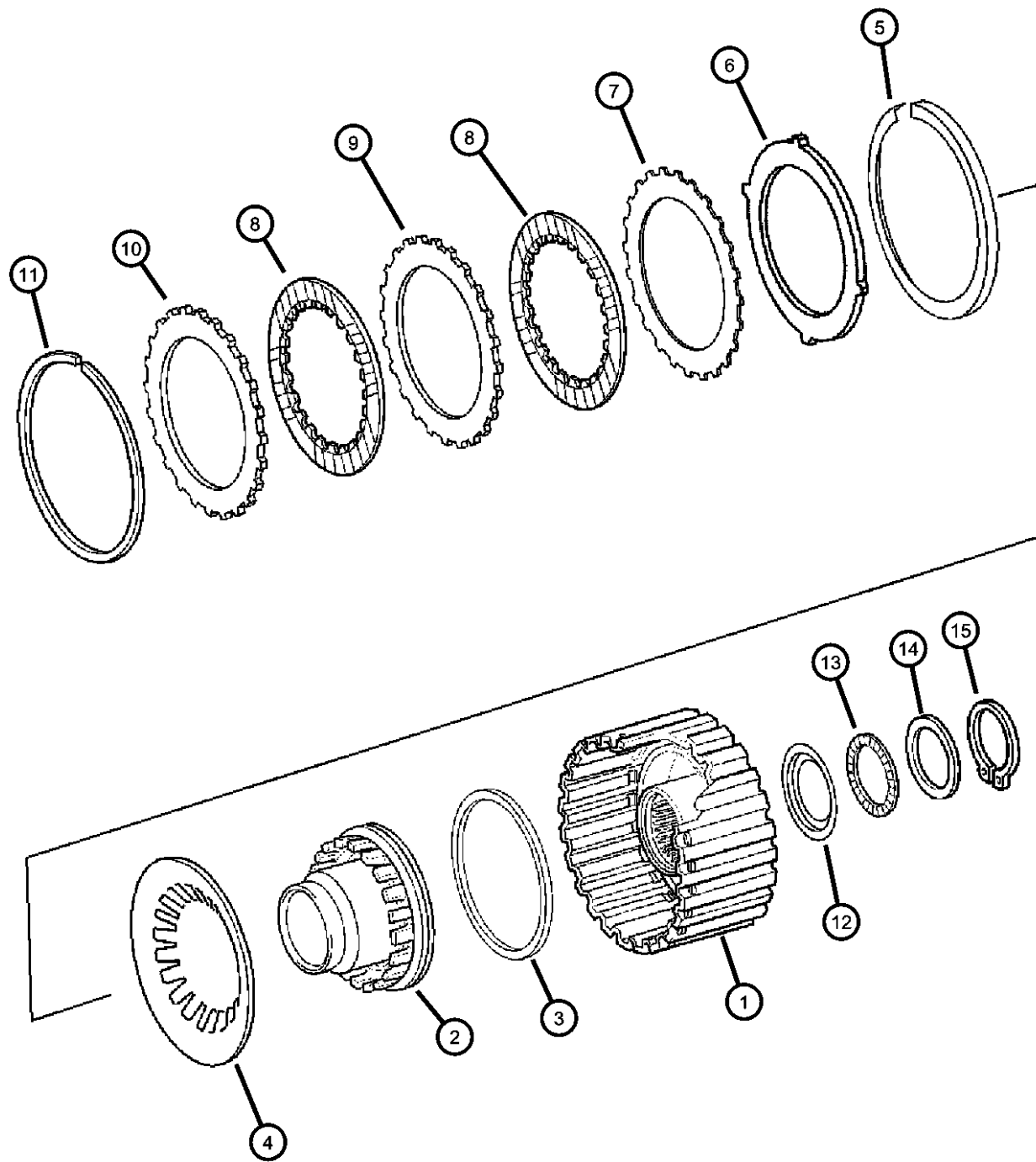
ENGINE
EKG = 3.7L V6 Engine
EVA = 4.7L V8 MPI Engine
EZB = 5.7L Hemi Multi
Displacement Engine

TRANSMISSION
DGQ = 5-Spd Automatic 5-45RFE
Transmission
DGJ = 5-Speed Automatic MB
Transmission

AR = use ase required - = Non illustrated part

2006 WK

Driving Clutch - [K3]
Figure NAG1-460



ITEM	PART NUMBER	QTY	LINE	SERIES	BODY	ENGINE	TRANS	TRIM	DESCRIPTION		
9	52108529AA	5	J			ESF	DGJ		DISC, Outer [2.8MM]		
		4	J			EK0	DGJ				
		4	T			EK0	DGJ				
		5	J			ESF	DGJ				
10	52108011AA	1	J			EK0	DGJ		DISC, Outer		
		1	T			EK0	DGJ				
		1	J			ESF	DGJ				
		1	J			ESF	DGJ				
11	52107970AA	AR	J			EK0	DGJ		SNAP RING [2.3MM]		
		AR	T			EK0	DGJ				
		AR	J			ESF	DGJ				
		52107971AA	AR	J			EK0	DGJ			[2.6MM]
		AR	T			EK0	DGJ				
		AR	J			ESF	DGJ				
	52107972AA	AR	J			EK0	DGJ		[2.9MM]		
		AR	T			EK0	DGJ				
		AR	J			ESF	DGJ				
		52107974AA	AR	J			EK0	DGJ			[2.0MM]
			AR	T			EK0	DGJ			
			AR	J			ESF	DGJ			
12	52108148AA	1	J			EK0	DGJ		SPACER		
		1	T			EK0	DGJ				
		1	J			ESF	DGJ				
13	52108152AA	1	J			EK0	DGJ		NEEDLE BEARING		
		1	T			EK0	DGJ				
		1	J			ESF	DGJ				
14	52108149AA	AR	J			EK0	DGJ		PLATE [3.7MM]		
		AR	T			EK0	DGJ				
		AR	J			ESF	DGJ				

GRAND CHEROKEE (WK)

SERIES LINE
H = HIGHLINE T = JEEP - 2WD
P = PREMIUM J = JEEP - 4WD
S = SPORT
X = SPECIAL

BODY
74 = SPORT UTILITY 4-DR

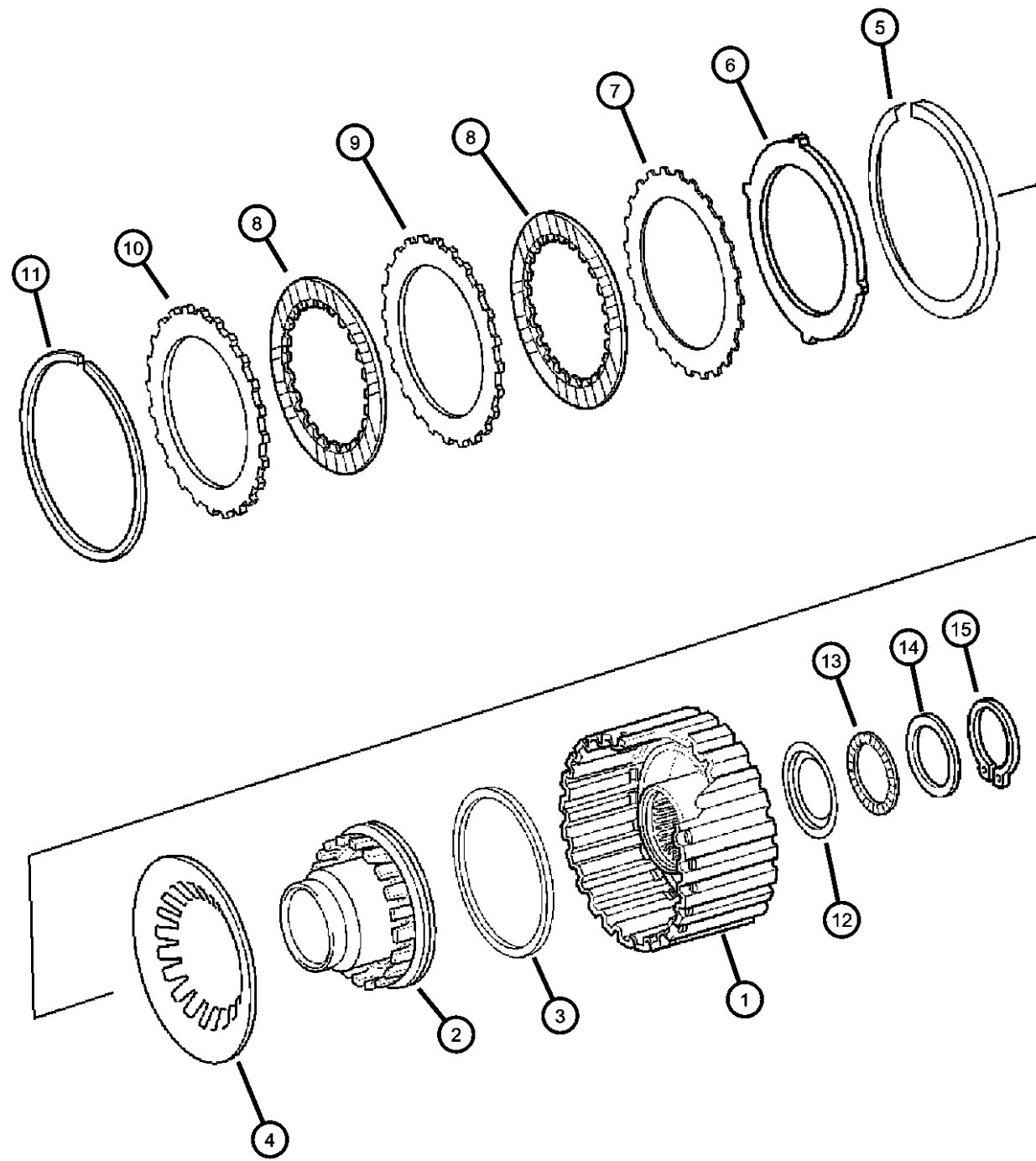
ENGINE
EKG = 3.7L V6 Engine
EVA = 4.7L V8 MPI Engine
EZB = 5.7L Hemi Multi
Displacement Engine

TRANSMISSION
DGQ = 5-Spd Automatic 5-45RFE
Transmission
DGJ = 5-Speed Automatic MB
Transmission

AR = use ase required - = Non illustrated part

2006 WK

Driving Clutch - [K3]
Figure NAG1-460



ITEM	PART NUMBER	QTY	LINE	SERIES	BODY	ENGINE	TRANS	TRIM	DESCRIPTION
	52108150AA	AR	J			EK0	DGJ		[3.1MM]
		AR	T			EK0	DGJ		[3.1MM]
		AR	J			ESF	DGJ		[3.1MM]
	52108151AA	AR	J			EK0	DGJ		[3.4MM]
		AR	T			EK0	DGJ		[3.4MM]
		AR	J			ESF	DGJ		[3.4MM]
15									RING
	06507358AA	1	J			ESF	DGJ		
		1	J			EK0	DGJ		
		1	T			EK0	DGJ		

GRAND CHEROKEE (WK)

SERIES LINE
H = HIGHLINE T = JEEP - 2WD
P = PREMIUM J = JEEP - 4WD
S = SPORT
X = SPECIAL

BODY
74 = SPORT UTILITY 4-DR

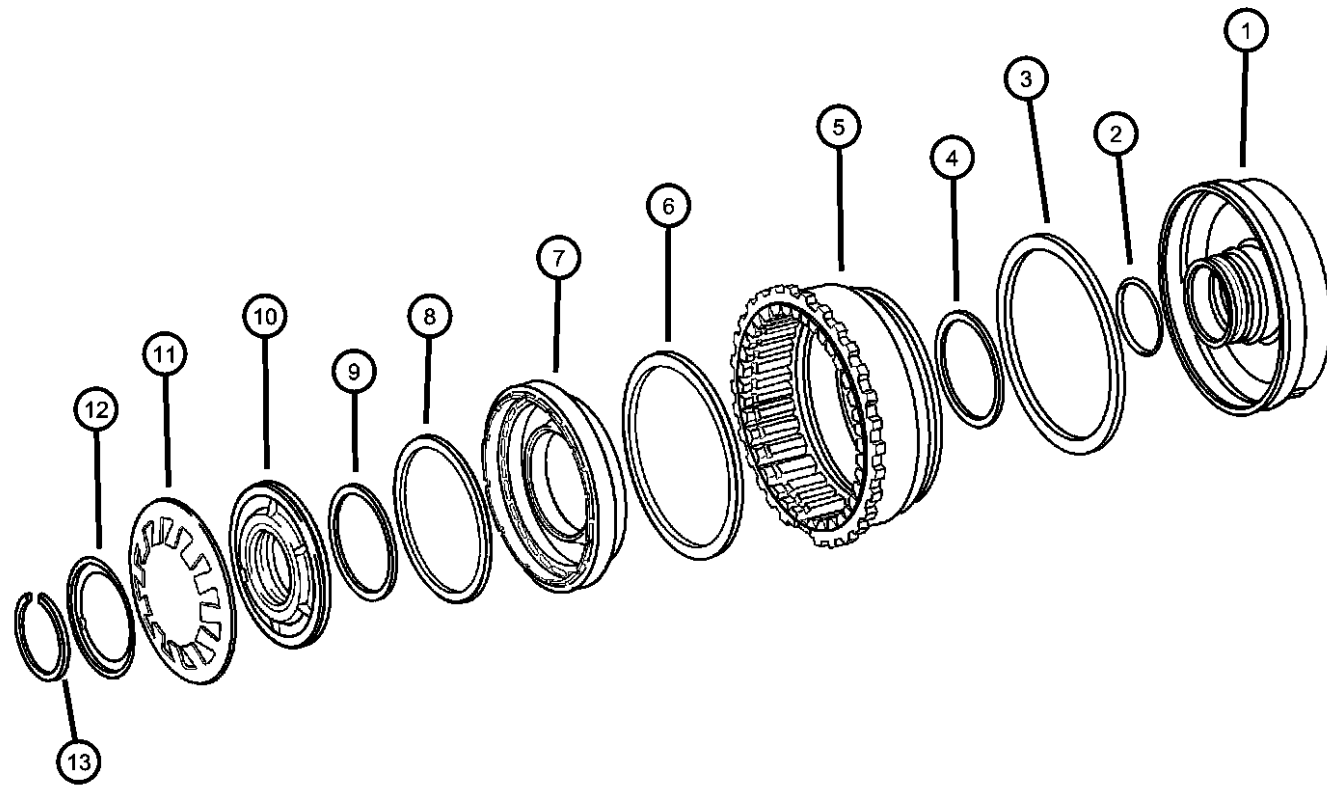
ENGINE
EKG = 3.7L V6 Engine
EVA = 4.7L V8 MPI Engine
EZB = 5.7L Hemi Multi
Displacement Engine

TRANSMISSION
DGQ = 5-Spd Automatic 5-45RFE
Transmission
DGJ = 5-Speed Automatic MB
Transmission

AR = use ase required - = Non illustrated part

2006 WK

**Multiple Disc Brake & Parking Lock Gearwheel - [B2 & B3]
Figure NAG1-470**



B2/B3



ITEM	PART NUMBER	QTY	LINE	SERIES	BODY	ENGINE	TRANS	TRIM	DESCRIPTION
NOTE: Sales Codes: [DGJ]=5 Speed Automatic Transmission - [NAG1] - [W5A580] [ESF]=6.1L SRT HEMI V-8 Engine [EK0]=All 3.7L V-6 Engines									
1	52108182AA	1	J			EK0	DGJ		PLUNGER
		1	T			EK0	DGJ		
		1	J			ESF	DGJ		
2	52108185AA	2	J			EK0	DGJ		SEAL, Transmission
		2	T			EK0	DGJ		
		2	J			ESF	DGJ		
3	52108188AA	1	J			EK0	DGJ		SEAL, Transmission
		1	T			EK0	DGJ		
		1	J			ESF	DGJ		
4	52108189AA	1	J			EK0	DGJ		SEAL, Transmission
		1	T			EK0	DGJ		
		1	J			ESF	DGJ		
5	52108395AA	1	J			EK0	DGJ		PISTON
		1	T			EK0	DGJ		
		1	J			ESF	DGJ		
6	52108199AA	1	J			EK0	DGJ		SEAL, Transmission
		1	T			EK0	DGJ		
		1	J			ESF	DGJ		
7	52108191AA	1	J			EK0	DGJ		PISTON
		1	T			EK0	DGJ		
		1	J			ESF	DGJ		
8	52108200AA	1	J			EK0	DGJ		SEAL, Transmission
		1	T			EK0	DGJ		

GRAND CHEROKEE (WK)

SERIES LINE
H = HIGHLINE T = JEEP - 2WD
P = PREMIUM J = JEEP - 4WD
S = SPORT
X = SPECIAL

BODY
74 = SPORT UTILITY 4-DR

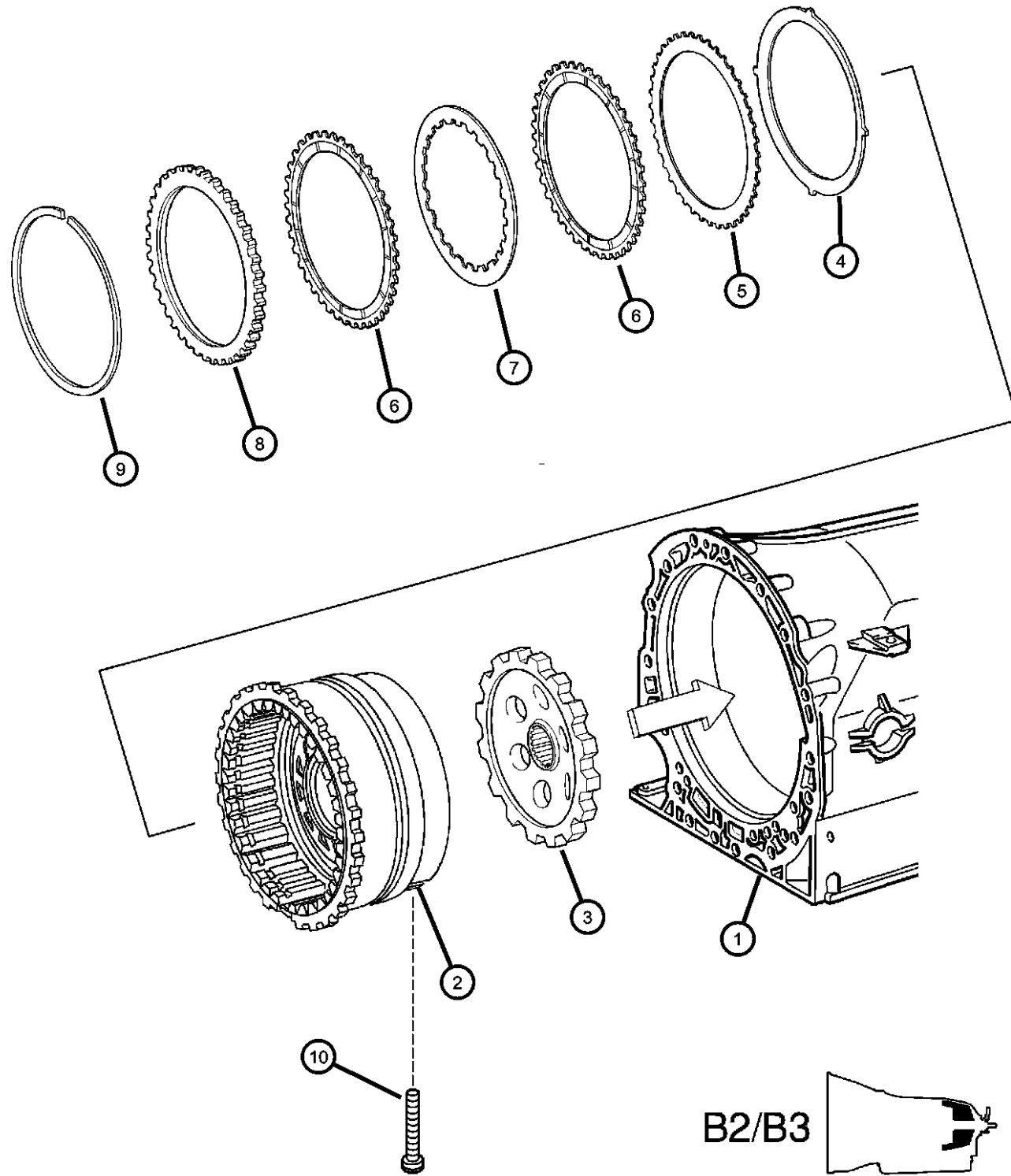
ENGINE
EKG = 3.7L V6 Engine
EVA = 4.7L V8 MPI Engine
EZB = 5.7L Hemi Multi Displacement Engine

TRANSMISSION
DGQ = 5-Spd Automatic 5-45RFE Transmission
DGJ = 5-Speed Automatic MB Transmission

AR = use ase required - = Non illustrated part

2006 WK

**Multiple Disc Brake & Parking Lock Gearwheel - [B2 & B3]
Figure NAG1-480**



ITEM	PART NUMBER	QTY	LINE	SERIES	BODY	ENGINE	TRANS	TRIM	DESCRIPTION
------	-------------	-----	------	--------	------	--------	-------	------	-------------

NOTE: Drum Package Is Not Serviced In An Assembly. Please See Illustration [#470] Callouts [1,2,3,4 & 5] To Obtain Part Numbers
Sales Codes:

[DGJ]=5 Speed Automatic Transmission - [NAG1] - [W5A580]

[ESF]=6.1L SRT HEMI Engine

[EK0]=All 3.7L V-6 Engines

1		1							CASE, Transmission, See Illustration [#210], (NOT SERVICED)
2		1							DRUM PACKAGE, Transmission, See Illustration [#470] Callout [#1,2,3,4 & 5], (NOT SERVICED)
3		1	J			EK0	DGJ		LOCK, Parking Wheel
	52108180AA	1	T			EK0	DGJ		
		1	J			ESF	DGJ		
4		1							DISC, Spring
	52108354AA	1	J			EK0	DGJ		
		1	T			EK0	DGJ		
		1	J			ESF	DGJ		
5		1							DISC, Outer
	52108013AA	1	J			EK0	DGJ		
		1	T			EK0	DGJ		
		1	J			ESF	DGJ		
6		5							DISC, Outer
	52108572AA	5	J			EK0	DGJ		
		5	T			EK0	DGJ		
		5	J			ESF	DGJ		
7		4							DISC, Inner
	52108015AA	4	J			EK0	DGJ		
		4	T			EK0	DGJ		
		4	J			ESF	DGJ		
8		1							DISC, Outer
	52108014AA	1	J			EK0	DGJ		
		1	T			EK0	DGJ		
		1	J			ESF	DGJ		
9		AR							SNAP RING
	52107979AA	AR	J			EK0	DGJ		[4.1MM]
		AR	T			EK0	DGJ		[4.1MM]

GRAND CHEROKEE (WK)

SERIES LINE
H = HIGHLINE T = JEEP - 2WD
P = PREMIUM J = JEEP - 4WD
S = SPORT
X = SPECIAL

BODY
74 = SPORT UTILITY 4-DR

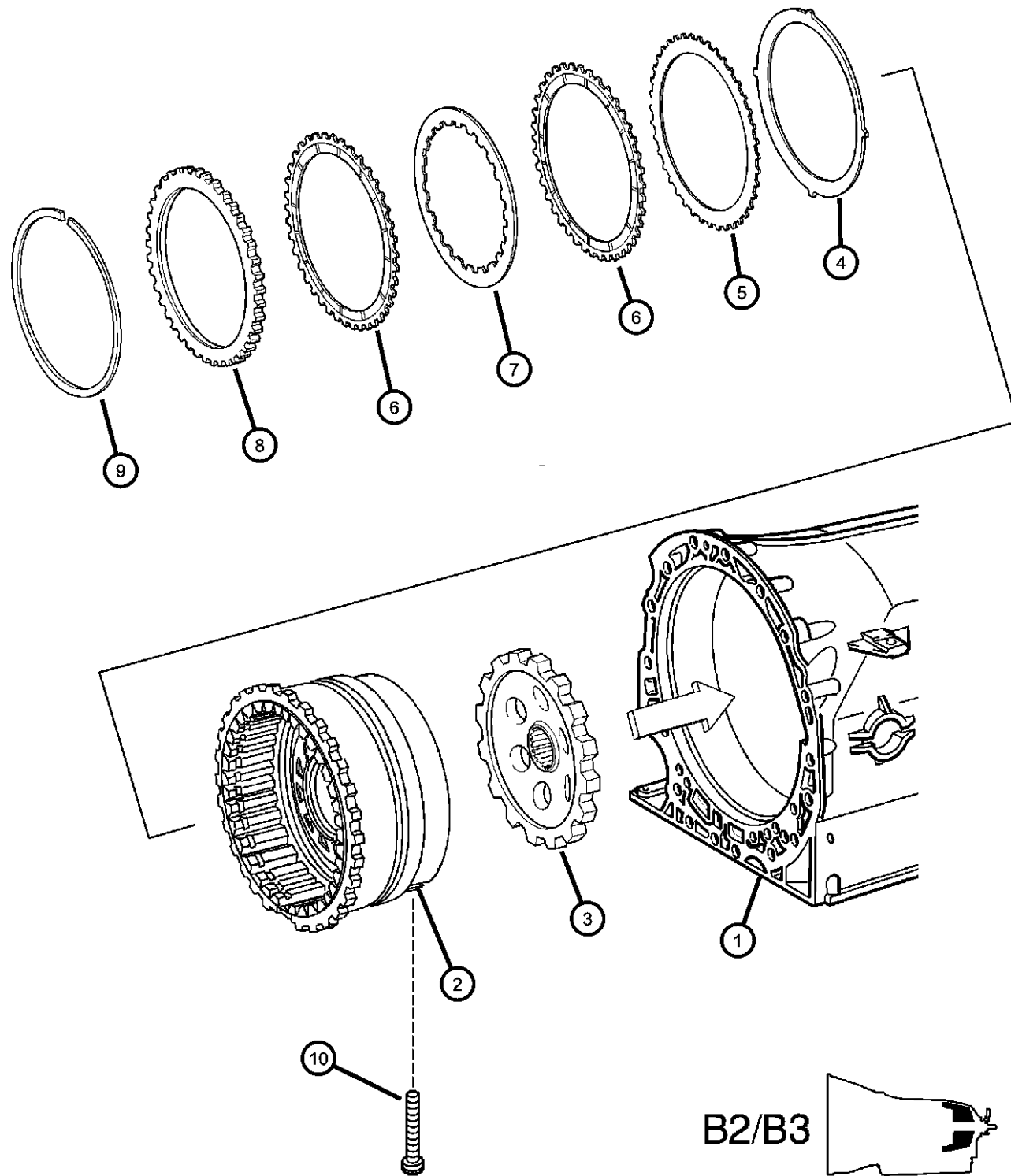
ENGINE
EKG = 3.7L V6 Engine
EVA = 4.7L V8 MPI Engine
EZB = 5.7L Hemi Multi Displacement Engine

TRANSMISSION
DGQ = 5-Spd Automatic 5-45RFE Transmission
DGJ = 5-Speed Automatic MB Transmission

AR = use ase required - = Non illustrated part

2006 WK

**Multiple Disc Brake & Parking Lock Gearwheel - [B2 & B3]
Figure NAG1-480**



ITEM	PART NUMBER	QTY	LINE	SERIES	BODY	ENGINE	TRANS	TRIM	DESCRIPTION
		AR	J			ESF	DGJ		[4.1MM]
	52107980AA	AR	J			EK0	DGJ		[3.8MM]
		AR	T			EK0	DGJ		[3.8MM]
		AR	J			ESF	DGJ		[3.8MM]
	52107981AA	AR	J			EK0	DGJ		[3.5MM]
		AR	T			EK0	DGJ		[3.5MM]
		AR	J			ESF	DGJ		[3.5MM]
	52107982AA	AR	J			EK0	DGJ		[3.2MM]
		AR	T			EK0	DGJ		[3.2MM]
		AR	J			ESF	DGJ		[3.2MM]
	52107983AA	AR	J			EK0	DGJ		[2.9MM]
		AR	T			EK0	DGJ		[2.9MM]
		AR	J			ESF	DGJ		[2.9MM]
10									SCREW
	52108205AA	2	J			EK0	DGJ		
		2	T			EK0	DGJ		
		2	J			ESF	DGJ		

GRAND CHEROKEE (WK)

SERIES LINE
H = HIGHLINE T = JEEP - 2WD
P = PREMIUM J = JEEP - 4WD
S = SPORT
X = SPECIAL

BODY
74 = SPORT UTILITY 4-DR

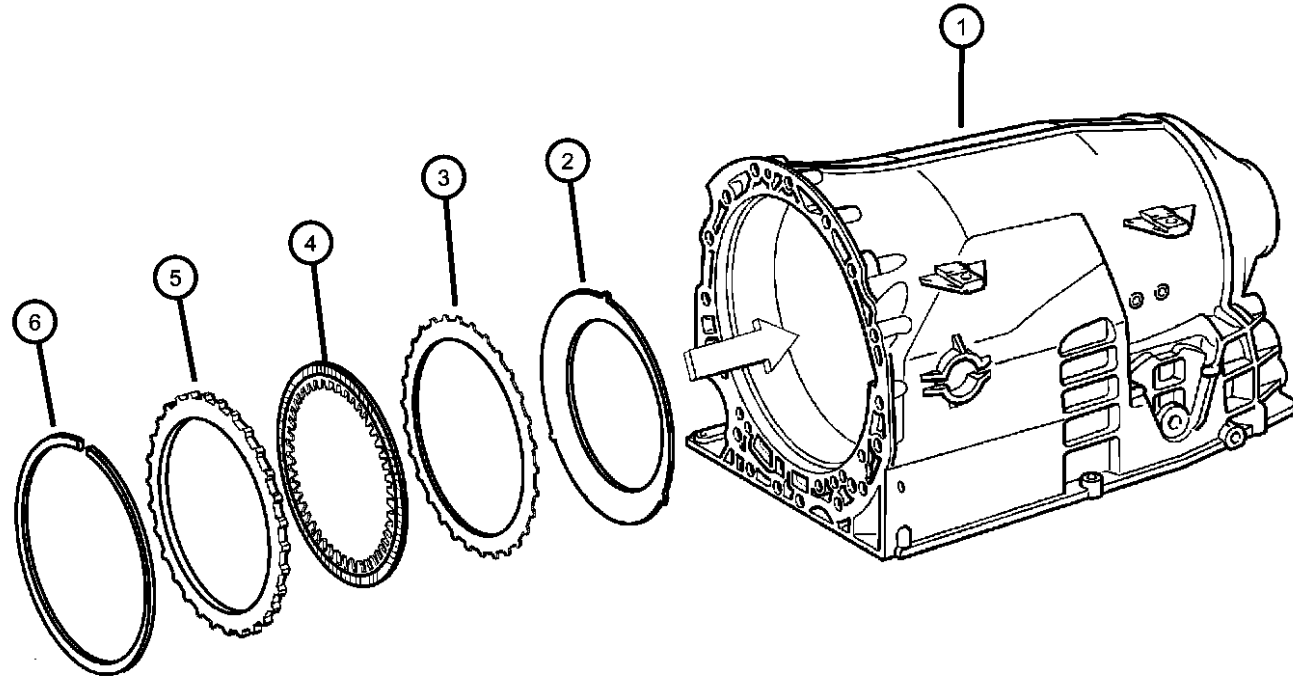
ENGINE
EKG = 3.7L V6 Engine
EVA = 4.7L V8 MPI Engine
EZB = 5.7L Hemi Multi
Displacement Engine

TRANSMISSION
DGQ = 5-Spd Automatic 5-45RFE
Transmission
DGJ = 5-Speed Automatic MB
Transmission

AR = use ase required - = Non illustrated part

2006 WK

**Multiple Disc Brake & Parking Lock Gearwheel - [B2 & B3]
Figure NAG1-490**



ITEM	PART NUMBER	QTY	LINE	SERIES	BODY	ENGINE	TRANS	TRIM	DESCRIPTION
------	-------------	-----	------	--------	------	--------	-------	------	-------------

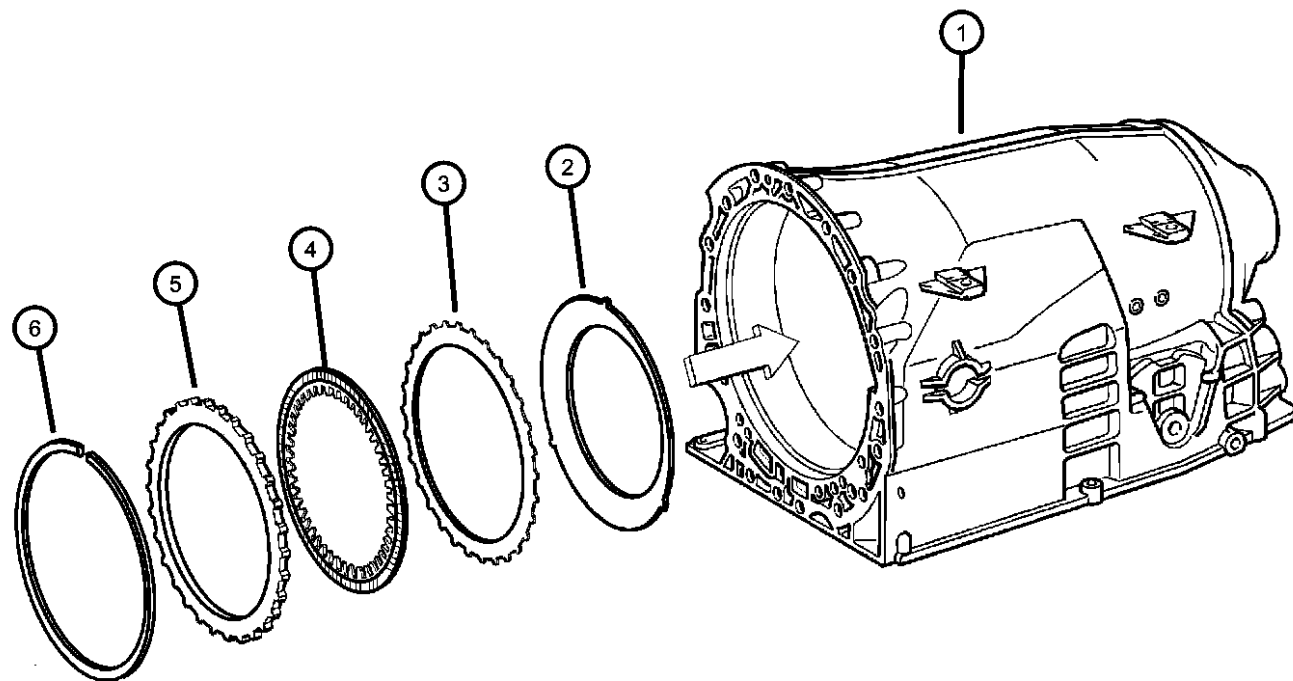
NOTE:
Sales Codes:
[DGJ]=5 Speed Automatic Transmission - [NAG1] - [W5A580]
[ESF]=6.1L SRT HEMI Engine
[EK0]=All 3.7L V-6 Engines

1		2							HOUSING, Transmission Case, Serviced With Transmission Assembly, (NOT SERVICED)
2	52108356AA	1	J			EK0	DGJ		DISC, Spring
		1	T			EK0	DGJ		
		1	J			ESF	DGJ		
3	52108017AA	5	J			EK0	DGJ		DISC, Outer
		5	T			EK0	DGJ		
		5	J			ESF	DGJ		
4	52108573AA	5	J			EK0	DGJ		DISC, Inner
		5	T			EK0	DGJ		
		5	J			ESF	DGJ		
5	52108018AA	1	J			EK0	DGJ		DISC, Outer
		1	T			EK0	DGJ		[6.5MM]
		1	J			ESF	DGJ		[6.5MM]
6	52107985AA	AR	J			EK0	DGJ		SNAP RING
		AR	T			EK0	DGJ		[3.2MM]
		AR	J			ESF	DGJ		[3.2MM]
	52107986AA	AR	J			EK0	DGJ		[3.5MM]
		AR	T			EK0	DGJ		[3.5MM]
		AR	J			ESF	DGJ		[3.5MM]
	52107987AA	AR	J			EK0	DGJ		[3.8MM]
		AR	T			EK0	DGJ		[3.8MM]
		AR	J			ESF	DGJ		[3.8MM]
	52107988AA	AR	J			EK0	DGJ		[4.1MM]
		AR	T			EK0	DGJ		[4.1MM]
		AR	J			ESF	DGJ		[4.1MM]

GRAND CHEROKEE (WK)		BODY	ENGINE	TRANSMISSION
SERIES	LINE	74 = SPORT UTILITY 4-DR	EKG = 3.7L V6 Engine EVA = 4.7L V8 MPI Engine EZB = 5.7L Hemi Multi Displacement Engine	DGQ = 5-Spd Automatic 5-45RFE Transmission DGJ = 5-Speed Automatic MB Transmission
H = HIGHLINE P = PREMIUM S = SPORT X = SPECIAL	T = JEEP - 2WD J = JEEP - 4WD			

AR = use ase required - = Non illustrated part

**Multiple Disc Brake & Parking Lock Gearwheel - [B2 & B3]
Figure NAG1-490**



ITEM	PART NUMBER	QTY	LINE	SERIES	BODY	ENGINE	TRANS	TRIM	DESCRIPTION
	52107989AA	AR	J			EK0	DGJ		[4.4MM]
		AR	T			EK0	DGJ		[4.4MM]
		AR	J			ESF	DGJ		[4.4MM]
	52107990AA	AR	J			EK0	DGJ		[4.8MM]
		AR	T			EK0	DGJ		[4.8MM]
		AR	J			ESF	DGJ		[4.8MM]

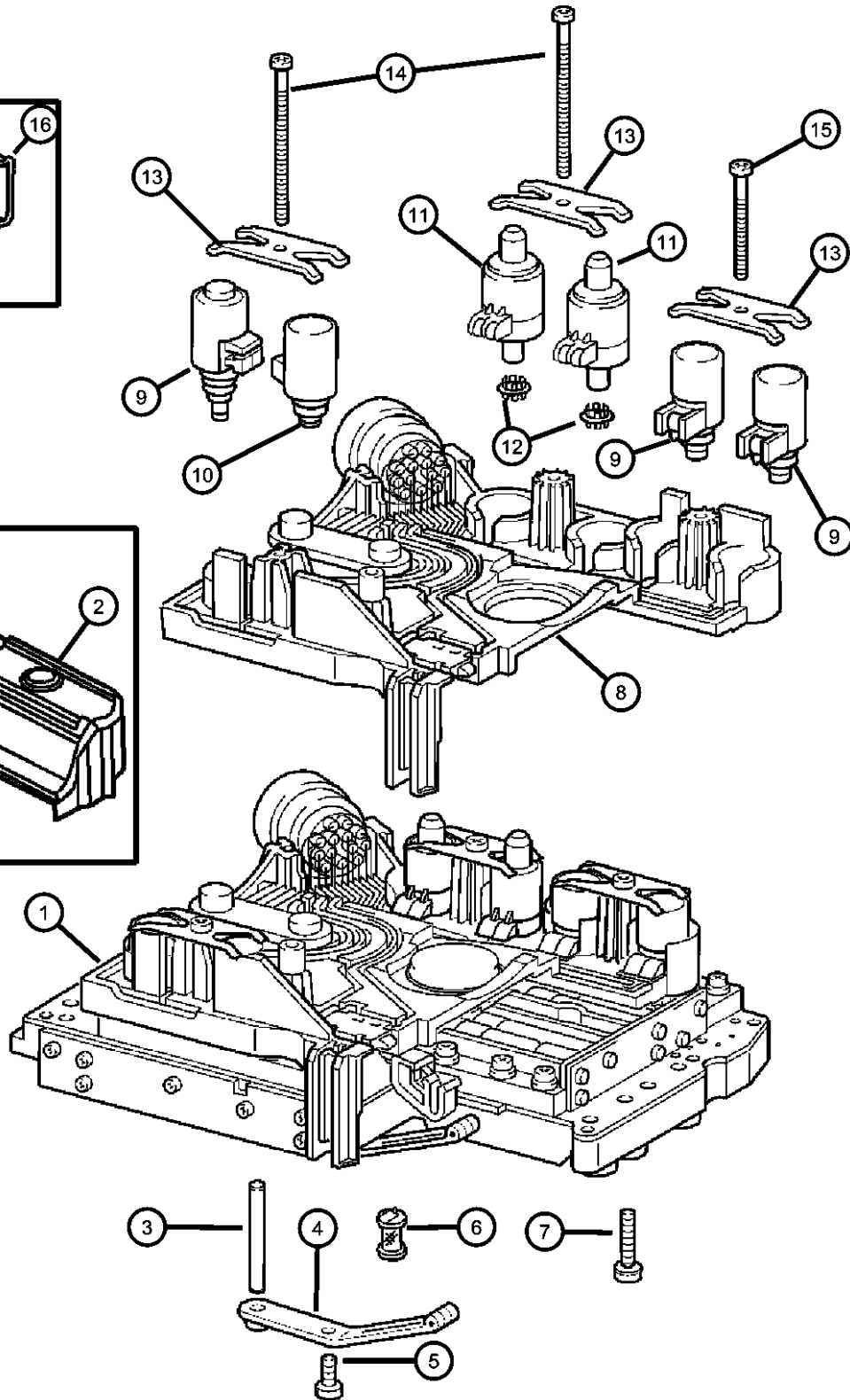
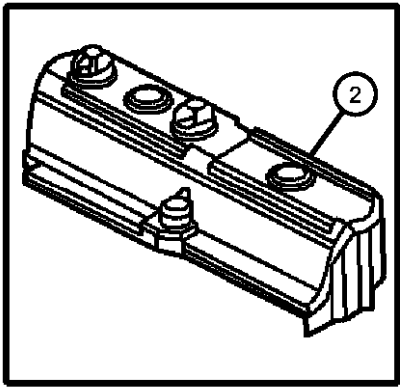
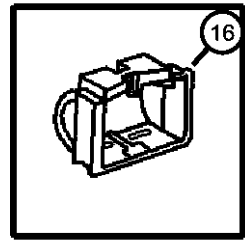


GRAND CHEROKEE (WK)

SERIES	LINE	BODY	ENGINE	TRANSMISSION
H = HIGHLINE	T = JEEP - 2WD	74 = SPORT UTILITY 4-DR	EKG = 3.7L V6 Engine	DGQ = 5-Spd Automatic 5-45RFE Transmission
P = PREMIUM	J = JEEP - 4WD		EVA = 4.7L V8 MPI Engine	DGJ = 5-Speed Automatic MB Transmission
S = SPORT			EZB = 5.7L Hemi Multi Displacement Engine	
X = SPECIAL				

AR = use ase required - = Non illustrated part

**Electronic - Hydraulic Control Unit
Figure NAG1-710**

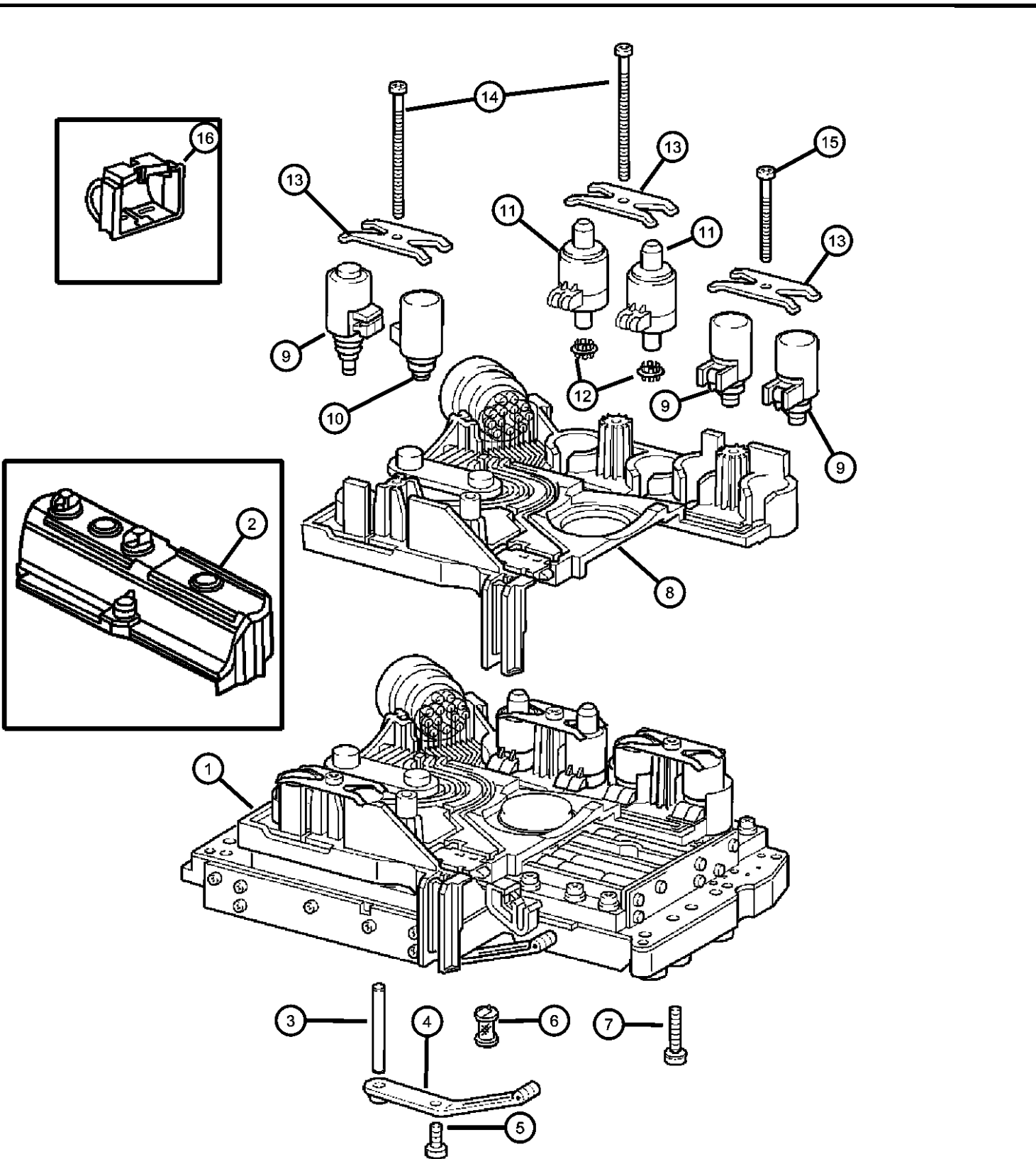


ITEM	PART NUMBER	QTY	LINE	SERIES	BODY	ENGINE	TRANS	TRIM	DESCRIPTION
NOTE: Valve Body Connector Includes Speed Sensor Sales Codes: [DGJ]=5 Speed Automatic Transmission - [NAG1] - [W5A580] [ESF]=6.1L SRT HEMI Engine [EK0]=All 3.7L V-6 Engines									
1	52108213AA	1	J			EK0	DGJ		VALVE BODY, Complete
		1	T			EK0	DGJ		
		1	J			ESF	DGJ		
2	52108320AA	1	J			EK0	DGJ		SHIELD, Transmission Solenoid
		1	T			EK0	DGJ		
		1	J			ESF	DGJ		
3	05098951AA	1	J			EK0	DGJ		DOWEL
		1	T			EK0	DGJ		
		1	J			ESF	DGJ		
4	52108258AA	1	J			EK0	DGJ		SPRING
		1	T			EK0	DGJ		
		1	J			ESF	DGJ		
5	52108266AB	1	T			EK0	DGJ		SCREW
		1	J			ESF	DGJ		
		1	J			EK0	DGJ		
6	52108304AA	2	J			EK0	DGJ		FILTER, Transmission Oil
		2	T			EK0	DGJ		
		2	J			ESF	DGJ		
7	52108267AA	10	J			EK0	DGJ		SCREW
		10	T			EK0	DGJ		
		10	J			ESF	DGJ		
8	52108308AB	1	J			EK0	DGJ		CONNECTOR
		1	T			EK0	DGJ		

GRAND CHEROKEE (WK)
 SERIES LINE BODY ENGINE TRANSMISSION
 H = HIGHLINE T = JEEP - 2WD 74 = SPORT UTILITY 4-DR EKG = 3.7L V6 Engine DGQ = 5-Spd Automatic 5-45RFE
 P = PREMIUM J = JEEP - 4WD EVA = 4.7L V8 MPI Engine Transmission
 S = SPORT EZB = 5.7L Hemi Multi DGJ = 5-Speed Automatic MB
 X = SPECIAL Displacement Engine Transmission

AR = use ase required - = Non illustrated part

**Electronic - Hydraulic Control Unit
Figure NAG1-710**



ITEM	PART NUMBER	QTY	LINE	SERIES	BODY	ENGINE	TRANS	TRIM	DESCRIPTION
9	05134760AA	1	J			ESF	DGJ		SOLENOID, Transmission
		3	J			EK0	DGJ		Shift Solenoid
		3	T			EK0	DGJ		Shift Solenoid
10	52108314AA	3	J			ESF	DGJ		Shift Solenoid
		1	J			EK0	DGJ		SOLENOID, Transmission
		1	T			EK0	DGJ		Lock Up Solenoid
11	05138838AA	1	J			ESF	DGJ		Lock Up Solenoid
		2	J			EK0	DGJ		SOLENOID, Transmission
		2	T			EK0	DGJ		Pressure Solenoid
12	52108316AA	2	J			ESF	DGJ		Pressure Solenoid
		2	T			EK0	DGJ		Pressure Solenoid
		2	J			ESF	DGJ		FILTER, Transmission Oil
13	52108315AA	2	J			EK0	DGJ		PLATE
		3	J			EK0	DGJ		
		3	T			EK0	DGJ		
14	52108268AA	3	J			ESF	DGJ		
		2	J			EK0	DGJ		SCREW
		2	T			EK0	DGJ		[M6x80.0]
15	52108269AA	2	J			ESF	DGJ		[M6x80.0]
		1	J			EK0	DGJ		SCREW
		1	T			EK0	DGJ		[M6.55]
16	05134761AA	1	J			ESF	DGJ		[M6.55]
		3	J			EK0	DGJ		COVER, Valve Body
		3	T			EK0	DGJ		
		3	J			ESF	DGJ		

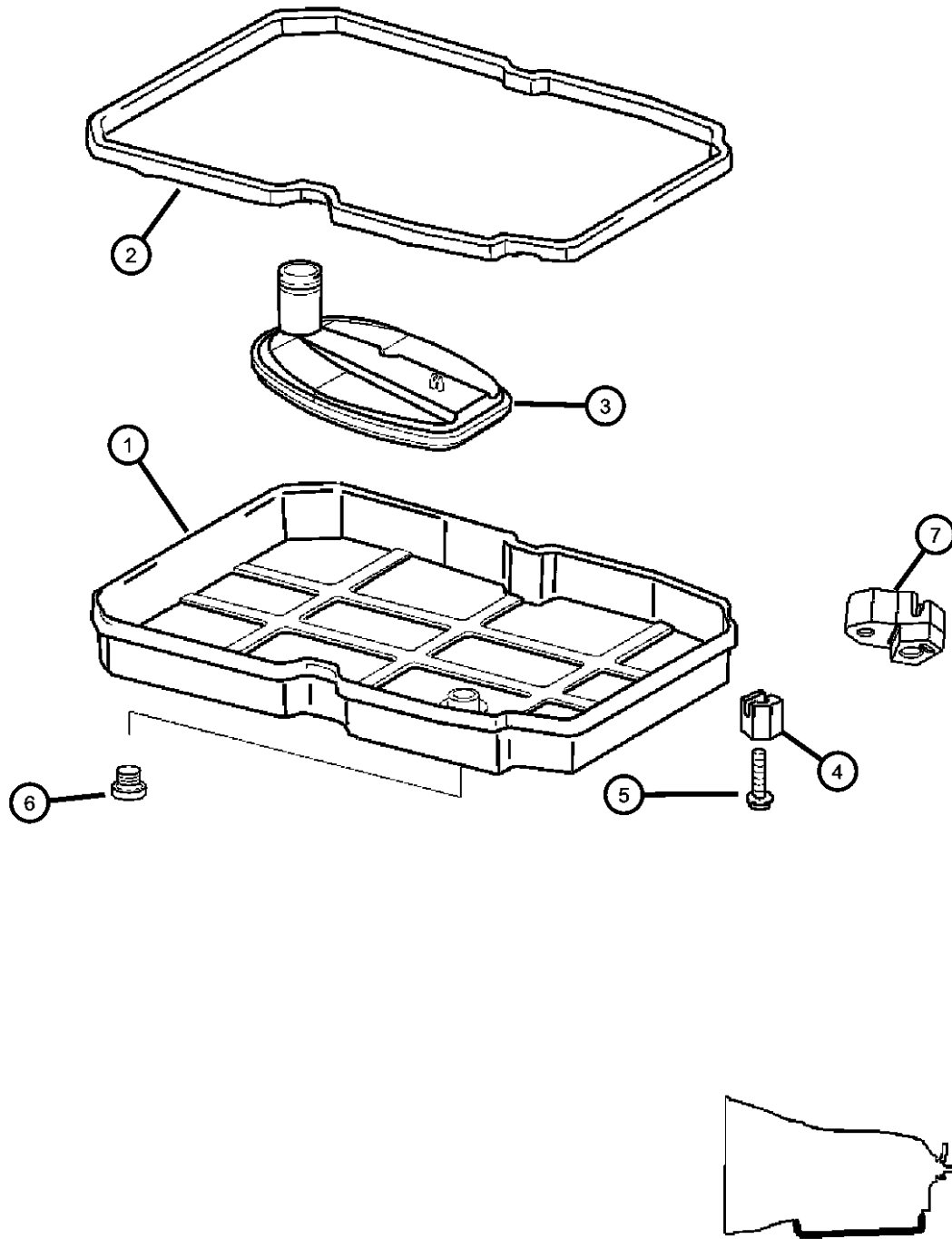
GRAND CHEROKEE (WK)

SERIES	LINE	BODY	ENGINE	TRANSMISSION
H = HIGHLINE	T = JEEP - 2WD	74 = SPORT UTILITY 4-DR	EKG = 3.7L V6 Engine	DGQ = 5-Spd Automatic 5-45RFE
P = PREMIUM	J = JEEP - 4WD		EVA = 4.7L V8 MPI Engine	Transmission
S = SPORT			EZB = 5.7L Hemi Multi	DGJ = 5-Speed Automatic MB
X = SPECIAL			Displacement Engine	Transmission

AR = use ase required - = Non illustrated part

Oil Pan, Gasket & Filter
Figure NAG1-720

ITEM	PART NUMBER	QTY	LINE	SERIES	BODY	ENGINE	TRANS	TRIM	DESCRIPTION
NOTE: Sales Codes: [DGJ]=5 Speed Automatic Transmission - [NAG1] - [W5A580] [ESF]=6.1L SRT HEMI V-8 Engine [EK0]=All 3.7L V-6 Engine									
1	52108327AA	1	J			EK0	DGJ		PAN, Transmission Oil
		1	T			EK0	DGJ		
		1	J			ESF	DGJ		
2	52108332AA	1	J			EK0	DGJ		GASKET
		1	T			EK0	DGJ		
		1	J			ESF	DGJ		
3	52108325AA	1	J			EK0	DGJ		FILTER, Transmission Oil
		1	T			EK0	DGJ		
		1	J			ESF	DGJ		
4	52108334AA	5	J			EK0	DGJ		NUT
		5	T			EK0	DGJ		
		5	J			ESF	DGJ		
5	52108270AA	6	J			EK0	DGJ		SCREW
		6	T			EK0	DGJ		
		6	J			ESF	DGJ		
6	03681601	1	J			EK0	DGJ		MAGNET, Transmission
		1	T			EK0	DGJ		
		1	J			ESF	DGJ		
7	05080289AA	1	J			EK0	DGJ		NUT
		1	T			EK0	DGJ		
		1	J			ESF	DGJ		



GRAND CHEROKEE (WK)

SERIES LINE
H = HIGHLINE T = JEEP - 2WD
P = PREMIUM J = JEEP - 4WD
S = SPORT
X = SPECIAL

BODY
74 = SPORT UTILITY 4-DR

ENGINE
EKG = 3.7L V6 Engine
EVA = 4.7L V8 MPI Engine
EZB = 5.7L Hemi Multi
Displacement Engine

TRANSMISSION
DGQ = 5-Spd Automatic 5-45RFE
Transmission
DGJ = 5-Speed Automatic MB
Transmission

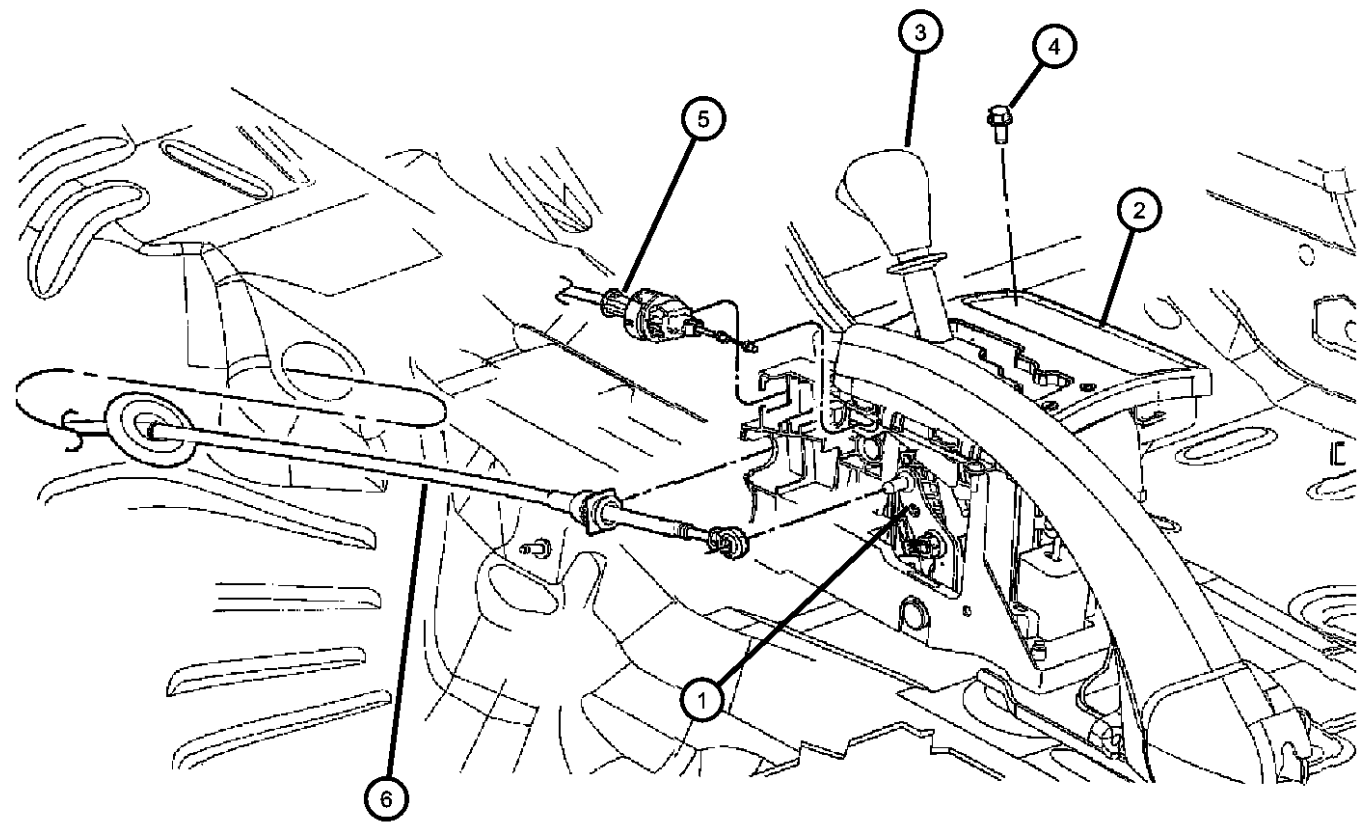
AR = use ase required - = Non illustrated part

2006 WK

**Gearshift Control
Figure NAG1-1210**

ITEM	PART NUMBER	QTY	LINE	SERIES	BODY	ENGINE	TRANS	TRIM	DESCRIPTION
------	-------------	-----	------	--------	------	--------	-------	------	-------------

NOTE:
Sales Codes:
[DGJ]=5 Speed Automatic Transmission - [NAG1] - [W5A580]
[DHB]=Quadra-Trac Active On Demand [4x4]
[DHZ]=Quadra-Trac [I] Full Time [4x4]
[DHX]=Quadra-Trac [II] Full Time Active [4x4]
[ESF]=6.1L SRT HEMI V-8 Engine
[DG0]=All Automatic Transmissions
[EK0]=All 3.7L V-6 Engines



1									HOUSING AND LEVER, Shifter, Includes Bezel And Handle With [DHB]
	05037751AA	1	J			ESF	DGJ		
	52124137AA	1	T			EK0	DGJ		
		1	J			EK0	DGJ		With [DHZ]
	52124138AA	1	J			EK0	DGJ		With [DHX]
2									PRNDL BEZEL, Gear selector
	68004143AE	1	T				DGJ		
		1	J				DGJ		[DHZ]
		1	J			ESF	DGJ		
	68004144AE	1	J				DGJ		[DHX]
3									HANDLE, Gearshift
	52090460AB	1	J			EK0	DGJ		With [DHX]
	04854563AA	1	J			ESF	DGJ		With [DHB]
		1	T			EK0	DGJ		
		1	J			EK0	DGJ		With [DHZ]
4	06505846AA	3					DG0		BOLT, Hex Flange Head
5	52109666AD	1					DG0		CABLE, Park Interlock
6	52109667AD	1					DG0		CABLE, Gearshift Control

GRAND CHEROKEE (WK)

SERIES	LINE	BODY	ENGINE	TRANSMISSION
H = HIGHLINE	T = JEEP - 2WD	74 = SPORT UTILITY 4-DR	EKG = 3.7L V6 Engine	DGQ = 5-Spd Automatic 5-45RFE Transmission
P = PREMIUM	J = JEEP - 4WD		EVA = 4.7L V8 MPI Engine	DGJ = 5-Speed Automatic MB Transmission
S = SPORT			EZB = 5.7L Hemi Multi Displacement Engine	
X = SPECIAL				

AR = use ase required - = Non illustrated part

**Shifter Cable & Transmission Shifter Cable Bracket
Figure NAG1-1220**

ITEM	PART NUMBER	QTY	LINE	SERIES	BODY	ENGINE	TRANS	TRIM	DESCRIPTION
------	-------------	-----	------	--------	------	--------	-------	------	-------------

NOTE:

Sales Codes:

[DGJ]=5 Speed Automatic Transmission - [NAG1] - [W5A580]

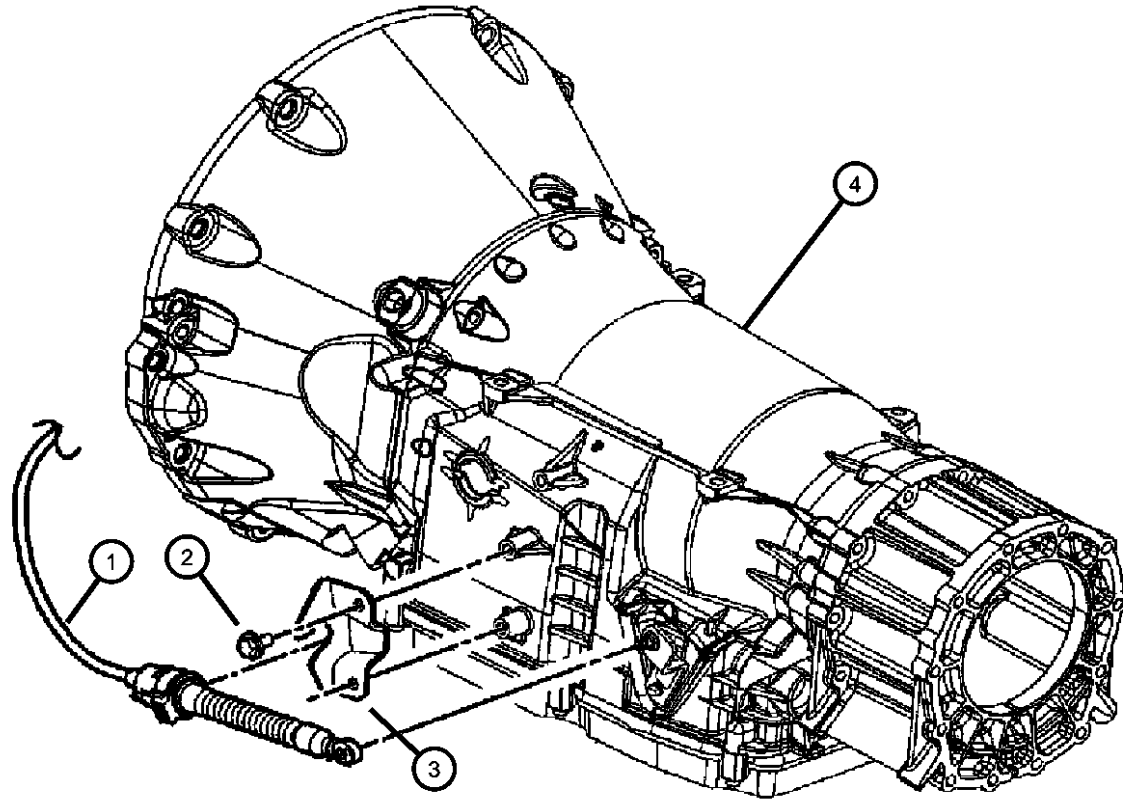
[DG0]=All Automatic Transmissions

[EK0]=All 3.7L V-6 Engines

[EV0]=All 4.7L V-8 Engines

[EZ0]=All 5.7L V-8 Engines

1	52109667AD	1					DG0		CABLE, Gearshift Control
2	06101758	2					DG0		SCREW, Hex Head, M8x1.25x20
3	52109699AC	1					DGJ		BRACKET, Shift Cable
4		1							TRANSMISSION, 5 Speed, See Illustration 110, (NOT SERVICED)



GRAND CHEROKEE (WK)

SERIES LINE

H = HIGHLINE T = JEEP - 2WD

P = PREMIUM J = JEEP - 4WD

S = SPORT

X = SPECIAL

BODY

74 = SPORT UTILITY 4-DR

ENGINE

EKG = 3.7L V6 Engine

EVA = 4.7L V8 MPI Engine

EZB = 5.7L Hemi Multi Displacement Engine

TRANSMISSION

DGQ = 5-Spd Automatic 5-45RFE Transmission

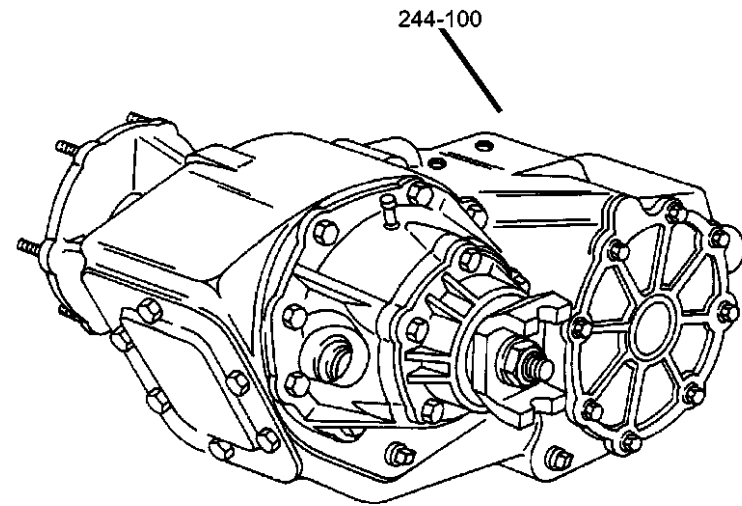
DGJ = 5-Speed Automatic MB Transmission

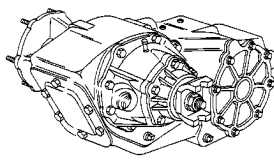

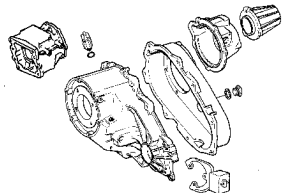
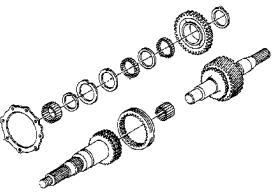
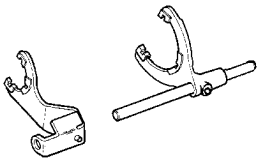
AR = use ase required - = Non illustrated part

2006 WK

Group - 146

Transfer Case Model 146 [DHB]



<p>146-100 Transfer Case Assembly</p> 	<p>146-1200 Skid Plates and Mounting</p> 	<p>146-200 Case and Extension</p> 	<p>146-400 Gear Train</p> 
<p>146-900 Fork and Rails</p> 			

Group - 146 Transfer Case Model 146 [DHB]

Illustration Title

Group-Fig. No.

Transfer Case Assembly

Transfer Case [DHB]..... Fig. 146 - 110

Case and Extension

Case and Related Parts [DHB]..... Fig. 146 - 210

Gear Train

Gear Train [DHB]..... Fig. 146 - 410

Fork and Rails

Forks and Rails [DHB]..... Fig. 146 - 910

Skid Plates and Mounting

Skidplates [DHB]..... Fig. 146 - 1210

**Transfer Case [DHB]
Figure 146-110**

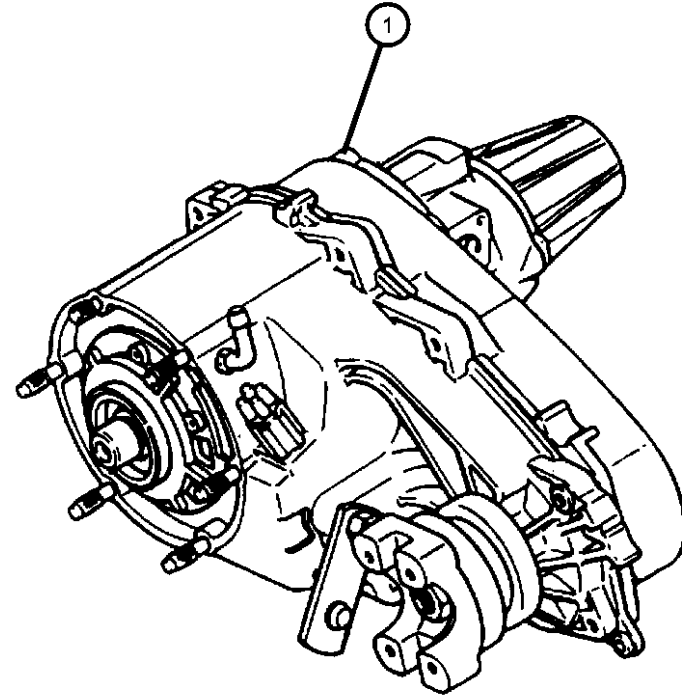
ITEM	PART NUMBER	QTY	LINE	SERIES	BODY	ENGINE	TRANS	TRIM	DESCRIPTION
------	-------------	-----	------	--------	------	--------	-------	------	-------------

NOTE:

[DHB] = Quadra-Trac Active On Demand 146 Transfer Case

[ESF] = 6.1L SRT Hemi SMPI V8 Engine

1	05037747AA	1				ESF			TRANSFER CASE, NVG146
	68001758AA								Mopar Transfer Case Fluid SRT8



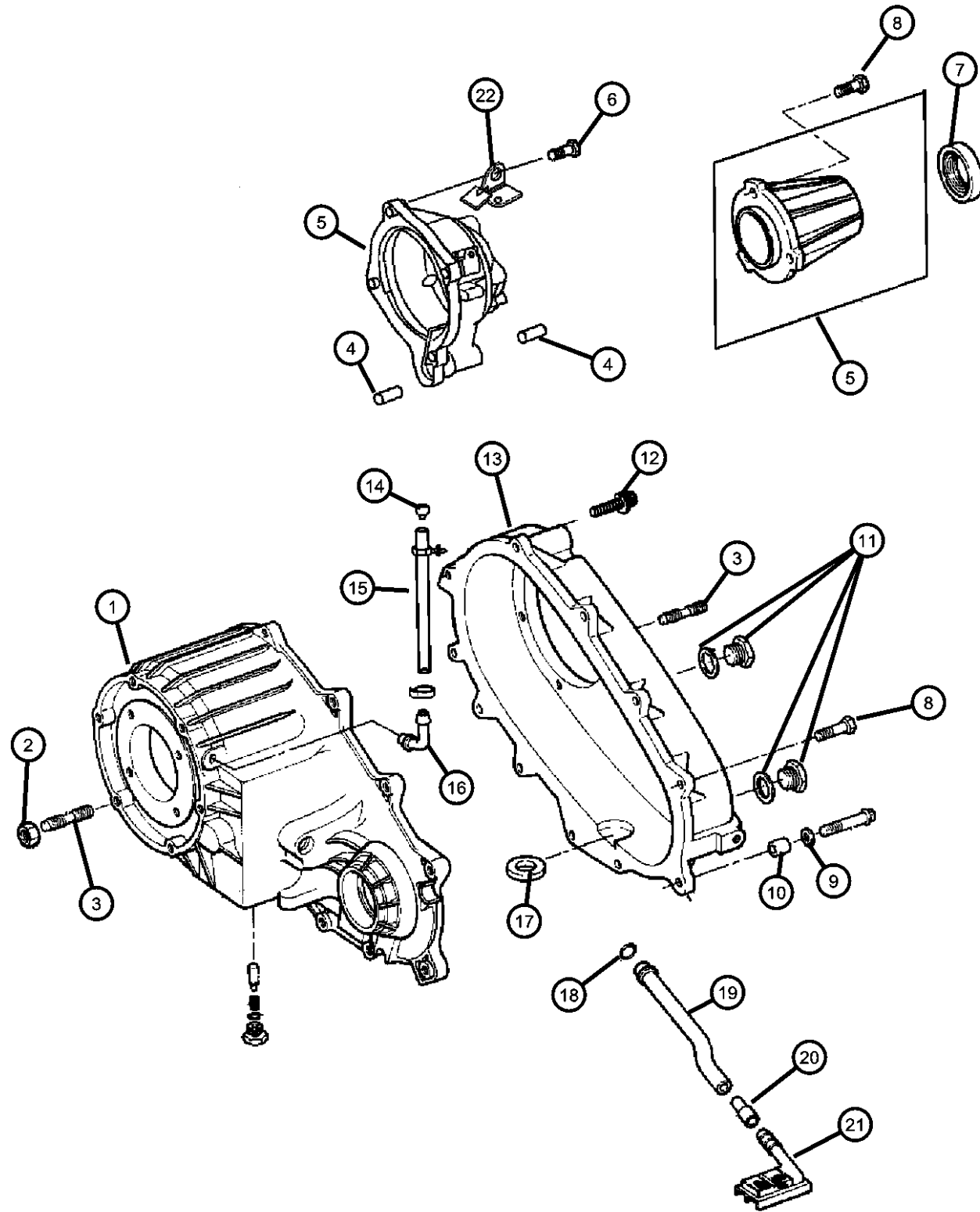
GRAND CHEROKEE (WK)

SERIES	LINE	BODY	ENGINE	TRANSMISSION
H = HIGHLINE	T = JEEP - 2WD	74 = SPORT UTILITY 4-DR	EKG = 3.7L V6 Engine	DGQ = 5-Spd Automatic 5-45RFE
P = PREMIUM	J = JEEP - 4WD		EVA = 4.7L V8 MPI Engine	Transmission
S = SPORT			EZB = 5.7L Hemi Multi	DGJ = 5-Speed Automatic MB
X = SPECIAL			Displacement Engine	Transmission

AR = use ase required - = Non illustrated part

2006 WK

Case and Related Parts [DHB]
Figure 146-210



ITEM	PART NUMBER	QTY	LINE	SERIES	BODY	ENGINE	TRANS	TRIM	DESCRIPTION
------	-------------	-----	------	--------	------	--------	-------	------	-------------

NOTE:
[DHB] = Quadra-Trac Active On Demand 146 Transfer Case
[ESF] = 6.1L SRT Hemi SMPI V8 Engine

1	05175982AA	1				ESF			CASE, Transfer Front
2	06507572AA	12	J						NUT AND WASHER, Hex
3	05143725AA	12				ESF			STUD
4	05086335AA	2				ESF			DOWEL, Transfer Case
5	05143760AB	1				ESF			RETAINER, Transfer Case Rear
6	05012325AA	2				ESF			BOLT
7	05143733AA	1				ESF			SEAL, Oil
8	06101526	31				ESF			BOLT, Transfer Case
9		31							WASHER, Flat, (NOT REQUIRED)
10	05086335AA	3				ESF			DOWEL, Transfer Case
11	04856641	1				ESF			PLUG, Oil Fill
12	06101526	31				ESF			BOLT, Transfer Case
13	05175990AA	1				ESF			CASE, Transfer Rear
14	05175988AA	1				ESF			VENT, Transfer Case
15	HFV00516AB	1							HOSE, Fuel And Vapor, 25 Foot Roll 5/16"
16	05175988AA	1				ESF			VENT, Transfer Case
17	03681601	1				ESF			MAGNET, Transmission
18	05013016AB	1				ESF			SEAL, Transfer Case
19	05143773AA	1				ESF			TUBE, Oil Pickup
20	05012327AA	1				ESF			CONNECTOR, Oil Tube Pickup
21	05012326AA	1				ESF			FILTER, Transfer Case Oil
22		1							BRACKET, (NOT REQUIRED)

GRAND CHEROKEE (WK)

SERIES LINE
H = HIGHLINE T = JEEP - 2WD
P = PREMIUM J = JEEP - 4WD
S = SPORT
X = SPECIAL

BODY
74 = SPORT UTILITY 4-DR

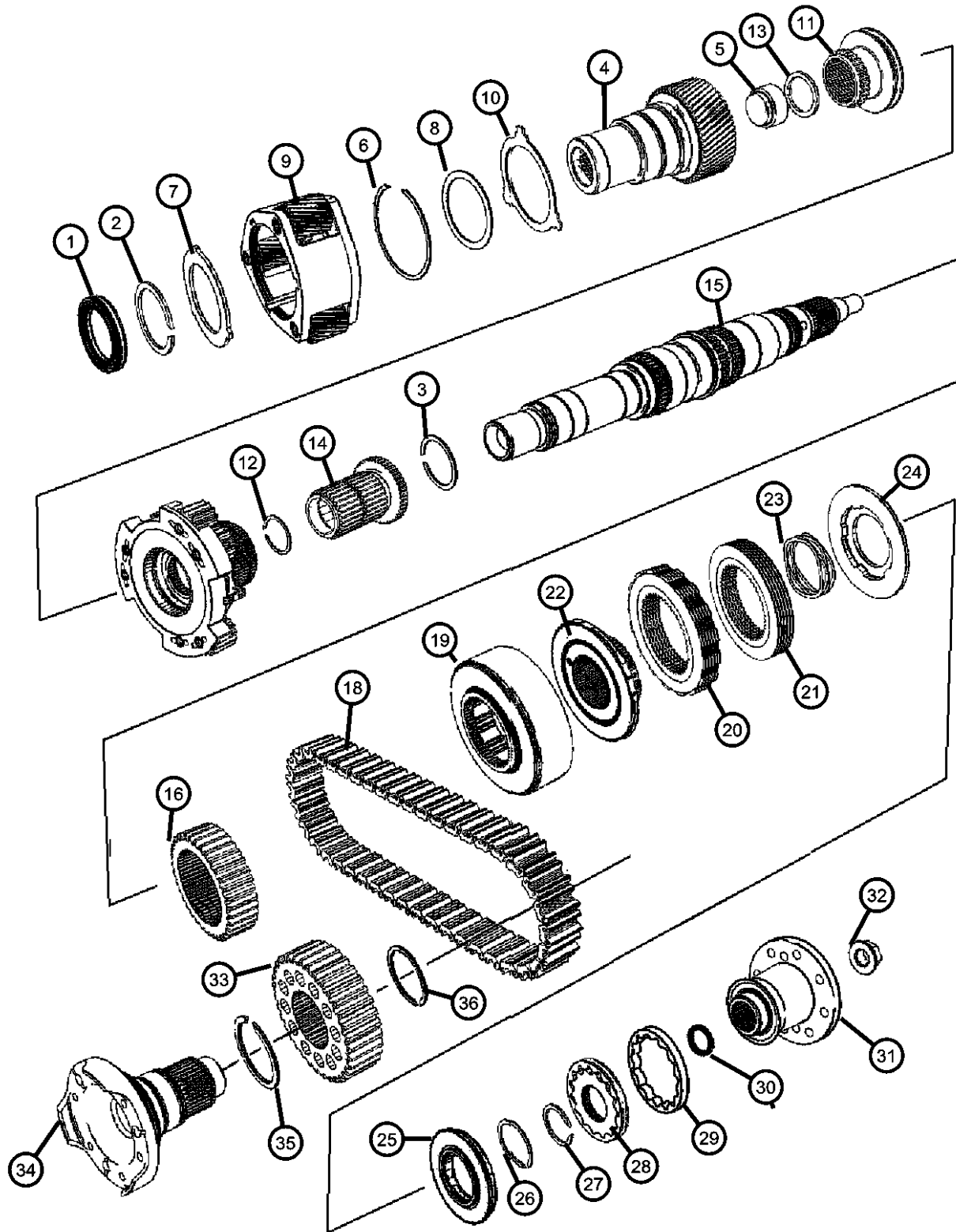
ENGINE
EKG = 3.7L V6 Engine
EVA = 4.7L V8 MPI Engine
EZB = 5.7L Hemi Multi Displacement Engine

TRANSMISSION
DGQ = 5-Spd Automatic 5-45RFE Transmission
DGJ = 5-Speed Automatic MB Transmission

AR = use ase required - = Non illustrated part

2006 WK

**Gear Train [DHB]
Figure 146-410**



ITEM	PART NUMBER	QTY	LINE	SERIES	BODY	ENGINE	TRANS	TRIM	DESCRIPTION
NOTE; [DHB] = Qudra-Trac Active On Demand 146 Transfer Case [ESF] = 6.1L SRT Hemi SMPI V8 Engine									
1	05143714AA	1				ESF			SEAL, Input
2	05143774AA	1				ESF			SNAP RING
3									SNAP RING
	05072901AA	1				ESF			
	05143728AA	1	J			EV0, EZ0			
4		1							GEAR, Input, (NOT REQUIRED)
5	05143739AA	1				ESF			BEARING, Input Gear
6	03821558	2				ESF			SNAP RING
7		2							PLATE, (NOT REQUIRED)
8		2							THRUST WASHER, Planetary Carrier, (NOT REQUIRED)
9		2							PLANETARY, Transfer Case, (NOT REQUIRED)
10		2							THRUST WASHER, Planetary Carrier, (NOT REQUIRED)
11		2							SLEEVE, Shift Range, (NOT REQUIRED)
12	83503537	1				ESF			SNAP RING
13	83503539	1	J			EV0, EZ0			WASHER, Intermediate Sleeve
14		1							SHAFT, Intermediate, (NOT REQUIRED)
15	05175984AA	1				ESF			MAINSHAFT, Transfer Case
16	05143727AA	1				ESF			SPROCKET, Transfer Case
-17	05170554AA	1				ESF			BEARING, Thrust
18	05161964AA	1				ESF			CHAIN, Transfer Case
19	05175983AA	1				ESF			DRUM
20	05175986AA	6				ESF			PLATE, Transmission Clutch Reaction
21	05175985AA	7				ESF			PLATE, Clutch Pressure
22	05143984AA	1				ESF			DRUM
23	05143989AA	1				ESF			SPRING, Clutch
24	05175987AA	1				ESF			PLATE
25	05161962AA	1				ESF			BEARING, Thrust
26	83503537	1				ESF			SNAP RING
27	04883597AA	1	J			EV0, EZ0			SNAP RING
28	05143772AA	1				ESF			PUMP, Transfer Case Oil

GRAND CHEROKEE (WK)

SERIES LINE
H = HIGHLINE T = JEEP - 2WD
P = PREMIUM J = JEEP - 4WD
S = SPORT
X = SPECIAL

BODY
74 = SPORT UTILITY 4-DR

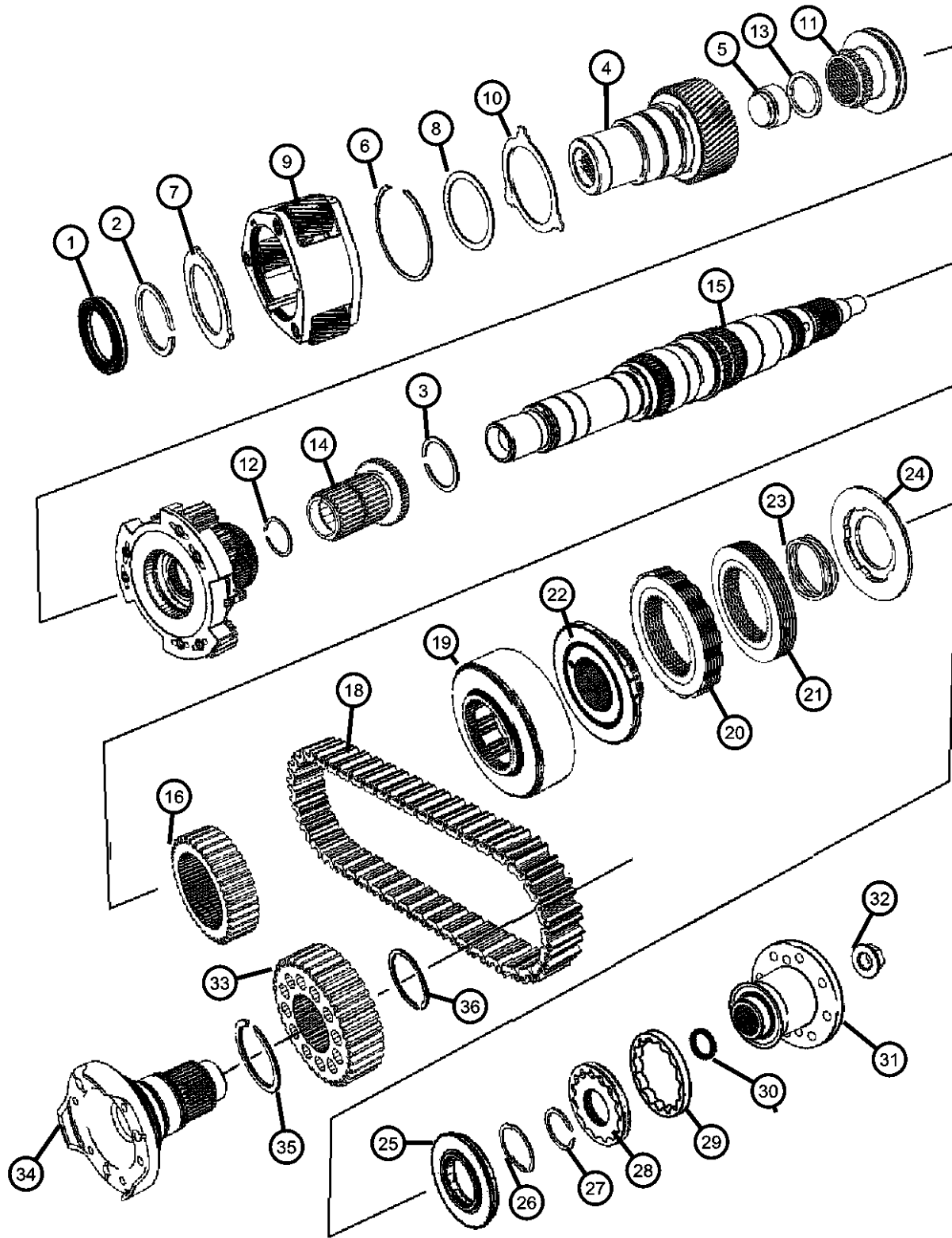
ENGINE
EKG = 3.7L V6 Engine
EVA = 4.7L V8 MPI Engine
EZB = 5.7L Hemi Multi Displacement Engine

TRANSMISSION
DGQ = 5-Spd Automatic 5-45RFE Transmission
DGJ = 5-Speed Automatic MB Transmission

AR = use ase required - = Non illustrated part

2006 WK

**Gear Train [DHB]
Figure 146-410**



ITEM	PART NUMBER	QTY	LINE	SERIES	BODY	ENGINE	TRANS	TRIM	DESCRIPTION
29	05101880AA	1				ESF			ROTOR, Outer
30	05143743AA	1				ESF			SEAL
31	05143757AA	1				ESF			FLANGE, Driveshaft Yoke
32	05143738AA	1				ESF			NUT, Transfer Case Yoke
33	05143730AA	1				ESF			SPROCKET, Transfer Case
34	05143716AA	1				ESF			OUTPUT SHAFT, Transfer Case
35	83503537	1				ESF			SNAP RING
36	05080503AA	1				ESF			SNAP RING, Clutch Gear

GRAND CHEROKEE (WK)

SERIES LINE
H = HIGHLINE T = JEEP - 2WD
P = PREMIUM J = JEEP - 4WD
S = SPORT
X = SPECIAL

BODY
74 = SPORT UTILITY 4-DR

ENGINE
EKG = 3.7L V6 Engine
EVA = 4.7L V8 MPI Engine
EZB = 5.7L Hemi Multi
Displacement Engine

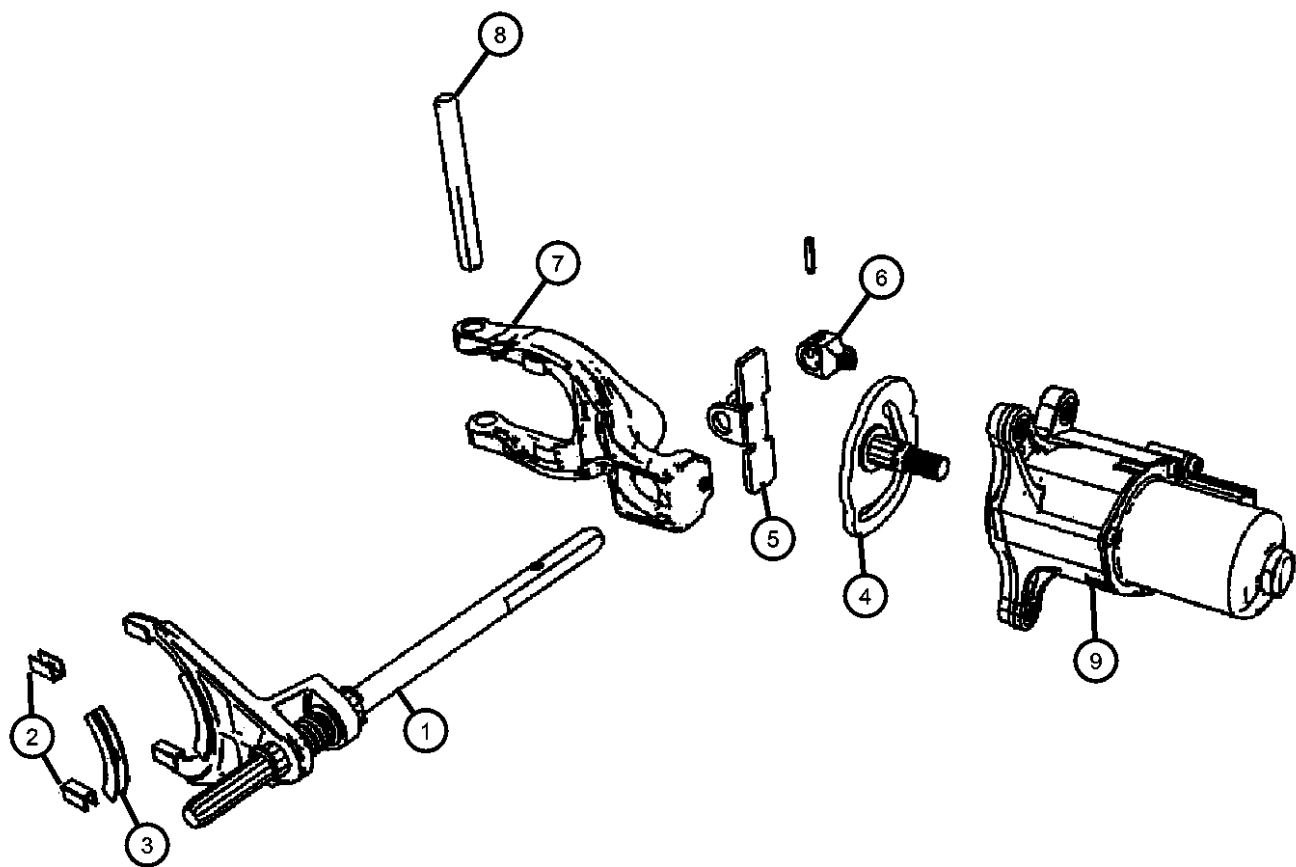
TRANSMISSION
DGQ = 5-Spd Automatic 5-45RFE
Transmission
DGJ = 5-Speed Automatic MB
Transmission

AR = use ase required - = Non illustrated part

2006 WK

Forks and Rails [DHB]
Figure 146-910

ITEM	PART NUMBER	QTY	LINE	SERIES	BODY	ENGINE	TRANS	TRIM	DESCRIPTION
NOTE;									
[DHB] = Qudra-Trac Active On Demand 146 Transfer Case									
[ESF] = 6.1L SRT Hemi SMPI V8 Engine									
1		1							FORK, Transfer Case Mode Shift, (NOT REQUIRED)
2		1							PAD, Shift Fork, (NOT REQUIRED)
3		1							PAD, Shift Fork, (NOT REQUIRED)
4	05175989AA	1				ESF			SECTOR, Transfer Case
5		1							BRACKET, Shift Rail, (NOT REQUIRED)
6	05143982AA	1				ESF			BEARING, Transfer Case Shift
7	05161975AA	1				ESF			LEVER, Transfer Case
8	05143981AA	1				ESF			RAIL, Shift
9	05143786AA	1				ESF			ACTUATOR
-10	05161968AA	1				ESF			BEARING, Ball
-11	05143741AA	1				ESF			BEARING, Ball
-12	05143776AA	1	J			EV0, EZ0			SNAP RING
		1	J			EK0			
		1				ESF			



GRAND CHEROKEE (WK)

SERIES LINE
H = HIGHLINE T = JEEP - 2WD
P = PREMIUM J = JEEP - 4WD
S = SPORT
X = SPECIAL

BODY
74 = SPORT UTILITY 4-DR

ENGINE
EKG = 3.7L V6 Engine
EVA = 4.7L V8 MPI Engine
EZB = 5.7L Hemi Multi Displacement Engine

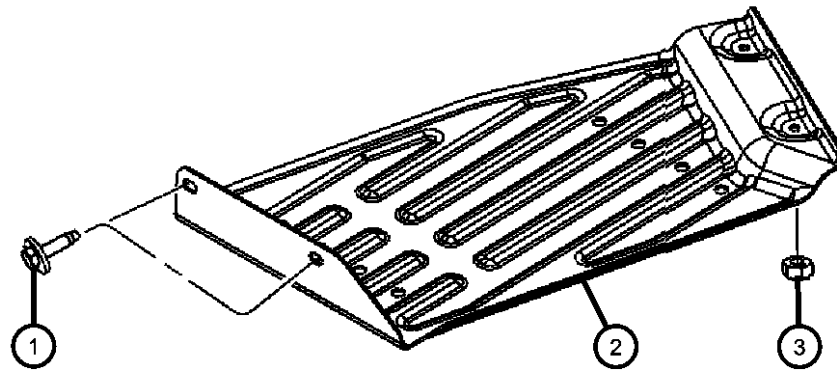
TRANSMISSION
DGQ = 5-Spd Automatic 5-45RFE Transmission
DGJ = 5-Speed Automatic MB Transmission

AR = use ase required - = Non illustrated part

2006 WK

**Skidplates [DHB]
Figure 146-1210**

ITEM	PART NUMBER	QTY	LINE	SERIES	BODY	ENGINE	TRANS	TRIM	DESCRIPTION
NOTE:									
1	06503571	2	J						SCREW AND WASHER, M10x1.50x35, Skid Plate to Rail and Crossmember, Mounting
2	52128499AC	1	J						SKID PLATE, Transfer Case
3	06101696	2	J						NUT, [M10x1.50], Skid Plate to Rail, Mounting



GRAND CHEROKEE (WK)

SERIES LINE
H = HIGHLINE T = JEEP - 2WD
P = PREMIUM J = JEEP - 4WD
S = SPORT
X = SPECIAL

BODY
74 = SPORT UTILITY 4-DR

ENGINE
EKG = 3.7L V6 Engine
EVA = 4.7L V8 MPI Engine
EZB = 5.7L Hemi Multi Displacement Engine

TRANSMISSION
DGQ = 5-Spd Automatic 5-45RFE Transmission
DGJ = 5-Speed Automatic MB Transmission

AR = use ase required - = Non illustrated part

2006 WK

Group - 140

Transfer Case Model 140 [DHZ]

Group - 140 Transfer Case Model 140 [DHZ]

Illustration Title

Group-Fig. No.

Transfer Case Assembly

Transfer Case Single Mode [DHZ] Fig. 140 - 110

Case and Related Parts

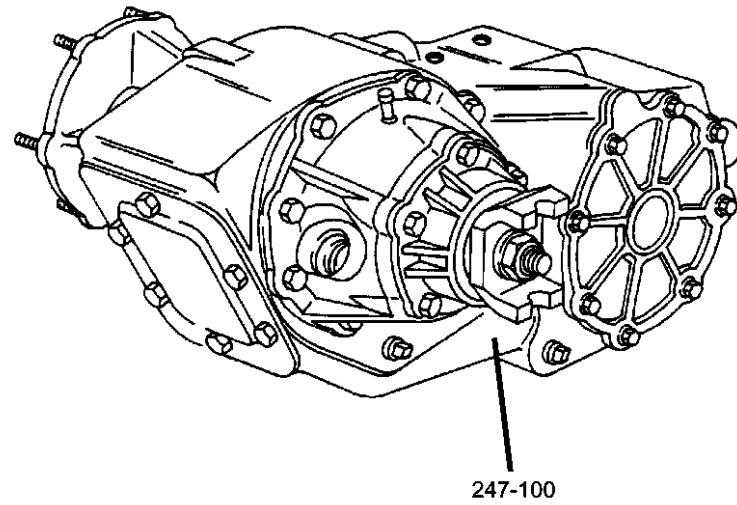
Case and Related Parts [DHZ] Fig. 140 - 210

Gear Train

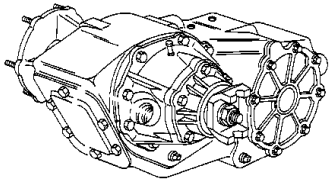
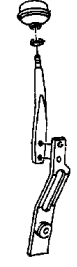
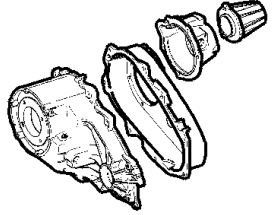
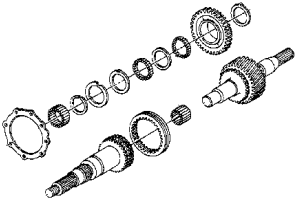
Gear Train [DHZ] Fig. 140 - 410

Skid Plates and Mounting

Skid Plate Fig. 140 - 1210



247-100

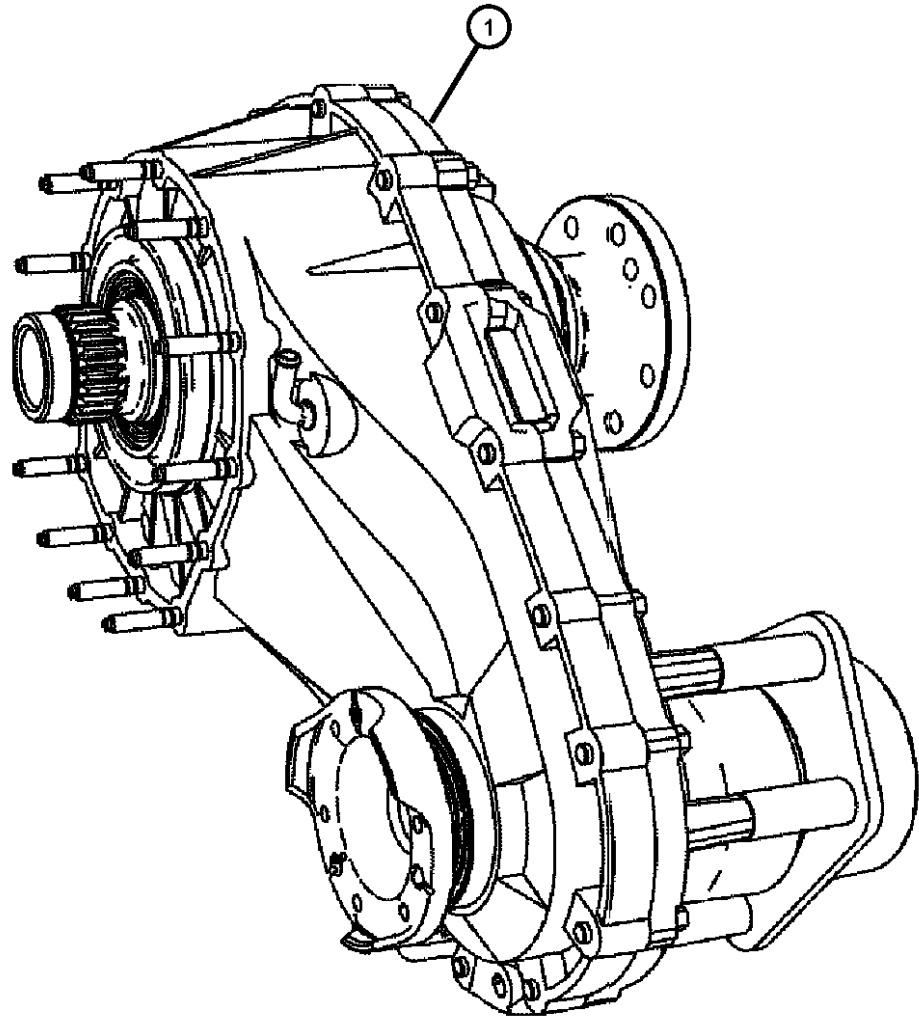
<p>140-100 Transfer Case Assembly</p> 	<p>140-1200 Skid Plates and Mounting</p> 	<p>140-200 Case and Related Parts</p> 	<p>140-400 Gear Train</p> 
---	---	---	--

**Transfer Case Single Mode [DHZ]
Figure 140-110**

ITEM	PART NUMBER	QTY	LINE	SERIES	BODY	ENGINE	TRANS	TRIM	DESCRIPTION
------	-------------	-----	------	--------	------	--------	-------	------	-------------

Notes: Sales Codes
[EKG]=3.7L V-6 Engine

1	52105928AB	1	J						TRANSFER CASE, NVG140
---	------------	---	---	--	--	--	--	--	-----------------------



GRAND CHEROKEE (WK)

SERIES	LINE
H = HIGHLINE	T = JEEP - 2WD
P = PREMIUM	J = JEEP - 4WD
S = SPORT	
X = SPECIAL	

BODY
74 = SPORT UTILITY 4-DR

ENGINE
EKG = 3.7L V6 Engine
EVA = 4.7L V8 MPI Engine
EZB = 5.7L Hemi Multi Displacement Engine

TRANSMISSION
DGQ = 5-Spd Automatic 5-45RFE Transmission
DGJ = 5-Speed Automatic MB Transmission

AR = use ase required - = Non illustrated part

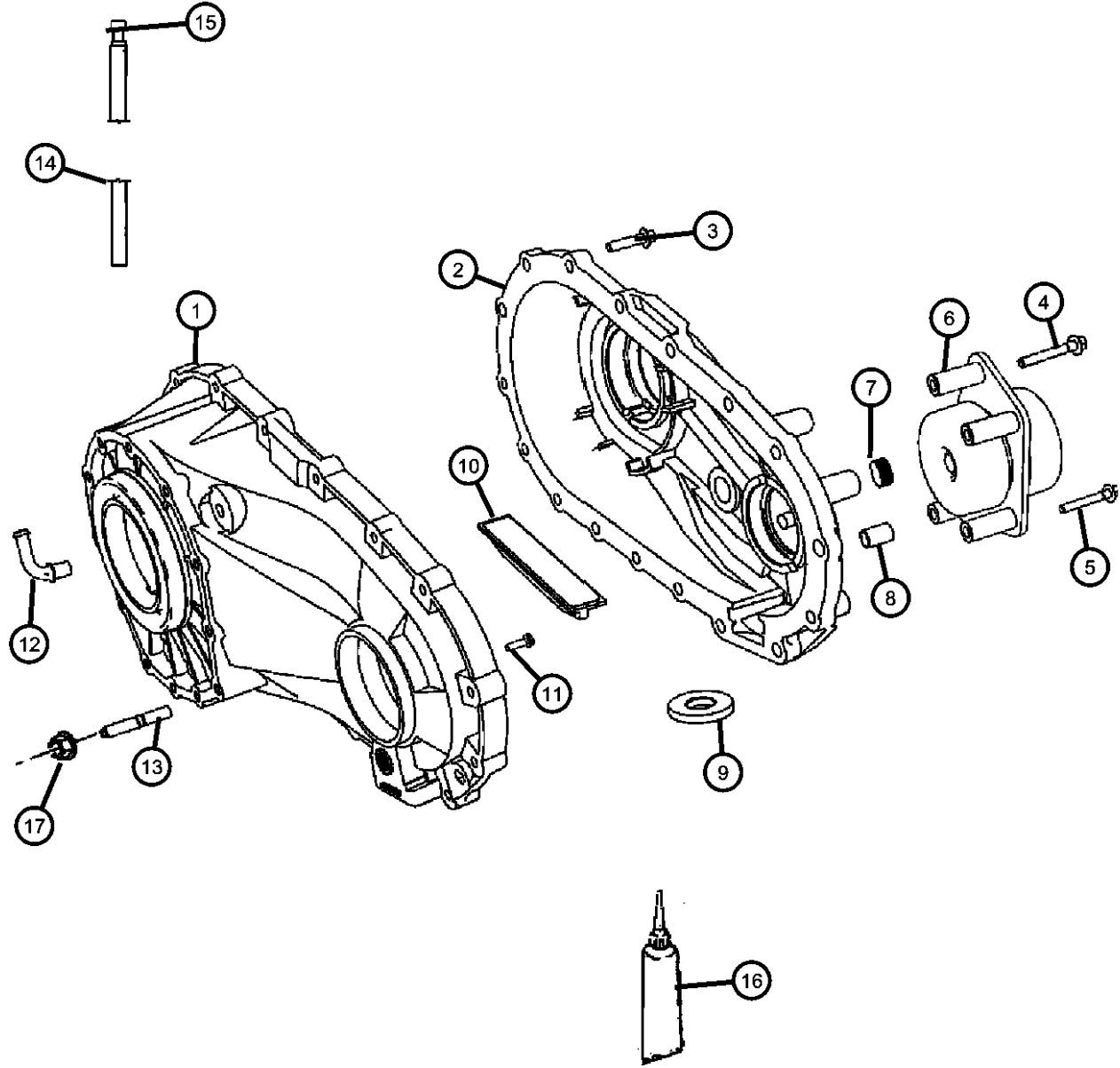
2006 WK

**Case and Related Parts [DHZ]
Figure 140-210**

ITEM	PART NUMBER	QTY	LINE	SERIES	BODY	ENGINE	TRANS	TRIM	DESCRIPTION
------	-------------	-----	------	--------	------	--------	-------	------	-------------

Notes: Sales Codes
[EKG]=3.7L V-Six Engine

1	05143713AA	1	J						CASE, Transfer Front
2	05143731AA	1	J						CASE, Transfer Rear
3	06101526	17	J						BOLT, Transfer Case
4	06100931	1	J						BOLT, Hex Flange Head, M8x1.25x55
5	06504257	3	J						BOLT, Hex Head, M8x1.25x70
6	52853176AA	1	J						DAMPER, Transfer Case
7	04856641	2	J						PLUG, Oil Fill
8	05086335AA	2	J						DOWEL, Transfer Case
9	03681601	1	J						MAGNET, Transmission
10	05012324AA	1	J						SNUBBER, Chain
11	05012325AA	2	J						BOLT
12	04796910	1	J						VENT, Transfer Case
13	05143725AA	12	J						STUD
14	HFV00516AB	1	J						HOSE, Fuel And Vapor, 25 Foot Roll 5/16"
15	J5352955	1	J						VENT, Axle
16	05010884AA	1	J						SEALANT, RTV
17	06507572AA	12	J						NUT AND WASHER, Hex



GRAND CHEROKEE (WK)

SERIES	LINE
H = HIGHLINE	T = JEEP - 2WD
P = PREMIUM	J = JEEP - 4WD
S = SPORT	
X = SPECIAL	

BODY
74 = SPORT UTILITY 4-DR

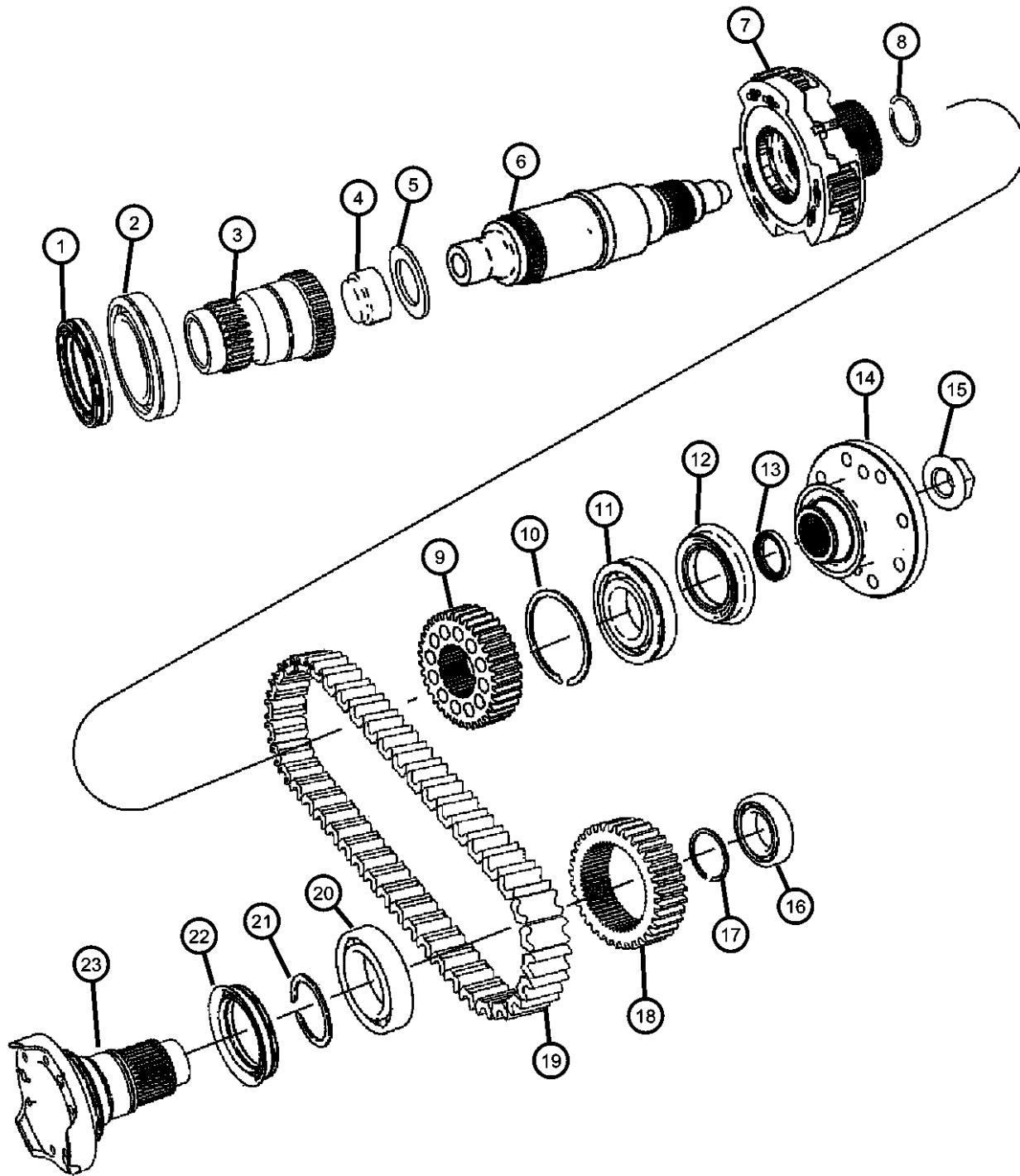
ENGINE
EKG = 3.7L V6 Engine
EVA = 4.7L V8 MPI Engine
EZB = 5.7L Hemi Multi Displacement Engine

TRANSMISSION
DGQ = 5-Spd Automatic 5-45RFE Transmission
DGJ = 5-Speed Automatic MB Transmission

AR = use ase required - = Non illustrated part

2006 WK

**Gear Train [DHZ]
Figure 140-410**



ITEM	PART NUMBER	QTY	LINE	SERIES	BODY	ENGINE	TRANS	TRIM	DESCRIPTION
Notes: Sales Codes [EKG]=3.7L V-6 Engine									
1	05143714AA	1	J						SEAL, Input
2	05143739AA	1	J						BEARING, Input Gear
3	05143717AA	1	J						SHAFT, Input
4	83503507	1	J						BEARING, Input Shaft
5	05103263AA	1	J						THRUST WASHER, Planetary Carrier
6	05143718AA	1	J						MAINSHAFT, Transfer Case
7	05143726AA	1	J						DIFFERENTIAL, Transfer Case
8	03821558	1	J						SNAP RING
9	05143727AA	1	J						SPROCKET, Transfer Case
10	83503532	1	J						SNAP RING
11	05143741AA	1	J						BEARING, Ball, [Front O/P Rear]
12	05143733AA	1	J						SEAL, Oil, [Rear Output]
13	05143743AA	1	J						SEAL
14	05143735AA	1	J						FLANGE, Driveshaft Yoke
15	05143738AA	1	J						NUT, Transfer Case Yoke
16	05161968AA	1	J						BEARING, Ball
17	05143728AA	1	J						SNAP RING
18	05143730AA	1	J						SPROCKET, Transfer Case
19	05166001AA	1	J						CHAIN, Transfer Case
20	05012997AA	1	J						BEARING, Input Gear, [Front Output]
21	05072901AA	1	J						SNAP RING
22	05143715AA	1	J						SEAL, Output, [Front Output]
23	05143716AA	1	J						OUTPUT SHAFT, Transfer Case

GRAND CHEROKEE (WK)

SERIES LINE
H = HIGHLINE T = JEEP - 2WD
P = PREMIUM J = JEEP - 4WD
S = SPORT
X = SPECIAL

BODY
74 = SPORT UTILITY 4-DR

ENGINE
EKG = 3.7L V6 Engine
EVA = 4.7L V8 MPI Engine
EZB = 5.7L Hemi Multi Displacement Engine

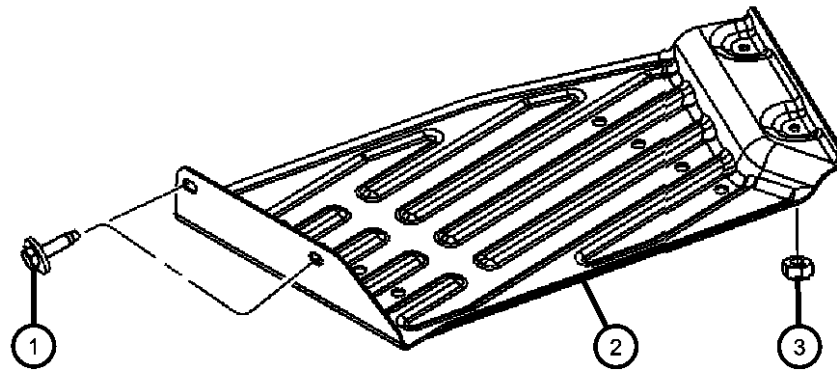
TRANSMISSION
DGQ = 5-Spd Automatic 5-45RFE Transmission
DGJ = 5-Speed Automatic MB Transmission

AR = use ase required - = Non illustrated part

2006 WK

**Skid Plate
Figure 140-1210**

ITEM	PART NUMBER	QTY	LINE	SERIES	BODY	ENGINE	TRANS	TRIM	DESCRIPTION
1	06503571	2	J						SCREW AND WASHER, M10x1.50x35, Skid Plate to Rail and Crossmember, Mounting SKID PLATE, Transfer Case NUT, [M10x1.50], Skid Plate to Rail, Mounting
2	52128499AC	1	J						
3	06101696	2	J						



GRAND CHEROKEE (WK)

SERIES LINE
H = HIGHLINE T = JEEP - 2WD
P = PREMIUM J = JEEP - 4WD
S = SPORT
X = SPECIAL

BODY
74 = SPORT UTILITY 4-DR

ENGINE
EKG = 3.7L V6 Engine
EVA = 4.7L V8 MPI Engine
EZB = 5.7L Hemi Multi Displacement Engine

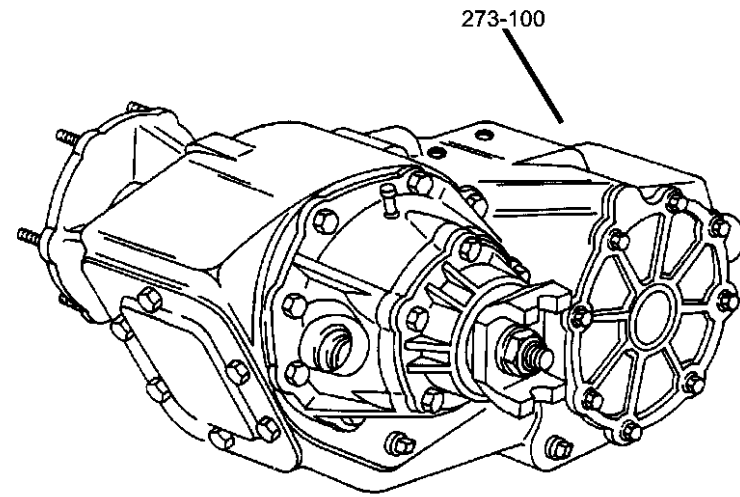
TRANSMISSION
DGQ = 5-Spd Automatic 5-45RFE Transmission
DGJ = 5-Speed Automatic MB Transmission

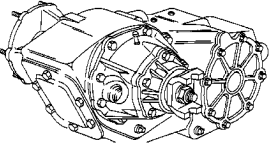

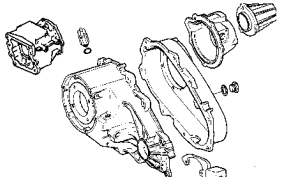
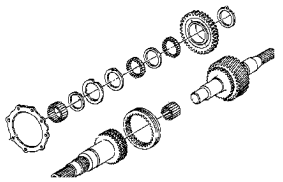
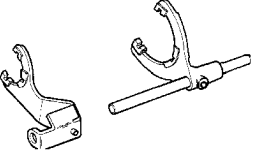
AR = use ase required - = Non illustrated part

2006 WK

Group - 245

Transfer Case Model 245 [DHX]



<p>245-100 Transfer Case Assembly</p> 	<p>245-1200 Gearshift Controls</p> 	<p>245-200 Case and Related Parts</p> 	<p>245-400 Gear Train</p> 
<p>245-900 Fork and Rails</p> 			

Group - 245 Transfer Case Model 245 [DHX]

Illustration Title

Group-Fig. No.

Transfer Case Assembly

Transfer Case [DHX]..... Fig. 245 - 110

Case and Related Parts

Case and Related Parts [DHX]..... Fig. 245 - 210

Gear Train

Gear Train [DHX]..... Fig. 245 - 410

Fork and Rails

Fork and Rails [DHX] Fig. 245 - 910

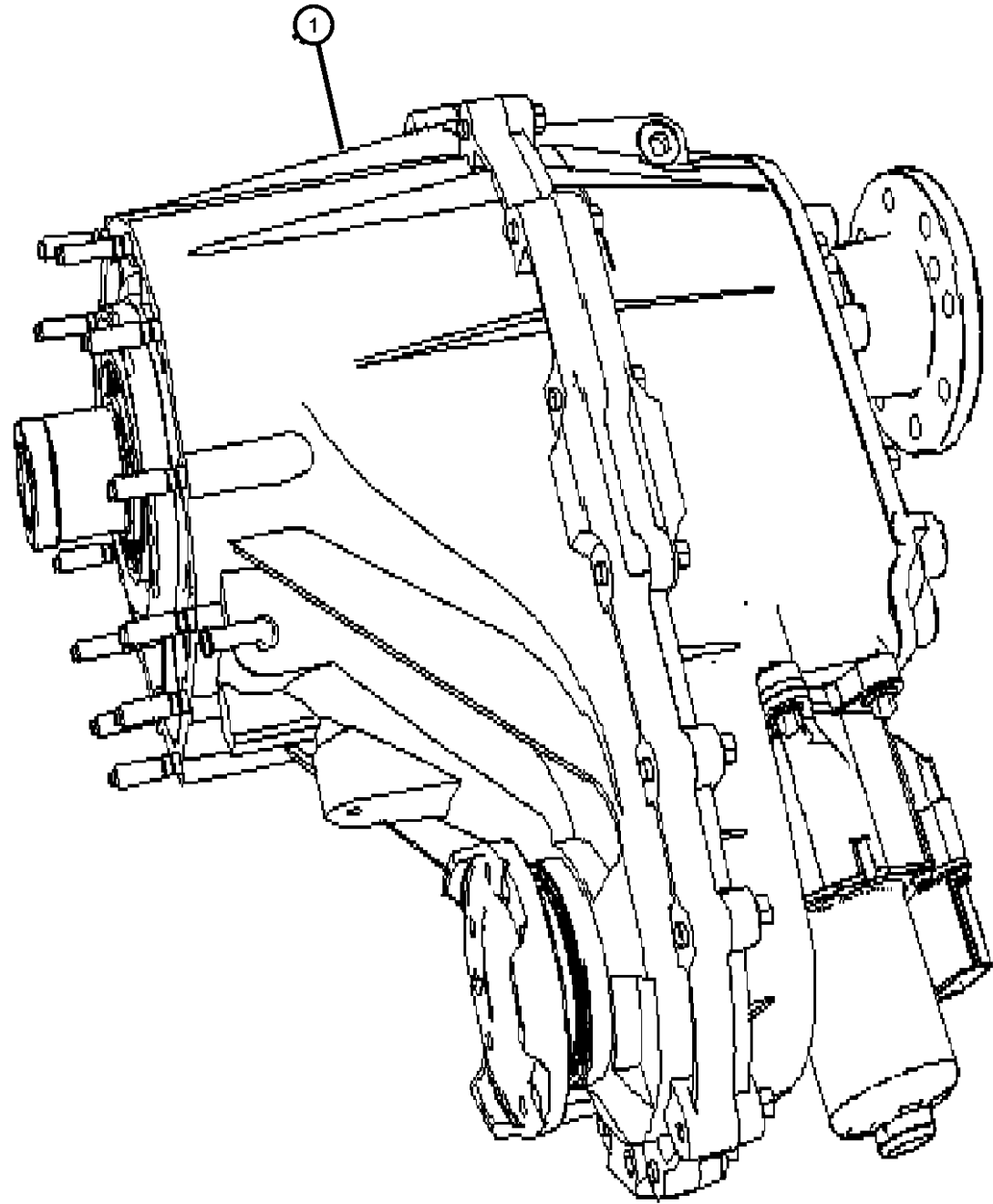
Gearshift Controls

Skid Plate Fig. 245 - 1210

Transfer Case [DHX]
Figure 245-110

ITEM	PART NUMBER	QTY	LINE	SERIES	BODY	ENGINE	TRANS	TRIM	DESCRIPTION
------	-------------	-----	------	--------	------	--------	-------	------	-------------

Note: Sales Codes
[EV0] = All 4.7L Gas Engines
[EZ0] = All 5.7 L Eight Cylinder Gas Engines



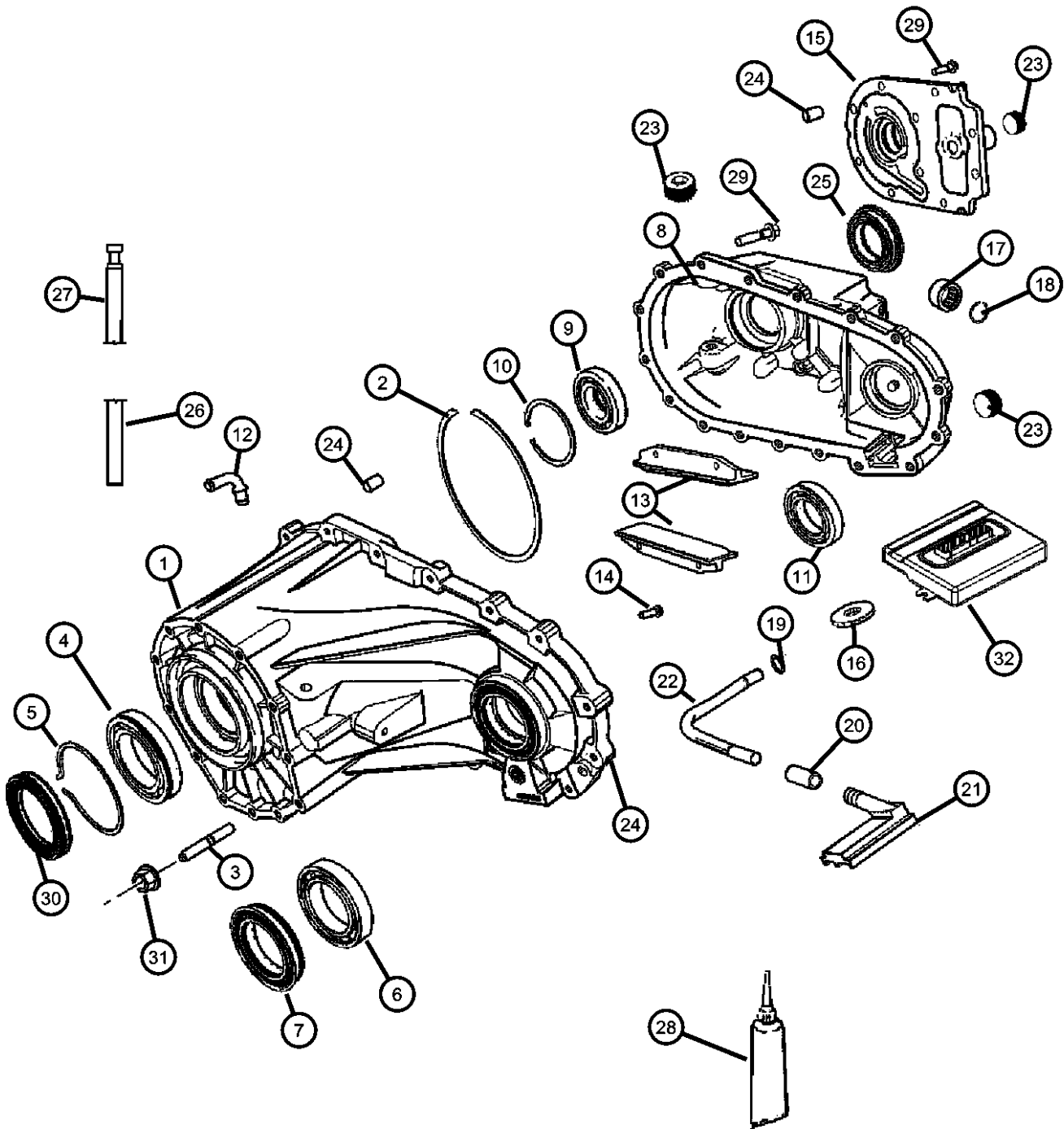
1									TRANSFER CASE, NVG245
	52105703AA	1	J			EV0, EZ0			
	52853391AB	1	J			EK0			

GRAND CHEROKEE (WK)

SERIES	LINE	BODY	ENGINE	TRANSMISSION
H = HIGHLINE	T = JEEP - 2WD	74 = SPORT UTILITY 4-DR	EKG = 3.7L V6 Engine	DGQ = 5-Spd Automatic 5-45RFE Transmission
P = PREMIUM	J = JEEP - 4WD		EVA = 4.7L V8 MPI Engine	DGJ = 5-Speed Automatic MB Transmission
S = SPORT			EZB = 5.7L Hemi Multi Displacement Engine	
X = SPECIAL				

AR = use ase required - = Non illustrated part

**Case and Related Parts [DHX]
Figure 245-210**



ITEM	PART NUMBER	QTY	LINE	SERIES	BODY	ENGINE	TRANS	TRIM	DESCRIPTION
------	-------------	-----	------	--------	------	--------	-------	------	-------------

Note: Sales Codes
 [EV0] = All 4.7L Gas Engines
 [EZ0] = All 5.7 L Eight Cylinder Gas Engines

1	05143749AA	1	J			EV0, EZ0			CASE, Transfer Front
2	04219065	1	J			EV0, EZ0			SNAP RING, Annulus Gear
3	05143725AA	12	J			EV0, EZ0			STUD
4	05143739AA	1	J			EV0, EZ0			BEARING, Input Gear
5	05143748AA	1	J			EV0, EZ0			SNAP RING
6	05012997AA	1	J			EV0, EZ0			BEARING, Input Gear
7	05143715AA	1	J			EV0, EZ0			SEAL, Output
8	05161965AB	1	J			EV0, EZ0			CASE, Transfer Rear
9	05161968AA	1	J			EV0, EZ0			BEARING, Ball
10	05143776AA	1	J			EV0, EZ0			SNAP RING
11	05143741AA	1	J			EV0, EZ0			BEARING, Ball
12	04796910	1	J			EV0, EZ0			VENT, Transfer Case
13	05012324AA	2	J			EV0, EZ0			SNUBBER, Chain
14	05012325AA	4	J			EV0, EZ0			BOLT
15	05143760AB	1	J			EV0, EZ0			RETAINER, Transfer Case Rear
16	03681601	1	J			EV0, EZ0			MAGNET, Transmission
17	05143982AA	1	J			EV0, EZ0			BEARING, Transfer Case Shift
18	05143774AA	1	J			EV0, EZ0			SNAP RING
19	05013016AB	1	J			EV0, EZ0			SEAL, Transfer Case
20	05012327AA	1	J			EV0, EZ0			CONNECTOR, Oil Tube Pickup
21	05012326AA	1	J			EV0, EZ0			FILTER, Transfer Case Oil
22	05143773AA	1	J			EV0, EZ0			TUBE, Oil Pickup
23	04856641	3	J			EV0, EZ0			PLUG, Oil Fill
24	05086335AA	5	J			EV0, EZ0			DOWEL, Transfer Case
25	05143733AA	1	J			EV0, EZ0			SEAL, Oil
26	HFV00516AB	1	J						HOSE, Fuel And Vapor, 25 Foot Roll 5/16"
27	J5352955	1	J						VENT, Axle
28	05010884AA	1	J			EV0, EZ0			SEALANT, RTV
29	06101526	31	J			EV0, EZ0			BOLT, Transfer Case
30	05143714AA	1	J			EV0, EZ0			SEAL, Input
31	06507572AA	12	J						NUT AND WASHER, Hex
32									MODULE, Transfer Case Control

GRAND CHEROKEE (WK)

SERIES LINE
 H = HIGHLINE T = JEEP - 2WD
 P = PREMIUM J = JEEP - 4WD
 S = SPORT
 X = SPECIAL

BODY
 74 = SPORT UTILITY 4-DR

ENGINE
 EKG = 3.7L V6 Engine
 EVA = 4.7L V8 MPI Engine
 EZB = 5.7L Hemi Multi Displacement Engine

TRANSMISSION
 DGQ = 5-Spd Automatic 5-45RFE Transmission
 DGJ = 5-Speed Automatic MB Transmission

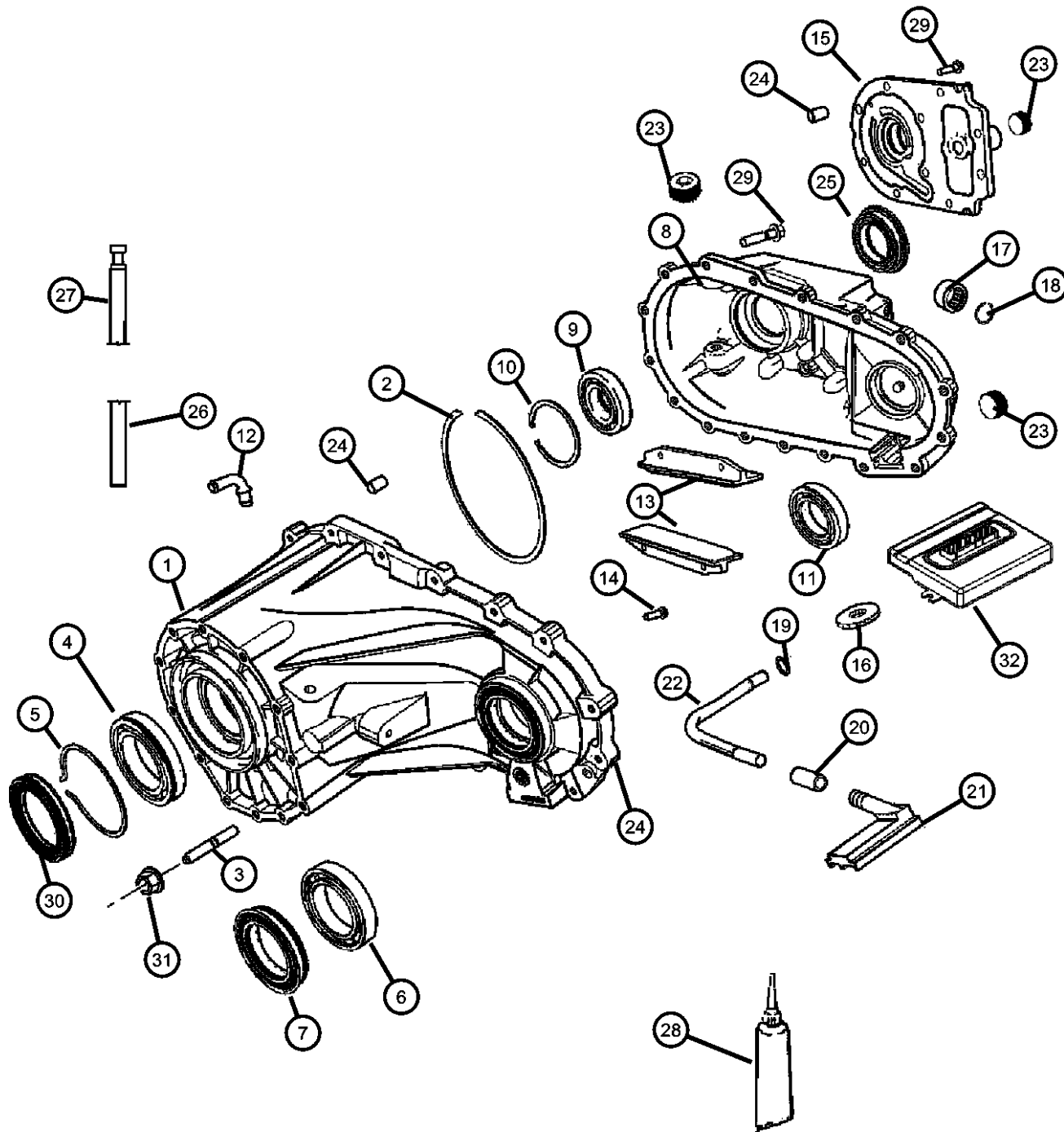
AR = use ase required - = Non illustrated part

Case and Related Parts [DHX]
Figure 245-210

ITEM	PART NUMBER	QTY	LINE	SERIES	BODY	ENGINE	TRANS	TRIM	DESCRIPTION
------	-------------	-----	------	--------	------	--------	-------	------	-------------

56044129AK 1 J
56044199AK 1 J

[DJG]



GRAND CHEROKEE (WK)

SERIES LINE
H = HIGHLINE T = JEEP - 2WD
P = PREMIUM J = JEEP - 4WD
S = SPORT
X = SPECIAL

BODY
74 = SPORT UTILITY 4-DR

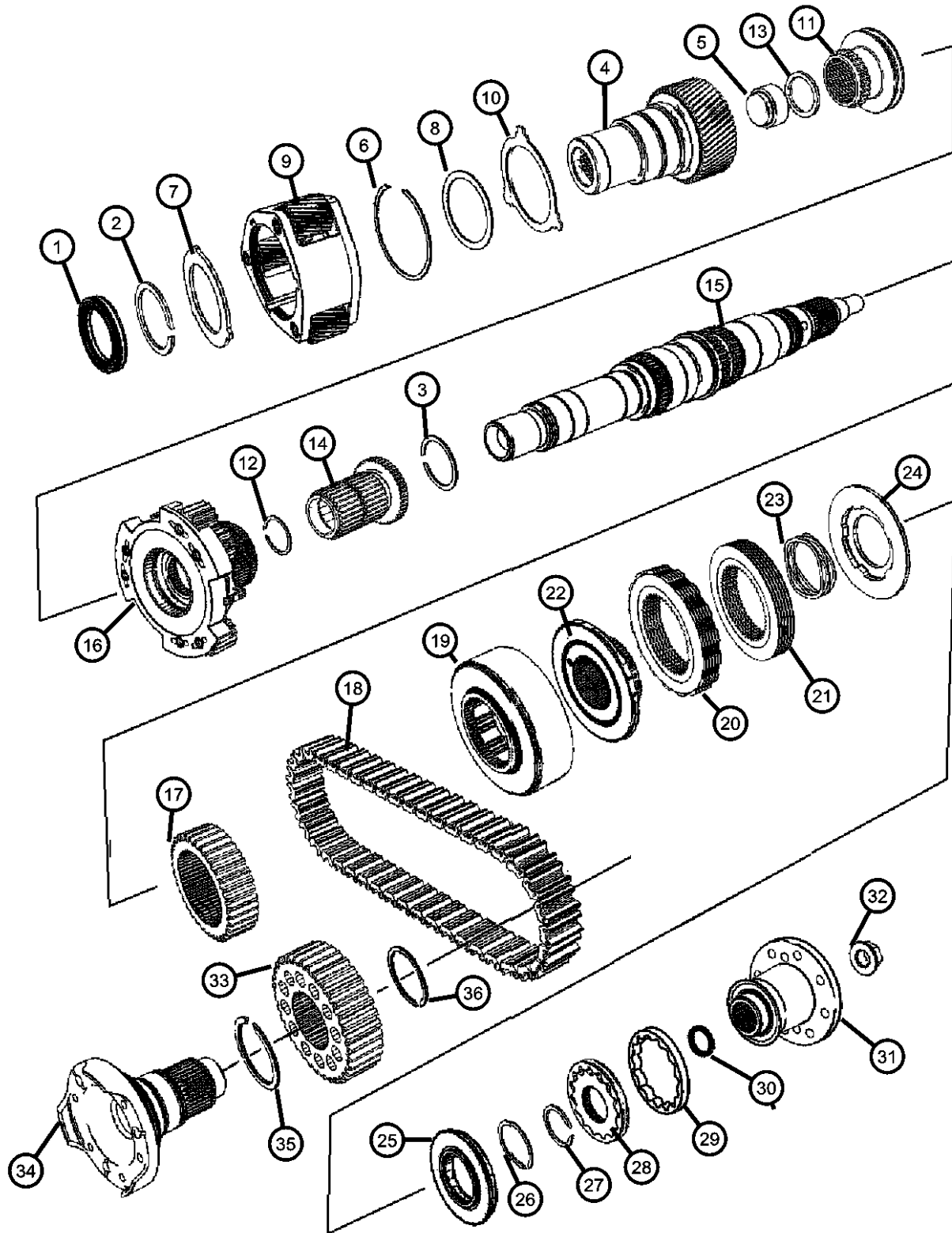
ENGINE
EKG = 3.7L V6 Engine
EVA = 4.7L V8 MPI Engine
EZB = 5.7L Hemi Multi Displacement Engine

TRANSMISSION
DGQ = 5-Spd Automatic 5-45RFE Transmission
DGJ = 5-Speed Automatic MB Transmission

AR = use ase required - = Non illustrated part

2006 WK

**Gear Train [DHX]
Figure 245-410**



ITEM	PART NUMBER	QTY	LINE	SERIES	BODY	ENGINE	TRANS	TRIM	DESCRIPTION
Note: Sales Codes [EV0] = All 4.7L Gas Engines [EZ0] = All 5.7 L Eight Cylinder Gas Engines									
1	05143751AA	1	J			EV0, EZ0			SNAP RING
2	05143748AA	1	J			EV0, EZ0			SNAP RING
3	05143728AA	1	J			EV0, EZ0			SNAP RING
4	05143747AA	1	J			EV0, EZ0			GEAR, Input
5	83503507	1	J			EV0, EZ0			BEARING, Input Shaft
6	04338910	1	J			EV0, EZ0			SNAP RING
7	05143750AA	1	J			EV0, EZ0			PLATE
8	05086313AA	1	J			EV0, EZ0			THRUST WASHER, Planetary Carrier
9	05143746AA	1	J			EV0, EZ0			PLANETARY, Transfer Case
10	05161956AA	1	J			EV0, EZ0			THRUST WASHER, Planetary Carrier, [Three Tab]
11	05003746AA	1	J			EV0, EZ0			SLEEVE, Shift Range
12	83503540	1	J			EV0, EZ0			SNAP RING
13	83503539	1	J			EV0, EZ0			WASHER, Intermediate Sleeve
14	05103314AA	1	J			EV0, EZ0			SHAFT, Intermediate
15	05143752AA	1	J			EV0, EZ0			MAINSHAFT, Transfer Case
16	05143726AA	1	J			EV0, EZ0			DIFFERENTIAL, Transfer Case
17	05143727AA	1	J			EV0, EZ0			SPROCKET, Transfer Case
18	05161964AA	1	J			EV0, EZ0			CHAIN, Transfer Case
19	05143983AA	1	J			EV0, EZ0			DRUM
20	05143986AB	6	J			EV0, EZ0			PLATE, [Outer]
21	05143987AB	6	J			EV0, EZ0			PLATE, [Inner]
22	05143984AA	1	J			EV0, EZ0			DRUM
23	05143989AA	1	J			EV0, EZ0			SPRING, Clutch
24	05161961AA	1	J			EV0, EZ0			PLATE
25	05161962AA	1	J			EV0, EZ0			BEARING, Thrust
26	83503537	1	J			EV0, EZ0			SNAP RING
27	04883597AA	1	J			EV0, EZ0			SNAP RING
28	05143772AA	1	J			EV0, EZ0			PUMP, Transfer Case Oil
29	05101880AA	1	J			EV0, EZ0			ROTOR, Outer
30	05143743AA	1	J			EV0, EZ0			SEAL
31	05143757AA	1	J			EV0, EZ0			FLANGE, Driveshaft Yoke
32	05143738AA	1	J			EV0, EZ0			NUT, Transfer Case Yoke

GRAND CHEROKEE (WK)

SERIES LINE
H = HIGHLINE T = JEEP - 2WD
P = PREMIUM J = JEEP - 4WD
S = SPORT
X = SPECIAL

BODY
74 = SPORT UTILITY 4-DR

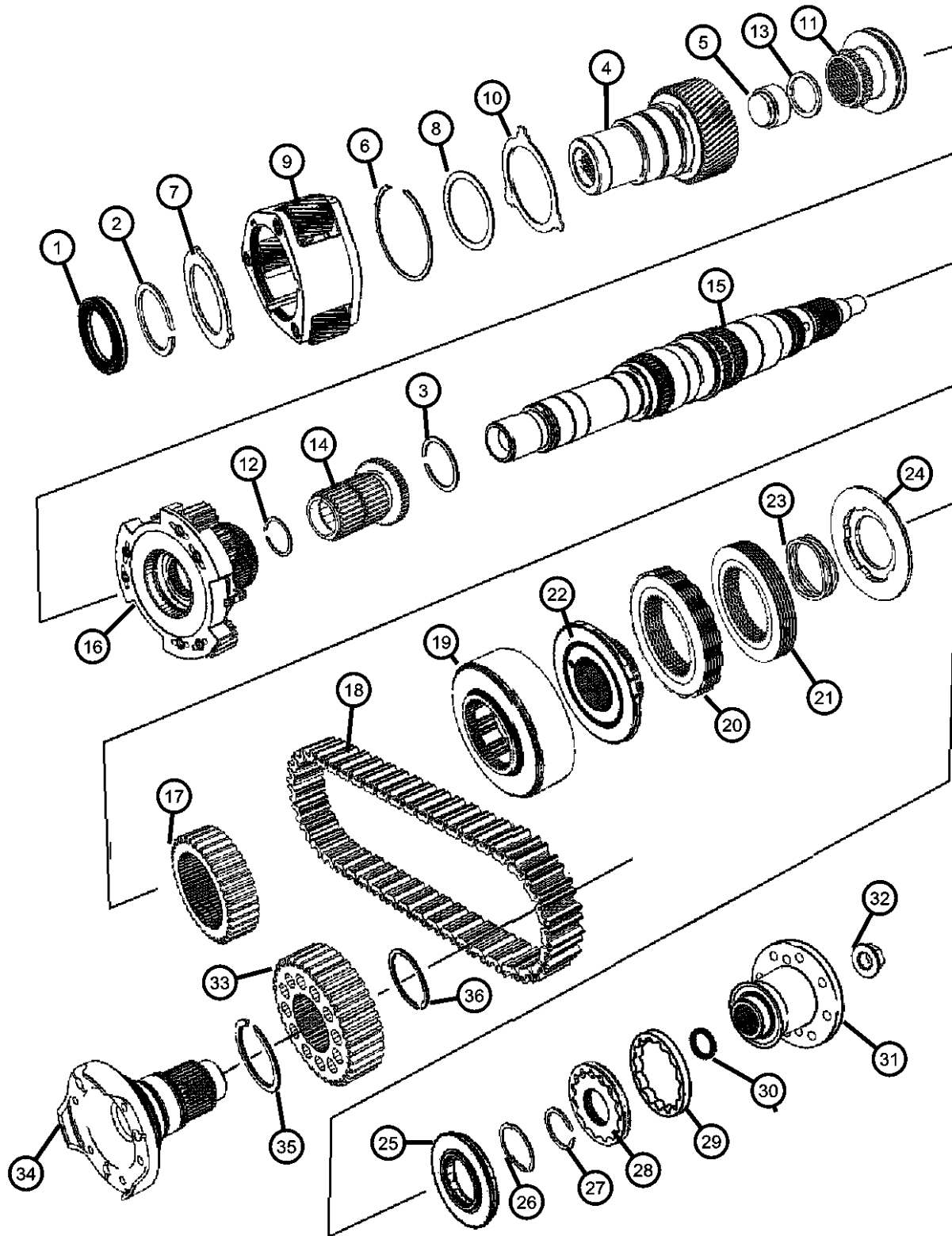
ENGINE
EKG = 3.7L V6 Engine
EVA = 4.7L V8 MPI Engine
EZB = 5.7L Hemi Multi Displacement Engine

TRANSMISSION
DGQ = 5-Spd Automatic 5-45RFE Transmission
DGJ = 5-Speed Automatic MB Transmission

AR = use ase required - = Non illustrated part

2006 WK

**Gear Train [DHX]
Figure 245-410**



ITEM	PART NUMBER	QTY	LINE	SERIES	BODY	ENGINE	TRANS	TRIM	DESCRIPTION
33	05143730AA	1	J			EV0, EZ0			SPROCKET, Transfer Case
34	05143716AA	1	J			EV0, EZ0			OUTPUT SHAFT, Transfer Case
35	03821558	1	J			EV0, EZ0			SNAP RING
36	05170294AA	1	J			EV0, EZ0			SNAP RING

GRAND CHEROKEE (WK)

SERIES LINE
H = HIGHLINE T = JEEP - 2WD
P = PREMIUM J = JEEP - 4WD
S = SPORT
X = SPECIAL

BODY
74 = SPORT UTILITY 4-DR

ENGINE
EKG = 3.7L V6 Engine
EVA = 4.7L V8 MPI Engine
EZB = 5.7L Hemi Multi
Displacement Engine

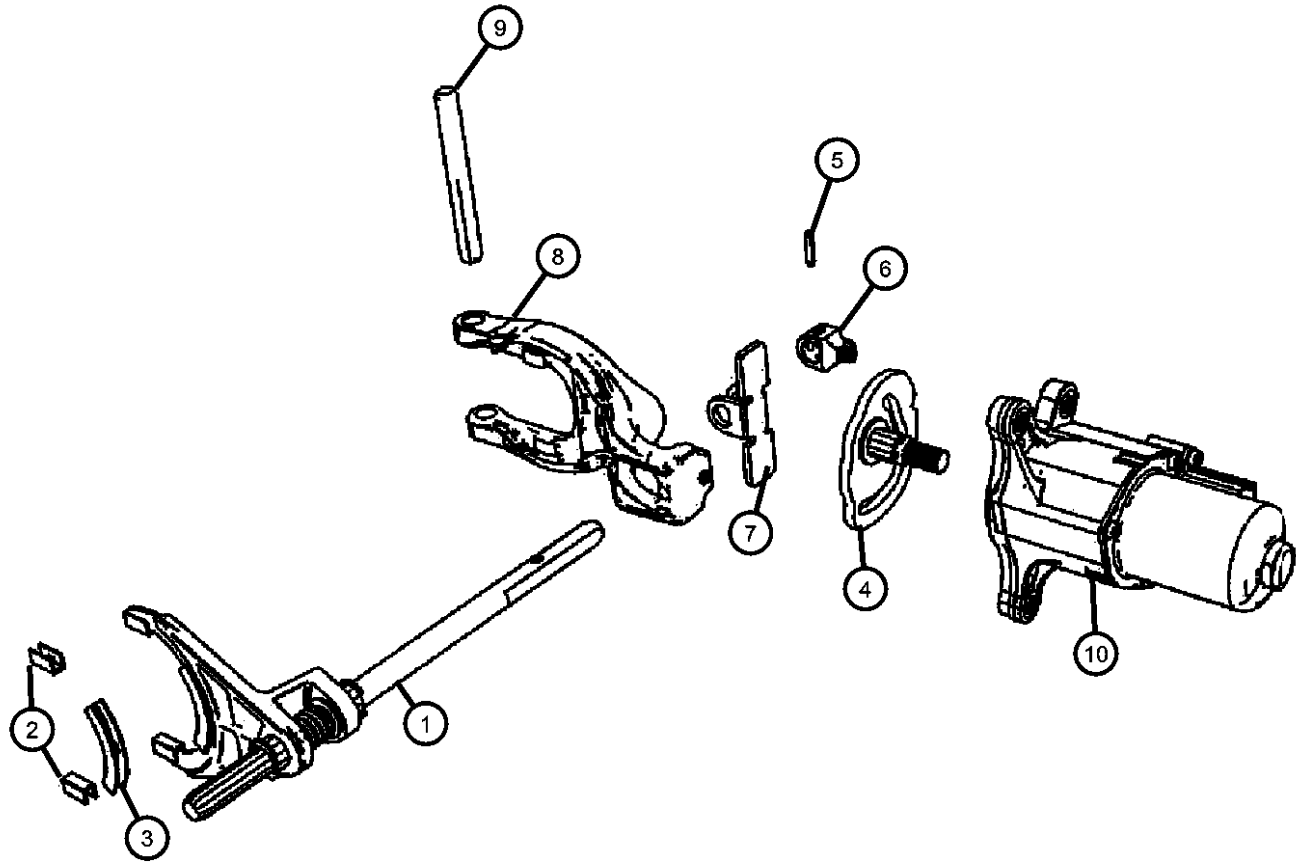
TRANSMISSION
DGQ = 5-Spd Automatic 5-45RFE
Transmission
DGJ = 5-Speed Automatic MB
Transmission

AR = use ase required - = Non illustrated part

2006 WK

Fork and Rails [DHX]
Figure 245-910

ITEM	PART NUMBER	QTY	LINE	SERIES	BODY	ENGINE	TRANS	TRIM	DESCRIPTION
Note: Sales Codes									
[EV0] = All 4.7L Gas Engines									
[EZ0] = All 5.7 L Eight Cylinder Gas Engines									
1	05143753AA	1	J			EV0, EZ0			FORK, Transfer Case Mode Shift
2	05012018AA	2	J			EV0, EZ0			PAD, Shift Fork
3	05015832AA	1	J			EV0, EZ0			PAD, Shift Fork
4	05143769AB	1	J			EV0, EZ0			SECTOR, Transfer Case
5	06101475	1	J			EV0, EZ0			PIN
6	05170304AA	1	J			EV0, EZ0			BRACKET, Shift Rail
7	05170305AA	1	J			EV0, EZ0			ROLLER, Shift Rail
8	05161975AA	1	J			EV0, EZ0			LEVER, Transfer Case
9	05143981AA	1	J			EV0, EZ0			RAIL, Shift
10	05143786AA	1	J			EV0, EZ0			ACTUATOR



GRAND CHEROKEE (WK)

SERIES LINE
H = HIGHLINE T = JEEP - 2WD
P = PREMIUM J = JEEP - 4WD
S = SPORT
X = SPECIAL

BODY
74 = SPORT UTILITY 4-DR

ENGINE
EKG = 3.7L V6 Engine
EVA = 4.7L V8 MPI Engine
EZB = 5.7L Hemi Multi
Displacement Engine

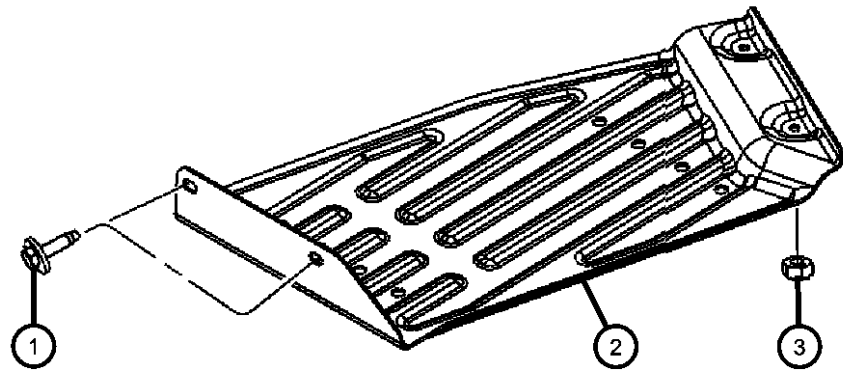
TRANSMISSION
DGQ = 5-Spd Automatic 5-45RFE
Transmission
DGJ = 5-Speed Automatic MB
Transmission

AR = use ase required - = Non illustrated part

2006 WK

**Skid Plate
Figure 245-1210**

ITEM	PART NUMBER	QTY	LINE	SERIES	BODY	ENGINE	TRANS	TRIM	DESCRIPTION
1	06503571	2	J						SCREW AND WASHER, M10x1.50x35, Skid Plate to Rail and Crossmember, Mounting SKID PLATE, Transfer Case NUT, [M10x1.50], Skid Plate to Rail, Mounting
2	52128499AC	1	J						
3	06101696	2	J						



GRAND CHEROKEE (WK)

SERIES LINE
H = HIGHLINE T = JEEP - 2WD
P = PREMIUM J = JEEP - 4WD
S = SPORT
X = SPECIAL

BODY
74 = SPORT UTILITY 4-DR

ENGINE
EKG = 3.7L V6 Engine
EVA = 4.7L V8 MPI Engine
EZB = 5.7L Hemi Multi Displacement Engine

TRANSMISSION
DGQ = 5-Spd Automatic 5-45RFE Transmission
DGJ = 5-Speed Automatic MB Transmission

AR = use ase required - = Non illustrated part

2006 WK

Group - 22

Wheels, Covers and Jacks

Group - 22 Wheels, Covers and Jacks

Illustration Title

Group-Fig. No.

Wheels and Hardware

Wheels and HardwareFig. 22 - 130

Wheel Covers and Center Caps

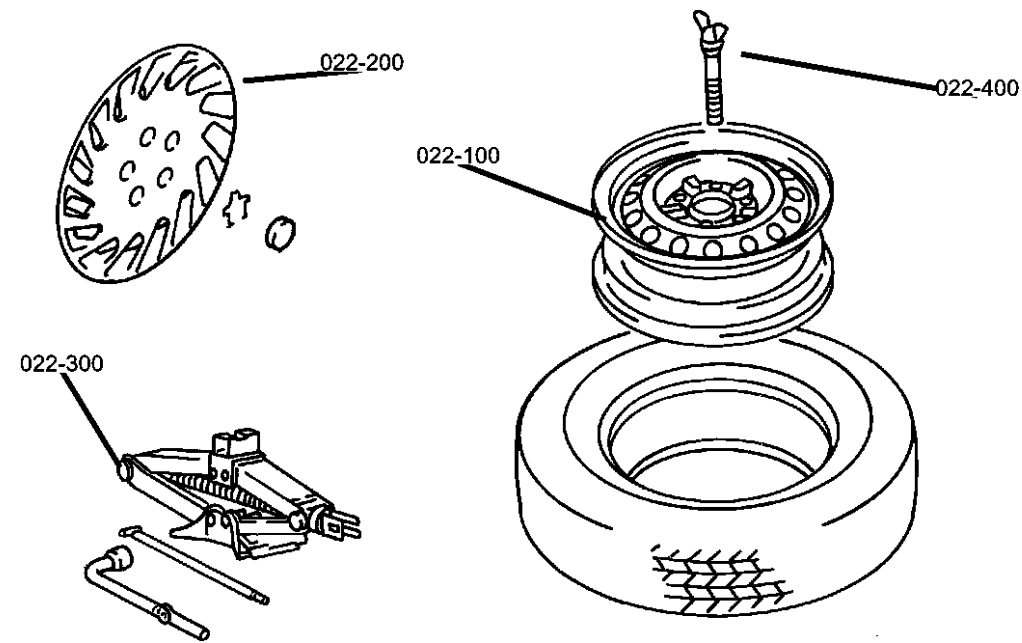
Caps, Wheel Cover and centerFig. 22 - 230


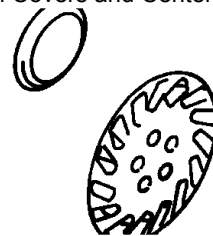
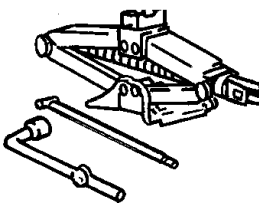
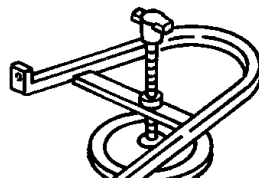
Jack Stowage

Jack Stowage.....Fig. 22 - 310

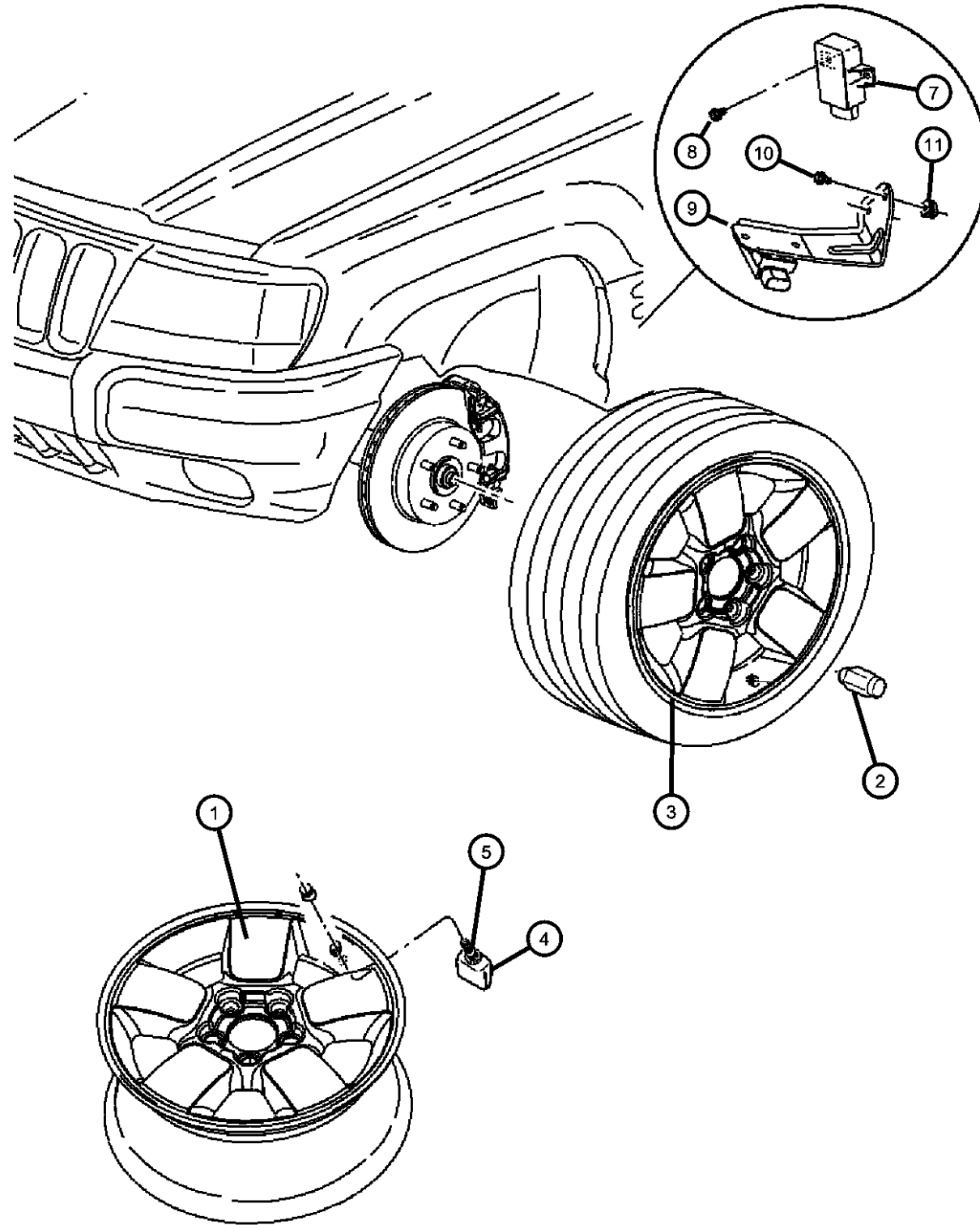
Spare Tire Stowage

Spare Wheel StowageFig. 22 - 460



<p>022-100 Wheels and Hardware</p> 	<p>022-200 Wheel Covers and Center Caps</p> 	<p>022-300 Jack Stowage</p> 	<p>022-400 Spare Tire Stowage</p> 
---	--	---	--

Wheels and Hardware
Figure 22-130



ITEM	PART NUMBER	QTY	LINE	SERIES	BODY	ENGINE	TRANS	TRIM	DESCRIPTION
------	-------------	-----	------	--------	------	--------	-------	------	-------------

NOTES: Sales Codes:

[TVG] = 255/45ZR20 285/40ZR20 ASP TIRE

[WFJ] = 17X7.5 ALUMINUM WHEELS

[WGQ] = 17X7.5 ALUMINUM WHEELS

[WGX] = 17X8.0 ALUMINUM CHROME CLAD WHEELS

[WPA] = 20X9.0 ALUMINUM WHEELS

[XGM] = TIRE PRESSURE MONITORING DISPLAY

1									WHEEL, Aluminum
	05290711AA	2							[TVG+WPA]
	05290718AA	2							[TVG+WPA], Rear
	1BN34PAKAA	4							[WGQ]
	1BN34ZDRAA	1	J, T		74				[WFZ]
		1	J, T		74				[WFZ,TBW]
	5HT52SZ0AA	4							[WGX]
	5HT52SZ7AA	1							[WGC]
	5HT53PAKAA	4							[WFJ]
2	06036310AA	20							NUT, Wheel, .50x20
3	04815889	2							WEIGHT, Wheel Balance Tape
4	56053030AB	4							SENSOR, Tire Pressure, Valve stem, [XGM]
5	56053033AA	4							NUT, Tire Pressure Sensor, [XGM]
-6	68024258AA	1	J, T		74				CAP KIT, Valve Stem, Grey
7	56053034AC	2							MODULE, Low Tire Pressure Warning, Wheel Sensor
8	06104610AA	2							SCREW
9	56044729AC	1							MODULE, Low Tire Pressure Warning, Trigger, Rear Right
10	06104610AA	2							SCREW
11	06507010AA	2							NUT, U Multi Thread, M4.2x1.41
-12	68001744AA	1	J, T		74				HARDWARE KIT, Mounting, Contains: 1-S122914001,Valve Core,TPM,1-S120121001,Cap,Valve Stem,Grey,Domes-tic,1-S122140001,Cap,Valve Stem,Black,Euro
-13	68001696AA	1	J, T		74				SENSOR PACKAGE, Tire Pressure, See Sensors Group 008, Contains: Sensor & Nut
-14	68024258AA	1	J, T		74				CAP KIT, Valve Stem, Grey, Contains: Cap,Valve Stem,Grey,Qty.5

GRAND CHEROKEE (WK)

SERIES LINE
H = HIGHLINE T = JEEP - 2WD
P = PREMIUM J = JEEP - 4WD
S = SPORT
X = SPECIAL

BODY
74 = SPORT UTILITY 4-DR

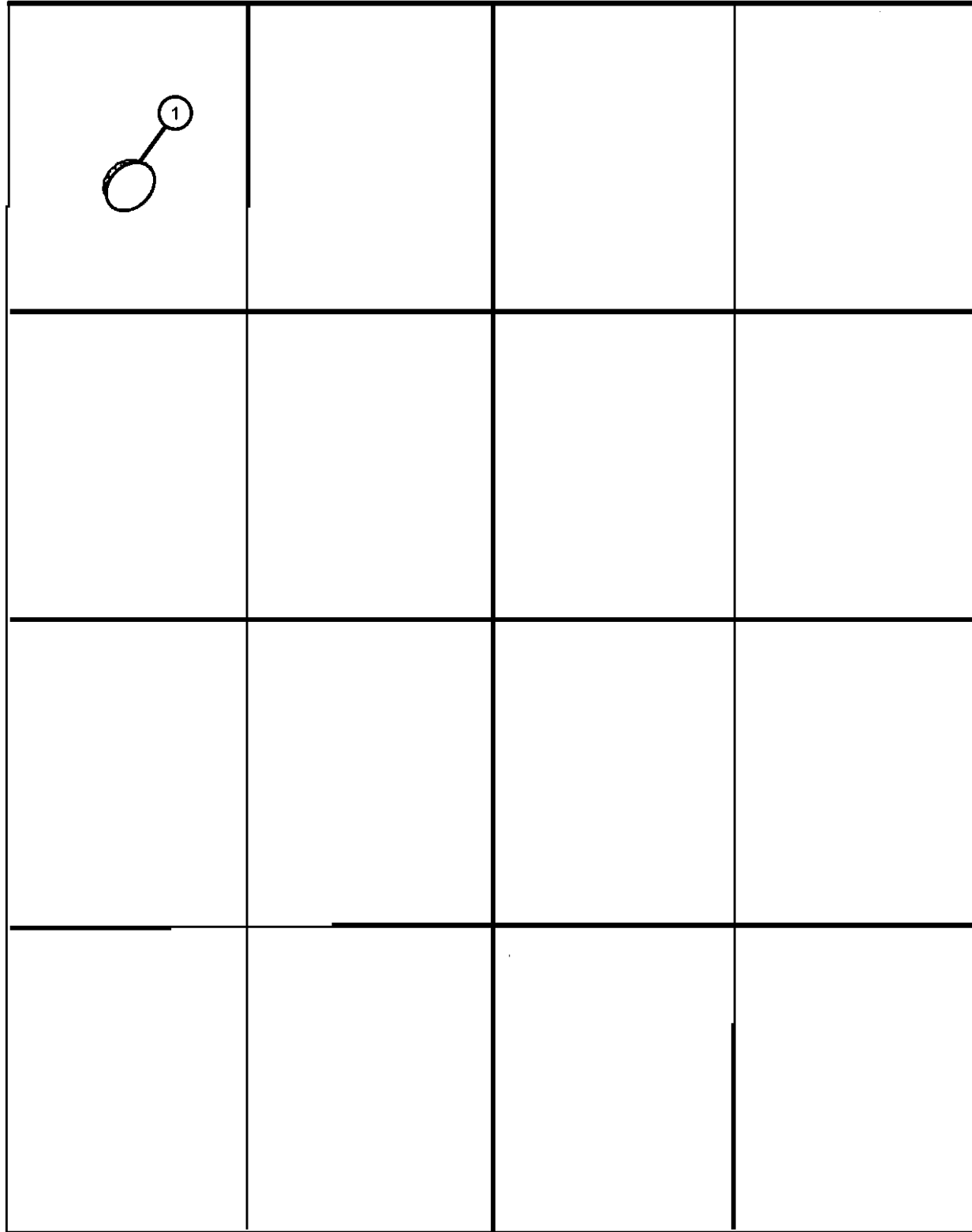
ENGINE
EKG = 3.7L V6 Engine
EVA = 4.7L V8 MPI Engine
EZB = 5.7L Hemi Multi Displacement Engine

TRANSMISSION
DGQ = 5-Spd Automatic 5-45RFE Transmission
DGJ = 5-Speed Automatic MB Transmission

AR = use ase required - = Non illustrated part

2006 WK

**Caps, Wheel Cover and center
Figure 22-230**



ITEM	PART NUMBER	QTY	LINE	SERIES	BODY	ENGINE	TRANS	TRIM	DESCRIPTION
------	-------------	-----	------	--------	------	--------	-------	------	-------------

Note: Sales Code:
 [WFJ] = 17x7.5 Aluminum Wheel
 [WFW] = 17x6.5 Aluminum Wheel
 [WFZ] = 17x7.5 Aluminum Gray Accent Wheel
 [WGC] = 17x6.0 Aluminum Platinum Clad Wheel
 [WGQ] = 17x7.5 Aluminum Wheel
 [WGX] = 17x7.5 Aluminum Chrome Clad Wheel
 [WPA] = 20x9.0 Aluminum Wheel

1									CAP, Wheel Center
	52090401AA	4							[WGX]
		4							[WPA]
	52090402AA	4							[WGQ]
	5HT59SZ7AA	4							[WGC]
	5HT59PAKAB	4							[WFJ]
	5HT59SZ0AB	4	J, T		74				[WPA] Body 74
		4							[WFW]
		4							[WFZ]

GRAND CHEROKEE (WK)

SERIES	LINE	BODY	ENGINE	TRANSMISSION
H = HIGHLINE	T = JEEP - 2WD	74 = SPORT UTILITY 4-DR	EKG = 3.7L V6 Engine	DGQ = 5-Spd Automatic 5-45RFE
P = PREMIUM	J = JEEP - 4WD		EVA = 4.7L V8 MPI Engine	Transmission
S = SPORT			EZB = 5.7L Hemi Multi	DGJ = 5-Speed Automatic MB
X = SPECIAL			Displacement Engine	Transmission

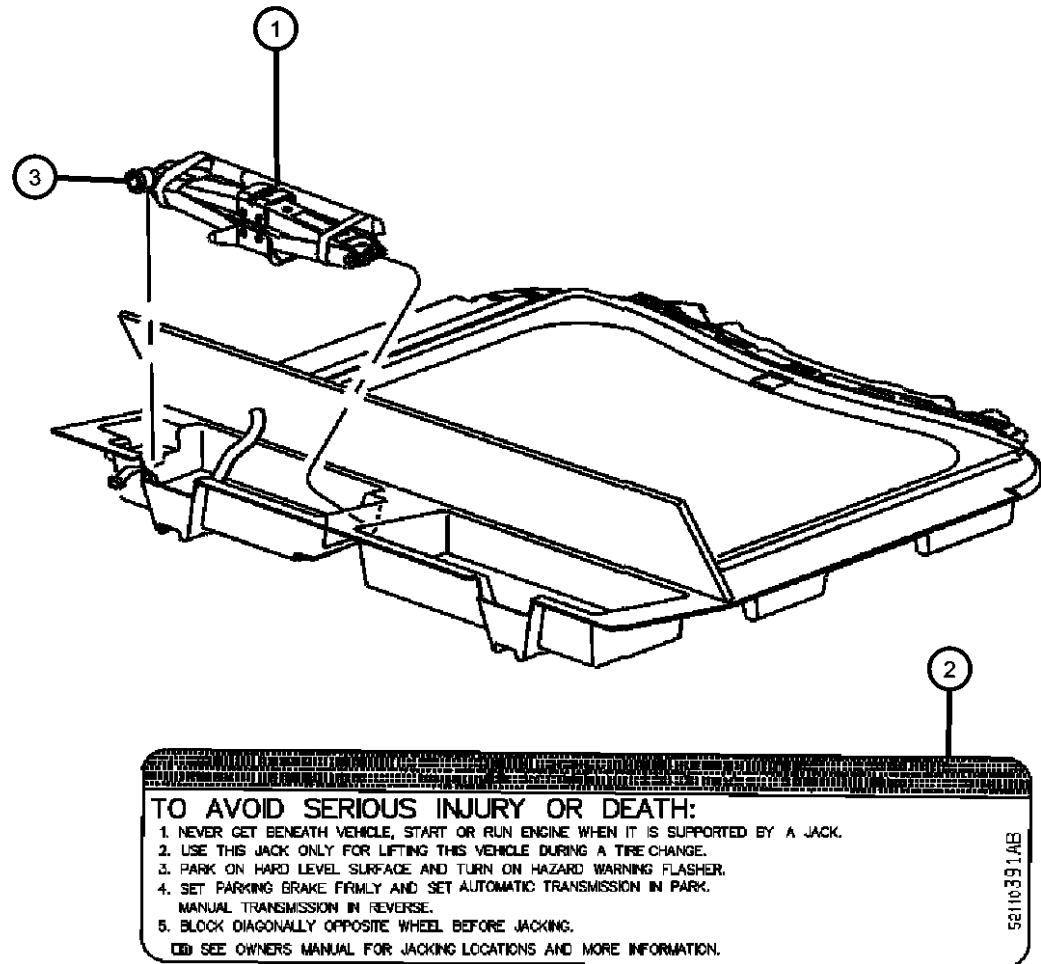
AR = use ase required - = Non illustrated part

**Jack Stowage
Figure 22-310**

ITEM	PART NUMBER	QTY	LINE	SERIES	BODY	ENGINE	TRANS	TRIM	DESCRIPTION
------	-------------	-----	------	--------	------	--------	-------	------	-------------

Note: Jack includes: Storage Bag, 2 Extensions, Driver, and Caution Label

1	52124168AA	1							JACK Includes: Driver, Extensions, and Bag Jack Only
	55366626AA	1							LABEL, Jack Caution
2	52110391AB	1							WRENCH, Wheel Lug Nut
3	52124170AA	1	J, T	H, P, S	74				DRIVER, Jack Handle
-4	52124172AA	1	J, T	H, P, S	74				EXTENSION, Jack Handle
-5	52124171AA	2	J, T	H, P, S	74				BAG, Jack Tool Storage
-6	52124169AA	1	J, T	H, P, S	74				



GRAND CHEROKEE (WK)

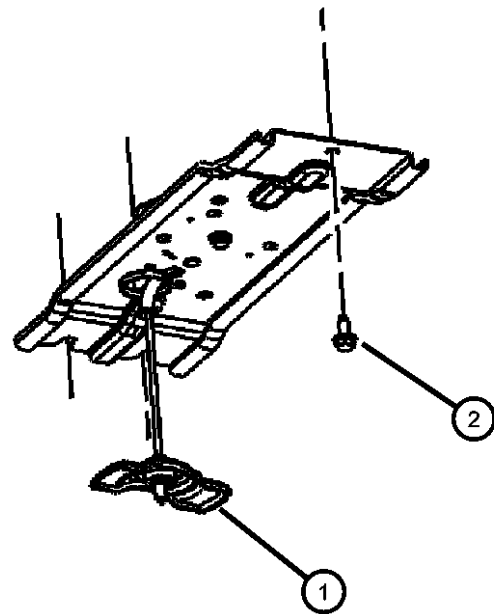
SERIES	LINE	BODY	ENGINE	TRANSMISSION
H = HIGHLINE	T = JEEP - 2WD	74 = SPORT UTILITY 4-DR	EKG = 3.7L V6 Engine	DGQ = 5-Spd Automatic 5-45RFE Transmission
P = PREMIUM	J = JEEP - 4WD		EVA = 4.7L V8 MPI Engine	DGJ = 5-Speed Automatic MB Transmission
S = SPORT			EZB = 5.7L Hemi Multi Displacement Engine	
X = SPECIAL				

AR = use ase required - = Non illustrated part

2006 WK

Spare Wheel Stowage
Figure 22-460

ITEM	PART NUMBER	QTY	LINE	SERIES	BODY	ENGINE	TRANS	TRIM	DESCRIPTION
1	52089369AF	1							WINCH, Spare Tire Carrier
2	06503543	3							BOLT AND CONED WASHER, Hex Head, M8x1.25x25



GRAND CHEROKEE (WK)

SERIES LINE
H = HIGHLINE T = JEEP - 2WD
P = PREMIUM J = JEEP - 4WD
S = SPORT
X = SPECIAL

BODY
74 = SPORT UTILITY 4-DR

ENGINE
EKG = 3.7L V6 Engine
EVA = 4.7L V8 MPI Engine
EZB = 5.7L Hemi Multi
Displacement Engine

TRANSMISSION
DGQ = 5-Spd Automatic 5-45RFE
Transmission
DGJ = 5-Speed Automatic MB
Transmission

AR = use ase required - = Non illustrated part

2006 WK

Group - 23D

Wiper/Lock Cylinder and Keys

Group - 23D Wiper/Lock Cylinder and Keys

Illustration Title

Group-Fig. No.

Lock Cylinders and Keys

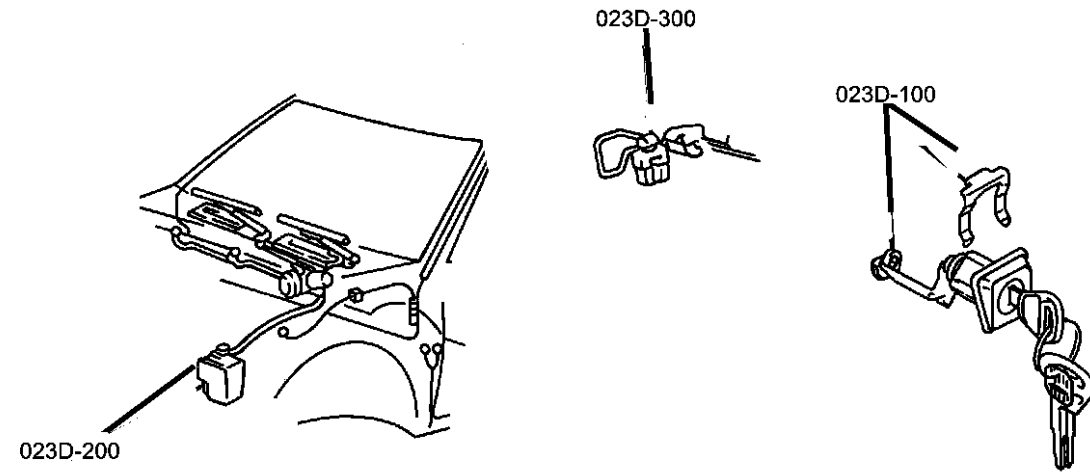
Lock Cylinders and Keys Fig. 23D - 110

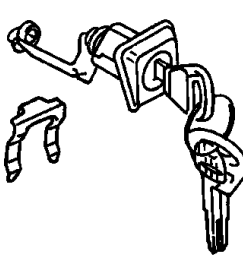
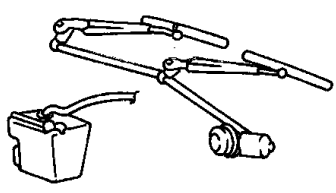
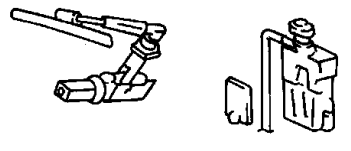
Windshield Wiper and Washer Systems

Windshield Wiper and Washer Fig. 23D - 210

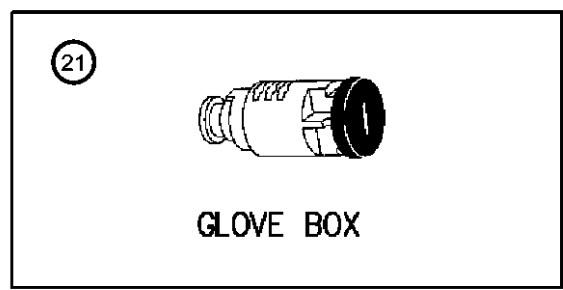
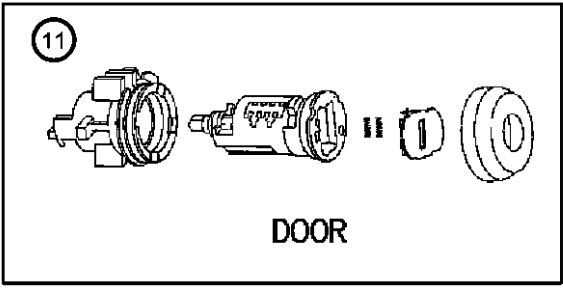
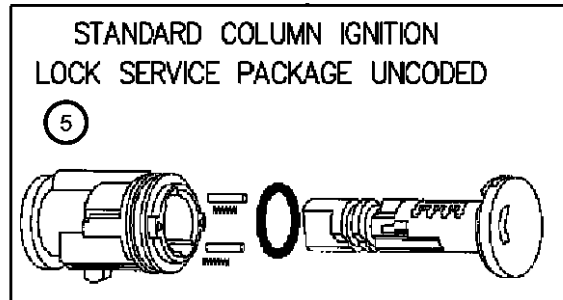
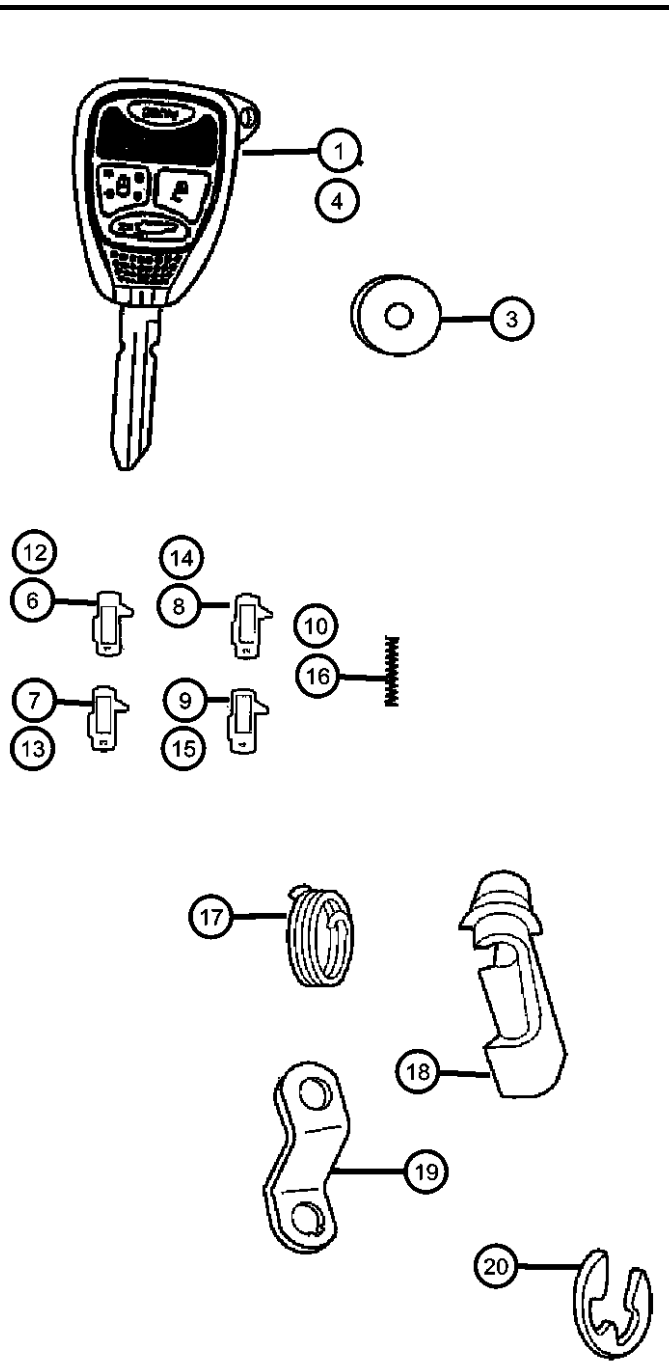
Rear Wiper and Washer System

Rear Wiper and Washer System Fig. 23D - 310



<p>23D-100 Lock Cylinders and Keys</p> 	<p>23D-200 Windshield Wiper and Washer Systems</p> 	<p>23D-300 Rear Wiper and Washer System</p> 	
--	---	---	--

**Lock Cylinders and Keys
Figure 23D-110**

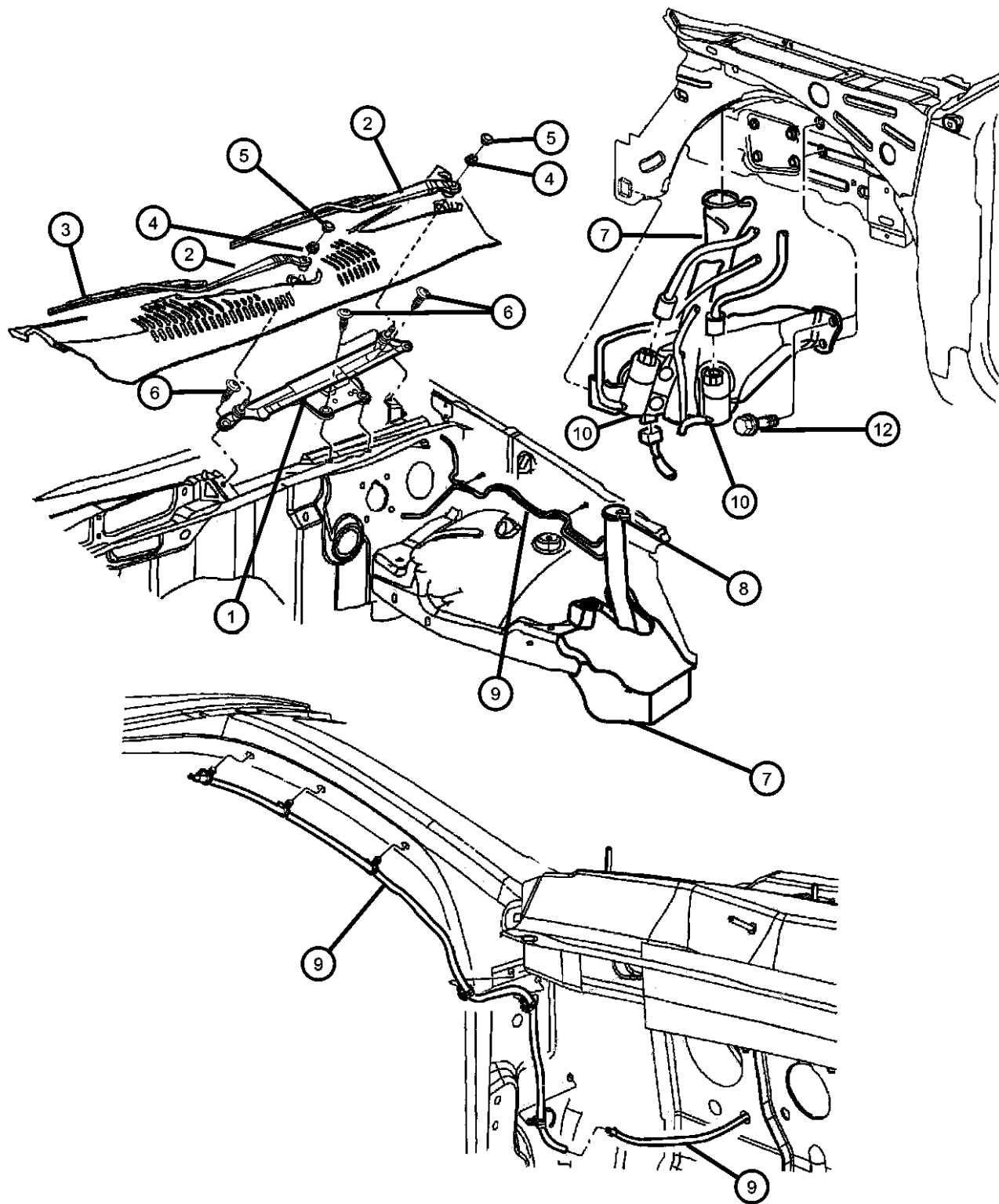


ITEM	PART NUMBER	QTY	LINE	SERIES	BODY	ENGINE	TRANS	TRIM	DESCRIPTION
1	05143446AA	1							KEY, BLANK WITH TRANSMITTER
-2	05135541AA	1							SCREW
3	05140773AA	1							BATTERY, Transmitter
4	05143553AA	1							KEY, Master Jeep Sentry
5	05139207AA	1							CYLINDER, Ignition Lock
6	05257132AB	1							TUMBLER, Number 1
7	05257133AB	1							TUMBLER, Number 2
8	05257134AB	1							TUMBLER, Number 3
9	05257135AB	1							TUMBLER, Number 4
10	04746873	1							SPRING, Lock Cylinder Tumbler
11	05143554AA	1							CYLINDER, Door Lock
12	04778117AB	1							TUMBLER, Number 1, Wide
13	04778118AB	1							TUMBLER, Number 2, Wide
14	04778119AB	1							TUMBLER, Number 3, Wide
15	04778120AB	1							TUMBLER, Number 4, Wide
16	04778121	1							SPRING, Lock Cylinder Tumbler
17		1							SPRING, Lock Cylinder Return, (NOT SERVICED)
18		1							CLIP, Retainer, (NOT SERVICED)
19	55136554AA	1							LEVER, Door Lock Cylinder
20	05071063AA	1							RETAINER, Lock Rod
21	04746315	1							CYLINDER, Glove Box Lock

GRAND CHEROKEE (WK)				
SERIES	LINE	BODY	ENGINE	TRANSMISSION
H = HIGHLINE	T = JEEP - 2WD	74 = SPORT UTILITY 4-DR	EKG = 3.7L V6 Engine	DGQ = 5-Spd Automatic 5-45RFE
P = PREMIUM	J = JEEP - 4WD		EVA = 4.7L V8 MPI Engine	Transmission
S = SPORT			EZB = 5.7L Hemi Multi	DGJ = 5-Speed Automatic MB
X = SPECIAL			Displacement Engine	Transmission

AR = use ase required - = Non illustrated part

**Windshield Wiper and Washer
Figure 23D-210**



ITEM	PART NUMBER	QTY	LINE	SERIES	BODY	ENGINE	TRANS	TRIM	DESCRIPTION
1	55156313AB	1							MODULE, Wiper
2									ARM, Wiper
	05143533AA	1							Left
	05143534AA	1							Right
3	05139095AA	1							BLADE, Wiper
	WBFLAT07AA								Mopar Alternative Flat Blade Set
	WB000021AE								Mopar V-Line Alternative Part
	WBW00021AD								Mopar Alternative Winter Wiper Blades
4									NUT
	06104716AA	2							Arm to Motor Shaft, Front Wiper
		1							To Motor Shaft, Rear Wiper Arm
5	04389440	2							CAP, Wiper Arm Nut
6	06034860	4							BOLT AND WASHER, Implement Attaching
7	05143580AA	1							RESERVOIR, Washer
8	04797694	1							CAP, Washer Reservoir
9	HWV00532AB	AR							HOSE 1FT, Windshield Washer, 5/32"
10	05143581AA	1							PUMP, Windshield Washer, Dual Outlet
-11	05011809AA	1							GROMMET, Windshield Washer Pump, Pump Grommet
12		1							SCREW, .250-14x.875, (NOT SERVICED)
-13	55157352AA	2							NOZZLE, Windshield washer
-14	05161966AA	1							SENSOR, Washer Fluid Level
-15	55157373AA	1							CLIP, Hood Washer Hose, Washer hose attached
-16	55156327AC	1							HOSE AND CONNECTOR, Windshield Washer
-17	05013755AA	1							GROMMET, Washer Level Sensor

GRAND CHEROKEE (WK)

SERIES LINE
H = HIGHLINE T = JEEP - 2WD
P = PREMIUM J = JEEP - 4WD
S = SPORT
X = SPECIAL

BODY
74 = SPORT UTILITY 4-DR

ENGINE
EKG = 3.7L V6 Engine
EVA = 4.7L V8 MPI Engine
EZB = 5.7L Hemi Multi Displacement Engine

TRANSMISSION
DGQ = 5-Spd Automatic 5-45RFE Transmission
DGJ = 5-Speed Automatic MB Transmission

AR = use ase required - = Non illustrated part

2006 WK

**Rear Wiper and Washer System
Figure 23D-310**

ITEM	PART NUMBER	QTY	LINE	SERIES	BODY	ENGINE	TRANS	TRIM	DESCRIPTION
------	-------------	-----	------	--------	------	--------	-------	------	-------------

NOTES:

[JHB] = Wiper/Washer - Rear Window

1	55156325AC	1							MOTOR, Liftgate Wiper, [JHB]
2	05139836AB	1							ARM, Liftgate Wiper
3	05139835AB	1							BLADE, Rear window wiper, IN ORDER TO GET REFILL YOU MUST ORDER COMPLETE BLADE
-4		1							REFILL, Wiper Blade, SEE COMMENT, (NOT SERVICED)
5	55156371AC	1							RAMP, Wiper Park, [JHB]
6	06505062AA	1							SCREW, Pilot Point
7	06104716AA	2							NUT, To Motor Shaft, Rear Wiper Arm
-8	55156372AB	1							BEZEL, Liftgate Wiper Motor, [JHB]
9	55156514AB	1							CAP, Wiper Arm Nut, [JHB]
10	06503245	1							RIVET, Ramp Attaching
11	05143121AA	1							NOZZLE, Liftgate Washer
-12	05143581AA	1							PUMP, Windshield Washer, Dual Outlet
-13	05161966AA	1							SENSOR, Washer Fluid Level
-14	HWV00532AB	AR							HOSE 1FT, Windshield Washer, 5/32"
15	55156806AA	1							NUT, Rear Wiper Motor

GRAND CHEROKEE (WK)

SERIES	LINE
H = HIGHLINE	T = JEEP - 2WD
P = PREMIUM	J = JEEP - 4WD
S = SPORT	
X = SPECIAL	

BODY
74 = SPORT UTILITY 4-DR

ENGINE
EKG = 3.7L V6 Engine
EVA = 4.7L V8 MPI Engine
EZB = 5.7L Hemi Multi Displacement Engine

TRANSMISSION
DGQ = 5-Spd Automatic 5-45RFE Transmission
DGJ = 5-Speed Automatic MB Transmission

AR = use ase required - = Non illustrated part

2006 WK

Group - 24

Air Conditioning & Heater

Group - 24 Air Conditioning & Heater

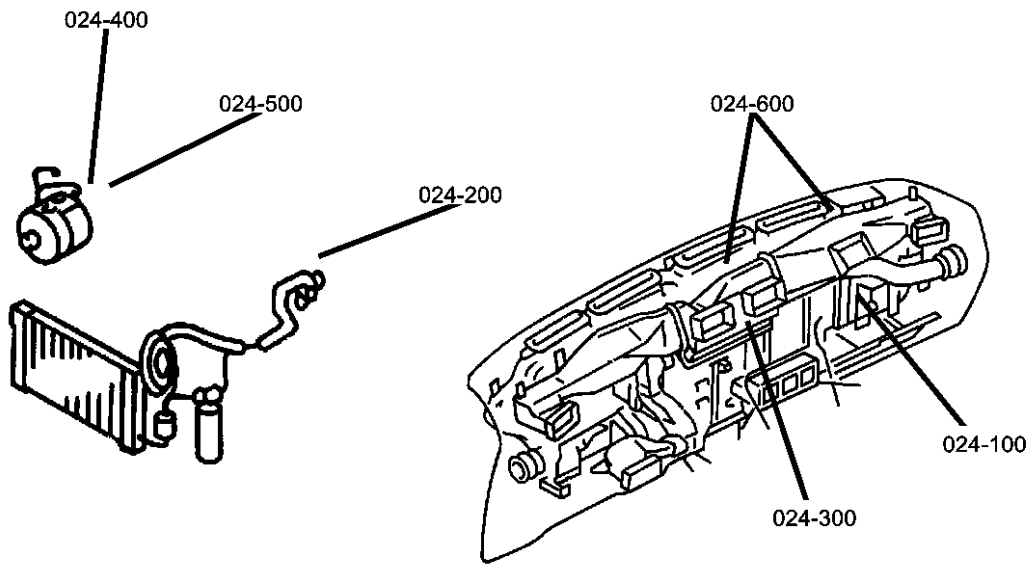


Illustration Title

Group-Fig. No.

Air Conditioner and Heater Units

HEVAC, Unit, LHDFig. 24 - 150

Air Conditioner and Heater Plumbing

Hoses, Heater 3.7L, 4.7L EngineFig. 24 - 245

Hoses, Heater 5.7L, 6.1L EngineFig. 24 - 250

Accumulator, Condenser and Lines 3.7, 4.7L EngineFig. 24 - 255

Accumulator, Condenser and Lines 5.7L, 6.1L Engine.....Fig. 24 - 257

Air Conditioner and Heater Controls

Control, Heater and Air ConditionerFig. 24 - 330

Air Conditioning Compressor

Compressor, Air Conditioning 3.7L, 4.7L EngineFig. 24 - 420

Compressor, Air Conditioning 5.7L, 6.1L EngineFig. 24 - 430

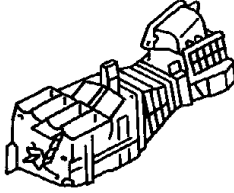
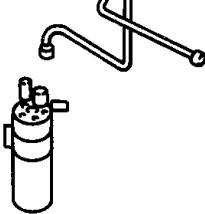
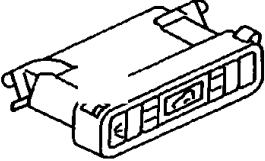
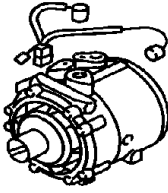
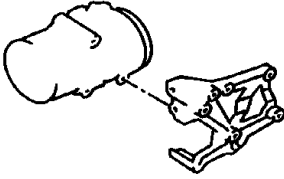
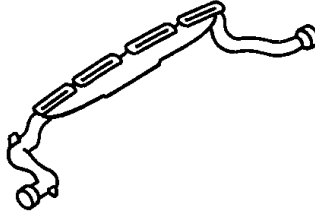
Air Conditioning Compressor Mounting

Compressor, Mounting 3.7L, 4.7L Engine.....Fig. 24 - 520

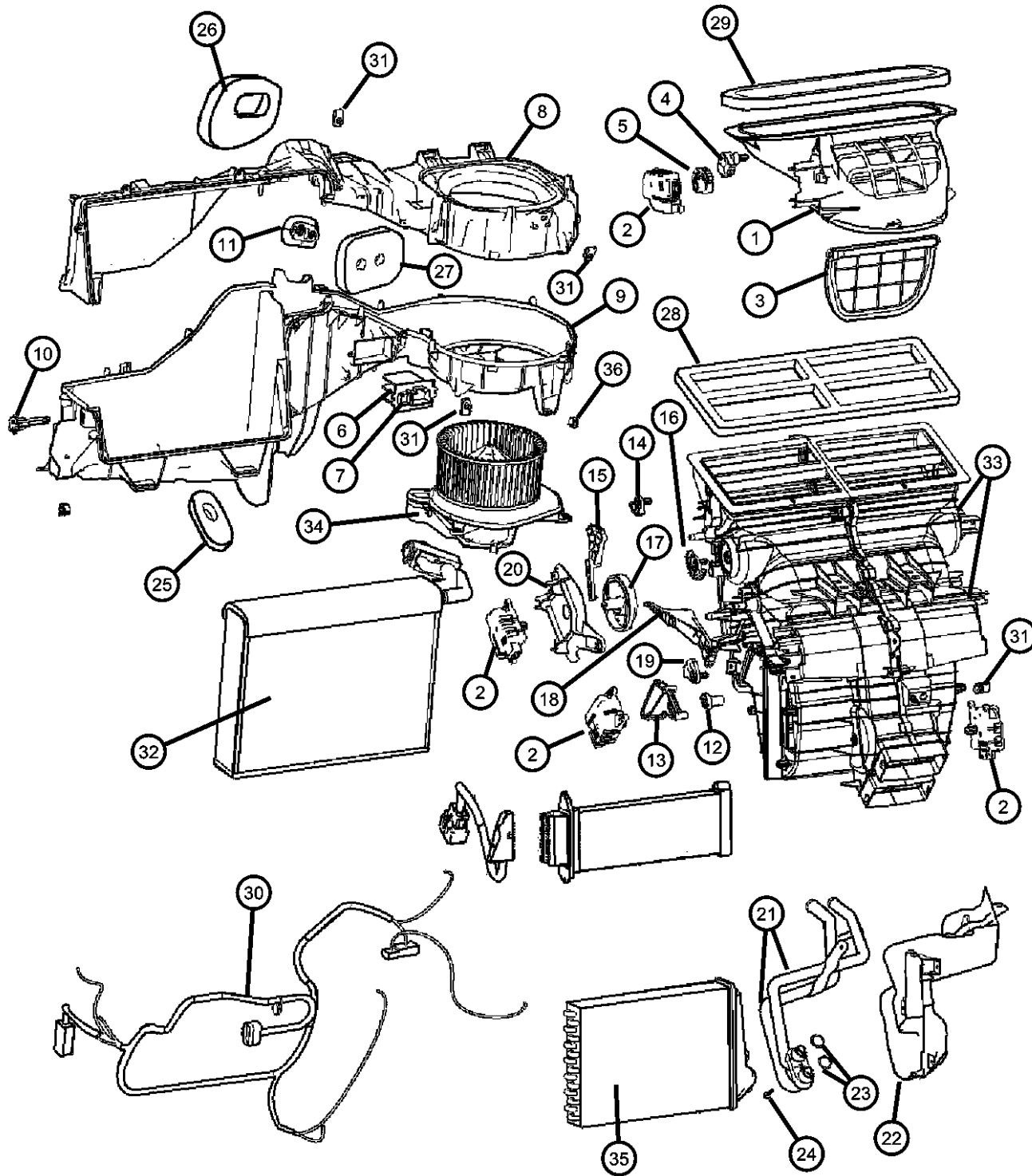
Compressor, Mounting 5.7L, 6.1L Engine.....Fig. 24 - 530

Air Ducts and Outlets

Air Ducts and OutletsFig. 24 - 610

<p>024-100 Air Conditioner and Heater Units</p> 	<p>024-200 Air Conditioner and Heater Plumbing</p> 	<p>024-300 Air Conditioner and Heater Controls</p> 	<p>024-400 Air Conditioning Compressor</p> 
<p>024-500 Air Conditioning Compressor Mounting</p> 	<p>024-600 Air Ducts and Outlets</p> 		

HEVAC, Unit, LHD
Figure 24-150



ITEM	PART NUMBER	QTY	LINE	SERIES	BODY	ENGINE	TRANS	TRIM	DESCRIPTION
------	-------------	-----	------	--------	------	--------	-------	------	-------------

Sales Codes:
[HAA] = Air Conditioning
[HAF] = A/C With Automatic Temperature Control Dual Zone

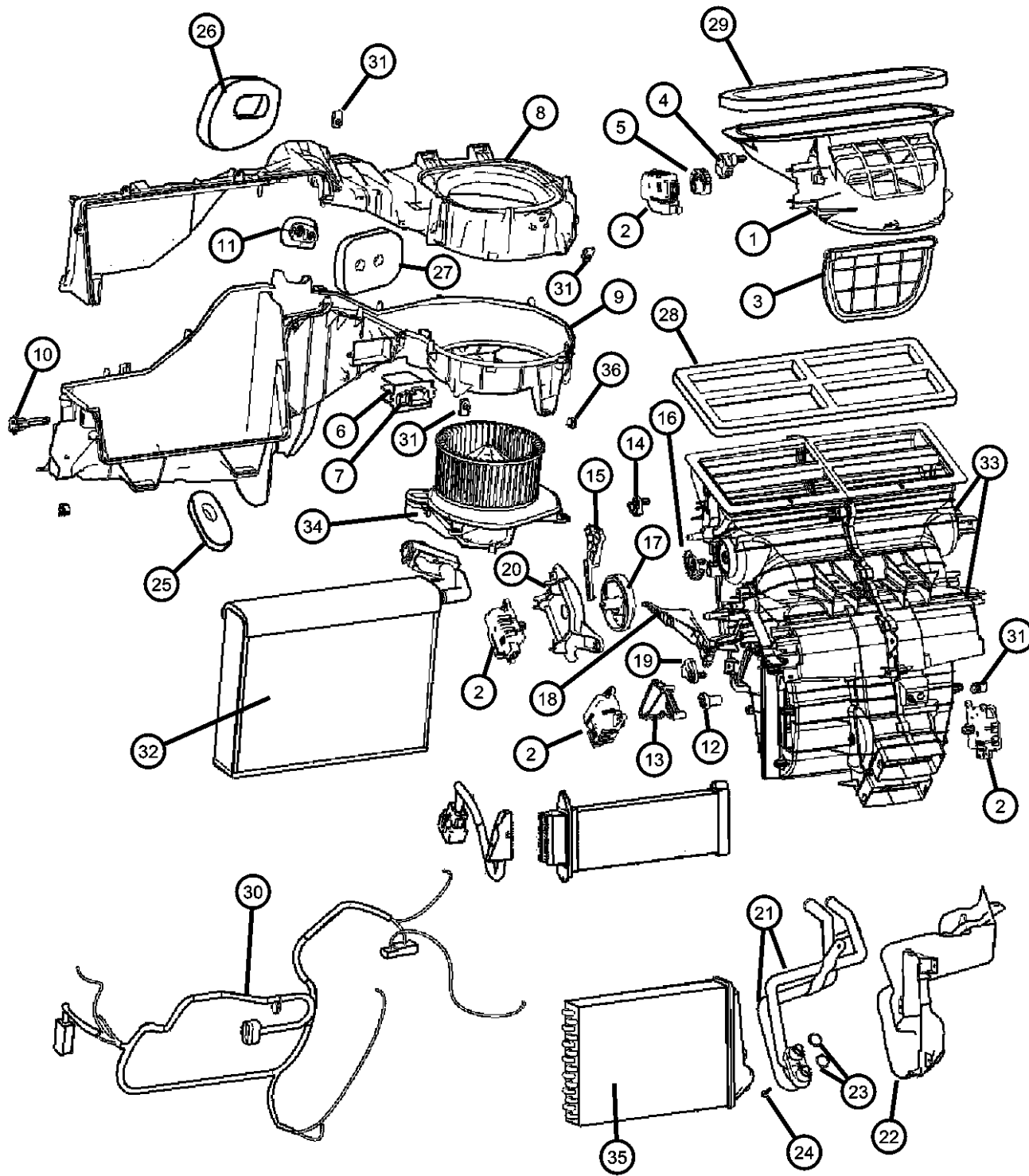
1	05143123AA	1							HOUSING, Air Inlet
2	05143192AA	5							ACTUATOR, A/C and Heater [HAF] [HAA]
3	05143124AA	1							DOOR, Air Inlet
4	05143125AA	1							LEVER, A/C Recirculation Door
5	05143126AA	1							LEVER, Door Actuator
6	04885482AC	1							MODULE, Power, Blower Motor, [HAF]
7	05143127AA	1							RESISTOR, Blower Motor, [HAA]
8	05143147AA	1							HOUSING, Evaporater Upper
9	05143148AA	1							HOUSING, Evaporater Lower
10	05143149AA	1							PROBE, Air Conditioning
11	05143150AA	1							GROMMET, Evaporator Tubes
12	05143183AA	2							LEVER, Panel Door [HAF] [HAA]
13		1							PLATE, Actuator Mount, (NOT SERVICED), LEVER, Panel Door
14	05143184AA	1							LINK, Heater and Defroster Door
15	05143188AA	1							LINK, Floor Door
16	05143185AA	1							LEVER, Panel Door
17	05143187AA	1							CAM, Mode
18	05143189AA	1							LINK, Floor Door
19	05143186AA	1							LEVER, Panel Door
20		1							PLATE, Actuator Mount, (NOT SERVICED)
21	05143117AA	1							TUBE, Heater Core
22	05143116AA	1							COVER, Heater Core Tubes
23	04885024AC	2							O RING, Heater Core
24		2							SCREW, Heater Core Mounting, (NOT SERVICED)
25	05143110AA	1							SEAL, Drain Tube
26	05143111AA	1							SEAL, Evaporator To Dash
27	05143112AA	1							SEAL, Heater Core Tubes

GRAND CHEROKEE (WK)

SERIES	LINE	BODY	ENGINE	TRANSMISSION
H = HIGHLINE	T = JEEP - 2WD	74 = SPORT UTILITY 4-DR	EKG = 3.7L V6 Engine	DGQ = 5-Spd Automatic 5-45RFE
P = PREMIUM	J = JEEP - 4WD		EVA = 4.7L V8 MPI Engine	Transmission
S = SPORT			EZB = 5.7L Hemi Multi	DGJ = 5-Speed Automatic MB
X = SPECIAL			Displacement Engine	Transmission

AR = use ase required - = Non illustrated part

HEVAC, Unit, LHD
Figure 24-150



ITEM	PART NUMBER	QTY	LINE	SERIES	BODY	ENGINE	TRANS	TRIM	DESCRIPTION
28	05143113AA	1							SEAL, Distribution Duct
29	05143114AA	1							SEAL, Air Inlet
30									HARNESSE, Wiring
	05143104AA	1							[HAA]
	05143106AA	1							[HAF]
31	06101956	4							NUT, U, M6x1.00
32	05143096AA	1							EVAPORATOR, Air Conditioning
33									HOUSING, Distribution Upper
	05143097AA	1							[HAA]
	05143550AA	1							[HAF]
34	05143099AA	1							MOTOR, Blower with Wheel
35	05143101AA	1							CORE, Heater
36	06034839	2							CLIP

GRAND CHEROKEE (WK)

SERIES LINE
H = HIGHLINE T = JEEP - 2WD
P = PREMIUM J = JEEP - 4WD
S = SPORT
X = SPECIAL

BODY
74 = SPORT UTILITY 4-DR

ENGINE
EKG = 3.7L V6 Engine
EVA = 4.7L V8 MPI Engine
EZB = 5.7L Hemi Multi
Displacement Engine

TRANSMISSION
DGQ = 5-Spd Automatic 5-45RFE
Transmission
DGJ = 5-Speed Automatic MB
Transmission

AR = use ase required - = Non illustrated part

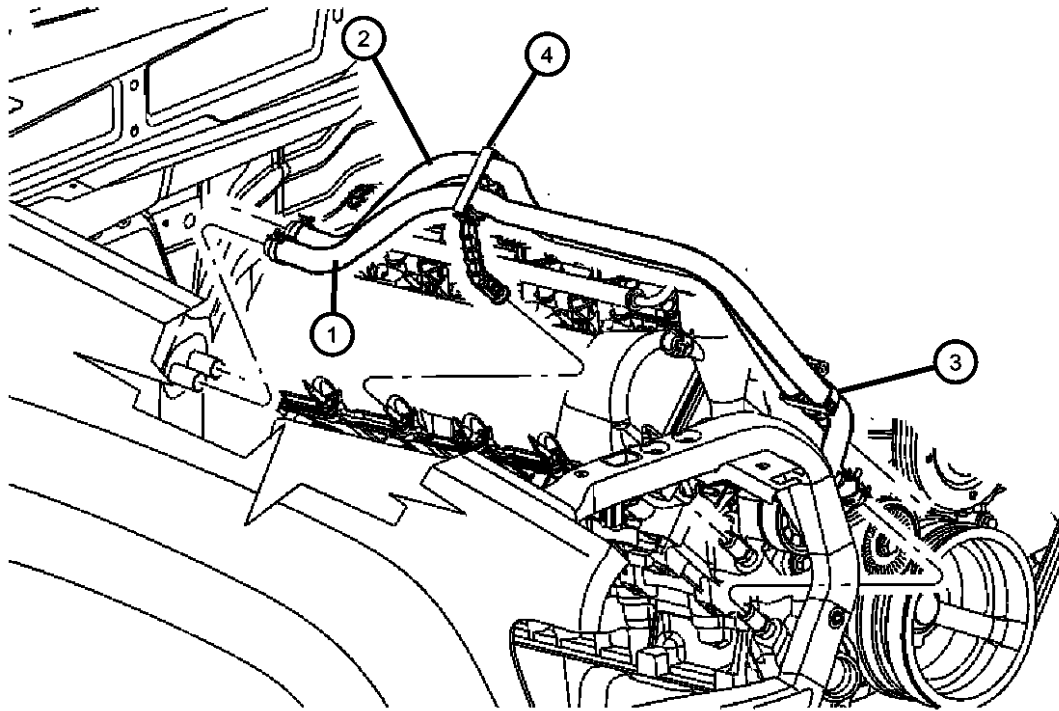
2006 WK

Hoses, Heater 3.7L, 4.7L Engine
Figure 24-245

ITEM	PART NUMBER	QTY	LINE	SERIES	BODY	ENGINE	TRANS	TRIM	DESCRIPTION
------	-------------	-----	------	--------	------	--------	-------	------	-------------

Sales Codes:
[EK0] = 3.7L Engine
[EV0] = 4.7L Engine

1									HOSE, Heater Return
	68000967AA	1	J, T		74	EV0			
	68000971AA	1	J, T		74	EK0			
2									HOSE, Heater Supply
	68000968AA	1	J, T		74	EV0			
	68000972AA	1	J, T		74	EK0			
3									CLIP, Heater Hose
	68000970AA	1	J, T		74	EK0			
		1	J, T		74	EV0			
4		1							CLIP, No Longer Used, (NOT SERVICED)



GRAND CHEROKEE (WK)

SERIES LINE
H = HIGHLINE T = JEEP - 2WD
P = PREMIUM J = JEEP - 4WD
S = SPORT
X = SPECIAL

BODY
74 = SPORT UTILITY 4-DR

ENGINE
EKG = 3.7L V6 Engine
EVA = 4.7L V8 MPI Engine
EZB = 5.7L Hemi Multi
Displacement Engine

TRANSMISSION
DGQ = 5-Spd Automatic 5-45RFE
Transmission
DGJ = 5-Speed Automatic MB
Transmission

AR = use ase required - = Non illustrated part

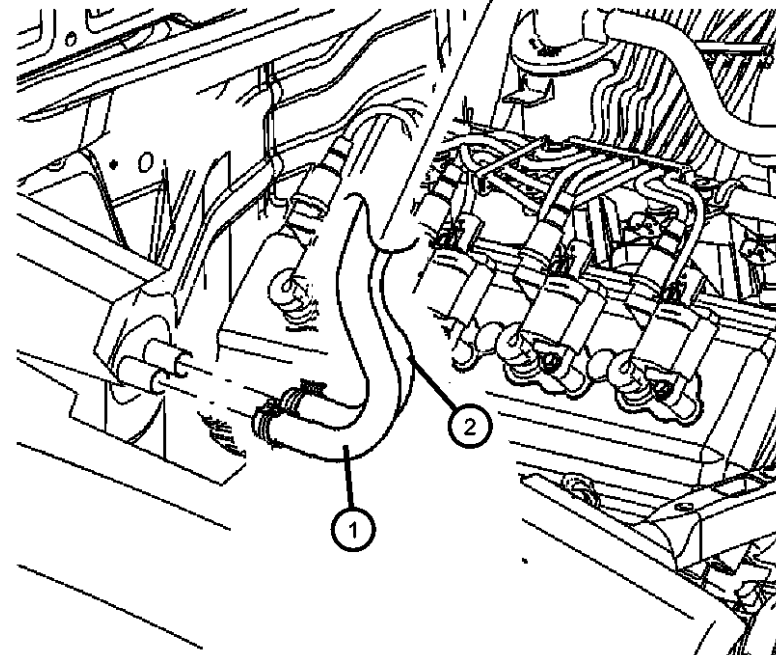
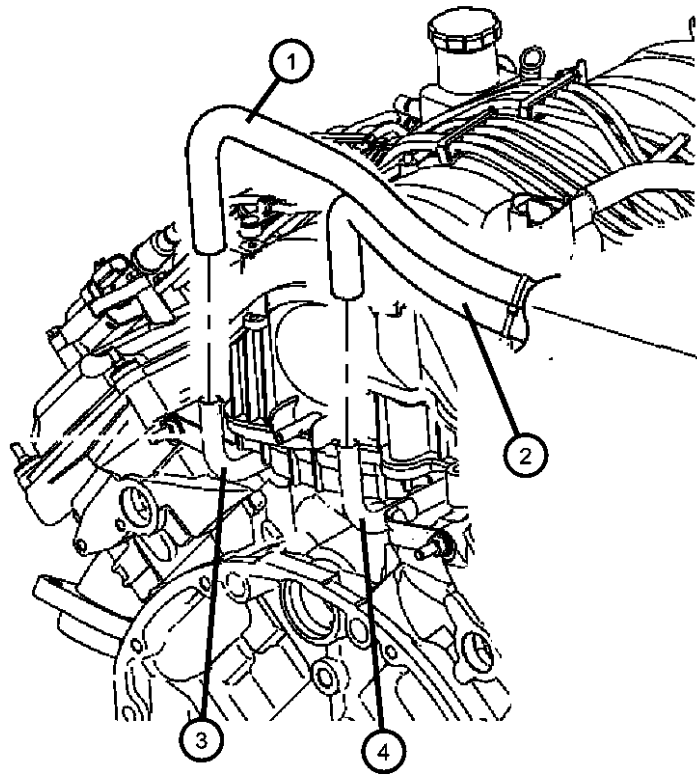
2006 WK

Hoses, Heater 5.7L, 6.1L Engine
Figure 24-250

ITEM	PART NUMBER	QTY	LINE	SERIES	BODY	ENGINE	TRANS	TRIM	DESCRIPTION
------	-------------	-----	------	--------	------	--------	-------	------	-------------

Sales Codes:
[EZ0] = 5.7L Engine
[ES0] = 6.1L Engine

1		1				EZ0			HOSE, Heater Return
	68000978AA	1				ES0			
2		1				EZ0			HOSE, Heater Supply
	68000979AA	1				ES0			
3	04892345AD	1				EZ0			TUBE, Coolant inlet
4	04892346AD	1				EZ0			TUBE, Coolant outlet



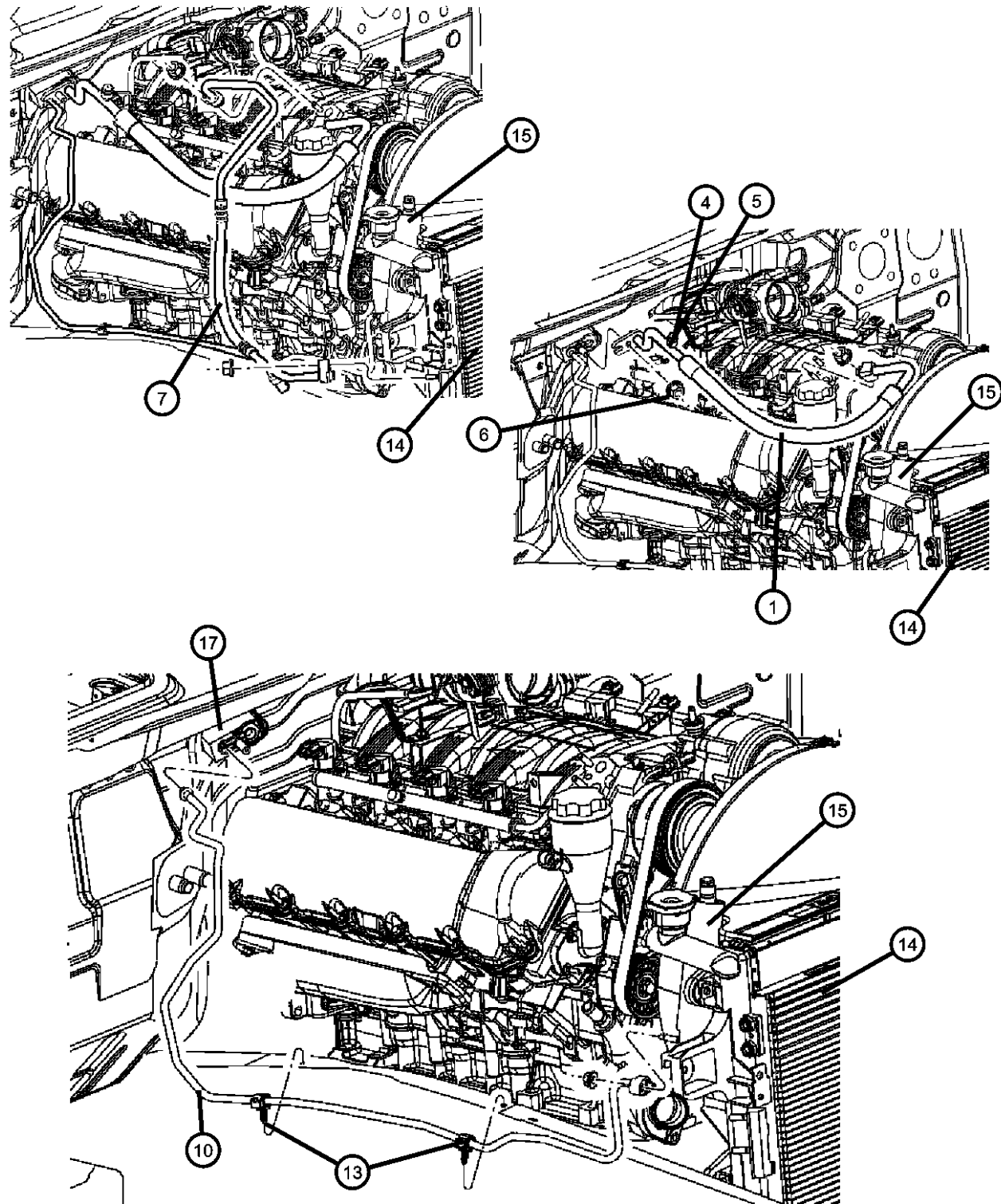
GRAND CHEROKEE (WK)

SERIES	LINE	BODY	ENGINE	TRANSMISSION
H = HIGHLINE	T = JEEP - 2WD	74 = SPORT UTILITY 4-DR	EKG = 3.7L V6 Engine	DGQ = 5-Spd Automatic 5-45RFE
P = PREMIUM	J = JEEP - 4WD		EVA = 4.7L V8 MPI Engine	Transmission
S = SPORT			EZB = 5.7L Hemi Multi	DGJ = 5-Speed Automatic MB
X = SPECIAL			Displacement Engine	Transmission

AR = use ase required - = Non illustrated part

2006 WK

Accumulator, Condenser and Lines 3.7, 4.7L Engine
Figure 24-255



ITEM	PART NUMBER	QTY	LINE	SERIES	BODY	ENGINE	TRANS	TRIM	DESCRIPTION
Sales Code [EK0] = All 3.7L Gas Engines Sales Code [EV0] = All 4.7L Gas Engines									
1									LINE, A/C Suction
	55116665AE	1				EK0			
	55116667AD	1				EV0			
-2									WASHER, Sealing
	05161784AA	1				EV0			Expansion Valve End
		1				EK0			Expansion Valve End
-3									WASHER, Sealing
	05161785AA	1				EK0			Compressor End
		1				EV0			Compressor End
4									CAP, A/C Check Valve
	05161786AA	1				EK0			
		1				EV0			
5									VALVE, A/C Discharge Line Check
	05003862AA	1				EV0			
		1				EK0			
6	06101445	1							NUT AND WASHER, Hex Nut-Coned Washer, M8 x 1.25
7									LINE, A/C Discharge
	55116663AC	1				EV0			
	55116664AF	1				EK0			
-8									WASHER, Sealing
	05183303AA	1				EV0			Compressor End
		1				EK0			Compressor End
-9									WASHER, Sealing
	05183303AA	1				EV0			Condenser End
		1				EK0			Condenser End
10	55116909AD	1							LINE, A/C Liquid
-11	05161787AA	1							WASHER, Sealing, Drier End
-12	05161788AA	1				EK0, EV0			WASHER, Sealing, Expansion Valve End
13	04861553AA	1							PIN, Push
14	55116928AA	1				EK0, EV0			CONDENSER, Condenser and TOC
15	05166426AA	1				EK0, EV0			RECEIVER DRIER, Includes liquid line to Condenser

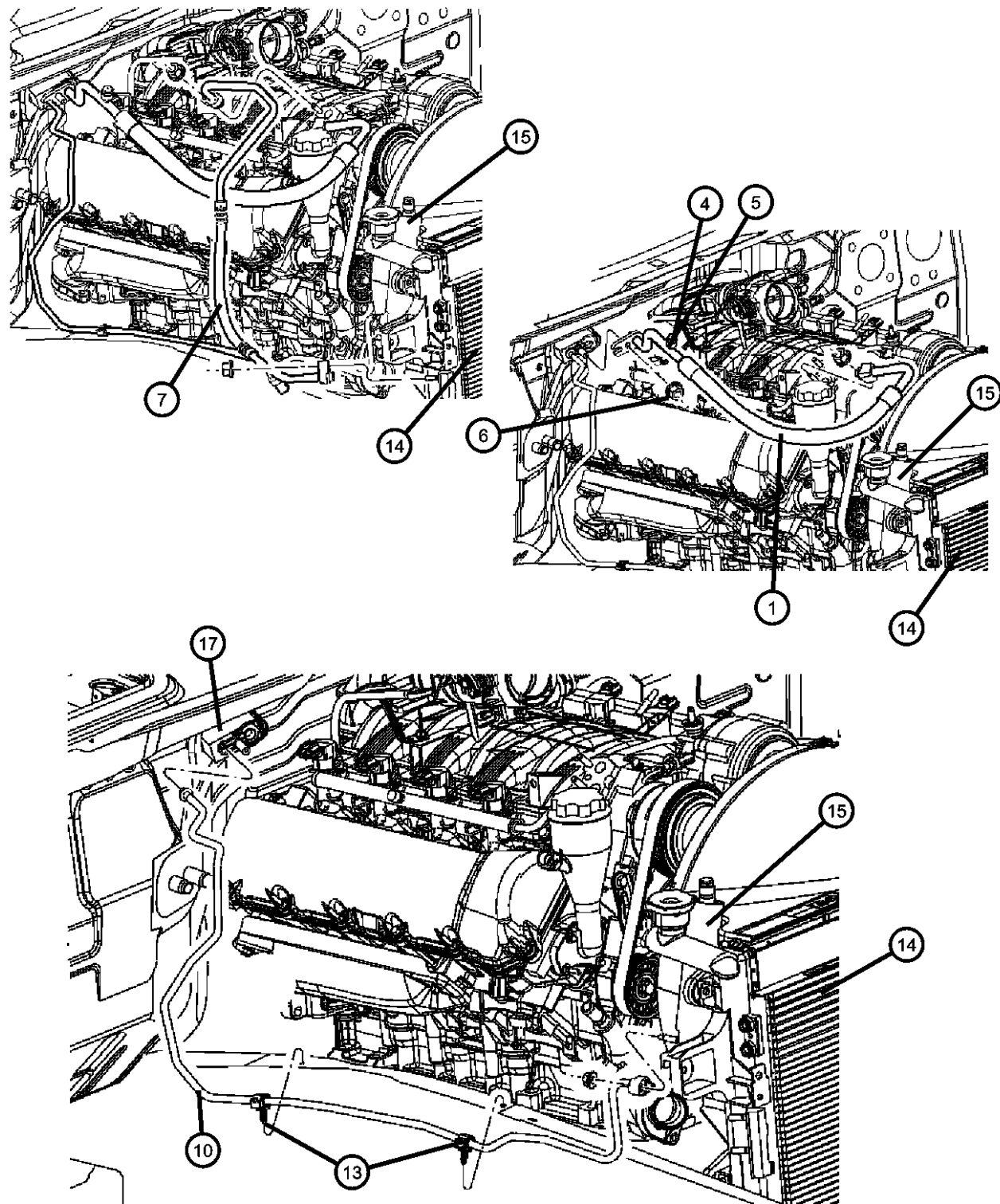
GRAND CHEROKEE (WK)

SERIES	LINE	BODY	ENGINE	TRANSMISSION
H = HIGHLINE	T = JEEP - 2WD	74 = SPORT UTILITY 4-DR	EKG = 3.7L V6 Engine	DGQ = 5-Spd Automatic 5-45RFE
P = PREMIUM	J = JEEP - 4WD		EVA = 4.7L V8 MPI Engine	Transmission
S = SPORT			EZB = 5.7L Hemi Multi	DGJ = 5-Speed Automatic MB
X = SPECIAL			Displacement Engine	Transmission

AR = use ase required - = Non illustrated part

**Accumulator, Condenser and Lines 3.7, 4.7L Engine
Figure 24-255**

ITEM	PART NUMBER	QTY	LINE	SERIES	BODY	ENGINE	TRANS	TRIM	DESCRIPTION
------	-------------	-----	------	--------	------	--------	-------	------	-------------



-16	05161788AA	1							WASHER, Sealing, Condenser End
17	05143544AB	1							VALVE, A/C Expansion

GRAND CHEROKEE (WK)

SERIES	LINE
H = HIGHLINE	T = JEEP - 2WD
P = PREMIUM	J = JEEP - 4WD
S = SPORT	
X = SPECIAL	

BODY
74 = SPORT UTILITY 4-DR

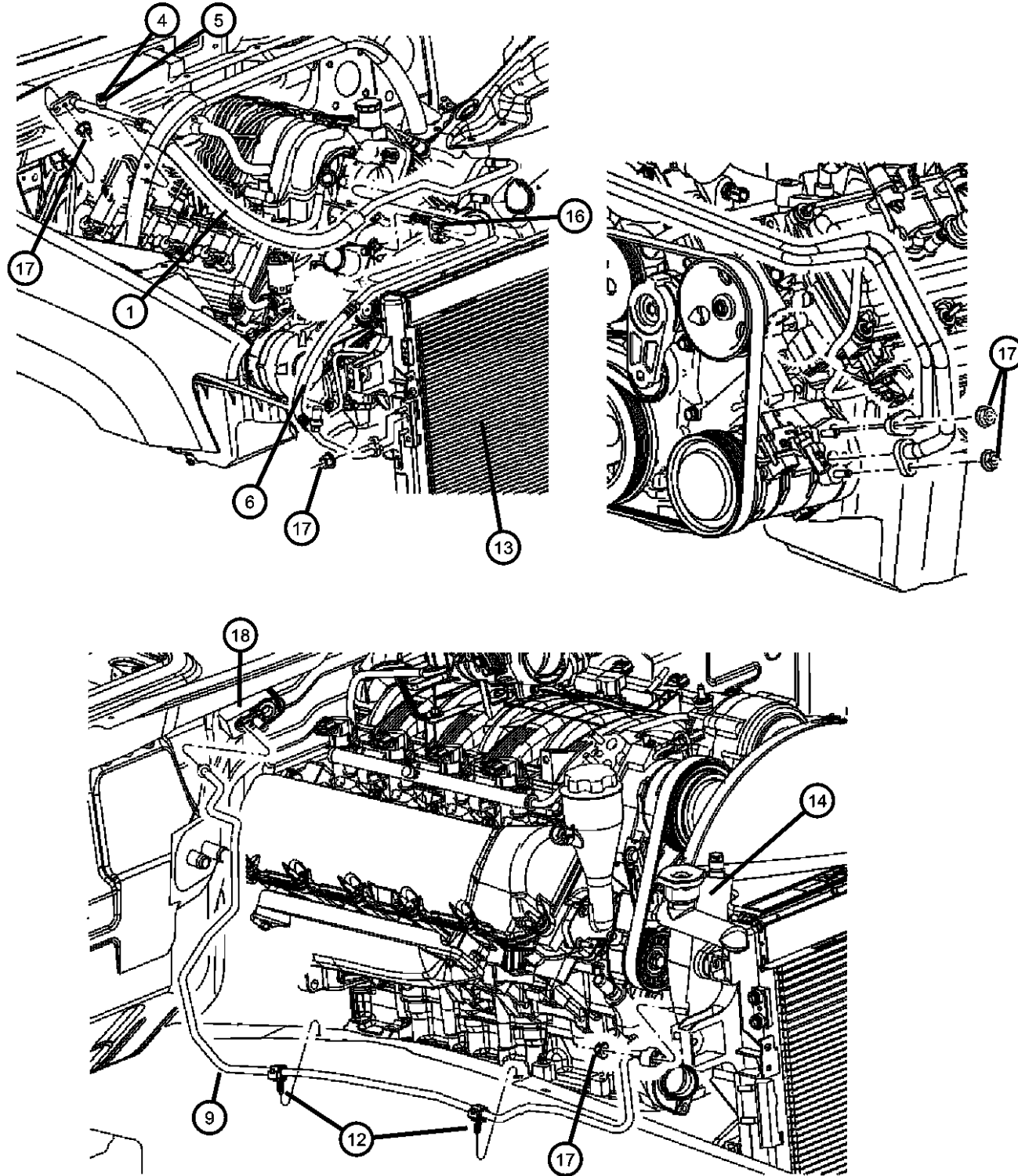
ENGINE
EKG = 3.7L V6 Engine
EVA = 4.7L V8 MPI Engine
EZB = 5.7L Hemi Multi Displacement Engine

TRANSMISSION
DGQ = 5-Spd Automatic 5-45RFE Transmission
DGJ = 5-Speed Automatic MB Transmission

AR = use ase required - = Non illustrated part

2006 WK

Accumulator, Condenser and Lines 5.7L, 6.1L Engine
Figure 24-257



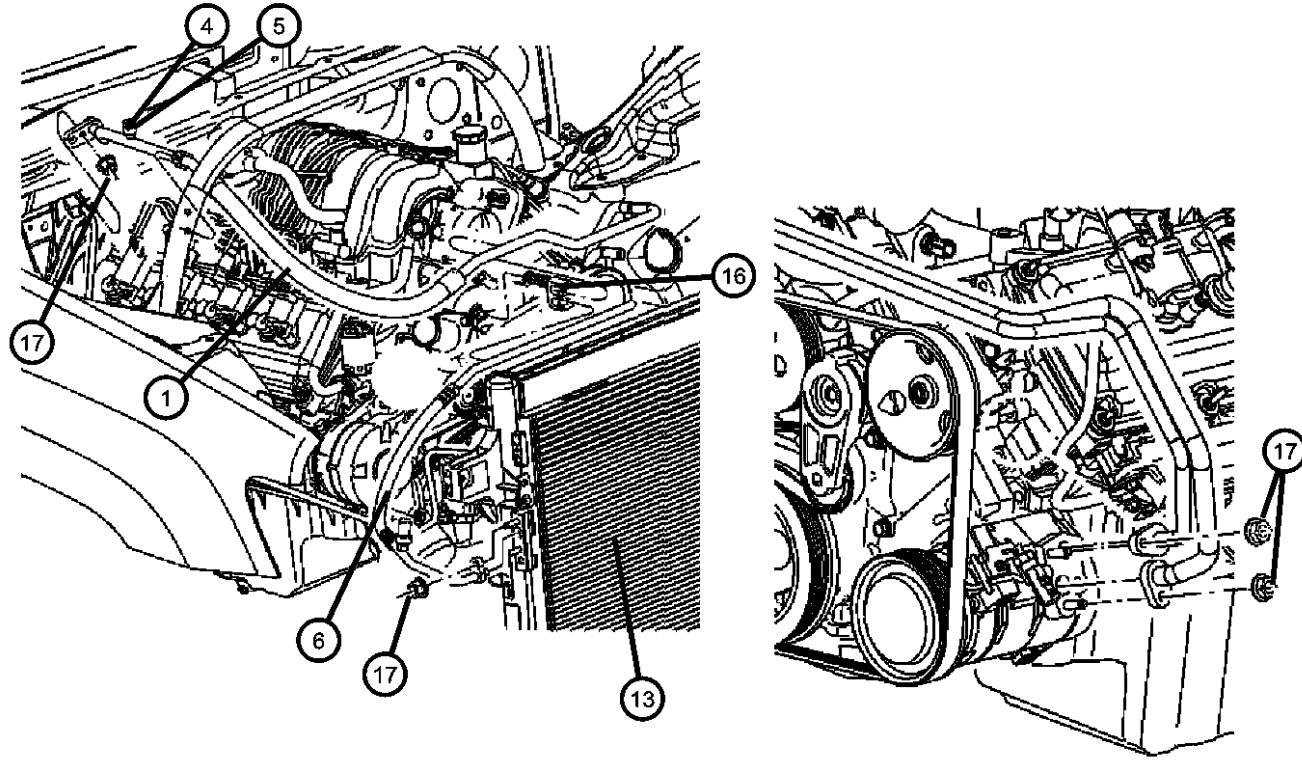
ITEM	PART NUMBER	QTY	LINE	SERIES	BODY	ENGINE	TRANS	TRIM	DESCRIPTION
Sales Codes: [ES0] = 6.1L Engine [EZ0] = 5.7L Engine									
1									LINE, A/C Suction
	55116718AF	1				EZ0			
		1				ES0			
-2									WASHER, Sealing
	05161784AA	1				EZ0			Expansion Valve End
		1				ES0			Expansion Valve End
-3									WASHER, Sealing
	05161785AA	1				EZ0			Compressor End
		1				ES0			Compressor End
4									CAP, A/C Check Valve
	05161786AA	1				EZ0			
		1				ES0			
5									VALVE, A/C Discharge Line Check
	05003862AA	1				EZ0			
		1				ES0			
6									LINE, A/C Discharge
	55116712AE	1				EZ0			
		1				ES0			
-7									WASHER, Sealing
	05183303AA	1				EZ0			Compressor End
		1				ES0			Compressor End
-8									WASHER, Sealing
	05183303AA	1				EZ0			Condenser End
		1				ES0			Condenser End
9	55116909AD	1							LINE, A/C Liquid
-10	05161788AA	1							WASHER, Sealing, Expansion Valve End
-11	05161787AA	1							WASHER, Sealing, Drier End
12	04861553AA	1							PIN, Push
13									CONDENSER, Condenser and TOC
	55116928AA	1				EZ0			
		1				EK0, ESF, EV0			

GRAND CHEROKEE (WK)

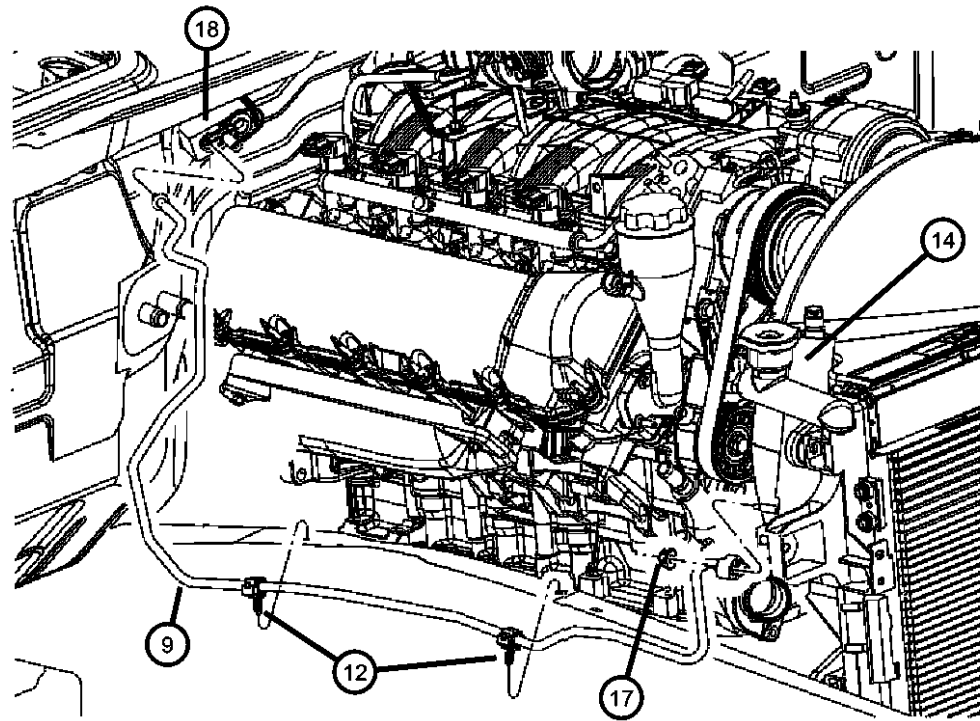
SERIES	LINE	BODY	ENGINE	TRANSMISSION
H = HIGHLINE	T = JEEP - 2WD	74 = SPORT UTILITY 4-DR	EKG = 3.7L V6 Engine	DGQ = 5-Spd Automatic 5-45RFE Transmission
P = PREMIUM	J = JEEP - 4WD		EVA = 4.7L V8 MPI Engine	DGJ = 5-Speed Automatic MB Transmission
S = SPORT			EZB = 5.7L Hemi Multi Displacement Engine	
X = SPECIAL				

AR = use ase required - = Non illustrated part

**Accumulator, Condenser and Lines 5.7L, 6.1L Engine
Figure 24-257**



ITEM	PART NUMBER	QTY	LINE	SERIES	BODY	ENGINE	TRANS	TRIM	DESCRIPTION
14	55116723AC	1				EZ0			DRIER, Receiver Includes Liquid Line to Condenser
		1				EV0, EK0, ESF			Includes Liquid Line to Condenser
-15	05161788AA	1							WASHER, Sealing, Drier to Condenser
16	55037740AB	1				EZ0			BRACKET, A/C Line
17	06101445	1							NUT AND WASHER, Hex Nut-Coned Washer, M8 x 1.25
18	05143544AC	1							VALVE, A/C Expansion



GRAND CHEROKEE (WK)

SERIES	LINE
H = HIGHLINE	T = JEEP - 2WD
P = PREMIUM	J = JEEP - 4WD
S = SPORT	
X = SPECIAL	

BODY
74 = SPORT UTILITY 4-DR

ENGINE
EKG = 3.7L V6 Engine
EVA = 4.7L V8 MPI Engine
EZB = 5.7L Hemi Multi Displacement Engine

TRANSMISSION
DGQ = 5-Spd Automatic 5-45RFE Transmission
DGJ = 5-Speed Automatic MB Transmission

AR = use ase required - = Non illustrated part

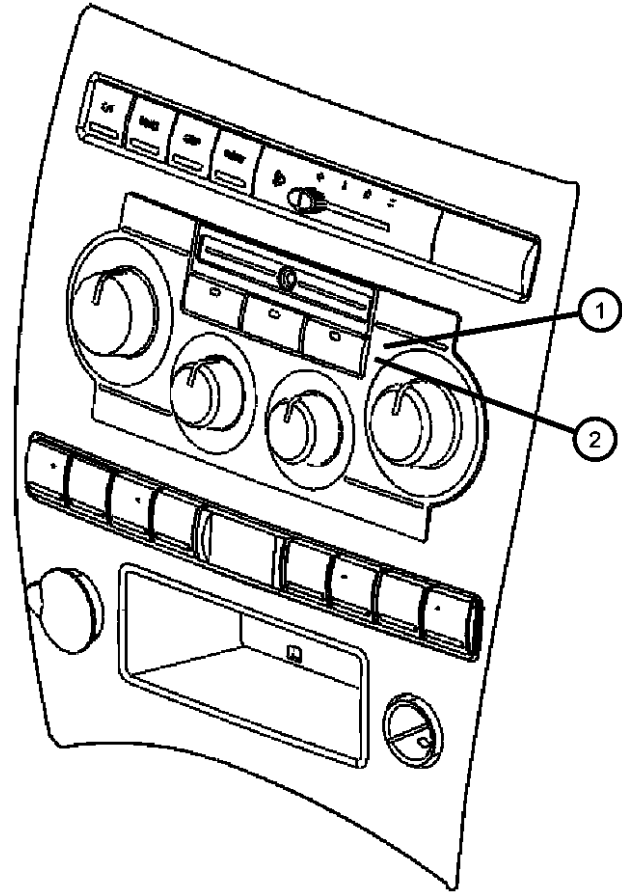
2006 WK

**Control, Heater and Air Conditioner
Figure 24-330**

ITEM	PART NUMBER	QTY	LINE	SERIES	BODY	ENGINE	TRANS	TRIM	DESCRIPTION
------	-------------	-----	------	--------	------	--------	-------	------	-------------

Sales Code :
[HAA] = Air Conditioning
[HAF] = Air Conditioning with Auto Temp Control

1									CONTROL, Auto Temp Control
	55111010AD	1							[HAF] , Fahrenheit
	55111011AD	1							[HAF] , Celsius
2	55111009AF	1							CONTROL, A/C And Heater, [HAA]



GRAND CHEROKEE (WK)

SERIES LINE
H = HIGHLINE T = JEEP - 2WD
P = PREMIUM J = JEEP - 4WD
S = SPORT
X = SPECIAL

BODY
74 = SPORT UTILITY 4-DR

ENGINE
EKG = 3.7L V6 Engine
EVA = 4.7L V8 MPI Engine
EZB = 5.7L Hemi Multi
Displacement Engine

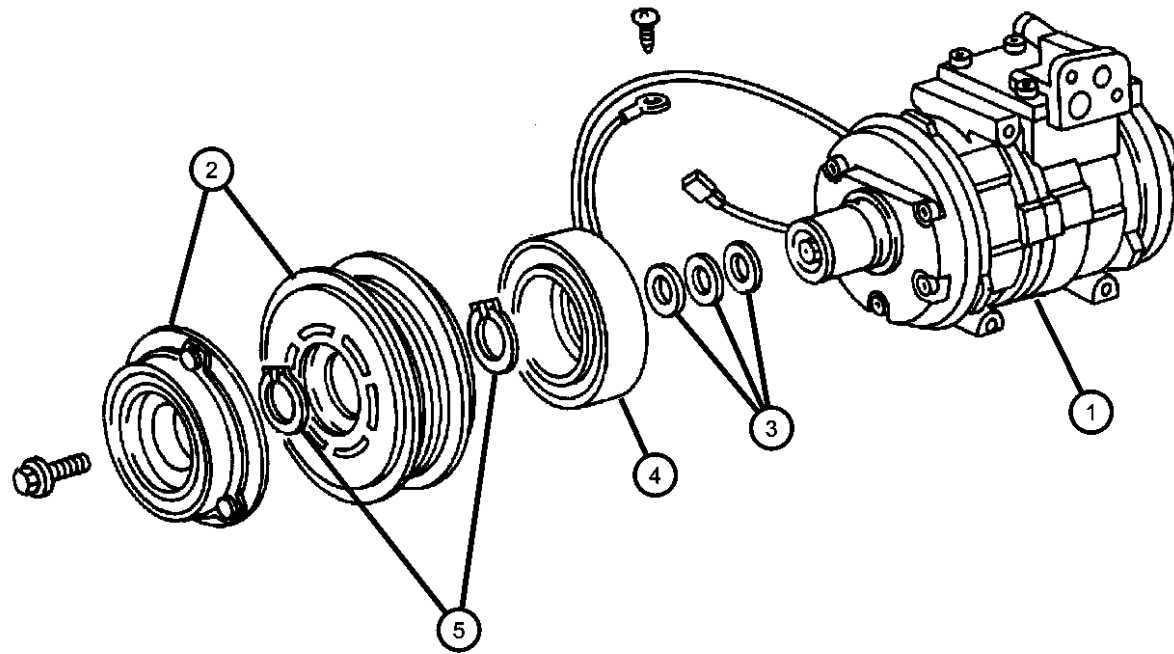
TRANSMISSION
DGQ = 5-Spd Automatic 5-45RFE
Transmission
DGJ = 5-Speed Automatic MB
Transmission

AR = use ase required - = Non illustrated part

2006 WK

**Compressor, Air Conditioning 3.7L, 4.7L Engine
Figure 24-420**

ITEM	PART NUMBER	QTY	LINE	SERIES	BODY	ENGINE	TRANS	TRIM	DESCRIPTION
Sales Codes: [EK0] = [3.7L] Gas Engine [EV0] = [4.7L] Gas Engine									
1	55116834AC	1				EK0, EV0			COMPRESSOR, Air Conditioning, Includes clutch
2	05161810AA	1				EK0, EV0			PULLEY HUB KIT, A/C Compressor
3	05066225AA	1				EK0, EV0			CLUTCH OVERHAUL KIT, A/C Compressor
4	05003681AA	1				EK0, EV0			COIL, Air Conditioning Clutch
5	05264454	1				EK0, EV0			SNAP RING KIT, A/C Clutch
-6	53031709AA	1				EK0, EV0			BRACE, A/C Compressor
-7	82300102	1				EK0, EV0			LUBRICANT, A/C Compressor, 250ml, ND-8



GRAND CHEROKEE (WK)

SERIES	LINE	BODY	ENGINE	TRANSMISSION
H = HIGHLINE	T = JEEP - 2WD	74 = SPORT UTILITY 4-DR	EKG = 3.7L V6 Engine	DGQ = 5-Spd Automatic 5-45RFE
P = PREMIUM	J = JEEP - 4WD		EVA = 4.7L V8 MPI Engine	Transmission
S = SPORT			EZB = 5.7L Hemi Multi	DGJ = 5-Speed Automatic MB
X = SPECIAL			Displacement Engine	Transmission

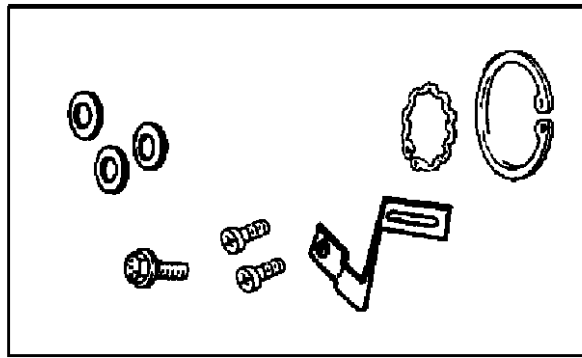
AR = use ase required - = Non illustrated part

2006 WK

**Compressor, Air Conditioning 5.7L, 6.1L Engine
Figure 24-430**

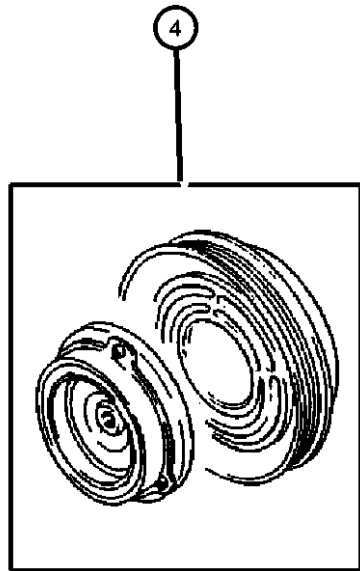
ITEM	PART NUMBER	QTY	LINE	SERIES	BODY	ENGINE	TRANS	TRIM	DESCRIPTION
------	-------------	-----	------	--------	------	--------	-------	------	-------------

Sales Codes:
[ES0] = [6.1L] Gas Engine
[EZ0] = [5.7L] Gas Engine

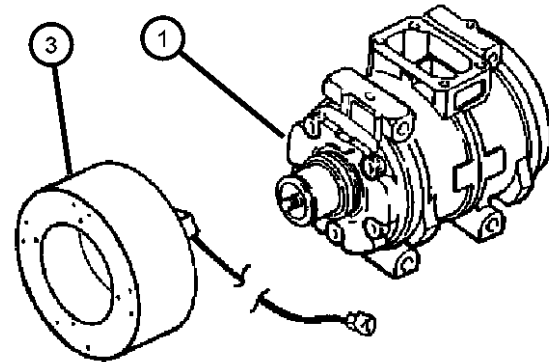


2

1									COMPRESSOR, Air Conditioning, Complete
	55116917AC	1				EZ0			
		1				ES0			
2									CLUTCH OVERHAUL KIT, A/C Compressor
	05140428AA	1				EZ0			
		1				ES0			
3									COIL, Air Conditioning Clutch
	05003681AA	1				EZ0			
		1				ES0			
4									PULLEY HUB KIT, A/C Compressor
	05140426AA	1				EZ0			
		1				ES0			
5									SNAP RING KIT, A/C Clutch
	05264454	1				EZ0			
		1				ES0			

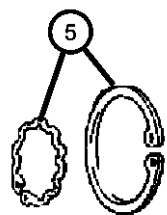


4



3

1



5

GRAND CHEROKEE (WK)

SERIES	LINE
H = HIGHLINE	T = JEEP - 2WD
P = PREMIUM	J = JEEP - 4WD
S = SPORT	
X = SPECIAL	

BODY
74 = SPORT UTILITY 4-DR

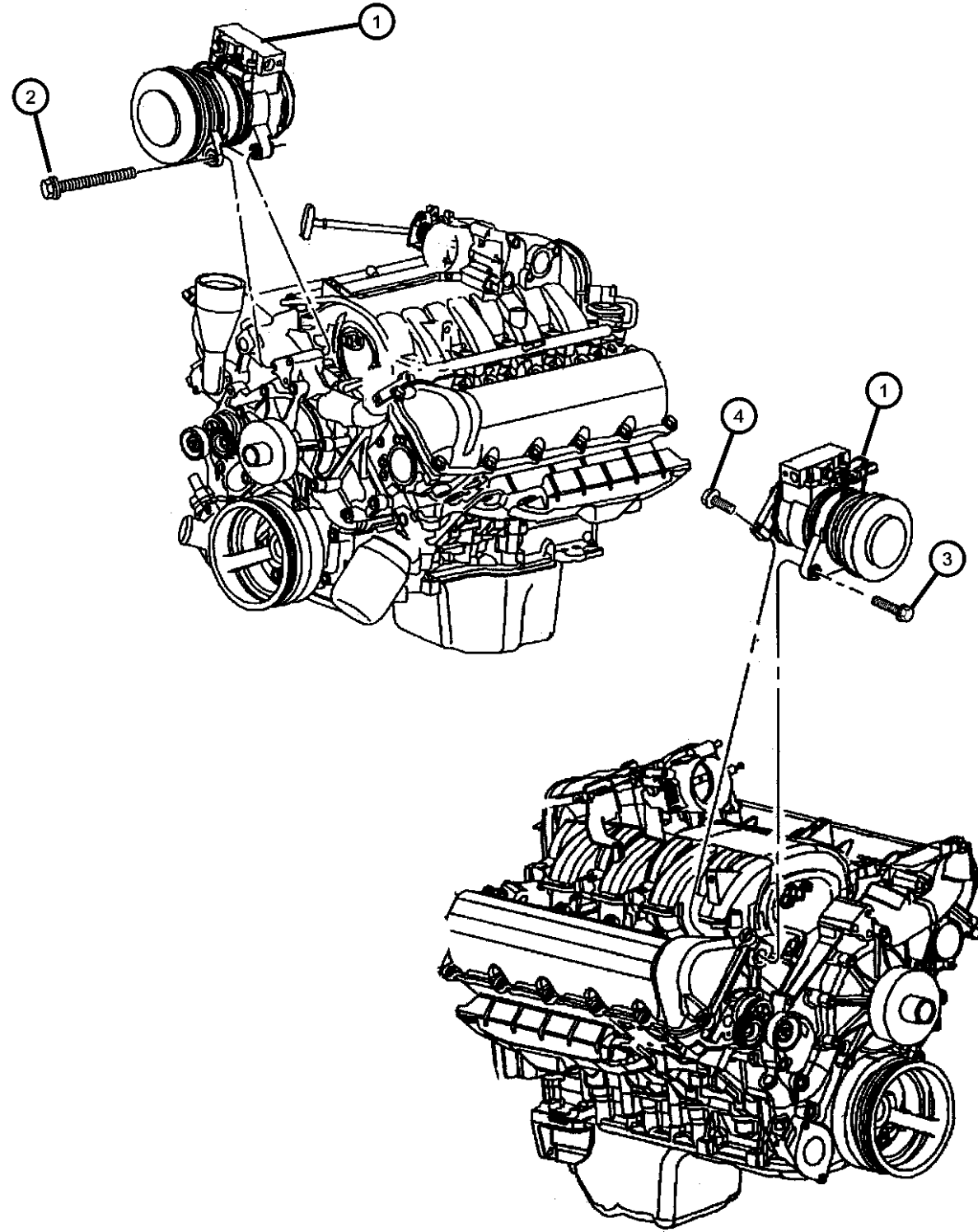
ENGINE
EKG = 3.7L V6 Engine
EVA = 4.7L V8 MPI Engine
EZB = 5.7L Hemi Multi Displacement Engine

TRANSMISSION
DGQ = 5-Spd Automatic 5-45RFE Transmission
DGJ = 5-Speed Automatic MB Transmission

AR = use ase required - = Non illustrated part

2006 WK

**Compressor, Mounting 3.7L, 4.7L Engine
Figure 24-520**



ITEM	PART NUMBER	QTY	LINE	SERIES	BODY	ENGINE	TRANS	TRIM	DESCRIPTION
------	-------------	-----	------	--------	------	--------	-------	------	-------------

Sales Codes:
[EK0] = [3.7L] Gas Engine
[EV0] = [4.7L] Gas Engine

1	55116834AC	1				EK0, EV0			COMPRESSOR, Air Conditioning
2	06504344	1				EV0			SCREW AND WASHER, Hex Head
3	06505487AA	1				EV0			SCREW AND WASHER, M10x1.5x45
4									SCREW AND WASHER, Hex Head, M8x1.25x50
	06505482AA	1				EV0			
		1				EK0			
-5	06101794	1				EK0, EV0			SCREW, Hex Head, M10x1.5x115, A/C Brace To Front Cover, A/C Brace to Front Cover
-6	53031709AA	1				EK0, EV0			BRACE, A/C Compressor

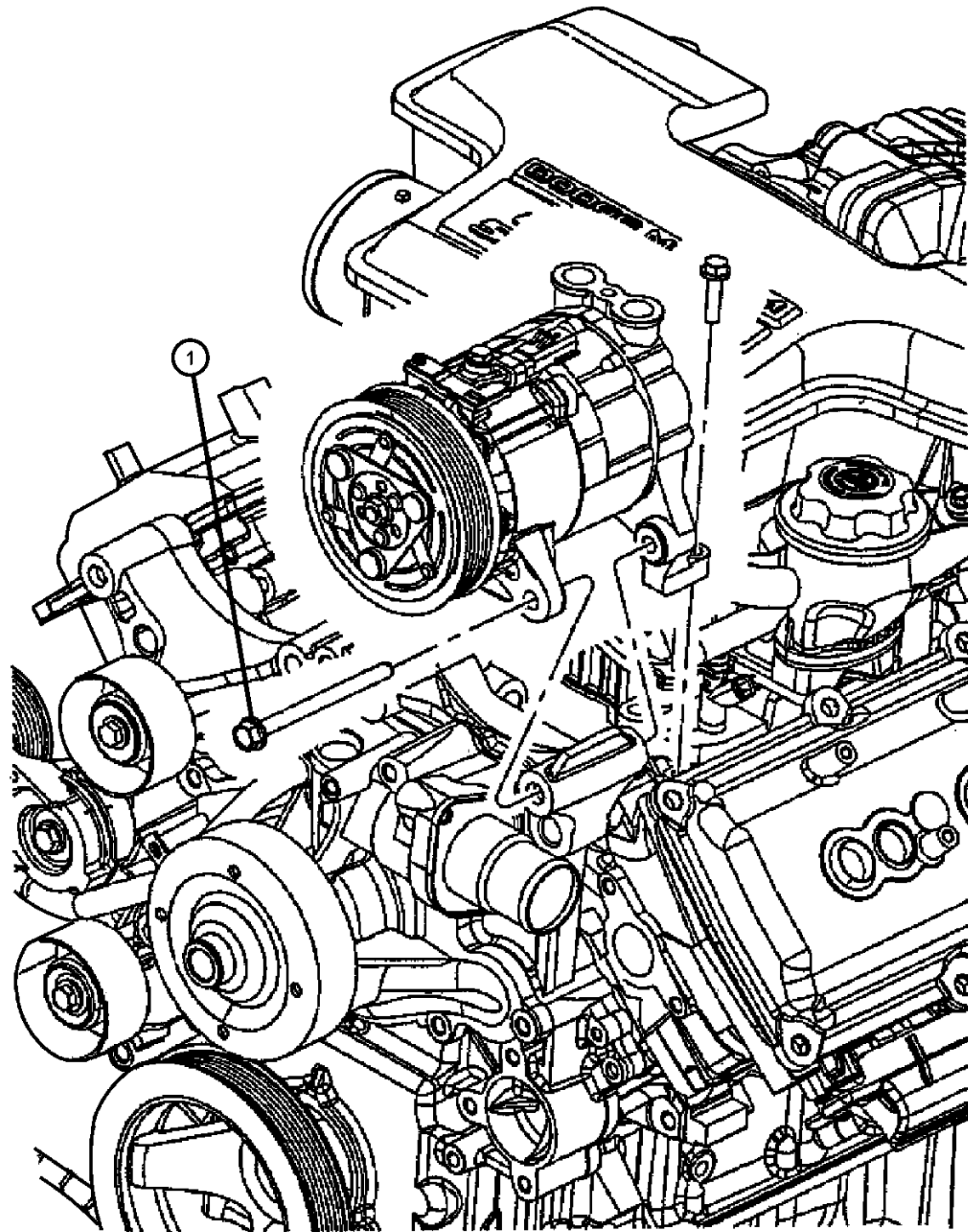
GRAND CHEROKEE (WK)

SERIES	LINE	BODY	ENGINE	TRANSMISSION
H = HIGHLINE	T = JEEP - 2WD	74 = SPORT UTILITY 4-DR	EKG = 3.7L V6 Engine	DGQ = 5-Spd Automatic 5-45RFE
P = PREMIUM	J = JEEP - 4WD		EVA = 4.7L V8 MPI Engine	Transmission
S = SPORT			EZB = 5.7L Hemi Multi Displacement Engine	DGJ = 5-Speed Automatic MB Transmission
X = SPECIAL				

AR = use ase required - = Non illustrated part

2006 WK

**Compressor, Mounting 5.7L, 6.1L Engine
Figure 24-530**



ITEM	PART NUMBER	QTY	LINE	SERIES	BODY	ENGINE	TRANS	TRIM	DESCRIPTION
------	-------------	-----	------	--------	------	--------	-------	------	-------------

Sales Codes:
[ES0] = [6.1L] Gas Engine
[EZ0] = [5.7L] Gas Engine

1									SCREW AND WASHER, Hex Head, M10x1.5x100
	06101639	4				EZ0			
		4				ES0			

GRAND CHEROKEE (WK)

SERIES LINE
H = HIGHLINE T = JEEP - 2WD
P = PREMIUM J = JEEP - 4WD
S = SPORT
X = SPECIAL

BODY
74 = SPORT UTILITY 4-DR

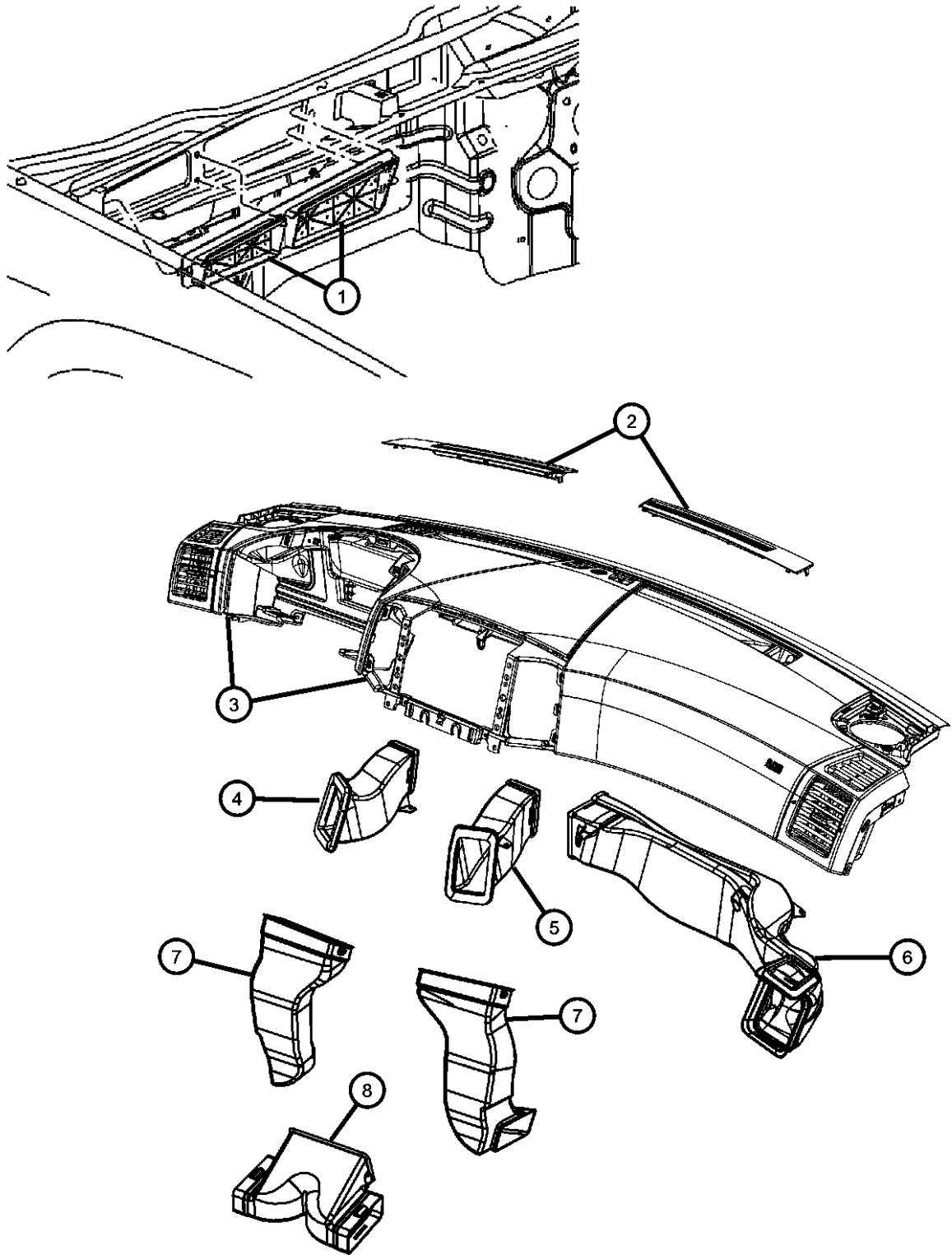
ENGINE
EKG = 3.7L V6 Engine
EVA = 4.7L V8 MPI Engine
EZB = 5.7L Hemi Multi Displacement Engine

TRANSMISSION
DGQ = 5-Spd Automatic 5-45RFE Transmission
DGJ = 5-Speed Automatic MB Transmission

AR = use ase required - = Non illustrated part

2006 WK

Air Ducts and Outlets
Figure 24-610



ITEM	PART NUMBER	QTY	LINE	SERIES	BODY	ENGINE	TRANS	TRIM	DESCRIPTION
Sale Codes: [D5, J1, J3] Are Interior Trim Colors									
1	55037874AB	1							BAFFLE, Air
2									GRILLE, Defroster, Upper
	1DQ54XD-HAA	1							[D5], Right
	1DQ54ZJ8AA	1							[J1], Right
		1							[J3], Right
	1DQ55XD-HAA	1							[D5], Left
	1DQ55ZJ8AA	1							[J1], Left
		1							[J3], Left
3									PANEL, Instrument Upper, Includes: Left Outer Duct
	5JY791DHAJ	1							[D5]
	5JY791J8AJ	1							[J1,J3]
4	55117037AA	1							DUCT, Air Outlet, CenterLeft
5	55117036AA	1							DUCT, Air Outlet, CenterRight
6	55117050AA	1							DUCT, Instrument Panel, OuterRight
7									DUCT, Floor Distribution, Side
	55116599AC	1							Right
	55116741AC	1							Left
8	55116814AA	1							DUCT, Floor Distribution, Center Floor

GRAND CHEROKEE (WK)

SERIES	LINE	BODY	ENGINE	TRANSMISSION
H = HIGHLINE	T = JEEP - 2WD	74 = SPORT UTILITY 4-DR	EKG = 3.7L V6 Engine	DGQ = 5-Spd Automatic 5-45RFE
P = PREMIUM	J = JEEP - 4WD		EVA = 4.7L V8 MPI Engine	Transmission
S = SPORT			EZB = 5.7L Hemi Multi	DGJ = 5-Speed Automatic MB
X = SPECIAL			Displacement Engine	Transmission

AR = use ase required - = Non illustrated part

Group - 25

Emission Systems

Group - 25 Emission Systems

Illustration Title

Group-Fig. No.

EGR Systems

EGR System.....Fig. 25 - 205

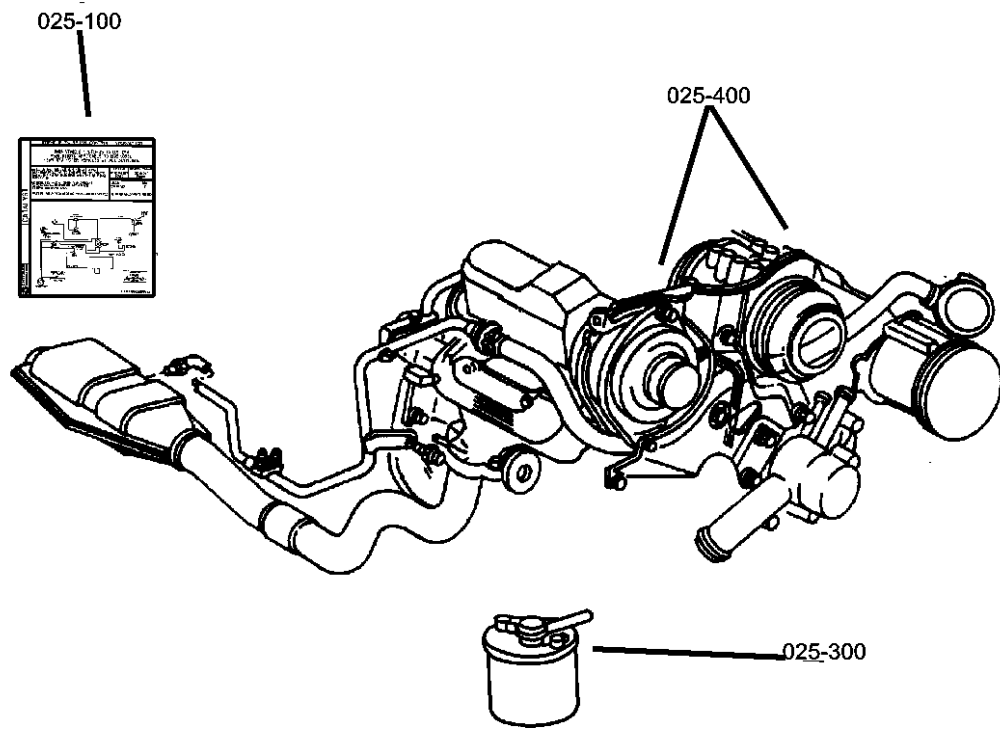
Vacuum Canister

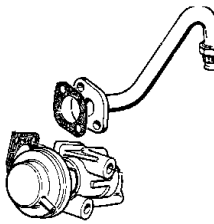
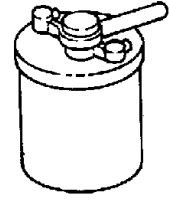
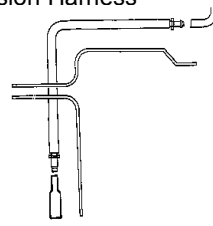
Vacuum Canister,Fig. 25 - 310

Emission Harness

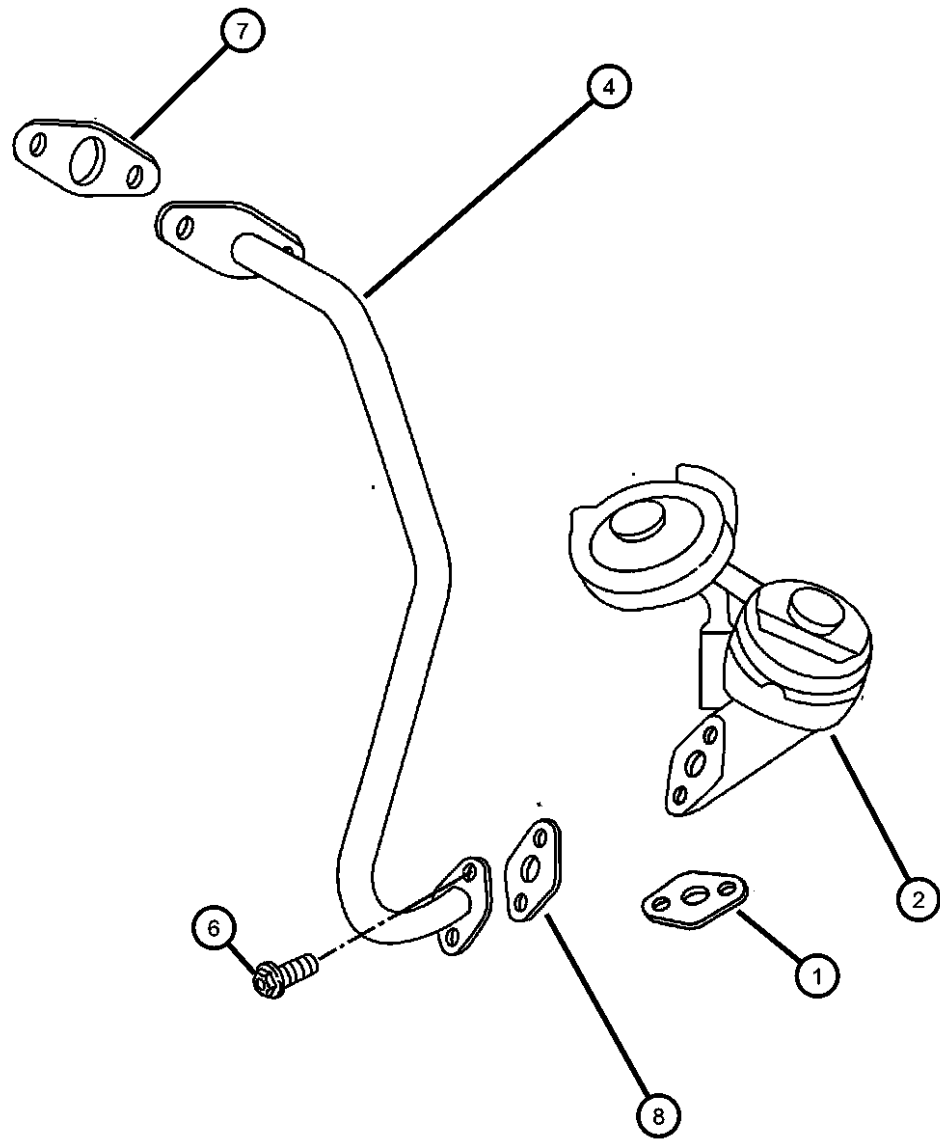
Emission Control Vacuum HarnessFig. 25 - 410

Leak Detection Pump,Fig. 25 - 420



<p>025-200 EGR Systems</p> 	<p>025-300 Vacuum Canister</p> 	<p>025-400 Emission Harness</p> 	
---	---	---	--

**EGR System
Figure 25-205**



ITEM	PART NUMBER	QTY	LINE	SERIES	BODY	ENGINE	TRANS	TRIM	DESCRIPTION
1	53030976AD	1				EVA			GASKET, EGR Valve
	53032212AA	1				EZO			
2	53032776AE	1				EVA			VALVE, EGR
	53032509AI	1				EZO			
-3	06504793AA	2				EZO			SCREW, Hex Flange Head, M8x1.25x28.00, EGR VALVE TO CYL HEAD
4	53032778AC	1				EVA			TUBE, EGR
-5	06508380AA	2				EVA			SCREW, Hex Flange Head, EGR Tube to Cylinder Head
6	06504829AA	2				EZO			SCREW, Hex Flange Head, EGR TUBE TO EGR VALVE
7	04591250	1				EZO			SEAL, EGR Tube
		1				EVA			
8	05277928	1				EZO			GASKET, EGR Tube Flange
-9	06502555	2				EZO			BOLT, M8x1.25x30 EGR TO CYL HEAD
		2				EVA			EGR TO CYL HEAD
-10	04591876AD	1	J, T		74	EZO			TUBE, EGR Valve to Intake Manifold

GRAND CHEROKEE (WK)

SERIES LINE
 H = HIGHLINE T = JEEP - 2WD
 P = PREMIUM J = JEEP - 4WD
 S = SPORT
 X = SPECIAL

BODY
 74 = SPORT UTILITY 4-DR

ENGINE
 EKG = 3.7L V6 Engine
 EVA = 4.7L V8 MPI Engine
 EZB = 5.7L Hemi Multi Displacement Engine

TRANSMISSION
 DGQ = 5-Spd Automatic 5-45RFE Transmission
 DGJ = 5-Speed Automatic MB Transmission

AR = use ase required - = Non illustrated part

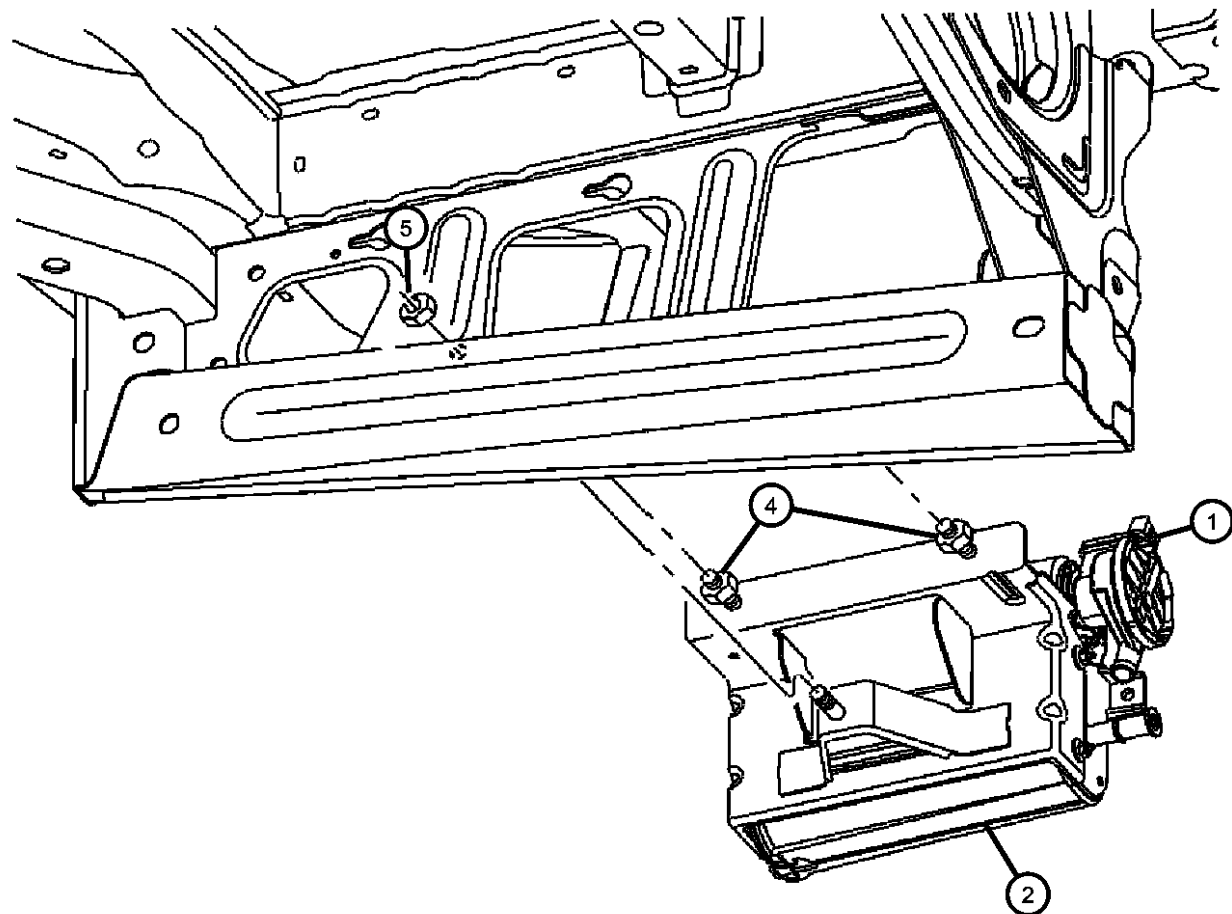
2006 WK

Vacuum Canister,
Figure 25-310

ITEM	PART NUMBER	QTY	LINE	SERIES	BODY	ENGINE	TRANS	TRIM	DESCRIPTION
------	-------------	-----	------	--------	------	--------	-------	------	-------------

Sales Codes
[ER0]= All, 6 Cylinder Gas Engines
[EV0]= All 4.7L V-8 Gas Engines

1	04891524AA	1							DETECTOR, Natural Vacuum Leak Detection
2	04891762AA	1							CANISTER, Fuel Vapor
-3	52090442AD	1							BRACKET, Vapor Canister
4		1							NUT, Service with Canister, (NOT SERVICED)
5	06104716AA	1							NUT
-6	05174671AA	1				EK0, EV0, EZ0			TUBE, Control Valve to Canister
-7	05143791AA	1				EK0, EV0, EZ0			TUBE, Fuel Vapor Recirculation



GRAND CHEROKEE (WK)

SERIES	LINE	BODY	ENGINE	TRANSMISSION
H = HIGHLINE	T = JEEP - 2WD	74 = SPORT UTILITY 4-DR	EKG = 3.7L V6 Engine	DGQ = 5-Spd Automatic 5-45RFE Transmission
P = PREMIUM	J = JEEP - 4WD		EVA = 4.7L V8 MPI Engine	DGJ = 5-Speed Automatic MB Transmission
S = SPORT			EZB = 5.7L Hemi Multi Displacement Engine	
X = SPECIAL				

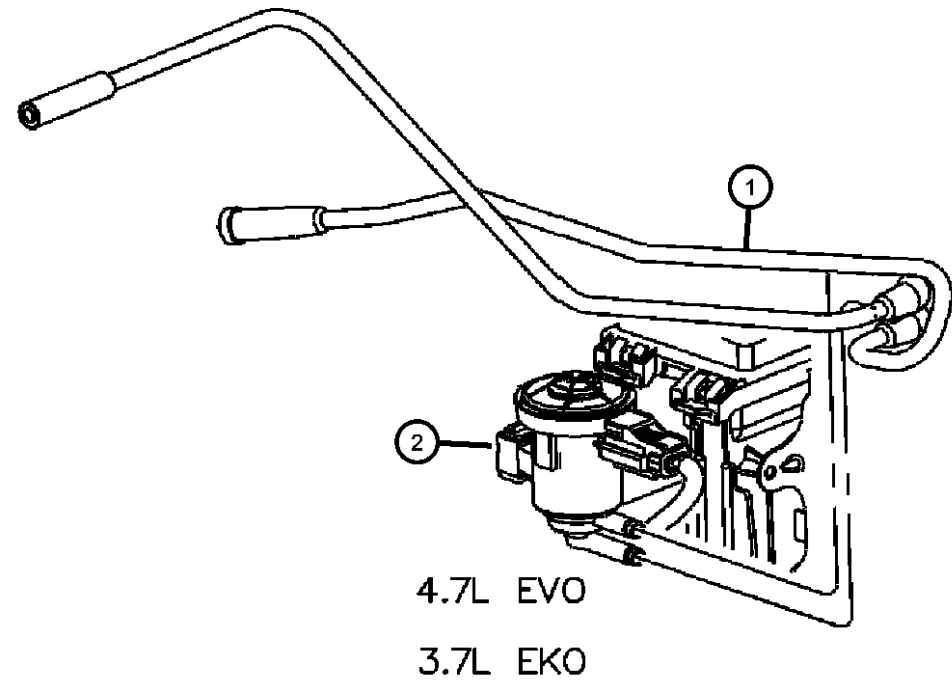
AR = use ase required - = Non illustrated part

2006 WK

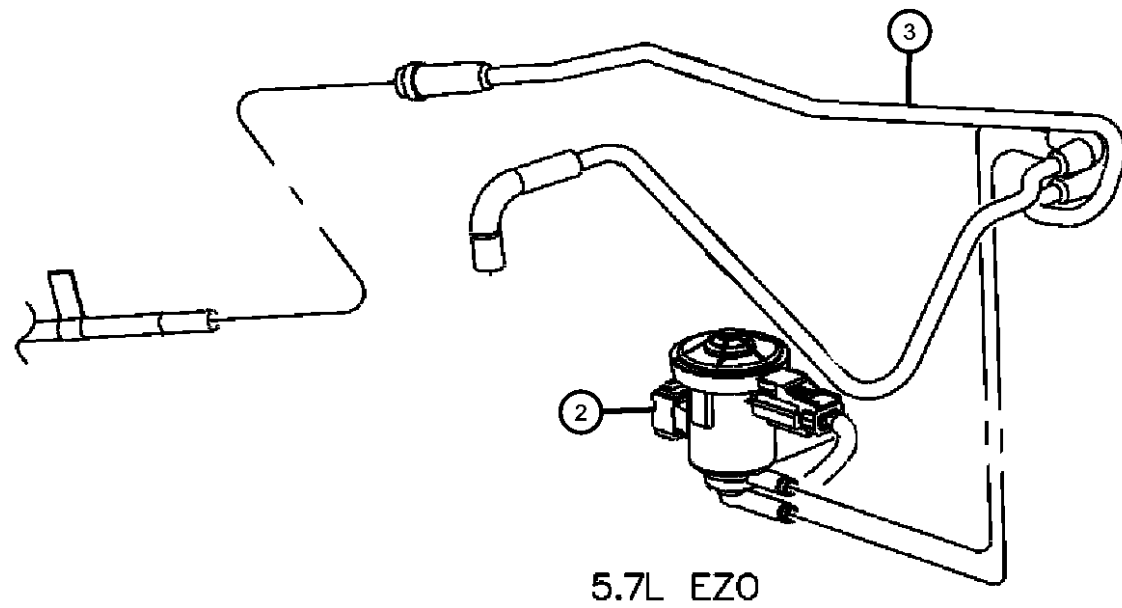
**Emission Control Vacuum Harness
Figure 25-410**

ITEM	PART NUMBER	QTY	LINE	SERIES	BODY	ENGINE	TRANS	TRIM	DESCRIPTION
------	-------------	-----	------	--------	------	--------	-------	------	-------------

Note Sale Code: [ESF] =6.1L SRT HEMI SMPI V8
[EV0]=ALL 4.7L GAS ENGINES
[EZ0]=ALL 5.7L 8CYL GAS ENGINES



1									HARNESS, Proportional Purge Solenoid
	52059605AC	1				EK0			
	52089987AC	1				EV0			
2									SOLENOID, Proportional Purge
	52090419AA	1				EK0, EV0, EZ0			
		1				ESF			
3	52059606AD	1				EZ0			HARNESS, Proportional Purge Solenoid



GRAND CHEROKEE (WK)

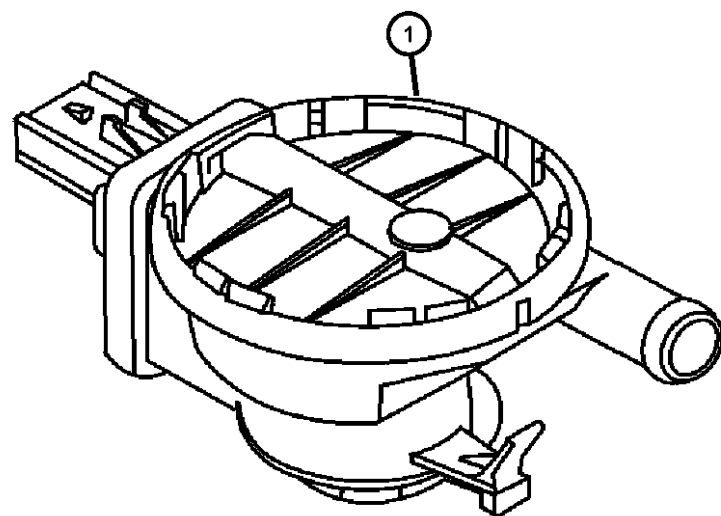
SERIES	LINE	BODY	ENGINE	TRANSMISSION
H = HIGHLINE	T = JEEP - 2WD	74 = SPORT UTILITY 4-DR	EKG = 3.7L V6 Engine	DGQ = 5-Spd Automatic 5-45RFE Transmission
P = PREMIUM	J = JEEP - 4WD		EVA = 4.7L V8 MPI Engine	DGJ = 5-Speed Automatic MB Transmission
S = SPORT			EZB = 5.7L Hemi Multi Displacement Engine	
X = SPECIAL				

AR = use ase required - = Non illustrated part

2006 WK

**Leak Detection Pump,
Figure 25-420**

ITEM	PART NUMBER	QTY	LINE	SERIES	BODY	ENGINE	TRANS	TRIM	DESCRIPTION
1	04891524AA	1							DETECTOR, Natural Vacuum Leak Detection
-2	04885827AA	1							SEAL, Canister and NVLD Mounting



GRAND CHEROKEE (WK)

SERIES LINE
H = HIGHLINE T = JEEP - 2WD
P = PREMIUM J = JEEP - 4WD
S = SPORT
X = SPECIAL

BODY
74 = SPORT UTILITY 4-DR

ENGINE
EKG = 3.7L V6 Engine
EVA = 4.7L V8 MPI Engine
EZB = 5.7L Hemi Multi Displacement Engine

TRANSMISSION
DGQ = 5-Spd Automatic 5-45RFE Transmission
DGJ = 5-Speed Automatic MB Transmission

AR = use ase required - = Non illustrated part

2006 WK

Group - DWK

Doors and Related Parts

Group - DWK Doors and Related Parts

Illustration Title

Group-Fig. No.

Front Door

Door, Front Shell and Hinges.....	Fig. DWK - 110
Door, Front Glass and Regulators	Fig. DWK - 120
Door, Front Lock and Controls	Fig. DWK - 130

Rear Door

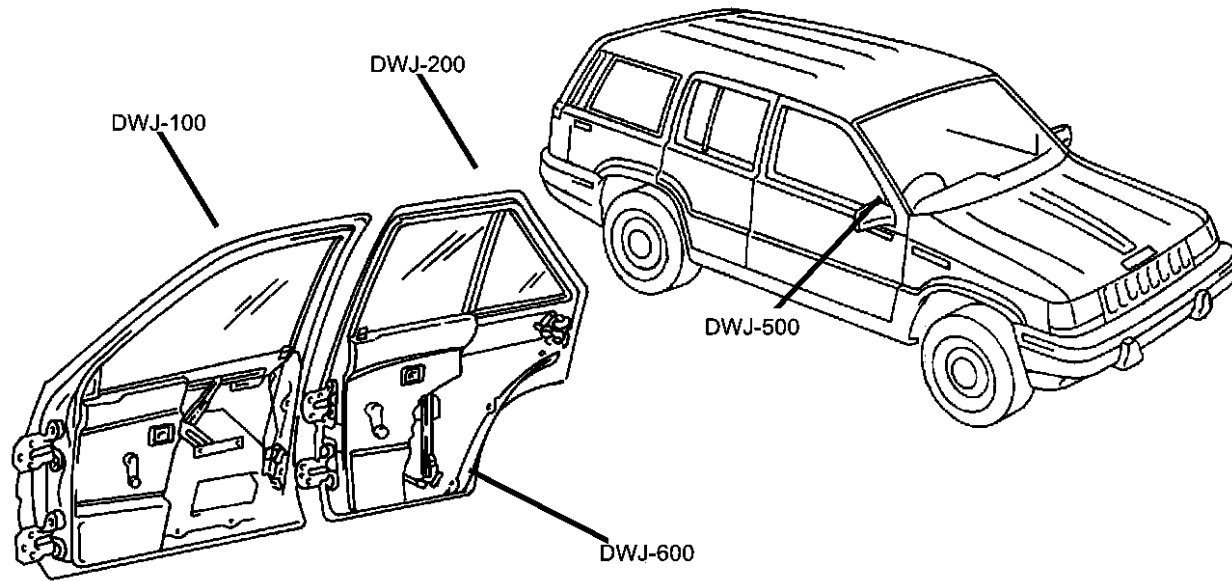
Door, Rear Shell and Hinges.....	Fig. DWK - 210
Door Rear , Glass and Regulator	Fig. DWK - 220
Door, Rear Lock and Controls.....	Fig. DWK - 230

Exterior Mirror

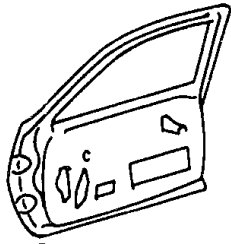
Mirrors, Exterior	Fig. DWK - 510
-------------------------	----------------

Weatherstrips and Seals

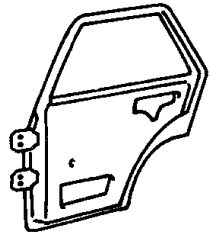
Door, Front Weatherstrips and Seals	Fig. DWK - 610
Door, Rear Weatherstrips and Seals	Fig. DWK - 620
Door, Rear Lift Gate Weatherstrips and Seals	Fig. DWK - 630



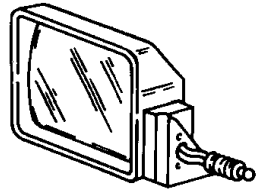
DWK-100
Front Door



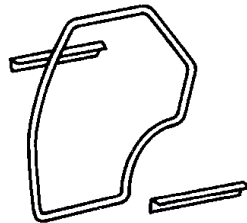
DWK-200
Rear Door



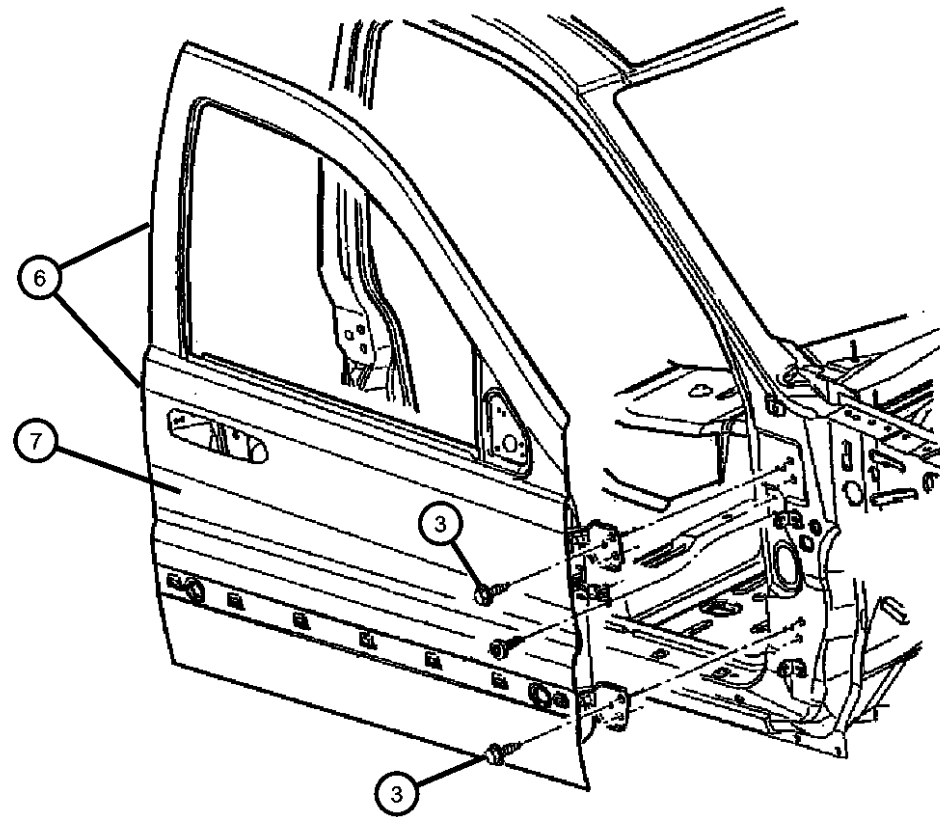
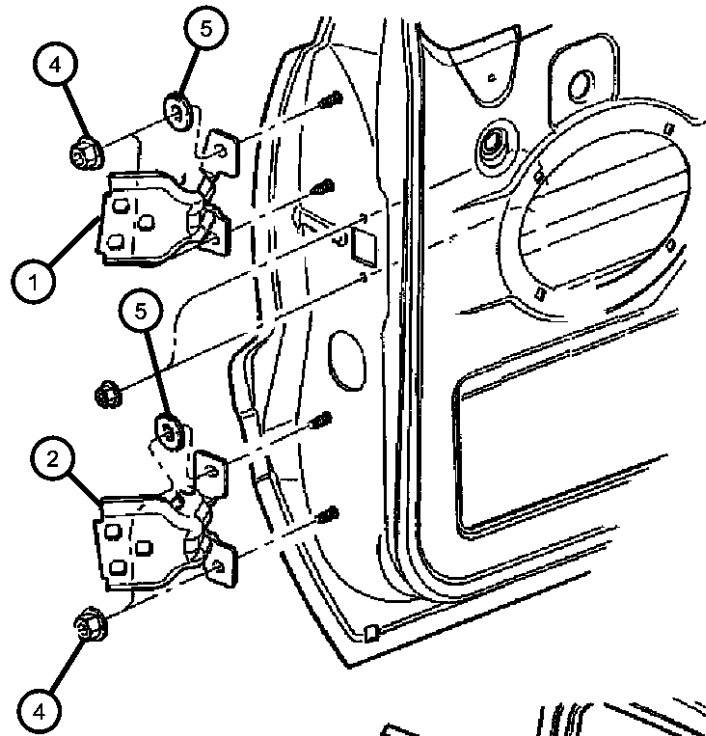
DWK-500
Exterior Mirror



DWK-600
Weatherstrips and Seals



Door, Front Shell and Hinges
Figure DWK-110



ITEM	PART NUMBER	QTY	LINE	SERIES	BODY	ENGINE	TRANS	TRIM	DESCRIPTION
1	55369194AB	1							HINGE, Door, Upper Right
	55369195AB	1							Left
2	55369192AB	1							HINGE, Front Door Lower Right
	55369193AB	1							Left
3	06503328	10							SCREW, Hex Head, M8x1.25x30
4	06101446	8							NUT AND WASHER
5		8							WASHER, Flat, (NOT SERVICED)
6	55394352AD	1							DOOR, Front Right
	55394353AD	1							Left
7	55394354AB	1							PANEL, Front Door Outer Repair Right
	55394355AB	1							Left

GRAND CHEROKEE (WK)

SERIES LINE
H = HIGHLINE T = JEEP - 2WD
P = PREMIUM J = JEEP - 4WD
S = SPORT
X = SPECIAL

BODY
74 = SPORT UTILITY 4-DR

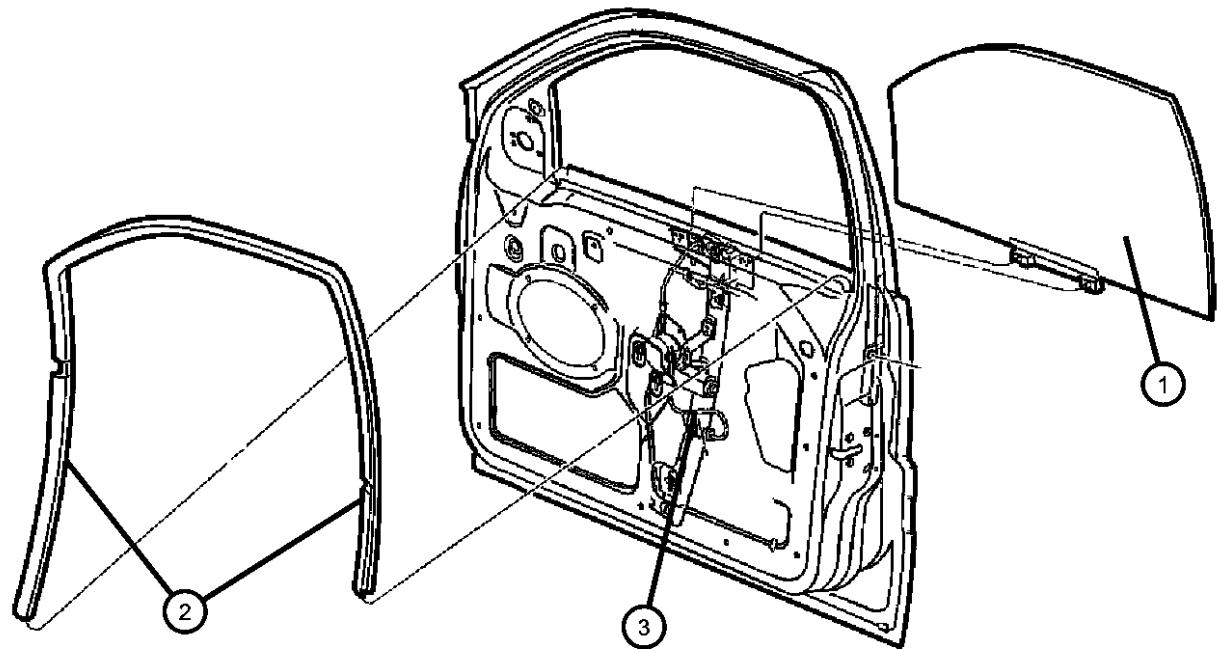
ENGINE
EKG = 3.7L V6 Engine
EVA = 4.7L V8 MPI Engine
EZB = 5.7L Hemi Multi
Displacement Engine

TRANSMISSION
DGQ = 5-Spd Automatic 5-45RFE
Transmission
DGJ = 5-Speed Automatic MB
Transmission

AR = use ase required - = Non illustrated part

2006 WK

Door, Front Glass and Regulators
Figure DWK-120



ITEM	PART NUMBER	QTY	LINE	SERIES	BODY	ENGINE	TRANS	TRIM	DESCRIPTION
1									GLASS, Front Door
	55396954AC	1		P, S, X					Laminated, After 1/3/06, Right Collision Replacement Glass
	DD11085GTY								
	55396955AA	1	J, T		74				Laminated, Up to 1/3/06, Left Collision Replacement Glass
	DD10850GTY								
	55396955AC	1		P, S, X					Laminated, After 1/3/06, Left Collision Replacement Glass
	DD11086GTY								
	55394254AC	1		H					Tempered, After 1/3/06, Right Collision Replacement Glass
	DD11131GTN								
	55394255AC	1		P, S, X					Tempered, After 1/3/06, Left Collision Replacement Glass
	DD11132GTN								
	55396954AA	1							Laminated, Up to 1/3/06, Right Collision Replacement Glass
	DD10849GTY								
2									SEAL, Front Door Glass
	55394052AG	1							Right
	55394053AG	1							Left
3									REGULATOR, Front Door Window
	04589170AA	1							Right
	04589171AA	1							Left
-4									CHANNEL, Front Door Glass
	55394358AD	1							Right
	55394359AD	1							Left

GRAND CHEROKEE (WK)

SERIES LINE
H = HIGHLINE T = JEEP - 2WD
P = PREMIUM J = JEEP - 4WD
S = SPORT
X = SPECIAL

BODY
74 = SPORT UTILITY 4-DR

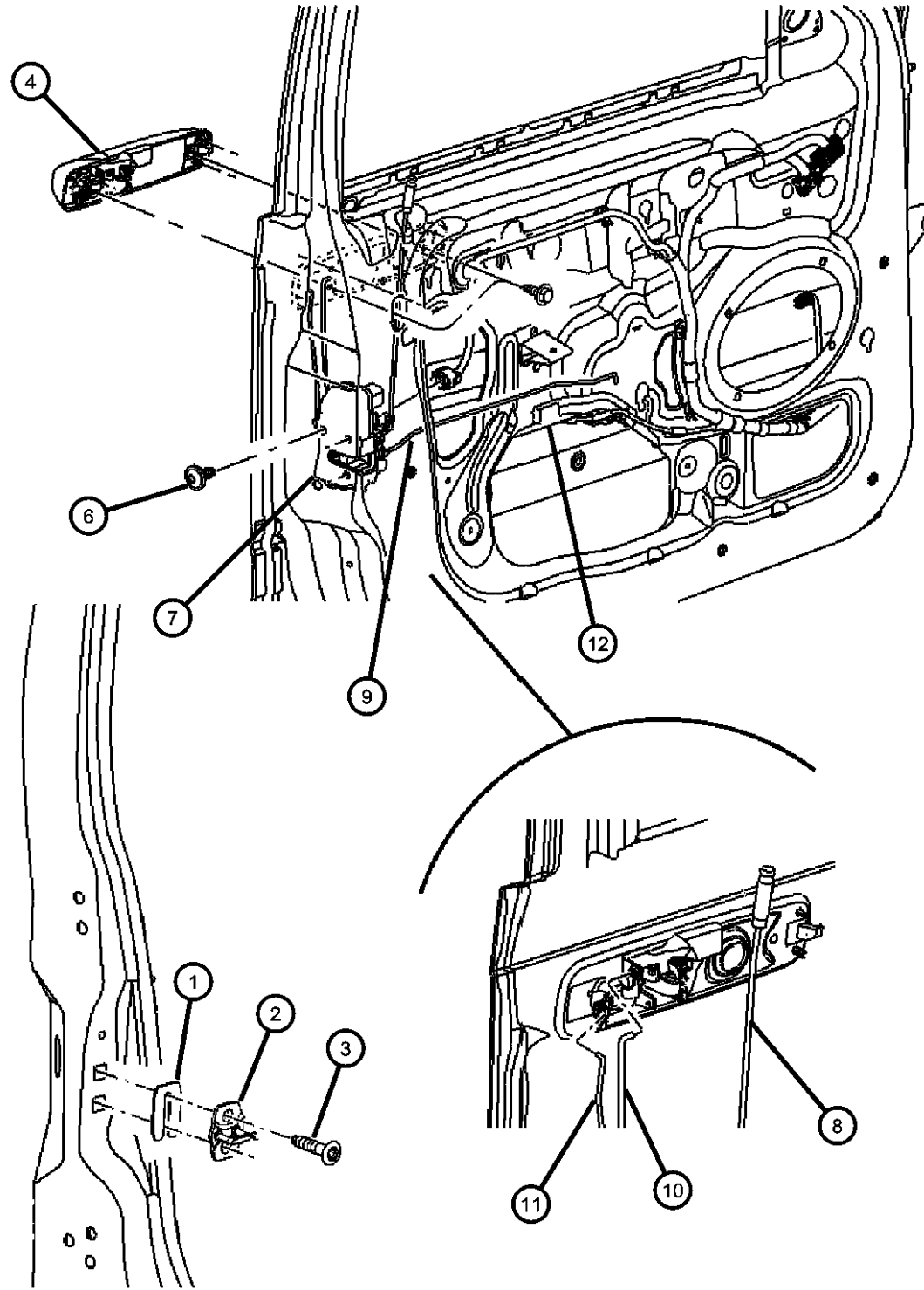
ENGINE
EKG = 3.7L V6 Engine
EVA = 4.7L V8 MPI Engine
EZB = 5.7L Hemi Multi Displacement Engine

TRANSMISSION
DGQ = 5-Spd Automatic 5-45RFE Transmission
DGJ = 5-Speed Automatic MB Transmission

AR = use ase required - = Non illustrated part

2006 WK

Door, Front Lock and Controls
Figure DWK-130

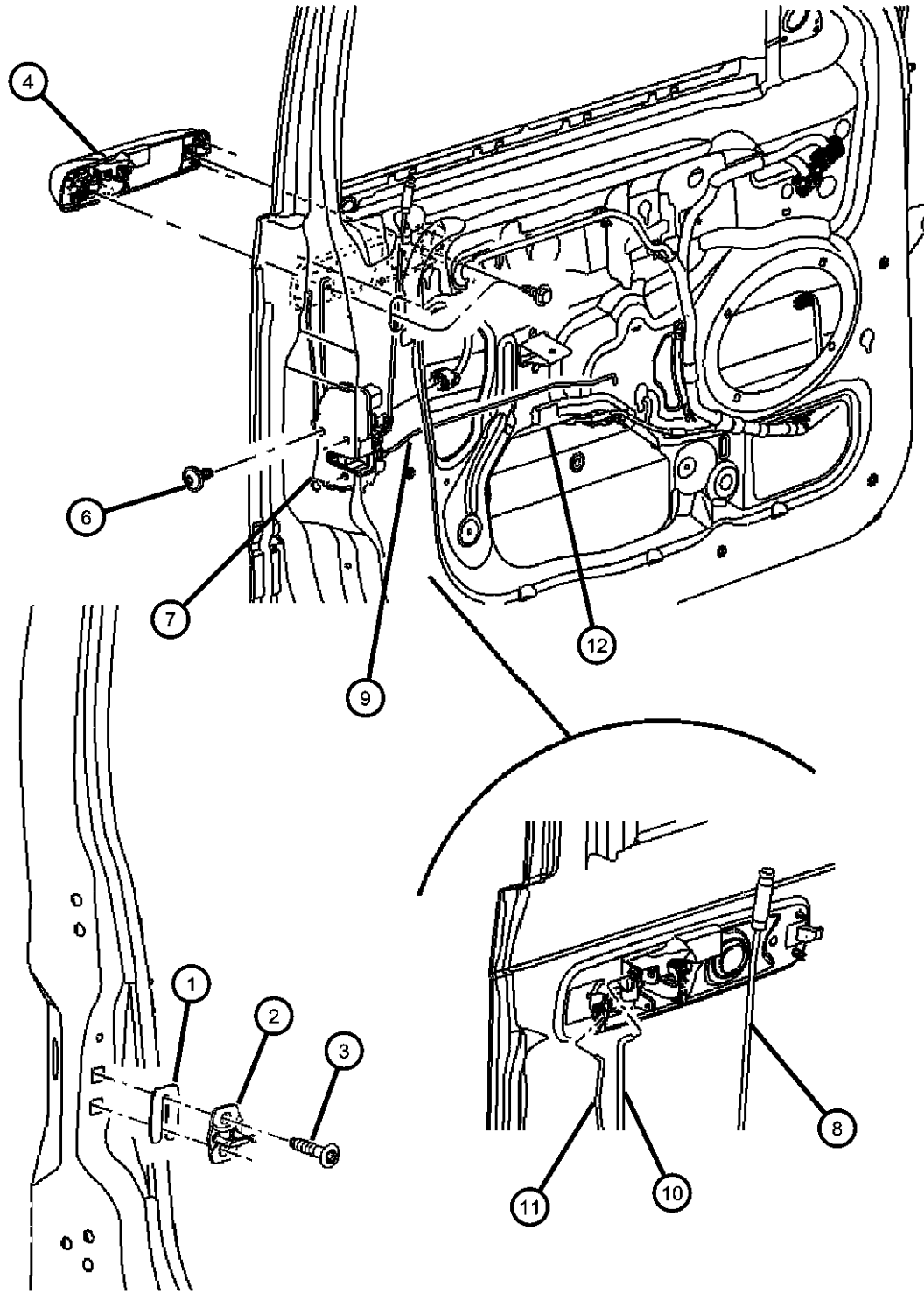


ITEM	PART NUMBER	QTY	LINE	SERIES	BODY	ENGINE	TRANS	TRIM	DESCRIPTION
1	04520289	AR							SPACER, Door Latch Striker 3.75mm
	55075483	AR							2.0mm
2	04717779AB	2							STRIKER AND BUMPER, Door Latch
3	06506749AA	4							SCREW, 6 Lobed
4									HANDLE, Door Exterior
	5HS57BB8AG	1		P					[B8] Without Cylinder Hole, Left
	5HS57BJTAG	1		P					[JT] Without Cylinder Hole, Left
	5HS57ARJAG	1		P					[RJ] Without Cylinder Hole, Left
		1		X					[RJ] Without Cylinder Hole, Left
	5HS56WS-BAH	1		H					[SB], Right
	5HS57AJCAG	1		P					[JC] Without Cylinder Hole, Left
	5HW79DB-MAG	1		X					[BM] With Cylinder Hole, Left
	5HW79DX8AG	1		P					[X8] With Cylinder Hole, Left
		1		X					[X8] With Cylinder Hole, Left
	5HW79EGJAI	1	J, T	S	74				[GJ] With Cylinder Hole, Left
		1	J, T	P	74				[GJ] With Cylinder Hole, Left
	55394237AG	1		H					Textured Black, Left
	55394240AG	1		H					Textured Black, Right
	5HS56AJCAH	1		P					[JC], Right
		1		S					[JC], Right
		1		H					[JC], Right
	5HS56ARJAH	1		P					[RJ], Right
		1		X					[RJ], Right
		1		S					[RJ], Right
		1		H					[RJ], Right
	5HS56BB8AH	1		P					[B8], Right
		1		H					[B8], Right
	5HS56BJTAH	1		P					[JT], Right
		1		S					[JT], Right
		1		H					[JT], Right
	5HS56CG-VAH	1		P					[GV], Right
		1		S					[GV], Right

GRAND CHEROKEE (WK)
 SERIES LINE BODY ENGINE TRANSMISSION
 H = HIGHLINE T = JEEP - 2WD 74 = SPORT UTILITY 4-DR EKG = 3.7L V6 Engine DGQ = 5-Spd Automatic 5-45RFE
 P = PREMIUM J = JEEP - 4WD EVA = 4.7L V8 MPI Engine Transmission
 S = SPORT EZB = 5.7L Hemi Multi DGJ = 5-Speed Automatic MB
 X = SPECIAL Displacement Engine Transmission

AR = use ase required - = Non illustrated part

Door, Front Lock and Controls
Figure DWK-130



ITEM	PART NUMBER	QTY	LINE	SERIES	BODY	ENGINE	TRANS	TRIM	DESCRIPTION
		1		H					[GV], Right
	5HS56DBMAH	1		X					[BM], Right
	5HS56DX8AH	1		P					[X8], Right
		1		X					[X8], Right
		1		S					[X8], Right
		1		H					[X8], Right
	5HS56SW1AH	1		P					[W1], Right
		1		H					[W1], Right
		1		P					[SB], Right
		1		X					[SB], Right
		1		S					[SB], Right
	5HS56EGJAI	1	J, T	H	74				[GJ], Right
	5HS57CG-VAG	1		P					[GV] Without Cylinder Hole, Left
	5HS57DB-MAG	1		X					[BM] Without Cylinder Hole, Left
	5HS57DX8AG	1		P					[X8] Without Cylinder Hole, Left
		1		X					[X8] Without Cylinder Hole, Left
	5HS57SW1AG	1		P					[W1] Without Cylinder Hole, Left
	5HS57WS-BAG	1		P					[SB] Without Cylinder Hole, Left
		1		X					[SB] Without Cylinder Hole, Left
	5HW79AR-JAG	1		P					[RJ] With Cylinder Hole, Left
		1		X					[RJ] With Cylinder Hole, Left
	5HW79WS-BAG	1		P					[SB] With Cylinder Hole, Left
		1		X					[SB] With Cylinder Hole, Left
	5HW79AJCAH	1		P					[JC] With Cylinder Hole, Left
		1		S					[JC] With Cylinder Hole, Left
	5HW79BJTAH	1		P					[JT] With Cylinder Hole, Left
	5HW79BB8AH	1		P					[B8] With Cylinder Hole, Left
		1		H					[B8] With Cylinder Hole, Left
	5HW79CG-VAH	1		P					[GV] With Cylinder Hole, Left
		1		S					[JT] With Cylinder Hole, Left
		1		H					[JT] With Cylinder Hole, Left
		1		H					[JC] With Cylinder Hole, Left

GRAND CHEROKEE (WK)

SERIES LINE
H = HIGHLINE T = JEEP - 2WD
P = PREMIUM J = JEEP - 4WD
S = SPORT
X = SPECIAL

BODY
74 = SPORT UTILITY 4-DR

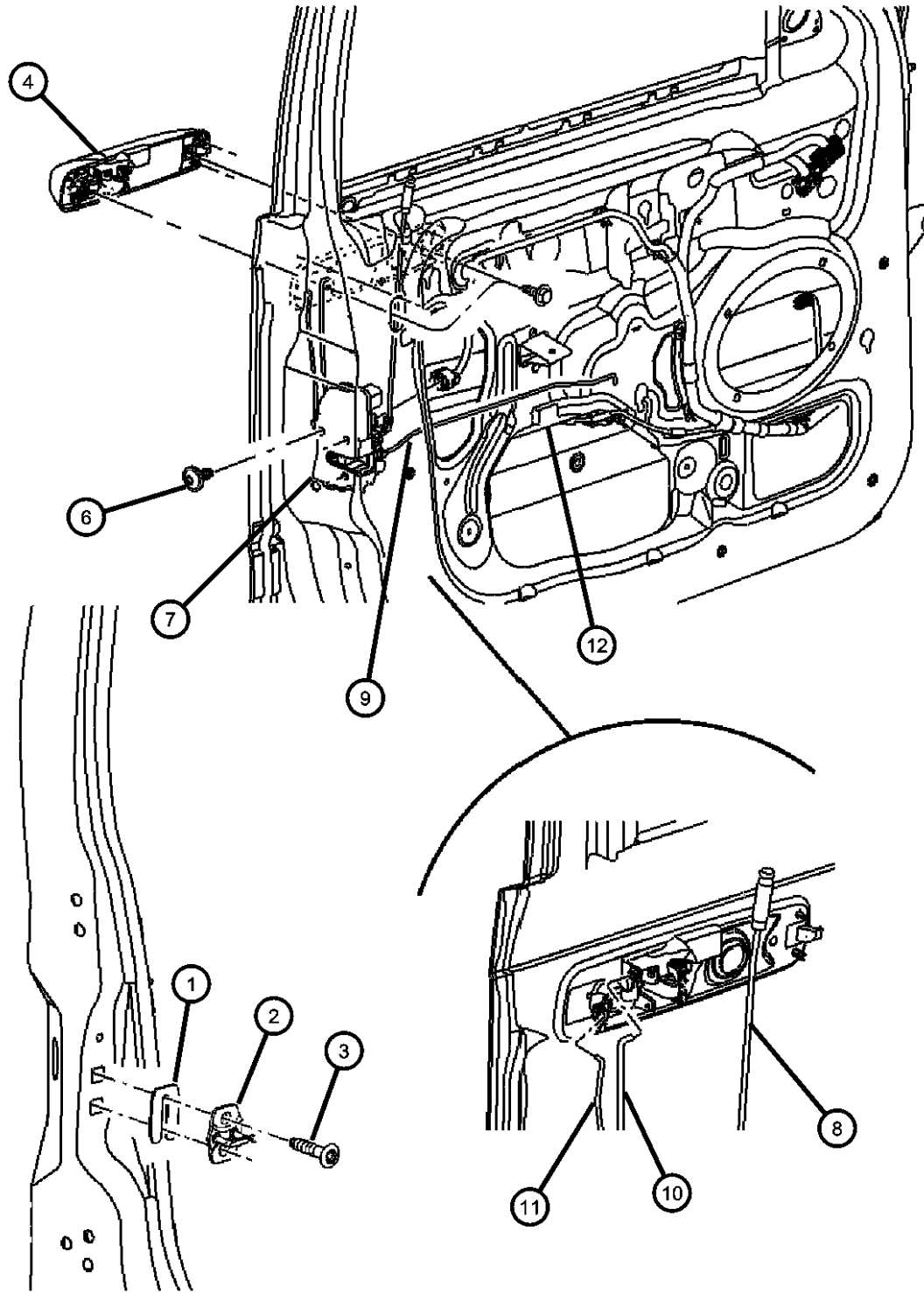
ENGINE
EKG = 3.7L V6 Engine
EVA = 4.7L V8 MPI Engine
EZB = 5.7L Hemi Multi Displacement Engine

TRANSMISSION
DGQ = 5-Spd Automatic 5-45RFE Transmission
DGJ = 5-Speed Automatic MB Transmission

AR = use ase required - = Non illustrated part

2006 WK

Door, Front Lock and Controls
Figure DWK-130



ITEM	PART NUMBER	QTY	LINE	SERIES	BODY	ENGINE	TRANS	TRIM	DESCRIPTION
	5HW79AR-JAH	1		S					[RJ] With Cylinder Hole, Left
		1		H					[RJ] With Cylinder Hole, Left
	5HW79DX8AH	1		S					[X8] With Cylinder Hole, Left
		1		S					[GV] With Cylinder Hole, Left
		1		H					[GV] With Cylinder Hole, Left
	5HW79SW1AH	1		H					[W1] With Cylinder Hole, Left
		1		H					[X8] With Cylinder Hole, Left
		1		P					[W1] With Cylinder Hole, Left
	5HW79WS-BAH	1		S					[SB] With Cylinder Hole, Left
		1	J, T	H	74				[GJ] With Cylinder Hole, Left
		1	J, T	P	74				[GJ], Right
		1	J, T	S	74				[GJ], Right
-5									CLIP, Rod Door Lock
	05179176AA	1		P					Lock Rod To Cylinder
		1		X					Lock Rod To Cylinder
		1		H					Lock Rod To Cylinder
6	06507121AA	6							SCREW
7									LATCH, Front Door
	55394232AE	1							Right
	55394937AE	1							Left
8									KNOB AND LINK, Door Latch
	55396907AA	1							Left
	55396906AA	1							Right
9									ROD, Inside Handle to Latch
	05166835AA	1							Right
	05166837AA	1							Left
10									LINK, Exterior Door Handle
	05166836AA	1							Right
	05166838AA	1							Left
11	05166839AA	1							LINK, Key Cylinder To Latch
12	06508074AA	6							SCREW, Tapping

GRAND CHEROKEE (WK)

SERIES LINE
H = HIGHLINE T = JEEP - 2WD
P = PREMIUM J = JEEP - 4WD
S = SPORT
X = SPECIAL

BODY
74 = SPORT UTILITY 4-DR

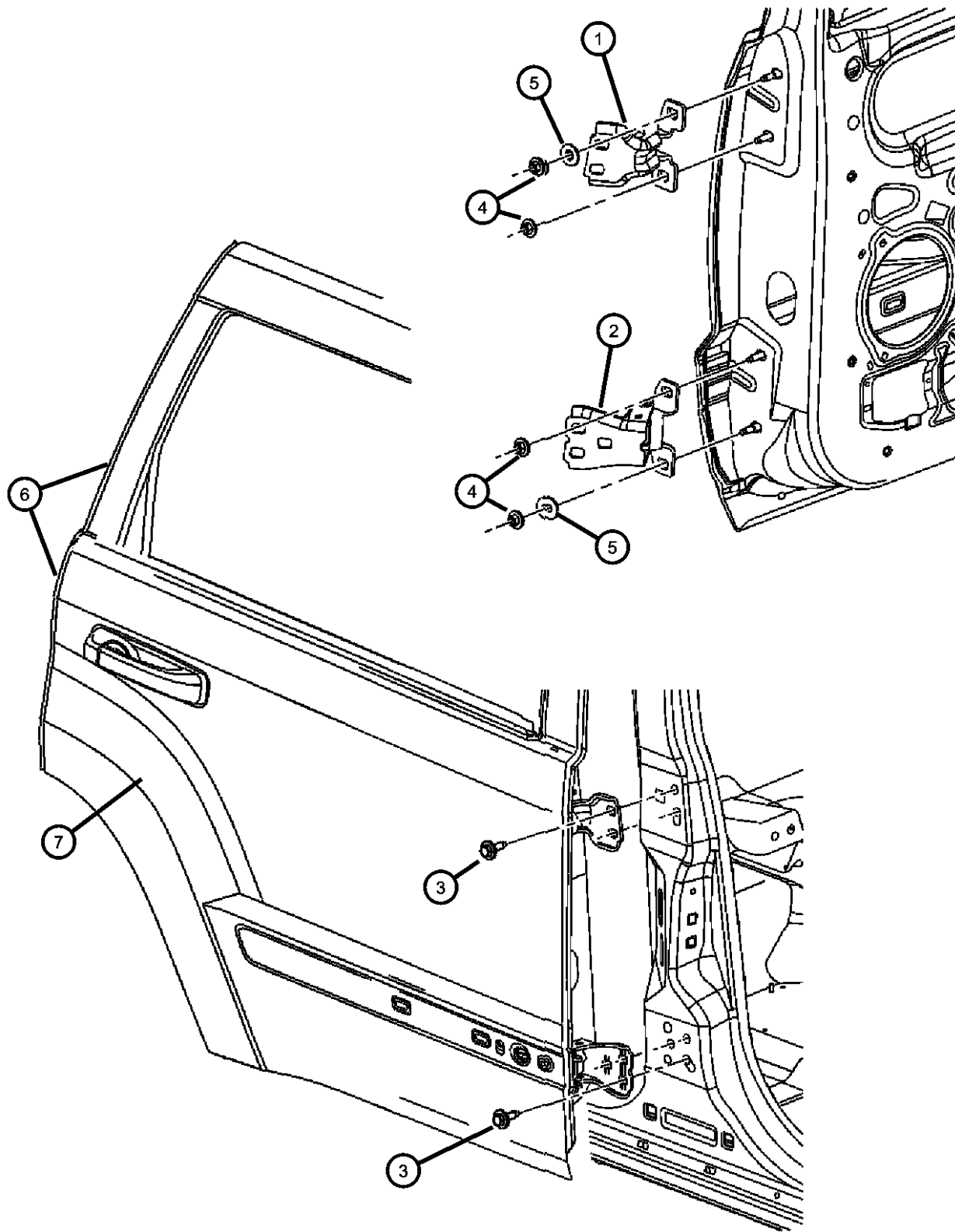
ENGINE
EKG = 3.7L V6 Engine
EVA = 4.7L V8 MPI Engine
EZB = 5.7L Hemi Multi Displacement Engine

TRANSMISSION
DGQ = 5-Spd Automatic 5-45RFE Transmission
DGJ = 5-Speed Automatic MB Transmission

AR = use ase required - = Non illustrated part

2006 WK

Door, Rear Shell and Hinges
Figure DWK-210



ITEM	PART NUMBER	QTY	LINE	SERIES	BODY	ENGINE	TRANS	TRIM	DESCRIPTION
1	55369194AB	1							HINGE, Door, Upper Right
	55369195AB	1							Left
2	55369188AB	1							HINGE, Rear Door Lower Right
	55369189AB	1							Left
3	06503328	10							SCREW, Hex Head, M8x1.25x30
4	06101446	8							NUT AND WASHER
5		8							WASHER, Flat, (NOT SERVICED)
6	55394384AF	1							DOOR, Rear Right
	55394385AF	1							Left
7	55394386AD	1							PANEL, Rear Door Right
	55394387AD	1							Left

GRAND CHEROKEE (WK)

SERIES LINE
H = HIGHLINE T = JEEP - 2WD
P = PREMIUM J = JEEP - 4WD
S = SPORT
X = SPECIAL

BODY
74 = SPORT UTILITY 4-DR

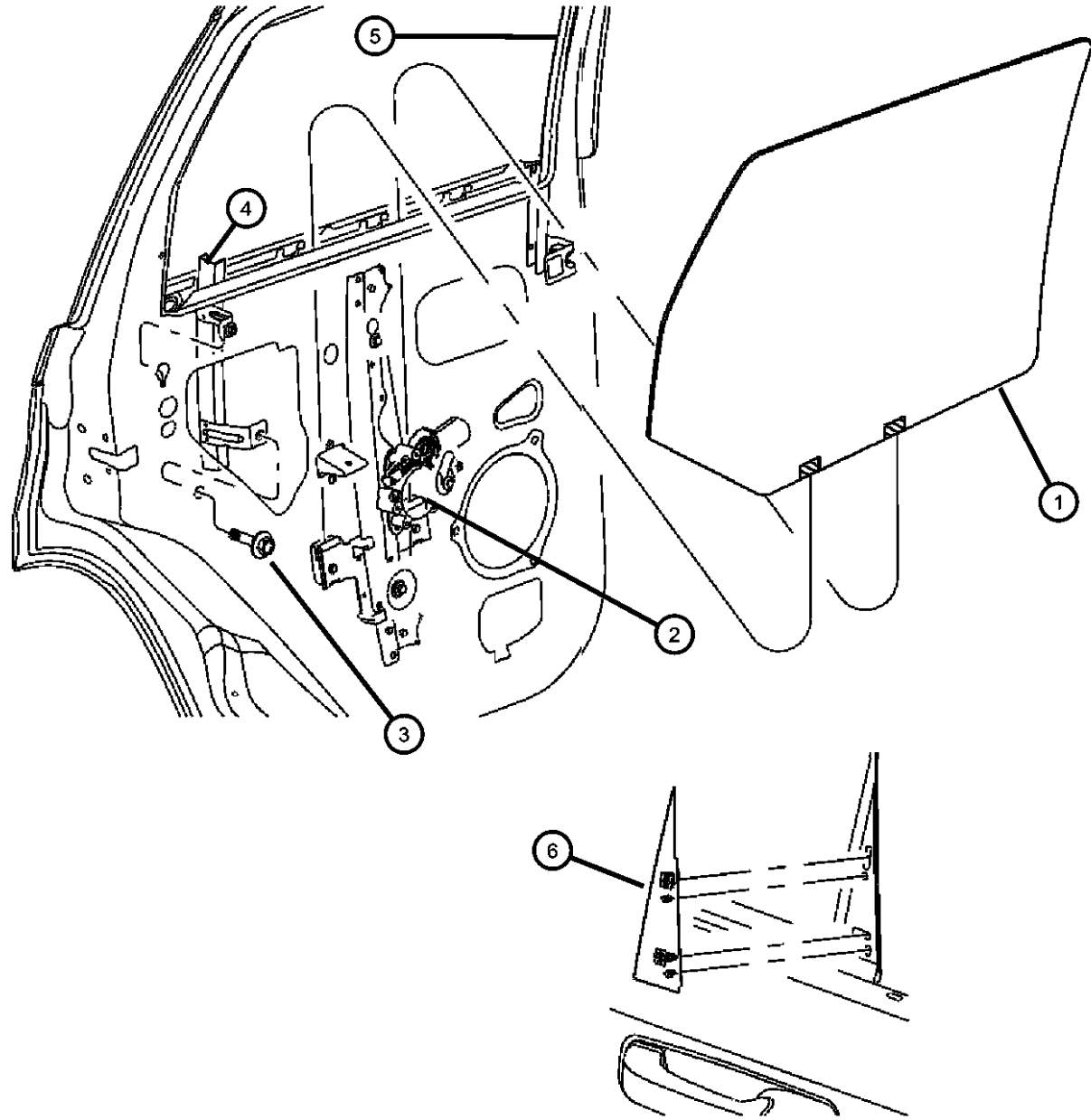
ENGINE
EKG = 3.7L V6 Engine
EVA = 4.7L V8 MPI Engine
EZB = 5.7L Hemi Multi
Displacement Engine

TRANSMISSION
DGQ = 5-Spd Automatic 5-45RFE
Transmission
DGJ = 5-Speed Automatic MB
Transmission

AR = use ase required - = Non illustrated part

2006 WK

**Door Rear , Glass and Regulator
Figure DWK-220**



ITEM	PART NUMBER	QTY	LINE	SERIES	BODY	ENGINE	TRANS	TRIM	DESCRIPTION
1	55394310AA	1							GLASS, Rear Door Right
	55394311AA	1							Left
2	55394228AB	1							REGULATOR, Rear Door Window Right
	55394229AB	1							Left
3	06502064	2	J						SCREW, Tapping, M6x1x20
4	55394328AB	1							CHANNEL, Rear Door Glass Lower Right
	55394329AB	1							Left
5	55394054AE	1							WEATHERSTRIP, Door Glass Right
	55394055AE	1							Left
6	55396380AC	1							APPLIQUE, Rear Door Right
	55396381AC	1							Left

GRAND CHEROKEE (WK)

SERIES LINE
H = HIGHLINE T = JEEP - 2WD
P = PREMIUM J = JEEP - 4WD
S = SPORT
X = SPECIAL

BODY
74 = SPORT UTILITY 4-DR

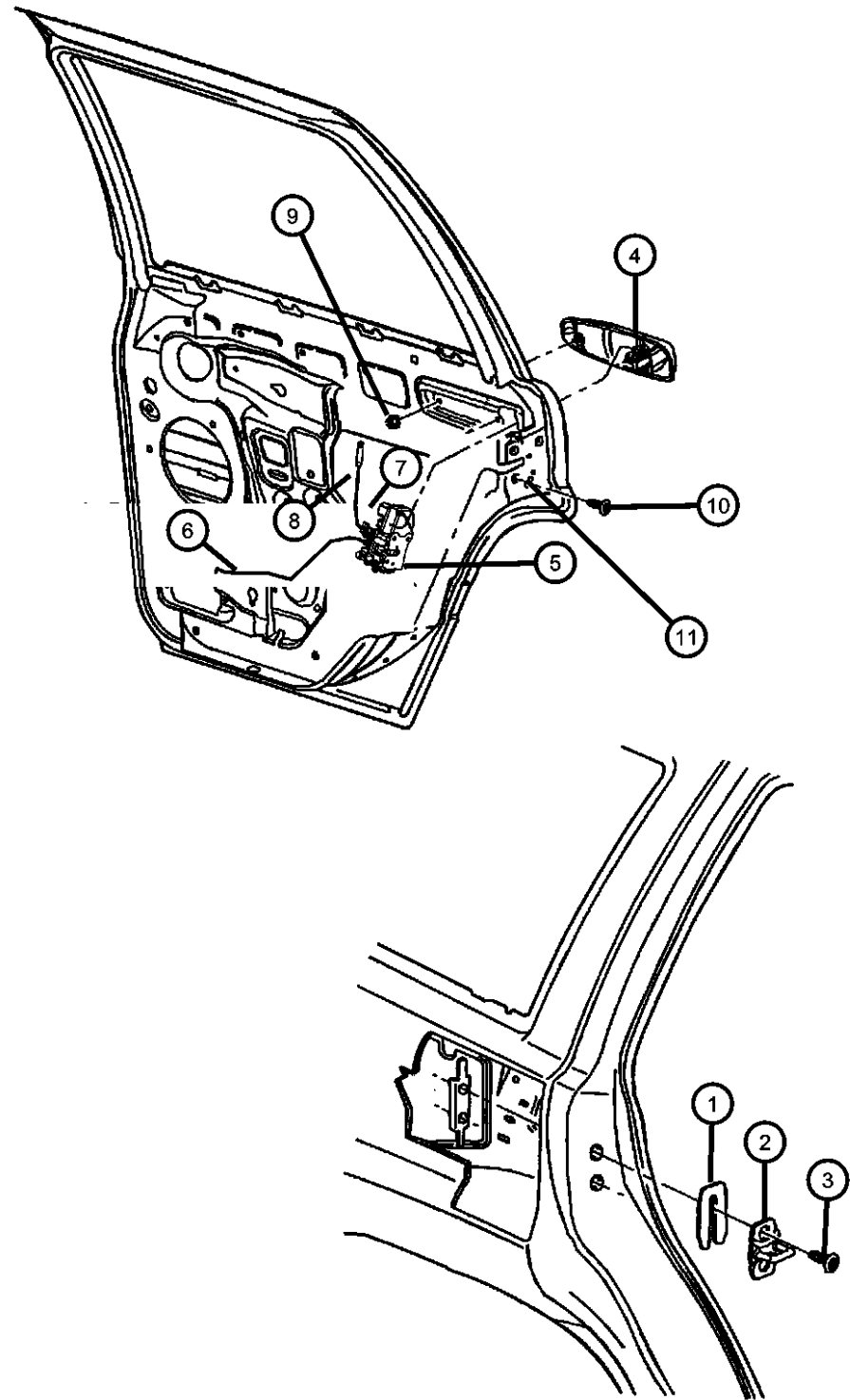
ENGINE
EKG = 3.7L V6 Engine
EVA = 4.7L V8 MPI Engine
EZB = 5.7L Hemi Multi
Displacement Engine

TRANSMISSION
DGQ = 5-Spd Automatic 5-45RFE
Transmission
DGJ = 5-Speed Automatic MB
Transmission

AR = use ase required - = Non illustrated part

2006 WK

Door, Rear Lock and Controls
Figure DWK-230



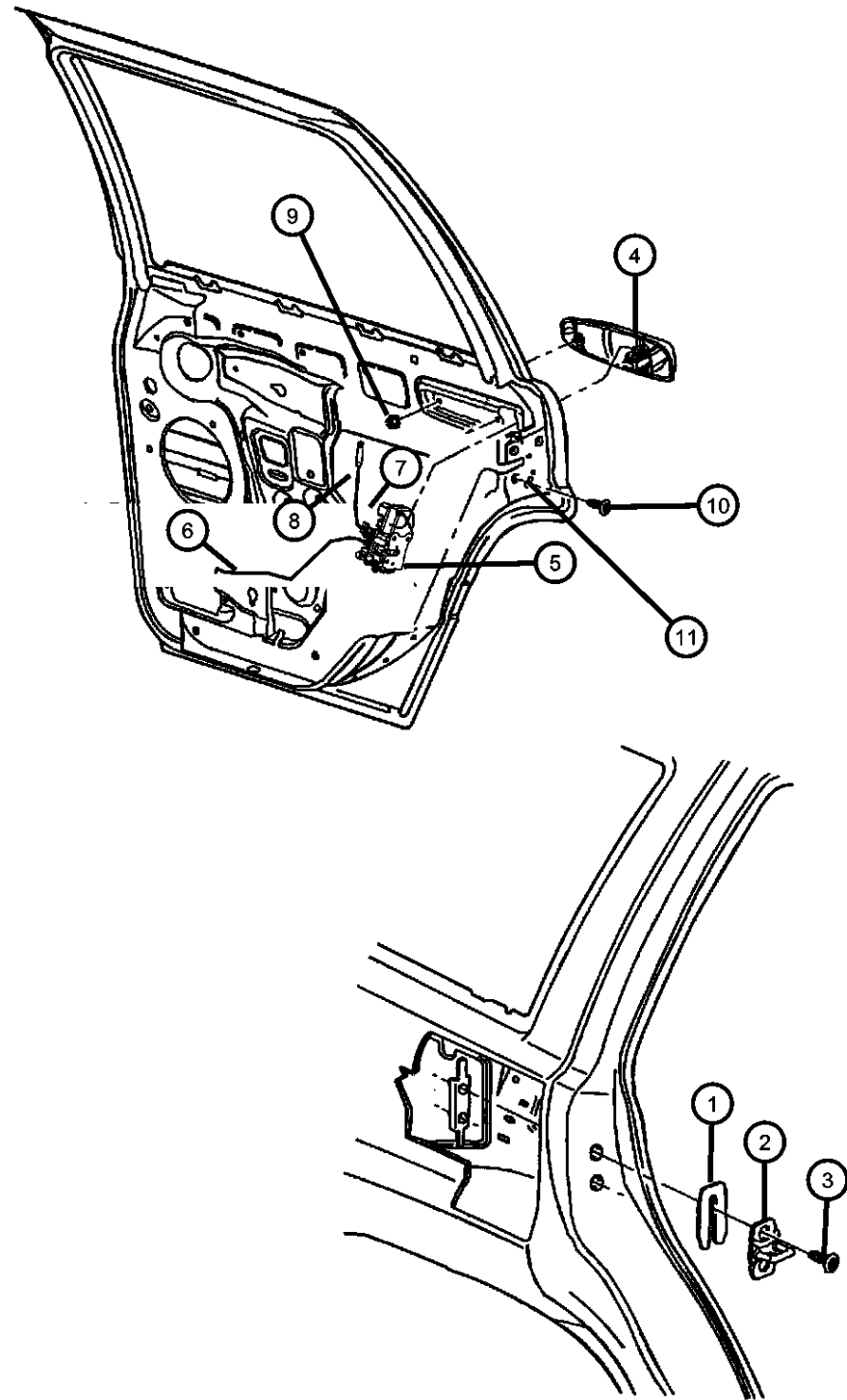
ITEM	PART NUMBER	QTY	LINE	SERIES	BODY	ENGINE	TRANS	TRIM	DESCRIPTION
1	04520289	AR							SPACER, Door Latch Striker 3.75 mm thick
	55075483	AR							2.0 mm thick
2	04717779AB	2							STRIKER AND BUMPER, Door Latch
3	06506749AA	4							SCREW, 6 Lobed Striker To Body
4									HANDLE, Door Exterior
	5HS56DBMAI	1	J, T	H	74				[BM], Right
	5HS56EDAAI	1	J, T	H	74				[DA], Right
	5HS57ARJAG	1		P					[RJ], Left
		1		X					[RJ], Left
	5HS57BB8AG	1		P					[B8], Left
		1	J, T	P	74				[BM], Right
		1	J, T	X	74				[BM], Right
	5HS57AJCAG	1		P					[JC], Left
	5HS57SW1AI	1	J, T	H	74				[W1], Left
	5HS57WSBAI	1	J, T	S	74				[SB], Left
	5HS57EGJAI	1	J, T	S	74				[GJ], Left
	5HS57ARJAI	1	J, T	S	74				[RJ], Left
		1	J, T	H	74				[RJ], Left
	5HS57CGVAI	1	J, T	S	74				[GV], Left
		1	J, T	H	74				[GV], Left
	55394240AF	1		H					Textured Black, Right
		1	J, T	H	74				[GJ], Left
	5HS57DX8AI	1	J, T	S	74				[X8], Left
		1	J, T	P	74				[GJ], Left
	5HS56BB8AG	1		P					[B8], Right
	5HS56BJTAG	1		P					[JT], Right
	55394241AF	1		H					Textured Black, Left
	5HS56BJTAH	1		H					[JT], Right
	5HS56CG-VAH	1		H					[GV], Right
	5HS56ARJAG	1		X					[RJ], Right
	5HS56CG-VAG	1		P					[GV], Right
	5HS56DB-MAG	1		X					[BM], Right

GRAND CHEROKEE (WK)

SERIES	LINE	BODY	ENGINE	TRANSMISSION
H = HIGHLINE	T = JEEP - 2WD	74 = SPORT UTILITY 4-DR	EKG = 3.7L V6 Engine	DGQ = 5-Spd Automatic 5-45RFE
P = PREMIUM	J = JEEP - 4WD		EVA = 4.7L V8 MPI Engine	Transmission
S = SPORT			EZB = 5.7L Hemi Multi	DGJ = 5-Speed Automatic MB
X = SPECIAL			Displacement Engine	Transmission

AR = use ase required - = Non illustrated part

Door, Rear Lock and Controls
Figure DWK-230



ITEM	PART NUMBER	QTY	LINE	SERIES	BODY	ENGINE	TRANS	TRIM	DESCRIPTION
	5HS56DX8AG	1		P					[X8], Right
		1		X					[X8], Right
	5HS56SW1AG	1		P					[W1], Right
	5HS56WS-BAG	1		P					[SB], Right
		1		X					[SB], Right
	5HS56ARJAH	1		H					[RJ], Right
	5HS56BB8AH	1		H					[B8], Right
	5HS56WS-BAH	1		S					[SB], Right
		1		H					[SB], Right
		1	J, T	P	74				[DA], Right
		1	J, T	S	74				[DA], Right
	5HS56EEMAI	1	J, T	X	74				[EM], Right
		1	J, T	H	74				[X8], Left
		1	J, T	H	74				[SB], Left
		1	J, T	S	74				[EM], Right
		1	J, T	P	74				[EM], Right
	5HS56EGJAI	1	J, T	P	74				[GJ], Right
	5HS56AJCAG	1		P					[JC], Right
		1		P					[RJ], Right
	5HS56AJCAH	1		S					[JC], Right
		1		H					[JC], Right
	5HS56DX8AH	1		S					[X8], Right
	5HS56SW1AH	1		H					[W1], Right
		1		S					[GV], Right
		1		H					[X8], Right
		1	J, T	S	74				[GJ], Right
		1	J, T	H	74				[GJ], Right
	5HS57BJTAG	1		P					[JT], Left
	5HS57CG-VAG	1		P					[GV], Left
	5HS57DB-MAG	1		X					[BM], Left
	5HS57DX8AG	1		P					[X8], Left
		1		X					[X8], Left

GRAND CHEROKEE (WK)

SERIES LINE
H = HIGHLINE T = JEEP - 2WD
P = PREMIUM J = JEEP - 4WD
S = SPORT
X = SPECIAL

BODY
74 = SPORT UTILITY 4-DR

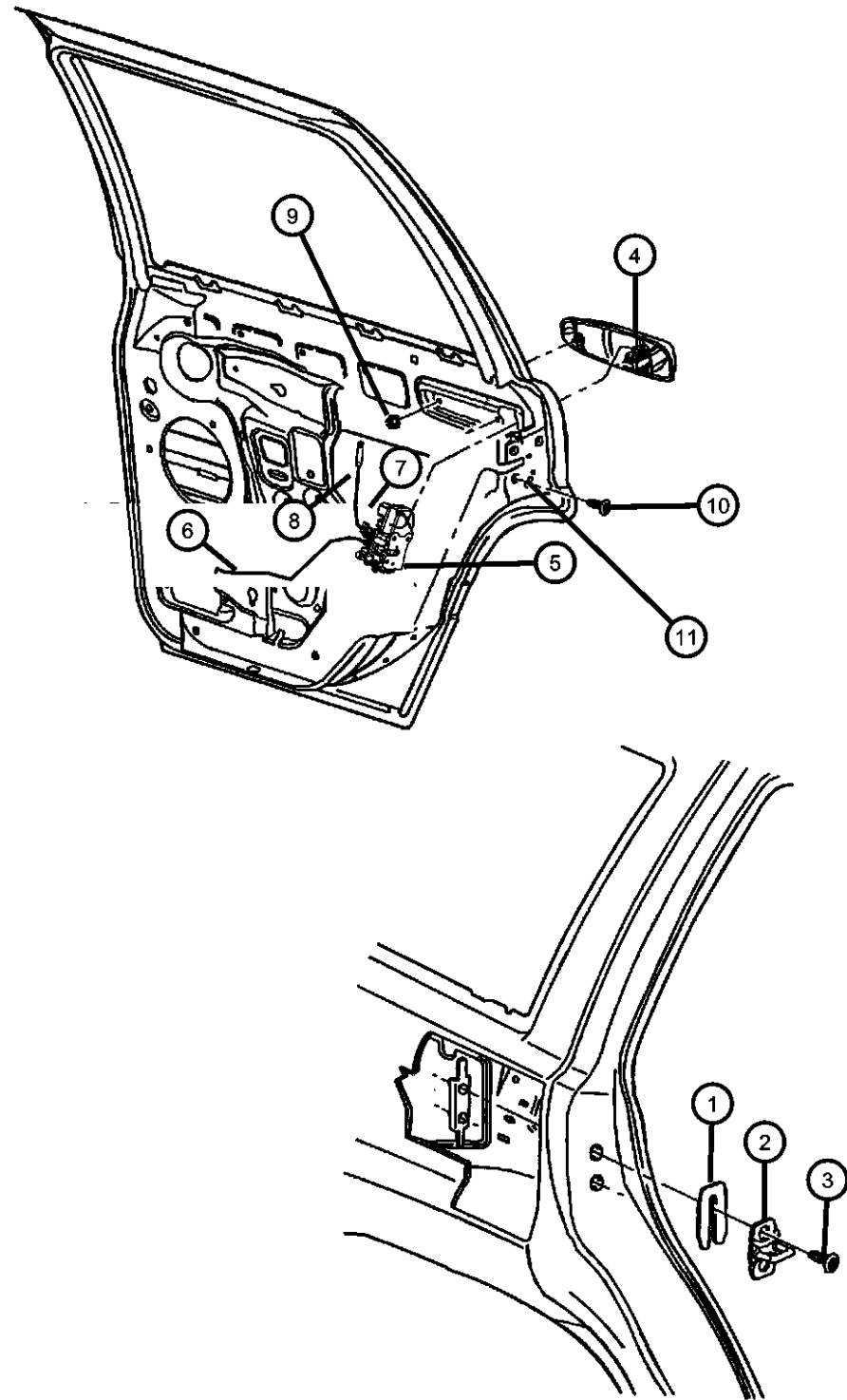
ENGINE
EKG = 3.7L V6 Engine
EVA = 4.7L V8 MPI Engine
EZB = 5.7L Hemi Multi Displacement Engine

TRANSMISSION
DGQ = 5-Spd Automatic 5-45RFE Transmission
DGJ = 5-Speed Automatic MB Transmission

AR = use ase required - = Non illustrated part

2006 WK

Door, Rear Lock and Controls
Figure DWK-230



ITEM	PART NUMBER	QTY	LINE	SERIES	BODY	ENGINE	TRANS	TRIM	DESCRIPTION
	5HS57WS-BAG	1		P					[SB], Left
		1		X					[SB], Left
	5HS57AJCAI	1	J, T	S	74				[JC], Left
		1	J, T	H	74				[JC], Left
	5HS57BB8AI	1	J, T	H	74				[B8], Left
	5HS57BJTAI	1	J, T	S	74				[JT], Left
		1	J, T	H	74				[JT], Left
	5HS57SW1AG	1		P					[W1], Left
5									LATCH, Rear Door
	55394234AE	1							Right
	55394235AE	1							Left
6									ROD, Inside Handle to Latch
	05166840AA	1							Right
	05166842AA	1							Left
7									LINK, Exterior Door Handle
	05166841AA	1	J, T		74				Right
	05166843AA	1							Left
8									KNOB AND LINK, Door Latch
	05179240AA	1							Right
	05179241AA	1	J, T		74				Left
9	06508074AA	6							SCREW, Tapping Outside Handle Attaching
10	06507121AA	6							SCREW Latch Attaching
11	05008292AB	2							SEAL, Child Lock Lever

GRAND CHEROKEE (WK)

SERIES LINE
H = HIGHLINE T = JEEP - 2WD
P = PREMIUM J = JEEP - 4WD
S = SPORT
X = SPECIAL

BODY
74 = SPORT UTILITY 4-DR

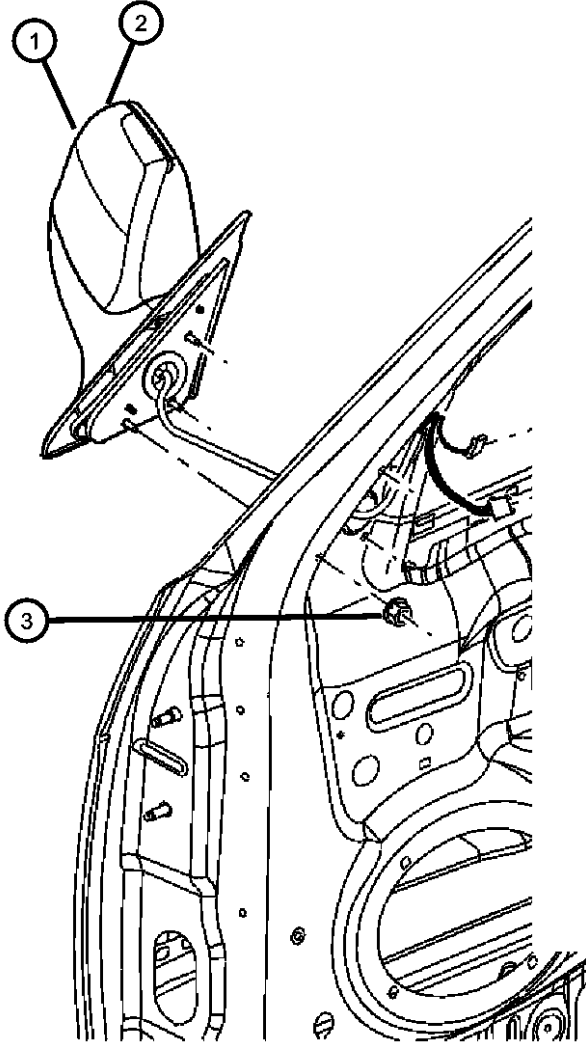
ENGINE
EKG = 3.7L V6 Engine
EVA = 4.7L V8 MPI Engine
EZB = 5.7L Hemi Multi Displacement Engine

TRANSMISSION
DGQ = 5-Spd Automatic 5-45RFE Transmission
DGJ = 5-Speed Automatic MB Transmission

AR = use ase required - = Non illustrated part

2006 WK

Mirrors, Exterior
Figure DWK-510



ITEM	PART NUMBER	QTY	LINE	SERIES	BODY	ENGINE	TRANS	TRIM	DESCRIPTION
1									MIRROR, Outside, Rearview, Electric, Heated
	1BU161XFAA	1	J, T		74				Sales Code [GUQ], Right
	1BU171XFAA	1	J, T		74				Sales Code [GUQ], Left
	1DT161BMAA	1	J, T		74				[BM], Sales Code [GUK], Right
	1DT161EMAA	1	J, T		74				[EM], Sales Code [GUK], Right
	1DT161RJAA	1	J, T		74				[RJ], Sales Code [GUK], Right
	1DT161SBAA	1	J, T		74				[SB], Sales Code [GUK], Right
	1DT161X8AA	1	J, T		74				[X8], Sales Code [GUK], Right
	1DT171BMAA	1	J, T		74				[BM], Sales Code [GUK], Left
	1DT171EMAA	1	J, T		74				[EM], Sales Code [GUK], Left
	1DT171RJAA	1	J, T		74				[RJ], Sales Code [GUK], Left
	1DY101BMAA	1	J, T		74				[BM], Sales Code [GUT], Right
	1DY101EMAA	1	J, T		74				[EM], Sales Code [GUT], Right
	1DY101RJAA	1	J, T		74				[RJ], Sales Code [GUT], Right
	1DY101SBAA	1	J, T		74				[SB], Sales Code [GUT], Right
	1DY101X8AA	1	J, T		74				[X8], Sales Code [GUT], Right
	1DY111BMAA	1	J, T		74				[BM], Sales Code [GUT], Left
	1DY111EMAA	1	J, T		74				[EM], Sales Code [GUT], Left
	1DY111RJAA	1	J, T		74				[RJ], Sales Code [GUT], Left
	1DY111SBAA	1	J, T		74				[SB], Sales Code [GUT], Left
	1DY111X8AA	1	J, T		74				[X8], Sales Code [GUT], Left
	1DT171SBAA	1	J, T		74				[SB], Sales Code [GUK], Left
	1DT171X8AA	1	J, T		74				[X8], Sales Code [GUK], Left
	55156451AD	1							[GUD], Left
	55156452AD	1							[GTS], Right
	55156453AD	1							[GTS], Left
	55157072AD	1							[GUD], Right
2									MIRROR, Outside Rearview Electric Foldaway
	55156454AD	1							[GTN], Right
	55156455AD	1							[GTN], Left
3	06100045	6							NUT AND WASHER, Hex, M5x.80Mirror Attaching
-4									GLASS, Mirror Replacement
	05142872AA	1							Sales Code [GTN], Right
	05142873AA	1							Sales Code [GTN], Left

GRAND CHEROKEE (WK)

SERIES LINE
H = HIGHLINE T = JEEP - 2WD
P = PREMIUM J = JEEP - 4WD
S = SPORT
X = SPECIAL

BODY
74 = SPORT UTILITY 4-DR

ENGINE
EKG = 3.7L V6 Engine
EVA = 4.7L V8 MPI Engine
EZB = 5.7L Hemi Multi Displacement Engine

TRANSMISSION
DGQ = 5-Spd Automatic 5-45RFE Transmission
DGJ = 5-Speed Automatic MB Transmission

AR = use ase required - = Non illustrated part

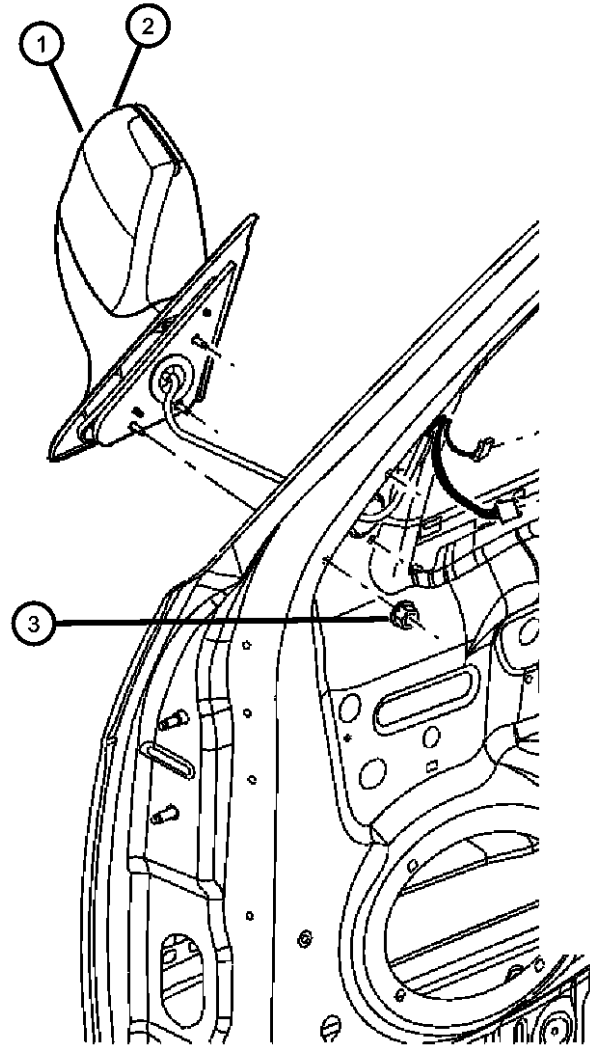
2006 WK

Mirrors, Exterior
Figure DWK-510

ITEM	PART NUMBER	QTY	LINE	SERIES	BODY	ENGINE	TRANS	TRIM	DESCRIPTION
------	-------------	-----	------	--------	------	--------	-------	------	-------------

	05142874AA	1							
	05142875AA	1							
	05142877AA	1							

Sales Codes [GUQ], [GUK],
[GTS], [GUD], Right
Sales Code [GTS], Left
Sales Codes [GUQ], [GUK],
[GUD], Left



GRAND CHEROKEE (WK)

SERIES LINE
H = HIGHLINE T = JEEP - 2WD
P = PREMIUM J = JEEP - 4WD
S = SPORT
X = SPECIAL

BODY
74 = SPORT UTILITY 4-DR

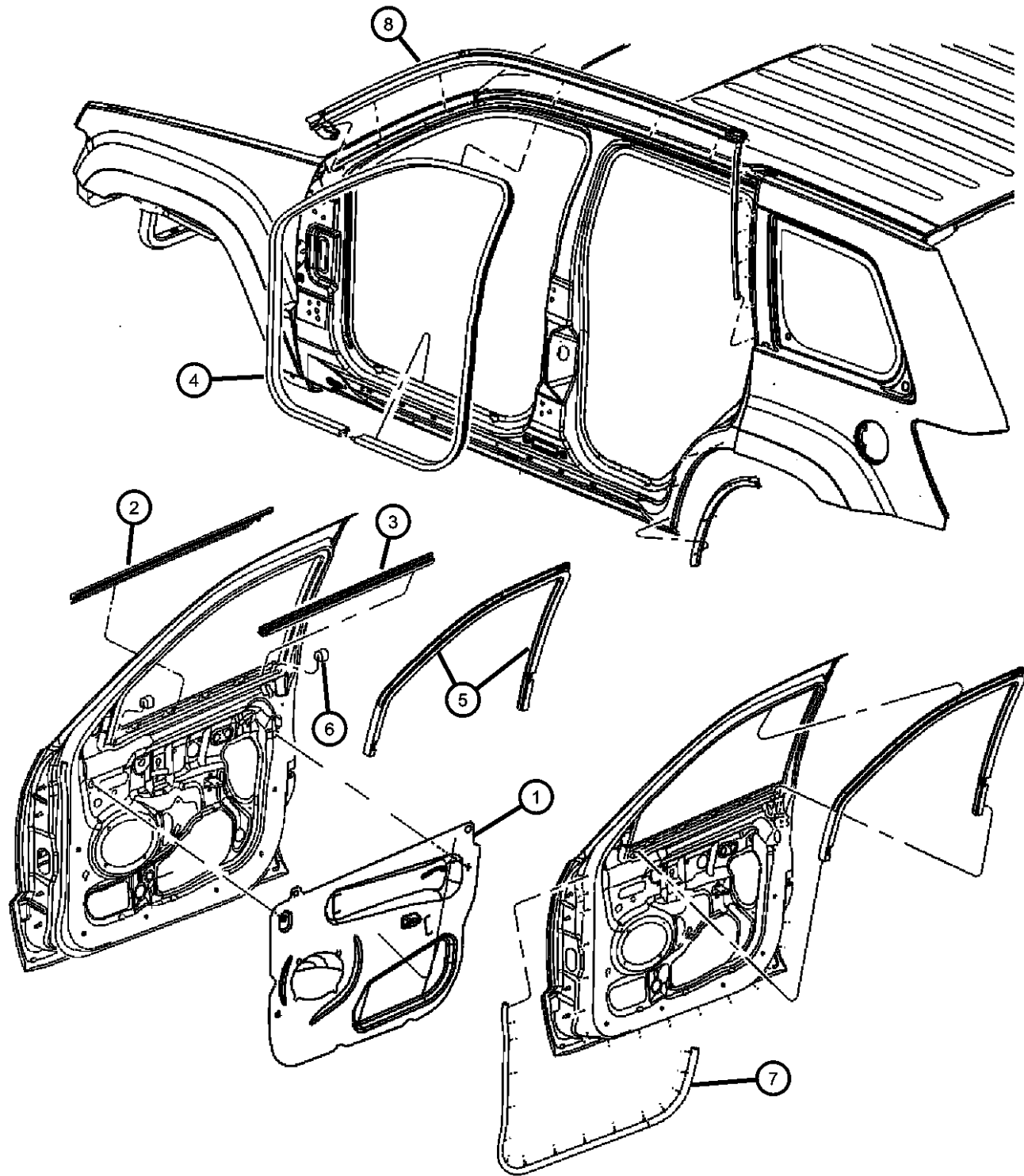
ENGINE
EKG = 3.7L V6 Engine
EVA = 4.7L V8 MPI Engine
EZB = 5.7L Hemi Multi
Displacement Engine

TRANSMISSION
DGQ = 5-Spd Automatic 5-45RFE
Transmission
DGJ = 5-Speed Automatic MB
Transmission

AR = use ase required - = Non illustrated part

2006 WK

Door, Front Weatherstrips and Seals
Figure DWK-610



ITEM	PART NUMBER	QTY	LINE	SERIES	BODY	ENGINE	TRANS	TRIM	DESCRIPTION
1	55394026AG	1							INSULATOR, Front Door Right
	55394027AG	1							Left
2	55157324AA	1		S					WEATHERSTRIP, Front Door [MMS], Platinum, Right
	55157325AA	1		S					[MMS], Platinum, Left
	55394030AF	1							[MMG], Black, Right
	55396318AE	1		P					[MMS], Bright, Right
	55396319AE	1		P					[MMS], Bright, Left
	55394031AF	1							[MMG], Black, Left
	3								WEATHERSTRIP, Front Door Belt
3	55394036AC	1							Right
	55394037AC	1							Left
4	55394040AF	2							SEAL, Front DoorBody Side
5									SEAL, Front Door Glass
	55394052AG	1							Glass Run, Right
	55394053AG	1							Glass Run, Left
6		1							SEAL, (NOT SERVICED),
7									SEAL, Front Door
	55394042AC	1							Lower Door Mounted, Right
	55394043AC	1							Lower Door Mounted, Left
8	55399016AA	1							SEAL, Body Side Right, Upper
	55399017AA	1							Left, Upper

GRAND CHEROKEE (WK)

SERIES LINE
H = HIGHLINE T = JEEP - 2WD
P = PREMIUM J = JEEP - 4WD
S = SPORT
X = SPECIAL

BODY
74 = SPORT UTILITY 4-DR

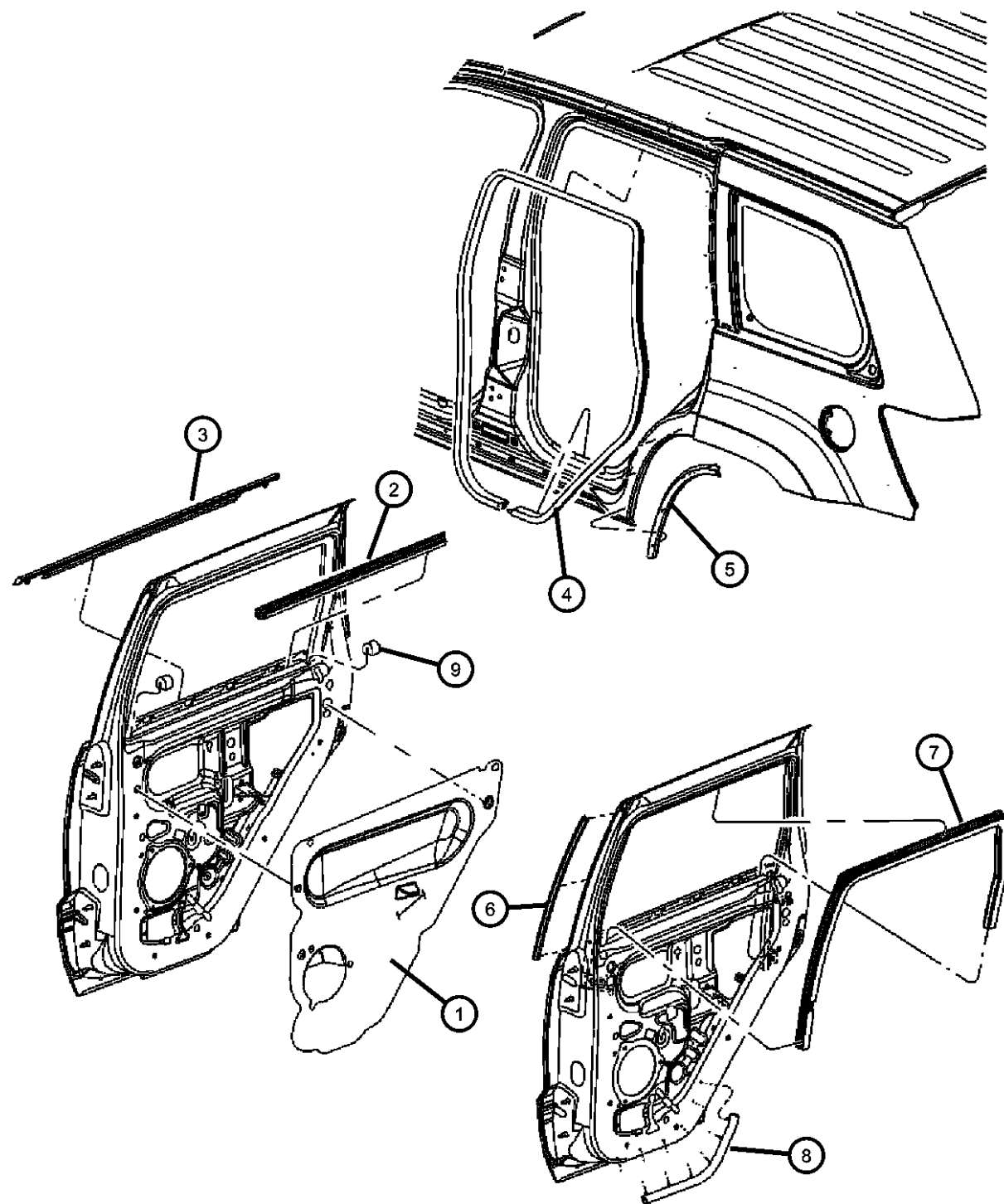
ENGINE
EKG = 3.7L V6 Engine
EVA = 4.7L V8 MPI Engine
EZB = 5.7L Hemi Multi Displacement Engine

TRANSMISSION
DGQ = 5-Spd Automatic 5-45RFE Transmission
DGJ = 5-Speed Automatic MB Transmission

AR = use ase required - = Non illustrated part

2006 WK

**Door, Rear Weatherstrips and Seals
Figure DWK-620**



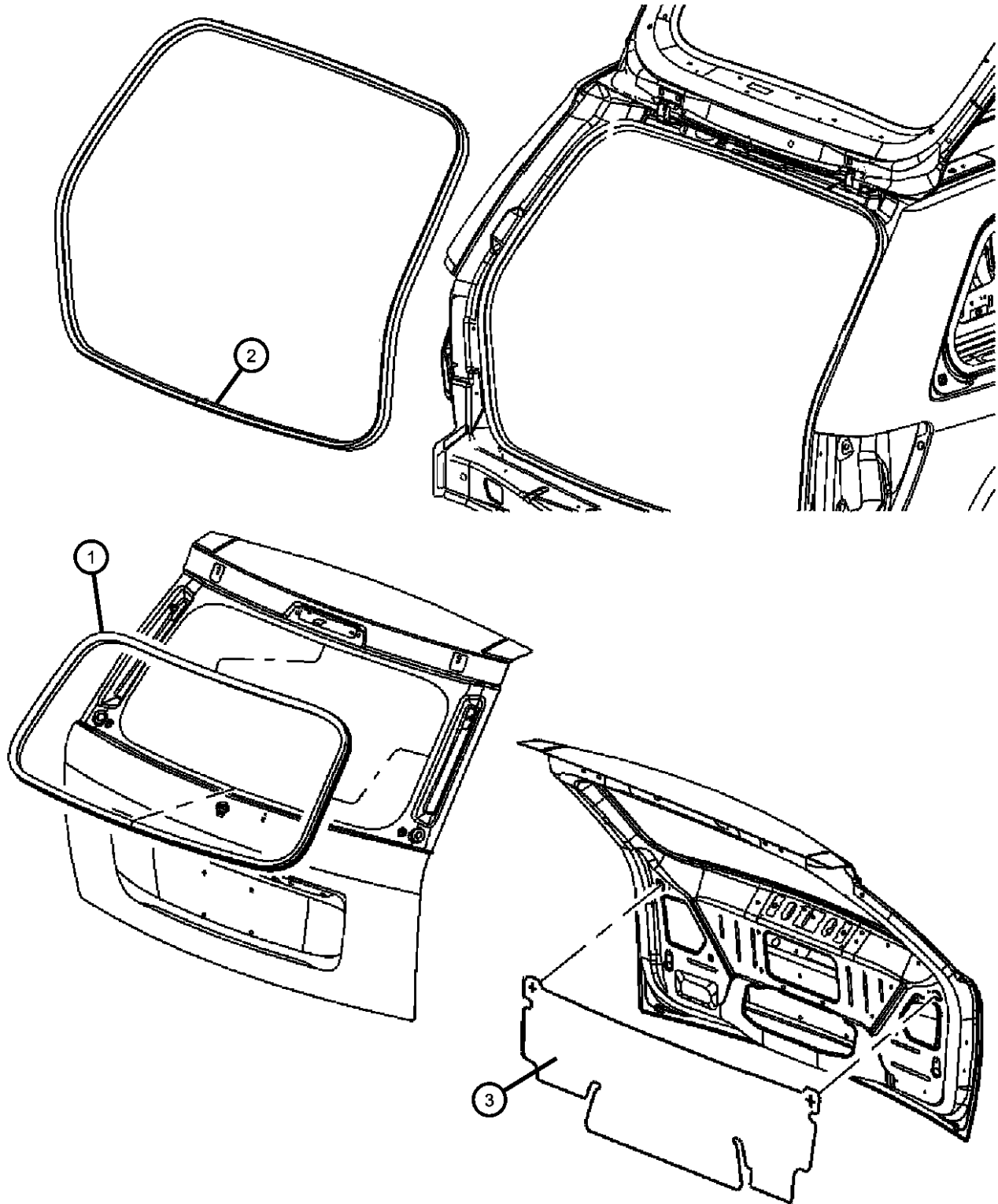
ITEM	PART NUMBER	QTY	LINE	SERIES	BODY	ENGINE	TRANS	TRIM	DESCRIPTION
NOTES: Sales Codes: [MMG] = Belt Moldings [MMS] = Bright Belt Moldings									
1									SHIELD, Water
	55394028AF	1							Right
	55394029AF	1							Left
2									WEATHERSTRIP, Rear Door Belt
	55394032AC	1							Right
	55394033AC	1							Left
3									WEATHERSTRIP, Rear Door Belt
	55157326AA	1		S					[MMS] Platinum, Right, Outer
	55157327AA	1		S					[MMS] Platinum, Left, Outer
	55394034AC	1							[MMG], Black, Right, Outer
	55394035AD	1							[MMG], Black, Left, Outer
	55396320AE	1		X					[MJB], Right, Outer
		1		P					[MMS], Bright, Right, Outer
	55396321AE	1		X					[MJB], Left, Outer
		1		P					[MMS], Bright, Left, Outer
4	55399018AA	2							SEAL, Rear Door
5									SEAL, Wheelhouse
	55396052AB	1							Right
	55396053AB	1							Left
6									SEAL, Door
	55394038AD	1							Right, B Pillar
	55394039AD	1							Left, B Pillar
7									WEATHERSTRIP, Door Glass
	55394054AE	1							Glass Run, Right Rear
	55394055AE	1							Glass Run, Left Rear
8									SEAL, Rear Door
	55394046AA	1							Lower Door Mounted, Right
	55394047AA	1							Lower Door Mounted, Left
9		1							SEAL, Foam, (NOT SERVICED),

GRAND CHEROKEE (WK)				
SERIES	LINE	BODY	ENGINE	TRANSMISSION
H = HIGHLINE	T = JEEP - 2WD	74 = SPORT UTILITY 4-DR	EKG = 3.7L V6 Engine	DGQ = 5-Spd Automatic 5-45RFE
P = PREMIUM	J = JEEP - 4WD		EVA = 4.7L V8 MPI Engine	Transmission
S = SPORT			EZB = 5.7L Hemi Multi	DGJ = 5-Speed Automatic MB
X = SPECIAL			Displacement Engine	Transmission

AR = use ase required - = Non illustrated part

**Door, Rear Lift Gate Weatherstrips and Seals
Figure DWK-630**

ITEM	PART NUMBER	QTY	LINE	SERIES	BODY	ENGINE	TRANS	TRIM	DESCRIPTION
1	55394780AF	1							WEATHERSTRIP, Liftgate Glass
2	55394782AD	1							WEATHERSEAL, LIFTGATE
3	55394781AA	1							INSULATION, Liftgate



GRAND CHEROKEE (WK)

SERIES LINE
H = HIGHLINE T = JEEP - 2WD
P = PREMIUM J = JEEP - 4WD
S = SPORT
X = SPECIAL

BODY
74 = SPORT UTILITY 4-DR

ENGINE
EKG = 3.7L V6 Engine
EVA = 4.7L V8 MPI Engine
EZB = 5.7L Hemi Multi
Displacement Engine

TRANSMISSION
DGQ = 5-Spd Automatic 5-45RFE
Transmission
DGJ = 5-Speed Automatic MB
Transmission

AR = use ase required - = Non illustrated part

2006 WK

Group - EWK

Exterior Ornamentation

Group - EWK Exterior Ornamentation

Group-Fig. No.

Illustration Title

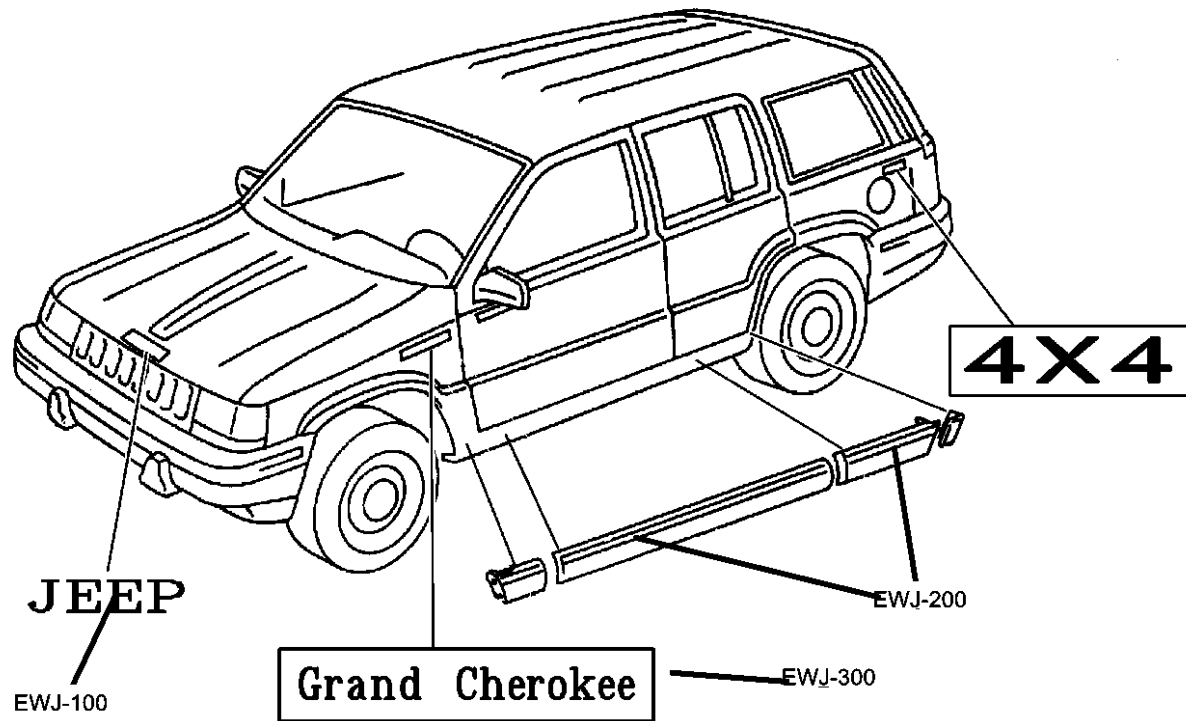
Nameplates

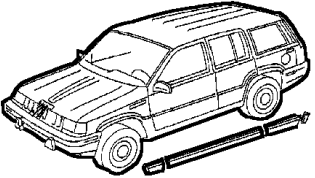
Nameplates and Decals Fig. EWK - 120

Moldings and Ornamentation

Moldings Fig. EWK - 210

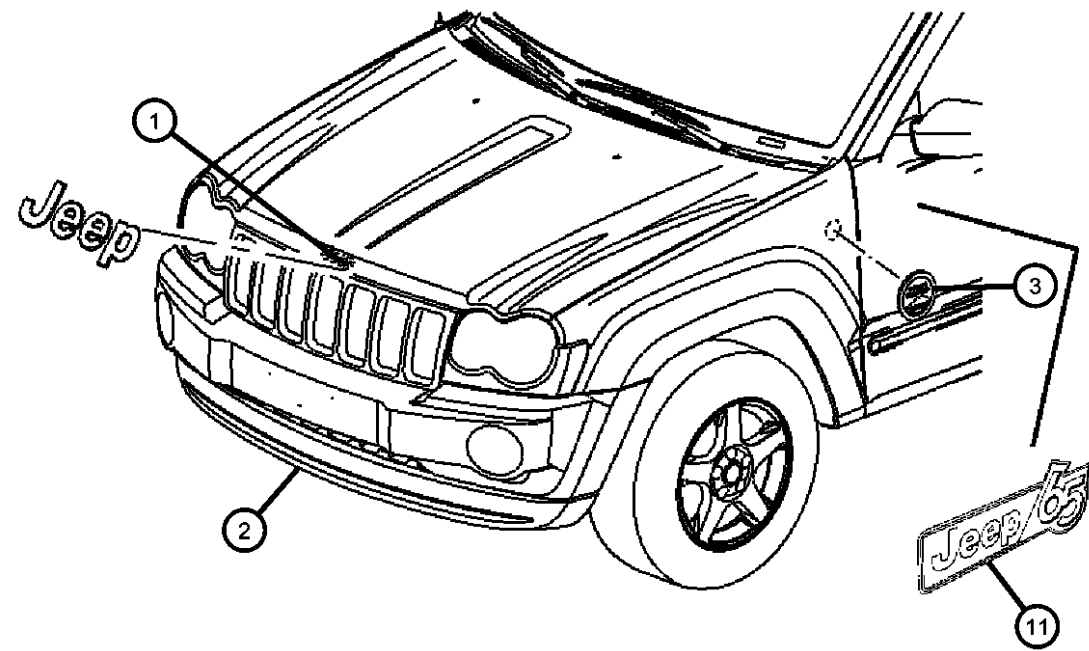
Cladding and Sill Moldings Fig. EWK - 220



<p>EWK-100 Nameplates</p> <p>Grand Cherokee JEEP</p>	<p>EWK-200 Moldings and Ornamentation</p> 		
---	--	--	--

**Nameplates and Decals
Figure EWK-120**

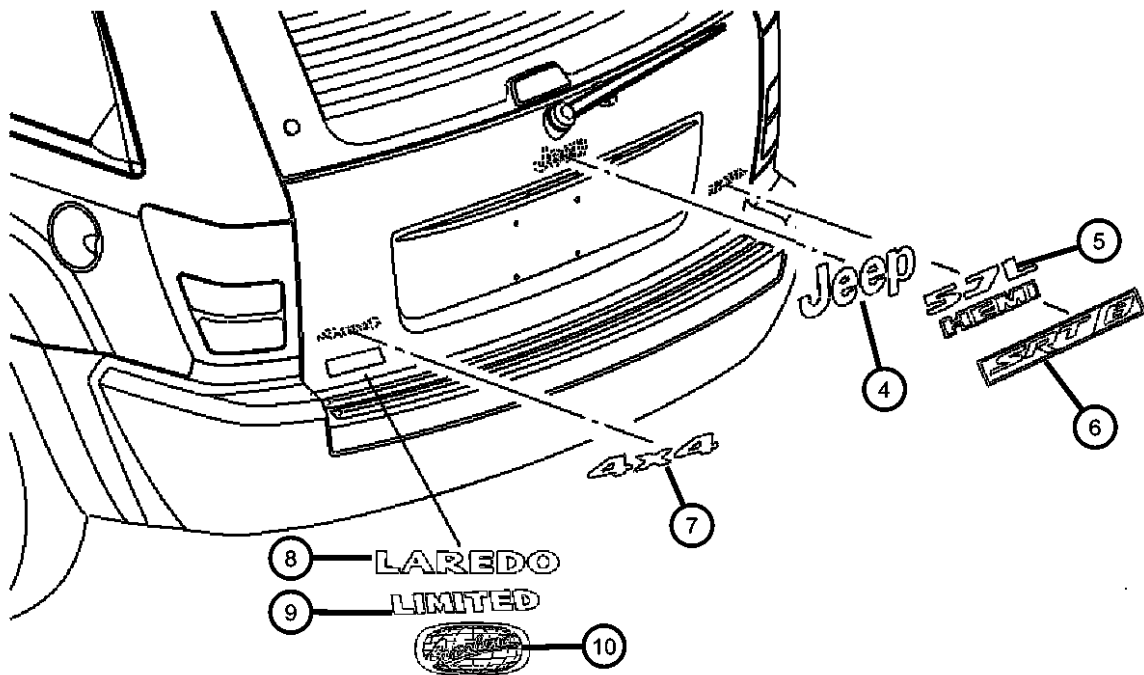
ITEM	PART NUMBER	QTY	LINE	SERIES	BODY	ENGINE	TRANS	TRIM	DESCRIPTION
------	-------------	-----	------	--------	------	--------	-------	------	-------------



NOTES: Sales Codes:

- [MCY] = Body Color Fascias with Bright Inserts
- [MCZ] = Body Color Fascias with Bright Inserts
- [MTL] = 5.7L Badge
- [MT2] = Trail Rated Badge
- [MVA] = Limited Badge
- [MVC] = Jeep Badge
- [MZK] = Laredo Badge
- [MZM] = Overland Badge

1	55157088AB	1							NAMEPLATE, Jeep, [MVC], Hood
2									APPLIQUE, Fascia
	05030069AA	1			X				[MCZ], Front
	05179394AA	1			S				[MCY], Front
3	55157317AB	1							MEDALLION, [MT2] Left Side Only, 'TRAIL RATED', Fender
4	55157089AB	1							NAMEPLATE, [MVC], Liftgate
5	55157454AA	1							NAMEPLATE, HEMI, [MTL]
6	05029893AB	1			X				NAMEPLATE, [MTV]
7	55157091AB	1							NAMEPLATE, [MWT], Liftgate
8	55157303AC	1							NAMEPLATE, [MZK], Liftgate
9	55157090AB	1							NAMEPLATE, [MVA], Door
10	55157358AA	1							NAMEPLATE, [MZM], Liftgate
11	55373001AA	2	J, T				74		NAMEPLATE, [MGT]



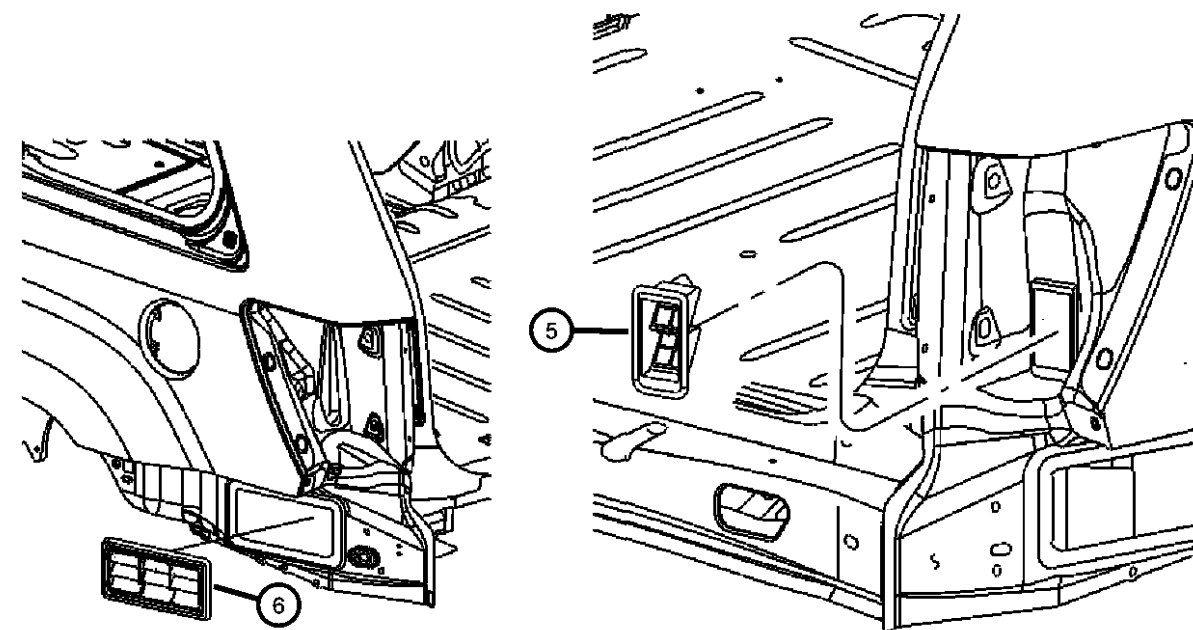
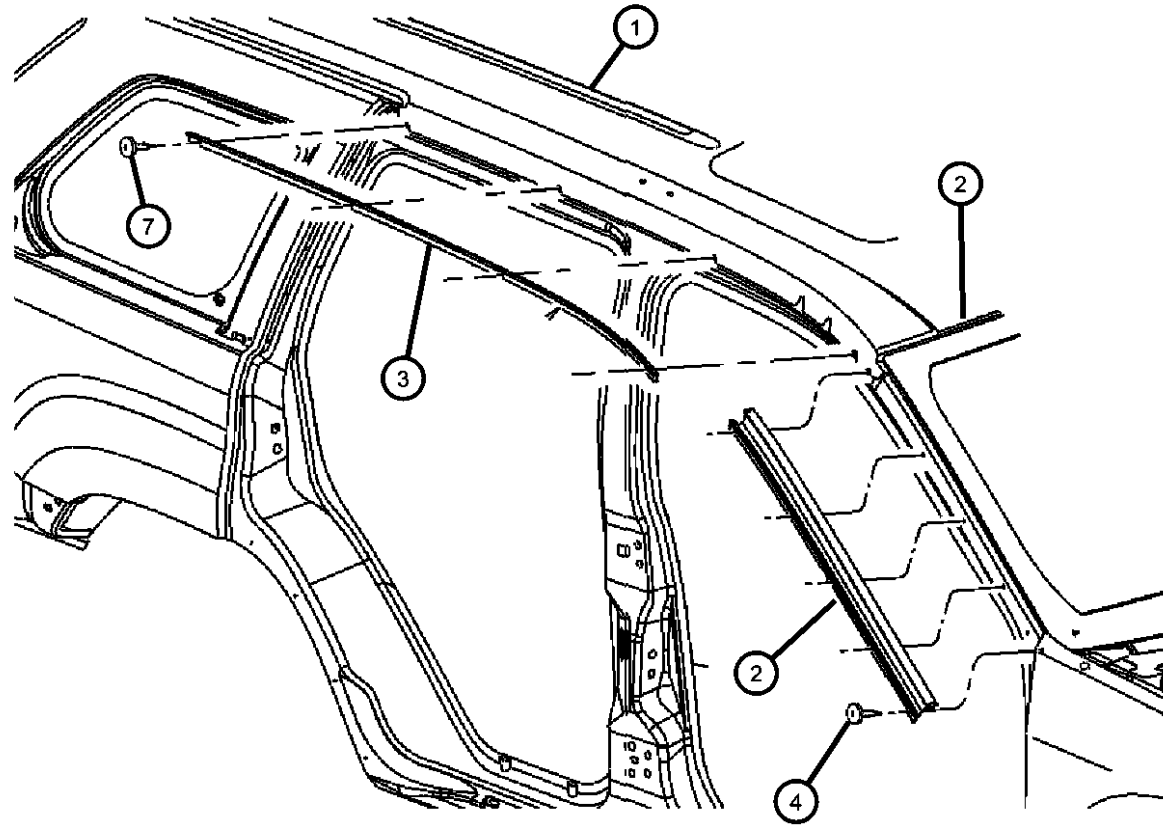
GRAND CHEROKEE (WK)

SERIES	LINE	BODY	ENGINE	TRANSMISSION
H = HIGHLINE	T = JEEP - 2WD	74 = SPORT UTILITY 4-DR	EKG = 3.7L V6 Engine	DGQ = 5-Spd Automatic 5-45RFE
P = PREMIUM	J = JEEP - 4WD		EVA = 4.7L V8 MPI Engine	Transmission
S = SPORT			EZB = 5.7L Hemi Multi	DGJ = 5-Speed Automatic MB
X = SPECIAL			Displacement Engine	Transmission

AR = use ase required - = Non illustrated part

2006 WK

**Moldings
Figure EWK-210**

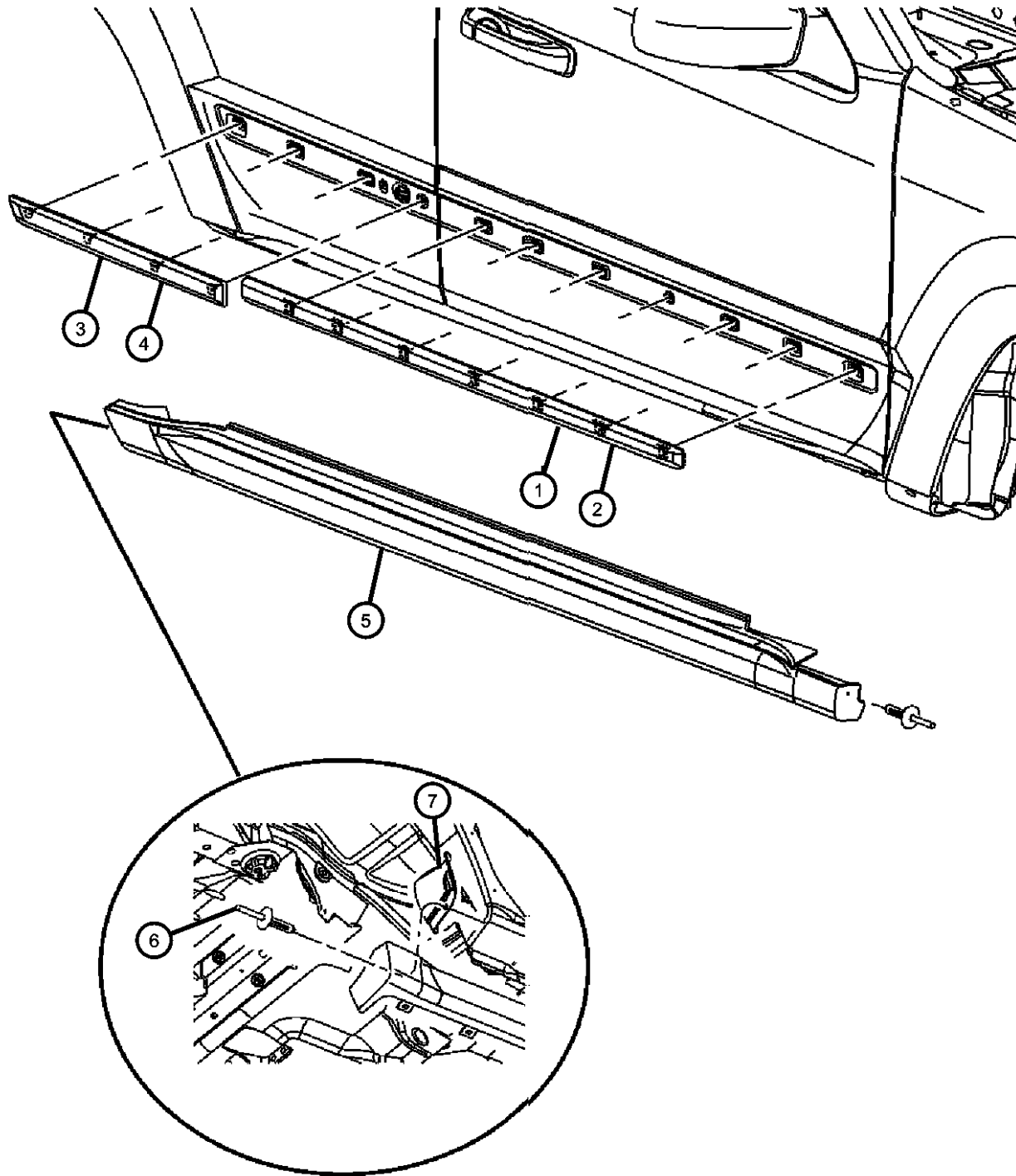


ITEM	PART NUMBER	QTY	LINE	SERIES	BODY	ENGINE	TRANS	TRIM	DESCRIPTION
1	05030272AB	2	J, T	X	74				MOLDING, Roof Without Luggage Rack
	05030273AB	2		X					Without Luggage Rack SRT
	55156874AD	1							Ditch, Right
	55156875AD	1							Ditch, Left
2	55394512AB	1							MOLDING, Windshield Right
	55394511AA	1							Upper
	55394513AB	1							Left
3	55396866AB	1							SEAL, Retainer Right
	55396867AB	1							Left
4		1							SCREW, .164-15x.500, (NOT SERVICED)
5	55136280AC	1							EXHAUSTER, Quarter PanelTail Lamp
6	55394330AB	1							EXHAUSTER, Bodyside Aperture
7	06104566AA	8							SCREW, Tapping

GRAND CHEROKEE (WK)		BODY	ENGINE	TRANSMISSION
SERIES	LINE	74 = SPORT UTILITY 4-DR	EKG = 3.7L V6 Engine	DGQ = 5-Spd Automatic 5-45RFE
H = HIGHLINE	T = JEEP - 2WD		EVA = 4.7L V8 MPI Engine	Transmission
P = PREMIUM	J = JEEP - 4WD		EZB = 5.7L Hemi Multi	DGJ = 5-Speed Automatic MB
S = SPORT			Displacement Engine	Transmission
X = SPECIAL				

AR = use ase required - = Non illustrated part

Cladding and Sill Moldings
Figure EWK-220



ITEM	PART NUMBER	QTY	LINE	SERIES	BODY	ENGINE	TRANS	TRIM	DESCRIPTION
Sales Codes: [MJB]= Chrome Bodyside Molding [MTG]= Platinum Bodyside Molding									
1									MOLDING, Front Door
	04806274AA	1							[MTG], Right
	04806275AA	1							[MTG], Left
	55156848AD	1							[MJB], Right
	55156849AD	1							[MJB], Left
2									MOLDING, Front Door
	5HU14RXFAD	1							[K1X], Lower Right
	5HU15RXFAD	1							[K1X], Lower Left
3									MOLDING, Rear Door
	04806272AA	1							[MTG], Right
	04806273AA	1							[MTG], Left
	55156846AC	1							[MJB], Right
	55156847AC	1							[MJB], Left
4									MOLDING, Rear Door
	5HU20RXFAD	1							[K1X], Lower Right
	5HU21RXFAD	1							[K1X], Lower Left
5									MOLDING, Sill Cover
	05030000AB	1				X			[K2], Right
	05030001AB	1	J, T		X		74		[K2], Left
	1CA08TZZAA	1							[K7], Right
	1CA09TZZAA	1							[K7], Left
	5HU24RXFAB	1							[K5X], Right
	5HU25RXFAB	1							[K5X], Left
6									RIVET, M6.25x28
	06500911	12							Sill to lower weld flange
		4							Sill to wheel opening
7									SHIELD, Splash
	55157080AD	1							Right
	55157081AD	1							Left

GRAND CHEROKEE (WK)

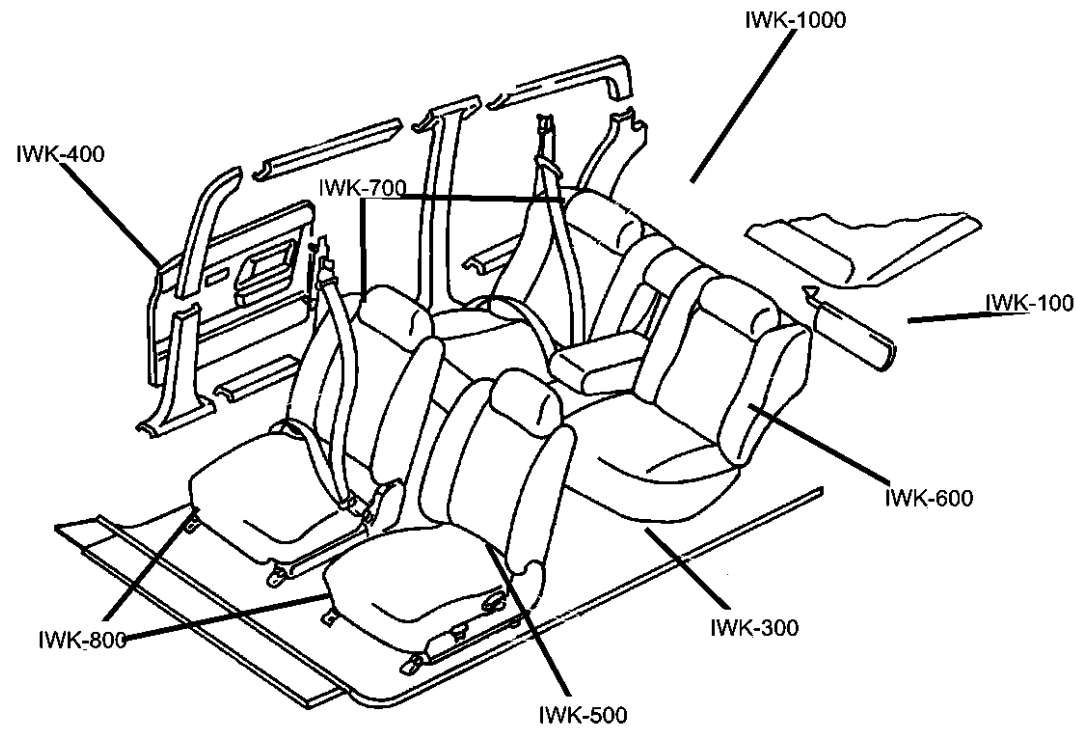
SERIES	LINE	BODY	ENGINE	TRANSMISSION
H = HIGHLINE	T = JEEP - 2WD	74 = SPORT UTILITY 4-DR	EKG = 3.7L V6 Engine	DGQ = 5-Spd Automatic 5-45RFE
P = PREMIUM	J = JEEP - 4WD		EVA = 4.7L V8 MPI Engine	Transmission
S = SPORT			EZB = 5.7L Hemi Multi	DGJ = 5-Speed Automatic MB
X = SPECIAL			Displacement Engine	Transmission

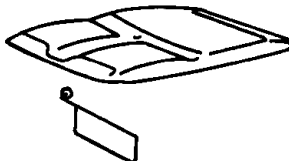
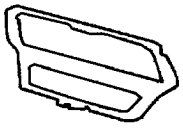
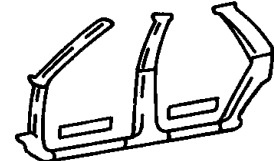
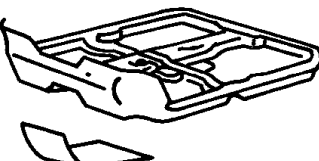
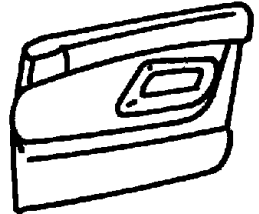

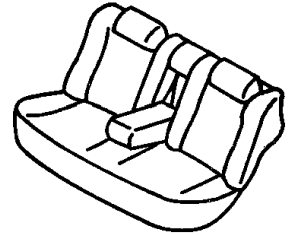
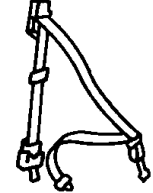
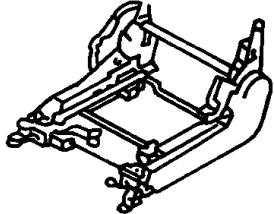
AR = use ase required - = Non illustrated part

2006 WK

Group - IWK

Interior Trim



<p>IWK-100 Headliner and Visor</p> 	<p>IWK-1000 Lift Gate Trim</p> 	<p>IWK-200 Panel - Mouldings, Scuff Plates</p> 	<p>IWK-300 Carpet</p> 
<p>IWK-400 Door Trim Panels</p> 	<p>IWK-500 Front Seats and Attaching Parts</p> 	<p>IWK-600 Rear Seats and Attaching Parts</p> 	<p>IWK-700 Seat Belts - Front and Rear</p> 
<p>IWK-800 Adjusters, Covers, Shields and Risers</p> 			

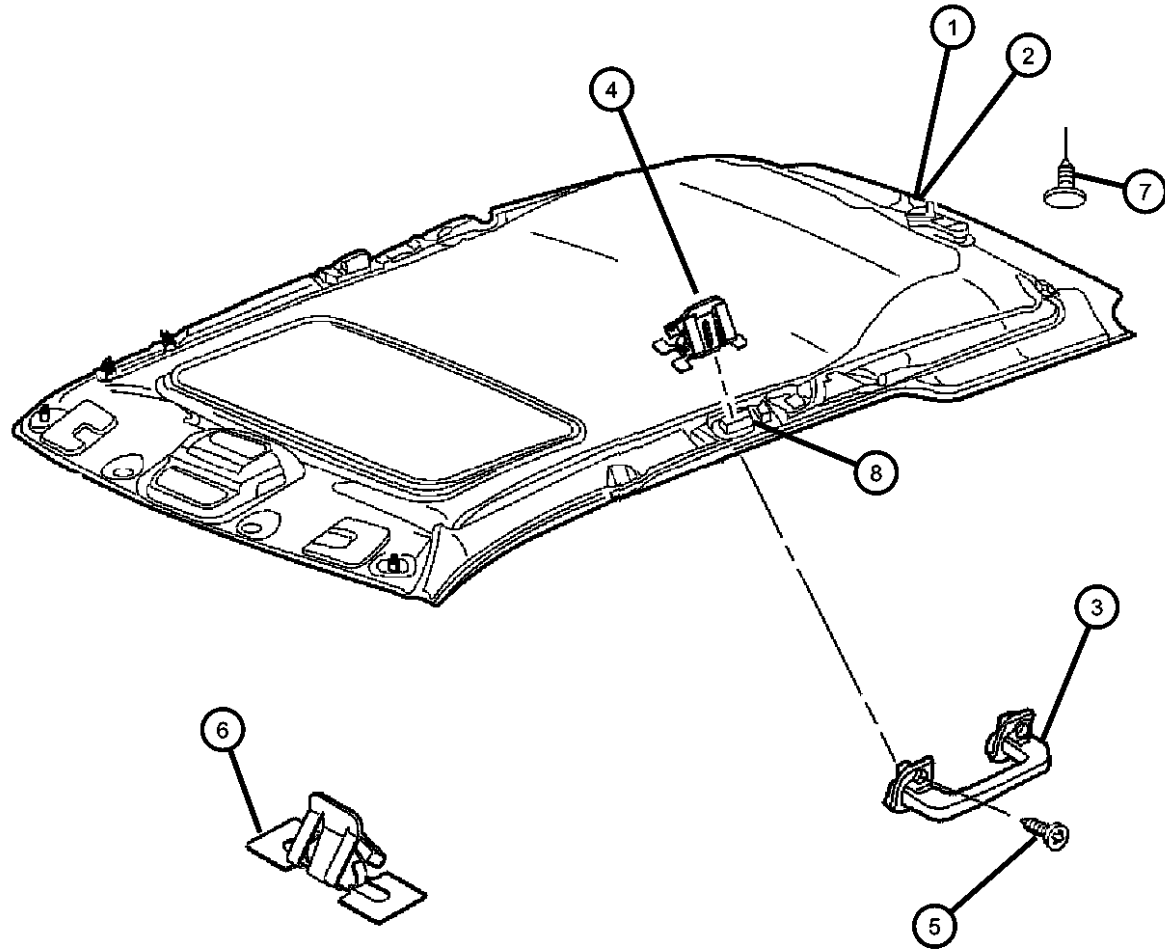
Group - IWK Interior Trim

Illustration Title	Group-Fig. No.
Headliner and Visor	
Headliner and Assist Handle	Fig. IWK - 110
Sunvisor	Fig. IWK - 120
Panel - Mouldings, Scuff Plates	
Front Trim Panels and Scuff Plates	Fig. IWK - 210
Rear Trim Panels	Fig. IWK - 220
Carpet	
Carpet	Fig. IWK - 310
Cover, Cargo	Fig. IWK - 320
Door Trim Panels	
Door Trim Panels	Fig. IWK - 410
Front Seats and Attaching Parts	
Front Seat, Cloth, Trim Code [A7]	Fig. IWK - 510
Front Seat, Cloth, Trim Code [Y5]	Fig. IWK - 520
Front Seat, Leather, Trim Code [AL]	Fig. IWK - 530
Front Seat, Leather, Trim Code [PL]	Fig. IWK - 540
Front Seat, Leather, Trim Code [XL]	Fig. IWK - 550
Front Seat, Leather, Trim Code [DZ]	Fig. IWK - 560
Front Seat, Leather, Trim Code [YL]	Fig. IWK - 570
Rear Seats and Attaching Parts	
Rear Seat, Trim Code [A7]	Fig. IWK - 610
Rear Seat, Trim Code [AL]	Fig. IWK - 620
Rear Seat, Trim Code [PL]	Fig. IWK - 630
Rear Seat, Trim Code [XL]	Fig. IWK - 640
Rear Seat, Trim Code [DZ]	Fig. IWK - 650
Rear Seat, Trim Code [YL]	Fig. IWK - 660
Rear Seat, Trim Code [Y5]	Fig. IWK - 670
Seat Belts - Front and Rear	
Front Seat Belts	Fig. IWK - 710
Rear Seat Belts	Fig. IWK - 720
Adjusters, Covers, Shields and Risers	
Adjuster, Recliners, Drivers Seat	Fig. IWK - 810
Adjuster, Recliners, Power Passenger Seat	Fig. IWK - 820
Adjuster, Recliners, Manual Passenger Seat	Fig. IWK - 830
Lift Gate Trim	
Liftgate Panel and Scuff Plate	Fig. IWK - 1010

Headliner and Assist Handle Figure IWK-110

ITEM	PART NUMBER	QTY	LINE	SERIES	BODY	ENGINE	TRANS	TRIM	DESCRIPTION
------	-------------	-----	------	--------	------	--------	-------	------	-------------

Sales Codes :
 [CGS] = With Side Airbags
 [CVE] = Overhead Console
 [GNV] = Non Illuminated Visors
 [GWA] = Sunroof
 [JHA] = Intermitten Wipers
 [JHC] = Windshield Wiper, Rain Sensitive
 [SNA] = Dynamic Handling System
 [XAA] = Park Assist Rear Sensor



1									HEADLINER, Without Sunroof
	1AQ57BD1AA	1						*O0	Without Overhead Console [CVE], Without Side Airbag [CGS], Without Park Assist Rear Sensor [XAA]
	1AQ58BD1AB	1						*O0	Without Overhead Console [CVE], With Side Airbag [CGS], Without Park Assist Rear Sensor [XAA]
	1AQ60BD1AA	1						*O0	With Overhead Console [CVE], Without Park Assist Rear Sensor [XAA], Without Side Airbag [CGS]
	1AQ61BD1AA	1						*O0	With Overhead Console [CVE] & Side Airbag [CGS], Without Park Assist Rear Sensor [XAA]
	1AU82BD1AA	1						*O0	Without Overhead Console [CVE], Without Side Airbag [CGS], With Park Assist Rear Sensor [XAA]
	1AQ59BD1AA	1						*O0	Without Overhead Console [CVE], With Side Airbag [CGS] & With Park Assist Rear Sensor [XAA]
	1AU83BD1AA	1						*O0	With Overhead Console [CVE] & Park Assist Rear Sensor [XAA], Without Side Airbag [CGS]
	1AU84BD1AA	1						*O0	With Overhead Console [CVE] & Park Assist Rear Sensor [XAA] & Side Airbag [CGS]
2									HEADLINER, With Sunroof, [GWA]
	1AQ62BD1AA	1						*O0	Without Overhead Console [CVE], Without Side Airbags [CGS], With Intermittent Windshield Wipers
	1AU70BD1AB	1						*O0	Without Overhead Console [CVE], Without Park Assist Rear Sensor [XAA], With Side Airbags [CGS]

GRAND CHEROKEE (WK)

SERIES	LINE
H = HIGHLINE	T = JEEP - 2WD
P = PREMIUM	J = JEEP - 4WD
S = SPORT	
X = SPECIAL	

BODY
74 = SPORT UTILITY 4-DR

ENGINE
 EKG = 3.7L V6 Engine
 EVA = 4.7L V8 MPI Engine
 EZB = 5.7L Hemi Multi Displacement Engine

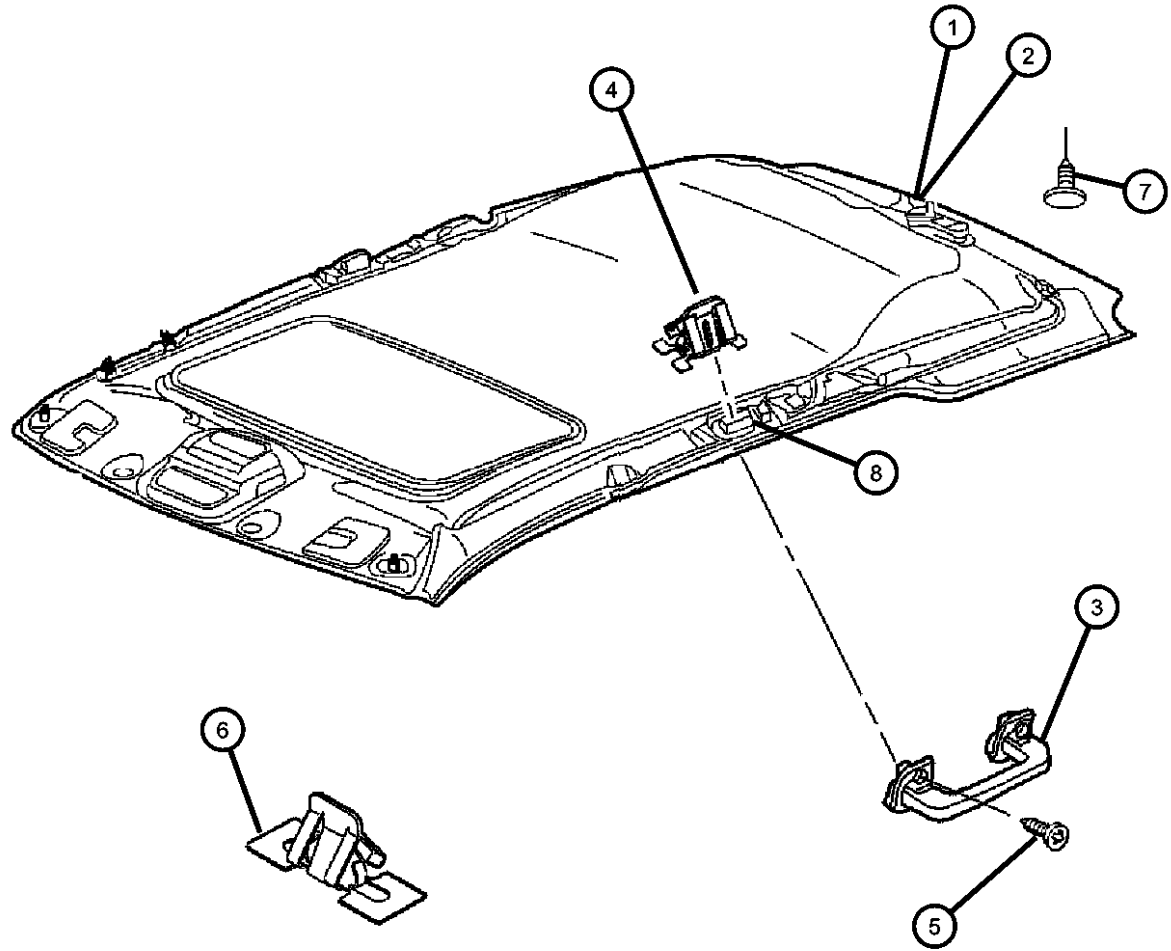
TRANSMISSION
 DGQ = 5-Spd Automatic 5-45RFE Transmission
 DGJ = 5-Speed Automatic MB Transmission

AR = use ase required - = Non illustrated part

2006 WK

**Headliner and Assist Handle
Figure IWK-110**

ITEM	PART NUMBER	QTY	LINE	SERIES	BODY	ENGINE	TRANS	TRIM	DESCRIPTION
	1AU74BD1AA	1						*00	With Overhead Console [CVE], Without Side Airbags [CGS], Without Park Assist Rear Sensor [XAA]
	1AU71BD1AB	1						*00	Without Overhead Console [CVE], With Side Airbags [CGS] & Park Assist Rear Sensor [XAA]
	1AU72BD1AA	1						*00	Without Overhead Console [CVE], Without Side Airbags [CGS], With Intermittent Windshield Wipers & Dynamic Handling System [SNA]
	1AU75BD1AB	1						*00	With Overhead Console [CVE] & Side Airbags [CGS], Without Park Assist Rear Sensor [XAA]
	1AU76BD1AA	1						*00	Without Overhead Console [CVE], Without Side Airbags [CGS], With Park Assist Rear Sensor [XAA]
	1AU77BD1AA	1						*00	With Overhead Console [CVE] & Park Assist Rear Sensor [XAA] Without Side Airbags [CGS]
	1AU80BD1AA	1						*00	With Overhead Console [CVE] & Side Airbags [CGS] & Park Assist Rear Sensor [XAA]
	1FW00BD1AA	1	J, T		74			*00	With Illuminated Visors [GNC] With Intermittent Wipers [JHA]
	1FW01BD1AA	1	J, T		74			*00	With Illuminated Visors [GNC] With Intermittent Wipers [JHA] With Side Air Bags [CGS]
3									HANDLE, Roof Grab
	1AK64BD1AA	1						*00	Includes lamp, Right
	1AK65BD1AA	1						*00	Includes lamp, Left
4	04746232	4						*00	CLIP, Z-Axis, Visor & Grab Handle Attach
5	05139455AA	4						*00	SCREW
6	05028203AA	2						*00	CLIP, Roof Rail
7	06503943	3							RETAINER, Headliner to Roof Rear
8	05166015AA	2						*00	PLATE, Retaining, Grab Handle Attach



GRAND CHEROKEE (WK)

SERIES LINE
H = HIGHLINE T = JEEP - 2WD
P = PREMIUM J = JEEP - 4WD
S = SPORT
X = SPECIAL

BODY
74 = SPORT UTILITY 4-DR

ENGINE
EKG = 3.7L V6 Engine
EVA = 4.7L V8 MPI Engine
EZB = 5.7L Hemi Multi Displacement Engine

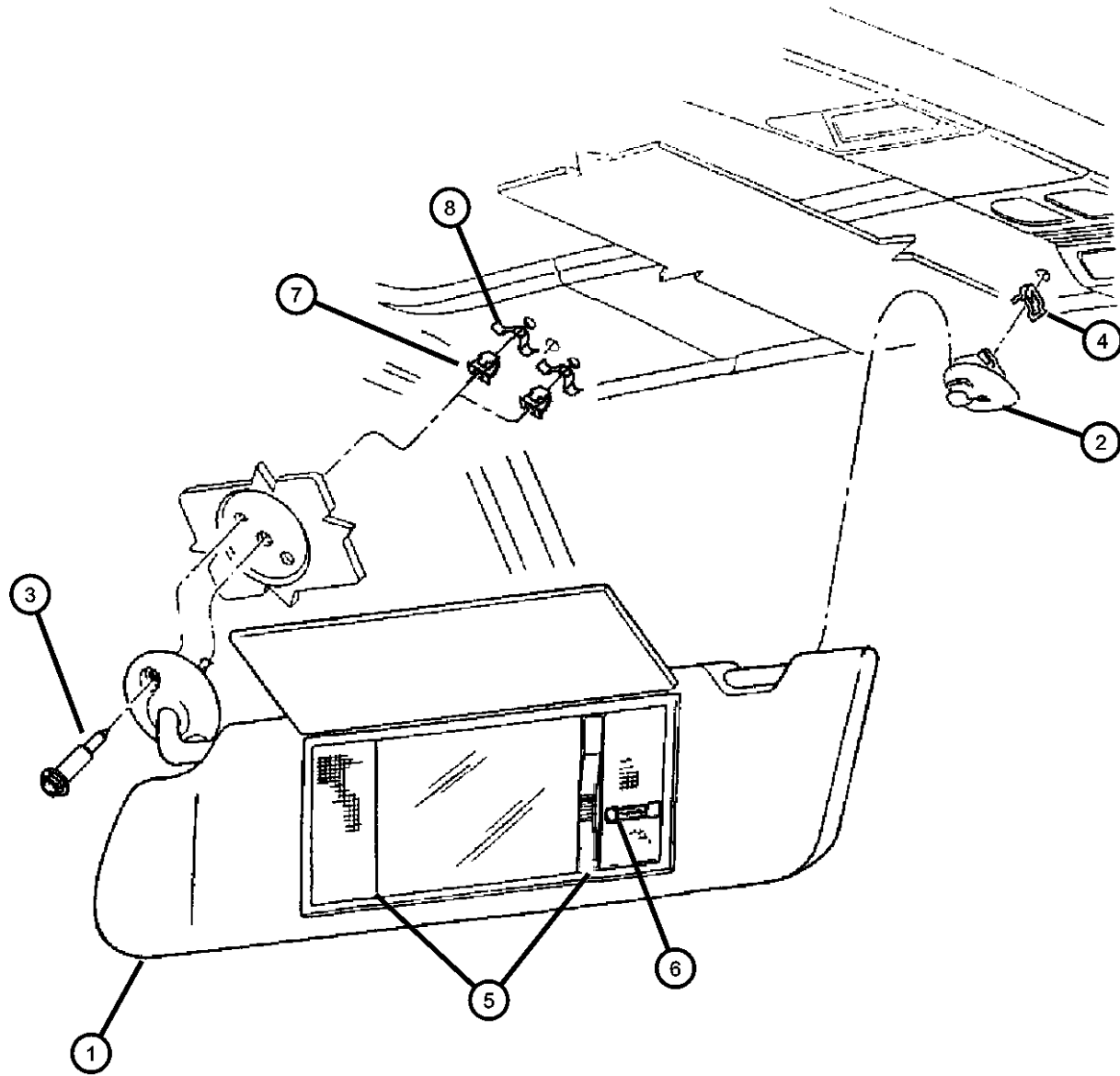
TRANSMISSION
DGQ = 5-Spd Automatic 5-45RFE Transmission
DGJ = 5-Speed Automatic MB Transmission

AR = use ase required - = Non illustrated part

2006 WK

**Sunvisor
Figure IWK-120**

ITEM	PART NUMBER	QTY	LINE	SERIES	BODY	ENGINE	TRANS	TRIM	DESCRIPTION
1									VISOR
	1AK80BD1AA	1						*00	With Vanity Mirror [GNV], Right
	1AK81BD1AA	1						*00	With Vanity Mirror [GNV], Left
	1AK82BD1AA	1						*00	With Illuminated Vanity Mirror [GNC], Right
	1AK83BD1AA	1						*00	With Illuminated Vanity Mirror [GNC], Left
2	1AL25BD1AA	2						*00	SUPPORT, Visor
3	06036610AA	4						*00	SCREW, Trim
4	04746232	4						*00	CLIP, Z-Axis, Visor & Grab Handle Attach
5	05139210AA	1						*00	LENS, Illuminated Visor
6	06501966	1						*00	BULB, Sunvisor
7	06036480AA	4							NUT, Push, .164-18
8	05139219AA	2						*00	RETAINER, Visor



GRAND CHEROKEE (WK)

SERIES LINE
H = HIGHLINE T = JEEP - 2WD
P = PREMIUM J = JEEP - 4WD
S = SPORT
X = SPECIAL

BODY
74 = SPORT UTILITY 4-DR

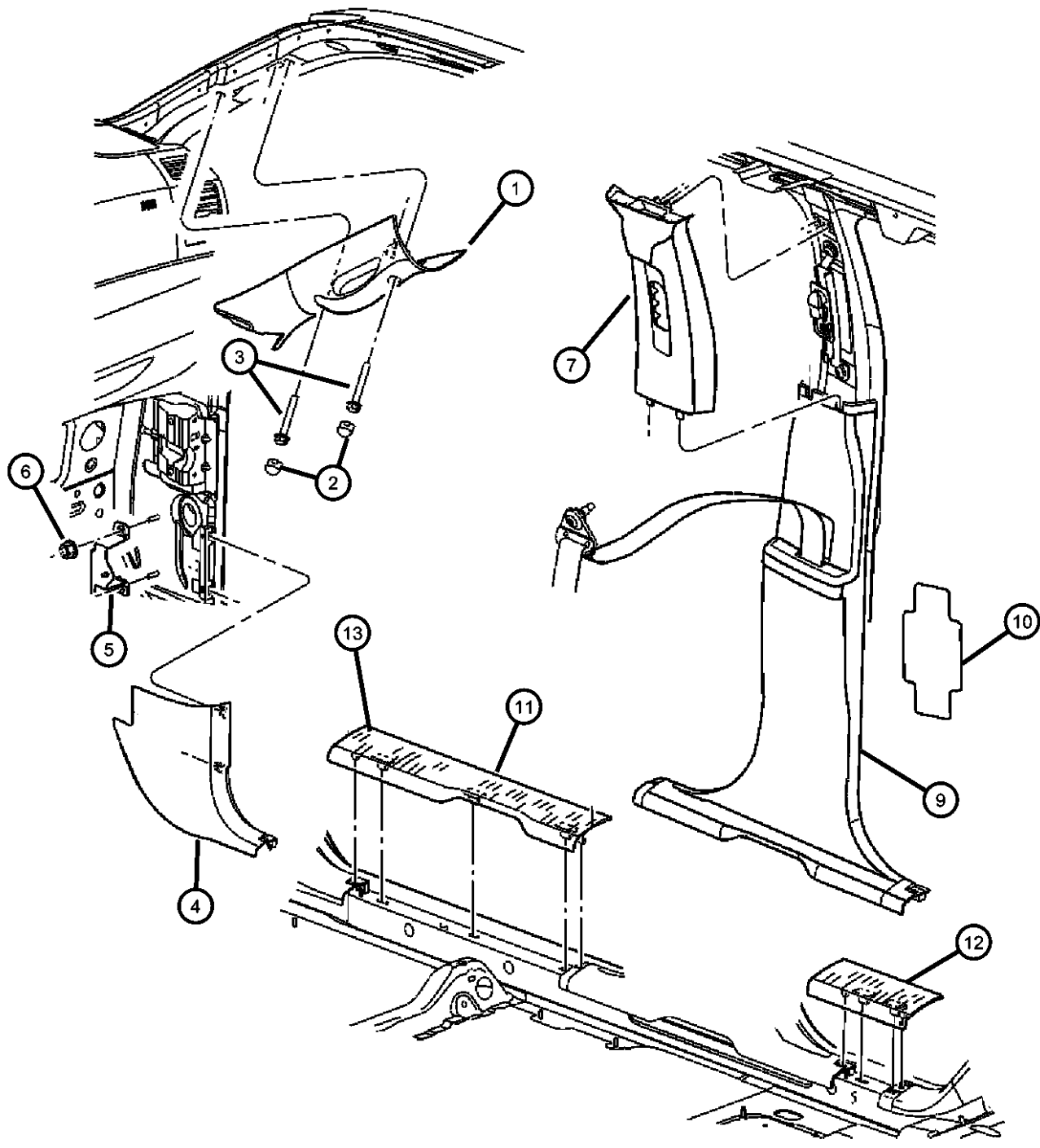
ENGINE
EKG = 3.7L V6 Engine
EVA = 4.7L V8 MPI Engine
EZB = 5.7L Hemi Multi Displacement Engine

TRANSMISSION
DGQ = 5-Spd Automatic 5-45RFE Transmission
DGJ = 5-Speed Automatic MB Transmission

AR = use ase required - = Non illustrated part

2006 WK

Front Trim Panels and Scuff Plates
Figure IWK-210



ITEM	PART NUMBER	QTY	LINE	SERIES	BODY	ENGINE	TRANS	TRIM	DESCRIPTION
1	5HS26BDXAI	1						*00	PANEL, A Pillar Right
	5HS27BDXAI	1						*00	Left
2	1AV83BDXAA	1						*00	PLUG, A Pillar Garnish Lower Left
	1AV92BDXAA	1						*00	Lower Right
	1AV93BDXAA	1						*00	Upper Left
	1AV94BDXAA	1						*00	Upper Right
3	06105043AA	4							SCREW, Trim
4	1CL27BD1AA	1						*00	PANEL, Cowl Side Trim [J1], Left
	1CL27BD5AA	1						*00	[D5], Left
	1CL27ZJ3AA	1						*00	[J3], Left
	5HQ14BD1AG	1						*00	[J1], Right
	5HQ14BD5AG	1						*00	[D5], Right
	5HQ14ZJ3AG	1						*00	[J3], Right
5	55352902AD	1							BRACKET, Cowl
6	06503825	2							NUT AND WASHER, Hex Nut-Coned Washer, M6 x 1.00
7	5HS32BDXAH	1						*00	PANEL, B Pillar, Upper Right
	5HS33BDXAH	1						*00	Left
-8	1CL20BDXAA	1	J, T		74			*00	PLUG, B Pillar Upper B-Pillar Plug, Right
	1CL21BDXAA	1	J, T		74			*00	Upper B-Pillar Plug, Left
9	5HQ10BD1AG	1						*00	PANEL, B Pillar Lower Trim [J1], Right
	5HQ10BD5AG	1						*00	[D5], Right
	5HQ10ZJ3AG	1						*00	[J3], Right
	5HQ11BD1AG	1						*00	[J1], Left
	5HQ11BD5AG	1						*00	[D5], Left
	5HQ11ZJ3AG	1						*00	[J3], Left
10	55116545AC	2							SHIELD, Seat Belt Retractor
11	5JQ20BD1AB	1						*00	SILL COVER, Interior, Front [J1], Right
	5JQ20BD5AB	1						*00	[D5], Right

GRAND CHEROKEE (WK)

SERIES LINE
H = HIGHLINE T = JEEP - 2WD
P = PREMIUM J = JEEP - 4WD
S = SPORT
X = SPECIAL

BODY
74 = SPORT UTILITY 4-DR

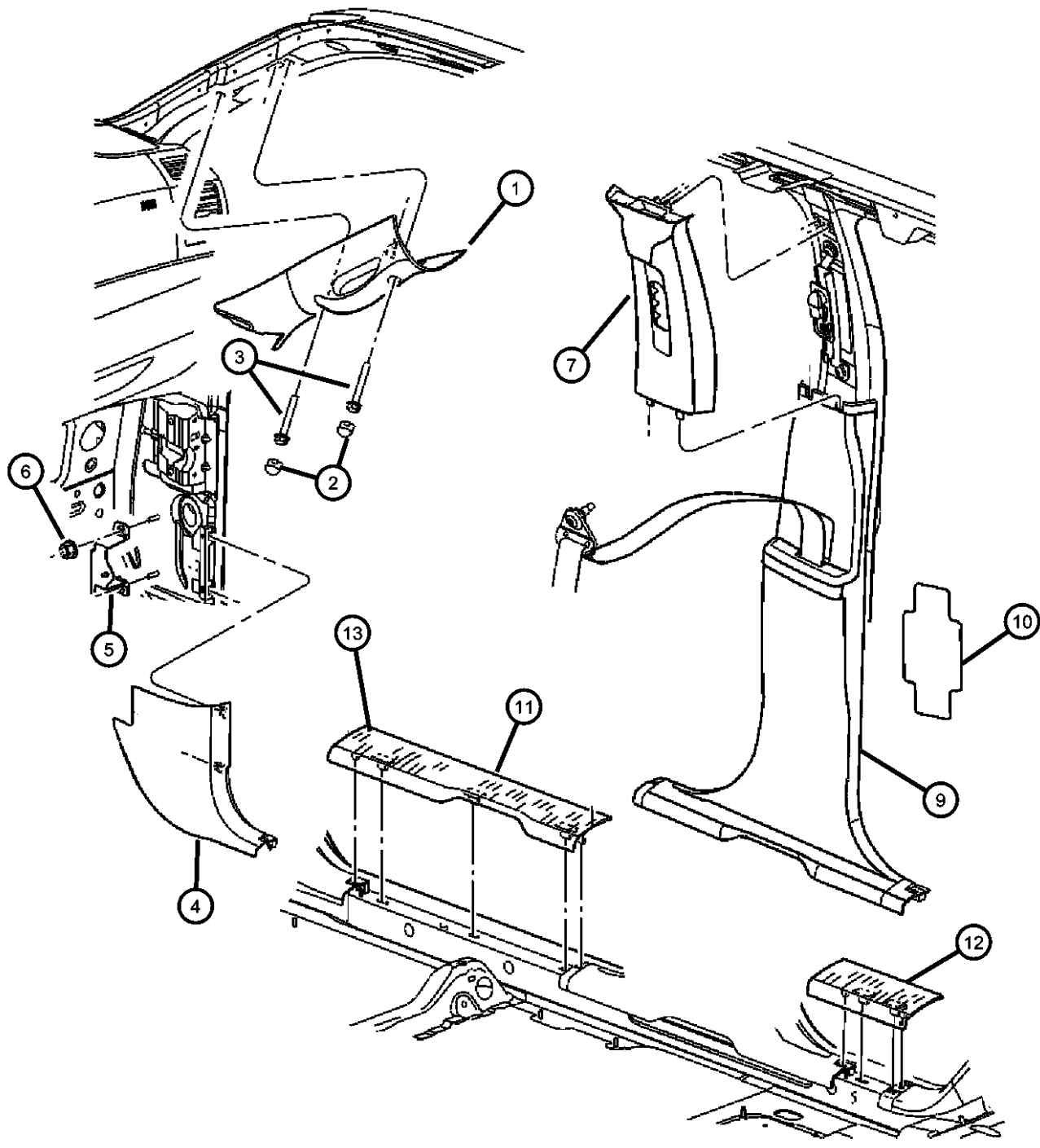
ENGINE
EKG = 3.7L V6 Engine
EVA = 4.7L V8 MPI Engine
EZB = 5.7L Hemi Multi Displacement Engine

TRANSMISSION
DGQ = 5-Spd Automatic 5-45RFE Transmission
DGJ = 5-Speed Automatic MB Transmission

AR = use ase required - = Non illustrated part

2006 WK

Front Trim Panels and Scuff Plates
Figure IWK-210



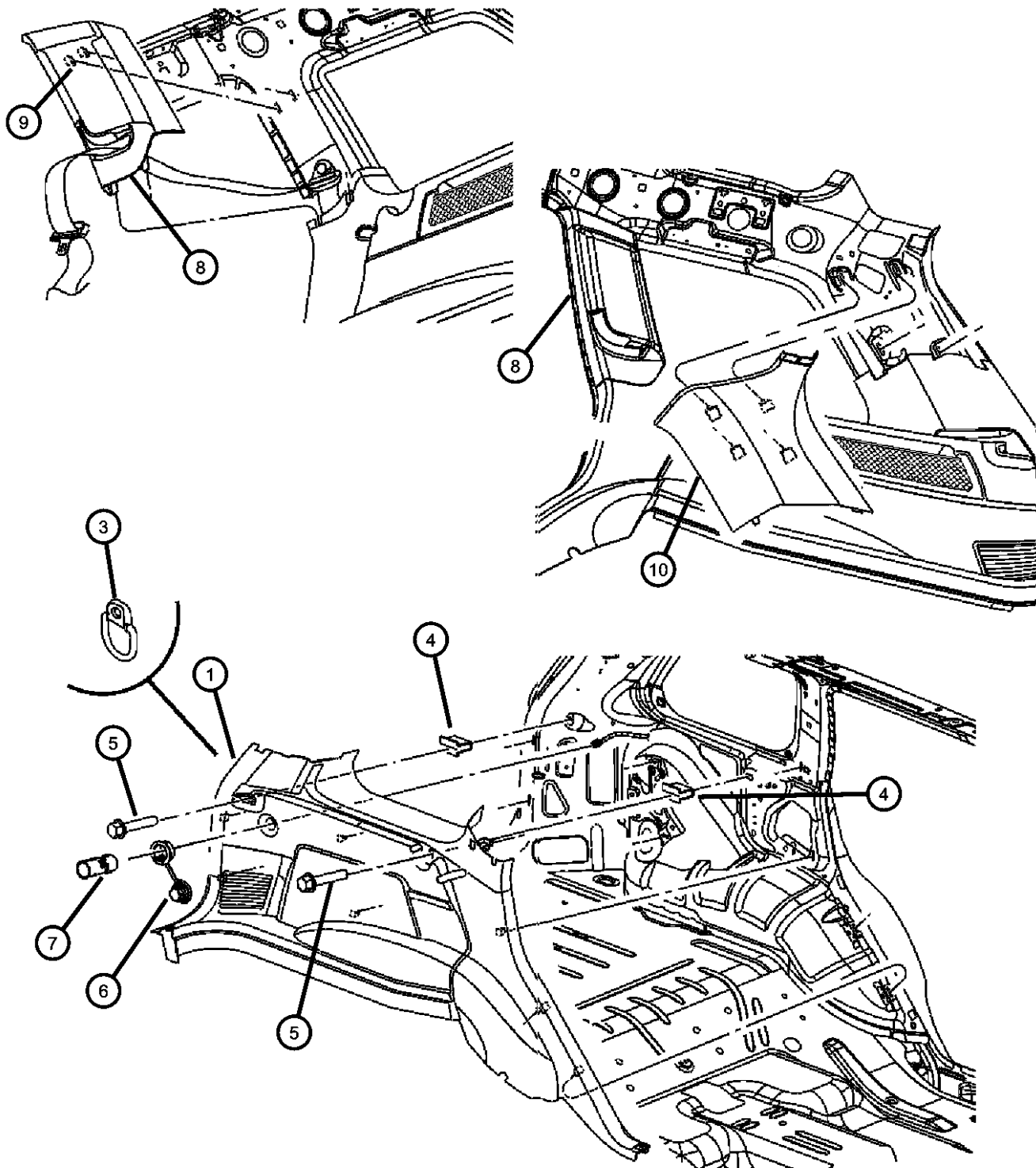
ITEM	PART NUMBER	QTY	LINE	SERIES	BODY	ENGINE	TRANS	TRIM	DESCRIPTION
	5JQ20ZJ3AB	1						*00	[J3], Right
	5JQ21BD1AB	1						*00	[J1], Left
	5JQ21BD5AB	1						*00	[D5], Left
	5JQ21ZJ3AB	1						*00	[J3], Left
12									SILL COVER, Interior, Rear
	5JX64BD1AB	1						*00	[J1], Right & Left
	5JX64BD5AB	1						*00	[D5], Right & Left
	5JX64ZJ3AB	1						*00	[J3], Right & Left
13	05030271AA	2	J, T	X	74				SILL KIT, Door Entry, SRT,Front Right and Left in Pkg

GRAND CHEROKEE (WK)

SERIES	LINE	BODY	ENGINE	TRANSMISSION
H = HIGHLINE	T = JEEP - 2WD	74 = SPORT UTILITY 4-DR	EKG = 3.7L V6 Engine	DGQ = 5-Spd Automatic 5-45RFE
P = PREMIUM	J = JEEP - 4WD		EVA = 4.7L V8 MPI Engine	Transmission
S = SPORT			EZB = 5.7L Hemi Multi	DGJ = 5-Speed Automatic MB
X = SPECIAL			Displacement Engine	Transmission

AR = use ase required - = Non illustrated part

Rear Trim Panels
Figure IWK-220



ITEM	PART NUMBER	QTY	LINE	SERIES	BODY	ENGINE	TRANS	TRIM	DESCRIPTION
1									PANEL, Quarter Trim
	5HS361J3AF	1						*00	[J3], Right
	5HS371D1AF	1						*00	[J1], Left
	5HS361D1AF	1						*00	[J1], Right
	5HS361D5AF	1						*00	[D5], Right
	5HS371D5AF	1						*00	[D5], Left
	5HS371J3AF	1						*00	[J3], Left
-2	1BR41DX9AA	2						*00	HOOK, Rear Shelf
3	55196901AB	1						*00	LOOP, Cargo Tie Down
4	06035773	2							NUT
5	06101946	4							SCREW, Tapping
6	04685668AA	1							MOUNT, Power Outlet
7	04793554AB	1							POWER OUTLET
8									PANEL, C Pillar
	5HS34BDXAG	1						*00	Right
	5HS35BDXAG	1						*00	Left
9									PLUG, C Pillar
	1CL22BDXAA	1						*00	Right
	1CL23BDXAA	1						*00	Left
10									PANEL, D Pillar Trim
	5HS30BD1AG	1						*00	[J1], Right
	5HS30BD5AG	1						*00	[D5], Right
	5HS30ZJ3AG	1						*00	[J3], Right
	5HS31BD1AG	1						*00	[J1], Left
	5HS31BD5AG	1						*00	[D5], Left
	5HS31ZJ3AG	1						*00	[J3], Left

GRAND CHEROKEE (WK)

SERIES LINE
H = HIGHLINE T = JEEP - 2WD
P = PREMIUM J = JEEP - 4WD
S = SPORT
X = SPECIAL

BODY
74 = SPORT UTILITY 4-DR

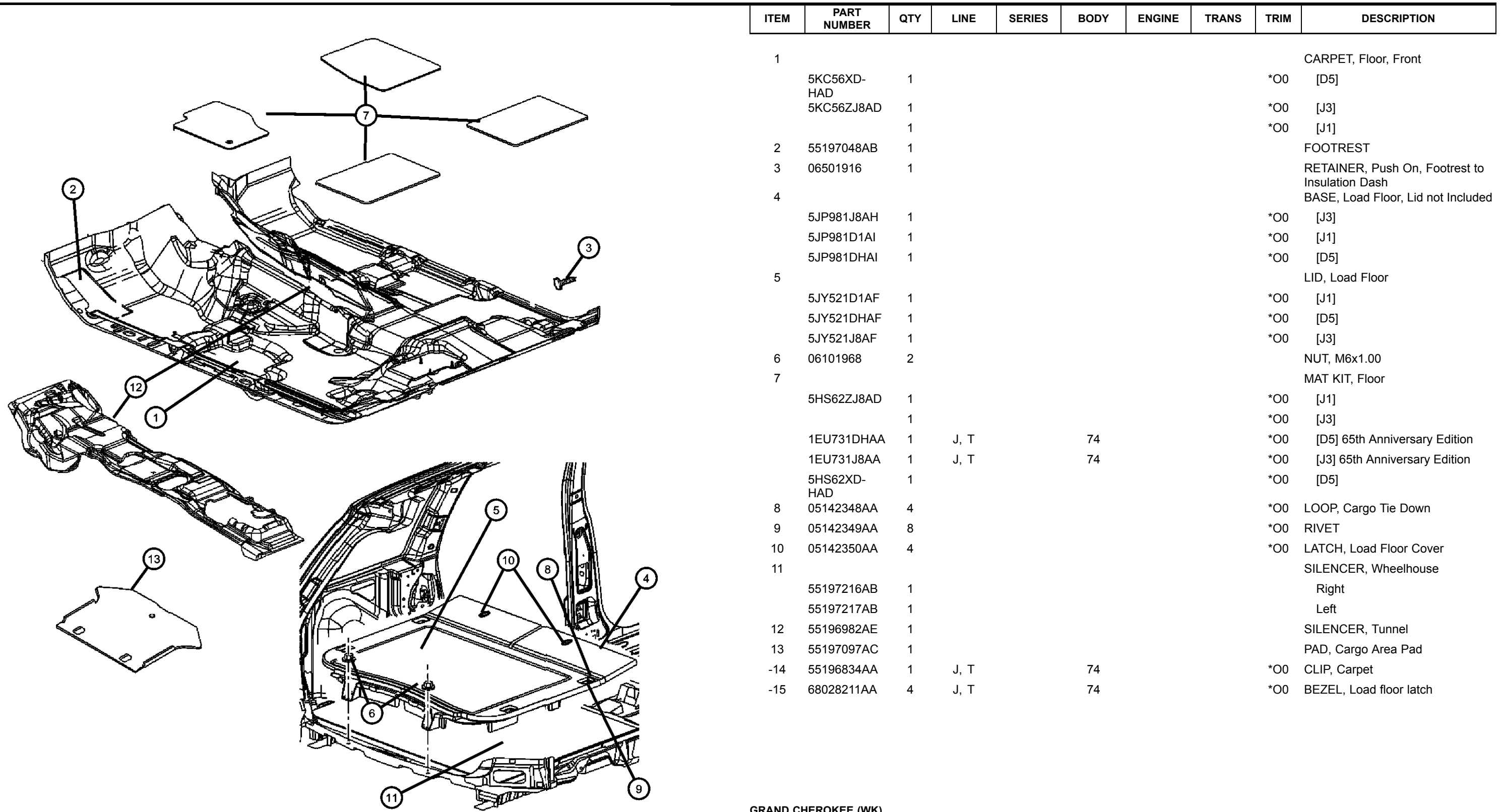
ENGINE
EKG = 3.7L V6 Engine
EVA = 4.7L V8 MPI Engine
EZB = 5.7L Hemi Multi
Displacement Engine

TRANSMISSION
DGQ = 5-Spd Automatic 5-45RFE
Transmission
DGJ = 5-Speed Automatic MB
Transmission

AR = use ase required - = Non illustrated part

2006 WK

**Carpet
Figure IWK-310**



ITEM	PART NUMBER	QTY	LINE	SERIES	BODY	ENGINE	TRANS	TRIM	DESCRIPTION
1	5KC56XD-HAD	1						*O0 [D5]	CARPET, Floor, Front
	5KC56ZJ8AD	1						*O0 [J3]	
		1						*O0 [J1]	
2	55197048AB	1							FOOTREST
3	06501916	1							RETAINER, Push On, Footrest to Insulation Dash
4									BASE, Load Floor, Lid not Included
	5JP981J8AH	1						*O0 [J3]	
	5JP981D1AI	1						*O0 [J1]	
	5JP981DHAI	1						*O0 [D5]	
5									LID, Load Floor
	5JY521D1AF	1						*O0 [J1]	
	5JY521DHAF	1						*O0 [D5]	
	5JY521J8AF	1						*O0 [J3]	
6	06101968	2							NUT, M6x1.00
7									MAT KIT, Floor
	5HS62ZJ8AD	1						*O0 [J1]	
		1						*O0 [J3]	
	1EU731DHAA	1	J, T		74			*O0 [D5]	65th Anniversary Edition
	1EU731J8AA	1	J, T		74			*O0 [J3]	65th Anniversary Edition
	5HS62XD-HAD	1						*O0 [D5]	
8	05142348AA	4						*O0	LOOP, Cargo Tie Down
9	05142349AA	8						*O0	RIVET
10	05142350AA	4						*O0	LATCH, Load Floor Cover
11									SILENCER, Wheelhouse
	55197216AB	1							Right
	55197217AB	1							Left
12	55196982AE	1							SILENCER, Tunnel
13	55197097AC	1							PAD, Cargo Area Pad
-14	55196834AA	1	J, T		74			*O0	CLIP, Carpet
-15	68028211AA	4	J, T		74			*O0	BEZEL, Load floor latch

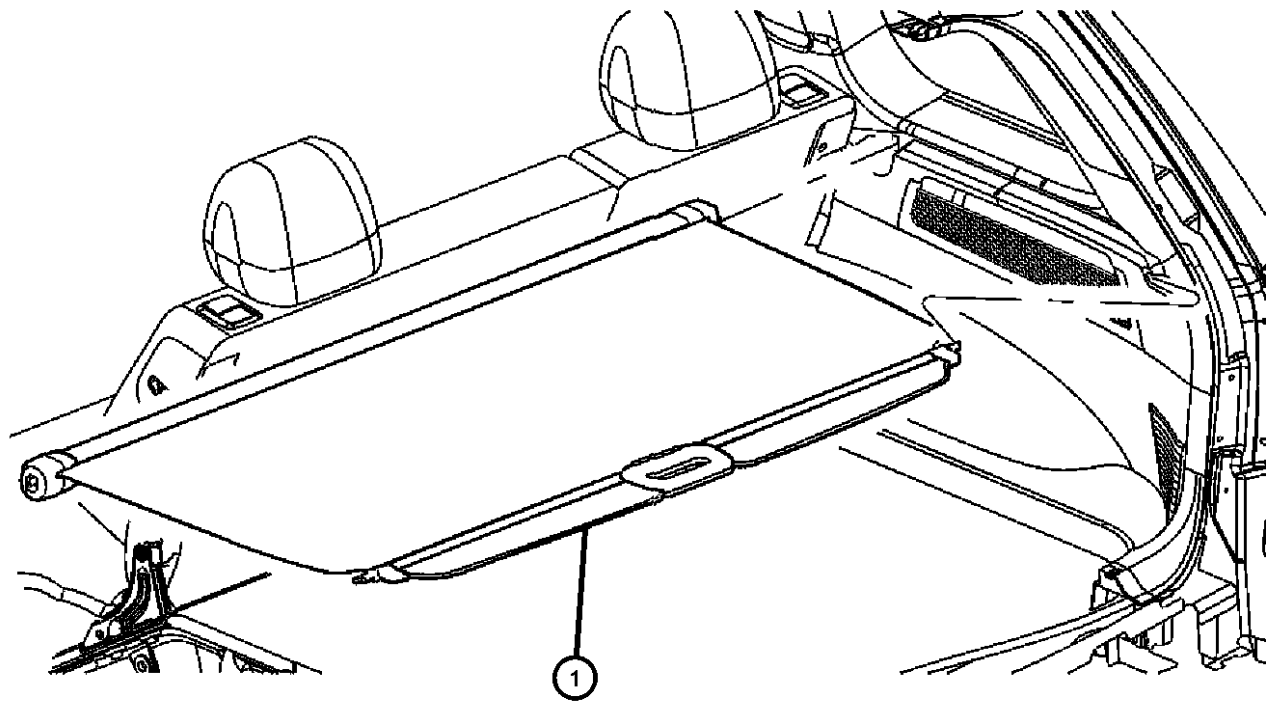
GRAND CHEROKEE (WK)

SERIES	LINE	BODY	ENGINE	TRANSMISSION
H = HIGHLINE	T = JEEP - 2WD	74 = SPORT UTILITY 4-DR	EKG = 3.7L V6 Engine	DGQ = 5-Spd Automatic 5-45RFE
P = PREMIUM	J = JEEP - 4WD		EVA = 4.7L V8 MPI Engine	Transmission
S = SPORT			EZB = 5.7L Hemi Multi	DGJ = 5-Speed Automatic MB
X = SPECIAL			Displacement Engine	Transmission

AR = use ase required - = Non illustrated part

**Cover, Cargo
Figure IWK-320**

ITEM	PART NUMBER	QTY	LINE	SERIES	BODY	ENGINE	TRANS	TRIM	DESCRIPTION
1									COVER, Cargo Compartment
	5HS38BD1AA	1						*00 [J1]	
	5HS38BD5AA	1						*00 [D5]	
	5HS38ZJ3AA	1						*00 [J3]	



GRAND CHEROKEE (WK)

SERIES LINE
H = HIGHLINE T = JEEP - 2WD
P = PREMIUM J = JEEP - 4WD
S = SPORT
X = SPECIAL

BODY
74 = SPORT UTILITY 4-DR

ENGINE
EKG = 3.7L V6 Engine
EVA = 4.7L V8 MPI Engine
EZB = 5.7L Hemi Multi Displacement Engine

TRANSMISSION
DGQ = 5-Spd Automatic 5-45RFE Transmission
DGJ = 5-Speed Automatic MB Transmission

AR = use ase required - = Non illustrated part

2006 WK

Door Trim Panels
Figure IWK-410

ITEM	PART NUMBER	QTY	LINE	SERIES	BODY	ENGINE	TRANS	TRIM	DESCRIPTION
------	-------------	-----	------	--------	------	--------	-------	------	-------------

[CBF] = Premium Door Trim Panel

[CBW] = Highline Door Trim Panel

[CTC] = Luxury Door Trim Panel

[CTL] = Base Door Trim Panel

[CTM] = Deluxe Door Trim Panel

1									PANEL, Front Door Trim
	1EG801D5AA	1						*00	[D5] Loredo, With [CTL] Base Trim Panel, Right
	1EG801J3AA	1						*00	[J3] Loredo, With [CTL] Base Trim Panel, Right
	1EG811D5AA	1						*00	[D5] Loredo, With [CTL] Base Trim Panel, Left
	1EG811J3AA	1						*00	[J3] Loredo, With [CTL] Base Trim Panel, Left
	1EG881D1AA	1			P			*00	[J1] Limited, With [CBF] Premium Trim Panel, Right
	1EG891D5AA	1			P			*00	[D5] Limited, With [CBF] Premium Trim Panel, Left
	1EG891J3AA	1			P			*00	[J3] Limited, With [CBF] Premium Trim Panel, Left
	1EG881D5AA	1			P			*00	[D5] Limited, With [CBF] Premium Trim Panel, Right
	1EG881J3AA	1			P			*00	[J3] Limited, With [CBF] Premium Trim Panel, Right
	1EG891D1AA	1			P			*00	[J1] Limited, With [CBF] Premium Trim Panel, Left
	1GB271D5AA	1	J, T		74			*00	[D5] Limited, With [CTM] Deluxe Trim Panel, Left
	1HG781D5AA	1	J, T		74			*00	[D5] SRT-8, With [CBW] Hightline Trim Panel, Right
	1HG791D5AA	1	J, T		74			*00	[D5] SRT-8, With [CBW] Hightline Trim Panel, Left
	1EH121D1AA	1	J, T		74			*00	[J1] Overland, With [CTC] Luxury Trim Panel, Right
	1EH121D5AA	1	J, T		74			*00	[D5] Overland, With [CTC] Luxury Trim Panel, Right
	1EH131D1AA	1	J, T		74			*00	[J1] Overland, With [CTC] Luxury Trim Panel, Left
	1EH131D5AA	1	J, T		74			*00	[D5] Overland, With [CTC] Luxury Trim Panel, Left
	1GB261D5AA	1	J, T		74			*00	[D5] Limited, With [CTM] Deluxe Trim Panel, Right
2									FASTENER, Door Trim Panel
	06507686AA	8			P			*00	Front
		7						*00	Rear
3									SCREW, Tapping

GRAND CHEROKEE (WK)

SERIES LINE
H = HIGHLINE T = JEEP - 2WD
P = PREMIUM J = JEEP - 4WD
S = SPORT
X = SPECIAL

BODY
74 = SPORT UTILITY 4-DR

ENGINE
EKG = 3.7L V6 Engine
EVA = 4.7L V8 MPI Engine
EZB = 5.7L Hemi Multi Displacement Engine

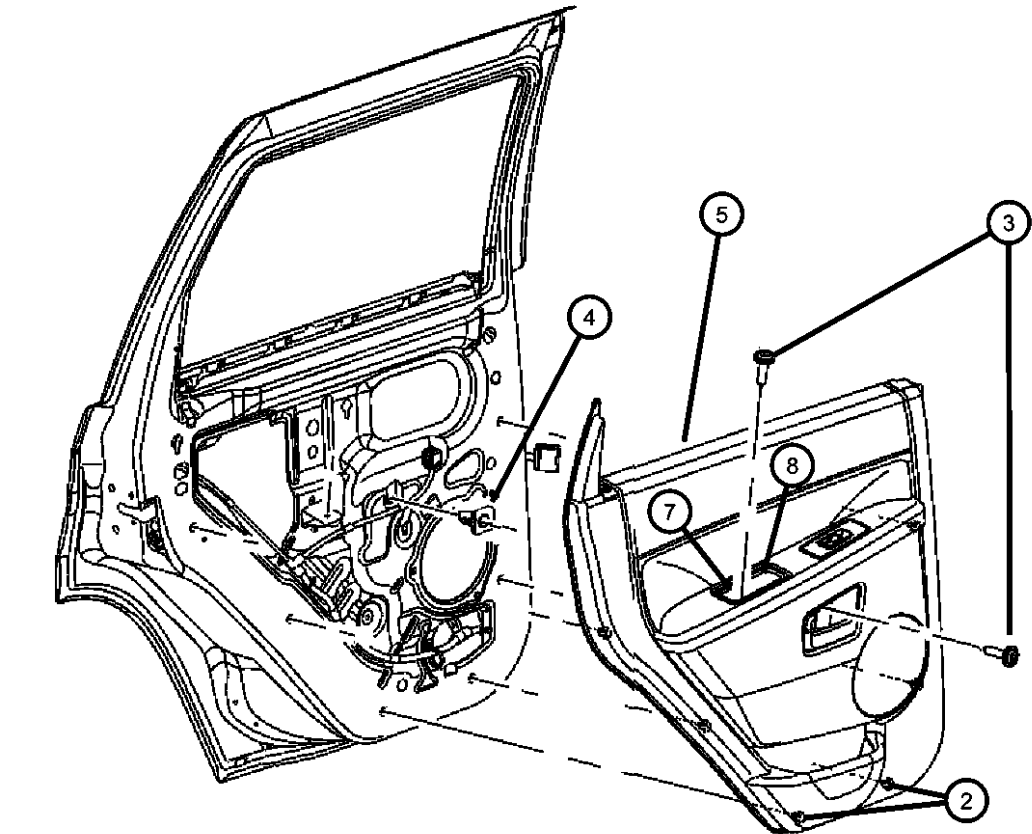
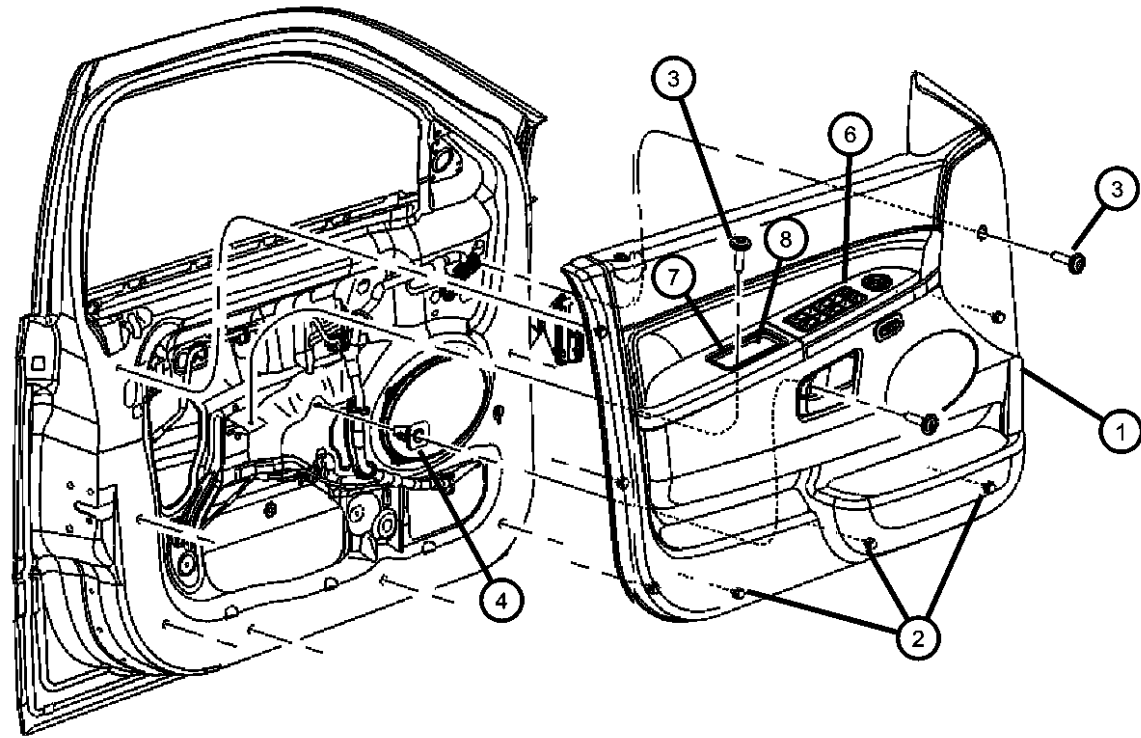
TRANSMISSION
DGQ = 5-Spd Automatic 5-45RFE Transmission
DGJ = 5-Speed Automatic MB Transmission

AR = use ase required - = Non illustrated part

2006 WK

Door Trim Panels
Figure IWK-410

ITEM	PART NUMBER	QTY	LINE	SERIES	BODY	ENGINE	TRANS	TRIM	DESCRIPTION
------	-------------	-----	------	--------	------	--------	-------	------	-------------



	06101946	6							Front
		4							
4	06035807	2							NUT, Door Trim
5									PANEL, Rear Door Trim
	5HR371D1AJ	1						*O0	[J1], With Sales Codes [CBF], [CTC], Left
	5HR371D5AJ	1						*O0	[D5], With Sales Codes [CTM], [CTC], [CBW], [CBF], Left
	5HR371J3AJ	1						*O0	[J3], With Sales Codes [CBF], [CTC], Left
	5HR381D1AJ	1						*O0	[J1], With Sales Codes [CBF], [CTC], Right
	5HR381D5AJ	1						*O0	[D5], With Sales Codes [CTM], [CTC], [CBW], [CBF], Right
	5HR381J3AJ	1						*O0	[J3], With Sales Codes [CBF], [CTC], Right
	5HR411D5AJ	1						*O0	[D5], With Sales Code [CTL], Left
	5HR411J3AJ	1						*O0	[J3], With Sales Code [CTL], Left
	5HR421D5AJ	1						*O0	[D5], With Sales Code [CTL], Right
	5HR421J3AJ	1						*O0	[J3], With Sales Code [CTL], Right
6									BEZEL, Switch
	05189959AA	1	J, T		74			*O0	[Diamond Cut] With [CTL] Base Trim Panel, With [ACH] 65th Anniversary Edition, Left
	05191105AA	1	J, T		74			*O0	[Matrix Grid] With [CTL] Base Trim Panel, Right
	05189960AA	1	J, T		74			*O0	[Diamond Cut] With [CTL] Base Trim Panel, With [ACH] 65th Anniversary Edition, Right
	05191108AA	1	J, T		74			*O0	[Matrix Grid] With [CTL] Base Trim Panel, Left
	05191123AA	1	J, T		74			*O0	[Real Wood] With [CTC] Luxury Trim Panel, Right
	05191125AA	1	J, T		74			*O0	[Real Wood] With [CTC] Luxury Trim Panel, Left
	68024155AA	1	J, T		74			*O0	[Refined aluminum] With [CTM] Deluxe Trim Panel, Right
	68024244AA	1	J, T	P	74			*O0	[Sycamore] With [CBF] Premium Trim Panel, Left
	68024260AA	1	J, T	P	74			*O0	[Sycamore] With [CBF] Premium Trim Panel, Right
	68024156AA	1	J, T		74			*O0	[Refined aluminum] With [CTM] Deluxe Trim Panel, Left

GRAND CHEROKEE (WK)

SERIES LINE
H = HIGHLINE T = JEEP - 2WD
P = PREMIUM J = JEEP - 4WD
S = SPORT
X = SPECIAL

BODY
74 = SPORT UTILITY 4-DR

ENGINE
EKG = 3.7L V6 Engine
EVA = 4.7L V8 MPI Engine
EZB = 5.7L Hemi Multi Displacement Engine

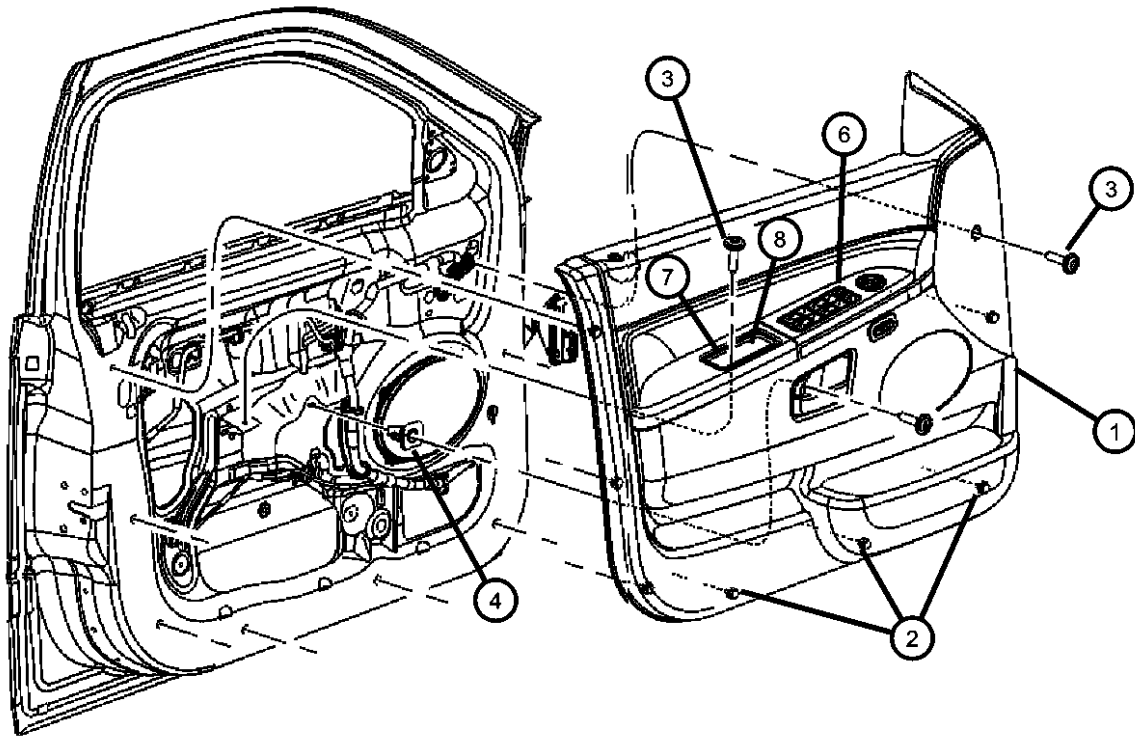
TRANSMISSION
DGQ = 5-Spd Automatic 5-45RFE Transmission
DGJ = 5-Speed Automatic MB Transmission

AR = use ase required - = Non illustrated part

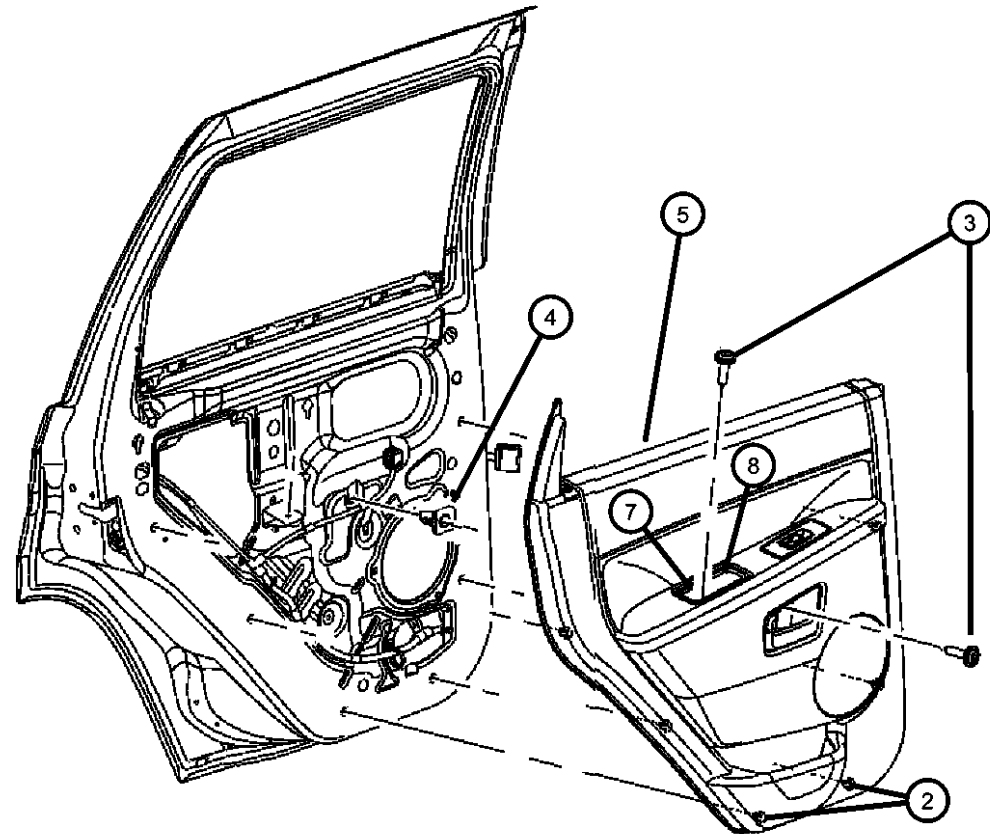
2006 WK

Door Trim Panels
Figure IWK-410

ITEM	PART NUMBER	QTY	LINE	SERIES	BODY	ENGINE	TRANS	TRIM	DESCRIPTION
------	-------------	-----	------	--------	------	--------	-------	------	-------------



7									CUP, Door Pull, Front or Rear
	1HM181D1AA	1	J, T		74			*O0	[J1], Right
	1HM181D5AA	1	J, T		74			*O0	[D5], Right
	1HM181J3AA	1	J, T		74			*O0	[J3], Right
	1HM191D1AA	1	J, T		74			*O0	[J1], Left
	1HM191J3AA	1	J, T		74			*O0	[J3], Left
	1HM191D5AA	1	J, T		74			*O0	[D5], Left
8	1BQ06XXXAB	2						*O0	MAT, Door Pull Cup Mat, Front or Rear



GRAND CHEROKEE (WK)

SERIES LINE
H = HIGHLINE T = JEEP - 2WD
P = PREMIUM J = JEEP - 4WD
S = SPORT
X = SPECIAL

BODY
74 = SPORT UTILITY 4-DR

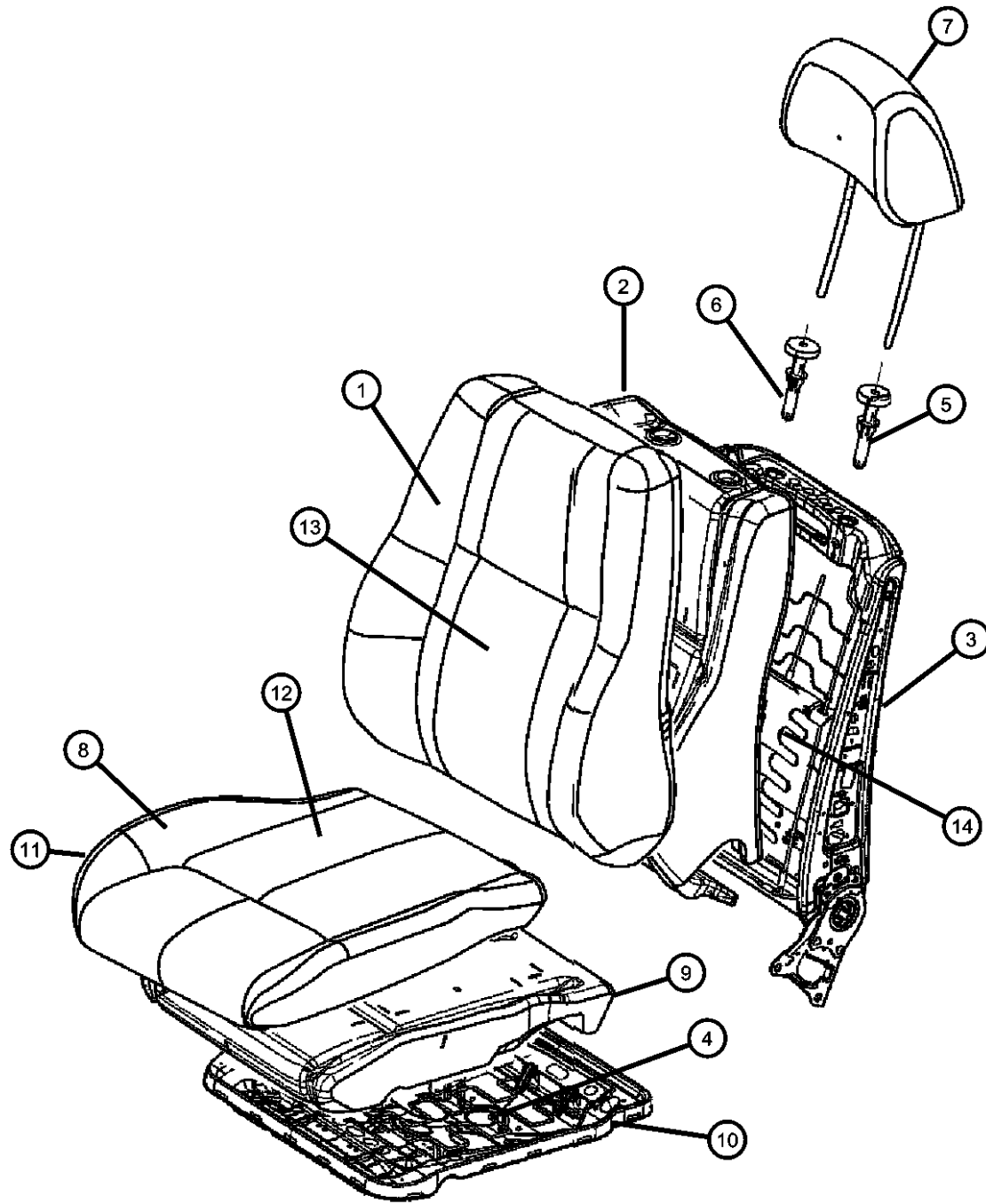
ENGINE
EKG = 3.7L V6 Engine
EVA = 4.7L V8 MPI Engine
EZB = 5.7L Hemi Multi Displacement Engine

TRANSMISSION
DGQ = 5-Spd Automatic 5-45RFE Transmission
DGJ = 5-Speed Automatic MB Transmission

AR = use ase required - = Non illustrated part

2006 WK

**Front Seat, Cloth, Trim Code [A7]
Figure IWK-510**



ITEM	PART NUMBER	QTY	LINE	SERIES	BODY	ENGINE	TRANS	TRIM	DESCRIPTION
1									COVER, Front Seat Back
	1BF781D5AA	1						*A7	[D5], Right
	1BF781J3AA	1						*A7	[J3], Right
	1BF791D5AA	1						*A7	[D5], Left
	1BF791J3AA	1						*A7	[J3], Left
2									FOAM, Seat Back
	05143344AA	1						*A7	Passenger
	05143345AA	1						*A7	Driver
3									FRAME, Front Seat Back
	05136181AA	1						*A7	Passenger
	05143571AA	1						*A7	Lumbar Included, Driver
	05143571AB	1	J, T		74			*A7	With [JPR], [XCA] Sales Codes, Left
	05143572AB	1	J, T		74			*A7	With [JPR], [XCA] Sales Codes, Right
4	05135282AA	1						*A7	FRAME, Front Seat Cushion, Includes the adjusterRight
5	1AN471D5AA	1						*A7	SLEEVE, Headrest, With Button
6	1AN481DDAA	2						*A7	SLEEVE, Headrest, Without Button
7									HEADREST, Front
	1BD211D5AA	2						*A7	[D5], Driver and Passenger
	1BD211J3AA	2						*A7	[J3], Driver and Passenger
8									COVER, Front Seat Cushion
	1BF811D5AA	2						*A7	[D5], Driver and Passenger
	1BF811J3AA	2						*A7	[J3], Driver and Passenger
9	05143343AA	2						*A7	FOAM, Seat CushionDriver and Passenger
10									PAN, SEAT CUSHION
	05134939AA	1						*A7	Left, Power
	05134940AA	1						*A7	Manual or Power Right, Manual Left, Power
11	05143430AA	2						*A7	WIRE KIT, Trimming, Cushion
12	05000021AA	2						*A7	PAD, Heater, Cushion
13	05000022AA	2						*A7	PAD, Heater, Back
14									LUMBAR, Support
	05140312AA	1						*A7	Right
	05140313AA	1						*A7	Left

GRAND CHEROKEE (WK)

SERIES LINE
H = HIGHLINE T = JEEP - 2WD
P = PREMIUM J = JEEP - 4WD
S = SPORT
X = SPECIAL

BODY
74 = SPORT UTILITY 4-DR

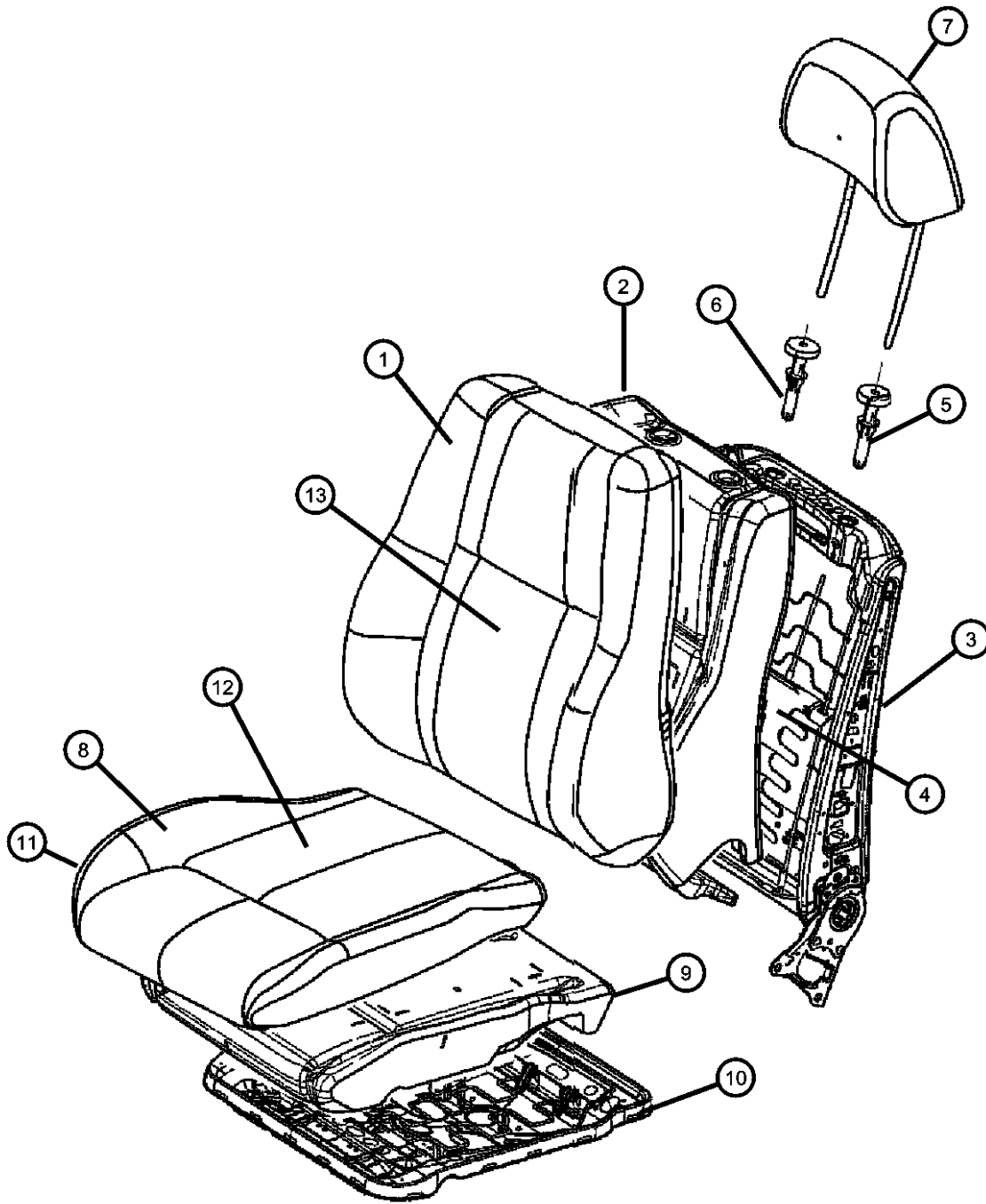
ENGINE
EKG = 3.7L V6 Engine
EVA = 4.7L V8 MPI Engine
EZB = 5.7L Hemi Multi Displacement Engine

TRANSMISSION
DGQ = 5-Spd Automatic 5-45RFE Transmission
DGJ = 5-Speed Automatic MB Transmission

AR = use ase required - = Non illustrated part

2006 WK

Front Seat, Cloth, Trim Code [Y5]
Figure IWK-520



ITEM	PART NUMBER	QTY	LINE	SERIES	BODY	ENGINE	TRANS	TRIM	DESCRIPTION
1									COVER, Front Seat Back
	1FD321D5AA	1	J, T		74			*Y5	[D5], Right
	1FD321J3AA	1	J, T		74			*Y5	[J3], Right
	1FD331D5AA	1	J, T		74			*Y5	[D5], Left
	1FD331J3AA	1	J, T		74			*Y5	[J3], Left
2									FOAM, Seat Back
	05143344AA	1	J, T		74			*Y5	Right
	05143345AA	1	J, T		74			*Y5	Left
3									FRAME, Front Seat Back
	05143572AB	1	J, T		74			*Y5	Lumbar Included, Right
	05136181AB	1	J, T		74			*Y5	Without Lumbar, Right
	05143571AB	1	J, T		74			*Y5	Lumbar Included, Left
4									LUMBAR, Support
	05140312AA	1	J, T		74			*Y5	Right
	05140313AA	1	J, T		74			*Y5	Left
5									SLEEVE, Headrest, With Button
	1DS911DAAA	2	J, T		74			*Y5	[D5]
	1DS911J3AA	2	J, T		74			*Y5	[J3]
6									SLEEVE, Headrest, Without Button
	1DS941DAAA	2	J, T		74			*Y5	[D5]
	1DS941J3AA	2	J, T		74			*Y5	[J3]
7									HEADREST, Front
	1BD211J3AA	2	J, T		74			*Y5	[J3]
	1BD211D5AA	2	J, T		74			*Y5	[D5]
8									COVER, Front Seat Cushion
	1BF811D5AA	2	J, T		74			*Y5	[D5]
	1BF811J3AA	2	J, T		74			*Y5	[J3]
9	05143343AA	2	J, T		74			*Y5	FOAM, Seat Cushion Right & Left
10									PAN, SEAT CUSHION
	05134939AA	1	J, T		74			*Y5	Left
	05134940AA	1	J, T		74			*Y5	Right
11	05143430AA	2	J, T		74			*Y5	WIRE KIT, Trimming, Cushion
12	05000021AA	2						*Y5	PAD, Heater, Cushion
13	05000022AA	2						*Y5	PAD, Heater, Back

GRAND CHEROKEE (WK)

SERIES LINE
H = HIGHLINE T = JEEP - 2WD
P = PREMIUM J = JEEP - 4WD
S = SPORT
X = SPECIAL

BODY
74 = SPORT UTILITY 4-DR

ENGINE
EKG = 3.7L V6 Engine
EVA = 4.7L V8 MPI Engine
EZB = 5.7L Hemi Multi Displacement Engine

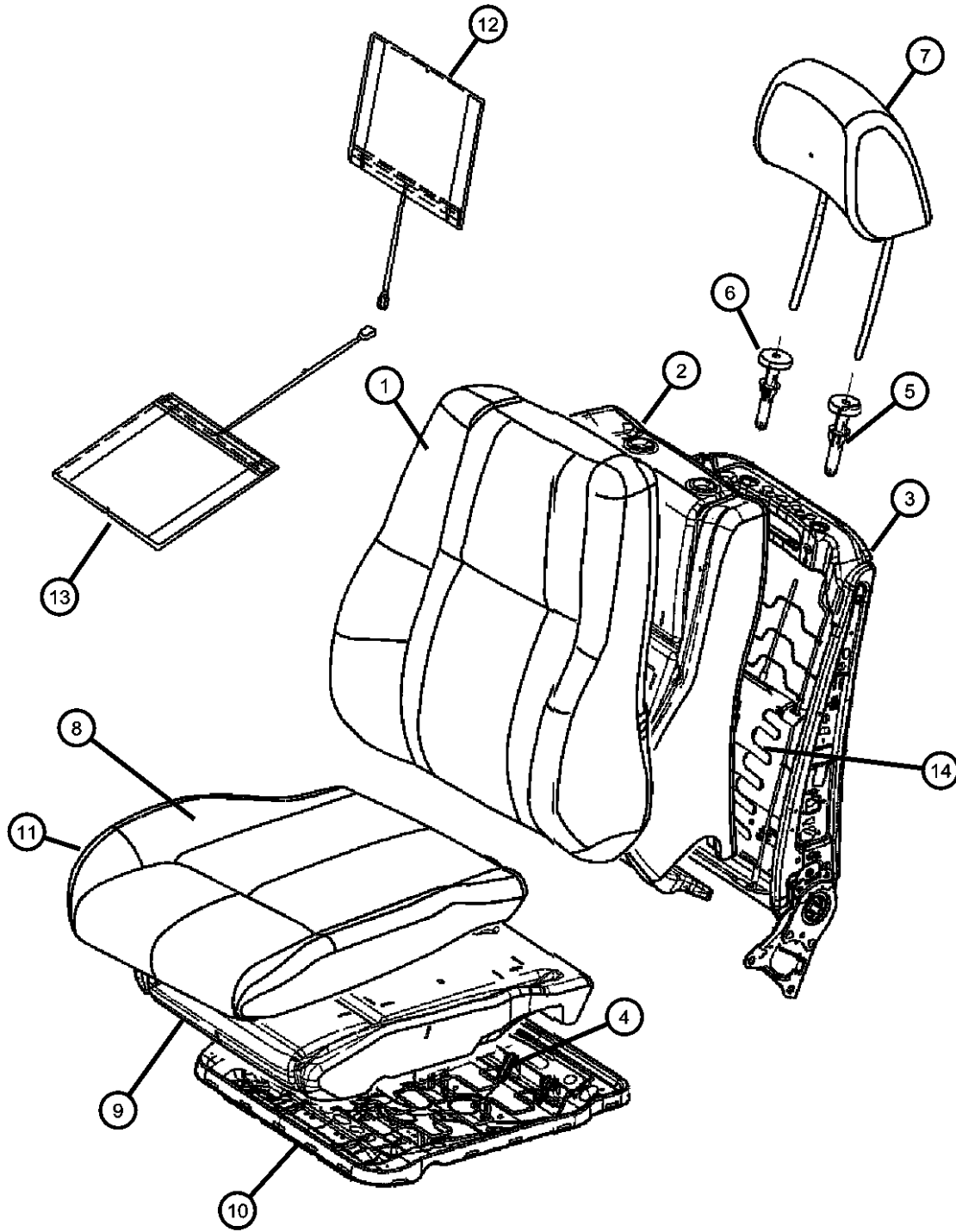
TRANSMISSION
DGQ = 5-Spd Automatic 5-45RFE Transmission
DGJ = 5-Speed Automatic MB Transmission

AR = use ase required - = Non illustrated part

2006 WK

**Front Seat, Leather, Trim Code [AL]
Figure IWK-530**

ITEM	PART NUMBER	QTY	LINE	SERIES	BODY	ENGINE	TRANS	TRIM	DESCRIPTION
1	1BF881D5AA	1						*AL	COVER, Front Seat Back [D5], Passenger
	1BF881J3AA	1						*AL	[J3], Passenger
	1BF891D5AA	1						*AL	[D5], Driver
	1BF891J3AA	1						*AL	[J3], Driver
2	05143344AA	1						*AL	FOAM, Seat Back Passenger
	05143345AA	1						*AL	Driver
3	05136181AA	1						*AL	FRAME, Front Seat Back Passenger
	05143571AA	1						*AL	Lumbar Included, Driver
4	05135282AA	1						*AL	FRAME, Front Seat Cushion, Includes the adjuster, Includes the adjuster, Right
5	1AN471D5AA	1						*AL	SLEEVE, Headrest, With Button
6	1AN481DDAA	2						*AL	SLEEVE, Headrest, Without Button
7	1BF861D5AA	2						*AL	HEADREST, Front [D5], Driver and Passenger
	1BF861J3AA	2						*AL	[J3], Driver and Passenger
8	1BF901D5AA	2						*AL	COVER, Front Seat Cushion [D5], Driver and Passenger
	1BF901J3AA	2						*AL	[J3], Driver and Passenger
9	05143343AA	2						*AL	FOAM, Seat Cushion Driver and Passenger
10	05134939AA	1						*AL	PAN, SEAT CUSHION Left, Power
	05134940AA	1						*AL	Manual or Power Right, Manual Left, Power
11	05143430AA	2						*AL	WIRE KIT, Trimming, Cushion Driver and Passenger
12	05000022AA	2						*AL	PAD, Heater, Back Driver and Passenger
13	05000021AA	2						*AL	PAD, Heater, Cushion Driver and Passenger
14	05140312AA	1						*AL	LUMBAR, Support Right
	05140313AA	1						*AL	Left



GRAND CHEROKEE (WK)

SERIES LINE
H = HIGHLINE T = JEEP - 2WD
P = PREMIUM J = JEEP - 4WD
S = SPORT
X = SPECIAL

BODY
74 = SPORT UTILITY 4-DR

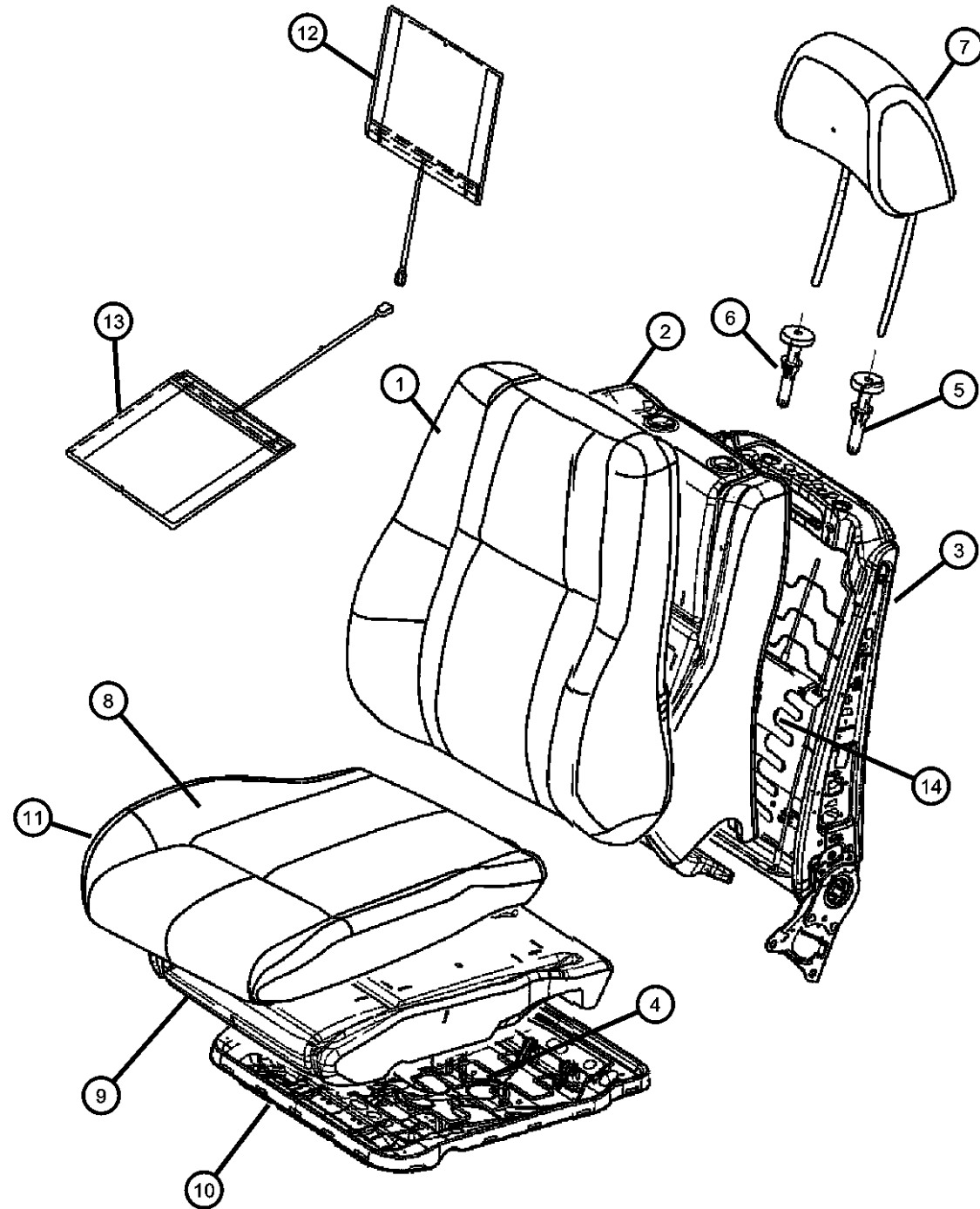
ENGINE
EKG = 3.7L V6 Engine
EVA = 4.7L V8 MPI Engine
EZB = 5.7L Hemi Multi
Displacement Engine

TRANSMISSION
DGQ = 5-Spd Automatic 5-45RFE
Transmission
DGJ = 5-Speed Automatic MB
Transmission

AR = use ase required - = Non illustrated part

2006 WK

**Front Seat, Leather, Trim Code [PL]
Figure IWK-540**



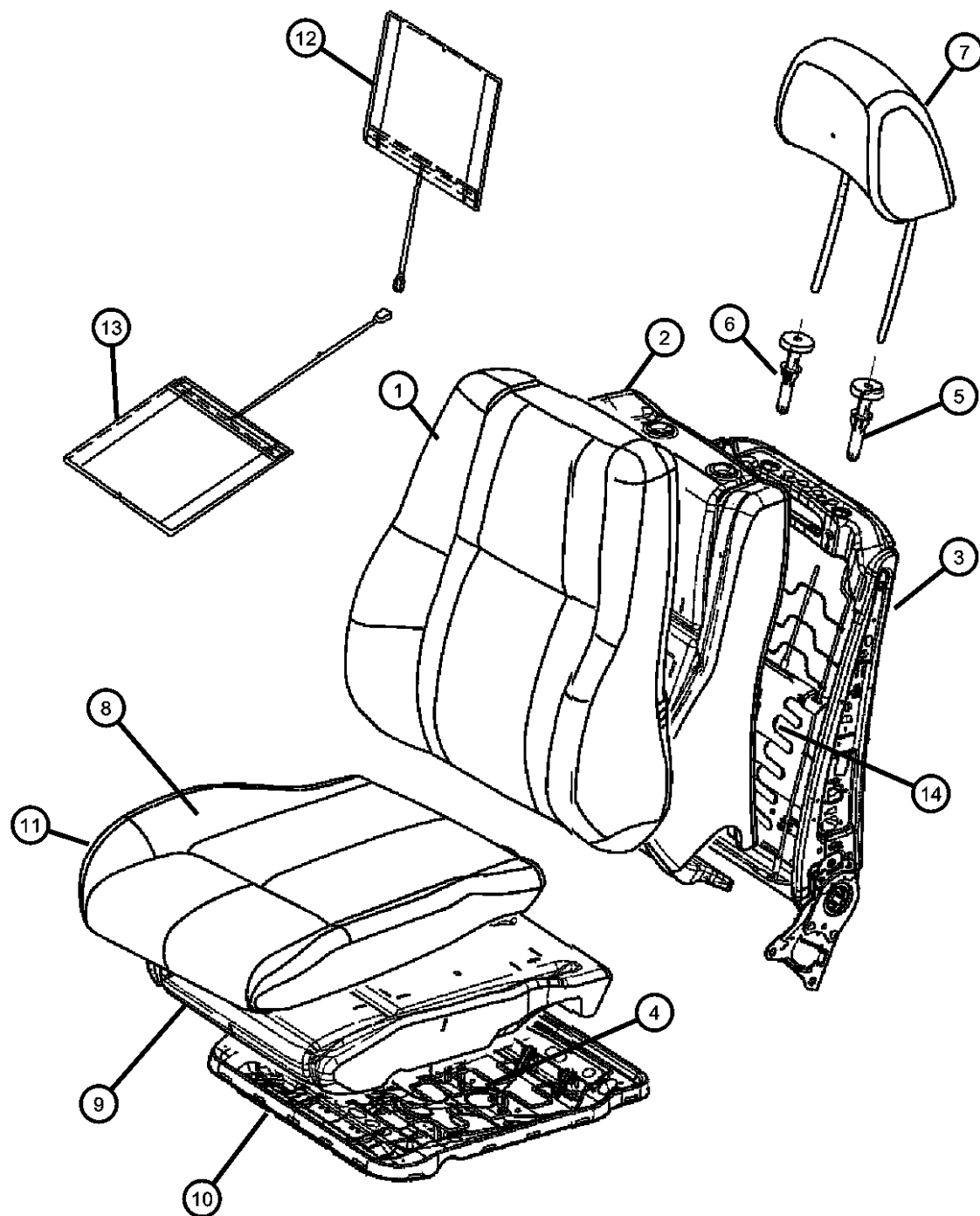
ITEM	PART NUMBER	QTY	LINE	SERIES	BODY	ENGINE	TRANS	TRIM	DESCRIPTION
1	1BF961D1AA	1						*PL	COVER, Front Seat Back [J1], Passenger
	1BF961D5AA	1						*PL	[D5], Passenger
	1BF961J3AA	1						*PL	[J3], Passenger
	1BF971D5AA	1						*PL	[D5], Driver
	1BF971D1AA	1						*PL	[J1], Driver
	1BF971J3AA	1						*PL	[J3], Driver
2	05143344AA	1						*PL	FOAM, Seat Back Passenger
	05143345AA	1						*PL	Driver
3	05136181AA	1						*PL	FRAME, Front Seat Back Passenger
	05136182AA	1						*PL	Recliner with Motor Included,Lumbar Included, Driver
4	05135282AA	1						*PL	FRAME, Front Seat Cushion, Includes the adjusterRight
5	1AN471D1AA	2						*PL	SLEEVE, Headrest, With Button
6	1AN481DDAA	2						*PL	SLEEVE, Headrest, Without Button
7	1BF941D5AA	2						*PL	HEADREST, Front [D5], Driver and Passenger
	1BF941D1AA	2						*PL	[J1], Driver and Passenger
	1BF941J3AA	2						*PL	[J3], Driver and Passenger
8	1BF981D1AA	2						*PL	COVER, Front Seat Cushion [J1], Driver and Passenger
	1BF981D5AA	2						*PL	[D5], Driver and Passenger
	1BF981J3AA	2						*PL	[J3], Driver and Passenger
9	05161387AA	2						*PL	FOAM, Seat CushionDriver and Passenger
10	05134939AA	1						*PL	PAN, SEAT CUSHION Left, Power
	05134940AA	1						*PL	Manual or Power Right, Manual Left, Power
11	05143430AA	2						*PL	WIRE KIT, Trimming, CushionDriver and Passenger
12	05000022AA	2						*PL	PAD, Heater, BackDriver and Passenger
13	05000021AA	2						*PL	PAD, Heater, CushionDriver and Passenger

GRAND CHEROKEE (WK)
 SERIES LINE BODY ENGINE TRANSMISSION
 H = HIGHLINE T = JEEP - 2WD 74 = SPORT UTILITY 4-DR EKG = 3.7L V6 Engine DGQ = 5-Spd Automatic 5-45RFE
 P = PREMIUM J = JEEP - 4WD EVA = 4.7L V8 MPI Engine Transmission
 S = SPORT EZB = 5.7L Hemi Multi DGJ = 5-Speed Automatic MB
 X = SPECIAL Displacement Engine Transmission

AR = use ase required - = Non illustrated part

Front Seat, Leather, Trim Code [PL]
Figure IWK-540

ITEM	PART NUMBER	QTY	LINE	SERIES	BODY	ENGINE	TRANS	TRIM	DESCRIPTION
------	-------------	-----	------	--------	------	--------	-------	------	-------------



14									LUMBAR, Support
	05140312AA	1						*PL	Right
	05140313AA	1						*PL	Left

GRAND CHEROKEE (WK)

SERIES LINE
H = HIGHLINE T = JEEP - 2WD
P = PREMIUM J = JEEP - 4WD
S = SPORT
X = SPECIAL

BODY
74 = SPORT UTILITY 4-DR

ENGINE
EKG = 3.7L V6 Engine
EVA = 4.7L V8 MPI Engine
EZB = 5.7L Hemi Multi
Displacement Engine

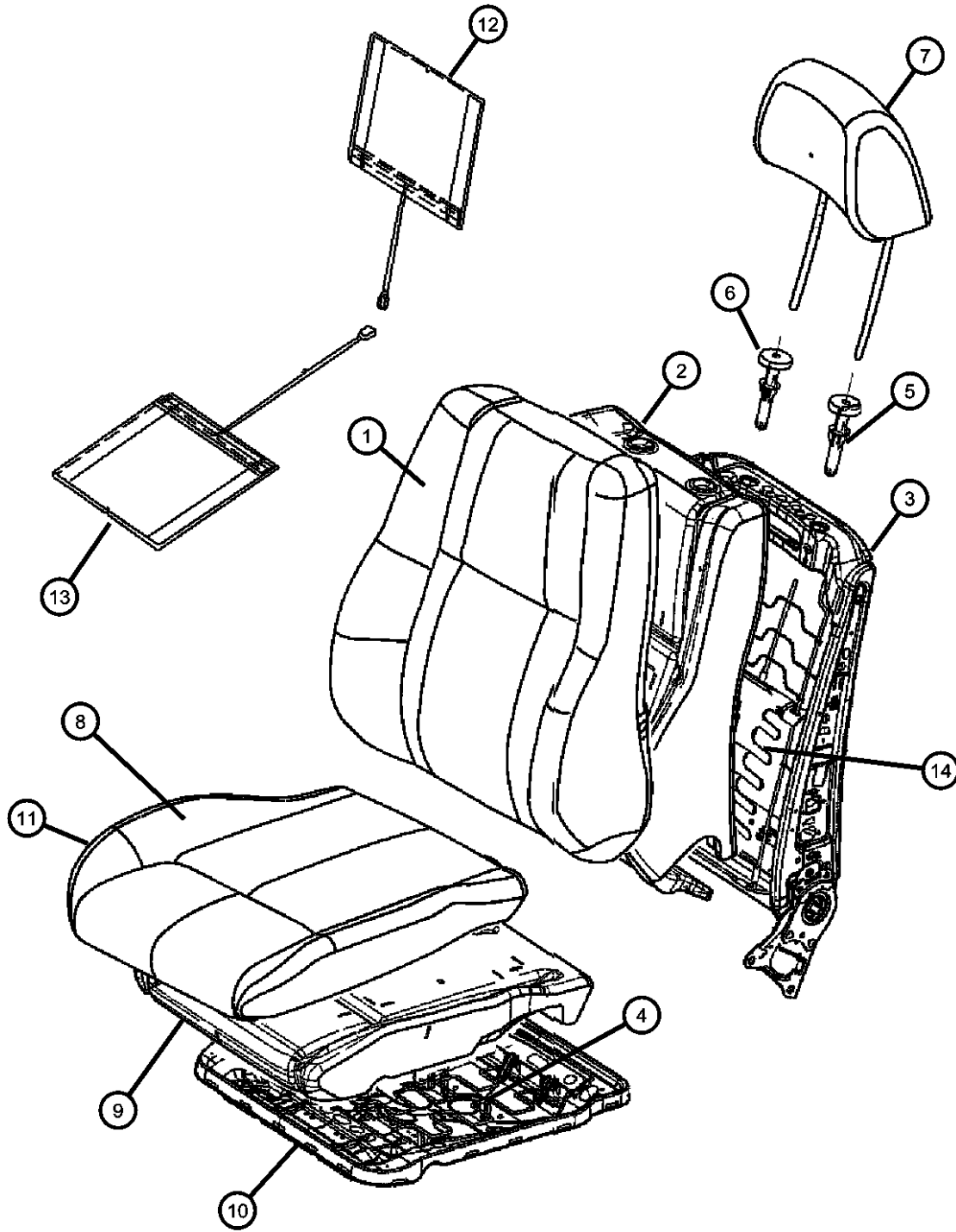
TRANSMISSION
DGQ = 5-Spd Automatic 5-45RFE
Transmission
DGJ = 5-Speed Automatic MB
Transmission

AR = use ase required - = Non illustrated part

2006 WK

**Front Seat, Leather, Trim Code [XL]
Figure IWK-550**

ITEM	PART NUMBER	QTY	LINE	SERIES	BODY	ENGINE	TRANS	TRIM	DESCRIPTION
1	1DF221D1AA	1		S				*XL	COVER, Front Seat Back [J1], Right
	1DF221D5AA	1		S				*XL	[D5], Right
	1DF231D1AA	1		S				*XL	[J1], Left
	1DF231D5AA	1		S				*XL	[D5], Left
2	05143344AA	1		S				*XL	FOAM, Seat Back Passenger
	05143345AA	1		S				*XL	Driver
3	05136181AB	1		S				*XL	FRAME, Front Seat Back Passenger
	05136182AB	1		S				*XL	Recliner and Motor Included,Lumbar Included, Driver
4	05135282AA	1		S				*XL	FRAME, Front Seat Cushion, Includes the adjusterRight SLEEVE, Headrest, With Button
5	1AN471D1AA	2		S				*XL	[J1]
	1AN471D5AA	2		S				*XL	[D5]
6	1AN481D1AA	2		S				*XL	SLEEVE, Headrest, Without Button [J1]
	1AN481D5AA	2		S				*XL	[D5]
7	1DF281D1AA	2		S				*XL	HEADREST, Front [J1]
	1DF281D5AA	2		S				*XL	[D5]
8	1DF211D1AA	2		S				*XL	COVER, Front Seat Cushion [J1]
	1DF211D5AA	2		S				*XL	[D5]
9	05161387AA	2		S				*XL	FOAM, Seat Cushion
10	05134939AA	1		S				*XL	PAN, SEAT CUSHION Includes Springs, Left, Power
	05134940AA	1		S				*XL	Manual or Power Right, Manual Left,Includes Springs, , Power
11	05143430AA	2		S				*XL	WIRE KIT, Trimming, CushionDriver and Passenger
12	05000022AA	2		S				*XL	PAD, Heater, Back
13	05000021AA	2		S				*XL	PAD, Heater, CushionDriver and Passenger
14									LUMBAR, Support



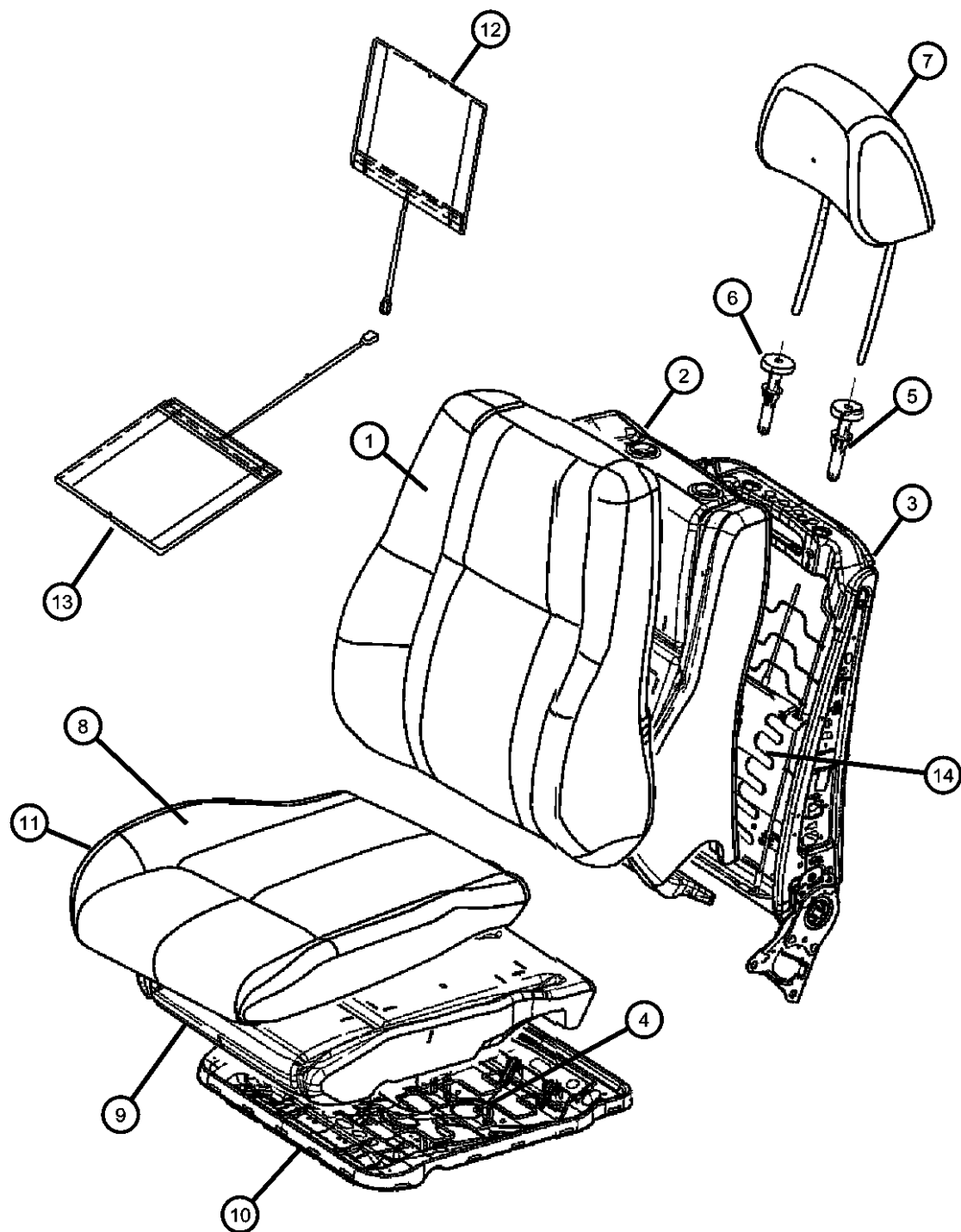
GRAND CHEROKEE (WK)
 SERIES LINE BODY ENGINE TRANSMISSION
 H = HIGHLINE T = JEEP - 2WD 74 = SPORT UTILITY 4-DR EKG = 3.7L V6 Engine DGQ = 5-Spd Automatic 5-45RFE
 P = PREMIUM J = JEEP - 4WD EVA = 4.7L V8 MPI Engine Transmission
 S = SPORT EZB = 5.7L Hemi Multi DGJ = 5-Speed Automatic MB
 X = SPECIAL Displacement Engine Transmission

AR = use ase required - = Non illustrated part

Front Seat, Leather, Trim Code [XL]
Figure IWK-550

ITEM	PART NUMBER	QTY	LINE	SERIES	BODY	ENGINE	TRANS	TRIM	DESCRIPTION
------	-------------	-----	------	--------	------	--------	-------	------	-------------

	05140312AA	1		S				*XL	Right
	05140313AA	1		S				*XL	Left



GRAND CHEROKEE (WK)

SERIES LINE
H = HIGHLINE T = JEEP - 2WD
P = PREMIUM J = JEEP - 4WD
S = SPORT
X = SPECIAL

BODY
74 = SPORT UTILITY 4-DR

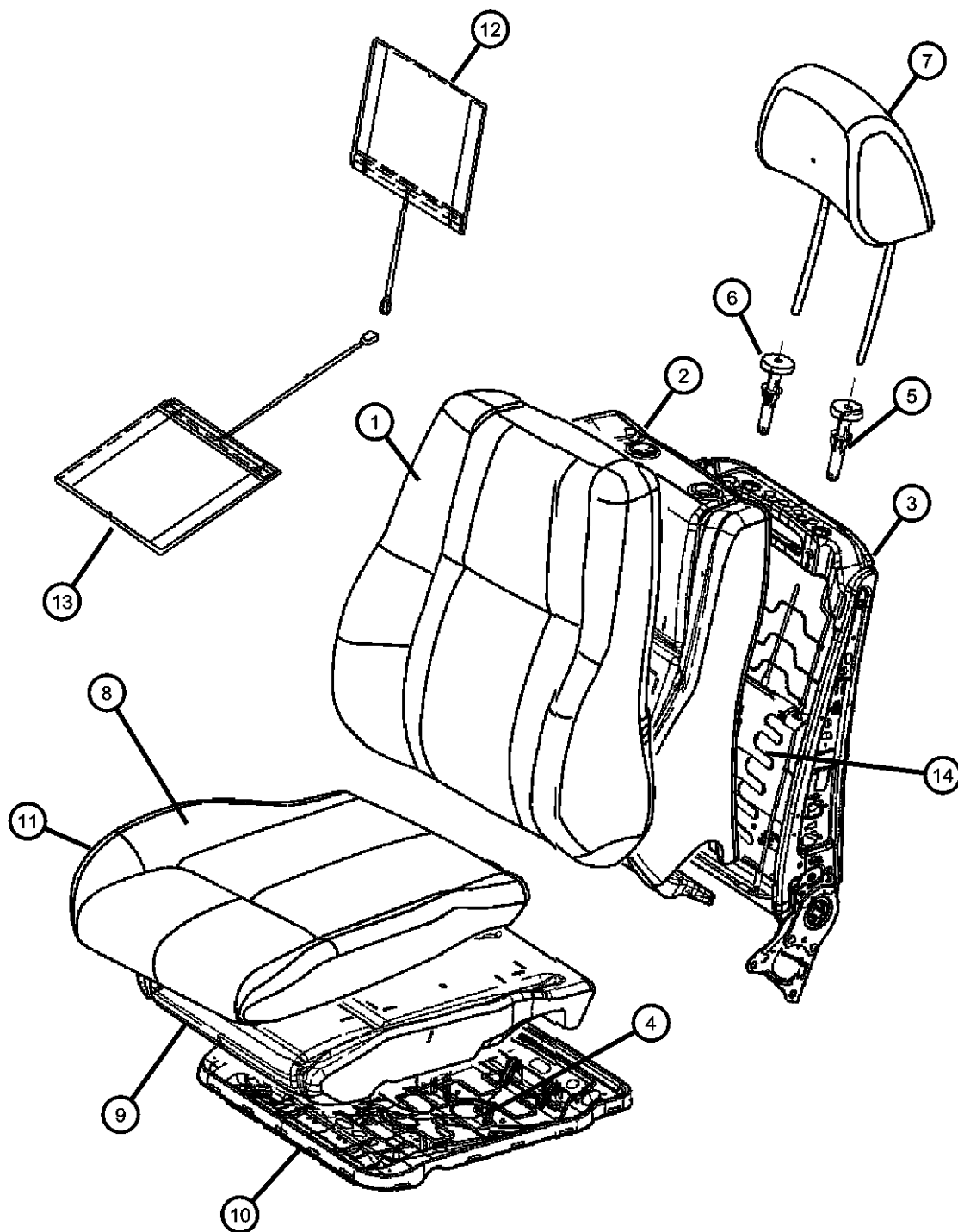
ENGINE
EKG = 3.7L V6 Engine
EVA = 4.7L V8 MPI Engine
EZB = 5.7L Hemi Multi
Displacement Engine

TRANSMISSION
DGQ = 5-Spd Automatic 5-45RFE
Transmission
DGJ = 5-Speed Automatic MB
Transmission

AR = use ase required - = Non illustrated part

2006 WK

**Front Seat, Leather, Trim Code [DZ]
Figure IWK-560**



ITEM	PART NUMBER	QTY	LINE	SERIES	BODY	ENGINE	TRANS	TRIM	DESCRIPTION
1	1DF121D5AA	1		X				*DZ	COVER, Front Seat Back Right
	1DF131D5AA	1		X				*DZ	Left
2	05179556AA	1		X				*DZ	FOAM, Seat Back Right
	05179557AA	1		X				*DZ	Left
3	05136181AB	1		X				*DZ	FRAME, Front Seat Back Passenger
	05136182AA	1		X				*DZ	Power Memory With Lumbar, Driver
	05143571AB	1		X				*DZ	Power With Lumbar, Driver
4	05135282AA	1		X				*DZ	FRAME, Front Seat Cushion, Includes the adjusterRight
5	1AN471D5AA	2		X				*DZ	SLEEVE, Headrest, With Button, [D5]
6	1AN481D5AA	2		X				*DZ	SLEEVE, Headrest, Without Button, [D5]
7	1DF151D5AA	2		X				*DZ	HEADREST, Front, [D5]
8	1DF111D5AA	2		X				*DZ	COVER, Front Seat Cushion, [D5]
9	05179555AA	2		X				*DZ	FOAM, Seat Cushion
10	05134940AA	1		X				*DZ	PAN, SEAT CUSHION Manual or Power Right, Manual Left
	05134939AA	1		X				*DZ	Left, Power
	05143430AA	2		X				*DZ	WIRE KIT, Trimming, CushionDriver and Passenger
12	05000022AA	2						*AL	PAD, Heater, BackDriver and Passenger
13	05000021AA	2		X				*DZ	PAD, Heater, Cushion
14	05140312AA	1		X				*DZ	LUMBAR, Support Right
	05140313AA	1		X				*DZ	Left

GRAND CHEROKEE (WK)

SERIES LINE
H = HIGHLINE T = JEEP - 2WD
P = PREMIUM J = JEEP - 4WD
S = SPORT
X = SPECIAL

BODY
74 = SPORT UTILITY 4-DR

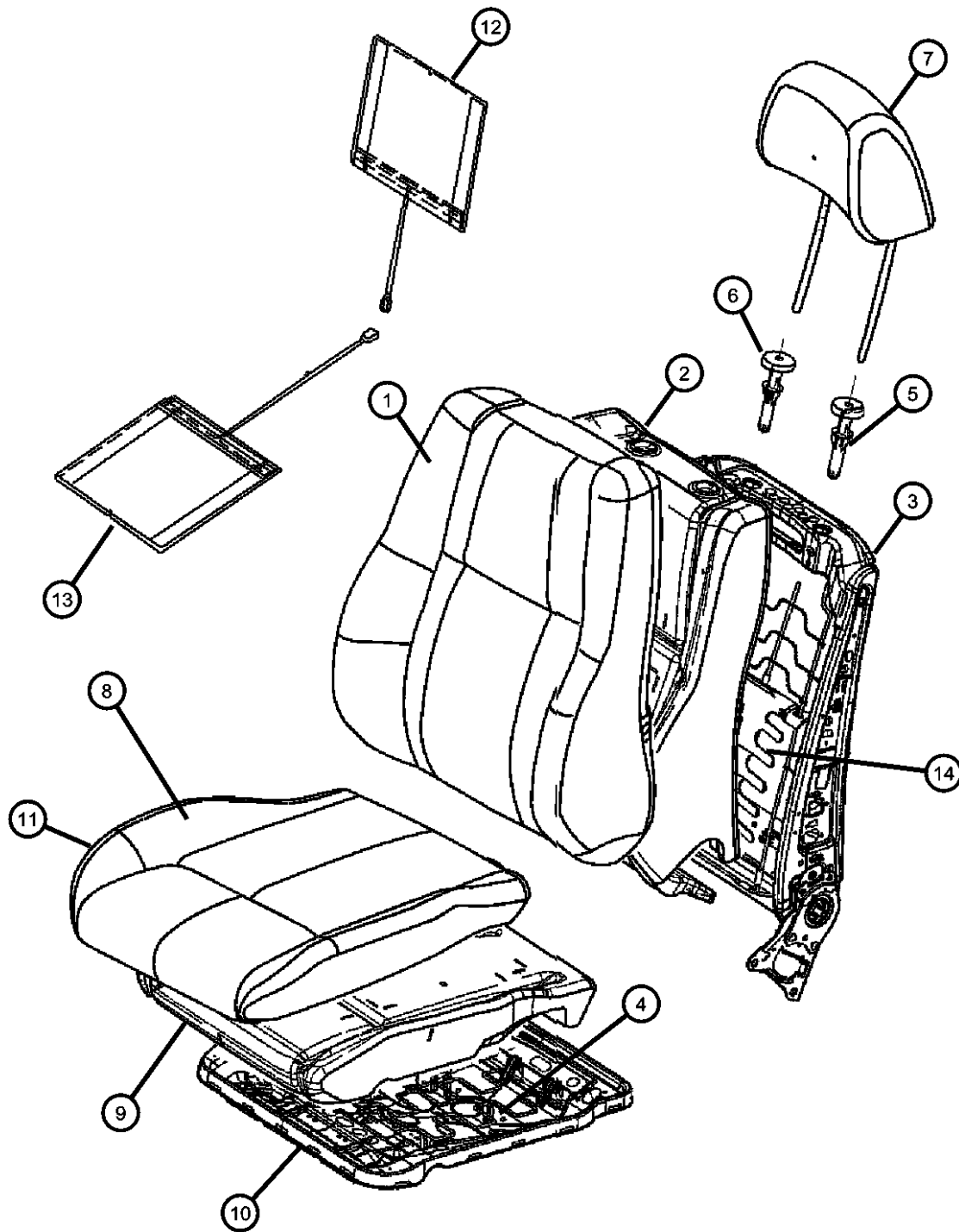
ENGINE
EKG = 3.7L V6 Engine
EVA = 4.7L V8 MPI Engine
EZB = 5.7L Hemi Multi
Displacement Engine

TRANSMISSION
DGQ = 5-Spd Automatic 5-45RFE
Transmission
DGJ = 5-Speed Automatic MB
Transmission

AR = use ase required - = Non illustrated part

2006 WK

**Front Seat, Leather, Trim Code [YL]
Figure IWK-570**



ITEM	PART NUMBER	QTY	LINE	SERIES	BODY	ENGINE	TRANS	TRIM	DESCRIPTION
1	1CW531J3AA	1	J, T		74			*YL	COVER, Front Seat Back [J3], Left
	1CW521D5AA	1	J, T		74			*YL	[D5], Right
	1CW521J3AA	1	J, T		74			*YL	[J3], Right
	1CW531D5AA	1	J, T		74			*YL	[D5], Left
2	05143344AA	1	J, T		74			*YL	FOAM, Seat Back Right
	05143345AA	1	J, T		74			*YL	Left
3	05136181AB	1	J, T		74			*YL	FRAME, Front Seat Back Passenger
	05143571AB	1	J, T		74			*YL	Power With Lumbar, Driver
4	05135282AA	1	J, T		74			*YL	FRAME, Front Seat Cushion, Includes the adjusterRight
5	1AN471DDAA	2	J, T		74			*YL	SLEEVE, Headrest, With Button [D5]
	1AN471J3AA	2	J, T		74			*YL	[J3]
6	1AN481DDAA	2	J, T		74			*YL	SLEEVE, Headrest, Without Button [D5]
	1AN481J3AA	2	J, T		74			*YL	[J3]
7	1BF861D5AA	2	J, T		74			*YL	HEADREST, Front [D5]
	1BF861J3AA	2	J, T		74			*YL	[J3]
8	1CW541D5AA	2	J, T		74			*YL	COVER, Front Seat Cushion [D5]
	1CW541J3AA	2	J, T		74			*YL	[J3]
9	05143343AA	2	J, T		74			*YL	FOAM, Seat Cushion
10	05134939AA	1	J, T		74			*YL	PAN, SEAT CUSHION Left, Power
	05134940AA	1	J, T		74			*YL	Manual or Power Right, Manual Left, Power
11	05143430AA	2	J, T		74			*YL	WIRE KIT, Trimming, CushionDriver and Passenger
12	05000022AA	2						*YL	PAD, Heater, BackDriver and Passenger
13	05000021AA	2						*YL	PAD, Heater, Cushion
14									LUMBAR, Support

GRAND CHEROKEE (WK)

SERIES LINE
H = HIGHLINE T = JEEP - 2WD
P = PREMIUM J = JEEP - 4WD
S = SPORT
X = SPECIAL

BODY
74 = SPORT UTILITY 4-DR

ENGINE
EKG = 3.7L V6 Engine
EVA = 4.7L V8 MPI Engine
EZB = 5.7L Hemi Multi
Displacement Engine

TRANSMISSION
DGQ = 5-Spd Automatic 5-45RFE
Transmission
DGJ = 5-Speed Automatic MB
Transmission

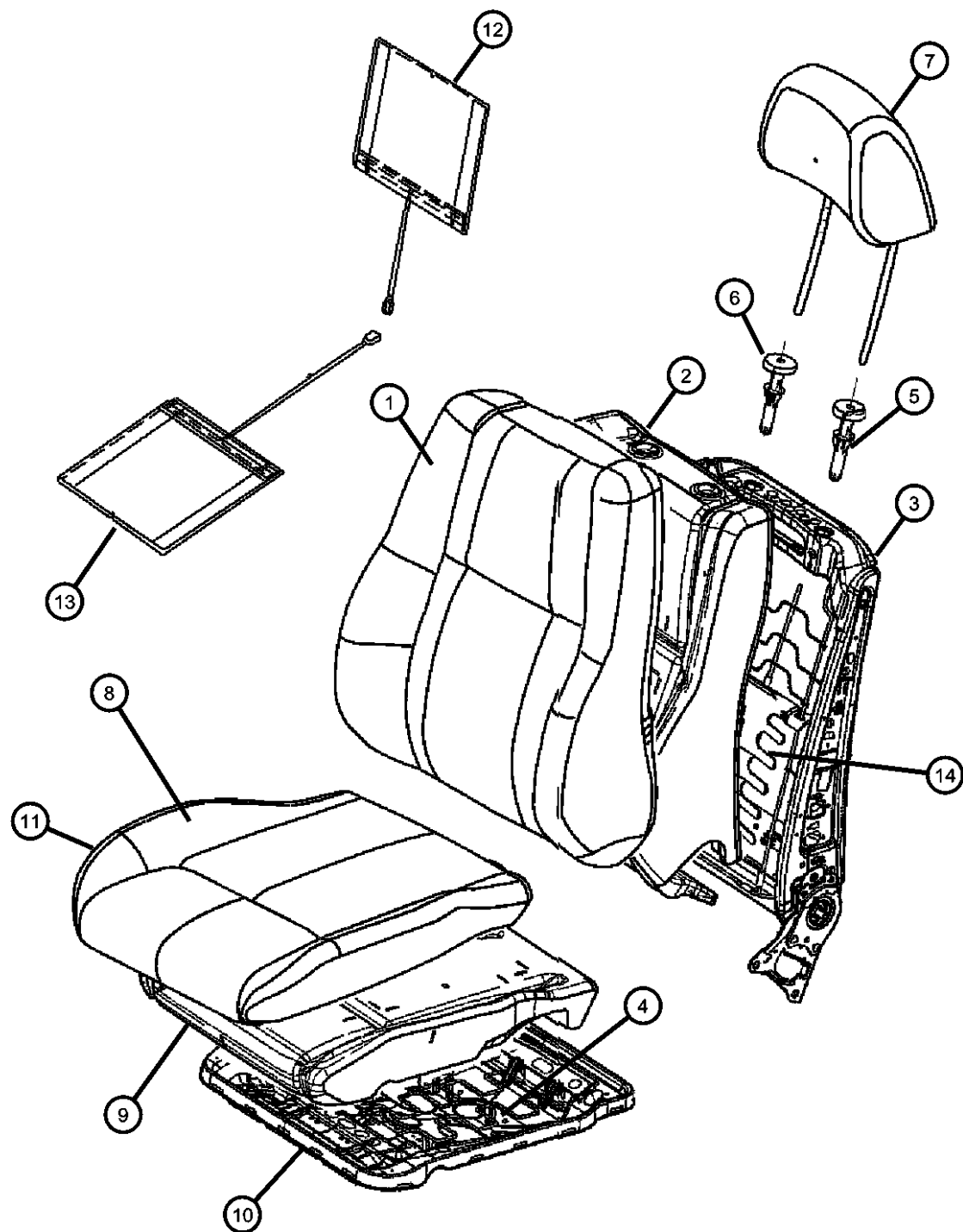
AR = use ase required - = Non illustrated part

2006 WK

Front Seat, Leather, Trim Code [YL]
Figure IWK-570

ITEM	PART NUMBER	QTY	LINE	SERIES	BODY	ENGINE	TRANS	TRIM	DESCRIPTION
------	-------------	-----	------	--------	------	--------	-------	------	-------------

	05140312AA	1	J, T		74			*YL	Right
	05140313AA	1	J, T		74			*YL	Left



GRAND CHEROKEE (WK)

SERIES LINE
H = HIGHLINE T = JEEP - 2WD
P = PREMIUM J = JEEP - 4WD
S = SPORT
X = SPECIAL

BODY
74 = SPORT UTILITY 4-DR

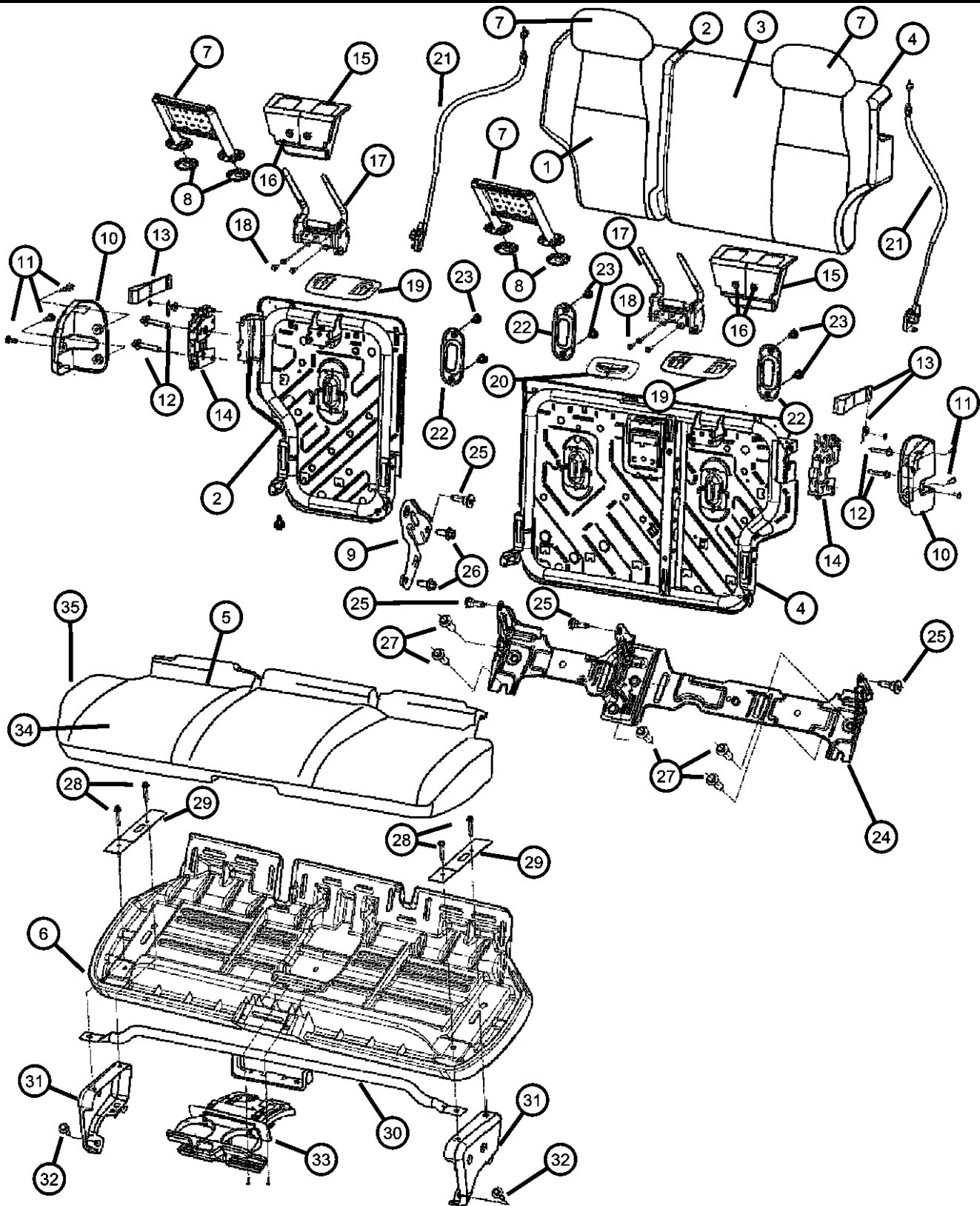
ENGINE
EKG = 3.7L V6 Engine
EVA = 4.7L V8 MPI Engine
EZB = 5.7L Hemi Multi Displacement Engine

TRANSMISSION
DGQ = 5-Spd Automatic 5-45RFE Transmission
DGJ = 5-Speed Automatic MB Transmission

AR = use ase required - = Non illustrated part

2006 WK

Rear Seat, Trim Code [A7]
Figure IWK-610

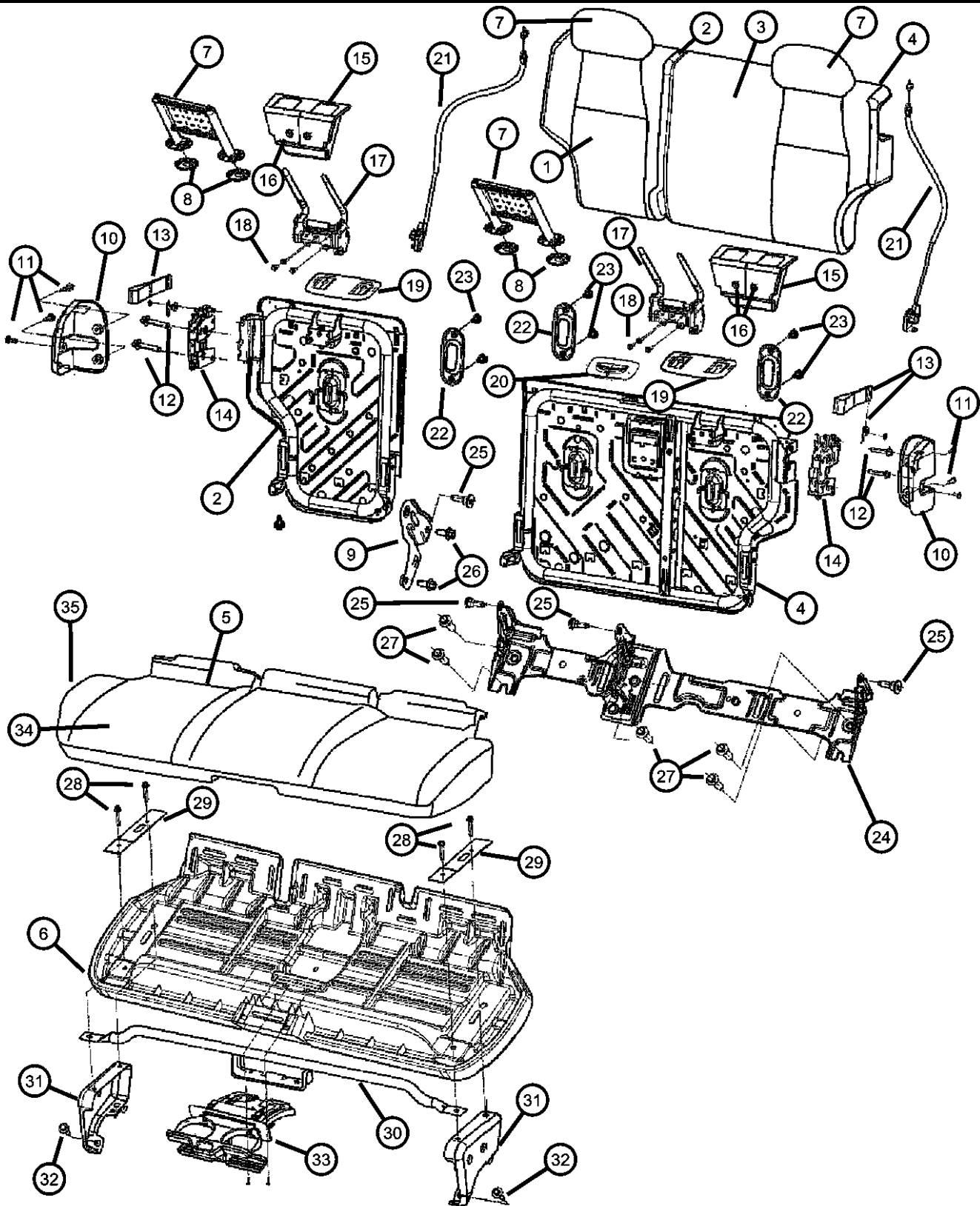


ITEM	PART NUMBER	QTY	LINE	SERIES	BODY	ENGINE	TRANS	TRIM	DESCRIPTION
1	1BF821D5AA	1						*A7	COVER, Rear Seat Back, 40% [D5]
	1BF821J3AA	1						*A7	[J3]
2	1BG021D5AA	1						*A7	SEAT BACK, Rear, 40% [D5]
	1BG021J3AA	1						*A7	[J3]
3	1BF831D5AA	1						*A7	COVER, Rear Seat Back, 60% [D5]
	1BF831J3AA	1						*A7	[J3]
4	1BG031D5AA	1						*A7	SEAT BACK, Rear, 60% [D5]
	1BG031J3AA	1						*A7	[J3]
5	1BF841D5AA	1						*A7	COVER, Rear Seat Cushion [D5]
	1BF841J3AA	1						*A7	[J3]
6	05143424AA	1						*A7	PANEL, Seat Cushion Base
7	1BF851D5AA	2						*A7	HEADREST, Rear [D5]
	1BF851J3AA	2						*A7	[J3]
8	1BG771D5AA	2						*A7	COVER, Headrest Sleeve [D5]
	1BG771J3AA	2						*A7	[J3]
9	05143423AA	1						*A7	BRACKET, Pivot
10	1BG561D5AA	1						*A7	COVER, Seat latch [D5], Right
	1BG561J3AA	1						*A7	[J3], Right
	1BG571D5AA	1						*A7	[D5], Left
	1BG571J3AA	1						*A7	[J3], Left
11	05139633AA	3						*A7	SCREW
12	05072205AA	2						*A7	BOLT, Seat
13	1BZ621D5AA	1						*A7	STRAP [D5]
	1BZ621J3AA	1						*A7	[J3]
14	05139664AA	1						*A7	LATCH, Seat Right

GRAND CHEROKEE (WK)
 SERIES LINE BODY ENGINE TRANSMISSION
 H = HIGHLINE T = JEEP - 2WD 74 = SPORT UTILITY 4-DR EKG = 3.7L V6 Engine DGQ = 5-Spd Automatic 5-45RFE
 P = PREMIUM J = JEEP - 4WD EVA = 4.7L V8 MPI Engine Transmission
 S = SPORT EZB = 5.7L Hemi Multi DGJ = 5-Speed Automatic MB
 X = SPECIAL Displacement Engine Transmission

AR = use ase required - = Non illustrated part

Rear Seat, Trim Code [A7]
Figure IWK-610



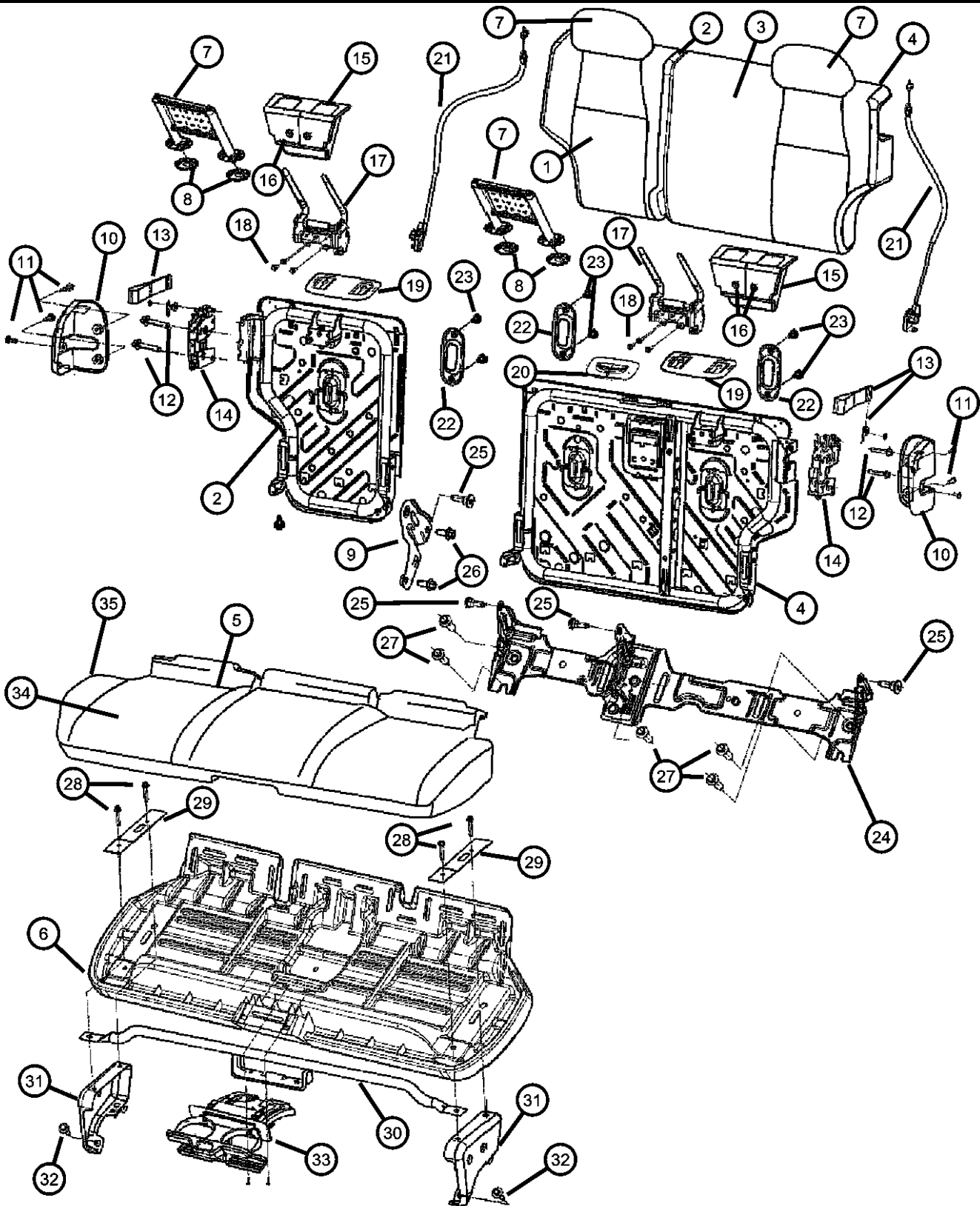
ITEM	PART NUMBER	QTY	LINE	SERIES	BODY	ENGINE	TRANS	TRIM	DESCRIPTION
------	-------------	-----	------	--------	------	--------	-------	------	-------------

34	05143433AA	1						*A7	FOAM, Seat Cushion
35	05143454AA	1						*A7	WIRE KIT, Trimming

GRAND CHEROKEE (WK)				
SERIES	LINE	BODY	ENGINE	TRANSMISSION
H = HIGHLINE	T = JEEP - 2WD	74 = SPORT UTILITY 4-DR	EKG = 3.7L V6 Engine	DGQ = 5-Spd Automatic 5-45RFE
P = PREMIUM	J = JEEP - 4WD		EVA = 4.7L V8 MPI Engine	Transmission
S = SPORT			EZB = 5.7L Hemi Multi	DGJ = 5-Speed Automatic MB
X = SPECIAL			Displacement Engine	Transmission

AR = use ase required - = Non illustrated part

Rear Seat, Trim Code [AL]
Figure IWK-620

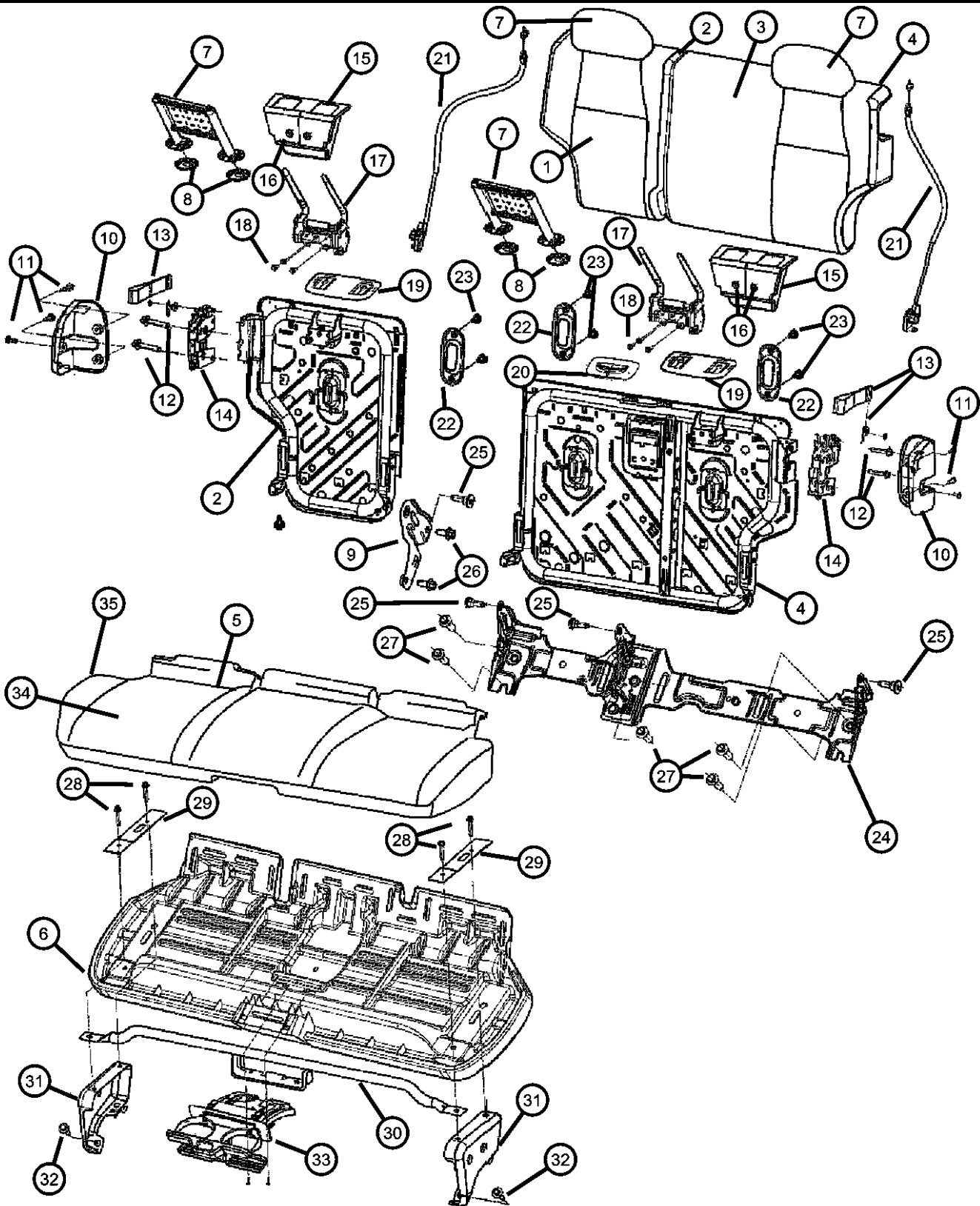


ITEM	PART NUMBER	QTY	LINE	SERIES	BODY	ENGINE	TRANS	TRIM	DESCRIPTION
1	1BF921D5AA	1						*AL [D5]	COVER, Rear Seat Back, 40%
	1BF921J3AA	1						*AL [J3]	
2	1BG041J3AA	1						*AL [J3]	SEAT BACK, Rear, 40%
	1BG041D5AA	1						*AL [D5]	
3	1BF931D5AA	1						*AL [D5]	COVER, Rear Seat Back, 60%
	1BF931J3AA	1						*AL [J3]	
4	1BG051D5AA	1						*AL [D5]	SEAT BACK, Rear, 60%
	1BG051J3AA	1						*AL [J3]	
5	1BF911D5AA	1						*AL [D5]	COVER, Rear Seat Cushion
	1BF911J3AA	1						*AL [J3]	
6	05143424AA	1						*A7	PANEL, Seat Cushion Base
7	1BF871D5AA	2						*AL [D5]	HEADREST, Rear
	1BF871J3AA	2						*AL [J3]	
8	1BG771D5AA	2						*AL [D5]	COVER, Headrest Sleeve
	1BG771J3AA	2						*AL [J3]	
9	05143423AA	1						*A7	BRACKET, Pivot
10	1BG561D5AA	1						*AL [D5], Right	COVER, Seat latch
	1BG561J3AA	1						*AL [J3], Right	
	1BG571D5AA	1						*AL [D5], Left	
	1BG571J3AA	1						*AL [J3], Left	
11	05139633AA	3						*AL	SCREW
12	05072205AA	2						*A7	BOLT, Seat
13	1BZ621D5AA	1						*AL [D5]	STRAP
	1BZ621J3AA	1						*AL [J3]	
14	05139664AA	1						*A7	LATCH, Seat Right

GRAND CHEROKEE (WK)
 SERIES LINE BODY ENGINE TRANSMISSION
 H = HIGHLINE T = JEEP - 2WD 74 = SPORT UTILITY 4-DR EKG = 3.7L V6 Engine DGQ = 5-Spd Automatic 5-45RFE
 P = PREMIUM J = JEEP - 4WD EVA = 4.7L V8 MPI Engine Transmission
 S = SPORT EZB = 5.7L Hemi Multi DGJ = 5-Speed Automatic MB
 X = SPECIAL Displacement Engine Transmission

AR = use ase required - = Non illustrated part

Rear Seat, Trim Code [AL]
Figure IWK-620

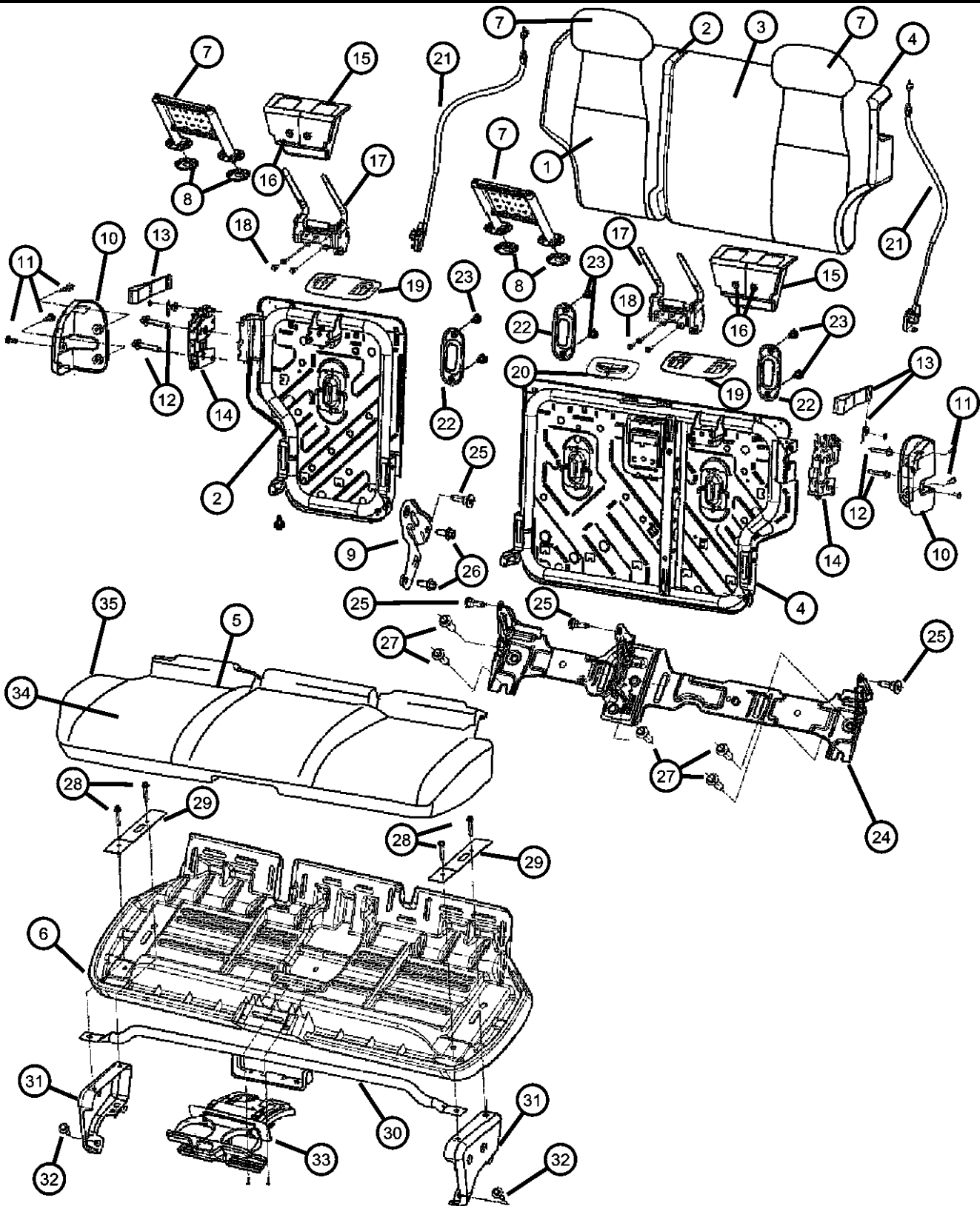


ITEM	PART NUMBER	QTY	LINE	SERIES	BODY	ENGINE	TRANS	TRIM	DESCRIPTION
	05139665AA	1						*AL	Left
15	05174347AA	1						*A7	COVER
16	05139633AA	3						*A7	SCREW
17	05143489AA	1						*A7	BRACKET AND HINGE, Headrest
18	05139628AA	4						*A7	BOLT
19									BEZEL
	1BG441D5AA	1						*AL	[D5], Right
	1BG441J3AA	1						*AL	[J3], Right
	1BG451D5AA	1						*AL	[D5], Left
	1BG451J3AA	1						*AL	[J3], Left
20									BEZEL, Seat Belt
	1AP311DDAA	1						*AL	[D5]
	1AP311J3AA	1						*AL	[J3]
21									CABLE
	05143435AA	1						*A7	Center
	05143492AA	1						*A7	Left
	05143493AA	1						*A7	Right
22									BEZEL, TETHER
	0WT351D5AA	2						*AL	[D5]
	0WT351J3AA	2						*AL	[J3]
23		2							SCREW, (NOT SERVICED),
24	05143434AA	1						*A7	BRACKET, Rear Seat Mount
25	05139634AA	4						*A7	BOLT
26	05143464AA	1						*A7	BOLT, Seat
27	06508360AA	1						*A7	SCREW AND WASHER, Hex
28	05143445AA	4						*A7	SCREW, Seat
29	05143431AA	2						*A7	PLATE, Retaining
30	05143432AA	1						*A7	SUPPORT, Rear Seat
31									RISER, Seat
	05143412AA	1						*A7	Right
	05143413AA	1						*A7	Left
32	06508360AA	2							SCREW AND WASHER, Hex
33									CUPHOLDER
	1BG491D5AA	1						*AL	[D5]

GRAND CHEROKEE (WK)
 SERIES LINE BODY ENGINE TRANSMISSION
 H = HIGHLINE T = JEEP - 2WD 74 = SPORT UTILITY 4-DR EKG = 3.7L V6 Engine DGQ = 5-Spd Automatic 5-45RFE
 P = PREMIUM J = JEEP - 4WD EVA = 4.7L V8 MPI Engine Transmission
 S = SPORT EZB = 5.7L Hemi Multi DGJ = 5-Speed Automatic MB
 X = SPECIAL Displacement Engine Transmission

AR = use ase required - = Non illustrated part

Rear Seat, Trim Code [AL]
Figure IWK-620

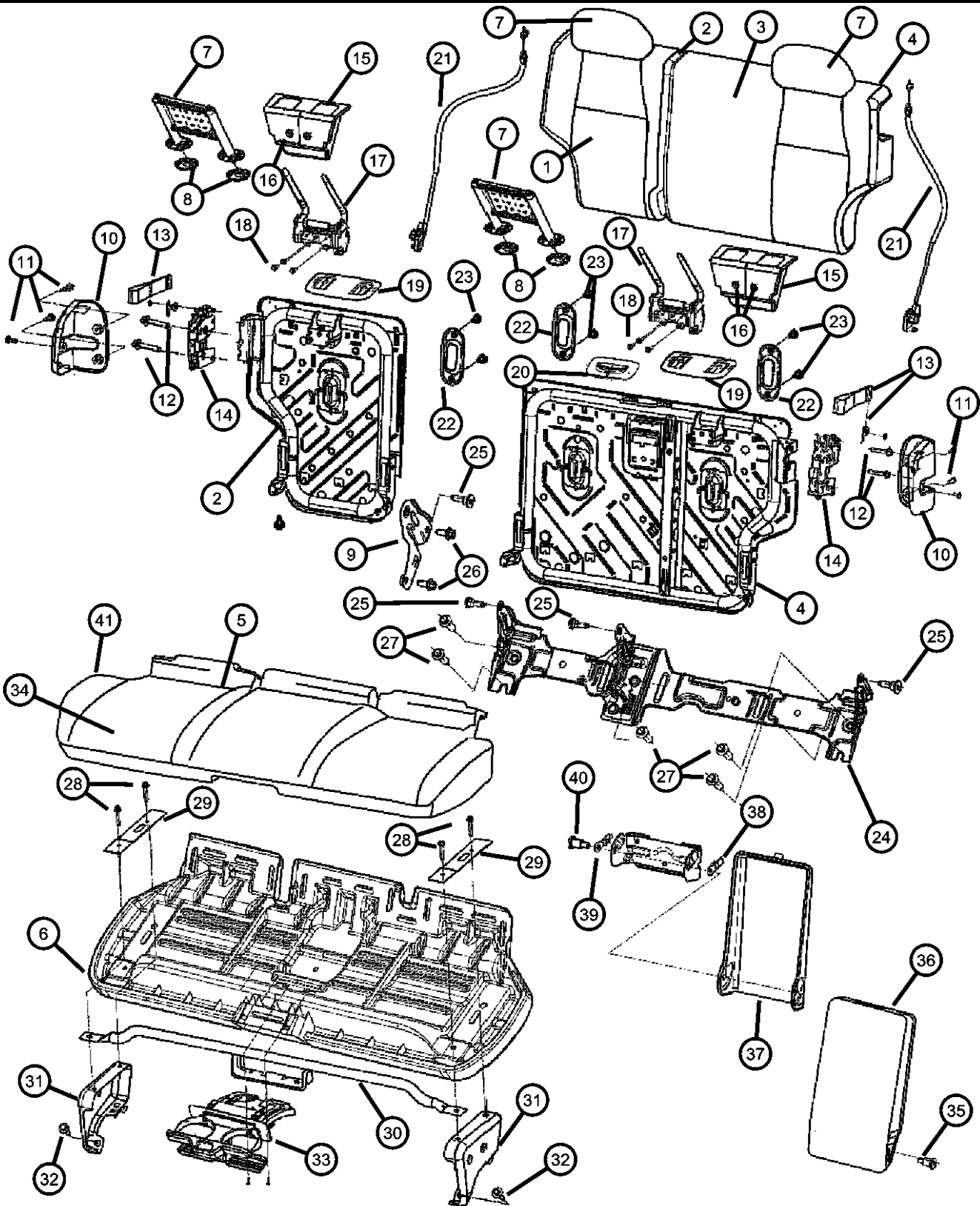


ITEM	PART NUMBER	QTY	LINE	SERIES	BODY	ENGINE	TRANS	TRIM	DESCRIPTION
	1BG491J3AA	1						*AL	[J3]
34	05143433AA	1						*AL	FOAM, Seat Cushion
35	05143454AA	1						*A7	WIRE KIT, Trimming

GRAND CHEROKEE (WK)		BODY	ENGINE	TRANSMISSION
SERIES	LINE	74 = SPORT UTILITY 4-DR	EKG = 3.7L V6 Engine	DGQ = 5-Spd Automatic 5-45RFE
H = HIGHLINE	T = JEEP - 2WD		EVA = 4.7L V8 MPI Engine	Transmission
P = PREMIUM	J = JEEP - 4WD		EZB = 5.7L Hemi Multi	DGJ = 5-Speed Automatic MB
S = SPORT			Displacement Engine	Transmission
X = SPECIAL				

AR = use ase required - = Non illustrated part

Rear Seat, Trim Code [PL]
Figure IWK-630

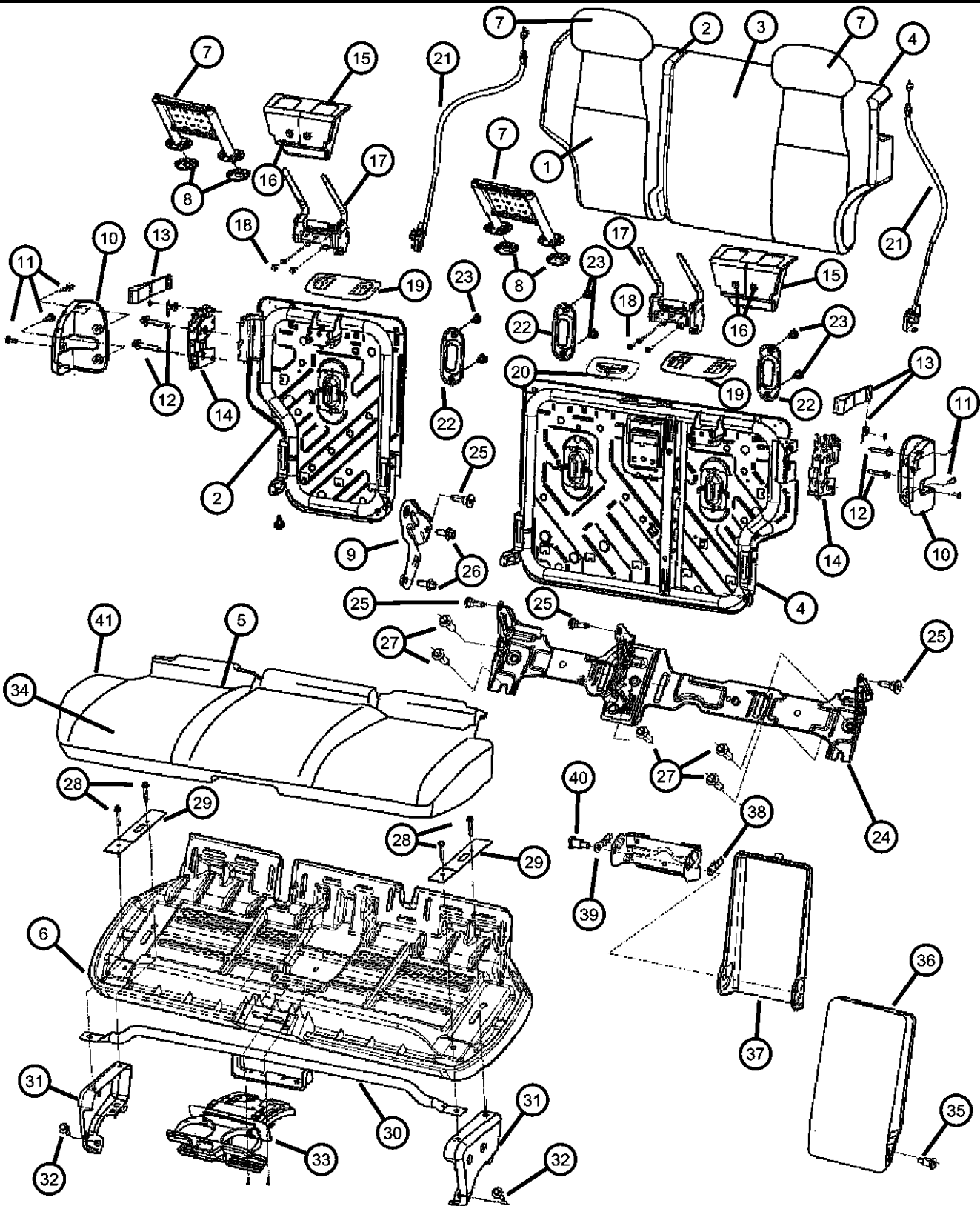


ITEM	PART NUMBER	QTY	LINE	SERIES	BODY	ENGINE	TRANS	TRIM	DESCRIPTION
1	1BG001D1AA	1						*PL [J1]	COVER, Rear Seat Back, 40%
	1BG001D5AA	1						*PL [D5]	
	1BG001J3AA	1						*PL [J3]	
2	1BG061D5AA	1						*PL [D5]	SEAT BACK, Rear, 40%
	1BG061J3AA	1						*PL [J3]	
	1BG061D1AA	1						*PL [J1]	
3	1BG011D1AA	1						*PL [J1]	COVER, Rear Seat Back, 60%
	1BG011D5AA	1						*PL [D5]	
	1BG011J3AA	1						*PL [J3]	
4	1BG071D1AA	1						*PL [J1]	SEAT BACK, Rear, 60%
	1BG071J3AA	1						*PL [J3]	
	1BG071D5AA	1						*PL [D5]	
5	1BF991D5AA	1						*PL [D5]	COVER, Rear Seat Cushion
	1BF991D1AA	1						*PL [J1]	
	1BF991J3AA	1						*PL [J3]	
6	05143424AA	1						*A7	PANEL, Seat Cushion Base
7	1BF951D1AA	2						*PL [J1]	HEADREST, Rear
	1BF951D5AA	2						*PL [D5]	
	1BF951J3AA	2						*PL [J3]	
8	1BG771D1AA	2						*PL [J1]	COVER, Headrest Sleeve
	1BG771D5AA	2						*PL [D5]	
	1BG771J3AA	2						*PL [J3]	
9	05143423AA	1						*A7	BRACKET, Pivot
10	1BG561D1AA	1						*PL [J1], Right	COVER, Seat latch
	1BG561D5AA	1						*PL [D5], Right	
	1BG561J3AA	1						*PL [J3], Right	
	1BG571D1AA	1						*PL [J1], Left	

GRAND CHEROKEE (WK)
 SERIES LINE BODY ENGINE TRANSMISSION
 H = HIGHLINE T = JEEP - 2WD 74 = SPORT UTILITY 4-DR EKG = 3.7L V6 Engine DGQ = 5-Spd Automatic 5-45RFE
 P = PREMIUM J = JEEP - 4WD EVA = 4.7L V8 MPI Engine Transmission
 S = SPORT EZB = 5.7L Hemi Multi DGJ = 5-Speed Automatic MB
 X = SPECIAL Displacement Engine Transmission

AR = use ase required - = Non illustrated part

Rear Seat, Trim Code [PL]
Figure IWK-630

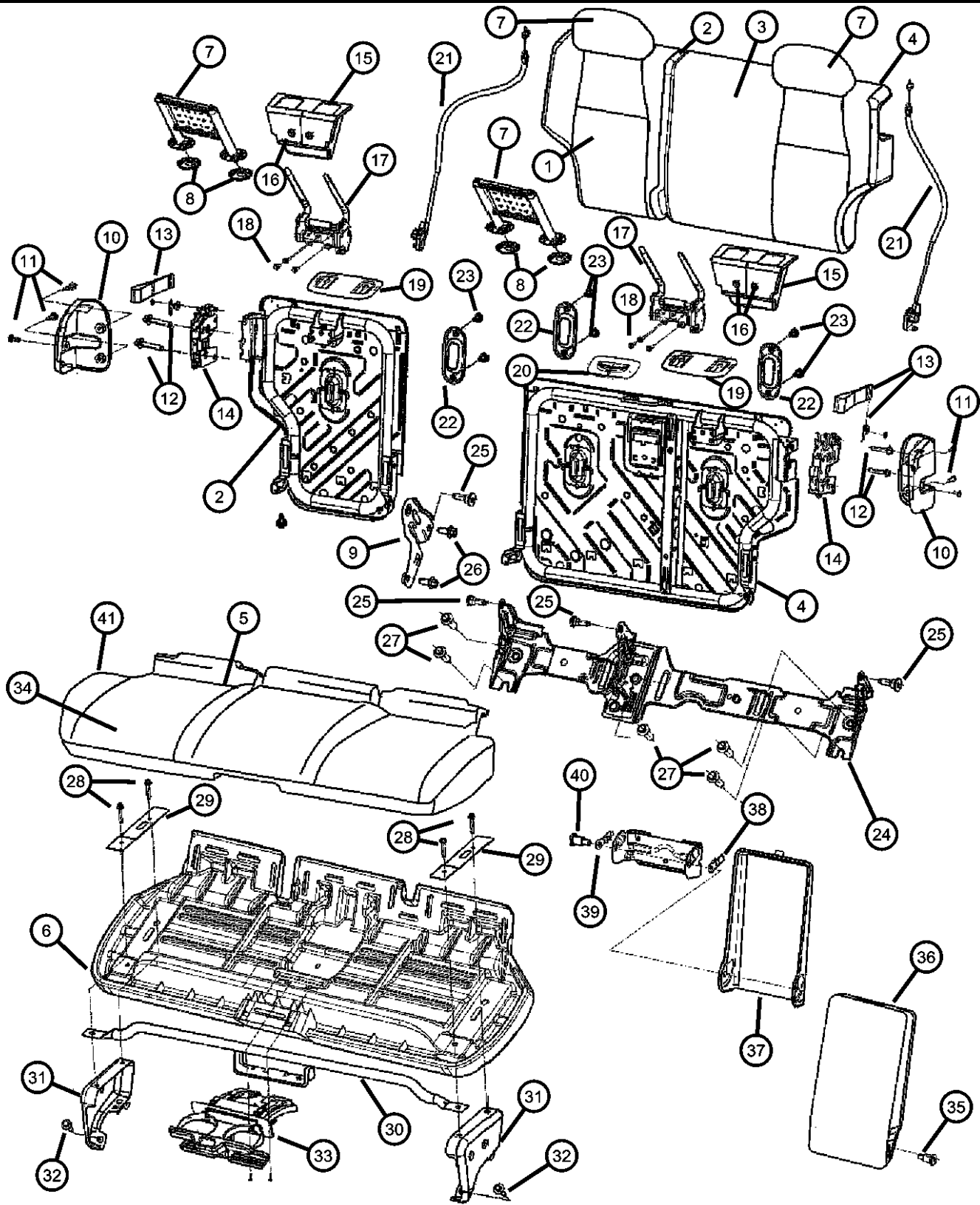


ITEM	PART NUMBER	QTY	LINE	SERIES	BODY	ENGINE	TRANS	TRIM	DESCRIPTION
	1BG571D5AA	1						*PL	[D5], Left
	1BG571J3AA	1						*PL	[J3], Left
11	05139633AA	3						*A7	SCREW
12	05072205AA	2						*A7	BOLT, Seat
13									STRAP
	1BZ621D1AA	1						*PL	[J1]
	1BZ621D5AA	1						*PL	[D5]
	1BZ621J3AA	1						*PL	[J3]
14									LATCH, Seat
	05139664AA	1						*A7	Right
	05139665AA	1						*A7	Left
15	05174347AA	1						*A7	COVER
16	05139633AA	3						*A7	SCREW
17	05143489AA	1						*A7	BRACKET AND HINGE, Headrest
18	05139628AA	4						*A7	BOLT
19									BEZEL
	1CL191D1AA	1						*PL	[J1]
	1CL191D5AA	1						*PL	[D5]
	1CL191J3AA	1						*PL	[J3]
20									BEZEL, Seat Belt
	1AP311D1AA	1						*PL	[J1]
	1AP311DDAA	1						*PL	[D5]
	1AP311J3AA	1						*PL	[J3]
21									CABLE
	05143435AA	1						*A7	Center
	05143492AA	1						*A7	Left
	05143493AA	1						*A7	Right
22									BEZEL, TETHER
	0WT351D1AA	1						*PL	[J1]
	0WT351D5AA	1						*PL	[D5]
	0WT351J3AA	1						*PL	[J3]
23		1							SCREW, (NOT SERVICED),
24	05143434AA	1						*A7	BRACKET, Rear Seat Mount
25	05139634AA	4						*A7	BOLT

GRAND CHEROKEE (WK)
 SERIES LINE BODY ENGINE TRANSMISSION
 H = HIGHLINE T = JEEP - 2WD 74 = SPORT UTILITY 4-DR EKG = 3.7L V6 Engine DGQ = 5-Spd Automatic 5-45RFE
 P = PREMIUM J = JEEP - 4WD EVA = 4.7L V8 MPI Engine Transmission
 S = SPORT EZB = 5.7L Hemi Multi DGJ = 5-Speed Automatic MB
 X = SPECIAL Displacement Engine Transmission

AR = use ase required - = Non illustrated part

**Rear Seat, Trim Code [PL]
Figure IWK-630**



ITEM	PART NUMBER	QTY	LINE	SERIES	BODY	ENGINE	TRANS	TRIM	DESCRIPTION
26	05143464AA	1						*A7	BOLT, Seat
27	06508360AA	1						*A7	SCREW AND WASHER, Hex
28	05143445AA	4						*A7	SCREW, Seat
29	05143431AA	2						*A7	PLATE, Retaining
30	05143432AA	1						*A7	SUPPORT, Rear Seat
31									RISER, Seat
	05143412AA	1						*A7	Right
	05143413AA	1						*A7	Left
32	06508360AA	2							SCREW AND WASHER, Hex
33									CUPHOLDER
	1BG491D1AA	1						*PL	[J1]
	1BG491D5AA	1						*PL	[D5]
	1BG491J3AA	1						*PL	[J3]
34	05143433AA	1						*A7	FOAM, Seat Cushion
35	05143494AA	2						*PL	BOLT, Pivot
36									ARMREST, Rear Seat Center
	1BG801D1AA	1						*PL	[J1]
	1BG801D5AA	1						*PL	[D5]
	1BG801J3AA	1						*PL	[J3]
37									PANEL, CLOSEOUT
	1BH031D1AA	1						*PL	[J1]
	1BH031D5AA	1						*PL	[D5]
	1BH031J3AA	1						*PL	[J3]
38	05161493AA	1						*PL	STOPPER, Seat
39	05161492AA	1						*PL	STOPPER, Seat
40	05143494AA	2						*PL	BOLT, Pivot
41	05143454AA	1						*A7	WIRE KIT, Trimming

GRAND CHEROKEE (WK)

SERIES LINE
 H = HIGHLINE T = JEEP - 2WD
 P = PREMIUM J = JEEP - 4WD
 S = SPORT
 X = SPECIAL

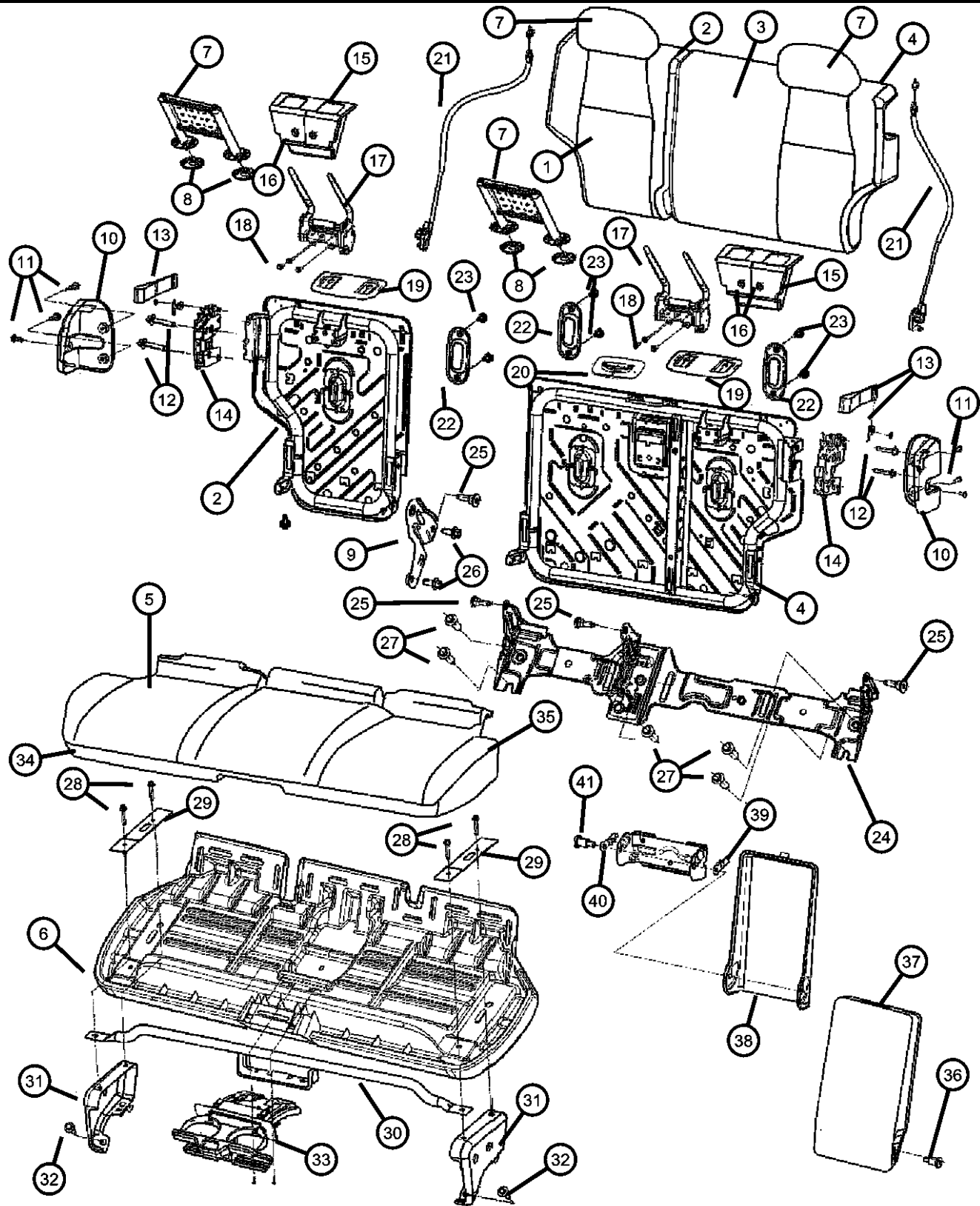
BODY
 74 = SPORT UTILITY 4-DR

ENGINE
 EKG = 3.7L V6 Engine
 EVA = 4.7L V8 MPI Engine
 EZB = 5.7L Hemi Multi
 Displacement Engine

TRANSMISSION
 DGQ = 5-Spd Automatic 5-45RFE
 Transmission
 DGJ = 5-Speed Automatic MB
 Transmission

AR = use ase required - = Non illustrated part

Rear Seat, Trim Code [XL]
Figure IWK-640

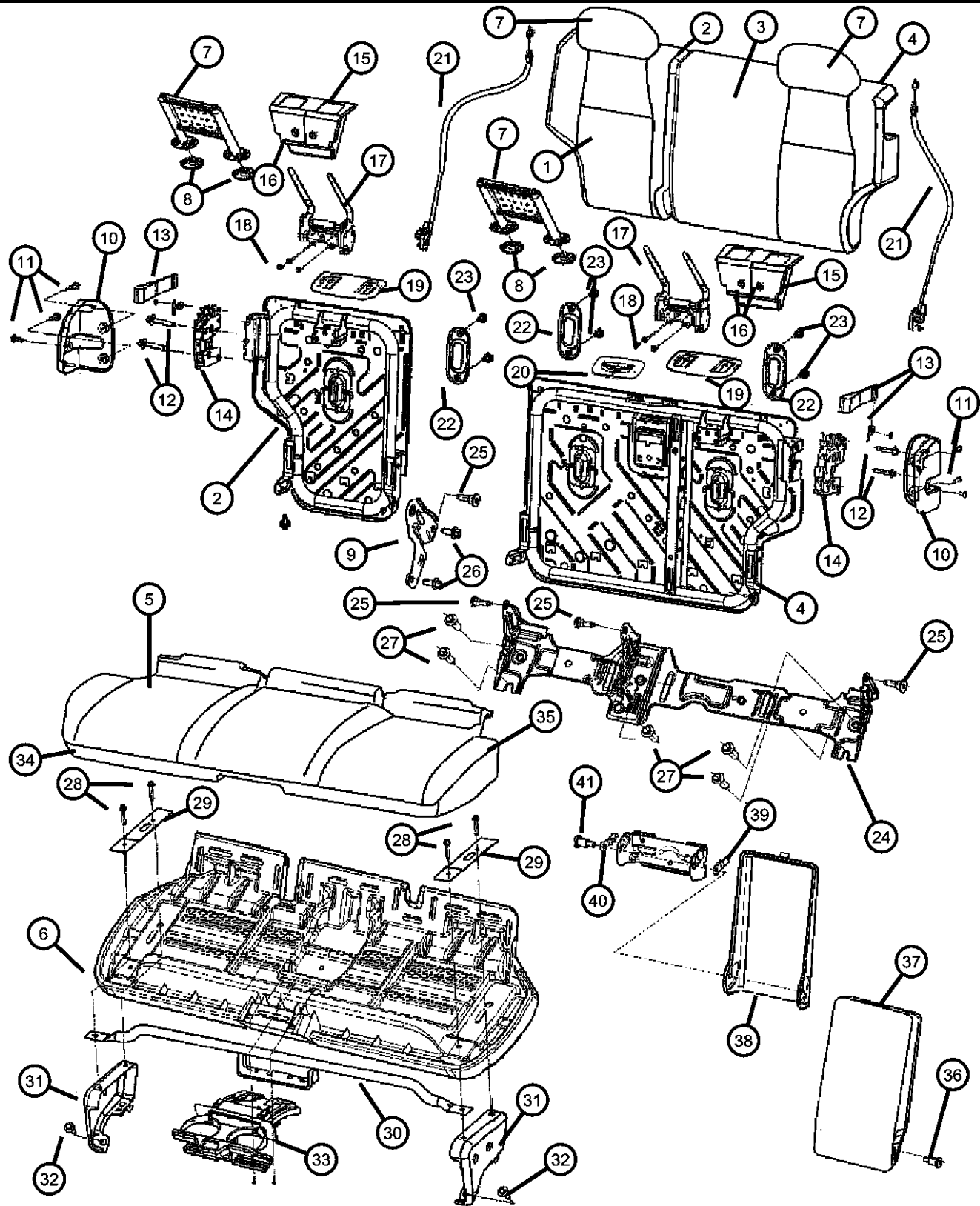


ITEM	PART NUMBER	QTY	LINE	SERIES	BODY	ENGINE	TRANS	TRIM	DESCRIPTION
1	1DF261D1AA	1		S				*XL	COVER, Rear Seat Back, 40% [J1], Right
	1DF261D5AA	1		S				*XL	[D5], Right
2	1DF241D1AA	1		S				*XL	SEAT BACK, Rear, 40% [J1]
	1DF241D5AA	1		S				*XL	[D5]
3	1DF271D1AA	1		S				*XL	COVER, Rear Seat Back, 60% [J1]
	1DF271D5AA	1		S				*XL	[D5]
4	1DF251D1AA	1		S				*XL	SEAT BACK, Rear, 60% [J1]
	1DF251D5AA	1		S				*XL	[D5]
5	1DF321D1AA	1		S				*XL	COVER, Rear Seat Cushion [J1]
	1DF321D5AA	1		S				*XL	[D5]
6	05143424AA	1		S				*XL	PANEL, Seat Cushion Base
7	1DF291D5AA	2		S				*XL	HEADREST, Rear [D5]
	1DF291D1AA	2		S				*XL	[J1]
8	1BG771D1AA	2		S				*XL	COVER, Headrest Sleeve [J1]
	1BG771D5AA	2		S				*XL	[D5]
9	05143423AA	1		S				*XL	BRACKET, Pivot
10	1BG561D1AA	1		S				*XL	COVER, Seat latch [J1], Right
	1BG561D5AA	1		S				*XL	[D5], Right
	1BG571D1AA	1		S				*XL	[J1], Left
	1BG571D5AA	1		S				*XL	[D5], Left
11	05139633AA	3						*AL	SCREW
		3		S				*XL	
12	05072205AA	2		S				*XL	BOLT, Seat
13	1BZ621D1AA	1		S				*XL	STRAP [J1]
	1BZ621D5AA	1		S				*XL	[D5]

GRAND CHEROKEE (WK)
 SERIES LINE BODY ENGINE TRANSMISSION
 H = HIGHLINE T = JEEP - 2WD 74 = SPORT UTILITY 4-DR EKG = 3.7L V6 Engine DGQ = 5-Spd Automatic 5-45RFE
 P = PREMIUM J = JEEP - 4WD EVA = 4.7L V8 MPI Engine Transmission
 S = SPORT EZB = 5.7L Hemi Multi DGJ = 5-Speed Automatic MB
 X = SPECIAL Displacement Engine Transmission

AR = use ase required - = Non illustrated part

Rear Seat, Trim Code [XL]
Figure IWK-640

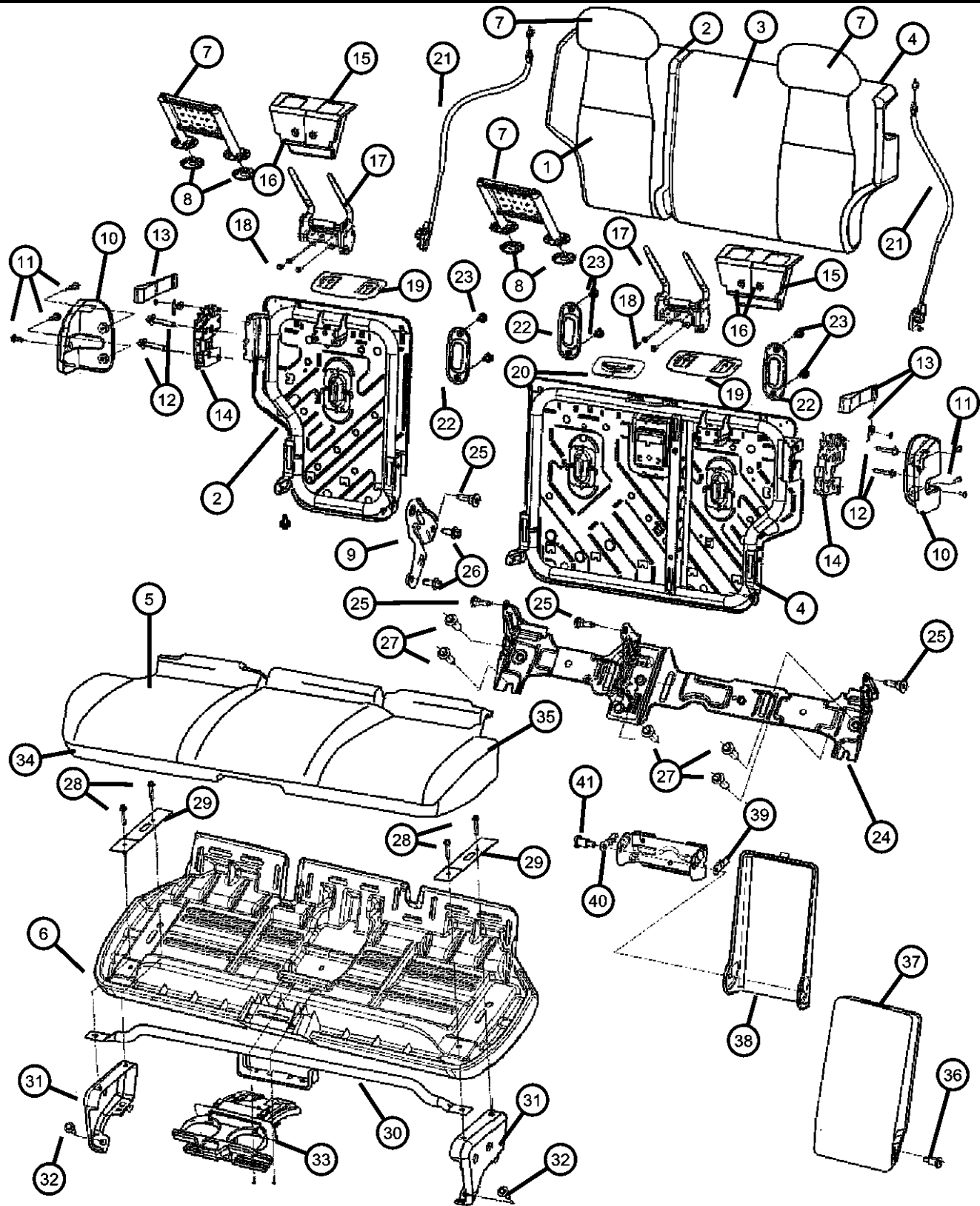


ITEM	PART NUMBER	QTY	LINE	SERIES	BODY	ENGINE	TRANS	TRIM	DESCRIPTION
14									LATCH, Seat
	05139664AA	1		S				*XL	Right
	05139665AA	1		S				*XL	Left
15	05174347AA	1		S				*XL	COVER
16	05139633AA	3		S				*XL	SCREW
17	05143489AA	1		S				*XL	BRACKET AND HINGE, Headrest
18	05139628AA	4		S				*XL	BOLT
19									BEZEL
	1CL191D1AA	1		S				*XL	[J1]
	1CL191D5AA	1		S				*XL	[D5]
20									BEZEL, Seat Belt
	1AP311D1AA	1		S				*XL	[J1]
	1AP311D5AA	1		S				*XL	[D5]
21									CABLE
	05143435AA	1		S				*XL	Center
	05143492AA	1		S				*XL	Left
	05143493AA	1		S				*XL	Right
22									BEZEL, TETHER
	0WT351D1AA	1		S				*XL	[J1]
	0WT351D5AA	1		S				*XL	[D5]
23		1							SCREW, (NOT SERVICED),
24	05143434AA	1		S				*XL	BRACKET, Rear Seat Mount
25	05139634AA	4		S				*XL	BOLT
26	05143464AA	1		S				*XL	BOLT, Seat
27	06508360AA	1		S				*XL	SCREW AND WASHER, Hex
28	05143445AA	4		S				*XL	SCREW, Seat
29	05143431AA	2		S				*XL	PLATE, Retaining
30	05143432AA	1		S				*XL	SUPPORT, Rear Seat
31									RISER, Seat
	05143412AA	1		S				*XL	Right
	05143413AA	1		S				*XL	Left
32	06508360AA	2							SCREW AND WASHER, Hex
33									CUPHOLDER
	1BG491D5AA	1		S				*XL	[D5]

GRAND CHEROKEE (WK)
 SERIES LINE BODY ENGINE TRANSMISSION
 H = HIGHLINE T = JEEP - 2WD 74 = SPORT UTILITY 4-DR EKG = 3.7L V6 Engine DGQ = 5-Spd Automatic 5-45RFE
 P = PREMIUM J = JEEP - 4WD EVA = 4.7L V8 MPI Engine Transmission
 S = SPORT EZB = 5.7L Hemi Multi DGJ = 5-Speed Automatic MB
 X = SPECIAL Displacement Engine Transmission

AR = use ase required - = Non illustrated part

Rear Seat, Trim Code [XL]
Figure IWK-640

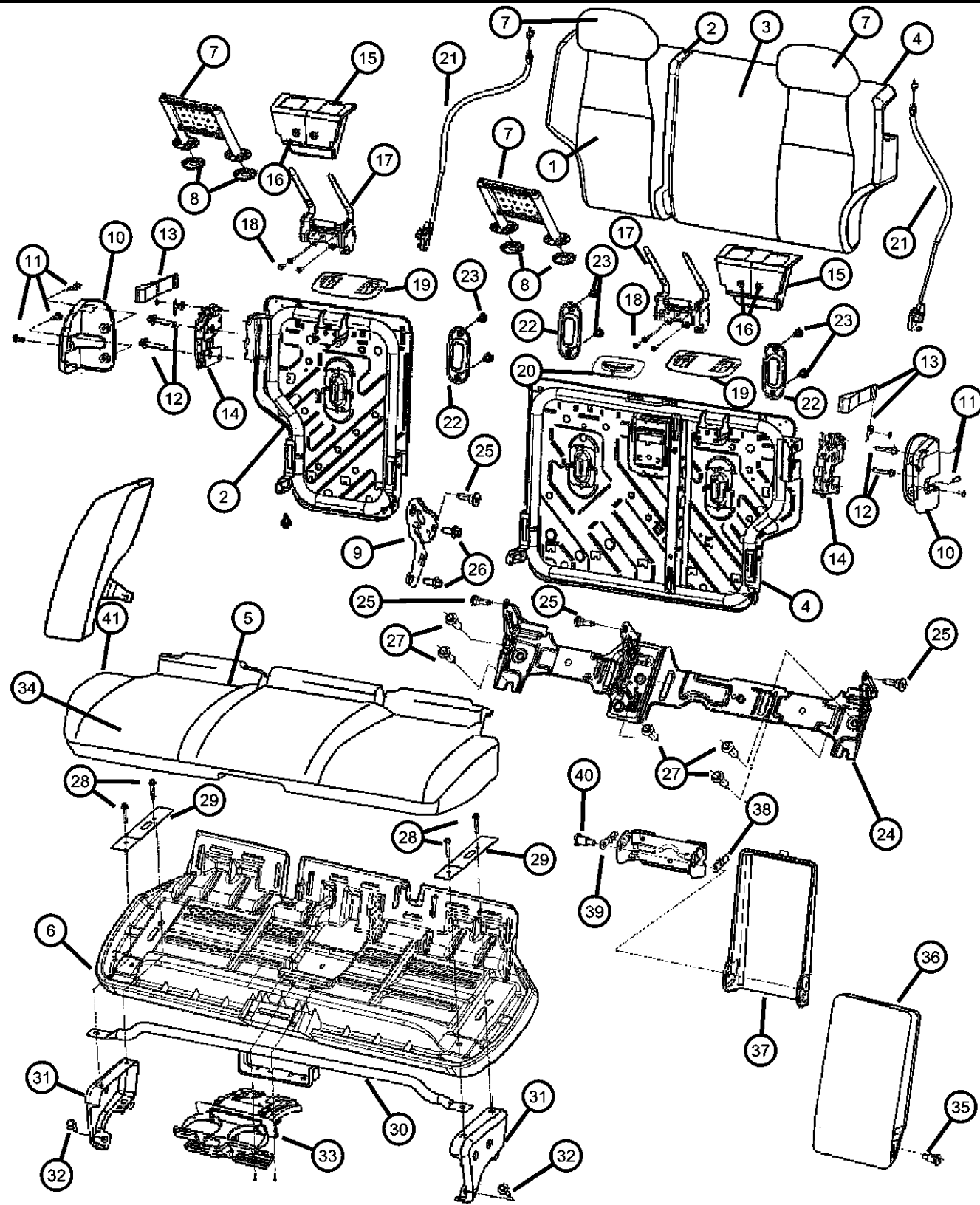


ITEM	PART NUMBER	QTY	LINE	SERIES	BODY	ENGINE	TRANS	TRIM	DESCRIPTION
	1BG491D1AA	1		S				*XL [J1]	
34	05143433AA	1		S				*XL	FOAM, Seat Cushion
35	05143454AA	1		S				*XL	WIRE KIT, Trimming
36	05143494AA	2		S				*XL	BOLT, Pivot
37									ARMREST, Rear Seat Center
	1BG801D1AA	1		S				*XL [J1]	
	1BG801D5AA	1		S				*XL [D5]	
38									PANEL, CLOSEOUT
	1BH031D1AA	1		S				*XL [J1]	
	1BH031D5AA	1		S				*XL [D5]	
39	05161493AA	1		S				*XL	STOPPER, Seat
40	05161492AA	1		S				*XL	STOPPER, Seat
41	05143494AA	2		S				*XL	BOLT, Pivot

GRAND CHEROKEE (WK)
 SERIES LINE BODY ENGINE TRANSMISSION
 H = HIGHLINE T = JEEP - 2WD 74 = SPORT UTILITY 4-DR EKG = 3.7L V6 Engine DGQ = 5-Spd Automatic 5-45RFE
 P = PREMIUM J = JEEP - 4WD EVA = 4.7L V8 MPI Engine Transmission
 S = SPORT EZB = 5.7L Hemi Multi DGJ = 5-Speed Automatic MB
 X = SPECIAL Displacement Engine Transmission

AR = use ase required - = Non illustrated part

Rear Seat, Trim Code [DZ]
Figure IWK-650



ITEM	PART NUMBER	QTY	LINE	SERIES	BODY	ENGINE	TRANS	TRIM	DESCRIPTION
1	1DF181D5AA	1		X				*DZ	COVER, Rear Seat Back, 40%, [D5]
2	1DF161D5AA	1		X				*DZ	SEAT BACK, Rear, 40%, [D5]
3	1DF191D5AA	1		X				*DZ	COVER, Rear Seat Back, 60%, [D5]
4	1DF171D5AA	1		X				*DZ	SEAT BACK, Rear, 60%, [D5]
5	1DF141D5AA	1		X				*DZ	COVER, Rear Seat Cushion, [D5]
6	05143424AA	1		X				*DZ	PANEL, Seat Cushion Base
7	1DF201D5AA	2		X				*DZ	HEADREST, Rear
8	1BG771D5AA	2		X				*DZ	COVER, Headrest Sleeve
9	05143423AA	1		X				*DZ	BRACKET, Pivot
10									COVER, Seat latch
	1BG561D5AA	1		X				*DZ	Right
	1BG571D5AA	1		X				*DZ	Left
11	05139633AA	3		X				*DZ	SCREW
12	05072205AA	2		X				*DZ	BOLT, Seat
13	1BZ621D5AA	1		X				*DZ	STRAP
14									LATCH, Seat
	05139665AA	1		X				*DZ	Left
	05139664AA	1		X				*DZ	Right
15	05174347AA	1		X				*DZ	COVER
16	05139633AA	3		X				*DZ	SCREW
17	05143489AA	1		X				*DZ	BRACKET AND HINGE, Headrest
18	05139628AA	4		X				*DZ	BOLT
19	1CL191D5AA	1		X				*DZ	BEZEL
20	1AP311D5AA	1		X				*DZ	BEZEL, Seat Belt
21									CABLE
	05143435AA	1		X				*DZ	Center
	05143492AA	1		X				*DZ	Left
	05143493AA	1		X				*DZ	Right
22	0WT351D5AA	1		X				*DZ	BEZEL, TETHER
23		1							SCREW, (NOT SERVICED)
24	05143434AA	1		X				*DZ	BRACKET, Rear Seat Mount
25	05139634AA	4		X				*DZ	BOLT
26	05143464AA	1		X				*DZ	BOLT, Seat
27	06508360AA	1		X				*DZ	SCREW AND WASHER, Hex

GRAND CHEROKEE (WK)

SERIES LINE
H = HIGHLINE T = JEEP - 2WD
P = PREMIUM J = JEEP - 4WD
S = SPORT
X = SPECIAL

BODY
74 = SPORT UTILITY 4-DR

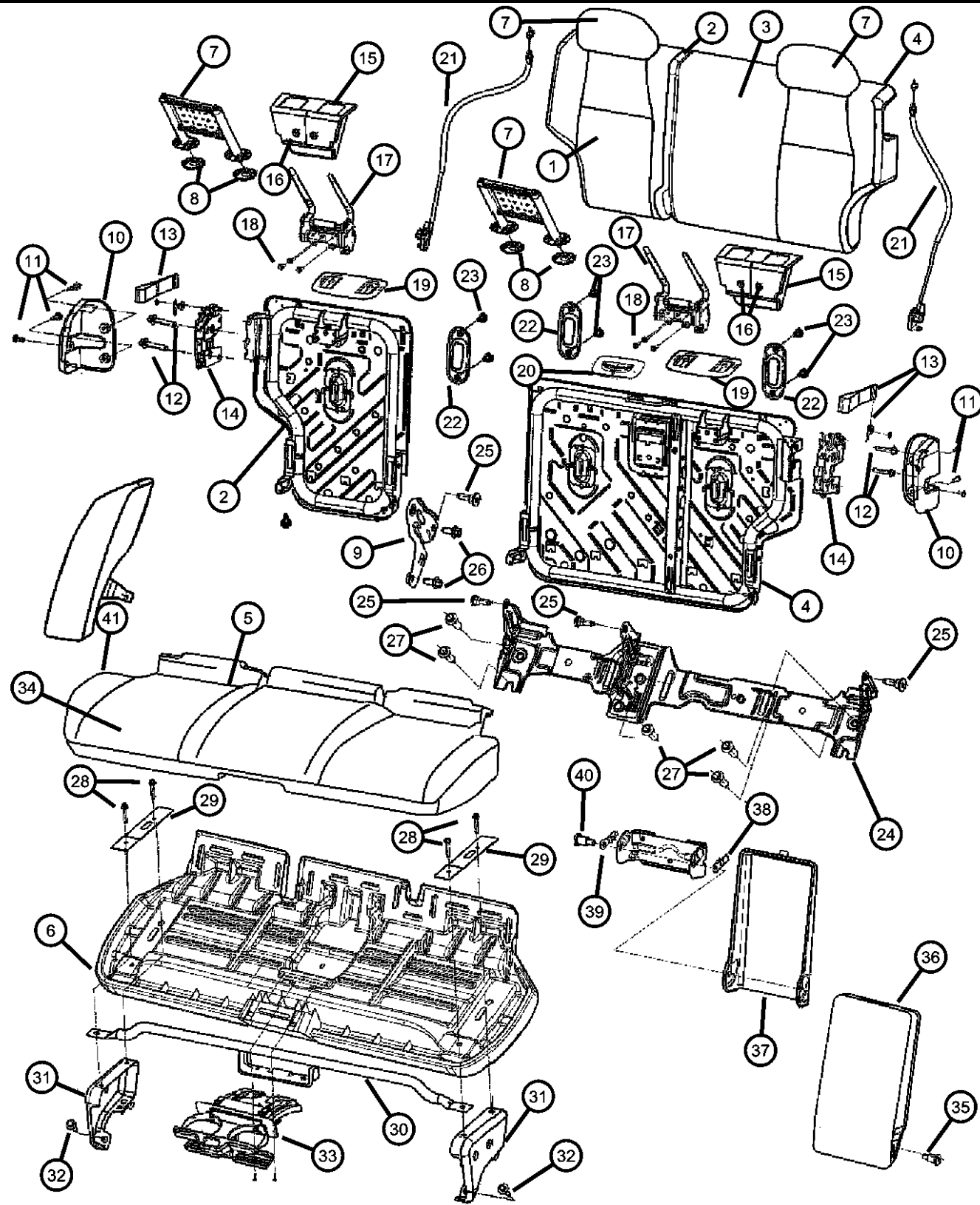
ENGINE
EKG = 3.7L V6 Engine
EVA = 4.7L V8 MPI Engine
EZB = 5.7L Hemi Multi Displacement Engine

TRANSMISSION
DGQ = 5-Spd Automatic 5-45RFE Transmission
DGJ = 5-Speed Automatic MB Transmission

AR = use ase required - = Non illustrated part

2006 WK

Rear Seat, Trim Code [DZ]
Figure IWK-650



ITEM	PART NUMBER	QTY	LINE	SERIES	BODY	ENGINE	TRANS	TRIM	DESCRIPTION
28	05143445AA	4		X					*DZ SCREW, Seat
29	05143431AA	2		X					*DZ PLATE, Retaining
30	05143432AA	1		X					*DZ SUPPORT, Rear Seat
31									RISER, Seat
	05143413AA	1		X					*DZ Left
	05143412AA	1		X					*DZ Right
32	06508360AA	2							SCREW AND WASHER, Hex
33	1BG491D5AA	1		X					*DZ CUPHOLDER
34	05179558AA	1		X					*DZ FOAM, Seat Cushion
35	05143494AA	2		X					*DZ BOLT, Pivot
36	1BG801D5AA	1		X					*DZ ARMREST, Rear Seat Center
37	1BH031D5AA	1		X					*DZ PANEL, CLOSEOUT
38	05161493AA	1		X					*DZ STOPPER, Seat
39	05161492AA	1		X					*DZ STOPPER, Seat
40	05143494AA	2		X					*DZ BOLT, Pivot
41	05143454AA	1		X					*DZ WIRE KIT, Trimming

GRAND CHEROKEE (WK)

SERIES LINE
H = HIGHLINE T = JEEP - 2WD
P = PREMIUM J = JEEP - 4WD
S = SPORT
X = SPECIAL

BODY
74 = SPORT UTILITY 4-DR

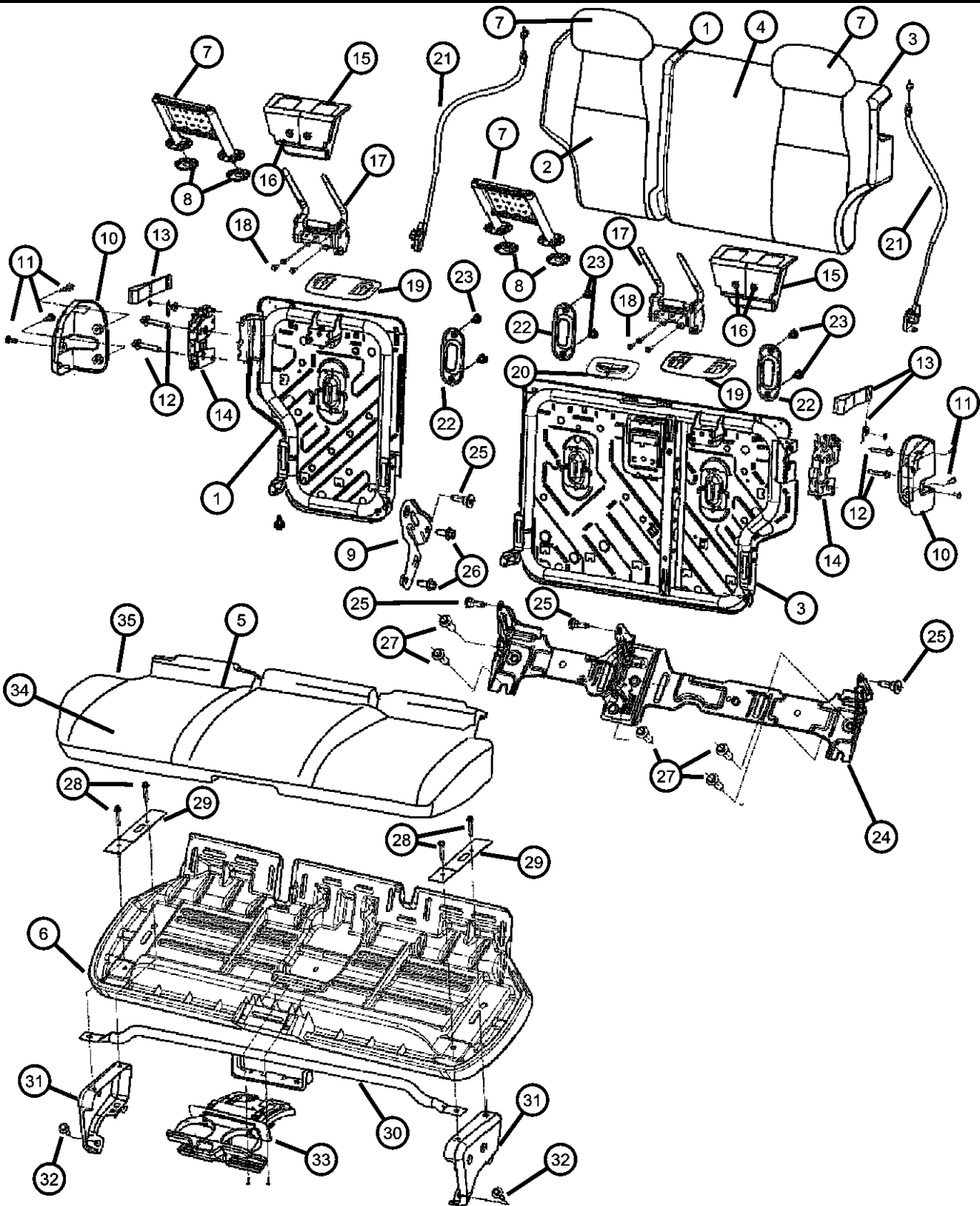
ENGINE
EKG = 3.7L V6 Engine
EVA = 4.7L V8 MPI Engine
EZB = 5.7L Hemi Multi Displacement Engine

TRANSMISSION
DGQ = 5-Spd Automatic 5-45RFE Transmission
DGJ = 5-Speed Automatic MB Transmission

AR = use ase required - = Non illustrated part

2006 WK

Rear Seat, Trim Code [YL]
Figure IWK-660

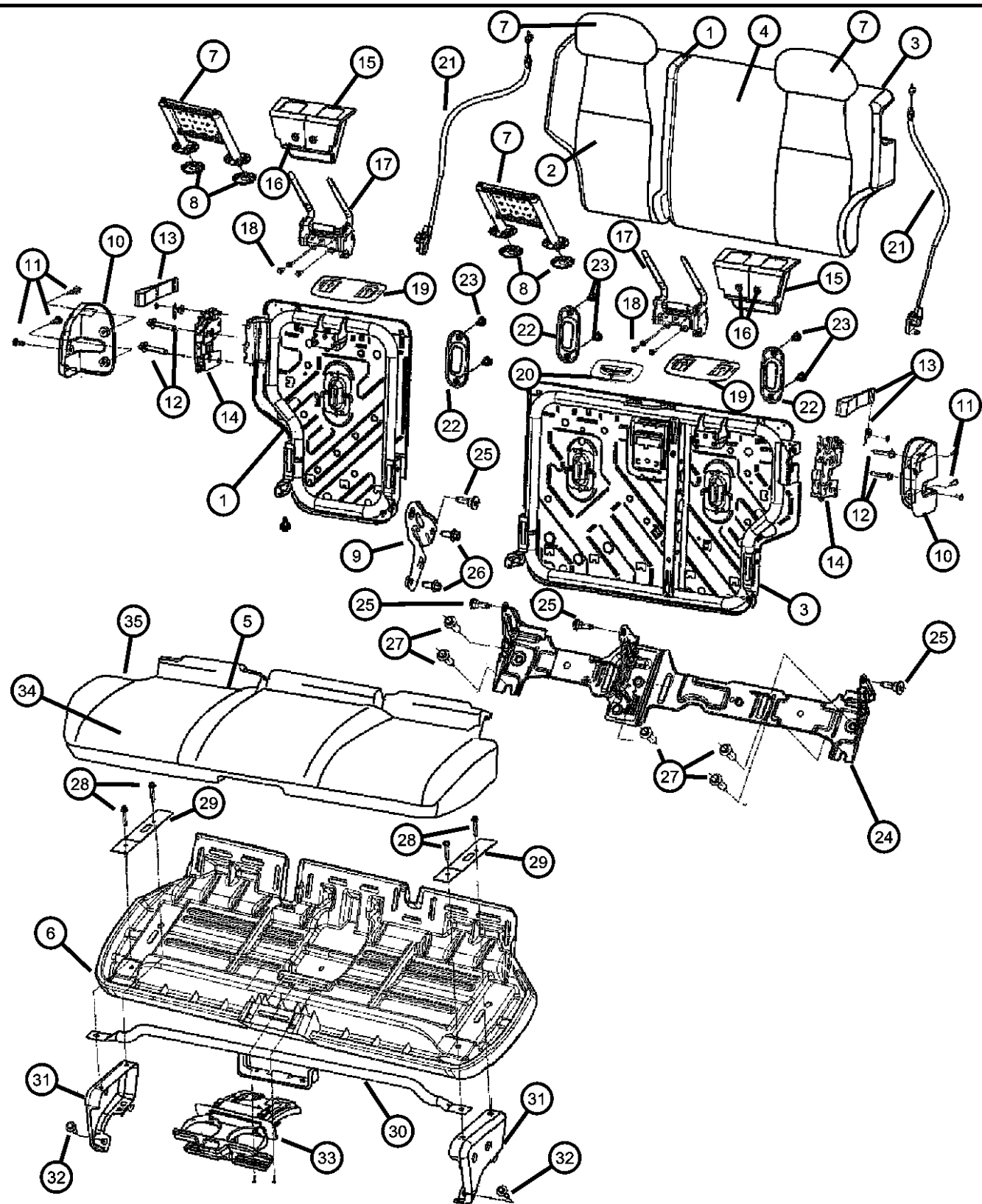


ITEM	PART NUMBER	QTY	LINE	SERIES	BODY	ENGINE	TRANS	TRIM	DESCRIPTION
1	1CW561D5AA	1	J, T		74			*YL [D5]	SEAT BACK, Rear, 40%
	1CW561J3AA	1	J, T		74			*YL [J3]	
2	1CW581D5AA	1	J, T		74			*YL [D5]	COVER, Rear Seat Back, 40%
	1CW581J3AA	1	J, T		74			*YL [J3]	
3	1CW571D5AA	1	J, T		74			*YL [D5]	SEAT BACK, Rear, 60%
	1CW571J3AA	1	J, T		74			*YL [J3]	
4	1CW591D5AA	1	J, T		74			*YL [D5]	COVER, Rear Seat Back, 60%
	1CW591J3AA	1	J, T		74			*YL [J3]	
5	1CW551D5AA	1	J, T		74			*YL [D5]	COVER, Rear Seat Cushion
	1CW551J3AA	1	J, T		74			*YL [J3]	
6	05143424AA	1	J, T		74			*YL	PANEL, Seat Cushion Base
7	1BF871D5AA	2	J, T		74			*YL [D5]	HEADREST, Rear
	1BF871J3AA	2	J, T		74			*YL [J3]	
8	1BG771D5AA	2	J, T		74			*YL [D5]	COVER, Headrest Sleeve
	1BG771J3AA	2	J, T		74			*YL [J3]	
9	05143423AA	1	J, T		74			*YL	BRACKET, Pivot
10	1BG571J3AA	1	J, T		74			*YL [J3]	COVER, Seat latch
	1BG561D5AA	1	J, T		74			*YL [D5]	Right
	1BG561J3AA	1	J, T		74			*YL [J3]	Right
	1BG571D5AA	1	J, T		74			*YL [D5]	Left
11	05139633AA	3	J, T		74			*YL	SCREW
12	05072205AA	2	J, T		74			*YL	BOLT, Seat
13	1BZ621D5AA	1	J, T		74			*YL [D5]	STRAP
	1BZ621J3AA	1	J, T		74			*YL [J3]	
14	05139664AA	1	J, T		74			*YL	LATCH, Seat
									Right

GRAND CHEROKEE (WK)
 SERIES LINE BODY ENGINE TRANSMISSION
 H = HIGHLINE T = JEEP - 2WD 74 = SPORT UTILITY 4-DR EKG = 3.7L V6 Engine DGQ = 5-Spd Automatic 5-45RFE
 P = PREMIUM J = JEEP - 4WD EVA = 4.7L V8 MPI Engine Transmission
 S = SPORT EZB = 5.7L Hemi Multi DGJ = 5-Speed Automatic MB
 X = SPECIAL Displacement Engine Transmission

AR = use ase required - = Non illustrated part

Rear Seat, Trim Code [YL]
Figure IWK-660



ITEM	PART NUMBER	QTY	LINE	SERIES	BODY	ENGINE	TRANS	TRIM	DESCRIPTION
15	05139665AA	1	J, T		74			*YL	Left COVER
	05174347AA	1		X				*DZ	
16	05139633AA	3	J, T		74			*YL	SCREW
	05143489AA	1	J, T		74			*YL	BRACKET AND HINGE, Headrest
17	05139628AA	4	J, T		74			*YL	BOLT
18									BEZEL
19	1CL191D5AA	1	J, T		74			*YL	[D5]
	1CL191J3AA	1	J, T		74			*YL	[J3]
20									BEZEL, Seat Belt
	1AP311DDAA	1	J, T		74			*YL	[D5]
21	1AP311J3AA	1	J, T		74			*YL	[J3]
									CABLE
22	05143435AA	1	J, T		74			*YL	Center
	05143492AA	1	J, T		74			*YL	Left
	05143493AA	1	J, T		74			*YL	Right
23									BEZEL, TETHER
	0WT351D5AA	2	J, T		74			*YL	[D5]
24	0WT351J3AA	2	J, T		74			*YL	[J3]
									SCREW, (NOT SERVICED),
25	05143434AA	1	J, T		74			*YL	BRACKET, Rear Seat Mount
26	05139634AA	4	J, T		74			*YL	BOLT
27	05143464AA	1	J, T		74			*YL	BOLT, Seat
28	06508360AA	1	J, T		74			*YL	SCREW AND WASHER, Hex
29	05143445AA	4	J, T		74			*YL	SCREW, Seat
30	05143431AA	2	J, T		74			*YL	PLATE, Retaining
31	05143432AA	1	J, T		74			*YL	SUPPORT, Rear Seat
32									RISER, Seat
	05143412AA	1	J, T		74			*YL	Right
33	05143413AA	1	J, T		74			*YL	Left
	06508360AA	2							SCREW AND WASHER, Hex
									CUPHOLDER
	1BG491J3AA	1	J, T		74			*YL	[J3]

GRAND CHEROKEE (WK)

SERIES LINE
H = HIGHLINE T = JEEP - 2WD
P = PREMIUM J = JEEP - 4WD
S = SPORT
X = SPECIAL

BODY
74 = SPORT UTILITY 4-DR

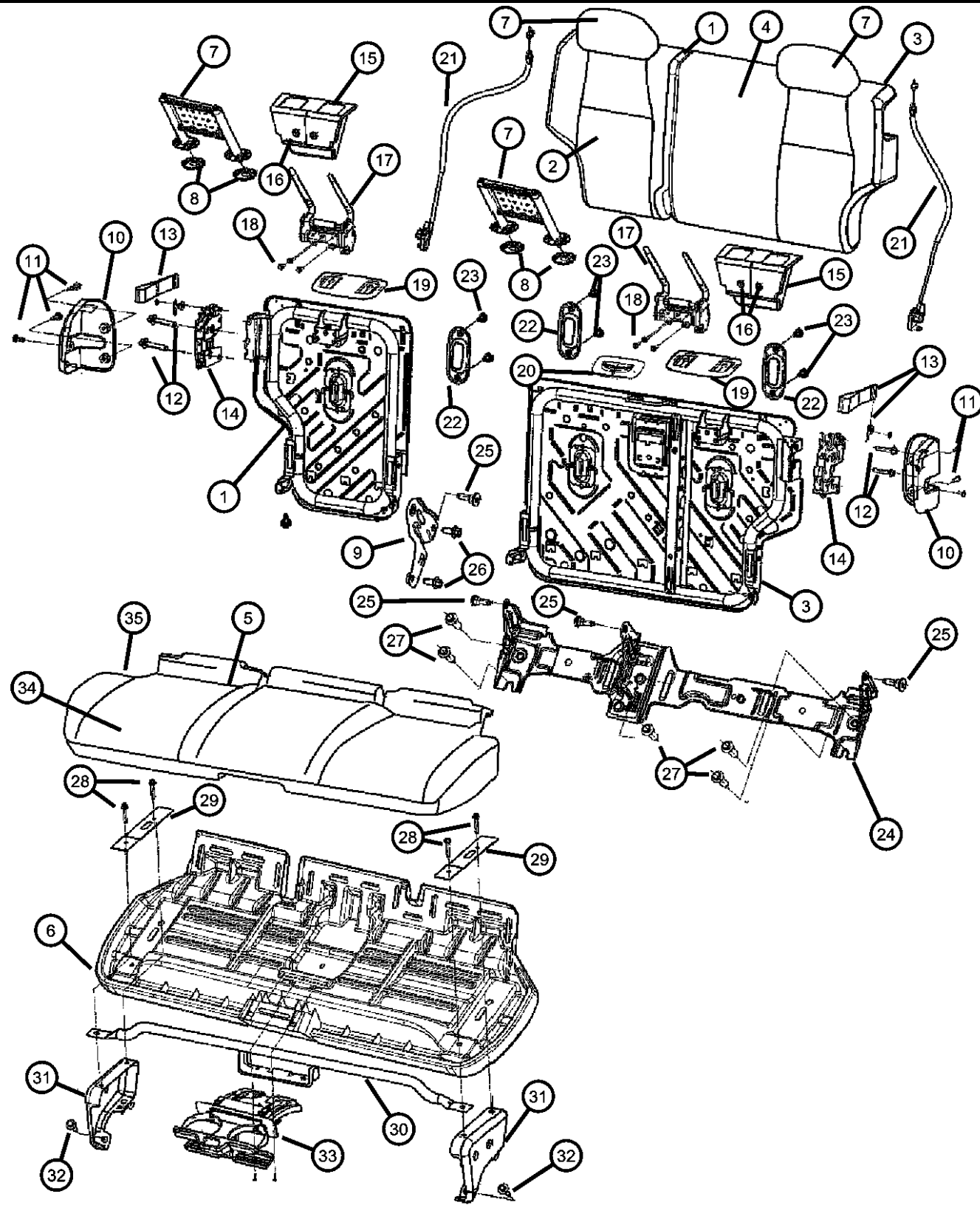
ENGINE
EKG = 3.7L V6 Engine
EVA = 4.7L V8 MPI Engine
EZB = 5.7L Hemi Multi Displacement Engine

TRANSMISSION
DGQ = 5-Spd Automatic 5-45RFE Transmission
DGJ = 5-Speed Automatic MB Transmission

AR = use ase required - = Non illustrated part

2006 WK

Rear Seat, Trim Code [YL]
Figure IWK-660

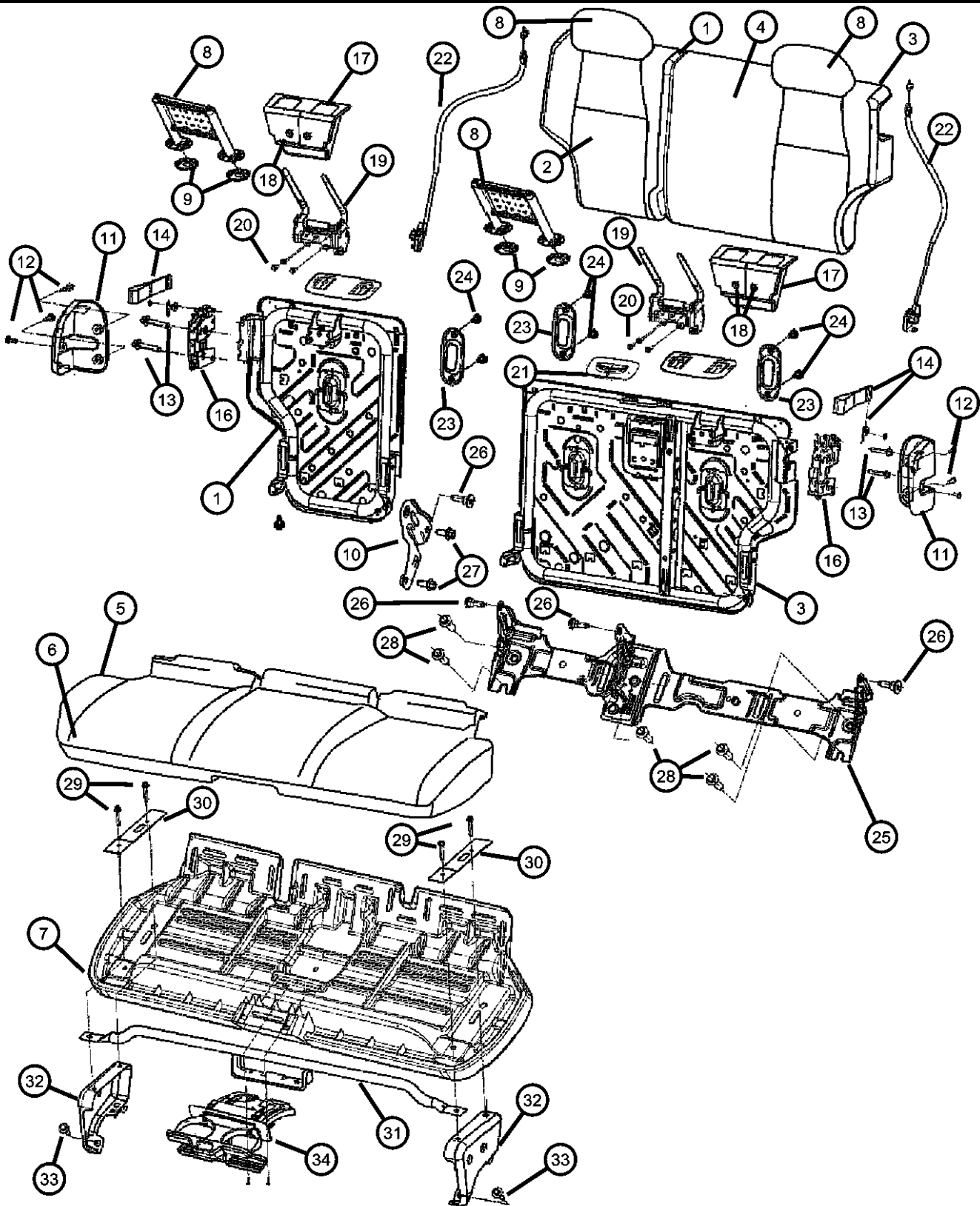


ITEM	PART NUMBER	QTY	LINE	SERIES	BODY	ENGINE	TRANS	TRIM	DESCRIPTION
	1BG491D5AA	1	J, T		74			*YL	[D5]
34	05143433AA	1	J, T		74			*YL	FOAM, Seat Cushion
35	05143454AA	1	J, T		74			*YL	WIRE KIT, Trimming

GRAND CHEROKEE (WK)		BODY	ENGINE	TRANSMISSION
SERIES	LINE	74 = SPORT UTILITY 4-DR	EKG = 3.7L V6 Engine	DGQ = 5-Spd Automatic 5-45RFE
H = HIGHLINE	T = JEEP - 2WD		EVA = 4.7L V8 MPI Engine	Transmission
P = PREMIUM	J = JEEP - 4WD		EZB = 5.7L Hemi Multi	DGJ = 5-Speed Automatic MB
S = SPORT			Displacement Engine	Transmission
X = SPECIAL				

AR = use ase required - = Non illustrated part

Rear Seat, Trim Code [Y5]
Figure IWK-670



ITEM	PART NUMBER	QTY	LINE	SERIES	BODY	ENGINE	TRANS	TRIM	DESCRIPTION
1	1EV481D5AA	1	J, T		74			*Y5	SEAT BACK, Rear, 40% [D5]
	1EV481J3AA	1	J, T		74			*Y5	[J3]
2	1EV501D5AA	1	J, T		74			*Y5	COVER, Rear Seat Back, 40% [D5]
	1EV501J3AA	1	J, T		74			*Y5	[J3]
3	1EV491D5AA	1	J, T		74			*Y5	SEAT BACK, Rear, 60% [D5]
	1EV491J3AA	1	J, T		74			*Y5	[J3]
4	1EV511D5AA	1	J, T		74			*Y5	COVER, Rear Seat Back, 60% [D5]
	1EV511J3AA	1	J, T		74			*Y5	[J3]
5	1BF841D5AA	1	J, T		74			*Y5	COVER, Rear Seat Cushion [D5]
	1BF841J3AA	1	J, T		74			*Y5	[J3]
6	05143433AA	1	J, T		74			*Y5	FOAM, Seat Cushion
7	05143424AA	1	J, T		74			*Y5	PANEL, Seat Cushion Base
8	1BF851D5AA	2	J, T		74			*Y5	HEADREST, Rear [D5]
	1BF851J3AA	2	J, T		74			*Y5	[J3]
9	1DS911DAAA	2	J, T		74			*Y5	SLEEVE, Headrest [D5] With Button
	1DS941J3AA	2	J, T		74			*Y5	[J3] Without Button
	1DS911J3AA	2	J, T		74			*Y5	[J3] With Button
	1DS941DAAA	2	J, T		74			*Y5	[D5] Without Button
10	05143423AA	1	J, T		74			*Y5	BRACKET, Pivot
11	1BG571D5AA	1	J, T		74			*Y5	COVER, Seat latch [D5], Left
	1BG561D5AA	1	J, T		74			*Y5	[D5], Right
	1BG561J3AA	1	J, T		74			*Y5	[J3], Right
	1BG571J3AA	1	J, T		74			*Y5	[J3], Left
12	05139633AA	3	J, T		74			*Y5	SCREW
13	05072205AA	2	J, T		74			*Y5	BOLT, Seat
14									STRAP
	1BZ621D5AA	1	J, T		74			*Y5	[D5]

GRAND CHEROKEE (WK)

SERIES LINE
 H = HIGHLINE T = JEEP - 2WD
 P = PREMIUM J = JEEP - 4WD
 S = SPORT
 X = SPECIAL

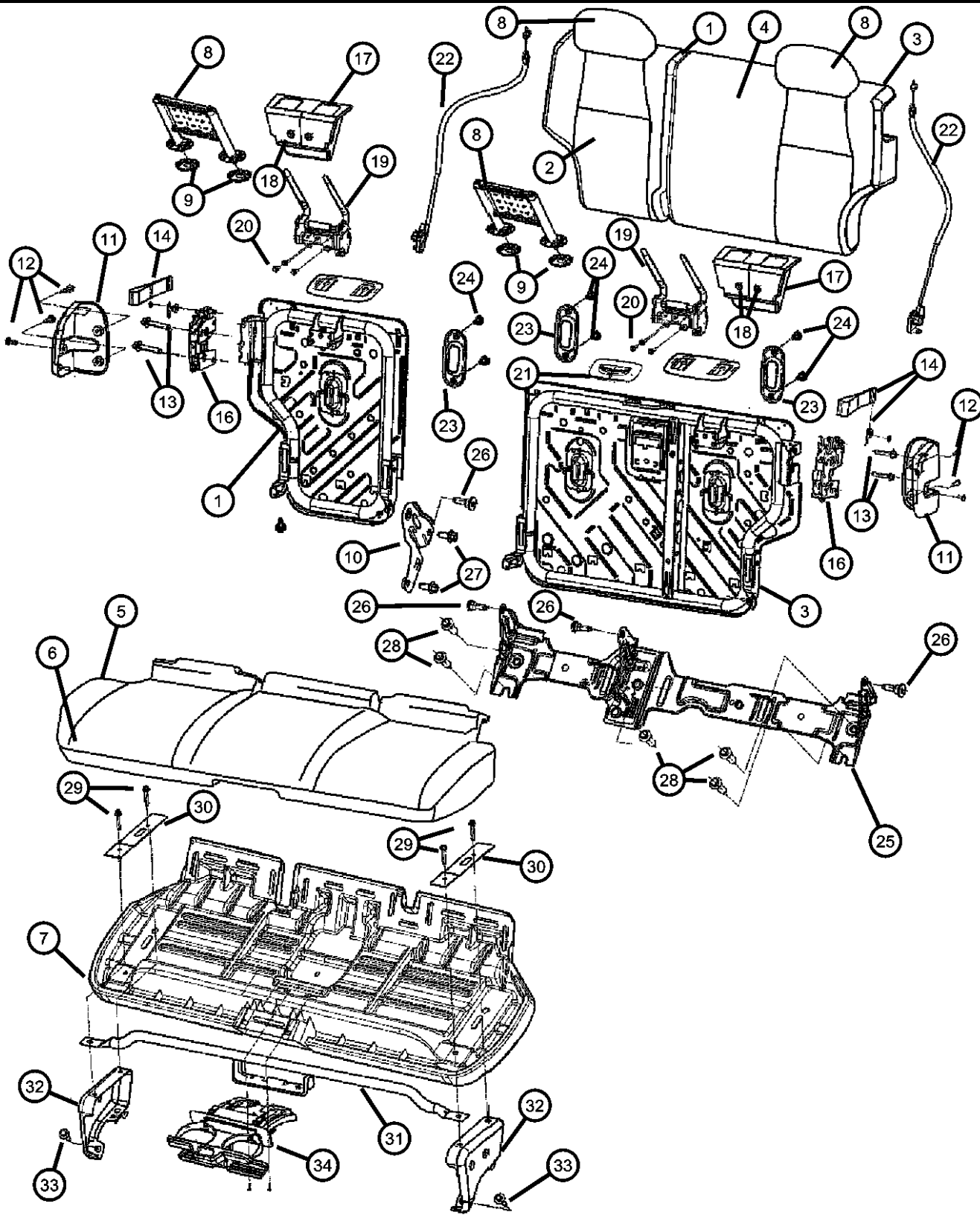
BODY
 74 = SPORT UTILITY 4-DR

ENGINE
 EKG = 3.7L V6 Engine
 EVA = 4.7L V8 MPI Engine
 EZB = 5.7L Hemi Multi Displacement Engine

TRANSMISSION
 DGQ = 5-Spd Automatic 5-45RFE Transmission
 DGJ = 5-Speed Automatic MB Transmission

AR = use ase required - = Non illustrated part

Rear Seat, Trim Code [Y5]
Figure IWK-670



ITEM	PART NUMBER	QTY	LINE	SERIES	BODY	ENGINE	TRANS	TRIM	DESCRIPTION
	1BZ621J3AA	1	J, T		74			*Y5	[J3]
-15	05017779AA	2	J, T		74			*Y5	NUT, Push, Pull Strap
16									LATCH, Seat
	05139664AA	1	J, T		74			*Y5	Right
	05139665AA	1	J, T		74			*Y5	Left
17	05174347AA	1	J, T		74			*Y5	COVER
18	05139633AA	3	J, T		74			*Y5	SCREW
19	05143489AA	1	J, T		74			*Y5	BRACKET AND HINGE, Headrest
20	05139628AA	4	J, T		74			*Y5	BOLT
21									BEZEL, Seat Belt
	1AP311D5AA	1	J, T		74			*Y5	[D5]
	1AP311J3AA	1	J, T		74			*Y5	[J3]
22									CABLE
	05143435AA	1	J, T		74			*Y5	Center
	05143492AA	1	J, T		74			*Y5	Left
	05143493AA	1	J, T		74			*Y5	Right
23									BEZEL, TETHER
	0WT351D5AA	1	J, T		74			*Y5	[D5]
	0WT351J3AA	1	J, T		74			*Y5	[J3]
24		1							SCREW, (NOT SERVICED),
25	05143434AA	1	J, T		74			*Y5	BRACKET, Rear Seat Mount
26	05139634AA	4	J, T		74			*Y5	BOLT
27	05143464AA	1	J, T		74			*Y5	BOLT, Seat
28	06508360AA	2	J, T		74				SCREW AND WASHER, Hex
29	05143445AA	4	J, T		74			*Y5	SCREW, Seat
30	05143431AA	2	J, T		74			*Y5	PLATE, Retaining
31	05143432AA	1	J, T		74			*Y5	SUPPORT, Rear Seat
32									RISER, Seat
	05143412AA	1	J, T		74			*Y5	Right
	05143413AA	1	J, T		74			*Y5	Left
33	06508360AA	2	J, T		74				SCREW AND WASHER, Hex
34									CUPHOLDER
	1BG491D5AA	1	J, T		74			*Y5	[D5]

GRAND CHEROKEE (WK)

SERIES LINE
H = HIGHLINE T = JEEP - 2WD
P = PREMIUM J = JEEP - 4WD
S = SPORT
X = SPECIAL

BODY
74 = SPORT UTILITY 4-DR

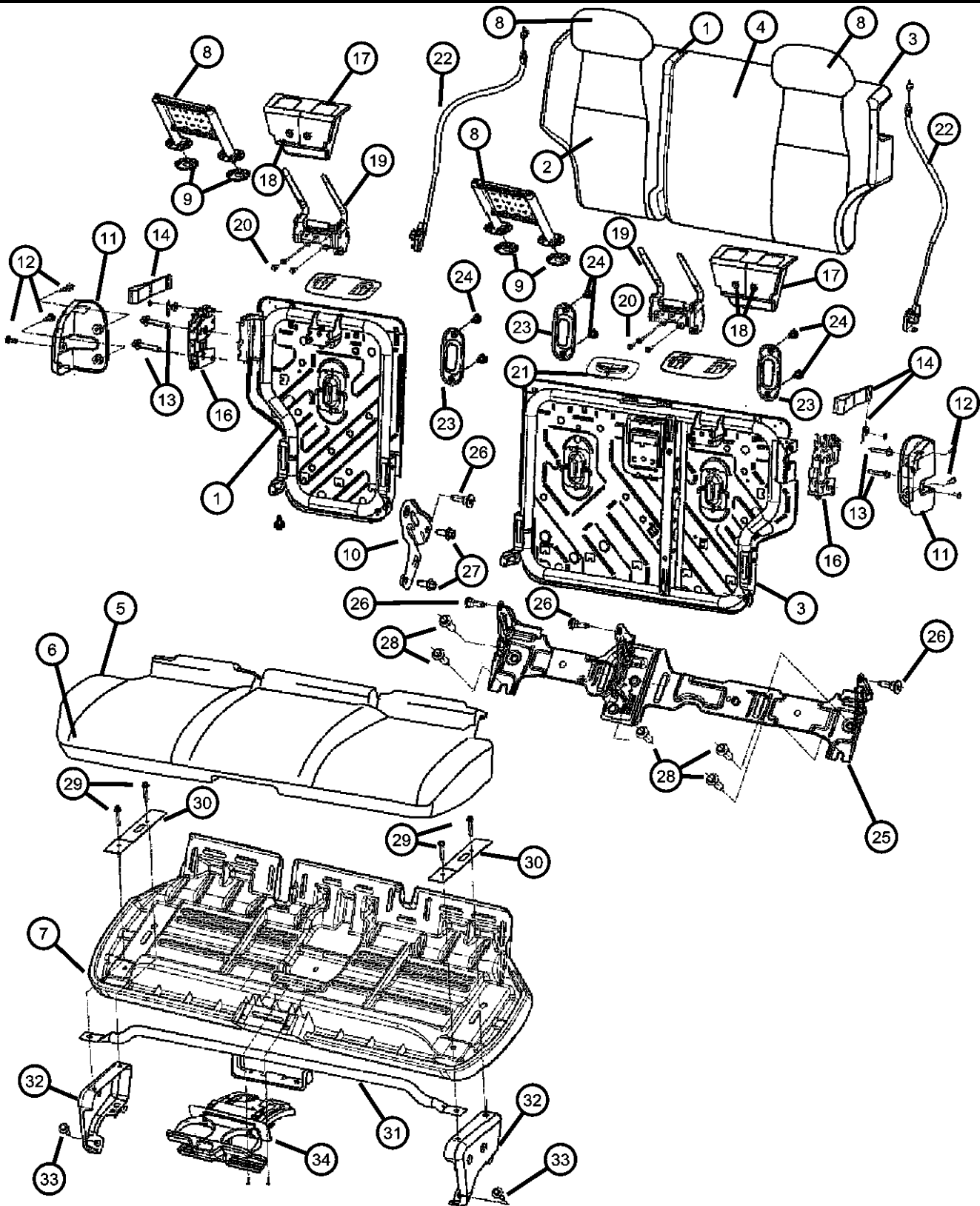
ENGINE
EKG = 3.7L V6 Engine
EVA = 4.7L V8 MPI Engine
EZB = 5.7L Hemi Multi Displacement Engine

TRANSMISSION
DGQ = 5-Spd Automatic 5-45RFE Transmission
DGJ = 5-Speed Automatic MB Transmission

AR = use ase required - = Non illustrated part

2006 WK

Rear Seat, Trim Code [Y5]
Figure IWK-670

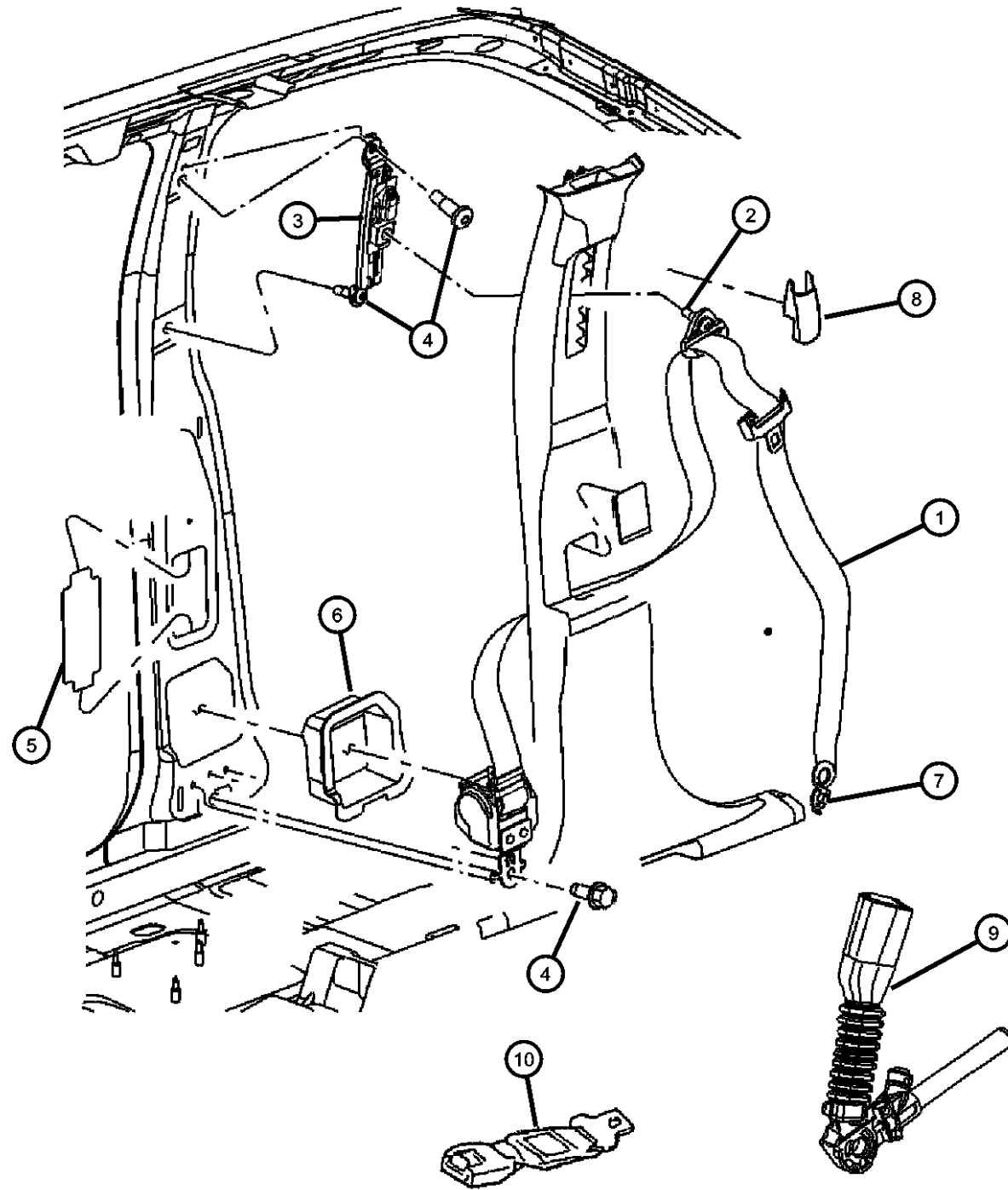


ITEM	PART NUMBER	QTY	LINE	SERIES	BODY	ENGINE	TRANS	TRIM	DESCRIPTION
	1BG491J3AA	1	J, T		74			*Y5 [J3]	
-35	05143454AA	1	J, T		74			*Y5	WIRE KIT, Trimming

GRAND CHEROKEE (WK)		BODY	ENGINE	TRANSMISSION
SERIES	LINE	74 = SPORT UTILITY 4-DR	EKG = 3.7L V6 Engine	DGQ = 5-Spd Automatic 5-45RFE
H = HIGHLINE	T = JEEP - 2WD		EVA = 4.7L V8 MPI Engine	Transmission
P = PREMIUM	J = JEEP - 4WD		EZB = 5.7L Hemi Multi	DGJ = 5-Speed Automatic MB
S = SPORT			Displacement Engine	Transmission
X = SPECIAL				

AR = use ase required - = Non illustrated part

Front Seat Belts
Figure IWK-710



ITEM	PART NUMBER	QTY	LINE	SERIES	BODY	ENGINE	TRANS	TRIM	DESCRIPTION
1									SEAT BELT, Front Outer
	5HQ36BD1AG	1						*O0	[J1], Right
	5HQ36ZJ3AG	1						*O0	[J3], Right
	5HQ37BD1AG	1						*O0	[J1], Left
	5HQ37BD5AG	1						*O0	[D5], Left
	5HQ36BD5AG	1						*O0	[D5], Right
	5HQ37ZJ3AG	1						*O0	[J3], Left
2	06036522AA	1						*O0	SCREW, .437-20X37.9
3	1CE39BD1AC	2						*O0	ADJUSTER, Seat Belt Turning Loop
4	06036187AA	2							SCREW, Pan Head
5	55116545AC	2							SHIELD, Seat Belt Retractor
6									SHIELD, Seat Belt Retractor
	55197032AA	1							Right
	55197033AA	1							Left
7	06036523AA	1						*O0	SCREW
8	5HP13BD1AA	2						*O0	COVER, Adjustable Turning Loop
9									SEAT BELT, Front Inner
	1CB121D1AA	1						*PL	[J1] With [JPK] Power Seats,Without [JPM] Heated Seats,Without [XCA]Occupant Classification, Right
		1						*PL	[J1] With [JPK] Power Seats,With [XCA] Occupant Classification,Without [JPM] Heated Seat, Right
		1			S			*XL	[J1] With [JPK]Power Seats,With [JPM]Heated Seats,Without [XCA]Occupant Classification, Right
		1						*PL	[J1] With [JPK] Power Seats, With [JPM] Heated Seats,Without [XCA] Occupant Classification, Right
		1						*PL	[J1] With [JPK] Power Seats, With [JPM] Heated Seats,With [XCA] Occupant Classification, Right
		1			S			*XL	[J1] With [JPK]Power Seats,With [JPM]Heated Seats,With [XCA]Occupant Classification, Right

GRAND CHEROKEE (WK)

SERIES LINE
H = HIGHLINE T = JEEP - 2WD
P = PREMIUM J = JEEP - 4WD
S = SPORT
X = SPECIAL

BODY
74 = SPORT UTILITY 4-DR

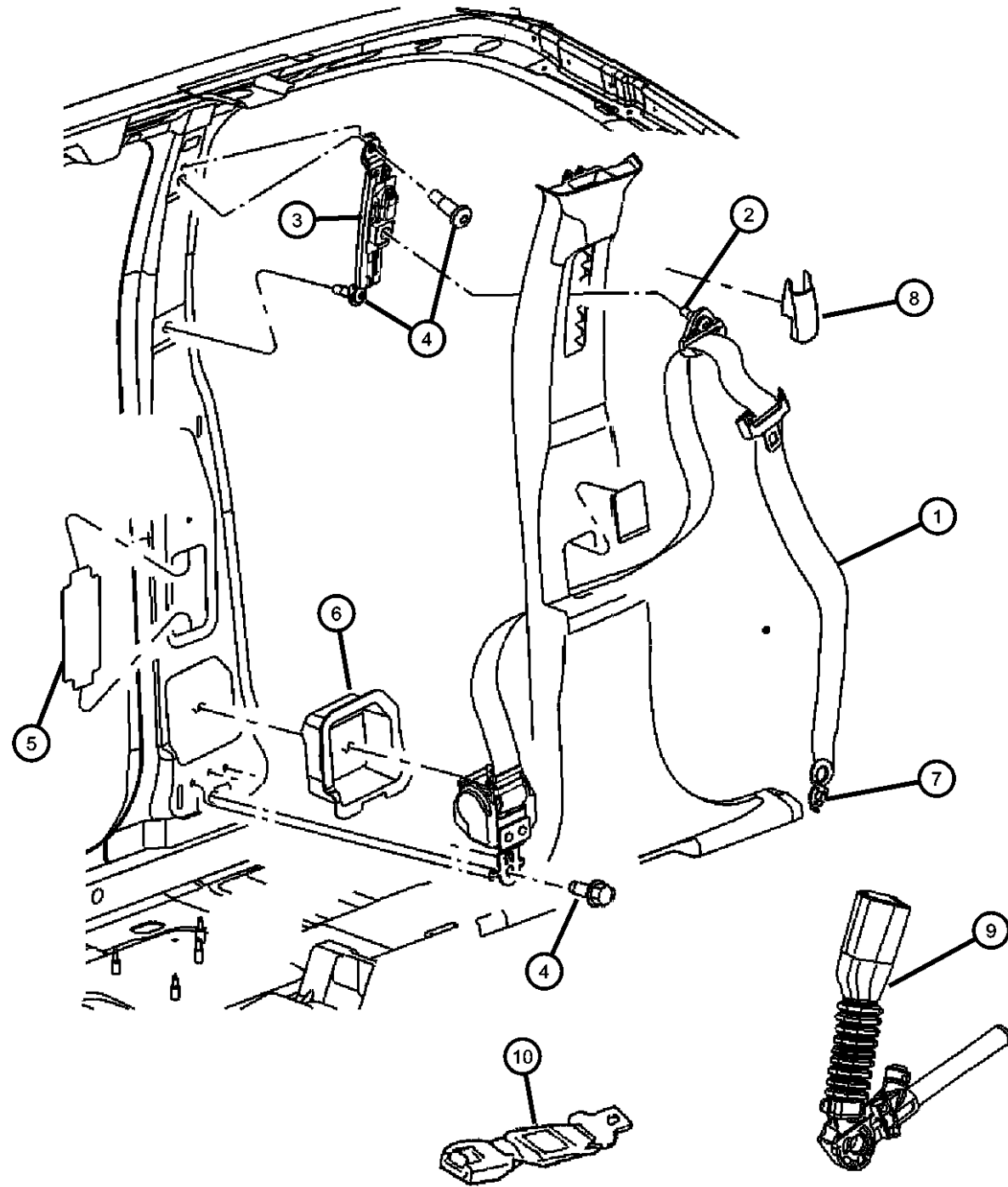
ENGINE
EKG = 3.7L V6 Engine
EVA = 4.7L V8 MPI Engine
EZB = 5.7L Hemi Multi Displacement Engine

TRANSMISSION
DGQ = 5-Spd Automatic 5-45RFE Transmission
DGJ = 5-Speed Automatic MB Transmission

AR = use ase required - = Non illustrated part

2006 WK

Front Seat Belts
Figure IWK-710



ITEM	PART NUMBER	QTY	LINE	SERIES	BODY	ENGINE	TRANS	TRIM	DESCRIPTION
	1CB121D5AA	1						*AL	[D5] With [JTB] Power Seats, With [JPM] Heated Seats, With [XCA] Occupant Classification, Right
		1						*AL	[D5] With [JTB] Power Seats, Without [JPM] Heated Seats, With [XCA] Occupant Classification, Right
		1						*AL	[D5] With [JTB] Power Seats, Without [JPM] Heated Seats, Without [XCA] Occupant Classification, Right
		1						*AL	[D5] With [JTB] Power Seats, With [JPM] Heated Seats, Without [XCA] Occupant Classification, Right
		1		S				*XL	[D5] With [JPK] Power Seats, With [JPM] Heated Seats, Without [XCA] Occupant Classification, Right
		1		S				*XL	[D5] With [JPK] Power Seats, With [JPM] Heated Seats, With [XCA] Occupant Classification, Right
		1						*PL	[D5] With [JPK] Power Seats, Without [JPM] Heated Seats, With [XCA] Occupant Classification, Right
		1						*PL	[D5] With [JPK] Power Seats, Without [JPM] Heated Seats, Without [XCA] Occupant Classification, Right
		1						*PL	[D5] With [JPK] Power Seats, With [JPM] Heated Seats, Without [XCA] Occupant Classification, Right
		1						*PL	[D5] With [JPK] Power Seats, With [JPM] Heated Seats, With [XCA] Occupant Classification, Right
		1	J, T	X	74			*DZ	[D5] With [JPK] Power Seats, With [JPM] Heated Seats, Right
		1	J, T	X	74			*DZ	[D5] With [JTB] Power Seats, Without [JPM] Heated Seats, Right
		1	J, T		74			*YL	[D5] With [JTB] Power Seats, With [JPM] Heated Seats, With [XCA] Occupant Classification, Right

GRAND CHEROKEE (WK)

SERIES LINE
H = HIGHLINE T = JEEP - 2WD
P = PREMIUM J = JEEP - 4WD
S = SPORT
X = SPECIAL

BODY
74 = SPORT UTILITY 4-DR

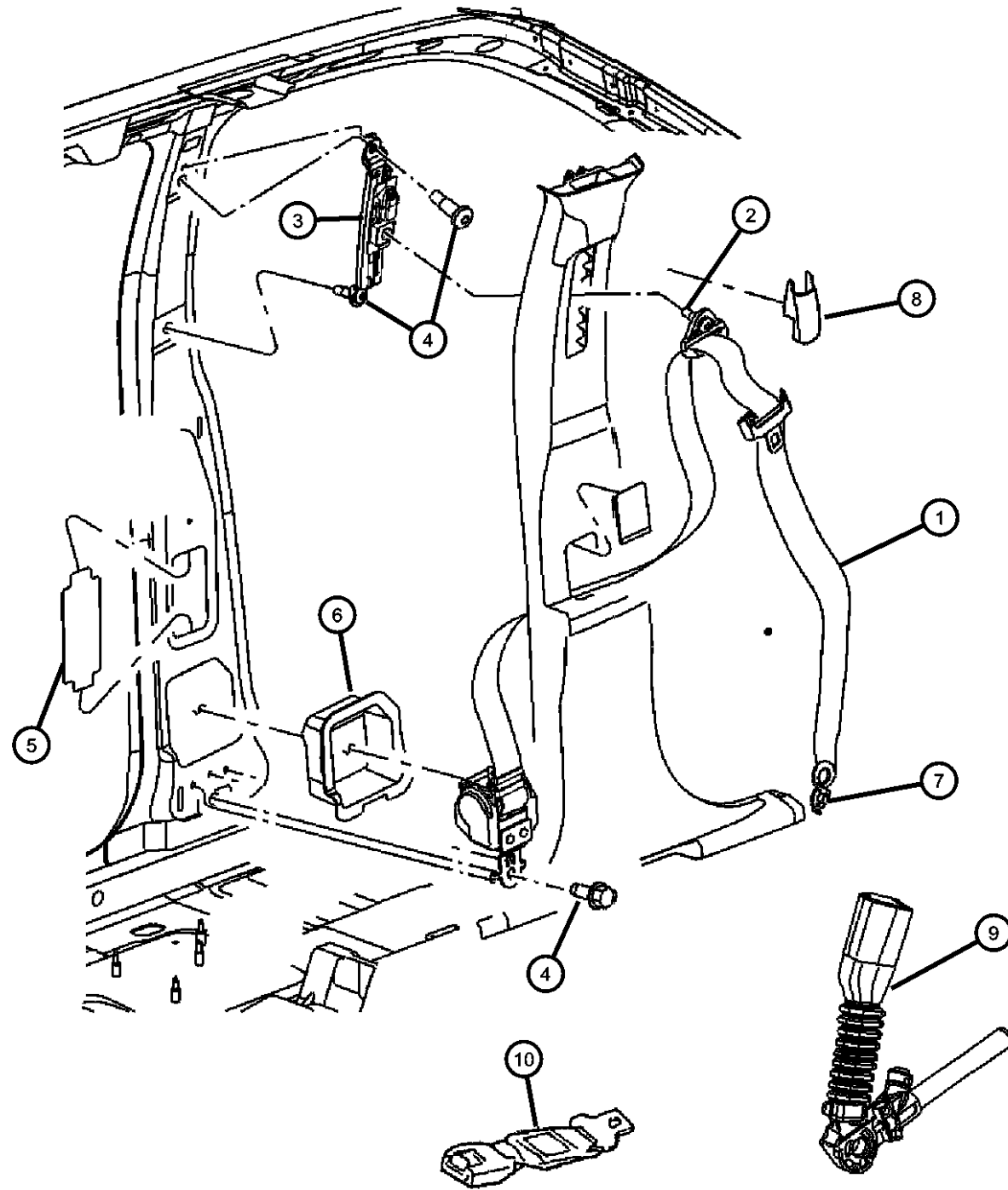
ENGINE
EKG = 3.7L V6 Engine
EVA = 4.7L V8 MPI Engine
EZB = 5.7L Hemi Multi Displacement Engine

TRANSMISSION
DGQ = 5-Spd Automatic 5-45RFE Transmission
DGJ = 5-Speed Automatic MB Transmission

AR = use ase required - = Non illustrated part

2006 WK

Front Seat Belts
Figure IWK-710



ITEM	PART NUMBER	QTY	LINE	SERIES	BODY	ENGINE	TRANS	TRIM	DESCRIPTION
	1CB121J3AA	1						*AL	[J3] With [JTB] Power Seats,Without [JPM] Heated Seats,Without [XCA] Occupant Classification, Right
		1						*AL	[J3] With [JTB] Power Seats,With [JPM] Heated Seats, Without [XCA] Occupant Classification, Right
		1						*PL	[J3] With [JPK] Power Seats, With [JPM] Heated Seats,Without [XCA] Occupant Classification, Right
		1						*PL	[J3] With [JPK] Power Seats, With [JPM] Heated Seats,With [XCA] Occupant Classification, Right
		1						*PL	[J3] With [JPK] Power Seats,Without [JPM] Heated Seats,Without [XCA] Occupant Classification, Right
		1						*PL	[J3] With [JPK] Power Seats,Without [JPM] Heated Seats,With [XCA] Occupant Classification, Right
		1	J, T		74			*YL	[J3] With [JTB] Power Seats, With [JPM] Heated Seats, With [XCA] Occupant Classification, Right
		1						*AL	[J3] With [JTB] Power Seats,With [JPM] Heated Seats, With [XCA] Occupant Classification, Right
		1						*AL	[J3] With [JTB] Power Seats,Without [JPM] Heated Seats, With [XCA] Occupant Classification, Right
	1CB121D5AB	1	J, T		74			*Y5	[D5] With [JTB] Power Seats,With [JPM] Heated Seats,Without [XCA] Occupant Classification, Right
		1	J, T		74			*A7	[D5] With [JTB] Power Seat,With [JPM] Heated Seat,Without [XCA] Occupant Classification, Right
		1	J, T		74			*A7	[D5] With [JTB] Power Seat,Without [JPM] Heated Seat,Without [XCA] Occupant Classification, Right

GRAND CHEROKEE (WK)

SERIES LINE
H = HIGHLINE T = JEEP - 2WD
P = PREMIUM J = JEEP - 4WD
S = SPORT
X = SPECIAL

BODY
74 = SPORT UTILITY 4-DR

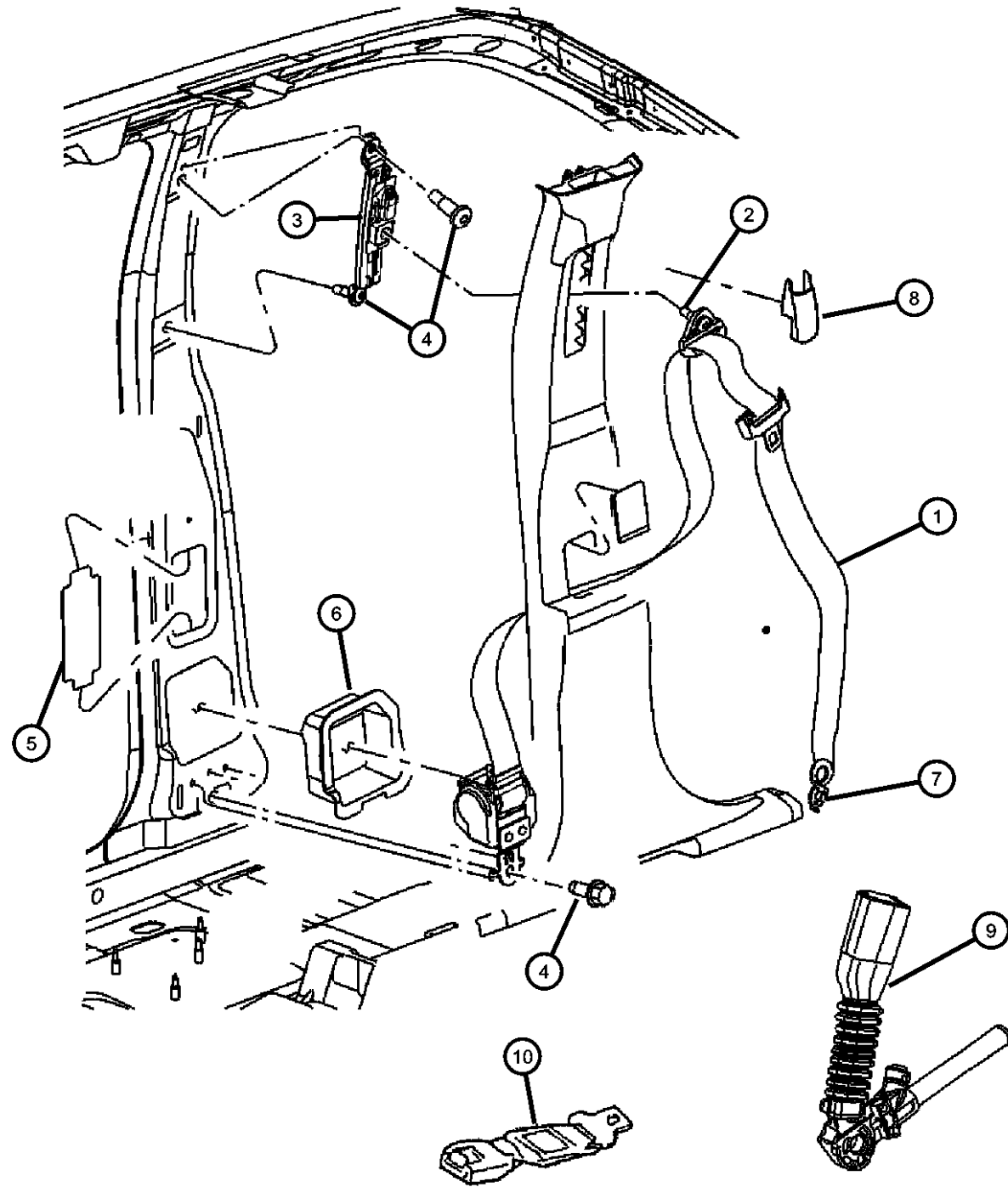
ENGINE
EKG = 3.7L V6 Engine
EVA = 4.7L V8 MPI Engine
EZB = 5.7L Hemi Multi Displacement Engine

TRANSMISSION
DGQ = 5-Spd Automatic 5-45RFE Transmission
DGJ = 5-Speed Automatic MB Transmission

AR = use ase required - = Non illustrated part

2006 WK

Front Seat Belts
Figure IWK-710



ITEM	PART NUMBER	QTY	LINE	SERIES	BODY	ENGINE	TRANS	TRIM	DESCRIPTION
		1	J, T		74			*Y5	[D5] With [JPR] Power Seat,With [JPM] Heated Seat,With [XCA] Occupant Classification, Right
		1	J, T		74			*Y5	[D5] With [JPR] Power Seat,Without [JPM] Heated Seat,With [XCA] Occupant Classification, Right
		1	J, T		74			*A7	[D5] With [JTB] Power Seat,With [JPM] Heated Seats,With [XCA] Occupant Classification, Right
		1	J, T		74			*A7	[D5] With [JPR] Power Seat,Without [XCA] Occupant Classification, Right
		1	J, T		74			*A7	[D5] With [JTB] Power Seat,Without [JPM] Heated Seats,With [XCA] Occupant Classification, Right
		1	J, T		74			*A7	[D5] With [JPR] Power Seat,With [XCA] Occupant Classification, Right
		1	J, T		74			*Y5	[D5] With [JTB] Power Seats,Without [JPM] Heated Seat,Without [XCA] Occupant Classification, Right
	1CB121J3AB	1	J, T		74			*Y5	[J3] With [JTB] Power Seat,With [JPM] Heated Seat, Without [XCA] Occupant Classification, Right
		1	J, T		74			*Y5	[J3] With [JTB] Power Seat,Without [JPM] Heated Seat, Without [XCA] Occupant Classification, Right
		1	J, T		74			*A7	[J3] With [JTB] Power Seat,With [JPM] Heated Seats,Without [XCA] Occupant Classification, Right
		1	J, T		74			*A7	[J3] With [JTB] Power Seat,Without [JPM] Heated Seats,Without [XCA] Occupant Classification, Right
		1	J, T		74			*A7	[J3] With [JPR] Power Seat,Without [XCA] Occupant Classification, Right
		1	J, T		74			*Y5	[J3] With [JPR]Power Seat,With [JPM]Heated Seat,With [XCA] Occupant Classification, Right

GRAND CHEROKEE (WK)

SERIES LINE
H = HIGHLINE T = JEEP - 2WD
P = PREMIUM J = JEEP - 4WD
S = SPORT
X = SPECIAL

BODY
74 = SPORT UTILITY 4-DR

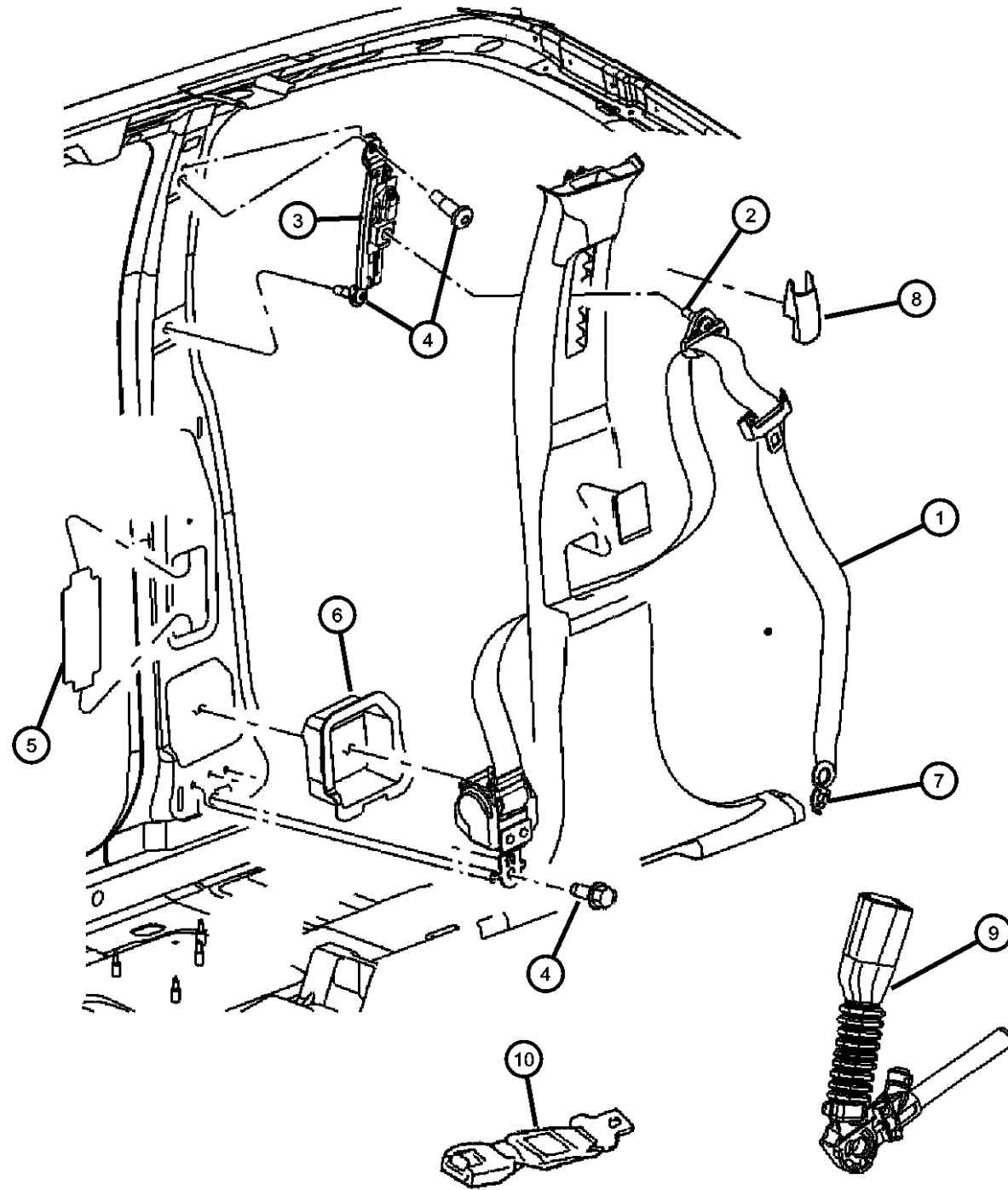
ENGINE
EKG = 3.7L V6 Engine
EVA = 4.7L V8 MPI Engine
EZB = 5.7L Hemi Multi Displacement Engine

TRANSMISSION
DGQ = 5-Spd Automatic 5-45RFE Transmission
DGJ = 5-Speed Automatic MB Transmission

AR = use ase required - = Non illustrated part

2006 WK

Front Seat Belts
Figure IWK-710



ITEM	PART NUMBER	QTY	LINE	SERIES	BODY	ENGINE	TRANS	TRIM	DESCRIPTION
		1	J, T		74			*Y5	[J3] With [JPR]Power Seat,Without [JPM]Heated Seat,With [XCA] Occupant Classification, Right
		1	J, T		74			*A7	[J3] With [JTB] Power,With [JPM] Heated Seats, With [XCA] Occupant Classification, Right
		1	J, T		74			*A7	[J3] With [JTB] Power,Without [JPM] Heated Seats, With [XCA] Occupant Classification, Right
	5HP151D1AB	1						*PL	[J1] With [JPK] Power Seats,Without [JPM]Heated Seats,With [XCA]Occupant Classification, Left
		1						*PL	[J1] With [JPK] Power Seats,With [JPM] Heated Seats, Without [XCA] Occupant Classification, Left
		1		S				*PL	[J1] With [JPK] Power Seats,With [JPM] Heated Seats, With [XCA] Occupant Classification, Left
		1		S				*XL	[J1] With [JPK]Power Seats,With [JPM]Heated Seats,Without [XCA]Occupant Classification, Left
		1						*XL	[J1] With [JPK]Power Seats,With [JPM]Heated Seats,With [XCA]Occupant Classification, Left
		1	J, T		74			*A7	[J3] With [JPR] Power Seat,With [XCA] Occupant Classification, Right
		1						*PL	[J1] With [JPK] Power Seats,Without [JPM]Heated Seats, Left
	5HP151D5AB	1						*AL	[D5] With [JTB] Power Seats,Without [Jpm] Heated Seats, Left
		1						*PL	[D5] With [JPK] Power Seats,Without [JPM]Heated Seats,With [XCA]Occupant Classification, Left
		1						*PL	[D5] With [JPK] Power Seats,With [JPM] Heated Seats,Without [XCA]Occupant Classification, Left
		1						*PL	[D5] With [JPK]Power Seats,With [JPM]Heated Seats,With [XCA] Occupant Classification, Left

GRAND CHEROKEE (WK)

SERIES LINE
H = HIGHLINE T = JEEP - 2WD
P = PREMIUM J = JEEP - 4WD
S = SPORT
X = SPECIAL

BODY
74 = SPORT UTILITY 4-DR

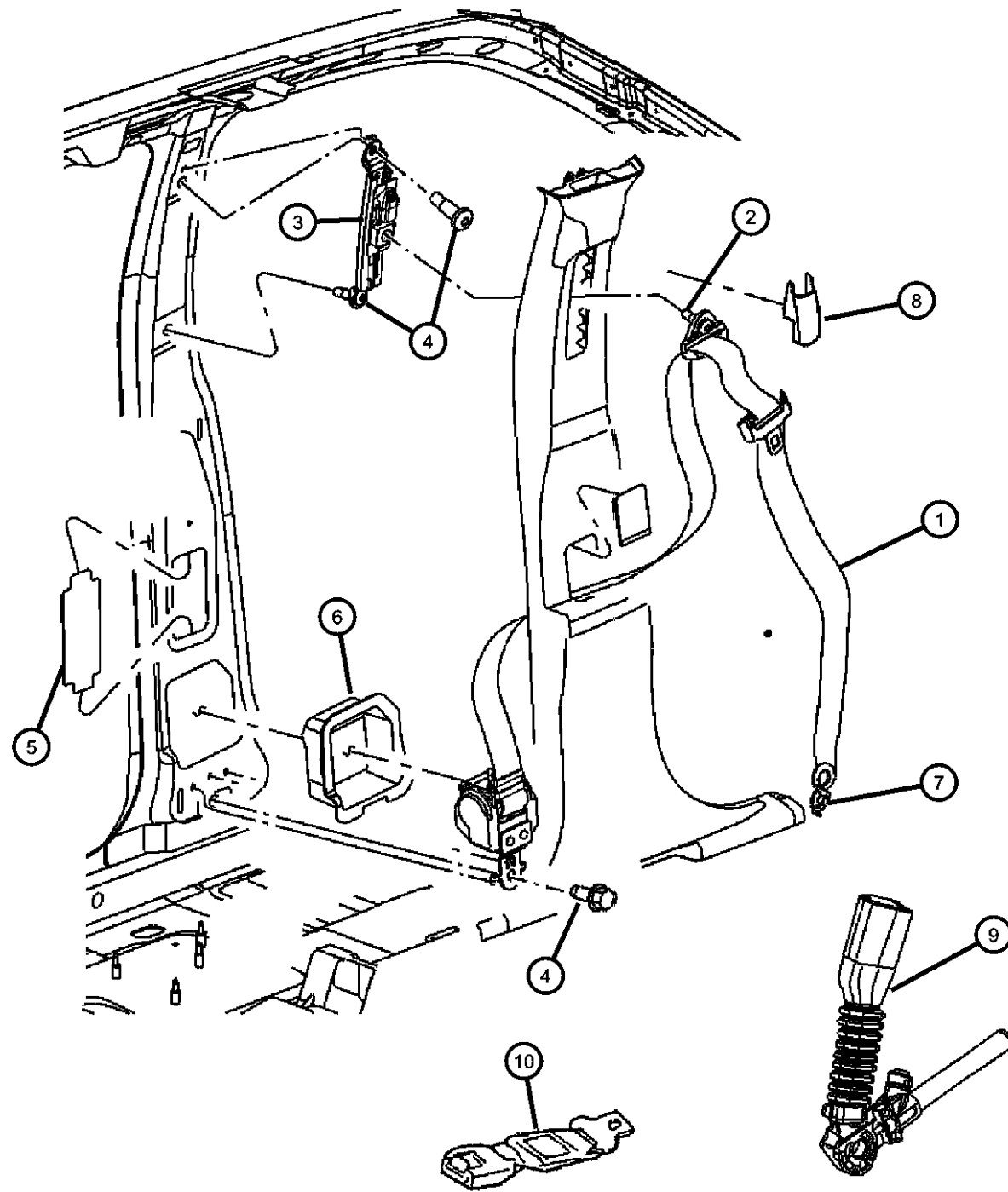
ENGINE
EKG = 3.7L V6 Engine
EVA = 4.7L V8 MPI Engine
EZB = 5.7L Hemi Multi Displacement Engine

TRANSMISSION
DGQ = 5-Spd Automatic 5-45RFE Transmission
DGJ = 5-Speed Automatic MB Transmission

AR = use ase required - = Non illustrated part

2006 WK

Front Seat Belts
Figure IWK-710



ITEM	PART NUMBER	QTY	LINE	SERIES	BODY	ENGINE	TRANS	TRIM	DESCRIPTION
		1						*PL	[D5] With [JPK] Power Seats,Without [JPM]Heated Seats, Left
		1		X				*DZ	[D5] With [JTB] Power Seats, Without [JPM] Heated Seats, Left
		1		X				*DZ	[D5] With [JPK] Power Seats,With [JPM] Heated Seats, Left
		1		S				*XL	[D5] With [JPK] Power Seats,With [JPM]Heated Seats,With [XCA]Occupant Classification, Left
		1		S				*XL	[D5] With [JPK] Power Seats,With [JPM]Heated Seats,Without [XCA]Occupant Classification, Left
		1						*AL	[D5] With [JTB] Power Seats,Without [JPM] Heated Seats,Without [XCA] Occupant Classification, Left
		1						*AL	[D5] With [JTB] Power Seats, With [JPM] Heated Seats, With [XCA] Occupant Classification, Left
		1						*AL	[D5] With [JTB] Power Seats, With [JPM] Heated Seats, Without [XCA] Occupant Classification, Left
		1	J, T		74			*YL	[D5] With [JTB] Power Seats, With [JPM] Hetaed Seats, With [XCA] Occupant Classification, Left
	5HP151J3AB	1						*PL	[J3] With [JPK]Power Seats,Without [JPM]Heated Seats, Left
		1						*PL	[J3] With [JPK]Power Seats,Without [JPM]Heated Seats,With [XCA]Occupant Classification, Left
		1						*PL	[J3] With [JPK]Power Seats,With [JPM]Heated Seats,Without [XCA] Occupant Classification, Left
		1						*PL	[J3] With [JPK]Power Seats,With [JPM]Heated Seats,With [XCA]Occupant Classification, Left

GRAND CHEROKEE (WK)

SERIES LINE
H = HIGHLINE T = JEEP - 2WD
P = PREMIUM J = JEEP - 4WD
S = SPORT
X = SPECIAL

BODY
74 = SPORT UTILITY 4-DR

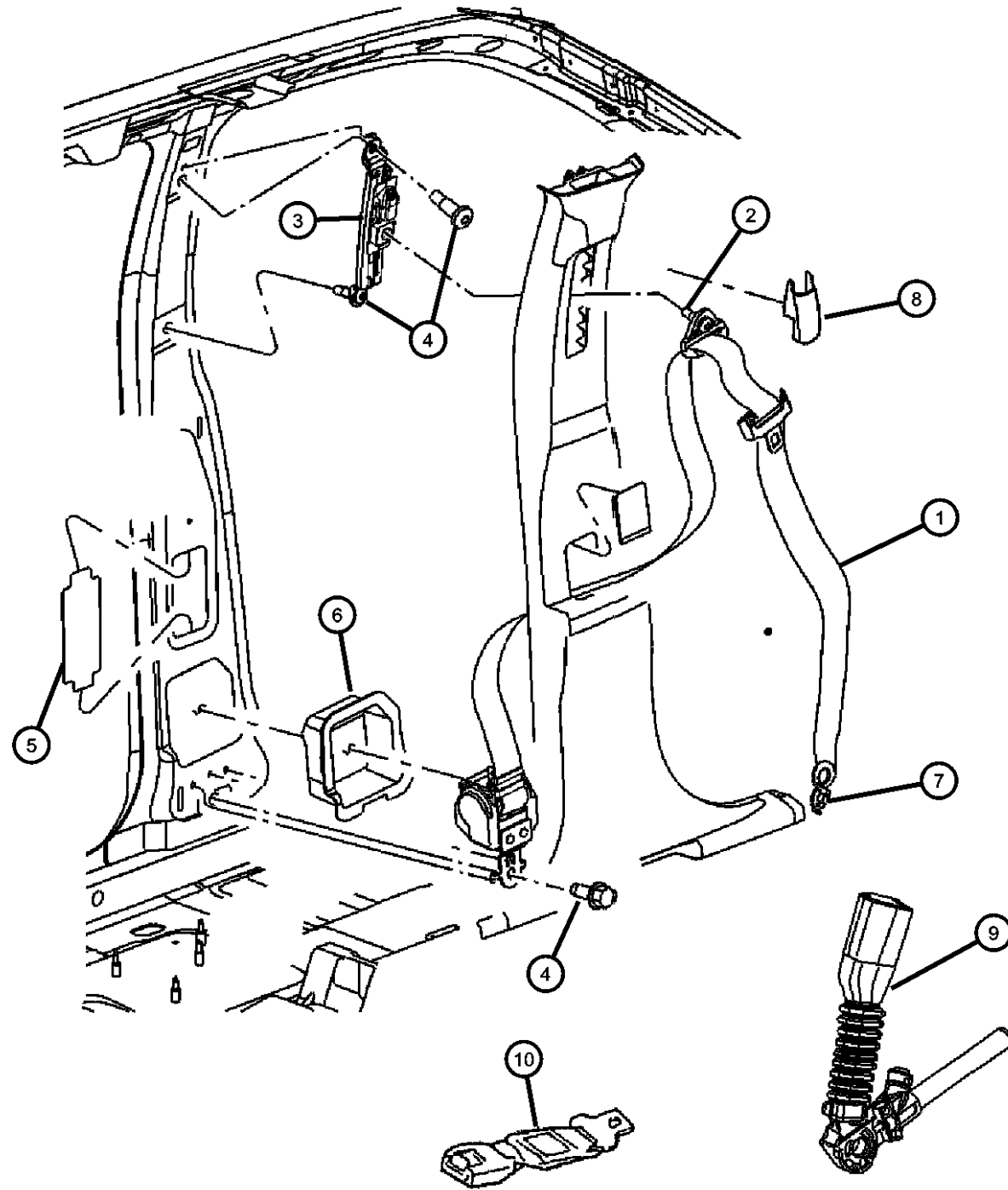
ENGINE
EKG = 3.7L V6 Engine
EVA = 4.7L V8 MPI Engine
EZB = 5.7L Hemi Multi Displacement Engine

TRANSMISSION
DGQ = 5-Spd Automatic 5-45RFE Transmission
DGJ = 5-Speed Automatic MB Transmission

AR = use ase required - = Non illustrated part

2006 WK

Front Seat Belts
Figure IWK-710



ITEM	PART NUMBER	QTY	LINE	SERIES	BODY	ENGINE	TRANS	TRIM	DESCRIPTION
		1						*AL	[J3] With [JTB] Power Seats, Without [JPM] Heated Seats, Without [XCA] Occupant Classification, Left
		1						*AL	[J3] With [JTB] Power Seats, With [JPM] Heated Seats, Without [XCA] Occupant Classification, Left
		1						*AL	[J3] With [JTB] Power Seats, With [JPM] Heated Seats, With [XCA] Occupant Classification, Left
		1						*AL	[J3] With [JTB] Power Seats, Without [JPM] Heated Seats, With [XCA] Occupant Classification, Left
	5HP151D5AC	1	J, T		74			*A7	[D5] With [JTB] Power Seat, With [JPM] Heated Seats, Without [XCA] Occupant Classification, Left
		1	J, T		74			*A7	[D5] With [JTB] Power Seat, Without [JPM] Heated Seat, Without [XCA] Occupant Classification, Left
		1	J, T		74			*A7	[D5] With [JPR] Power Seat, Without [XCA] Occupant Classification, Left
		1	J, T		74			*A7	[D5] With [JTB] Power Seat, With [JPM] Heated Seat, With [XCA] Occupant Classification, Left
	5HP151J3AC	1	J, T		74			*YL	[J3] With [JTB] Power Seats, With [JPM] Heated Seats, With [XCA] Occupant Classification, Left
		1	J, T		74			*A7	[D5] With [JTB] Power Seat, Without [JPM] Heated Seat, With [XCA] Occupant Classification, Left
		1	J, T		74			*A7	[D5] With [JPR] Power Seat, With [XCA] Occupant Classification, Left
		1	J, T		74			*A7	[J3] With [JTB] Power Seat, With [JPM] Heated Seat With [XCA] Occupant Classification, Left
		1	J, T		74			*A7	[J3] With [JTB] Power Seat, With [JPM] Heated Seat, Without [XCA] Occupant Classification, Left

GRAND CHEROKEE (WK)

SERIES LINE
H = HIGHLINE T = JEEP - 2WD
P = PREMIUM J = JEEP - 4WD
S = SPORT
X = SPECIAL

BODY
74 = SPORT UTILITY 4-DR

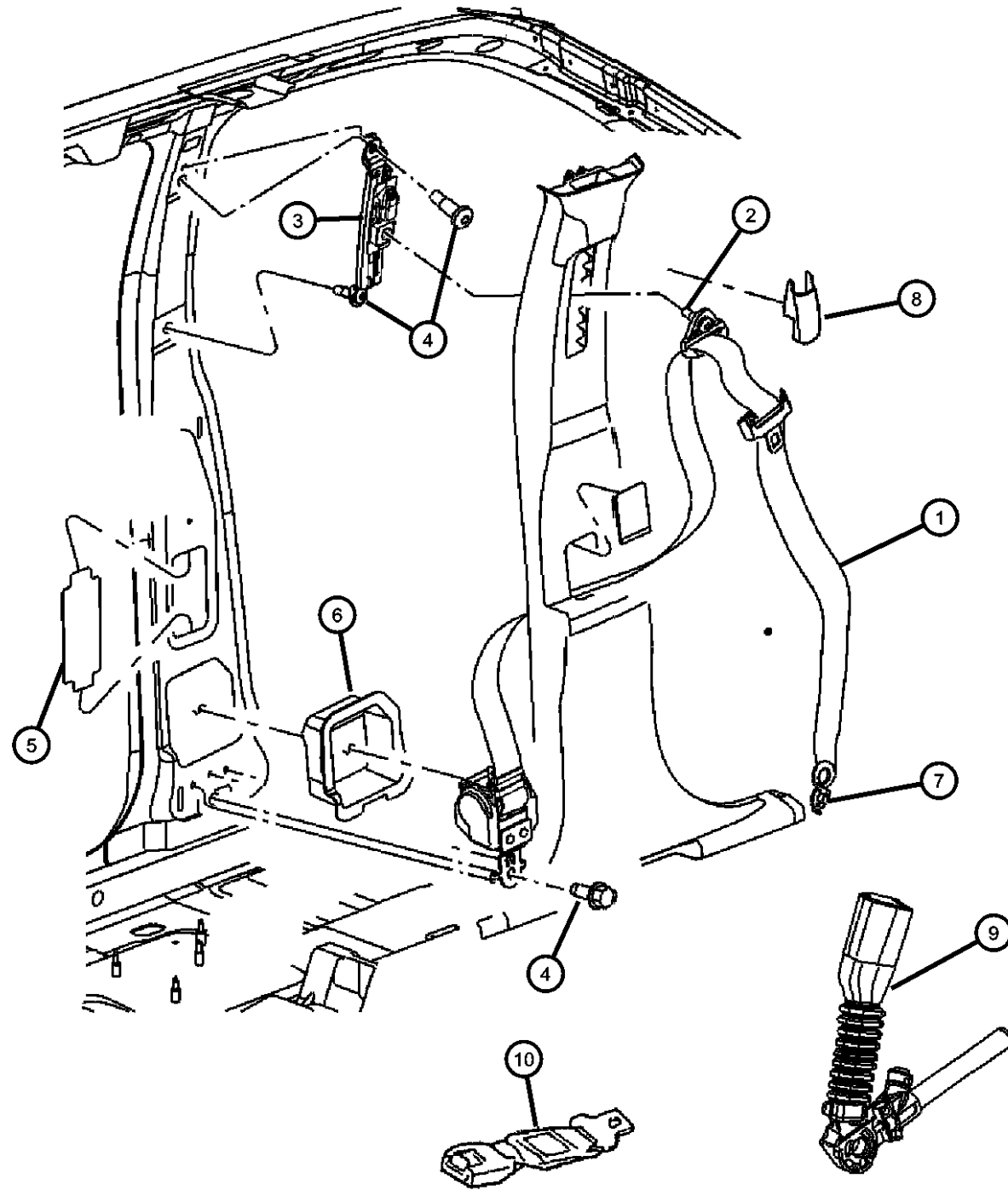
ENGINE
EKG = 3.7L V6 Engine
EVA = 4.7L V8 MPI Engine
EZB = 5.7L Hemi Multi Displacement Engine

TRANSMISSION
DGQ = 5-Spd Automatic 5-45RFE Transmission
DGJ = 5-Speed Automatic MB Transmission

AR = use ase required - = Non illustrated part

2006 WK

Front Seat Belts
Figure IWK-710



ITEM	PART NUMBER	QTY	LINE	SERIES	BODY	ENGINE	TRANS	TRIM	DESCRIPTION
		1	J, T		74			*A7	[J3] With [JTB] Power Seat,Without [JPM]Heated Seat,Without [XCA]Occupant Classification, Left
		1	J, T		74			*A7	[J3] With [JPR] Power Seat,Without [XCA] Occupant Classification, Left
		1	J, T		74			*A7	[J3] With [JTB]Power Seat,Without [JPM]Heated Seat,With [XCA]Occupant Classification, Left
		1	J, T		74			*A7	[J3] With [JPR] Power Seat,With [XCA] Occupant Classification, Left
10	05018505AA	AR						*O0	EXTENDER, Seat Belt

GRAND CHEROKEE (WK)

SERIES LINE
H = HIGHLINE T = JEEP - 2WD
P = PREMIUM J = JEEP - 4WD
S = SPORT
X = SPECIAL

BODY
74 = SPORT UTILITY 4-DR

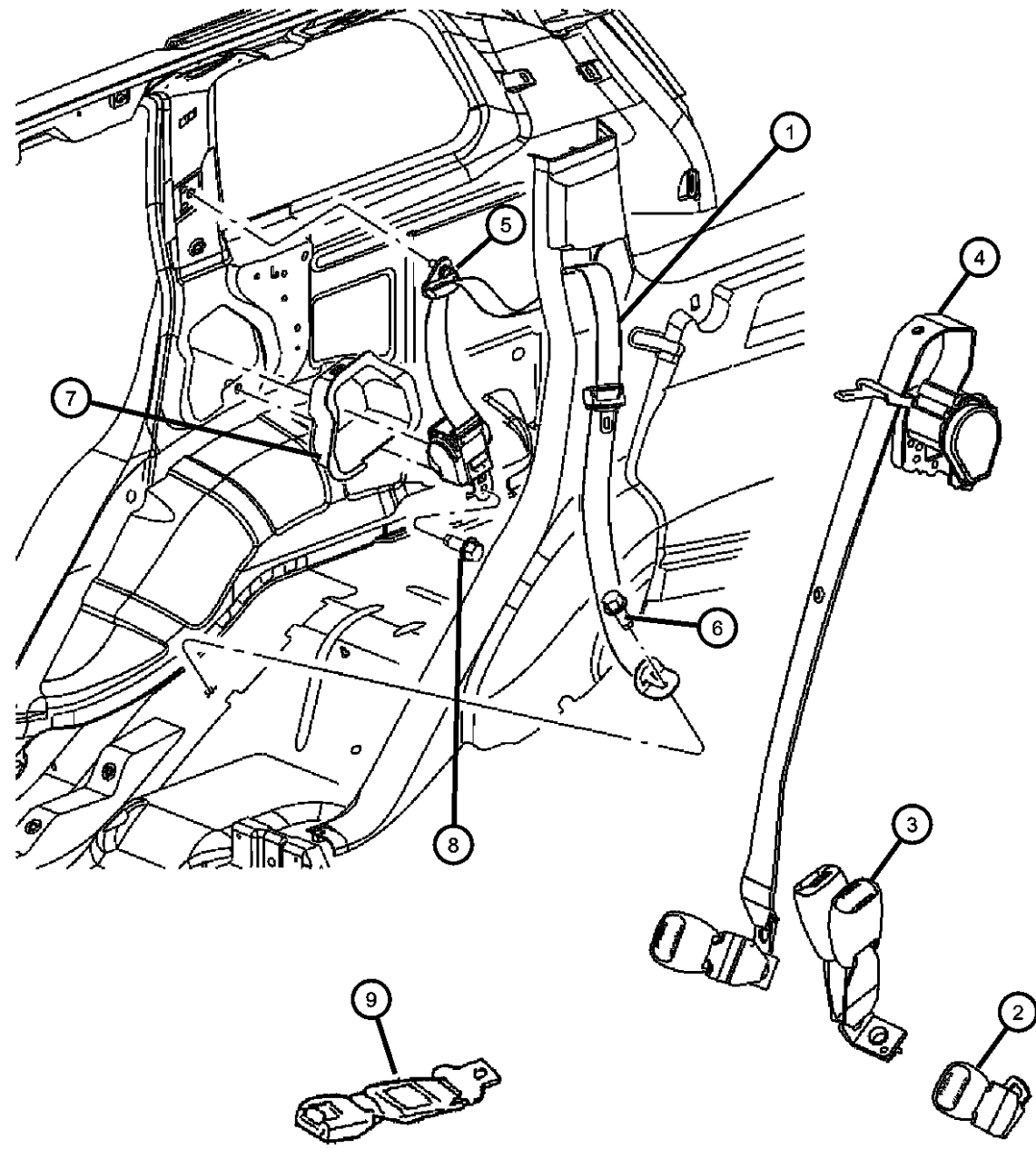
ENGINE
EKG = 3.7L V6 Engine
EVA = 4.7L V8 MPI Engine
EZB = 5.7L Hemi Multi Displacement Engine

TRANSMISSION
DGQ = 5-Spd Automatic 5-45RFE Transmission
DGJ = 5-Speed Automatic MB Transmission

AR = use ase required - = Non illustrated part

2006 WK

Rear Seat Belts
Figure IWK-720



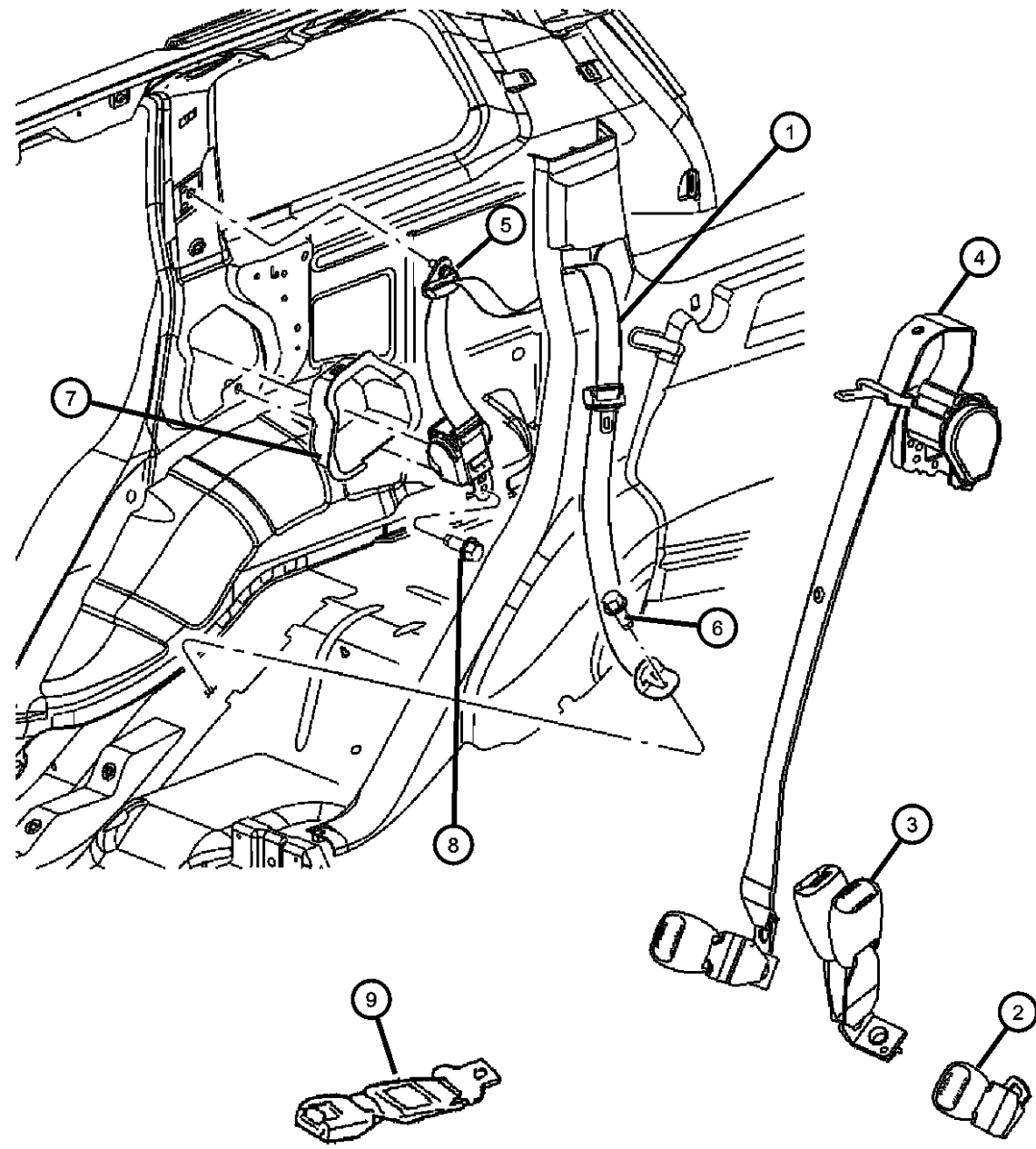
ITEM	PART NUMBER	QTY	LINE	SERIES	BODY	ENGINE	TRANS	TRIM	DESCRIPTION
1									SEAT BELT, Rear Outer
	5JB58BD1AE	1						*O0	[J1], Right
	5JB59ZJ3AE	1						*O0	[J3], Left
	5JB58BD5AE	1						*O0	[D5], Right
	5JB58ZJ3AE	1						*O0	[J3], Right
	5JB59BD1AE	1						*O0	[J1], Left
	5JB59BD5AE	1						*O0	[D5], Left
2									SEAT BELT, Rear Inner
	5HP161D1AA	1						*PL	[J1]
		1		S				*XL	[J1]
	5HP161D5AA	1		X				*DZ	[D5]
		1						*PL	[D5]
		1						*A7	[D5]
		1		S				*XL	[D5]
		1						*YL	[D5]
	5HP161J3AA	1						*A7	[J3]
		1						*PL	[J3]
		1	J, T		74			*YL	[J3]
3									SEAT BELT, Two Buckles
	5HP171D1AA	1						*PL	[J1]
		1		S				*XL	[J1]
	5HP171D5AA	1						*PL	[D5]
		1						*A7	[D5]
		1						*AL	[D5]
		1		S				*XL	[D5]
		1		X				*DZ	[D5]
		1						*YL	[D5]
	5HP171J3AA	1						*PL	[J3]
		1						*A7	[J3]
		1						*AL	[J3]
		1						*YL	[J3]
4									SEAT BELT, RR CNTR SHOULDER
	5JB571D1AE	1		S				*XL	[J1]
		1						*PL	[J1]
	5JB571D5AE	1						*AL	[D5]

GRAND CHEROKEE (WK)

SERIES	LINE	BODY	ENGINE	TRANSMISSION
H = HIGHLINE	T = JEEP - 2WD	74 = SPORT UTILITY 4-DR	EKG = 3.7L V6 Engine	DGQ = 5-Spd Automatic 5-45RFE
P = PREMIUM	J = JEEP - 4WD		EVA = 4.7L V8 MPI Engine	Transmission
S = SPORT			EZB = 5.7L Hemi Multi	DGJ = 5-Speed Automatic MB
X = SPECIAL			Displacement Engine	Transmission

AR = use ase required - = Non illustrated part

Rear Seat Belts
Figure IWK-720



ITEM	PART NUMBER	QTY	LINE	SERIES	BODY	ENGINE	TRANS	TRIM	DESCRIPTION
		1						*PL	[D5]
		1						*A7	[D5]
		1						*YL	[D5]
		1		S				*XL	[D5]
		1	J, T		74			*DZ	[D5]
	5JB571J3AE	1						*A7	[J3]
		1						*AL	[J3]
		1						*PL	[J3]
		1						*YL	[J3]
5	06036438AA	1						*O0	BOLT, Seat Belt
6	06036523AA	1						*O0	SCREW, 437-20X1.15
7									SHIELD, Seat Belt Retractor
	55197034AB	1							Right
	55197035AB	1							Left
8	06036187AA	2							SCREW, Pan Head
9	05018505AA	AR						*O0	EXTENDER, Seat Belt

GRAND CHEROKEE (WK)

SERIES LINE
H = HIGHLINE T = JEEP - 2WD
P = PREMIUM J = JEEP - 4WD
S = SPORT
X = SPECIAL

BODY
74 = SPORT UTILITY 4-DR

ENGINE
EKG = 3.7L V6 Engine
EVA = 4.7L V8 MPI Engine
EZB = 5.7L Hemi Multi Displacement Engine

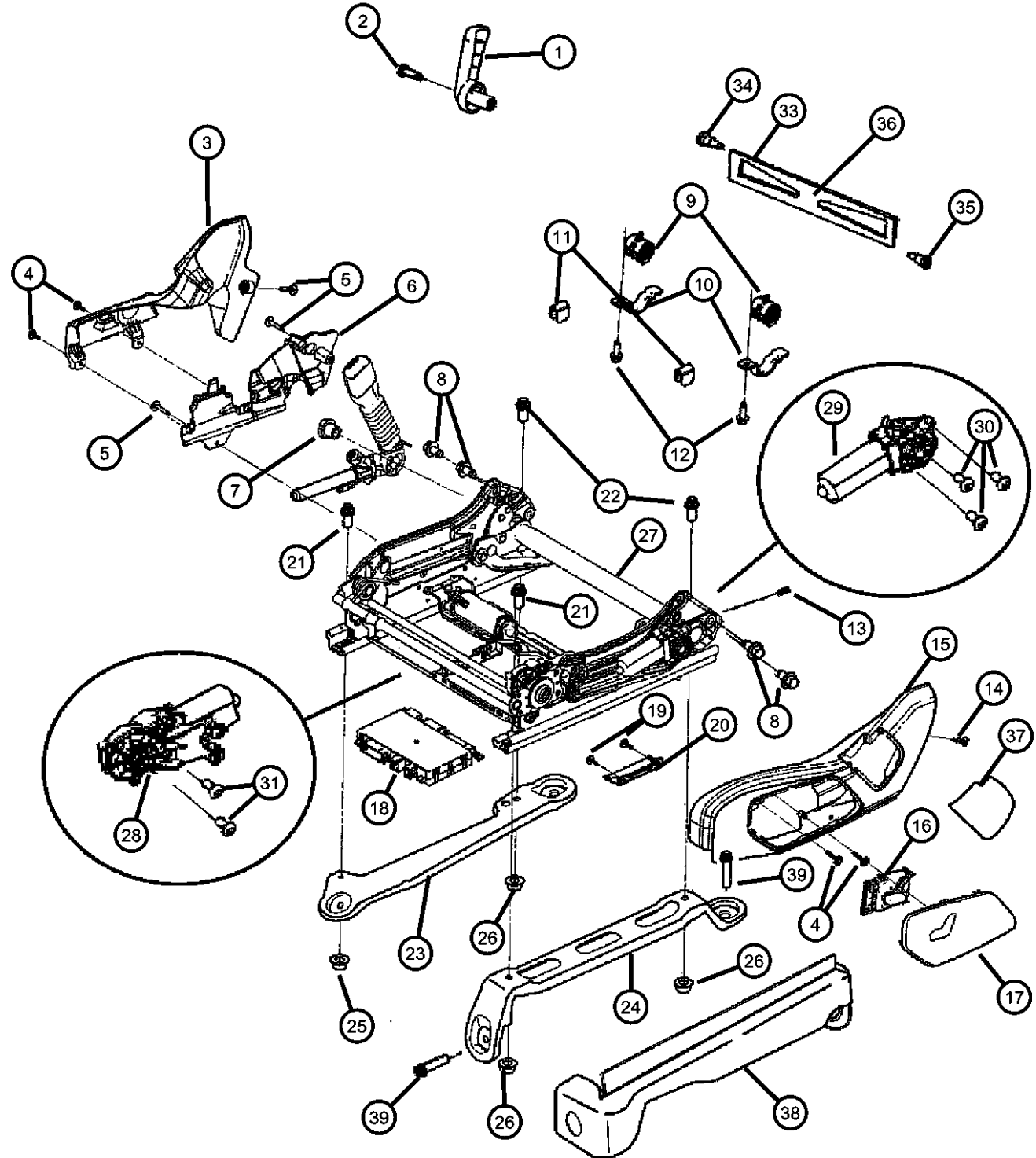
TRANSMISSION
DGQ = 5-Spd Automatic 5-45RFE Transmission
DGJ = 5-Speed Automatic MB Transmission

AR = use ase required - = Non illustrated part

2006 WK

**Adjuster, Recliners, Drivers Seat
Figure IWK-810**

ITEM	PART NUMBER	QTY	LINE	SERIES	BODY	ENGINE	TRANS	TRIM	DESCRIPTION
	05143453AA	4						*AL	
		4						*PL	
		4						*A7	
		4		S				*XL	
		4		X				*DZ	
		4	J, T		74			*YL	
		4	J, T		74			*Y5	
5	05166485AA	1	J, T		74			*PL	SCREW, Seat
		1	J, T		74			*Y5	
		1	J, T		74			*YL	
		1	J, T		74			*A7	
		1	J, T	X	74			*DZ	
		1	J, T		74			*AL	
6	1BG591D1AA	1						*PL	PLATE, Front Seat [J1]
		1		S				*XL	[J1]
	1BG591D5AA	1						*A7	[D5]
		1						*PL	[D5]
		1		X				*DZ	[D5]
		1		S				*XL	[D5]
		1	J, T		74			*YL	[D5]
		1	J, T		74			*Y5	[D5]
	1BG591J3AA	1						*A7	[J3]
		1						*AL	[J3]
		1						*PL	[J3]
		1	J, T		74			*YL	[J3]
		1	J, T		74			*Y5	[J3]
7	05143449AA	2						*A7	NUT, Tube
		2						*AL	
		2						*PL	
		2		X				*DZ	
		2		S				*XL	

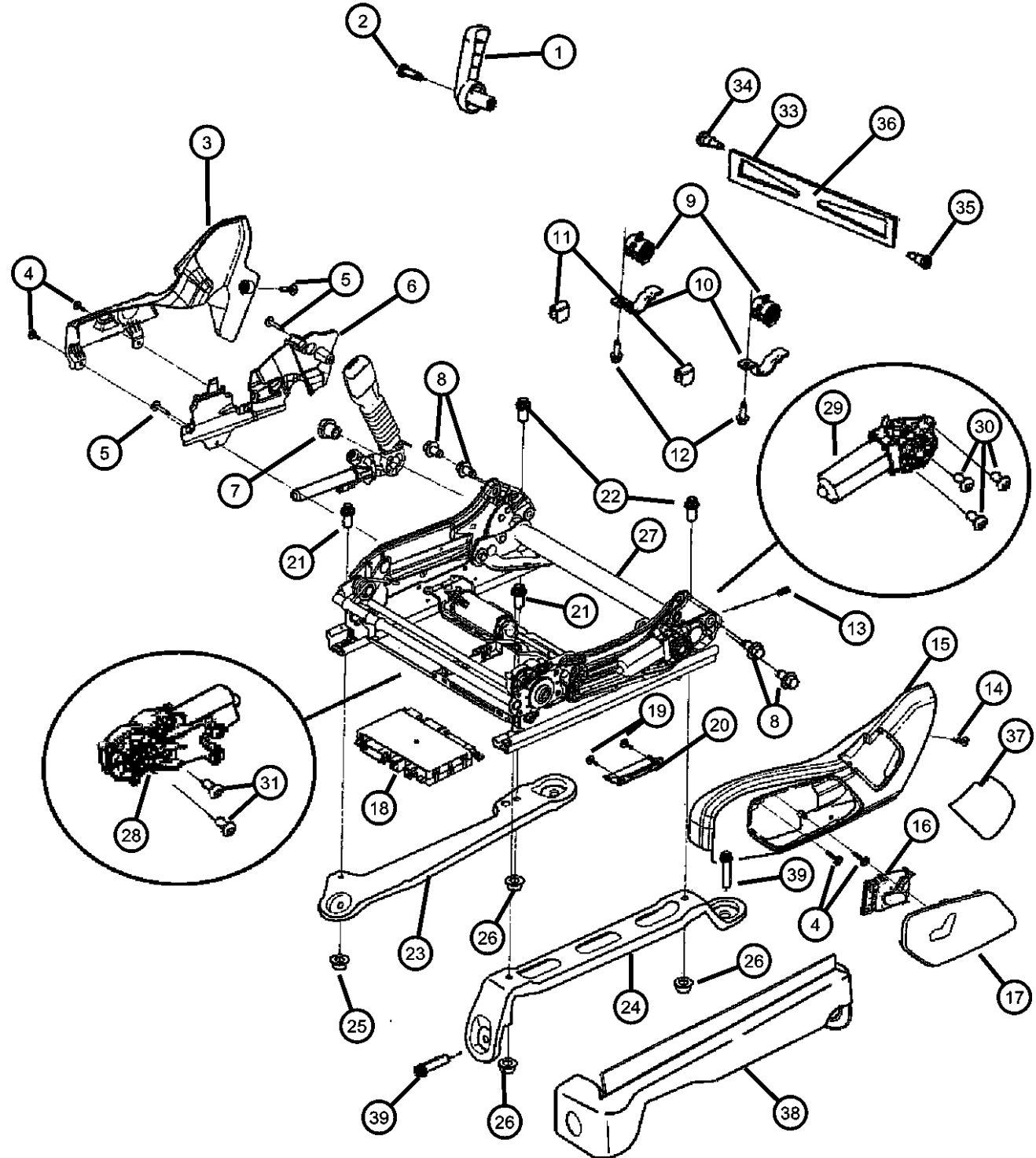


GRAND CHEROKEE (WK)
 SERIES LINE BODY ENGINE TRANSMISSION
 H = HIGHLINE T = JEEP - 2WD 74 = SPORT UTILITY 4-DR EKG = 3.7L V6 Engine DGQ = 5-Spd Automatic 5-45RFE
 P = PREMIUM J = JEEP - 4WD EVA = 4.7L V8 MPI Engine Transmission
 S = SPORT EZB = 5.7L Hemi Multi DGJ = 5-Speed Automatic MB
 X = SPECIAL Displacement Engine Transmission

AR = use ase required - = Non illustrated part

**Adjuster, Recliners, Drivers Seat
Figure IWK-810**

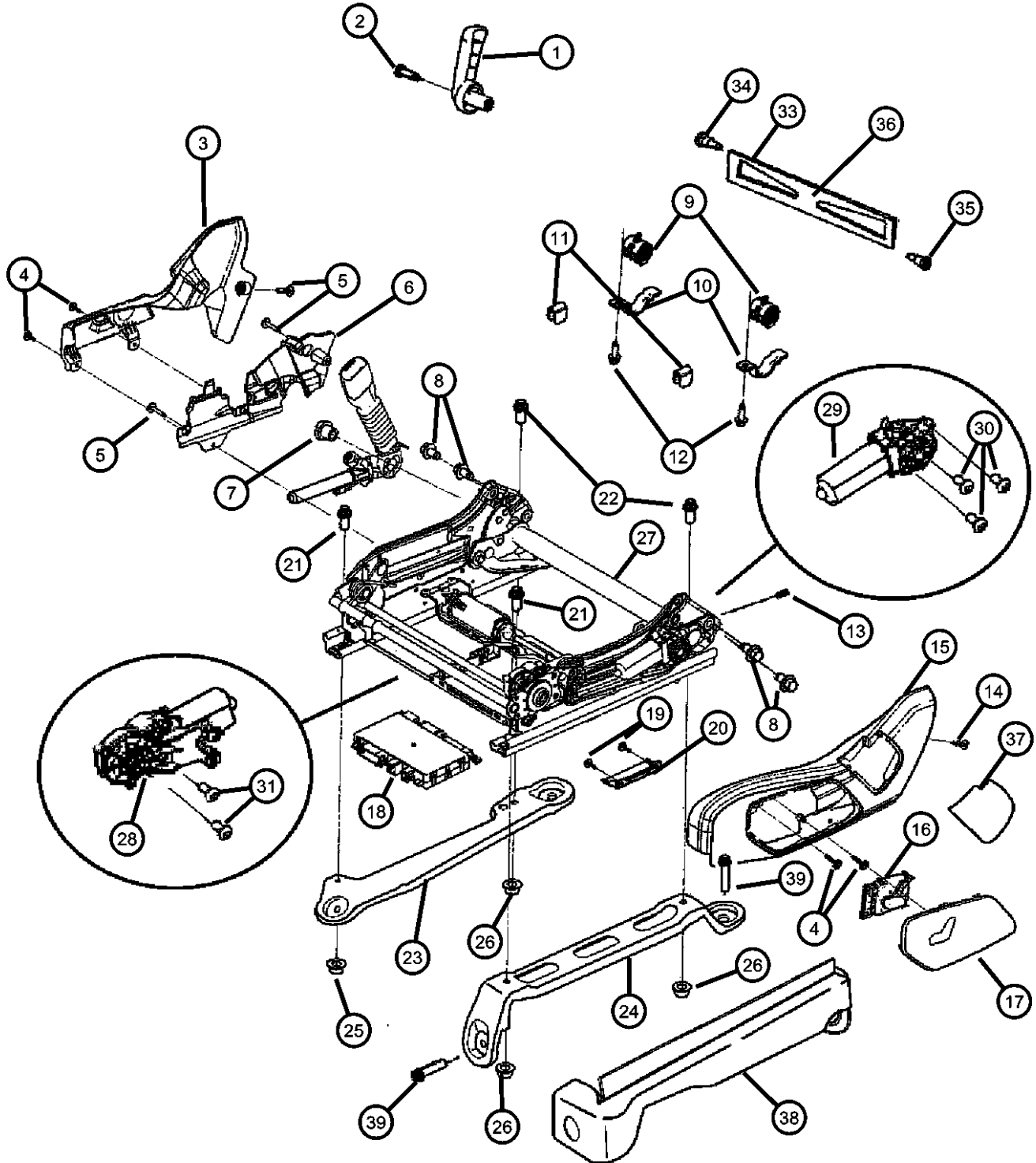
ITEM	PART NUMBER	QTY	LINE	SERIES	BODY	ENGINE	TRANS	TRIM	DESCRIPTION			
8	05139629AA	2	J, T		74			*YL	BOLT			
		2	J, T		74			*Y5				
		8								*A7		
		8								*AL		
		8			S					*PL		
		8			X					*XL		
		8								*DZ		
		8	J, T			74				*YL		
		8	J, T			74				*Y5		
		9	05139656AA	2							*A7	CLIP
2								*AL				
2									*PL			
2					S				*XL			
2					X				*DZ			
2	J, T					74			*YL			
2	J, T					74			*Y5			
10	05139657AA			2						*A7	CLIP	
				2						*AL		
				2								
		2			X				*DZ			
		2			S				*XL			
		2	J, T			74			*YL			
		2	J, T			74			*Y5			
		11	05139661AA	4						*A7		LIMITER, Seat Track Travel
				4						*AL		
				4								
4					X				*DZ			
4					S				*XL			
4	J, T					74			*YL			
2	J, T					74			*Y5			



GRAND CHEROKEE (WK)
 SERIES LINE BODY ENGINE TRANSMISSION
 H = HIGHLINE T = JEEP - 2WD 74 = SPORT UTILITY 4-DR EKG = 3.7L V6 Engine DGQ = 5-Spd Automatic 5-45RFE
 P = PREMIUM J = JEEP - 4WD EVA = 4.7L V8 MPI Engine Transmission
 S = SPORT EZB = 5.7L Hemi Multi DGJ = 5-Speed Automatic MB
 X = SPECIAL Displacement Engine Transmission

AR = use ase required - = Non illustrated part

**Adjuster, Recliners, Drivers Seat
Figure IWK-810**



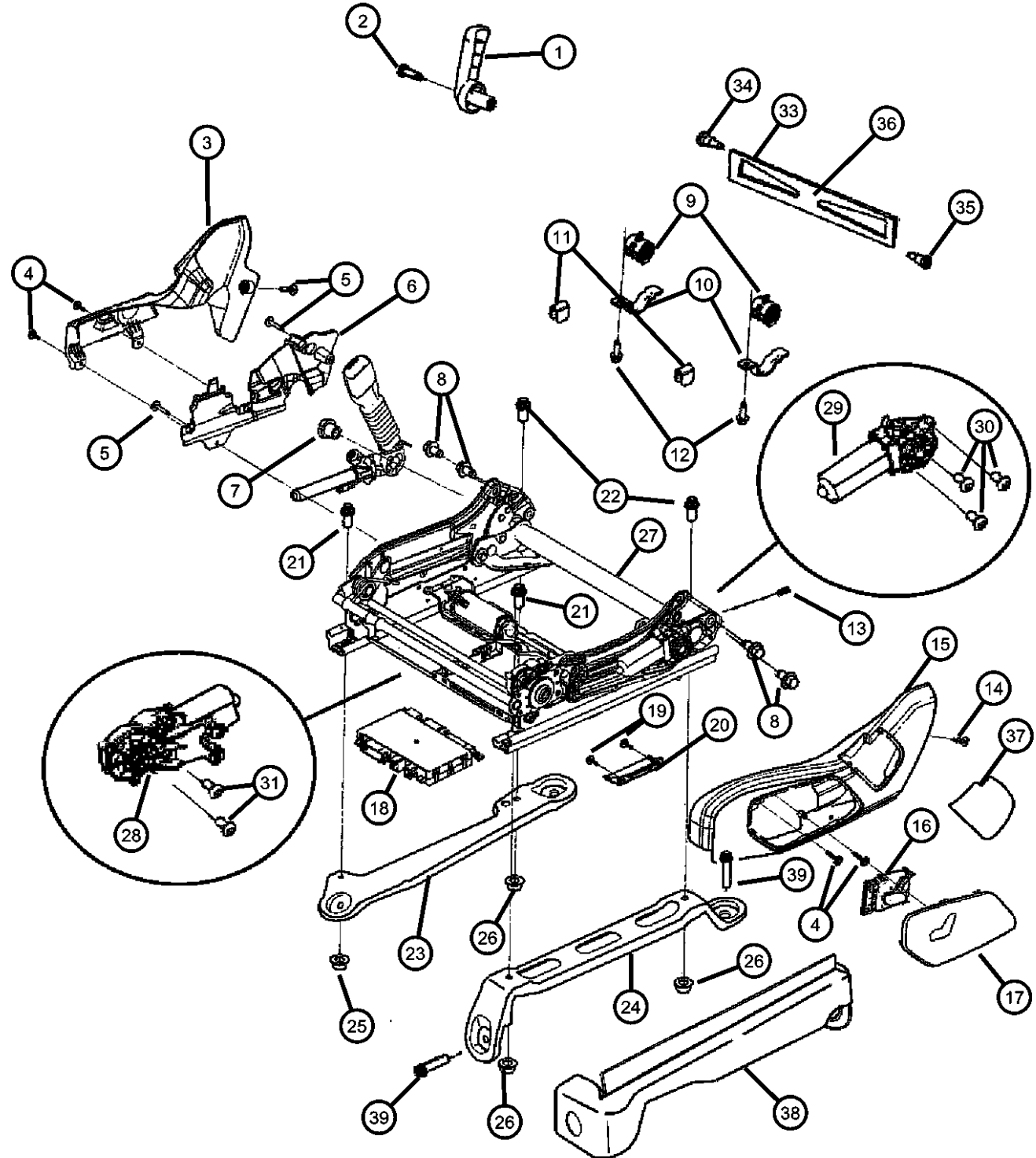
ITEM	PART NUMBER	QTY	LINE	SERIES	BODY	ENGINE	TRANS	TRIM	DESCRIPTION		
12	05139628AA	4						*AL	BOLT		
		4						*A7			
		4							*PL		
		4			X				*DZ		
		4			S				*XL		
		4	J, T			74			*YL		
		4	J, T			74			*Y5		
13	05143447AA	2							SCREW, Seat		
		2						*A7			
		2							*AL		
		2			X				*PL		
		2			S				*DZ		
		2	J, T			74			*XL		
		2	J, T			74			*YL		
14	05143452AA	10							SCREW, Seat		
		10						*A7			
		10							*AL		
		10							*PL		
		10			S				*XL		
		10			X				*DZ		
		10	J, T			74			*YL		
		10	J, T			74			*Y5		
		15	1BG391D1AA	1							SHIELD, Seat Adjuster
				1						*PL	[J1]
1BG391D5AA	1				S				*XL	[J1]	
	1								*A7	[D5]	
	1								*AL	[D5]	
	1								*PL	[D5]	
	1				S				*XL	[D5]	
	1				X				*DZ	[D5]	
1	J, T			74			*YL	[D5]			
1	J, T			74			*Y5	[D5]			

GRAND CHEROKEE (WK)				
SERIES	LINE	BODY	ENGINE	TRANSMISSION
H = HIGHLINE	T = JEEP - 2WD	74 = SPORT UTILITY 4-DR	EKG = 3.7L V6 Engine	DGQ = 5-Spd Automatic 5-45RFE
P = PREMIUM	J = JEEP - 4WD		EVA = 4.7L V8 MPI Engine	Transmission
S = SPORT			EZB = 5.7L Hemi Multi	DGJ = 5-Speed Automatic MB
X = SPECIAL			Displacement Engine	Transmission

AR = use ase required - = Non illustrated part

**Adjuster, Recliners, Drivers Seat
Figure IWK-810**

ITEM	PART NUMBER	QTY	LINE	SERIES	BODY	ENGINE	TRANS	TRIM	DESCRIPTION
	1BG391J3AA	1						*PL [J3]	
		1						*A7 [J3]	
		1						*AL [J3]	
		1	J, T		74			*YL [J3]	
		1	J, T		74			*Y5 [J3]	
16									SWITCH, Seat
	56049431AD	1						*PL WITH MEMORY, Driver Side	
		1		X				*DZ WITH MEMORY, Driver Side	
		1		S				*XL WITH MEMORY, Driver Side	
	56049433AD	1						*A7 WITHOUT MEMORY, Driver Side	
		1						*AL WITHOUT MEMORY, Driver Side	
		1						*YL WITHOUT MEMORY, Driver Side	
		1		X				*DZ WITHOUT MEMORY, Driver Side	
		1						*Y5 WITHOUT MEMORY, Driver Side	
17									BEZEL
	1BG451D1AA	1		S				*XL [J1]	
		1						*PL [J1]	
	1BG451D5AA	1						*AL [D5]	
		1						*A7 [D5]	
		1						*PL [D5]	
		1		X				*DZ [D5]	
		1		S				*XL [D5]	
		1	J, T		74			*YL [D5]	
		1	J, T		74			*Y5 [D5]	
	1BG451J3AA	1						*A7 [J3]	
		1						*AL [J3]	
		1						*PL [J3]	
		1	J, T		74			*YL [J3]	
		1	J, T		74			*Y5 [J3]	
18									MODULE, Seat Memory
	04602437AN	1						*PL	
		1		S				*XL	

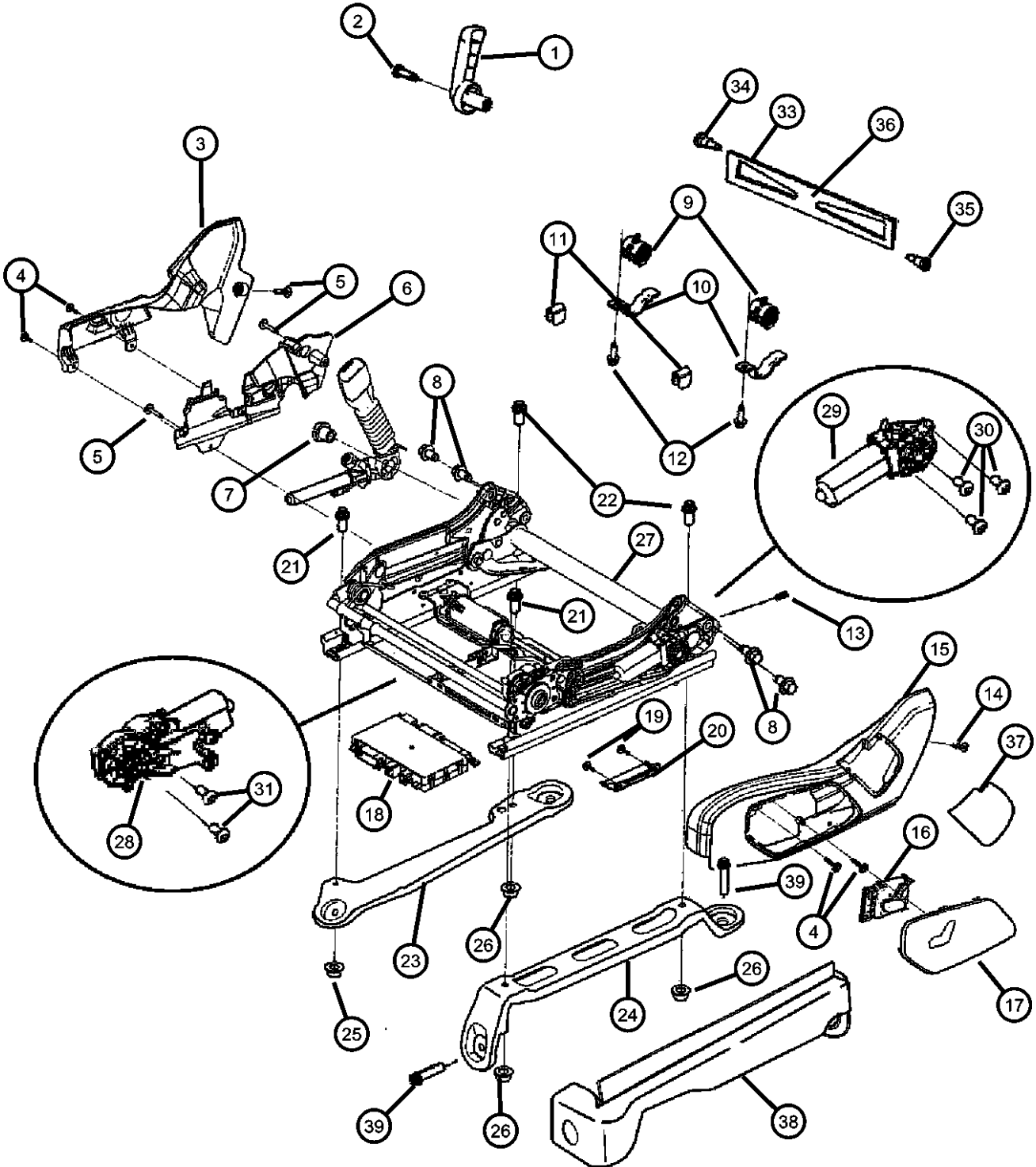


GRAND CHEROKEE (WK)
 SERIES LINE BODY ENGINE TRANSMISSION
 H = HIGHLINE T = JEEP - 2WD 74 = SPORT UTILITY 4-DR EKG = 3.7L V6 Engine DGQ = 5-Spd Automatic 5-45RFE
 P = PREMIUM J = JEEP - 4WD EVA = 4.7L V8 MPI Engine Transmission
 S = SPORT EZB = 5.7L Hemi Multi DGJ = 5-Speed Automatic MB
 X = SPECIAL Displacement Engine Transmission

AR = use ase required - = Non illustrated part

Adjuster, Recliners, Drivers Seat
Figure IWK-810

ITEM	PART NUMBER	QTY	LINE	SERIES	BODY	ENGINE	TRANS	TRIM	DESCRIPTION	
24	05143417AA	1	J, T		74			*Y5	RISER, Seat, Outboard	
		1	J, T		74			*YL		
		1								*A7
		1								*AL
		1								*PL
		1	X							*DZ
		1	S							*XL
		1	J, T			74				*YL
		1	J, T			74				*Y5
		25	05143448AA	1						
1								*A7		
1									*AL	
1									*PL	
1	S								*XL	
1	X								*DZ	
1	J, T					74			*Y5	
4									*PL	
4									*A7	
4									*AL	
26	05143442AA	4							NUT, Seat	
		4						*PL		
		4								*A7
		4	X							*DZ
		4	S							*XL
		4	J, T			74				*Y5
		1								*AL
		1								*A7
		1	X							*DZ
		1	J, T			74				*Y5
27	68020712AA	1							ADJUSTER, Power Seat WITHOUT MEMORY, Driver Side	
		1						*A7		
		1	X							*DZ
		1	J, T			74				*Y5
		1	J, T			74				*YL
		1								*PL
		1	J, T			74				*XL
		1								*A7
		1								*AL
		1								*PL
27	68020713AA	1							ADJUSTER, Power Seat WITH MEMORY, Driver Side	
		1						*A7		
		1	X							*DZ
		1	J, T			74				*Y5
		1	J, T			74				*YL
		1								*PL
		1	J, T			74				*XL
		1								*A7
		1								*AL
		1								*PL



GRAND CHEROKEE (WK)
 SERIES LINE BODY ENGINE TRANSMISSION
 H = HIGHLINE T = JEEP - 2WD 74 = SPORT UTILITY 4-DR EKG = 3.7L V6 Engine DGQ = 5-Spd Automatic 5-45RFE
 P = PREMIUM J = JEEP - 4WD EVA = 4.7L V8 MPI Engine Transmission
 S = SPORT EZB = 5.7L Hemi Multi DGJ = 5-Speed Automatic MB
 X = SPECIAL Displacement Engine Transmission

AR = use ase required - = Non illustrated part

Adjuster, Recliners, Drivers Seat Figure IWK-810

	ITEM	PART NUMBER	QTY	LINE	SERIES	BODY	ENGINE	TRANS	TRIM	DESCRIPTION	
	28		1		X				*DZ	WITH MEMORY, Driver Side MOTOR, Power Seat, Tilt	
		05135157AA	1						*A7	[JTB] Without memory	
		05135155AA	1			S			*A7	[JPR] Without memory	
		05135111AB	1			X			*PL	[JPK] With memory	
		05135113AB	1			S			*XL	[JPK] With memory	
	29			1		X			*DZ	MOTOR, Power Seat, Height	
		05135111AB	1						*A7		
		05135113AB	1			X			*AL		
		05135305AA	1			S			*DZ		
	30			3						*XL	SCREW, Seat, Height Motor
		05135305AA	3							*PL	
				3						*A7	
				3			S			*AL	
				3			X			*XL	
				3						*DZ	
	31			2							SCREW, Seat, Tilt Motor
		05135307AA	2							*A7	
				2						*AL	
				2						*PL	
				2		X				*DZ	
				2		S				*XL	
	-32			1							HARDWARE KIT, Pan Mounting Kit
		05135235AA	1							*A7	
				1						*AL	
				1						*PL	
				1		X				*DZ	
				1		S				*XL	
				1	J, T		74			*YL	
				1	J, T		74			*Y5	
	33			2							BRACE, Seat
		05166484AA	2							*A7	

GRAND CHEROKEE (WK)

SERIES LINE
H = HIGHLINE T = JEEP - 2WD
P = PREMIUM J = JEEP - 4WD
S = SPORT
X = SPECIAL

BODY
74 = SPORT UTILITY 4-DR

ENGINE
EKG = 3.7L V6 Engine
EVA = 4.7L V8 MPI Engine
EZB = 5.7L Hemi Multi
Displacement Engine

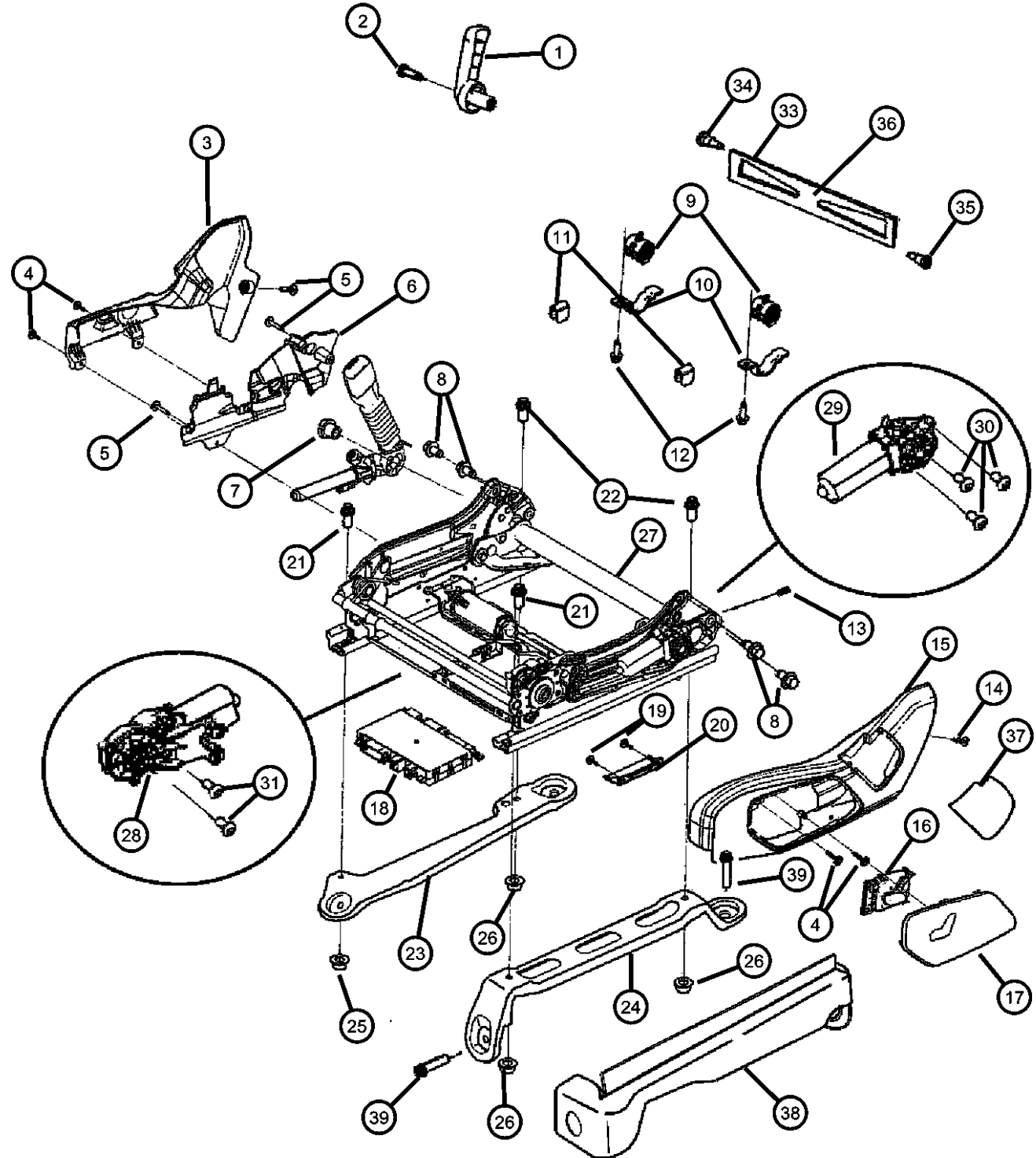
TRANSMISSION
DGQ = 5-Spd Automatic 5-45RFE
Transmission
DGJ = 5-Speed Automatic MB
Transmission

AR = use ase required - = Non illustrated part

2006 WK

**Adjuster, Recliners, Drivers Seat
Figure IWK-810**

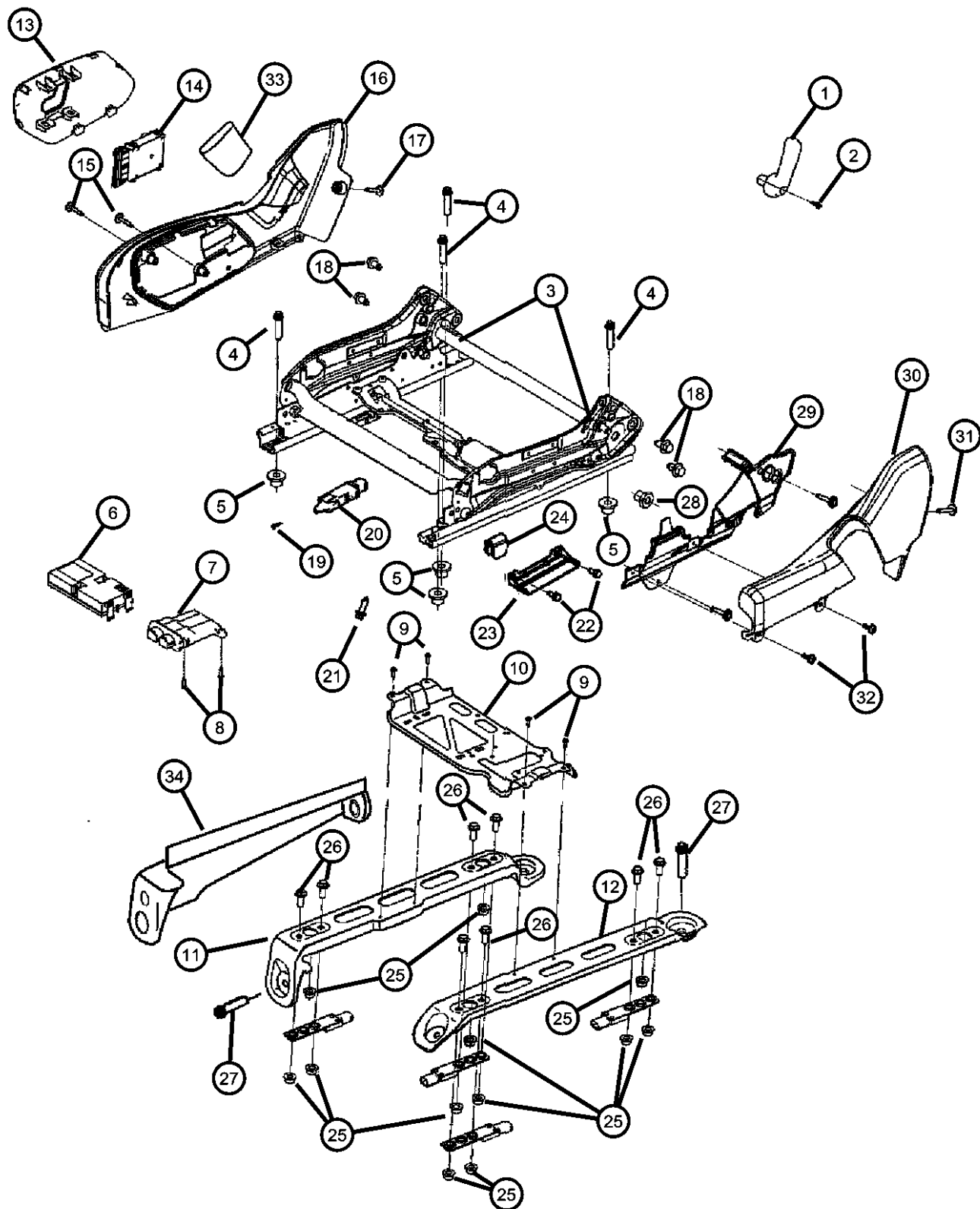
ITEM	PART NUMBER	QTY	LINE	SERIES	BODY	ENGINE	TRANS	TRIM	DESCRIPTION
		2						*AL	
		2						*PL	
		2		X				*DZ	
		2		S				*XL	
		2	J, T		74			*YL	
		2	J, T		74			*Y5	
34									SCREW, Seat, Upper
	05166485AA	4		X				*DZ	
		4						*A7	
		4						*AL	
		4						*PL	
		4		S				*XL	
		4	J, T		74			*Y5	
		4	J, T		74			*YL	
35									SCREW, Seat, Lower
	05143451AA	8						*AL	
		8						*PL	
		8						*A7	
		8		S				*XL	
		8		X				*DZ	
		8	J, T		74			*YL	
		8	J, T		74			*Y5	
36									COVER, Close-Out
	1CA801D1AA	2						*PL	[J1]
		2		S				*XL	[J1]
	1CA801D5AA	2						*AL	[D5]
		2						*PL	[D5]
		2						*A7	[D5]
		2		X				*DZ	[D5]
		2		S				*XL	[D5]
		2	J, T		74			*YL	[D5]
		2	J, T		74			*Y5	[D5]
	1CA801J3AA	2						*A7	[J3]
		2						*AL	[J3]



GRAND CHEROKEE (WK)
 SERIES LINE BODY ENGINE TRANSMISSION
 H = HIGHLINE T = JEEP - 2WD 74 = SPORT UTILITY 4-DR EKG = 3.7L V6 Engine DGQ = 5-Spd Automatic 5-45RFE
 P = PREMIUM J = JEEP - 4WD EVA = 4.7L V8 MPI Engine Transmission
 S = SPORT EZB = 5.7L Hemi Multi DGJ = 5-Speed Automatic MB
 X = SPECIAL Displacement Engine Transmission

AR = use ase required - = Non illustrated part

**Adjuster, Recliners, Power Passenger Seat
Figure IWK-820**



ITEM	PART NUMBER	QTY	LINE	SERIES	BODY	ENGINE	TRANS	TRIM	DESCRIPTION
1	1BG531D1AA	2						*PL	HANDLE, Lumbar
		2		S				*XL	[J1]
	1BG531D5AA	2						*A7	[D5]
		2						*AL	[D5]
		2		X				*DZ	[D5]
		2		S				*XL	[D5]
		2	J, T		74			*YL	[D5]
	1BG531J3AA	2	J, T		74			*YL	[J3]
2	05080813AA	1						*A7	SCREW
		1						*AL	
		1						*PL	
3	05134968AA	1						*AL	ADJUSTER, Power Seat
		1						*PL	
		1						*A7	
		1		X				*DZ	
		1		S				*XL	
		1	J, T		74			*YL	
4	05143450AA	2						*A7	BOLT, Seat
		2						*AL	
		2						*PL	
		2		X				*DZ	
		2		S				*XL	
		2	J, T		74			*YL	
5	05143444AA	4						*A7	SPACER
		4						*AL	
		4						*PL	
		2		S				*XL	
		2		X				*DZ	
		4	J, T		74			*YL	
6									MODULE, Heated Seat Control

GRAND CHEROKEE (WK)

SERIES LINE
H = HIGHLINE T = JEEP - 2WD
P = PREMIUM J = JEEP - 4WD
S = SPORT
X = SPECIAL

BODY
74 = SPORT UTILITY 4-DR

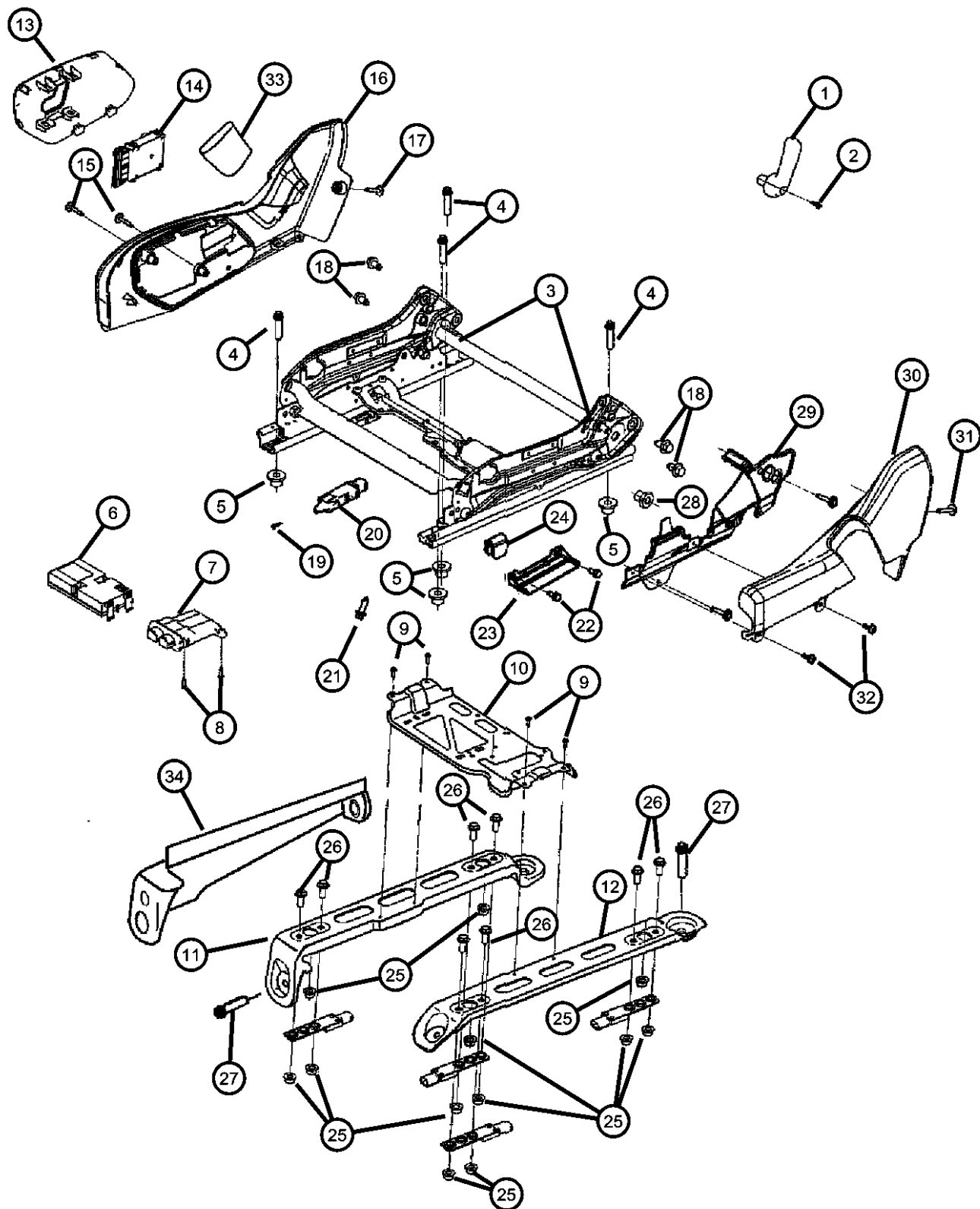
ENGINE
EKG = 3.7L V6 Engine
EVA = 4.7L V8 MPI Engine
EZB = 5.7L Hemi Multi
Displacement Engine

TRANSMISSION
DGQ = 5-Spd Automatic 5-45RFE
Transmission
DGJ = 5-Speed Automatic MB
Transmission

AR = use ase required - = Non illustrated part

2006 WK

**Adjuster, Recliners, Power Passenger Seat
Figure IWK-820**



ITEM	PART NUMBER	QTY	LINE	SERIES	BODY	ENGINE	TRANS	TRIM	DESCRIPTION
	04602327AH	1		S				*XL	
		1		X				*DZ	
		1						*AL	
		1						*PL	
7	04602327AI	1						*YL	MODULE, Occupant Classification
	56043195AZ	1		X				*DZ	
		1						*A7	
		1						*AL	
		1						*PL	
		1		S				*XL	
8	56043195BD	1	J, T		74			*YL	SCREW
	05080813AA	4						*A7	
		4						*AL	
		4						*PL	
9	05143451AA	8						*A7	SCREW, Seat
		8						*AL	
		8						*PL	
		8		X				*DZ	
		8		S				*XL	
10		8	J, T		74			*YL	BRACKET, Module
	05143418AA	1						*PL	
		1						*A7	
		1						*AL	
		1		S				*XL	
		1		X				*DZ	
11		1	J, T		74			*YL	RISER, Seat, Outboard
	05143414AA	1						*A7	
		1						*AL	
		1						*PL	

GRAND CHEROKEE (WK)

SERIES LINE
H = HIGHLINE T = JEEP - 2WD
P = PREMIUM J = JEEP - 4WD
S = SPORT
X = SPECIAL

BODY
74 = SPORT UTILITY 4-DR

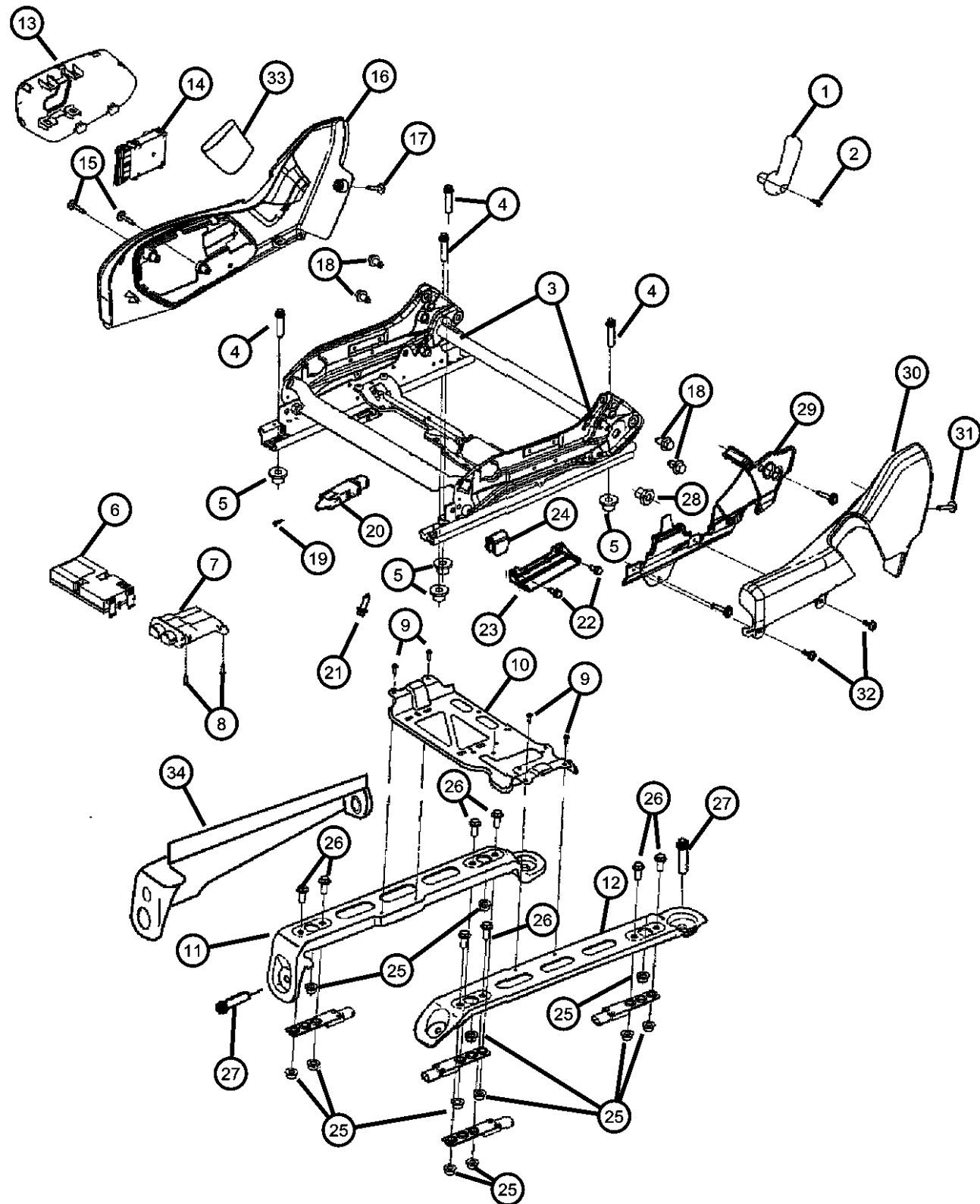
ENGINE
EKG = 3.7L V6 Engine
EVA = 4.7L V8 MPI Engine
EZB = 5.7L Hemi Multi Displacement Engine

TRANSMISSION
DGQ = 5-Spd Automatic 5-45RFE Transmission
DGJ = 5-Speed Automatic MB Transmission

AR = use as required - = Non illustrated part

2006 WK

**Adjuster, Recliners, Power Passenger Seat
Figure IWK-820**



ITEM	PART NUMBER	QTY	LINE	SERIES	BODY	ENGINE	TRANS	TRIM	DESCRIPTION
		1		S				*XL	
		1		X				*DZ	
12		1	J, T		74			*YL	RISER, Seat, Inboard
	05143415AA	1						*A7	
		1						*AL	
		1						*PL	
		1		S				*XL	
		1	J, T		74			*YL	
		1		X				*DZ	
13									BEZEL
	1BG441D1AA	1						*PL	[J1]
		1		S				*XL	[J1]
	1BG441D5AA	1						*PL	[D5]
		1						*A7	[D5]
		1						*AL	[D5]
		1		X				*DZ	[D5]
		1		S				*XL	[D5]
		1	J, T		74			*YL	[D5]
	1BG441J3AA	1						*A7	[J3]
		1						*AL	[J3]
		1						*PL	[J3]
		1	J, T		74			*YL	[J3]
14									SWITCH, Seat
	56040636AB	1						*A7	
		1						*AL	
		1						*PL	
		1		X				*DZ	
		1		S				*XL	
		1						*YL	
15									SCREW, Seat
	05143452AA	10						*AL	
		10						*PL	
		10						*A7	

GRAND CHEROKEE (WK)

SERIES LINE
H = HIGHLINE T = JEEP - 2WD
P = PREMIUM J = JEEP - 4WD
S = SPORT
X = SPECIAL

BODY
74 = SPORT UTILITY 4-DR

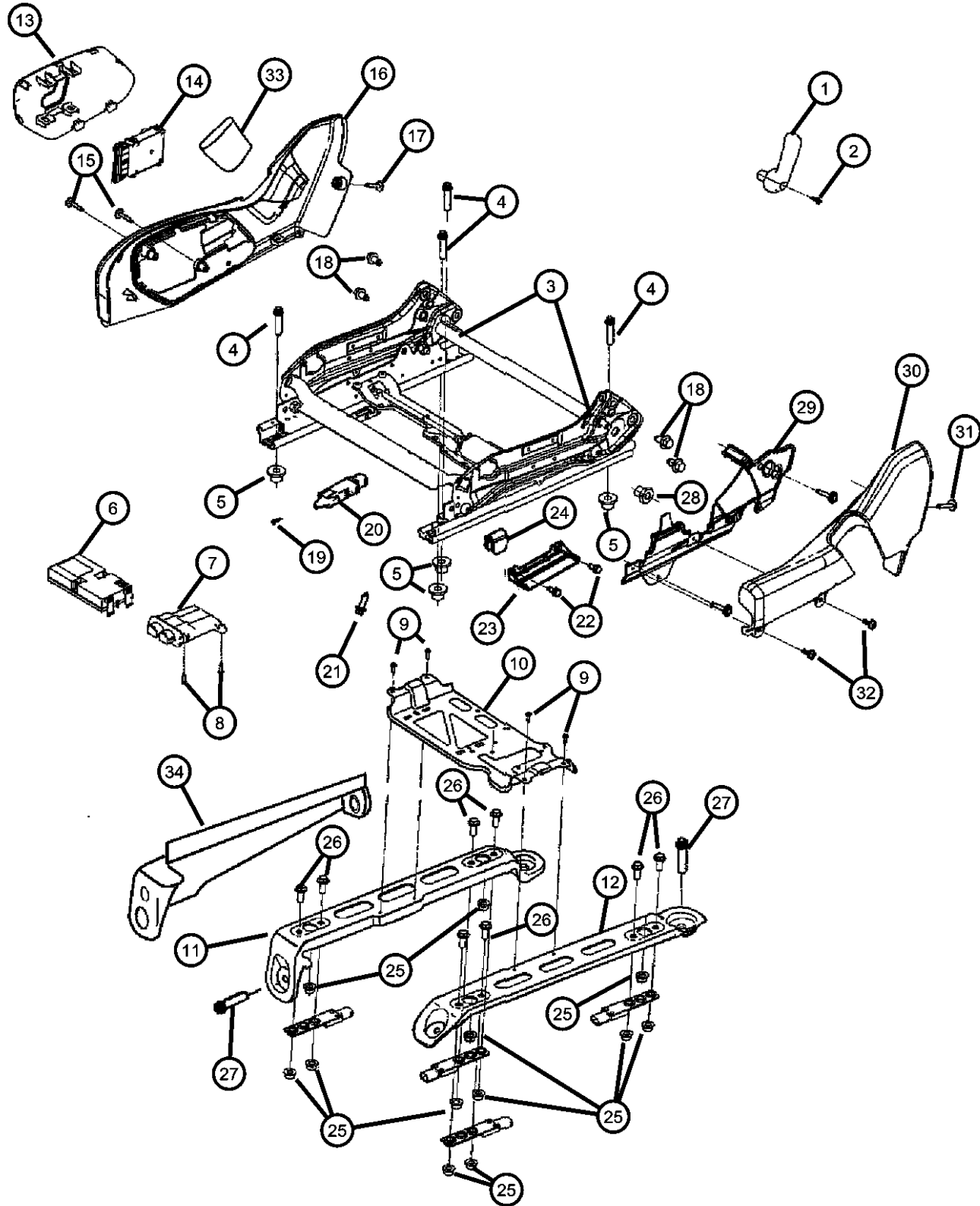
ENGINE
EKG = 3.7L V6 Engine
EVA = 4.7L V8 MPI Engine
EZB = 5.7L Hemi Multi Displacement Engine

TRANSMISSION
DGQ = 5-Spd Automatic 5-45RFE Transmission
DGJ = 5-Speed Automatic MB Transmission

AR = use ase required - = Non illustrated part

2006 WK

**Adjuster, Recliners, Power Passenger Seat
Figure IWK-820**



ITEM	PART NUMBER	QTY	LINE	SERIES	BODY	ENGINE	TRANS	TRIM	DESCRIPTION
		10		S				*XL	
		10		X				*DZ	
		10	J, T		74			*YL	
16									SHIELD, Seat Adjuster
	1BG381D1AA	1		S				*XL	[J1]
		1						*PL	[J1]
	1BG381D5AA	1						*PL	[D5]
		1						*A7	[D5]
		1						*AL	[D5]
		1		X				*DZ	[D5]
		1		S				*XL	[D5]
		1	J, T		74			*YL	[D5]
	1BG381J3AA	1						*A7	[J3]
		1						*AL	[J3]
		1						*PL	[J3]
		1	J, T		74			*YL	[J3]
17									SCREW, Seat
	05166485AA	1	J, T		74			*Y5	
		1	J, T		74			*AL	
		1	J, T		74			*PL	
		1	J, T		74			*DZ	
		1	J, T		74			*A7	
18									BOLT
	05139629AA	8						*A7	
		8						*AL	
		8						*PL	
		8		X				*DZ	
		8		S				*XL	
		8	J, T		74			*YL	
19									SCREW, Seat
	05143447AA	2						*AL	
		2						*PL	
		2		X				*DZ	
		2		S				*XL	

GRAND CHEROKEE (WK)

SERIES LINE
H = HIGHLINE T = JEEP - 2WD
P = PREMIUM J = JEEP - 4WD
S = SPORT
X = SPECIAL

BODY
74 = SPORT UTILITY 4-DR

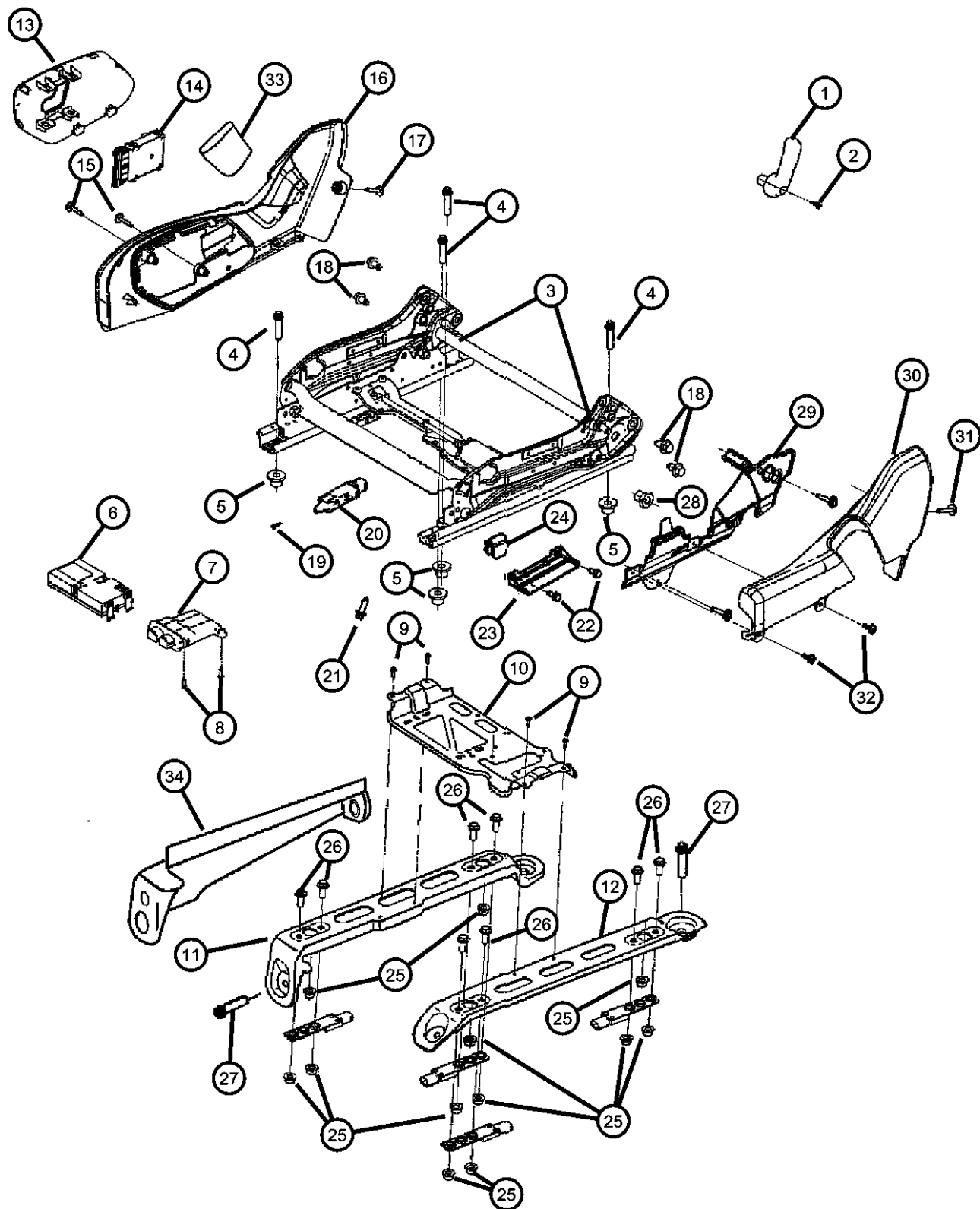
ENGINE
EKG = 3.7L V6 Engine
EVA = 4.7L V8 MPI Engine
EZB = 5.7L Hemi Multi Displacement Engine

TRANSMISSION
DGQ = 5-Spd Automatic 5-45RFE Transmission
DGJ = 5-Speed Automatic MB Transmission

AR = use ase required - = Non illustrated part

2006 WK

**Adjuster, Recliners, Power Passenger Seat
Figure IWK-820**

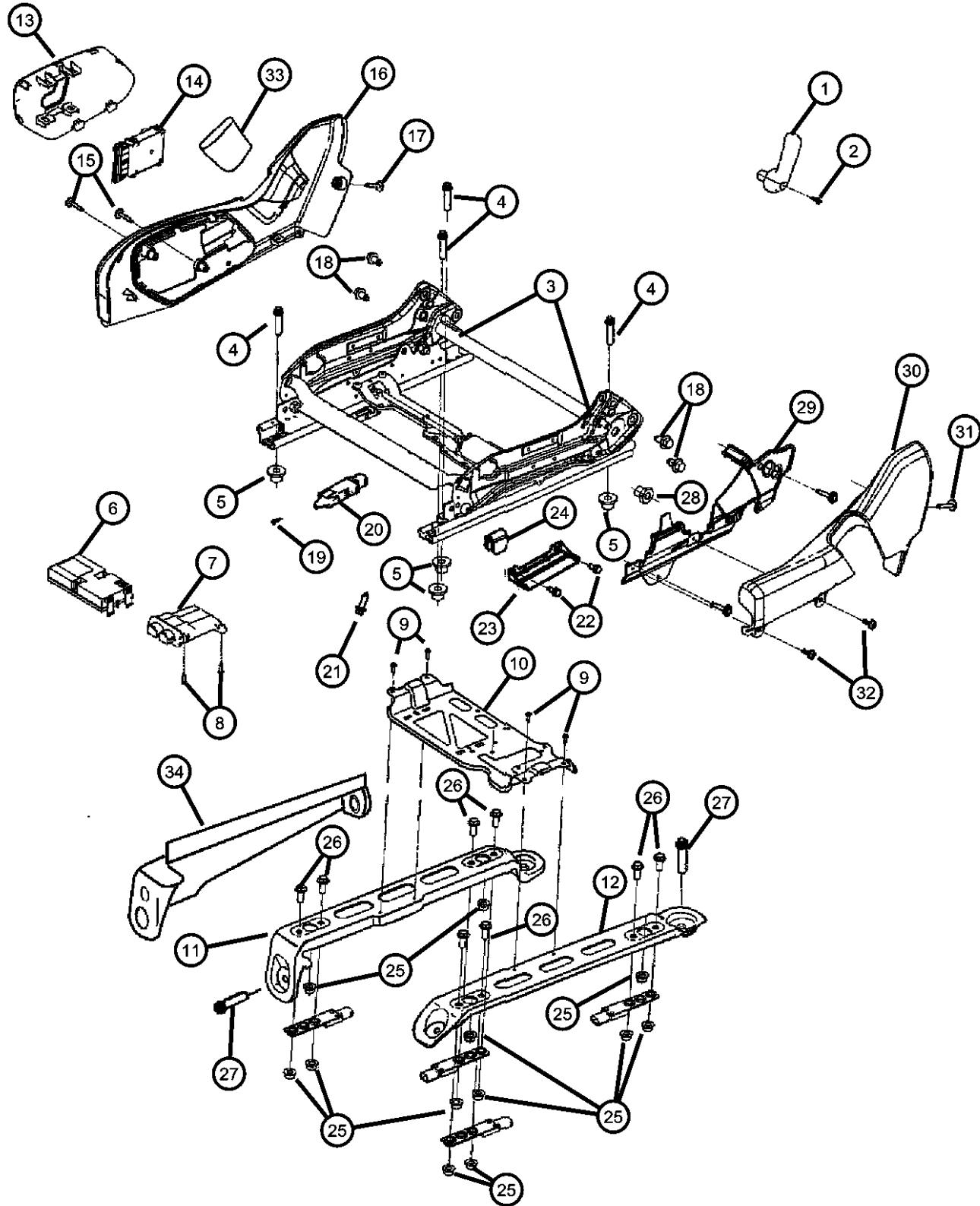


ITEM	PART NUMBER	QTY	LINE	SERIES	BODY	ENGINE	TRANS	TRIM	DESCRIPTION
20	56043206AC	2	J, T		74			*A7 *YL	SENSOR, Seat track position
21	05139628AA	2		X				*A7 *DZ *AL *PL *XL *YL	BOLT
22	05139630AA	4	J, T	S	74			*A7 *AL *PL *DZ *XL *YL	SCREW
23	05143422AA	1	J, T		74			*PL *YL *A7 *AL	BRACKET, Seat
24	05139661AA	2	J, T	X S	74			*A7 *AL *PL *XL *YL *DZ	LIMITER, Seat Track Travel

GRAND CHEROKEE (WK)
 SERIES LINE BODY ENGINE TRANSMISSION
 H = HIGHLINE T = JEEP - 2WD 74 = SPORT UTILITY 4-DR EKG = 3.7L V6 Engine DGQ = 5-Spd Automatic 5-45RFE
 P = PREMIUM J = JEEP - 4WD EVA = 4.7L V8 MPI Engine Transmission
 S = SPORT EZB = 5.7L Hemi Multi DGJ = 5-Speed Automatic MB
 X = SPECIAL Displacement Engine Transmission

AR = use ase required - = Non illustrated part

**Adjuster, Recliners, Power Passenger Seat
Figure IWK-820**



ITEM	PART NUMBER	QTY	LINE	SERIES	BODY	ENGINE	TRANS	TRIM	DESCRIPTION
25		4	J, T		74			*YL	NUT, Seat
	05143442AA	4						*A7	
		4						*AL	
		4						*PL	
		4		X				*DZ	
		4		S				*XL	
		4	J, T		74			*YL	
26		4							BOLT, Seat
	05143443AA	8						*A7	
		8						*PL	
		8						*AL	
		2		S				*XL	
		2		X				*DZ	
		2	J, T		74			*YL	
27	06508286AA	8							BOLT, Seat
28									NUT, Tube
	05143449AA	2						*A7	
		2						*AL	
		2						*PL	
		2		S				*XL	
		2		X				*DZ	
		2	J, T		74			*YL	
29									PLATE, Front Seat
	1BG581D1AA	1						*PL	[J1]
		1		S				*XL	[J1]
	1BG581D5AA	1						*AL	[D5]
		1						*PL	[D5]
		1						*A7	[D5]
		1		X				*DZ	[D5]
		1		S				*XL	[D5]
		1	J, T		74			*YL	[D5]
	1BG581J3AA	1						*A7	[J3]
		1						*AL	[J3]

GRAND CHEROKEE (WK)

SERIES LINE
H = HIGHLINE T = JEEP - 2WD
P = PREMIUM J = JEEP - 4WD
S = SPORT
X = SPECIAL

BODY
74 = SPORT UTILITY 4-DR

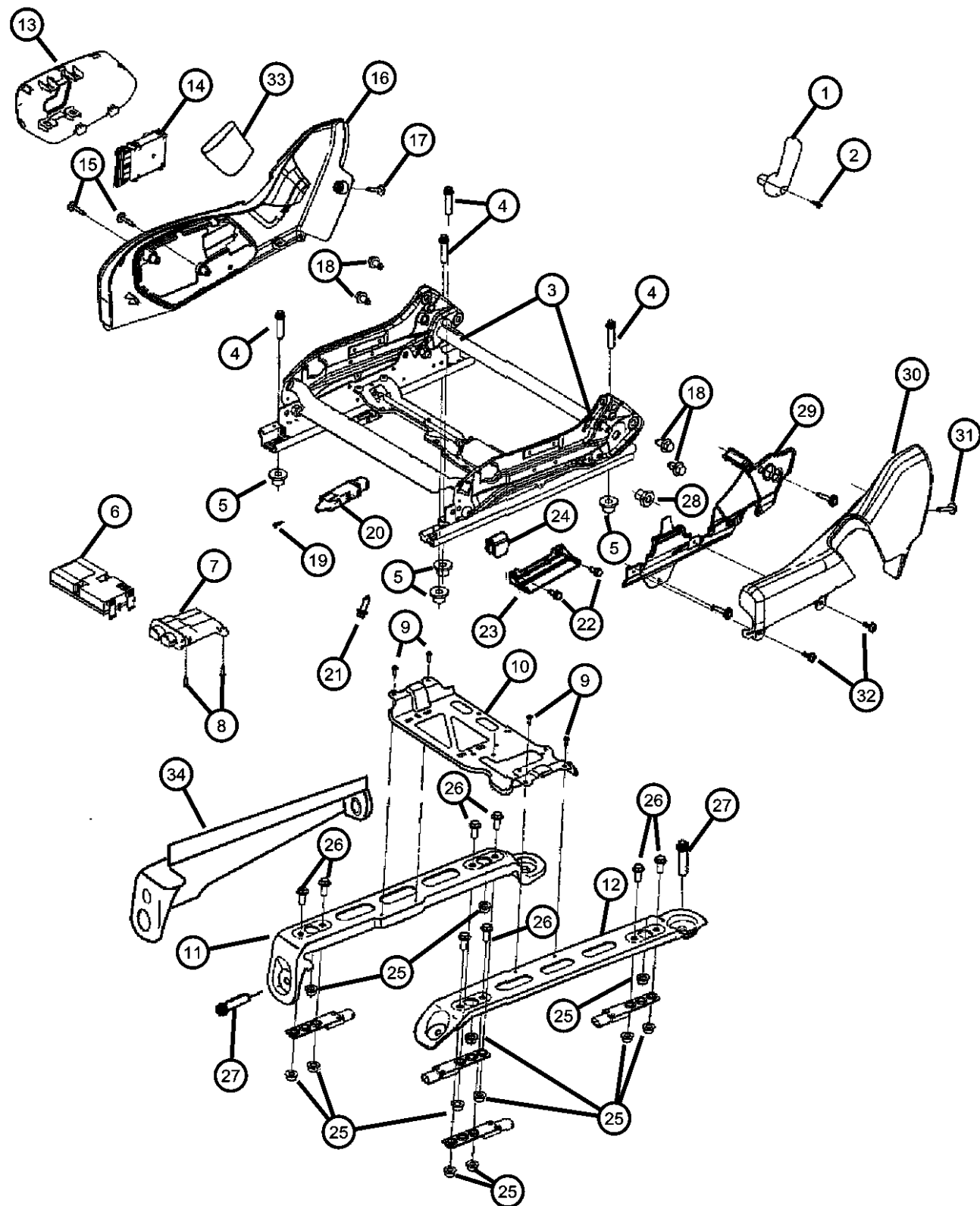
ENGINE
EKG = 3.7L V6 Engine
EVA = 4.7L V8 MPI Engine
EZB = 5.7L Hemi Multi Displacement Engine

TRANSMISSION
DGQ = 5-Spd Automatic 5-45RFE Transmission
DGJ = 5-Speed Automatic MB Transmission

AR = use ase required - = Non illustrated part

2006 WK

**Adjuster, Recliners, Power Passenger Seat
Figure IWK-820**



ITEM	PART NUMBER	QTY	LINE	SERIES	BODY	ENGINE	TRANS	TRIM	DESCRIPTION
		1						*PL	[J3]
		1	J, T		74			*YL	[J3]
30									SHIELD, Seat Adjuster
	1BG401D1AA	1		S				*XL	[J1]
	1BG401D5AA	1						*A7	[D5]
		1						*AL	[D5]
		1						*PL	[D5]
		1		X				*DZ	[D5]
		1		S				*XL	[D5]
	1BG401J3AA	1	J, T		74			*YL	[D5]
		1						*AL	[J3]
		1						*PL	[J3]
		1						*A7	[J3]
31		1	J, T		74			*YL	[J3]
									SCREW, Seat
	05143452AA	10						*PL	
		10						*A7	
		10						*AL	
		10		X				*DZ	
		10		S				*XL	
		10	J, T		74			*YL	
32									SCREW, Seat
	05143453AA	4						*PL	
		4						*A7	
		4		X				*DZ	
		4		S				*XL	
		4						*AL	
		4	J, T		74			*YL	
33									SHIELD, Seat Adjuster
	5KD26BD1AA	1						*O0	[J1]
	5KD26BD5AA	1						*O0	[D5]
	5KD26ZJ3AA	1						*O0	[J3]
34									COVER, Seat Track
	1BU241D1AA	1						*PL	[J1], Right

GRAND CHEROKEE (WK)

SERIES LINE
H = HIGHLINE T = JEEP - 2WD
P = PREMIUM J = JEEP - 4WD
S = SPORT
X = SPECIAL

BODY
74 = SPORT UTILITY 4-DR

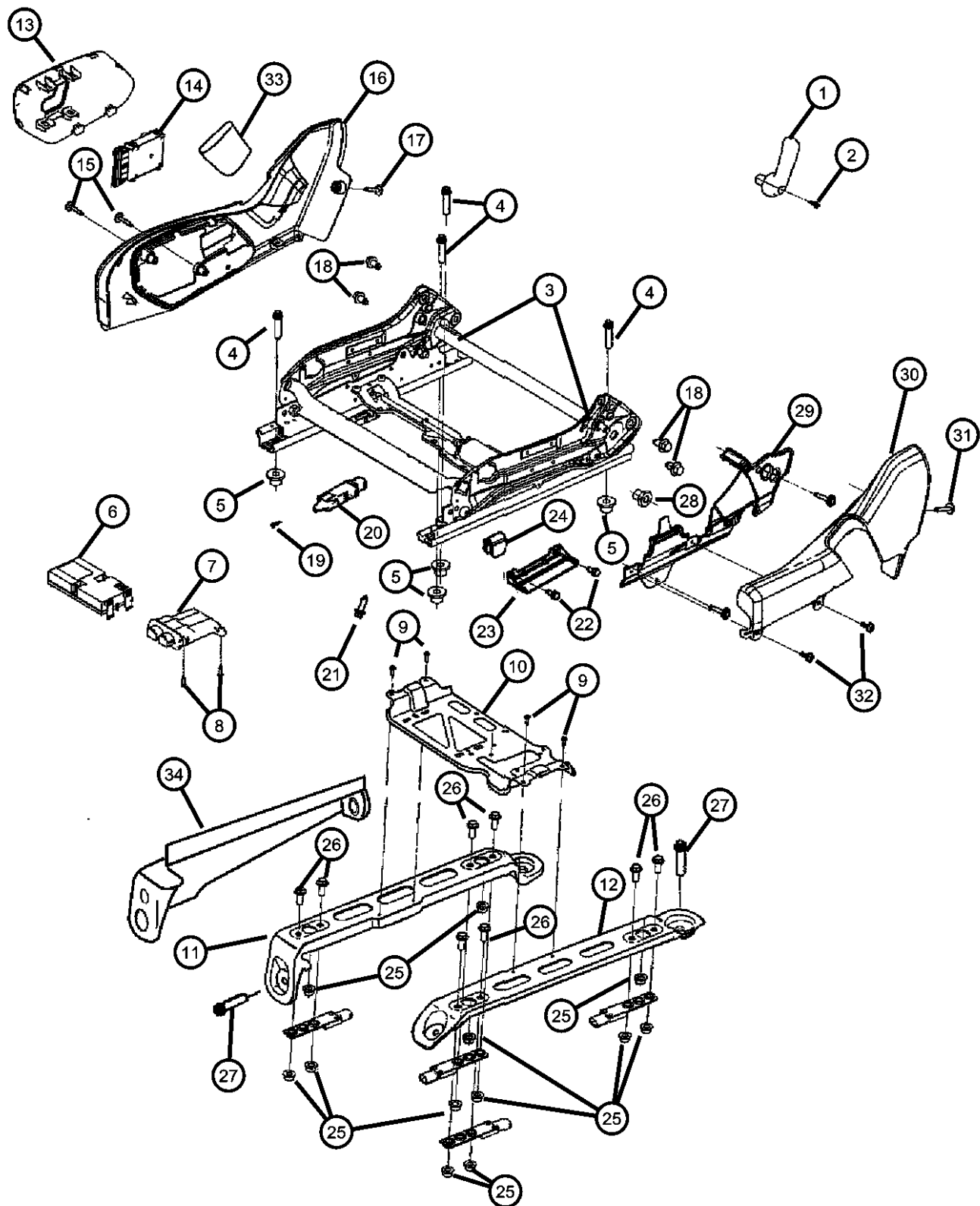
ENGINE
EKG = 3.7L V6 Engine
EVA = 4.7L V8 MPI Engine
EZB = 5.7L Hemi Multi Displacement Engine

TRANSMISSION
DGQ = 5-Spd Automatic 5-45RFE Transmission
DGJ = 5-Speed Automatic MB Transmission

AR = use ase required - = Non illustrated part

2006 WK

**Adjuster, Recliners, Power Passenger Seat
Figure IWK-820**



ITEM	PART NUMBER	QTY	LINE	SERIES	BODY	ENGINE	TRANS	TRIM	DESCRIPTION
		1		S				*XL	[J1], Right
	1BU241D5AA	1						*AL	[D5], Right
		1						*A7	[D5], Right
		1						*PL	[D5], Right
		1		X				*DZ	[D5], Right
		1		S				*XL	[D5], Right
	1BU241J3AA	1	J, T		74			*YL	[D5], Right
		1						*A7	[J3], Right
		1						*AL	[J3], Right
		1						*PL	[J3], Right
		1	J, T		74			*YL	[J3], Right

GRAND CHEROKEE (WK)

SERIES LINE
H = HIGHLINE T = JEEP - 2WD
P = PREMIUM J = JEEP - 4WD
S = SPORT
X = SPECIAL

BODY
74 = SPORT UTILITY 4-DR

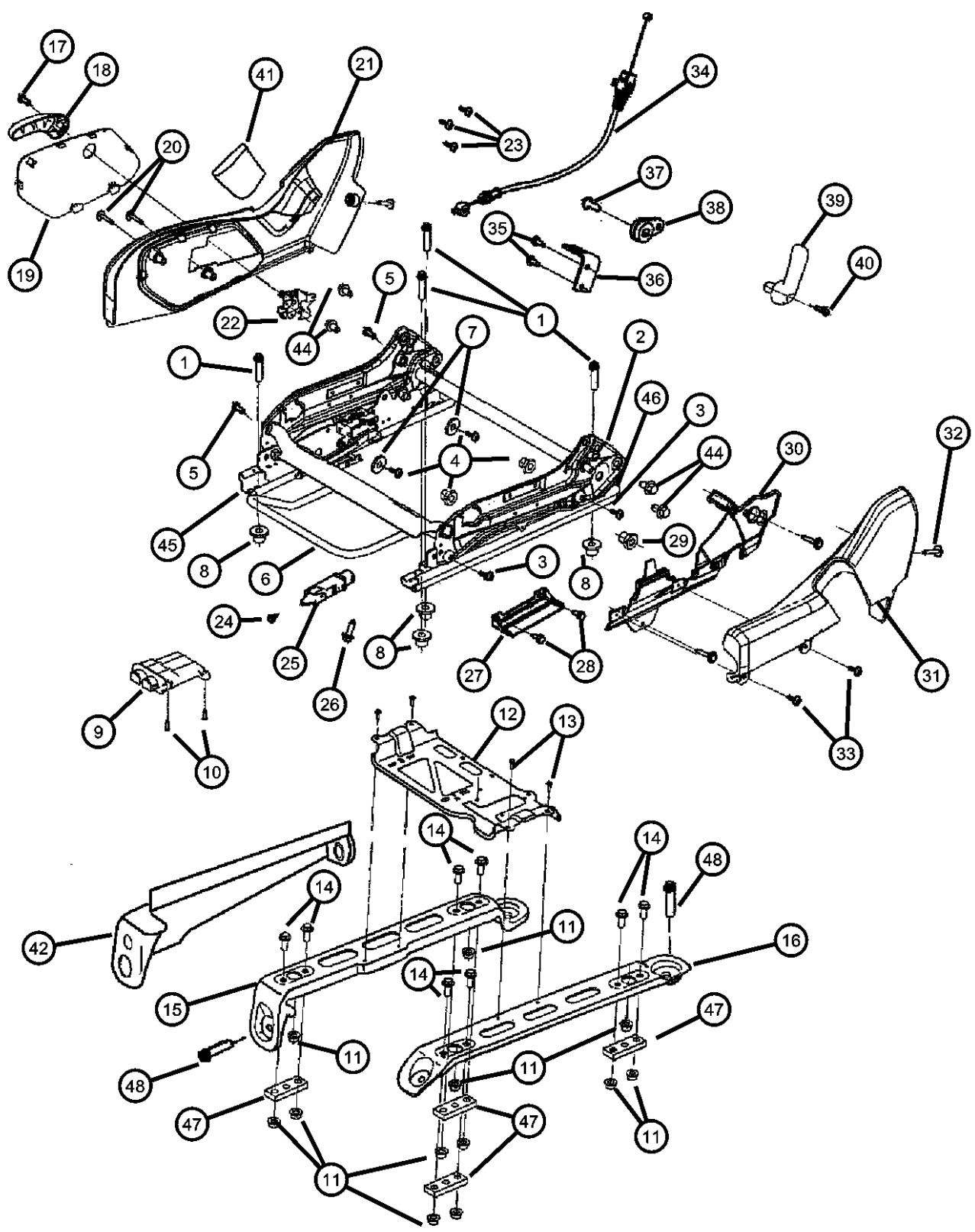
ENGINE
EKG = 3.7L V6 Engine
EVA = 4.7L V8 MPI Engine
EZB = 5.7L Hemi Multi
Displacement Engine

TRANSMISSION
DGQ = 5-Spd Automatic 5-45RFE
Transmission
DGJ = 5-Speed Automatic MB
Transmission

AR = use ase required - = Non illustrated part

2006 WK

**Adjuster, Recliners, Manual Passenger Seat
Figure IWK-830**

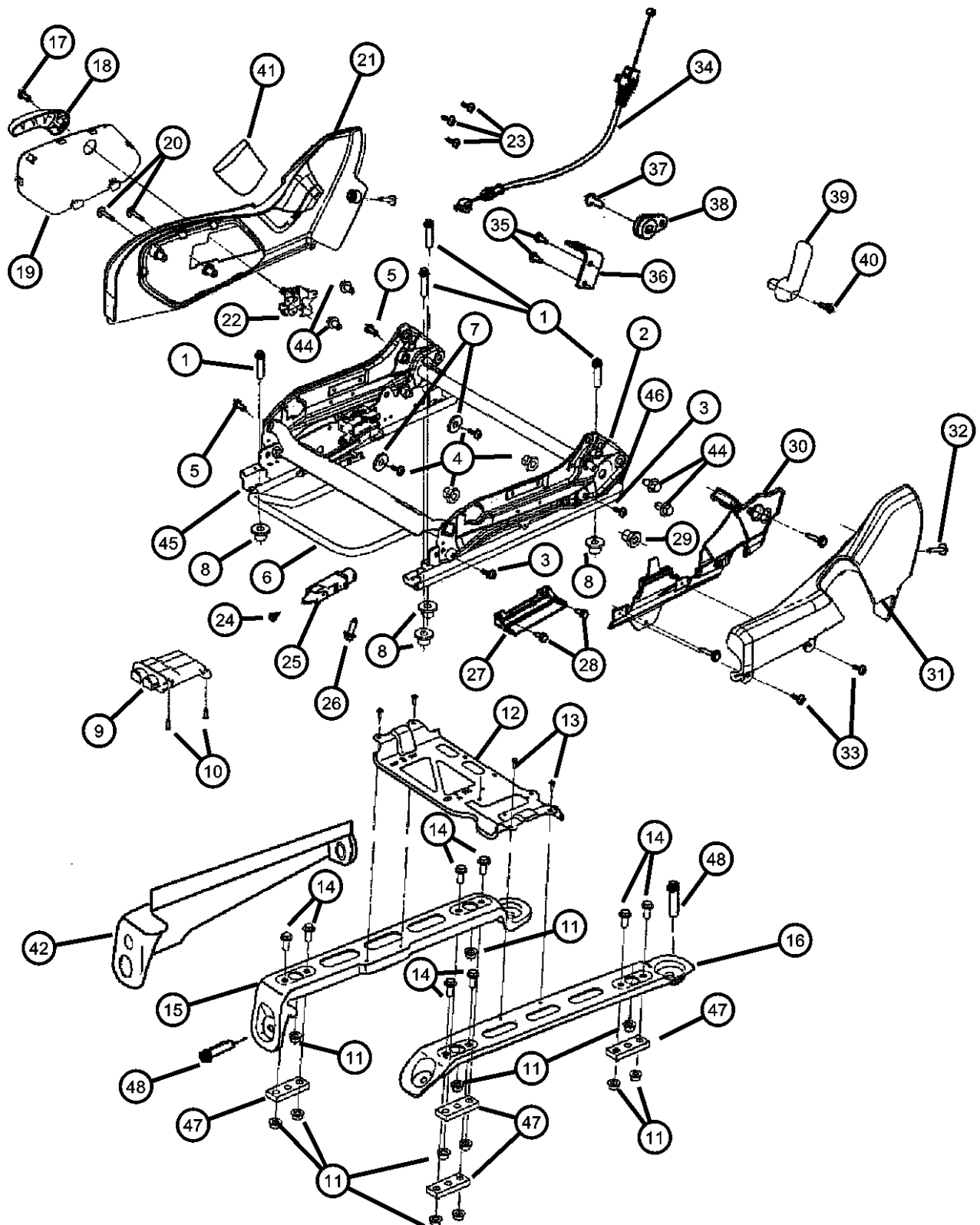


ITEM	PART NUMBER	QTY	LINE	SERIES	BODY	ENGINE	TRANS	TRIM	DESCRIPTION
1	05143450AA	2	J, T	X	74			*DZ	BOLT, Seat
		2	J, T		74			*YL	
		2	J, T		74			*A7	
		2	J, T		74			*AL	
		2	J, T		74			*PL	
2	05135282AA	1							FRAME, Front Seat Cushion
		1						*A7	
		1						*PL	
		1		X				*DZ	
		1		S				*XL	
		1	J, T		74			*YL	
3	05135308AA	2							BOLT, Seat
4	05135309AA	4							NUT, Seat
5	05135310AA	2							BOLT, Seat
6	05135236AA	1							HANDLE, Towel Bar
7	05135312AA	2							SPACER, Seat Track
8	05143444AA	4							SPACER
9	56043195AZ	1							MODULE, Occupant Classification
		1						*A7	
		1						*AL	
		1						*PL	
		1		X				*DZ	
		1		S				*XL	
10	05080813AA	4							SCREW
		4						*A7	
		4						*AL	
		4						*PL	
11	05143442AA	15							NUT, Seat
12	05143418AA	1							BRACKET, Module
13	05143451AA	8							SCREW, Seat
14	05143443AA	8							BOLT, Seat, Mexico
15	05143414AA	1							RISER, Seat, Outboard
		1						*A7	
		1						*AL	

GRAND CHEROKEE (WK)
 SERIES LINE BODY ENGINE TRANSMISSION
 H = HIGHLINE T = JEEP - 2WD 74 = SPORT UTILITY 4-DR EKG = 3.7L V6 Engine DGQ = 5-Spd Automatic 5-45RFE
 P = PREMIUM J = JEEP - 4WD EVA = 4.7L V8 MPI Engine Transmission
 S = SPORT EZB = 5.7L Hemi Multi DGJ = 5-Speed Automatic MB
 X = SPECIAL Displacement Engine Transmission

AR = use ase required - = Non illustrated part

**Adjuster, Recliners, Manual Passenger Seat
Figure IWK-830**

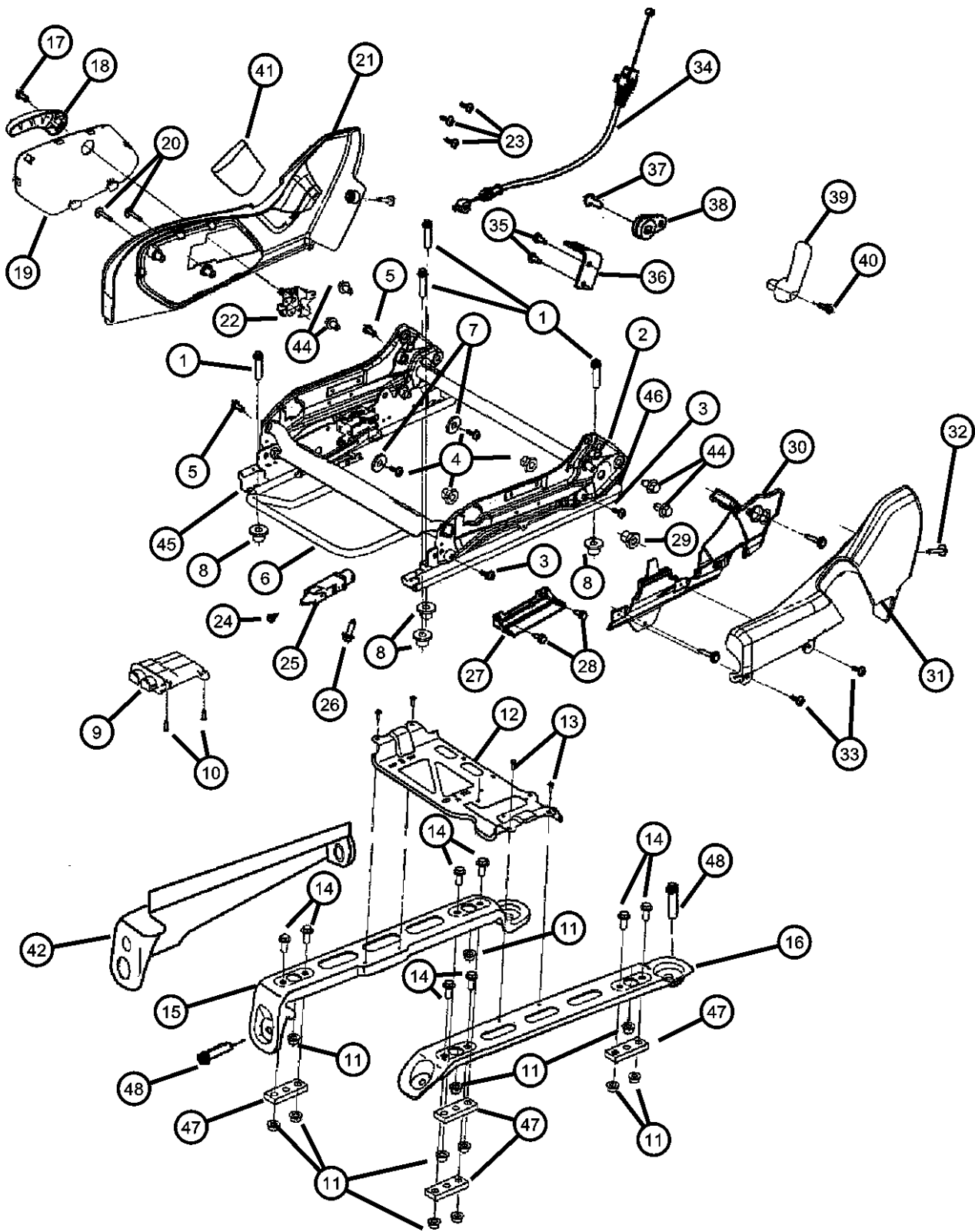


ITEM	PART NUMBER	QTY	LINE	SERIES	BODY	ENGINE	TRANS	TRIM	DESCRIPTION
31	1BG411D5AA	1						*A7 [D5]	SHIELD, Seat Adjuster
	1BG411J3AA	1						*A7 [J3]	
32	05143452AA	10						*A7	SCREW, Seat
33	05143453AA	4						*A7	SCREW, Seat
34	05143411AA	1						*A7	CABLE, Recliner
35	05143451AA	8						*A7	SCREW, Seat
36	05143426AA	1						*A7	BRACKET, Cable Mounting
37	04741274	1						*A7	SCREW, Torx Head, .25-20x.75
38	05143490AA	1						*A7	LEVER, Front Seat Recliner
39	1BG531D5AA	2						*A7 [D5]	HANDLE, Lumbar
	1BG531J3AA	2						*A7 [J3]	
40	05080813AA	1						*A7	SCREW
		1						*AL	
		1						*PL	
41	5KD26BD1AA	1						*O0 [J1]	SHIELD, Seat Adjuster
	5KD26BD5AA	1						*O0 [D5]	
	5KD26ZJ3AA	1						*O0 [J3]	
42	1BU241D1AA	1						*PL [D1]	COVER, Seat Track
	1BU241D5AA	1						*PL [D5]	
		1						*A7 [D5]	
		1						*AL [D5]	
	1BU241J3AA	1						*A7 [J3]	
		1						*AL [J3]	
		1						*PL [J3]	
-43	05136790AA	1						*A7	HARDWARE KIT
		1						*AL	
		1						*PL	
		1	J, T		74			*YL	

GRAND CHEROKEE (WK)
 SERIES LINE BODY ENGINE TRANSMISSION
 H = HIGHLINE T = JEEP - 2WD 74 = SPORT UTILITY 4-DR EKG = 3.7L V6 Engine DGQ = 5-Spd Automatic 5-45RFE
 P = PREMIUM J = JEEP - 4WD EVA = 4.7L V8 MPI Engine Transmission
 S = SPORT EZB = 5.7L Hemi Multi DGJ = 5-Speed Automatic MB
 X = SPECIAL Displacement Engine Transmission

AR = use ase required - = Non illustrated part

**Adjuster, Recliners, Manual Passenger Seat
Figure IWK-830**



ITEM	PART NUMBER	QTY	LINE	SERIES	BODY	ENGINE	TRANS	TRIM	DESCRIPTION
44	05139629AA	8							BOLT
		8							*PL
		8							*A7
		8							*AL
45	05143590AA	1							*A7 ADJUSTER, Manual Seat, Outboard
46	05143591AA	1							*A7 ADJUSTER, Manual Seat, Inboard
47	05143685AA	4							*PL SPACER, Mexico
48	06508286AA	8							BOLT, Seat

GRAND CHEROKEE (WK)

SERIES LINE
H = HIGHLINE T = JEEP - 2WD
P = PREMIUM J = JEEP - 4WD
S = SPORT
X = SPECIAL

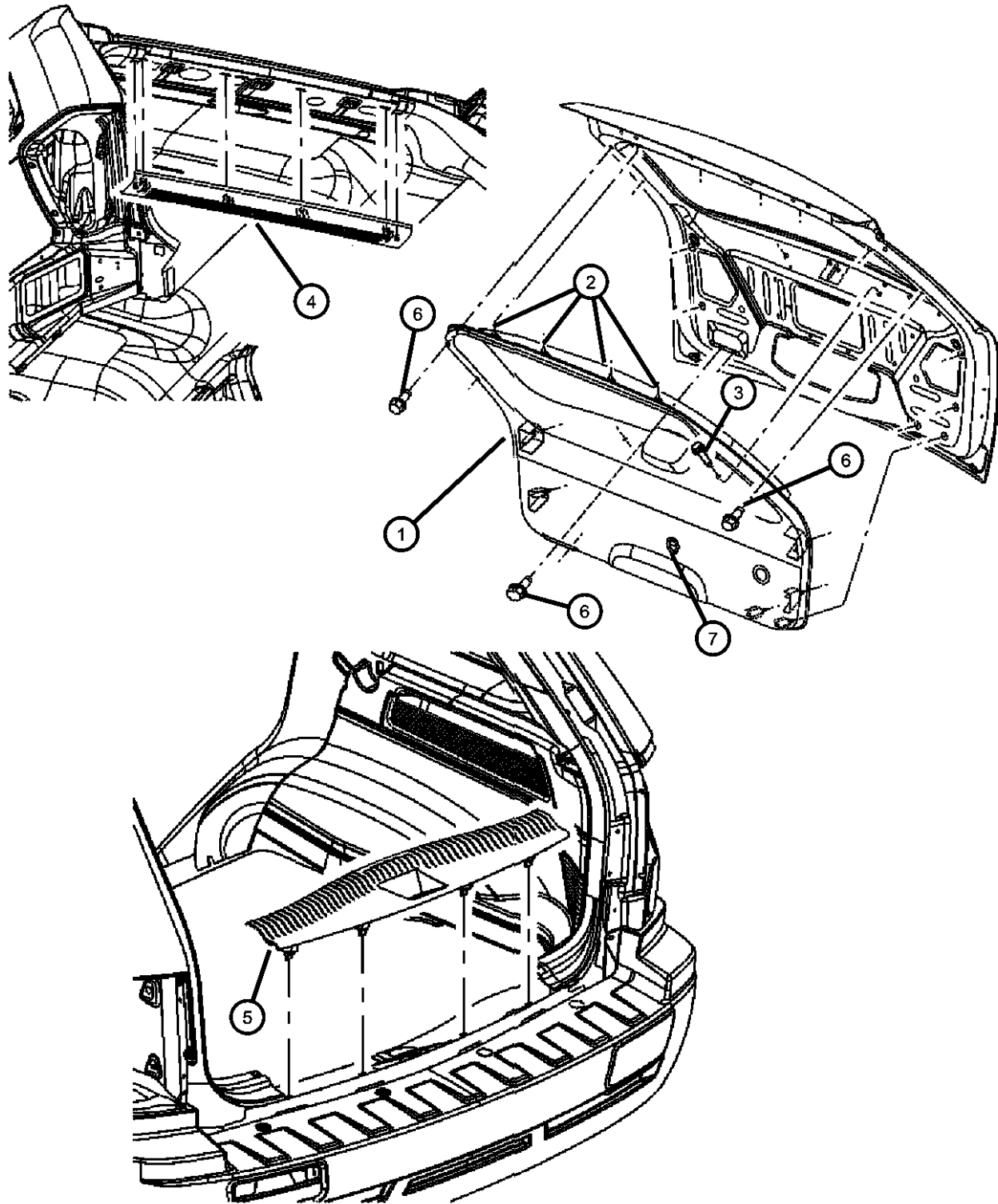
BODY
74 = SPORT UTILITY 4-DR

ENGINE
EKG = 3.7L V6 Engine
EVA = 4.7L V8 MPI Engine
EZB = 5.7L Hemi Multi Displacement Engine

TRANSMISSION
DGQ = 5-Spd Automatic 5-45RFE Transmission
DGJ = 5-Speed Automatic MB Transmission

AR = use ase required - = Non illustrated part

Liftgate Panel and Scuff Plate
Figure IWK-1010



ITEM	PART NUMBER	QTY	LINE	SERIES	BODY	ENGINE	TRANS	TRIM	DESCRIPTION
1									PANEL, Liftgate Trim
	5JR56ZJ3AH	1	J, T		74			*00	[J3]
	5JR56BD1AH	1	J, T		74			*00	[J1]
	5JR56BD5AH	1	J, T		74			*00	[D5]
2	68002658AA	1	J, T		74			*00	CLIP, Liftgate
3		1							SCREW, Tapping, [.164-15x2.20], (NOT SERVICED)
4									MOLDING, Rear Header, Upper
	5HS28BD1AD	1						*00	[J1]
	5HS28BD5AD	1						*00	[D5]
	5HS28ZJ3AD	1						*00	[J3]
5									PLATE, Liftgate Scuff
	5HS29BD1AE	1						*00	[J1]
	5HS29BD5AE	1						*00	[D5]
	5HS29ZJ3AE	1						*00	[J3]
6	06101946	6							SCREW, Tapping
7									PLUG
	1FD89BD1AA	1	J, T		74			*00	[D1]
	1FD89BD5AA	1	J, T		74			*00	[D5]
	1FD89ZJ3AA	1	J, T		74			*00	[J3]

GRAND CHEROKEE (WK)

SERIES LINE
H = HIGHLINE T = JEEP - 2WD
P = PREMIUM J = JEEP - 4WD
S = SPORT
X = SPECIAL

BODY
74 = SPORT UTILITY 4-DR

ENGINE
EKG = 3.7L V6 Engine
EVA = 4.7L V8 MPI Engine
EZB = 5.7L Hemi Multi Displacement Engine

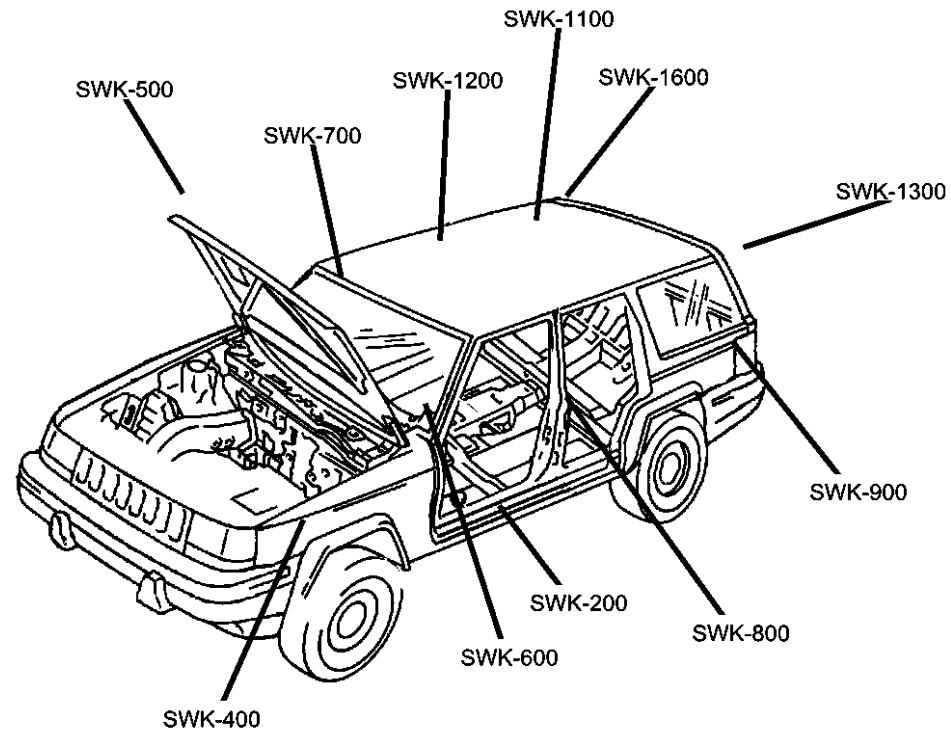
TRANSMISSION
DGQ = 5-Spd Automatic 5-45RFE Transmission
DGJ = 5-Speed Automatic MB Transmission

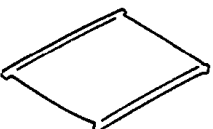

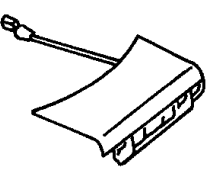
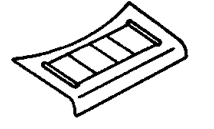
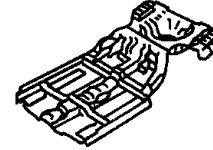

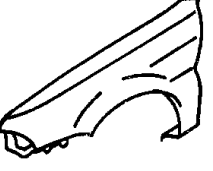
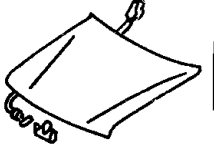
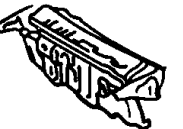
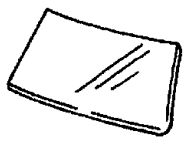
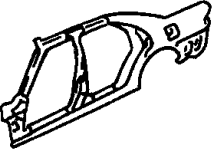
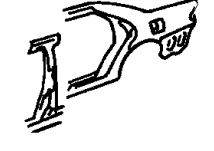
AR = use ase required - = Non illustrated part

2006 WK

Group - SWK

Body Sheet Metal Except Doors

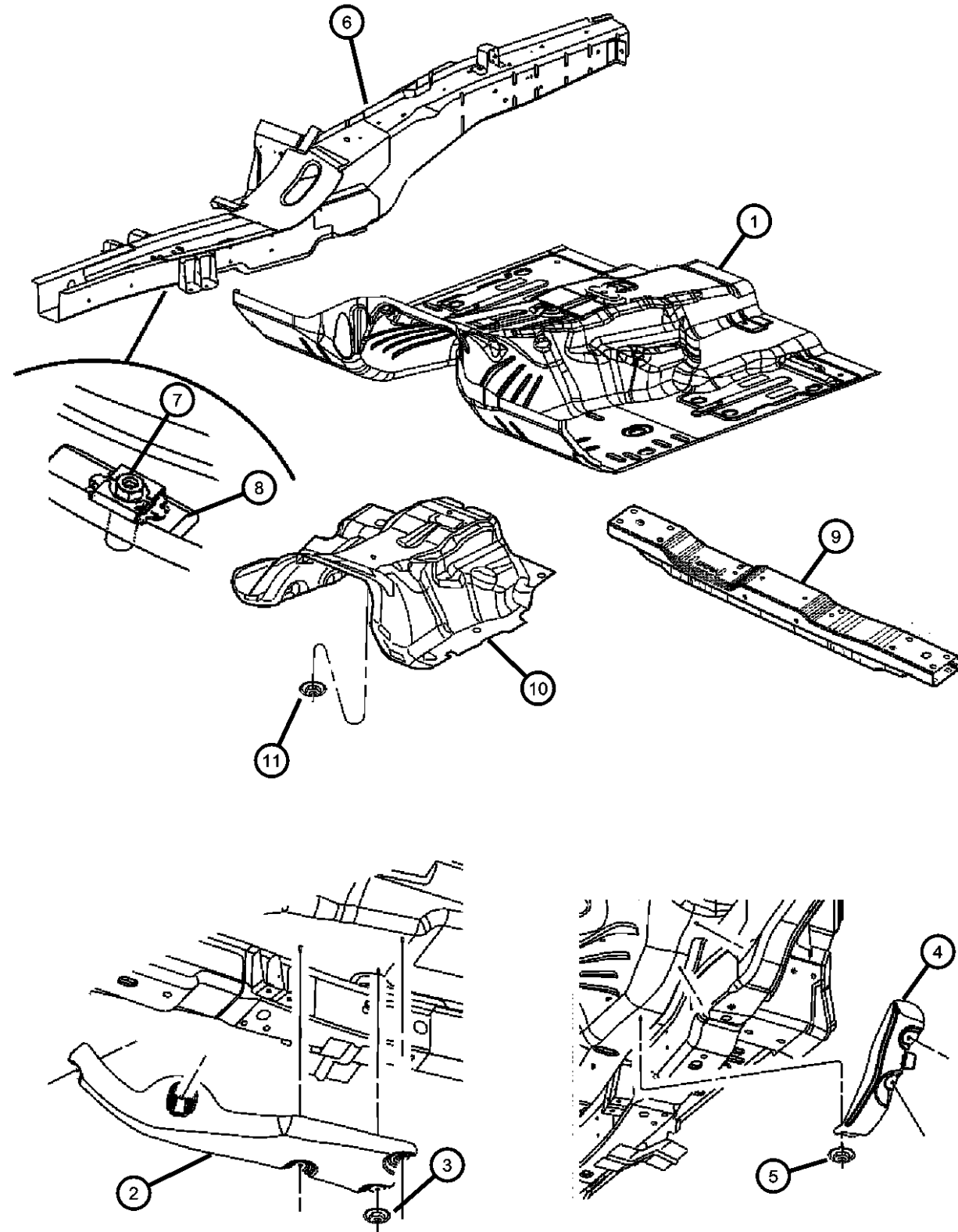


SWK-1100 Roof Panels 	SWK-1200 Sunroof 	SWK-1300 Liftgate Panel 	SWK-1600 Luggage Rack 
SWK-200 Floor Pans 	SWK-300 Plugs 	SWK-400 Front Fenders 	SWK-500 Hood and Hood Release 
SWK-600 Cowl and Dash Panel 	SWK-700 Glass and Rear View Mirror 	SWK-800 Aperture Panel 	SWK-900 Quarter Panel and Pillars 

Group - SWK Body Sheet Metal Except Doors

Illustration Title	Group-Fig. No.
Floor Pans	
Front Floor Pan.....	Fig. SWK - 210
Center and Rear Floor Pan.....	Fig. SWK - 220
Plugs	
Plugs.....	Fig. SWK - 310
Front Fenders	
Front Fender.....	Fig. SWK - 410
Hood and Hood Release	
Hood, Latch, Hinges.....	Fig. SWK - 510
Cowl and Dash Panel	
Panels, Cowl and Dash.....	Fig. SWK - 610
Insulation, Dash And Cowl.....	Fig. SWK - 620
Glass and Rear View Mirror	
Glass, Windshield, Backlite, Quarter Window, Rear View Mirror.....	Fig. SWK - 710
Aperture Panel	
Panels, Body Side.....	Fig. SWK - 810
Quarter Panel and Pillars	
Panels, Rear Quarter.....	Fig. SWK - 910
Roof Panels	
Panels, Roof.....	Fig. SWK - 1110
Sunroof	
Sunroof.....	Fig. SWK - 1210
Liftgate Panel	
Liftgate, Latch and Hinges.....	Fig. SWK - 1310
Luggage Rack	
Roof Rack.....	Fig. SWK - 1610

Front Floor Pan
Figure SWK-210



ITEM	PART NUMBER	QTY	LINE	SERIES	BODY	ENGINE	TRANS	TRIM	DESCRIPTION
1	55394418AE	1							PAN, Floor
2	55394456AC	1							SHIELD, Heat
3	06505199AA	3							NUT
4	55394453AA	1							SHIELD, Heat
5	06505199AA	3							NUT
6									RAIL, Frame Side
	55394059AL	1							Left
	55394058AL	1							Right
7	06101916	1							NUT, Hex Weld, M8x1.25
8	55136398AB	1							PLATE, Control Arm
9	52090070AI	1							CROSSMEMBER, Transmission
10	55197007AE	1							INSULATION, Floor
11	06508463AA	2							NUT, Plastic

GRAND CHEROKEE (WK)

SERIES LINE
H = HIGHLINE T = JEEP - 2WD
P = PREMIUM J = JEEP - 4WD
S = SPORT
X = SPECIAL

BODY
74 = SPORT UTILITY 4-DR

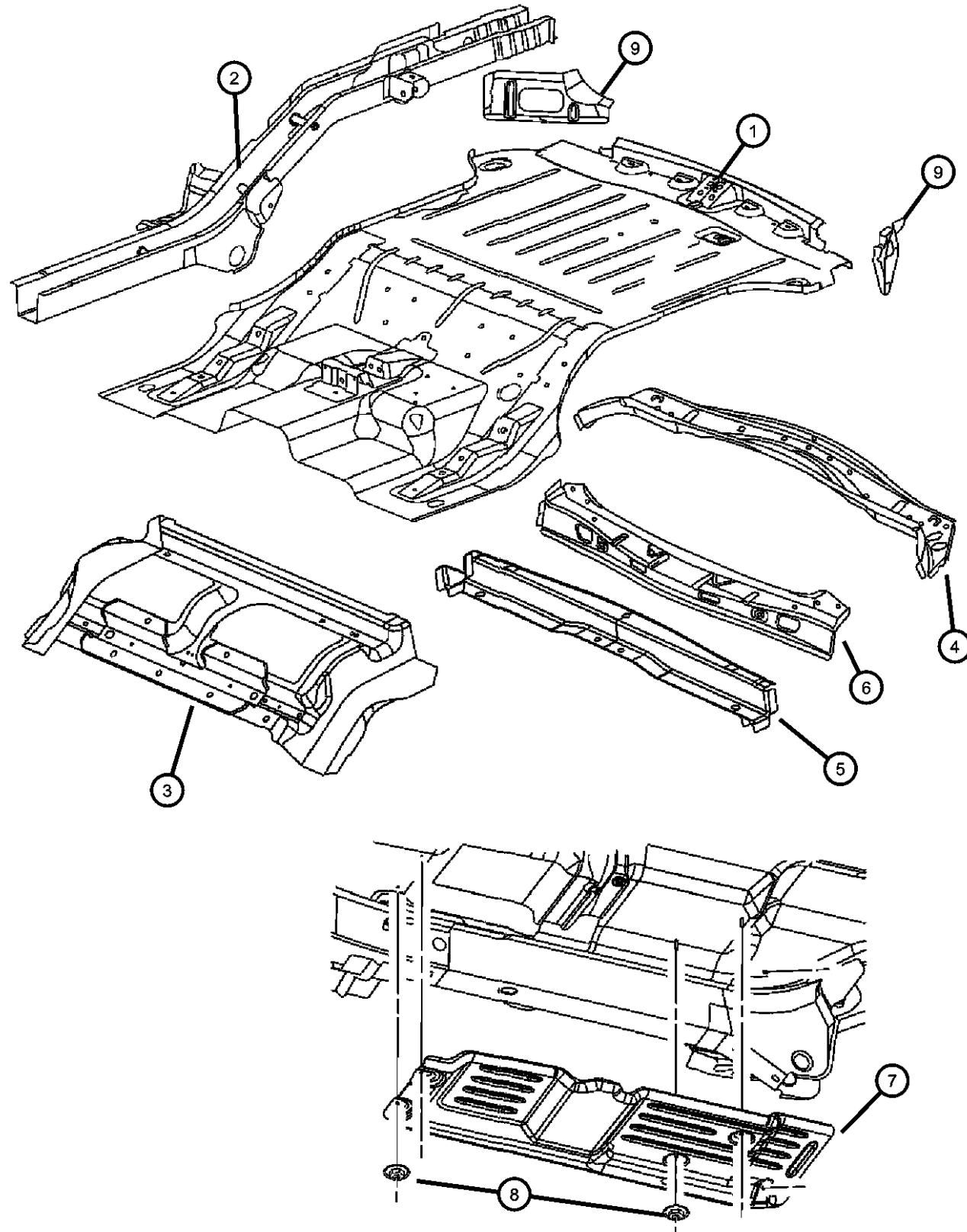
ENGINE
EKG = 3.7L V6 Engine
EVA = 4.7L V8 MPI Engine
EZB = 5.7L Hemi Multi
Displacement Engine

TRANSMISSION
DGQ = 5-Spd Automatic 5-45RFE
Transmission
DGJ = 5-Speed Automatic MB
Transmission

AR = use ase required - = Non illustrated part

2006 WK

**Center and Rear Floor Pan
Figure SWK-220**



ITEM	PART NUMBER	QTY	LINE	SERIES	BODY	ENGINE	TRANS	TRIM	DESCRIPTION
1	55396322AH	1							PAN, Floor
2	05166026AB	1							RAIL, Rear Floor Pan Side Right
	05166027AA	1							Left
3	55396338AF	1							CROSSMEMBER, Floor PanCenter
4	55396340AE	1							CROSSMEMBER, Floor PanRear Inner
5	55396447AC	1							CROSSMEMBER, Floor PanSpare Tire
6	55396186AB	1							CROSSMEMBER, Rear FloorRear Outer
7	55394460AB	1							SHIELD, Heat
8	06505199AA	2							NUT
9									GUSSET, Side Member
	55394440AD	1							Right
	55394441AD	1							Left

GRAND CHEROKEE (WK)

SERIES LINE
H = HIGHLINE T = JEEP - 2WD
P = PREMIUM J = JEEP - 4WD
S = SPORT
X = SPECIAL

BODY
74 = SPORT UTILITY 4-DR

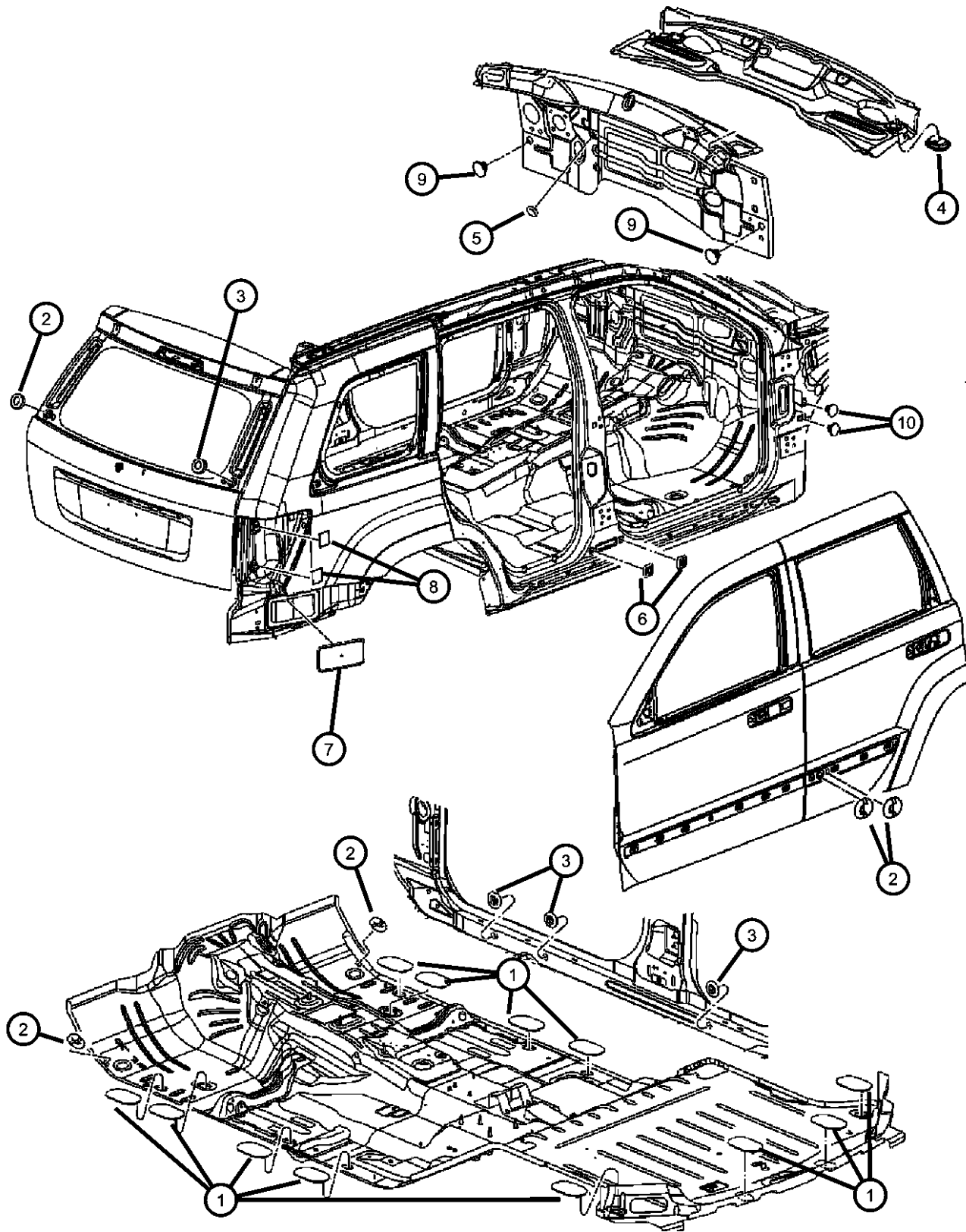
ENGINE
EKG = 3.7L V6 Engine
EVA = 4.7L V8 MPI Engine
EZB = 5.7L Hemi Multi Displacement Engine

TRANSMISSION
DGQ = 5-Spd Automatic 5-45RFE Transmission
DGJ = 5-Speed Automatic MB Transmission

AR = use ase required - = Non illustrated part

2006 WK

Plugs
Figure SWK-310



ITEM	PART NUMBER	QTY	LINE	SERIES	BODY	ENGINE	TRANS	TRIM	DESCRIPTION
1	55360966AA	12							PLUG, Floor Pan
2	04440294	2							PLUG
3	05255216	1							PLUG, Body, .875 Diameter
4	55136456AB	1							PLUG, Body
5	04674441	1							PLUG, Body, .75 Diameter
6	55136566AA	4							PLUG, Body
7	55396896AB	1							PLUG, Body
8	55364097AA	4							TAPE
9	55360494AA	2							PLUG, Body, 1.00 Diameter
10		2							PLUG, Plastic Expandable, 19mm, (NOT SERVICED)

GRAND CHEROKEE (WK)

SERIES LINE
H = HIGHLINE T = JEEP - 2WD
P = PREMIUM J = JEEP - 4WD
S = SPORT
X = SPECIAL

BODY
74 = SPORT UTILITY 4-DR

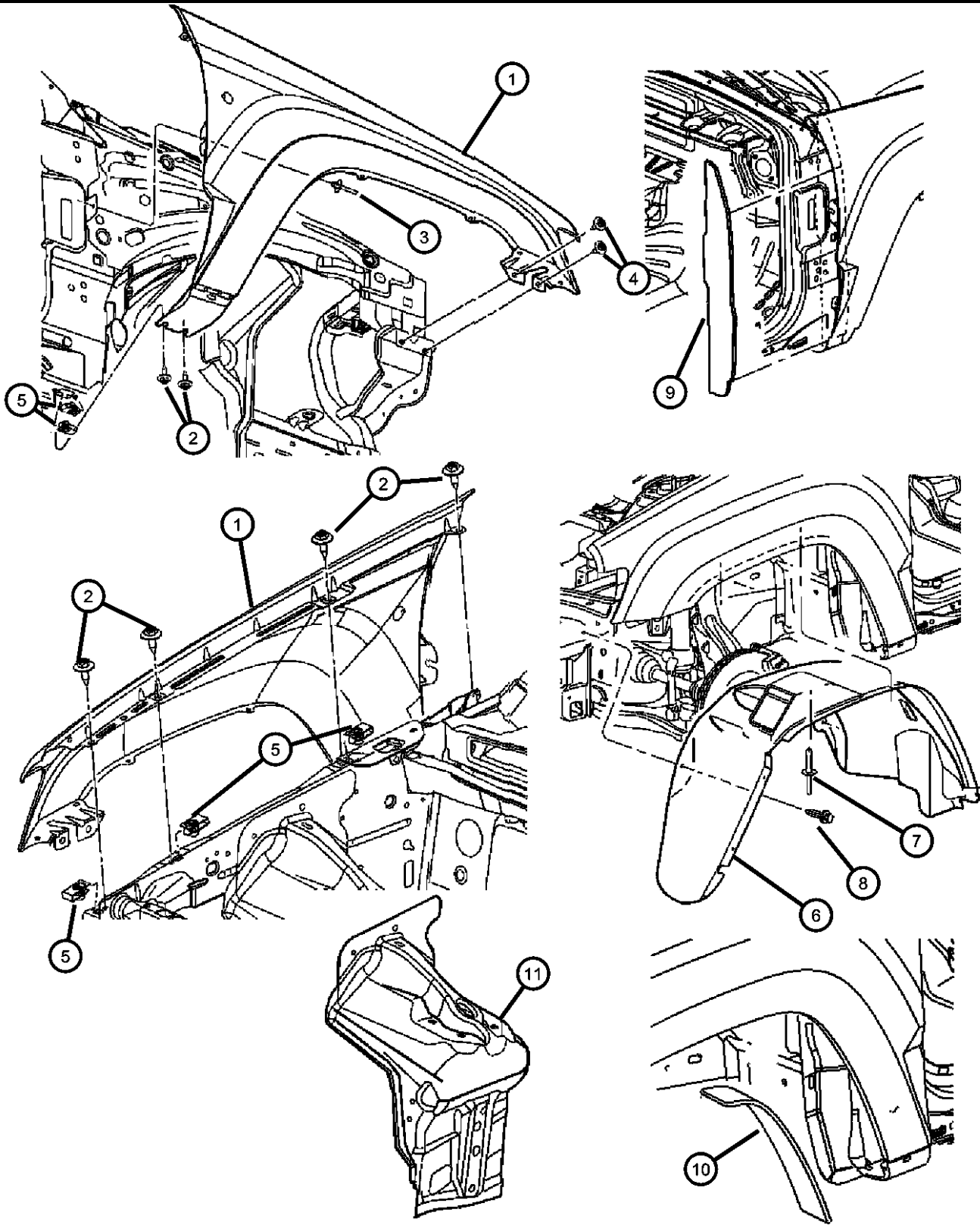
ENGINE
EKG = 3.7L V6 Engine
EVA = 4.7L V8 MPI Engine
EZB = 5.7L Hemi Multi
Displacement Engine

TRANSMISSION
DGQ = 5-Spd Automatic 5-45RFE
Transmission
DGJ = 5-Speed Automatic MB
Transmission

AR = use ase required - = Non illustrated part

2006 WK

Front Fender
Figure SWK-410

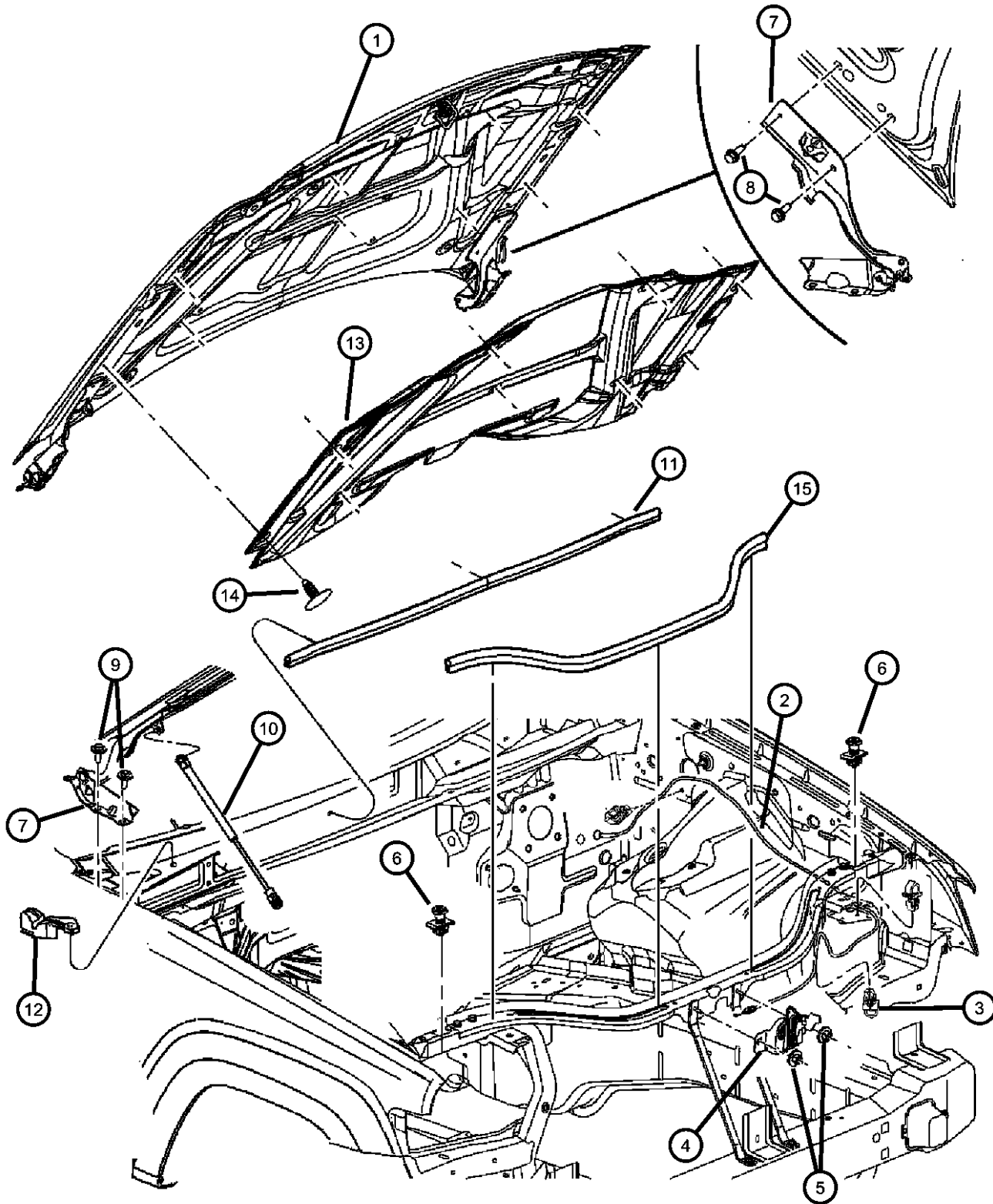


ITEM	PART NUMBER	QTY	LINE	SERIES	BODY	ENGINE	TRANS	TRIM	DESCRIPTION
1	55394450AB	1							FENDER, Front Right
	55394451AB	1							Left
2	06100286	4							BOLT AND CONED WASHER, Hex Head, M6x20x20
3		4							STUD, Double Ended, [M6x1.00x57.00], (NOT SERVICED)
4	06505903AA	4							SCREW AND WASHER, Self Tapping, M6x1x22
5		4							NUT, U Multi Thread, M6 x 1.00, (NOT SERVICED)
6									LINER, Fender Side
	55156620AE	1							Right
	55156621AE	1							Left
7	06500911	4							RIVET, M6.25x28
8	34201621	4							RIVET, M6.3x37.40
9	55196996AC	2							SILENCER, Cowl Side To FenderRight & Left
10	55197234AB	2							STUFFERRight & Left
11									SUPPORT, Suspension
	05161876AC	1							Right
	05161877AC	1							Left

GRAND CHEROKEE (WK)
 SERIES LINE BODY ENGINE TRANSMISSION
 H = HIGHLINE T = JEEP - 2WD 74 = SPORT UTILITY 4-DR EKG = 3.7L V6 Engine DGQ = 5-Spd Automatic 5-45RFE
 P = PREMIUM J = JEEP - 4WD EVA = 4.7L V8 MPI Engine Transmission
 S = SPORT EZB = 5.7L Hemi Multi DGJ = 5-Speed Automatic MB
 X = SPECIAL Displacement Engine Transmission

AR = use ase required - = Non illustrated part

Hood, Latch, Hinges
Figure SWK-510



ITEM	PART NUMBER	QTY	LINE	SERIES	BODY	ENGINE	TRANS	TRIM	DESCRIPTION
1	55394496AF	1							PANEL, Hood
2	55394495AB	1							CABLE, Hood Release
3	04814094	3							CLIP, Hood Latch Release
4	55396247AD	1							LATCH, Hood
5	06501483	2							NUT, Hex Flange, M8x1.25
6	55364470AB	2							BUMPER, Hood
7									HINGE, Hood
	55394474AB	1							Right
	55394475AB	1							Left
8	06503543	4							BOLT AND CONED WASHER, Hex Head, M8x1.25x25
9	06100286	4							BOLT AND CONED WASHER, Hex Head, M6x20x20
10	55394472AA	1							PROP, Hood
11	55394777AB	1							SEAL, Hood To Plenum
12									SEAL, Hood To Plenum
	55396862AA	1							Right
	55396863AA	1							Left
13	55196983AE	1							INSULATION, Hood
14	06506293AA	9							PIN, Push
15	55394851AA	1							WEATHERSTRIP, Hood

GRAND CHEROKEE (WK)

SERIES LINE
H = HIGHLINE T = JEEP - 2WD
P = PREMIUM J = JEEP - 4WD
S = SPORT
X = SPECIAL

BODY
74 = SPORT UTILITY 4-DR

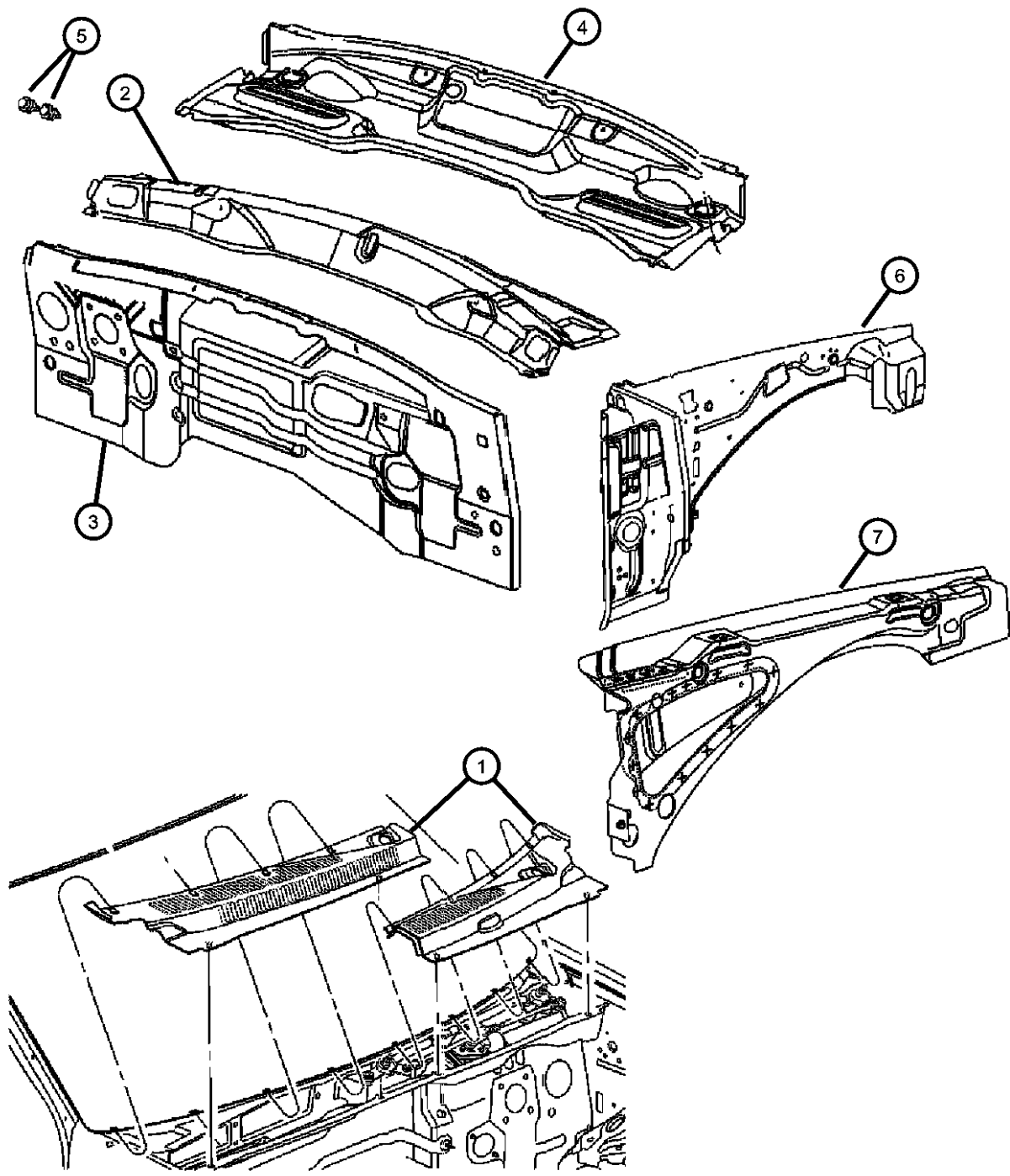
ENGINE
EKG = 3.7L V6 Engine
EVA = 4.7L V8 MPI Engine
EZB = 5.7L Hemi Multi Displacement Engine

TRANSMISSION
DGQ = 5-Spd Automatic 5-45RFE Transmission
DGJ = 5-Speed Automatic MB Transmission

AR = use ase required - = Non illustrated part

2006 WK

**Panels, Cowl and Dash
Figure SWK-610**



ITEM	PART NUMBER	QTY	LINE	SERIES	BODY	ENGINE	TRANS	TRIM	DESCRIPTION
1	55156852AF	1							COVER, Cowl Grille Right
	55156853AE	1							Left
2	55394116AD	1							PANEL, Cowl Top
3	55394100AF	1							PANEL, Dash
4	55394118AF	1							PANEL, Cowl And Plenum
5	06505526AA	1							STUD
6									PANEL, Cowl
	55394112AH	1							Right
	55394113AF	1							Left
7									REINFORCEMENT, Cowl Side
	55394106AC	1							Right
	55394107AC	1							Left

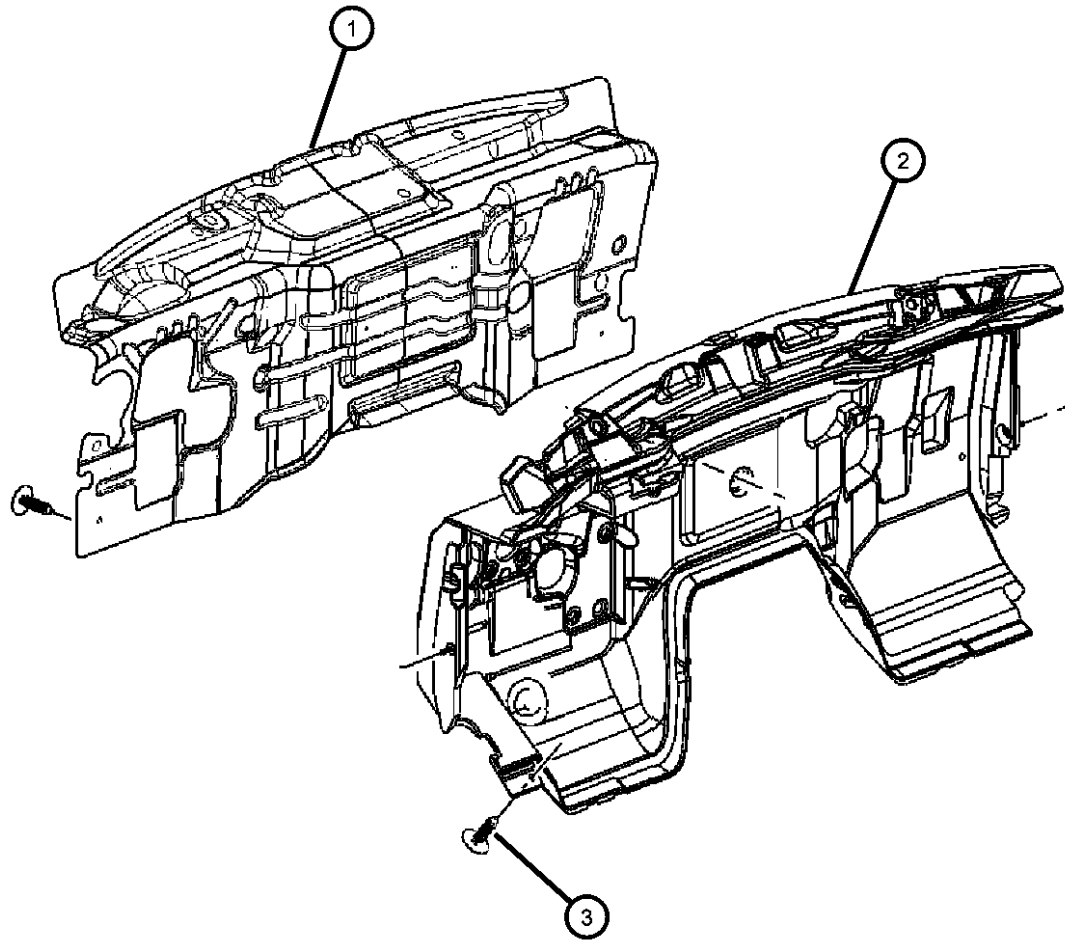
GRAND CHEROKEE (WK)

SERIES	LINE	BODY	ENGINE	TRANSMISSION
H = HIGHLINE	T = JEEP - 2WD	74 = SPORT UTILITY 4-DR	EKG = 3.7L V6 Engine	DGQ = 5-Spd Automatic 5-45RFE
P = PREMIUM	J = JEEP - 4WD		EVA = 4.7L V8 MPI Engine	Transmission
S = SPORT			EZB = 5.7L Hemi Multi	DGJ = 5-Speed Automatic MB
X = SPECIAL			Displacement Engine	Transmission

AR = use ase required - = Non illustrated part

**Insulation, Dash And Cowl
Figure SWK-620**

ITEM	PART NUMBER	QTY	LINE	SERIES	BODY	ENGINE	TRANS	TRIM	DESCRIPTION
1	55196984AE	1							INSULATION, Dash Panel, Engine Side
2	55196981AE	1							INSULATION, Dash Panel, Interior
3	06508463AA	4							NUT, Plastic



GRAND CHEROKEE (WK)

SERIES LINE
H = HIGHLINE T = JEEP - 2WD
P = PREMIUM J = JEEP - 4WD
S = SPORT
X = SPECIAL

BODY
74 = SPORT UTILITY 4-DR

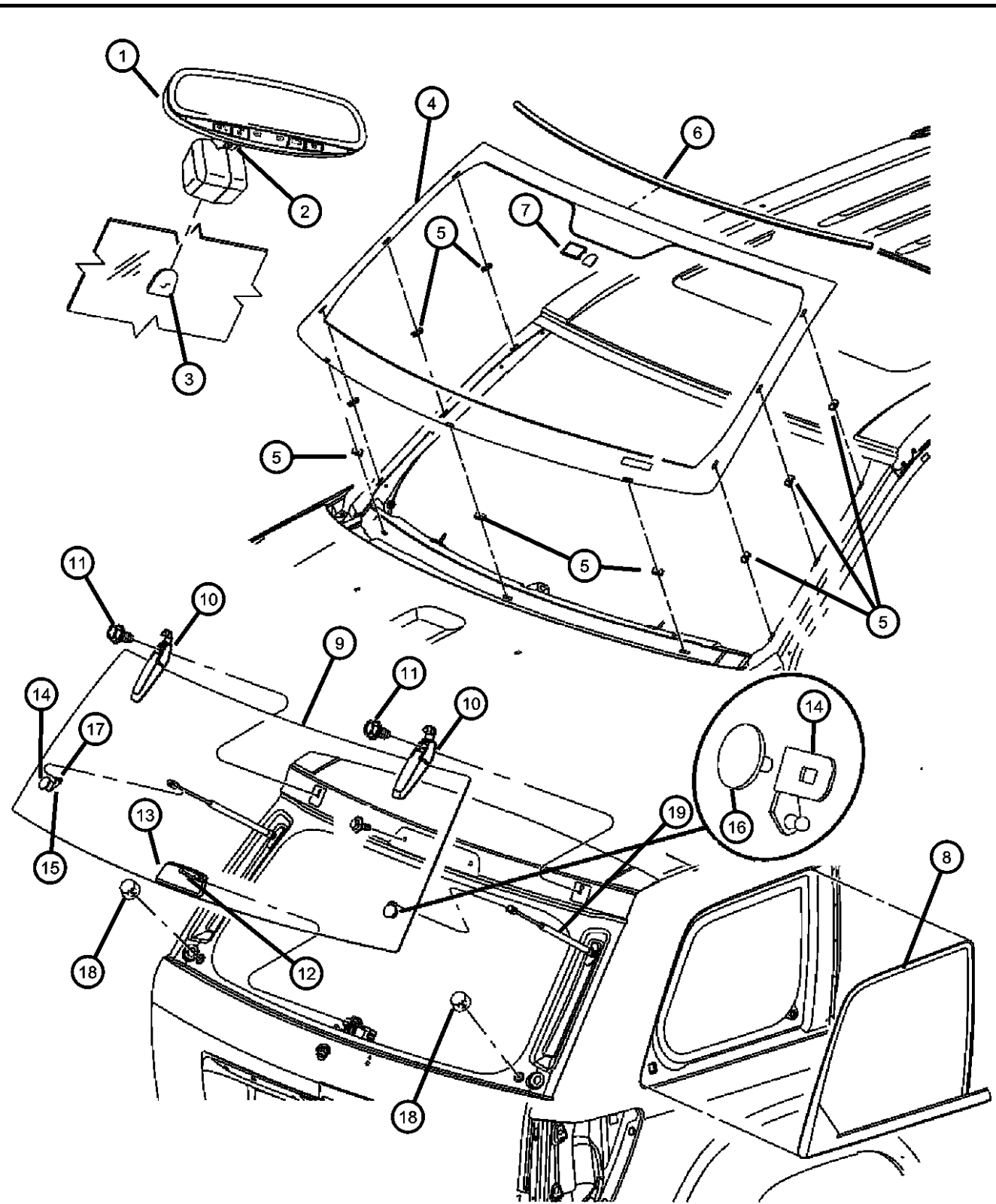
ENGINE
EKG = 3.7L V6 Engine
EVA = 4.7L V8 MPI Engine
EZB = 5.7L Hemi Multi Displacement Engine

TRANSMISSION
DGQ = 5-Spd Automatic 5-45RFE Transmission
DGJ = 5-Speed Automatic MB Transmission

AR = use ase required - = Non illustrated part

2006 WK

**Glass, Windshield, Backlite, Quarter Window, Rear View Mirror
Figure SWK-710**

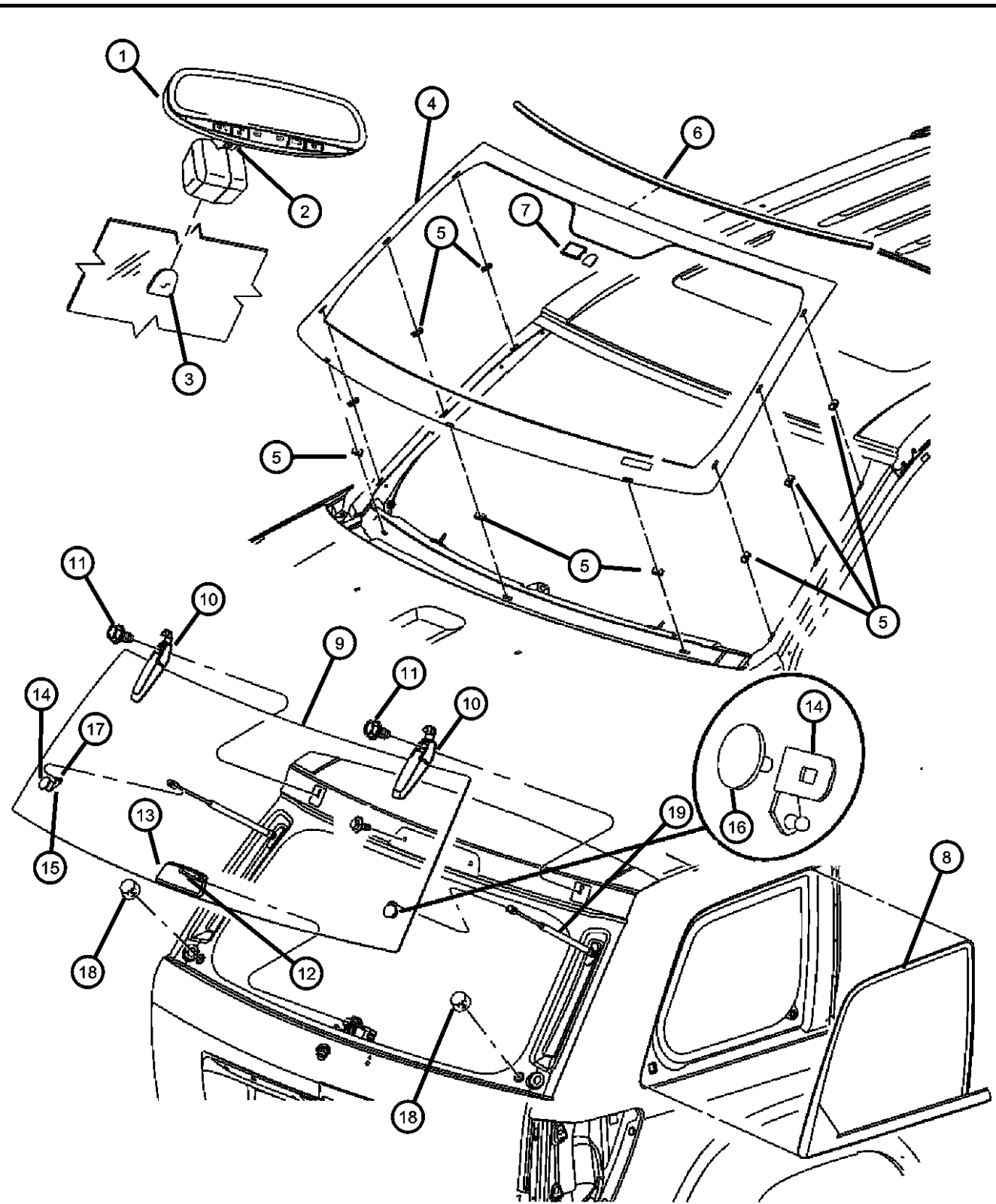


ITEM	PART NUMBER	QTY	LINE	SERIES	BODY	ENGINE	TRANS	TRIM	DESCRIPTION
1	55155380AD	1							MIRROR, Inside Rear View Laredo, With Auto Dim GNK], Without Hands Free Communication [RSP]
	55156726AE	1							With Auto Dim [GNK], Hands Free Communication [RSP] and Headlamps Smartbeam [LMS]
	55157395AB	1	J, T		74				With Auto Dim [GNK], With [LMS] Headlamp Smart Beam Without [RSP] Hands Free Communication]
	55157463AA	1							[GNK]
	04805332AC	1							Prismatic [GNA]
	05064017AE	1							Laredo, With Auto Dim GNK] and Hands Free Communication [RSP]
2	06036548AA	1							SCREW
3	55076401	1							BUTTON, Rear View Mirror
4									WINDSHIELD
	55394143AC	1							With [JHA] Intermittent Wipers
	55394160AC	1							With [JHC] Rain Sensor
5	55360509AA	9							SPACER, Windshield
6	55394511AA	1							MOLDING, Windshield
7		1							BRACKET, Windshield, Rain Sensor Bracket Serviced With Windshield, (NOT SERVICED)
8									GLASS, Quarter Window
	55394169AA	1							Laredo, Left
	55396304AA	1							Limited, With Chrome, Right
	DQ10793YPY								Collision Replacement Glass
	55157328AA	1							Overland, Right
	DQ11049YPY								Collision Replacement Glass
	55157329AA	1							Overland, Left
	DQ11050YPY								Collision Replacement Glass
	55394168AA	1							Laredo, Right
	55396305AA	1							Limited, With Chrome, Left
	DQ10794YPY								Collision Replacement Glass
9	55394172AD	1							BACKLITE
10									HINGE, Liftglass
	55394179AB	1							Left

GRAND CHEROKEE (WK)
 SERIES LINE BODY ENGINE TRANSMISSION
 H = HIGHLINE T = JEEP - 2WD 74 = SPORT UTILITY 4-DR EKG = 3.7L V6 Engine DGQ = 5-Spd Automatic 5-45RFE
 P = PREMIUM J = JEEP - 4WD EVA = 4.7L V8 MPI Engine Transmission
 S = SPORT EZB = 5.7L Hemi Multi DGJ = 5-Speed Automatic MB
 X = SPECIAL Displacement Engine Transmission

AR = use ase required - = Non illustrated part

**Glass, Windshield, Backlite, Quarter Window, Rear View Mirror
Figure SWK-710**

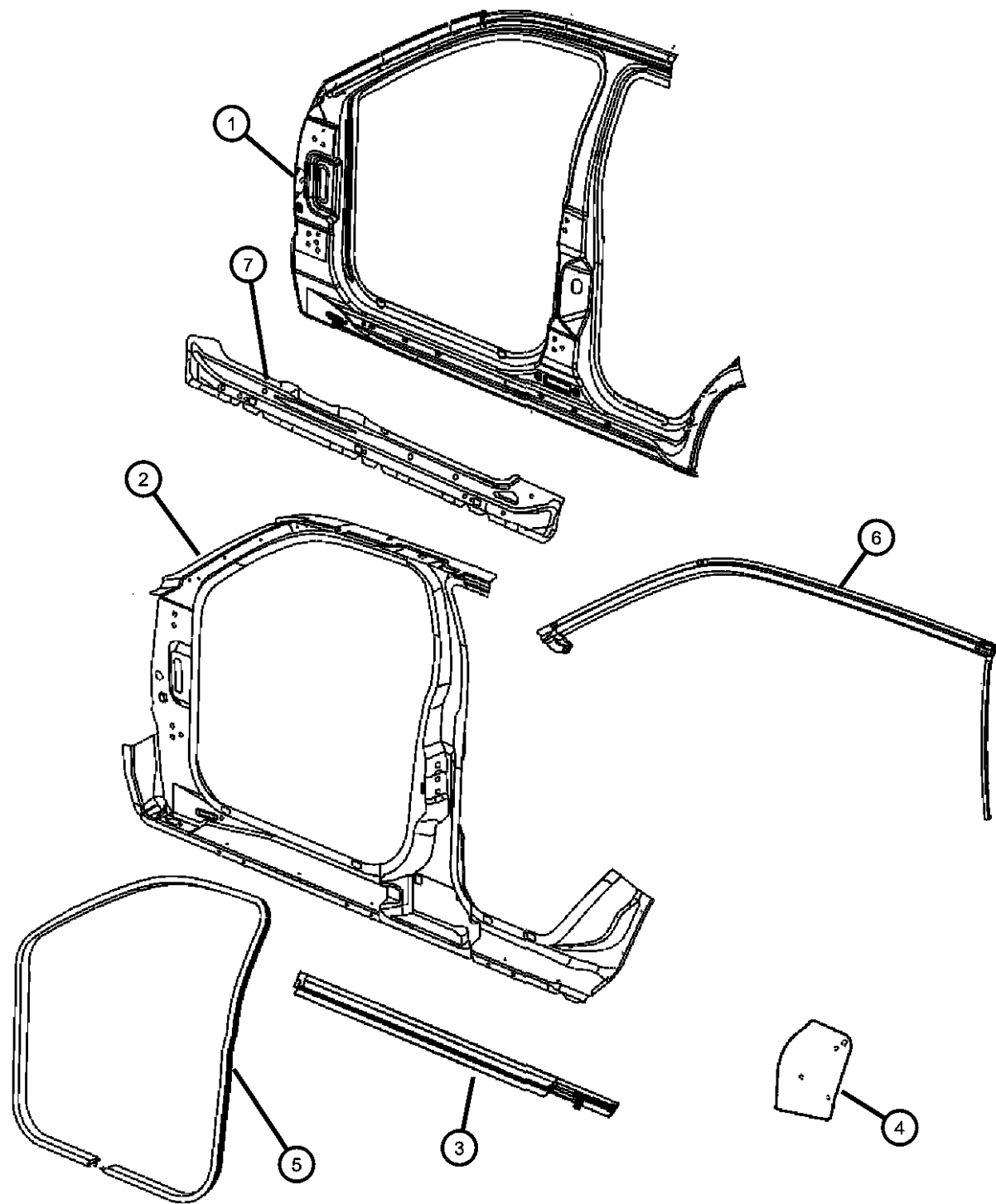


ITEM	PART NUMBER	QTY	LINE	SERIES	BODY	ENGINE	TRANS	TRIM	DESCRIPTION
	55394178AB	1							Right
11	06502808	2							SCREW, M6x1x25
12	55394182AA	1							STRIKER, Liftgate Glass, Includes Plate
13	55396413AA	1							PAD, Isolator
14	55394184AA	1							BALL STUD, Liftgate Glass Right
	55394185AA	1							Left
15	55295914	4							GASKET, Ball Stud
16	06506200AA	2							FASTENER
17	06101968	2							NUT, M6x1.00, Bracket Ball Stud Attach
18	55136845AA	2							BUMPER, Liftgate Glass, Overslam
19	55394245AC	2							GAS CYLINDER, Liftgate Glass

GRAND CHEROKEE (WK)				
SERIES	LINE	BODY	ENGINE	TRANSMISSION
H = HIGHLINE	T = JEEP - 2WD	74 = SPORT UTILITY 4-DR	EKG = 3.7L V6 Engine	DGQ = 5-Spd Automatic 5-45RFE
P = PREMIUM	J = JEEP - 4WD		EVA = 4.7L V8 MPI Engine	Transmission
S = SPORT			EZB = 5.7L Hemi Multi	DGJ = 5-Speed Automatic MB
X = SPECIAL			Displacement Engine	Transmission

AR = use ase required - = Non illustrated part

Panels, Body Side
Figure SWK-810



ITEM	PART NUMBER	QTY	LINE	SERIES	BODY	ENGINE	TRANS	TRIM	DESCRIPTION
1	05142298AD	1							PANEL, Body Side Aperture Front, Complete Right
	05142299AD	1							Left
2	05142292AC	1							PANEL, Body Side Aperture Front, Outer Right
	05142293AC	1							Left
3	55394824AB	2							REINFORCEMENT, Sill
4	55396276AB	2							EXTENSION, Body Side Aperture
5	55394040AF	2							SEAL, Front Door
6	55399016AA	1							SEAL, Body Side Right
	55399017AA	1							Left
7	55394454AC	1							SILL, Body Side Right
	55394455AC	1							Left

GRAND CHEROKEE (WK)

SERIES LINE
H = HIGHLINE T = JEEP - 2WD
P = PREMIUM J = JEEP - 4WD
S = SPORT
X = SPECIAL

BODY
74 = SPORT UTILITY 4-DR

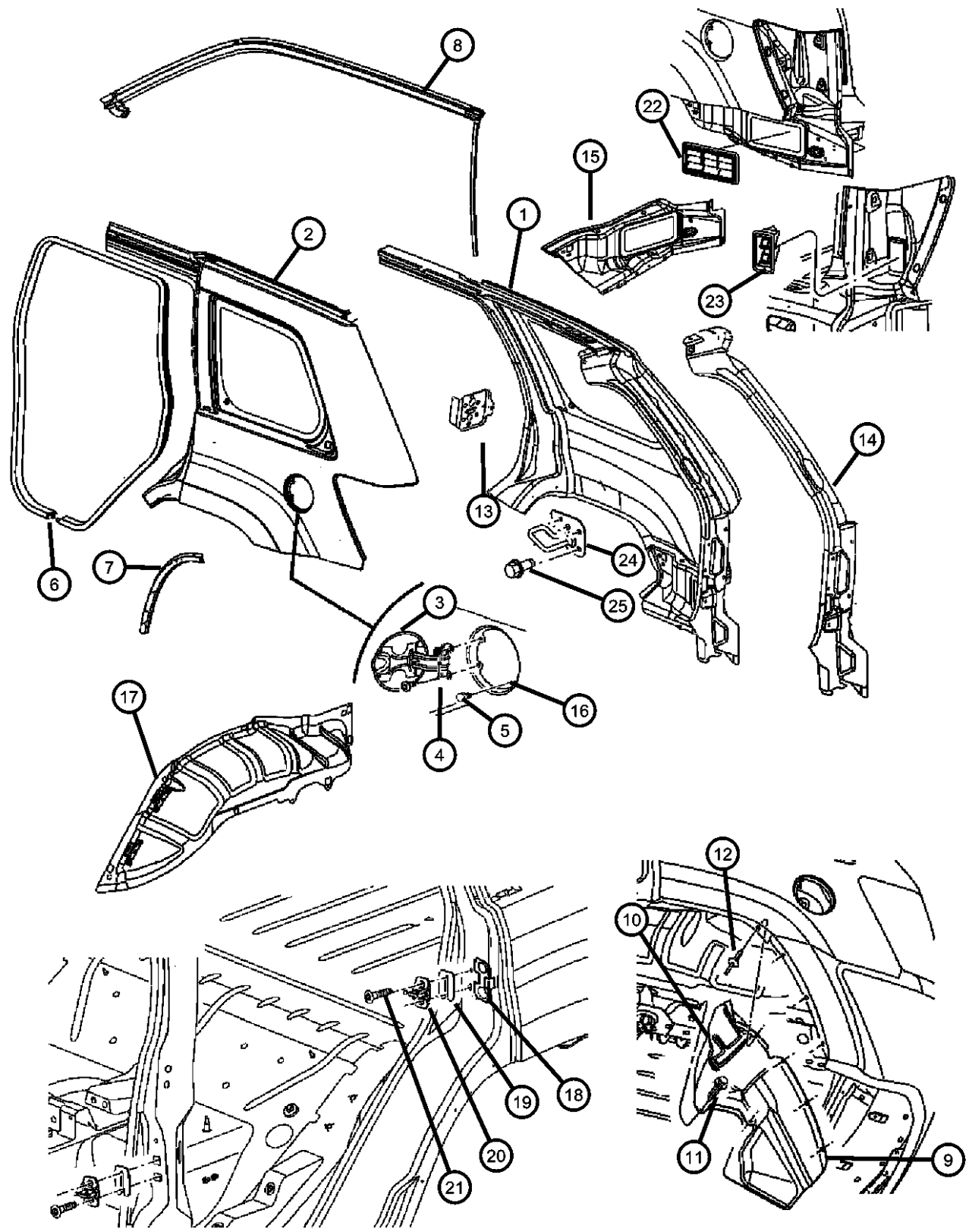
ENGINE
EKG = 3.7L V6 Engine
EVA = 4.7L V8 MPI Engine
EZB = 5.7L Hemi Multi Displacement Engine

TRANSMISSION
DGQ = 5-Spd Automatic 5-45RFE Transmission
DGJ = 5-Speed Automatic MB Transmission

AR = use ase required - = Non illustrated part

2006 WK

Panels, Rear Quarter
Figure SWK-910



ITEM	PART NUMBER	QTY	LINE	SERIES	BODY	ENGINE	TRANS	TRIM	DESCRIPTION
1	05142300AD	1							PANEL, Body Side Aperture Rear, Complete, Includes Tailamp Pocket Right
	05142301AD	1							Left
2	05142294AC	1							PANEL, Quarter, Outer Only, Without Tailamp Pocket Right
	05142295AC	1							Left
3	55394206AC	1							DOOR, Fuel Fill
4	06507847AA	2							BOLT
5	52102405AA	2							BUMPER, Fuel Door
6	55399018AA	2							SEAL, Rear Door
7	55396052AB	1							SEAL, Wheelhouse Right
	55396053AB	1							Left
8	55399017AA	1							SEAL, Body Side Left
	55399016AA	1							Right
9	55157312AC	1							SHIELD, Splash With Sales Code [EZ0], 8 Cylinder, Rear Right
	55157313AC	1							With Sales Code [EZ0], 8 Cylinder, Rear Left
	55156618AD	1							Rear Right
	55156619AD	1							Rear Left
10	55157080AD	1							SHIELD, Splash Rear Wheelhouse Inner Front, Right
	55157081AD	1							Left
11	34201621	4							RIVET, M6.3x37.40
12	06500911	6							RIVET, M6.25x28
13	55394200AB	2							REINFORCEMENT, Door Striker
14	55396058AD	1							TROUGH, Liftgate Opening Right
	55396059AD	1							Left
15	55396442AB	1							EXTENSION, Body Side Aperture Right
	55396443AB	1							Left

GRAND CHEROKEE (WK)

SERIES LINE
H = HIGHLINE T = JEEP - 2WD
P = PREMIUM J = JEEP - 4WD
S = SPORT
X = SPECIAL

BODY
74 = SPORT UTILITY 4-DR

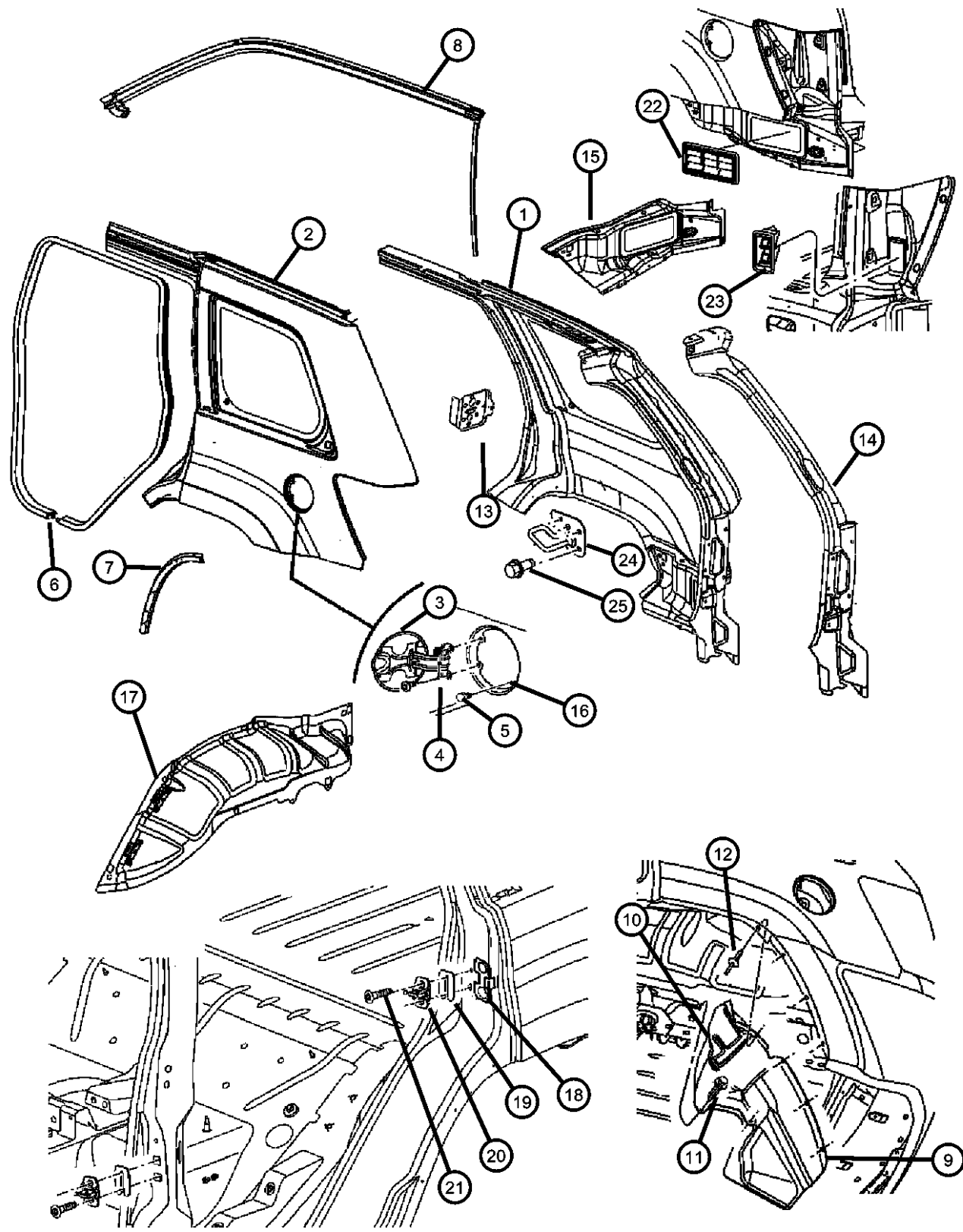
ENGINE
EKG = 3.7L V6 Engine
EVA = 4.7L V8 MPI Engine
EZB = 5.7L Hemi Multi Displacement Engine

TRANSMISSION
DGQ = 5-Spd Automatic 5-45RFE Transmission
DGJ = 5-Speed Automatic MB Transmission

AR = use ase required - = Non illustrated part

2006 WK

Panels, Rear Quarter
Figure SWK-910



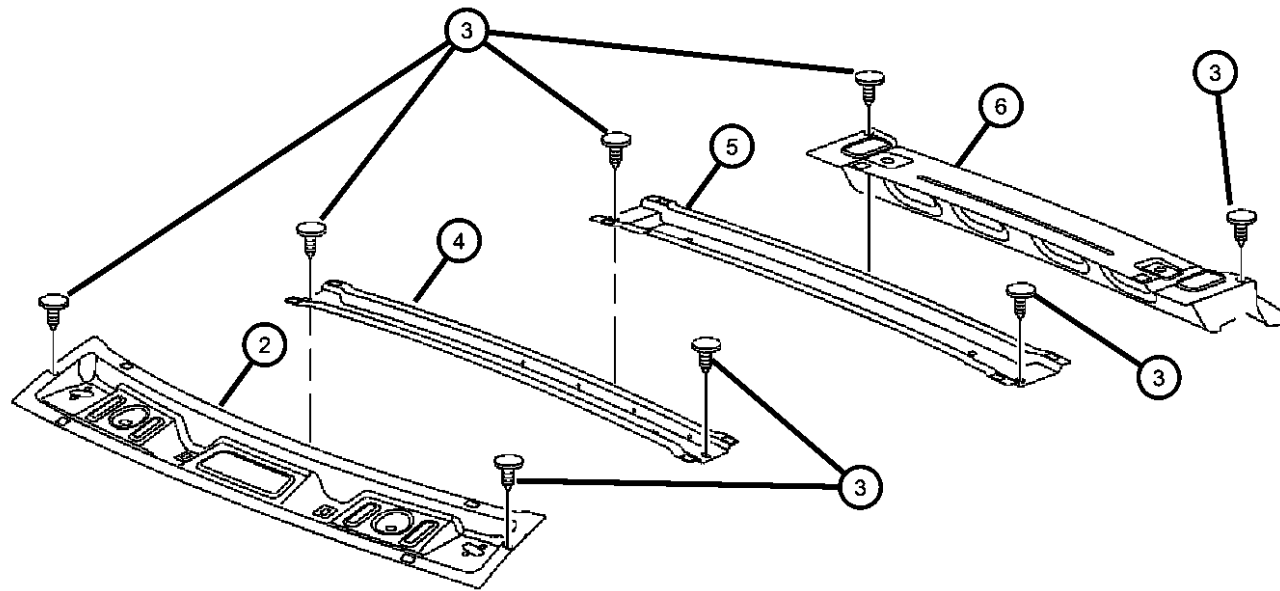
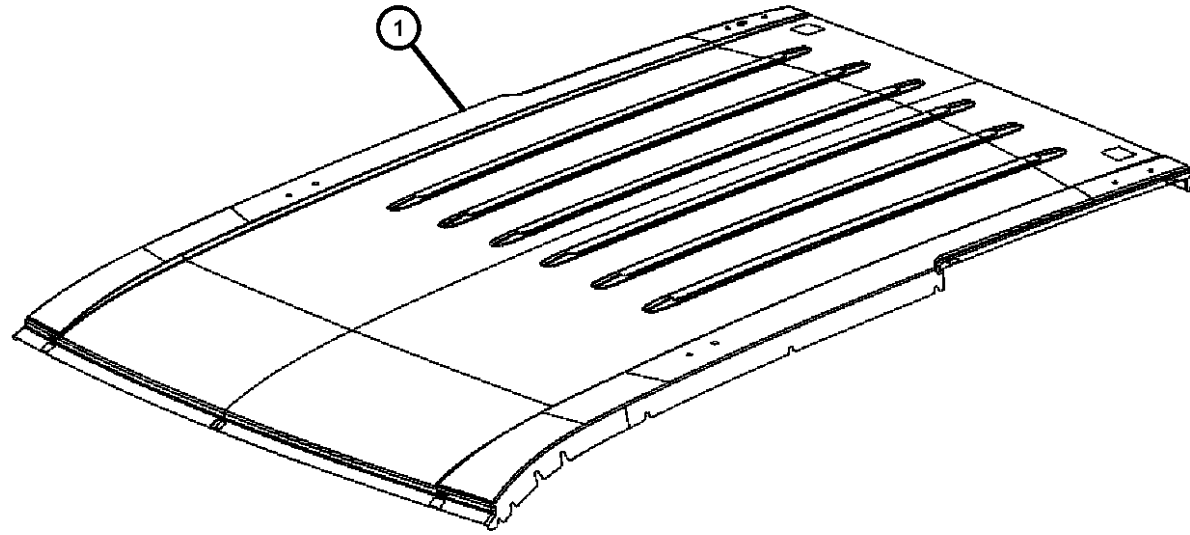
ITEM	PART NUMBER	QTY	LINE	SERIES	BODY	ENGINE	TRANS	TRIM	DESCRIPTION
16	52090493AA	1							HOUSING, Fuel Filler
17									WHEELHOUSE, Rear Inner
	55394459AE	1							Left
	55394458AE	1							Right
18	04674669	2							PLATE, Striker
19									SPACER, Door Latch Striker
	04520289	AR							3.75 Thick
	55075483	AR							2.0 to 2.5 Thick
20	04717779AB	2							STRIKER AND BUMPER, Door Latch
21	06506749AA	4							SCREW, 6 Lobed
22	55394330AB	1	J, T		74				EXHAUSTER, Bodyside Aperture, No Ehauster on Right Side use Mastic Patch, Left Side
23	55136280AD	1	J, T		74				EXHAUSTER, Quarter Panel, Tail Lamp ExhausterRight Side
24									STRIKER, Seat Back Latch
	55197084AB	1							Right
	55197085AB	1							Left
25	06508286AA	8							BOLT, Seat

GRAND CHEROKEE (WK)
 SERIES LINE BODY ENGINE TRANSMISSION
 H = HIGHLINE T = JEEP - 2WD 74 = SPORT UTILITY 4-DR EKG = 3.7L V6 Engine DGQ = 5-Spd Automatic 5-45RFE
 P = PREMIUM J = JEEP - 4WD EVA = 4.7L V8 MPI Engine Transmission
 S = SPORT EZB = 5.7L Hemi Multi DGJ = 5-Speed Automatic MB
 X = SPECIAL Displacement Engine Transmission

AR = use ase required - = Non illustrated part

Panels, Roof
Figure SWK-1110

ITEM	PART NUMBER	QTY	LINE	SERIES	BODY	ENGINE	TRANS	TRIM	DESCRIPTION
1									PANEL, Roof
	55394293AB	1							With sunroof
	55394298AD	1							
2	55363368AC	1							HEADER, PanelLower
3	06034608	2							PIN, Headline
4	55394300AA	1							BOW, Roof
5	55396908AA	1							BOW, Roof
6	55396055AE	1							HEADER, Panel



GRAND CHEROKEE (WK)

SERIES LINE
 H = HIGHLINE T = JEEP - 2WD
 P = PREMIUM J = JEEP - 4WD
 S = SPORT
 X = SPECIAL

BODY
 74 = SPORT UTILITY 4-DR

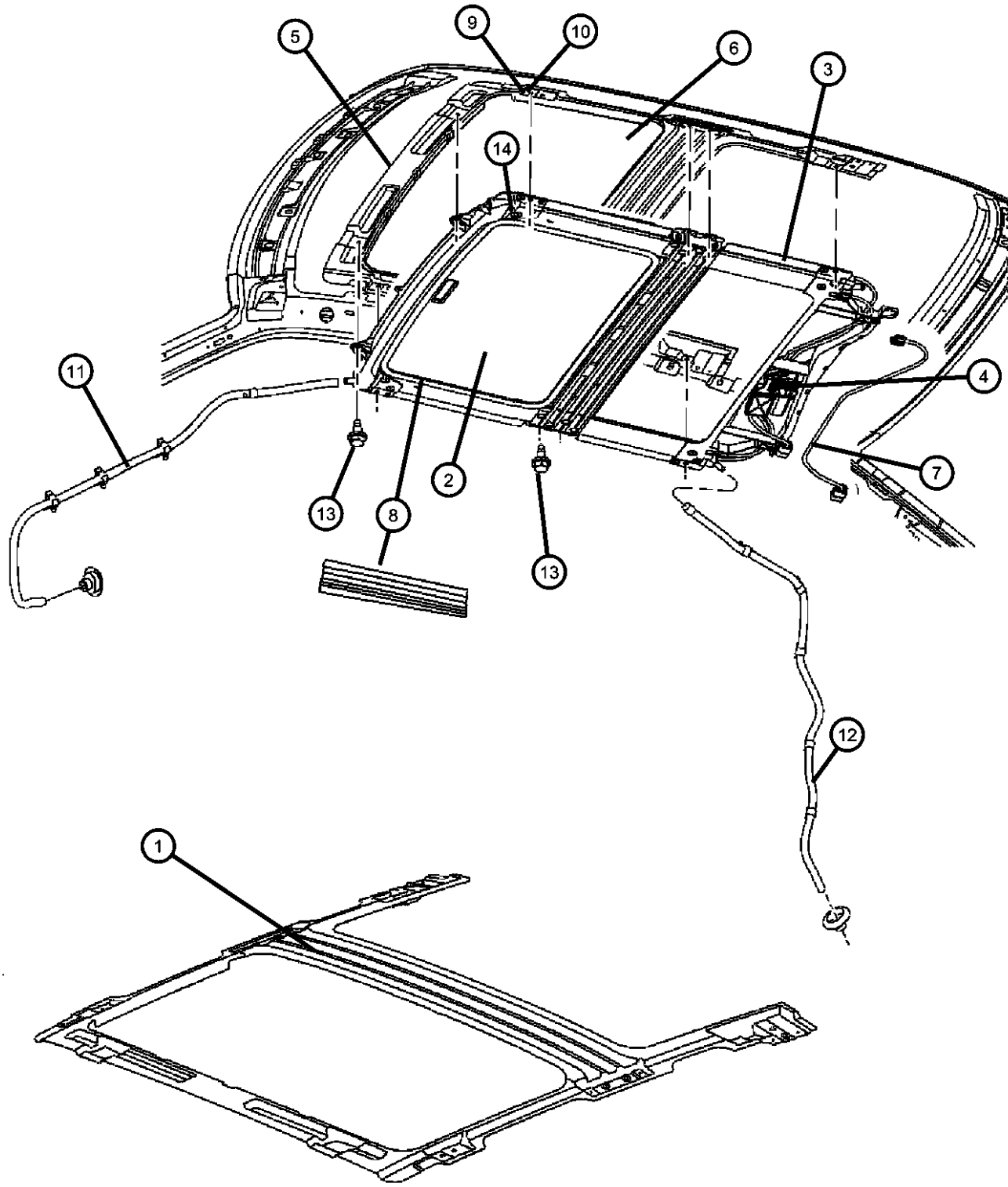
ENGINE
 EKG = 3.7L V6 Engine
 EVA = 4.7L V8 MPI Engine
 EZB = 5.7L Hemi Multi
 Displacement Engine

TRANSMISSION
 DGQ = 5-Spd Automatic 5-45RFE
 Transmission
 DGJ = 5-Speed Automatic MB
 Transmission

AR = use ase required - = Non illustrated part

2006 WK

Sunroof
Figure SWK-1210



ITEM	PART NUMBER	QTY	LINE	SERIES	BODY	ENGINE	TRANS	TRIM	DESCRIPTION
1	05137559AD	1							CHANNEL, Sunroof Drain, Includes Weatherstrip
2	1AQ72BD1AB	1							SUNSHADE, Sunroof
3	05139927AA	1							FRAME, Sunroof, Includes Cables
4	05137557AB	1							MOTOR/MODULE, Sunroof
5	05170957AA	1	J, T		74				DEFLECTOR, Sunroof Wind
6	05139931AA	1							GLASS, Sunroof, Includes Seal
7	05139930AA	1							WIRING, Sunroof
8	05137558AB	1							COVER, Sunroof Mechanism, Accordion Style Side Covers. 2 Per Pkg
9	05139814AA	1							GUIDE, Sunroof Glass
10	05139815AA	1							GUIDE, Sunroof Glass
11	55394318AD	2							HOSE, Sunroof DrainFront
12	55394324AD	2							HOSE, Sunroof DrainRear
13	06101455	8							SCREW AND WASHER, Hex Head, M6x1x20
14	06508405AA	4							SCREW
-15	68003812AA	2	J, T		74				CONDUIT, Sunroof Actuator Cable, Rear

GRAND CHEROKEE (WK)

SERIES LINE
H = HIGHLINE T = JEEP - 2WD
P = PREMIUM J = JEEP - 4WD
S = SPORT
X = SPECIAL

BODY
74 = SPORT UTILITY 4-DR

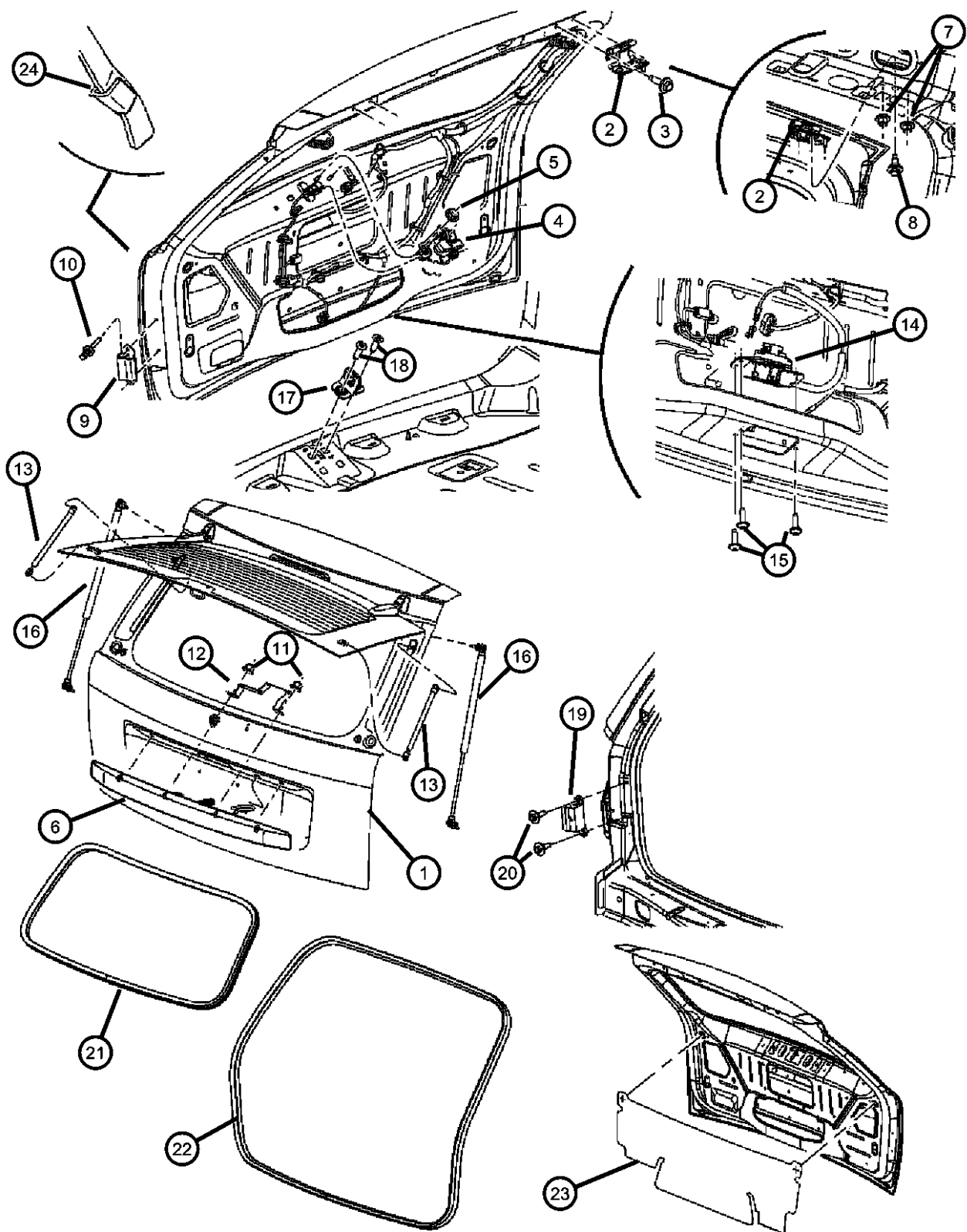
ENGINE
EKG = 3.7L V6 Engine
EVA = 4.7L V8 MPI Engine
EZB = 5.7L Hemi Multi Displacement Engine

TRANSMISSION
DGQ = 5-Spd Automatic 5-45RFE Transmission
DGJ = 5-Speed Automatic MB Transmission

AR = use ase required - = Non illustrated part

2006 WK

Liftgate, Latch and Hinges
Figure SWK-1310



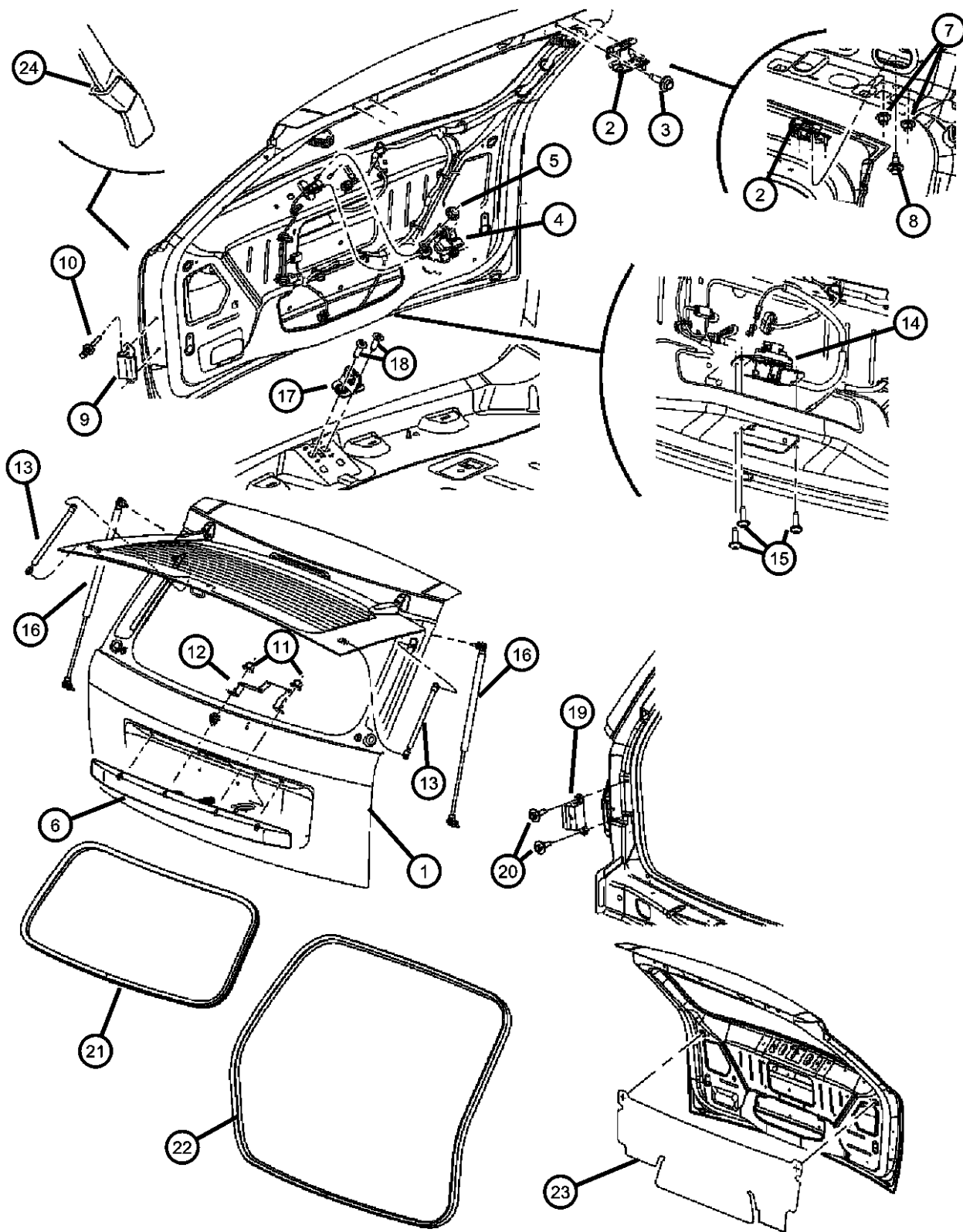
ITEM	PART NUMBER	QTY	LINE	SERIES	BODY	ENGINE	TRANS	TRIM	DESCRIPTION
1	55394517AF	1							PANEL, Liftgate
2	55396772AC	2							HINGE, Liftgate
3	06502975	4							SCREW AND WASHER, Hex Head, M8x1.25x33
4	55396445AA	1							LATCH, Liftgate Glass
5	06503102	2							NUT AND WASHER, Hex Nut-Coned Washer, M6 x 1.00
6									HANDLE, Liftgate
	1FV92EGJAA	1	J, T		74				[PGJ]
	1FV92SW1AA	1	J, T		74				[PW1]
	5HU81ARJAE	1							[PRJ], Limited
	55156354AF	1							Laredo
	1FV92DB-MAA	1	J, T		74				[PBM]
	1FV92WS-BAA	1	J, T		74				[PSB]
	55157359AA	1							
	5HU81AJCAE	1							[PJC], Limited
	5HU81BJTAE	1							[PJT], Limited
	5HU81CG-VAE	1							[PGV], Limited
	1FV92DX8AA	1	J, T		74				[PX8]
	1FV92EEMAA	1	J, T		74				[PEM]
	5HU81SW1AE	1							[PW1], Limited
	5HU81WS-BAE	1							[PSB], Limited
	5HU81DX8AE	1							[PX8], Limited
	5HU81BB8AE	1							[PB8], Limited
7	06101446	4							NUT AND WASHER
8	06506802AA	2							SCREW AND WASHER, Hex Head
9	04860873AD	2							BUMPER, Liftgate
10		2							RIVET, Blind, .250 x .660, (NOT SERVICED)
11	06503856	2							NUT AND WASHER, Hex
12	55396922AA	1							BRACKET, Liftgate
13	55394245AB	2							GAS CYLINDER, Liftgate Glass
14	04589122AA	1							LATCH, Liftgate
15	06508611AA	3	J, T		74				SCREW, LARGE ROUND WASHER HEAD LOCK, M6X1.00X22.00

GRAND CHEROKEE (WK)

SERIES	LINE	BODY	ENGINE	TRANSMISSION
H = HIGHLINE	T = JEEP - 2WD	74 = SPORT UTILITY 4-DR	EKG = 3.7L V6 Engine	DGQ = 5-Spd Automatic 5-45RFE
P = PREMIUM	J = JEEP - 4WD		EVA = 4.7L V8 MPI Engine	Transmission
S = SPORT			EZB = 5.7L Hemi Multi Displacement Engine	DGJ = 5-Speed Automatic MB Transmission
X = SPECIAL				

AR = use ase required - = Non illustrated part

Liftgate, Latch and Hinges
Figure SWK-1310



ITEM	PART NUMBER	QTY	LINE	SERIES	BODY	ENGINE	TRANS	TRIM	DESCRIPTION
16	55394322AA	1							SUPPORT, Liftgate Opening Right
	55394323AA	1							Left
17	04717707AA	1							STRIKER, Liftgate
18	06503533	2							SCREW, Flange Head, M8x1.25x26
19	55396825AA	2							BUMPER, Rubber
20	06508315AA	4							SCREW
21	55394780AF	1							WEATHERSTRIP, Liftgate Glass
22	55394782AD	1							WEATHERSEAL, LIFTGATE
23	55394781AA	1							INSULATION, Liftgate
24	55295615	AR							STRIP, Liftgate Edge Protector

GRAND CHEROKEE (WK)

SERIES LINE
H = HIGHLINE T = JEEP - 2WD
P = PREMIUM J = JEEP - 4WD
S = SPORT
X = SPECIAL

BODY
74 = SPORT UTILITY 4-DR

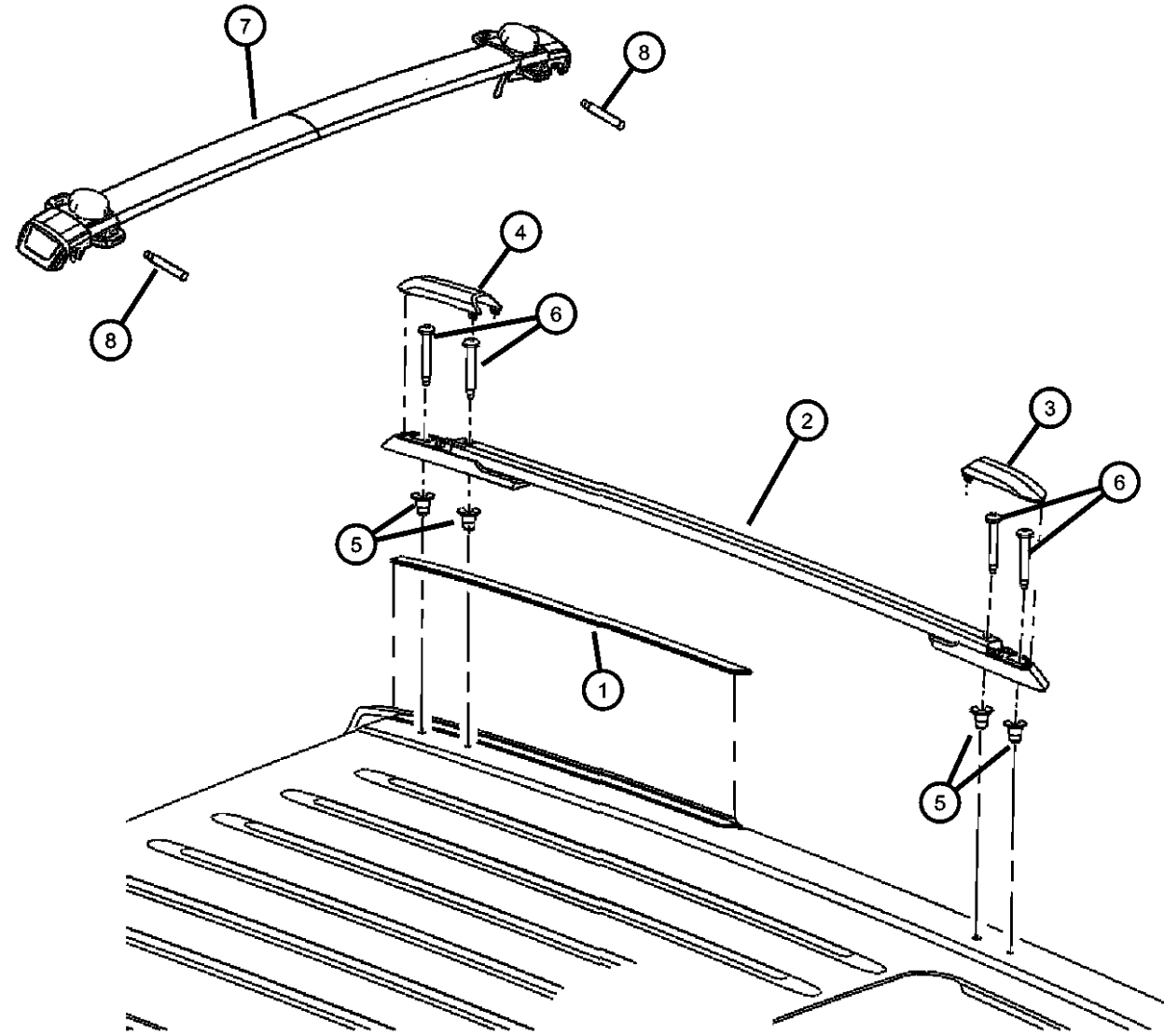
ENGINE
EKG = 3.7L V6 Engine
EVA = 4.7L V8 MPI Engine
EZB = 5.7L Hemi Multi
Displacement Engine

TRANSMISSION
DGQ = 5-Spd Automatic 5-45RFE
Transmission
DGJ = 5-Speed Automatic MB
Transmission

AR = use ase required - = Non illustrated part

2006 WK

**Roof Rack
Figure SWK-1610**



ITEM	PART NUMBER	QTY	LINE	SERIES	BODY	ENGINE	TRANS	TRIM	DESCRIPTION
1	55156874AC	1							MOLDING, Roof Right
	55156875AC	1							Left
2	55157386AA	1							RAIL, Roof With [MW1],Platinum, Right
	55394217AD	1							With [MWE],Black, Left
	55157387AA	1							With [MW1],Platinum, Left
	55394216AD	1							With [MWE],Black, Right
3	55394342AB	1							COVER, Luggage Rack, Front Right
	55394343AB	1							Left
4	55394344AB	1							COVER, Luggage Rack, Rear Right
	55394345AB	1							Left
5	06508202AA	8							RIVNUT, Installation
6	06508390AA	8							SCREW
7	55157114AB	1							RAIL, Luggage Rack
8	05174361AA	1							PIN, PIN-LOCK

GRAND CHEROKEE (WK)

SERIES LINE
H = HIGHLINE T = JEEP - 2WD
P = PREMIUM J = JEEP - 4WD
S = SPORT
X = SPECIAL

BODY
74 = SPORT UTILITY 4-DR

ENGINE
EKG = 3.7L V6 Engine
EVA = 4.7L V8 MPI Engine
EZB = 5.7L Hemi Multi Displacement Engine

TRANSMISSION
DGQ = 5-Spd Automatic 5-45RFE Transmission
DGJ = 5-Speed Automatic MB Transmission

AR = use ase required - = Non illustrated part

2006 WK

Group - LBLS

Labels All Vehicle Locations

Group - LBLS Labels All Vehicle Locations

Illustration Title

Group-Fig. No.

Interior

Instrument Panel and Visors Fig. LBLS - 110

Under Hood

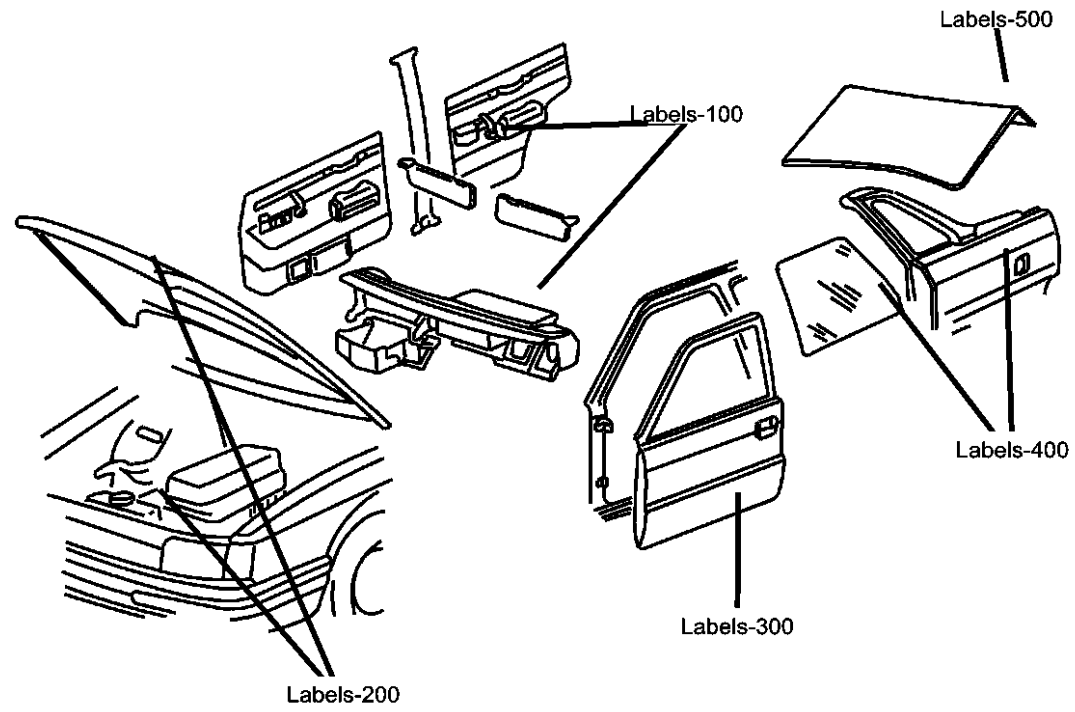
Engine Compartment Fig. LBLS - 210

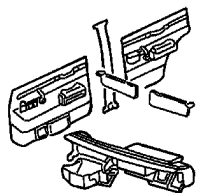
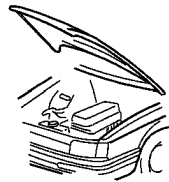


Doors

Doors and Pillars Fig. LBLS - 310

Rear Cargo & Storage

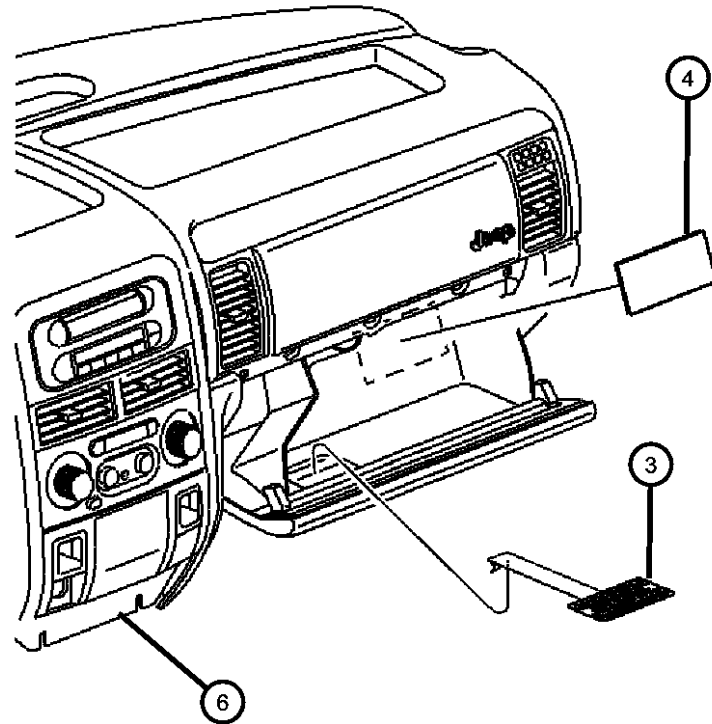
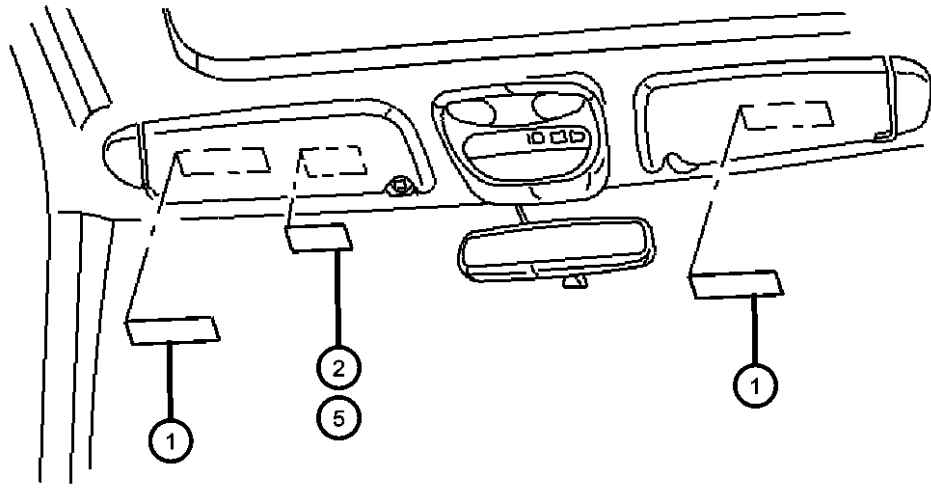
Rear Cargo and Storage..... Fig. LBLS - 510



<p>LBLS-100 Interior</p> 	<p>LBLS-200 Under Hood</p> 	<p>LBLS-300 Doors</p> 	<p>LBLS-500 Rear Cargo & Storage</p> 
---	---	--	---

**Instrument Panel and Visors
Figure LBLS-110**

ITEM	PART NUMBER	QTY	LINE	SERIES	BODY	ENGINE	TRANS	TRIM	DESCRIPTION
1	05108000AA	2							LABEL, Air Bag Warning
2	04664279AD	4							LABEL, Air Bag Warning, Rollover Risk
3	04664280AD	4							LABEL, Air Bag Warning
4		4							LABEL, Tire Pressure, (NOT SERVICED)
5	55352825AA	1							LABEL, Warning, Rollover warning
6									LABEL, Air Bag
	05108001AB	1							Deactivation
	05108002AB	1							Canada deactivation



GRAND CHEROKEE (WK)

SERIES LINE
H = HIGHLINE T = JEEP - 2WD
P = PREMIUM J = JEEP - 4WD
S = SPORT
X = SPECIAL

BODY
74 = SPORT UTILITY 4-DR

ENGINE
EKG = 3.7L V6 Engine
EVA = 4.7L V8 MPI Engine
EZB = 5.7L Hemi Multi Displacement Engine

TRANSMISSION
DGQ = 5-Spd Automatic 5-45RFE Transmission
DGJ = 5-Speed Automatic MB Transmission

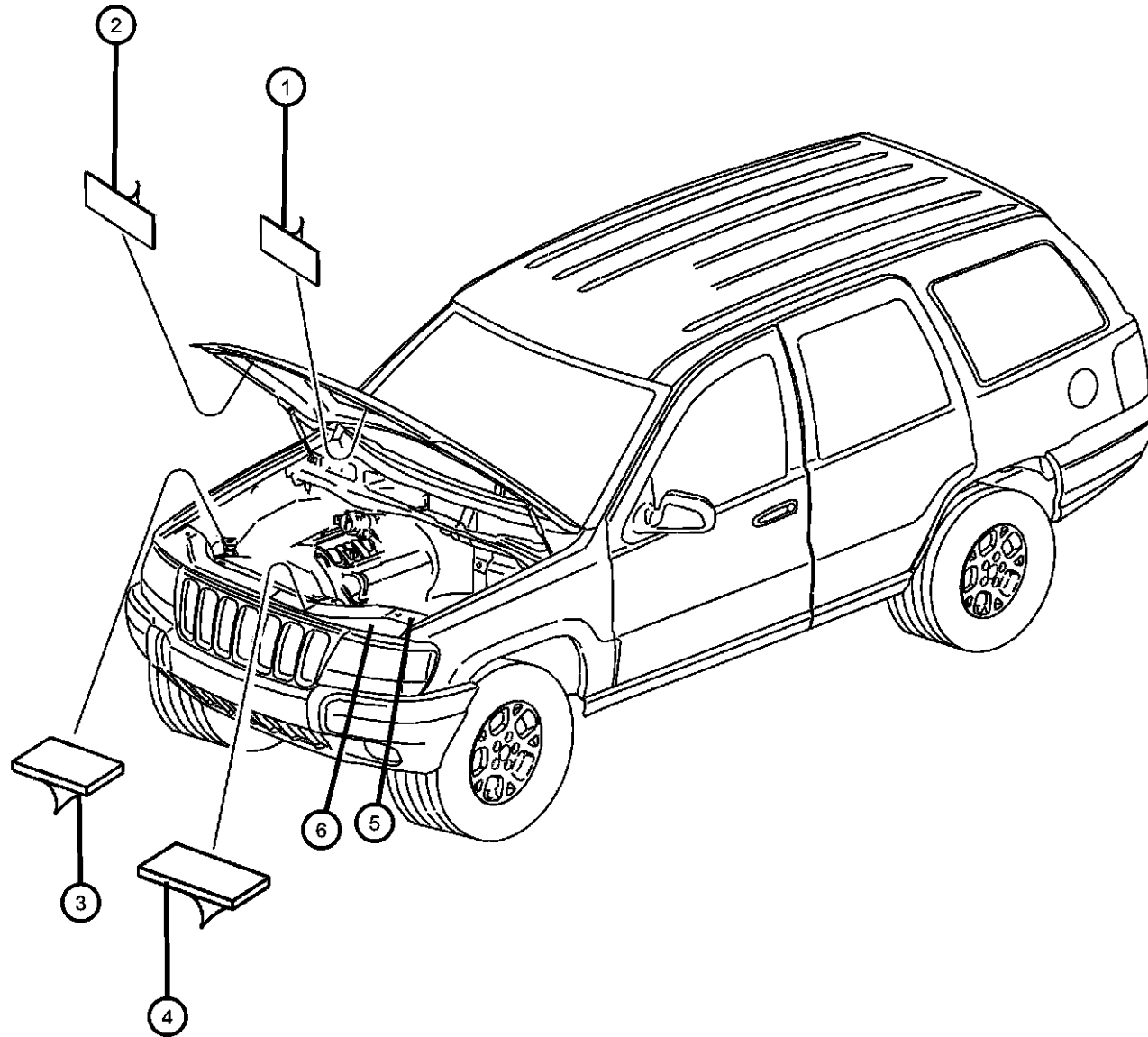
AR = use ase required - = Non illustrated part

2006 WK

**Engine Compartment
Figure LBL5-210**

ITEM	PART NUMBER	QTY	LINE	SERIES	BODY	ENGINE	TRANS	TRIM	DESCRIPTION
------	-------------	-----	------	--------	------	--------	-------	------	-------------

NOTES: Sales Codes:
 [NAA] = Federal Emissions
 [NAE] = California Emissions
 [NAS] = 50 State Emissions
 [NMH] = Hydraulic Engine Cooling



1	55056347AA	1							LABEL, Air Conditioning System
2									LABEL, Emission
	05164300AA	1				EK0, EVO, EZO			Spanish
	52124378AA	1				EK0			[NAA]
	52124379AA	1				EK0			[NAE]
	52124380AA	1				EVA			[NAS]
	52124382AA	1				EZB			[NAS]
3	55116955AB	1				EK0, EVO			LABEL, Belt Routing
4		1							LABEL, Fan Caution, SCP, (NOT SERVICED)
5									BATTERY
	05080706AA	1							Dry Battery International
	05170018AA	1							Japan Battery Program - Wet
6									LABEL, Power Steering Fluid
	52124056AA	1				EK0, EVO			
		1				EZO			[NMH]

GRAND CHEROKEE (WK)

SERIES	LINE
H = HIGHLINE	T = JEEP - 2WD
P = PREMIUM	J = JEEP - 4WD
S = SPORT	
X = SPECIAL	

BODY
74 = SPORT UTILITY 4-DR

ENGINE
 EKG = 3.7L V6 Engine
 EVA = 4.7L V8 MPI Engine
 EZB = 5.7L Hemi Multi Displacement Engine

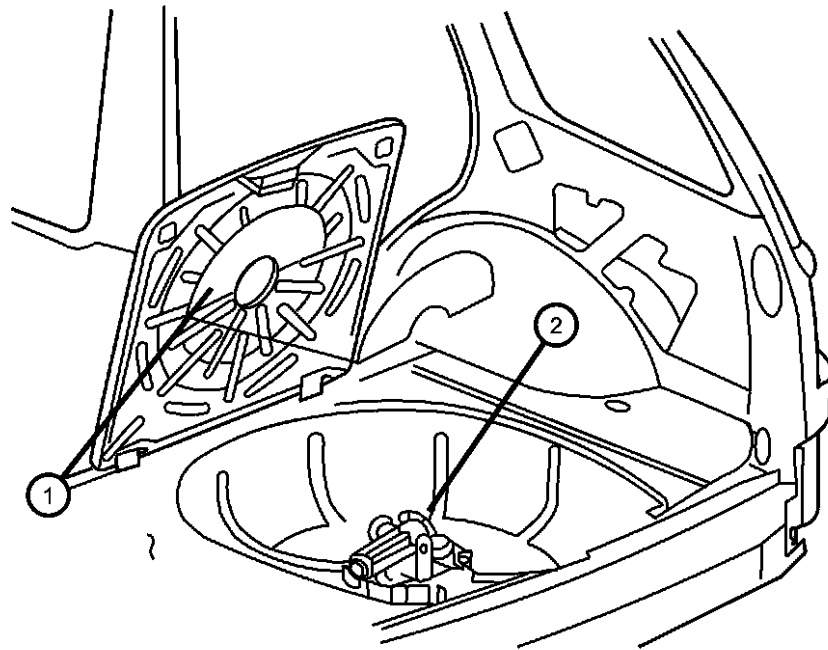
TRANSMISSION
 DGQ = 5-Spd Automatic 5-45RFE Transmission
 DGJ = 5-Speed Automatic MB Transmission

AR = use ase required - = Non illustrated part

2006 WK

**Rear Cargo and Storage
Figure LBL5-510**

ITEM	PART NUMBER	QTY	LINE	SERIES	BODY	ENGINE	TRANS	TRIM	DESCRIPTION
1									LABEL, Jack Caution
	52110391AB	1							
	52110392AB	1							FRENCH
2	52124168AA	1							JACK
-3	05056245AA	1							LABEL, Tire Pressure



GRAND CHEROKEE (WK)

SERIES LINE
H = HIGHLINE T = JEEP - 2WD
P = PREMIUM J = JEEP - 4WD
S = SPORT
X = SPECIAL

BODY
74 = SPORT UTILITY 4-DR

ENGINE
EKG = 3.7L V6 Engine
EVA = 4.7L V8 MPI Engine
EZB = 5.7L Hemi Multi
Displacement Engine

TRANSMISSION
DGQ = 5-Spd Automatic 5-45RFE
Transmission
DGJ = 5-Speed Automatic MB
Transmission

AR = use ase required - = Non illustrated part

2006 WK