

VIN PLATE DECODING INFORMATION

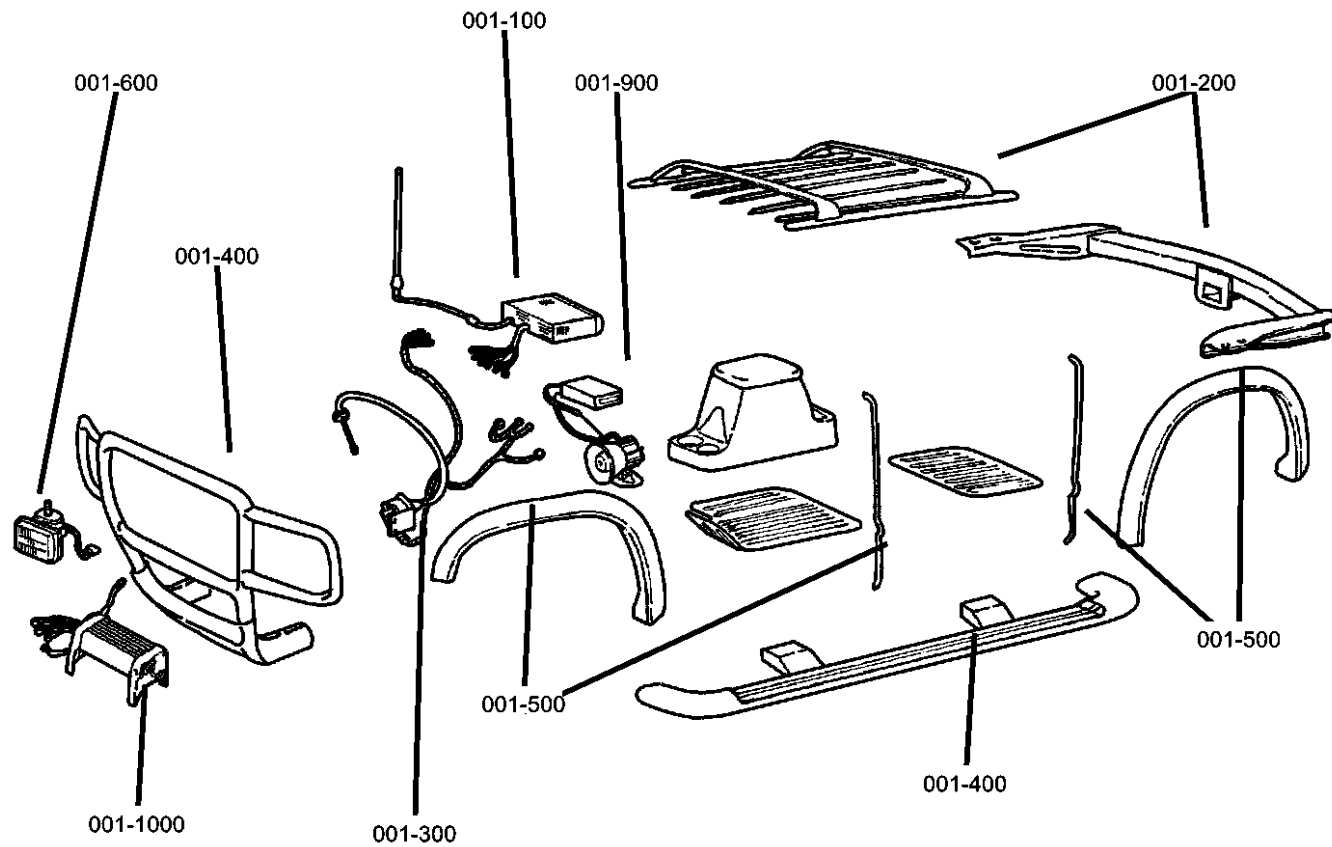
1	2	3	4	5	6	7	8	9	10	11	12 thru 17
Country	Make	Vehicle Type	Other	Line	Series	Body Style	Engine	Check Digit	Model Year	Assy. Plant	Sequence No.

The following table interprets the VIN Plate position shown above.

Position	Interpretation	Codes = Description
1	Country of Origin	1 = Built by DaimlerChrysler Corp.
2	Assembler	J = Jeep
3	Vehicle Type	4 = Multipurpose Passenger Vehicle 4 = Multipurpose Passenger Vehicle Less Sales Code "CGS" Side Air Bags 8 = Multipurpose Passenger Vehicle With Sales Code "CGS" Side Air Bags
4	GVWR & Pass. Safety	G = 5001-6000 lbs (2268-2721 kg) H = 6001-7000 lbs (2722-3175 kg) J = 7001-8000 lbs (3176-3628 kg) K = 8001-9000 lbs (3629-4082 kg) L = 9001-10,000 lbs (4083-4535 kg) D = 1-3000 lbs (0-1360 kg) M = 10,001-14,000 lbs (4536-6350 kg) E = 3001-4000 lbs (1361-1814 kg) F = 4001-5000 lbs (1815-2267 kg)
5	Vehicle Line	S = Grand Cherokee 4x2 R = Grand Cherokee 4x4
6	Series	4 = Laredo 5 = Limited 6 = Overland 7 = SRT-8
7	Body Style	8 = 4 Door Sport Utility (74)
8	Engine	K = 3.7L V6 (EKG) N = 4.7L 8 Cyl. (EVA) 2 = 5.7L Hemi (EZB) P = 4.7L V8 CYL Flex Fuel (EVD) M = 3.0L V6 CYL Turbo Diesel (EXL) 3 = 6.1L V8 CYL SRT HEMI Gasoline SMPI (ESF)
9	Check Digit	0 = Check Digit
10	Model Year	7 = 2007
11	Assembly Plant	C = Jefferson North Assembly
12 thru 17	Vehicle Build Sequence	Model Year Assembly Sequence

Group - 1

Mopar Accessories - Component Parts



Group - 1 Mopar Accessories - Component Parts

Illustration Title

Group-Fig. No.

Audio & Electronics

Satellite Receiver Kit.....	Fig. 1 - 120
Satellite Receiver Kit-GEN 2.5.....	Fig. 1 - 125
Install Kit - Satellite GEN 2.5.....	Fig. 1 - 127
Install Kit - Sirius.....	Fig. 1 - 130
iPod Adapter.....	Fig. 1 - 135
Navigation Kit.....	Fig. 1 - 160
Rear Seat DVD Video System.....	Fig. 1 - 170

Carriers & Cargo Hauling

Bike Carrier - Hitch Mount Four Bikes.....	Fig. 1 - 210
Bike Carrier, Hitch Mount Two Bikes.....	Fig. 1 - 215
Bike Carrier - Roof Mount- Fork.....	Fig. 1 - 220
Bike Carrier- Roof Mount -Upright.....	Fig. 1 - 225
Carrier Kit - Canoe.....	Fig. 1 - 230
Carrier Kit - Watersports.....	Fig. 1 - 232
Carrier Kit, Snowboard or Ski.....	Fig. 1 - 235
Luggage Carrier Roof Vinyl.....	Fig. 1 - 264
Carrier Kit / Luggage.....	Fig. 1 - 266

Driving Convenience

Sensor Package Park/Distance.....	Fig. 1 - 310
Remote Start.....	Fig. 1 - 320
Hands Free Kit - Cellular Phone.....	Fig. 1 - 330

Exterior Appearance

Wheel Kit.....	Fig. 1 - 410
----------------	--------------

Exterior Protection


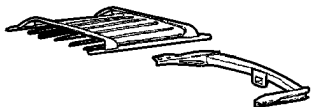

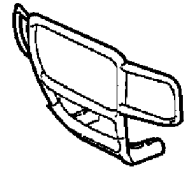
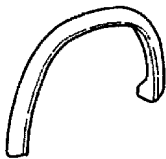


Cladding Kit.....	Fig. 1 - 510
-------------------	--------------

Fog Lights & Electrical

Engine Block Heater.....	Fig. 1 - 610
Light Kit - Fog.....	Fig. 1 - 620
Wiring Kit - Off Road.....	Fig. 1 - 625

Security

Alarm Kit.....	Fig. 1 - 910
----------------	--------------

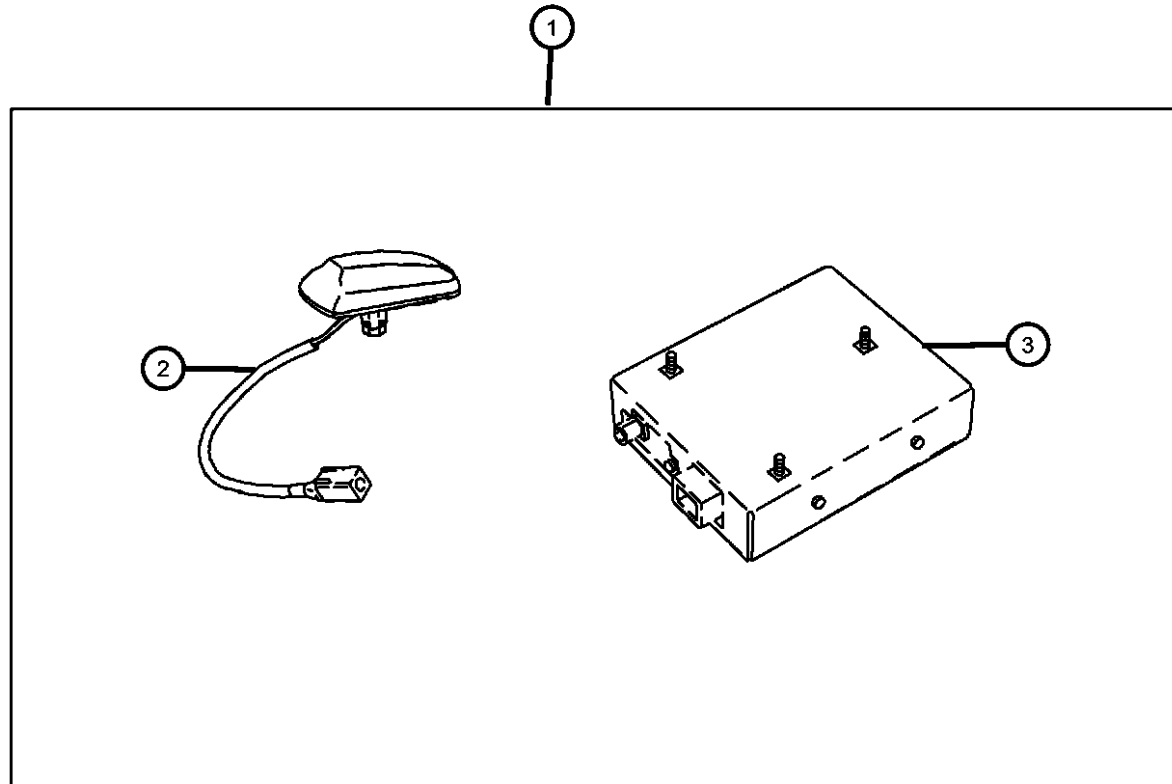
<p>001-100 Audio & Electronics</p> 	<p>001-200 Carriers & Cargo Hauling</p> 	<p>001-300 Driving Convenience</p> 	<p>001-400 Exterior Appearance</p> 
<p>001-500 Exterior Protection</p> 	<p>001-600 Fog Lights & Electrical</p> 	<p>001-900 Security</p> 	

**Satellite Receiver Kit
Figure 1-120**

ITEM	PART NUMBER	QTY	LINE	SERIES	BODY	ENGINE	TRANS	TRIM	DESCRIPTION
------	-------------	-----	------	--------	------	--------	-------	------	-------------

Note: For Warranty Repair On Item 3, Order Using Z Prefix

1	82208881AA	1							RECEIVER, Satellite
2	05091504AB	1							ANTENNA, Satellite
3	05064002AJ	1							RECEIVER, Satellite



GRAND CHEROKEE (WK)

SERIES LINE
H = HIGHLINE T = JEEP - 2WD
P = PREMIUM J = JEEP - 4WD
S = SPORT
X = SPECIAL

BODY
74 = SPORT UTILITY 4-DR
TYPE #4

ENGINE
EVA = 4.7L V8 MPI Engine
EVD = 4.7L V8 FFV Engine
EXL = 3.0L V6 Turbo Diesel
Engine
EZB = 5.7L Hemi Multi
Displacement Engine
EKG = 3.7L V6 Engine
ESF = 6.1L SRT HEMI SMPI
V8 Engine

TRANSMISSION
DGJ = 5-Speed Auto W5A580
Transmission
DGQ = 5-Spd Automatic 545RFE
Transmission
DGU = 5-Spd Auto W5J400
Transmission

AR = use ase required - = Non illustrated part

2007 WK

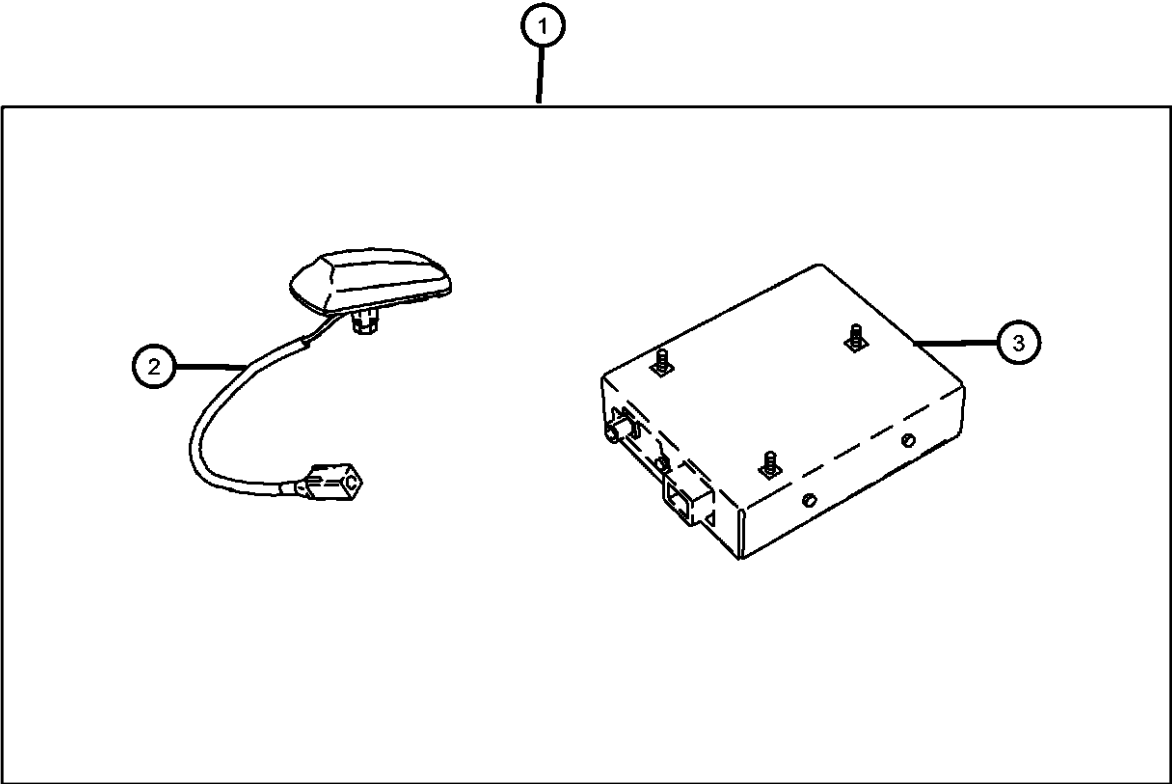
Satellite Receiver Kit-GEN 2.5

Figure 1-125

ITEM	PART NUMBER	QTY	LINE	SERIES	BODY	ENGINE	TRANS	TRIM	DESCRIPTION
------	-------------	-----	------	--------	------	--------	-------	------	-------------

Note: For Warranty Repair On Item 3, Order Using Z Prefix

1	82209719AC	1							RECEIVER, Satellite
2	05150048AB	1							ANTENNA, Satellite
3	68015147AD	1							RECEIVER, Satellite



GRAND CHEROKEE (WK)

SERIES LINE
 H = HIGHLINE T = JEEP - 2WD
 P = PREMIUM J = JEEP - 4WD
 S = SPORT
 X = SPECIAL

BODY
 74 = SPORT UTILITY 4-DR
 TYPE #4

ENGINE
 EVA = 4.7L V8 MPI Engine
 EVD = 4.7L V8 FFV Engine
 EXL = 3.0L V6 Turbo Diesel
 Engine
 EZB = 5.7L Hemi Multi
 Displacement Engine
 EKG = 3.7L V6 Engine
 ESF = 6.1L SRT HEMI SMPI
 V8 Engine

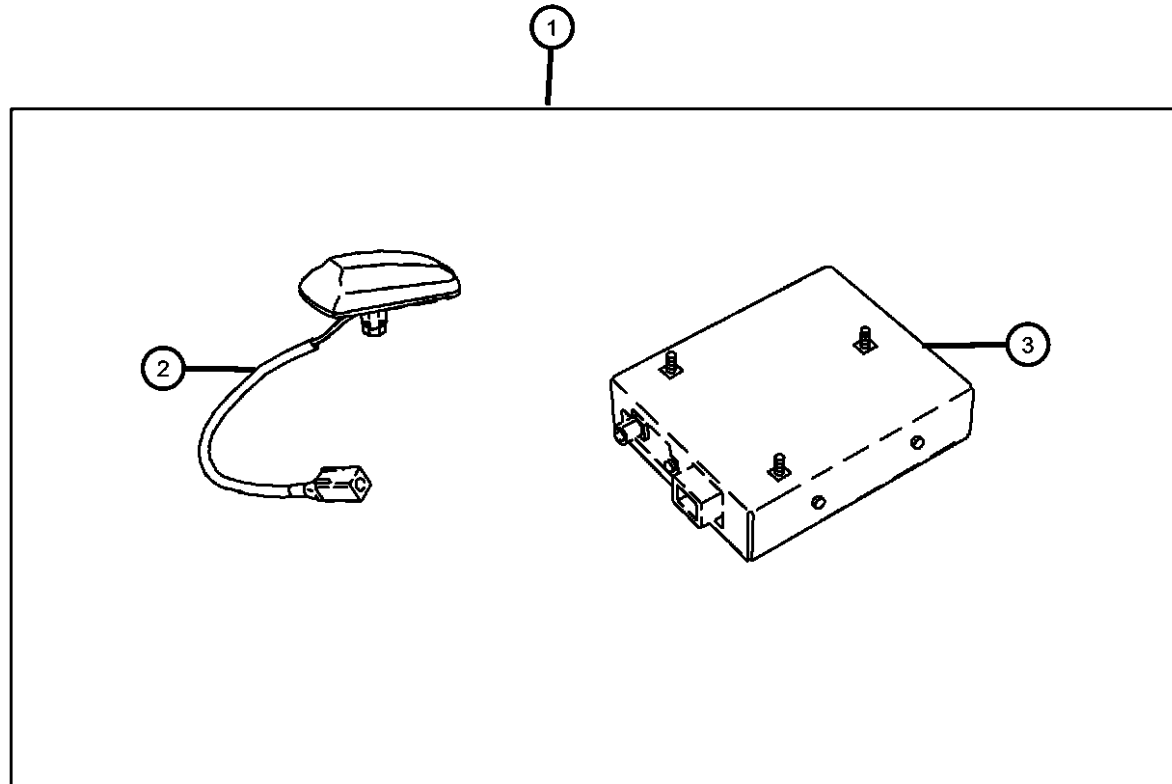
TRANSMISSION
 DGJ = 5-Speed Auto W5A580
 Transmission
 DGQ = 5-Spd Automatic 545RFE
 Transmission
 DGU = 5-Spd Auto W5J400
 Transmission

Install Kit - Satellite GEN 2.5
Figure 1-127

ITEM	PART NUMBER	QTY	LINE	SERIES	BODY	ENGINE	TRANS	TRIM	DESCRIPTION
------	-------------	-----	------	--------	------	--------	-------	------	-------------

Note: For Warranty Repair On Item 3, Order Using Z Prefix

1	82209719AC	1							RECEIVER, Satellite
2	05150048AB	1							ANTENNA, Satellite
3	68015147AD	1							RECEIVER, Satellite



GRAND CHEROKEE (WK)

SERIES LINE
H = HIGHLINE T = JEEP - 2WD
P = PREMIUM J = JEEP - 4WD
S = SPORT
X = SPECIAL

BODY
74 = SPORT UTILITY 4-DR
TYPE #4

ENGINE
EVA = 4.7L V8 MPI Engine
EVD = 4.7L V8 FFV Engine
EXL = 3.0L V6 Turbo Diesel
Engine
EZB = 5.7L Hemi Multi
Displacement Engine
EKG = 3.7L V6 Engine
ESF = 6.1L SRT HEMI SMPI
V8 Engine

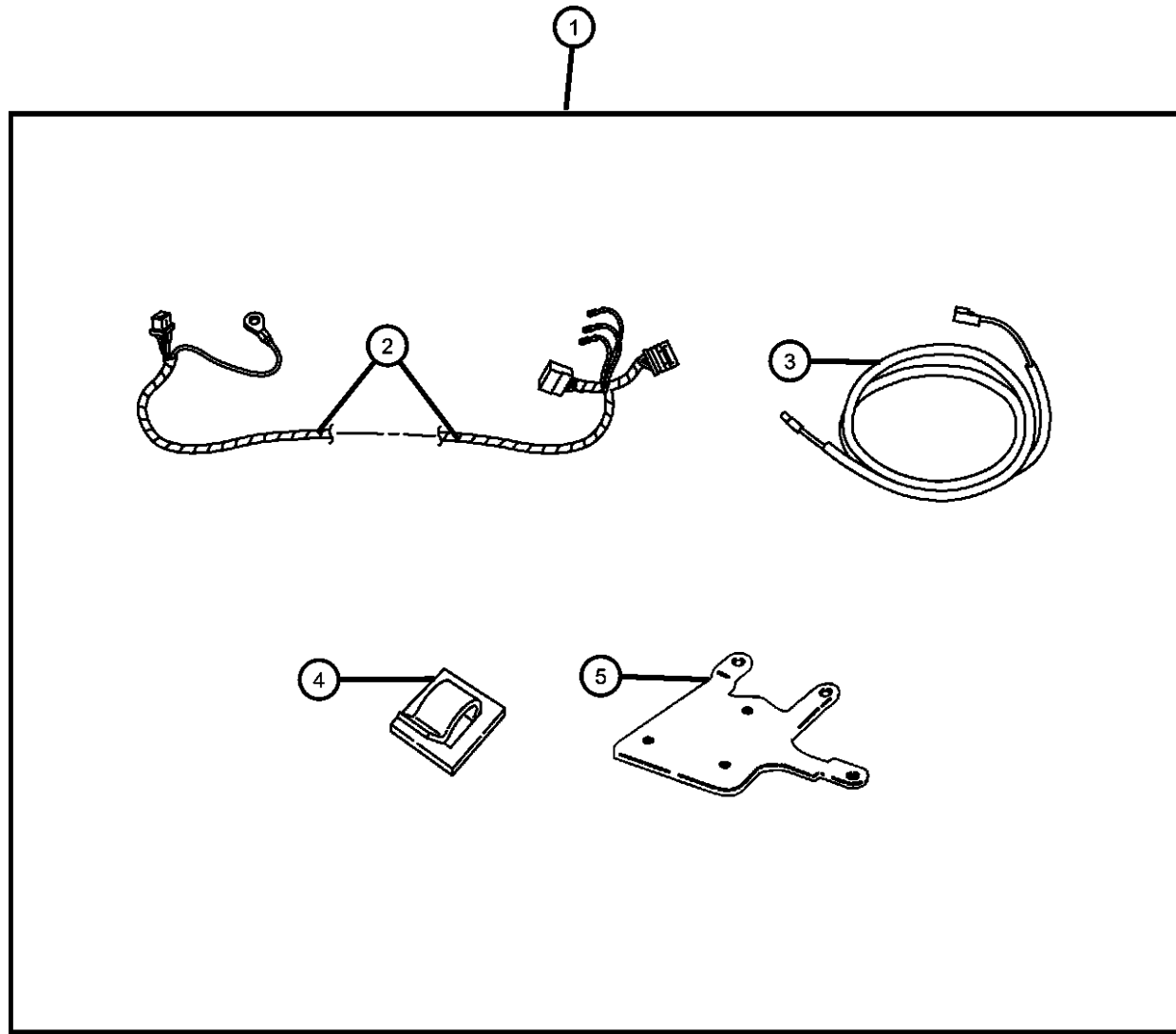
TRANSMISSION
DGJ = 5-Speed Auto W5A580
Transmission
DGQ = 5-Spd Automatic 545RFE
Transmission
DGU = 5-Spd Auto W5J400
Transmission

AR = use ase required - = Non illustrated part

2007 WK

**Install Kit - Sirius
Figure 1-130**

ITEM	PART NUMBER	QTY	LINE	SERIES	BODY	ENGINE	TRANS	TRIM	DESCRIPTION
1	82210436	1							INSTALL KIT, Satelite Receiver
2	05159035AA	1							HARNESS, Overlay
3	05191048AA	1							CABLE, Antenna
4	05142940AA	1							CLIP
5	05066211AA	1							BRACKET, Satellite Rcvr



GRAND CHEROKEE (WK)

SERIES LINE
H = HIGHLINE T = JEEP - 2WD
P = PREMIUM J = JEEP - 4WD
S = SPORT
X = SPECIAL

BODY
74 = SPORT UTILITY 4-DR
TYPE #4

ENGINE
EVA = 4.7L V8 MPI Engine
EVD = 4.7L V8 FFV Engine
EXL = 3.0L V6 Turbo Diesel
Engine
EZB = 5.7L Hemi Multi
Displacement Engine
EKG = 3.7L V6 Engine
ESF = 6.1L SRT HEMI SMPI
V8 Engine

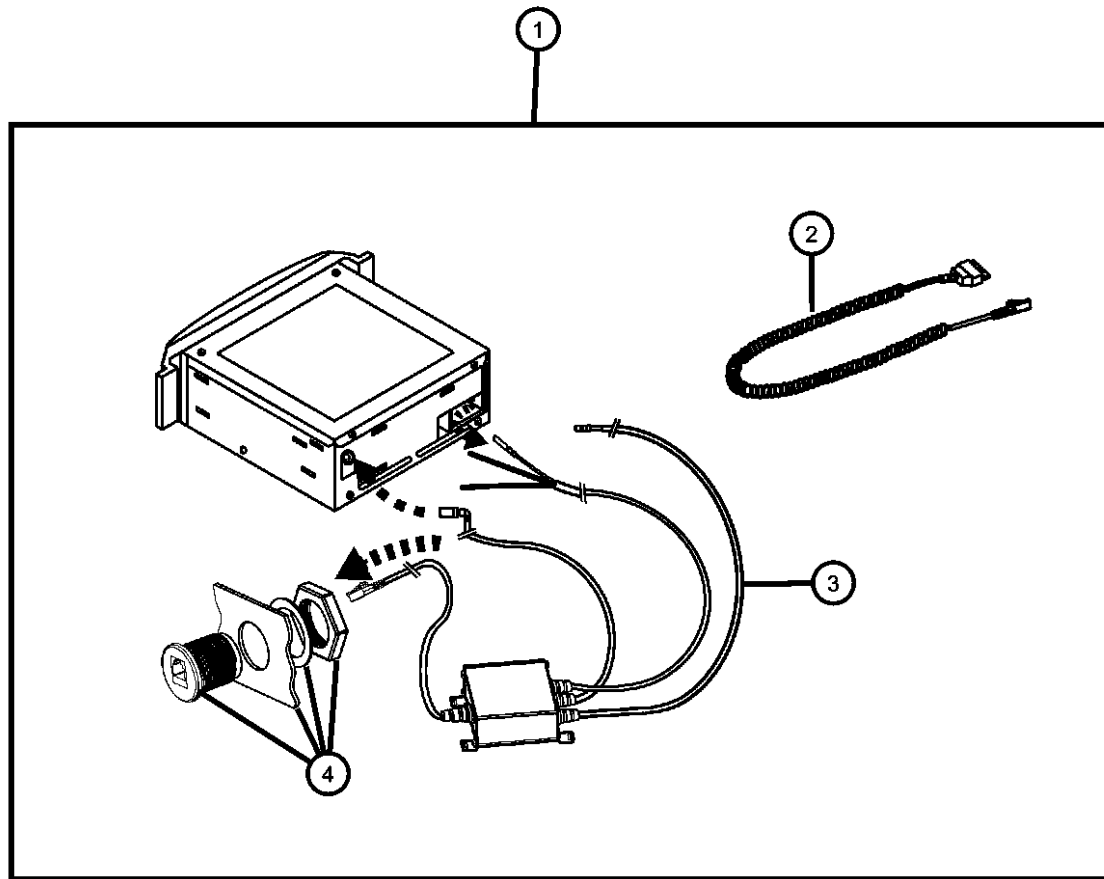
TRANSMISSION
DGJ = 5-Speed Auto W5A580
Transmission
DGQ = 5-Spd Automatic 545RFE
Transmission
DGU = 5-Spd Auto W5J400
Transmission

AR = use ase required - = Non illustrated part

2007 WK

IPod Adapter
Figure 1-135

ITEM	PART NUMBER	QTY	LINE	SERIES	BODY	ENGINE	TRANS	TRIM	DESCRIPTION
1	82210181	1							MODULE KIT, IPOD Interface
2	68001396AA	1							HARNESS, Jumper
3		1							MODULE, (NOT SERVICED)
4	68024675AA	1							HARDWARE



GRAND CHEROKEE (WK)

SERIES LINE
H = HIGHLINE T = JEEP - 2WD
P = PREMIUM J = JEEP - 4WD
S = SPORT
X = SPECIAL

BODY
74 = SPORT UTILITY 4-DR
TYPE #4

ENGINE
EVA = 4.7L V8 MPI Engine
EVD = 4.7L V8 FFV Engine
EXL = 3.0L V6 Turbo Diesel
Engine
EZB = 5.7L Hemi Multi
Displacement Engine
EKG = 3.7L V6 Engine
ESF = 6.1L SRT HEMI SMPI
V8 Engine

TRANSMISSION
DGJ = 5-Speed Auto W5A580
Transmission
DGQ = 5-Spd Automatic 545RFE
Transmission
DGU = 5-Spd Auto W5J400
Transmission

AR = use ase required - = Non illustrated part

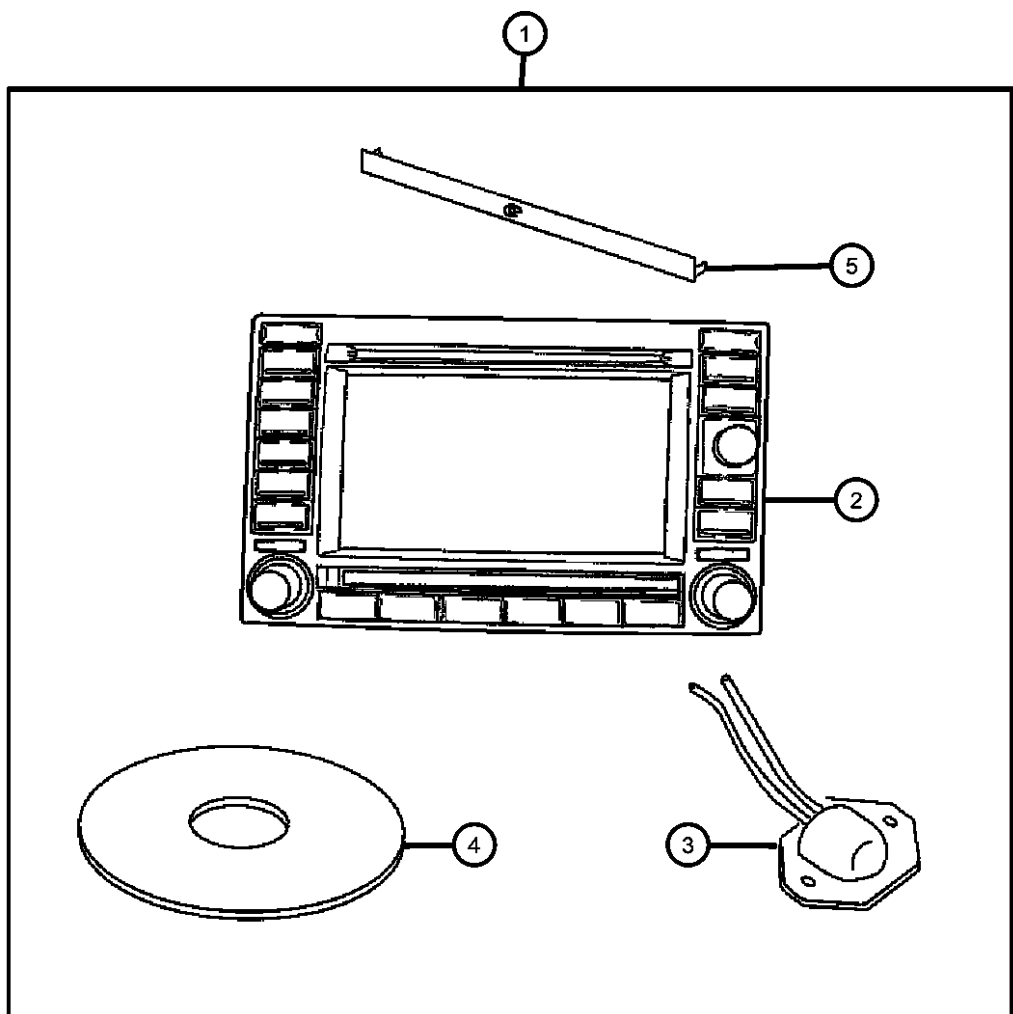
2007 WK

Navigation Kit
Figure 1-160

ITEM	PART NUMBER	QTY	LINE	SERIES	BODY	ENGINE	TRANS	TRIM	DESCRIPTION
------	-------------	-----	------	--------	------	--------	-------	------	-------------

Note: For Warranty Repair on Item 2, Order Using Z Prefix

1	82208653AE	1							RADIO, AM/FM CD W/NAV/DVD & CD-CTRL
2	56038646AM	1							RADIO, AM/FM CD W/NAV/DVD & CD-CTRL
3	56038630AA	1							ANTENNA, GPS
4	05064033AD	1							DVD, Geographic Database
5	05161571AA	1							COVER, Radio



GRAND CHEROKEE (WK)

SERIES LINE
H = HIGHLINE T = JEEP - 2WD
P = PREMIUM J = JEEP - 4WD
S = SPORT
X = SPECIAL

BODY
74 = SPORT UTILITY 4-DR
TYPE #4

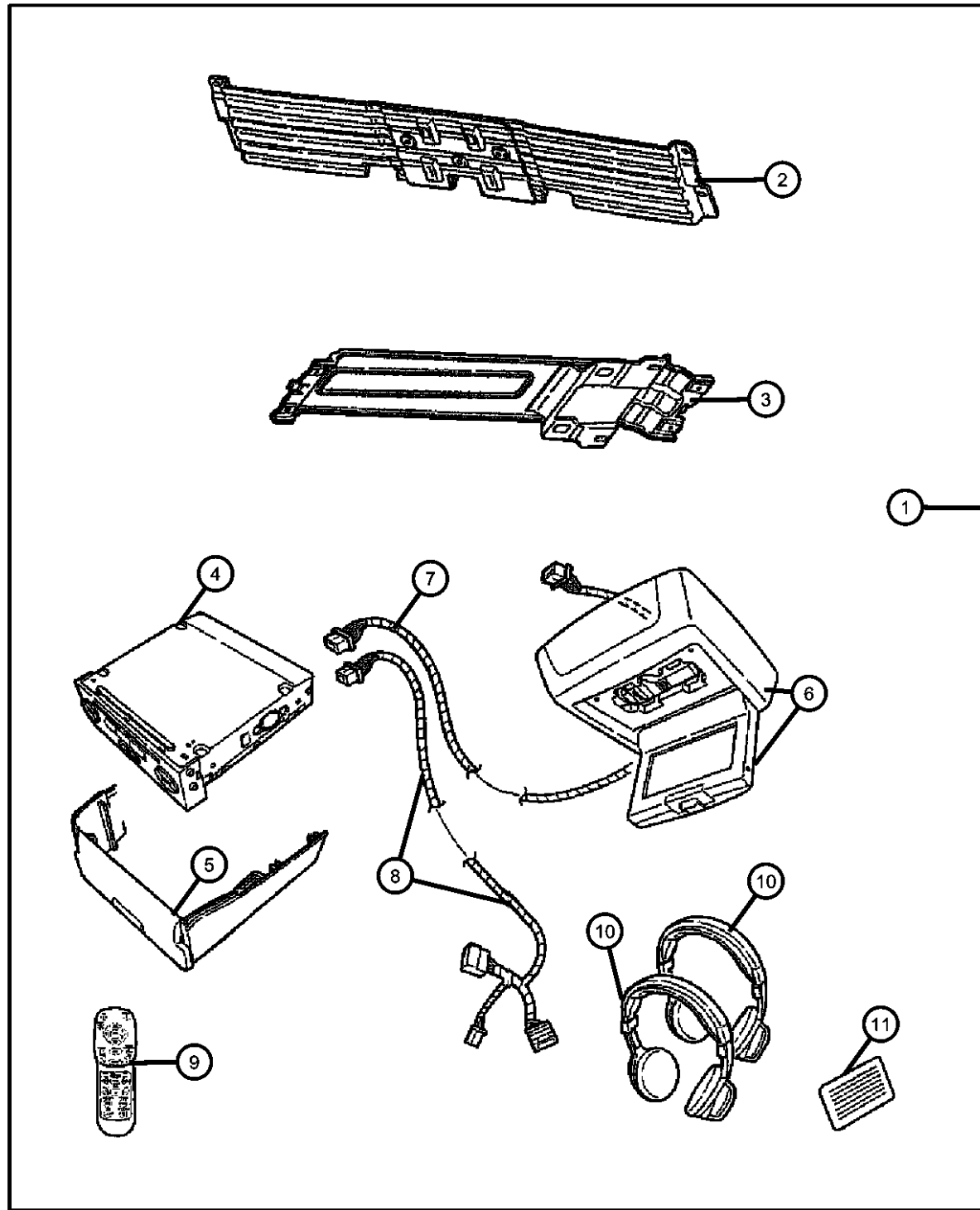
ENGINE
EVA = 4.7L V8 MPI Engine
EVD = 4.7L V8 FFV Engine
EXL = 3.0L V6 Turbo Diesel
Engine
EZB = 5.7L Hemi Multi
Displacement Engine
EKG = 3.7L V6 Engine
ESF = 6.1L SRT HEMI SMPI
V8 Engine

TRANSMISSION
DGJ = 5-Speed Auto W5A580
Transmission
DGQ = 5-Spd Automatic 545RFE
Transmission
DGU = 5-Spd Auto W5J400
Transmission

AR = use ase required - = Non illustrated part

2007 WK

**Rear Seat DVD Video System
Figure 1-170**



ITEM	PART NUMBER	QTY	LINE	SERIES	BODY	ENGINE	TRANS	TRIM	DESCRIPTION
Note: For Warranty Repair On Items 4&6, Order Using Z Prefix									
1	82208820AB	1							MEDIA SYSTEM, Monitor with DVD
2	55396383AD	1							BRACKET ASSY, REAR SEAT VIDEO
3	56053029AC	1							BRACKET ASSY, REAR SEAT VIDEO
4	56038783AE	1	J, T		74				PLAYER, DVD
5									CAP, Floor Console End
	1BK64BD1AA	1	J, T		74				[J1]
	1BK64BD5AA	1	J, T		74				[D5]
	1BK64ZJ3AA	1	J, T		74				[J3]
6	56038784AG	1							MEDIA SYSTEM, Monitor with DVD
7	05166771AA	1							WIRING, DVD to Screen
8	05166772AA	1							WIRING, DVD Jumper
9	56043231AA	1							REMOTE, Wireless Infrared
10	05064037AA	1							HEADPHONES, Wireless, One Pair
11	05020533AA	1	J, T		74				LABEL, Mercury Warning

GRAND CHEROKEE (WK)

SERIES LINE
H = HIGHLINE T = JEEP - 2WD
P = PREMIUM J = JEEP - 4WD
S = SPORT
X = SPECIAL

BODY
74 = SPORT UTILITY 4-DR
TYPE #4

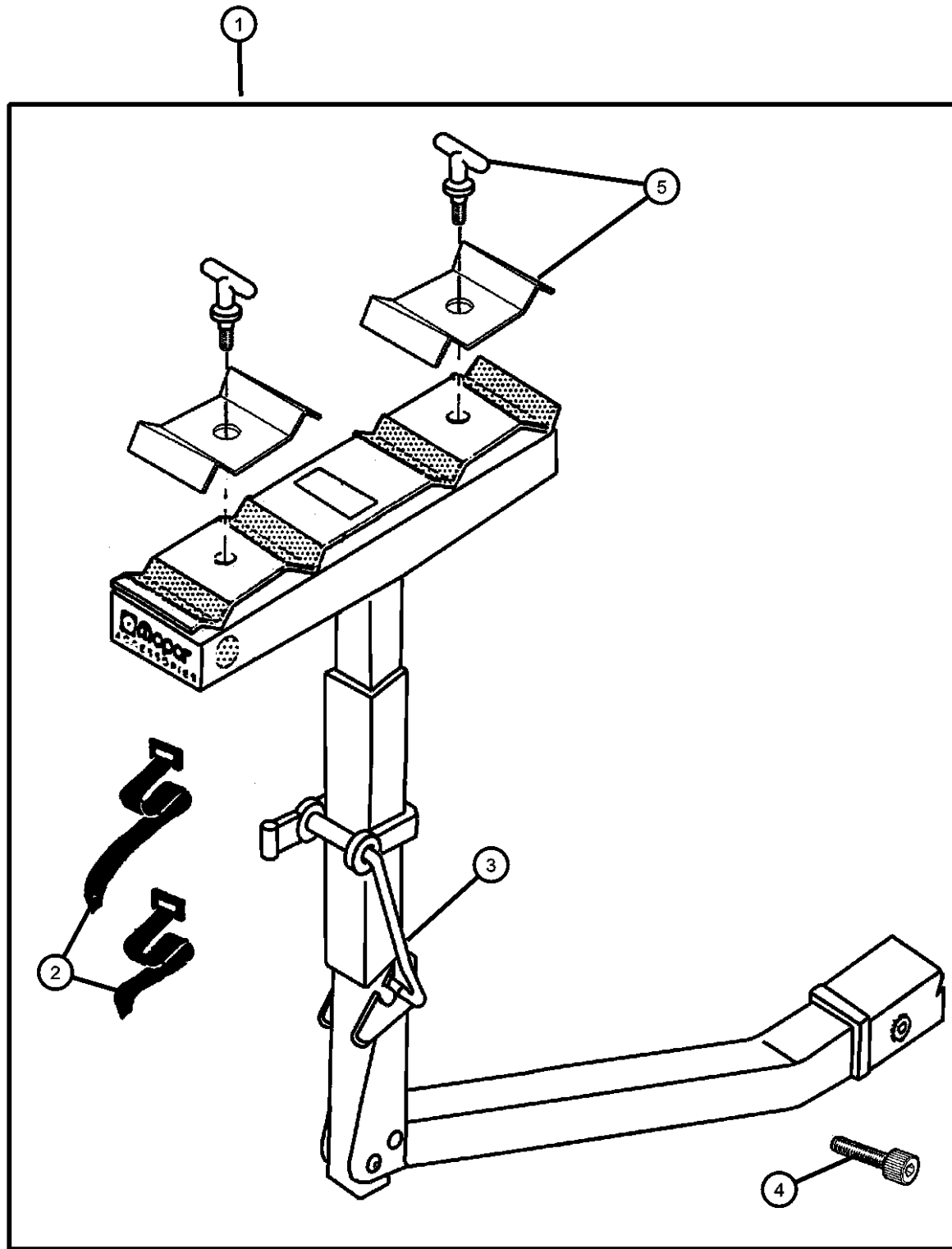
ENGINE
EVA = 4.7L V8 MPI Engine
EVD = 4.7L V8 FFV Engine
EXL = 3.0L V6 Turbo Diesel
Engine
EZB = 5.7L Hemi Multi
Displacement Engine
EKG = 3.7L V6 Engine
ESF = 6.1L SRT HEMI SMPI
V8 Engine

TRANSMISSION
DGJ = 5-Speed Auto W5A580
Transmission
DGQ = 5-Spd Automatic 545RFE
Transmission
DGU = 5-Spd Auto W5J400
Transmission

AR = use ase required - = Non illustrated part

2007 WK

Bike Carrier - Hitch Mount Four Bikes
Figure 1-210



ITEM	PART NUMBER	QTY	LINE	SERIES	BODY	ENGINE	TRANS	TRIM	DESCRIPTION
------	-------------	-----	------	--------	------	--------	-------	------	-------------

Note; Requires 2 Inch Hitch Receiver

1	82204328	1							CARRIER KIT, Bike
2	04762880	1							STRAP KIT, Velcro
3	05016775AA	1							STRAP KIT, Bike Carrier Latch
4	05016776AA	1							BOLT KIT, Security
5	05018825AA	1							HARDWARE KIT, Bike Carrier

GRAND CHEROKEE (WK)

SERIES LINE
H = HIGHLINE T = JEEP - 2WD
P = PREMIUM J = JEEP - 4WD
S = SPORT
X = SPECIAL

BODY
74 = SPORT UTILITY 4-DR
TYPE #4

ENGINE
EVA = 4.7L V8 MPI Engine
EVD = 4.7L V8 FFV Engine
EXL = 3.0L V6 Turbo Diesel
Engine
EZB = 5.7L Hemi Multi
Displacement Engine
EKG = 3.7L V6 Engine
ESF = 6.1L SRT HEMI SMPI
V8 Engine

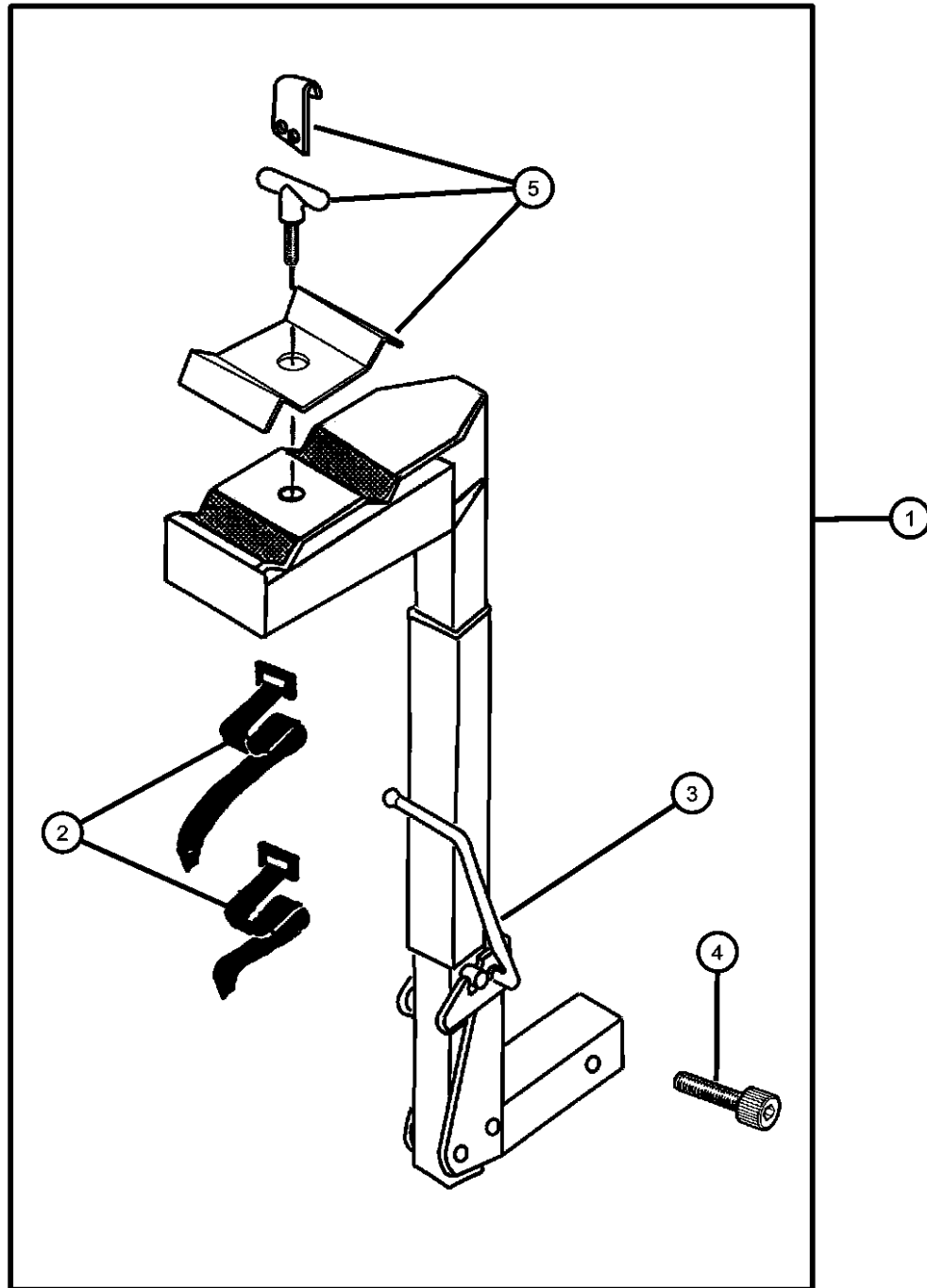
TRANSMISSION
DGJ = 5-Speed Auto W5A580
Transmission
DGQ = 5-Spd Automatic 545RFE
Transmission
DGU = 5-Spd Auto W5J400
Transmission

AR = use ase required - = Non illustrated part

2007 WK

Bike Carrier, Hitch Mount Two Bikes
Figure 1-215

ITEM	PART NUMBER	QTY	LINE	SERIES	BODY	ENGINE	TRANS	TRIM	DESCRIPTION
1	82204452	1							CARRIER KIT, Bike Requires 1 1/4 inch Hitch Receiver
	82204453	1							Requires 2 Inch Hitch Receiver
2	04762880	1							STRAP KIT, Velcro
3	05016775AA	1							STRAP KIT, Bike Carrier Latch
4	05016776AA	1							BOLT KIT, Security
5	05018825AA	1							HARDWARE KIT, Bike Carrier



GRAND CHEROKEE (WK)

SERIES LINE
H = HIGHLINE T = JEEP - 2WD
P = PREMIUM J = JEEP - 4WD
S = SPORT
X = SPECIAL

BODY
74 = SPORT UTILITY 4-DR
TYPE #4

ENGINE
EVA = 4.7L V8 MPI Engine
EVD = 4.7L V8 FFV Engine
EXL = 3.0L V6 Turbo Diesel
Engine
EZB = 5.7L Hemi Multi
Displacement Engine
EKG = 3.7L V6 Engine
ESF = 6.1L SRT HEMI SMPI
V8 Engine

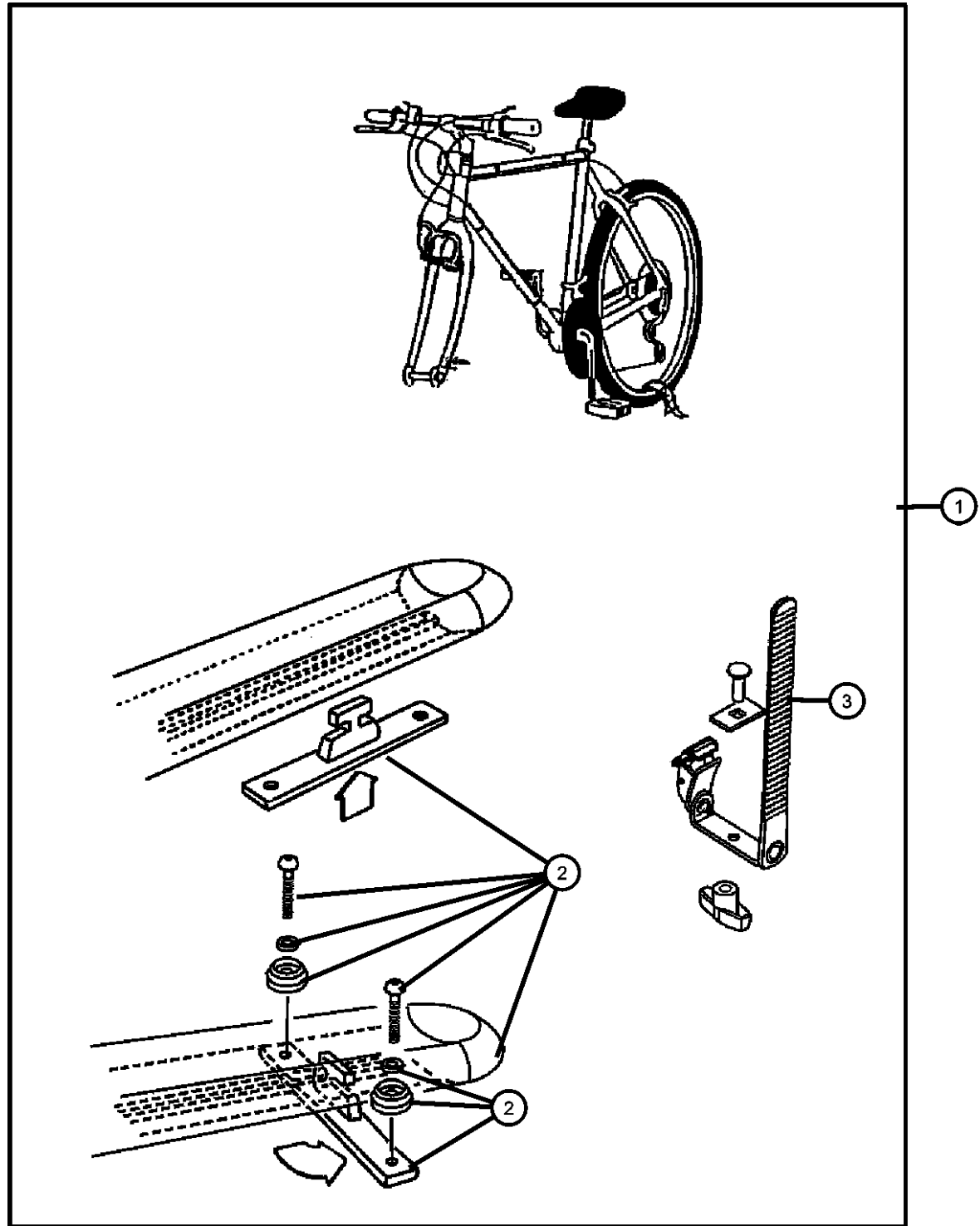
TRANSMISSION
DGJ = 5-Speed Auto W5A580
Transmission
DGQ = 5-Spd Automatic 545RFE
Transmission
DGU = 5-Spd Auto W5J400
Transmission

AR = use ase required - = Non illustrated part

2007 WK

**Bike Carrier - Roof Mount- Fork
Figure 1-220**

ITEM	PART NUMBER	QTY	LINE	SERIES	BODY	ENGINE	TRANS	TRIM	DESCRIPTION
1	82207943	1							CARRIER KIT, Bike, Fork - Mount
2	05093779AA	1							HARDWARE KIT, Accessory
3	05114532AA	1							STRAP, Cargo Tie Down



GRAND CHEROKEE (WK)

SERIES LINE
H = HIGHLINE T = JEEP - 2WD
P = PREMIUM J = JEEP - 4WD
S = SPORT
X = SPECIAL

BODY
74 = SPORT UTILITY 4-DR
TYPE #4

ENGINE
EVA = 4.7L V8 MPI Engine
EVD = 4.7L V8 FFV Engine
EXL = 3.0L V6 Turbo Diesel
Engine
EZB = 5.7L Hemi Multi
Displacement Engine
EKG = 3.7L V6 Engine
ESF = 6.1L SRT HEMI SMPI
V8 Engine

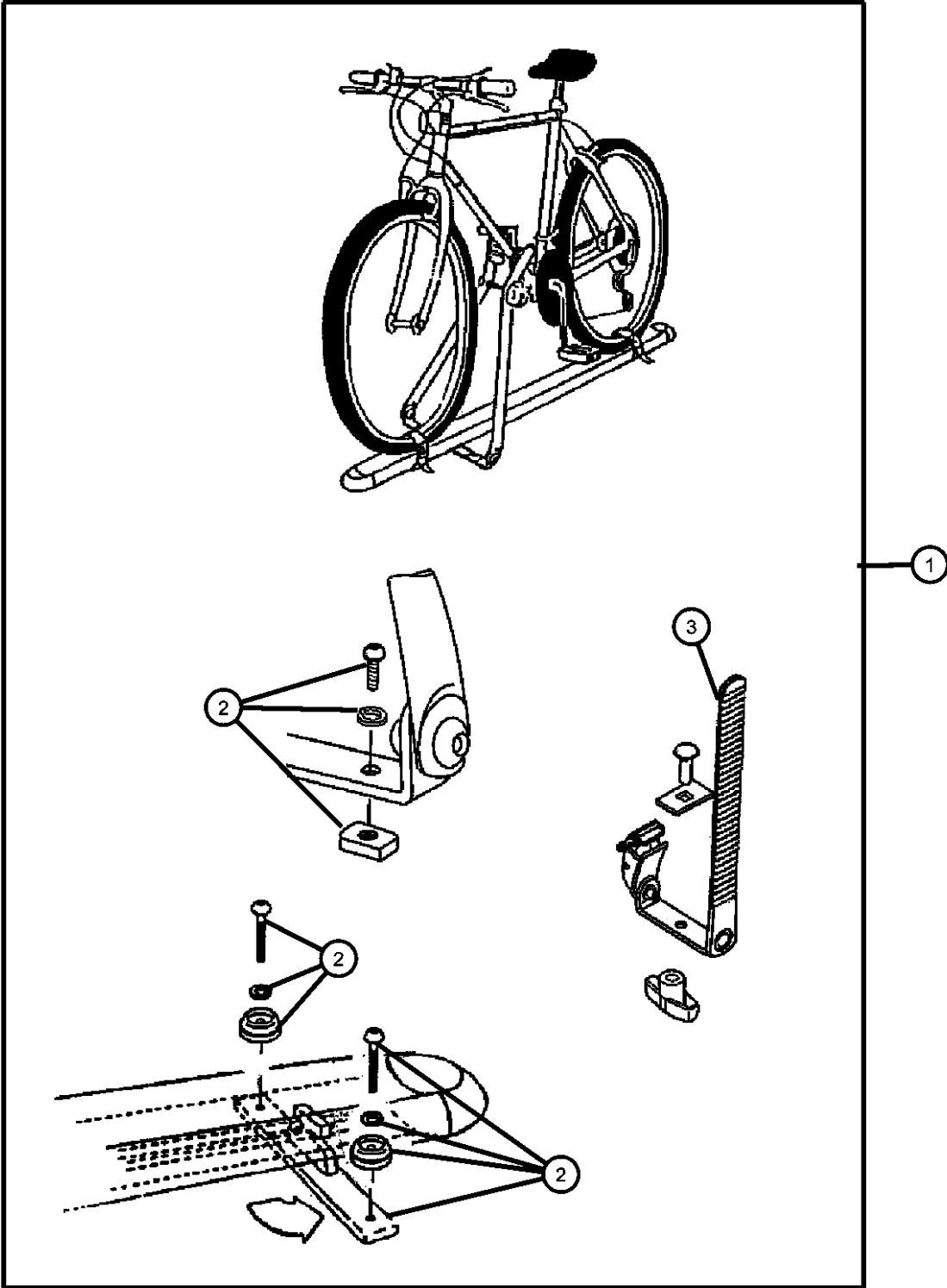
TRANSMISSION
DGJ = 5-Speed Auto W5A580
Transmission
DGQ = 5-Spd Automatic 545RFE
Transmission
DGU = 5-Spd Auto W5J400
Transmission

AR = use ase required - = Non illustrated part

2007 WK

Bike Carrier- Roof Mount -Upright
Figure 1-225

ITEM	PART NUMBER	QTY	LINE	SERIES	BODY	ENGINE	TRANS	TRIM	DESCRIPTION
1	82207942	1							CARRIER KIT, Bike, Upright - Mount
2	05093779AA	1							HARDWARE KIT, Accessory
3	05114532AA	1							STRAP, Cargo Tie Down



GRAND CHEROKEE (WK)

SERIES LINE
H = HIGHLINE T = JEEP - 2WD
P = PREMIUM J = JEEP - 4WD
S = SPORT
X = SPECIAL

BODY
74 = SPORT UTILITY 4-DR
TYPE #4

ENGINE
EVA = 4.7L V8 MPI Engine
EVD = 4.7L V8 FFV Engine
EXL = 3.0L V6 Turbo Diesel
Engine
EZB = 5.7L Hemi Multi
Displacement Engine
EKG = 3.7L V6 Engine
ESF = 6.1L SRT HEMI SMPI
V8 Engine

TRANSMISSION
DGJ = 5-Speed Auto W5A580
Transmission
DGQ = 5-Spd Automatic 545RFE
Transmission
DGU = 5-Spd Auto W5J400
Transmission

AR = use ase required - = Non illustrated part

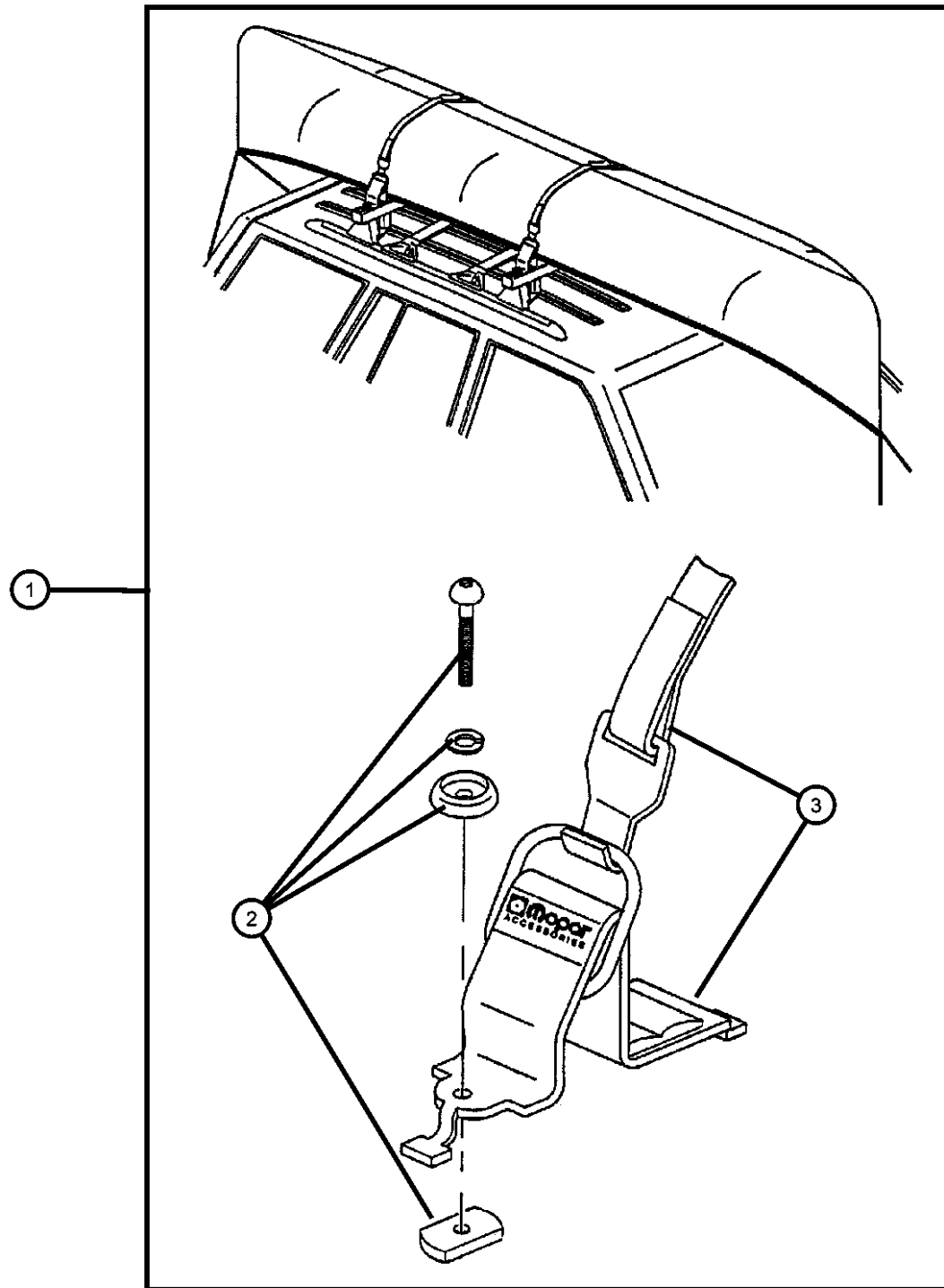
Carrier Kit - Canoe
Figure 1-230

ITEM	PART NUMBER	QTY	LINE	SERIES	BODY	ENGINE	TRANS	TRIM	DESCRIPTION
------	-------------	-----	------	--------	------	--------	-------	------	-------------

Note; Requires Sport Utility Bar

1	82204700	1							CARRIER KIT, Canoe
2	05016389AA	1							HARDWARE KIT, Accessory
3	05016511AA	1							STRAP, Cargo Tie Down

CARRIER KIT, Canoe
HARDWARE KIT, Accessory
STRAP, Cargo Tie Down



GRAND CHEROKEE (WK)

SERIES LINE
H = HIGHLINE T = JEEP - 2WD
P = PREMIUM J = JEEP - 4WD
S = SPORT
X = SPECIAL

BODY
74 = SPORT UTILITY 4-DR
TYPE #4

ENGINE
EVA = 4.7L V8 MPI Engine
EVD = 4.7L V8 FFV Engine
EXL = 3.0L V6 Turbo Diesel
Engine
EZB = 5.7L Hemi Multi
Displacement Engine
EKG = 3.7L V6 Engine
ESF = 6.1L SRT HEMI SMPI
V8 Engine

TRANSMISSION
DGJ = 5-Speed Auto W5A580
Transmission
DGQ = 5-Spd Automatic 545RFE
Transmission
DGU = 5-Spd Auto W5J400
Transmission

AR = use ase required - = Non illustrated part

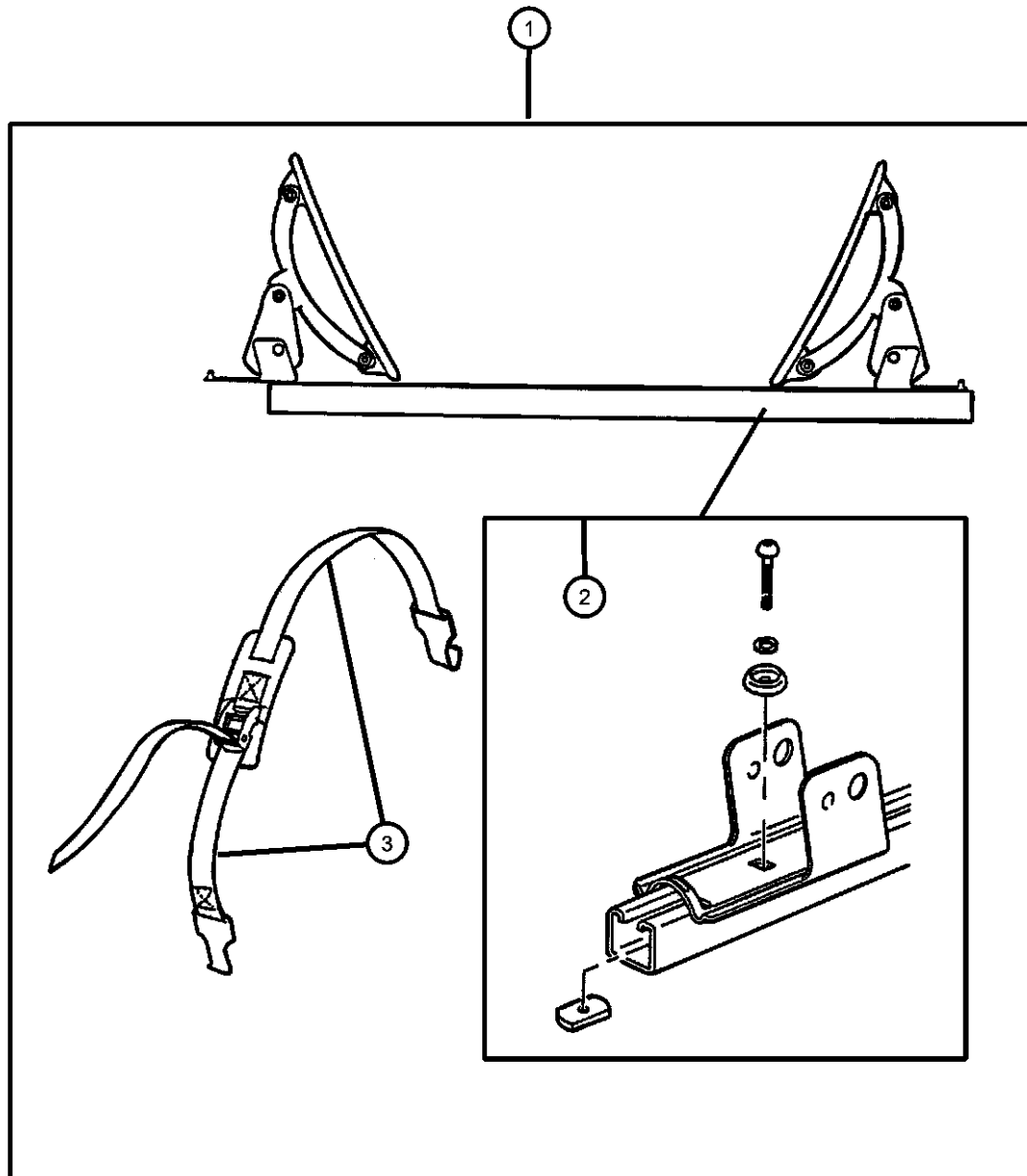
2007 WK

Carrier Kit - Watersports
Figure 1-232

ITEM	PART NUMBER	QTY	LINE	SERIES	BODY	ENGINE	TRANS	TRIM	DESCRIPTION
------	-------------	-----	------	--------	------	--------	-------	------	-------------

Note; Requires T-Slot Crossbar

1	82205416	1							CARRIER KIT, Water Sports, Kayak, Surfboard, Sail Board HARDWARE KIT, Accessory STRAP, Cargo Tie Down
2	05016389AA	1							
3	05016511AA	1							



GRAND CHEROKEE (WK)

SERIES LINE
H = HIGHLINE T = JEEP - 2WD
P = PREMIUM J = JEEP - 4WD
S = SPORT
X = SPECIAL

BODY
74 = SPORT UTILITY 4-DR
TYPE #4

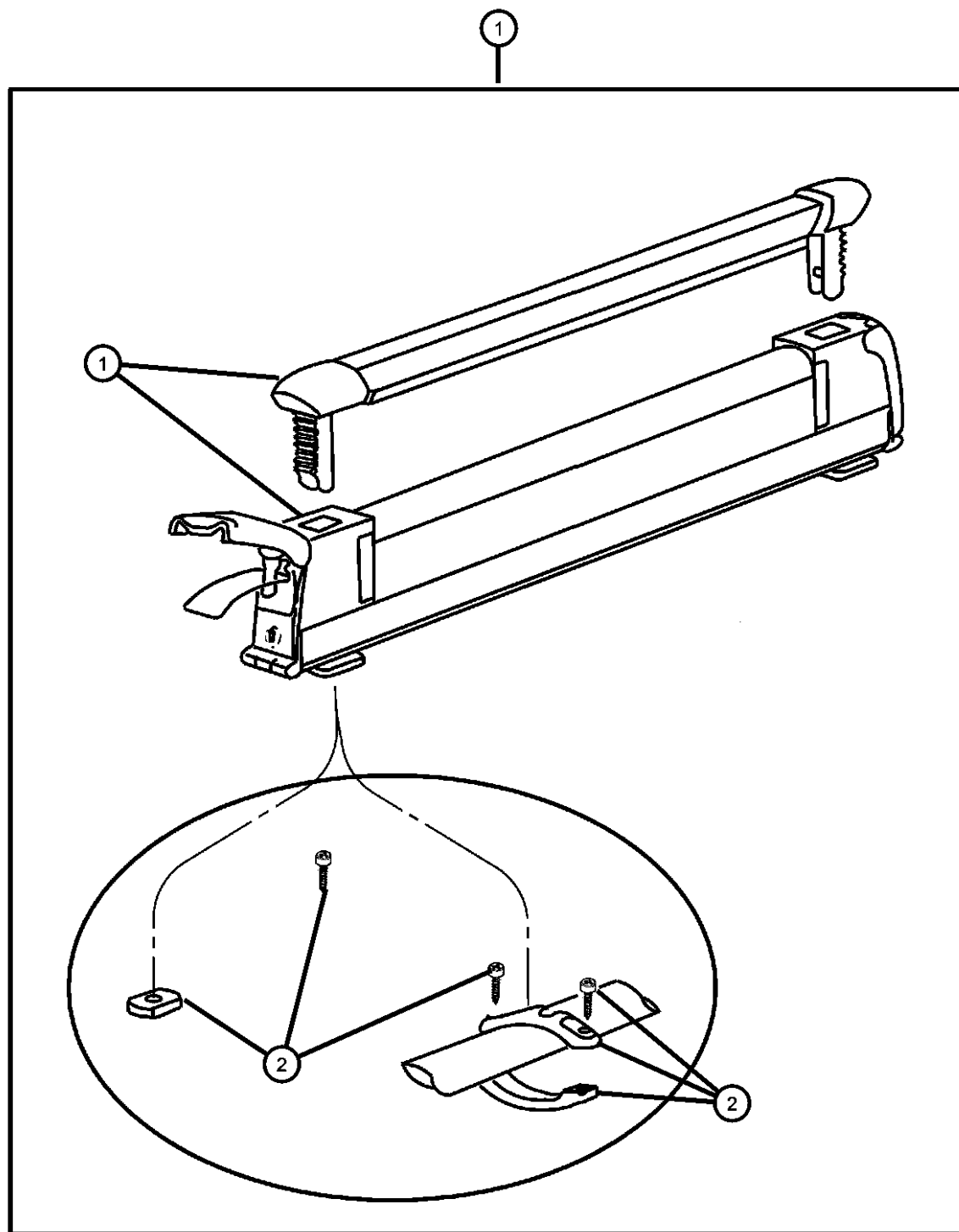
ENGINE
EVA = 4.7L V8 MPI Engine
EVD = 4.7L V8 FFV Engine
EXL = 3.0L V6 Turbo Diesel
Engine
EZB = 5.7L Hemi Multi
Displacement Engine
EKG = 3.7L V6 Engine
ESF = 6.1L SRT HEMI SMPI
V8 Engine

TRANSMISSION
DGJ = 5-Speed Auto W5A580
Transmission
DGQ = 5-Spd Automatic 545RFE
Transmission
DGU = 5-Spd Auto W5J400
Transmission

AR = use ase required - = Non illustrated part

2007 WK

Carrier Kit, Snowboard or Ski
Figure 1-235



ITEM	PART NUMBER	QTY	LINE	SERIES	BODY	ENGINE	TRANS	TRIM	DESCRIPTION
1	82207308	1							CARRIER KIT, Ski
	82207312	1							6 Pair Skis or 4 Snowboards
2	05016389AA	1							3 Pair Skis or 2 Snowboards
-3	05066632AA	1							HARDWARE KIT, Accessory
									TOOL, Screw Driver

GRAND CHEROKEE (WK)

SERIES LINE
H = HIGHLINE T = JEEP - 2WD
P = PREMIUM J = JEEP - 4WD
S = SPORT
X = SPECIAL

BODY
74 = SPORT UTILITY 4-DR
TYPE #4

ENGINE
EVA = 4.7L V8 MPI Engine
EVD = 4.7L V8 FFV Engine
EXL = 3.0L V6 Turbo Diesel
Engine
EZB = 5.7L Hemi Multi
Displacement Engine
EKG = 3.7L V6 Engine
ESF = 6.1L SRT HEMI SMPI
V8 Engine

TRANSMISSION
DGJ = 5-Speed Auto W5A580
Transmission
DGQ = 5-Spd Automatic 545RFE
Transmission
DGU = 5-Spd Auto W5J400
Transmission

AR = use ase required - = Non illustrated part

2007 WK

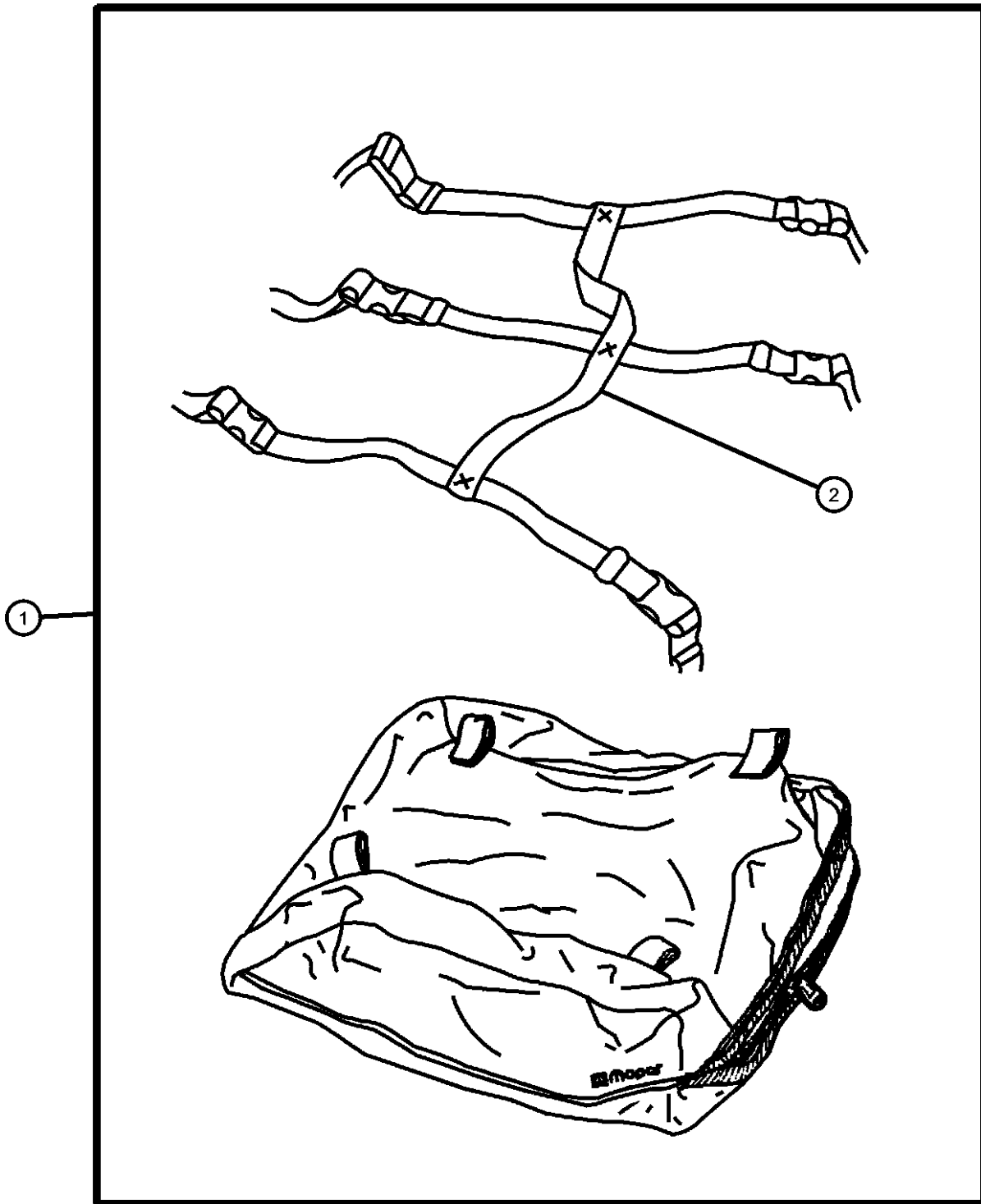
Luggage Carrier Roof Vinyl
Figure 1-264

ITEM	PART NUMBER	QTY	LINE	SERIES	BODY	ENGINE	TRANS	TRIM	DESCRIPTION
------	-------------	-----	------	--------	------	--------	-------	------	-------------

NOTE: Requires Roof Rack.

1	82207198	1							CARRIER KIT, Luggage
2	05066332AA	1							STRAP KIT, Luggage Carrier

CARRIER KIT, Luggage
STRAP KIT, Luggage Carrier



GRAND CHEROKEE (WK)

SERIES LINE
H = HIGHLINE T = JEEP - 2WD
P = PREMIUM J = JEEP - 4WD
S = SPORT
X = SPECIAL

BODY
74 = SPORT UTILITY 4-DR
TYPE #4

ENGINE
EVA = 4.7L V8 MPI Engine
EVD = 4.7L V8 FFV Engine
EXL = 3.0L V6 Turbo Diesel
Engine
EZB = 5.7L Hemi Multi
Displacement Engine
EKG = 3.7L V6 Engine
ESF = 6.1L SRT HEMI SMPI
V8 Engine

TRANSMISSION
DGJ = 5-Speed Auto W5A580
Transmission
DGQ = 5-Spd Automatic 545RFE
Transmission
DGU = 5-Spd Auto W5J400
Transmission

AR = use ase required - = Non illustrated part

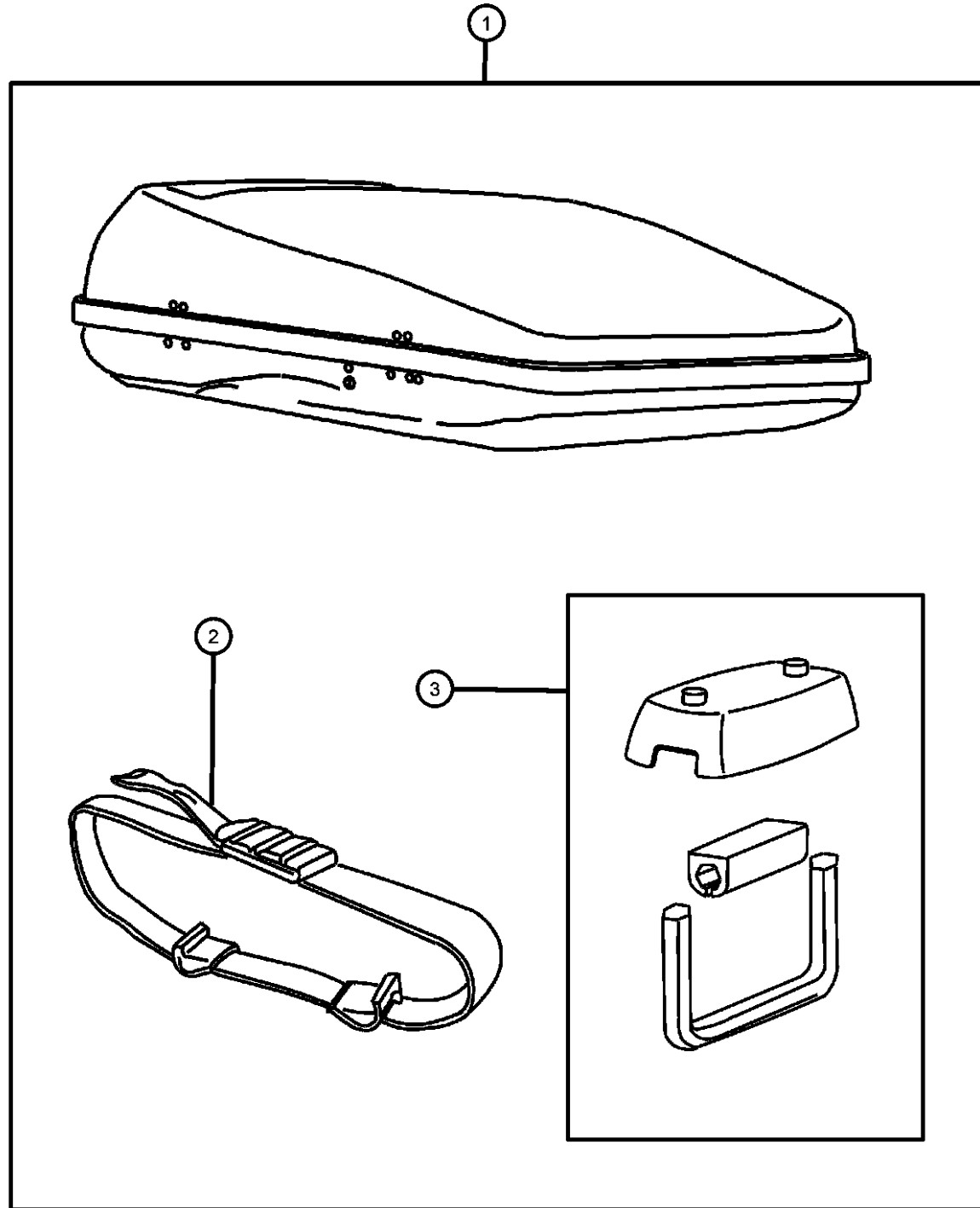
2007 WK

Carrier Kit / Luggage
Figure 1-266

ITEM	PART NUMBER	QTY	LINE	SERIES	BODY	ENGINE	TRANS	TRIM	DESCRIPTION
------	-------------	-----	------	--------	------	--------	-------	------	-------------

Note; Requires Roof Rack

1	82207353AB	1							CARRIER KIT, Luggage
2	05086160AA	1							STRAP, Cargo Tie Down
3	05086159AA	1							HARDWARE KIT



GRAND CHEROKEE (WK)

SERIES LINE
H = HIGHLINE T = JEEP - 2WD
P = PREMIUM J = JEEP - 4WD
S = SPORT
X = SPECIAL

BODY
74 = SPORT UTILITY 4-DR
TYPE #4

ENGINE
EVA = 4.7L V8 MPI Engine
EVD = 4.7L V8 FFV Engine
EXL = 3.0L V6 Turbo Diesel
Engine
EZB = 5.7L Hemi Multi
Displacement Engine
EKG = 3.7L V6 Engine
ESF = 6.1L SRT HEMI SMPI
V8 Engine

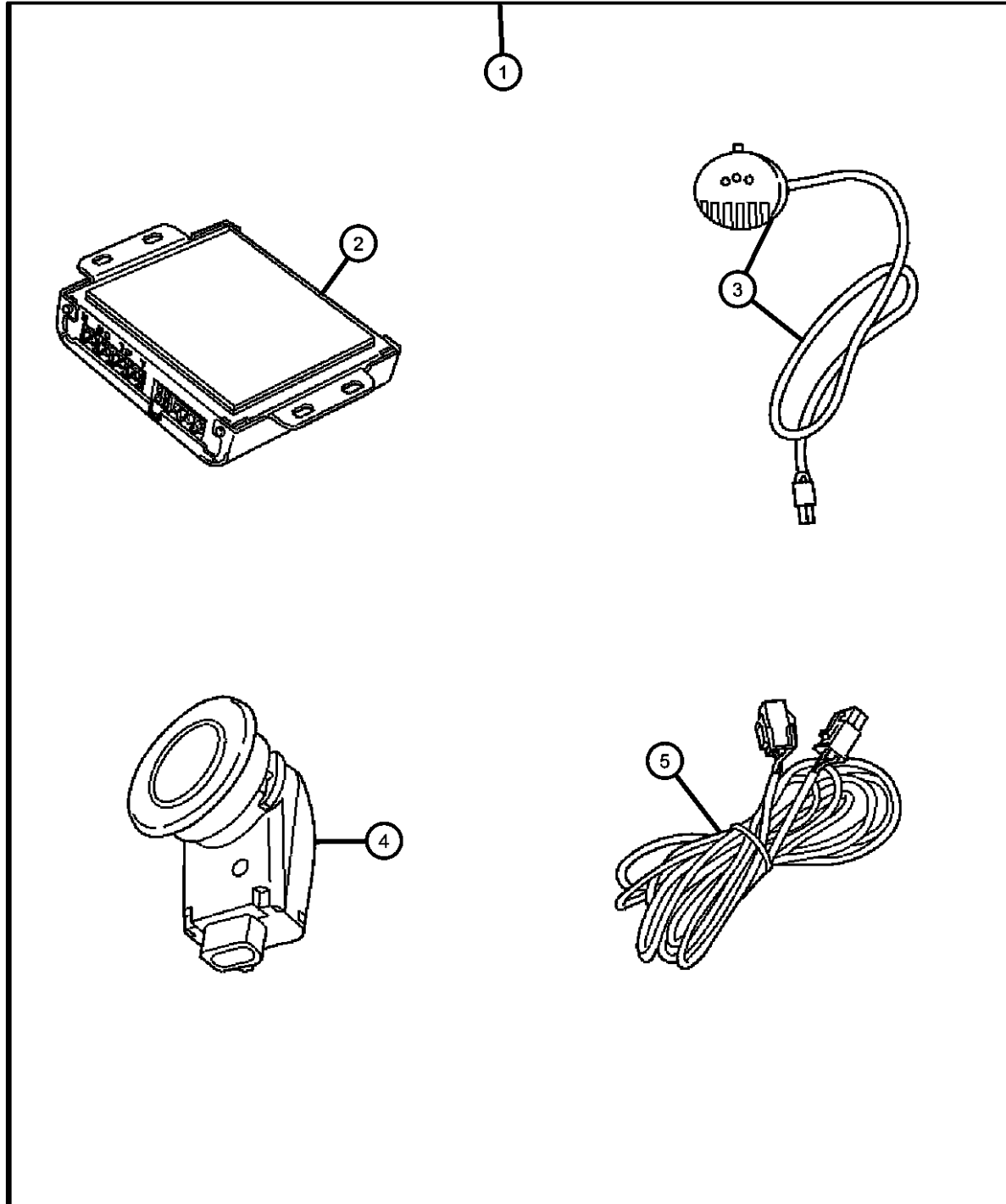
TRANSMISSION
DGJ = 5-Speed Auto W5A580
Transmission
DGQ = 5-Spd Automatic 545RFE
Transmission
DGU = 5-Spd Auto W5J400
Transmission

AR = use ase required - = Non illustrated part

2007 WK

**Sensor Package Park/Distance
Figure 1-310**

ITEM	PART NUMBER	QTY	LINE	SERIES	BODY	ENGINE	TRANS	TRIM	DESCRIPTION
1	82208246AC	1							SENSOR KIT, Park Distance
2	05137541AA	1							MODULE, Parking Assist
3	05137539AA	1							DISPLAY, Parking Assist
4	05137536AA	1							SENSOR
5	05137540AA	1							WIRING, Distance Sensor



GRAND CHEROKEE (WK)

SERIES LINE
H = HIGHLINE T = JEEP - 2WD
P = PREMIUM J = JEEP - 4WD
S = SPORT
X = SPECIAL

BODY
74 = SPORT UTILITY 4-DR
TYPE #4

ENGINE
EVA = 4.7L V8 MPI Engine
EVD = 4.7L V8 FFV Engine
EXL = 3.0L V6 Turbo Diesel
Engine
EZB = 5.7L Hemi Multi
Displacement Engine
EKG = 3.7L V6 Engine
ESF = 6.1L SRT HEMI SMPI
V8 Engine

TRANSMISSION
DGJ = 5-Speed Auto W5A580
Transmission
DGQ = 5-Spd Automatic 545RFE
Transmission
DGU = 5-Spd Auto W5J400
Transmission

AR = use ase required - = Non illustrated part

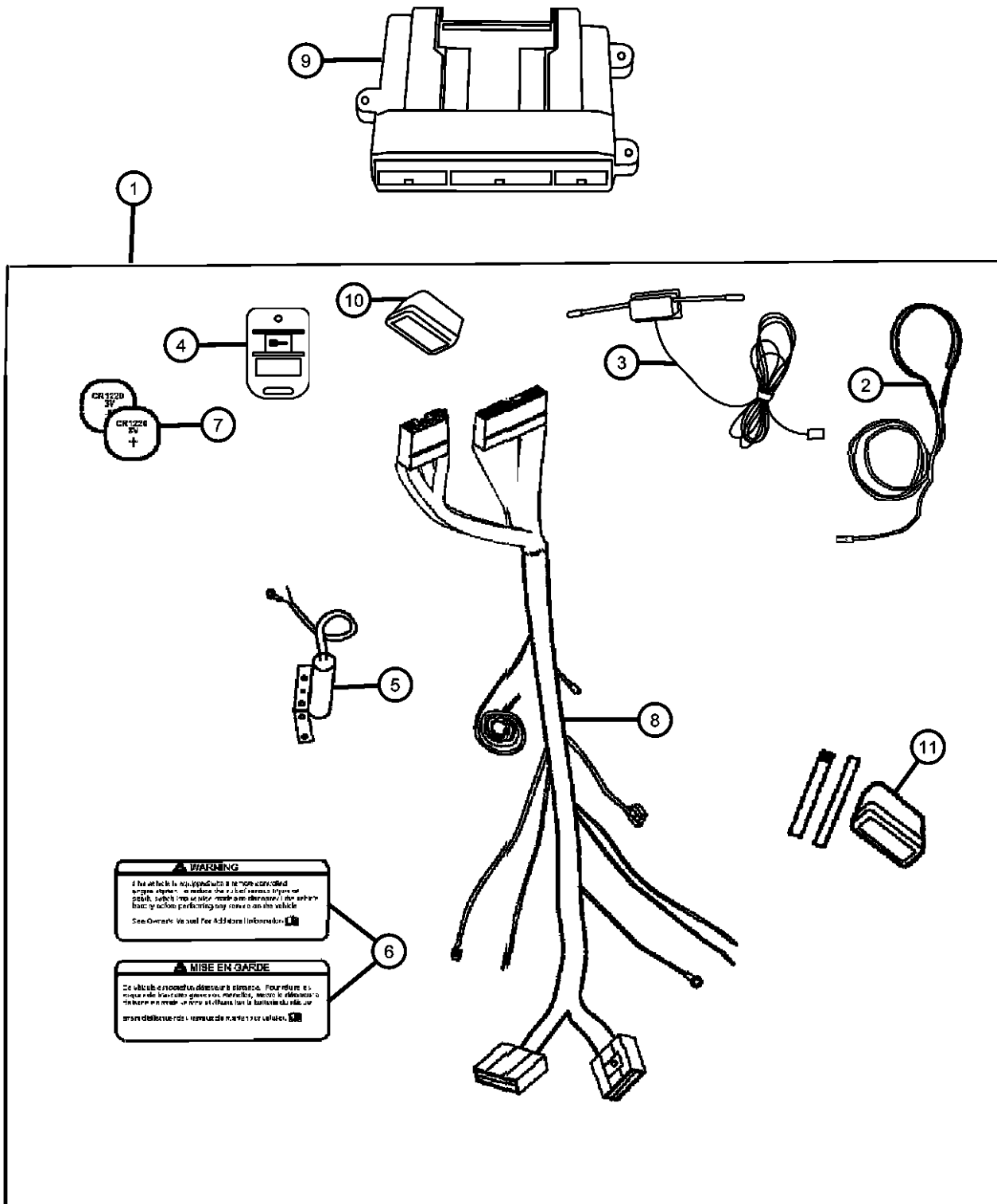
2007 WK

Remote Start
Figure 1-320

ITEM	PART NUMBER	QTY	LINE	SERIES	BODY	ENGINE	TRANS	TRIM	DESCRIPTION
------	-------------	-----	------	--------	------	--------	-------	------	-------------

NOTE: Module (Item #9) not included in install kit, need to order separately.

1	82208994AG	1							INSTALL KIT, REMOTE START
2	05140470AA	1							ANTENNA
3	05140471AA	1							ANTENNA
4	05140472AA	1							TRANSMITTER
5	68001331AA	1							SWITCH
6	05140474AA	1							LABEL
7	05140773AA	1							BATTERY, Transmitter, Contains: 12 Replacement Batteries
8	05179434AA	1							HARNESS, Wiring
9	82208859AB	1							MODULE KIT, REMOTE START
10	68021198AA	1							MODULE, Remote Start
11	05140468AA	1							MODULE
-12	68021199AA	1							HARNESS, Wiring



GRAND CHEROKEE (WK)

SERIES LINE
H = HIGHLINE T = JEEP - 2WD
P = PREMIUM J = JEEP - 4WD
S = SPORT
X = SPECIAL

BODY
74 = SPORT UTILITY 4-DR
TYPE #4

ENGINE
EVA = 4.7L V8 MPI Engine
EVD = 4.7L V8 FFV Engine
EXL = 3.0L V6 Turbo Diesel
Engine
EZB = 5.7L Hemi Multi
Displacement Engine
EKG = 3.7L V6 Engine
ESF = 6.1L SRT HEMI SMPI
V8 Engine

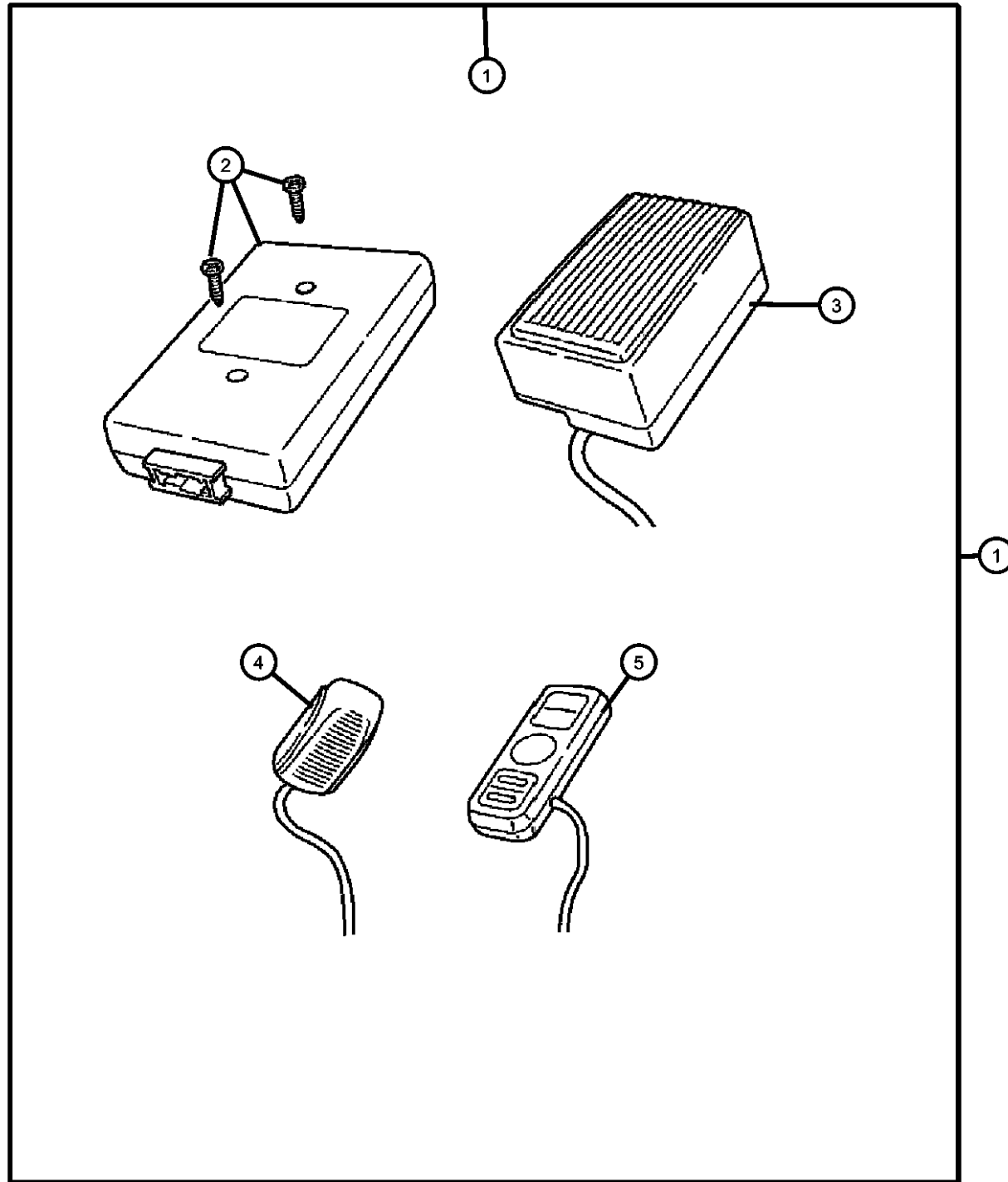
TRANSMISSION
DGJ = 5-Speed Auto W5A580
Transmission
DGQ = 5-Spd Automatic 545RFE
Transmission
DGU = 5-Spd Auto W5J400
Transmission

AR = use ase required - = Non illustrated part

2007 WK

Hands Free Kit - Cellular Phone
Figure 1-330

ITEM	PART NUMBER	QTY	LINE	SERIES	BODY	ENGINE	TRANS	TRIM	DESCRIPTION
1	82207853AE	1							HANDS FREE KIT, Cellular Phone
2	05114359AD	1							MODULE, U Connect
3	05102026AA	1							SPEAKER, Front
4	05102025AA	1							MICROPHONE, Audio
5	05102027AA	1							CONTROLLER, Audio
-6	05191830AA	1							HARNESS



GRAND CHEROKEE (WK)

SERIES LINE
H = HIGHLINE T = JEEP - 2WD
P = PREMIUM J = JEEP - 4WD
S = SPORT
X = SPECIAL

BODY
74 = SPORT UTILITY 4-DR
TYPE #4

ENGINE
EVA = 4.7L V8 MPI Engine
EVD = 4.7L V8 FFV Engine
EXL = 3.0L V6 Turbo Diesel
Engine
EZB = 5.7L Hemi Multi
Displacement Engine
EKG = 3.7L V6 Engine
ESF = 6.1L SRT HEMI SMPI
V8 Engine

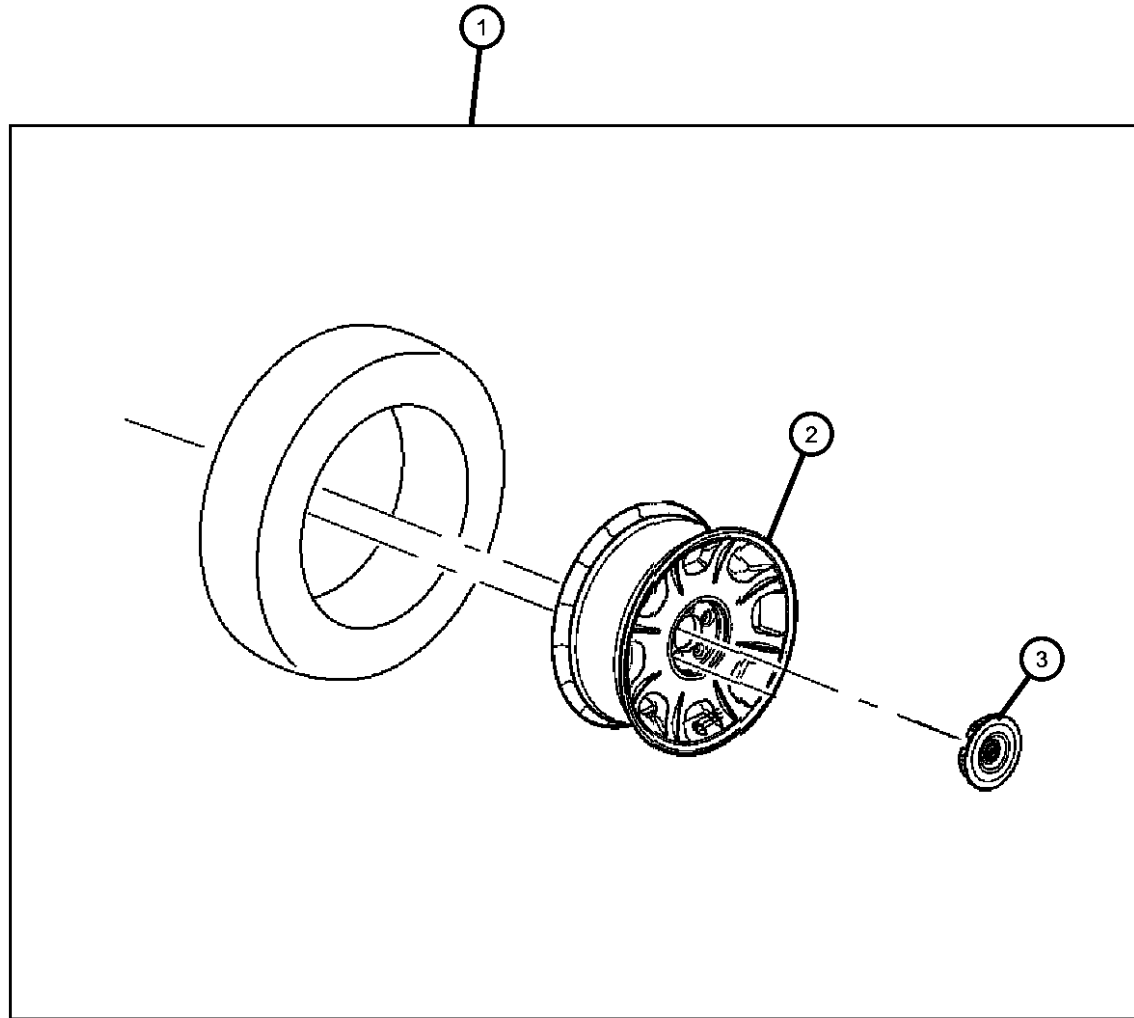
TRANSMISSION
DGJ = 5-Speed Auto W5A580
Transmission
DGQ = 5-Spd Automatic 545RFE
Transmission
DGU = 5-Spd Auto W5J400
Transmission

AR = use ase required - = Non illustrated part

2007 WK

**Wheel Kit
Figure 1-410**

ITEM	PART NUMBER	QTY	LINE	SERIES	BODY	ENGINE	TRANS	TRIM	DESCRIPTION
1	82210036	1			74				WHEEL KIT, Cast Aluminum
2		1							WHEEL KIT, Forged Aluminum, (NOT SERVICED)
3									CAP, Wheel Center
	52090402AA	4	J, T		74				
	5HT59SZ0AB	4	J, T		74				Chrome Clad



GRAND CHEROKEE (WK)

SERIES LINE
H = HIGHLINE T = JEEP - 2WD
P = PREMIUM J = JEEP - 4WD
S = SPORT
X = SPECIAL

BODY
74 = SPORT UTILITY 4-DR
TYPE #4

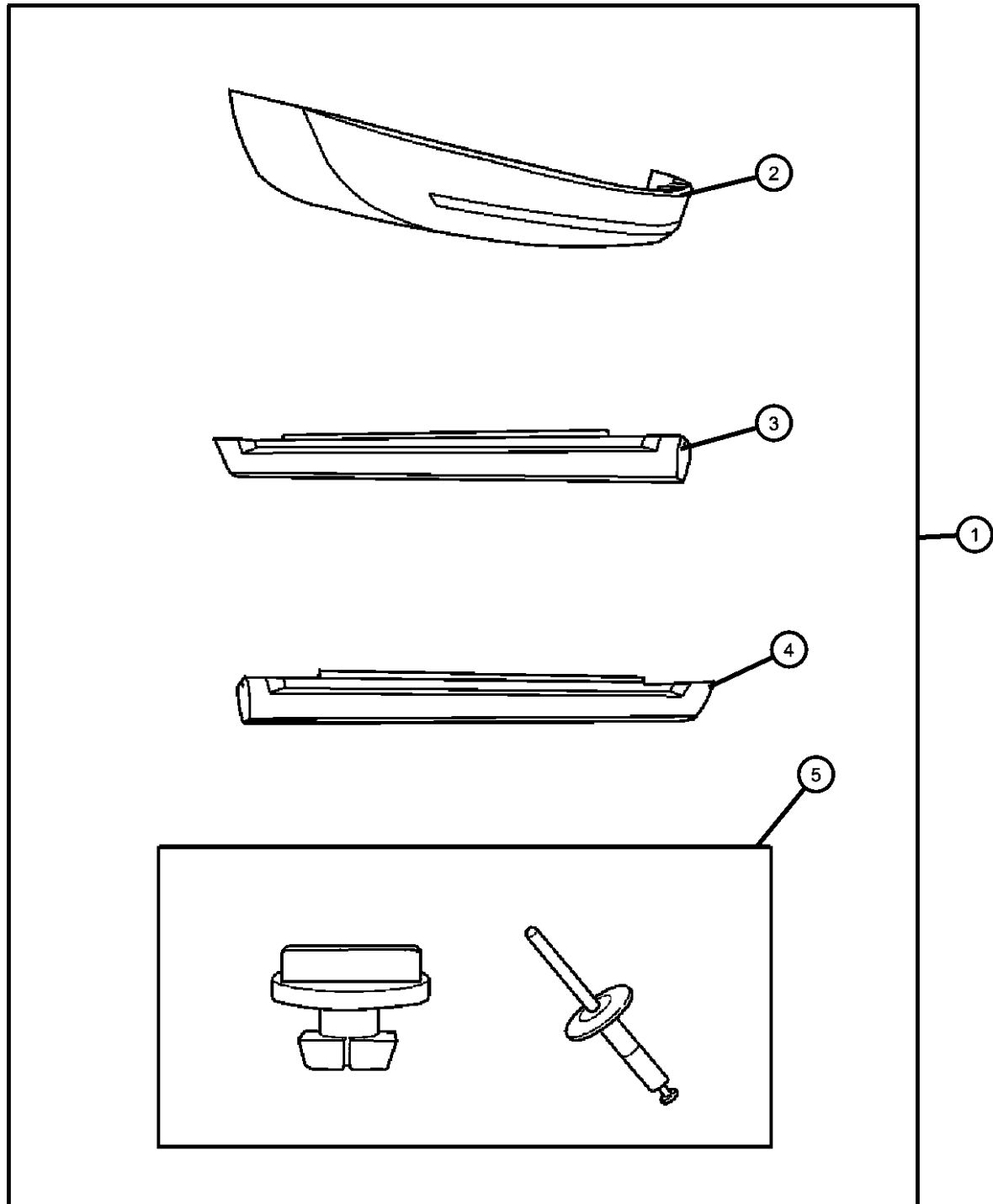
ENGINE
EVA = 4.7L V8 MPI Engine
EVD = 4.7L V8 FFV Engine
EXL = 3.0L V6 Turbo Diesel
Engine
EZB = 5.7L Hemi Multi
Displacement Engine
EKG = 3.7L V6 Engine
ESF = 6.1L SRT HEMI SMPI
V8 Engine

TRANSMISSION
DGJ = 5-Speed Auto W5A580
Transmission
DGQ = 5-Spd Automatic 545RFE
Transmission
DGU = 5-Spd Auto W5J400
Transmission

AR = use ase required - = Non illustrated part

Cladding Kit
Figure 1-510

ITEM	PART NUMBER	QTY	LINE	SERIES	BODY	ENGINE	TRANS	TRIM	DESCRIPTION
1									CLADDING KIT, Lowerside
	82208333AC	1							[WSB] Silver Metallic
	82208334AC	1							Prime
	82210472AC	1							Black
	82210473AC	1							Steel Blue
	82210474AC	1							Light Greystone
	82210475AC	1							Red Rock Crystal
	82210539AC	1							Mineral Gray
2	05166227AA	1							AIR DAM
3	05166228AB	1							SILL, Body Side
4	05166228AB	1							SILL, Body Side
5	05166232AA	1							HARDWARE KIT, ATTACHMENT



GRAND CHEROKEE (WK)

SERIES LINE
H = HIGHLINE T = JEEP - 2WD
P = PREMIUM J = JEEP - 4WD
S = SPORT
X = SPECIAL

BODY
74 = SPORT UTILITY 4-DR
TYPE #4

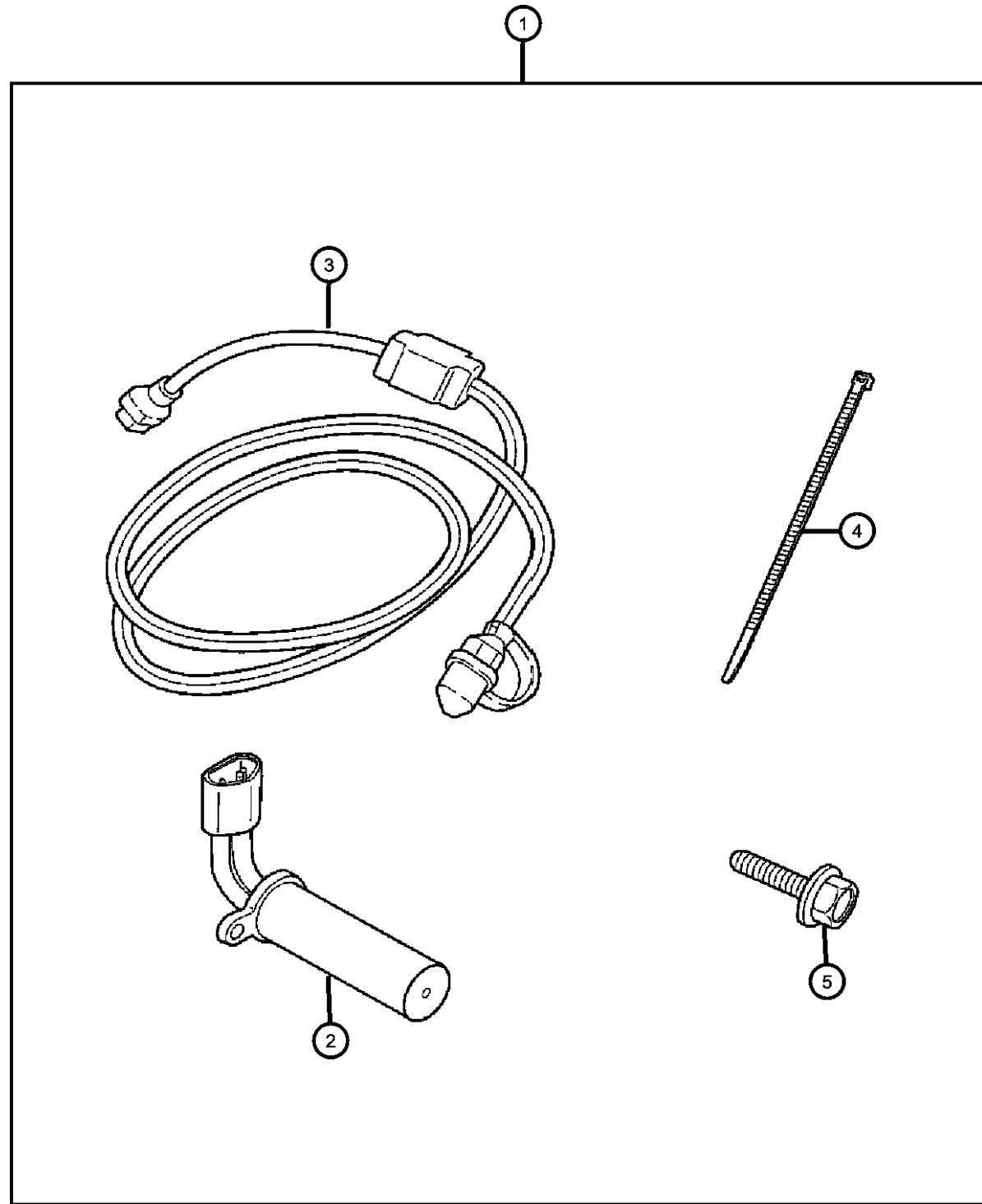
ENGINE
EVA = 4.7L V8 MPI Engine
EVD = 4.7L V8 FFV Engine
EXL = 3.0L V6 Turbo Diesel
Engine
EZB = 5.7L Hemi Multi
Displacement Engine
EKG = 3.7L V6 Engine
ESF = 6.1L SRT HEMI SMPI
V8 Engine

TRANSMISSION
DGJ = 5-Speed Auto W5A580
Transmission
DGQ = 5-Spd Automatic 545RFE
Transmission
DGU = 5-Spd Auto W5J400
Transmission

AR = use ase required - = Non illustrated part

2007 WK

**Engine Block Heater
Figure 1-610**



ITEM	PART NUMBER	QTY	LINE	SERIES	BODY	ENGINE	TRANS	TRIM	DESCRIPTION
1	82208937	1							HEATER PACKAGE, Engine Block
2	56044359AA	1							HEATER, Engine Block
3	04608805AD	1							CORD, Engine Block Heater
4	06015756	1							STRAP, Tie
5	06102001	1							BOLT AND WASHER, M6x12

GRAND CHEROKEE (WK)

SERIES LINE
H = HIGHLINE T = JEEP - 2WD
P = PREMIUM J = JEEP - 4WD
S = SPORT
X = SPECIAL

BODY
74 = SPORT UTILITY 4-DR
TYPE #4

ENGINE
EVA = 4.7L V8 MPI Engine
EVD = 4.7L V8 FFV Engine
EXL = 3.0L V6 Turbo Diesel
Engine
EZB = 5.7L Hemi Multi
Displacement Engine
EKG = 3.7L V6 Engine
ESF = 6.1L SRT HEMI SMPI
V8 Engine

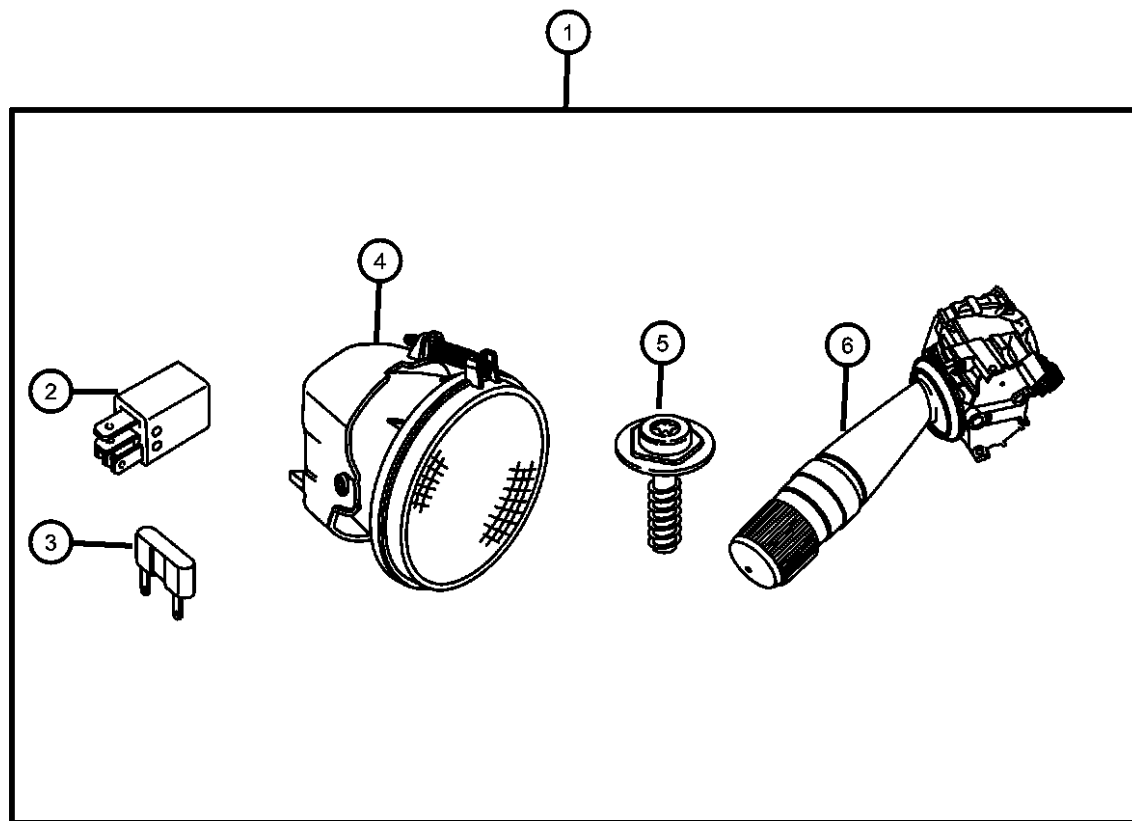
TRANSMISSION
DGJ = 5-Speed Auto W5A580
Transmission
DGQ = 5-Spd Automatic 545RFE
Transmission
DGU = 5-Spd Auto W5J400
Transmission

AR = use ase required - = Non illustrated part

2007 WK

Light Kit - Fog
Figure 1-620

ITEM	PART NUMBER	QTY	LINE	SERIES	BODY	ENGINE	TRANS	TRIM	DESCRIPTION
1	82209354	1							LIGHT KIT, Fog
2	04671168	1							RELAY, Mini
3	06101488	1							FUSE, Mini, 20 AMP, Yellow
4	04805859AA	1							LAMP, Fog
5	06506579AA	1							SCREW, Tapping
6	05143312AD	1							SWITCH, Multifunction



GRAND CHEROKEE (WK)

SERIES LINE
H = HIGHLINE T = JEEP - 2WD
P = PREMIUM J = JEEP - 4WD
S = SPORT
X = SPECIAL

BODY
74 = SPORT UTILITY 4-DR
TYPE #4

ENGINE
EVA = 4.7L V8 MPI Engine
EVD = 4.7L V8 FFV Engine
EXL = 3.0L V6 Turbo Diesel
Engine
EZB = 5.7L Hemi Multi
Displacement Engine
EKG = 3.7L V6 Engine
ESF = 6.1L SRT HEMI SMPI
V8 Engine

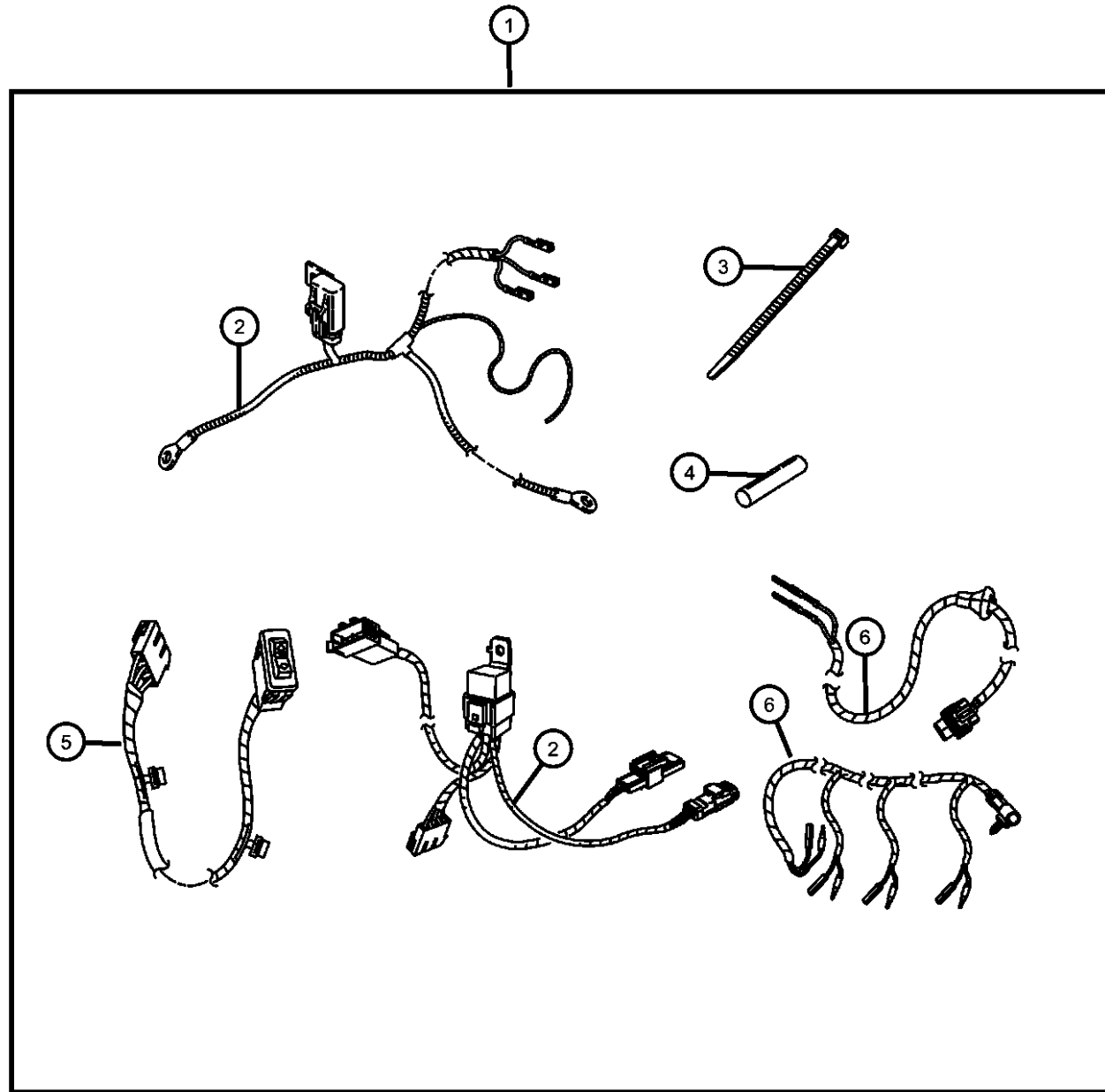
TRANSMISSION
DGJ = 5-Speed Auto W5A580
Transmission
DGQ = 5-Spd Automatic 545RFE
Transmission
DGU = 5-Spd Auto W5J400
Transmission

AR = use ase required - = Non illustrated part

2007 WK

Wiring Kit - Off Road
Figure 1-625

ITEM	PART NUMBER	QTY	LINE	SERIES	BODY	ENGINE	TRANS	TRIM	DESCRIPTION
1	82210019AB	1							WIRING KIT, Off Road
2	05179783AA	1							HARNESS, Wiring
3	06015756	1							STRAP, Tie, Quantity of 14
4	04778570	1							TUBE, Heat Shrink
5	05269430	1							SWITCH, Fog Lamp
6	05179784AA	1							HARNESS, Roof



GRAND CHEROKEE (WK)

SERIES LINE
H = HIGHLINE T = JEEP - 2WD
P = PREMIUM J = JEEP - 4WD
S = SPORT
X = SPECIAL

BODY
74 = SPORT UTILITY 4-DR
TYPE #4

ENGINE
EVA = 4.7L V8 MPI Engine
EVD = 4.7L V8 FFV Engine
EXL = 3.0L V6 Turbo Diesel
Engine
EZB = 5.7L Hemi Multi
Displacement Engine
EKG = 3.7L V6 Engine
ESF = 6.1L SRT HEMI SMPI
V8 Engine

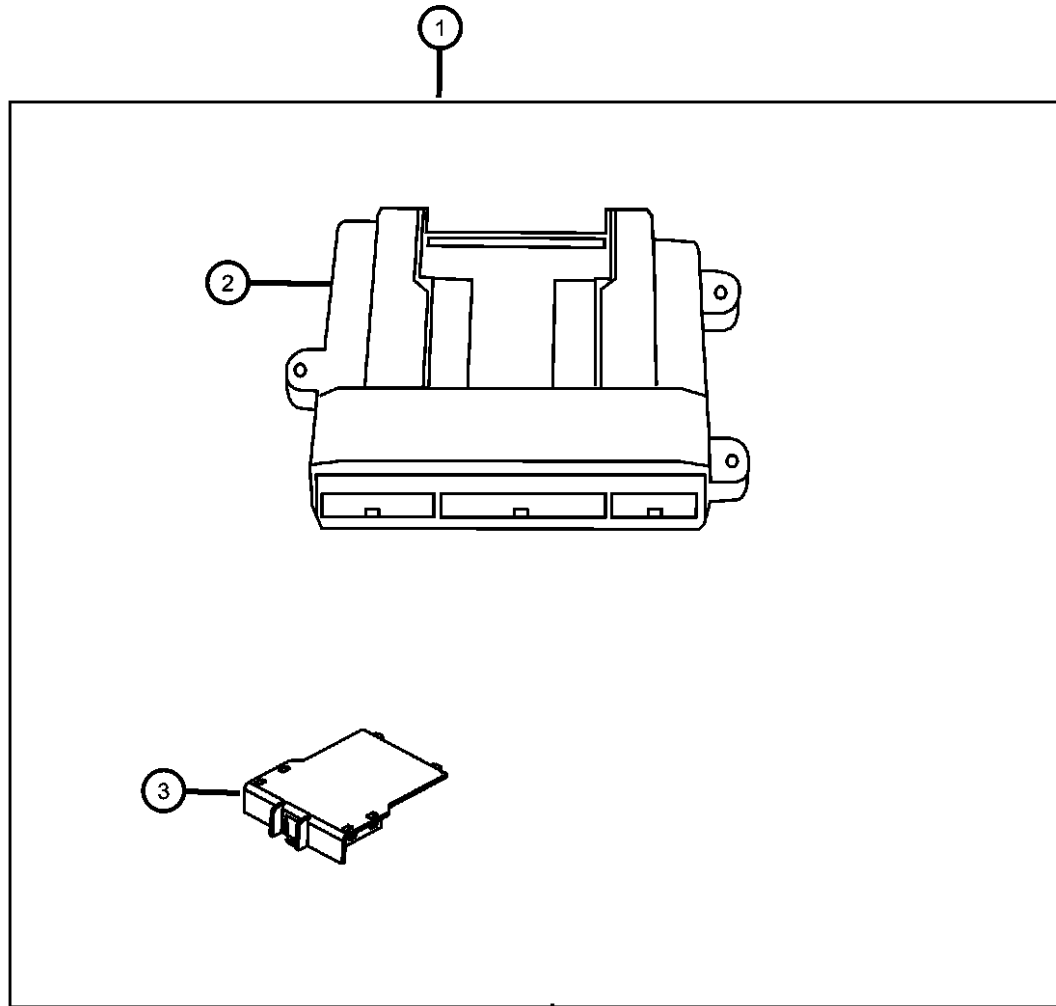
TRANSMISSION
DGJ = 5-Speed Auto W5A580
Transmission
DGQ = 5-Spd Automatic 545RFE
Transmission
DGU = 5-Spd Auto W5J400
Transmission

AR = use ase required - = Non illustrated part

2007 WK

**Alarm Kit
Figure 1-910**

ITEM	PART NUMBER	QTY	LINE	SERIES	BODY	ENGINE	TRANS	TRIM	DESCRIPTION
1	82209709	1							ALARM KIT, Security with Keyless
2	05140464AA	1							MODULE, Remote Start
3	05189810AA	1							MODULE, Security Alarm



GRAND CHEROKEE (WK)

SERIES LINE
H = HIGHLINE T = JEEP - 2WD
P = PREMIUM J = JEEP - 4WD
S = SPORT
X = SPECIAL

BODY
74 = SPORT UTILITY 4-DR
TYPE #4

ENGINE
EVA = 4.7L V8 MPI Engine
EVD = 4.7L V8 FFV Engine
EXL = 3.0L V6 Turbo Diesel
Engine
EZB = 5.7L Hemi Multi
Displacement Engine
EKG = 3.7L V6 Engine
ESF = 6.1L SRT HEMI SMPI
V8 Engine

TRANSMISSION
DGJ = 5-Speed Auto W5A580
Transmission
DGQ = 5-Spd Automatic 545RFE
Transmission
DGU = 5-Spd Auto W5J400
Transmission

AR = use ase required - = Non illustrated part

2007 WK

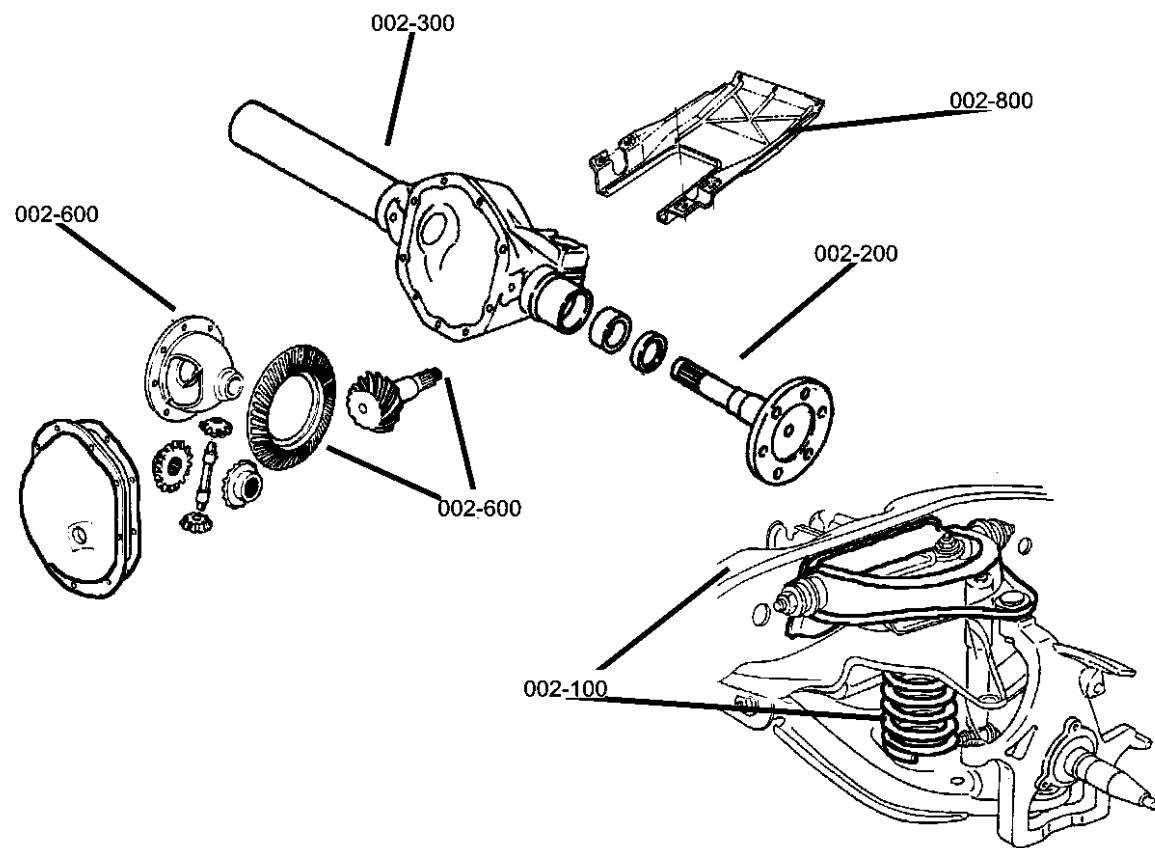
Group - 2

Front Suspension & Drive

Group - 2 Front Suspension & Drive

Illustration Title

Group-Fig. No.



Front Suspension

Suspension,Front,Springs,Control Arms and Shocks	Fig. 2 - 110
Front Stabilizer Bar.....	Fig. 2 - 120
Cradle,Front Suspension	Fig. 2 - 130

Front Axle Drive Shafts

Front Axle Shafts [DJA].....	Fig. 2 - 210
------------------------------	--------------

Front Axle Housing

Housing,Front Axle [DJA].....	Fig. 2 - 310
-------------------------------	--------------

Front Axle Assembly

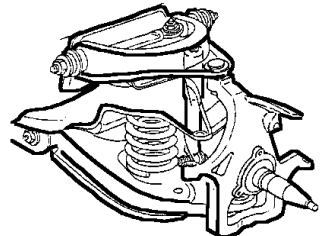
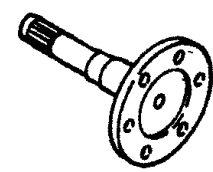
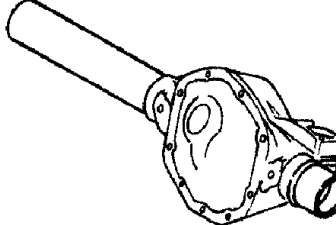
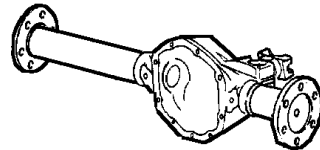
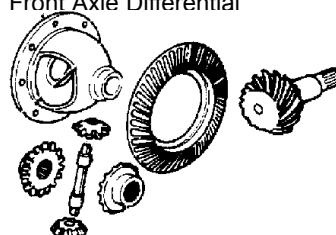
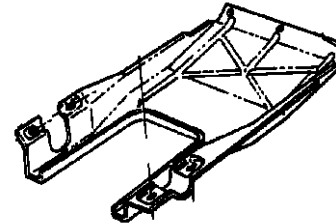
Front Axle Assembly,[DJA]	Fig. 2 - 410
---------------------------------	--------------

Front Axle Differential

Differential, Front Axle,[DJA]	Fig. 2 - 610
--------------------------------------	--------------

Front Axle Skid Plate

Skid Plate, Front Axle.....	Fig. 2 - 810
-----------------------------	--------------

<p>002-100 Front Suspension</p> 	<p>002-200 Front Axle Drive Shafts</p> 	<p>002-300 Front Axle Housing</p> 	<p>002-400 Front Axle Assembly</p> 
<p>002-600 Front Axle Differential</p> 	<p>002-800 Front Axle Skid Plate</p> 		

Suspension,Front,Springs,Control Arms and Shocks
Figure 2-110

ITEM	PART NUMBER	QTY	LINE	SERIES	BODY	ENGINE	TRANS	TRIM	DESCRIPTION
------	-------------	-----	------	--------	------	--------	-------	------	-------------

Note:Sales Codes;
 [EK0]=Engines - All 3.7L 6 Cylinder Gas
 [EV0]=Engines - ALL 4.7L Gas Engines
 [ES0]=Engines - All 6 L Engines

1	52089347AA	2	J, T		74				BUMPER, Jounce
2	06507770AA	4	J, T		74				BOLT, Hex Head, UCA to Body, Mounting
3	06502697	4							NUT, Hex Flange Lock, M12x1.75, UCA to Body, Mounting
4									ARM, Control
	52090206AG	2	J, T		74				Also Includes Item 6-Without Autoleveling Headlamps, Upper
	52090206AH	2	J, T		74				Also Includes Item 6-With Autoleveling Headlamps, Upper
5	06101984	4	J, T		74				BOLT, LCA to Cradle Rear, Mounting
6	06507676AA	2	J, T		74				NUT, Hex, UCA to Knuckle, Mounting
7									KNUCKLE, Front
	05290648AA	1	J		74				[ES0], Right
	05290649AA	1	J		74				[ES0], Left
	52090179AC	1	J, T		74				[EK0,EV0,EX0,EZ0], Left
	52090180AC	1	J, T		74				[EK0,EV0,EX0,EZ0], Right
8	06508257AA	4	J, T		74				NUT AND WASHER, LCA to Cradle Rear, Mounting
9	06503047	2	J, T		74				BOLT, Hex Flange Head, M16x2.00x135, Clevis, Mounting
10	06505623AA	2							NUT AND WASHER, LCA to Knuckle, Mounting
11	05135651AC	1	J, T		74				BALL JOINT PACKAGE, Lower Control Arm
12	06102252AA	2							NUT, Hex Flange Lock, Clevis, Mounting
13									ARM, Lower Control, Front
	05290634AA	1	J, T		74				[SDX] Includes Items 10,11 and All Bushings, Right
	05290635AA	1	J, T		74				[SDX] Includes Items 10,11 and All Bushings, Left
	52089980AG	1	J, T		74				[SDA] Includes Items 10,11 and All Bushings, Right

GRAND CHEROKEE (WK)

SERIES LINE
 H = HIGHLINE T = JEEP - 2WD
 P = PREMIUM J = JEEP - 4WD
 S = SPORT
 X = SPECIAL

BODY
 74 = SPORT UTILITY 4-DR TYPE #4

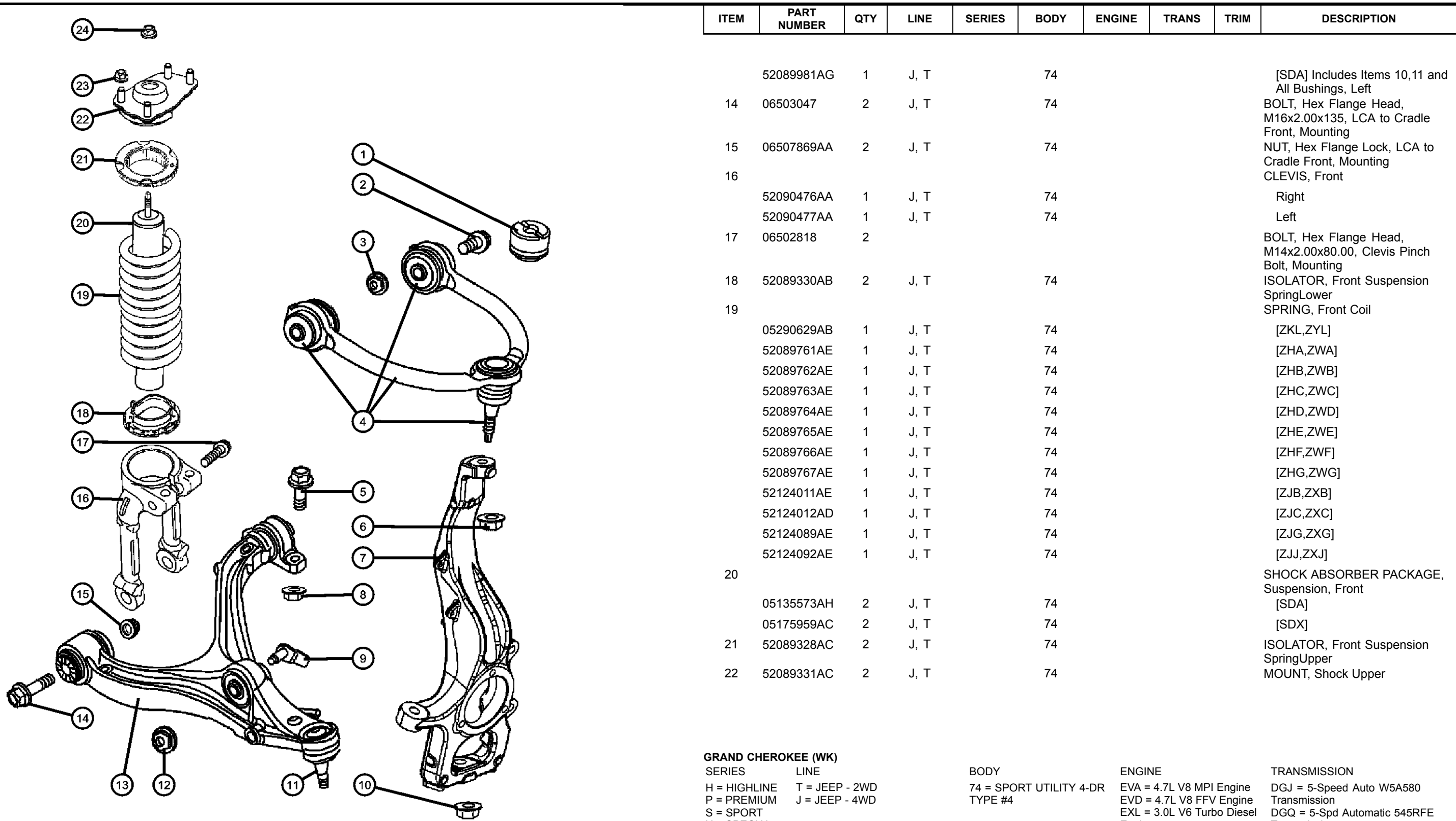
ENGINE
 EVA = 4.7L V8 MPI Engine
 EVD = 4.7L V8 FFV Engine
 EXL = 3.0L V6 Turbo Diesel Engine
 EZB = 5.7L Hemi Multi Displacement Engine
 EKG = 3.7L V6 Engine
 ESF = 6.1L SRT HEMI SMPI V8 Engine

TRANSMISSION
 DGJ = 5-Speed Auto W5A580 Transmission
 DGQ = 5-Spd Automatic 545RFE Transmission
 DGU = 5-Spd Auto W5J400 Transmission

AR = use ase required - = Non illustrated part

2007 WK

Suspension,Front,Springs,Control Arms and Shocks
Figure 2-110



ITEM	PART NUMBER	QTY	LINE	SERIES	BODY	ENGINE	TRANS	TRIM	DESCRIPTION
	52089981AG	1	J, T		74				[SDA] Includes Items 10,11 and All Bushings, Left
14	06503047	2	J, T		74				BOLT, Hex Flange Head, M16x2.00x135, LCA to Cradle Front, Mounting
15	06507869AA	2	J, T		74				NUT, Hex Flange Lock, LCA to Cradle Front, Mounting
16									CLEVIS, Front
	52090476AA	1	J, T		74				Right
	52090477AA	1	J, T		74				Left
17	06502818	2							BOLT, Hex Flange Head, M14x2.00x80.00, Clevis Pinch Bolt, Mounting
18	52089330AB	2	J, T		74				ISOLATOR, Front Suspension SpringLower
19									SPRING, Front Coil
	05290629AB	1	J, T		74				[ZKL,ZYL]
	52089761AE	1	J, T		74				[ZHA,ZWA]
	52089762AE	1	J, T		74				[ZHB,ZWB]
	52089763AE	1	J, T		74				[ZHC,ZWC]
	52089764AE	1	J, T		74				[ZHD,ZWD]
	52089765AE	1	J, T		74				[ZHE,ZWE]
	52089766AE	1	J, T		74				[ZHF,ZWF]
	52089767AE	1	J, T		74				[ZHG,ZWG]
	52124011AE	1	J, T		74				[ZJB,ZXB]
	52124012AD	1	J, T		74				[ZJC,ZXC]
	52124089AE	1	J, T		74				[ZJG,ZXG]
	52124092AE	1	J, T		74				[ZJJ,ZXJ]
20									SHOCK ABSORBER PACKAGE, Suspension, Front
	05135573AH	2	J, T		74				[SDA]
	05175959AC	2	J, T		74				[SDX]
21	52089328AC	2	J, T		74				ISOLATOR, Front Suspension SpringUpper
22	52089331AC	2	J, T		74				MOUNT, Shock Upper

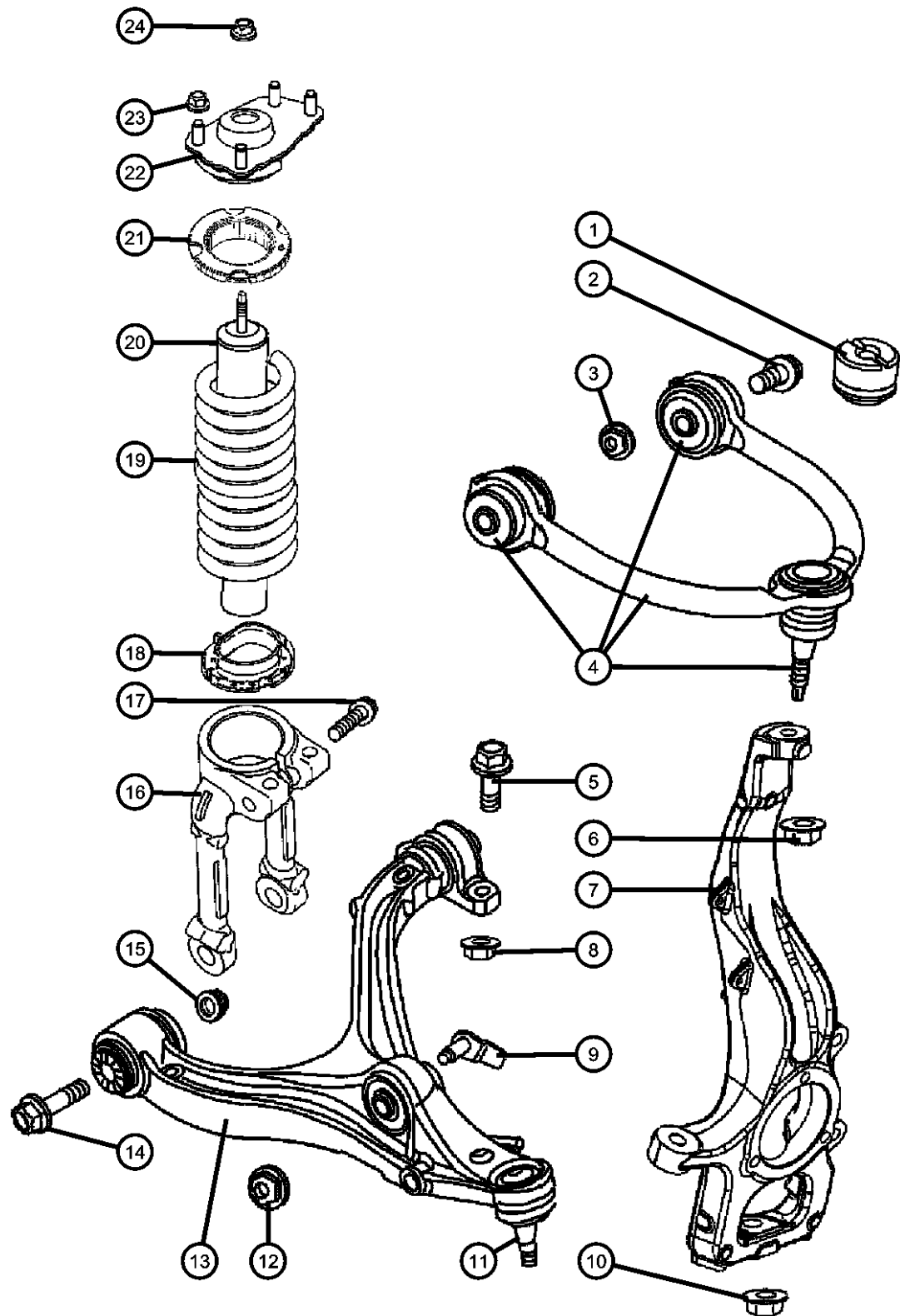
GRAND CHEROKEE (WK)

SERIES	LINE	BODY	ENGINE	TRANSMISSION
H = HIGHLINE	T = JEEP - 2WD	74 = SPORT UTILITY 4-DR	EVA = 4.7L V8 MPI Engine	DGJ = 5-Speed Auto W5A580
P = PREMIUM	J = JEEP - 4WD	TYPE #4	EVD = 4.7L V8 FFV Engine	Transmission
S = SPORT			EXL = 3.0L V6 Turbo Diesel	DGQ = 5-Spd Automatic 545RFE
X = SPECIAL			Engine	Transmission
			EZB = 5.7L Hemi Multi	DGU = 5-Spd Auto W5J400
			Displacement Engine	Transmission
			EKG = 3.7L V6 Engine	
			ESF = 6.1L SRT HEMI SMPI	
			V8 Engine	

AR = use ase required - = Non illustrated part

Suspension,Front,Springs,Control Arms and Shocks
Figure 2-110

ITEM	PART NUMBER	QTY	LINE	SERIES	BODY	ENGINE	TRANS	TRIM	DESCRIPTION
------	-------------	-----	------	--------	------	--------	-------	------	-------------



23	06502697	8							NUT, Hex Flange Lock, M12x1.75, Shock Upper Mount, Mounting
24	06507207AA	2	J, T		74				NUT, Shock Upper, Mounting

GRAND CHEROKEE (WK)

SERIES LINE
H = HIGHLINE T = JEEP - 2WD
P = PREMIUM J = JEEP - 4WD
S = SPORT
X = SPECIAL

BODY
74 = SPORT UTILITY 4-DR
TYPE #4

ENGINE
EVA = 4.7L V8 MPI Engine
EVD = 4.7L V8 FFV Engine
EXL = 3.0L V6 Turbo Diesel
Engine
EZB = 5.7L Hemi Multi
Displacement Engine
EKG = 3.7L V6 Engine
ESF = 6.1L SRT HEMI SMPI
V8 Engine

TRANSMISSION
DGJ = 5-Speed Auto W5A580
Transmission
DGQ = 5-Spd Automatic 545RFE
Transmission
DGU = 5-Spd Auto W5J400
Transmission

AR = use ase required - = Non illustrated part

2007 WK

**Front Stabilizer Bar
Figure 2-120**

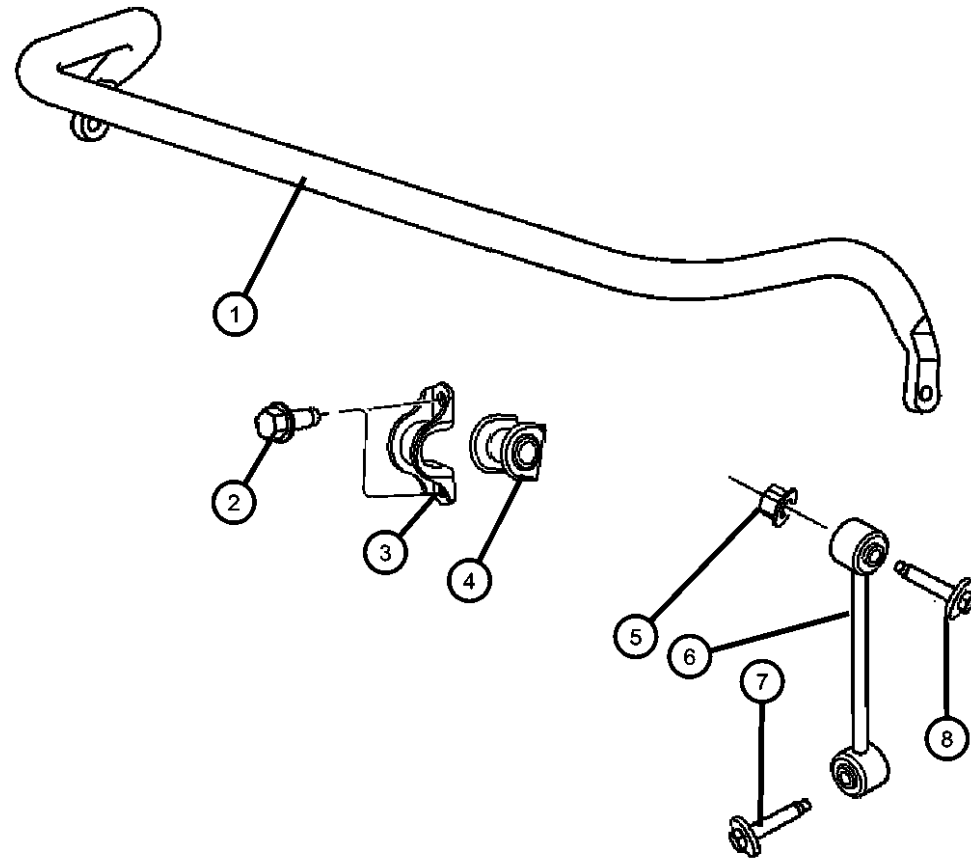
ITEM	PART NUMBER	QTY	LINE	SERIES	BODY	ENGINE	TRANS	TRIM	DESCRIPTION
------	-------------	-----	------	--------	------	--------	-------	------	-------------

Note: Sales Codes:

Note:SDX Sway Bars do not use bushing or retainers with the raised beads.

[SDA]=Normal Duty Suspension

[SDX]=High Performance Suspension



1									BAR, Front Sway
	52090154AE	1	J, T		74				[SDX]
	52089466AD	1	J, T		74				[SDA]
2	06508034AA	4	J, T		74				BOLT, [M14x2.00x45.0], Retainer Bracket to Cradle, Mounting
3	52090474AB	2	J, T		74				RETAINER, Stabilizer Bar Grommet
4	52089465AE	2	J, T		74				BUSHING, Stabilizer Bar
5	06502697	2							NUT, Hex Flange Lock, M12x1.75, Sway Bar to Link, Mounting
6	52089467AB	2	J, T		74				LINK, Sway Eliminator
7	06508710AA	2	J, T		74				BOLT, [M12x1.75x75.00], Sway Bar Link to LCA, Mounting
8	06507771AA	2	J, T		74				BOLT, [M12x1.75x80.00], Sway Bar to Link, Mounting

GRAND CHEROKEE (WK)

SERIES LINE
H = HIGHLINE T = JEEP - 2WD
P = PREMIUM J = JEEP - 4WD
S = SPORT
X = SPECIAL

BODY
74 = SPORT UTILITY 4-DR
TYPE #4

ENGINE
EVA = 4.7L V8 MPI Engine
EVD = 4.7L V8 FFV Engine
EXL = 3.0L V6 Turbo Diesel Engine
EZB = 5.7L Hemi Multi Displacement Engine
EKG = 3.7L V6 Engine
ESF = 6.1L SRT HEMI SMPI V8 Engine

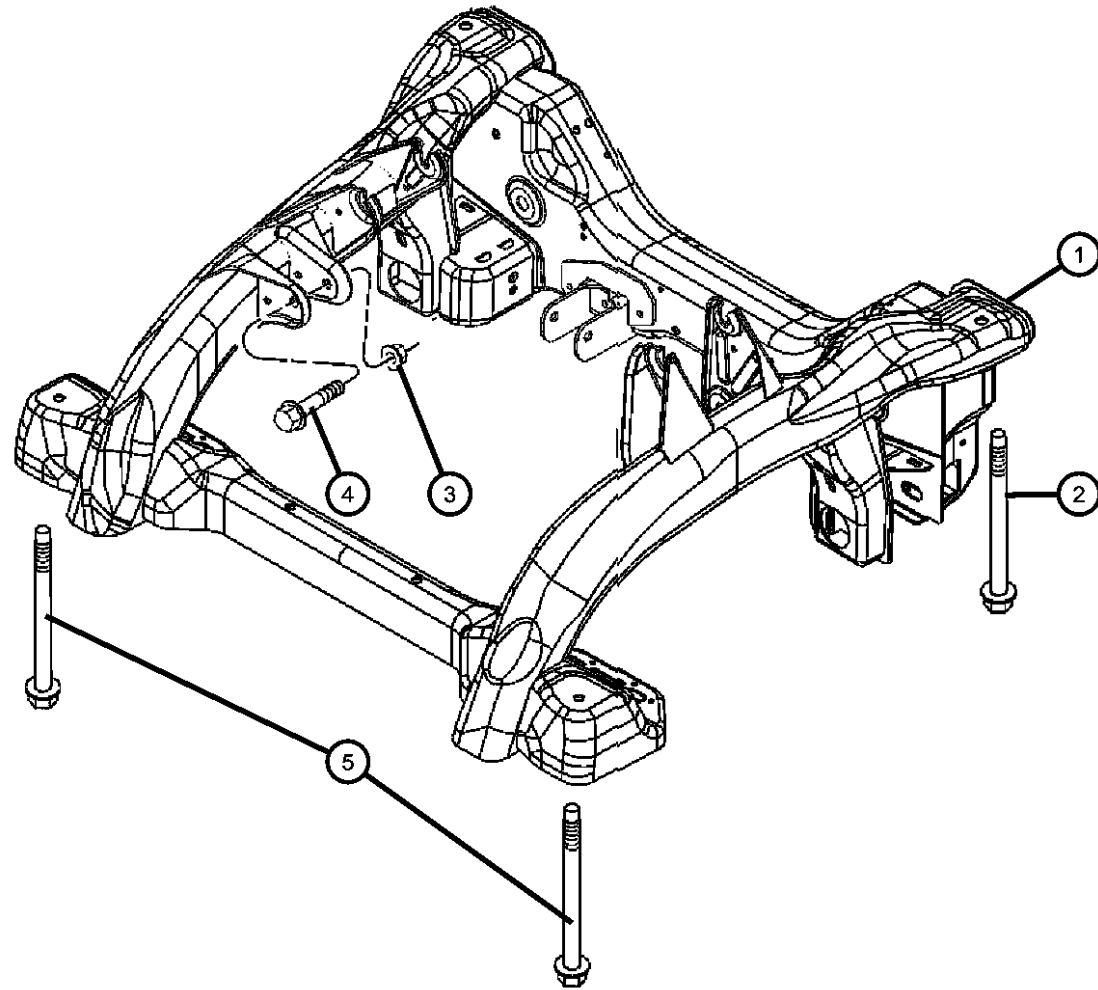
TRANSMISSION
DGJ = 5-Speed Auto W5A580 Transmission
DGQ = 5-Spd Automatic 545RFE Transmission
DGU = 5-Spd Auto W5J400 Transmission

AR = use ase required - = Non illustrated part

2007 WK

Cradle,Front Suspension
Figure 2-130

ITEM	PART NUMBER	QTY	LINE	SERIES	BODY	ENGINE	TRANS	TRIM	DESCRIPTION
1	52089493AH	1	J, T		74				CRADLE, Front Suspension
2	06507957AA	2	J, T		74				BOLT, Cradle Front, Mounting
3	06502697	2	J						NUT, Hex Flange Lock, M12x1.75, Front Differential Bushing to Cradle, Mounting
4	06507770AA	2	J		74				BOLT, Hex Head, Front Differential Bushing to Cradle, Mounting
5	06507958AA	2	J, T		74				BOLT, Cradle Rear, Mounting



GRAND CHEROKEE (WK)

SERIES LINE
H = HIGHLINE T = JEEP - 2WD
P = PREMIUM J = JEEP - 4WD
S = SPORT
X = SPECIAL

BODY
74 = SPORT UTILITY 4-DR
TYPE #4

ENGINE
EVA = 4.7L V8 MPI Engine
EVD = 4.7L V8 FFV Engine
EXL = 3.0L V6 Turbo Diesel
Engine
EZB = 5.7L Hemi Multi
Displacement Engine
EKG = 3.7L V6 Engine
ESF = 6.1L SRT HEMI SMPI
V8 Engine

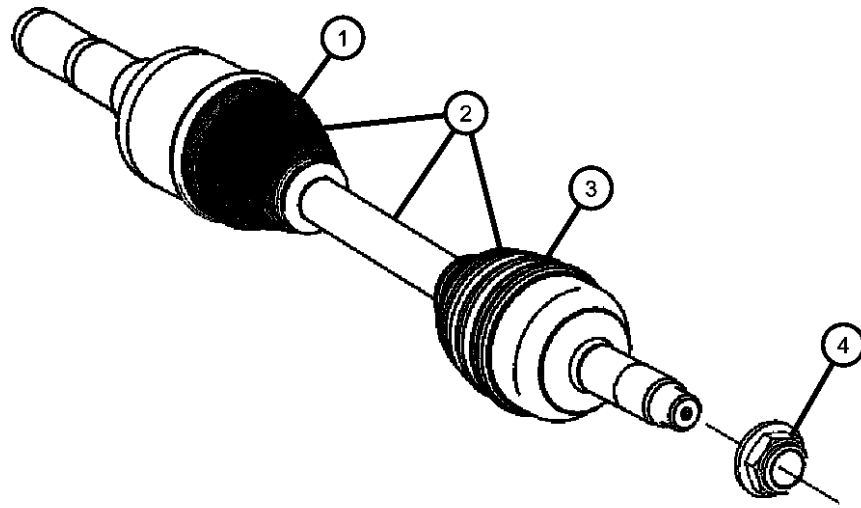
TRANSMISSION
DGJ = 5-Speed Auto W5A580
Transmission
DGQ = 5-Spd Automatic 545RFE
Transmission
DGU = 5-Spd Auto W5J400
Transmission

AR = use ase required - = Non illustrated part

2007 WK

**Front Axle Shafts [DJA]
Figure 2-210**

ITEM	PART NUMBER	QTY	LINE	SERIES	BODY	ENGINE	TRANS	TRIM	DESCRIPTION
Note:Sales Codes; [DJA]=Axle - Front,200MM [DSG]=Axle - Electric Limited Slip Differential,Front [DS7]=Conventional Differential Front Axle									
1	05140758AA	1	J		74				BOOT KIT, Half Shaft, InnerRight or Left
2									SHAFT, Axle Half
	52104590AA	1	J		74				Right
	52104591AB	1	J		74				[DS7], Left
	52104701AB	1	J		74				[DSG], Left
3	05140759AA	1	J		74				BOOT KIT, Half Shaft, OuterRight or Left
4	06506454AA	2	J						NUT, Hex



GRAND CHEROKEE (WK)

SERIES LINE
H = HIGHLINE T = JEEP - 2WD
P = PREMIUM J = JEEP - 4WD
S = SPORT
X = SPECIAL

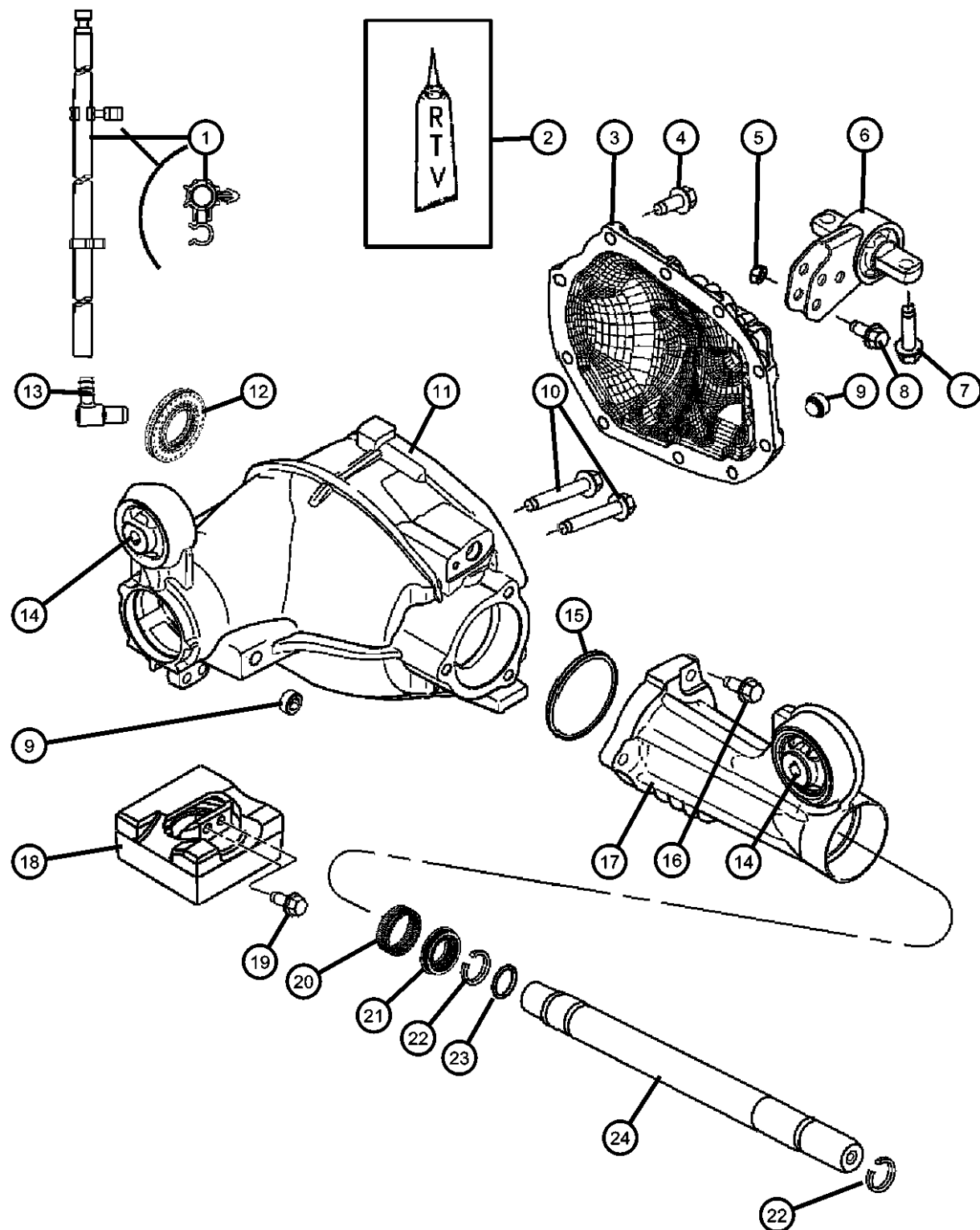
BODY
74 = SPORT UTILITY 4-DR
TYPE #4

ENGINE
EVA = 4.7L V8 MPI Engine
EVD = 4.7L V8 FFV Engine
EXL = 3.0L V6 Turbo Diesel
Engine
EZB = 5.7L Hemi Multi
Displacement Engine
EKG = 3.7L V6 Engine
ESF = 6.1L SRT HEMI SMPI
V8 Engine

TRANSMISSION
DGJ = 5-Speed Auto W5A580
Transmission
DGQ = 5-Spd Automatic 545RFE
Transmission
DGU = 5-Spd Auto W5J400
Transmission

Housing,Front Axle [DJA]

Figure 2-310



Note:Sales Codes;
 [DJA]=Axle - Front,200MM
 [DS7]=Conventional Differential Front Axle
 [DSG]=Axle - Electric Limited Slip Differential,Front

ITEM	PART NUMBER	QTY	LINE	SERIES	BODY	ENGINE	TRANS	TRIM	DESCRIPTION
1	52114148AC	1	J		74				HOSE, Axle Vent
	52114884AA	1	J		74				[EK0,ES0,EV0,EZ0] [EX0]
2	05010884AA	1	J		74				SEALANT, RTV
3	52111342AC	1	J		74				COVER, Differential
	52111964AC	1	J		74				[DS7] [DSG]
4	06507903AA	10	J		74				BOLT, Differential Cover
		8	J		74				[DSG], Mounting [DS7], Mounting
5	06104718AA	3	J		74				NUT, Axle Bracket, Mounting
6	52114354AA	1	J		74				BRACKET, Mounting, Axle
7	06508159AA	2	J		74				BOLT, Differential Dogbone to Cradle, Mounting
8	06104237AA	3	J		74				BOLT, Axle Bracket, Mounting
9	05097712AB	1	J		74				PLUG, Oil Drain
10	03432695	2	J		74				SCREW, Hex Head, .50-13x2.38, Carrier Cap [DSG], Mounting
11	52114326AA	1	J		74				HOUSING, Axle
	52114331AA	1	J		74				[DSG] Includes 9,10,14 [DS7] Includes 9,13,14
12	52111338AC	1	J		74				SEAL, Axle Drive Shaft
13	52114325AA	1	J		74				VENT, Axle
14	52089516AB	2	J						ISOLATOR, Axle Mounting
15	52114079AA	1	J		74				O RING, Axle Housing Tube to Axle Housing, Mounting
16	06507903AA	3	J		74				BOLT, Differential Cover, Axle Housing Tube to Axle Housing, Mounting
17	52111343AC	1	J		74				TUBE, Axle Housing
	52111966AC	1	J		74				[DS7] [DSG]

GRAND CHEROKEE (WK)

SERIES LINE
 H = HIGHLINE T = JEEP - 2WD
 P = PREMIUM J = JEEP - 4WD
 S = SPORT
 X = SPECIAL

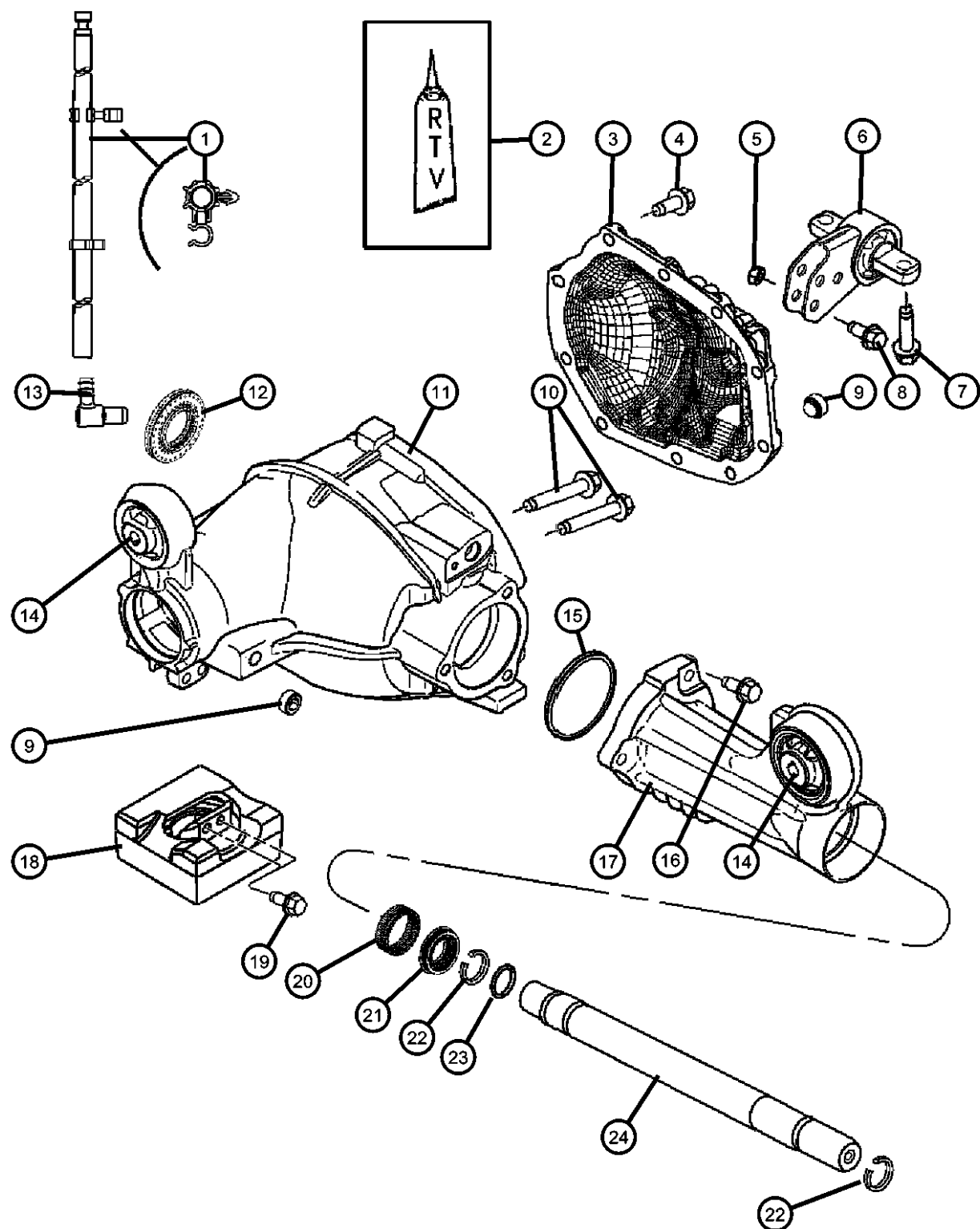
BODY
 74 = SPORT UTILITY 4-DR
 TYPE #4

ENGINE
 EVA = 4.7L V8 MPI Engine
 EVD = 4.7L V8 FFV Engine
 EXL = 3.0L V6 Turbo Diesel
 Engine
 EZB = 5.7L Hemi Multi
 Displacement Engine
 EKG = 3.7L V6 Engine
 ESF = 6.1L SRT HEMI SMPI
 V8 Engine

TRANSMISSION
 DGJ = 5-Speed Auto W5A580
 Transmission
 DGQ = 5-Spd Automatic 545RFE
 Transmission
 DGU = 5-Spd Auto W5J400
 Transmission

AR = use ase required - = Non illustrated part

Housing,Front Axle [DJA]
Figure 2-310



ITEM	PART NUMBER	QTY	LINE	SERIES	BODY	ENGINE	TRANS	TRIM	DESCRIPTION
18	52114554AB	1	J		74				DAMPER, Axle
19	06508346AA	2	J		74				BOLT, Axle Damper, Mounting
20	52111167AA	1	J		74				BUSHING, Axle Shaft
21	52069706AB	1	J		74				SEAL, Axle Drive Shaft
22	52069710AB	2	J		74				SNAP RING, Axle Shaft
23	52069888AB	1	J		74				O RING, Shaft Disconnect
24									SHAFT, Axle
	52111347AC	1	J		74				[DS7]
	52111969AD	1	J		74				[DSG]

GRAND CHEROKEE (WK)

SERIES LINE
H = HIGHLINE T = JEEP - 2WD
P = PREMIUM J = JEEP - 4WD
S = SPORT
X = SPECIAL

BODY
74 = SPORT UTILITY 4-DR
TYPE #4

ENGINE
EVA = 4.7L V8 MPI Engine
EVD = 4.7L V8 FFV Engine
EXL = 3.0L V6 Turbo Diesel
Engine
EZB = 5.7L Hemi Multi
Displacement Engine
EKG = 3.7L V6 Engine
ESF = 6.1L SRT HEMI SMPI
V8 Engine

TRANSMISSION
DGJ = 5-Speed Auto W5A580
Transmission
DGQ = 5-Spd Automatic 545RFE
Transmission
DGU = 5-Spd Auto W5J400
Transmission

AR = use ase required - = Non illustrated part

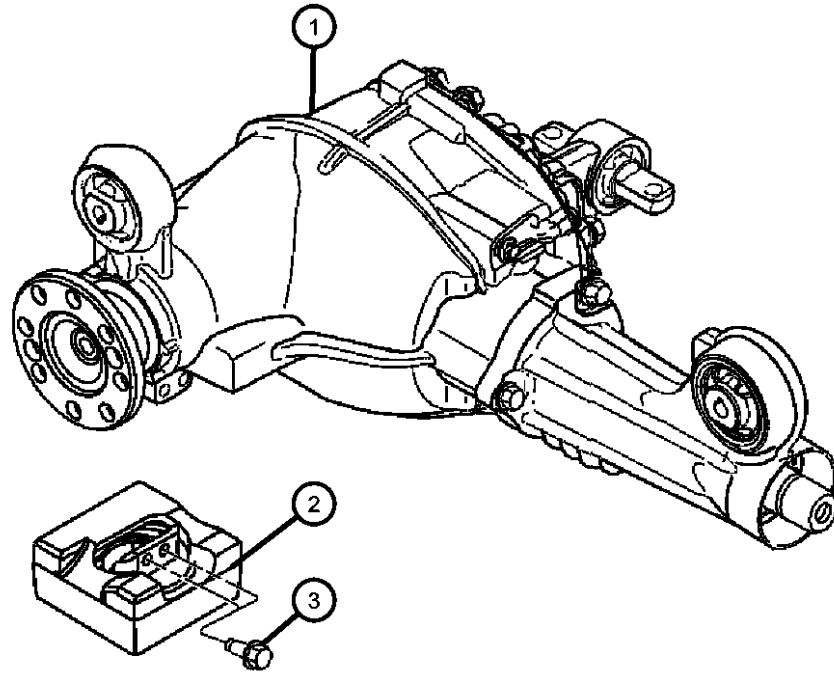
2007 WK

**Front Axle Assembly,[DJA]
Figure 2-410**

ITEM	PART NUMBER	QTY	LINE	SERIES	BODY	ENGINE	TRANS	TRIM	DESCRIPTION
------	-------------	-----	------	--------	------	--------	-------	------	-------------

Note:Sales Codes;
[DJA]=Axle - Front,200MM
[DMD]=Axle Ratio 3.55
[DME]=Axle Ratio 3.73
[DMM]=Axle Ratio 3.07
[DSG]=Axle - Electric Limited Slip Differential,Front
[DS7]=Axle-Conventional Differential,Front

1									AXLE, Service Front
	68003219AA	1	J		74				[DME.DSG]
	68003220AA	1	J		74				[DMD,DS7]
	68003230AA	1	J		74				[DMM]
	68003232AA	1	J		74				[DMD]
2	52114554AB	1	J		74				DAMPER, Axle
3	06508346AA	2	J		74				BOLT, Axle Damper



GRAND CHEROKEE (WK)

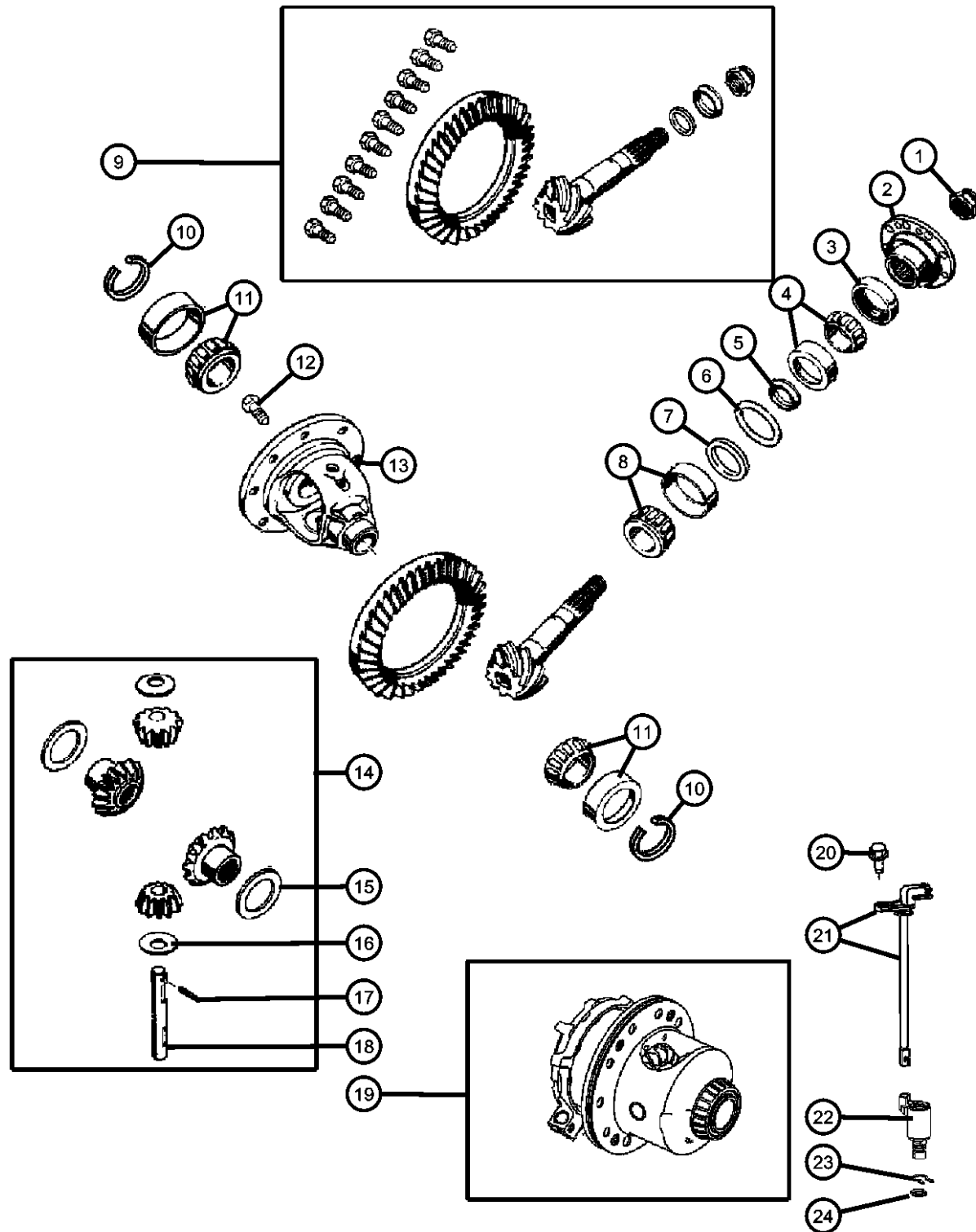
SERIES LINE
H = HIGHLINE T = JEEP - 2WD
P = PREMIUM J = JEEP - 4WD
S = SPORT
X = SPECIAL

BODY
74 = SPORT UTILITY 4-DR
TYPE #4

ENGINE
EVA = 4.7L V8 MPI Engine
EVD = 4.7L V8 FFV Engine
EXL = 3.0L V6 Turbo Diesel
Engine
EZB = 5.7L Hemi Multi
Displacement Engine
EKG = 3.7L V6 Engine
ESF = 6.1L SRT HEMI SMPI
V8 Engine

TRANSMISSION
DGJ = 5-Speed Auto W5A580
Transmission
DGQ = 5-Spd Automatic 545RFE
Transmission
DGU = 5-Spd Auto W5J400
Transmission

Differential, Front Axle,[DJA]
Figure 2-610



ITEM	PART NUMBER	QTY	LINE	SERIES	BODY	ENGINE	TRANS	TRIM	DESCRIPTION
Note:Sales Codes; [DJA]=Axle - Front,200MM [DMD]=Axle Ratio 3.55 [DME]=Axle Ratio 3.73 [DMM]=Axle Ratio 3.07 [DSG]=Axle - Electric Limited Slip Differential,Front [DS7]=Axle-Conventional Differential,Front									
1	06507901AA	1	J		74				NUT, Hex
2	52114795AB	1	J		74				FLANGE, Driveshaft Yoke
3	52111953AC	1	J		74				SEAL, Drive Pinion
4	05135674AB	1	J		74				BEARING PACKAGE, Drive Pinion, Bearing and Cup, Front
5	52111336AA	1	J		74				SPACER, Drive Pinion Bearing, Crush
6									SHIM, Drive Pinion Bearing
	52111254AA	1	J		74				[6.38MM]
	52111257AA	1	J		74				[6.32MM]
	52111255AA	1	J		74				[6.36MM]
	52111256AA	1	J		74				[6.34MM]
	52111260AA	1	J		74				[6.26MM]
	52111258AA	1	J		74				[6.30MM]
	52111259AA	1	J		74				[6.28MM]
	52111261AA	1	J		74				[6.24MM]
	52111262AA	1	J		74				[6.22MM]
	52111263AA	1	J		74				[6.20MM]
	52111264AA	1	J		74				[6.18MM]
	52111265AA	1	J		74				[6.16MM]
	52111266AA	1	J		74				[6.14MM]
	52111267AA	1	J		74				[6.12MM]
	52111270AA	1	J		74				[6.10MM]
	52111271AA	1	J		74				[6.08MM]
	52111272AA	1	J		74				[6.06MM]
	52111273AA	1	J		74				[6.04MM]
	52111274AA	1	J		74				[6.02MM]
	52111275AA	1	J		74				[6.00MM]

GRAND CHEROKEE (WK)

SERIES LINE
H = HIGHLINE T = JEEP - 2WD
P = PREMIUM J = JEEP - 4WD
S = SPORT
X = SPECIAL

BODY
74 = SPORT UTILITY 4-DR
TYPE #4

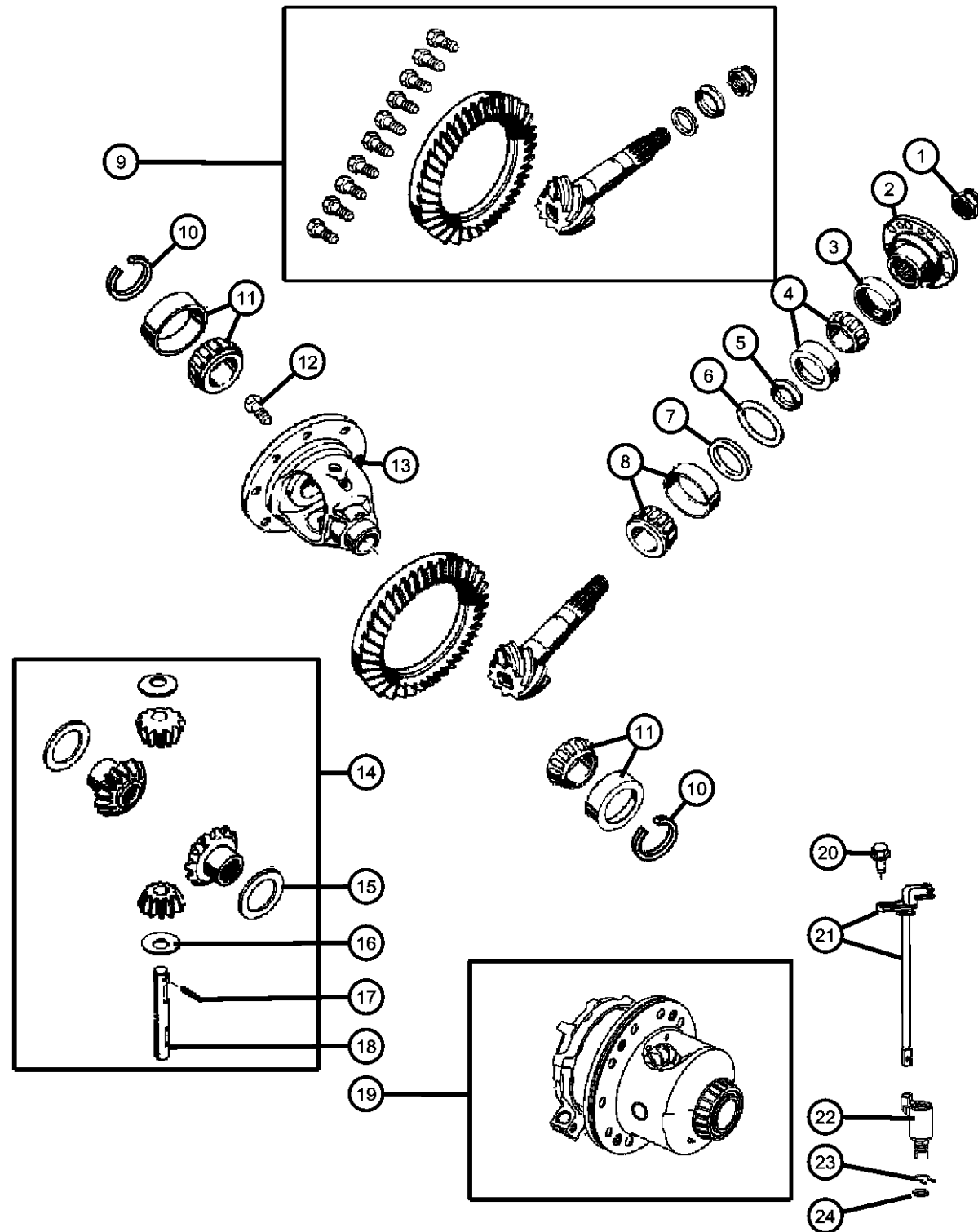
ENGINE
EVA = 4.7L V8 MPI Engine
EVD = 4.7L V8 FFV Engine
EXL = 3.0L V6 Turbo Diesel
Engine
EZB = 5.7L Hemi Multi
Displacement Engine
EKG = 3.7L V6 Engine
ESF = 6.1L SRT HEMI SMPI
V8 Engine

TRANSMISSION
DGJ = 5-Speed Auto W5A580
Transmission
DGQ = 5-Spd Automatic 545RFE
Transmission
DGU = 5-Spd Auto W5J400
Transmission

AR = use ase required - = Non illustrated part

2007 WK

Differential, Front Axle,[DJA]
Figure 2-610



ITEM	PART NUMBER	QTY	LINE	SERIES	BODY	ENGINE	TRANS	TRIM	DESCRIPTION
	52111276AA	1	J		74				[5.98MM]
	52111277AA	1	J		74				[5.96MM]
	52111279AA	1	J		74				[5.92MM]
	52111280AA	1	J		74				[5.90MM]
	52111278AA	1	J		74				[5.94MM]
	52111282AA	1	J		74				[5.86MM]
	52111283AA	1	J		74				[5.84MM]
	52111281AA	1	J		74				[5.88MM]
	52111285AA	1	J		74				[5.80MM]
	52111286AA	1	J		74				[5.78MM]
	52111284AA	1	J		74				[5.82MM]
	52111288AA	1	J		74				[5.74MM]
	52111287AA	1	J		74				[5.76MM]
	52111291AA	1	J		74				[5.68MM]
	52111289AA	1	J		74				[5.72MM]
	52111290AA	1	J		74				[5.70MM]
	52111292AA	1	J		74				[5.66MM]
	52111293AA	1	J		74				[5.64MM]
	52111294AA	1	J		74				[5.62MM]
	52111295AA	1	J		74				[5.60MM]
	52111296AA	1	J		74				[5.58MM]
	52111297AA	1	J		74				[5.56MM]
	52111298AA	1	J		74				[5.54MM]
	52111299AA	1	J		74				[5.52MM]
	52111300AA	1	J		74				[5.50MM]
	52111301AA	1	J		74				[5.48MM]
	52111302AA	1	J		74				[5.46MM]
	52111303AA	1	J		74				[5.44MM]
	52111304AA	1	J		74				[5.42MM]
	52111305AA	1	J		74				[5.40MM]
	52111306AA	1	J		74				[5.38MM]

GRAND CHEROKEE (WK)

SERIES LINE
H = HIGHLINE T = JEEP - 2WD
P = PREMIUM J = JEEP - 4WD
S = SPORT
X = SPECIAL

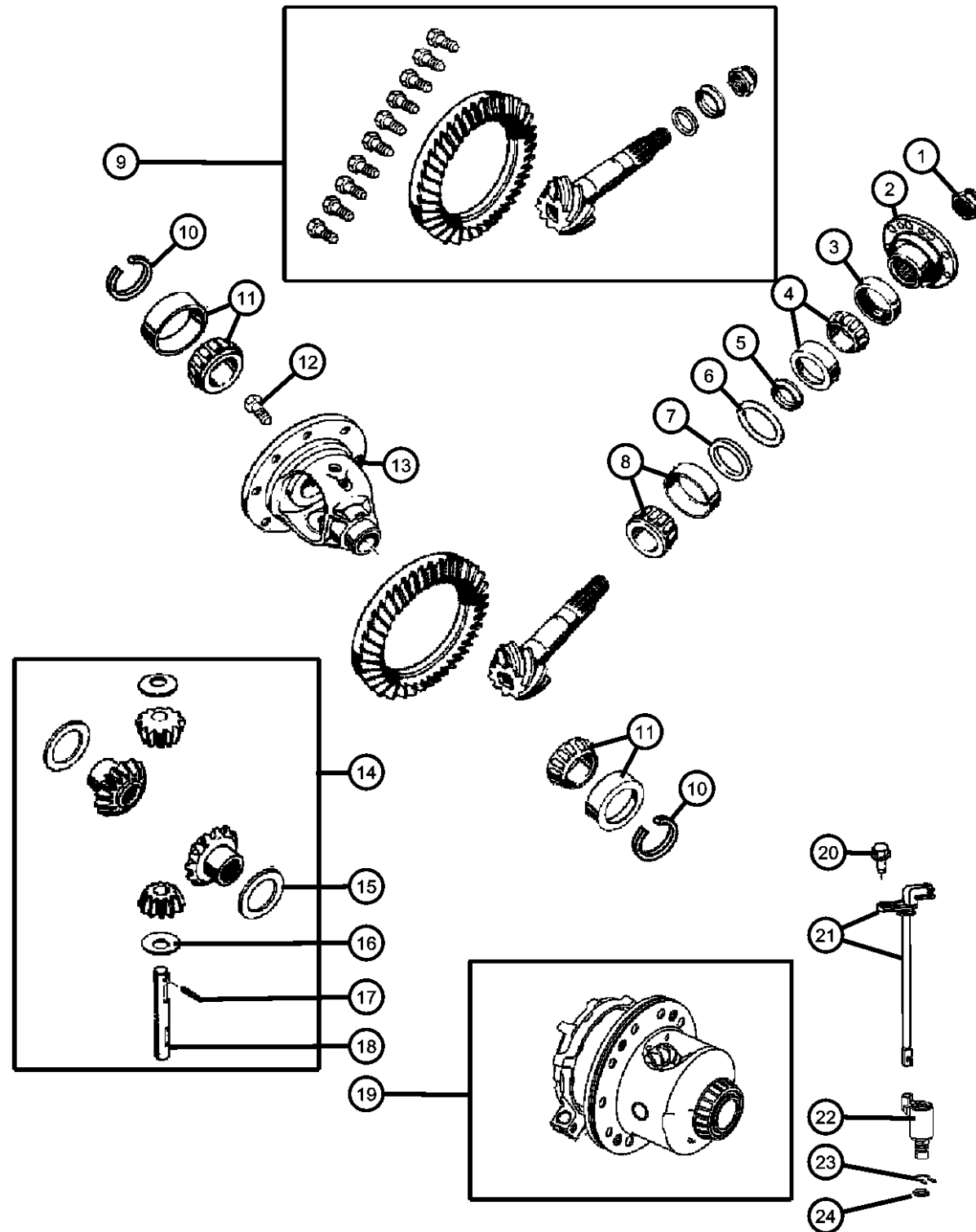
BODY
74 = SPORT UTILITY 4-DR
TYPE #4

ENGINE
EVA = 4.7L V8 MPI Engine
EVD = 4.7L V8 FFV Engine
EXL = 3.0L V6 Turbo Diesel
Engine
EZB = 5.7L Hemi Multi
Displacement Engine
EKG = 3.7L V6 Engine
ESF = 6.1L SRT HEMI SMPI
V8 Engine

TRANSMISSION
DGJ = 5-Speed Auto W5A580
Transmission
DGQ = 5-Spd Automatic 545RFE
Transmission
DGU = 5-Spd Auto W5J400
Transmission

AR = use ase required - = Non illustrated part

Differential, Front Axle,[DJA]
Figure 2-610



ITEM	PART NUMBER	QTY	LINE	SERIES	BODY	ENGINE	TRANS	TRIM	DESCRIPTION
	52111307AA	1	J		74				[5.36MM]
	52111308AA	1	J		74				[5.34MM]
	52111309AA	1	J		74				[5.32MM]
	52111315AA	1	J		74				[5.28MM]
	52111316AA	1	J		74				[5.26MM]
	52111310AA	1	J		74				[5.30MM]
	52111318AA	1	J		74				[5.22MM]
	52111319AA	1	J		74				[5.20MM]
	52111317AA	1	J		74				[5.24MM]
	52111321AA	1	J		74				[5.16MM]
	52111320AA	1	J		74				[5.18MM]
	52111322AA	1	J		74				[5.14MM]
	52111323AA	1	J		74				[5.12MM]
	52111324AA	1	J		74				[5.10MM]
	52111326AA	1	J		74				[5.06MM]
	52111325AA	1	J		74				[5.08MM]
	52111327AA	1	J		74				[5.04MM]
	52111328AA	1	J		74				[5.02MM]
	52111331AA	1	J		74				[4.98MM]
	52111330AA	1	J		74				[5.00MM]
	52111332AA	1	J		74				[4.96MM]
	52111333AA	1	J		74				[4.94MM]
	52111334AA	1	J		74				[4.92MM]
	52111335AA	1	J		74				[4.90MM]
7	52111356AA	1	J		74				RING, Pinion Spacer
8	05135673AA	1	J		74				BEARING, Drive Pinion, Bearing and Cup, Rear
9									GEAR KIT, Ring And Pinion
	05135661AB	1	J		74				[DME]
	05135691AB	1	J		74				[DMM]
	05135939AB	1	J		74				[DMD]
10									RETAINING RING/SHIM, Differential Bearing

GRAND CHEROKEE (WK)

SERIES LINE
H = HIGHLINE T = JEEP - 2WD
P = PREMIUM J = JEEP - 4WD
S = SPORT
X = SPECIAL

BODY
74 = SPORT UTILITY 4-DR
TYPE #4

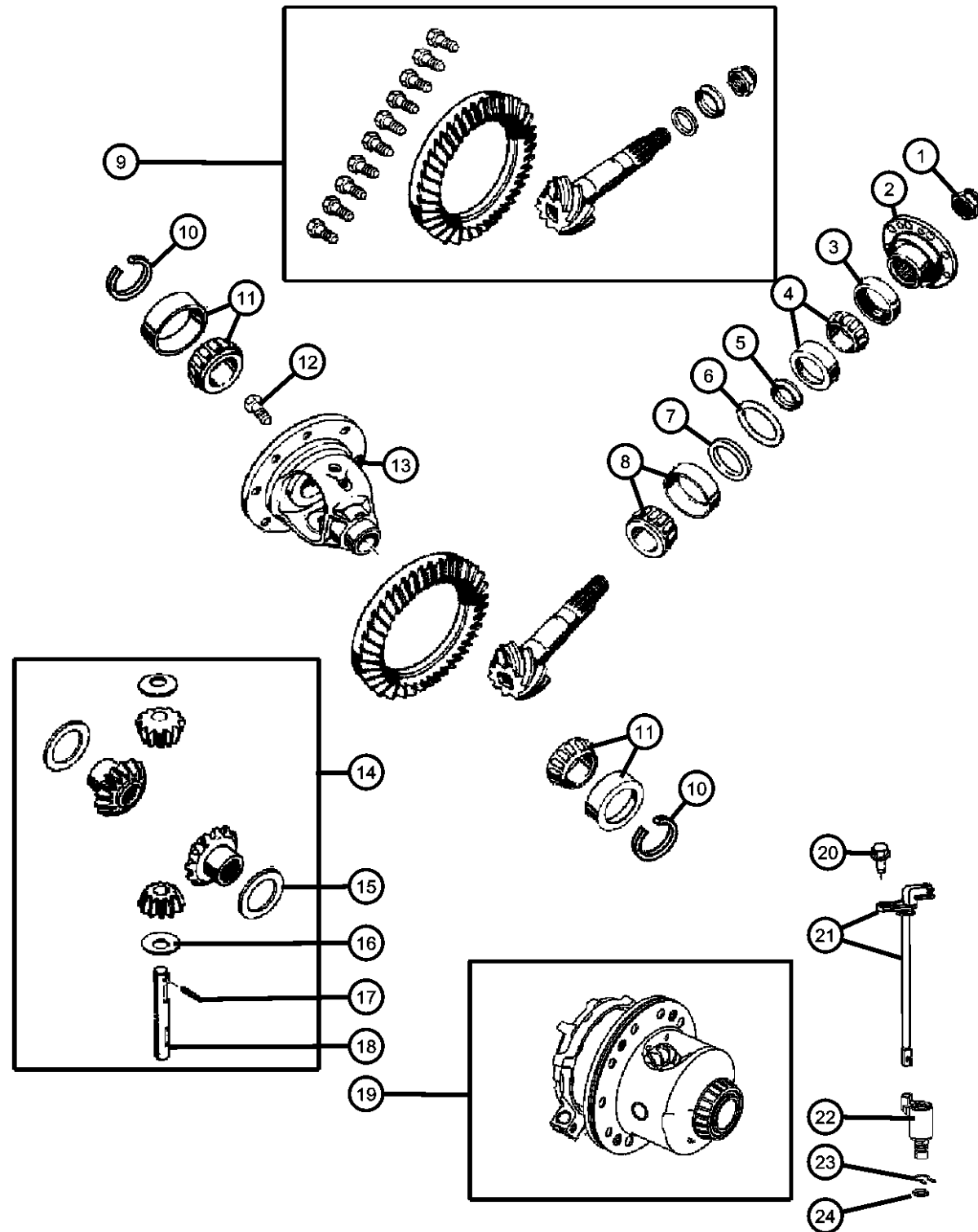
ENGINE
EVA = 4.7L V8 MPI Engine
EVD = 4.7L V8 FFV Engine
EXL = 3.0L V6 Turbo Diesel
Engine
EZB = 5.7L Hemi Multi
Displacement Engine
EKG = 3.7L V6 Engine
ESF = 6.1L SRT HEMI SMPI
V8 Engine

TRANSMISSION
DGJ = 5-Speed Auto W5A580
Transmission
DGQ = 5-Spd Automatic 545RFE
Transmission
DGU = 5-Spd Auto W5J400
Transmission

AR = use ase required - = Non illustrated part

2007 WK

Differential, Front Axle,[DJA]
Figure 2-610



ITEM	PART NUMBER	QTY	LINE	SERIES	BODY	ENGINE	TRANS	TRIM	DESCRIPTION
	52111230AA	1	J		74				[3.60MM]
	52111231AA	1	J		74				[3.62MM]
	52111233AA	1	J		74				[3.66MM]
	52111234AA	1	J		74				[3.68MM]
	52111232AA	1	J		74				[3.64MM]
	52111238AA	1	J		74				[3.74MM]
	52111235AA	1	J		74				[3.70MM]
	52111236AA	1	J		74				[3.72MM]
	52111239AA	1	J		74				[3.76MM]
	52111240AA	1	J		74				[3.80MM]
	52111241AA	1	J		74				[3.82MM]
	52111242AA	1	J		74				[3.84MM]
	52111243AA	1	J		74				[3.86MM]
	52111244AA	1	J		74				[3.88MM]
	52111245AA	1	J		74				[3.90MM]
	52114083AA	1	J		74				[3.92MM]
	52114084AA	1	J		74				[3.94MM]
	52114087AA	1	J		74				[4.00MM]
	52114085AA	1	J		74				[3.96MM]
	52114086AA	1	J		74				[3.98MM]
	52114090AA	1	J		74				[4.06MM]
	52114088AA	1	J		74				[4.02MM]
	52114089AA	1	J		74				[4.04MM]
	52114091AA	1	J		74				[4.08MM]
	52114092AA	1	J		74				[4.10MM]
	52114093AA	1	J		74				[4.12MM]
	52114094AA	1	J		74				[4.14MM]
	52114096AA	1	J		74				[4.18MM]
	52114097AA	1	J		74				[4.20MM]
	52114095AA	1	J		74				[4.16MM]
	52114099AA	1	J		74				[4.24MM]

GRAND CHEROKEE (WK)

SERIES LINE
H = HIGHLINE T = JEEP - 2WD
P = PREMIUM J = JEEP - 4WD
S = SPORT
X = SPECIAL

BODY
74 = SPORT UTILITY 4-DR
TYPE #4

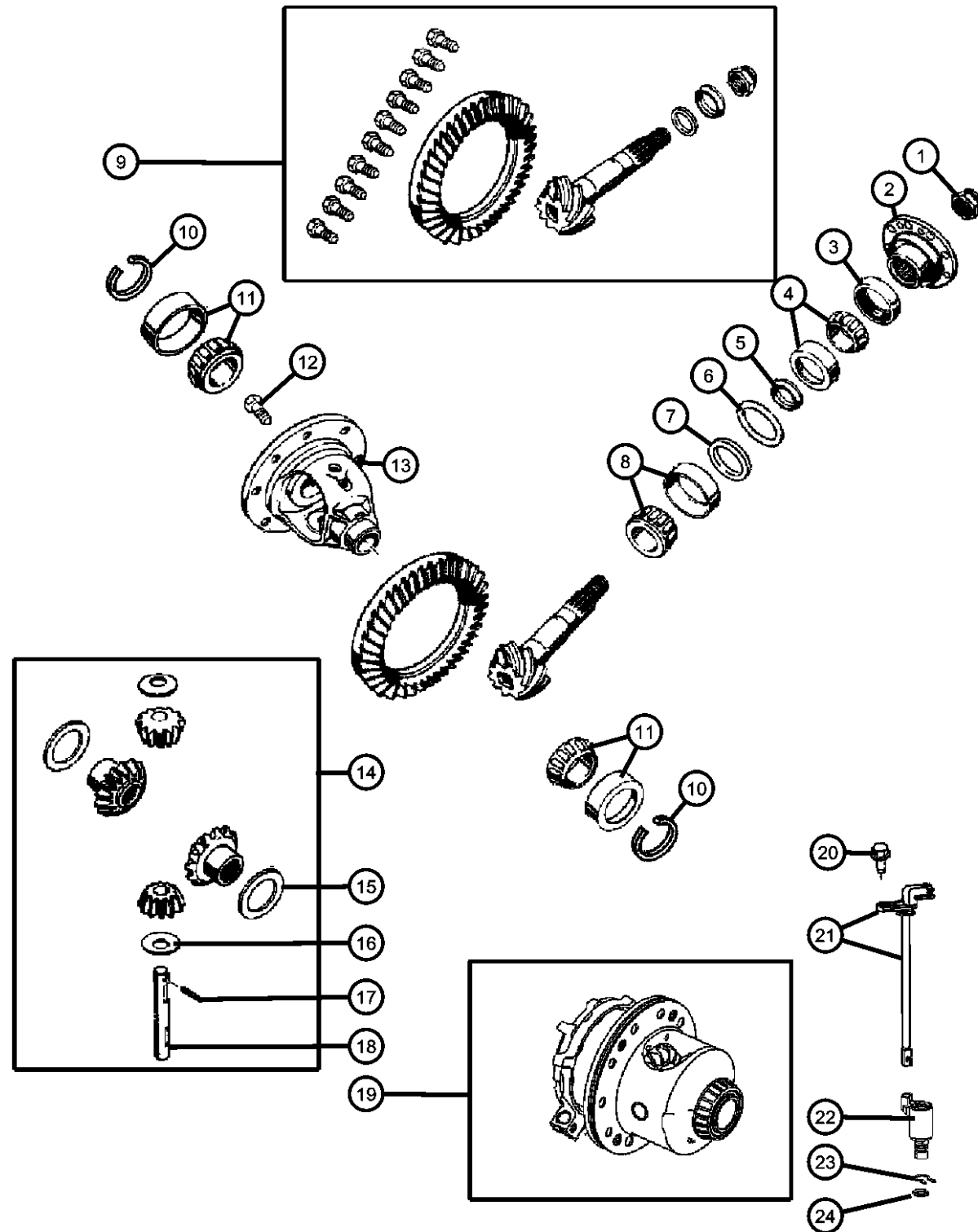
ENGINE
EVA = 4.7L V8 MPI Engine
EVD = 4.7L V8 FFV Engine
EXL = 3.0L V6 Turbo Diesel
Engine
EZB = 5.7L Hemi Multi
Displacement Engine
EKG = 3.7L V6 Engine
ESF = 6.1L SRT HEMI SMPI
V8 Engine

TRANSMISSION
DGJ = 5-Speed Auto W5A580
Transmission
DGQ = 5-Spd Automatic 545RFE
Transmission
DGU = 5-Spd Auto W5J400
Transmission

AR = use ase required - = Non illustrated part

2007 WK

Differential, Front Axle,[DJA]
Figure 2-610



ITEM	PART NUMBER	QTY	LINE	SERIES	BODY	ENGINE	TRANS	TRIM	DESCRIPTION
	52114100AA	1	J		74				[4.26MM]
	52114098AA	1	J		74				[4.22MM]
	52114102AA	1	J		74				[4.30MM]
	52114103AA	1	J		74				[4.32MM]
	52114101AA	1	J		74				[4.28MM]
	52114106AA	1	J		74				[4.38MM]
	52114104AA	1	J		74				[4.34MM]
	52114105AA	1	J		74				[4.36MM]
	52114107AA	1	J		74				[4.40MM]
	52114109AA	1	J		74				[4.44MM]
	52114108AA	1	J		74				[4.42MM]
	52114110AA	1	J		74				[4.46MM]
	52114111AA	1	J		74				[4.48MM]
	52114112AA	1	J		74				[4.50MM]
	52114114AA	1	J		74				[4.54MM]
	52114113AA	1	J		74				[4.52MM]
	52114117AA	1	J		74				[4.60MM]
	52114115AA	1	J		74				[4.56MM]
	52114116AA	1	J		74				[4.58MM]
	52114120AA	1	J		74				[4.66MM]
	52114118AA	1	J		74				[4.62MM]
	52114119AA	1	J		74				[4.64MM]
	52114123AA	1	J		74				[4.72MM]
	52114121AA	1	J		74				[4.68MM]
	52114122AA	1	J		74				[4.70MM]
	52114126AA	1	J		74				[4.78MM]
	52114124AA	1	J		74				[4.74MM]
	52114125AA	1	J		74				[4.76MM]
	52114127AA	1	J		74				[4.80MM]
	52114128AA	1	J		74				[4.82MM]
	52114129AA	1	J		74				[4.84MM]

GRAND CHEROKEE (WK)

SERIES LINE
H = HIGHLINE T = JEEP - 2WD
P = PREMIUM J = JEEP - 4WD
S = SPORT
X = SPECIAL

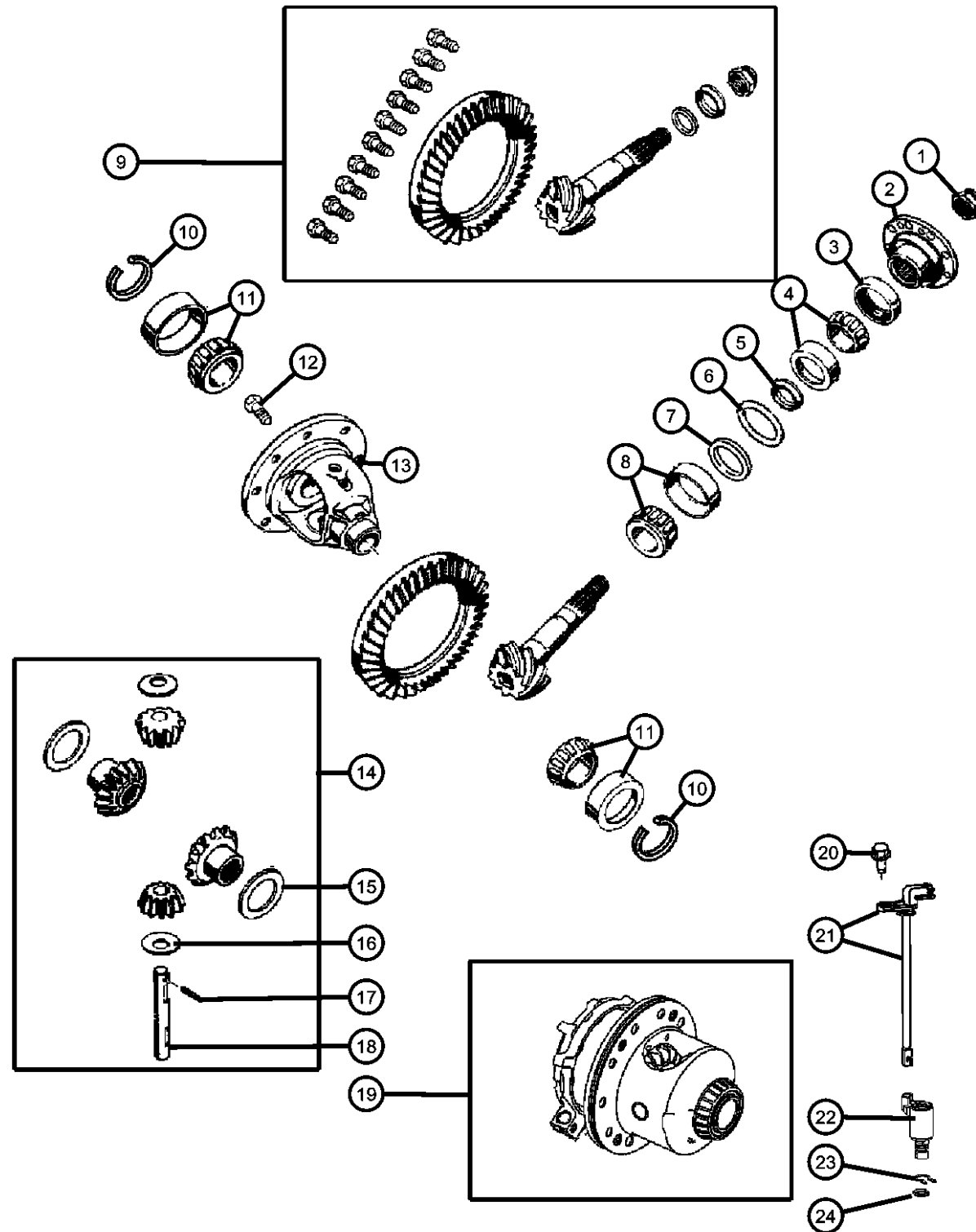
BODY
74 = SPORT UTILITY 4-DR
TYPE #4

ENGINE
EVA = 4.7L V8 MPI Engine
EVD = 4.7L V8 FFV Engine
EXL = 3.0L V6 Turbo Diesel
Engine
EZB = 5.7L Hemi Multi
Displacement Engine
EKG = 3.7L V6 Engine
ESF = 6.1L SRT HEMI SMPI
V8 Engine

TRANSMISSION
DGJ = 5-Speed Auto W5A580
Transmission
DGQ = 5-Spd Automatic 545RFE
Transmission
DGU = 5-Spd Auto W5J400
Transmission

AR = use ase required - = Non illustrated part

Differential, Front Axle,[DJA]
Figure 2-610



ITEM	PART NUMBER	QTY	LINE	SERIES	BODY	ENGINE	TRANS	TRIM	DESCRIPTION
	52114130AA	1	J		74				[4.86MM]
	52114131AA	1	J		74				[4.88MM]
	52114132AA	1	J		74				[4.90MM]
	52114133AA	1	J		74				[4.92MM]
	52114134AA	1	J		74				[4.94MM]
	52114135AA	1	J		74				[4.96MM]
	52114136AA	1	J		74				[4.98MM]
	52114137AA	1	J		74				[5.00MM]
	52114138AA	1	J		74				[5.02MM]
	52114139AA	1	J		74				[5.04MM]
	52114140AA	1	J		74				[5.06MM]
	52114141AA	1	J		74				[5.08MM]
	52114143AA	1	J		74				[5.12MM]
	52114144AA	1	J		74				[5.14MM]
	52114142AA	1	J		74				[5.10MM]
	52114146AA	1	J		74				[5.18MM]
	52114147AA	1	J		74				[5.20MM]
	52114145AA	1	J		74				[5.16MM]
11	05135660AB	1	J		74				BEARING PACKAGE, Differential, Contains 2 Bearings and 2 Cups
12	06507634AA	10	J		74				BOLT, Ring GearMounting
13	52111226AC	1	J		74				CASE ASSEMBLY, Differential, [DS7] With Internal Parts
14	05072492AB	1	J		74				GEAR PACKAGE, Differential, [DS7]
15	05015864AA	1	J		74				WASHER PACKAGE, Side Gear Thrust, Contains 2 each .031,.036,.041,.046,Washers, [DS7]
16	02852912	2	J		74				WASHER, Pinion Gear, [DS7]
17	52070338AA	1	J		74				PIN, Differential Shaft, [DS7]
18	52114600AA	1	J		74				SHAFT, Differential Pinion, [DS7]
19	52104673AF	1	J		74				CASE ASSEMBLY, Differential, [DSG] With Internal Parts

GRAND CHEROKEE (WK)

SERIES LINE
H = HIGHLINE T = JEEP - 2WD
P = PREMIUM J = JEEP - 4WD
S = SPORT
X = SPECIAL

BODY
74 = SPORT UTILITY 4-DR
TYPE #4

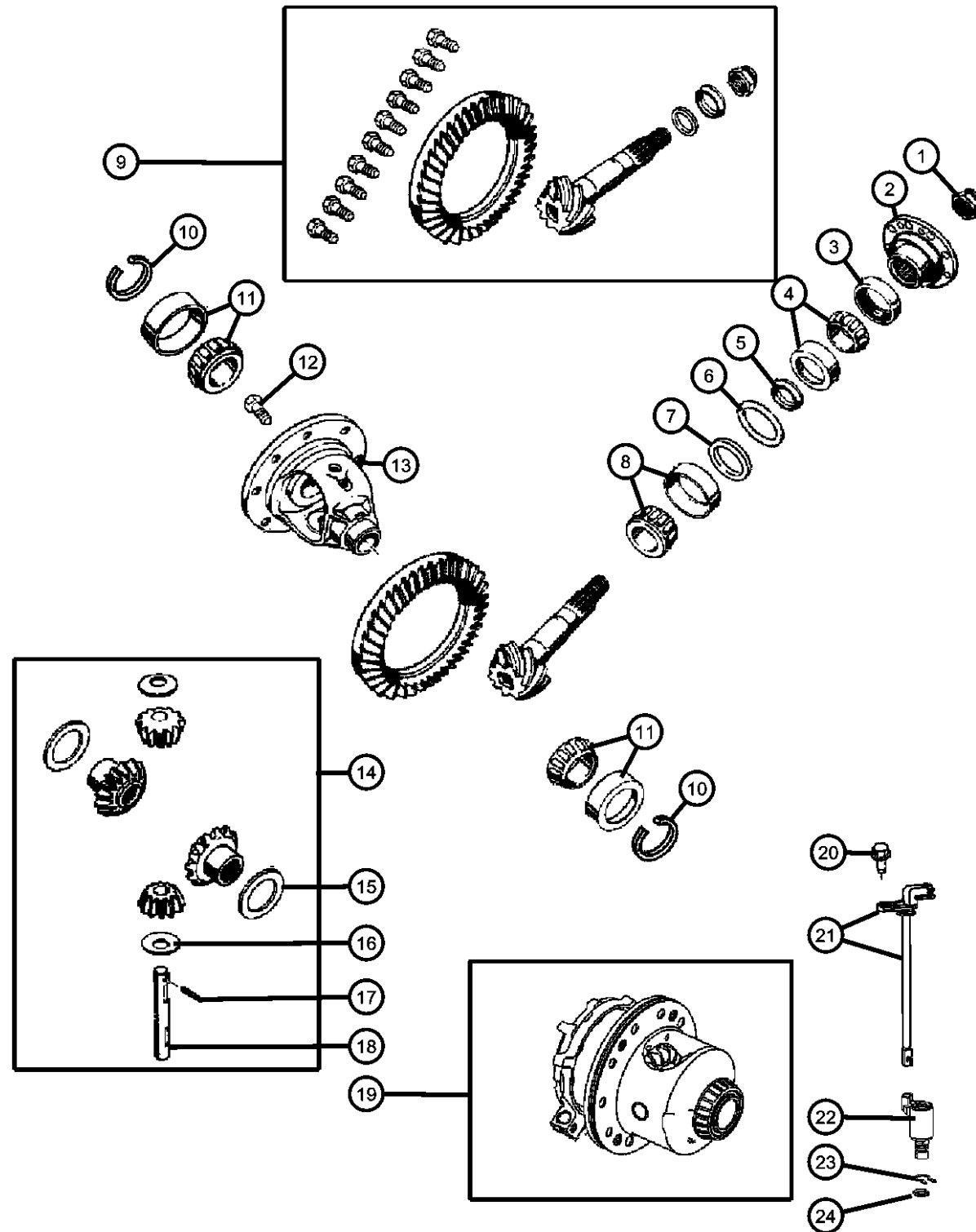
ENGINE
EVA = 4.7L V8 MPI Engine
EVD = 4.7L V8 FFV Engine
EXL = 3.0L V6 Turbo Diesel
Engine
EZB = 5.7L Hemi Multi
Displacement Engine
EKG = 3.7L V6 Engine
ESF = 6.1L SRT HEMI SMPI
V8 Engine

TRANSMISSION
DGJ = 5-Speed Auto W5A580
Transmission
DGQ = 5-Spd Automatic 545RFE
Transmission
DGU = 5-Spd Auto W5J400
Transmission

AR = use ase required - = Non illustrated part

2007 WK

Differential, Front Axle,[DJA]
Figure 2-610



ITEM	PART NUMBER	QTY	LINE	SERIES	BODY	ENGINE	TRANS	TRIM	DESCRIPTION
20	06508769AA	1	J		74				SCREW AND WASHER, Hex Head, M6x1x17, [DSG]
21	52114327AD	1	J		74				HARNESS, Electronic Front Axle, [DSG]
22	52114003AE	1	J		74				ACTUATOR, Axle Locker, [DSG]
23	05135813AA	1	J		74				SNAP RING, [DSG]
24	05135814AA	1	J		74				O RING, [DSG]

GRAND CHEROKEE (WK)

SERIES LINE
H = HIGHLINE T = JEEP - 2WD
P = PREMIUM J = JEEP - 4WD
S = SPORT
X = SPECIAL

BODY
74 = SPORT UTILITY 4-DR
TYPE #4

ENGINE
EVA = 4.7L V8 MPI Engine
EVD = 4.7L V8 FFV Engine
EXL = 3.0L V6 Turbo Diesel
Engine
EZB = 5.7L Hemi Multi
Displacement Engine
EKG = 3.7L V6 Engine
ESF = 6.1L SRT HEMI SMPI
V8 Engine

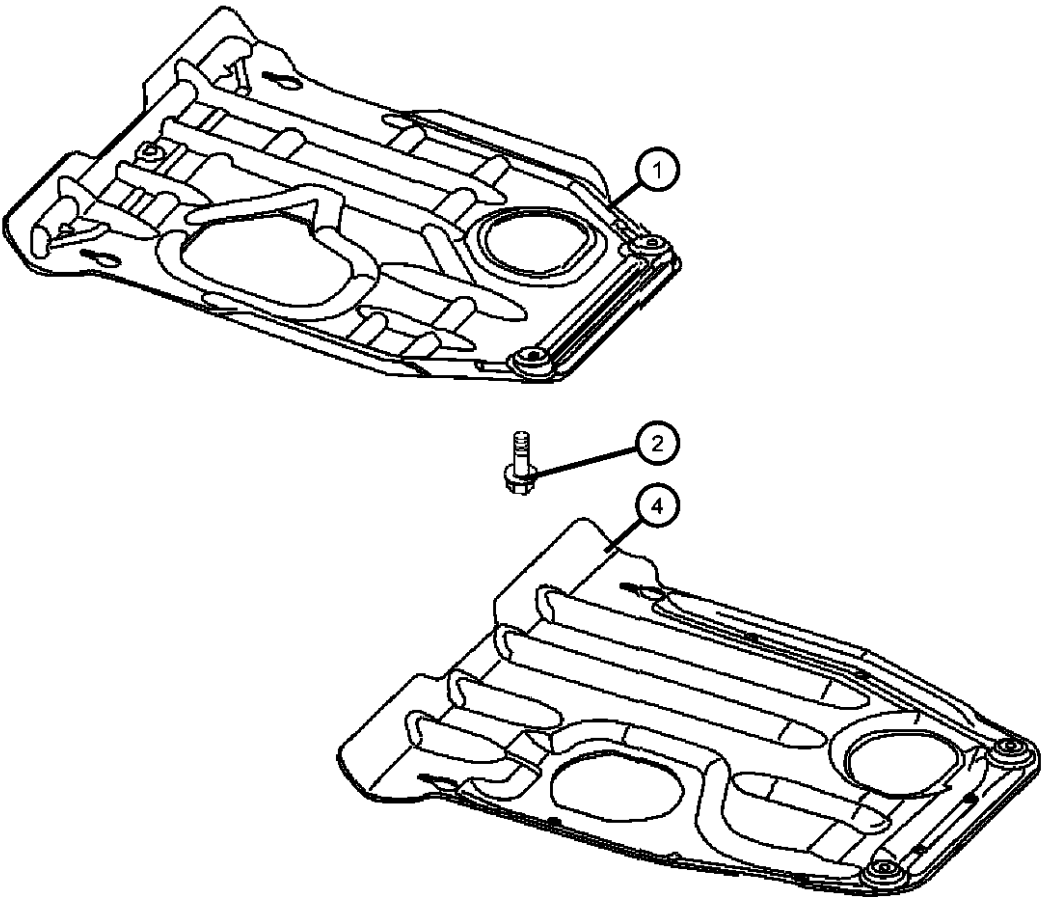
TRANSMISSION
DGJ = 5-Speed Auto W5A580
Transmission
DGQ = 5-Spd Automatic 545RFE
Transmission
DGU = 5-Spd Auto W5J400
Transmission

AR = use ase required - = Non illustrated part

2007 WK

**Skid Plate, Front Axle
Figure 2-810**

ITEM	PART NUMBER	QTY	LINE	SERIES	BODY	ENGINE	TRANS	TRIM	DESCRIPTION
Note: Sales Codes; [XEU]=Skid Plate - Front Suspension									
1	55157121AB	1	J, T		74				COVER, Front Side Rail, Without [XEU]
2	06505269AA	4		H, P, S					SCREW AND WASHER, Head Head Lock, M8-1.25x30.00Mounting
-3	06101696	2	J						NUT, [M10x1.50], Skid Plate to Rail, Mounting
4	52090316AF	1	J						SKID PLATE, Front With [EKO,EV0,EZ0]
	52124966AA	1	J		74				With [EX0]



GRAND CHEROKEE (WK)

SERIES	LINE	BODY	ENGINE	TRANSMISSION
H = HIGHLINE	T = JEEP - 2WD	74 = SPORT UTILITY 4-DR TYPE #4	EVA = 4.7L V8 MPI Engine	DGJ = 5-Speed Auto W5A580 Transmission
P = PREMIUM	J = JEEP - 4WD		EVD = 4.7L V8 FFV Engine	DGQ = 5-Spd Automatic 545RFE Transmission
S = SPORT			EXL = 3.0L V6 Turbo Diesel Engine	DGU = 5-Spd Auto W5J400 Transmission
X = SPECIAL			EZB = 5.7L Hemi Multi Displacement Engine	
			EKG = 3.7L V6 Engine	
			ESF = 6.1L SRT HEMI SMPI V8 Engine	

AR = use ase required - = Non illustrated part

Group - 3

Rear Axle

Group - 3 Rear Axle

Illustration Title

Group-Fig. No.

Rear Axle

Axle Assembly,Rear,Corporate 8.25/213MM [DRS] Fig. 3 - 110
 Axle Assembly,Rear,Dana 44/226MM,[DRK] Fig. 3 - 120

Differential and Housing

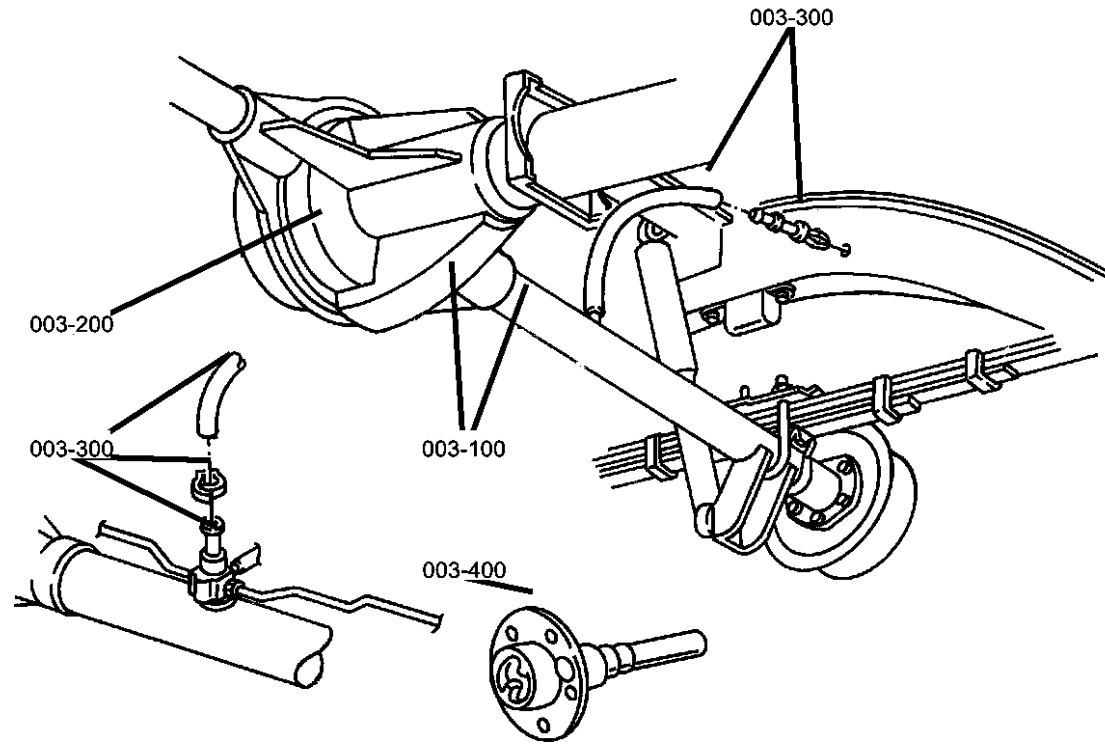
Axle,Rear,With Differential,Housing and Axle Shafts,[DRS],8.25/213MM Fig. 3 - 210
 Axle,Rear,With Differential,Housing and Axle Shafts,[DRK],Dana 44/226MM Fig. 3 - 220

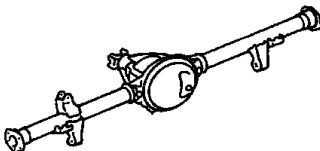
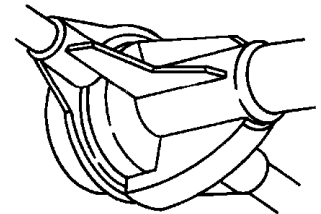
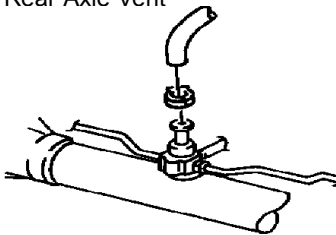
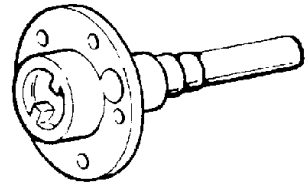
Rear Axle Vent

Rear Axle Vent Fig. 3 - 310

Rear Axle Shafts

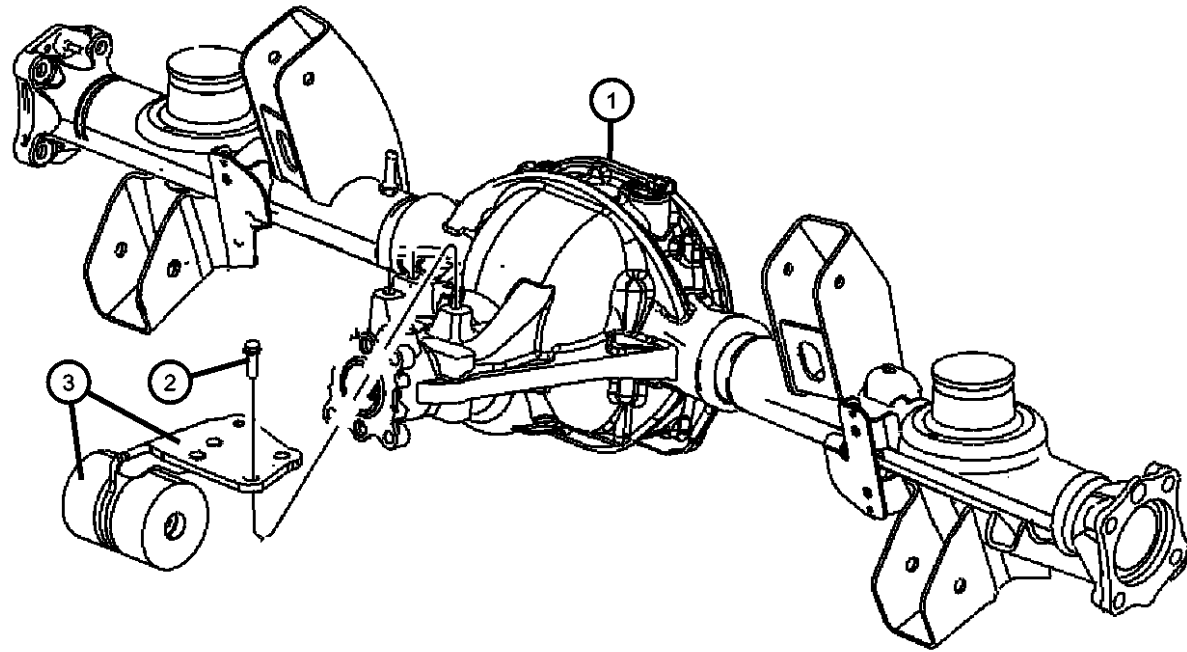
Axle Shafts,Rear Fig. 3 - 410



<p>003-100 Rear Axle</p> 	<p>003-200 Differential and Housing</p> 	<p>003-300 Rear Axle Vent</p> 	<p>003-400 Rear Axle Shafts</p> 
--	--	---	--

**Axle Assembly,Rear,Corporate 8.25/213MM [DRS]
Figure 3-110**

ITEM	PART NUMBER	QTY	LINE	SERIES	BODY	ENGINE	TRANS	TRIM	DESCRIPTION
Note:Sales Codes; [DMD]=Axle Ratio 3.55 [DME]=Axle Ratio - 3.73 [DMM]=Axle Ratio - 3.07 [DRS]=Axle - Rear,213MM [DSF]=Axle - Electric Limited Slip Differential Rear [DS8]=Axle - Conventional Differential Rear									
1	52114838AA 04874469 68003055AA	1	J, T		74				AXLE ASSEMBLY, Rear Complete [DME+DSF] Mopar SAE 75W-140 Synthetic Gear and Axle Lube Quart Mopar SAE 75W-140 Synthetic Gear and Axle Lube 16 Gallon Keg
	52114889AA 04874469 68003055AA	1	J, T		74				[DMD+DS8] Mopar SAE 75W-140 Synthetic Gear and Axle Lube Quart Mopar SAE 75W-140 Synthetic Gear and Axle Lube 16 Gallon Keg
	52114833AA 04874469 68003055AA	1	J, T		74				[DMM+DS8] Mopar SAE 75W-140 Synthetic Gear and Axle Lube Quart Mopar SAE 75W-140 Synthetic Gear and Axle Lube 16 Gallon Keg
	52114834AA 04874469 68003055AA	1	J, T		74				[DME+DS8] Mopar SAE 75W-140 Synthetic Gear and Axle Lube Quart Mopar SAE 75W-140 Synthetic Gear and Axle Lube 16 Gallon Keg
2	06105070AA	2	T		74				BOLT, [EK0,EX0] Axle Damper, Mounting
3	52114861AA	1	T		74				DAMPER, Axle, [EK0,EX0]



GRAND CHEROKEE (WK)

SERIES LINE
 H = HIGHLINE T = JEEP - 2WD
 P = PREMIUM J = JEEP - 4WD
 S = SPORT
 X = SPECIAL

BODY
 74 = SPORT UTILITY 4-DR
 TYPE #4

ENGINE
 EVA = 4.7L V8 MPI Engine
 EVD = 4.7L V8 FFV Engine
 EXL = 3.0L V6 Turbo Diesel Engine
 EZB = 5.7L Hemi Multi Displacement Engine
 EKG = 3.7L V6 Engine
 ESF = 6.1L SRT HEMI SMPI V8 Engine

TRANSMISSION
 DGJ = 5-Speed Auto W5A580 Transmission
 DGQ = 5-Spd Automatic 545RFE Transmission
 DGU = 5-Spd Auto W5J400 Transmission

**Axle Assembly,Rear,Dana 44/226MM,[DRK]
Figure 3-120**

ITEM	PART NUMBER	QTY	LINE	SERIES	BODY	ENGINE	TRANS	TRIM	DESCRIPTION
------	-------------	-----	------	--------	------	--------	-------	------	-------------

Note:Sales Codes;
[DME]=Axle Ratio - 3.73
[DS8]=Axle - Conventional Differential Rear

1

	05183509AA	1	J, T		74				
	04874469								
	68003055AA								
	05191214AA	1	J, T		74				
	04874469								
	68003055AA								

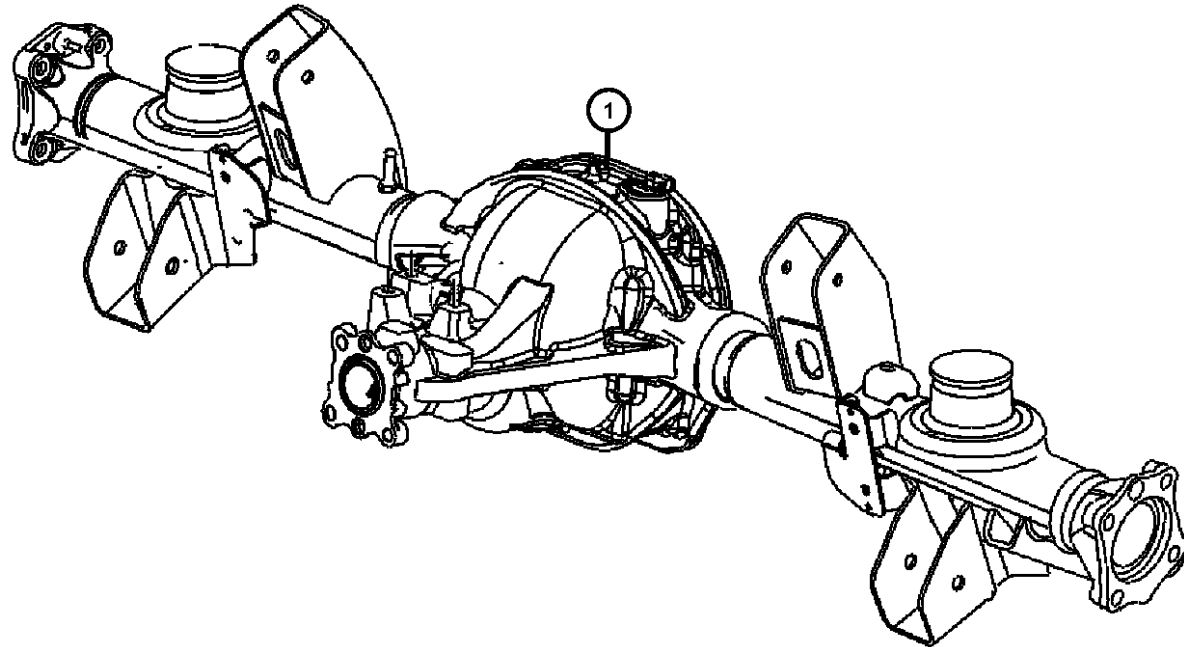
AXLE, Service Rear

[DME+BR4+DS8]

Mopar SAE 75W-140 Synthetic
Gear and Axle Lube Quart
Mopar SAE 75W-140 Synthetic
Gear and Axle Lube 16 Gallon
Keg

[DME+BRY+DS8]

Mopar SAE 75W-140 Synthetic
Gear and Axle Lube Quart
Mopar SAE 75W-140 Synthetic
Gear and Axle Lube 16 Gallon
Keg



GRAND CHEROKEE (WK)

SERIES LINE
H = HIGHLINE T = JEEP - 2WD
P = PREMIUM J = JEEP - 4WD
S = SPORT
X = SPECIAL

BODY
74 = SPORT UTILITY 4-DR
TYPE #4

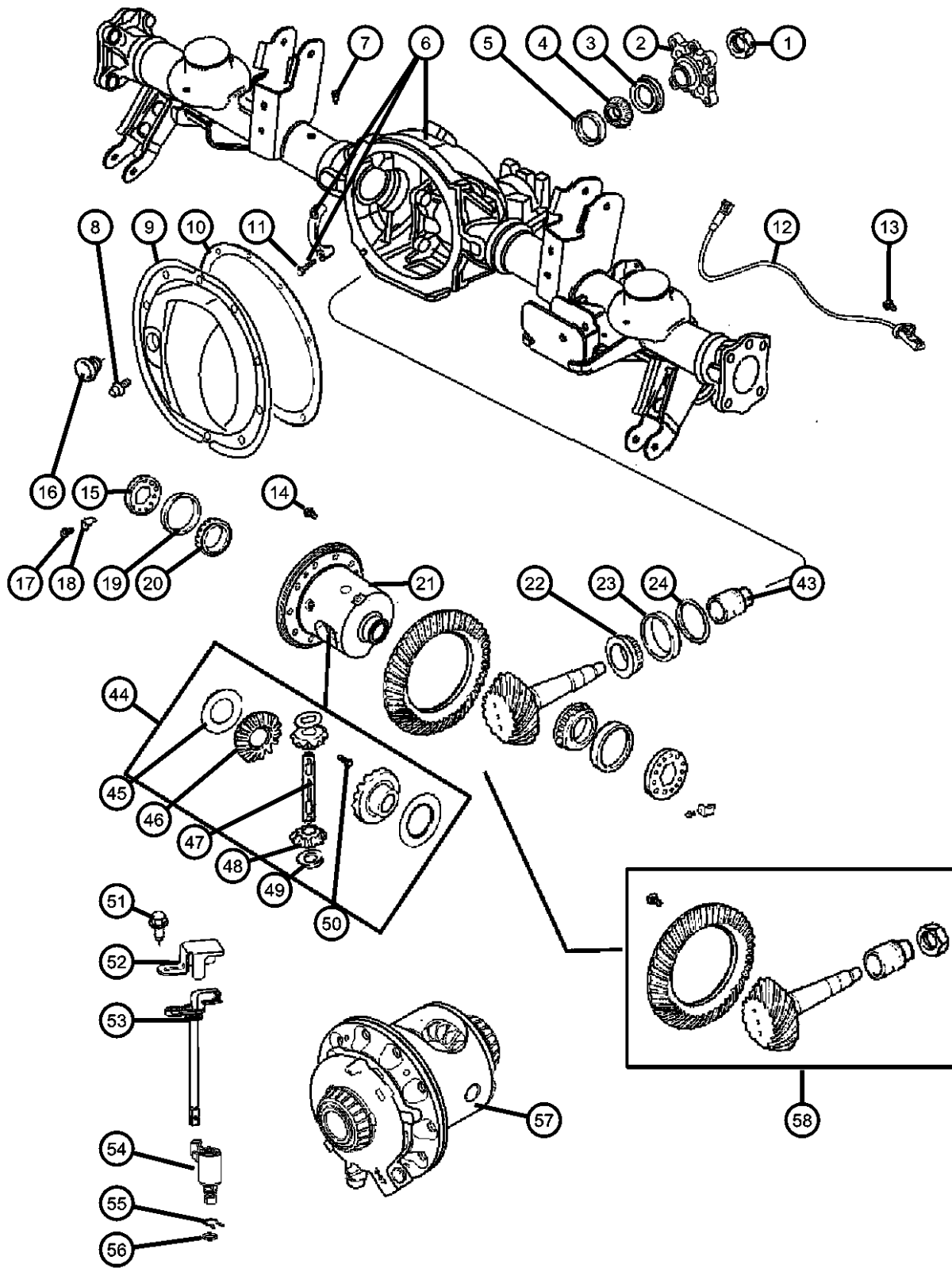
ENGINE
EVA = 4.7L V8 MPI Engine
EVD = 4.7L V8 FFV Engine
EXL = 3.0L V6 Turbo Diesel
Engine
EZB = 5.7L Hemi Multi
Displacement Engine
EKG = 3.7L V6 Engine
ESF = 6.1L SRT HEMI SMPI
V8 Engine

TRANSMISSION
DGJ = 5-Speed Auto W5A580
Transmission
DGQ = 5-Spd Automatic 545RFE
Transmission
DGU = 5-Spd Auto W5J400
Transmission

AR = use ase required - = Non illustrated part

2007 WK

Axle,Rear,With Differential,Housing and Axle Shafts,[DRS],8.25/213MM
Figure 3-210



ITEM	PART NUMBER	QTY	LINE	SERIES	BODY	ENGINE	TRANS	TRIM	DESCRIPTION
Note:Sales Codes; [DMD]=Axle Ratio - 3.55 [DME]=Axle Ratio - 3.73 [DMM]=Axle Ratio - 3.07 [DRS]=Axle - Rear,213MM [DSF]=Axle - Electric Limited Slip Differential Rear [DS8]=Axle - Conventional Differential Rear									
1	06036572AA	1	J, T		74				NUT, Pinion
2	52114046AC	1	J, T		74				FLANGE, Driveshaft Yoke
3	52070339AB	1	J, T		74				SEAL, Drive Pinion
4	02070316	1	J, T		74				BEARING, Drive PinionFront
5	02070317	1	J, T		74				CUP, Pinion BearingFront
6									HOUSING, Axle
	05142347AE	1	J, T		74				[DSF]
	05135769AG	1	J, T		74				[DS8]
7	52114267AB	1	J, T		74				VENT, Axle
8	06033043	10	J, T		74				SCREW AND WASHER, Hex Flange Head, .312-18x.562, Differential Cover, Mounting COVER, Differential
9									[DS8]
	03723681AC	1	J, T		74				[DSF]
	52114002AA	1	J, T		74				SEALANT, RTV
10	05013477AA	1	J, T		74				SCREW, Hex Head, .50-13x2.38, Carrier Bearing Cap, Mounting
11	03432695	4	J, T		74				SENSOR, Wheel Speed
12	56044146AB	2	J, T		74				SCREW, Hex Head, M6 x 1.00 x 17.50, Wheel Speed Sensor, Mounting
13	06506968AA	2	J, T		74				BOLT, Ring GearMounting
14	06507634AA	10	J, T		74				ADJUSTER, Differential Bearing
15	03507876AB	2	J, T		74				PLUG, Differential Cover
16	52070428AA	1	J, T		74				SCREW AND WASHER, Hex Head, .25-20x.50
17	06023092	2	J, T		74				LOCK, Differential Bearing
18	03723859	2	J, T		74				CUP, Differential Side
19	03723569	2	J, T		74				BEARING, Differential
20	01790541	2	J, T		74				

GRAND CHEROKEE (WK)

SERIES LINE
 H = HIGHLINE T = JEEP - 2WD
 P = PREMIUM J = JEEP - 4WD
 S = SPORT
 X = SPECIAL

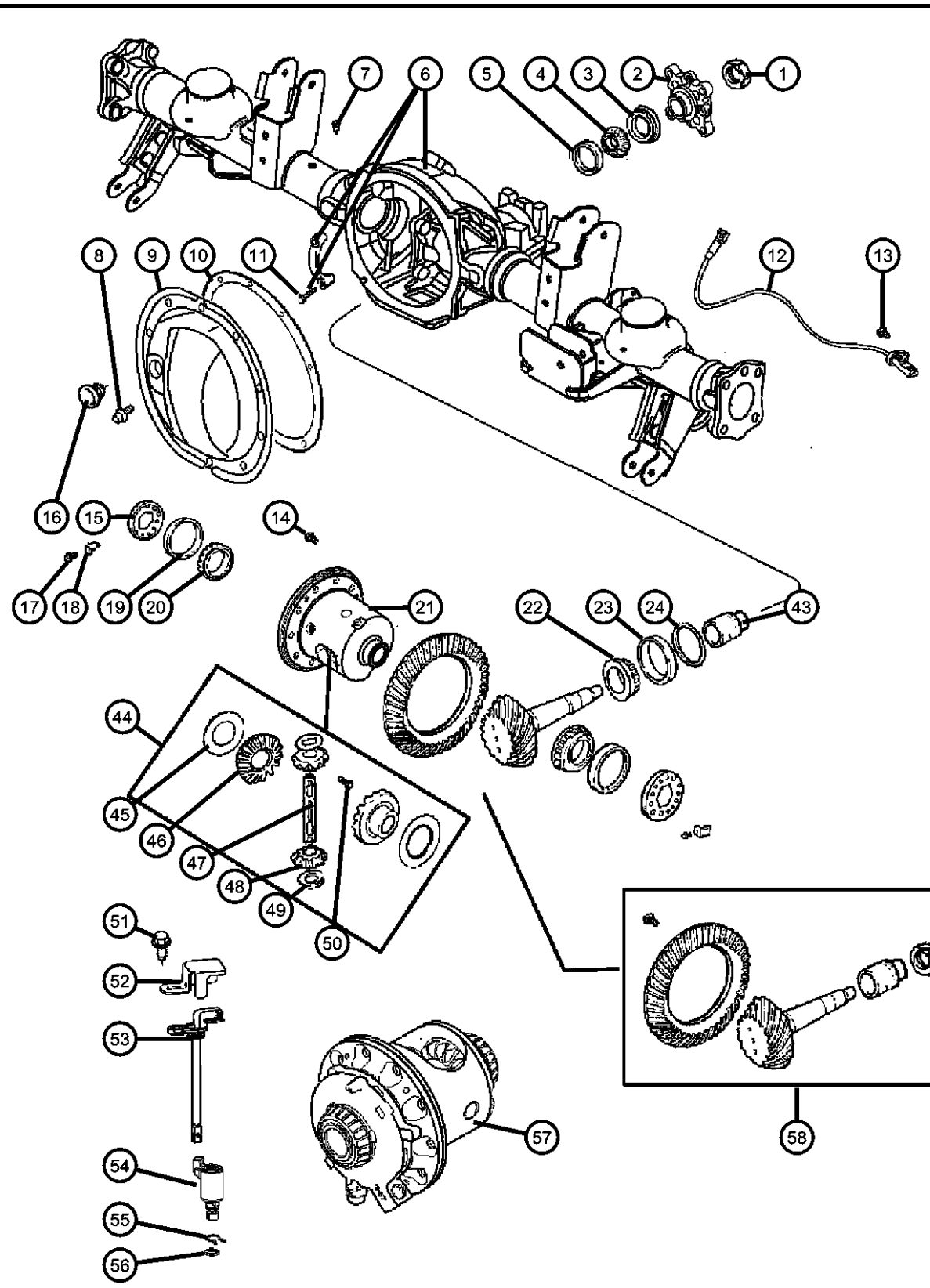
BODY
 74 = SPORT UTILITY 4-DR
 TYPE #4

ENGINE
 EVA = 4.7L V8 MPI Engine
 EVD = 4.7L V8 FFV Engine
 EXL = 3.0L V6 Turbo Diesel
 Engine
 EZB = 5.7L Hemi Multi
 Displacement Engine
 EKG = 3.7L V6 Engine
 ESF = 6.1L SRT HEMI SMPI
 V8 Engine

TRANSMISSION
 DGJ = 5-Speed Auto W5A580
 Transmission
 DGQ = 5-Spd Automatic 545RFE
 Transmission
 DGU = 5-Spd Auto W5J400
 Transmission

AR = use ase required - = Non illustrated part

Axle,Rear,With Differential,Housing and Axle Shafts,[DRS],8.25/213MM
Figure 3-210



ITEM	PART NUMBER	QTY	LINE	SERIES	BODY	ENGINE	TRANS	TRIM	DESCRIPTION
21	52114574AA	1	J, T		74				CASE, Differential
22	02800484	1	J, T		74				BEARING, Drive PinionRear
23	02800485	1	J, T		74				CUP, Pinion BearingRear
24	03723520	AR	J, T		74				SHIM, Drive Pinion Bearing, 0.020
-25	03723521	AR	J, T		74				SHIM, Drive Pinion Bearing, 0.021
-26	03723522	AR	J, T		74				SHIM, Drive Pinion Bearing, 0.022
-27	03723523	AR	J, T		74				SHIM, Drive Pinion Bearing, 0.023
-28	03723524	AR	J, T		74				SHIM, Drive Pinion Bearing, 0.024
-29	03723525	AR	J, T		74				SHIM, Drive Pinion Bearing, 0.025
-30	03723526	AR	J, T		74				SHIM, Drive Pinion Bearing, 0.026
-31	03723527	AR	J, T		74				SHIM, Drive Pinion Bearing, 0.027
-32	03723528	AR	J, T		74				SHIM, Drive Pinion Bearing, 0.028
-33	03723529	AR	J, T		74				SHIM, Drive Pinion Bearing, 0.029
-34	03723530	AR	J, T		74				SHIM, Drive Pinion Bearing, 0.030
-35	03723531	AR	J, T		74				SHIM, Drive Pinion Bearing, 0.031
-36	03723532	AR	J, T		74				SHIM, Drive Pinion Bearing, 0.032
-37	03723533	AR	J, T		74				SHIM, Drive Pinion Bearing, 0.033
-38	03723534	AR	J, T		74				SHIM, Drive Pinion Bearing, 0.034
-39	03723535	AR	J, T		74				SHIM, Drive Pinion Bearing, 0.035
-40	03723536	AR	J, T		74				SHIM, Drive Pinion Bearing, 0.036
-41	03723537	AR	J, T		74				SHIM, Drive Pinion Bearing, 0.037
-42	03723538	AR	J, T		74				SHIM, Drive Pinion Bearing, 0.038
43	03507575	1	J, T		74				SPACER, Drive Pinion Bearing, Crush
44	04883087AC	1	J, T		74				GEAR PACKAGE, Differential
45	04883085	1	J, T		74				WASHER PACKAGE, Side Gear Thrust
46		1							GEAR, Differential, (NOT SERVICED)
47	52114600AA	1							SHAFT, Differential Pinion, Also Serviced In Differential Gear Package, [DS8]
48		1							PINION, Differential, (NOT SERVICED)

GRAND CHEROKEE (WK)
 SERIES LINE
 H = HIGHLINE T = JEEP - 2WD
 P = PREMIUM J = JEEP - 4WD
 S = SPORT
 X = SPECIAL

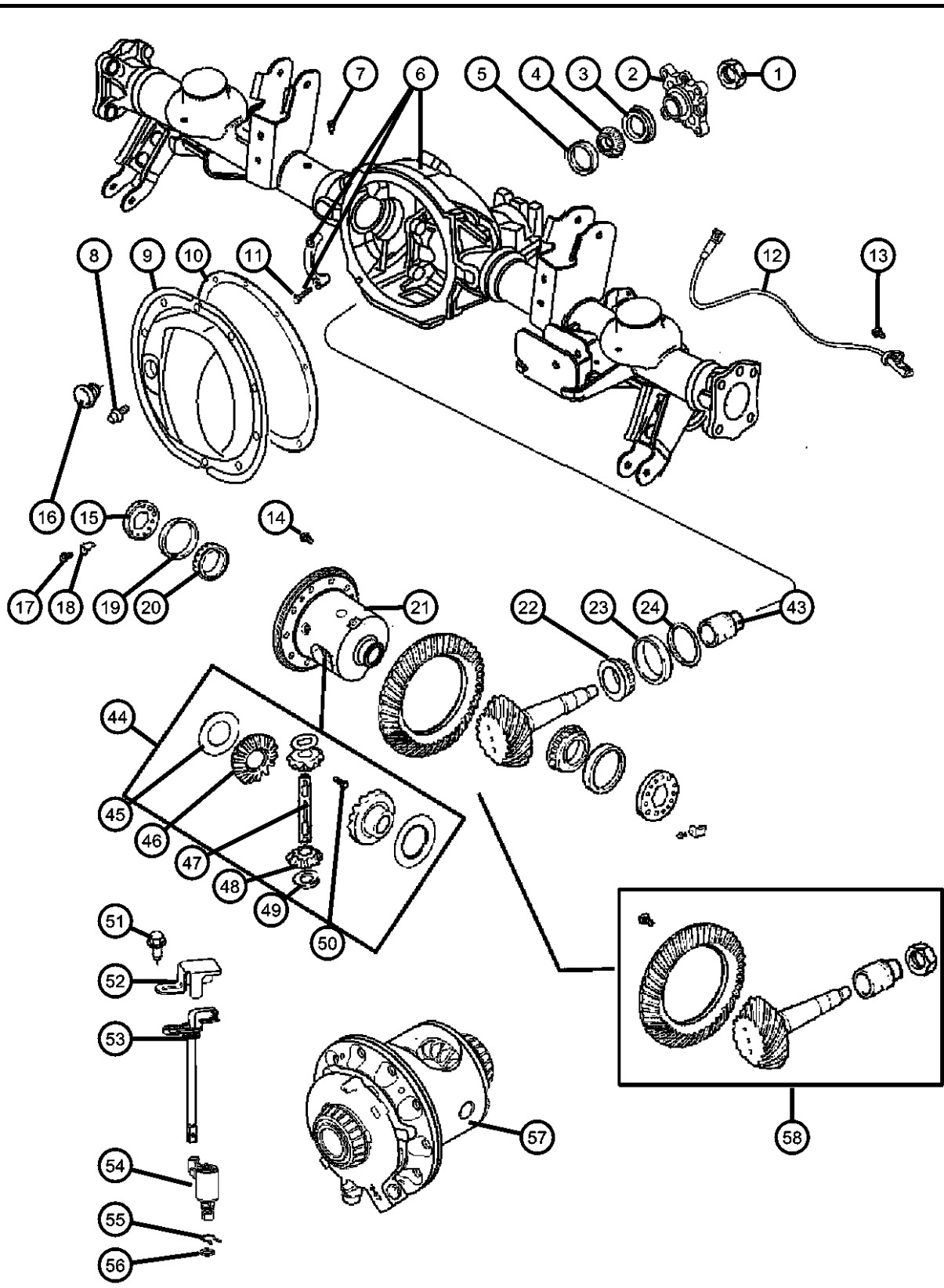
BODY
 74 = SPORT UTILITY 4-DR TYPE #4

ENGINE
 EVA = 4.7L V8 MPI Engine
 EVD = 4.7L V8 FFV Engine
 EXL = 3.0L V6 Turbo Diesel Engine
 EZB = 5.7L Hemi Multi Displacement Engine
 EKG = 3.7L V6 Engine
 ESF = 6.1L SRT HEMI SMPI V8 Engine

TRANSMISSION
 DGJ = 5-Speed Auto W5A580 Transmission
 DGQ = 5-Spd Automatic 545RFE Transmission
 DGU = 5-Spd Auto W5J400 Transmission

AR = use ase required - = Non illustrated part

Axle,Rear,With Differential,Housing and Axle Shafts,[DRS],8.25/213MM
Figure 3-210



ITEM	PART NUMBER	QTY	LINE	SERIES	BODY	ENGINE	TRANS	TRIM	DESCRIPTION
49	02852912	2	J, T		74				WASHER, Pinion Gear, [DS8], Thrust
50	03507724	1	J, T		74				SCREW, Hex Head, .312-18x1.80, Also Serviced in Differential Gear Package, [DS8]
51	06508769AA	1	J, T		74				SCREW AND WASHER, Hex Head, M6x1x17, [DSF]
52	52114530AB	1	J, T		74				SHIELD, Wiring, [DSF]
53	52114328AD	1	J, T		74				HARNESS, Electronic Rear Axle, [DSF]
54	52114003AE	1	J, T		74				ACTUATOR, Axle Locker, [DSF]
55	05135813AA	1	J, T		74				SNAP RING, [DSF]
56	52114079AA	2	J, T		74				O RING, [DSF]
57	52104674AE	1	J, T		74				CASE, Differential, [DSF] With internal Parts
58									GEAR KIT, Ring And Pinion
	05135768AB	1	J, T		74				[DMM]
	05143812AA	1	J, T		74				[DME]
	05175783AA	1	J, T		74				[DMD]

GRAND CHEROKEE (WK)
 SERIES LINE
 H = HIGHLINE T = JEEP - 2WD
 P = PREMIUM J = JEEP - 4WD
 S = SPORT
 X = SPECIAL

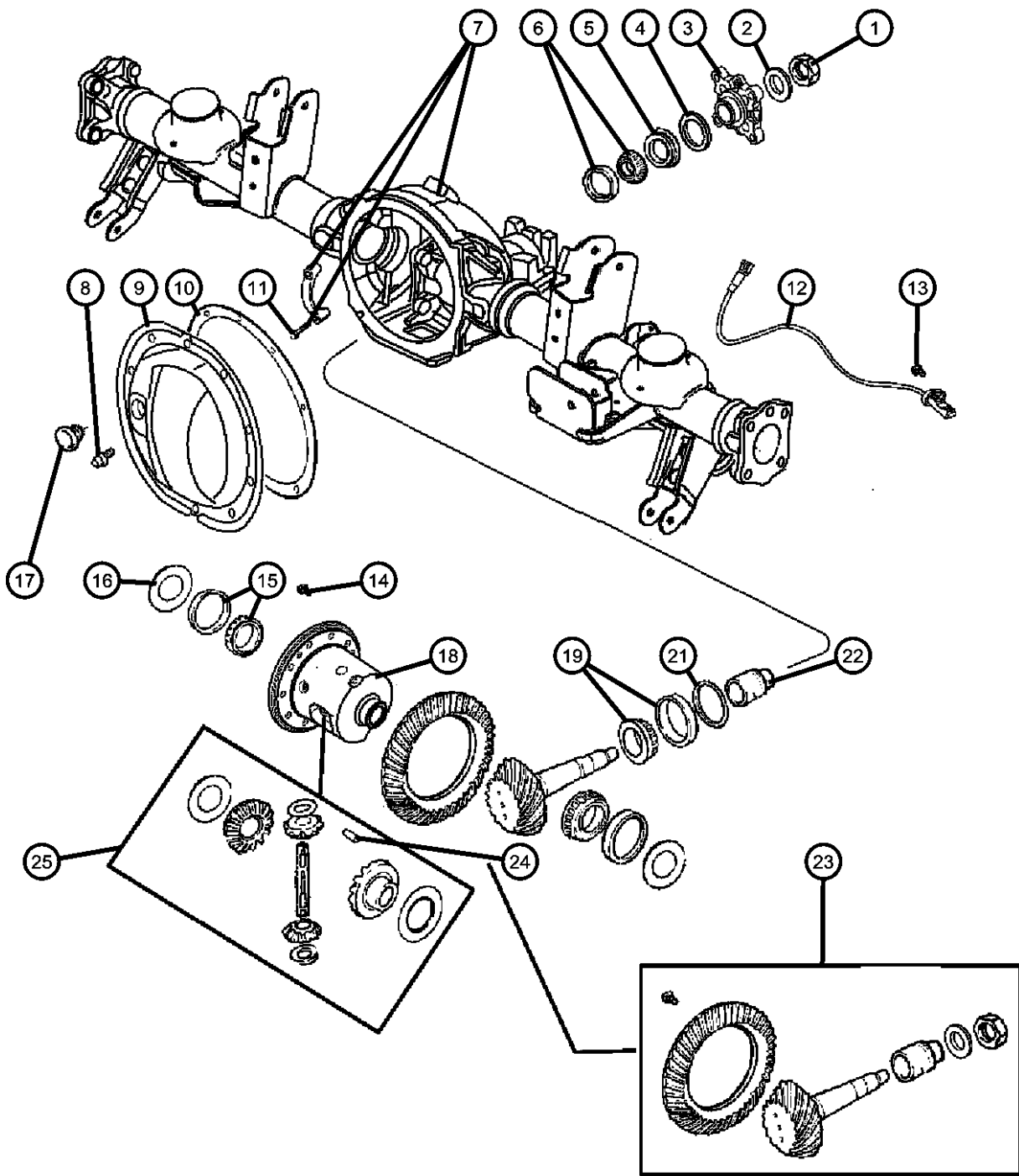
BODY
 74 = SPORT UTILITY 4-DR TYPE #4

ENGINE
 EVA = 4.7L V8 MPI Engine
 EVD = 4.7L V8 FFV Engine
 EXL = 3.0L V6 Turbo Diesel Engine
 EZB = 5.7L Hemi Multi Displacement Engine
 EKG = 3.7L V6 Engine
 ESF = 6.1L SRT HEMI SMPI V8 Engine

TRANSMISSION
 DGJ = 5-Speed Auto W5A580 Transmission
 DGQ = 5-Spd Automatic 545RFE Transmission
 DGU = 5-Spd Auto W5J400 Transmission

AR = use ase required - = Non illustrated part

Axle,Rear,With Differential,Housing and Axle Shafts,[DRK],Dana 44/226MM
Figure 3-220

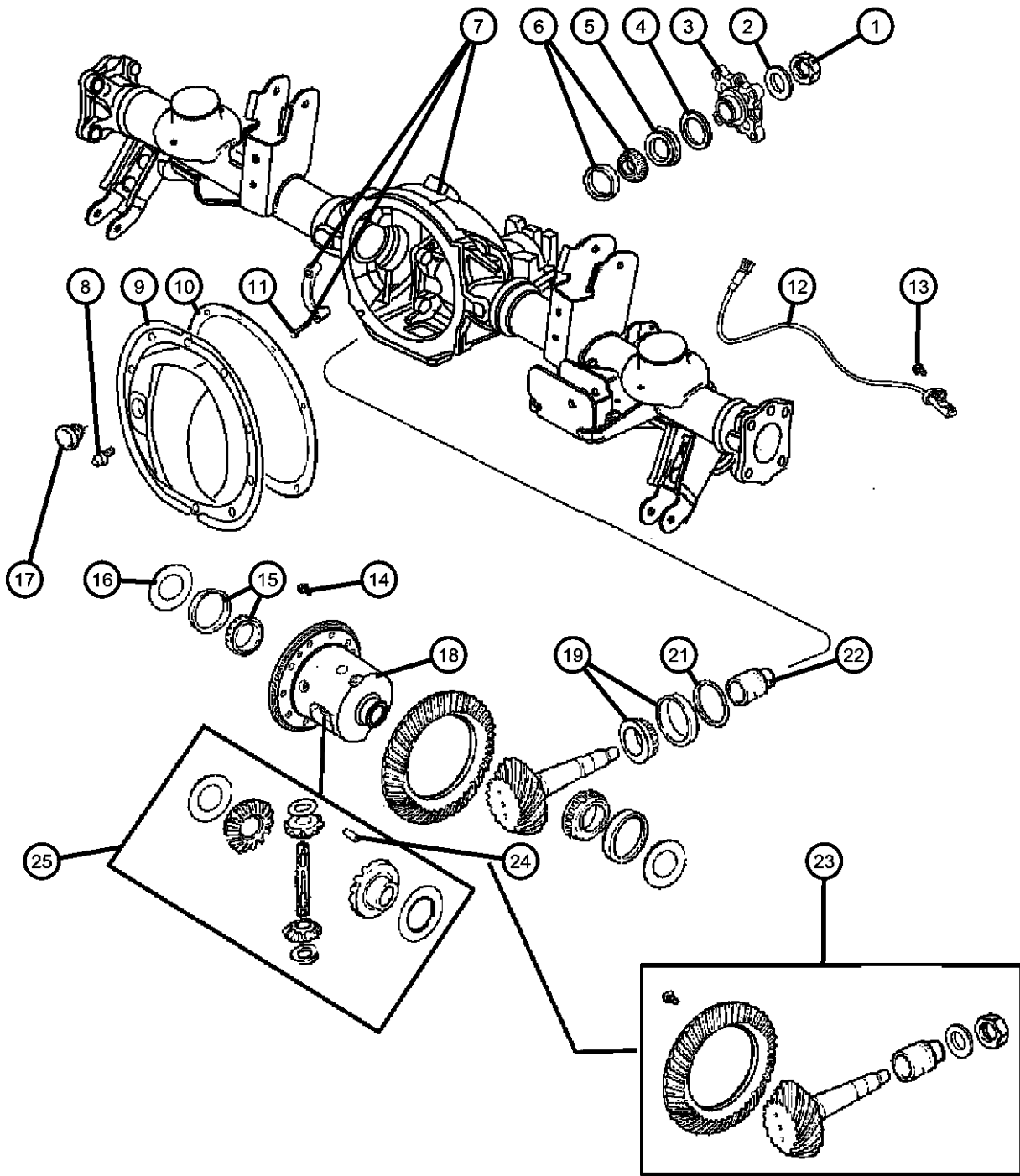


ITEM	PART NUMBER	QTY	LINE	SERIES	BODY	ENGINE	TRANS	TRIM	DESCRIPTION
Note:Sales Codes; [BR4]=Anti-Lock 4-Wheel Disc Performance Brakes [BRY]=Anti-Lock 4-Wheel Disc Brakes [DME]=Axle Ratio - 3.73 [DRK]=Rear Axle - Dana 44/226MM									
1	05191197AA	1	J, T		74				NUT, Pinion
2	01795175	1	J, T		74				WASHER, Pinion Yoke
3	05183523AA	1	J, T		74				FLANGE, Driveshaft Yoke
4	04746867	1	J, T		74				SLINGER, Drive Pinion
5	68003265AA	1	J, T		74				SEAL, Drive Pinion
6	04864210	1	J, T		74				BEARING, Drive Pinion, Cup and Cone, Front
7									HOUSING, Axle
	05183511AA	1	J, T		74				[BR4]
	05191205AA	1	J, T		74				[BRY]
8	02954031	10	J, T		74				BOLT, Differential CoverMounting
9	05183507AB	1	J, T		74				COVER, Differential
10	05013477AA	1	J, T		74				SEALANT, RTV
11	05003648AA	4	J, T		74				BOLT, Differential, Carrier Bearing Cap, Mounting
12	56044146AB	2	J, T		74				SENSOR, Wheel Speed
13	06508345AA	2	J, T		74				SCREW, Hex Head, Wheel Speed Sensor, Mounting
14	05183517AA	1	J, T		74				BOLT KIT, Ring Gear, Mounting
15	05183508AA	1	J, T		74				BEARING, Differential, Contains 2 Cups and 2 Cones
16	05183516AA	1	J, T		74				SHIM KIT, Differential
17	68033969AA	1	J, T		74				PLUG, Differential Cover
18	05183518AA	1	J, T		74				CASE, Differential, With Internal Parts
19	05191196AA	1	J, T		74				BEARING, Drive Pinion, Cup and Cone, Rear
-20									SHIM KIT, Pinion Shaft
	04856370	1	J, T		74				Contains Shims [.045 to .049]
	04856371	1	J, T		74				Contains Shims [.050 to .054]
	04856368	1	J, T		74				Contains Shims [.035 to .039]
	04856369	1	J, T		74				Contains Shims [.040 to .044]

GRAND CHEROKEE (WK)				
SERIES	LINE	BODY	ENGINE	TRANSMISSION
H = HIGHLINE	T = JEEP - 2WD	74 = SPORT UTILITY 4-DR	EVA = 4.7L V8 MPI Engine	DGJ = 5-Speed Auto W5A580
P = PREMIUM	J = JEEP - 4WD	TYPE #4	EVD = 4.7L V8 FFV Engine	Transmission
S = SPORT			EXL = 3.0L V6 Turbo Diesel Engine	DGQ = 5-Spd Automatic 545RFE
X = SPECIAL			EZB = 5.7L Hemi Multi Displacement Engine	Transmission
			EKG = 3.7L V6 Engine	DGU = 5-Spd Auto W5J400
			ESF = 6.1L SRT HEMI SMPI V8 Engine	Transmission

AR = use ase required - = Non illustrated part

Axle,Rear,With Differential,Housing and Axle Shafts,[DRK],Dana 44/226MM
Figure 3-220



ITEM	PART NUMBER	QTY	LINE	SERIES	BODY	ENGINE	TRANS	TRIM	DESCRIPTION
21									SHIM, Drive Pinion Bearing
	05017332AA	1	J, T		74				[.040"]-In Shim Kit 04856369
	05017336AA	1	J, T		74				[.044"]-In Shim Kit 04856369
	05017337AA	1	J, T		74				[.045"]-In Shim Kit 04856370
	05017333AA	1	J, T		74				[.041"]-In Shim Kit 04856369
	05017334AA	1	J, T		74				[.042"]-In Shim Kit 04856369
	05017335AA	1	J, T		74				[.043"]-In Shim Kit 04856369
	05017340AA	1	J, T		74				[.048"]-In Shim Kit 04856370
	05017341AA	1	J, T		74				[.049"]-In Shim Kit 04856370
	05017338AA	1	J, T		74				[.046"]-In Shim Kit 04856370
	05017339AA	1	J, T		74				[.047"]-In Shim Kit 04856370
	05017342AA	1	J, T		74				[.050"]-In Shim Kit 04856371
	05017345AA	1	J, T		74				[.053"]-In Shim Kit 04856371
	05017346AA	1	J, T		74				[.054"]-In Shim Kit 04856371
	68014932AA	1	J, T		74				[.035"]-In Shim Kit 04856368
	68014933AA	1	J, T		74				[.036"]-In Shim Kit 04856368
	05017343AA	1	J, T		74				[.051"]-In Shim Kit 04856371
	05017344AA	1	J, T		74				[.052"]-In Shim Kit 04856371
	68014934AA	1	J, T		74				[.037"]-In Shim Kit 04856368
	68014935AA	1	J, T		74				[.038"]-In Shim Kit 04856368
	68014936AA	1	J, T		74				[.039"]-In Shim Kit 04856368
22	05183525AA	1	J, T		74				SPACER, Drive Pinion Bearing, Crush
23	05183522AA	1	J, T		74				GEAR KIT, Ring And Pinion
24	01791563	1	J, T		74				PIN, Differential Shaft
25	05183520AA	1	J, T		74				GEAR KIT, Center Differential

GRAND CHEROKEE (WK)

SERIES LINE
H = HIGHLINE T = JEEP - 2WD
P = PREMIUM J = JEEP - 4WD
S = SPORT
X = SPECIAL

BODY
74 = SPORT UTILITY 4-DR
TYPE #4

ENGINE
EVA = 4.7L V8 MPI Engine
EVD = 4.7L V8 FFV Engine
EXL = 3.0L V6 Turbo Diesel
Engine
EZB = 5.7L Hemi Multi
Displacement Engine
EKG = 3.7L V6 Engine
ESF = 6.1L SRT HEMI SMPI
V8 Engine

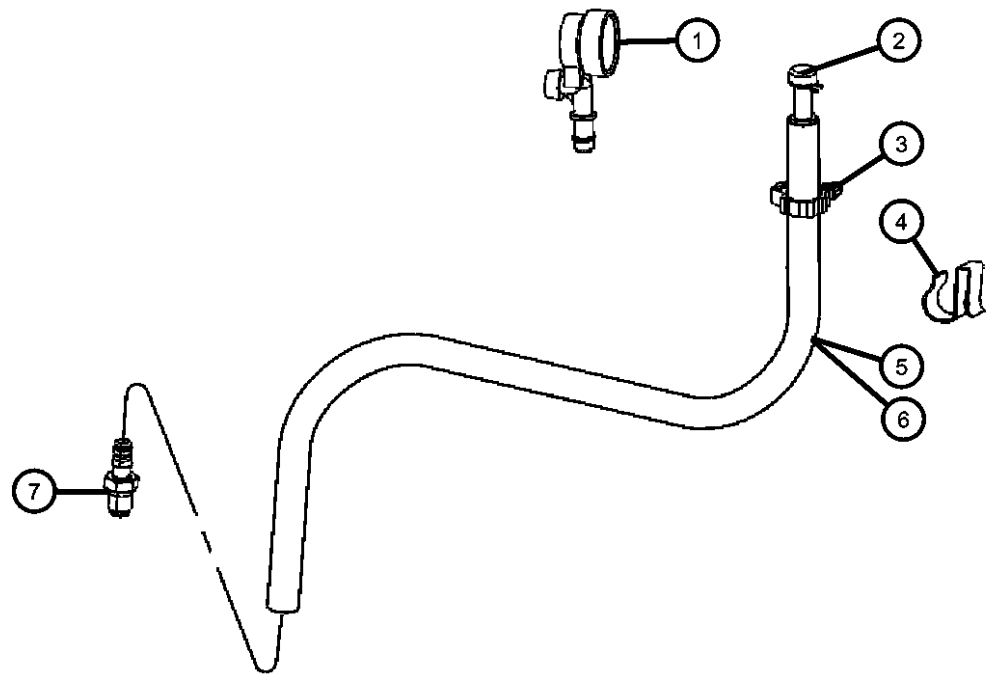
TRANSMISSION
DGJ = 5-Speed Auto W5A580
Transmission
DGQ = 5-Spd Automatic 545RFE
Transmission
DGU = 5-Spd Auto W5J400
Transmission

AR = use ase required - = Non illustrated part

2007 WK

Rear Axle Vent
Figure 3-310

ITEM	PART NUMBER	QTY	LINE	SERIES	BODY	ENGINE	TRANS	TRIM	DESCRIPTION
1	52104552AC	1	J, T		74				VENT, Axle, [DRS]
2	J5352955	1	J, T		74				VENT, Axle, [BR4]
3	06032633AB	1	J, T		74				CLIP, Vent Tube, [BRY]
4	06032633AB	1	J, T		74				CLIP, Vent Tube, [BR4]
5	HFV00516AB	1	J, T		74				HOSE, Fuel And Vapor, 25 Foot Roll 5/16", [BRY]
6	04854583AA	1	J, T		74				HOSE, Axle Vent, [BR4]
7	52114267AB	1	J, T		74				VENT, Axle



GRAND CHEROKEE (WK)

SERIES LINE
H = HIGHLINE T = JEEP - 2WD
P = PREMIUM J = JEEP - 4WD
S = SPORT
X = SPECIAL

BODY
74 = SPORT UTILITY 4-DR
TYPE #4

ENGINE
EVA = 4.7L V8 MPI Engine
EVD = 4.7L V8 FFV Engine
EXL = 3.0L V6 Turbo Diesel
Engine
EZB = 5.7L Hemi Multi
Displacement Engine
EKG = 3.7L V6 Engine
ESF = 6.1L SRT HEMI SMPI
V8 Engine

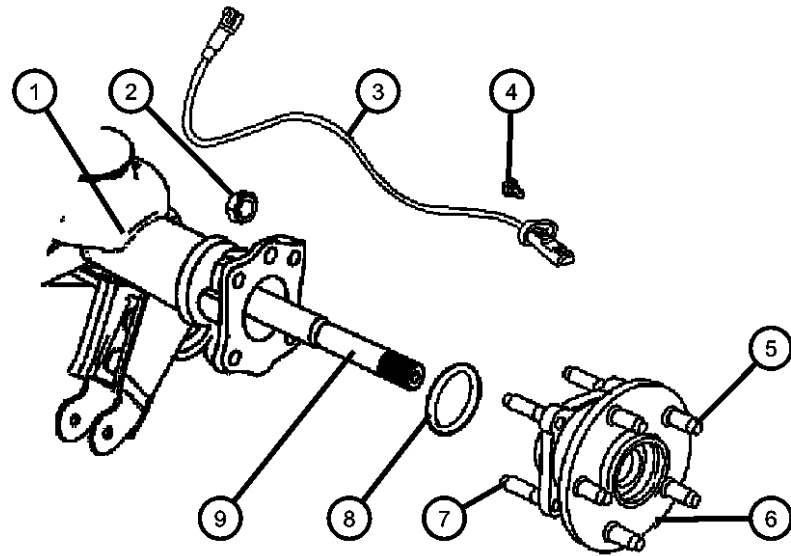
TRANSMISSION
DGJ = 5-Speed Auto W5A580
Transmission
DGQ = 5-Spd Automatic 545RFE
Transmission
DGU = 5-Spd Auto W5J400
Transmission

AR = use ase required - = Non illustrated part

2007 WK

Axle Shafts,Rear
Figure 3-410

ITEM	PART NUMBER	QTY	LINE	SERIES	BODY	ENGINE	TRANS	TRIM	DESCRIPTION
1		1							HOUSING, Axle, See 3-210 for part number, (NOT SERVICED)
2	68004702AA	8	J, T		74				NUT, Hex Lock
3	56044146AB	2	J, T		74				SENSOR, Wheel Speed
4	06506968AA	2	J, T		74				SCREW, Hex Head, M6 x 1.00 x 17.50
5	06036424AA	10	J, T		74				BOLT, Hub and Rotor
6	52111884AA	2	J, T		74				HUB AND BEARING, Wheel
7	06508071AA	8	J, T		74				STUD
8	52114079AA	2	J, T		74				O RING
9									SHAFT, Axle
	52111913AA	1	J, T		74				[DRS+DSF], Left
	52114076AA	1	J, T		74				[DRS+DS8], Left
	52114077AA	1	J, T		74				[DRS+DS8], Right
	05183528AA	1	J, T		74				[DRK+BRY], Right
		1	J, T		74				[DRK+BR4], Right
	05183529AA	1	J, T		74				[DRK+BRY], Left
		1	J, T		74				[DRK+BR4], Left
	52111899AA	1	J, T		74				[DRS+DSF], Right



GRAND CHEROKEE (WK)

SERIES LINE
H = HIGHLINE T = JEEP - 2WD
P = PREMIUM J = JEEP - 4WD
S = SPORT
X = SPECIAL

BODY
74 = SPORT UTILITY 4-DR
TYPE #4

ENGINE
EVA = 4.7L V8 MPI Engine
EVD = 4.7L V8 FFV Engine
EXL = 3.0L V6 Turbo Diesel
Engine
EZB = 5.7L Hemi Multi
Displacement Engine
EKG = 3.7L V6 Engine
ESF = 6.1L SRT HEMI SMPI
V8 Engine

TRANSMISSION
DGJ = 5-Speed Auto W5A580
Transmission
DGQ = 5-Spd Automatic 545RFE
Transmission
DGU = 5-Spd Auto W5J400
Transmission

AR = use ase required - = Non illustrated part

2007 WK

Group - 4

Parking Brake

Group - 4 Parking Brake

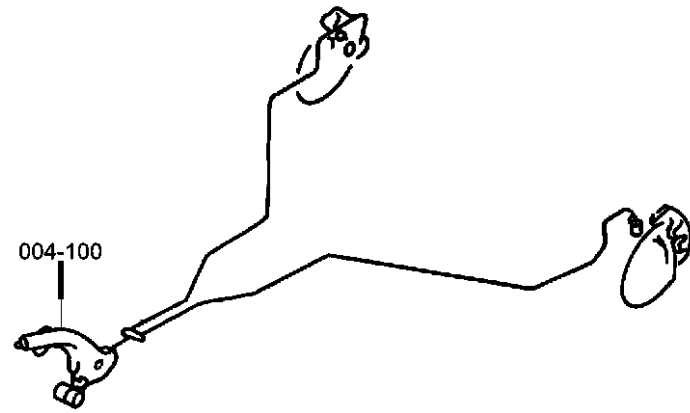
Illustration Title

Group-Fig. No.

Parking Brake Lever and Cables

Lever And Cable - Parking Brake Fig. 4 - 110

Rear Disc Parking Brake Assembly..... Fig. 4 - 120

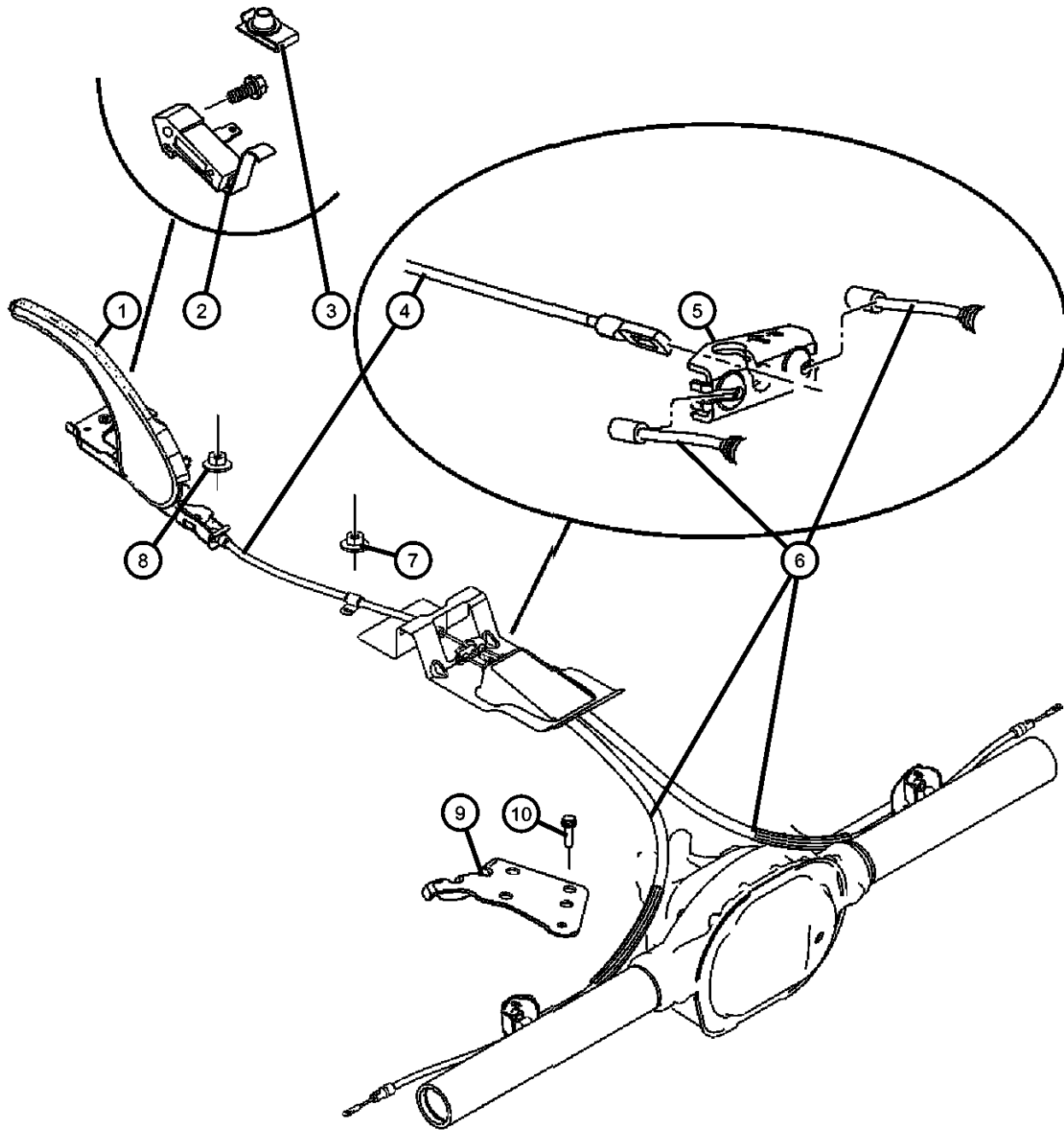


004-100

004-100
Parking Brake Lever and Cables



Lever And Cable - Parking Brake
Figure 4-110



ITEM	PART NUMBER	QTY	LINE	SERIES	BODY	ENGINE	TRANS	TRIM	DESCRIPTION
1	5KD70BD5AD	1	J, T		74				LEVER, Parking Brake [D5]
	5KD70BD1AD	1	J, T		74				[J1]
	5KD70ZJ3AD	1	J, T		74				[J3]
2	04671936AA	1	J, T		74				SWITCH, Parking Brake
3	06506035AA	1	J, T		74				NUT, U, M6x1.00
4	05134701AB	1	J, T		74				CABLE, Parking Brake
5	52124029AA	1	J, T		74				EQUALIZER, Parking Brake Cable
6									CABLE, Parking Brake
	52124333AA	1	J, T		74				Left
	52124334AA	1	J, T		74				Right
7	05096978AA	1	J, T		74				NUT, Hex, M6, Intermediate Cable
8	05096978AA	3	J, T		74				NUT, Hex, M6, Parking Brake Assembly
9		3							BRACKET, Parking Brake Cable, (NOT SERVICED)
10		3							BOLT, (NOT SERVICED)
-11	52124158AA	1	J, T		74				INSULATOR, Parking brake cable, Cable to Unerbody Isolator

GRAND CHEROKEE (WK)

SERIES LINE
H = HIGHLINE T = JEEP - 2WD
P = PREMIUM J = JEEP - 4WD
S = SPORT
X = SPECIAL

BODY
74 = SPORT UTILITY 4-DR
TYPE #4

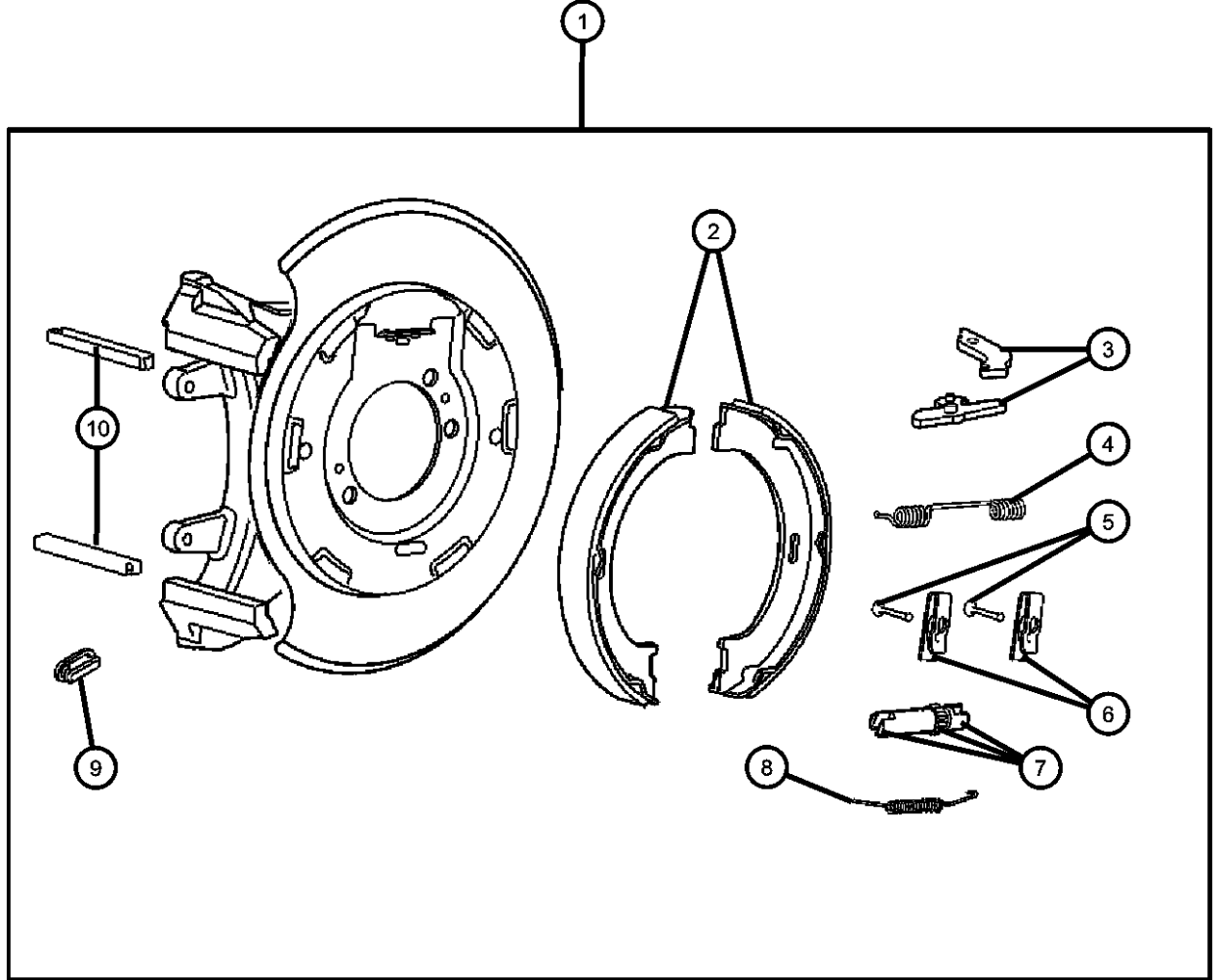
ENGINE
EVA = 4.7L V8 MPI Engine
EVD = 4.7L V8 FFV Engine
EXL = 3.0L V6 Turbo Diesel
Engine
EZB = 5.7L Hemi Multi
Displacement Engine
EKG = 3.7L V6 Engine
ESF = 6.1L SRT HEMI SMPI
V8 Engine

TRANSMISSION
DGJ = 5-Speed Auto W5A580
Transmission
DGQ = 5-Spd Automatic 545RFE
Transmission
DGU = 5-Spd Auto W5J400
Transmission

AR = use ase required - = Non illustrated part

2007 WK

**Rear Disc Parking Brake Assembly
Figure 4-120**



ITEM	PART NUMBER	QTY	LINE	SERIES	BODY	ENGINE	TRANS	TRIM	DESCRIPTION
Note:Sales Codes; [DRK]=DANA 44/226MM REAR AXLE [DRS]=Rear Axle - 8.25 [213MM]									
1	05290734AA	2	J, T		74				ADAPTER, Parking Brake [DRK,BR4]
	52089418AB	1	J, T		74				[DRS]
		1	J, T		74				[DRK,BRY]
2	05086930AA	1	J, T		74				SHOE AND LINING KIT, Drum, Complete Make It New Brake Kits
	VRWK0871AA								
3	05143737AA	2	J, T		74				LEVER, Parking Brake
4	05143732AA	2	J, T		74				SPRING, Park Brake Shoe Return
5									PIN, Brake Shoe Hold Down
	04762126	4	J, T		74				[DRS]
	05179890AA	4	J, T		74				[DRK]
6									CLIP, Parking Brake Hold Down
	04762125	4	J, T		74				[DRS]
	05179889AA	4	J, T		74				[DRK]
7									ADJUSTER, Parking Brake
	05143736AA	2	J, T		74				[DRS]
	05179888AA	2	J, T		74				[DRK]
8	04762116	2	J, T		74				SPRING, Park Brake Shoe Return
9	04762121	2	J, T		74				PLUG, Brake Adjusting Hole
10	05143705AA	1	J, T		74				SLIPPER KIT, Caliper, Contains 4 Slippers

GRAND CHEROKEE (WK)

SERIES LINE
H = HIGHLINE T = JEEP - 2WD
P = PREMIUM J = JEEP - 4WD
S = SPORT
X = SPECIAL

BODY
74 = SPORT UTILITY 4-DR
TYPE #4

ENGINE
EVA = 4.7L V8 MPI Engine
EVD = 4.7L V8 FFV Engine
EXL = 3.0L V6 Turbo Diesel
Engine
EZB = 5.7L Hemi Multi
Displacement Engine
EKG = 3.7L V6 Engine
ESF = 6.1L SRT HEMI SMPI
V8 Engine

TRANSMISSION
DGJ = 5-Speed Auto W5A580
Transmission
DGQ = 5-Spd Automatic 545RFE
Transmission
DGU = 5-Spd Auto W5J400
Transmission

AR = use ase required - = Non illustrated part

Group - 5

Service Brakes

Group - 5 Service Brakes

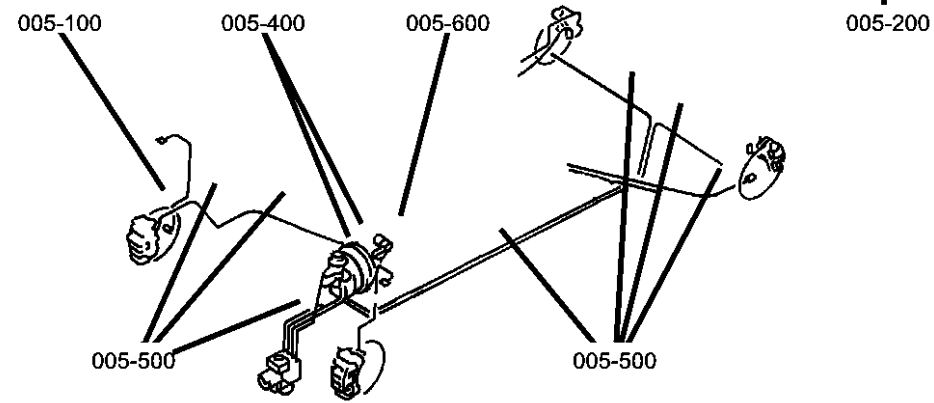


Illustration Title

Group-Fig. No.

Front Brakes

- Front Disc Brake Caliper With [EK0,EV0,EZ0,EX0] Fig. 5 - 110
- Front Disc Brake Caliper With [ES0]..... Fig. 5 - 120

Rear Brakes

- Rear Disc Brake Caliper and Rotor,[DRS],8.25/213MM,[DRK] With [BRY] Brakes Fig. 5 - 210
- Rear Disc Brake Caliper and Rotor,[DRK],Dana 44/226MM,With [BR4] Brakes Fig. 5 - 220

Power Brake Booster

- Power Brake Booster Fig. 5 - 310
- Vacuum Pump and Hose,[EX0] Diesel Fig. 5 - 320

Brake Master Cylinder

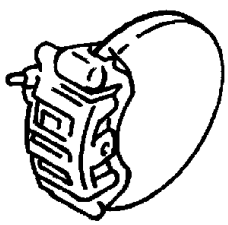
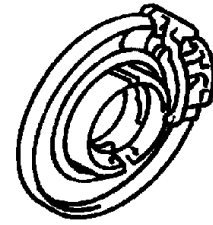
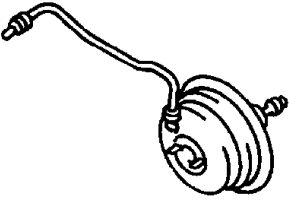
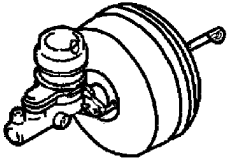
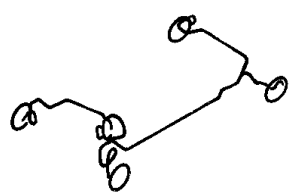

- Master Cylinder,Brake Fig. 5 - 410
- H C U and Brake Lines From HCU to Master Cylinder..... Fig. 5 - 420

Brake Lines and Hoses

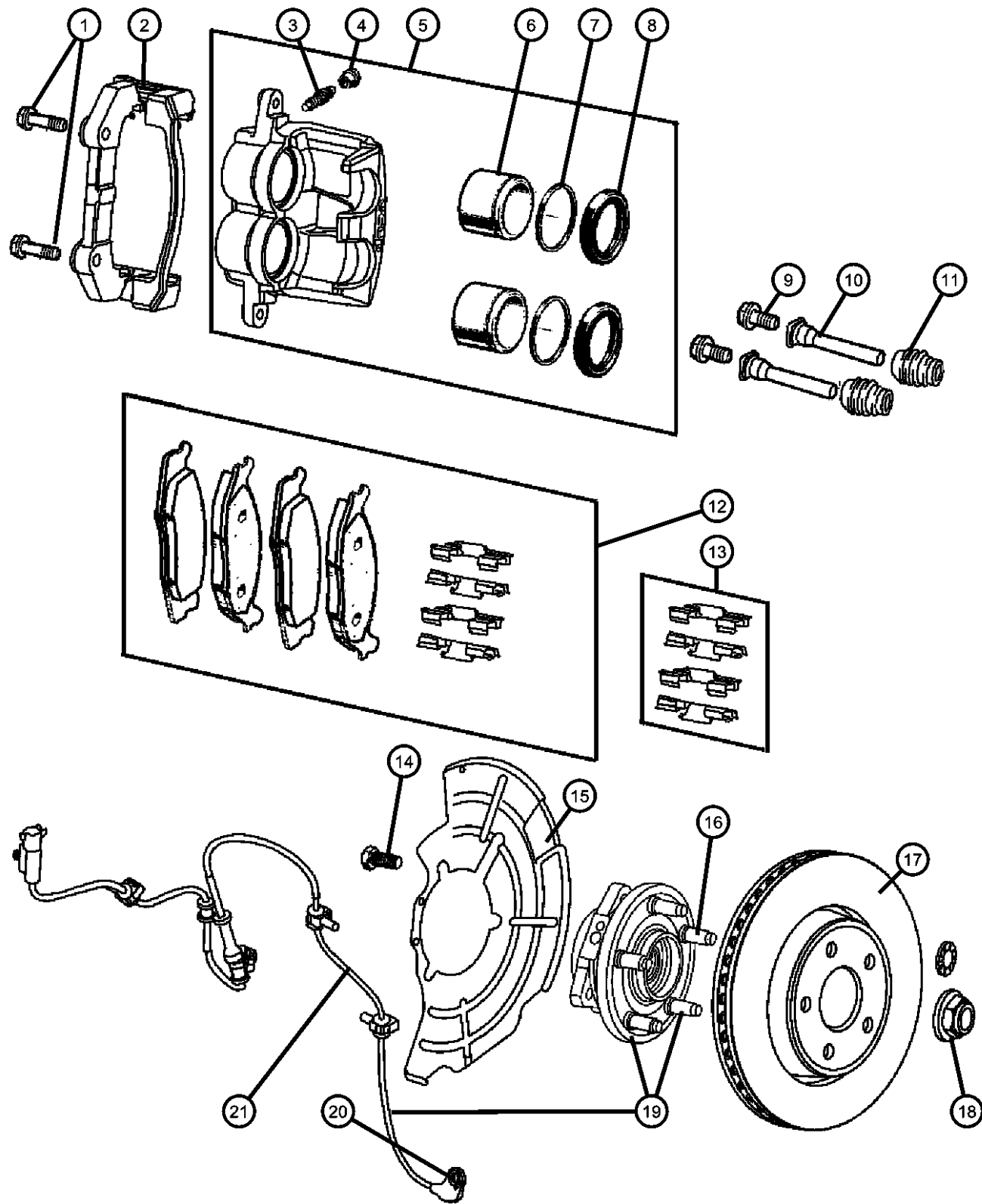
- Brake Lines and Hoses,Front,2 Wheel Drive Fig. 5 - 510
- Brake Lines and Hoses,Front,4 Wheel Drive Fig. 5 - 520
- Brake Lines and Hoses,Rear and Chassis..... Fig. 5 - 530

Brake Pedals

- Brake Pedals,Standard [XA8] and Adjustable [XAM,XAP] Fig. 5 - 610

<p>005-100 Front Brakes</p> 	<p>005-200 Rear Brakes</p> 	<p>005-300 Power Brake Booster</p> 	<p>005-400 Brake Master Cylinder</p> 
<p>005-500 Brake Lines and Hoses</p> 	<p>005-600 Brake Pedals</p> 		

**Front Disc Brake Caliper With [EK0,EV0,EZ0,EX0]
Figure 5-110**



ITEM	PART NUMBER	QTY	LINE	SERIES	BODY	ENGINE	TRANS	TRIM	DESCRIPTION
1	06507152AA	4							BOLT, Hex Flange Head, M14x2.00x45.00, Caliper Bracket to Knuckle
2	05143699AB	1	J, T		74				ADAPTER, Disc Brake Caliper, Front
3	05093343AA	1	J, T		74				SCREW, Bleeder
4	05093278AA	1	J, T		74				CAP, Bleeder
5									CALIPER ASSEMBLY, Disc Brake, Front
	05143692AA	1	J, T		74				Right
	05143693AA	1	J, T		74				Left
6	05143696AA	1	J, T		74				PISTON, Brake
7	05143694AA	1	J, T		74				SEAL, Caliper Piston
8	05143691AA	1	J, T		74				BOOT, Brake Piston
9	05093355AA	1	J, T		74				BOLT
10	05143697AA	1	J, T		74				PIN, Caliper
11	05103112AA	1	J, T		74				BOOT, Disc Brake Caliper Pin
12	05080868AC	1	J, T		74				PAD KIT, Front Disc Brake
	V3010868								Mopar V-Line Alternative Part
	VCWK0868AA								Ceramic
	VWKXK868AA								Make It Ceramic Brake Kit
	V1010868AB								Make It New Brake Kits
									Mopar V-Line Alternative Part
13	05143700AA	1	J, T		74				SLIPPER KIT, Caliper
14	06505935AA	6							BOLT, Hex Flange Head, M12x1.75x70.00, Hub and Bearing to Knuckle
15									SHIELD, Splash
	52090432AC	1	J, T		74				Right
	52090433AC	1	J, T		74				Left
16	06036424AA	5	J, T		74				STUD, Hub
17	52089269AB	2	J, T		74				ROTOR, Brake, Front
	VWKX0868AB								Make It New Brake Kits
18	06506454AA	2	J						NUT AND WASHER, Hex Lock, M24x2.00, Hub to Axle
19	52089434AC	2	J, T		74				HUB AND BEARING, Brake

GRAND CHEROKEE (WK)

SERIES LINE
H = HIGHLINE T = JEEP - 2WD
P = PREMIUM J = JEEP - 4WD
S = SPORT
X = SPECIAL

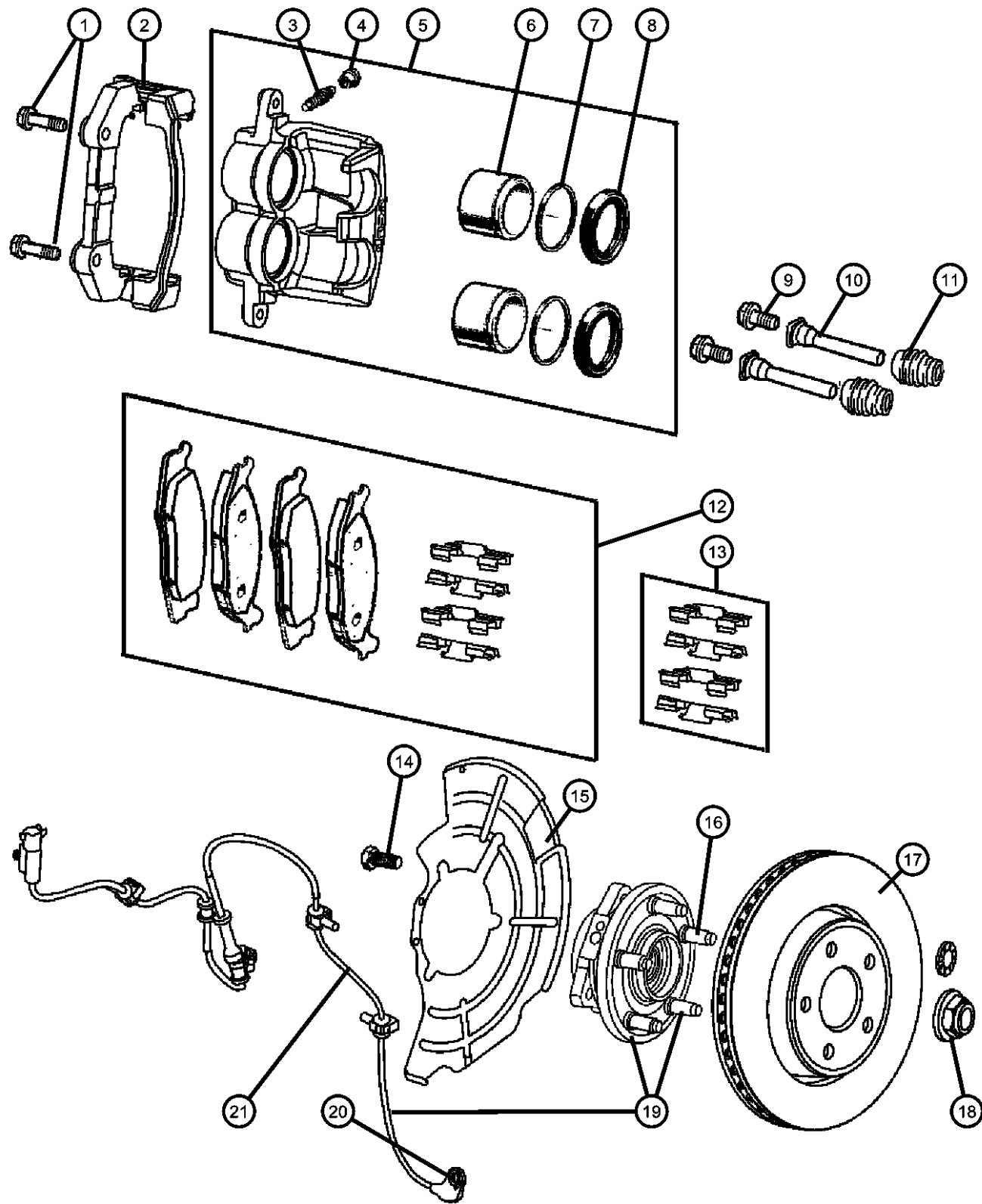
BODY
74 = SPORT UTILITY 4-DR
TYPE #4

ENGINE
EVA = 4.7L V8 MPI Engine
EVD = 4.7L V8 FFV Engine
EXL = 3.0L V6 Turbo Diesel
Engine
EZB = 5.7L Hemi Multi
Displacement Engine
EKG = 3.7L V6 Engine
ESF = 6.1L SRT HEMI SMPI
V8 Engine

TRANSMISSION
DGJ = 5-Speed Auto W5A580
Transmission
DGQ = 5-Spd Automatic 545RFE
Transmission
DGU = 5-Spd Auto W5J400
Transmission

AR = use ase required - = Non illustrated part

**Front Disc Brake Caliper With [EK0,EV0,EZ0,EX0]
Figure 5-110**



ITEM	PART NUMBER	QTY	LINE	SERIES	BODY	ENGINE	TRANS	TRIM	DESCRIPTION
20	05175374AA	2	J, T		74				BOLT, Hex Head, M6x1.00x12.00
21	56044144AC	2	J, T		74				SENSOR, Anti-Lock Brakes

GRAND CHEROKEE (WK)

SERIES LINE
H = HIGHLINE T = JEEP - 2WD
P = PREMIUM J = JEEP - 4WD
S = SPORT
X = SPECIAL

BODY
74 = SPORT UTILITY 4-DR
TYPE #4

ENGINE
EVA = 4.7L V8 MPI Engine
EVD = 4.7L V8 FFV Engine
EXL = 3.0L V6 Turbo Diesel
Engine
EZB = 5.7L Hemi Multi
Displacement Engine
EKG = 3.7L V6 Engine
ESF = 6.1L SRT HEMI SMPI
V8 Engine

TRANSMISSION
DGJ = 5-Speed Auto W5A580
Transmission
DGQ = 5-Spd Automatic 545RFE
Transmission
DGU = 5-Spd Auto W5J400
Transmission

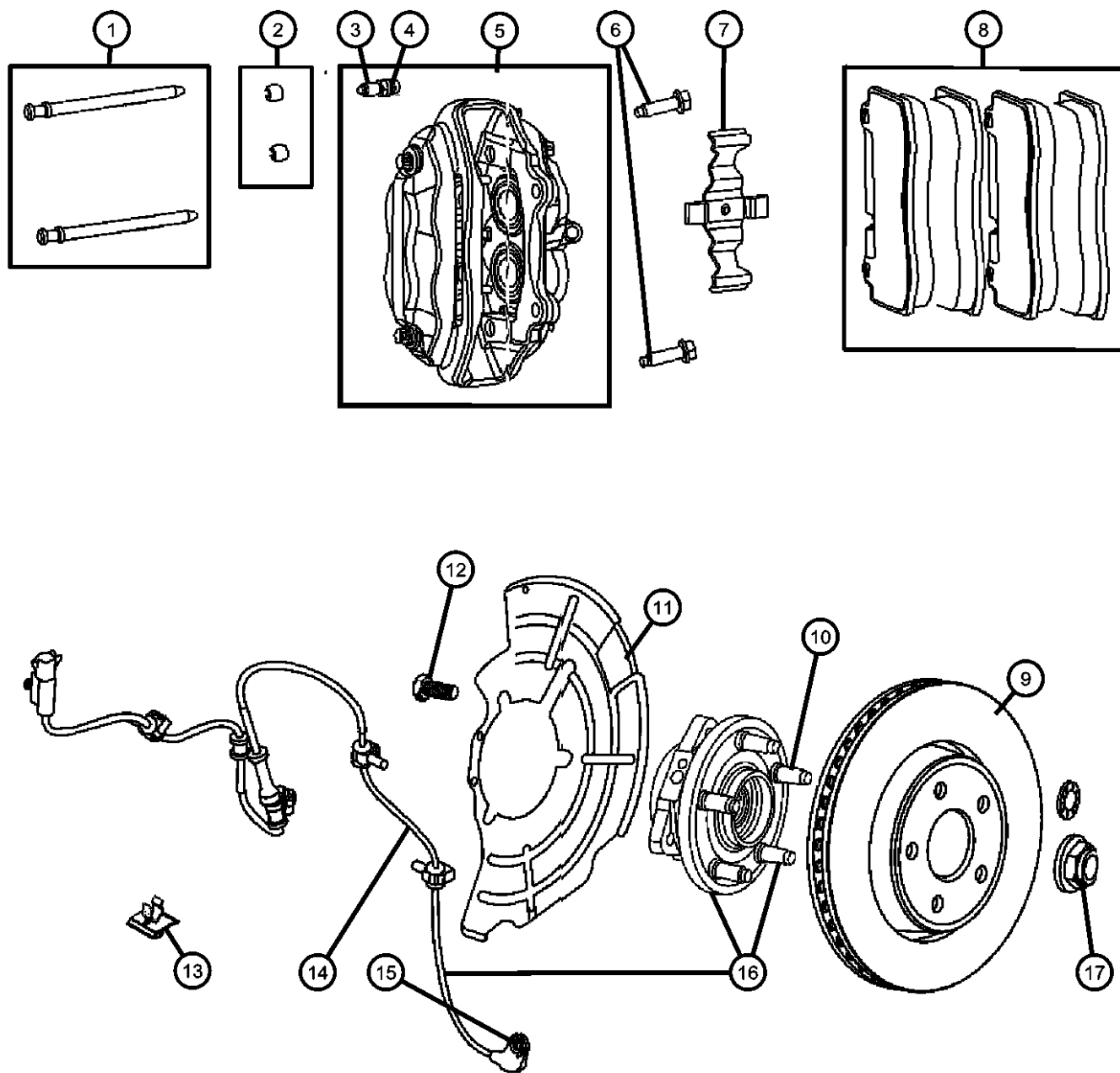
AR = use ase required - = Non illustrated part

Front Disc Brake Caliper With [ES0]

Figure 5-120

ITEM	PART NUMBER	QTY	LINE	SERIES	BODY	ENGINE	TRANS	TRIM	DESCRIPTION
------	-------------	-----	------	--------	------	--------	-------	------	-------------

Sales Codes:
 [ES0]= ALL 6 L ENGINES
 [ESF]= 6.1L SRT HEMI SMPI V8 ENGINE



1	05174320AA	1	J		74				PIN KIT, Disc Brake
2	05174318AA	1	J		74				BOOT KIT, Disc brake, For the Pin Kit
3	05174319AA	1	J		74				BLEEDER SCREW, Brake
4		1							CAP, Bleeder, (NOT SERVICED)
5									CALIPER ASSEMBLY, Disc Brake, Front
	68002158AA	1	J		74				Painted Black, Right Front
	68002159AA	1	J		74				Painted Black, Left Front
6	06104258AA	4	J, T		74				SCREW, Hex Flange Head
7	05174321AA	1	J		74				CLIP, Brake Anti-Rattle
8	68002193AA	1	J		74				PAD KIT, Front Disc Brake
9	05290733AA	2	J, T		74				ROTOR, Brake
10	06036424AA	10	J, T		74				BOLT, Hub and Rotor
11									SHIELD, Splash
	05290651AA	1	J, T		74				Left
	05290650AA	1	J, T		74				Right
12	06505935AA	6							SCREW, Bearing to Knuckle, Mounting
13	52124121AA	2	J, T		74				CLIP, Wiring, ABS Sensor
14	56044144AC	2	J, T		74				SENSOR, Anti-Lock Brakes
15	05175374AA	2	J, T		74				BOLT, ABS Sensor
16	52089434AC	2	J, T		74				HUB AND BEARING, Brake
17	06506454AA	2	J						NUT, Hex

GRAND CHEROKEE (WK)

SERIES LINE
 H = HIGHLINE T = JEEP - 2WD
 P = PREMIUM J = JEEP - 4WD
 S = SPORT
 X = SPECIAL

BODY
 74 = SPORT UTILITY 4-DR
 TYPE #4

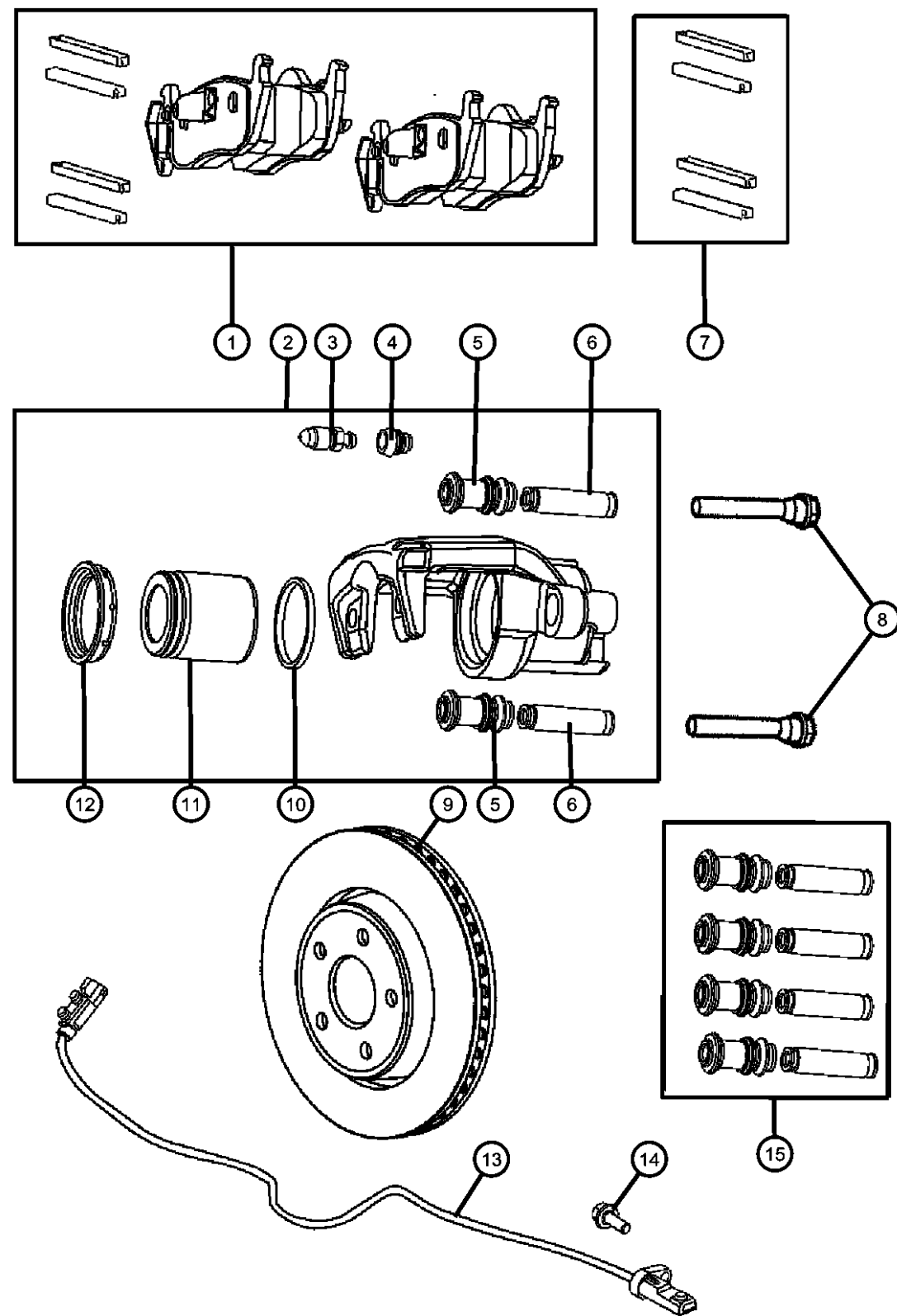
ENGINE
 EVA = 4.7L V8 MPI Engine
 EVD = 4.7L V8 FFV Engine
 EXL = 3.0L V6 Turbo Diesel
 Engine
 EZB = 5.7L Hemi Multi
 Displacement Engine
 EKG = 3.7L V6 Engine
 ESF = 6.1L SRT HEMI SMPI
 V8 Engine

TRANSMISSION
 DGJ = 5-Speed Auto W5A580
 Transmission
 DGQ = 5-Spd Automatic 545RFE
 Transmission
 DGU = 5-Spd Auto W5J400
 Transmission

AR = use ase required - = Non illustrated part

2007 WK

Rear Disc Brake Caliper and Rotor,[DRS],8.25/213MM,[DRK] With [BRY] Brakes
Figure 5-210



ITEM	PART NUMBER	QTY	LINE	SERIES	BODY	ENGINE	TRANS	TRIM	DESCRIPTION
1	05080871AB V2010871 V4010871 VCWK0871AB VRWK0871AB	1	J, T		74				PAD KIT, Rear Disc Brake [DRS] Mopar V-Line Alternative Part Mopar V-Line Alternative Part Ceramic Make It Ceramic Rear Brake Kit Make It New Brake Kits
	V2010871 V4010871 VCWK0871AB VRWK0871AB	1	J, T		74				[DRK,BRY] Mopar V-Line Alternative Part Mopar V-Line Alternative Part Ceramic Make It Ceramic Rear Brake Kit Make It New Brake Kits
2	05143702AB 05143703AB	1	J, T		74				CALIPER, Disc Brake Right Left
3	05093343AA	2	J, T		74				BLEEDER SCREW, Brake
4	05093278AA	2	J, T		74				CAP, Bleeder
5	04762105	4	J, T		74				SLEEVE, Brake Caliper
6	04762106	4	J, T		74				BUSHING, Caliper
7	05143705AA	1	J, T		74				SLIPPER KIT, Caliper
8	06507603AA	4	J, T		74				PIN, Caliper
9	52089275AB V5019275AA VCWK0871AB VRWK0871AB	2	J, T		74				ROTOR, Brake Mopar V-Line Alternative Brake Rotors Make It Ceramic Rear Brake Kit Make It New Brake Kits
10	05143694AA	2	J, T		74				SEAL, Caliper Piston
11	05143704AA	2	J, T		74				PISTON, Brake
12	05143691AA	2	J, T		74				BOOT, Brake Piston
13	56044146AB	2	J, T		74				SENSOR, Wheel Speed
14	06508345AA	2							SCREW, Hex Head, Wheel Speed Sensor, Mounting
15	05103158AA	1	J, T		74				BUSHING AND SLEEVE KIT, Caliper

GRAND CHEROKEE (WK)

SERIES LINE
H = HIGHLINE T = JEEP - 2WD
P = PREMIUM J = JEEP - 4WD
S = SPORT
X = SPECIAL

BODY
74 = SPORT UTILITY 4-DR
TYPE #4

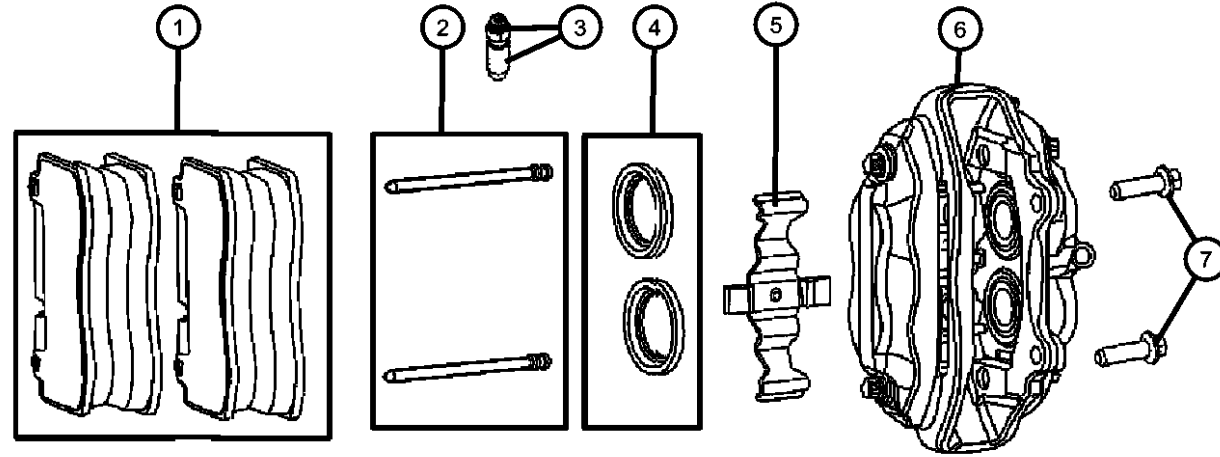
ENGINE
EVA = 4.7L V8 MPI Engine
EVD = 4.7L V8 FFV Engine
EXL = 3.0L V6 Turbo Diesel
Engine
EZB = 5.7L Hemi Multi
Displacement Engine
EKG = 3.7L V6 Engine
ESF = 6.1L SRT HEMI SMPI
V8 Engine

TRANSMISSION
DGJ = 5-Speed Auto W5A580
Transmission
DGQ = 5-Spd Automatic 545RFE
Transmission
DGU = 5-Spd Auto W5J400
Transmission

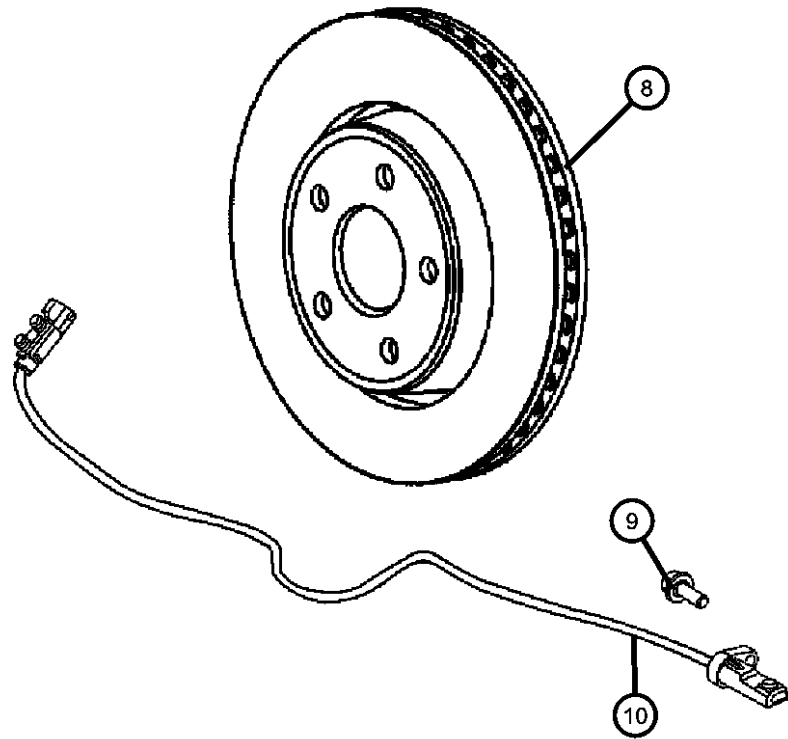
AR = use ase required - = Non illustrated part

2007 WK

Rear Disc Brake Caliper and Rotor,[DRK],Dana 44/226MM,With [BR4] Brakes
Figure 5-220



ITEM	PART NUMBER	QTY	LINE	SERIES	BODY	ENGINE	TRANS	TRIM	DESCRIPTION
1	68003610AA	1	J, T		74				PAD KIT, Rear Disc Brake
2	05174332AA	1	J, T		74				PIN KIT, Disc Brake
3	05174331AA	1	J, T		74				BLEEDER SCREW, Brake
4	05174330AB	1	J, T		74				BOOT KIT, Disc brake
5	05174333AA	1	J, T		74				CLIP, Brake Anti-Rattle
6									CALIPER ASSEMBLY, Disc Brake, Rear
	68002194AA	1	J, T		74				Painted Black, Right Front
	68002195AA	1	J, T		74				Painted Black, Left Front
7	06104258AA	4	J, T		74				SCREW, Hex Flange Head, Caliper to Knuckle, Mounting
8	05290731AA	2	J, T		74				ROTOR, Brake
	V5010731AA								Mopar V-Line Alternative Brake Rotors
9	06508345AA	2	J, T		74				SCREW, Hex Head, Wheel Speed Sensor, Mounting
10	56044146AB	2	J, T		74				SENSOR, Wheel Speed



GRAND CHEROKEE (WK)

SERIES LINE
H = HIGHLINE T = JEEP - 2WD
P = PREMIUM J = JEEP - 4WD
S = SPORT
X = SPECIAL

BODY
74 = SPORT UTILITY 4-DR TYPE #4

ENGINE
EVA = 4.7L V8 MPI Engine
EVD = 4.7L V8 FFV Engine
EXL = 3.0L V6 Turbo Diesel Engine
EZB = 5.7L Hemi Multi Displacement Engine
EKG = 3.7L V6 Engine
ESF = 6.1L SRT HEMI SMPI V8 Engine

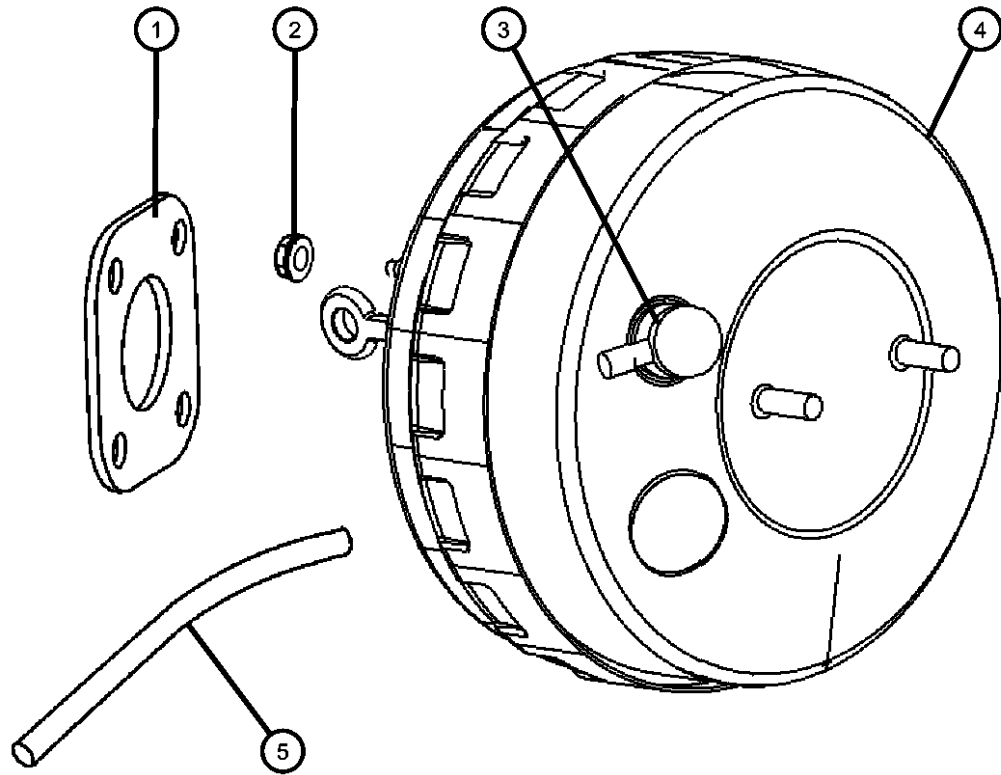
TRANSMISSION
DGJ = 5-Speed Auto W5A580 Transmission
DGQ = 5-Spd Automatic 545RFE Transmission
DGU = 5-Spd Auto W5J400 Transmission

AR = use ase required - = Non illustrated part

2007 WK

**Power Brake Booster
Figure 5-310**

ITEM	PART NUMBER	QTY	LINE	SERIES	BODY	ENGINE	TRANS	TRIM	DESCRIPTION
Note:Sales Codes;									
[EK0]=Engine - All 3.7L 6 Cylinder Gas									
[ES0]=Engines - All 6 L Engines									
[EV0]=Engines - All 4.7L Gas									
[EZ0]=Engines - All 5.7L 8 Cylinder Gas									
1	05143281AA	1	J, T		74				GASKET, Booster to Dash
2	06101695	4							NUT, Hex Flange Lock, Booster to Dash, Mounting
3	05143282AA	1	J, T		74				VALVE, Check, Elbow, With Grommet
4	05175731AA	1	J, T		74				BOOSTER, Power Brake
5									HOSE, Brake Vacuum
	52089996AD	1							[EZ0]
		1							[ES0]
	68022963AA	1	J, T		74				[EX0]



GRAND CHEROKEE (WK)

SERIES LINE
H = HIGHLINE T = JEEP - 2WD
P = PREMIUM J = JEEP - 4WD
S = SPORT
X = SPECIAL

BODY
74 = SPORT UTILITY 4-DR
TYPE #4

ENGINE
EVA = 4.7L V8 MPI Engine
EVD = 4.7L V8 FFV Engine
EXL = 3.0L V6 Turbo Diesel
Engine
EZB = 5.7L Hemi Multi
Displacement Engine
EKG = 3.7L V6 Engine
ESF = 6.1L SRT HEMI SMPI
V8 Engine

TRANSMISSION
DGJ = 5-Speed Auto W5A580
Transmission
DGQ = 5-Spd Automatic 545RFE
Transmission
DGU = 5-Spd Auto W5J400
Transmission

AR = use ase required - = Non illustrated part

2007 WK

Vacuum Pump and Hose,[EX0] Diesel
Figure 5-320

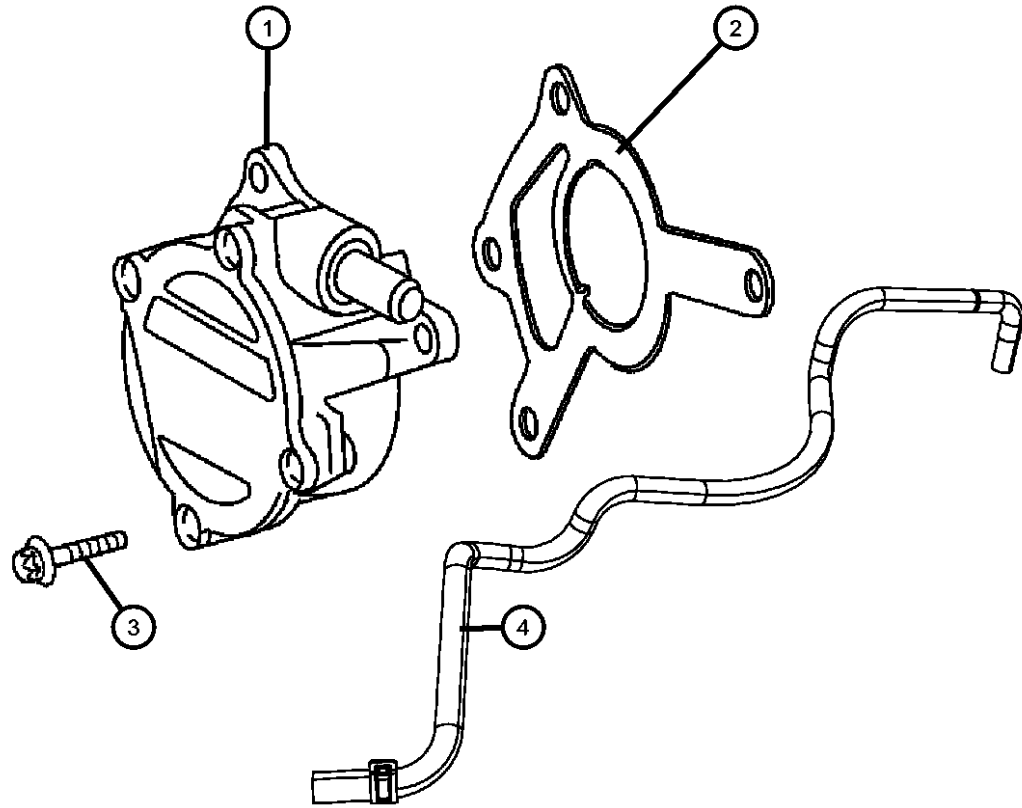
ITEM	PART NUMBER	QTY	LINE	SERIES	BODY	ENGINE	TRANS	TRIM	DESCRIPTION
------	-------------	-----	------	--------	------	--------	-------	------	-------------

Note:Sales Codes:

[EX0]=ALL 3.0/3.1L TURBO DIESELS ENGINES

[EXL]=3.0L V6 TURBO DIESEL ENGINE

1	05175850AA	1	J, T		74				PUMP, Vacuum
2	05175755AA	1	J, T		74				GASKET, Vacuum Pump, Mounting
3	06104006AA	4	J, T		74				BOLT, Torx Socket Head, M6X1.00X20.00, Vacuum Pump, Mounting
4	68022963AA	1	J, T		74				HOSE, Brake Vacuum



GRAND CHEROKEE (WK)

SERIES LINE
H = HIGHLINE T = JEEP - 2WD
P = PREMIUM J = JEEP - 4WD
S = SPORT
X = SPECIAL

BODY
74 = SPORT UTILITY 4-DR
TYPE #4

ENGINE
EVA = 4.7L V8 MPI Engine
EVD = 4.7L V8 FFV Engine
EXL = 3.0L V6 Turbo Diesel Engine
EZB = 5.7L Hemi Multi Displacement Engine
EKG = 3.7L V6 Engine
ESF = 6.1L SRT HEMI SMPI V8 Engine

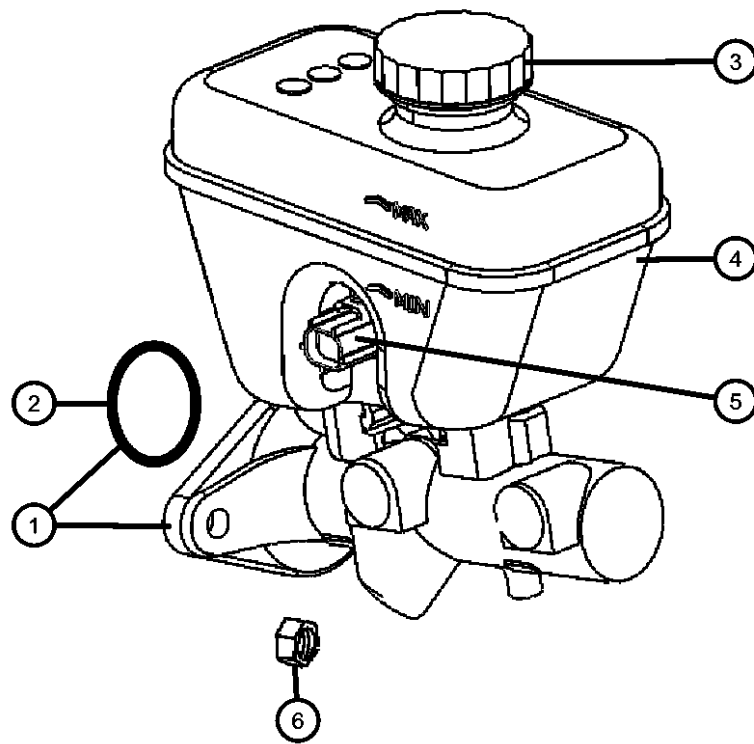
TRANSMISSION
DGJ = 5-Speed Auto W5A580 Transmission
DGQ = 5-Spd Automatic 545RFE Transmission
DGU = 5-Spd Auto W5J400 Transmission

AR = use ase required - = Non illustrated part

2007 WK

**Master Cylinder, Brake
Figure 5-410**

ITEM	PART NUMBER	QTY	LINE	SERIES	BODY	ENGINE	TRANS	TRIM	DESCRIPTION
1	05175732AA	1	J, T		74				MASTER CYLINDER, Brake
2	68027828AA	1	J, T		74				O RING, Master Cylinder to Booster, Mounting
3	05014518AA	1	J, T		74				CAP, Master Cylinder Reservoir
4	05143283AA	1	J, T		74				RESERVOIR, Brake Master Cylinder
5	05013903AA	1	J, T		74				SENSOR, Brake Fluid Level
6	05179375AA	2	J, T		74				NUT, Master Cylinder to Booster



GRAND CHEROKEE (WK)

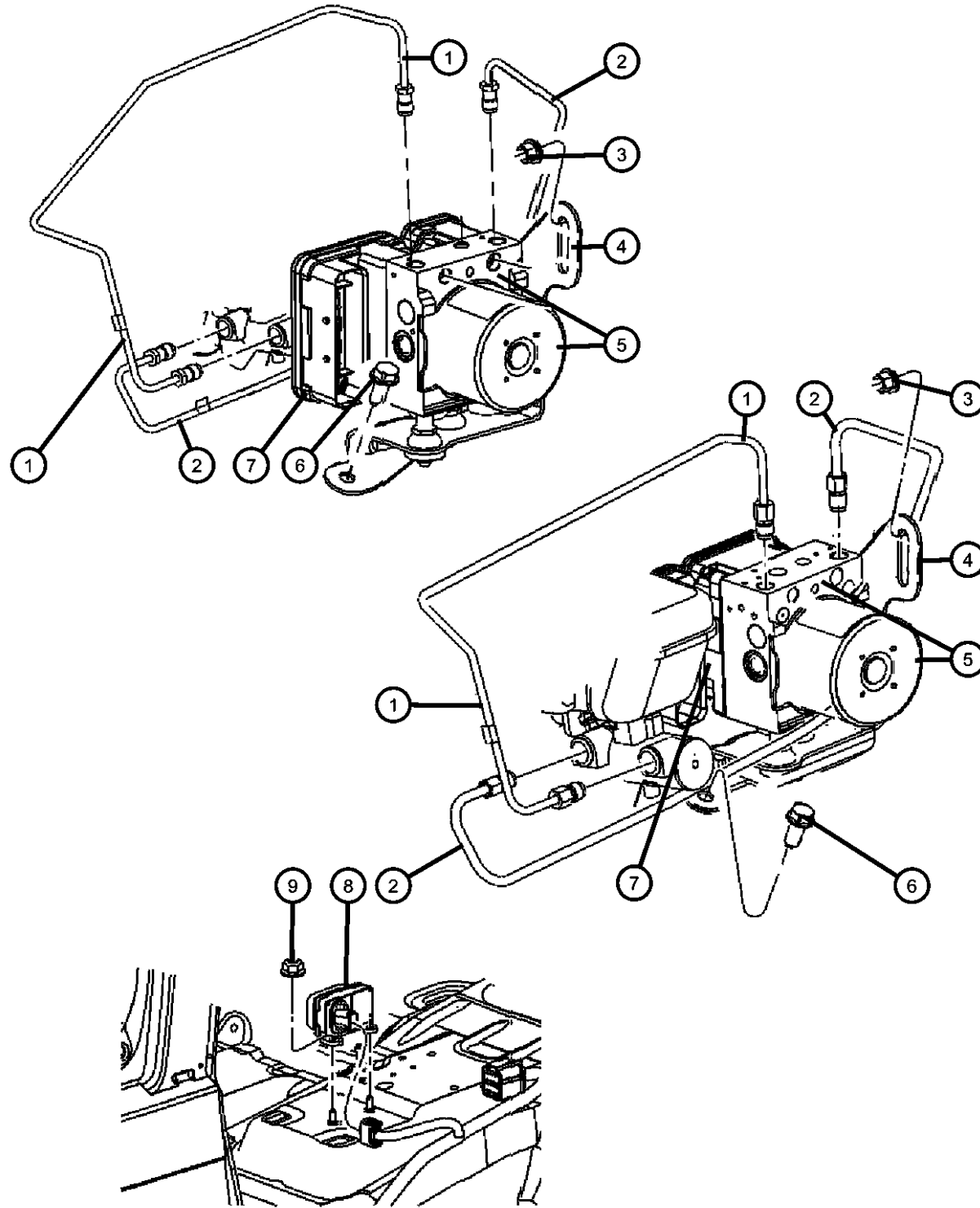
SERIES LINE
H = HIGHLINE T = JEEP - 2WD
P = PREMIUM J = JEEP - 4WD
S = SPORT
X = SPECIAL

BODY
74 = SPORT UTILITY 4-DR
TYPE #4

ENGINE
EVA = 4.7L V8 MPI Engine
EVD = 4.7L V8 FFV Engine
EXL = 3.0L V6 Turbo Diesel
Engine
EZB = 5.7L Hemi Multi
Displacement Engine
EKG = 3.7L V6 Engine
ESF = 6.1L SRT HEMI SMPI
V8 Engine

TRANSMISSION
DGJ = 5-Speed Auto W5A580
Transmission
DGQ = 5-Spd Automatic 545RFE
Transmission
DGU = 5-Spd Auto W5J400
Transmission

H C U and Brake Lines From HCU to Master Cylinder
Figure 5-420



ITEM	PART NUMBER	QTY	LINE	SERIES	BODY	ENGINE	TRANS	TRIM	DESCRIPTION
------	-------------	-----	------	--------	------	--------	-------	------	-------------

Note:Sales Codes;
 [BNB]=Electronic Stability Program
 [DHB]=Quadra-Trac Active On Demand 4WD
 [DHX]=Quadra-Trac II Full-Time Active 4WD
 [DHZ]=Quadra-Trac k I Full-Time 4WD
 [EK0]=ALL 3.7L 6-CYL GAS ENGINES
 [ES0]=ALL 6 L ENGINES
 [EV0]=ALL 4.7L GAS ENGI

1	52090405AF	1	J, T		74				TUBE, Brake
2	52124077AB	1	J, T		74				TUBE, Brake
3	34201711	1	J, T		74				NUT, Hex Flange, M8x1.25, HCU Bracket
4	05179774AA	1	J, T		74				BRACKET, Hydraulic Control Unit
5	05179771AA	1	J, T		74				CONTROL UNIT, Anti-Lock Brake
6	06105049AA	1	J, T		74				SCREW, Hex Flange Head, M8x1.25x25.00, ATT ICU & BRKT ASSY
7	68004830AA	1	J, T		74				MODULE, Anti-lock Brakes
8									MODULE, Electronic Stability
	56029328AB	1	J		74				[BNB,DHZ]
		1	T		74				[BNB]
	56029349AA	1	J, T		74				[BNB,DHB,DHX]
9	06104715AA	2							NUT, Electronic Stability Module
-10	05159024AA	1	J, T		74				O RING, Pump Tower

GRAND CHEROKEE (WK)

SERIES LINE
 H = HIGHLINE T = JEEP - 2WD
 P = PREMIUM J = JEEP - 4WD
 S = SPORT
 X = SPECIAL

BODY
 74 = SPORT UTILITY 4-DR
 TYPE #4

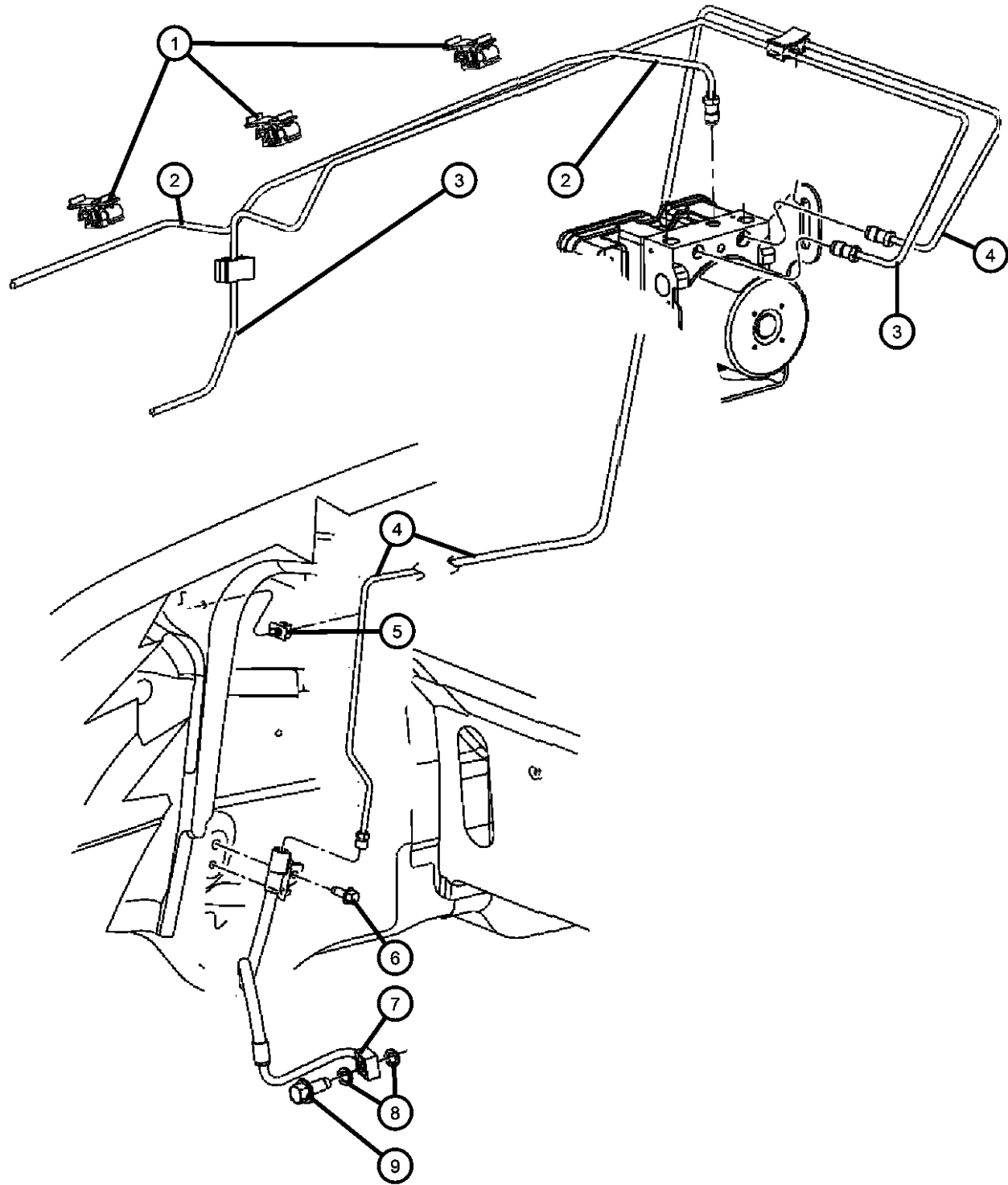
ENGINE
 EVA = 4.7L V8 MPI Engine
 EVD = 4.7L V8 FFV Engine
 EXL = 3.0L V6 Turbo Diesel
 Engine
 EZB = 5.7L Hemi Multi
 Displacement Engine
 EKG = 3.7L V6 Engine
 ESF = 6.1L SRT HEMI SMPI
 V8 Engine

TRANSMISSION
 DGJ = 5-Speed Auto W5A580
 Transmission
 DGQ = 5-Spd Automatic 545RFE
 Transmission
 DGU = 5-Spd Auto W5J400
 Transmission

AR = use ase required - = Non illustrated part

2007 WK

**Brake Lines and Hoses,Front,2 Wheel Drive
Figure 5-510**



ITEM	PART NUMBER	QTY	LINE	SERIES	BODY	ENGINE	TRANS	TRIM	DESCRIPTION
1	52128214	3	J, T		74				CLIP, Brake Line, To Front of Plenum
2	52124132AC	1	J, T		74				TUBE, Brake, HCU to Front Brake Hose
3									BUNDLE, Fuel and Brake Tube
	52124026AF	1	J, T		74				[EK0,EV0] HCU to Rear Brake Hose
	52124240AC	1	J, T		74				[ESF,EZ0] HCU to Rear Brake Hose
4	52090403AE	1	J, T		74				TUBE, Brake, HCU to Front Brake Hose
5	06506087AA	2	J, T		74				CLIP, Brake Line, BRAKE LINE TO SILL
6		2							SCREW AND WASHER, Hex Head, M6x1x18.5, Quantity 2, (NOT SERVICED)
7									HOSE, Brake
	52089256AC	1	J, T		74				Right
	52089258AC	1	J, T		74				Left
8									GASKET, Brake Hose To Caliper
	06502114	4							[BR4], Mounting
	J3237672	4							[BRY], Mounting
9									BOLT, Banjo
	06035911AA	4							[BRY]
	06508914AA	4	J		74				[BR4]

GRAND CHEROKEE (WK)

SERIES LINE
H = HIGHLINE T = JEEP - 2WD
P = PREMIUM J = JEEP - 4WD
S = SPORT
X = SPECIAL

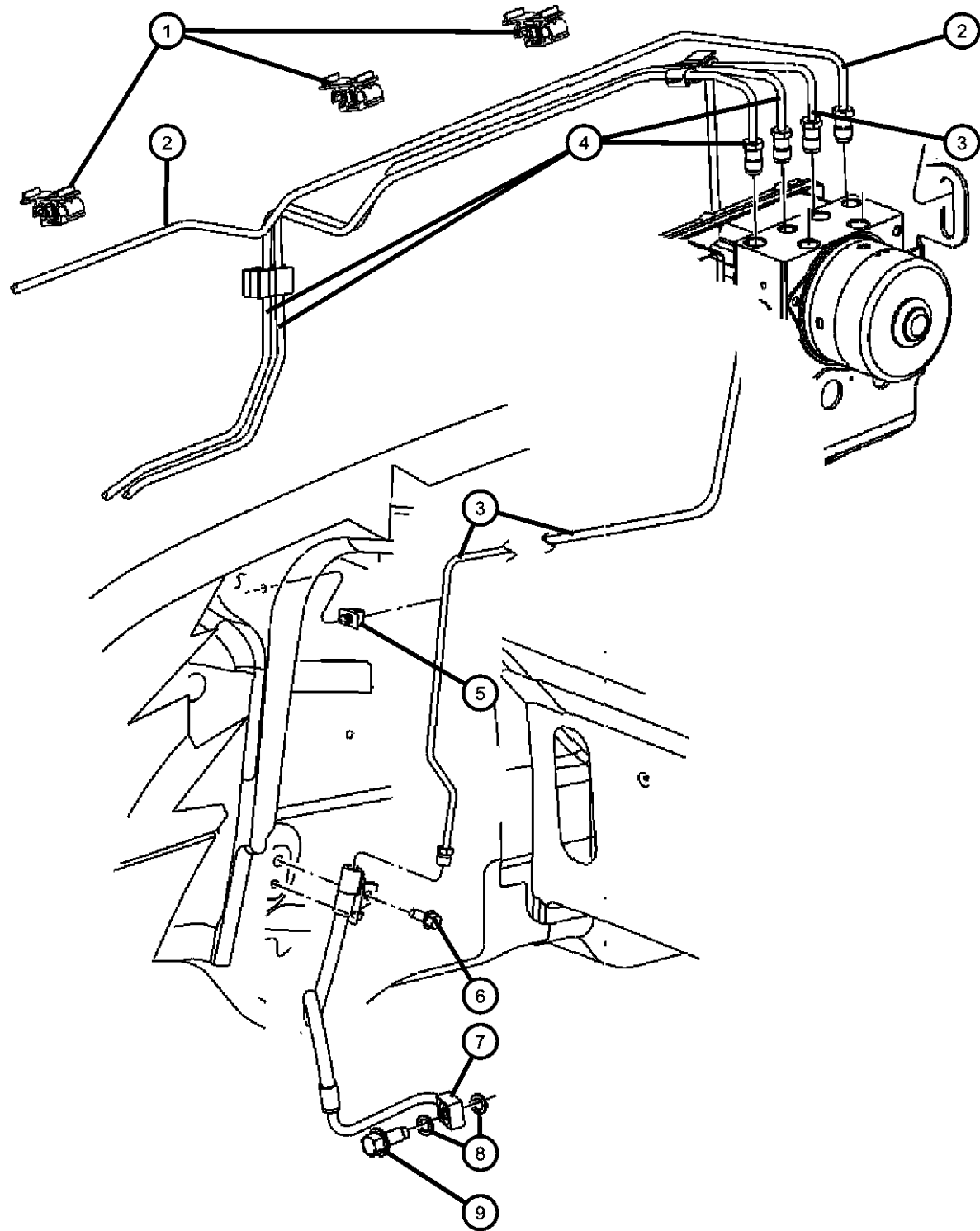
BODY
74 = SPORT UTILITY 4-DR TYPE #4

ENGINE
EVA = 4.7L V8 MPI Engine
EVD = 4.7L V8 FFV Engine
EXL = 3.0L V6 Turbo Diesel Engine
EZB = 5.7L Hemi Multi Displacement Engine
EKG = 3.7L V6 Engine
ESF = 6.1L SRT HEMI SMPI V8 Engine

TRANSMISSION
DGJ = 5-Speed Auto W5A580 Transmission
DGQ = 5-Spd Automatic 545RFE Transmission
DGU = 5-Spd Auto W5J400 Transmission

AR = use ase required - = Non illustrated part

**Brake Lines and Hoses,Front,4 Wheel Drive
Figure 5-520**



ITEM	PART NUMBER	QTY	LINE	SERIES	BODY	ENGINE	TRANS	TRIM	DESCRIPTION
Note:Sales Codes; [EK0]=Engine - All 3.7L 6 Cylinder Gas [ES0]=Engines - All 6 L Engines [EV0]=Engines - All 4.7L Gas [EZ0]=Engines - All 5.7L 8 Cylinder Gas									
1	52128214	3	J, T		74				CLIP, Brake Line
2	52124132AC	1	J, T		74				TUBE, BrakeRight
3	52090403AE	1	J, T		74				TUBE, BrakeLeft
4									BUNDLE, Fuel and Brake Tube
	52124026AF	1	J, T		74				[EK0,EV0] To Rear Brake Hoses
	52124240AC	1	J, T		74				[ES0,EZ0] To Rear Brake Hoses
5	06506087AA	2	J, T		74				CLIP, Brake Line
6		2							SCREW AND WASHER, M6x1x18.50, (NOT SERVICED)
7									HOSE, Brake
	05290656AA	1	J		74				[BR4], Right
	05290657AA	1	J		74				[BR4], Left
	52089256AC	1	J, T		74				[BRY], Right
	52089258AC	1	J, T		74				[BRY], Left
8									GASKET, Brake Hose To Caliper
	06502114	4	J, T		74				[BR4], Mounting
	J3237672	4							[BRY], Mounting
9									BOLT, Banjo
	06035911AA	4	J, T		74				[BRY]
	06508914AA	4	J		74				[BR4]

GRAND CHEROKEE (WK)

SERIES LINE
H = HIGHLINE T = JEEP - 2WD
P = PREMIUM J = JEEP - 4WD
S = SPORT
X = SPECIAL

BODY
74 = SPORT UTILITY 4-DR
TYPE #4

ENGINE
EVA = 4.7L V8 MPI Engine
EVD = 4.7L V8 FFV Engine
EXL = 3.0L V6 Turbo Diesel
Engine
EZB = 5.7L Hemi Multi
Displacement Engine
EKG = 3.7L V6 Engine
ESF = 6.1L SRT HEMI SMPI
V8 Engine

TRANSMISSION
DGJ = 5-Speed Auto W5A580
Transmission
DGQ = 5-Spd Automatic 545RFE
Transmission
DGU = 5-Spd Auto W5J400
Transmission

AR = use ase required - = Non illustrated part

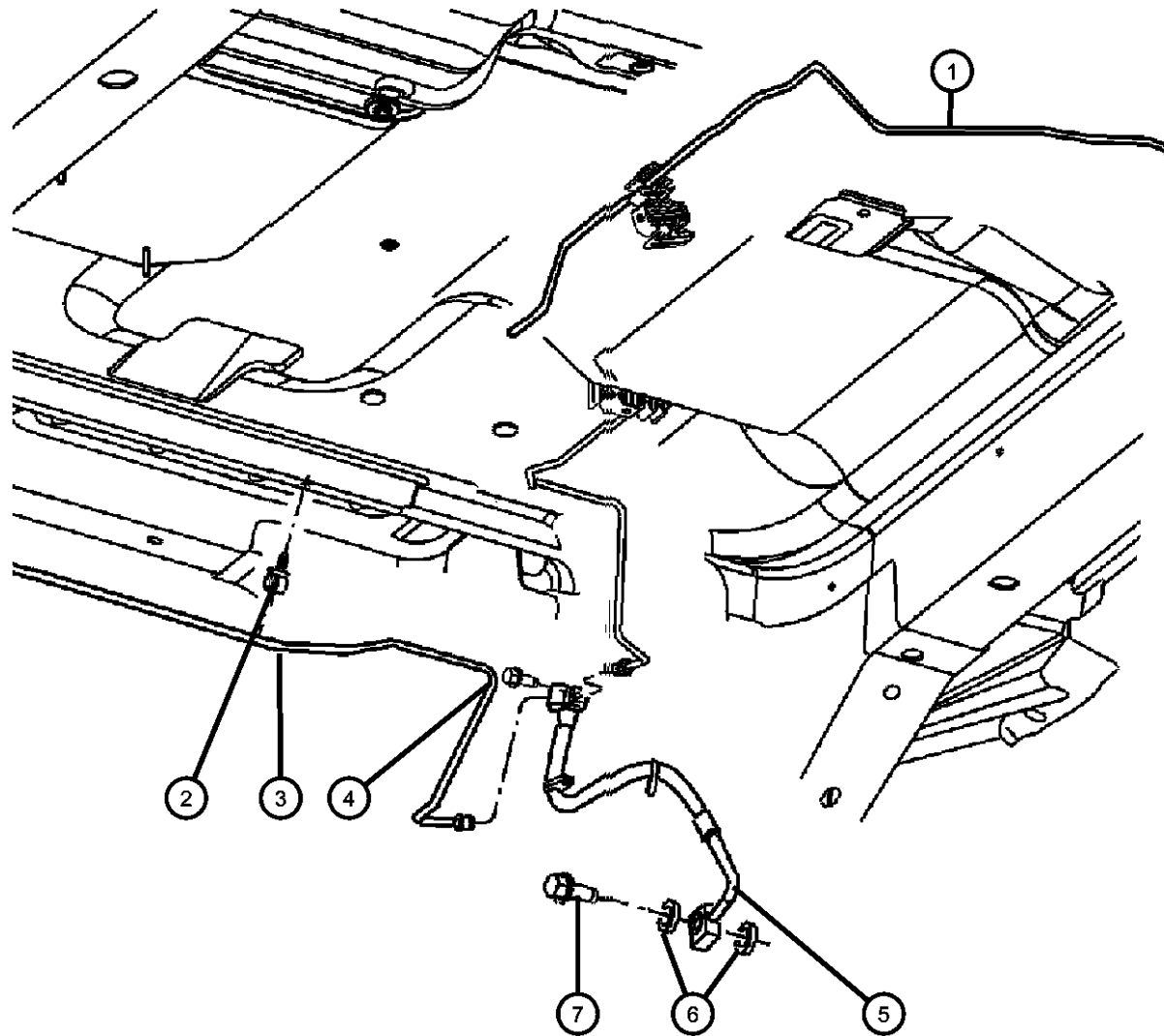
2007 WK

**Brake Lines and Hoses,Rear and Chassis
Figure 5-530**

ITEM	PART NUMBER	QTY	LINE	SERIES	BODY	ENGINE	TRANS	TRIM	DESCRIPTION
------	-------------	-----	------	--------	------	--------	-------	------	-------------

Note:Sales Codes:

[EK0]=Engines - All 3.7L 6 Cylinder Gas
 [ESF]=Engine - 6.1L SRT Hemi SMPI V8 Engine
 [EV0]=Engines - All 4.7L Gas
 [EZ0]=Engines - All 5.7L 8 Cylinder Gas



1	52124026AF	1	J, T		74				BUNDLE, Fuel and Brake Tube [EK0,EV0]
	52124240AC	1	J, T		74				[ESF,EZ0]
2	06506087AA	2	J, T		74				CLIP, Brake Line
3	52089995AE	1	J, T		74				TUBE, Brake, Left Hose to Right Hose
4		1							SCREW AND WASHER, Hex Head, M6x1x18.5, Quantity 2, (NOT SERVICED)
5									HOSE, Brake
	05290642AA	1	J, T		74				[DRK], Right
	05290643AB	1	J		74				[DRK], Left
	52089259AD	1	J, T		74				[DRA], Right
	52089997AE	1	J, T		74				[DRA], Left
6									GASKET, Brake Hose To Caliper
	06502114	4	J, T		74				[BR4]
	J3237672	4							[BRY]
7									BOLT, Banjo
	06035911AA	4							[BRY]
	06508914AA	4	J		74				[BR4]

GRAND CHEROKEE (WK)

SERIES LINE
 H = HIGHLINE T = JEEP - 2WD
 P = PREMIUM J = JEEP - 4WD
 S = SPORT
 X = SPECIAL

BODY
 74 = SPORT UTILITY 4-DR
 TYPE #4

ENGINE
 EVA = 4.7L V8 MPI Engine
 EVD = 4.7L V8 FFV Engine
 EXL = 3.0L V6 Turbo Diesel
 Engine
 EZB = 5.7L Hemi Multi
 Displacement Engine
 EKG = 3.7L V6 Engine
 ESF = 6.1L SRT HEMI SMPI
 V8 Engine

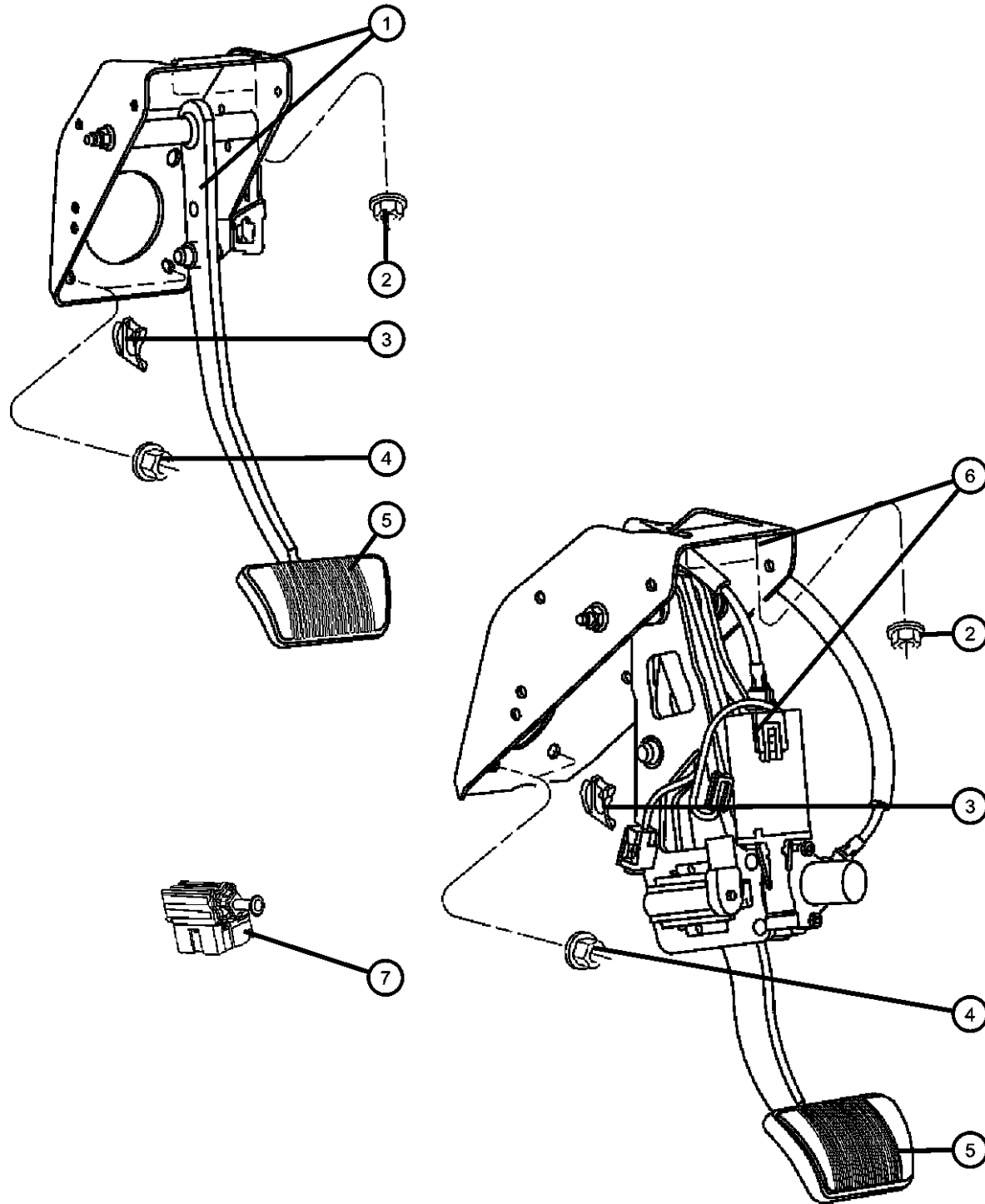
TRANSMISSION
 DGJ = 5-Speed Auto W5A580
 Transmission
 DGQ = 5-Spd Automatic 545RFE
 Transmission
 DGU = 5-Spd Auto W5J400
 Transmission

AR = use ase required - = Non illustrated part

2007 WK

**Brake Pedals, Standard [XA8] and Adjustable [XAM,XAP]
Figure 5-610**

ITEM	PART NUMBER	QTY	LINE	SERIES	BODY	ENGINE	TRANS	TRIM	DESCRIPTION
------	-------------	-----	------	--------	------	--------	-------	------	-------------



Note: Sales Codes;
[XAM]=Pedals - Power Adjustable with Memory
[XAP]=Pedals - Power Adjustable
[XA8]=Pedals - Non Adjustable

1									PEDAL, Brake
	52089242AF	1	J, T		74				[XAM,XAP]
	52089244AF	1	J, T		74				[XA8]
2	06101695	2							NUT, Hex Flange Lock, Pedal Bracket, Mounting
3	06035334	1							CLIP, Booster Push Rod to Pedal Pin, Mounting
4	06101695	4							NUT, Hex Flange Lock, Booster To Sled, Mounting
5	05102023AB	1							PAD, Pedal
6	52089242AF	1	J, T		74				PEDAL, Brake, [XAM,XAP]
7	56054001AA	1	J, T		74				SWITCH, Stop Lamp
-8	05290949AB	1	J, T		74				OVERLAY KIT, Brake and Accel Pads, Bright Pedals [XAR]

GRAND CHEROKEE (WK)

SERIES LINE
H = HIGHLINE T = JEEP - 2WD
P = PREMIUM J = JEEP - 4WD
S = SPORT
X = SPECIAL

BODY
74 = SPORT UTILITY 4-DR
TYPE #4

ENGINE
EVA = 4.7L V8 MPI Engine
EVD = 4.7L V8 FFV Engine
EXL = 3.0L V6 Turbo Diesel Engine
EZB = 5.7L Hemi Multi Displacement Engine
EKG = 3.7L V6 Engine
ESF = 6.1L SRT HEMI SMPI V8 Engine

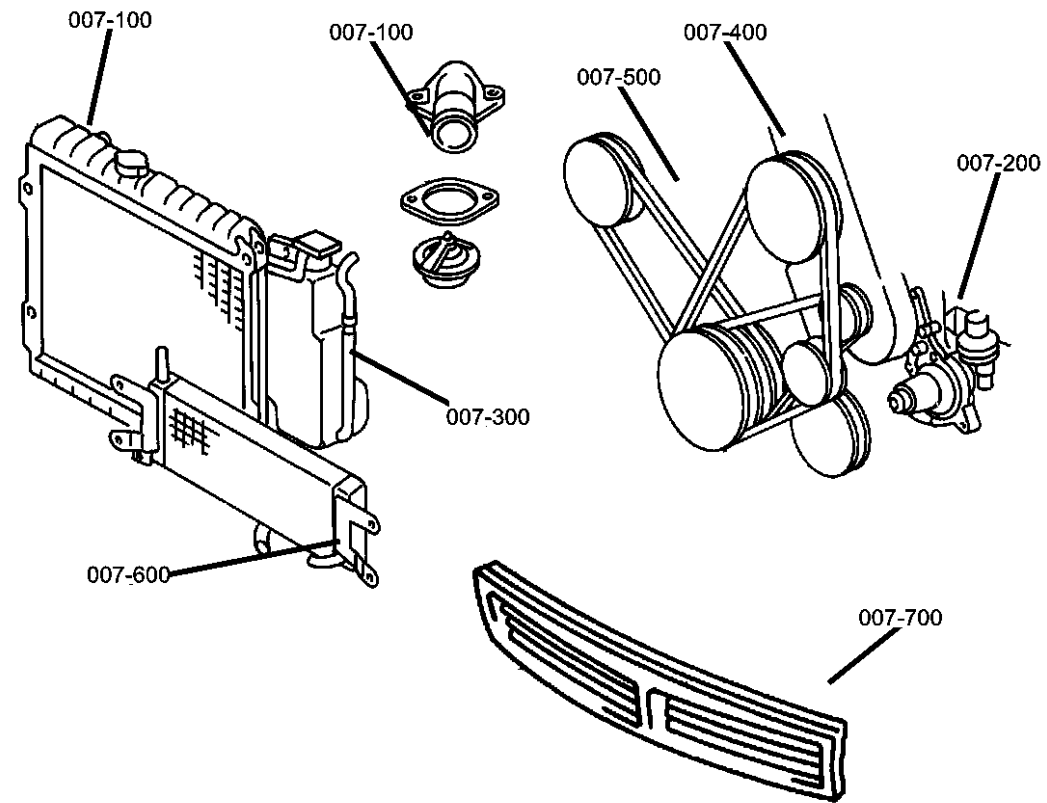
TRANSMISSION
DGJ = 5-Speed Auto W5A580 Transmission
DGQ = 5-Spd Automatic 545RFE Transmission
DGU = 5-Spd Auto W5J400 Transmission

AR = use ase required - = Non illustrated part

2007 WK

Group - 7

Cooling



Group - 7 Cooling

Group-Fig. No.

Illustration Title

Radiator and Related Parts

Radiator and Related Parts 3.0L Diesel	Fig. 7 - 150
Radiator and Related Parts 3.7, 4.7L Engines	Fig. 7 - 160
Radiator and Related Parts 5.7L, 6.1L Engines	Fig. 7 - 165
Radiator Upper Support	Fig. 7 - 170
Air Ducts, Brake Cooling, 6.1L Engine	Fig. 7 - 175
Charge Air Cooler	Fig. 7 - 180

Water Pump and Related Parts

Water Pump and Related Parts 3.7, 4.7L Engine	Fig. 7 - 220
Water Pump and Related Parts 5.7L, 6.1L Engine	Fig. 7 - 230
Water Pump and Related Parts 3.0L Diesel	Fig. 7 - 240

Tank, Coolant Engine

Coolant Tank	Fig. 7 - 310
--------------------	--------------

Pulleys and Related Parts

Pulleys and Related Parts 3.0L diesel	Fig. 7 - 410
Drive Pulleys 3.7L,4.7L Engines	Fig. 7 - 430
Drive Pulleys 5.7L,6.1L Engines	Fig. 7 - 440

Drive Belts

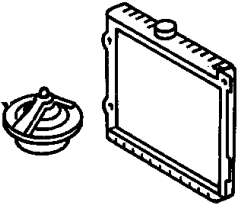
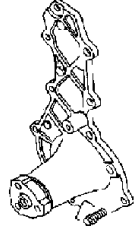
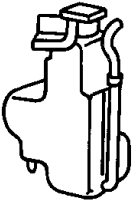
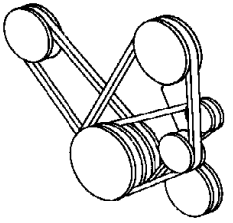
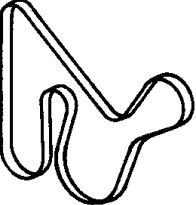
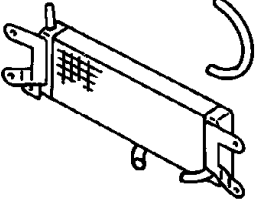
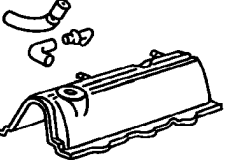
Drive Belts 3.0L Diesel	Fig. 7 - 505
Drive Belts 3.7,4.7L Engines	Fig. 7 - 510
Drive Belts 5.7L, 6.1L Engines	Fig. 7 - 520

Lines, Transmission Oil Cooler

Oil Cooler and Lines	Fig. 7 - 620
----------------------------	--------------

Grilles

Grille and Related Parts	Fig. 7 - 720
--------------------------------	--------------

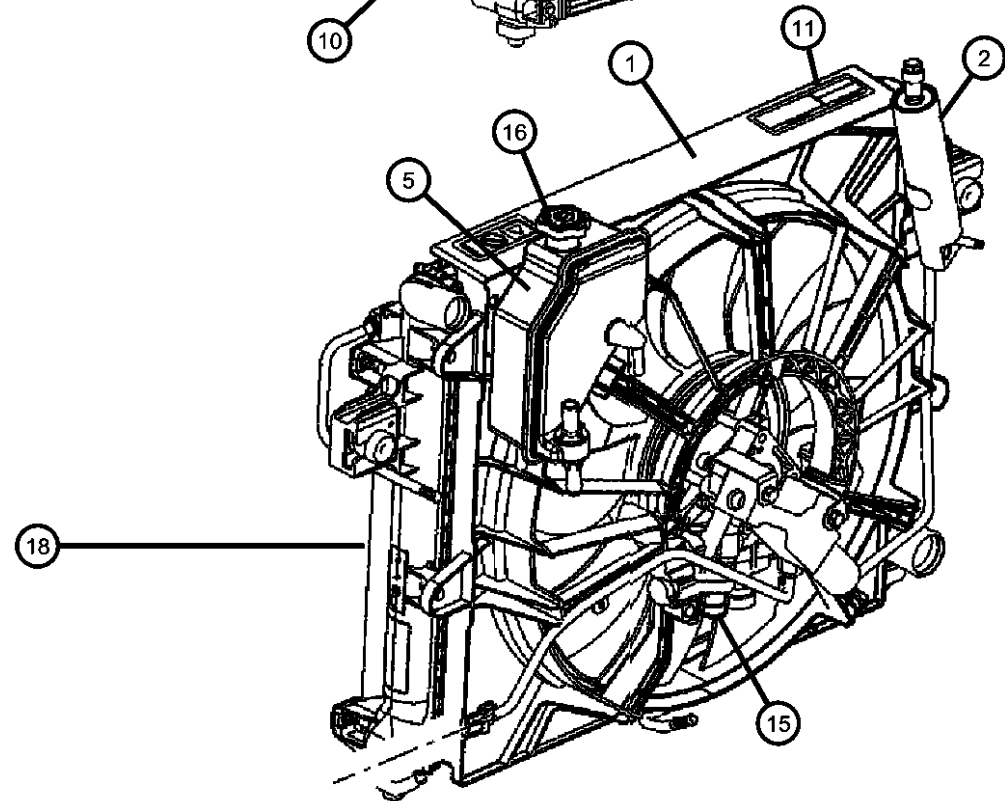
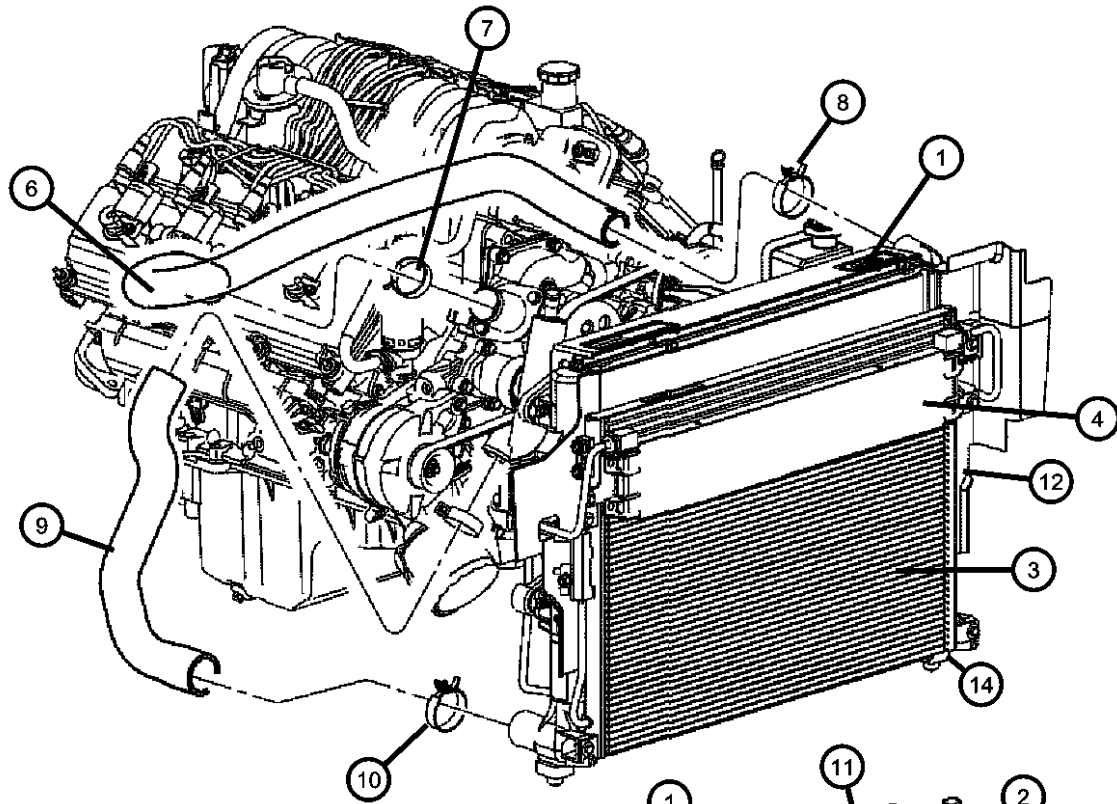
<p>007-100 Radiator and Related Parts</p> 	<p>007-200 Water Pump and Related Parts</p> 	<p>007-300 Tank, Coolant Engine</p> 	<p>007-400 Pulleys and Related Parts</p> 
<p>007-500 Drive Belts</p> 	<p>007-600 Lines, Transmission Oil Cooler</p> 	<p>007-700 Grilles</p> 	

Radiator and Related Parts 3.0L Diesel
Figure 7-150

ITEM	PART NUMBER	QTY	LINE	SERIES	BODY	ENGINE	TRANS	TRIM	DESCRIPTION
------	-------------	-----	------	--------	------	--------	-------	------	-------------

Sales Codes:
 [EX0] = ALL 3.0/3.1L Turbo Diesel Engines

1	55116858AA	1	J, T			EX0	DG0		RADIATOR, Engine Cooling
2	55116723AE	1	J, T			EX0	DG0		DRIER, Receiver
3	55116928AA	1	J, T			EX0	DG0		CONDENSER, Condenser and TOC
4	55037927AA	1	J, T			EX0	DG0		COOLER, Power Steering
5	52124317AA	1	J, T			EX0	DG0		RESERVOIR, Power Steering Fluid
6	55116864AD	1	J, T			EX0			HOSE, Radiator Inlet
7		1							CLAMP, (NOT SERVICED)
8		1							CLAMP, Hose to Radiator, (NOT SERVICED)
9	55116863AC	1	J, T			EX0			HOSE, Radiator Outlet
10	55037660AA	1							CLAMP, Hose, 55X15
11	55116955AC	1	J, T			EX0	DG0		LABEL, A/C Spec.
12	55116953AA	1	J, T			EX0	DG0		SEAL, Radiator Side
-13	55037908AA	1	J, T			EX0	DG0		COOLER, Charge Air
14	55116920AA	2	J, T			EX0	DG0		SEAL, Radiator Lower
15	55111023AA	2	J			EX0	DGU		FITTING, Quick Connect
16	05143614AA	1	J, T			EX0	DG0		CAP, Power Steering Reservoir
-17	68021275AA	1	J, T			EX0			SEAL, Charge Air Cooler Hose
18	05159121AF	1	J, T			EX0	DG0		FAN MODULE, Radiator Cooling



GRAND CHEROKEE (WK)

SERIES LINE
 H = HIGHLINE T = JEEP - 2WD
 P = PREMIUM J = JEEP - 4WD
 S = SPORT
 X = SPECIAL

BODY
 74 = SPORT UTILITY 4-DR
 TYPE #4

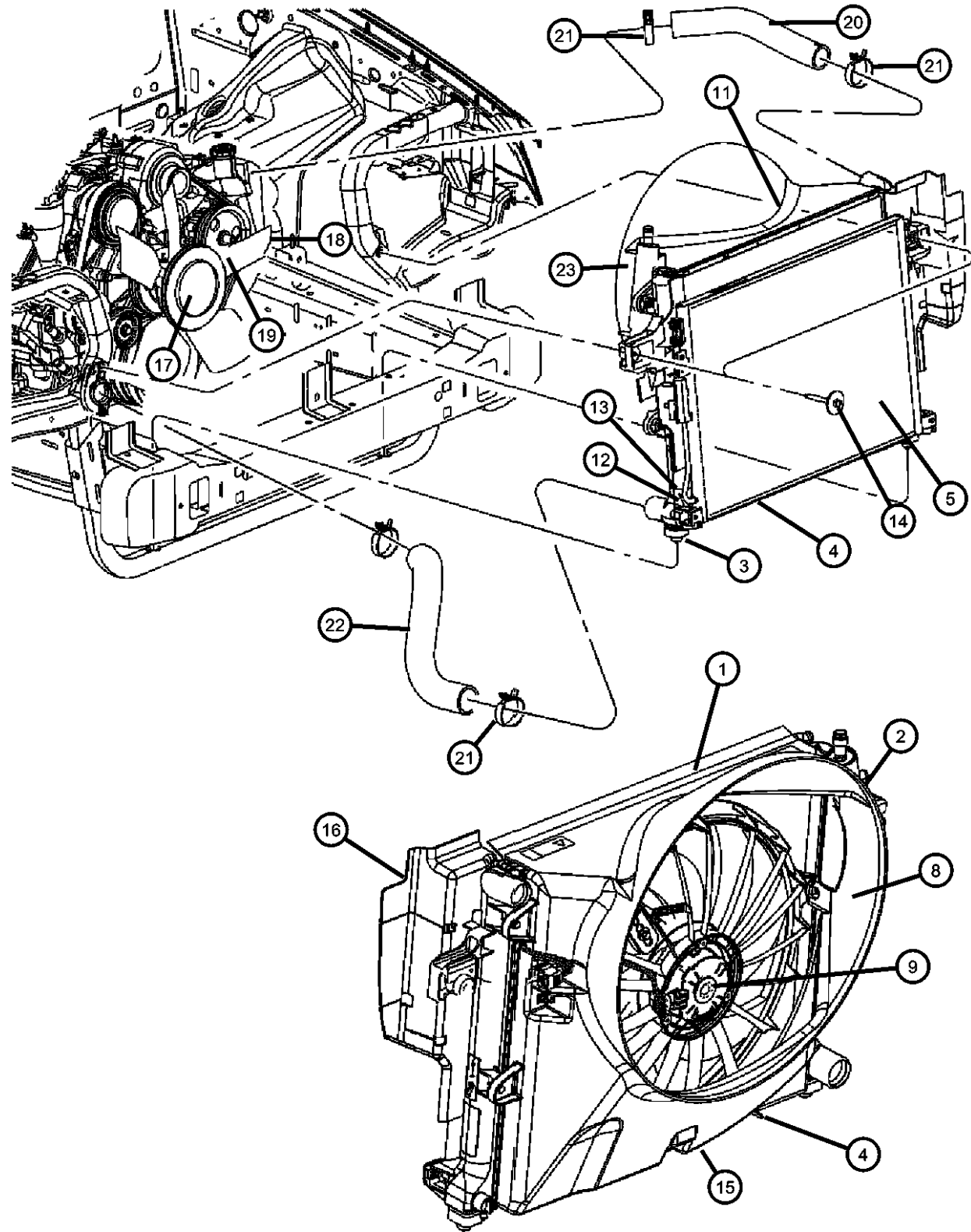
ENGINE
 EVA = 4.7L V8 MPI Engine
 EVD = 4.7L V8 FFV Engine
 EXL = 3.0L V6 Turbo Diesel
 Engine
 EZB = 5.7L Hemi Multi
 Displacement Engine
 EKG = 3.7L V6 Engine
 ESF = 6.1L SRT HEMI SMPI
 V8 Engine

TRANSMISSION
 DGJ = 5-Speed Auto W5A580
 Transmission
 DGQ = 5-Spd Automatic 545RFE
 Transmission
 DGU = 5-Spd Auto W5J400
 Transmission

AR = use ase required - = Non illustrated part

2007 WK

**Radiator and Related Parts 3.7, 4.7L Engines
Figure 7-160**



ITEM	PART NUMBER	QTY	LINE	SERIES	BODY	ENGINE	TRANS	TRIM	DESCRIPTION
------	-------------	-----	------	--------	------	--------	-------	------	-------------

NOTES: Sales Codes:
[EK0] = ALL 3.7L 6-CYL GAS ENGINES
[EV0] = ALL 4.7L GAS ENGINES

1	55116849AB	1	J, T			EK0, ESF, EV0	DG0		RADIATOR, Engine Cooling
2	55116897AA	1	J, T			EK0, ESF, EV0	DG0		CAP, Radiator
3									ISOLATOR, Radiator
	52079419	2				EK0, ESF, EV0	DG0		Upper
	52079884AA	2				EK0, ESF, EV0	DG0		
4	04644269	1				EK0, ESF, EV0	DG0		DRAINCOCK, Radiator
5	55116928AA	1	J, T			EK0, ESF, EV0	DG0		CONDENSER, Condenser and TOC
-6	52090052AB	1	J, T			EK0, EV0	DG0		COOLER, Power Steering
-7	06503943	1	J, T						RETAINER
8	05143209AB	1	J, T			EK0, ESF, EV0	DG0		SHROUD, Fan
9	05143208AA	1	J, T			EK0, ESF, EV0	DG0		FAN & MOTOR ASSY, FAN & MOTOR ASSY
-10	05143210AA	1	J, T			EK0, ESF, EV0	DG0		HARNESS, Jumper
11	55116955AD	1	J, T			EK0, ESF, EV0	DG0		LABEL, A/C Spec.
12	06101445	1				EK0, ESF, EV0	DG0		NUT AND WASHER, Hex Nut-Coned Washer, M8 x 1.25
13	06503943	1	J, T						RETAINER
14	06101455	8							SCREW AND WASHER, Hex Head, M6x1x20
15	55116920AA	2	J, T			EK0, ESF, EV0	DG0		SEAL, Radiator Lower
16	55116953AA	1	J, T			EK0, ESF, EV0	DG0		SEAL, Radiator Side
17	55116884AA	1	J, T			EV0			FAN, Cooling
18	55116882AA	1	J, T			EV0			VISCOUS CLUTCH, Fan Drive
19	06034860	4	J, T			EV0			BOLT AND WASHER, Implement Attaching
20									HOSE, Radiator Inlet
	55116866AA	1	J, T			EV0			

GRAND CHEROKEE (WK)

SERIES LINE
H = HIGHLINE T = JEEP - 2WD
P = PREMIUM J = JEEP - 4WD
S = SPORT
X = SPECIAL

BODY
74 = SPORT UTILITY 4-DR
TYPE #4

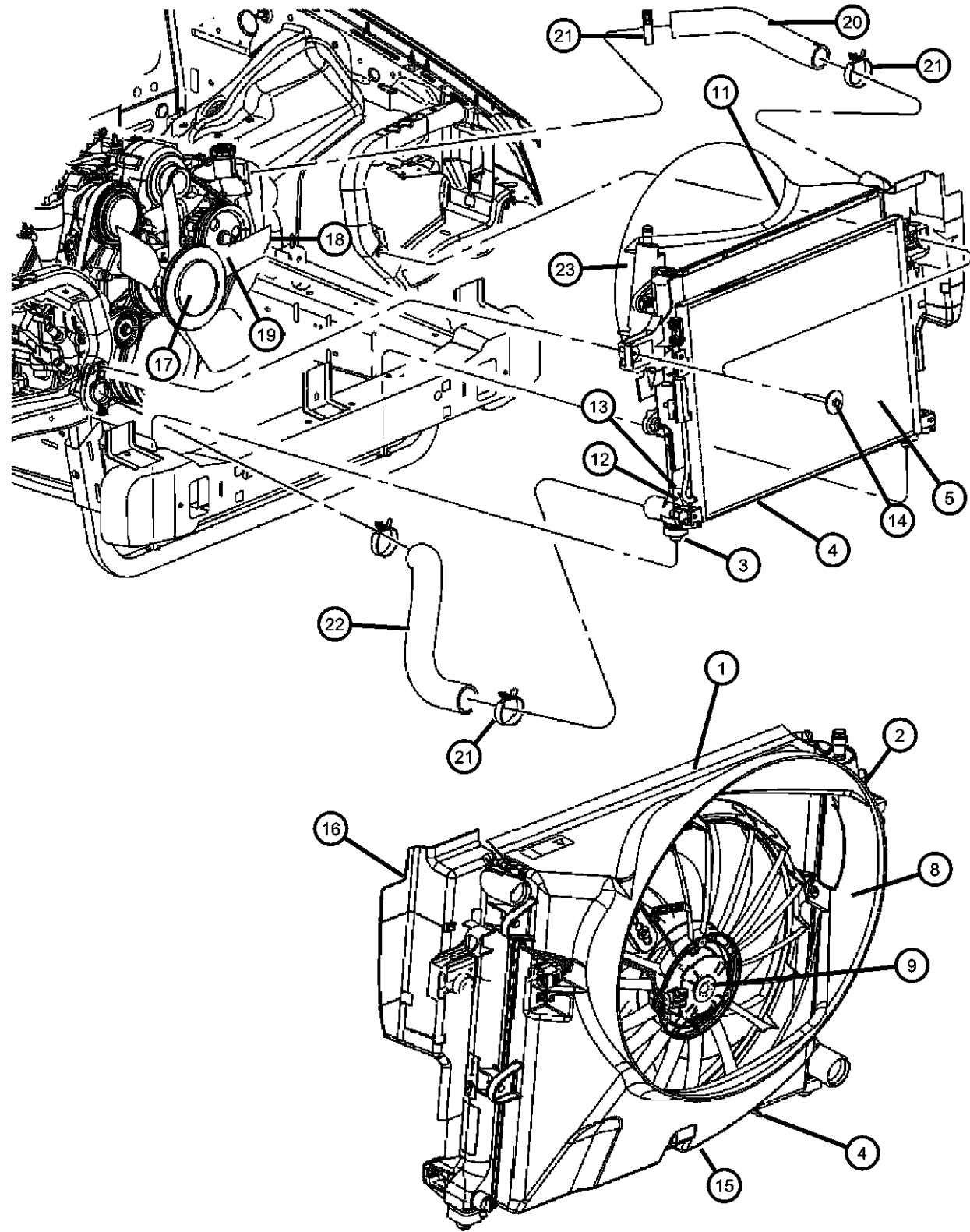
ENGINE
EVA = 4.7L V8 MPI Engine
EVD = 4.7L V8 FFV Engine
EXL = 3.0L V6 Turbo Diesel Engine
EZB = 5.7L Hemi Multi Displacement Engine
EKG = 3.7L V6 Engine
ESF = 6.1L SRT HEMI SMPI V8 Engine

TRANSMISSION
DGJ = 5-Speed Auto W5A580 Transmission
DGQ = 5-Spd Automatic 545RFE Transmission
DGU = 5-Spd Auto W5J400 Transmission

AR = use ase required - = Non illustrated part

2007 WK

**Radiator and Related Parts 3.7, 4.7L Engines
Figure 7-160**



ITEM	PART NUMBER	QTY	LINE	SERIES	BODY	ENGINE	TRANS	TRIM	DESCRIPTION
	55116867AA	1	J, T			EK0			
21		1							CLAMP, Hose to Radiator, 52005580, (NOT SERVICED)
22									HOSE, Radiator Outlet
	55116870AC	1	J, T			EK0			
	55116869AD	1	J, T			EVO			
23	55116723AD	1	J, T			EK0, ESF, EVO	DG0		DRIER, Receiver

GRAND CHEROKEE (WK)

SERIES LINE
H = HIGHLINE T = JEEP - 2WD
P = PREMIUM J = JEEP - 4WD
S = SPORT
X = SPECIAL

BODY
74 = SPORT UTILITY 4-DR
TYPE #4

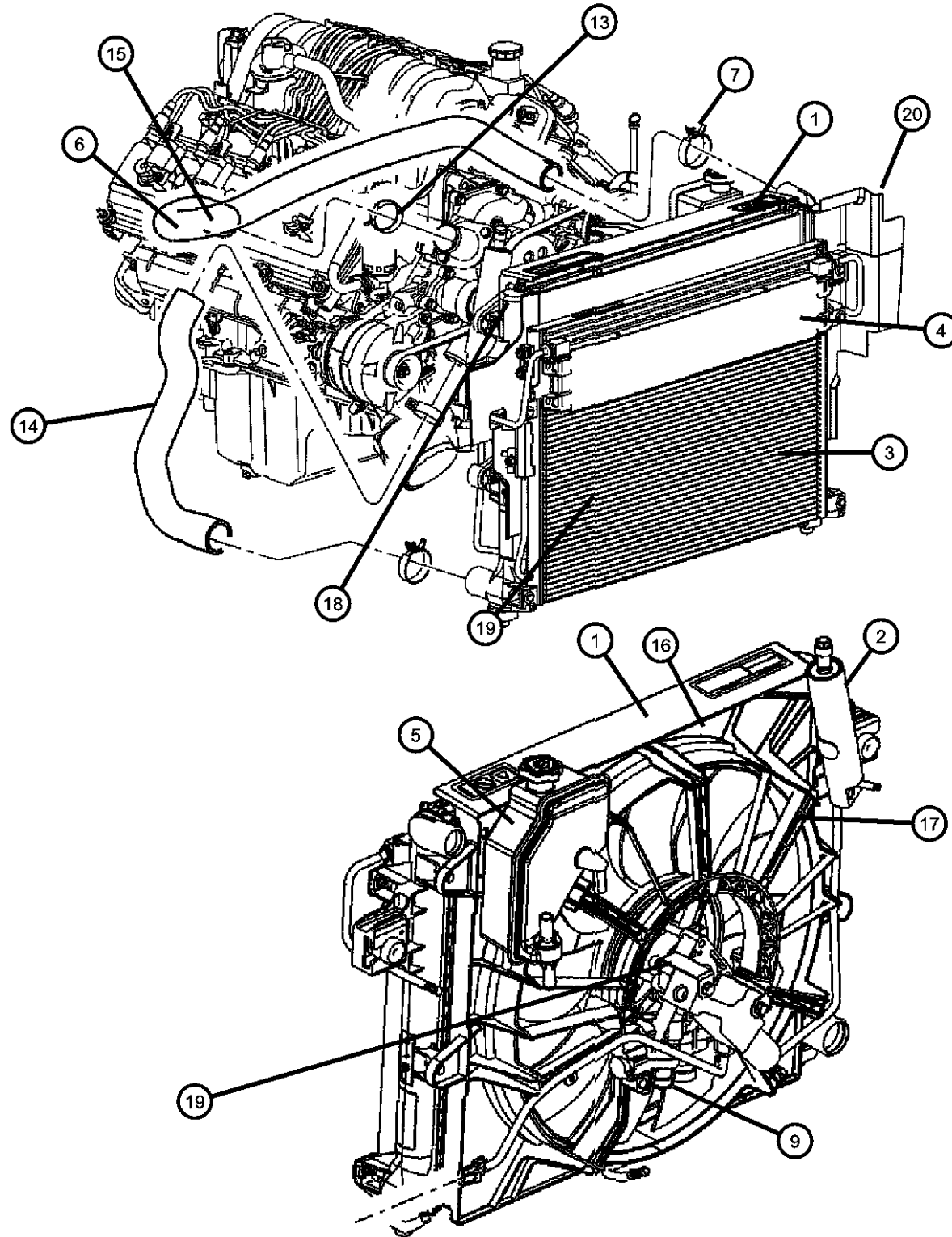
ENGINE
EVA = 4.7L V8 MPI Engine
EVD = 4.7L V8 FFV Engine
EXL = 3.0L V6 Turbo Diesel
Engine
EZB = 5.7L Hemi Multi
Displacement Engine
EKG = 3.7L V6 Engine
ESF = 6.1L SRT HEMI SMPI
V8 Engine

TRANSMISSION
DGJ = 5-Speed Auto W5A580
Transmission
DGQ = 5-Spd Automatic 545RFE
Transmission
DGU = 5-Spd Auto W5J400
Transmission

AR = use ase required - = Non illustrated part

2007 WK

**Radiator and Related Parts 5.7L, 6.1L Engines
Figure 7-165**



ITEM	PART NUMBER	QTY	LINE	SERIES	BODY	ENGINE	TRANS	TRIM	DESCRIPTION
------	-------------	-----	------	--------	------	--------	-------	------	-------------

NOTES: Sales Codes:

[ESF] = 6.1L SRT HEMI SMPI V8 ENGINE
[EV0] = ALL 4.7L GAS ENGINES
[EZ0] = ALL 5.7L 8CYL GAS ENGINES

1									RADIATOR, Engine Cooling
	55116842AB	1	J, T			EZ0	DG0		
	55116849AB	1	J, T			EK0, ESF, EV0	DG0		
2									DRIER, Receiver
	55116723AD	1	J, T			EZ0	DG0		
		1	J, T			EK0, ESF, EV0	DG0		
3									CONDENSER, Condenser and TOC
	55116928AA	1	J, T			EZ0	DG0		
		1	J, T			EK0, ESF, EV0	DG0		
4									COOLER, Power Steering
	52090052AB	1	J, T			EK0, EV0	DG0		
	55116927AA	1	J, T			EZ0	DG0		
5	52124317AA	1	J, T			EZ0	DG0		RESERVOIR, Power Steering Fluid
6									HOSE, Radiator Inlet
	55116865AC	1	J, T			EZ0			
	05290720AA	1	J, T			ES0			
7		1							CLAMP, Hose to Radiator, 52005580, (NOT SERVICED)
-8		1							SOLENOID, Hydraulic Fan Control, Use 05143201AA, (NOT SERVICED)
9	55037858AA	1	J, T			EZ0	DG0		FITTING, Quick Connect
-10									THERMOSTAT, 195 Degrees
	52028898AE	1	J, T			EZ0			
		1	J, T			ESF			
-11									SCREW AND WASHER, Hex
	06507071AA	2	J, T			EZ0			Thermostat Housing to Water Pump

GRAND CHEROKEE (WK)

SERIES LINE
H = HIGHLINE T = JEEP - 2WD
P = PREMIUM J = JEEP - 4WD
S = SPORT
X = SPECIAL

BODY
74 = SPORT UTILITY 4-DR
TYPE #4

ENGINE
EVA = 4.7L V8 MPI Engine
EVD = 4.7L V8 FFV Engine
EXL = 3.0L V6 Turbo Diesel Engine
EZB = 5.7L Hemi Multi Displacement Engine
EKG = 3.7L V6 Engine
ESF = 6.1L SRT HEMI SMPI V8 Engine

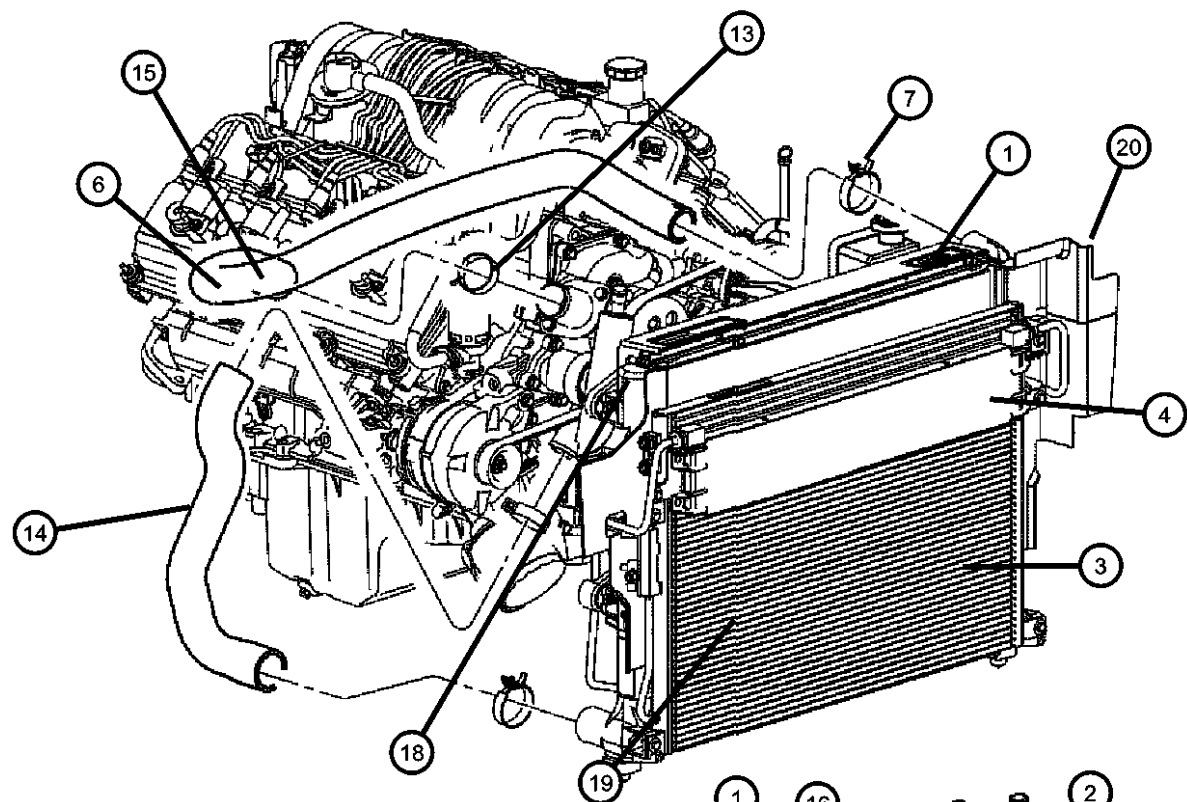
TRANSMISSION
DGJ = 5-Speed Auto W5A580 Transmission
DGQ = 5-Spd Automatic 545RFE Transmission
DGU = 5-Spd Auto W5J400 Transmission

AR = use ase required - = Non illustrated part

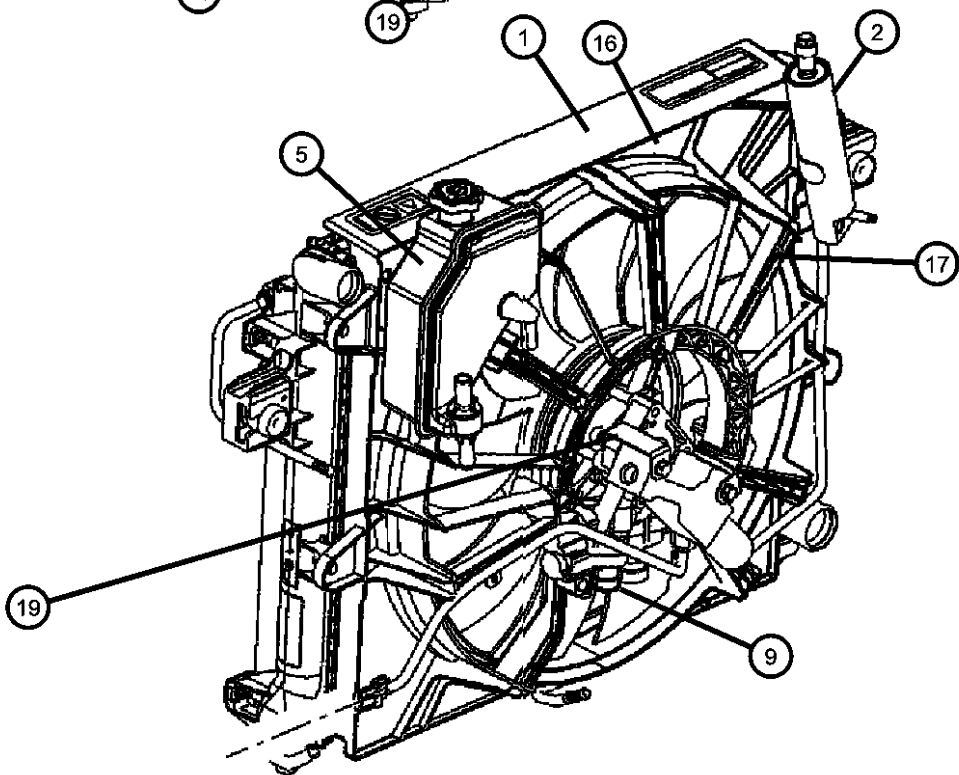
2007 WK

Radiator and Related Parts 5.7L, 6.1L Engines

Figure 7-165



ITEM	PART NUMBER	QTY	LINE	SERIES	BODY	ENGINE	TRANS	TRIM	DESCRIPTION
		2	J, T			ESF			Thermostat Housing to Water Pump
-12	52124074AA	4	J, T			EZ0	DG0		CLAMP, Hose
13	55037660AA	1				ESF, EZ0			CLAMP, Hose, 55X15, Upper Radiator Hose to Pump Outlet
14	55116868AB	1	J, T			ESF, EZ0			HOSE, Radiator Outlet
15	55116865AC	1	J, T			EZ0			HOSE, Radiator Inlet
16	05143209AB	1	J, T			EK0, ESF, EV0	DG0		SHROUD, Fan
17	05159121AE	1	J, T			EZ0	DG0		FAN MODULE, Radiator Cooling CAP, Radiator
18	55116897AA	1	J, T			EZ0	DG0		
		1	J, T			EX0	DG0		
		1	J, T			EK0, ESF, EV0	DG0		
19	05143208AA	1	J, T			EK0, ESF, EV0	DG0		FAN & MOTOR ASSY, FAN & MOTOR ASSY
20	55116953AA	1	J, T			EZ0	DG0		SEAL, Radiator Side, Right Side Eliminated



GRAND CHEROKEE (WK)

SERIES LINE
 H = HIGHLINE T = JEEP - 2WD
 P = PREMIUM J = JEEP - 4WD
 S = SPORT
 X = SPECIAL

BODY
 74 = SPORT UTILITY 4-DR TYPE #4

ENGINE
 EVA = 4.7L V8 MPI Engine
 EVD = 4.7L V8 FFV Engine
 EXL = 3.0L V6 Turbo Diesel Engine
 EZB = 5.7L Hemi Multi Displacement Engine
 EKG = 3.7L V6 Engine
 ESF = 6.1L SRT HEMI SMPI V8 Engine

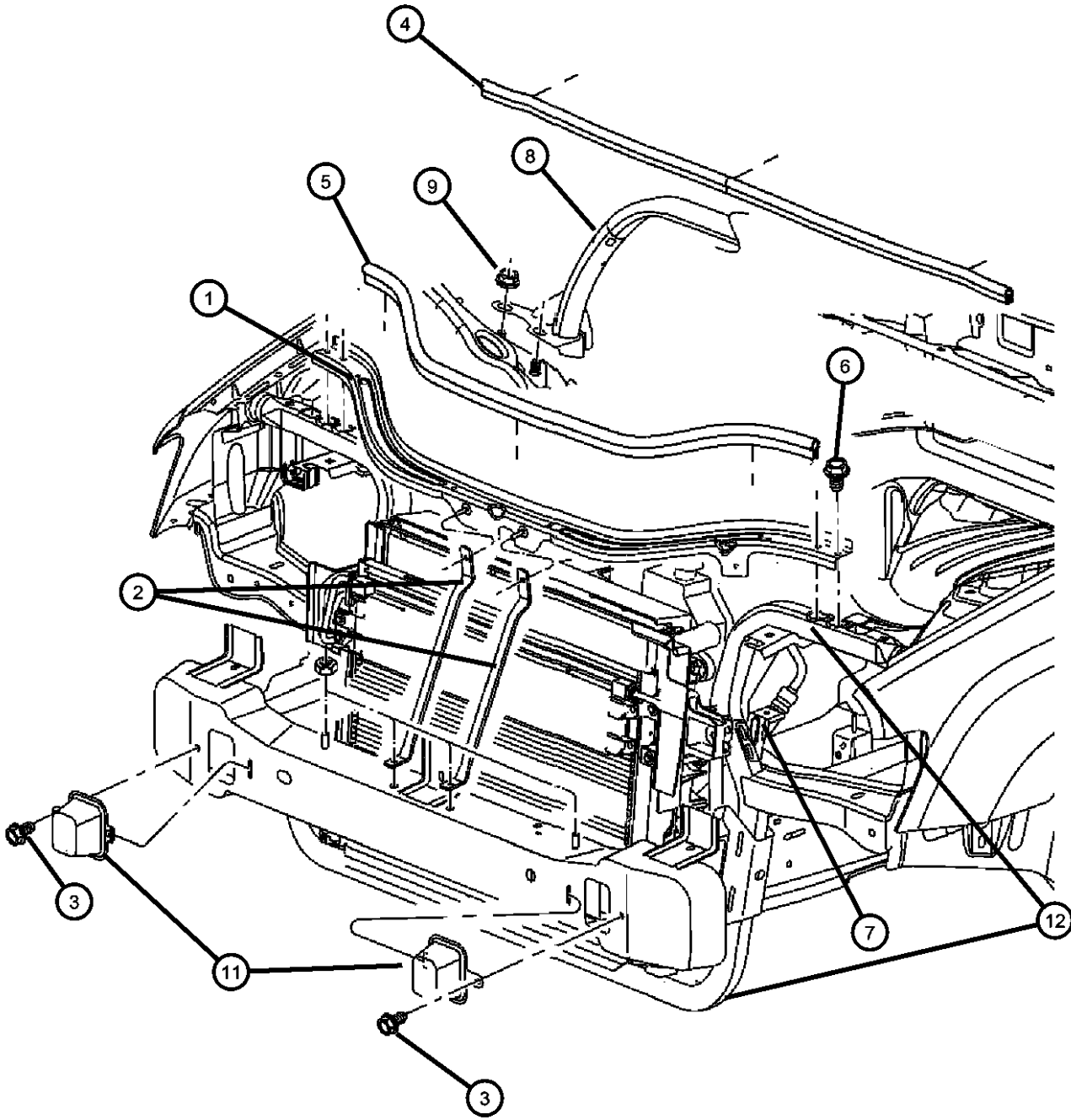
TRANSMISSION
 DGJ = 5-Speed Auto W5A580 Transmission
 DGQ = 5-Spd Automatic 545RFE Transmission
 DGU = 5-Spd Auto W5J400 Transmission

AR = use ase required - = Non illustrated part

2007 WK

Radiator Upper Support
Figure 7-170

ITEM	PART NUMBER	QTY	LINE	SERIES	BODY	ENGINE	TRANS	TRIM	DESCRIPTION
1	55394951AF	1	J, T						CROSSMEMBER, Radiator
2	55394098AD	2	J, T						BRACE, Radiator Crossmember
3	06505903AA	2	J, T						SCREW AND WASHER, Self Tapping, M6x1x22, Crush Can Attachment
4	55394777AB	1	J, T						SEAL, Hood To Plenum
5	55394851AA	1	J, T						WEATHERSTRIP, Hood
6	06104368AA	4	J, T						SCREW, Attach Upper Crossmember to Lower Crossmember
7									BRACKET, Air Bag
	55396820AB	1	J, T						Right
	55396821AB	1	J, T						Left
8	55396886AC	1	J, T	H, P, S					BRACE, Suspension
9	06502697	8							NUT, Hex Flange Lock, M12x1.75
-10	06508012AA	2	J, T						BOLT, Cooling Module to Support
11	55360410AA	2	J, T						SPACER, Jounce Bumper
12	05143322AD	1	J, T						CROSSMEMBER, Radiator



GRAND CHEROKEE (WK)

SERIES LINE
H = HIGHLINE T = JEEP - 2WD
P = PREMIUM J = JEEP - 4WD
S = SPORT
X = SPECIAL

BODY
74 = SPORT UTILITY 4-DR
TYPE #4

ENGINE
EVA = 4.7L V8 MPI Engine
EVD = 4.7L V8 FFV Engine
EXL = 3.0L V6 Turbo Diesel
Engine
EZB = 5.7L Hemi Multi
Displacement Engine
EKG = 3.7L V6 Engine
ESF = 6.1L SRT HEMI SMPI
V8 Engine

TRANSMISSION
DGJ = 5-Speed Auto W5A580
Transmission
DGQ = 5-Spd Automatic 545RFE
Transmission
DGU = 5-Spd Auto W5J400
Transmission

AR = use ase required - = Non illustrated part

2007 WK

Air Ducts, Brake Cooling, 6.1L Engine
Figure 7-175

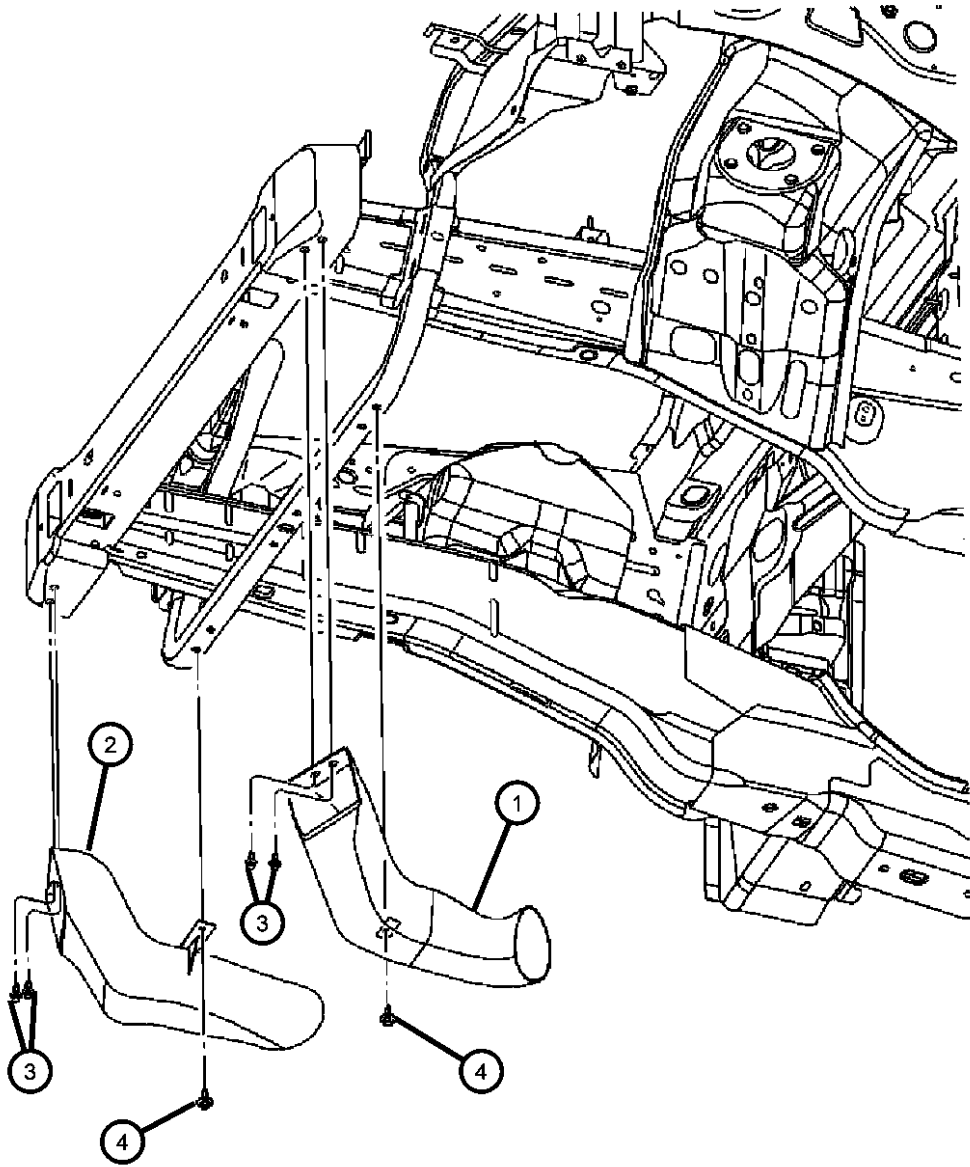
ITEM	PART NUMBER	QTY	LINE	SERIES	BODY	ENGINE	TRANS	TRIM	DESCRIPTION
------	-------------	-----	------	--------	------	--------	-------	------	-------------

NOTE:

Sales Codes:

[MCZ]=Body Color Fascias with Bright Insert

1	05029993AB	1	J, T						AIR DUCT, Brake Cooling, [MCZ], Left
2	05029992AB	1	J, T						AIR DUCT, Brake Cooling, [MCZ], Right
3	06503598	4	J, T		X				PIN, Push, M8x21, [MCZ]
4	06508146AA	2	J, T		X				SCREW, Hex Head, M8x1.25x25, [MCZ]



GRAND CHEROKEE (WK)

SERIES LINE
H = HIGHLINE T = JEEP - 2WD
P = PREMIUM J = JEEP - 4WD
S = SPORT
X = SPECIAL

BODY
74 = SPORT UTILITY 4-DR
TYPE #4

ENGINE
EVA = 4.7L V8 MPI Engine
EVD = 4.7L V8 FFV Engine
EXL = 3.0L V6 Turbo Diesel
Engine
EZB = 5.7L Hemi Multi
Displacement Engine
EKG = 3.7L V6 Engine
ESF = 6.1L SRT HEMI SMPI
V8 Engine

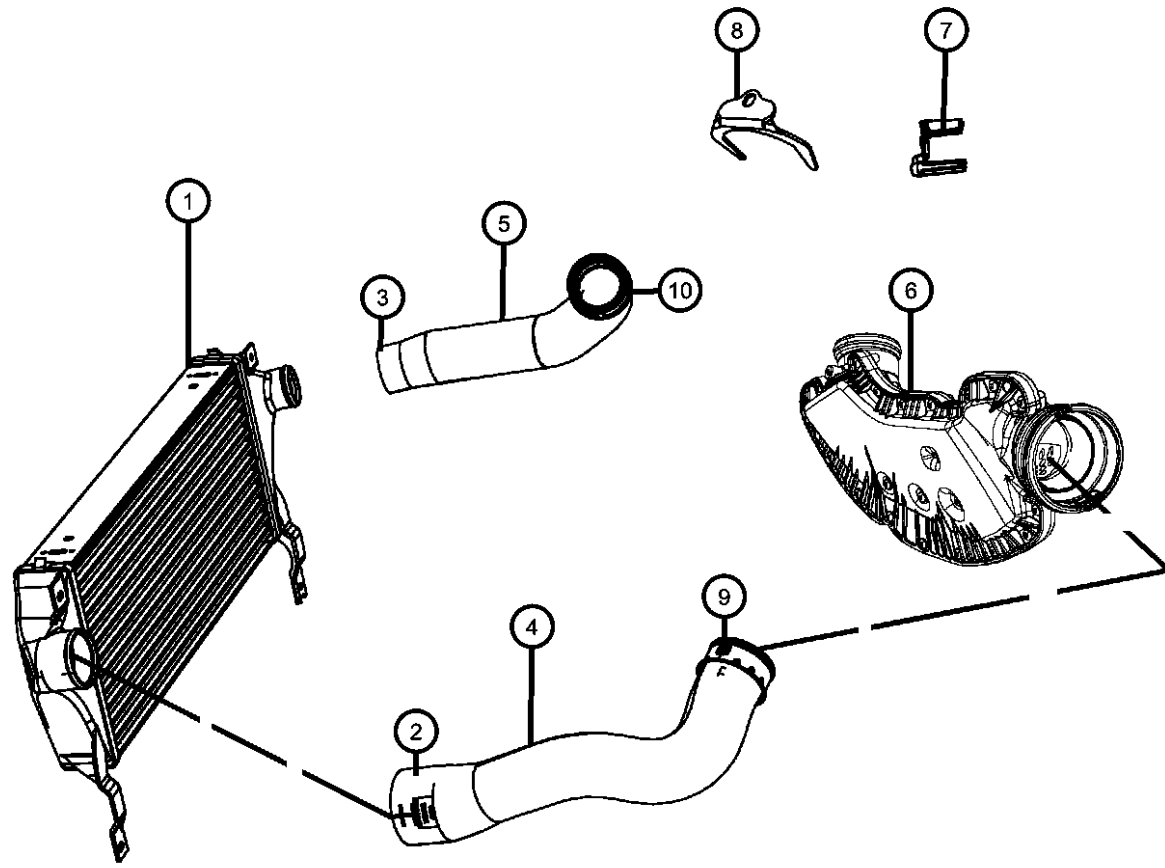
TRANSMISSION
DGJ = 5-Speed Auto W5A580
Transmission
DGQ = 5-Spd Automatic 545RFE
Transmission
DGU = 5-Spd Auto W5J400
Transmission

AR = use ase required - = Non illustrated part

2007 WK

**Charge Air Cooler
Figure 7-180**

ITEM	PART NUMBER	QTY	LINE	SERIES	BODY	ENGINE	TRANS	TRIM	DESCRIPTION
1	55037908AA	1	J, T			EX0	DG0		COOLER, Charge Air
2	06509203AA	1	J, T			EX0			CLAMP
3	06104795AA	1	J, T			EX0			CLAMP, Hose, CAC INLET HOSE TO CAC
4	55037962AA	1	J, T			EX0			HOSE, Charge Air CoolerInlet
5	55037961AA	1	J, T			EX0			HOSE, Charge Air CoolerOutlet
6	04861679AC	1	J, T			EX0			RESONATOR, Intercooler
7	04861696AB	1	J, T			EX0			BRACKET, Resonator
8	04861680AA	1	J, T			EX0			BRACKET, Resonator, RESONATOR TO TURBO TUBE SEAL, CHARGE AIR COOLER
9	68013653AA	1	J, T			EX0			SEAL, Charge Air Cooler Hose, Included with Inlet Hose
10	68021275AA	1	J, T			EX0			SEAL, Charge Air Cooler Hose, Included with Inlet Hose



GRAND CHEROKEE (WK)

SERIES LINE
H = HIGHLINE T = JEEP - 2WD
P = PREMIUM J = JEEP - 4WD
S = SPORT
X = SPECIAL

BODY
74 = SPORT UTILITY 4-DR
TYPE #4

ENGINE
EVA = 4.7L V8 MPI Engine
EVD = 4.7L V8 FFV Engine
EXL = 3.0L V6 Turbo Diesel
Engine
EZB = 5.7L Hemi Multi
Displacement Engine
EKG = 3.7L V6 Engine
ESF = 6.1L SRT HEMI SMPI
V8 Engine

TRANSMISSION
DGJ = 5-Speed Auto W5A580
Transmission
DGQ = 5-Spd Automatic 545RFE
Transmission
DGU = 5-Spd Auto W5J400
Transmission

AR = use ase required - = Non illustrated part

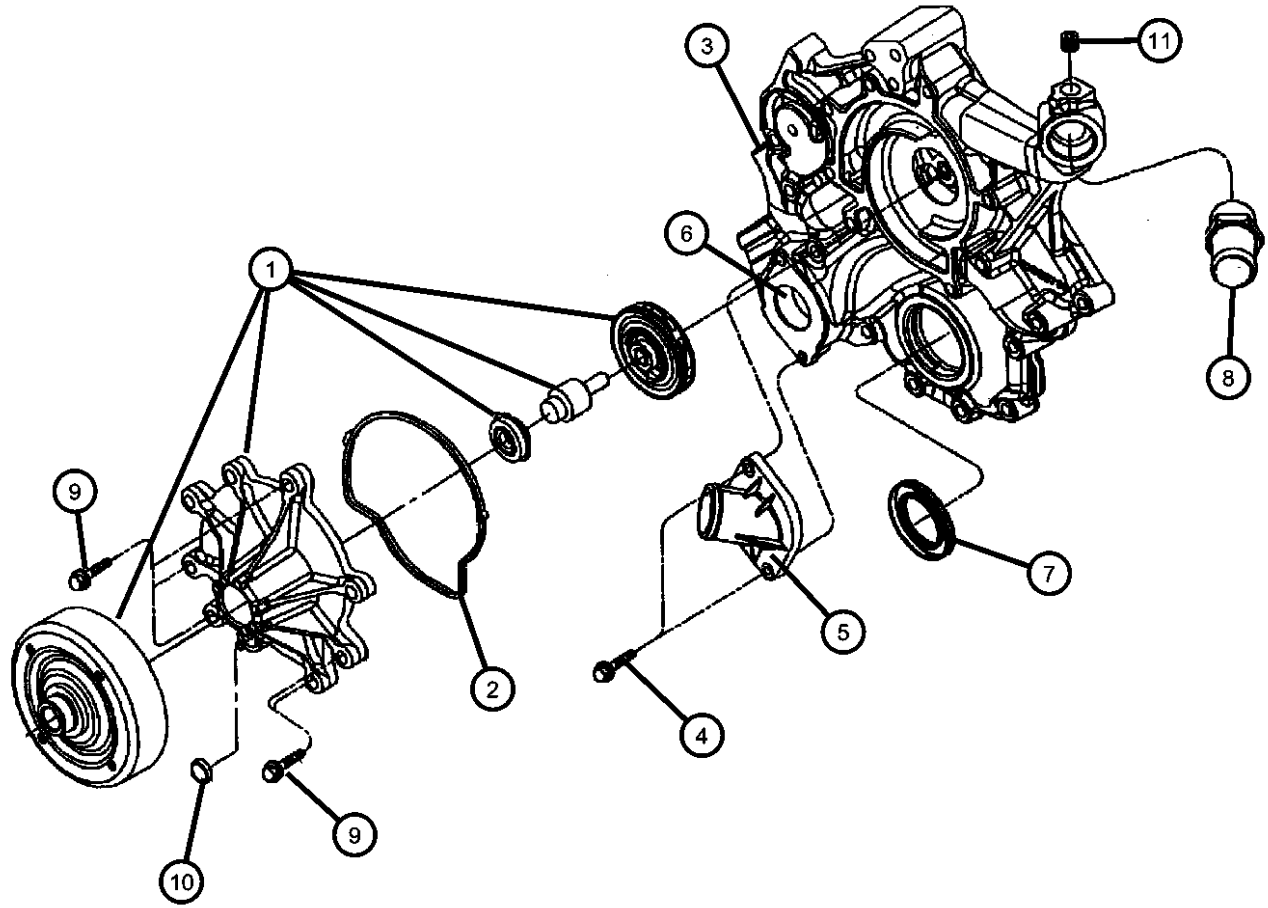
2007 WK

**Water Pump and Related Parts 3.7, 4.7L Engine
Figure 7-220**

ITEM	PART NUMBER	QTY	LINE	SERIES	BODY	ENGINE	TRANS	TRIM	DESCRIPTION
------	-------------	-----	------	--------	------	--------	-------	------	-------------

NOTES: Sales Codes
[EK0] = ALL 3.7L 6-CYL GAS ENGINES
[EV0] = ALL 4.7L GAS ENGINES

1	53022189AB	1				EK0, EV0			PUMP, Water
2	53020865	1	J, T			EK0, EV0			GASKET, Water Pump
3									NIPPLE
	06035854	2	J, T			EK0			
		2	J, T			EVA, EVD			
4	06505502AA	2	J, T			EK0, EV0			SCREW
5	53020887AC	1	J, T			EK0, EVA, EVD			HOUSING, Thermostat
6	52079476AC	1	J, T			EK0, EVA, EVD			THERMOSTAT, with Seal
7	53021313AA	1	J, T			EVA, EVD			SEAL, Crankshaft Oil, Front
8		1							PIPE FITTING, Chain Case Cover, .375-18x2, (NOT SERVICED)
9		1							SCREW, M6x1x25, (NOT SERVICED)
10		1							PLUG, (NOT SERVICED)
11		1							PLUG, (NOT SERVICED)



GRAND CHEROKEE (WK)

SERIES LINE
H = HIGHLINE T = JEEP - 2WD
P = PREMIUM J = JEEP - 4WD
S = SPORT
X = SPECIAL

BODY
74 = SPORT UTILITY 4-DR
TYPE #4

ENGINE
EVA = 4.7L V8 MPI Engine
EVD = 4.7L V8 FFV Engine
EXL = 3.0L V6 Turbo Diesel Engine
EZB = 5.7L Hemi Multi Displacement Engine
EKG = 3.7L V6 Engine
ESF = 6.1L SRT HEMI SMPI V8 Engine

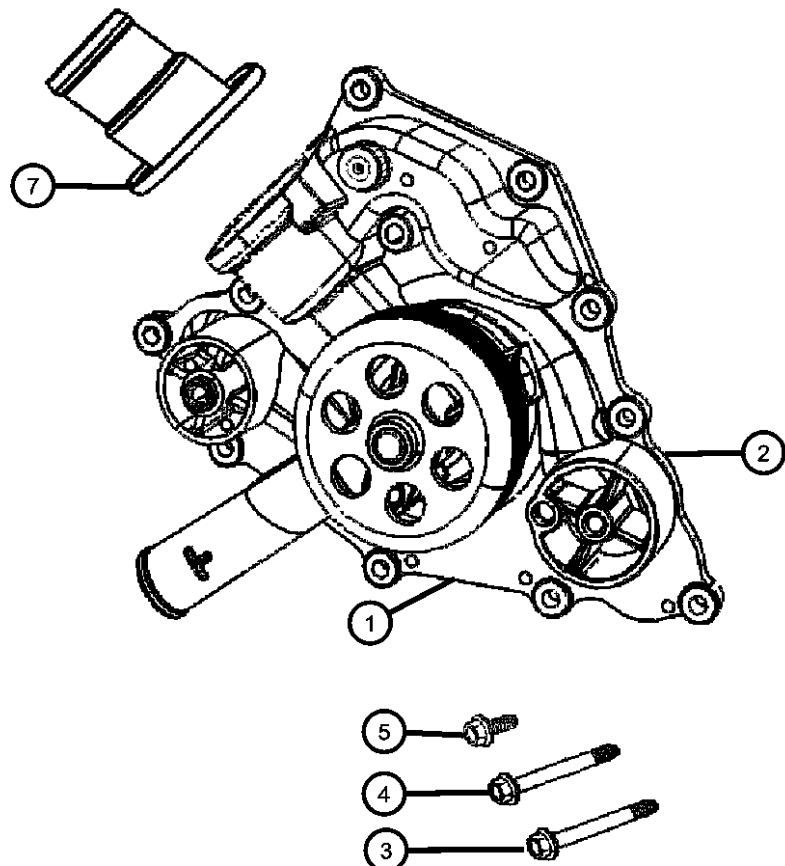
TRANSMISSION
DGJ = 5-Speed Auto W5A580 Transmission
DGQ = 5-Spd Automatic 545RFE Transmission
DGU = 5-Spd Auto W5J400 Transmission

AR = use ase required - = Non illustrated part

2007 WK

**Water Pump and Related Parts 5.7L, 6.1L Engine
Figure 7-230**

ITEM	PART NUMBER	QTY	LINE	SERIES	BODY	ENGINE	TRANS	TRIM	DESCRIPTION
Sales Codes: [EZ0] = ALL 5.7L 8CYL GAS ENGINES									
1									PUMP, Water
	04792838AA	1	J, T			ESF			
		1	J, T			EZ0			
2									GASKET, Water Pump
	04792922AA	1	J, T			ESF			
		1	J, T			EZ0			
3									SCREW AND WASHER, Hex
	06506270AA	3	J, T			EZ0			Front Cover to Block
		3	J, T			ESF			Front Cover to Block
4									SCREW AND WASHER, Hex
	06506269AA	5	J, T			EZ0			Water Pump to Cover
		5	J, T			ESF			Water Pump to Cover
5									SCREW AND WASHER, Hex
	06506269AA	5	J, T			EZ0			Water Pump to Cover
		5	J, T			ESF			Water Pump to Cover
-6									STUD
	06506684AA	1	J, T			EZ0			Water Pump to Block
		1	J, T			ESF			Water Pump to Block
7									HOUSING, Thermostat
	53021536AC	1	J, T			EZ0			
		1	J, T			ESF			
-8									THERMOSTAT
	52028898AE	1	J, T			EZ0			
		1	J, T			ESF			



GRAND CHEROKEE (WK)

SERIES LINE
H = HIGHLINE T = JEEP - 2WD
P = PREMIUM J = JEEP - 4WD
S = SPORT
X = SPECIAL

BODY
74 = SPORT UTILITY 4-DR
TYPE #4

ENGINE
EVA = 4.7L V8 MPI Engine
EVD = 4.7L V8 FFV Engine
EXL = 3.0L V6 Turbo Diesel
Engine
EZB = 5.7L Hemi Multi
Displacement Engine
EKG = 3.7L V6 Engine
ESF = 6.1L SRT HEMI SMPI
V8 Engine

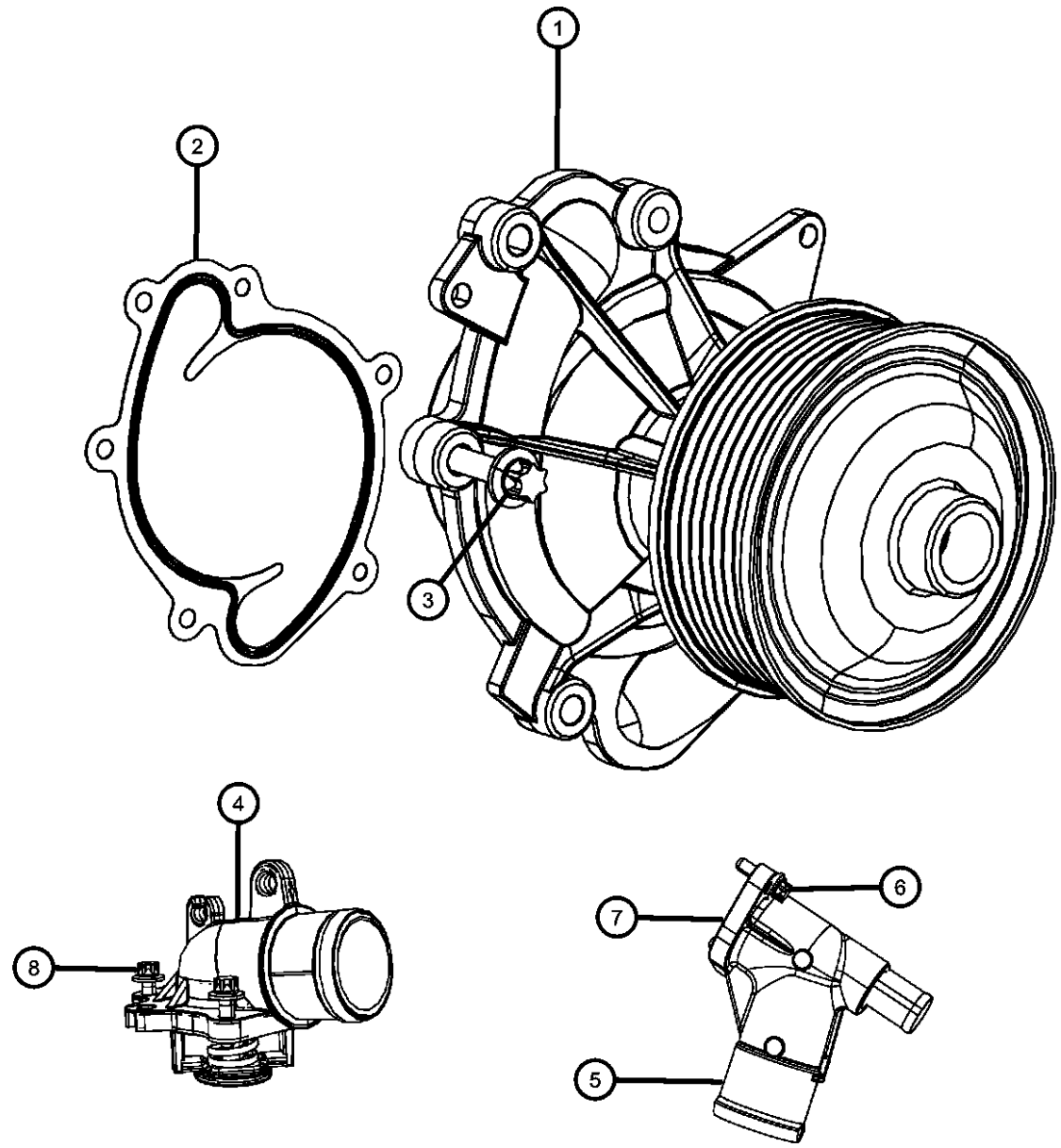
TRANSMISSION
DGJ = 5-Speed Auto W5A580
Transmission
DGQ = 5-Spd Automatic 545RFE
Transmission
DGU = 5-Spd Auto W5J400
Transmission

AR = use ase required - = Non illustrated part

2007 WK

**Water Pump and Related Parts 3.0L Diesel
Figure 7-240**

ITEM	PART NUMBER	QTY	LINE	SERIES	BODY	ENGINE	TRANS	TRIM	DESCRIPTION
1	05175580AA	1	J, T			EXL			PUMP, Water
2	05175581AA	1	J, T			EXL			GASKET, Water Pump
3	05175582AA	6	J, T			EXL			BOLT, Torx
4	05175583AB	1	J, T			EXL			HOUSING, Thermostat
5	68014142AA	1	J, T			EXL			FITTING, Coolant, Includes Block Heater, NOT Serviced Separate
6	05073688AB	4	J, T			EXL			BOLT
7	05175584AA	1	J, T			EXL			GASKET, Thermostat
8	06104006AA	4	J, T			EXL			BOLT, Torx Socket Head, M6X1.00X20.00



GRAND CHEROKEE (WK)
 SERIES LINE
 H = HIGHLINE T = JEEP - 2WD
 P = PREMIUM J = JEEP - 4WD
 S = SPORT
 X = SPECIAL

BODY
 74 = SPORT UTILITY 4-DR
 TYPE #4

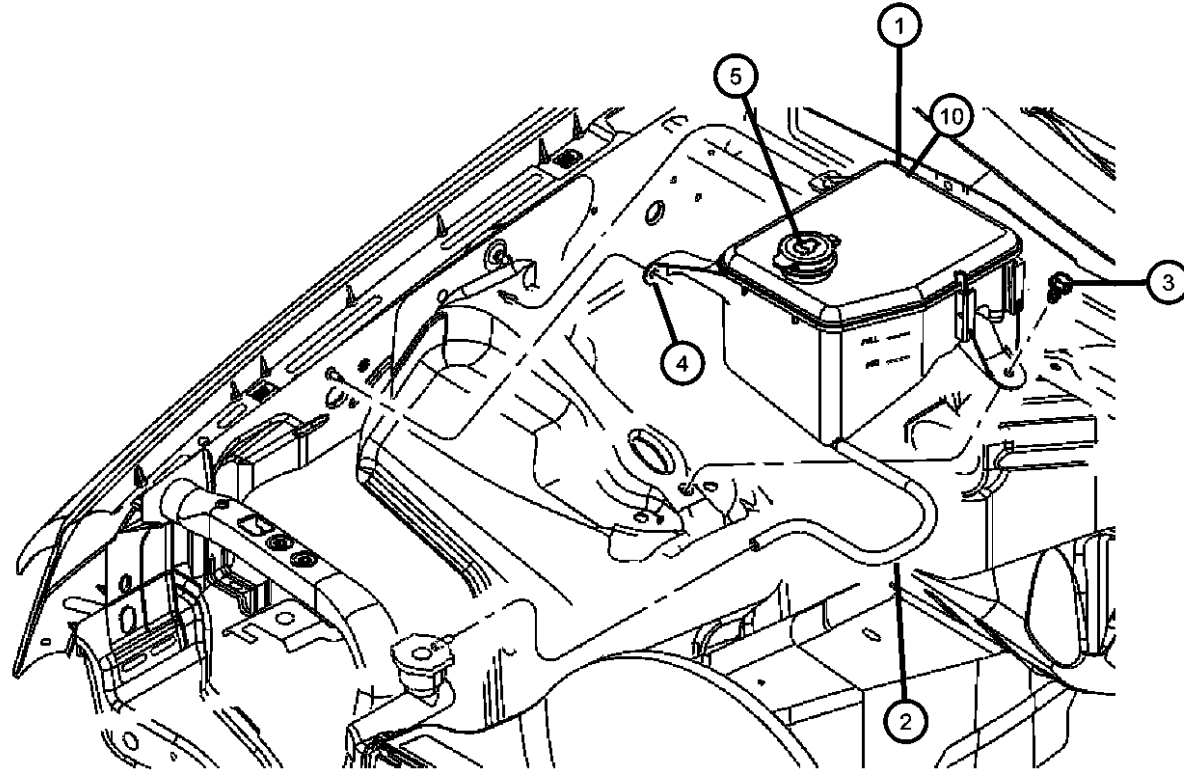
ENGINE
 EVA = 4.7L V8 MPI Engine
 EVD = 4.7L V8 FFV Engine
 EXL = 3.0L V6 Turbo Diesel
 Engine
 EZB = 5.7L Hemi Multi
 Displacement Engine
 EKG = 3.7L V6 Engine
 ESF = 6.1L SRT HEMI SMPI
 V8 Engine

TRANSMISSION
 DGJ = 5-Speed Auto W5A580
 Transmission
 DGQ = 5-Spd Automatic 545RFE
 Transmission
 DGU = 5-Spd Auto W5J400
 Transmission

AR = use ase required - = Non illustrated part

**Coolant Tank
Figure 7-310**

ITEM	PART NUMBER	QTY	LINE	SERIES	BODY	ENGINE	TRANS	TRIM	DESCRIPTION
1	55116874AE	1	J, T			EK0, ES0, EV0, EZ0			BOTTLE, Pressurized Coolant
2		1							HOSE, Coolant Reserve Tank, 04026148, (NOT SERVICED)
3		1							SCREW, Tapping, M6x1x20, M6X1.00X25.00, (NOT SERVICED)
4	55037857AA	1	J, T						CAP, Coolant Recovery Bottle, Mounting
5	55056382AA	1	J, T			EK0, ES0, EV0, EZ0			CAP, Coolant Reserve Tank
-6									PLUG
	06036307AA	1	J, T			ESF			
		3	J, T			EK0			
		1	J, T			EVA, EVD			
		1	J, T			EZ0			
-7									TUBE, Coolant inlet
	04892345AD	1	J, T			EZ0			
	05037891AA	1	J, T			ESF			
-8	04892346AD	1	J, T			ESF, EZ0			TUBE, Coolant outlet
-9	06502018	2	J, T			EZ0	DG0		CLAMP, Hose, 27X15
10	55116873AD	1	J, T			EX0			BOTTLE, Coolant Recovery



GRAND CHEROKEE (WK)

SERIES LINE
H = HIGHLINE T = JEEP - 2WD
P = PREMIUM J = JEEP - 4WD
S = SPORT
X = SPECIAL

BODY
74 = SPORT UTILITY 4-DR
TYPE #4

ENGINE
EVA = 4.7L V8 MPI Engine
EVD = 4.7L V8 FFV Engine
EXL = 3.0L V6 Turbo Diesel
Engine
EZB = 5.7L Hemi Multi
Displacement Engine
EKG = 3.7L V6 Engine
ESF = 6.1L SRT HEMI SMPI
V8 Engine

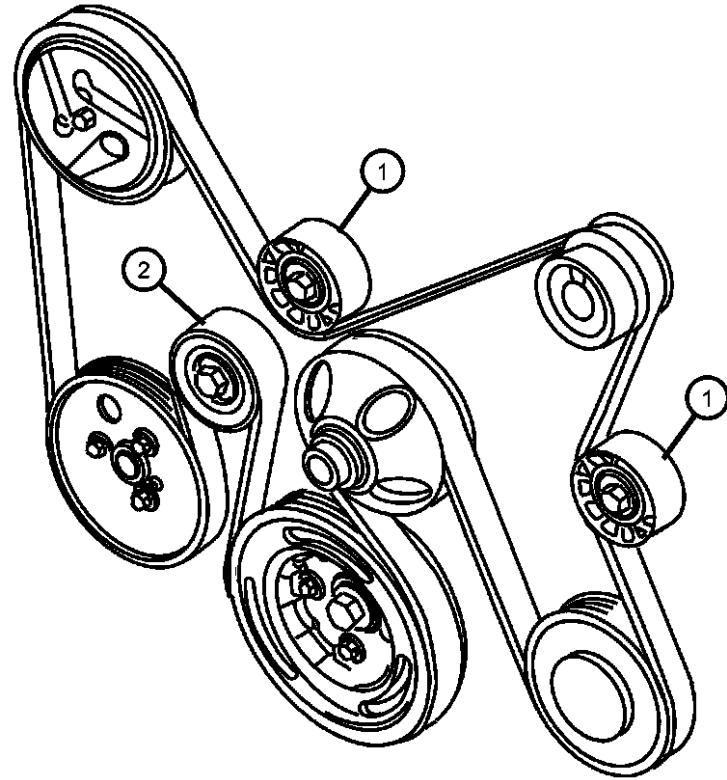
TRANSMISSION
DGJ = 5-Speed Auto W5A580
Transmission
DGQ = 5-Spd Automatic 545RFE
Transmission
DGU = 5-Spd Auto W5J400
Transmission

AR = use ase required - = Non illustrated part

2007 WK

**Pulleys and Related Parts 3.0L diesel
Figure 7-410**

ITEM	PART NUMBER	QTY	LINE	SERIES	BODY	ENGINE	TRANS	TRIM	DESCRIPTION
1	05175589AB	1	J, T			EXL			PULLEY, Idler
2	05175588AA	1	J, T			EXL			TENSIONER, Belt



GRAND CHEROKEE (WK)

SERIES LINE
H = HIGHLINE T = JEEP - 2WD
P = PREMIUM J = JEEP - 4WD
S = SPORT
X = SPECIAL

BODY
74 = SPORT UTILITY 4-DR
TYPE #4

ENGINE
EVA = 4.7L V8 MPI Engine
EVD = 4.7L V8 FFV Engine
EXL = 3.0L V6 Turbo Diesel
Engine
EZB = 5.7L Hemi Multi
Displacement Engine
EKG = 3.7L V6 Engine
ESF = 6.1L SRT HEMI SMPI
V8 Engine

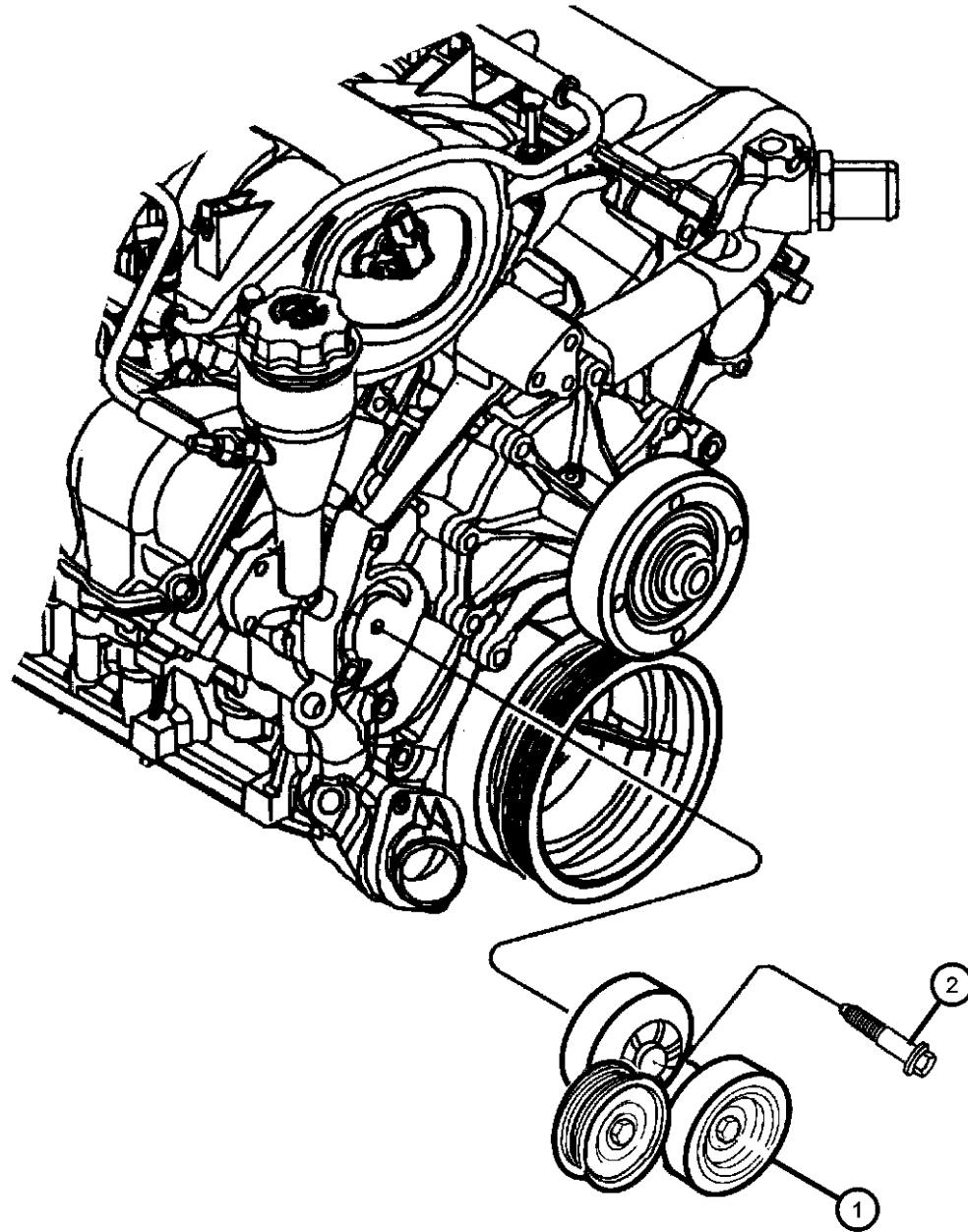
TRANSMISSION
DGJ = 5-Speed Auto W5A580
Transmission
DGQ = 5-Spd Automatic 545RFE
Transmission
DGU = 5-Spd Auto W5J400
Transmission

AR = use ase required - = Non illustrated part

Drive Pulleys 3.7L,4.7L Engines
Figure 7-430

ITEM	PART NUMBER	QTY	LINE	SERIES	BODY	ENGINE	TRANS	TRIM	DESCRIPTION
------	-------------	-----	------	--------	------	--------	-------	------	-------------

NOTES: Sales Codes:
[EK0] = ALL 3.7L 6-CYL GAS ENGINES
[EVO] = ALL 4.7L GAS ENGINES



1									TENSIONER, Alternator Belt
	53030958AC	1	J, T			EVO			
	53030958AD	1	J, T			EK0			
2	06504930AA	1	J, T			EK0			SCREW AND WASHER, Hex Head, M10x1.5x70
-3	53013688AB	1	J, T			EK0, EVO			PULLEY, Power Steering Pump
-4	05161810AA	1	J, T			EK0, EVO			PULLEY HUB KIT, A/C Compressor

GRAND CHEROKEE (WK)

SERIES LINE
H = HIGHLINE T = JEEP - 2WD
P = PREMIUM J = JEEP - 4WD
S = SPORT
X = SPECIAL

BODY
74 = SPORT UTILITY 4-DR
TYPE #4

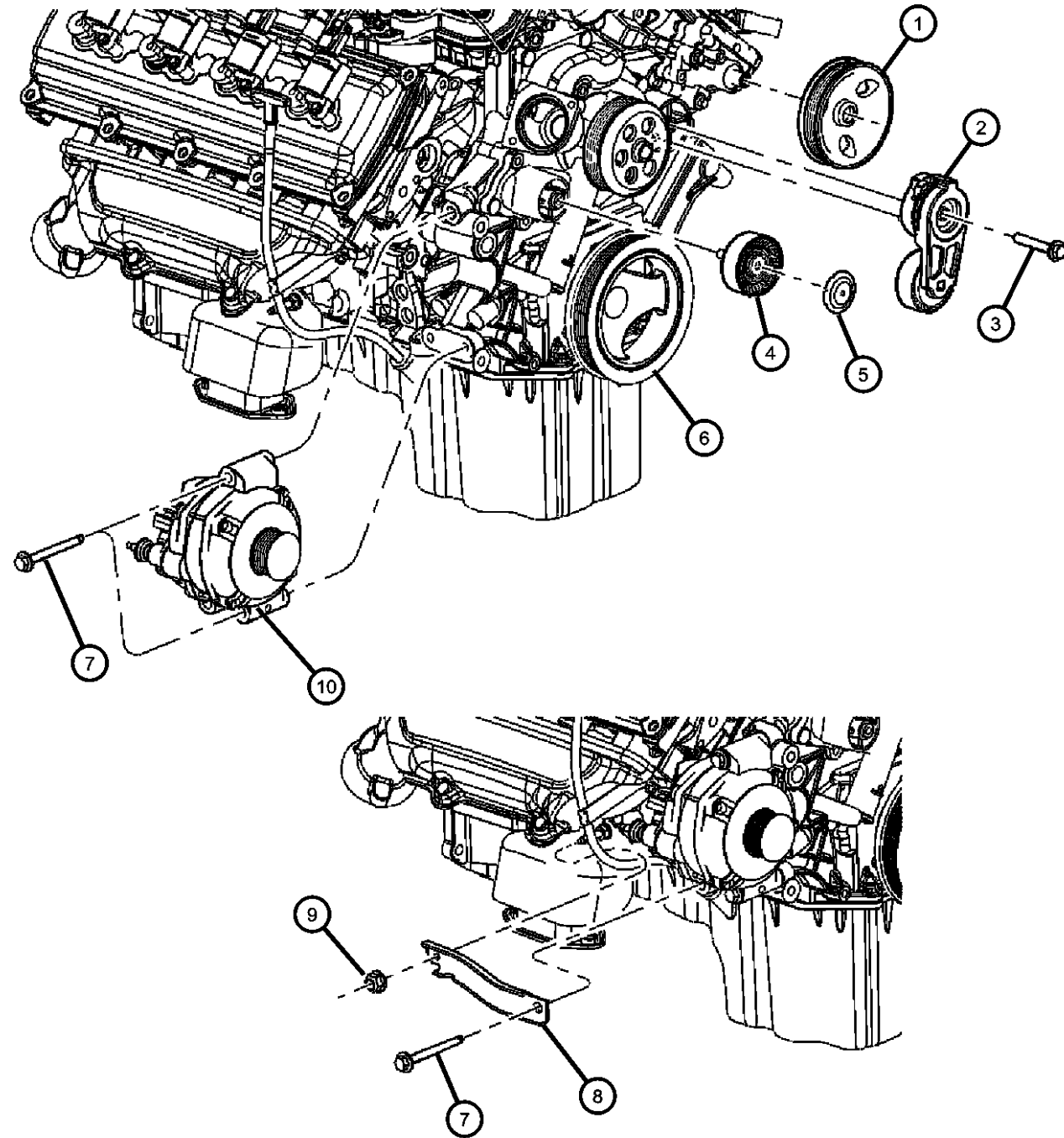
ENGINE
EVA = 4.7L V8 MPI Engine
EVD = 4.7L V8 FFV Engine
EXL = 3.0L V6 Turbo Diesel
Engine
EZB = 5.7L Hemi Multi
Displacement Engine
EKG = 3.7L V6 Engine
ESF = 6.1L SRT HEMI SMPI
V8 Engine

TRANSMISSION
DGJ = 5-Speed Auto W5A580
Transmission
DGQ = 5-Spd Automatic 545RFE
Transmission
DGU = 5-Spd Auto W5J400
Transmission

AR = use ase required - = Non illustrated part

2007 WK

Drive Pulleys 5.7L,6.1L Engines
Figure 7-440



ITEM	PART NUMBER	QTY	LINE	SERIES	BODY	ENGINE	TRANS	TRIM	DESCRIPTION
1	53013677AB	1	J, T			EZ0			PULLEY, Power Steering Pump
2	04861660AA	1	J, T			EZ0			TENSIONER, Belt
3	06506269AA	1	J, T			ESF			SCREW AND WASHER, Hex, Tensioner to Block
4	06506269AA	5	J, T			EZ0			SCREW AND WASHER, Hex, Tensioner to Block
4	04891720AA	5	J, T			ESF			PULLEY, Idler
5	04891720AA	1	J, T			ESF			PULLEY, Idler
5	04891720AA	1	J, T			EZ0			PULLEY, Idler
5	04792875AA	1	J, T			EZ0			CAP, Pulley
6	04792875AA	1	J, T			ESF			CAP, Pulley
6	04792815AB	1				EZ0			DAMPER, Crankshaft
6	05037394AA	1	J, T			ESF			DAMPER, Crankshaft
7	06102120AA	2	J, T			EK0, EVO, EZ0, ESF			SCREW AND WASHER, Hex Head
8		2							STRUT, Alternator Bracket, (NOT SERVICED)
9	06101695	2							NUT, Hex Flange Lock
10	56044380AI	1	J, T			EZ0			ALTERNATOR
10	56044380AI	1	J, T			ESF			ALTERNATOR
-11	06508400AA	1	J, T			EZ0			SCREW AND WASHER Damper and Pulley Assy.to Crankshaft

GRAND CHEROKEE (WK)

SERIES LINE
H = HIGHLINE T = JEEP - 2WD
P = PREMIUM J = JEEP - 4WD
S = SPORT
X = SPECIAL

BODY
74 = SPORT UTILITY 4-DR
TYPE #4

ENGINE
EVA = 4.7L V8 MPI Engine
EVD = 4.7L V8 FFV Engine
EXL = 3.0L V6 Turbo Diesel Engine
EZB = 5.7L Hemi Multi Displacement Engine
EKG = 3.7L V6 Engine
ESF = 6.1L SRT HEMI SMPI V8 Engine

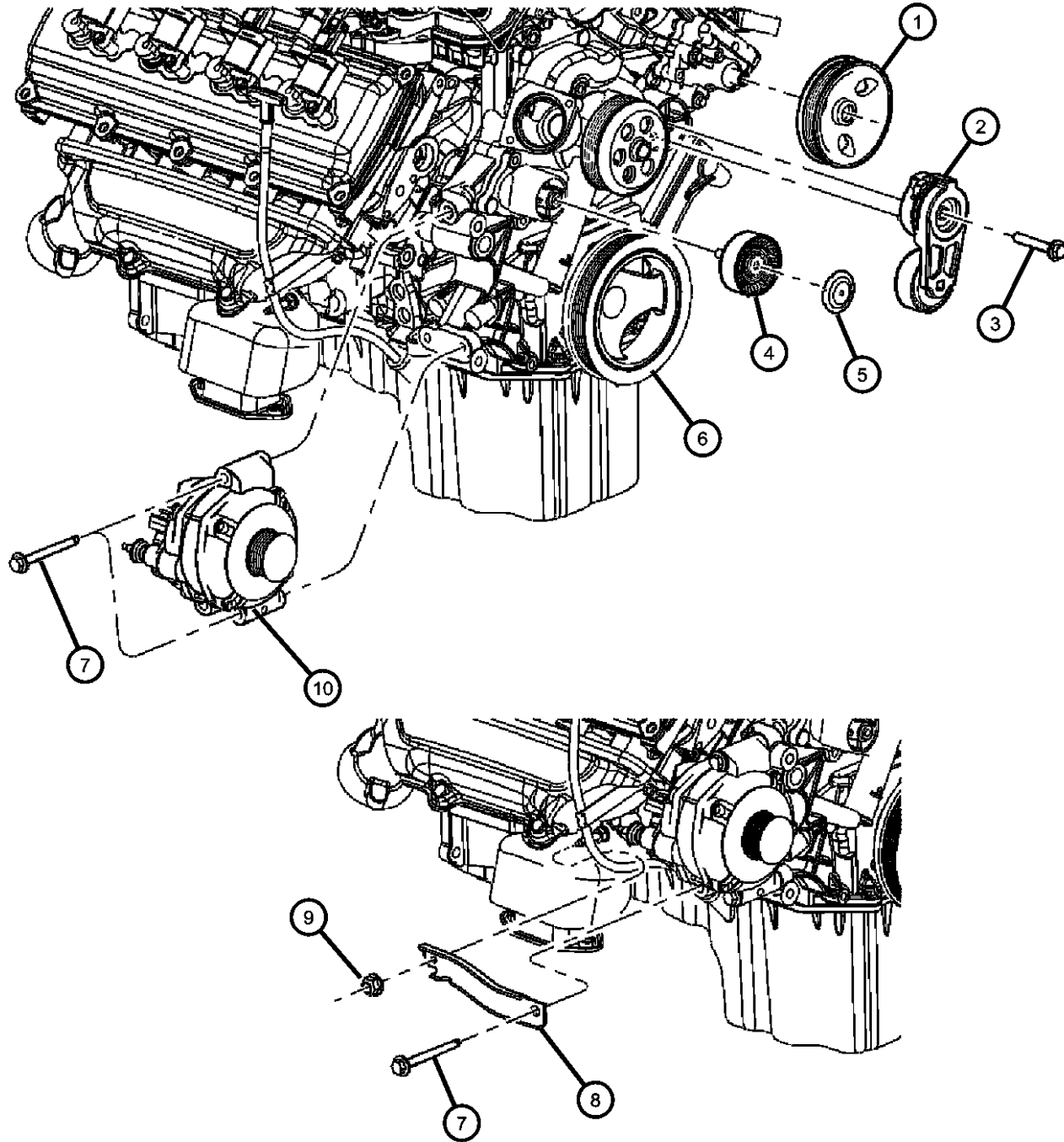
TRANSMISSION
DGJ = 5-Speed Auto W5A580 Transmission
DGQ = 5-Spd Automatic 545RFE Transmission
DGU = 5-Spd Auto W5J400 Transmission

AR = use ase required - = Non illustrated part

2007 WK

Drive Pulleys 5.7L,6.1L Engines
Figure 7-440

ITEM	PART NUMBER	QTY	LINE	SERIES	BODY	ENGINE	TRANS	TRIM	DESCRIPTION
------	-------------	-----	------	--------	------	--------	-------	------	-------------



		1	J, T			ESF			Damper and Pulley Assy.to Crankshaft
-12	06507929AA	1	J, T			ESF			SCREW, Backside Idler Pulley to Water Pump

GRAND CHEROKEE (WK)

SERIES LINE
H = HIGHLINE T = JEEP - 2WD
P = PREMIUM J = JEEP - 4WD
S = SPORT
X = SPECIAL

BODY
74 = SPORT UTILITY 4-DR
TYPE #4

ENGINE
EVA = 4.7L V8 MPI Engine
EVD = 4.7L V8 FFV Engine
EXL = 3.0L V6 Turbo Diesel
Engine
EZB = 5.7L Hemi Multi
Displacement Engine
EKG = 3.7L V6 Engine
ESF = 6.1L SRT HEMI SMPI
V8 Engine

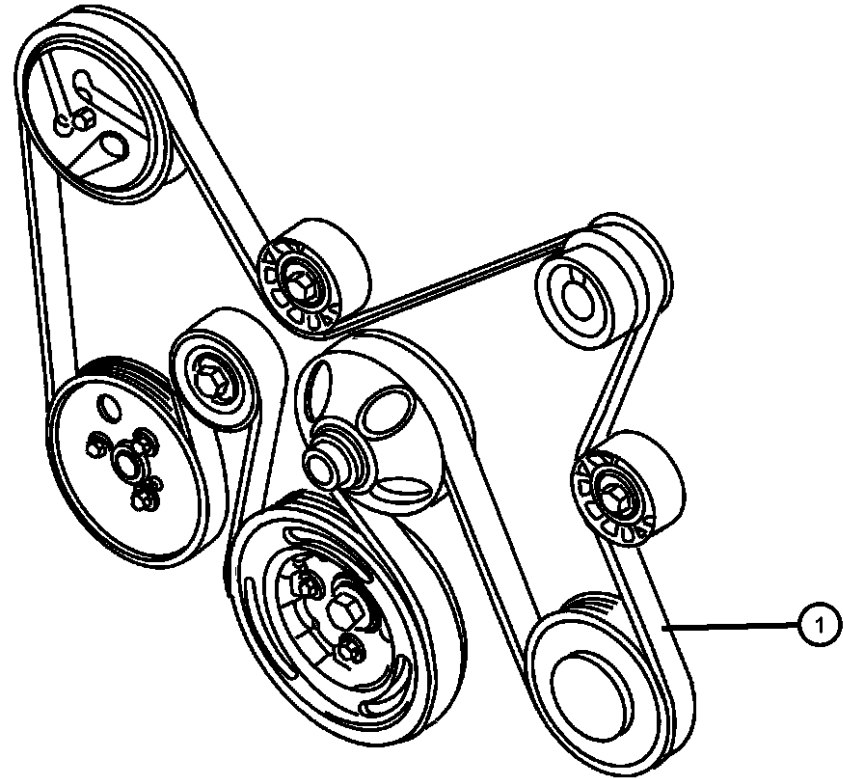
TRANSMISSION
DGJ = 5-Speed Auto W5A580
Transmission
DGQ = 5-Spd Automatic 545RFE
Transmission
DGU = 5-Spd Auto W5J400
Transmission

AR = use ase required - = Non illustrated part

2007 WK

Drive Belts 3.0L Diesel
Figure 7-505

ITEM	PART NUMBER	QTY	LINE	SERIES	BODY	ENGINE	TRANS	TRIM	DESCRIPTION
1	04891587AA	1	J, T			EX0			BELT, Accessory Drive



GRAND CHEROKEE (WK)

SERIES LINE
H = HIGHLINE T = JEEP - 2WD
P = PREMIUM J = JEEP - 4WD
S = SPORT
X = SPECIAL

BODY
74 = SPORT UTILITY 4-DR
TYPE #4

ENGINE
EVA = 4.7L V8 MPI Engine
EVD = 4.7L V8 FFV Engine
EXL = 3.0L V6 Turbo Diesel
Engine
EZB = 5.7L Hemi Multi
Displacement Engine
EKG = 3.7L V6 Engine
ESF = 6.1L SRT HEMI SMPI
V8 Engine

TRANSMISSION
DGJ = 5-Speed Auto W5A580
Transmission
DGQ = 5-Spd Automatic 545RFE
Transmission
DGU = 5-Spd Auto W5J400
Transmission

AR = use ase required - = Non illustrated part

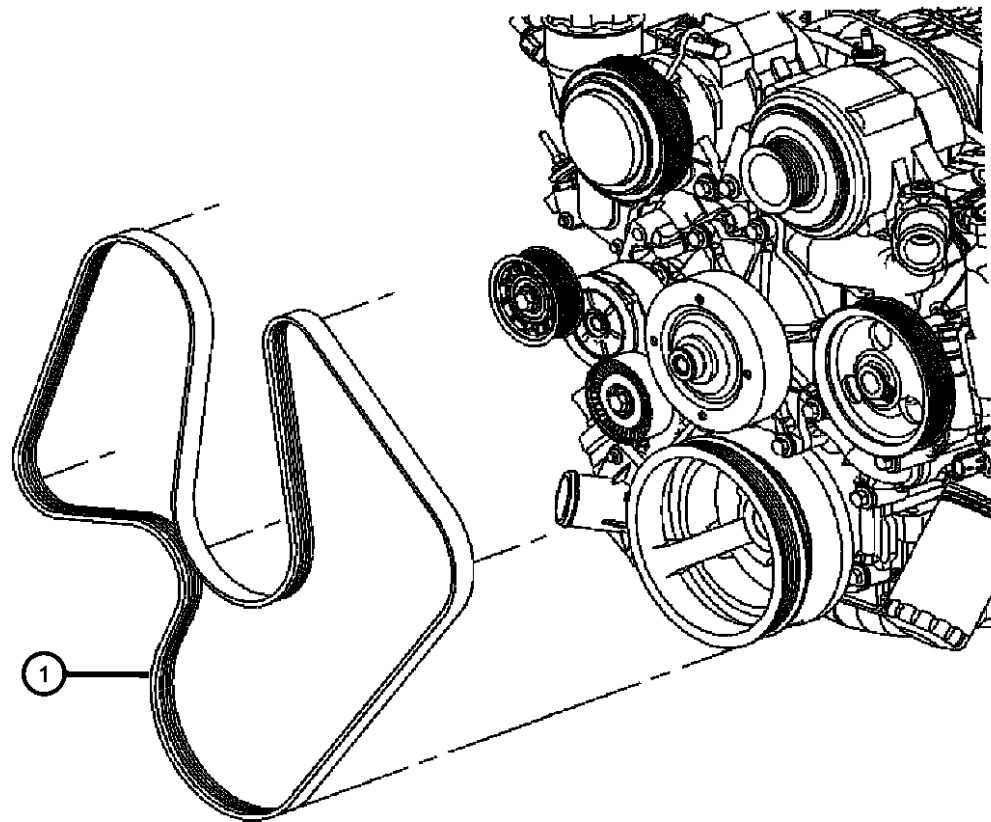
2007 WK

**Drive Belts 3.7,4.7L Engines
Figure 7-510**

ITEM	PART NUMBER	QTY	LINE	SERIES	BODY	ENGINE	TRANS	TRIM	DESCRIPTION
------	-------------	-----	------	--------	------	--------	-------	------	-------------

NOTES: Sales Codes:
[EK0] = ALL 3.7L 6-CYL GAS ENGINES
[EV0] = ALL 4.7L GAS ENGINES

1	04892791AA	1				EK0, EV0			BELT, Accessory Drive
---	------------	---	--	--	--	----------	--	--	-----------------------



GRAND CHEROKEE (WK)

SERIES LINE
H = HIGHLINE T = JEEP - 2WD
P = PREMIUM J = JEEP - 4WD
S = SPORT
X = SPECIAL

BODY
74 = SPORT UTILITY 4-DR
TYPE #4

ENGINE
EVA = 4.7L V8 MPI Engine
EVD = 4.7L V8 FFV Engine
EXL = 3.0L V6 Turbo Diesel
Engine
EZB = 5.7L Hemi Multi
Displacement Engine
EKG = 3.7L V6 Engine
ESF = 6.1L SRT HEMI SMPI
V8 Engine

TRANSMISSION
DGJ = 5-Speed Auto W5A580
Transmission
DGQ = 5-Spd Automatic 545RFE
Transmission
DGU = 5-Spd Auto W5J400
Transmission

AR = use ase required - = Non illustrated part

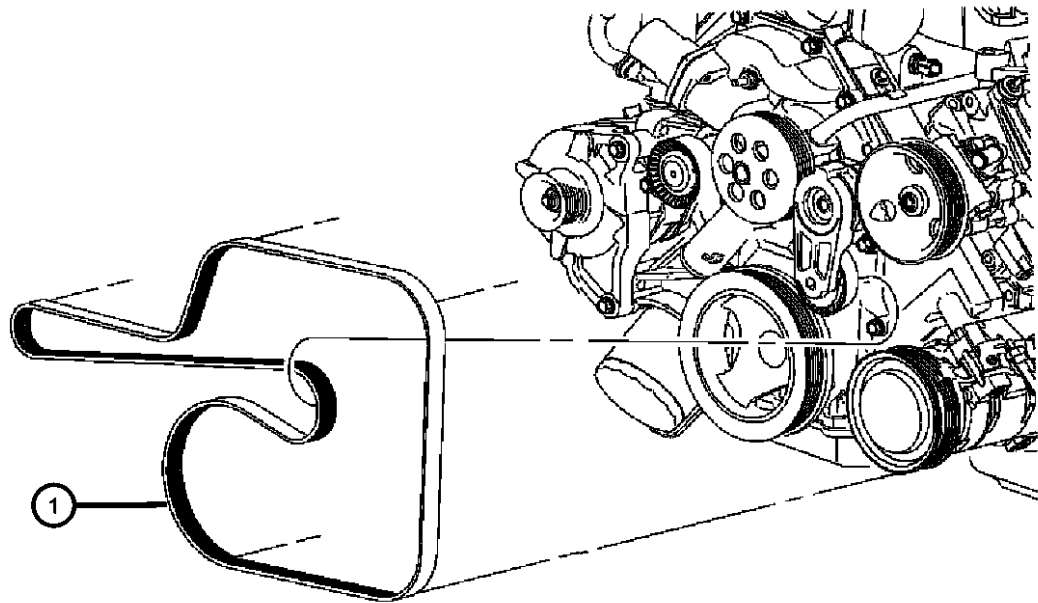
2007 WK

**Drive Belts 5.7L, 6.1L Engines
Figure 7-520**

ITEM	PART NUMBER	QTY	LINE	SERIES	BODY	ENGINE	TRANS	TRIM	DESCRIPTION
------	-------------	-----	------	--------	------	--------	-------	------	-------------

NOTES: Sales Codes:
 [ESF] = 6.1L SRT HEMI SMPI V8 ENGINE
 [EZ0] = ALL 5.7L 8CYL GAS ENGINES

1									BELT, Accessory Drive
	05037542AA	1	J, T			ESF			
	53013676AC	1				EZ0			



GRAND CHEROKEE (WK)

SERIES LINE
 H = HIGHLINE T = JEEP - 2WD
 P = PREMIUM J = JEEP - 4WD
 S = SPORT
 X = SPECIAL

BODY
 74 = SPORT UTILITY 4-DR
 TYPE #4

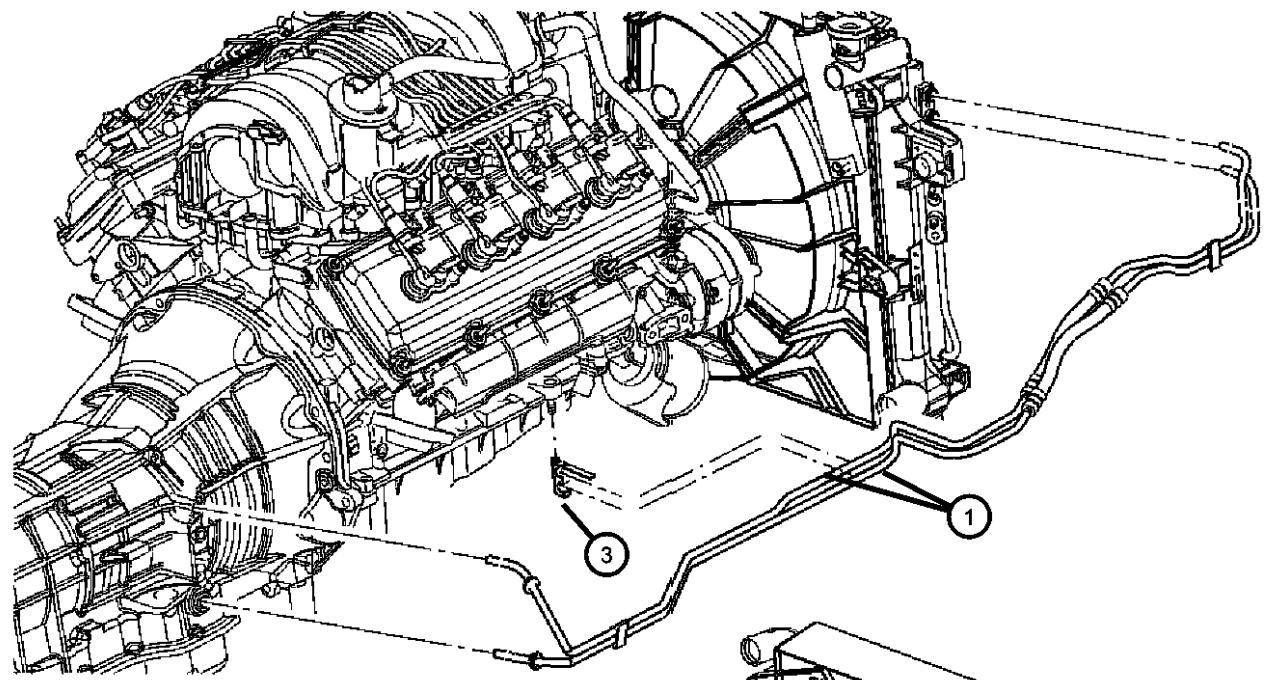
ENGINE
 EVA = 4.7L V8 MPI Engine
 EVD = 4.7L V8 FFV Engine
 EXL = 3.0L V6 Turbo Diesel
 Engine
 EZB = 5.7L Hemi Multi
 Displacement Engine
 EKG = 3.7L V6 Engine
 ESF = 6.1L SRT HEMI SMPI
 V8 Engine

TRANSMISSION
 DGJ = 5-Speed Auto W5A580
 Transmission
 DGQ = 5-Spd Automatic 545RFE
 Transmission
 DGU = 5-Spd Auto W5J400
 Transmission

AR = use ase required - = Non illustrated part

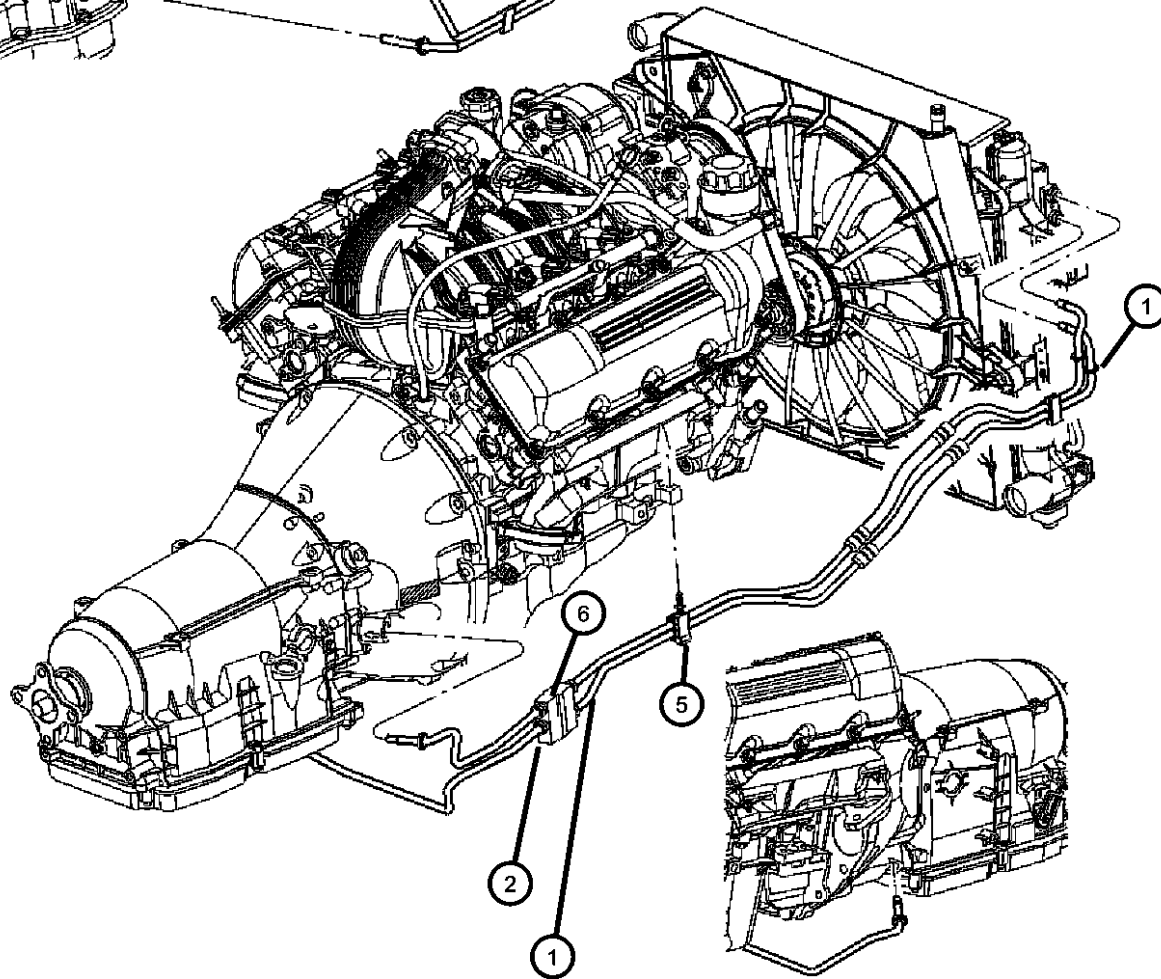
2007 WK

Oil Cooler and Lines
Figure 7-620



ITEM	PART NUMBER	QTY	LINE	SERIES	BODY	ENGINE	TRANS	TRIM	DESCRIPTION
									TUBE & HOSE, Supply & Return
1	55116875AE	1	J, T			EV0, EZ0	DG0		Complete Line Assy
	55116877AE	1	J, T			EK0, ESF	DG0		Complete Line Assy
2	55038178AA	1	J, T			EXL	DG0		HOSE AND TUBE, Oil Cooler Pressure and Return
3	52079789AB	1	J, T			EV0, EZ0	DG0		CLIP, Cooler Lines
-4	05137722AA	2	J, T			EZ0	DG0		CONNECTOR, Oil Cooler Tube
5	05290854AA	1	J, T			ES0	DG0		CLIP, Oil Cooler Line, Line To Block
6	55111005AA	1	J, T			EXL	DG0		VALVE, Cooler Bypass
		1	J, T			EK0, ESF	DG0		
		1	J, T			EV0, EZ0	DG0		

Note:
 EK0 = 3.7L Engine
 EV0 = 4.7L Engine
 EZ0 = 5.7L Engine
 DG0 = All Automatic Transmissions



GRAND CHEROKEE (WK)

SERIES LINE
 H = HIGHLINE T = JEEP - 2WD
 P = PREMIUM J = JEEP - 4WD
 S = SPORT
 X = SPECIAL

BODY
 74 = SPORT UTILITY 4-DR
 TYPE #4

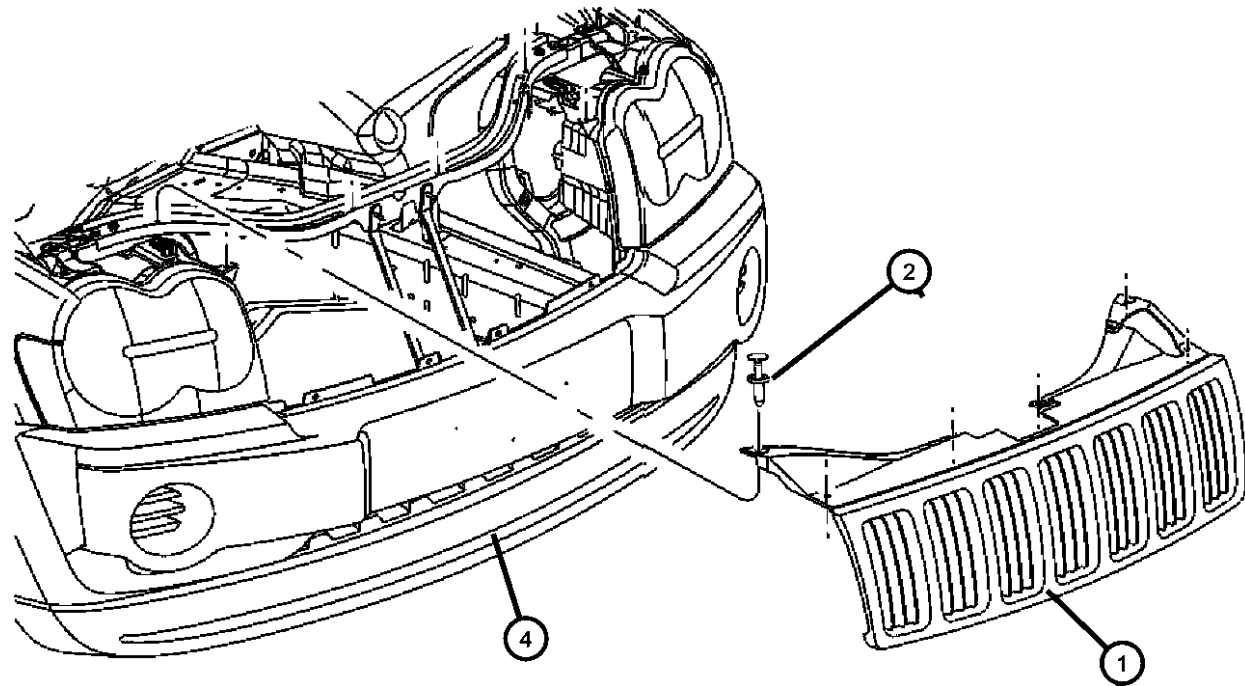
ENGINE
 EVA = 4.7L V8 MPI Engine
 EVD = 4.7L V8 FFV Engine
 EXL = 3.0L V6 Turbo Diesel
 Engine
 EZB = 5.7L Hemi Multi
 Displacement Engine
 EKG = 3.7L V6 Engine
 ESF = 6.1L SRT HEMI SMPI
 V8 Engine

TRANSMISSION
 DGJ = 5-Speed Auto W5A580
 Transmission
 DGQ = 5-Spd Automatic 545RFE
 Transmission
 DGU = 5-Spd Auto W5J400
 Transmission

AR = use ase required - = Non illustrated part

**Grille and Related Parts
Figure 7-720**

ITEM	PART NUMBER	QTY	LINE	SERIES	BODY	ENGINE	TRANS	TRIM	DESCRIPTION
	NOTES: Sales Codes: [AHX] = Trailer Tow Group IV [MCY] = Body Color Fascias with Bright [MCZ] = Body Color Fascias with Bright [XAA] = Parksense Rear Park Assist System								
1	1CH981BMAA	1	J, T	X					GRILLE, Radiator [MFK]Platinum
	1CH981EMAA	1	J, T	X					[EM] [MFK]
	1CH981SBAA	1	J, T	X					[SB] [MFK]
	1CH981X8AA	1	J, T	X					[X8] [MFK]
	55156814AE	1	J, T	P					[MFZ] Chrome
	55157414AA	1	J, T	S					[MFZ] Platinum
	5JF941BMAE	1	J, T						[BM]
	5JF941DAAE	1	J, T						[DA]
	5JF941DMAE	1	J, T						[DM]
	5JF941EMAE	1	J, T						[EM]
	5JF941GJAE	1	J, T						[GJ]
	5JF941SBAE	1	J, T						[SB]
	5JF941W1AE	1	J, T						[W1]
	5JF941X8AE	1	J, T						[X8]
2	06503598	6	J, T						PIN, Push, M8x21, Grill Attach
-3	05030066AB	1	J, T	X					GRILLE, Fascia
4	05030069AA	1	J, T	X					APPLIQUE, Fascia
	05179394AA	1	J, T	S					[MCY]



GRAND CHEROKEE (WK)

SERIES LINE
H = HIGHLINE T = JEEP - 2WD
P = PREMIUM J = JEEP - 4WD
S = SPORT
X = SPECIAL

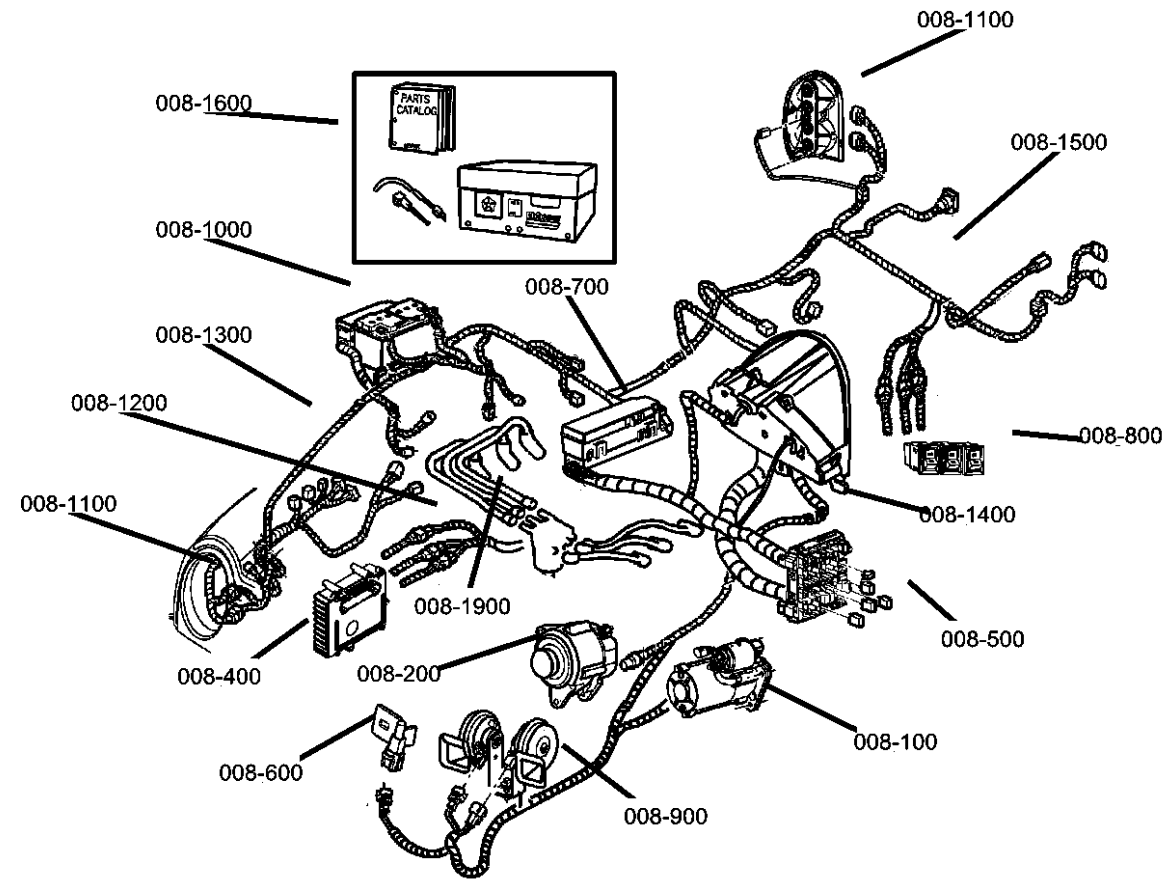
BODY
74 = SPORT UTILITY 4-DR
TYPE #4

ENGINE
EVA = 4.7L V8 MPI Engine
EVD = 4.7L V8 FFV Engine
EXL = 3.0L V6 Turbo Diesel
Engine
EZB = 5.7L Hemi Multi
Displacement Engine
EKG = 3.7L V6 Engine
ESF = 6.1L SRT HEMI SMPI
V8 Engine

TRANSMISSION
DGJ = 5-Speed Auto W5A580
Transmission
DGQ = 5-Spd Automatic 545RFE
Transmission
DGU = 5-Spd Auto W5J400
Transmission

Group - 8

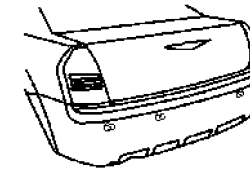
Electrical



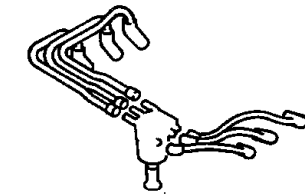
008-1700
Air Bag Systems



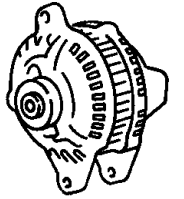
008-1800
Park Assist



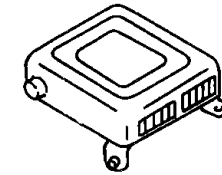
008-1900
Spark Plugs-Cables-Coils



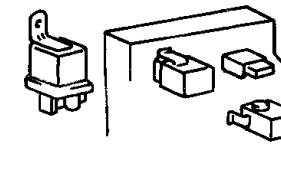
008-200
Alternators



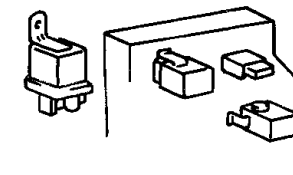
008-400
Modules



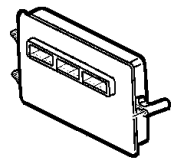
008-500
Relays



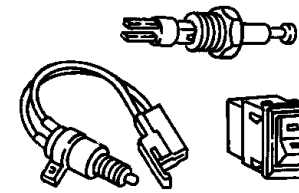
008-600
Sensors



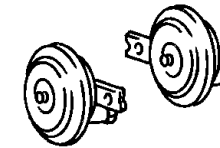
008-700
Single Board Engine Controllers



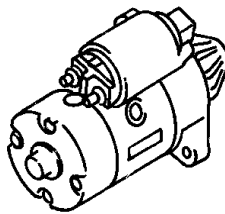
008-800
Switches



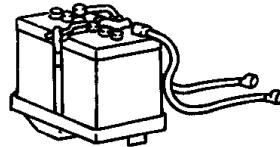
008-900
Horns



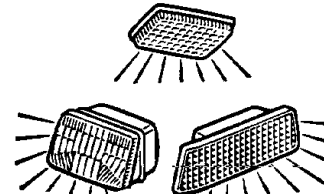
008-100
Starters



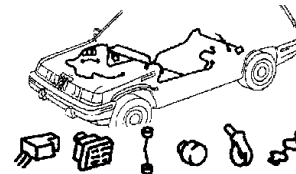
008-1000
Battery Tray and Cables



008-1100
Lamps - Front, Rear and Courtesy



008-1200
Wiring-Engine & Related Parts



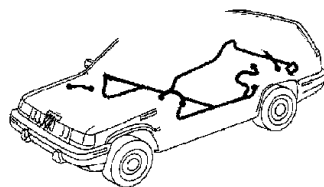
008-1300
Wiring-Headlamp to Dash



008-1400
Wiring-Instrument Panel



008-1500
Wiring-Body & Accessories



008-1600
Wiring Repair

WIRING REPAIR PKG.

Group - 8 Electrical

Illustration Title

Group-Fig. No.

Starters	
Starters.....	Fig. 8 - 110

Alternators	
Alternator [3.7L engine].....	Fig. 8 - 205
Alternator [4.7L Engine].....	Fig. 8 - 210
Alternator [5.7L, 6.1L Engines].....	Fig. 8 - 215
Alternator and Related Parts	Fig. 8 - 220

Modules	
Modules Floor Mounted.....	Fig. 8 - 405
Modules Under Hood	Fig. 8 - 410
Modules Body	Fig. 8 - 415

Relays	
Power Distribution Center Front.....	Fig. 8 - 505
Power Distribution Center Rear	Fig. 8 - 510
Junction Block, Relays, Circuit Breaker	Fig. 8 - 515

Sensors	
Sensors Engine [3.7L engine].....	Fig. 8 - 605
Sensors, Engine (4.7L) [EV0]	Fig. 8 - 610
Sensors Engine [5.7L, 6.1L Engines].....	Fig. 8 - 615
Sensors Engine Diesel.....	Fig. 8 - 616
Sensors Oxygen [3.7L engine].....	Fig. 8 - 620
Sensors, Oxygen [4.7L Engine].....	Fig. 8 - 625
Sensors Oxygen [5.7L, 6.1L Engines].....	Fig. 8 - 630
Sensors Drivetrain	Fig. 8 - 635
Sensors Body.....	Fig. 8 - 640

Single Board Engine Controllers	
Powertrain Control Modules.....	Fig. 8 - 705

Switches	
Switches (Instrument Panel and Console)	Fig. 8 - 810
Switches, (Drive Train).....	Fig. 8 - 820
Switches, (Body)	Fig. 8 - 830

Horns	
Horns.....	Fig. 8 - 905

Battery Tray and Cables	
Battery Tray & Wiring	Fig. 8 - 1005
Battery Tray and Wiring [5.7L, 6.1L Engines]	Fig. 8 - 1010
Block Heaters [3.7L and 4.7L Engines].....	Fig. 8 - 1015
Block Heaters [5.7L Engine][6.1L Engine].....	Fig. 8 - 1020

Lamps - Front, Rear and Courtesy	
Lamp - Front End.....	Fig. 8 - 1110
Lamp - Rear End	Fig. 8 - 1120
Lamp - Courtesy - Dome - Reading.....	Fig. 8 - 1130
Bulbs	Fig. 8 - 1140

Wiring-Engine & Related Parts	
Wiring - Engine [3.7L and 4.7L Engine]	Fig. 8 - 1205
Wiring Engine [5.7L, 6.1L Engines]	Fig. 8 - 1210
Wiring Engine.....	Fig. 8 - 1220
Ground Straps.....	Fig. 8 - 1225

Wiring-Headlamp to Dash	
Wiring - Headlamp / Dash	Fig. 8 - 1305

Wiring-Instrument Panel

Wiring - Instrument Panel.....	Fig. 8 - 1410
--------------------------------	---------------

Wiring-Body & Accessories

Wiring Body	Fig. 8 - 1505
Wiring - Doors and Liftgate	Fig. 8 - 1510
Wiring Seats	Fig. 8 - 1515

Wiring Repair

Wiring Repair Packages	Fig. 8 - 1605
------------------------------	---------------

Air Bag Systems

Air Bag Modules and Sensors.....	Fig. 8 - 1705
Air Bags and Clock Spring.....	Fig. 8 - 1710

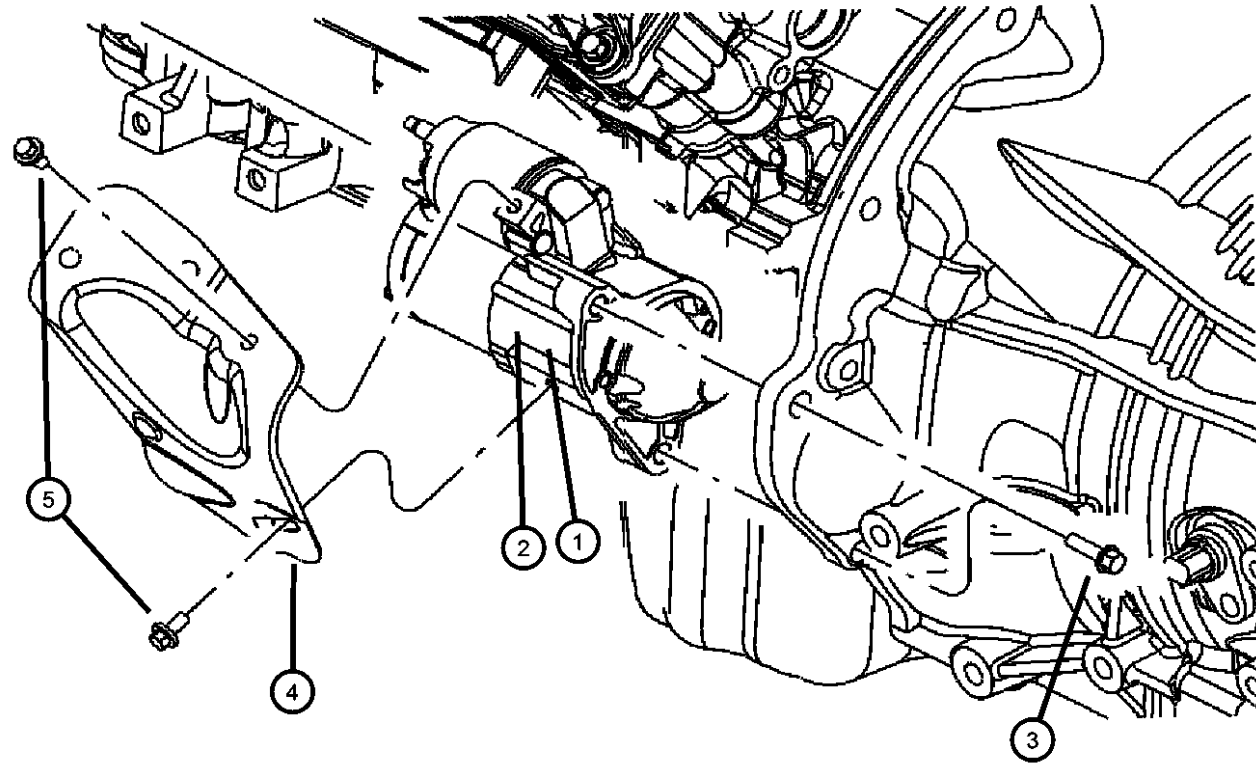
Park Assist

Park Assist Detection System.....	Fig. 8 - 1805
-----------------------------------	---------------

Spark Plugs-Cables-Coils

Spark Plugs and Coils [3.7L and 4.7L Engines]	Fig. 8 - 1905
Spark Plug, Ignition Wires, and Coil [5.7L, 6.1L Engines].....	Fig. 8 - 1910
Glow Plugs.....	Fig. 8 - 1915

Starters
Figure 8-110



ITEM	PART NUMBER	QTY	LINE	SERIES	BODY	ENGINE	TRANS	TRIM	DESCRIPTION
1	04801472AA	1	J, T		74	EX0			STARTER
2									STARTER, Engine
	56044735AB	1	J, T		74	EVO			
	04801516AA	1	J, T		74	EX0			
	05030023AA	1	J, T		74	ESF			
	56044736AB	1	J, T		74	EZO			
	56044734AA	1	J, T		74	EKO			
3									SCREW AND WASHER, Hex Head
	06102120AA	2	J, T		74	EKO, EVO, EZO			
		2	J, T		74	ESF			
4									SHIELD, Starter
	05030024AB	1	J, T		74	ESF			
	56044116AD	1	J, T		74	EVO, EZO			
5		1							SCREW, Hex Flange Head, M6x1x12, (NOT SERVICED)

GRAND CHEROKEE (WK)

SERIES LINE
H = HIGHLINE T = JEEP - 2WD
P = PREMIUM J = JEEP - 4WD
S = SPORT
X = SPECIAL

BODY
74 = SPORT UTILITY 4-DR
TYPE #4

ENGINE
EVA = 4.7L V8 MPI Engine
EVD = 4.7L V8 FFV Engine
EXL = 3.0L V6 Turbo Diesel
Engine
EZB = 5.7L Hemi Multi
Displacement Engine
EKG = 3.7L V6 Engine
ESF = 6.1L SRT HEMI SMPI
V8 Engine

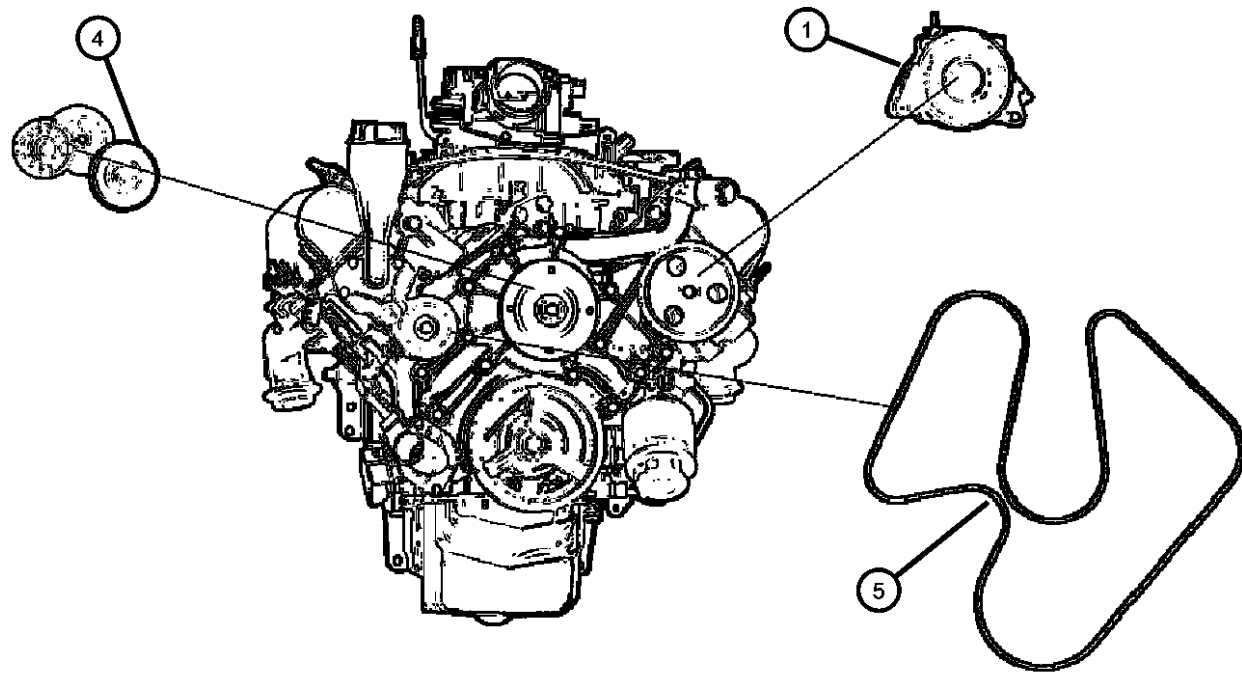
TRANSMISSION
DGJ = 5-Speed Auto W5A580
Transmission
DGQ = 5-Spd Automatic 545RFE
Transmission
DGU = 5-Spd Auto W5J400
Transmission

AR = use ase required - = Non illustrated part

2007 WK

Alternator [3.7L engine]
Figure 8-205

ITEM	PART NUMBER	QTY	LINE	SERIES	BODY	ENGINE	TRANS	TRIM	DESCRIPTION
1	56029914AD	1	J, T		74	EK0, EVO			ALTERNATOR
-2	06504344	1	J, T		74	EK0			SCREW AND WASHER, Hex Head, Alternator to front cover
-3	06505482AA	1	J, T		74	EK0			SCREW AND WASHER, Hex Head, M8x1.25x50
4	53030958AD	1	J, T		74	EK0			TENSIONER, Alternator Belt
5	04892791AA	1				EK0, EVO			BELT, Accessory Drive
-6	06505488AA	1	J, T		74	EK0			SCREW AND WASHER, Hex, Alternator and front cover mounting



GRAND CHEROKEE (WK)

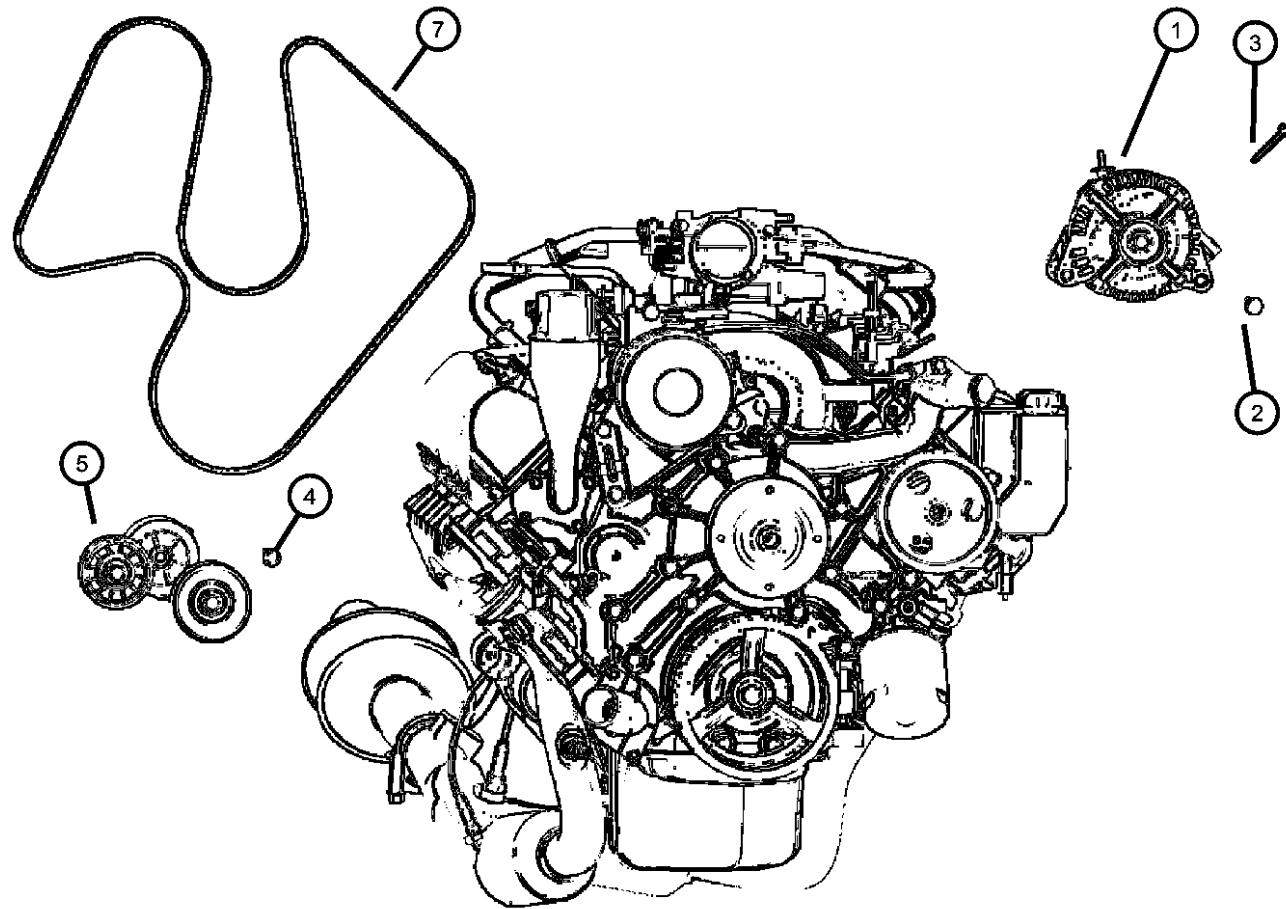
SERIES LINE
H = HIGHLINE T = JEEP - 2WD
P = PREMIUM J = JEEP - 4WD
S = SPORT
X = SPECIAL

BODY
74 = SPORT UTILITY 4-DR
TYPE #4

ENGINE
EVA = 4.7L V8 MPI Engine
EVD = 4.7L V8 FFV Engine
EXL = 3.0L V6 Turbo Diesel
Engine
EZB = 5.7L Hemi Multi
Displacement Engine
EKG = 3.7L V6 Engine
ESF = 6.1L SRT HEMI SMPI
V8 Engine

TRANSMISSION
DGJ = 5-Speed Auto W5A580
Transmission
DGQ = 5-Spd Automatic 545RFE
Transmission
DGU = 5-Spd Auto W5J400
Transmission

Alternator [4.7L Engine]
Figure 8-210



ITEM	PART NUMBER	QTY	LINE	SERIES	BODY	ENGINE	TRANS	TRIM	DESCRIPTION
1	56029914AD	1	J, T		74	EK0, EVO			ALTERNATOR
2	06505488AA	1	J, T		74	EVO			SCREW AND WASHER, Hex, Alternator to front cover
3	06505482AA	1	J, T		74	EVO			SCREW AND WASHER, Hex Head, M8x1.25x50, Alternator to cylinder head
4	06504930AA	1	J, T		74	EVO			SCREW AND WASHER, Hex Head, M10x1.5x70
5	53030958AC	1	J, T		74	EVO			TENSIONER, Alternator Belt
-6	06506929AA	1	J, T		74				NUT, Hex Flange Lock, M8x1.25, Alternator B+ wiring connector
7	04892791AA	1	J, T		74	EK0, EVO			BELT, Accessory Drive

GRAND CHEROKEE (WK)

SERIES LINE
H = HIGHLINE T = JEEP - 2WD
P = PREMIUM J = JEEP - 4WD
S = SPORT
X = SPECIAL

BODY
74 = SPORT UTILITY 4-DR
TYPE #4

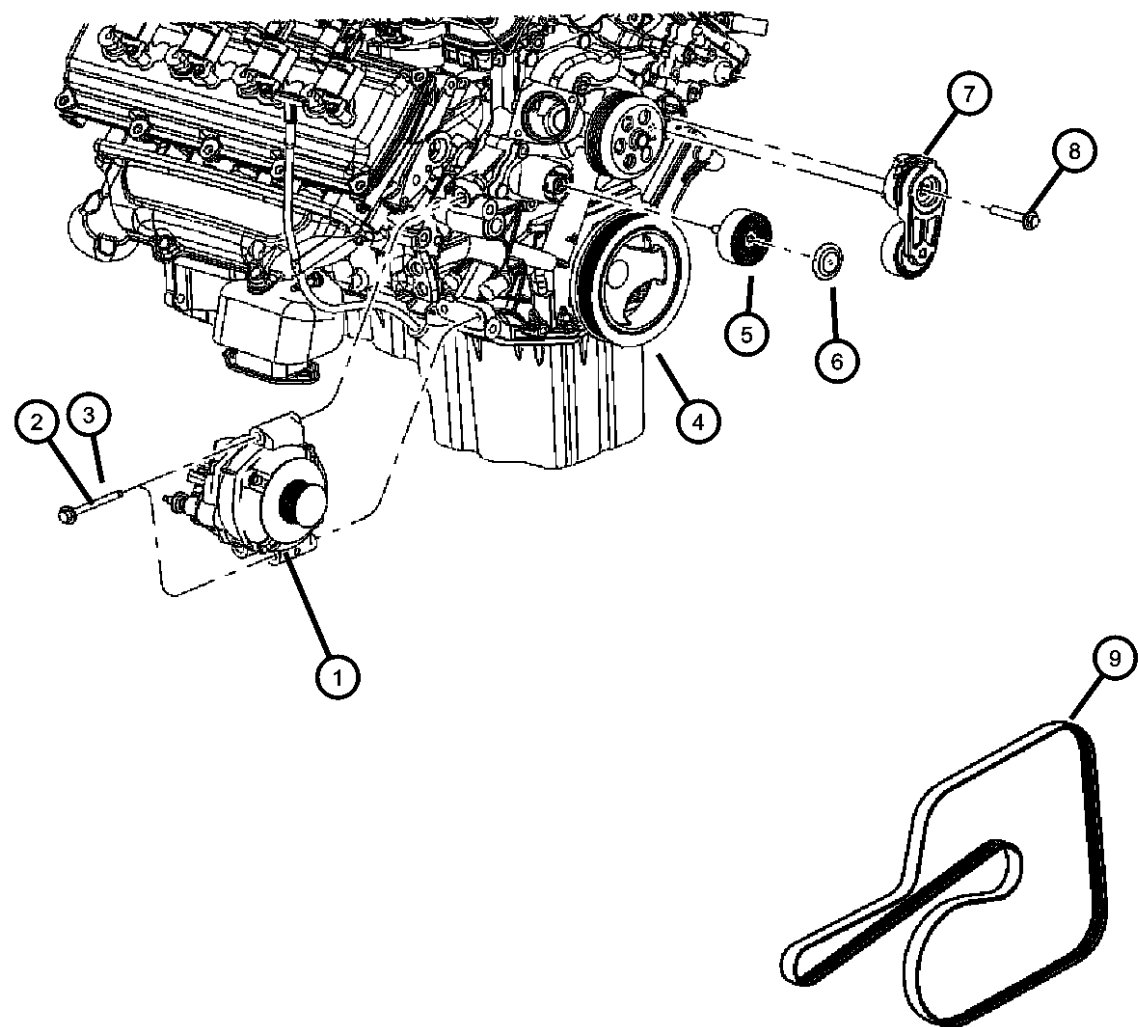
ENGINE
EVA = 4.7L V8 MPI Engine
EVD = 4.7L V8 FFV Engine
EXL = 3.0L V6 Turbo Diesel
Engine
EZB = 5.7L Hemi Multi
Displacement Engine
EKG = 3.7L V6 Engine
ESF = 6.1L SRT HEMI SMPI
V8 Engine

TRANSMISSION
DGJ = 5-Speed Auto W5A580
Transmission
DGQ = 5-Spd Automatic 545RFE
Transmission
DGU = 5-Spd Auto W5J400
Transmission

AR = use ase required - = Non illustrated part

2007 WK

**Alternator [5.7L, 6.1L Engines]
Figure 8-215**



ITEM	PART NUMBER	QTY	LINE	SERIES	BODY	ENGINE	TRANS	TRIM	DESCRIPTION
1	56044380AI	1	J, T		74	EZ0			ALTERNATOR
		1	J, T		74	ESF			
2	06101985	1	J, T		74	EZ0			SCREW AND WASHER, M10x1.50x45.00
		1	J, T		74	ESF			Alternator to front cover lower
3	06504344	1	J, T		74	ESF			SCREW AND WASHER, Hex Head
		1	J, T		74	EZ0			Alternator to front cover upper
4	04792815AB	1				EZ0			DAMPER, Crankshaft
	05037394AA	1	J, T		74	ESF			
5	04792835AA	1	J, T		74	ESF			PULLEY, Idler
		1				EZ0			
6	04792875AA	1	J, T		74	EZ0			CAP, Pulley
		1	J, T		74	ESF			
7	04861660AA	1	J, T		74	EZ0			TENSIONER, Belt
		1	J, T		74	ESF			
8	06102381AA	1	J, T		74	EZ0			SCREW, Hex Flange Head
		1	J, T		74	ESF			Tensioner to timing cover
9	05037542AA	1	J, T		74	ESF			BELT, Accessory Drive
	53013676AC	1	J, T		74	EZ0			

GRAND CHEROKEE (WK)

SERIES LINE
H = HIGHLINE T = JEEP - 2WD
P = PREMIUM J = JEEP - 4WD
S = SPORT
X = SPECIAL

BODY
74 = SPORT UTILITY 4-DR
TYPE #4

ENGINE
EVA = 4.7L V8 MPI Engine
EVD = 4.7L V8 FFV Engine
EXL = 3.0L V6 Turbo Diesel
Engine
EZB = 5.7L Hemi Multi
Displacement Engine
EKG = 3.7L V6 Engine
ESF = 6.1L SRT HEMI SMPI
V8 Engine

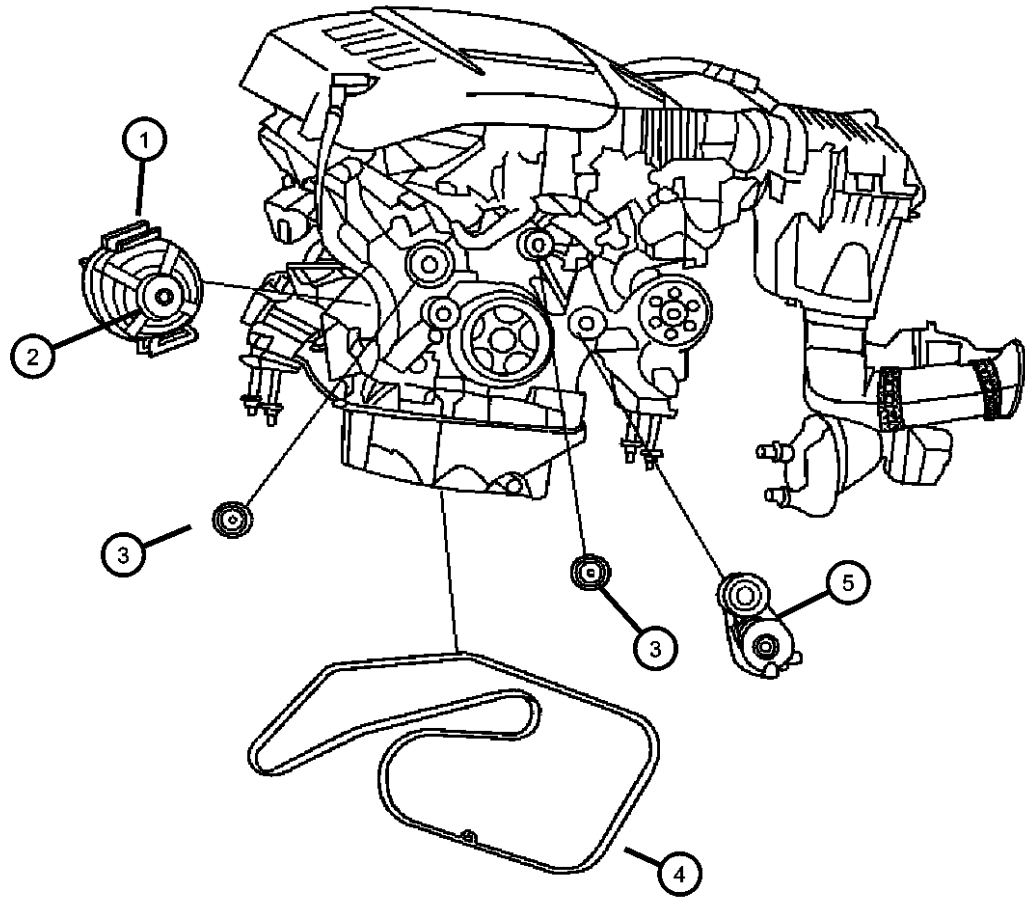
TRANSMISSION
DGJ = 5-Speed Auto W5A580
Transmission
DGQ = 5-Spd Automatic 545RFE
Transmission
DGU = 5-Spd Auto W5J400
Transmission

AR = use ase required - = Non illustrated part

2007 WK

**Alternator and Related Parts
Figure 8-220**

ITEM	PART NUMBER	QTY	LINE	SERIES	BODY	ENGINE	TRANS	TRIM	DESCRIPTION
1	04801250AC	1	J, T		74	EX0			ALTERNATOR, Engine
2	05175811AA	1	J, T		74	EXL			PULLEY, Alternator
3	05175589AB	1	J, T		74	EXL			PULLEY, Idler
4	04891587AA	1	J, T		74	EX0			BELT, Serpentine
5	05175588AA	1	J, T		74	EXL			TENSIONER, Belt
-6		1							SCREW, (NOT SERVICED)
-7	56044142AG	1	J, T		74	EX0			WIRING, Alternator and Battery



GRAND CHEROKEE (WK)

SERIES LINE
H = HIGHLINE T = JEEP - 2WD
P = PREMIUM J = JEEP - 4WD
S = SPORT
X = SPECIAL

BODY
74 = SPORT UTILITY 4-DR
TYPE #4

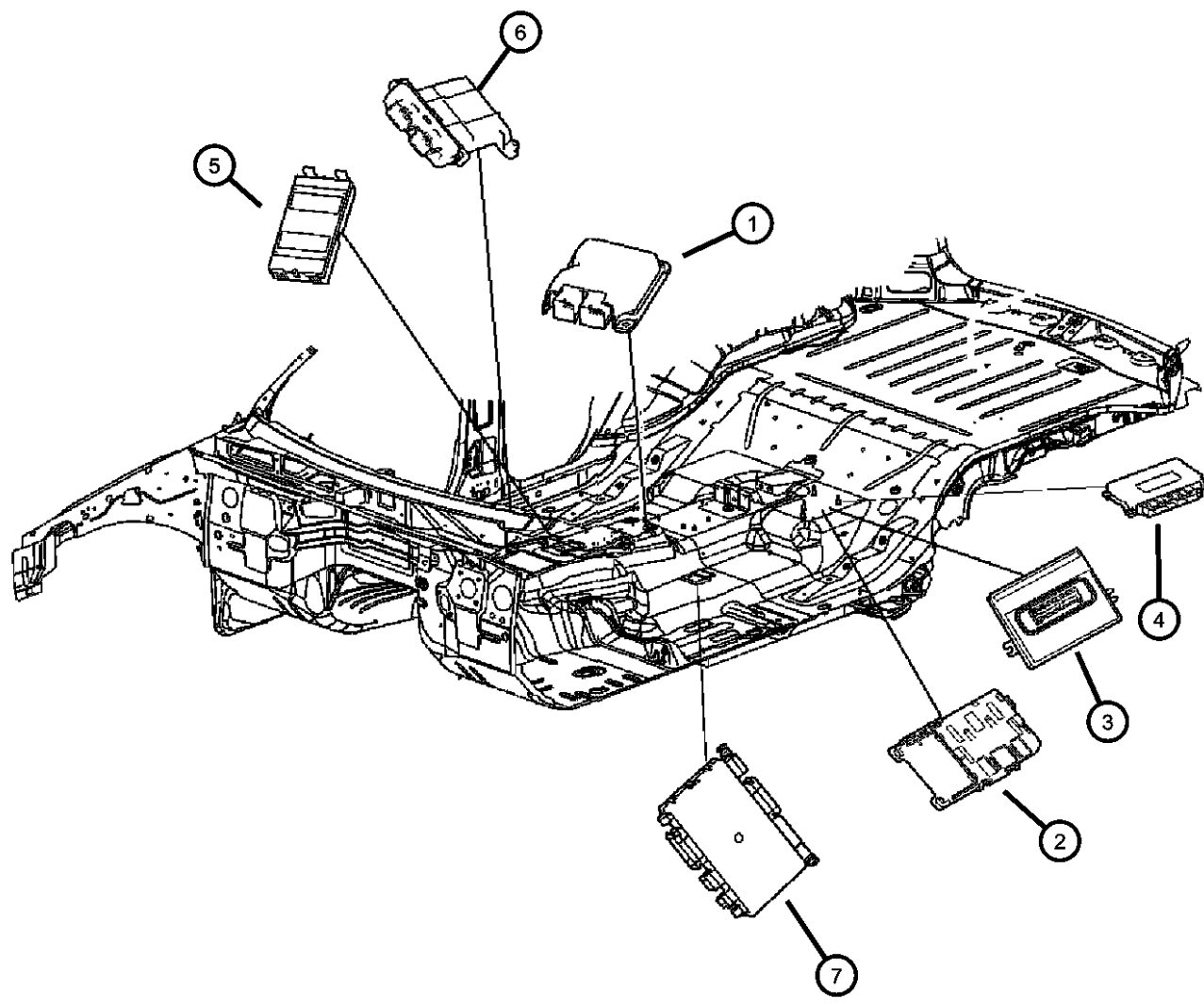
ENGINE
EVA = 4.7L V8 MPI Engine
EVD = 4.7L V8 FFV Engine
EXL = 3.0L V6 Turbo Diesel
Engine
EZB = 5.7L Hemi Multi
Displacement Engine
EKG = 3.7L V6 Engine
ESF = 6.1L SRT HEMI SMPI
V8 Engine

TRANSMISSION
DGJ = 5-Speed Auto W5A580
Transmission
DGQ = 5-Spd Automatic 545RFE
Transmission
DGU = 5-Spd Auto W5J400
Transmission

AR = use ase required - = Non illustrated part

2007 WK

Modules Floor Mounted
Figure 8-405



ITEM	PART NUMBER	QTY	LINE	SERIES	BODY	ENGINE	TRANS	TRIM	DESCRIPTION
1	04896133AD	1	J, T	H, P, S	74				MODULE, Occupant Restraint
	04896901AB	1	J, T	H, P, S	74				[CG3]
	05030717AB	1	J, T	X	74				
2	05143418AA	1	J, T	S	74				BRACKET, Module
		1	J, T	X	74				
		1	J, T		74				
3	56044199AK	1	J		74				MODULE, Transfer Case Control
	05030061AD	1	J		74	ESF			[DHX,DSG]
	56044129AK	1	J		74				[DHB]
	05026016AD	1	J, T		74				[DHX,DS7]
4	05026016AD	1	J, T		74				MODULE, Parking Assist
	5	04602327AI	1	J, T	S	74			MODULE, Heated Seat Control
		04602670AA	1	J, T		74			[JPK+JPM+XCA]
			1	J, T		74			[JPR+JPM]
			1	J, T		74			[JTB+JPM]
6		1	J, T	X	74				[JPK]
	56043195AZ	1		X					MODULE, Occupant Classification
	05183712AA	1	J, T		74				
7		1	J, T	S	74				
	04602441AN	1		X					MODULE, Seat Memory
	04602437AN	1		S					

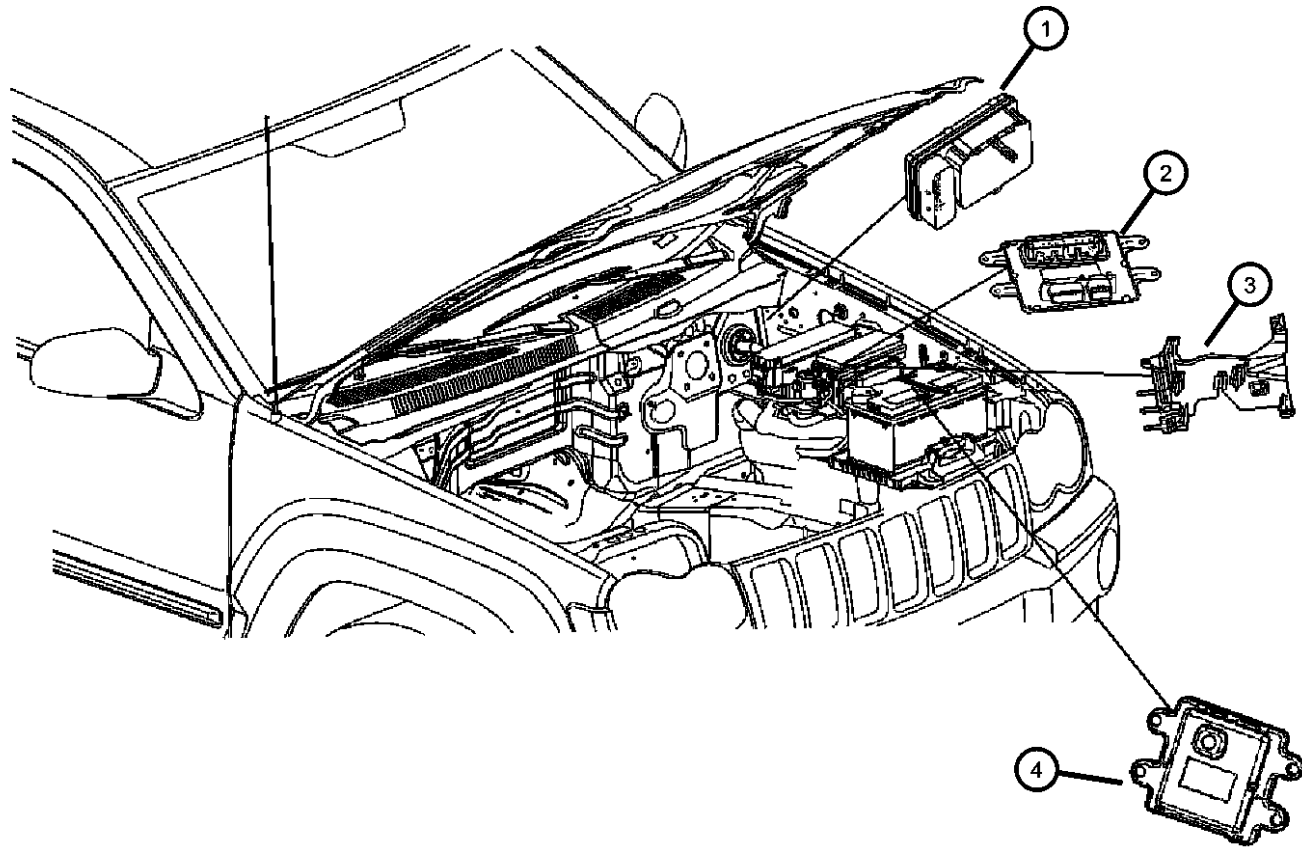
GRAND CHEROKEE (WK)

SERIES	LINE	BODY	ENGINE	TRANSMISSION
H = HIGHLINE	T = JEEP - 2WD	74 = SPORT UTILITY 4-DR	EVA = 4.7L V8 MPI Engine	DGJ = 5-Speed Auto W5A580
P = PREMIUM	J = JEEP - 4WD	TYPE #4	EVD = 4.7L V8 FFV Engine	Transmission
S = SPORT			EXL = 3.0L V6 Turbo Diesel	DGQ = 5-Spd Automatic 545RFE
X = SPECIAL			Engine	Transmission
			EZB = 5.7L Hemi Multi	DGU = 5-Spd Auto W5J400
			Displacement Engine	Transmission
			EKG = 3.7L V6 Engine	
			ESF = 6.1L SRT HEMI SMPI	
			V8 Engine	

AR = use ase required - = Non illustrated part

**Modules Under Hood
Figure 8-410**

ITEM	PART NUMBER	QTY	LINE	SERIES	BODY	ENGINE	TRANS	TRIM	DESCRIPTION
1	68004830AA	1	J, T		74				MODULE, Anti-lock Brakes
2	04692138AE	1	J, T		74	EK0, ES0, EVO			MODULE, Front Control
		1	J, T		74	EK0, EVO			
		1	J, T		74	EX0, EZ0			
3	56050148AG	1	J, T		74				BRACKET, Power Distribution Center
4	04692074AA	1	J, T		74	EX0, EZ0			COVER, Control Unit
		1	J, T		74	EZO			
		1	J, T		74	EK0, ES0, EVO			
		1	J, T		74	EK0, EVO			



GRAND CHEROKEE (WK)

SERIES LINE
H = HIGHLINE T = JEEP - 2WD
P = PREMIUM J = JEEP - 4WD
S = SPORT
X = SPECIAL

BODY
74 = SPORT UTILITY 4-DR
TYPE #4

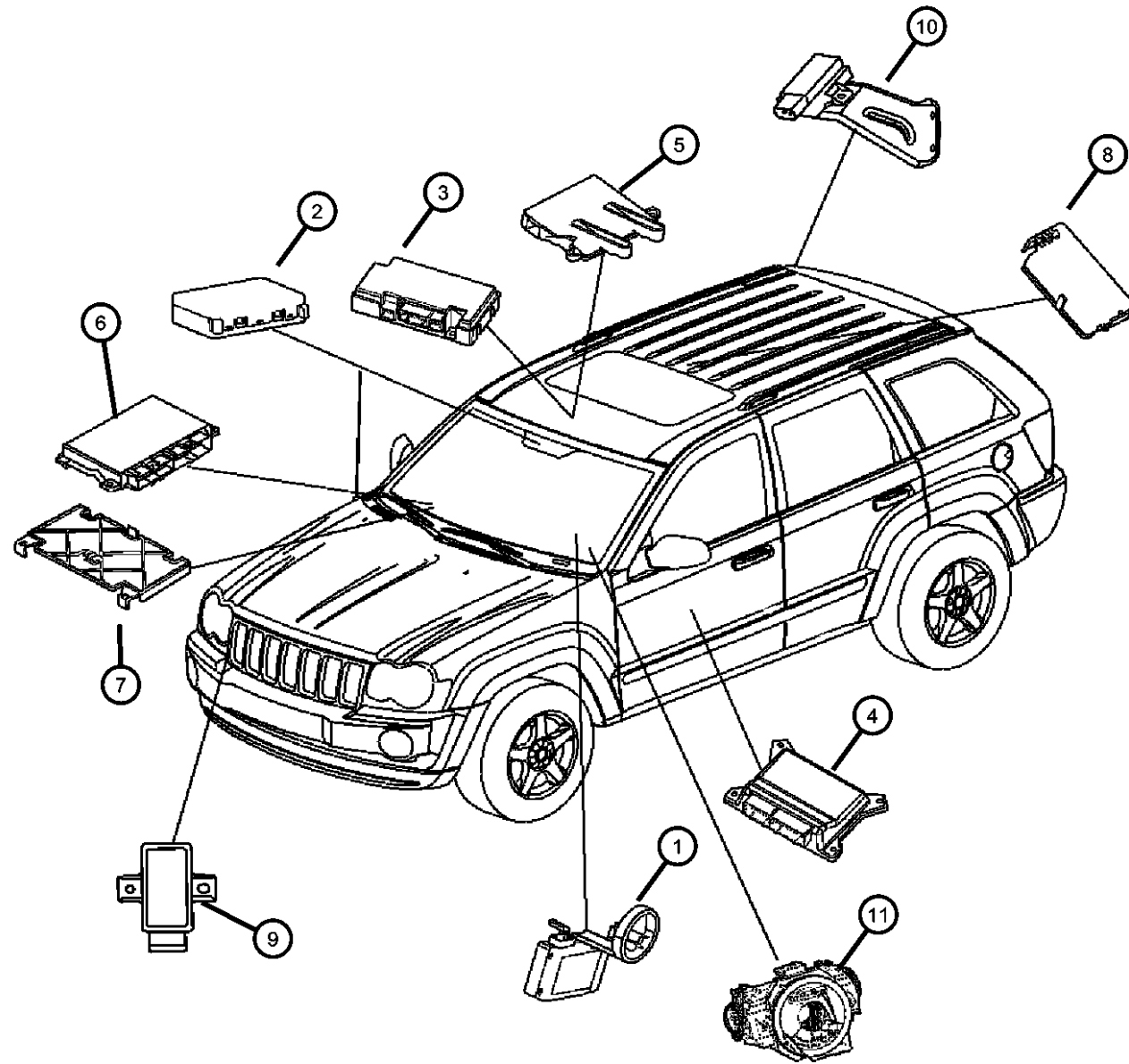
ENGINE
EVA = 4.7L V8 MPI Engine
EVD = 4.7L V8 FFV Engine
EXL = 3.0L V6 Turbo Diesel
Engine
EZB = 5.7L Hemi Multi
Displacement Engine
EKG = 3.7L V6 Engine
ESF = 6.1L SRT HEMI SMPI
V8 Engine

TRANSMISSION
DGJ = 5-Speed Auto W5A580
Transmission
DGQ = 5-Spd Automatic 545RFE
Transmission
DGU = 5-Spd Auto W5J400
Transmission

AR = use ase required - = Non illustrated part

2007 WK

**Modules Body
Figure 8-415**



ITEM	PART NUMBER	QTY	LINE	SERIES	BODY	ENGINE	TRANS	TRIM	DESCRIPTION
Note: Optical Element is not Supplied with rain sensor, must order Windshield									
1	05026185AF	1	J, T		74				RECEIVER, Control Module [LAB,GXM,GXX]
	05026187AG	1	J, T		74				[XGM,GXM,GXX]
	05026189AH	1	J, T		74				[XBM,GXM,GXX]
2	56050078AM	1	J, T		74				MODULE, Rain Sensor, See Note
3									MODULE, Telematics
	05064070AG	1	J, T		74				Before 1/15/07
	05064070AH	1	J, T		74				After 1/15/07
	05064170AE	1	J, T		74				Before 01/15/07
	05064170AF	1	J, T		74				After 01/15/07
4									MODULE, Door
	04602620AE	2	J, T		74				
	04602621AE	2	J, T		74				[LEW]
5	56050242AH	1	J, T		74				MODULE, Compass Temperature
6	05150186AA	1	J, T		74		DGJ, DGU		MODULE, Transmission Control
7	56044171AD	1	J, T		74		DGJ, DGU		BRACKET, Control Unit
8	05137557AE	1	J, T		74				MOTOR/MODULE, Sunroof
9	56053034AC	2	J, T		74				MODULE, Low Tire Pressure Warning, Wheel sensor trigger
10	56044729AC	1	J, T		74				MODULE, Low Tire Pressure Warning, Trigger
11	05143320AG	1	J, T		74				MODULE, Steering Control

GRAND CHEROKEE (WK)

SERIES LINE
H = HIGHLINE T = JEEP - 2WD
P = PREMIUM J = JEEP - 4WD
S = SPORT
X = SPECIAL

BODY
74 = SPORT UTILITY 4-DR
TYPE #4

ENGINE
EVA = 4.7L V8 MPI Engine
EVD = 4.7L V8 FFV Engine
EXL = 3.0L V6 Turbo Diesel
Engine
EZB = 5.7L Hemi Multi
Displacement Engine
EKG = 3.7L V6 Engine
ESF = 6.1L SRT HEMI SMPI
V8 Engine

TRANSMISSION
DGJ = 5-Speed Auto W5A580
Transmission
DGQ = 5-Spd Automatic 545RFE
Transmission
DGU = 5-Spd Auto W5J400
Transmission

AR = use ase required - = Non illustrated part

2007 WK

**Power Distribution Center Front
Figure 8-505**

ITEM	PART NUMBER	QTY	LINE	SERIES	BODY	ENGINE	TRANS	TRIM	DESCRIPTION
1	04692108AB	1	J, T		74	EK0, ES0, EVO			POWER DISTRIBUTION CENTER
		1	J, T		74	EK0, EVO			
		1	J, T		74	EZ0			
		1	J, T		74	EX0, EZ0			
2	04671168	1	J, T		74				RELAY, Mini
3									RELAY, Mini
	56006709	2	J, T		74	EK0, ES0, EVO			
		1	J, T		74	EX0, EZ0			
4	04868007AA	1	J, T		74	EK0, ES0, EVO			FUSE CARTRIDGE, 30 Amp
		1	J, T		74	EX0, EZ0			
5	06102078AA	1	J, T		74	EK0, ES0, EVO			FUSE CARTRIDGE, 50 Amp
		1	J, T		74	EX0, EZ0			
6	000ATM10	5	J, T		74	EK0, ES0, EVO			FUSE, Mini, 10 AMP, Red
		1	J, T		74	EX0, EZ0			
7	000ATM15	1	J, T		74	EX0, EZ0			FUSE, Mini, 15 AMP, Light Blue
		1	J, T		74	EK0, ES0, EVO			
8	000ATM20	11	J, T		74	EK0, ES0, EVO			FUSE, Mini, 20 AMP, Yellow
		1	J, T		74	EX0, EZ0			
9	000ATM25	1							FUSE, Mini, 25 Amp, Natural
10	000MAX50	1							FUSE, Maxi, 50 AMP, Red
11	000ATM30	1							FUSE, Mini, 30 AMP, Green
12	000MAX30	1							FUSE, Maxi, 30 Amp, Green
13	000MAX40	1							FUSE, Maxi, 40 AMP, Amber

GRAND CHEROKEE (WK)
 SERIES LINE
 H = HIGHLINE T = JEEP - 2WD
 P = PREMIUM J = JEEP - 4WD
 S = SPORT
 X = SPECIAL

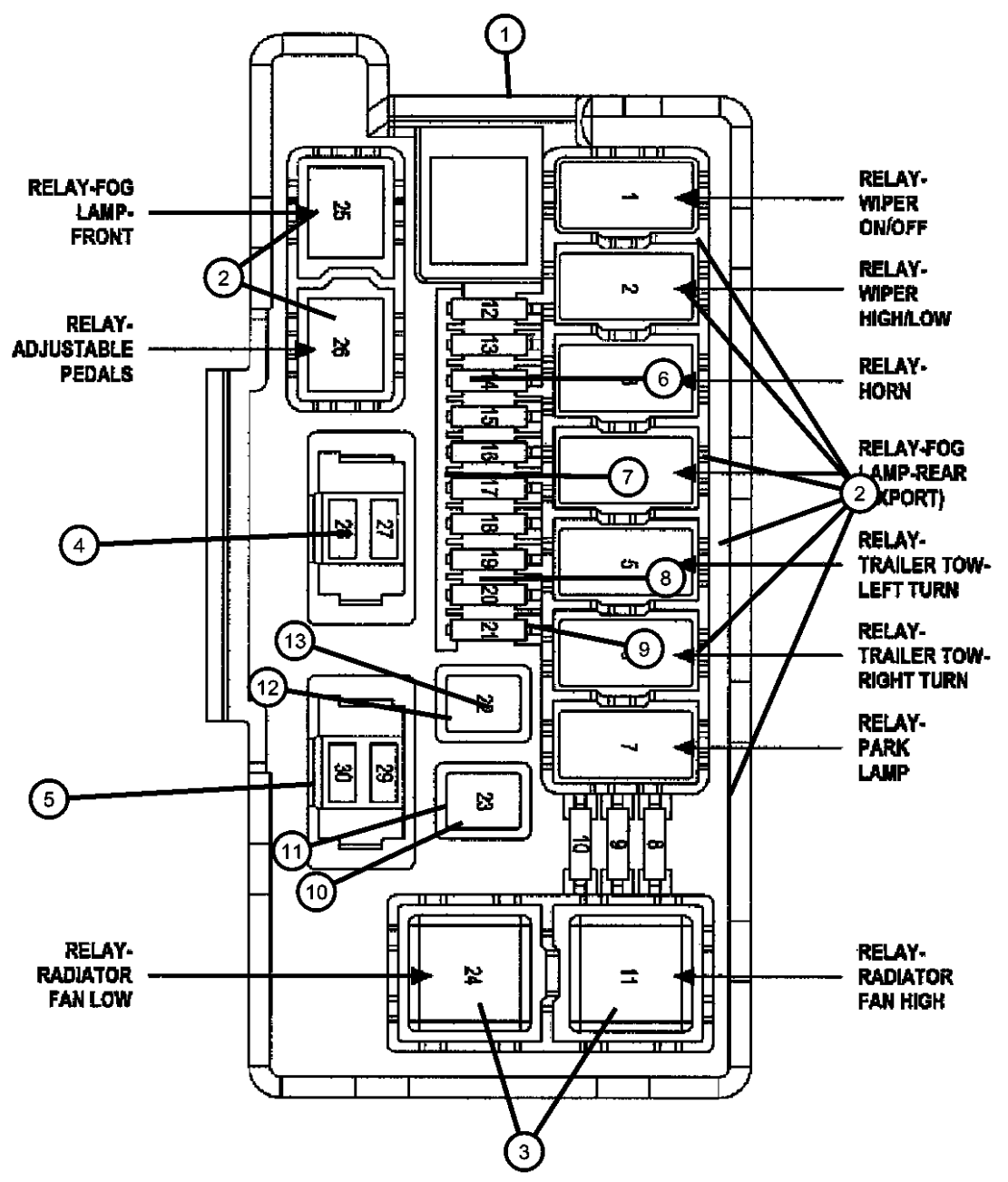
BODY
 74 = SPORT UTILITY 4-DR
 TYPE #4

ENGINE
 EVA = 4.7L V8 MPI Engine
 EVD = 4.7L V8 FFV Engine
 EXL = 3.0L V6 Turbo Diesel
 Engine
 EZB = 5.7L Hemi Multi
 Displacement Engine
 EKG = 3.7L V6 Engine
 ESF = 6.1L SRT HEMI SMPI
 V8 Engine

TRANSMISSION
 DGJ = 5-Speed Auto W5A580
 Transmission
 DGQ = 5-Spd Automatic 545RFE
 Transmission
 DGU = 5-Spd Auto W5J400
 Transmission

AR = use ase required - = Non illustrated part

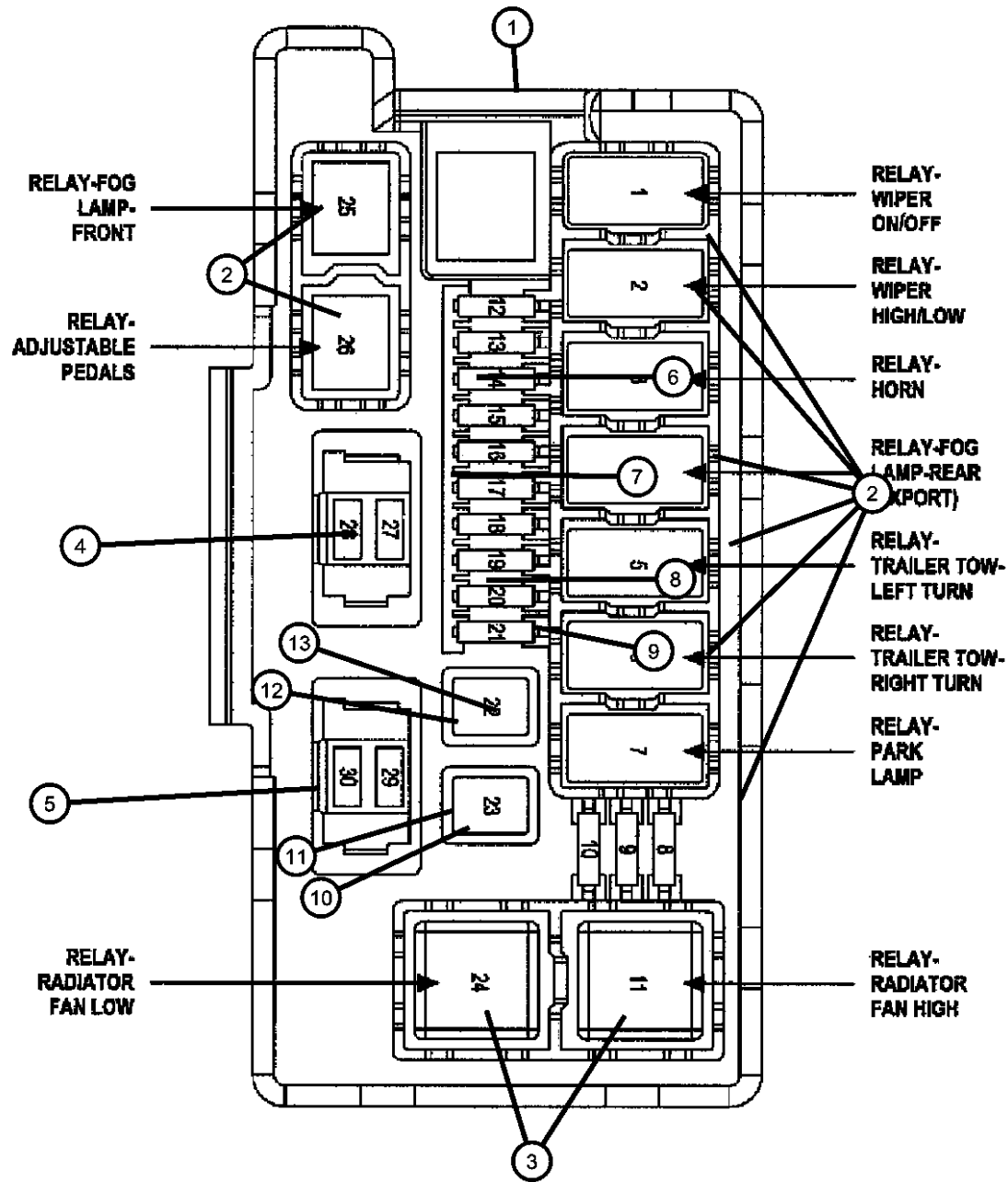
MODULE-INTEGRATED POWER



Power Distribution Center Front
Figure 8-505

ITEM	PART NUMBER	QTY	LINE	SERIES	BODY	ENGINE	TRANS	TRIM	DESCRIPTION
-14	05127783AB	1	J, T		74	EZO			COVER, Power Distribution Center
		1	J, T		74	EX0, EZO			
		1	J, T		74	EK0, ES0, EVO			

MODULE-INTEGRATED POWER



GRAND CHEROKEE (WK)

SERIES LINE
H = HIGHLINE T = JEEP - 2WD
P = PREMIUM J = JEEP - 4WD
S = SPORT
X = SPECIAL

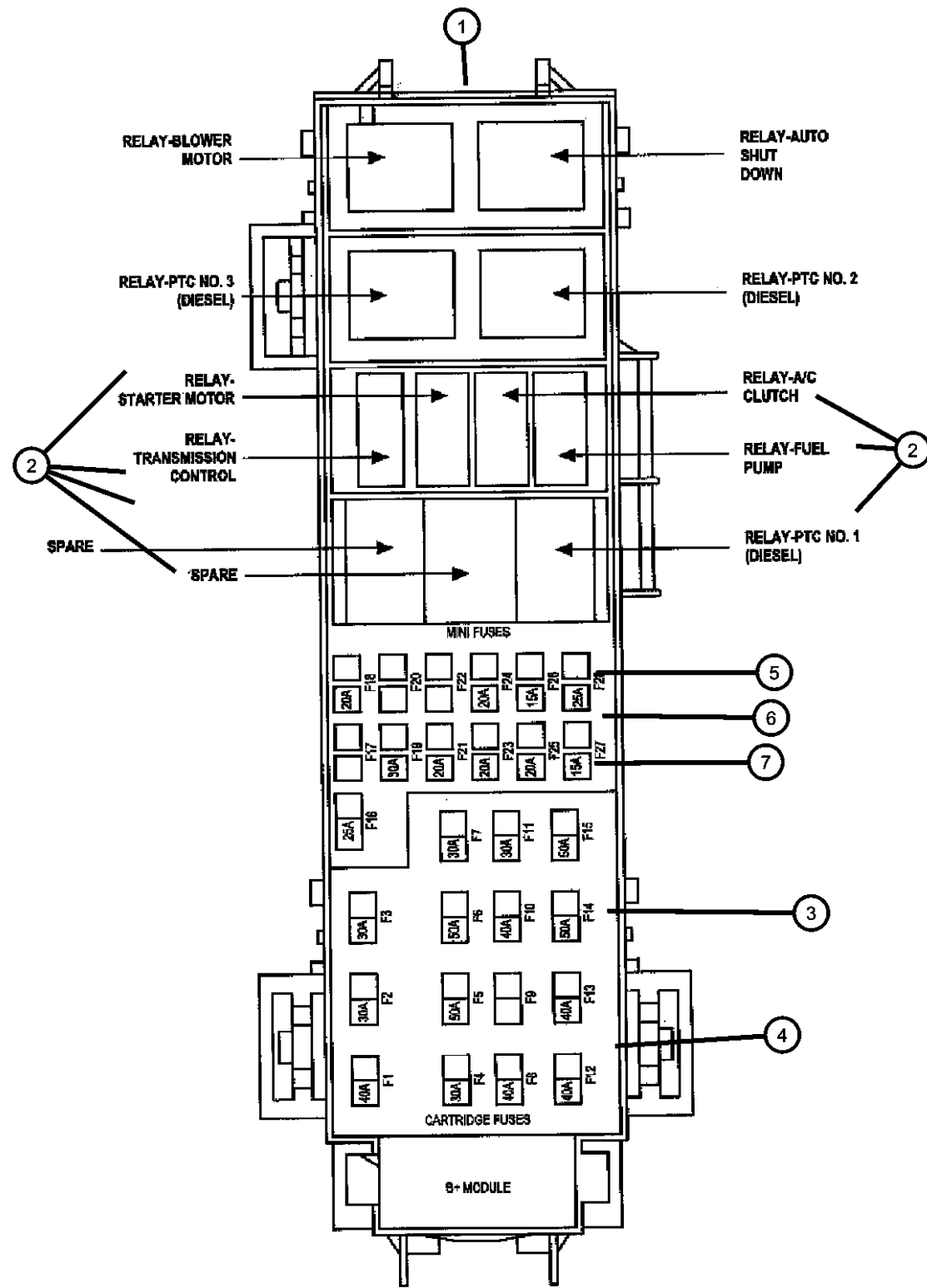
BODY
74 = SPORT UTILITY 4-DR
TYPE #4

ENGINE
EVA = 4.7L V8 MPI Engine
EVD = 4.7L V8 FFV Engine
EXL = 3.0L V6 Turbo Diesel
Engine
EZB = 5.7L Hemi Multi
Displacement Engine
EKG = 3.7L V6 Engine
ESF = 6.1L SRT HEMI SMPI
V8 Engine

TRANSMISSION
DGJ = 5-Speed Auto W5A580
Transmission
DGQ = 5-Spd Automatic 545RFE
Transmission
DGU = 5-Spd Auto W5J400
Transmission

AR = use as required - = Non illustrated part

Power Distribution Center Rear
Figure 8-510



ITEM	PART NUMBER	QTY	LINE	SERIES	BODY	ENGINE	TRANS	TRIM	DESCRIPTION
1		1							POWER DISTRIBUTION CENTER, Serviced in Headlamp to Dash Wiring, (NOT SERVICED)
2									RELAY, Mini
	04671168	1	J, T		74				
	56006709	2	J, T		74	EK0, ES0, EV0			
		2	J, T		74	ES0			
3									FUSE CARTRIDGE, 30 Amp
	04868007AA	1	J, T		74	EK0, ES0, EV0			
		1	J, T		74	ES0			
		1	J, T		74	EX0, EZ0			
4									FUSE CARTRIDGE, 50 Amp
	06102078AA	1	J, T		74	EK0, ES0, EV0			
		1	J, T		74	EX0, EZ0			
5									FUSE, Mini, 10 AMP, Red
	000ATM10	5	J, T		74	EK0, ES0, EV0			
		1	J, T		74	EV0, EK0			
6									FUSE, Mini, 15 AMP, Light Blue
	000ATM15	1	J, T		74	EX0, EZ0			
		1	J, T		74	EK0, ES0, EV0			
7									FUSE, Mini, 20 AMP, Yellow
	000ATM20	11	J, T		74	EK0, ES0, EV0			
		1	J, T		74	EX0, EZ0			

GRAND CHEROKEE (WK)

SERIES LINE
 H = HIGHLINE T = JEEP - 2WD
 P = PREMIUM J = JEEP - 4WD
 S = SPORT
 X = SPECIAL

BODY
 74 = SPORT UTILITY 4-DR
 TYPE #4

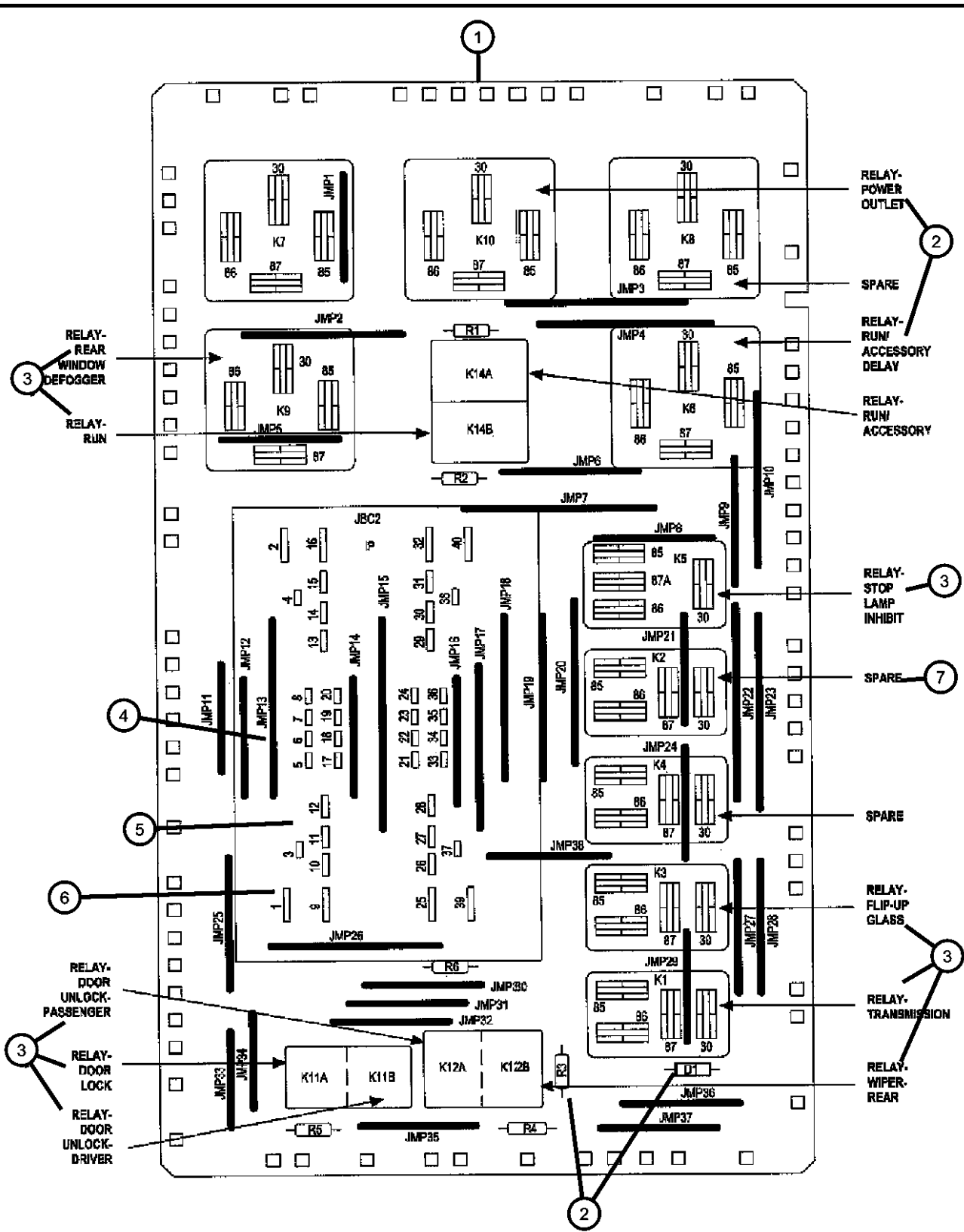
ENGINE
 EVA = 4.7L V8 MPI Engine
 EVD = 4.7L V8 FFV Engine
 EXL = 3.0L V6 Turbo Diesel Engine
 EZB = 5.7L Hemi Multi Displacement Engine
 EKG = 3.7L V6 Engine
 ESF = 6.1L SRT HEMI SMPI V8 Engine

TRANSMISSION
 DGJ = 5-Speed Auto W5A580 Transmission
 DGQ = 5-Spd Automatic 545RFE Transmission
 DGU = 5-Spd Auto W5J400 Transmission

AR = use as required - = Non illustrated part

2007 WK

Junction Block, Relays, Circuit Breaker
Figure 8-515

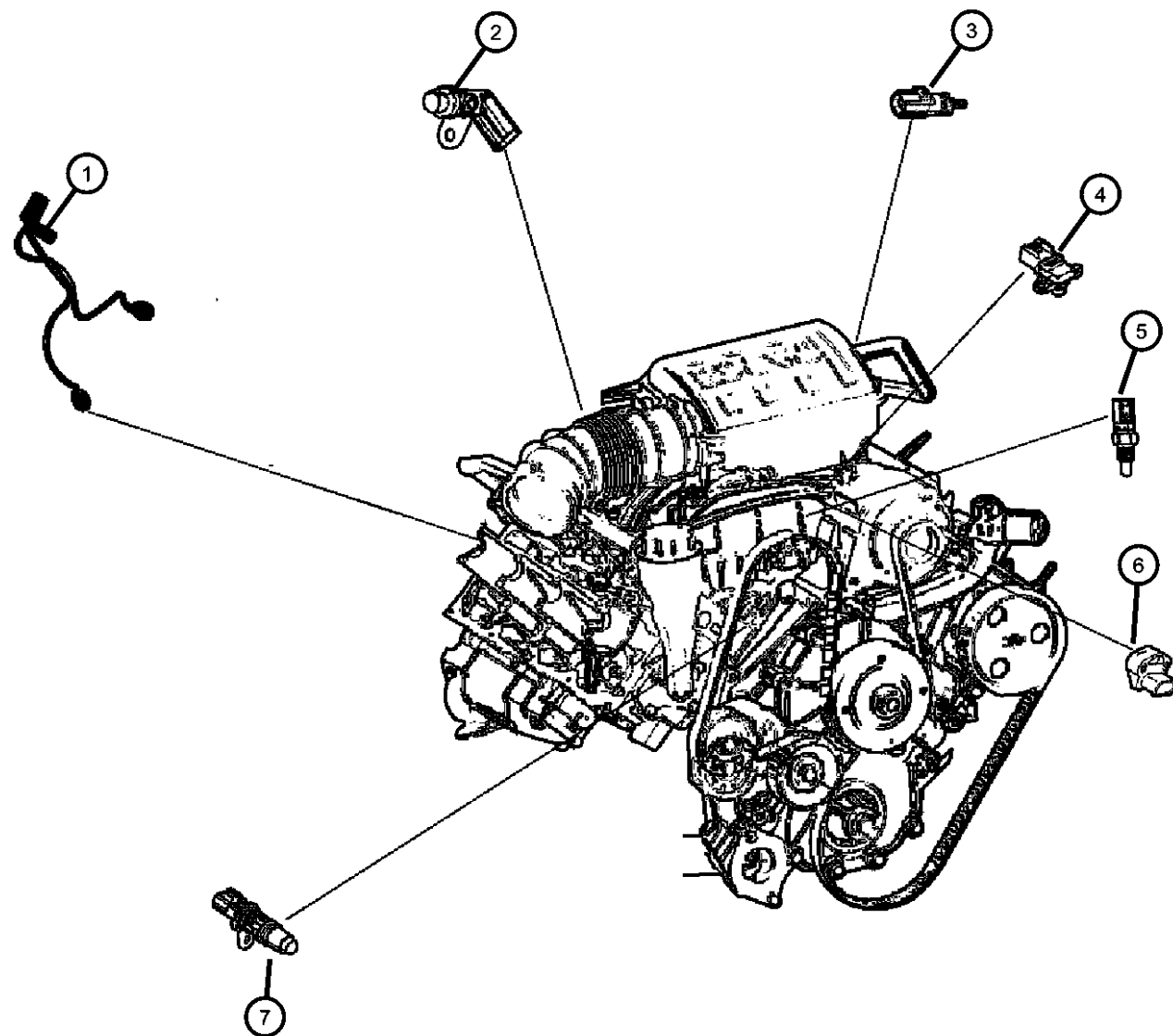


ITEM	PART NUMBER	QTY	LINE	SERIES	BODY	ENGINE	TRANS	TRIM	DESCRIPTION
1	56049915AA	1	J, T		74				JUNCTION BLOCK, Relay
2	05143950AA	1	J, T		74				BREAKER, Circuit Silver
	05143953AA	1	J, T		74				Gold
3	04671168	1	J, T		74				RELAY, Mini
4	000ATM10	1	J, T		74	EX0, EZ0			FUSE, Mini, 10 AMP, Red
		5	J, T		74	EK0, ES0, EVO			
5	000ATM15	1	J, T		74	EK0, ES0, EVO			FUSE, Mini, 15 AMP, Light Blue
		1	J, T		74	EX0, EZ0			
6	000ATM20	1	J, T		74	EX0, EZ0			FUSE, Mini, 20 AMP, Yellow
		11	J, T		74	EK0, ES0, EVO			
7	56006709	2	J, T		74	EK0, ES0, EVO			RELAY, Mini
		1	J, T		74	EX0, EZ0			

GRAND CHEROKEE (WK)
 SERIES LINE BODY ENGINE TRANSMISSION
 H = HIGHLINE T = JEEP - 2WD 74 = SPORT UTILITY 4-DR EVA = 4.7L V8 MPI Engine DGJ = 5-Speed Auto W5A580
 P = PREMIUM J = JEEP - 4WD TYPE #4 EVD = 4.7L V8 FFV Engine Transmission
 S = SPORT EXL = 3.0L V6 Turbo Diesel DGQ = 5-Spd Automatic 545RFE
 X = SPECIAL Engine Transmission
 EZB = 5.7L Hemi Multi Displacement Engine DGU = 5-Spd Auto W5J400
 EKG = 3.7L V6 Engine Transmission
 ESF = 6.1L SRT HEMI SMPI V8 Engine

AR = use as required - = Non illustrated part

**Sensors Engine [3.7L engine]
Figure 8-605**



ITEM	PART NUMBER	QTY	LINE	SERIES	BODY	ENGINE	TRANS	TRIM	DESCRIPTION
Notes: [EK0]=3.7L V6 Engine									
1	04606093AC	2	J, T		74	EK0			SENSOR, Detonation
2	56044180AC	1	J, T		74	EK0			SENSOR, Crankshaft Position
3	56028364AA	1	J, T		74	EK0			SENSOR, Air Temperature
4	56041018AC	1	J, T		74	EK0			SENSOR, MAP
5	56027873	1	J, T		74	EK0, EV0			SENSOR, Coolant Temperature
6		1							SENSOR KIT, Throttle Position, Serviced in throttle body assembly only, (NOT SERVICED)
7	56041584AF	1	J, T		74	EK0, EV0			SENSOR, Camshaft

GRAND CHEROKEE (WK)

SERIES LINE
H = HIGHLINE T = JEEP - 2WD
P = PREMIUM J = JEEP - 4WD
S = SPORT
X = SPECIAL

BODY
74 = SPORT UTILITY 4-DR
TYPE #4

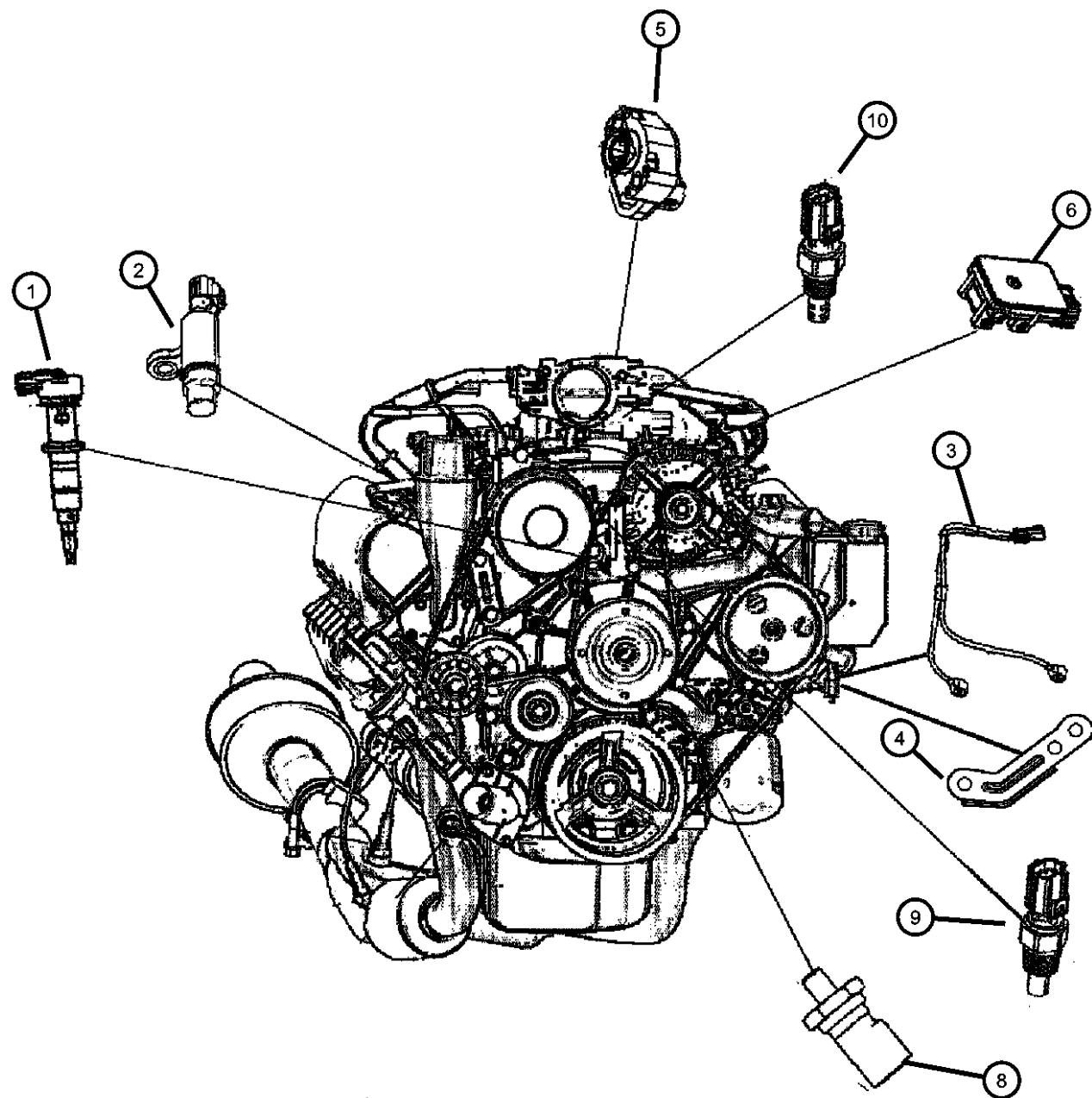
ENGINE
EVA = 4.7L V8 MPI Engine
EVD = 4.7L V8 FFV Engine
EXL = 3.0L V6 Turbo Diesel
Engine
EZB = 5.7L Hemi Multi
Displacement Engine
EKG = 3.7L V6 Engine
ESF = 6.1L SRT HEMI SMPI
V8 Engine

TRANSMISSION
DGJ = 5-Speed Auto W5A580
Transmission
DGQ = 5-Spd Automatic 545RFE
Transmission
DGU = 5-Spd Auto W5J400
Transmission

AR = use ase required - = Non illustrated part

2007 WK

Sensors, Engine (4.7L) [EV0]
Figure 8-610



ITEM	PART NUMBER	QTY	LINE	SERIES	BODY	ENGINE	TRANS	TRIM	DESCRIPTION
1	56041584AF	1	J, T		74	EK0, EV0			SENSOR, Camshaft
2	56028666AA	1	J, T		74	EV0			SENSOR, Crankshaft Position
3	56041677AB	1	J, T		74	EV0			SENSOR, Knock
4	56041849AA	1	J, T		74	EV0			BRACKET, Knock Sensor
5		1							SENSOR, Throttle Position, Serviced in throttle body assembly only, (NOT SERVICED)
6	56041018AD	1	J, T		74	EV0			SENSOR, MAP
-7	06102192AA	1	J, T		74	EV0			SCREW, Intake Manifold
8	05149097AA	1	J, T		74	EK0, EV0			SWITCH, Oil Pressure
9	56027873	1	J, T		74	EK0, EV0			SENSOR, Coolant Temperature
10		1							SENSOR, Air Temperature, Serviced in duct, (NOT SERVICED)

GRAND CHEROKEE (WK)

SERIES LINE
H = HIGHLINE T = JEEP - 2WD
P = PREMIUM J = JEEP - 4WD
S = SPORT
X = SPECIAL

BODY
74 = SPORT UTILITY 4-DR
TYPE #4

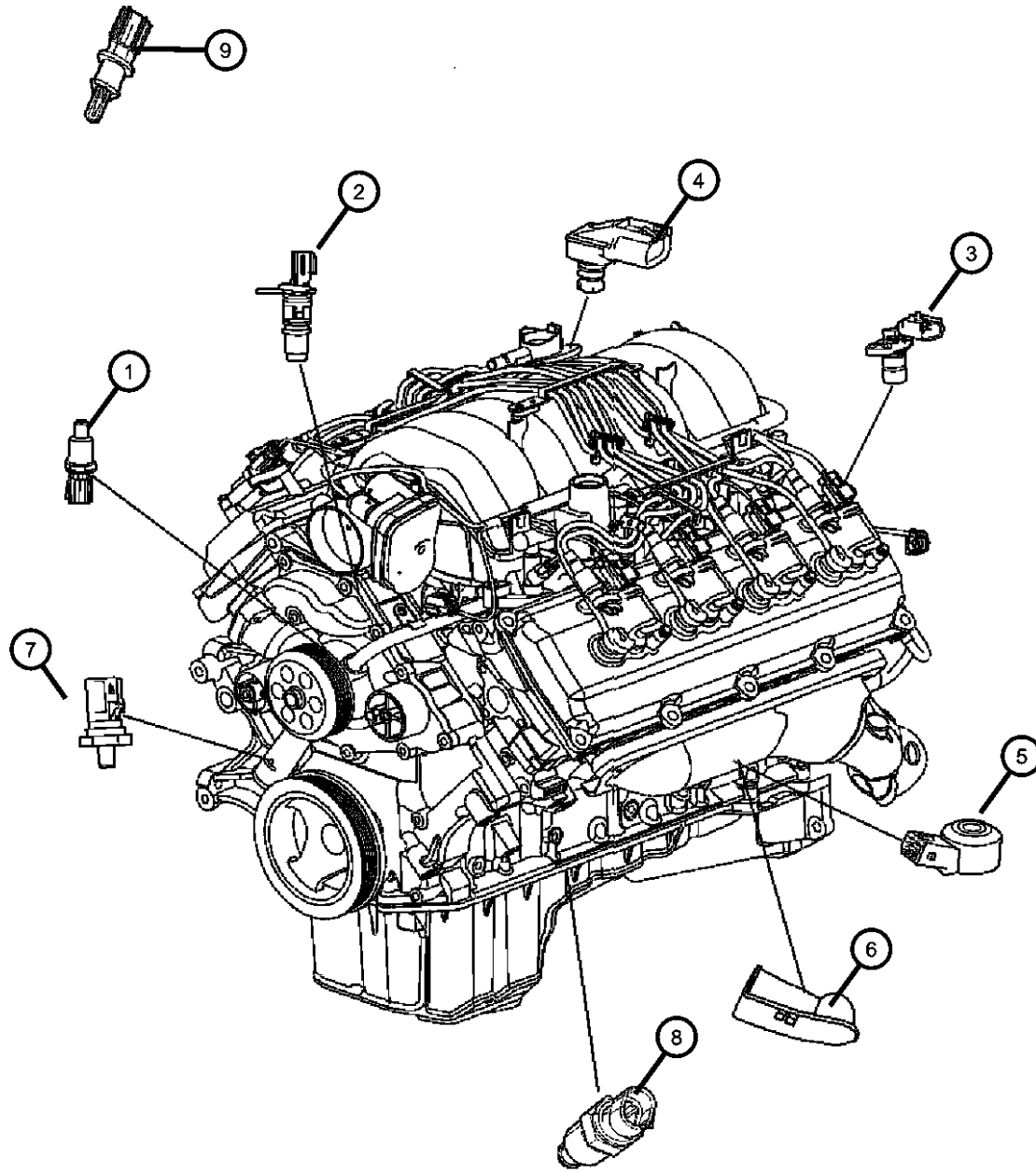
ENGINE
EVA = 4.7L V8 MPI Engine
EVD = 4.7L V8 FFV Engine
EXL = 3.0L V6 Turbo Diesel
Engine
EZB = 5.7L Hemi Multi
Displacement Engine
EKG = 3.7L V6 Engine
ESF = 6.1L SRT HEMI SMPI
V8 Engine

TRANSMISSION
DGJ = 5-Speed Auto W5A580
Transmission
DGQ = 5-Spd Automatic 545RFE
Transmission
DGU = 5-Spd Auto W5J400
Transmission

AR = use ase required - = Non illustrated part

2007 WK

**Sensors Engine [5.7L, 6.1L Engines]
Figure 8-615**



ITEM	PART NUMBER	QTY	LINE	SERIES	BODY	ENGINE	TRANS	TRIM	DESCRIPTION
1	05269870AB	1	J, T		74	EZ0			SENSOR, Coolant Temperature
		1	J, T		74	ESF			
2	56041584AF	1	J, T		74	EZ0			SENSOR, Camshaft
		1	J, T		74	ESF			
3	05149009AA	1	J, T		74	EZ0			SENSOR, Crankshaft Position
		1	J, T		74	ESF			
4	05033310AC	1	J, T		74	EZB			SENSOR, MAP
	56041018AC	1	J, T		74	ESF			
	56028563AA	2	J, T		74	EZ0			
5	56028563AA	2	J, T		74	EZ0			SENSOR, Knock
6	55394453AB	1	J, T		74				SHIELD, Heat
7	05149062AA	1	J, T		74	EZ0			SENDING UNIT, Oil Pressure
		1	J, T		74	ESF			
8	05149008AA	1	J, T		74	EZB			SENSOR, Oil temperature
		1	J, T		74	ESF			
		1	J, T		74	ESF			
9	04606487AB	1	J, T		74	ESF			SENSOR, Charge Air Temp, Located in clean air duct

GRAND CHEROKEE (WK)

SERIES LINE
H = HIGHLINE T = JEEP - 2WD
P = PREMIUM J = JEEP - 4WD
S = SPORT
X = SPECIAL

BODY
74 = SPORT UTILITY 4-DR
TYPE #4

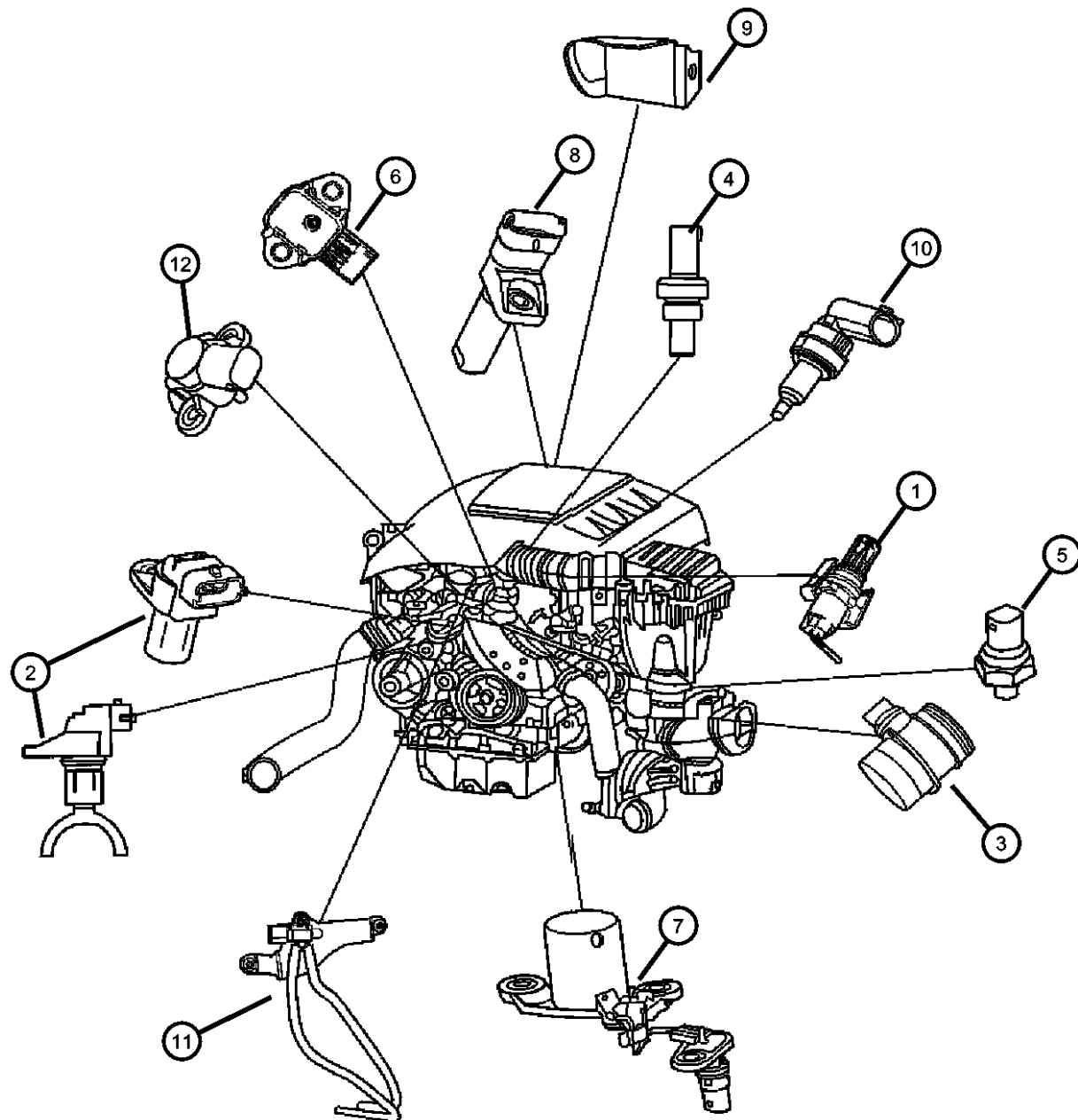
ENGINE
EVA = 4.7L V8 MPI Engine
EVD = 4.7L V8 FFV Engine
EXL = 3.0L V6 Turbo Diesel
Engine
EZB = 5.7L Hemi Multi
Displacement Engine
EKG = 3.7L V6 Engine
ESF = 6.1L SRT HEMI SMPI
V8 Engine

TRANSMISSION
DGJ = 5-Speed Auto W5A580
Transmission
DGQ = 5-Spd Automatic 545RFE
Transmission
DGU = 5-Spd Auto W5J400
Transmission

AR = use ase required - = Non illustrated part

2007 WK

Sensors Engine Diesel
Figure 8-616



ITEM	PART NUMBER	QTY	LINE	SERIES	BODY	ENGINE	TRANS	TRIM	DESCRIPTION
1	05080343AA	1	J, T		74	EXL			SENSOR, Temperature
2	05175762AA	1	J, T		74	EXL			SENSOR, Camshaft
3	53013673AA	1	J, T		74	EX0			SENSOR, Mass Airflow
4	05103534AB	1	J, T		74	EXL			SENDING UNIT, Temperature Gauge, Location Is In The Oil Pan
5	05175812AA	1	J, T		74	EXL			SENSOR, Pressure
6	05117545AB	1	J, T		74	EXL			SENSOR, MAP
7	05175760AA	1	J, T		74	EXL			SENSOR, Oil Level
8									SENSOR, Crankshaft Position
	05080352AA	1	J, T		74	EXL			Stamp# A 003 153 28 28
	05175763AA	1	J, T		74	EXL			Stamp# A 004 153 87 28
9	04593807AA	1	J, T		74	EX0			COVER, Sensor
10	05175764AA	1	J, T		74	EXL			SENSOR, Air Temperature
11	05175812AA	1	J, T		74	EXL			SENSOR, Pressure
12	56044591AA	1	J, T		74	EX0			SENSOR, Air Pressure
-13	05117542AA	1	J, T		74	EXL			SENSOR, Fuel/Water
-14	05149103AA	1	J, T		74	EX0			SENSOR, Exhaust Temperature, [Downstream], [XD4]
-15	05149012AA	1	J, T		74	EX0			SENSOR, Oxygen, [Upstream]
-16	56044587AA	1	J, T		74	EX0			SENSOR, Differential Pressure

GRAND CHEROKEE (WK)

SERIES LINE
H = HIGHLINE T = JEEP - 2WD
P = PREMIUM J = JEEP - 4WD
S = SPORT
X = SPECIAL

BODY
74 = SPORT UTILITY 4-DR
TYPE #4

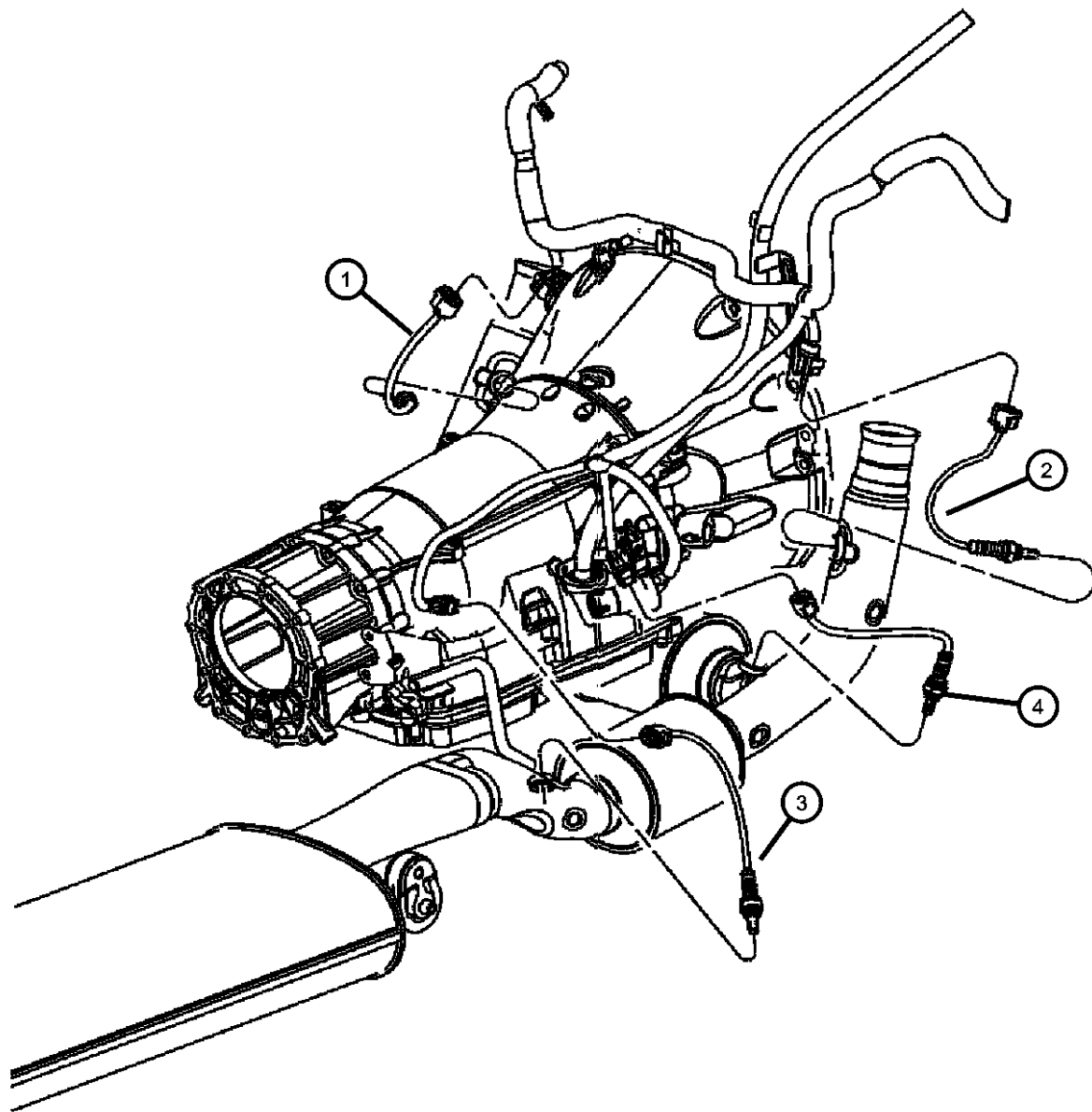
ENGINE
EVA = 4.7L V8 MPI Engine
EVD = 4.7L V8 FFV Engine
EXL = 3.0L V6 Turbo Diesel Engine
EZB = 5.7L Hemi Multi Displacement Engine
EKG = 3.7L V6 Engine
ESF = 6.1L SRT HEMI SMPI V8 Engine

TRANSMISSION
DGJ = 5-Speed Auto W5A580 Transmission
DGQ = 5-Spd Automatic 545RFE Transmission
DGU = 5-Spd Auto W5J400 Transmission

AR = use ase required - = Non illustrated part

Sensors Oxygen [3.7L engine]
Figure 8-620

ITEM	PART NUMBER	QTY	LINE	SERIES	BODY	ENGINE	TRANS	TRIM	DESCRIPTION
1	56029049AA	1	J, T		74	EK0			SENSOR, OxygenBefore Catalyst, Right
2	56029049AA	1	J, T		74	EK0			SENSOR, OxygenBefore Catalyst, Left
3	56029049AA	1	J, T		74	EK0			SENSOR, OxygenAfter Catalyst, Right
4	56029049AA	1	J, T		74	EK0			SENSOR, OxygenAfter Catalyst, Left



GRAND CHEROKEE (WK)

SERIES LINE
H = HIGHLINE T = JEEP - 2WD
P = PREMIUM J = JEEP - 4WD
S = SPORT
X = SPECIAL

BODY
74 = SPORT UTILITY 4-DR
TYPE #4

ENGINE
EVA = 4.7L V8 MPI Engine
EVD = 4.7L V8 FFV Engine
EXL = 3.0L V6 Turbo Diesel
Engine
EZB = 5.7L Hemi Multi
Displacement Engine
EKG = 3.7L V6 Engine
ESF = 6.1L SRT HEMI SMPI
V8 Engine

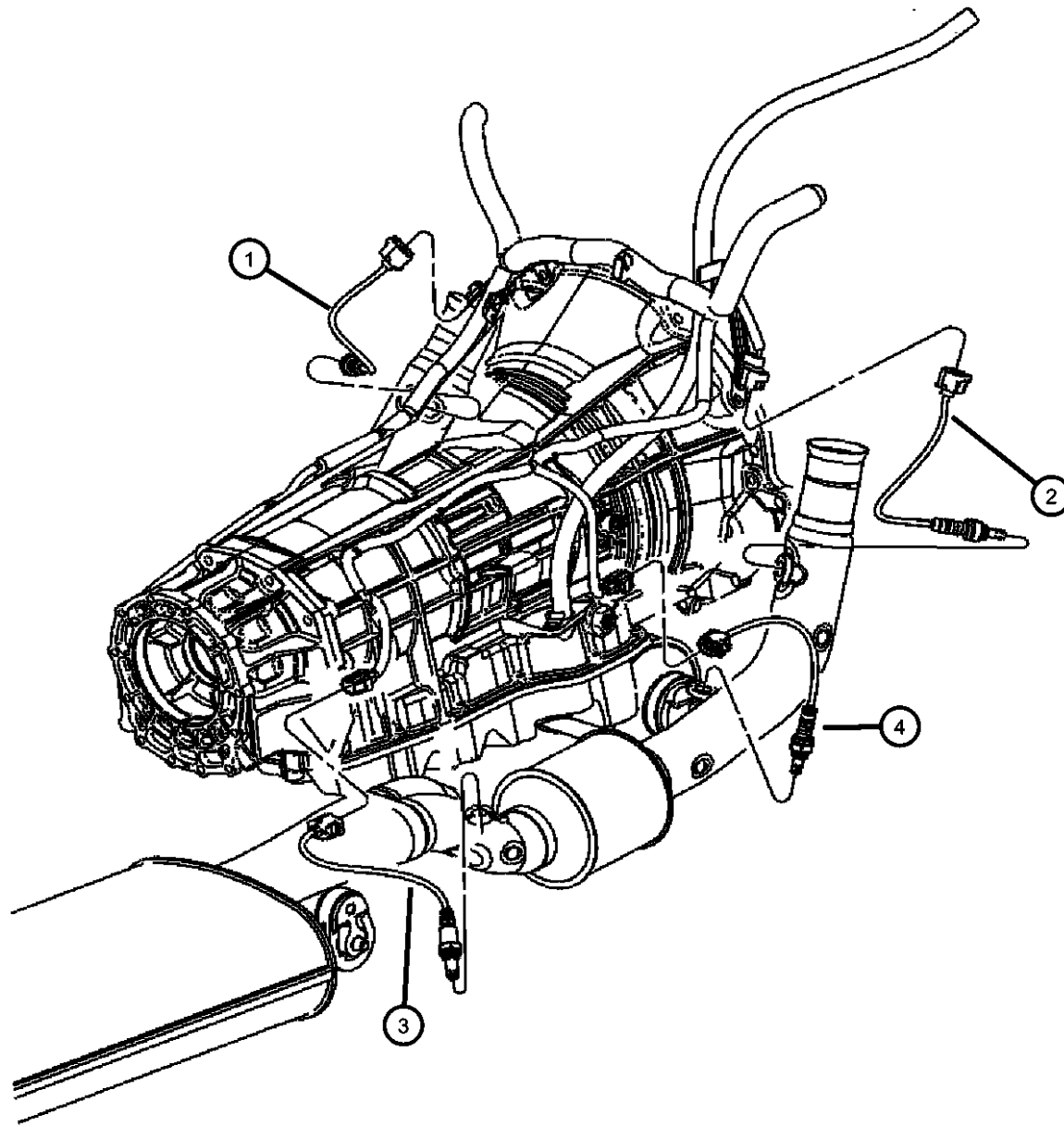
TRANSMISSION
DGJ = 5-Speed Auto W5A580
Transmission
DGQ = 5-Spd Automatic 545RFE
Transmission
DGU = 5-Spd Auto W5J400
Transmission

AR = use ase required - = Non illustrated part

2007 WK

Sensors, Oxygen [4.7L Engine]
Figure 8-625

ITEM	PART NUMBER	QTY	LINE	SERIES	BODY	ENGINE	TRANS	TRIM	DESCRIPTION
1	56028998AB	1	J, T		74	EVO			SENSOR, OxygenBefore Catalyst, Right
2	56028998AB	1	J, T		74	EVO			SENSOR, OxygenBefore Catalyst, Left
3	56028998AB	1	J, T		74	EVO			SENSOR, OxygenAfter Catalyst, Right
4	56028998AB	1	J, T		74	EVO			SENSOR, OxygenAfter Catalyst, Left



GRAND CHEROKEE (WK)

SERIES LINE
H = HIGHLINE T = JEEP - 2WD
P = PREMIUM J = JEEP - 4WD
S = SPORT
X = SPECIAL

BODY
74 = SPORT UTILITY 4-DR
TYPE #4

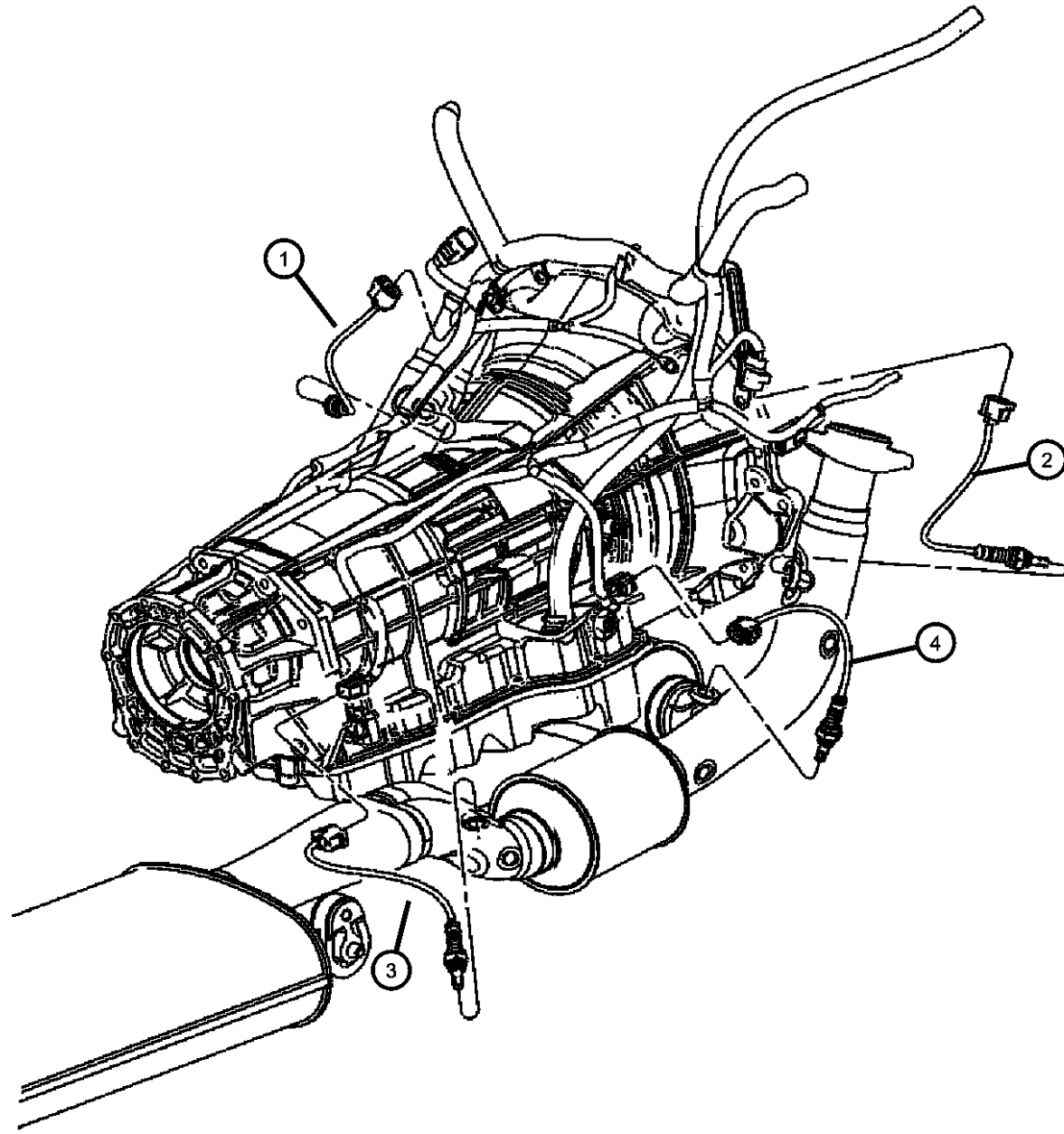
ENGINE
EVA = 4.7L V8 MPI Engine
EVD = 4.7L V8 FFV Engine
EXL = 3.0L V6 Turbo Diesel
Engine
EZB = 5.7L Hemi Multi
Displacement Engine
EKG = 3.7L V6 Engine
ESF = 6.1L SRT HEMI SMPI
V8 Engine

TRANSMISSION
DGJ = 5-Speed Auto W5A580
Transmission
DGQ = 5-Spd Automatic 545RFE
Transmission
DGU = 5-Spd Auto W5J400
Transmission

AR = use ase required - = Non illustrated part

2007 WK

**Sensors Oxygen [5.7L, 6.1L Engines]
Figure 8-630**



ITEM	PART NUMBER	QTY	LINE	SERIES	BODY	ENGINE	TRANS	TRIM	DESCRIPTION
1	56029049AA	1	J, T		74	EZ0			SENSOR, Oxygen Before Catalyst, Left
		1	J, T		74	ESF			Before Catalyst, Left
2	56029049AA	1	J, T		74	EZ0			SENSOR, Oxygen Before Catalyst, Right
		1	J, T		74	ESF			Before Catalyst, Right
3	56029049AA	1	J, T		74	EZ0			SENSOR, Oxygen After Catalyst, Left
		1	J, T		74	ESF			After Catalyst, Left
4	56029049AA	1	J, T		74	EZ0			SENSOR, Oxygen After Catalyst, Right
		1	J, T		74	ESF			After Catalyst, Right

GRAND CHEROKEE (WK)

SERIES LINE
H = HIGHLINE T = JEEP - 2WD
P = PREMIUM J = JEEP - 4WD
S = SPORT
X = SPECIAL

BODY
74 = SPORT UTILITY 4-DR
TYPE #4

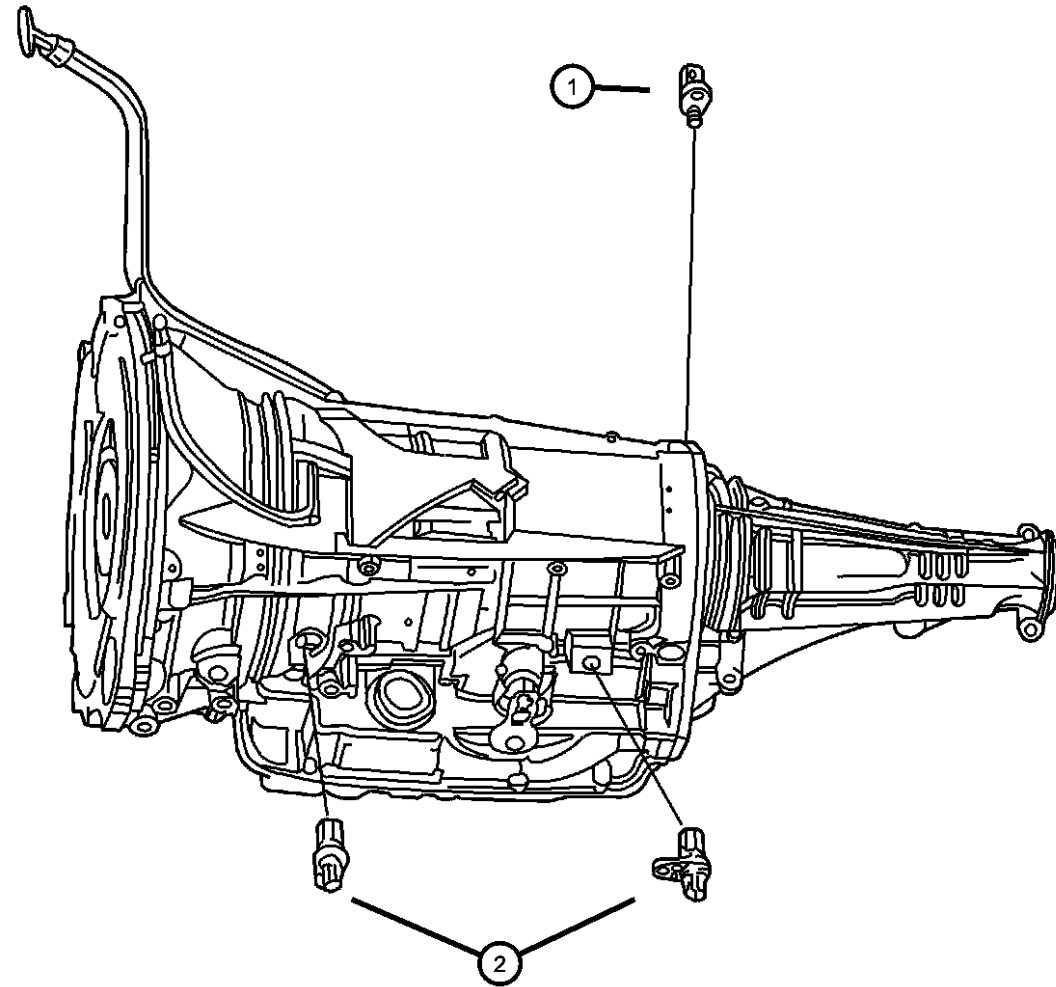
ENGINE
EVA = 4.7L V8 MPI Engine
EVD = 4.7L V8 FFV Engine
EXL = 3.0L V6 Turbo Diesel
Engine
EZB = 5.7L Hemi Multi
Displacement Engine
EKG = 3.7L V6 Engine
ESF = 6.1L SRT HEMI SMPI
V8 Engine

TRANSMISSION
DGJ = 5-Speed Auto W5A580
Transmission
DGQ = 5-Spd Automatic 545RFE
Transmission
DGU = 5-Spd Auto W5J400
Transmission

AR = use ase required - = Non illustrated part

2007 WK

Sensors Drivetrain
Figure 8-635



ITEM	PART NUMBER	QTY	LINE	SERIES	BODY	ENGINE	TRANS	TRIM	DESCRIPTION	
1	04799758	1	T		74	EVO	DGQ		TRANSDUCER, Pressure Sensor	
		1	J		74	EVO	DGQ			
		1	T		74	EZO	DGQ			
		1	J		74	EZO	DGQ			
2	04799061AB	2	T		74	EVO	DGQ		SENSOR, Transmission Input Speed	
		2	J		74	EVO	DGQ			
		2	T		74	EZO	DGQ			
		2	J		74	EZO	DGQ			
-3	52108308AB	1	J		74	ESF	DGJ		CONNECTOR Speed sensor	
		1	J		74	EK0	DGJ			Speed sensor
		1	T		74	EK0	DGJ			Speed sensor

GRAND CHEROKEE (WK)

SERIES LINE
H = HIGHLINE T = JEEP - 2WD
P = PREMIUM J = JEEP - 4WD
S = SPORT
X = SPECIAL

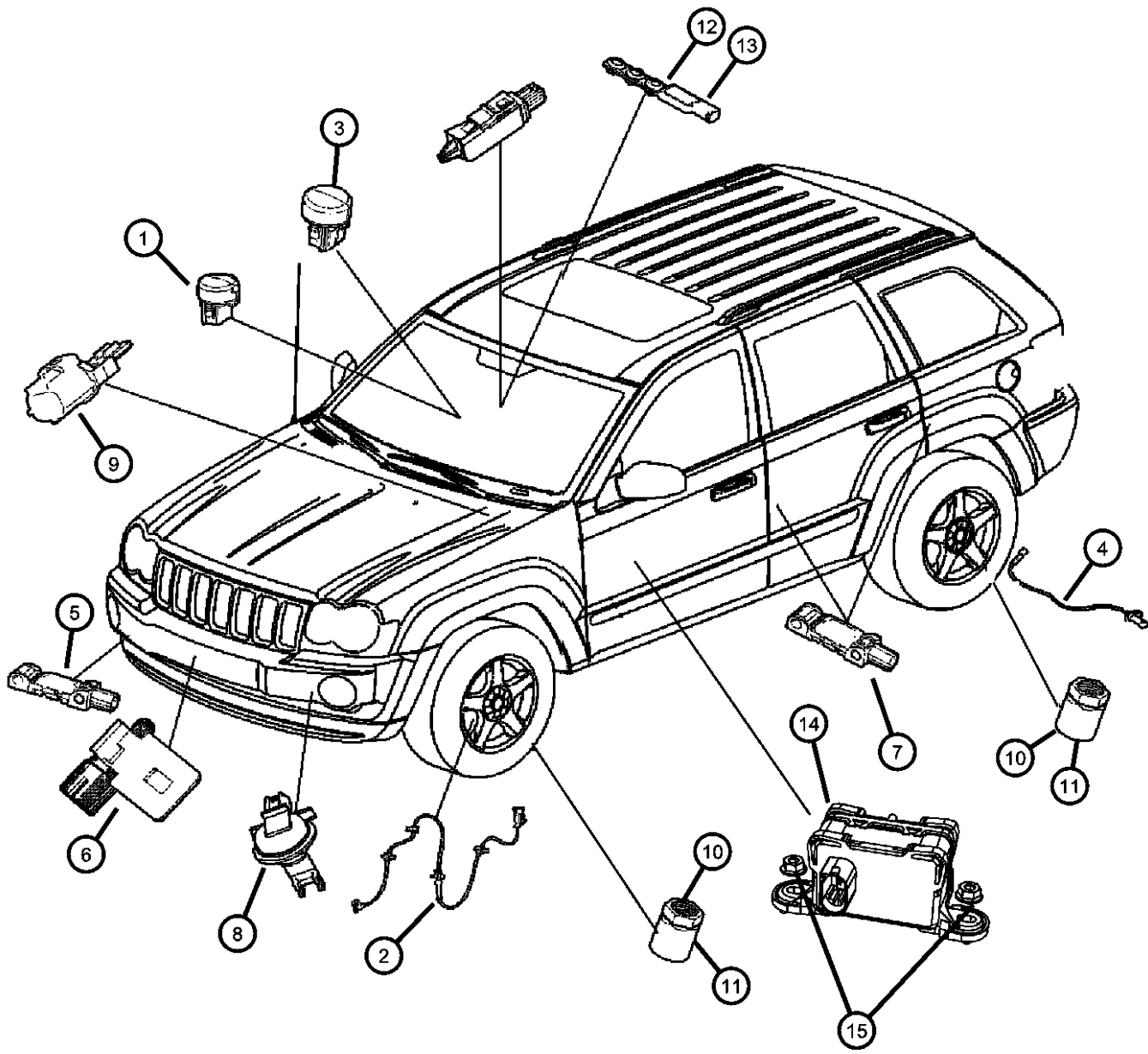
BODY
74 = SPORT UTILITY 4-DR
TYPE #4

ENGINE
EVA = 4.7L V8 MPI Engine
EVD = 4.7L V8 FFV Engine
EXL = 3.0L V6 Turbo Diesel
Engine
EZB = 5.7L Hemi Multi
Displacement Engine
EKG = 3.7L V6 Engine
ESF = 6.1L SRT HEMI SMPI
V8 Engine

TRANSMISSION
DGJ = 5-Speed Auto W5A580
Transmission
DGQ = 5-Spd Automatic 545RFE
Transmission
DGU = 5-Spd Auto W5J400
Transmission

**Sensors Body
Figure 8-640**

ITEM	PART NUMBER	QTY	LINE	SERIES	BODY	ENGINE	TRANS	TRIM	DESCRIPTION
1	55116838AB	1	J, T		74				SENSOR, A.T.C. Sun
2	56044144AC	2	J, T		74				SENSOR, Anti-Lock Brakes
3	56050241AB	1	J, T		74				SENSOR, Headlamp
4	56044146AA	2	J, T		74				SENSOR, Wheel Speed
5	04896173AA	2	J, T		74				SENSOR, Side Airbag ImpactFront
6	56042395	1	J, T		74				SENSOR, Ambient Temperature
7	04671779AC	4	J, T		74				SENSOR, Side Airbag ImpactSide
8	68018918AA	1	J, T		74				SENSOR, Washer Fluid Level
9	05013903AA	1	J, T		74				SENSOR, Brake Fluid Level
10	68001696AA	2	J, T		74				SENSOR PACKAGE, Tire Pressure, [TVG] This package contains: 56053030AC SENSOR - TIRE PRESSURE 56053033AA NUT - TIRE PRESSURE K6855511 INSTRUCTION SHEET

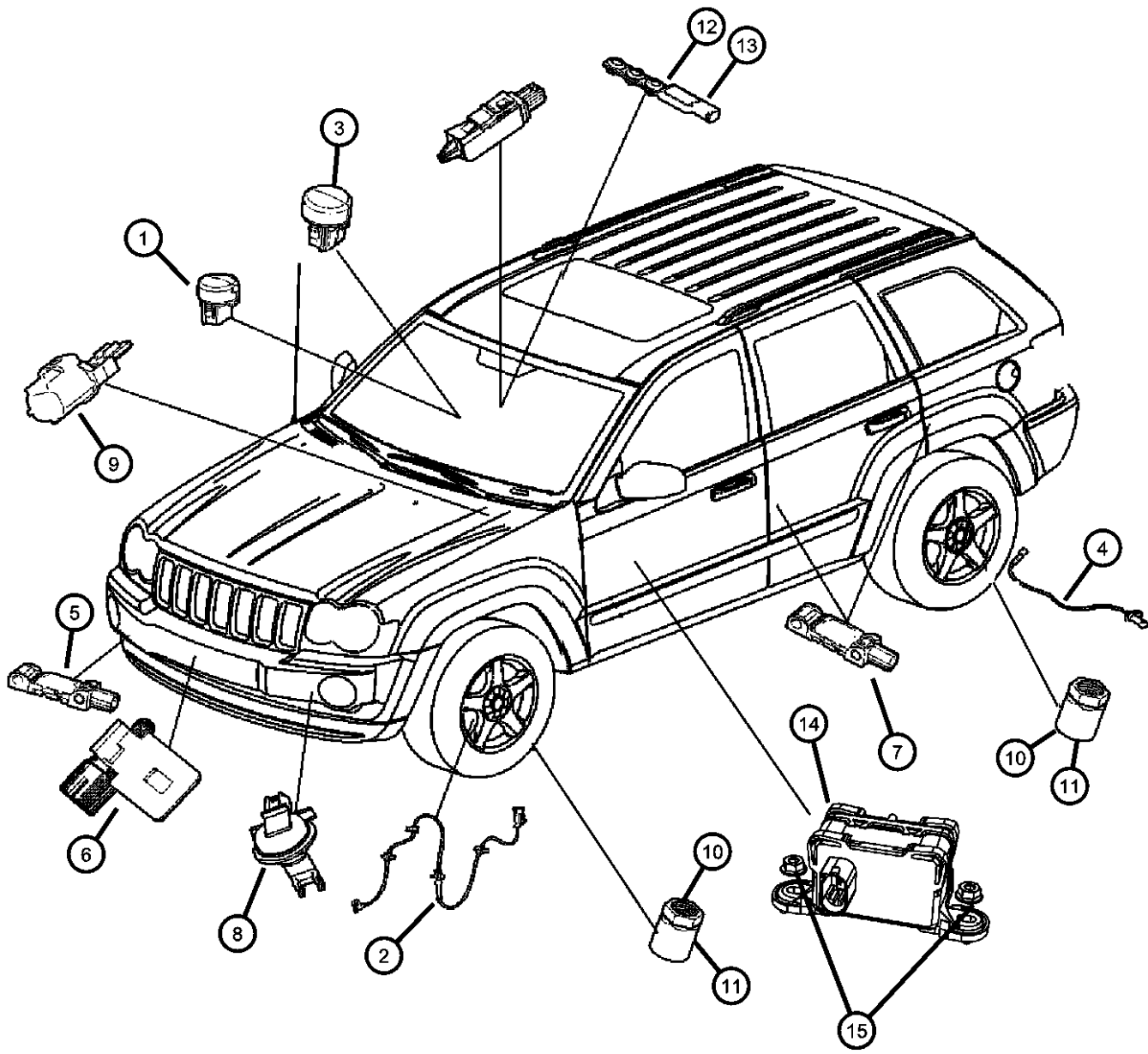


11	68001743AA	2	J, T		74				HARDWARE KIT, Mounting [TVG] THIS KIT CONTAINS:1- S120120001, NUT, TPM RETAINING 1- S122990001, WASHER, SEAL SUPPORT 1- S122140001, CAP, VALVE STEM, BLACK, EURO 1- S120121001, CAP, VALVE STEM
	68001744AA	2	J, T		74				[TVG] THIS KIT CONTAINS:1- S122914001, VALVE CORE, TPM 1- S120121001, CAP, VALVE STEM, GREY, DOMESTIC 1- S122140001, CAP, VALVE STEM, BLACK, EUROPE
	68020719AA	1	J, T		74				[TBW] THIS KIT CONSISTS; 1- 20563010, NUT, TPM RETAINING 1- 10513007, WASHER, SEAL SUPPORT 1- 10524004, CAP, VALVE STEM, BLACK 1- 10524005, CAP, VALVE

GRAND CHEROKEE (WK)				
SERIES	LINE	BODY	ENGINE	TRANSMISSION
H = HIGHLINE	T = JEEP - 2WD	74 = SPORT UTILITY 4-DR	EVA = 4.7L V8 MPI Engine	DGJ = 5-Speed Auto W5A580
P = PREMIUM	J = JEEP - 4WD	TYPE #4	EVD = 4.7L V8 FFV Engine	Transmission
S = SPORT			EXL = 3.0L V6 Turbo Diesel Engine	DGQ = 5-Spd Automatic 545RFE
X = SPECIAL			EZB = 5.7L Hemi Multi Displacement Engine	Transmission
			EKG = 3.7L V6 Engine	DGU = 5-Spd Auto W5J400
			ESF = 6.1L SRT HEMI SMPI V8 Engine	Transmission

AR = use ase required - = Non illustrated part

Sensors Body
Figure 8-640



ITEM	PART NUMBER	QTY	LINE	SERIES	BODY	ENGINE	TRANS	TRIM	DESCRIPTION
	68020724AA	1	J, T		74				[TBW] HARDWARE KIT FOR RE-MOUNTING TPM TO WHEEL. 1- 20522037, VALVE STEM 1- 10542008, SEAL, TPM TO WHEEL RIM 1- 40506002, VALVE CORE, TPM 1- 90517011, INSTRUCTION SHEET
	68020722AA	1	J, T		74				[TBW] THIS KIT CONSISTS;1- 10524004, CAP, VALVE STEM, BLACK 1- 10524005, CAP, VALVE STEM, GREY 1-40506002, VALVE CORE, TPM 1- 90517011, INSTRUCTION SHEET
12	05143488AA	4		X					SENSOR KIT, Strain Gauge
13									SENSOR, Strain Gauge
	56043196AF	4	J, T		74				
		4	J, T	X	74				
		4	J, T	S	74				
14									SENSOR, Dynamics, Lateral Acceleration and YAW Rate
	56029328AB	1	J		74				
		1	T		74				
	56029349AA	1	J, T		74				[DHB,DHX]
15	06104715AA	2							NUT, Hex Flange Lock, M6X1.00

GRAND CHEROKEE (WK)

SERIES LINE
H = HIGHLINE T = JEEP - 2WD
P = PREMIUM J = JEEP - 4WD
S = SPORT
X = SPECIAL

BODY
74 = SPORT UTILITY 4-DR TYPE #4

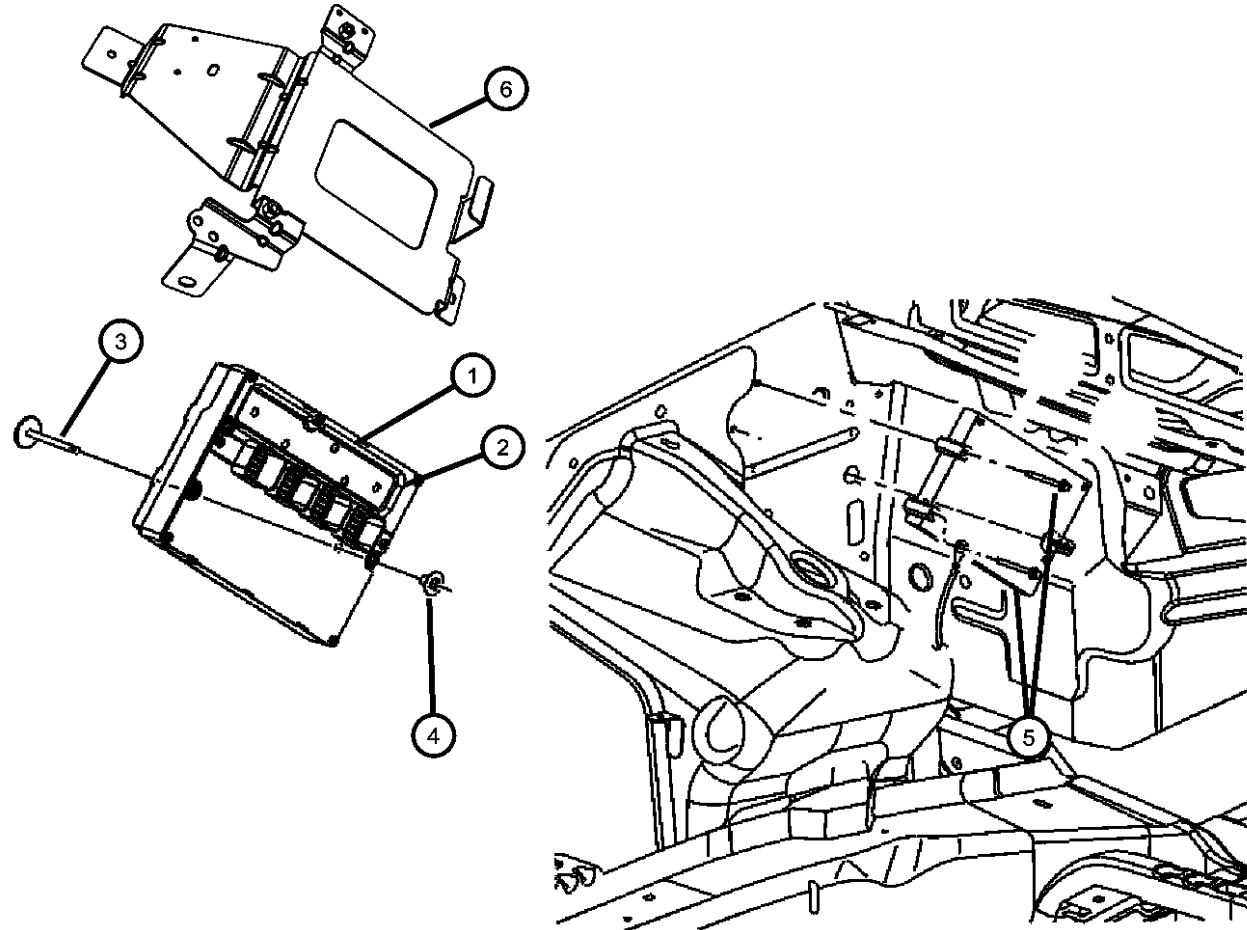
ENGINE
EVA = 4.7L V8 MPI Engine
EVD = 4.7L V8 FFV Engine
EXL = 3.0L V6 Turbo Diesel Engine
EZB = 5.7L Hemi Multi Displacement Engine
EKG = 3.7L V6 Engine
ESF = 6.1L SRT HEMI SMPI V8 Engine

TRANSMISSION
DGJ = 5-Speed Auto W5A580 Transmission
DGQ = 5-Spd Automatic 545RFE Transmission
DGU = 5-Spd Auto W5J400 Transmission

AR = use ase required - = Non illustrated part

2007 WK

**Powertrain Control Modules
Figure 8-705**



ITEM	PART NUMBER	QTY	LINE	SERIES	BODY	ENGINE	TRANS	TRIM	DESCRIPTION
1									MODULE, Powertrain Control, Generic
	05030306AB	1	J, T		74	ESF	DGJ		
	05094148AF	1	J, T		74	EK0			
	05094354AC	1	T		74	EVD			
	05094611AC	1	T		74	EK0			
	05094870AB	1	T		74	EZB			
2	05149089AD	1	J		74	EX0			MODULE, Powertrain Control
3	04712006AB	1	J, T		74	EK0, ES0, EV0, EZ0			FASTENER
4									PLUG, Door Trim Panel
	06506655AA	1	J, T		74	ES0			Powertrain control module attaching
		1	J, T		74	EK0, EV0, EZ0			Powertrain control module attaching
5		1							SCREW, Tapping, M5x8, (NOT SERVICED),
6	05149043AB	1	J, T		74	EXL	DG0		BRACKET, Powertrain Control Module

GRAND CHEROKEE (WK)

SERIES LINE
H = HIGHLINE T = JEEP - 2WD
P = PREMIUM J = JEEP - 4WD
S = SPORT
X = SPECIAL

BODY
74 = SPORT UTILITY 4-DR TYPE #4

ENGINE
EVA = 4.7L V8 MPI Engine
EVD = 4.7L V8 FFV Engine
EXL = 3.0L V6 Turbo Diesel Engine
EZB = 5.7L Hemi Multi Displacement Engine
EKG = 3.7L V6 Engine
ESF = 6.1L SRT HEMI SMPI V8 Engine

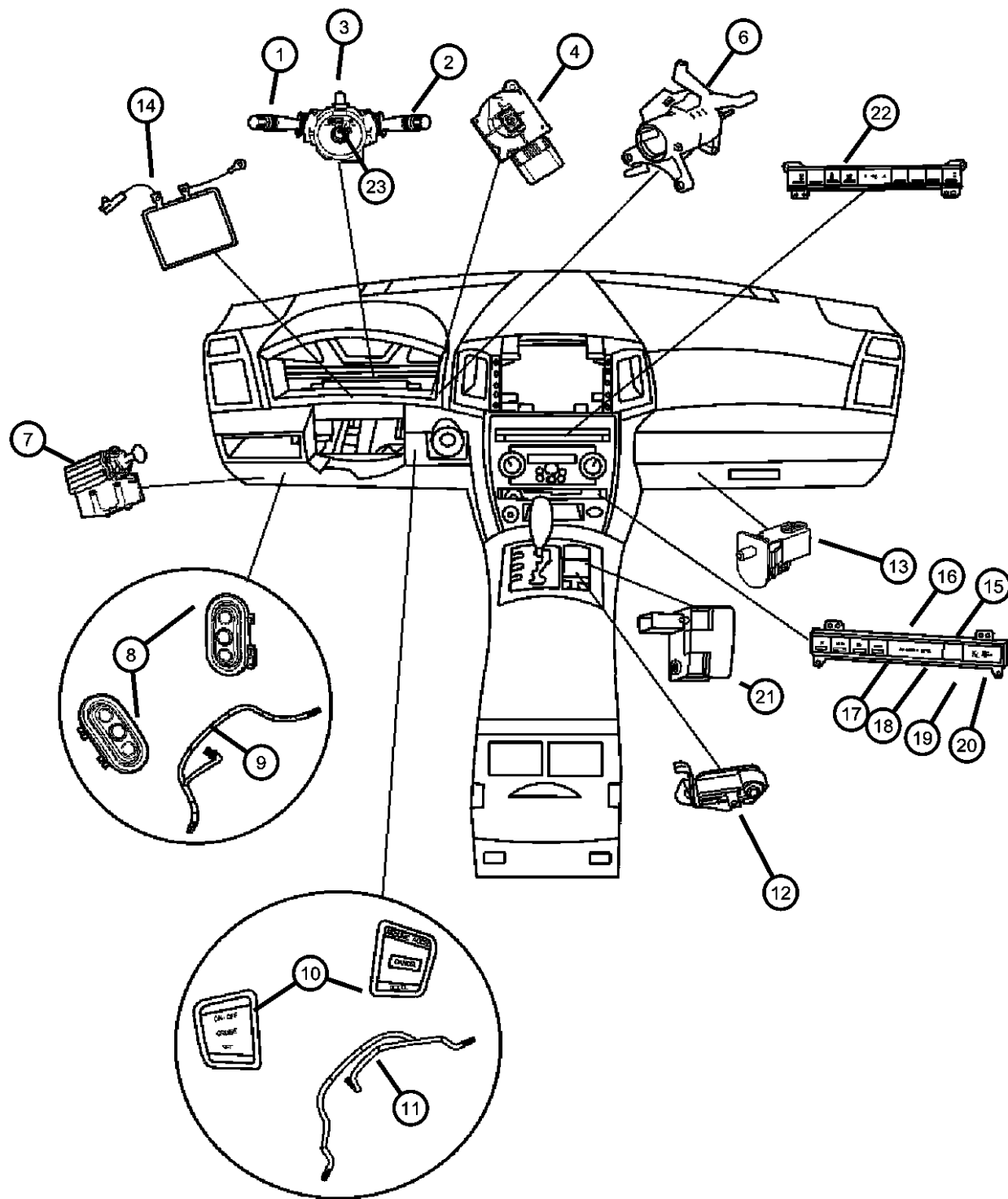
TRANSMISSION
DGJ = 5-Speed Auto W5A580 Transmission
DGQ = 5-Spd Automatic 545RFE Transmission
DGU = 5-Spd Auto W5J400 Transmission

AR = use ase required - = Non illustrated part

2007 WK

Switches (Instrument Panel and Console)

Figure 8-810



ITEM	PART NUMBER	QTY	LINE	SERIES	BODY	ENGINE	TRANS	TRIM	DESCRIPTION
1	05143311AE	1	J, T		74				SWITCH, Multifunction
	05143312AE	1	J, T		74				[LNJ]
	05143313AE	1	J, T		74				[LMG, LNJ]
2	05143310AC	1	J, T		74				SWITCH, Wiper and Washer
3	05143309AA	1	J, T		74				SWITCH, Hazard Warning
4	04685719AB	1	J, T		74				SWITCH, Ignition
-5	06035021	1	J, T		74				SCREW, Pan Head Tapping, .125-40x.437, Ignition switch attaching
6	56010566AC	1	J, T		74				HOUSING, Ignition Switch
7	56054001AA	1	J, T		74				SWITCH, Stop Lamp
8	04685728AB	1	J, T		74				SWITCH, Remote Radio Right
	04685729AB	1	J, T		74				Left
9	52029319AA	1	J, T		74				WIRING, Steering Wheel
10	05143545AA	1	J, T	X	74				SWITCH KIT, Cruise Control Left
	05143546AA	1	J, T	H, P, S	74				Left
	05143546AA	1	J, T	X	74				Right
	05143546AA	1	J, T	H, P, S	74				Right
11	56050266AA	1	J, T	X	74				WIRING, Speed Control
	56050266AA	1	J, T	H, P, S	74				
12	04671936AA	1	J, T		74	EK0, EV0, EZ0			SWITCH, Parking Brake
	04671936AA	1	J, T		74	ES0, EZ0			
13	04565022	1							SWITCH AND LAMP, Glove Box
14	05143588AA	1	J, T	H, P, S	74				SWITCH, Horn
	05175930AB	1	J, T	X	74				
15	56010655AE	1	J, T		74		DGQ		SWITCH, 6 Gang
16									SWITCH, 5 Gang

GRAND CHEROKEE (WK)

SERIES LINE
 H = HIGHLINE T = JEEP - 2WD
 P = PREMIUM J = JEEP - 4WD
 S = SPORT
 X = SPECIAL

BODY
 74 = SPORT UTILITY 4-DR
 TYPE #4

ENGINE
 EVA = 4.7L V8 MPI Engine
 EVD = 4.7L V8 FFV Engine
 EXL = 3.0L V6 Turbo Diesel Engine
 EZB = 5.7L Hemi Multi Displacement Engine
 EKG = 3.7L V6 Engine
 ESF = 6.1L SRT HEMI SMPI V8 Engine

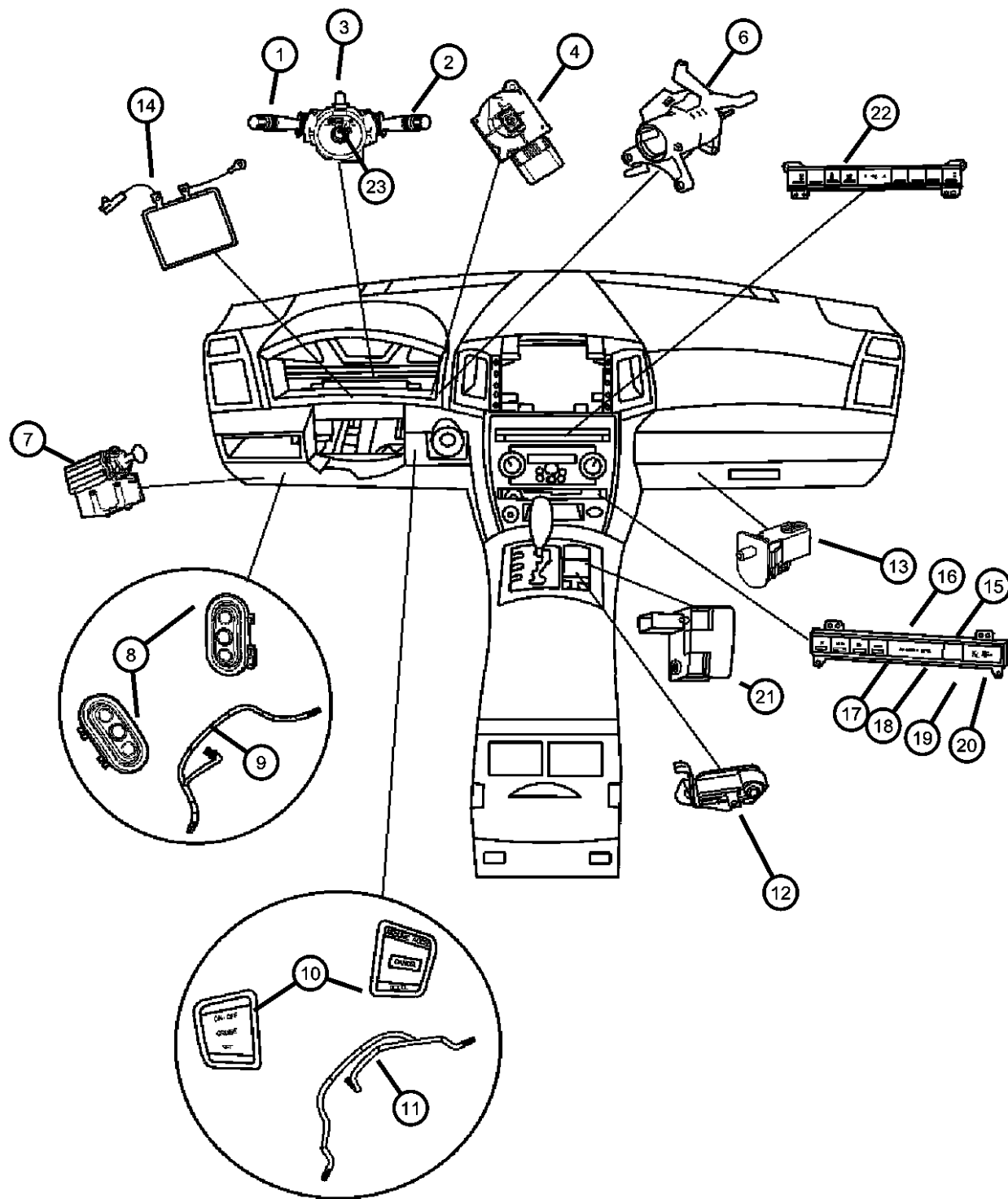
TRANSMISSION
 DGJ = 5-Speed Auto W5A580 Transmission
 DGQ = 5-Spd Automatic 545RFE Transmission
 DGU = 5-Spd Auto W5J400 Transmission

AR = use ase required - = Non illustrated part

2007 WK

Switches (Instrument Panel and Console)

Figure 8-810



ITEM	PART NUMBER	QTY	LINE	SERIES	BODY	ENGINE	TRANS	TRIM	DESCRIPTION
	56050136AE	1	J, T		74		DGJ, DGU		
	56010658AE	1	J, T		74		DGQ		
17	56050137AE	1	J, T		74		DGJ, DGU		SWITCH, 4 Gang
	56050767AD	1	J, T		74		DGQ		
18	56050769AE	1	J, T		74		DGQ		SWITCH, 3 Gang
	56050774AD	1	J, T		74		DGQ		[XA8]
19	56010659AF	1	J, T		74		DGJ, DGU		[XA8]
	56010668AE	1	J, T		74		DGQ		[XAP]
	56050152AE	1	J, T		74		DGJ, DGU		[XAP]
20	56050153AF	1	J, T		74		DGJ, DGU		SWITCH, 1 Gang
21	56050139AG	1	J	S			DGQ		SWITCH, Transfer Case
		1	J		74		DGJ		
		1	J			EK0	DGJ		
		1	J			EX0	DGU		
		1	J	H, P			DGQ		
22	56050149AC	1	J, T		74				SWITCH, Instrument Panel
		1	J, T		74				[LAZ, XD9]
	68000123AA	1							[LAZ] Mexico
									[LAZ] EVIC and Pad Lamp after 01/02/06
23	05143321AB	1	J, T		74				CAM, Turn Signal Cancel

GRAND CHEROKEE (WK)

SERIES LINE
 H = HIGHLINE T = JEEP - 2WD
 P = PREMIUM J = JEEP - 4WD
 S = SPORT
 X = SPECIAL

BODY
 74 = SPORT UTILITY 4-DR
 TYPE #4

ENGINE
 EVA = 4.7L V8 MPI Engine
 EVD = 4.7L V8 FFV Engine
 EXL = 3.0L V6 Turbo Diesel
 Engine
 EZB = 5.7L Hemi Multi
 Displacement Engine
 EKG = 3.7L V6 Engine
 ESF = 6.1L SRT HEMI SMPI
 V8 Engine

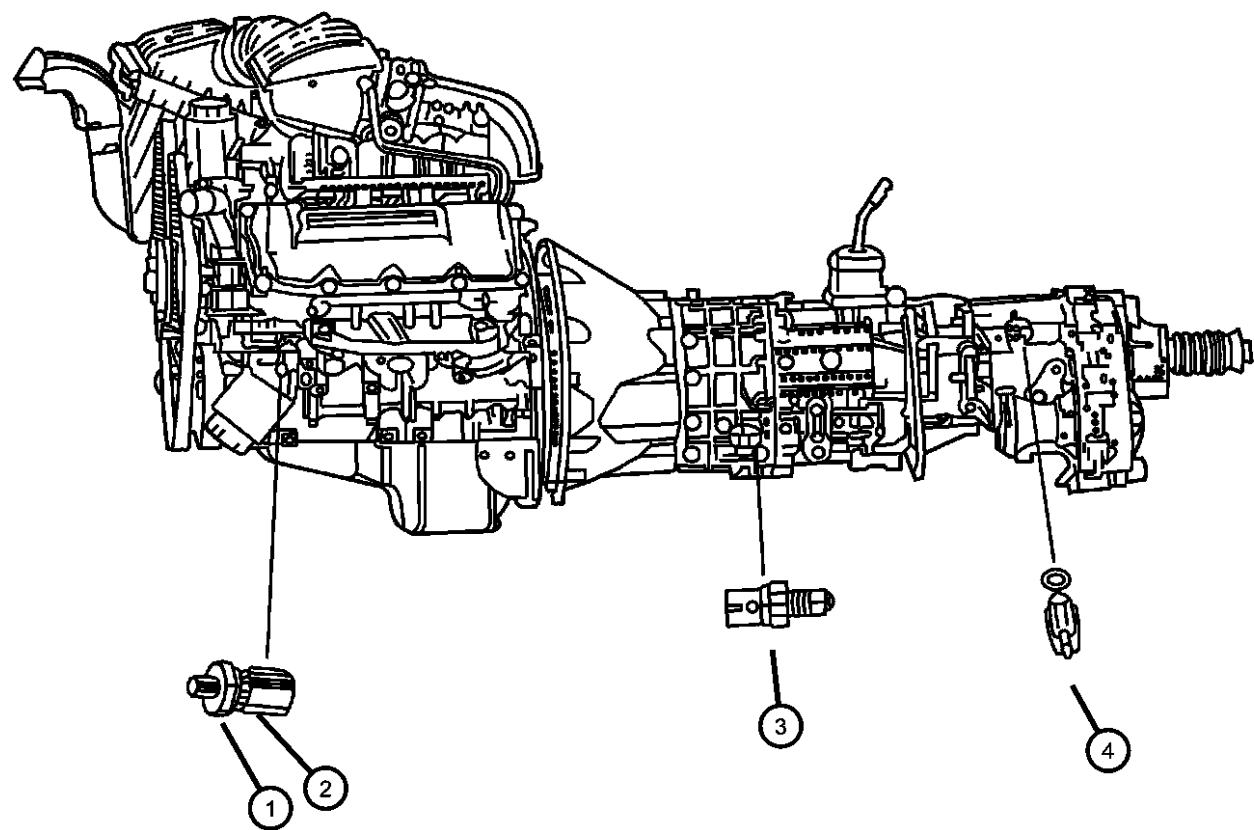
TRANSMISSION
 DGJ = 5-Speed Auto W5A580
 Transmission
 DGQ = 5-Spd Automatic 545RFE
 Transmission
 DGU = 5-Spd Auto W5J400
 Transmission

AR = use ase required - = Non illustrated part

2007 WK

**Switches, (Drive Train)
Figure 8-820**

ITEM	PART NUMBER	QTY	LINE	SERIES	BODY	ENGINE	TRANS	TRIM	DESCRIPTION
1	05149097AA	1				EK0, EVO			SWITCH, Oil Pressure
2	05149062AA	1	J, T		74	EZ0			SENDING UNIT, Oil Pressure
		1	J, T		74	ESF			
3		1							SWITCH, Neutral Safety, Back Up, (NOT SERVICED)
4		1							SWITCH, Transfer Case, 5 Position, (NOT SERVICED)



GRAND CHEROKEE (WK)

SERIES LINE
H = HIGHLINE T = JEEP - 2WD
P = PREMIUM J = JEEP - 4WD
S = SPORT
X = SPECIAL

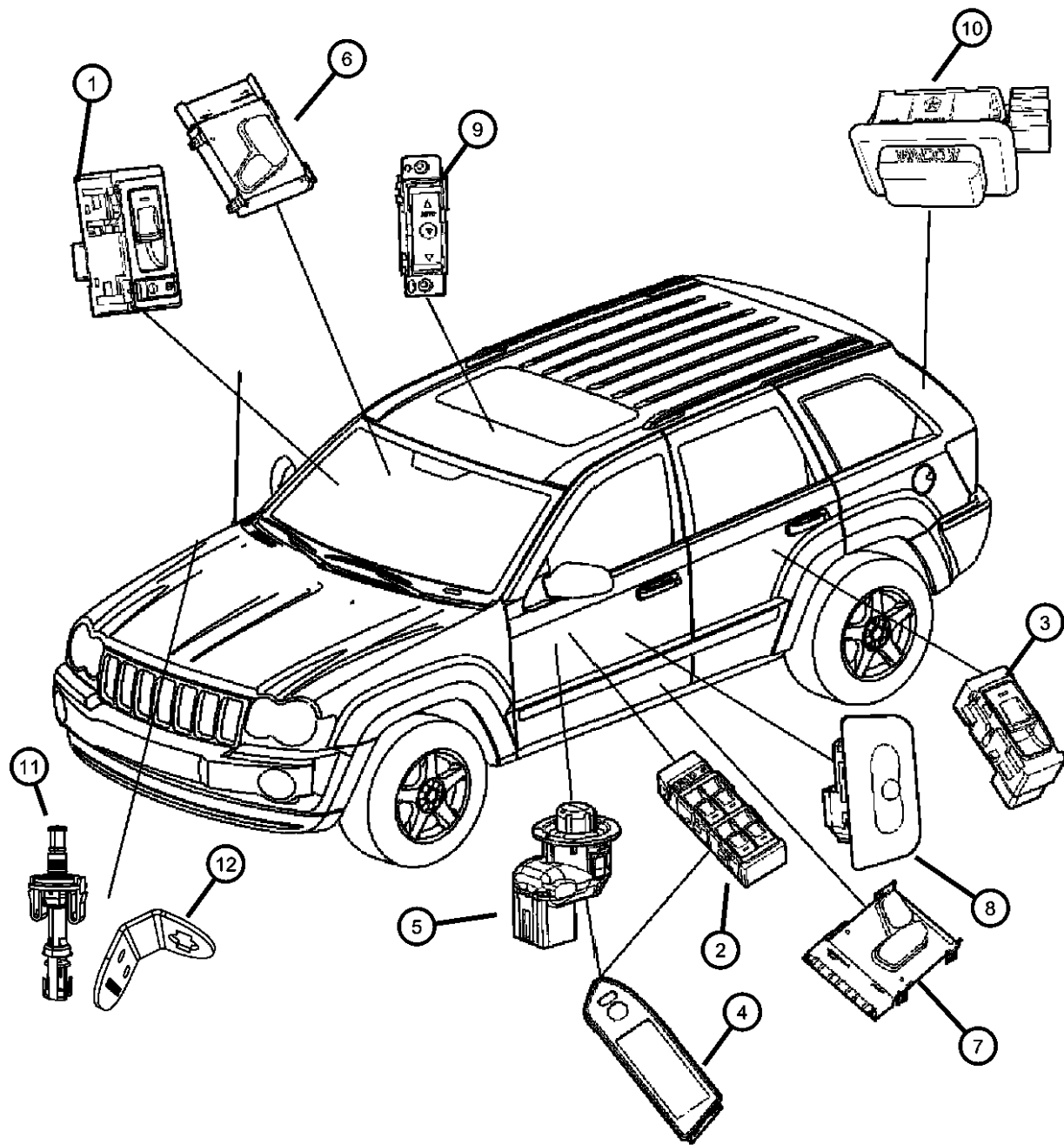
BODY
74 = SPORT UTILITY 4-DR
TYPE #4

ENGINE
EVA = 4.7L V8 MPI Engine
EVD = 4.7L V8 FFV Engine
EXL = 3.0L V6 Turbo Diesel
Engine
EZB = 5.7L Hemi Multi
Displacement Engine
EKG = 3.7L V6 Engine
ESF = 6.1L SRT HEMI SMPI
V8 Engine

TRANSMISSION
DGJ = 5-Speed Auto W5A580
Transmission
DGQ = 5-Spd Automatic 545RFE
Transmission
DGU = 5-Spd Auto W5J400
Transmission

AR = use ase required - = Non illustrated part

Switches, (Body)
Figure 8-830



ITEM	PART NUMBER	QTY	LINE	SERIES	BODY	ENGINE	TRANS	TRIM	DESCRIPTION
1	04602786AA V7700005AA	1	J, T		74				SWITCH, Power Window, 2 gang Mopar Alternative Switch
2	04602781AA V7700002AA	1	J, T		74				SWITCH, Power Window, 6 gang Mopar Alternative Switch
3	04602787AA V7700006AA	2	J, T		74				SWITCH, Power Window, 1 gang Mopar Alternative Switch
4		2							BEZEL, Switch, All the door switch bezels are serviced in door trim panels, (NOT SERVICED)
5	04602788AA V7700007AA	1	J, T		74				SWITCH, Mirror [GTN,GTS,GUD] Mopar Alternative Switch
	04602789AA V7700008AA	1	J, T		74				[GUQ,GUK] Mopar Alternative Switch
6	56040636AB	1	J, T	S	74				SWITCH, Seat 4 way
		1		X					4 way
		1	J, T		74				4 way
7	56049431AD	1		X					SWITCH, Seat [JPK] 8 way
		1	J, T	S	74				[JPK] 8 way
		1	J, T		74				8 way
	56049433AD	1	J, T		74				[JTB] 8 way
		1	J, T	X	74				[JTB] 8 way
8	5JF971D5AA	1	J, T	P	74				SWITCH, Memory Selector [D5]
	5JF971D1AA	1	J, T	P	74				[J1]
	5JF971J3AA	1	J, T	P	74				[J3]
9		1							SWITCH, Sunroof, Heat staked to Overhead Console, (NOT SERVICED),
10	56042450AB	1	J, T	H, P	74				SWITCH, Flipper Window

GRAND CHEROKEE (WK)

SERIES LINE
H = HIGHLINE T = JEEP - 2WD
P = PREMIUM J = JEEP - 4WD
S = SPORT
X = SPECIAL

BODY
74 = SPORT UTILITY 4-DR
TYPE #4

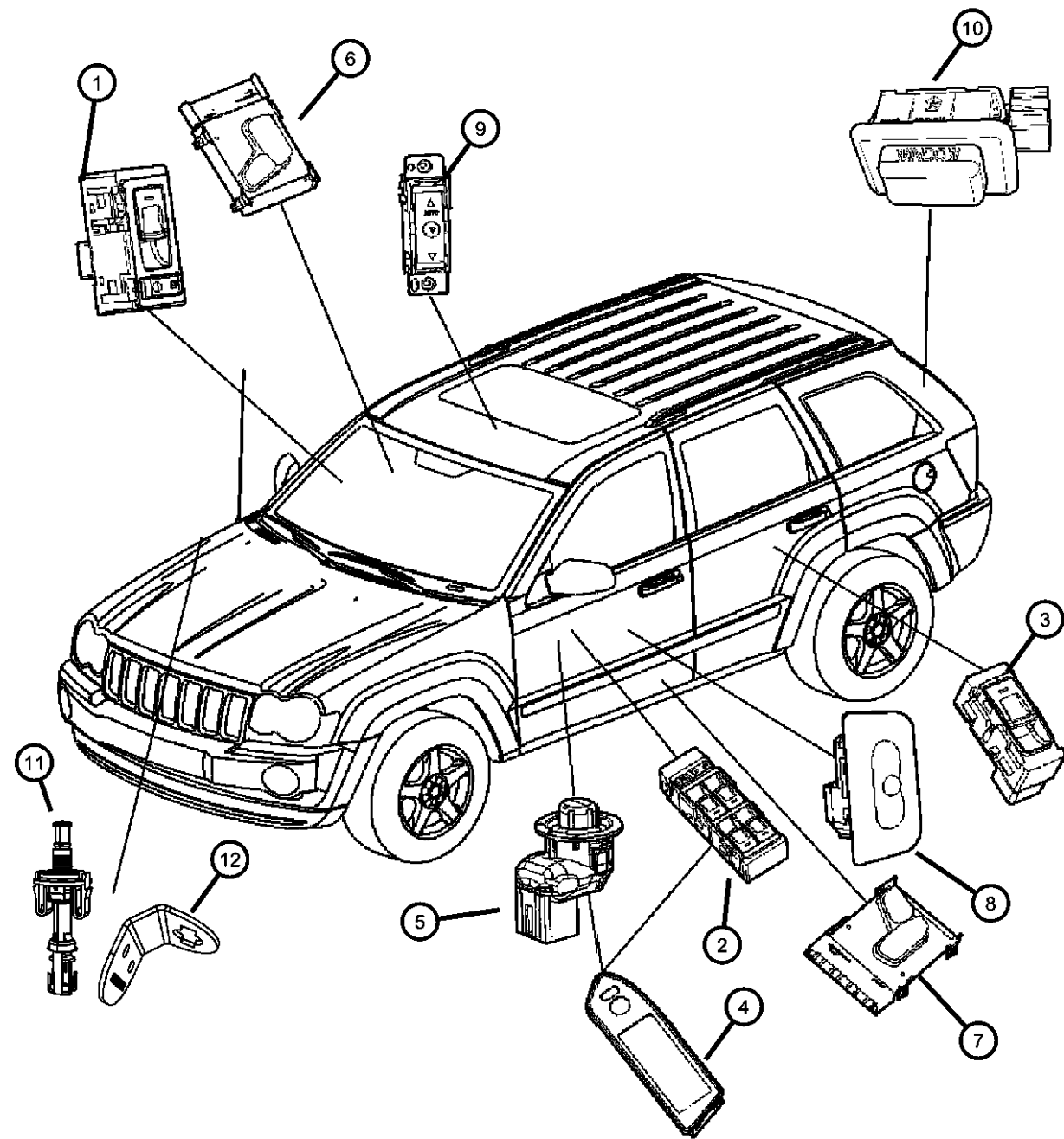
ENGINE
EVA = 4.7L V8 MPI Engine
EVD = 4.7L V8 FFV Engine
EXL = 3.0L V6 Turbo Diesel
Engine
EZB = 5.7L Hemi Multi
Displacement Engine
EKG = 3.7L V6 Engine
ESF = 6.1L SRT HEMI SMPI
V8 Engine

TRANSMISSION
DGJ = 5-Speed Auto W5A580
Transmission
DGQ = 5-Spd Automatic 545RFE
Transmission
DGU = 5-Spd Auto W5J400
Transmission

AR = use ase required - = Non illustrated part

2007 WK

Switches, (Body)
Figure 8-830



ITEM	PART NUMBER	QTY	LINE	SERIES	BODY	ENGINE	TRANS	TRIM	DESCRIPTION
11	05026211AA	1	J, T		74				SWITCH, Remote Starter
12	05026483AA	1	J, T		74				BRACKET, Hood Ajar Disarm Switch

GRAND CHEROKEE (WK)

SERIES LINE
H = HIGHLINE T = JEEP - 2WD
P = PREMIUM J = JEEP - 4WD
S = SPORT
X = SPECIAL

BODY
74 = SPORT UTILITY 4-DR
TYPE #4

ENGINE
EVA = 4.7L V8 MPI Engine
EVD = 4.7L V8 FFV Engine
EXL = 3.0L V6 Turbo Diesel
Engine
EZB = 5.7L Hemi Multi
Displacement Engine
EKG = 3.7L V6 Engine
ESF = 6.1L SRT HEMI SMPI
V8 Engine

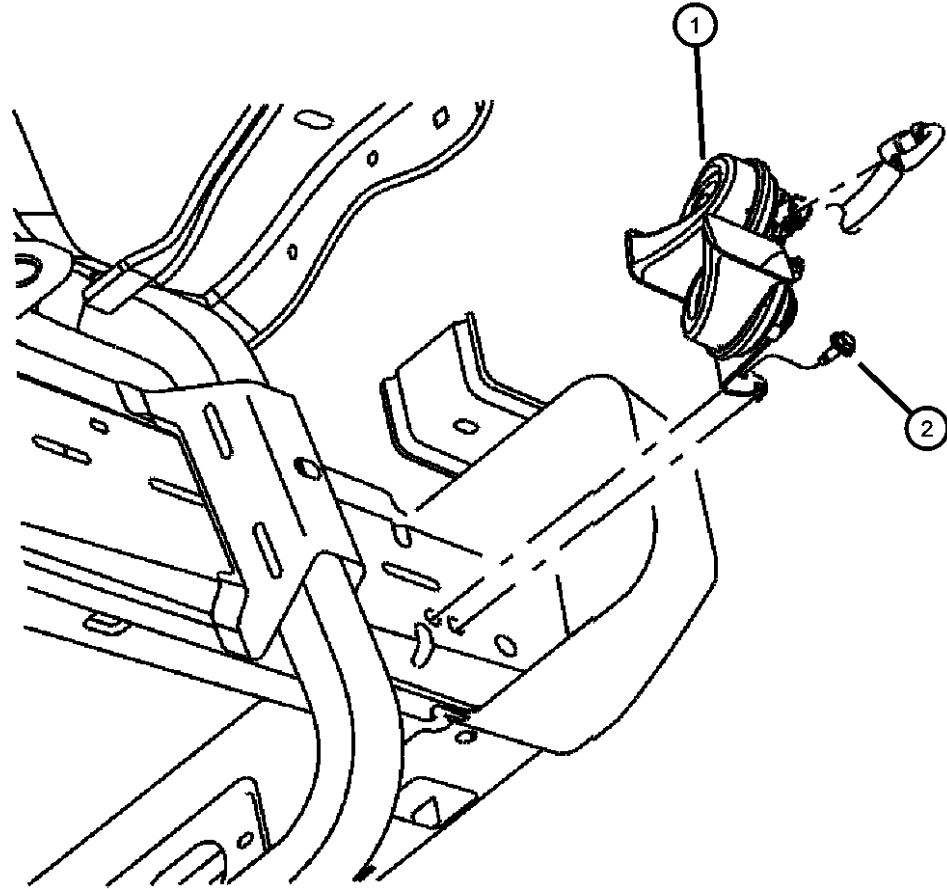
TRANSMISSION
DGJ = 5-Speed Auto W5A580
Transmission
DGQ = 5-Spd Automatic 545RFE
Transmission
DGU = 5-Spd Auto W5J400
Transmission

AR = use ase required - = Non illustrated part

2007 WK

Horns
Figure 8-905

ITEM	PART NUMBER	QTY	LINE	SERIES	BODY	ENGINE	TRANS	TRIM	DESCRIPTION
1	56050166AB	1	J, T		74				HORN AND BRACKET, Dual
2		1							SCREW AND WASHER, Hex Flange Head, M8x1.25x25, (NOT SERVICED)



GRAND CHEROKEE (WK)

SERIES LINE
H = HIGHLINE T = JEEP - 2WD
P = PREMIUM J = JEEP - 4WD
S = SPORT
X = SPECIAL

BODY
74 = SPORT UTILITY 4-DR
TYPE #4

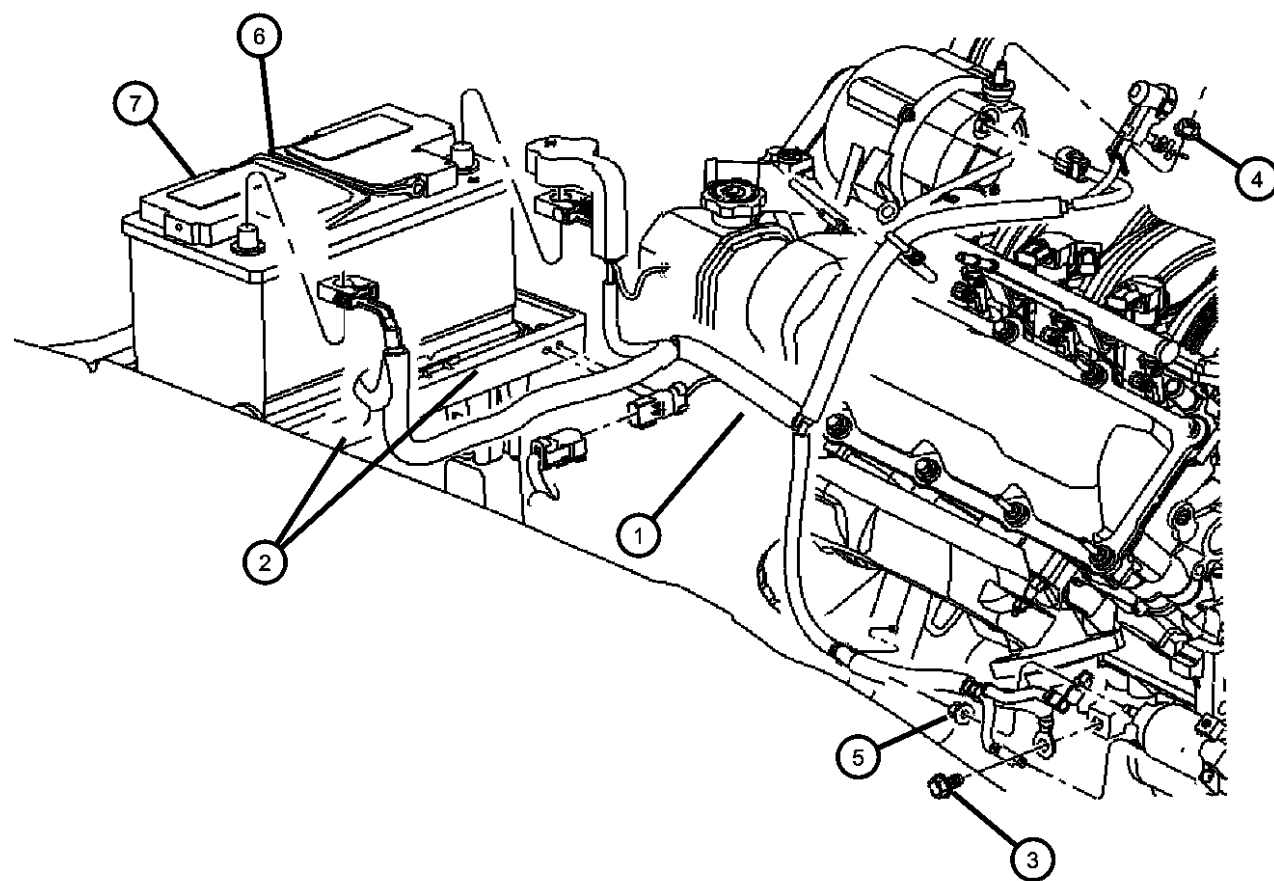
ENGINE
EVA = 4.7L V8 MPI Engine
EVD = 4.7L V8 FFV Engine
EXL = 3.0L V6 Turbo Diesel
Engine
EZB = 5.7L Hemi Multi
Displacement Engine
EKG = 3.7L V6 Engine
ESF = 6.1L SRT HEMI SMPI
V8 Engine

TRANSMISSION
DGJ = 5-Speed Auto W5A580
Transmission
DGQ = 5-Spd Automatic 545RFE
Transmission
DGU = 5-Spd Auto W5J400
Transmission

AR = use ase required - = Non illustrated part

2007 WK

Battery Tray & Wiring
Figure 8-1005



ITEM	PART NUMBER	QTY	LINE	SERIES	BODY	ENGINE	TRANS	TRIM	DESCRIPTION
1									WIRING, Alternator and Battery
	56047792AC	1	J, T		74	EVO			
	56044142AG	1	J, T		74	EX0			
	56047791AC	1	J, T		74	EK0			
2									SUPPORT, Battery
	55396428AE	1	J, T		74	EX0			
	55396408AD	1	J, T		74	EK0, EVO, EZO			
3	06101794	1	J, T		74	EK0, EVO			SCREW, Hex Head, M10x1.5x115
4	06506929AA	1	J, T		74	EK0, EVO, EX0, EZ0			NUT, Hex Flange Lock, M8x1.25
5	06506929AA	1	J, T		74				NUT, Hex Flange Lock, M8x1.25
6									BATTERY
	04606754AA	1	J, T		74	EX0			
	05170018AA	1	J, T		74				Japan
	05179563AA	1	J, T		74				
7									BATTERY, Storage
	BB94R750AA	1	J, T		74				
	BB049850AA	1	J, T		74	EX0			

GRAND CHEROKEE (WK)

SERIES LINE
H = HIGHLINE T = JEEP - 2WD
P = PREMIUM J = JEEP - 4WD
S = SPORT
X = SPECIAL

BODY
74 = SPORT UTILITY 4-DR
TYPE #4

ENGINE
EVA = 4.7L V8 MPI Engine
EVD = 4.7L V8 FFV Engine
EXL = 3.0L V6 Turbo Diesel
Engine
EZB = 5.7L Hemi Multi
Displacement Engine
EKG = 3.7L V6 Engine
ESF = 6.1L SRT HEMI SMPI
V8 Engine

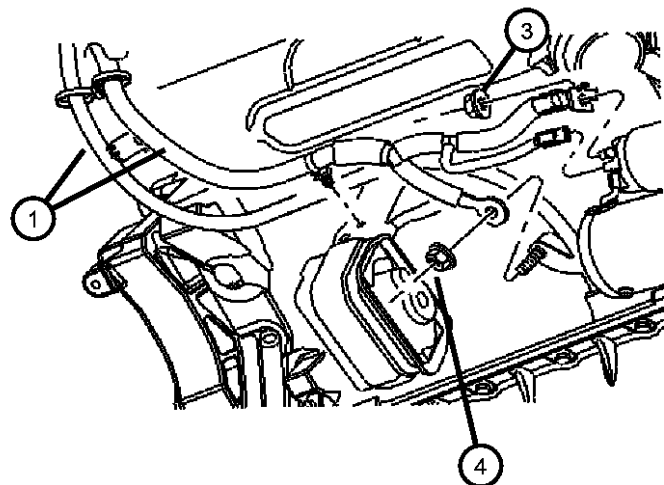
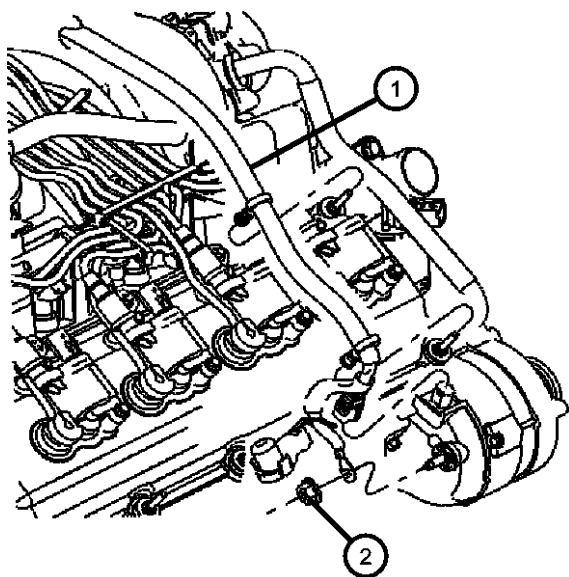
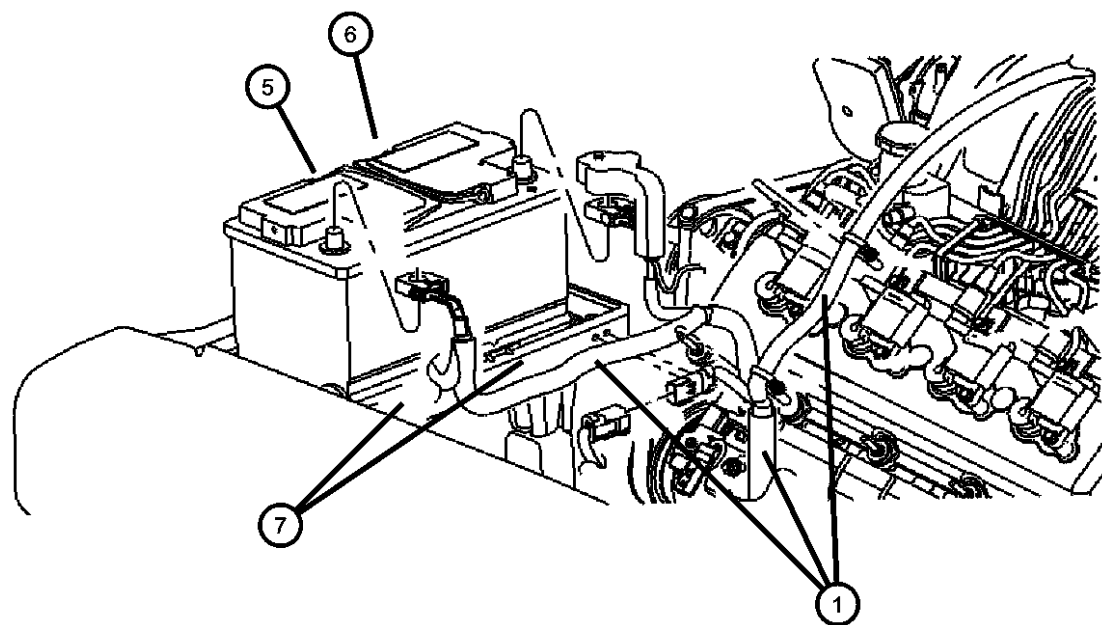
TRANSMISSION
DGJ = 5-Speed Auto W5A580
Transmission
DGQ = 5-Spd Automatic 545RFE
Transmission
DGU = 5-Spd Auto W5J400
Transmission

AR = use ase required - = Non illustrated part

2007 WK

**Battery Tray and Wiring [5.7L, 6.1L Engines]
Figure 8-1010**

ITEM	PART NUMBER	QTY	LINE	SERIES	BODY	ENGINE	TRANS	TRIM	DESCRIPTION
1	05029964AD	1	J, T	X	74	ESF			WIRING, Alternator and Battery
	56047793AC	1	J, T		74	EZO			
2	06506929AA	1	J, T		74	EK0, EV0, EX0, EZ0			NUT, Hex Flange Lock, M8x1.25
		1	J, T		74	ESF			
3	06506929AA	1	J, T		74				NUT, Hex Flange Lock, M8x1.25
4	06101968	1	J, T		74	EZO			NUT, M6x1.00
5									BATTERY
	05170018AA	1	J, T		74				Japan BATTERY, Storage [BCN]
	05179563AA	1	J, T		74				
6	BA094R730W	1	J, T		74				SUPPORT, Battery
	BB94R750AA	1	J, T		74				
7	55396408AE	1	J, T		74	EK0, ES0, EV0, EZ0			



GRAND CHEROKEE (WK)

SERIES LINE
H = HIGHLINE T = JEEP - 2WD
P = PREMIUM J = JEEP - 4WD
S = SPORT
X = SPECIAL

BODY
74 = SPORT UTILITY 4-DR
TYPE #4

ENGINE
EVA = 4.7L V8 MPI Engine
EVD = 4.7L V8 FFV Engine
EXL = 3.0L V6 Turbo Diesel
Engine
EZB = 5.7L Hemi Multi
Displacement Engine
EKG = 3.7L V6 Engine
ESF = 6.1L SRT HEMI SMPI
V8 Engine

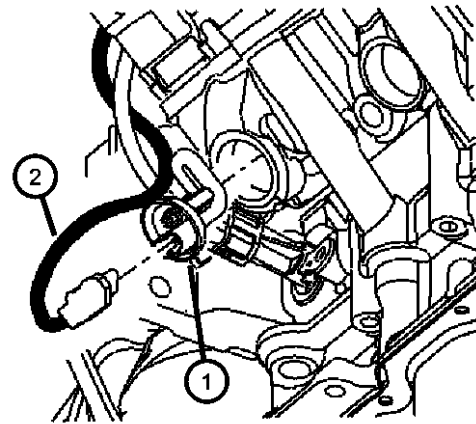
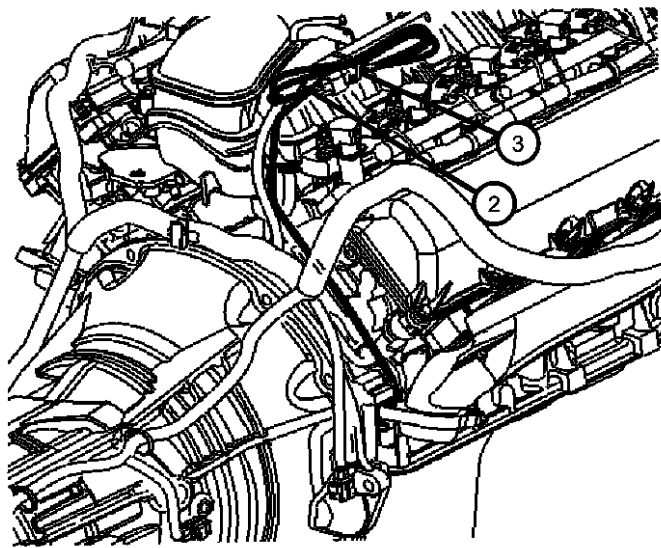
TRANSMISSION
DGJ = 5-Speed Auto W5A580
Transmission
DGQ = 5-Spd Automatic 545RFE
Transmission
DGU = 5-Spd Auto W5J400
Transmission

AR = use ase required - = Non illustrated part

2007 WK

**Block Heaters [3.7L and 4.7L Engines]
Figure 8-1015**

ITEM	PART NUMBER	QTY	LINE	SERIES	BODY	ENGINE	TRANS	TRIM	DESCRIPTION
1	56041304AB	1	J, T		74	EK0, EV0			HEATER, Engine
2	56027117	1	J, T		74	EK0, EV0			CORD, Engine Block Heater
3	05073039AA	1				EK0			STRAP, Tie



GRAND CHEROKEE (WK)

SERIES LINE
H = HIGHLINE T = JEEP - 2WD
P = PREMIUM J = JEEP - 4WD
S = SPORT
X = SPECIAL

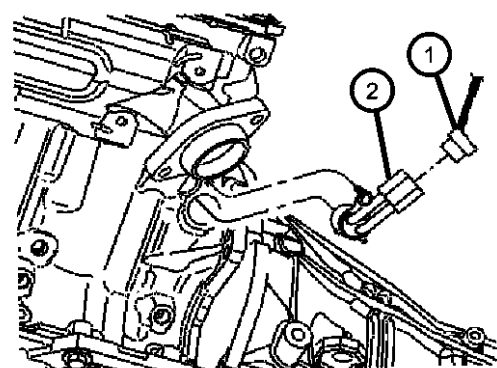
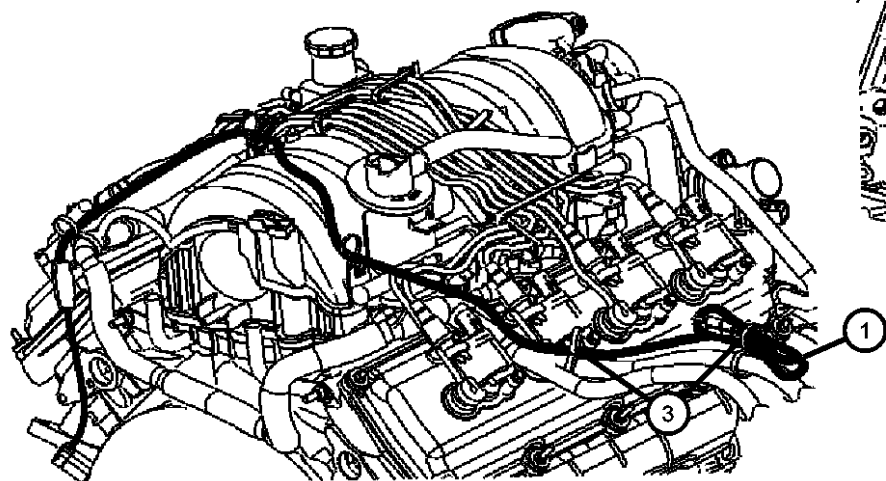
BODY
74 = SPORT UTILITY 4-DR
TYPE #4

ENGINE
EVA = 4.7L V8 MPI Engine
EVD = 4.7L V8 FFV Engine
EXL = 3.0L V6 Turbo Diesel
Engine
EZB = 5.7L Hemi Multi
Displacement Engine
EKG = 3.7L V6 Engine
ESF = 6.1L SRT HEMI SMPI
V8 Engine

TRANSMISSION
DGJ = 5-Speed Auto W5A580
Transmission
DGQ = 5-Spd Automatic 545RFE
Transmission
DGU = 5-Spd Auto W5J400
Transmission

**Block Heaters [5.7L Engine][6.1L Engine]
Figure 8-1020**

ITEM	PART NUMBER	QTY	LINE	SERIES	BODY	ENGINE	TRANS	TRIM	DESCRIPTION
1	56044577AB	1	J, T		74	ES0, EZ0			CORD, Engine Block Heater
2	05149022AA	1	J, T		74	EZ0			HEATER, Engine Block
	05149055AA	1	J, T		74	ESF			
3	56008876	1	J, T		74	ES0, EV0, EZ0			STRAP, Tie



GRAND CHEROKEE (WK)

SERIES LINE
H = HIGHLINE T = JEEP - 2WD
P = PREMIUM J = JEEP - 4WD
S = SPORT
X = SPECIAL

BODY
74 = SPORT UTILITY 4-DR
TYPE #4

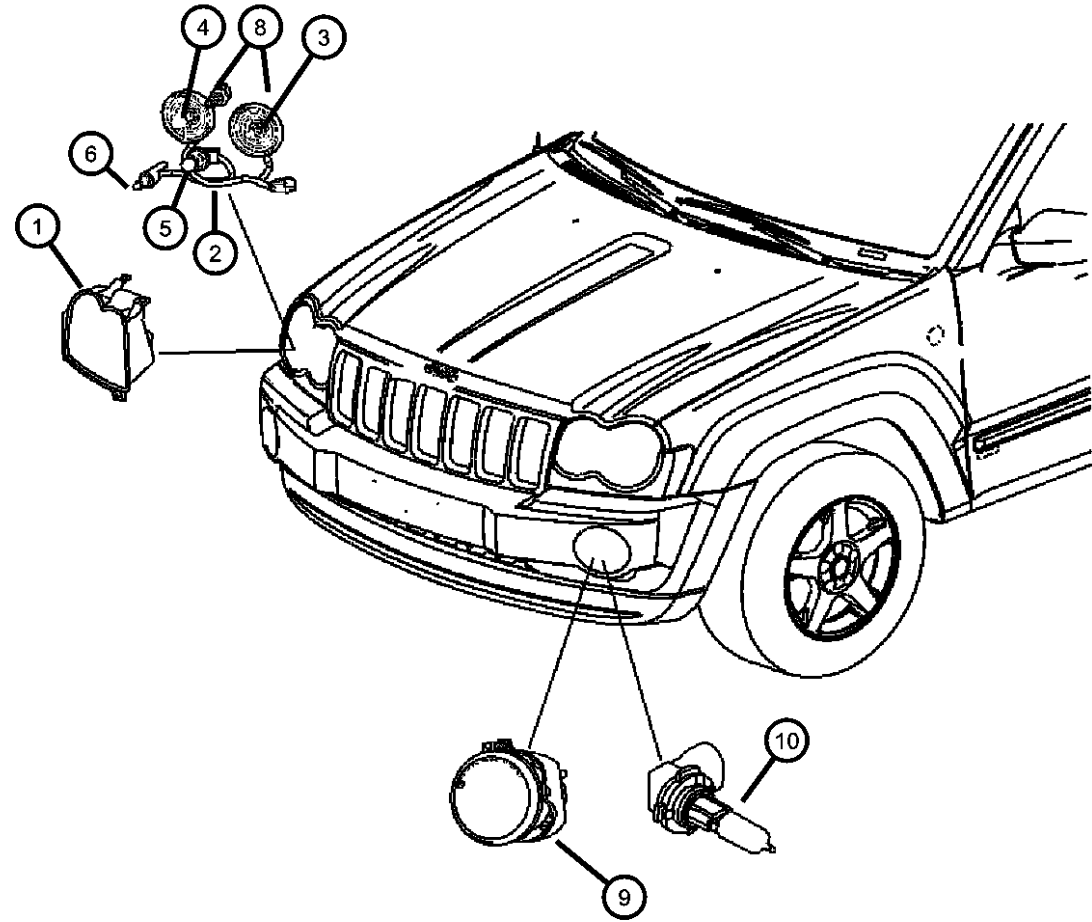
ENGINE
EVA = 4.7L V8 MPI Engine
EVD = 4.7L V8 FFV Engine
EXL = 3.0L V6 Turbo Diesel
Engine
EZB = 5.7L Hemi Multi
Displacement Engine
EKG = 3.7L V6 Engine
ESF = 6.1L SRT HEMI SMPI
V8 Engine

TRANSMISSION
DGJ = 5-Speed Auto W5A580
Transmission
DGQ = 5-Spd Automatic 545RFE
Transmission
DGU = 5-Spd Auto W5J400
Transmission

AR = use ase required - = Non illustrated part

2007 WK

Lamp - Front End
Figure 8-1110



ITEM	PART NUMBER	QTY	LINE	SERIES	BODY	ENGINE	TRANS	TRIM	DESCRIPTION
1	55156351AJ LBK15009	1	J, T		74				LAMP, Headlamp Park And Turn Includes bulbs and wiring, Left Light Bulb Kit (Assorted Bulbs and Fuses)
	55156350AJ LBK15009	1	J, T		74				Includes bulbs and wiring, Right Light Bulb Kit (Assorted Bulbs and Fuses)
2	05143153AA	1	J, T		74				WIRING, Headlamp
3	L0009005 P0009005EB	1	J, T		74				BULB, Headlamp, High beam SilverStar
4	L0009006 P0009006EB	1	J, T		74				BULB, Headlamp, Low beam SilverStar
5	L0003157AK	1	J, T		74				BULB, 3157 NAK
6	L0000194	1							BULB, 194
-7	05139055AA	1	J, T		74				VENT, Headlamp
8	05143152AA	1	J, T		74				BOOT, Headlamp
9	04805859AA	2	J, T	S	74				LAMP, Fog
		2	J, T	X	74				
		2	J, T	H, P	74				
10	L0009145	1	J, T	H, P	74				BULB, Fog Lamp, 50 Watt
		1	J, T	S	74				
		1	J, T	X	74				
-11	06506579AA	4	J, T	X	74				SCREW, Fog Lamp
		4	J, T	H, P	74				
		4	J, T	S	74				
-12	06508072AA	6	J, T		74				NUT, Headlamp to body
-13	06508237AA	6	J, T		74				SCREW, Headlamp to body

GRAND CHEROKEE (WK)

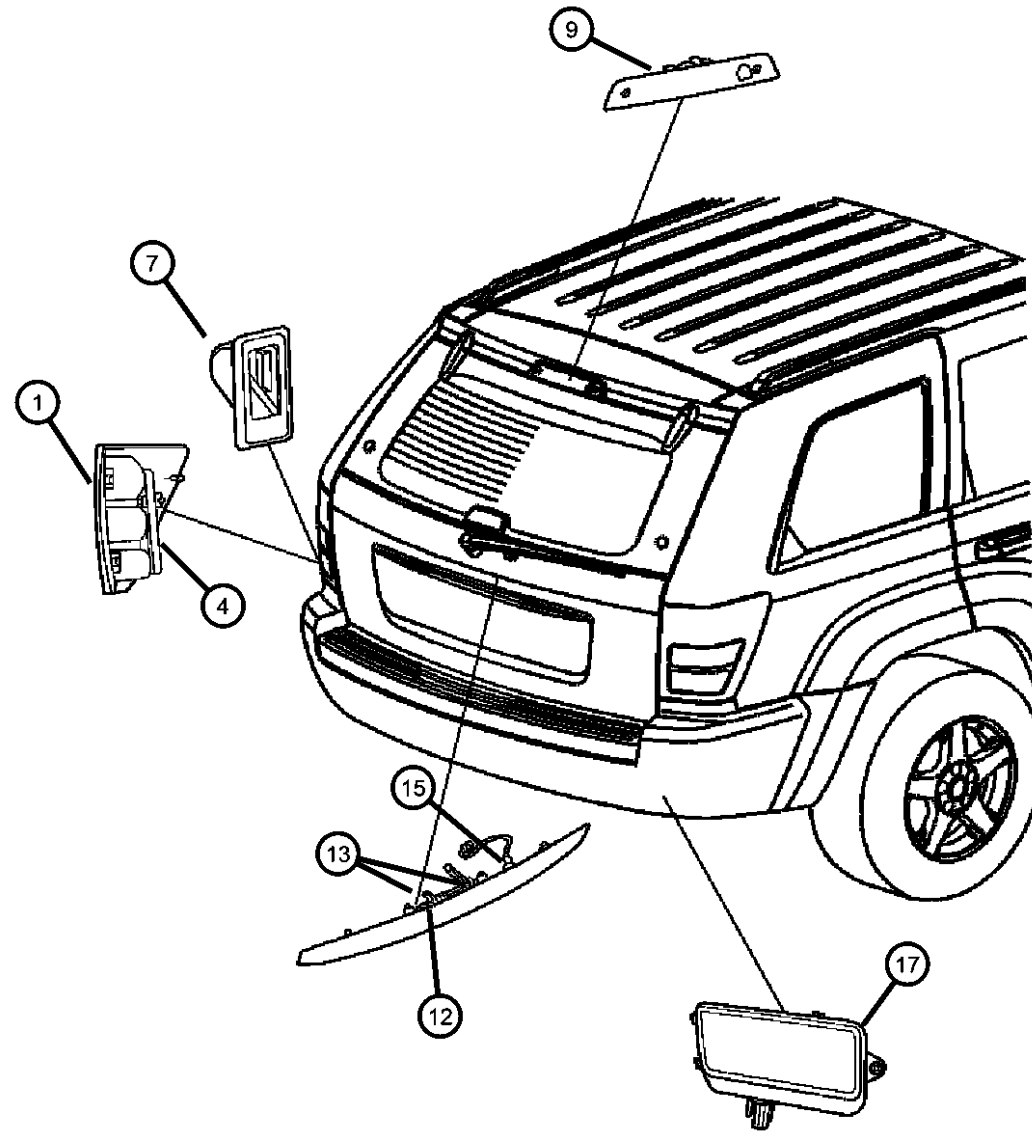
SERIES LINE
H = HIGHLINE T = JEEP - 2WD
P = PREMIUM J = JEEP - 4WD
S = SPORT
X = SPECIAL

BODY
74 = SPORT UTILITY 4-DR
TYPE #4

ENGINE
EVA = 4.7L V8 MPI Engine
EVD = 4.7L V8 FFV Engine
EXL = 3.0L V6 Turbo Diesel
Engine
EZB = 5.7L Hemi Multi
Displacement Engine
EKG = 3.7L V6 Engine
ESF = 6.1L SRT HEMI SMPI
V8 Engine

TRANSMISSION
DGJ = 5-Speed Auto W5A580
Transmission
DGQ = 5-Spd Automatic 545RFE
Transmission
DGU = 5-Spd Auto W5J400
Transmission

Lamp - Rear End
Figure 8-1120



ITEM	PART NUMBER	QTY	LINE	SERIES	BODY	ENGINE	TRANS	TRIM	DESCRIPTION
1									LAMP, Tail Stop Turn Sidemarker
	55079012AA	1	J, T		74				Right
	55079013AA	1	J, T		74				Left
-2	L0003157	1	J, T		74				BULB, 3157
-3	L000921E	1	J, T		74				BULB, 921
	P000921STS								SilverStar
4	04857378AA	1	J, T		74				SOCKET
-5	68004162AA	1	J, T		74				SOCKET, Tail, Stop, and Turn Lamp
-6		1							SCREW, Tapping, .19-16x.75, (NOT SERVICED)
7	55156879AB	4	J, T		74				GROMMET, Lamp
-8	06503598	4	J, T		74				PIN, Push, M8x21, Tail lamp attaching
9	55156389AF	1	J, T		74				LAMP, Center High Mounted Stop
-10	06104635AB	2	J, T		74				SCREW, CHMSL attaching
-11	06035211	2	J, T		74				NUT, Snap In, CHMSL attaching
12									HANDLE, Liftgate
	05166876AA	1	J, T	H, P	74				[MNN]
	1FN57CD-MAA	1	J, T	H, P	74				[DM][MNN,XAC]
	1FN57DB-MAA	1	J, T	H, P	74				[BM][MNN,XAC]
	1FN57DX8AA	1	J, T	H, P	74				[X8][MNN,XAC]
	1FN57EDAAA	1	J, T	H, P	74				[DA][MNN,XAC]
	1FN57EEMAA	1	J, T	H, P	74				[EM][MNN,XAC]
	1FN57EGJAA	1	J, T	H, P	74				[GJ][MNN,XAC]
	1FN57SW1AA	1	J, T	H, P	74				[W1][MNN,XAC]
	1FN57WS-BAA	1	J, T	H, P	74				[SB][MNN,XAC]
	55157359AA	1	J, T	S	74				[MNL]
	5HU81CD-MAE	1	J, T	H, P	74				[DM][MNN]
	5HU81DB-MAE	1	J, T	H, P	74				[BM][MNN]
	5HU81DX8AE	1	J, T	H, P	74				[X8][MNN]
	5HU81EDAAE	1	J, T	H, P	74				[DA][MNN]

GRAND CHEROKEE (WK)

SERIES LINE
H = HIGHLINE T = JEEP - 2WD
P = PREMIUM J = JEEP - 4WD
S = SPORT
X = SPECIAL

BODY
74 = SPORT UTILITY 4-DR TYPE #4

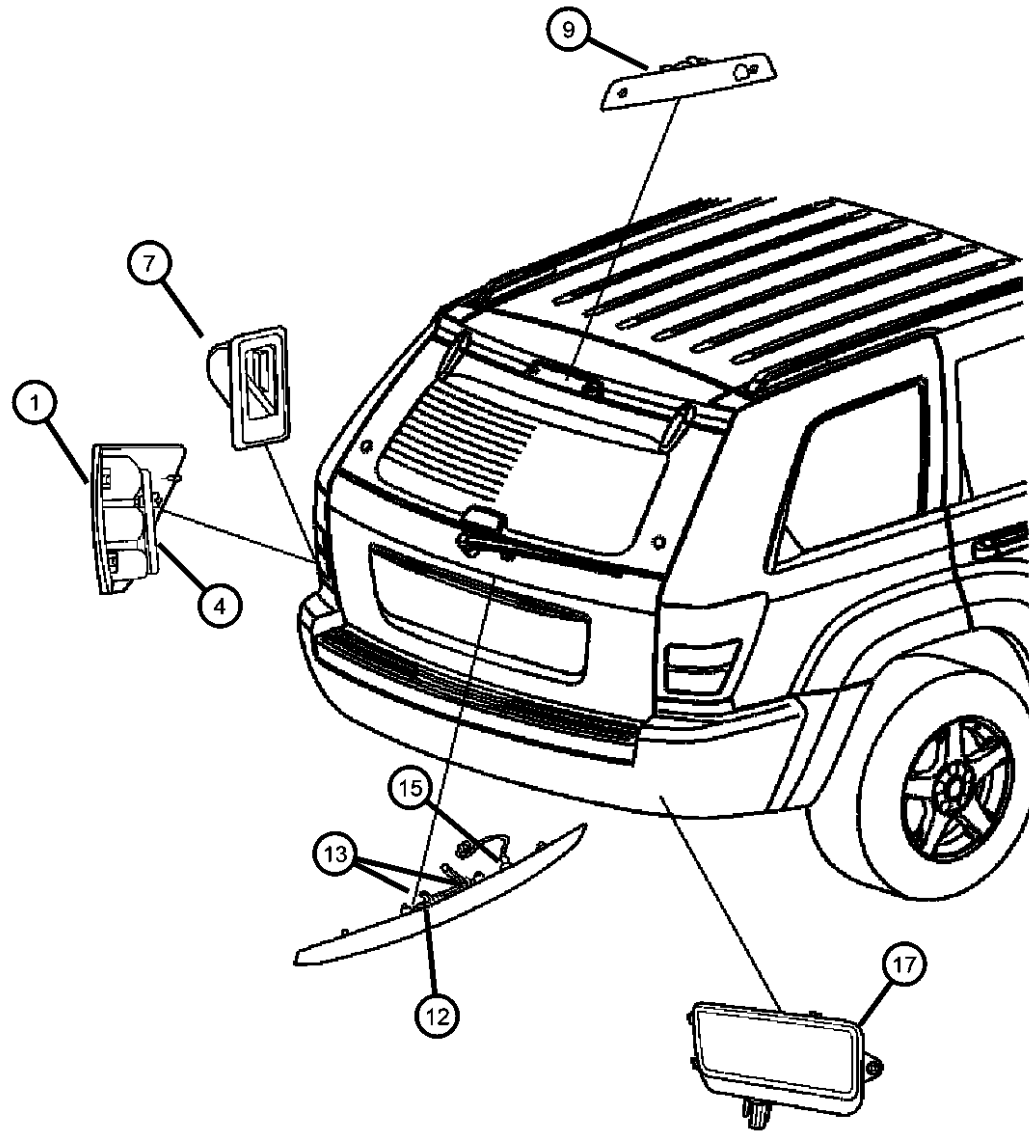
ENGINE
EVA = 4.7L V8 MPI Engine
EVD = 4.7L V8 FFV Engine
EXL = 3.0L V6 Turbo Diesel Engine
EZB = 5.7L Hemi Multi Displacement Engine
EKG = 3.7L V6 Engine
ESF = 6.1L SRT HEMI SMPI V8 Engine

TRANSMISSION
DGJ = 5-Speed Auto W5A580 Transmission
DGQ = 5-Spd Automatic 545RFE Transmission
DGU = 5-Spd Auto W5J400 Transmission

AR = use ase required - = Non illustrated part

2007 WK

Lamp - Rear End
Figure 8-1120



ITEM	PART NUMBER	QTY	LINE	SERIES	BODY	ENGINE	TRANS	TRIM	DESCRIPTION
	5HU81EEMAE	1	J, T	H, P	74				[EM][MNN]
	5HU81EGJAE	1	J, T	H, P	74				[GJ][MNN]
	5HU81SW1AE	1	J, T	H, P	74				[W1][MNN]
	5HU81WS-BAE	1	J, T	H, P	74				[SB][MNN]
	68003271AA	1	J, T	S	74				[MNL,XAC]
13									LENS, License Lamp
	05166874AA	1	J, T	H, P	74				Right
	05166875AA	1	J, T	H, P	74				Left
-14	05183039AA	1	J, T	H, P	74				WIRING, License Lamp
15	56042450AB	1	J, T	H, P	74				SWITCH, Flipper Window
-16	L0000168	1	J, T	H, P	74				BULB, 168
17									LAMP, Rear Fog
	55156102AA	1	J, T	X	74				Right
	55156103AA	1	J, T	X	74				Left

GRAND CHEROKEE (WK)

SERIES LINE
H = HIGHLINE T = JEEP - 2WD
P = PREMIUM J = JEEP - 4WD
S = SPORT
X = SPECIAL

BODY
74 = SPORT UTILITY 4-DR
TYPE #4

ENGINE
EVA = 4.7L V8 MPI Engine
EVD = 4.7L V8 FFV Engine
EXL = 3.0L V6 Turbo Diesel
Engine
EZB = 5.7L Hemi Multi
Displacement Engine
EKG = 3.7L V6 Engine
ESF = 6.1L SRT HEMI SMPI
V8 Engine

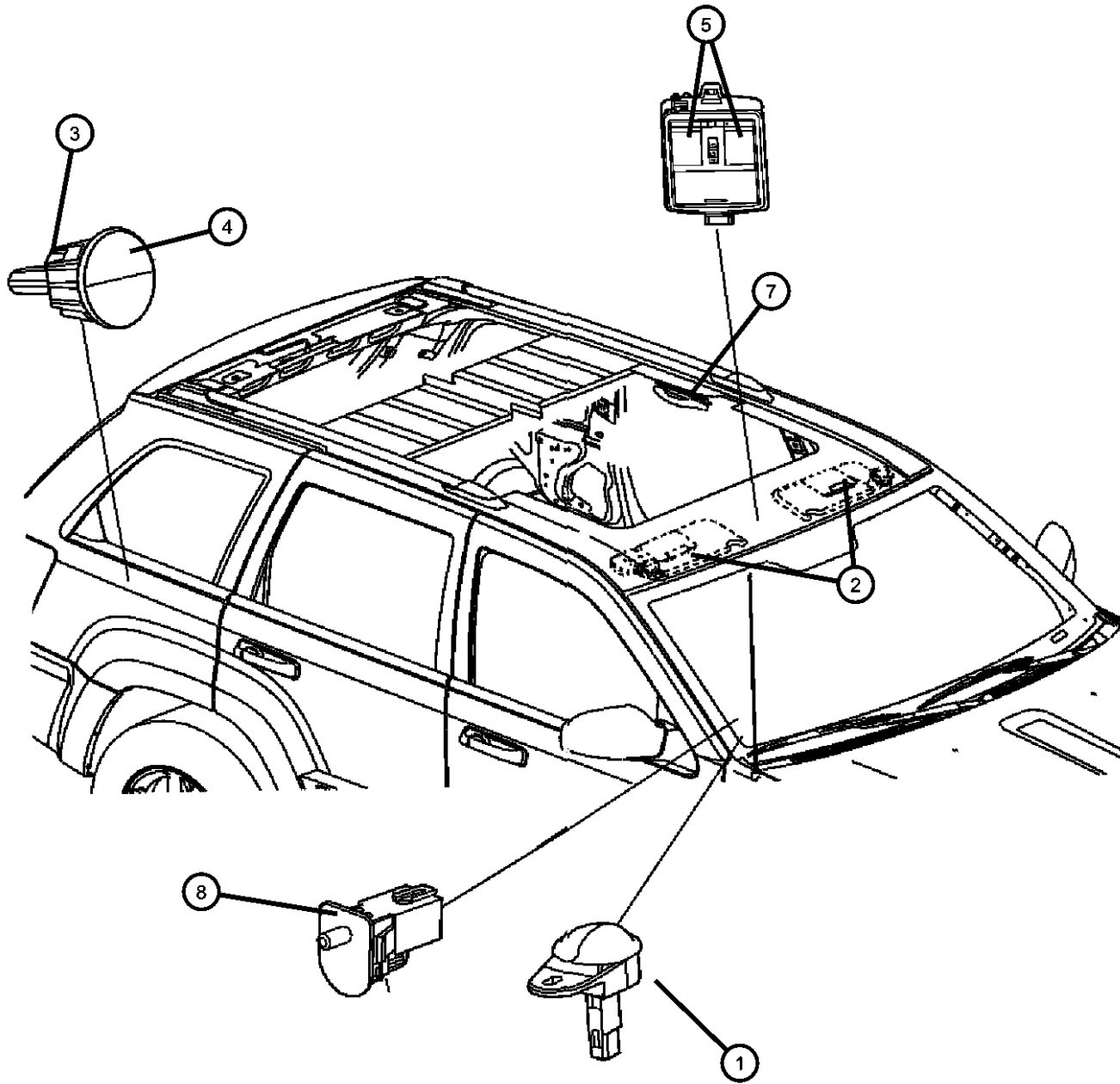
TRANSMISSION
DGJ = 5-Speed Auto W5A580
Transmission
DGQ = 5-Spd Automatic 545RFE
Transmission
DGU = 5-Spd Auto W5J400
Transmission

AR = use ase required - = Non illustrated part

2007 WK

Lamp - Courtesy - Dome - Reading
Figure 8-1130

ITEM	PART NUMBER	QTY	LINE	SERIES	BODY	ENGINE	TRANS	TRIM	DESCRIPTION
1	56042559AA	2	J, T		74				LAMP, Courtesy
2	05139210AA	1							LENS, Illuminated Visor
3	05023881AA	1	J, T		74				LAMP, Cargo
4	05018023AA	1	J, T		74				LENS, Cargo Lamp
5									LENS
	05137526AA	1	J, T		74				Right
	05137527AA	1	J, T		74				Left
-6	05137535AA	2							SWITCH, Map Light
7									LENS
	05137528AA	1	J, T		74				Lamp serviced in handle, Right, Grab Handle
	05137529AA	1	J, T		74				Lamp serviced in handle, Left, Grab Handle
8	04565022	1							SWITCH AND LAMP, Glove Box



GRAND CHEROKEE (WK)

SERIES LINE
H = HIGHLINE T = JEEP - 2WD
P = PREMIUM J = JEEP - 4WD
S = SPORT
X = SPECIAL

BODY
74 = SPORT UTILITY 4-DR
TYPE #4

ENGINE
EVA = 4.7L V8 MPI Engine
EVD = 4.7L V8 FFV Engine
EXL = 3.0L V6 Turbo Diesel
Engine
EZB = 5.7L Hemi Multi
Displacement Engine
EKG = 3.7L V6 Engine
ESF = 6.1L SRT HEMI SMPI
V8 Engine

TRANSMISSION
DGJ = 5-Speed Auto W5A580
Transmission
DGQ = 5-Spd Automatic 545RFE
Transmission
DGU = 5-Spd Auto W5J400
Transmission

AR = use ase required - = Non illustrated part

2007 WK

Bulbs
Figure 8-1140

ITEM	PART NUMBER	QTY	LINE	SERIES	BODY	ENGINE	TRANS	TRIM	DESCRIPTION
1	L0003157	1	J, T		74				BULB, 3157
2	L0009145	1	J, T	X	74				BULB, Fog Lamp, 50 Watt
3	L0000194	1							BULB, 194
4	L0003157AK	1							BULB, 3157 NAK
5	L0009005	1	J, T		74				BULB, Headlamp, High beam
	P0009005EB								SilverStar
6	L0000168	1	J, T	H, P	74				BULB, 168
7	L0009006	1	J, T		74				BULB, Headlamp, Low beam
	P0009006EB								SilverStar
8	L0000578	2							BULB, 578
9	L002825W5W	1	J, T		74				BULB, W10/5
10	L0000906	2	J, T		74				BULB, 906
11	L0000579	1	J, T		74				BULB, 579
12	06501966	1	J, T		74				BULB, Sunvisor
13	L0007506	1	J, T	X	74				BULB, P25-1
	P007506STS								SilverStar

EXTERIOR LAMPS

CAUTION: Do not use bulbs other than the bulbs listed in the Bulb Application Table. Damage to lamp can result. Do not touch halogen bulbs with fingers or other oily surfaces. Bulb life will be reduced.

LAMP	BULB TYPE
BACK-UP	3157A (1)
FOG LAMP	9145 (2) (13)
FRONT PARK LAMP	194NA (3)
FRONT SIDE MARKER	194NA (3)
FRONT TURN SIGNAL	3157A (4)
HIGH BEAM	9005 (5)
LICENSE PLATE	168 (6)
LOW BEAM	9006 (7)
TAIL/STOP	3157A (1)
REAR TURN SIGNAL	3157A (1)
LAMP	BULB TYPE
GLOVE COMPARTMENT	194 (3)
OVERHEAD CONSOLE	VT4976 (8)
PASSENGER ASSIST HANDLE	L002825W5W (9)
REAR CARGO	214-2 (11)
UNDER PANEL COURTESY	906 (10)
VANITY MIRROR	V26377 (12)

GRAND CHEROKEE (WK)

SERIES LINE
H = HIGHLINE T = JEEP - 2WD
P = PREMIUM J = JEEP - 4WD
S = SPORT
X = SPECIAL

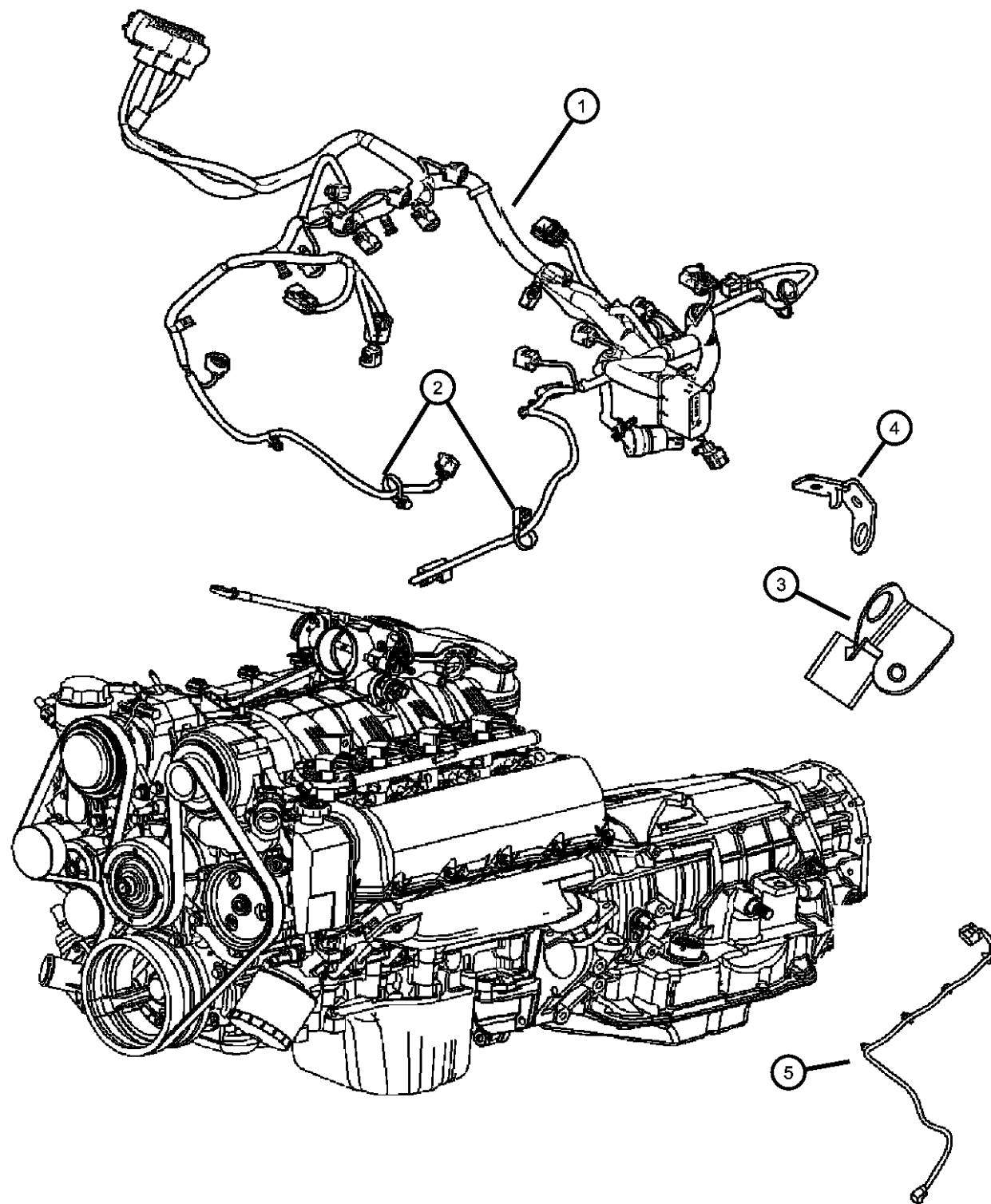
BODY
74 = SPORT UTILITY 4-DR
TYPE #4

ENGINE
EVA = 4.7L V8 MPI Engine
EVD = 4.7L V8 FFV Engine
EXL = 3.0L V6 Turbo Diesel
Engine
EZB = 5.7L Hemi Multi
Displacement Engine
EKG = 3.7L V6 Engine
ESF = 6.1L SRT HEMI SMPI
V8 Engine

TRANSMISSION
DGJ = 5-Speed Auto W5A580
Transmission
DGQ = 5-Spd Automatic 545RFE
Transmission
DGU = 5-Spd Auto W5J400
Transmission

Wiring - Engine [3.7L and 4.7L Engine]
Figure 8-1205

ITEM	PART NUMBER	QTY	LINE	SERIES	BODY	ENGINE	TRANS	TRIM	DESCRIPTION
1									WIRING, Injector
	04801421AB	1	J, T		74	EVO			
	04801423AC	1	J, T		74	EKO			
2	05073039AA	1				EKO			STRAP, Tie
3	06034839	1	J, T		74	ES0, EVO, EZ0			CLIP, Transmission Wiring
4		1							CLIP, Housing, (NOT REQUIRED)
5	56048637AA	1	J, T		74				WIRING, Cradle



GRAND CHEROKEE (WK)

SERIES LINE
H = HIGHLINE T = JEEP - 2WD
P = PREMIUM J = JEEP - 4WD
S = SPORT
X = SPECIAL

BODY
74 = SPORT UTILITY 4-DR
TYPE #4

ENGINE
EVA = 4.7L V8 MPI Engine
EVD = 4.7L V8 FFV Engine
EXL = 3.0L V6 Turbo Diesel
Engine
EZB = 5.7L Hemi Multi
Displacement Engine
EKG = 3.7L V6 Engine
ESF = 6.1L SRT HEMI SMPI
V8 Engine

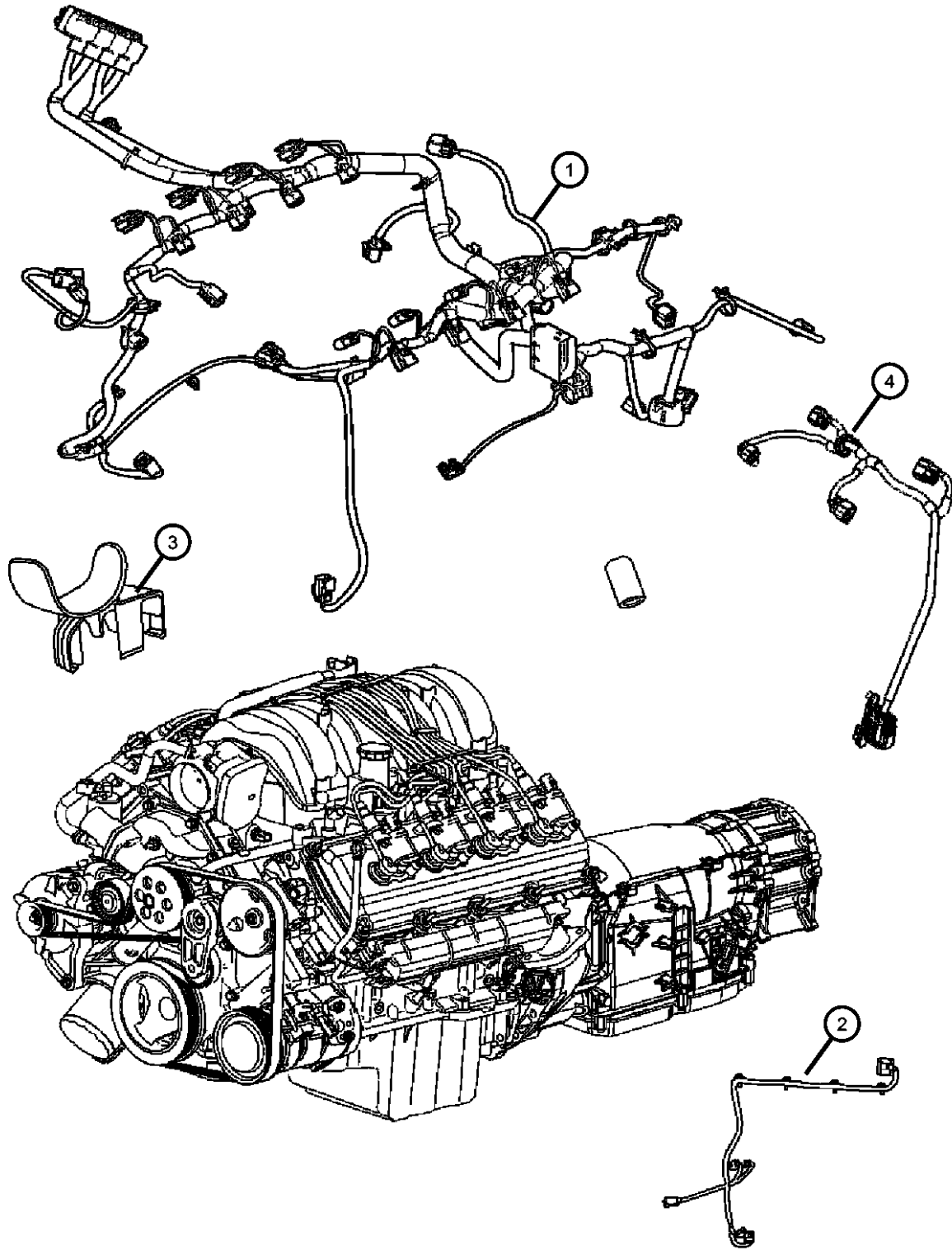
TRANSMISSION
DGJ = 5-Speed Auto W5A580
Transmission
DGQ = 5-Spd Automatic 545RFE
Transmission
DGU = 5-Spd Auto W5J400
Transmission

AR = use ase required - = Non illustrated part

2007 WK

**Wiring Engine [5.7L, 6.1L Engines]
Figure 8-1210**

ITEM	PART NUMBER	QTY	LINE	SERIES	BODY	ENGINE	TRANS	TRIM	DESCRIPTION
1	04801422AB	1	J, T		74	EZ0			WIRING, Injector
	04854660AB	1	J, T	X	74	ESF			
2	56048637AA	1	J, T		74				WIRING, Cradle
3	04801474AA	2				EZ0			TROUGH, Snaps over coils 5 and 6 to hold engine wiring up off the coils
4	56045793AC	1	J, T		74	EZ0			LINK, Jumper



GRAND CHEROKEE (WK)

SERIES LINE
H = HIGHLINE T = JEEP - 2WD
P = PREMIUM J = JEEP - 4WD
S = SPORT
X = SPECIAL

BODY
74 = SPORT UTILITY 4-DR
TYPE #4

ENGINE
EVA = 4.7L V8 MPI Engine
EVD = 4.7L V8 FFV Engine
EXL = 3.0L V6 Turbo Diesel
Engine
EZB = 5.7L Hemi Multi
Displacement Engine
EKG = 3.7L V6 Engine
ESF = 6.1L SRT HEMI SMPI
V8 Engine

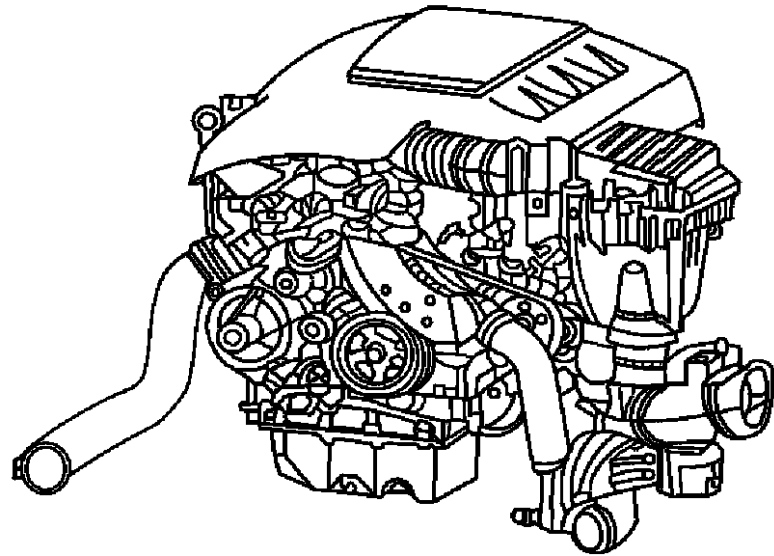
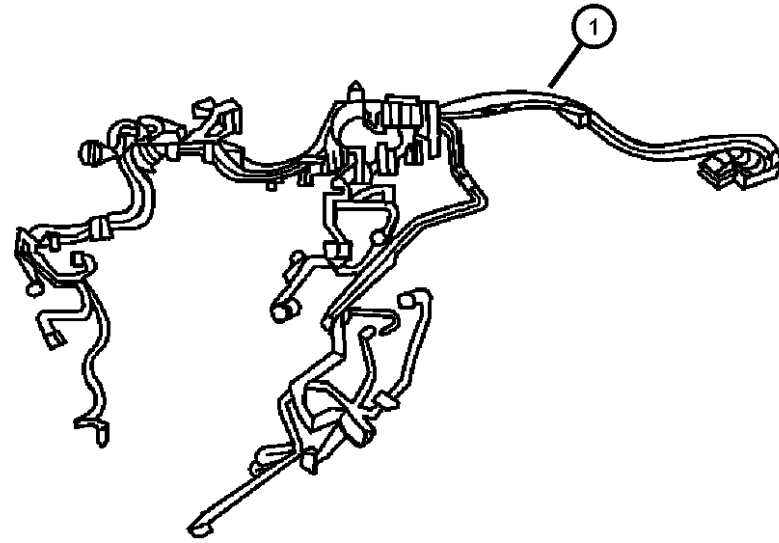
TRANSMISSION
DGJ = 5-Speed Auto W5A580
Transmission
DGQ = 5-Spd Automatic 545RFE
Transmission
DGU = 5-Spd Auto W5J400
Transmission

AR = use ase required - = Non illustrated part

2007 WK

Wiring Engine
Figure 8-1220

ITEM	PART NUMBER	QTY	LINE	SERIES	BODY	ENGINE	TRANS	TRIM	DESCRIPTION
1	68019725AA	1	J, T		74	EXL			WIRING, Engine



GRAND CHEROKEE (WK)

SERIES LINE
H = HIGHLINE T = JEEP - 2WD
P = PREMIUM J = JEEP - 4WD
S = SPORT
X = SPECIAL

BODY
74 = SPORT UTILITY 4-DR
TYPE #4

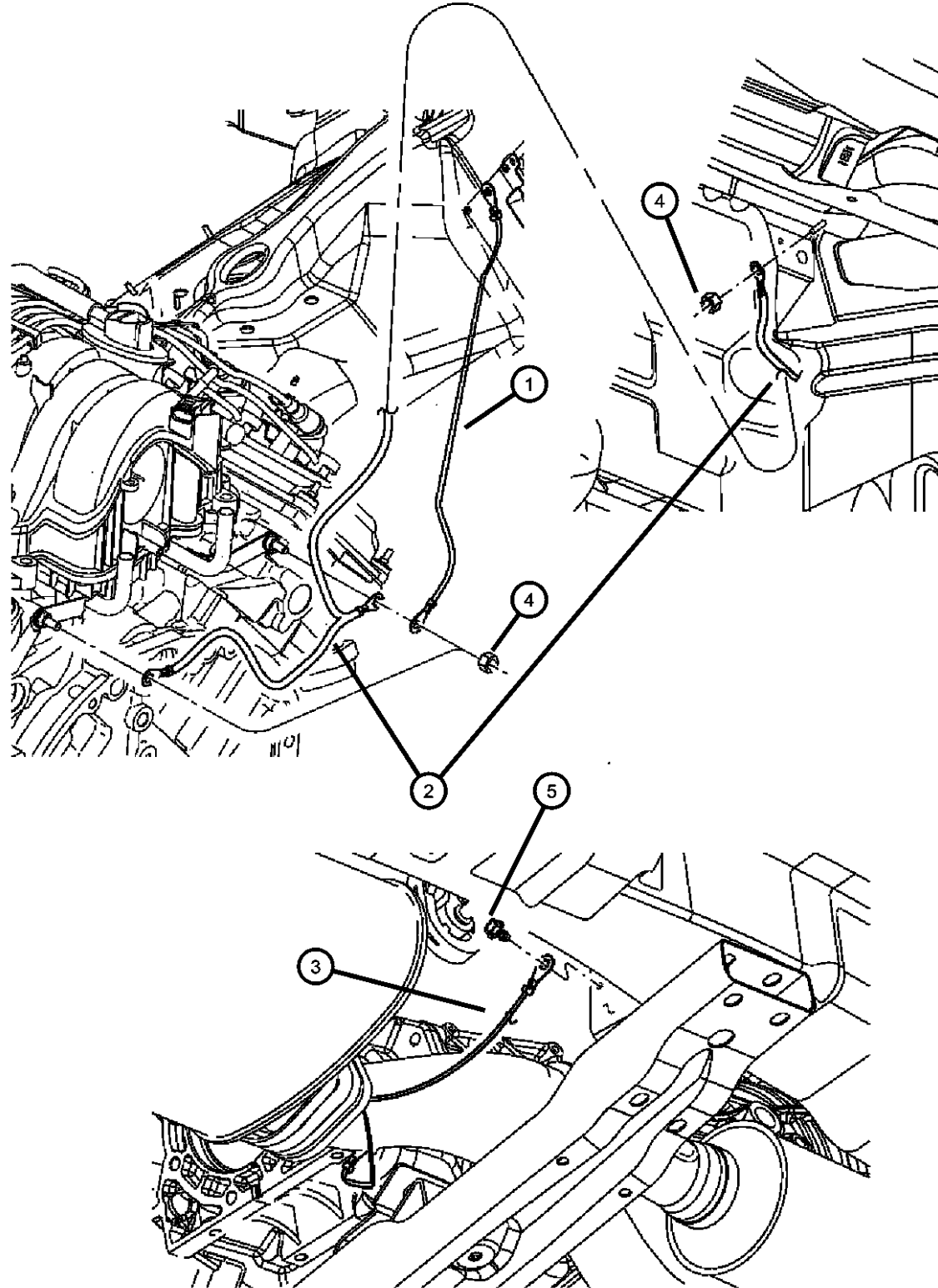
ENGINE
EVA = 4.7L V8 MPI Engine
EVD = 4.7L V8 FFV Engine
EXL = 3.0L V6 Turbo Diesel
Engine
EZB = 5.7L Hemi Multi
Displacement Engine
EKG = 3.7L V6 Engine
ESF = 6.1L SRT HEMI SMPI
V8 Engine

TRANSMISSION
DGJ = 5-Speed Auto W5A580
Transmission
DGQ = 5-Spd Automatic 545RFE
Transmission
DGU = 5-Spd Auto W5J400
Transmission

AR = use ase required - = Non illustrated part

2007 WK

**Ground Straps
Figure 8-1225**



ITEM	PART NUMBER	QTY	LINE	SERIES	BODY	ENGINE	TRANS	TRIM	DESCRIPTION
1	56038680AA	1	J, T		74	EK0, ES0, EV0, EZ0			STRAP, Ground, Engine to plenum
2	56038682AD	1	J, T		74	EK0, ES0, EV0, EZ0			STRAP, Ground, NGC to Engine
3	56038740AE	1	J		74	EK0, ES0, EV0, EZ0			STRAP, Ground, Exhaust
4	06101802	2	J, T		74	EZ0			NUT, Ground strap to cylinder head
5		2							SCREW, Hex Flange Head, M6x1.00x25.00, (NOT SERVICED)

GRAND CHEROKEE (WK)

SERIES LINE
H = HIGHLINE T = JEEP - 2WD
P = PREMIUM J = JEEP - 4WD
S = SPORT
X = SPECIAL

BODY
74 = SPORT UTILITY 4-DR
TYPE #4

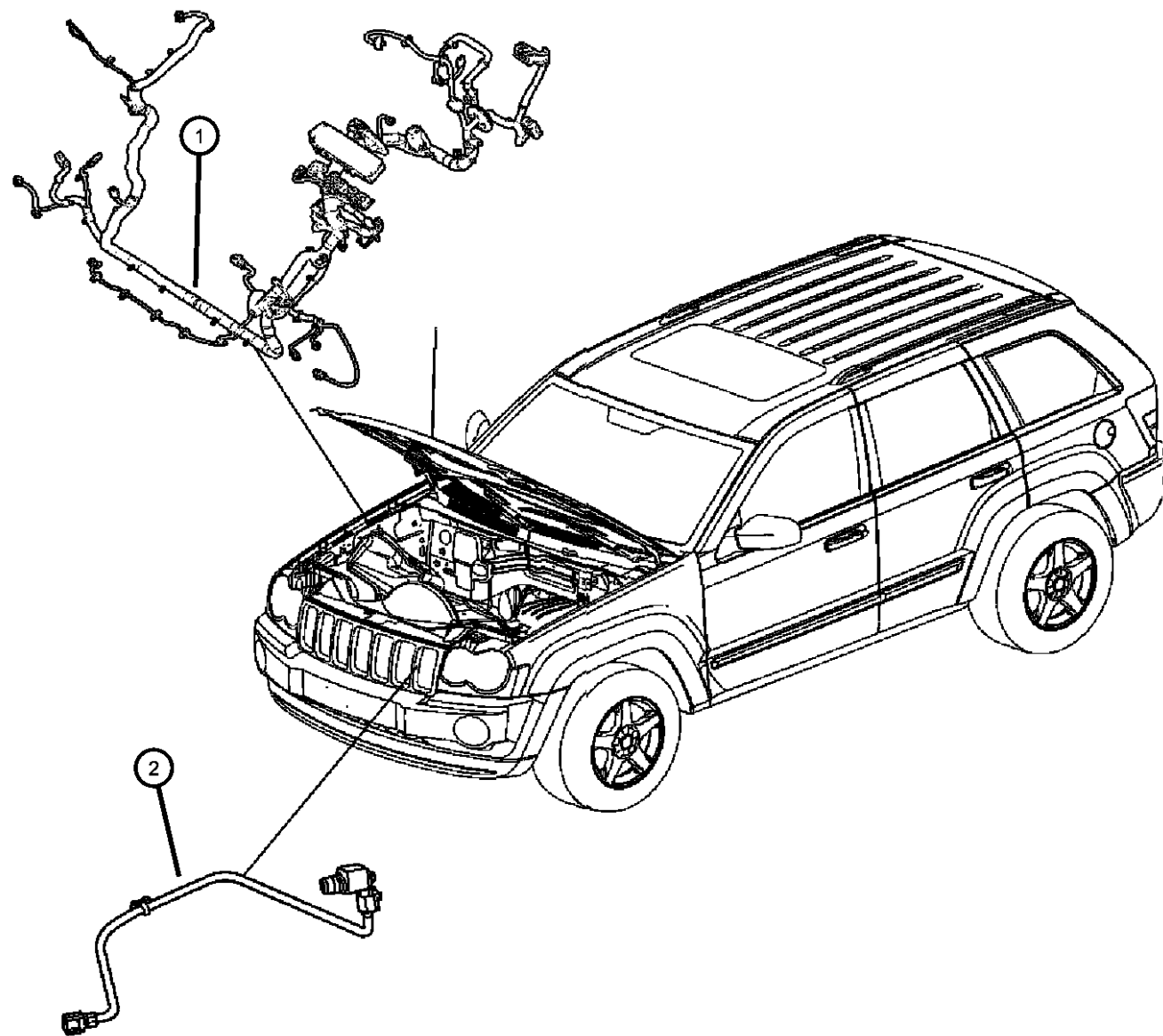
ENGINE
EVA = 4.7L V8 MPI Engine
EVD = 4.7L V8 FFV Engine
EXL = 3.0L V6 Turbo Diesel
Engine
EZB = 5.7L Hemi Multi
Displacement Engine
EKG = 3.7L V6 Engine
ESF = 6.1L SRT HEMI SMPI
V8 Engine

TRANSMISSION
DGJ = 5-Speed Auto W5A580
Transmission
DGQ = 5-Spd Automatic 545RFE
Transmission
DGU = 5-Spd Auto W5J400
Transmission

AR = use ase required - = Non illustrated part

2007 WK

Wiring - Headlamp / Dash
Figure 8-1305



ITEM	PART NUMBER	QTY	LINE	SERIES	BODY	ENGINE	TRANS	TRIM	DESCRIPTION
1									WIRING, Headlamp to Dash
	04854661AB	1	J, T	X	74	ESF			[XBM]
	04854677AB	1	J, T	X	74	ESF			
	05029963AC	1		X		ESF			
	56047805AE	1	J		74	EK0			[LAB,DHX]
	56047806AE	1	J		74	EK0			[LAB,DHX,XBM]
	56047807AE	1	J, T		74	EVO			[LAB]
	56047808AE	1	J, T		74	EVO			[LAB,XBM]
	56047823AE	1	J, T		74	EVO			[XGM]
	56047825AE	1	J, T		74	EZO			[XGM]
	56047826AE	1	J, T		74	EX0			[XGM]
	56047965AD	1	J, T		74	EK0			[LAB]
	56047811AE	1	J, T		74	EX0			[LAB]
	56047966AD	1	J, T		74	EK0			[LAB,XBM]
2	05143210AA	1	J, T		74	EK0, ESF, EVO	DG0		HARNESS, Jumper, Cooling fans

GRAND CHEROKEE (WK)

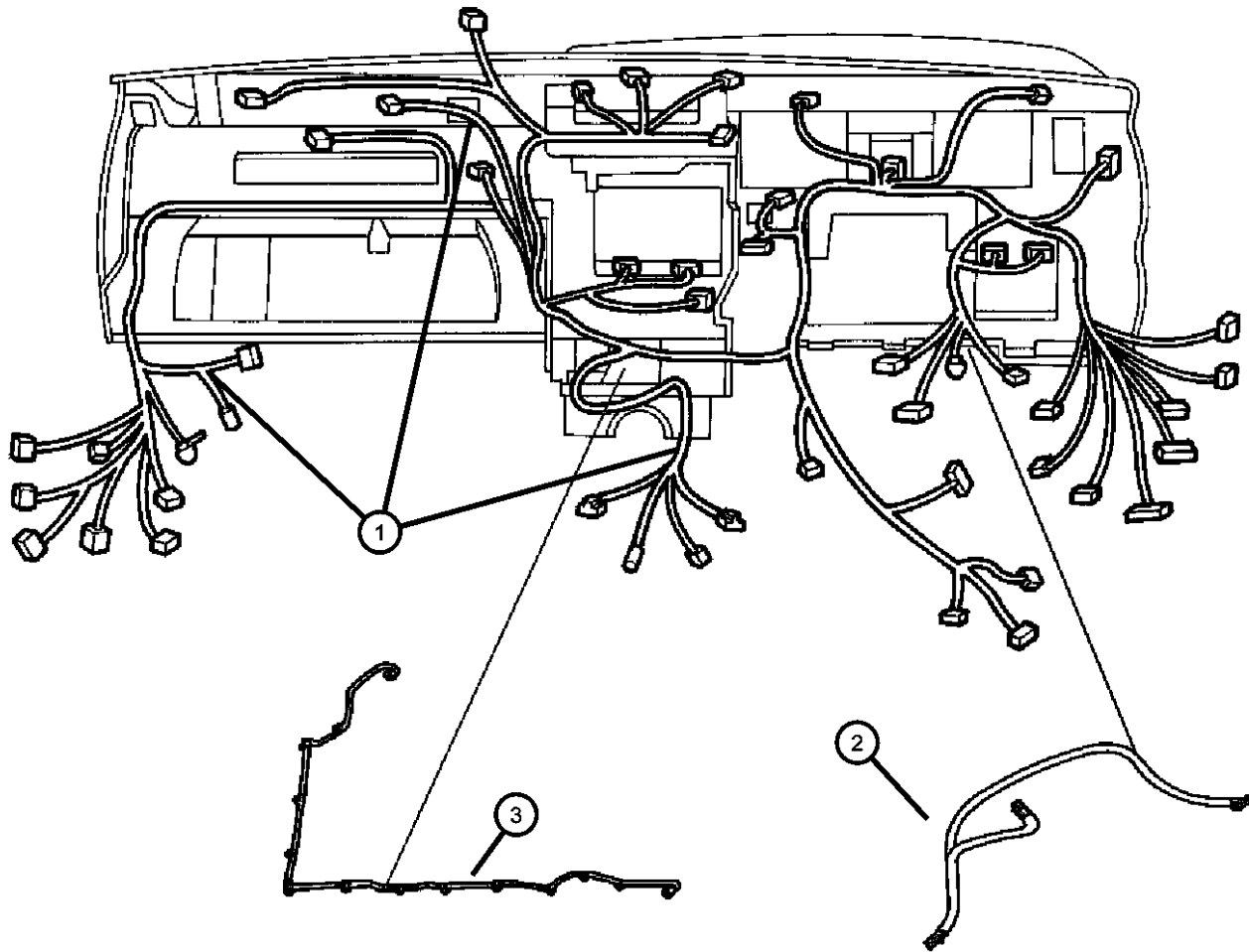
SERIES LINE
H = HIGHLINE T = JEEP - 2WD
P = PREMIUM J = JEEP - 4WD
S = SPORT
X = SPECIAL

BODY
74 = SPORT UTILITY 4-DR
TYPE #4

ENGINE
EVA = 4.7L V8 MPI Engine
EVD = 4.7L V8 FFV Engine
EXL = 3.0L V6 Turbo Diesel
Engine
EZB = 5.7L Hemi Multi
Displacement Engine
EKG = 3.7L V6 Engine
ESF = 6.1L SRT HEMI SMPI
V8 Engine

TRANSMISSION
DGJ = 5-Speed Auto W5A580
Transmission
DGQ = 5-Spd Automatic 545RFE
Transmission
DGU = 5-Spd Auto W5J400
Transmission

Wiring - Instrument Panel
Figure 8-1410



ITEM	PART NUMBER	QTY	LINE	SERIES	BODY	ENGINE	TRANS	TRIM	DESCRIPTION
1									WIRING, Instrument Panel
	56047918AD	1	J, T	H	74	EK0, EV0			[RCG]
	56047919AD	1	J, T	P, S	74	EV0, EZ0			[LMG,RSA]
	56047920AD	1	J, T	P, S	74	EV0, EZ0			[LMG]
	56047921AD	1	J, T	P, S, X	74	ES0, EV0, EZ0			[LMG,RSA,RSP]
	56047922AD	1	J, T	P, S, X	74	ES0, EV0, EZ0			[LMG,RSA,RSP,XRV]
	56047923AD	1	J, T	H	74	EK0, EV0			[LMG,RSA,RSP,RC6,XRV]
	56047924AD	1	J, T	H	74	EK0, EV0			[LMG,RSP,RC6,XRV]
	56047925AD	1	J, T	H	74	EK0, EV0			[LMG,RSP,RC6,RSA]
	56047928AD	1	J, T	P, S	74	EV0, EZ0			[XRV,LMG]
	56047929AD	1	J, T	H	74	EK0, EV0			[RC6,RSP,LMG]
	56047930AD	1	J, T	H, X	74	EK0, ES0, EV0			[RC6,LMG]
	56047931AD	1	J, T	H	74	EK0, EV0			[LMG,RSA,XRV,RC6]
	56047937AD	1	J, T	P, S	74	EV0, EZ0			[LMG,RSA,XRV]
	56047939AD	1	J, T	P, S, X	74	EZ0, ES0, EV0			[LMG,RSP,XRV]
	56047941AD	1	J, T	P, S, X	74	ES0, EV0, EZ0			[RSP,LMG]
	56047926AD	1	J, T	H	74	EK0, EV0			[LMG,RSA,RC6]
	56047927AD	1	J, T	H	74	EK0, EV0			[XRV,RC6,LMG]
	56047975AD	1	J, T	H	74	EX0			[LMG,RC6,XRV,RSP]
	56047977AD	1	J, T	P, S	74	EX0			[LMG,XRV,RSP]
	56047981AD	1	J, T	H	74	EK0, EV0			[RC6,RSP,LMG,XAC]
	56047982AD	1	J, T	H, X	74	EK0, ES0, EV0			[RC6,LMG,XAC]
	56047983AD	1	J, T	H	74	EK0, EV0			[LMG,RSP,XRV,RC6,XAC]
	56047984AD	1	J, T	H	74	EK0, EV0			[LMG,RSA,RSP,RC6,XAC]
	56047948AD	1	J, T	P, S	74	EX0			[LMG]
	56047958AD	1	J, T	H	74	EX0			[RC6,LMG]
	56047967AD	1	J, T	P, S	74	EV0, EZ0			[LMG,RSA,XRV,XAC]
	56047968AD	1	J, T	P, S	74	EX0			[LMG,RSA,XAC]
	56047969AD	1	J, T	H	74	EK0, EV0			[LMG,RSA,XRV,RC6,XAC]
	56047972AD	1	J, T	H	74	EX0			[LMG,RC6,RSA,XAC]

GRAND CHEROKEE (WK)

SERIES LINE
H = HIGHLINE T = JEEP - 2WD
P = PREMIUM J = JEEP - 4WD
S = SPORT
X = SPECIAL

BODY
74 = SPORT UTILITY 4-DR
TYPE #4

ENGINE
EVA = 4.7L V8 MPI Engine
EVD = 4.7L V8 FFV Engine
EXL = 3.0L V6 Turbo Diesel
Engine
EZB = 5.7L Hemi Multi
Displacement Engine
EKG = 3.7L V6 Engine
ESF = 6.1L SRT HEMI SMPI
V8 Engine

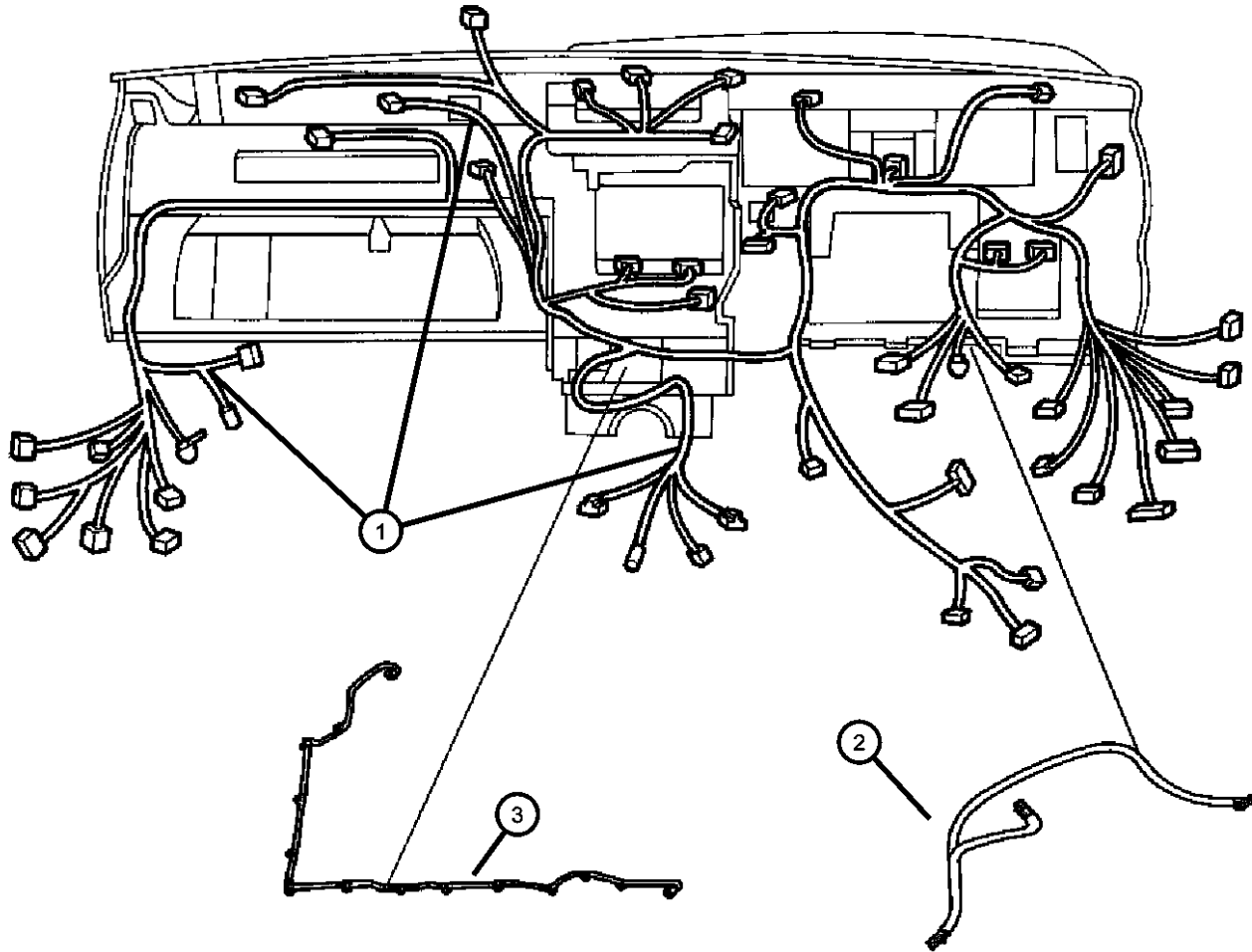
TRANSMISSION
DGJ = 5-Speed Auto W5A580
Transmission
DGQ = 5-Spd Automatic 545RFE
Transmission
DGU = 5-Spd Auto W5J400
Transmission

AR = use ase required - = Non illustrated part

2007 WK

Wiring - Instrument Panel
Figure 8-1410

ITEM	PART NUMBER	QTY	LINE	SERIES	BODY	ENGINE	TRANS	TRIM	DESCRIPTION
	56048646AC	1	J, T	P, S, X	74	ES0, EV0, EZ0			[RSP,XAC]
	56048647AC	1	J, T	P, S	74	EV0, EZ0			[XAC,XRV]
	56048648AC	1	J, T	P, S	74	EV0, EZ0			[XAC]
	56047985AD	1	J, T	H	74	EK0, EV0			[LMG,RSA,RC6,XAC]
	56047986AD	1	J, T	H	74	EK0, EV0			[XRV,RC6,LMG,XAC]
	56047987AD	1	J, T	H	74	EK0, EV0			[LMG,RSA,RSP,XRV,XAC]
	56047988AD	1	J, T	P, S, X	74	ES0, EV0, EZ0			[LMG,RSA,RSP,XRV,XAC]
	56047989AD	1	J, T	P, S, X	74	ES0, EV0, EZ0			[LMG,RSA,RSP,,XAC]
	56047990AD	1	J, T	P, S	74	EV0, EZ0			[LMG,RSA,,XAC]
	56048645AC	1	J, T	P, S, X	74	ES0, EV0, EZ0			[RSP,XRV,XAC]
2	52029319AA	1	J, T		74				WIRING, Steering Wheel
3	56050609AD	1	J, T		74				WIRING, Hands Free Communication



GRAND CHEROKEE (WK)

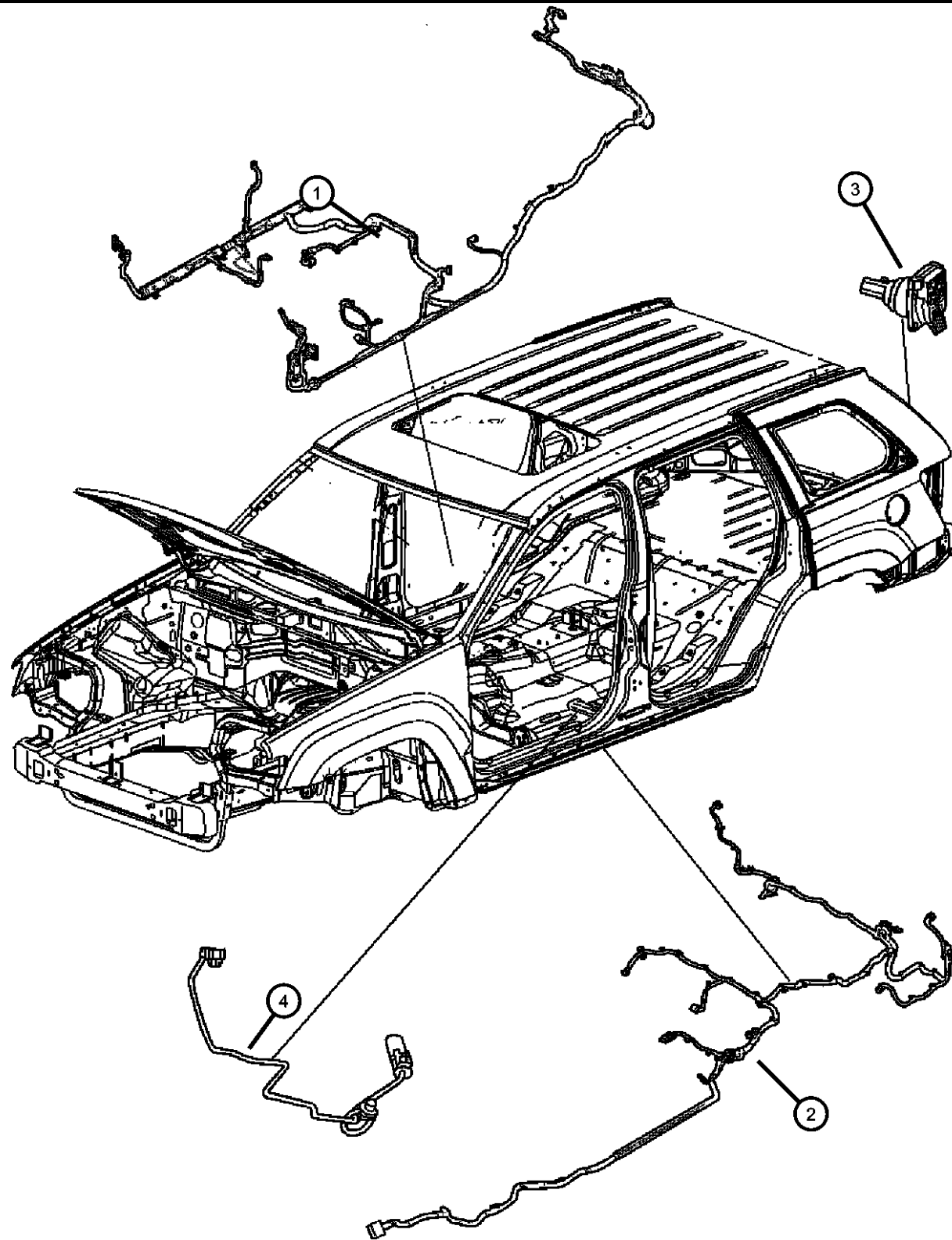
SERIES LINE
H = HIGHLINE T = JEEP - 2WD
P = PREMIUM J = JEEP - 4WD
S = SPORT
X = SPECIAL

BODY
74 = SPORT UTILITY 4-DR
TYPE #4

ENGINE
EVA = 4.7L V8 MPI Engine
EVD = 4.7L V8 FFV Engine
EXL = 3.0L V6 Turbo Diesel
Engine
EZB = 5.7L Hemi Multi
Displacement Engine
EKG = 3.7L V6 Engine
ESF = 6.1L SRT HEMI SMPI
V8 Engine

TRANSMISSION
DGJ = 5-Speed Auto W5A580
Transmission
DGQ = 5-Spd Automatic 545RFE
Transmission
DGU = 5-Spd Auto W5J400
Transmission

Wiring Body
Figure 8-1505



ITEM	PART NUMBER	QTY	LINE	SERIES	BODY	ENGINE	TRANS	TRIM	DESCRIPTION
1									WIRING, Body
	04854662AB	1	J, T	X	74	ESF			[XAM,RSA,JPk]
	04854663AB	1	J, T	X	74	ESF			[XAM,XRV,RSA,JPk]
	04854664AB	1	J, T	X	74	ESF			[XA8,JTB][-XRV,RSA]
	04854678AB	1	J, T	X	74	ESF			[XAM]
	04854679AB	1	J, T	X	74	ESF			[XAM,XRV]
	04854682AA	1	J, T	X	74	ESF			[XRV,JPk,RSA,XAC]
	04854683AA	1	J, T	X	74	ESF			[XRV,XAM,XAC,JPk,RSA,RSP]
	04854684AA	1	J, T	X	74	ESF			[JPk,RSP,XAM,XAC]
	04854685AA	1	J, T	X	74	ESF			[XAM,JPk,RSP,XAC,XRV]
	05030460AC	1	J, T	X	74	ESF			[XA8,JTB][-XRV,RSA,CGS]
	05030461AB	1		X		ESF			[XA8,JTB,CGS]
	05030543AA	1		X		ESF			[XAM,XRV,JPk,RSA,CGS]
	05030544AA	1		X		ESF			[XAM,RSA,CGS,JPk]
	56047853AD	1	J, T		74				[RCG]
	56047863AD	1	J, T		74				[RC6,XAC]
	56047865AD	1	J, T		74				[RC6,XRV,XAC]
	56047867AD	1	J, T		74				[RSA,RC6,XAC]
	56047869AD	1	J, T		74				[RC6,RSA,XRV,XAC]
	56049859AD	1	J, T		74				[RC6]
	56049861AD	1	J, T		74				[RC6,XRV]
	56049863AD	1	J, T		74				[RC6,RSA]
	56049865AD	1	J, T		74				[RC6,RSA,XRV]
2									WIRING, Underbody
	04854671AB	1	J, T	X	74	ESF			[XGM,XAA]
	04854672AB	1	J, T	X	74	ESF			[XGM]
	56047697AD	1	J	H, P, S	74				[DHX]
	56047698AD	1	J	S, H, P	74				[AHX,AHT,DHX]
	56047705AD	1	J, T	H, P, S	74				[AHX,AHT]
	56047706AD	1	J, T	H, P, S	74				Base
	56047707AD	1	J	H, P, S	74				[XGM,DHX]
	56047708AD	1	J	H, P, S	74				[AHX,AHT,XGM,DHX]

GRAND CHEROKEE (WK)

SERIES LINE
H = HIGHLINE T = JEEP - 2WD
P = PREMIUM J = JEEP - 4WD
S = SPORT
X = SPECIAL

BODY
74 = SPORT UTILITY 4-DR
TYPE #4

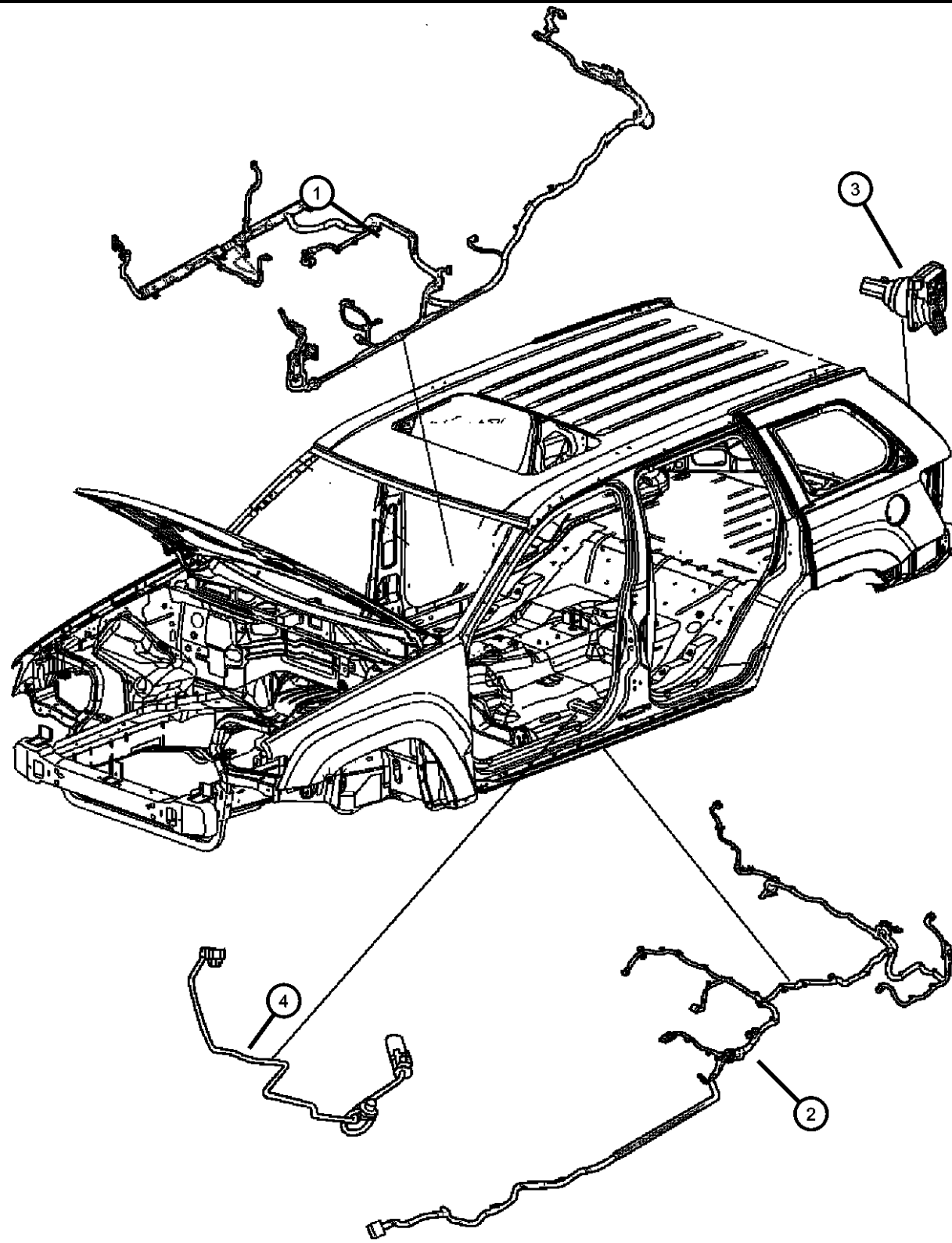
ENGINE
EVA = 4.7L V8 MPI Engine
EVD = 4.7L V8 FFV Engine
EXL = 3.0L V6 Turbo Diesel
Engine
EZB = 5.7L Hemi Multi
Displacement Engine
EKG = 3.7L V6 Engine
ESF = 6.1L SRT HEMI SMPI
V8 Engine

TRANSMISSION
DGJ = 5-Speed Auto W5A580
Transmission
DGQ = 5-Spd Automatic 545RFE
Transmission
DGU = 5-Spd Auto W5J400
Transmission

AR = use ase required - = Non illustrated part

2007 WK

Wiring Body
Figure 8-1505



ITEM	PART NUMBER	QTY	LINE	SERIES	BODY	ENGINE	TRANS	TRIM	DESCRIPTION
	56047711AD	1	J	P, S	74				[DSF,XGM]
		1	J	H	74				[DSF]
	56047712AD	1	J	P, S	74				[AHX,AHT,XGM,DSF]
		1	J	H	74				[AHX,AHT,DSF]
	56047715AD	1	T	H, P, S	74				[AHX,AHT,XGM]
	56047716AD	1	T	H, P, S	74				[XGM]
	56047717AD	1	J, T	H, P, S	74				[XAA]
	56047718AD	1	J, T	H, P, S	74				[AHX,AHT,XAA]
	56047725AD	1	J	H, P, S	74				[XAA,DHX]
	56047726AD	1	J	H, P, S	74				[AHX,AHT,XAA,DHX]
	56047727AD	1	T	H, P, S	74				[XAA,XGM]
	56047728AD	1	T	H, P, S	74				[AHT,AHX,XAA,XGM]
	56047731AD	1	J	P, S	74				[XAA,XGM,DSF]
		1	J	H	74				[XAA,DSF]
	56047732AD	1	J	P, S	74				[AHX,AHT,XAA,XGM,DSF]
		1	J	H	74				[AHX,AHT,XAA,DSF]
	56047735AD	1	J	H, P, S	74				[XAA,XGM,DHX]
	56047736AD	1	J	H, P, S	74				[AHX,AHT,XAA,XGM,DHX]
3	56038366AB	1	J, T		74				CONNECTOR, 7 Way, [XFH]
4									WIRING, Seat Belt Jumper
	05143384AA	1		X					Tag #600807, Right
	05143387AA	1	J, T		74				Tag #600804, Left
	05183706AA	1	J, T		74				Tag #1199927, Right

GRAND CHEROKEE (WK)

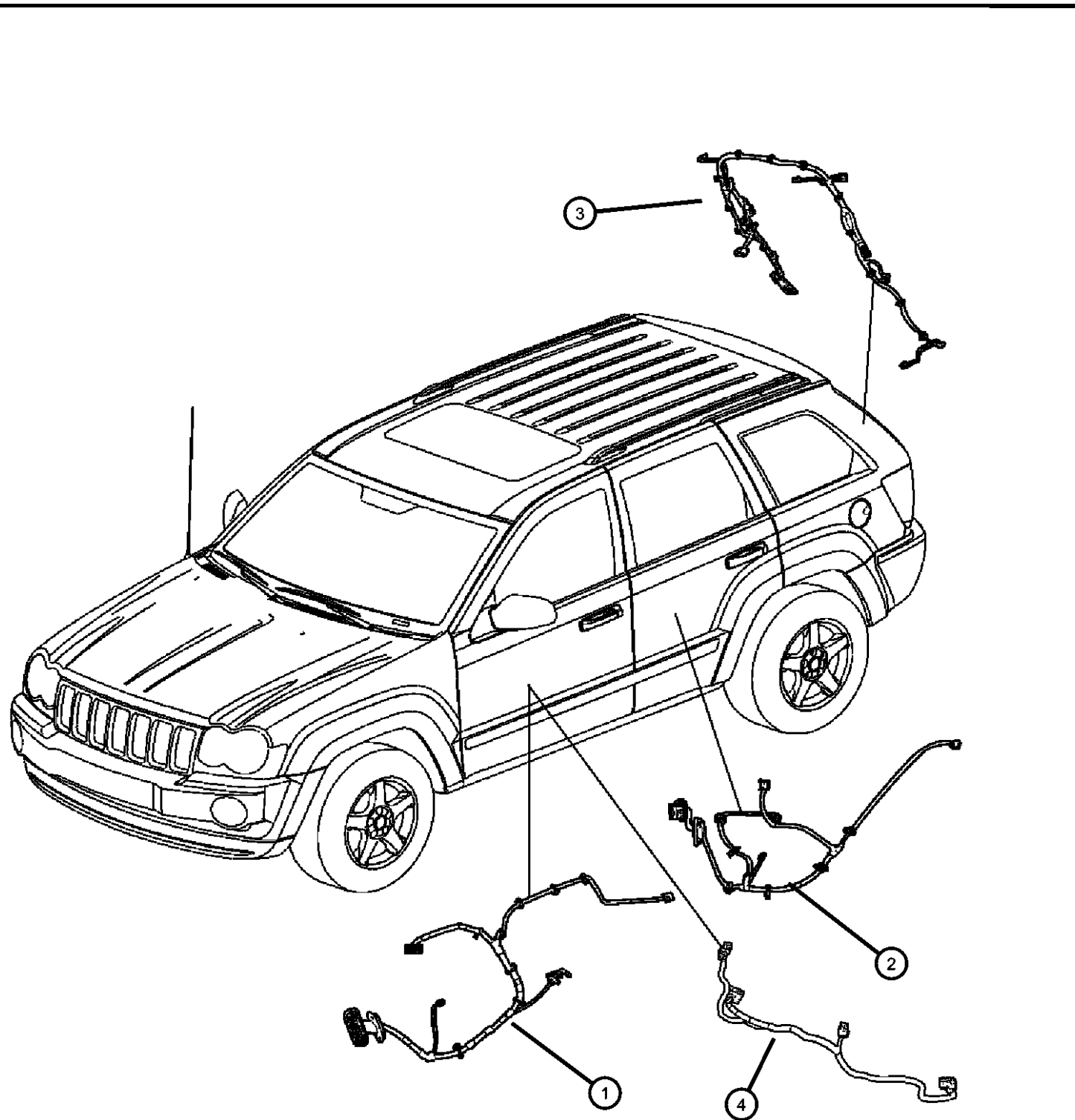
SERIES LINE
H = HIGHLINE T = JEEP - 2WD
P = PREMIUM J = JEEP - 4WD
S = SPORT
X = SPECIAL

BODY
74 = SPORT UTILITY 4-DR
TYPE #4

ENGINE
EVA = 4.7L V8 MPI Engine
EVD = 4.7L V8 FFV Engine
EXL = 3.0L V6 Turbo Diesel
Engine
EZB = 5.7L Hemi Multi
Displacement Engine
EKG = 3.7L V6 Engine
ESF = 6.1L SRT HEMI SMPI
V8 Engine

TRANSMISSION
DGJ = 5-Speed Auto W5A580
Transmission
DGQ = 5-Spd Automatic 545RFE
Transmission
DGU = 5-Spd Auto W5J400
Transmission

Wiring - Doors and Liftgate
Figure 8-1510



ITEM	PART NUMBER	QTY	LINE	SERIES	BODY	ENGINE	TRANS	TRIM	DESCRIPTION
1									WIRING, Front Door
	56048795AA	1	J, T	H	74				[GTN], Right
	56048796AA	1	J, T	H	74				[GTS], Right
		1	J, T	X	74				[GUK], Right
	56048798AA	1	J, T	P, S	74				Base, Right
		1	J, T	X	74				[GUT], Right
	56048805AA	1	J, T	H	74				[GTN], Left
		1	J, T	X	74				[GUK], Left
	56048806AA	1	J, T	H	74				[GTS], Left
	56048808AA	1	J, T	P, S	74				Base, Left
		1	J, T	X	74				[GUT], Left
2	56050067AJ	2	J, T		74				WIRING, Rear Door
3									WIRING, Liftgate
	56047788AC	1	J, T		74				
	56050879AC	1	J, T		74				[XAC]
4									WIRING, Door Jumper
	68029245AA	1	J, T		74				To door switch [CTL,RCG,ALS], Right
		1	J, T		74				To door switch [CBW], Right
		1	J, T		74				To door switch [CTL,RC6], Right
	68029536AA	1	J, T		74				To door switch [CTL,RCG,ALS], Left
	68029690AA	1	J, T		74				To door switch [CTM], Right
		1	J, T		74				[CTM], Right
	68029721AA	1	J, T		74				To door switch [CTC], Left
	68029957AA	1	J, T		74				To door switch [CTC], Right
	68029689AA	1	J, T	P	74				To door switch [CBF], Left
		1	J, T		74				To door switch [CTM], Left
		1	J, T	P	74				To door switch [CBF], Right
		1	J, T		74				To door switch [CBW], Left
		1	J, T		74				To door switch [CTL,RC6], Left

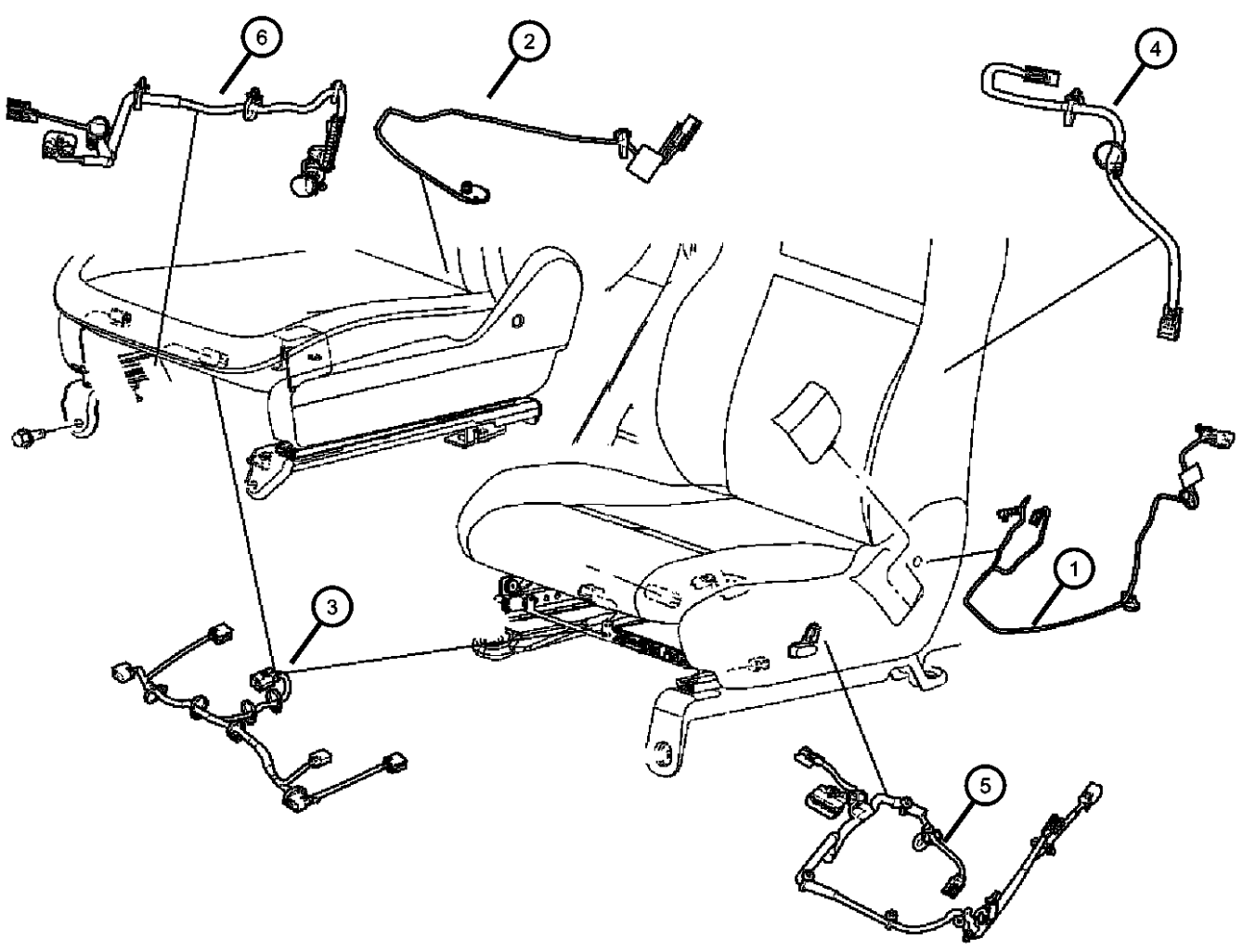
GRAND CHEROKEE (WK)

SERIES	LINE	BODY	ENGINE	TRANSMISSION
H = HIGHLINE	T = JEEP - 2WD	74 = SPORT UTILITY 4-DR	EVA = 4.7L V8 MPI Engine	DGJ = 5-Speed Auto W5A580
P = PREMIUM	J = JEEP - 4WD	TYPE #4	EVD = 4.7L V8 FFV Engine	Transmission
S = SPORT			EXL = 3.0L V6 Turbo Diesel	DGQ = 5-Spd Automatic 545RFE
X = SPECIAL			Engine	Transmission
			EZB = 5.7L Hemi Multi	DGU = 5-Spd Auto W5J400
			Displacement Engine	Transmission
			EKG = 3.7L V6 Engine	
			ESF = 6.1L SRT HEMI SMPI	
			V8 Engine	

AR = use ase required - = Non illustrated part

**Wiring Seats
Figure 8-1515**

ITEM	PART NUMBER	QTY	LINE	SERIES	BODY	ENGINE	TRANS	TRIM	DESCRIPTION
1	05143387AA	1	J, T	X	74				WIRING, Seat Belt Jumper
2	05143384AA	1		X					WIRING, Seat Belt Jumper
3									WIRING, Seat
	05143370AA	1	J, T		74				OCS wiring
	68054646AA	1	J, T		74				Tag #1504329
	68018119AA	1	J, T		74				Tagged 1478991
4									WIRING, Power Seat
	05143368AA	1		X					[JTB,JPM] Power Back Wiring, Right
	05143369AA	1	J, T		74				[JTB,JPM] Power Back Wiring, Left
	68020847AA	1	J, T		74				Tag# 1411410
	05143366AA	1	J, T		74				[JTB] Power Back Wiring, Right
	05143371AA	1	J, T		74				[JPK] Power Back Wiring, Left
	05143373AA	1	J, T		74				[JPK,-JPM] Power Back Wiring, Left
	05143367AA	1		X					[JTB] Power Back Wiring, Left
	05143383AA	1	J, T		74				[JTK,JPM] Power Back Wiring, Left
5									WIRING, Power Seat
	05143381AA	1	J, T		74				[JTB,JPM] Power Track Wiring
	05143377AA	1	J, T		74				[JTK,JPM] Power Track Wiring
	05143379AA	1	J, T		74				[JPR] Power Track Wiring
	68017844AA	1	J, T		74				Tag#1459275
	05143371AA	1	J, T		74				[JTK] Power Track Wiring
6									WIRING, Power Seat
	05143380AA	1	J, T		74				[JTB,JPM] Power Track Wiring
	05143378AA	1	J, T		74				[JTB] Power Track Wiring



GRAND CHEROKEE (WK)

SERIES LINE
H = HIGHLINE T = JEEP - 2WD
P = PREMIUM J = JEEP - 4WD
S = SPORT
X = SPECIAL

BODY
74 = SPORT UTILITY 4-DR
TYPE #4

ENGINE
EVA = 4.7L V8 MPI Engine
EVD = 4.7L V8 FFV Engine
EXL = 3.0L V6 Turbo Diesel
Engine
EZB = 5.7L Hemi Multi
Displacement Engine
EKG = 3.7L V6 Engine
ESF = 6.1L SRT HEMI SMPI
V8 Engine

TRANSMISSION
DGJ = 5-Speed Auto W5A580
Transmission
DGQ = 5-Spd Automatic 545RFE
Transmission
DGU = 5-Spd Auto W5J400
Transmission

AR = use ase required - = Non illustrated part

2007 WK

**Wiring Repair Packages
Figure 8-1605**

ITEM	PART NUMBER	QTY	LINE	SERIES	BODY	ENGINE	TRANS	TRIM	DESCRIPTION
-1	05073039AA	1				EK0			STRAP, Tie, For Electrical Connector Repair Information visit the World Wide Web at http://dto.vftis.com/mopar/disclaimer.asp CLIP, Wiring
-2	52124121AA	2	J, T		74				

For Electrical Connector Repair Information visit the World Wide Web at

<http://dto.vftis.com/mopar/disclaimer.asp>

GRAND CHEROKEE (WK)

SERIES LINE
H = HIGHLINE T = JEEP - 2WD
P = PREMIUM J = JEEP - 4WD
S = SPORT
X = SPECIAL

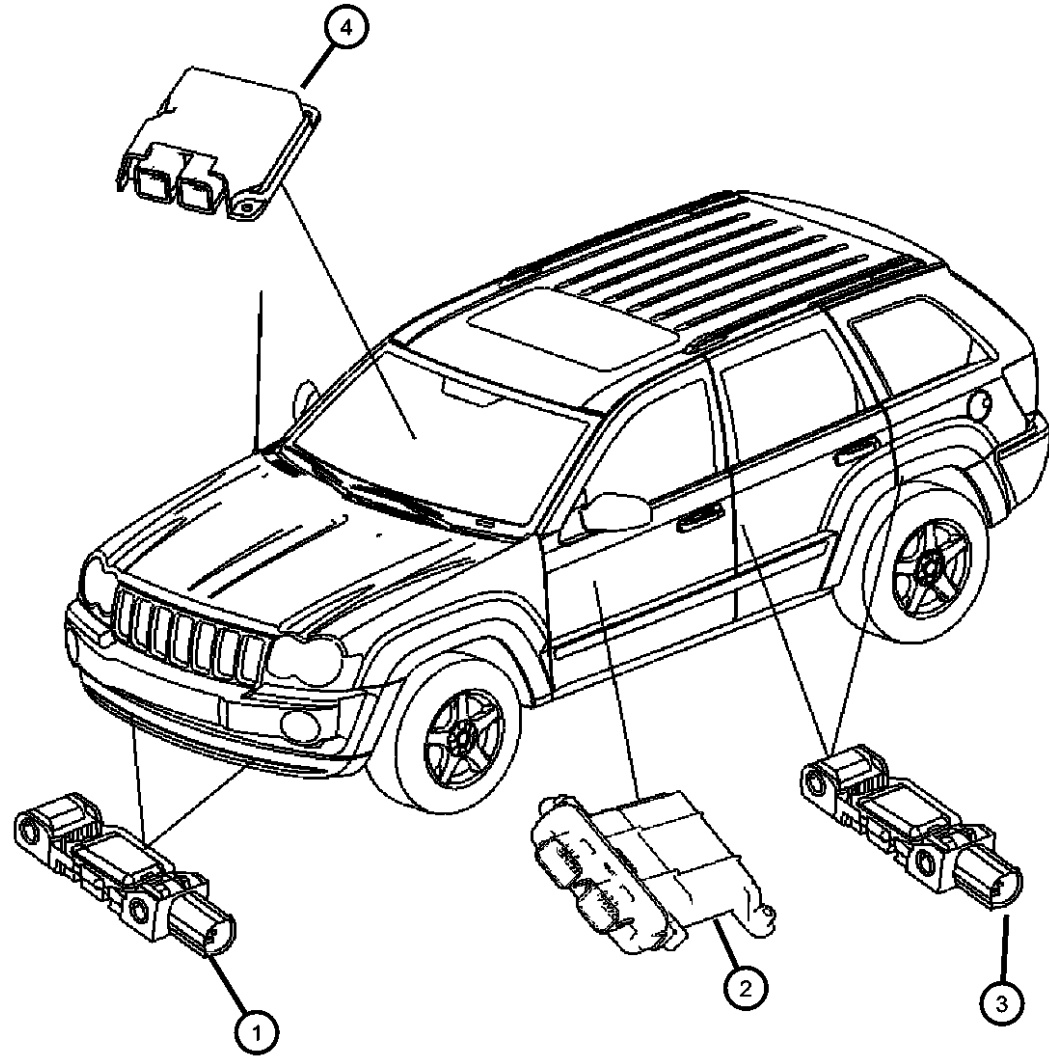
BODY
74 = SPORT UTILITY 4-DR TYPE #4

ENGINE
EVA = 4.7L V8 MPI Engine
EVD = 4.7L V8 FFV Engine
EXL = 3.0L V6 Turbo Diesel Engine
EZB = 5.7L Hemi Multi Displacement Engine
EKG = 3.7L V6 Engine
ESF = 6.1L SRT HEMI SMPI V8 Engine

TRANSMISSION
DGJ = 5-Speed Auto W5A580 Transmission
DGQ = 5-Spd Automatic 545RFE Transmission
DGU = 5-Spd Auto W5J400 Transmission

**Air Bag Modules and Sensors
Figure 8-1705**

ITEM	PART NUMBER	QTY	LINE	SERIES	BODY	ENGINE	TRANS	TRIM	DESCRIPTION
1	04896173AA	2	J, T		74				SENSOR, Side Airbag Impact MODULE, Occupant Restraint Mexico
2	04896133AD	1	J, T	H, P, S	74				
	04896901AB	1	J, T	H, P, S	74				
	05030717AB	1	J, T	X	74				
3	04671779AC	4	J, T		74				SENSOR, Side Airbag Impact MODULE, Occupant Classification
4	56043195BD	1	J, T		74				



GRAND CHEROKEE (WK)

SERIES LINE
H = HIGHLINE T = JEEP - 2WD
P = PREMIUM J = JEEP - 4WD
S = SPORT
X = SPECIAL

BODY
74 = SPORT UTILITY 4-DR
TYPE #4

ENGINE
EVA = 4.7L V8 MPI Engine
EVD = 4.7L V8 FFV Engine
EXL = 3.0L V6 Turbo Diesel
Engine
EZB = 5.7L Hemi Multi
Displacement Engine
EKG = 3.7L V6 Engine
ESF = 6.1L SRT HEMI SMPI
V8 Engine

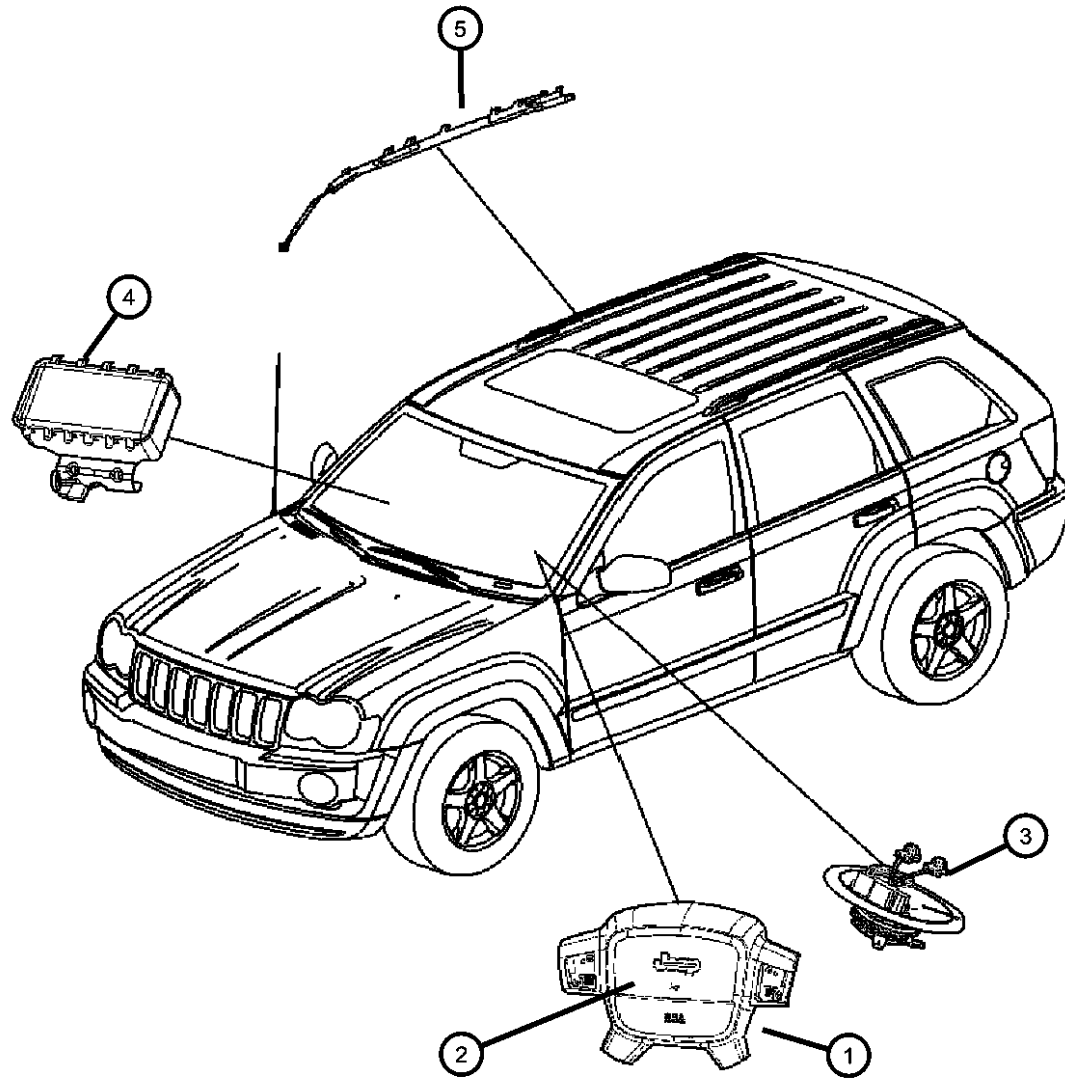
TRANSMISSION
DGJ = 5-Speed Auto W5A580
Transmission
DGQ = 5-Spd Automatic 545RFE
Transmission
DGU = 5-Spd Auto W5J400
Transmission

AR = use ase required - = Non illustrated part

2007 WK

**Air Bags and Clock Spring
Figure 8-1710**

ITEM	PART NUMBER	QTY	LINE	SERIES	BODY	ENGINE	TRANS	TRIM	DESCRIPTION
1									AIR BAG, Driver
	5JY991DVAE	1		X					[D5]
	5JJ281D1AD	1	J, T	H, P, S	74				[J1]
	5JJ281D5AD	1	J, T	H, P, S	74				[D5]
	5JJ281J3AD	1	J, T	H, P, S	74				[J3]
2									COVER, Air Bag Module
	1BH821D1AA	1	J, T	H, P, S	74				[J1]
	1BH821D5AA	1	J, T	H, P, S	74				[D5]
	1BH821J3AA	1	J, T	H, P, S	74				[J3]
	1CJ841DVAC	1	J, T	X	74				[D5]
3	05143320AF	1	J, T		74				MODULE, Steering Control
4	55197375AA	1	J, T		74				AIR BAG, Passenger
5									AIR BAG, Side Curtain
	52029296AD	1	J, T		74				Right
	52029297AD	1	J, T		74				Left



GRAND CHEROKEE (WK)

SERIES LINE
H = HIGHLINE T = JEEP - 2WD
P = PREMIUM J = JEEP - 4WD
S = SPORT
X = SPECIAL

BODY
74 = SPORT UTILITY 4-DR
TYPE #4

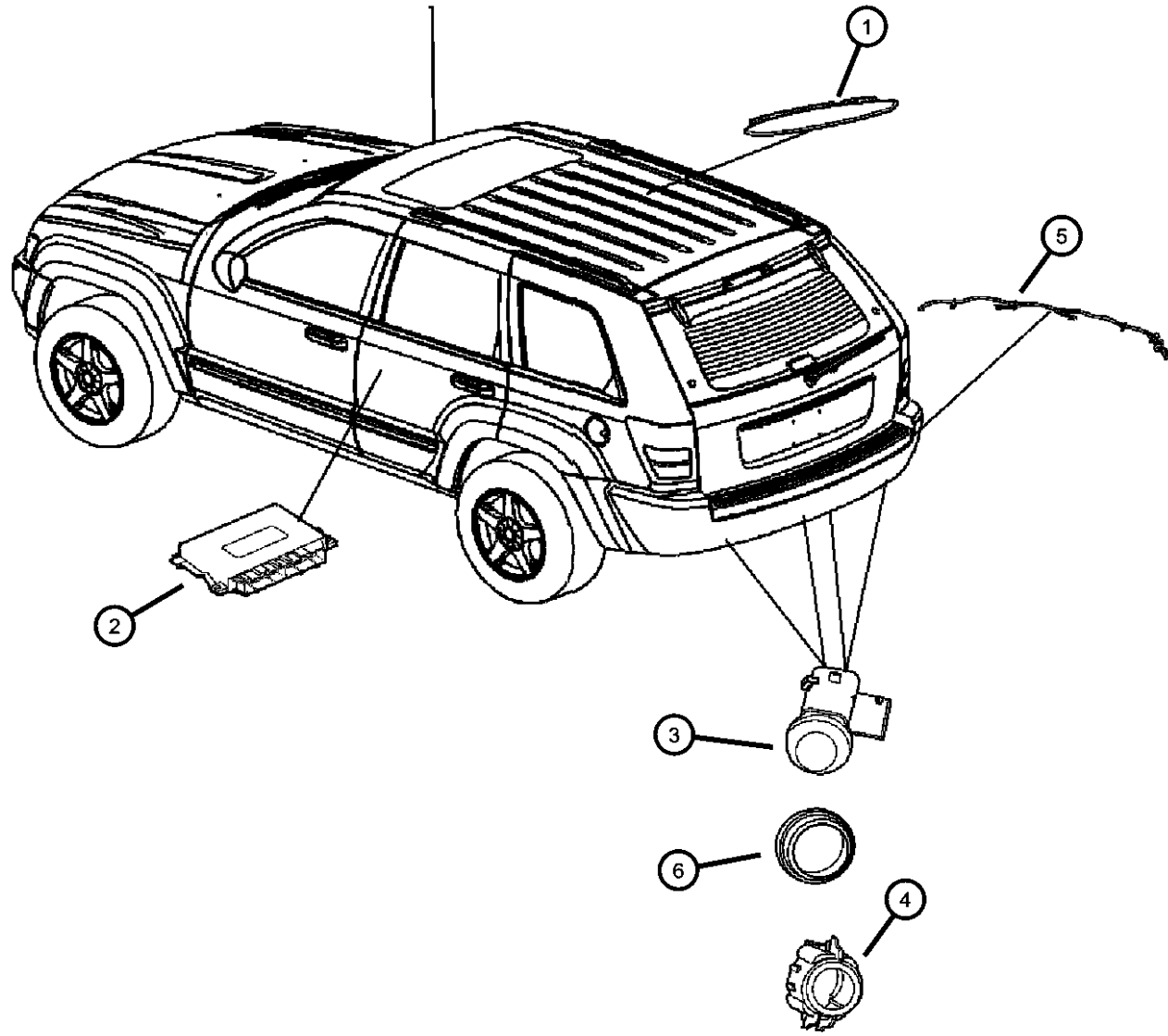
ENGINE
EVA = 4.7L V8 MPI Engine
EVD = 4.7L V8 FFV Engine
EXL = 3.0L V6 Turbo Diesel
Engine
EZB = 5.7L Hemi Multi
Displacement Engine
EKG = 3.7L V6 Engine
ESF = 6.1L SRT HEMI SMPI
V8 Engine

TRANSMISSION
DGJ = 5-Speed Auto W5A580
Transmission
DGQ = 5-Spd Automatic 545RFE
Transmission
DGU = 5-Spd Auto W5J400
Transmission

AR = use ase required - = Non illustrated part

2007 WK

**Park Assist Detection System
Figure 8-1805**



ITEM	PART NUMBER	QTY	LINE	SERIES	BODY	ENGINE	TRANS	TRIM	DESCRIPTION
1	56046042AA	1	J, T		74				DISPLAY, Parking Assist
2	05026016AC	1	J, T		74				MODULE, Parking Assist
3									SENSOR, Park Assist
	5HX08CDMAB	4	J, T	H	74				[DM]
	5HX08TZZAB	1	J, T	X	74				
	5HX08SW1AB	4	J, T	H	74				[W1]
	5HX08SZ0AB	4	J, T	P	74				
		1	J, T	X	74				[MCZ,XAA]
	5HX08EDAAB	4	J, T	H	74				[DA]
	5HX08EEMAB	4	J, T	H	74				[EM]
	5HX08EGJAB	4	J, T	H	74				[GJ]
	5HX08SZ7AB	4	J, T	S	74				
	5HX08DBMAB	4	J, T	H	74				[BM]
	5HX08DX8AB	4	J, T	H	74				[X8]
4									BRACKET, Sensor Mounting, Park Assist Sensor
	05159097AB	1	J, T	S	74				
		1	J, T	P	74				
		4	J, T	H	74				
		1	J, T	X	74				
5									HARNESS, Sensor Wiring
	68039281AA	1	J, T	X	74				
	05159098AA	1	J, T	P	74				
		1	J, T	S	74				
		1	J, T	H	74				
6									SPACER, Sensor
	05159096AB	1	J, T	S	74				
		1	J, T	P	74				
		1	J, T	X	74				
		4	J, T	H	74				

GRAND CHEROKEE (WK)

SERIES LINE
H = HIGHLINE T = JEEP - 2WD
P = PREMIUM J = JEEP - 4WD
S = SPORT
X = SPECIAL

BODY
74 = SPORT UTILITY 4-DR
TYPE #4

ENGINE
EVA = 4.7L V8 MPI Engine
EVD = 4.7L V8 FFV Engine
EXL = 3.0L V6 Turbo Diesel
Engine
EZB = 5.7L Hemi Multi
Displacement Engine
EKG = 3.7L V6 Engine
ESF = 6.1L SRT HEMI SMPI
V8 Engine

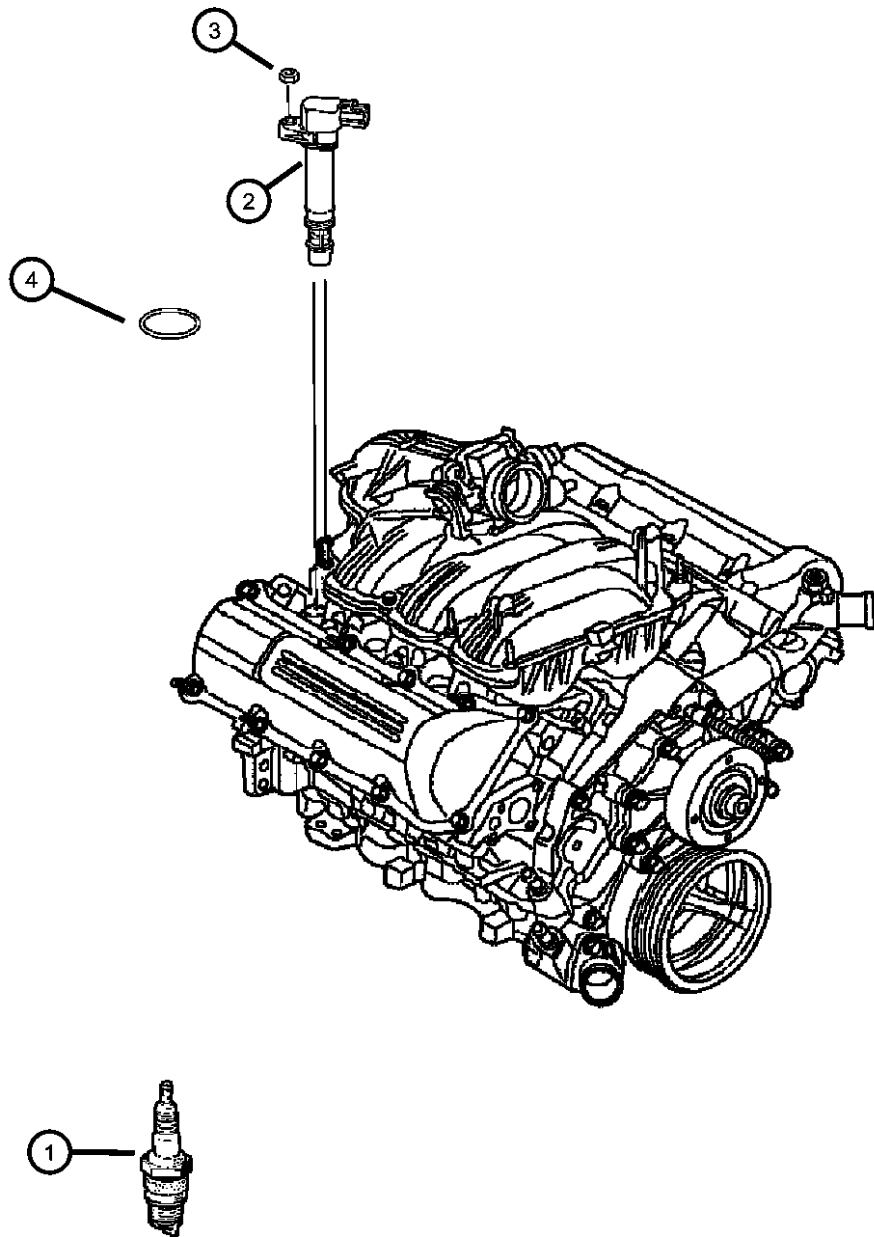
TRANSMISSION
DGJ = 5-Speed Auto W5A580
Transmission
DGQ = 5-Spd Automatic 545RFE
Transmission
DGU = 5-Spd Auto W5J400
Transmission

AR = use ase required - = Non illustrated part

2007 WK

**Spark Plugs and Coils [3.7L and 4.7L Engines]
Figure 8-1905**

ITEM	PART NUMBER	QTY	LINE	SERIES	BODY	ENGINE	TRANS	TRIM	DESCRIPTION
1	SPRC12MCC4	8	J, T		74	EVA, EVD			SPARK PLUG
	SPZFR6F11G	6	J, T		74	EK0			
2	56028138AF	8	J, T		74	EVO			COIL, Ignition
		6	J, T		74	EK0			
3	06508272AA	6	J, T		74	EK0			NUT, M6x1.00 Coil mounting
		8	J, T		74	EVO			
4	05072382AA	8	J, T		74	EVO			O RING
		6	J, T		74	EK0			



GRAND CHEROKEE (WK)

SERIES LINE
H = HIGHLINE T = JEEP - 2WD
P = PREMIUM J = JEEP - 4WD
S = SPORT
X = SPECIAL

BODY
74 = SPORT UTILITY 4-DR
TYPE #4

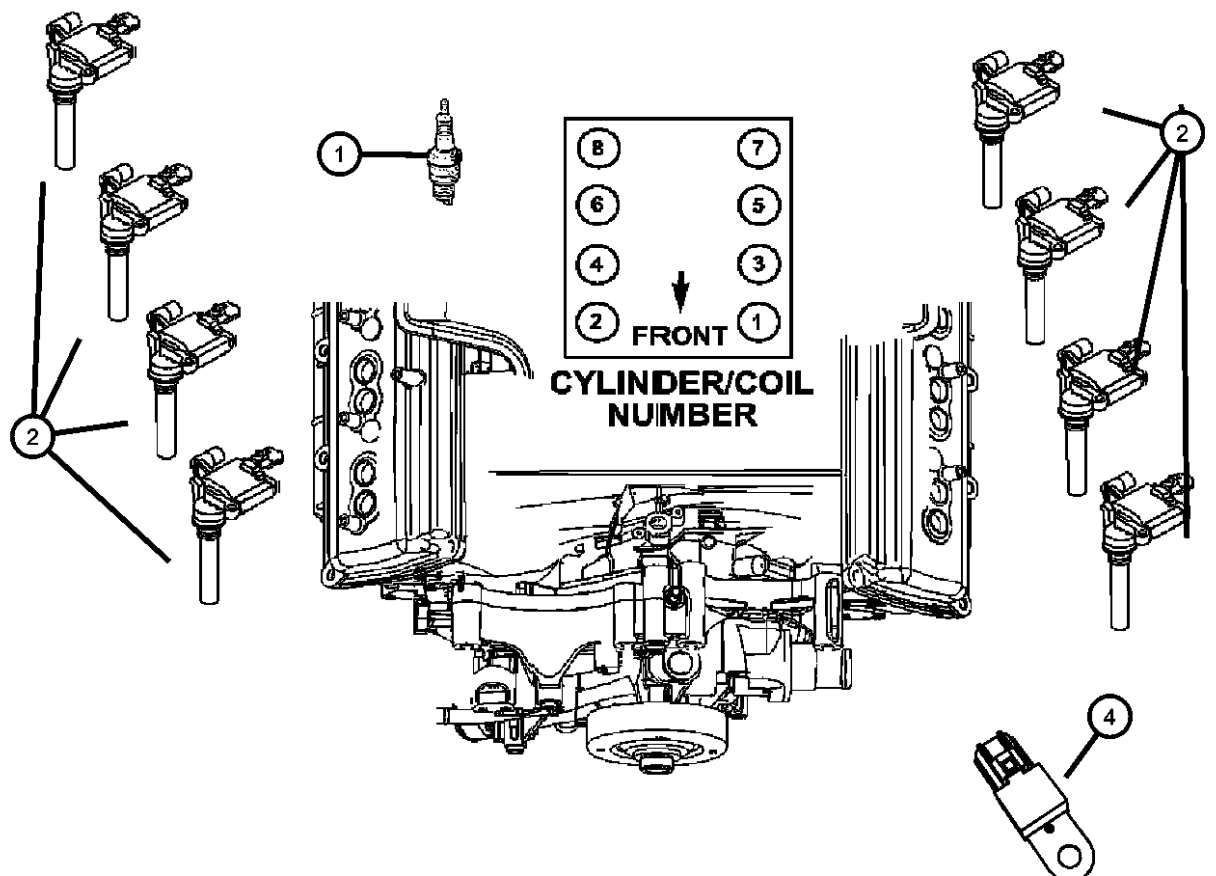
ENGINE
EVA = 4.7L V8 MPI Engine
EVD = 4.7L V8 FFV Engine
EXL = 3.0L V6 Turbo Diesel
Engine
EZB = 5.7L Hemi Multi
Displacement Engine
EKG = 3.7L V6 Engine
ESF = 6.1L SRT HEMI SMPI
V8 Engine

TRANSMISSION
DGJ = 5-Speed Auto W5A580
Transmission
DGQ = 5-Spd Automatic 545RFE
Transmission
DGU = 5-Spd Auto W5J400
Transmission

AR = use ase required - = Non illustrated part

2007 WK

**Spark Plug, Ignition Wires, and Coil [5.7L, 6.1L Engines]
Figure 8-1910**



ITEM	PART NUMBER	QTY	LINE	SERIES	BODY	ENGINE	TRANS	TRIM	DESCRIPTION
1	SPRE14MCC4	16	J, T		74	EZ0			SPARK PLUG
	SPLZTR5A13	16	J, T		74	ESF			
2	56029129AB	8	J, T		74	EZ0			COIL, Ignition
		8	J, T		74	ESF			
-3	06508513AA	16				EZ0			SCREW AND WASHER, Hex Head, M6X1.00X24.75 Coil mounting
		16				ESF			
4	05149011AA	1	J, T		74	ESF			CAPACITOR, Ignition

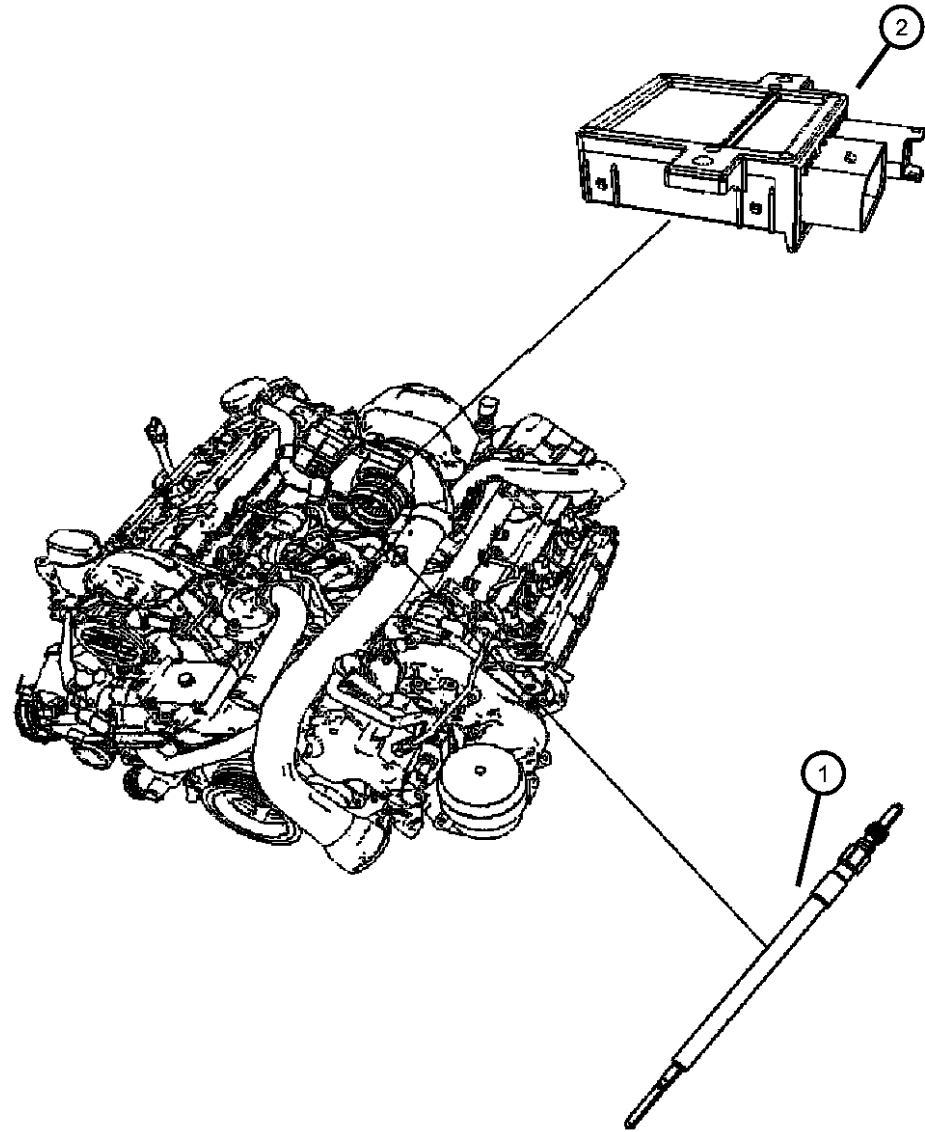
GRAND CHEROKEE (WK)

SERIES	LINE	BODY	ENGINE	TRANSMISSION
H = HIGHLINE	T = JEEP - 2WD	74 = SPORT UTILITY 4-DR	EVA = 4.7L V8 MPI Engine	DGJ = 5-Speed Auto W5A580
P = PREMIUM	J = JEEP - 4WD	TYPE #4	EVD = 4.7L V8 FFV Engine	Transmission
S = SPORT			EXL = 3.0L V6 Turbo Diesel Engine	DGQ = 5-Spd Automatic 545RFE Transmission
X = SPECIAL			EZB = 5.7L Hemi Multi Displacement Engine	DGU = 5-Spd Auto W5J400 Transmission
			EKG = 3.7L V6 Engine	
			ESF = 6.1L SRT HEMI SMPI V8 Engine	

AR = use ase required - = Non illustrated part

**Glow Plugs
Figure 8-1915**

ITEM	PART NUMBER	QTY	LINE	SERIES	BODY	ENGINE	TRANS	TRIM	DESCRIPTION
1	05175756AA	6	J, T		74	EXL			GLOW PLUG
2	05175759AB	1	J, T		74	EXL			MODULE, Glow Plug



GRAND CHEROKEE (WK)

SERIES LINE
H = HIGHLINE T = JEEP - 2WD
P = PREMIUM J = JEEP - 4WD
S = SPORT
X = SPECIAL

BODY
74 = SPORT UTILITY 4-DR
TYPE #4

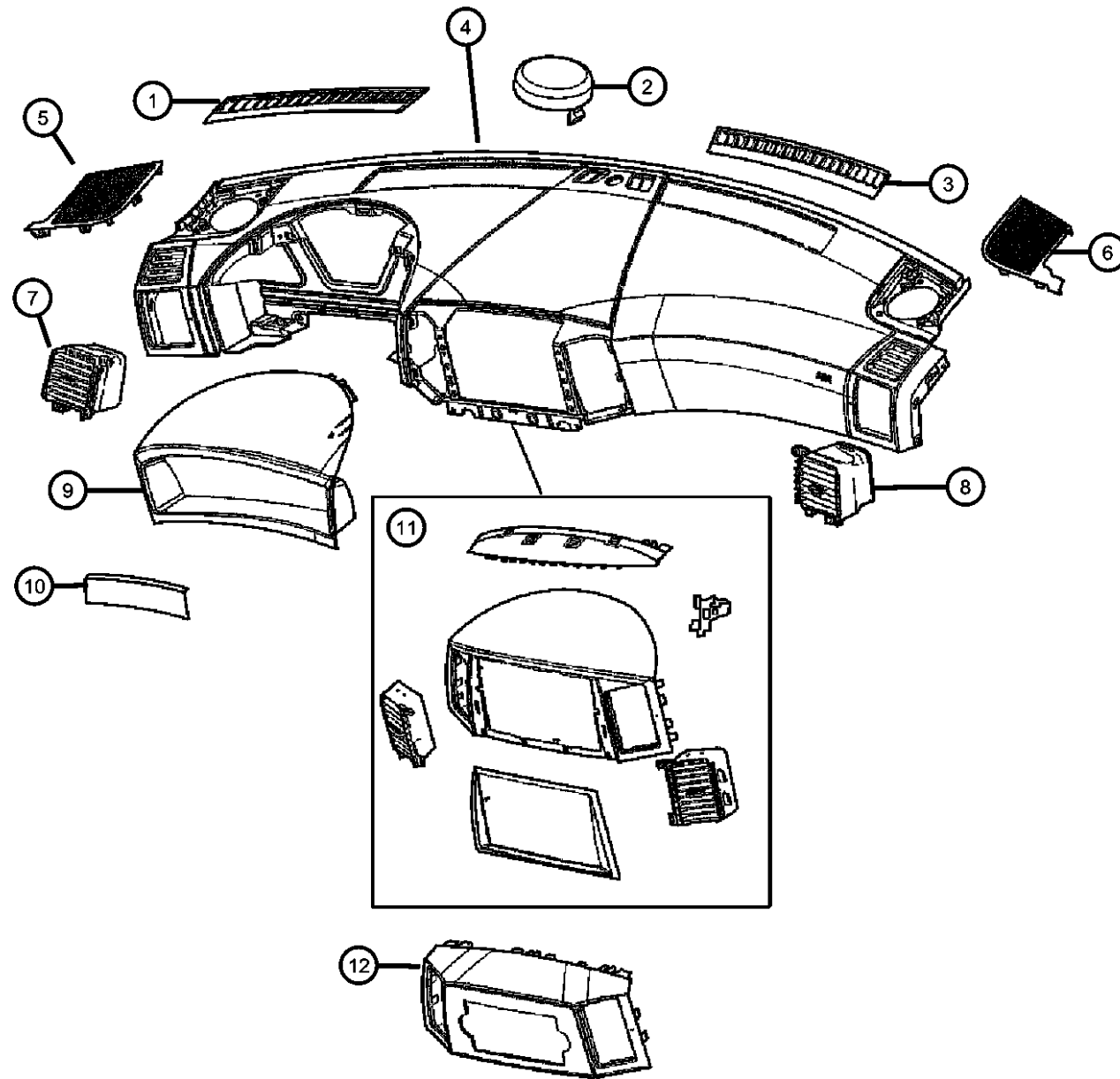
ENGINE
EVA = 4.7L V8 MPI Engine
EVD = 4.7L V8 FFV Engine
EXL = 3.0L V6 Turbo Diesel
Engine
EZB = 5.7L Hemi Multi
Displacement Engine
EKG = 3.7L V6 Engine
ESF = 6.1L SRT HEMI SMPI
V8 Engine

TRANSMISSION
DGJ = 5-Speed Auto W5A580
Transmission
DGQ = 5-Spd Automatic 545RFE
Transmission
DGU = 5-Spd Auto W5J400
Transmission

AR = use ase required - = Non illustrated part

2007 WK

Instrument Panel - Upper
Figure 08A-110



ITEM	PART NUMBER	QTY	LINE	SERIES	BODY	ENGINE	TRANS	TRIM	DESCRIPTION
1	1DQ55XD-HAA	1	J, T		74				GRILLE, Defroster [D5], Left
	1DQ55ZJ8AA	1	J, T		74				[J1], Left
		1	J, T		74				[J3], Left
2	5JN32ZJ8AD	1	J, T		74				PLUG, Solar Sensor [J1]
	5JN32XDHAD	1	J, T		74				[D5]
		1	J, T		74				[J3]
3	1DQ54ZJ8AA	1	J, T		74				GRILLE, Defroster [J1]
		1	J, T		74				[J3]
	1DQ54XD-HAA	1	J, T		74				[D5], Right
4	1EC931DHAB	1	J, T		74				PANEL, Instrument Upper [D5]
	1EC931J8AB	1	J, T		74				[J1]
		1	J, T		74				[J3]
5	5KB01ZJ8AG	1							GRILLE, Instrument Panel Speaker [J1], Left
		1							[J3], Left
	5KB01XD-HAG	1	J, T		74				[D5], Left
6	5KB00ZJ8AG	1	J, T		74				GRILLE, Instrument Panel Speaker [J3], Right
	5KB00XD-HAG	1	J, T		74				[D5], Right
		1	J, T		74				[J1], Right
7	1BL771J8AA	1	J, T		74				OUTLET, Air Conditioning & Heater [J3]
	1BL771DHAB	1	J, T		74				[D5]
		1	J, T		74				[J1]
8	1BL761DHAB	1	J, T		74				OUTLET, Air Conditioning & Heater [D5]

GRAND CHEROKEE (WK)

SERIES LINE
H = HIGHLINE T = JEEP - 2WD
P = PREMIUM J = JEEP - 4WD
S = SPORT
X = SPECIAL

BODY
74 = SPORT UTILITY 4-DR
TYPE #4

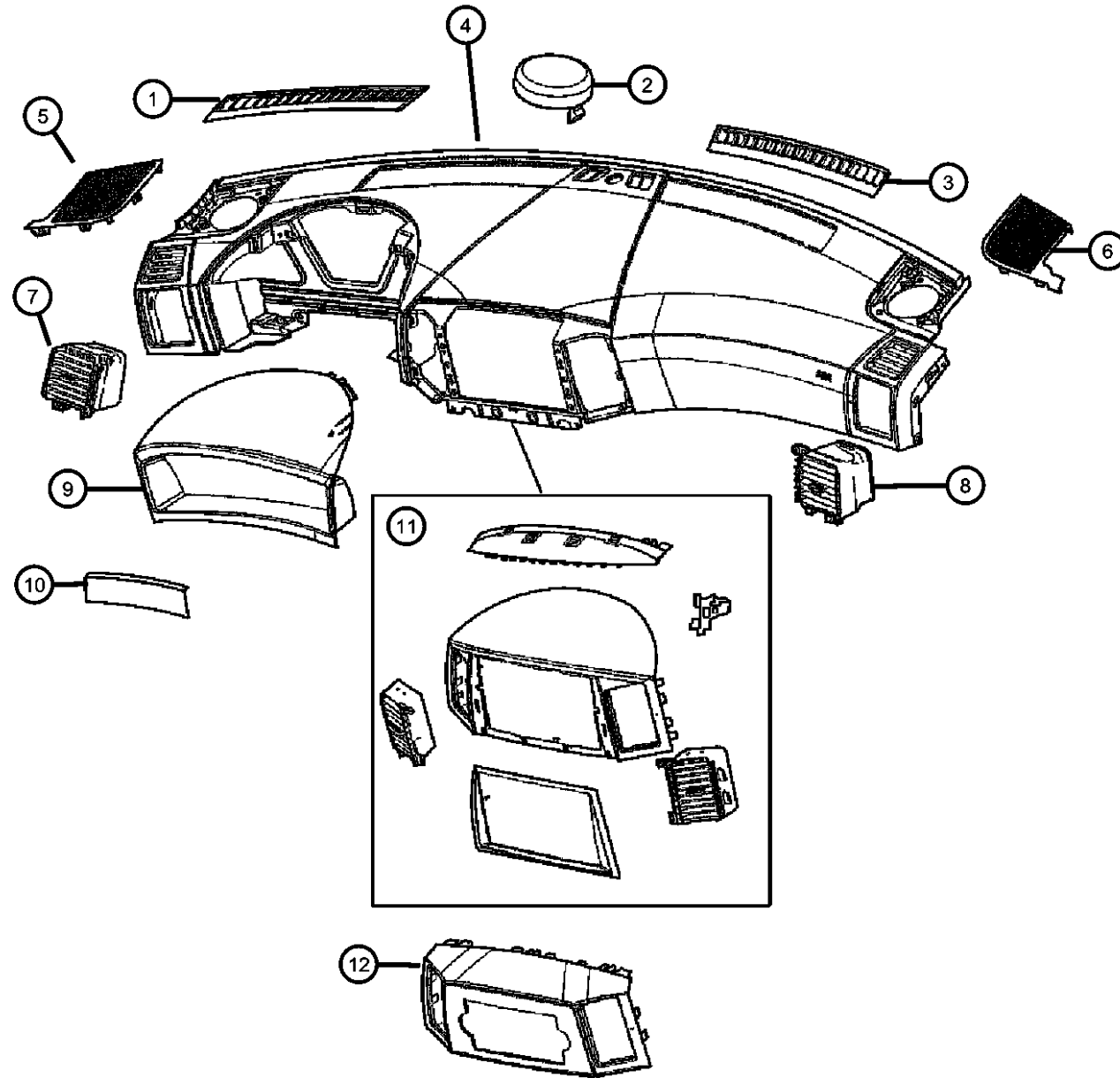
ENGINE
EVA = 4.7L V8 MPI Engine
EVD = 4.7L V8 FFV Engine
EXL = 3.0L V6 Turbo Diesel
Engine
EZB = 5.7L Hemi Multi
Displacement Engine
EKG = 3.7L V6 Engine
ESF = 6.1L SRT HEMI SMPI
V8 Engine

TRANSMISSION
DGJ = 5-Speed Auto W5A580
Transmission
DGQ = 5-Spd Automatic 545RFE
Transmission
DGU = 5-Spd Auto W5J400
Transmission

AR = use ase required - = Non illustrated part

2007 WK

Instrument Panel - Upper
Figure 08A-110



ITEM	PART NUMBER	QTY	LINE	SERIES	BODY	ENGINE	TRANS	TRIM	DESCRIPTION
	1BL761J8AA	1	J, T		74				[J1]
		1	J, T		74				[J3]
9	1DE89XD-HAA	1	J, T		74				BEZEL, Cluster
	1DE89ZJ8AA	1	J, T		74				[D5]
		1	J, T		74				[J1]
		1	J, T		74				[J3]
10									COVER, Instrument Panel, Steering Column Opening
	5HS93BD1AH	1	J, T		74				[J1]
	5HS93BD5AH	1	J, T		74				[D5]
	5HS93ZJ3AH	1	J, T		74				[J3]
11									BEZEL, Instrument Panel, Upper
	1EC941J8AB	1	J, T		74				[J1][RAQ] Or [REF]
		1	J, T		74				[J3][RAQ] Or [REF]
	1EC951DHAB	1	J, T		74				[D5][REC]
	1EC951J8AB	1	J, T		74				[J1][REC]
		1	J, T		74				[J3][REC]
	1EC941DHAB	1	J, T		74				[D5][RAQ] Or [REF]
12									BEZEL, Instrument Panel, Upper
	1EC941DHAB	1	J, T		74				[D5][RAQ,REF]
	1EC941J8AB	1	J, T		74				[J1][RAQ,REF]
		1	J, T		74				[J3][RAQ,REF]
-13									GAP HIDER, Steering Column Shroud
	1CB57BD5AC	1	J, T		74				[D5]
	1CB57BD1AC	1	J, T		74				[J1]
	1CB57ZJ3AC	1	J, T		74				[J3]
-14	55117145AA	1	J, T		74				BRACKET, Module, Remote start module

GRAND CHEROKEE (WK)

SERIES LINE
H = HIGHLINE T = JEEP - 2WD
P = PREMIUM J = JEEP - 4WD
S = SPORT
X = SPECIAL

BODY
74 = SPORT UTILITY 4-DR
TYPE #4

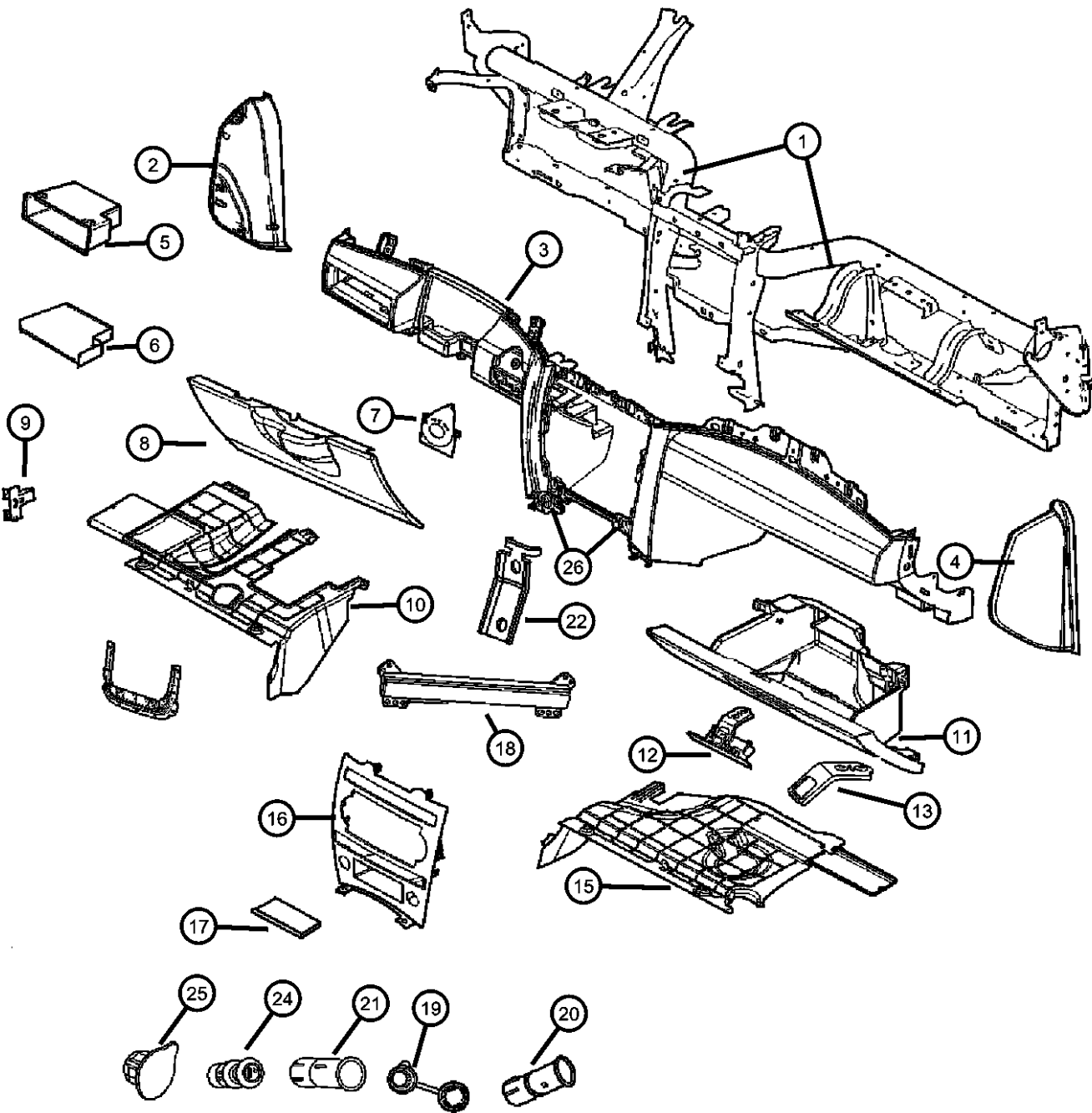
ENGINE
EVA = 4.7L V8 MPI Engine
EVD = 4.7L V8 FFV Engine
EXL = 3.0L V6 Turbo Diesel
Engine
EZB = 5.7L Hemi Multi
Displacement Engine
EKG = 3.7L V6 Engine
ESF = 6.1L SRT HEMI SMPI
V8 Engine

TRANSMISSION
DGJ = 5-Speed Auto W5A580
Transmission
DGQ = 5-Spd Automatic 545RFE
Transmission
DGU = 5-Spd Auto W5J400
Transmission

AR = use ase required - = Non illustrated part

2007 WK

**Instrument Panel - Lower
Figure 08A-120**



ITEM	PART NUMBER	QTY	LINE	SERIES	BODY	ENGINE	TRANS	TRIM	DESCRIPTION
------	-------------	-----	------	--------	------	--------	-------	------	-------------

NOTES:

Item #2 - Pincher Bracket Assy. can be used with Standard or Navigation Radio. Take out Middle Bracket as needed.

1	56052761AB	1							FRAME, Instrument Panel
2									CAP, Instrument Panel End
	5HS95XDHAL	1	J, T		74				[D5], Left
	5HS95ZJ8AL	1	J, T		74				[J1],
		1	J, T		74				[J3]
3									PANEL, Instrument Lower
	5JY781D1AM	1	J, T		74				[J1]
	5JY781J3AM	1	J, T		74				[J3]
	5JY781D5AM	1	J, T		74				[D5]
4									CAP, Instrument Panel End
	5HU58XDHAL	1	J, T		74				[D5]
	5HU58ZJ8AL	1	J, T		74				[J1]
		1	J, T		74				[J3]
5									BIN, Instrument Panel
	1BK891D5AA	1	J, T		74				[D5]
	1BK891J1AA	1	J, T		74				[J1]
	1BK891J3AA	1	J, T		74				[J3]
6	05159061AA	1	J, T		74				MAT, Instrument Panel
7									BEZEL, Switch
	5JY75BD1AD	1	J, T		74				[J1]
	5JY75BD5AD	1							[D5]
	5JY75ZJ3AD	1	J, T		74				[J3]
8									COVER, Instrument Panel, Steering Column Opening
	5HS93ZJ3AH	1	J, T		74				[J3]
	5HS93BD1AH	1	J, T		74				[J1]
	5HS93BD5AH	1	J, T		74				[D5]
9	05159062AA	2	J, T		74				CLIP, Console
10	55116775AK	1	J, T		74				PANEL, Instrument Panel Closeout
11									GLOVE BOX, Instrument Panel
	5JY771D5AI	1	J, T		74				[D5]

GRAND CHEROKEE (WK)

SERIES LINE
H = HIGHLINE T = JEEP - 2WD
P = PREMIUM J = JEEP - 4WD
S = SPORT
X = SPECIAL

BODY
74 = SPORT UTILITY 4-DR
TYPE #4

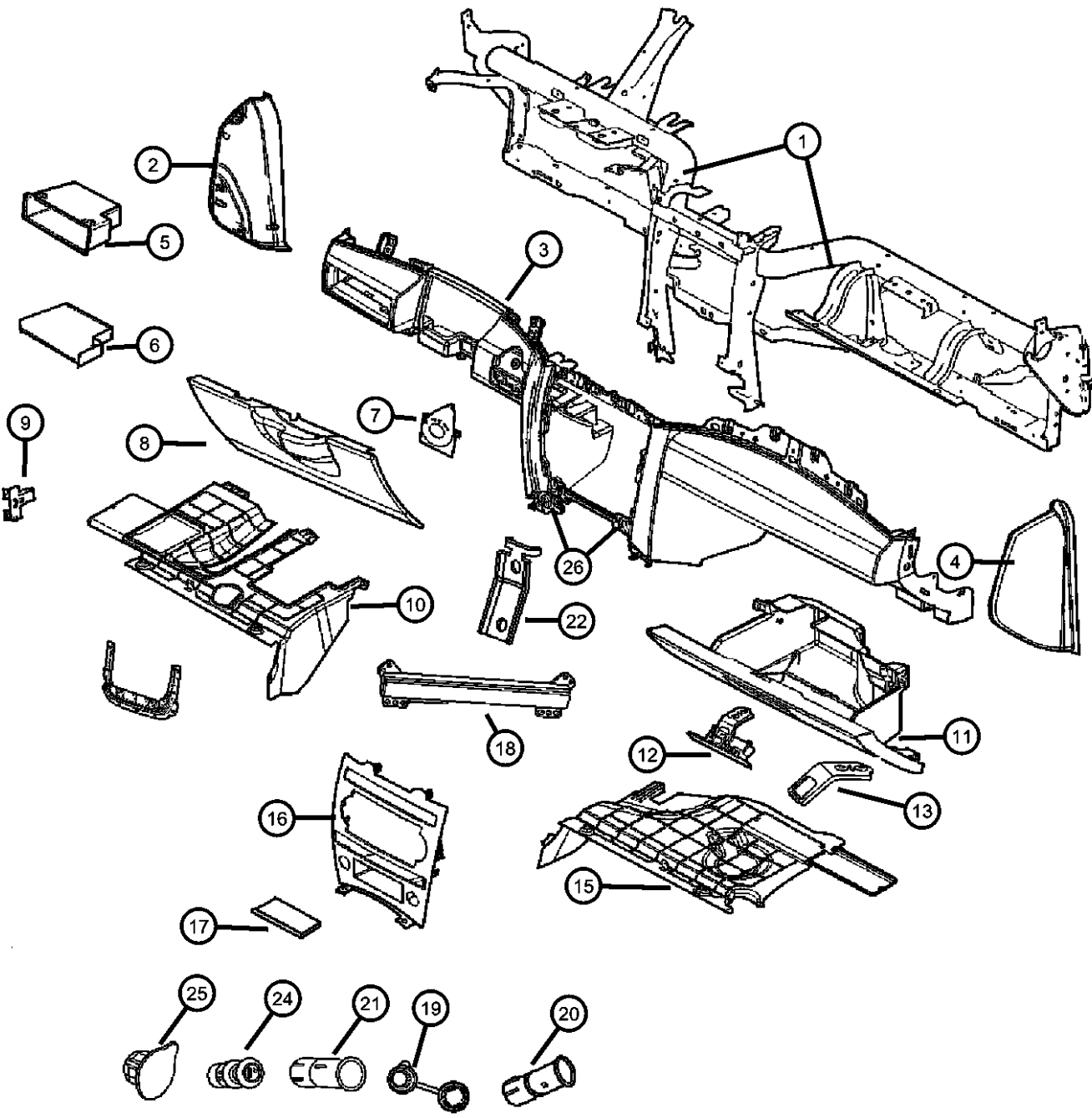
ENGINE
EVA = 4.7L V8 MPI Engine
EVD = 4.7L V8 FFV Engine
EXL = 3.0L V6 Turbo Diesel
Engine
EZB = 5.7L Hemi Multi
Displacement Engine
EKG = 3.7L V6 Engine
ESF = 6.1L SRT HEMI SMPI
V8 Engine

TRANSMISSION
DGJ = 5-Speed Auto W5A580
Transmission
DGQ = 5-Spd Automatic 545RFE
Transmission
DGU = 5-Spd Auto W5J400
Transmission

AR = use ase required - = Non illustrated part

2007 WK

**Instrument Panel - Lower
Figure 08A-120**



ITEM	PART NUMBER	QTY	LINE	SERIES	BODY	ENGINE	TRANS	TRIM	DESCRIPTION
	5JY771J3AI	1	J, T		74				[J3]
	5JY771D1AI	1	J, T		74				[J1]
12	5JM55BD5AB	1	J, T		74				LATCH, Glovebox Door
	5JM55ZJ3AB	1	J, T		74				[D5]
	5JM55BD1AB	1	J, T		74				[J3]
13	55116991AB	1	J, T		74				[J1]
-14	55117034AC	1	J, T		74				STRIKER, Glove Box Door Latch
15	55116780AK	1	J, T		74				DAMPENER, Glove Box Door
16	05143548AB	1	J, T	P	74				PANEL, Instrument Panel Closeout
	05179196AB	1	J, T	X	74				BEZEL, Instrument Panel, Lower
	05179197AA	1	J, T	S	74				
	05143547AB	1	J, T	H	74				
17	05143549AA	1	J, T	P	74				MAT, Instrument Panel
		1	J, T	H	74				
		1	J, T	X	74				
		1	J, T	S	74				
18	55116923AF	1	J, T	H	74		DGJ		COVER, Switch Opening
19	56008852	1	J, T		74				CAP, Cigar Lighter
20	04793554AC	1	J, T	P	74				POWER OUTLET
		1	J, T	H	74				
		1	J, T	S	74				
		1	J, T	X	74				
21	04685590	1							BASE, Cigar Lighter
22	55116622AB	2	J, T		74				BRACKET, Instrument Panel
-23	04793555	1	J, T		74				RING, Cigar Lighter Mounting
24		1							KNOB AND ELEMENT, Cigar Lighter, (NOT SERVICED)
25		1							MOUNT, Power Outlet

GRAND CHEROKEE (WK)
 SERIES LINE
 H = HIGHLINE T = JEEP - 2WD
 P = PREMIUM J = JEEP - 4WD
 S = SPORT
 X = SPECIAL

BODY
 74 = SPORT UTILITY 4-DR
 TYPE #4

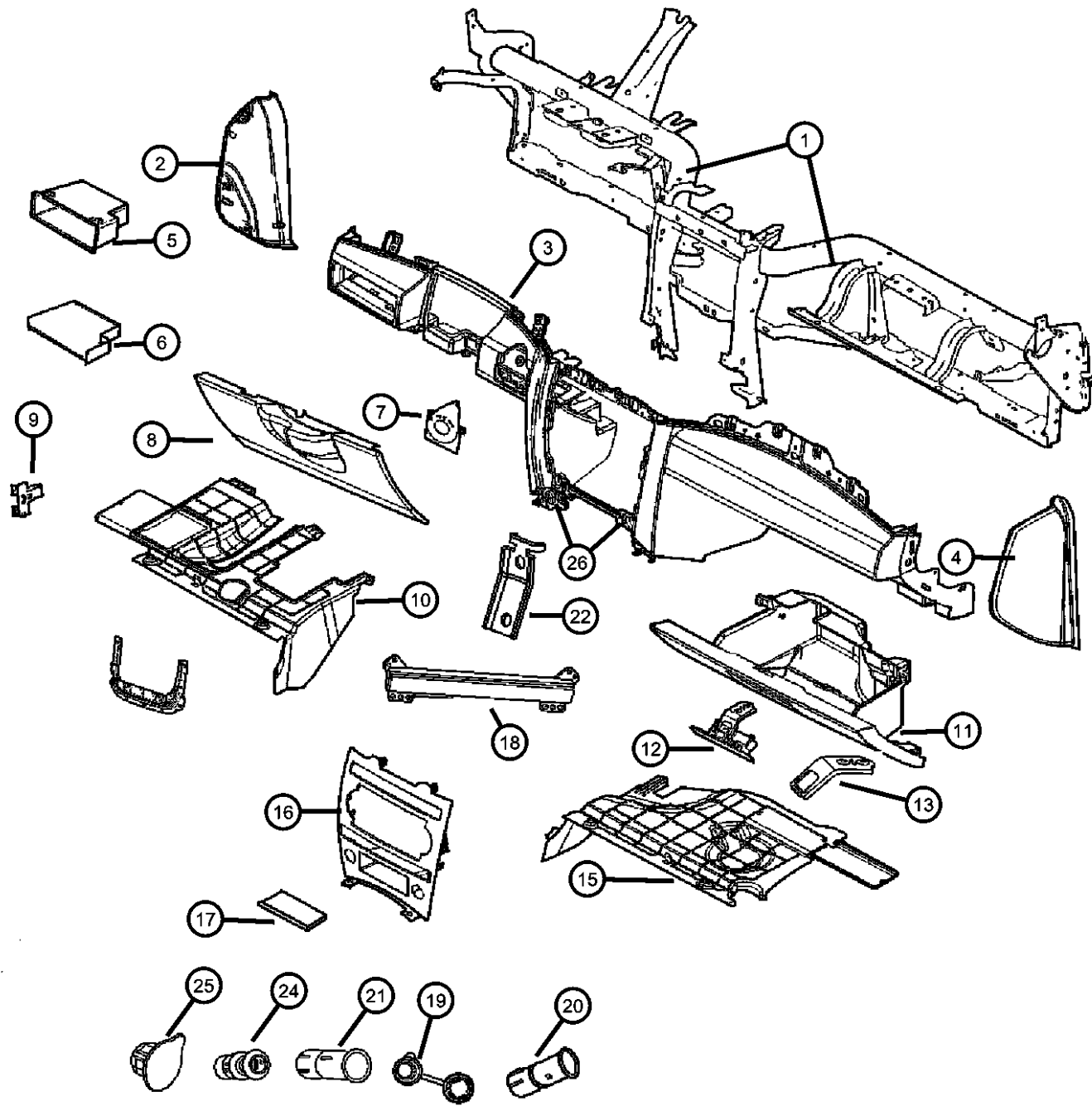
ENGINE
 EVA = 4.7L V8 MPI Engine
 EVD = 4.7L V8 FFV Engine
 EXL = 3.0L V6 Turbo Diesel
 Engine
 EZB = 5.7L Hemi Multi
 Displacement Engine
 EKG = 3.7L V6 Engine
 ESF = 6.1L SRT HEMI SMPI
 V8 Engine

TRANSMISSION
 DGJ = 5-Speed Auto W5A580
 Transmission
 DGQ = 5-Spd Automatic 545RFE
 Transmission
 DGU = 5-Spd Auto W5J400
 Transmission

AR = use ase required - = Non illustrated part

**Instrument Panel - Lower
Figure 08A-120**

ITEM	PART NUMBER	QTY	LINE	SERIES	BODY	ENGINE	TRANS	TRIM	DESCRIPTION
	04685668AA	1	J, T	P	74				
		1	J, T	H	74				
		1	J, T	S	74				
		1	J, T	X	74				
26	05159062AA	2	J, T		74				CLIP, Console
-27									GRILLE, Lower
	1FC54BD1AA	1	J, T		74				[J1], Right
	1FC54BD5AA	1	J, T		74				[D5], Right
	1FC55BD1AB	1	J, T		74				[D5], Left
	1FC54ZJ3AA	1	J, T		74				[J3], Right
	1FC55BD1AA	1	J, T		74				[J1], Left
	1FC55ZJ3AA	1	J, T		74				[J3], Left



GRAND CHEROKEE (WK)

SERIES LINE
H = HIGHLINE T = JEEP - 2WD
P = PREMIUM J = JEEP - 4WD
S = SPORT
X = SPECIAL

BODY
74 = SPORT UTILITY 4-DR
TYPE #4

ENGINE
EVA = 4.7L V8 MPI Engine
EVD = 4.7L V8 FFV Engine
EXL = 3.0L V6 Turbo Diesel
Engine
EZB = 5.7L Hemi Multi
Displacement Engine
EKG = 3.7L V6 Engine
ESF = 6.1L SRT HEMI SMPI
V8 Engine

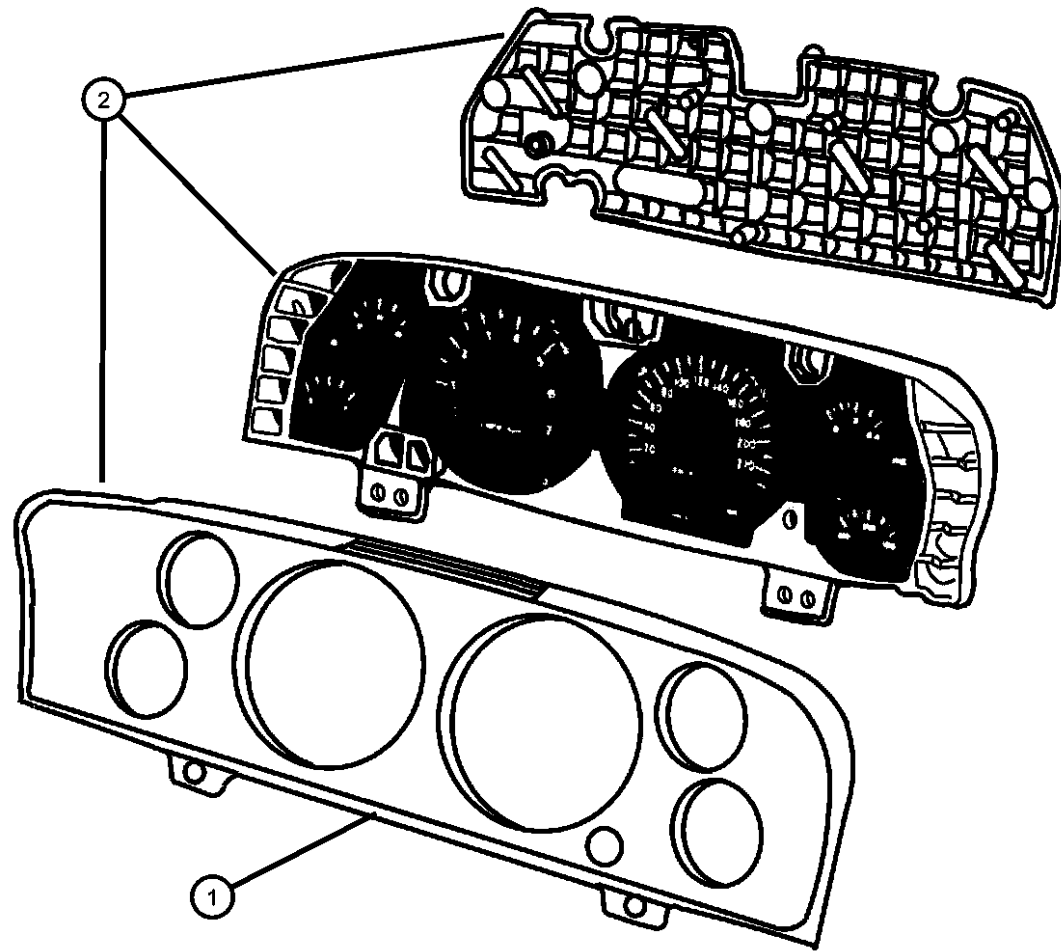
TRANSMISSION
DGJ = 5-Speed Auto W5A580
Transmission
DGQ = 5-Spd Automatic 545RFE
Transmission
DGU = 5-Spd Auto W5J400
Transmission

AR = use ase required - = Non illustrated part

2007 WK

**Instrument Cluster
Figure 08A-210**

ITEM	PART NUMBER	QTY	LINE	SERIES	BODY	ENGINE	TRANS	TRIM	DESCRIPTION
1	05142356AA	1	J, T	X	74	ES0			LENS, Cluster
2									CLUSTER
	05030886AA	1	J, T	X	74	ES0			[JDU]
	05030887AA	1	J, T	X	74	ES0			[JCG]
	05172315AB	1	J, T		74	EV0, EZ0			[JDH]
	05172317AB	1	J, T		74	EV0, EZ0			[JCE]
	05172318AB	1	J, T		74	EX0			[JDH]
	05172320AB	1	J, T		74	EX0			[JCE]
	05172328AB	1	J, T	H	74	EK0			[JDH]
	05172329AB	1	J, T	H	74	EK0			[JCE]



GRAND CHEROKEE (WK)

SERIES LINE
H = HIGHLINE T = JEEP - 2WD
P = PREMIUM J = JEEP - 4WD
S = SPORT
X = SPECIAL

BODY
74 = SPORT UTILITY 4-DR
TYPE #4

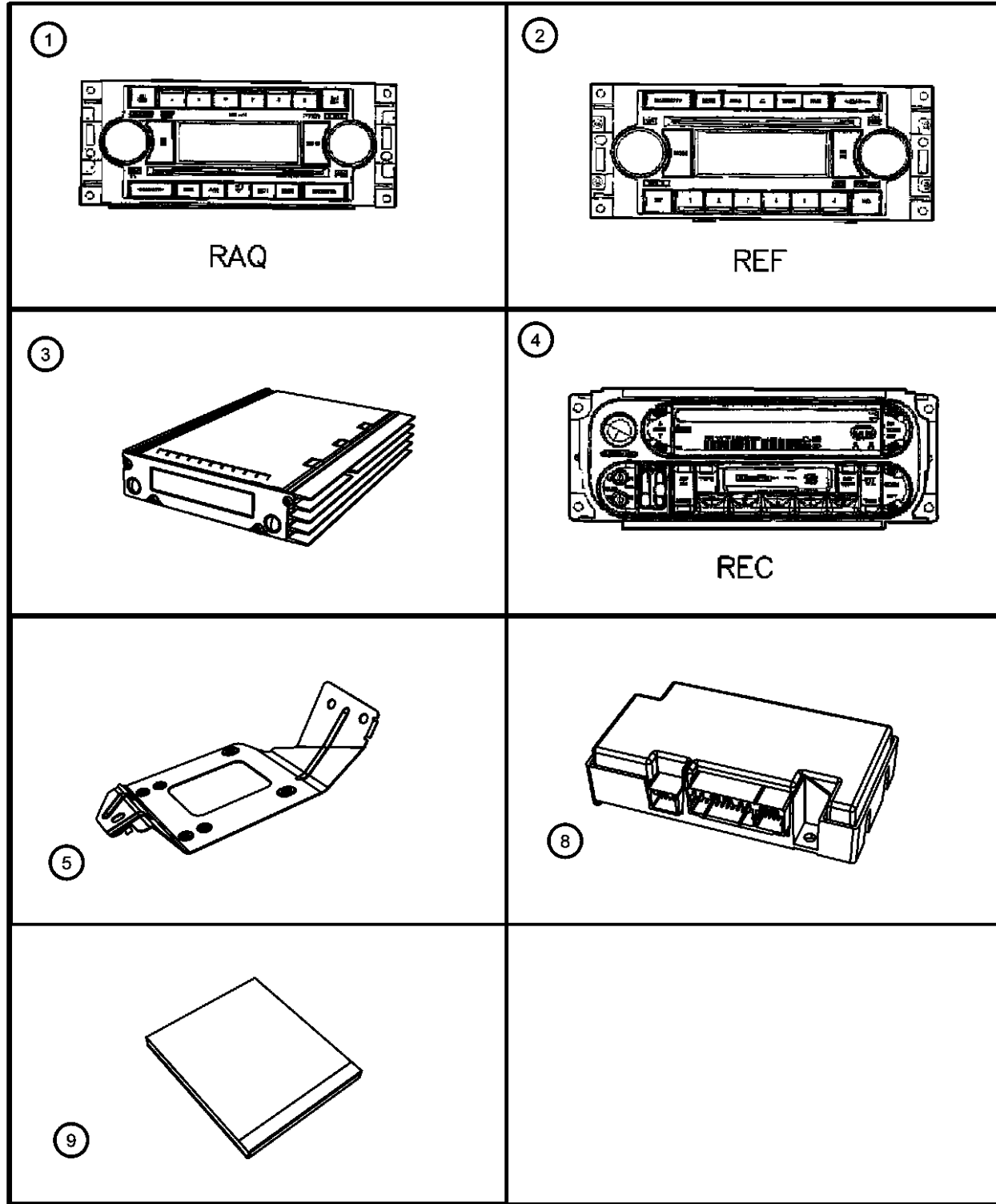
ENGINE
EVA = 4.7L V8 MPI Engine
EVD = 4.7L V8 FFV Engine
EXL = 3.0L V6 Turbo Diesel
Engine
EZB = 5.7L Hemi Multi
Displacement Engine
EKG = 3.7L V6 Engine
ESF = 6.1L SRT HEMI SMPI
V8 Engine

TRANSMISSION
DGJ = 5-Speed Auto W5A580
Transmission
DGQ = 5-Spd Automatic 545RFE
Transmission
DGU = 5-Spd Auto W5J400
Transmission

AR = use ase required - = Non illustrated part

2007 WK

Radio
Figure 08A-310



ITEM	PART NUMBER	QTY	LINE	SERIES	BODY	ENGINE	TRANS	TRIM	DESCRIPTION
------	-------------	-----	------	--------	------	--------	-------	------	-------------

Notes:

Item #8 -Take out Middle Bracket and use As Needed with Standard or Navigation Radio

[HAA] = Air Conditioning

[HAF] = Air Conditioning ATC with Dual Zone Control

[RAK] = AM/FM Cassette/CD, 6 Disc, MP3

[RAQ] = AM/FM CD, 6 Disc, MP3

[RC6] = Spe

1	05064172AE	1	J, T		74				RADIO, AM/FM with CD and Equalizer, [RAQ]
2	05064171AH	1	J, T		74				RADIO, AM/FM with CD, [REF]
3	05064118AF	1	J, T		74				AMPLIFIER, Audio
4	05064184AD	1	J, T		74				RADIO, AM/FM CD W/NAV/DVD & CD-CTRL, [REC]
5	05134251AA	1	J, T		74				BRACKET, Amplifier
-6		1							SCREW, Tapping, M6X1.00X16.00 hex head, (NOT SERVICED)
-7	05161571AA	1							COVER, Radio
8									MODULE, Telematics
	05064070AG	1	J, T		74				Before 1/15/07
	05064070AH	1	J, T		74				After 1/15/07
	05064170AE	1	J, T		74				Before 01/15/07
	05064170AF	1	J, T		74				After 01/15/07
9	05064033AD	1	J, T		74				DVD, Geographic Database

GRAND CHEROKEE (WK)

SERIES LINE
H = HIGHLINE T = JEEP - 2WD
P = PREMIUM J = JEEP - 4WD
S = SPORT
X = SPECIAL

BODY
74 = SPORT UTILITY 4-DR
TYPE #4

ENGINE
EVA = 4.7L V8 MPI Engine
EVD = 4.7L V8 FFV Engine
EXL = 3.0L V6 Turbo Diesel Engine
EZB = 5.7L Hemi Multi Displacement Engine
EKG = 3.7L V6 Engine
ESF = 6.1L SRT HEMI SMPI V8 Engine

TRANSMISSION
DGJ = 5-Speed Auto W5A580 Transmission
DGQ = 5-Spd Automatic 545RFE Transmission
DGU = 5-Spd Auto W5J400 Transmission

AR = use ase required - = Non illustrated part

2007 WK

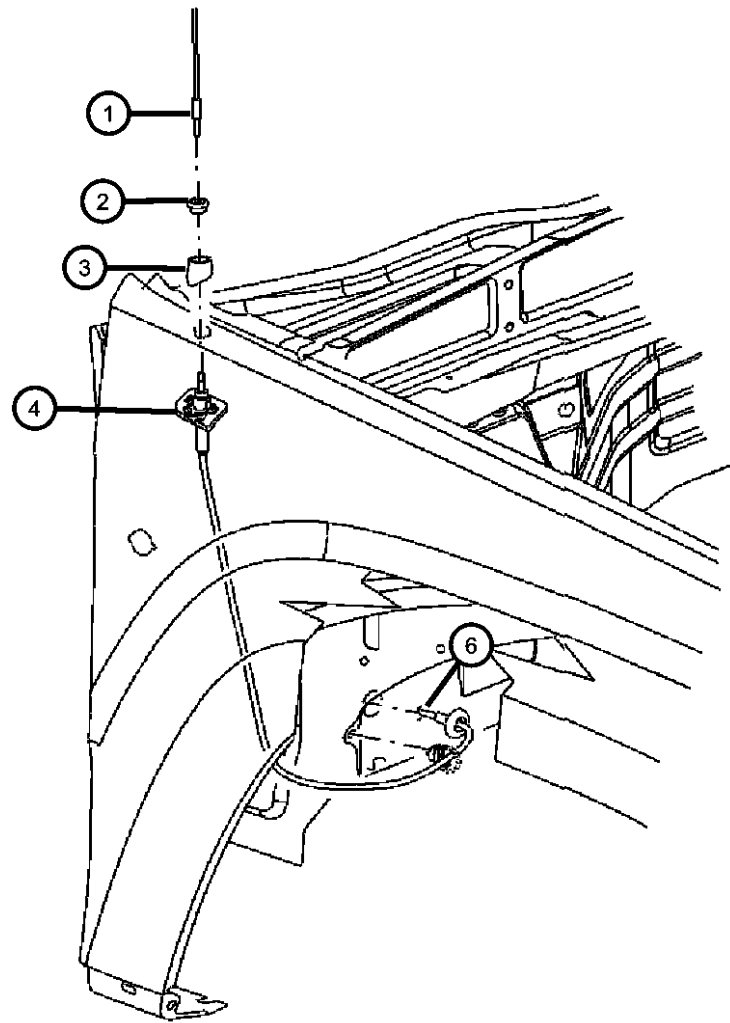
**Antenna
Figure 08A-320**

ITEM	PART NUMBER	QTY	LINE	SERIES	BODY	ENGINE	TRANS	TRIM	DESCRIPTION
------	-------------	-----	------	--------	------	--------	-------	------	-------------

Notes:

[RDD] = Antenna - Fixed

1	56038725AC	1	J, T		74				MAST, Antenna - Fixed
2	56038729AE	1	J, T		74				CAP NUT, Antenna
3	56038730AC	1	J, T		74				ESCUTCHEON, Antenna
4	56038731AH	1	J, T		74				BASE, Antenna, Base and Cable
-5	56038799AB	1	J, T		74				ANTENNA, Global Positioning
6	56038732AG	1	J, T		74				CABLE, Antenna, Instrument panel [RDD]



GRAND CHEROKEE (WK)

SERIES LINE
H = HIGHLINE T = JEEP - 2WD
P = PREMIUM J = JEEP - 4WD
S = SPORT
X = SPECIAL

BODY
74 = SPORT UTILITY 4-DR
TYPE #4

ENGINE
EVA = 4.7L V8 MPI Engine
EVD = 4.7L V8 FFV Engine
EXL = 3.0L V6 Turbo Diesel
Engine
EZB = 5.7L Hemi Multi
Displacement Engine
EKG = 3.7L V6 Engine
ESF = 6.1L SRT HEMI SMPI
V8 Engine

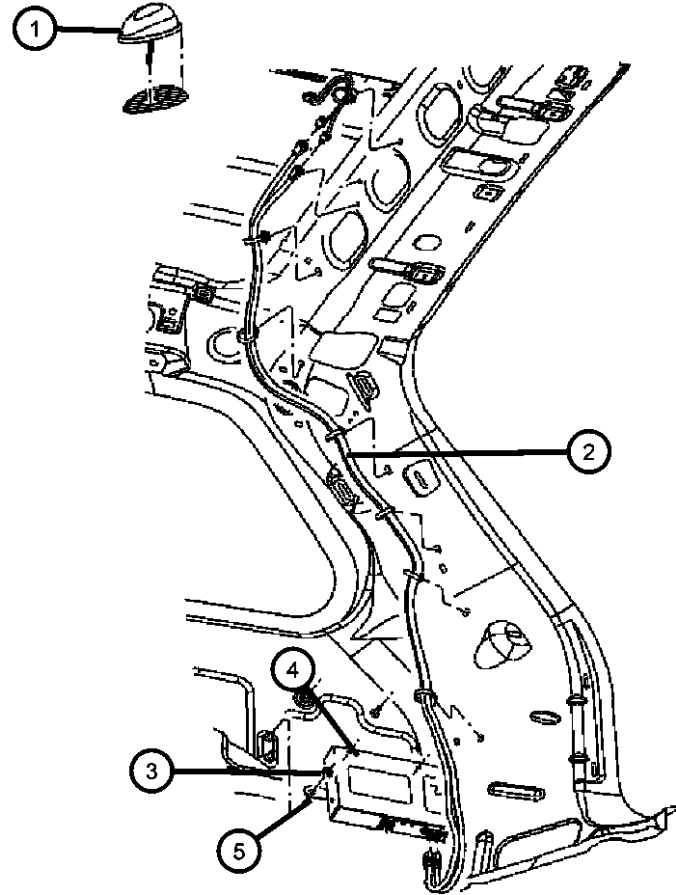
TRANSMISSION
DGJ = 5-Speed Auto W5A580
Transmission
DGQ = 5-Spd Automatic 545RFE
Transmission
DGU = 5-Spd Auto W5J400
Transmission

AR = use ase required - = Non illustrated part

2007 WK

**Satellite Radio/Antenna
Figure 08A-325**

ITEM	PART NUMBER	QTY	LINE	SERIES	BODY	ENGINE	TRANS	TRIM	DESCRIPTION
1	05150048AB	1	J, T		74				ANTENNA, Satellite
2	56038716AD	1	J, T		74				CABLE, Antenna
3	06503825	3	J, T		74				NUT AND WASHER, Hex Nut-Coned Washer, M6 x 1.00
4	05064075AD	1	J, T		74				RECEIVER, Satellite
5	68032839AA	1	J, T		74				BRACKET, Satellite Receiver



GRAND CHEROKEE (WK)

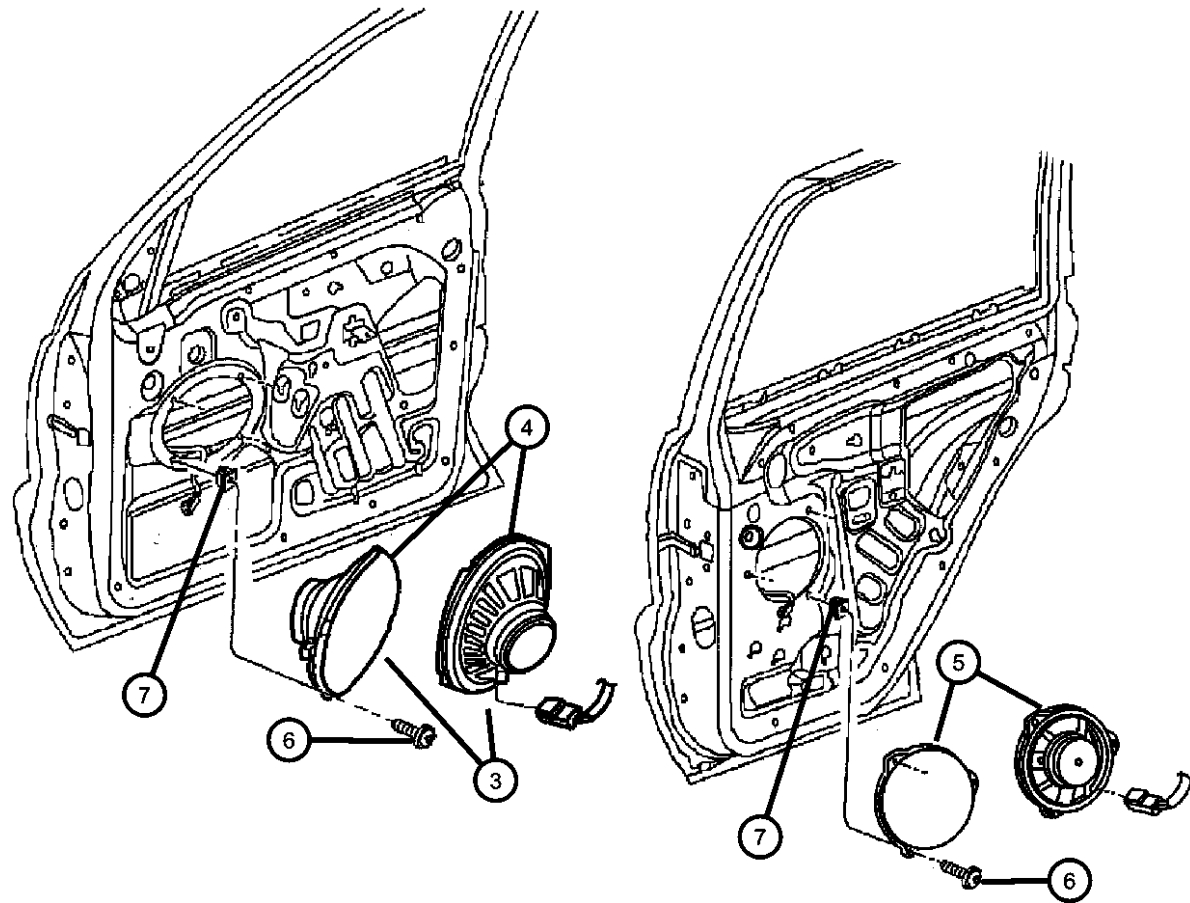
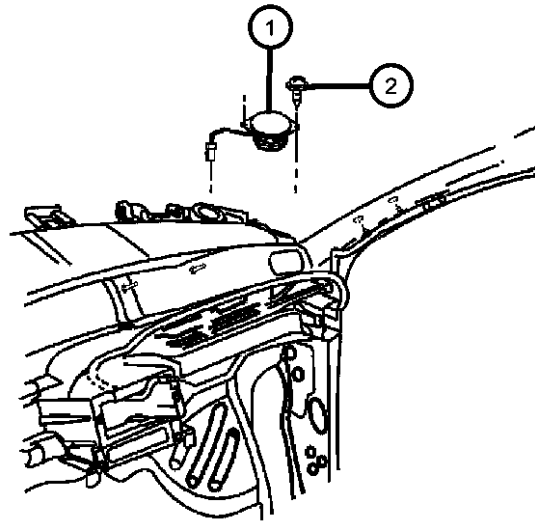
SERIES LINE
H = HIGHLINE T = JEEP - 2WD
P = PREMIUM J = JEEP - 4WD
S = SPORT
X = SPECIAL

BODY
74 = SPORT UTILITY 4-DR
TYPE #4

ENGINE
EVA = 4.7L V8 MPI Engine
EVD = 4.7L V8 FFV Engine
EXL = 3.0L V6 Turbo Diesel
Engine
EZB = 5.7L Hemi Multi
Displacement Engine
EKG = 3.7L V6 Engine
ESF = 6.1L SRT HEMI SMPI
V8 Engine

TRANSMISSION
DGJ = 5-Speed Auto W5A580
Transmission
DGQ = 5-Spd Automatic 545RFE
Transmission
DGU = 5-Spd Auto W5J400
Transmission

**Speakers
Figure 08A-330**



ITEM	PART NUMBER	QTY	LINE	SERIES	BODY	ENGINE	TRANS	TRIM	DESCRIPTION
1									SPEAKER, Instrument Panel
	05059062AB	2	J, T		74				[RCG]
	05059068AB	2	J, T		74				[RC6]
2		2							SCREW, Tapping, (NOT SERVICED),
3	05091019AB	2	J, T		74				SPEAKER, 6"X9", [RCG], Front Door
4	05059063AC	2	J, T		74				SPEAKER, Rear, 6x9, [RC6], Front Door
5									SPEAKER, 6.5"
	05081670AB	2	J, T		74				[RC6], Rear Door
	05091020AB	2	J, T		74				[RCG], Rear Door
6		2							SCREW, (NOT SERVICED),
7	06507009AA	8	J, T		74				NUT, Plastic Snap-in, Door speaker mounting
-8	05064118AF	1	J, T		74				AMPLIFIER, Audio, [RC6]

GRAND CHEROKEE (WK)

SERIES LINE
H = HIGHLINE T = JEEP - 2WD
P = PREMIUM J = JEEP - 4WD
S = SPORT
X = SPECIAL

BODY
74 = SPORT UTILITY 4-DR
TYPE #4

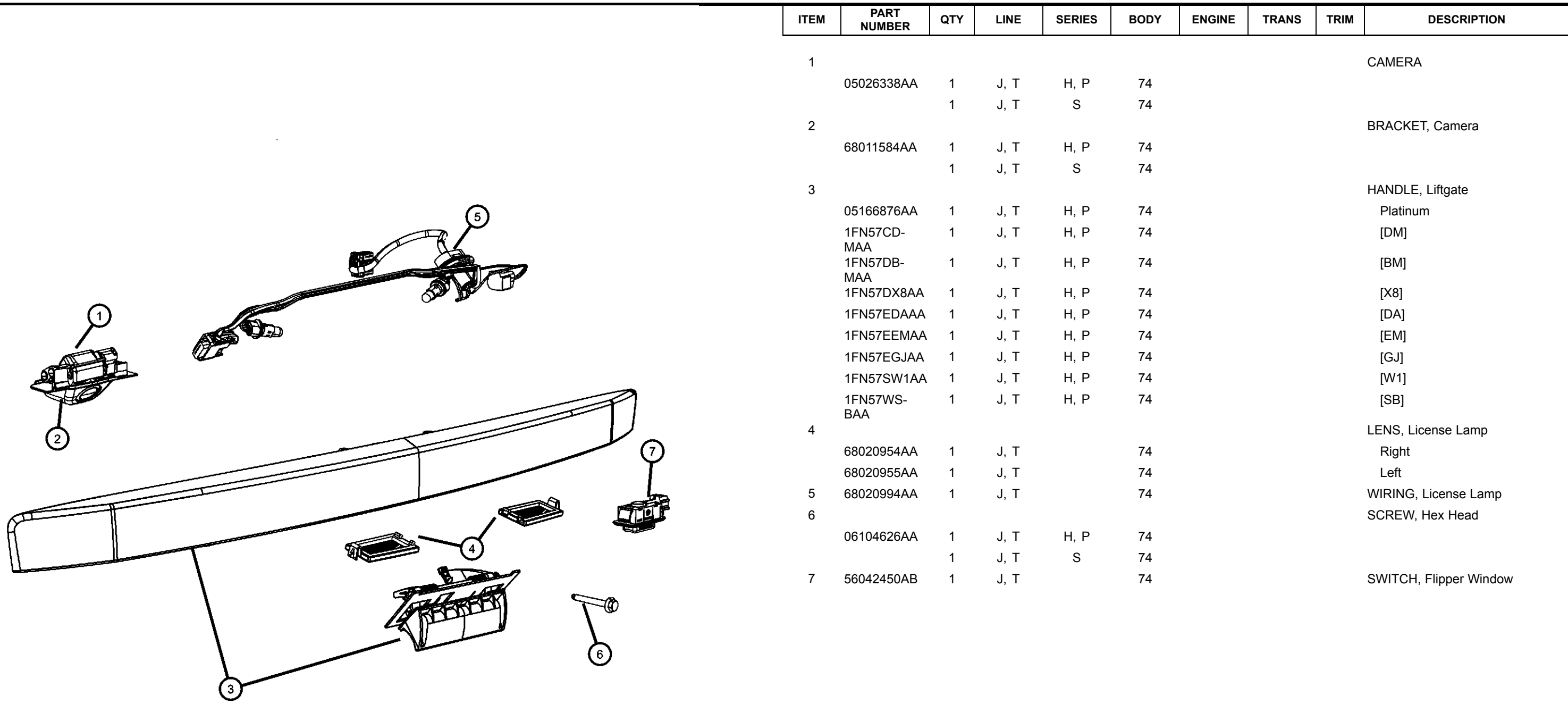
ENGINE
EVA = 4.7L V8 MPI Engine
EVD = 4.7L V8 FFV Engine
EXL = 3.0L V6 Turbo Diesel
Engine
EZB = 5.7L Hemi Multi
Displacement Engine
EKG = 3.7L V6 Engine
ESF = 6.1L SRT HEMI SMPI
V8 Engine

TRANSMISSION
DGJ = 5-Speed Auto W5A580
Transmission
DGQ = 5-Spd Automatic 545RFE
Transmission
DGU = 5-Spd Auto W5J400
Transmission

AR = use ase required - = Non illustrated part

2007 WK

Camera System
Figure 08A-340

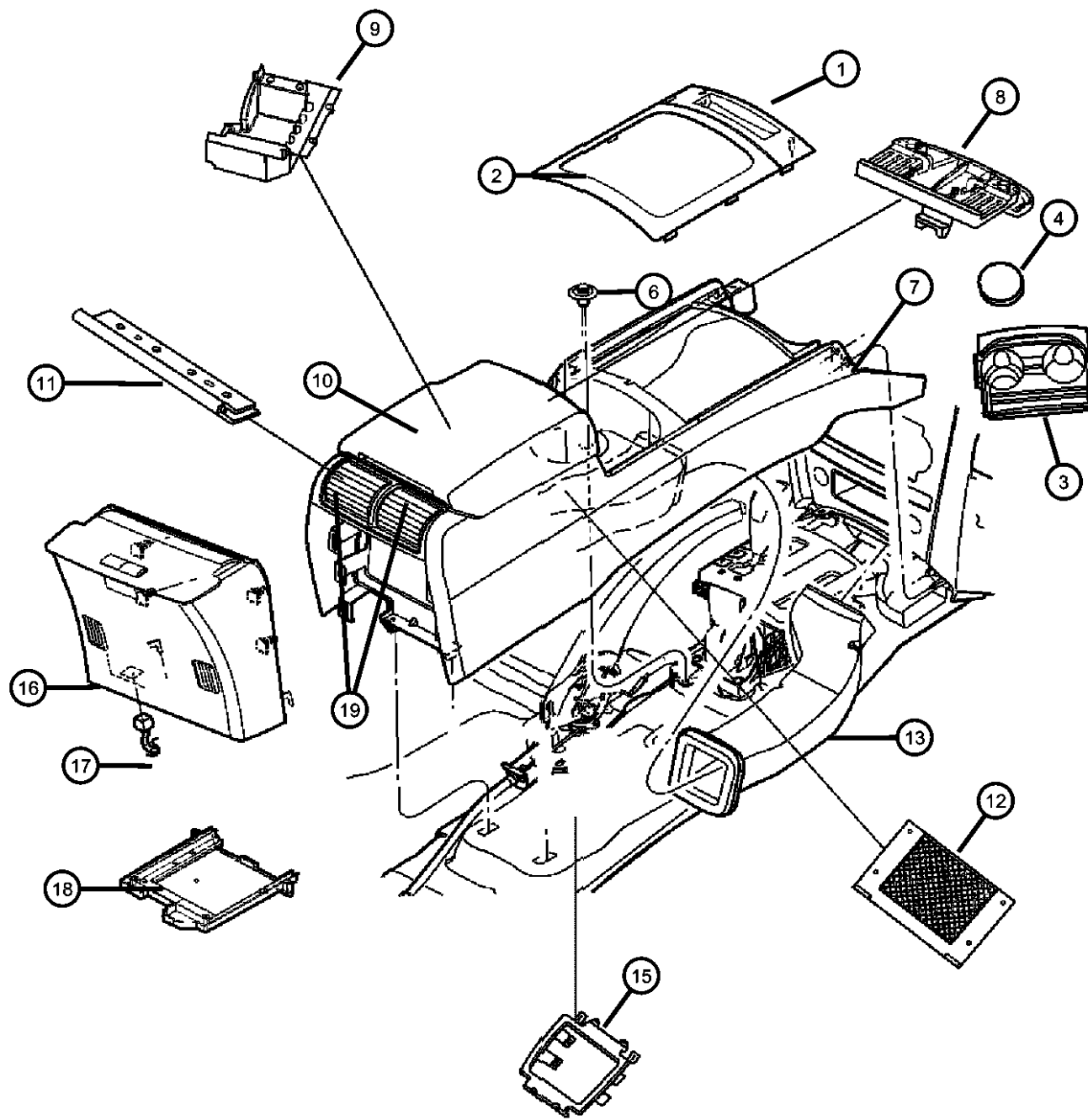


ITEM	PART NUMBER	QTY	LINE	SERIES	BODY	ENGINE	TRANS	TRIM	DESCRIPTION
1	05026338AA	1	J, T	H, P	74				CAMERA
		1	J, T	S	74				
2	68011584AA	1	J, T	H, P	74				BRACKET, Camera
		1	J, T	S	74				
3	05166876AA	1	J, T	H, P	74				HANDLE, Liftgate Platinum
	1FN57CD- MAA	1	J, T	H, P	74				[DM]
	1FN57DB- MAA	1	J, T	H, P	74				[BM]
	1FN57DX8AA	1	J, T	H, P	74				[X8]
	1FN57EDAAA	1	J, T	H, P	74				[DA]
	1FN57EEMAA	1	J, T	H, P	74				[EM]
	1FN57EGJAA	1	J, T	H, P	74				[GJ]
	1FN57SW1AA	1	J, T	H, P	74				[W1]
	1FN57WS- BAA	1	J, T	H, P	74				[SB]
4	68020954AA	1	J, T		74				LENS, License Lamp Right
	68020955AA	1	J, T		74				Left
5	68020994AA	1	J, T		74				WIRING, License Lamp
6	06104626AA	1	J, T	H, P	74				SCREW, Hex Head
		1	J, T	S	74				
7	56042450AB	1	J, T		74				SWITCH, Flipper Window

GRAND CHEROKEE (WK)
 SERIES LINE BODY ENGINE TRANSMISSION
 H = HIGHLINE T = JEEP - 2WD 74 = SPORT UTILITY 4-DR EVA = 4.7L V8 MPI Engine DGJ = 5-Speed Auto W5A580
 P = PREMIUM J = JEEP - 4WD TYPE #4 EVD = 4.7L V8 FFV Engine Transmission
 S = SPORT EXL = 3.0L V6 Turbo Diesel DGQ = 5-Spd Automatic 545RFE
 X = SPECIAL Engine Transmission
 EZB = 5.7L Hemi Multi DGU = 5-Spd Auto W5J400
 Displacement Engine Transmission
 EKG = 3.7L V6 Engine
 ESF = 6.1L SRT HEMI SMPI
 V8 Engine

AR = use ase required - = Non illustrated part

Floor Console
Figure 08A-410



ITEM	PART NUMBER	QTY	LINE	SERIES	BODY	ENGINE	TRANS	TRIM	DESCRIPTION
1									BEZEL, Gear Shift Indicator
	5KH83AAAAB	1	J, T	P	74				[AWB]
	0XH38AAAAD	1	J, T	P	74				
	1BN37AAAAC	1	J, T	S	74				
	1BN40AAAAC	1	J, T	S	74				[AWB]
	1CG89AAAAA	1	J, T	X	74				
	55117123AA	1	J, T	H	74				
	55352942AA	1	J, T	H	74				[AWB]
2	5JN05SZ0AD	1	J, T		74				RING, Trim
3									CUPHOLDER, Floor Console
	1FB241D1AA	1	J, T	P	74				[J1]
	1FB241D5AA	1	J, T	H	74				[D5]
		1	J, T	P	74				[D5]
		1	J, T	S	74				[D5]
		1	J, T	S	74				[J1]
		1	J, T	X	74				[D5]
	1FB241J3AA	1	J, T	P	74				[J3]
		1	J, T	H	74				[J3]
4									MAT, Console Cup Holder
	1ED73DX9AA	1	J, T	X	74				
	1ED73ZJ3AA	1	J, T	H, P, S	74				[J3]
	1ED73BD5AA	1	J, T	H, P, S	74				[D5]
	1ED73BD1AA	1	J, T	H, P, S	74				[J1]
-5		1							SCREW, Self Piercing, .164-15x.625, (NOT SERVICED),
6		1							SCREW, (NOT SERVICED)
7									CONSOLE, Base
	1BJ011D1AB	1	J, T	P	74				[J1]
		1	J, T	S	74				[J1]
	1BJ011D5AB	1	J, T	P	74				[D5]
		1	J, T	S	74				[D5]
		1	J, T	X	74				[D5]
		1	J, T	H	74				[D5]

GRAND CHEROKEE (WK)

SERIES LINE
H = HIGHLINE T = JEEP - 2WD
P = PREMIUM J = JEEP - 4WD
S = SPORT
X = SPECIAL

BODY
74 = SPORT UTILITY 4-DR
TYPE #4

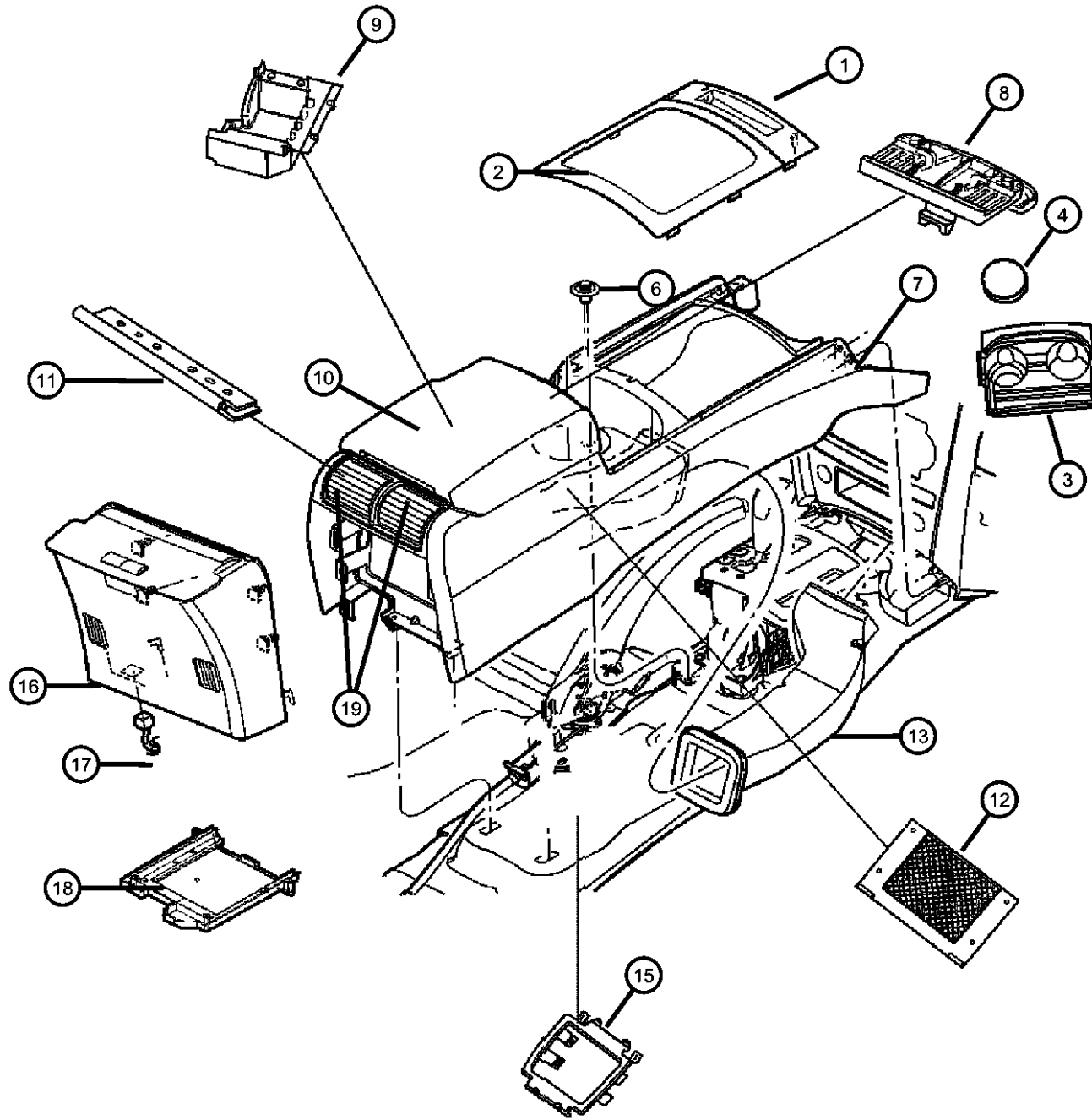
ENGINE
EVA = 4.7L V8 MPI Engine
EVD = 4.7L V8 FFV Engine
EXL = 3.0L V6 Turbo Diesel
Engine
EZB = 5.7L Hemi Multi
Displacement Engine
EKG = 3.7L V6 Engine
ESF = 6.1L SRT HEMI SMPI
V8 Engine

TRANSMISSION
DGJ = 5-Speed Auto W5A580
Transmission
DGQ = 5-Spd Automatic 545RFE
Transmission
DGU = 5-Spd Auto W5J400
Transmission

AR = use ase required - = Non illustrated part

2007 WK

Floor Console
Figure 08A-410



ITEM	PART NUMBER	QTY	LINE	SERIES	BODY	ENGINE	TRANS	TRIM	DESCRIPTION
8	1BJ011J3AB	1	J, T	H	74				[J3]
									LATCH, Console Lock
	05143594AA	1	J, T	S	74				
9		1	J, T	X	74				
		1	J, T	H, P	74				
		1	J, T	H, P	74				BIN, Floor Console
	05143596AA	1	J, T	S	74				
10		1	J, T	X	74				
		1	J, T	H, P	74				
		1	J, T	H	74				LID, Floor Console Bin
	1BJ001D5AB	1	J, T	H	74				[D5] Up to 04/02/07
	1BJ001J3AB	1	J, T	H	74				[J3] Up to 04/02/07
	1BJ001D1AB	1	J, T	P	74				[J1] Up to 04/02/07
	1ED672D5AA	1	J, T	X	74				[D5]
	1JQ001D5AA	1	J, T	H	74				[D5] After 04/02/07
	1JQ001J3AA	1	J, T	H	74				[J3] After 04/02/07
	1JQ191D1AA	1	J, T	P	74				[J1] After 04/02/07
	1JQ191D5AA	1	J, T	P	74				[D5] After 04/02/07
	1JQ191J3AA	1	J, T	P	74				[J3] After 04/02/07
11		1	J, T	P	74				[J3] Up to 04/02/07
		1	J, T	S	74				[D5]
		1	J, T	S	74				[J1]
	1ED671D5AA	1	J, T	S	74				
12	1ED671J1AA	1	J, T	S	74				
		1	J, T	H, P	74				HINGE, Floor Console Lid
	05143595AA	1	J, T	S	74				
12		1	J, T	X	74				
		1	J, T	X	74				
		1	J, T	H	74				NET, Storage
	05143593AB	1	J, T	H	74				After 10/02/06 and up to 04/02/07
	05143593AA	1	J, T	P	74				Up to 10/02/06
	1	J, T	S	74				Up to 10/02/06	
	1	J, T	X	74				Up to 10/02/06	

GRAND CHEROKEE (WK)

SERIES LINE
H = HIGHLINE T = JEEP - 2WD
P = PREMIUM J = JEEP - 4WD
S = SPORT
X = SPECIAL

BODY
74 = SPORT UTILITY 4-DR
TYPE #4

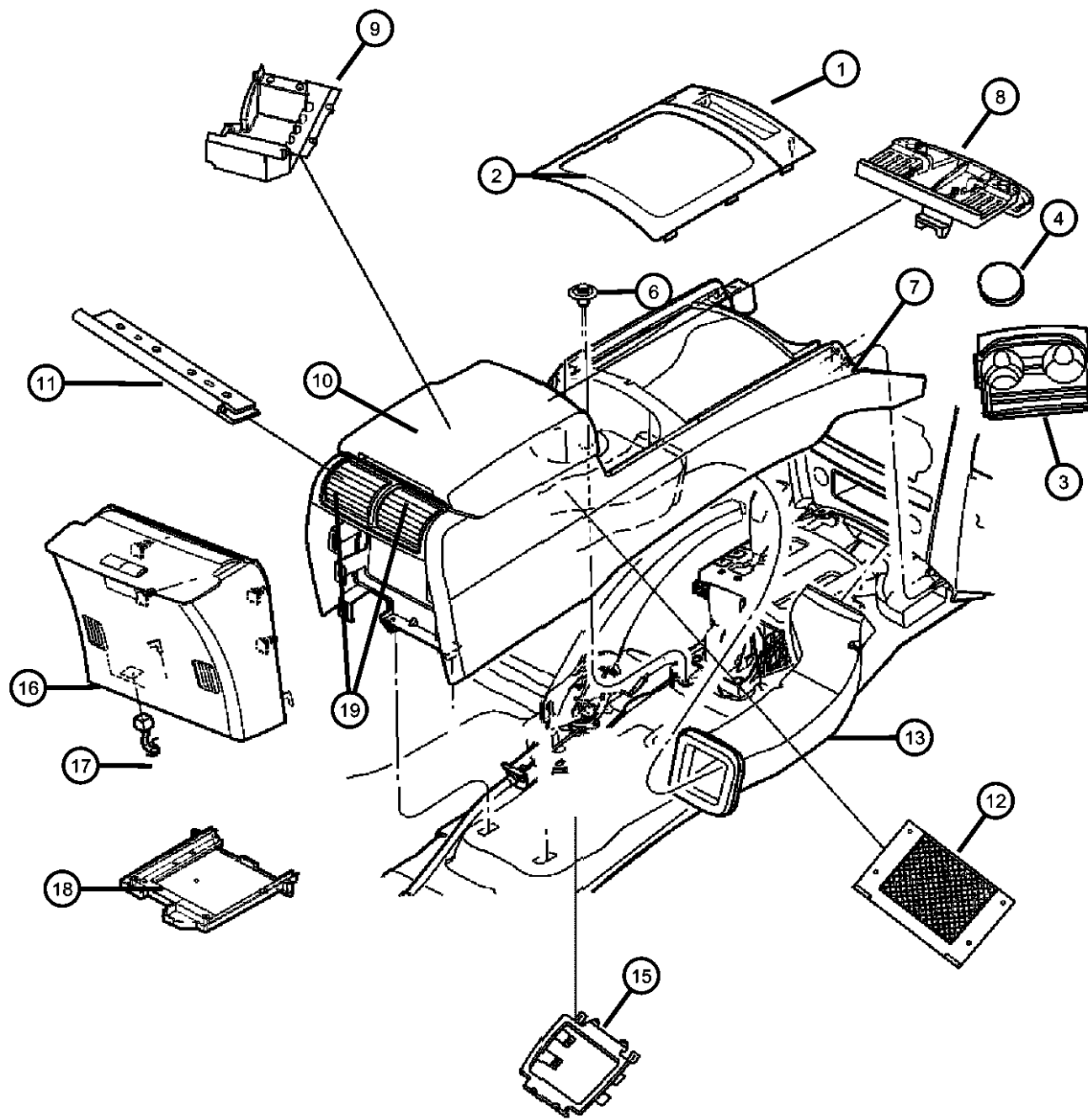
ENGINE
EVA = 4.7L V8 MPI Engine
EVD = 4.7L V8 FFV Engine
EXL = 3.0L V6 Turbo Diesel
Engine
EZB = 5.7L Hemi Multi
Displacement Engine
EKG = 3.7L V6 Engine
ESF = 6.1L SRT HEMI SMPI
V8 Engine

TRANSMISSION
DGJ = 5-Speed Auto W5A580
Transmission
DGQ = 5-Spd Automatic 545RFE
Transmission
DGU = 5-Spd Auto W5J400
Transmission

AR = use ase required - = Non illustrated part

2007 WK

Floor Console
Figure 08A-410



ITEM	PART NUMBER	QTY	LINE	SERIES	BODY	ENGINE	TRANS	TRIM	DESCRIPTION
		1	J, T	P	74				After 10/02/06
		1	J, T	S	74				After 10/02/06 and up to 04/02/07
		1	J, T	X	74				After 10/02/06 and up to 04/02/07
	68032917AA	1	J, T	P	74				After 04/02/07
		1	J, T	H	74				After 04/02/07
		1	J, T	H	74				Up to 10/02/06
13	55197077AB	1							DUCT, Floor Console, Between HVAC and Instrument Panel. Includes foam and a clip, Front
-14		1							SCREW, .164-18x.50, (NOT SERVICED)
15									BRACKET, Console
	05143597AB	1	J, T	H, P	74				
		1	J, T	S	74				
		1	J, T	X	74				
16									CAP, Floor Console End
	1BK64BD5AA	1	J, T		74				[D5][XRV]
	1BK64ZJ3AA	1	J, T		74				[J3][XRV]
	5KB96BD1AB	1	J, T		74				[J1]
	5KB96BD5AB	1	J, T		74				[D5]
	1BK64BD1AA	1	J, T		74				[J1][XRV]
	5KB96ZJ3AB	1	J, T		74				[J3]
17		1							CONNECTOR, Serviced with Body Wiring, (NOT SERVICED),
18		1							PLATE, Serviced with Console Assy., (NOT SERVICED)
19									OUTLET, Air Conditioning & Heater
	1BJ021D5AA	1	J, T	S	74				[D5]
		1	J, T	X	74				[D5]
	1BJ021J3AA	1	J, T	H, P	74				[J3]
	1BJ021D1AA	1	J, T	H, P	74				[J1]
		1	J, T	S	74				[J1]
		1	J, T	H, P	74				[D5]
		1	J, T	P	74				[J3]

GRAND CHEROKEE (WK)

SERIES LINE
H = HIGHLINE T = JEEP - 2WD
P = PREMIUM J = JEEP - 4WD
S = SPORT
X = SPECIAL

BODY
74 = SPORT UTILITY 4-DR
TYPE #4

ENGINE
EVA = 4.7L V8 MPI Engine
EVD = 4.7L V8 FFV Engine
EXL = 3.0L V6 Turbo Diesel
Engine
EZB = 5.7L Hemi Multi
Displacement Engine
EKG = 3.7L V6 Engine
ESF = 6.1L SRT HEMI SMPI
V8 Engine

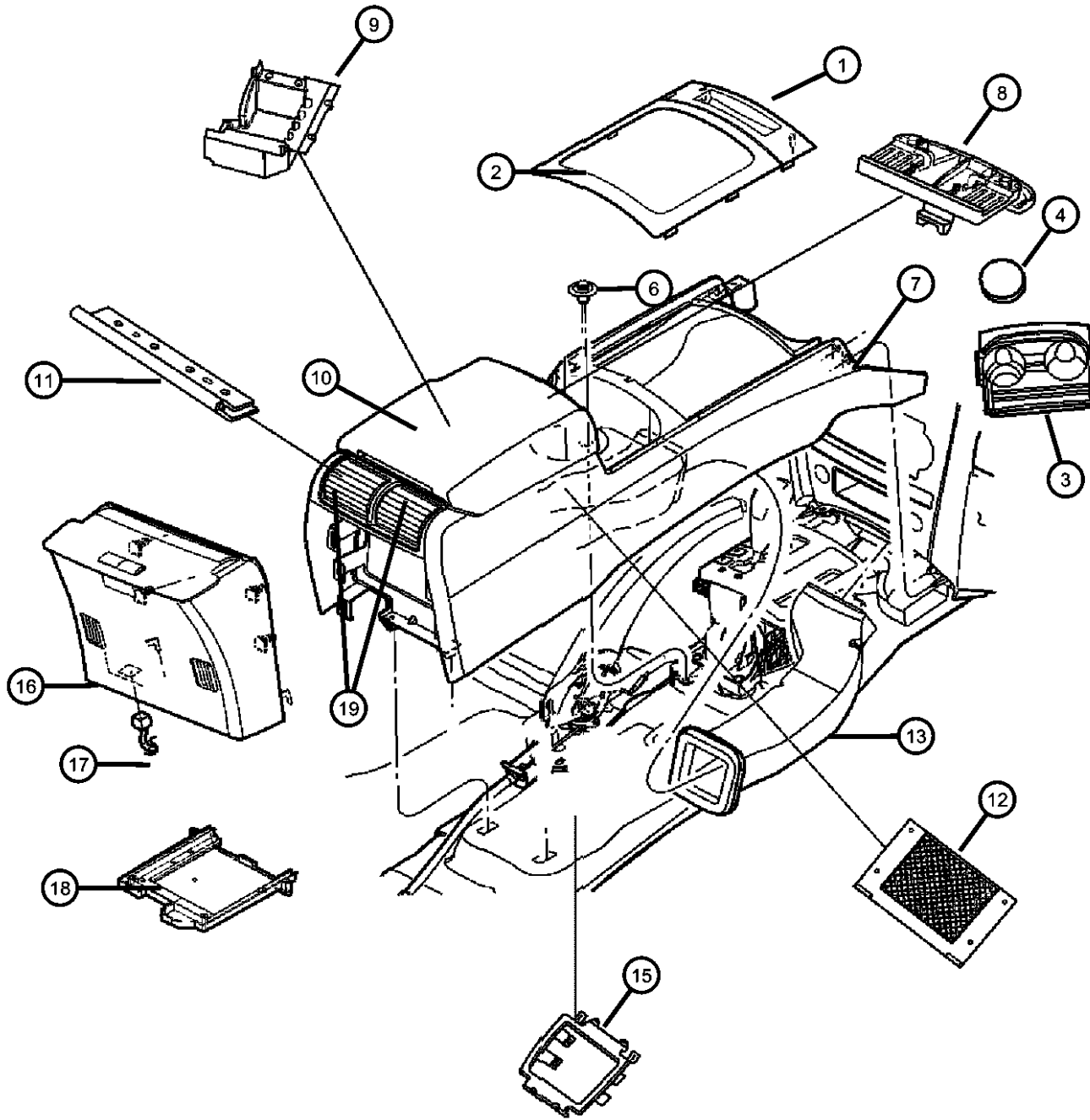
TRANSMISSION
DGJ = 5-Speed Auto W5A580
Transmission
DGQ = 5-Spd Automatic 545RFE
Transmission
DGU = 5-Spd Auto W5J400
Transmission

AR = use ase required - = Non illustrated part

2007 WK

Floor Console
Figure 08A-410

ITEM	PART NUMBER	QTY	LINE	SERIES	BODY	ENGINE	TRANS	TRIM	DESCRIPTION
-20	05159015AB	1	J, T		74				BRACKET, Console
-21	56052851AA	1	J, T		74	EXL			SILENCER, Tunnel, Floor console silencer
-22	68045332AA	1	J, T		74				CLIP, Console
-23	05159062AA	2	J, T		74				PUSH PIN



GRAND CHEROKEE (WK)

SERIES LINE
H = HIGHLINE T = JEEP - 2WD
P = PREMIUM J = JEEP - 4WD
S = SPORT
X = SPECIAL

BODY
74 = SPORT UTILITY 4-DR
TYPE #4

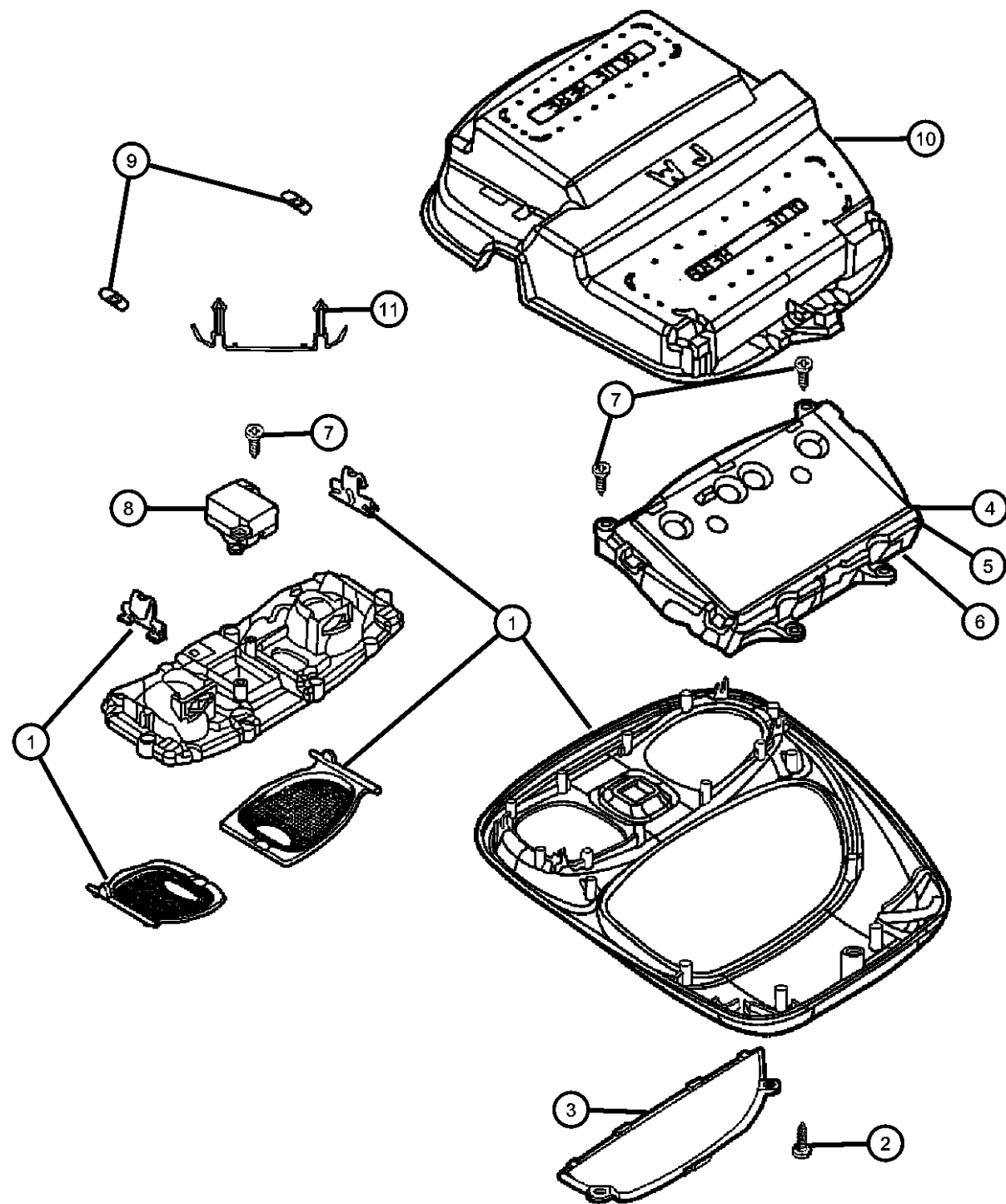
ENGINE
EVA = 4.7L V8 MPI Engine
EVD = 4.7L V8 FFV Engine
EXL = 3.0L V6 Turbo Diesel
Engine
EZB = 5.7L Hemi Multi
Displacement Engine
EKG = 3.7L V6 Engine
ESF = 6.1L SRT HEMI SMPI
V8 Engine

TRANSMISSION
DGJ = 5-Speed Auto W5A580
Transmission
DGQ = 5-Spd Automatic 545RFE
Transmission
DGU = 5-Spd Auto W5J400
Transmission

AR = use ase required - = Non illustrated part

2007 WK

Overhead Console
Figure 08A-420



ITEM	PART NUMBER	QTY	LINE	SERIES	BODY	ENGINE	TRANS	TRIM	DESCRIPTION
1									CONSOLE, Overhead
	1AR29BD1AA	1							[GNV]
	1AR301D1AA	1	J, T		74				[GWA]
		1	J, T		74				[GNV,GWA]
2		1							SCREW, .164-18x.500, (NOT SERVICED),
3		1							LENS
	05137526AA	1	J, T		74				[GNC], Right
		1	J, T		74				[GNV], Right
	05137527AA	1	J, T		74				[GNC], Left
		1	J, T		74				[GNV], Left
4	56050242AG	1							MODULE, Compass Temperature
5	56050243AG	1							MODULE, Compass Temperature, W/Garage Door Opener
6	1HT92BD1AA	1	J, T		74				MODULE, Compass
7		1							SCREW, (NOT SERVICED)
8		1							SWITCH, 1 Gang, (NOT SERVICED)
9									BULB, 578
	L0000578	2	J, T		74				[GNC]
		2	J, T		74				[GNV]
10									RETAINER, Overhead Console
	05139449AA	1	J, T		74				[GNC]
		1	J, T		74				[GNV]
11									CLIP, Z-Axis
	04746232	1							[GNV]
		4	J, T		74				[GNC]
-12									CLIP, Console
	05069186AA	3							[GNC]
		1							[GNV]
-13									PLATE, Retaining
	05166015AA	2	J, T		74				[GNC]
		2	J, T		74				[GNV]

GRAND CHEROKEE (WK)

SERIES LINE
H = HIGHLINE T = JEEP - 2WD
P = PREMIUM J = JEEP - 4WD
S = SPORT
X = SPECIAL

BODY
74 = SPORT UTILITY 4-DR
TYPE #4

ENGINE
EVA = 4.7L V8 MPI Engine
EVD = 4.7L V8 FFV Engine
EXL = 3.0L V6 Turbo Diesel
Engine
EZB = 5.7L Hemi Multi
Displacement Engine
EKG = 3.7L V6 Engine
ESF = 6.1L SRT HEMI SMPI
V8 Engine

TRANSMISSION
DGJ = 5-Speed Auto W5A580
Transmission
DGQ = 5-Spd Automatic 545RFE
Transmission
DGU = 5-Spd Auto W5J400
Transmission

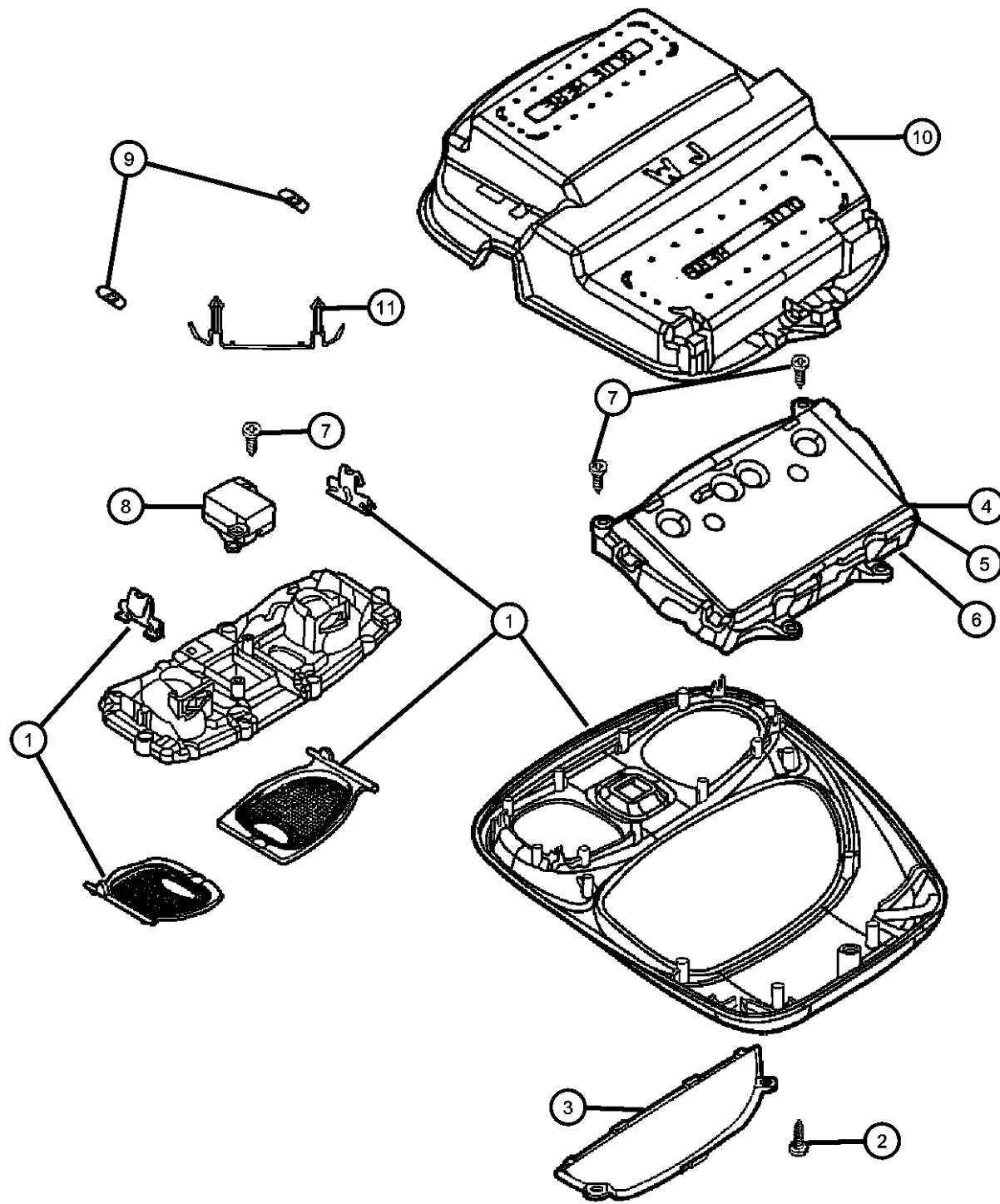
AR = use ase required - = Non illustrated part

2007 WK

Overhead Console
Figure 08A-420

ITEM	PART NUMBER	QTY	LINE	SERIES	BODY	ENGINE	TRANS	TRIM	DESCRIPTION
------	-------------	-----	------	--------	------	--------	-------	------	-------------

-14									SWITCH, Map Light
	05137535AA	2	J, T		74				[GNC]
		2	J, T		74				[GNV]



GRAND CHEROKEE (WK)

SERIES LINE
H = HIGHLINE T = JEEP - 2WD
P = PREMIUM J = JEEP - 4WD
S = SPORT
X = SPECIAL

BODY
74 = SPORT UTILITY 4-DR
TYPE #4

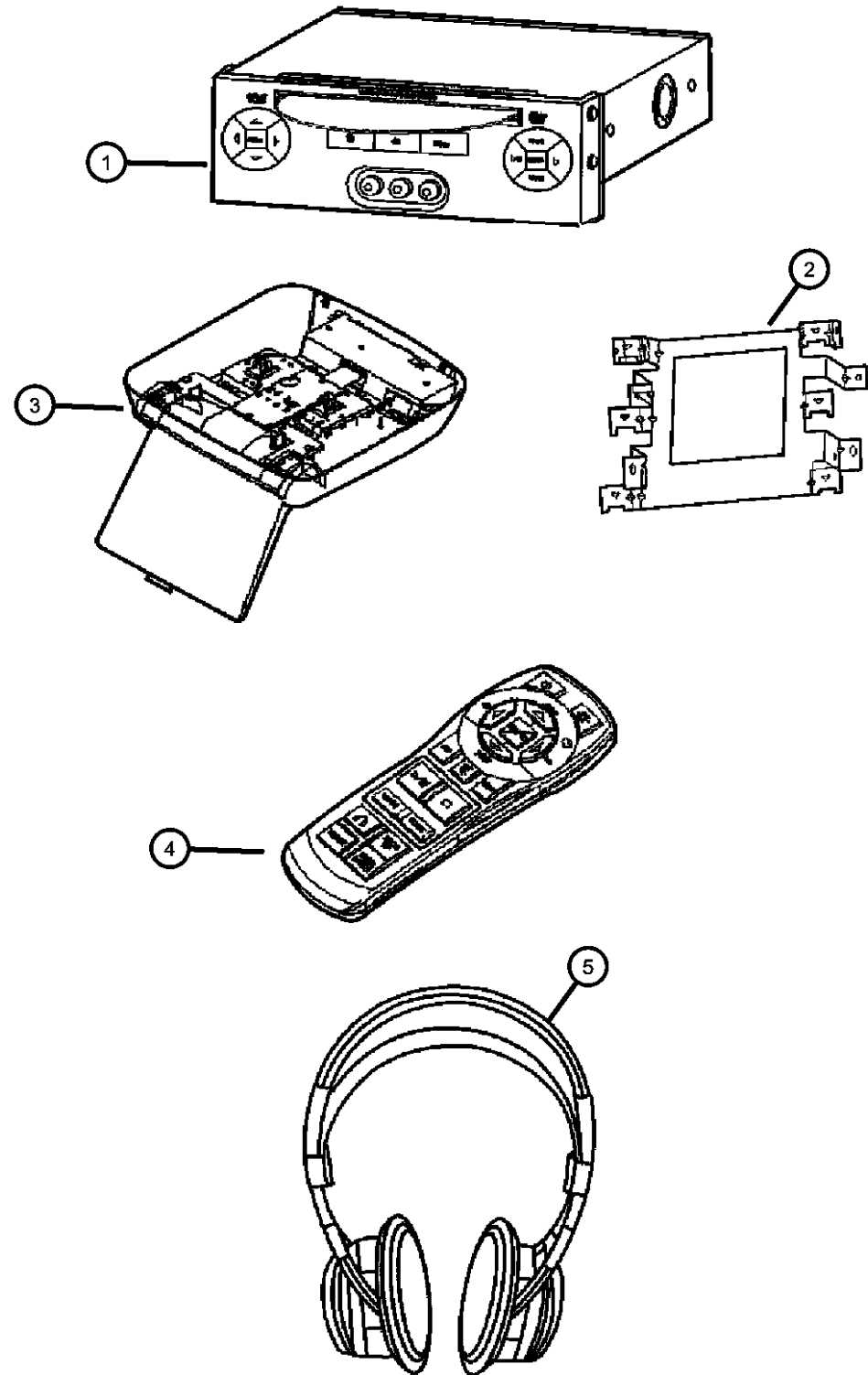
ENGINE
EVA = 4.7L V8 MPI Engine
EVD = 4.7L V8 FFV Engine
EXL = 3.0L V6 Turbo Diesel
Engine
EZB = 5.7L Hemi Multi
Displacement Engine
EKG = 3.7L V6 Engine
ESF = 6.1L SRT HEMI SMPI
V8 Engine

TRANSMISSION
DGJ = 5-Speed Auto W5A580
Transmission
DGQ = 5-Spd Automatic 545RFE
Transmission
DGU = 5-Spd Auto W5J400
Transmission

AR = use ase required - = Non illustrated part

2007 WK

DVD Player/Media System
Figure 08A-710



ITEM	PART NUMBER	QTY	LINE	SERIES	BODY	ENGINE	TRANS	TRIM	DESCRIPTION
1	56038783AE	1	J, T		74				PLAYER, DVD
2	05159015AB	1	J, T		74				BRACKET, Console
3	56038784AG	1							MEDIA SYSTEM, Monitor with DVD
4	05064041AA	1	J, T		74				REMOTE, Wireless Infrared
5	05064037AA	1	J, T		74				HEADPHONES, Wireless

GRAND CHEROKEE (WK)

SERIES LINE
H = HIGHLINE T = JEEP - 2WD
P = PREMIUM J = JEEP - 4WD
S = SPORT
X = SPECIAL

BODY
74 = SPORT UTILITY 4-DR
TYPE #4

ENGINE
EVA = 4.7L V8 MPI Engine
EVD = 4.7L V8 FFV Engine
EXL = 3.0L V6 Turbo Diesel
Engine
EZB = 5.7L Hemi Multi
Displacement Engine
EKG = 3.7L V6 Engine
ESF = 6.1L SRT HEMI SMPI
V8 Engine

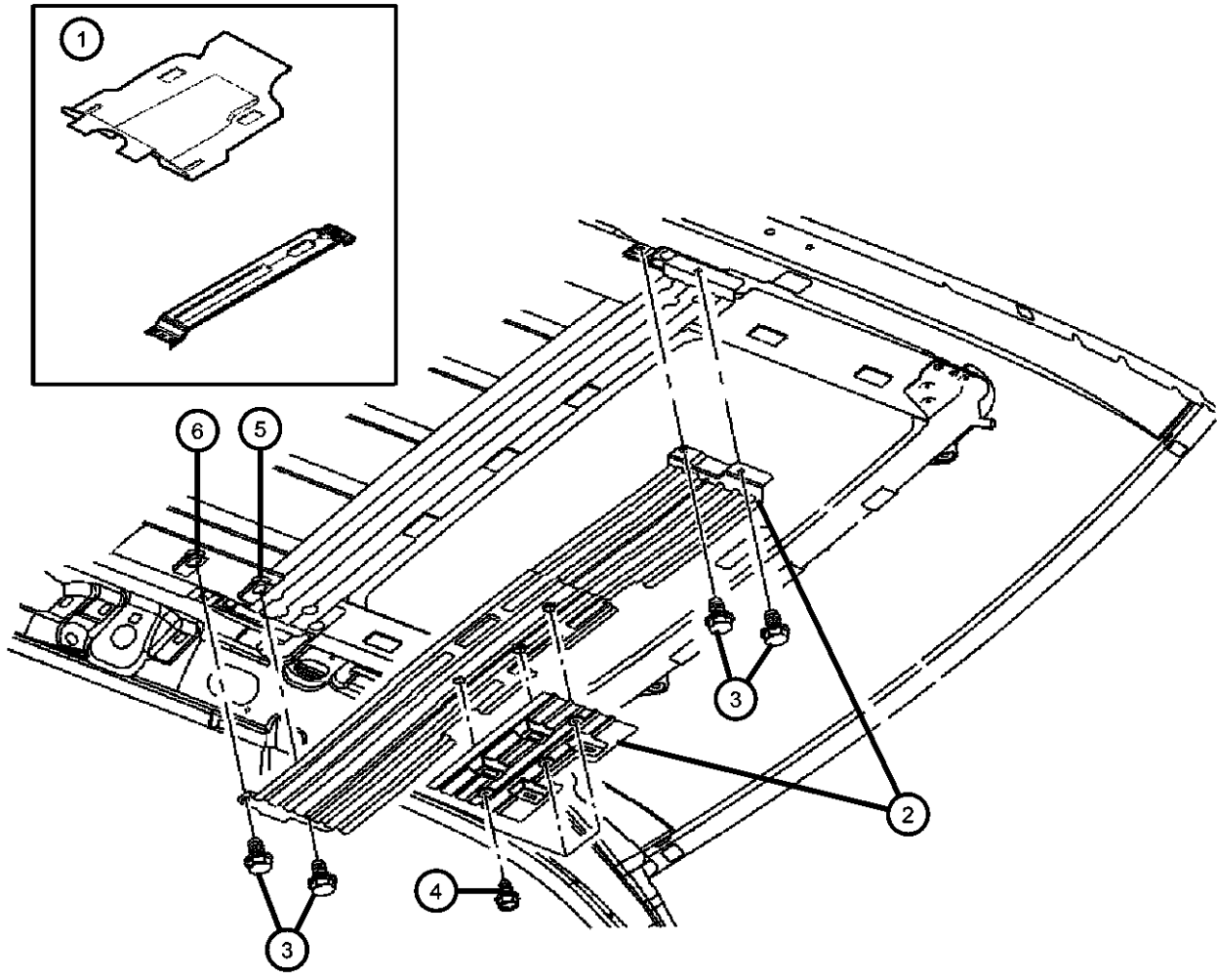
TRANSMISSION
DGJ = 5-Speed Auto W5A580
Transmission
DGQ = 5-Spd Automatic 545RFE
Transmission
DGU = 5-Spd Auto W5J400
Transmission

AR = use ase required - = Non illustrated part

2007 WK

**Media System Brackets
Figure 08A-720**

ITEM	PART NUMBER	QTY	LINE	SERIES	BODY	ENGINE	TRANS	TRIM	DESCRIPTION
1	56053029AC	1	J, T		74				BRACKET ASSY, REAR SEAT VIDEO
2	55396383AD	1	J, T		74				BRACKET ASSY, REAR SEAT VIDEO
3									SCREW AND WASHER, Hex Head, M6x1x20
	06101455	8							Sunroof To Roof Reinforcement
		2							DVD Screen Bracket to Sunroof Mid Beam, Sunroof To Roof Reinforcement
4	06104172AA	3	J, T		74				SCREW
5	06506081AA	4							NUT, U, DVD Screen backet attaching
6	06506035AA	2	J, T		74				NUT, U, M6x1.00



GRAND CHEROKEE (WK)

SERIES LINE
H = HIGHLINE T = JEEP - 2WD
P = PREMIUM J = JEEP - 4WD
S = SPORT
X = SPECIAL

BODY
74 = SPORT UTILITY 4-DR
TYPE #4

ENGINE
EVA = 4.7L V8 MPI Engine
EVD = 4.7L V8 FFV Engine
EXL = 3.0L V6 Turbo Diesel Engine
EZB = 5.7L Hemi Multi Displacement Engine
EKG = 3.7L V6 Engine
ESF = 6.1L SRT HEMI SMPI V8 Engine

TRANSMISSION
DGJ = 5-Speed Auto W5A580 Transmission
DGQ = 5-Spd Automatic 545RFE Transmission
DGU = 5-Spd Auto W5J400 Transmission

AR = use ase required - = Non illustrated part

2007 WK

Group - 9 Engine Mounting

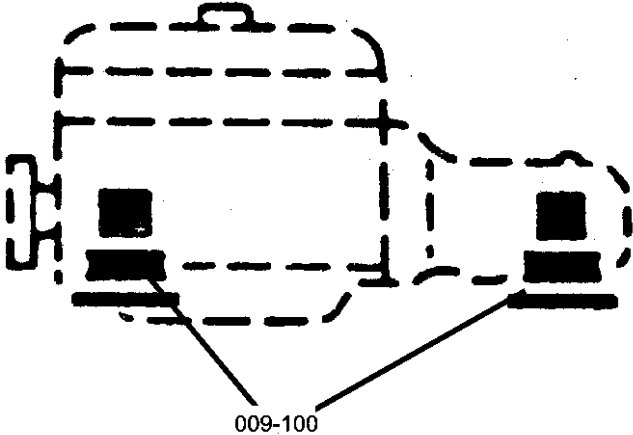
Group - 9 Engine Mounting

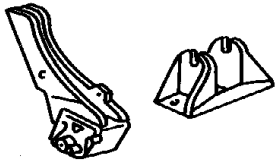
Illustration Title

Group-Fig. No.

Engine Mounting

- Front, Mounts 3.0L Diesel Fig. 9 - 105
- Front, Mounts Fig. 9 - 110
- Front, Mounts Fig. 9 - 115
- Front, Mounts Fig. 9 - 120
- Front, Mounts Fig. 9 - 125
- Front Mounts To Cradle Fig. 9 - 130
- Mount, Transmission Fig. 9 - 133
- Mount, Transmission Fig. 9 - 135
- Mount, Transmission Fig. 9 - 140
- Mount, Transmission Fig. 9 - 145
- Mount, Transmission Fig. 9 - 150
- Crossmember, Transmission Support Fig. 9 - 155
- Collar, Structural Fig. 9 - 160
- Collar, Structural Fig. 9 - 165
- Collar, Structural Fig. 9 - 170

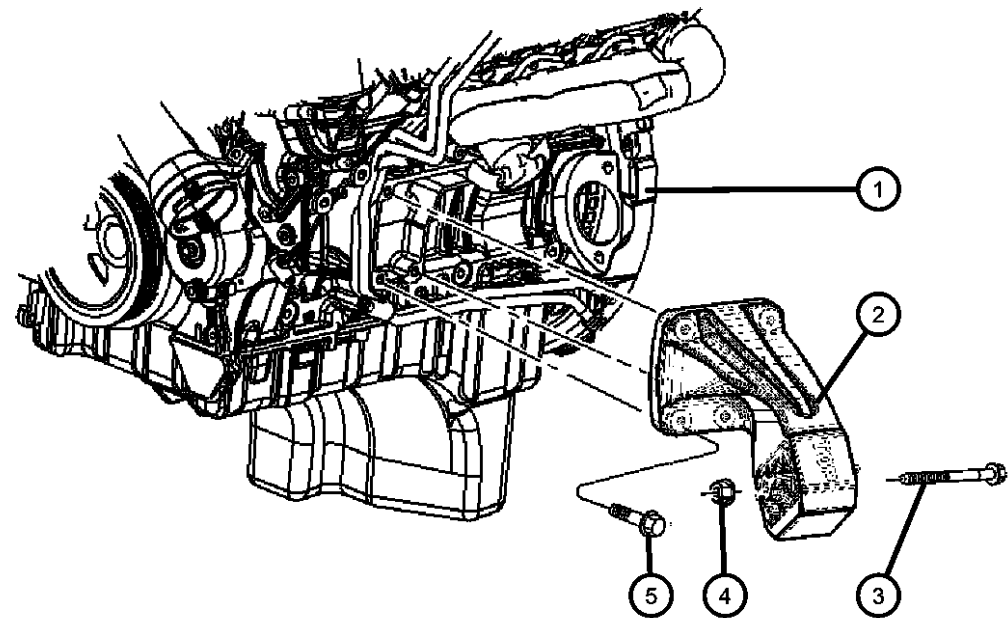


<p>009-100 Engine Mounting</p> 			
--	--	--	--

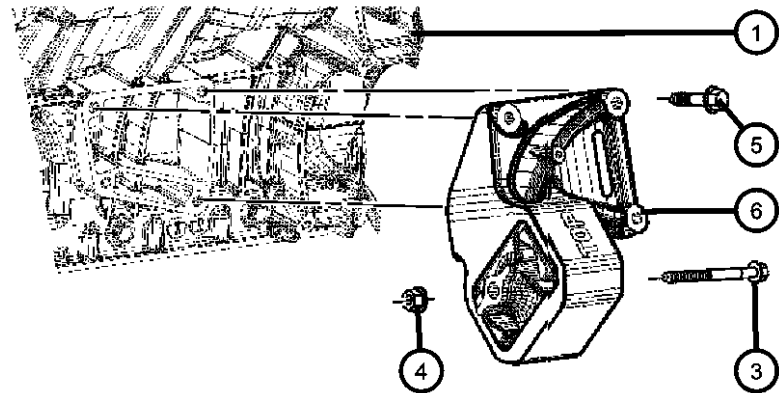
Front, Mounts 3.0L Diesel
Figure 9-105

ITEM	PART NUMBER	QTY	LINE	SERIES	BODY	ENGINE	TRANS	TRIM	DESCRIPTION
------	-------------	-----	------	--------	------	--------	-------	------	-------------

Note:Sales Codes:
[EX0]=All 3.0/3.1L Turbo Diesel Engines
[EXL]=3.0L V6 Turbo Diesel Engine



1		2							ENGINE, Complete, See Group [3.0L], (NOT SERVICED)
2	52124579AA	1	J, T			EX0			BRACKET AND INSULATOR, Engine MountingLeft
3	06508081AA	1	J, T			EX0			SCREW AND WASHER, Hex Head
4	06502585	1	J, T			EX0			NUT
5	06104028AA	8	J, T			EX0			SCREW
6	52124580AA	1	J, T			EX0			BRACKET AND INSULATOR, Engine Mounting



GRAND CHEROKEE (WK)

SERIES LINE
H = HIGHLINE T = JEEP - 2WD
P = PREMIUM J = JEEP - 4WD
S = SPORT
X = SPECIAL

BODY
74 = SPORT UTILITY 4-DR
TYPE #4

ENGINE
EVA = 4.7L V8 MPI Engine
EVD = 4.7L V8 FFV Engine
EXL = 3.0L V6 Turbo Diesel Engine
EZB = 5.7L Hemi Multi Displacement Engine
EKG = 3.7L V6 Engine
ESF = 6.1L SRT HEMI SMPI V8 Engine

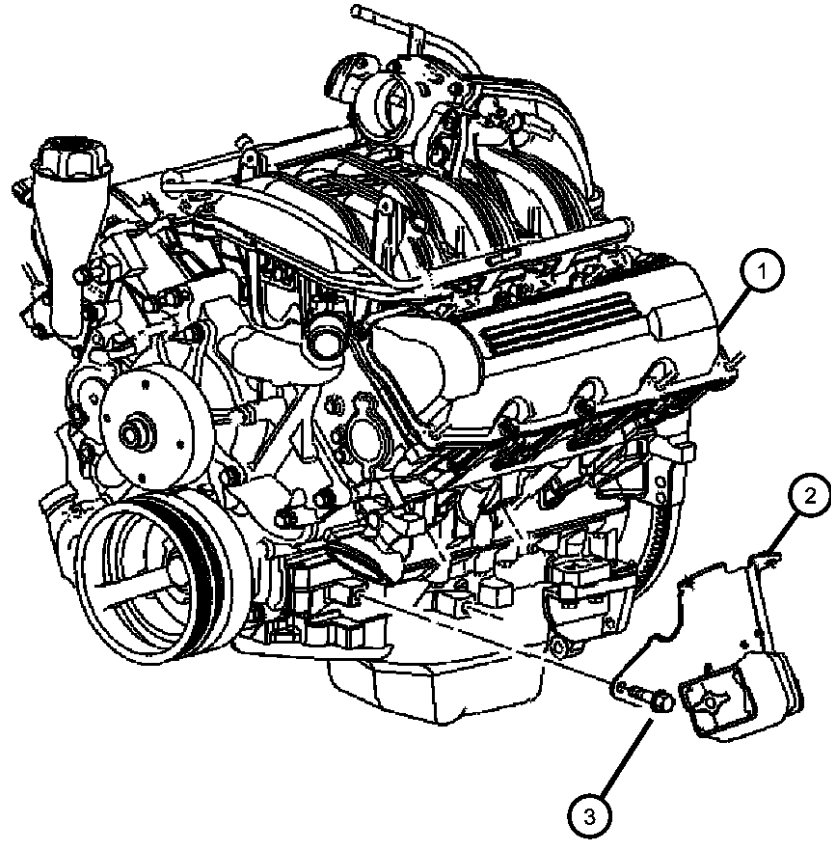
TRANSMISSION
DGJ = 5-Speed Auto W5A580 Transmission
DGQ = 5-Spd Automatic 545RFE Transmission
DGU = 5-Spd Auto W5J400 Transmission

AR = use ase required - = Non illustrated part

2007 WK

Front, Mounts
Figure 9-110

ITEM	PART NUMBER	QTY	LINE	SERIES	BODY	ENGINE	TRANS	TRIM	DESCRIPTION
NOTE: Sales Code: [EK0]=All 3.7L V-6 Engines [EV0]=All 4.7L V-6 Engines									
1		1							ENGINE, Complete, See Engine Group, (NOT SERVICED)
2									BRACKET, Engine Mount
	52090296AF	1	J, T			EK0			Right
	52090297AF	1	J, T			EK0			Left
3	06104214AA	8	J, T			EK0, EVO			SCREW



GRAND CHEROKEE (WK)

SERIES LINE
H = HIGHLINE T = JEEP - 2WD
P = PREMIUM J = JEEP - 4WD
S = SPORT
X = SPECIAL

BODY
74 = SPORT UTILITY 4-DR
TYPE #4

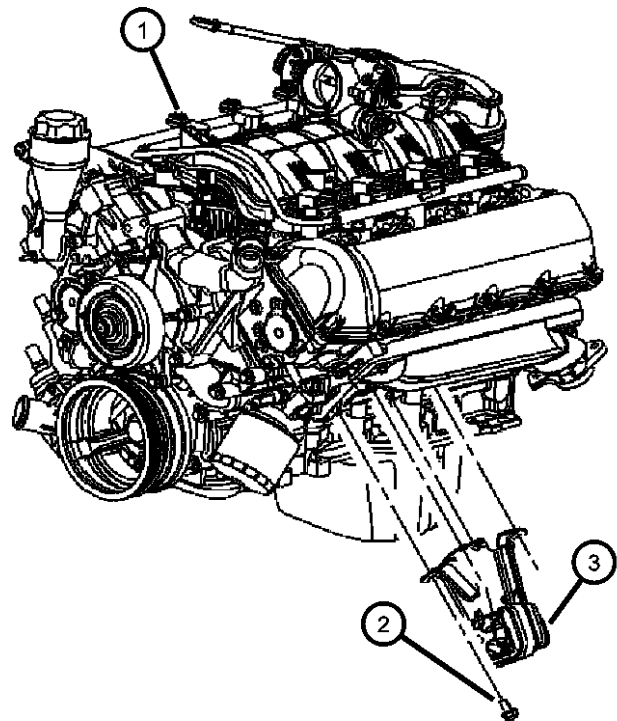
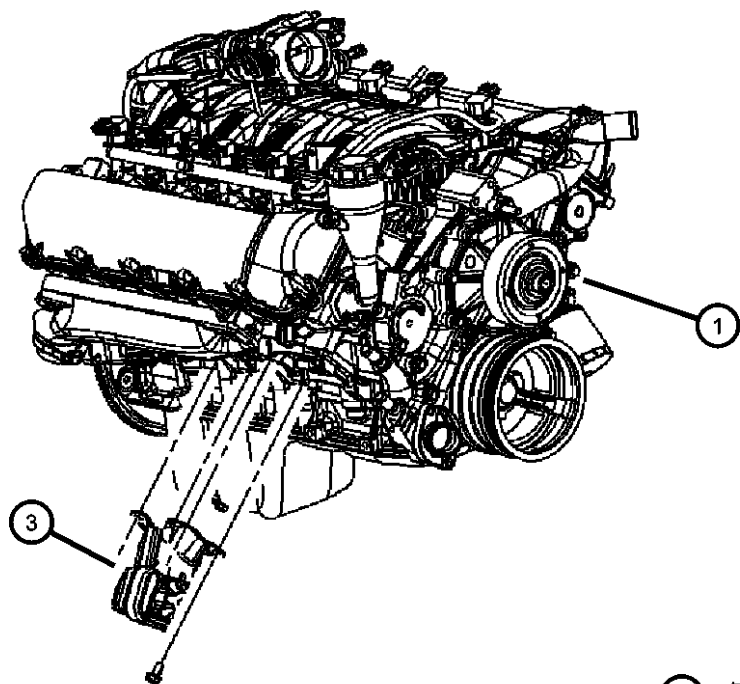
ENGINE
EVA = 4.7L V8 MPI Engine
EVD = 4.7L V8 FFV Engine
EXL = 3.0L V6 Turbo Diesel
Engine
EZB = 5.7L Hemi Multi
Displacement Engine
EKG = 3.7L V6 Engine
ESF = 6.1L SRT HEMI SMPI
V8 Engine

TRANSMISSION
DGJ = 5-Speed Auto W5A580
Transmission
DGQ = 5-Spd Automatic 545RFE
Transmission
DGU = 5-Spd Auto W5J400
Transmission

AR = use ase required - = Non illustrated part

2007 WK

Front, Mounts
Figure 9-115



ITEM	PART NUMBER	QTY	LINE	SERIES	BODY	ENGINE	TRANS	TRIM	DESCRIPTION
------	-------------	-----	------	--------	------	--------	-------	------	-------------

NOTE:
Sales Code:
[EK0]=All 3.7L V-6 Engines
[EV0]=All 4.7L V-8 Engines

1		8							ENGINE, Complete, (NOT SERVICED)
2	06104214AA	8	J, T			EK0, EV0			SCREW
3									BRACKET AND INSULATOR, Engine Mounting
	52090300AF	1	J, T			EV0			Right
	52090301AF	1	J, T			EV0			Left

GRAND CHEROKEE (WK)

SERIES LINE
H = HIGHLINE T = JEEP - 2WD
P = PREMIUM J = JEEP - 4WD
S = SPORT
X = SPECIAL

BODY
74 = SPORT UTILITY 4-DR
TYPE #4

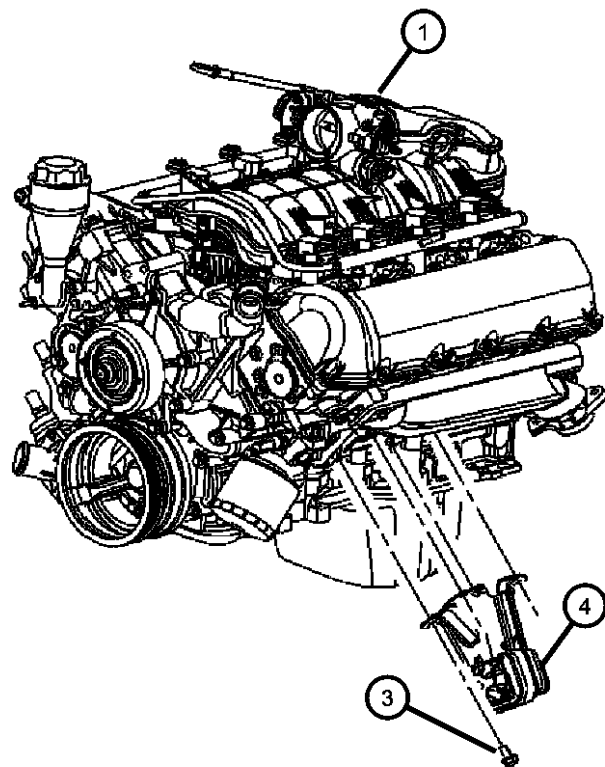
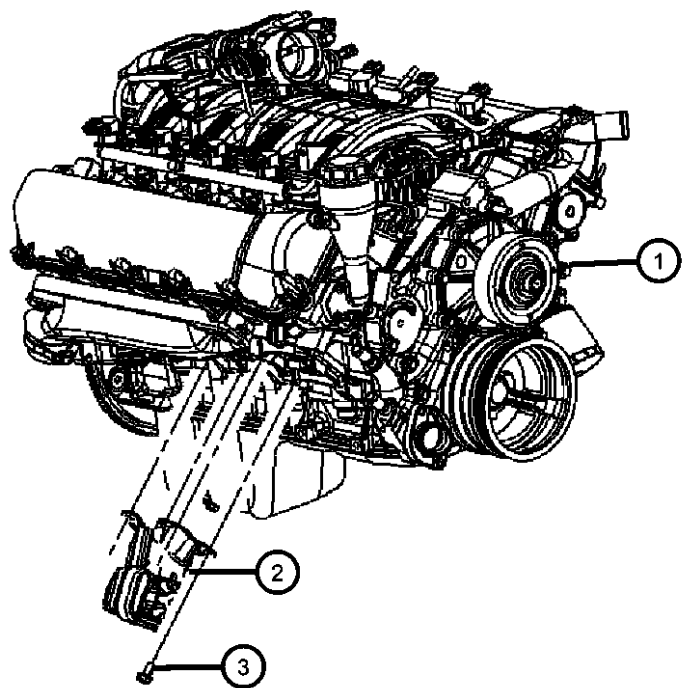
ENGINE
EVA = 4.7L V8 MPI Engine
EVD = 4.7L V8 FFV Engine
EXL = 3.0L V6 Turbo Diesel Engine
EZB = 5.7L Hemi Multi Displacement Engine
EKG = 3.7L V6 Engine
ESF = 6.1L SRT HEMI SMPI V8 Engine

TRANSMISSION
DGJ = 5-Speed Auto W5A580 Transmission
DGQ = 5-Spd Automatic 545RFE Transmission
DGU = 5-Spd Auto W5J400 Transmission

AR = use ase required - = Non illustrated part

2007 WK

Front, Mounts
Figure 9-120



ITEM	PART NUMBER	QTY	LINE	SERIES	BODY	ENGINE	TRANS	TRIM	DESCRIPTION
------	-------------	-----	------	--------	------	--------	-------	------	-------------

NOTE:
Sales Code:
[EK0]=All 3.7L V-6 Engines
[EV0]=All 4.7L V-8 Engines

1		1							ENGINE, Complete, (NOT SERVICED)
2	52090304AG	1	J			EZ0			BRACKET AND INSULATOR, Engine MountingRight
3	06104214AA	4	J, T			ES0, EZ0			SCREW
4	52090305AG	1	J			EZ0			BRACKET AND INSULATOR, Engine MountingLeft

GRAND CHEROKEE (WK)

SERIES LINE
H = HIGHLINE T = JEEP - 2WD
P = PREMIUM J = JEEP - 4WD
S = SPORT
X = SPECIAL

BODY
74 = SPORT UTILITY 4-DR
TYPE #4

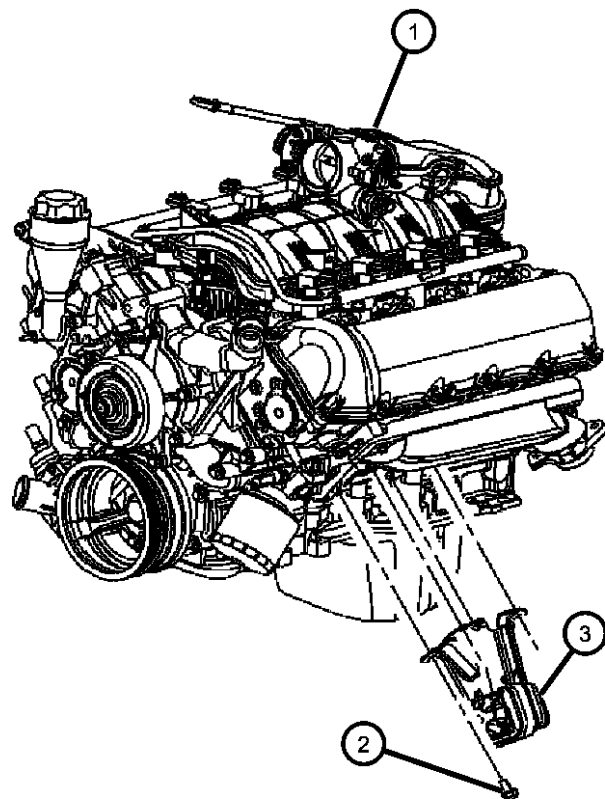
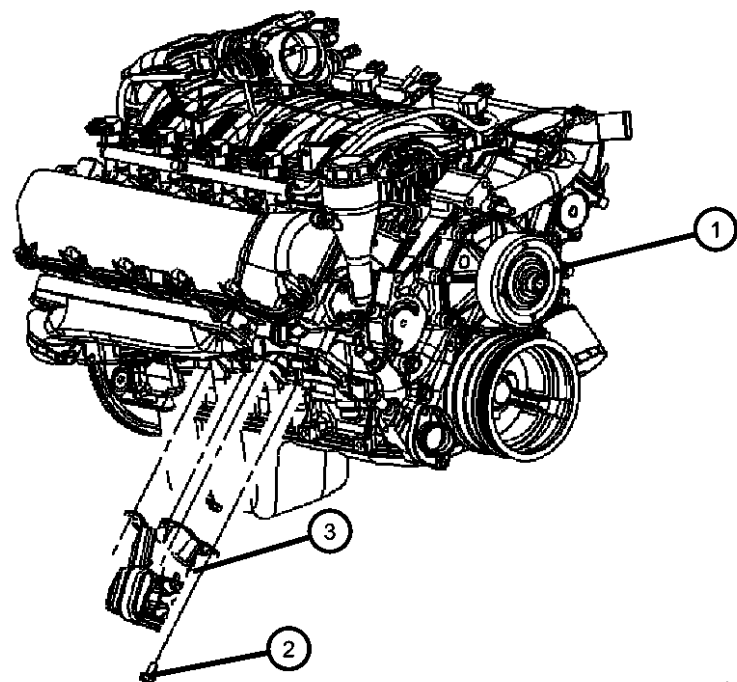
ENGINE
EVA = 4.7L V8 MPI Engine
EVD = 4.7L V8 FFV Engine
EXL = 3.0L V6 Turbo Diesel
Engine
EZB = 5.7L Hemi Multi
Displacement Engine
EKG = 3.7L V6 Engine
ESF = 6.1L SRT HEMI SMPI
V8 Engine

TRANSMISSION
DGJ = 5-Speed Auto W5A580
Transmission
DGQ = 5-Spd Automatic 545RFE
Transmission
DGU = 5-Spd Auto W5J400
Transmission

AR = use ase required - = Non illustrated part

2007 WK

Front, Mounts
Figure 9-125



ITEM	PART NUMBER	QTY	LINE	SERIES	BODY	ENGINE	TRANS	TRIM	DESCRIPTION
------	-------------	-----	------	--------	------	--------	-------	------	-------------

NOTE:
Sales Codes:
[ES0]=All 6 L Engines
[EZ0]=All 5.7L V-8 Gas Engines

1		1							ENGINE, Complete, See Group [6.1L], (NOT SERVICED)
2	06104214AA	4	J, T			ES0, EZ0			SCREW
3									BRACKET AND INSULATOR, Engine Mounting
	04854564AB	1	J, T			ES0			Stamp Bracket and Isolator to Block, Left
	04854565AB	1	J, T			ES0			Stamp Bracket and Isolator to Block, Right

GRAND CHEROKEE (WK)

SERIES LINE
H = HIGHLINE T = JEEP - 2WD
P = PREMIUM J = JEEP - 4WD
S = SPORT
X = SPECIAL

BODY
74 = SPORT UTILITY 4-DR
TYPE #4

ENGINE
EVA = 4.7L V8 MPI Engine
EVD = 4.7L V8 FFV Engine
EXL = 3.0L V6 Turbo Diesel Engine
EZB = 5.7L Hemi Multi Displacement Engine
EKG = 3.7L V6 Engine
ESF = 6.1L SRT HEMI SMPI V8 Engine

TRANSMISSION
DGJ = 5-Speed Auto W5A580 Transmission
DGQ = 5-Spd Automatic 545RFE Transmission
DGU = 5-Spd Auto W5J400 Transmission

AR = use ase required - = Non illustrated part

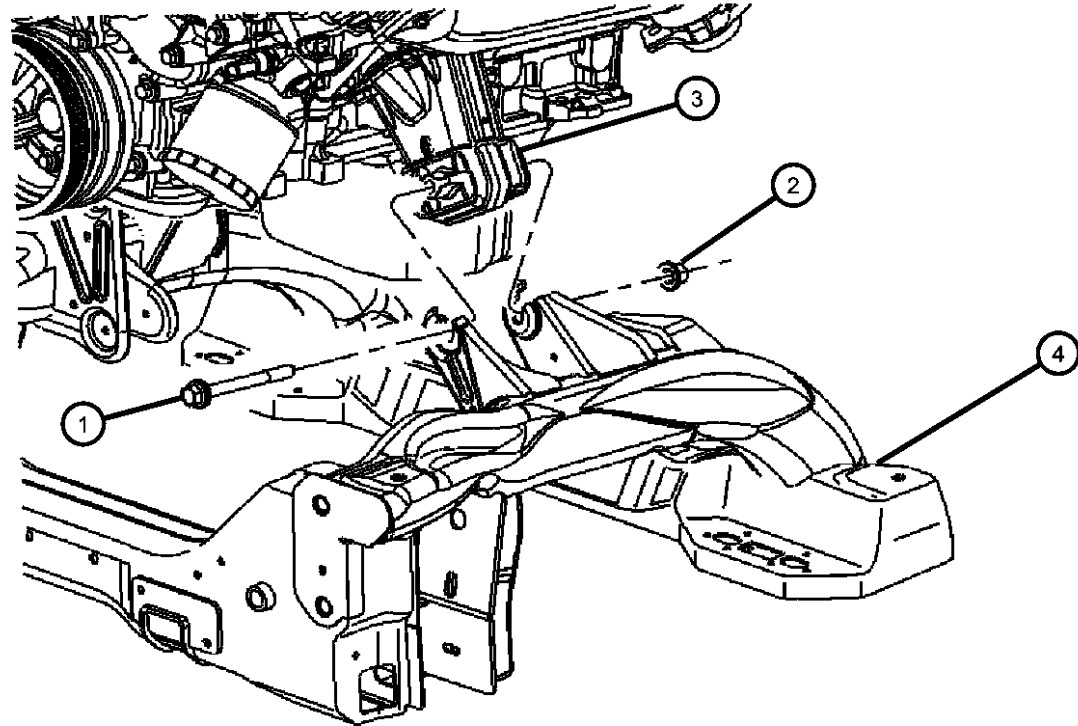
2007 WK

**Front Mounts To Cradle
Figure 9-130**

ITEM	PART NUMBER	QTY	LINE	SERIES	BODY	ENGINE	TRANS	TRIM	DESCRIPTION
------	-------------	-----	------	--------	------	--------	-------	------	-------------

NOTE:
Sales Codes:
[EK0]=All 3.7L V-6 Gas Engines
[ES0]=All 6 L Engines
[EV0]=All 4.7L V-8 Gas Engines
[EZ0]=All 5.7L V-8 Gas Engines

1	06508081AA	2	J, T						SCREW AND WASHER, Hex Head, Engine Mount To Cradle Bracket
2	06502585	2	J, T						NUT
3									BRACKET, Engine Mount
	52090296AF	1	J, T			EK0			Right
	52090297AF	1	J, T			EK0			Left
4		1							CRADLE, Front Suspension, See Group 002, (NOT SERVICED)



GRAND CHEROKEE (WK)

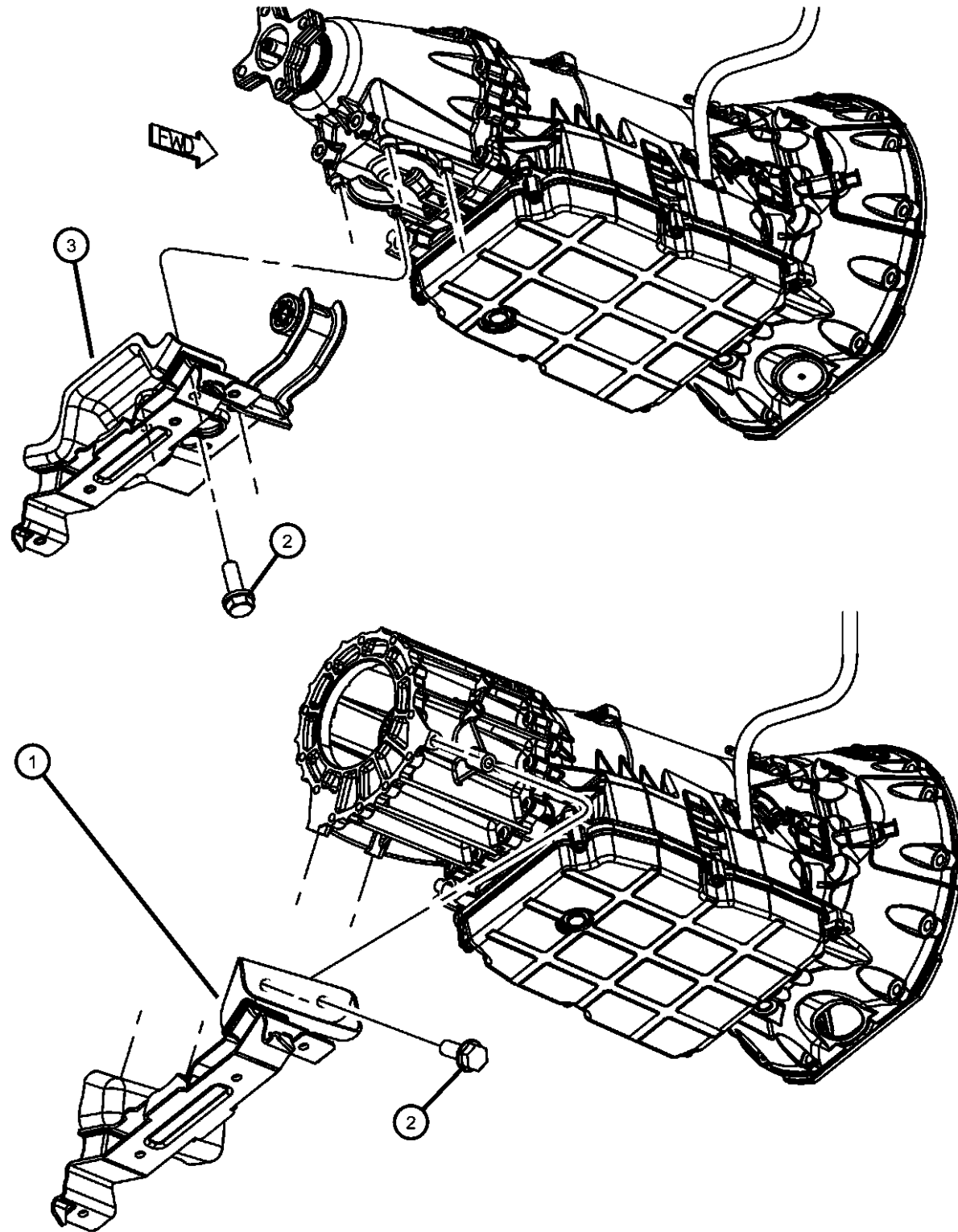
SERIES LINE
H = HIGHLINE T = JEEP - 2WD
P = PREMIUM J = JEEP - 4WD
S = SPORT
X = SPECIAL

BODY
74 = SPORT UTILITY 4-DR
TYPE #4

ENGINE
EVA = 4.7L V8 MPI Engine
EVD = 4.7L V8 FFV Engine
EXL = 3.0L V6 Turbo Diesel Engine
EZB = 5.7L Hemi Multi Displacement Engine
EKG = 3.7L V6 Engine
ESF = 6.1L SRT HEMI SMPI V8 Engine

TRANSMISSION
DGJ = 5-Speed Auto W5A580 Transmission
DGQ = 5-Spd Automatic 545RFE Transmission
DGU = 5-Spd Auto W5J400 Transmission

Mount, Transmission
Figure 9-133



ITEM	PART NUMBER	QTY	LINE	SERIES	BODY	ENGINE	TRANS	TRIM	DESCRIPTION
1	52090199AF	1	J			EX0			INSULATOR, Transmission support
2	06101611	4	T			EX0			SCREW AND WASHER, Hex Head, M8x1.25x25
3	52124465AB	1	T			EX0			INSULATOR, Transmission support

GRAND CHEROKEE (WK)

SERIES LINE
H = HIGHLINE T = JEEP - 2WD
P = PREMIUM J = JEEP - 4WD
S = SPORT
X = SPECIAL

BODY
74 = SPORT UTILITY 4-DR
TYPE #4

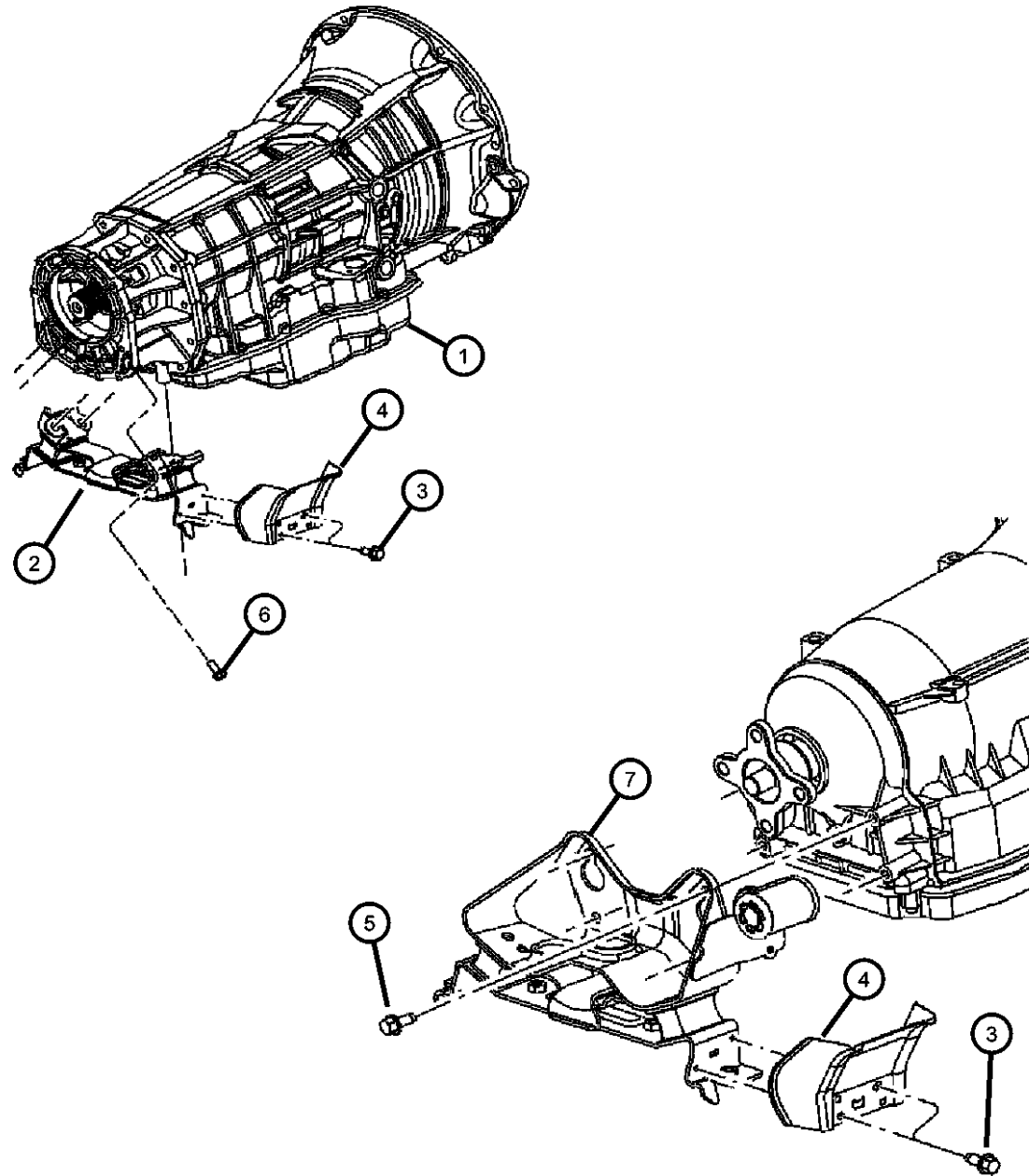
ENGINE
EVA = 4.7L V8 MPI Engine
EVD = 4.7L V8 FFV Engine
EXL = 3.0L V6 Turbo Diesel
Engine
EZB = 5.7L Hemi Multi
Displacement Engine
EKG = 3.7L V6 Engine
ESF = 6.1L SRT HEMI SMPI
V8 Engine

TRANSMISSION
DGJ = 5-Speed Auto W5A580
Transmission
DGQ = 5-Spd Automatic 545RFE
Transmission
DGU = 5-Spd Auto W5J400
Transmission

AR = use ase required - = Non illustrated part

2007 WK

Mount, Transmission
Figure 9-135



ITEM	PART NUMBER	QTY	LINE	SERIES	BODY	ENGINE	TRANS	TRIM	DESCRIPTION
1		1							TRANSMISSION, See Transmission Group, (NOT SERVICED)
2	52089932AH	1	J			EK0	DG0		INSULATOR, Transmission support
3	06505911AA	2	J, T			EK0, ESO, EV0, EZ0			SCREW, Hex Head
4	52124126AA	1	J, T						SHIELD, Heat
5	06101611	2	T			EK0	DG0		SCREW AND WASHER, Hex Head, M8x1.25x25
6	06104215AA	2	J			EK0			BOLT, Hex Flange Head, M10x1.50x25
7	52089934AJ	1	T			EK0	DG0		MOUNT, Transmission

NOTE:
Sales Codes:
[DG0]=All Automatic Transmissions
[EK0]=All 3.7L V-6 Engines

GRAND CHEROKEE (WK)

SERIES LINE
H = HIGHLINE T = JEEP - 2WD
P = PREMIUM J = JEEP - 4WD
S = SPORT
X = SPECIAL

BODY
74 = SPORT UTILITY 4-DR
TYPE #4

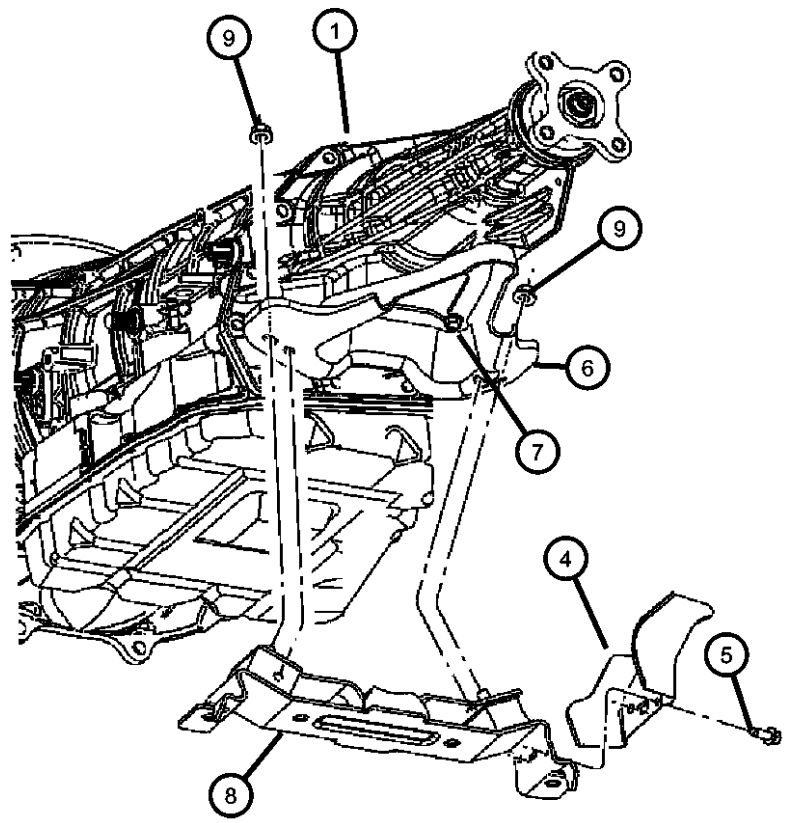
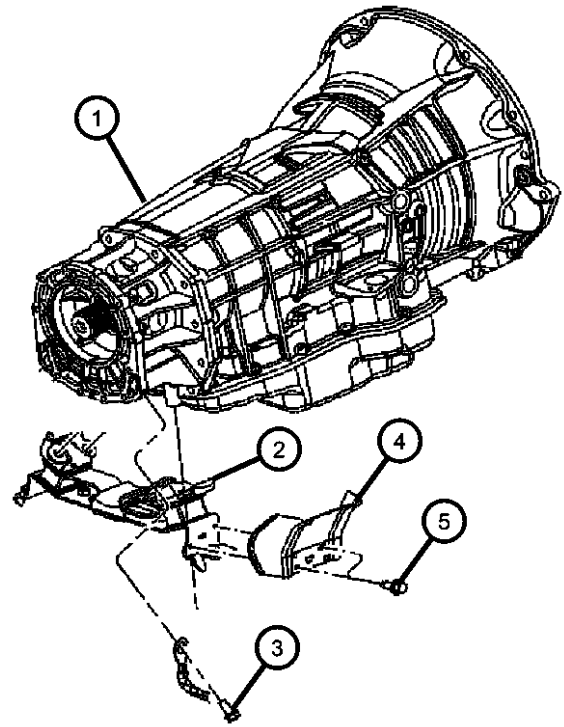
ENGINE
EVA = 4.7L V8 MPI Engine
EVD = 4.7L V8 FFV Engine
EXL = 3.0L V6 Turbo Diesel Engine
EZB = 5.7L Hemi Multi Displacement Engine
EKG = 3.7L V6 Engine
ESF = 6.1L SRT HEMI SMPI V8 Engine

TRANSMISSION
DGJ = 5-Speed Auto W5A580 Transmission
DGQ = 5-Spd Automatic 545RFE Transmission
DGU = 5-Spd Auto W5J400 Transmission

AR = use ase required - = Non illustrated part

2007 WK

**Mount, Transmission
Figure 9-140**



ITEM	PART NUMBER	QTY	LINE	SERIES	BODY	ENGINE	TRANS	TRIM	DESCRIPTION
------	-------------	-----	------	--------	------	--------	-------	------	-------------

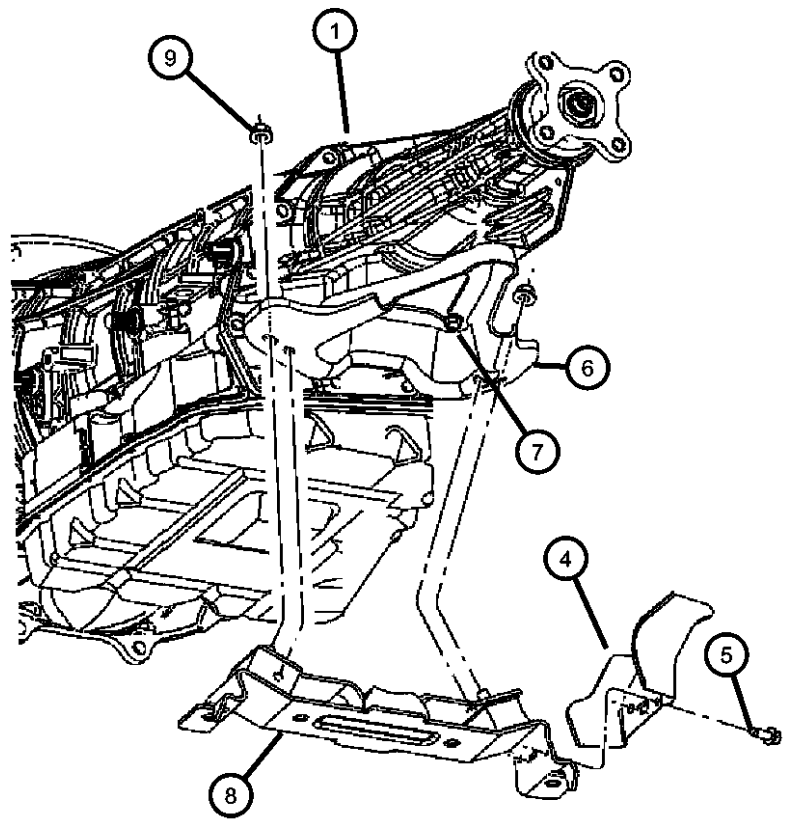
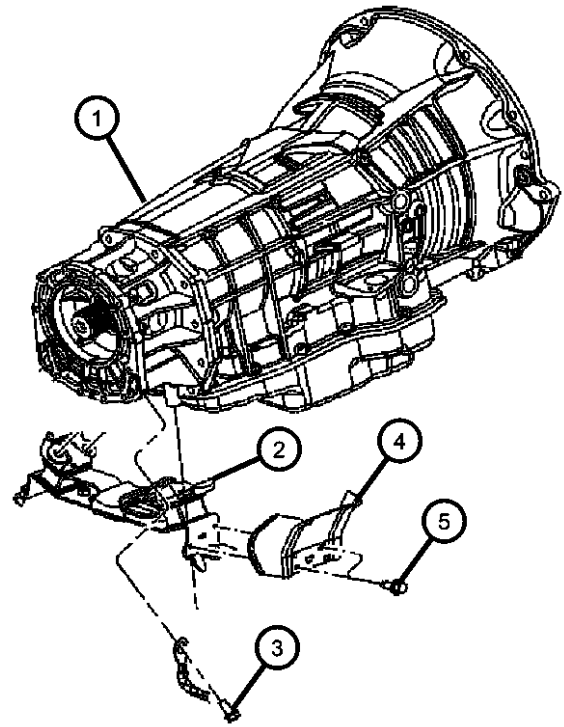
NOTE:
Sales Code:
[DG0]=All Automatic Transmissions
[EV0]=All 4.7L V-8 Engines
[EZ0]=All 5.7L V-8 Engines

1		1							TRANSMISSION, See Transmission Group, (NOT SERVICED)
2	52124104AC	1	J			EZ0	DG0		INSULATOR, Transmission support, Transmission Support
3	06104215AA	4	J						BOLT, Hex Flange Head, M10x1.50x25
4	52124126AA	1	J, T						SHIELD, Heat
5	06505911AA	2	J, T			EK0, ES0, EV0, EZ0			SCREW, Hex Head
6	52089933AB	1	T			EV0, EZ0	DG0		BRACKET, Insulator
7	06104215AA	3	T			EV0, EZ0	DG0		BOLT, Hex Flange Head, M10x1.50x25
8									INSULATOR, Transmission support
	52089936AI	1	J			EV0	DG0		Transmission Support
	52089938AJ	1	T			EV0, EZ0	DG0		
9	06104717AA	2	T			EV0, EZ0	DG0		NUT

GRAND CHEROKEE (WK)				
SERIES	LINE	BODY	ENGINE	TRANSMISSION
H = HIGHLINE	T = JEEP - 2WD	74 = SPORT UTILITY 4-DR	EVA = 4.7L V8 MPI Engine	DGJ = 5-Speed Auto W5A580
P = PREMIUM	J = JEEP - 4WD	TYPE #4	EVD = 4.7L V8 FFV Engine	Transmission
S = SPORT			EXL = 3.0L V6 Turbo Diesel Engine	DGQ = 5-Spd Automatic 545RFE
X = SPECIAL			EZB = 5.7L Hemi Multi Displacement Engine	Transmission
			EKG = 3.7L V6 Engine	DGU = 5-Spd Auto W5J400
			ESF = 6.1L SRT HEMI SMPI V8 Engine	Transmission

AR = use ase required - = Non illustrated part

**Mount, Transmission
Figure 9-145**



ITEM	PART NUMBER	QTY	LINE	SERIES	BODY	ENGINE	TRANS	TRIM	DESCRIPTION
1		2							TRANSMISSION, See Transmission Group, (NOT SERVICED)
2	52124104AC	1	J			EZ0	DG0		INSULATOR, Transmission support
3	06104215AA	4	J						BOLT, Hex Flange Head, M10x1.50x25, Transmission Support Bracket to Adapter SHIELD, Heat
4	52124126AA	1	J, T						SCREW, Hex Head
5	06505911AA	2	J, T			EK0, ES0, EV0, EZ0			BRACKET, Insulator
6	52089933AB	1	T			EV0, EZ0	DG0		BOLT, Hex Flange Head, M10x1.50x25, Transmission Support Bracket to Adapter
7	06104215AA	4	J						INSULATOR, Transmission support
8	52124104AC	1	J			EZ0	DG0		INSULATOR, Transmission support
9	06104717AA	2	J			EZ0	DG0		NUT

NOTE:
Sales Code:
[DG0]=All Automatic Transmissions
[EV0]=All 4.7L V-8 Engines
[EZ0]=All 5.7L V-8 Engines

GRAND CHEROKEE (WK)

SERIES LINE
H = HIGHLINE T = JEEP - 2WD
P = PREMIUM J = JEEP - 4WD
S = SPORT
X = SPECIAL

BODY
74 = SPORT UTILITY 4-DR
TYPE #4

ENGINE
EVA = 4.7L V8 MPI Engine
EVD = 4.7L V8 FFV Engine
EXL = 3.0L V6 Turbo Diesel Engine
EZB = 5.7L Hemi Multi Displacement Engine
EKG = 3.7L V6 Engine
ESF = 6.1L SRT HEMI SMPI V8 Engine

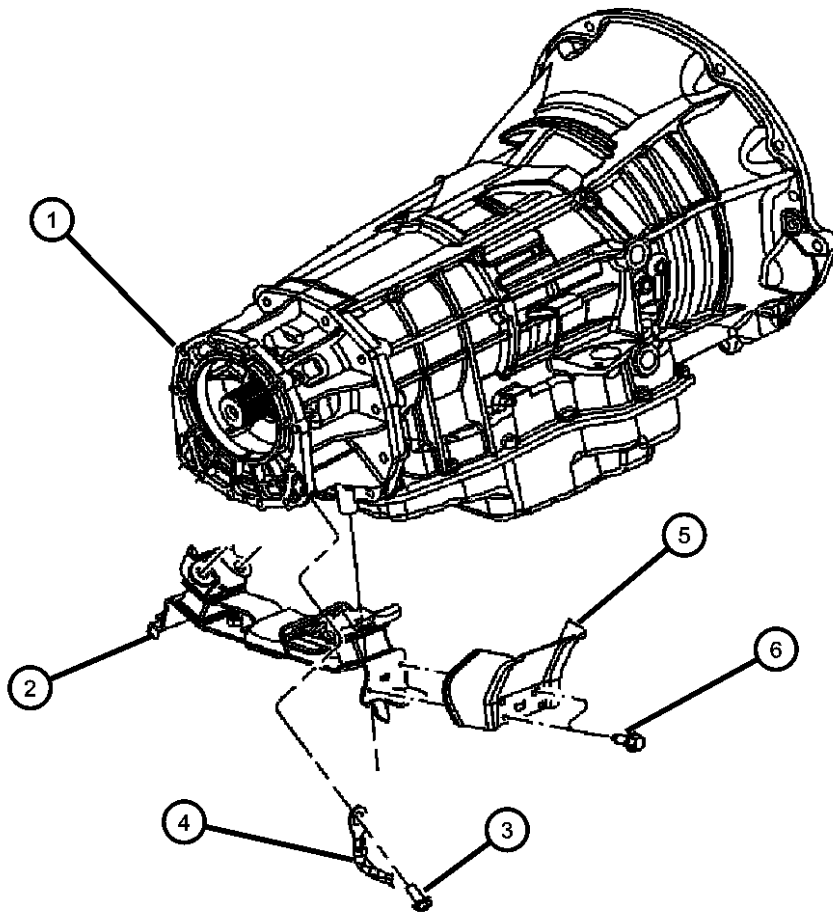
TRANSMISSION
DGJ = 5-Speed Auto W5A580 Transmission
DGQ = 5-Spd Automatic 545RFE Transmission
DGU = 5-Spd Auto W5J400 Transmission

AR = use ase required - = Non illustrated part

**Mount, Transmission
Figure 9-150**

ITEM	PART NUMBER	QTY	LINE	SERIES	BODY	ENGINE	TRANS	TRIM	DESCRIPTION
1		2							TRANSMISSION, See Group [NAG1], (NOT SERVICED)
2	52124085AB	1				ES0	DG0		INSULATOR, Transmission support
3	06104215AA	4	J						BOLT, Hex Flange Head, M10x1.50x25
4		4							STRAP, Ground, See Group 008, (NOT SERVICED)
5	52124126AA	1	J, T						SHIELD, Heat
6	06505911AA	2	J, T			EK0, ES0, EV0, EZ0			SCREW, Hex Head

NOTE:
Sales Codes:
[DG0]=All Automatic Transmissions
[ES0]=All 6 L Engines



GRAND CHEROKEE (WK)

SERIES LINE
H = HIGHLINE T = JEEP - 2WD
P = PREMIUM J = JEEP - 4WD
S = SPORT
X = SPECIAL

BODY
74 = SPORT UTILITY 4-DR
TYPE #4

ENGINE
EVA = 4.7L V8 MPI Engine
EVD = 4.7L V8 FFV Engine
EXL = 3.0L V6 Turbo Diesel Engine
EZB = 5.7L Hemi Multi Displacement Engine
EKG = 3.7L V6 Engine
ESF = 6.1L SRT HEMI SMPI V8 Engine

TRANSMISSION
DGJ = 5-Speed Auto W5A580 Transmission
DGQ = 5-Spd Automatic 545RFE Transmission
DGU = 5-Spd Auto W5J400 Transmission

AR = use ase required - = Non illustrated part

2007 WK

Crossmember, Transmission Support
Figure 9-155

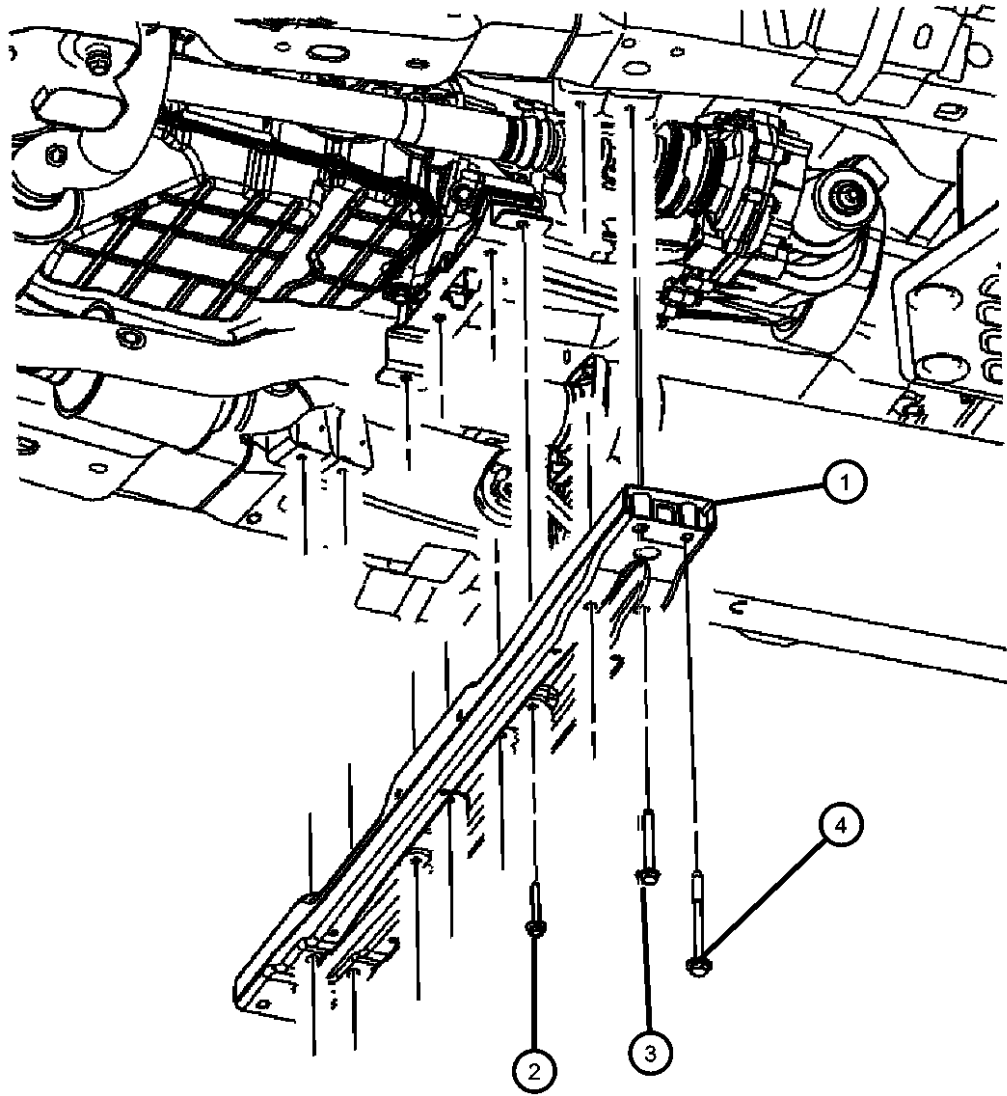
ITEM	PART NUMBER	QTY	LINE	SERIES	BODY	ENGINE	TRANS	TRIM	DESCRIPTION
------	-------------	-----	------	--------	------	--------	-------	------	-------------

NOTE:

Sales Codes:

1	52090070AI	1	J, T						
2	06508082AA	4	J, T						
3	06104344AA	4	J, T						
4	06508083AA	4	J, T						

CROSSMEMBER, Transmission
 SCREW, [M8X1.25X58.00]
 SCREW, [M10X1.50X90.00]
 SCREW, Hex Flange Head,
 [M10X1.50X135.00]



GRAND CHEROKEE (WK)

SERIES LINE
 H = HIGHLINE T = JEEP - 2WD
 P = PREMIUM J = JEEP - 4WD
 S = SPORT
 X = SPECIAL

BODY
 74 = SPORT UTILITY 4-DR
 TYPE #4

ENGINE
 EVA = 4.7L V8 MPI Engine
 EVD = 4.7L V8 FFV Engine
 EXL = 3.0L V6 Turbo Diesel
 Engine
 EZB = 5.7L Hemi Multi
 Displacement Engine
 EKG = 3.7L V6 Engine
 ESF = 6.1L SRT HEMI SMPI
 V8 Engine

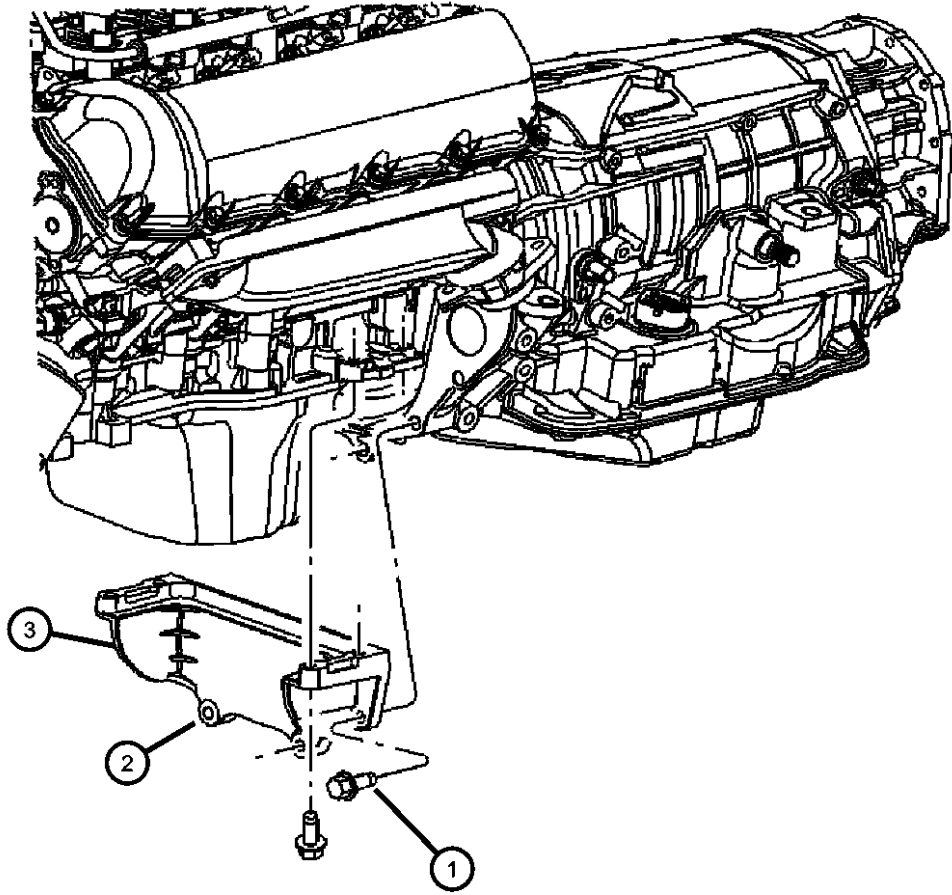
TRANSMISSION
 DGJ = 5-Speed Auto W5A580
 Transmission
 DGQ = 5-Spd Automatic 545RFE
 Transmission
 DGU = 5-Spd Auto W5J400
 Transmission

AR = use ase required - = Non illustrated part

2007 WK

**Collar, Structural
Figure 9-160**

ITEM	PART NUMBER	QTY	LINE	SERIES	BODY	ENGINE	TRANS	TRIM	DESCRIPTION
NOTE: Sales Code: [DG0]=All Automatic Transmission [EK0]=All 3.7L V-6 Engines [EV0]=All 4.7L V-8 Engines									
1									SCREW AND WASHER, M10x1.50x45.00
	06101985	8				EVO			
		8	T			EK0			
2									COVER, Engine
	53021897AB	1	J			EK0	DG0		
	53021898AB	1	J, T			EZ0	DG0		
3	53020885	1	J, T			EVO	DG0		COVER, Dust Structural



GRAND CHEROKEE (WK)

SERIES LINE
H = HIGHLINE T = JEEP - 2WD
P = PREMIUM J = JEEP - 4WD
S = SPORT
X = SPECIAL

BODY
74 = SPORT UTILITY 4-DR
TYPE #4

ENGINE
EVA = 4.7L V8 MPI Engine
EVD = 4.7L V8 FFV Engine
EXL = 3.0L V6 Turbo Diesel
Engine
EZB = 5.7L Hemi Multi
Displacement Engine
EKG = 3.7L V6 Engine
ESF = 6.1L SRT HEMI SMPI
V8 Engine

TRANSMISSION
DGJ = 5-Speed Auto W5A580
Transmission
DGQ = 5-Spd Automatic 545RFE
Transmission
DGU = 5-Spd Auto W5J400
Transmission

AR = use ase required - = Non illustrated part

2007 WK

**Collar, Structural
Figure 9-165**

ITEM	PART NUMBER	QTY	LINE	SERIES	BODY	ENGINE	TRANS	TRIM	DESCRIPTION
------	-------------	-----	------	--------	------	--------	-------	------	-------------

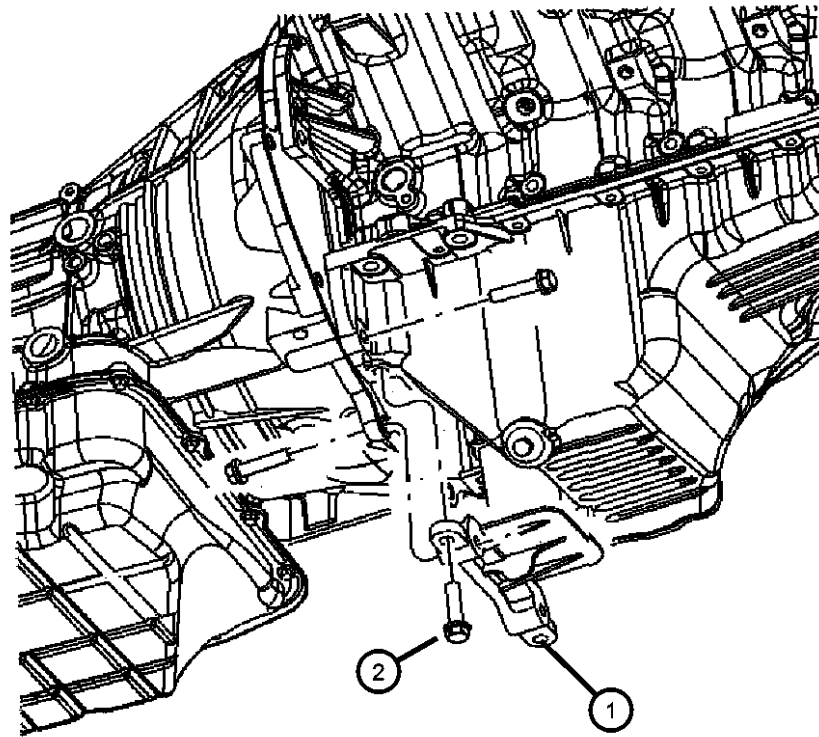
NOTE:

Sales Codes:

[EZ0]=All 5.7L V-8 Engines

[DG0]=All Automatic Transmissions

1	53021898AB	1	J, T			EZ0	DG0		COVER, Engine
2	06101985	6				EZ0			SCREW AND WASHER, M10x1.50x45.00



GRAND CHEROKEE (WK)

SERIES LINE
H = HIGHLINE T = JEEP - 2WD
P = PREMIUM J = JEEP - 4WD
S = SPORT
X = SPECIAL

BODY
74 = SPORT UTILITY 4-DR
TYPE #4

ENGINE
EVA = 4.7L V8 MPI Engine
EVD = 4.7L V8 FFV Engine
EXL = 3.0L V6 Turbo Diesel
Engine
EZB = 5.7L Hemi Multi
Displacement Engine
EKG = 3.7L V6 Engine
ESF = 6.1L SRT HEMI SMPI
V8 Engine

TRANSMISSION
DGJ = 5-Speed Auto W5A580
Transmission
DGQ = 5-Spd Automatic 545RFE
Transmission
DGU = 5-Spd Auto W5J400
Transmission

AR = use ase required - = Non illustrated part

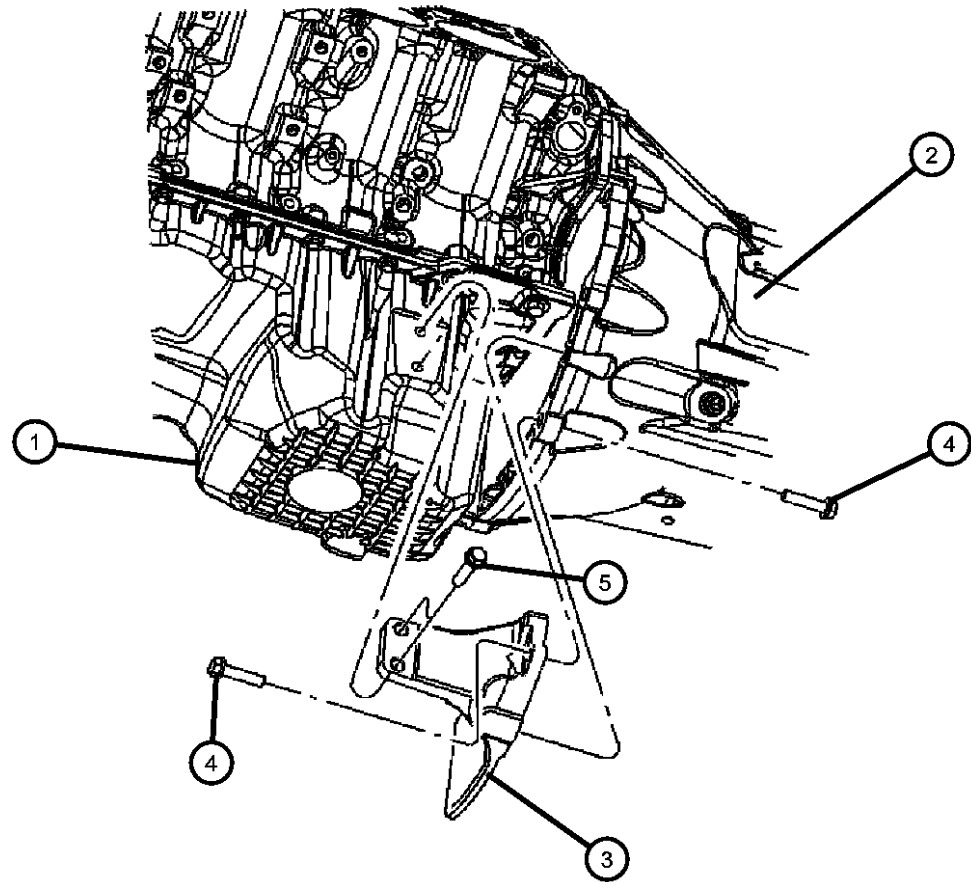
2007 WK

Collar, Structural
Figure 9-170

ITEM	PART NUMBER	QTY	LINE	SERIES	BODY	ENGINE	TRANS	TRIM	DESCRIPTION
------	-------------	-----	------	--------	------	--------	-------	------	-------------

NOTE:
Sales Codes:
[DGJ]=5 Speed Automatic [W5A580] Transmission
[ES0]=All 6 L Engines

1		6							ENGINE, Complete, See Group [6.1L], (NOT SERVICED)
2		6							TRANSMISSION, See Group [NAG1], (NOT SERVICED)
3	05037892AA	1				ES0	DGJ		COVER, Engine, Structural Dust Cover
4	06101985	2				ES0	DGJ		SCREW AND WASHER, M10x1.50x45.00, Structural Dust Cover to Bell Housing
5	06101985	2				ES0	DGJ		SCREW AND WASHER, M10x1.50x45.00, Structural Dust Cover to Oil Pan



GRAND CHEROKEE (WK)

SERIES LINE
H = HIGHLINE T = JEEP - 2WD
P = PREMIUM J = JEEP - 4WD
S = SPORT
X = SPECIAL

BODY
74 = SPORT UTILITY 4-DR
TYPE #4

ENGINE
EVA = 4.7L V8 MPI Engine
EVD = 4.7L V8 FFV Engine
EXL = 3.0L V6 Turbo Diesel Engine
EZB = 5.7L Hemi Multi Displacement Engine
EKG = 3.7L V6 Engine
ESF = 6.1L SRT HEMI SMPI V8 Engine

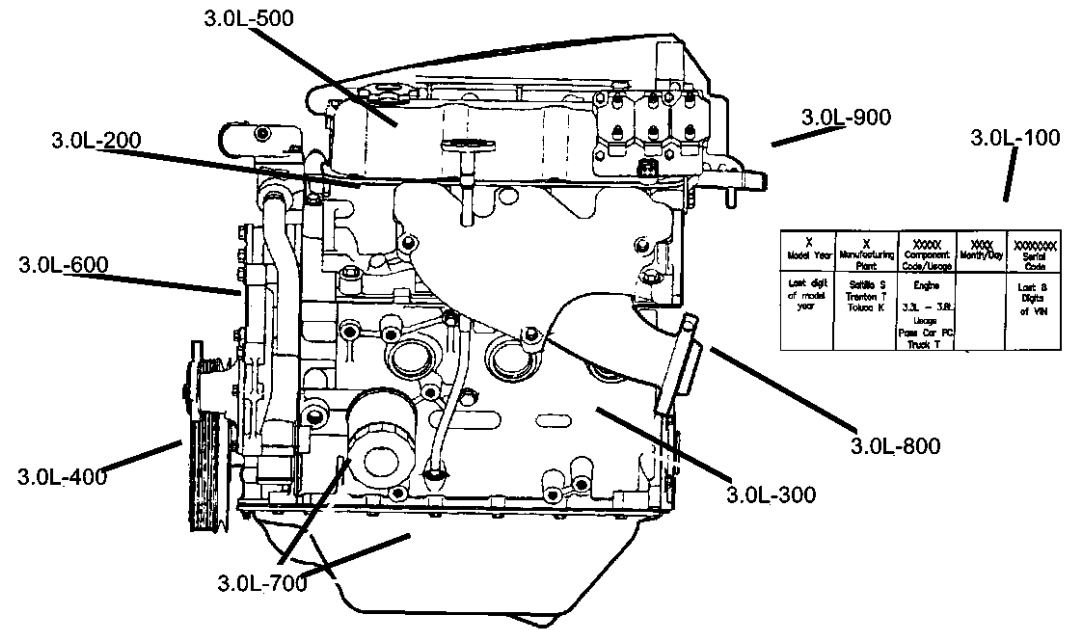
TRANSMISSION
DGJ = 5-Speed Auto W5A580 Transmission
DGQ = 5-Spd Automatic 545RFE Transmission
DGU = 5-Spd Auto W5J400 Transmission

AR = use ase required - = Non illustrated part

2007 WK

Group - 3.0L

Engine 3.0L Six Cylinder

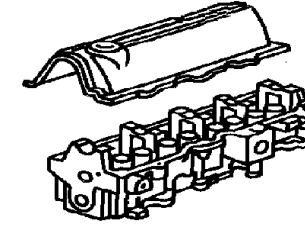


X Model Year	X Manufacturing Plant	XXXXX Component Code/Usage	XXXX Month/Day	XXXXXXXX Serial Code
Last digit of model year	Sattilo S Trenton T Tokyo K	Engine 3.0L - 3.0L Usage Pass Car PC Truck T		Last 8 Digits of VIN

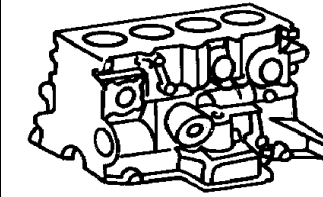
3.0L-100 Engine Identification

X Model Year	X Manufacturing Plant	XXXXX Component Code/Usage	XXXX Month/Day	XXXXXXXX Serial Code
Last digit of model year	Sattilo S Trenton T Tokyo K	Engine 3.0L - 3.0L Usage Pass Car PC Truck T		Last 8 Digits of VIN

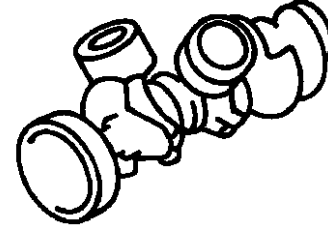
3.0L-200 Cylinder Head



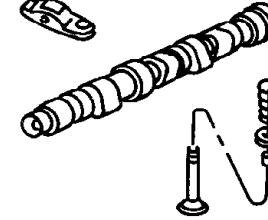
3.0L-300 Cylinder Block



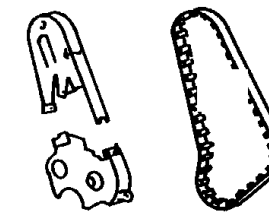
3.0L-400 Crankshaft, Piston and Torque Converter



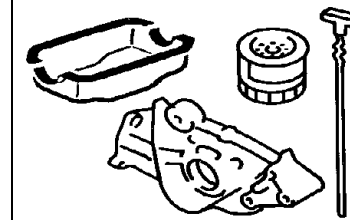
3.0L-500 Camshafts & Valves



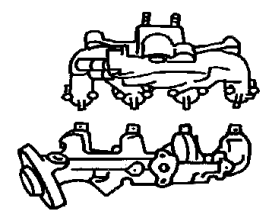
3.0L-600 Timing Belt and Cover



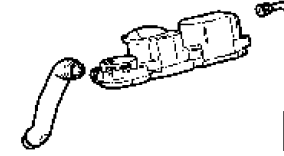
3.0L-700 Engine Oiling



3.0L-800 Manifolds



3.0L-900 Crankcase Ventilation

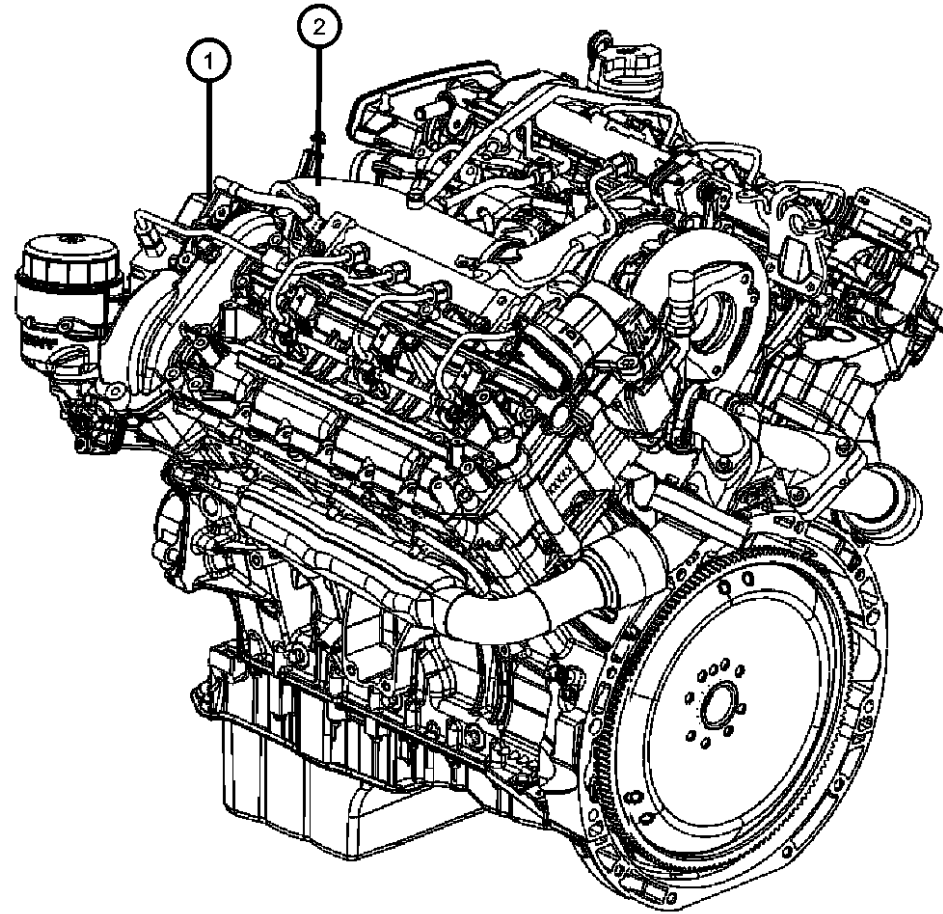


Group - 3.0L Engine 3.0L Six Cylinder

Illustration Title	Group-Fig. No.
Engine Identification	
Engine Assembly And Identification 3.0L Diesel [EXL].....	Fig. 3.0L - 110
Engine Cover And Mounting 3.0L Diesel [EXL].....	Fig. 3.0L - 145
Cylinder Head	
Cylinder Head 3.0L Diesel [EXL].....	Fig. 3.0L - 210
Cylinder Block	
Cylinder Block And Hardware 3.0L Diesel [EXL]	Fig. 3.0L - 310
Crankshaft, Piston and Torque Converter	
Crankshaft, Pistons And Drive Plate 3.0L Diesel [EXL]	Fig. 3.0L - 410
Camshafts & Valves	
Camshafts And Valvetrain 3.0L Diesel [EXL]	Fig. 3.0L - 510
Timing Belt and Cover	
Timing Cover And Timing System 3.0L Diesel [EXL].....	Fig. 3.0L - 610
Balance Shaft 3.0L Diesel [EXL]	Fig. 3.0L - 620
Engine Oiling	
Oil Filter And Oil Cooler 3.0L Diesel [EXL].....	Fig. 3.0L - 710
Oil Pump And Pan 3.0L Diesel [EXL].....	Fig. 3.0L - 720
Manifolds	
Intake Manifold 3.0L Diesel [EXL].....	Fig. 3.0L - 810
Exhaust Manifolds 3.0L Diesel [EXL]	Fig. 3.0L - 820
Crankcase Ventilation	
Crankcase Ventilation 3.0L Diesel [EXL]	Fig. 3.0L - 910

**Engine Assembly And Identification 3.0L Diesel [EXL]
Figure 3.0L-110**

ITEM	PART NUMBER	QTY	LINE	SERIES	BODY	ENGINE	TRANS	TRIM	DESCRIPTION
------	-------------	-----	------	--------	------	--------	-------	------	-------------



NOTE:

The Engine Identification Label Contains: The Production Assembly Part Number And Displacement.

Sales Codes:

- [DGJ] = 5-Speed Automatic W5A580 Transmission
- [DGQ] = 5-Speed Automatic 545RFE Transmission
- [DGU] = 5-Speed Automatic W5J400 Transmission
- [DG0] = All Automatic Transmissions
- [DHB] = Quadra -Trac Active On Demand NVG 146 Transfer Case
- [DHX] = Quadra -Trac 2 Full Time Active NVG 245 Transfer Case
- [DHZ] = Quadra -Trac 1 Full time 4WD NVG 140 Transfer Case
- [EKG] = 3.7L [Magnum] V-6 Engine
- [EK0] = All 3.7L 6-Cylinder Gas Engines
- [ESF] = 6.1L SRT Hemi SMPI V-8 Engine
- [ES0] = All 6.1L 8-Cylinder Gas Engines
- [EVA] = 4.7L [Magnum] V-8 Engine
- [EVD] = 4.7L V-8 FFV Engine
- [EV0] = All 4.7L 8-Cylinder Gas Engines
- [EXL] = 3.0L V-6 Turbo Diesel Engine
- [EX0] = All 3.0L Cylinder Turbo Diesel Engines
- [EZB] = 5.7L Hemi Multi-Displacement Engine
- [EZ0] = All 5.7L 8-Cylinder Gas Engines
- [NAA] = Federal Emissions
- [NAE] = California Emissions
- [NAS] = 50 State Emissions
- [NA1] = Export Emissions
- [XEF] = Transfer Case Skid Plate Shield

1	68029713AA	1	J, T			EXL			ENGINE, Complete
2		1							LABEL, Engine Identification, See Note, (NOT SERVICED)

GRAND CHEROKEE (WK)

SERIES LINE
H = HIGHLINE T = JEEP - 2WD
P = PREMIUM J = JEEP - 4WD
S = SPORT
X = SPECIAL

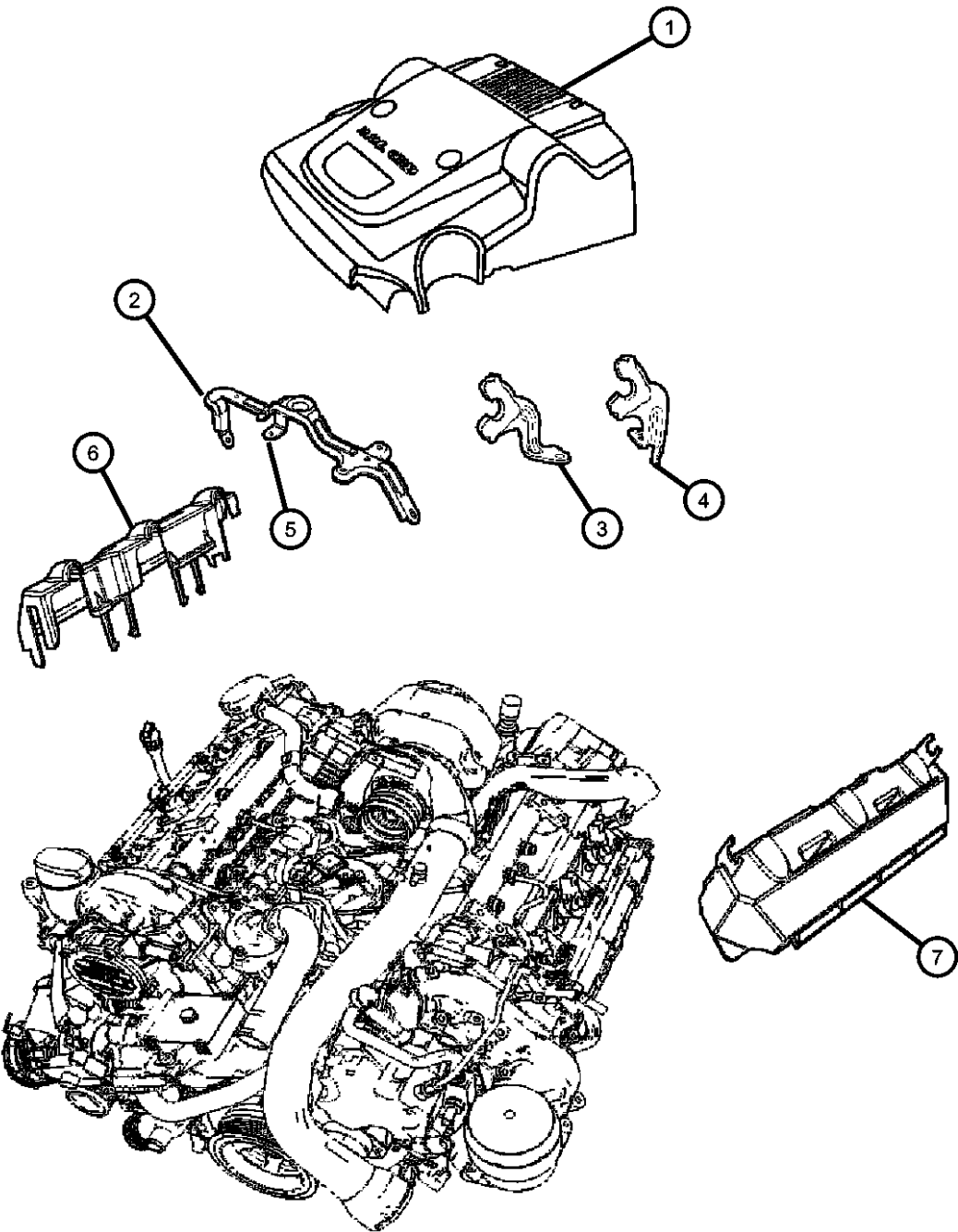
BODY
74 = SPORT UTILITY 4-DR
TYPE #4

ENGINE
EVA = 4.7L V8 MPI Engine
EVD = 4.7L V8 FFV Engine
EXL = 3.0L V6 Turbo Diesel
Engine
EZB = 5.7L Hemi Multi
Displacement Engine
EKG = 3.7L V6 Engine
ESF = 6.1L SRT HEMI SMPI
V8 Engine

TRANSMISSION
DGJ = 5-Speed Auto W5A580
Transmission
DGQ = 5-Spd Automatic 545RFE
Transmission
DGU = 5-Spd Auto W5J400
Transmission

**Engine Cover And Mounting 3.0L Diesel [EXL]
Figure 3.0L-145**

ITEM	PART NUMBER	QTY	LINE	SERIES	BODY	ENGINE	TRANS	TRIM	DESCRIPTION
------	-------------	-----	------	--------	------	--------	-------	------	-------------



NOTE:

Sales Codes:

- [DGJ] = 5-Speed Automatic W5A580 Transmission
- [DGQ] = 5-Speed Automatic 545RFE Transmission
- [DGU] = 5-Speed Automatic W5J400 Transmission
- [DG0] = All Automatic Transmissions
- [DHB] = Quadra -Trac Active On Demand NVG 146 Transfer Case
- [DHX] = Quadra -Trac 2 Full Time Active NVG 245 Transfer Case
- [DHZ] = Quadra -Trac 1 Full time 4WD NVG 140 Transfer Case
- [EKG] = 3.7L [Magnum] V-6 Engine
- [EK0] = All 3.7L 6-Cylinder Gas Engines
- [ESF] = 6.1L SRT Hemi SMPI V-8 Engine
- [ES0] = All 6.1L 8-Cylinder Gas Engines
- [EVA] = 4.7L [Magnum] V-8 Engine
- [EVD] = 4.7L V-8 FFV Engine
- [EV0] = All 4.7L 8-Cylinder Gas Engines
- [EXL] = 3.0L V-6 Turbo Diesel Engine
- [EX0] = All 3.0L Cylinder Turbo Diesel Engines
- [EZB] = 5.7L Hemi Multi-Displacement Engine
- [EZ0] = All 5.7L 8-Cylinder Gas Engines
- [NAA] = Federal Emissions
- [NAE] = California Emissions
- [NAS] = 50 State Emissions
- [NA1] = Export Emissions
- [XEF] = Transfer Case Skid Plate Shield

1	53013728AD	1	J, T			EXL			COVER, Engine
	53013728AE	1	J, T			EXL			New Cover 53013728AE Requires The Use Of One Bracket Part Number 53013996AA. Old Cover Used Three Brackets.
2	53013752AC	1				EXL			BRACKET, Engine Cover Front
	53013996AA	1	J, T			EXL			Used With 53013728AE Cover Only With Bracket
3	53013750AD	1	J, T			EXL			BRACKET, Engine Cover
4	53013751AC	1	J, T			EXL			BRACKET, Engine Cover
5	06501979	1	J, T			EXL			BOLT Left Rear Cover Bracket To Lift Eye, Mounting
		1	J, T			EXL			Right Rear Cover Bracket To Lift Eye, Mounting

GRAND CHEROKEE (WK)

SERIES LINE
H = HIGHLINE T = JEEP - 2WD
P = PREMIUM J = JEEP - 4WD
S = SPORT
X = SPECIAL

BODY
74 = SPORT UTILITY 4-DR
TYPE #4

ENGINE
EVA = 4.7L V8 MPI Engine
EVD = 4.7L V8 FFV Engine
EXL = 3.0L V6 Turbo Diesel Engine
EZB = 5.7L Hemi Multi Displacement Engine
EKG = 3.7L V6 Engine
ESF = 6.1L SRT HEMI SMPI V8 Engine

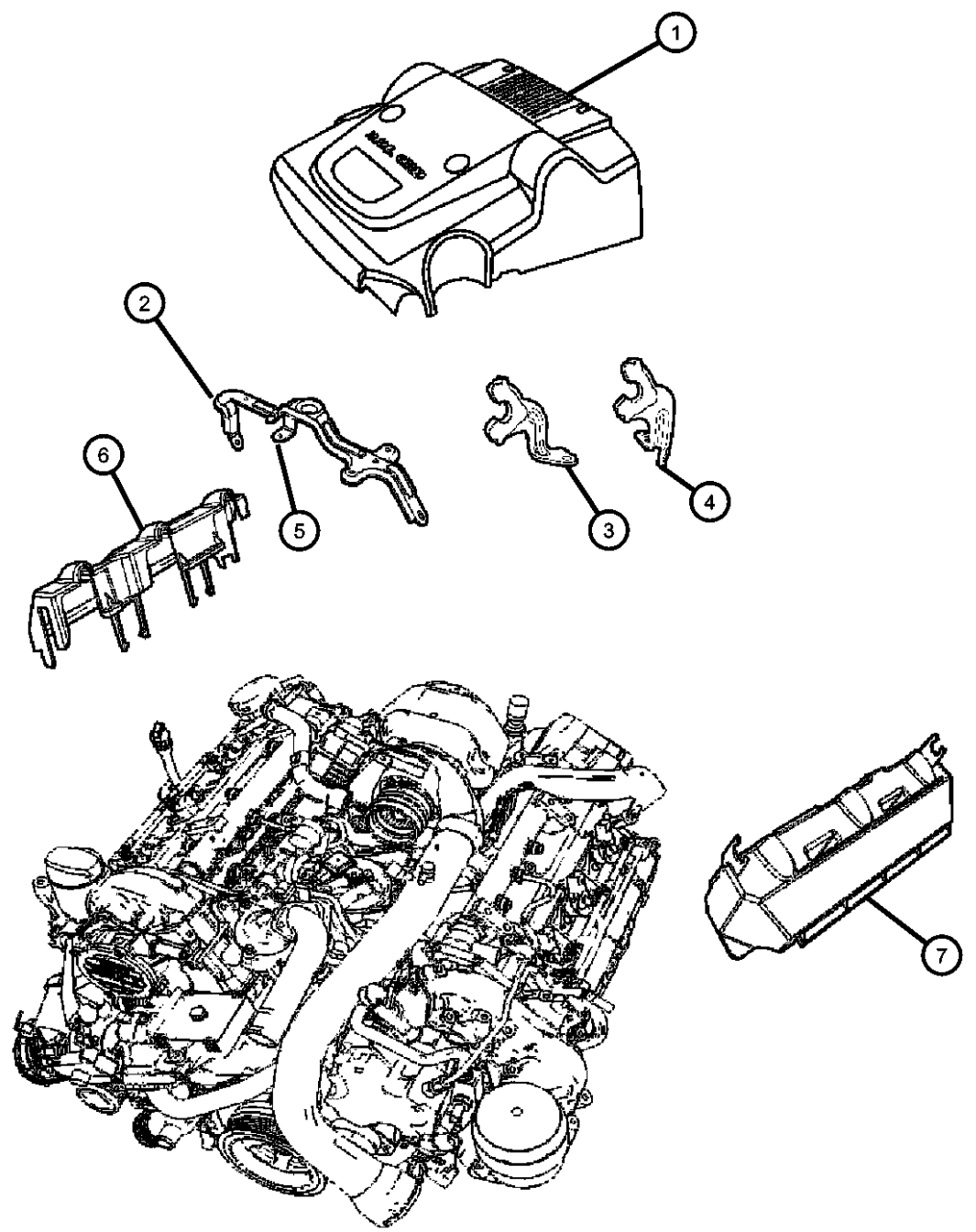
TRANSMISSION
DGJ = 5-Speed Auto W5A580 Transmission
DGQ = 5-Spd Automatic 545RFE Transmission
DGU = 5-Spd Auto W5J400 Transmission

AR = use ase required - = Non illustrated part

2007 WK

**Engine Cover And Mounting 3.0L Diesel [EXL]
Figure 3.0L-145**

ITEM	PART NUMBER	QTY	LINE	SERIES	BODY	ENGINE	TRANS	TRIM	DESCRIPTION
------	-------------	-----	------	--------	------	--------	-------	------	-------------



		2	J, T			EXL			Front Bracket, Mounting
6	53013786AA	1	J, T			EXL			SHIELD, Fuel InjectorRight
7	53013787AA	1	J, T			EXL			SHIELD, Fuel InjectorLeft

GRAND CHEROKEE (WK)

SERIES LINE
H = HIGHLINE T = JEEP - 2WD
P = PREMIUM J = JEEP - 4WD
S = SPORT
X = SPECIAL

BODY
74 = SPORT UTILITY 4-DR
TYPE #4

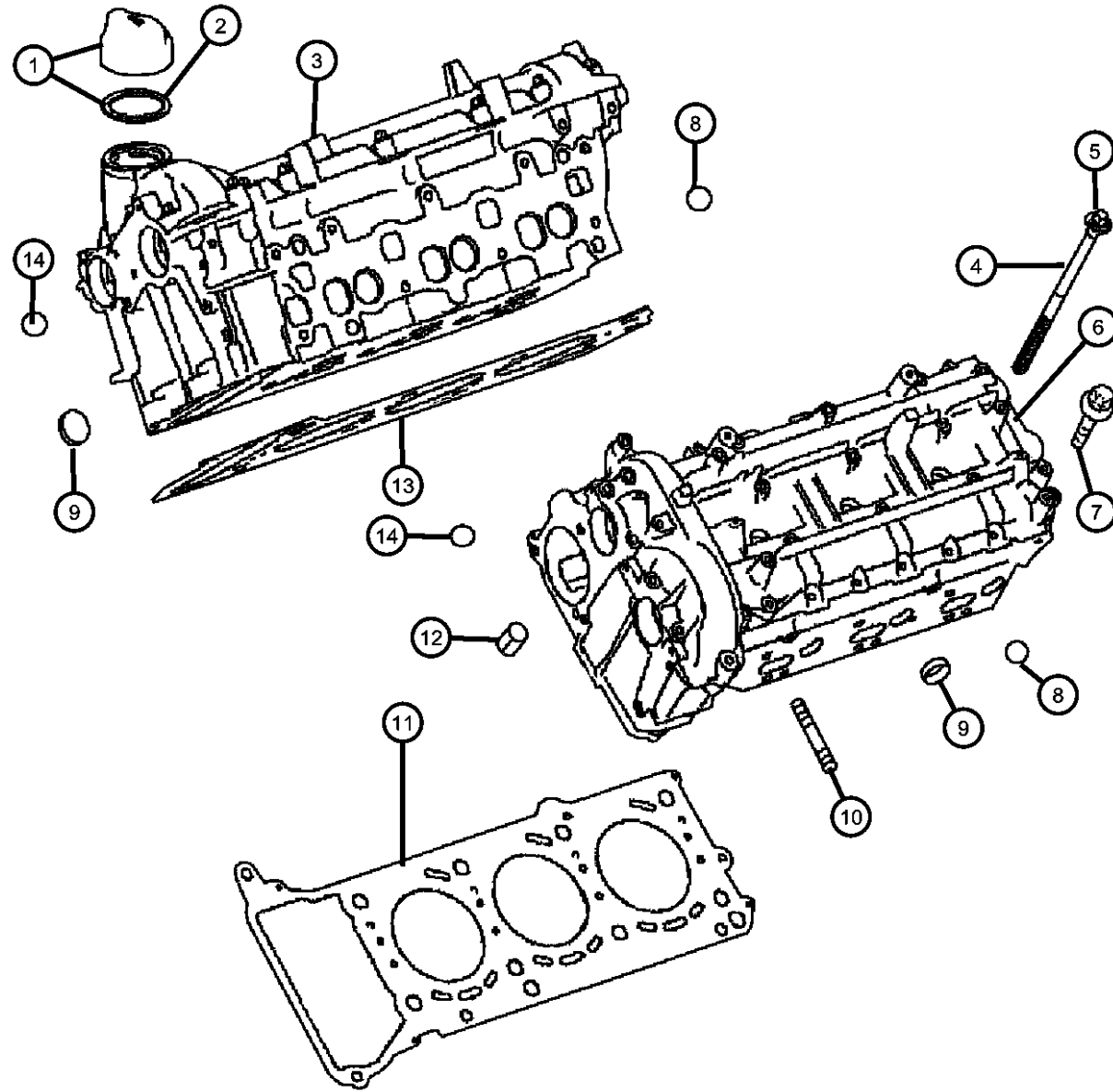
ENGINE
EVA = 4.7L V8 MPI Engine
EVD = 4.7L V8 FFV Engine
EXL = 3.0L V6 Turbo Diesel
Engine
EZB = 5.7L Hemi Multi
Displacement Engine
EKG = 3.7L V6 Engine
ESF = 6.1L SRT HEMI SMPI
V8 Engine

TRANSMISSION
DGJ = 5-Speed Auto W5A580
Transmission
DGQ = 5-Spd Automatic 545RFE
Transmission
DGU = 5-Spd Auto W5J400
Transmission

AR = use ase required - = Non illustrated part

2007 WK

**Cylinder Head 3.0L Diesel [EXL]
Figure 3.0L-210**



ITEM	PART NUMBER	QTY	LINE	SERIES	BODY	ENGINE	TRANS	TRIM	DESCRIPTION
------	-------------	-----	------	--------	------	--------	-------	------	-------------

NOTE:

Sales Codes:

- [DGJ] = 5-Speed Automatic W5A580 Transmission
- [DGQ] = 5-Speed Automatic 545RFE Transmission
- [DGU] = 5-Speed Automatic W5J400 Transmission
- [DG0] = All Automatic Transmissions
- [DHB] = Quadra -Trac Active On Demand NVG 146 Transfer Case
- [DHX] = Quadra -Trac 2 Full Time Active NVG 245 Transfer Case
- [DHZ] = Quadra -Trac 1 Full time 4WD NVG 140 Transfer Case
- [EKG] = 3.7L [Magnum] V-6 Engine
- [EK0] = All 3.7L 6-Cylinder Gas Engines
- [ESF] = 6.1L SRT Hemi SMPI V-8 Engine
- [ES0] = All 6.1L 8-Cylinder Gas Engines
- [EVA] = 4.7L [Magnum] V-8 Engine
- [EVD] = 4.7L V-8 FFV Engine
- [EV0] = All 4.7L 8-Cylinder Gas Engines
- [EXL] = 3.0L V-6 Turbo Diesel Engine
- [EX0] = All 3.0L Cylinder Turbo Diesel Engines
- [EZB] = 5.7L Hemi Multi-Displacement Engine
- [EZ0] = All 5.7L 8-Cylinder Gas Engines
- [NAA] = Federal Emissions
- [NAE] = California Emissions
- [NAS] = 50 State Emissions
- [NA1] = Export Emissions
- [XEF] = Transfer Case Skid Plate Shield

1	05175447AA	1	J, T			EXL			CAP, Oil Filler
2	05080088AA	1	J, T			EXL			SEAL, Oil Fill Cap
3	05175342AB	1	J, T			EXL			HEAD, CylinderRight
4	05175446AA	16	J, T			EXL			BOLT, Cylinder Head To Cylinder Block, Mounting
5	05096986AA	1	J, T			EXL			BOLT, [M8 X 35], Cylinder Head, Mounting
6	05175380AB	1	J, T			EXL			HEAD, CylinderLeft
7	06104009AA	2	J, T			EXL			BOLT, [M6X1.00X35.00], Cylinder Head [23 Per Head], Mounting
8	05138265AA	4	J, T			EXL			BALL
9	05080026AB	6	J, T			EXL			PLUG, Core, Three Per Cylinder Head
10	05080027AA	4	J, T			EXL			STUD
11	05175445AA	1	J, T			EXL			GASKET, Cylinder HeadLeft
12	05175383AA	2	J, T			EXL			DOWEL PIN
13	05175444AA	1	J, T			EXL			GASKET, Cylinder HeadRight

GRAND CHEROKEE (WK)

SERIES LINE
H = HIGHLINE T = JEEP - 2WD
P = PREMIUM J = JEEP - 4WD
S = SPORT
X = SPECIAL

BODY
74 = SPORT UTILITY 4-DR
TYPE #4

ENGINE
EVA = 4.7L V8 MPI Engine
EVD = 4.7L V8 FFV Engine
EXL = 3.0L V6 Turbo Diesel Engine
EZB = 5.7L Hemi Multi Displacement Engine
EKG = 3.7L V6 Engine
ESF = 6.1L SRT HEMI SMPI V8 Engine

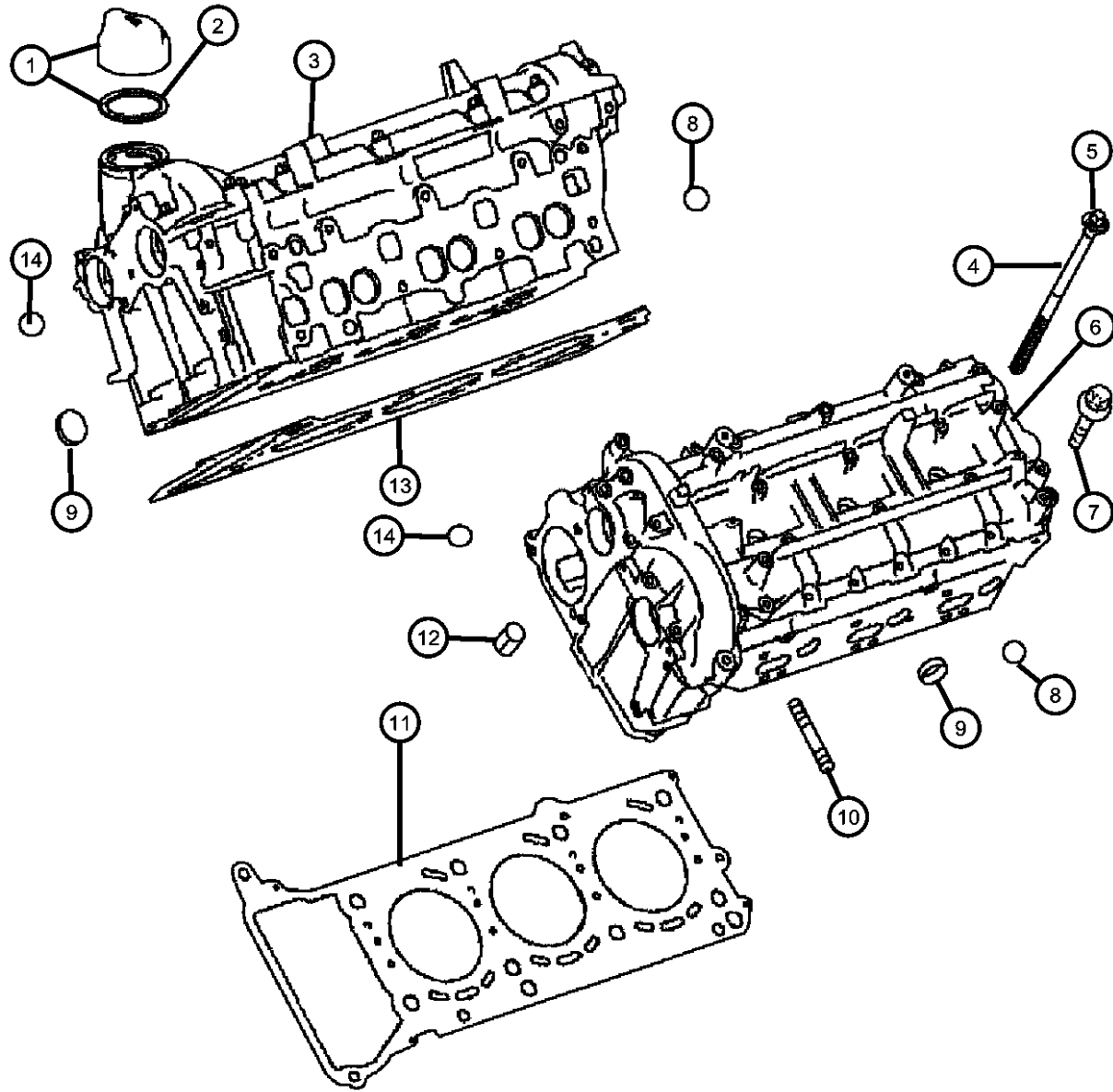
TRANSMISSION
DGJ = 5-Speed Auto W5A580 Transmission
DGQ = 5-Spd Automatic 545RFE Transmission
DGU = 5-Spd Auto W5J400 Transmission

AR = use ase required - = Non illustrated part

2007 WK

**Cylinder Head 3.0L Diesel [EXL]
Figure 3.0L-210**

ITEM	PART NUMBER	QTY	LINE	SERIES	BODY	ENGINE	TRANS	TRIM	DESCRIPTION
14	52108390AA	AR	J			EX0	DGU		BALL, Check Uses Six, Right, Cylinder Head
		AR	T			EX0	DGU		Uses Five, Left, Cylinder Head



GRAND CHEROKEE (WK)

SERIES LINE
H = HIGHLINE T = JEEP - 2WD
P = PREMIUM J = JEEP - 4WD
S = SPORT
X = SPECIAL

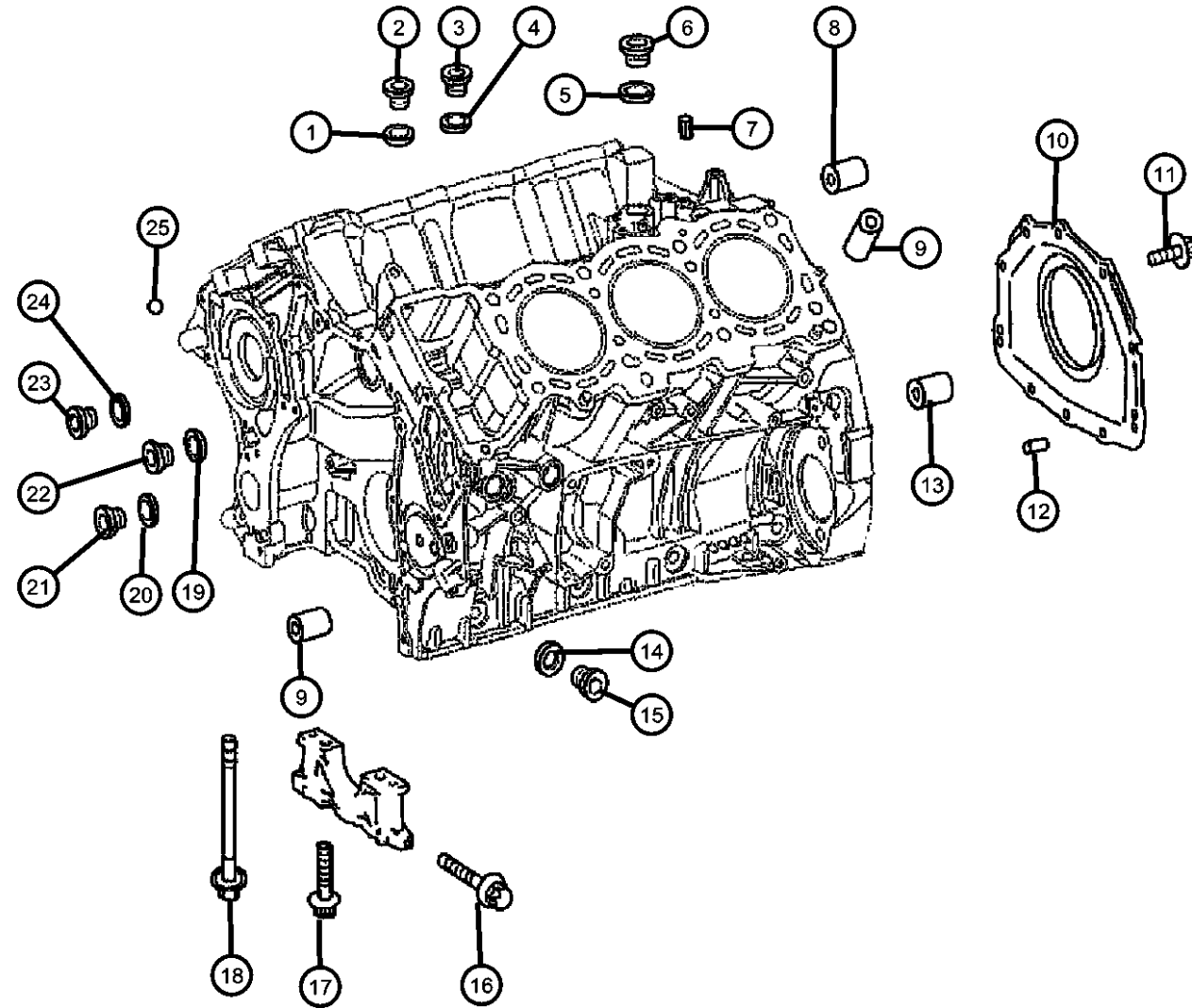
BODY
74 = SPORT UTILITY 4-DR
TYPE #4

ENGINE
EVA = 4.7L V8 MPI Engine
EVD = 4.7L V8 FFV Engine
EXL = 3.0L V6 Turbo Diesel
Engine
EZB = 5.7L Hemi Multi
Displacement Engine
EKG = 3.7L V6 Engine
ESF = 6.1L SRT HEMI SMPI
V8 Engine

TRANSMISSION
DGJ = 5-Speed Auto W5A580
Transmission
DGQ = 5-Spd Automatic 545RFE
Transmission
DGU = 5-Spd Auto W5J400
Transmission

AR = use ase required - = Non illustrated part

**Cylinder Block And Hardware 3.0L Diesel [EXL]
Figure 3.0L-310**



ITEM	PART NUMBER	QTY	LINE	SERIES	BODY	ENGINE	TRANS	TRIM	DESCRIPTION
------	-------------	-----	------	--------	------	--------	-------	------	-------------

NOTE:

Sales Codes:

- [DGJ] = 5-Speed Automatic W5A580 Transmission
- [DGQ] = 5-Speed Automatic 545RFE Transmission
- [DGU] = 5-Speed Automatic W5J400 Transmission
- [DG0] = All Automatic Transmissions
- [DHB] = Quadra -Trac Active On Demand NVG 146 Transfer Case
- [DHX] = Quadra -Trac 2 Full Time Active NVG 245 Transfer Case
- [DHZ] = Quadra -Trac 1 Full time 4WD NVG 140 Transfer Case
- [EKG] = 3.7L [Magnum] V-6 Engine
- [EK0] = All 3.7L 6-Cylinder Gas Engines
- [ESF] = 6.1L SRT Hemi SMPI V-8 Engine
- [ES0] = All 6.1L 8-Cylinder Gas Engines
- [EVA] = 4.7L [Magnum] V-8 Engine
- [EVD] = 4.7L V-8 FFV Engine
- [EV0] = All 4.7L 8-Cylinder Gas Engines
- [EXL] = 3.0L V-6 Turbo Diesel Engine
- [EX0] = All 3.0L Cylinder Turbo Diesel Engines
- [EZB] = 5.7L Hemi Multi-Displacement Engine
- [EZ0] = All 5.7L 8-Cylinder Gas Engines
- [NAA] = Federal Emissions
- [NAE] = California Emissions
- [NAS] = 50 State Emissions
- [NA1] = Export Emissions
- [XEF] = Transfer Case Skid Plate Shield

1	05133840AA	1	J, T			EXL			O RING
2	06104476AA	1	J, T			EXL			PLUG, Pipe, [M24X1.5X18.0]
3	06104472AA	1	J, T			EXL			PLUG, Pipe
4	05175309AA	1	J, T			EXL			O RING
5	05104683AB	1	J, T			EXL			O RING
6	06104464AA	1	J, T			EXL			PLUG, Pipe, [M12X1.5X15.0]
7	05083930AA	1	J, T			EXL			DOWEL PIN
8	05175323AA	1	J, T			EXL			BUSHING, Crankshaft
9	05073868AA	1	J, T			EXL			DOWEL PIN, Cylinder Head And Front Cover, Mounting
10									RETAINER AND SEAL, Crankshaft Rear Oil
	68006028AA	1	J, T			EXL			Steel Design For Engines Built Before June 7 2006
	68006029AA	1	J, T			EXL			Aluminum Design For Engines Built June 7 2006 And After. Serial Number 40214379.

GRAND CHEROKEE (WK)

SERIES LINE
H = HIGHLINE T = JEEP - 2WD
P = PREMIUM J = JEEP - 4WD
S = SPORT
X = SPECIAL

BODY
74 = SPORT UTILITY 4-DR
TYPE #4

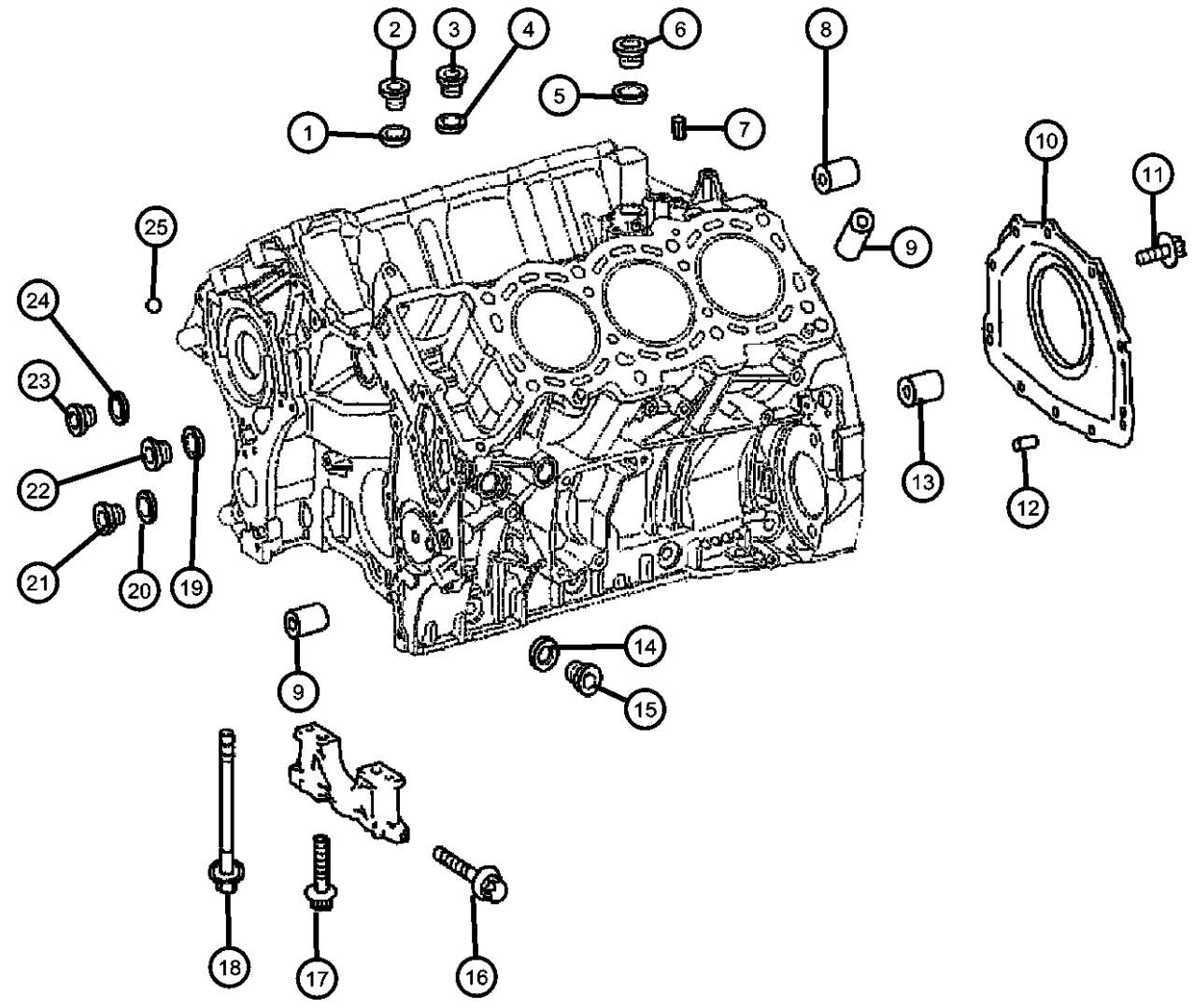
ENGINE
EVA = 4.7L V8 MPI Engine
EVD = 4.7L V8 FFV Engine
EXL = 3.0L V6 Turbo Diesel Engine
EZB = 5.7L Hemi Multi Displacement Engine
EKG = 3.7L V6 Engine
ESF = 6.1L SRT HEMI SMPI V8 Engine

TRANSMISSION
DGJ = 5-Speed Auto W5A580 Transmission
DGQ = 5-Spd Automatic 545RFE Transmission
DGU = 5-Spd Auto W5J400 Transmission

AR = use ase required - = Non illustrated part

2007 WK

**Cylinder Block And Hardware 3.0L Diesel [EXL]
Figure 3.0L-310**



ITEM	PART NUMBER	QTY	LINE	SERIES	BODY	ENGINE	TRANS	TRIM	DESCRIPTION
11	05073902AA	1	J, T			EXL			BOLT, Rear Retainer To Engine Block Qty Ten, Mounting
12	05099279AA	1	J, T			EXL			DOWEL PIN, Rear Retainer To Engine Block Qty Two, Mounting
13	05097167AA	1	J, T			EXL			DOWEL PIN, Cylinder Block To Transmission, Mounting
14	05073866AA	1	J, T			EXL			O RING
15	06104470AA	1	J, T			EXL			PLUG, Pipe, [M18X1.5X16.0]
16	06104218AA	1	J, T			EXL			BOLT, [M10x40]
17	05175321AA	1	J, T			EXL			BOLT, Bearing Cap, Mounting
18	05175322AA	1	J, T			EXL			BOLT, Bearing Cap, Mounting
19	05073866AA	1	J, T			EXL			O RING
20	05133840AA	1	J, T			EXL			O RING
21	06104476AA	1	J, T			EXL			PLUG, Pipe, [M24X1.5X18.0]
22	06104470AA	1	J, T			EXL			PLUG, Pipe, [M18X1.5X16.0]
23	06104468AA	1	J, T			EXL			PLUG, Pipe, [M16X1.5X15.0]
24	05175316AA	1	J, T			EXL			O RING
25	05175317AA	1	J, T			EXL			BALL

GRAND CHEROKEE (WK)

SERIES LINE
H = HIGHLINE T = JEEP - 2WD
P = PREMIUM J = JEEP - 4WD
S = SPORT
X = SPECIAL

BODY
74 = SPORT UTILITY 4-DR
TYPE #4

ENGINE
EVA = 4.7L V8 MPI Engine
EVD = 4.7L V8 FFV Engine
EXL = 3.0L V6 Turbo Diesel Engine
EZB = 5.7L Hemi Multi Displacement Engine
EKG = 3.7L V6 Engine
ESF = 6.1L SRT HEMI SMPI V8 Engine

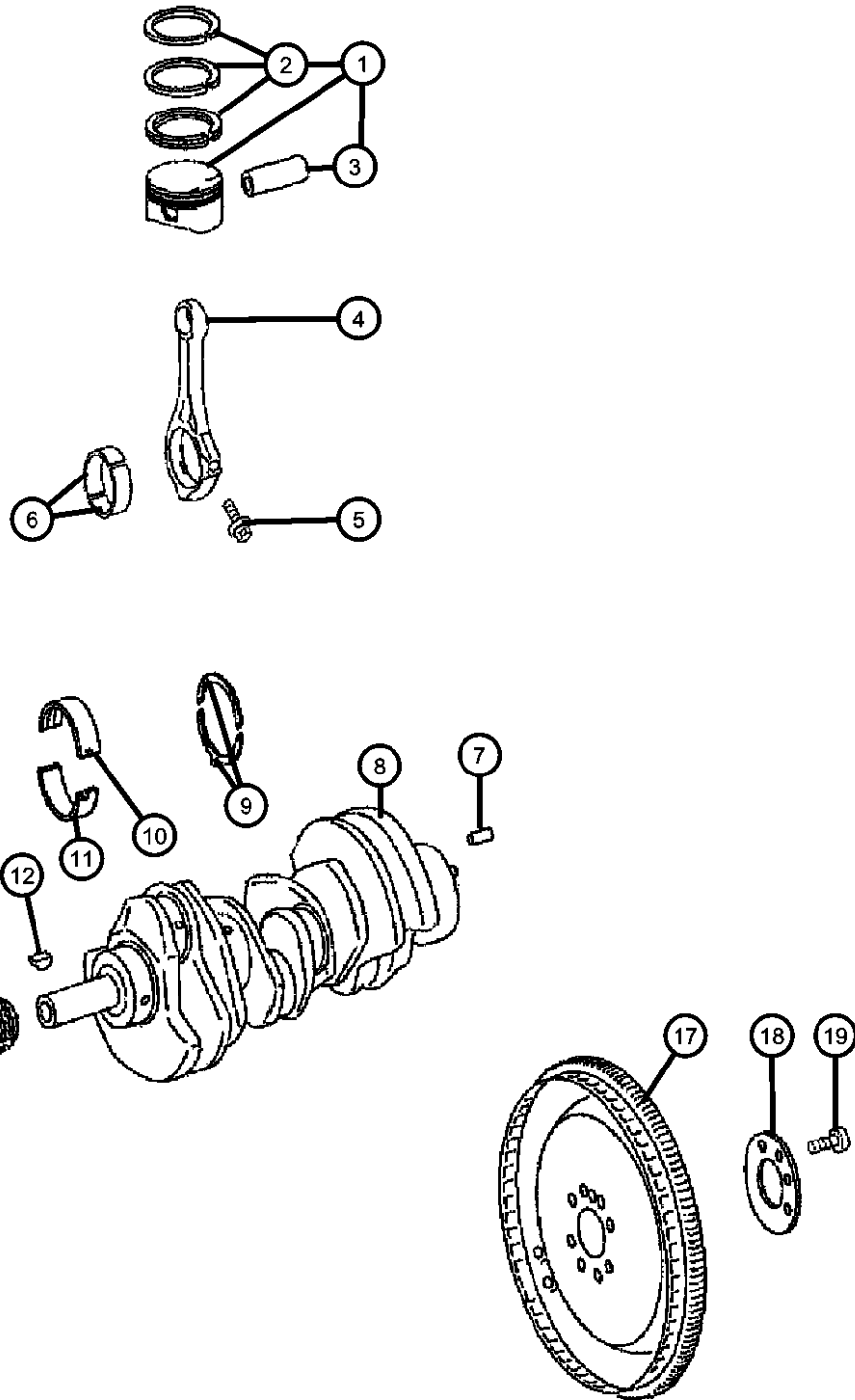
TRANSMISSION
DGJ = 5-Speed Auto W5A580 Transmission
DGQ = 5-Spd Automatic 545RFE Transmission
DGU = 5-Spd Auto W5J400 Transmission

AR = use ase required - = Non illustrated part

2007 WK

**Crankshaft, Pistons And Drive Plate 3.0L Diesel [EXL]
Figure 3.0L-410**

ITEM	PART NUMBER	QTY	LINE	SERIES	BODY	ENGINE	TRANS	TRIM	DESCRIPTION
------	-------------	-----	------	--------	------	--------	-------	------	-------------



NOTE:

Connecting Rod Bearing Cap Bolts Part Number 05179418AA Must Be Replaced Anytime Item 4 Connecting Rod Or Item 6 Connecting Rod Bearings Are Replaced.

Sales Codes:

- [DGJ] = 5-Speed Automatic W5A580 Transmission
- [DGQ] = 5-Speed Automatic 545RFE Transmission
- [DGU] = 5-Speed Automatic W5J400 Transmission
- [DG0] = All Automatic Transmissions
- [DHB] = Quadra -Trac Active On Demand NVG 146 Transfer Case
- [DHX] = Quadra -Trac 2 Full Time Active NVG 245 Transfer Case
- [DHZ] = Quadra -Trac 1 Full time 4WD NVG 140 Transfer Case
- [EKG] = 3.7L [Magnum] V-6 Engine
- [EK0] = All 3.7L 6-Cylinder Gas Engines
- [ESF] = 6.1L SRT Hemi SMPI V-8 Engine
- [ES0] = All 6.1L 8-Cylinder Gas Engines
- [EVA] = 4.7L [Magnum] V-8 Engine
- [EVD] = 4.7L V-8 FFV Engine
- [EV0] = All 4.7L 8-Cylinder Gas Engines
- [EXL] = 3.0L V-6 Turbo Diesel Engine
- [EX0] = All 3.0L Cylinder Turbo Diesel Engines
- [EZB] = 5.7L Hemi Multi-Displacement Engine
- [EZ0] = All 5.7L 8-Cylinder Gas Engines
- [NAA] = Federal Emissions
- [NAE] = California Emissions
- [NAS] = 50 State Emissions
- [NA1] = Export Emissions
- [XEF] = Transfer Case Skid Plate Shield

1	05179423AB	3	J, T			EXL			PISTON PIN AND RINGS, STD. Left
	05179424AA	3	J, T			EXL			Right
2	05175364AA	2	J, T			EXL			RING, Piston
3	05080034AA	2	J, T			EXL			RING KIT, Piston
4	68013979AA	6	J, T			EXL			ROD, Connecting, See Note
5	05179418AA	12	J, T			EXL			BOLT, Connecting Rod, See Note
6	05175363AB	6	J, T			EXL			BEARING, Connecting Rod, STD., See Note
7	05080024AA	1	J, T			EXL			DOWEL PIN
8	05179462AA	1	J, T			EXL			CRANKSHAFT AND KEY
9									THRUST BEARING
	05175357AA	1	J, T			EXL			[2.15MM] Standard
	05175358AA	1	J, T			EXL			[2.20MM] Standard

GRAND CHEROKEE (WK)

SERIES LINE
H = HIGHLINE T = JEEP - 2WD
P = PREMIUM J = JEEP - 4WD
S = SPORT
X = SPECIAL

BODY
74 = SPORT UTILITY 4-DR
TYPE #4

ENGINE
EVA = 4.7L V8 MPI Engine
EVD = 4.7L V8 FFV Engine
EXL = 3.0L V6 Turbo Diesel
Engine
EZB = 5.7L Hemi Multi
Displacement Engine
EKG = 3.7L V6 Engine
ESF = 6.1L SRT HEMI SMPI
V8 Engine

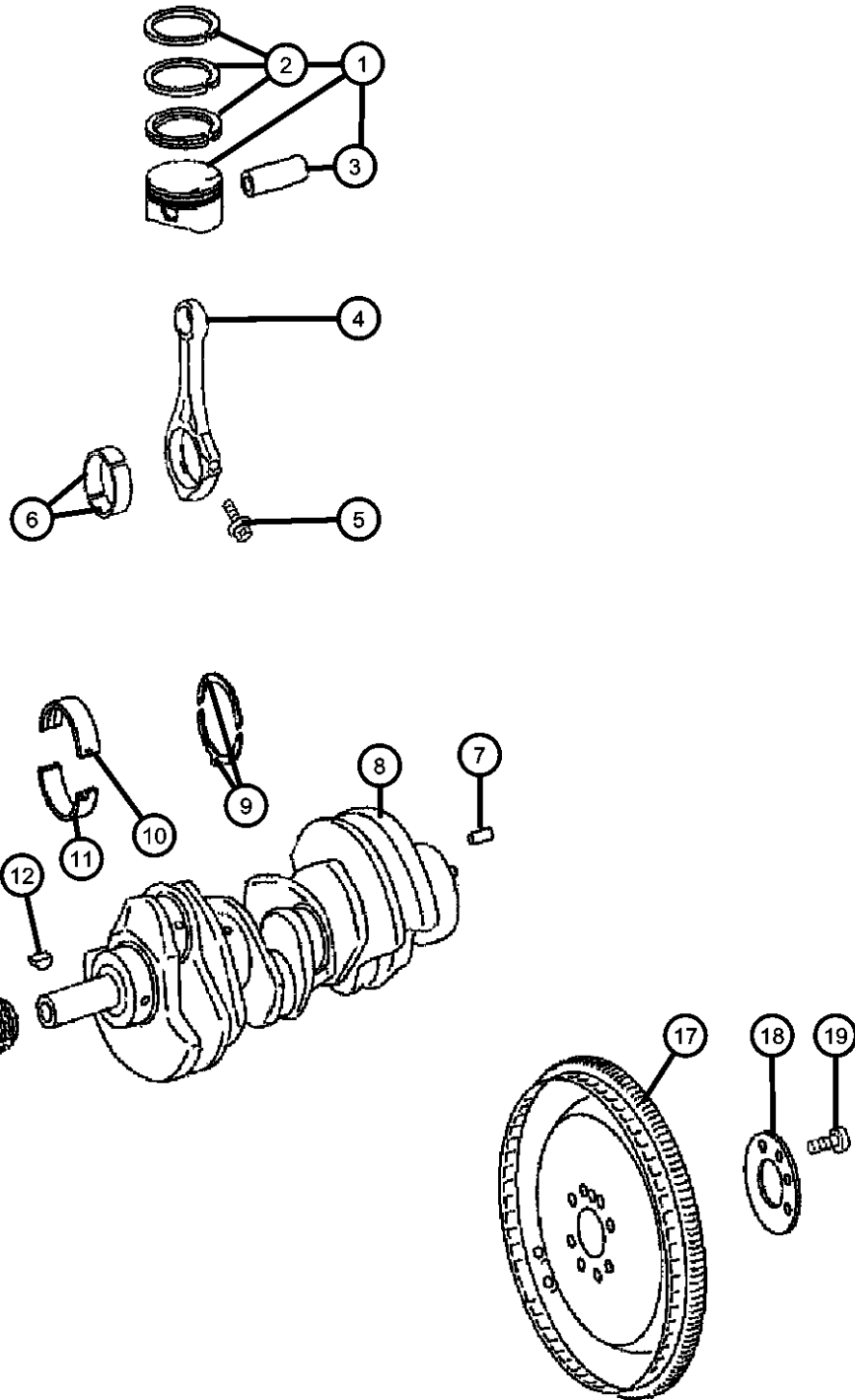
TRANSMISSION
DGJ = 5-Speed Auto W5A580
Transmission
DGQ = 5-Spd Automatic 545RFE
Transmission
DGU = 5-Spd Auto W5J400
Transmission

AR = use ase required - = Non illustrated part

2007 WK

**Crankshaft, Pistons And Drive Plate 3.0L Diesel [EXL]
Figure 3.0L-410**

ITEM	PART NUMBER	QTY	LINE	SERIES	BODY	ENGINE	TRANS	TRIM	DESCRIPTION
10	05179441AA	4	J, T			EXL			BEARING, Crankshaft, Upper [Blue]
	05179442AA	4	J, T			EXL			[Yellow]
	05179443AA	4	J, T			EXL			[Red]
11	05179445AA	4	J, T			EXL			BEARING, Crankshaft, Lower [Yellow]
	05179446AA	4	J, T			EXL			[Red]
	05179447AA	4	J, T			EXL			[White]
	05179448AA	4	J, T			EXL			[Magenta]
	05179444AA	4	J, T			EXL			[Blue]
12	05101484AB	1	J, T			EXL			KEY, Woodruff
13	05175345AA	1	J, T			EXL			GEAR, Crankshaft
14	05175356AA	1	J, T			EXL			DAMPER, Crankshaft
15	05080005AA	1	J, T			EXL			WASHER
16	06104301AA	1	J, T			EXL			BOLT, [M18X1.5X80.0], Dampner To Crankshaft, Mounting
17	05175957AA	1	J, T			EXL			FLEX PLATE
18	05099315AA	1	J, T			EXL			PLATE, Drive Plate Backing
19	05179426AA	8	J, T			EXL			BOLT, Flexplate To Crankshaft, Mounting



GRAND CHEROKEE (WK)

SERIES LINE
H = HIGHLINE T = JEEP - 2WD
P = PREMIUM J = JEEP - 4WD
S = SPORT
X = SPECIAL

BODY
74 = SPORT UTILITY 4-DR
TYPE #4

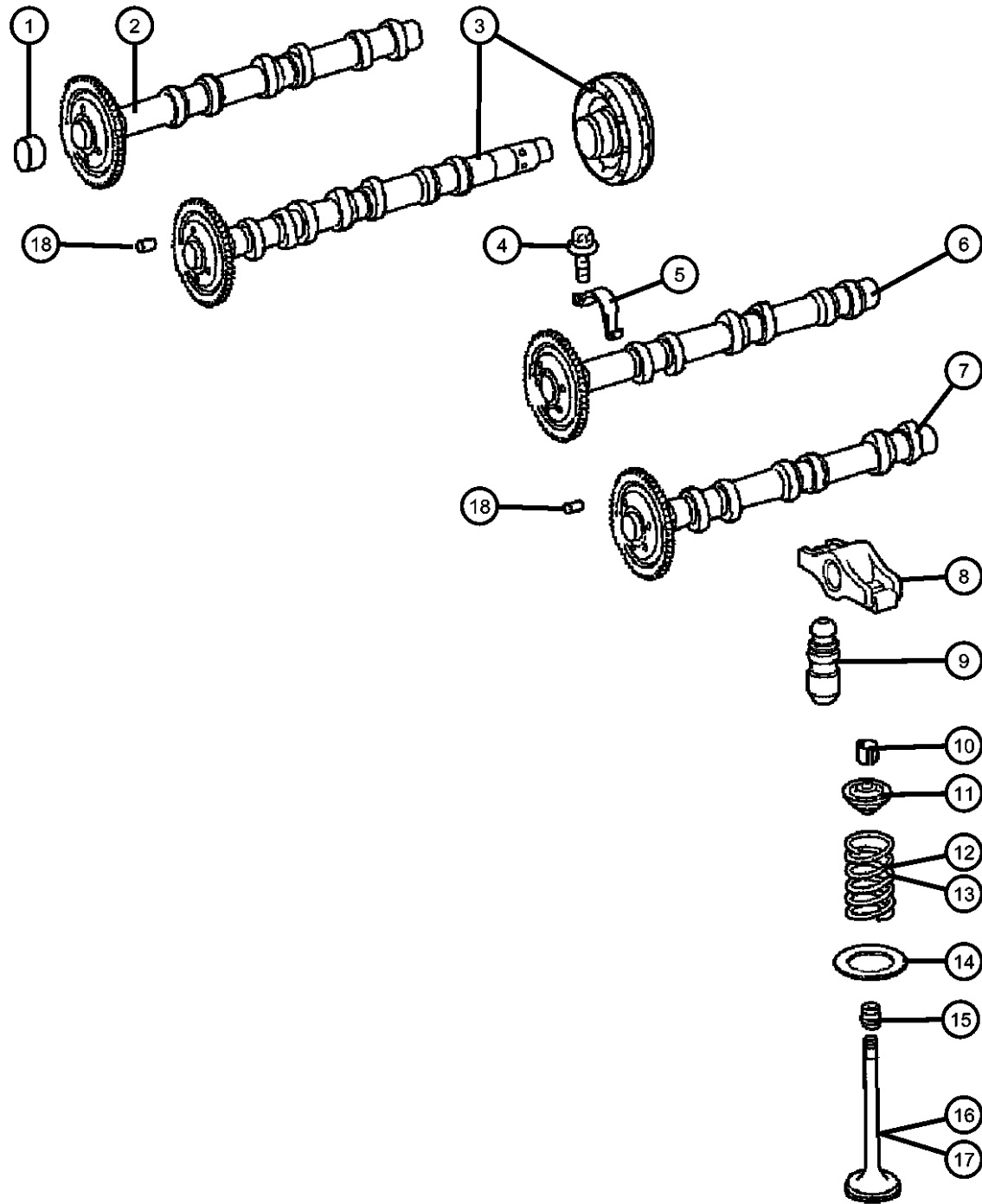
ENGINE
EVA = 4.7L V8 MPI Engine
EVD = 4.7L V8 FFV Engine
EXL = 3.0L V6 Turbo Diesel
Engine
EZB = 5.7L Hemi Multi
Displacement Engine
EKG = 3.7L V6 Engine
ESF = 6.1L SRT HEMI SMPI
V8 Engine

TRANSMISSION
DGJ = 5-Speed Auto W5A580
Transmission
DGQ = 5-Spd Automatic 545RFE
Transmission
DGU = 5-Spd Auto W5J400
Transmission

AR = use ase required - = Non illustrated part

2007 WK

**Camshafts And Valvetrain 3.0L Diesel [EXL]
Figure 3.0L-510**



ITEM	PART NUMBER	QTY	LINE	SERIES	BODY	ENGINE	TRANS	TRIM	DESCRIPTION
------	-------------	-----	------	--------	------	--------	-------	------	-------------

NOTE:

Sales Codes:

- [DGJ] = 5-Speed Automatic W5A580 Transmission
- [DGQ] = 5-Speed Automatic 545RFE Transmission
- [DGU] = 5-Speed Automatic W5J400 Transmission
- [DG0] = All Automatic Transmissions
- [DHB] = Quadra -Trac Active On Demand NVG 146 Transfer Case
- [DHX] = Quadra -Trac 2 Full Time Active NVG 245 Transfer Case
- [DHZ] = Quadra -Trac 1 Full time 4WD NVG 140 Transfer Case
- [EKG] = 3.7L [Magnum] V-6 Engine
- [EK0] = All 3.7L 6-Cylinder Gas Engines
- [ESF] = 6.1L SRT Hemi SMPI V-8 Engine
- [ES0] = All 6.1L 8-Cylinder Gas Engines
- [EVA] = 4.7L [Magnum] V-8 Engine
- [EVD] = 4.7L V-8 FFV Engine
- [EV0] = All 4.7L 8-Cylinder Gas Engines
- [EXL] = 3.0L V-6 Turbo Diesel Engine
- [EX0] = All 3.0L Cylinder Turbo Diesel Engines
- [EZB] = 5.7L Hemi Multi-Displacement Engine
- [EZ0] = All 5.7L 8-Cylinder Gas Engines
- [NAA] = Federal Emissions
- [NAE] = California Emissions
- [NAS] = 50 State Emissions
- [NA1] = Export Emissions
- [XEF] = Transfer Case Skid Plate Shield

1									PLUG, Core
	05175442AA	2	J, T			EXL			Right & Left, Cylinder Head
	05175443AA	1	J, T			EXL			Left, Cylinder Head
2	05175453AA	1	J, T			EXL			CAMSHAFT, ExhaustRight
3	05175451AA	1	J, T			EXL			CAMSHAFT, IntakeRight
4	06104075AA	4	J, T			EXL			BOLT, [M6X1.0X12.00], Camshaft Bearing Cap, Mounting
5	05175448AA	4	J, T			EXL			CAP, Camshaft Bearing
6	05175452AA	1	J, T			EXL			CAMSHAFT, IntakeLeft
7	05175454AA	1	J, T			EXL			CAMSHAFT, ExhaustLeft
8	05175441AA	4	J, T			EXL			ROCKER ARM, Inlet and Exhaust Valve
9	05175440AA	4	J, T			EXL			ADJUSTER, Valve Lash
10	05175399AA	4	J, T			EXL			LOCK, Valve Spring Retainer
11	05175400AA	4	J, T			EXL			RETAINER, Valve SpringUpper
12	05175402AA	4	J, T			EXL			SPRING, ValveExhaust

GRAND CHEROKEE (WK)

SERIES LINE
H = HIGHLINE T = JEEP - 2WD
P = PREMIUM J = JEEP - 4WD
S = SPORT
X = SPECIAL

BODY
74 = SPORT UTILITY 4-DR
TYPE #4

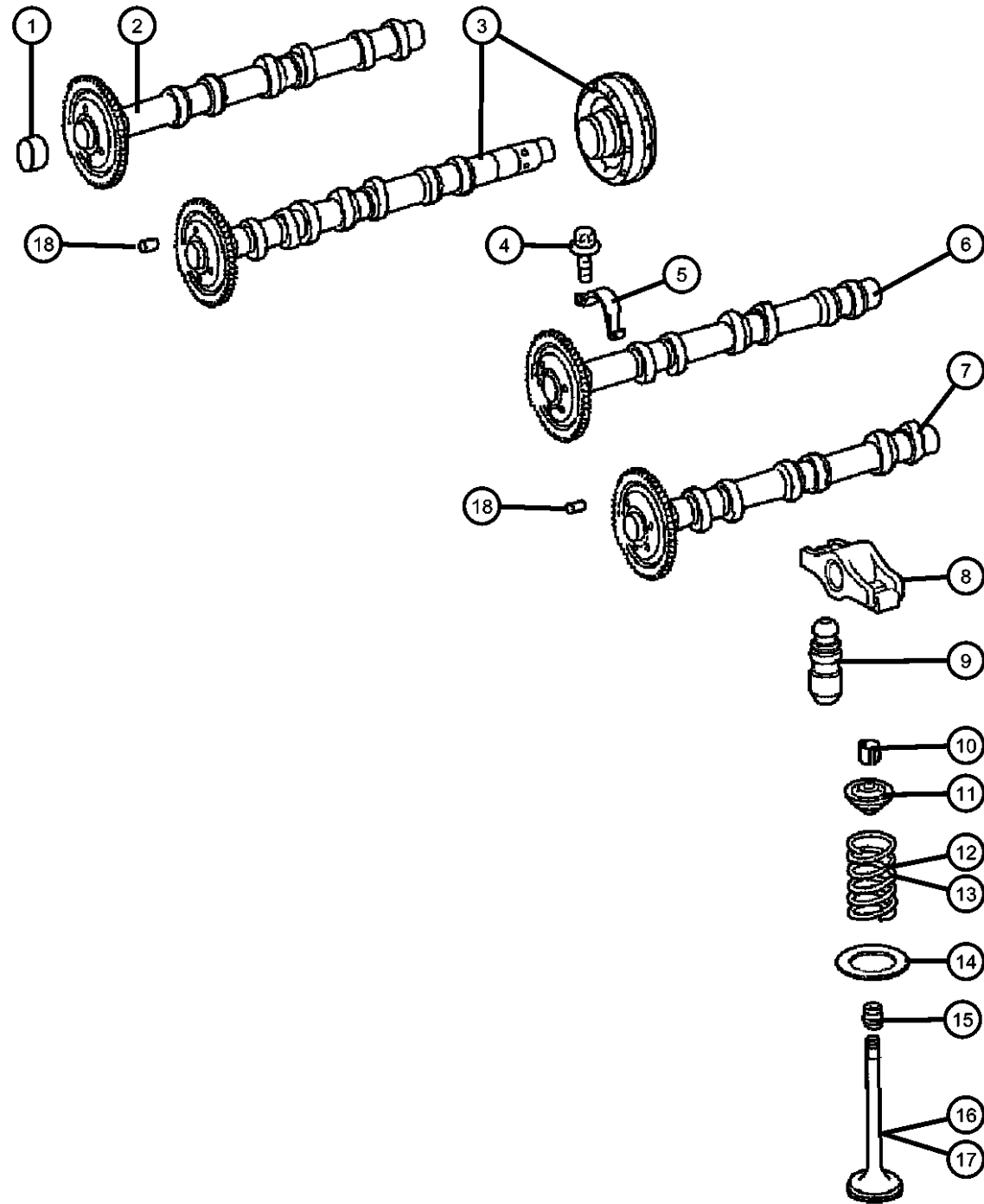
ENGINE
EVA = 4.7L V8 MPI Engine
EVD = 4.7L V8 FFV Engine
EXL = 3.0L V6 Turbo Diesel Engine
EZB = 5.7L Hemi Multi Displacement Engine
EKG = 3.7L V6 Engine
ESF = 6.1L SRT HEMI SMPI V8 Engine

TRANSMISSION
DGJ = 5-Speed Auto W5A580 Transmission
DGQ = 5-Spd Automatic 545RFE Transmission
DGU = 5-Spd Auto W5J400 Transmission

AR = use ase required - = Non illustrated part

2007 WK

**Camshafts And Valvetrain 3.0L Diesel [EXL]
Figure 3.0L-510**



ITEM	PART NUMBER	QTY	LINE	SERIES	BODY	ENGINE	TRANS	TRIM	DESCRIPTION
13	05175402AA	4	J, T			EXL			SPRING, ValveExhaust
14	05175401AA	4	J, T			EXL			RETAINER, Valve SpringLower
15	05175438AA	4	J, T			EXL			SEAL, Valve Guide
16	05175397AA	12	J, T			EXL			VALVE, Exhaust, Standard
17	05175396AA	12	J, T			EXL			VALVE, Intake, Standard
18		12							PIN, Dowel, 5175456AA, (NOT REQUIRED)

GRAND CHEROKEE (WK)

SERIES LINE
H = HIGHLINE T = JEEP - 2WD
P = PREMIUM J = JEEP - 4WD
S = SPORT
X = SPECIAL

BODY
74 = SPORT UTILITY 4-DR
TYPE #4

ENGINE
EVA = 4.7L V8 MPI Engine
EVD = 4.7L V8 FFV Engine
EXL = 3.0L V6 Turbo Diesel
Engine
EZB = 5.7L Hemi Multi
Displacement Engine
EKG = 3.7L V6 Engine
ESF = 6.1L SRT HEMI SMPI
V8 Engine

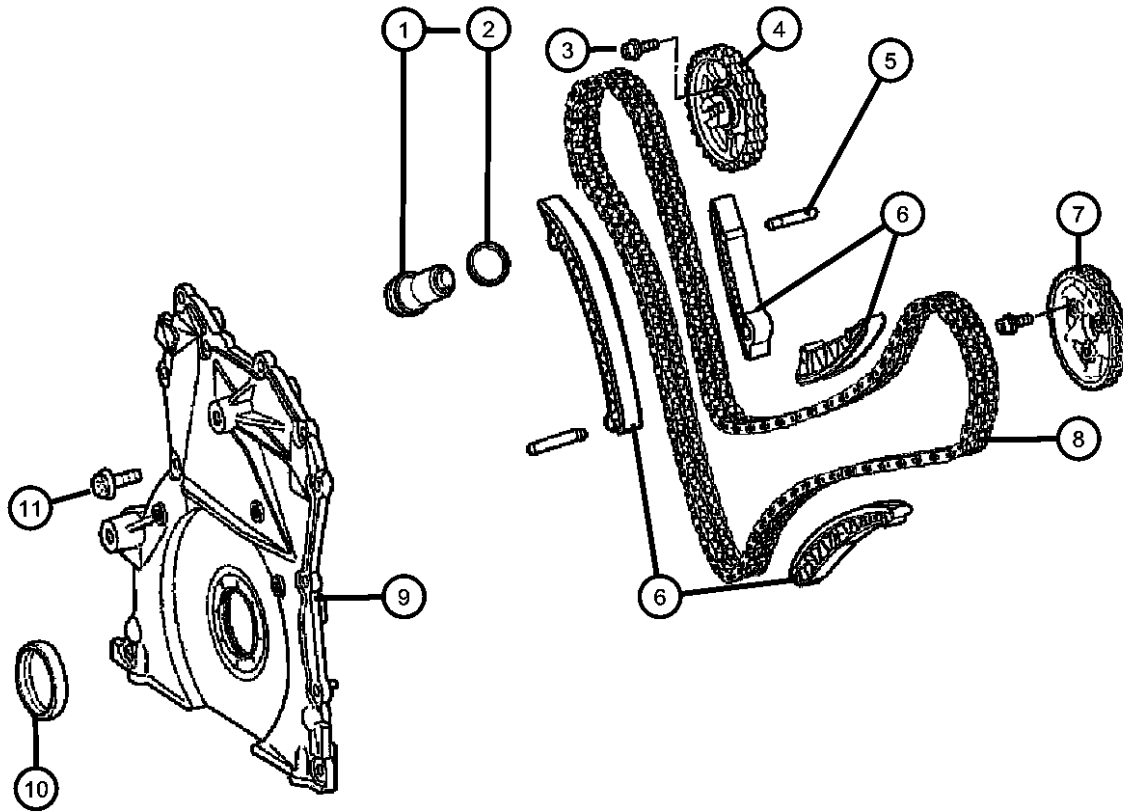
TRANSMISSION
DGJ = 5-Speed Auto W5A580
Transmission
DGQ = 5-Spd Automatic 545RFE
Transmission
DGU = 5-Spd Auto W5J400
Transmission

AR = use ase required - = Non illustrated part

2007 WK

**Timing Cover And Timing System 3.0L Diesel [EXL]
Figure 3.0L-610**

ITEM	PART NUMBER	QTY	LINE	SERIES	BODY	ENGINE	TRANS	TRIM	DESCRIPTION
------	-------------	-----	------	--------	------	--------	-------	------	-------------



NOTE:

Sales Codes:

[DGJ] = 5-Speed Automatic W5A580 Transmission

[DGQ] = 5-Speed Automatic 545RFE Transmission

[DGU] = 5-Speed Automatic W5J400 Transmission

[DG0] = All Automatic Transmissions

[DHB] = Quadra -Trac Active On Demand NVG 146 Transfer Case

[DHX] = Quadra -Trac 2 Full Time Active NVG 245 Transfer Case

[DHZ] = Quadra -Trac 1 Full time 4WD NVG 140 Transfer Case

[EKG] = 3.7L [Magnum] V-6 Engine

[EK0] = All 3.7L 6-Cylinder Gas Engines

[ESF] = 6.1L SRT Hemi SMPI V-8 Engine

[ES0] = All 6.1L 8-Cylinder Gas Engines

[EVA] = 4.7L [Magnum] V-8 Engine

[EVD] = 4.7L V-8 FFV Engine

[EV0] = All 4.7L 8-Cylinder Gas Engines

[EXL] = 3.0L V-6 Turbo Diesel Engine

[EX0] = All 3.0L Cylinder Turbo Diesel Engines

[EZB] = 5.7L Hemi Multi-Displacement Engine

[EZ0] = All 5.7L 8-Cylinder Gas Engines

[NAA] = Federal Emissions

[NAE] = California Emissions

[NAS] = 50 State Emissions

[NA1] = Export Emissions

[XEF] = Transfer Case Skid Plate Sheild

1	68017937AA	1	J, T			EXL			TENSIONER, Chain
2	05125905AA	1	J, T			EXL			O RING
3	05073901AA	4	J, T			EXL			BOLT, Camshaft Gear, Mounting
4	05080110AA	1	J, T			EXL			GEAR, CamshaftRight
5	05175459AA	5	J, T			EXL			DOWEL PINCamshaft
6	05175511AA	1	J, T			EXL			GUIDE, Timing Chain
7	05175458AA	1	J, T			EXL			GEAR, CamshaftLeft
8	05175510AA	1	J, T			EXL			CHAIN, Timing
9	05175337AA	1	J, T			EXL			COVER, Timing Case
10	05073675AB	1	J, T			EXL			SEAL, Crankshaft Oil, Front
11	05175338AA	1	J, T			EXL			BOLT, Timing Cover, Mounting

GRAND CHEROKEE (WK)

SERIES LINE
H = HIGHLINE T = JEEP - 2WD
P = PREMIUM J = JEEP - 4WD
S = SPORT
X = SPECIAL

BODY
74 = SPORT UTILITY 4-DR
TYPE #4

ENGINE
EVA = 4.7L V8 MPI Engine
EVD = 4.7L V8 FFV Engine
EXL = 3.0L V6 Turbo Diesel
Engine
EZB = 5.7L Hemi Multi
Displacement Engine
EKG = 3.7L V6 Engine
ESF = 6.1L SRT HEMI SMPI
V8 Engine

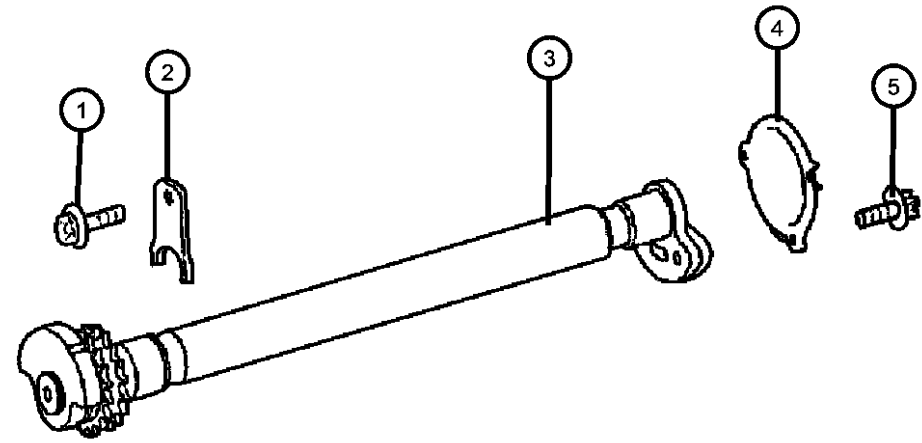
TRANSMISSION
DGJ = 5-Speed Auto W5A580
Transmission
DGQ = 5-Spd Automatic 545RFE
Transmission
DGU = 5-Spd Auto W5J400
Transmission

AR = use ase required - = Non illustrated part

2007 WK

**Balance Shaft 3.0L Diesel [EXL]
Figure 3.0L-620**

ITEM	PART NUMBER	QTY	LINE	SERIES	BODY	ENGINE	TRANS	TRIM	DESCRIPTION
------	-------------	-----	------	--------	------	--------	-------	------	-------------



NOTE:

Sales Codes:

- [DGJ] = 5-Speed Automatic W5A580 Transmission
- [DGQ] = 5-Speed Automatic 545RFE Transmission
- [DGU] = 5-Speed Automatic W5J400 Transmission
- [DG0] = All Automatic Transmissions
- [DHB] = Quadra -Trac Active On Demand NVG 146 Transfer Case
- [DHX] = Quadra -Trac 2 Full Time Active NVG 245 Transfer Case
- [DHZ] = Quadra -Trac 1 Full time 4WD NVG 140 Transfer Case
- [EKG] = 3.7L [Magnum] V-6 Engine
- [EK0] = All 3.7L 6-Cylinder Gas Engines
- [ESF] = 6.1L SRT Hemi SMPI V-8 Engine
- [ES0] = All 6.1L 8-Cylinder Gas Engines
- [EVA] = 4.7L [Magnum] V-8 Engine
- [EVD] = 4.7L V-8 FFV Engine
- [EV0] = All 4.7L 8-Cylinder Gas Engines
- [EXL] = 3.0L V-6 Turbo Diesel Engine
- [EX0] = All 3.0L Cylinder Turbo Diesel Engines
- [EZB] = 5.7L Hemi Multi-Displacement Engine
- [EZ0] = All 5.7L 8-Cylinder Gas Engines
- [NAA] = Federal Emissions
- [NAE] = California Emissions
- [NAS] = 50 State Emissions
- [NA1] = Export Emissions
- [XEF] = Transfer Case Skid Plate Sheild

1	06104005AA	1	J, T			EXL			BOLT, Balance Shaft, Mounting
2	05175360AA	1	J, T			EXL			WASHER
3	05175346AA	1	J, T			EXL			SHAFT, Balance
4	05175362AB	1	J, T			EXL			COVER, Balance Shaft
5	05073824AA	1	J, T			EXL			BOLT

GRAND CHEROKEE (WK)

SERIES LINE
H = HIGHLINE T = JEEP - 2WD
P = PREMIUM J = JEEP - 4WD
S = SPORT
X = SPECIAL

BODY
74 = SPORT UTILITY 4-DR
TYPE #4

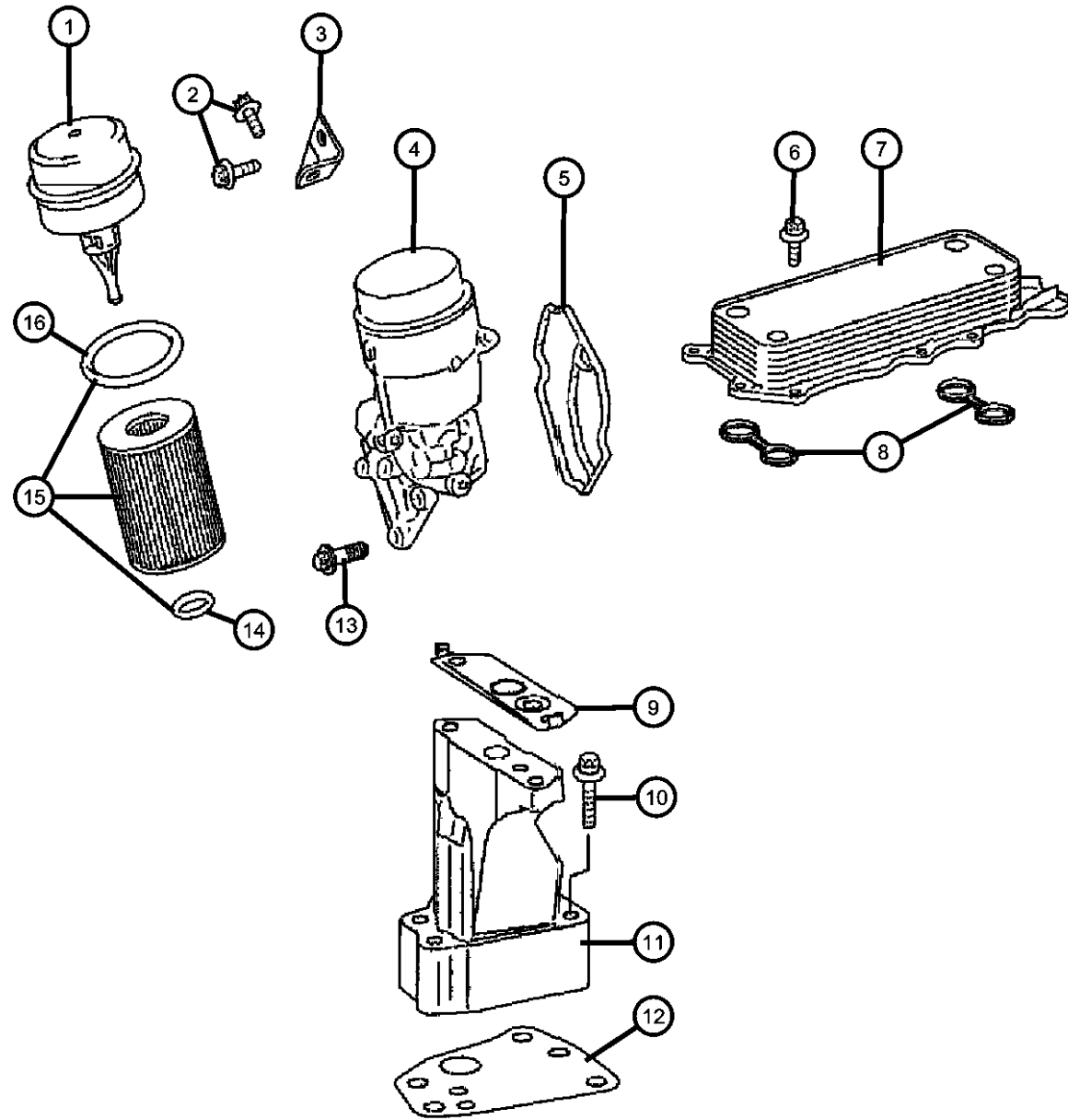
ENGINE
EVA = 4.7L V8 MPI Engine
EVD = 4.7L V8 FFV Engine
EXL = 3.0L V6 Turbo Diesel
Engine
EZB = 5.7L Hemi Multi
Displacement Engine
EKG = 3.7L V6 Engine
ESF = 6.1L SRT HEMI SMPI
V8 Engine

TRANSMISSION
DGJ = 5-Speed Auto W5A580
Transmission
DGQ = 5-Spd Automatic 545RFE
Transmission
DGU = 5-Spd Auto W5J400
Transmission

AR = use ase required - = Non illustrated part

2007 WK

**Oil Filter And Oil Cooler 3.0L Diesel [EXL]
Figure 3.0L-710**



ITEM	PART NUMBER	QTY	LINE	SERIES	BODY	ENGINE	TRANS	TRIM	DESCRIPTION
------	-------------	-----	------	--------	------	--------	-------	------	-------------

NOTE:

Sales Codes:

- [DGJ] = 5-Speed Automatic W5A580 Transmission
- [DGQ] = 5-Speed Automatic 545RFE Transmission
- [DGU] = 5-Speed Automatic W5J400 Transmission
- [DG0] = All Automatic Transmissions
- [DHB] = Quadra -Trac Active On Demand NVG 146 Transfer Case
- [DHX] = Quadra -Trac 2 Full Time Active NVG 245 Transfer Case
- [DHZ] = Quadra -Trac 1 Full time 4WD NVG 140 Transfer Case
- [EKG] = 3.7L [Magnum] V-6 Engine
- [EK0] = All 3.7L 6-Cylinder Gas Engines
- [ESF] = 6.1L SRT Hemi SMPI V-8 Engine
- [ES0] = All 6.1L 8-Cylinder Gas Engines
- [EVA] = 4.7L [Magnum] V-8 Engine
- [EVD] = 4.7L V-8 FFV Engine
- [EV0] = All 4.7L 8-Cylinder Gas Engines
- [EXL] = 3.0L V-6 Turbo Diesel Engine
- [EX0] = All 3.0L Cylinder Turbo Diesel Engines
- [EZB] = 5.7L Hemi Multi-Displacement Engine
- [EZ0] = All 5.7L 8-Cylinder Gas Engines
- [NAA] = Federal Emissions
- [NAE] = California Emissions
- [NAS] = 50 State Emissions
- [NA1] = Export Emissions
- [XEF] = Transfer Case Skid Plate Sheild

1	05175570AA	1	J, T			EXL			CAP, Oil Filter Housing
2	06104144AA	2	J, T			EXL			BOLT, [M6X1.0X25.0], Oil Filter Housing, Mounting
3	05175847AA	1	J, T			EXL			BRACKET, Filter To Head
4	05175569AA	1	J, T			EXL			HOUSING, Oil Filter
5	05175574AA	1	J, T			EXL			GASKET, Oil Filter Housing
6	06104682AA	10	J, T			EXL			BOLT, [M6.0X1.0X19.0], Oil Cooler, Mounting
7	05179360AB	1	J, T			EXL			COOLER, Oil
8	05175579AA	1	J, T			EXL			GASKET
9	05175630AA	1	J, T			EXL			GASKET, Turbocharger, Turbo Bracket
10	05133207AA	1	J, T			EXL			BOLT
11	05175627AA	1	J, T			EXL			BRACKET, Turbo Charger
12	05175632AA	1	J, T			EXL			GASKET, Turbocharger
13	05175577AA	1	J, T			EXL			BOLT

GRAND CHEROKEE (WK)

SERIES LINE
H = HIGHLINE T = JEEP - 2WD
P = PREMIUM J = JEEP - 4WD
S = SPORT
X = SPECIAL

BODY
74 = SPORT UTILITY 4-DR
TYPE #4

ENGINE
EVA = 4.7L V8 MPI Engine
EVD = 4.7L V8 FFV Engine
EXL = 3.0L V6 Turbo Diesel Engine
EZB = 5.7L Hemi Multi Displacement Engine
EKG = 3.7L V6 Engine
ESF = 6.1L SRT HEMI SMPI V8 Engine

TRANSMISSION
DGJ = 5-Speed Auto W5A580 Transmission
DGQ = 5-Spd Automatic 545RFE Transmission
DGU = 5-Spd Auto W5J400 Transmission

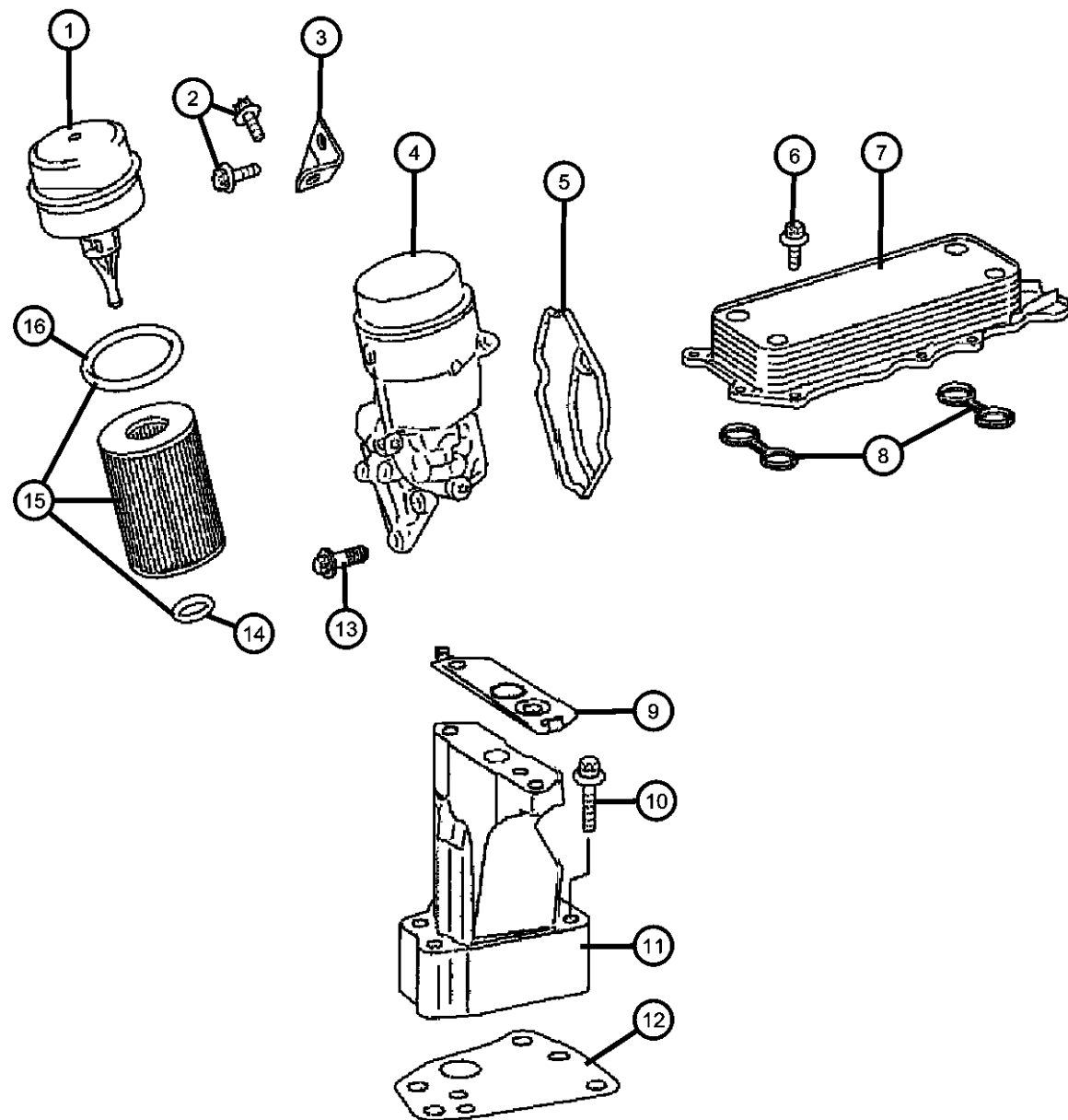
AR = use ase required - = Non illustrated part

2007 WK

**Oil Filter And Oil Cooler 3.0L Diesel [EXL]
Figure 3.0L-710**

ITEM	PART NUMBER	QTY	LINE	SERIES	BODY	ENGINE	TRANS	TRIM	DESCRIPTION
------	-------------	-----	------	--------	------	--------	-------	------	-------------

14	05175573AA	1	J, T			EXL			O RING
15	05175571AA	1	J, T			EXL			FILTER, Engine Oil
16	05175572AA	1	J, T			EXL			O RING



GRAND CHEROKEE (WK)

SERIES LINE
H = HIGHLINE T = JEEP - 2WD
P = PREMIUM J = JEEP - 4WD
S = SPORT
X = SPECIAL

BODY
74 = SPORT UTILITY 4-DR
TYPE #4

ENGINE
EVA = 4.7L V8 MPI Engine
EVD = 4.7L V8 FFV Engine
EXL = 3.0L V6 Turbo Diesel
Engine
EZB = 5.7L Hemi Multi
Displacement Engine
EKG = 3.7L V6 Engine
ESF = 6.1L SRT HEMI SMPI
V8 Engine

TRANSMISSION
DGJ = 5-Speed Auto W5A580
Transmission
DGQ = 5-Spd Automatic 545RFE
Transmission
DGU = 5-Spd Auto W5J400
Transmission

AR = use ase required - = Non illustrated part

2007 WK

**Oil Pump And Pan 3.0L Diesel [EXL]
Figure 3.0L-720**

ITEM	PART NUMBER	QTY	LINE	SERIES	BODY	ENGINE	TRANS	TRIM	DESCRIPTION
------	-------------	-----	------	--------	------	--------	-------	------	-------------

NOTE:

Sales Codes:

- [DGJ] = 5-Speed Automatic W5A580 Transmission
- [DGQ] = 5-Speed Automatic 545RFE Transmission
- [DGU] = 5-Speed Automatic W5J400 Transmission
- [DG0] = All Automatic Transmissions
- [DHB] = Quadra -Trac Active On Demand NVG 146 Transfer Case
- [DHX] = Quadra -Trac 2 Full Time Active NVG 245 Transfer Case
- [DHZ] = Quadra -Trac 1 Full time 4WD NVG 140 Transfer Case
- [EKG] = 3.7L [Magnum] V-6 Engine
- [EK0] = All 3.7L 6-Cylinder Gas Engines
- [ESF] = 6.1L SRT Hemi SMPI V-8 Engine
- [ES0] = All 6.1L 8-Cylinder Gas Engines
- [EVA] = 4.7L [Magnum] V-8 Engine
- [EVD] = 4.7L V-8 FFV Engine
- [EV0] = All 4.7L 8-Cylinder Gas Engines
- [EXL] = 3.0L V-6 Turbo Diesel Engine
- [EX0] = All 3.0L Cylinder Turbo Diesel Engines
- [EZB] = 5.7L Hemi Multi-Displacement Engine
- [EZ0] = All 5.7L 8-Cylinder Gas Engines
- [NAA] = Federal Emissions
- [NAE] = California Emissions
- [NAS] = 50 State Emissions
- [NA1] = Export Emissions
- [XEF] = Transfer Case Skid Plate Sheild

1	05080128AA	1	J, T			EXL			CHAIN, Oil Pump Drive
2	05080129AA	1	J, T			EXL			LINK, Chain
3	05175524AA	1	J, T			EXL			GUIDE, Timing Chain
4	05175525AA	1	J, T			EXL			SPRING
5	05175517AA	1	J, T			EXL			PUMP, Engine Oil
6	05175527AA	1	J, T			EXL			GASKET, Oil Pump
7	05175528AA	1	J, T			EXL			BRACKET
8	06104682AA	10	J, T			EXL			BOLT
9	05073824AA	1	J, T			EXL			BOLT
10	05175529AA	1	J, T			EXL			TRAY, Windage
11	06104682AA	10	J, T			EXL			BOLT, Slinger, Mounting
12	05175846AA	1	J, T			EXL			TUBE, Oil Pickup
13	06104684AA	2	J, T			EXL			BOLT, [M6.0X1.0X28.0], Oil Pickup Tube, Mounting
14	06104682AA	10	J, T			EXL			BOLT, [M6.0X1.0X19.0], Oil Pump, Mounting

GRAND CHEROKEE (WK)

SERIES LINE
H = HIGHLINE T = JEEP - 2WD
P = PREMIUM J = JEEP - 4WD
S = SPORT
X = SPECIAL

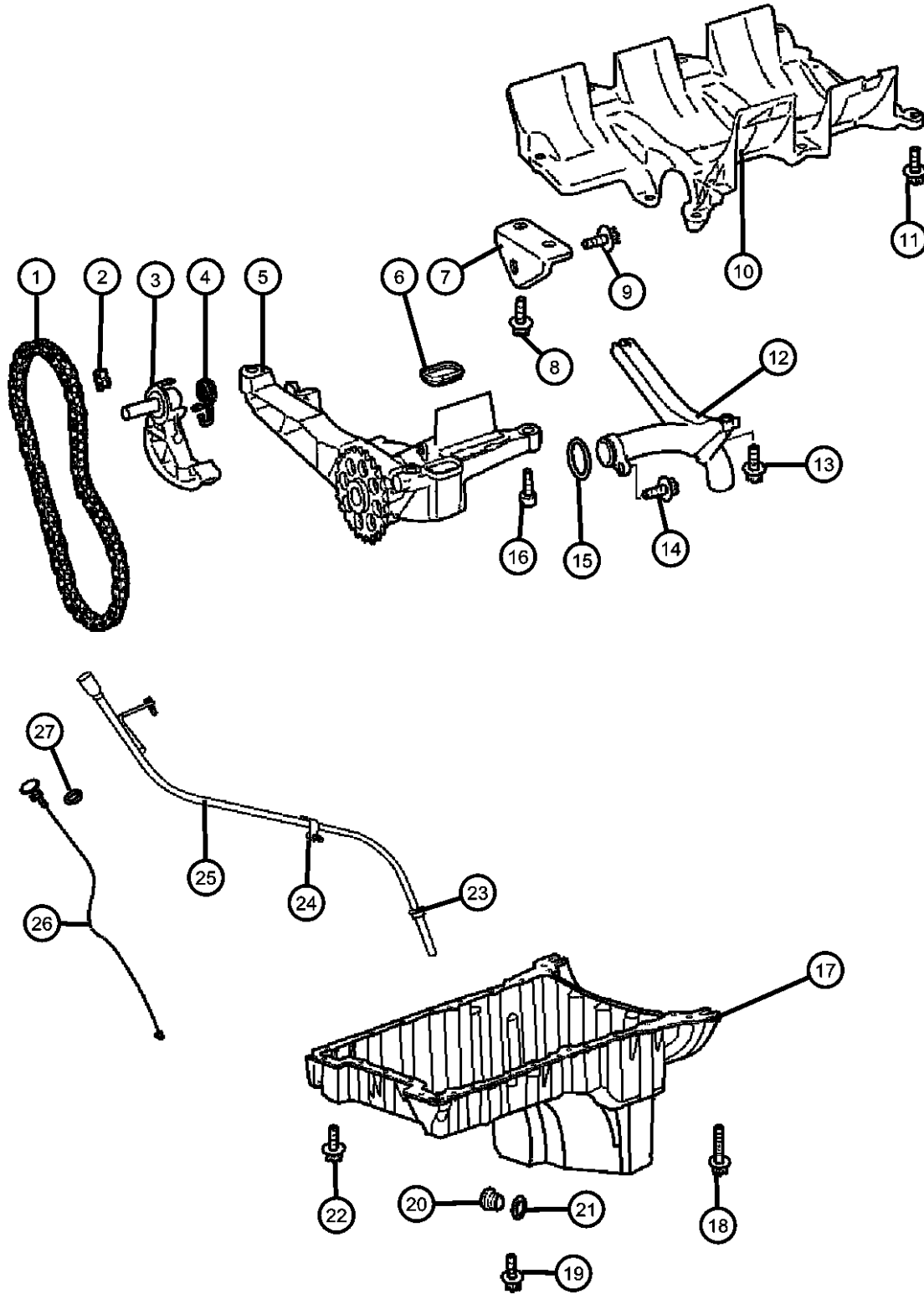
BODY
74 = SPORT UTILITY 4-DR
TYPE #4

ENGINE
EVA = 4.7L V8 MPI Engine
EVD = 4.7L V8 FFV Engine
EXL = 3.0L V6 Turbo Diesel Engine
EZB = 5.7L Hemi Multi Displacement Engine
EKG = 3.7L V6 Engine
ESF = 6.1L SRT HEMI SMPI V8 Engine

TRANSMISSION
DGJ = 5-Speed Auto W5A580 Transmission
DGQ = 5-Spd Automatic 545RFE Transmission
DGU = 5-Spd Auto W5J400 Transmission

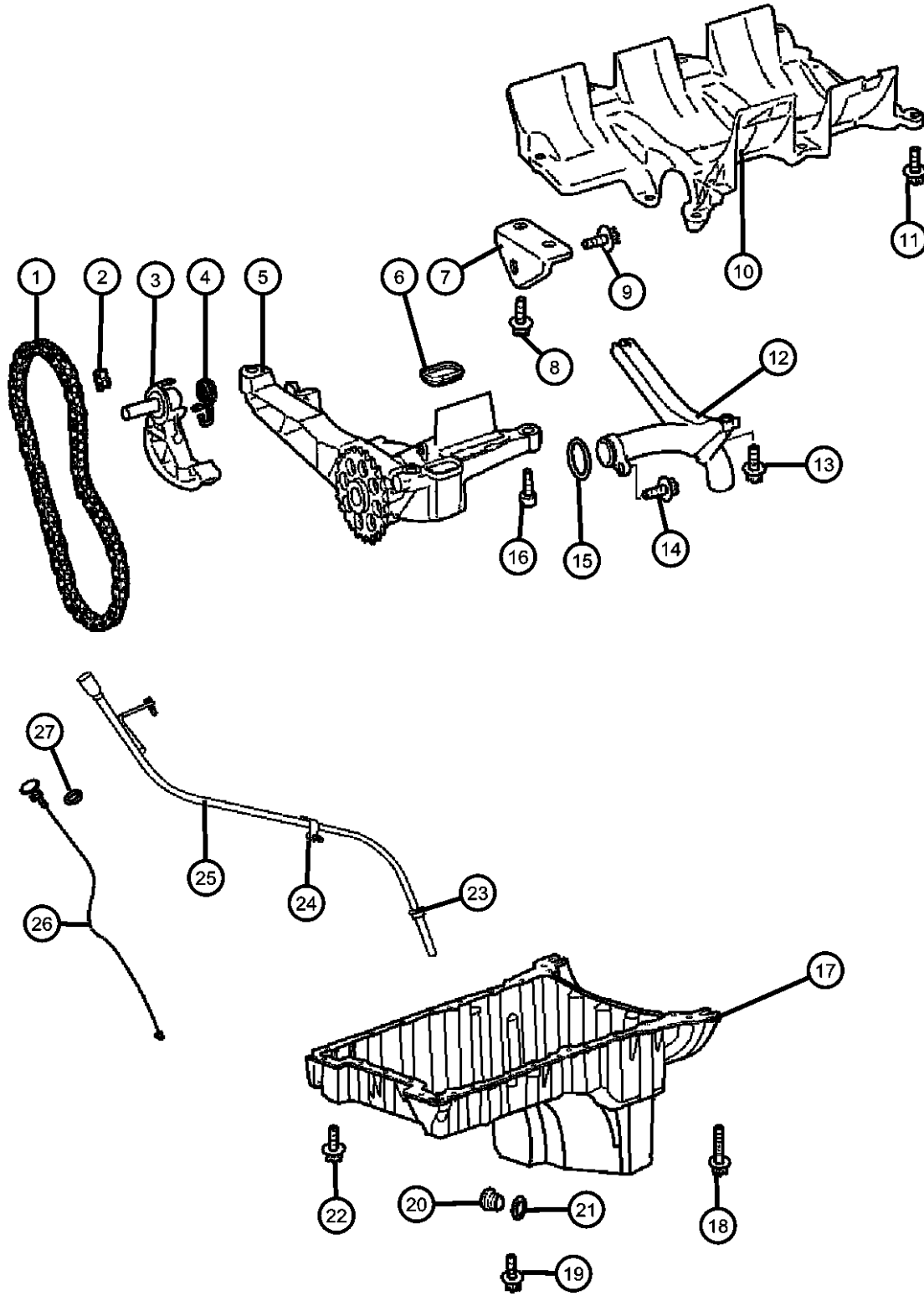
AR = use ase required - = Non illustrated part

2007 WK



**Oil Pump And Pan 3.0L Diesel [EXL]
Figure 3.0L-720**

ITEM	PART NUMBER	QTY	LINE	SERIES	BODY	ENGINE	TRANS	TRIM	DESCRIPTION
15	05175523AA	1	J, T			EXL			O RING
16	05175526AA	1	J, T			EXL			BOLT, Oil Pump To Cylinder Block, Mounting
17	05175803AA	1	J, T			EXL			PAN, Oil
18	06104689AA	1	J, T			EXL			BOLT, [M6.0X1.0X58.0]
19	06104684AA	2	J, T			EXL			BOLT, [M8X1.25X25.00], Oil Pan, Mounting
20	05073945AA	1	J, T			EXL			PLUG, Oil Drain
21	05073946AA	1	J, T			EXL			GASKET, Drain Plug
22	06104684AA	2	J, T			EXL			BOLT, [M6.0X1.0X28.0]
23	05096486AA	1	J, T			EXL			SEAL, Engine Oil Indicator tube
24	06104682AA	1	J, T			EXL			BOLT, [M6.0X1.0X19.0], Indicator Tube, Mounting
25	05175805AA	1	J, T			EXL			TUBE, Engine Oil Indicator
26	68021909AA	1	J, T			EXL			INDICATOR, Engine Oil Level
27	05073943AA	1	J, T			EXL			O RING



GRAND CHEROKEE (WK)

SERIES LINE
H = HIGHLINE T = JEEP - 2WD
P = PREMIUM J = JEEP - 4WD
S = SPORT
X = SPECIAL

BODY
74 = SPORT UTILITY 4-DR
TYPE #4

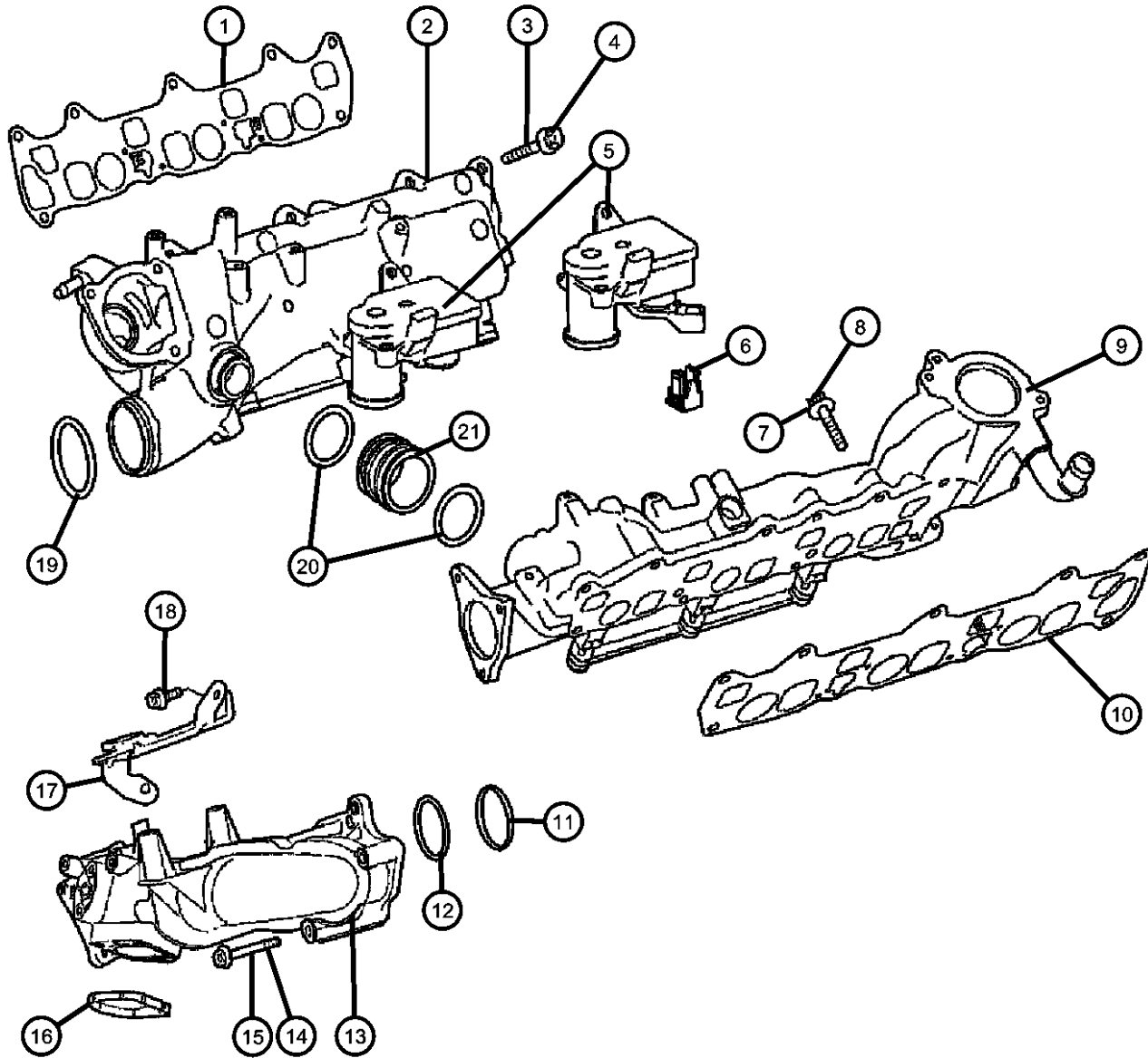
ENGINE
EVA = 4.7L V8 MPI Engine
EVD = 4.7L V8 FFV Engine
EXL = 3.0L V6 Turbo Diesel
Engine
EZB = 5.7L Hemi Multi
Displacement Engine
EKG = 3.7L V6 Engine
ESF = 6.1L SRT HEMI SMPI
V8 Engine

TRANSMISSION
DGJ = 5-Speed Auto W5A580
Transmission
DGQ = 5-Spd Automatic 545RFE
Transmission
DGU = 5-Spd Auto W5J400
Transmission

AR = use ase required - = Non illustrated part

2007 WK

**Intake Manifold 3.0L Diesel [EXL]
Figure 3.0L-810**



ITEM	PART NUMBER	QTY	LINE	SERIES	BODY	ENGINE	TRANS	TRIM	DESCRIPTION
------	-------------	-----	------	--------	------	--------	-------	------	-------------

NOTE:

Sales Codes:

- [DGJ] = 5-Speed Automatic W5A580 Transmission
- [DGQ] = 5-Speed Automatic 545RFE Transmission
- [DGU] = 5-Speed Automatic W5J400 Transmission
- [DG0] = All Automatic Transmissions
- [DHB] = Quadra -Trac Active On Demand NVG 146 Transfer Case
- [DHX] = Quadra -Trac 2 Full Time Active NVG 245 Transfer Case
- [DHZ] = Quadra -Trac 1 Full time 4WD NVG 140 Transfer Case
- [EKG] = 3.7L [Magnum] V-6 Engine
- [EK0] = All 3.7L 6-Cylinder Gas Engines
- [ESF] = 6.1L SRT Hemi SMPI V-8 Engine
- [ES0] = All 6.1L 8-Cylinder Gas Engines
- [EVA] = 4.7L [Magnum] V-8 Engine
- [EVD] = 4.7L V-8 FFV Engine
- [EV0] = All 4.7L 8-Cylinder Gas Engines
- [EXL] = 3.0L V-6 Turbo Diesel Engine
- [EX0] = All 3.0L Cylinder Turbo Diesel Engines
- [EZB] = 5.7L Hemi Multi-Displacement Engine
- [EZ0] = All 5.7L 8-Cylinder Gas Engines
- [NAA] = Federal Emissions
- [NAE] = California Emissions
- [NAS] = 50 State Emissions
- [NA1] = Export Emissions
- [XEF] = Transfer Case Skid Plate Shield

1	05175645AA	2	J, T			EXL			GASKETRight
2	05175642AC	1	J, T			EXL			PLENUM, Intake ManifoldRight
3	05073702AA	2	J, T			EXL			BOLTMounting, Right
4									BOLT
	05125741AA	1	J, T			EXL			[M7x100], Right, Side
	05175646AA	2	J, T			EXL			, Right, Side
5	05175643AB	1	J, T			EXL			MOTOR
6	05175673AB	2	J, T			EXL			INSERT, Two Per Side
7	05175646AA	2	J, T			EXL			BOLT
8	05073688AB	1	J, T			EXL			BOLTMounting, Left
9	05175672AB	1	J, T			EXL			PLENUM, Intake ManifoldLeft, Side
10	05175645AA	2	J, T			EXL			GASKET
11	05175710AA	1	J, T			EXL			O RING
12	05175711AA	1	J, T			EXL			GASKET

GRAND CHEROKEE (WK)

SERIES LINE
H = HIGHLINE T = JEEP - 2WD
P = PREMIUM J = JEEP - 4WD
S = SPORT
X = SPECIAL

BODY
74 = SPORT UTILITY 4-DR
TYPE #4

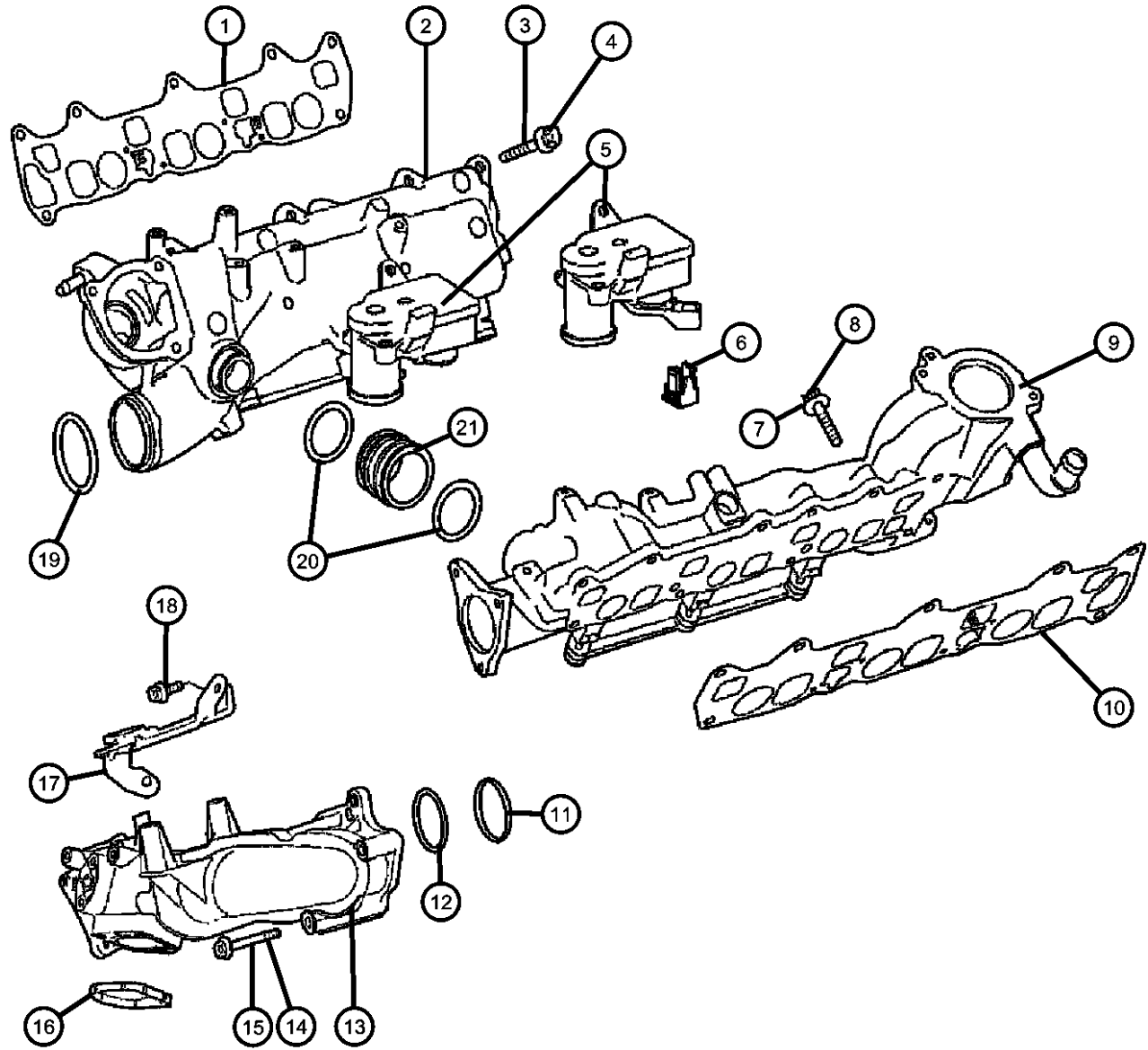
ENGINE
EVA = 4.7L V8 MPI Engine
EVD = 4.7L V8 FFV Engine
EXL = 3.0L V6 Turbo Diesel
Engine
EZB = 5.7L Hemi Multi
Displacement Engine
EKG = 3.7L V6 Engine
ESF = 6.1L SRT HEMI SMPI
V8 Engine

TRANSMISSION
DGJ = 5-Speed Auto W5A580
Transmission
DGQ = 5-Spd Automatic 545RFE
Transmission
DGU = 5-Spd Auto W5J400
Transmission

AR = use ase required - = Non illustrated part

2007 WK

**Intake Manifold 3.0L Diesel [EXL]
Figure 3.0L-810**



ITEM	PART NUMBER	QTY	LINE	SERIES	BODY	ENGINE	TRANS	TRIM	DESCRIPTION
13	05175709AA	1	J, T			EXL			TUBE, Clean Air
14	06104188AA	1	J, T			EXL			SCREW, [M6x1.0x55.0]
15	06104006AA	2	J, T			EXL			BOLT [M6X1.00X20.00]
	06104018AA	1	J, T			EXL			[M6x1.00x90.00]
16	05175712AA	1	J, T			EXL			GASKET
17	05175722AA	1	J, T			EXL			BRACKET, Air Duct
18	05073824AA	1	J, T			EXL			BOLT, [M6x12]Mounting, Bracket
19	05175644AA	1	J, T			EXL			O RING
20		1							O RING, Serviced With Item 21, (NOT SERVICED)
21	05175668AA	1	J, T			EXL			SLEEVE, Insert

GRAND CHEROKEE (WK)

SERIES LINE
H = HIGHLINE T = JEEP - 2WD
P = PREMIUM J = JEEP - 4WD
S = SPORT
X = SPECIAL

BODY
74 = SPORT UTILITY 4-DR
TYPE #4

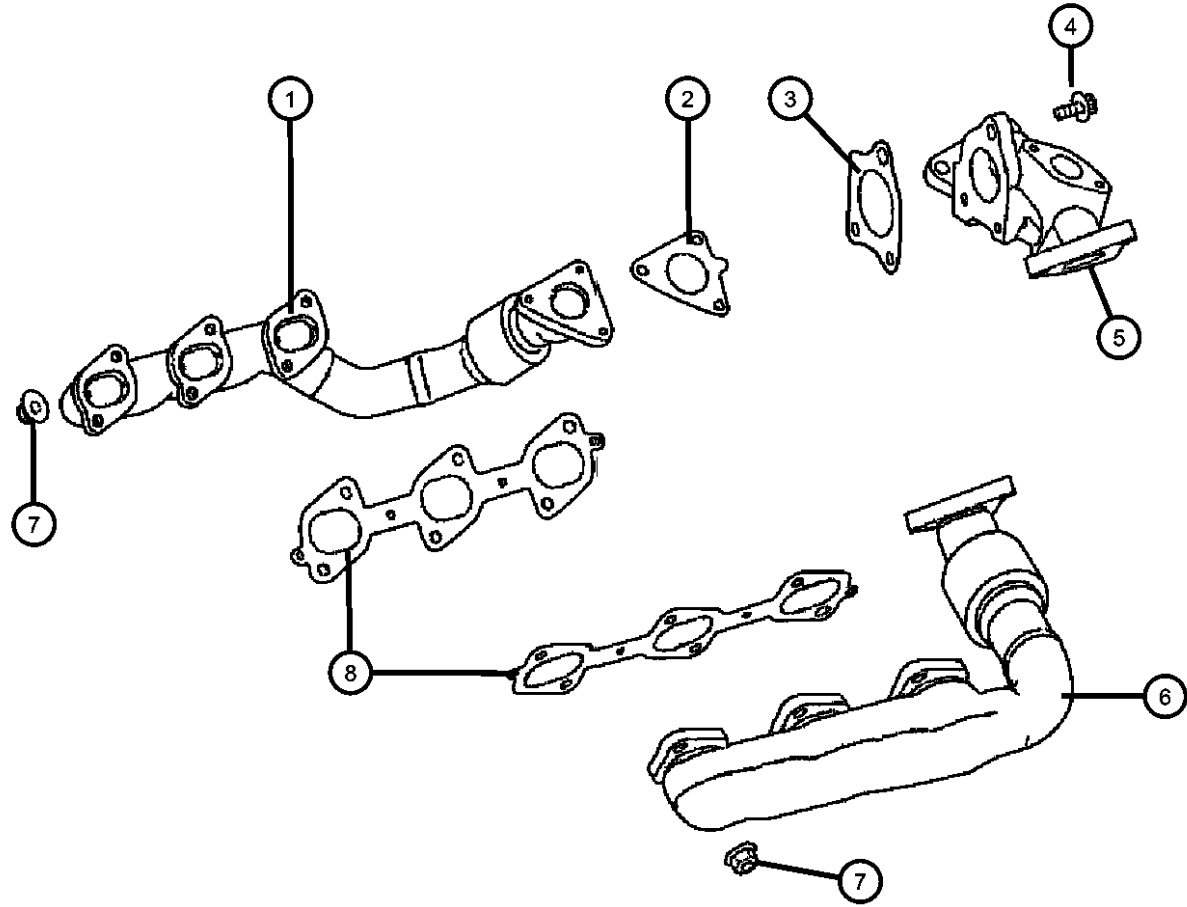
ENGINE
EVA = 4.7L V8 MPI Engine
EVD = 4.7L V8 FFV Engine
EXL = 3.0L V6 Turbo Diesel
Engine
EZB = 5.7L Hemi Multi
Displacement Engine
EKG = 3.7L V6 Engine
ESF = 6.1L SRT HEMI SMPI
V8 Engine

TRANSMISSION
DGJ = 5-Speed Auto W5A580
Transmission
DGQ = 5-Spd Automatic 545RFE
Transmission
DGU = 5-Spd Auto W5J400
Transmission

AR = use ase required - = Non illustrated part

2007 WK

**Exhaust Manifolds 3.0L Diesel [EXL]
Figure 3.0L-820**



ITEM	PART NUMBER	QTY	LINE	SERIES	BODY	ENGINE	TRANS	TRIM	DESCRIPTION
------	-------------	-----	------	--------	------	--------	-------	------	-------------

NOTE:

Sales Codes:

- [DGJ] = 5-Speed Automatic W5A580 Transmission
- [DGQ] = 5-Speed Automatic 545RFE Transmission
- [DGU] = 5-Speed Automatic W5J400 Transmission
- [DG0] = All Automatic Transmissions
- [DHB] = Quadra -Trac Active On Demand NVG 146 Transfer Case
- [DHX] = Quadra -Trac 2 Full Time Active NVG 245 Transfer Case
- [DHZ] = Quadra -Trac 1 Full time 4WD NVG 140 Transfer Case
- [EKG] = 3.7L [Magnum] V-6 Engine
- [EK0] = All 3.7L 6-Cylinder Gas Engines
- [ESF] = 6.1L SRT Hemi SMPI V-8 Engine
- [ES0] = All 6.1L 8-Cylinder Gas Engines
- [EVA] = 4.7L [Magnum] V-8 Engine
- [EVD] = 4.7L V-8 FFV Engine
- [EV0] = All 4.7L 8-Cylinder Gas Engines
- [EXL] = 3.0L V-6 Turbo Diesel Engine
- [EX0] = All 3.0L Cylinder Turbo Diesel Engines
- [EZB] = 5.7L Hemi Multi-Displacement Engine
- [EZ0] = All 5.7L 8-Cylinder Gas Engines
- [NAA] = Federal Emissions
- [NAE] = California Emissions
- [NAS] = 50 State Emissions
- [NA1] = Export Emissions
- [XEF] = Transfer Case Skid Plate Sheild

1	05175746AA	1	J, T			EXL			MANIFOLD, ExhaustRight
2									GASKET, Exhaust manifold, To exhaust collector
	05175751AA	1	J, T			EXL			Right
	05175752AA	1	J, T			EXL			Left
3	05175629AA	1	J, T			EXL			GASKET, Turbocharger
4	05073720AB	8	J, T			EXL			BOLT, Exhaust Manifold, Mounting
5	05175621AA	1	J, T			EXL			PIPE, Exhaust Crossover
6	05175747AA	1	J, T			EXL			MANIFOLD, ExhaustLeft
7	06104729AA	2	J, T			EXL			NUT, [M8X1.25], Exhaust Manifold, Mounting
8	05175748AA	2	J, T			EXL			GASKET, Exhaust Manifold

GRAND CHEROKEE (WK)

SERIES LINE
H = HIGHLINE T = JEEP - 2WD
P = PREMIUM J = JEEP - 4WD
S = SPORT
X = SPECIAL

BODY
74 = SPORT UTILITY 4-DR
TYPE #4

ENGINE
EVA = 4.7L V8 MPI Engine
EVD = 4.7L V8 FFV Engine
EXL = 3.0L V6 Turbo Diesel Engine
EZB = 5.7L Hemi Multi Displacement Engine
EKG = 3.7L V6 Engine
ESF = 6.1L SRT HEMI SMPI V8 Engine

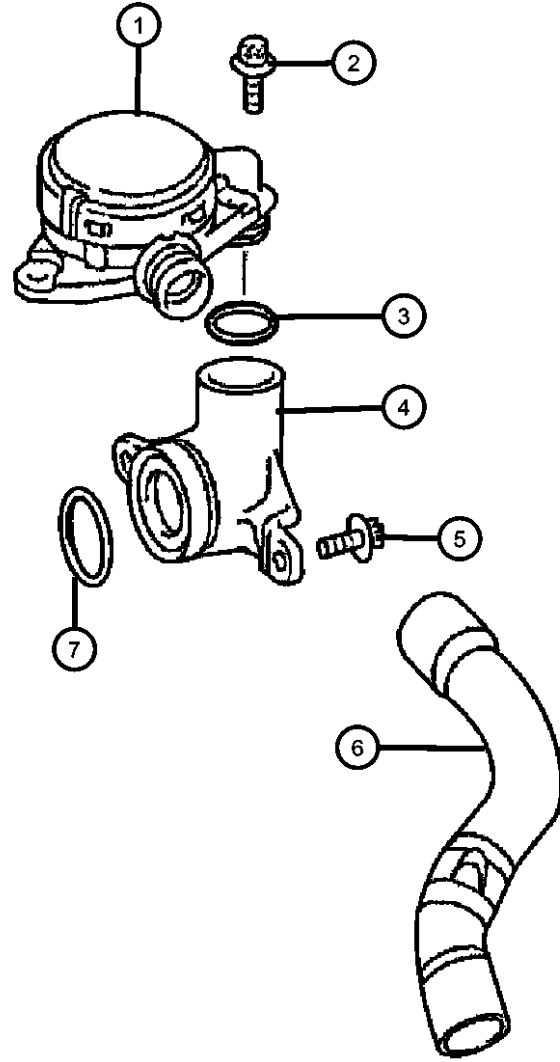
TRANSMISSION
DGJ = 5-Speed Auto W5A580 Transmission
DGQ = 5-Spd Automatic 545RFE Transmission
DGU = 5-Spd Auto W5J400 Transmission

AR = use ase required - = Non illustrated part

2007 WK

**Crankcase Ventilation 3.0L Diesel [EXL]
Figure 3.0L-910**

ITEM	PART NUMBER	QTY	LINE	SERIES	BODY	ENGINE	TRANS	TRIM	DESCRIPTION
------	-------------	-----	------	--------	------	--------	-------	------	-------------



NOTE:

Sales Codes:

- [DGJ] = 5-Speed Automatic W5A580 Transmission
- [DGQ] = 5-Speed Automatic 545RFE Transmission
- [DGU] = 5-Speed Automatic W5J400 Transmission
- [DG0] = All Automatic Transmissions
- [DHB] = Quadra -Trac Active On Demand NVG 146 Transfer Case
- [DHX] = Quadra -Trac 2 Full Time Active NVG 245 Transfer Case
- [DHZ] = Quadra -Trac 1 Full time 4WD NVG 140 Transfer Case
- [EKG] = 3.7L [Magnum] V-6 Engine
- [EK0] = All 3.7L 6-Cylinder Gas Engines
- [ESF] = 6.1L SRT Hemi SMPI V-8 Engine
- [ES0] = All 6.1L 8-Cylinder Gas Engines
- [EVA] = 4.7L [Magnum] V-8 Engine
- [EVD] = 4.7L V-8 FFV Engine
- [EV0] = All 4.7L 8-Cylinder Gas Engines
- [EXL] = 3.0L V-6 Turbo Diesel Engine
- [EX0] = All 3.0L Cylinder Turbo Diesel Engines
- [EZB] = 5.7L Hemi Multi-Displacement Engine
- [EZ0] = All 5.7L 8-Cylinder Gas Engines
- [NAA] = Federal Emissions
- [NAE] = California Emissions
- [NAS] = 50 State Emissions
- [NA1] = Export Emissions
- [XEF] = Transfer Case Skid Plate Sheild

1	05175514AB	1	J, T			EXL			VALVE, PCV
2	06104682AA	1	J, T			EXL			BOLT, [M6.0X1.0X19.0], PCV Valve, Mounting
3	05175515AA	1	J, T			EXL			O RING
4	05175512AA	1	J, T			EXL			COVER
5	06104682AA	2	J, T			EXL			BOLT, [M6.0X1.0X19.0], Housing, Mounting
6	05175516AA	1	J, T			EXL			HOSE, Cylinder Head To Intake Manifold PCV
7	05175513AB	1	J, T			EXL			O RING

GRAND CHEROKEE (WK)

SERIES LINE
H = HIGHLINE T = JEEP - 2WD
P = PREMIUM J = JEEP - 4WD
S = SPORT
X = SPECIAL

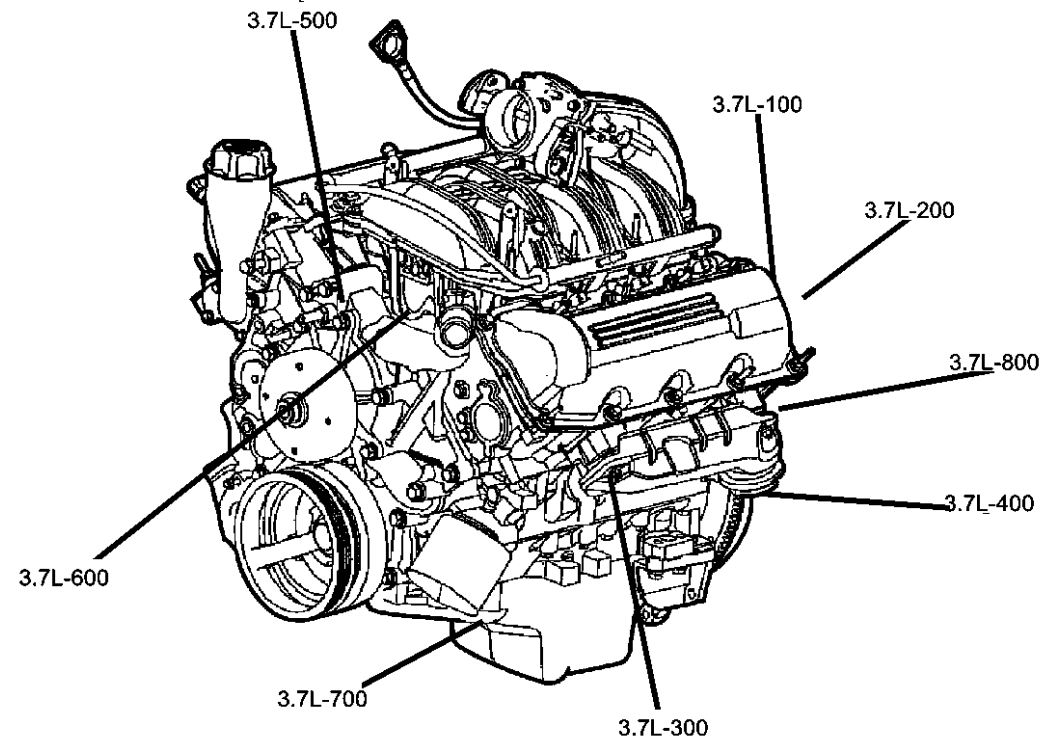
BODY
74 = SPORT UTILITY 4-DR
TYPE #4

ENGINE
EVA = 4.7L V8 MPI Engine
EVD = 4.7L V8 FFV Engine
EXL = 3.0L V6 Turbo Diesel Engine
EZB = 5.7L Hemi Multi Displacement Engine
EKG = 3.7L V6 Engine
ESF = 6.1L SRT HEMI SMPI V8 Engine

TRANSMISSION
DGJ = 5-Speed Auto W5A580 Transmission
DGQ = 5-Spd Automatic 545RFE Transmission
DGU = 5-Spd Auto W5J400 Transmission

Group - 3.7L

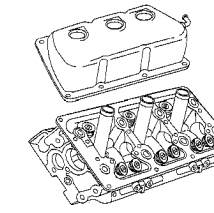
Engine 3.7L Six Cylinder [EKG]



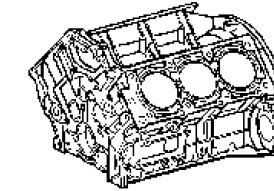
3.7L-100 Engine Identification

X Model Year	X Manufacturing Plant	XXXXX Component Code/Usage	XXXX Month/Day	XXXXXXXX Serial Code
Last digit of model year	Sattilo S Trenton T Tokyo K	Engine 3.2L - 3.6L Usage Pass Car PC Truck T		Last 8 Digits of VIN

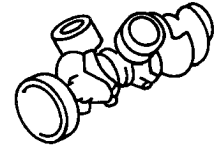
3.7L-200 Cylinder Head



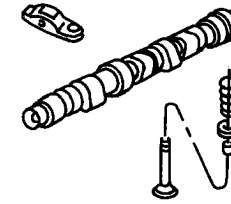
3.7L-300 Cylinder Block



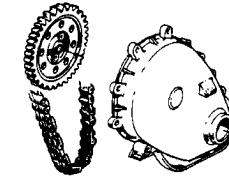
3.7L-400 Crankshaft, Piston and Torque Converter



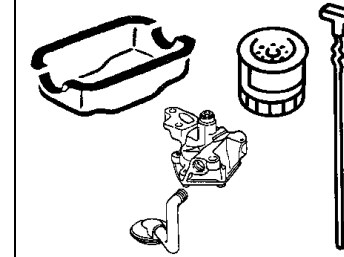
3.7L-500 Camshafts & Valves



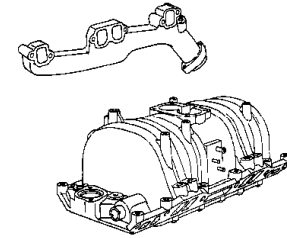
3.7L-600 Timing Belt and Cover



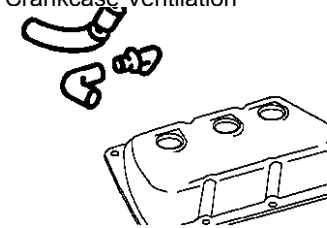
3.7L-700 Engine Oiling



3.7L-800 Manifolds



3.7L-900 Crankcase Ventilation

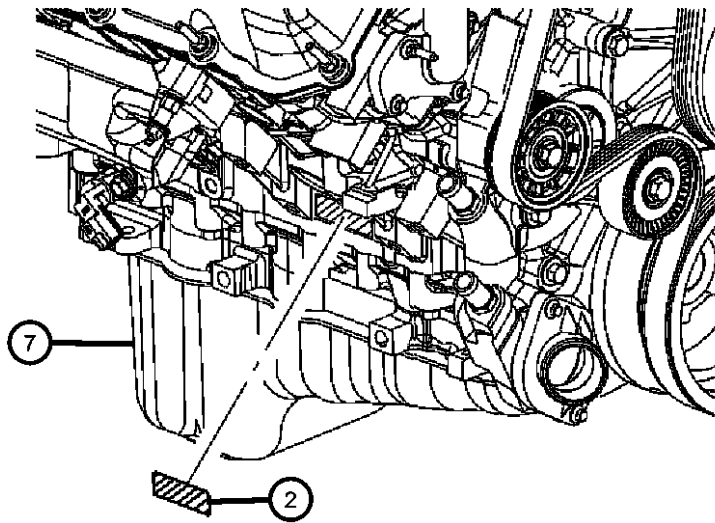
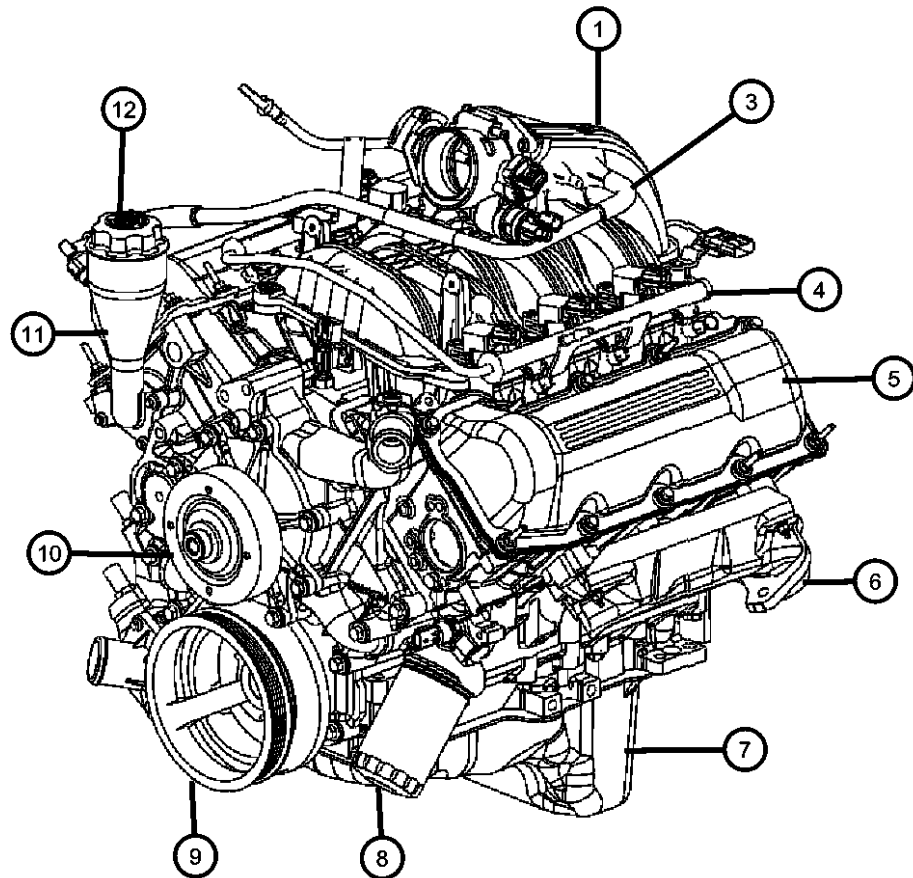


Group - 3.7L Engine 3.7L Six Cylinder [EKG]

Illustration Title	Group-Fig. No.
Engine Identification	
Engine Assembly And Identification 3.7L [EKG]	Fig. 3.7L - 105
Service Engine And Related Parts 3.7L [EKG]	Fig. 3.7L - 125
Gasket Packages 3.7L [EKG]	Fig. 3.7L - 135
Cylinder Head	
Cylinder Head Covers And Mounting 3.7L [EKG]	Fig. 3.7L - 210
Cylinder Head And Mounting 3.7L [EKG]	Fig. 3.7L - 220
Cylinder Block	
Cylinder Block And Hardware 3.7L [EKG]	Fig. 3.7L - 310
Cylinder Block Heater 3.7L [EKG]	Fig. 3.7L - 320
Crankshaft, Piston and Torque Converter	
Crankshaft, Pistons, Torque Converter And Drive Plate 3.7L [EKG]	Fig. 3.7L - 410
Camshafts & Valves	
Camshafts And Valvetrain, 3.7L [EKG]	Fig. 3.7L - 510
Timing Belt and Cover	
Timing Cover And Mounting 3.7L [EKG]	Fig. 3.7L - 610
Timing Chain And Guides, 3.7L [EKG]	Fig. 3.7L - 620
Engine Oiling	
Engine Oiling, 3.7L [EKG]	Fig. 3.7L - 710
Engine Oil Filter And Splash Guard 3.7L [EKG]	Fig. 3.7L - 720
Manifolds	
Intake Manifold And Mounting 3.7L [EKG]	Fig. 3.7L - 810
Exhaust Manifolds And Mounting 3.7L [EKG]	Fig. 3.7L - 820
Crankcase Ventilation	
Crankcase Ventilation 3.7L [EKG]	Fig. 3.7L - 910

**Engine Assembly And Identification 3.7L [EKG]
Figure 3.7L-105**

ITEM	PART NUMBER	QTY	LINE	SERIES	BODY	ENGINE	TRANS	TRIM	DESCRIPTION
------	-------------	-----	------	--------	------	--------	-------	------	-------------



NOTE:
The Engine Identification Label Contains: The Production Assembly Part Number And Displacement. Bar Code Label Is On Right Side Cylinder Head
Refer To All Proper Tag Numbers And Stamping Numbers Before Ordering Transfer Cases And/Or Transfer Case Parts.

Sales Codes:
 [DGJ] = 5-Speed Automatic W5A580 Transmission
 [DGQ] = 5-Speed Automatic 545RFE Transmission
 [DGU] = 5-Speed Automatic W5J400 Transmission
 [DG0] = All Automatic Transmissions
 [DHB] = Quadra -Trac Active On Demand NVG 146 Transfer Case
 [DHX] = Quadra -Trac 2 Full Time Active NVG 245 Transfer Case
 [DHZ] = Quadra -Trac 1 Full time 4WD NVG 140 Transfer Case
 [EKG] = 3.7L [Magnum] V-6 Engine
 [EK0] = All 3.7L 6-Cylinder Gas Engines
 [ESF] = 6.1L SRT Hemi SMPI V-8 Engine
 [ES0] = All 6.1L 8-Cylinder Gas Engines
 [EVA] = 4.7L [Magnum] V-8 Engine
 [EVD] = 4.7L V-8 FFV Engine
 [EV0] = All 4.7L 8-Cylinder Gas Engines
 [EXL] = 3.0L V-6 Turbo Diesel Engine
 [EX0] = All 3.0L Cylinder Turbo Diesel Engines
 [EZB] = 5.7L Hemi Multi-Displacement Engine
 [EZ0] = All 5.7L 8-Cylinder Gas Engines
 [NAA] = Federal Emissions
 [NAE] = California Emissions
 [NAS] = 50 State Emissions
 [NA1] = Export Emissions
 [XEF] = Transfer Case Skid Plate Shield

1		1							ENGINE, Complete, Serviced By New Short Block Only, (NOT SERVICED)
2		1							LABEL, Engine Identification, See Note, (NOT SERVICED)
3	53032993AC	1	J, T			EK0			TUBE, Crankcase Vent To Intake Manifold
4	53031102AB	1	J, T			EK0			RAIL, Fuel
5	53021937AA	1	J, T			EK0			COVER, Cylinder Head, Left
6	53013691AB	1	J, T			EK0			MANIFOLD, ExhaustLeft
7	53021755AA	1	J, T			EK0			PAN, Engine Oil
8	04781452BB	1	J, T			EK0			FILTER, Engine Oil
9	53020689AB	1	J, T			EK0, EVA, EVD			DAMPER, Crankshaft
10	53022189AB	1				EK0, EV0			PUMP, Water

GRAND CHEROKEE (WK)

SERIES LINE
 H = HIGHLINE T = JEEP - 2WD
 P = PREMIUM J = JEEP - 4WD
 S = SPORT
 X = SPECIAL

BODY
 74 = SPORT UTILITY 4-DR
 TYPE #4

ENGINE
 EVA = 4.7L V8 MPI Engine
 EVD = 4.7L V8 FFV Engine
 EXL = 3.0L V6 Turbo Diesel Engine
 EZB = 5.7L Hemi Multi Displacement Engine
 EKG = 3.7L V6 Engine
 ESF = 6.1L SRT HEMI SMPI V8 Engine

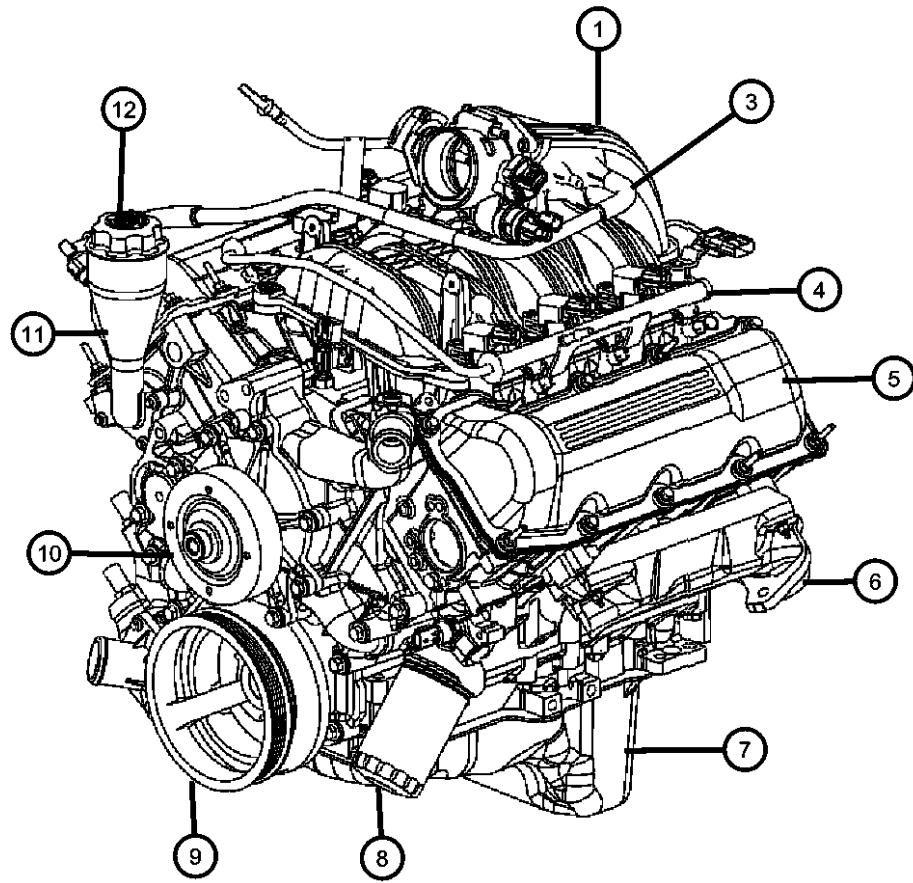
TRANSMISSION
 DGJ = 5-Speed Auto W5A580 Transmission
 DGQ = 5-Spd Automatic 545RFE Transmission
 DGU = 5-Spd Auto W5J400 Transmission

AR = use ase required - = Non illustrated part

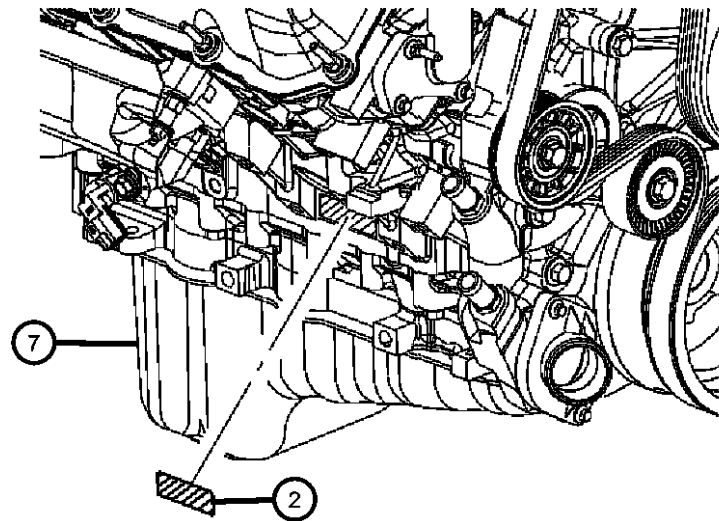
2007 WK

**Engine Assembly And Identification 3.7L [EKG]
Figure 3.7L-105**

ITEM	PART NUMBER	QTY	LINE	SERIES	BODY	ENGINE	TRANS	TRIM	DESCRIPTION
------	-------------	-----	------	--------	------	--------	-------	------	-------------



11	53020891AE	1	J, T			EK0			HOUSING, Oil Fill
12	53034076AA	1	J, T			EK0, EV0			CAP, Oil Filler



GRAND CHEROKEE (WK)

SERIES LINE
H = HIGHLINE T = JEEP - 2WD
P = PREMIUM J = JEEP - 4WD
S = SPORT
X = SPECIAL

BODY
74 = SPORT UTILITY 4-DR
TYPE #4

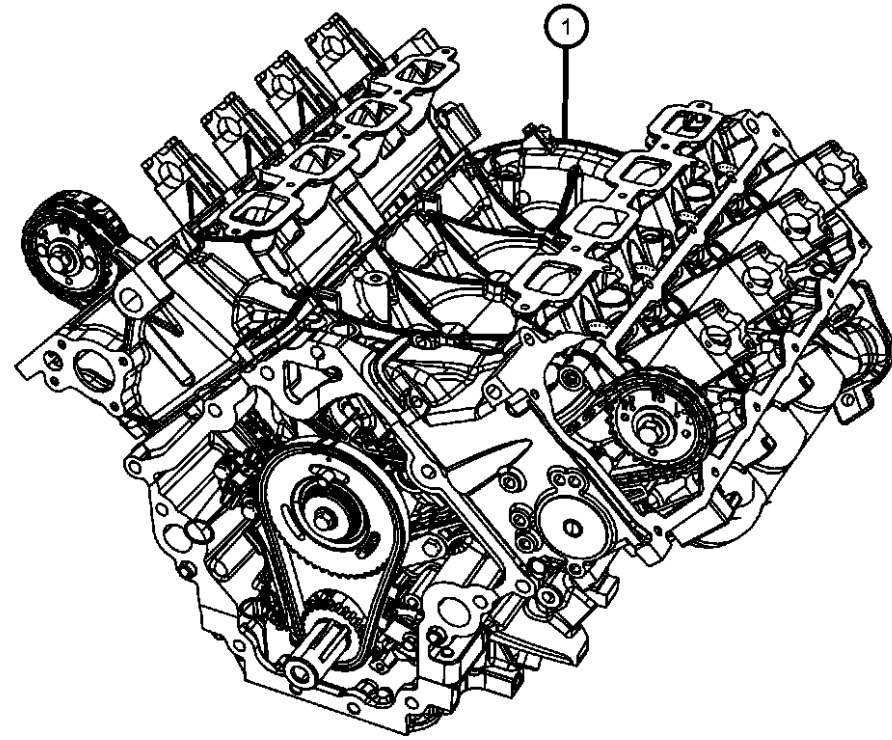
ENGINE
EVA = 4.7L V8 MPI Engine
EVD = 4.7L V8 FFV Engine
EXL = 3.0L V6 Turbo Diesel
Engine
EZB = 5.7L Hemi Multi
Displacement Engine
EKG = 3.7L V6 Engine
ESF = 6.1L SRT HEMI SMPI
V8 Engine

TRANSMISSION
DGJ = 5-Speed Auto W5A580
Transmission
DGQ = 5-Spd Automatic 545RFE
Transmission
DGU = 5-Spd Auto W5J400
Transmission

AR = use ase required - = Non illustrated part

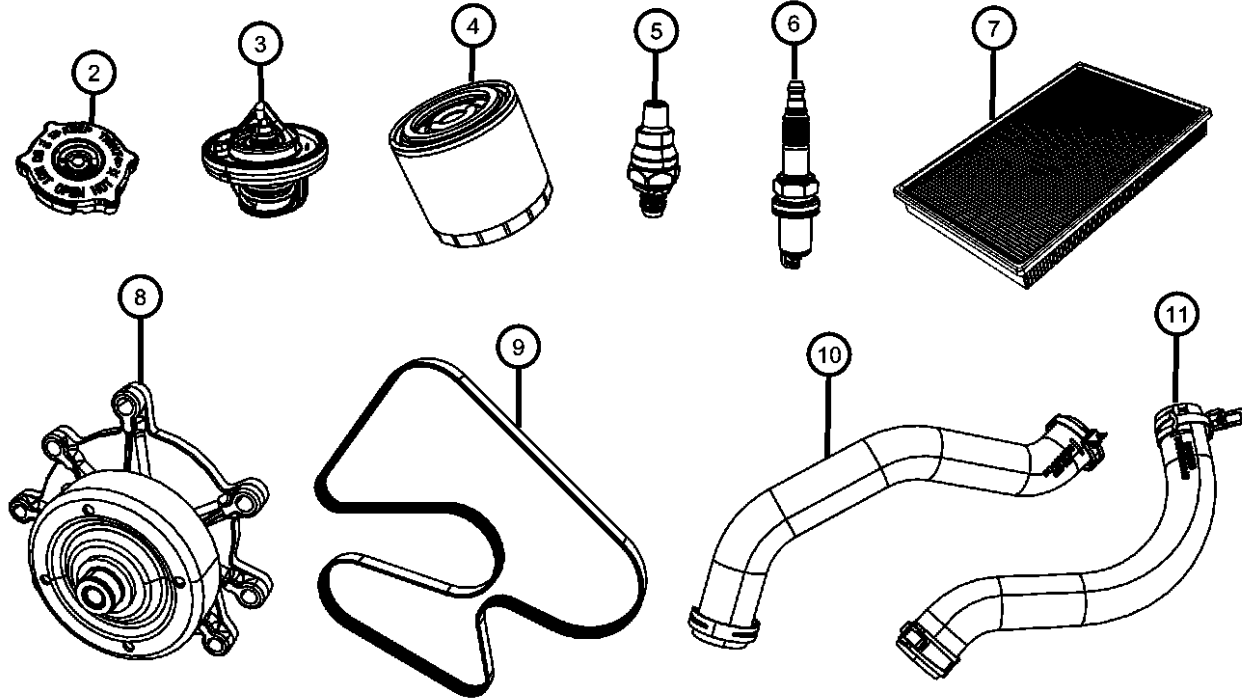
2007 WK

**Service Engine And Related Parts 3.7L [EKG]
Figure 3.7L-125**



ITEM	PART NUMBER	QTY	LINE	SERIES	BODY	ENGINE	TRANS	TRIM	DESCRIPTION
Remanufactured Long Block Engine Contains: Cylinder Block, Cylinder Heads, Crankshaft, Main & Connecting Rod Bearings, Pistons, Piston Rings, Piston Pins, Camshafts, Intake & Exhaust Valves, Springs, Rocker Arms, Valve Lash Adjusters, Timing Chain System, Oil Pump, Inner Timing Cover, Cylinder Head Cover Gaskets, Water Outlet Cover Gasket, Intake Manifold Seals, & Fuel Rail Gaskets.									
1		1							ENGINE, Long Block, See Note, (NOT SERVICED)
2	55116897AA	1	J, T			EK0, ESF, EVO	DG0		CAP, Radiator
3	52079476AC	1	J, T			EVD, EK0, EVA			THERMOSTAT
4	04781452BB	1	J, T			EK0			FILTER, Engine Oil
5	53034065AA	1	J, T			EK0			VALVE, PCV
6	SPZFR6F11G	6	J, T			EK0			SPARK PLUG
7	05018777AB VMWK30K1AA VMWK60K1AA	1	J, T			EK0, EVO			FILTER, Air Mopar HEMI 5.7L Maintenance Kit 30,000 Mile (Air/Oil Filters, Plugs, PCV) Mopar HEMI 5.7L Maintenance Kit 60,000 Mile (Air/Oil Filters, Plugs, PCV, Drive Belt, LX Cabin Filter)
8	53022189AB	1				EK0, EVO			PUMP, Water
9		1							BELT, Serpentine, (NOT SERVICED)
10	55116867AA	1	J, T			EK0			HOSE, Radiator Inlet
11	55116870AB	1	J, T			EK0			HOSE, Radiator Outlet

LISTED BELOW ARE SUGGESTED PARTS WHEN REPLACING AN ENGINE



GRAND CHEROKEE (WK)

SERIES LINE
H = HIGHLINE T = JEEP - 2WD
P = PREMIUM J = JEEP - 4WD
S = SPORT
X = SPECIAL

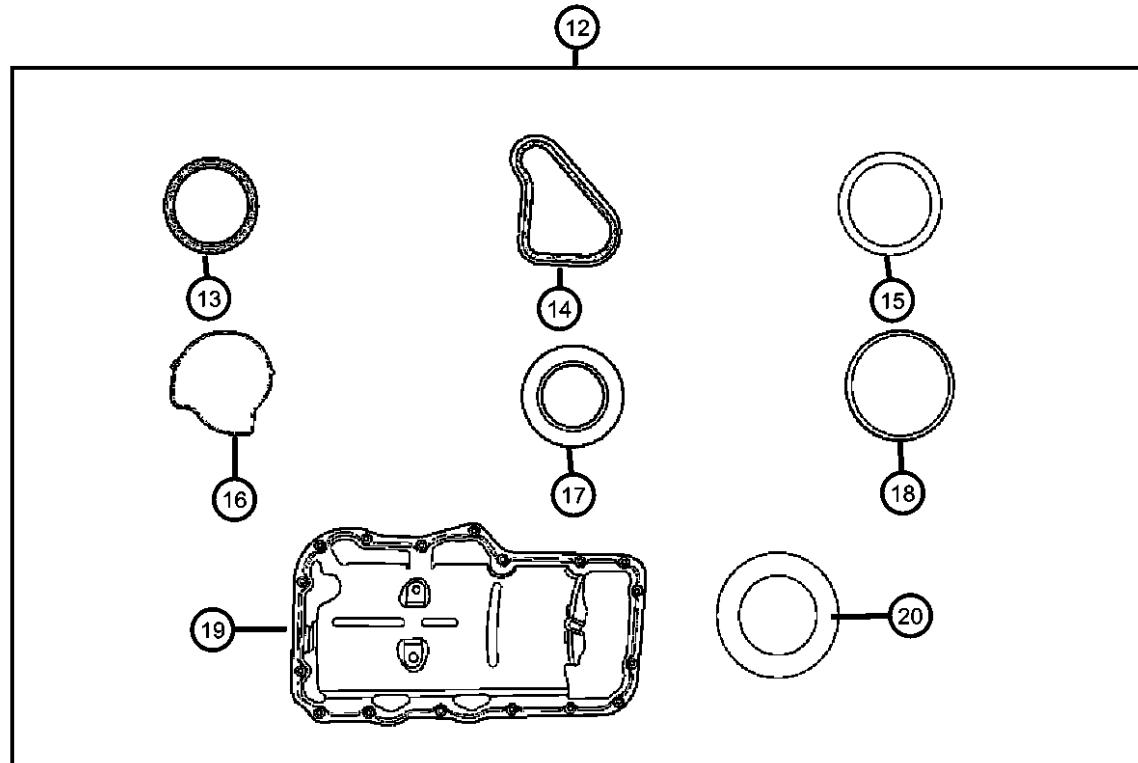
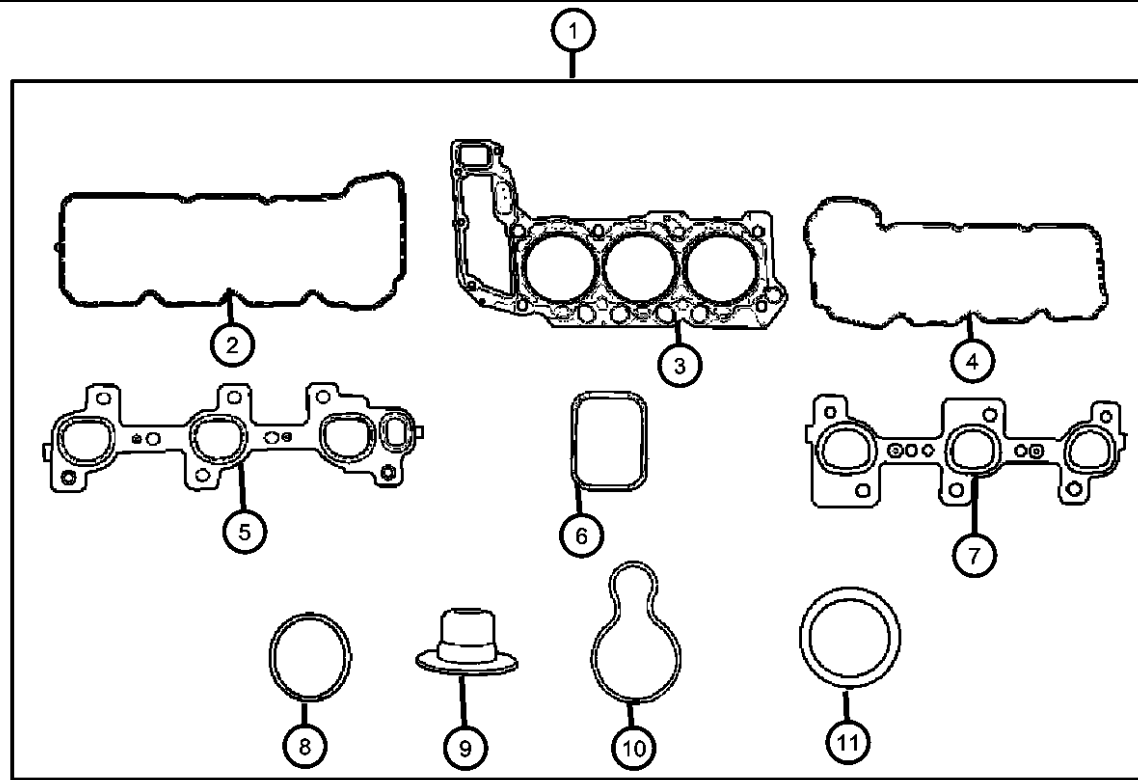
BODY
74 = SPORT UTILITY 4-DR
TYPE #4

ENGINE
EVA = 4.7L V8 MPI Engine
EVD = 4.7L V8 FFV Engine
EXL = 3.0L V6 Turbo Diesel Engine
EZB = 5.7L Hemi Multi Displacement Engine
EKG = 3.7L V6 Engine
ESF = 6.1L SRT HEMI SMPI V8 Engine

TRANSMISSION
DGJ = 5-Speed Auto W5A580 Transmission
DGQ = 5-Spd Automatic 545RFE Transmission
DGU = 5-Spd Auto W5J400 Transmission

AR = use ase required - = Non illustrated part

**Gasket Packages 3.7L [EKG]
Figure 3.7L-135**



ITEM	PART NUMBER	QTY	LINE	SERIES	BODY	ENGINE	TRANS	TRIM	DESCRIPTION
------	-------------	-----	------	--------	------	--------	-------	------	-------------

NOTE:

Sales Codes:

- [DGJ] = 5-Speed Automatic W5A580 Transmission
- [DGQ] = 5-Speed Automatic 545RFE Transmission
- [DGU] = 5-Speed Automatic W5J400 Transmission
- [DG0] = All Automatic Transmissions
- [DHB] = Quadra -Trac Active On Demand NVG 146 Transfer Case
- [DHX] = Quadra -Trac 2 Full Time Active NVG 245 Transfer Case
- [DHZ] = Quadra -Trac 1 Full time 4WD NVG 140 Transfer Case
- [EKG] = 3.7L [Magnum] V-6 Engine
- [EK0] = All 3.7L 6-Cylinder Gas Engines
- [ESF] = 6.1L SRT Hemi SMPI V-8 Engine
- [ES0] = All 6.1L 8-Cylinder Gas Engines
- [EVA] = 4.7L [Magnum] V-8 Engine
- [EVD] = 4.7L V-8 FFV Engine
- [EV0] = All 4.7L 8-Cylinder Gas Engines
- [EXL] = 3.0L V-6 Turbo Diesel Engine
- [EX0] = All 3.0L Cylinder Turbo Diesel Engines
- [EZB] = 5.7L Hemi Multi-Displacement Engine
- [EZ0] = All 5.7L 8-Cylinder Gas Engines
- [NAA] = Federal Emissions
- [NAE] = California Emissions
- [NAS] = 50 State Emissions
- [NA1] = Export Emissions
- [XEF] = Transfer Case Skid Plate Shield

1	68003564AA	1	J, T			EK0	DG0		GASKET PACKAGE, Engine Upper
2	53021958AA	1	J, T			EK0			GASKET, Valve CoverRight
3	53020989	2	J, T			EK0			GASKET, Cylinder Head, LeftRight & Left
4	53021959AA	1	J, T			EK0			GASKET, Valve CoverLeft
5	53013933AB	1				EK0			GASKET, Exhaust ManifoldLeft
6	53010310AB	6	J, T			EK0			SEAL, Intake Manifold
7	53013932AB	1				EK0			GASKET, Exhaust ManifoldRight
8	53021032	1	J, T			EK0, EV0			O RING
9	53021974AA	6				EK0			SEAL, Valve Guide Right, Cylinder Head
		6				EK0			Left, Cylinder Head
10	53020889AC	1	J, T			EK0			GASKET, Oil Fill Housing
11	04666113AA	1	J, T			EK0			GASKET, Throttle Body To Intake
12	05135793AA	1	J, T			EK0	DG0		GASKET PACKAGE, Engine Lower

GRAND CHEROKEE (WK)

SERIES LINE
 H = HIGHLINE T = JEEP - 2WD
 P = PREMIUM J = JEEP - 4WD
 S = SPORT
 X = SPECIAL

BODY
 74 = SPORT UTILITY 4-DR
 TYPE #4

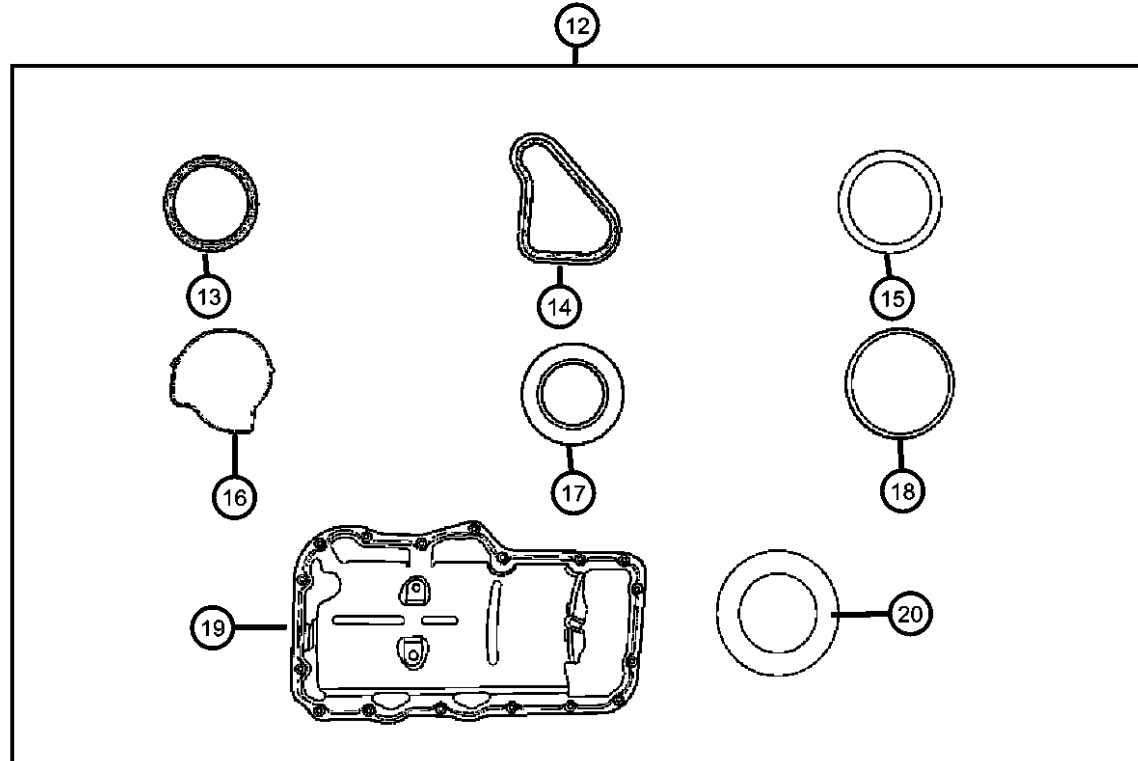
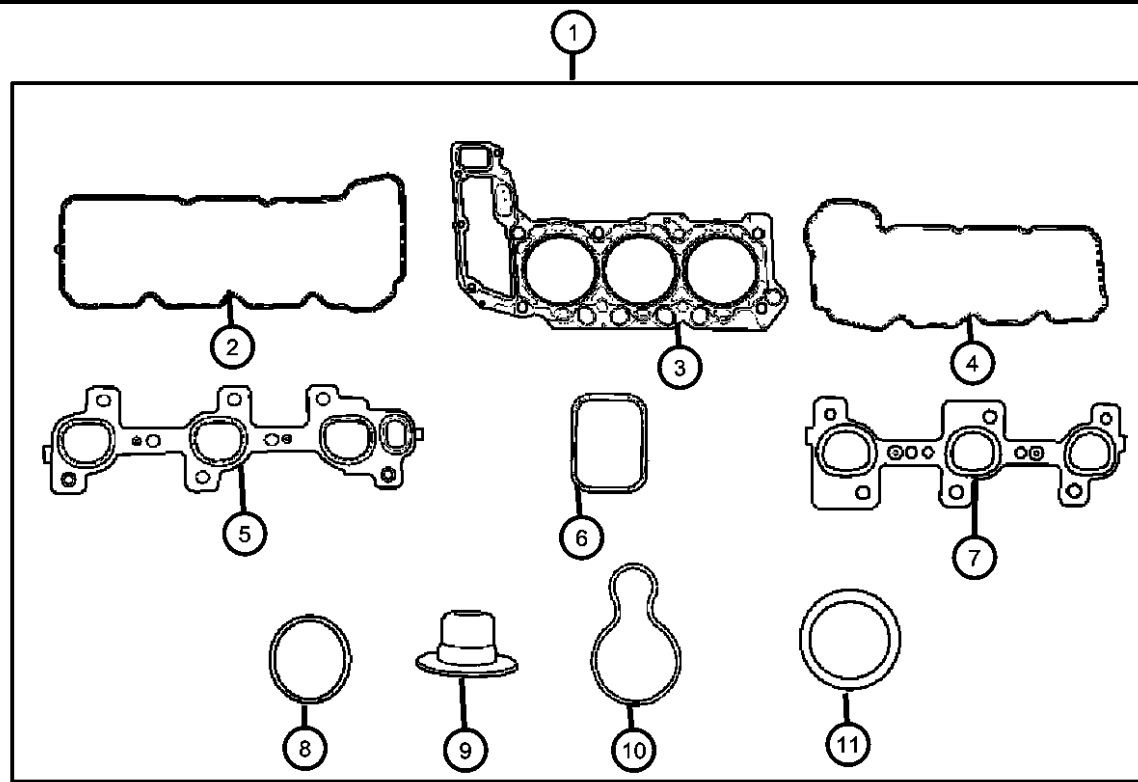
ENGINE
 EVA = 4.7L V8 MPI Engine
 EVD = 4.7L V8 FFV Engine
 EXL = 3.0L V6 Turbo Diesel
 Engine
 EZB = 5.7L Hemi Multi
 Displacement Engine
 EKG = 3.7L V6 Engine
 ESF = 6.1L SRT HEMI SMPI
 V8 Engine

TRANSMISSION
 DGJ = 5-Speed Auto W5A580
 Transmission
 DGQ = 5-Spd Automatic 545RFE
 Transmission
 DGU = 5-Spd Auto W5J400
 Transmission

AR = use ase required - = Non illustrated part

2007 WK

Gasket Packages 3.7L [EKG]
Figure 3.7L-135



ITEM	PART NUMBER	QTY	LINE	SERIES	BODY	ENGINE	TRANS	TRIM	DESCRIPTION
13	53020788AB	1	J, T			EK0, EV0			SEAL, Crankshaft Bearing Oil
14	53021226AA	1	J, T			EK0			GASKET, Chain Case Cover
15	53021239AA	2	J, T			EK0			O RING
16	53020865	1	J, T			EK0, EV0			GASKET, Water Pump
17	53021313AA	1	J, T			EK0			SEAL, Crankshaft Oil, Front
18	53020861	1	J, T			EK0, EV0			SEAL, Oil Pick Up Tube
19	53021001AB	1	J, T			EK0			GASKET, Oil Pan
20	53021144AA	1	J, T			EK0			O RING, Engine Oil Indicator

GRAND CHEROKEE (WK)

SERIES LINE
H = HIGHLINE T = JEEP - 2WD
P = PREMIUM J = JEEP - 4WD
S = SPORT
X = SPECIAL

BODY
74 = SPORT UTILITY 4-DR
TYPE #4

ENGINE
EVA = 4.7L V8 MPI Engine
EVD = 4.7L V8 FFV Engine
EXL = 3.0L V6 Turbo Diesel
Engine
EZB = 5.7L Hemi Multi
Displacement Engine
EKG = 3.7L V6 Engine
ESF = 6.1L SRT HEMI SMPI
V8 Engine

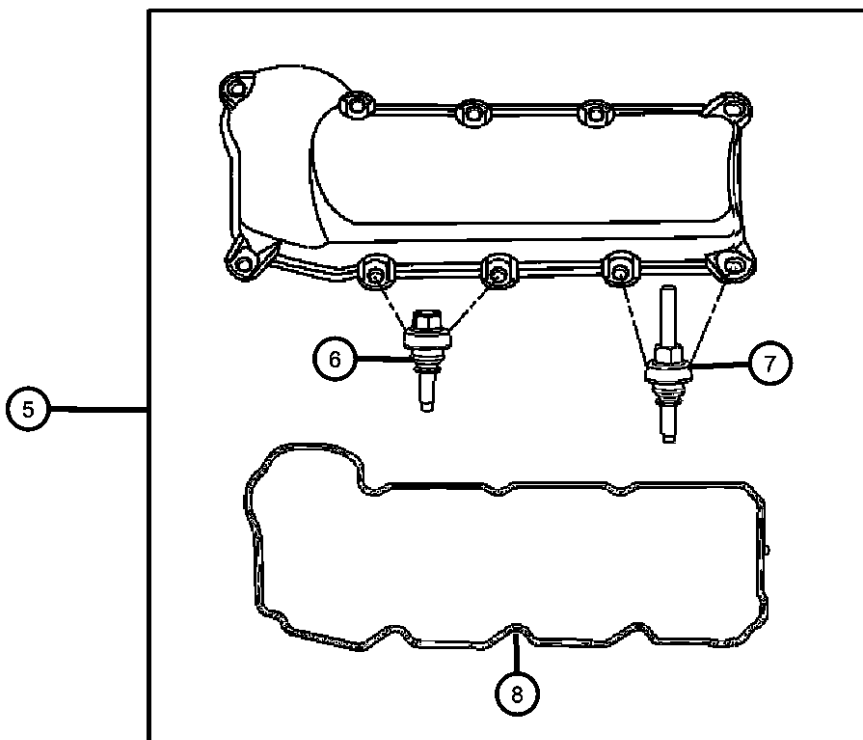
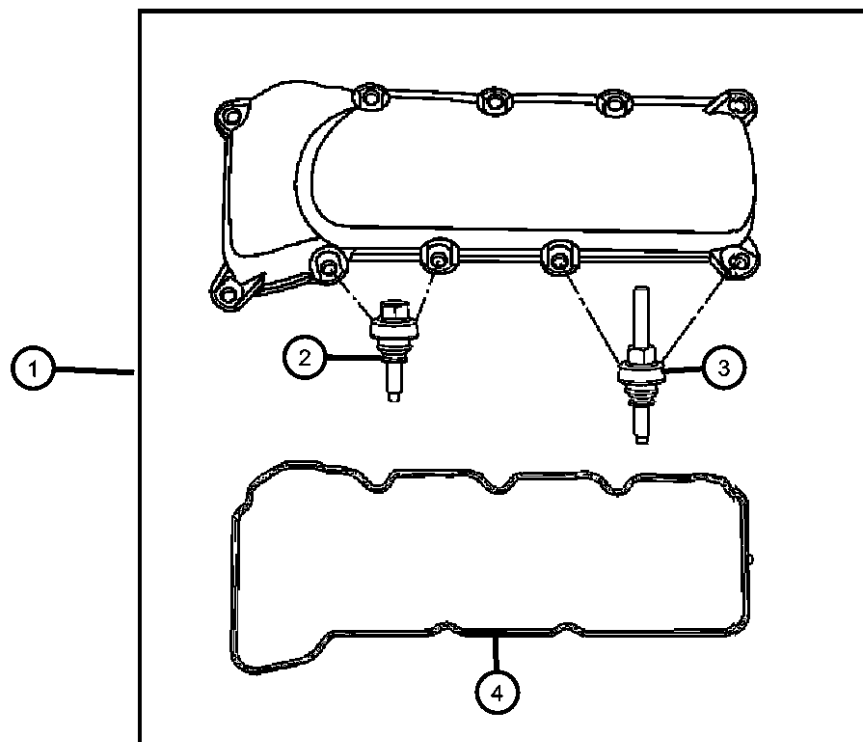
TRANSMISSION
DGJ = 5-Speed Auto W5A580
Transmission
DGQ = 5-Spd Automatic 545RFE
Transmission
DGU = 5-Spd Auto W5J400
Transmission

AR = use ase required - = Non illustrated part

2007 WK

Cylinder Head Covers And Mounting 3.7L [EKG]

Figure 3.7L-210



ITEM	PART NUMBER	QTY	LINE	SERIES	BODY	ENGINE	TRANS	TRIM	DESCRIPTION
------	-------------	-----	------	--------	------	--------	-------	------	-------------

NOTE:

Sales Codes:

- [DGJ] = 5-Speed Automatic W5A580 Transmission
- [DGQ] = 5-Speed Automatic 545RFE Transmission
- [DGU] = 5-Speed Automatic W5J400 Transmission
- [DG0] = All Automatic Transmissions
- [DHB] = Quadra -Trac Active On Demand NVG 146 Transfer Case
- [DHX] = Quadra -Trac 2 Full Time Active NVG 245 Transfer Case
- [DHZ] = Quadra -Trac 1 Full time 4WD NVG 140 Transfer Case
- [EKG] = 3.7L [Magnum] V-6 Engine
- [EK0] = All 3.7L 6-Cylinder Gas Engines
- [ESF] = 6.1L SRT Hemi SMPI V-8 Engine
- [ES0] = All 6.1L 8-Cylinder Gas Engines
- [EVA] = 4.7L [Magnum] V-8 Engine
- [EVD] = 4.7L V-8 FFV Engine
- [EV0] = All 4.7L 8-Cylinder Gas Engines
- [EXL] = 3.0L V-6 Turbo Diesel Engine
- [EX0] = All 3.0L Cylinder Turbo Diesel Engines
- [EZB] = 5.7L Hemi Multi-Displacement Engine
- [EZ0] = All 5.7L 8-Cylinder Gas Engines
- [NAA] = Federal Emissions
- [NAE] = California Emissions
- [NAS] = 50 State Emissions
- [NA1] = Export Emissions
- [XEF] = Transfer Case Skid Plate Shield

1	53021938AA	1	J, T			EK0			COVER, Cylinder Head, Right, Includes Items 2,3,4
2	06508296AA	4	J, T			EK0			SCREW, [M6X1.00X33.00], Cylinder Head Cover To Cylinder Head, Mounting, Right
3		4							STUD, [M6X1.00X61.00] Serviced In Cover Package Only, (NOT SERVICED)
4	53021958AA	1	J, T			EK0			GASKET, Valve CoverRight
5	53021937AB	1	J, T			EK0			COVER, Cylinder Head, LeftLeft
6	06508296AA	5	J, T			EK0			SCREW, [M6X1.00X33.00], Cylinder Head Cover To Cylinder Head, Mounting, Left
7		5							STUD, [M6X1.00X61.00] Serviced In Cover Package Only, (NOT SERVICED)
8	53021959AA	1	J, T			EK0			GASKET, Valve CoverLeft

GRAND CHEROKEE (WK)

SERIES LINE
 H = HIGHLINE T = JEEP - 2WD
 P = PREMIUM J = JEEP - 4WD
 S = SPORT
 X = SPECIAL

BODY
 74 = SPORT UTILITY 4-DR
 TYPE #4

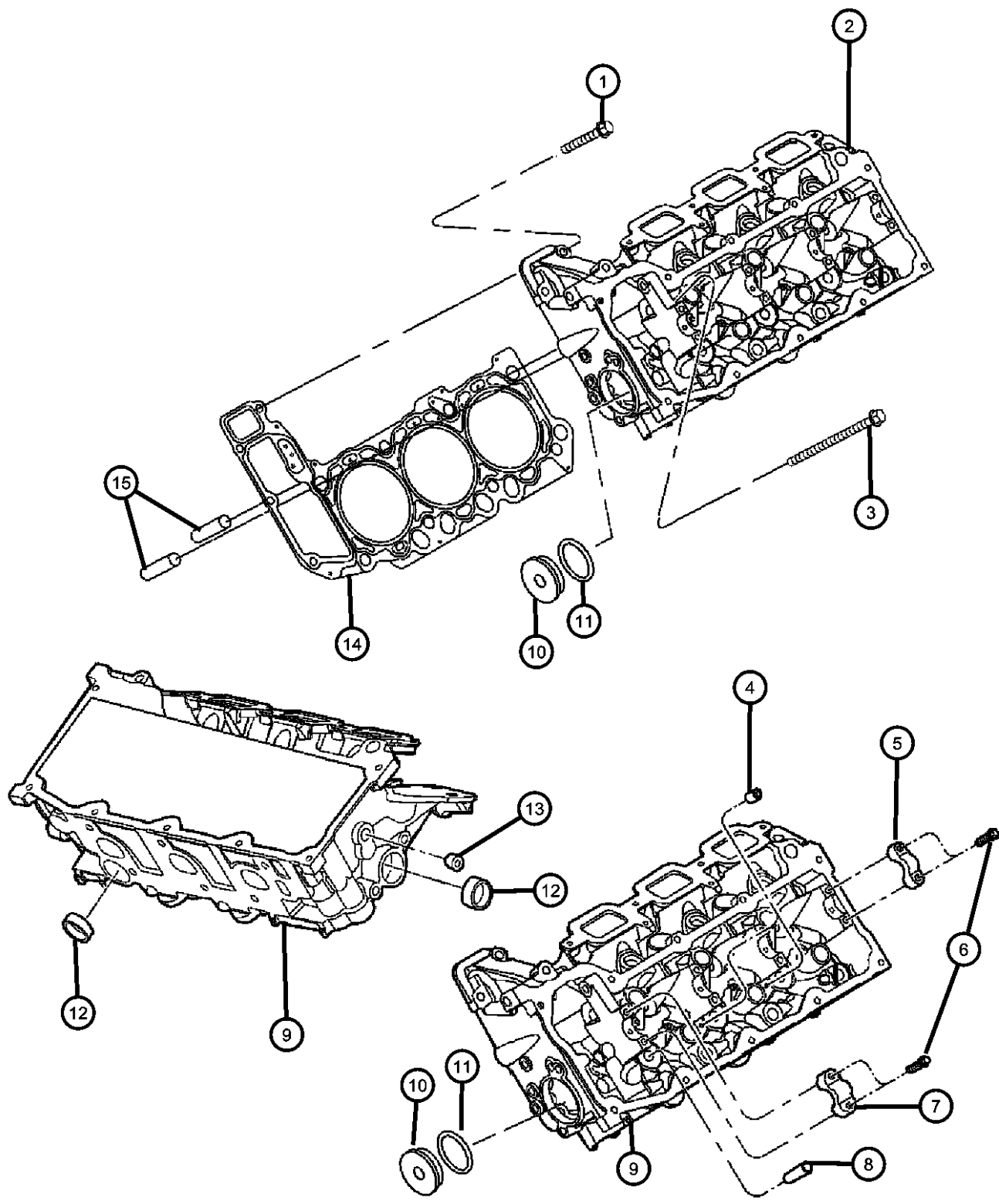
ENGINE
 EVA = 4.7L V8 MPI Engine
 EVD = 4.7L V8 FFV Engine
 EXL = 3.0L V6 Turbo Diesel Engine
 EZB = 5.7L Hemi Multi Displacement Engine
 EKG = 3.7L V6 Engine
 ESF = 6.1L SRT HEMI SMPI V8 Engine

TRANSMISSION
 DGJ = 5-Speed Auto W5A580 Transmission
 DGQ = 5-Spd Automatic 545RFE Transmission
 DGU = 5-Spd Auto W5J400 Transmission

Cylinder Head And Mounting 3.7L [EKG]

Figure 3.7L-220

ITEM	PART NUMBER	QTY	LINE	SERIES	BODY	ENGINE	TRANS	TRIM	DESCRIPTION
------	-------------	-----	------	--------	------	--------	-------	------	-------------



NOTE:

New Cylinder Heads Contain: Valve Guides, Valve Seat Inserts, Cam Bearing Caps, Cam Bearing Cap Mounting Bolts, Freeze Plugs. Valves, Valv

Sales Codes:

- [DGJ] = 5-Speed Automatic W5A580 Transmission
- [DGQ] = 5-Speed Automatic 545RFE Transmission
- [DGU] = 5-Speed Automatic W5J400 Transmission
- [DG0] = All Automatic Transmissions
- [DHB] = Quadra -Trac Active On Demand NVG 146 Transfer Case
- [DHX] = Quadra -Trac 2 Full Time Active NVG 245 Transfer Case
- [DHZ] = Quadra -Trac 1 Full time 4WD NVG 140 Transfer Case
- [EKG] = 3.7L [Magnum] V-6 Engine
- [EK0] = All 3.7L 6-Cylinder Gas Engines
- [ESF] = 6.1L SRT Hemi SMPI V-8 Engine
- [ES0] = All 6.1L 8-Cylinder Gas Engines
- [EVA] = 4.7L [Magnum] V-8 Engine
- [EVD] = 4.7L V-8 FFV Engine
- [EV0] = All 4.7L 8-Cylinder Gas Engines
- [EXL] = 3.0L V-6 Turbo Diesel Engine
- [EX0] = All 3.0L Cylinder Turbo Diesel Engines
- [EZB] = 5.7L Hemi Multi-Displacement Engine
- [EZ0] = All 5.7L 8-Cylinder Gas Engines
- [NAA] = Federal Emissions
- [NAE] = California Emissions
- [NAS] = 50 State Emissions
- [NA1] = Export Emissions
- [XEF] = Transfer Case Skid Plate Sheild

1	06506785AA	8	J, T			EK0			SCREW AND WASHER, Hex Head, [M8X1.25X31.00], Cylinder Head To Cylinder Block, Mounting
2	53020987AD	1	J, T			EK0			HEAD, Cylinder, Left, See NotePartial Machined
3	06505528AA	16	J, T			EK0			SCREW AND WASHER, Hex Head, [M11X1.50X173], Cylinder Head To Cylinder Block, Mounting
4									PLUG, Hex Socket, 3/8-18NPTx.475
	06034331	2	J, T			EK0			Water Jacket Vent, Right, Cylinder Head
		2	J, T			EK0			Water Jacket Vent, Left, Cylinder Head
5		2							CAP, Camshst Bearing Serviced With Cylinder Head Only, (NOT SERVICED),
6									SCREW, M6x1x40

GRAND CHEROKEE (WK)

SERIES LINE
 H = HIGHLINE T = JEEP - 2WD
 P = PREMIUM J = JEEP - 4WD
 S = SPORT
 X = SPECIAL

BODY
 74 = SPORT UTILITY 4-DR
 TYPE #4

ENGINE
 EVA = 4.7L V8 MPI Engine
 EVD = 4.7L V8 FFV Engine
 EXL = 3.0L V6 Turbo Diesel Engine
 EZB = 5.7L Hemi Multi Displacement Engine
 EKG = 3.7L V6 Engine
 ESF = 6.1L SRT HEMI SMPI V8 Engine

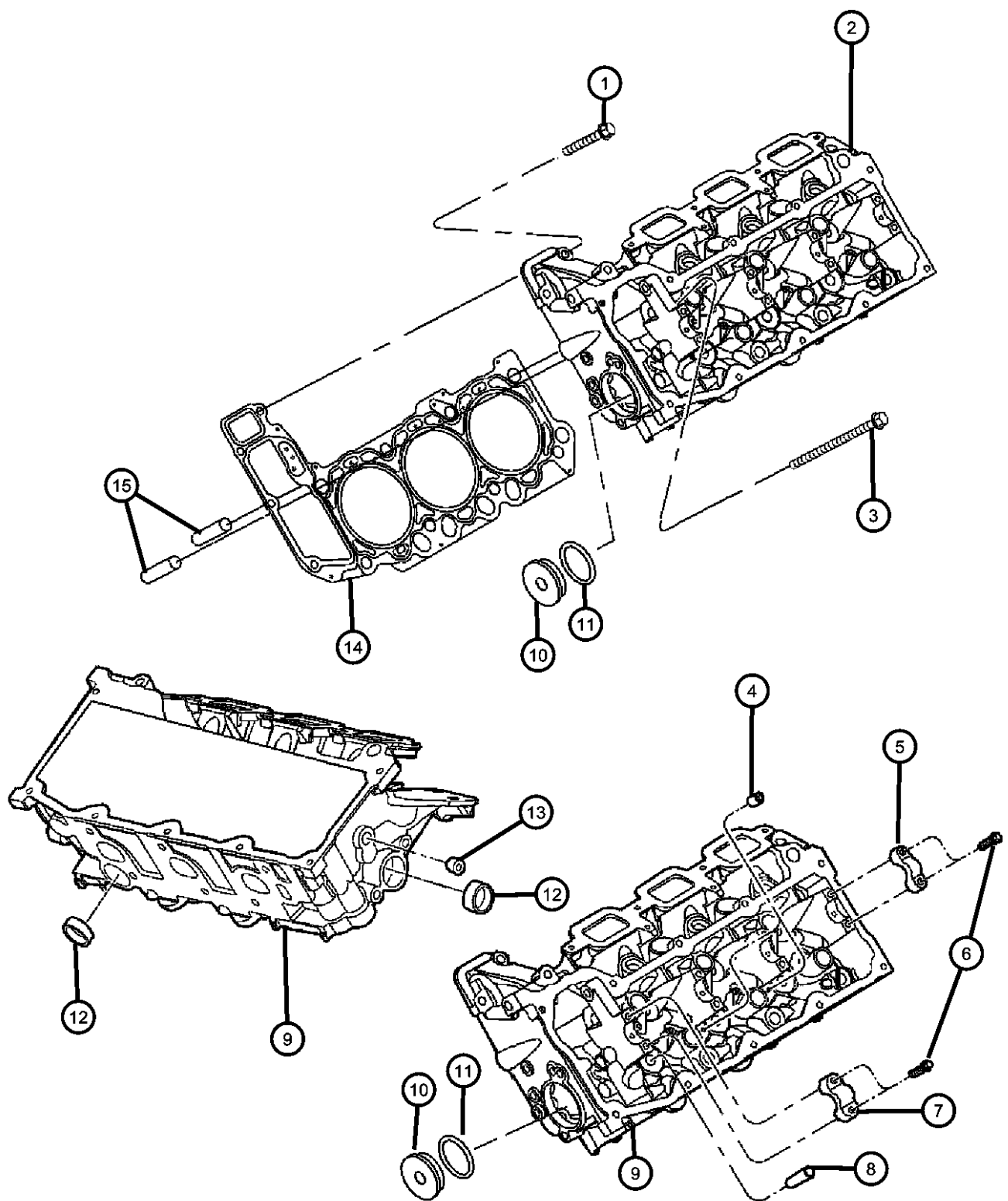
TRANSMISSION
 DGJ = 5-Speed Auto W5A580 Transmission
 DGQ = 5-Spd Automatic 545RFE Transmission
 DGU = 5-Spd Auto W5J400 Transmission

AR = use ase required - = Non illustrated part

Cylinder Head And Mounting 3.7L [EKG]

Figure 3.7L-220

ITEM	PART NUMBER	QTY	LINE	SERIES	BODY	ENGINE	TRANS	TRIM	DESCRIPTION
	06505034AA	8	J, T			EK0			Cam Bearing Cap, Mounting, Right, Cylinder Head
		8	J, T			EK0			Cam Bearing Cap, Mounting, Left, Cylinder Head
7		8							CAP, Camshaft Bearing Thrust Serviced In Cylinder Head Only, (NOT SERVICED),
8		8							GUIDE, Valve, Serviced In Cylinder Head Only, (NOT SERVICED)
9	53021942AA	1	J, T			EK0			HEAD, Cylinder, Right, See NotePartial Machined
10	53021031	1	J, T			EK0, EV0			PLUG, Access Hole, Includes Item # 11 O-Ring
11	53021032	1	J, T			EK0, EV0			O RING, [54MM ID X 2.0 Section], Access Hole Plug, Mounting
12									PLUG, Core, 1.25 Diameter, [1 1/4] With Zinc Plate
	04556020AB	2	J, T			EK0			Water Jacket Core, Right, Cylinder Head
		2	J, T			EK0			Water Jacket Core, Left, Cylinder Head
13									PLUG, [.25-18x.413]
	06036307AA	1	J, T			EK0			Oil Gallery, Right, Cylinder Head
		1	J, T			EK0			Oil Gallery, Left, Cylinder Head
14	53020989	2	J, T			EK0			GASKET, Cylinder Head
15	05240849	4	J, T			EK0, EV0			DOWEL, Cylinder Head To Cylinder Block, Mounting



GRAND CHEROKEE (WK)

SERIES LINE
 H = HIGHLINE T = JEEP - 2WD
 P = PREMIUM J = JEEP - 4WD
 S = SPORT
 X = SPECIAL

BODY
 74 = SPORT UTILITY 4-DR
 TYPE #4

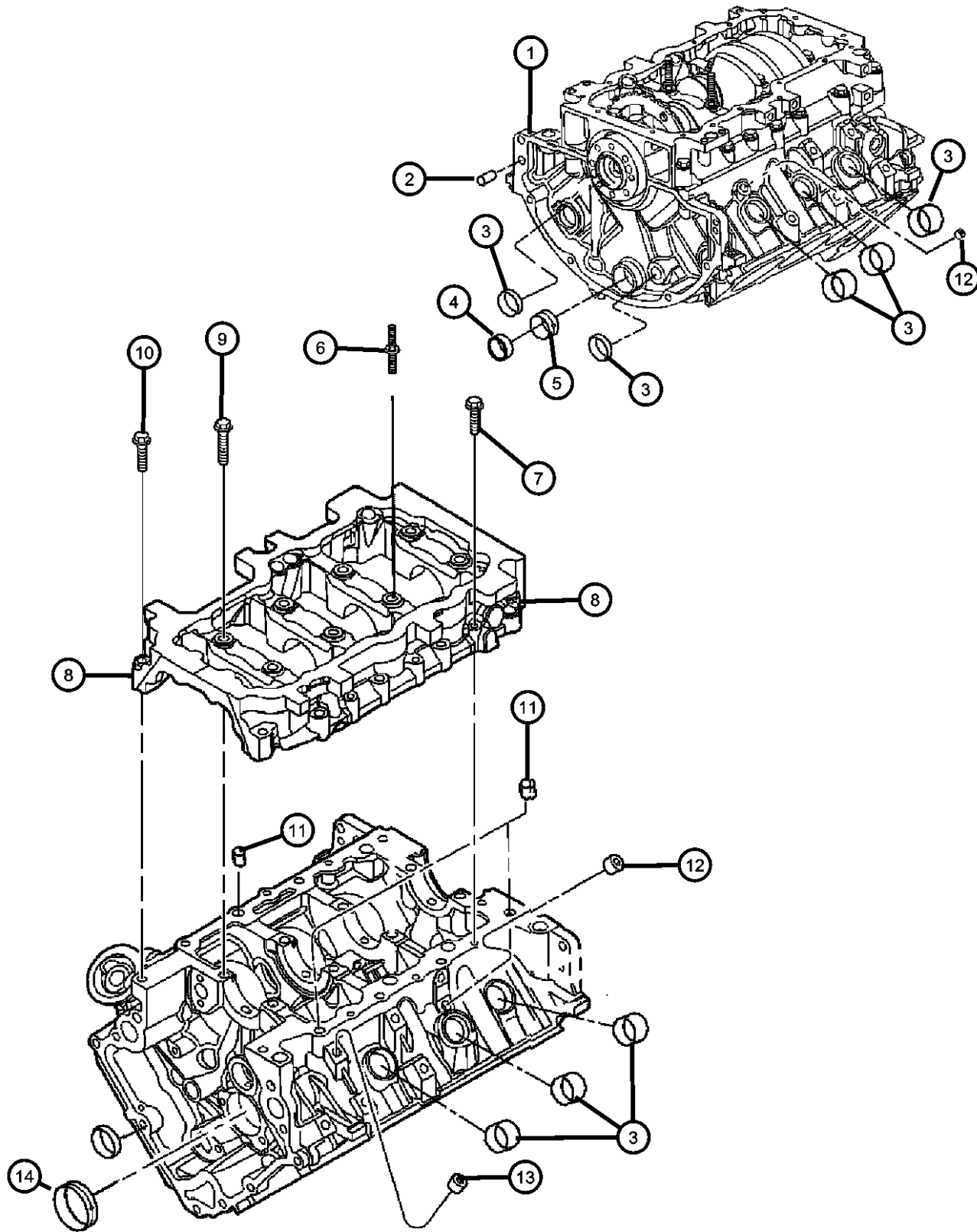
ENGINE
 EVA = 4.7L V8 MPI Engine
 EVD = 4.7L V8 FFV Engine
 EXL = 3.0L V6 Turbo Diesel
 Engine
 EZB = 5.7L Hemi Multi
 Displacement Engine
 EKG = 3.7L V6 Engine
 ESF = 6.1L SRT HEMI SMPI
 V8 Engine

TRANSMISSION
 DGJ = 5-Speed Auto W5A580
 Transmission
 DGQ = 5-Spd Automatic 545RFE
 Transmission
 DGU = 5-Spd Auto W5J400
 Transmission

AR = use ase required - = Non illustrated part

2007 WK

**Cylinder Block And Hardware 3.7L [EKG]
Figure 3.7L-310**



ITEM	PART NUMBER	QTY	LINE	SERIES	BODY	ENGINE	TRANS	TRIM	DESCRIPTION
------	-------------	-----	------	--------	------	--------	-------	------	-------------

NOTE:

New Short Block Contains: Cylinder Block, Bedplate, Freeze Plugs, Crankshaft, Crankshaft Sensor Target Ring, Crankshaft Bearings, Thrust Washers

- Sales Codes:
 [DGJ] = 5-Speed Automatic W5A580 Transmission
 [DGQ] = 5-Speed Automatic 545RFE Transmission
 [DGU] = 5-Speed Automatic W5J400 Transmission
 [DG0] = All Automatic Transmissions
 [DHB] = Quadra -Trac Active On Demand NVG 146 Transfer Case
 [DHX] = Quadra -Trac 2 Full Time Active NVG 245 Transfer Case
 [DHZ] = Quadra -Trac 1 Full time 4WD NVG 140 Transfer Case
 [EKG] = 3.7L [Magnum] V-6 Engine
 [EK0] = All 3.7L 6-Cylinder Gas Engines
 [ESF] = 6.1L SRT Hemi SMPI V-8 Engine
 [ES0] = All 6.1L 8-Cylinder Gas Engines
 [EVA] = 4.7L [Magnum] V-8 Engine
 [EVD] = 4.7L V-8 FFV Engine
 [EV0] = All 4.7L 8-Cylinder Gas Engines
 [EXL] = 3.0L V-6 Turbo Diesel Engine
 [EX0] = All 3.0L Cylinder Turbo Diesel Engines
 [EZB] = 5.7L Hemi Multi-Displacement Engine
 [EZ0] = All 5.7L 8-Cylinder Gas Engines
 [NAA] = Federal Emissions
 [NAE] = California Emissions
 [NAS] = 50 State Emissions
 [NA1] = Export Emissions
 [XEF] = Transfer Case Skid Plate Shield

1	05174604AB	1	J, T			EK0	DG0		BLOCK, SHORT
2	01122532	2	J, T			EK0, EV0			DOWEL, Block To Clutch Housing, Cylinder Block To Transmission, Mounting
3	06034804	8	J, T			EK0			PLUG, Core, 1.39 Diameter
4	04663942	1	J, T			EK0			PLUG, Core, 1.50 Diameter
5		1							BUSHING, Balance Shaft, Serviced With Short Block, (NOT SERVICED)
6	06508259AA	1	J, T			EK0			STUD, [M10X1.50X55.00/M8X1.25X84.3], Bedplate To Cylinder Block, Mounting
7	06102156AA	5	J, T			EK0			SCREW, Hex Flange Head, M8x1.25x44, [M8X1.25X44.00], Bedplate To Cylinder Block, Mounting

GRAND CHEROKEE (WK)

SERIES LINE
 H = HIGHLINE T = JEEP - 2WD
 P = PREMIUM J = JEEP - 4WD
 S = SPORT
 X = SPECIAL

BODY
 74 = SPORT UTILITY 4-DR
 TYPE #4

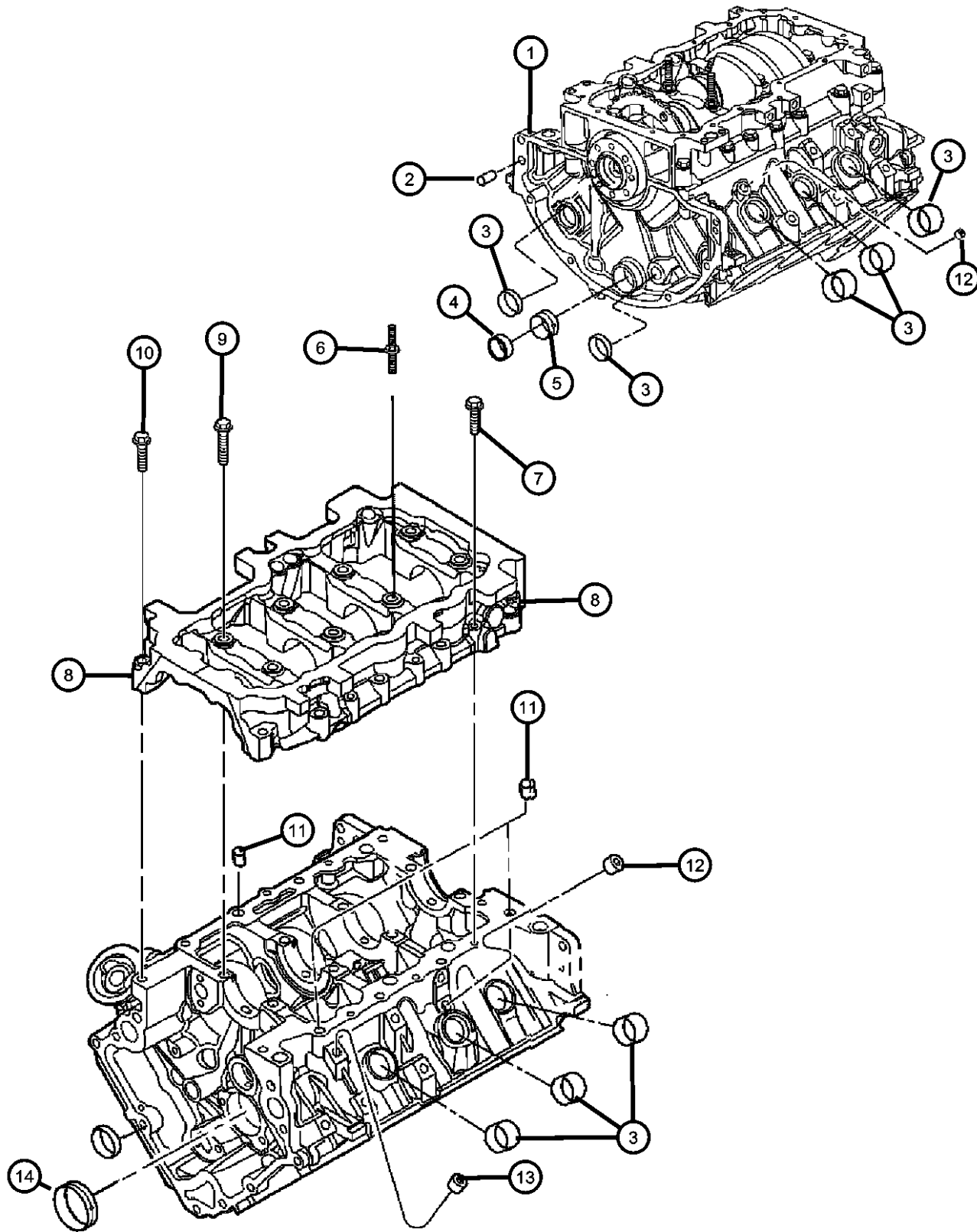
ENGINE
 EVA = 4.7L V8 MPI Engine
 EVD = 4.7L V8 FFV Engine
 EXL = 3.0L V6 Turbo Diesel Engine
 EZB = 5.7L Hemi Multi Displacement Engine
 EKG = 3.7L V6 Engine
 ESF = 6.1L SRT HEMI SMPI V8 Engine

TRANSMISSION
 DGJ = 5-Speed Auto W5A580 Transmission
 DGQ = 5-Spd Automatic 545RFE Transmission
 DGU = 5-Spd Auto W5J400 Transmission

AR = use ase required - = Non illustrated part

2007 WK

**Cylinder Block And Hardware 3.7L [EKG]
Figure 3.7L-310**



ITEM	PART NUMBER	QTY	LINE	SERIES	BODY	ENGINE	TRANS	TRIM	DESCRIPTION
8		5							BEDPLATE, Serviced With Short Block, (NOT SERVICED)
9	06505394AA	6	J, T			EK0			SCREW AND WASHER, [M11X1.50X90.0], Bedplate To Cylinder Block, Mounting
10	06504410	7	J, T			EK0			SCREW, Hex Head, [M10X1.50X55.00], Bedplate To Cylinder Block, Mounting
11	53010533AA	5	J, T			EK0			DOWEL, Timing Cover And Bedplate To Cylinder Block, Mounting
12	06036307AA	3	J, T			EK0			PLUG, [.250-18X.413], Cylinder Block Coolant Drain
13	06036114AA	4	J, T			EK0, EVO			PLUG, Pipe, [.500-14X.560], Cylinder Block Oil Hole
14	05083878AA	1	J, T			EK0			BEARING PACKAGE, Balance Shaft

GRAND CHEROKEE (WK)

SERIES LINE
H = HIGHLINE T = JEEP - 2WD
P = PREMIUM J = JEEP - 4WD
S = SPORT
X = SPECIAL

BODY
74 = SPORT UTILITY 4-DR
TYPE #4

ENGINE
EVA = 4.7L V8 MPI Engine
EVD = 4.7L V8 FFV Engine
EXL = 3.0L V6 Turbo Diesel Engine
EZB = 5.7L Hemi Multi Displacement Engine
EKG = 3.7L V6 Engine
ESF = 6.1L SRT HEMI SMPI V8 Engine

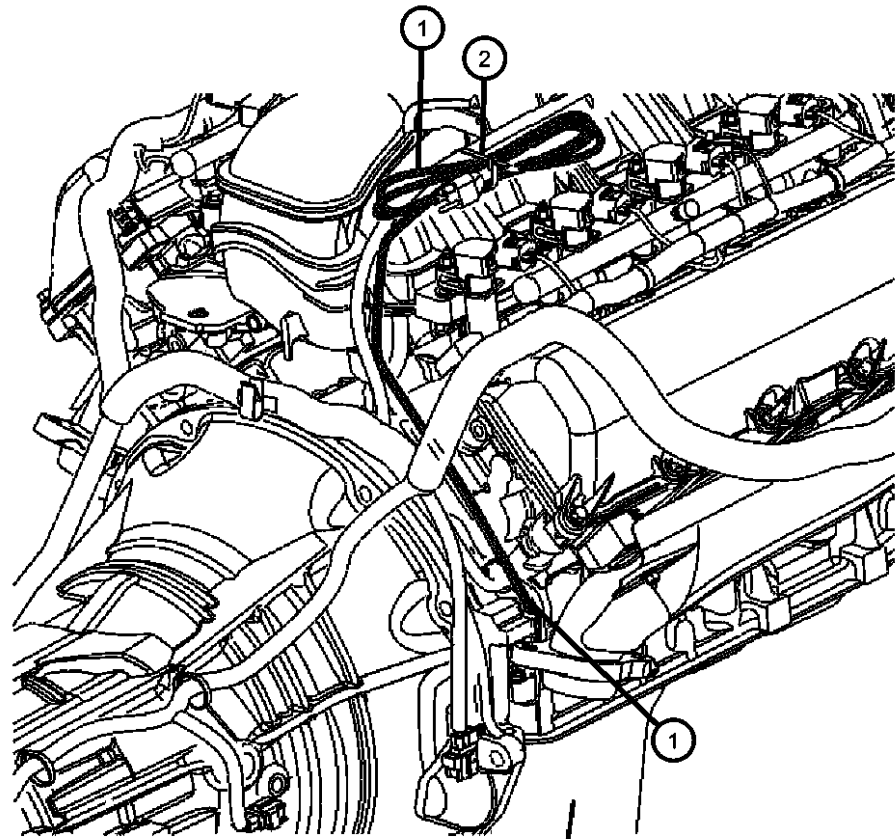
TRANSMISSION
DGJ = 5-Speed Auto W5A580 Transmission
DGQ = 5-Spd Automatic 545RFE Transmission
DGU = 5-Spd Auto W5J400 Transmission

AR = use ase required - = Non illustrated part

2007 WK

**Cylinder Block Heater 3.7L [EKG]
Figure 3.7L-320**

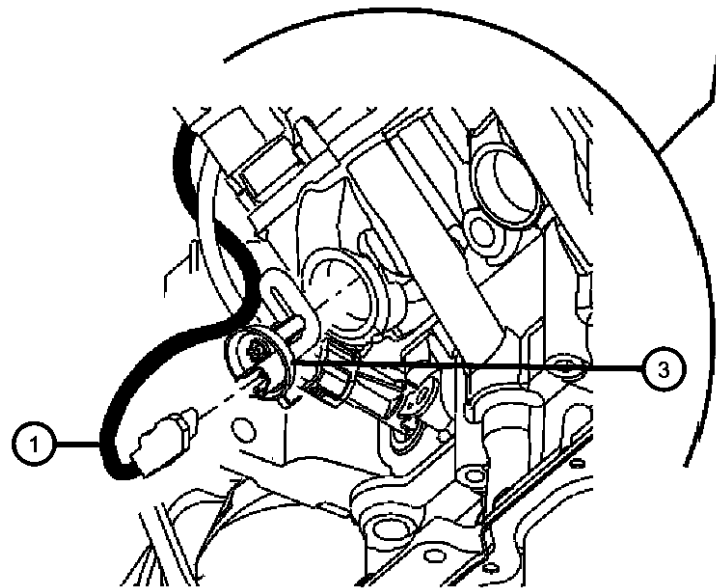
ITEM	PART NUMBER	QTY	LINE	SERIES	BODY	ENGINE	TRANS	TRIM	DESCRIPTION
------	-------------	-----	------	--------	------	--------	-------	------	-------------



NOTE:

- Sales Codes:
 [DGJ] = 5-Speed Automatic W5A580 Transmission
 [DGQ] = 5-Speed Automatic 545RFE Transmission
 [DGU] = 5-Speed Automatic W5J400 Transmission
 [DG0] = All Automatic Transmissions
 [DHB] = Quadra -Trac Active On Demand NVG 146 Transfer Case
 [DHX] = Quadra -Trac 2 Full Time Active NVG 245 Transfer Case
 [DHZ] = Quadra -Trac 1 Full time 4WD NVG 140 Transfer Case
 [EKG] = 3.7L [Magnum] V-6 Engine
 [EK0] = All 3.7L 6-Cylinder Gas Engines
 [ESF] = 6.1L SRT Hemi SMPI V-8 Engine
 [ES0] = All 6.1L 8-Cylinder Gas Engines
 [EVA] = 4.7L [Magnum] V-8 Engine
 [EVD] = 4.7L V-8 FFV Engine
 [EV0] = All 4.7L 8-Cylinder Gas Engines
 [EXL] = 3.0L V-6 Turbo Diesel Engine
 [EX0] = All 3.0L Cylinder Turbo Diesel Engines
 [EZB] = 5.7L Hemi Multi-Displacement Engine
 [EZ0] = All 5.7L 8-Cylinder Gas Engines
 [NAA] = Federal Emissions
 [NAE] = California Emissions
 [NAS] = 50 State Emissions
 [NA1] = Export Emissions
 [NHK] = Engine Block Heater
 [XEF] = Transfer Case Skid Plate Sheild

1	56027117	1	J, T			EK0, EV0			CORD, Engine Block Heater
2	04641780	1	J, T			EK0			STRAP, Tie
	05073039AA	1				EK0			Bag Of 50 Tie Straps
3	56041304AB	1	J, T			EK0, EV0			HEATER, Engine



GRAND CHEROKEE (WK)

SERIES LINE
 H = HIGHLINE T = JEEP - 2WD
 P = PREMIUM J = JEEP - 4WD
 S = SPORT
 X = SPECIAL

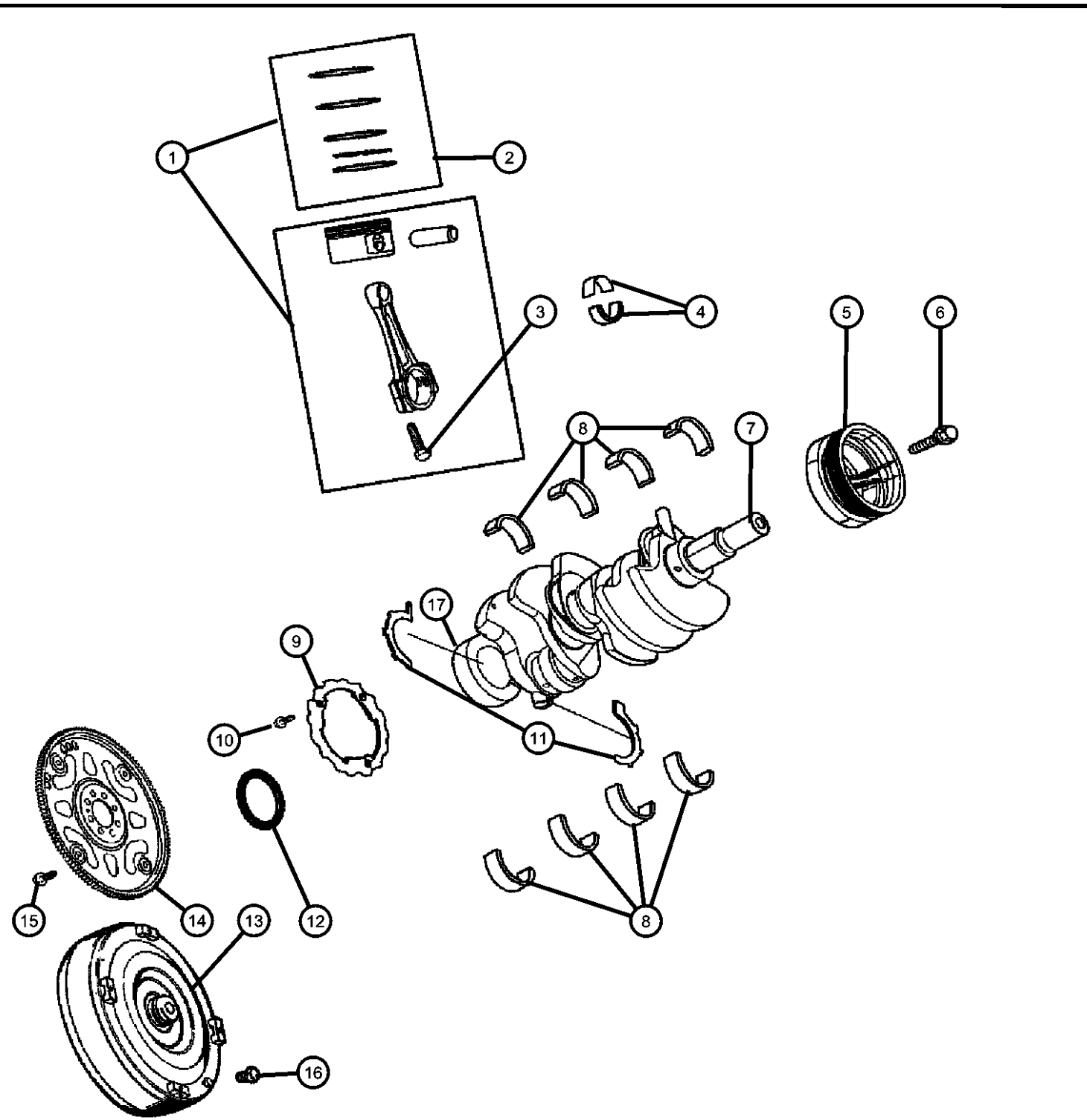
BODY
 74 = SPORT UTILITY 4-DR
 TYPE #4

ENGINE
 EVA = 4.7L V8 MPI Engine
 EVD = 4.7L V8 FFV Engine
 EXL = 3.0L V6 Turbo Diesel
 Engine
 EZB = 5.7L Hemi Multi
 Displacement Engine
 EKG = 3.7L V6 Engine
 ESF = 6.1L SRT HEMI SMPI
 V8 Engine

TRANSMISSION
 DGJ = 5-Speed Auto W5A580
 Transmission
 DGQ = 5-Spd Automatic 545RFE
 Transmission
 DGU = 5-Spd Auto W5J400
 Transmission

Crankshaft, Pistons, Torque Converter And Drive Plate 3.7L [EKG]

Figure 3.7L-410



ITEM	PART NUMBER	QTY	LINE	SERIES	BODY	ENGINE	TRANS	TRIM	DESCRIPTION
------	-------------	-----	------	--------	------	--------	-------	------	-------------

NOTE: For Crankshaft Identification, Stamping Location And Bearing Information Refer To The Service Manual.
For Bearing Selection Sizes Please Refer To Service Manual Group 9, Bearings Crankshaft Main, [Select Fit Identification]

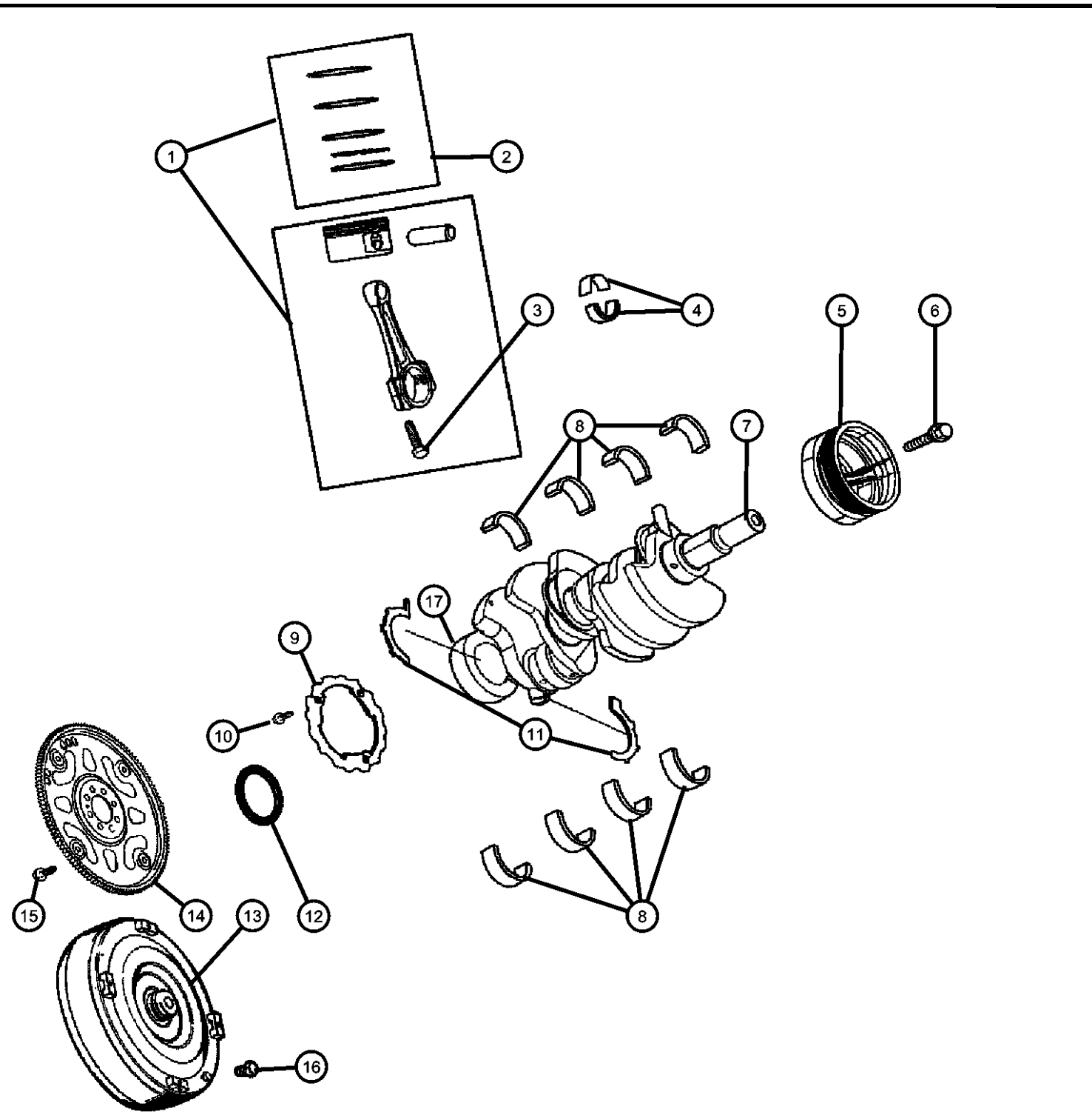
- Sales Codes:
 [DGJ] = 5-Speed Automatic W5A580 Transmission
 [DGQ] = 5-Speed Automatic 545RFE Transmission
 [DGU] = 5-Speed Automatic W5J400 Transmission
 [DG0] = All Automatic Transmissions
 [DHB] = Quadra -Trac Active On Demand NVG 146 Transfer Case
 [DHX] = Quadra -Trac 2 Full Time Active NVG 245 Transfer Case
 [DHZ] = Quadra -Trac 1 Full time 4WD NVG 140 Transfer Case
 [EKG] = 3.7L [Magnum] V-6 Engine
 [EK0] = All 3.7L 6-Cylinder Gas Engines
 [ESF] = 6.1L SRT Hemi SMPI V-8 Engine
 [ES0] = All 6.1L 8-Cylinder Gas Engines
 [EVA] = 4.7L [Magnum] V-8 Engine
 [EVD] = 4.7L V-8 FFV Engine
 [EV0] = All 4.7L 8-Cylinder Gas Engines
 [EXL] = 3.0L V-6 Turbo Diesel Engine
 [EX0] = All 3.0L Cylinder Turbo Diesel Engines
 [EZB] = 5.7L Hemi Multi-Displacement Engine
 [EZ0] = All 5.7L 8-Cylinder Gas Engines
 [NAA] = Federal Emissions
 [NAE] = California Emissions
 [NAS] = 50 State Emissions
 [NA1] = Export Emissions
 [XEF] = Transfer Case Skid Plate Sheild

1	05019316AA	6	J, T			EK0			PISTON PIN AND ROD, STD
2	05012364AD	6	J, T			EK0			RING PACKAGE, Piston, Standard Size, Also Included In Item 1 Piston Assembly, One Package Services One Piston
3	06503928	12				EK0			BOLT, Connecting Rod, Also Included In Item 1 Piston
4	05019447AA	6	J, T			EK0			BEARING PACKAGE, Connecting Rod, Standard
5	53020689AB	1	J, T			EK0, EVA, EVD			DAMPER, Crankshaft
6	06504415	1	J, T			EK0, EV0			SCREW AND WASHER, [M14X1.50X112.00], Dampner/Pulley To Crankshaft, Mounting
7	53020959AB	1	J, T			EK0			CRANKSHAFT, See Note
8	05066733AB	4	J, T			EK0			BEARING PACKAGE, Crankshaft, A Grade, See Note [R] Crankshaft Main 1 And 4

GRAND CHEROKEE (WK)		BODY	ENGINE	TRANSMISSION
SERIES	LINE	74 = SPORT UTILITY 4-DR TYPE #4	EVA = 4.7L V8 MPI Engine EVD = 4.7L V8 FFV Engine EXL = 3.0L V6 Turbo Diesel Engine EZB = 5.7L Hemi Multi Displacement Engine EKG = 3.7L V6 Engine ESF = 6.1L SRT HEMI SMPI V8 Engine	DGJ = 5-Speed Auto W5A580 Transmission DGQ = 5-Spd Automatic 545RFE Transmission DGU = 5-Spd Auto W5J400 Transmission

AR = use ase required - = Non illustrated part

**Crankshaft, Pistons, Torque Converter And Drive Plate 3.7L [EKG]
Figure 3.7L-410**



ITEM	PART NUMBER	QTY	LINE	SERIES	BODY	ENGINE	TRANS	TRIM	DESCRIPTION
	05066734AB	4	J, T			EK0			[R] Crankshaft Main 2 And 3
	05066735AB	4	J, T			EK0			[S] Crankshaft Main 1 And 4
	05066736AB	4	J, T			EK0			[S] Crankshaft Main 2 And 3
	05066737AB	4	J, T			EK0			[T] Crankshaft Main 1 And 4
	05066738AB	4	J, T			EK0			[T] Crankshaft Main 2 And 3
	05066739AB	4	J, T			EK0			[U] Crankshaft Main 1 And 4
	05066740AB	4	J, T			EK0			[U] Crankshaft Main 2 And 3
9		4							RING, Tone, Serviced With Crankshaft, (NOT SERVICED),
10	06504480	3	J, T			EK0			SCREW, M6x1x25, Tone Ring To Crankshaft, Mounting
11	05012356AC	1	J, T			EK0, EV0			WASHER PACKAGE, Washer, Thrust
12	53020788AB	1	J, T			EK0, EV0			SEAL, Crankshaft Bearing OilRear
13	68003092AA	1	J			EK0	DGJ		CONVERTER, Torque
		1	T			EK0	DGJ		
14	04752574AB	1				EK0	DG0		PLATE, Torque Converter Drive
15	06503465	8	J, T			EK0, EV0	DG0		BOLT, Drive Plate and Flywheel, [M10X1.00X18.00], Drive Plate To Crankshaft, Mounting
16	06507095AA	6	J, T			EK0, ES0	DG0		SCREW, [M8X1.25X18.00], Torque Converter To Drive Plate, Mounting
17	04736483AA	1	J, T			EK0	DGJ		BEARING, Pilot

GRAND CHEROKEE (WK)
 SERIES LINE
 H = HIGHLINE T = JEEP - 2WD
 P = PREMIUM J = JEEP - 4WD
 S = SPORT
 X = SPECIAL

BODY
 74 = SPORT UTILITY 4-DR
 TYPE #4

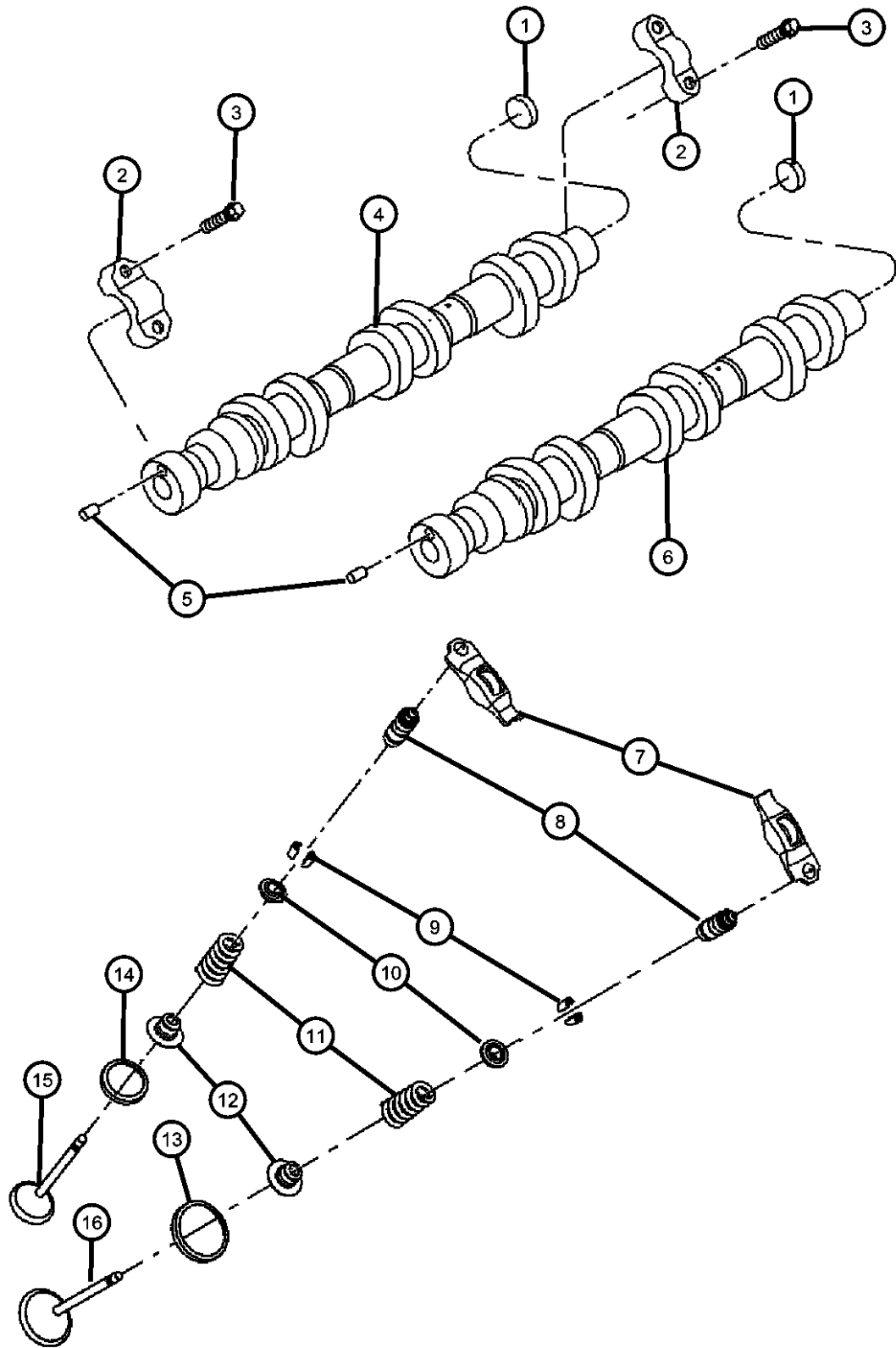
ENGINE
 EVA = 4.7L V8 MPI Engine
 EVD = 4.7L V8 FFV Engine
 EXL = 3.0L V6 Turbo Diesel Engine
 EZB = 5.7L Hemi Multi Displacement Engine
 EKG = 3.7L V6 Engine
 ESF = 6.1L SRT HEMI SMPI V8 Engine

TRANSMISSION
 DGJ = 5-Speed Auto W5A580 Transmission
 DGQ = 5-Spd Automatic 545RFE Transmission
 DGU = 5-Spd Auto W5J400 Transmission

AR = use ase required - = Non illustrated part

Camshafts And Valvetrain, 3.7L [EKG]

Figure 3.7L-510



ITEM	PART NUMBER	QTY	LINE	SERIES	BODY	ENGINE	TRANS	TRIM	DESCRIPTION
------	-------------	-----	------	--------	------	--------	-------	------	-------------

NOTE:

Sales Codes:

- [DGJ] = 5-Speed Automatic W5A580 Transmission
- [DGQ] = 5-Speed Automatic 545RFE Transmission
- [DGU] = 5-Speed Automatic W5J400 Transmission
- [DG0] = All Automatic Transmissions
- [DHB] = Quadra -Trac Active On Demand NVG 146 Transfer Case
- [DHX] = Quadra -Trac 2 Full Time Active NVG 245 Transfer Case
- [DHZ] = Quadra -Trac 1 Full time 4WD NVG 140 Transfer Case
- [EKG] = 3.7L [Magnum] V-6 Engine
- [EK0] = All 3.7L 6-Cylinder Gas Engines
- [ESF] = 6.1L SRT Hemi SMPI V-8 Engine
- [ES0] = All 6.1L 8-Cylinder Gas Engines
- [EVA] = 4.7L [Magnum] V-8 Engine
- [EVD] = 4.7L V-8 FFV Engine
- [EV0] = All 4.7L 8-Cylinder Gas Engines
- [EXL] = 3.0L V-6 Turbo Diesel Engine
- [EX0] = All 3.0L Cylinder Turbo Diesel Engines
- [EZB] = 5.7L Hemi Multi-Displacement Engine
- [EZ0] = All 5.7L 8-Cylinder Gas Engines
- [NAA] = Federal Emissions
- [NAE] = California Emissions
- [NAS] = 50 State Emissions
- [NA1] = Export Emissions
- [XEF] = Transfer Case Skid Plate Shield

1		1							WASHER, [B=.734 A=.740] Serviced With Camshaft, (NOT SERVICED)
2		1							CAP, Serviced With Head Only, (NOT SERVICED)
3									SCREW, M6x1x40
	06505034AA	8	J, T			EK0			Camshaft Cap To Cylinder Head, Mounting, Right
		8	J, T			EK0			Camshaft Cap To Cylinder Head, Mounting, Left
4	53021892AA	1	J, T			EK0			CAMSHAFT, Engine, Right
5									DOWEL, M6x14
	06100902	1	J, T			EK0			Sprocket To Camshaft, Mounting, Right
		1	J, T			EK0			Sprocket To Camshaft, Mounting, Left
6	53021893AA	1	J, T			EK0			CAMSHAFT, Engine, Left
7									ROCKER ARM, Valve

GRAND CHEROKEE (WK)

SERIES LINE
 H = HIGHLINE T = JEEP - 2WD
 P = PREMIUM J = JEEP - 4WD
 S = SPORT
 X = SPECIAL

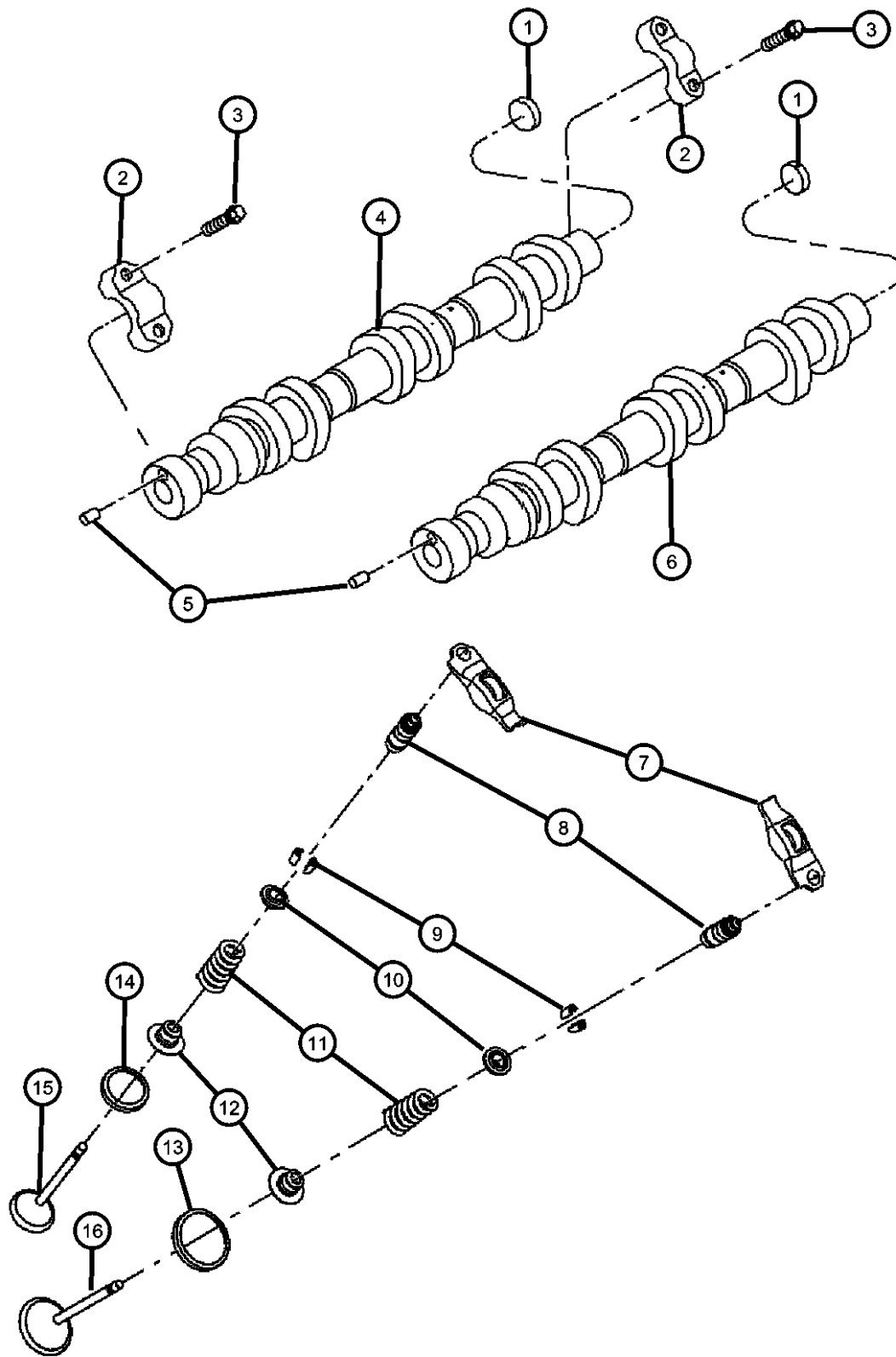
BODY
 74 = SPORT UTILITY 4-DR
 TYPE #4

ENGINE
 EVA = 4.7L V8 MPI Engine
 EVD = 4.7L V8 FFV Engine
 EXL = 3.0L V6 Turbo Diesel
 Engine
 EZB = 5.7L Hemi Multi
 Displacement Engine
 EKG = 3.7L V6 Engine
 ESF = 6.1L SRT HEMI SMPI
 V8 Engine

TRANSMISSION
 DGJ = 5-Speed Auto W5A580
 Transmission
 DGQ = 5-Spd Automatic 545RFE
 Transmission
 DGU = 5-Spd Auto W5J400
 Transmission

AR = use ase required - = Non illustrated part

**Camshafts And Valvetrain, 3.7L [EKG]
Figure 3.7L-510**



ITEM	PART NUMBER	QTY	LINE	SERIES	BODY	ENGINE	TRANS	TRIM	DESCRIPTION
	53020742AC	6	J, T			EK0			Right, Cylinder Head
		6	J, T			EK0			Left, Cylinder Head
8	53021894AA	6	J, T			EK0			ADJUSTER, Valve Lash
		6	J, T			EK0			Right, Cylinder Head
		6	J, T			EK0			Left, Cylinder Head
9	04536513AB	12	J, T			EK0			LOCK, Valve Spring Retainer
10	04781090AA	6	J, T			EK0			RETAINER, Valve Spring
		6	J, T			EK0			Right, Cylinder Head
		6	J, T			EK0			Left, Cylinder Head
11	53021887AA	3	J, T			EK0			SPRING, Valve
	53021873AA	3	J, T			EK0			Intake, Right, Cylinder Head
		3	J, T			EK0			Exhaust, Right, Cylinder Head
		3	J, T			EK0			Exhaust, Left, Cylinder Head
		3	J, T			EK0			Intake, Left, Cylinder Head
12	53021974AA	6				EK0			SEAL, Valve Guide
		6				EK0			Right, Cylinder Head
		6				EK0			Left, Cylinder Head
13		6							SEAT, Intake Valve, Serviced With Head Only, (NOT SERVICED)
14		6							SEAT, Exhaust Valve, Serviced With Head Only, (NOT SERVICED)
15	53021644AB	3	J, T			EK0			VALVE, Exhaust, Standard
		3	J, T			EK0			Right, Cylinder Head
		3	J, T			EK0			Left, Cylinder Head
16	53020747AB	3	J, T			EK0			VALVE, Intake, Standard
		3	J, T			EK0			Right, Cylinder Head
		3	J, T			EK0			Left, Cylinder Head

GRAND CHEROKEE (WK)

SERIES LINE
H = HIGHLINE T = JEEP - 2WD
P = PREMIUM J = JEEP - 4WD
S = SPORT
X = SPECIAL

BODY
74 = SPORT UTILITY 4-DR
TYPE #4

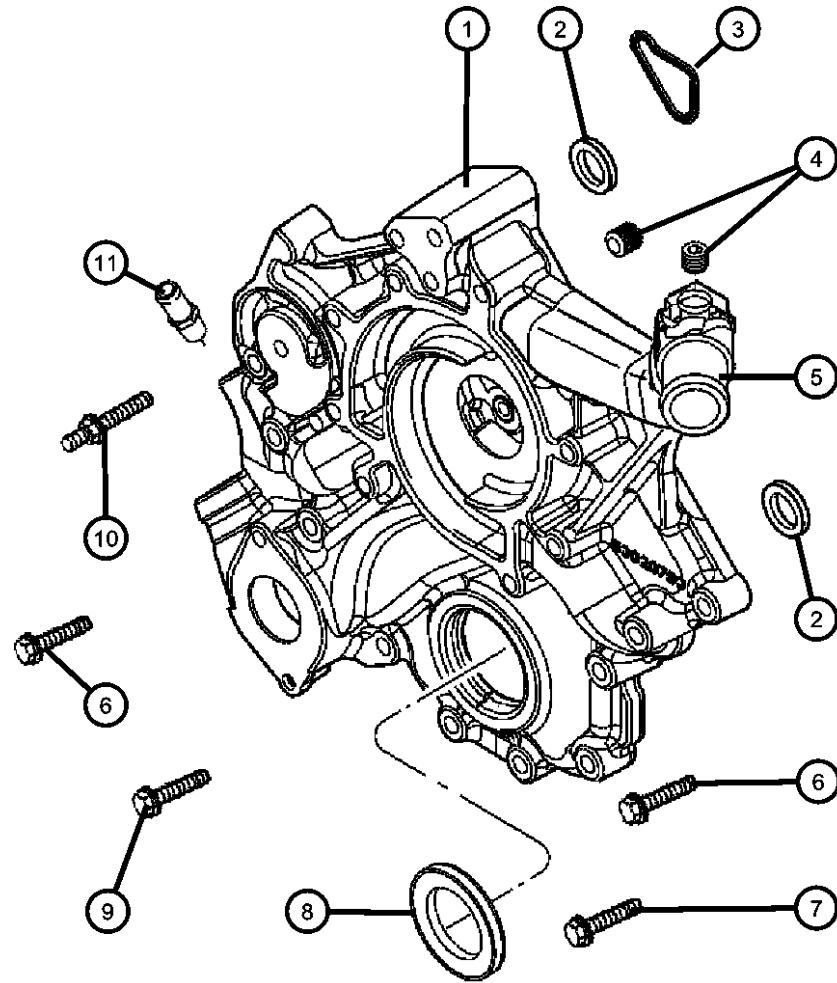
ENGINE
EVA = 4.7L V8 MPI Engine
EVD = 4.7L V8 FFV Engine
EXL = 3.0L V6 Turbo Diesel
Engine
EZB = 5.7L Hemi Multi
Displacement Engine
EKG = 3.7L V6 Engine
ESF = 6.1L SRT HEMI SMPI
V8 Engine

TRANSMISSION
DGJ = 5-Speed Auto W5A580
Transmission
DGQ = 5-Spd Automatic 545RFE
Transmission
DGU = 5-Spd Auto W5J400
Transmission

AR = use ase required - = Non illustrated part

2007 WK

**Timing Cover And Mounting 3.7L [EKG]
Figure 3.7L-610**



ITEM	PART NUMBER	QTY	LINE	SERIES	BODY	ENGINE	TRANS	TRIM	DESCRIPTION
------	-------------	-----	------	--------	------	--------	-------	------	-------------

NOTE:

Sales Codes:

- [DGJ] = 5-Speed Automatic W5A580 Transmission
- [DGQ] = 5-Speed Automatic 545RFE Transmission
- [DGU] = 5-Speed Automatic W5J400 Transmission
- [DG0] = All Automatic Transmissions
- [DHB] = Quadra -Trac Active On Demand NVG 146 Transfer Case
- [DHX] = Quadra -Trac 2 Full Time Active NVG 245 Transfer Case
- [DHZ] = Quadra -Trac 1 Full time 4WD NVG 140 Transfer Case
- [EKG] = 3.7L [Magnum] V-6 Engine
- [EK0] = All 3.7L 6-Cylinder Gas Engines
- [ESF] = 6.1L SRT Hemi SMPI V-8 Engine
- [ES0] = All 6.1L 8-Cylinder Gas Engines
- [EVA] = 4.7L [Magnum] V-8 Engine
- [EVD] = 4.7L V-8 FFV Engine
- [EV0] = All 4.7L 8-Cylinder Gas Engines
- [EXL] = 3.0L V-6 Turbo Diesel Engine
- [EX0] = All 3.0L Cylinder Turbo Diesel Engines
- [EZB] = 5.7L Hemi Multi-Displacement Engine
- [EZ0] = All 5.7L 8-Cylinder Gas Engines
- [NAA] = Federal Emissions
- [NAE] = California Emissions
- [NAS] = 50 State Emissions
- [NA1] = Export Emissions
- [XEF] = Transfer Case Skid Plate Shield

1	53021238AB	1	J, T			EK0			COVER, Chain Case, Includes Items 2,3,4,5,8,11
2	53021239AA	2	J, T			EK0			O RING, Also Serviced With Cover
3	53021226AA	1	J, T			EK0			GASKET, Chain Case Cover, Also Serviced With Cover
4	06034331	3	J, T			EK0			PLUG, Hex Socket, 3/8-18NPTx.475, Also Serviced With Cover, Chain Case Cover
5		3							PIPE FITTING, Chain Case Cover, .375-18x2, Serviced With Cover, (NOT SERVICED)
6	06507776AA	3	J, T			EK0			SCREW, Hex Flange Head, [M10X1.50X87.00], Chain Case Cover To Cylinder Block, Mounting
7									SCREW, Hex Flange Head, [M10X1.50X42.00]
	06102380AA	5	J, T			EK0, EV0			Chain Case Cover To Cylinder Block, Mounting
		5	J, T			EK0, EV0			Water Pump To Engine, Mounting

GRAND CHEROKEE (WK)

SERIES LINE
H = HIGHLINE T = JEEP - 2WD
P = PREMIUM J = JEEP - 4WD
S = SPORT
X = SPECIAL

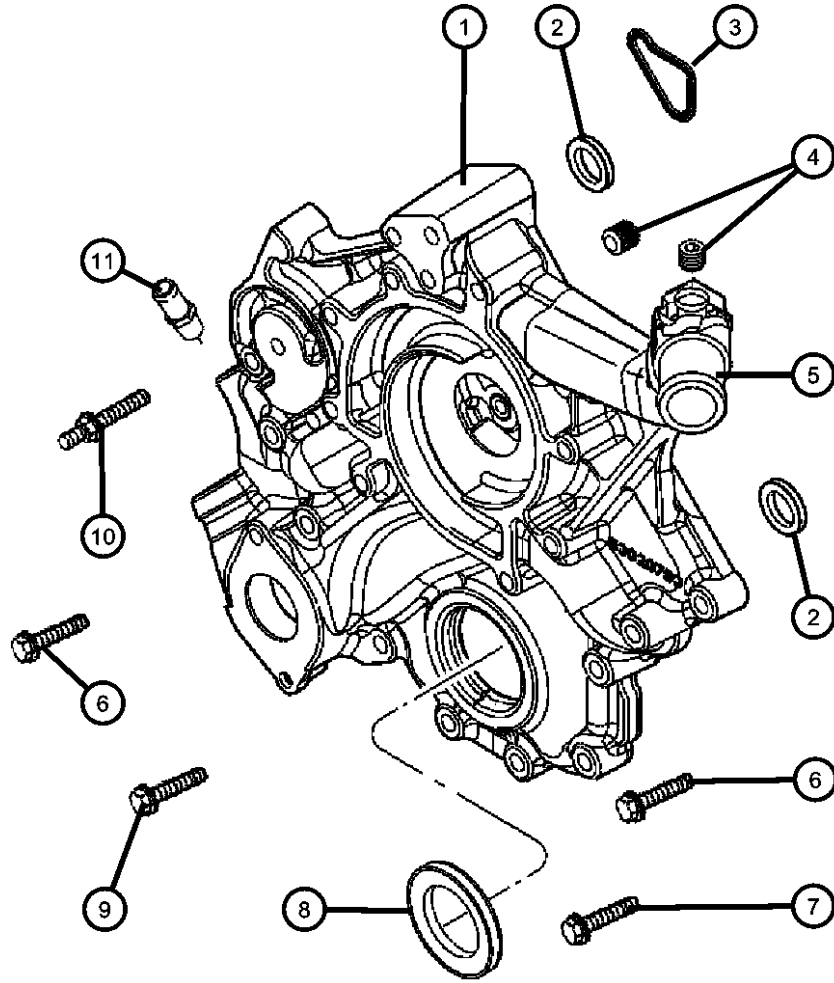
BODY
74 = SPORT UTILITY 4-DR
TYPE #4

ENGINE
EVA = 4.7L V8 MPI Engine
EVD = 4.7L V8 FFV Engine
EXL = 3.0L V6 Turbo Diesel Engine
EZB = 5.7L Hemi Multi Displacement Engine
EKG = 3.7L V6 Engine
ESF = 6.1L SRT HEMI SMPI V8 Engine

TRANSMISSION
DGJ = 5-Speed Auto W5A580 Transmission
DGQ = 5-Spd Automatic 545RFE Transmission
DGU = 5-Spd Auto W5J400 Transmission

**Timing Cover And Mounting 3.7L [EKG]
Figure 3.7L-610**

ITEM	PART NUMBER	QTY	LINE	SERIES	BODY	ENGINE	TRANS	TRIM	DESCRIPTION
8	53021313AA	1	J, T			EK0			SEAL, Crankshaft Oil, Front, Also Serviced With Cover
9	06102381AA	5	J, T			EK0, EVO			SCREW, Hex Flange Head, [M10X1.50X62.00], Chain Case Cover To Cylinder Block, Mounting
10	06505293AA	1	J, T			EK0, EVO			STUD, [M10X1.50X.437-14X145.20], Chain Case Cover To Cylinder Block, Mounting
11	06035854	2	J, T			EK0			NIPPLE, Also Serviced With Cover



GRAND CHEROKEE (WK)

SERIES LINE
H = HIGHLINE T = JEEP - 2WD
P = PREMIUM J = JEEP - 4WD
S = SPORT
X = SPECIAL

BODY
74 = SPORT UTILITY 4-DR
TYPE #4

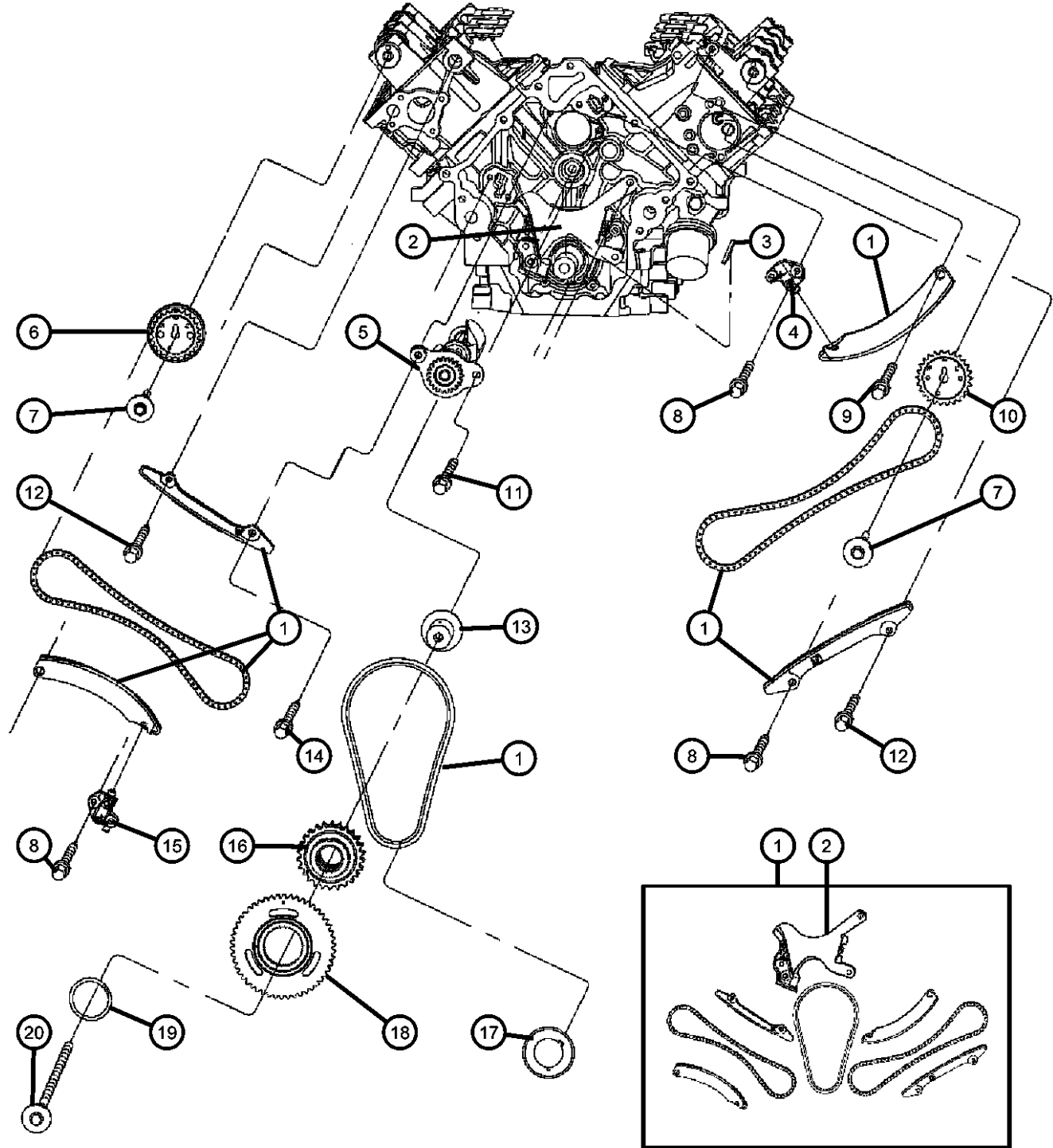
ENGINE
EVA = 4.7L V8 MPI Engine
EVD = 4.7L V8 FFV Engine
EXL = 3.0L V6 Turbo Diesel
Engine
EZB = 5.7L Hemi Multi
Displacement Engine
EKG = 3.7L V6 Engine
ESF = 6.1L SRT HEMI SMPI
V8 Engine

TRANSMISSION
DGJ = 5-Speed Auto W5A580
Transmission
DGQ = 5-Spd Automatic 545RFE
Transmission
DGU = 5-Spd Auto W5J400
Transmission

AR = use ase required - = Non illustrated part

2007 WK

**Timing Chain And Guides, 3.7L [EKG]
Figure 3.7L-620**



ITEM	PART NUMBER	QTY	LINE	SERIES	BODY	ENGINE	TRANS	TRIM	DESCRIPTION
------	-------------	-----	------	--------	------	--------	-------	------	-------------

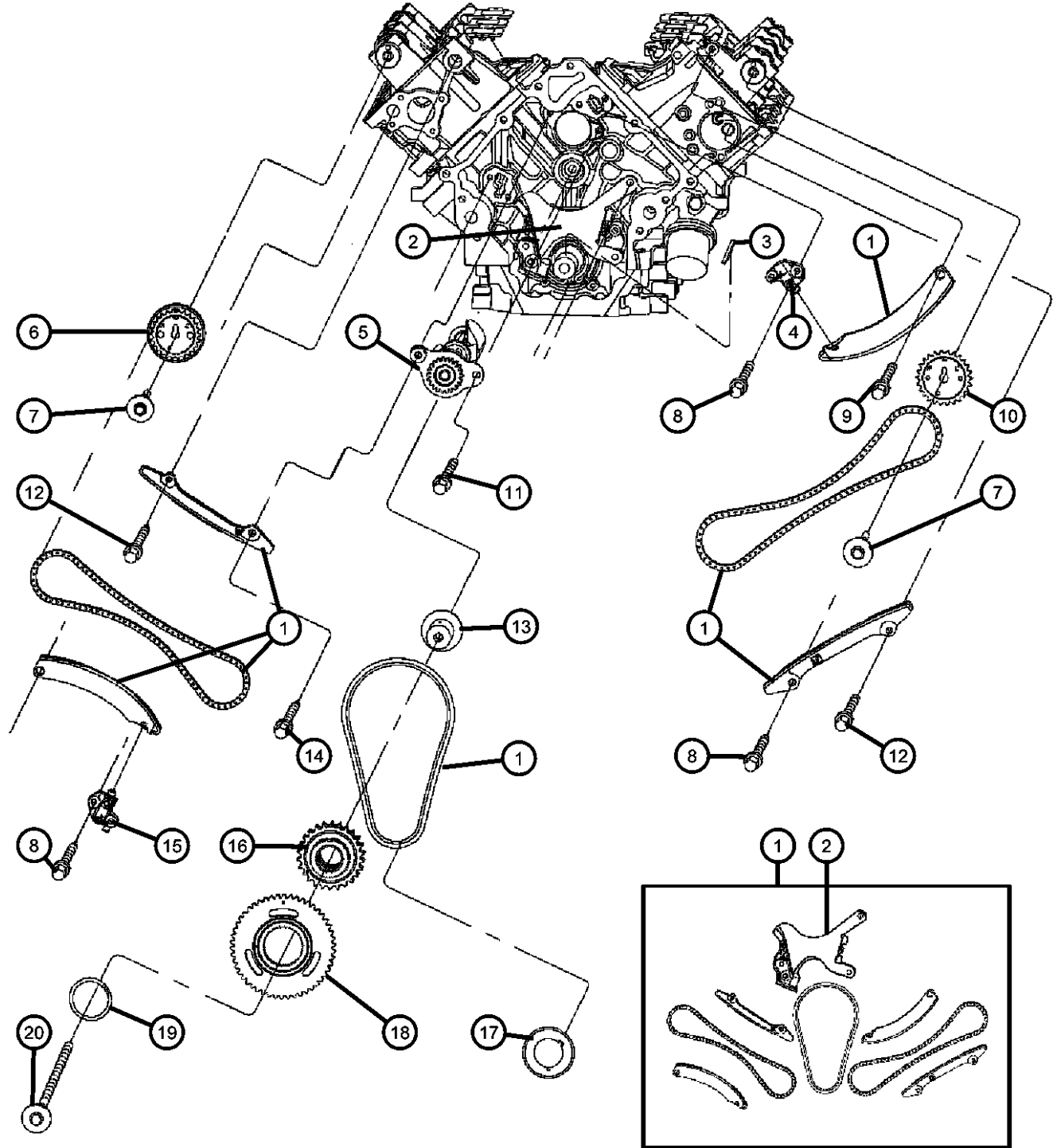
NOTE:
Sales Codes:
[DGJ] = 5-Speed Automatic W5A580 Transmission
[DGQ] = 5-Speed Automatic 545RFE Transmission
[DGU] = 5-Speed Automatic W5J400 Transmission
[DG0] = All Automatic Transmissions
[DHB] = Quadra-Trac Active On Demand NVG 146 Transfer Case
[DHX] = Quadra-Trac 2 Full Time Active NVG 245 Transfer Case
[DHZ] = Quadra-Trac 1 Full time 4WD NVG 140 Transfer Case
[EKG] = 3.7L [Magnum] V-6 Engine
[EK0] = All 3.7L 6-Cylinder Gas Engines
[ESF] = 6.1L SRT Hemi SMPI V-8 Engine
[ES0] = All 6.1L 8-Cylinder Gas Engines
[EVA] = 4.7L [Magnum] V-8 Engine
[EVD] = 4.7L V-8 FFV Engine
[EV0] = All 4.7L 8-Cylinder Gas Engines
[EXL] = 3.0L V-6 Turbo Diesel Engine
[EX0] = All 3.0L Cylinder Turbo Diesel Engines
[EZB] = 5.7L Hemi Multi-Displacement Engine
[EZ0] = All 5.7L 8-Cylinder Gas Engines
[NAA] = Federal Emissions
[NAE] = California Emissions
[NAS] = 50 State Emissions
[NA1] = Export Emissions
[XEF] = Transfer Case Skid Plate Shield

1	05019423AD	1	J, T			EK0	DG0		TIMING DRIVE PACKAGE, Engine
2	53020681	1	J, T			EK0, EVA, EVD			TENSIONER, Chain, Primary
3	06504471	1	J, T			EK0, EV0			KEY, Woodruff, [M5X62.00], Crankshaft Sprocket, Mounting
4	53021250AA	1	J, T			EK0			TENSIONER, ChainLeft, Secondary
5	53020818	1	J, T			EK0			SHAFT, Balance
6	53021291AD	1	J, T			EK0			SPROCKET, Camshaft, Right
7	06504429	2	J, T			EK0, EV0			SCREW AND WASHER, Hex, [M12X1.75X35.00], Camshaft Sprocket, Mounting
8	06503257	5	J, T			EK0			BOLT, Hex Head, M8x1.25x37.50, Chain Guide And Secondary Tensioner, Mounting
9	06506028AA	1	J, T			EK0			SCREW, [M8X1.25X45.0], Secondary Tensioner Arm, Mounting
10	53021290AA	1	J, T			EK0			SPROCKET, Camshaft, Left

GRAND CHEROKEE (WK)		BODY	ENGINE	TRANSMISSION
SERIES	LINE	74 = SPORT UTILITY 4-DR TYPE #4	EVA = 4.7L V8 MPI Engine EVD = 4.7L V8 FFV Engine EXL = 3.0L V6 Turbo Diesel Engine EZB = 5.7L Hemi Multi Displacement Engine EKG = 3.7L V6 Engine ESF = 6.1L SRT HEMI SMPI V8 Engine	DGJ = 5-Speed Auto W5A580 Transmission DGQ = 5-Spd Automatic 545RFE Transmission DGU = 5-Spd Auto W5J400 Transmission

AR = use ase required - = Non illustrated part

**Timing Chain And Guides, 3.7L [EKG]
Figure 3.7L-620**



ITEM	PART NUMBER	QTY	LINE	SERIES	BODY	ENGINE	TRANS	TRIM	DESCRIPTION
11	06100295	1	J, T			EK0			SCREW AND WASHER, Hex Head, M8x1.25x20, [M8X1.25X20.00], Balance Shaft Assembly To Engine Block, Mounting
12	06102111AA	2	J, T			EK0, EVO			SCREW AND WASHER, [M8X1.25X45.00], Timing Guide To Cylinder Head, Mounting
13	53020835	1	J, T			EK0, EVO			SHAFT, Idler
14	06102190AA	1	J, T			EK0			SCREW, [M8X1.25X57.0], Chain Guide Right, Mounting
15	53021249AA	1	J, T			EK0			TENSIONER, ChainRight, Secondary
16	53021298AB	1	J, T			EK0			SHAFT, Balance, Driver
17	53020679	1	J, T			EK0			SPROCKET, Crankshaft
18	68003353AA	1	J, T			EVA, EVD			SPROCKET, Idler
19		1							RETAINING RING, Idler, (NOT SERVICED)
20	06504370	1	J, T			EK0, EVO			SCREW AND WASHER, Hex, [M10X1.50X110.00], Idler Sprocket, Mounting

GRAND CHEROKEE (WK)

SERIES LINE
H = HIGHLINE T = JEEP - 2WD
P = PREMIUM J = JEEP - 4WD
S = SPORT
X = SPECIAL

BODY
74 = SPORT UTILITY 4-DR
TYPE #4

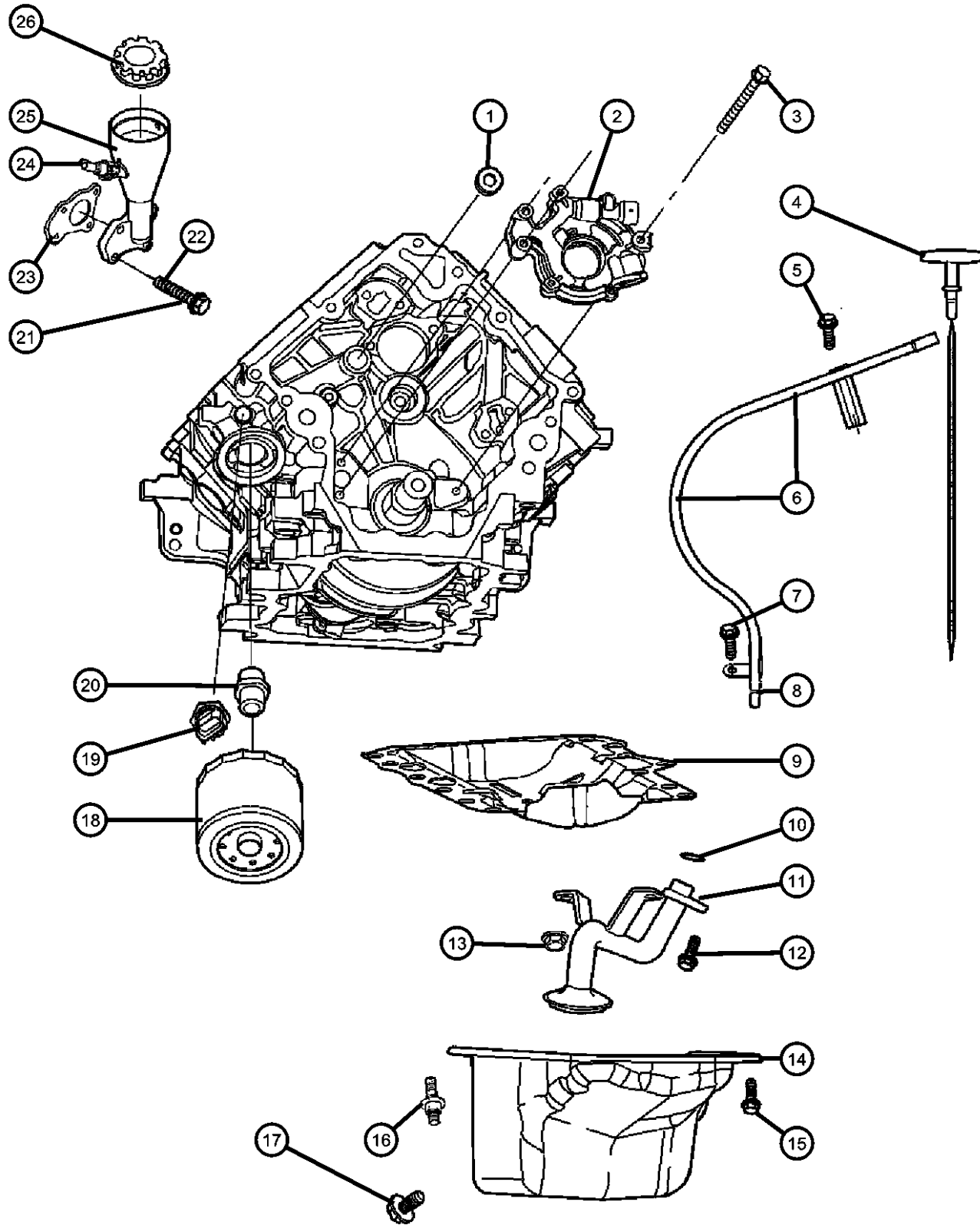
ENGINE
EVA = 4.7L V8 MPI Engine
EVD = 4.7L V8 FFV Engine
EXL = 3.0L V6 Turbo Diesel Engine
EZB = 5.7L Hemi Multi Displacement Engine
EKG = 3.7L V6 Engine
ESF = 6.1L SRT HEMI SMPI V8 Engine

TRANSMISSION
DGJ = 5-Speed Auto W5A580 Transmission
DGQ = 5-Spd Automatic 545RFE Transmission
DGU = 5-Spd Auto W5J400 Transmission

AR = use ase required - = Non illustrated part

2007 WK

**Engine Oiling, 3.7L [EKG]
Figure 3.7L-710**



ITEM	PART NUMBER	QTY	LINE	SERIES	BODY	ENGINE	TRANS	TRIM	DESCRIPTION
------	-------------	-----	------	--------	------	--------	-------	------	-------------

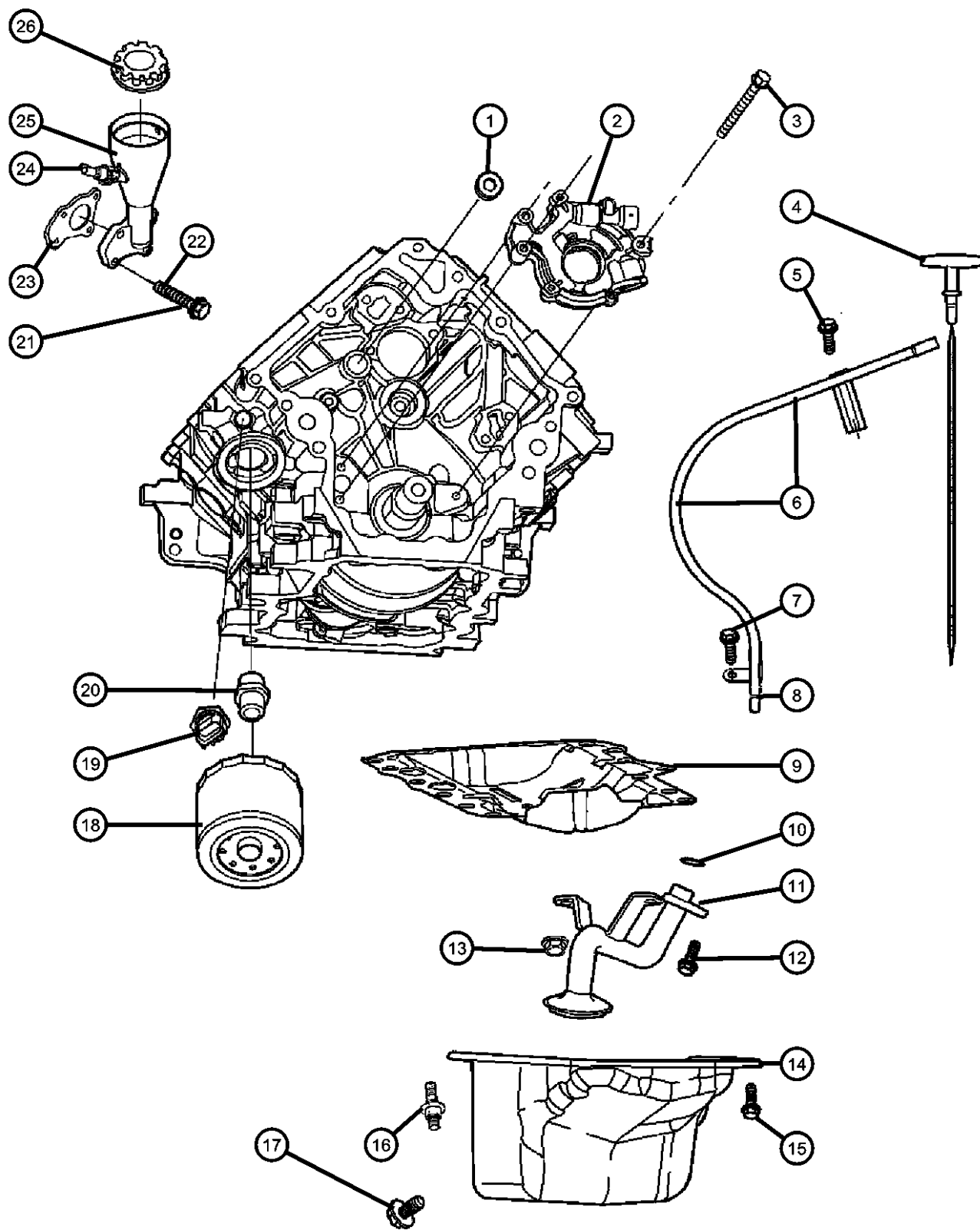
NOTE:
Sales Codes:
[DGJ] = 5-Speed Automatic W5A580 Transmission
[DGQ] = 5-Speed Automatic 545RFE Transmission
[DGU] = 5-Speed Automatic W5J400 Transmission
[DG0] = All Automatic Transmissions
[DHB] = Quadra -Trac Active On Demand NVG 146 Transfer Case
[DHX] = Quadra -Trac 2 Full Time Active NVG 245 Transfer Case
[DHZ] = Quadra -Trac 1 Full time 4WD NVG 140 Transfer Case
[EKG] = 3.7L [Magnum] V-6 Engine
[EK0] = All 3.7L 6-Cylinder Gas Engines
[ESF] = 6.1L SRT Hemi SMPI V-8 Engine
[ES0] = All 6.1L 8-Cylinder Gas Engines
[EVA] = 4.7L [Magnum] V-8 Engine
[EVD] = 4.7L V-8 FFV Engine
[EV0] = All 4.7L 8-Cylinder Gas Engines
[EXL] = 3.0L V-6 Turbo Diesel Engine
[EX0] = All 3.0L Cylinder Turbo Diesel Engines
[EZB] = 5.7L Hemi Multi-Displacement Engine
[EZ0] = All 5.7L 8-Cylinder Gas Engines
[NAA] = Federal Emissions
[NAE] = California Emissions
[NAS] = 50 State Emissions
[NA1] = Export Emissions
[XEF] = Transfer Case Skid Plate Shield

1	06036114AA	4	J, T			EK0, EV0			PLUG, Pipe, [.500-14X.560], Cylinder Block Oil Hole
2	53020827AB	1	J, T			EK0, EV0			PUMP, Engine Oil
3	06100932	1	J, T			EK0, EV0			BOLT, Hex, [M8X1.25X60.00], Oil Pump To Engine, Mounting
4	53021747AD	1	J, T			EK0			INDICATOR, Engine Oil Level
5	06102050AA	1	J, T			EK0			SCREW, Hex Flange Head, M6.3 x 1.81 x 15.00, Oil Level Indicator Tube, Mounting
6	53021741AD	1	J, T			EK0			TUBE, Engine Oil Indicator
7	06504810AA	1	J, T			EK0, EV0			SCREW AND WASHER, Hex, [M6X1.00X20.00], Oil Level Indicator Tube To Cylinder Block, Mounting
8	53021144AA	1	J, T			EK0			O RING, Engine Oil Indicator
9	53021001AB	1	J, T			EK0			GASKET, Oil Pan
10	53020861	1	J, T			EK0, EV0			SEAL, Oil Pick Up Tube
11	53021776AA	1	J, T			EK0			TUBE, Oil Pickup

GRAND CHEROKEE (WK)		BODY	ENGINE	TRANSMISSION
SERIES	LINE	74 = SPORT UTILITY 4-DR TYPE #4	EVA = 4.7L V8 MPI Engine EVD = 4.7L V8 FFV Engine EXL = 3.0L V6 Turbo Diesel Engine EZB = 5.7L Hemi Multi Displacement Engine EKG = 3.7L V6 Engine ESF = 6.1L SRT HEMI SMPI V8 Engine	DGJ = 5-Speed Auto W5A580 Transmission DGQ = 5-Spd Automatic 545RFE Transmission DGU = 5-Spd Auto W5J400 Transmission
H = HIGHLINE P = PREMIUM S = SPORT X = SPECIAL	T = JEEP - 2WD J = JEEP - 4WD			

AR = use ase required - = Non illustrated part

**Engine Oiling, 3.7L [EKG]
Figure 3.7L-710**



ITEM	PART NUMBER	QTY	LINE	SERIES	BODY	ENGINE	TRANS	TRIM	DESCRIPTION
12	06102046AA	1	J, T			EK0, EVO			SCREW AND WASHER, [M8X1.25X27.00], Oil Pick Up Tube, Mounting
13	06502756	2	J, T			EK0			NUT, Hex Lock, M8x1.25, Oil Pick Up Tube, Mounting
14	53021755AA	1	J, T			EK0			PAN, Engine Oil
15	06504810AA	16	J, T			EK0			SCREW AND WASHER, Hex, [M6X1.00X20.00], Oil Pan To Cylinder Block, Mounting
16	06508066AA	1	J, T			EK0			STUD, [M6X1.00X36.97], Oil Pan To Cylinder Block, Mounting
17	06506100AA	1	J, T			EK0			PLUG, Oil Drain, [M14X1.5X20.0]
18	04781452BB	1	J, T			EK0			FILTER, Engine Oil
19	05149097AA	1				EK0, EVO			SWITCH, Oil Pressure
20	53007563AB	1	J, T			EK0, EVO			CONNECTOR, Oil Filter
21	06505504AA	3	J, T			EK0, EVO			SCREW, [M6X1.00X27.00], Oil Fill Housing To Cylinder Block, Mounting
22	06505566AA	1	J, T			EK0, EVO			STUD, [M6X1.00X51.9], Oil Fill Housing To Cylinder Block, Mounting
23	53020889AC	1	J, T			EK0			GASKET, Oil Fill Housing
24	53034065AA	1	J, T			EK0			VALVE, Crankcase Vent
25	53020891AE	1	J, T			EK0			HOUSING, Oil Fill
26	53022221AA	1	J, T			EK0			CAP, Oil Filler

GRAND CHEROKEE (WK)

SERIES LINE
H = HIGHLINE T = JEEP - 2WD
P = PREMIUM J = JEEP - 4WD
S = SPORT
X = SPECIAL

BODY
74 = SPORT UTILITY 4-DR
TYPE #4

ENGINE
EVA = 4.7L V8 MPI Engine
EVD = 4.7L V8 FFV Engine
EXL = 3.0L V6 Turbo Diesel
Engine
EZB = 5.7L Hemi Multi
Displacement Engine
EKG = 3.7L V6 Engine
ESF = 6.1L SRT HEMI SMPI
V8 Engine

TRANSMISSION
DGJ = 5-Speed Auto W5A580
Transmission
DGQ = 5-Spd Automatic 545RFE
Transmission
DGU = 5-Spd Auto W5J400
Transmission

AR = use ase required - = Non illustrated part

2007 WK

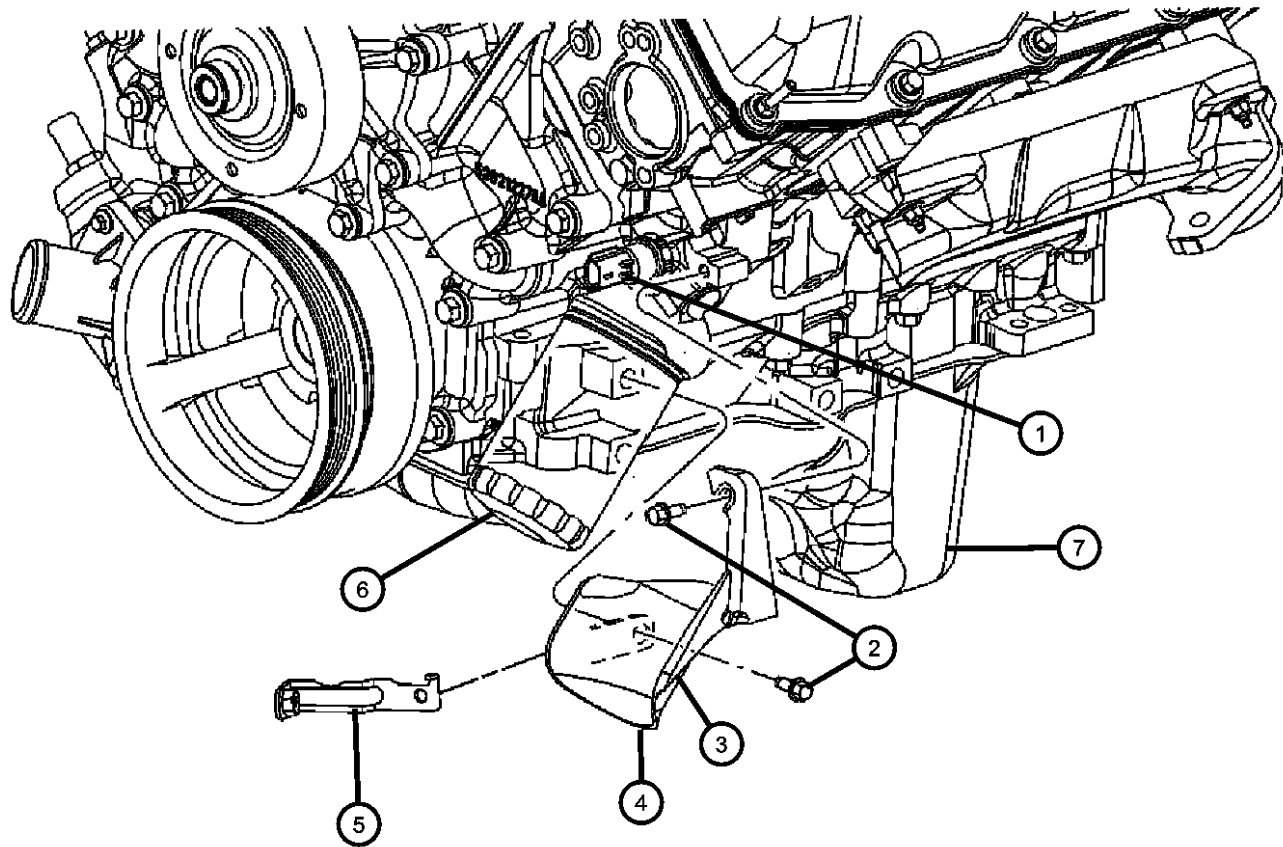
**Engine Oil Filter And Splash Guard 3.7L [EKG]
Figure 3.7L-720**

ITEM	PART NUMBER	QTY	LINE	SERIES	BODY	ENGINE	TRANS	TRIM	DESCRIPTION
------	-------------	-----	------	--------	------	--------	-------	------	-------------

NOTE:

Sales Codes:

- [DGJ] = 5-Speed Automatic W5A580 Transmission
- [DGQ] = 5-Speed Automatic 545RFE Transmission
- [DGU] = 5-Speed Automatic W5J400 Transmission
- [DG0] = All Automatic Transmissions
- [DHB] = Quadra -Trac Active On Demand NVG 146 Transfer Case
- [DHX] = Quadra -Trac 2 Full Time Active NVG 245 Transfer Case
- [DHZ] = Quadra -Trac 1 Full time 4WD NVG 140 Transfer Case
- [EKG] = 3.7L [Magnum] V-6 Engine
- [EK0] = All 3.7L 6-Cylinder Gas Engines
- [ESF] = 6.1L SRT Hemi SMPI V-8 Engine
- [ES0] = All 6.1L 8-Cylinder Gas Engines
- [EVA] = 4.7L [Magnum] V-8 Engine
- [EVD] = 4.7L V-8 FFV Engine
- [EV0] = All 4.7L 8-Cylinder Gas Engines
- [EXL] = 3.0L V-6 Turbo Diesel Engine
- [EX0] = All 3.0L Cylinder Turbo Diesel Engines
- [EZB] = 5.7L Hemi Multi-Displacement Engine
- [EZ0] = All 5.7L 8-Cylinder Gas Engines
- [NAA] = Federal Emissions
- [NAE] = California Emissions
- [NAS] = 50 State Emissions
- [NA1] = Export Emissions
- [XEF] = Transfer Case Skid Plate Sheild



1	05149097AA	1				EK0, EV0			SWITCH, Oil Pressure
2	06505178AA	1				EK0, EV0			SCREW, Hex Head, [M8X1.25X25.00] Bracket To Cradle, Mounting
		1				EK0, EV0			Splash Gurard To Cradle, Mounting
		1				EK0, EV0			Splash Guard To Bracket, Mounting
3	53013815AA	1	J, T			EK0			SPLASH GUARD, Engine Oil
4	53013710AC	1	J, T			EK0, EV0			GUARD, SplashSecondary
5	53013737AC	1	J, T			EK0, EV0			BRACKET
6	04781452BB	1	J, T			EK0			FILTER, Engine Oil
7	53021755AA	1	J, T			EK0			PAN, Engine Oil

GRAND CHEROKEE (WK)

SERIES LINE
H = HIGHLINE T = JEEP - 2WD
P = PREMIUM J = JEEP - 4WD
S = SPORT
X = SPECIAL

BODY
74 = SPORT UTILITY 4-DR
TYPE #4

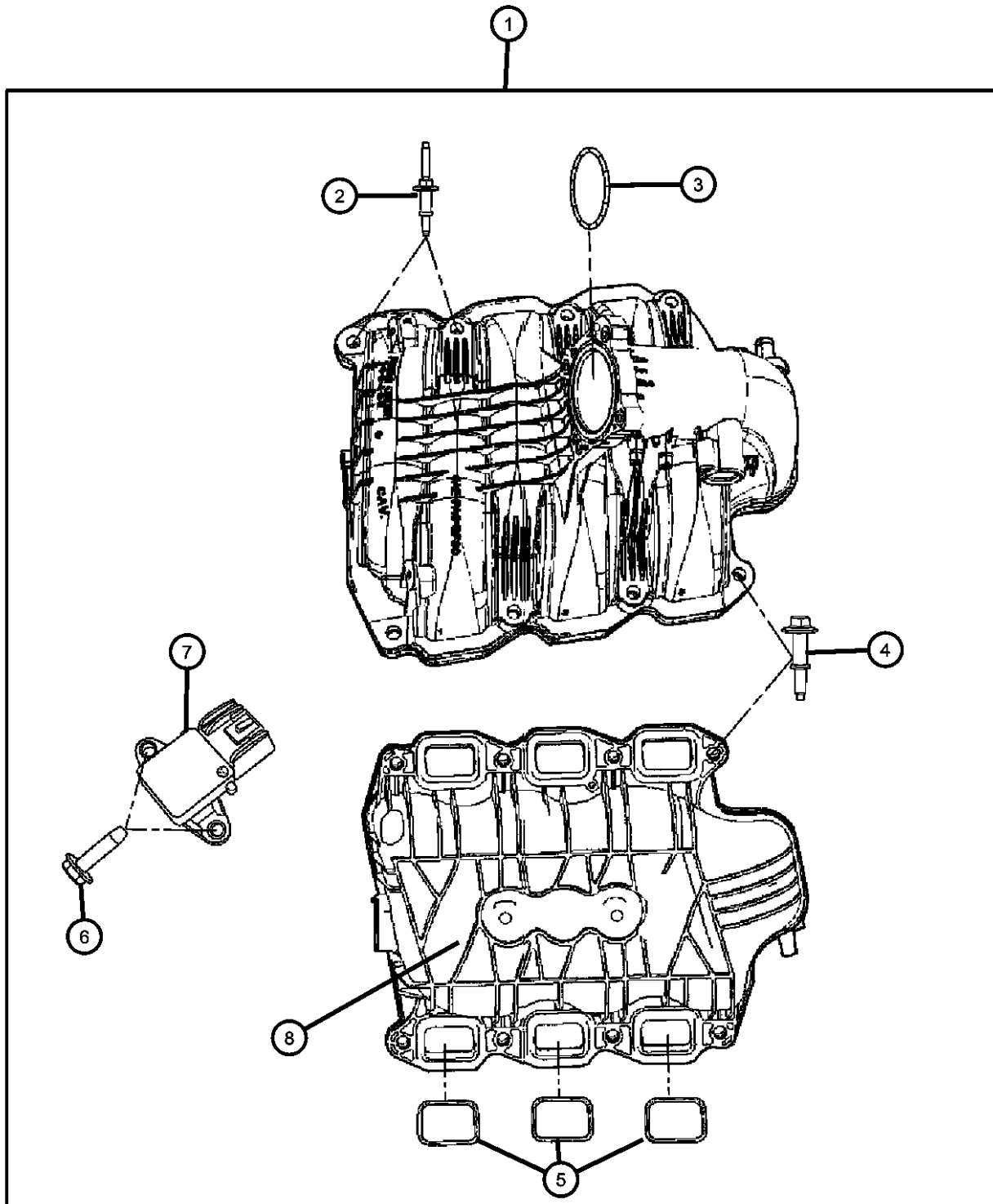
ENGINE
EVA = 4.7L V8 MPI Engine
EVD = 4.7L V8 FFV Engine
EXL = 3.0L V6 Turbo Diesel Engine
EZB = 5.7L Hemi Multi Displacement Engine
EKG = 3.7L V6 Engine
ESF = 6.1L SRT HEMI SMPI V8 Engine

TRANSMISSION
DGJ = 5-Speed Auto W5A580 Transmission
DGQ = 5-Spd Automatic 545RFE Transmission
DGU = 5-Spd Auto W5J400 Transmission

AR = use ase required - = Non illustrated part

2007 WK

**Intake Manifold And Mounting 3.7L [EKG]
Figure 3.7L-810**



ITEM	PART NUMBER	QTY	LINE	SERIES	BODY	ENGINE	TRANS	TRIM	DESCRIPTION
------	-------------	-----	------	--------	------	--------	-------	------	-------------

NOTE:
Sales Codes:
[DGJ] = 5-Speed Automatic W5A580 Transmission
[DGQ] = 5-Speed Automatic 545RFE Transmission
[DGU] = 5-Speed Automatic W5J400 Transmission
[DG0] = All Automatic Transmissions
[DHB] = Quadra -Trac Active On Demand NVG 146 Transfer Case
[DHX] = Quadra -Trac 2 Full Time Active NVG 245 Transfer Case
[DHZ] = Quadra -Trac 1 Full time 4WD NVG 140 Transfer Case
[EKG] = 3.7L [Magnum] V-6 Engine
[EK0] = All 3.7L 6-Cylinder Gas Engines
[ESF] = 6.1L SRT Hemi SMPI V-8 Engine
[ES0] = All 6.1L 8-Cylinder Gas Engines
[EVA] = 4.7L [Magnum] V-8 Engine
[EVD] = 4.7L V-8 FFV Engine
[EV0] = All 4.7L 8-Cylinder Gas Engines
[EXL] = 3.0L V-6 Turbo Diesel Engine
[EX0] = All 3.0L Cylinder Turbo Diesel Engines
[EZB] = 5.7L Hemi Multi-Displacement Engine
[EZ0] = All 5.7L 8-Cylinder Gas Engines
[NAA] = Federal Emissions
[NAE] = California Emissions
[NAS] = 50 State Emissions
[NA1] = Export Emissions
[XEF] = Transfer Case Skid Plate Sheild

1	53032999AD	1	J, T			EK0			MANIFOLD, Intake, Includes Item's 2,3,4,5,6,7
2	06507434AA	6	J, T			EK0			STUD, Double Ended, [M6X1.00X80.00], Intake Manifold to Cylinder Head, Mounting
3	04666113AA	1	J, T			EK0			GASKET, Throttle Body To Intake
4	06507433AA	2	J, T			EK0			SCREW, Hex Flange Head, [M6X1.00X43.00], Intake Manifold To Cylinder Head, Mounting
5	53010310AB	6	J, T			EK0			SEAL, Intake Manifold
6	06102192AA	1	J, T			EK0			SCREW, Intake Manifold, [M4.2X1.70X16.00], Map Sensor To Intake Manifold, Mounting
7	56041018AC	1	J, T			EK0			SENSOR, MAP
8	53032787AA	1	J, T			EK0			PAD, Engine

GRAND CHEROKEE (WK)

SERIES LINE
H = HIGHLINE T = JEEP - 2WD
P = PREMIUM J = JEEP - 4WD
S = SPORT
X = SPECIAL

BODY
74 = SPORT UTILITY 4-DR
TYPE #4

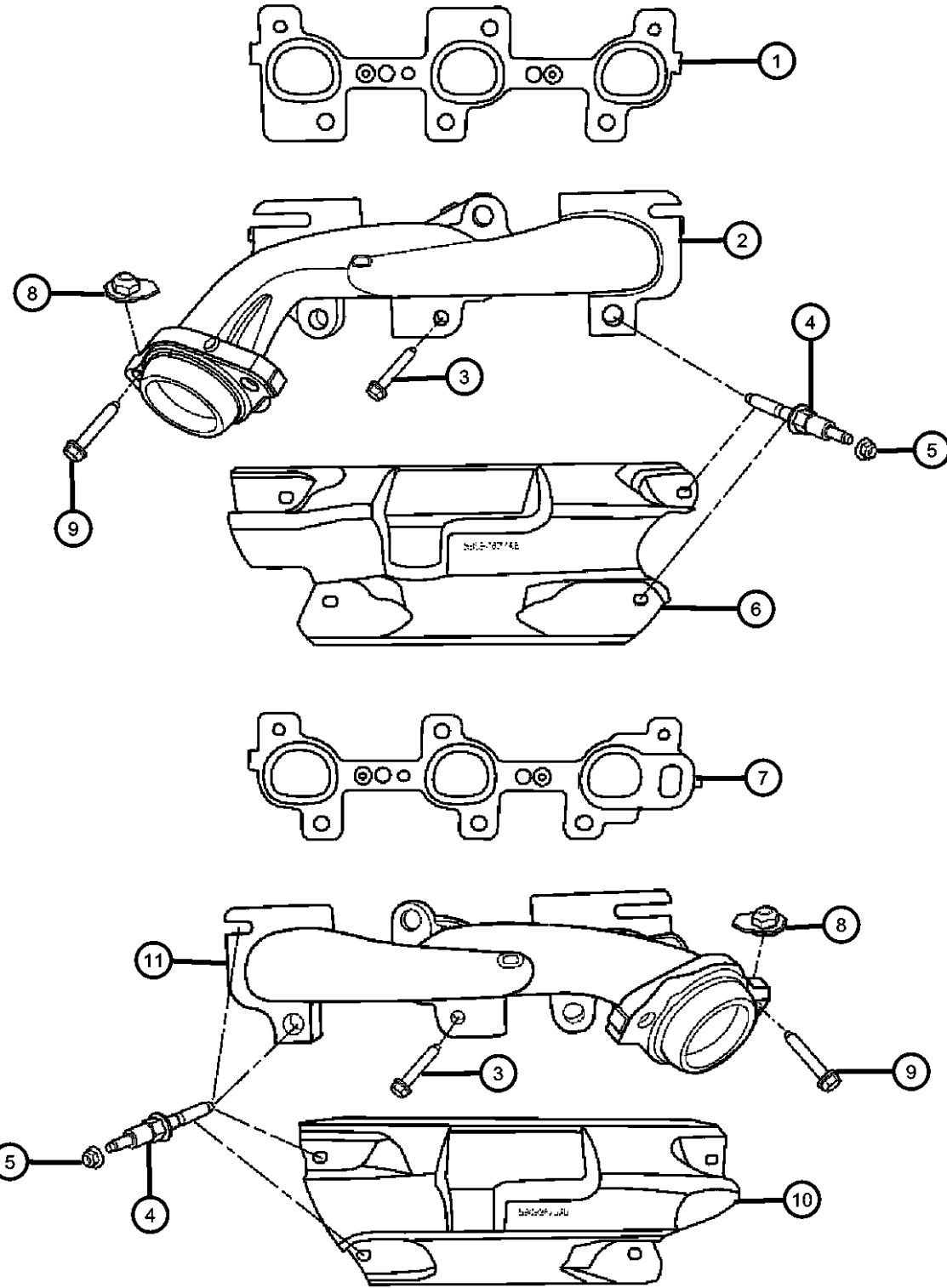
ENGINE
EVA = 4.7L V8 MPI Engine
EVD = 4.7L V8 FFV Engine
EXL = 3.0L V6 Turbo Diesel Engine
EZB = 5.7L Hemi Multi Displacement Engine
EKG = 3.7L V6 Engine
ESF = 6.1L SRT HEMI SMPI V8 Engine

TRANSMISSION
DGJ = 5-Speed Auto W5A580 Transmission
DGQ = 5-Spd Automatic 545RFE Transmission
DGU = 5-Spd Auto W5J400 Transmission

AR = use ase required - = Non illustrated part

2007 WK

**Exhaust Manifolds And Mounting 3.7L [EKG]
Figure 3.7L-820**



ITEM	PART NUMBER	QTY	LINE	SERIES	BODY	ENGINE	TRANS	TRIM	DESCRIPTION
------	-------------	-----	------	--------	------	--------	-------	------	-------------

NOTE:
Sales Codes:
[DGJ] = 5-Speed Automatic W5A580 Transmission
[DGQ] = 5-Speed Automatic 545RFE Transmission
[DGU] = 5-Speed Automatic W5J400 Transmission
[DG0] = All Automatic Transmissions
[DHB] = Quadra -Trac Active On Demand NVG 146 Transfer Case
[DHX] = Quadra -Trac 2 Full Time Active NVG 245 Transfer Case
[DHZ] = Quadra -Trac 1 Full time 4WD NVG 140 Transfer Case
[EKG] = 3.7L [Magnum] V-6 Engine
[EK0] = All 3.7L 6-Cylinder Gas Engines
[ESF] = 6.1L SRT Hemi SMPI V-8 Engine
[ES0] = All 6.1L 8-Cylinder Gas Engines
[EVA] = 4.7L [Magnum] V-8 Engine
[EVD] = 4.7L V-8 FFV Engine
[EV0] = All 4.7L 8-Cylinder Gas Engines
[EXL] = 3.0L V-6 Turbo Diesel Engine
[EX0] = All 3.0L Cylinder Turbo Diesel Engines
[EZB] = 5.7L Hemi Multi-Displacement Engine
[EZ0] = All 5.7L 8-Cylinder Gas Engines
[NAA] = Federal Emissions
[NAE] = California Emissions
[NAS] = 50 State Emissions
[NA1] = Export Emissions
[XEF] = Transfer Case Skid Plate Shield

1	53013932AB	1				EK0			GASKET, Exhaust ManifoldRight
2	53013692AA	1	J, T			EK0			MANIFOLD, ExhaustRight
3	06507746AA	4	J, T			EK0			BOLT, Exhaust Manifold, [M8X1.25X46.00], Exhaust Manifold To Cylinder Head, Mounting
4	06508220AA	8	J, T			EK0			STUD, Exhaust Manifold, [M8X1.25/M6X1.00X86.00], Exhaust Manifold To Cylinder Head, Mounting
5	06505316AA	8	J, T			EK0			NUT, [M6X1.00], Heat Shield To Exhaust Manifold, Mounting
6	53032674AE	1	J, T			EK0			SHIELD, Exhaust ManifoldRight
7	53013933AB	1				EK0			GASKET, Exhaust ManifoldLeft
8	06503231	4	J, T			EK0, EV0, EZ0			NUT, [M10X1.50], Front Pipe To Exhaust Manifold, Mounting
9	06505699AA	4							SCREW, [M10X1.50X60.00], Front Pipe To Exhaust Manifold, Mounting

GRAND CHEROKEE (WK)

SERIES LINE
H = HIGHLINE T = JEEP - 2WD
P = PREMIUM J = JEEP - 4WD
S = SPORT
X = SPECIAL

BODY
74 = SPORT UTILITY 4-DR
TYPE #4

ENGINE
EVA = 4.7L V8 MPI Engine
EVD = 4.7L V8 FFV Engine
EXL = 3.0L V6 Turbo Diesel Engine
EZB = 5.7L Hemi Multi Displacement Engine
EKG = 3.7L V6 Engine
ESF = 6.1L SRT HEMI SMPI V8 Engine

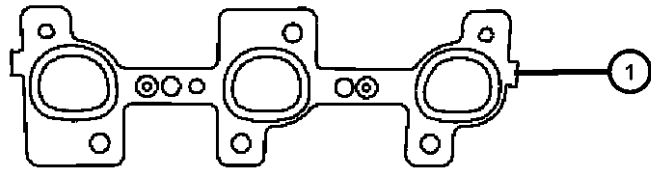
TRANSMISSION
DGJ = 5-Speed Auto W5A580 Transmission
DGQ = 5-Spd Automatic 545RFE Transmission
DGU = 5-Spd Auto W5J400 Transmission

AR = use ase required - = Non illustrated part

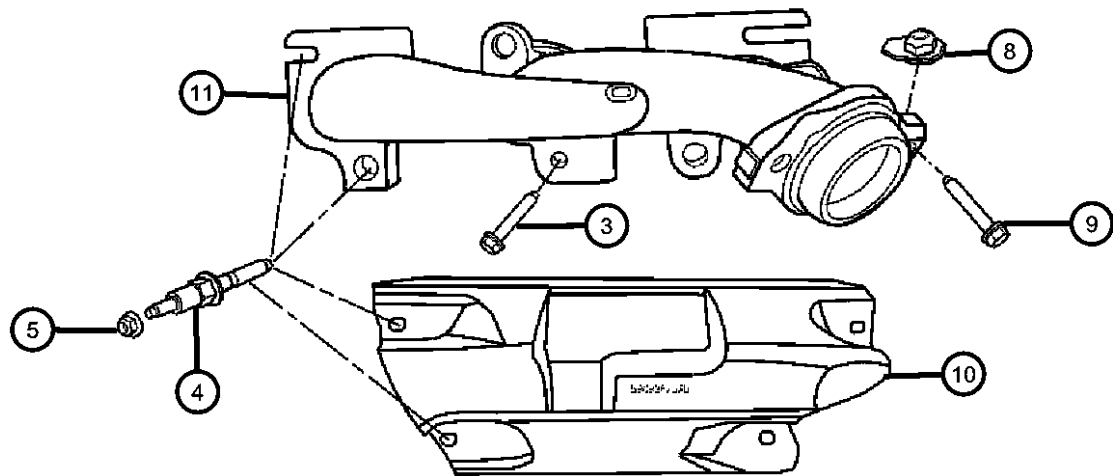
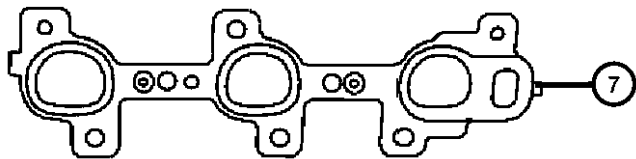
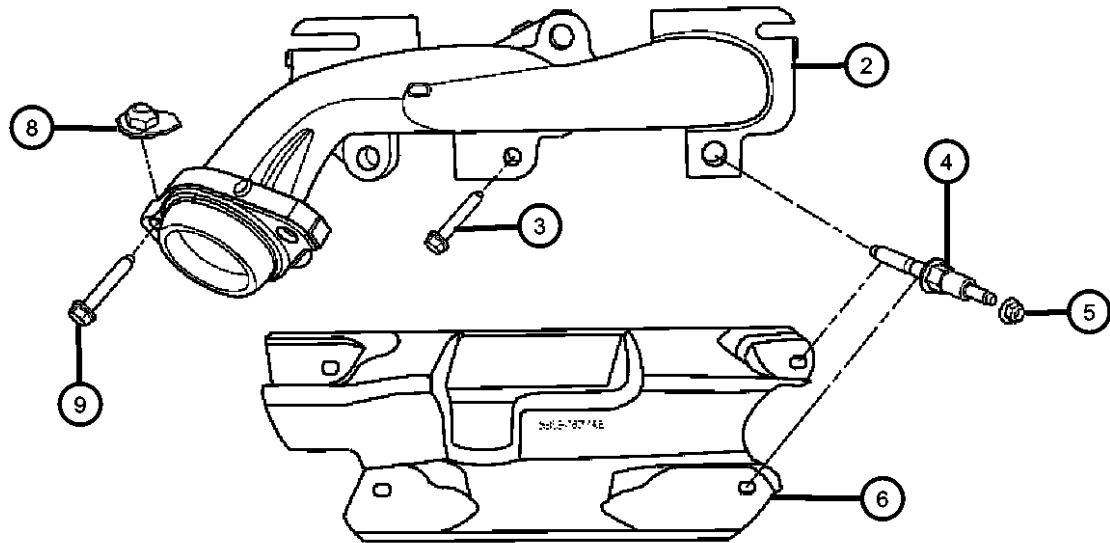
2007 WK

**Exhaust Manifolds And Mounting 3.7L [EKG]
Figure 3.7L-820**

ITEM	PART NUMBER	QTY	LINE	SERIES	BODY	ENGINE	TRANS	TRIM	DESCRIPTION
------	-------------	-----	------	--------	------	--------	-------	------	-------------



10	53032675AD	1	J, T			EK0			SHIELD, Exhaust ManifoldLeft
11	53013691AB	1	J, T			EK0			MANIFOLD, ExhaustLeft



GRAND CHEROKEE (WK)

SERIES LINE
H = HIGHLINE T = JEEP - 2WD
P = PREMIUM J = JEEP - 4WD
S = SPORT
X = SPECIAL

BODY
74 = SPORT UTILITY 4-DR
TYPE #4

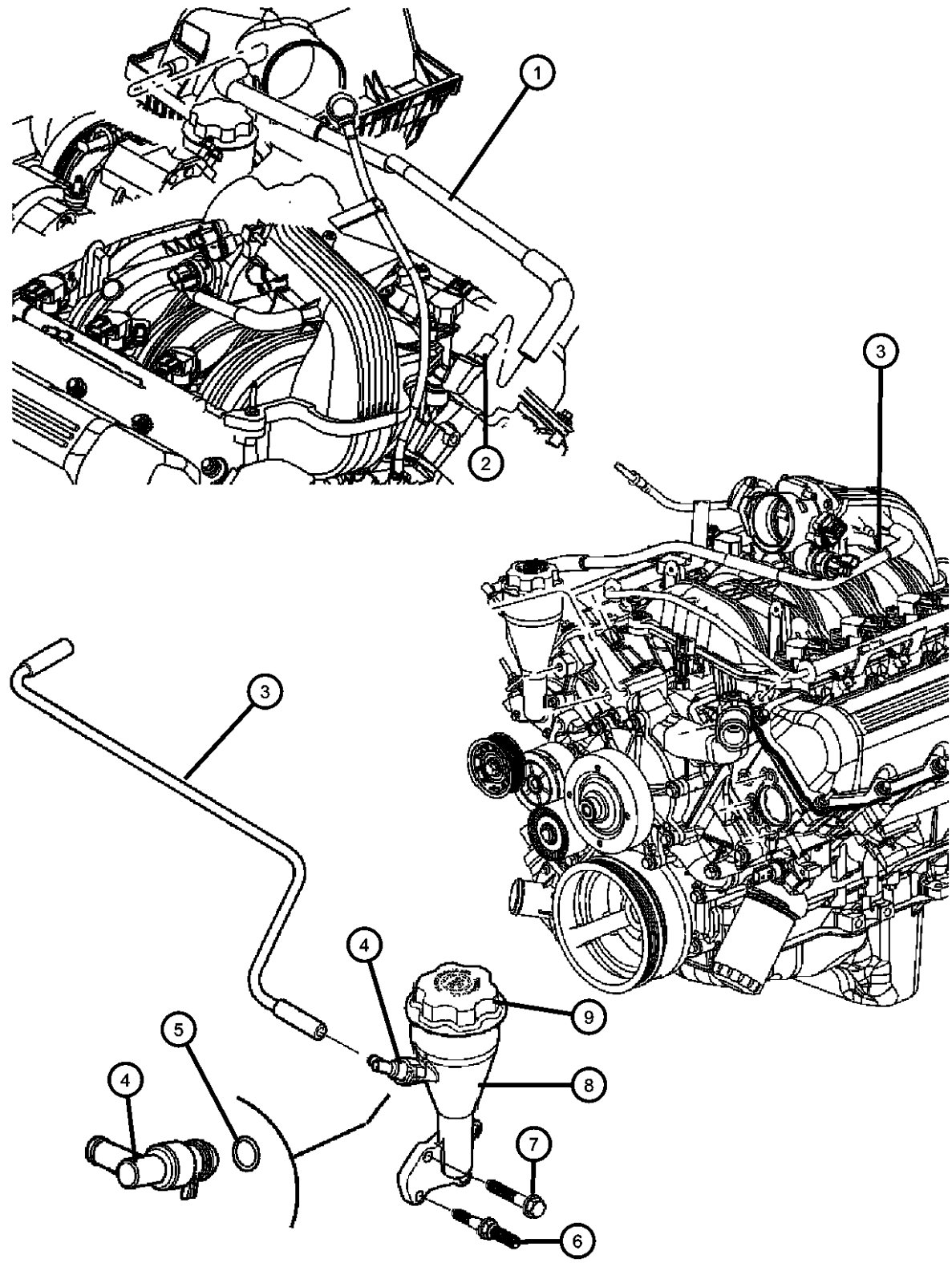
ENGINE
EVA = 4.7L V8 MPI Engine
EVD = 4.7L V8 FFV Engine
EXL = 3.0L V6 Turbo Diesel
Engine
EZB = 5.7L Hemi Multi
Displacement Engine
EKG = 3.7L V6 Engine
ESF = 6.1L SRT HEMI SMPI
V8 Engine

TRANSMISSION
DGJ = 5-Speed Auto W5A580
Transmission
DGQ = 5-Spd Automatic 545RFE
Transmission
DGU = 5-Spd Auto W5J400
Transmission

AR = use ase required - = Non illustrated part

2007 WK

**Crankcase Ventilation 3.7L [EKG]
Figure 3.7L-910**



ITEM	PART NUMBER	QTY	LINE	SERIES	BODY	ENGINE	TRANS	TRIM	DESCRIPTION
------	-------------	-----	------	--------	------	--------	-------	------	-------------

NOTE:
Sales Codes:
[DGJ] = 5-Speed Automatic W5A580 Transmission
[DGQ] = 5-Speed Automatic 545RFE Transmission
[DGU] = 5-Speed Automatic W5J400 Transmission
[DG0] = All Automatic Transmissions
[DHB] = Quadra -Trac Active On Demand NVG 146 Transfer Case
[DHX] = Quadra -Trac 2 Full Time Active NVG 245 Transfer Case
[DHZ] = Quadra -Trac 1 Full time 4WD NVG 140 Transfer Case
[EKG] = 3.7L [Magnum] V-6 Engine
[EK0] = All 3.7L 6-Cylinder Gas Engines
[ESF] = 6.1L SRT Hemi SMPI V-8 Engine
[ES0] = All 6.1L 8-Cylinder Gas Engines
[EVA] = 4.7L [Magnum] V-8 Engine
[EVD] = 4.7L V-8 FFV Engine
[EV0] = All 4.7L 8-Cylinder Gas Engines
[EXL] = 3.0L V-6 Turbo Diesel Engine
[EX0] = All 3.0L Cylinder Turbo Diesel Engines
[EZB] = 5.7L Hemi Multi-Displacement Engine
[EZ0] = All 5.7L 8-Cylinder Gas Engines
[NAA] = Federal Emissions
[NAE] = California Emissions
[NAS] = 50 State Emissions
[NA1] = Export Emissions
[XEF] = Transfer Case Skid Plate Sheild

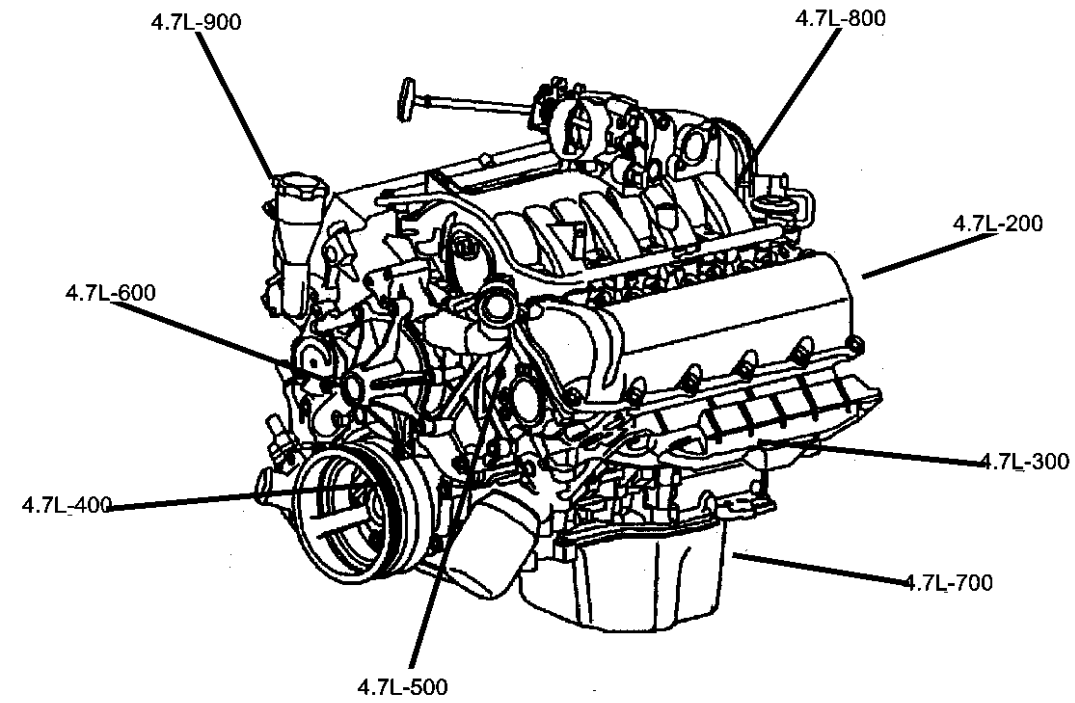
1	53013884AA	1	J, T			EK0			HOSE, Make Up Air
2	06036575AA	1	J, T			EK0, EV0			FITTING, Crankcase Vent Tube, [.375-18X2.00]
3	53032993AC	1	J, T			EK0			TUBE, Crankcase Vent To Intake Manifold
4	53034065AA	1	J, T			EK0			VALVE, Crankcase Vent
5	53032923AA	1	J, T			EK0			O RING
6	06505566AA	1	J, T			EK0, EV0			STUD, [M6X1.00X51.9], Oil Fill Housing To Cylinder Block, Mounting
7	06505504AA	3	J, T			EK0, EV0			SCREW, [M6X1.00X27.00], Oil Fill Housing To Cylinder Block, Mounting
8	53020891AE	1	J, T			EK0			HOUSING, Oil Fill
9	53034076AA	1	J, T			EK0, EV0			CAP, Oil Filler

GRAND CHEROKEE (WK)		BODY	ENGINE	TRANSMISSION
SERIES	LINE	74 = SPORT UTILITY 4-DR TYPE #4	EVA = 4.7L V8 MPI Engine EVD = 4.7L V8 FFV Engine EXL = 3.0L V6 Turbo Diesel Engine EZB = 5.7L Hemi Multi Displacement Engine EKG = 3.7L V6 Engine ESF = 6.1L SRT HEMI SMPI V8 Engine	DGJ = 5-Speed Auto W5A580 Transmission DGQ = 5-Spd Automatic 545RFE Transmission DGU = 5-Spd Auto W5J400 Transmission
H = HIGHLINE P = PREMIUM S = SPORT X = SPECIAL	T = JEEP - 2WD J = JEEP - 4WD			

AR = use ase required - = Non illustrated part

Group - 4.7L

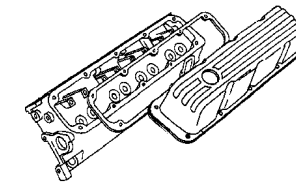
Engine 4.7L Eight Cylinder [EVA]



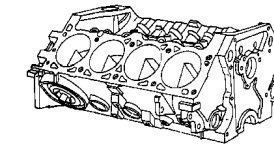
4.7L-100 Engine Identification

X Model Year	X Manufacturing Plant	XXXXX Component Code/Usage	XXXX Month/Day	XXXXXXXX Serial Code
Last digit of model year	Sattilo S Trenton T Tokyo K	Engine 3.2L - 3.6L Usage Pass Car PC Truck T		Last 8 Digits of VIN

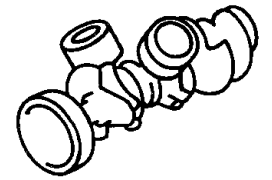
4.7L-200 Cylinder Head



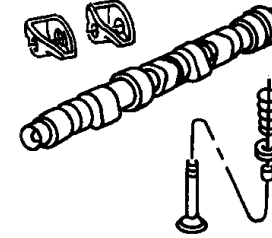
4.7L-300 Cylinder Block



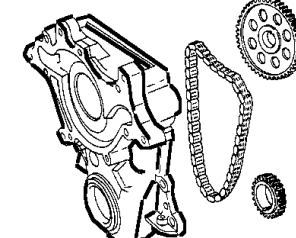
4.7L-400 Crankshaft, Pistons and Torque Converter



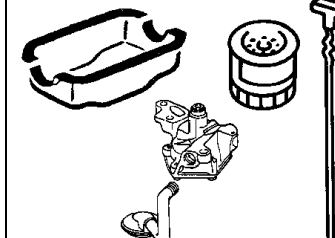
4.7L-500 Camshafts and Valves



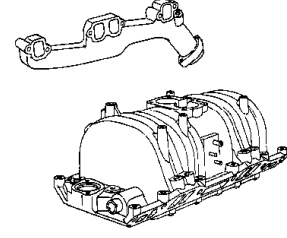
4.7L-600 Timing Belt and Cover



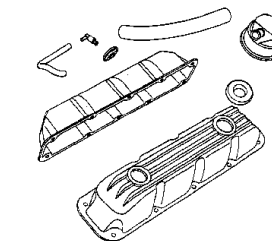
4.7L-700 Engine Oiling



4.7L-800 Manifolds



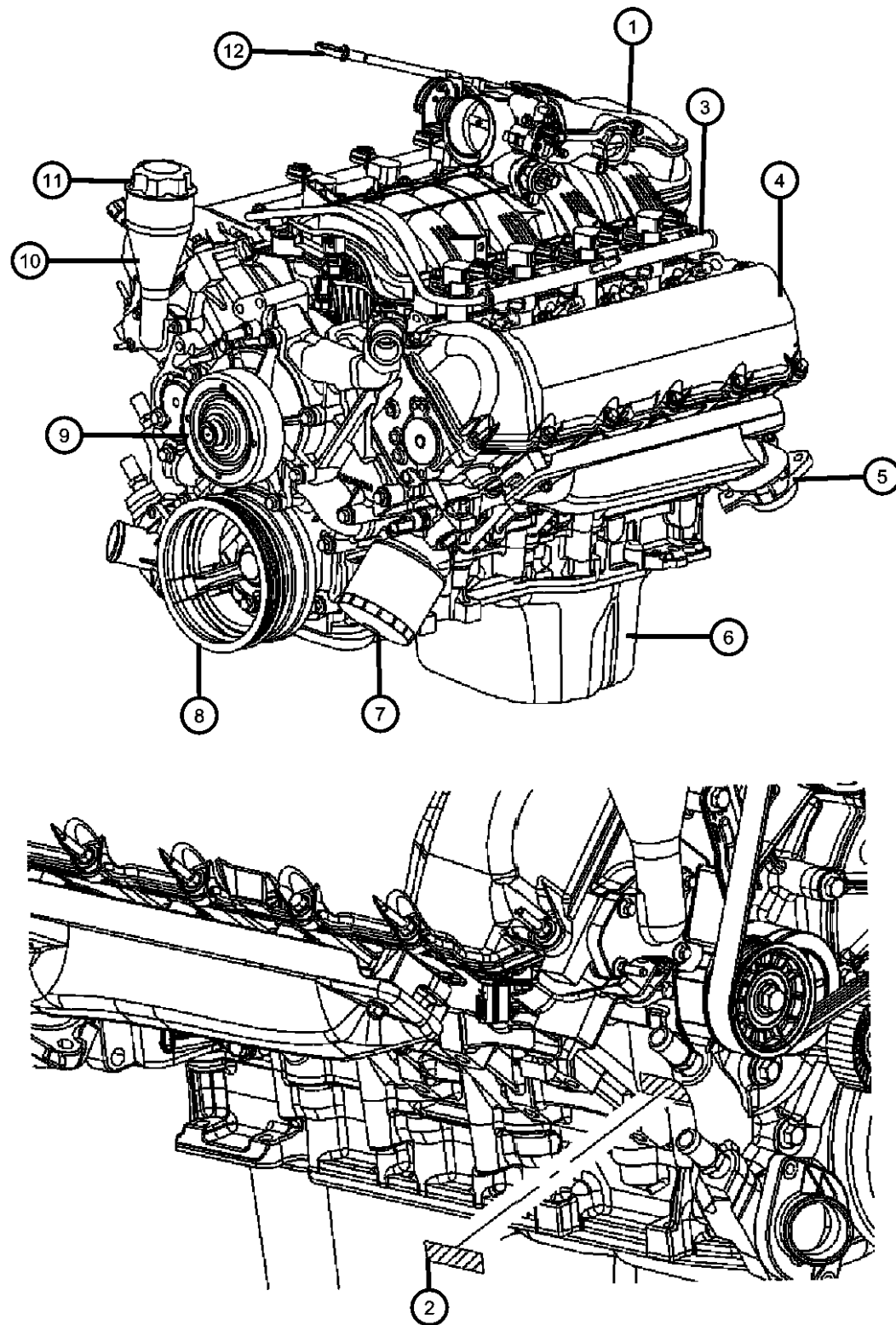
4.7L-900 Crankcase Ventilation



Group - 4.7L Engine 4.7L Eight Cylinder [EVA]

Illustration Title	Group-Fig. No.
Engine Identification	
Engine Assembly And Identification 4.7L [EVA] [EVD]	Fig. 4.7L - 105
Service Engine And Suggested Parts 4.7L [EVA] [EVD]	Fig. 4.7L - 125
Gasket Packages 4.7L [EVA] [EVD]	Fig. 4.7L - 135
Cylinder Head	
Cylinder Head Covers And Mounting 4.7L [EVA] [EVD]	Fig. 4.7L - 210
Cylinder Head And Mounting 4.7L [EVA] [EVD]	Fig. 4.7L - 220
Cylinder Block	
Cylinder Block And Hardware 4.7L [EVA] [EVD]	Fig. 4.7L - 310
Cylinder Block Heater 4.7L [EVA] [EVD]	Fig. 4.7L - 320
Crankshaft, Pistons and Torque Converter	
Crankshaft,Pistons, Torque Converter And Driveplate 4.7L [EVA] [EVD]	Fig. 4.7L - 410
Camshafts and Valves	
Camshafts And Valvetrain 4.7L [EVA] [EVD]	Fig. 4.7L - 510
Timing Belt and Cover	
Timing Cover, 4.7L [EVA] [EVD]	Fig. 4.7L - 610
Timing Chain And Guides, 4.7L [EVA] [EVD]	Fig. 4.7L - 620
Engine Oiling	
Engine Oiling 4.7L [EVA] [EVD]	Fig. 4.7L - 710
Oil Filter And Splash Guard 4.7L [EVA] [EVD]	Fig. 4.7L - 720
Manifolds	
Intake Manifold And Mounting 4.7L [EVA] [EVD]	Fig. 4.7L - 810
Exhaust Manifolds And Mounting 4.7L [EVA] [EVD]	Fig. 4.7L - 820
Crankcase Ventilation	
Crankcase Ventilation, 4.7L [EVA] [EVD]	Fig. 4.7L - 910

**Engine Assembly And Identification 4.7L [EVA] [EVD]
Figure 4.7L-105**



ITEM	PART NUMBER	QTY	LINE	SERIES	BODY	ENGINE	TRANS	TRIM	DESCRIPTION
------	-------------	-----	------	--------	------	--------	-------	------	-------------

NOTE:
The Engine Identification Label Contains: The Production Assembly Part Number And Displacement. Bar Code Label Is On Right Side Cylinder Head
Sales Codes:

- [DGJ] = 5-Speed Automatic W5A580 Transmission
- [DGQ] = 5-Speed Automatic 545RFE Transmission
- [DGU] = 5-Speed Automatic W5J400 Transmission
- [DG0] = All Automatic Transmissions
- [DHB] = Quadra -Trac Active On Demand NVG 146 Transfer Case
- [DHX] = Quadra -Trac 2 Full Time Active NVG 245 Transfer Case
- [DHZ] = Quadra -Trac 1 Full time 4WD NVG 140 Transfer Case
- [EKG] = 3.7L [Magnum] V-6 Engine
- [EK0] = All 3.7L 6-Cylinder Gas Engines
- [ESF] = 6.1L SRT Hemi SMPI V-8 Engine
- [ES0] = All 6.1L 8-Cylinder Gas Engines
- [EVA] = 4.7L [Magnum] V-8 Engine
- [EVD] = 4.7L V-8 FFV Engine
- [EV0] = All 4.7L 8-Cylinder Gas Engines
- [EXL] = 3.0L V-6 Turbo Diesel Engine
- [EX0] = All 3.0L Cylinder Turbo Diesel Engines
- [EZB] = 5.7L Hemi Multi-Displacement Engine
- [EZ0] = All 5.7L 8-Cylinder Gas Engines
- [NAA] = Federal Emissions
- [NAE] = California Emissions
- [NAS] = 50 State Emissions
- [NA1] = Export Emissions
- [XEF] = Transfer Case Skid Plate Shield

1		1							ENGINE, Complete, Serviced By New Short Block, (NOT SERVICED)
2		1							LABEL, Engine Identification, See Note, (NOT SERVICED)
3	53032721AA	1	J, T			EVA, EVD			RAIL, Fuel
4	53021829AD	1	J, T			EVA, EVD			COVER, Cylinder HeadLeft
5	53013599AB	1	J, T			EVA, EVD			MANIFOLD, ExhaustLeft
6	53021756AA	1	J, T			EV0			PAN, Engine Oil
7	05281090	1	J, T			EV0			FILTER, Engine Oil
	0FE00292								Canadian Aftermarket Part
	05281090BA								BULK PACK (12)
8	53020689AB	1	J, T			EK0, EVA, EVD			DAMPER, Crankshaft
9	53022189AB	1				EK0, EV0			PUMP, Water
10	53020891AE	1	J, T			EV0			HOUSING, Oil Fill

GRAND CHEROKEE (WK)

SERIES LINE
H = HIGHLINE T = JEEP - 2WD
P = PREMIUM J = JEEP - 4WD
S = SPORT
X = SPECIAL

BODY
74 = SPORT UTILITY 4-DR
TYPE #4

ENGINE
EVA = 4.7L V8 MPI Engine
EVD = 4.7L V8 FFV Engine
EXL = 3.0L V6 Turbo Diesel Engine
EZB = 5.7L Hemi Multi Displacement Engine
EKG = 3.7L V6 Engine
ESF = 6.1L SRT HEMI SMPI V8 Engine

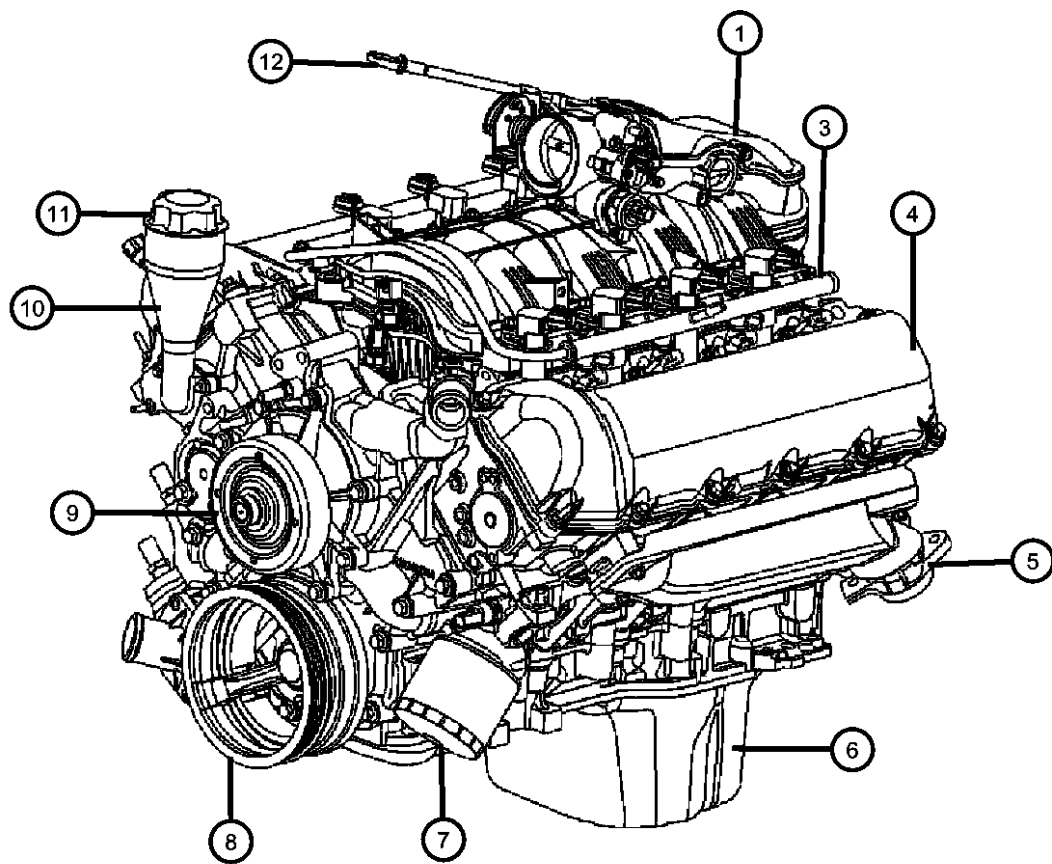
TRANSMISSION
DGJ = 5-Speed Auto W5A580 Transmission
DGQ = 5-Spd Automatic 545RFE Transmission
DGU = 5-Spd Auto W5J400 Transmission

AR = use ase required - = Non illustrated part

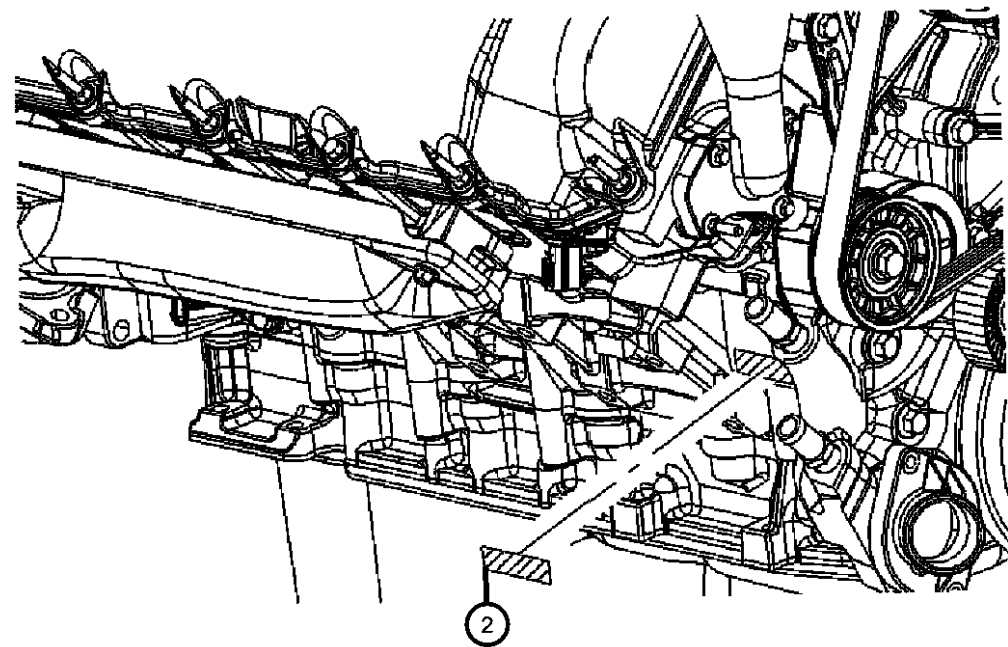
2007 WK

**Engine Assembly And Identification 4.7L [EVA] [EVD]
Figure 4.7L-105**

ITEM	PART NUMBER	QTY	LINE	SERIES	BODY	ENGINE	TRANS	TRIM	DESCRIPTION
------	-------------	-----	------	--------	------	--------	-------	------	-------------



11	53034076AA	1	J, T			EK0, EV0			CAP, Oil Filler
12	53021749AD	1	J, T			EVA, EVD			INDICATOR, Engine Oil Level



GRAND CHEROKEE (WK)

SERIES LINE
H = HIGHLINE T = JEEP - 2WD
P = PREMIUM J = JEEP - 4WD
S = SPORT
X = SPECIAL

BODY
74 = SPORT UTILITY 4-DR
TYPE #4

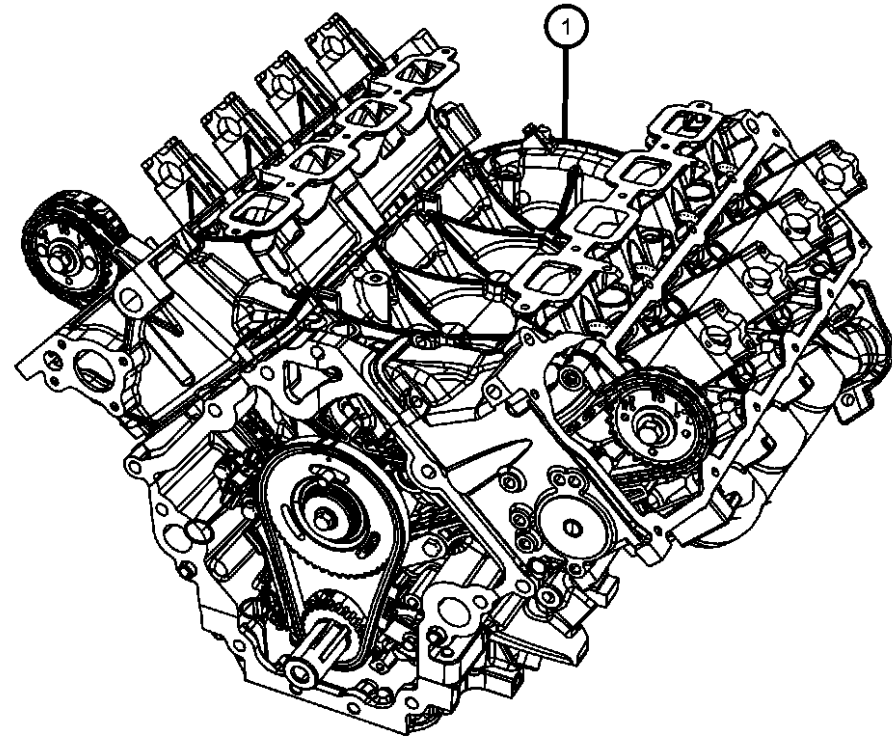
ENGINE
EVA = 4.7L V8 MPI Engine
EVD = 4.7L V8 FFV Engine
EXL = 3.0L V6 Turbo Diesel
Engine
EZB = 5.7L Hemi Multi
Displacement Engine
EKG = 3.7L V6 Engine
ESF = 6.1L SRT HEMI SMPI
V8 Engine

TRANSMISSION
DGJ = 5-Speed Auto W5A580
Transmission
DGQ = 5-Spd Automatic 545RFE
Transmission
DGU = 5-Spd Auto W5J400
Transmission

AR = use ase required - = Non illustrated part

2007 WK

**Service Engine And Suggested Parts 4.7L [EVA] [EVD]
Figure 4.7L-125**

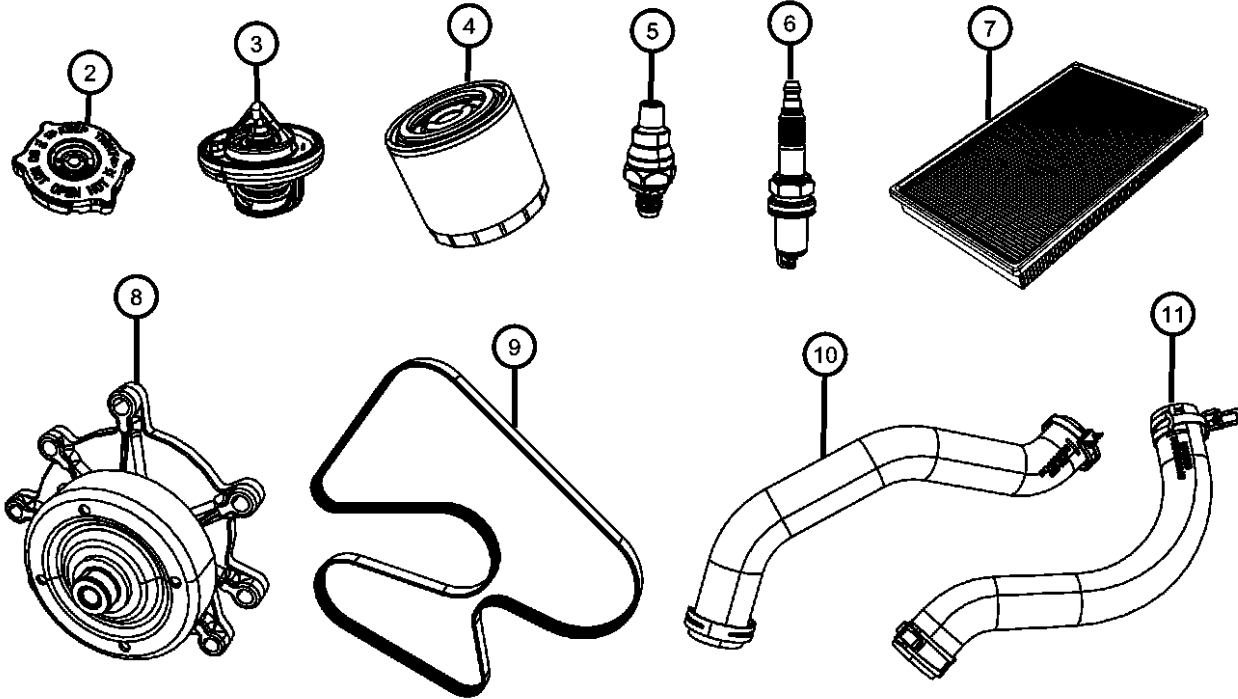


ITEM	PART NUMBER	QTY	LINE	SERIES	BODY	ENGINE	TRANS	TRIM	DESCRIPTION
------	-------------	-----	------	--------	------	--------	-------	------	-------------

Remanufactured Long Block Engine Contains: Cylinder Block, Cylinder Heads, Crankshaft, Main & Connecting Rod Bearings, Pistons, Piston Rings, Piston Pins, Camshafts, Intake & Exhaust Valves, Springs, Rocker Arms, Valve Lash Adjusters, Timing Chain Syst

1		1							ENGINE, Long Block, See Note, (NOT SERVICED)
2	55116897AA	1	J, T			EK0, ESF, EVO	DG0		CAP, Radiator
3	52079476AC	1	J, T			EK0, EVA, EVD			THERMOSTAT
4	05281090 0FE00292 05281090BA	1	J, T			EVO			FILTER, Engine Oil Canadian Aftermarket Part BULK PACK (12)
5	53032925AC	1	J, T			EVO			VALVE, PCV
6	SPRC12MCC4	8	J, T			EVA, EVD			SPARK PLUG
7	05018777AB VMWK30K1AA VMWK60K1AA	1	J, T			EK0, EVO			FILTER, Air Mopar HEMI 5.7L Maintenance Kit 30,000 Mile (Air/Oil Filters, Plugs, PCV) Mopar HEMI 5.7L Maintenance Kit 60,000 Mile (Air/Oil Filters, Plugs, PCV, Drive Belt, LX Cabin Filter)
8	53022189AB	1				EK0, EVO			PUMP, Water
9		1							BELT, Serpentine, (NOT SERVICED)
10	55116866AA	1	J, T			EVO			HOSE, Radiator Inlet
11	55116869AC	1	J, T			EVO			HOSE, Radiator Outlet

LISTED BELOW ARE SUGGESTED PARTS WHEN REPLACING AN ENGINE



GRAND CHEROKEE (WK)

SERIES LINE
H = HIGHLINE T = JEEP - 2WD
P = PREMIUM J = JEEP - 4WD
S = SPORT
X = SPECIAL

BODY
74 = SPORT UTILITY 4-DR
TYPE #4

ENGINE
EVA = 4.7L V8 MPI Engine
EVD = 4.7L V8 FFV Engine
EXL = 3.0L V6 Turbo Diesel Engine
EZB = 5.7L Hemi Multi Displacement Engine
EKG = 3.7L V6 Engine
ESF = 6.1L SRT HEMI SMPI V8 Engine

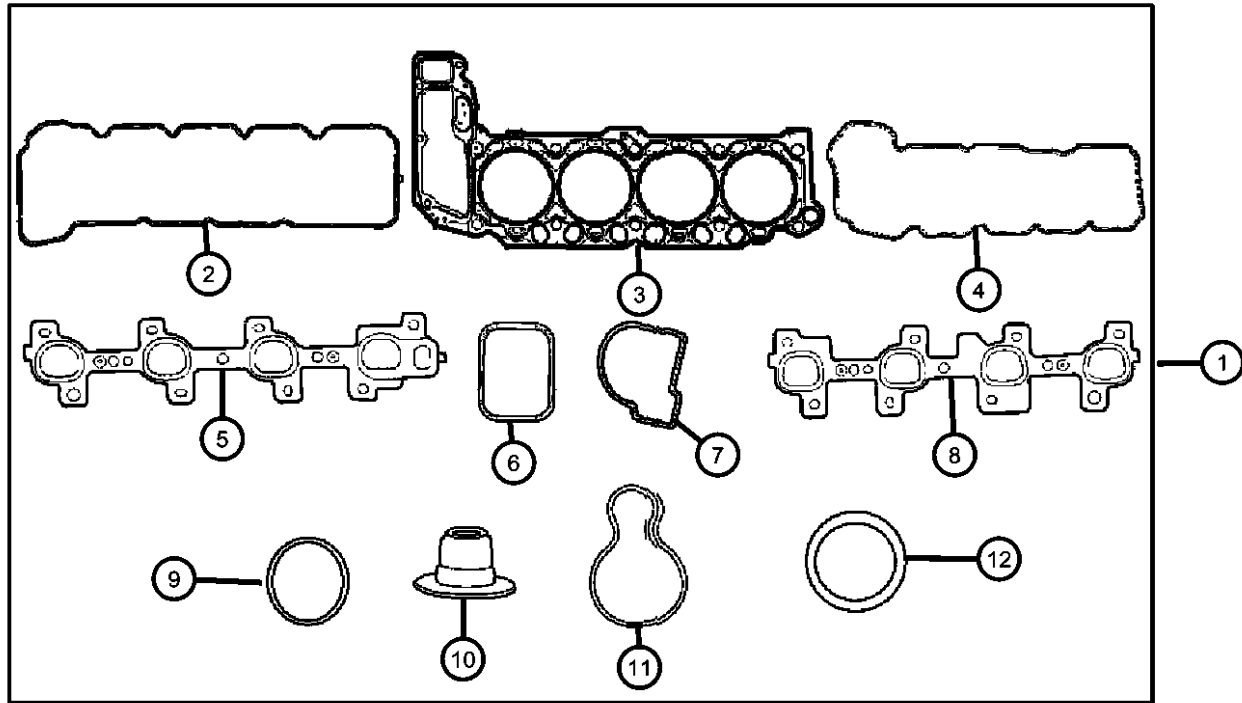
TRANSMISSION
DGJ = 5-Speed Auto W5A580 Transmission
DGQ = 5-Spd Automatic 545RFE Transmission
DGU = 5-Spd Auto W5J400 Transmission

AR = use ase required - = Non illustrated part

2007 WK

**Gasket Packages 4.7L [EVA] [EVD]
Figure 4.7L-135**

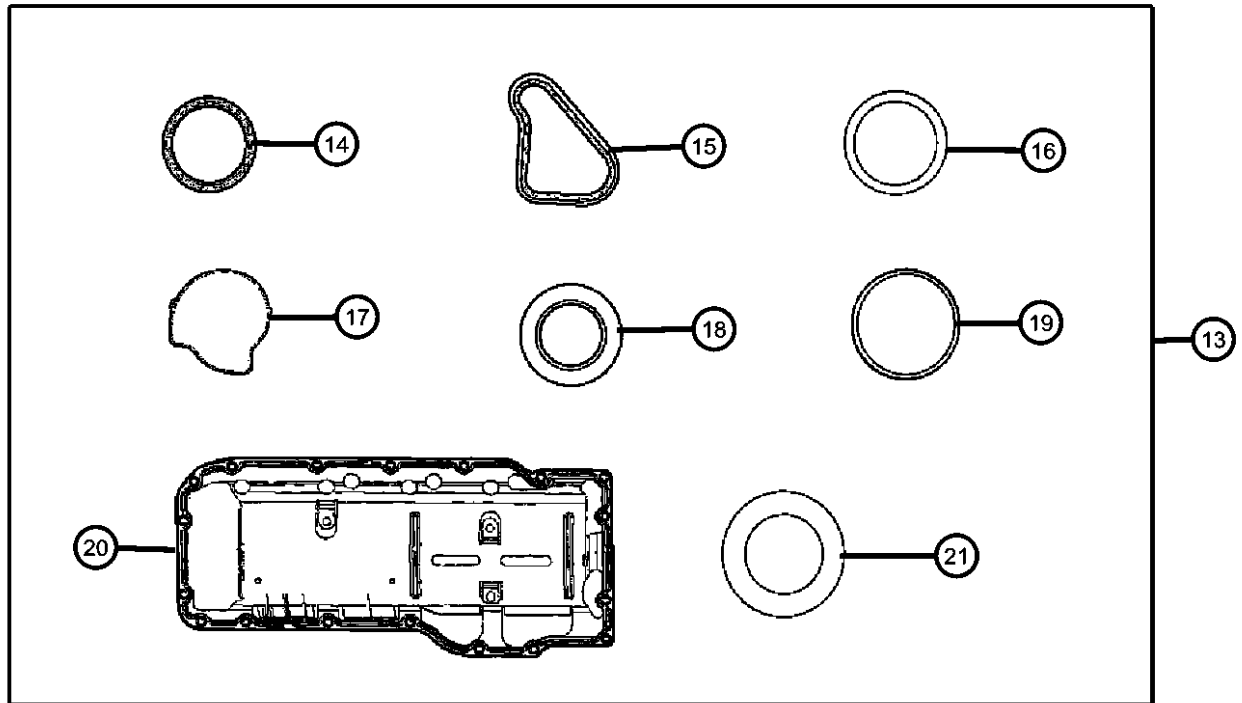
ITEM	PART NUMBER	QTY	LINE	SERIES	BODY	ENGINE	TRANS	TRIM	DESCRIPTION
------	-------------	-----	------	--------	------	--------	-------	------	-------------



NOTE:

Sales Codes:

- [DGJ] = 5-Speed Automatic W5A580 Transmission
- [DGQ] = 5-Speed Automatic 545RFE Transmission
- [DGU] = 5-Speed Automatic W5J400 Transmission
- [DG0] = All Automatic Transmissions
- [DHB] = Quadra -Trac Active On Demand NVG 146 Transfer Case
- [DHX] = Quadra -Trac 2 Full Time Active NVG 245 Transfer Case
- [DHZ] = Quadra -Trac 1 Full time 4WD NVG 140 Transfer Case
- [EKG] = 3.7L [Magnum] V-6 Engine
- [EK0] = All 3.7L 6-Cylinder Gas Engines
- [ESF] = 6.1L SRT Hemi SMPI V-8 Engine
- [ES0] = All 6.1L 8-Cylinder Gas Engines
- [EVA] = 4.7L [Magnum] V-8 Engine
- [EVD] = 4.7L V-8 FFV Engine
- [EV0] = All 4.7L 8-Cylinder Gas Engines
- [EXL] = 3.0L V-6 Turbo Diesel Engine
- [EX0] = All 3.0L Cylinder Turbo Diesel Engines
- [EZB] = 5.7L Hemi Multi-Displacement Engine
- [EZ0] = All 5.7L 8-Cylinder Gas Engines
- [NAA] = Federal Emissions
- [NAE] = California Emissions
- [NAS] = 50 State Emissions
- [NA1] = Export Emissions
- [XEF] = Transfer Case Skid Plate Sheild



1	68001777AA	1	J, T			EVA, EVD	DG0		GASKET PACKAGE, Engine Upper
2	53021842AA	1	J, T			EVA, EVD			GASKET, Valve CoverRight
3	53020673AC	2	J, T			EV0			GASKET, Cylinder Head, LeftRight & Left
4	53021843AA	1	J, T			EVA, EVD			GASKET, Valve CoverLeft
5	53034029AD	1	J, T			EVA, EVD			GASKET, Exhaust ManifoldLeft
6	53010310AB	8	J, T			EV0			SEAL, Intake Manifold
7	53030952AB	1	J, T			EV0			GASKET, Throttle Body To Intake
8	53034030AC	1	J, T			EVA, EVD			GASKET, Exhaust ManifoldRight
9	53021032	1	J, T			EK0, EV0			O RING
10	53021974AA	16				EVA, EVD			SEAL, Valve Guide
11	53020889AC	1	J, T			EV0			GASKET, Oil Fill Housing
12		1							O RING, Service Number [53031711AA] Serviced With Oil Fill Housing 2007 4.7L, (NOT SERVICED)

GRAND CHEROKEE (WK)

SERIES LINE
H = HIGHLINE T = JEEP - 2WD
P = PREMIUM J = JEEP - 4WD
S = SPORT
X = SPECIAL

BODY
74 = SPORT UTILITY 4-DR
TYPE #4

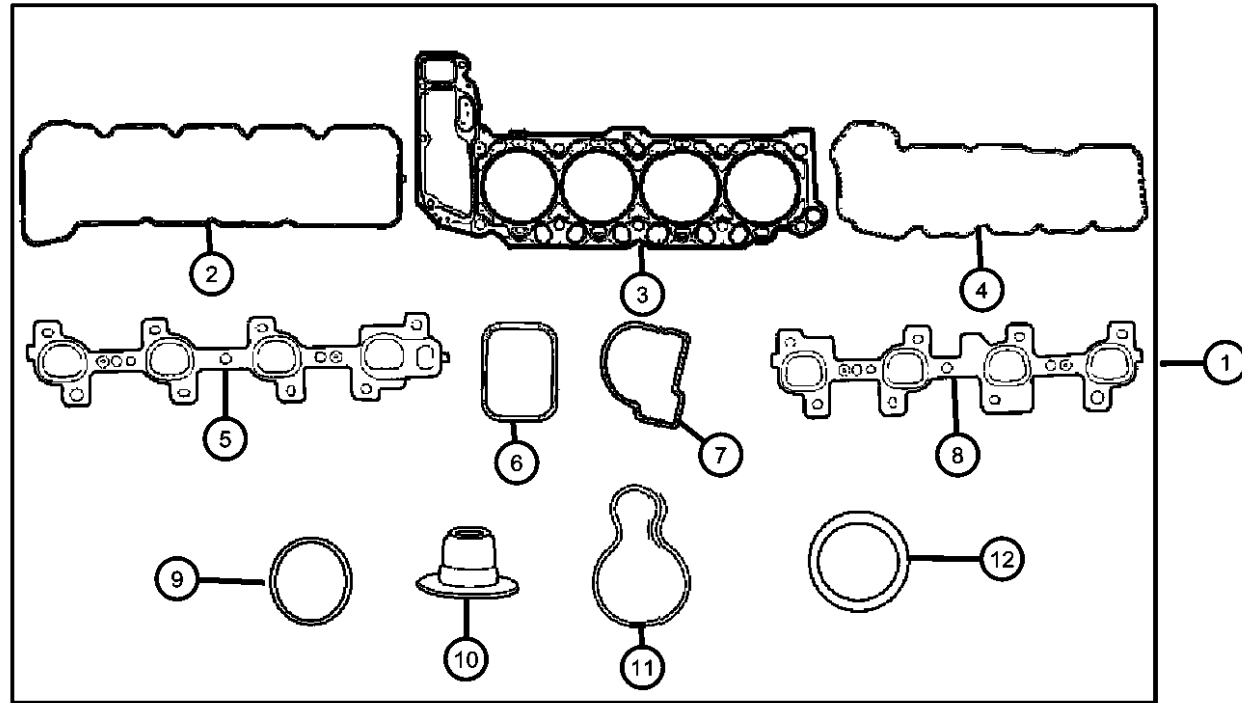
ENGINE
EVA = 4.7L V8 MPI Engine
EVD = 4.7L V8 FFV Engine
EXL = 3.0L V6 Turbo Diesel Engine
EZB = 5.7L Hemi Multi Displacement Engine
EKG = 3.7L V6 Engine
ESF = 6.1L SRT HEMI SMPI V8 Engine

TRANSMISSION
DGJ = 5-Speed Auto W5A580 Transmission
DGQ = 5-Spd Automatic 545RFE Transmission
DGU = 5-Spd Auto W5J400 Transmission

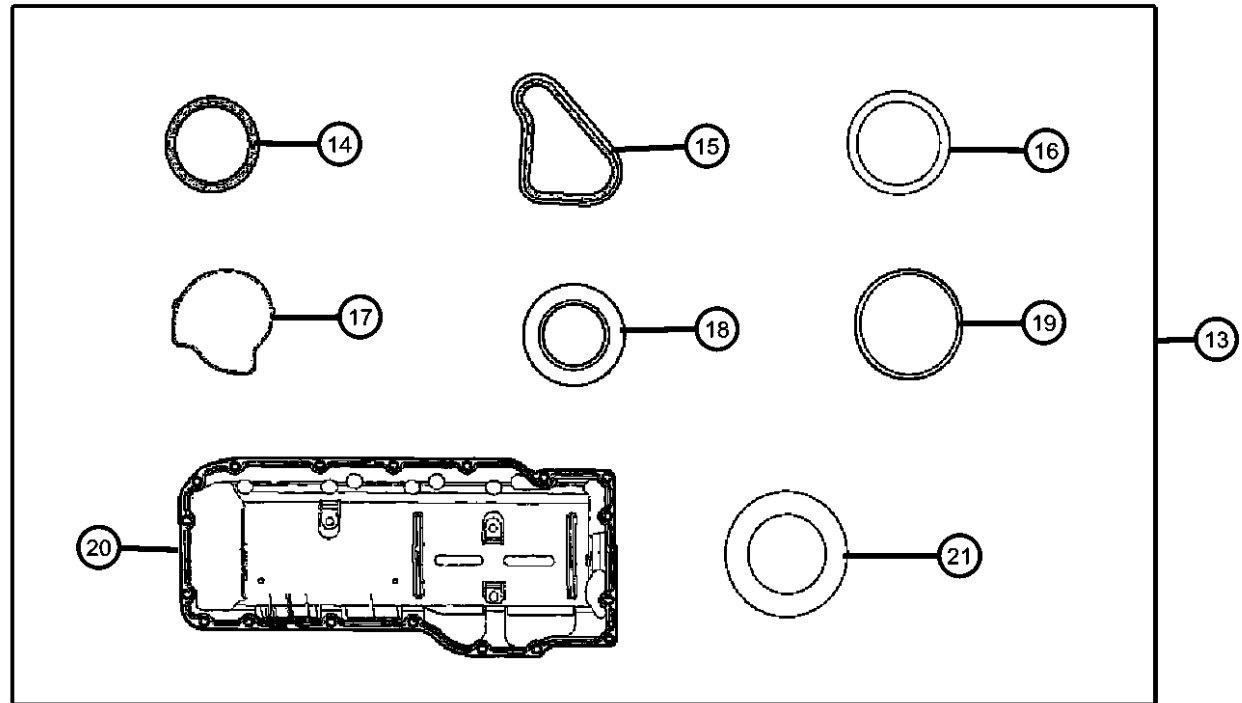
AR = use ase required - = Non illustrated part

2007 WK

**Gasket Packages 4.7L [EVA] [EVD]
Figure 4.7L-135**



ITEM	PART NUMBER	QTY	LINE	SERIES	BODY	ENGINE	TRANS	TRIM	DESCRIPTION
13	05135798AB	1	J, T			EVA, EVD	DG0		GASKET PACKAGE, Engine Lower
14	53021144AA	1	J, T			EVA, EVD			O RING, Engine Oil Indicator
15		1							GASKET, Chain Case Cover, Service Number [53021226AA] Serviced With Timing Chain Cover 2007 4.7L, (NOT SERVICED)
16		1							O RING, Service Number [53021239AA] Serviced With Timing Chain Cover 2007 4.7L, (NOT SERVICED)
17	53020865	1	J, T			EK0, EV0			GASKET, Water Pump
18	53020788AB	1	J, T			EK0, EV0			SEAL, Crankshaft Bearing Oil
19	53020861	1	J, T			EK0, EV0			SEAL, Oil Pick Up Tube
20	53020675AE	1	J, T			EV0			GASKET, Oil Pan
21	53021313AA	1	J, T			EVA, EVD			SEAL, Crankshaft Oil, Front



GRAND CHEROKEE (WK)

SERIES LINE
H = HIGHLINE T = JEEP - 2WD
P = PREMIUM J = JEEP - 4WD
S = SPORT
X = SPECIAL

BODY
74 = SPORT UTILITY 4-DR
TYPE #4

ENGINE
EVA = 4.7L V8 MPI Engine
EVD = 4.7L V8 FFV Engine
EXL = 3.0L V6 Turbo Diesel
Engine
EZB = 5.7L Hemi Multi
Displacement Engine
EKG = 3.7L V6 Engine
ESF = 6.1L SRT HEMI SMPI
V8 Engine

TRANSMISSION
DGJ = 5-Speed Auto W5A580
Transmission
DGQ = 5-Spd Automatic 545RFE
Transmission
DGU = 5-Spd Auto W5J400
Transmission

AR = use ase required - = Non illustrated part

2007 WK

**Cylinder Head Covers And Mounting 4.7L [EVA] [EVD]
Figure 4.7L-210**

ITEM	PART NUMBER	QTY	LINE	SERIES	BODY	ENGINE	TRANS	TRIM	DESCRIPTION
------	-------------	-----	------	--------	------	--------	-------	------	-------------

NOTE:

Sales Codes:

[DGJ] = 5-Speed Automatic W5A580 Transmission

[DGQ] = 5-Speed Automatic 545RFE Transmission

[DGU] = 5-Speed Automatic W5J400 Transmission

[DG0] = All Automatic Transmissions

[DHB] = Quadra -Trac Active On Demand NVG 146 Transfer Case

[DHX] = Quadra -Trac 2 Full Time Active NVG 245 Transfer Case

[DHZ] = Quadra -Trac 1 Full time 4WD NVG 140 Transfer Case

[EKG] = 3.7L [Magnum] V-6 Engine

[EK0] = All 3.7L 6-Cylinder Gas Engines

[ESF] = 6.1L SRT Hemi SMPI V-8 Engine

[ES0] = All 6.1L 8-Cylinder Gas Engines

[EVA] = 4.7L [Magnum] V-8 Engine

[EVD] = 4.7L V-8 FFV Engine

[EV0] = All 4.7L 8-Cylinder Gas Engines

[EXL] = 3.0L V-6 Turbo Diesel Engine

[EX0] = All 3.0L Cylinder Turbo Diesel Engines

[EZB] = 5.7L Hemi Multi-Displacement Engine

[EZ0] = All 5.7L 8-Cylinder Gas Engines

[NAA] = Federal Emissions

[NAE] = California Emissions

[NAS] = 50 State Emissions

[NA1] = Export Emissions

[XEF] = Transfer Case Skid Plate Shield

1	53021828AA	1	J, T			EVA, EVD			COVER, Cylinder Head, Includes Items 2,3,4Right
2	06508296AA	8	J, T			EVA, EVD			SCREW, [M6X1.00X33.00], Cylinder Head Cover To Cylinder Head, Mounting, Right
3		8							STUD, [M6X1.00X61.00] Serviced In Cover Package Only, (NOT SERVICED)
4	53021842AA	1	J, T			EVD, EVA			GASKET, Valve CoverRight
5	53021829AD	1	J, T			EVA, EVD			COVER, Cylinder Head, Includes Items 6,7,8Left
6	06508296AA	8	J, T			EVA, EVD			SCREW, [M6X1.00X33.00], Cylinder Head Cover To Cylinder Head, Mounting, Left
7		8							STUD, [M6X1.00X61.00] Serviced In Cover Package Only, (NOT SERVICED)
8	53021843AA	1	J, T			EVA, EVD			GASKET, Valve CoverLeft

GRAND CHEROKEE (WK)

SERIES LINE
H = HIGHLINE T = JEEP - 2WD
P = PREMIUM J = JEEP - 4WD
S = SPORT
X = SPECIAL

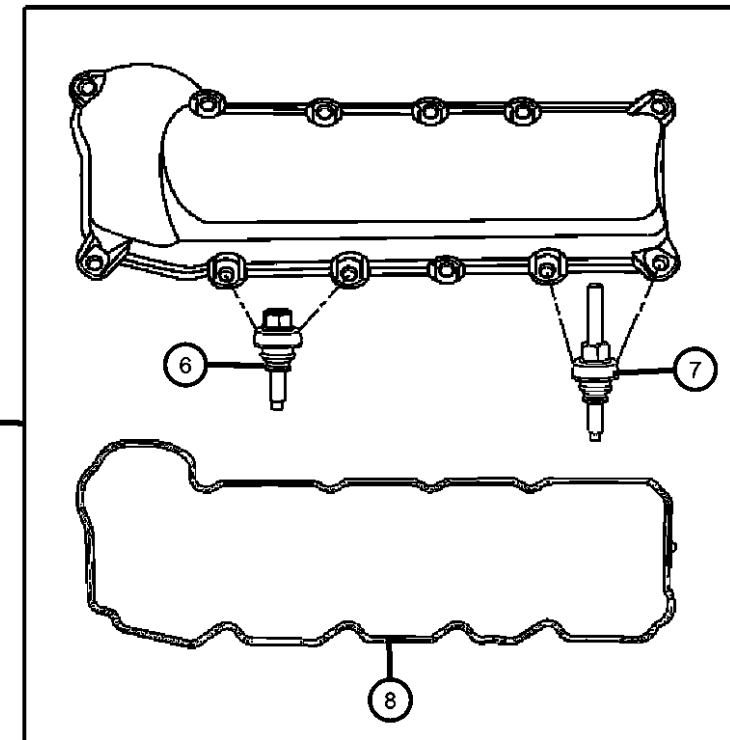
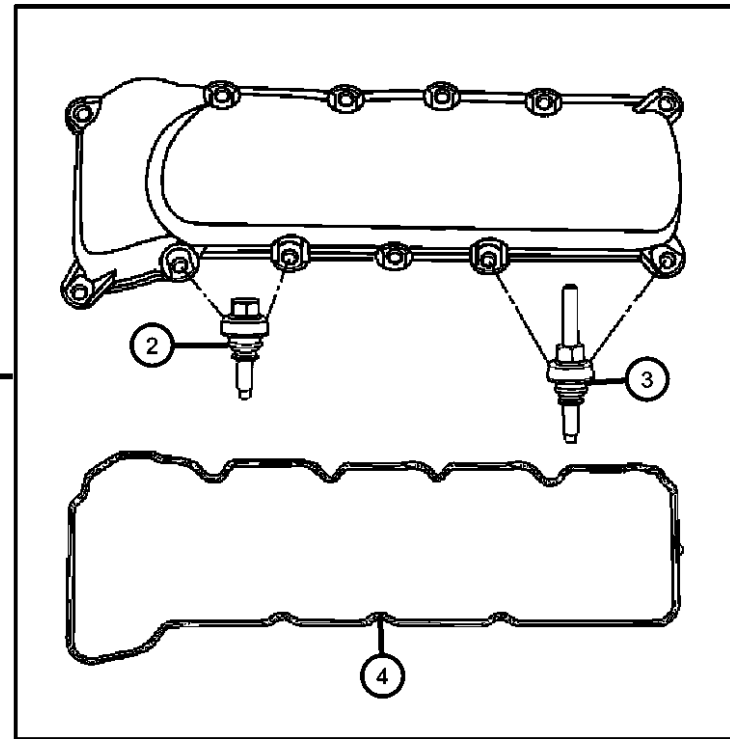
BODY
74 = SPORT UTILITY 4-DR
TYPE #4

ENGINE
EVA = 4.7L V8 MPI Engine
EVD = 4.7L V8 FFV Engine
EXL = 3.0L V6 Turbo Diesel Engine
EZB = 5.7L Hemi Multi Displacement Engine
EKG = 3.7L V6 Engine
ESF = 6.1L SRT HEMI SMPI V8 Engine

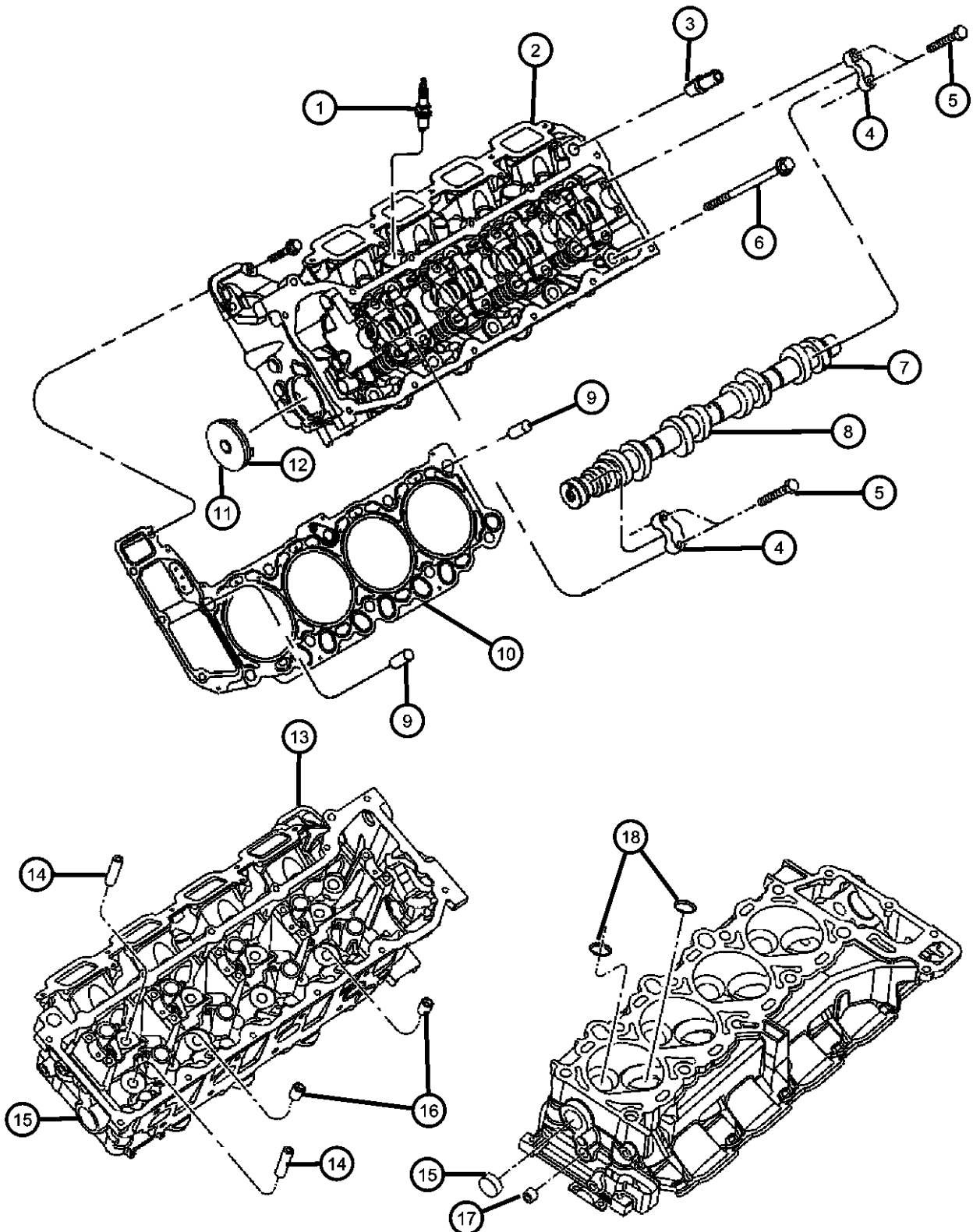
TRANSMISSION
DGJ = 5-Speed Auto W5A580 Transmission
DGQ = 5-Spd Automatic 545RFE Transmission
DGU = 5-Spd Auto W5J400 Transmission

AR = use ase required - = Non illustrated part

2007 WK



**Cylinder Head And Mounting 4.7L [EVA] [EVD]
Figure 4.7L-220**



ITEM	PART NUMBER	QTY	LINE	SERIES	BODY	ENGINE	TRANS	TRIM	DESCRIPTION
10	53020673AC	2	J, T			EVO			GASKET, Cylinder HeadRight & Left
11	53021031	1	J, T			EK0, EVO			PLUG, Access Hole, Includes O-Ring
12	53021032	1	J, T			EK0, EVO			O RING, [54MM ID X 2.0 Section]
13	53020798AB	1	J, T			EVA, EVD			HEAD, Cylinder, Right, See Note. Includes Items 4,14,15,16,17,18 Only
14		1							GUIDE, Intake/Exhaust Valve, Standard Size, Serviced With Cylinder Head, (NOT SERVICED)
15	04556020AB	2	J, T			EVA, EVD			PLUG, Core, 1.25 Diameter
16									PLUG, Hex Socket, 3/8-18NPTx.475
	06034331	2	J, T			EVA, EVD			Right, Cylinder Head
		2	J, T			EVA, EVD			Left, Cylinder Head
17									PLUG
	06036307AA	1	J, T			EVA, EVD			Oil Gallery, Right, Cylinder Head
		1	J, T			EVA, EVD			Oil Gallery, Left, Cylinder Head
18		1							INSERT, Valve Guide, Serviced With Cylinder Head, (NOT SERVICED),

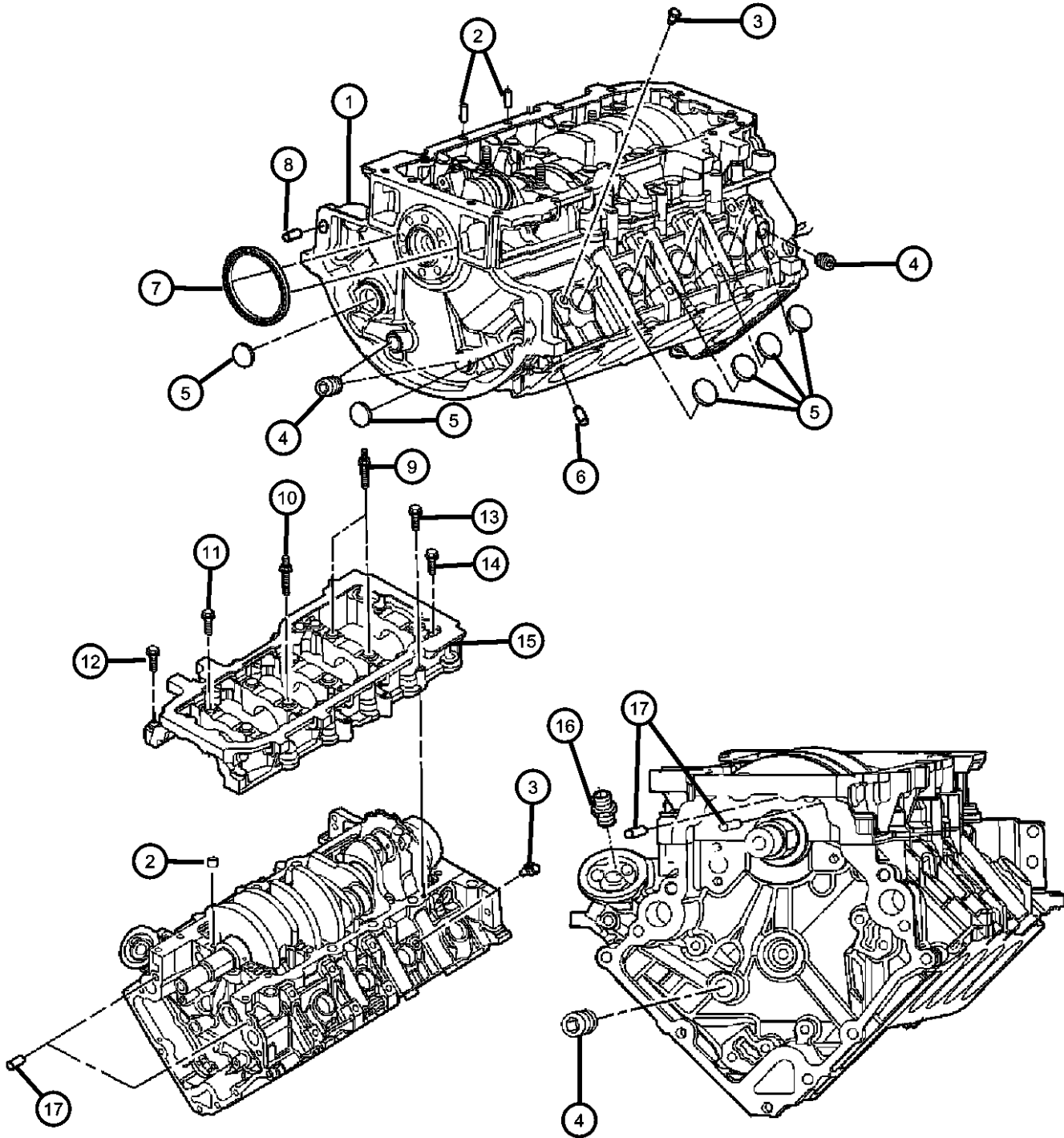
GRAND CHEROKEE (WK)

SERIES	LINE	BODY	ENGINE	TRANSMISSION
H = HIGHLINE	T = JEEP - 2WD	74 = SPORT UTILITY 4-DR	EVA = 4.7L V8 MPI Engine	DGJ = 5-Speed Auto W5A580
P = PREMIUM	J = JEEP - 4WD	TYPE #4	EVD = 4.7L V8 FFV Engine	Transmission
S = SPORT			EXL = 3.0L V6 Turbo Diesel Engine	DGQ = 5-Spd Automatic 545RFE
X = SPECIAL			EZB = 5.7L Hemi Multi Displacement Engine	Transmission
			EKG = 3.7L V6 Engine	DGU = 5-Spd Auto W5J400
			ESF = 6.1L SRT HEMI SMPI V8 Engine	Transmission

AR = use ase required - = Non illustrated part

**Cylinder Block And Hardware 4.7L [EVA] [EVD]
Figure 4.7L-310**

ITEM	PART NUMBER	QTY	LINE	SERIES	BODY	ENGINE	TRANS	TRIM	DESCRIPTION
------	-------------	-----	------	--------	------	--------	-------	------	-------------



NOTE:

New Short Block Contains: Cylinder Block, Bedplate, Freeze Plugs, Crankshaft, Crankshaft Sensor Target Ring, Crankshaft Bearings, Thrust Was
Sales Codes:

- [DGJ] = 5-Speed Automatic W5A580 Transmission
- [DGQ] = 5-Speed Automatic 545RFE Transmission
- [DGU] = 5-Speed Automatic W5J400 Transmission
- [DG0] = All Automatic Transmissions
- [DHB] = Quadra -Trac Active On Demand NVG 146 Transfer Case
- [DHX] = Quadra -Trac 2 Full Time Active NVG 245 Transfer Case
- [DHZ] = Quadra -Trac 1 Full time 4WD NVG 140 Transfer Case
- [EKG] = 3.7L [Magnum] V-6 Engine
- [EK0] = All 3.7L 6-Cylinder Gas Engines
- [ESF] = 6.1L SRT Hemi SMPI V-8 Engine
- [ES0] = All 6.1L 8-Cylinder Gas Engines
- [EVA] = 4.7L [Magnum] V-8 Engine
- [EVD] = 4.7L V-8 FFV Engine
- [EV0] = All 4.7L 8-Cylinder Gas Engines
- [EXL] = 3.0L V-6 Turbo Diesel Engine
- [EX0] = All 3.0L Cylinder Turbo Diesel Engines
- [EZB] = 5.7L Hemi Multi-Displacement Engine
- [EZ0] = All 5.7L 8-Cylinder Gas Engines
- [NAA] = Federal Emissions
- [NAE] = California Emissions
- [NAS] = 50 State Emissions
- [NA1] = Export Emissions
- [XEF] = Transfer Case Skid Plate Sheild

1	05102738AE	1	J, T			EVA, EVD	DG0		BLOCK, SHORT, See Note
2	06505457AA	3	J, T			EV0			PIN, [M15X12.5], Bedplate To Cylinder Block, Mounting
3	06036592AA	2	J, T			EV0			PLUG, [.250-18X.690], Cylinder Block Coolant Drain
4	06036114AA	4	J, T			EK0, EV0			PLUG, Pipe, [.500-14X.560], Cylinder Block Oil Hole
5	06034804	10	J, T			EV0			PLUG, Core, 1.39 Diameter, [ID=M32.26 OD=35.00 THK=1.37]
6	05240849	4	J, T			EK0, EV0			DOWEL, Cylinder Head To Cylinder Block, Mounting
7	53020788AB	1	J, T			EK0, EV0			SEAL, Crankshaft Bearing OilRear
8	01122532	2	J, T			EK0, EV0			DOWEL, Block To Clutch Housing, [1/2 X 3/4]Mounting
9	06506187AA	2	J, T			EV0			STUD, [M11X1.50XM8X1.25X142.75], Crankshaft Bearing Cap, Mounting

GRAND CHEROKEE (WK)

SERIES LINE
H = HIGHLINE T = JEEP - 2WD
P = PREMIUM J = JEEP - 4WD
S = SPORT
X = SPECIAL

BODY
74 = SPORT UTILITY 4-DR
TYPE #4

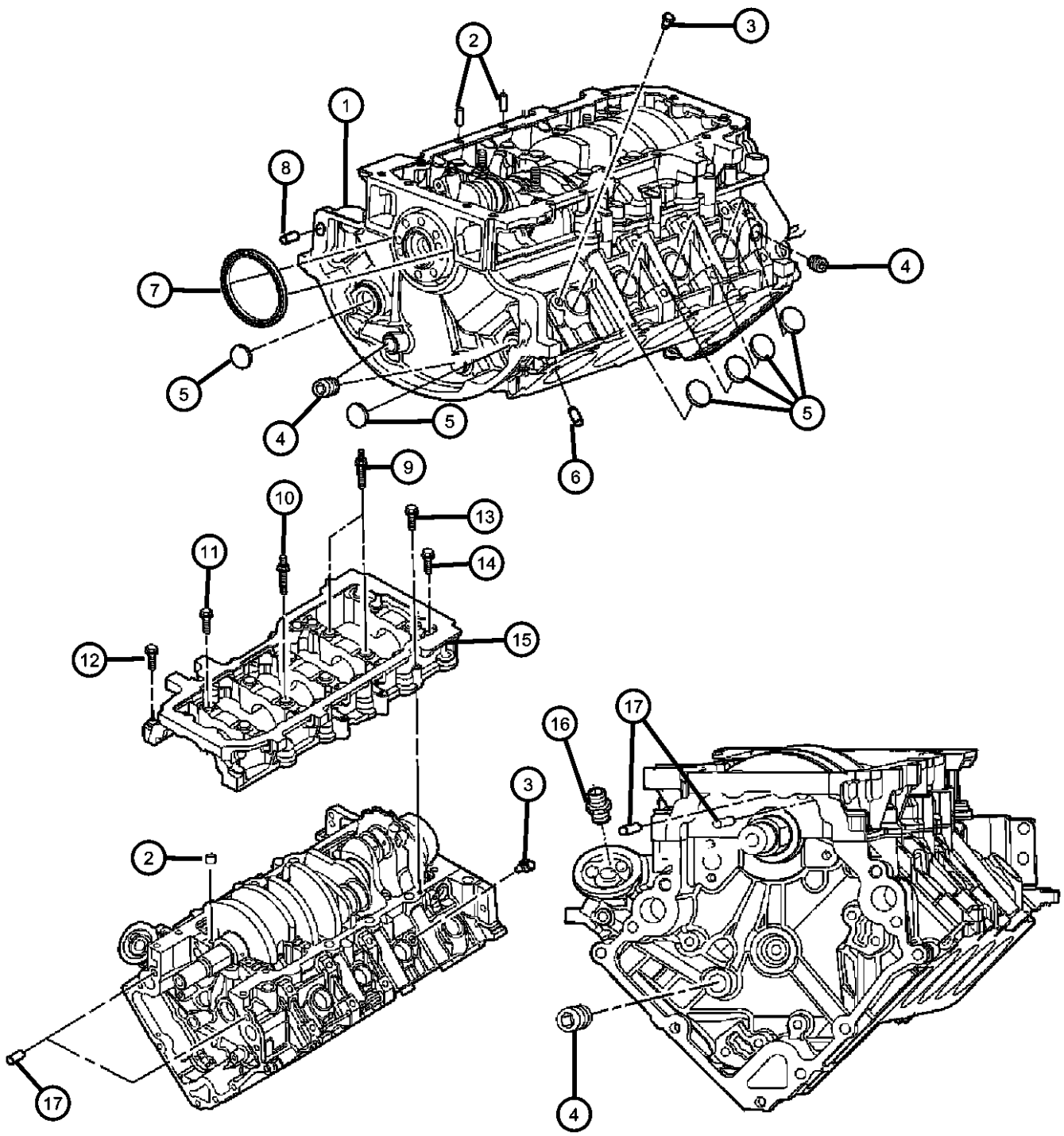
ENGINE
EVA = 4.7L V8 MPI Engine
EVD = 4.7L V8 FFV Engine
EXL = 3.0L V6 Turbo Diesel
Engine
EZB = 5.7L Hemi Multi
Displacement Engine
EKG = 3.7L V6 Engine
ESF = 6.1L SRT HEMI SMPI
V8 Engine

TRANSMISSION
DGJ = 5-Speed Auto W5A580
Transmission
DGQ = 5-Spd Automatic 545RFE
Transmission
DGU = 5-Spd Auto W5J400
Transmission

AR = use ase required - = Non illustrated part

2007 WK

**Cylinder Block And Hardware 4.7L [EVA] [EVD]
Figure 4.7L-310**



ITEM	PART NUMBER	QTY	LINE	SERIES	BODY	ENGINE	TRANS	TRIM	DESCRIPTION
10	06506186AA	1	J, T			EVO			STUD, [M11X1.50XM8X1.25X118.50], Crankshaft Bearing Cap, Mounting
11	06505394AA	7	J, T			EVO			SCREW AND WASHER, [M11X1.50X90.0], Bedplate To Cylinder Block, Mounting
12	06504410	5	J, T			EVO			SCREW, Hex Head, [M10X1.50X55.00], Bedplate To Cylinder Block, Mounting
13	06102047AA	6	J, T			EVO			SCREW, Hex Head, M8x1.25x50, Bedplate To Cylinder Block, Mounting
14	06504411	7	J, T			EVO			SCREW, [M10X1.50X83.5], Bedplate To Cylinder Block, Mounting
15		7							BEDPLATE, Serviced With Short Block, (NOT SERVICED)
16	53007563AB	1	J, T			EK0, EVO			CONNECTOR, Oil Filter, [Thread 3/4-16-2A]
17	53010533AA	2	J, T			EVO			DOWEL, Timing Cover To Cylinder Block, Mounting

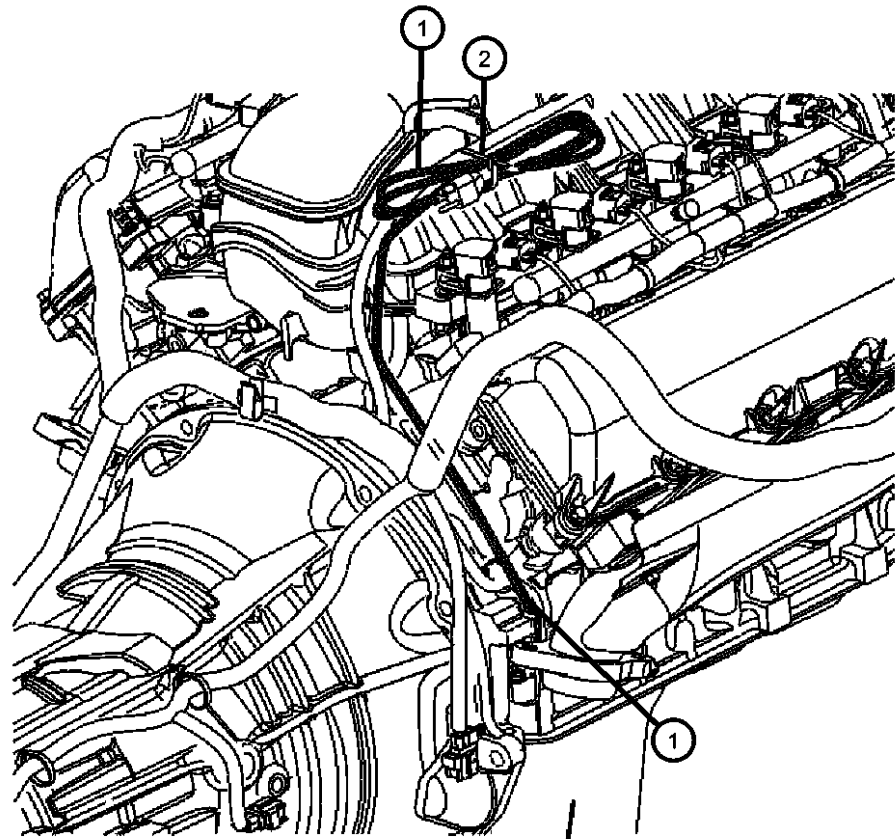
GRAND CHEROKEE (WK)

SERIES	LINE	BODY	ENGINE	TRANSMISSION
H = HIGHLINE	T = JEEP - 2WD	74 = SPORT UTILITY 4-DR	EVA = 4.7L V8 MPI Engine	DGJ = 5-Speed Auto W5A580
P = PREMIUM	J = JEEP - 4WD	TYPE #4	EVD = 4.7L V8 FFV Engine	Transmission
S = SPORT			EXL = 3.0L V6 Turbo Diesel Engine	DGQ = 5-Spd Automatic 545RFE Transmission
X = SPECIAL			EZB = 5.7L Hemi Multi Displacement Engine	DGU = 5-Spd Auto W5J400 Transmission
			EKG = 3.7L V6 Engine	
			ESF = 6.1L SRT HEMI SMPI V8 Engine	

AR = use ase required - = Non illustrated part

**Cylinder Block Heater 4.7L [EVA] [EVD]
Figure 4.7L-320**

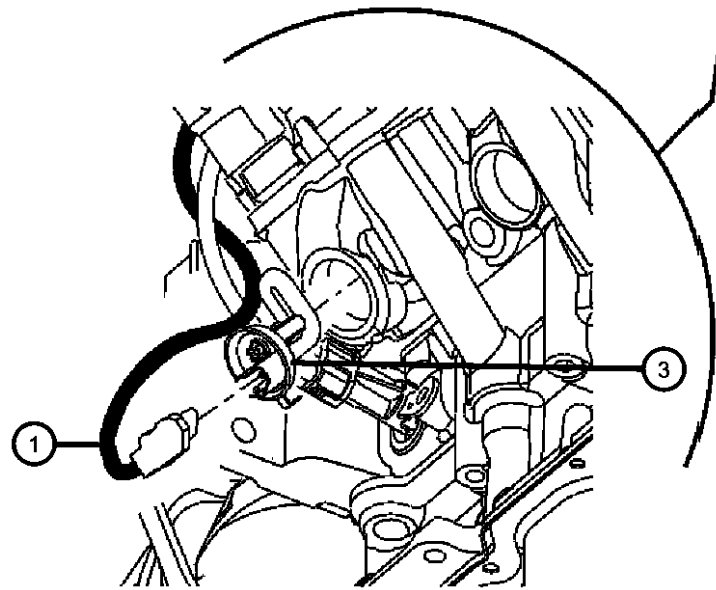
ITEM	PART NUMBER	QTY	LINE	SERIES	BODY	ENGINE	TRANS	TRIM	DESCRIPTION
------	-------------	-----	------	--------	------	--------	-------	------	-------------



NOTE:

- Sales Codes:
 [DGJ] = 5-Speed Automatic W5A580 Transmission
 [DGQ] = 5-Speed Automatic 545RFE Transmission
 [DGU] = 5-Speed Automatic W5J400 Transmission
 [DG0] = All Automatic Transmissions
 [DHB] = Quadra -Trac Active On Demand NVG 146 Transfer Case
 [DHX] = Quadra -Trac 2 Full Time Active NVG 245 Transfer Case
 [DHZ] = Quadra -Trac 1 Full time 4WD NVG 140 Transfer Case
 [EKG] = 3.7L [Magnum] V-6 Engine
 [EK0] = All 3.7L 6-Cylinder Gas Engines
 [ESF] = 6.1L SRT Hemi SMPI V-8 Engine
 [ES0] = All 6.1L 8-Cylinder Gas Engines
 [EVA] = 4.7L [Magnum] V-8 Engine
 [EVD] = 4.7L V-8 FFV Engine
 [EV0] = All 4.7L 8-Cylinder Gas Engines
 [EXL] = 3.0L V-6 Turbo Diesel Engine
 [EX0] = All 3.0L Cylinder Turbo Diesel Engines
 [EZB] = 5.7L Hemi Multi-Displacement Engine
 [EZ0] = All 5.7L 8-Cylinder Gas Engines
 [NAA] = Federal Emissions
 [NAE] = California Emissions
 [NAS] = 50 State Emissions
 [NA1] = Export Emissions
 [NHK] = Engine Block Heater
 [XEF] = Transfer Case Skid Plate Sheild

1	56027117	1	J, T			EK0, EV0			CORD, Engine Block Heater STRAP, Tie
2	04641780	1							
	05073039AA	1				EK0			Bag Of 50 Tie Straps
3	56041304AB	1	J, T			EK0, EV0			HEATER, Engine



GRAND CHEROKEE (WK)

SERIES LINE
 H = HIGHLINE T = JEEP - 2WD
 P = PREMIUM J = JEEP - 4WD
 S = SPORT
 X = SPECIAL

BODY
 74 = SPORT UTILITY 4-DR
 TYPE #4

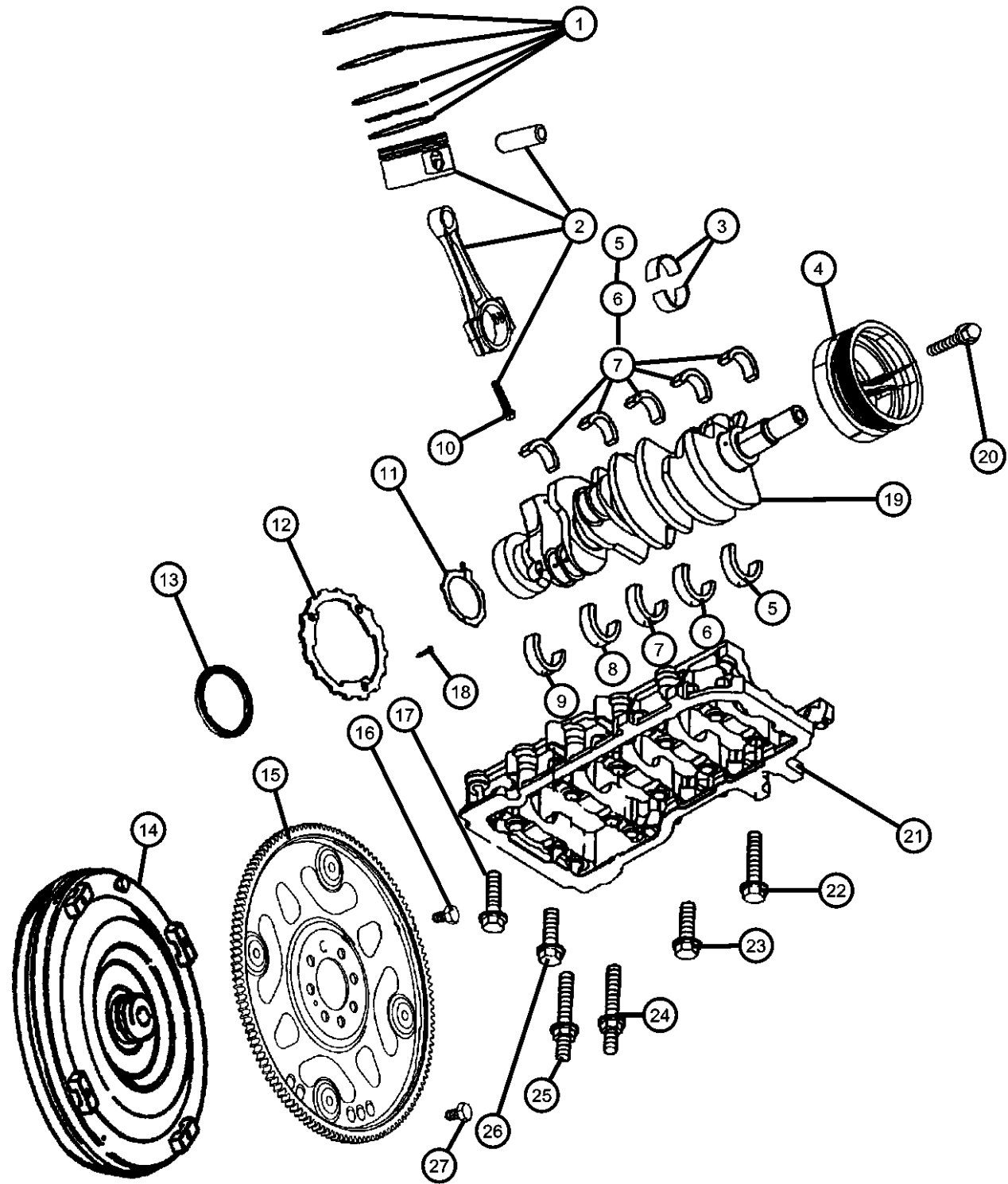
ENGINE
 EVA = 4.7L V8 MPI Engine
 EVD = 4.7L V8 FFV Engine
 EXL = 3.0L V6 Turbo Diesel Engine
 EZB = 5.7L Hemi Multi Displacement Engine
 EKG = 3.7L V6 Engine
 ESF = 6.1L SRT HEMI SMPI V8 Engine

TRANSMISSION
 DGJ = 5-Speed Auto W5A580 Transmission
 DGQ = 5-Spd Automatic 545RFE Transmission
 DGU = 5-Spd Auto W5J400 Transmission

AR = use ase required - = Non illustrated part

2007 WK

**Crankshaft,Pistons, Torque Converter And Driveplate 4.7L [EVA] [EVD]
Figure 4.7L-410**



ITEM	PART NUMBER	QTY	LINE	SERIES	BODY	ENGINE	TRANS	TRIM	DESCRIPTION
------	-------------	-----	------	--------	------	--------	-------	------	-------------

NOTE: For Crankshaft Identification, Stamping Location And Bearing Information Refer To The Service Manual.
For Bearing Selection Sizes Please Refer To Service Manual Group 9, Bearings Crankshaft Main, [Select Fit Identification]
Sales Codes:

- [DGJ] = 5-Speed Automatic W5A580 Transmission
- [DGQ] = 5-Speed Automatic 545RFE Transmission
- [DGU] = 5-Speed Automatic W5J400 Transmission
- [DG0] = All Automatic Transmissions
- [DHB] = Quadra -Trac Active On Demand NVG 146 Transfer Case
- [DHX] = Quadra -Trac 2 Full Time Active NVG 245 Transfer Case
- [DHZ] = Quadra -Trac 1 Full time 4WD NVG 140 Transfer Case
- [EKG] = 3.7L [Magnum] V-6 Engine
- [EK0] = All 3.7L 6-Cylinder Gas Engines
- [ESF] = 6.1L SRT Hemi SMPI V-8 Engine
- [ES0] = All 6.1L 8-Cylinder Gas Engines
- [EVA] = 4.7L [Magnum] V-8 Engine
- [EVD] = 4.7L V-8 FFV Engine
- [EV0] = All 4.7L 8-Cylinder Gas Engines
- [EXL] = 3.0L V-6 Turbo Diesel Engine
- [EX0] = All 3.0L Cylinder Turbo Diesel Engines
- [EZB] = 5.7L Hemi Multi-Displacement Engine
- [EZ0] = All 5.7L 8-Cylinder Gas Engines
- [NAA] = Federal Emissions
- [NAE] = California Emissions
- [NAS] = 50 State Emissions
- [NA1] = Export Emissions
- [XEF] = Transfer Case Skid Plate Shield

1	05012364AD	8	J, T			EVA, EVD			RING PACKAGE, Piston, Standard Size
2	05012362AE	8	J, T			EVA, EVD			PISTON PIN AND ROD, STD
3	05012363AC	8	J, T			EVA, EVD			BEARING PACKAGE, Connecting Rod, Standard
4	53020689AB	1	J, T			EK0, EVA, EVD			DAMPER, Crankshaft
5	05014186AC	5	J, T			EVA, EVD	DG0		BEARING PACKAGE, Crankshaft, C Grade, See Note
6	05013586AD	5	J, T			EVA, EVD	DG0		BEARING PACKAGE, Crankshaft, B Grade, See Note
7	05014183AC	5	J, T			EVA, EVD	DG0		BEARING PACKAGE, Crankshaft, A Grade, See Note
8	05013587AA	5	J, T			EV0			BEARING PACKAGE, Crankshaft, .025mm Undersize, See Note
9	05013588AA	5	J, T			EV0			BEARING PACKAGE, Crankshaft, .25mm Undersize, See Note

GRAND CHEROKEE (WK)

SERIES LINE
H = HIGHLINE T = JEEP - 2WD
P = PREMIUM J = JEEP - 4WD
S = SPORT
X = SPECIAL

BODY
74 = SPORT UTILITY 4-DR
TYPE #4

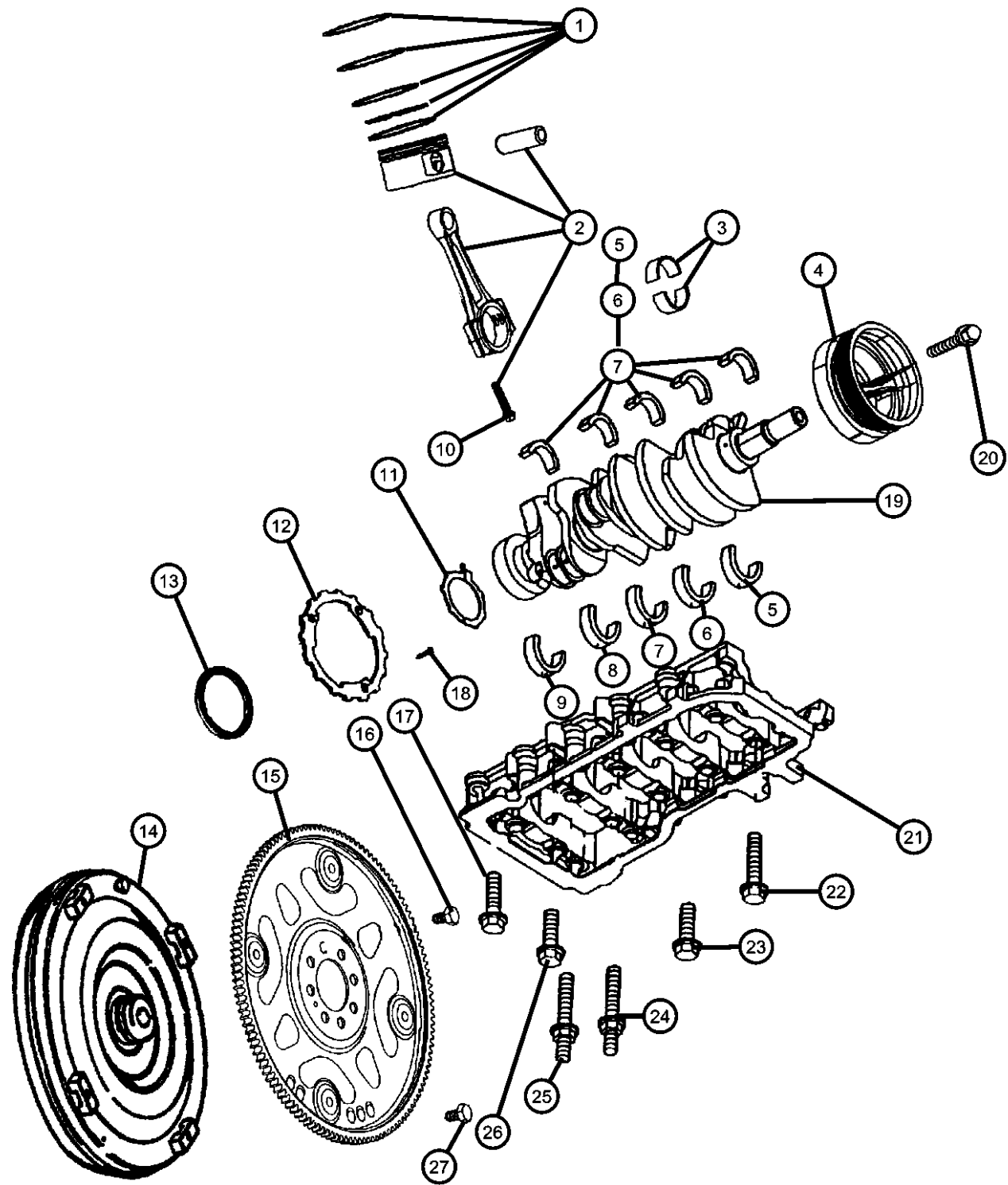
ENGINE
EVA = 4.7L V8 MPI Engine
EVD = 4.7L V8 FFV Engine
EXL = 3.0L V6 Turbo Diesel Engine
EZB = 5.7L Hemi Multi Displacement Engine
EKG = 3.7L V6 Engine
ESF = 6.1L SRT HEMI SMPI V8 Engine

TRANSMISSION
DGJ = 5-Speed Auto W5A580 Transmission
DGQ = 5-Spd Automatic 545RFE Transmission
DGU = 5-Spd Auto W5J400 Transmission

AR = use ase required - = Non illustrated part

2007 WK

**Crankshaft,Pistons, Torque Converter And Driveplate 4.7L [EVA] [EVD]
Figure 4.7L-410**



ITEM	PART NUMBER	QTY	LINE	SERIES	BODY	ENGINE	TRANS	TRIM	DESCRIPTION
10	06503928	16				EVA, EVD			BOLT, Connecting Rod, [M9X1.0X46.00], Connecting Rod Cap To Connecting Rod, Mounting
11	05012356AC	1	J, T			EK0, EVO			WASHER PACKAGE, WasherThrust
12		1							TONE RING, Sensor, Serviced in Crankshaft Assembly, (NOT SERVICED)
13	53020788AB	1	J, T			EK0, EVO			SEAL, Crankshaft Bearing Oil
14	04736352AB	1	T			EVO	DGQ		TORQUE CONVERTER
		1	J			EVO	DGQ		
	R4736352AC	1	T			EVO	DGQ		Remanufactured
		1	J			EVO	DGQ		Remanufactured
15	04736604AA	1	J, T			EVO	DG0		PLATE, Torque Converter Drive
16	06503465	8	J, T			EK0, EVO	DG0		BOLT, Drive Plate and Flywheel, [M10X1.00X18.00], Driveplate To Crankshaft, Mounting
17	06504411	7	J, T			EVO			SCREW, [M10X1.50X83.5], Crankshaft Bearing Cap, Mounting
18	06504480	3	J, T			EVO	DG0		SCREW, M6x1x25, Tone Ring To Crankshaft, Mounting
19	53021387AA	1	J, T			EVO	DG0		CRANKSHAFT
20	06504415	1	J, T			EK0, EVO			SCREW AND WASHER, [M14X1.50X112.00], Crankshaft Dampner, Mounting
21		1							BEDPLATE, Serviced in Short Block Assembly, (NOT SERVICED)
22	06505394AA	7	J, T			EVO			SCREW AND WASHER, [M11x1.50x90.0], Crankshaft Bearing Cap, Mounting
23	06504410	5	J, T			EVO			SCREW, Hex Head, [M10x1.50x55.00], Crankshaft Bearing Cap, Mounting
24	06506186AA	1	J, T			EVO			STUD, [M11x1.50xM8x1.25x118.50], Crankshaft Bearing Cap, Mounting
25	06506187AA	2	J, T			EVO			STUD, [M11x1.50xM8x1.25x142.75], Crankshaft Bearing Cap, Mounting

GRAND CHEROKEE (WK)

SERIES LINE
H = HIGHLINE T = JEEP - 2WD
P = PREMIUM J = JEEP - 4WD
S = SPORT
X = SPECIAL

BODY
74 = SPORT UTILITY 4-DR
TYPE #4

ENGINE
EVA = 4.7L V8 MPI Engine
EVD = 4.7L V8 FFV Engine
EXL = 3.0L V6 Turbo Diesel Engine
EZB = 5.7L Hemi Multi Displacement Engine
EKG = 3.7L V6 Engine
ESF = 6.1L SRT HEMI SMPI V8 Engine

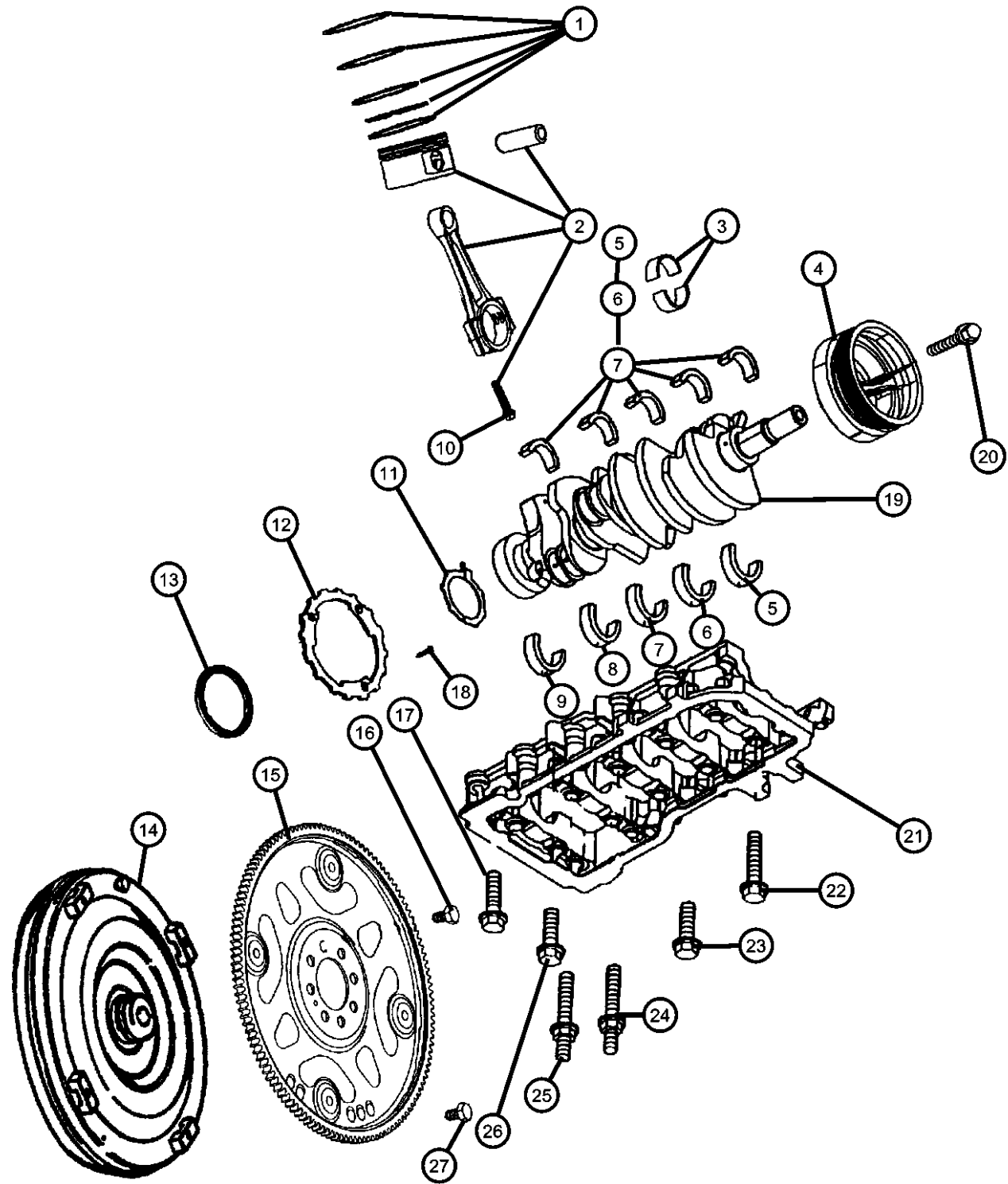
TRANSMISSION
DGJ = 5-Speed Auto W5A580 Transmission
DGQ = 5-Spd Automatic 545RFE Transmission
DGU = 5-Spd Auto W5J400 Transmission

AR = use ase required - = Non illustrated part

2007 WK

**Crankshaft,Pistons, Torque Converter And Driveplate 4.7L [EVA] [EVD]
Figure 4.7L-410**

ITEM	PART NUMBER	QTY	LINE	SERIES	BODY	ENGINE	TRANS	TRIM	DESCRIPTION
------	-------------	-----	------	--------	------	--------	-------	------	-------------



26	06102047AA	6	J, T			EVO			SCREW, Hex Head, M8x1.25x50, [M8x1.25x50.00], Crankshaft Bearing Cap, Mounting
27	01949765	4	J, T			EVO, EZO	DG0		SCREW, Hex Head Header Point, .312-24x.44, Torque Converter To Driveplate, Mounting

GRAND CHEROKEE (WK)

SERIES LINE
H = HIGHLINE T = JEEP - 2WD
P = PREMIUM J = JEEP - 4WD
S = SPORT
X = SPECIAL

BODY
74 = SPORT UTILITY 4-DR
TYPE #4

ENGINE
EVA = 4.7L V8 MPI Engine
EVD = 4.7L V8 FFV Engine
EXL = 3.0L V6 Turbo Diesel Engine
EZB = 5.7L Hemi Multi Displacement Engine
EKG = 3.7L V6 Engine
ESF = 6.1L SRT HEMI SMPI V8 Engine

TRANSMISSION
DGJ = 5-Speed Auto W5A580 Transmission
DGQ = 5-Spd Automatic 545RFE Transmission
DGU = 5-Spd Auto W5J400 Transmission

AR = use ase required - = Non illustrated part

2007 WK

**Camshafts And Valvetrain 4.7L [EVA] [EVD]
Figure 4.7L-510**

ITEM	PART NUMBER	QTY	LINE	SERIES	BODY	ENGINE	TRANS	TRIM	DESCRIPTION
------	-------------	-----	------	--------	------	--------	-------	------	-------------

NOTE:

Sales Codes:

- [DGJ] = 5-Speed Automatic W5A580 Transmission
- [DGQ] = 5-Speed Automatic 545RFE Transmission
- [DGU] = 5-Speed Automatic W5J400 Transmission
- [DG0] = All Automatic Transmissions
- [DHB] = Quadra -Trac Active On Demand NVG 146 Transfer Case
- [DHX] = Quadra -Trac 2 Full Time Active NVG 245 Transfer Case
- [DHZ] = Quadra -Trac 1 Full time 4WD NVG 140 Transfer Case
- [EKG] = 3.7L [Magnum] V-6 Engine
- [EK0] = All 3.7L 6-Cylinder Gas Engines
- [ESF] = 6.1L SRT Hemi SMPI V-8 Engine
- [ES0] = All 6.1L 8-Cylinder Gas Engines
- [EVA] = 4.7L [Magnum] V-8 Engine
- [EVD] = 4.7L V-8 FFV Engine
- [EV0] = All 4.7L 8-Cylinder Gas Engines
- [EXL] = 3.0L V-6 Turbo Diesel Engine
- [EX0] = All 3.0L Cylinder Turbo Diesel Engines
- [EZB] = 5.7L Hemi Multi-Displacement Engine
- [EZ0] = All 5.7L 8-Cylinder Gas Engines
- [NAA] = Federal Emissions
- [NAE] = California Emissions
- [NAS] = 50 State Emissions
- [NA1] = Export Emissions
- [XEF] = Transfer Case Skid Plate Shield

1		4							CAP, Serviced With Cylinder Head, (NOT SERVICED)
2	06505034AA	10	J, T			EVA, EVD			SCREW, M6x1x40, [M6X1.00X40.00], Camshaft Bearing Cap, Mounting
3	53021160AE	1	J, T			EVA, EVD			CAMSHAFT, Engine, Right
4									PLUG, Camshaft
	06036473AA	1	J, T			EVA, EVD			Right, Camshaft
		1	J, T			EVA, EVD			Left, Camshaft
5	53021159AE	1	J, T			EVA, EVD			CAMSHAFT, Engine, Left
6									DOWEL, M6x14
	06100902	1	J, T			EVA, EVD			Sprocket To Camshaft, Mounting, Right
		1	J, T			EVA, EVD			Sprocket To Camshaft, Mounting, Left
7	53020742AC	16	J, T			EVA, EVD			ROCKER ARM, Valve
8	53021077	16	J, T			EVA, EVD			ADJUSTER, Valve Lash

GRAND CHEROKEE (WK)

SERIES LINE
H = HIGHLINE T = JEEP - 2WD
P = PREMIUM J = JEEP - 4WD
S = SPORT
X = SPECIAL

BODY
74 = SPORT UTILITY 4-DR
TYPE #4

ENGINE
EVA = 4.7L V8 MPI Engine
EVD = 4.7L V8 FFV Engine
EXL = 3.0L V6 Turbo Diesel Engine
EZB = 5.7L Hemi Multi Displacement Engine
EKG = 3.7L V6 Engine
ESF = 6.1L SRT HEMI SMPI V8 Engine

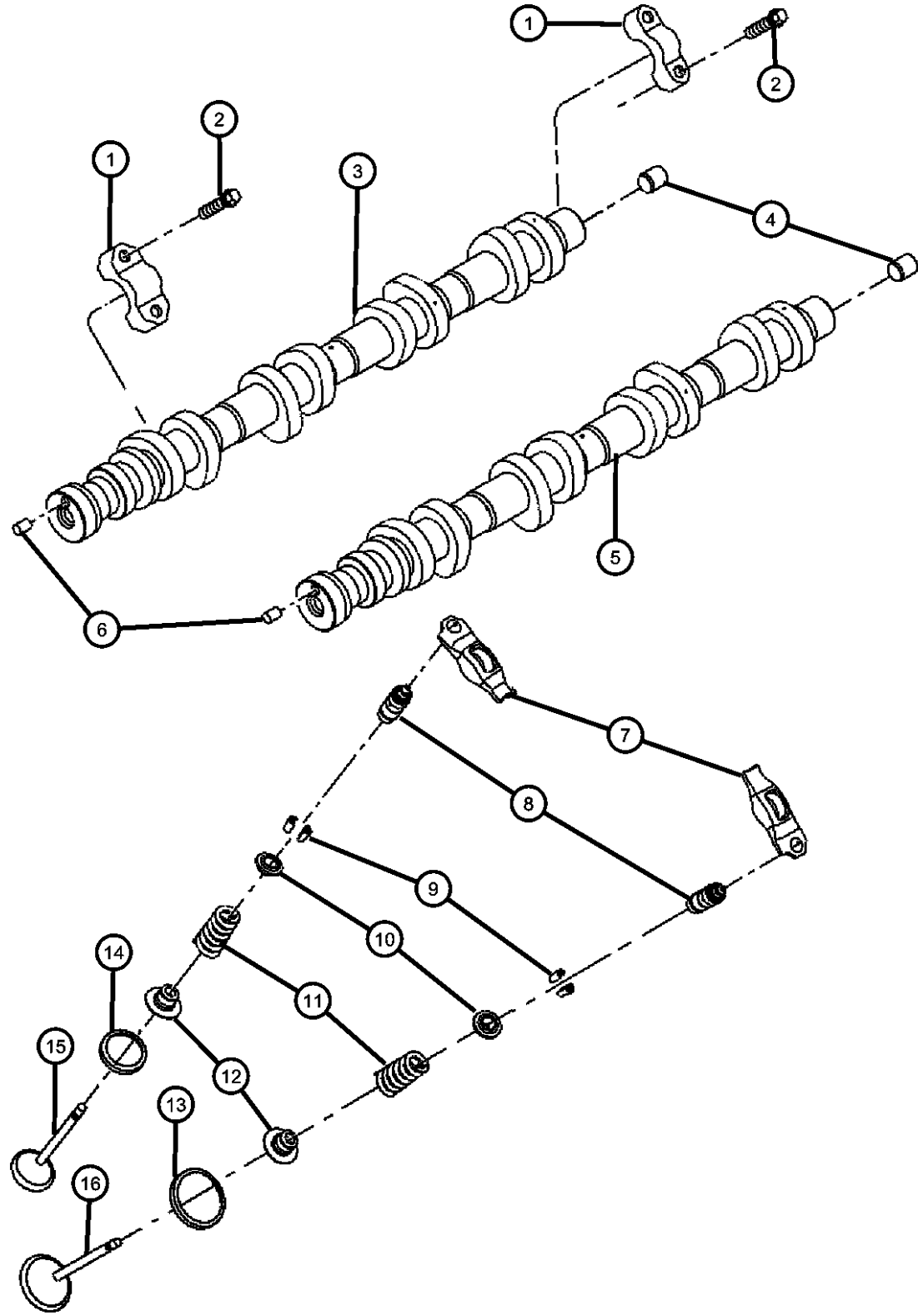
TRANSMISSION
DGJ = 5-Speed Auto W5A580 Transmission
DGQ = 5-Spd Automatic 545RFE Transmission
DGU = 5-Spd Auto W5J400 Transmission

AR = use ase required - = Non illustrated part

2007 WK

**Camshafts And Valvetrain 4.7L [EVA] [EVD]
Figure 4.7L-510**

ITEM	PART NUMBER	QTY	LINE	SERIES	BODY	ENGINE	TRANS	TRIM	DESCRIPTION
9	04536513AB	32	J, T			EVO			LOCK, Valve Spring Retainer
10	04781090AA	16	J, T			EVA, EVD			RETAINER, Valve Spring
11	53020749AC	16	J, T			EVA, EVD			SPRING, Valve
12	53021974AA	16				EVA, EVD			SEAL, Valve Guide
13		16							SEAT, Exhaust Valve, Serviced With Cylinder Head, (NOT SERVICED)
14		16							SEAT, Intake Valve, Serviced With Cylinder Head, (NOT SERVICED)
15	53020747AB	8	J, T			EVA, EVD			VALVE, Intake, Standard
16	53020748	8	J, T			EVA, EVD			VALVE, Exhaust, Standard



GRAND CHEROKEE (WK)

SERIES LINE
H = HIGHLINE T = JEEP - 2WD
P = PREMIUM J = JEEP - 4WD
S = SPORT
X = SPECIAL

BODY
74 = SPORT UTILITY 4-DR
TYPE #4

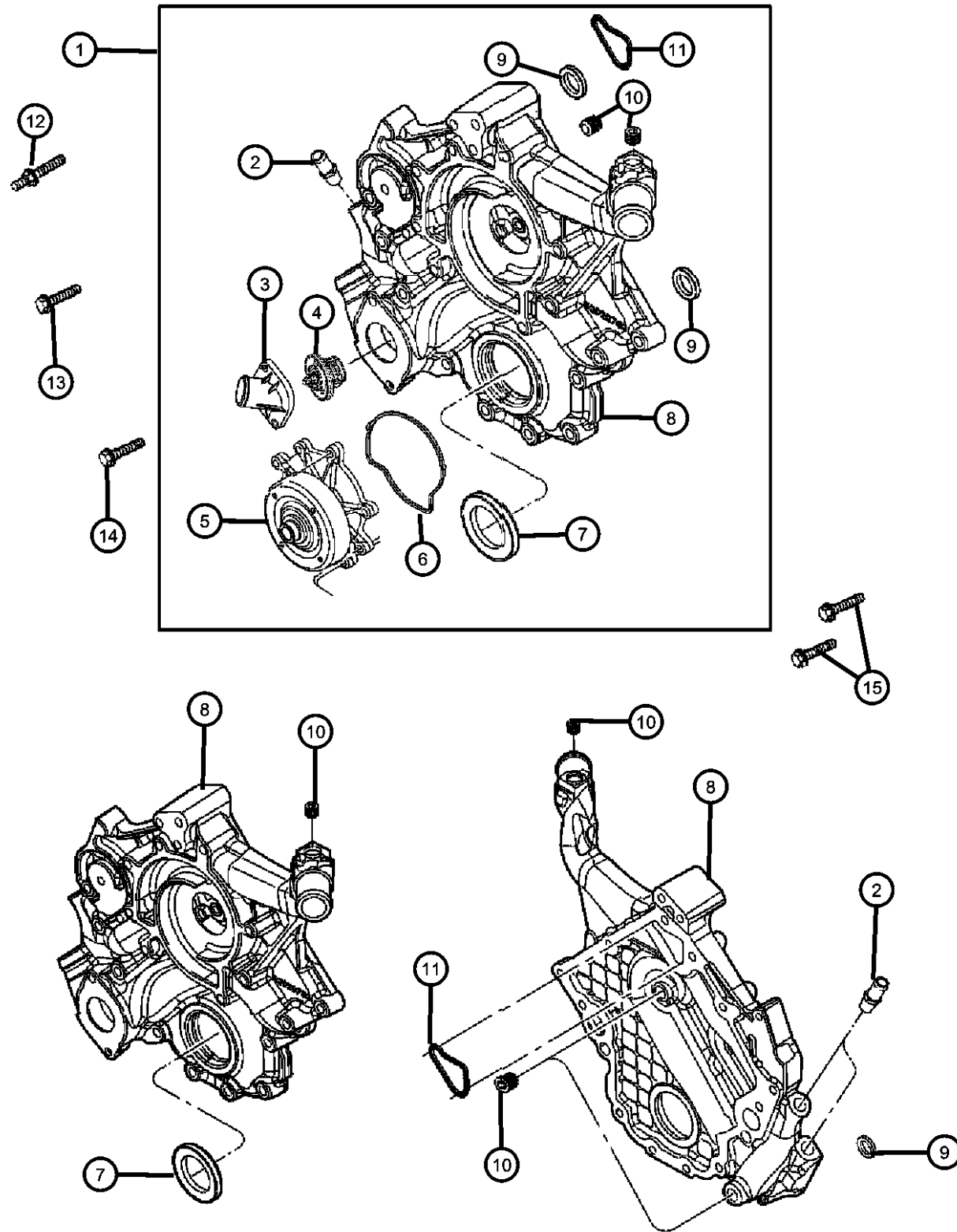
ENGINE
EVA = 4.7L V8 MPI Engine
EVD = 4.7L V8 FFV Engine
EXL = 3.0L V6 Turbo Diesel
Engine
EZB = 5.7L Hemi Multi
Displacement Engine
EKG = 3.7L V6 Engine
ESF = 6.1L SRT HEMI SMPI
V8 Engine

TRANSMISSION
DGJ = 5-Speed Auto W5A580
Transmission
DGQ = 5-Spd Automatic 545RFE
Transmission
DGU = 5-Spd Auto W5J400
Transmission

AR = use ase required - = Non illustrated part

2007 WK

Timing Cover, 4.7L [EVA] [EVD]
Figure 4.7L-610



ITEM	PART NUMBER	QTY	LINE	SERIES	BODY	ENGINE	TRANS	TRIM	DESCRIPTION
------	-------------	-----	------	--------	------	--------	-------	------	-------------

NOTE:

Sales Codes:

- [DGJ] = 5-Speed Automatic W5A580 Transmission
- [DGQ] = 5-Speed Automatic 545RFE Transmission
- [DGU] = 5-Speed Automatic W5J400 Transmission
- [DG0] = All Automatic Transmissions
- [DHB] = Quadra -Trac Active On Demand NVG 146 Transfer Case
- [DHX] = Quadra -Trac 2 Full Time Active NVG 245 Transfer Case
- [DHZ] = Quadra -Trac 1 Full time 4WD NVG 140 Transfer Case
- [EKG] = 3.7L [Magnum] V-6 Engine
- [EK0] = All 3.7L 6-Cylinder Gas Engines
- [ESF] = 6.1L SRT Hemi SMPI V-8 Engine
- [ES0] = All 6.1L 8-Cylinder Gas Engines
- [EVA] = 4.7L [Magnum] V-8 Engine
- [EVD] = 4.7L V-8 FFV Engine
- [EV0] = All 4.7L 8-Cylinder Gas Engines
- [EXL] = 3.0L V-6 Turbo Diesel Engine
- [EX0] = All 3.0L Cylinder Turbo Diesel Engines
- [EZB] = 5.7L Hemi Multi-Displacement Engine
- [EZ0] = All 5.7L 8-Cylinder Gas Engines
- [NAA] = Federal Emissions
- [NAE] = California Emissions
- [NAS] = 50 State Emissions
- [NA1] = Export Emissions
- [XEF] = Transfer Case Skid Plate Shield

1	05134142AE	1	J, T			EVA, EVD	DG0		COVER KIT, Timing
2	06035854	2	J, T			EVA, EVD			NIPPLE, [.375-18x2.00]
3	53020887AC	1	J, T			EK0, EVA, EVD			HOUSING, Thermostat
4	52079476AC	1	J, T			EK0, EVA, EVD			THERMOSTAT
5	53022189AB	1				EK0, EV0			PUMP, Water
6	53020865	1	J, T			EK0, EV0			GASKET, Water Pump
7	53021313AA	1	J, T			EVA, EVD			SEAL, Crankshaft Oil, Front
8		1							COVER, Chain Case, Serviced In Item 1 kit Only, (NOT SERVICED)
9	53021239AA	2	J, T			EK0			O RING, 4.7L Serviced With Cover Only
10	06034331	3	J, T			EVA, EVD			PLUG, Hex Socket, 3/8-18NPTx.475
11	53021226AA	1	J, T			EK0			GASKET, Chain Case Cover

GRAND CHEROKEE (WK)

SERIES LINE
H = HIGHLINE T = JEEP - 2WD
P = PREMIUM J = JEEP - 4WD
S = SPORT
X = SPECIAL

BODY
74 = SPORT UTILITY 4-DR
TYPE #4

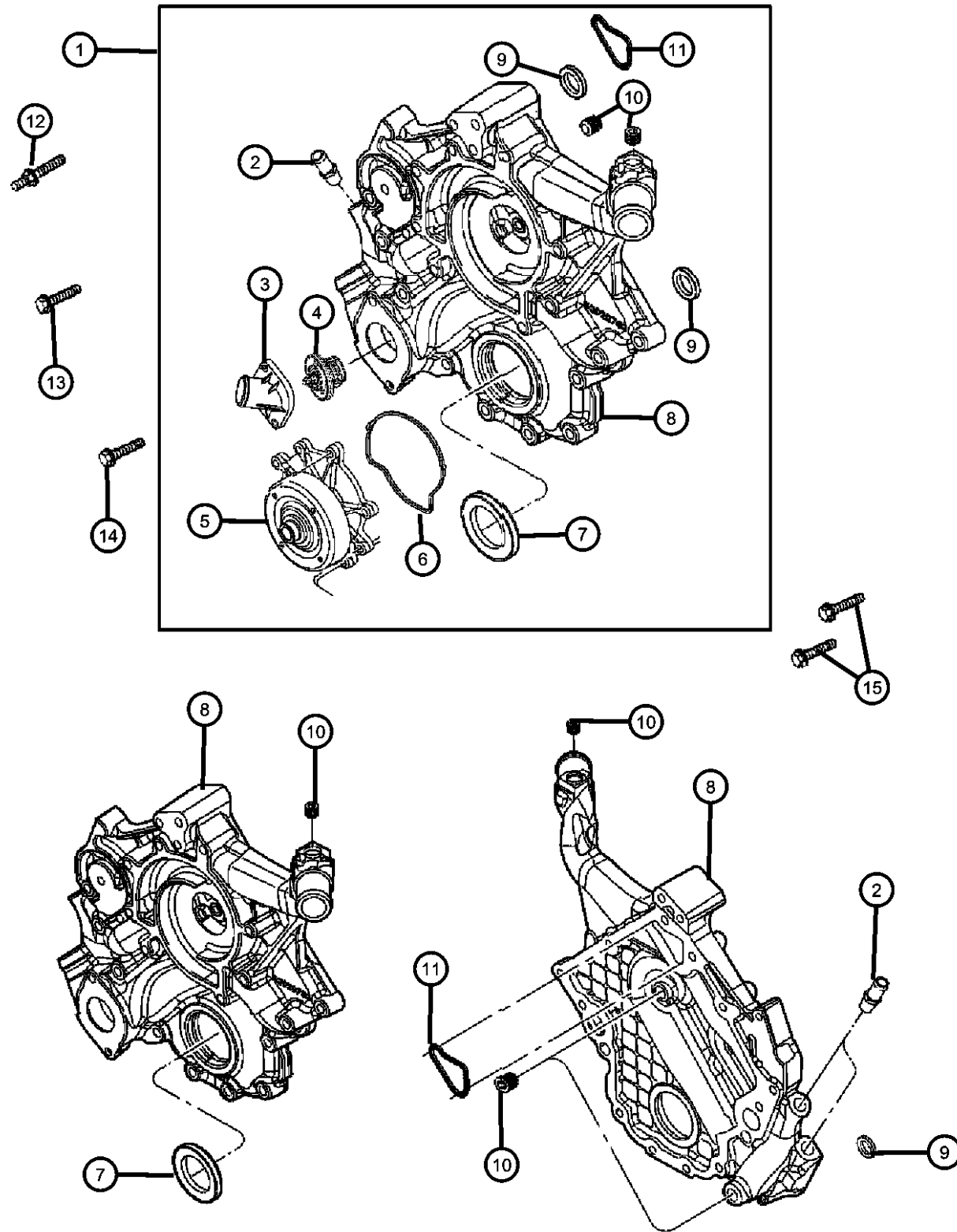
ENGINE
EVA = 4.7L V8 MPI Engine
EVD = 4.7L V8 FFV Engine
EXL = 3.0L V6 Turbo Diesel Engine
EZB = 5.7L Hemi Multi Displacement Engine
EKG = 3.7L V6 Engine
ESF = 6.1L SRT HEMI SMPI V8 Engine

TRANSMISSION
DGJ = 5-Speed Auto W5A580 Transmission
DGQ = 5-Spd Automatic 545RFE Transmission
DGU = 5-Spd Auto W5J400 Transmission

AR = use ase required - = Non illustrated part

2007 WK

Timing Cover, 4.7L [EVA] [EVD]
Figure 4.7L-610



ITEM	PART NUMBER	QTY	LINE	SERIES	BODY	ENGINE	TRANS	TRIM	DESCRIPTION
12	06505293AA	1	J, T			EK0, EV0			STUD, [M10x1.50x.437-14x145.20], Timing Chain Cover To cylinder Block, Mounting
13	06507776AA	3	J, T			EVO			SCREW, Hex Flange Head, [M10x1.50x87.00], Timing Chain Cover To Cylinder Block, Mounting
14	06102381AA	5	J, T			EK0, EV0			SCREW, Hex Flange Head, [M10x1.50x65.00], Timing Chain Cover To Cylinder Block, Mounting
15	06102380AA	5	J, T			EK0, EV0			SCREW, Hex Flange Head, [M10x1.50x45.00], Timing Chain Cover To Cylinder Block, Mounting

GRAND CHEROKEE (WK)

SERIES LINE
H = HIGHLINE T = JEEP - 2WD
P = PREMIUM J = JEEP - 4WD
S = SPORT
X = SPECIAL

BODY
74 = SPORT UTILITY 4-DR
TYPE #4

ENGINE
EVA = 4.7L V8 MPI Engine
EVD = 4.7L V8 FFV Engine
EXL = 3.0L V6 Turbo Diesel
Engine
EZB = 5.7L Hemi Multi
Displacement Engine
EKG = 3.7L V6 Engine
ESF = 6.1L SRT HEMI SMPI
V8 Engine

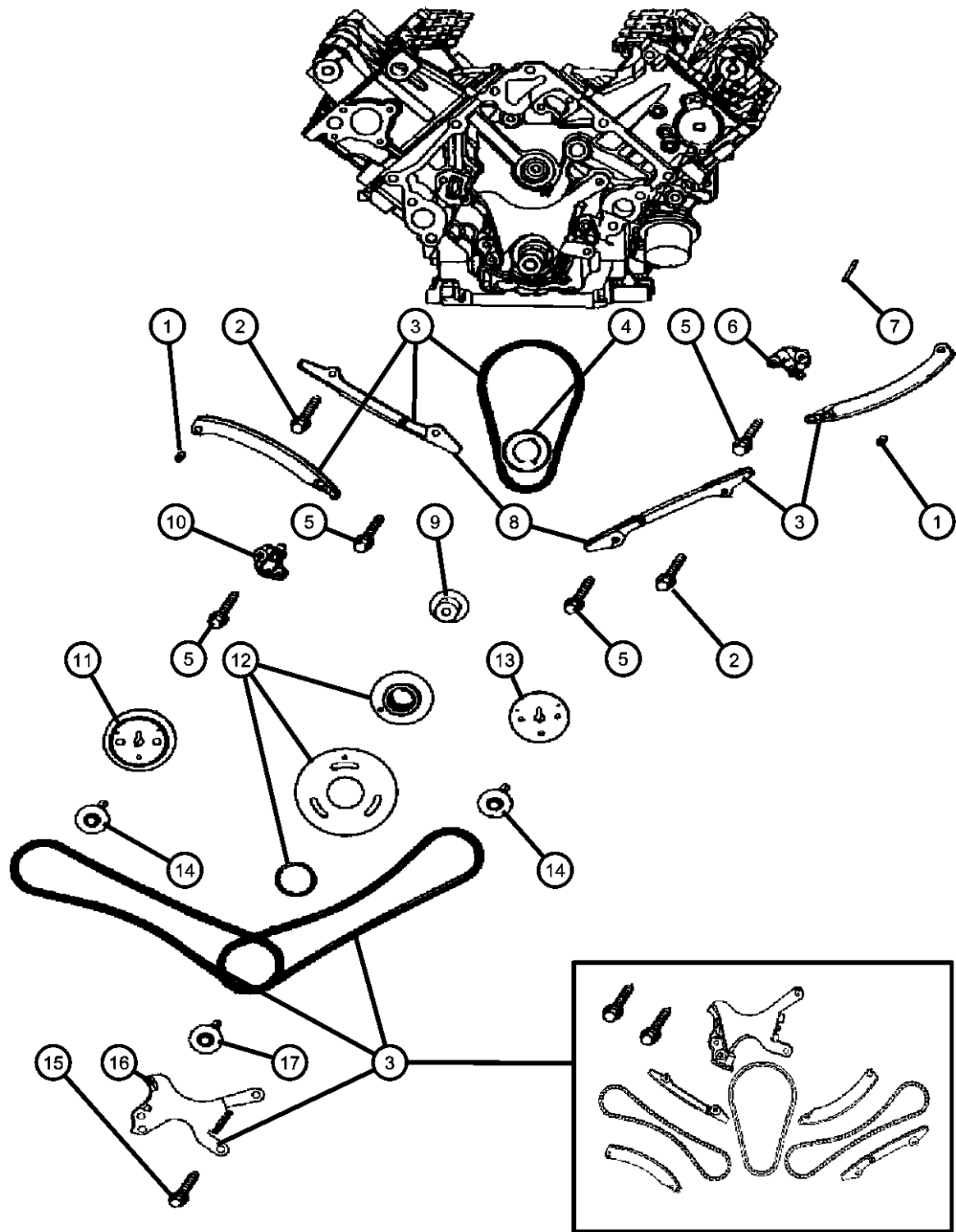
TRANSMISSION
DGJ = 5-Speed Auto W5A580
Transmission
DGQ = 5-Spd Automatic 545RFE
Transmission
DGU = 5-Spd Auto W5J400
Transmission

AR = use ase required - = Non illustrated part

2007 WK

**Timing Chain And Guides, 4.7L [EVA] [EVD]
Figure 4.7L-620**

ITEM	PART NUMBER	QTY	LINE	SERIES	BODY	ENGINE	TRANS	TRIM	DESCRIPTION
------	-------------	-----	------	--------	------	--------	-------	------	-------------



NOTE:

- Sales Codes:
 [DGJ] = 5-Speed Automatic W5A580 Transmission
 [DGQ] = 5-Speed Automatic 545RFE Transmission
 [DGU] = 5-Speed Automatic W5J400 Transmission
 [DG0] = All Automatic Transmissions
 [DHB] = Quadra -Trac Active On Demand NVG 146 Transfer Case
 [DHX] = Quadra -Trac 2 Full Time Active NVG 245 Transfer Case
 [DHZ] = Quadra -Trac 1 Full time 4WD NVG 140 Transfer Case
 [EKG] = 3.7L [Magnum] V-6 Engine
 [EK0] = All 3.7L 6-Cylinder Gas Engines
 [ESF] = 6.1L SRT Hemi SMPI V-8 Engine
 [ES0] = All 6.1L 8-Cylinder Gas Engines
 [EVA] = 4.7L [Magnum] V-8 Engine
 [EVD] = 4.7L V-8 FFV Engine
 [EV0] = All 4.7L 8-Cylinder Gas Engines
 [EXL] = 3.0L V-6 Turbo Diesel Engine
 [EX0] = All 3.0L Cylinder Turbo Diesel Engines
 [EZB] = 5.7L Hemi Multi-Displacement Engine
 [EZ0] = All 5.7L 8-Cylinder Gas Engines
 [NAA] = Federal Emissions
 [NAE] = California Emissions
 [NAS] = 50 State Emissions
 [NA1] = Export Emissions
 [XEF] = Transfer Case Skid Plate Sheild

1	06506028AA	2	J, T			EV0			SCREW, [M8X1.25X45.0], Secondary Tensioner Arm To Cylinder Head, Mounting
2	06102111AA	2	J, T			EK0, EV0			SCREW AND WASHER, [M8X1.25X45.00], Timing Guide To Cylinder Head, Mounting
3	68003352AA	1	J, T			EVA, EVD			TIMING DRIVE PACKAGE, Engine
4	53020679	1	J, T			EVA, EVD			SPROCKET, Crankshaft
5	06503257	6	J, T			EV0			BOLT, Hex Head, M8x1.25x37.50, Chain Guide And Secondary Tensioner, Mounting
6	53021168AA	1	J, T			EVA, EVD			TENSIONER, ChainLeft, Secondary
7	06504471	1	J, T			EK0, EV0			KEY, Woodruff, [M5X62.00], Crankshaft Sprocket
8	53021796AA	2	J, T			EVA, EVD			GUIDE, Timing Chain, Secondary, Right & Left
9	53020835	1	J, T			EK0, EV0			SHAFT, Idler

GRAND CHEROKEE (WK)

SERIES LINE
 H = HIGHLINE T = JEEP - 2WD
 P = PREMIUM J = JEEP - 4WD
 S = SPORT
 X = SPECIAL

BODY
 74 = SPORT UTILITY 4-DR
 TYPE #4

ENGINE
 EVA = 4.7L V8 MPI Engine
 EVD = 4.7L V8 FFV Engine
 EXL = 3.0L V6 Turbo Diesel Engine
 EZB = 5.7L Hemi Multi Displacement Engine
 EKG = 3.7L V6 Engine
 ESF = 6.1L SRT HEMI SMPI V8 Engine

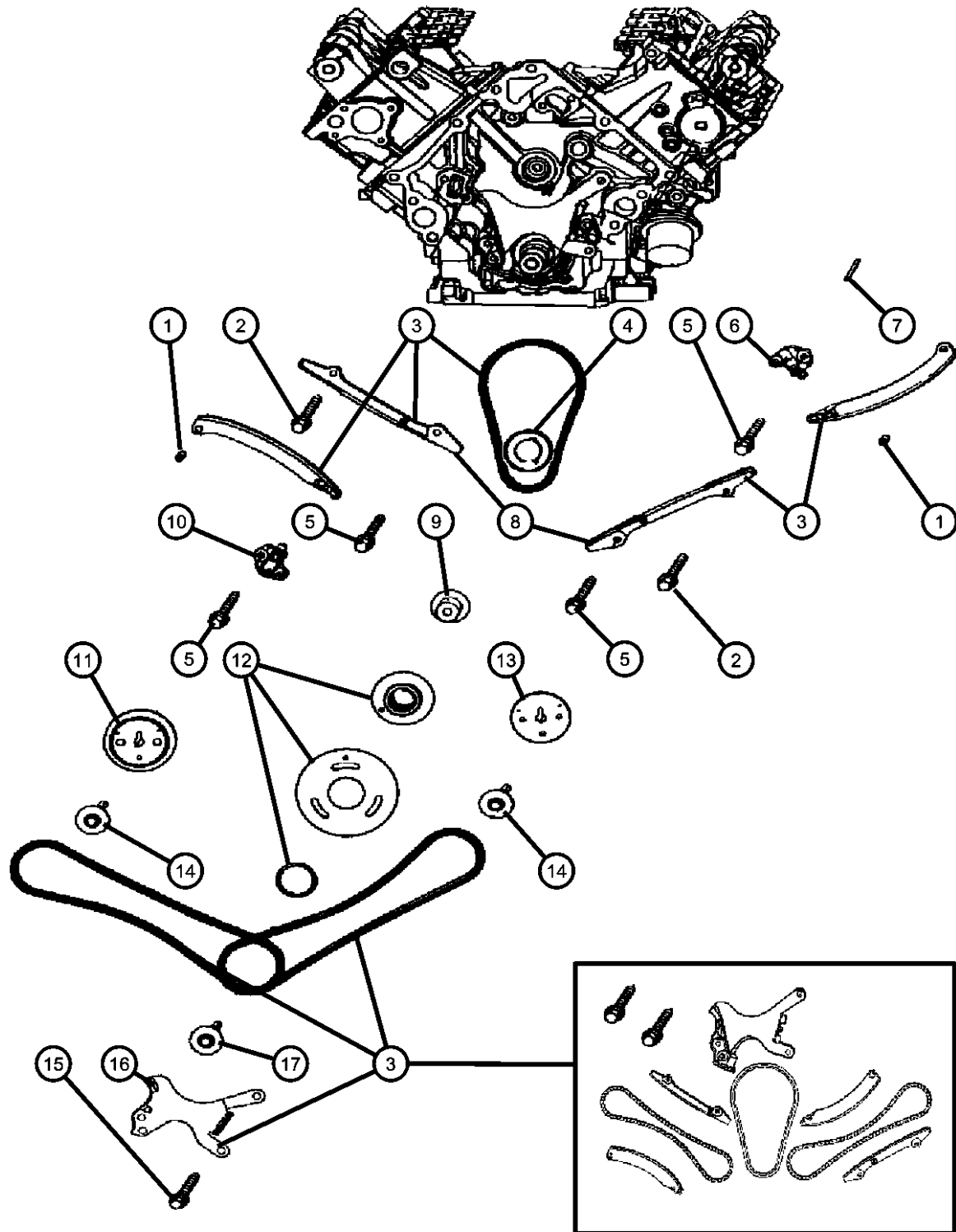
TRANSMISSION
 DGJ = 5-Speed Auto W5A580 Transmission
 DGQ = 5-Spd Automatic 545RFE Transmission
 DGU = 5-Spd Auto W5J400 Transmission

AR = use ase required - = Non illustrated part

2007 WK

Timing Chain And Guides, 4.7L [EVA] [EVD]
Figure 4.7L-620

ITEM	PART NUMBER	QTY	LINE	SERIES	BODY	ENGINE	TRANS	TRIM	DESCRIPTION
10	53020779	1	J, T			EVA, EVD			TENSIONER, ChainRight, Secondary
11	53021965AA	1	J, T			EVA, EVD			SPROCKET, Camshaft, Right
12	68003353AA	1	J, T			EVA, EVD			SPROCKET, IdlerPrimary And Secondary
13	53021968AA	1	J, T			EVA, EVD			SPROCKET, Camshaft, Left
14	06504429	2	J, T			EK0, EV0			SCREW AND WASHER, Hex, [M12X1.75X35.00], Camshaft Sprocket To Camshaft, Mounting
15	06100932	2	J, T			EK0, EV0			BOLT, Hex, [M8X1.25X60.00], Primary Tensioner To Cylinder Block, Mounting
16	53020681	1	J, T			EK0, EVA, EVD			TENSIONER, Chain, Primary
17	06504370	1	J, T			EK0, EV0			SCREW AND WASHER, Hex, [M10X1.50X110.00], Idler Sprocket To Cylinder Block, Mounting



GRAND CHEROKEE (WK)

SERIES LINE
H = HIGHLINE T = JEEP - 2WD
P = PREMIUM J = JEEP - 4WD
S = SPORT
X = SPECIAL

BODY
74 = SPORT UTILITY 4-DR
TYPE #4

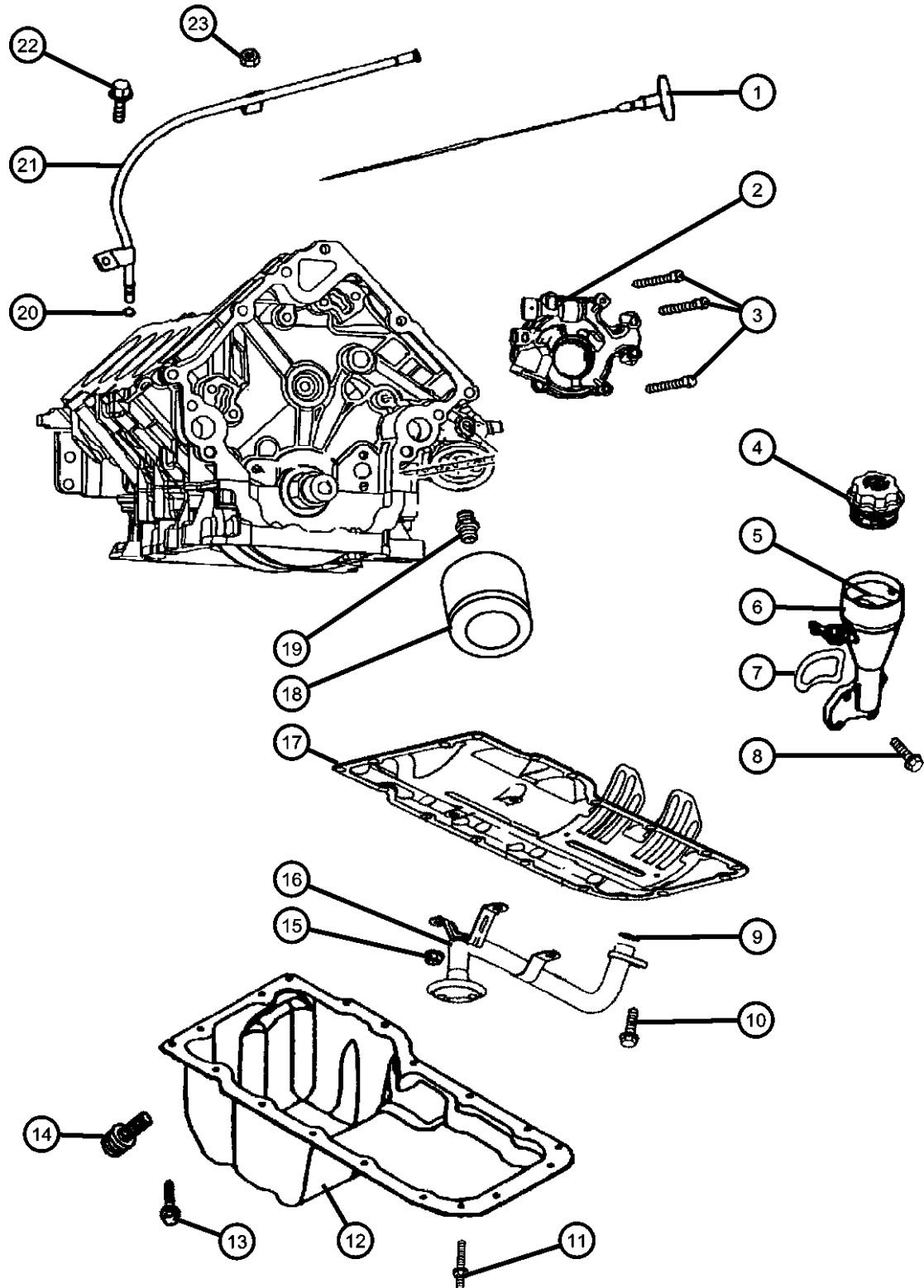
ENGINE
EVA = 4.7L V8 MPI Engine
EVD = 4.7L V8 FFV Engine
EXL = 3.0L V6 Turbo Diesel
Engine
EZB = 5.7L Hemi Multi
Displacement Engine
EKG = 3.7L V6 Engine
ESF = 6.1L SRT HEMI SMPI
V8 Engine

TRANSMISSION
DGJ = 5-Speed Auto W5A580
Transmission
DGQ = 5-Spd Automatic 545RFE
Transmission
DGU = 5-Spd Auto W5J400
Transmission

AR = use ase required - = Non illustrated part

2007 WK

**Engine Oiling 4.7L [EVA] [EVD]
Figure 4.7L-710**



NOTE:

Sales Codes:

- [DGJ] = 5-Speed Automatic W5A580 Transmission
- [DGQ] = 5-Speed Automatic 545RFE Transmission
- [DGU] = 5-Speed Automatic W5J400 Transmission
- [DG0] = All Automatic Transmissions
- [DHB] = Quadra -Trac Active On Demand NVG 146 Transfer Case
- [DHX] = Quadra -Trac 2 Full Time Active NVG 245 Transfer Case
- [DHZ] = Quadra -Trac 1 Full time 4WD NVG 140 Transfer Case
- [EKG] = 3.7L [Magnum] V-6 Engine
- [EK0] = All 3.7L 6-Cylinder Gas Engines
- [ESF] = 6.1L SRT Hemi SMPI V-8 Engine
- [ES0] = All 6.1L 8-Cylinder Gas Engines
- [EVA] = 4.7L [Magnum] V-8 Engine
- [EVD] = 4.7L V-8 FFV Engine
- [EV0] = All 4.7L 8-Cylinder Gas Engines
- [EXL] = 3.0L V-6 Turbo Diesel Engine
- [EX0] = All 3.0L Cylinder Turbo Diesel Engines
- [EZB] = 5.7L Hemi Multi-Displacement Engine
- [EZ0] = All 5.7L 8-Cylinder Gas Engines
- [NAA] = Federal Emissions
- [NAE] = California Emissions
- [NAS] = 50 State Emissions
- [NA1] = Export Emissions
- [XEF] = Transfer Case Skid Plate Shield

ITEM	PART NUMBER	QTY	LINE	SERIES	BODY	ENGINE	TRANS	TRIM	DESCRIPTION
1	53021749AD	1	J, T			EVA, EVD			INDICATOR, Engine Oil Level
2	53020827AB	1	J, T			EK0, EV0			PUMP, Engine Oil
3									BOLT, Hex, [M8X1.25X60.00]
	06100932	2	J, T			EK0, EV0			Oil Pump And Primary Tensioner To Cylinder Block, Mounting
		1	J, T			EK0, EV0			Oil Pump And Primary Tensioner To Cylinder Block, Mounting
4	53034076AA	1	J, T			EK0, EV0			CAP, Oil Filler
5		1							BAFFLE, Oil Fill, None, (NOT SERVICED)
6	53020891AE	1	J, T			EV0			HOUSING, Oil Fill
7	53020889AC	1	J, T			EV0			GASKET, Oil Fill Housing
8	06505504AA	3	J, T			EK0, EV0			SCREW, [M6X1.00X27.00], Oil Fill Housing To Cylinder Block, Mounting
9	53020861	1	J, T			EK0, EV0			SEAL, Oil Pick Up Tube

GRAND CHEROKEE (WK)

SERIES LINE
H = HIGHLINE T = JEEP - 2WD
P = PREMIUM J = JEEP - 4WD
S = SPORT
X = SPECIAL

BODY
74 = SPORT UTILITY 4-DR
TYPE #4

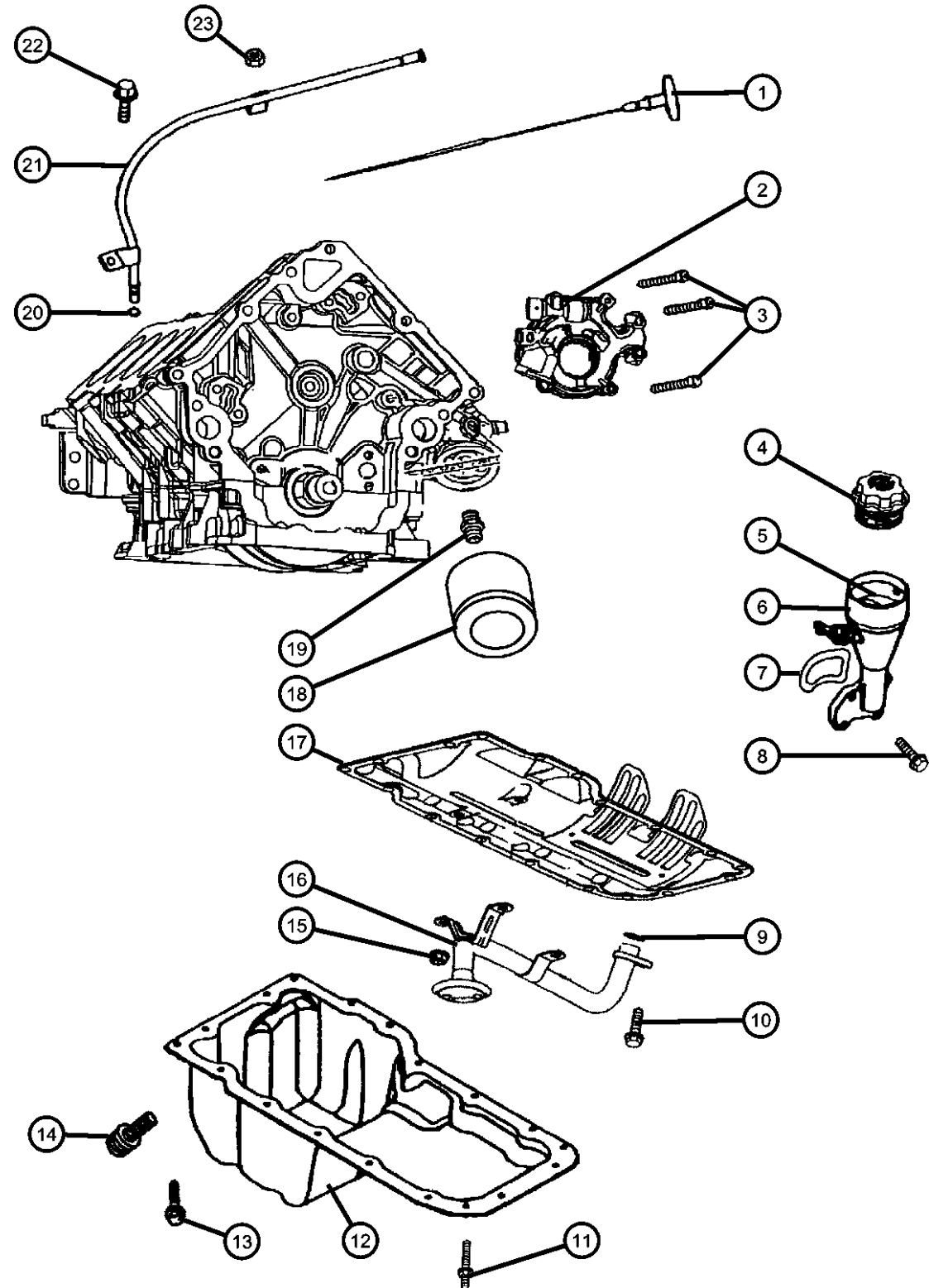
ENGINE
EVA = 4.7L V8 MPI Engine
EVD = 4.7L V8 FFV Engine
EXL = 3.0L V6 Turbo Diesel Engine
EZB = 5.7L Hemi Multi Displacement Engine
EKG = 3.7L V6 Engine
ESF = 6.1L SRT HEMI SMPI V8 Engine

TRANSMISSION
DGJ = 5-Speed Auto W5A580 Transmission
DGQ = 5-Spd Automatic 545RFE Transmission
DGU = 5-Spd Auto W5J400 Transmission

AR = use ase required - = Non illustrated part

2007 WK

**Engine Oiling 4.7L [EVA] [EVD]
Figure 4.7L-710**



ITEM	PART NUMBER	QTY	LINE	SERIES	BODY	ENGINE	TRANS	TRIM	DESCRIPTION
10	06102046AA	1	J, T			EK0, EVO			SCREW AND WASHER, [M8X1.25X27.00], Oil Pickup Tube To Cylinder Block, Mounting STUD
11	06505566AA	1	J, T			EK0, EVO			Oil Fill Housing To Cylinder Block [M6X1.00X51.9], Mounting
	06508066AA	1	J, T			EVO			Oil Pan To Cylinder Block [M6X1.00X36.97], Mounting
12	53021756AA	1	J, T			EVO			PAN, Engine Oil
13	06504810AA	17	J, T			EVO			SCREW AND WASHER, Hex, [M6X1.00X20.00], Oil Pan To Cylinder Block, Mounting
14	06506100AA	1	J, T			EVO			PLUG, Oil Drain, [M14X1.5X20.0]
15	06502756	3	J, T			EVO			NUT, Hex Lock, M8x1.25, Oil Pickup Tube To Cylinder Block, Mounting
16	53020828	1	J, T			EVO			TUBE, Oil Pickup
17	53020675AE	1	J, T			EVO			GASKET, Oil Pan
18	05281090	1	J, T			EVO			FILTER, Engine Oil
	0FE00292								Canadian Aftermarket Part
	05281090BA								BULK PACK (12)
19	53007563AB	1	J, T			EK0, EVO			CONNECTOR, Oil Filter
20	53021144AA	1	J, T			EVA, EVD			O RING, Engine Oil Indicator
21	53021743AB	1	J, T			EVA, EVD			TUBE, Engine Oil Indicator
22	06504810AA	1	J, T			EK0, EVO			SCREW AND WASHER, Hex, [M6X1.00X20.00], Oil Level Indicator Tube To Cylinder Block, Mounting
23	06508272AA	1	J, T			EVO			NUT, M6x1.00, Indicator Tube To Intake Manifold, Mounting

GRAND CHEROKEE (WK)

SERIES LINE
H = HIGHLINE T = JEEP - 2WD
P = PREMIUM J = JEEP - 4WD
S = SPORT
X = SPECIAL

BODY
74 = SPORT UTILITY 4-DR
TYPE #4

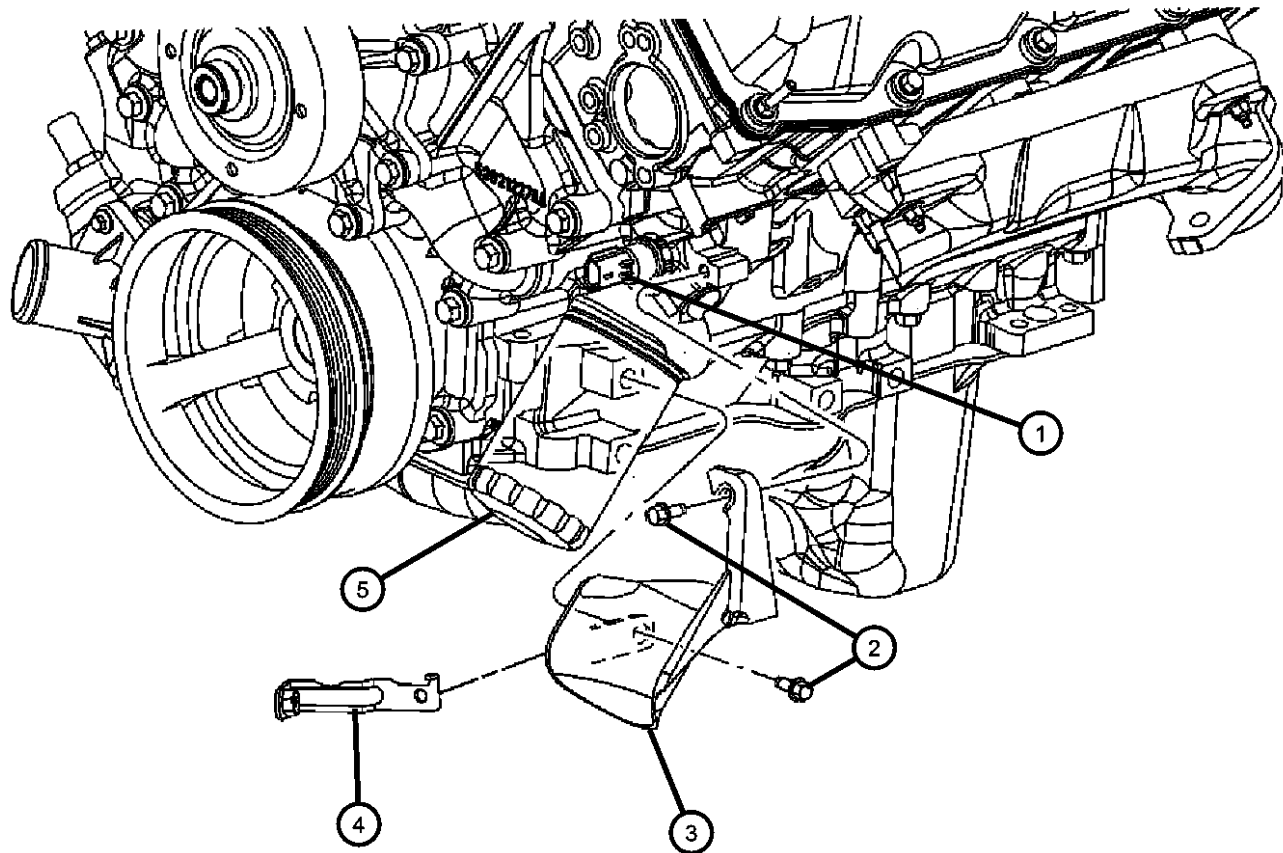
ENGINE
EVA = 4.7L V8 MPI Engine
EVD = 4.7L V8 FFV Engine
EXL = 3.0L V6 Turbo Diesel
Engine
EZB = 5.7L Hemi Multi
Displacement Engine
EKG = 3.7L V6 Engine
ESF = 6.1L SRT HEMI SMPI
V8 Engine

TRANSMISSION
DGJ = 5-Speed Auto W5A580
Transmission
DGQ = 5-Spd Automatic 545RFE
Transmission
DGU = 5-Spd Auto W5J400
Transmission

AR = use ase required - = Non illustrated part

2007 WK

**Oil Filter And Splash Guard 4.7L [EVA] [EVD]
Figure 4.7L-720**



ITEM	PART NUMBER	QTY	LINE	SERIES	BODY	ENGINE	TRANS	TRIM	DESCRIPTION
NOTE:									
Sales Codes:									
[DGJ] = 5-Speed Automatic W5A580 Transmission									
[DGQ] = 5-Speed Automatic 545RFE Transmission									
[DGU] = 5-Speed Automatic W5J400 Transmission									
[DG0] = All Automatic Transmissions									
[DHB] = Quadra -Trac Active On Demand NVG 146 Transfer Case									
[DHX] = Quadra -Trac 2 Full Time Active NVG 245 Transfer Case									
[DHZ] = Quadra -Trac 1 Full time 4WD NVG 140 Transfer Case									
[EKG] = 3.7L [Magnum] V-6 Engine									
[EK0] = All 3.7L 6-Cylinder Gas Engines									
[ESF] = 6.1L SRT Hemi SMPI V-8 Engine									
[ES0] = All 6.1L 8-Cylinder Gas Engines									
[EVA] = 4.7L [Magnum] V-8 Engine									
[EVD] = 4.7L V-8 FFV Engine									
[EV0] = All 4.7L 8-Cylinder Gas Engines									
[EXL] = 3.0L V-6 Turbo Diesel Engine									
[EX0] = All 3.0L Cylinder Turbo Diesel Engines									
[EZB] = 5.7L Hemi Multi-Displacement Engine									
[EZ0] = All 5.7L 8-Cylinder Gas Engines									
[NAA] = Federal Emissions									
[NAE] = California Emissions									
[NAS] = 50 State Emissions									
[NA1] = Export Emissions									
[XEF] = Transfer Case Skid Plate Sheild									
1	05149097AA	1				EK0, EV0			SWITCH, Oil Pressure
2	06505178AA	1				EK0, EV0			SCREW, Hex Head, [M8X1.25X25.00] Bracket To Cradle, Mounting
		1				EK0, EV0			Splash Gurard To Cradle, Mounting
		1				EK0, EV0			Splash Guard To Bracket, Mounting
3	53013710AC	1	J, T			EK0, EV0			GUARD, Splash
4	53013737AC	1	J, T			EK0, EV0			BRACKET
5	05281090	1	J, T			EV0			FILTER, Engine Oil
	0FE00292								Canadian Aftermarket Part
	05281090BA								BULK PACK (12)

GRAND CHEROKEE (WK)

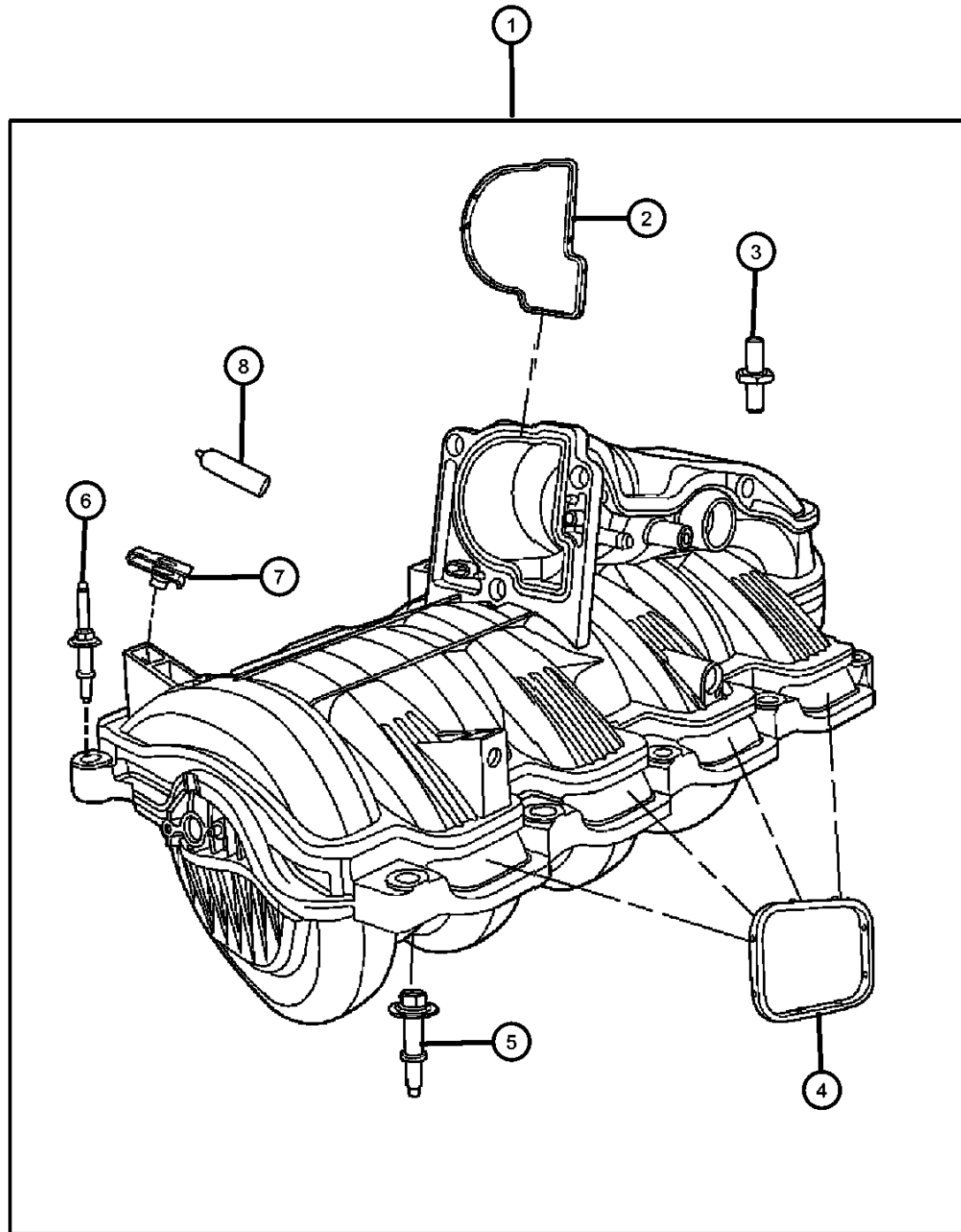
SERIES LINE
H = HIGHLINE T = JEEP - 2WD
P = PREMIUM J = JEEP - 4WD
S = SPORT
X = SPECIAL

BODY
74 = SPORT UTILITY 4-DR
TYPE #4

ENGINE
EVA = 4.7L V8 MPI Engine
EVD = 4.7L V8 FFV Engine
EXL = 3.0L V6 Turbo Diesel
Engine
EZB = 5.7L Hemi Multi
Displacement Engine
EKG = 3.7L V6 Engine
ESF = 6.1L SRT HEMI SMPI
V8 Engine

TRANSMISSION
DGJ = 5-Speed Auto W5A580
Transmission
DGQ = 5-Spd Automatic 545RFE
Transmission
DGU = 5-Spd Auto W5J400
Transmission

**Intake Manifold And Mounting 4.7L [EVA] [EVD]
Figure 4.7L-810**



ITEM	PART NUMBER	QTY	LINE	SERIES	BODY	ENGINE	TRANS	TRIM	DESCRIPTION
------	-------------	-----	------	--------	------	--------	-------	------	-------------

NOTE:

Sales Codes:

- [DGJ] = 5-Speed Automatic W5A580 Transmission
- [DGQ] = 5-Speed Automatic 545RFE Transmission
- [DGU] = 5-Speed Automatic W5J400 Transmission
- [DG0] = All Automatic Transmissions
- [DHB] = Quadra -Trac Active On Demand NVG 146 Transfer Case
- [DHX] = Quadra -Trac 2 Full Time Active NVG 245 Transfer Case
- [DHZ] = Quadra -Trac 1 Full time 4WD NVG 140 Transfer Case
- [EKG] = 3.7L [Magnum] V-6 Engine
- [EK0] = All 3.7L 6-Cylinder Gas Engines
- [ESF] = 6.1L SRT Hemi SMPI V-8 Engine
- [ES0] = All 6.1L 8-Cylinder Gas Engines
- [EVA] = 4.7L [Magnum] V-8 Engine
- [EVD] = 4.7L V-8 FFV Engine
- [EV0] = All 4.7L 8-Cylinder Gas Engines
- [EXL] = 3.0L V-6 Turbo Diesel Engine
- [EX0] = All 3.0L Cylinder Turbo Diesel Engines
- [EZB] = 5.7L Hemi Multi-Displacement Engine
- [EZ0] = All 5.7L 8-Cylinder Gas Engines
- [NAA] = Federal Emissions
- [NAE] = California Emissions
- [NAS] = 50 State Emissions
- [NA1] = Export Emissions
- [XEF] = Transfer Case Skid Plate Shield

1	53032774AA	1	J, T			EVO			MANIFOLD, Intake
2	53030952AB	1	J, T			EVO			GASKET, Throttle Body To Intake
3	06507598AA	1	J, T			EVO			STUD, [M6X1.00X28.50], Bracket To Intake Manifold, Mounting
4	53010310AB	8	J, T			EVO			SEAL, Intake Manifold
5	06507433AA	2	J, T			EVO			SCREW, Hex Flange Head, [M6X1.00X43.00], Intake Manifold To Cylinder Head, Mounting
6	06507434AA	8	J, T			EVO			STUD, Double Ended, [M6X1.00X80.00], Intake Manifold To Cylinder Head, Mounting
7	06505492AA	3	J, T			EVO			NUT, U Multi Thread, M6 x 1.00, Resonator To Intake Manifold, Mounting
8	04669657	1	J, T			EVO			CAP, Vacuum Port
-9	53032788AB	1	J, T			EVO			PAD, Engine

GRAND CHEROKEE (WK)

SERIES LINE
H = HIGHLINE T = JEEP - 2WD
P = PREMIUM J = JEEP - 4WD
S = SPORT
X = SPECIAL

BODY
74 = SPORT UTILITY 4-DR
TYPE #4

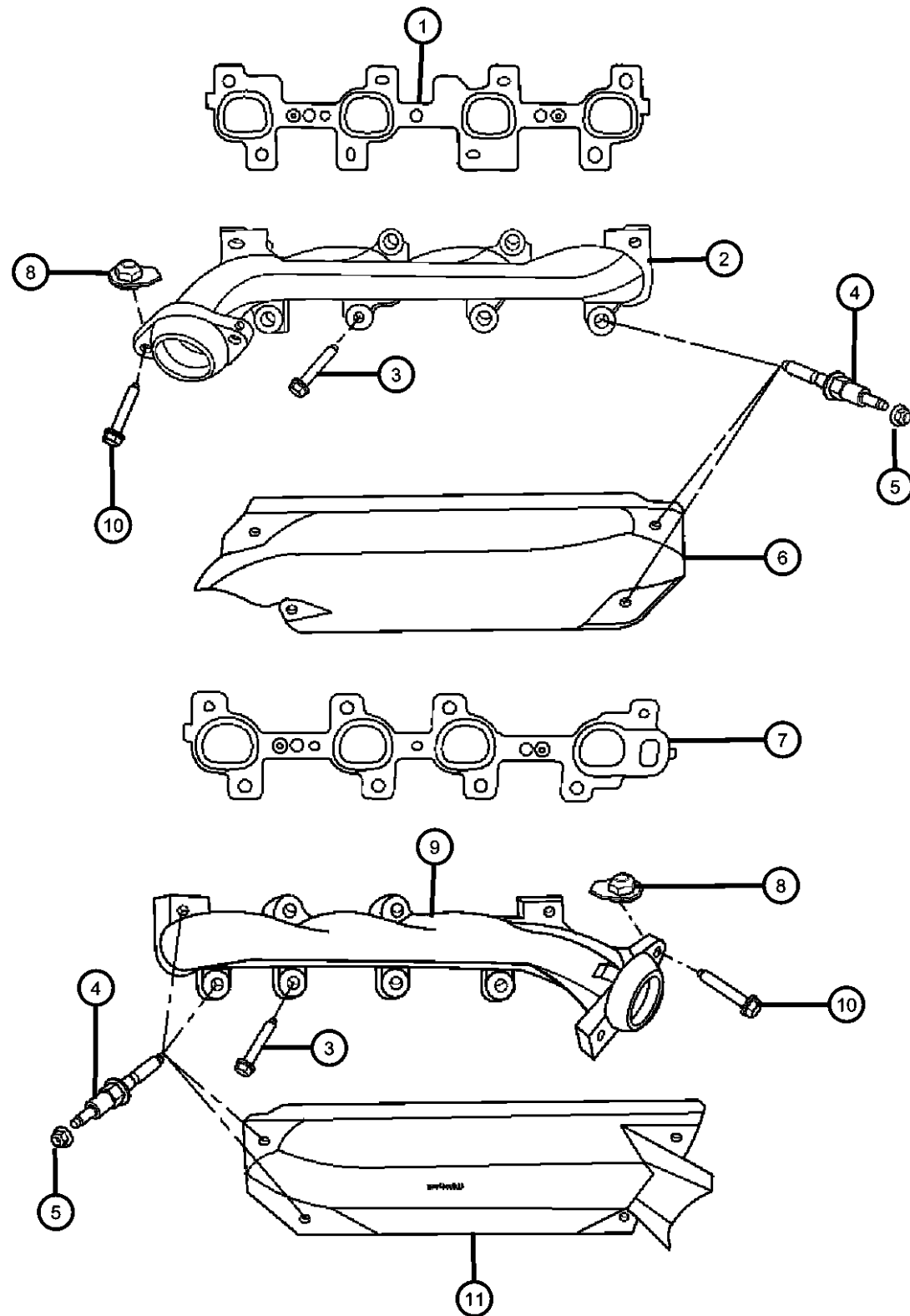
ENGINE
EVA = 4.7L V8 MPI Engine
EVD = 4.7L V8 FFV Engine
EXL = 3.0L V6 Turbo Diesel Engine
EZB = 5.7L Hemi Multi Displacement Engine
EKG = 3.7L V6 Engine
ESF = 6.1L SRT HEMI SMPI V8 Engine

TRANSMISSION
DGJ = 5-Speed Auto W5A580 Transmission
DGQ = 5-Spd Automatic 545RFE Transmission
DGU = 5-Spd Auto W5J400 Transmission

AR = use ase required - = Non illustrated part

2007 WK

**Exhaust Manifolds And Mounting 4.7L [EVA] [EVD]
Figure 4.7L-820**



ITEM	PART NUMBER	QTY	LINE	SERIES	BODY	ENGINE	TRANS	TRIM	DESCRIPTION
------	-------------	-----	------	--------	------	--------	-------	------	-------------

NOTE:

Sales Codes:

[DGJ] = 5-Speed Automatic W5A580 Transmission

[DGQ] = 5-Speed Automatic 545RFE Transmission

[DGU] = 5-Speed Automatic W5J400 Transmission

[DG0] = All Automatic Transmissions

[DHB] = Quadra -Trac Active On Demand NVG 146 Transfer Case

[DHX] = Quadra -Trac 2 Full Time Active NVG 245 Transfer Case

[DHZ] = Quadra -Trac 1 Full time 4WD NVG 140 Transfer Case

[EKG] = 3.7L [Magnum] V-6 Engine

[EK0] = All 3.7L 6-Cylinder Gas Engines

[ESF] = 6.1L SRT Hemi SMPI V-8 Engine

[ES0] = All 6.1L 8-Cylinder Gas Engines

[EVA] = 4.7L [Magnum] V-8 Engine

[EVD] = 4.7L V-8 FFV Engine

[EV0] = All 4.7L 8-Cylinder Gas Engines

[EXL] = 3.0L V-6 Turbo Diesel Engine

[EX0] = All 3.0L Cylinder Turbo Diesel Engines

[EZB] = 5.7L Hemi Multi-Displacement Engine

[EZ0] = All 5.7L 8-Cylinder Gas Engines

[NAA] = Federal Emissions

[NAE] = California Emissions

[NAS] = 50 State Emissions

[NA1] = Export Emissions

[XEF] = Transfer Case Skid Plate Shield

1	53034030AC	1	J, T			EVA, EVD			GASKET, Exhaust ManifoldRight
2	53013598AB	1	J, T			EVA, EVD			MANIFOLD, ExhaustRight
3	06507746AA	8	J, T			EVA, EVD			BOLT, Exhaust Manifold, [M8X1.25X46.00], Exhaust Manifold To Cylinder Block, Mounting
4	06508219AA	4	J, T			EVA, EVD			STUD, Exhaust Manifold Exhaust Manifold To Cylinder Head [M8X1.25XM6X1X73.0], Mounting
	06508220AA	4	J, T			EVA, EVD			Exhaust Manifold To Cylinder Head [M8X1.25/M6X1.00X86.00], Mounting
5	06505316AA	8	J, T			EV0			NUT, [M6X1.00], Heat Shield To Exhaust Manifold, Mounting
6	53013604AB	1	J, T			EVA, EVD			SHIELD, Exhaust ManifoldRight
7	53034029AD	1	J, T			EVD, EVA			GASKET, Exhaust ManifoldLeft

GRAND CHEROKEE (WK)

SERIES LINE
 H = HIGHLINE T = JEEP - 2WD
 P = PREMIUM J = JEEP - 4WD
 S = SPORT
 X = SPECIAL

BODY
 74 = SPORT UTILITY 4-DR
 TYPE #4

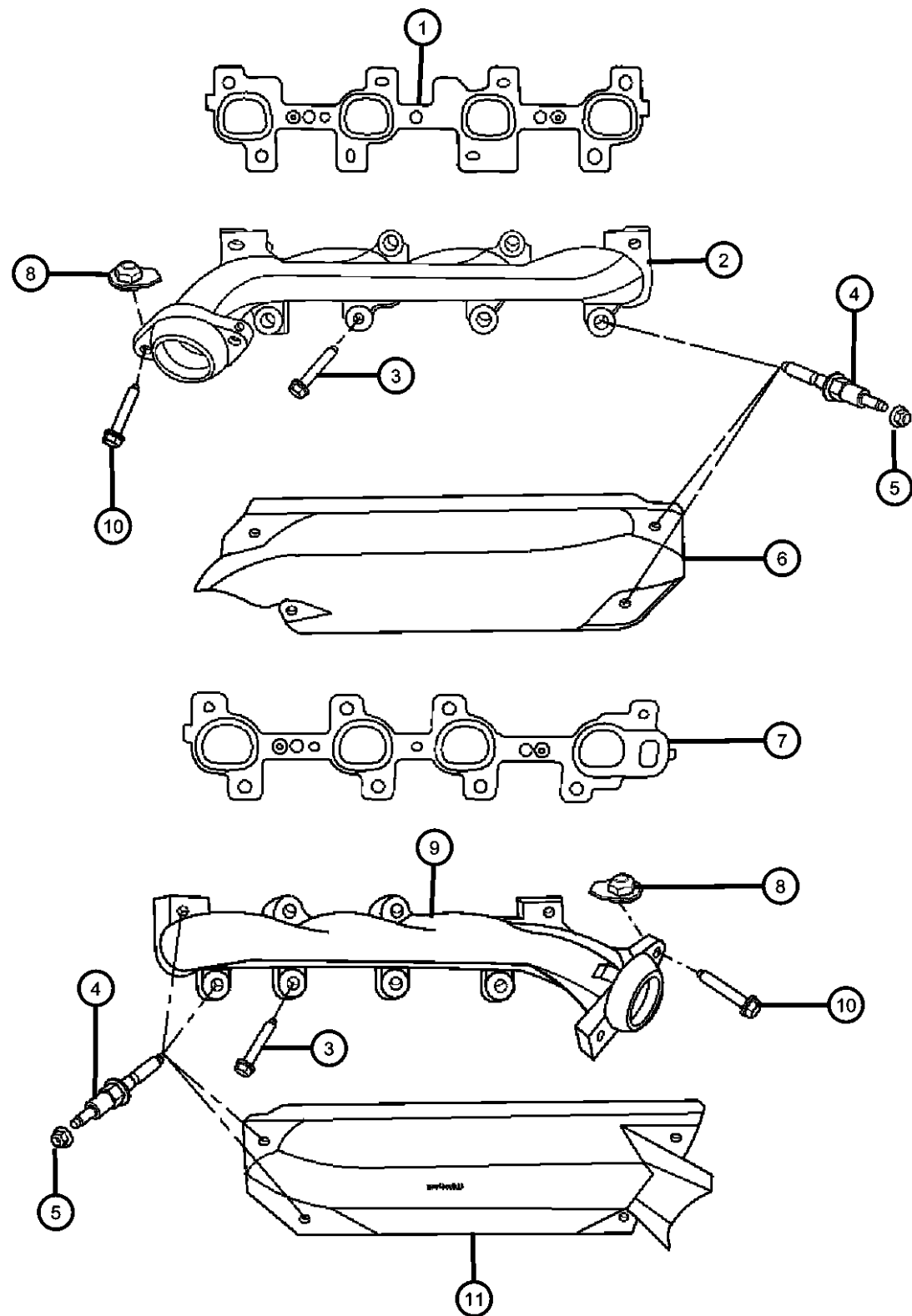
ENGINE
 EVA = 4.7L V8 MPI Engine
 EVD = 4.7L V8 FFV Engine
 EXL = 3.0L V6 Turbo Diesel Engine
 EZB = 5.7L Hemi Multi Displacement Engine
 EKG = 3.7L V6 Engine
 ESF = 6.1L SRT HEMI SMPI V8 Engine

TRANSMISSION
 DGJ = 5-Speed Auto W5A580 Transmission
 DGQ = 5-Spd Automatic 545RFE Transmission
 DGU = 5-Spd Auto W5J400 Transmission

AR = use ase required - = Non illustrated part

2007 WK

**Exhaust Manifolds And Mounting 4.7L [EVA] [EVD]
Figure 4.7L-820**



ITEM	PART NUMBER	QTY	LINE	SERIES	BODY	ENGINE	TRANS	TRIM	DESCRIPTION
8	06503231	4	J, T			EK0, EV0, EZ0			NUT, [M10X1.50], Front Exhaust Pipe To Exhaust Manifold, Mounting
9	53013599AB	1	J, T			EVA, EVD			MANIFOLD, ExhaustLeft
10	06505699AA	4							SCREW, [M10X1.50X60.00], Front Exhaust Pipe To Exhaust Manifold, Mounting
11	53013603AA	1	J, T			EVA, EVD			SHIELD, Exhaust ManifoldLeft

GRAND CHEROKEE (WK)

SERIES LINE
H = HIGHLINE T = JEEP - 2WD
P = PREMIUM J = JEEP - 4WD
S = SPORT
X = SPECIAL

BODY
74 = SPORT UTILITY 4-DR
TYPE #4

ENGINE
EVA = 4.7L V8 MPI Engine
EVD = 4.7L V8 FFV Engine
EXL = 3.0L V6 Turbo Diesel Engine
EZB = 5.7L Hemi Multi Displacement Engine
EKG = 3.7L V6 Engine
ESF = 6.1L SRT HEMI SMPI V8 Engine

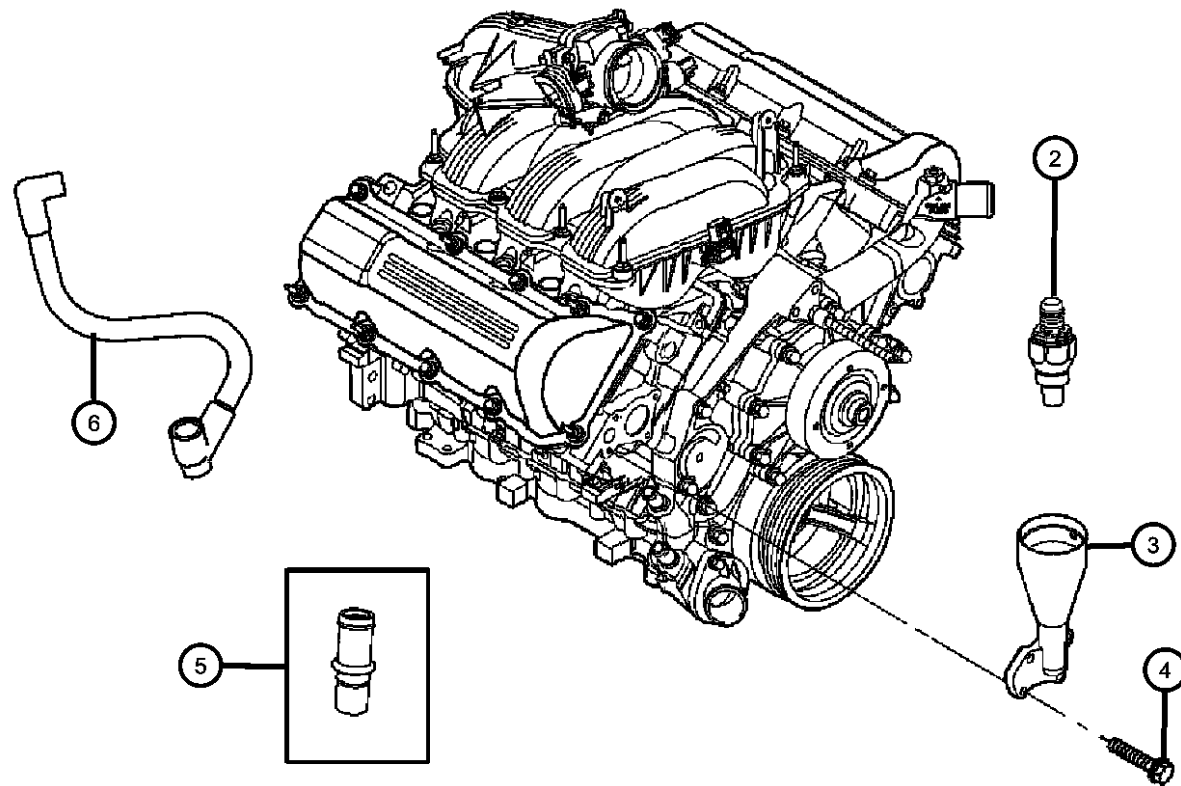
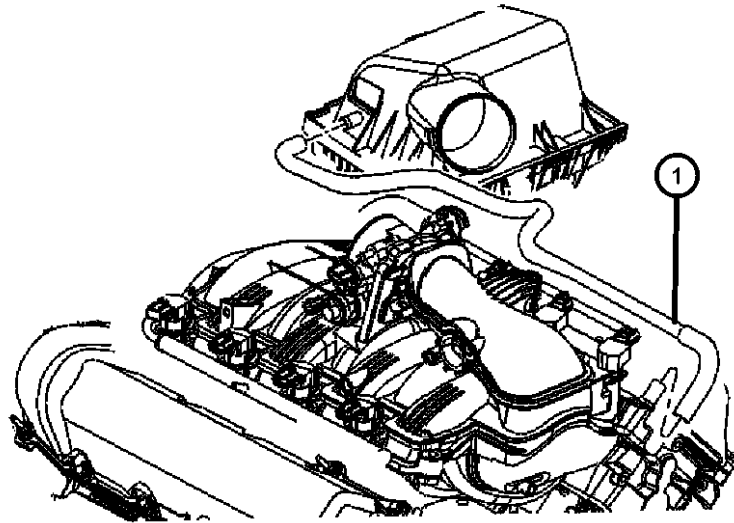
TRANSMISSION
DGJ = 5-Speed Auto W5A580 Transmission
DGQ = 5-Spd Automatic 545RFE Transmission
DGU = 5-Spd Auto W5J400 Transmission

AR = use ase required - = Non illustrated part

2007 WK

**Crankcase Ventilation, 4.7L [EVA] [EVD]
Figure 4.7L-910**

ITEM	PART NUMBER	QTY	LINE	SERIES	BODY	ENGINE	TRANS	TRIM	DESCRIPTION
------	-------------	-----	------	--------	------	--------	-------	------	-------------



NOTE:

Sales Codes:

- [DGJ] = 5-Speed Automatic W5A580 Transmission
- [DGQ] = 5-Speed Automatic 545RFE Transmission
- [DGU] = 5-Speed Automatic W5J400 Transmission
- [DG0] = All Automatic Transmissions
- [DHB] = Quadra -Trac Active On Demand NVG 146 Transfer Case
- [DHX] = Quadra -Trac 2 Full Time Active NVG 245 Transfer Case
- [DHZ] = Quadra -Trac 1 Full time 4WD NVG 140 Transfer Case
- [EKG] = 3.7L [Magnum] V-6 Engine
- [EK0] = All 3.7L 6-Cylinder Gas Engines
- [ESF] = 6.1L SRT Hemi SMPI V-8 Engine
- [ES0] = All 6.1L 8-Cylinder Gas Engines
- [EVA] = 4.7L [Magnum] V-8 Engine
- [EVD] = 4.7L V-8 FFV Engine
- [EV0] = All 4.7L 8-Cylinder Gas Engines
- [EXL] = 3.0L V-6 Turbo Diesel Engine
- [EX0] = All 3.0L Cylinder Turbo Diesel Engines
- [EZB] = 5.7L Hemi Multi-Displacement Engine
- [EZ0] = All 5.7L 8-Cylinder Gas Engines
- [NAA] = Federal Emissions
- [NAE] = California Emissions
- [NAS] = 50 State Emissions
- [NA1] = Export Emissions
- [XEF] = Transfer Case Skid Plate Shield

1	53013884AA	1	J, T			EVO			HOSE, Make Up Air
2	53032925AC	1	J, T			EVO			VALVE, Crankcase Vent
3	53020891AE	1	J, T			EVO			HOUSING, Oil Fill
4	06505504AA	3	J, T			EK0, EVO			SCREW, [M10X1.50X60.00], Oil Fill Housing To Cylinder Block, Mounting
5	06036575AA	1	J, T			EK0, EVO			FITTING, Crankcase Vent Tube
6	53032617AE	1	J, T			EVO			TUBE, Crankcase Vent To Intake Manifold

GRAND CHEROKEE (WK)

SERIES LINE
H = HIGHLINE T = JEEP - 2WD
P = PREMIUM J = JEEP - 4WD
S = SPORT
X = SPECIAL

BODY
74 = SPORT UTILITY 4-DR
TYPE #4

ENGINE
EVA = 4.7L V8 MPI Engine
EVD = 4.7L V8 FFV Engine
EXL = 3.0L V6 Turbo Diesel
Engine
EZB = 5.7L Hemi Multi
Displacement Engine
EKG = 3.7L V6 Engine
ESF = 6.1L SRT HEMI SMPI
V8 Engine

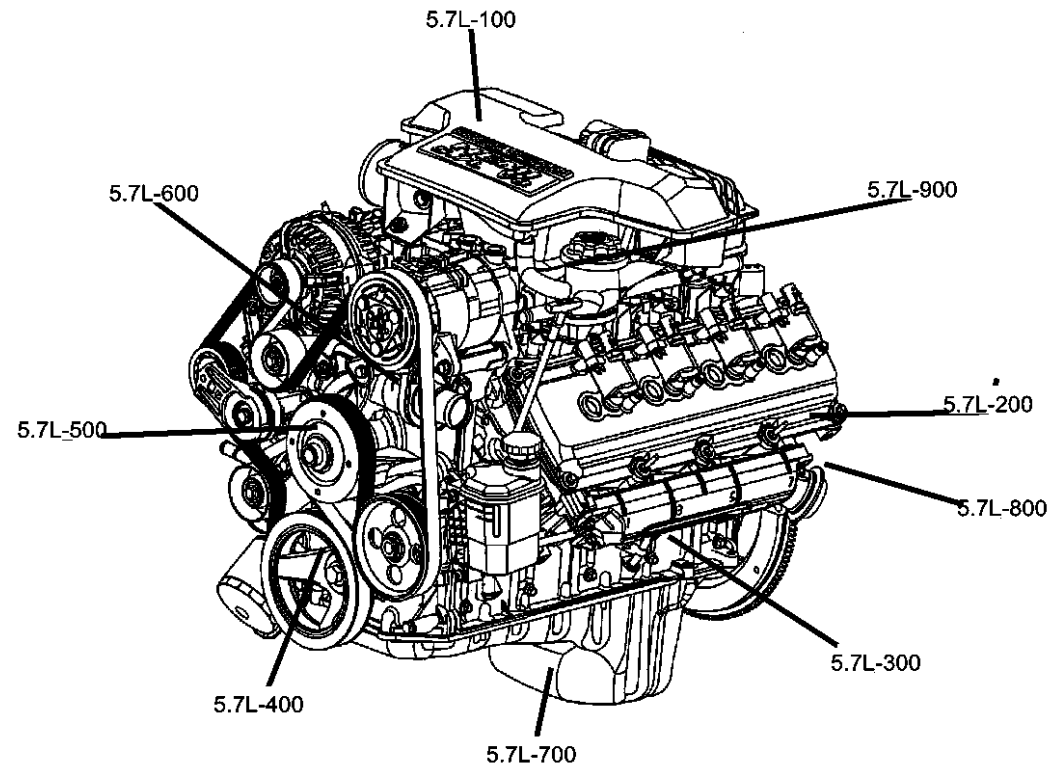
TRANSMISSION
DGJ = 5-Speed Auto W5A580
Transmission
DGQ = 5-Spd Automatic 545RFE
Transmission
DGU = 5-Spd Auto W5J400
Transmission

AR = use ase required - = Non illustrated part

2007 WK

Group - 5.7L

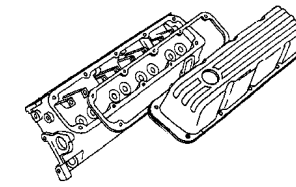
Engine 5.7L Eight Cylinder [EZB]



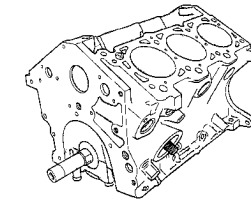
5.7L-100 Engine Identification

X Model Year	X Manufacturing Plant	XXXXX Component Code/Usage	XXXX Month/Day	XXXXXXXX Serial Code
Last digit of model year	Sattilo S Trenton T Tokco K	Engine 3.3L - 3.5L Usage Pass Car PC Truck T		Last 8 Digits of VIN

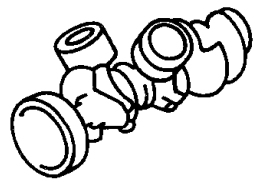
5.7L-200 Cylinder Head



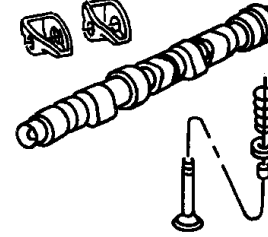
5.7L-300 Cylinder Block



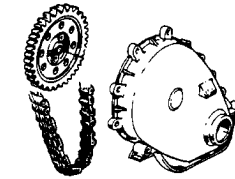
5.7L-400 Crankshaft, Pistons and Torque Converter



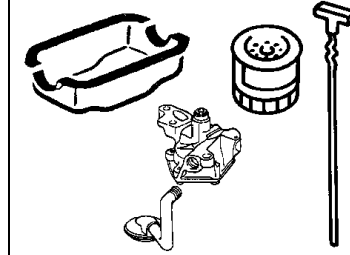
5.7L-500 Camshafts and Valves



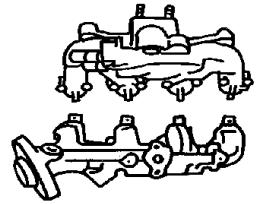
5.7L-600 Timing Belt and Cover



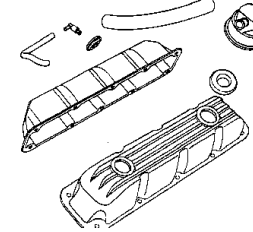
5.7L-700 Engine Oiling



5.7L-800 Manifolds



5.7L-900 Crankcase Ventilation

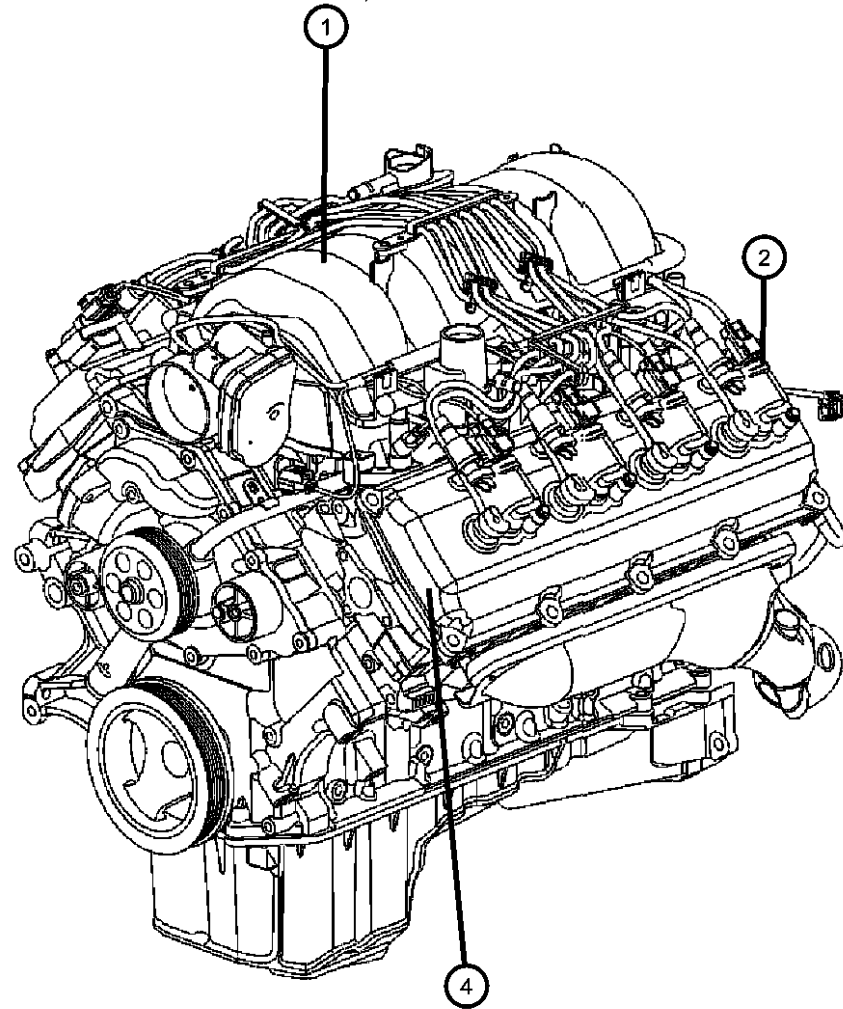


Group - 5.7L Engine 5.7L Eight Cylinder [EZB]

Illustration Title	Group-Fig. No.
Engine Identification	
Engine Assembly And Identification 5.7L [EZB]	Fig. 5.7L - 110
Gasket Packages 5.7L [EZB].....	Fig. 5.7L - 120
Engine Covers And Components 5.7L [EZB]	Fig. 5.7L - 130
Cylinder Head	
Cylinder Head And Cylinder Head Cover 5.7L [EZB].....	Fig. 5.7L - 210
Cylinder Block	
Cylinder Block And Hardware 5.7L [EZB]	Fig. 5.7L - 310
Cylinder Block Heater 5.7L [EZB].....	Fig. 5.7L - 320
Crankshaft, Pistons and Torque Converter	
Crankshaft Pistons Torque Converter And Driveplate 5.7L [EZB].....	Fig. 5.7L - 410
Camshafts and Valves	
Camshaft And Valvetrain 5.7L [EZB]	Fig. 5.7L - 510
Timing Belt and Cover	
Timing Chain, Timing Cover And Related Parts 5.7L [EZB]	Fig. 5.7L - 610
Engine Oiling	
Engine Oiling 5.7L [EZB]	Fig. 5.7L - 710
Oil Filter And Splash Guard 5.7L [EZB]	Fig. 5.7L - 720
Manifolds	
Intake Manifold And Mounting 5.7L [EZB].....	Fig. 5.7L - 810
Exhaust Manifolds And Mounting 5.7L [EZB]	Fig. 5.7L - 820
Crankcase Ventilation	
Crankcase Ventilation 5.7L [EZB].....	Fig. 5.7L - 910

**Engine Assembly And Identification 5.7L [EZB]
Figure 5.7L-110**

ITEM	PART NUMBER	QTY	LINE	SERIES	BODY	ENGINE	TRANS	TRIM	DESCRIPTION
------	-------------	-----	------	--------	------	--------	-------	------	-------------



NOTE:

The Engine Identification Label Contains: The Production Assembly Part Number And Displacement. It is located On The Left Front Cylinder Head Shortblock Does Not Include Camshaft, Lifters, Oil Pump Or Oil Pan, But Does Include The Camshaft Bearings.

Long Block Includes: Short Block Components Plus Complete Cylinder Heads With Covers, Chain Case Cover, Oil Pump, Oil Pan And Water Pump

Sales Codes:

- [DGJ] = 5-Speed Automatic W5A580 Transmission
- [DGQ] = 5-Speed Automatic 545RFE Transmission
- [DGU] = 5-Speed Automatic W5J400 Transmission
- [DG0] = All Automatic Transmissions
- [DHB] = Quadra -Trac Active On Demand NVG 146 Transfer Case
- [DHX] = Quadra -Trac 2 Full Time Active NVG 245 Transfer Case
- [DHZ] = Quadra -Trac 1 Full time 4WD NVG 140 Transfer Case
- [EKG] = 3.7L [Magnum] V-6 Engine
- [EK0] = All 3.7L 6-Cylinder Gas Engines
- [ESF] = 6.1L SRT Hemi SMPI V-8 Engine
- [ES0] = All 6.1L 8-Cylinder Gas Engines
- [EVA] = 4.7L [Magnum] V-8 Engine
- [EVD] = 4.7L V-8 FFV Engine
- [EV0] = All 4.7L 8-Cylinder Gas Engines
- [EXL] = 3.0L V-6 Turbo Diesel Engine
- [EX0] = All 3.0L Cylinder Turbo Diesel Engines
- [EZB] = 5.7L Hemi Multi-Displacement Engine
- [EZ0] = All 5.7L 8-Cylinder Gas Engines
- [NAA] = Federal Emissions
- [NAE] = California Emissions
- [NAS] = 50 State Emissions
- [NA1] = Export Emissions
- [XEF] = Transfer Case Skid Plate Shield

1		1							ENGINE, Complete, Serviced By Long Or Short Block Only, (NOT SERVICED)
2									ENGINE, Long Block, SERVICE WARNING: If The Original Engine Has Experienced A Catastrophic Failure - Including Piston, Cylinder Bore, Valve, or Valve Seat Failure - The Intake Manifold Must Be Replaced With A New Manifold.
	R2857367AA	1				EZB			Remanufactured With [EZB] Multi-Displacement System
	RL025384AA	1				EZB			With [EZB] Multi-Displacement System

GRAND CHEROKEE (WK)

SERIES LINE
H = HIGHLINE T = JEEP - 2WD
P = PREMIUM J = JEEP - 4WD
S = SPORT
X = SPECIAL

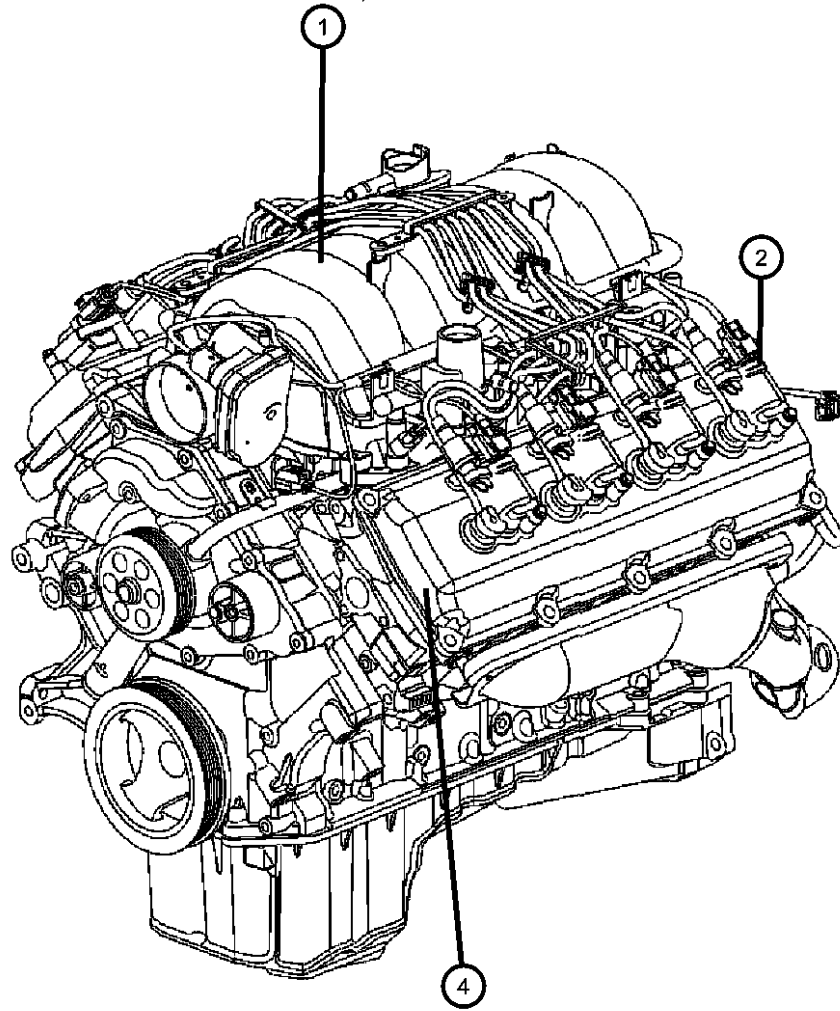
BODY
74 = SPORT UTILITY 4-DR
TYPE #4

ENGINE
EVA = 4.7L V8 MPI Engine
EVD = 4.7L V8 FFV Engine
EXL = 3.0L V6 Turbo Diesel Engine
EZB = 5.7L Hemi Multi Displacement Engine
EKG = 3.7L V6 Engine
ESF = 6.1L SRT HEMI SMPI V8 Engine

TRANSMISSION
DGJ = 5-Speed Auto W5A580 Transmission
DGQ = 5-Spd Automatic 545RFE Transmission
DGU = 5-Spd Auto W5J400 Transmission

**Engine Assembly And Identification 5.7L [EZB]
Figure 5.7L-110**

ITEM	PART NUMBER	QTY	LINE	SERIES	BODY	ENGINE	TRANS	TRIM	DESCRIPTION
-3	R9257057AA	1				EZB			ENGINE, Short Block, SERVICE WARNING: If The Original Engine Has Experienced A Catastrophic Failure - Including Piston, Cylinder Bore, Valve, or Valve Seat Failure - The Intake Manifold Must Be Replaced With A New Manifold., Remanufactured With [EZB] Multi-Displacement System
4		1							LABEL, Engine Identification, (NOT SERVICED)



GRAND CHEROKEE (WK)

SERIES LINE
H = HIGHLINE T = JEEP - 2WD
P = PREMIUM J = JEEP - 4WD
S = SPORT
X = SPECIAL

BODY
74 = SPORT UTILITY 4-DR
TYPE #4

ENGINE
EVA = 4.7L V8 MPI Engine
EVD = 4.7L V8 FFV Engine
EXL = 3.0L V6 Turbo Diesel
Engine
EZB = 5.7L Hemi Multi
Displacement Engine
EKG = 3.7L V6 Engine
ESF = 6.1L SRT HEMI SMPI
V8 Engine

TRANSMISSION
DGJ = 5-Speed Auto W5A580
Transmission
DGQ = 5-Spd Automatic 545RFE
Transmission
DGU = 5-Spd Auto W5J400
Transmission

AR = use ase required - = Non illustrated part

2007 WK

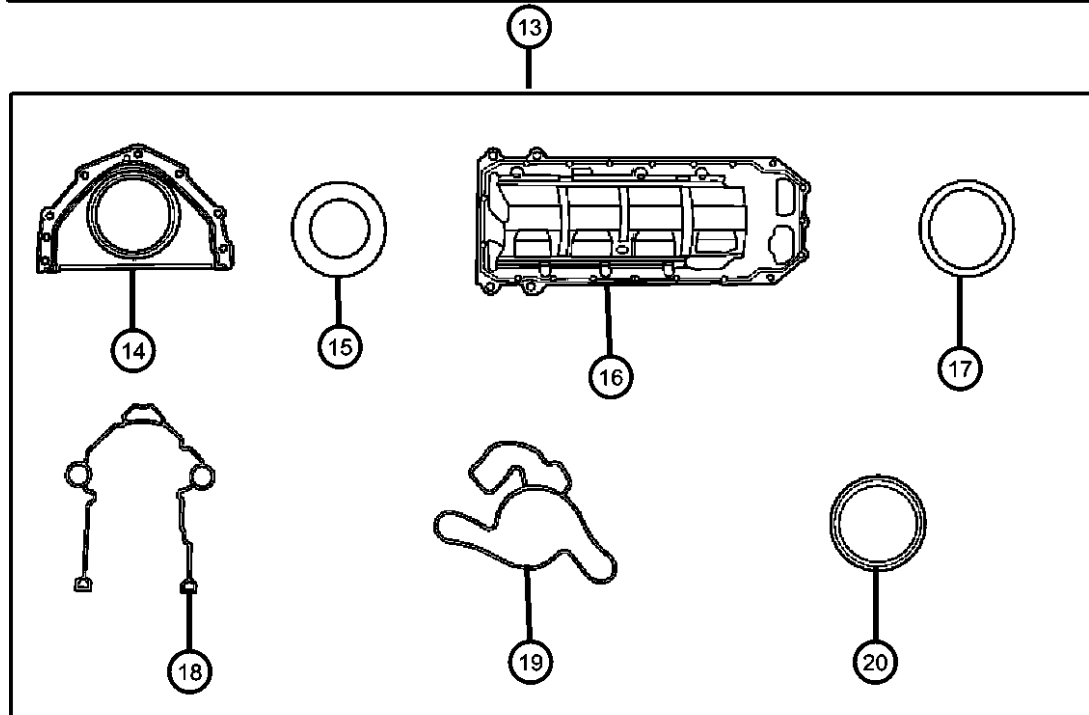
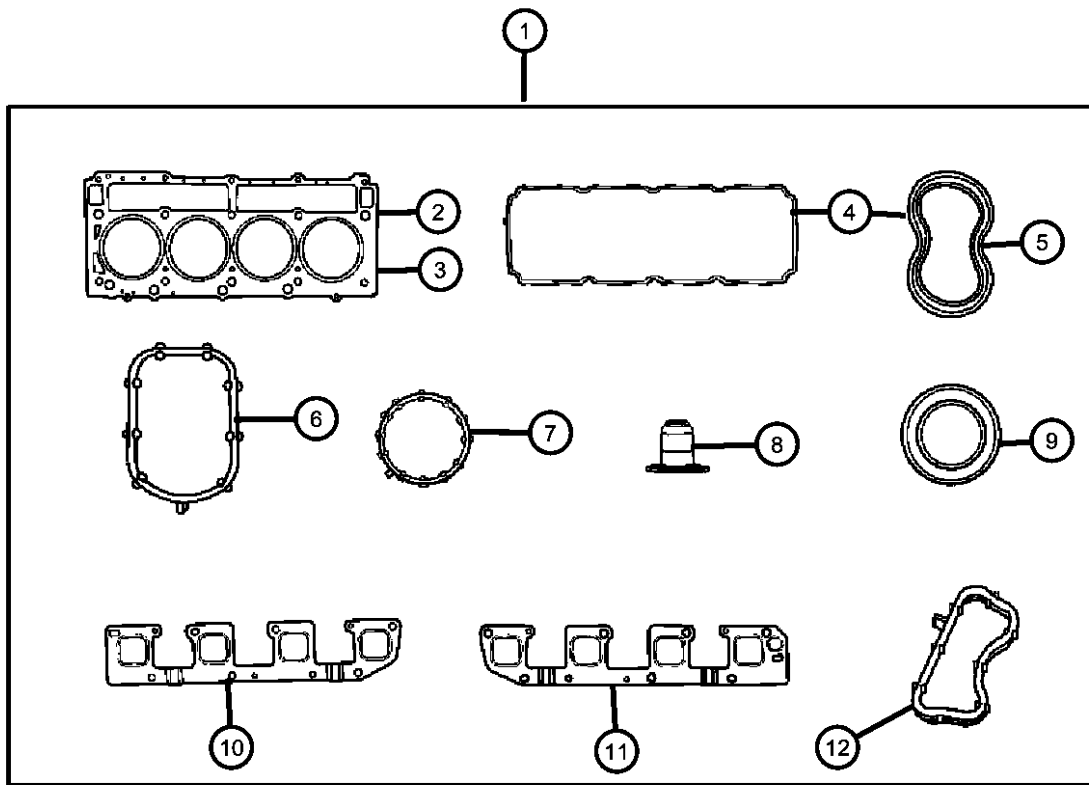
**Gasket Packages 5.7L [EZB]
Figure 5.7L-120**

ITEM	PART NUMBER	QTY	LINE	SERIES	BODY	ENGINE	TRANS	TRIM	DESCRIPTION
------	-------------	-----	------	--------	------	--------	-------	------	-------------

NOTE:

Sales Codes:

- [DGJ] = 5-Speed Automatic W5A580 Transmission
- [DGQ] = 5-Speed Automatic 545RFE Transmission
- [DGU] = 5-Speed Automatic W5J400 Transmission
- [DG0] = All Automatic Transmissions
- [DHB] = Quadra -Trac Active On Demand NVG 146 Transfer Case
- [DHX] = Quadra -Trac 2 Full Time Active NVG 245 Transfer Case
- [DHZ] = Quadra -Trac 1 Full time 4WD NVG 140 Transfer Case
- [EKG] = 3.7L [Magnum] V-6 Engine
- [EK0] = All 3.7L 6-Cylinder Gas Engines
- [ESF] = 6.1L SRT Hemi SMPI V-8 Engine
- [ES0] = All 6.1L 8-Cylinder Gas Engines
- [EVA] = 4.7L [Magnum] V-8 Engine
- [EVD] = 4.7L V-8 FFV Engine
- [EV0] = All 4.7L 8-Cylinder Gas Engines
- [EXL] = 3.0L V-6 Turbo Diesel Engine
- [EX0] = All 3.0L Cylinder Turbo Diesel Engines
- [EZB] = 5.7L Hemi Multi-Displacement Engine
- [EZ0] = All 5.7L 8-Cylinder Gas Engines
- [NAA] = Federal Emissions
- [NAE] = California Emissions
- [NAS] = 50 State Emissions
- [NA1] = Export Emissions
- [XEF] = Transfer Case Skid Plate Shield



1	05135357AF	1	J, T			EZB			GASKET PACKAGE, Engine Upper
2	53021620AE	1	J, T			EZ0			GASKET, Cylinder HeadRight
3	53021621AE	1	J, T			EZ0			GASKET, Cylinder HeadLeft
4	05114179AB	2	J, T			EZB			GASKET KIT, Rocker Cover
5	53021569AD	8	J, T			EZ0			GASKET, Spark Plug Well
6	53032382AB	8	J, T			EZB			SEAL, Intake Manifold
7	53032383AB	1	J, T			EZB			SEAL, Throttle Body to Intake
8	53021578AA	16	J, T			EZ0			SEAL, Valve Guide
9	53032455AB	1				EZ0			SEAL, Throttle Body to Intake
10	53013943AA	1	J, T			EZ0			GASKET, Exhaust ManifoldLeft
11	53013944AA	1	J, T			EZ0			GASKET, Exhaust ManifoldRight
12	53032532AB	1	J, T			EZB			SEAL, PCV
13	05135457AE	1	J, T			EZB			GASKET PACKAGE, Engine Lower
14	53021335BA	1	J, T			EZ0			RETAINER, Crankshaft Rear Oil Seal

GRAND CHEROKEE (WK)

SERIES LINE
H = HIGHLINE T = JEEP - 2WD
P = PREMIUM J = JEEP - 4WD
S = SPORT
X = SPECIAL

BODY
74 = SPORT UTILITY 4-DR
TYPE #4

ENGINE
EVA = 4.7L V8 MPI Engine
EVD = 4.7L V8 FFV Engine
EXL = 3.0L V6 Turbo Diesel
Engine
EZB = 5.7L Hemi Multi
Displacement Engine
EKG = 3.7L V6 Engine
ESF = 6.1L SRT HEMI SMPI
V8 Engine

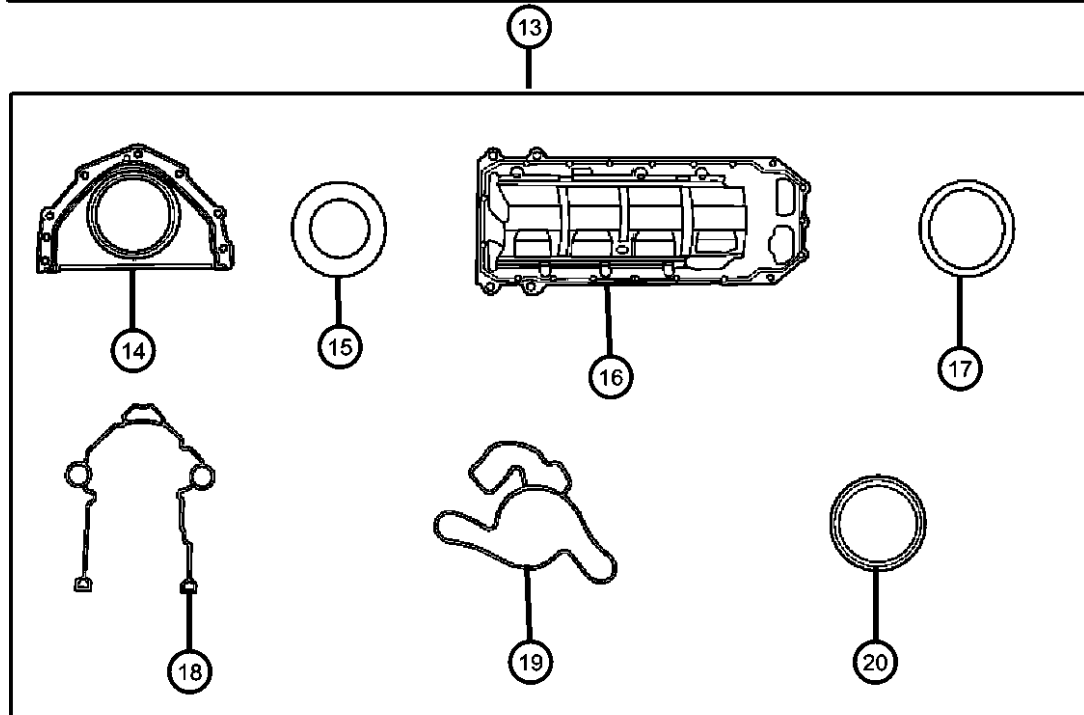
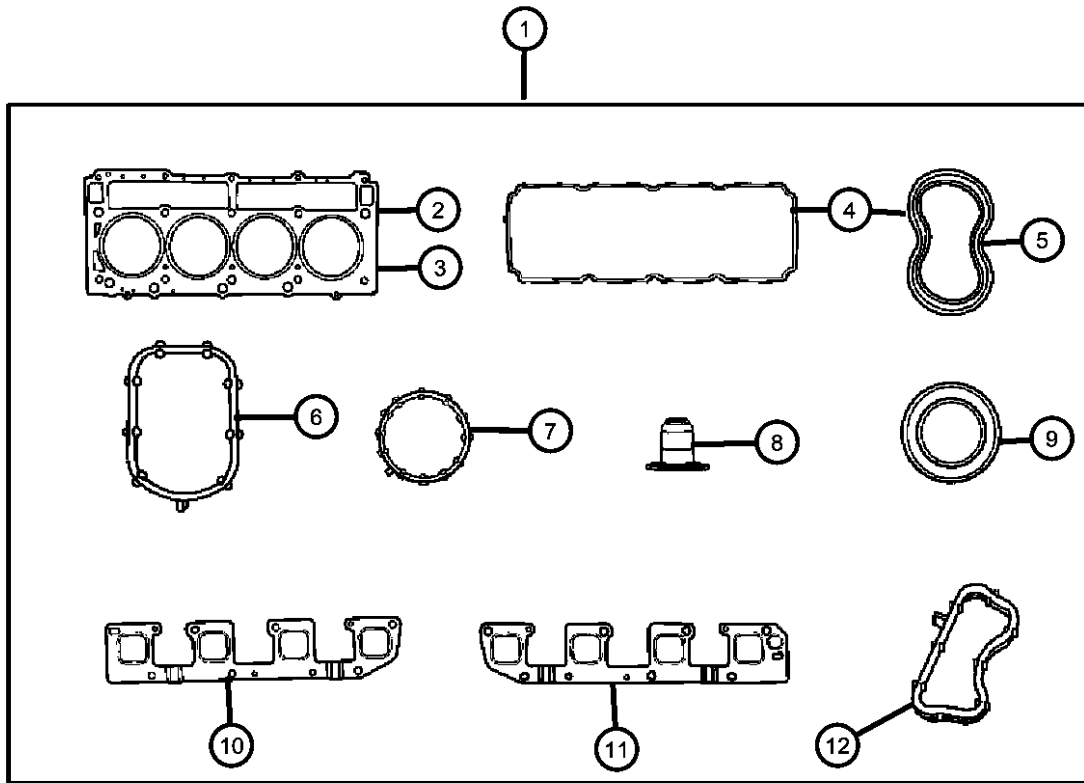
TRANSMISSION
DGJ = 5-Speed Auto W5A580
Transmission
DGQ = 5-Spd Automatic 545RFE
Transmission
DGU = 5-Spd Auto W5J400
Transmission

AR = use ase required - = Non illustrated part

2007 WK

Gasket Packages 5.7L [EZB]
Figure 5.7L-120

ITEM	PART NUMBER	QTY	LINE	SERIES	BODY	ENGINE	TRANS	TRIM	DESCRIPTION
15	53021144AA	1	J, T			EZ0			O RING, Engine Oil Indicator
16	04792874AA	1	J, T			EZ0			GASKET, Oil Pan
17	53020861	1	J, T			EZ0			SEAL, Oil Pick Up Tube
18	05139933AB	1	J, T			EZ0			GASKET PACKAGE, Front Cover
19	04792922AA	1	J, T			EZ0			GASKET, Water Pump
20	53021585AD	1	J, T			EZ0			SEAL, Crankshaft Oil, Front



GRAND CHEROKEE (WK)

SERIES LINE
H = HIGHLINE T = JEEP - 2WD
P = PREMIUM J = JEEP - 4WD
S = SPORT
X = SPECIAL

BODY
74 = SPORT UTILITY 4-DR
TYPE #4

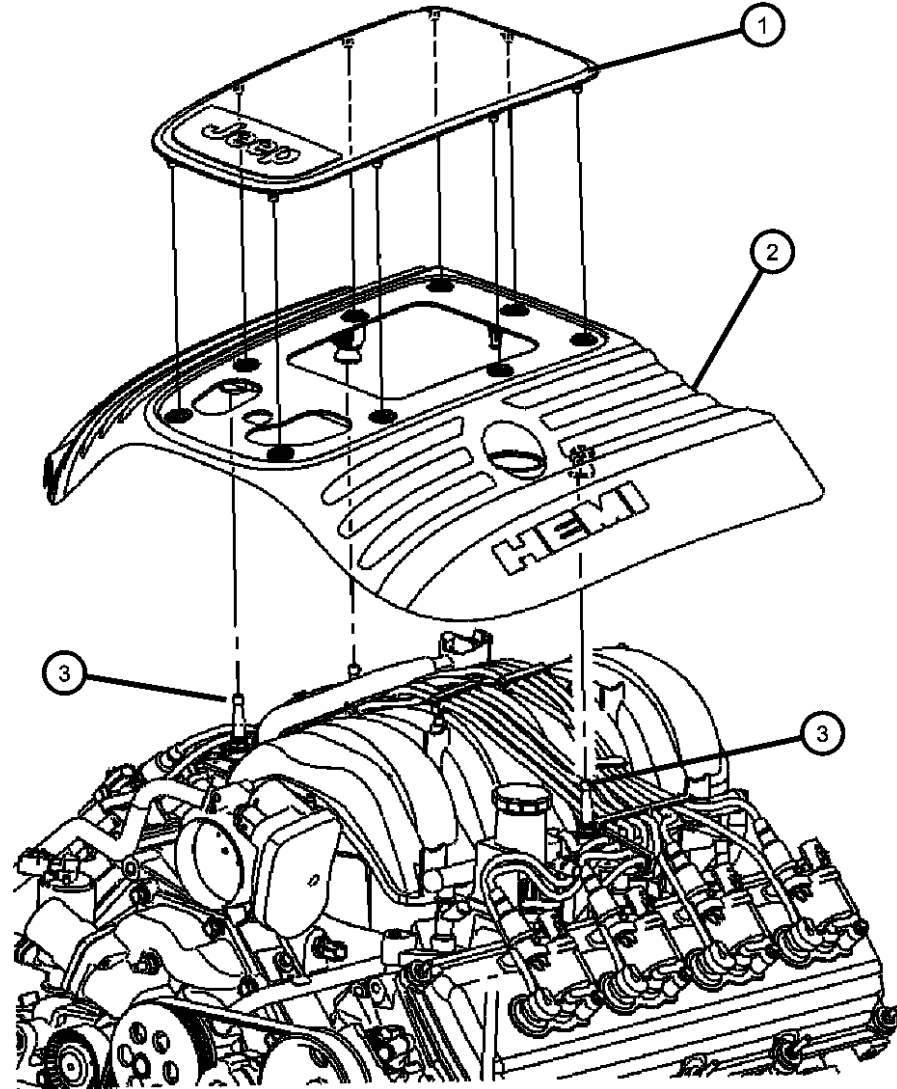
ENGINE
EVA = 4.7L V8 MPI Engine
EVD = 4.7L V8 FFV Engine
EXL = 3.0L V6 Turbo Diesel
Engine
EZB = 5.7L Hemi Multi
Displacement Engine
EKG = 3.7L V6 Engine
ESF = 6.1L SRT HEMI SMPI
V8 Engine

TRANSMISSION
DGJ = 5-Speed Auto W5A580
Transmission
DGQ = 5-Spd Automatic 545RFE
Transmission
DGU = 5-Spd Auto W5J400
Transmission

AR = use ase required - = Non illustrated part

2007 WK

**Engine Covers And Components 5.7L [EZB]
Figure 5.7L-130**



ITEM	PART NUMBER	QTY	LINE	SERIES	BODY	ENGINE	TRANS	TRIM	DESCRIPTION
NOTE:									
Sales Codes:									
[DGJ] = 5-Speed Automatic W5A580 Transmission									
[DGQ] = 5-Speed Automatic 545RFE Transmission									
[DGU] = 5-Speed Automatic W5J400 Transmission									
[DG0] = All Automatic Transmissions									
[DHB] = Quadra -Trac Active On Demand NVG 146 Transfer Case									
[DHX] = Quadra -Trac 2 Full Time Active NVG 245 Transfer Case									
[DHZ] = Quadra -Trac 1 Full time 4WD NVG 140 Transfer Case									
[EKG] = 3.7L [Magnum] V-6 Engine									
[EK0] = All 3.7L 6-Cylinder Gas Engines									
[ESF] = 6.1L SRT Hemi SMPI V-8 Engine									
[ES0] = All 6.1L 8-Cylinder Gas Engines									
[EVA] = 4.7L [Magnum] V-8 Engine									
[EVD] = 4.7L V-8 FFV Engine									
[EV0] = All 4.7L 8-Cylinder Gas Engines									
[EXL] = 3.0L V-6 Turbo Diesel Engine									
[EX0] = All 3.0L Cylinder Turbo Diesel Engines									
[EZB] = 5.7L Hemi Multi-Displacement Engine									
[EZ0] = All 5.7L 8-Cylinder Gas Engines									
[NAA] = Federal Emissions									
[NAE] = California Emissions									
[NAS] = 50 State Emissions									
[NA1] = Export Emissions									
[XEF] = Transfer Case Skid Plate Sheild									
1	53013789AA	1	J, T			EZ0			COVER, Engine, Upper With [Jeep] Markings
2	53013718AB	1	J, T			EZ0			COVER, Engine, Lower With [Hemi] Markings
3	53013748AB	4	J, T			EZB			CONNECTOR, Cover

GRAND CHEROKEE (WK)

SERIES LINE
H = HIGHLINE T = JEEP - 2WD
P = PREMIUM J = JEEP - 4WD
S = SPORT
X = SPECIAL

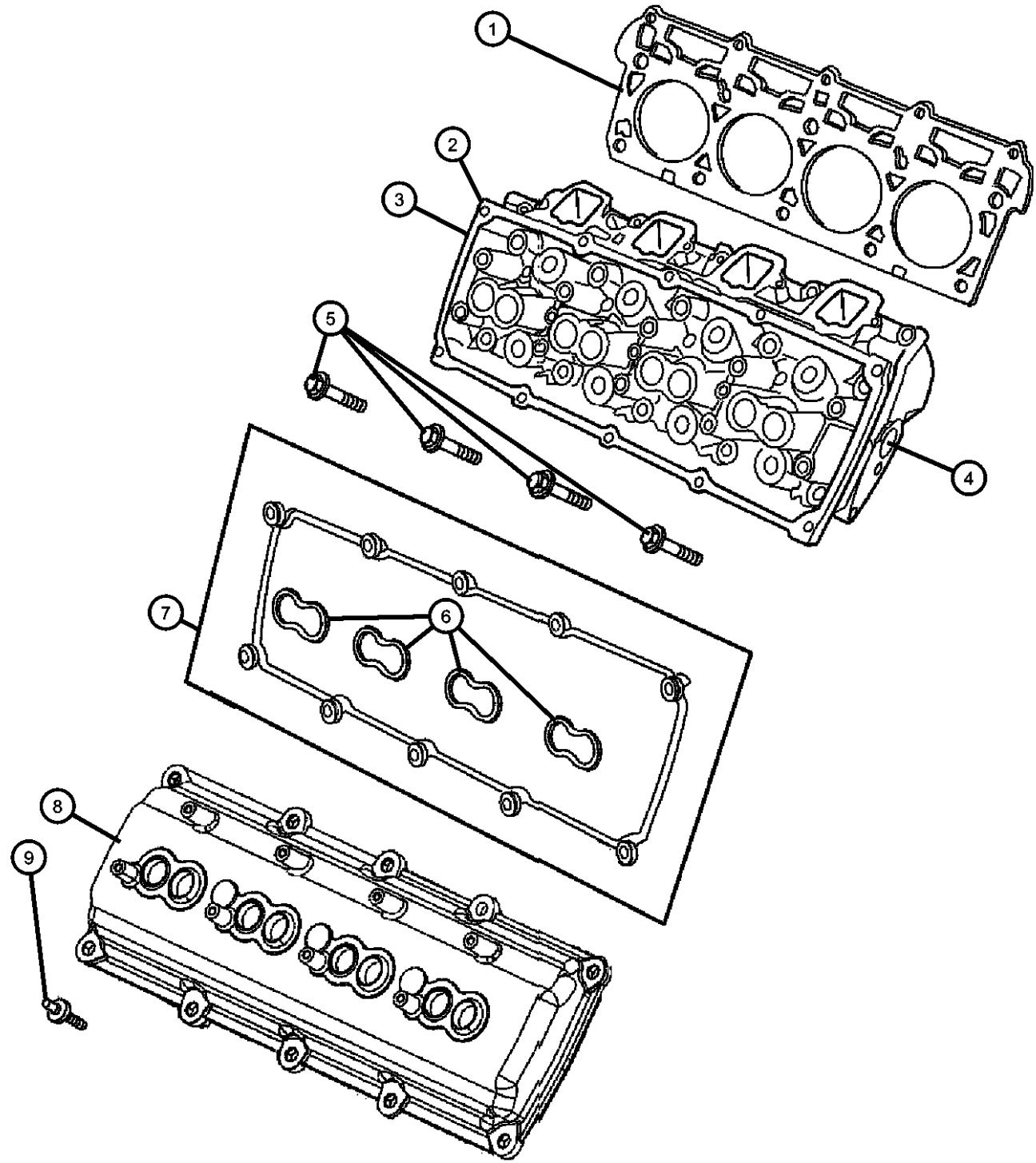
BODY
74 = SPORT UTILITY 4-DR
TYPE #4

ENGINE
EVA = 4.7L V8 MPI Engine
EVD = 4.7L V8 FFV Engine
EXL = 3.0L V6 Turbo Diesel
Engine
EZB = 5.7L Hemi Multi
Displacement Engine
EKG = 3.7L V6 Engine
ESF = 6.1L SRT HEMI SMPI
V8 Engine

TRANSMISSION
DGJ = 5-Speed Auto W5A580
Transmission
DGQ = 5-Spd Automatic 545RFE
Transmission
DGU = 5-Spd Auto W5J400
Transmission

**Cylinder Head And Cylinder Head Cover 5.7L [EZB]
Figure 5.7L-210**

ITEM	PART NUMBER	QTY	LINE	SERIES	BODY	ENGINE	TRANS	TRIM	DESCRIPTION
7	05114179AB	2	J, T			EZB			GASKET KIT, Rocker Cover, See Note
8	53021333BA	2	J, T			EZ0			COVER, Cylinder Head
9	06507366AA	20	J, T			EZ0			STUD, Double Ended, [M6x1.00x50.50], Cylinder Head Cover To Cylinder Head, Mounting



GRAND CHEROKEE (WK)

SERIES LINE
H = HIGHLINE T = JEEP - 2WD
P = PREMIUM J = JEEP - 4WD
S = SPORT
X = SPECIAL

BODY
74 = SPORT UTILITY 4-DR
TYPE #4

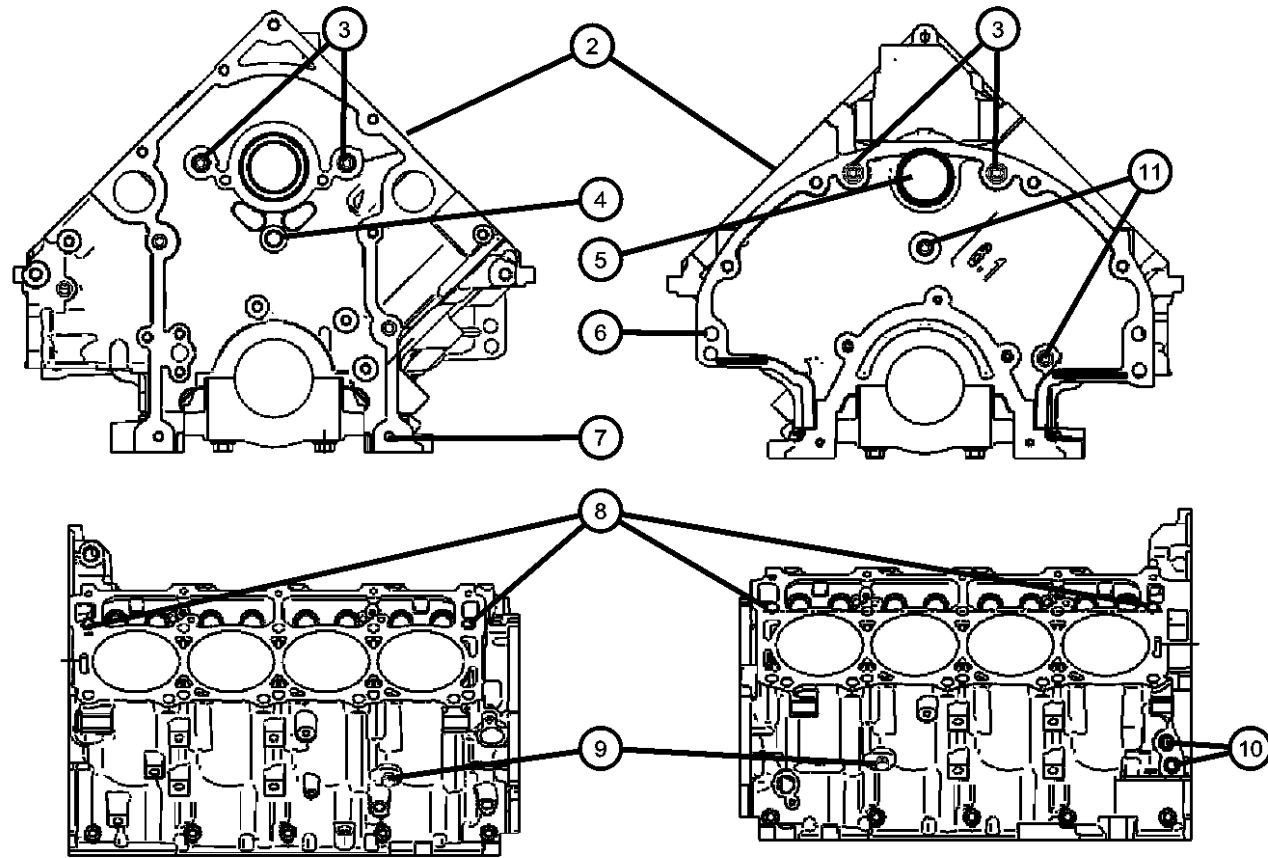
ENGINE
EVA = 4.7L V8 MPI Engine
EVD = 4.7L V8 FFV Engine
EXL = 3.0L V6 Turbo Diesel
Engine
EZB = 5.7L Hemi Multi
Displacement Engine
EKG = 3.7L V6 Engine
ESF = 6.1L SRT HEMI SMPI
V8 Engine

TRANSMISSION
DGJ = 5-Speed Auto W5A580
Transmission
DGQ = 5-Spd Automatic 545RFE
Transmission
DGU = 5-Spd Auto W5J400
Transmission

AR = use ase required - = Non illustrated part

2007 WK

**Cylinder Block And Hardware 5.7L [EZB]
Figure 5.7L-310**



ITEM	PART NUMBER	QTY	LINE	SERIES	BODY	ENGINE	TRANS	TRIM	DESCRIPTION
------	-------------	-----	------	--------	------	--------	-------	------	-------------

NOTE:

Shortblock Does Not Include Camshaft, Lifters, Oil Pump Or Oil Pan, But Does Include The Camshaft Bearings.

Sales Codes:

- [DGJ] = 5-Speed Automatic W5A580 Transmission
- [DGQ] = 5-Speed Automatic 545RFE Transmission
- [DGU] = 5-Speed Automatic W5J400 Transmission
- [DG0] = All Automatic Transmissions
- [DHB] = Quadra -Trac Active On Demand NVG 146 Transfer Case
- [DHX] = Quadra -Trac 2 Full Time Active NVG 245 Transfer Case
- [DHZ] = Quadra -Trac 1 Full time 4WD NVG 140 Transfer Case
- [EKG] = 3.7L [Magnum] V-6 Engine
- [EK0] = All 3.7L 6-Cylinder Gas Engines
- [ESF] = 6.1L SRT Hemi SMPI V-8 Engine
- [ES0] = All 6.1L 8-Cylinder Gas Engines
- [EVA] = 4.7L [Magnum] V-8 Engine
- [EVD] = 4.7L V-8 FFV Engine
- [EV0] = All 4.7L 8-Cylinder Gas Engines
- [EXL] = 3.0L V-6 Turbo Diesel Engine
- [EX0] = All 3.0L Cylinder Turbo Diesel Engines
- [EZB] = 5.7L Hemi Multi-Displacement Engine
- [EZ0] = All 5.7L 8-Cylinder Gas Engines
- [NAA] = Federal Emissions
- [NAE] = California Emissions
- [NAS] = 50 State Emissions
- [NA1] = Export Emissions
- [XEF] = Transfer Case Skid Plate Shield

-1

	R2857367AA	1				EZB			
	RL025384AA	1				EZB			
2	R9257057AA	1				EZB			

ENGINE, Long Block, SERVICE WARNING: If The Original Engine Has Experienced A Catastrophic Failure - Including Piston, Cylinder Bore, Valve, or Valve Seat Failure - The Intake Manifold Must Be Replaced With A New Manifold. Remanufactured With [EZB] Multi-Displacement System

ENGINE, Short Block, SERVICE WARNING: If The Original Engine Has Experienced A Catastrophic Failure - Including Piston, Cylinder Bore, Valve, or Valve Seat Failure - The Intake Manifold Must Be Replaced With A New Manifold., Remanufactured With [EZB] Multi-Displacement System

GRAND CHEROKEE (WK)

SERIES LINE
 H = HIGHLINE T = JEEP - 2WD
 P = PREMIUM J = JEEP - 4WD
 S = SPORT
 X = SPECIAL

BODY
 74 = SPORT UTILITY 4-DR
 TYPE #4

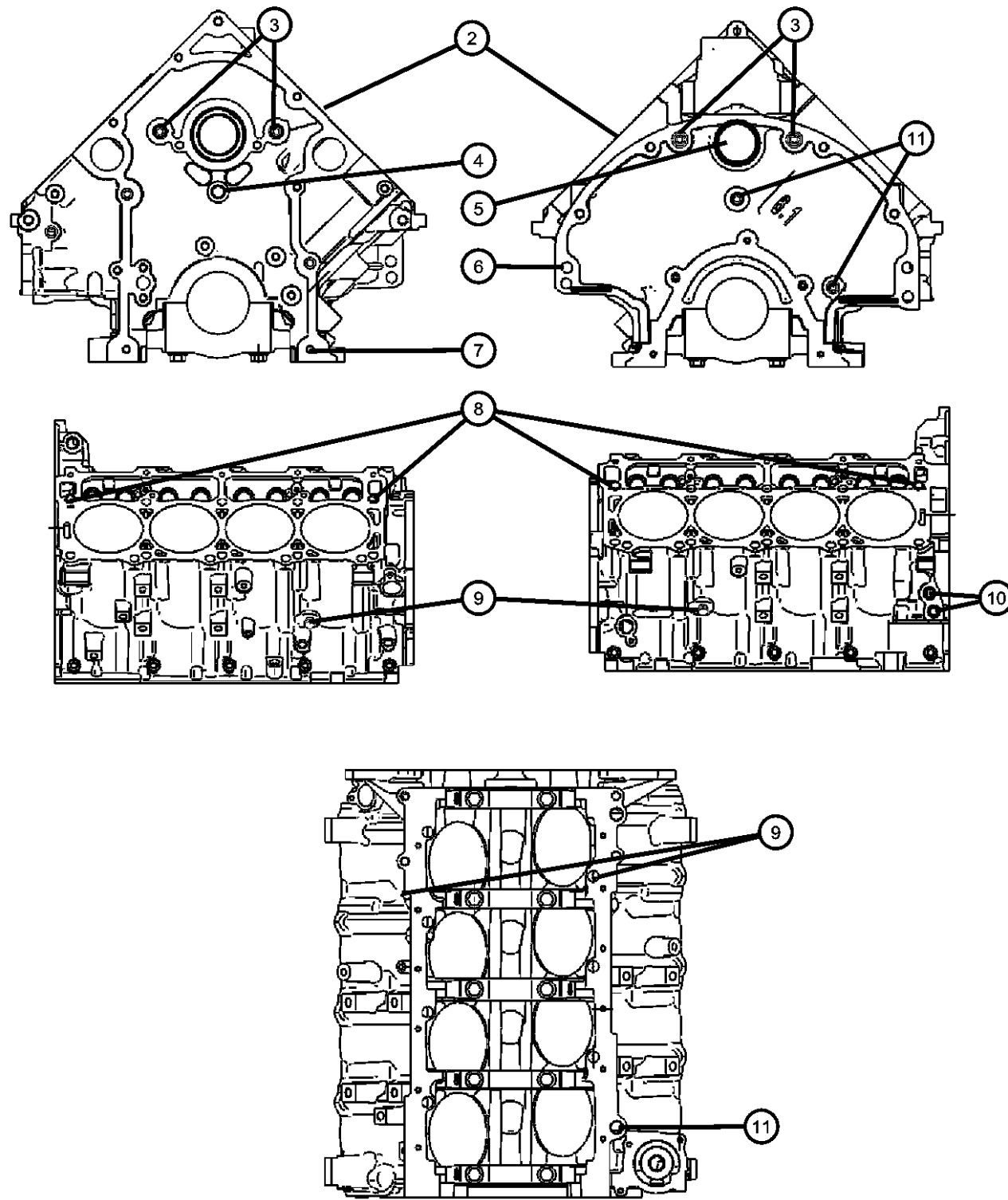
ENGINE
 EVA = 4.7L V8 MPI Engine
 EVD = 4.7L V8 FFV Engine
 EXL = 3.0L V6 Turbo Diesel
 Engine
 EZB = 5.7L Hemi Multi
 Displacement Engine
 EKG = 3.7L V6 Engine
 ESF = 6.1L SRT HEMI SMPI
 V8 Engine

TRANSMISSION
 DGJ = 5-Speed Auto W5A580
 Transmission
 DGQ = 5-Spd Automatic 545RFE
 Transmission
 DGU = 5-Spd Auto W5J400
 Transmission

AR = use ase required - = Non illustrated part

2007 WK

**Cylinder Block And Hardware 5.7L [EZB]
Figure 5.7L-310**



ITEM	PART NUMBER	QTY	LINE	SERIES	BODY	ENGINE	TRANS	TRIM	DESCRIPTION
3	06036417AA	4	J, T			EZ0			PLUG, Cylinder Block, [.375-18X1.343], Oil Gallery
4	06036286AA	1	J, T			EZ0			PLUG, Cylinder Block, [.562x.280] Stainless, Oil Gallery, Front
5	06507663AA	1	J, T			EZ0			PLUG, [M47.93 OD 6.4 THK 51.5 FLG OD], Rear Camshaft
6	01122532	2	J, T			EZ0			DOWEL, Block To Clutch Housing, [1/2 x 3/4]Mounting
7	06506332AA	2	J, T			EZ0			PIN, Dowel, [M8X10.0], Front Cover To Cylinder Block, Mounting
8	05240849	4	J, T			EZ0			DOWEL, Cylinder Head To Cylinder Block, Mounting
9	06036592AA	2	J, T			EZ0			PLUG, [.250-18x.690], Cylinder Block Coolant Drain
10	06034331	2	J, T			EZ0			PLUG, Hex Socket, 3/8-18NPTx.475
11	06036307AA	2	J, T			EZ0			PLUG, [.250-18x.413], Oil Gallery Block Off

GRAND CHEROKEE (WK)

SERIES LINE
H = HIGHLINE T = JEEP - 2WD
P = PREMIUM J = JEEP - 4WD
S = SPORT
X = SPECIAL

BODY
74 = SPORT UTILITY 4-DR
TYPE #4

ENGINE
EVA = 4.7L V8 MPI Engine
EVD = 4.7L V8 FFV Engine
EXL = 3.0L V6 Turbo Diesel Engine
EZB = 5.7L Hemi Multi Displacement Engine
EKG = 3.7L V6 Engine
ESF = 6.1L SRT HEMI SMPI V8 Engine

TRANSMISSION
DGJ = 5-Speed Auto W5A580 Transmission
DGQ = 5-Spd Automatic 545RFE Transmission
DGU = 5-Spd Auto W5J400 Transmission

AR = use ase required - = Non illustrated part

2007 WK

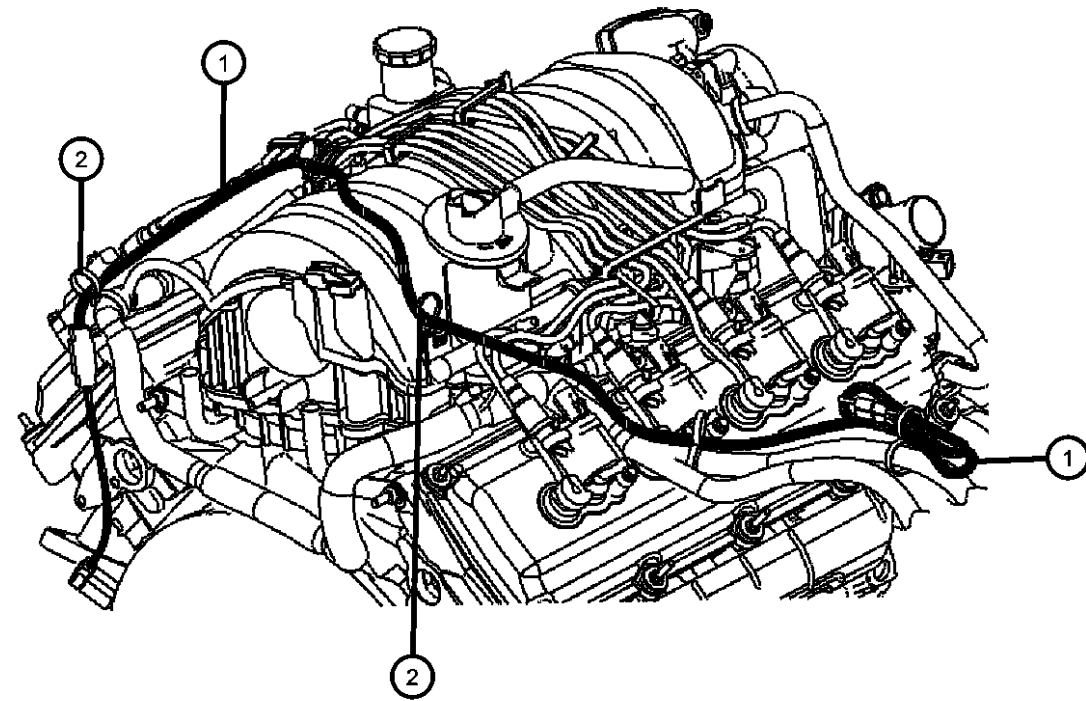
**Cylinder Block Heater 5.7L [EZB]
Figure 5.7L-320**

ITEM	PART NUMBER	QTY	LINE	SERIES	BODY	ENGINE	TRANS	TRIM	DESCRIPTION
------	-------------	-----	------	--------	------	--------	-------	------	-------------

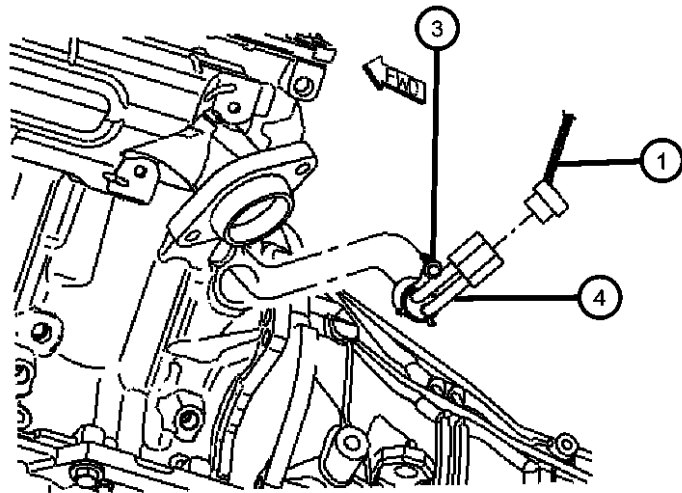
NOTE:

Sales Codes:

- [DGJ] = 5-Speed Automatic W5A580 Transmission
- [DGQ] = 5-Speed Automatic 545RFE Transmission
- [DGU] = 5-Speed Automatic W5J400 Transmission
- [DG0] = All Automatic Transmissions
- [DHB] = Quadra -Trac Active On Demand NVG 146 Transfer Case
- [DHX] = Quadra -Trac 2 Full Time Active NVG 245 Transfer Case
- [DHZ] = Quadra -Trac 1 Full time 4WD NVG 140 Transfer Case
- [EKG] = 3.7L [Magnum] V-6 Engine
- [EK0] = All 3.7L 6-Cylinder Gas Engines
- [ESF] = 6.1L SRT Hemi SMPI V-8 Engine
- [ES0] = All 6.1L 8-Cylinder Gas Engines
- [EVA] = 4.7L [Magnum] V-8 Engine
- [EVD] = 4.7L V-8 FFV Engine
- [EV0] = All 4.7L 8-Cylinder Gas Engines
- [EXL] = 3.0L V-6 Turbo Diesel Engine
- [EX0] = All 3.0L Cylinder Turbo Diesel Engines
- [EZB] = 5.7L Hemi Multi-Displacement Engine
- [EZ0] = All 5.7L 8-Cylinder Gas Engines
- [NAA] = Federal Emissions
- [NAE] = California Emissions
- [NAS] = 50 State Emissions
- [NA1] = Export Emissions
- [NHK] = Engine Block Heater
- [XEF] = Transfer Case Skid Plate Sheild



1	56044577AB	1	J, T			ES0, EZ0			CORD, Engine Block Heater
2	56008876	1	J, T			ES0, EV0, EZ0			STRAP, Tie, Double Ended And Biter Tie Clips Serviced With The Cord Only
3	06501373	1	J, T			EZ0			SCREW AND WASHER, Hex Head, M6x1x20, Heater To Cylinder Block, Mounting HEATER, Engine Block
4	05149022AA	1	J, T			EZ0			



GRAND CHEROKEE (WK)

SERIES LINE
H = HIGHLINE T = JEEP - 2WD
P = PREMIUM J = JEEP - 4WD
S = SPORT
X = SPECIAL

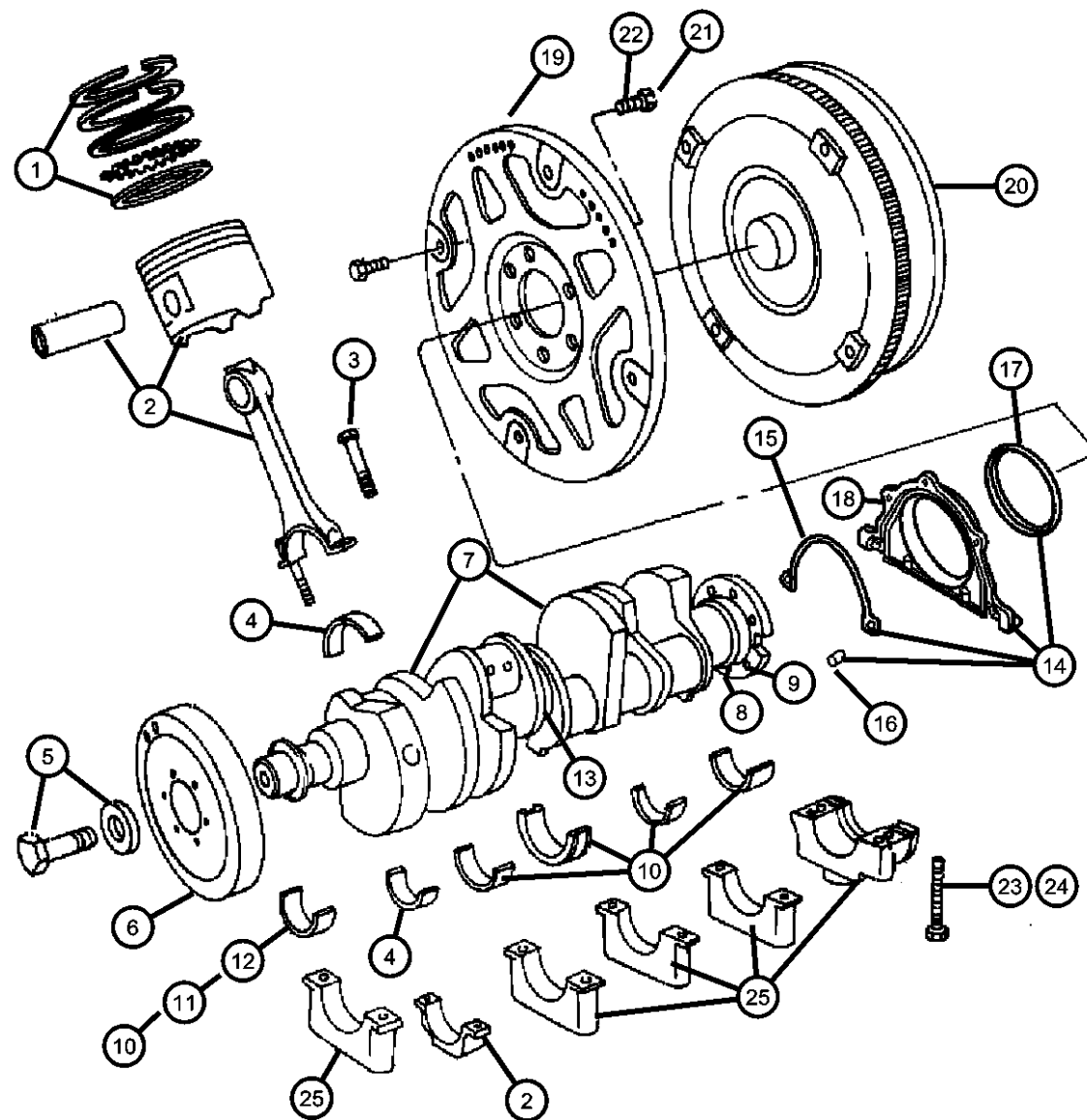
BODY
74 = SPORT UTILITY 4-DR
TYPE #4

ENGINE
EVA = 4.7L V8 MPI Engine
EVD = 4.7L V8 FFV Engine
EXL = 3.0L V6 Turbo Diesel Engine
EZB = 5.7L Hemi Multi Displacement Engine
EKG = 3.7L V6 Engine
ESF = 6.1L SRT HEMI SMPI V8 Engine

TRANSMISSION
DGJ = 5-Speed Auto W5A580 Transmission
DGQ = 5-Spd Automatic 545RFE Transmission
DGU = 5-Spd Auto W5J400 Transmission

Crankshaft Pistons Torque Converter And Driveplate 5.7L [EZB]

Figure 5.7L-410



ITEM	PART NUMBER	QTY	LINE	SERIES	BODY	ENGINE	TRANS	TRIM	DESCRIPTION
------	-------------	-----	------	--------	------	--------	-------	------	-------------

NOTE: For Crankshaft Identification, Stamping Location And Bearing Information Refer To The Service Manual.
For Bearing Selection Sizes Please Refer To Service Manual Group 9, Bearings Crankshaft Main, [Select Fit Identification]

Sales Codes:

- [DGJ] = 5-Speed Automatic W5A580 Transmission
- [DGQ] = 5-Speed Automatic 545RFE Transmission
- [DGU] = 5-Speed Automatic W5J400 Transmission
- [DG0] = All Automatic Transmissions
- [DHB] = Quadra -Trac Active On Demand NVG 146 Transfer Case
- [DHX] = Quadra -Trac 2 Full Time Active NVG 245 Transfer Case
- [DHZ] = Quadra -Trac 1 Full time 4WD NVG 140 Transfer Case
- [EKG] = 3.7L [Magnum] V-6 Engine
- [EK0] = All 3.7L 6-Cylinder Gas Engines
- [ESF] = 6.1L SRT Hemi SMPI V-8 Engine
- [ES0] = All 6.1L 8-Cylinder Gas Engines
- [EVA] = 4.7L [Magnum] V-8 Engine
- [EVD] = 4.7L V-8 FFV Engine
- [EV0] = All 4.7L 8-Cylinder Gas Engines
- [EXL] = 3.0L V-6 Turbo Diesel Engine
- [EX0] = All 3.0L Cylinder Turbo Diesel Engines
- [EZB] = 5.7L Hemi Multi-Displacement Engine
- [EZ0] = All 5.7L 8-Cylinder Gas Engines
- [NAA] = Federal Emissions
- [NAE] = California Emissions
- [NAS] = 50 State Emissions
- [NA1] = Export Emissions
- [XEF] = Transfer Case Skid Plate Shield

1	05086002AC	8	J, T			EZ0			RING PACKAGE, Piston, Standard Size
2									PISTON PIN AND ROD, See Note
	53021538AD	4	J, T			EZ0			Cylinders 2,4,6,8
	53021539AD	4	J, T			EZ0			Cylinders 1,3,5,7
3	06506335AA	8	J, T			EZ0			SCREW, Hex Flange Head, [MJ9X1.0X45.75], Connecting Rod Cap To Connecting Rod, Mounting
4	05086003AA	8	J, T			EZ0			BEARING PACKAGE, Connecting Rod, Standard
5	06508400AA	1	J, T			EZ0			SCREW AND WASHER, [MJ9X1.0X45.75], Crankshaft Dampner, Mounting
6	04792815AB	1				EZ0			DAMPER, Crankshaft
7	53021302AD	1	J, T			EZ0			CRANKSHAFT
8		1							TONE RING, Sensor, Serviced With Crankshaft Assembly, (NOT SERVICED)

GRAND CHEROKEE (WK)

SERIES LINE
 H = HIGHLINE T = JEEP - 2WD
 P = PREMIUM J = JEEP - 4WD
 S = SPORT
 X = SPECIAL

BODY
 74 = SPORT UTILITY 4-DR
 TYPE #4

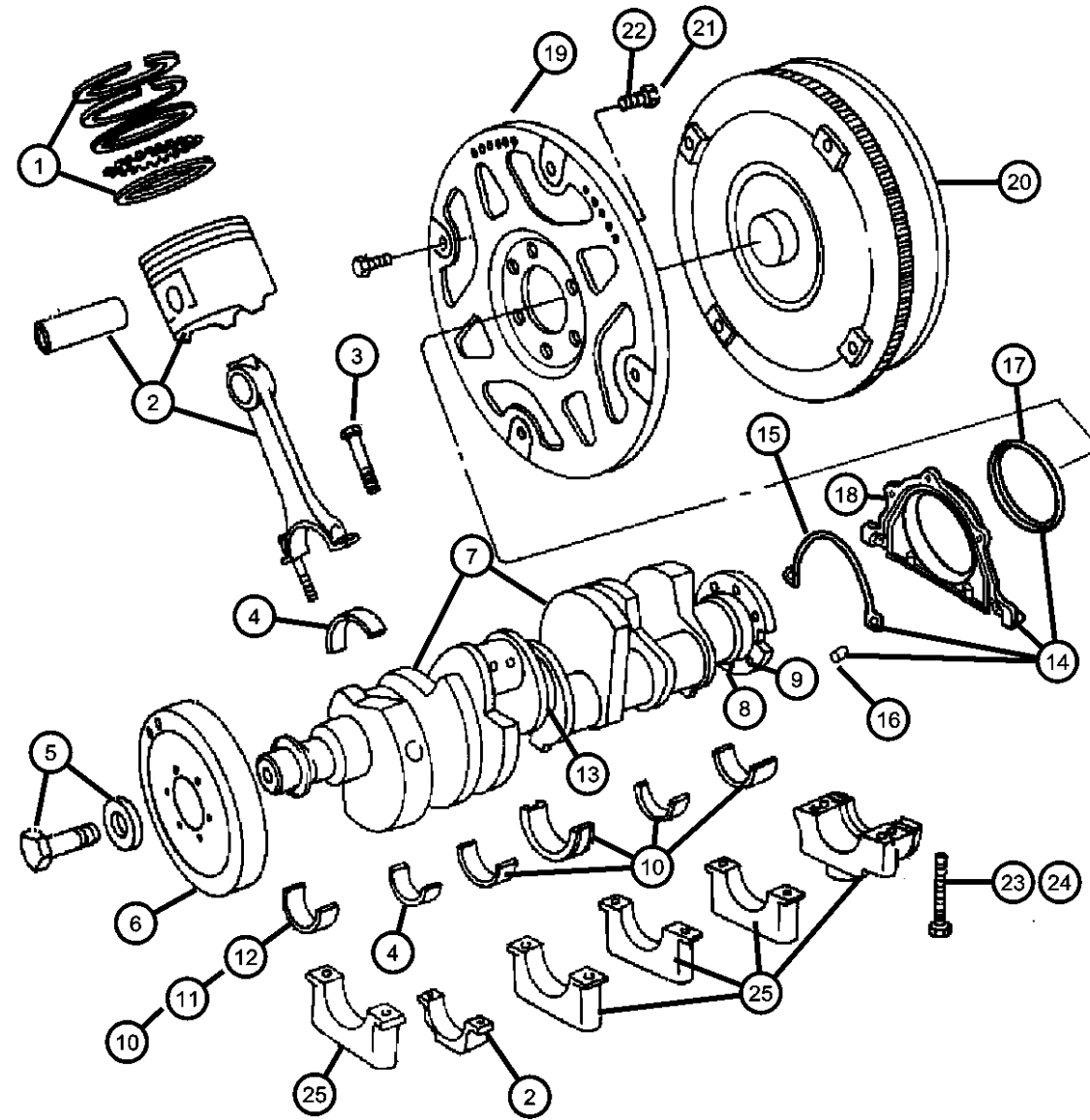
ENGINE
 EVA = 4.7L V8 MPI Engine
 EVD = 4.7L V8 FFV Engine
 EXL = 3.0L V6 Turbo Diesel Engine
 EZB = 5.7L Hemi Multi Displacement Engine
 EKG = 3.7L V6 Engine
 ESF = 6.1L SRT HEMI SMPI V8 Engine

TRANSMISSION
 DGJ = 5-Speed Auto W5A580 Transmission
 DGQ = 5-Spd Automatic 545RFE Transmission
 DGU = 5-Spd Auto W5J400 Transmission

AR = use ase required - = Non illustrated part

2007 WK

**Crankshaft Pistons Torque Converter And Driveplate 5.7L [EZB]
Figure 5.7L-410**



ITEM	PART NUMBER	QTY	LINE	SERIES	BODY	ENGINE	TRANS	TRIM	DESCRIPTION
9		1							SCREW, M6x1x25, Serviced With Crankshaft Assembly, (NOT SERVICED)
10	05083993AA	5	J, T			EZB			BEARING PACKAGE, Crankshaft, A Grade
11	05083994AA	5	J, T			EZB			BEARING PACKAGE, Crankshaft, B Grade
12	05083995AA	5	J, T			EZB			BEARING PACKAGE, Crankshaft, C Grade
13	05083979AA	1	J, T			EZ0			WASHER PACKAGE, WasherThrust
14	53021335BA	1	J, T			EZ0			RETAINER, Crankshaft Rear Oil Seal
15		1							GASKET, Rear Oil Seal Retainer, Serviced In Retainer Package Only, (NOT SERVICED)
16		1							PIN, Dowel, Serviced In Retainer Package Only, (NOT SERVICED)
17		1							SEAL, Crankshaft Bearing Oil, Serviced In Retainer Package Only, (NOT SERVICED)
18	06104180AA	5	J, T			EZ0			SCREW, [M6X1.0X16.0], Rear Retainer To Cylinder Block, Mounting
19	04736604AA	1	J, T			EZ0	DG0		PLATE, Torque Converter Drive
20									TORQUE CONVERTER
	04736352AB	1	J			EZ0	DGQ		Remanufactured
	R4736352AC	1	T			EZ0	DGQ		Remanufactured
		1	J			EZ0	DGQ		
		1	T			EZ0	DGQ		
21	06503465	8	J, T			EZ0	DG0		BOLT, Drive Plate and Flywheel, [M10X1.00X18.00]Mounting
22	01949765	4	J, T			EV0, EZ0	DG0		SCREW, Hex Head Header Point, .312-24x.44, Driveplate To Torque Converter, Mounting
23	06507697AA	10	J, T			EZ0			SCREW AND WASHER, Hex, [M8X1.25X45.00], Main Bearing Cap To Cylinder Block, Mounting

GRAND CHEROKEE (WK)

SERIES LINE
H = HIGHLINE T = JEEP - 2WD
P = PREMIUM J = JEEP - 4WD
S = SPORT
X = SPECIAL

BODY
74 = SPORT UTILITY 4-DR
TYPE #4

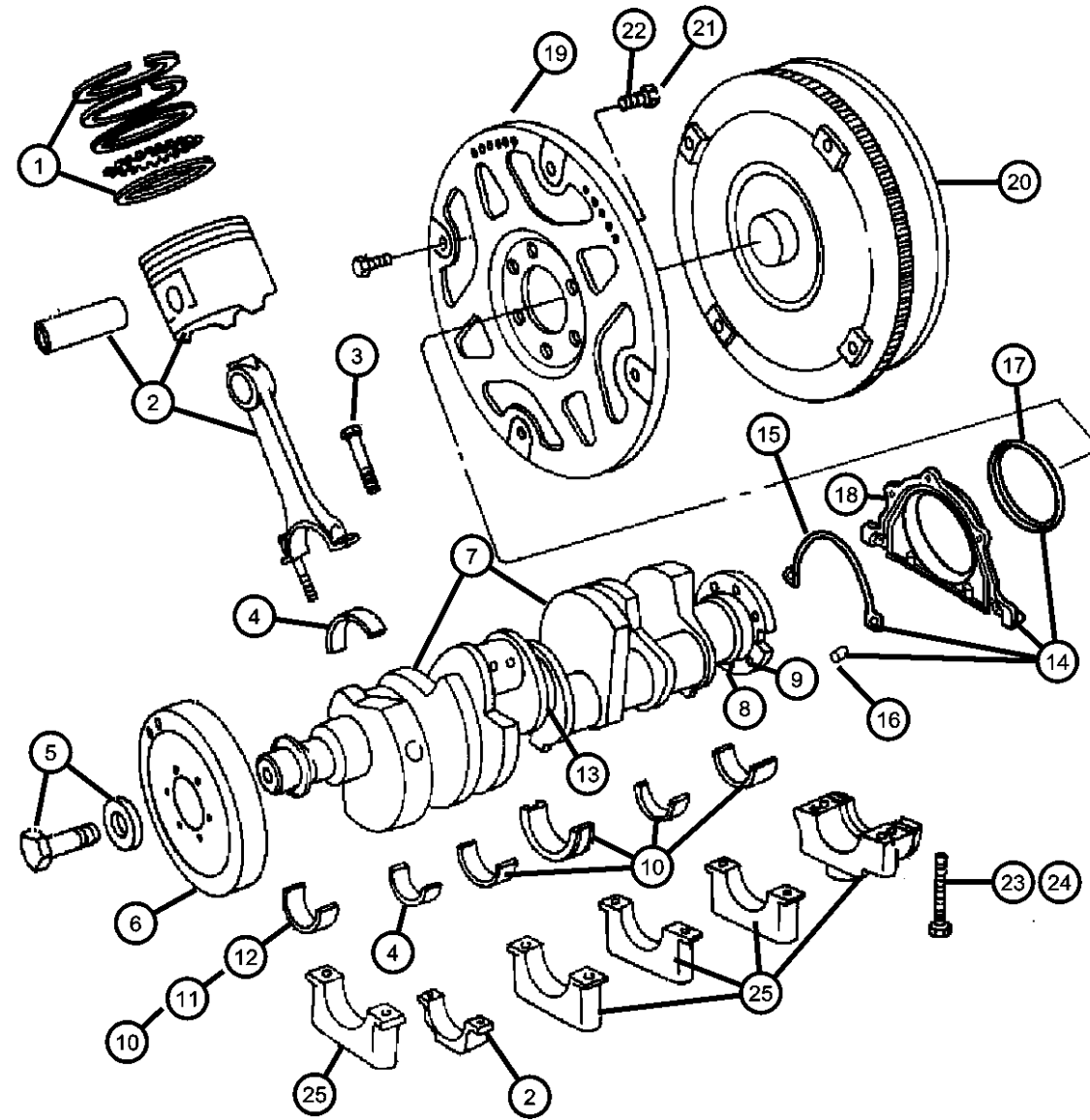
ENGINE
EVA = 4.7L V8 MPI Engine
EVD = 4.7L V8 FFV Engine
EXL = 3.0L V6 Turbo Diesel
Engine
EZB = 5.7L Hemi Multi
Displacement Engine
EKG = 3.7L V6 Engine
ESF = 6.1L SRT HEMI SMPI
V8 Engine

TRANSMISSION
DGJ = 5-Speed Auto W5A580
Transmission
DGQ = 5-Spd Automatic 545RFE
Transmission
DGU = 5-Spd Auto W5J400
Transmission

AR = use ase required - = Non illustrated part

2007 WK

**Crankshaft Pistons Torque Converter And Driveplate 5.7L [EZB]
Figure 5.7L-410**



ITEM	PART NUMBER	QTY	LINE	SERIES	BODY	ENGINE	TRANS	TRIM	DESCRIPTION
24	06506272AA	10	J, T			EZ0			SCREW, Hex Flange Head, [M12X1.75X91.5], Main Bearing Cap To Engine, Mounting
25		10							CAP, Serviced With Short Block Assembly, (NOT SERVICED)

GRAND CHEROKEE (WK)

SERIES LINE
H = HIGHLINE T = JEEP - 2WD
P = PREMIUM J = JEEP - 4WD
S = SPORT
X = SPECIAL

BODY
74 = SPORT UTILITY 4-DR
TYPE #4

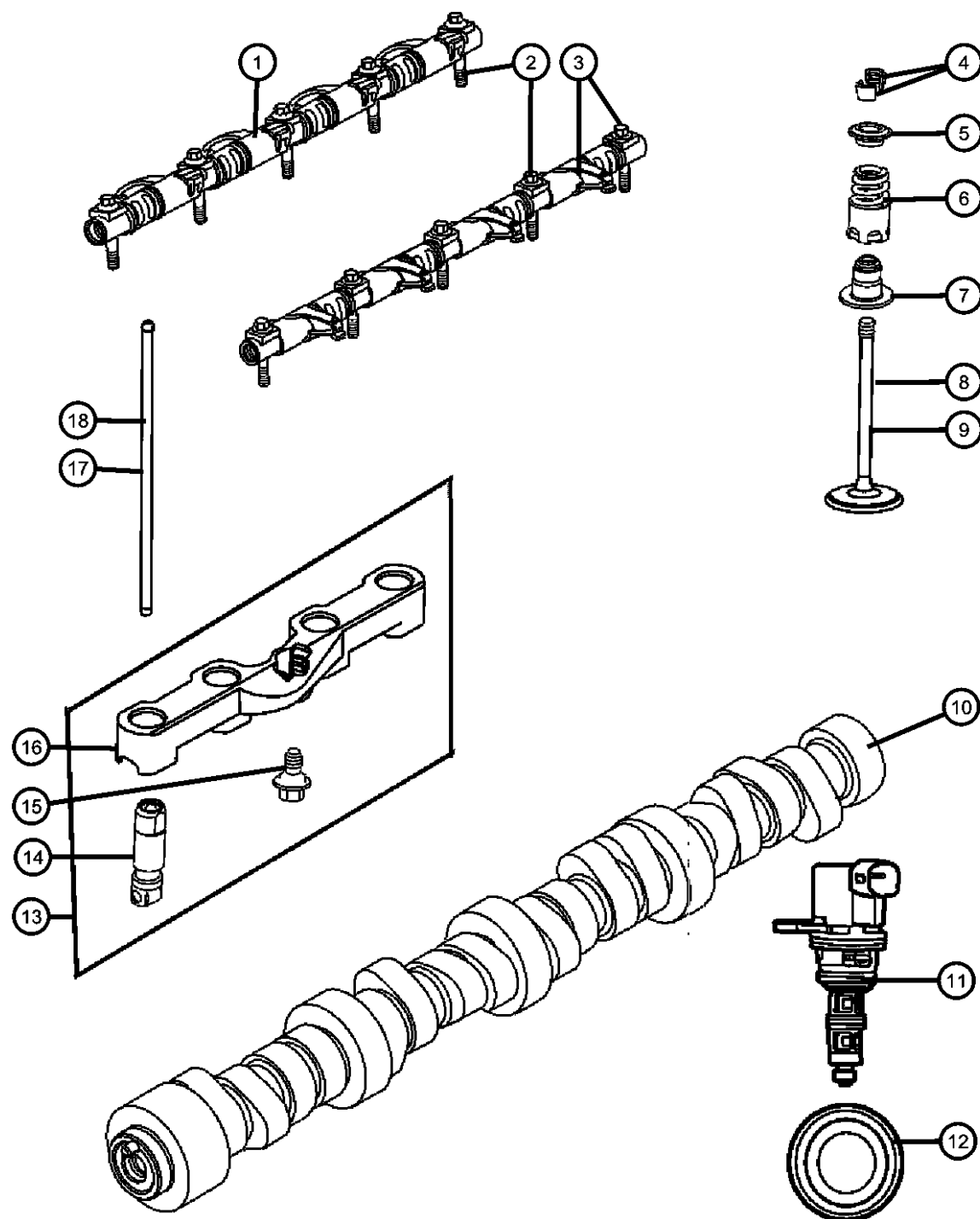
ENGINE
EVA = 4.7L V8 MPI Engine
EVD = 4.7L V8 FFV Engine
EXL = 3.0L V6 Turbo Diesel
Engine
EZB = 5.7L Hemi Multi
Displacement Engine
EKG = 3.7L V6 Engine
ESF = 6.1L SRT HEMI SMPI
V8 Engine

TRANSMISSION
DGJ = 5-Speed Auto W5A580
Transmission
DGQ = 5-Spd Automatic 545RFE
Transmission
DGU = 5-Spd Auto W5J400
Transmission

AR = use ase required - = Non illustrated part

Camshaft And Valvetrain 5.7L [EZB]

Figure 5.7L-510



ITEM	PART NUMBER	QTY	LINE	SERIES	BODY	ENGINE	TRANS	TRIM	DESCRIPTION
------	-------------	-----	------	--------	------	--------	-------	------	-------------

NOTE:

Sales Codes:

- [DGJ] = 5-Speed Automatic W5A580 Transmission
- [DGQ] = 5-Speed Automatic 545RFE Transmission
- [DGU] = 5-Speed Automatic W5J400 Transmission
- [DG0] = All Automatic Transmissions
- [DHB] = Quadra -Trac Active On Demand NVG 146 Transfer Case
- [DHX] = Quadra -Trac 2 Full Time Active NVG 245 Transfer Case
- [DHZ] = Quadra -Trac 1 Full time 4WD NVG 140 Transfer Case
- [EKG] = 3.7L [Magnum] V-6 Engine
- [EK0] = All 3.7L 6-Cylinder Gas Engines
- [ESF] = 6.1L SRT Hemi SMPI V-8 Engine
- [ES0] = All 6.1L 8-Cylinder Gas Engines
- [EVA] = 4.7L [Magnum] V-8 Engine
- [EVD] = 4.7L V-8 FFV Engine
- [EV0] = All 4.7L 8-Cylinder Gas Engines
- [EXL] = 3.0L V-6 Turbo Diesel Engine
- [EX0] = All 3.0L Cylinder Turbo Diesel Engines
- [EZB] = 5.7L Hemi Multi-Displacement Engine
- [EZ0] = All 5.7L 8-Cylinder Gas Engines
- [NAA] = Federal Emissions
- [NAE] = California Emissions
- [NAS] = 50 State Emissions
- [NA1] = Export Emissions
- [XEF] = Transfer Case Skid Plate Shield

1	53021552AA	2	J, T			EZ0			ROCKER ARM, Intake
2	06507072AA	10	J, T			EZ0			SCREW, Hex Flange Head, [M8X1.25X50.00], Rocker Rocker Shaft To Cylinder Head, Mounting
3	53021553AA	2	J, T			EZ0			ROCKER ARM, Exhaust
4	53010515AA	32	J, T			EZ0			LOCK, Valve Spring Retainer
5	53021676AB	16	J, T			EZ0			RETAINER, Valve Spring
6	53021580AE	16	J, T			EZ0			SPRING, Valve
7	53021578AA	16	J, T			EZ0			SEAL, Valve Guide
8	53021550AA	8	J, T			EZ0			VALVE, Intake, Standard
9	53021551AB	8	J, T			EZ0			VALVE, Exhaust, Standard
10	53022065AA	1	J, T			EZB			CAMSHAFT, Engine
11	53032152AC	4	J, T			EZB			SOLENOID, Multiple Displacement
12	06507663AA	1	J, T			EZ0			PLUG, [M47.93 OD 6.4 THK 51.5 FLG OD], Camshaft, Rear

GRAND CHEROKEE (WK)

SERIES LINE
 H = HIGHLINE T = JEEP - 2WD
 P = PREMIUM J = JEEP - 4WD
 S = SPORT
 X = SPECIAL

BODY
 74 = SPORT UTILITY 4-DR
 TYPE #4

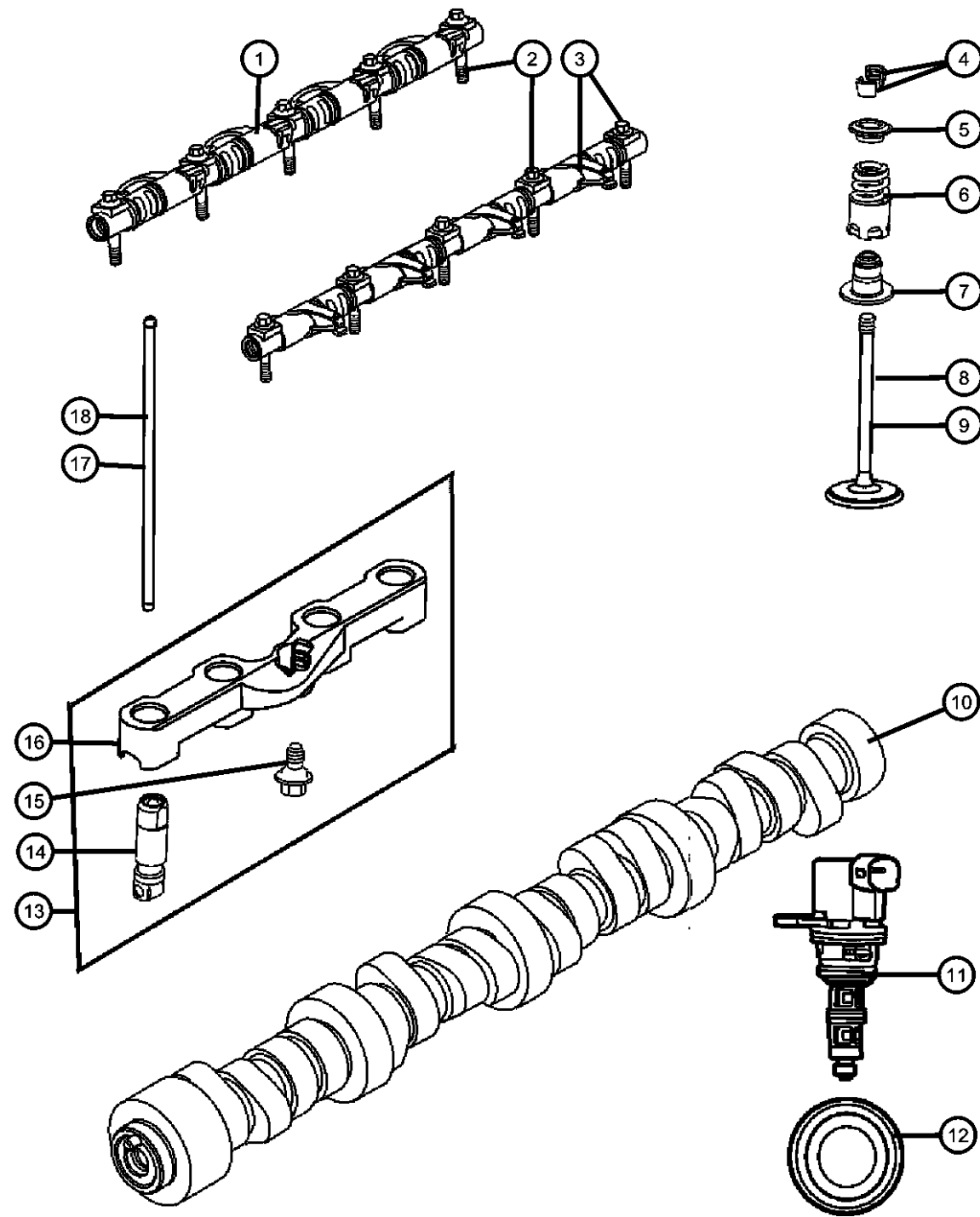
ENGINE
 EVA = 4.7L V8 MPI Engine
 EVD = 4.7L V8 FFV Engine
 EXL = 3.0L V6 Turbo Diesel
 Engine
 EZB = 5.7L Hemi Multi
 Displacement Engine
 EKG = 3.7L V6 Engine
 ESF = 6.1L SRT HEMI SMPI
 V8 Engine

TRANSMISSION
 DGJ = 5-Speed Auto W5A580
 Transmission
 DGQ = 5-Spd Automatic 545RFE
 Transmission
 DGU = 5-Spd Auto W5J400
 Transmission

AR = use ase required - = Non illustrated part

2007 WK

**Camshaft And Valvetrain 5.7L [EZB]
Figure 5.7L-510**



ITEM	PART NUMBER	QTY	LINE	SERIES	BODY	ENGINE	TRANS	TRIM	DESCRIPTION
13									LIFTERS AND YOKE, Hydraulic, Engine
	53021726AE	2	J, T			EZB			Front
	53021728AE	2	J, T			EZB			Rear
14		2							LIFTER, Hydraulic Roller Deactivating, Serviced In Item 13, (NOT SERVICED)
15	06507067AA	2	J, T			EZB			SCREW, Hex Flange Head, [M6X1.00X14.00], Lifter Guide To Cylinder Head, Mounting YOKE, Tappet Aligning
16									YOKE, Tappet Aligning
	53021727AC	2	J, T			EZB			Front
	53021729AC	2	J, T			EZB			Rear
17	53021556AA	8	J, T			EZ0			PUSH ROD, Intake Valve
18	53021557AA	8	J, T			EZ0			PUSH ROD, Exhaust Valve

GRAND CHEROKEE (WK)

SERIES LINE
H = HIGHLINE T = JEEP - 2WD
P = PREMIUM J = JEEP - 4WD
S = SPORT
X = SPECIAL

BODY
74 = SPORT UTILITY 4-DR
TYPE #4

ENGINE
EVA = 4.7L V8 MPI Engine
EVD = 4.7L V8 FFV Engine
EXL = 3.0L V6 Turbo Diesel Engine
EZB = 5.7L Hemi Multi Displacement Engine
EKG = 3.7L V6 Engine
ESF = 6.1L SRT HEMI SMPI V8 Engine

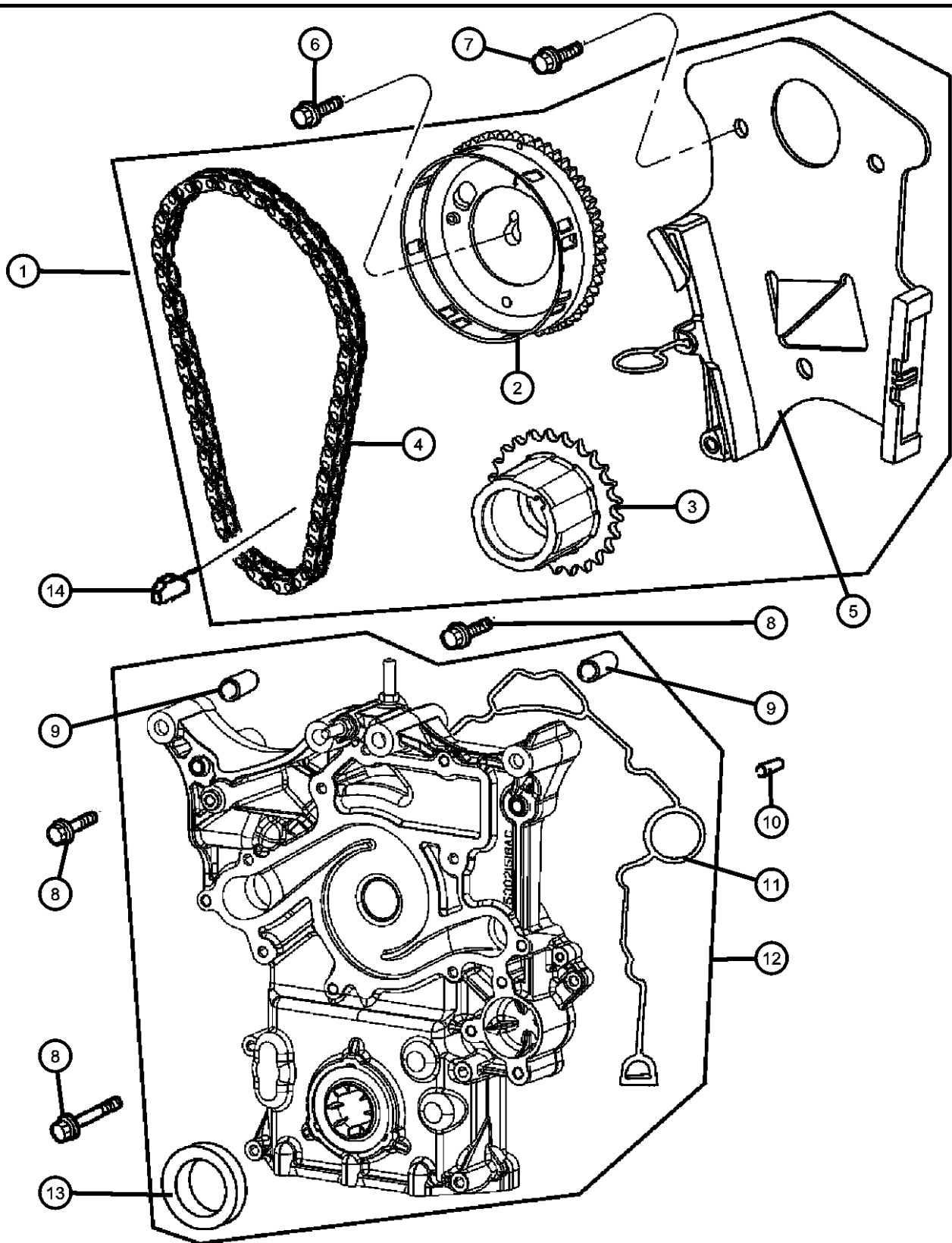
TRANSMISSION
DGJ = 5-Speed Auto W5A580 Transmission
DGQ = 5-Spd Automatic 545RFE Transmission
DGU = 5-Spd Auto W5J400 Transmission

AR = use ase required - = Non illustrated part

2007 WK

Timing Chain, Timing Cover And Related Parts 5.7L [EZB]

Figure 5.7L-610



ITEM	PART NUMBER	QTY	LINE	SERIES	BODY	ENGINE	TRANS	TRIM	DESCRIPTION
------	-------------	-----	------	--------	------	--------	-------	------	-------------

NOTE:

Sales Codes:

- [DGJ] = 5-Speed Automatic W5A580 Transmission
- [DGQ] = 5-Speed Automatic 545RFE Transmission
- [DGU] = 5-Speed Automatic W5J400 Transmission
- [DG0] = All Automatic Transmissions
- [DHB] = Quadra -Trac Active On Demand NVG 146 Transfer Case
- [DHX] = Quadra -Trac 2 Full Time Active NVG 245 Transfer Case
- [DHZ] = Quadra -Trac 1 Full time 4WD NVG 140 Transfer Case
- [EKG] = 3.7L [Magnum] V-6 Engine
- [EK0] = All 3.7L 6-Cylinder Gas Engines
- [ESF] = 6.1L SRT Hemi SMPI V-8 Engine
- [ES0] = All 6.1L 8-Cylinder Gas Engines
- [EVA] = 4.7L [Magnum] V-8 Engine
- [EVD] = 4.7L V-8 FFV Engine
- [EV0] = All 4.7L 8-Cylinder Gas Engines
- [EXL] = 3.0L V-6 Turbo Diesel Engine
- [EX0] = All 3.0L Cylinder Turbo Diesel Engines
- [EZB] = 5.7L Hemi Multi-Displacement Engine
- [EZ0] = All 5.7L 8-Cylinder Gas Engines
- [NAA] = Federal Emissions
- [NAE] = California Emissions
- [NAS] = 50 State Emissions
- [NA1] = Export Emissions
- [XEF] = Transfer Case Skid Plate Shield

1	53021581AC	1	J, T			EZ0			TIMING DRIVE KIT, Engine, Includes Items, 2,3,4,5
2		1							SPROCKET, Camshaft, (NOT SERVICED)
3		1							SPROCKET, Crankshaft, (NOT SERVICED)
4		1							CHAIN, Timing, (NOT SERVICED)
5	53021582AD	1	J, T			EZ0			TENSIONER, Chain
6	06507480AA	1	J, T			EZ0			SCREW AND WASHER, Hex, [M12x1.75x37.00], Camshaft Sprocket To Camshaft, Mounting
7	06507479AA	3	J, T			EZ0			SCREW AND WASHER, Hex, [M8x1.25x20.00], Tensioner To Cylinder Block, Mounting
8	06102157AA	1	J, T			EZ0			Timing Cover To Cylinder Block [M8X1.25X58.00], Mounting
	06502929	1	J, T			EZ0			Slide Bushing [M8X1.25X119.00],

GRAND CHEROKEE (WK)

SERIES LINE
 H = HIGHLINE T = JEEP - 2WD
 P = PREMIUM J = JEEP - 4WD
 S = SPORT
 X = SPECIAL

BODY
 74 = SPORT UTILITY 4-DR
 TYPE #4

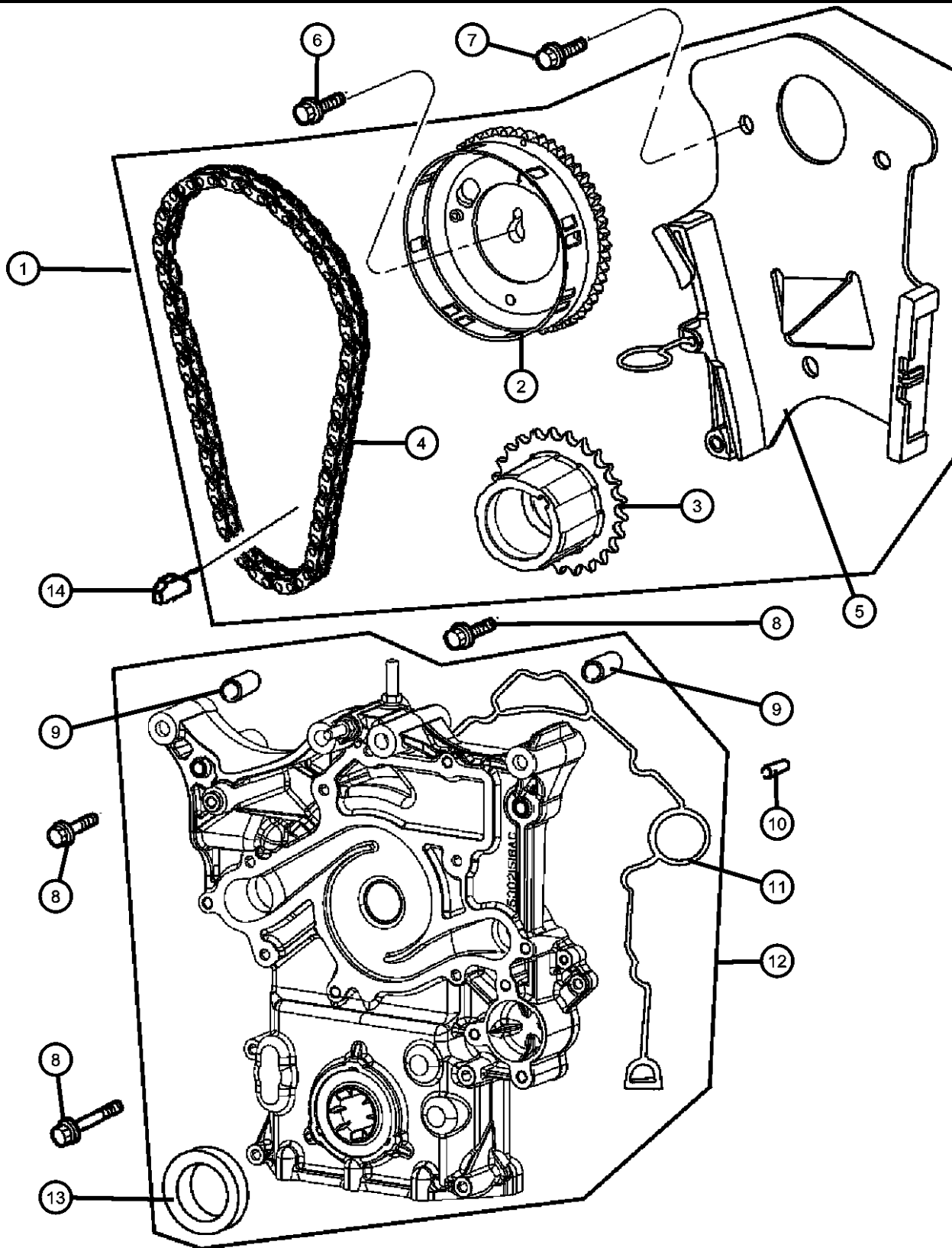
ENGINE
 EVA = 4.7L V8 MPI Engine
 EVD = 4.7L V8 FFV Engine
 EXL = 3.0L V6 Turbo Diesel Engine
 EZB = 5.7L Hemi Multi Displacement Engine
 EKG = 3.7L V6 Engine
 ESF = 6.1L SRT HEMI SMPI V8 Engine

TRANSMISSION
 DGJ = 5-Speed Auto W5A580 Transmission
 DGQ = 5-Spd Automatic 545RFE Transmission
 DGU = 5-Spd Auto W5J400 Transmission

AR = use ase required - = Non illustrated part

2007 WK

Timing Chain, Timing Cover And Related Parts 5.7L [EZB]
Figure 5.7L-610



ITEM	PART NUMBER	QTY	LINE	SERIES	BODY	ENGINE	TRANS	TRIM	DESCRIPTION
	06506270AA	3	J, T			EZ0			Timing Cover To Cylinder Block [M8X1.25X80.0], Mounting
		5	J, T			EZ0			Water Pump To Cylinder Block [M8X1.25X80.0], Mounting
9	06506697AA	2	J, T			EZ0			BUSHING, Timing Cover
10	06506332AA	2	J, T			EZ0			PIN, Dowel, Front Cover To Cylinder Block, Mounting
11	05139933AB	1	J, T			EZ0			GASKET PACKAGE, Front Cover
12	04792795AD	1	J, T			EZ0			COVER, Timing Case
13	53021585AD	1	J, T			EZ0			SEAL, Crankshaft Oil, Front
14	06506397AA	1	J, T			EZ0			KEY, Woodruff, [M4.788X27.5], Crankshaft Sprocket

GRAND CHEROKEE (WK)

SERIES LINE
H = HIGHLINE T = JEEP - 2WD
P = PREMIUM J = JEEP - 4WD
S = SPORT
X = SPECIAL

BODY
74 = SPORT UTILITY 4-DR
TYPE #4

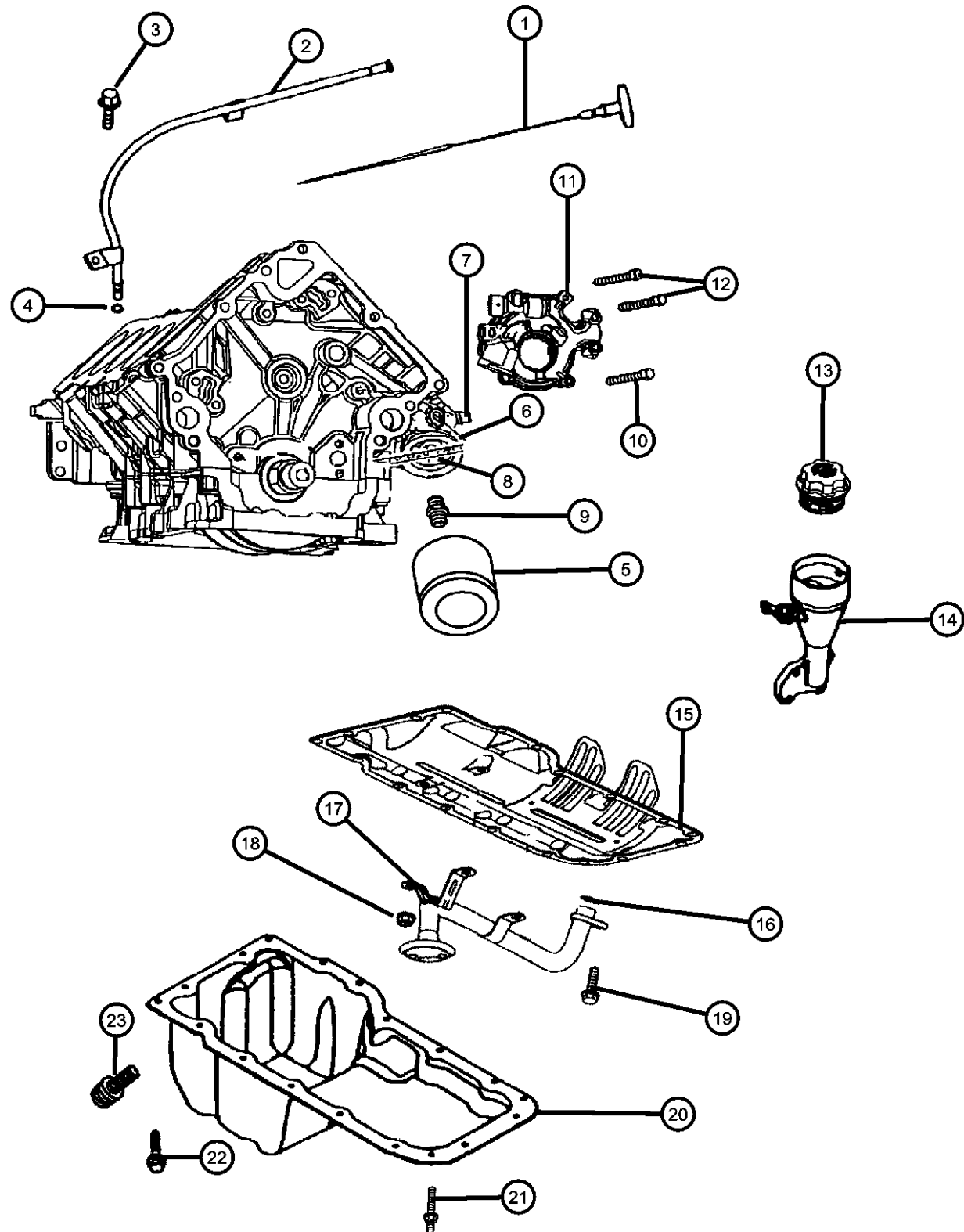
ENGINE
EVA = 4.7L V8 MPI Engine
EVD = 4.7L V8 FFV Engine
EXL = 3.0L V6 Turbo Diesel
Engine
EZB = 5.7L Hemi Multi
Displacement Engine
EKG = 3.7L V6 Engine
ESF = 6.1L SRT HEMI SMPI
V8 Engine

TRANSMISSION
DGJ = 5-Speed Auto W5A580
Transmission
DGQ = 5-Spd Automatic 545RFE
Transmission
DGU = 5-Spd Auto W5J400
Transmission

AR = use ase required - = Non illustrated part

2007 WK

**Engine Oiling 5.7L [EZB]
Figure 5.7L-710**



ITEM	PART NUMBER	QTY	LINE	SERIES	BODY	ENGINE	TRANS	TRIM	DESCRIPTION
19	06102046AA	1	J, T			EZ0			SCREW AND WASHER, [M8X1.25X27.00], Oil Pickup Tube To Cylinder Block, Mounting PAN, Engine Oil
20	53021860AC	1	J, T			EZ0			SCREW, [M10X1.50X40.00], Oil Pan To Cylinder Block, Mounting
21	06102210AA	4				EZ0			BOLT, [M6X1.00X25.00], Oil Pan To Cylinder Block, Mounting
22	06508448AA	18	J, T			EZ0			PLUG, Oil Drain, [M14X1.50X21.50]
23	06507741AA	1	J, T			EZ0			

GRAND CHEROKEE (WK)

SERIES LINE
H = HIGHLINE T = JEEP - 2WD
P = PREMIUM J = JEEP - 4WD
S = SPORT
X = SPECIAL

BODY
74 = SPORT UTILITY 4-DR
TYPE #4

ENGINE
EVA = 4.7L V8 MPI Engine
EVD = 4.7L V8 FFV Engine
EXL = 3.0L V6 Turbo Diesel
Engine
EZB = 5.7L Hemi Multi
Displacement Engine
EKG = 3.7L V6 Engine
ESF = 6.1L SRT HEMI SMPI
V8 Engine

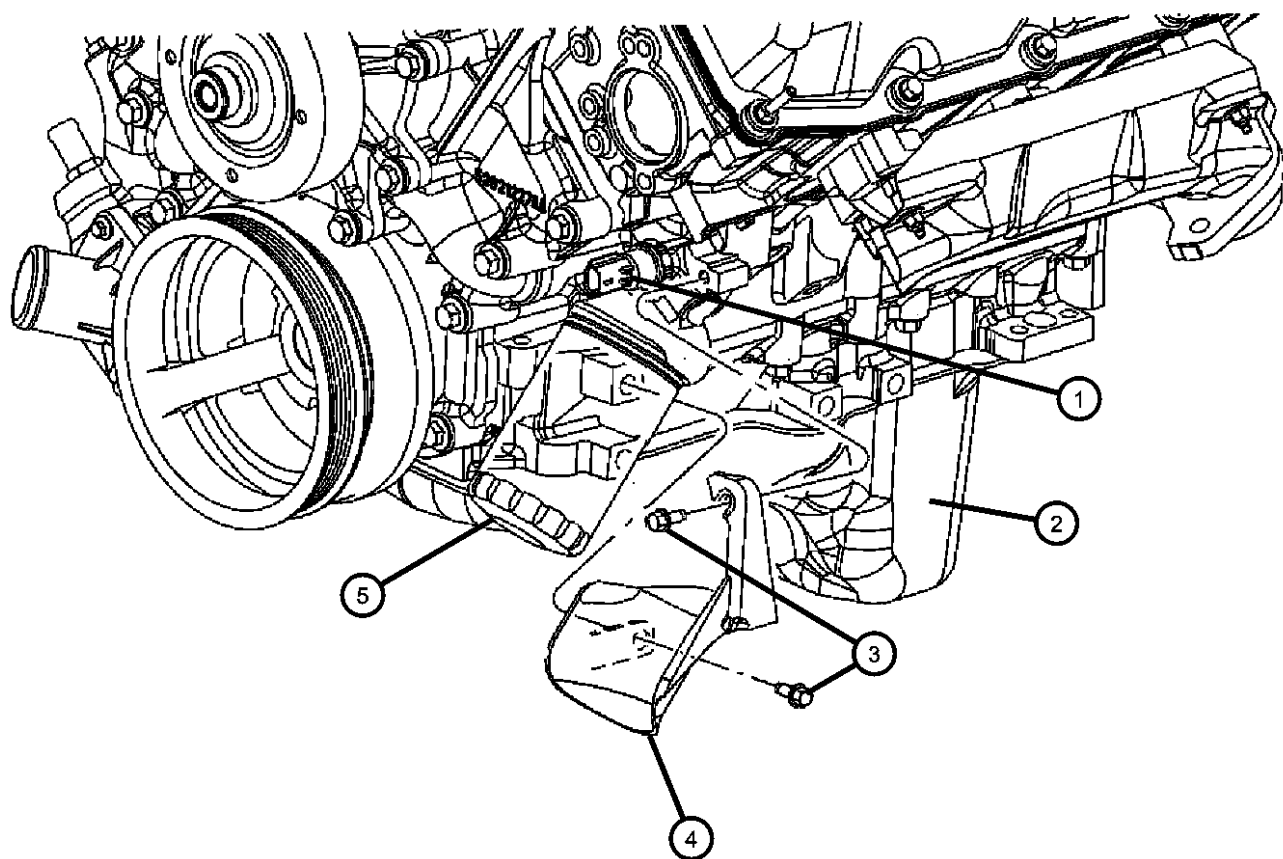
TRANSMISSION
DGJ = 5-Speed Auto W5A580
Transmission
DGQ = 5-Spd Automatic 545RFE
Transmission
DGU = 5-Spd Auto W5J400
Transmission

AR = use ase required - = Non illustrated part

2007 WK

Oil Filter And Splash Guard 5.7L [EZB]

Figure 5.7L-720



ITEM	PART NUMBER	QTY	LINE	SERIES	BODY	ENGINE	TRANS	TRIM	DESCRIPTION
------	-------------	-----	------	--------	------	--------	-------	------	-------------

NOTE:

Sales Codes:

- [DGJ] = 5-Speed Automatic W5A580 Transmission
- [DGQ] = 5-Speed Automatic 545RFE Transmission
- [DGU] = 5-Speed Automatic W5J400 Transmission
- [DG0] = All Automatic Transmissions
- [DHB] = Quadra -Trac Active On Demand NVG 146 Transfer Case
- [DHX] = Quadra -Trac 2 Full Time Active NVG 245 Transfer Case
- [DHZ] = Quadra -Trac 1 Full time 4WD NVG 140 Transfer Case
- [EKG] = 3.7L [Magnum] V-6 Engine
- [EK0] = All 3.7L 6-Cylinder Gas Engines
- [ESF] = 6.1L SRT Hemi SMPI V-8 Engine
- [ES0] = All 6.1L 8-Cylinder Gas Engines
- [EVA] = 4.7L [Magnum] V-8 Engine
- [EVD] = 4.7L V-8 FFV Engine
- [EV0] = All 4.7L 8-Cylinder Gas Engines
- [EXL] = 3.0L V-6 Turbo Diesel Engine
- [EX0] = All 3.0L Cylinder Turbo Diesel Engines
- [EZB] = 5.7L Hemi Multi-Displacement Engine
- [EZ0] = All 5.7L 8-Cylinder Gas Engines
- [NAA] = Federal Emissions
- [NAE] = California Emissions
- [NAS] = 50 State Emissions
- [NA1] = Export Emissions
- [XEF] = Transfer Case Skid Plate Sheild

1	05149062AA	1	J, T			EZ0			SENDING UNIT, Oil Pressure
2	53021860AC	1	J, T			EZ0			PAN, Engine Oil
3	06505178AA	2				EZ0			SCREW, Hex Head, [M8X1.25X25.00], Splash Guard To Cradle, Mounting GUARD, Splash
4	53013711AD	1	J, T			EZ0			GUARD, Splash
5	05281090	1	J, T			EZ0			FILTER, Engine Oil
	0FE00292								Canadian Aftermarket Part
	05281090BA								BULK PACK (12)

GRAND CHEROKEE (WK)

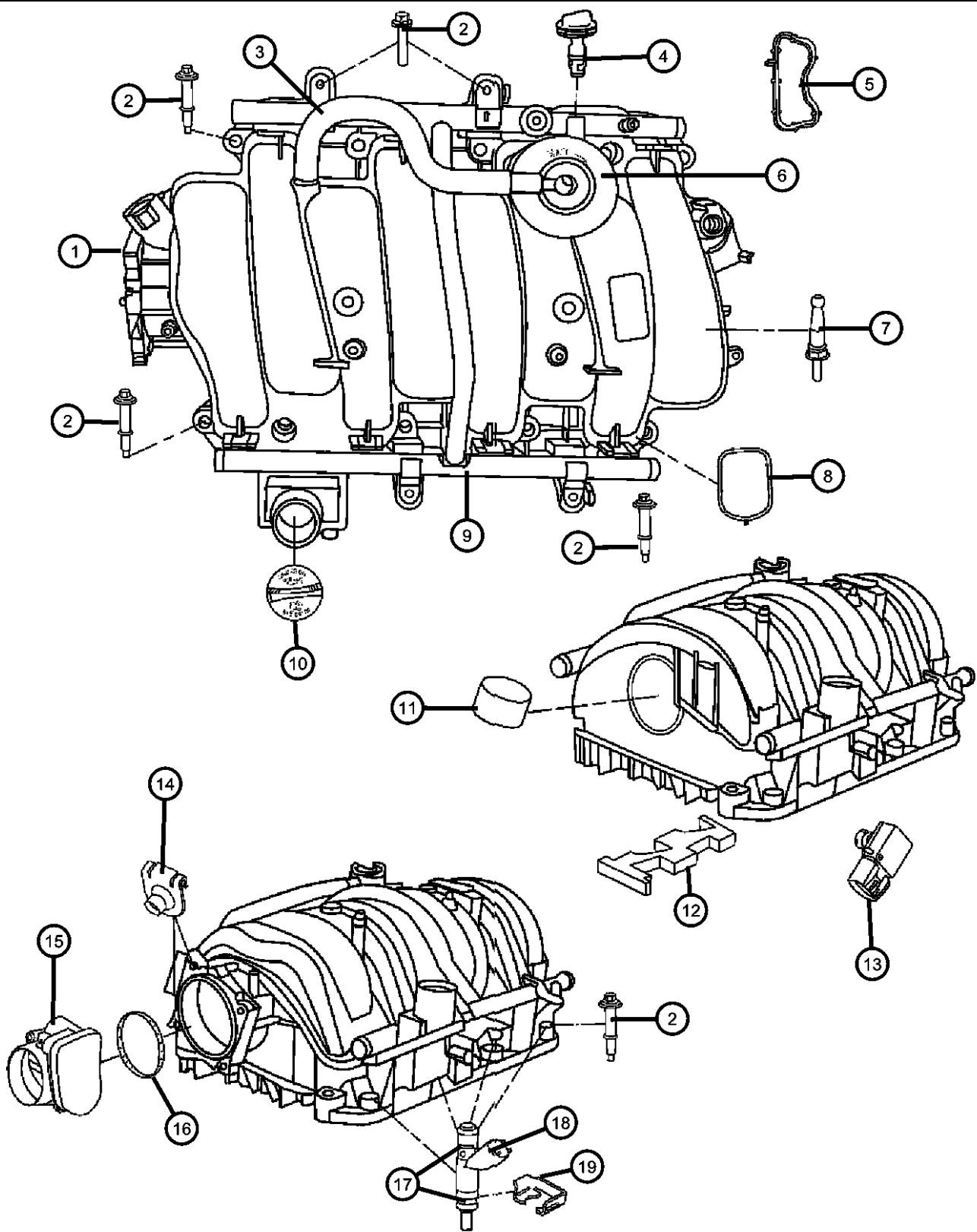
SERIES LINE
 H = HIGHLINE T = JEEP - 2WD
 P = PREMIUM J = JEEP - 4WD
 S = SPORT
 X = SPECIAL

BODY
 74 = SPORT UTILITY 4-DR TYPE #4

ENGINE
 EVA = 4.7L V8 MPI Engine
 EVD = 4.7L V8 FFV Engine
 EXL = 3.0L V6 Turbo Diesel Engine
 EZB = 5.7L Hemi Multi Displacement Engine
 EKG = 3.7L V6 Engine
 ESF = 6.1L SRT HEMI SMPI V8 Engine

TRANSMISSION
 DGJ = 5-Speed Auto W5A580 Transmission
 DGQ = 5-Spd Automatic 545RFE Transmission
 DGU = 5-Spd Auto W5J400 Transmission

**Intake Manifold And Mounting 5.7L [EZB]
Figure 5.7L-810**



ITEM	PART NUMBER	QTY	LINE	SERIES	BODY	ENGINE	TRANS	TRIM	DESCRIPTION
------	-------------	-----	------	--------	------	--------	-------	------	-------------

NOTE:

Sales Codes:

- [DGJ] = 5-Speed Automatic W5A580 Transmission
- [DGQ] = 5-Speed Automatic 545RFE Transmission
- [DGU] = 5-Speed Automatic W5J400 Transmission
- [DG0] = All Automatic Transmissions
- [DHB] = Quadra -Trac Active On Demand NVG 146 Transfer Case
- [DHX] = Quadra -Trac 2 Full Time Active NVG 245 Transfer Case
- [DHZ] = Quadra -Trac 1 Full time 4WD NVG 140 Transfer Case
- [EKG] = 3.7L [Magnum] V-6 Engine
- [EK0] = All 3.7L 6-Cylinder Gas Engines
- [ESF] = 6.1L SRT Hemi SMPI V-8 Engine
- [ES0] = All 6.1L 8-Cylinder Gas Engines
- [EVA] = 4.7L [Magnum] V-8 Engine
- [EVD] = 4.7L V-8 FFV Engine
- [EV0] = All 4.7L 8-Cylinder Gas Engines
- [EXL] = 3.0L V-6 Turbo Diesel Engine
- [EX0] = All 3.0L Cylinder Turbo Diesel Engines
- [EZB] = 5.7L Hemi Multi-Displacement Engine
- [EZ0] = All 5.7L 8-Cylinder Gas Engines
- [NAA] = Federal Emissions
- [NAE] = California Emissions
- [NAS] = 50 State Emissions
- [NA1] = Export Emissions
- [XEF] = Transfer Case Skid Plate Shield

1	04591846BA	1	J, T			EZB			MANIFOLD, Intake, Includes All Parts Listed Below
2	06506725AA	10	J, T			EZB			SCREW, Hex Flange Head, [M6X1.0X48.0], Intake Manifold To Cylinder Head, Mounting
3	04591961AB	1	J, T			EZB			HOSE, Cylinder Head To Intake Manifold PCV
4	53032940AA	1	J, T			EZB			VALVE, Crankcase Vent
5	53032384AB	2	J, T			EZB			SEAL, PCV
6		2							CAP, PCV - Valve, Serviced With Intake Manifold, (NOT SERVICED)
7	53013748AB	4	J, T			EZB			CONNECTOR, Cover
8	53032382AB	8	J, T			EZB			SEAL, Intake Manifold
9	04591853AF	1	J, T			EZB			RAIL, Fuel
10	53013775AA	1	J, T			EZB			CAP, Oil Filler
11	53013735AA	1	J, T			EZB			PAD, Engine, Back Of Intake Manifold
12	53013747AC	1	J, T			EZB			PAD, Engine

GRAND CHEROKEE (WK)

SERIES LINE
H = HIGHLINE T = JEEP - 2WD
P = PREMIUM J = JEEP - 4WD
S = SPORT
X = SPECIAL

BODY
74 = SPORT UTILITY 4-DR
TYPE #4

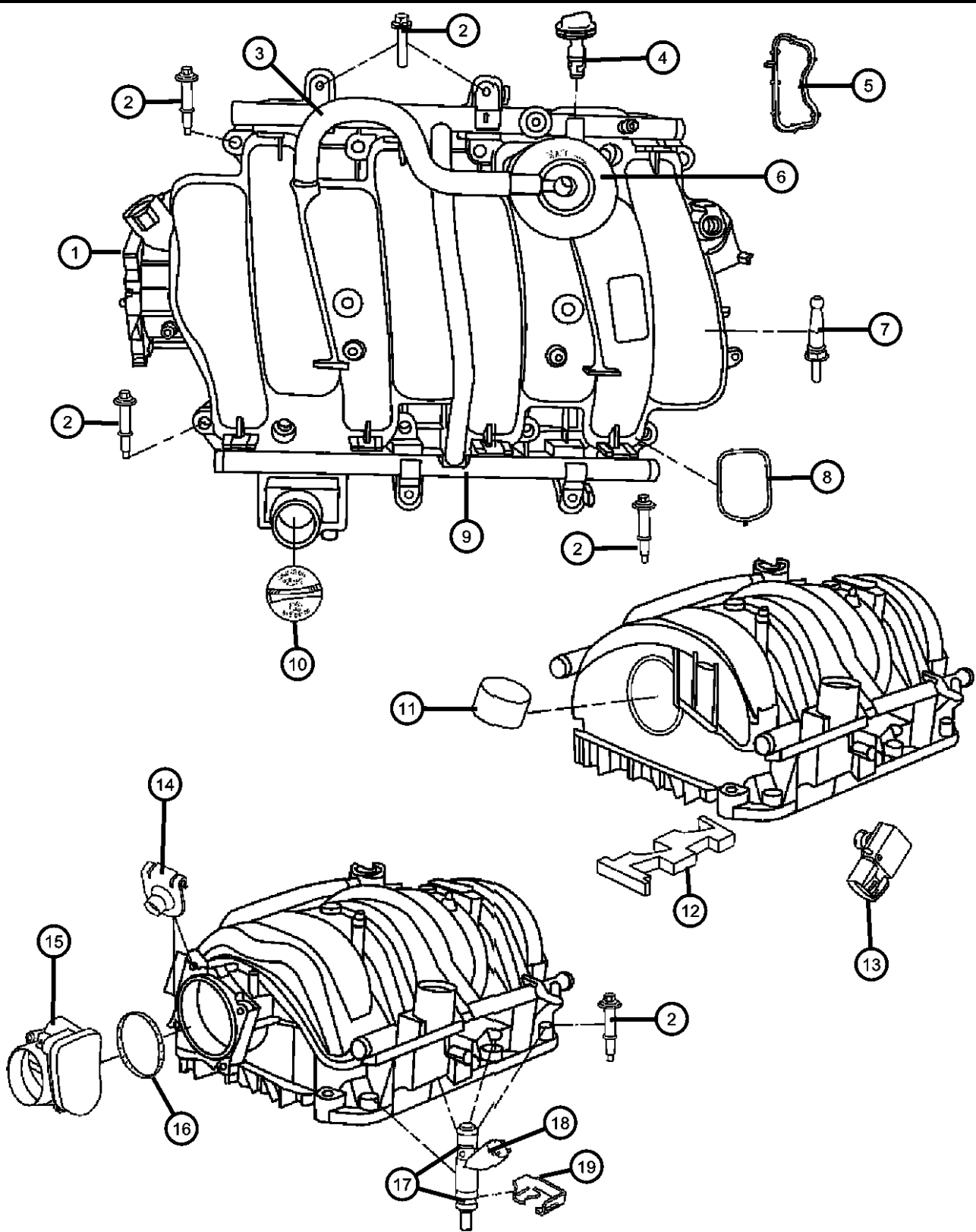
ENGINE
EVA = 4.7L V8 MPI Engine
EVD = 4.7L V8 FFV Engine
EXL = 3.0L V6 Turbo Diesel Engine
EZB = 5.7L Hemi Multi Displacement Engine
EKG = 3.7L V6 Engine
ESF = 6.1L SRT HEMI SMPI V8 Engine

TRANSMISSION
DGJ = 5-Speed Auto W5A580 Transmission
DGQ = 5-Spd Automatic 545RFE Transmission
DGU = 5-Spd Auto W5J400 Transmission

AR = use ase required - = Non illustrated part

2007 WK

**Intake Manifold And Mounting 5.7L [EZB]
Figure 5.7L-810**



ITEM	PART NUMBER	QTY	LINE	SERIES	BODY	ENGINE	TRANS	TRIM	DESCRIPTION
13	05033310AC	1	J, T			EZB			SENSOR, MAP
14	06504968AA	4	J, T			EZB			NUT, J, [M6X1.00], Throttle Body To Intake Manifold, Mounting
15	04591847AC	1	J, T			EZB			THROTTLE BODY
16	53032383AB	1	J, T			EZB			SEAL, Throttle Body to Intake
17	04897125AA	8	J, T			EZB			O RING KIT, Fuel Injector
18	04591851AA	8	J, T			EZB			INJECTOR, Fuel
19	53030058AC	8	J, T			EZB			CLIP, Injector
-20	53013747AC	1	J, T			EZB			PAD, Engine

GRAND CHEROKEE (WK)

SERIES LINE
H = HIGHLINE T = JEEP - 2WD
P = PREMIUM J = JEEP - 4WD
S = SPORT
X = SPECIAL

BODY
74 = SPORT UTILITY 4-DR
TYPE #4

ENGINE
EVA = 4.7L V8 MPI Engine
EVD = 4.7L V8 FFV Engine
EXL = 3.0L V6 Turbo Diesel
Engine
EZB = 5.7L Hemi Multi
Displacement Engine
EKG = 3.7L V6 Engine
ESF = 6.1L SRT HEMI SMPI
V8 Engine

TRANSMISSION
DGJ = 5-Speed Auto W5A580
Transmission
DGQ = 5-Spd Automatic 545RFE
Transmission
DGU = 5-Spd Auto W5J400
Transmission

AR = use ase required - = Non illustrated part

**Exhaust Manifolds And Mounting 5.7L [EZB]
Figure 5.7L-820**

ITEM	PART NUMBER	QTY	LINE	SERIES	BODY	ENGINE	TRANS	TRIM	DESCRIPTION
------	-------------	-----	------	--------	------	--------	-------	------	-------------

NOTE:

Sales Codes:

- [DGJ] = 5-Speed Automatic W5A580 Transmission
- [DGQ] = 5-Speed Automatic 545RFE Transmission
- [DGU] = 5-Speed Automatic W5J400 Transmission
- [DG0] = All Automatic Transmissions
- [DHB] = Quadra -Trac Active On Demand NVG 146 Transfer Case
- [DHX] = Quadra -Trac 2 Full Time Active NVG 245 Transfer Case
- [DHZ] = Quadra -Trac 1 Full time 4WD NVG 140 Transfer Case
- [EKG] = 3.7L [Magnum] V-6 Engine
- [EK0] = All 3.7L 6-Cylinder Gas Engines
- [ESF] = 6.1L SRT Hemi SMPI V-8 Engine
- [ES0] = All 6.1L 8-Cylinder Gas Engines
- [EVA] = 4.7L [Magnum] V-8 Engine
- [EVD] = 4.7L V-8 FFV Engine
- [EV0] = All 4.7L 8-Cylinder Gas Engines
- [EXL] = 3.0L V-6 Turbo Diesel Engine
- [EX0] = All 3.0L Cylinder Turbo Diesel Engines
- [EZB] = 5.7L Hemi Multi-Displacement Engine
- [EZ0] = All 5.7L 8-Cylinder Gas Engines
- [NAA] = Federal Emissions
- [NAE] = California Emissions
- [NAS] = 50 State Emissions
- [NA1] = Export Emissions
- [XEF] = Transfer Case Skid Plate Shield

1	53013944AA	1	J, T			EZ0			GASKET, Exhaust ManifoldRight
2	53013606AB	1	J, T			EZ0			MANIFOLD, ExhaustRight
3	06507746AA	8	J, T			EZ0			BOLT, Exhaust Manifold, [M8X1.25X46.00], Exhaust Manifold To Cylinder Head, Mounting
4	06508218AA	9	J, T			EZ0			STUD, Exhaust Manifold, [M8X1.25&M6X1.0X83.00], Exhaust Manifold To Cylinder Head, Mounting
5	06505316AA	8	J, T			EZ0			NUT, [M6X1.00], Heat Shield To Exhaust Manifold, Mounting
6	53032208AH	2	J, T			EZ0			SHIELD, Exhaust ManifoldRight & Left
7	53013943AA	1	J, T			EZ0			GASKET, Exhaust ManifoldLeft
8	53013605AB	1	J, T			EZ0			MANIFOLD, ExhaustLeft

GRAND CHEROKEE (WK)

SERIES LINE
H = HIGHLINE T = JEEP - 2WD
P = PREMIUM J = JEEP - 4WD
S = SPORT
X = SPECIAL

BODY
74 = SPORT UTILITY 4-DR
TYPE #4

ENGINE
EVA = 4.7L V8 MPI Engine
EVD = 4.7L V8 FFV Engine
EXL = 3.0L V6 Turbo Diesel Engine
EZB = 5.7L Hemi Multi Displacement Engine
EKG = 3.7L V6 Engine
ESF = 6.1L SRT HEMI SMPI V8 Engine

TRANSMISSION
DGJ = 5-Speed Auto W5A580 Transmission
DGQ = 5-Spd Automatic 545RFE Transmission
DGU = 5-Spd Auto W5J400 Transmission

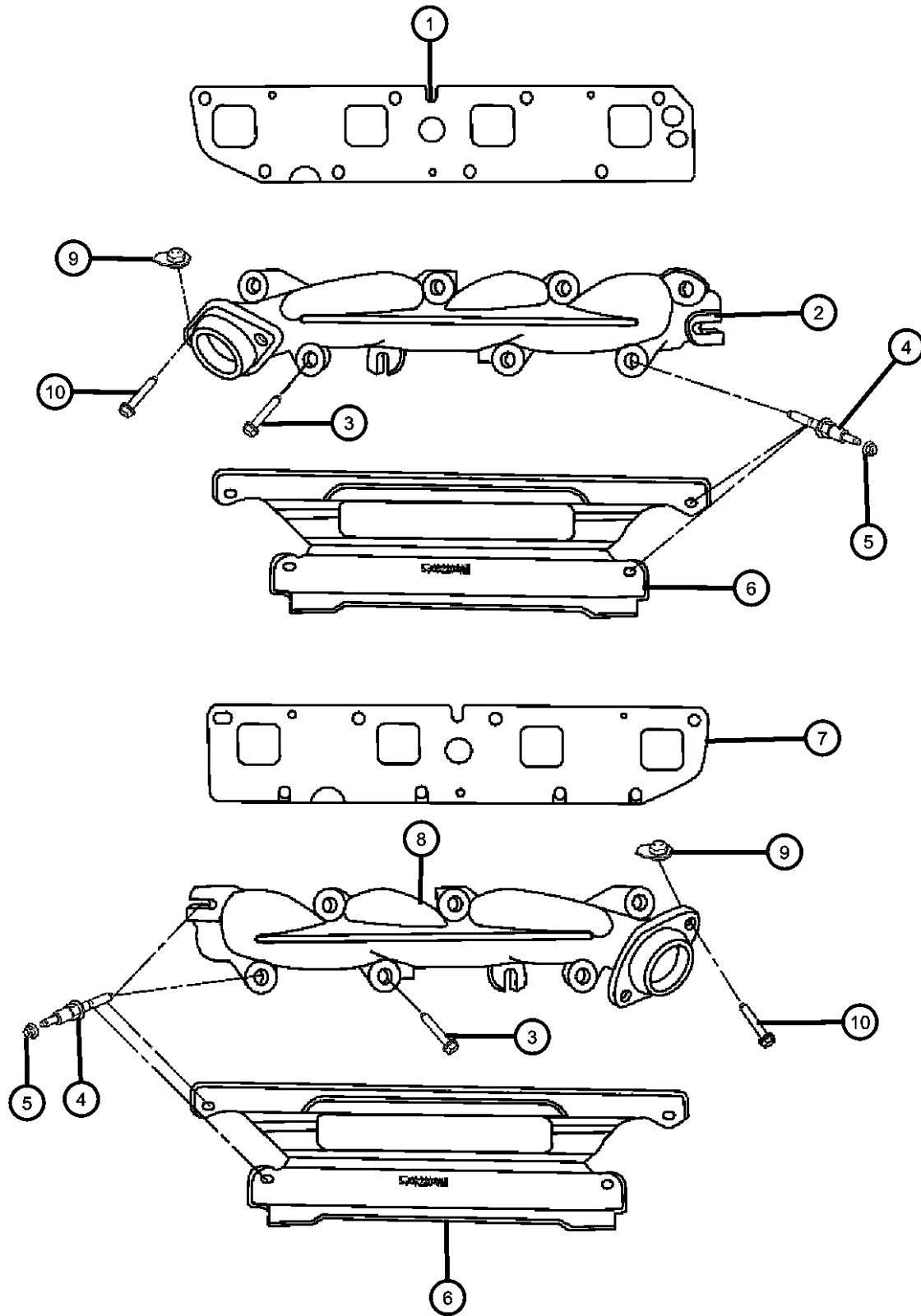
AR = use ase required - = Non illustrated part

2007 WK

**Exhaust Manifolds And Mounting 5.7L [EZB]
Figure 5.7L-820**

ITEM	PART NUMBER	QTY	LINE	SERIES	BODY	ENGINE	TRANS	TRIM	DESCRIPTION
------	-------------	-----	------	--------	------	--------	-------	------	-------------

9	06503231	4	J, T			EK0, EV0, EZ0			NUT, [M10X1.50], Front Pipe To Exhaust Manifold, Mounting
10	06505699AA	4							SCREW, [M10X1.50X60.00], Front Pipe To Exhaust Manifold, Mounting



GRAND CHEROKEE (WK)

SERIES LINE
H = HIGHLINE T = JEEP - 2WD
P = PREMIUM J = JEEP - 4WD
S = SPORT
X = SPECIAL

BODY
74 = SPORT UTILITY 4-DR
TYPE #4

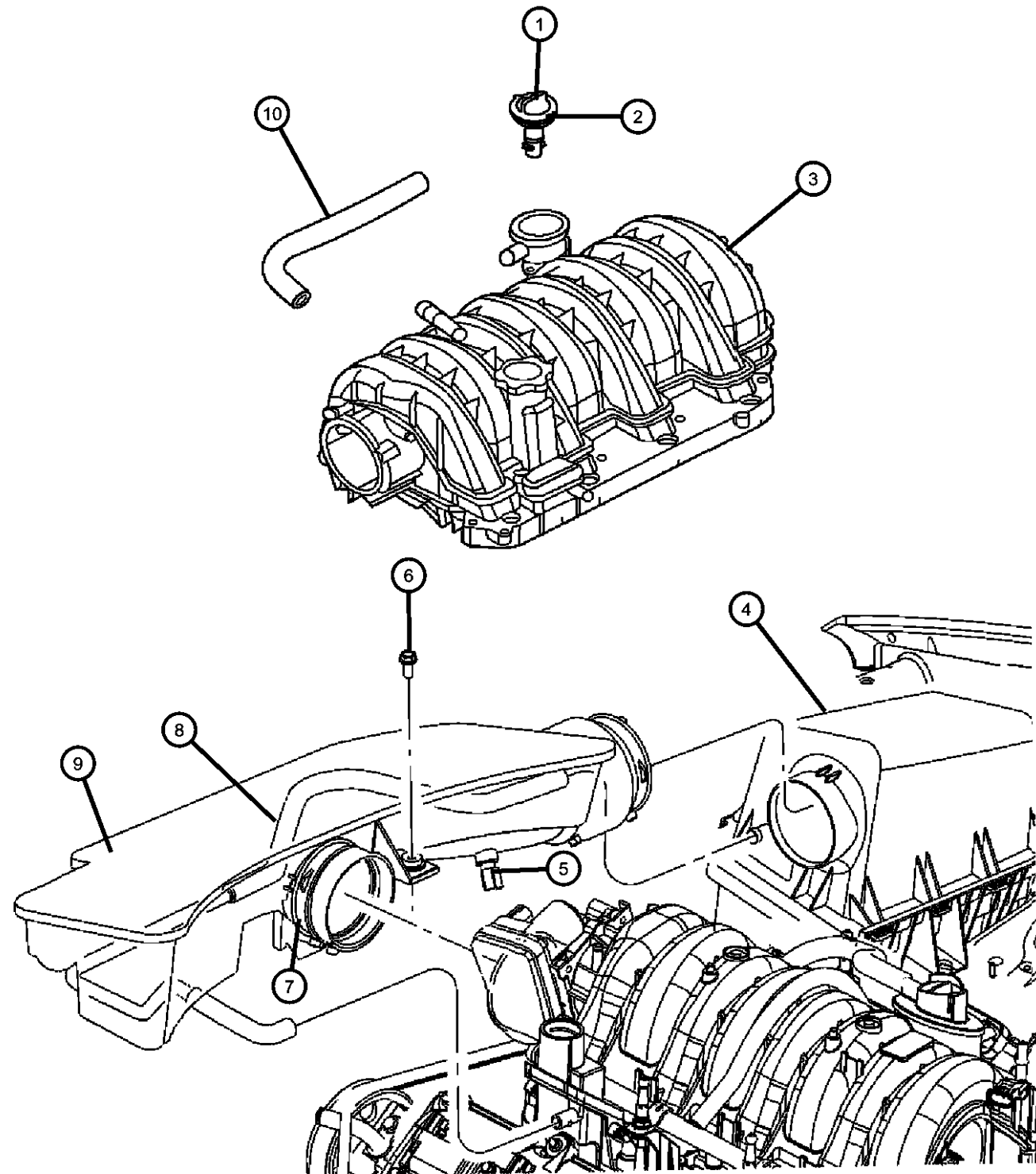
ENGINE
EVA = 4.7L V8 MPI Engine
EVD = 4.7L V8 FFV Engine
EXL = 3.0L V6 Turbo Diesel
Engine
EZB = 5.7L Hemi Multi
Displacement Engine
EKG = 3.7L V6 Engine
ESF = 6.1L SRT HEMI SMPI
V8 Engine

TRANSMISSION
DGJ = 5-Speed Auto W5A580
Transmission
DGQ = 5-Spd Automatic 545RFE
Transmission
DGU = 5-Spd Auto W5J400
Transmission

AR = use ase required - = Non illustrated part

2007 WK

**Crankcase Ventilation 5.7L [EZB]
Figure 5.7L-910**



ITEM	PART NUMBER	QTY	LINE	SERIES	BODY	ENGINE	TRANS	TRIM	DESCRIPTION
------	-------------	-----	------	--------	------	--------	-------	------	-------------

NOTE:

Sales Codes:

- [DGJ] = 5-Speed Automatic W5A580 Transmission
- [DGQ] = 5-Speed Automatic 545RFE Transmission
- [DGU] = 5-Speed Automatic W5J400 Transmission
- [DG0] = All Automatic Transmissions
- [DHB] = Quadra -Trac Active On Demand NVG 146 Transfer Case
- [DHX] = Quadra -Trac 2 Full Time Active NVG 245 Transfer Case
- [DHZ] = Quadra -Trac 1 Full time 4WD NVG 140 Transfer Case
- [EKG] = 3.7L [Magnum] V-6 Engine
- [EK0] = All 3.7L 6-Cylinder Gas Engines
- [ESF] = 6.1L SRT Hemi SMPI V-8 Engine
- [ES0] = All 6.1L 8-Cylinder Gas Engines
- [EVA] = 4.7L [Magnum] V-8 Engine
- [EVD] = 4.7L V-8 FFV Engine
- [EV0] = All 4.7L 8-Cylinder Gas Engines
- [EXL] = 3.0L V-6 Turbo Diesel Engine
- [EX0] = All 3.0L Cylinder Turbo Diesel Engines
- [EZB] = 5.7L Hemi Multi-Displacement Engine
- [EZ0] = All 5.7L 8-Cylinder Gas Engines
- [NAA] = Federal Emissions
- [NAE] = California Emissions
- [NAS] = 50 State Emissions
- [NA1] = Export Emissions
- [XEF] = Transfer Case Skid Plate Sheild

1	53032940AA	1	J, T			EZB			VALVE, Crankcase Vent
2	53032384AB	2	J, T			EZB			SEAL, PCV
3		2							MANIFOLD, Engine Intake, Reference, (NOT SERVICED)
4	05143969AA	1	J, T			EZ0			COVER, Air Cleaner
5	56028364AA	1	J, T			EZB			SENSOR, Air Temperature
6	06105039AA	1	J, T			EZ0			SCREW, Hex Flange Head, M6-1.00x30.00, [M6X1.00X30.00], Resonator, Mounting
7	53013714AA	1	J, T			EZB			CLAMP, Air Cleaner to T/Body
8	53013759AB	1	J, T			EZB			HOSE, Make Up Air
9	53013517AD	1	J, T			EZB			RESONATOR, Air Cleaner
10	04591961AB	1	J, T			EZB			HOSE, Cylinder Head To Intake Manifold PCV

GRAND CHEROKEE (WK)

SERIES LINE
H = HIGHLINE T = JEEP - 2WD
P = PREMIUM J = JEEP - 4WD
S = SPORT
X = SPECIAL

BODY
74 = SPORT UTILITY 4-DR
TYPE #4

ENGINE
EVA = 4.7L V8 MPI Engine
EVD = 4.7L V8 FFV Engine
EXL = 3.0L V6 Turbo Diesel Engine
EZB = 5.7L Hemi Multi Displacement Engine
EKG = 3.7L V6 Engine
ESF = 6.1L SRT HEMI SMPI V8 Engine

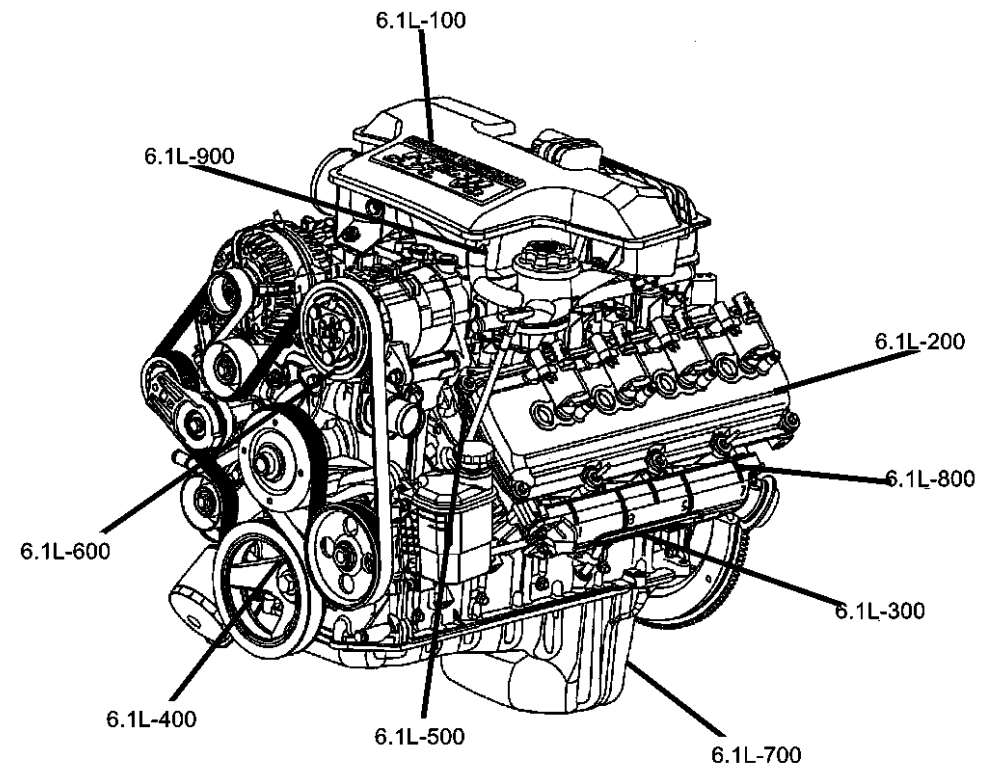
TRANSMISSION
DGJ = 5-Speed Auto W5A580 Transmission
DGQ = 5-Spd Automatic 545RFE Transmission
DGU = 5-Spd Auto W5J400 Transmission

AR = use ase required - = Non illustrated part

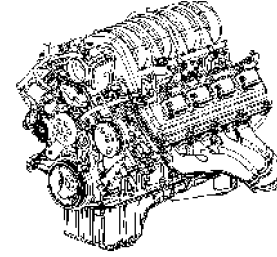
2007 WK

Group - 6.1L

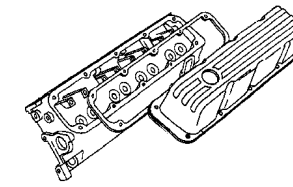
Engine 6.1L Eight Cylinder [ESF]



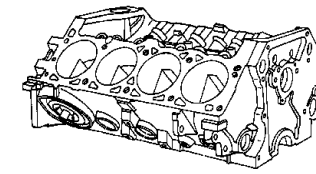
6.1L-100
Engine Identification



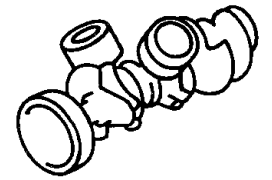
6.1L-200
Cylinder Head



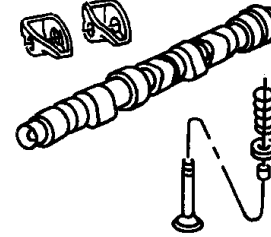
6.1L-300
Cylinder Block



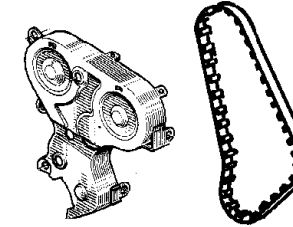
6.1L-400
Crankshaft, Pistons and Torque Converter



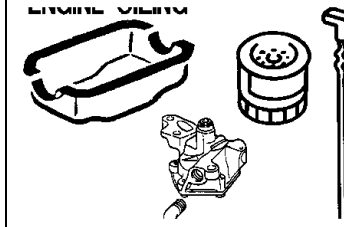
6.1L-500
Camshafts and Valves



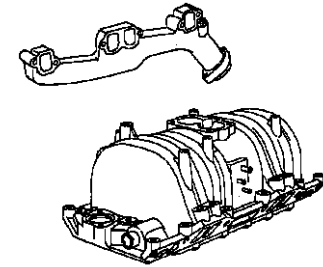
6.1L-600
Timing Belt and Cover



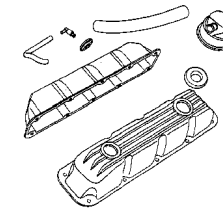
6.1L-700
Engine Oiling



6.1L-800
Manifolds



6.1L-900
Crankcase Ventilation



Group - 6.1L Engine 6.1L Eight Cylinder [ESF]

Illustration Title	Group-Fig. No.
Engine Identification	
Engine Assembly And Identification 6.1L [ESF]	Fig. 6.1L - 110
Gasket Packages 6.1L [ESF].....	Fig. 6.1L - 120
Engine Covers And Components 6.1L [ESF]	Fig. 6.1L - 130
Cylinder Head	
Cylinder Head And Cylinder Head Cover 6.1L [ESF].....	Fig. 6.1L - 220
Cylinder Block	
Cylinder Block And Hardware 6.1L [ESF]	Fig. 6.1L - 310
Cylinder Block Heater 6.1L [ESF].....	Fig. 6.1L - 320
Crankshaft, Pistons and Torque Converter	
Crankshaft, Pistons and Torque Converter 6.1L [ESF].....	Fig. 6.1L - 410
Camshafts and Valves	
Camshaft and Valves 6.1L [ESF]	Fig. 6.1L - 510
Timing Belt and Cover	
Timing Chain And Cover 6.1L [ESF].....	Fig. 6.1L - 610
Engine Oiling	
Engine Oiling 6.1L [ESF]	Fig. 6.1L - 710
Oil Filter And Splash Guard 6.1L [ESF]	Fig. 6.1L - 720
Manifolds	
Intake Manifold - 6.1L [ESF].....	Fig. 6.1L - 810
Exhaust Manifolds, 6.1L [ESF]	Fig. 6.1L - 820
Crankcase Ventilation	
Crankcase Ventilation 6.1L [ESF].....	Fig. 6.1L - 910

**Engine Assembly And Identification 6.1L [ESF]
Figure 6.1L-110**

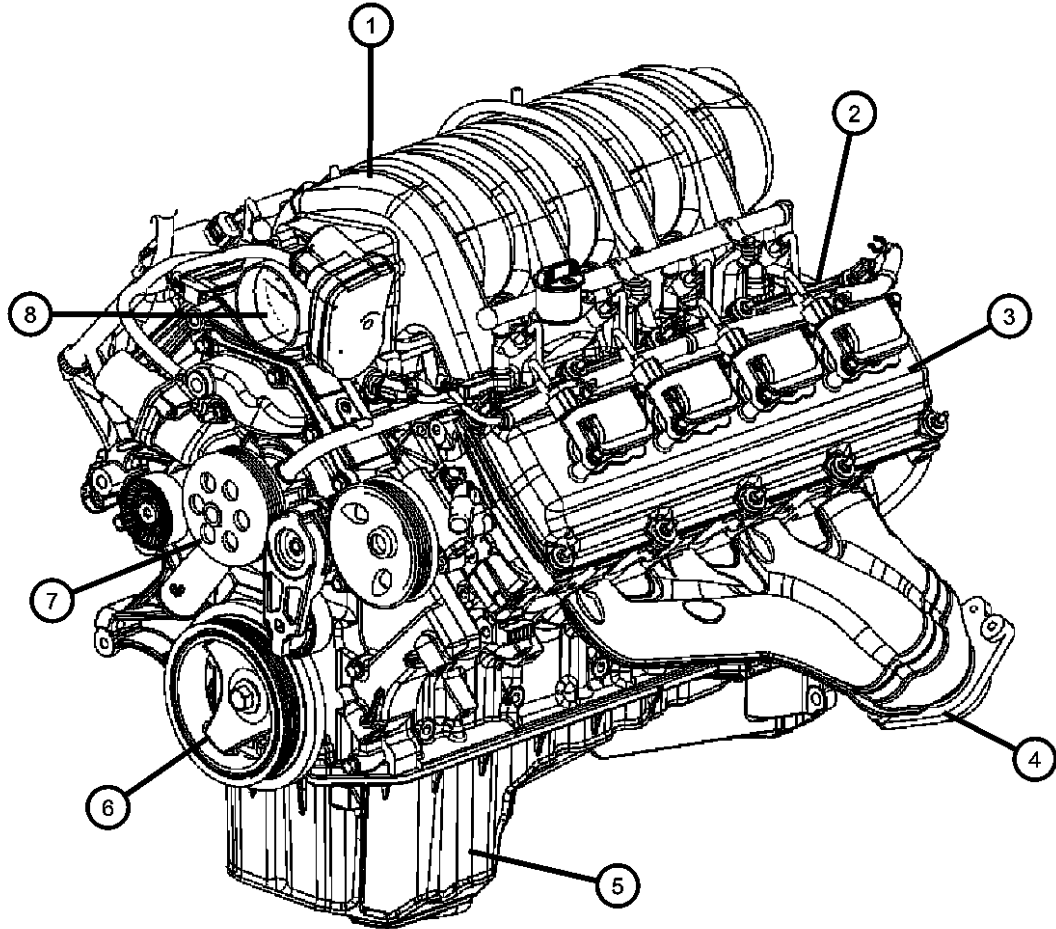
ITEM	PART NUMBER	QTY	LINE	SERIES	BODY	ENGINE	TRANS	TRIM	DESCRIPTION
------	-------------	-----	------	--------	------	--------	-------	------	-------------

NOTE:

The Engine Identification Label Contains: The Production Assembly Part Number And Displacement.

Sales Codes:

- [DGJ] = 5-Speed Automatic W5A580 Transmission
- [DGQ] = 5-Speed Automatic 545RFE Transmission
- [DGU] = 5-Speed Automatic W5J400 Transmission
- [DG0] = All Automatic Transmissions
- [DHB] = Quadra -Trac Active On Demand NVG 146 Transfer Case
- [DHX] = Quadra -Trac 2 Full Time Active NVG 245 Transfer Case
- [DHZ] = Quadra -Trac 1 Full time 4WD NVG 140 Transfer Case
- [EKG] = 3.7L [Magnum] V-6 Engine
- [EK0] = All 3.7L 6-Cylinder Gas Engines
- [ESF] = 6.1L SRT Hemi SMPI V-8 Engine
- [ES0] = All 6.1L 8-Cylinder Gas Engines
- [EVA] = 4.7L [Magnum] V-8 Engine
- [EVD] = 4.7L V-8 FFV Engine
- [EV0] = All 4.7L 8-Cylinder Gas Engines
- [EXL] = 3.0L V-6 Turbo Diesel Engine
- [EX0] = All 3.0L Cylinder Turbo Diesel Engines
- [EZB] = 5.7L Hemi Multi-Displacement Engine
- [EZ0] = All 5.7L 8-Cylinder Gas Engines
- [NAA] = Federal Emissions
- [NAE] = California Emissions
- [NAS] = 50 State Emissions
- [NA1] = Export Emissions
- [XEF] = Transfer Case Skid Plate Shield



1		1							ENGINE, Complete, Serviced By New Short Block Only, (NOT SERVICED)
2		1							LABEL, Engine Identification, See Note, (NOT SERVICED)
3	05037531AC	2	J, T			ESF			COVER, Cylinder Head
4	05037637AC	1				ESF			MANIFOLD, ExhaustLeft
5	05037685AA	1	J, T			ESF			PAN, Engine Oil
6	05037394AA	1	J, T			ESF			DAMPER, Crankshaft
7	04792838AA	1	J, T			ESF			PUMP, Water
8	04591847AC	1	J, T			ESF			THROTTLE BODY

GRAND CHEROKEE (WK)

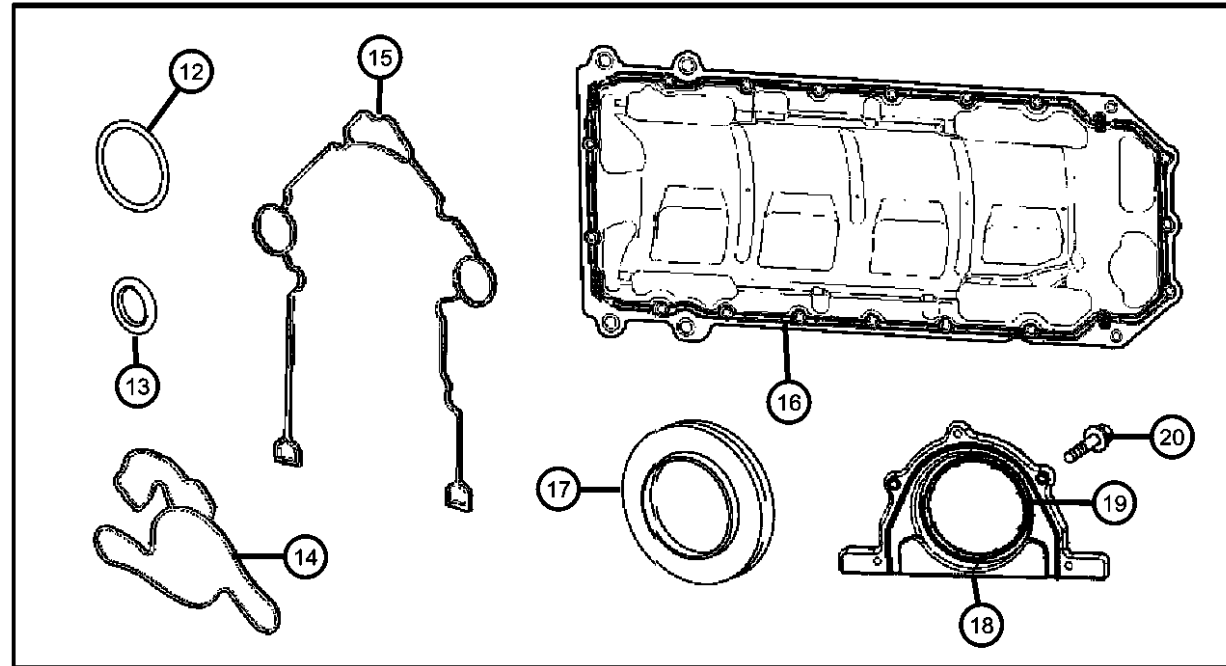
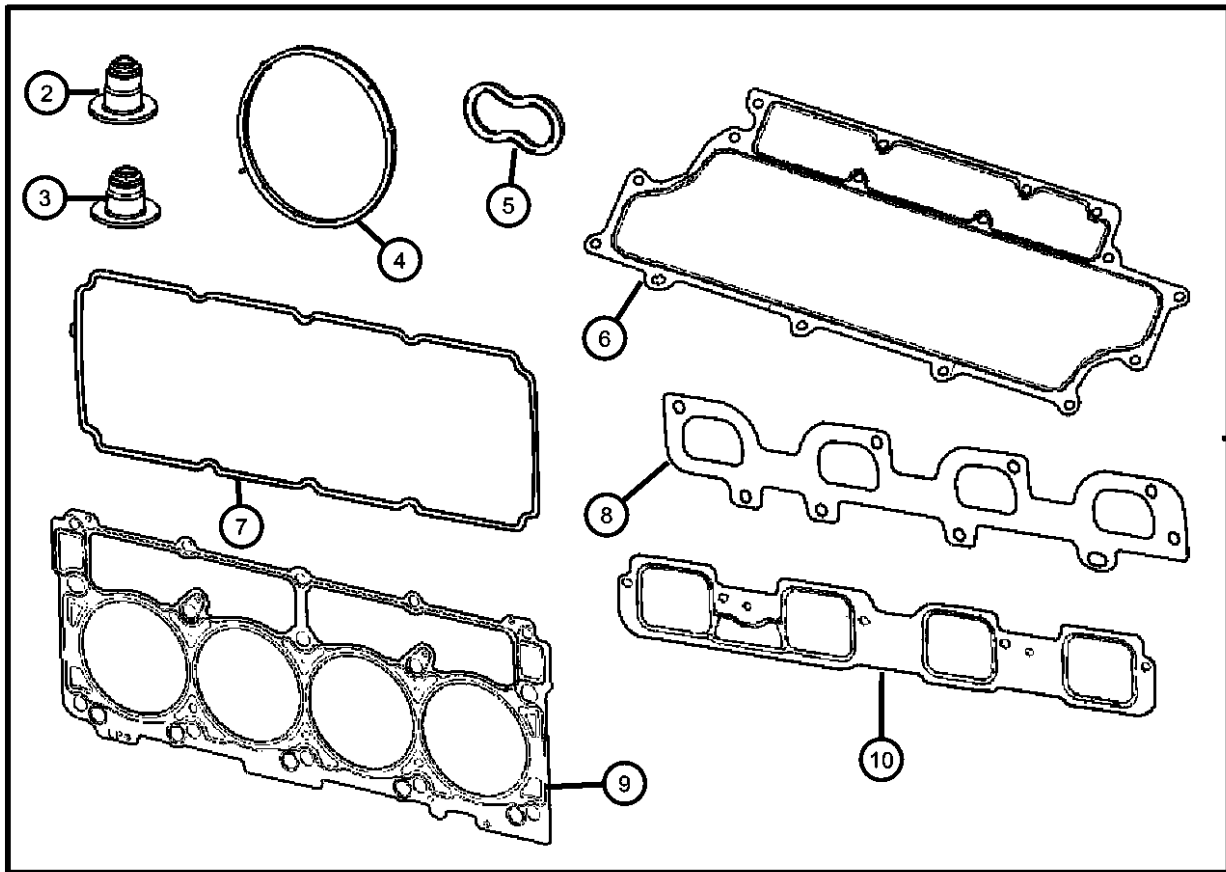
SERIES LINE
H = HIGHLINE T = JEEP - 2WD
P = PREMIUM J = JEEP - 4WD
S = SPORT
X = SPECIAL

BODY
74 = SPORT UTILITY 4-DR
TYPE #4

ENGINE
EVA = 4.7L V8 MPI Engine
EVD = 4.7L V8 FFV Engine
EXL = 3.0L V6 Turbo Diesel Engine
EZB = 5.7L Hemi Multi Displacement Engine
EKG = 3.7L V6 Engine
ESF = 6.1L SRT HEMI SMPI V8 Engine

TRANSMISSION
DGJ = 5-Speed Auto W5A580 Transmission
DGQ = 5-Spd Automatic 545RFE Transmission
DGU = 5-Spd Auto W5J400 Transmission

**Gasket Packages 6.1L [ESF]
Figure 6.1L-120**



ITEM	PART NUMBER	QTY	LINE	SERIES	BODY	ENGINE	TRANS	TRIM	DESCRIPTION
------	-------------	-----	------	--------	------	--------	-------	------	-------------

NOTE:

Sales Codes:

- [DGJ] = 5-Speed Automatic W5A580 Transmission
- [DGQ] = 5-Speed Automatic 545RFE Transmission
- [DGU] = 5-Speed Automatic W5J400 Transmission
- [DG0] = All Automatic Transmissions
- [DHB] = Quadra -Trac Active On Demand NVG 146 Transfer Case
- [DHX] = Quadra -Trac 2 Full Time Active NVG 245 Transfer Case
- [DHZ] = Quadra -Trac 1 Full time 4WD NVG 140 Transfer Case
- [EKG] = 3.7L [Magnum] V-6 Engine
- [EK0] = All 3.7L 6-Cylinder Gas Engines
- [ESF] = 6.1L SRT Hemi SMPI V-8 Engine
- [ES0] = All 6.1L 8-Cylinder Gas Engines
- [EVA] = 4.7L [Magnum] V-8 Engine
- [EVD] = 4.7L V-8 FFV Engine
- [EV0] = All 4.7L 8-Cylinder Gas Engines
- [EXL] = 3.0L V-6 Turbo Diesel Engine
- [EX0] = All 3.0L Cylinder Turbo Diesel Engines
- [EZB] = 5.7L Hemi Multi-Displacement Engine
- [EZ0] = All 5.7L 8-Cylinder Gas Engines
- [NAA] = Federal Emissions
- [NAE] = California Emissions
- [NAS] = 50 State Emissions
- [NA1] = Export Emissions
- [XEF] = Transfer Case Skid Plate Shield

1	05170961AA	1	J, T			ESF			GASKET PACKAGE, Engine Upper
2	05037798AA	8	J, T			ESF			SEAL, Valve GuideIntake, Valve
3	53021578AA	8	J, T			ESF			SEAL, Valve GuideExhaust, Valve
4	53032383AB	1	J, T			ESF			SEAL, Throttle Body to Intake
5	53021569AD	8	J, T			ESF			GASKET, Spark Plug Well
6	05037555AA	1	J, T			ESF			GASKET, Intake Manifold Pan
7	05114179AB	2	J, T			ESF			GASKET KIT, Rocker Cover
8	05037398AC	2	J, T			ESF			GASKET, Exhaust Manifold
9	05037592AB	2	J, T			ESF			GASKET, Cylinder Head
10	05037503AA	2	J, T			ESF			GASKET, Intake Manifold
11	05179684AC	1				ESF			GASKET PACKAGE, Engine Lower
12	53020861	1	J, T			ESF			SEAL, Oil Pick Up Tube
13	53021144AA	1	J, T			ESF			O RING, Engine Oil Indicator
14	04792922AA	1	J, T			ESF			GASKET, Water Pump

GRAND CHEROKEE (WK)

SERIES LINE
H = HIGHLINE T = JEEP - 2WD
P = PREMIUM J = JEEP - 4WD
S = SPORT
X = SPECIAL

BODY
74 = SPORT UTILITY 4-DR
TYPE #4

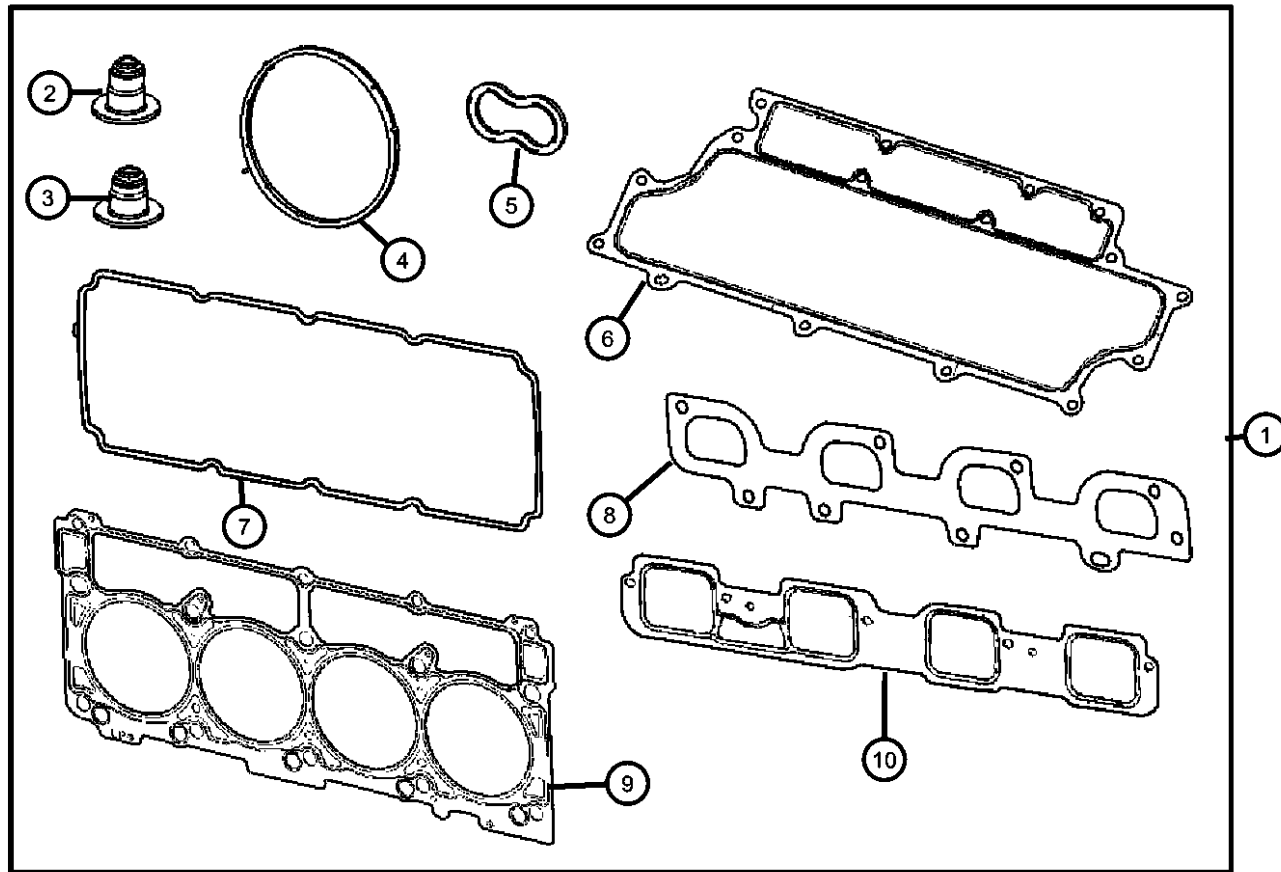
ENGINE
EVA = 4.7L V8 MPI Engine
EVD = 4.7L V8 FFV Engine
EXL = 3.0L V6 Turbo Diesel
Engine
EZB = 5.7L Hemi Multi
Displacement Engine
EKG = 3.7L V6 Engine
ESF = 6.1L SRT HEMI SMPI
V8 Engine

TRANSMISSION
DGJ = 5-Speed Auto W5A580
Transmission
DGQ = 5-Spd Automatic 545RFE
Transmission
DGU = 5-Spd Auto W5J400
Transmission

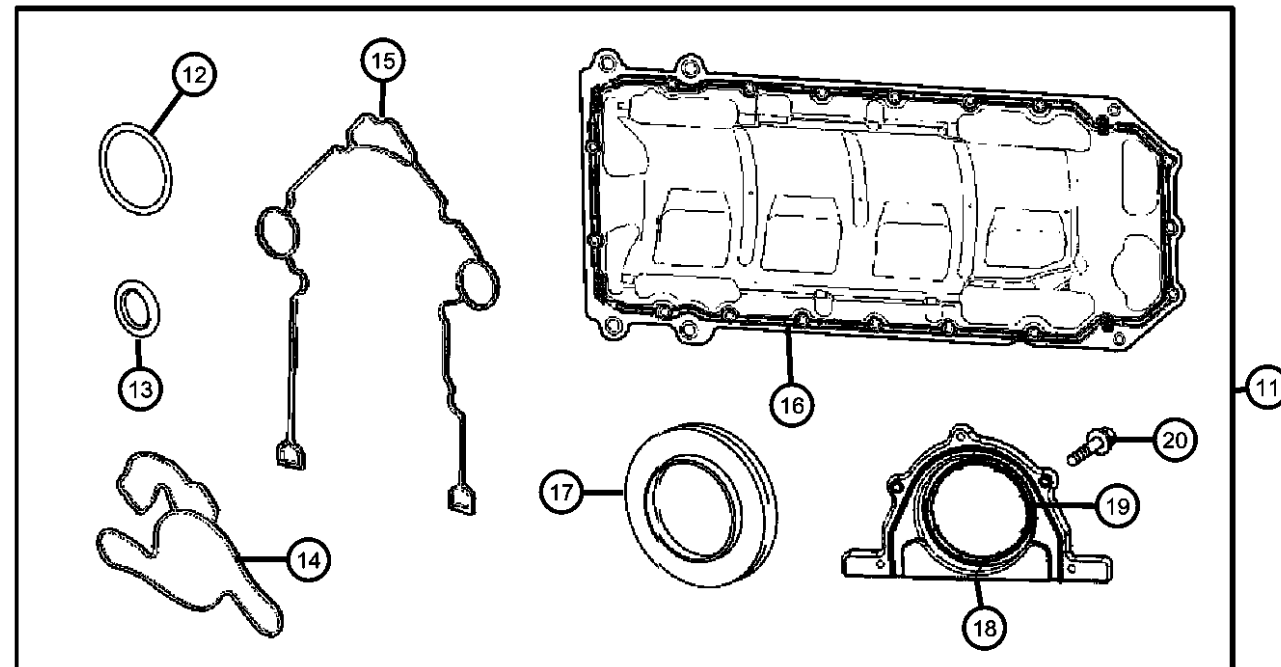
AR = use ase required - = Non illustrated part

2007 WK

Gasket Packages 6.1L [ESF]
Figure 6.1L-120



ITEM	PART NUMBER	QTY	LINE	SERIES	BODY	ENGINE	TRANS	TRIM	DESCRIPTION
15	05139933AB	1	J, T			ESF			GASKET PACKAGE, Front Cover
16	05037692AA	1	J, T			ESF			GASKET, Oil Pan
17	53021585AD	1	J, T			ESF			SEAL, Crankshaft Oil, Front
18	05140028AA	1	J, T			ESF			RETAINER PACKAGE, Crankshaft Rear Oil Seal, Includes Items 19, 20
19		1							SEAL, Crankshaft Bearing Oil, (NOT SERVICED)
20		1							SCREW, Serviced With Item 18. 6104180aa Qty 5., (NOT SERVICED)



GRAND CHEROKEE (WK)

SERIES LINE
H = HIGHLINE T = JEEP - 2WD
P = PREMIUM J = JEEP - 4WD
S = SPORT
X = SPECIAL

BODY
74 = SPORT UTILITY 4-DR
TYPE #4

ENGINE
EVA = 4.7L V8 MPI Engine
EVD = 4.7L V8 FFV Engine
EXL = 3.0L V6 Turbo Diesel Engine
EZB = 5.7L Hemi Multi Displacement Engine
EKG = 3.7L V6 Engine
ESF = 6.1L SRT HEMI SMPI V8 Engine

TRANSMISSION
DGJ = 5-Speed Auto W5A580 Transmission
DGQ = 5-Spd Automatic 545RFE Transmission
DGU = 5-Spd Auto W5J400 Transmission

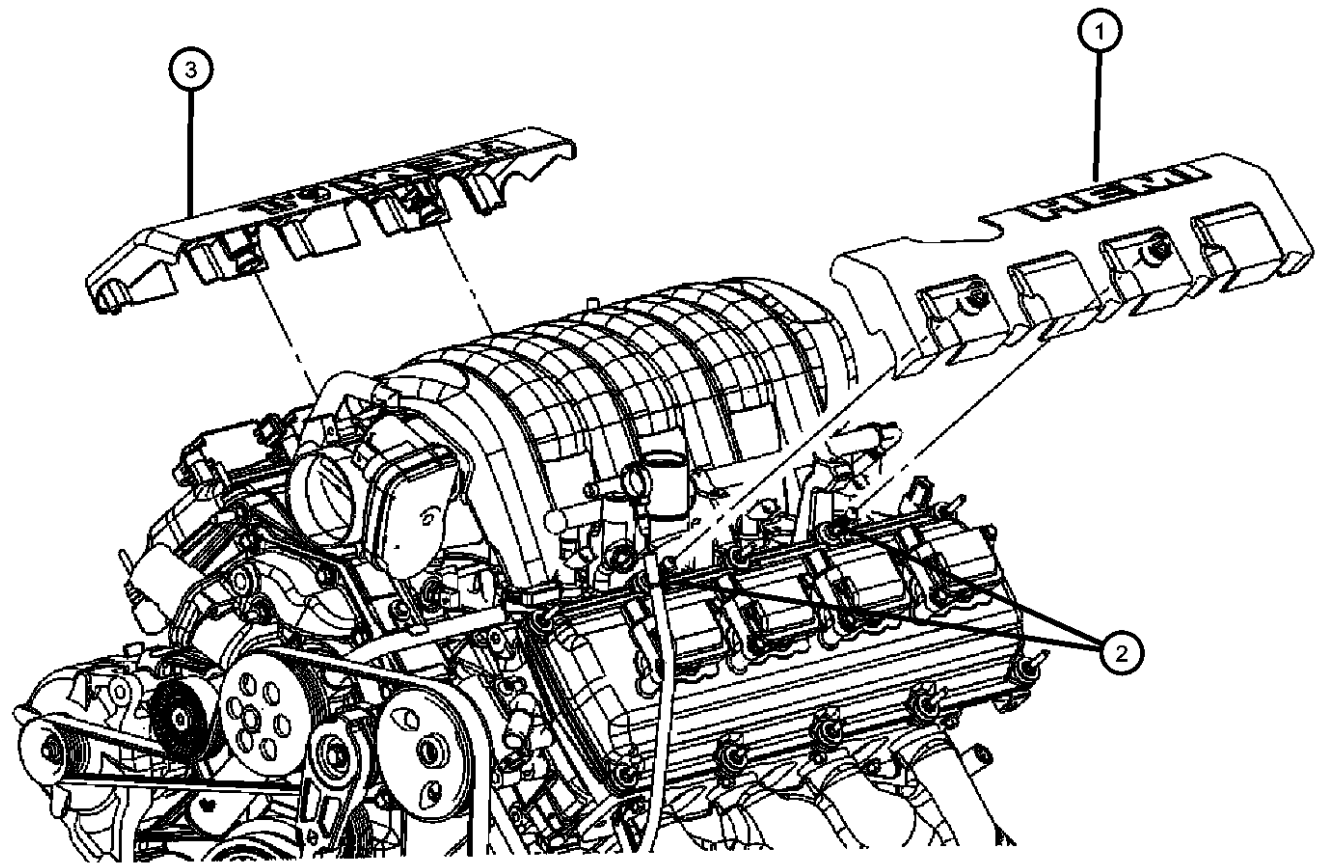
AR = use ase required - = Non illustrated part

2007 WK

Engine Covers And Components 6.1L [ESF]

Figure 6.1L-130

ITEM	PART NUMBER	QTY	LINE	SERIES	BODY	ENGINE	TRANS	TRIM	DESCRIPTION
------	-------------	-----	------	--------	------	--------	-------	------	-------------



NOTE:

Sales Codes:

- [DGJ] = 5-Speed Automatic W5A580 Transmission
- [DGQ] = 5-Speed Automatic 545RFE Transmission
- [DGU] = 5-Speed Automatic W5J400 Transmission
- [DG0] = All Automatic Transmissions
- [DHB] = Quadra -Trac Active On Demand NVG 146 Transfer Case
- [DHX] = Quadra -Trac 2 Full Time Active NVG 245 Transfer Case
- [DHZ] = Quadra -Trac 1 Full time 4WD NVG 140 Transfer Case
- [EKG] = 3.7L [Magnum] V-6 Engine
- [EK0] = All 3.7L 6-Cylinder Gas Engines
- [ESF] = 6.1L SRT Hemi SMPI V-8 Engine
- [ES0] = All 6.1L 8-Cylinder Gas Engines
- [EVA] = 4.7L [Magnum] V-8 Engine
- [EVD] = 4.7L V-8 FFV Engine
- [EV0] = All 4.7L 8-Cylinder Gas Engines
- [EXL] = 3.0L V-6 Turbo Diesel Engine
- [EX0] = All 3.0L Cylinder Turbo Diesel Engines
- [EZB] = 5.7L Hemi Multi-Displacement Engine
- [EZ0] = All 5.7L 8-Cylinder Gas Engines
- [NAA] = Federal Emissions
- [NAE] = California Emissions
- [NAS] = 50 State Emissions
- [NA1] = Export Emissions
- [XEF] = Transfer Case Skid Plate Sheild

1	05037535AB	1	J, T			ESF			COVER, Wiring Protector, With [Hemi], Left
2	05037581AB	4	J, T			ESF			BALL STUD, [42.04 MM], Wiring Retension Cover To Engine, Mounting
3	05037534AB	1	J, T			ESF			COVER, Wiring Protector, With [Hemi 6.1L], Right

GRAND CHEROKEE (WK)

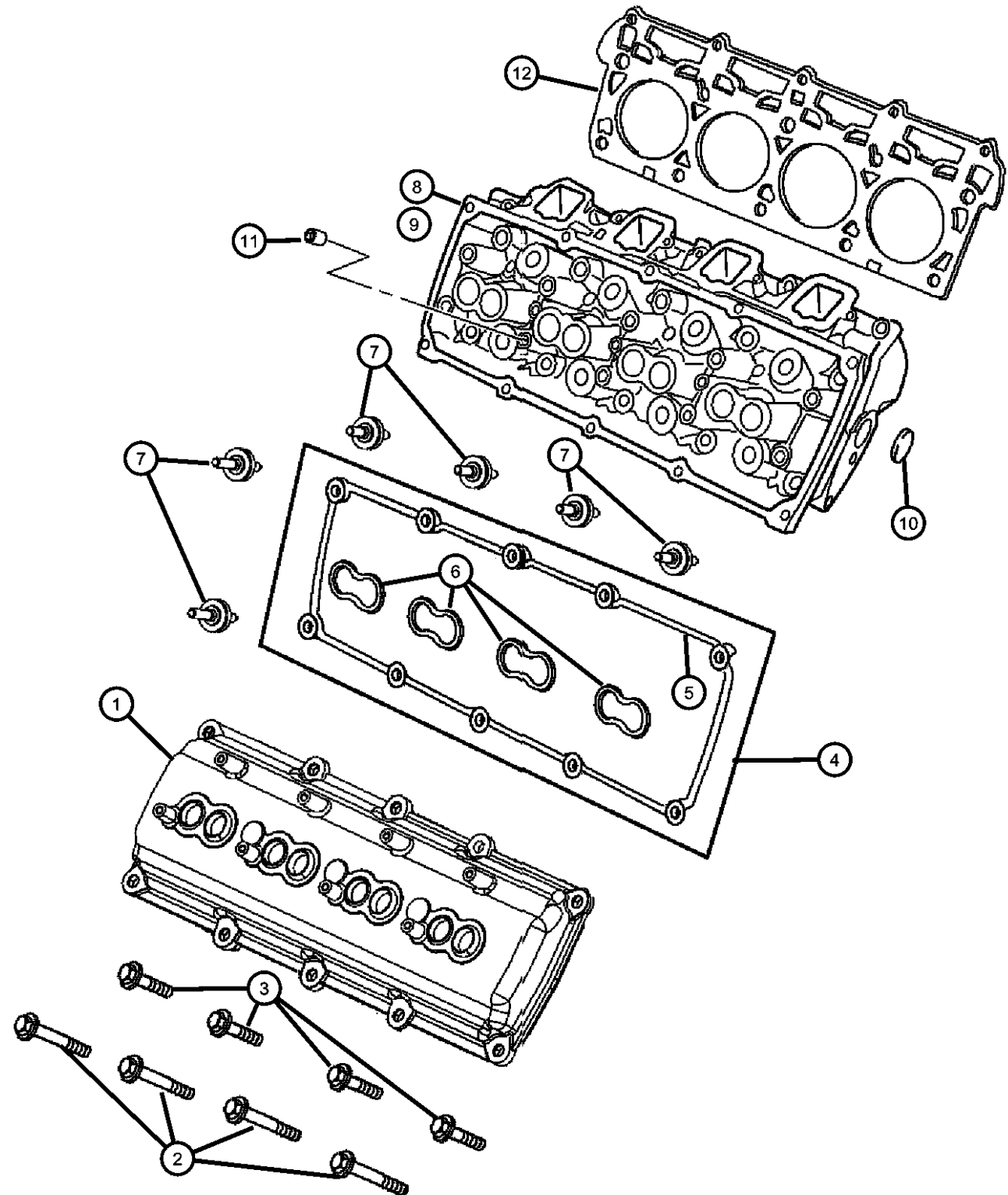
SERIES LINE
 H = HIGHLINE T = JEEP - 2WD
 P = PREMIUM J = JEEP - 4WD
 S = SPORT
 X = SPECIAL

BODY
 74 = SPORT UTILITY 4-DR
 TYPE #4

ENGINE
 EVA = 4.7L V8 MPI Engine
 EVD = 4.7L V8 FFV Engine
 EXL = 3.0L V6 Turbo Diesel
 Engine
 EZB = 5.7L Hemi Multi
 Displacement Engine
 EKG = 3.7L V6 Engine
 ESF = 6.1L SRT HEMI SMPI
 V8 Engine

TRANSMISSION
 DGJ = 5-Speed Auto W5A580
 Transmission
 DGQ = 5-Spd Automatic 545RFE
 Transmission
 DGU = 5-Spd Auto W5J400
 Transmission

**Cylinder Head And Cylinder Head Cover 6.1L [ESF]
Figure 6.1L-220**



ITEM	PART NUMBER	QTY	LINE	SERIES	BODY	ENGINE	TRANS	TRIM	DESCRIPTION
------	-------------	-----	------	--------	------	--------	-------	------	-------------

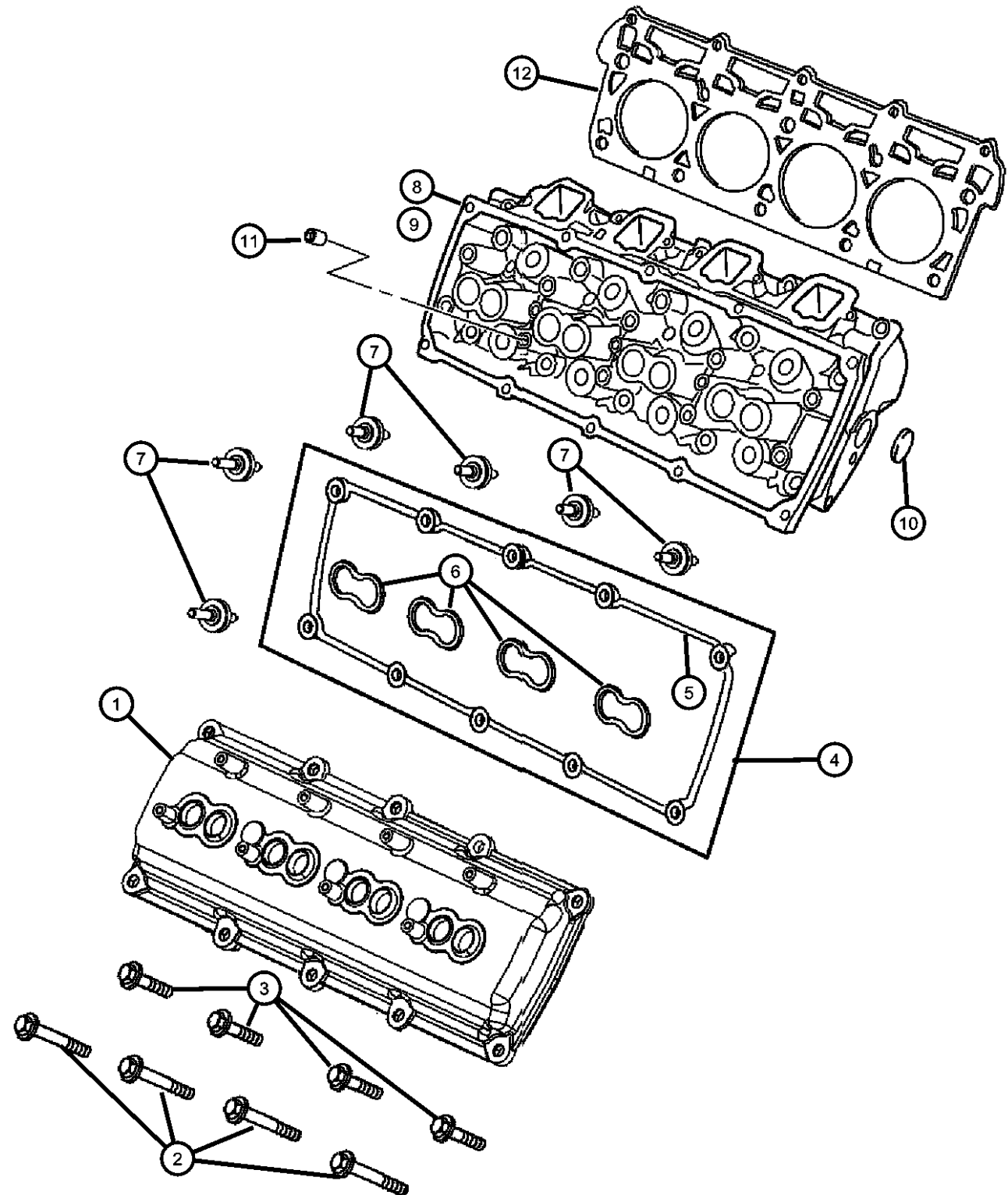
NOTE:
 Rocker Cover Gasket Kit Contains: 1 Valve Cover Gasket And 4 Spark Plug Well Gaskets
 Cylinder Head Assemblies include: Valves, Valve Seals, Springs, Retainers and Locks
 Sales Codes:
 [DGJ] = 5-Speed Automatic W5A580 Transmission
 [DGQ] = 5-Speed Automatic 545RFE Transmission
 [DGU] = 5-Speed Automatic W5J400 Transmission
 [DG0] = All Automatic Transmissions
 [DHB] = Quadra -Trac Active On Demand NVG 146 Transfer Case
 [DHX] = Quadra -Trac 2 Full Time Active NVG 245 Transfer Case
 [DHZ] = Quadra -Trac 1 Full time 4WD NVG 140 Transfer Case
 [EKG] = 3.7L [Magnum] V-6 Engine
 [EK0] = All 3.7L 6-Cylinder Gas Engines
 [ESF] = 6.1L SRT Hemi SMPI V-8 Engine
 [ES0] = All 6.1L 8-Cylinder Gas Engines
 [EVA] = 4.7L [Magnum] V-8 Engine
 [EVD] = 4.7L V-8 FFV Engine
 [EV0] = All 4.7L 8-Cylinder Gas Engines
 [EXL] = 3.0L V-6 Turbo Diesel Engine
 [EX0] = All 3.0L Cylinder Turbo Diesel Engines
 [EZB] = 5.7L Hemi Multi-Displacement Engine
 [EZ0] = All 5.7L 8-Cylinder Gas Engines
 [NAA] = Federal Emissions
 [NAE] = California Emissions
 [NAS] = 50 State Emissions
 [NA1] = Export Emissions
 [XEF] = Transfer Case Skid Plate Shield

1	05037531AC	2	J, T			ESF			COVER, Cylinder Head
2	06506694AA	20	J, T			ESF			SCREW AND WASHER, Hex Head, [M12X1.50X135.0], Cylinder Head To Cylinder Block, Mounting, Primary
3	06506334AA	10	J, T			ESF			SCREW AND WASHER, Hex Head, [M8X1.25X45.0], Cylinder Head To Cylinder Block, Mounting, Secondary
4	05114179AB	2	J, T			ESF			GASKET KIT, Rocker Cover, See Note
5		2							GASKET, Valve Cover, Serviced in Kit Item 4, (NOT SERVICED)
6	53021569AD	8	J, T			ESF			GASKET, Spark Plug Well
7									STUD, Double Ended

GRAND CHEROKEE (WK)		BODY	ENGINE	TRANSMISSION
SERIES	LINE	74 = SPORT UTILITY 4-DR TYPE #4	EVA = 4.7L V8 MPI Engine EVD = 4.7L V8 FFV Engine EXL = 3.0L V6 Turbo Diesel Engine EZB = 5.7L Hemi Multi Displacement Engine EKG = 3.7L V6 Engine ESF = 6.1L SRT HEMI SMPI V8 Engine	DGJ = 5-Speed Auto W5A580 Transmission DGQ = 5-Spd Automatic 545RFE Transmission DGU = 5-Spd Auto W5J400 Transmission
H = HIGHLINE P = PREMIUM S = SPORT X = SPECIAL	T = JEEP - 2WD J = JEEP - 4WD			

AR = use ase required - = Non illustrated part

**Cylinder Head And Cylinder Head Cover 6.1L [ESF]
Figure 6.1L-220**



ITEM	PART NUMBER	QTY	LINE	SERIES	BODY	ENGINE	TRANS	TRIM	DESCRIPTION
	06507007AA	2	J, T			ESF			Cylinder Head Cover To Cylinder Head [M6X1.00X72.30], Mounting
	06508330AA	8	J, T			ESF			Cylinder Head Cover To Cylinder Head [M6X1.00X80.00], Mounting
8	05170621AA	1	J, T			ESF			HEAD, Cylinder, Left, See Note
9	05170620AA	1	J, T			ESF			HEAD, Cylinder, Right, See Note
10									PLUG, Core, 1.25 Diameter
	04556020AB	2	J, T			ESF			Right, Cylinder Head
		2	J, T			ESF			Left, Cylinder Head
11									PLUG, [.375-18X.475]
	06036308AA	2	J, T			ESF			Water Jacket, Right, Cylinder Head
		2	J, T			ESF			Water Jacket, Left, Cylinder Head
12	05037592AB	2	J, T			ESF			GASKET, Cylinder Head

GRAND CHEROKEE (WK)

SERIES LINE
H = HIGHLINE T = JEEP - 2WD
P = PREMIUM J = JEEP - 4WD
S = SPORT
X = SPECIAL

BODY
74 = SPORT UTILITY 4-DR
TYPE #4

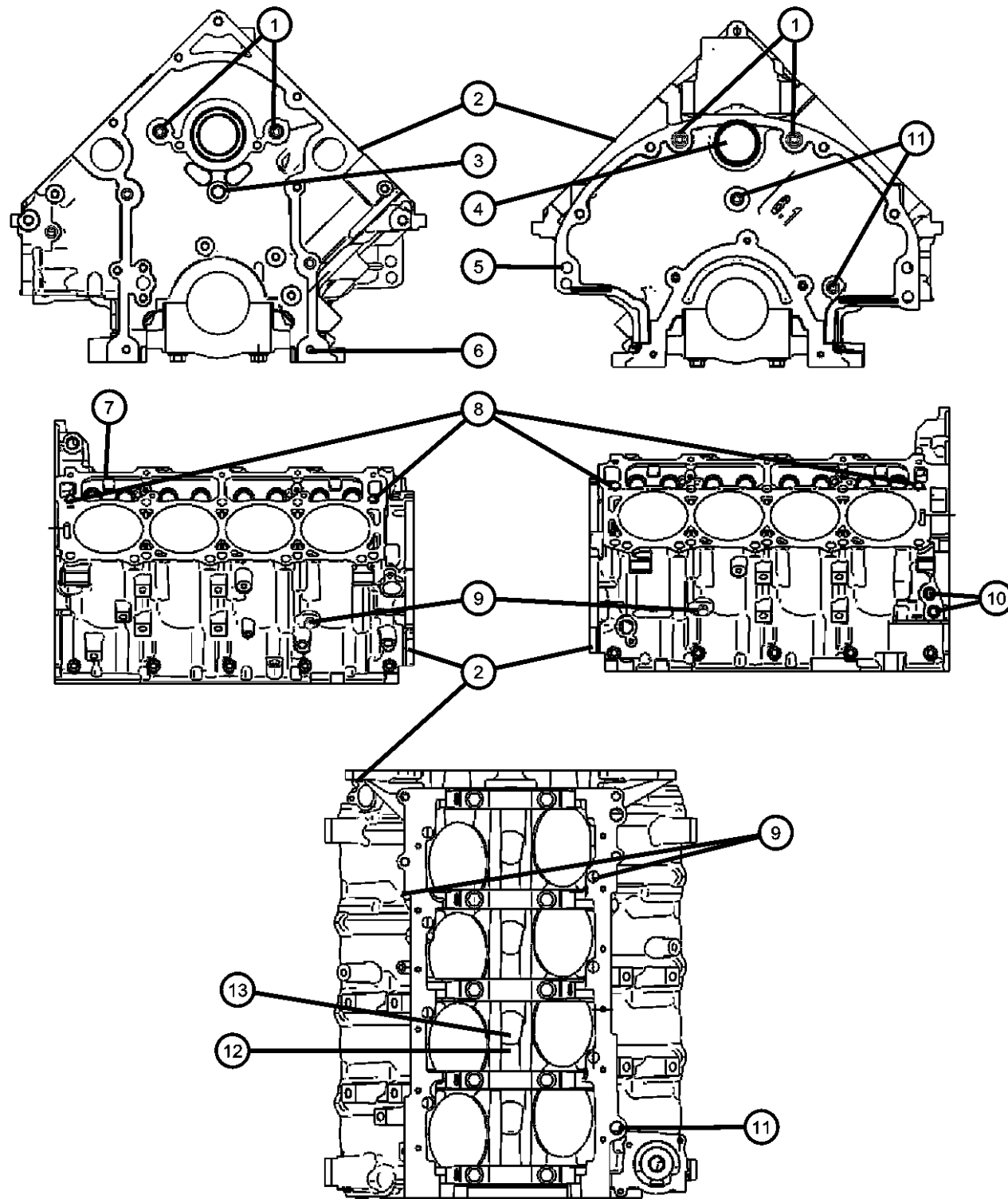
ENGINE
EVA = 4.7L V8 MPI Engine
EVD = 4.7L V8 FFV Engine
EXL = 3.0L V6 Turbo Diesel
Engine
EZB = 5.7L Hemi Multi
Displacement Engine
EKG = 3.7L V6 Engine
ESF = 6.1L SRT HEMI SMPI
V8 Engine

TRANSMISSION
DGJ = 5-Speed Auto W5A580
Transmission
DGQ = 5-Spd Automatic 545RFE
Transmission
DGU = 5-Spd Auto W5J400
Transmission

AR = use ase required - = Non illustrated part

2007 WK

**Cylinder Block And Hardware 6.1L [ESF]
Figure 6.1L-310**



ITEM	PART NUMBER	QTY	LINE	SERIES	BODY	ENGINE	TRANS	TRIM	DESCRIPTION
------	-------------	-----	------	--------	------	--------	-------	------	-------------

NOTE:

Shortblock Does Not Include Camshaft, Lifters, Oil Pump Or Oil Pan, But Does Include The Camshaft Bearings.

Sales Codes:

- [DGJ] = 5-Speed Automatic W5A580 Transmission
- [DGQ] = 5-Speed Automatic 545RFE Transmission
- [DGU] = 5-Speed Automatic W5J400 Transmission
- [DG0] = All Automatic Transmissions
- [DHB] = Quadra -Trac Active On Demand NVG 146 Transfer Case
- [DHX] = Quadra -Trac 2 Full Time Active NVG 245 Transfer Case
- [DHZ] = Quadra -Trac 1 Full time 4WD NVG 140 Transfer Case
- [EKG] = 3.7L [Magnum] V-6 Engine
- [EK0] = All 3.7L 6-Cylinder Gas Engines
- [ESF] = 6.1L SRT Hemi SMPI V-8 Engine
- [ES0] = All 6.1L 8-Cylinder Gas Engines
- [EVA] = 4.7L [Magnum] V-8 Engine
- [EVD] = 4.7L V-8 FFV Engine
- [EV0] = All 4.7L 8-Cylinder Gas Engines
- [EXL] = 3.0L V-6 Turbo Diesel Engine
- [EX0] = All 3.0L Cylinder Turbo Diesel Engines
- [EZB] = 5.7L Hemi Multi-Displacement Engine
- [EZ0] = All 5.7L 8-Cylinder Gas Engines
- [NAA] = Federal Emissions
- [NAE] = California Emissions
- [NAS] = 50 State Emissions
- [NA1] = Export Emissions
- [XEF] = Transfer Case Skid Plate Shield

1		2							PLUG, Cylinder Block, [.375-18X1.343] Serviced In Short Block, (NOT SERVICED) BLOCK, SHORT, See Note
2	05159561AB	1	J, T			ESF			PLUG, Cylinder Block, [.562x.280] Stainless, Oil Gallery, Front
3	06036286AA	1	J, T			ESF			PLUG, [M47.93 OD 6.4 THK 51.5 FLG OD], Rear Camshaft
4	06507663AA	1	J, T			ESF			DOWEL, Block To Clutch Housing, [1/2 x 3/4]
5	01122532	2	J, T			ESF			PIN, Dowel, [M8X10.0], Front Cover To Cylinder Block, Mounting
6	06506332AA	2	J, T			ESF			PLUG, Cylinder Block, MDS
7	53032221AA	4	J, T			ESF			DOWEL, Cylinder Head To Cylinder Block, Mounting
8	05240849	4	J, T			ESF			PLUG, [.250-18x.690], Cylinder Block Coolant Drain
9	06036592AA	2	J, T			ESF			PLUG, Hex Socket, 3/8-18NPTx.475
10	06034331	4	J, T			ESF			

GRAND CHEROKEE (WK)

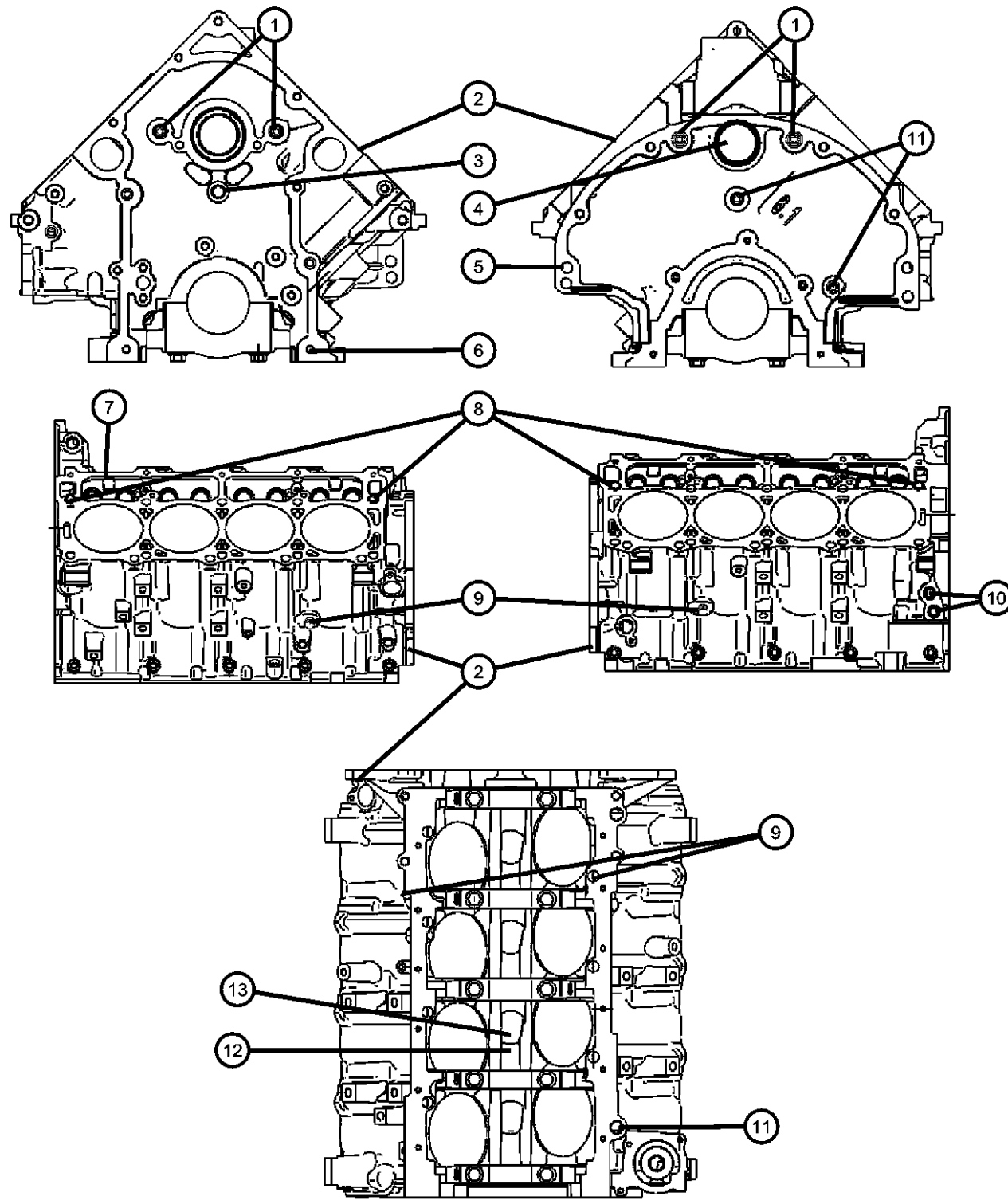
SERIES LINE
H = HIGHLINE T = JEEP - 2WD
P = PREMIUM J = JEEP - 4WD
S = SPORT
X = SPECIAL

BODY
74 = SPORT UTILITY 4-DR
TYPE #4

ENGINE
EVA = 4.7L V8 MPI Engine
EVD = 4.7L V8 FFV Engine
EXL = 3.0L V6 Turbo Diesel Engine
EZB = 5.7L Hemi Multi Displacement Engine
EKG = 3.7L V6 Engine
ESF = 6.1L SRT HEMI SMPI V8 Engine

TRANSMISSION
DGJ = 5-Speed Auto W5A580 Transmission
DGQ = 5-Spd Automatic 545RFE Transmission
DGU = 5-Spd Auto W5J400 Transmission

**Cylinder Block And Hardware 6.1L [ESF]
Figure 6.1L-310**



ITEM	PART NUMBER	QTY	LINE	SERIES	BODY	ENGINE	TRANS	TRIM	DESCRIPTION
11	06036307AA	1	J, T			ESF			PLUG, [.250-18x.413], Oil Gallery Block Off
12	05037524AB	4	J, T			ESF			JET, Piston Oil Cooler
13	06104179AA	4	J, T			ESF			BOLT, [M6x1.0x12.0], Piston Oil Jet Cooler To Cylinder Block, Mounting

GRAND CHEROKEE (WK)

SERIES LINE
H = HIGHLINE T = JEEP - 2WD
P = PREMIUM J = JEEP - 4WD
S = SPORT
X = SPECIAL

BODY
74 = SPORT UTILITY 4-DR
TYPE #4

ENGINE
EVA = 4.7L V8 MPI Engine
EVD = 4.7L V8 FFV Engine
EXL = 3.0L V6 Turbo Diesel
Engine
EZB = 5.7L Hemi Multi
Displacement Engine
EKG = 3.7L V6 Engine
ESF = 6.1L SRT HEMI SMPI
V8 Engine

TRANSMISSION
DGJ = 5-Speed Auto W5A580
Transmission
DGQ = 5-Spd Automatic 545RFE
Transmission
DGU = 5-Spd Auto W5J400
Transmission

AR = use ase required - = Non illustrated part

2007 WK

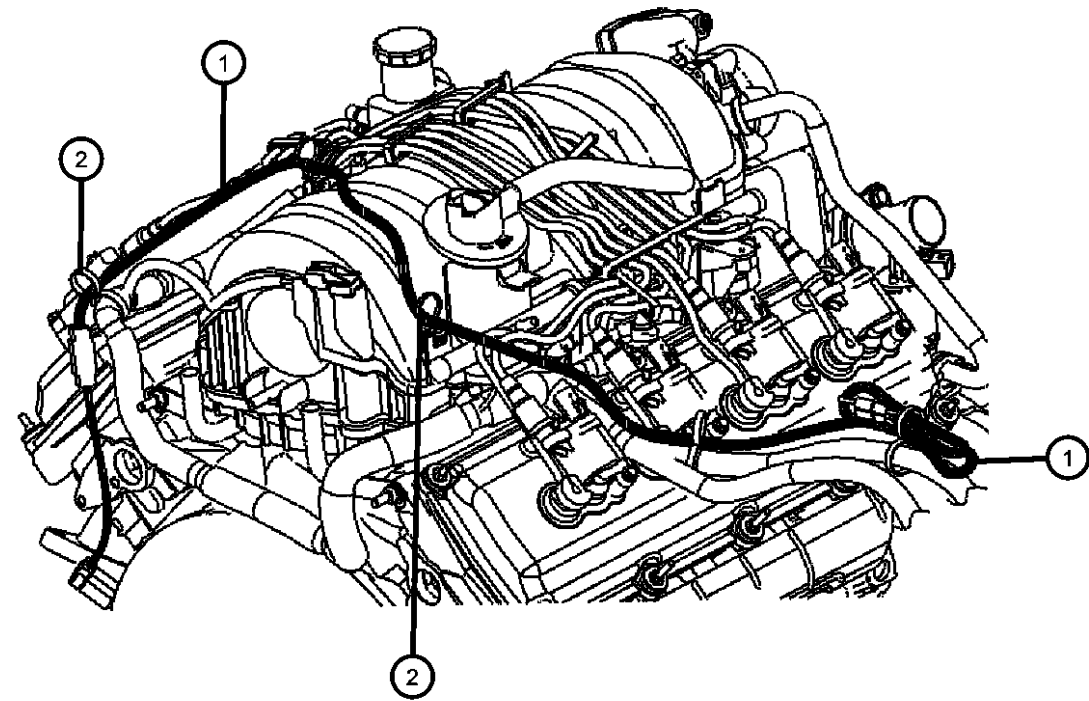
**Cylinder Block Heater 6.1L [ESF]
Figure 6.1L-320**

ITEM	PART NUMBER	QTY	LINE	SERIES	BODY	ENGINE	TRANS	TRIM	DESCRIPTION
------	-------------	-----	------	--------	------	--------	-------	------	-------------

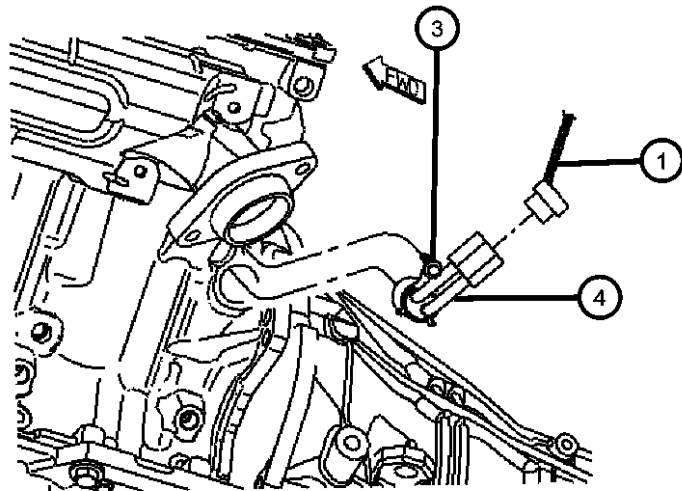
NOTE:

Sales Codes:

- [DGJ] = 5-Speed Automatic W5A580 Transmission
- [DGQ] = 5-Speed Automatic 545RFE Transmission
- [DGU] = 5-Speed Automatic W5J400 Transmission
- [DG0] = All Automatic Transmissions
- [DHB] = Quadra -Trac Active On Demand NVG 146 Transfer Case
- [DHX] = Quadra -Trac 2 Full Time Active NVG 245 Transfer Case
- [DHZ] = Quadra -Trac 1 Full time 4WD NVG 140 Transfer Case
- [EKG] = 3.7L [Magnum] V-6 Engine
- [EK0] = All 3.7L 6-Cylinder Gas Engines
- [ESF] = 6.1L SRT Hemi SMPI V-8 Engine
- [ES0] = All 6.1L 8-Cylinder Gas Engines
- [EVA] = 4.7L [Magnum] V-8 Engine
- [EVD] = 4.7L V-8 FFV Engine
- [EV0] = All 4.7L 8-Cylinder Gas Engines
- [EXL] = 3.0L V-6 Turbo Diesel Engine
- [EX0] = All 3.0L Cylinder Turbo Diesel Engines
- [EZB] = 5.7L Hemi Multi-Displacement Engine
- [EZ0] = All 5.7L 8-Cylinder Gas Engines
- [NAA] = Federal Emissions
- [NAE] = California Emissions
- [NAS] = 50 State Emissions
- [NA1] = Export Emissions
- [NHK] = Engine Block Heater
- [XEF] = Transfer Case Skid Plate Sheild



1	56044577AB	1	J, T			ES0, EZ0			CORD, Engine Block Heater
2	56008876	1	J, T			ES0, EV0, EZ0			STRAP, Tie, Double Ended And Biter Tie Clips Serviced With The Cord Only
3	06501373	1	J, T			EZ0			SCREW AND WASHER, Hex Head, M6x1x20, Heater To Cylinder Block, Mounting HEATER, Engine Block
4	56044359AA	1							



GRAND CHEROKEE (WK)

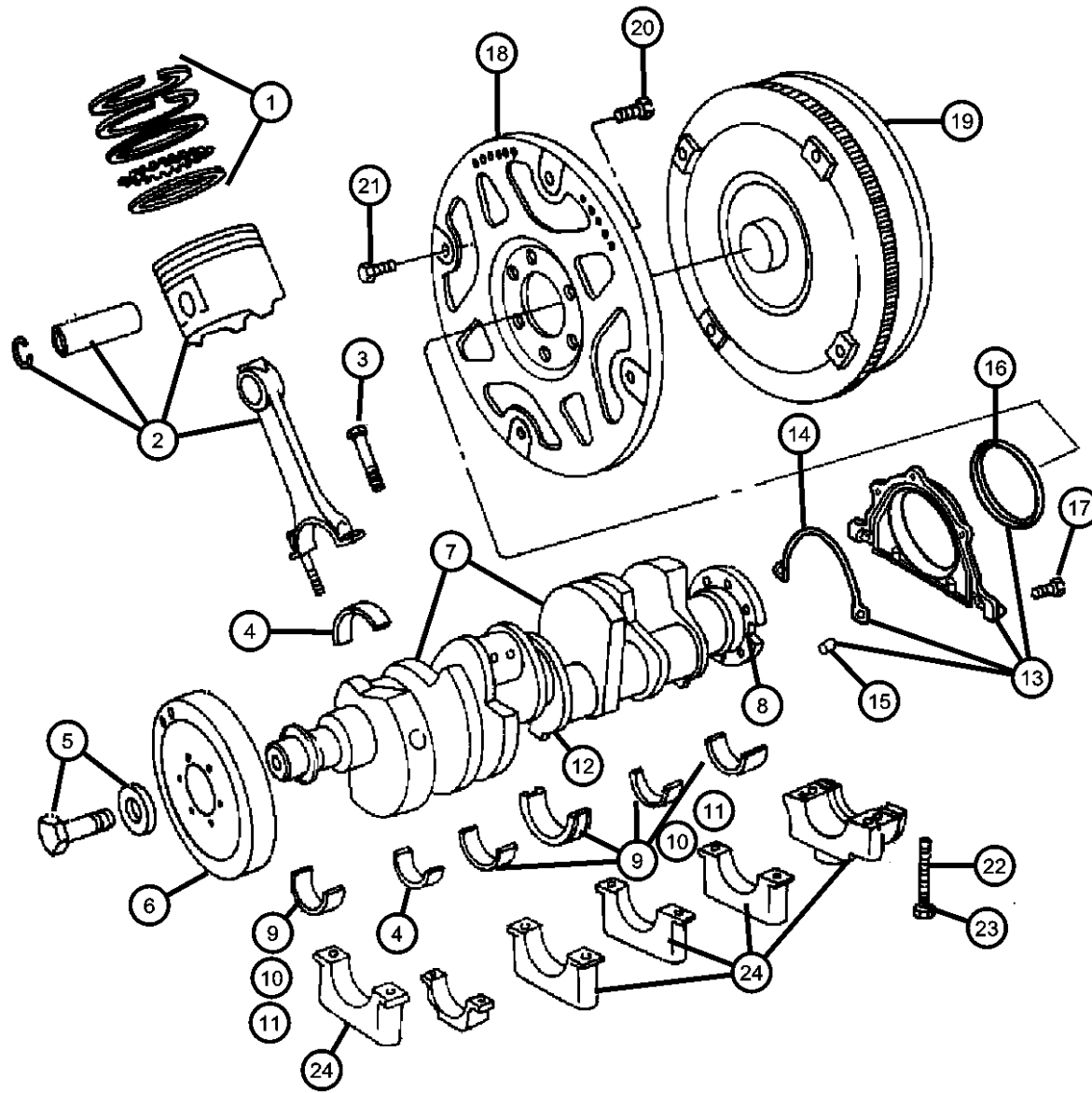
SERIES LINE
H = HIGHLINE T = JEEP - 2WD
P = PREMIUM J = JEEP - 4WD
S = SPORT
X = SPECIAL

BODY
74 = SPORT UTILITY 4-DR TYPE #4

ENGINE
EVA = 4.7L V8 MPI Engine
EVD = 4.7L V8 FFV Engine
EXL = 3.0L V6 Turbo Diesel Engine
EZB = 5.7L Hemi Multi Displacement Engine
EKG = 3.7L V6 Engine
ESF = 6.1L SRT HEMI SMPI V8 Engine

TRANSMISSION
DGJ = 5-Speed Auto W5A580 Transmission
DGQ = 5-Spd Automatic 545RFE Transmission
DGU = 5-Spd Auto W5J400 Transmission

**Crankshaft, Pistons and Torque Converter 6.1L [ESF]
Figure 6.1L-410**



ITEM	PART NUMBER	QTY	LINE	SERIES	BODY	ENGINE	TRANS	TRIM	DESCRIPTION
------	-------------	-----	------	--------	------	--------	-------	------	-------------

NOTE: For Crankshaft Identification, Stamping Location And Bearing Information Refer To The Service Manual.
For Bearing Selection Sizes Please Refer To Service Manual Group 9, Bearings Crankshaft Main, [Select Fit Identification]
Sales Codes:

- [DGJ] = 5-Speed Automatic W5A580 Transmission
- [DGQ] = 5-Speed Automatic 545RFE Transmission
- [DGU] = 5-Speed Automatic W5J400 Transmission
- [DG0] = All Automatic Transmissions
- [DHB] = Quadra -Trac Active On Demand NVG 146 Transfer Case
- [DHX] = Quadra -Trac 2 Full Time Active NVG 245 Transfer Case
- [DHZ] = Quadra -Trac 1 Full time 4WD NVG 140 Transfer Case
- [EKG] = 3.7L [Magnum] V-6 Engine
- [EK0] = All 3.7L 6-Cylinder Gas Engines
- [ESF] = 6.1L SRT Hemi SMPI V-8 Engine
- [ES0] = All 6.1L 8-Cylinder Gas Engines
- [EVA] = 4.7L [Magnum] V-8 Engine
- [EVD] = 4.7L V-8 FFV Engine
- [EV0] = All 4.7L 8-Cylinder Gas Engines
- [EXL] = 3.0L V-6 Turbo Diesel Engine
- [EX0] = All 3.0L Cylinder Turbo Diesel Engines
- [EZB] = 5.7L Hemi Multi-Displacement Engine
- [EZ0] = All 5.7L 8-Cylinder Gas Engines
- [NAA] = Federal Emissions
- [NAE] = California Emissions
- [NAS] = 50 State Emissions
- [NA1] = Export Emissions
- [XEF] = Transfer Case Skid Plate Shield

1	05159661AA	1	J, T			ESF			RING PACKAGE, Piston, Standard Size, One [1] Package Is For The Complete Engine
2	05037490AB	4	J, T			ESF			PISTON PIN AND ROD, STD Cylinders 2,4,6,8 Includes Rings And Bearings
	05037491AB	4	J, T			ESF			Cylinders 1,3,5,7 Includes Rings And Bearings
3	06508245AA	8	J, T			ESF			SCREW, Hex Flange Head, [M10X1.00X45.75] Connecting Rod Cap To Connecting Rod Cylinders 1,3,5,7, Mounting
		8	J, T			ESF			Connecting Rod Cap To Connecting Rod Cylinders 2,4,6,8, Mounting
4	05086003AB	8	J, T			ESF			BEARING PACKAGE, Connecting Rod, Standard

GRAND CHEROKEE (WK)

SERIES LINE
H = HIGHLINE T = JEEP - 2WD
P = PREMIUM J = JEEP - 4WD
S = SPORT
X = SPECIAL

BODY
74 = SPORT UTILITY 4-DR
TYPE #4

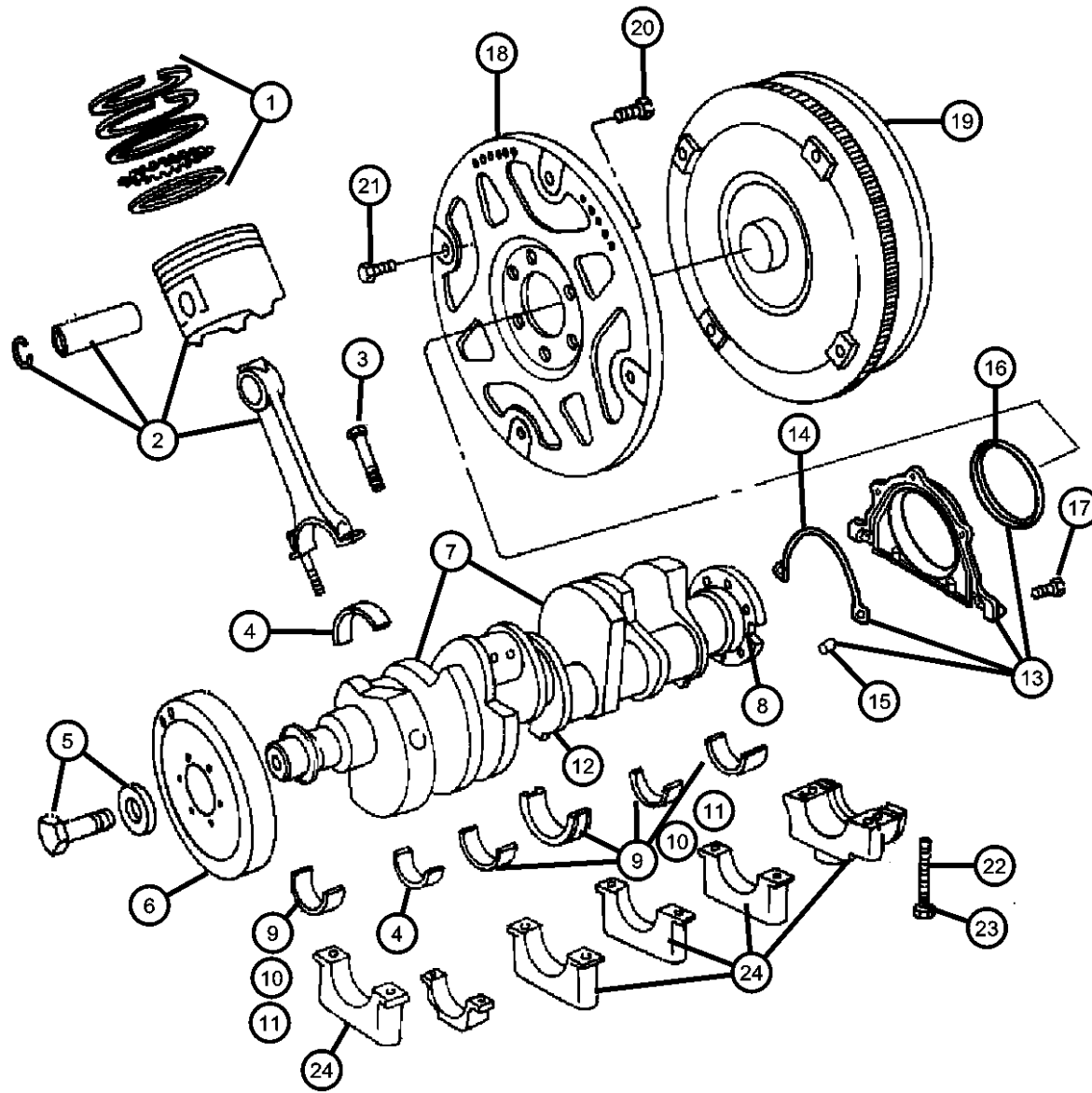
ENGINE
EVA = 4.7L V8 MPI Engine
EVD = 4.7L V8 FFV Engine
EXL = 3.0L V6 Turbo Diesel Engine
EZB = 5.7L Hemi Multi Displacement Engine
EKG = 3.7L V6 Engine
ESF = 6.1L SRT HEMI SMPI V8 Engine

TRANSMISSION
DGJ = 5-Speed Auto W5A580 Transmission
DGQ = 5-Spd Automatic 545RFE Transmission
DGU = 5-Spd Auto W5J400 Transmission

AR = use ase required - = Non illustrated part

2007 WK

**Crankshaft, Pistons and Torque Converter 6.1L [ESF]
Figure 6.1L-410**



ITEM	PART NUMBER	QTY	LINE	SERIES	BODY	ENGINE	TRANS	TRIM	DESCRIPTION
5	06508400AA	1	J, T			ESF			SCREW AND WASHER, [M14X1.5X102.0], Dampner To Crankshaft, Mounting
6	05037394AA	1	J, T			ESF			DAMPER, Crankshaft
7	05037458AA	1	J, T			ESF			CRANKSHAFT, Engine, Includes Tone Ring For Crank Sensor. Tone Ring Screws
8	04736283AA	1	J, T			ESF			SLEEVE, Also Serviced in Crankshaft Assembly
9	05174004AB	AR	J, T			ESF			BEARING KIT, Crankshaft, .008mm U/S, See Note
10	05174003AA	AR	J, T			ESF			BEARING KIT, Crankshaft, Standard, See Note
11	05174002AB	AR	J, T			ESF			BEARING KIT, Crankshaft, .008mm O/S, See Note
12	05083979AA	1	J, T			ESF			WASHER PACKAGE, Washer, Crankshaft Thrust Washer
13	05140028AA	1	J, T			ESF			RETAINER PACKAGE, Crankshaft Rear Oil Seal
14		1							GASKET, Rear Oil Seal Retainer, Serviced In Retainer Package, (NOT SERVICED)
15	05203466	2	J, T			ESF			PIN, Dowel, Also Serviced In Retainer Package
16		2							SEAL, Crankshaft Bearing Oil, Serviced In Retainer Package, (NOT SERVICED)
17	06506342AA	5	J, T			ESF			SCREW, Hex Flange Head, [M6X1.0X24.0], Rear Retainer To Cylinder Block, Mounting
18	04752455AA	1				ESF	DG0		PLATE, Torque Converter Drive
19	05174299AA	1	J			ESF	DGJ		CONVERTER PACKAGE, Torque
20	06503465	8	J, T			ESF	DG0		BOLT, Drive Plate and Flywheel, [M10X1.00X18.00], Driveplate To Crankshaft, Mounting
21	06507095AA	6	J, T			EK0, ES0	DG0		SCREW, [M8X1.25X18.00], Torque Converter To Flexplate, Mounting
22	06507697AA	10	J, T			ESF			SCREW AND WASHER, Hex, [M8X1.25X45.00], Main Bearing Cap To Cylinder Block, Mounting

GRAND CHEROKEE (WK)

SERIES LINE
H = HIGHLINE T = JEEP - 2WD
P = PREMIUM J = JEEP - 4WD
S = SPORT
X = SPECIAL

BODY
74 = SPORT UTILITY 4-DR
TYPE #4

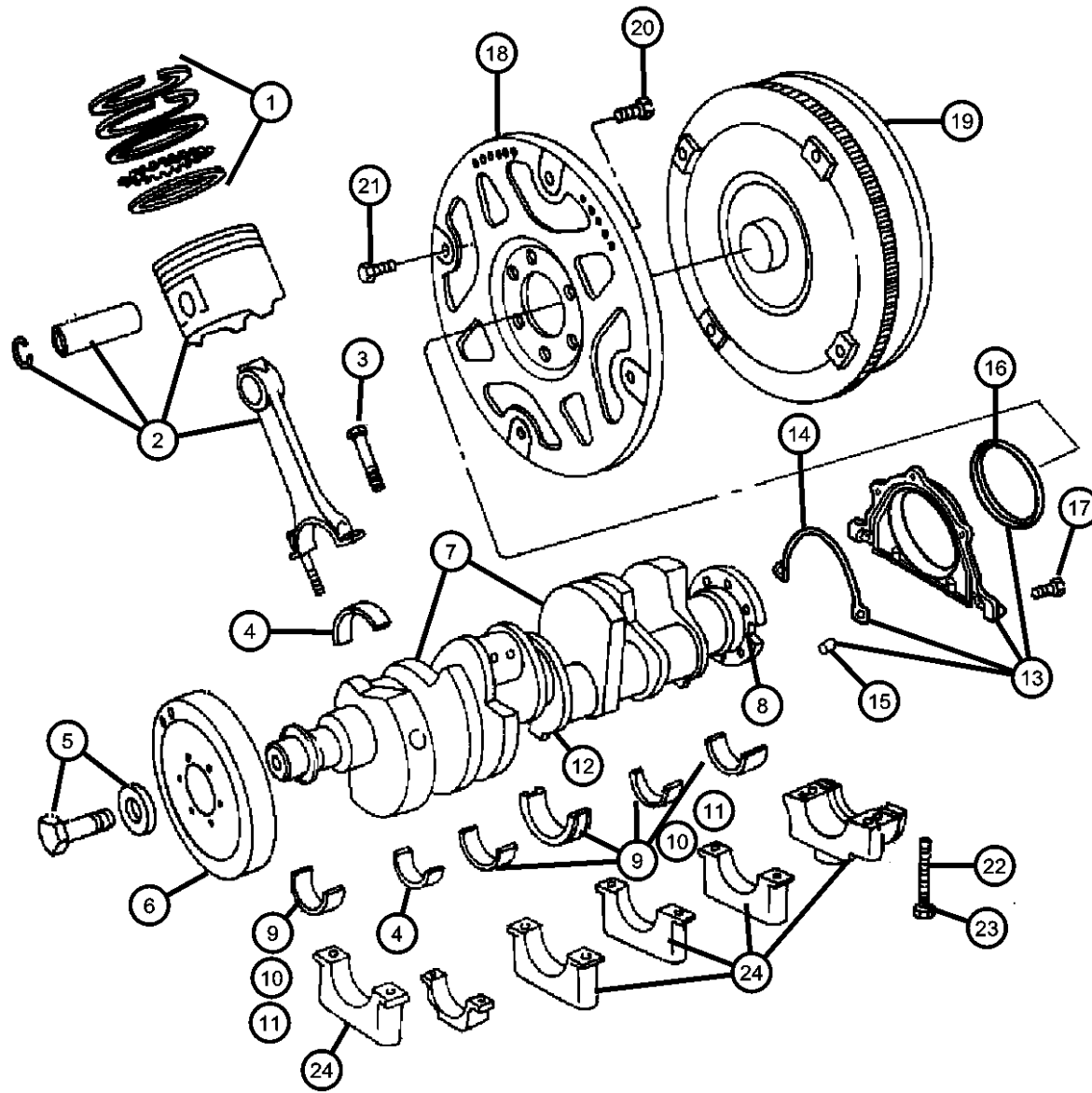
ENGINE
EVA = 4.7L V8 MPI Engine
EVD = 4.7L V8 FFV Engine
EXL = 3.0L V6 Turbo Diesel Engine
EZB = 5.7L Hemi Multi Displacement Engine
EKG = 3.7L V6 Engine
ESF = 6.1L SRT HEMI SMPI V8 Engine

TRANSMISSION
DGJ = 5-Speed Auto W5A580 Transmission
DGQ = 5-Spd Automatic 545RFE Transmission
DGU = 5-Spd Auto W5J400 Transmission

AR = use ase required - = Non illustrated part

2007 WK

**Crankshaft, Pistons and Torque Converter 6.1L [ESF]
Figure 6.1L-410**



ITEM	PART NUMBER	QTY	LINE	SERIES	BODY	ENGINE	TRANS	TRIM	DESCRIPTION
23	06506272AA	10	J, T			ESF			SCREW, Hex Flange Head, [M12X1.75X91.5], Main Bearing Cap To Cylinder Block, Mounting CAP, Serviced With Short Block Assembly, (NOT SERVICED)
24		10							

GRAND CHEROKEE (WK)

SERIES LINE
H = HIGHLINE T = JEEP - 2WD
P = PREMIUM J = JEEP - 4WD
S = SPORT
X = SPECIAL

BODY
74 = SPORT UTILITY 4-DR
TYPE #4

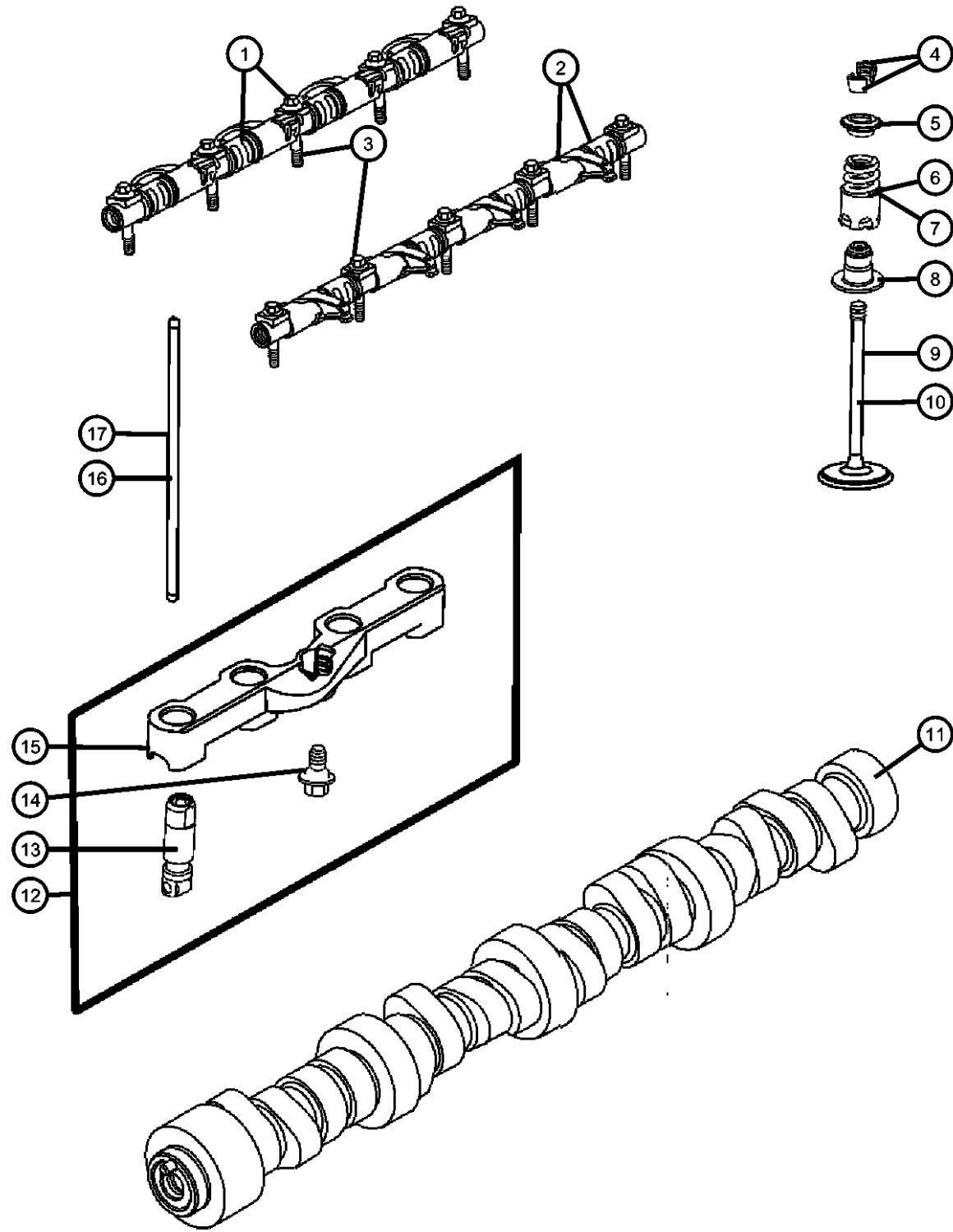
ENGINE
EVA = 4.7L V8 MPI Engine
EVD = 4.7L V8 FFV Engine
EXL = 3.0L V6 Turbo Diesel
Engine
EZB = 5.7L Hemi Multi
Displacement Engine
EKG = 3.7L V6 Engine
ESF = 6.1L SRT HEMI SMPI
V8 Engine

TRANSMISSION
DGJ = 5-Speed Auto W5A580
Transmission
DGQ = 5-Spd Automatic 545RFE
Transmission
DGU = 5-Spd Auto W5J400
Transmission

AR = use ase required - = Non illustrated part

2007 WK

**Camshaft and Valves 6.1L [ESF]
Figure 6.1L-510**



ITEM	PART NUMBER	QTY	LINE	SERIES	BODY	ENGINE	TRANS	TRIM	DESCRIPTION
------	-------------	-----	------	--------	------	--------	-------	------	-------------

NOTE:

Sales Codes:
 [DGJ] = 5-Speed Automatic W5A580 Transmission
 [DGQ] = 5-Speed Automatic 545RFE Transmission
 [DGU] = 5-Speed Automatic W5J400 Transmission
 [DG0] = All Automatic Transmissions
 [DHB] = Quadra -Trac Active On Demand NVG 146 Transfer Case
 [DHX] = Quadra -Trac 2 Full Time Active NVG 245 Transfer Case
 [DHZ] = Quadra -Trac 1 Full time 4WD NVG 140 Transfer Case
 [EKG] = 3.7L [Magnum] V-6 Engine
 [EK0] = All 3.7L 6-Cylinder Gas Engines
 [ESF] = 6.1L SRT Hemi SMPI V-8 Engine
 [ES0] = All 6.1L 8-Cylinder Gas Engines
 [EVA] = 4.7L [Magnum] V-8 Engine
 [EVD] = 4.7L V-8 FFV Engine
 [EV0] = All 4.7L 8-Cylinder Gas Engines
 [EXL] = 3.0L V-6 Turbo Diesel Engine
 [EX0] = All 3.0L Cylinder Turbo Diesel Engines
 [EZB] = 5.7L Hemi Multi-Displacement Engine
 [EZ0] = All 5.7L 8-Cylinder Gas Engines
 [NAA] = Federal Emissions
 [NAE] = California Emissions
 [NAS] = 50 State Emissions
 [NA1] = Export Emissions
 [NHK] = Engine Block Heater
 [XEF] = Transfer Case Skid Plate Shield

1	53021552AA	2	J, T			ESF			ROCKER ARM, Intake
2	53021553AA	2	J, T			ESF			ROCKER ARM, Exhaust
3	06507072AA	10	J, T			ESF			SCREW, Hex Flange Head, [M8X1.25X50.00], Rocker Shaft To Cylinder Head, Mounting
4	53010515AA	32	J, T			ESF			LOCK, Valve Spring Retainer
5	53021676AB	16	J, T			ESF			RETAINER, Valve Spring
6	05037382AC	8	J, T			ESF			SPRING, Intake Valve
7	05037477AC	8	J, T			ESF			SPRING, Exhaust Valve
8									SEAL, Valve Guide
	05037798AA	8	J, T			ESF			Intake, Valve
	53021578AA	8	J, T			ESF			Exhaust, Valve
9	05037372AB	8	J, T			ESF			VALVE, Intake, Standard
10	05037373AB	8	J, T			ESF			VALVE, Exhaust, Standard
11	05037379AC	1				ESF			CAMSHAFT, Engine

GRAND CHEROKEE (WK)

SERIES LINE
 H = HIGHLINE T = JEEP - 2WD
 P = PREMIUM J = JEEP - 4WD
 S = SPORT
 X = SPECIAL

BODY
 74 = SPORT UTILITY 4-DR
 TYPE #4

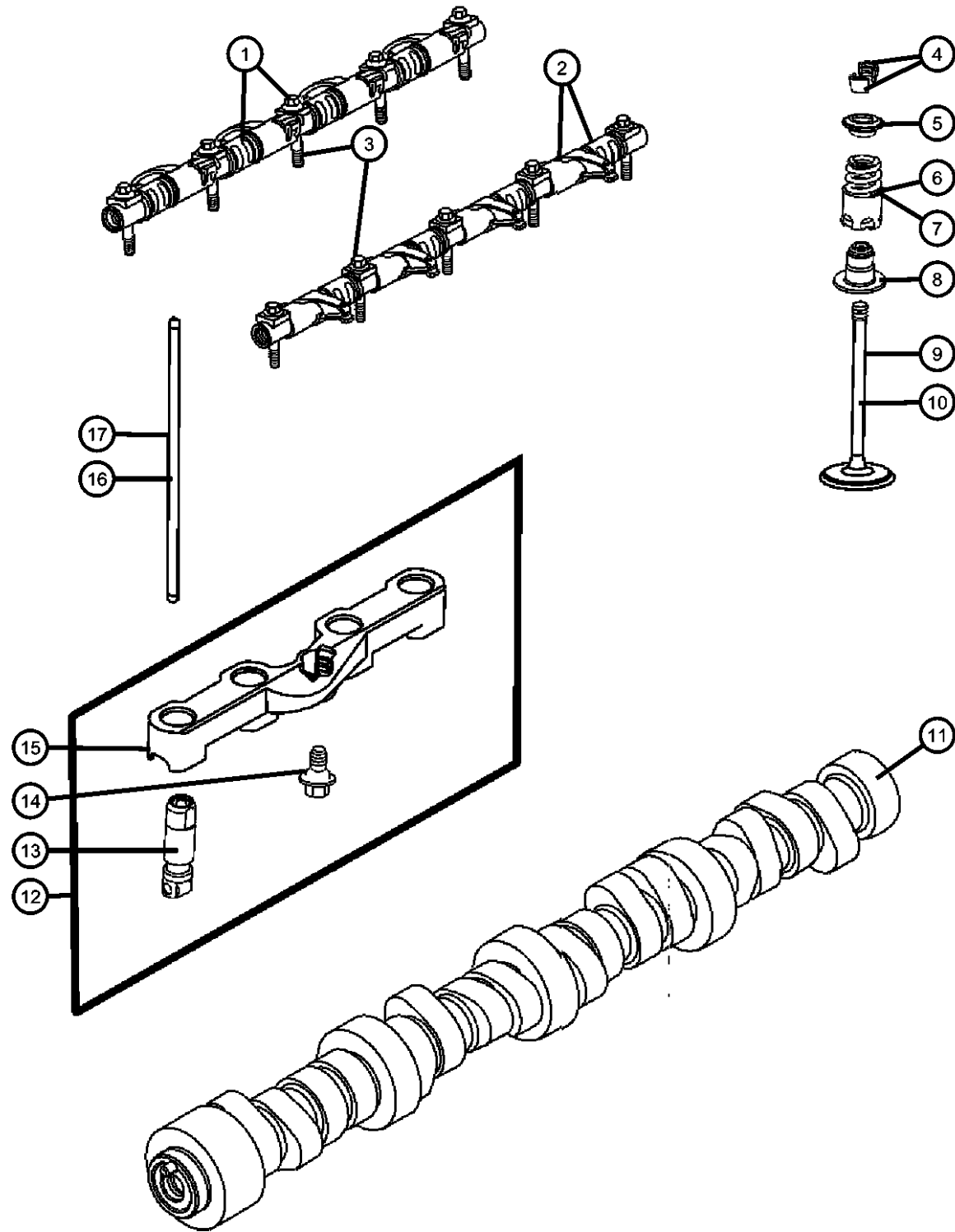
ENGINE
 EVA = 4.7L V8 MPI Engine
 EVD = 4.7L V8 FFV Engine
 EXL = 3.0L V6 Turbo Diesel Engine
 EZB = 5.7L Hemi Multi Displacement Engine
 EKG = 3.7L V6 Engine
 ESF = 6.1L SRT HEMI SMPI V8 Engine

TRANSMISSION
 DGJ = 5-Speed Auto W5A580 Transmission
 DGQ = 5-Spd Automatic 545RFE Transmission
 DGU = 5-Spd Auto W5J400 Transmission

AR = use ase required - = Non illustrated part

2007 WK

**Camshaft and Valves 6.1L [ESF]
Figure 6.1L-510**



ITEM	PART NUMBER	QTY	LINE	SERIES	BODY	ENGINE	TRANS	TRIM	DESCRIPTION
12	53021720AB	4	J, T			ESF			LIFTERS AND YOKE, Hydraulic, Engine
13		4							TAPPET, Hyd. Roller, Serviced In Item 12, (NOT SERVICED)
14	06507067AA	4	J, T			ESF			SCREW, Hex Flange Head, [M6X1.00X14.00], Lifter Guide To Cylinder Block, Mounting
15	53021721AA	4	J, T			ESF			YOKE, Tappet Aligning
16	05037476AB	8	J, T			ESF			PUSH ROD, Intake Valve
17	05037475AB	8	J, T			ESF			PUSH ROD, Exhaust Valve

GRAND CHEROKEE (WK)

SERIES LINE
H = HIGHLINE T = JEEP - 2WD
P = PREMIUM J = JEEP - 4WD
S = SPORT
X = SPECIAL

BODY
74 = SPORT UTILITY 4-DR
TYPE #4

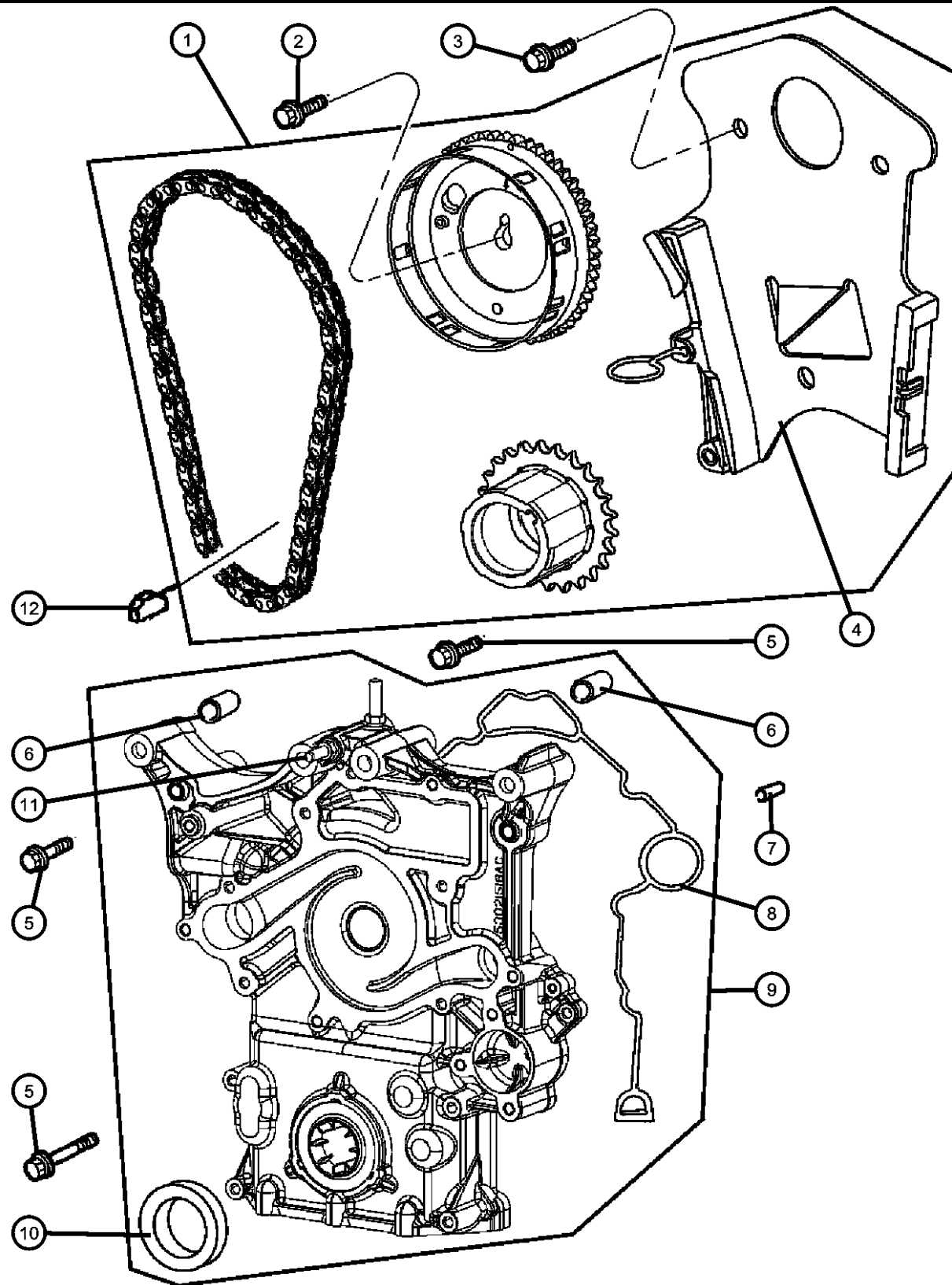
ENGINE
EVA = 4.7L V8 MPI Engine
EVD = 4.7L V8 FFV Engine
EXL = 3.0L V6 Turbo Diesel
Engine
EZB = 5.7L Hemi Multi
Displacement Engine
EKG = 3.7L V6 Engine
ESF = 6.1L SRT HEMI SMPI
V8 Engine

TRANSMISSION
DGJ = 5-Speed Auto W5A580
Transmission
DGQ = 5-Spd Automatic 545RFE
Transmission
DGU = 5-Spd Auto W5J400
Transmission

AR = use ase required - = Non illustrated part

2007 WK

**Timing Chain And Cover 6.1L [ESF]
Figure 6.1L-610**



ITEM	PART NUMBER	QTY	LINE	SERIES	BODY	ENGINE	TRANS	TRIM	DESCRIPTION
------	-------------	-----	------	--------	------	--------	-------	------	-------------

NOTE:

Sales Codes:

- [DGJ] = 5-Speed Automatic W5A580 Transmission
- [DGQ] = 5-Speed Automatic 545RFE Transmission
- [DGU] = 5-Speed Automatic W5J400 Transmission
- [DG0] = All Automatic Transmissions
- [DHB] = Quadra -Trac Active On Demand NVG 146 Transfer Case
- [DHX] = Quadra -Trac 2 Full Time Active NVG 245 Transfer Case
- [DHZ] = Quadra -Trac 1 Full time 4WD NVG 140 Transfer Case
- [EKG] = 3.7L [Magnum] V-6 Engine
- [EK0] = All 3.7L 6-Cylinder Gas Engines
- [ESF] = 6.1L SRT Hemi SMPI V-8 Engine
- [ES0] = All 6.1L 8-Cylinder Gas Engines
- [EVA] = 4.7L [Magnum] V-8 Engine
- [EVD] = 4.7L V-8 FFV Engine
- [EV0] = All 4.7L 8-Cylinder Gas Engines
- [EXL] = 3.0L V-6 Turbo Diesel Engine
- [EX0] = All 3.0L Cylinder Turbo Diesel Engines
- [EZB] = 5.7L Hemi Multi-Displacement Engine
- [EZ0] = All 5.7L 8-Cylinder Gas Engines
- [NAA] = Federal Emissions
- [NAE] = California Emissions
- [NAS] = 50 State Emissions
- [NA1] = Export Emissions
- [NHK] = Engine Block Heater
- [XEF] = Transfer Case Skid Plate Shield

1	05037579AB	1	J, T			ESF			TIMING DRIVE KIT, Engine
2	06507480AA	1	J, T			ESF			SCREW AND WASHER, Hex, [M12X1.75X37.00], Camshaft Sprocket To Camshaft, Mounting
3	06507479AA	3	J, T			ESF			SCREW AND WASHER, Hex, [M8x1.25x20.00], Chain Tensioner To Cylinder Block, Mounting
4	05037593AB	1	J, T			ESF			TENSIONER, Chain
5	06102157AA	1	J, T			ESF			SCREW AND WASHER, Hex Timing Cover To Cylinder Block [M8X1.25X58.00], Mounting
	06502929	1	J, T			ESF			Slide Bushing To Cylinder Block [M8X1.25X119.00], Mounting
	06506270AA	3	J, T			ESF			Timing Cover To Cylinder Block [M8X1.25X80.0], Mounting
		5	J, T			ESF			Water Pump To Cylinder Block [M8X1.25X80.0], Mounting
6	06506697AA	2	J, T			ESF			BUSHING, Timing Cover

GRAND CHEROKEE (WK)

SERIES LINE
H = HIGHLINE T = JEEP - 2WD
P = PREMIUM J = JEEP - 4WD
S = SPORT
X = SPECIAL

BODY
74 = SPORT UTILITY 4-DR
TYPE #4

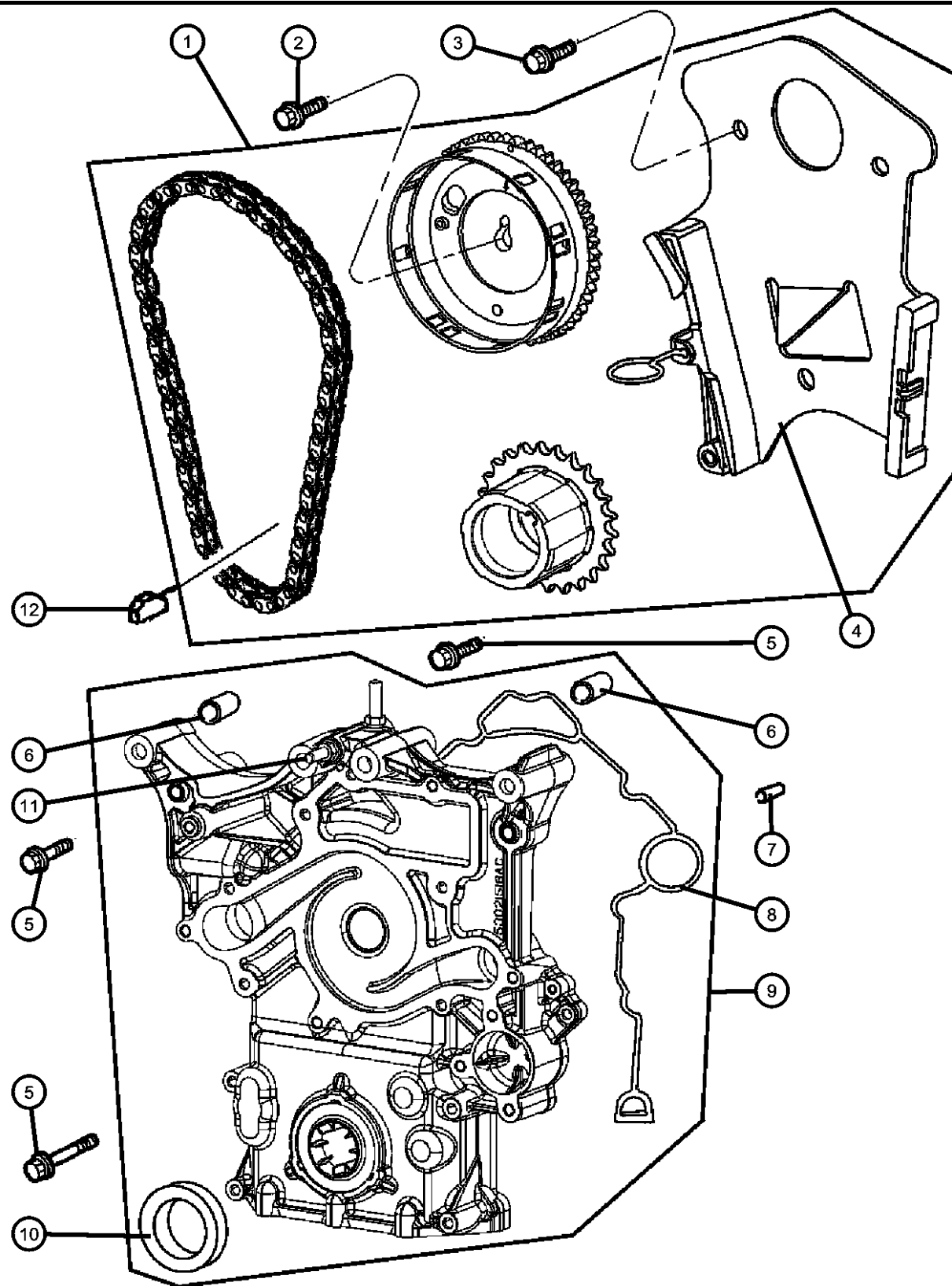
ENGINE
EVA = 4.7L V8 MPI Engine
EVD = 4.7L V8 FFV Engine
EXL = 3.0L V6 Turbo Diesel Engine
EZB = 5.7L Hemi Multi Displacement Engine
EKG = 3.7L V6 Engine
ESF = 6.1L SRT HEMI SMPI V8 Engine

TRANSMISSION
DGJ = 5-Speed Auto W5A580 Transmission
DGQ = 5-Spd Automatic 545RFE Transmission
DGU = 5-Spd Auto W5J400 Transmission

AR = use ase required - = Non illustrated part

2007 WK

Timing Chain And Cover 6.1L [ESF]
Figure 6.1L-610



ITEM	PART NUMBER	QTY	LINE	SERIES	BODY	ENGINE	TRANS	TRIM	DESCRIPTION
7	06506332AA	2	J, T			ESF			PIN, Dowel, [M8X10.0], Timing Cover To Cylinder Block, Mounting
8	05139933AB	1	J, T			ESF			GASKET PACKAGE, Front Cover
9	04792795AD	1	J, T			ESF			COVER, Timing Case
10	53021585AD	1	J, T			ESF			SEAL, Crankshaft Oil, Front
11	06506343AA	1	J, T			ESF			STUD, [M10x1.50x25.00/M10x1.50x25.00x57
12	06506397AA	1	J, T			ESF			Engine Lifting KEY, Woodruff, [M4.788X27.5]

GRAND CHEROKEE (WK)

SERIES LINE
H = HIGHLINE T = JEEP - 2WD
P = PREMIUM J = JEEP - 4WD
S = SPORT
X = SPECIAL

BODY
74 = SPORT UTILITY 4-DR
TYPE #4

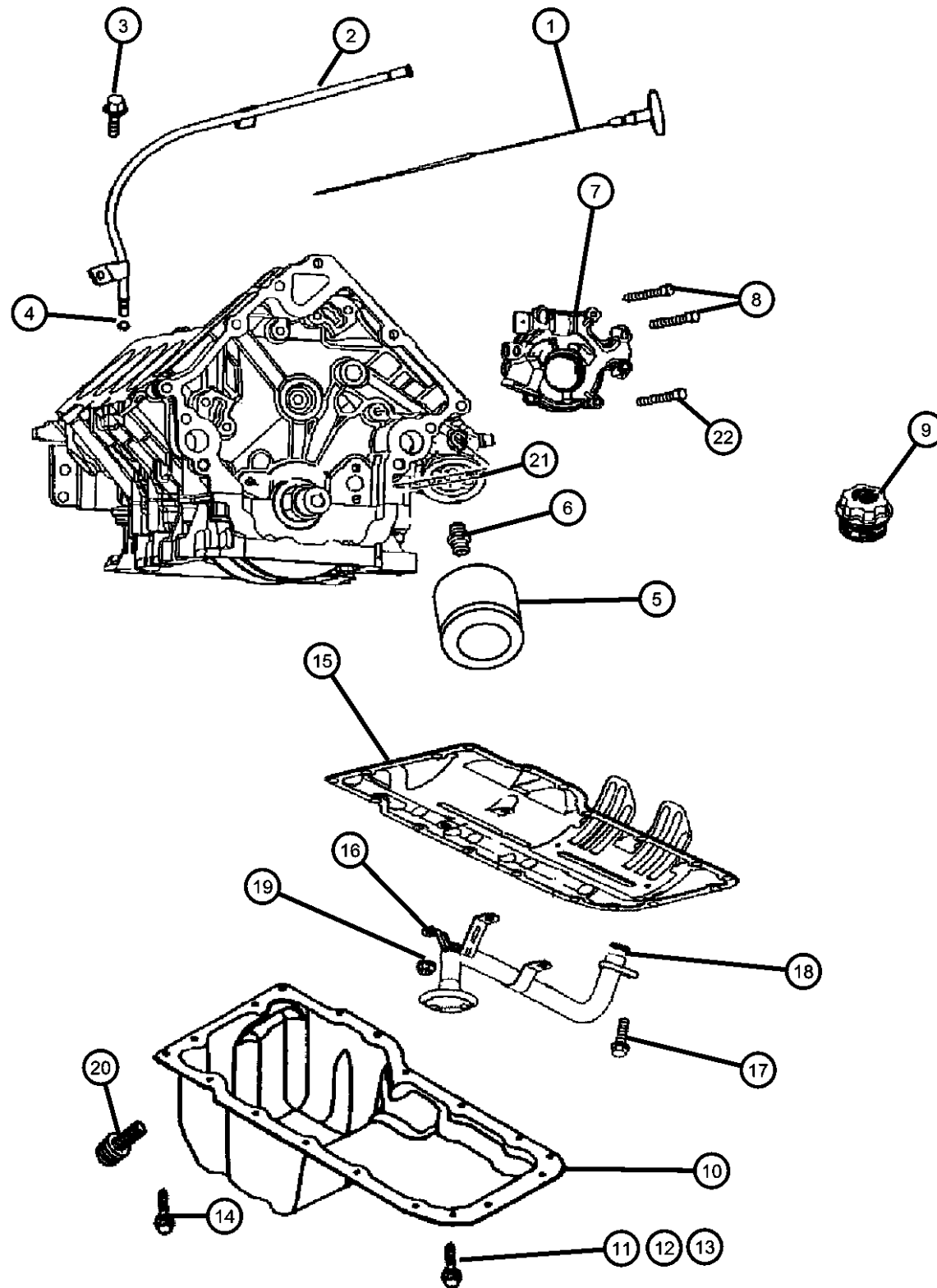
ENGINE
EVA = 4.7L V8 MPI Engine
EVD = 4.7L V8 FFV Engine
EXL = 3.0L V6 Turbo Diesel
Engine
EZB = 5.7L Hemi Multi
Displacement Engine
EKG = 3.7L V6 Engine
ESF = 6.1L SRT HEMI SMPI
V8 Engine

TRANSMISSION
DGJ = 5-Speed Auto W5A580
Transmission
DGQ = 5-Spd Automatic 545RFE
Transmission
DGU = 5-Spd Auto W5J400
Transmission

AR = use ase required - = Non illustrated part

2007 WK

**Engine Oiling 6.1L [ESF]
Figure 6.1L-710**



ITEM	PART NUMBER	QTY	LINE	SERIES	BODY	ENGINE	TRANS	TRIM	DESCRIPTION
------	-------------	-----	------	--------	------	--------	-------	------	-------------

NOTE:

Sales Codes:

- [DGJ] = 5-Speed Automatic W5A580 Transmission
- [DGQ] = 5-Speed Automatic 545RFE Transmission
- [DGU] = 5-Speed Automatic W5J400 Transmission
- [DG0] = All Automatic Transmissions
- [DHB] = Quadra -Trac Active On Demand NVG 146 Transfer Case
- [DHX] = Quadra -Trac 2 Full Time Active NVG 245 Transfer Case
- [DHZ] = Quadra -Trac 1 Full time 4WD NVG 140 Transfer Case
- [EKG] = 3.7L [Magnum] V-6 Engine
- [EK0] = All 3.7L 6-Cylinder Gas Engines
- [ESF] = 6.1L SRT Hemi SMPI V-8 Engine
- [ES0] = All 6.1L 8-Cylinder Gas Engines
- [EVA] = 4.7L [Magnum] V-8 Engine
- [EVD] = 4.7L V-8 FFV Engine
- [EV0] = All 4.7L 8-Cylinder Gas Engines
- [EXL] = 3.0L V-6 Turbo Diesel Engine
- [EX0] = All 3.0L Cylinder Turbo Diesel Engines
- [EZB] = 5.7L Hemi Multi-Displacement Engine
- [EZ0] = All 5.7L 8-Cylinder Gas Engines
- [NAA] = Federal Emissions
- [NAE] = California Emissions
- [NAS] = 50 State Emissions
- [NA1] = Export Emissions
- [NHK] = Engine Block Heater
- [XEF] = Transfer Case Skid Plate Shield

1	05037757AA	1				ESF			INDICATOR, Engine Oil Level
2	05037683AB	1				ESF			TUBE, Engine Oil Indicator
3	06506407AA	1		J, T		ESF			BOLT, [M6X1.0X23.0], Oil Level Tube To Cylinder Block, Mounting
4	53021144AA	1		J, T		ESF			O RING, Engine Oil Indicator
5	05281090	1		J, T		ESF			FILTER, Engine Oil
	0FE00292								Canadian Aftermarket Part
	05281090BA								BULK PACK (12)
6	04104511	1		J, T		ESF			ADAPTER, Oil Filter, Connector
7	05037687AA	1		J, T		ESF			PUMP, Engine Oil
8	06101383	4		J, T		ESF			SCREW AND WASHER, Hex Head, M8x1.25x55, Oil Pump To Cylinder Block, Mounting
9	05037665AA	1		J, T		ESF			CAP, Oil Filler
10	05037685AA	1		J, T		ESF			PAN, Engine Oil

GRAND CHEROKEE (WK)

SERIES LINE
H = HIGHLINE T = JEEP - 2WD
P = PREMIUM J = JEEP - 4WD
S = SPORT
X = SPECIAL

BODY
74 = SPORT UTILITY 4-DR
TYPE #4

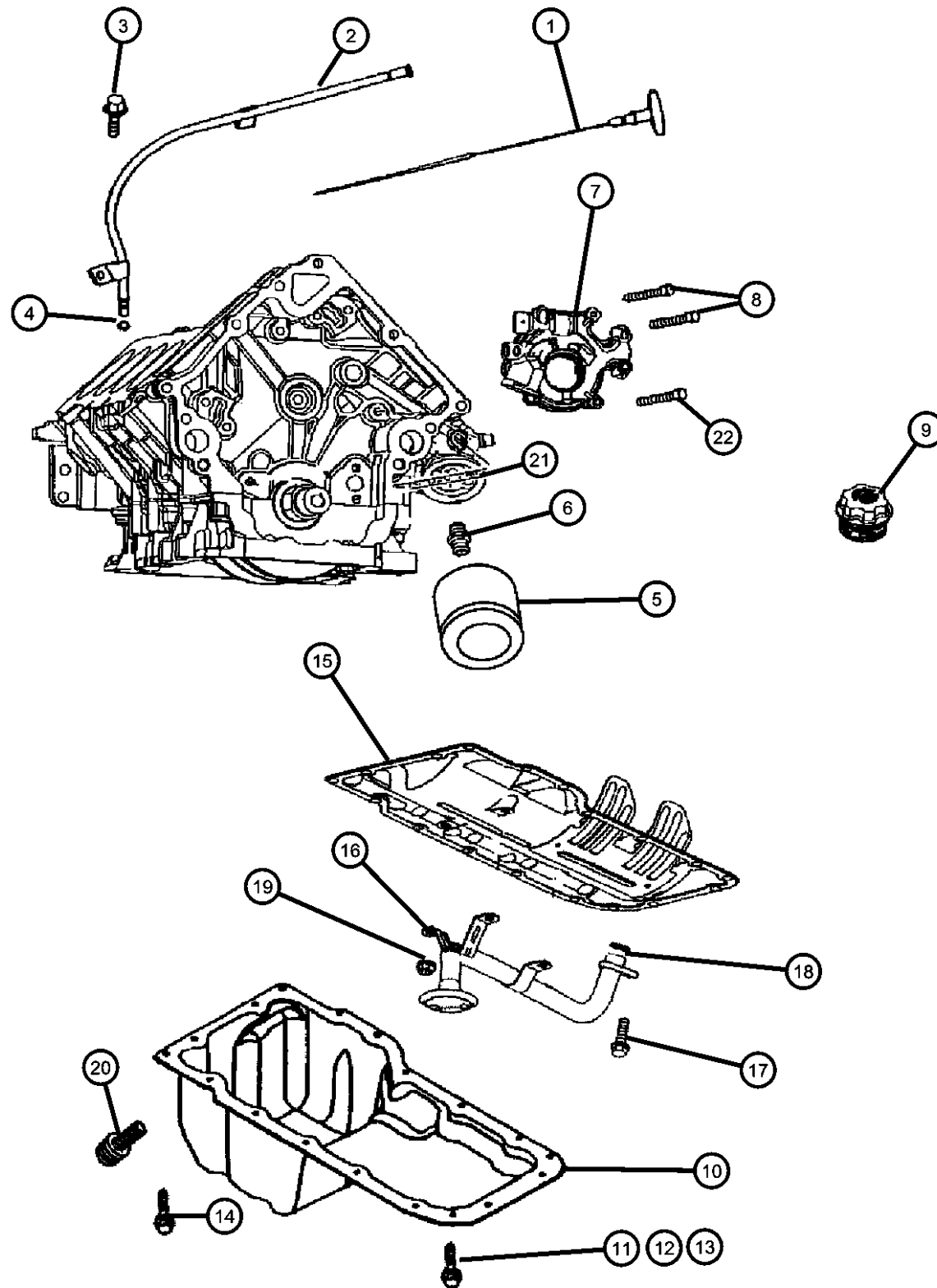
ENGINE
EVA = 4.7L V8 MPI Engine
EVD = 4.7L V8 FFV Engine
EXL = 3.0L V6 Turbo Diesel Engine
EZB = 5.7L Hemi Multi Displacement Engine
EKG = 3.7L V6 Engine
ESF = 6.1L SRT HEMI SMPI V8 Engine

TRANSMISSION
DGJ = 5-Speed Auto W5A580 Transmission
DGQ = 5-Spd Automatic 545RFE Transmission
DGU = 5-Spd Auto W5J400 Transmission

AR = use ase required - = Non illustrated part

2007 WK

**Engine Oiling 6.1L [ESF]
Figure 6.1L-710**



ITEM	PART NUMBER	QTY	LINE	SERIES	BODY	ENGINE	TRANS	TRIM	DESCRIPTION
11	06508448AA	16	J, T			ESF			BOLT, [M6X1.00X25.00], Oil Pan To Cylinder Block, Mounting
12	06101985	2				ES0	DGJ		SCREW AND WASHER, M10x1.50x45.00, [M10X1.50X45.00], Oil Pan To Transmission Bell Housing, Mounting
13	06508067AA	3	J, T			ESF			STUD, [M6X1.00X49.00], Oil Pan To Cylinder Block, Mounting
14	06102210AA	4				ESF			SCREW, [M10X1.50X40.00], Oil Pan To Cylinder Block, Mounting
15	05037692AA	1	J, T			ESF			GASKET, Oil Pan
16	53021522AE	1	J, T			ESF			TUBE, Oil Pickup
17	06102046AA	1	J, T			ESF			SCREW AND WASHER, [M8X1.25X27.00], Pickup Tube To Cylinder Block, Mounting
18	53020861	1	J, T			ESF			SEAL, Oil Pick Up Tube
19	06502756	1	J, T			ESF			NUT, Hex Lock, M8x1.25, Pickup Tube To Cylinder Block, Mounting
20	06507741AA	1	J, T			ESF			PLUG, Oil Drain, [M14X1.50X21.50]
21									SEAL
	53021660AC	1	J, T			ESF			Oil Filter Adapter, Inner
	53021661AA	1	J, T			ESF			Oil Filter Adapter, Outer
22	06102041AA	3	J, T			ESF			SCREW, [M6X1.00X25.00], Oil Filter Adapter To Cylinder Block, Mounting

GRAND CHEROKEE (WK)

SERIES LINE
H = HIGHLINE T = JEEP - 2WD
P = PREMIUM J = JEEP - 4WD
S = SPORT
X = SPECIAL

BODY
74 = SPORT UTILITY 4-DR
TYPE #4

ENGINE
EVA = 4.7L V8 MPI Engine
EVD = 4.7L V8 FFV Engine
EXL = 3.0L V6 Turbo Diesel Engine
EZB = 5.7L Hemi Multi Displacement Engine
EKG = 3.7L V6 Engine
ESF = 6.1L SRT HEMI SMPI V8 Engine

TRANSMISSION
DGJ = 5-Speed Auto W5A580 Transmission
DGQ = 5-Spd Automatic 545RFE Transmission
DGU = 5-Spd Auto W5J400 Transmission

AR = use ase required - = Non illustrated part

2007 WK

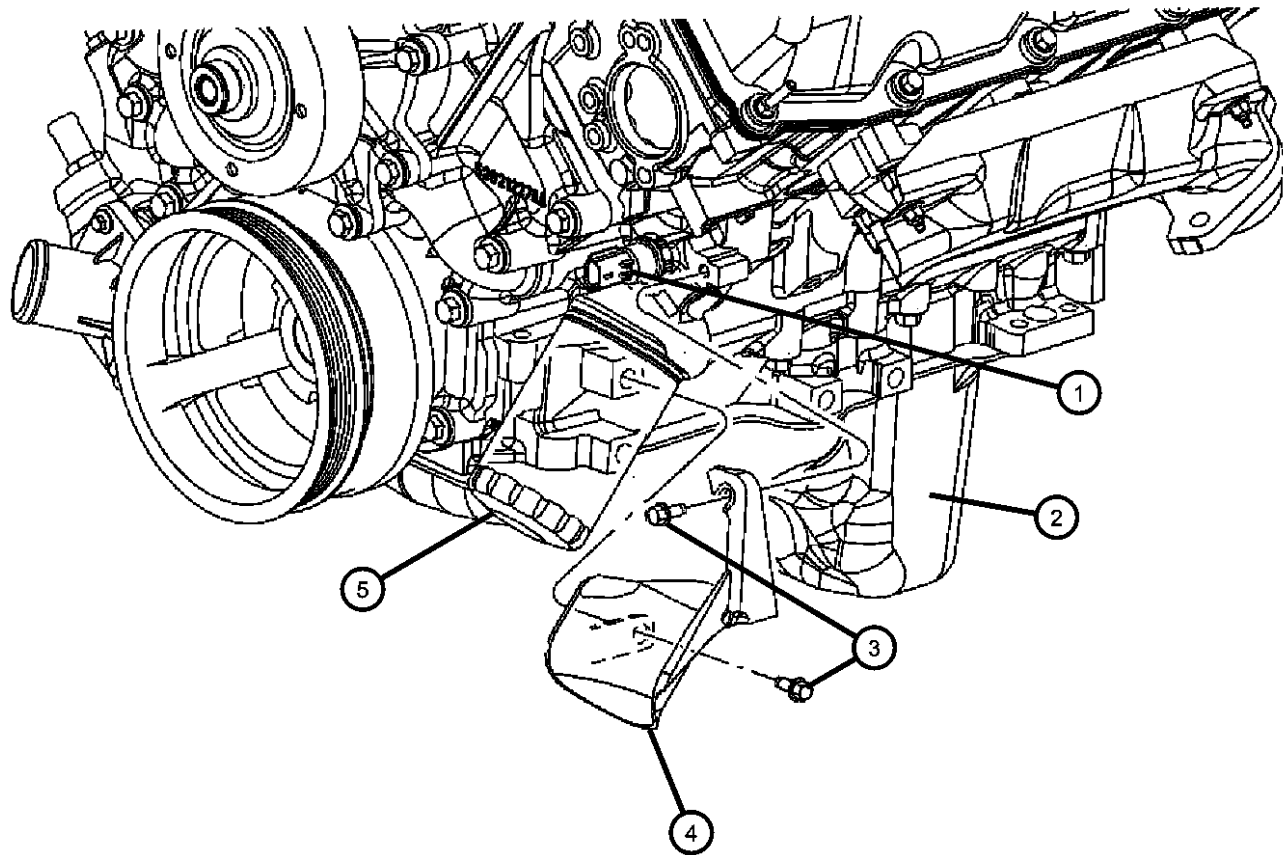
**Oil Filter And Splash Guard 6.1L [ESF]
Figure 6.1L-720**

ITEM	PART NUMBER	QTY	LINE	SERIES	BODY	ENGINE	TRANS	TRIM	DESCRIPTION
------	-------------	-----	------	--------	------	--------	-------	------	-------------

NOTE:

Sales Codes:

- [DGJ] = 5-Speed Automatic W5A580 Transmission
- [DGQ] = 5-Speed Automatic 545RFE Transmission
- [DGU] = 5-Speed Automatic W5J400 Transmission
- [DG0] = All Automatic Transmissions
- [DHB] = Quadra -Trac Active On Demand NVG 146 Transfer Case
- [DHX] = Quadra -Trac 2 Full Time Active NVG 245 Transfer Case
- [DHZ] = Quadra -Trac 1 Full time 4WD NVG 140 Transfer Case
- [EKG] = 3.7L [Magnum] V-6 Engine
- [EK0] = All 3.7L 6-Cylinder Gas Engines
- [ESF] = 6.1L SRT Hemi SMPI V-8 Engine
- [ES0] = All 6.1L 8-Cylinder Gas Engines
- [EVA] = 4.7L [Magnum] V-8 Engine
- [EVD] = 4.7L V-8 FFV Engine
- [EV0] = All 4.7L 8-Cylinder Gas Engines
- [EXL] = 3.0L V-6 Turbo Diesel Engine
- [EX0] = All 3.0L Cylinder Turbo Diesel Engines
- [EZB] = 5.7L Hemi Multi-Displacement Engine
- [EZ0] = All 5.7L 8-Cylinder Gas Engines
- [NAA] = Federal Emissions
- [NAE] = California Emissions
- [NAS] = 50 State Emissions
- [NA1] = Export Emissions
- [XEF] = Transfer Case Skid Plate Sheild



1	05149062AA	1	J, T			ESF			SENDING UNIT, Oil Pressure
2	05037685AA	1	J, T			ESF			PAN, Engine Oil
3	06505178AA	2	J, T			ESF			SCREW, Hex Head, [M8X1.25X25.00], Splash Guard To Cradle, Mounting
4	53013711AD	1	J, T			ESF			GUARD, Splash
5	05281090	1	J, T			ESF			FILTER, Engine Oil
	0FE00292								Canadian Aftermarket Part
	05281090BA								BULK PACK (12)

GRAND CHEROKEE (WK)

SERIES LINE
H = HIGHLINE T = JEEP - 2WD
P = PREMIUM J = JEEP - 4WD
S = SPORT
X = SPECIAL

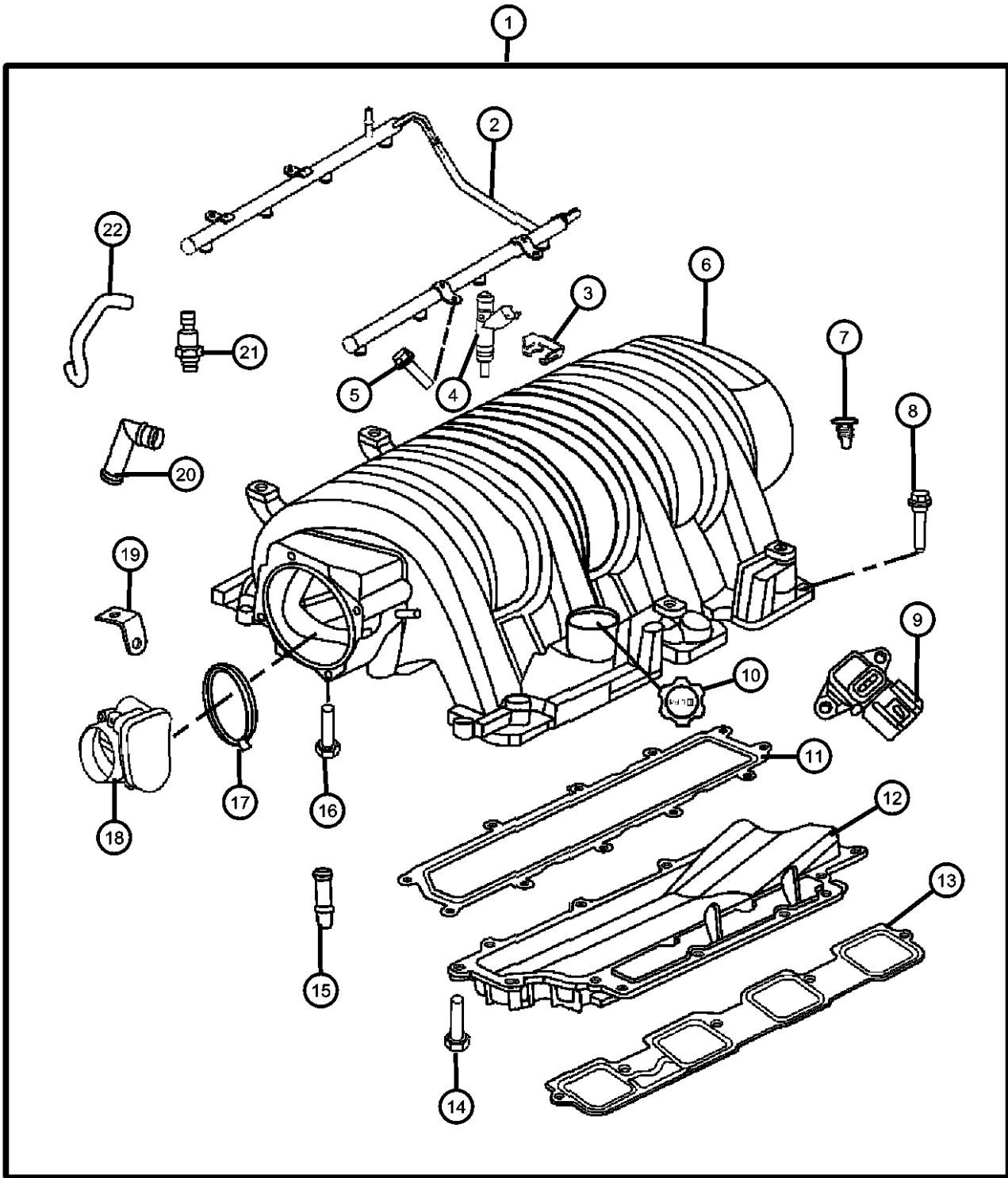
BODY
74 = SPORT UTILITY 4-DR
TYPE #4

ENGINE
EVA = 4.7L V8 MPI Engine
EVD = 4.7L V8 FFV Engine
EXL = 3.0L V6 Turbo Diesel Engine
EZB = 5.7L Hemi Multi Displacement Engine
EKG = 3.7L V6 Engine
ESF = 6.1L SRT HEMI SMPI V8 Engine

TRANSMISSION
DGJ = 5-Speed Auto W5A580 Transmission
DGQ = 5-Spd Automatic 545RFE Transmission
DGU = 5-Spd Auto W5J400 Transmission

**Intake Manifold - 6.1L [ESF]
Figure 6.1L-810**

ITEM	PART NUMBER	QTY	LINE	SERIES	BODY	ENGINE	TRANS	TRIM	DESCRIPTION
------	-------------	-----	------	--------	------	--------	-------	------	-------------



NOTE:

Sales Codes:

- [DGJ] = 5-Speed Automatic W5A580 Transmission
- [DGQ] = 5-Speed Automatic 545RFE Transmission
- [DGU] = 5-Speed Automatic W5J400 Transmission
- [DG0] = All Automatic Transmissions
- [DHB] = Quadra -Trac Active On Demand NVG 146 Transfer Case
- [DHX] = Quadra -Trac 2 Full Time Active NVG 245 Transfer Case
- [DHZ] = Quadra -Trac 1 Full time 4WD NVG 140 Transfer Case
- [EKG] = 3.7L [Magnum] V-6 Engine
- [EK0] = All 3.7L 6-Cylinder Gas Engines
- [ESF] = 6.1L SRT Hemi SMPI V-8 Engine
- [ES0] = All 6.1L 8-Cylinder Gas Engines
- [EVA] = 4.7L [Magnum] V-8 Engine
- [EVD] = 4.7L V-8 FFV Engine
- [EV0] = All 4.7L 8-Cylinder Gas Engines
- [EXL] = 3.0L V-6 Turbo Diesel Engine
- [EX0] = All 3.0L Cylinder Turbo Diesel Engines
- [EZB] = 5.7L Hemi Multi-Displacement Engine
- [EZ0] = All 5.7L 8-Cylinder Gas Engines
- [NAA] = Federal Emissions
- [NAE] = California Emissions
- [NAS] = 50 State Emissions
- [NA1] = Export Emissions
- [NHK] = Engine Block Heater
- [XEF] = Transfer Case Skid Plate Shield

1	05037510AG	1	J, T			ESF			MANIFOLD, Intake, This Package Contains All Parts Listed Below
2	05037480AA	1	J, T			ESF			RAIL, Fuel
3	53030058AC	8	J, T			ESF			CLIP, Injector
4	05037479AA	8	J, T			ESF			INJECTOR, Fuel
5	06102024	4	J, T			ESF			SCREW, Hex Flange Head, M6x1.00x20.00, Fuel Rail To Intake Manifold, Mounting
6		4							MANIFOLD, Engine Intake, Sevised In Item 1 Package Only, (NOT SERVICED)
7		4							RIVET, Sevised In Item 1 Package Only, (NOT SERVICED)
8	06508208AA	10	J, T			ESF			SCREW, [M6X1.00X35.00], Intake Manifold To Cylinder Head, Mounting
9	56041018AC	1	J, T			ESF			SENSOR, MAP
10	05037665AA	1	J, T			ESF			CAP, Oil Filler

GRAND CHEROKEE (WK)

SERIES LINE
H = HIGHLINE T = JEEP - 2WD
P = PREMIUM J = JEEP - 4WD
S = SPORT
X = SPECIAL

BODY
74 = SPORT UTILITY 4-DR
TYPE #4

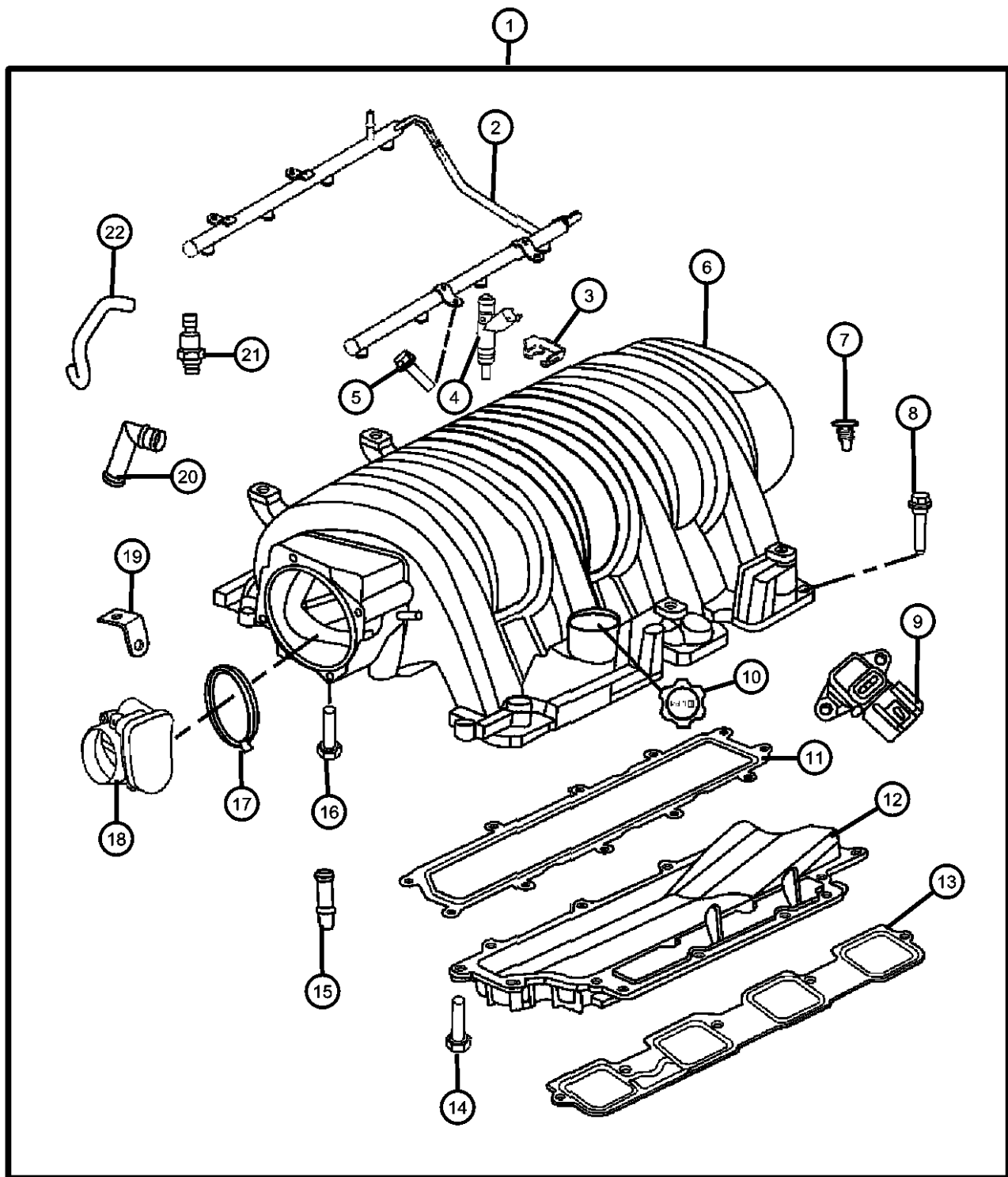
ENGINE
EVA = 4.7L V8 MPI Engine
EVD = 4.7L V8 FFV Engine
EXL = 3.0L V6 Turbo Diesel Engine
EZB = 5.7L Hemi Multi Displacement Engine
EKG = 3.7L V6 Engine
ESF = 6.1L SRT HEMI SMPI V8 Engine

TRANSMISSION
DGJ = 5-Speed Auto W5A580 Transmission
DGQ = 5-Spd Automatic 545RFE Transmission
DGU = 5-Spd Auto W5J400 Transmission

AR = use ase required - = Non illustrated part

2007 WK

**Intake Manifold - 6.1L [ESF]
Figure 6.1L-810**



ITEM	PART NUMBER	QTY	LINE	SERIES	BODY	ENGINE	TRANS	TRIM	DESCRIPTION
11	05037555AA	1	J, T			ESF			GASKET, Intake Manifold Pan
12		1							PAN, Intake Manifold, Sevised In Item 1 Package Only, (NOT SERVICED)
13	05037503AA	2	J, T			ESF			GASKET, Intake Manifold
14	06101451	16	J, T			ESF			SCREW AND WASHER, Hex Head, M6x1x25, Intake Manifold Pan To Intake Manifold, Mounting
15		16							NIPPLE, Intake Manifold, Power Brake Booster Sevised In Item 1 Package Only, (NOT SERVICED)
16	06101770	4	J, T			ESF			SCREW AND WASHER, Hex Head, .19-16x1.00, Throttle Body To Intake Manifold, Mounting
17	53032383AB	1	J, T			ESF			SEAL, Throttle Body to Intake
18	04591847AC	1	J, T			ESF			THROTTLE BODY
19	05037679AA	1	J, T			ESF			BRACKET, Wire Harness
20		1							NIPPLE, Crankcase Vent, Sevised In Item 1 Package Only, (NOT SERVICED)
21	05037831AA	1	J, T			ESF			VALVE, PCV
22	05037515AA	1	J, T			ESF			HOSE, PCV Valve To intake Manifold

GRAND CHEROKEE (WK)

SERIES LINE
H = HIGHLINE T = JEEP - 2WD
P = PREMIUM J = JEEP - 4WD
S = SPORT
X = SPECIAL

BODY
74 = SPORT UTILITY 4-DR
TYPE #4

ENGINE
EVA = 4.7L V8 MPI Engine
EVD = 4.7L V8 FFV Engine
EXL = 3.0L V6 Turbo Diesel Engine
EZB = 5.7L Hemi Multi Displacement Engine
EKG = 3.7L V6 Engine
ESF = 6.1L SRT HEMI SMPI V8 Engine

TRANSMISSION
DGJ = 5-Speed Auto W5A580 Transmission
DGQ = 5-Spd Automatic 545RFE Transmission
DGU = 5-Spd Auto W5J400 Transmission

AR = use ase required - = Non illustrated part

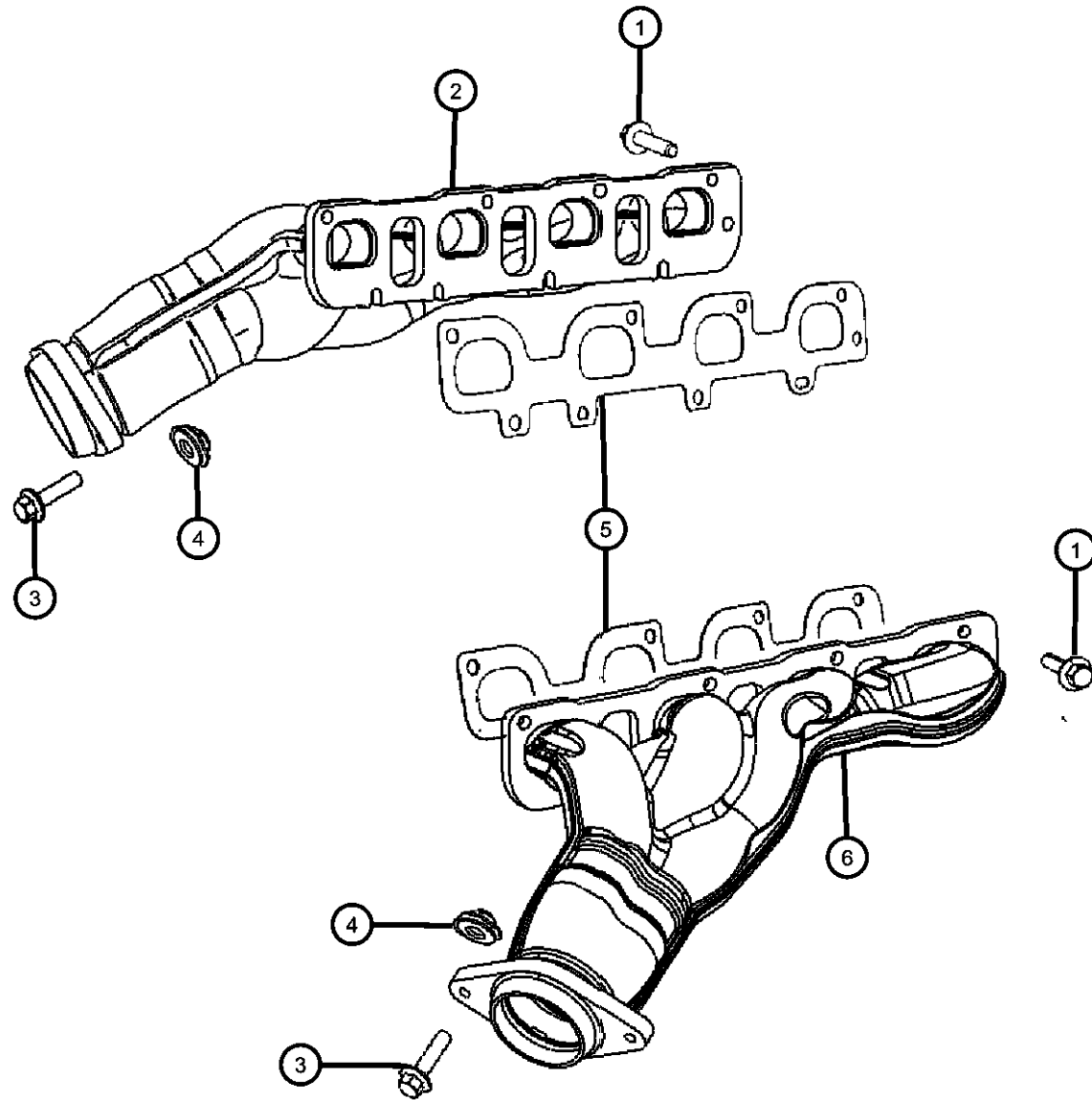
**Exhaust Manifolds, 6.1L [ESF]
Figure 6.1L-820**

ITEM	PART NUMBER	QTY	LINE	SERIES	BODY	ENGINE	TRANS	TRIM	DESCRIPTION
------	-------------	-----	------	--------	------	--------	-------	------	-------------

NOTE:

Sales Codes:

- [DGJ] = 5-Speed Automatic W5A580 Transmission
- [DGQ] = 5-Speed Automatic 545RFE Transmission
- [DGU] = 5-Speed Automatic W5J400 Transmission
- [DG0] = All Automatic Transmissions
- [DHB] = Quadra -Trac Active On Demand NVG 146 Transfer Case
- [DHX] = Quadra -Trac 2 Full Time Active NVG 245 Transfer Case
- [DHZ] = Quadra -Trac 1 Full time 4WD NVG 140 Transfer Case
- [EKG] = 3.7L [Magnum] V-6 Engine
- [EK0] = All 3.7L 6-Cylinder Gas Engines
- [ESF] = 6.1L SRT Hemi SMPI V-8 Engine
- [ES0] = All 6.1L 8-Cylinder Gas Engines
- [EVA] = 4.7L [Magnum] V-8 Engine
- [EVD] = 4.7L V-8 FFV Engine
- [EV0] = All 4.7L 8-Cylinder Gas Engines
- [EXL] = 3.0L V-6 Turbo Diesel Engine
- [EX0] = All 3.0L Cylinder Turbo Diesel Engines
- [EZB] = 5.7L Hemi Multi-Displacement Engine
- [EZ0] = All 5.7L 8-Cylinder Gas Engines
- [NAA] = Federal Emissions
- [NAE] = California Emissions
- [NAS] = 50 State Emissions
- [NA1] = Export Emissions
- [NHK] = Engine Block Heater
- [XEF] = Transfer Case Skid Plate Sheild



1	06503131	10	J, T			ESF			BOLT, Hex Flange Head, M8x1.25x30, Exhaust Manifold To Cylinder Head, Mounting
2	05037637AC	1				ESF			MANIFOLD, ExhaustLeft
3	06505699AA	4							SCREW, [M10X1.50X60.00], Exhaust Manifold To Front Pipe, Mounting
4		4							NUT, [M10X1.50] 06503231, (NOT SERVICED)
5	05037398AC	2	J, T			ESF			GASKET, Exhaust ManifoldRight & Left
6	05037638AC	1				ESF			MANIFOLD, Exhaust, Right

GRAND CHEROKEE (WK)

SERIES LINE
H = HIGHLINE T = JEEP - 2WD
P = PREMIUM J = JEEP - 4WD
S = SPORT
X = SPECIAL

BODY
74 = SPORT UTILITY 4-DR
TYPE #4

ENGINE
EVA = 4.7L V8 MPI Engine
EVD = 4.7L V8 FFV Engine
EXL = 3.0L V6 Turbo Diesel Engine
EZB = 5.7L Hemi Multi Displacement Engine
EKG = 3.7L V6 Engine
ESF = 6.1L SRT HEMI SMPI V8 Engine

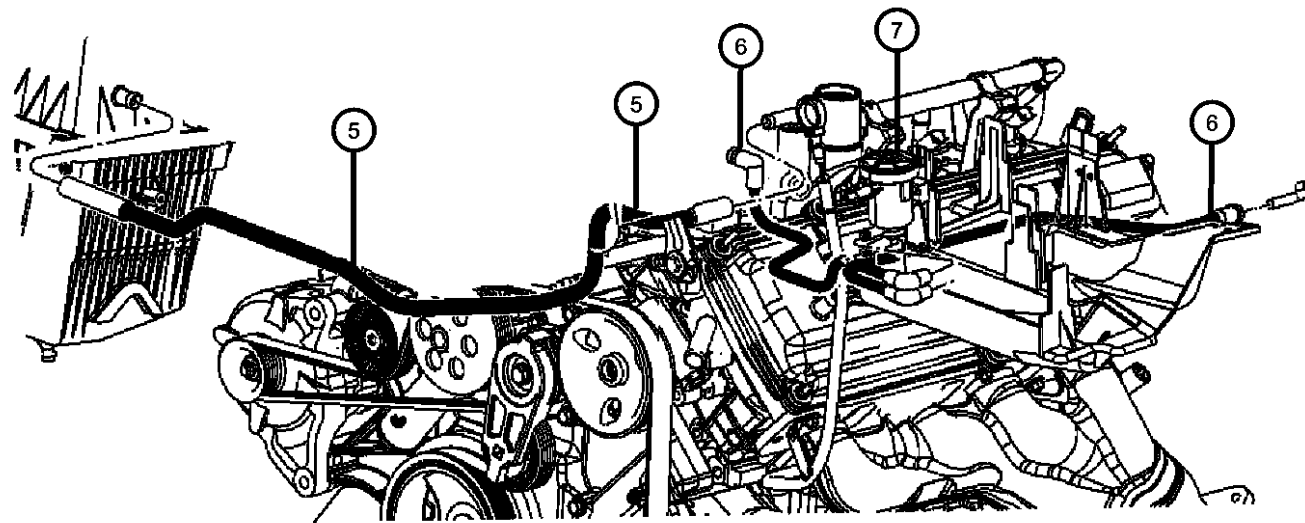
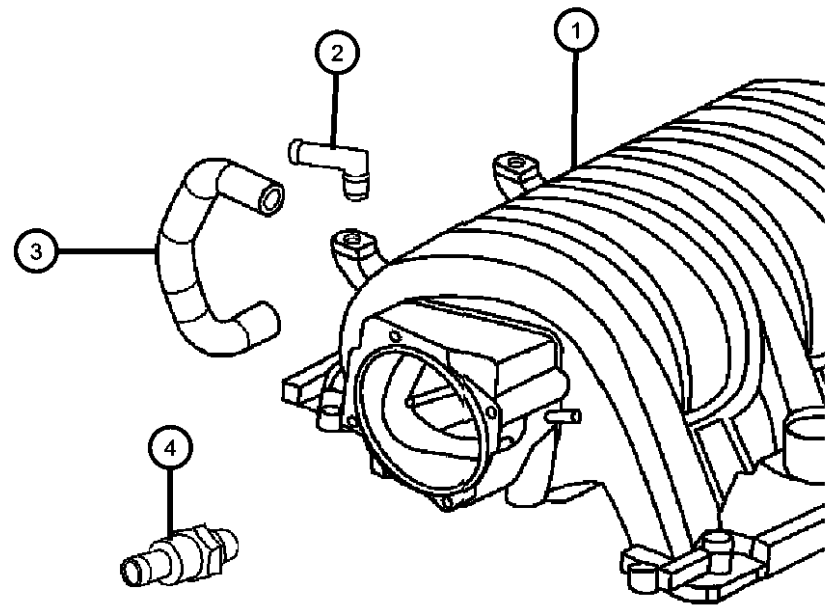
TRANSMISSION
DGJ = 5-Speed Auto W5A580 Transmission
DGQ = 5-Spd Automatic 545RFE Transmission
DGU = 5-Spd Auto W5J400 Transmission

AR = use ase required - = Non illustrated part

2007 WK

**Crankcase Ventilation 6.1L [ESF]
Figure 6.1L-910**

ITEM	PART NUMBER	QTY	LINE	SERIES	BODY	ENGINE	TRANS	TRIM	DESCRIPTION
------	-------------	-----	------	--------	------	--------	-------	------	-------------



NOTE:

Sales Codes:

- [DGJ] = 5-Speed Automatic W5A580 Transmission
- [DGQ] = 5-Speed Automatic 545RFE Transmission
- [DGU] = 5-Speed Automatic W5J400 Transmission
- [DG0] = All Automatic Transmissions
- [DHB] = Quadra -Trac Active On Demand NVG 146 Transfer Case
- [DHX] = Quadra -Trac 2 Full Time Active NVG 245 Transfer Case
- [DHZ] = Quadra -Trac 1 Full time 4WD NVG 140 Transfer Case
- [EKG] = 3.7L [Magnum] V-6 Engine
- [EK0] = All 3.7L 6-Cylinder Gas Engines
- [ESF] = 6.1L SRT Hemi SMPI V-8 Engine
- [ES0] = All 6.1L 8-Cylinder Gas Engines
- [EVA] = 4.7L [Magnum] V-8 Engine
- [EVD] = 4.7L V-8 FFV Engine
- [EV0] = All 4.7L 8-Cylinder Gas Engines
- [EXL] = 3.0L V-6 Turbo Diesel Engine
- [EX0] = All 3.0L Cylinder Turbo Diesel Engines
- [EZB] = 5.7L Hemi Multi-Displacement Engine
- [EZ0] = All 5.7L 8-Cylinder Gas Engines
- [NAA] = Federal Emissions
- [NAE] = California Emissions
- [NAS] = 50 State Emissions
- [NA1] = Export Emissions
- [NHK] = Engine Block Heater
- [XEF] = Transfer Case Skid Plate Sheild

1		1							MANIFOLD, Intake, See ILL 810, (NOT SERVICED)
2		1							NIPPLE, Intake Manifold, Serviced In Intake Assembly, (NOT SERVICED)
3	05037515AA	1	J, T			ESF			HOSE, PCV Valve To intake Manifold
4	05037831AA	1	J, T			ESF			VALVE, PCV
5	05037763AB	1				ESF			HOSE, Make Up Air
6	05037762AB	1				ESF			HARNESS, Vacuum Vapor
7	52090419AA	1	J, T			ESF			SOLENOID, Proportional Purge

GRAND CHEROKEE (WK)

SERIES LINE
H = HIGHLINE T = JEEP - 2WD
P = PREMIUM J = JEEP - 4WD
S = SPORT
X = SPECIAL

BODY
74 = SPORT UTILITY 4-DR
TYPE #4

ENGINE
EVA = 4.7L V8 MPI Engine
EVD = 4.7L V8 FFV Engine
EXL = 3.0L V6 Turbo Diesel Engine
EZB = 5.7L Hemi Multi Displacement Engine
EKG = 3.7L V6 Engine
ESF = 6.1L SRT HEMI SMPI V8 Engine

TRANSMISSION
DGJ = 5-Speed Auto W5A580 Transmission
DGQ = 5-Spd Automatic 545RFE Transmission
DGU = 5-Spd Auto W5J400 Transmission

AR = use ase required - = Non illustrated part

2007 WK

Group - 11

Exhaust

Group - 11 Exhaust

Illustration Title

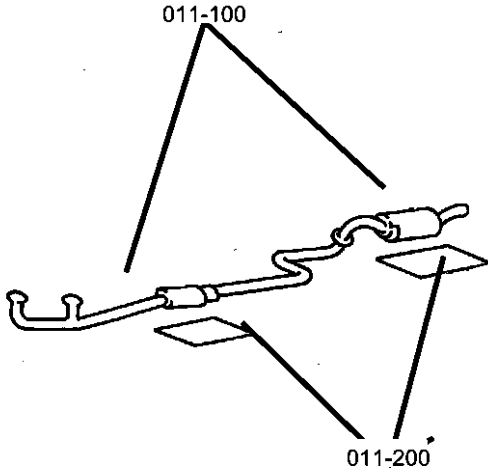
Group-Fig. No.

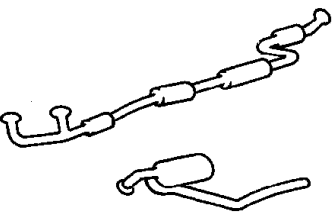
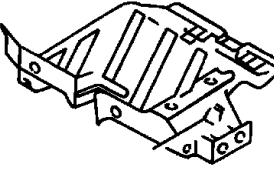
Exhaust System

Exhaust System, 3.7L [EK0] 4.7L [EV0] 5.7L [EZ0] Fig. 11 - 110
 Exhaust System 3.0L [EX0] Fig. 11 - 120
 Exhaust System 6.1L [ES0] Fig. 11 - 130

Heat Shields

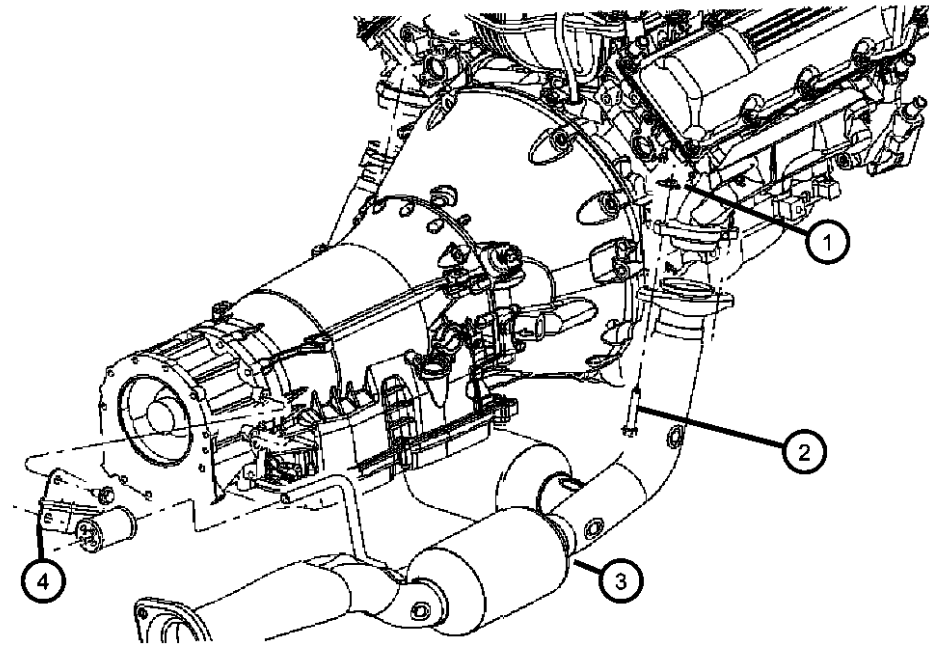
Heat Shields, 3.7 [EK0] 4.7 [EV0] 5.7 [EZ0] Fig. 11 - 210
 Shield Encapsulation..... Fig. 11 - 220



<p>011-100 Exhaust System</p> 	<p>011-200 Heat Shields</p> 		
---	--	--	--

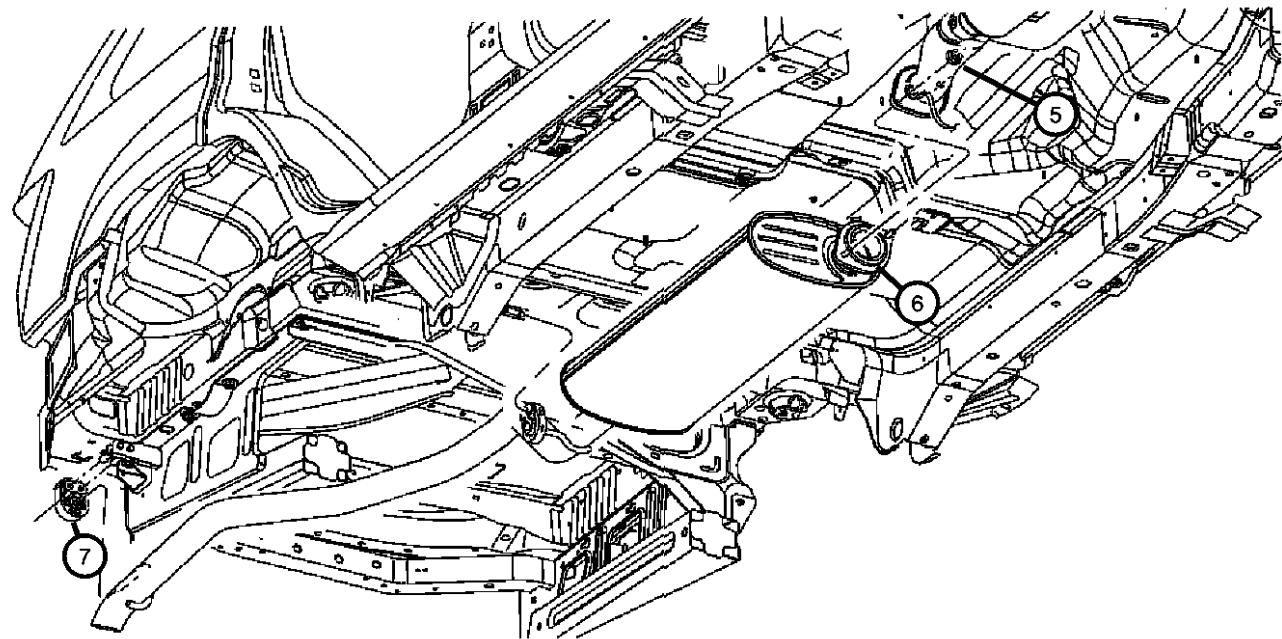
**Exhaust System, 3.7L [EK0] 4.7L [EV0] 5.7L [EZ0]
Figure 11-110**

ITEM	PART NUMBER	QTY	LINE	SERIES	BODY	ENGINE	TRANS	TRIM	DESCRIPTION
------	-------------	-----	------	--------	------	--------	-------	------	-------------



Note Sale Code: [EK0]="MAGNUM" 3.7L V6 ENGINE
[EV0]="MAGNUM" 4.7L V8 ENGINE
[EZ0]=5.7L HEMI MULTI DISPLACEMENT

1	06503231	4	J, T		74	EK0, EV0, EZ0			NUT
2	06505699AA	4							SCREW
3									PIPE AND CONVERTER, Exhaust, To Manifold
	52090043AF	1	J, T		74	EZ0			
	52124294AC	1	J, T		74	EV0			NAE
	52124305AC	1	J, T		74	EV0			NAA
	52124789AC	1	J, T		74	EK0			
4									BRACKET AND ISOLATOR, Exhaust
	52090057AB	1	J, T		74	EV0, EZ0			
	52124079AA	1	J		74	EK0, ES0			
5	06502696	2		H, P, S					NUT, Hex Flange Lock, M14x1.50, FRT PIPE TO MUFFLER ASSY AT TRANS
6									MUFFLER AND TAILPIPE, Exhaust
	52124037AF	1	J, T		74	EK0			
	E0019421								Dynomax Cat Back Single Exhaust
	52124038AG	1	J, T		74	EV0			
	52124039AG	1	J, T		74	EZ0			
7	52124115AC	1	J, T		74				ISOLATOR, Exhaust
-8		1							CLAMP, Exhaust, Serviced With Muffler and Tailpipe, (NOT SERVICED)



GRAND CHEROKEE (WK)

SERIES LINE
H = HIGHLINE T = JEEP - 2WD
P = PREMIUM J = JEEP - 4WD
S = SPORT
X = SPECIAL

BODY
74 = SPORT UTILITY 4-DR TYPE #4

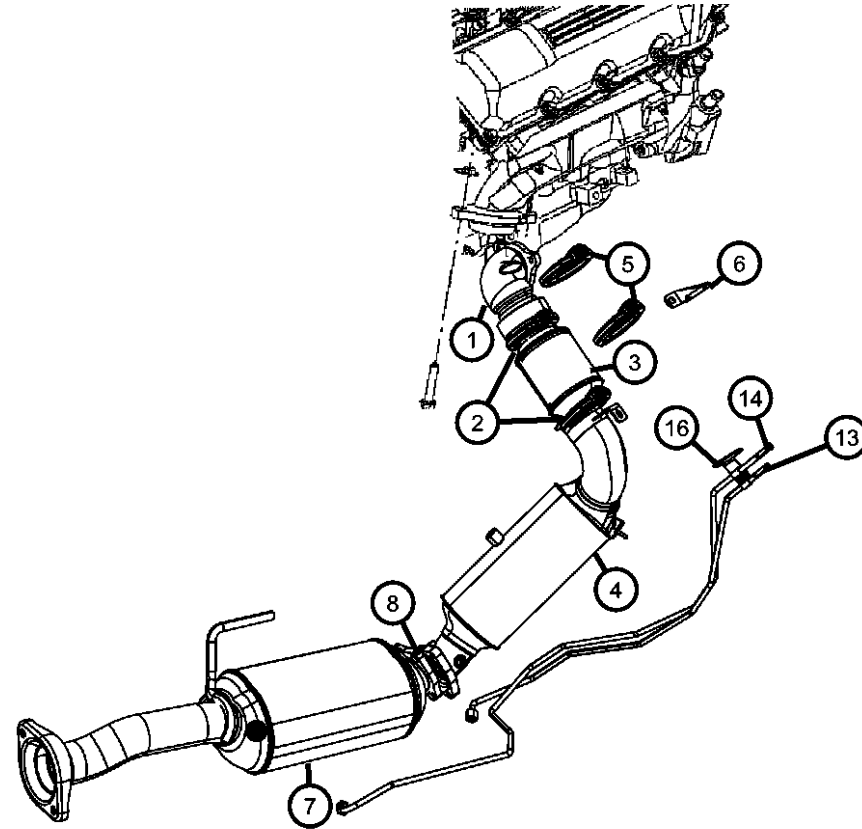
ENGINE
EVA = 4.7L V8 MPI Engine
EVD = 4.7L V8 FFV Engine
EXL = 3.0L V6 Turbo Diesel Engine
EZB = 5.7L Hemi Multi Displacement Engine
EK0 = 3.7L V6 Engine
ESF = 6.1L SRT HEMI SMPI V8 Engine

TRANSMISSION
DGJ = 5-Speed Auto W5A580 Transmission
DGQ = 5-Spd Automatic 545RFE Transmission
DGU = 5-Spd Auto W5J400 Transmission

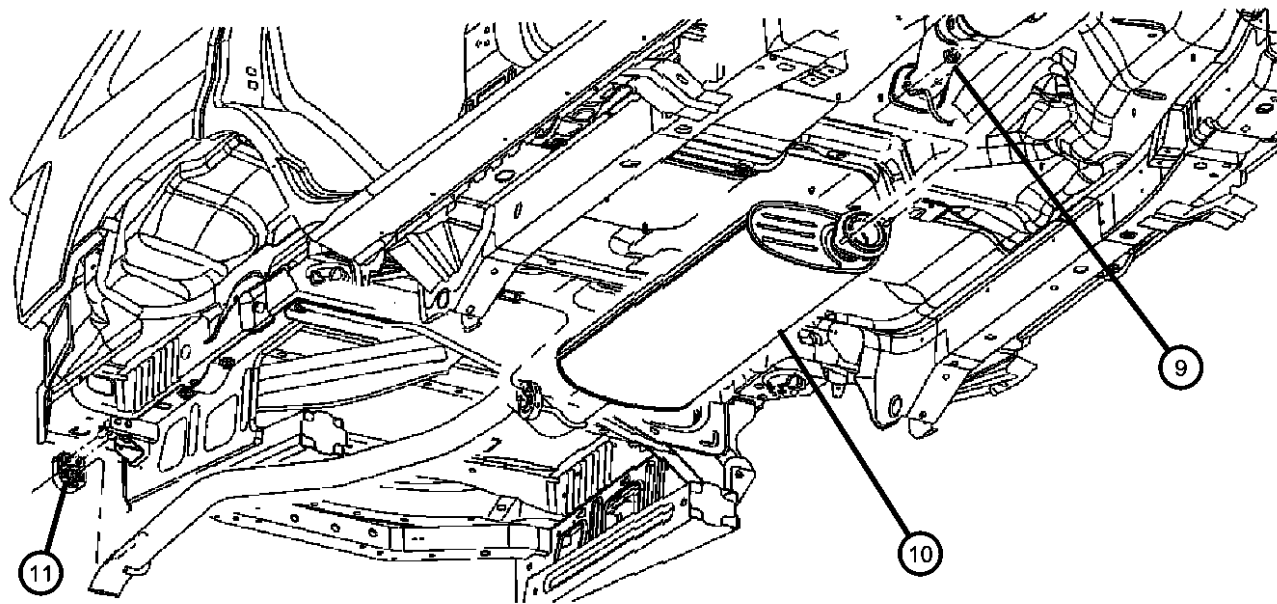
AR = use ase required - = Non illustrated part

2007 WK

Exhaust System 3.0L [EX0]
Figure 11-120



ITEM	PART NUMBER	QTY	LINE	SERIES	BODY	ENGINE	TRANS	TRIM	DESCRIPTION
1	05175606AA	1	J, T		74	EX0			PIPE, Exhaust, Turbo
2	05175669AA	1	J, T		74	EX0			GASKET, Exhaust Pipe
3	05175603AA	1	J, T		74	EX0			CONVERTER, Catalytic
4	52090348AC	1	J, T		74	EX0			CONVERTER, Catalytic
5	52090372AA	2	J, T		74	EX0			CLAMP, Exhaust
6	52089898AA	1	J, T		74	EX0			BRACKET AND ISOLATOR, Exhaust
7	52090351AC	1	J, T		74	EX0			FILTER ASSY, DIESEL PARTICULATE
8	06506606AA	3	J, T		74	EX0			STUD, Double Ended
9	06502696	2	J, T	H, P, S	74				NUT, Hex Flange Lock, M14x1.50
10	68001234AD	1	J, T		74	EX0			MUFFLER AND TAILPIPE, Exhaust
11	52124115AC	1	J, T		74				ISOLATOR, Exhaust
-12	05175408AA	3	J, T		74	EX0			NUT, Exhaust Pipe
13	68032599AA	1	J, T		74	EX0			TUBE, Particulate Filter, Inlet
14	68032610AA	1	J, T		74	EX0			TUBE, Particulate Filter, Outlet
-15	68032611AA	1	J, T		74	EX0			CLAMP, Particulate Tube
16	68032612AA	1	J, T		74	EX0			HOLDER, Particulate Tube



GRAND CHEROKEE (WK)

SERIES LINE
H = HIGHLINE T = JEEP - 2WD
P = PREMIUM J = JEEP - 4WD
S = SPORT
X = SPECIAL

BODY
74 = SPORT UTILITY 4-DR
TYPE #4

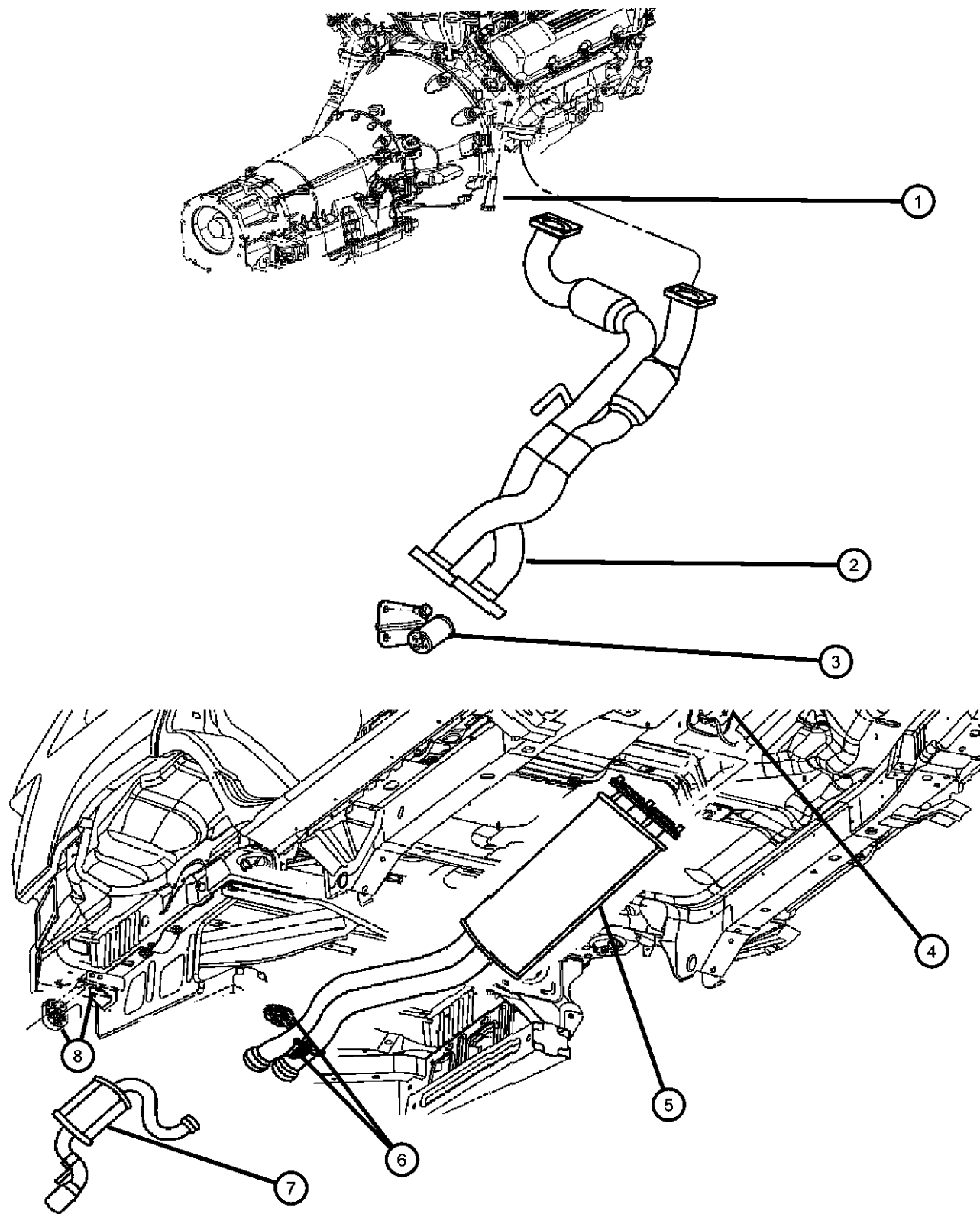
ENGINE
EVA = 4.7L V8 MPI Engine
EVD = 4.7L V8 FFV Engine
EXL = 3.0L V6 Turbo Diesel Engine
EZB = 5.7L Hemi Multi Displacement Engine
EKG = 3.7L V6 Engine
ESF = 6.1L SRT HEMI SMPI V8 Engine

TRANSMISSION
DGJ = 5-Speed Auto W5A580 Transmission
DGQ = 5-Spd Automatic 545RFE Transmission
DGU = 5-Spd Auto W5J400 Transmission

AR = use ase required - = Non illustrated part

2007 WK

Exhaust System 6.1L [ES0]
Figure 11-130



ITEM	PART NUMBER	QTY	LINE	SERIES	BODY	ENGINE	TRANS	TRIM	DESCRIPTION
1	06505699AA	4							BOLT AND WASHER, Hex Head, M10x1.50x60.00, Manifold/Exhaust
2	05290722AD	1	J		74	ES0			PIPE AND CONVERTER, Exhaust, To Manifold
3	52124079AA	1	J		74	EK0, ES0			BRACKET AND ISOLATOR, Exhaust
4	06502696	2		H, P, S					NUT, Hex Flange Lock, M14x1.50
5	05290726AA	1	J		74	ES0			MUFFLER, Exhaust
6	52124115AC	1	J, T		74				ISOLATOR, Exhaust
7									RESONATOR AND TAILPIPE, Exhaust
	05290728AB	1	J			ES0			Left
	05290729AB	1	J			ES0			Right
8	05290823AB	2	J, T	X	74	ES0			HANGER, Tailpipe

GRAND CHEROKEE (WK)

SERIES LINE
H = HIGHLINE T = JEEP - 2WD
P = PREMIUM J = JEEP - 4WD
S = SPORT
X = SPECIAL

BODY
74 = SPORT UTILITY 4-DR
TYPE #4

ENGINE
EVA = 4.7L V8 MPI Engine
EVD = 4.7L V8 FFV Engine
EXL = 3.0L V6 Turbo Diesel
Engine
EZB = 5.7L Hemi Multi
Displacement Engine
EKG = 3.7L V6 Engine
ESF = 6.1L SRT HEMI SMPI
V8 Engine

TRANSMISSION
DGJ = 5-Speed Auto W5A580
Transmission
DGQ = 5-Spd Automatic 545RFE
Transmission
DGU = 5-Spd Auto W5J400
Transmission

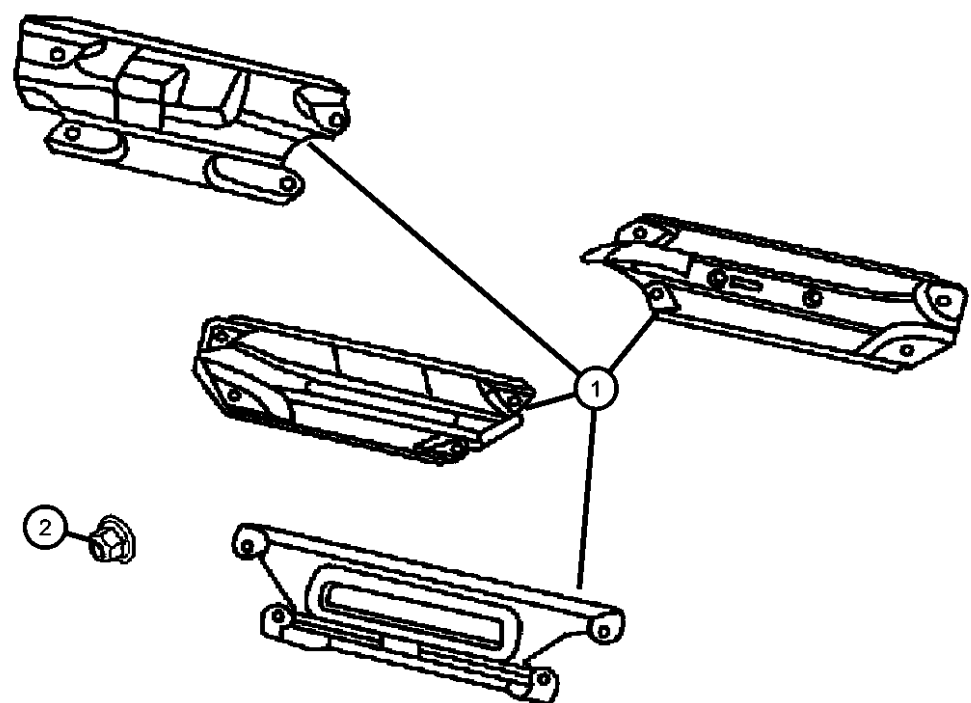
AR = use ase required - = Non illustrated part

2007 WK

Heat Shields, 3.7 [EK0] 4.7 [EV0] 5.7 [EZ0]

Figure 11-210

ITEM	PART NUMBER	QTY	LINE	SERIES	BODY	ENGINE	TRANS	TRIM	DESCRIPTION
1									SHIELD, Exhaust Manifold
	53013603AA	1	J, T		74	EVA, EVD			Left
	53013604AB	1	J, T		74	EVA, EVD			Right
	53032208AH	2	J, T		74	EZ0			
	53032674AE	1	J, T		74	EK0			Right
	53032675AD	1	J, T		74	EK0			Left
2									NUT
	06505316AA	8	J, T		74	EV0			HEAT SHIELD TO EXHAUST MANIFOLD
		8	J, T		74	EK0			HEAT SHIELD TO EXHAUST MANIFOLD
		8	J, T		74	EZ0			HEAT SHIELD TO EXHAUST MANIFOLD



GRAND CHEROKEE (WK)

SERIES LINE
 H = HIGHLINE T = JEEP - 2WD
 P = PREMIUM J = JEEP - 4WD
 S = SPORT
 X = SPECIAL

BODY
 74 = SPORT UTILITY 4-DR TYPE #4

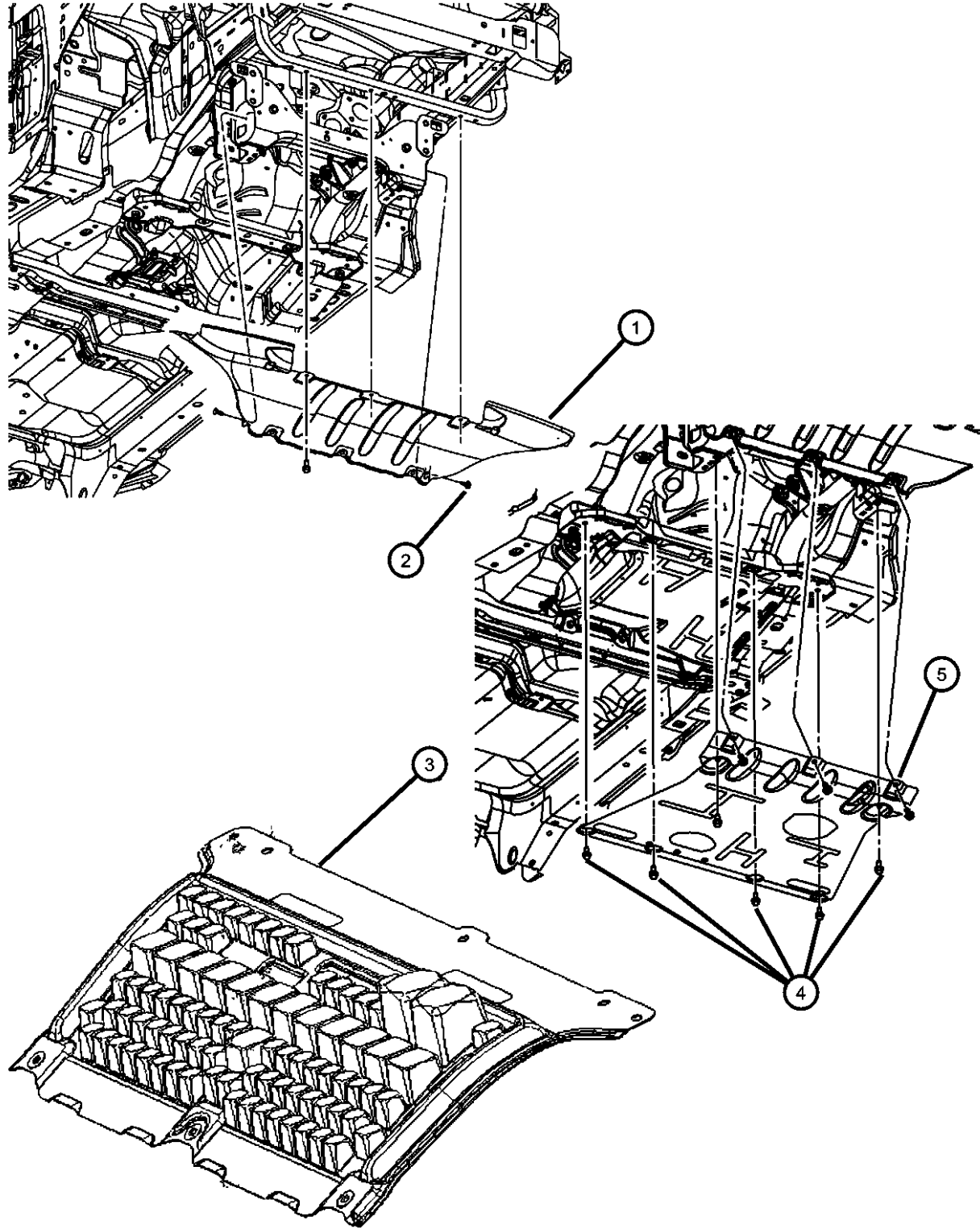
ENGINE
 EVA = 4.7L V8 MPI Engine
 EVD = 4.7L V8 FFV Engine
 EXL = 3.0L V6 Turbo Diesel Engine
 EZB = 5.7L Hemi Multi Displacement Engine
 EKG = 3.7L V6 Engine
 ESF = 6.1L SRT HEMI SMPI V8 Engine

TRANSMISSION
 DGJ = 5-Speed Auto W5A580 Transmission
 DGQ = 5-Spd Automatic 545RFE Transmission
 DGU = 5-Spd Auto W5J400 Transmission

AR = use ase required - = Non illustrated part

2007 WK

**Shield Encapsulation
Figure 11-220**



ITEM	PART NUMBER	QTY	LINE	SERIES	BODY	ENGINE	TRANS	TRIM	DESCRIPTION
1	52124316AB	1	J, T		74	EX0			SILENCER, Rear
2	06503598	4	J, T		74				PIN, Push, M8x21
3	55079100AA	1	J, T		74	EX0			ENCAPSULATION, Front
4	06505269AA	4	J, T		74	EK0, EV0, EZ0, EX0			SCREW AND WASHER, Head Head Lock, M8-1.25x30.00
5	55157462AA	1	J, T		74	EX0			ENCAPSULATION, Center

GRAND CHEROKEE (WK)

SERIES LINE
H = HIGHLINE T = JEEP - 2WD
P = PREMIUM J = JEEP - 4WD
S = SPORT
X = SPECIAL

BODY
74 = SPORT UTILITY 4-DR
TYPE #4

ENGINE
EVA = 4.7L V8 MPI Engine
EVD = 4.7L V8 FFV Engine
EXL = 3.0L V6 Turbo Diesel
Engine
EZB = 5.7L Hemi Multi
Displacement Engine
EKG = 3.7L V6 Engine
ESF = 6.1L SRT HEMI SMPI
V8 Engine

TRANSMISSION
DGJ = 5-Speed Auto W5A580
Transmission
DGQ = 5-Spd Automatic 545RFE
Transmission
DGU = 5-Spd Auto W5J400
Transmission

AR = use ase required - = Non illustrated part

2007 WK

Group - 13

Frames and Bumpers

Group - 13 Frames and Bumpers

Group-Fig. No.

Illustration Title

Front Bumper and Fascia

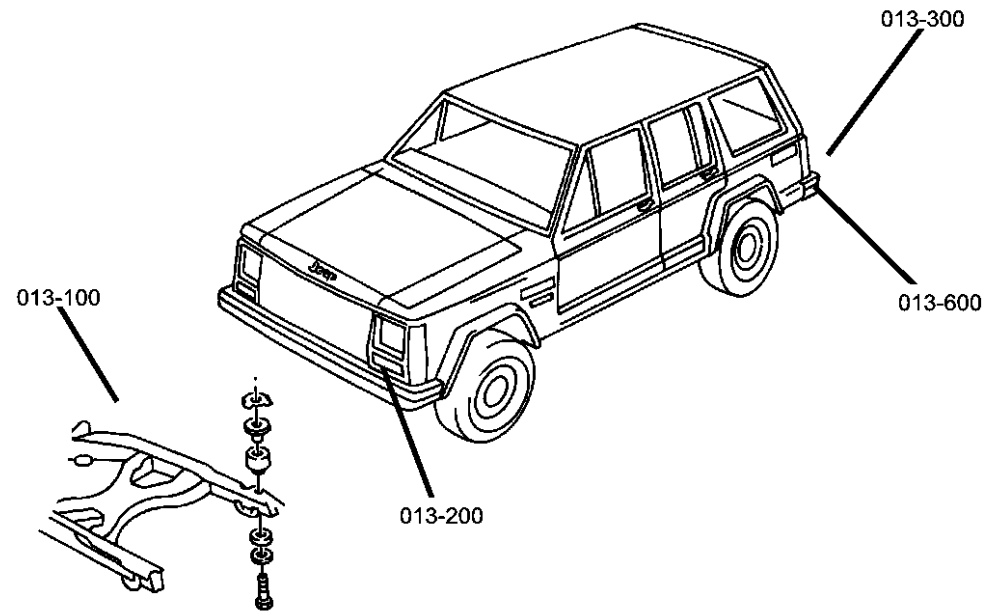
Bumper, FrontFig. 13 - 210
 Frame Upper SupportsFig. 13 - 220

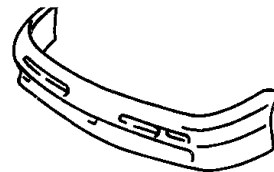


Rear Bumper and Fascia

Bumper, RearFig. 13 - 340

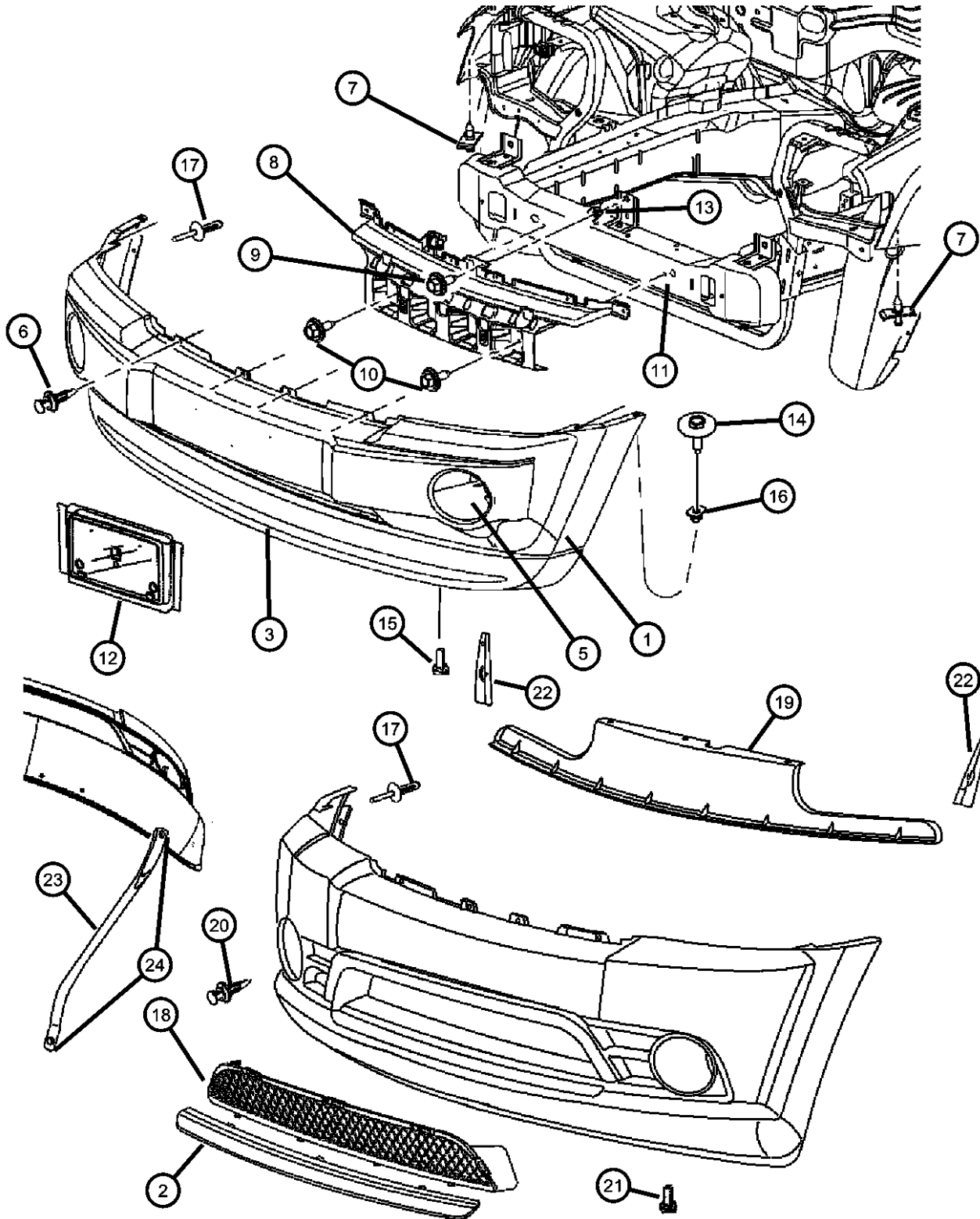
Trailer Tow

Tow EyeFig. 13 - 610
 Rear HitchFig. 13 - 620



<p>013-200 Front Bumper and Fascia</p> 	<p>013-300 Rear Bumper and Fascia</p> 	<p>013-600 Trailer Tow</p> 	
--	--	--	--

Bumper, Front
Figure 13-210



ITEM	PART NUMBER	QTY	LINE	SERIES	BODY	ENGINE	TRANS	TRIM	DESCRIPTION
1	05029989AC	1	J, T	X	74				FASCIA, Front [SRT-8], With Bright Insert, Not included see item #2
	05159124AA	1	J, T	H, P	74				With Bright Insert, Not included see item #2
		1	J, T	S	74				With Bright Insert, Not included see item #2
	05159130AA	1	J, T		74				Without Bright Insert
2									APPLIQUE, Fascia
	05159127AA	1	J, T	H, P	74				
	05179394AA	1	J, T	S	74				
	05030069AA	1	J, T	X	74				
3									AIR DAM
	05159125AA	1	J, T	H, P	74				
	05179393AA	1	J, T	S	74				
-4	05159132AA	1	J, T		74				RETAINER, Air Dam
5	05183440AA	1	J, T		74				COVER, Lamp Opening
6	04857108	4	J, T		74				RETAINER, Fascia Attaching
7	55157112AB	2	J, T		74				PIN, Push, Fascia to Fender
8	55156878AE	1	J, T		74				BRACKET, Fascia, To Lower Crossmember
9	06508237AA	1	J, T		74				SCREW
10	06505903AA	2	J, T		74				SCREW AND WASHER, Self Tapping, M6x1x22
11	05166082AA	1	J, T		74				CROSSMEMBER, Underbody
12	55156796AA	1	J, T		74				LICENSE PLATE KIT
13	06508072AA	1	J, T		74				NUT, Fascia to Crossmember
14	06505520AA	2	J, T		74				SCREW, Hex Head, M4.2 x 1.70 x 33.50, Fascia Attach
15	06505903AA	3	J, T		74				SCREW AND WASHER, Self Tapping, M6x1x22, Fascia Bracket to Body
16	55157298AB	2	J, T		74				GROMMET, Fascia, Fascia to Fender
17	06500911	4	J, T		74				RIVET, M6.25x28, Fender Liner to Fascia
18	05030066AB	1	J, T	X	74				GRILLE, Fascia
19	05029991AB	1	J, T	X	74				BRACKET, Fascia

GRAND CHEROKEE (WK)

SERIES LINE
H = HIGHLINE T = JEEP - 2WD
P = PREMIUM J = JEEP - 4WD
S = SPORT
X = SPECIAL

BODY
74 = SPORT UTILITY 4-DR
TYPE #4

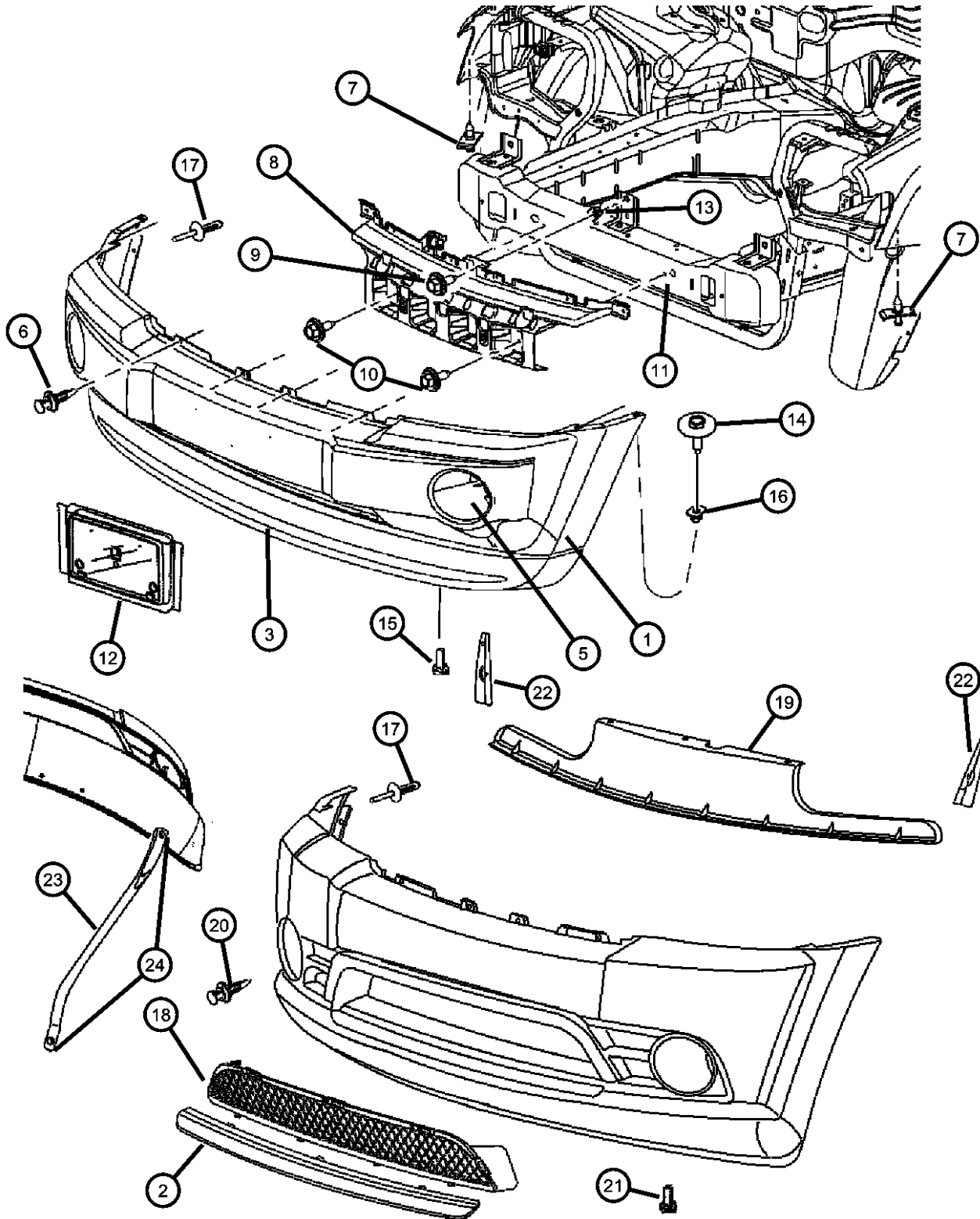
ENGINE
EVA = 4.7L V8 MPI Engine
EVD = 4.7L V8 FFV Engine
EXL = 3.0L V6 Turbo Diesel
Engine
EZB = 5.7L Hemi Multi
Displacement Engine
EKG = 3.7L V6 Engine
ESF = 6.1L SRT HEMI SMPI
V8 Engine

TRANSMISSION
DGJ = 5-Speed Auto W5A580
Transmission
DGQ = 5-Spd Automatic 545RFE
Transmission
DGU = 5-Spd Auto W5J400
Transmission

AR = use ase required - = Non illustrated part

2007 WK

Bumper, Front
Figure 13-210



ITEM	PART NUMBER	QTY	LINE	SERIES	BODY	ENGINE	TRANS	TRIM	DESCRIPTION
20	06503598	6	J, T		74				PIN, Push, M8x21, Grille Attach
21	06506579AA	4	J, T	X	74				SCREW, Tapping, M6X2.69X21.55
22									EXTENSION, Front Fascia
	05030267AB	1	J, T	X	74				Left
	05030266AB	1	J, T	X	74				Right
23	05030620AA	2	J, T	X	74				SUPPORT, Front Fascia, [SRT8]
24	06505269AA	4		H, P, S					SCREW AND WASHER, Hex Head

GRAND CHEROKEE (WK)

SERIES LINE
H = HIGHLINE T = JEEP - 2WD
P = PREMIUM J = JEEP - 4WD
S = SPORT
X = SPECIAL

BODY
74 = SPORT UTILITY 4-DR
TYPE #4

ENGINE
EVA = 4.7L V8 MPI Engine
EVD = 4.7L V8 FFV Engine
EXL = 3.0L V6 Turbo Diesel
Engine
EZB = 5.7L Hemi Multi
Displacement Engine
EKG = 3.7L V6 Engine
ESF = 6.1L SRT HEMI SMPI
V8 Engine

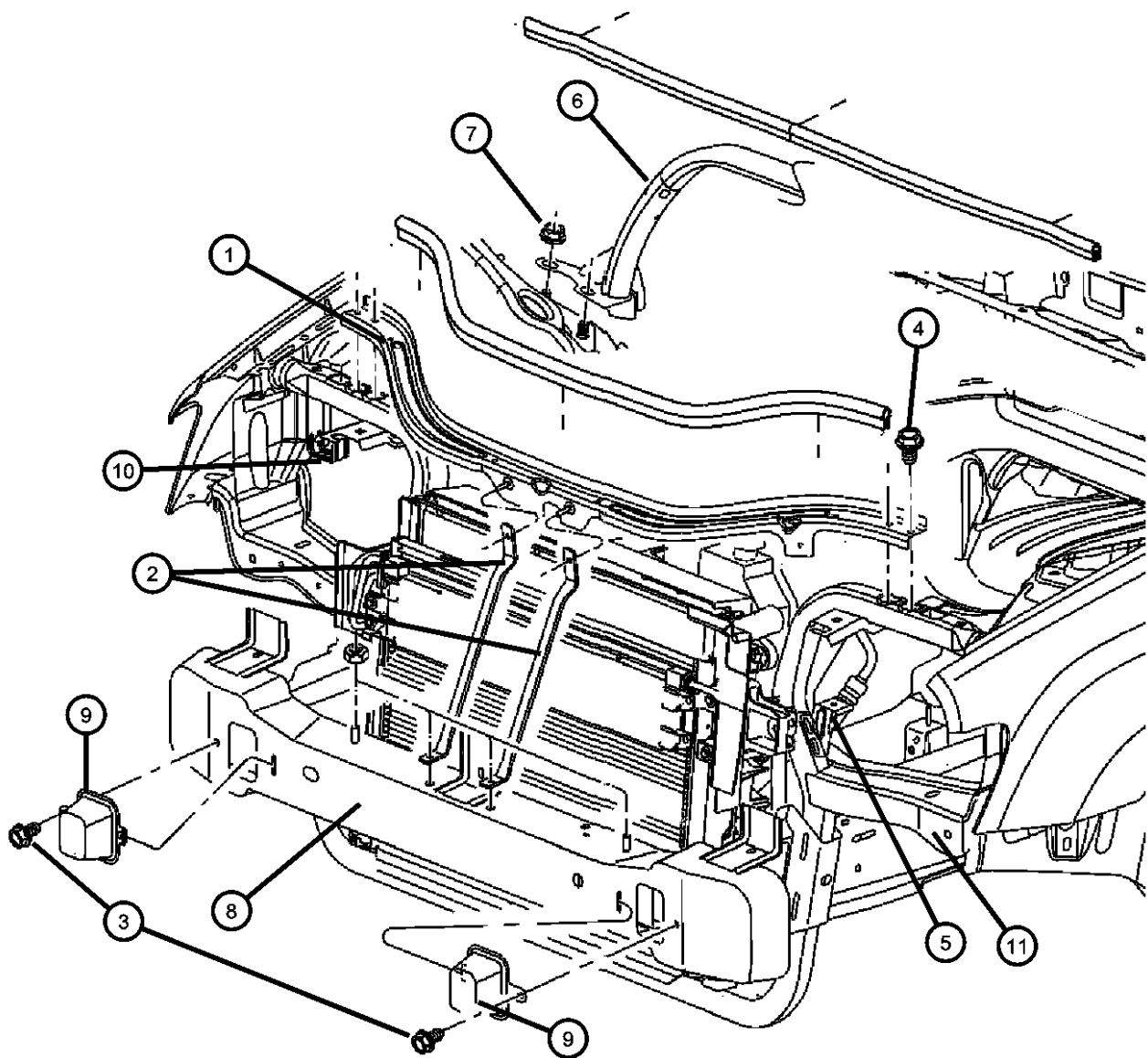
TRANSMISSION
DGJ = 5-Speed Auto W5A580
Transmission
DGQ = 5-Spd Automatic 545RFE
Transmission
DGU = 5-Spd Auto W5J400
Transmission

AR = use ase required - = Non illustrated part

2007 WK

Frame Upper Supports
Figure 13-220

ITEM	PART NUMBER	QTY	LINE	SERIES	BODY	ENGINE	TRANS	TRIM	DESCRIPTION
1	55394951AF	1	J, T		74				CROSSMEMBER, Radiator
2	55394098AD	2	J, T		74				BRACE, Radiator Crossmember
3	06505903AA	2	J, T		74				SCREW AND WASHER, Self Tapping, M6x1x22, Crush Can Attaching
4	06104368AA	4	J, T		74				BOLT AND WASHER, Hex Head, M6X1.00X25.00
5									BRACKET, Air Bag
	55396820AB	1	J, T		74				
	55396821AB	1	J, T		74			Right	
6									BRACE, Suspension
	55396886AC	1	J, T	H, P, S	74				
	05030257AB	1		X				Left	
7	06502697	8							NUT, Hex Flange Lock, M12x1.75
8	05166082AA	1	J, T		74				CROSSMEMBER, Underbody
9	55360410AA	2	J, T		74				SPACER, Jounce Bumper
10									BRACKET, Headlamp
	68019040AA	1	J, T		74			Right	
	68019041AA	1	J, T		74			Left	
11									BRACKET, Fender Dog Leg
	68019061AA	1	J, T		74			Left	
	68019060AA	1	J, T		74			Right	



GRAND CHEROKEE (WK)

SERIES LINE
H = HIGHLINE T = JEEP - 2WD
P = PREMIUM J = JEEP - 4WD
S = SPORT
X = SPECIAL

BODY
74 = SPORT UTILITY 4-DR
TYPE #4

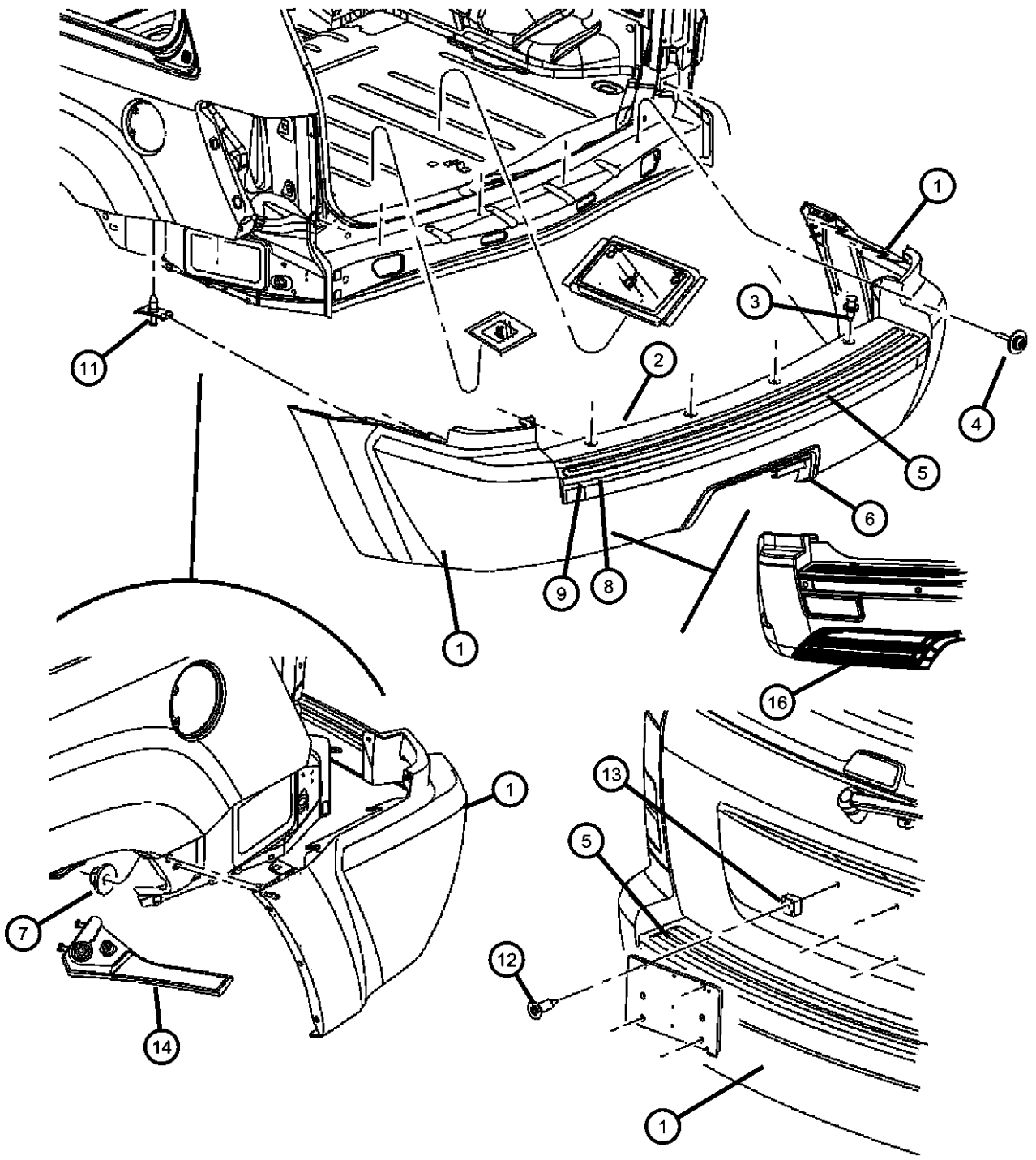
ENGINE
EVA = 4.7L V8 MPI Engine
EVD = 4.7L V8 FFV Engine
EXL = 3.0L V6 Turbo Diesel
Engine
EZB = 5.7L Hemi Multi
Displacement Engine
EKG = 3.7L V6 Engine
ESF = 6.1L SRT HEMI SMPI
V8 Engine

TRANSMISSION
DGJ = 5-Speed Auto W5A580
Transmission
DGQ = 5-Spd Automatic 545RFE
Transmission
DGU = 5-Spd Auto W5J400
Transmission

AR = use ase required - = Non illustrated part

2007 WK

Bumper, Rear
Figure 13-340



ITEM	PART NUMBER	QTY	LINE	SERIES	BODY	ENGINE	TRANS	TRIM	DESCRIPTION
1									FASCIA, Rear
	05159086AA	1	J, T	P	74				With Hitch Bezel
		1	J, T	S	74				
		1	J, T	H	74				With Hitch Bezel, With Parksense [XAA]
	05159094AC	1	J, T	H	74				With Hitch Bezel, Without Parksense [XAA]
	05029990AA	1	J, T	X	74				[SRT-8], With Bright Insert
	05159058AC	1	J, T	H	74				Without Hitch Bezel, Without Parksense [XAA]
	05159091AA	1	J, T	P	74				Without Hitch Bezel
		1	J, T	H	74				Without Hitch Bezel, With Parksense [XAA]
2									ABSORBER, Rear Energy
	05159059AB	1	J, T	S	74				
		1	J, T	H	74				
	68001049AA	1	J, T	X	74				[SRT-8]
3	06503598	4	J, T	X	74				PIN, Push, M8x21, Step Pad to Fascia
4	06036585AA	2	J, T		74				SCREW
5									STEP PAD, Rear Fascia
	05159080AA	1	J, T	H	74				
		1	J, T	P	74				
6									BEZEL, Hitch
	05159088AA	1	J, T	P	74				
		1	J, T	H	74				
7	06100048	2	J, T		74				NUT, Hex, M6x1.00, Fascia to Body Side
8									NERF, Fascia, Bright
	05159087AA	1	J, T	P	74				Without Parksense [XAA]
		1	J, T	X	74				Without Parksense [XAA]
9									NERF, Fascia
	68002109AA	1	J, T	H	74				
	05159095AA	1	J, T	X	74				With Parksense [XAA]
	05179427AA	1	J, T	S	74				
		1	J, T	P	74				With Parksense [XAA]

GRAND CHEROKEE (WK)

SERIES LINE
H = HIGHLINE T = JEEP - 2WD
P = PREMIUM J = JEEP - 4WD
S = SPORT
X = SPECIAL

BODY
74 = SPORT UTILITY 4-DR
TYPE #4

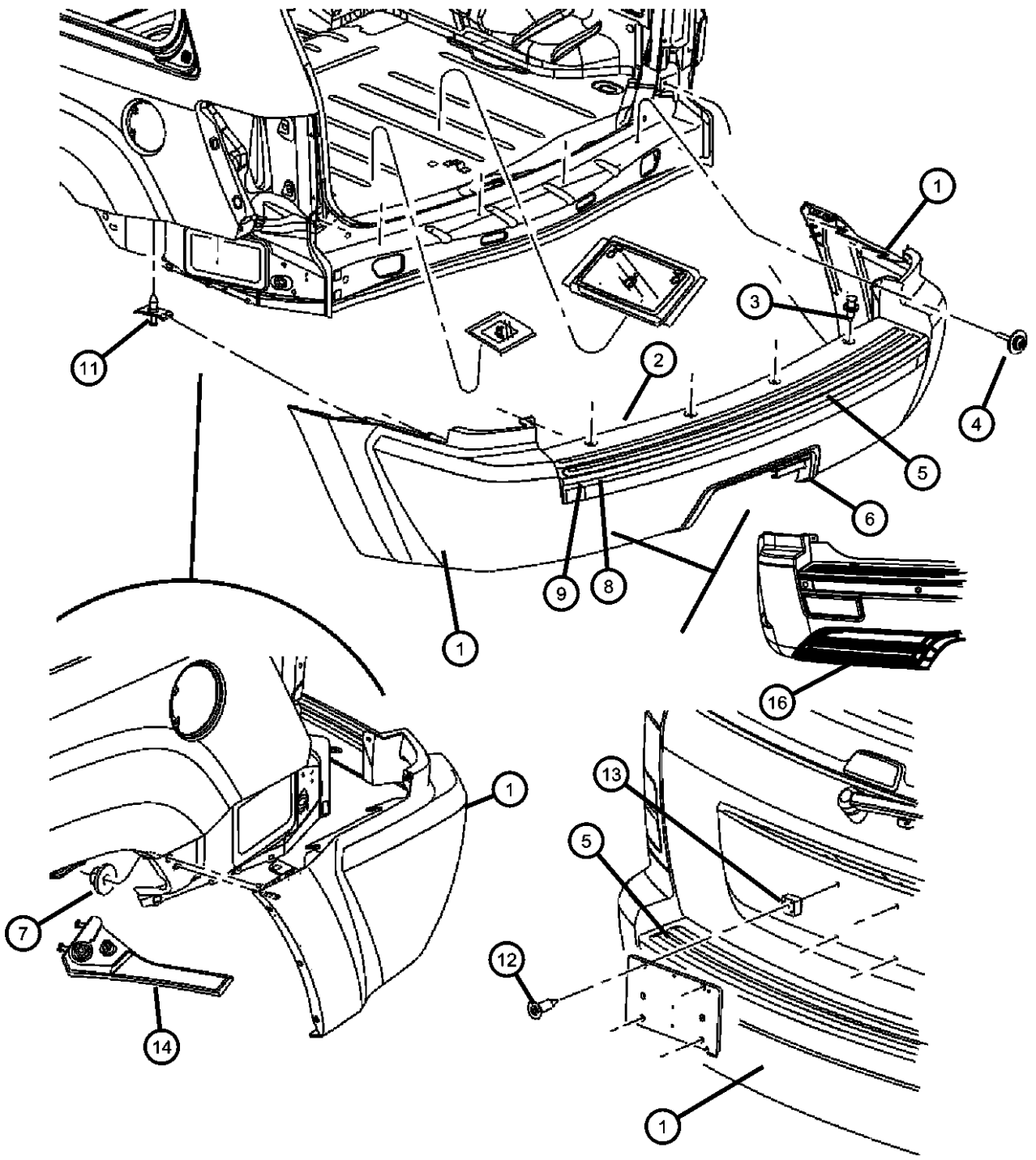
ENGINE
EVA = 4.7L V8 MPI Engine
EVD = 4.7L V8 FFV Engine
EXL = 3.0L V6 Turbo Diesel
Engine
EZB = 5.7L Hemi Multi
Displacement Engine
EKG = 3.7L V6 Engine
ESF = 6.1L SRT HEMI SMPI
V8 Engine

TRANSMISSION
DGJ = 5-Speed Auto W5A580
Transmission
DGQ = 5-Spd Automatic 545RFE
Transmission
DGU = 5-Spd Auto W5J400
Transmission

AR = use ase required - = Non illustrated part

2007 WK

Bumper, Rear
Figure 13-340



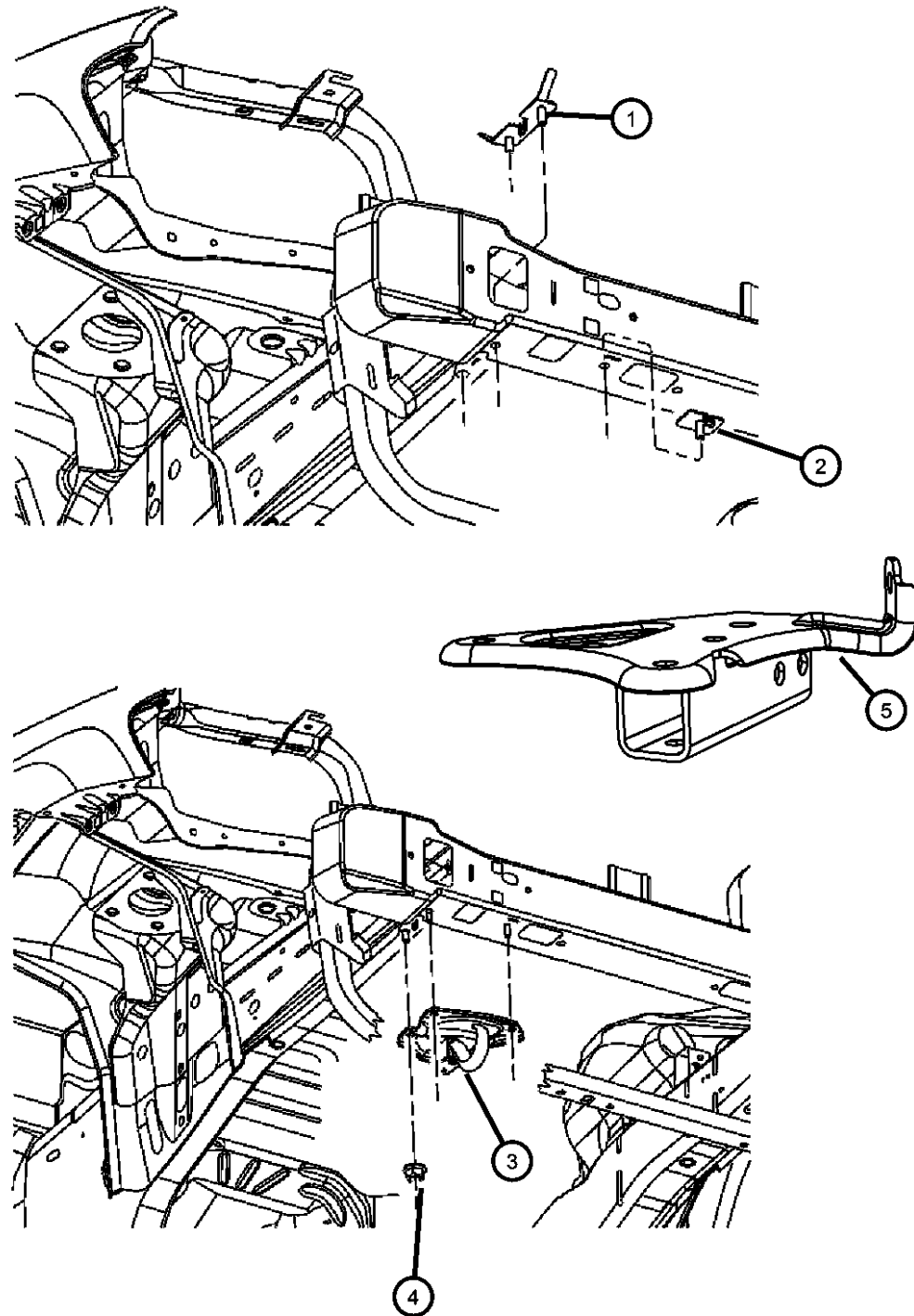
ITEM	PART NUMBER	QTY	LINE	SERIES	BODY	ENGINE	TRANS	TRIM	DESCRIPTION
-10									CLIP, Spring
	04806226AA	3	J, T	H	74				
		3	J, T	X	74				
11	55157112AB	4	J, T		74				PIN, Push
12	04270974	1	J, T		74				LICENSE PLATE KIT, Hardware
13	04860786AB	4	J, T		74				NUT, Plastic Snap-in
14									RETAINER, Fascia, Wing Tip Retainer
	05159078AA	1	J, T	X	74				Right
		1	J, T	H	74				Right
		1	J, T	S	74				Right
		1	J, T	P	74				Right
	05159079AA	1	J, T	S	74				Left
		1	J, T	X	74				Left
		1	J, T	P	74				Left
		1	J, T	H	74				Left
-15									CLIP, Fascia, Under Tail Lamps
	05159077AB	2	J, T	H	74				
		2	J, T	X	74				
		2	J, T	S	74				
16	68036603AA	1	J, T	X	74				TAPE KIT, Rear Fascia, Blackout, Red & Silver Vehicles Only

GRAND CHEROKEE (WK)

SERIES	LINE	BODY	ENGINE	TRANSMISSION
H = HIGHLINE	T = JEEP - 2WD	74 = SPORT UTILITY 4-DR TYPE #4	EVA = 4.7L V8 MPI Engine	DGJ = 5-Speed Auto W5A580 Transmission
P = PREMIUM	J = JEEP - 4WD		EVD = 4.7L V8 FFV Engine	DGQ = 5-Spd Automatic 545RFE Transmission
S = SPORT			EXL = 3.0L V6 Turbo Diesel Engine	DGU = 5-Spd Auto W5J400 Transmission
X = SPECIAL			EZB = 5.7L Hemi Multi Displacement Engine	
			EKG = 3.7L V6 Engine	
			ESF = 6.1L SRT HEMI SMPI V8 Engine	

AR = use ase required - = Non illustrated part

Tow Eye
Figure 13-610



ITEM	PART NUMBER	QTY	LINE	SERIES	BODY	ENGINE	TRANS	TRIM	DESCRIPTION
1	52090140AA	2	J, T		74				STUD PLATE
2	52090141AA	2	J, T		74				STUD PLATE
3									HOOK, Tow
	52089357AB	1	J, T		74				Right
	52089360AB	1	J, T		74				Left
	55396914AA	1	J, T		74				Bright, Right
	55396915AA	1	J, T		74				Bright, Left
4	06101696	6							NUT, Hex Flange Lock, M14x1.50
5	52089364AC	1	J, T		74				BRACKET, Tow Hook

GRAND CHEROKEE (WK)

SERIES LINE
H = HIGHLINE T = JEEP - 2WD
P = PREMIUM J = JEEP - 4WD
S = SPORT
X = SPECIAL

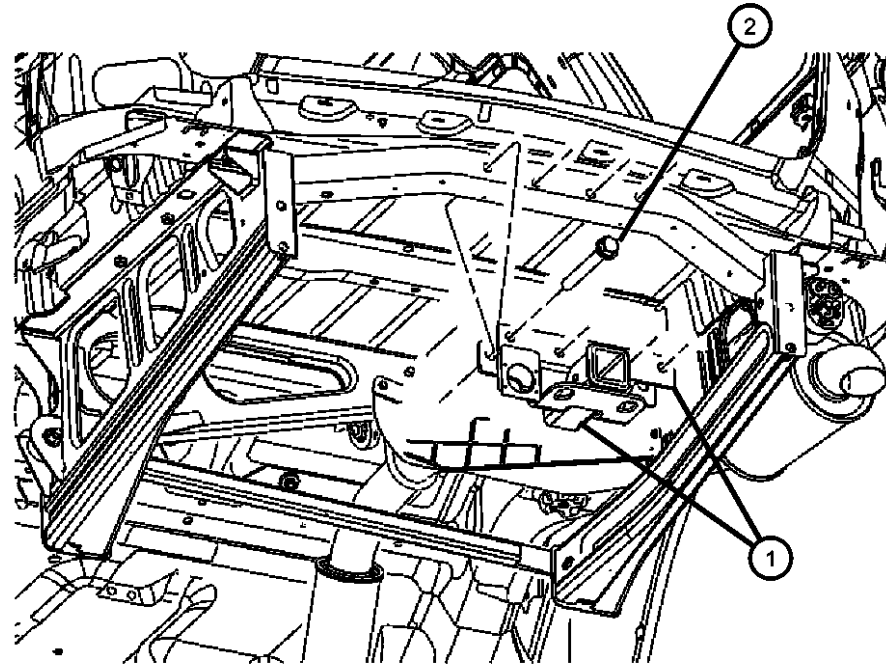
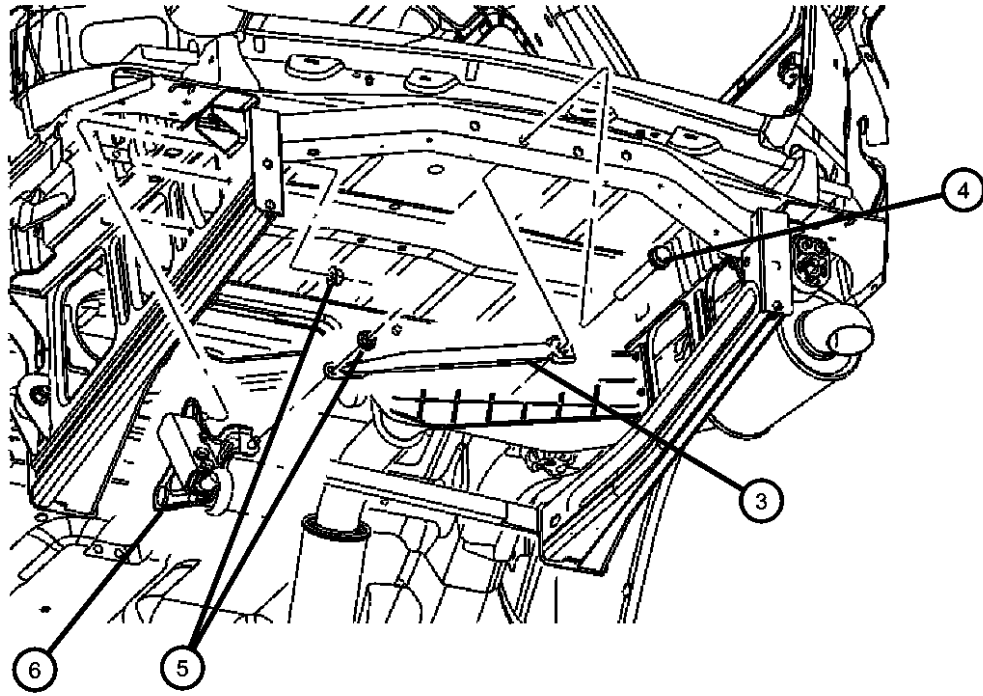
BODY
74 = SPORT UTILITY 4-DR
TYPE #4

ENGINE
EVA = 4.7L V8 MPI Engine
EVD = 4.7L V8 FFV Engine
EXL = 3.0L V6 Turbo Diesel
Engine
EZB = 5.7L Hemi Multi
Displacement Engine
EKG = 3.7L V6 Engine
ESF = 6.1L SRT HEMI SMPI
V8 Engine

TRANSMISSION
DGJ = 5-Speed Auto W5A580
Transmission
DGQ = 5-Spd Automatic 545RFE
Transmission
DGU = 5-Spd Auto W5J400
Transmission

Rear Hitch
Figure 13-620

ITEM	PART NUMBER	QTY	LINE	SERIES	BODY	ENGINE	TRANS	TRIM	DESCRIPTION
1	82208228	1							RECEIVER KIT, Trailer Tow
2		1							SCREW, Hex Flange Head, M14x2x110, 10x1.5x20, (NOT SERVICED)
3	52090399AC	1	J, T		74				BRACE, Tow Hook
4	06104462AA	1	J, T		74				SCREW, Hex Head, Brace to Cradle
5	06502835	4							NUT, Hex Flange Lock, M12x1.75, Attaching to Rear Cradle
6	52089363AC	1	J, T		74				HOOK, Tow



GRAND CHEROKEE (WK)

SERIES LINE
H = HIGHLINE T = JEEP - 2WD
P = PREMIUM J = JEEP - 4WD
S = SPORT
X = SPECIAL

BODY
74 = SPORT UTILITY 4-DR
TYPE #4

ENGINE
EVA = 4.7L V8 MPI Engine
EVD = 4.7L V8 FFV Engine
EXL = 3.0L V6 Turbo Diesel
Engine
EZB = 5.7L Hemi Multi
Displacement Engine
EKG = 3.7L V6 Engine
ESF = 6.1L SRT HEMI SMPI
V8 Engine

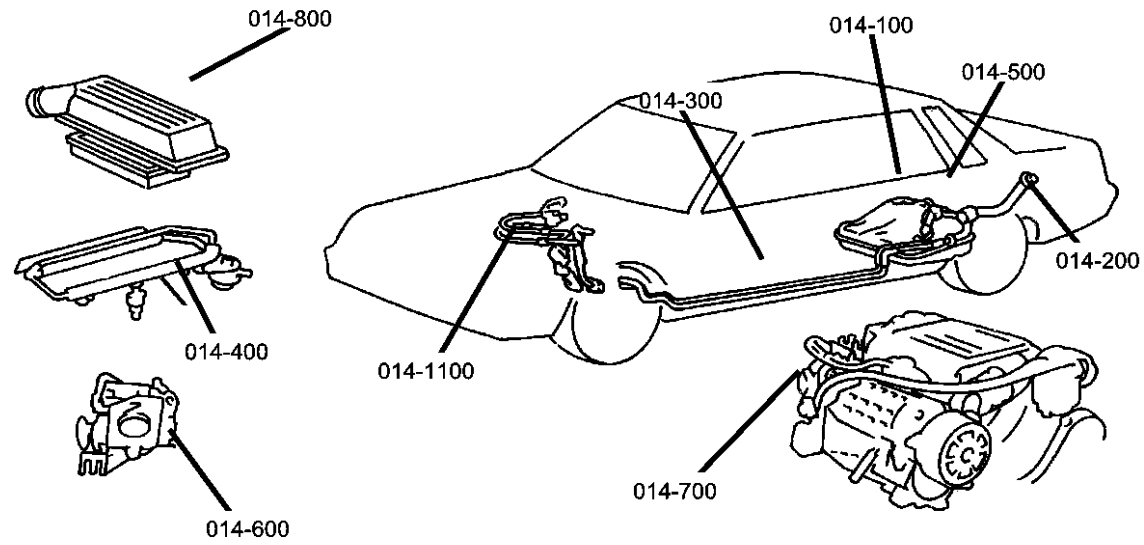
TRANSMISSION
DGJ = 5-Speed Auto W5A580
Transmission
DGQ = 5-Spd Automatic 545RFE
Transmission
DGU = 5-Spd Auto W5J400
Transmission

AR = use ase required - = Non illustrated part

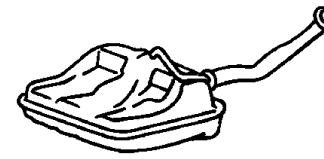
2007 WK

Group - 14

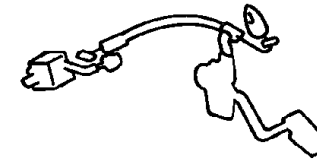
Fuel



014-100
Tank, Fuel



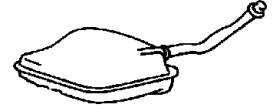
014-1000
Speed Control



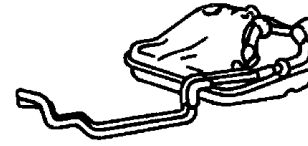
014-1100
Accelerator Pedal



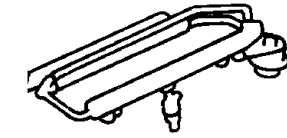
014-200
Fuel Tank Filler Tube



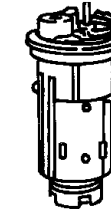
014-300
Fuel Lines



014-400
Fuel Rail



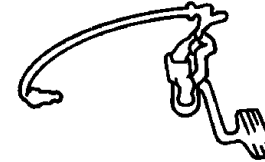
014-500
Fuel Pump and Sending Unit



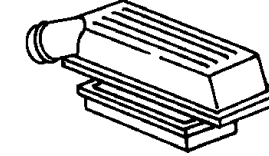
014-600
Throttle Body



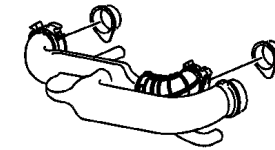
014-700
Throttle Controls



014-800
Air Cleaner



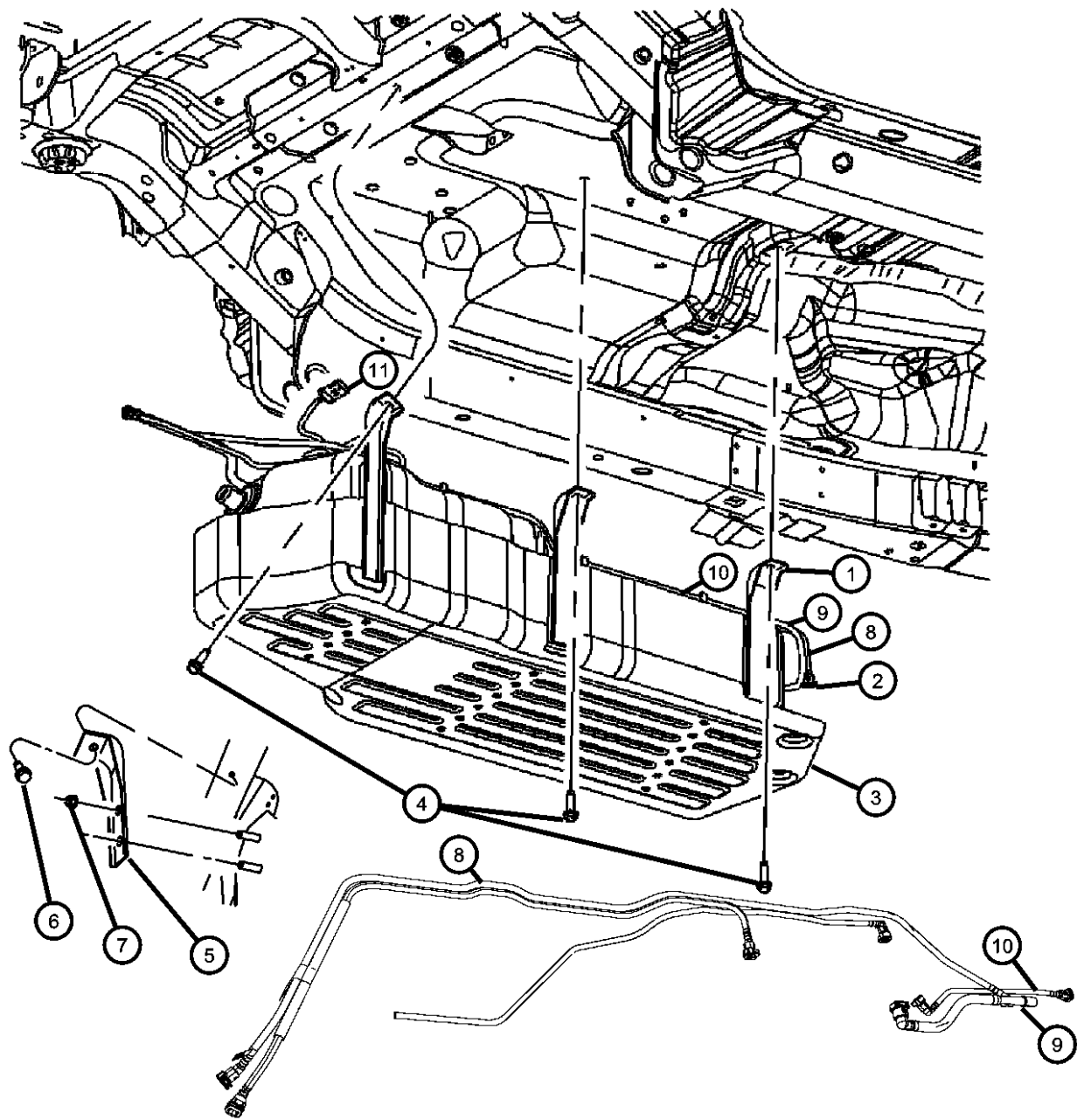
014-900
Air Intake System



Group - 14 Fuel

Illustration Title	Group-Fig. No.
Tank, Fuel	
Fuel Tank	Fig. 14 - 110
Fuel Tank Filler Tube	
Fuel Tank Filler Tube.....	Fig. 14 - 210
Fuel Lines	
Fuel Lines,Chassis Bundle 3.7L [EK0] 4.7L [EV0].....	Fig. 14 - 330
Fuel Line Chassis Bundle 3.0L [EXL] 5.7L [EZ0] 6.1L [ESF]	Fig. 14 - 340
Fuel Rail	
Fuel Rail	Fig. 14 - 410
Fuel Rail Diesel 3.0L [EXL]	Fig. 14 - 430
Fuel Injection Pump Diesel 3.0L [EXL]	Fig. 14 - 440
Fuel Pump and Sending Unit	
Fuel Pump and Sending Unit,	Fig. 14 - 510
Fuel Injection Pump	Fig. 14 - 520
Fuel Filter and Related.....	Fig. 14 - 530
Throttle Body	
Throttle Body	Fig. 14 - 610
Turbocharger	Fig. 14 - 615
Throttle Control 3.0L [EX0]	Fig. 14 - 620
Throttle Controls	
Throttle Controls.....	Fig. 14 - 720
Air Cleaner	
Air Cleaner.....	Fig. 14 - 820
Air Intake System	
Air Intake System	Fig. 14 - 910
Speed Control	
Speed Control	Fig. 14 - 1010
Accelerator Pedal	
Pedal Brake, Power Adjustable	Fig. 14 - 1110

Fuel Tank
Figure 14-110



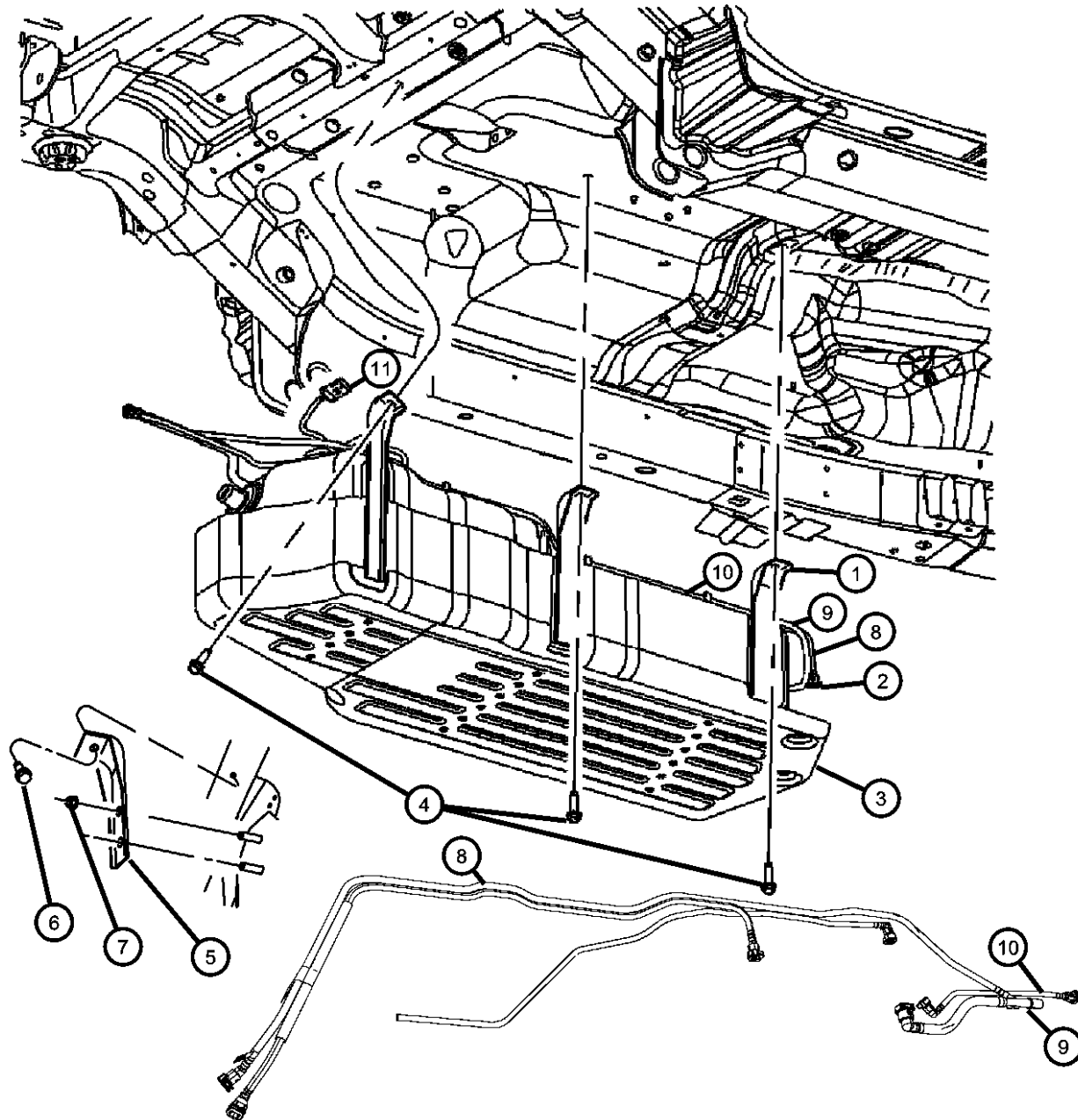
ITEM	PART NUMBER	QTY	LINE	SERIES	BODY	ENGINE	TRANS	TRIM	DESCRIPTION
1	52090411AC	1							BRACKET, Fuel Tank
2									TANK, Fuel
	68033748AA	1	J, T		74	EX0			
	68025089AA	1	J, T		74	EZ0, EK0, ES0, EVA			
	68025106AA	AR	J, T		74	EVD			
3									GUARD, Brush, Fuel Tank
	52090270AF	1	J, T		74	EVD			[NGB, -XEE]
		1	J, T		74	EVD			[NGB, XEE]
		1	J, T		74	EK0, ES0, EVA, EZ0			[NGB, -XEE]
		1	J, T		74	EK0, ES0, EVA, EZ0			[NGB, XEE]
		1	J, T		74	EX0			[NFB, XEE]
		1	J, T		74	EX0			[NFB, -XEE]
4	06508267AA	1							BOLT AND WASHER, Hex Head, M12x1.75x40.00
5	52090411AC	1							BRACKET, Fuel Tank
6	06508267AA	2							BOLT AND WASHER, Hex Head, M12x1.75x40.00
7	06502835	2							NUT, Hex Flange Lock, M12x1.75
8									TUBE, Fuel Module to Supply Line
	68027883AA	1	J, T		74	EVD			
	68027879AB	1	J, T		74	EK0, ES0, EVA, EZ0			
9									TUBE, Fuel Vapor
	68027880AA	1	J, T		74	EVD			
		1	J, T		74	EK0, ES0, EVA, EZ0			
10									TUBE, Fuel Vapor Recirculation
	05143791AA	1	J, T		74	EK0, ES0, EVA, EZ0			
		1	J, T		74	EVD			
11									WIRING, Fuel Module
	05174702AA	1	J, T		74	EX0			
	68027924AA	1	J, T		74	EVD			

GRAND CHEROKEE (WK)
 SERIES LINE BODY ENGINE TRANSMISSION
 H = HIGHLINE T = JEEP - 2WD 74 = SPORT UTILITY 4-DR EVA = 4.7L V8 MPI Engine DGJ = 5-Speed Auto W5A580
 P = PREMIUM J = JEEP - 4WD TYPE #4 EVD = 4.7L V8 FFV Engine Transmission
 S = SPORT EXL = 3.0L V6 Turbo Diesel DGQ = 5-Spd Automatic 545RFE
 X = SPECIAL Engine Displacement Transmission
 EZB = 5.7L Hemi Multi DGU = 5-Spd Auto W5J400
 Displacement Engine Transmission
 EKG = 3.7L V6 Engine
 ESF = 6.1L SRT HEMI SMPI V8 Engine

AR = use ase required - = Non illustrated part

Fuel Tank
Figure 14-110

ITEM	PART NUMBER	QTY	LINE	SERIES	BODY	ENGINE	TRANS	TRIM	DESCRIPTION
	05143963AB	1	J, T		74	EK0, ES0, EVA, EZ0			
-12	05143792AA	1	J, T		74	EVD			TUBE, Fuel Supply



GRAND CHEROKEE (WK)

SERIES LINE
 H = HIGHLINE T = JEEP - 2WD
 P = PREMIUM J = JEEP - 4WD
 S = SPORT
 X = SPECIAL

BODY
 74 = SPORT UTILITY 4-DR
 TYPE #4

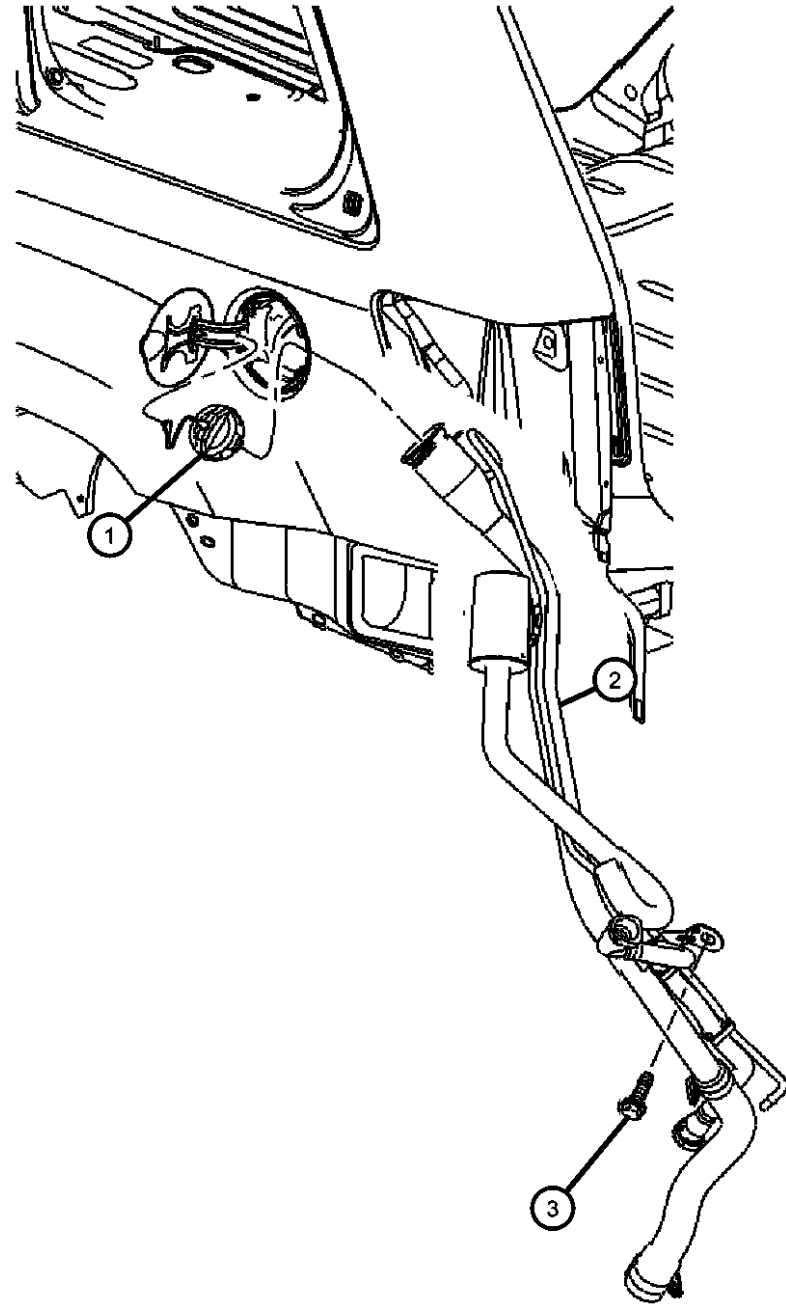
ENGINE
 EVA = 4.7L V8 MPI Engine
 EVD = 4.7L V8 FFV Engine
 EXL = 3.0L V6 Turbo Diesel
 Engine
 EZB = 5.7L Hemi Multi
 Displacement Engine
 EKG = 3.7L V6 Engine
 ESF = 6.1L SRT HEMI SMPI
 V8 Engine

TRANSMISSION
 DGJ = 5-Speed Auto W5A580
 Transmission
 DGQ = 5-Spd Automatic 545RFE
 Transmission
 DGU = 5-Spd Auto W5J400
 Transmission

AR = use ase required - = Non illustrated part

2007 WK

Fuel Tank Filler Tube
Figure 14-210



ITEM	PART NUMBER	QTY	LINE	SERIES	BODY	ENGINE	TRANS	TRIM	DESCRIPTION
1	52124512AA	1	J, T		74	EK0, ES0, EV0, EZ0			CAP, Fuel Filler
	52124513AA	1	J, T		74	EX0			
	52124596AA	1	J, T		74	EVD			
2	52124459AB	1	J, T		74	EX0			TUBE, Fuel Filler
	52124460AB	1	J, T		74	EK0, ES0, EV0, EZ0			
3	06104386AA	1	J, T		74				BOLT AND WASHER, Hex Head, M8X1.25X25.00

GRAND CHEROKEE (WK)

SERIES LINE
H = HIGHLINE T = JEEP - 2WD
P = PREMIUM J = JEEP - 4WD
S = SPORT
X = SPECIAL

BODY
74 = SPORT UTILITY 4-DR
TYPE #4

ENGINE
EVA = 4.7L V8 MPI Engine
EVD = 4.7L V8 FFV Engine
EXL = 3.0L V6 Turbo Diesel
Engine
EZB = 5.7L Hemi Multi
Displacement Engine
EKG = 3.7L V6 Engine
ESF = 6.1L SRT HEMI SMPI
V8 Engine

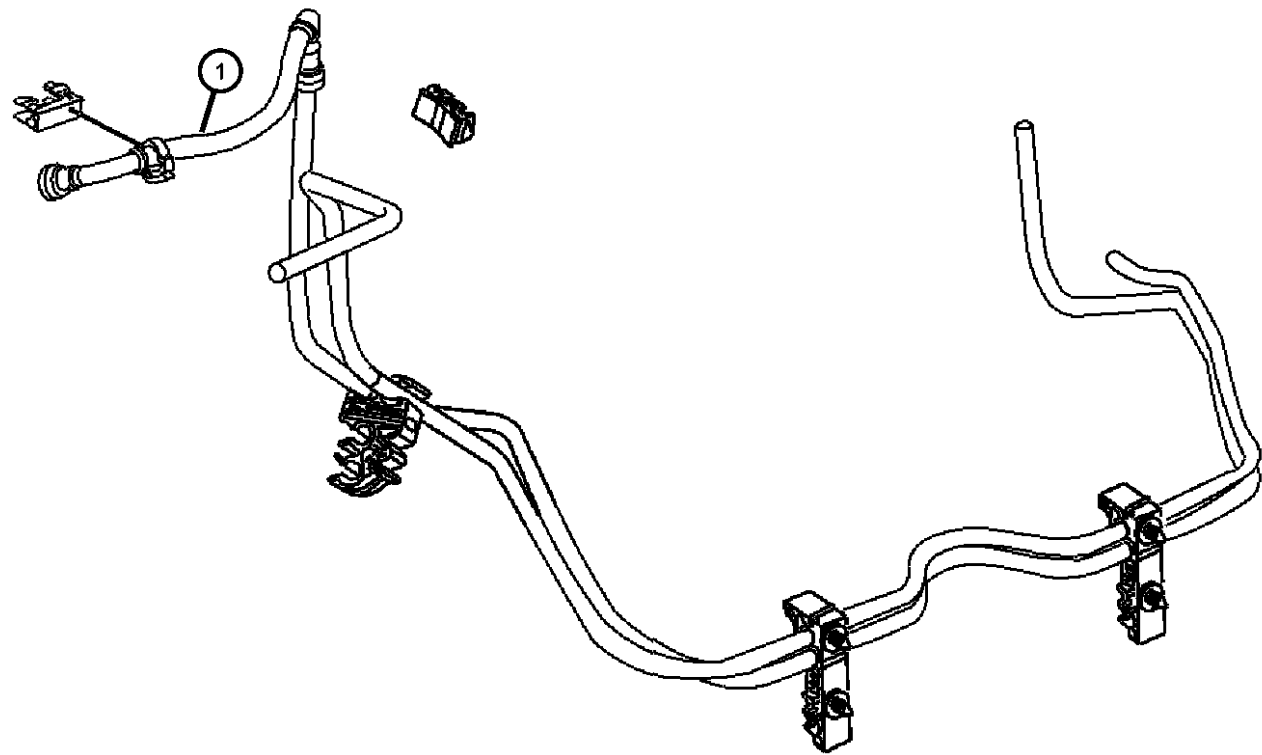
TRANSMISSION
DGJ = 5-Speed Auto W5A580
Transmission
DGQ = 5-Spd Automatic 545RFE
Transmission
DGU = 5-Spd Auto W5J400
Transmission

Fuel Lines,Chassis Bundle 3.7L [EK0] 4.7L [EV0]
Figure 14-330

ITEM	PART NUMBER	QTY	LINE	SERIES	BODY	ENGINE	TRANS	TRIM	DESCRIPTION
------	-------------	-----	------	--------	------	--------	-------	------	-------------

Note Sale Code: [EKG]="MAGNUM" 3.7L V6 ENGINE
[EVA]="MAGNUM" 4.7L V8 ENGINE

1	52124026AF	1	J, T		74	EK0, EV0			BUNDLE, Fuel and Brake Tube
---	------------	---	------	--	----	----------	--	--	-----------------------------



GRAND CHEROKEE (WK)

SERIES LINE
H = HIGHLINE T = JEEP - 2WD
P = PREMIUM J = JEEP - 4WD
S = SPORT
X = SPECIAL

BODY
74 = SPORT UTILITY 4-DR
TYPE #4

ENGINE
EVA = 4.7L V8 MPI Engine
EVD = 4.7L V8 FFV Engine
EXL = 3.0L V6 Turbo Diesel
Engine
EZB = 5.7L Hemi Multi
Displacement Engine
EKG = 3.7L V6 Engine
ESF = 6.1L SRT HEMI SMPI
V8 Engine

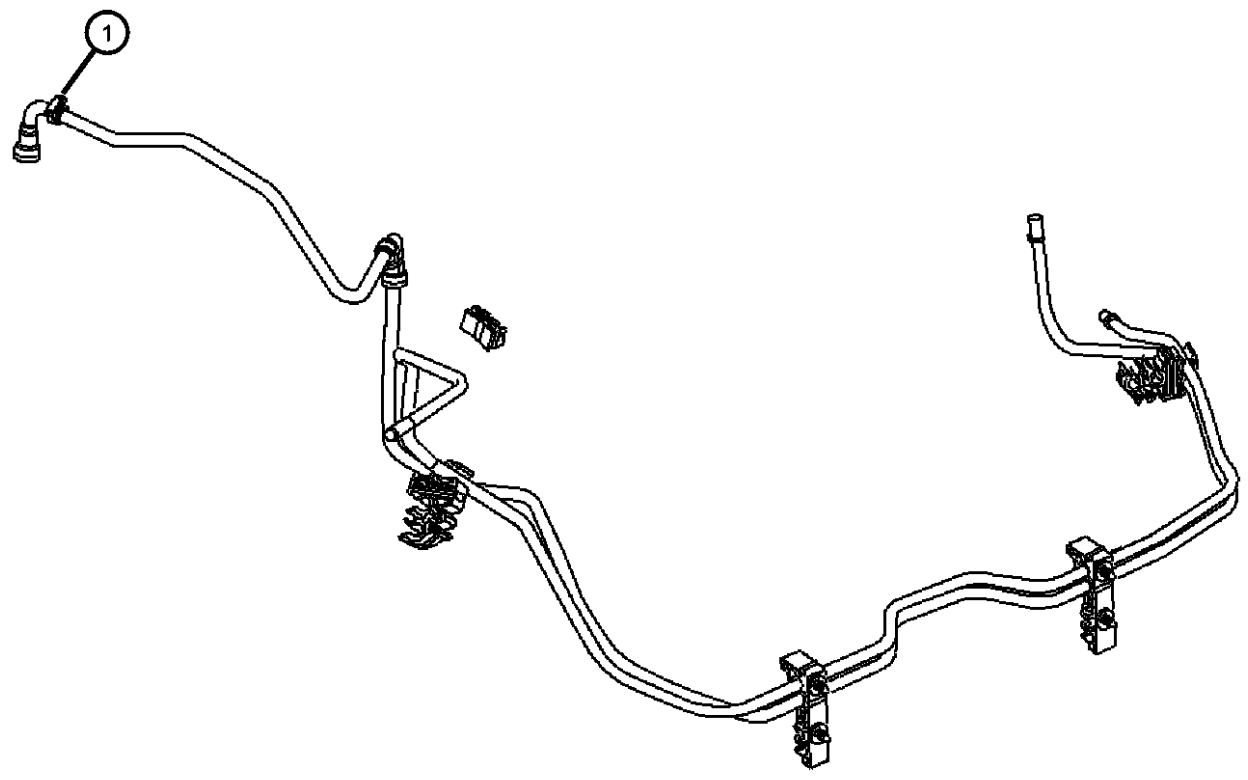
TRANSMISSION
DGJ = 5-Speed Auto W5A580
Transmission
DGQ = 5-Spd Automatic 545RFE
Transmission
DGU = 5-Spd Auto W5J400
Transmission

AR = use ase required - = Non illustrated part

2007 WK

**Fuel Line Chassis Bundle 3.0L [EXL] 5.7L [EZ0] 6.1L [ESF]
Figure 14-340**

ITEM	PART NUMBER	QTY	LINE	SERIES	BODY	ENGINE	TRANS	TRIM	DESCRIPTION
1									BUNDLE, Fuel and Brake Tube
	52124240AC	1	J, T		74	ESF, EZ0			
	52124444AB	1	J, T		74	EX0			



GRAND CHEROKEE (WK)

SERIES LINE
H = HIGHLINE T = JEEP - 2WD
P = PREMIUM J = JEEP - 4WD
S = SPORT
X = SPECIAL

BODY
74 = SPORT UTILITY 4-DR
TYPE #4

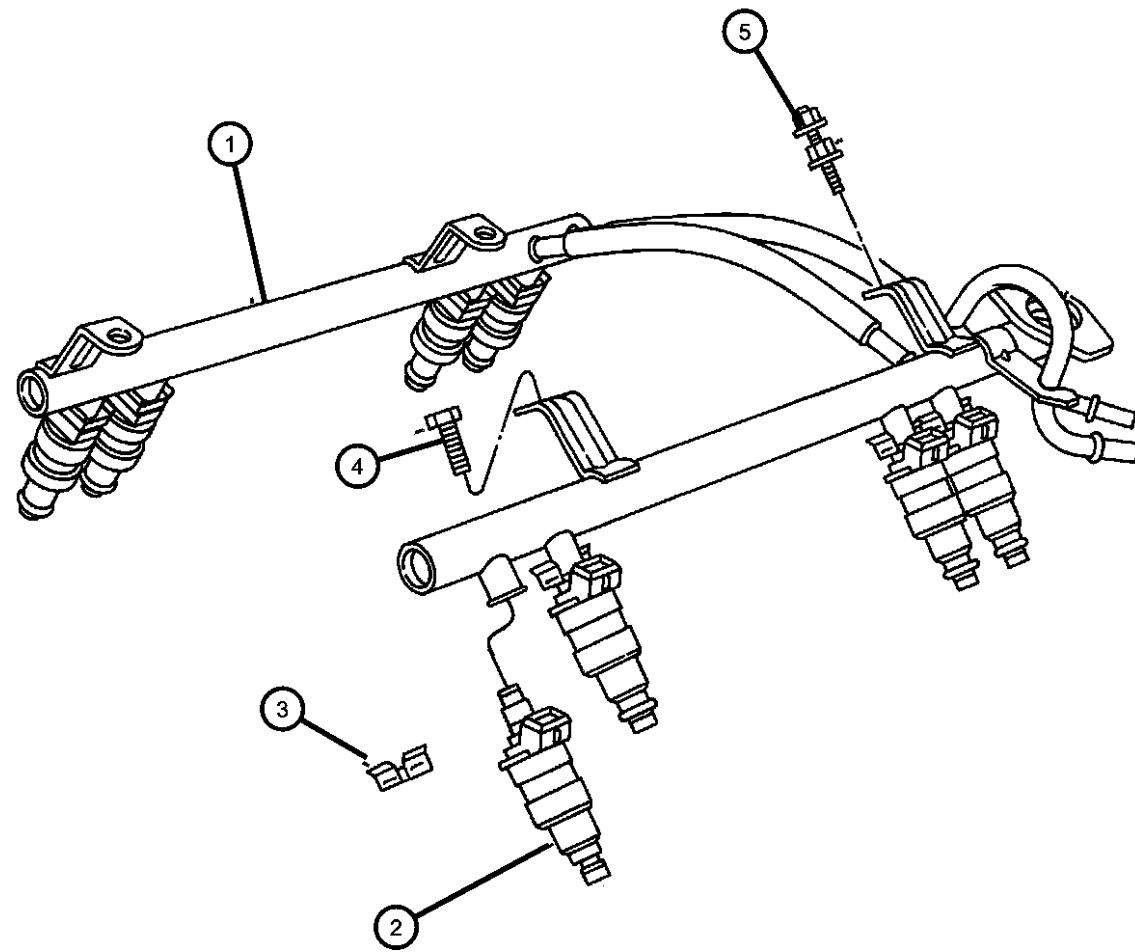
ENGINE
EVA = 4.7L V8 MPI Engine
EVD = 4.7L V8 FFV Engine
EXL = 3.0L V6 Turbo Diesel
Engine
EZB = 5.7L Hemi Multi
Displacement Engine
EKG = 3.7L V6 Engine
ESF = 6.1L SRT HEMI SMPI
V8 Engine

TRANSMISSION
DGJ = 5-Speed Auto W5A580
Transmission
DGQ = 5-Spd Automatic 545RFE
Transmission
DGU = 5-Spd Auto W5J400
Transmission

AR = use ase required - = Non illustrated part

2007 WK

Fuel Rail
Figure 14-410



ITEM	PART NUMBER	QTY	LINE	SERIES	BODY	ENGINE	TRANS	TRIM	DESCRIPTION
1									RAIL, Fuel
	04591853AG	1	J, T		74	EZB			
	68032065AA	1	J, T		74	EXL			Right Bank
	05037480AA	1	J, T		74	ESF			
	53031102AB	1	J, T		74	EK0			
	53032721AA	1	J, T		74	EVA, EVD			
	68014064AA	1	J, T		74	EXL			Line/Rail
	68014068AA	1	J, T		74	EXL			Left Bank
2									INJECTOR, Fuel
	53032704AB	8	J, T		74	EVA, EVD			
	04591851AA	8	J, T		74	EZB			
	05037479AA	8	J, T		74	ESF			
	53032701AA	6	J, T		74	EK0			
	68000881AA								Wholesale Bulk Injector Package - 70 pieces of 53032701AA
3									CLIP, Fuel Injector
	04418257AB	6	J, T		74	EK0			
	53032722AA	8	J, T		74	EVA, EVD			
4									BOLT, Hex Flange Head, M6X1.00X17.00
	06501979	1	J, T		74	EX0			
		1	J, T		74	EK0			
		1	J, T		74		DG0		
5									BOLT, Hex Flange Head, M6X1.00X27.00
	06505504AA	4	J, T		74	EVA, EVD			
		3	J, T		74	EK0, EVO			
-6	05083745AA	6				EK0			O RING KIT, Fuel Injector

GRAND CHEROKEE (WK)

SERIES LINE
H = HIGHLINE T = JEEP - 2WD
P = PREMIUM J = JEEP - 4WD
S = SPORT
X = SPECIAL

BODY
74 = SPORT UTILITY 4-DR
TYPE #4

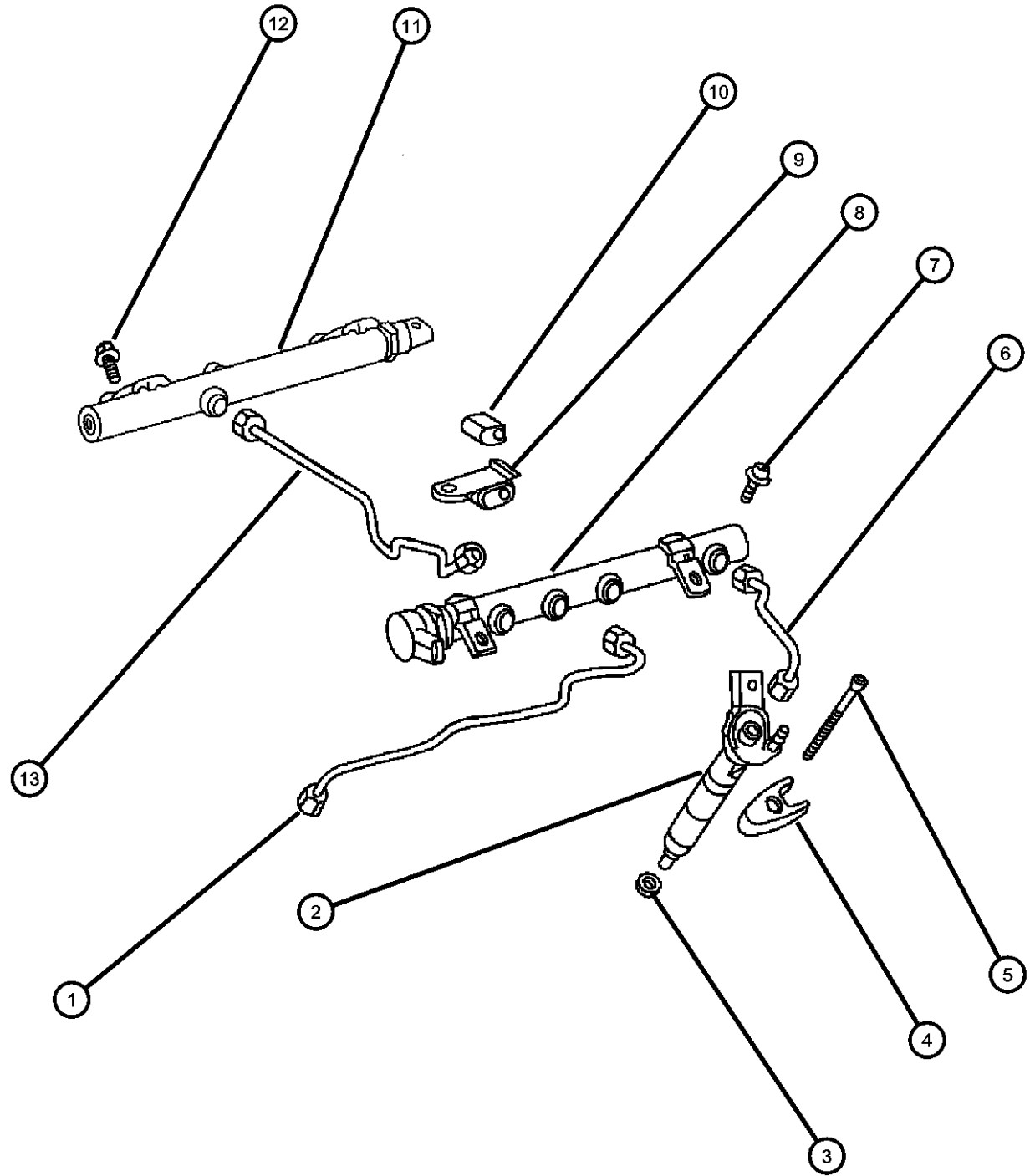
ENGINE
EVA = 4.7L V8 MPI Engine
EVD = 4.7L V8 FFV Engine
EXL = 3.0L V6 Turbo Diesel
Engine
EZB = 5.7L Hemi Multi
Displacement Engine
EKG = 3.7L V6 Engine
ESF = 6.1L SRT HEMI SMPI
V8 Engine

TRANSMISSION
DGJ = 5-Speed Auto W5A580
Transmission
DGQ = 5-Spd Automatic 545RFE
Transmission
DGU = 5-Spd Auto W5J400
Transmission

AR = use ase required - = Non illustrated part

2007 WK

Fuel Rail Diesel 3.0L [EXL]
Figure 14-430



ITEM	PART NUMBER	QTY	LINE	SERIES	BODY	ENGINE	TRANS	TRIM	DESCRIPTION
------	-------------	-----	------	--------	------	--------	-------	------	-------------

Note Sales Code: [EX0] =ALL 3.0/3.1L Turbo Diesels

1	05175612AA	1	J, T		74	EXL			TUBE, Fuel Injector Supply
2	68028405AA	1	J, T		74	EXL			INJECTOR, Fuel
3	05080301AA	2	J, T		74	EXL			O RING, Fuel Injector
4	05175620AA	1	J, T		74	EXL			BRACKET, Fuel Line
5	68001053AA	1	J, T		74	EXL			SCREW
6	05175619AA	1	J, T		74	EXL			TUBE
7	05073701AA	1	J, T		74	EXL			SCREW
8	68014068AA	1	J, T		74	EXL			RAIL, Fuel, Left
9	05080296AA	1	J, T		74	EXL			CLAMP
10	05080297AA	1	J, T		74	EXL			INSULATOR
11	05175610AA	1	J, T		74	EXL			RAIL, Fuel, Right
12	05073701AA	1	J, T		74	EXL			SCREW
13	05175618AA	1	J, T		74	EXL			TUBE

GRAND CHEROKEE (WK)

SERIES LINE
H = HIGHLINE T = JEEP - 2WD
P = PREMIUM J = JEEP - 4WD
S = SPORT
X = SPECIAL

BODY
74 = SPORT UTILITY 4-DR
TYPE #4

ENGINE
EVA = 4.7L V8 MPI Engine
EVD = 4.7L V8 FFV Engine
EXL = 3.0L V6 Turbo Diesel
Engine
EZB = 5.7L Hemi Multi
Displacement Engine
EKG = 3.7L V6 Engine
ESF = 6.1L SRT HEMI SMPI
V8 Engine

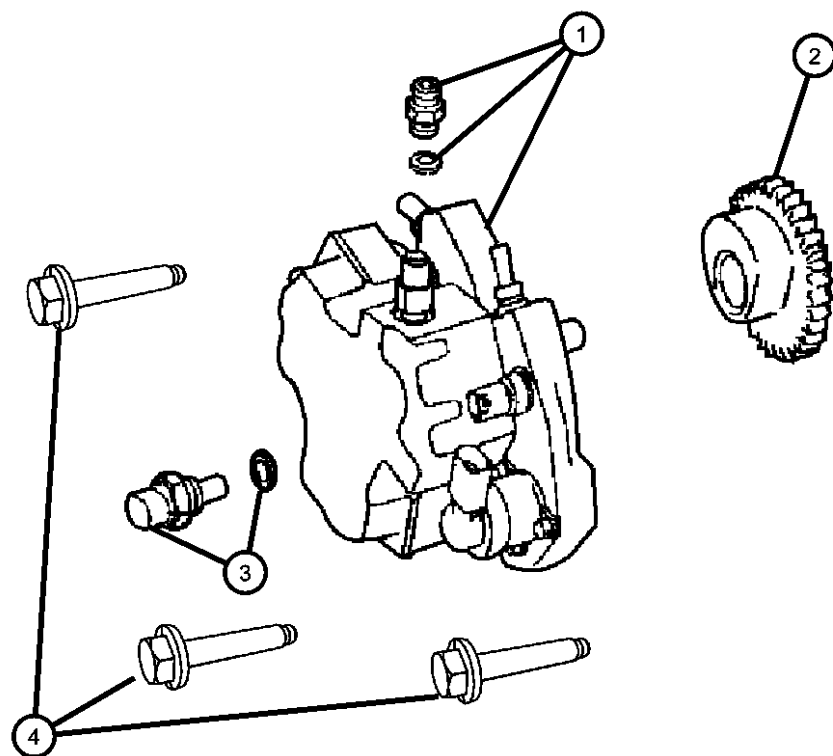
TRANSMISSION
DGJ = 5-Speed Auto W5A580
Transmission
DGQ = 5-Spd Automatic 545RFE
Transmission
DGU = 5-Spd Auto W5J400
Transmission

AR = use ase required - = Non illustrated part

2007 WK

**Fuel Injection Pump Diesel 3.0L [EXL]
Figure 14-440**

ITEM	PART NUMBER	QTY	LINE	SERIES	BODY	ENGINE	TRANS	TRIM	DESCRIPTION
Note Sales Code:[EX0] = 3.0/3.1L Turbo Diesels									
1	68018733AA	1	J, T		74	EXL			PUMP, Fuel Injection
2	05175601AA	1	J, T		74	EXL			GEAR, Injection Pump
3	05103534AB	1	J, T		74	EXL			SENDING UNIT, Temperature Gauge
4	68014063AA	3	J, T		74	EXL			SCREW, INJECTION PUMP / HIGH-PRESSURE PUMP



GRAND CHEROKEE (WK)

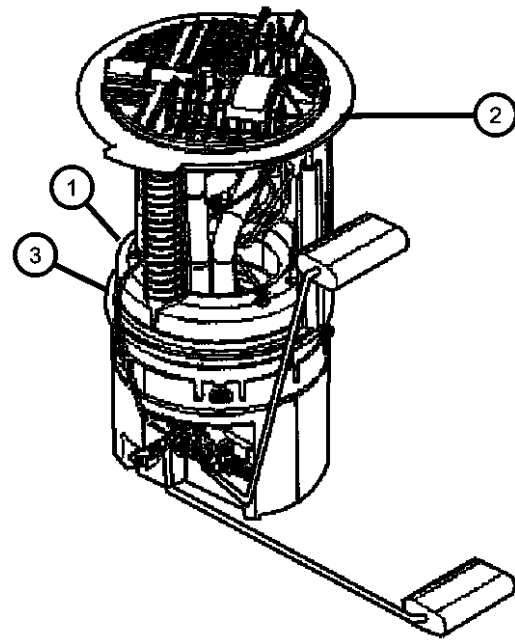
SERIES LINE
H = HIGHLINE T = JEEP - 2WD
P = PREMIUM J = JEEP - 4WD
S = SPORT
X = SPECIAL

BODY
74 = SPORT UTILITY 4-DR
TYPE #4

ENGINE
EVA = 4.7L V8 MPI Engine
EVD = 4.7L V8 FFV Engine
EXL = 3.0L V6 Turbo Diesel
Engine
EZB = 5.7L Hemi Multi
Displacement Engine
EKG = 3.7L V6 Engine
ESF = 6.1L SRT HEMI SMPI
V8 Engine

TRANSMISSION
DGJ = 5-Speed Auto W5A580
Transmission
DGQ = 5-Spd Automatic 545RFE
Transmission
DGU = 5-Spd Auto W5J400
Transmission

**Fuel Pump and Sending Unit,
Figure 14-510**



ITEM	PART NUMBER	QTY	LINE	SERIES	BODY	ENGINE	TRANS	TRIM	DESCRIPTION
1									MODULE KIT, Fuel Pump/Level Unit
	05143579AF	1	J, T		74	EK0, ES0, EVA, EZ0			
	68022583AA	1	J, T		74	EVD			
2	52113610AB	1	J, T		74	EX0			SEAL, Fuel Pump and Level Unit
3	05175039AB	1	J, T		74	EX0			MODULE, Fuel Tank - Diesel
-4		1							LEVEL UNIT KIT, Fuel, Service with Item #1, (NOT SERVICED)
-5									RING, Lock, Fuel Module
	55366299AA	1	J, T		74	EK0, ES0, EVA, EZ0			
		1	J, T		74	EVD			
-6									TUBE, Fuel Vapor Recirculation
	05143791AA	1	J, T		74	EK0, ES0, EVA, EZ0			
		1	J, T		74	EVD			
-7									TUBE, Fuel Module to Supply Line
	05143956AA	1	J, T		74	EX0			
	68027879AA	1	J, T		74	EK0, ES0, EVA, EZ0			
	68027883AA	1	J, T		74	EVD			

GRAND CHEROKEE (WK)

SERIES LINE
H = HIGHLINE T = JEEP - 2WD
P = PREMIUM J = JEEP - 4WD
S = SPORT
X = SPECIAL

BODY
74 = SPORT UTILITY 4-DR
TYPE #4

ENGINE
EVA = 4.7L V8 MPI Engine
EVD = 4.7L V8 FFV Engine
EXL = 3.0L V6 Turbo Diesel
Engine
EZB = 5.7L Hemi Multi
Displacement Engine
EKG = 3.7L V6 Engine
ESF = 6.1L SRT HEMI SMPI
V8 Engine

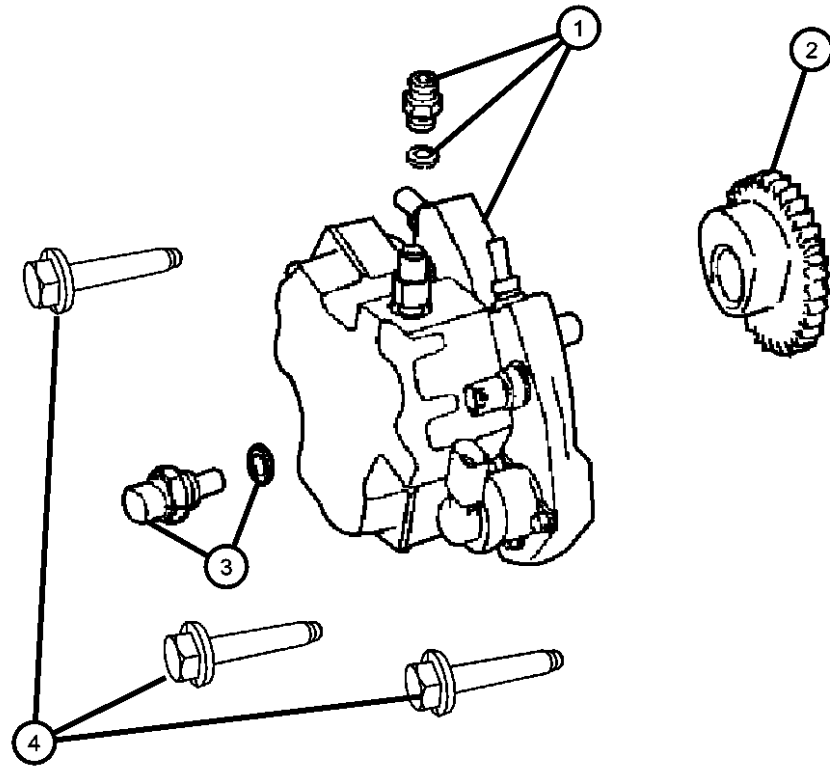
TRANSMISSION
DGJ = 5-Speed Auto W5A580
Transmission
DGQ = 5-Spd Automatic 545RFE
Transmission
DGU = 5-Spd Auto W5J400
Transmission

AR = use ase required - = Non illustrated part

2007 WK

**Fuel Injection Pump
Figure 14-520**

ITEM	PART NUMBER	QTY	LINE	SERIES	BODY	ENGINE	TRANS	TRIM	DESCRIPTION
Note Sales Code:[EX0] = 3.0/3.1L Turbo Diesels									
1	68018733AA	1	J, T		74	EXL			PUMP, Fuel Injection
2	05175601AA	1	J, T		74	EXL			GEAR, Injection Pump
3	05103534AB	1	J, T		74	EXL			SENDING UNIT, Temperature Gauge
4	68014063AA	3	J, T		74	EXL			SCREW



GRAND CHEROKEE (WK)

SERIES LINE
H = HIGHLINE T = JEEP - 2WD
P = PREMIUM J = JEEP - 4WD
S = SPORT
X = SPECIAL

BODY
74 = SPORT UTILITY 4-DR
TYPE #4

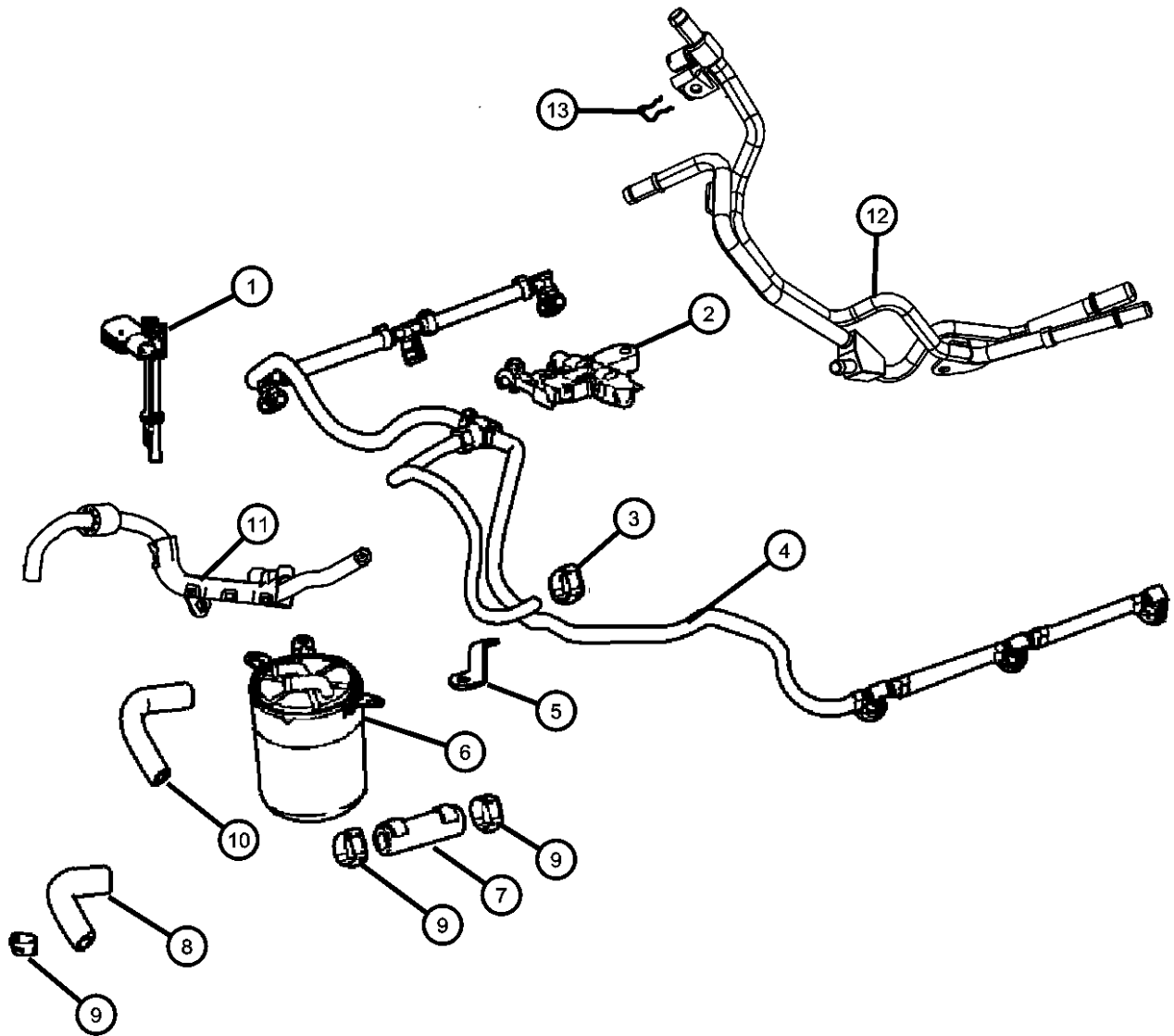
ENGINE
EVA = 4.7L V8 MPI Engine
EVD = 4.7L V8 FFV Engine
EXL = 3.0L V6 Turbo Diesel
Engine
EZB = 5.7L Hemi Multi
Displacement Engine
EKG = 3.7L V6 Engine
ESF = 6.1L SRT HEMI SMPI
V8 Engine

TRANSMISSION
DGJ = 5-Speed Auto W5A580
Transmission
DGQ = 5-Spd Automatic 545RFE
Transmission
DGU = 5-Spd Auto W5J400
Transmission

AR = use ase required - = Non illustrated part

2007 WK

Fuel Filter and Related
Figure 14-530



ITEM	PART NUMBER	QTY	LINE	SERIES	BODY	ENGINE	TRANS	TRIM	DESCRIPTION
1	05117542AA	1	J, T		74	EXL			SENSOR, Fuel/Water
2	05175595AA	1	J, T		74	EXL			BRACKET
3	05175594AA	1	J, T		74	EXL			CLAMP
4									TUBE, Fuel Return, Includes elbow fitting
	05175807AA	1	J, T		74	EXL			For use up engine serial number 137622.
	68022031AA	1	J, T	H, P, S	74	EXL	DGU		For use from engine serial number 137622 and forward.
5	05175596AA	1	J, T		74	EXL			BRACKET
6	05175429AB	1	J, T		74	EXL			FILTER, Fuel
7	68005707AB	1	J, T		74	EXL			HOSE, Fuel
8	05175592AB	1	J, T		74	EXL			TUBE, Fuel
9	05080439AC	4	J, T		74	EXL			CLAMP
10	05175591AB	1	J, T		74	EXL			TUBE, Fuel
11	68003484AA	1	J, T		74	EXL			HOSE, Fuel Filter, This is the rubber hose off the corner of the injection pump.
12	68005699AA	1	J, T		74	EXL			LINE, Fuel, Includes T Fitting
13	68005701AA	1	J, T		74	EXL			CLAMP

GRAND CHEROKEE (WK)

SERIES LINE
H = HIGHLINE T = JEEP - 2WD
P = PREMIUM J = JEEP - 4WD
S = SPORT
X = SPECIAL

BODY
74 = SPORT UTILITY 4-DR
TYPE #4

ENGINE
EVA = 4.7L V8 MPI Engine
EVD = 4.7L V8 FFV Engine
EXL = 3.0L V6 Turbo Diesel Engine
EZB = 5.7L Hemi Multi Displacement Engine
EKG = 3.7L V6 Engine
ESF = 6.1L SRT HEMI SMPI V8 Engine

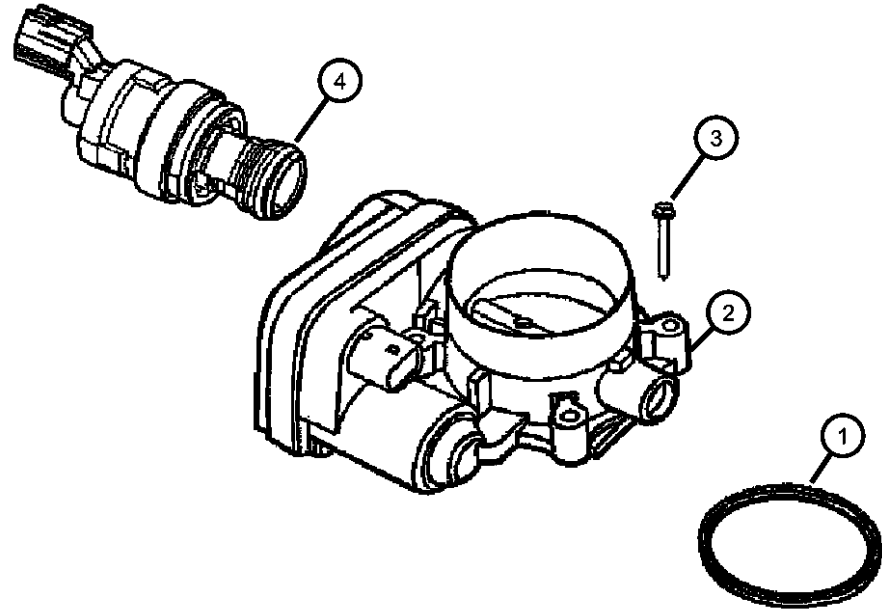
TRANSMISSION
DGJ = 5-Speed Auto W5A580 Transmission
DGQ = 5-Spd Automatic 545RFE Transmission
DGU = 5-Spd Auto W5J400 Transmission

AR = use ase required - = Non illustrated part

2007 WK

**Throttle Body
Figure 14-610**

ITEM	PART NUMBER	QTY	LINE	SERIES	BODY	ENGINE	TRANS	TRIM	DESCRIPTION
1	05017478AA	1	J, T		74	EVA, EVD			GASKET, Throttle Body
2	04591847AC	1	J, T		74	ESF			THROTTLE BODY
		1	J, T		74	EZB			
	04861661AA	1	J, T		74	EK0			
	05114397AA	1	J, T		74	EVA, EVD			
3		1							SCREW, M6X1.00X40.00, (NOT SERVICED)
4	04861552AC	1	J, T		74	EVA, EVD			SOLENOID, Linear IACV
-5	83503642	1	J, T		74	EVA, EVD			O RING, Throttle Body
-6	05017479AA	1	J, T		74	EVA, EVD			SENSOR KIT, Throttle Position
-7									GASKET, Throttle Body To Intake
	04666113AA	1	J, T		74	EK0			
	53030952AB	1	J, T		74	EV0			
-8	05114356AA	1	J, T		74	EVA, EVD			O RING KIT, Linear Solenoid



GRAND CHEROKEE (WK)

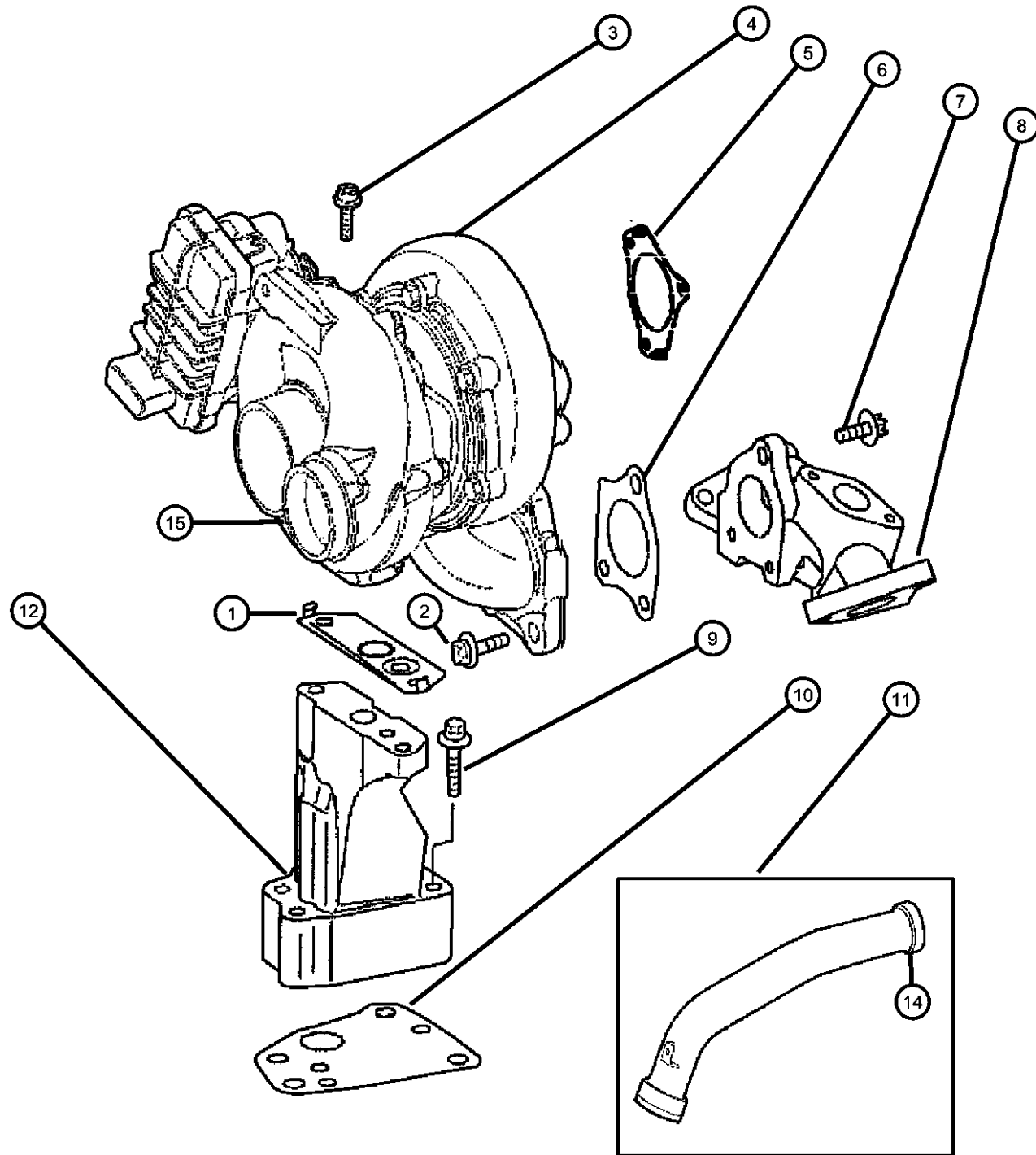
SERIES LINE
H = HIGHLINE T = JEEP - 2WD
P = PREMIUM J = JEEP - 4WD
S = SPORT
X = SPECIAL

BODY
74 = SPORT UTILITY 4-DR
TYPE #4

ENGINE
EVA = 4.7L V8 MPI Engine
EVD = 4.7L V8 FFV Engine
EXL = 3.0L V6 Turbo Diesel
Engine
EZB = 5.7L Hemi Multi
Displacement Engine
EKG = 3.7L V6 Engine
ESF = 6.1L SRT HEMI SMPI
V8 Engine

TRANSMISSION
DGJ = 5-Speed Auto W5A580
Transmission
DGQ = 5-Spd Automatic 545RFE
Transmission
DGU = 5-Spd Auto W5J400
Transmission

Turbocharger
Figure 14-615



ITEM	PART NUMBER	QTY	LINE	SERIES	BODY	ENGINE	TRANS	TRIM	DESCRIPTION
1	05175630AA	1	J, T		74	EXL			GASKET, Turbocharger
2	05073720AC	8	J, T		74	EXL			SCREW
3	05073710AA	2	J, T		74	EXL			SCREW
4	68004663AA	1	J, T		74	EXL			TURBOCHARGER
5	68012070AA	1	J, T		74	EXL			SEAL
6	05175629AA	1	J, T		74	EXL			GASKET, Turbocharger
7	05073720AC	8	J, T		74	EXL			SCREW
8	05175621AA	1	J, T		74	EXL			PIPE, Exhaust Crossover
9	05133207AA	1	J, T		74	EXL			BOLT
10	05175632AA	1	J, T		74	EXL			GASKET, Turbocharger
11	05175738AA	1	J, T		74	EXL			LINE, Charge Air
12	05175627AA	1	J, T		74	EXL			BRACKET, Turbo Charger
-13	05175734AA	1	J, T		74	EXL			O RING
14	68043485AA	1	J, T		74	EXL			SEAL, Clean Air Hose
15	05175626AA	1	J, T		74	EXL			O RING

GRAND CHEROKEE (WK)

SERIES LINE
H = HIGHLINE T = JEEP - 2WD
P = PREMIUM J = JEEP - 4WD
S = SPORT
X = SPECIAL

BODY
74 = SPORT UTILITY 4-DR
TYPE #4

ENGINE
EVA = 4.7L V8 MPI Engine
EVD = 4.7L V8 FFV Engine
EXL = 3.0L V6 Turbo Diesel
Engine
EZB = 5.7L Hemi Multi
Displacement Engine
EKG = 3.7L V6 Engine
ESF = 6.1L SRT HEMI SMPI
V8 Engine

TRANSMISSION
DGJ = 5-Speed Auto W5A580
Transmission
DGQ = 5-Spd Automatic 545RFE
Transmission
DGU = 5-Spd Auto W5J400
Transmission

AR = use ase required - = Non illustrated part

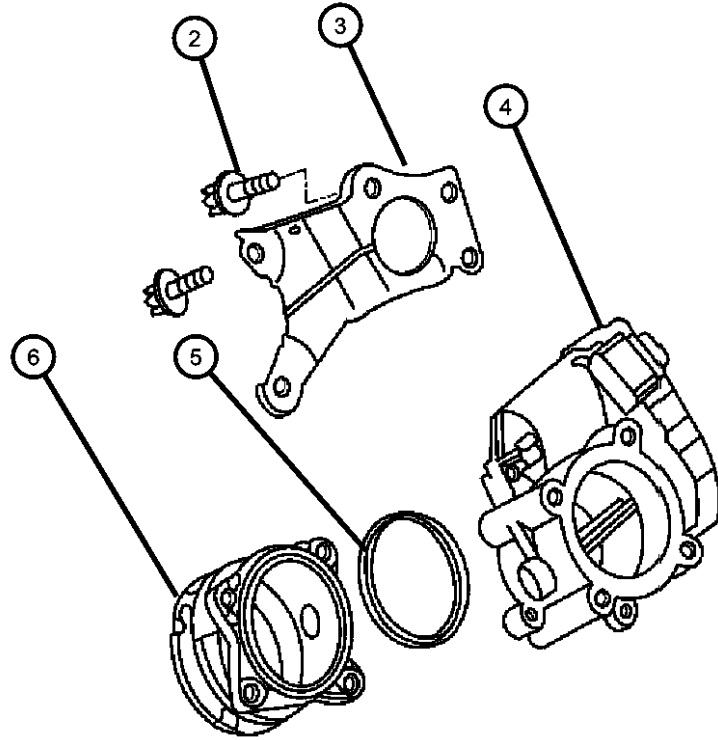
2007 WK

**Throttle Control 3.0L [EX0]
Figure 14-620**

ITEM	PART NUMBER	QTY	LINE	SERIES	BODY	ENGINE	TRANS	TRIM	DESCRIPTION
------	-------------	-----	------	--------	------	--------	-------	------	-------------

Note Sale Code:
[DG0] = All Automatic Transmissions
[EX0] = All 3.0/3.1L Turbo Diesels

-1	06104006AA	2	J, T		74	EXL			BOLT
2	06104004AA	1	J, T		74	EXL			BOLT
3	05175730AA	1	J, T		74	EXL			BRACKET, Air Duct
4	68012325AA	1	J, T		74	EXL			THROTTLE BODY
5	05175729AA	1	J, T		74	EXL			GASKET
6	05175728AA	1	J, T		74	EXL			FLANGE, Intake throttle



GRAND CHEROKEE (WK)

SERIES LINE
H = HIGHLINE T = JEEP - 2WD
P = PREMIUM J = JEEP - 4WD
S = SPORT
X = SPECIAL

BODY
74 = SPORT UTILITY 4-DR
TYPE #4

ENGINE
EVA = 4.7L V8 MPI Engine
EVD = 4.7L V8 FFV Engine
EXL = 3.0L V6 Turbo Diesel
Engine
EZB = 5.7L Hemi Multi
Displacement Engine
EKG = 3.7L V6 Engine
ESF = 6.1L SRT HEMI SMPI
V8 Engine

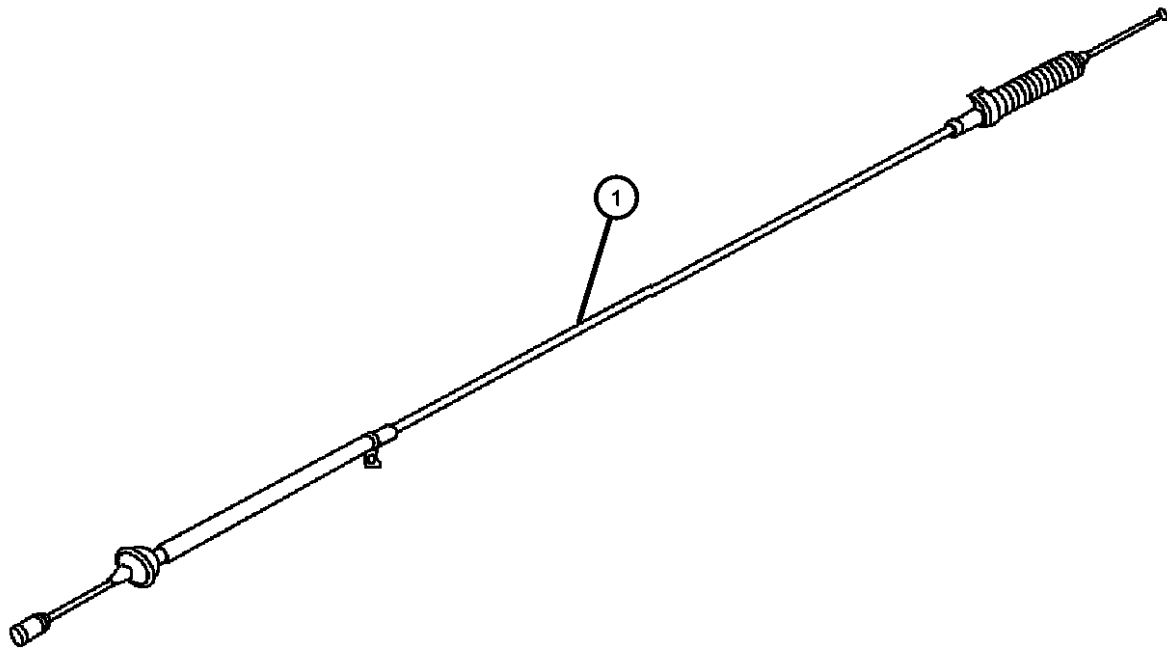
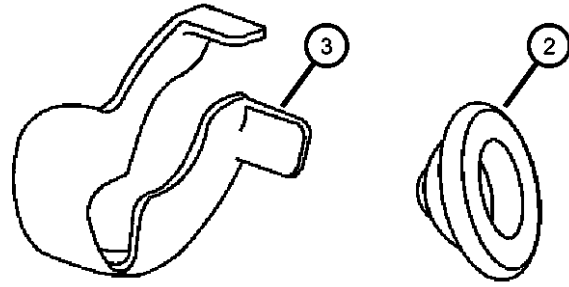
TRANSMISSION
DGJ = 5-Speed Auto W5A580
Transmission
DGQ = 5-Spd Automatic 545RFE
Transmission
DGU = 5-Spd Auto W5J400
Transmission

AR = use ase required - = Non illustrated part

2007 WK

Throttle Controls
Figure 14-720

ITEM	PART NUMBER	QTY	LINE	SERIES	BODY	ENGINE	TRANS	TRIM	DESCRIPTION
1	52109653AE	1	J, T		74	EVO			CABLE, Accelerator
2	04674441	1	J, T		74	EK0, ES0, EX0, EZ0			PLUG, Body, .75 Diameter
3	05214613	1	J, T		74	EVO			CLIP, Cable



GRAND CHEROKEE (WK)

SERIES LINE
H = HIGHLINE T = JEEP - 2WD
P = PREMIUM J = JEEP - 4WD
S = SPORT
X = SPECIAL

BODY
74 = SPORT UTILITY 4-DR
TYPE #4

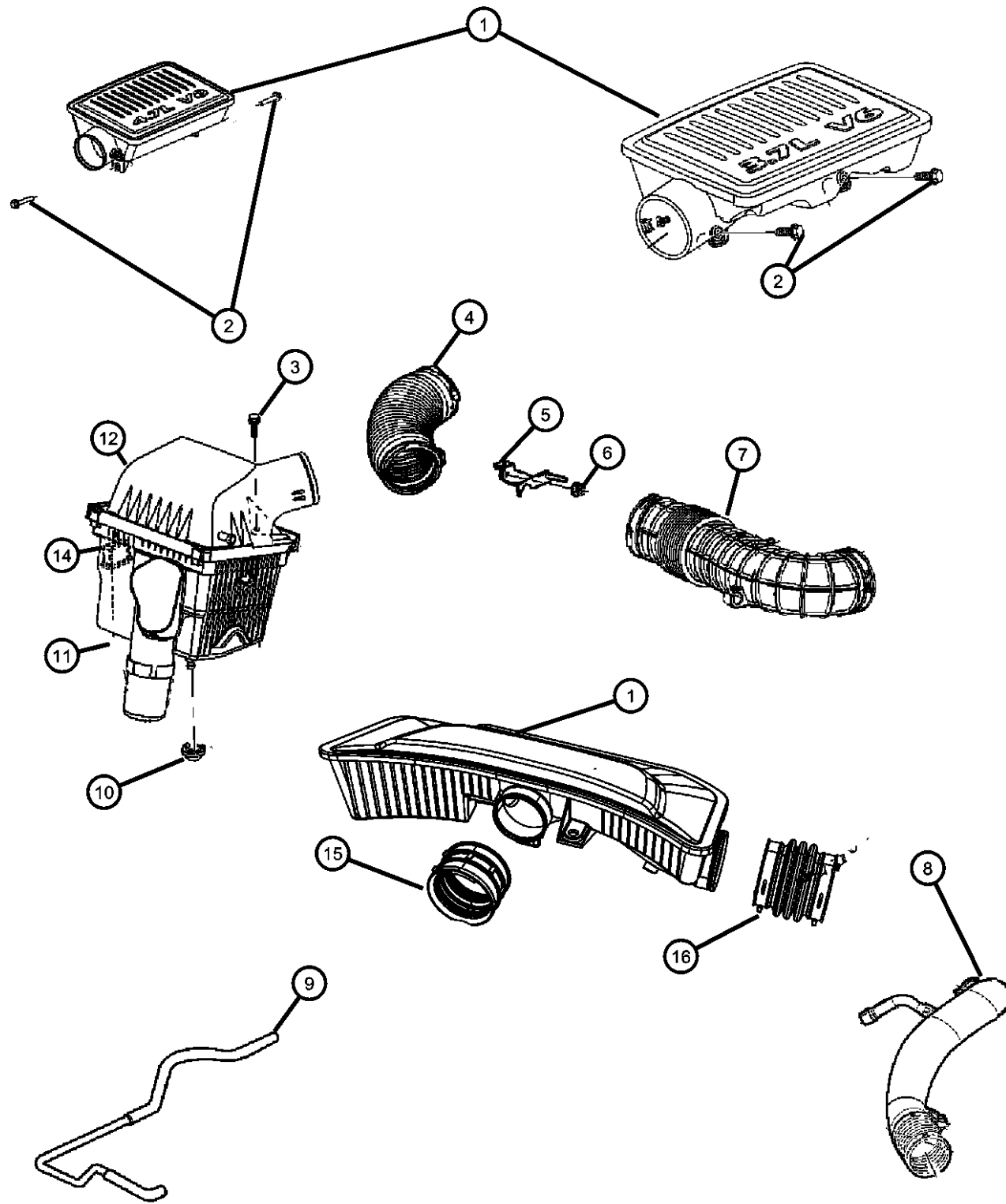
ENGINE
EVA = 4.7L V8 MPI Engine
EVD = 4.7L V8 FFV Engine
EXL = 3.0L V6 Turbo Diesel
Engine
EZB = 5.7L Hemi Multi
Displacement Engine
EKG = 3.7L V6 Engine
ESF = 6.1L SRT HEMI SMPI
V8 Engine

TRANSMISSION
DGJ = 5-Speed Auto W5A580
Transmission
DGQ = 5-Spd Automatic 545RFE
Transmission
DGU = 5-Spd Auto W5J400
Transmission

AR = use ase required - = Non illustrated part

2007 WK

Air Cleaner
Figure 14-820



ITEM	PART NUMBER	QTY	LINE	SERIES	BODY	ENGINE	TRANS	TRIM	DESCRIPTION
1									RESONATOR, Air Cleaner
	53013517AD	1	J, T		74	EZB			
	53013588AB	1	J, T		74	EVA			
	53013891AA	1	J, T		74	EK0			
2	06101769	2	J, T		74	EVO			SCREW, Hex Head, M6x1x35
3	06505846AA	1	J, T		74				BOLT, Hex Flange Head
4	53013522AC	1	J, T		74	EK0, EVO			HOSE, Clean Air
5	53013774AB	1	J, T		74	EZB			BRACKET, Resonator
6									NUT, Hex Flange Lock, M10x1.50
	06104717AA	1	J, T		74	EZ0			
		2	T		74	EVO, EZ0	DG0		
7	05037774AB	1				ESF			DUCT, Clean Air
8	53013672AD	1	J, T		74	EXL			HOSE, Air Cleaner to Turbo
9									HOSE, Make Up Air
	05037763AB	1	J, T		74	ESF			
	53013759AB	1	J, T		74	EZB			
	53013884AB	1	J, T		74	EVO			
		1	J, T		74	EK0			
		1				ESF			
10	53013357AA	1	J, T		74				GROMMET, Air Cleaner
11									BODY, Air Cleaner
	05159169AA	1	J, T		74	EK0, EVO			
		1	J, T		74	EZ0			
		1	J, T		74	ESF			
12									COVER, Air Cleaner
	05143969AA	1	J, T		74	EZ0			
		1	J, T		74	ESF			
	05143968AA	1	J, T		74	EK0, EVO			
-13									FILTER, Air
	05018777AB	1	J, T		74	EZ0			
	VMWK30K1AA								Mopar HEMI 5.7L Maintenance Kit 30,000 Mile (Air/Oil Filters, Plugs, PCV)

GRAND CHEROKEE (WK)

SERIES LINE
H = HIGHLINE T = JEEP - 2WD
P = PREMIUM J = JEEP - 4WD
S = SPORT
X = SPECIAL

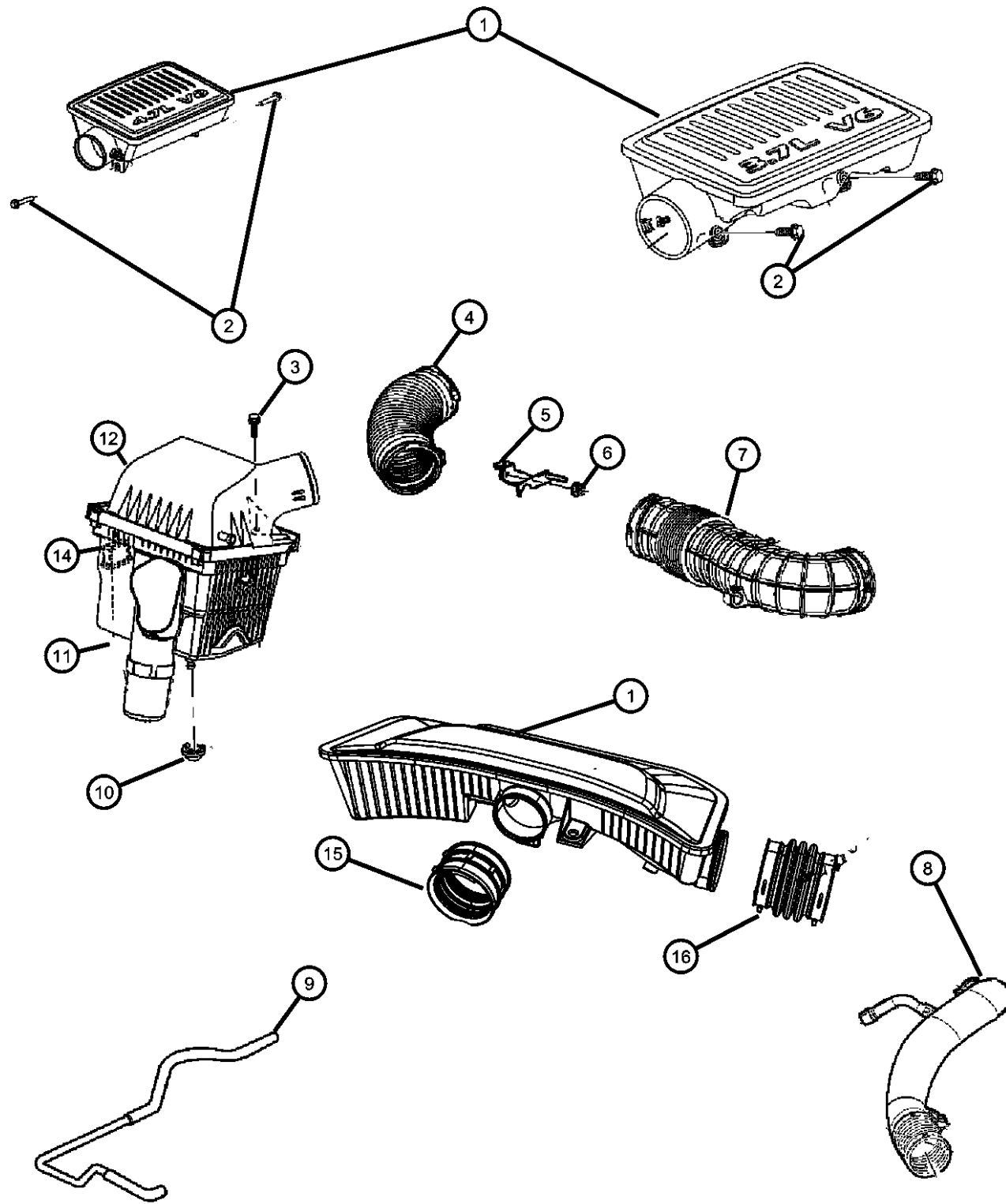
BODY
74 = SPORT UTILITY 4-DR
TYPE #4

ENGINE
EVA = 4.7L V8 MPI Engine
EVD = 4.7L V8 FFV Engine
EXL = 3.0L V6 Turbo Diesel
Engine
EZB = 5.7L Hemi Multi
Displacement Engine
EKG = 3.7L V6 Engine
ESF = 6.1L SRT HEMI SMPI
V8 Engine

TRANSMISSION
DGJ = 5-Speed Auto W5A580
Transmission
DGQ = 5-Spd Automatic 545RFE
Transmission
DGU = 5-Spd Auto W5J400
Transmission

AR = use ase required - = Non illustrated part

Air Cleaner
Figure 14-820



ITEM	PART NUMBER	QTY	LINE	SERIES	BODY	ENGINE	TRANS	TRIM	DESCRIPTION
	VMWK60K1AA								Mopar HEMI 5.7L Maintenance Kit 60,000 Mile (Air/Oil Filters, Plugs, PCV, Drive Belt, LX Cabin Filter)
	VMWK30K1AA	1	J, T		74	ESF			Mopar HEMI 5.7L Maintenance Kit 30,000 Mile (Air/Oil Filters, Plugs, PCV)
	VMWK60K1AA								Mopar HEMI 5.7L Maintenance Kit 60,000 Mile (Air/Oil Filters, Plugs, PCV, Drive Belt, LX Cabin Filter)
	VMWK30K1AA	1	J, T		74	EK0, EVO			Mopar HEMI 5.7L Maintenance Kit 30,000 Mile (Air/Oil Filters, Plugs, PCV)
	VMWK60K1AA								Mopar HEMI 5.7L Maintenance Kit 60,000 Mile (Air/Oil Filters, Plugs, PCV, Drive Belt, LX Cabin Filter)
	VMWK30K1AA	1	J, T		74	EX0			Mopar HEMI 5.7L Maintenance Kit 30,000 Mile (Air/Oil Filters, Plugs, PCV)
	VMWK60K1AA								Mopar HEMI 5.7L Maintenance Kit 60,000 Mile (Air/Oil Filters, Plugs, PCV, Drive Belt, LX Cabin Filter)
14	53013803AC	1	J, T		74	EX0			AIR CLEANER
15	68057659AA	1	J, T		74	EZB			COUPLER
16	68057654AA	1	J, T		74	EZB			COUPLER

GRAND CHEROKEE (WK)

SERIES LINE
H = HIGHLINE T = JEEP - 2WD
P = PREMIUM J = JEEP - 4WD
S = SPORT
X = SPECIAL

BODY
74 = SPORT UTILITY 4-DR
TYPE #4

ENGINE
EVA = 4.7L V8 MPI Engine
EVD = 4.7L V8 FFV Engine
EXL = 3.0L V6 Turbo Diesel
Engine
EZB = 5.7L Hemi Multi
Displacement Engine
EKG = 3.7L V6 Engine
ESF = 6.1L SRT HEMI SMPI
V8 Engine

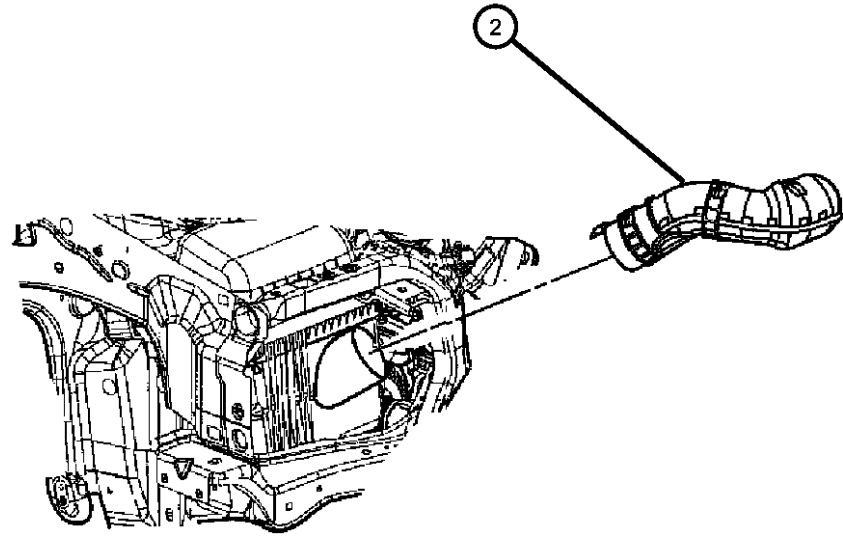
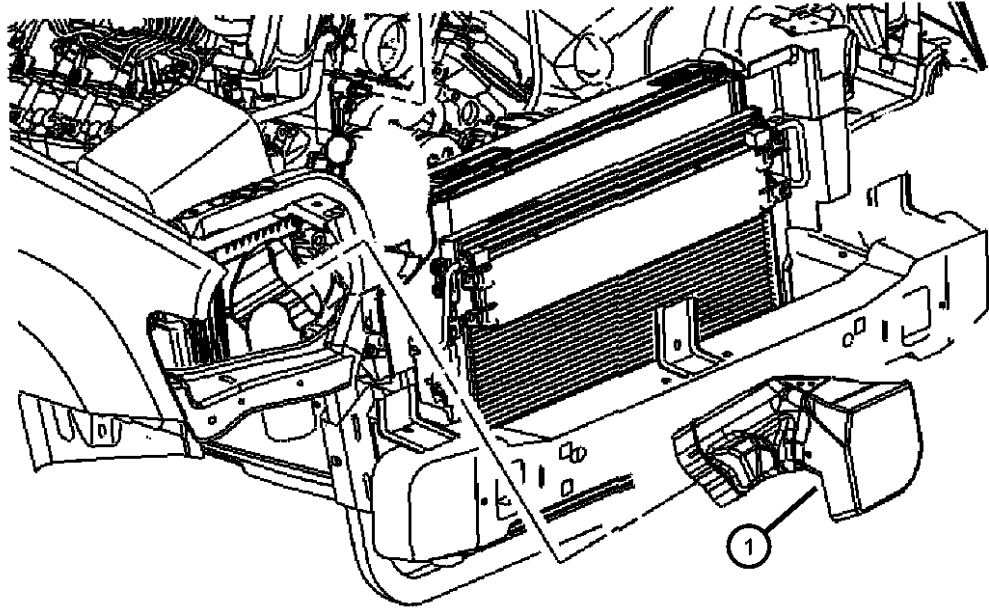
TRANSMISSION
DGJ = 5-Speed Auto W5A580
Transmission
DGQ = 5-Spd Automatic 545RFE
Transmission
DGU = 5-Spd Auto W5J400
Transmission

AR = use ase required - = Non illustrated part

2007 WK

**Air Intake System
Figure 14-910**

ITEM	PART NUMBER	QTY	LINE	SERIES	BODY	ENGINE	TRANS	TRIM	DESCRIPTION
1	05037815AA	1	J, T		74	ESF			DUCT, Ambient Air
	53013730AC	1	J, T	H, P, S	74				
2	53013794AB	1	J, T		74	EXL			DUCT, Ambient Air



GRAND CHEROKEE (WK)

SERIES LINE
H = HIGHLINE T = JEEP - 2WD
P = PREMIUM J = JEEP - 4WD
S = SPORT
X = SPECIAL

BODY
74 = SPORT UTILITY 4-DR
TYPE #4

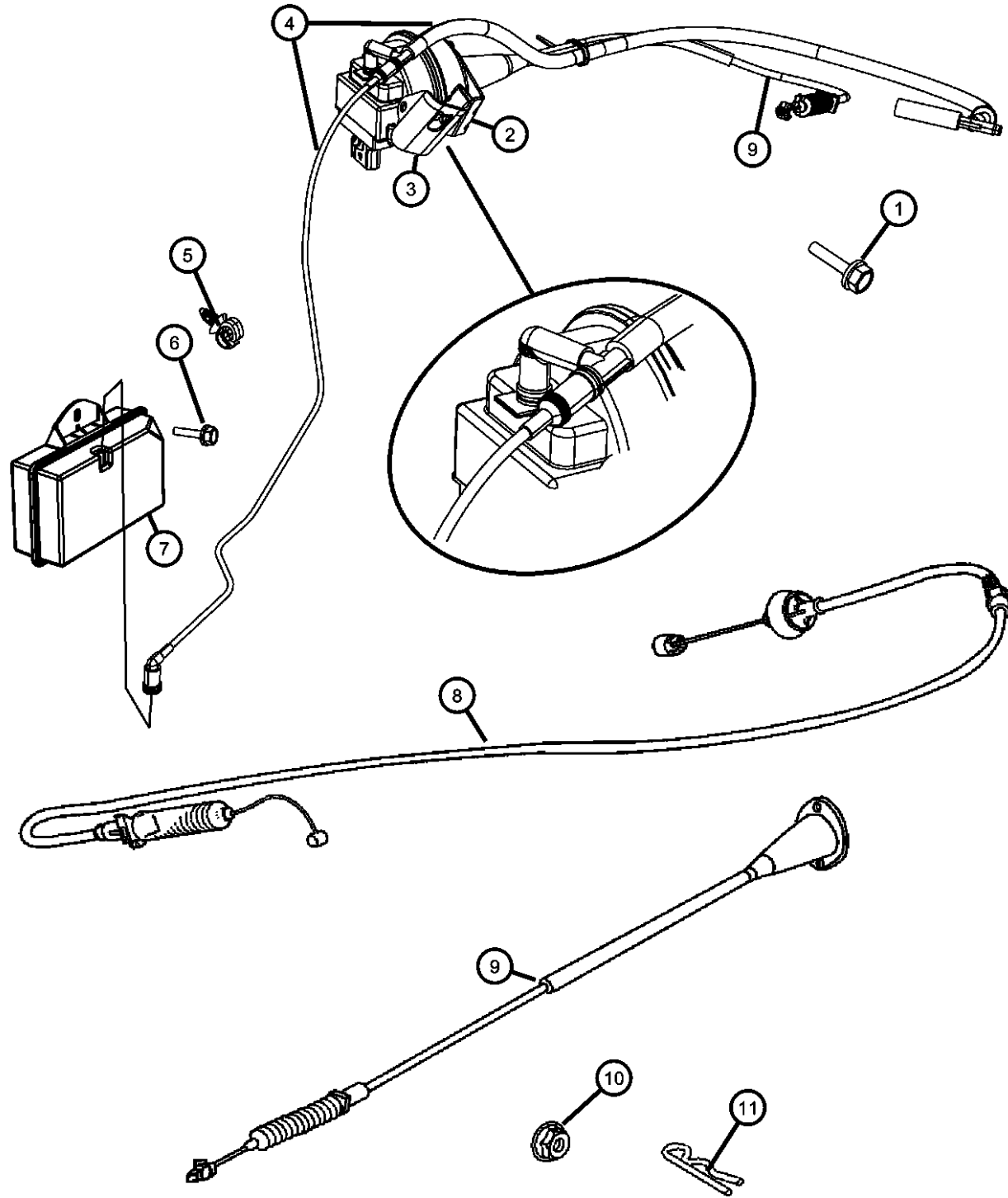
ENGINE
EVA = 4.7L V8 MPI Engine
EVD = 4.7L V8 FFV Engine
EXL = 3.0L V6 Turbo Diesel
Engine
EZB = 5.7L Hemi Multi
Displacement Engine
EKG = 3.7L V6 Engine
ESF = 6.1L SRT HEMI SMPI
V8 Engine

TRANSMISSION
DGJ = 5-Speed Auto W5A580
Transmission
DGQ = 5-Spd Automatic 545RFE
Transmission
DGU = 5-Spd Auto W5J400
Transmission

AR = use ase required - = Non illustrated part

2007 WK

**Speed Control
Figure 14-1010**



ITEM	PART NUMBER	QTY	LINE	SERIES	BODY	ENGINE	TRANS	TRIM	DESCRIPTION
1	06104382AA	1	J, T		74	EK0, EVO			SCREW AND CONED WASHER, Hex Head, M6x1x60
2	04669979	1	J, T		74	EK0, EVO			SERVO, Speed Control
3	52124035AD	1	J, T		74	EVO			BRACKET, Speed Control Servo
4	52124088AA	1	J, T		74	EK0, EVO			HARNESS, Speed Control Vacuum
5	06506087AA	2	J, T		74				CLIP, Brake Tube, VACUUM RESERVOIR LINE TO BODY
6		2							SCREW, M5.28X1.81X15.0, (NOT SERVICED)
7	52090376AB	1	J, T		74	EK0, EVO			RESERVOIR, Speed Control Vacuum
8	52109653AE	1	J, T		74	EVO			CABLE, Accelerator
9	52109775AC	1	J, T		74	EK0, EVO			CABLE, Speed Control
10	06502493	1	J, T		74	EVO			NUT, Hex Flange Serration, M6x1
11	06025867	1	J, T		74	EVO			CLIP, Cable to Servo Attach

GRAND CHEROKEE (WK)

SERIES LINE
 H = HIGHLINE T = JEEP - 2WD
 P = PREMIUM J = JEEP - 4WD
 S = SPORT
 X = SPECIAL

BODY
 74 = SPORT UTILITY 4-DR TYPE #4

ENGINE
 EVA = 4.7L V8 MPI Engine
 EVD = 4.7L V8 FFV Engine
 EXL = 3.0L V6 Turbo Diesel Engine
 EZB = 5.7L Hemi Multi Displacement Engine
 EKG = 3.7L V6 Engine
 ESF = 6.1L SRT HEMI SMPI V8 Engine

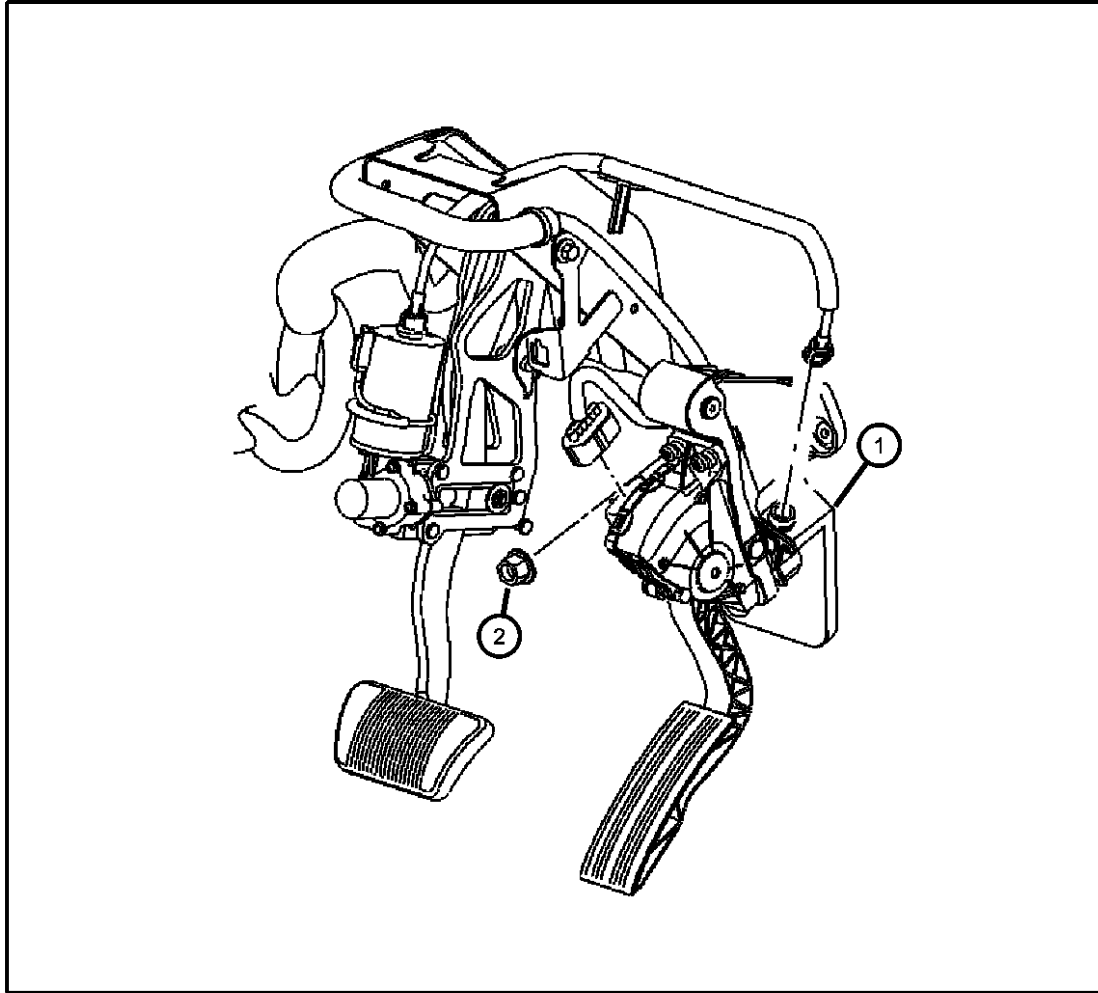
TRANSMISSION
 DGJ = 5-Speed Auto W5A580 Transmission
 DGQ = 5-Spd Automatic 545RFE Transmission
 DGU = 5-Spd Auto W5J400 Transmission

AR = use ase required - = Non illustrated part

2007 WK

**Pedal Brake, Power Adjustable
Figure 14-1110**

ITEM	PART NUMBER	QTY	LINE	SERIES	BODY	ENGINE	TRANS	TRIM	DESCRIPTION
1									PEDAL, Accelerator
	52109654AC	1	J, T		74	EVO			
	52109759AD	1				EVO			
	52121953AA	1				EX0			
	52121952AA	1				EK0, ES0, EZ0			
	53013894AB	1	J, T		74	EK0, ES0, EZ0			
	53013899AB	1	J, T		74	EX0			
2	06502726	2	J, T		74				NUT, Hex Flange, M6X1.0
-3	05290949AB	1		X					OVERLAY KIT, Brake and Accel Pads



GRAND CHEROKEE (WK)

SERIES LINE
H = HIGHLINE T = JEEP - 2WD
P = PREMIUM J = JEEP - 4WD
S = SPORT
X = SPECIAL

BODY
74 = SPORT UTILITY 4-DR
TYPE #4

ENGINE
EVA = 4.7L V8 MPI Engine
EVD = 4.7L V8 FFV Engine
EXL = 3.0L V6 Turbo Diesel
Engine
EZB = 5.7L Hemi Multi
Displacement Engine
EKG = 3.7L V6 Engine
ESF = 6.1L SRT HEMI SMPI
V8 Engine

TRANSMISSION
DGJ = 5-Speed Auto W5A580
Transmission
DGQ = 5-Spd Automatic 545RFE
Transmission
DGU = 5-Spd Auto W5J400
Transmission

AR = use ase required - = Non illustrated part

2007 WK

Group - 16

Propeller Shafts and U-Joints

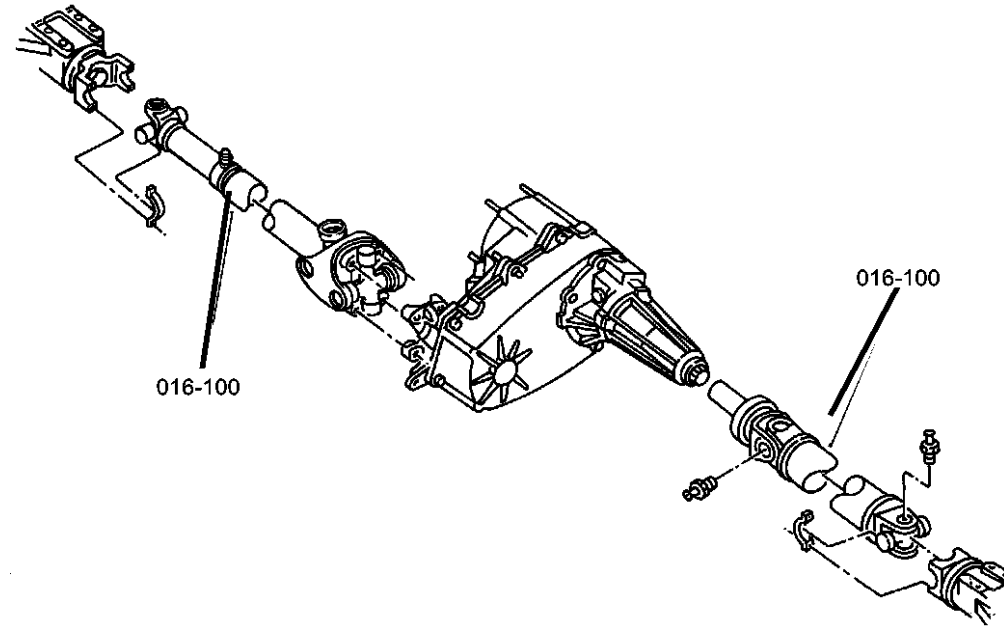
Group - 16 Propeller Shafts and U-Joints

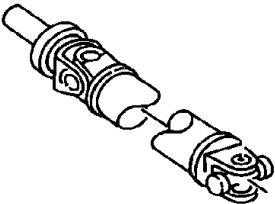
Group-Fig. No.

Illustration Title

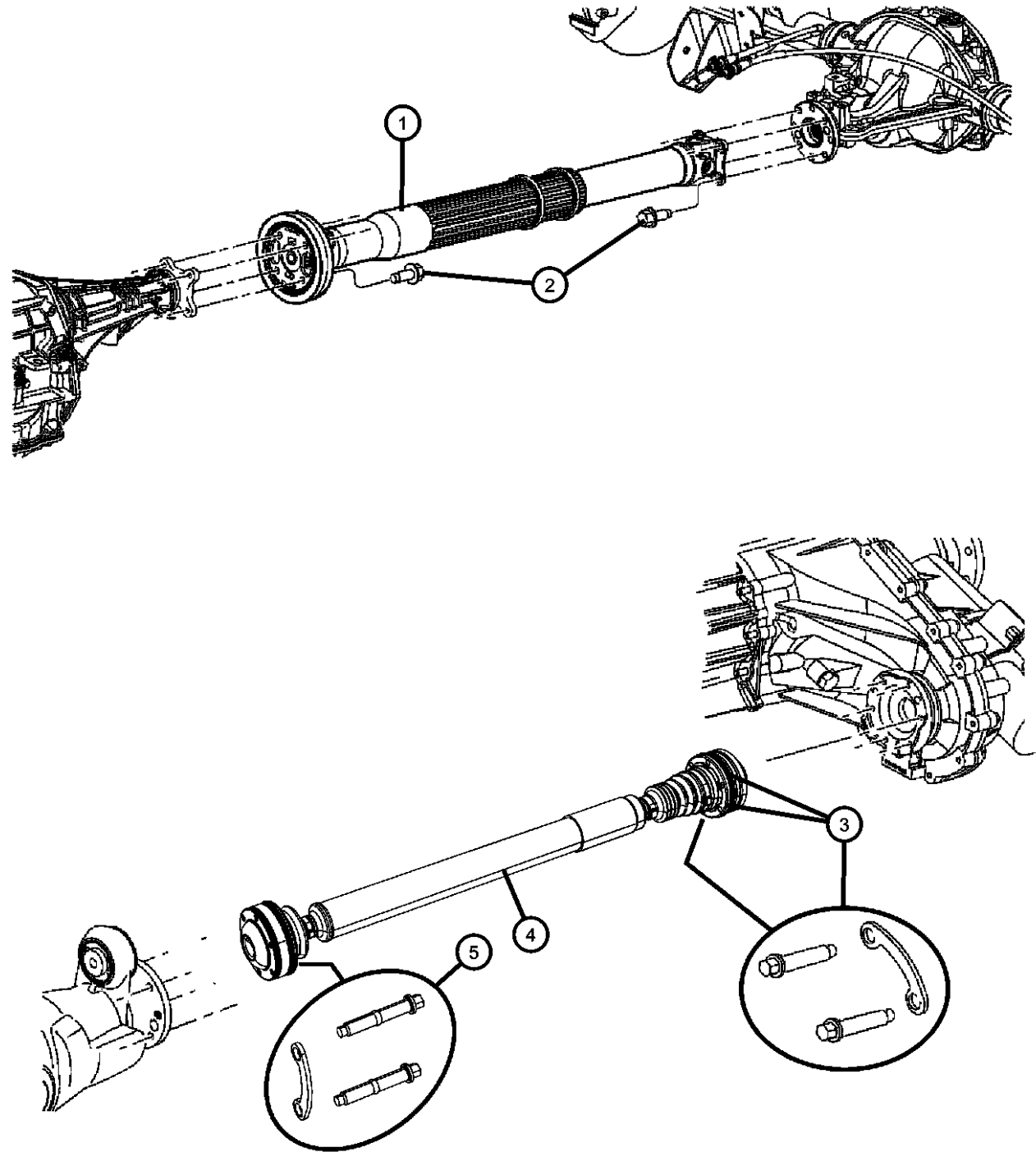
Propeller Shaft

Propeller Shafts, Front and Rear Fig. 16 - 110



<p>016-100 Propeller Shaft</p> 			
--	--	--	--

Propeller Shafts, Front and Rear
Figure 16-110



ITEM	PART NUMBER	QTY	LINE	SERIES	BODY	ENGINE	TRANS	TRIM	DESCRIPTION
------	-------------	-----	------	--------	------	--------	-------	------	-------------

Note: Sales Codes;
 [DHB]=Quadra-Trac Active On Demand 4WD
 [DHX]=Quadra-Trac II Full-Time Active 4WD
 [DHZ]=Full Time 4 Wheel Drive

1									SHAFT, Drive, Rear 1-Piece
	52853003AF	1	J		74		DGU		[DRS]
	52853004AF	1	T		74		DGJ		[DRS]
	52853006AF	1	J		74				[DHZ]
	52853433AB	1	T		74		DGQ		[DHK]
	52853747AA	1	T		74		DGU		[DHK]
	52105726AF	1	T		74		DGQ		[DRS]
	52105760AF	1	J		74		DGJ, DGQ		[DHX]
		1	J		74				[DHB]
2	06506497AA	8							BOLT, Hex Head, M12, Rear Driveshaft to Rear Axle and Transfer Case, Mounting
3									BOLT AND WASHER
	05015109AA	3	J		74		DGJ		[DHB,DHZ], Mounting
		3	J		74		DGJ, DGQ		[DHX] Drive Shaft to Transfer Case, Mounting
		3	J		74		DGU		[DHX] Drive Shaft to Transfer Case, Mounting
4									SHAFT, Drive, Front
	52853432AA	1	J		74		DGJ		
	52853464AA	1	J		74		DGU		
	52853431AA	1	J		74		DGJ, DGQ		
5									BOLT AND WASHER
	68026091AA	3	J		74		DGJ		Front Drive Shaft to Axle, Mounting
		3	J		74		DGU		Front Drive Shaft to Axle, Mounting
		3	J		74		DGJ, DGQ		Front Drive Shaft to Axle, Mounting

GRAND CHEROKEE (WK)

SERIES LINE
 H = HIGHLINE T = JEEP - 2WD
 P = PREMIUM J = JEEP - 4WD
 S = SPORT
 X = SPECIAL

BODY
 74 = SPORT UTILITY 4-DR
 TYPE #4

ENGINE
 EVA = 4.7L V8 MPI Engine
 EVD = 4.7L V8 FFV Engine
 EXL = 3.0L V6 Turbo Diesel
 Engine
 EZB = 5.7L Hemi Multi
 Displacement Engine
 EKG = 3.7L V6 Engine
 ESF = 6.1L SRT HEMI SMPI
 V8 Engine

TRANSMISSION
 DGJ = 5-Speed Auto W5A580
 Transmission
 DGQ = 5-Spd Automatic 545RFE
 Transmission
 DGU = 5-Spd Auto W5J400
 Transmission

AR = use ase required - = Non illustrated part

2007 WK

Group - 17

Rear Suspension

Group - 17 Rear Suspension

Group-Fig. No.

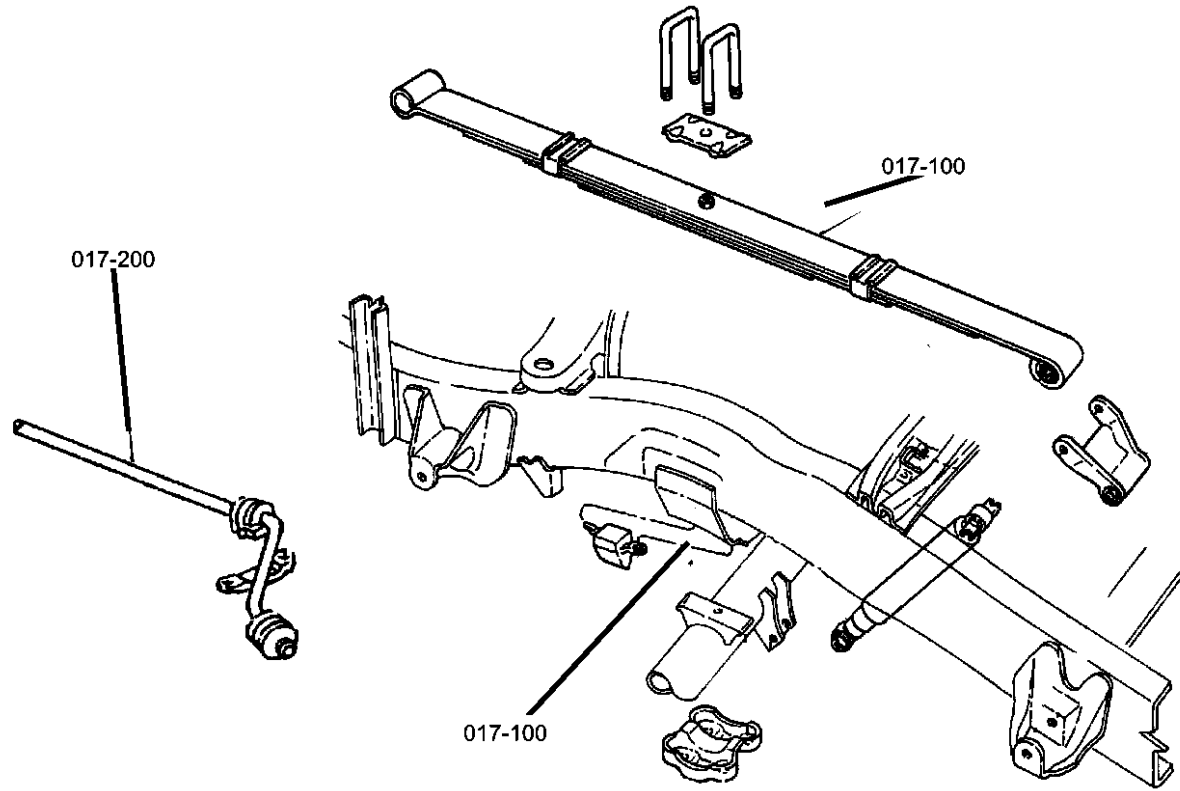
Illustration Title

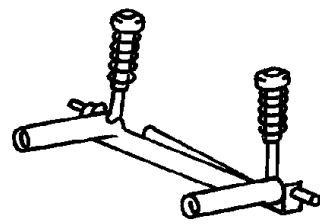
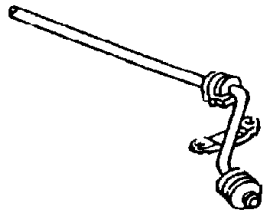
Rear Suspension

Rear Coil Springs Control Arms And Shocks Fig. 17 - 110
 Rear Suspension Cradle and Track Bar Fig. 17 - 120

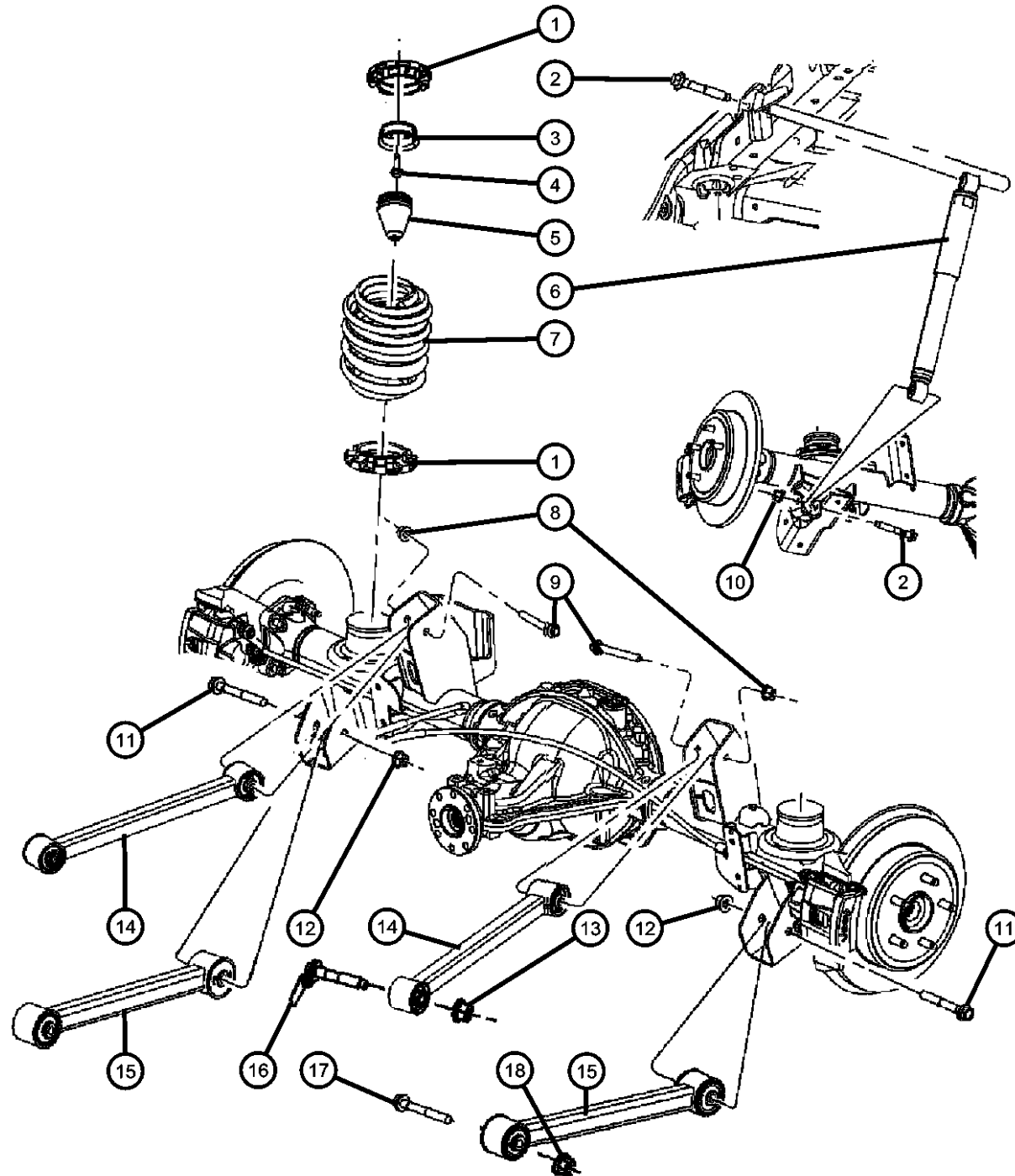
Rear Stabilizer

Stabilizer Bar,Rear,With [SDA] or [SDX]..... Fig. 17 - 210



<p>017-100 Rear Suspension</p> 	<p>017-200 Rear Stabilizer</p> 		
--	---	--	--

Rear Coil Springs Control Arms And Shocks
Figure 17-110



ITEM	PART NUMBER	QTY	LINE	SERIES	BODY	ENGINE	TRANS	TRIM	DESCRIPTION
Note:Sales Codes; [SDA]=Normal Duty Suspension [SDX]=High Performance Suspension [SNA]=Dynamic Handling System									
1									ISOLATOR, Spring
	52089341AE	2							Lower
		2							Upper
2									SCREW, Hex Flange Head, M12x1.75x80
	06506147AA	2							Rear Shock To Body, Mounting
		2							Rear Shock To Axle, Mounting
3									CUP, Jounce Bumper
	05290783AB	2	J, T		74				[SDX]
	52089977AB	2	J, T		74				[SDA]
4	06101838	2							SCREW, Hex Head, Jounce Bumper to Rail, Mounting
5									BUMPER, Jounce
	05290639AB	2	J, T	X	74				[SDX]
	52089343AA	2	J, T	H, P, S	74				Standard
6									SHOCK ABSORBER, Suspension, Rear
	05290641AB	2	J, T		74	ES0			[SDX]
	52089751AI	2	J, T		74				[SDA]
7									SPRING, Suspension, Rear
	05290638AA	1	J, T		74				[ZAZ]
	05290773AA	1	J, T		74				[ZNZ]
	52089818AD	1	J, T		74				[ZHT,ZWT]
	52089819AD	1	J, T		74				[ZHU,ZWU]
	52089820AD	1	J, T		74				[ZHV,ZWV]
	52089821AD	1	J, T		74				[ZHW,ZWW]
	52089823AD	1	J, T		74				[ZHY,ZWY]
	52090248AD	1	J, T		74				[ZHR,ZWR]
	52090249AD	1	J, T		74				[ZHZ,ZWZ]
	52124016AD	1	J, T		74				[ZJR,ZXR]
	52124220AD	1	J, T		74				[ZJX,ZXX]

GRAND CHEROKEE (WK)

SERIES LINE
 H = HIGHLINE T = JEEP - 2WD
 P = PREMIUM J = JEEP - 4WD
 S = SPORT
 X = SPECIAL

BODY
 74 = SPORT UTILITY 4-DR
 TYPE #4

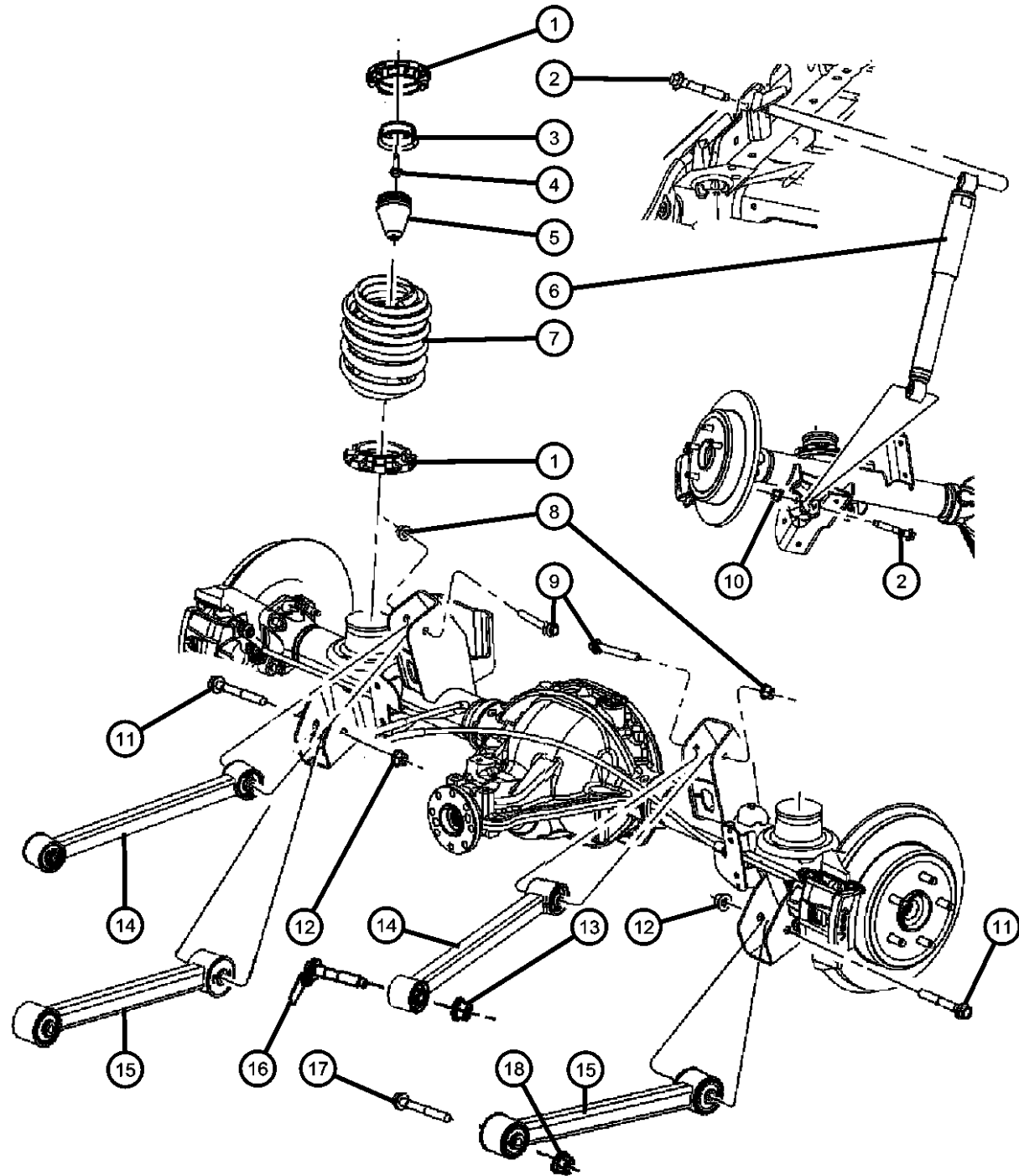
ENGINE
 EVA = 4.7L V8 MPI Engine
 EVD = 4.7L V8 FFV Engine
 EXL = 3.0L V6 Turbo Diesel
 Engine
 EZB = 5.7L Hemi Multi
 Displacement Engine
 EKG = 3.7L V6 Engine
 ESF = 6.1L SRT HEMI SMPI
 V8 Engine

TRANSMISSION
 DGJ = 5-Speed Auto W5A580
 Transmission
 DGQ = 5-Spd Automatic 545RFE
 Transmission
 DGU = 5-Spd Auto W5J400
 Transmission

AR = use ase required - = Non illustrated part

2007 WK

Rear Coil Springs Control Arms And Shocks
Figure 17-110



ITEM	PART NUMBER	QTY	LINE	SERIES	BODY	ENGINE	TRANS	TRIM	DESCRIPTION
	52124221AB	1	J, T		74				[ZJY,ZXY]
	52124822AD	1	J, T		74				[ZHX,ZWX]
8	06502697	2							NUT, Hex Flange Lock, M12x1.75, UCA to Axle, Mounting
9	06502725	2							BOLT, Hex Flange, M12x1.75x90, UCA to Axle, Mounting
10		2							NUT, Purchase Axle Assembly, (NOT SERVICED)
11	06507620AA	2							SCREW, LCA to Axle, Mounting
12	06502698	2							NUT, Hex Flange Lock, LCA to Axle, Mounting
13									NUT, Hex Flange Lock, M12x1.75
	06502697	1							UCA to Body Mounting, Left
		1							UCA to Body Mounting, Right
14									ARM, Upper Control, Rear
	05290953AA	2	J, T		74				[SDX]
	52089629AC	2	J, T		74				[SDA]
15									ARM, Lower Control, Rear
	05290957AA	2	J, T		74				[SDX]
	52089630AC	2	J, T		74				[SDA]
16									SCREW
	06508216AA	1	J, T		74				UCA to Body Mounting, Right
		1	J, T		74				UCA to Body Mounting, Left
17	06507971AA	2							SCREW, LCA to Body, Mounting
18	06502698	2							NUT, Hex Flange Lock, LCA to Body, Mounting

GRAND CHEROKEE (WK)

SERIES LINE
H = HIGHLINE T = JEEP - 2WD
P = PREMIUM J = JEEP - 4WD
S = SPORT
X = SPECIAL

BODY
74 = SPORT UTILITY 4-DR
TYPE #4

ENGINE
EVA = 4.7L V8 MPI Engine
EVD = 4.7L V8 FFV Engine
EXL = 3.0L V6 Turbo Diesel
Engine
EZB = 5.7L Hemi Multi
Displacement Engine
EKG = 3.7L V6 Engine
ESF = 6.1L SRT HEMI SMPI
V8 Engine

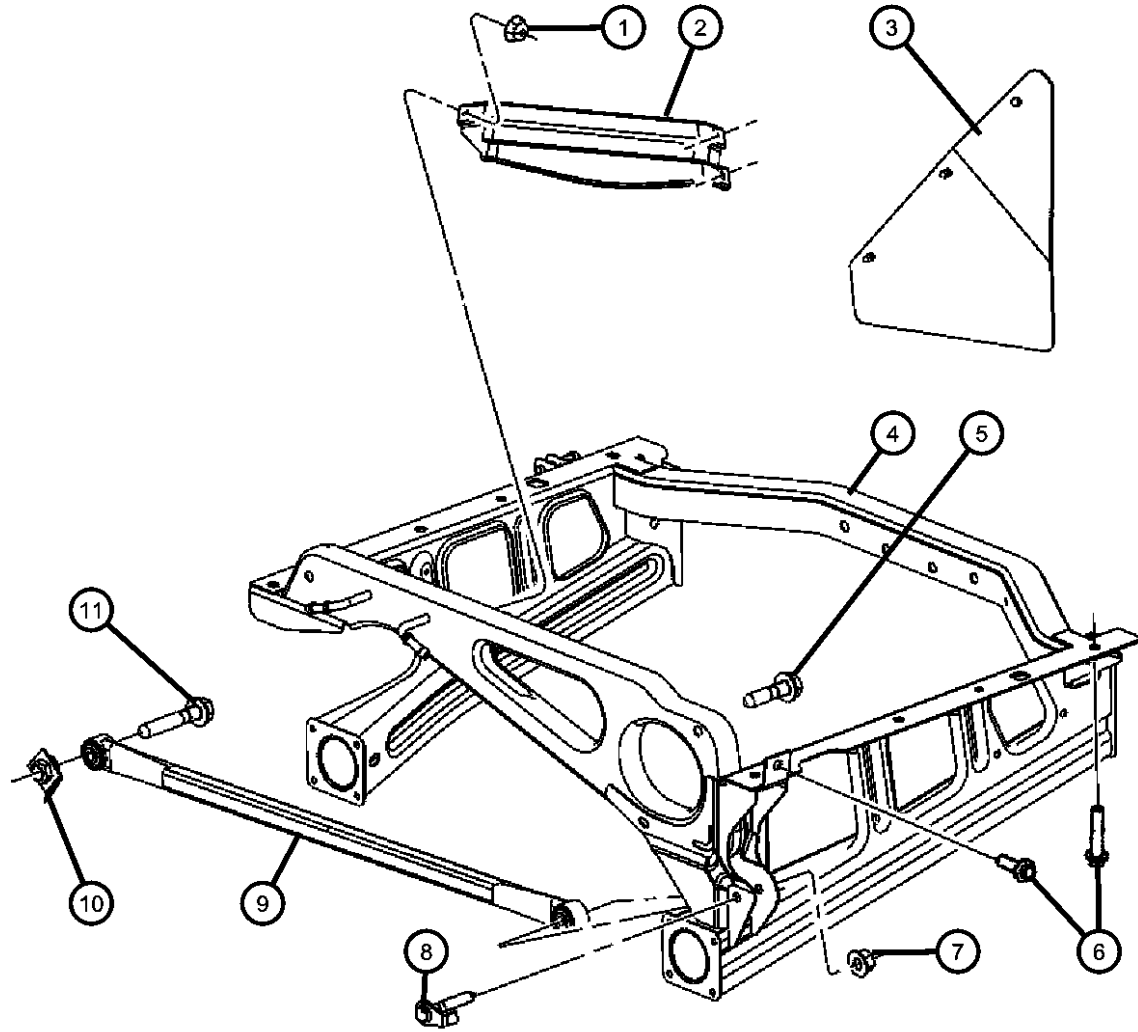
TRANSMISSION
DGJ = 5-Speed Auto W5A580
Transmission
DGQ = 5-Spd Automatic 545RFE
Transmission
DGU = 5-Spd Auto W5J400
Transmission

AR = use ase required - = Non illustrated part

2007 WK

**Rear Suspension Cradle and Track Bar
Figure 17-120**

ITEM	PART NUMBER	QTY	LINE	SERIES	BODY	ENGINE	TRANS	TRIM	DESCRIPTION
1	06100050	3		H, P, S					NUT AND WASHER, Hex, M8x1.25, Spare Tire Heat Shield to Rear Suspension Cradle, Mounting SHIELD, Spare Tire, Heat
2	52090420AF	1		H, P, S					SHIELD, Spare Tire, [AHX] Used With Item 2
3	52124516AB	1	J, T		74				CRADLE, Rear Suspension
4	52090278AJ	1	J, T		74				SCREW, Rear Suspension Cradle to Rail Brackets, Mount
5	06507231AA	2	J, T		74				BOLT, Rear Suspension Cradle to Rails, Mounting
6	06508267AA	9							NUT, Hex Flange Lock, Track Bar to Body, Mounting
7	06502698	1							BOLT, Track Bar to Body
8	06508079AA	1	J, T		74				TRACK BAR, Rear
9	52089605AD	1	J, T		74				NUT AND RETAINER, Hex Flange Locking, M14 x 2.00, Track Bar to Axle
10	06508132AA	1	J, T		74				BOLT, Hex Flange Head, M14x2.00x80.00, Track Bar to Axle, Mounting
11	06502818	1							



GRAND CHEROKEE (WK)

SERIES LINE
H = HIGHLINE T = JEEP - 2WD
P = PREMIUM J = JEEP - 4WD
S = SPORT
X = SPECIAL

BODY
74 = SPORT UTILITY 4-DR
TYPE #4

ENGINE
EVA = 4.7L V8 MPI Engine
EVD = 4.7L V8 FFV Engine
EXL = 3.0L V6 Turbo Diesel
Engine
EZB = 5.7L Hemi Multi
Displacement Engine
EKG = 3.7L V6 Engine
ESF = 6.1L SRT HEMI SMPI
V8 Engine

TRANSMISSION
DGJ = 5-Speed Auto W5A580
Transmission
DGQ = 5-Spd Automatic 545RFE
Transmission
DGU = 5-Spd Auto W5J400
Transmission

AR = use ase required - = Non illustrated part

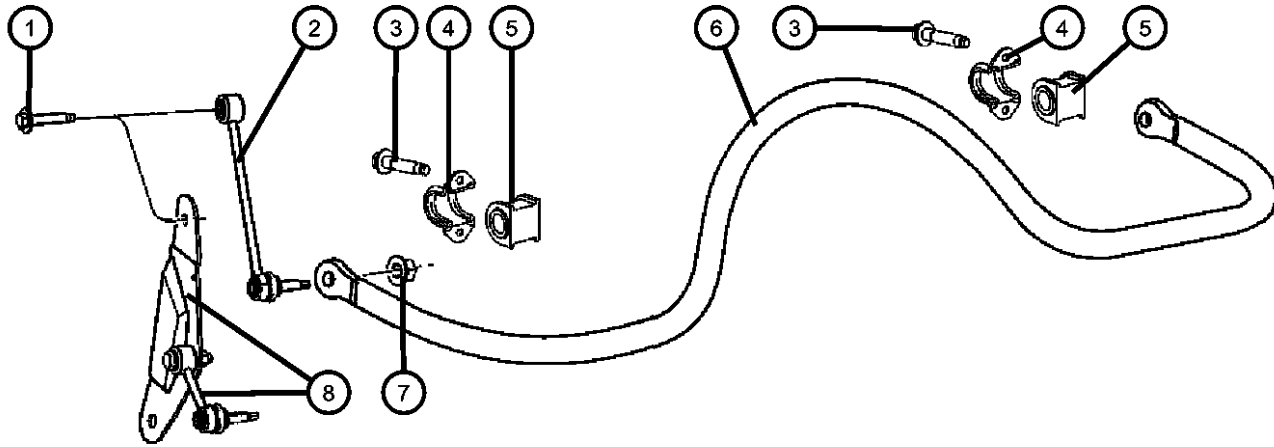
2007 WK

**Stabilizer Bar,Rear,With [SDA] or [SDX]
Figure 17-210**

ITEM	PART NUMBER	QTY	LINE	SERIES	BODY	ENGINE	TRANS	TRIM	DESCRIPTION
------	-------------	-----	------	--------	------	--------	-------	------	-------------

Note:Sales Codes;
[SDA]=Normal Duty Suspension
[SDX]=High Performance Suspension

1	06101984	2	J, T		74				BOLT, Sway Bar Link to Sill Bracket
2	52089486AC	2	J, T		74				LINK, Sway Eliminator, [SDA]
3	06508505AA	4	J, T		74				SCREW AND WASHER, Hex Head, M10x1.50x35
4									RETAINER, Stabilizer Bar Grommet
	52090271AA	2	J, T		74				[SDX]
		2	J, T		74				[SDA]
5									BUSHING, Stabilizer Bar
	52089485AC	2	J, T		74				[SDA]
	52124302AA	2	J, T		74				[SDX]
6									STABILIZER BAR, Rear Suspension
	52089484AC	1	J, T		74				[SDA]
	52124303AA	1	J, T		74				[SDX]
7	06502835	2							NUT, Hex Flange, M12x1.75, End Link to Sway Bar, Mounting
8									LINK, Sway Eliminator
	05290768AC	1	J, T		74				[SDX], Right
	05290769AB	1	J, T		74				[SDX], Left



GRAND CHEROKEE (WK)

SERIES LINE
H = HIGHLINE T = JEEP - 2WD
P = PREMIUM J = JEEP - 4WD
S = SPORT
X = SPECIAL

BODY
74 = SPORT UTILITY 4-DR
TYPE #4

ENGINE
EVA = 4.7L V8 MPI Engine
EVD = 4.7L V8 FFV Engine
EXL = 3.0L V6 Turbo Diesel Engine
EZB = 5.7L Hemi Multi Displacement Engine
EKG = 3.7L V6 Engine
ESF = 6.1L SRT HEMI SMPI V8 Engine

TRANSMISSION
DGJ = 5-Speed Auto W5A580 Transmission
DGQ = 5-Spd Automatic 545RFE Transmission
DGU = 5-Spd Auto W5J400 Transmission

AR = use ase required - = Non illustrated part

2007 WK

Group - 19

Steering

Group - 19 Steering

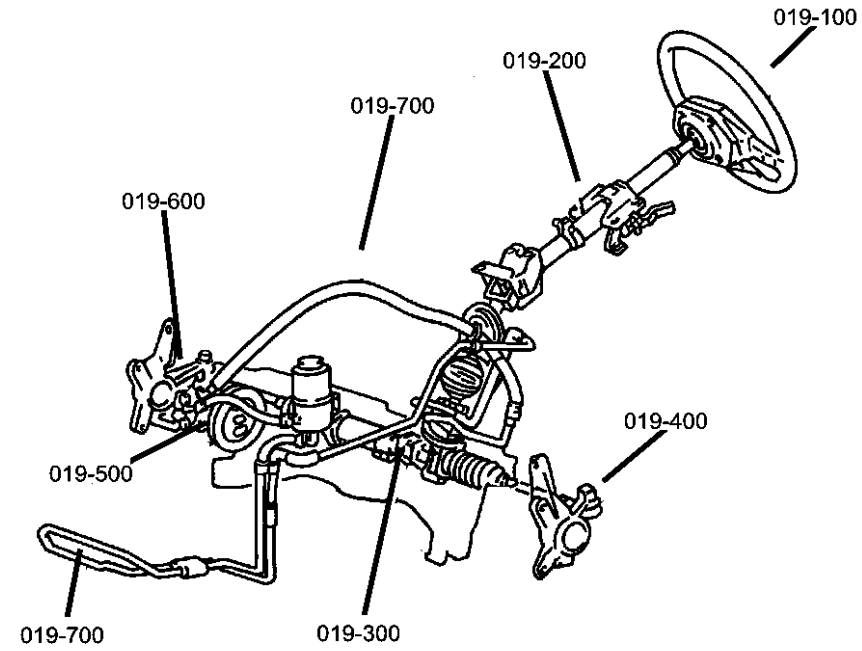


Illustration Title

Group-Fig. No.

Steering Wheel

Steering Wheel Assembly Fig. 19 - 110

Steering Column

Steering Column Assy Fig. 19 - 210

Steering Gear

Gear Rack & Pinion Power Steering Fig. 19 - 310

Steering Linkage

Steering Linkage Fig. 19 - 410

Power Steering Pump

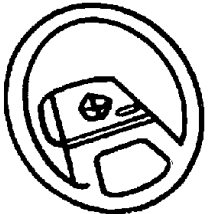
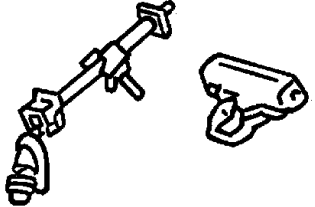
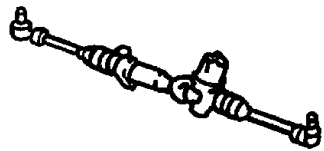
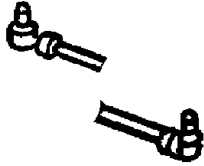
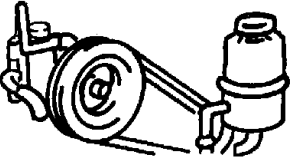
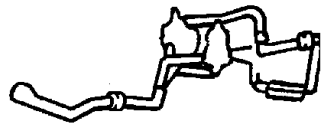
Power Steering Pump Fig. 19 - 510

Power Steering Hoses

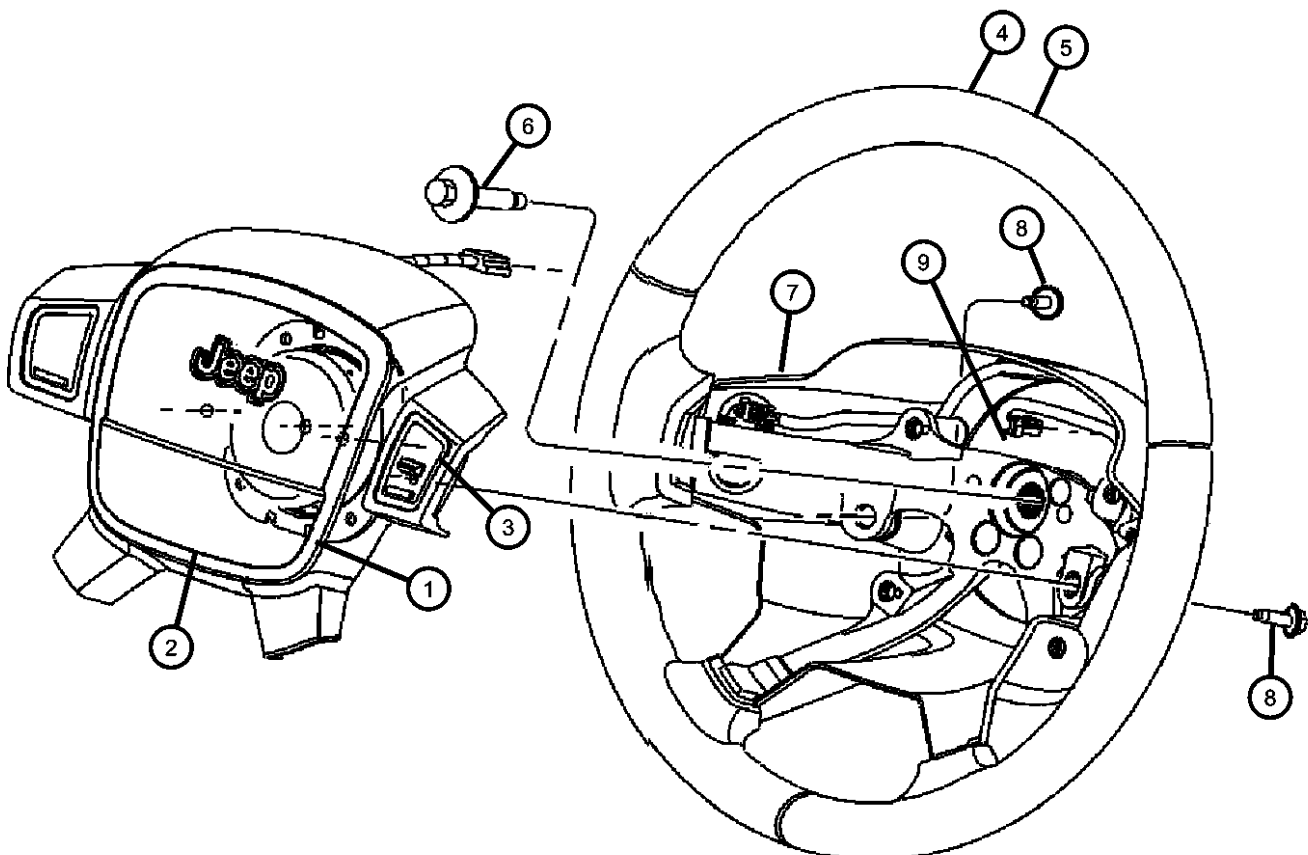
Power Steering Hose 3.7L [EK0]4.7L [EV0],6.1L [ES0] Fig. 19 - 710

Power Steering Hose, [EX0] 3.0L Turbo Diesel Fig. 19 - 715

Power Steering Hose 5.7L [EZ0] Fig. 19 - 720

<p>019-100 Steering Wheel</p> 	<p>019-200 Steering Column</p> 	<p>019-300 Steering Gear</p> 	<p>019-400 Steering Linkage</p> 
<p>019-500 Power Steering Pump</p> 	<p>019-700 Power Steering Hoses</p> 		

**Steering Wheel Assembly
Figure 19-110**



ITEM	PART NUMBER	QTY	LINE	SERIES	BODY	ENGINE	TRANS	TRIM	DESCRIPTION
NOTES: Sales Codes: [SCC] = Leather Wrapped Steering Wheel [SCL] = Leather Wrapped Steering Wheel [SCW] = Wood/Leather Wrapped Steering Wheel									
1									COVER, Air Bag Module
	1BH821D1AA	1	J, T	H, P, S	74				[J1]
	1BH821D5AA	1	J, T	H, P, S	74				[D5]
	1BH821J3AA	1	J, T	H, P, S	74				[J3]
	1CJ841DVAC	1	J, T	X	74				[D5]
2	5JY991DVAE	1		X					AIR BAG, Driver, [D5]
3									SWITCH, Horn
	05143588AA	1	J, T	H, P, S	74				
	05175930AB	1	J, T	X	74				
4									WHEEL, Steering
	5HM76BD5AC	1	J, T		74				[D5] [SCA]
	5HM76ZJ3AC	1	J, T		74				[J3] [SCA]
5									WHEEL, Steering, Leather
	1CY221DVAA	1	J, T		74				[D5][SCC] Leather With Radio Controls
	1AQ661D1AE	1	J, T		74				[J1][SCL] Leather With Radio Controls
	1AQ661D5AE	1	J, T		74				[D5][SCL] Leather With Radio Controls
	1AQ661J3AE	1	J, T		74				[J3][SCL] Leather With Radio Controls
	1HA531D1AA	1	J, T		74				[J1][SCW] Leather/Woodgrain With Radio Controls
	1HA531D5AA	1	J, T		74				[D5][SCW] Leather/ Woodgrain With Radio Controls
6	06505656AA	1	J, T		74				SCREW, Hex Flange Head, M10x1.5x35.
7									COVER, Steering Wheel Back
	1FM321D5AA	1	J, T		74				[D5] [SCW] Wood/Leather Wrapped Steering Wheel
	1FM31ZJ3AA	1	J, T		74				[J3]
		1	J, T		74				[D5] [SCC] Leather Wrapped Steering Wheel
	1FM31BD5AA	1	J, T		74				[D5]

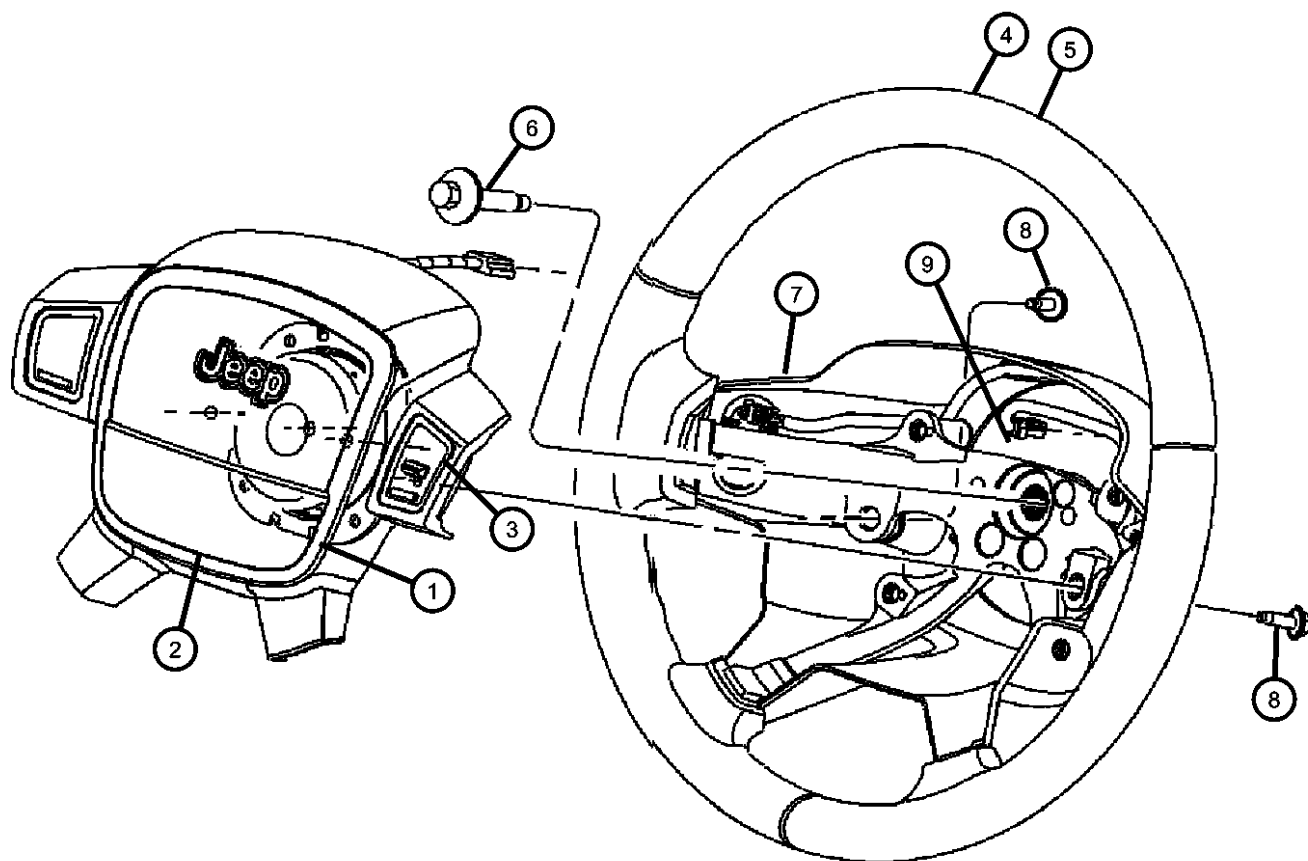
GRAND CHEROKEE (WK)

SERIES	LINE	BODY	ENGINE	TRANSMISSION
H = HIGHLINE	T = JEEP - 2WD	74 = SPORT UTILITY 4-DR TYPE #4	EVA = 4.7L V8 MPI Engine	DGJ = 5-Speed Auto W5A580 Transmission
P = PREMIUM	J = JEEP - 4WD		EVD = 4.7L V8 FFV Engine	DGQ = 5-Spd Automatic 545RFE Transmission
S = SPORT			EXL = 3.0L V6 Turbo Diesel Engine	DGU = 5-Spd Auto W5J400 Transmission
X = SPECIAL			EZB = 5.7L Hemi Multi Displacement Engine	
			EKG = 3.7L V6 Engine	
			ESF = 6.1L SRT HEMI SMPI V8 Engine	

AR = use ase required - = Non illustrated part

**Steering Wheel Assembly
Figure 19-110**

ITEM	PART NUMBER	QTY	LINE	SERIES	BODY	ENGINE	TRANS	TRIM	DESCRIPTION
	1FM321DVAA	1	J, T		74				[D5] [SCL] Leather Wrapped Steering Wheel
8	06507294AA	2	J, T		74				SCREW, Air Bag Module to Steering Column
9	55197227AC	1	J, T		74	EX0			DAMPER, Steering Wheel



GRAND CHEROKEE (WK)

SERIES LINE
H = HIGHLINE T = JEEP - 2WD
P = PREMIUM J = JEEP - 4WD
S = SPORT
X = SPECIAL

BODY
74 = SPORT UTILITY 4-DR
TYPE #4

ENGINE
EVA = 4.7L V8 MPI Engine
EVD = 4.7L V8 FFV Engine
EXL = 3.0L V6 Turbo Diesel
Engine
EZB = 5.7L Hemi Multi
Displacement Engine
EKG = 3.7L V6 Engine
ESF = 6.1L SRT HEMI SMPI
V8 Engine

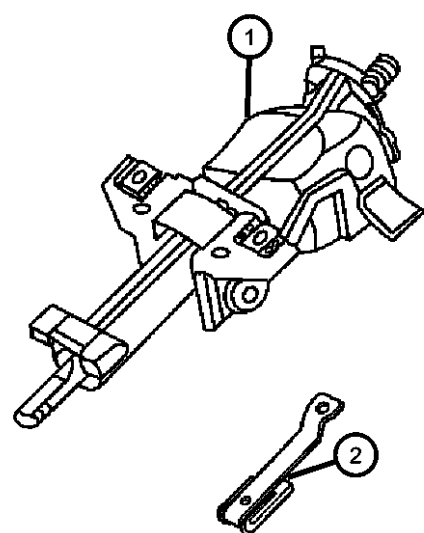
TRANSMISSION
DGJ = 5-Speed Auto W5A580
Transmission
DGQ = 5-Spd Automatic 545RFE
Transmission
DGU = 5-Spd Auto W5J400
Transmission

AR = use ase required - = Non illustrated part

2007 WK

**Steering Column Assy
Figure 19-210**

ITEM	PART NUMBER	QTY	LINE	SERIES	BODY	ENGINE	TRANS	TRIM	DESCRIPTION
1	05057151AD	1	J, T		74				COLUMN, Steering, Tilt
2	55315087AB	1	J, T		74				BRACKET, Steering Column
-3	06506367AA	1	J, T		74				SCREW, M8-1.25
-4	06508186AA	1	J, T		74				NUT, Hex Flange Locking, M6x1
-5									SHROUD, Steering Column
	5KB11BD1AD	1	J, T		74				[J1]
	5KB11BD5AD	1	J, T		74				[D5]
	5KB11ZJ3AD	1	J, T		74				[J3]
-6	06508179AA	1	J, T		74				SCREW, Steering Column
-7	06503369	1	J, T		74				SCREW, Shroud to Column
-8	06036381AA	2							SCREW AND WASHER, Pan Head, Lower Column Shroud to Upper Shroud
-9	06506961AA	2	J, T		74				SCREW AND WASHER, Hex Head, M8x1.25x30, Steering Column Upper Bracket to I/P



GRAND CHEROKEE (WK)

SERIES LINE
H = HIGHLINE T = JEEP - 2WD
P = PREMIUM J = JEEP - 4WD
S = SPORT
X = SPECIAL

BODY
74 = SPORT UTILITY 4-DR
TYPE #4

ENGINE
EVA = 4.7L V8 MPI Engine
EVD = 4.7L V8 FFV Engine
EXL = 3.0L V6 Turbo Diesel
Engine
EZB = 5.7L Hemi Multi
Displacement Engine
EKG = 3.7L V6 Engine
ESF = 6.1L SRT HEMI SMPI
V8 Engine

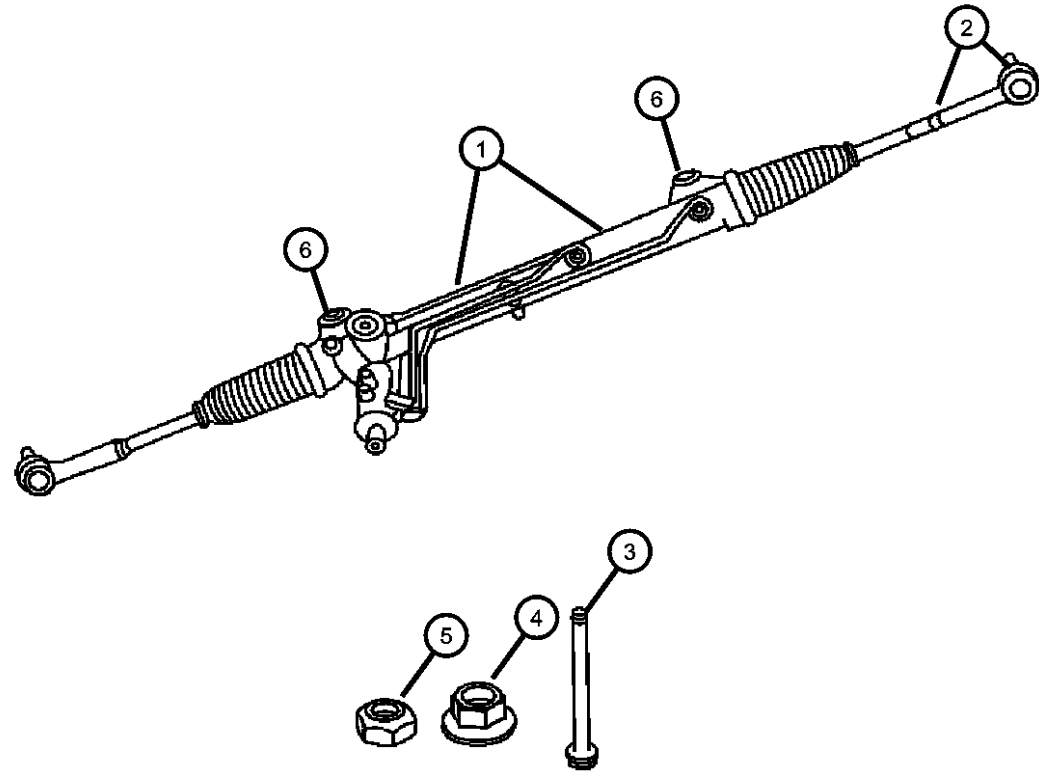
TRANSMISSION
DGJ = 5-Speed Auto W5A580
Transmission
DGQ = 5-Spd Automatic 545RFE
Transmission
DGU = 5-Spd Auto W5J400
Transmission

AR = use ase required - = Non illustrated part

2007 WK

**Gear Rack & Pinion Power Steering
Figure 19-310**

ITEM	PART NUMBER	QTY	LINE	SERIES	BODY	ENGINE	TRANS	TRIM	DESCRIPTION
1	05181063AA	1	J, T		74				GEAR, Power Steering [SBX]
	52089292AD	1	J, T		74				[SBA]
2	05143555AC	1	J, T		74				END PACKAGE, Tie Rod [SBA], Left
		1	J, T		74				[SBX], Left
	05143556AC	1	J, T		74				[SBA], Right
		1	J, T		74				[SBX], Right
3	06507661AA	2	J, T		74				SCREW, Hex Flange Head
4	06505623AA	2							NUT AND WASHER
5	06507706AA	2	J, T		74				NUT, Power Steering Gear
6	52089312AA	2	J, T		74				BUSHING, Steering Gear



GRAND CHEROKEE (WK)

SERIES LINE
H = HIGHLINE T = JEEP - 2WD
P = PREMIUM J = JEEP - 4WD
S = SPORT
X = SPECIAL

BODY
74 = SPORT UTILITY 4-DR
TYPE #4

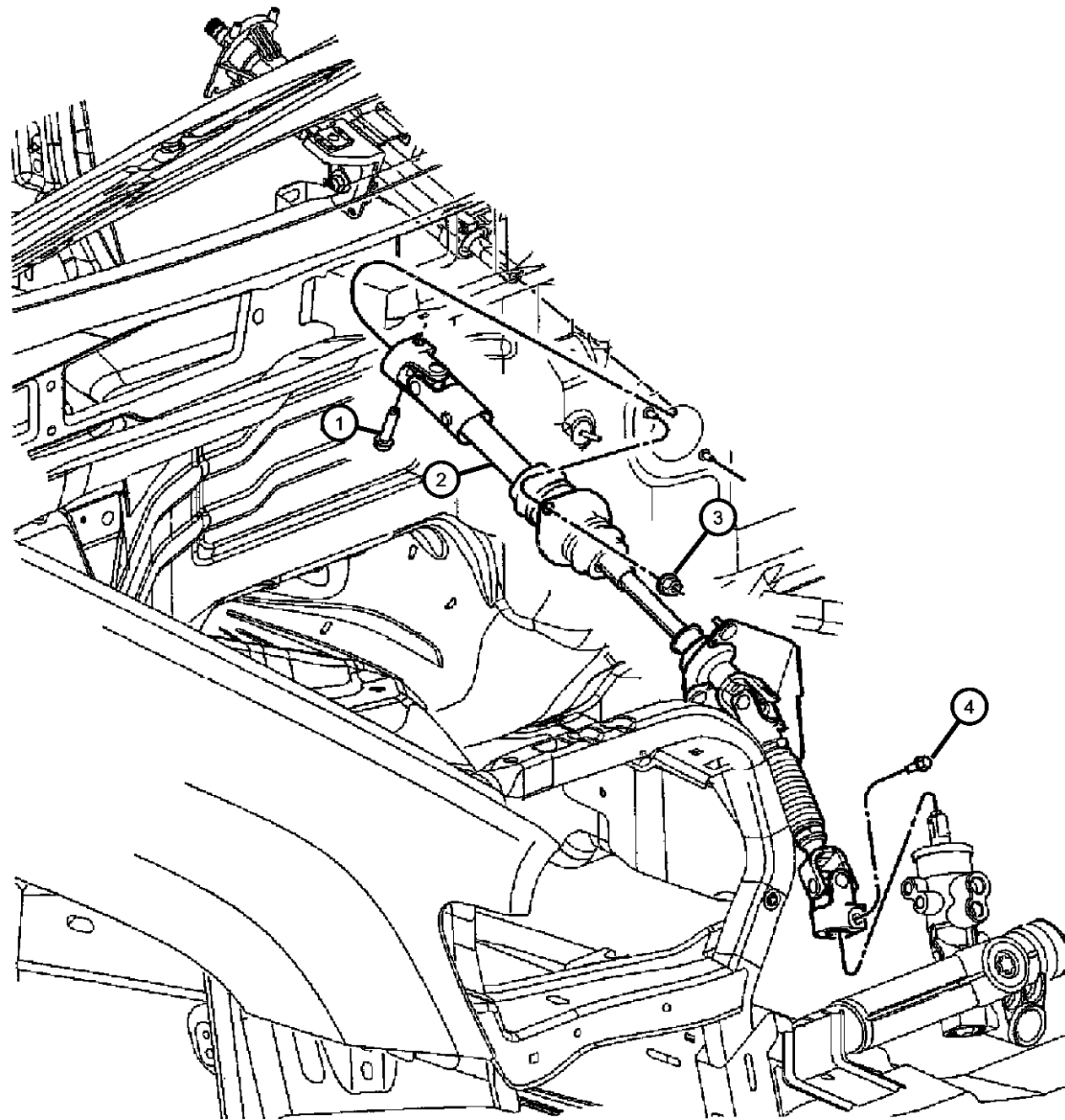
ENGINE
EVA = 4.7L V8 MPI Engine
EVD = 4.7L V8 FFV Engine
EXL = 3.0L V6 Turbo Diesel
Engine
EZB = 5.7L Hemi Multi
Displacement Engine
EKG = 3.7L V6 Engine
ESF = 6.1L SRT HEMI SMPI
V8 Engine

TRANSMISSION
DGJ = 5-Speed Auto W5A580
Transmission
DGQ = 5-Spd Automatic 545RFE
Transmission
DGU = 5-Spd Auto W5J400
Transmission

AR = use ase required - = Non illustrated part

2007 WK

Steering Linkage
Figure 19-410



ITEM	PART NUMBER	QTY	LINE	SERIES	BODY	ENGINE	TRANS	TRIM	DESCRIPTION
1	06504926AA	1	J, T		74				SCREW, Hex Flange Head, M10x1.5x40
2	55197223AB	1	J, T		74				SHAFT, Intermediate
3	05096978AA	2	J, T		74				NUT, Hex, M6
4	06504926AA	1	J, T		74				SCREW, Hex Flange Head, M10x1.5x40

GRAND CHEROKEE (WK)

SERIES LINE
H = HIGHLINE T = JEEP - 2WD
P = PREMIUM J = JEEP - 4WD
S = SPORT
X = SPECIAL

BODY
74 = SPORT UTILITY 4-DR
TYPE #4

ENGINE
EVA = 4.7L V8 MPI Engine
EVD = 4.7L V8 FFV Engine
EXL = 3.0L V6 Turbo Diesel
Engine
EZB = 5.7L Hemi Multi
Displacement Engine
EKG = 3.7L V6 Engine
ESF = 6.1L SRT HEMI SMPI
V8 Engine

TRANSMISSION
DGJ = 5-Speed Auto W5A580
Transmission
DGQ = 5-Spd Automatic 545RFE
Transmission
DGU = 5-Spd Auto W5J400
Transmission

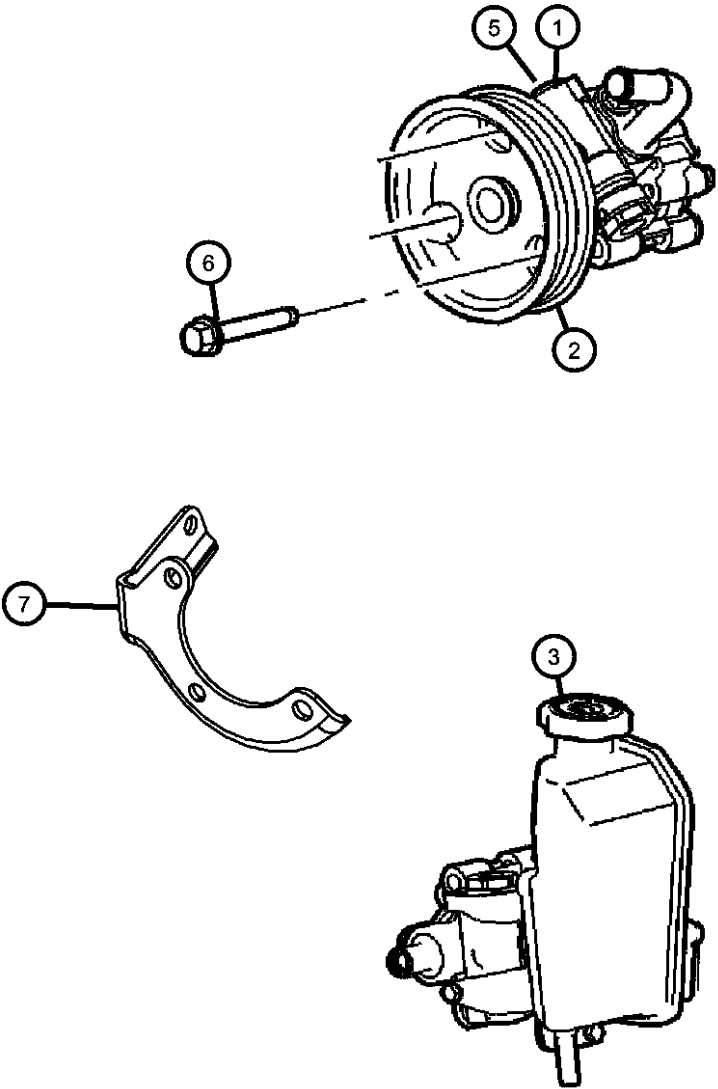
AR = use ase required - = Non illustrated part

2007 WK

**Power Steering Pump
Figure 19-510**

ITEM	PART NUMBER	QTY	LINE	SERIES	BODY	ENGINE	TRANS	TRIM	DESCRIPTION
------	-------------	-----	------	--------	------	--------	-------	------	-------------

NOTES: Sales Code:
 [EK0] = All 3.7L V6 Engines
 [ES0] = All 6L V8 Engines
 [EV0] = All 4.7L V8 Engines
 [EZ0] = All 5.7L V8 Engines



1									PUMP ASSEMBLY, Power Steering with Pulley
	05290778AA	1	J, T		74	ES0			
	52089339AC	1	J, T		74	EK0, EV0			
	05142893AA								Mopar Special Hydraulic System/Power Steering Fluid 1qt
	52089883AC	1	J, T		74	EZ0			
2									PULLEY, Power Steering Pump
	53013677AB	1	J		74	ES0			
	53013688AB	1	J, T		74	EK0, EV0			
		1	J, T		74	EZ0			
3									CAP, Power Steering Reservoir
	05143614AA	1	J, T		74	EK0, EV0			
	05179559AA	1	J, T		74	ES0			
-4									LABEL, Power Steering Fluid
	52124056AA	1	J, T		74	EK0, EV0			
		1	J, T		74	EX0	DG0		
		1	J, T		74	EZ0	DG0		
5	52124461AA	1	J, T		74	EX0			PUMP, Power Steering
6	06102184AA	3	J, T		74	ESF			SCREW AND WASHER, Hex Head
7									BRACKET, Power Steering Pump
	04891578AA	1	J, T		74	EXL			Front
	04891591AA	1	J, T		74	EXL			Rear

GRAND CHEROKEE (WK)

SERIES LINE
 H = HIGHLINE T = JEEP - 2WD
 P = PREMIUM J = JEEP - 4WD
 S = SPORT
 X = SPECIAL

BODY
 74 = SPORT UTILITY 4-DR
 TYPE #4

ENGINE
 EVA = 4.7L V8 MPI Engine
 EVD = 4.7L V8 FFV Engine
 EXL = 3.0L V6 Turbo Diesel
 Engine
 EZB = 5.7L Hemi Multi
 Displacement Engine
 EKG = 3.7L V6 Engine
 ESF = 6.1L SRT HEMI SMPI
 V8 Engine

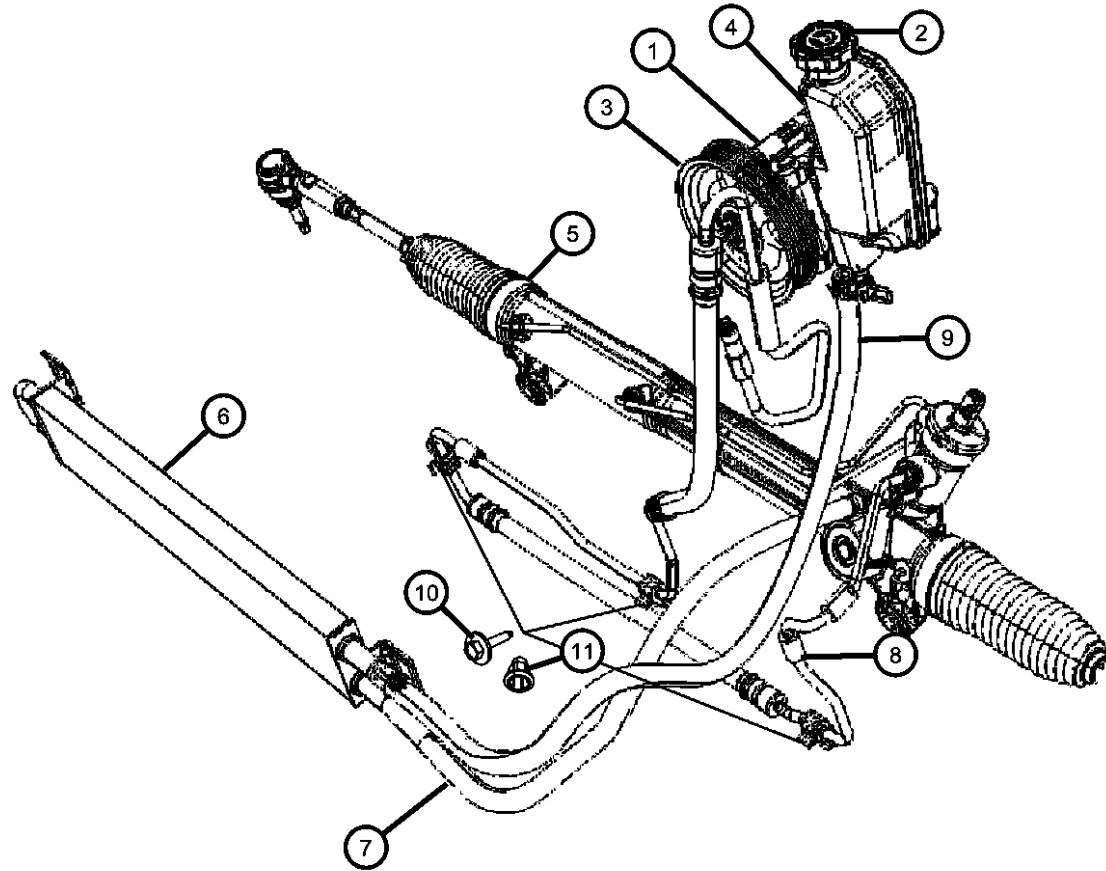
TRANSMISSION
 DGJ = 5-Speed Auto W5A580
 Transmission
 DGQ = 5-Spd Automatic 545RFE
 Transmission
 DGU = 5-Spd Auto W5J400
 Transmission

AR = use ase required - = Non illustrated part

2007 WK

**Power Steering Hose 3.7L [EK0]4.7L [EV0],6.1L [ES0]
Figure 19-710**

ITEM	PART NUMBER	QTY	LINE	SERIES	BODY	ENGINE	TRANS	TRIM	DESCRIPTION
NOTES: Sales Codes: [DG0] = All Automatic Transmissions [EK0] = All 3.7L V6 Engines [ES0] = All 6L V8 Engines [EV0] = All 4.7L V8 Engines [SBA] = Power Rack and Pinion Steering [SBX] = Performance Tuned Steering									
1	52089339AC 05142893AA	1	J, T		74	EK0, EV0			PUMP ASSEMBLY, Power Steering with Pulley Mopar Special Hydraulic System/Power Steering Fluid 1qt
2	05143614AA	1	J, T		74	EK0, EV0			CAP, Power Steering Reservoir
3	53013688AB	1	J, T		74	EK0, EV0			PULLEY, Power Steering Pump
4		1							RESERVOIR, Power Steering Fluid, Serviced with Pump, (NOT SERVICED)
5	05181063AA 52089292AD	1	J, T		74				GEAR, Power Steering [SBX] [SBA]
6	05181117AA 52090052AB	1	J, T		74	ES0	DG0		COOLER, Power Steering
7	52089865AC 52124131AB	1	J, T		74	EK0, EV0	DG0		HOSE, Power Steering Return Gear to Reservoir
8	05290781AD 52089325AC	1	J		74	ES0			HOSE, Power Steering Pressure Pump to Steering Gear Pump to Steering Gear
9	52124131AB	1	J, T		74	EV0			HOSE, Power Steering Return P/S Cooler to Reservoir
		1	J, T		74	ES0			P/S Cooler to Reservoir
10	06506669AA	3	J, T		74	ESF, EV0			SCREW, Hex, M6x1x35, P/S Hose to Cradle
11	06503245	3	J, T		74	ESF, EV0			RIVET, P/S Hose to Cradle



GRAND CHEROKEE (WK)

SERIES LINE
H = HIGHLINE T = JEEP - 2WD
P = PREMIUM J = JEEP - 4WD
S = SPORT
X = SPECIAL

BODY
74 = SPORT UTILITY 4-DR
TYPE #4

ENGINE
EVA = 4.7L V8 MPI Engine
EVD = 4.7L V8 FFV Engine
EXL = 3.0L V6 Turbo Diesel Engine
EZB = 5.7L Hemi Multi Displacement Engine
EKG = 3.7L V6 Engine
ESF = 6.1L SRT HEMI SMPI V8 Engine

TRANSMISSION
DGJ = 5-Speed Auto W5A580 Transmission
DGQ = 5-Spd Automatic 545RFE Transmission
DGU = 5-Spd Auto W5J400 Transmission

AR = use ase required - = Non illustrated part

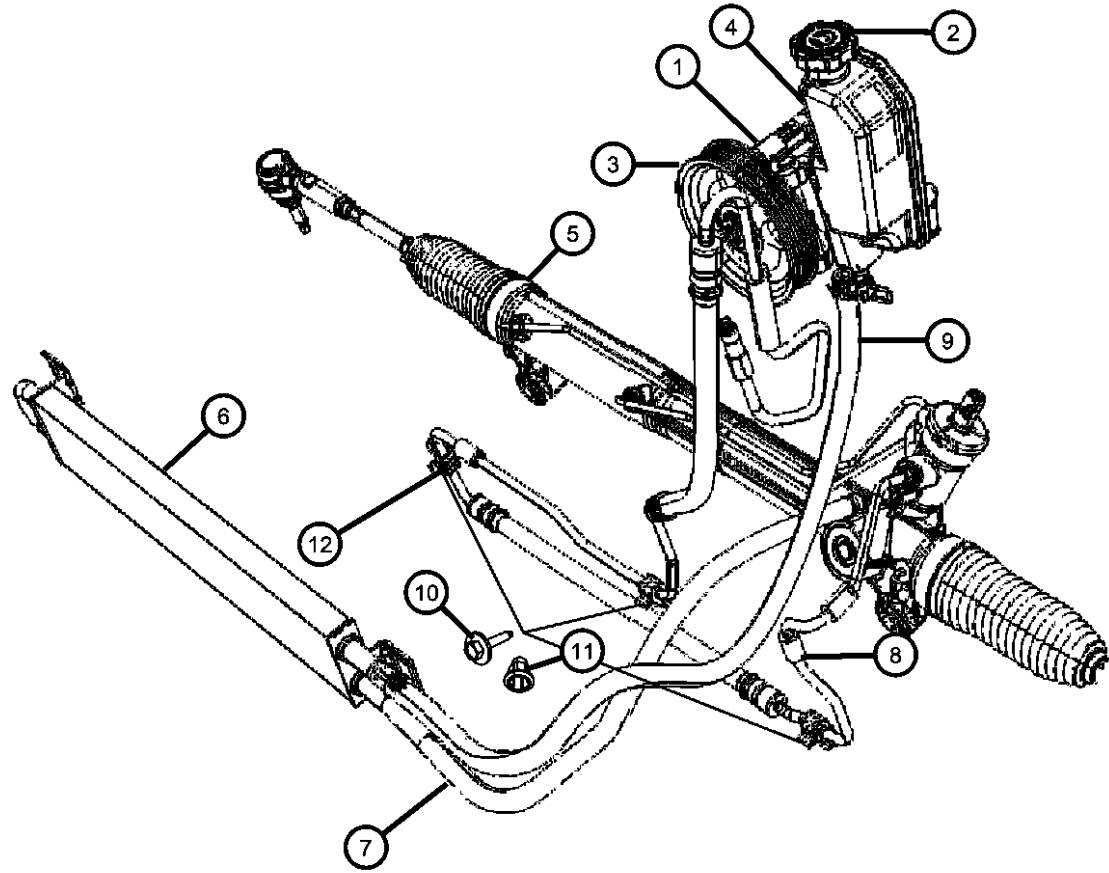
2007 WK

**Power Steering Hose, [EX0] 3.0L Turbo Diesel
Figure 19-715**

ITEM	PART NUMBER	QTY	LINE	SERIES	BODY	ENGINE	TRANS	TRIM	DESCRIPTION
------	-------------	-----	------	--------	------	--------	-------	------	-------------

NOTES: Sales Codes:
[DG0] = All Automatic Transmissions
[EX0] = ALL 3.0/3.1L Turbo Diesel Engines

1	52124461AA	1	J, T		74	EX0			PUMP, Power Steering
2	05143614AA	1	J, T		74	EX0	DG0		CAP, Power Steering Reservoir
3	04891579AA	1	J, T		74	EX0			PULLEY, Power Steering Pump
4		1							RESERVOIR, Power Steering Fluid, Serviced with Pump, (NOT SERVICED)
5	52089292AD	1	J, T		74				STEERING GEAR, Rack and pinion
6	55037927AA	1	J, T		74	EX0	DG0		COOLER, Power Steering
7	52089318AA	1	J, T		74	EX0	DG0		HOSE, Power Steering Return, Gear to Cooler Tube
8	52089329AA	1	J, T		74	EX0	DG0		HOSE, Power Steering Pressure, Pump to Gear
9	52089641AC	1	J, T		74	EX0	DG0		HOSE, Power Steering Return, P/S Cooler to Reservoir
10	06506669AA	2	J, T		74	EX0, EZ0			SCREW, Hex, M6x1x35, P/S to Cradle
11	06503245	1	J, T		74				NUT RIVET, Hex, M6X1.00, P/S to Cradle
12	05143196AA	1	J, T		74	EX0	DG0		TUBE, Oil Cooler



GRAND CHEROKEE (WK)

SERIES LINE
H = HIGHLINE T = JEEP - 2WD
P = PREMIUM J = JEEP - 4WD
S = SPORT
X = SPECIAL

BODY
74 = SPORT UTILITY 4-DR
TYPE #4

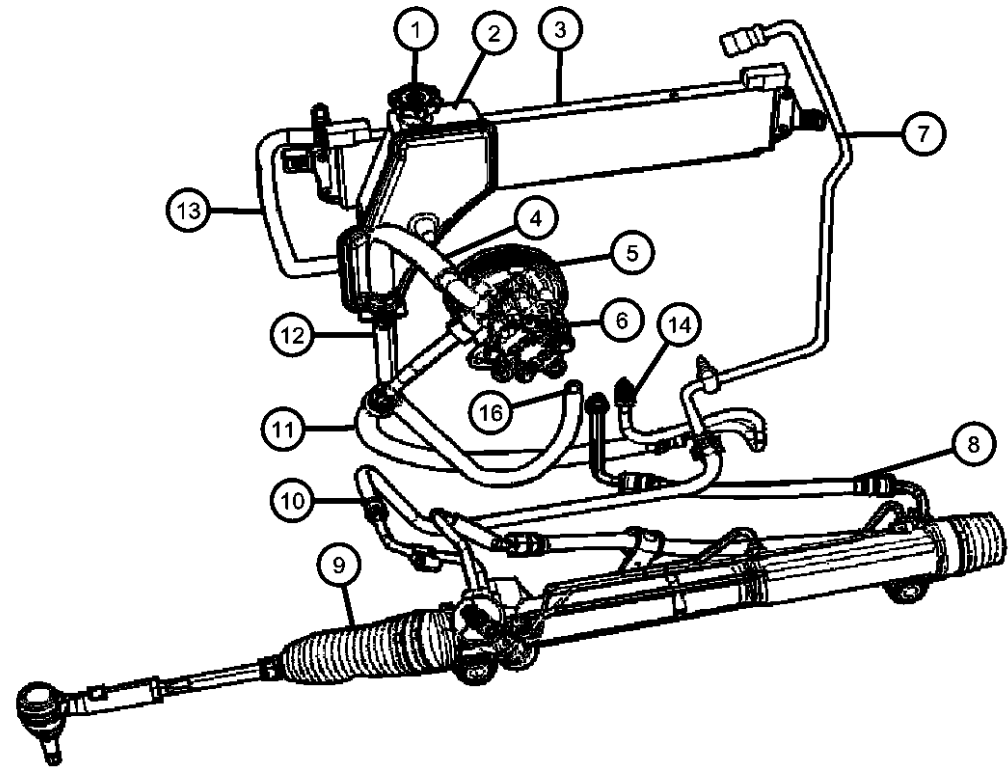
ENGINE
EVA = 4.7L V8 MPI Engine
EVD = 4.7L V8 FFV Engine
EXL = 3.0L V6 Turbo Diesel Engine
EZB = 5.7L Hemi Multi Displacement Engine
EKG = 3.7L V6 Engine
ESF = 6.1L SRT HEMI SMPI V8 Engine

TRANSMISSION
DGJ = 5-Speed Auto W5A580 Transmission
DGQ = 5-Spd Automatic 545RFE Transmission
DGU = 5-Spd Auto W5J400 Transmission

AR = use ase required - = Non illustrated part

2007 WK

**Power Steering Hose 5.7L [EZ0]
Figure 19-720**



ITEM	PART NUMBER	QTY	LINE	SERIES	BODY	ENGINE	TRANS	TRIM	DESCRIPTION
NOTES: Sales Codes: [DG0] = All Automatic Transmissions [EZ0] = All 5.7L V8 Engines [SBA] = Power Rack and Pinion Steering [SBX] = Performance Tuned Steering									
1	05143614AA	1	J, T		74	EZ0	DG0		CAP, Power Steering Reservoir
2	52124317AA	1	J, T		74	EZ0	DG0		RESERVOIR, Power Steering Fluid
3	55116927AA	1	J, T		74	EZ0	DG0		COOLER, Power Steering
4	52089487AA	1	J, T		74	EZ0	DG0		HOSE, Power Steering Pressure, Pump to Reservoir
5	53013677AB	1	J, T		74	EZ0			PULLEY, Power Steering Pump
6	52089883AC	1	J, T		74	EZ0			PUMP ASSEMBLY, Power Steering with Pulley
7	05143196AA	1	J, T		74	EZ0	DG0		TUBE, Oil Cooler
8	52124114AA	1	J, T		74	EZ0			HOSE, Power Steering Pressure, HEC to Steering Gear
9									GEAR, Power Steering
	05181063AA	1	J, T		74				[SBX]
	52089292AD	1	J, T		74				[SBA]
10	52090121AA	1	J, T		74	EZ0			HOSE, Power Steering Return, Gear to Cooler Tube
11	52080154AB	1	J, T		74	EZ0	DG0		HOSE, Power Steering Pressure, HEC to Steering Gear
12	52089641AC	1	J, T		74	EZ0	DG0		HOSE, Power Steering Return, HEC to Reservoir
13	52089318AA	1	J, T		74	EZ0	DG0		HOSE, Power Steering Return, Cooler to Reservoir
14	05205254	1	J, T		74	EZ0			O RING, Power Steering Hose
-15	06503245	1	J, T		74				RIVET, P/S Hose to Cradle
16	06502018	2	J, T		74	EZ0	DG0		CLAMP, Hose, 27X15
-17	06506669AA	2	J, T		74	EX0, EZ0			SCREW, Hex, M6x1x35, P/S Hose to Cradle

GRAND CHEROKEE (WK)

SERIES LINE
H = HIGHLINE T = JEEP - 2WD
P = PREMIUM J = JEEP - 4WD
S = SPORT
X = SPECIAL

BODY
74 = SPORT UTILITY 4-DR
TYPE #4

ENGINE
EVA = 4.7L V8 MPI Engine
EVD = 4.7L V8 FFV Engine
EXL = 3.0L V6 Turbo Diesel Engine
EZB = 5.7L Hemi Multi Displacement Engine
EKG = 3.7L V6 Engine
ESF = 6.1L SRT HEMI SMPI V8 Engine

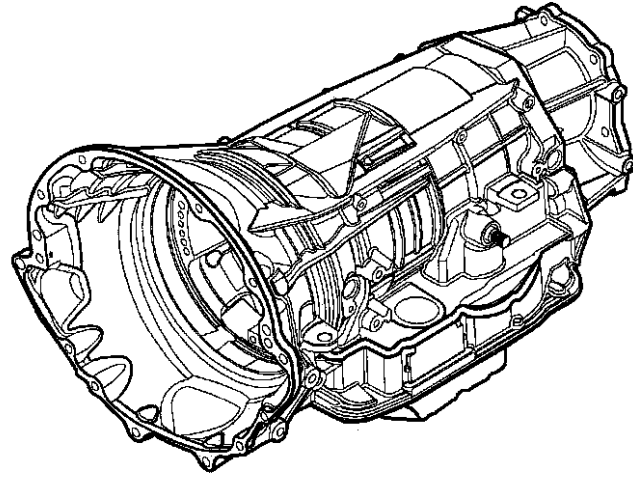
TRANSMISSION
DGJ = 5-Speed Auto W5A580 Transmission
DGQ = 5-Spd Automatic 545RFE Transmission
DGU = 5-Spd Auto W5J400 Transmission

AR = use ase required - = Non illustrated part

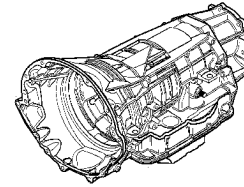
2007 WK

Group - 45RFE

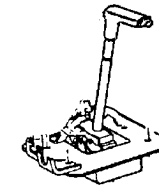
Automatic Transmission Multi-Speed



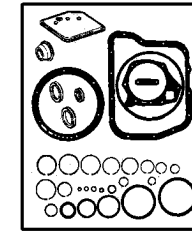
45RFE-100
Transmission Assembly



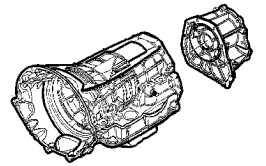
45RFE-1200
Gearshift Controls



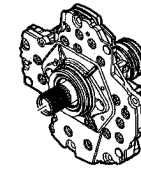
45RFE-1300
Seal and Shim Packages



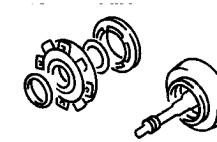
45RFE-200
Case and Extension



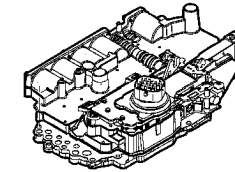
45RFE-300
Oil Pump



45RFE-400
Gear Train



45RFE-700
Valve Body



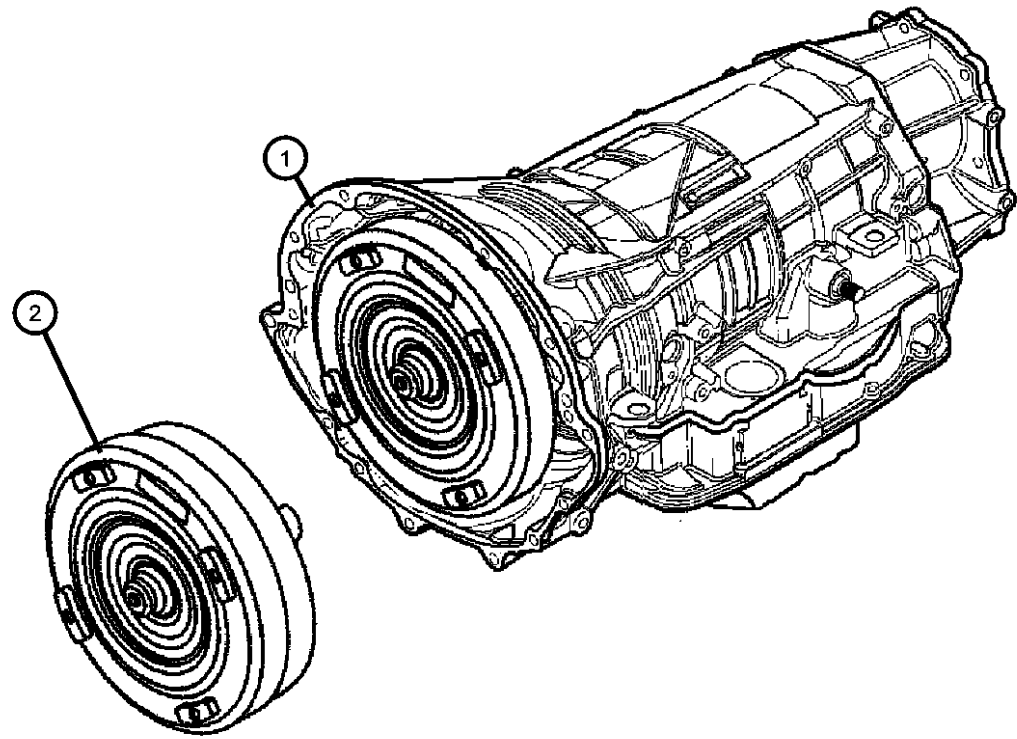
Group - 45RFE Automatic Transmission Multi-Speed

Illustration Title	Group-Fig. No.
Transmission Assembly	
Transmission Assembly	Fig. 45RFE - 110
Case and Extension	
Transmission Case & Related Parts	Fig. 45RFE - 210
Adapter & Extension	Fig. 45RFE - 220
Oil Pump	
Oil Pump	Fig. 45RFE - 310
Gear Train	
Input Shaft	Fig. 45RFE - 410
Underdrive	Fig. 45RFE - 420
Overdrive	Fig. 45RFE - 430
2 & 4 Clutch Retainer	Fig. 45RFE - 440
Input / Reverse Planetary [DGQ].....	Fig. 45RFE - 450
Reaction Annulus / Sun Gear	Fig. 45RFE - 460
Low / Reverse Clutch	Fig. 45RFE - 470
Valve Body	
Valve Body	Fig. 45RFE - 710
Parking Sprag	Fig. 45RFE - 720
Gearshift Controls	
Gearshift Control	Fig. 45RFE - 1210
Seal and Shim Packages	
LR Clutch	Fig. 45RFE - 1310
2 & 4 Clutch.....	Fig. 45RFE - 1320
Input Clutch Plate	Fig. 45RFE - 1330
Overhaul	Fig. 45RFE - 1340
Input Clutch.....	Fig. 45RFE - 1350
Planetary Clutch.....	Fig. 45RFE - 1360

**Transmission Assembly
Figure 45RFE-110**

ITEM	PART NUMBER	QTY	LINE	SERIES	BODY	ENGINE	TRANS	TRIM	DESCRIPTION
------	-------------	-----	------	--------	------	--------	-------	------	-------------

NOTE:Sales Codes:
 [DGQ]=5 Speed Automatic Transmission - [5-45RFE]
 [EV0] = All 4.7L 8 Cylinder Engines
 [EZ0] = All 5.7L 8 Cylinder Engines



1									TRANSMISSION PACKAGE, With Torque Converter
	68009098AA	1	T			EV0	DGQ		
		1	T			EZ0	DGQ		
	68009099AA	1	J			EV0	DGQ		
		1	J			EZ0	DGQ		
2									TORQUE CONVERTER
	R4736352AC	1	J			EZ0	DGQ		Remanufactured
		1	J			EV0	DGQ		Remanufactured
		1	T			EZ0	DGQ		Remanufactured
		1	T			EV0	DGQ		Remanufactured
	04736352AB	1	J			EV0	DGQ		
		1	T			EZ0	DGQ		
		1	J			EZ0	DGQ		
		1	T			EV0	DGQ		

GRAND CHEROKEE (WK)

SERIES LINE
 H = HIGHLINE T = JEEP - 2WD
 P = PREMIUM J = JEEP - 4WD
 S = SPORT
 X = SPECIAL

BODY
 74 = SPORT UTILITY 4-DR
 TYPE #4

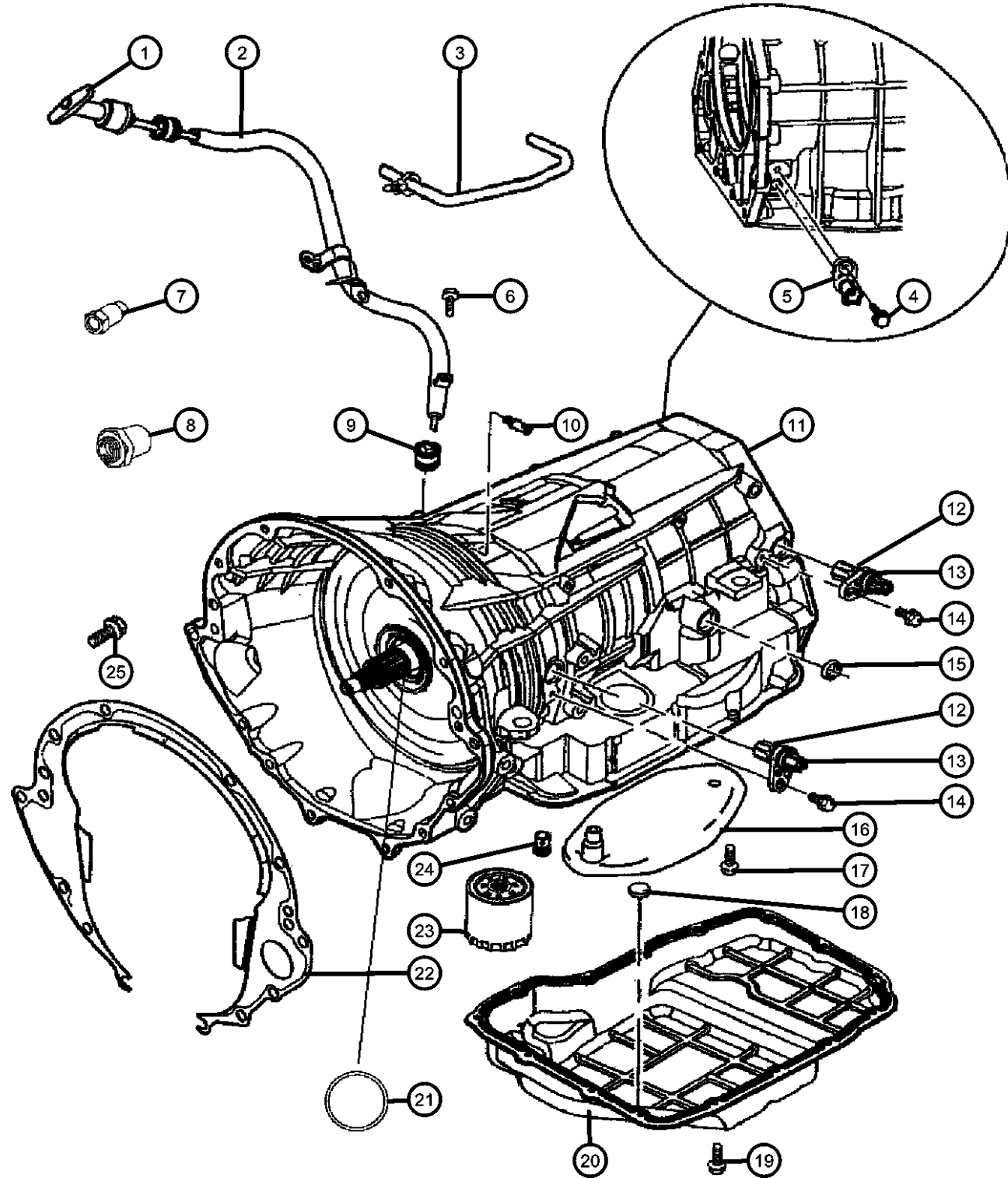
ENGINE
 EVA = 4.7L V8 MPI Engine
 EVD = 4.7L V8 FFV Engine
 EXL = 3.0L V6 Turbo Diesel
 Engine
 EZB = 5.7L Hemi Multi
 Displacement Engine
 EKG = 3.7L V6 Engine
 ESF = 6.1L SRT HEMI SMPI
 V8 Engine

TRANSMISSION
 DGJ = 5-Speed Auto W5A580
 Transmission
 DGQ = 5-Spd Automatic 545RFE
 Transmission
 DGU = 5-Spd Auto W5J400
 Transmission

AR = use ase required - = Non illustrated part

2007 WK

**Transmission Case & Related Parts
Figure 45RFE-210**



ITEM	PART NUMBER	QTY	LINE	SERIES	BODY	ENGINE	TRANS	TRIM	DESCRIPTION
------	-------------	-----	------	--------	------	--------	-------	------	-------------

NOTE: After [04/03/06] The Transmission Oil Level Indicator Was Replaced With A Oil Filler Cap. To Verify Transmission Oil Level Special Tool Will Transmission Fluid Indicator Is Not Serviced, Tech Must Refer To Service Manual For Proper Miller Special Tool And Procedure.

1	53013686AD	1	J, T				DGQ		INDICATOR, Transmission Fluid Level
2	53013685AD	1	J, T				DGQ		TUBE, Transmission Oil Filler
3	53032457AA	1	J, T				DGQ		TUBE, Vent
4									BOLT, M6x1.00x20
	06101331	2	T			EVO	DGQ		Pressure Sensor Transducer, Mounting
		2	J			EVO	DGQ		Pressure Sensor Transducer, Mounting
		2	T			EZO	DGQ		Pressure Sensor Transducer, Mounting
		2	J			EZO	DGQ		Pressure Sensor Transducer, Mounting
5									TRANSDUCER, Pressure Sensor
	04799758	1	T			EVO	DGQ		
		1	J			EVO	DGQ		
		1	T			EZO	DGQ		
		1	J			EZO	DGQ		
6	06508866AA	1	J, T				DGU		SCREW, M6x1x20, Oil Filler Tube to Transmission, Mounting
7									PLUG, Pressure Check
	06030035	2	T			EVO	DGQ		
		2	J			EVO	DGQ		
		2	T			EZO	DGQ		
		2	J			EZO	DGQ		
8									FITTING, Quick Connect
	52119547AA	2	T			EVO	DGQ		For Cooler Lines
		2	J			EVO	DGQ		For Cooler Lines
		2	T			EZO	DGQ		For Cooler Lines
		2	J			EZO	DGQ		For Cooler Lines
9									GROMMET
	04810021AB	1	J			EVO	DGQ		Filler Tube to Case, Mounting
		1	J			EZO	DGQ		Filler Tube to Case, Mounting
		1	T			EVO	DGQ		Filler Tube to Case, Mounting

GRAND CHEROKEE (WK)

SERIES LINE
H = HIGHLINE T = JEEP - 2WD
P = PREMIUM J = JEEP - 4WD
S = SPORT
X = SPECIAL

BODY
74 = SPORT UTILITY 4-DR
TYPE #4

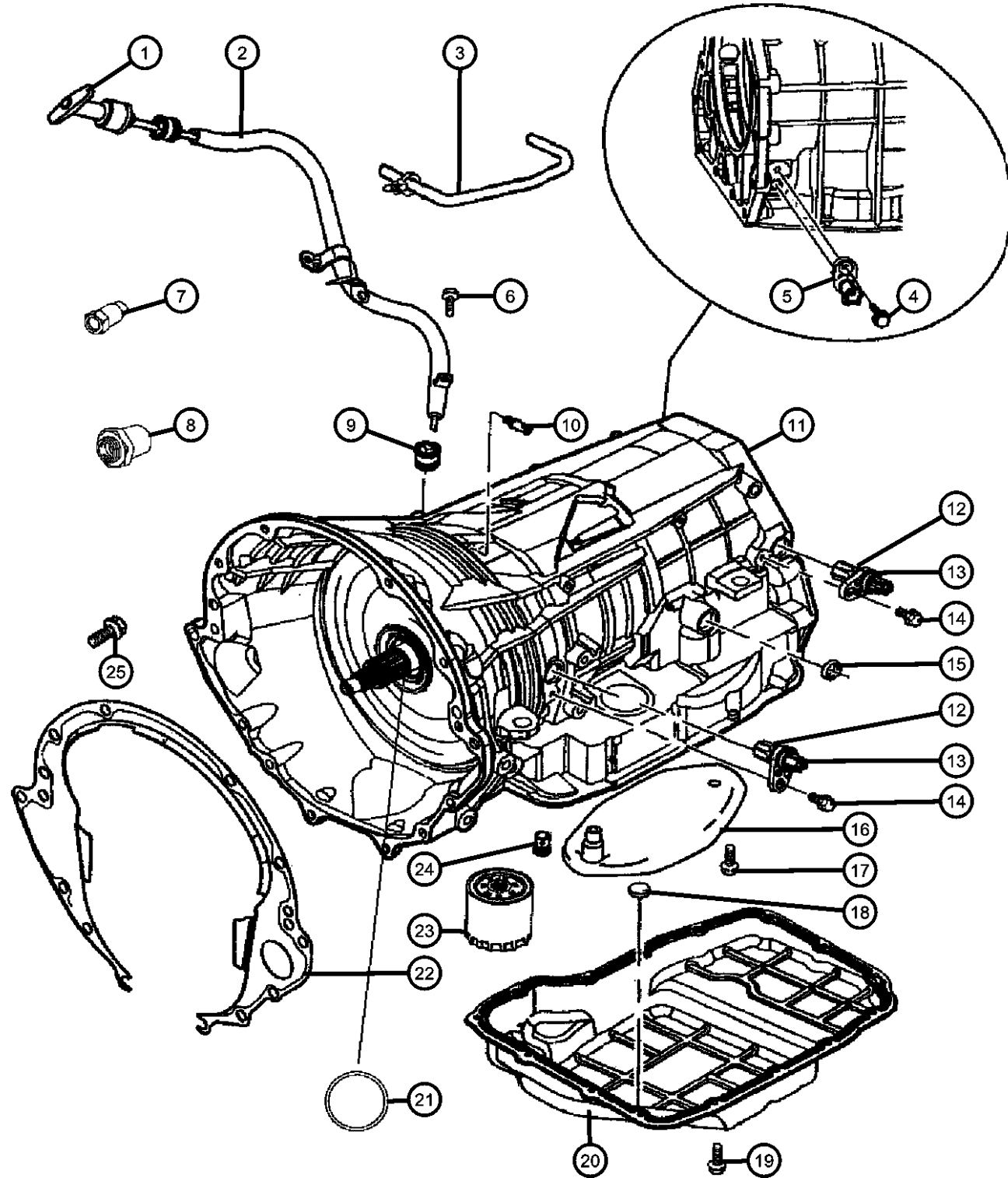
ENGINE
EVA = 4.7L V8 MPI Engine
EVD = 4.7L V8 FFV Engine
EXL = 3.0L V6 Turbo Diesel
Engine
EZB = 5.7L Hemi Multi
Displacement Engine
EKG = 3.7L V6 Engine
ESF = 6.1L SRT HEMI SMPI
V8 Engine

TRANSMISSION
DGJ = 5-Speed Auto W5A580
Transmission
DGQ = 5-Spd Automatic 545RFE
Transmission
DGU = 5-Spd Auto W5J400
Transmission

AR = use ase required - = Non illustrated part

2007 WK

**Transmission Case & Related Parts
Figure 45RFE-210**



ITEM	PART NUMBER	QTY	LINE	SERIES	BODY	ENGINE	TRANS	TRIM	DESCRIPTION
10		1	T			EZ0	DGQ		Filler Tube to Case, Mounting VENT, Transmission
	04799861AB	1	T			EZ0	DGQ		
		1	J			EZ0	DGQ		
		1	T			EZ0	DGQ		
		1	J			EZ0	DGQ		
11									CASE PACKAGE, Transmission
	05189883AA	1	T			EZ0	DGQ		
		1	J			EZ0	DGQ		
		1	T			EZ0	DGQ		
		1	J			EZ0	DGQ		
12									O RING
	04799062	2	T			EZ0	DGQ		Input Speed Sensor, Mounting
		2	J			EZ0	DGQ		Input Speed Sensor, Mounting
		2	T			EZ0	DGQ		Input Speed Sensor, Mounting
		2	J			EZ0	DGQ		Input Speed Sensor, Mounting
13									SENSOR, Transmission Input Speed
	04799061AB	2	J			EZ0	DGQ		
		2	T			EZ0	DGQ		
		2	J			EZ0	DGQ		
		2	T			EZ0	DGQ		
14									BOLT, M6x1.00x20
	06101331	2	T			EZ0	DGQ		Input Speed Sensor
		2	J			EZ0	DGQ		Input Speed Sensor, Mounting
		2	T			EZ0	DGQ		Input Speed Sensor, Mounting
		2	J			EZ0	DGQ		Input Speed Sensor, Mounting
15									SEAL
	04799346	1	T			EZ0	DGQ		Manual Lever Shaft
		1	J			EZ0	DGQ		Manual Lever Shaft
		1	T			EZ0	DGQ		Manual Lever Shaft
		1	J			EZ0	DGQ		Manual Lever Shaft

GRAND CHEROKEE (WK)

SERIES LINE
H = HIGHLINE T = JEEP - 2WD
P = PREMIUM J = JEEP - 4WD
S = SPORT
X = SPECIAL

BODY
74 = SPORT UTILITY 4-DR
TYPE #4

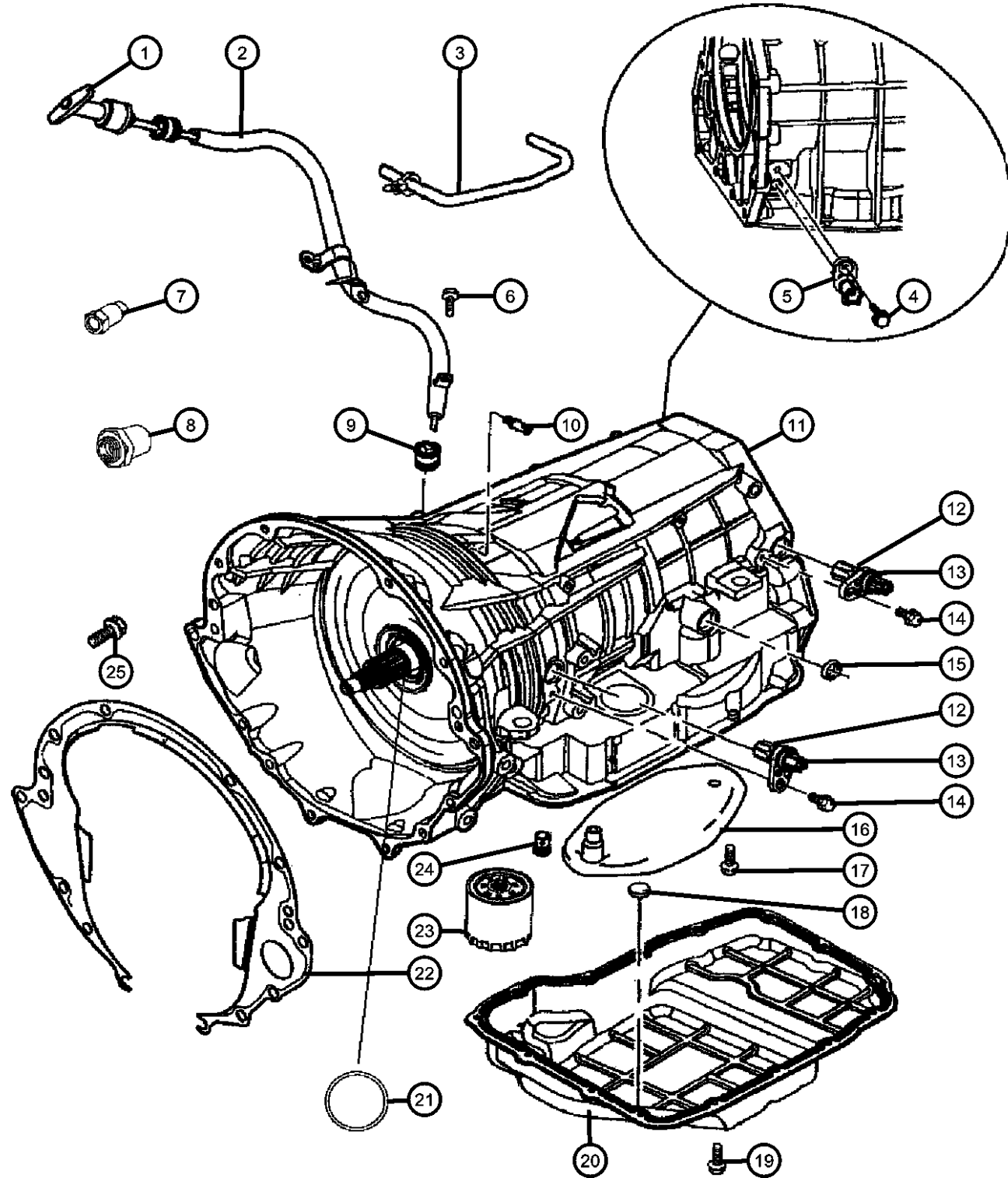
ENGINE
EVA = 4.7L V8 MPI Engine
EVD = 4.7L V8 FFV Engine
EXL = 3.0L V6 Turbo Diesel
Engine
EZB = 5.7L Hemi Multi
Displacement Engine
EKG = 3.7L V6 Engine
ESF = 6.1L SRT HEMI SMPI
V8 Engine

TRANSMISSION
DGJ = 5-Speed Auto W5A580
Transmission
DGQ = 5-Spd Automatic 545RFE
Transmission
DGU = 5-Spd Auto W5J400
Transmission

AR = use ase required - = Non illustrated part

2007 WK

**Transmission Case & Related Parts
Figure 45RFE-210**



ITEM	PART NUMBER	QTY	LINE	SERIES	BODY	ENGINE	TRANS	TRIM	DESCRIPTION
16									SUMP FILTER PACKAGE, Transmission oil
	05013470AC	1	J			EVO	DGQ		
		1	J			EZO	DGQ		
	05015267AC	1	T			EVO	DGQ		
		1	T			EZO	DGQ		
17									SCREW, Pan Head, M5 x 0.8 x 12.60
	06503232	1	T			EVO	DGQ		Sump Filter
		1	J			EVO	DGQ		Sump Filter
		1	T			EZO	DGQ		Sump Filter
		1	J			EZO	DGQ		Sump Filter
18									MAGNET, Transmission
	04446728	1	T			EVO	DGQ		
		1	J			EVO	DGQ		
		1	T			EZO	DGQ		
		1	J			EZO	DGQ		
19									SCREW AND WASHER, Hex Head, M6x1x12
	06101221	15	J			EVO	DGQ		Transmission Oil Pan
		15	J			EZO	DGQ		Transmission Oil Pan
		15	T			EVO	DGQ		Transmission Oil Pan
		15	T			EZO	DGQ		Transmission Oil Pan
20									PAN, Transmission Oil
	05013681AA	1	J			EZO	DGQ		
	04800078AA	1	T			EVO	DGQ		
		1	T			EZO	DGQ		
		1	J			EVO	DGQ		
21									SEAL, Torque Converter Hub
	04736547	1	T			EVO	DGQ		
		1	J			EVO	DGQ		
		1	T			EZO	DGQ		
		1	J			EZO	DGQ		

GRAND CHEROKEE (WK)

SERIES LINE
H = HIGHLINE T = JEEP - 2WD
P = PREMIUM J = JEEP - 4WD
S = SPORT
X = SPECIAL

BODY
74 = SPORT UTILITY 4-DR
TYPE #4

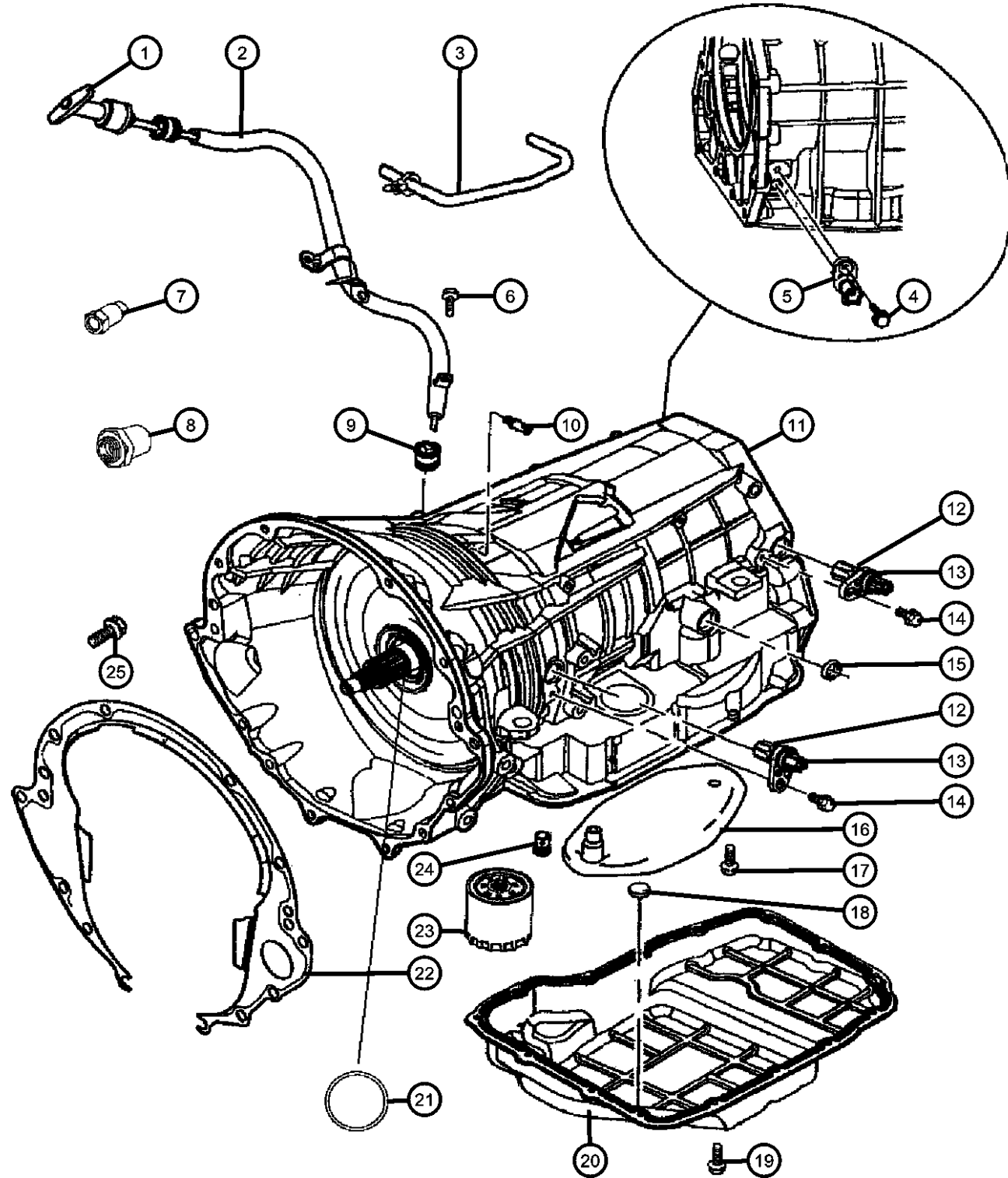
ENGINE
EVA = 4.7L V8 MPI Engine
EVD = 4.7L V8 FFV Engine
EXL = 3.0L V6 Turbo Diesel
Engine
EZB = 5.7L Hemi Multi
Displacement Engine
EKG = 3.7L V6 Engine
ESF = 6.1L SRT HEMI SMPI
V8 Engine

TRANSMISSION
DGJ = 5-Speed Auto W5A580
Transmission
DGQ = 5-Spd Automatic 545RFE
Transmission
DGU = 5-Spd Auto W5J400
Transmission

AR = use ase required - = Non illustrated part

2007 WK

**Transmission Case & Related Parts
Figure 45RFE-210**



ITEM	PART NUMBER	QTY	LINE	SERIES	BODY	ENGINE	TRANS	TRIM	DESCRIPTION
22	52104344AA	1	J, T				DGQ		COVER, Transmission Dust
23									FILTER PACKAGE, Transmission Oil
	05179267AC	1	T			EVO	DGQ		
		1	J			EVO	DGQ		
		1	T			EZO	DGQ		
		1	J			EZO	DGQ		
24									VALVE, Flow Control
	04799681	1	J			EZO	DGQ		Filter By-Pass
		1	T			EVO	DGQ		Filter By-Pass
		1	J			EVO	DGQ		Filter By-Pass
		1	T			EZO	DGQ		Filter By-Pass
25									SCREW AND WASHER
	06022266	1	T			EVO	DGQ		Transmission to Engine
		1	J			EVO	DGQ		Transmission to Engine
		1	T			EZO	DGQ		Transmission to Engine
		1	J			EZO	DGQ		Transmission to Engine

GRAND CHEROKEE (WK)

SERIES LINE
H = HIGHLINE T = JEEP - 2WD
P = PREMIUM J = JEEP - 4WD
S = SPORT
X = SPECIAL

BODY
74 = SPORT UTILITY 4-DR
TYPE #4

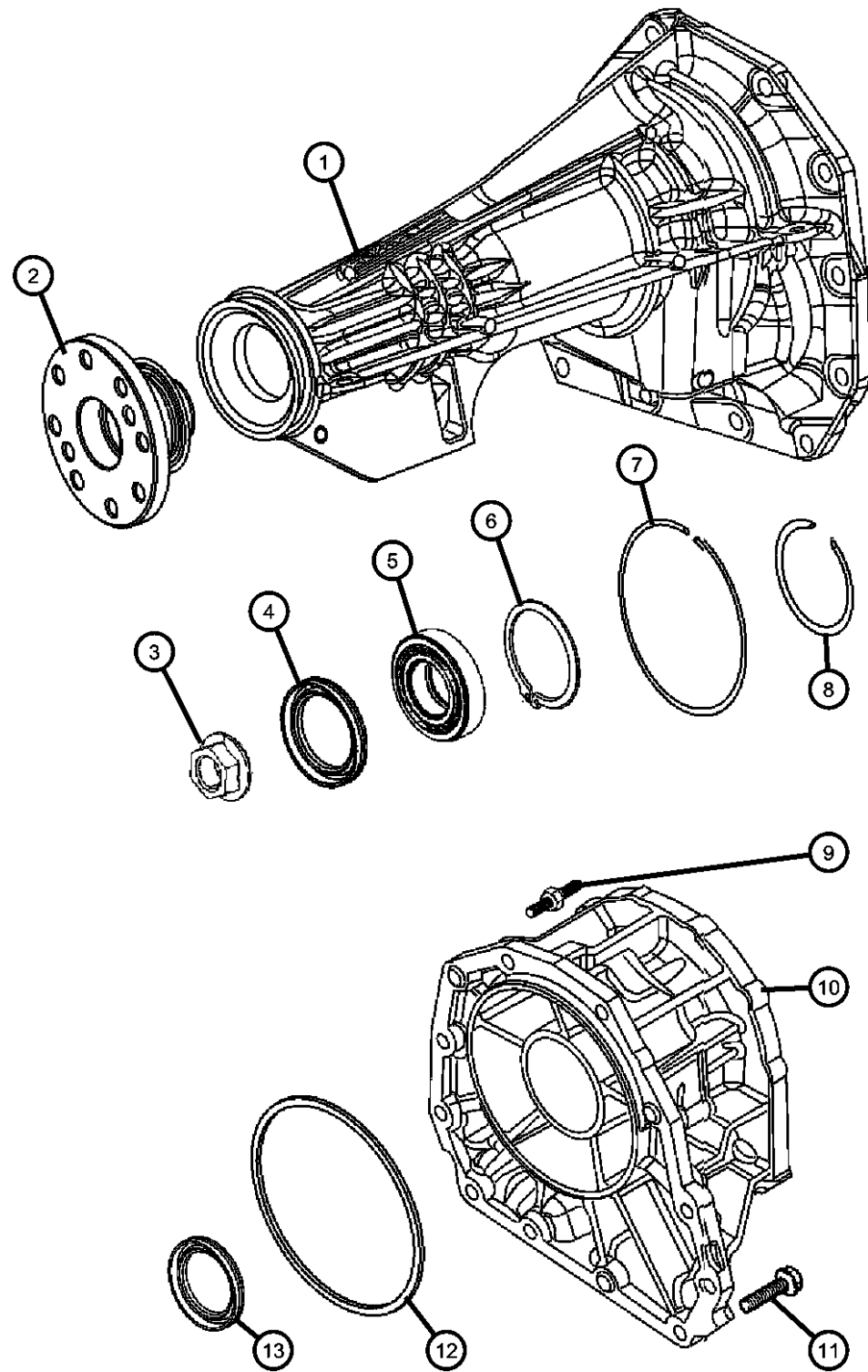
ENGINE
EVA = 4.7L V8 MPI Engine
EVD = 4.7L V8 FFV Engine
EXL = 3.0L V6 Turbo Diesel
Engine
EZB = 5.7L Hemi Multi
Displacement Engine
EKG = 3.7L V6 Engine
ESF = 6.1L SRT HEMI SMPI
V8 Engine

TRANSMISSION
DGJ = 5-Speed Auto W5A580
Transmission
DGQ = 5-Spd Automatic 545RFE
Transmission
DGU = 5-Spd Auto W5J400
Transmission

AR = use ase required - = Non illustrated part

2007 WK

Adapter & Extension
Figure 45RFE-220



ITEM	PART NUMBER	QTY	LINE	SERIES	BODY	ENGINE	TRANS	TRIM	DESCRIPTION
NOTE: Sales Codes: [DGQ]=5 Speed Automatic Transmission - [5-45RFE] [EV0] = All 4.7L 8 Cylinder Engines [EZ0] = All 5.7L 8 Cylinder Engines									
1									HOUSING, Transmission Rear Extension
	52119499AA	1	T			EV0	DGQ		
		1	T			EZ0	DGQ		
2									FLANGE, Driveshaft Yoke
	05143735AB	1	T			EV0	DGQ		
		1	T			EZ0	DGQ		
3									NUT, Transfer Case Yoke
	05143738AA	1	T			EV0	DGQ		
		1	T			EZ0	DGQ		
4									SEAL
	05143743AA	1	T			EV0	DGQ		
		1	T			EZ0	DGQ		
5									BEARING, Input Gear
	05086303AA	1	T			EV0	DGQ		
		1	T			EZ0	DGQ		
6									SNAP RING
	05086304AA	1	T			EV0	DGQ		
		1	T			EZ0	DGQ		
7									SNAP RING
	04461069	1	T			EV0	DGQ		
		1	T			EZ0	DGQ		
8									SNAP RING
	05086314AA	1	T			EV0	DGQ		
		1	T			EZ0	DGQ		
9									STUD, M10x1.5x62
	06505064AA	2	T			EV0	DGQ		Extension to Case, Mounting
		2	J			EV0	DGQ		Extension to Case, Mounting
		2	T			EZ0	DGQ		Extension to Case, Mounting

GRAND CHEROKEE (WK)

SERIES LINE
H = HIGHLINE T = JEEP - 2WD
P = PREMIUM J = JEEP - 4WD
S = SPORT
X = SPECIAL

BODY
74 = SPORT UTILITY 4-DR
TYPE #4

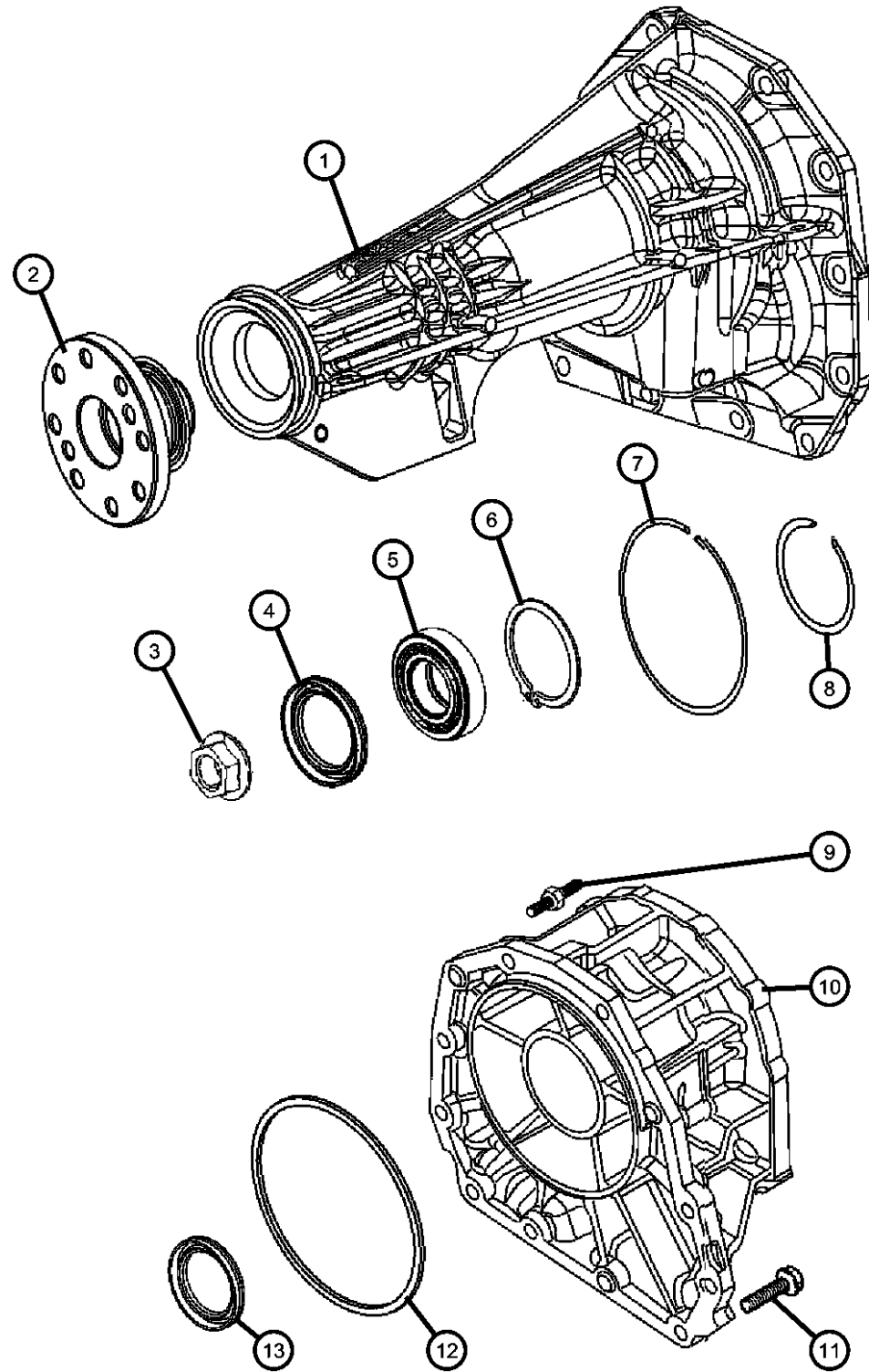
ENGINE
EVA = 4.7L V8 MPI Engine
EVD = 4.7L V8 FFV Engine
EXL = 3.0L V6 Turbo Diesel
Engine
EZB = 5.7L Hemi Multi
Displacement Engine
EKG = 3.7L V6 Engine
ESF = 6.1L SRT HEMI SMPI
V8 Engine

TRANSMISSION
DGJ = 5-Speed Auto W5A580
Transmission
DGQ = 5-Spd Automatic 545RFE
Transmission
DGU = 5-Spd Auto W5J400
Transmission

AR = use ase required - = Non illustrated part

2007 WK

Adapter & Extension
Figure 45RFE-220



ITEM	PART NUMBER	QTY	LINE	SERIES	BODY	ENGINE	TRANS	TRIM	DESCRIPTION
10		2	J			EZ0	DGQ		Extension to Case
	52119463AB	1	J			EV0	DGQ		ADAPTER, Transfer Case
11		1	J			EZ0	DGQ		
	06504774	10	T			EV0	DGQ		SCREW AND WASHER, Hex Head, M10x1.5x37
		10	J			EV0	DGQ		Transmission Extension to Transmission Case
		10	T			EZ0	DGQ		Transmission Extension to Transmission Case
		10	J			EZ0	DGQ		Transmission Extension to Transmission Case
12		1	T			EV0	DGQ		SEAL, Input
	04799090	1	J			EV0	DGQ		
		1	T			EZ0	DGQ		
		1	J			EZ0	DGQ		
13		1	J			EV0	DGQ		SEAL, Adapter
	52119498AA	1	J			EZ0	DGQ		

GRAND CHEROKEE (WK)

SERIES LINE
H = HIGHLINE T = JEEP - 2WD
P = PREMIUM J = JEEP - 4WD
S = SPORT
X = SPECIAL

BODY
74 = SPORT UTILITY 4-DR
TYPE #4

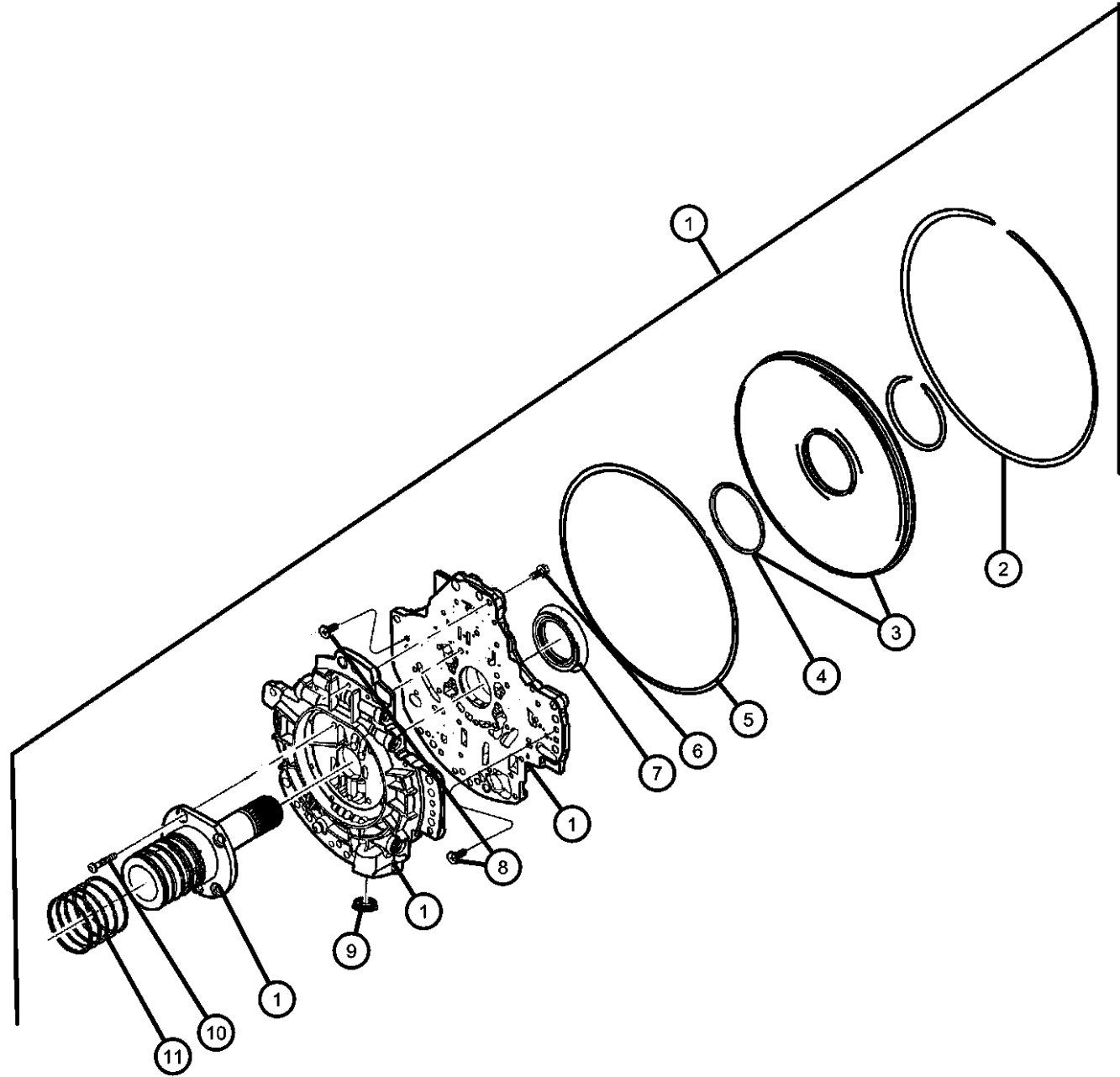
ENGINE
EVA = 4.7L V8 MPI Engine
EVD = 4.7L V8 FFV Engine
EXL = 3.0L V6 Turbo Diesel Engine
EZB = 5.7L Hemi Multi Displacement Engine
EKG = 3.7L V6 Engine
ESF = 6.1L SRT HEMI SMPI V8 Engine

TRANSMISSION
DGJ = 5-Speed Auto W5A580 Transmission
DGQ = 5-Spd Automatic 545RFE Transmission
DGU = 5-Spd Auto W5J400 Transmission

AR = use ase required - = Non illustrated part

2007 WK

**Oil Pump
Figure 45RFE-310**



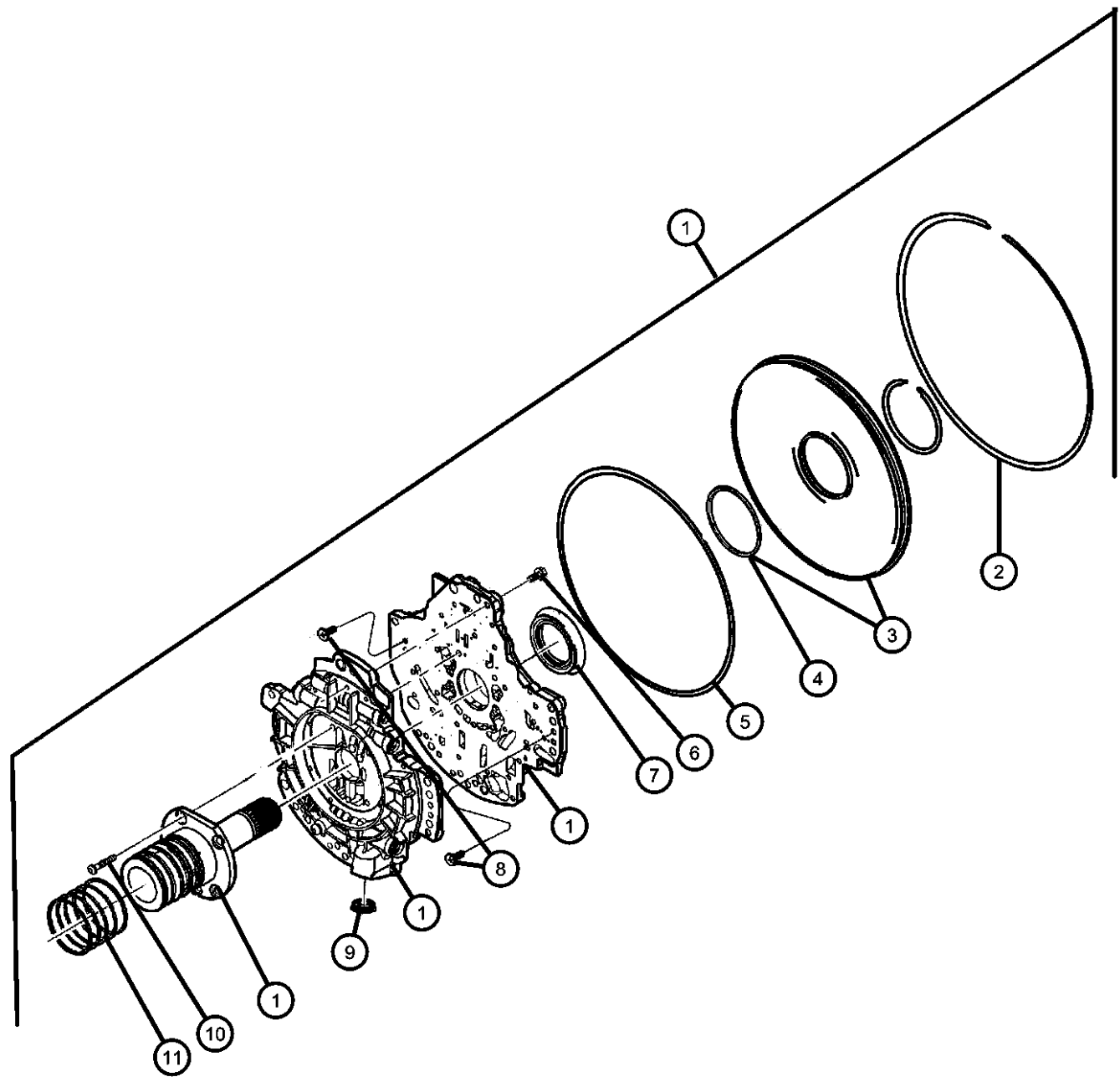
ITEM	PART NUMBER	QTY	LINE	SERIES	BODY	ENGINE	TRANS	TRIM	DESCRIPTION
1									PUMP PACKAGE, Transmission
	05073004AD	1	T			EVO	DGQ		
		1	J			EVO	DGQ		
		1	T			EZO	DGQ		
		1	J			EZO	DGQ		
2									SNAP RING, Transmission
	04799005	1	T			EVO	DGQ		
		1	J			EVO	DGQ		
		1	T			EZO	DGQ		
		1	J			EZO	DGQ		
3									COVER, Oil Pump
	68009859AA	1	T			EZO	DGQ		
		1	J			EZO	DGQ		
		1	T			EVO	DGQ		
		1	J			EVO	DGQ		
4									SEAL, Torque Converter Hub
	04736547	1	T			EVO	DGQ		
		1	J			EVO	DGQ		
		1	T			EZO	DGQ		
		1	J			EZO	DGQ		
5									O RING, Oil Pump, .
	04799003	1	T			EVO	DGQ		
		1	J			EVO	DGQ		
		1	T			EZO	DGQ		
		1	J			EZO	DGQ		
6									SCREW AND WASHER, Pan Head, M5x.8x25
	06500215	24	J			EVO	DGQ		
		24	T			EZO	DGQ		

GRAND CHEROKEE (WK)

SERIES	LINE	BODY	ENGINE	TRANSMISSION
H = HIGHLINE	T = JEEP - 2WD	74 = SPORT UTILITY 4-DR	EVA = 4.7L V8 MPI Engine	DGJ = 5-Speed Auto W5A580
P = PREMIUM	J = JEEP - 4WD	TYPE #4	EVD = 4.7L V8 FFV Engine	Transmission
S = SPORT			EXL = 3.0L V6 Turbo Diesel	DGQ = 5-Spd Automatic 545RFE
X = SPECIAL			Engine	Transmission
			EZB = 5.7L Hemi Multi	DGU = 5-Spd Auto W5J400
			Displacement Engine	Transmission
			EKG = 3.7L V6 Engine	
			ESF = 6.1L SRT HEMI SMPI	
			V8 Engine	

AR = use ase required - = Non illustrated part

**Oil Pump
Figure 45RFE-310**



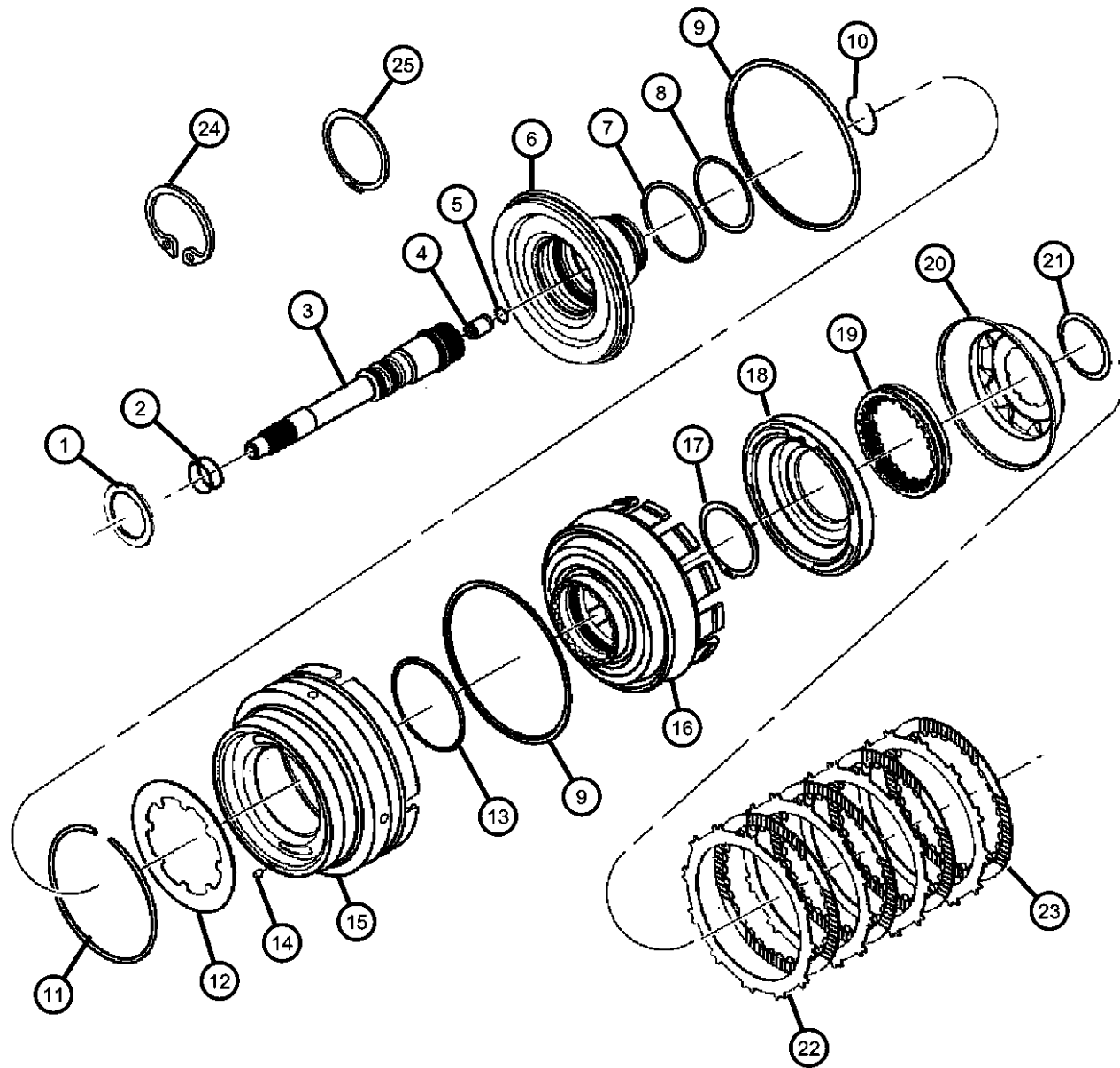
ITEM	PART NUMBER	QTY	LINE	SERIES	BODY	ENGINE	TRANS	TRIM	DESCRIPTION
		24	J			EZ0	DGQ		
		24	T			EVO	DGQ		
7									SEAL, Transmission Oil Pump
	04617919	1	T			EVO	DGQ		
		1	J			EVO	DGQ		
		1	T			EZO	DGQ		
		1	J			EZO	DGQ		
8									SCREW, Pan Head, M5 x 0.8 x 12.60
	06503232	1	T			EVO	DGQ		
		1	J			EVO	DGQ		
		1	T			EZO	DGQ		
		1	J			EZO	DGQ		
9									SEAL, Oil Pump
	04799964AB	1	T			EVO	DGQ		
		1	J			EVO	DGQ		
		1	T			EZO	DGQ		
		1	J			EZO	DGQ		
10									SCREW, Button Head
	06504661	5	T			EZO	DGQ		
		5	J			EZO	DGQ		
		5	T			EVO	DGQ		
		5	J			EVO	DGQ		
11									RING, Transmission
	04799056	5	T			EZO	DGQ		
		5	J			EZO	DGQ		
		5	T			EVO	DGQ		
		5	J			EVO	DGQ		

GRAND CHEROKEE (WK)

SERIES	LINE	BODY	ENGINE	TRANSMISSION
H = HIGHLINE	T = JEEP - 2WD	74 = SPORT UTILITY 4-DR	EVA = 4.7L V8 MPI Engine	DGJ = 5-Speed Auto W5A580
P = PREMIUM	J = JEEP - 4WD	TYPE #4	EVD = 4.7L V8 FFV Engine	Transmission
S = SPORT			EXL = 3.0L V6 Turbo Diesel	DGQ = 5-Spd Automatic 545RFE
X = SPECIAL			Engine	Transmission
			EZB = 5.7L Hemi Multi	DGU = 5-Spd Auto W5J400
			Displacement Engine	Transmission
			EKG = 3.7L V6 Engine	
			ESF = 6.1L SRT HEMI SMPI	
			V8 Engine	

AR = use ase required - = Non illustrated part

**Input Shaft
Figure 45RFE-410**



ITEM	PART NUMBER	QTY	LINE	SERIES	BODY	ENGINE	TRANS	TRIM	DESCRIPTION
1									THRUST BEARING, Needle Roller
	04799469	1	T			EVO	DGQ		
		1	J			EVO	DGQ		
		1	T			EZO	DGQ		
		1	J			EZO	DGQ		
2									SEAL, Input Shaft, PKG 05013090AC
	04799539	2	T			EVO	DGQ		
		2	J			EVO	DGQ		
		2	T			EZO	DGQ		
		2	J			EZO	DGQ		
3									SHAFT, Input
	05114582AA	1	J			EVO	DGQ		
		1	J			EZO	DGQ		
		1	T			EVO	DGQ		
		1	T			EZO	DGQ		
4									CHECK VALVE, Transmission
	04799974AA	1	T			EVO	DGQ		
		1	J			EVO	DGQ		
		1	T			EZO	DGQ		
		1	J			EZO	DGQ		
5									O RING, Control Valve
	06505335AA	1	T			EVO	DGQ		
		1	J			EVO	DGQ		
		1	T			EZO	DGQ		
		1	J			EZO	DGQ		
6									HUB, Input Clutch
	04799536AC	1	J			EZO	DGQ		
		1	T			EVO	DGQ		

GRAND CHEROKEE (WK)

SERIES LINE
H = HIGHLINE T = JEEP - 2WD
P = PREMIUM J = JEEP - 4WD
S = SPORT
X = SPECIAL

BODY
74 = SPORT UTILITY 4-DR
TYPE #4

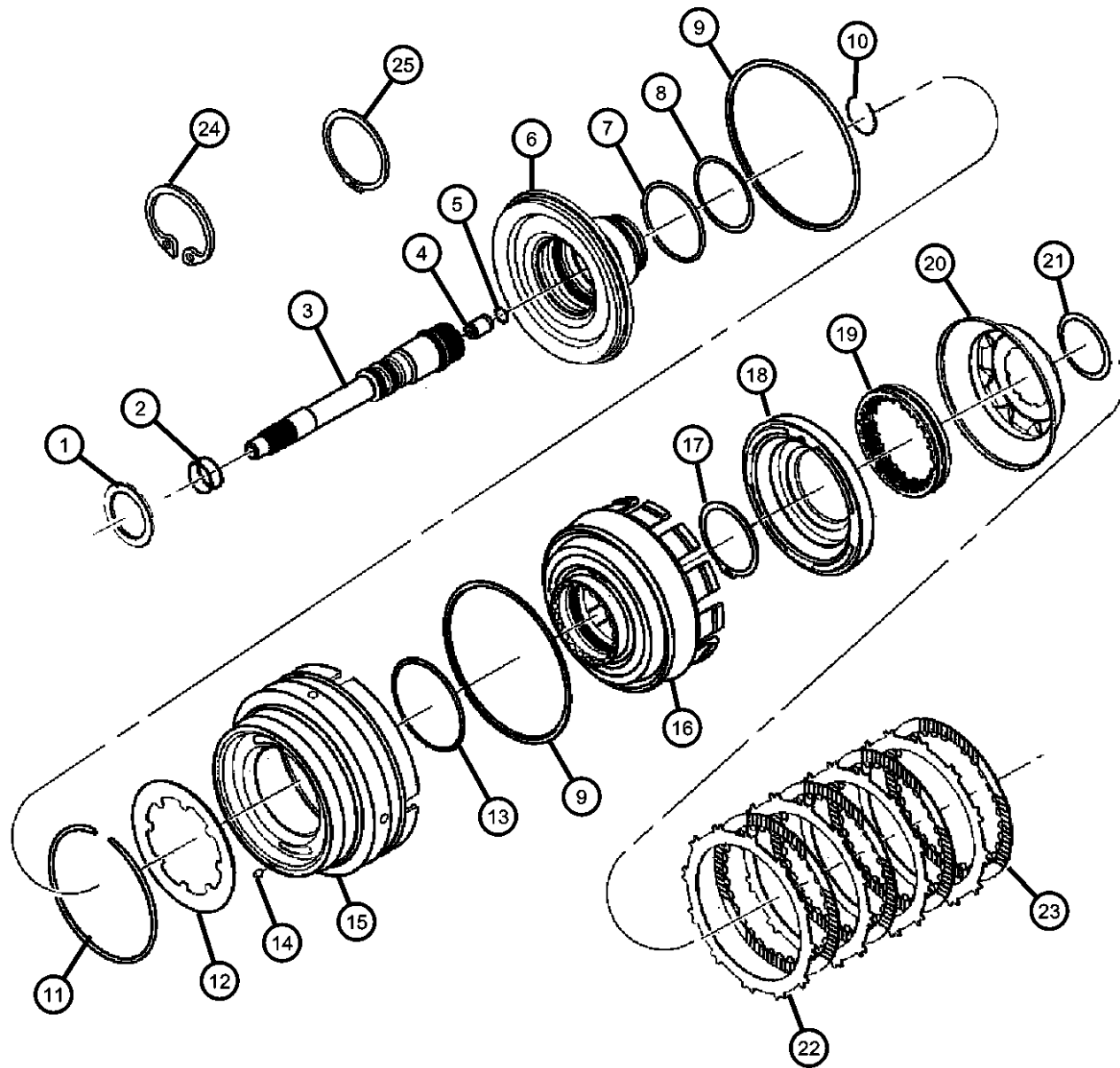
ENGINE
EVA = 4.7L V8 MPI Engine
EVD = 4.7L V8 FFV Engine
EXL = 3.0L V6 Turbo Diesel
Engine
EZB = 5.7L Hemi Multi
Displacement Engine
EKG = 3.7L V6 Engine
ESF = 6.1L SRT HEMI SMPI
V8 Engine

TRANSMISSION
DGJ = 5-Speed Auto W5A580
Transmission
DGQ = 5-Spd Automatic 545RFE
Transmission
DGU = 5-Spd Auto W5J400
Transmission

AR = use ase required - = Non illustrated part

2007 WK

**Input Shaft
Figure 45RFE-410**



ITEM	PART NUMBER	QTY	LINE	SERIES	BODY	ENGINE	TRANS	TRIM	DESCRIPTION
		1	J			EVO	DGQ		
		1	T			EZO	DGQ		
7									O RING, Transmission Clutch, PKG 05013090AC
	04799755	1	T			EVO	DGQ		Color [RED]
		1	J			EVO	DGQ		Color [RED]
		1	T			EZO	DGQ		Color [RED]
		1	J			EZO	DGQ		Color [RED]
8									O RING, Transmission Clutch, PKG 05013090AC
	04799073	1	T			EVO	DGQ		Color [GREEN]
		1	J			EVO	DGQ		Color [GREEN]
		1	T			EZO	DGQ		Color [GREEN]
		1	J			EZO	DGQ		Color [GREEN]
9									SEAL, Input, PKG 05013090AC
	04799090	1	T			EVO	DGQ		
		1	J			EVO	DGQ		
		1	T			EZO	DGQ		
		1	J			EZO	DGQ		
10									SNAP RING, Input Shaft
	04799538	1	T			EVO	DGQ		
		1	J			EVO	DGQ		
		1	T			EZO	DGQ		
		1	J			EZO	DGQ		
11									SNAP RING, Transmission
	04799088	1	T			EVO	DGQ		
		1	J			EVO	DGQ		
		1	T			EZO	DGQ		
		1	J			EZO	DGQ		
12									SPRING, Piston Return
	04799087	1	J			EZO	DGQ		
		1	T			EVO	DGQ		
		1	J			EVO	DGQ		

GRAND CHEROKEE (WK)

SERIES LINE
H = HIGHLINE T = JEEP - 2WD
P = PREMIUM J = JEEP - 4WD
S = SPORT
X = SPECIAL

BODY
74 = SPORT UTILITY 4-DR
TYPE #4

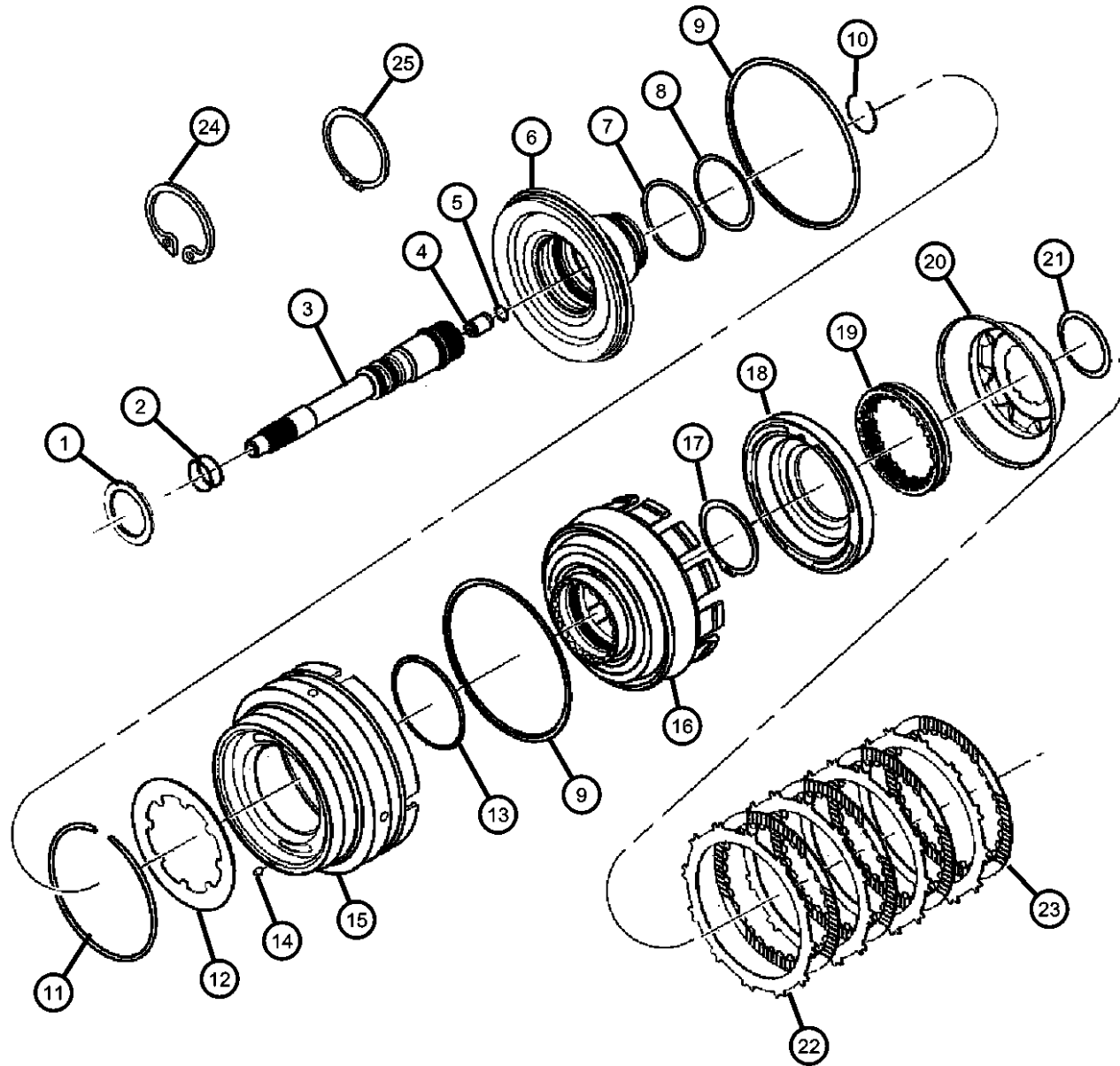
ENGINE
EVA = 4.7L V8 MPI Engine
EVD = 4.7L V8 FFV Engine
EXL = 3.0L V6 Turbo Diesel
Engine
EZB = 5.7L Hemi Multi
Displacement Engine
EKG = 3.7L V6 Engine
ESF = 6.1L SRT HEMI SMPI
V8 Engine

TRANSMISSION
DGJ = 5-Speed Auto W5A580
Transmission
DGQ = 5-Spd Automatic 545RFE
Transmission
DGU = 5-Spd Auto W5J400
Transmission

AR = use ase required - = Non illustrated part

2007 WK

**Input Shaft
Figure 45RFE-410**



ITEM	PART NUMBER	QTY	LINE	SERIES	BODY	ENGINE	TRANS	TRIM	DESCRIPTION
13		1	T			EZO	DGQ		O RING, Reverse & O/Drive Clutch Piston, Transmission, PKG 05013090AC
	04799089	1	T			EVO	DGQ		
		1	J			EVO	DGQ		
		1	T			EZO	DGQ		
		1	J			EZO	DGQ		
14									FILTER, Reverse And O/D Clutch
	04531903	1	T			EVO	DGQ		
		1	J			EVO	DGQ		
		1	T			EZO	DGQ		
		1	J			EZO	DGQ		
15									PISTON, Reverse and Overdrive
	05073525AA	1	T			EVO	DGQ		
		1	T			EZO	DGQ		
		1	J			EVO	DGQ		
		1	J			EZO	DGQ		
16									RETAINER PACKAGE, Input clutch, 45rfe
	68009648AA	1	J			EVO	DGQ		
		1	T			EZO	DGQ		
		1	J			EZO	DGQ		
		1	T			EVO	DGQ		
17									SNAP RING
	04799097	1	T			EVO	DGQ		
		1	J			EVO	DGQ		
		1	T			EZO	DGQ		
		1	J			EZO	DGQ		
18									PISTON, Underdrive
	04799650	1	T			EVO	DGQ		
		1	J			EVO	DGQ		
		1	T			EZO	DGQ		

GRAND CHEROKEE (WK)

SERIES LINE
H = HIGHLINE T = JEEP - 2WD
P = PREMIUM J = JEEP - 4WD
S = SPORT
X = SPECIAL

BODY
74 = SPORT UTILITY 4-DR
TYPE #4

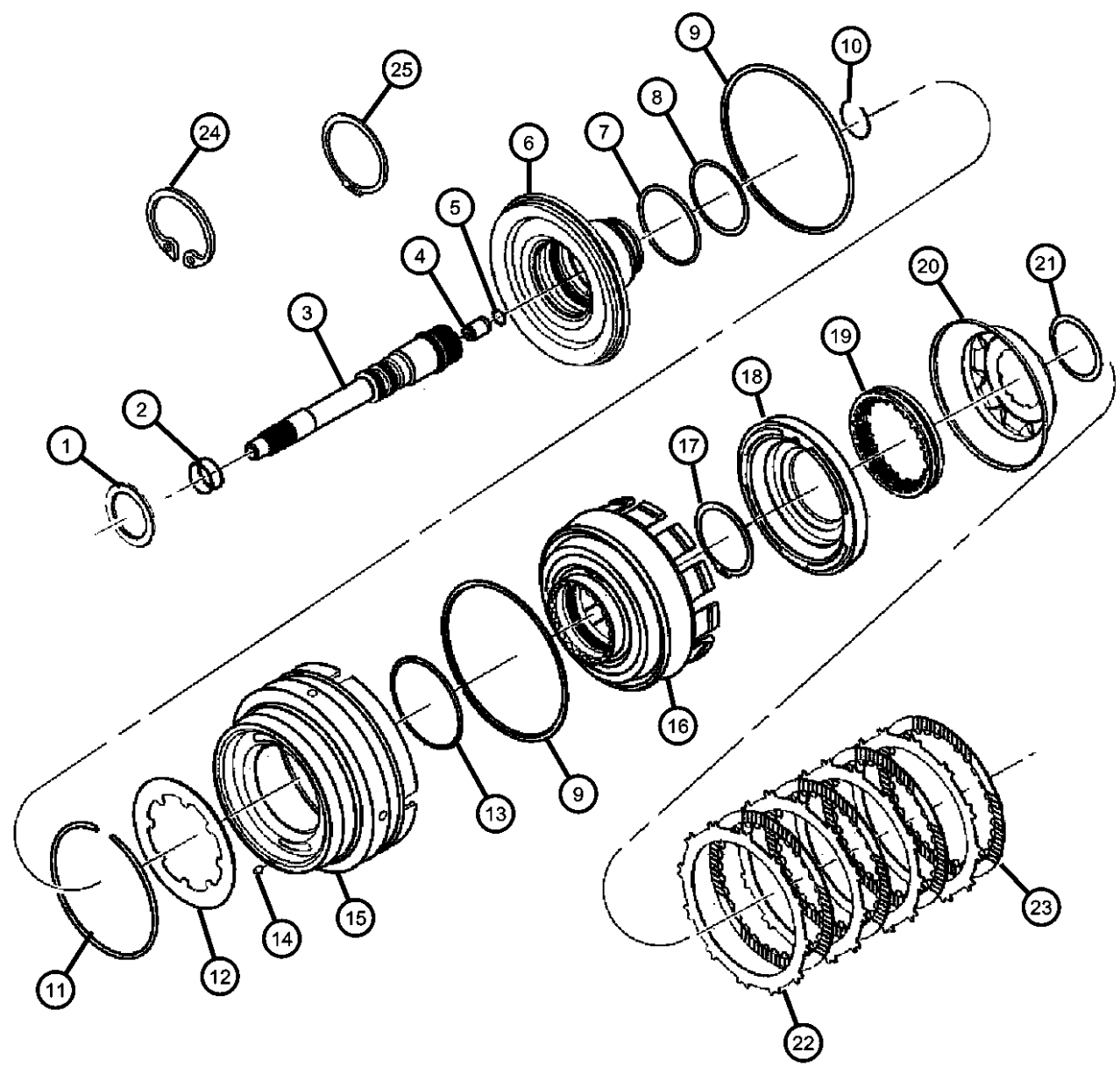
ENGINE
EVA = 4.7L V8 MPI Engine
EVD = 4.7L V8 FFV Engine
EXL = 3.0L V6 Turbo Diesel Engine
EZB = 5.7L Hemi Multi Displacement Engine
EKG = 3.7L V6 Engine
ESF = 6.1L SRT HEMI SMPI V8 Engine

TRANSMISSION
DGJ = 5-Speed Auto W5A580 Transmission
DGQ = 5-Spd Automatic 545RFE Transmission
DGU = 5-Spd Auto W5J400 Transmission

AR = use ase required - = Non illustrated part

2007 WK

**Input Shaft
Figure 45RFE-410**



ITEM	PART NUMBER	QTY	LINE	SERIES	BODY	ENGINE	TRANS	TRIM	DESCRIPTION
19		1	J			EZO	DGQ		SPRING, Undredrive Piston, PKG 05013090AC
	04799101	1	J			EVO	DGQ		
		1	T			EVO	DGQ		
		1	J			EZO	DGQ		
		1	T			EZO	DGQ		
20									PISTON, Underdrive
	04799652	1	T			EVO	DGQ		
		1	J			EVO	DGQ		
		1	T			EZO	DGQ		
		1	J			EZO	DGQ		
21									SNAP RING, Transmission
	04799103	1	T			EVO	DGQ		
		1	J			EVO	DGQ		
		1	T			EZO	DGQ		
		1	J			EZO	DGQ		
22		1							PLATE, PKG 05013090AC, (NOT SERVICED)
23		1							DISC, Clutch, PKG 05013090AC, (NOT SERVICED)
24									SNAP RING
	04799097	1	T			EVO	DGQ		
		1	J			EVO	DGQ		
		1	T			EZO	DGQ		
		1	J			EZO	DGQ		
25									SNAP RING
	04799978AA	1	T			EZO	DGQ		
		1	J			EZO	DGQ		
		1	J			EVO	DGQ		
		1	T			EVO	DGQ		

GRAND CHEROKEE (WK)
 SERIES LINE
 H = HIGHLINE T = JEEP - 2WD
 P = PREMIUM J = JEEP - 4WD
 S = SPORT
 X = SPECIAL

BODY
 74 = SPORT UTILITY 4-DR TYPE #4

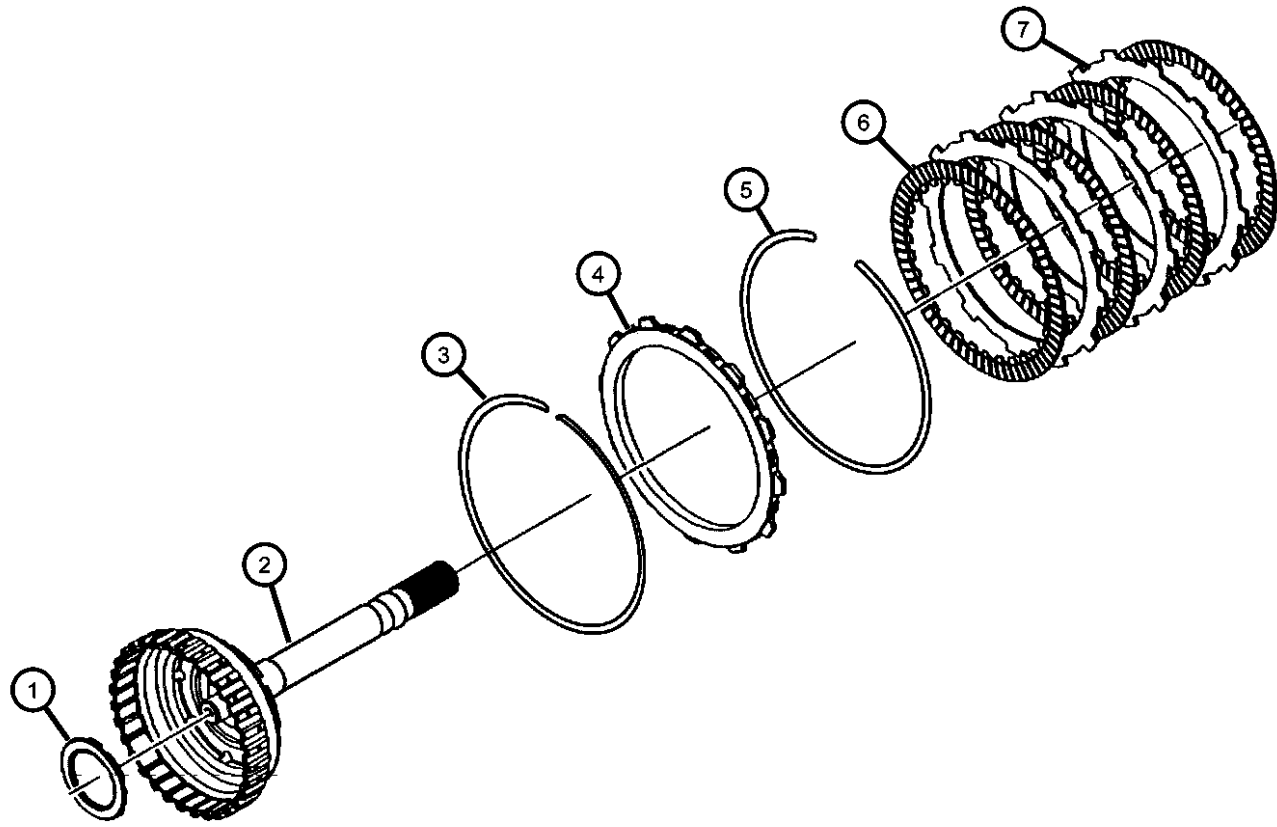
ENGINE
 EVA = 4.7L V8 MPI Engine
 EVD = 4.7L V8 FFV Engine
 EXL = 3.0L V6 Turbo Diesel Engine
 EZB = 5.7L Hemi Multi Displacement Engine
 EKG = 3.7L V6 Engine
 ESF = 6.1L SRT HEMI SMPI V8 Engine

TRANSMISSION
 DGJ = 5-Speed Auto W5A580 Transmission
 DGQ = 5-Spd Automatic 545RFE Transmission
 DGU = 5-Spd Auto W5J400 Transmission

AR = use ase required - = Non illustrated part

**Underdrive
Figure 45RFE-420**

ITEM	PART NUMBER	QTY	LINE	SERIES	BODY	ENGINE	TRANS	TRIM	DESCRIPTION
NOTE: Sales Codes: [DGQ]=5 Speed Automatic Transmission - [5-45RFE] [EV0] = All 4.7L 8 Cylinder Engines [EZ0] = All 5.7L 8 Cylinder Engines									
1									THRUST BEARING, Needle Roller
	04799469	1	J			EV0	DGQ		
		1	T			EZ0	DGQ		
		1	J			EZ0	DGQ		
		1	T			EV0	DGQ		
2									HUB AND SHAFT, Underdrive Clutch
	05127485AA	1	T			EV0	DGQ		
		1	T			EZ0	DGQ		
		1	J			EV0	DGQ		
		1	J			EZ0	DGQ		
3									SNAP RING, Transmission
	04799760	1	T			EV0	DGQ		
		1	J			EV0	DGQ		
		1	J			EZ0	DGQ		
		1	T			EZ0	DGQ		
4									PLATE PACKAGE, Ud/od clutch reaction, 45rfe
	68009108AA	1	T			EV0	DGQ		Used Up To 9/20/06
		1	T			EZ0	DGQ		Used Up To 9/20/06
		1	J			EV0	DGQ		Used Up To 9/20/06
		1	J			EZ0	DGQ		Used Up To 9/20/06
	68009902AB	1	T			EV0	DGQ		Used After 9/20/06
		1	J			EV0	DGQ		Used After 9/20/06
		1	T			EZ0	DGQ		Used After 9/20/06
		1	J			EZ0	DGQ		Used After 9/20/06
5									SNAP RING, Transmission, PKG 05013090AA
	04799111AB	1	T			EV0	DGQ		
		1	J			EV0	DGQ		



GRAND CHEROKEE (WK)

SERIES LINE
H = HIGHLINE T = JEEP - 2WD
P = PREMIUM J = JEEP - 4WD
S = SPORT
X = SPECIAL

BODY
74 = SPORT UTILITY 4-DR
TYPE #4

ENGINE
EVA = 4.7L V8 MPI Engine
EVD = 4.7L V8 FFV Engine
EXL = 3.0L V6 Turbo Diesel Engine
EZB = 5.7L Hemi Multi Displacement Engine
EKG = 3.7L V6 Engine
ESF = 6.1L SRT HEMI SMPI V8 Engine

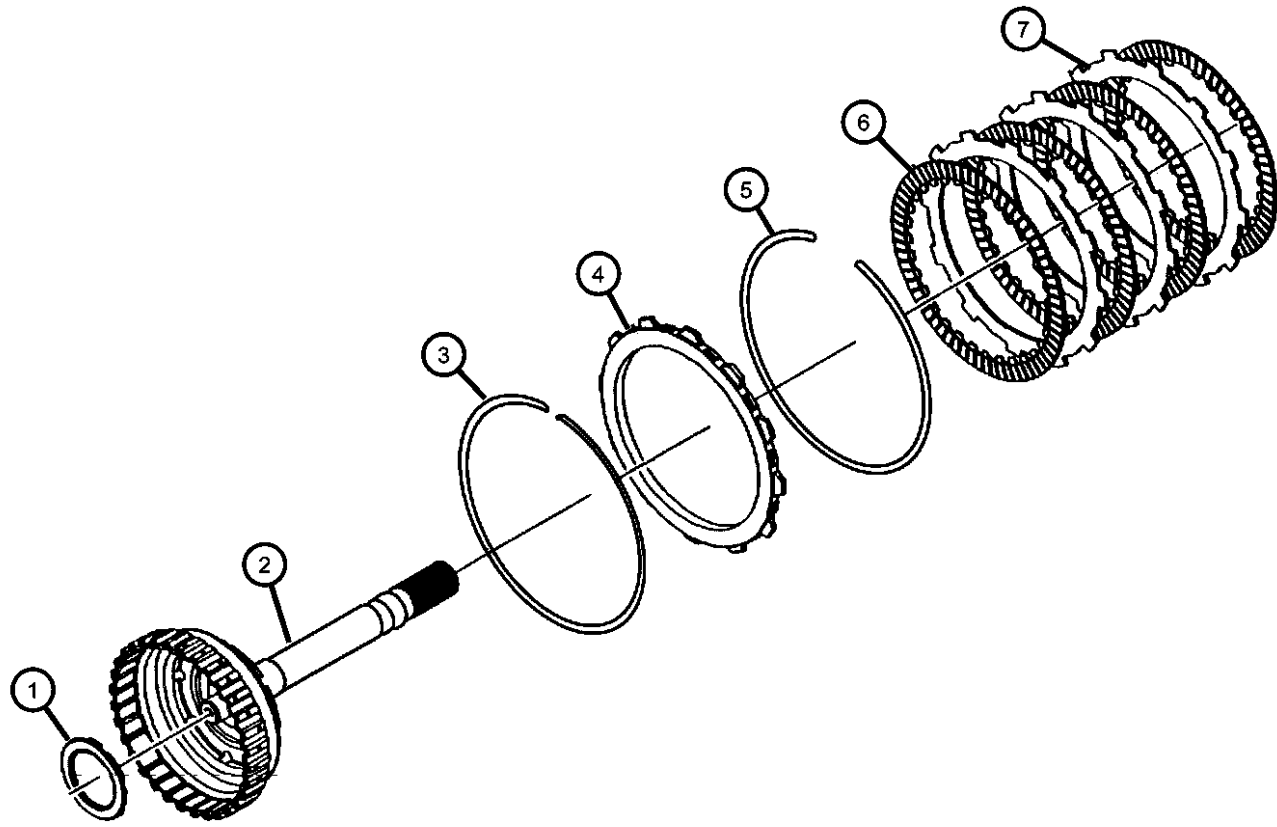
TRANSMISSION
DGJ = 5-Speed Auto W5A580 Transmission
DGQ = 5-Spd Automatic 545RFE Transmission
DGU = 5-Spd Auto W5J400 Transmission

AR = use ase required - = Non illustrated part

2007 WK

**Underdrive
Figure 45RFE-420**

ITEM	PART NUMBER	QTY	LINE	SERIES	BODY	ENGINE	TRANS	TRIM	DESCRIPTION
		1	T			EZ0	DGQ		
		1	J			EZ0	DGQ		
6		1							DISC, Clutch, PKG 05013090AA, (NOT SERVICED)
7		1							PLATE, PKG 05013090AA, (NOT SERVICED)



GRAND CHEROKEE (WK)

SERIES LINE
H = HIGHLINE T = JEEP - 2WD
P = PREMIUM J = JEEP - 4WD
S = SPORT
X = SPECIAL

BODY
74 = SPORT UTILITY 4-DR
TYPE #4

ENGINE
EVA = 4.7L V8 MPI Engine
EVD = 4.7L V8 FFV Engine
EXL = 3.0L V6 Turbo Diesel
Engine
EZB = 5.7L Hemi Multi
Displacement Engine
EKG = 3.7L V6 Engine
ESF = 6.1L SRT HEMI SMPI
V8 Engine

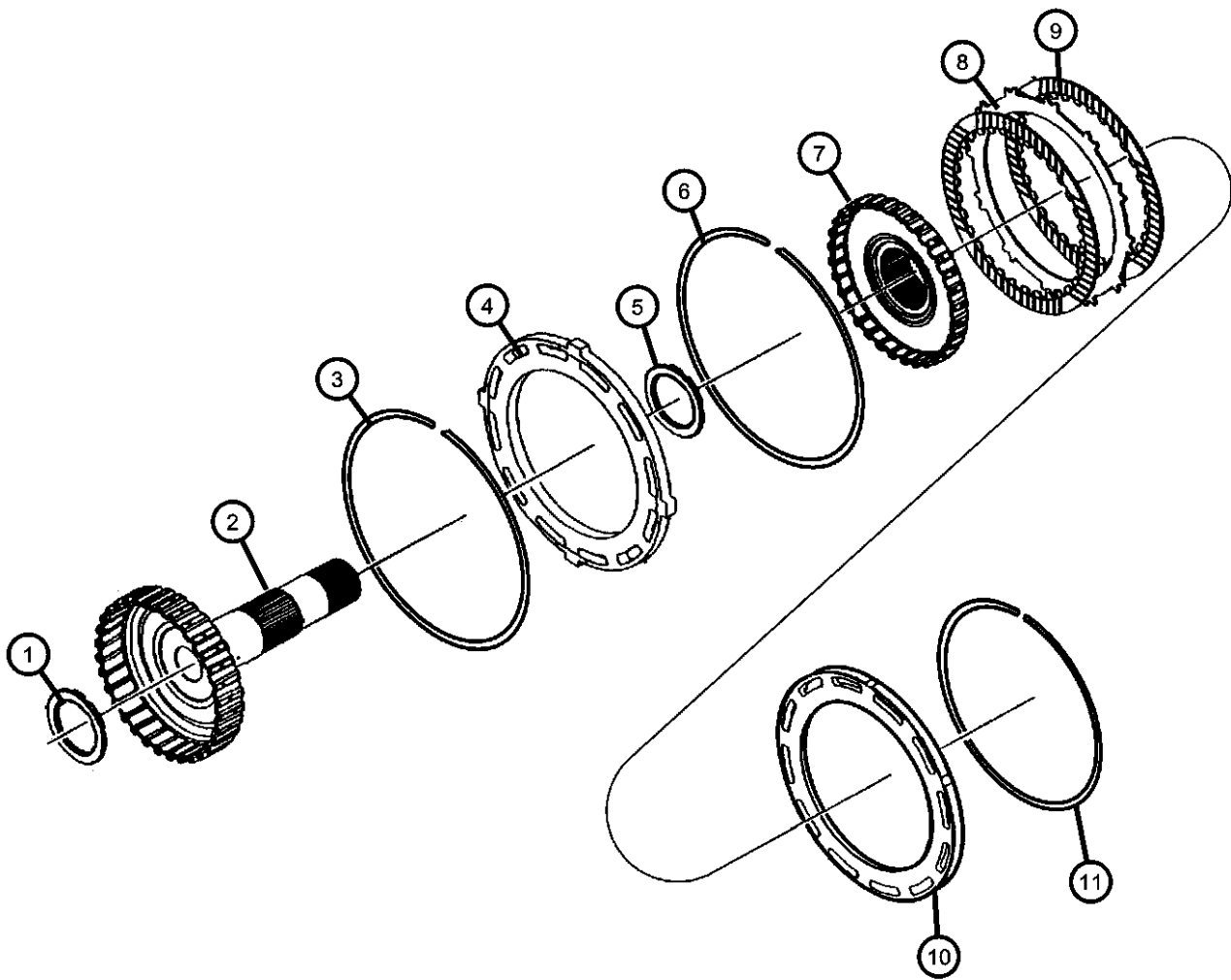
TRANSMISSION
DGJ = 5-Speed Auto W5A580
Transmission
DGQ = 5-Spd Automatic 545RFE
Transmission
DGU = 5-Spd Auto W5J400
Transmission

AR = use ase required - = Non illustrated part

2007 WK

**Overdrive
Figure 45RFE-430**

ITEM	PART NUMBER	QTY	LINE	SERIES	BODY	ENGINE	TRANS	TRIM	DESCRIPTION
									NOTE: Sales Codes: [DGQ]=5 Speed Automatic Transmission - [5-45RFE] [EV0] = All 4.7L 8 Cylinder Engines [EZ0] = All 5.7L 8 Cylinder Engines
1	04799469	1	T			EV0	DGQ		THRUST BEARING, Needle Roller
		1	J			EV0	DGQ		
		1	T			EZ0	DGQ		
		1	J			EZ0	DGQ		
2	04799550	1	T			EV0	DGQ		HUB AND SHAFT, Overdrive Clutch
		1	J			EV0	DGQ		
		1	T			EZ0	DGQ		
		1	J			EZ0	DGQ		
3	04799118	1	T			EV0	DGQ		SNAP RING, Overdrive Clutch
		1	J			EV0	DGQ		
		1	T			EZ0	DGQ		
		1	J			EZ0	DGQ		
4	04799116AB	1	T			EV0	DGQ		PLATE, Clutch Pressure
		1	J			EV0	DGQ		
		1	T			EZ0	DGQ		
		1	J			EZ0	DGQ		
5	04799469	1	T			EV0	DGQ		THRUST BEARING, Needle Roller
		1	J			EV0	DGQ		
		1	T			EZ0	DGQ		
		1	J			EZ0	DGQ		
6	04799117	1	T			EV0	DGQ		SNAP RING, Transmission
		1	J			EV0	DGQ		



GRAND CHEROKEE (WK)

SERIES LINE
H = HIGHLINE T = JEEP - 2WD
P = PREMIUM J = JEEP - 4WD
S = SPORT
X = SPECIAL

BODY
74 = SPORT UTILITY 4-DR
TYPE #4

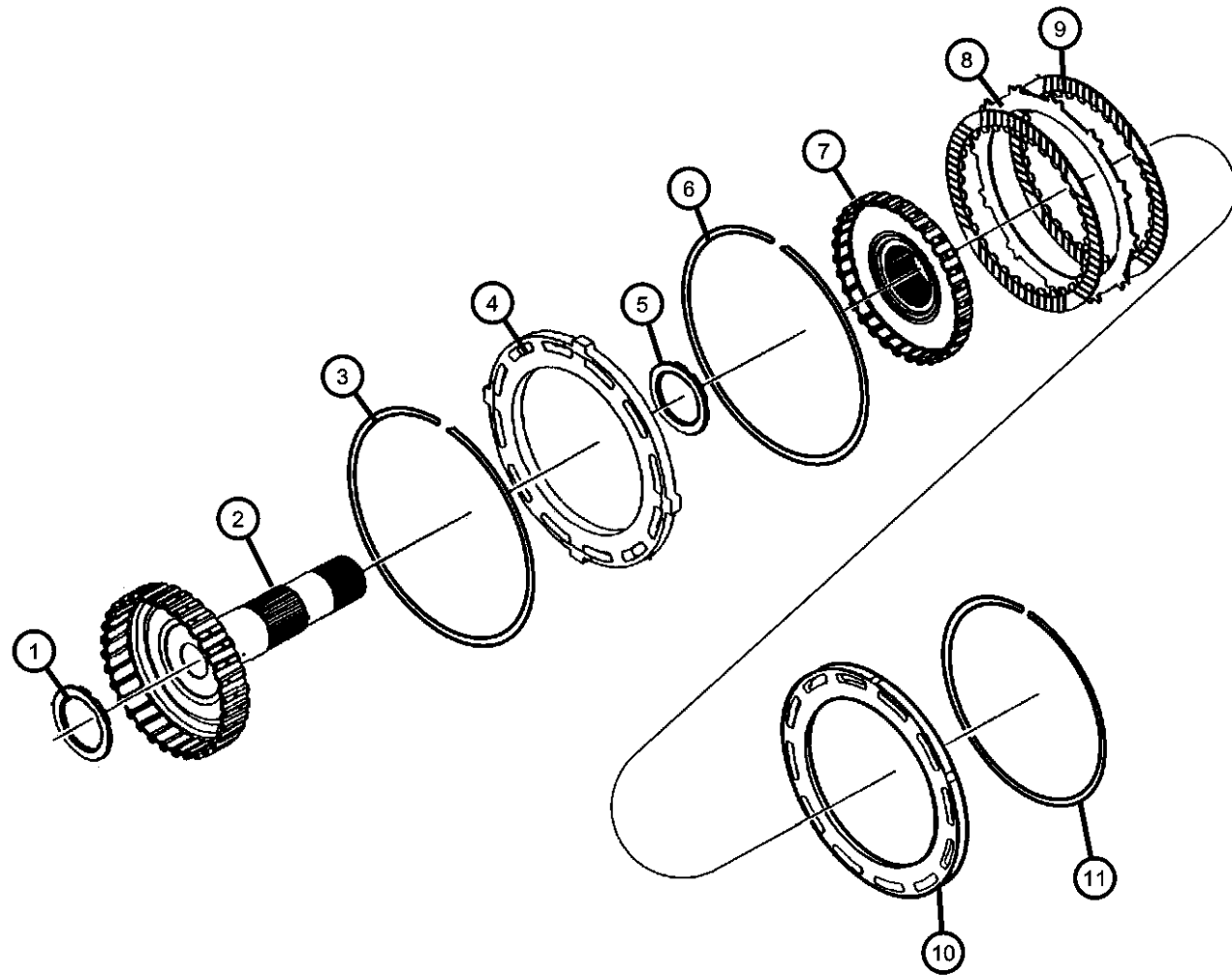
ENGINE
EVA = 4.7L V8 MPI Engine
EVD = 4.7L V8 FFV Engine
EXL = 3.0L V6 Turbo Diesel
Engine
EZB = 5.7L Hemi Multi
Displacement Engine
EKG = 3.7L V6 Engine
ESF = 6.1L SRT HEMI SMPI
V8 Engine

TRANSMISSION
DGJ = 5-Speed Auto W5A580
Transmission
DGQ = 5-Spd Automatic 545RFE
Transmission
DGU = 5-Spd Auto W5J400
Transmission

AR = use ase required - = Non illustrated part

2007 WK

**Overdrive
Figure 45RFE-430**



ITEM	PART NUMBER	QTY	LINE	SERIES	BODY	ENGINE	TRANS	TRIM	DESCRIPTION
		1	T			EZ0	DGQ		
		1	J			EZ0	DGQ		
7	04799556	1	T			EV0	DGQ		HUB AND SHAFT, Reverse Clutch
		1	J			EV0	DGQ		
		1	T			EZ0	DGQ		
		1	J			EZ0	DGQ		
8		1							PLATE, PKG 05013090AC, (NOT SERVICED)
9		1							DISC, Clutch, PKG 05013090AC, (NOT SERVICED)
10	04799121	1	T			EV0	DGQ		PLATE, Transmission Clutch Reaction
		1	J			EV0	DGQ		
		1	T			EZ0	DGQ		
		1	J			EZ0	DGQ		
11		1							SNAP RING, PKG 05013090AC, (NOT SERVICED)

GRAND CHEROKEE (WK)

SERIES LINE
H = HIGHLINE T = JEEP - 2WD
P = PREMIUM J = JEEP - 4WD
S = SPORT
X = SPECIAL

BODY
74 = SPORT UTILITY 4-DR
TYPE #4

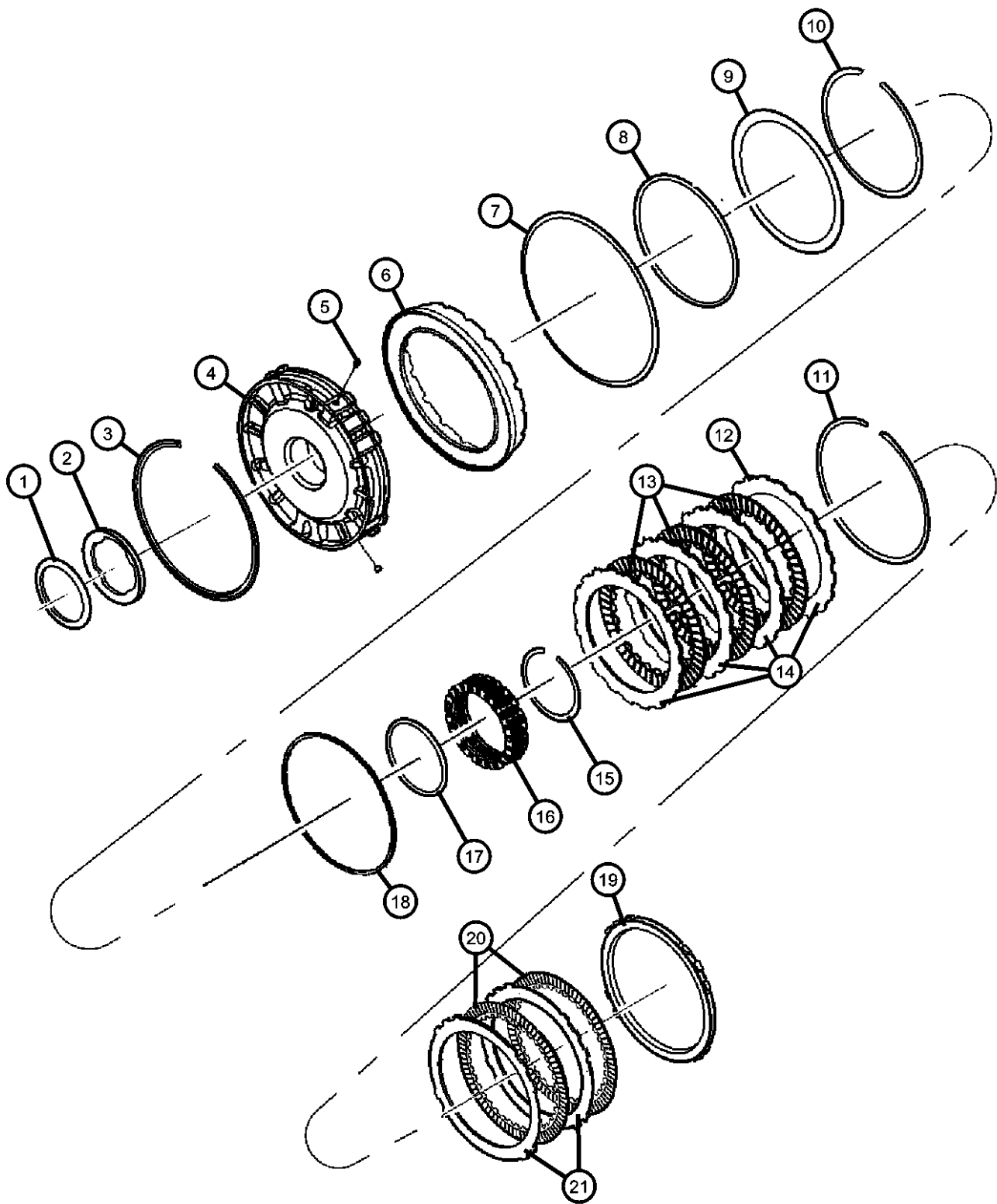
ENGINE
EVA = 4.7L V8 MPI Engine
EVD = 4.7L V8 FFV Engine
EXL = 3.0L V6 Turbo Diesel
Engine
EZB = 5.7L Hemi Multi
Displacement Engine
EKG = 3.7L V6 Engine
ESF = 6.1L SRT HEMI SMPI
V8 Engine

TRANSMISSION
DGJ = 5-Speed Auto W5A580
Transmission
DGQ = 5-Spd Automatic 545RFE
Transmission
DGU = 5-Spd Auto W5J400
Transmission

AR = use ase required - = Non illustrated part

2007 WK

**2 & 4 Clutch Retainer
Figure 45RFE-440**



ITEM	PART NUMBER	QTY	LINE	SERIES	BODY	ENGINE	TRANS	TRIM	DESCRIPTION
1									THRUST BEARING, Needle Roller
	04799936AB	1	T			EZ0	DGQ		
		1	J			EZ0	DGQ		
		1	J			EZ0	DGQ		
		1	T			EZ0	DGQ		
2		1							PLATE, Clutch Hub Thrust, Serviced in Package 05013090AE, (NOT SERVICED)
3									SNAP RING, Transmission
	04799680AB	1	T			EZ0	DGQ		
		1	J			EZ0	DGQ		
		1	T			EZ0	DGQ		
		1	J			EZ0	DGQ		
4									RETAINER, Transmission 2nd and 4th Clutch Piston
	04799498AC	1	T			EZ0	DGQ		
		1	J			EZ0	DGQ		
		1	T			EZ0	DGQ		
		1	J			EZ0	DGQ		
5									BLEED ORIFICE, Transmission
	04799086	1	T			EZ0	DGQ		
		1	J			EZ0	DGQ		
		1	T			EZ0	DGQ		
		1	J			EZ0	DGQ		
6									PISTON, Clutch
	52119503AA	1	T			EZ0	DGQ		
		1	J			EZ0	DGQ		
		1	T			EZ0	DGQ		
		1	J			EZ0	DGQ		
7									SNAP RING, Transmission

NOTE: Sales Codes:
 [DGQ]=5 Speed Automatic Transmission - [5-45RFE]
 [EV0] = All 4.7L 8 Cylinder Engines
 [EZ0] = All 5.7L 8 Cylinder Engines

GRAND CHEROKEE (WK)
 SERIES LINE
 H = HIGHLINE T = JEEP - 2WD
 P = PREMIUM J = JEEP - 4WD
 S = SPORT
 X = SPECIAL

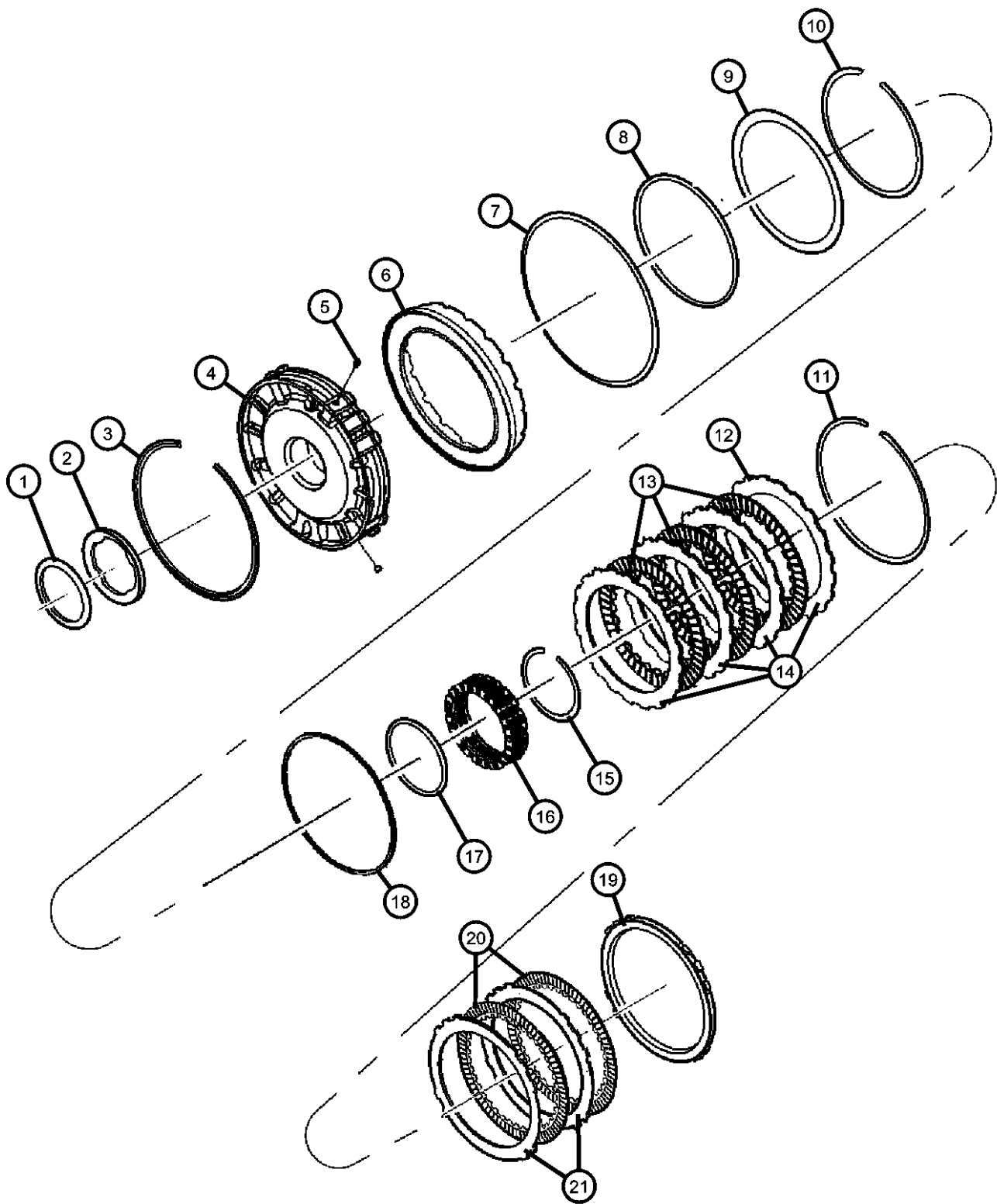
BODY
 74 = SPORT UTILITY 4-DR
 TYPE #4

ENGINE
 EVA = 4.7L V8 MPI Engine
 EVD = 4.7L V8 FFV Engine
 EXL = 3.0L V6 Turbo Diesel
 Engine
 EZB = 5.7L Hemi Multi
 Displacement Engine
 EKG = 3.7L V6 Engine
 ESF = 6.1L SRT HEMI SMPI
 V8 Engine

TRANSMISSION
 DGJ = 5-Speed Auto W5A580
 Transmission
 DGQ = 5-Spd Automatic 545RFE
 Transmission
 DGU = 5-Spd Auto W5J400
 Transmission

AR = use ase required - = Non illustrated part

**2 & 4 Clutch Retainer
Figure 45RFE-440**



ITEM	PART NUMBER	QTY	LINE	SERIES	BODY	ENGINE	TRANS	TRIM	DESCRIPTION
	04799174	1	T			EVO	DGQ		
		1	J			EVO	DGQ		
		1	T			EZO	DGQ		
		1	J			EZO	DGQ		
8		1							RING, Serviced in Package 05013090AE, (NOT SERVICED)
9									SPRING, 2nd And 4th Clutch Piston
	04799521	1	T			EVO	DGQ		
		1	J			EVO	DGQ		
		1	T			EZO	DGQ		
		1	J			EZO	DGQ		
10									SNAP RING, Transmission
	04799522AB	1	T			EVO	DGQ		
		1	J			EVO	DGQ		
		1	T			EZO	DGQ		
		1	J			EZO	DGQ		
11		1							SNAP RING, Transmission, Serviced in Package 05013090AE, (NOT SERVICED)
12									PLATE, Transmission Clutch Reaction
	04799533	1	T			EVO	DGQ		
		1	J			EVO	DGQ		
		1	T			EZO	DGQ		
		1	J			EZO	DGQ		
13		1							DISC, Clutch, Serviced in Package 05013090AE, (NOT SERVICED)
14		1							PLATE, Clutch Separator, Serviced in Package 05013090AE, (NOT SERVICED)
15									SNAP RING, Transmission
	04799528AB	1	T			EVO	DGQ		
		1	J			EVO	DGQ		
		1	T			EZO	DGQ		

GRAND CHEROKEE (WK)

SERIES LINE
H = HIGHLINE T = JEEP - 2WD
P = PREMIUM J = JEEP - 4WD
S = SPORT
X = SPECIAL

BODY
74 = SPORT UTILITY 4-DR
TYPE #4

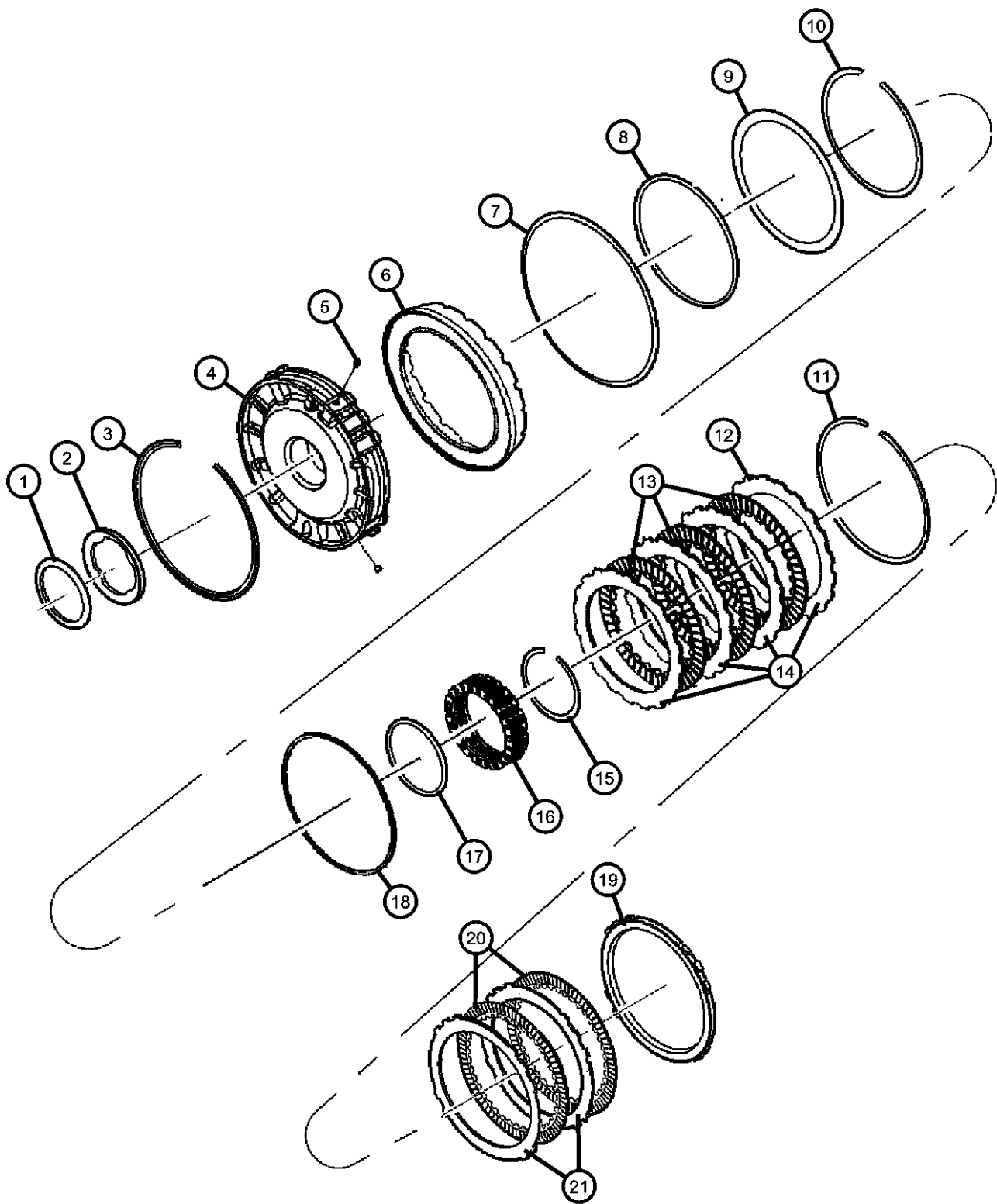
ENGINE
EVA = 4.7L V8 MPI Engine
EVD = 4.7L V8 FFV Engine
EXL = 3.0L V6 Turbo Diesel
Engine
EZB = 5.7L Hemi Multi
Displacement Engine
EKG = 3.7L V6 Engine
ESF = 6.1L SRT HEMI SMPI
V8 Engine

TRANSMISSION
DGJ = 5-Speed Auto W5A580
Transmission
DGQ = 5-Spd Automatic 545RFE
Transmission
DGU = 5-Spd Auto W5J400
Transmission

AR = use ase required - = Non illustrated part

2007 WK

**2 & 4 Clutch Retainer
Figure 45RFE-440**



ITEM	PART NUMBER	QTY	LINE	SERIES	BODY	ENGINE	TRANS	TRIM	DESCRIPTION
16		1	J			EZ0	DGQ		SPRING, 2nd And 4th Clutch Piston
	04799527AB	1	T			EVO	DGQ		
		1	J			EVO	DGQ		
		1	T			EZ0	DGQ		
		1	J			EZ0	DGQ		
17		1							RING, Serviced in Package 05013090AE, (NOT SERVICED)
18		1							RING, Serviced in Package 05013090AE, (NOT SERVICED)
19									PLATE, Transmission Clutch Reaction
	04799687AB	1	T			EVO	DGQ		DISC, Clutch, Serviced in Package 05013087AD, (NOT SERVICED) PLATE, Serviced in Package 05013087AD, (NOT SERVICED)
		1	J			EVO	DGQ		
		1	T			EZ0	DGQ		
		1	J			EZ0	DGQ		
20		1							
21		1							

GRAND CHEROKEE (WK)

SERIES LINE
H = HIGHLINE T = JEEP - 2WD
P = PREMIUM J = JEEP - 4WD
S = SPORT
X = SPECIAL

BODY
74 = SPORT UTILITY 4-DR
TYPE #4

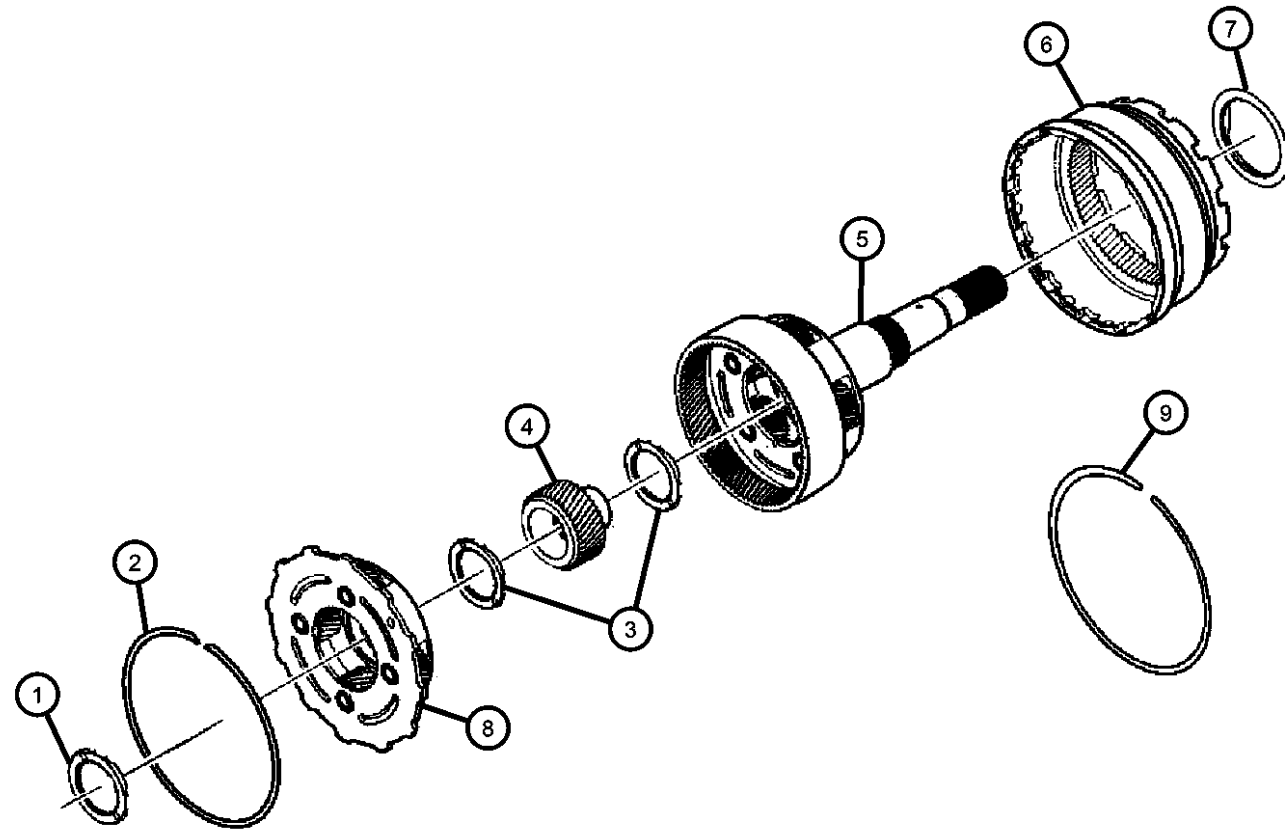
ENGINE
EVA = 4.7L V8 MPI Engine
EVD = 4.7L V8 FFV Engine
EXL = 3.0L V6 Turbo Diesel Engine
EZB = 5.7L Hemi Multi Displacement Engine
EKG = 3.7L V6 Engine
ESF = 6.1L SRT HEMI SMPI V8 Engine

TRANSMISSION
DGJ = 5-Speed Auto W5A580 Transmission
DGQ = 5-Spd Automatic 545RFE Transmission
DGU = 5-Spd Auto W5J400 Transmission

AR = use ase required - = Non illustrated part

2007 WK

**Input / Reverse Planetary [DGQ]
Figure 45RFE-450**



ITEM	PART NUMBER	QTY	LINE	SERIES	BODY	ENGINE	TRANS	TRIM	DESCRIPTION
NOTE: Sales Codes: [DGQ]=Multi Speed Automatic Transmission [5-45RFE]									
1									THRUST BEARING, Needle Roller
	04799469	1	T			EVO	DGQ		
		1	J			EVO	DGQ		
		1	T			EZO	DGQ		
		1	J			EZO	DGQ		
2									SNAP RING
	04799247	1	T			EVO	DGQ		
		1	J			EVO	DGQ		
		1	T			EZO	DGQ		
		1	J			EZO	DGQ		
3									THRUST BEARING, Needle Roller
	52119464AB	1	T			EVO	DGQ		
		1	J			EVO	DGQ		
		1	T			EZO	DGQ		
		1	J			EZO	DGQ		
4									GEAR, Input Sun
	04799586AB	1	T			EVO	DGQ		
		1	J			EVO	DGQ		
		1	T			EZO	DGQ		
		1	J			EZO	DGQ		
5									CARRIER, Input Complete
	04799500AD	1	J			EVO	DGQ		
		1	J			EZO	DGQ		
		1	T			EVO	DGQ		
		1	T			EZO	DGQ		
6									GEAR, Annulus
	04799501	1	T			EVO	DGQ		
		1	J			EVO	DGQ		
		1	T			EZO	DGQ		
		1	J			EZO	DGQ		

GRAND CHEROKEE (WK)

SERIES LINE
H = HIGHLINE T = JEEP - 2WD
P = PREMIUM J = JEEP - 4WD
S = SPORT
X = SPECIAL

BODY
74 = SPORT UTILITY 4-DR
TYPE #4

ENGINE
EVA = 4.7L V8 MPI Engine
EVD = 4.7L V8 FFV Engine
EXL = 3.0L V6 Turbo Diesel
Engine
EZB = 5.7L Hemi Multi
Displacement Engine
EKG = 3.7L V6 Engine
ESF = 6.1L SRT HEMI SMPI
V8 Engine

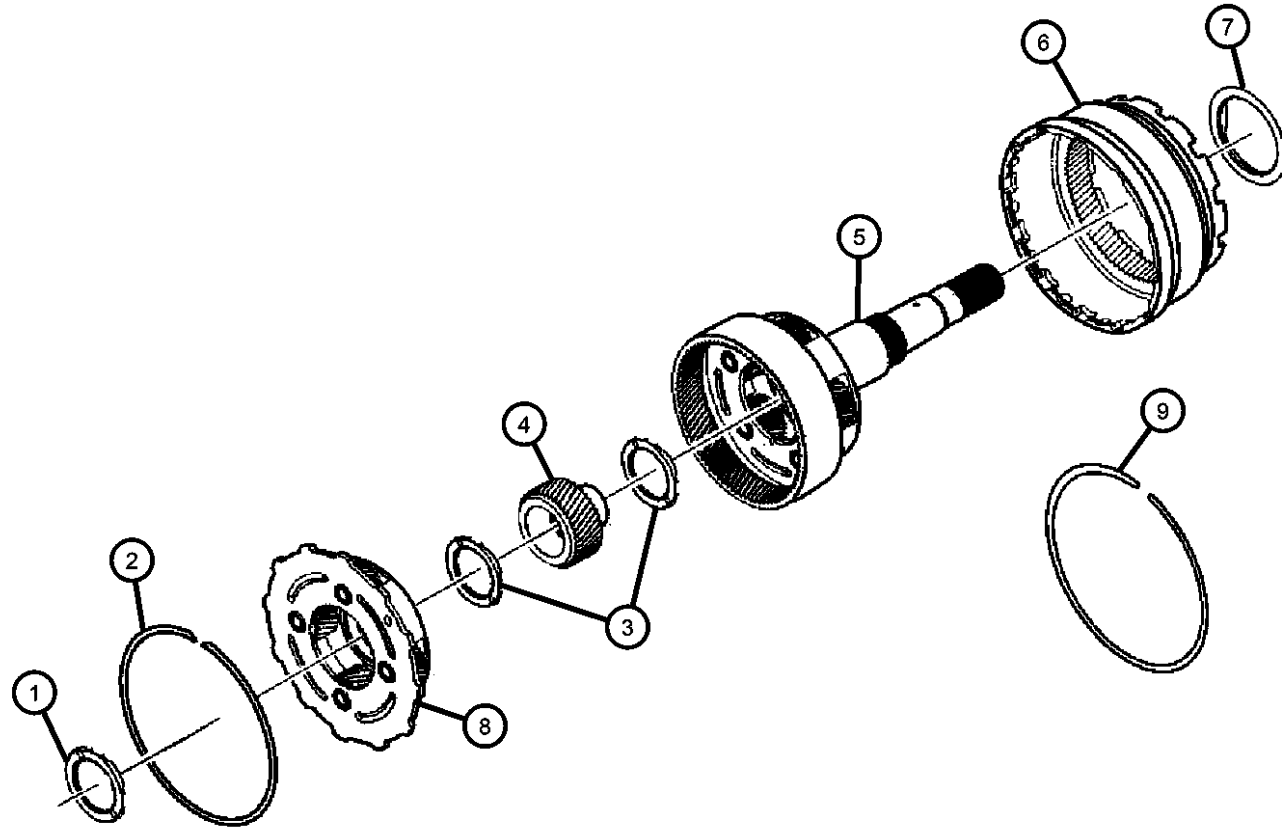
TRANSMISSION
DGJ = 5-Speed Auto W5A580
Transmission
DGQ = 5-Spd Automatic 545RFE
Transmission
DGU = 5-Spd Auto W5J400
Transmission

AR = use ase required - = Non illustrated part

2007 WK

**Input / Reverse Planetary [DGQ]
Figure 45RFE-450**

ITEM	PART NUMBER	QTY	LINE	SERIES	BODY	ENGINE	TRANS	TRIM	DESCRIPTION
7	04799459	1	T			EVO	DGQ		THRUST BEARING, Needle Roller
		1	J			EVO	DGQ		
		1	T			EZO	DGQ		
		1	J			EZO	DGQ		
8	04799503AE	1	T			EVO	DGQ		CARRIER, Reverse Complete
		1	J			EVO	DGQ		
		1	T			EZO	DGQ		
		1	J			EZO	DGQ		
9	04799466	1	T			EVO	DGQ		SNAP RING, Transmission
		1	J			EVO	DGQ		
		1	T			EZO	DGQ		
		1	J			EZO	DGQ		



GRAND CHEROKEE (WK)

SERIES LINE
H = HIGHLINE T = JEEP - 2WD
P = PREMIUM J = JEEP - 4WD
S = SPORT
X = SPECIAL

BODY
74 = SPORT UTILITY 4-DR
TYPE #4

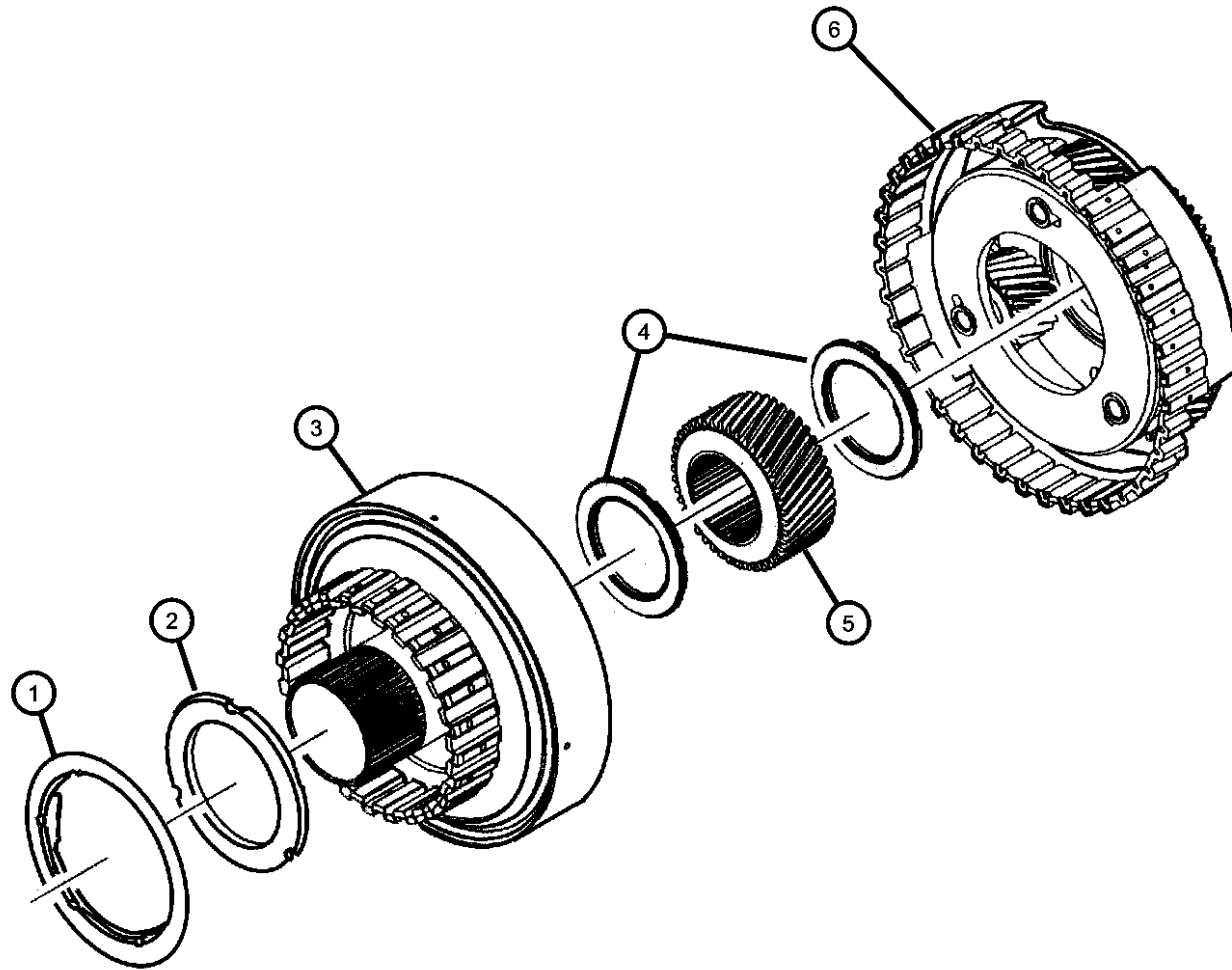
ENGINE
EVA = 4.7L V8 MPI Engine
EVD = 4.7L V8 FFV Engine
EXL = 3.0L V6 Turbo Diesel
Engine
EZB = 5.7L Hemi Multi
Displacement Engine
EKG = 3.7L V6 Engine
ESF = 6.1L SRT HEMI SMPI
V8 Engine

TRANSMISSION
DGJ = 5-Speed Auto W5A580
Transmission
DGQ = 5-Spd Automatic 545RFE
Transmission
DGU = 5-Spd Auto W5J400
Transmission

AR = use ase required - = Non illustrated part

2007 WK

**Reaction Annulus / Sun Gear
Figure 45RFE-460**



ITEM	PART NUMBER	QTY	LINE	SERIES	BODY	ENGINE	TRANS	TRIM	DESCRIPTION
NOTE: Sales Codes: [DGQ]=5 Speed Automatic Transmission - [5-45RFE] [EV0] = All 4.7L 8 Cylinder Engines [EZ0] = All 5.7L 8 Cylinder Engines									
1	04799459	1	T			EV0	DGQ		THRUST BEARING, Needle Roller
		1	J			EV0	DGQ		
		1	T			EZ0	DGQ		
		1	J			EZ0	DGQ		
2		1							THRUST WASHER, Planetary Carrier, PKG 05013092AA, (NOT SERVICED)
3	04799604	1	T			EV0	DGQ		GEAR, Annulus
		1	J			EV0	DGQ		
		1	T			EZ0	DGQ		
		1	J			EZ0	DGQ		
4	04799469	1	T			EV0	DGQ		THRUST BEARING, Needle Roller
		1	J			EV0	DGQ		
		1	T			EZ0	DGQ		
		1	J			EZ0	DGQ		
5	04799602	1	T			EV0	DGQ		GEAR, Reaction Sun
		1	J			EV0	DGQ		
		1	T			EZ0	DGQ		
		1	J			EZ0	DGQ		
6	04799619AB	1	T			EV0	DGQ		CARRIER, Reaction Complete
		1	J			EV0	DGQ		
		1	T			EZ0	DGQ		
		1	J			EZ0	DGQ		

GRAND CHEROKEE (WK)

SERIES LINE
H = HIGHLINE T = JEEP - 2WD
P = PREMIUM J = JEEP - 4WD
S = SPORT
X = SPECIAL

BODY
74 = SPORT UTILITY 4-DR
TYPE #4

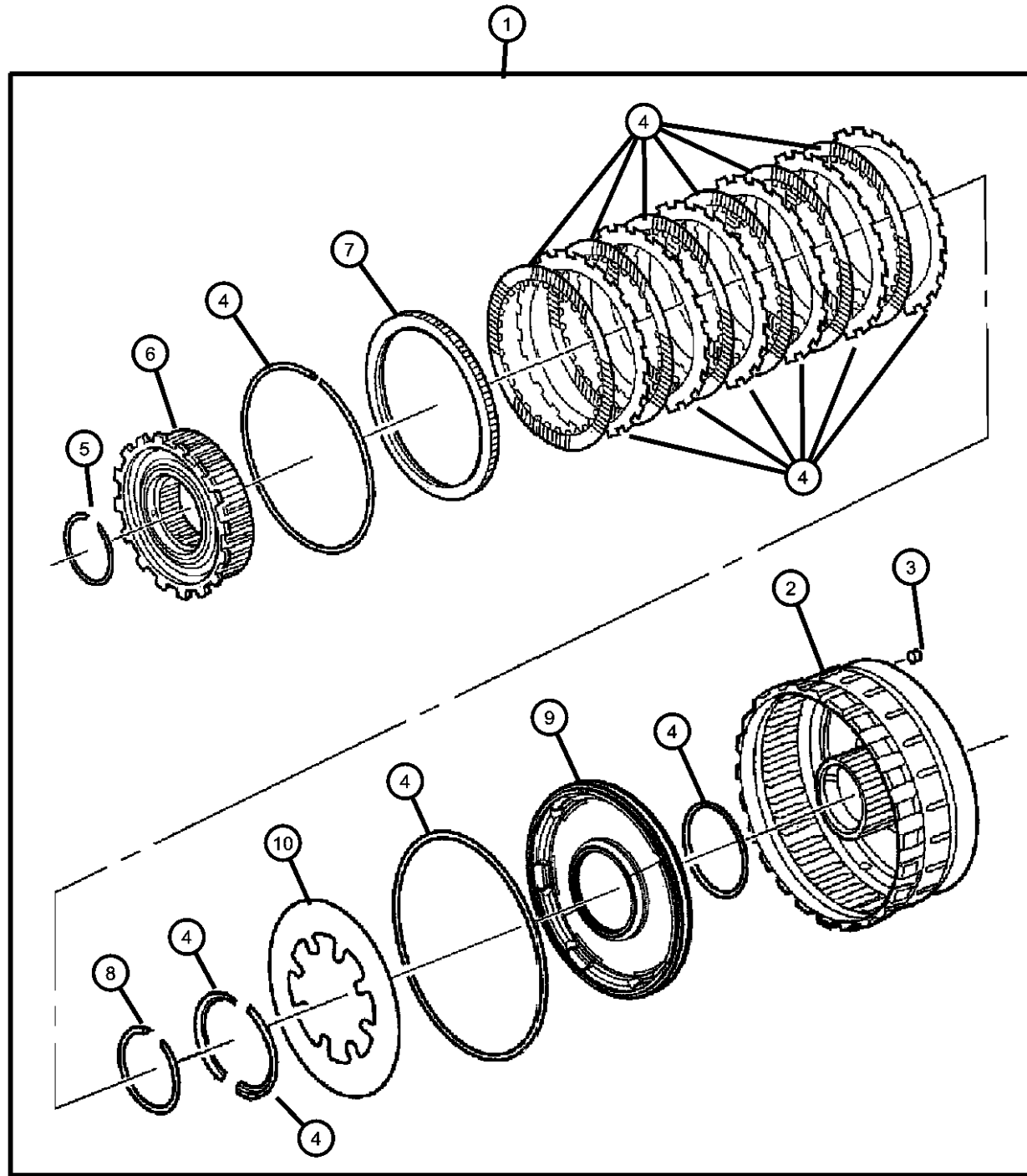
ENGINE
EVA = 4.7L V8 MPI Engine
EVD = 4.7L V8 FFV Engine
EXL = 3.0L V6 Turbo Diesel Engine
EZB = 5.7L Hemi Multi Displacement Engine
EKG = 3.7L V6 Engine
ESF = 6.1L SRT HEMI SMPI V8 Engine

TRANSMISSION
DGJ = 5-Speed Auto W5A580 Transmission
DGQ = 5-Spd Automatic 545RFE Transmission
DGU = 5-Spd Auto W5J400 Transmission

AR = use ase required - = Non illustrated part

2007 WK

Low / Reverse Clutch
Figure 45RFE-470



ITEM	PART NUMBER	QTY	LINE	SERIES	BODY	ENGINE	TRANS	TRIM	DESCRIPTION
1	04799457AE	1	T			EVO	DGQ		CLUTCH, L/R Clutch
		1	J			EVO	DGQ		
		1	T			EZO	DGQ		
		1	J			EZO	DGQ		
2	05013027AA	1	T			EVO	DGQ		RETAINER, Clutch
		1	J			EVO	DGQ		
		1	T			EZO	DGQ		
		1	J			EZO	DGQ		
3	04799086	1	T			EVO	DGQ		BLEED ORIFICE, Transmission
		1	J			EVO	DGQ		
		1	T			EZO	DGQ		
		1	J			EZO	DGQ		
4	05073003AB	1	T			EVO	DGQ		CLUTCH PACKAGE, Automatic Transmission, Low/Reverse
		1	J			EVO	DGQ		
		1	T			EZO	DGQ		
		1	J			EZO	DGQ		
5	04799863AA	1	T			EVO	DGQ		SNAP RING
		1	J			EVO	DGQ		
		1	T			EZO	DGQ		
		1	J			EZO	DGQ		
6	04799465	1	T			EVO	DGQ		CLUTCH, Overrunning
		1	J			EVO	DGQ		
		1	T			EZO	DGQ		
		1	J			EZO	DGQ		
7									PLATE, Transmission Clutch Reaction

GRAND CHEROKEE (WK)

SERIES LINE
H = HIGHLINE T = JEEP - 2WD
P = PREMIUM J = JEEP - 4WD
S = SPORT
X = SPECIAL

BODY
74 = SPORT UTILITY 4-DR
TYPE #4

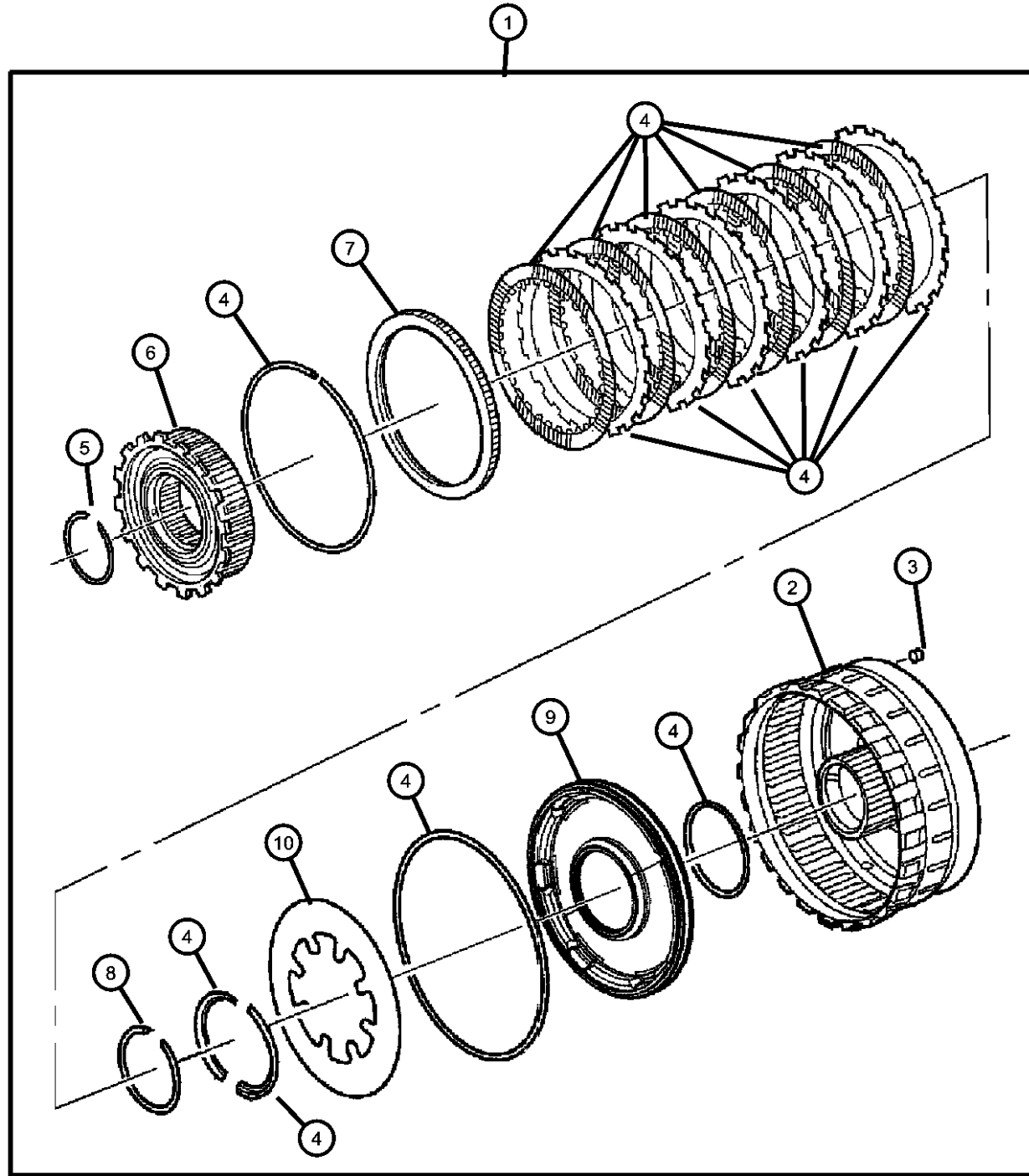
ENGINE
EVA = 4.7L V8 MPI Engine
EVD = 4.7L V8 FFV Engine
EXL = 3.0L V6 Turbo Diesel
Engine
EZB = 5.7L Hemi Multi
Displacement Engine
EKG = 3.7L V6 Engine
ESF = 6.1L SRT HEMI SMPI
V8 Engine

TRANSMISSION
DGJ = 5-Speed Auto W5A580
Transmission
DGQ = 5-Spd Automatic 545RFE
Transmission
DGU = 5-Spd Auto W5J400
Transmission

AR = use ase required - = Non illustrated part

2007 WK

Low / Reverse Clutch
Figure 45RFE-470



ITEM	PART NUMBER	QTY	LINE	SERIES	BODY	ENGINE	TRANS	TRIM	DESCRIPTION
	04799667	1	T			EVO	DGQ		
		1	J			EVO	DGQ		
		1	T			EZO	DGQ		
		1	J			EZO	DGQ		
8	04799863AA	1	T			EVO	DGQ		SNAP RING
		1	J			EVO	DGQ		
		1	T			EZO	DGQ		
		1	J			EZO	DGQ		
9									PISTON PACKAGE, Piston & spring, low/reverse, Includes Item # 10
	05179008AA	1	T			EVO	DGQ		
		1	J			EVO	DGQ		
		1	T			EZO	DGQ		
		1	J			EZO	DGQ		
10									SPRING, Low/Reverse Clutch Piston
	04799640AC	1	T			EVO	DGQ		
		1	J			EVO	DGQ		
		1	T			EZO	DGQ		
		1	J			EZO	DGQ		

GRAND CHEROKEE (WK)

SERIES LINE
H = HIGHLINE T = JEEP - 2WD
P = PREMIUM J = JEEP - 4WD
S = SPORT
X = SPECIAL

BODY
74 = SPORT UTILITY 4-DR
TYPE #4

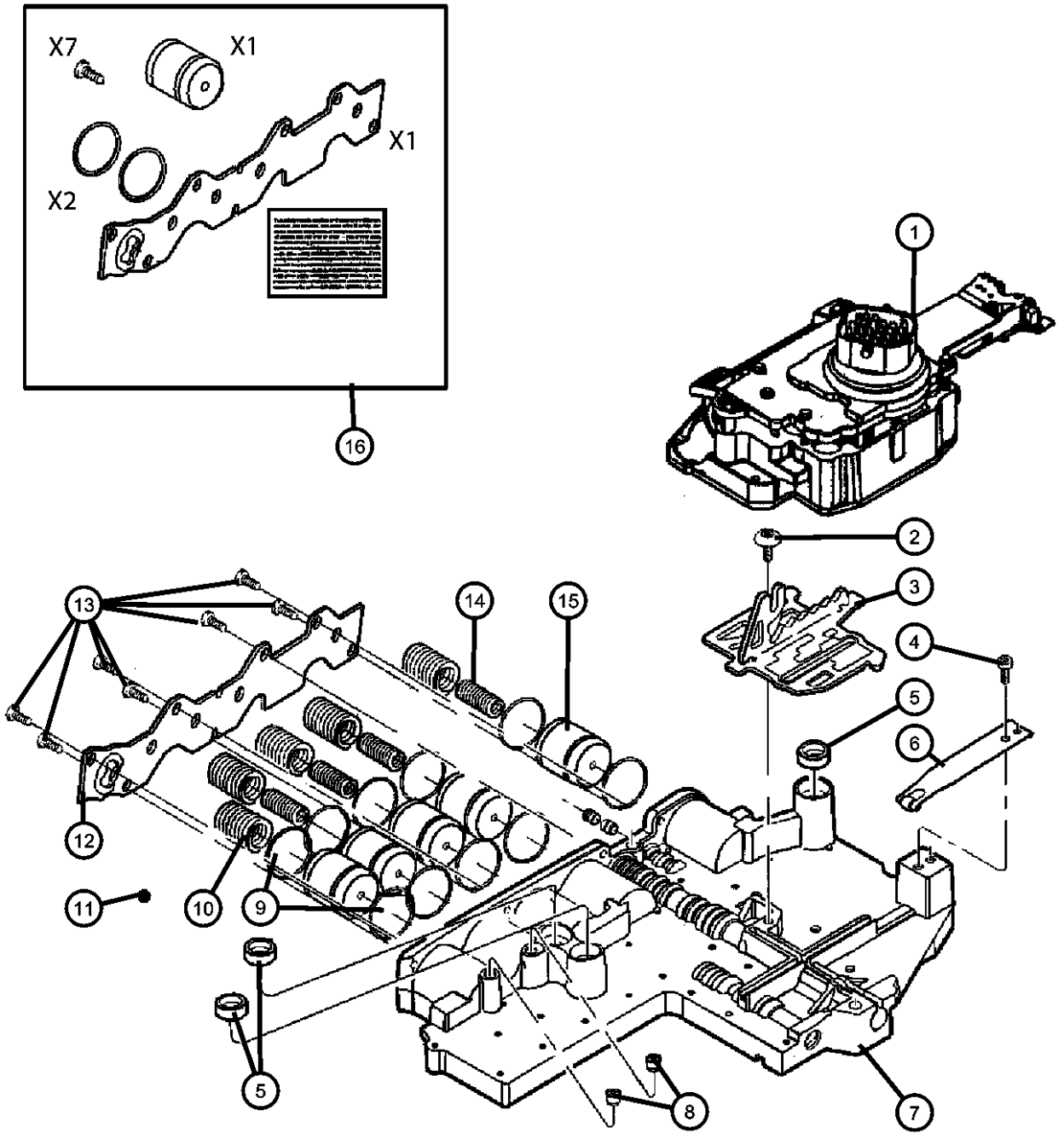
ENGINE
EVA = 4.7L V8 MPI Engine
EVD = 4.7L V8 FFV Engine
EXL = 3.0L V6 Turbo Diesel Engine
EZB = 5.7L Hemi Multi Displacement Engine
EKG = 3.7L V6 Engine
ESF = 6.1L SRT HEMI SMPI V8 Engine

TRANSMISSION
DGJ = 5-Speed Auto W5A580 Transmission
DGQ = 5-Spd Automatic 545RFE Transmission
DGU = 5-Spd Auto W5J400 Transmission

AR = use ase required - = Non illustrated part

2007 WK

**Valve Body
Figure 45RFE-710**



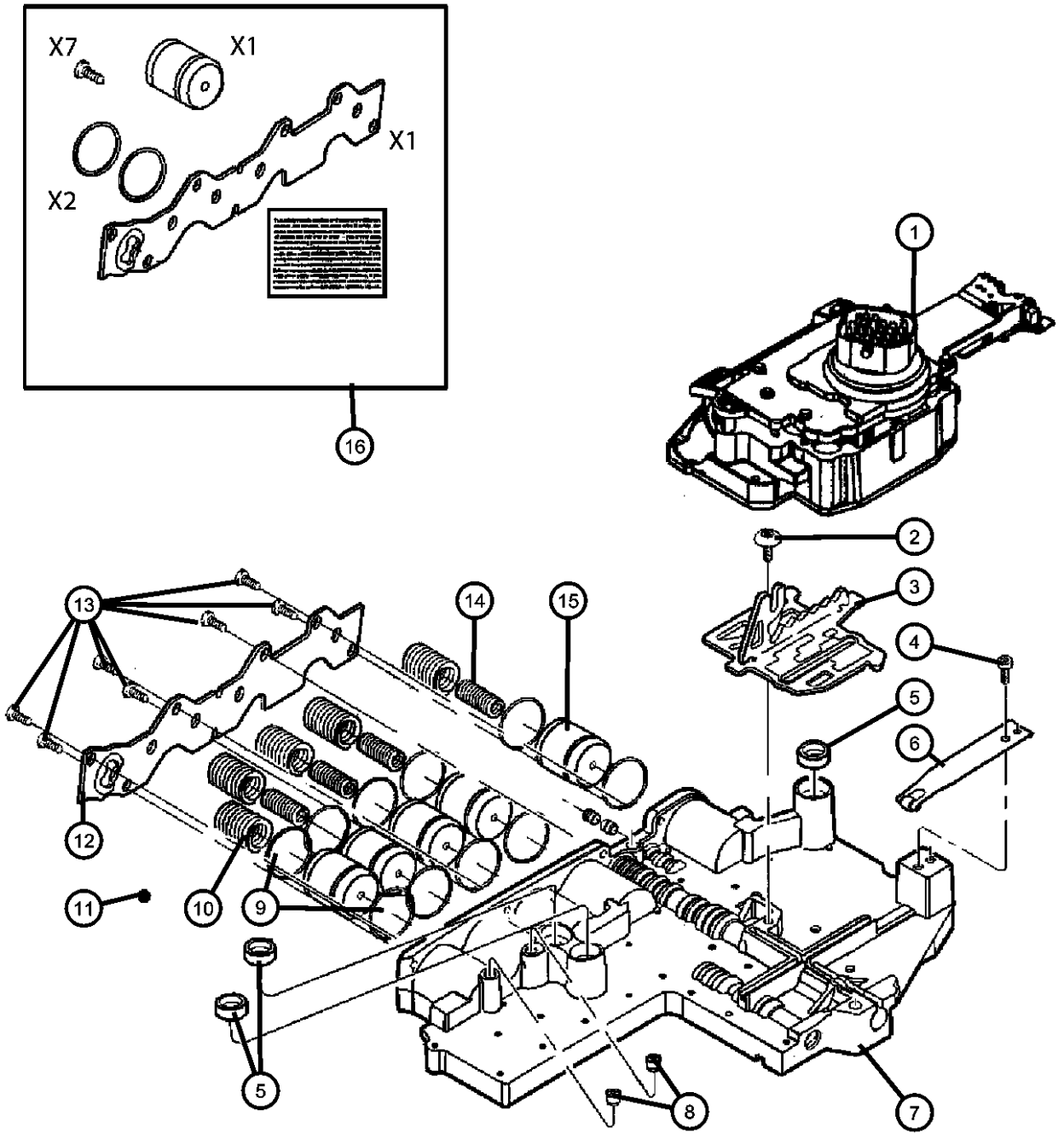
ITEM	PART NUMBER	QTY	LINE	SERIES	BODY	ENGINE	TRANS	TRIM	DESCRIPTION
1									SOLENOID PACKAGE, Valve Body
	05170877AC	1	T			EVO	DGQ		
		1	J			EVO	DGQ		
		1	J			EZO	DGQ		
		1	T			EZO	DGQ		
2									SCREW, Shoulder/Truss, M5x.8x12.5
	06508087AA	1	T			EVO	DGQ		Manual Valve Cam Plate, Mounting
		1	J			EVO	DGQ		Manual Valve Cam Plate, Mounting
		1	J			EZO	DGQ		Manual Valve Cam Plate, Mounting
		1	T			EZO	DGQ		Manual Valve Cam Plate, Mounting
3									PLATE, Manual Valve Cam
	04799654AC	1	J			EVO	DGQ		
		1	J			EZO	DGQ		
		1	T			EZO	DGQ		
		1	T			EVO	DGQ		
4									SCREW, Pan Head, M5 x 0.8 x 12.60
	06503232	1	T			EVO	DGQ		Valve Body Detent, Mounting
		1	J			EVO	DGQ		Valve Body Detent, Mounting
		1	T			EZO	DGQ		Valve Body Detent, Mounting
		1	J			EZO	DGQ		Valve Body Detent, Mounting
5									SEAL, Clutch Feed
	04799778	3	T			EVO	DGQ		
		3	J			EVO	DGQ		
		3	J			EZO	DGQ		
		3	T			EZO	DGQ		
6									DETENT, Valve Body

GRAND CHEROKEE (WK)

SERIES	LINE	BODY	ENGINE	TRANSMISSION
H = HIGHLINE	T = JEEP - 2WD	74 = SPORT UTILITY 4-DR TYPE #4	EVA = 4.7L V8 MPI Engine	DGJ = 5-Speed Auto W5A580 Transmission
P = PREMIUM	J = JEEP - 4WD		EVD = 4.7L V8 FFV Engine	DGQ = 5-Spd Automatic 545RFE Transmission
S = SPORT			EXL = 3.0L V6 Turbo Diesel Engine	DGU = 5-Spd Auto W5J400 Transmission
X = SPECIAL			EZB = 5.7L Hemi Multi Displacement Engine	
			EKG = 3.7L V6 Engine	
			ESF = 6.1L SRT HEMI SMPI V8 Engine	

AR = use ase required - = Non illustrated part

**Valve Body
Figure 45RFE-710**



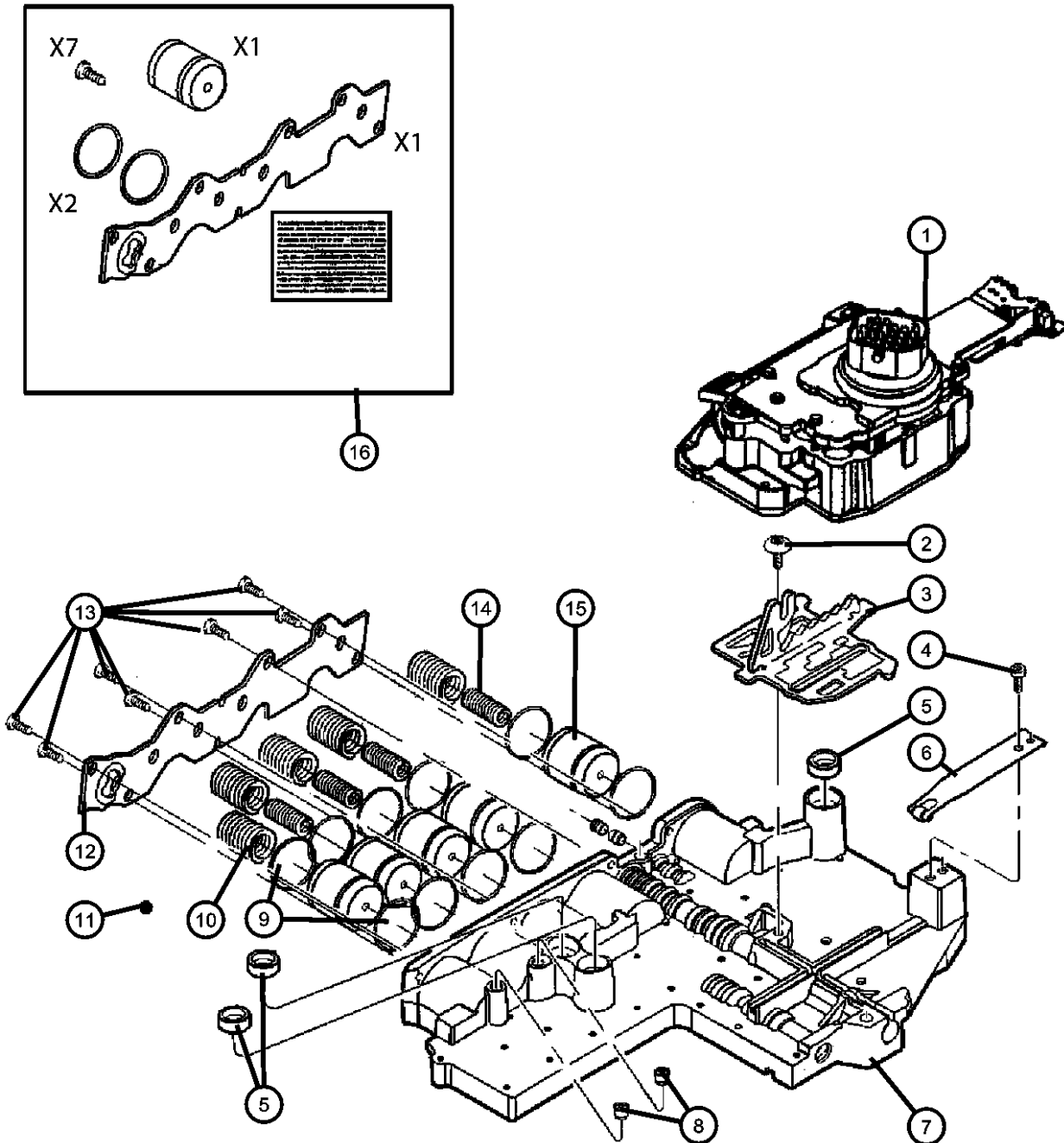
ITEM	PART NUMBER	QTY	LINE	SERIES	BODY	ENGINE	TRANS	TRIM	DESCRIPTION
	52119501AA	1	T			EVO	DGQ		
		1	J			EVO	DGQ		
		1	J			EZO	DGQ		
		1	T			EZO	DGQ		
7									VALVE BODY, Transfer Plate and Valve
	05166834AB	1	T			EVO	DGQ		
		1	J			EVO	DGQ		
		1	J			EZO	DGQ		
		1	T			EZO	DGQ		
8									BLEED ORIFICE, Transmission
	04799086	2	T			EVO	DGQ		
		2	T			EZO	DGQ		
		2	J			EVO	DGQ		
		2	J			EZO	DGQ		
9									SEAL, Accumulator
	04446544	10	J			EZO	DGQ		
		10	T			EVO	DGQ		
		10	T			EZO	DGQ		
		10	J			EVO	DGQ		
10									SPRING, Accumulator
	04471880	5	J			EZO	DGQ		Outer
		5	T			EVO	DGQ		Outer
		5	T			EZO	DGQ		Outer
		5	J			EVO	DGQ		Outer
11									BALL, Check
	52118261	7	J			EZO	DGQ		
		7	T			EVO	DGQ		
		7	J			EVO	DGQ		
		7	T			EZO	DGQ		
12									COVER, Accumulator
	04799598AB	1	T			EVO	DGQ		

GRAND CHEROKEE (WK)

SERIES	LINE	BODY	ENGINE	TRANSMISSION
H = HIGHLINE	T = JEEP - 2WD	74 = SPORT UTILITY 4-DR	EVA = 4.7L V8 MPI Engine	DGJ = 5-Speed Auto W5A580
P = PREMIUM	J = JEEP - 4WD	TYPE #4	EVD = 4.7L V8 FFV Engine	Transmission
S = SPORT			EXL = 3.0L V6 Turbo Diesel	DGQ = 5-Spd Automatic 545RFE
X = SPECIAL			Engine	Transmission
			EZB = 5.7L Hemi Multi	DGU = 5-Spd Auto W5J400
			Displacement Engine	Transmission
			EKG = 3.7L V6 Engine	
			ESF = 6.1L SRT HEMI SMPI	
			V8 Engine	

AR = use ase required - = Non illustrated part

Valve Body
Figure 45RFE-710



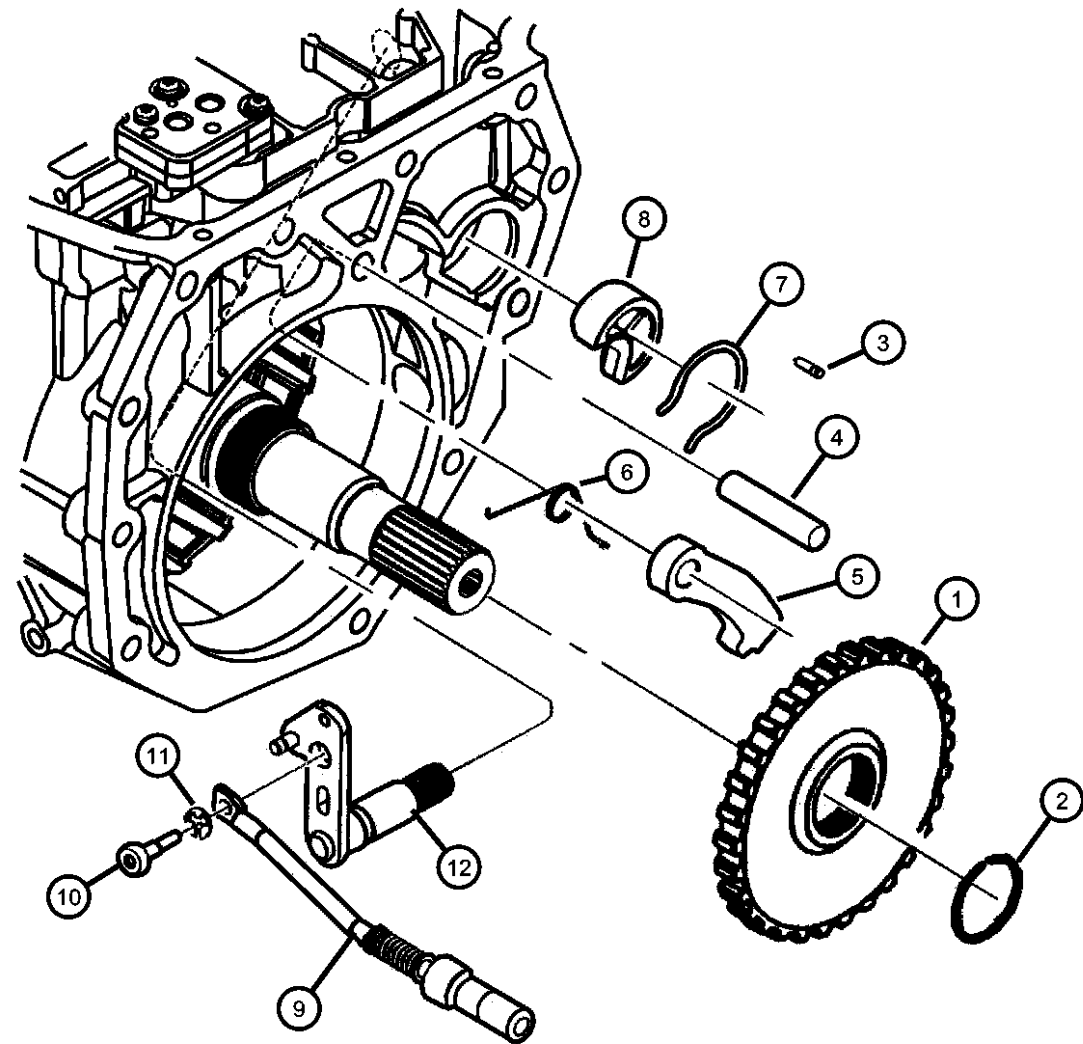
ITEM	PART NUMBER	QTY	LINE	SERIES	BODY	ENGINE	TRANS	TRIM	DESCRIPTION
		1	J			EVO	DGQ		
		1	J			EZO	DGQ		
		1	T			EZO	DGQ		
13									SCREW, Pan Head, M5 x 0.8 x 12.60
	06503232	7	J			EZO	DGQ		Accumulator Cover, Mounting
		7	T			EVO	DGQ		Accumulator Cover, Mounting
		7	J			EVO	DGQ		Accumulator Cover, Mounting
		7	T			EZO	DGQ		Accumulator Cover, Mounting
14									SPRING, Accumulator
	52119702AA	4	T			EVO	DGQ		Inner
		4	T			EZO	DGQ		Inner
		4	J			EVO	DGQ		Inner
		4	J			EZO	DGQ		Inner
15									PISTON, Accumulator
	04446620	5	T			EVO	DGQ		
		5	J			EVO	DGQ		
		5	J			EZO	DGQ		
		5	T			EZO	DGQ		
16									ACCUMULATOR KIT, Accumulator Cover
	05174633AA	1	T			EVO	DGQ		
		1	T			EZO	DGQ		
		1	J			EVO	DGQ		
		1	J			EZO	DGQ		

GRAND CHEROKEE (WK)

SERIES	LINE	BODY	ENGINE	TRANSMISSION
H = HIGHLINE	T = JEEP - 2WD	74 = SPORT UTILITY 4-DR TYPE #4	EVA = 4.7L V8 MPI Engine	DGJ = 5-Speed Auto W5A580 Transmission
P = PREMIUM	J = JEEP - 4WD		EVD = 4.7L V8 FFV Engine	DGQ = 5-Spd Automatic 545RFE Transmission
S = SPORT			EXL = 3.0L V6 Turbo Diesel Engine	DGU = 5-Spd Auto W5J400 Transmission
X = SPECIAL			EZB = 5.7L Hemi Multi Displacement Engine	
			EKG = 3.7L V6 Engine	
			ESF = 6.1L SRT HEMI SMPI V8 Engine	

AR = use ase required - = Non illustrated part

**Parking Sprag
Figure 45RFE-720**



ITEM	PART NUMBER	QTY	LINE	SERIES	BODY	ENGINE	TRANS	TRIM	DESCRIPTION
1									SPRAG, Transmission Parking
	04799493AC	1	T			EVO	DGQ		
		1	J			EVO	DGQ		
		1	T			EZO	DGQ		
		1	J			EZO	DGQ		
2									SNAP RING, Transmission
	04799704	1	T			EVO	DGQ		
		1	J			EVO	DGQ		
		1	T			EZO	DGQ		
		1	J			EZO	DGQ		
3									PIN
	00456636	1	T			EVO	DGQ		
		1	J			EVO	DGQ		
		1	T			EZO	DGQ		
		1	J			EZO	DGQ		
4									SHAFT, Parking Pawl
	04799450	1	T			EVO	DGQ		
		1	J			EVO	DGQ		
		1	T			EZO	DGQ		
		1	J			EZO	DGQ		
5									PAWL AND ROD KIT
	05166452AA	1	J			EVO	DGQ		
		1	J			EZO	DGQ		
		1	T			EVO	DGQ		
		1	T			EZO	DGQ		
6									SPRING, Torsion
	04799451	1	T			EVO	DGQ		
		1	J			EVO	DGQ		

GRAND CHEROKEE (WK)

SERIES LINE
H = HIGHLINE T = JEEP - 2WD
P = PREMIUM J = JEEP - 4WD
S = SPORT
X = SPECIAL

BODY
74 = SPORT UTILITY 4-DR
TYPE #4

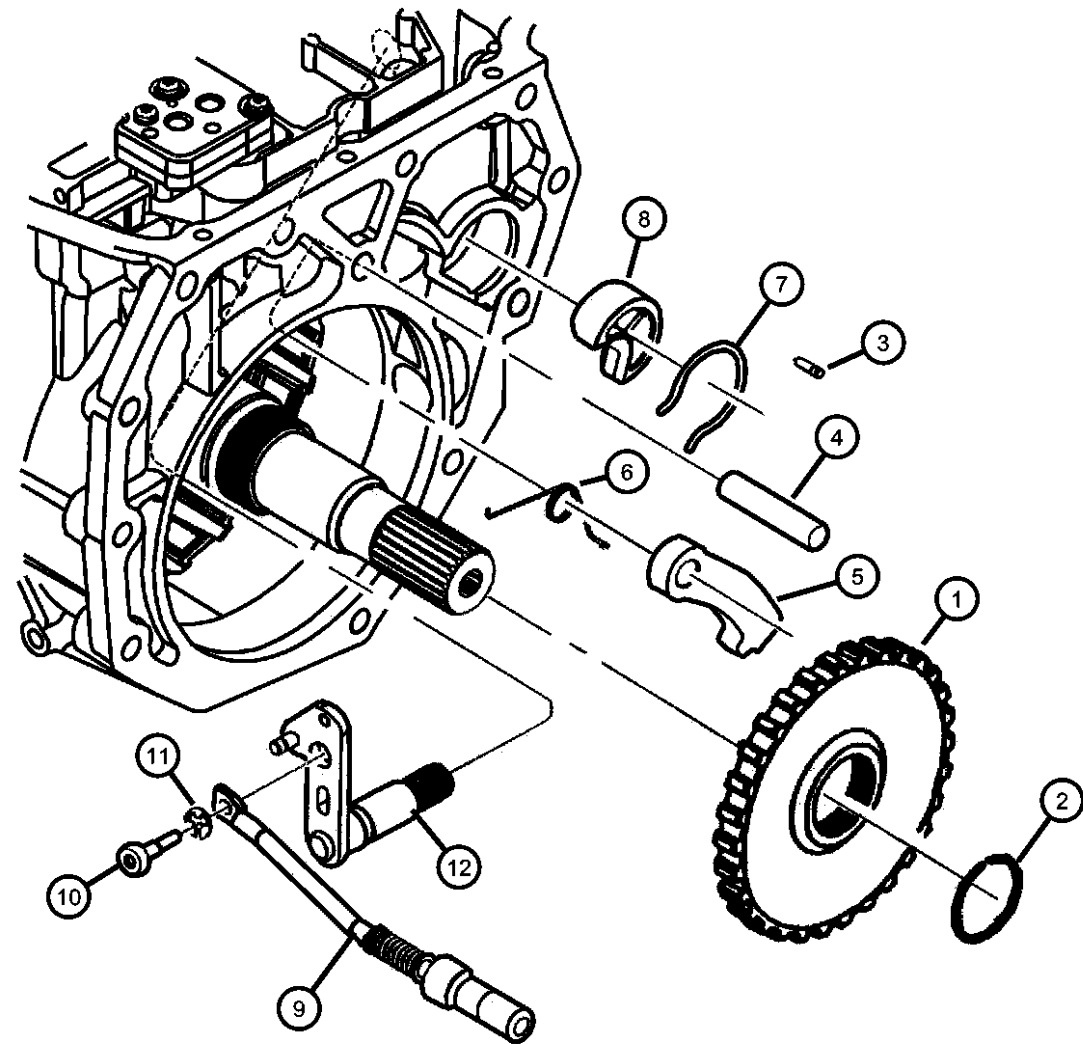
ENGINE
EVA = 4.7L V8 MPI Engine
EVD = 4.7L V8 FFV Engine
EXL = 3.0L V6 Turbo Diesel
Engine
EZB = 5.7L Hemi Multi
Displacement Engine
EKG = 3.7L V6 Engine
ESF = 6.1L SRT HEMI SMPI
V8 Engine

TRANSMISSION
DGJ = 5-Speed Auto W5A580
Transmission
DGQ = 5-Spd Automatic 545RFE
Transmission
DGU = 5-Spd Auto W5J400
Transmission

AR = use ase required - = Non illustrated part

2007 WK

**Parking Sprag
Figure 45RFE-720**



ITEM	PART NUMBER	QTY	LINE	SERIES	BODY	ENGINE	TRANS	TRIM	DESCRIPTION
		1	T			EZ0	DGQ		
		1	J			EZ0	DGQ		
7	04799313	1	T			EVO	DGQ		SNAP RING
		1	J			EVO	DGQ		
		1	T			EZ0	DGQ		
		1	J			EZ0	DGQ		
8	04799774AB	1	T			EVO	DGQ		GUIDE, Parking Sprag Pawl
		1	J			EVO	DGQ		
		1	T			EZ0	DGQ		
		1	J			EZ0	DGQ		
9	05166452AA	1	J			EVO	DGQ		PAWL AND ROD KIT
		1	J			EZ0	DGQ		
		1	T			EVO	DGQ		
		1	T			EZ0	DGQ		
10	06504548	1	T			EVO	DGQ		SCREW, M6x1x30
		1	J			EVO	DGQ		
		1	T			EZ0	DGQ		
		1	J			EZ0	DGQ		
11	06035256	1	T			EVO	DGQ		SNAP RING, Rod
		1	J			EVO	DGQ		
		1	T			EZ0	DGQ		
		1	J			EZ0	DGQ		
12	04799453	1	T			EVO	DGQ		LEVER, Shift Shaft
		1	J			EVO	DGQ		

GRAND CHEROKEE (WK)

SERIES LINE
H = HIGHLINE T = JEEP - 2WD
P = PREMIUM J = JEEP - 4WD
S = SPORT
X = SPECIAL

BODY
74 = SPORT UTILITY 4-DR
TYPE #4

ENGINE
EVA = 4.7L V8 MPI Engine
EVD = 4.7L V8 FFV Engine
EXL = 3.0L V6 Turbo Diesel
Engine
EZB = 5.7L Hemi Multi
Displacement Engine
EKG = 3.7L V6 Engine
ESF = 6.1L SRT HEMI SMPI
V8 Engine

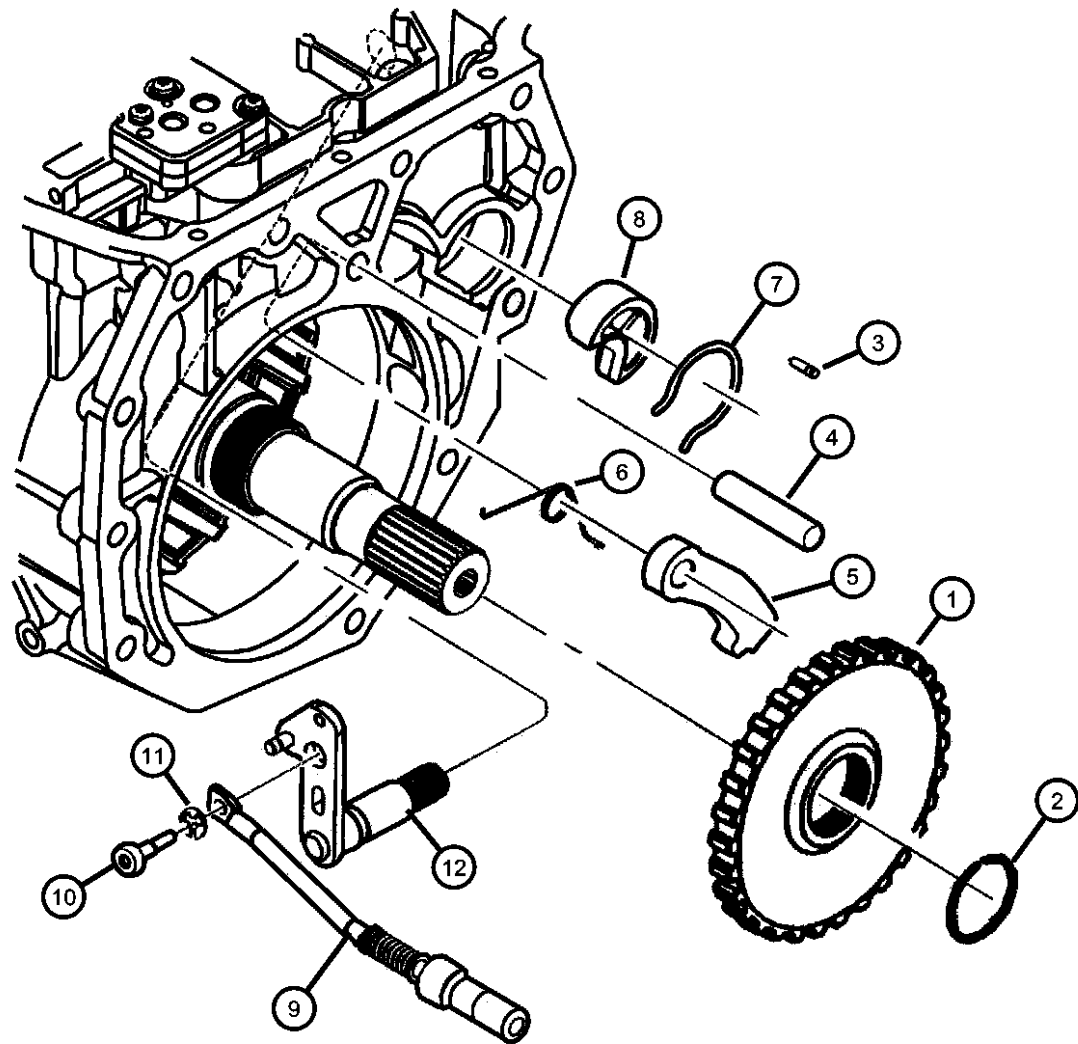
TRANSMISSION
DGJ = 5-Speed Auto W5A580
Transmission
DGQ = 5-Spd Automatic 545RFE
Transmission
DGU = 5-Spd Auto W5J400
Transmission

AR = use ase required - = Non illustrated part

2007 WK

Parking Sprag
Figure 45RFE-720

ITEM	PART NUMBER	QTY	LINE	SERIES	BODY	ENGINE	TRANS	TRIM	DESCRIPTION
		1	T			EZ0	DGQ		
		1	J			EZ0	DGQ		



GRAND CHEROKEE (WK)

SERIES LINE
H = HIGHLINE T = JEEP - 2WD
P = PREMIUM J = JEEP - 4WD
S = SPORT
X = SPECIAL

BODY
74 = SPORT UTILITY 4-DR
TYPE #4

ENGINE
EVA = 4.7L V8 MPI Engine
EVD = 4.7L V8 FFV Engine
EXL = 3.0L V6 Turbo Diesel
Engine
EZB = 5.7L Hemi Multi
Displacement Engine
EKG = 3.7L V6 Engine
ESF = 6.1L SRT HEMI SMPI
V8 Engine

TRANSMISSION
DGJ = 5-Speed Auto W5A580
Transmission
DGQ = 5-Spd Automatic 545RFE
Transmission
DGU = 5-Spd Auto W5J400
Transmission

AR = use ase required - = Non illustrated part

2007 WK

**Gearshift Control
Figure 45RFE-1210**

ITEM	PART NUMBER	QTY	LINE	SERIES	BODY	ENGINE	TRANS	TRIM	DESCRIPTION
------	-------------	-----	------	--------	------	--------	-------	------	-------------

NOTE:

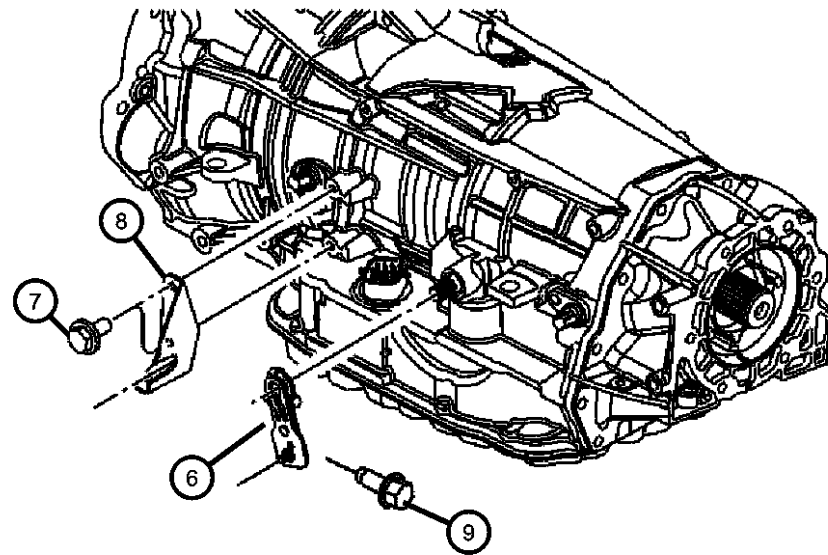
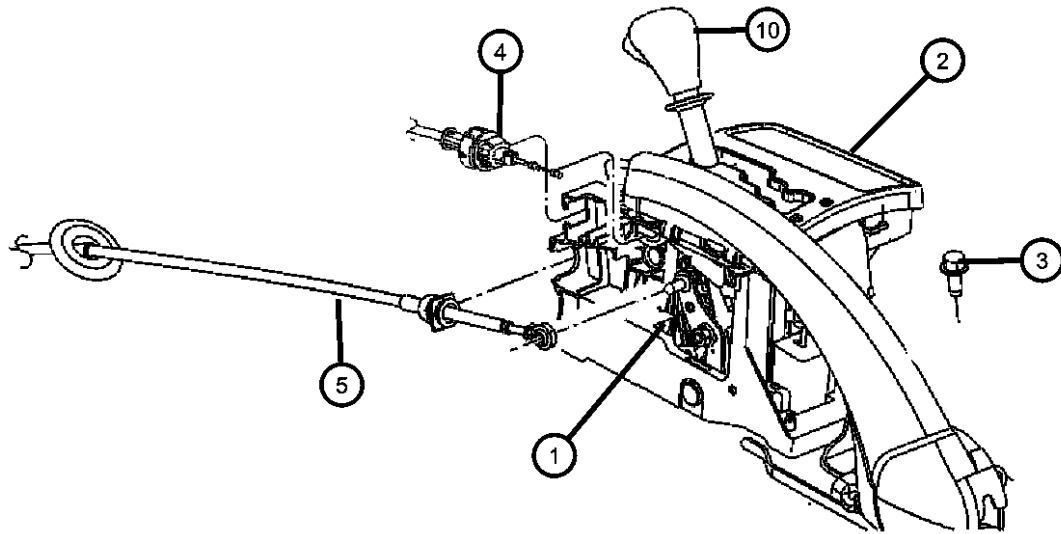
Sales Codes:

[DGQ]=5 Speed Automatic Transmission - [5-45RFE]

[EK0] = All 3.7L 6 Cylinder Engines

[EV0] = All 4.7L 8 Cylinder Engines

[EZ0] = All 5.7L 8 Cylinder Engines



1									HOUSING AND LEVER, Shifter, Includes Bezel, Handle and Mat
	52124139AB	1	T	H, P			DGQ		
	52124140AB	1	J	H, P			DGQ		
	52124141AB	1	T	S			DGQ		
	52124142AB	1	J	S			DGQ		
2									PRNDL BEZEL, Gear selector, Includes Mat
	68004146AE	1	J	P, H			DGQ		
		1	J	S			DGQ		
	68004145AE	1	T	H, P			DGQ		
		1	T	S			DGQ		
3	06505846AA	3	J, T				DG0		BOLT, Hex Flange Head
4	52109667AD	1	J, T				DG0		CABLE, Gearshift Control
5	52109666AD	1	J, T				DG0		CABLE, Park Interlock
6	52109706AB	1	J, T				DGQ		LEVER, Manual Control
7	06101758	2	J, T				DG0		SCREW, Hex Head, M8x1.25x20
8	52104371AG	1	J, T				DGQ		BRACKET, Shift Cable
9	06101978	1	J, T				DGQ		SCREW AND WASHER, Hex Head, M8-1.25x40
10									HANDLE, Gearshift
	52124148AA	1	J	S			DGQ		
	52090460AB	1	T	H, P			DGQ		
		1	J	H, P			DGQ		
		1	T	S			DGQ		

GRAND CHEROKEE (WK)

SERIES

LINE

H = HIGHLINE T = JEEP - 2WD

P = PREMIUM J = JEEP - 4WD

S = SPORT

X = SPECIAL

BODY

74 = SPORT UTILITY 4-DR TYPE #4

ENGINE

EVA = 4.7L V8 MPI Engine
EVD = 4.7L V8 FFV Engine
EXL = 3.0L V6 Turbo Diesel Engine
EZB = 5.7L Hemi Multi Displacement Engine
EKG = 3.7L V6 Engine
ESF = 6.1L SRT HEMI SMPI V8 Engine

TRANSMISSION

DGJ = 5-Speed Auto W5A580 Transmission
DGQ = 5-Spd Automatic 545RFE Transmission
DGU = 5-Spd Auto W5J400 Transmission

AR = use ase required - = Non illustrated part

2007 WK

**2 & 4 Clutch
Figure 45RFE-1320**

ITEM	PART NUMBER	QTY	LINE	SERIES	BODY	ENGINE	TRANS	TRIM	DESCRIPTION
------	-------------	-----	------	--------	------	--------	-------	------	-------------

NOTE:
Sales Codes:
[DGQ]=5 Speed Automatic Transmission - [5-45RFE]
[EV0] = All 4.7L 8 Cylinder Engines
[EZ0] = All 5.7L 8 Cylinder Engines

2&4 CLUTCH PACKAGE 05013087aa

(2)	Disc assy, clutch (2nd clutch)
(2)	Plate, clutch separator
	D-ring, external (2nd outer)
	D-ring, internal (2nd inner)
	D-ring, internal (4th outer)
	D-ring, internal (4th inner)
(3)	Plate, clutch separator (4th clutch)
(3)	Disc assy, clutch (4th clutch)
	Snap ring (4th, 1.74/1.84 thk)
	Snap ring (4th, 2.15/2.25 thk)
	Snap ring (4th, 2.56/2.66 thk)

1									CLUTCH PACKAGE, Automatic Transmission, 2/4
	05013087AD	1	T			EV0	DGQ		
		1	J			EV0	DGQ		
		1	T			EZ0	DGQ		
		1	J			EZ0	DGQ		

GRAND CHEROKEE (WK)

SERIES LINE
H = HIGHLINE T = JEEP - 2WD
P = PREMIUM J = JEEP - 4WD
S = SPORT
X = SPECIAL

BODY
74 = SPORT UTILITY 4-DR TYPE #4

ENGINE
EVA = 4.7L V8 MPI Engine
EVD = 4.7L V8 FFV Engine
EXL = 3.0L V6 Turbo Diesel Engine
EZB = 5.7L Hemi Multi Displacement Engine
EKG = 3.7L V6 Engine
ESF = 6.1L SRT HEMI SMPI V8 Engine

TRANSMISSION
DGJ = 5-Speed Auto W5A580 Transmission
DGQ = 5-Spd Automatic 545RFE Transmission
DGU = 5-Spd Auto W5J400 Transmission

Input Clutch Plate
Figure 45RFE-1330

SELECTIVE THRUST PLATES **05013093aa**
INPUT CLUTCH THRUST PLATE PKG

Thrust plate, input clutc 1.52 / 1.61
Thrust plate, input clutc 1.66 / 1.75
Thrust plate, input clutc 1.80 / 1.89
Thrust plate, input clutc 1.94 / 2.03
Thrust plate, input clutc 2.08 / 2.17
Thrust plate, input clutc 2.22 / 2.31
Thrust plate, input clutc 2.36 / 2.45
Thrust plate, input clutc 2.50 / 2.59
Thrust plate, input clutc 2.64 / 2.73
Thrust plate, input clutc 2.78 / 2.87
Thrust plate, input clutc 2.92 / 3.01
Thrust plate, input clutc 3.06 / 3.15
Thrust plate, input clutc 3.20 / 3.29
Thrust plate, input clutc 3.34 / 3.43
Thrust plate, input clutc 3.62 / 3.71

1

ITEM	PART NUMBER	QTY	LINE	SERIES	BODY	ENGINE	TRANS	TRIM	DESCRIPTION
------	-------------	-----	------	--------	------	--------	-------	------	-------------

NOTE:
Sales Codes:
[DGQ]=5 Speed Automatic Transmission - [5-45RFE]
[EV0] = All 4.7L 8 Cylinder Engines
[EZ0] = All 5.7L 8 Cylinder Engines

1									PLATE PACKAGE, Input Clutch Thrust
	05013093AA	1	T			EV0	DGQ		
		1	J			EV0	DGQ		
		1	T			EZ0	DGQ		
		1	J			EZ0	DGQ		

GRAND CHEROKEE (WK)

SERIES LINE
H = HIGHLINE T = JEEP - 2WD
P = PREMIUM J = JEEP - 4WD
S = SPORT
X = SPECIAL

BODY
74 = SPORT UTILITY 4-DR
TYPE #4

ENGINE
EVA = 4.7L V8 MPI Engine
EVD = 4.7L V8 FFV Engine
EXL = 3.0L V6 Turbo Diesel
Engine
EZB = 5.7L Hemi Multi
Displacement Engine
EKG = 3.7L V6 Engine
ESF = 6.1L SRT HEMI SMPI
V8 Engine

TRANSMISSION
DGJ = 5-Speed Auto W5A580
Transmission
DGQ = 5-Spd Automatic 545RFE
Transmission
DGU = 5-Spd Auto W5J400
Transmission

**Overhaul
Figure 45RFE-1340**

ITEM	PART NUMBER	QTY	LINE	SERIES	BODY	ENGINE	TRANS	TRIM	DESCRIPTION
------	-------------	-----	------	--------	------	--------	-------	------	-------------

NOTE:
Sales Codes:
[DGQ]=5 Speed Automatic Transmission - [5-45RFE]
[EV0] = All 4.7L 8 Cylinder Engines
[EZ0] = All 5.7L 8 Cylinder Engines

1									OVERHAUL PACKAGE, Transmission
	05014221AJ	1	T			EV0	DGQ		
		1	T			EZ0	DGQ		
		1	J			EV0	DGQ		
		1	J			EZ0	DGQ		

O/H seal/gasket package		05014221ac
	2&4 clutch package	
	Input clutch package	
	L/R clutch package	
	Sump filter & seal package	
	Cooler filter	
	fill tube seal	
	Frt pmp cover o-ring/seal assy	
	Rotating shaft seal,pmp hsg	
	Adapter seal, 4x4	
	Extension seal,4x2	
	Manual lever seal	
(2)	Speed sensor seal	
	Reaction supt ring seal	
	Rev O/D clutch filter	
(10)	Accumulator ring seal	
(3)	Valve body seal	
	Check valve o-ring	
	Solenoid insulator seal	
	T/C seal	

GRAND CHEROKEE (WK)

SERIES LINE
H = HIGHLINE T = JEEP - 2WD
P = PREMIUM J = JEEP - 4WD
S = SPORT
X = SPECIAL

BODY
74 = SPORT UTILITY 4-DR
TYPE #4

ENGINE
EVA = 4.7L V8 MPI Engine
EVD = 4.7L V8 FFV Engine
EXL = 3.0L V6 Turbo Diesel
Engine
EZB = 5.7L Hemi Multi
Displacement Engine
EKG = 3.7L V6 Engine
ESF = 6.1L SRT HEMI SMPI
V8 Engine

TRANSMISSION
DGJ = 5-Speed Auto W5A580
Transmission
DGQ = 5-Spd Automatic 545RFE
Transmission
DGU = 5-Spd Auto W5J400
Transmission

**Input Clutch
Figure 45RFE-1350**

INPUT CLUTCH PACKAGE 05013090aa

	O-ring, large (2.62mm x 79.84 ID,gm)
	O-ring, small (2.62mm x 70.56 ID,red)
(2)	Seal, internal lip
(2)	Ring seal, I-shaft
	O-ring, piston inner (2.62mm x 93.54 ID)
(5)	Plate, clutch separator (1.74mm thk)
(4)	Disc assy, clutch (u/d clutch)
(4)	Disc assy, clutch (o/d clutch)
(3)	PLate, clutch separator (2.21mm thk, O/D)
(2)	Disc assy, clutch (rev clutch)
	Snap ring,tapered, internal butterfly end
	Snap ring, flat (1.5/1.6 thk)
	Snap ring, flat (1.80/1.90 thk)
	Snap ring, flat (2.15/2.25 thk)
	Piston & seal, underdrive
	Piston & seal, underdrive balance



ITEM	PART NUMBER	QTY	LINE	SERIES	BODY	ENGINE	TRANS	TRIM	DESCRIPTION
------	-------------	-----	------	--------	------	--------	-------	------	-------------

NOTE:
Sales Codes:
[DGQ]=5 Speed Automatic Transmission - [5-45RFE]
[EV0] = All 4.7L 8 Cylinder Engines
[EZ0] = All 5.7L 8 Cylinder Engines

1									CLUTCH PACKAGE, Automatic Transmission, Input
	05013090AC	1	T			EV0	DGQ		
		1	J			EV0	DGQ		
		1	T			EZ0	DGQ		
		1	J			EZ0	DGQ		

GRAND CHEROKEE (WK)

SERIES LINE
H = HIGHLINE T = JEEP - 2WD
P = PREMIUM J = JEEP - 4WD
S = SPORT
X = SPECIAL

BODY
74 = SPORT UTILITY 4-DR
TYPE #4

ENGINE
EVA = 4.7L V8 MPI Engine
EVD = 4.7L V8 FFV Engine
EXL = 3.0L V6 Turbo Diesel Engine
EZB = 5.7L Hemi Multi Displacement Engine
EKG = 3.7L V6 Engine
ESF = 6.1L SRT HEMI SMPI V8 Engine

TRANSMISSION
DGJ = 5-Speed Auto W5A580 Transmission
DGQ = 5-Spd Automatic 545RFE Transmission
DGU = 5-Spd Auto W5J400 Transmission

Planetary Clutch
Figure 45RFE-1360

ITEM	PART NUMBER	QTY	LINE	SERIES	BODY	ENGINE	TRANS	TRIM	DESCRIPTION
------	-------------	-----	------	--------	------	--------	-------	------	-------------

SELECTIVE THRUST PLATES

PLANETARY THRUST PLATE PKG 05013092aa

	Thrust plate, planetary	1.62 / 1.75
	Thrust plate, planetary	1.81 / 1.94
	Thrust plate, planetary	1.96 / 2.09
	Thrust plate, planetary	2.11 / 2.24
	Thrust plate, planetary	2.26 / 2.39
	Thrust plate, planetary	2.41 / 2.54
	Thrust plate, planetary	2.56 / 2.69
	Thrust plate, planetary	2.71 / 2.84
	Thrust plate, planetary	2.86 / 2.99
	Thrust plate, planetary	3.01 / 3.14
	Thrust plate, planetary	3.16 / 3.29
	Thrust plate, planetary	3.31 / 3.44
	Thrust plate, planetary	3.46 / 3.59
	Thrust plate, planetary	3.61 / 3.74
	Thrust plate, planetary	3.76 / 3.89
	Thrust plate, planetary	3.91 / 4.04
	Thrust plate, planetary	4.06 / 4.19
	Thrust plate, planetary	4.21 / 4.34
	Thrust plate, planetary	4.36 / 4.49

①

NOTE:

Sales Codes:

[DGQ]=5 Speed Automatic Transmission - [5-45RFE]

[EV0] = All 4.7L 8 Cylinder Engines

[EZ0] = All 5.7L 8 Cylinder Engines

1

-2

									PLATE PACKAGE, Planetary Thrust
	05013092AB	1	T			EV0	DGQ		
		1	J			EV0	DGQ		
		1	T			EZ0	DGQ		
		1	J			EZ0	DGQ		
									PLATE, Planetary
	04799809AC	1	T			EV0	DGQ		[2.11/2.24MM]
		1	J			EV0	DGQ		[2.11/2.24MM]
		1	T			EZ0	DGQ		[2.11/2.24MM]
		1	J			EZ0	DGQ		[2.11/2.24MM]
	04799810AC	AR	T			EV0	DGQ		[2.26/2.39MM]
		AR	J			EV0	DGQ		[2.26/2.39MM]
		AR	T			EZ0	DGQ		[2.26/2.39MM]
		AR	J			EZ0	DGQ		[2.26/2.39MM]
	04799811AC	AR	T			EV0	DGQ		[2.41/2.54MM]
		AR	J			EV0	DGQ		[2.41/2.54MM]
		AR	T			EZ0	DGQ		[2.41/2.54MM]
		AR	J			EZ0	DGQ		[2.41/2.54MM]
	04799812AC	AR	T			EV0	DGQ		[2.56./2.69MM]
		AR	J			EV0	DGQ		[2.56./2.69MM]
		AR	T			EZ0	DGQ		[2.56./2.69MM]
		AR	J			EZ0	DGQ		[2.56./2.69MM]
	04799813AC	AR	T			EV0	DGQ		[2.71/2.84MM]
		AR	J			EV0	DGQ		[2.71/2.84MM]
		AR	T			EZ0	DGQ		[2.71/2.84MM]
		AR	J			EZ0	DGQ		[2.71/2.84MM]
	04799814AC	AR	T			EV0	DGQ		[2.86/2.99MM]
		AR	J			EV0	DGQ		[2.86/2.99MM]

GRAND CHEROKEE (WK)

SERIES

H = HIGHLINE T = JEEP - 2WD

P = PREMIUM J = JEEP - 4WD

S = SPORT

X = SPECIAL

LINE

BODY

74 = SPORT UTILITY 4-DR

TYPE #4

ENGINE

EVA = 4.7L V8 MPI Engine

EVD = 4.7L V8 FFV Engine

EXL = 3.0L V6 Turbo Diesel

Engine

EZB = 5.7L Hemi Multi

Displacement Engine

EKG = 3.7L V6 Engine

ESF = 6.1L SRT HEMI SMPI

V8 Engine

TRANSMISSION

DGJ = 5-Speed Auto W5A580

Transmission

DGQ = 5-Spd Automatic 545RFE

Transmission

DGU = 5-Spd Auto W5J400

Transmission

AR = use ase required - = Non illustrated part

2007 WK

Planetary Clutch
Figure 45RFE-1360

ITEM	PART NUMBER	QTY	LINE	SERIES	BODY	ENGINE	TRANS	TRIM	DESCRIPTION
						EZO	DGQ		[2.86/2.99MM]
						EZO	DGQ		[2.86/2.99MM]
	04799816AC					EVO	DGQ		[3.16/3.29MM]
	04799817AC					EVO	DGQ		[3.31/3.44MM]
						EVO	DGQ		[3.31/3.44MM]
						EZO	DGQ		[3.31/3.44MM]
						EVO	DGQ		[3.16/3.29MM]
						EZO	DGQ		[3.16/3.29MM]
	04799818AC					EZO	DGQ		[3.46/3.59MM]
						EZO	DGQ		[3.46/3.59MM]
	04799819AC					EVO	DGQ		[3.61/3.74MM]
						EVO	DGQ		[3.61/3.74MM]
						EZO	DGQ		[3.61/3.74MM]
						EZO	DGQ		[3.61/3.74MM]
	04799843AC					EVO	DGQ		[3.01/3.14MM]
						EVO	DGQ		[3.01/3.14MM]
						EZO	DGQ		[3.01/3.14MM]
						EZO	DGQ		[3.01/3.14MM]
						EZO	DGQ		[3.31/3.44MM]
						EVO	DGQ		[3.46/3.59MM]
						EVO	DGQ		[3.46/3.59MM]

SELECTIVE THRUST PLATES
PLANETARY THRUST PLATE PKG 05013092aa ①

Thrust plate, planetary	1.62 / 1.75
Thrust plate, planetary	1.81 / 1.94
Thrust plate, planetary	1.96 / 2.09
Thrust plate, planetary	2.11 / 2.24
Thrust plate, planetary	2.26 / 2.39
Thrust plate, planetary	2.41 / 2.54
Thrust plate, planetary	2.56 / 2.69
Thrust plate, planetary	2.71 / 2.84
Thrust plate, planetary	2.86 / 2.99
Thrust plate, planetary	3.01 / 3.14
Thrust plate, planetary	3.16 / 3.29
Thrust plate, planetary	3.31 / 3.44
Thrust plate, planetary	3.46 / 3.59
Thrust plate, planetary	3.61 / 3.74
Thrust plate, planetary	3.76 / 3.89
Thrust plate, planetary	3.91 / 4.04
Thrust plate, planetary	4.06 / 4.19
Thrust plate, planetary	4.21 / 4.34
Thrust plate, planetary	4.36 / 4.49

GRAND CHEROKEE (WK)

SERIES LINE
H = HIGHLINE T = JEEP - 2WD
P = PREMIUM J = JEEP - 4WD
S = SPORT
X = SPECIAL

BODY
74 = SPORT UTILITY 4-DR
TYPE #4

ENGINE
EVA = 4.7L V8 MPI Engine
EVD = 4.7L V8 FFV Engine
EXL = 3.0L V6 Turbo Diesel
Engine
EZB = 5.7L Hemi Multi
Displacement Engine
EKG = 3.7L V6 Engine
ESF = 6.1L SRT HEMI SMPI
V8 Engine

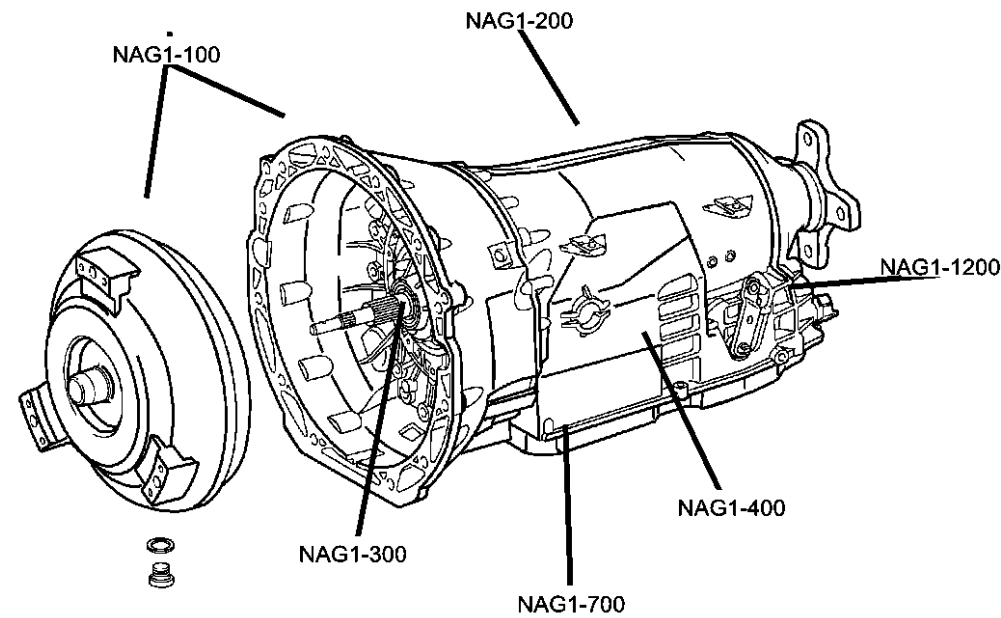
TRANSMISSION
DGJ = 5-Speed Auto W5A580
Transmission
DGQ = 5-Spd Automatic 545RFE
Transmission
DGU = 5-Spd Auto W5J400
Transmission

AR = use ase required - = Non illustrated part

2007 WK

Group - NAG1

Automatic Transmission 5 Speed [DGJ/DJU]



Group - NAG1 Automatic Transmission 5 Speed [DGJ/DJU]

Illustration Title

Group-Fig. No.

Transmission Assembly

Transmission Assembly	Fig. NAG1 - 110
Transmission Assembly	Fig. NAG1 - 120

Case and Extension

Overhaul Seal & Gasket Package	Fig. NAG1 - 205
Transmission Case & Related Parts	Fig. NAG1 - 210
Transmission Case & Related Parts	Fig. NAG1 - 215
Transmission Case & Related Parts	Fig. NAG1 - 220
Transmission Case & Related Parts	Fig. NAG1 - 225
Oil Filler Tube	Fig. NAG1 - 230
Heat Shield / Structural Collar	Fig. NAG1 - 235

Oil Pump

Pump, Oil	Fig. NAG1 - 310
Pump, Oil	Fig. NAG1 - 320

Gear Train

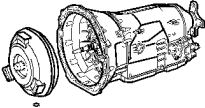
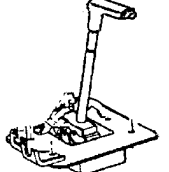
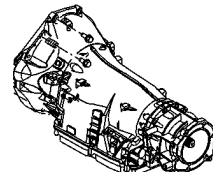
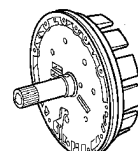
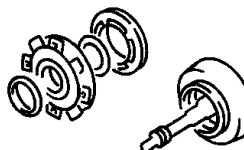
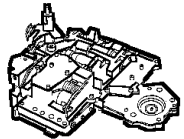
Multi-Disc Holding Clutch - [B1]	Fig. NAG1 - 410
Multi-Disc Holding Clutch - [B1]	Fig. NAG1 - 415
Driving Clutch, Front Planetary - [K1]	Fig. NAG1 - 420
Driving Clutch, Front Planetary - [K1]	Fig. NAG1 - 425
Planetary Carrier - [K1] - [VPLS]	Fig. NAG1 - 430
Planetary Carrier - [K1] - [VPLS]	Fig. NAG1 - 435
Driving Clutch - [K2]	Fig. NAG1 - 440
Driving Clutch - [K2]	Fig. NAG1 - 445
Center & Rear Planetary Set - Output Shaft - [MPLS / HPLS]	Fig. NAG1 - 450
Center & Rear Planetary Set - Output Shaft - [MPLS / HPLS]	Fig. NAG1 - 455
Driving Clutch - [K3]	Fig. NAG1 - 460
Driving Clutch - [K3]	Fig. NAG1 - 465
Multiple Disc Brake & Parking Lock Gearwheel - [B2 & B3]	Fig. NAG1 - 470
Multiple Disc Brake & Parking Lock Gearwheel - [B2 & B3]	Fig. NAG1 - 475
Multiple Disc Brake & Parking Lock Gearwheel - [B2 & B3]	Fig. NAG1 - 480
Multiple Disc Brake & Parking Lock Gearwheel - [B2 & B3]	Fig. NAG1 - 485
Multiple Disc Brake & Parking Lock Gearwheel - [B2 & B3]	Fig. NAG1 - 490
Multiple Disc Brake & Parking Lock Gearwheel - [B2 & B3]	Fig. NAG1 - 495

Valve Body

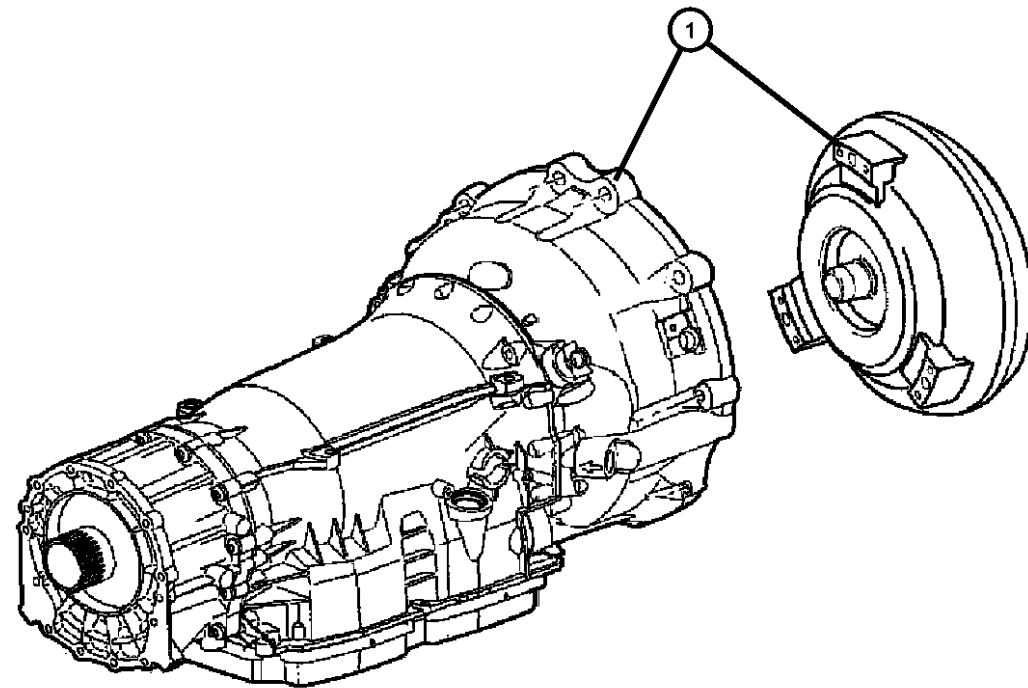
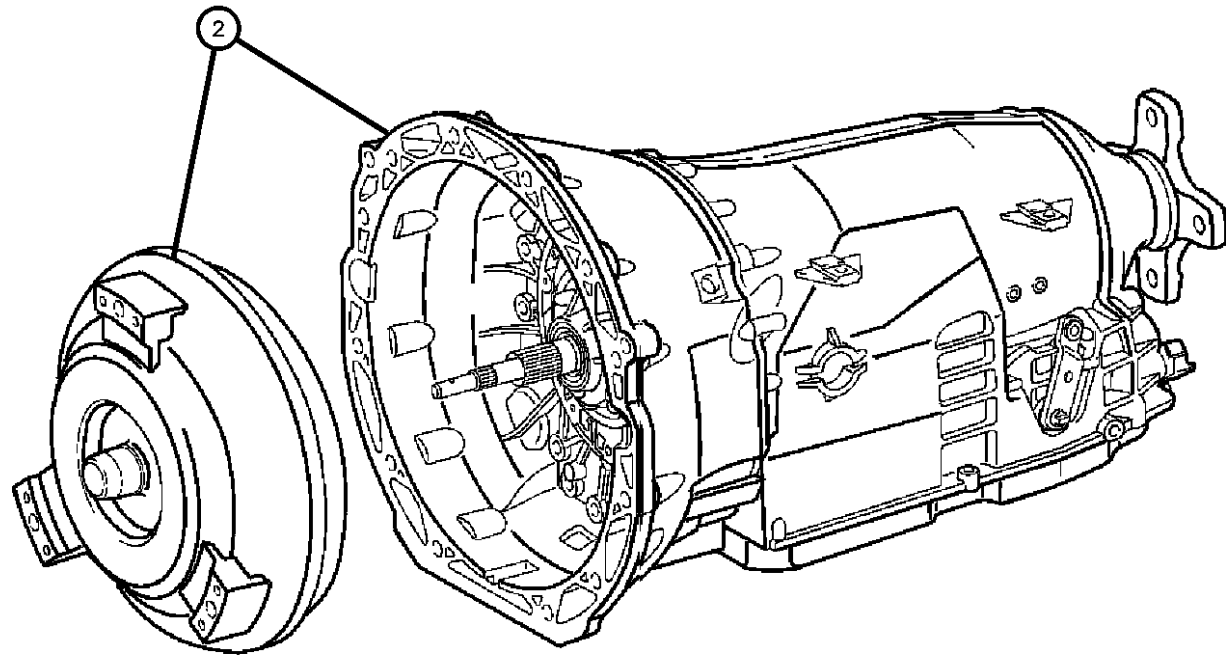
Electronic - Hydraulic Control Unit	Fig. NAG1 - 710
Electronic - Hydraulic Control Unit	Fig. NAG1 - 715
Oil Pan, Gasket & Filter	Fig. NAG1 - 720
Oil Pan, Gasket & Filter	Fig. NAG1 - 725

Gearshift Controls

Gearshift Control	Fig. NAG1 - 1210
Shifter Cable & Transmission Shifter Cable Bracket	Fig. NAG1 - 1220

<p>NAG1-100 Transmission Assembly</p> 	<p>NAG1-1200 Gearshift Controls</p> 	<p>NAG1-200 Case and Extension</p> 	<p>NAG1-300 Oil Pump</p> 
<p>NAG1-400 Gear Train</p> 	<p>NAG1-700 Valve Body</p> 		

**Transmission Assembly
Figure NAG1-110**



ITEM	PART NUMBER	QTY	LINE	SERIES	BODY	ENGINE	TRANS	TRIM	DESCRIPTION
------	-------------	-----	------	--------	------	--------	-------	------	-------------

NOTE:

Sales Codes:

[DGJ]=5 Speed Automatic Transmission - [NAG1] - [W5A580]

[ESF]=6.1L SRT V-8 HEMI Engine

[EK0]=All 3.7L V-6 Engines

1									TRANSMISSION PACKAGE, With Torque Converter With Stamp # [05179337AA]
	05179337AA	1	J			ESF	DGJ		
	68003109AA	1	J			EK0	DGJ		With Stamp # [52108421AC]
2	68003108AA	1	T			EK0	DGJ		TRANSMISSION PACKAGE, With Torque Converter
-3									CONVERTER PACKAGE, Torque
	05174299AA	1	J			ESF	DGJ		
	68003092AA	1	J			EK0	DGJ		

GRAND CHEROKEE (WK)

SERIES LINE
H = HIGHLINE T = JEEP - 2WD
P = PREMIUM J = JEEP - 4WD
S = SPORT
X = SPECIAL

BODY
74 = SPORT UTILITY 4-DR
TYPE #4

ENGINE
EVA = 4.7L V8 MPI Engine
EVD = 4.7L V8 FFV Engine
EXL = 3.0L V6 Turbo Diesel
Engine
EZB = 5.7L Hemi Multi
Displacement Engine
EKG = 3.7L V6 Engine
ESF = 6.1L SRT HEMI SMPI
V8 Engine

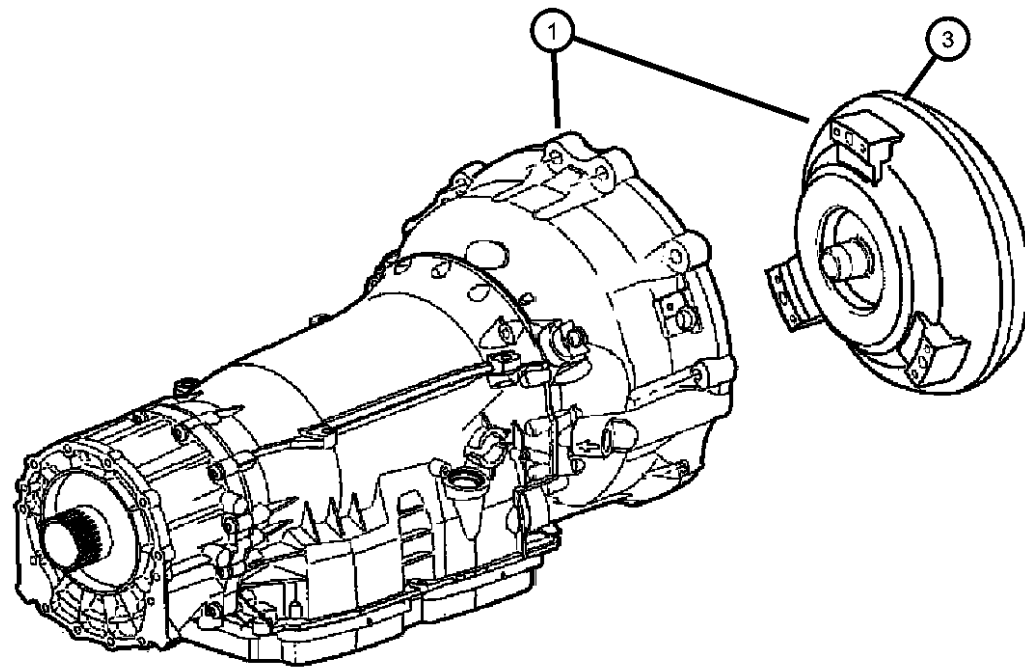
TRANSMISSION
DGJ = 5-Speed Auto W5A580
Transmission
DGQ = 5-Spd Automatic 545RFE
Transmission
DGU = 5-Spd Auto W5J400
Transmission

AR = use ase required - = Non illustrated part

2007 WK

**Transmission Assembly
Figure NAG1-120**

ITEM	PART NUMBER	QTY	LINE	SERIES	BODY	ENGINE	TRANS	TRIM	DESCRIPTION
NOTE: Sales Codes: [DGU]=5 Speed Automatic Transmission - [NAG1] - [W5J400] [EXL]= 3.0 V-6 Turbo Diesel Engine / [Mercedes Benz]									
1	52108574AA	1	J			EX0	DGU		TRANSMISSION, With Torque Converter, With Stamp # [52108660AA]
-2	52108653AA	1	T			EX0	DGU		TRANSMISSION, With Torque Converter W5J400 - NAG1
3	05166593AA	1	J			EX0	DGU		TORQUE CONVERTER
		1	T			EX0	DGU		



GRAND CHEROKEE (WK)

SERIES LINE
H = HIGHLINE T = JEEP - 2WD
P = PREMIUM J = JEEP - 4WD
S = SPORT
X = SPECIAL

BODY
74 = SPORT UTILITY 4-DR
TYPE #4

ENGINE
EVA = 4.7L V8 MPI Engine
EVD = 4.7L V8 FFV Engine
EXL = 3.0L V6 Turbo Diesel Engine
EZB = 5.7L Hemi Multi Displacement Engine
EKG = 3.7L V6 Engine
ESF = 6.1L SRT HEMI SMPI V8 Engine

TRANSMISSION
DGJ = 5-Speed Auto W5A580 Transmission
DGQ = 5-Spd Automatic 545RFE Transmission
DGU = 5-Spd Auto W5J400 Transmission

**Overhaul Seal & Gasket Package
Figure NAG1-205**

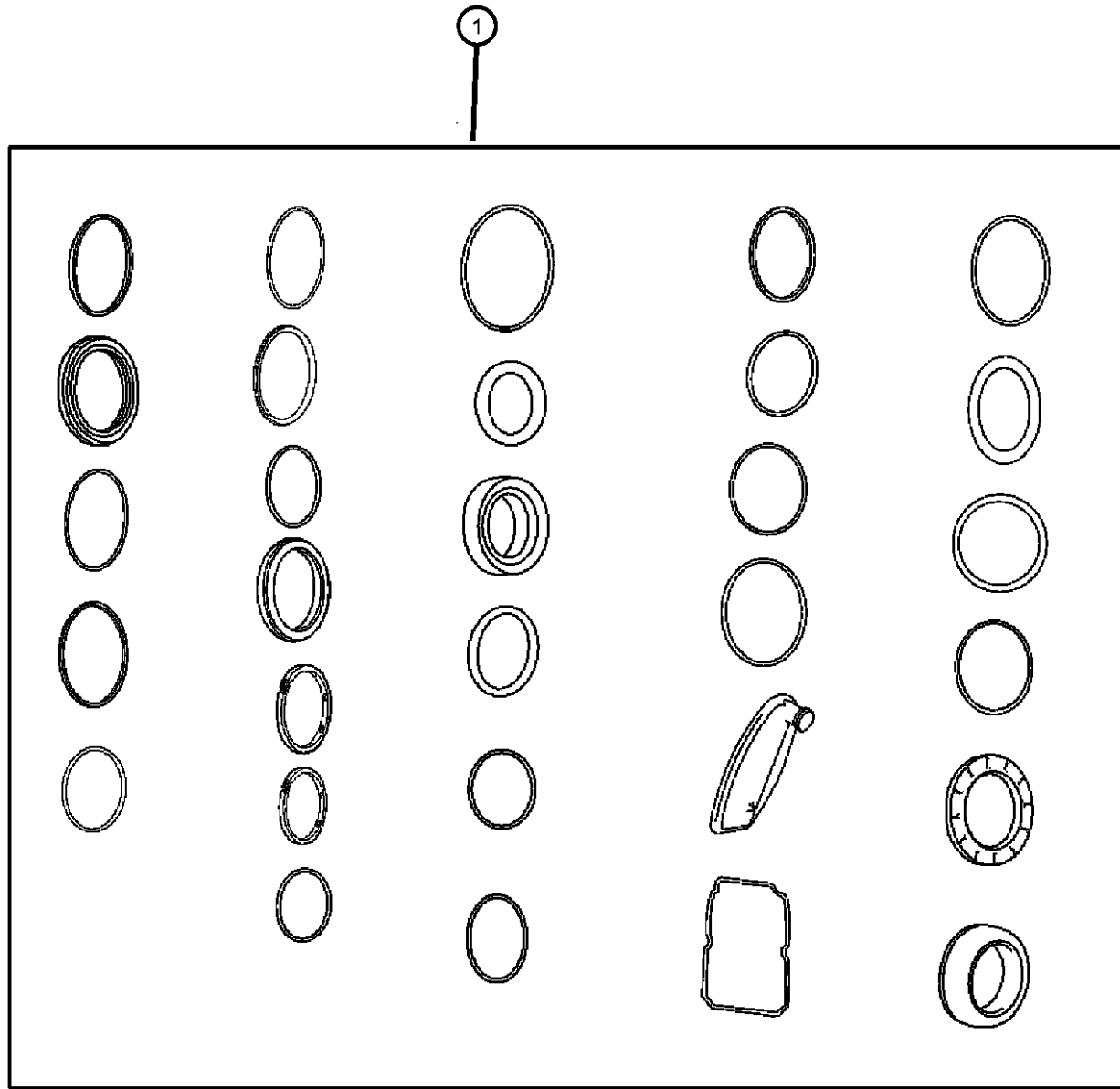
ITEM	PART NUMBER	QTY	LINE	SERIES	BODY	ENGINE	TRANS	TRIM	DESCRIPTION
------	-------------	-----	------	--------	------	--------	-------	------	-------------

NOTE: PARTS ILLUSTRATED ARE NOT IN SCALE OR IN CORRECT SIZE. THIS IS A GASKET AND SEAL PACKAGE. IT DOES NOT INCLUDE

1

SEAL AND GASKET PACKAGE,
Transmission, See Note:

05139580AD	1	J, T				EK0, ES0	DGJ		
	1	J				EX0	DGU		
	1	T				EX0	DGU		



GRAND CHEROKEE (WK)

SERIES LINE
H = HIGHLINE T = JEEP - 2WD
P = PREMIUM J = JEEP - 4WD
S = SPORT
X = SPECIAL

BODY
74 = SPORT UTILITY 4-DR
TYPE #4

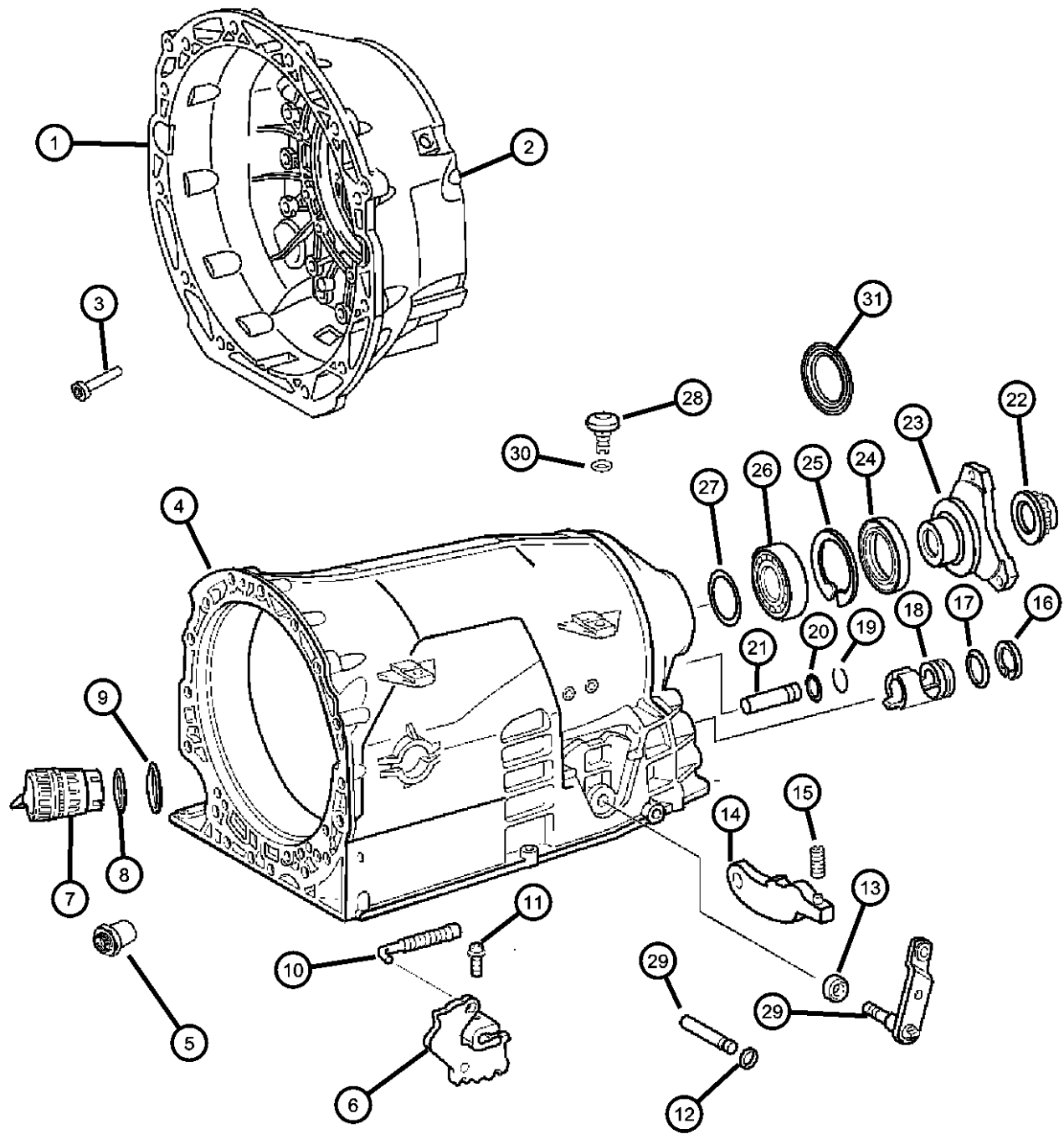
ENGINE
EVA = 4.7L V8 MPI Engine
EVD = 4.7L V8 FFV Engine
EXL = 3.0L V6 Turbo Diesel
Engine
EZB = 5.7L Hemi Multi
Displacement Engine
EKG = 3.7L V6 Engine
ESF = 6.1L SRT HEMI SMPI
V8 Engine

TRANSMISSION
DGJ = 5-Speed Auto W5A580
Transmission
DGQ = 5-Spd Automatic 545RFE
Transmission
DGU = 5-Spd Auto W5J400
Transmission

AR = use ase required - = Non illustrated part

2007 WK

**Transmission Case & Related Parts
Figure NAG1-210**



ITEM	PART NUMBER	QTY	LINE	SERIES	BODY	ENGINE	TRANS	TRIM	DESCRIPTION
------	-------------	-----	------	--------	------	--------	-------	------	-------------

NOTE: Complete Repair Gasket Package Not Available. Must Order Gaskets, Seals & Related Parts Individually
Sales Codes:

[DGJ]=5 Speed Automatic Transmission - [NAG1] - [W5A580]
[DGU]=5 Speed Automatic Transmission - [NAG1] - [W5J400]
[EK0]=All 3.7L V-6 Engines
[EXL]= 3.0 V-6 Turbo Diesel Engine

1									COVER, Transmission Dust
	53013573AB	1	J, T			EK0, ES0	DGJ		
	52104344AA	1	J, T				DGQ		
2	52108422AA	1	T			EK0	DGJ		HOUSING, Torque Converter
3	52108206AA	15	T			EK0	DGJ		SCREW
4	52108431AA	1	T			EK0	DGJ		CASE, Transmission, Serviced With Transmission Assembly
5	52119547AA	2	T			EK0	DGJ		FITTING, Quick Connect
6	52108349AA	1	T			EK0	DGJ		DETENT, Gearshift
7	05189122AA	1	T			EK0	DGJ		PLUG, Adapter
8	68001279AA	1	T			EK0	DGJ		O RING, Adapter Plug
9	68001278AA	1	T			EK0	DGJ		O RING, Adapter Plug
10	52108166AA	1	T			EK0	DGJ		LINKAGE, Transmission
11	52108178AA	1	T			EK0	DGJ		SCREW
12	52108156AA	1	T			EK0	DGJ		SEAL, Transmission
13	05134933AA	AR	T			EK0	DGJ		SEAL, Transmission
14	52108154AA	1	T			EK0	DGJ		PAWL, Parking Sprag
15	52108157AA	1	T			EK0	DGJ		SPRING
16	52107976AA	1	T			EK0	DGJ		SNAP RING
17	52108177AA	1	T			EK0	DGJ		SEAL, Transmission
18	52108176AA	1	T			EK0	DGJ		GUIDE
19	52107975AA	1	T			EK0	DGJ		SNAP RING
20	52108156AB	1	T			EK0	DGJ		SEAL, Transmission
21	52108155AA	1	T			EK0	DGJ		PIN
22	52108234AA	1	T			EK0	DGJ		NUT
23	52108628AB	1	T			EK0	DGJ		FLANGE, Output
24	52108428AA	1	T			EK0	DGJ		SEAL, Transmission
25	52108210AA	AR	T			EK0	DGJ		LOCK, Mounting

GRAND CHEROKEE (WK)

SERIES LINE
H = HIGHLINE T = JEEP - 2WD
P = PREMIUM J = JEEP - 4WD
S = SPORT
X = SPECIAL

BODY
74 = SPORT UTILITY 4-DR
TYPE #4

ENGINE
EVA = 4.7L V8 MPI Engine
EVD = 4.7L V8 FFV Engine
EXL = 3.0L V6 Turbo Diesel Engine
EZB = 5.7L Hemi Multi Displacement Engine
EKG = 3.7L V6 Engine
ESF = 6.1L SRT HEMI SMPI V8 Engine

TRANSMISSION
DGJ = 5-Speed Auto W5A580 Transmission
DGQ = 5-Spd Automatic 545RFE Transmission
DGU = 5-Spd Auto W5J400 Transmission

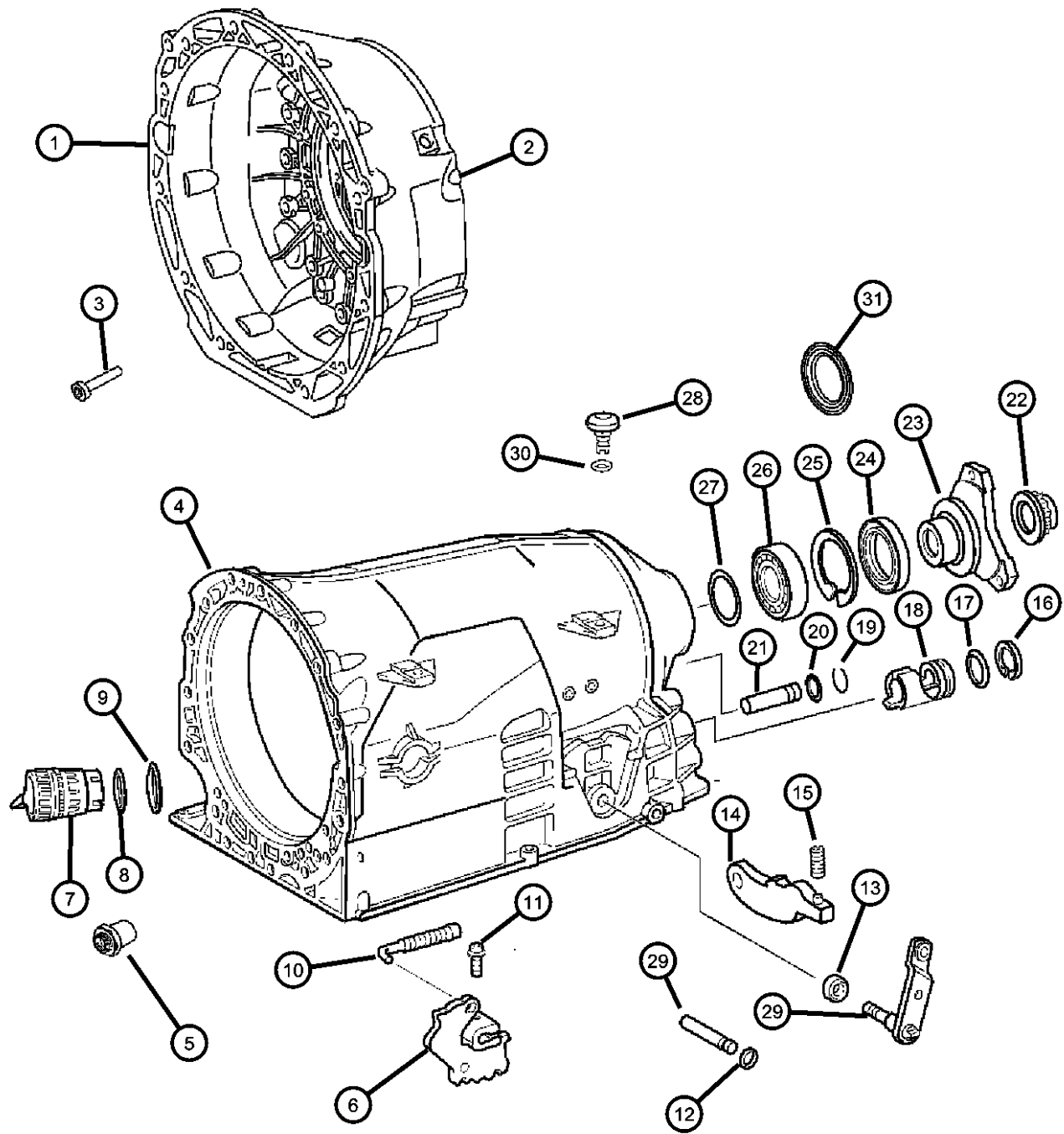


AR = use as required - = Non illustrated part

2007 WK

**Transmission Case & Related Parts
Figure NAG1-210**

ITEM	PART NUMBER	QTY	LINE	SERIES	BODY	ENGINE	TRANS	TRIM	DESCRIPTION
26	52108207AA	1	T			EK0	DGJ		BEARING, Ball
27	68001917AA	1	T			EK0	DGJ		SHIM PACKAGE, Park & output bearing, 0.2mm, 0.3mm, 0.4mm, 0.5mm
28	52108397AA	1	T			EK0	DGJ		BREATHER, Transmission
29	52108432AA	1	T			EK0	DGJ		SHAFT, Shift Lever
30	52108399AA	1	T			EK0	DGJ		O RING
31	52108626AA	1	T			EK0	DGJ		SLINGER, Front Yoke



GRAND CHEROKEE (WK)

SERIES LINE
H = HIGHLINE T = JEEP - 2WD
P = PREMIUM J = JEEP - 4WD
S = SPORT
X = SPECIAL

BODY
74 = SPORT UTILITY 4-DR
TYPE #4

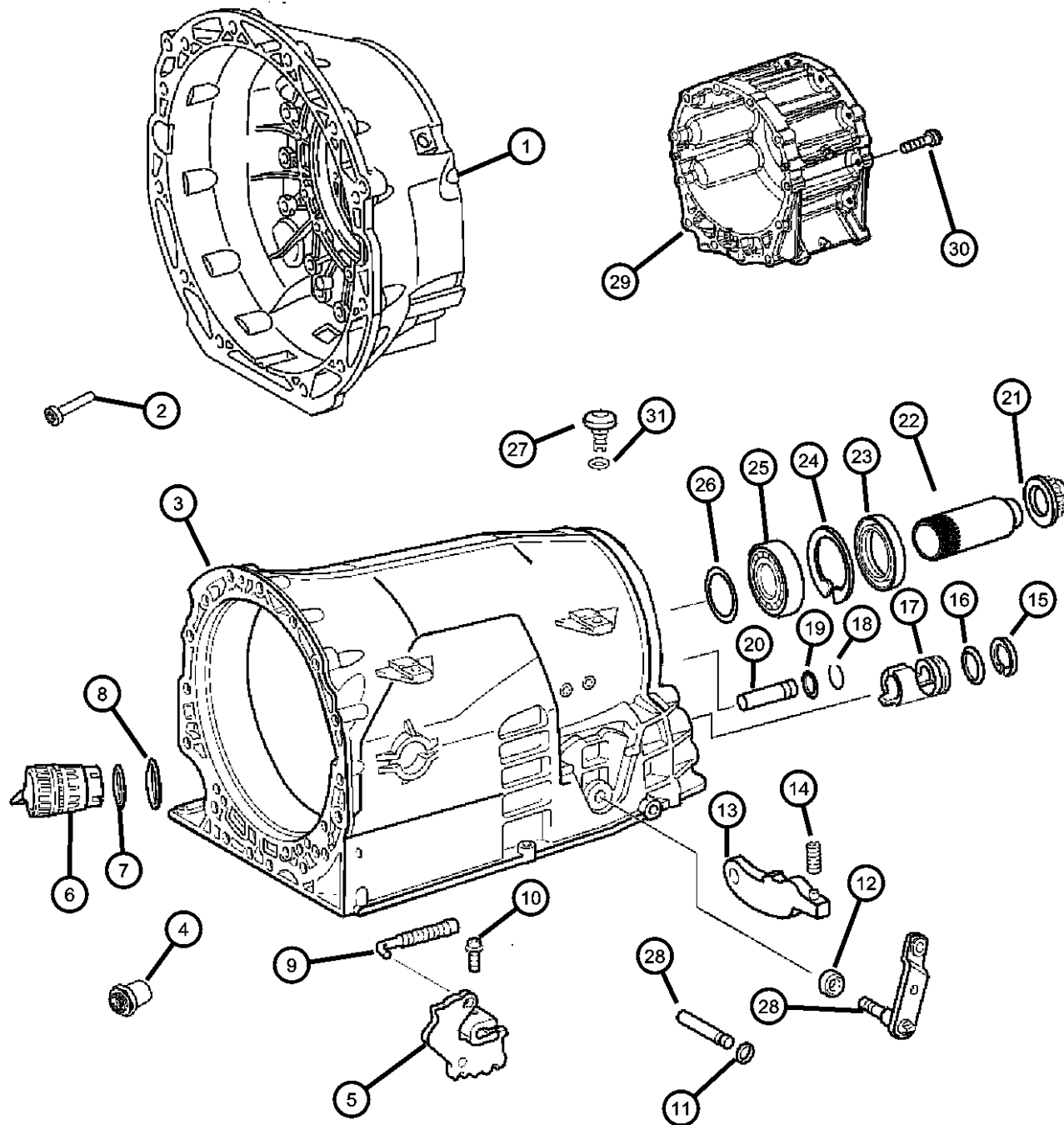
ENGINE
EVA = 4.7L V8 MPI Engine
EVD = 4.7L V8 FFV Engine
EXL = 3.0L V6 Turbo Diesel
Engine
EZB = 5.7L Hemi Multi
Displacement Engine
EKG = 3.7L V6 Engine
ESF = 6.1L SRT HEMI SMPI
V8 Engine

TRANSMISSION
DGJ = 5-Speed Auto W5A580
Transmission
DGQ = 5-Spd Automatic 545RFE
Transmission
DGU = 5-Spd Auto W5J400
Transmission

AR = use ase required - = Non illustrated part

2007 WK

**Transmission Case & Related Parts
Figure NAG1-215**



ITEM	PART NUMBER	QTY	LINE	SERIES	BODY	ENGINE	TRANS	TRIM	DESCRIPTION
------	-------------	-----	------	--------	------	--------	-------	------	-------------

NOTE: Complete Repair Gasket Package Not Available. Must Order Seals, Gaskets Separate
Sales Codes:
[DGJ]=5 Speed Automatic Transmission - [NAG1] - [W5A580]
[ESF]=6.1L SRT V-8 HEMI Engine
[EK0]=All 3.7L V-6 Engines

1	52108422AA	1	J			ESF	DGJ		HOUSING, Torque Converter
		1	J			EK0	DGJ		
2	52108206AA	15	J			ESF	DGJ		SCREW
		15	J			EK0	DGJ		
3	52108447AA	1	J			ESF	DGJ		CASE, Transmission
		1	J			EK0	DGJ		
4	52119547AA	2	J			ESF	DGJ		FITTING, Quick Connect
		2	J			EK0	DGJ		
5	52108349AA	1	J			ESF	DGJ		DETENT, Gearshift
		1	J			EK0	DGJ		
6	05189122AA	1	J			EK0	DGJ		PLUG, Adapter
		1	J			ESF	DGJ		
7	68001278AA	1	J			EK0	DGJ		O RING, Adapter Plug
		1	J			ESF	DGJ		
8	68001279AA	1	J			ESF	DGJ		O RING, Adapter Plug
		1	J			EK0	DGJ		
9	52108166AA	1	J			ESF	DGJ		LINKAGE, Transmission
		1	J			EK0	DGJ		
10									SCREW

GRAND CHEROKEE (WK)

SERIES LINE
H = HIGHLINE T = JEEP - 2WD
P = PREMIUM J = JEEP - 4WD
S = SPORT
X = SPECIAL

BODY
74 = SPORT UTILITY 4-DR
TYPE #4

ENGINE
EVA = 4.7L V8 MPI Engine
EVD = 4.7L V8 FFV Engine
EXL = 3.0L V6 Turbo Diesel
Engine
EZB = 5.7L Hemi Multi
Displacement Engine
EKG = 3.7L V6 Engine
ESF = 6.1L SRT HEMI SMPI
V8 Engine

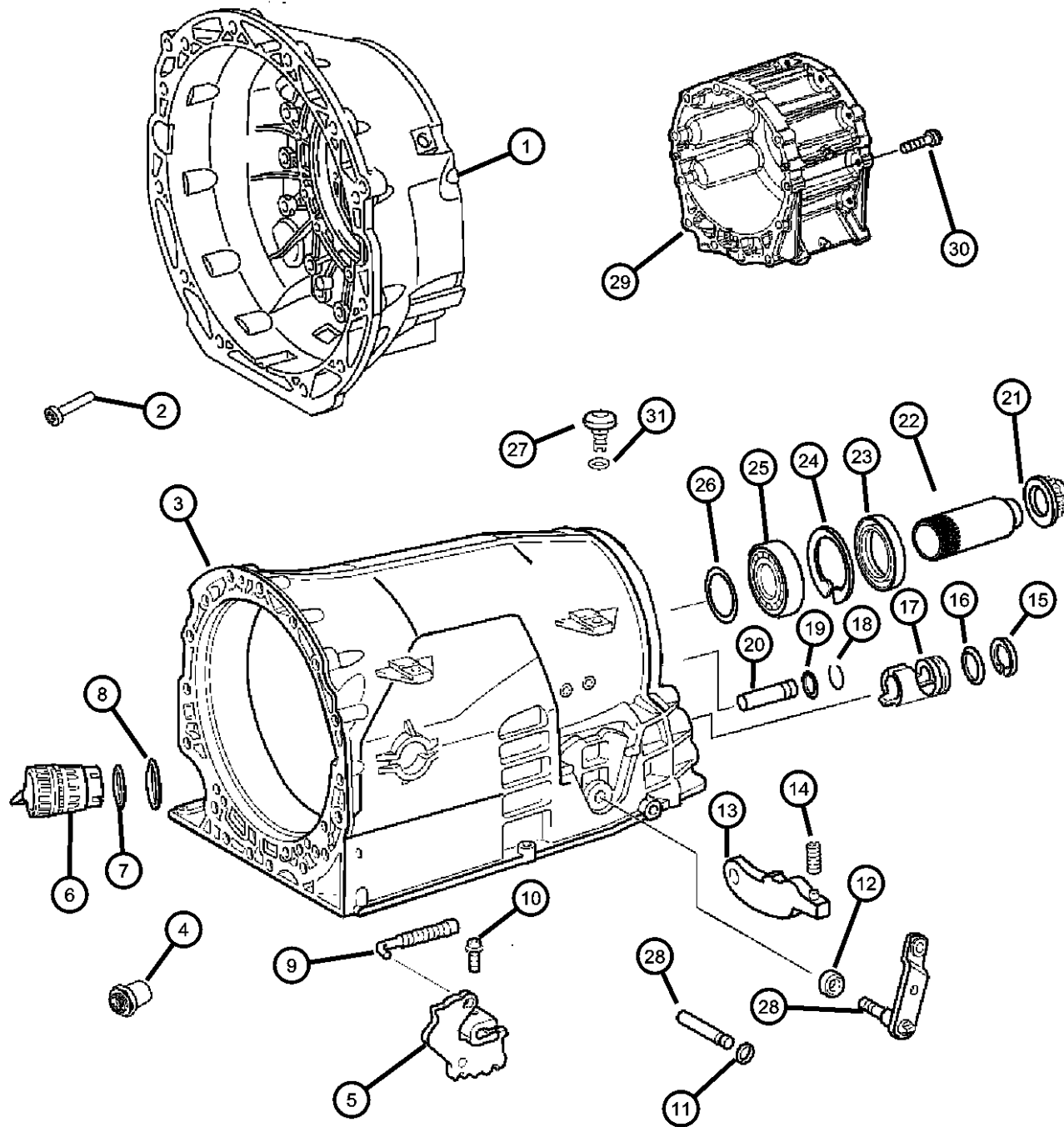
TRANSMISSION
DGJ = 5-Speed Auto W5A580
Transmission
DGQ = 5-Spd Automatic 545RFE
Transmission
DGU = 5-Spd Auto W5J400
Transmission



AR = use ase required - = Non illustrated part

2007 WK

**Transmission Case & Related Parts
Figure NAG1-215**



ITEM	PART NUMBER	QTY	LINE	SERIES	BODY	ENGINE	TRANS	TRIM	DESCRIPTION
	52108178AA	1	J			ESF	DGJ		
		1	J			EK0	DGJ		
11	52108156AA	1	J			ESF	DGJ		SEAL, Transmission
		1	J			EK0	DGJ		
12	05134933AA	1	J			ESF	DGJ		SEAL, Transmission
	05134933AB	AR	J			EK0	DGJ		
13	52108154AA	1	J			ESF	DGJ		PAWL, Parking Sprag
		1	J			EK0	DGJ		
14	52108157AA	1	J			ESF	DGJ		SPRING
		1	J			EK0	DGJ		
15	52107976AA	1	J			ESF	DGJ		SNAP RING
		1	J			EK0	DGJ		
16	05134933AB	1	J			ESF	DGJ		SEAL, Transmission
		AR	J			EK0	DGJ		
17	52108176AA	1	J			ESF	DGJ		GUIDE
		1	J			EK0	DGJ		
18	52107975AA	1	J			ESF	DGJ		SNAP RING
		1	J			EK0	DGJ		
19	52108156AA	1	J			ESF	DGJ		SEAL, Transmission
		1	J			EK0	DGJ		
20	52108155AA	1	J			ESF	DGJ		PIN

GRAND CHEROKEE (WK)

SERIES LINE
H = HIGHLINE T = JEEP - 2WD
P = PREMIUM J = JEEP - 4WD
S = SPORT
X = SPECIAL

BODY
74 = SPORT UTILITY 4-DR
TYPE #4

ENGINE
EVA = 4.7L V8 MPI Engine
EVD = 4.7L V8 FFV Engine
EXL = 3.0L V6 Turbo Diesel
Engine
EZB = 5.7L Hemi Multi
Displacement Engine
EKG = 3.7L V6 Engine
ESF = 6.1L SRT HEMI SMPI
V8 Engine

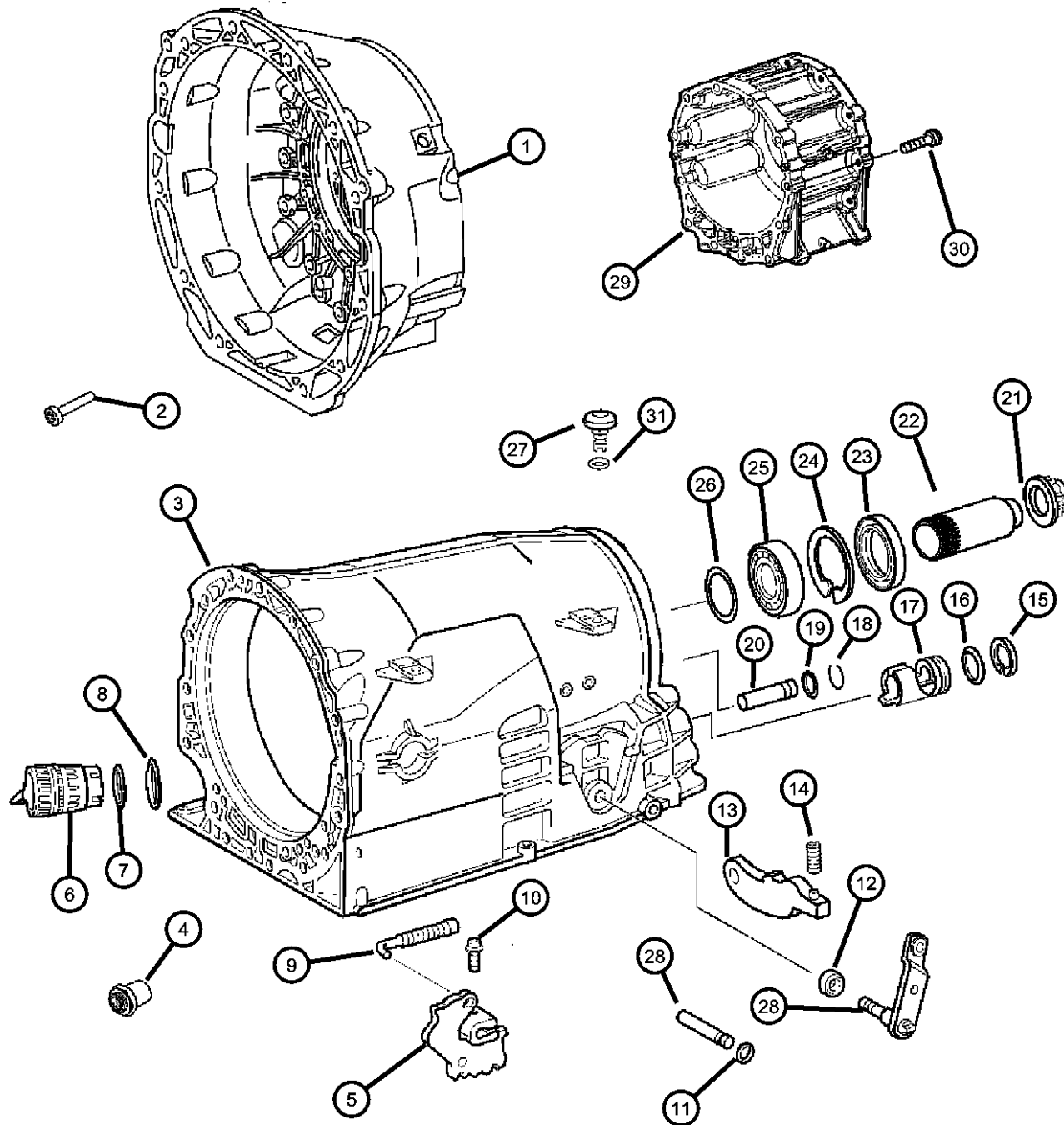
TRANSMISSION
DGJ = 5-Speed Auto W5A580
Transmission
DGQ = 5-Spd Automatic 545RFE
Transmission
DGU = 5-Spd Auto W5J400
Transmission



AR = use ase required - = Non illustrated part

2007 WK

**Transmission Case & Related Parts
Figure NAG1-215**



ITEM	PART NUMBER	QTY	LINE	SERIES	BODY	ENGINE	TRANS	TRIM	DESCRIPTION
21		1	J			EK0	DGJ		NUT
	52108234AA	1	J			ESF	DGJ		
22		1	J			EK0	DGJ		FLANGE PACKAGE
	05179989AA	1	J			ESF	DGJ		
23		1	J			EK0	DGJ		SEAL, Transmission
	52108428AA	1	J			ESF	DGJ		
24		1	J			EK0	DGJ		LOCK, Mounting
	52108210AA	AR	J			ESF	DGJ		
25		AR	J			EK0	DGJ		BEARING, Ball
	52108207AA	1	J			ESF	DGJ		
26		1	J			EK0	DGJ		SHIM PACKAGE, Park & output bearing, 0.2mm, 0.3mm, 0.4mm, 0.5mm
	68001917AA	AR	J			ESF	DGJ		
27		AR	J			EK0	DGJ		BREATHER, Transmission
	52108397AA	1	J			ESF	DGJ		
28		1	J			EK0	DGJ		SHAFT, Shift Lever
	52108432AA	1	J			ESF	DGJ		
29		1	J			EK0	DGJ		ADAPTER, Transfer Case
	52108451AB	1	J			ESF	DGJ		
30		1	J			EK0	DGJ		SCREW
	06104157AB	1	J			ESF	DGJ		

GRAND CHEROKEE (WK)

SERIES LINE
H = HIGHLINE T = JEEP - 2WD
P = PREMIUM J = JEEP - 4WD
S = SPORT
X = SPECIAL

BODY
74 = SPORT UTILITY 4-DR
TYPE #4

ENGINE
EVA = 4.7L V8 MPI Engine
EVD = 4.7L V8 FFV Engine
EXL = 3.0L V6 Turbo Diesel
Engine
EZB = 5.7L Hemi Multi
Displacement Engine
EKG = 3.7L V6 Engine
ESF = 6.1L SRT HEMI SMPI
V8 Engine

TRANSMISSION
DGJ = 5-Speed Auto W5A580
Transmission
DGQ = 5-Spd Automatic 545RFE
Transmission
DGU = 5-Spd Auto W5J400
Transmission

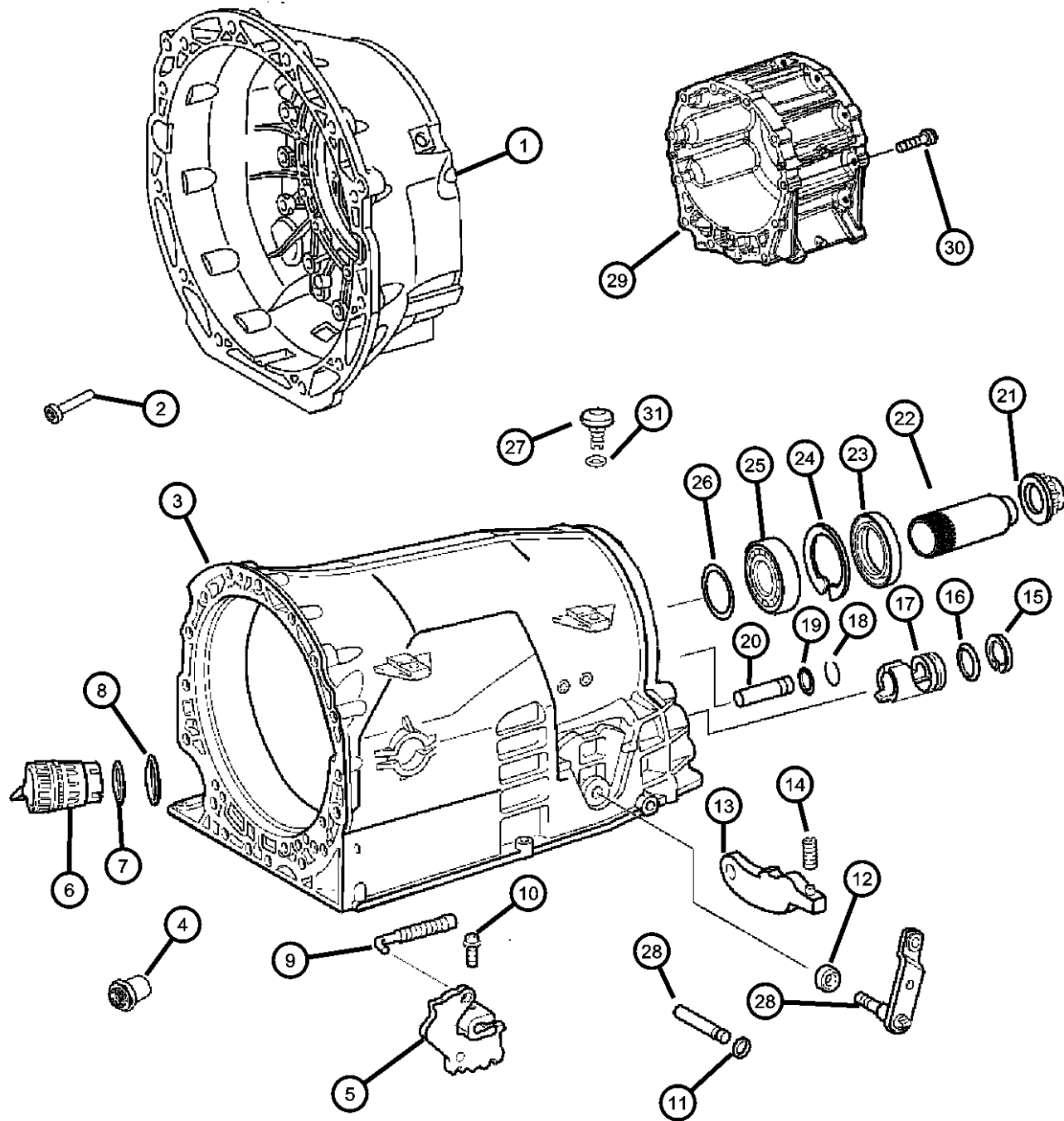
AR = use ase required - = Non illustrated part

2007 WK

**Transmission Case & Related Parts
Figure NAG1-215**

ITEM	PART NUMBER	QTY	LINE	SERIES	BODY	ENGINE	TRANS	TRIM	DESCRIPTION
------	-------------	-----	------	--------	------	--------	-------	------	-------------

31		12	J			EK0	DGJ		O RING
	52107900AA	1	J			ESF	DGJ		
		1	J			EK0	DGJ		



GRAND CHEROKEE (WK)

SERIES LINE
H = HIGHLINE T = JEEP - 2WD
P = PREMIUM J = JEEP - 4WD
S = SPORT
X = SPECIAL

BODY
74 = SPORT UTILITY 4-DR
TYPE #4

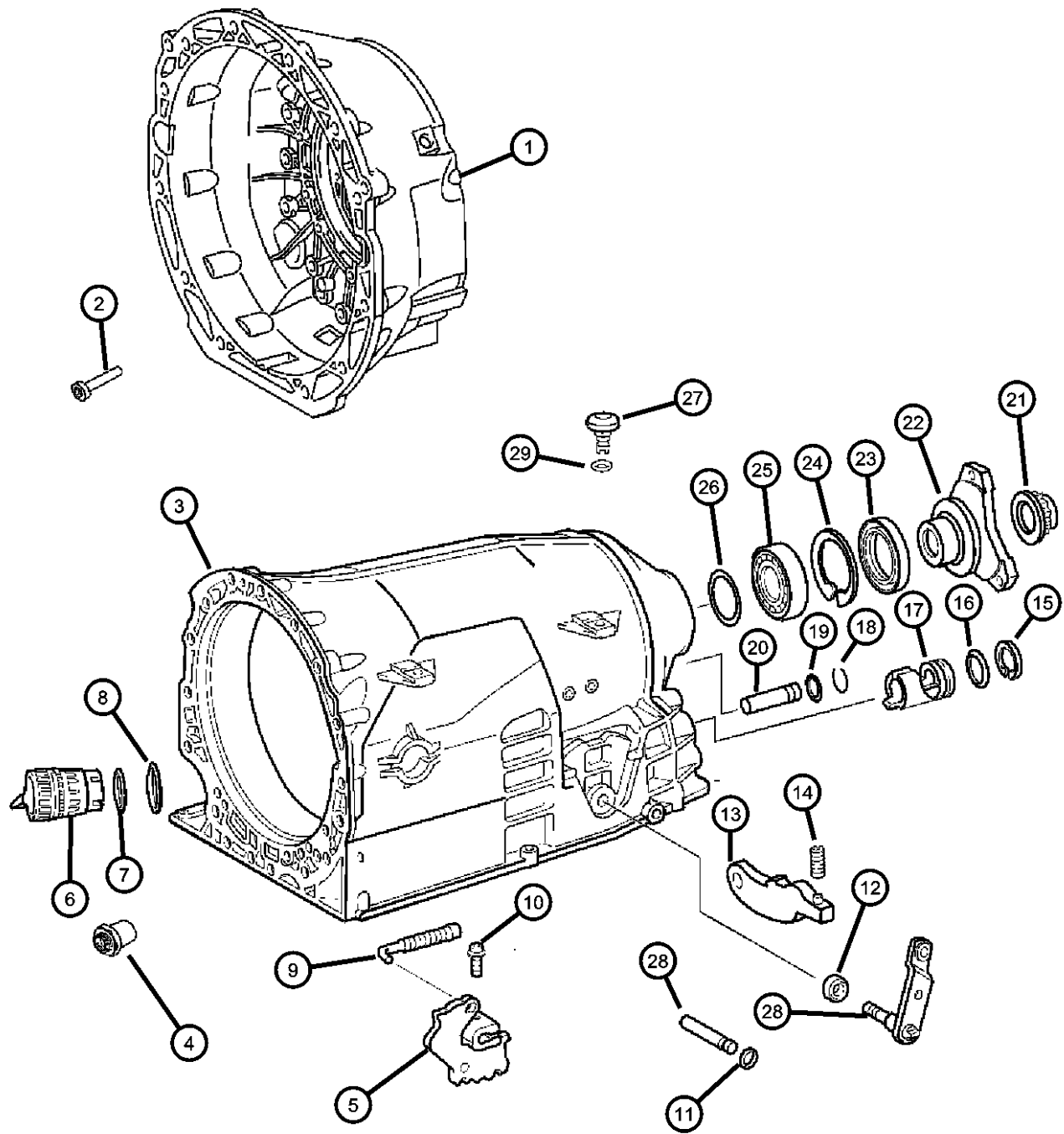
ENGINE
EVA = 4.7L V8 MPI Engine
EVD = 4.7L V8 FFV Engine
EXL = 3.0L V6 Turbo Diesel
Engine
EZB = 5.7L Hemi Multi
Displacement Engine
EKG = 3.7L V6 Engine
ESF = 6.1L SRT HEMI SMPI
V8 Engine

TRANSMISSION
DGJ = 5-Speed Auto W5A580
Transmission
DGQ = 5-Spd Automatic 545RFE
Transmission
DGU = 5-Spd Auto W5J400
Transmission

AR = use ase required - = Non illustrated part

2007 WK

**Transmission Case & Related Parts
Figure NAG1-220**



ITEM	PART NUMBER	QTY	LINE	SERIES	BODY	ENGINE	TRANS	TRIM	DESCRIPTION
1	05140786AA	1	T			EX0	DGU		HOUSING, Transmission, Torque Converter Housing
2	06104157AB	2	T			EX0	DGU		SCREW
3	05140845AA	1	T			EX0	DGU		CASE, Transmission, Serviced With Transmission Assembly
4	55111023AA	2	T			EX0	DGU		FITTING, Quick Connect
5	52108349AA	1	T			EX0	DGU		DETENT, Gearshift
6	05189122AA	1	T			EX0	DGU		PLUG, Adapter
7	68001278AA	1	T			EX0	DGU		O RING, Adapter Plug
8	68001279AA	1	T			EX0	DGU		O RING, Adapter Plug
9	52108166AA	1	T			EX0	DGU		LINKAGE, Transmission
10	52108178AA	1	T			EX0	DGU		SCREW
11	52108156AB	1	T			EX0	DGU		SEAL, Transmission
12	05134933AB	1	T			EX0	DGU		SEAL, Transmission
13	52108154AA	1	T			EX0	DGU		PAWL, Parking Sprag
14	52108157AA	1	T			EX0	DGU		SPRING
15	52107976AA	1	T			EX0	DGU		SNAP RING
16	05134933AB	1	T			EX0	DGU		SEAL, Transmission
17	52108176AA	1	T			EX0	DGU		GUIDE
18	52107975AA	1	T			EX0	DGU		SNAP RING
19	52108156AB	1	T			EX0	DGU		SEAL, Transmission
20	52108155AA	1	T			EX0	DGU		PIN
21	52108334AA	5	T			EX0	DGU		NUT
22	52108496AB	1	T			EX0	DGU		FLANGE, Output
23	52108428AA	1	T			EX0	DGU		SEAL, Transmission
24	52108210AA	1	J			EX0	DGU		LOCK, Mounting
25	52108207AA	1	T			EX0	DGU		BEARING, Ball
26	68001917AA	1	T			EX0	DGU		SHIM PACKAGE, Park & output bearing, 0.2mm, 0.3mm, 0.4mm, 0.5mm
27	52108364AA	1	T			EX0	DGU		BREATHER, Transmission

NOTE: Complete Repair Gasket Package Not Available. Must Order Gaskets, Seals & Related Parts Individually

Sales Codes:

[DGU]=5 Speed Automatic Transmission - [NAG1] - [W5J400]

[EXL]= 3.0 V-6 Turbo Diesel Engine / [Mercedes Benz]

GRAND CHEROKEE (WK)

SERIES LINE
H = HIGHLINE T = JEEP - 2WD
P = PREMIUM J = JEEP - 4WD
S = SPORT
X = SPECIAL

BODY
74 = SPORT UTILITY 4-DR
TYPE #4

ENGINE
EVA = 4.7L V8 MPI Engine
EVD = 4.7L V8 FFV Engine
EXL = 3.0L V6 Turbo Diesel Engine
EZB = 5.7L Hemi Multi Displacement Engine
EKG = 3.7L V6 Engine
ESF = 6.1L SRT HEMI SMPI V8 Engine

TRANSMISSION
DGJ = 5-Speed Auto W5A580 Transmission
DGQ = 5-Spd Automatic 545RFE Transmission
DGU = 5-Spd Auto W5J400 Transmission



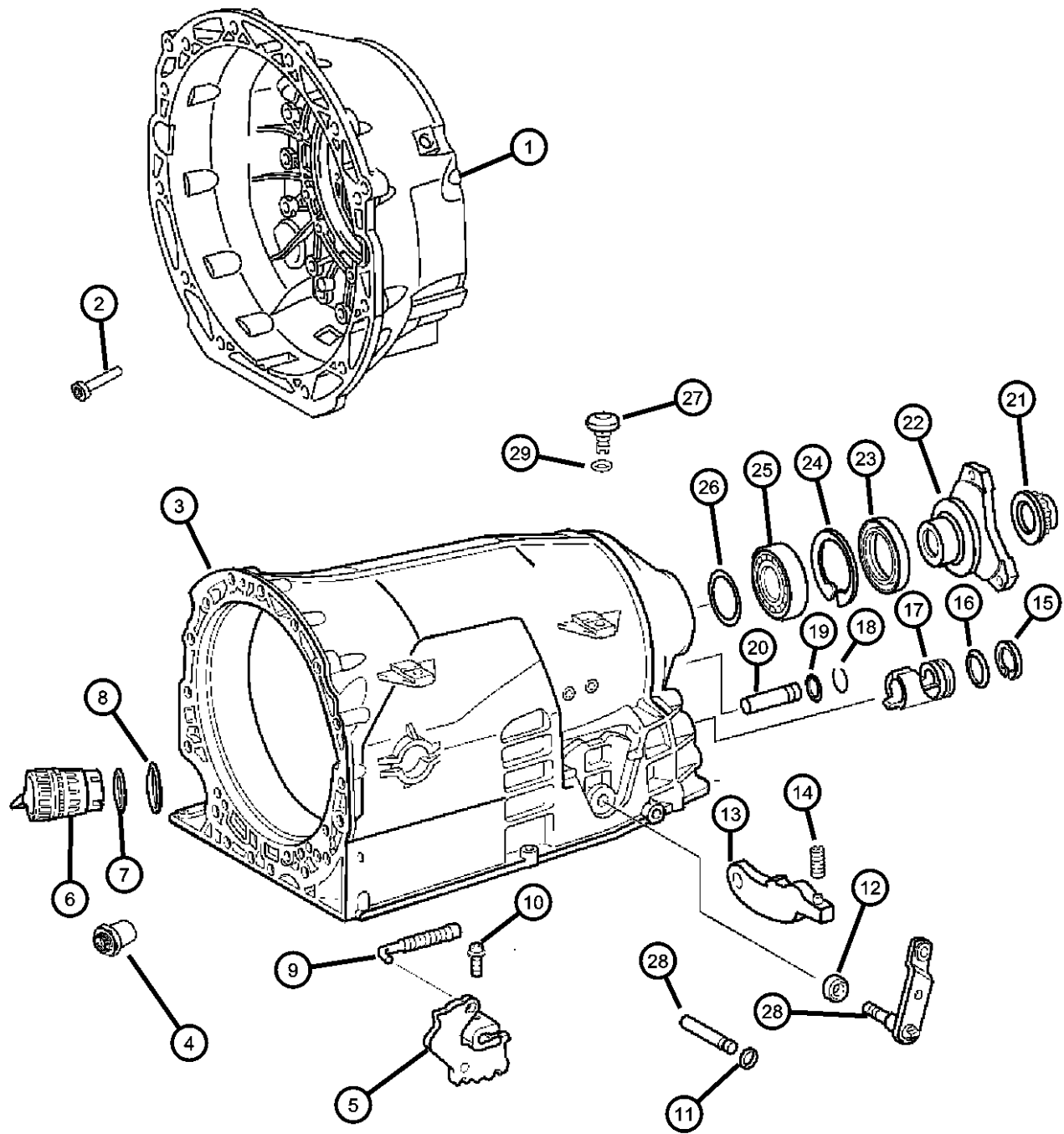
AR = use ase required - = Non illustrated part

2007 WK

Transmission Case & Related Parts
Figure NAG1-220

ITEM	PART NUMBER	QTY	LINE	SERIES	BODY	ENGINE	TRANS	TRIM	DESCRIPTION
------	-------------	-----	------	--------	------	--------	-------	------	-------------

28	05140841AA	1	T			EX0	DGU		SHAFT, Shift Lever
29	52108399AA	1	T			EX0	DGU		O RING



GRAND CHEROKEE (WK)

SERIES LINE
H = HIGHLINE T = JEEP - 2WD
P = PREMIUM J = JEEP - 4WD
S = SPORT
X = SPECIAL

BODY
74 = SPORT UTILITY 4-DR
TYPE #4

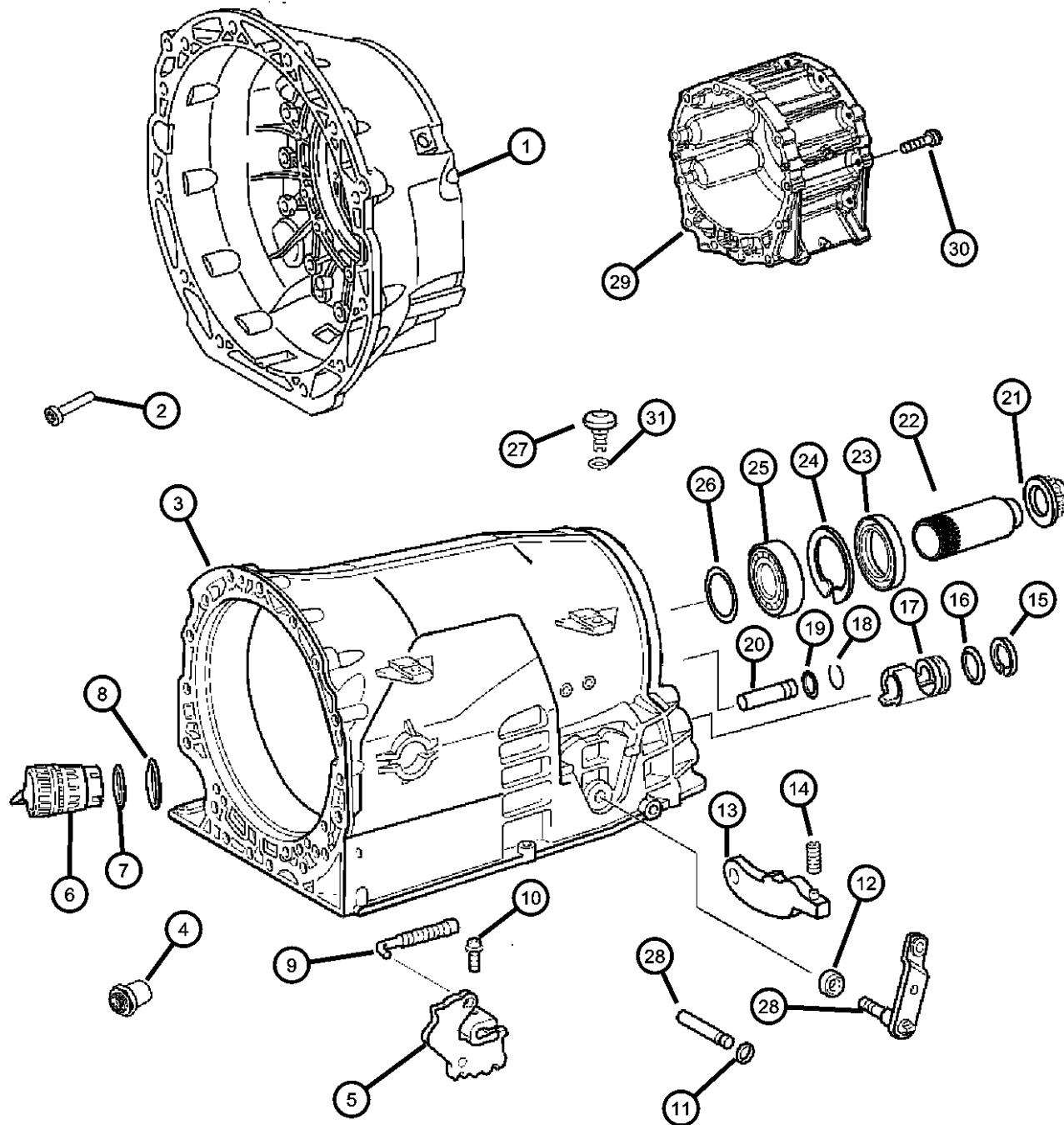
ENGINE
EVA = 4.7L V8 MPI Engine
EVD = 4.7L V8 FFV Engine
EXL = 3.0L V6 Turbo Diesel
Engine
EZB = 5.7L Hemi Multi
Displacement Engine
EKG = 3.7L V6 Engine
ESF = 6.1L SRT HEMI SMPI
V8 Engine

TRANSMISSION
DGJ = 5-Speed Auto W5A580
Transmission
DGQ = 5-Spd Automatic 545RFE
Transmission
DGU = 5-Spd Auto W5J400
Transmission

AR = use ase required - = Non illustrated part

2007 WK

**Transmission Case & Related Parts
Figure NAG1-225**



ITEM	PART NUMBER	QTY	LINE	SERIES	BODY	ENGINE	TRANS	TRIM	DESCRIPTION
------	-------------	-----	------	--------	------	--------	-------	------	-------------

NOTE: Complete Repair Gasket Package Not Available. Must Order Gaskets, Seals & Related Parts Individually

Sales Codes:

[DGU]=5 Speed Automatic Transmission - [NAG1] - [W5J400]

[EXL]= 3.0 V-6 Turbo Diesel Engine / [Mercedes Benz]

1	05140786AA	1	J			EX0	DGU		HOUSING, Transmission, Torque Converter Housing
2	06104157AB	2	J			EX0	DGU		SCREW
3	05140845AA	1	J			EX0	DGU		CASE, Transmission
4	55111023AA	2	J			EX0	DGU		FITTING, Quick Connect
5	52108349AA	1	J			EX0	DGU		DETENT, Gearshift
6	05189122AA	1	J			EX0	DGU		PLUG, Adapter
7	68001278AA	1	J			EX0	DGU		O RING, Adapter Plug
8	68001279AA	1	J			EX0	DGU		O RING, Adapter Plug
9	52108166AA	1	J			EX0	DGU		LINKAGE, Transmission
10	52108178AA	1	J			EX0	DGU		SCREW
11	52108156AA	1	J			EX0	DGU		SEAL, Transmission
12	05134933AA	1	J			EX0	DGU		SEAL, Transmission
13	52108154AA	1	J			EX0	DGU		PAWL, Parking Sprag
14	52108157AA	1	J			EX0	DGU		SPRING
15	52107976AA	1	J			EX0	DGU		SNAP RING
16	05134933AB	1	J			EX0	DGU		SEAL, Transmission
17	52108176AA	1	J			EX0	DGU		GUIDE
18	52107975AA	1	J			EX0	DGU		SNAP RING
19	52108156AB	1	J			EX0	DGU		SEAL, Transmission
20	52108155AA	1	J			EX0	DGU		PIN
21	52108234AA	1	J			EX0	DGU		NUT
22	05140844AA	1	J			EX0	DGU		SHAFT, Intermediate
23	52108428AA	1	J			EX0	DGU		SEAL, Transmission
24	52108210AA	1	J			EX0	DGU		LOCK, Mounting
25	52108207AA	1	J			EX0	DGU		BEARING, Ball
26	68001917AA	1	J			EX0	DGU		SHIM PACKAGE, Park & output bearing, 0.2mm, 0.3mm, 0.4mm, 0.5mm
27	52108364AA	1	J			EX0	DGU		BREATHER, Transmission

GRAND CHEROKEE (WK)

SERIES LINE
H = HIGHLINE T = JEEP - 2WD
P = PREMIUM J = JEEP - 4WD
S = SPORT
X = SPECIAL

BODY
74 = SPORT UTILITY 4-DR
TYPE #4

ENGINE
EVA = 4.7L V8 MPI Engine
EVD = 4.7L V8 FFV Engine
EXL = 3.0L V6 Turbo Diesel Engine
EZB = 5.7L Hemi Multi Displacement Engine
EKG = 3.7L V6 Engine
ESF = 6.1L SRT HEMI SMPI V8 Engine

TRANSMISSION
DGJ = 5-Speed Auto W5A580 Transmission
DGQ = 5-Spd Automatic 545RFE Transmission
DGU = 5-Spd Auto W5J400 Transmission

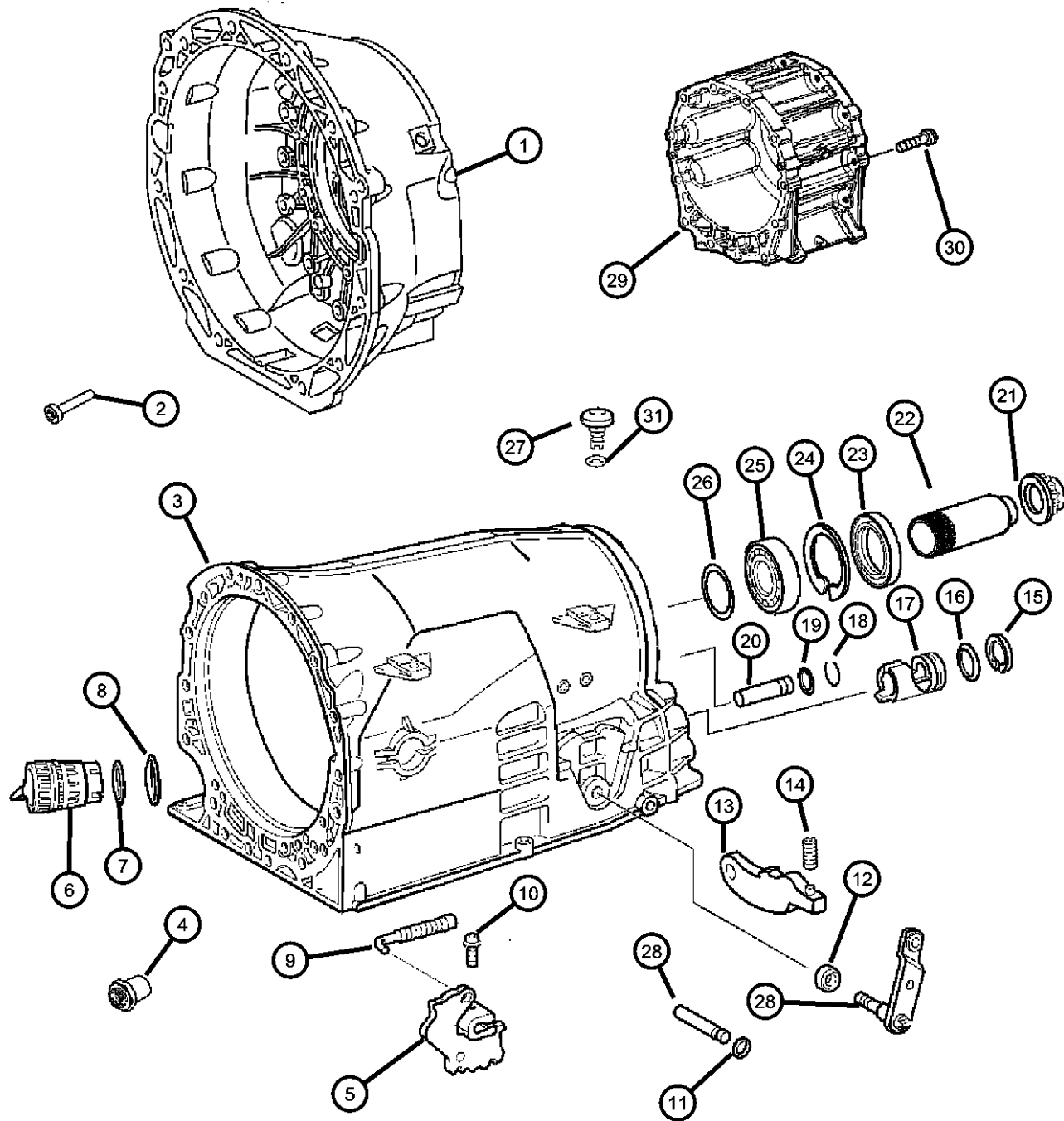


AR = use ase required - = Non illustrated part

2007 WK

**Transmission Case & Related Parts
Figure NAG1-225**

ITEM	PART NUMBER	QTY	LINE	SERIES	BODY	ENGINE	TRANS	TRIM	DESCRIPTION
28	05140841AA	1	J			EX0	DGU		SHAFT, Shift Lever
29	05140845AA	1	J			EX0	DGU		CASE, Transmission, Adapter
30	06104157AB	2	J			EX0	DGU		SCREW
31	52108399AA	1	J			EX0	DGU		O RING



GRAND CHEROKEE (WK)

SERIES LINE
H = HIGHLINE T = JEEP - 2WD
P = PREMIUM J = JEEP - 4WD
S = SPORT
X = SPECIAL

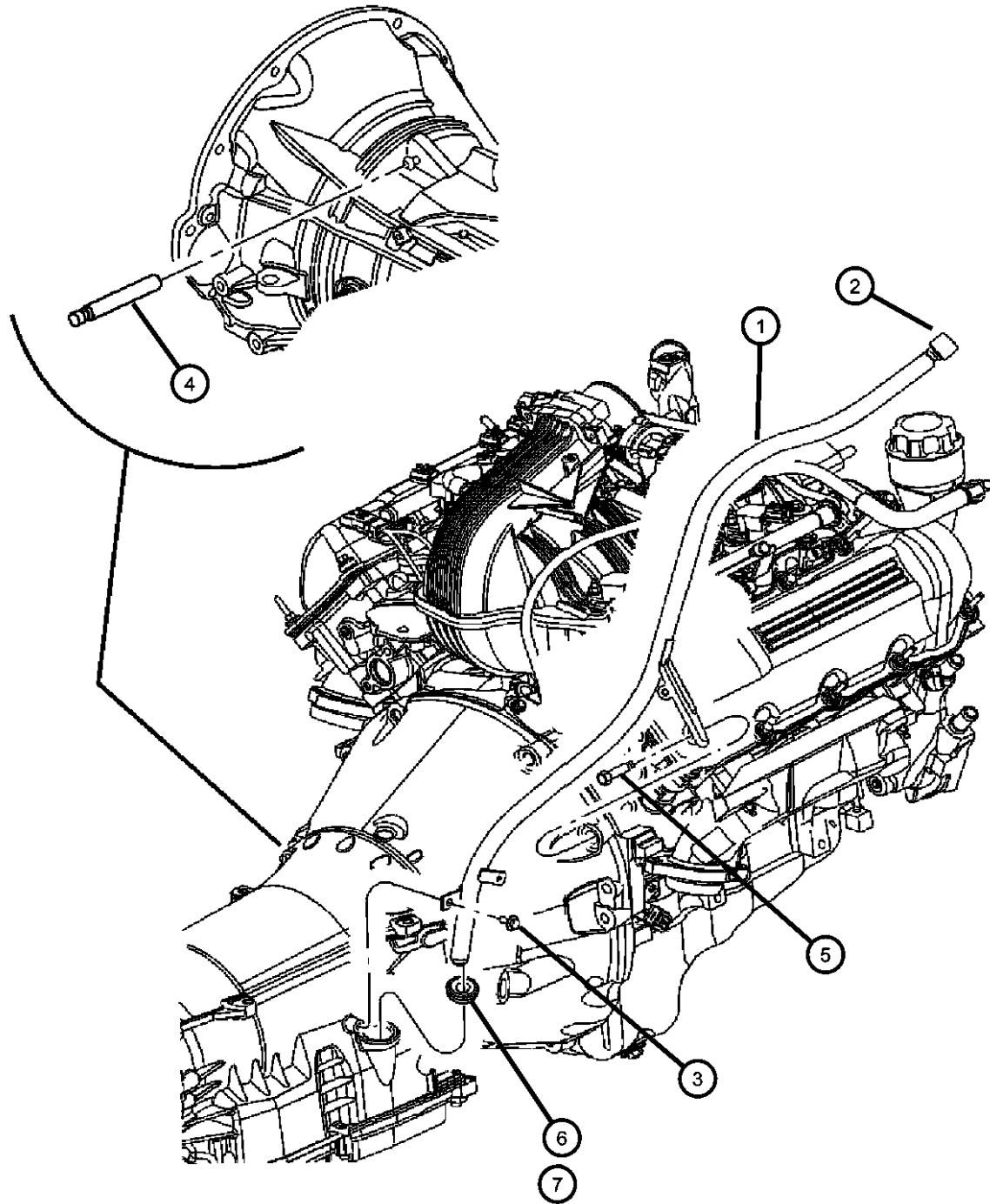
BODY
74 = SPORT UTILITY 4-DR
TYPE #4

ENGINE
EVA = 4.7L V8 MPI Engine
EVD = 4.7L V8 FFV Engine
EXL = 3.0L V6 Turbo Diesel
Engine
EZB = 5.7L Hemi Multi
Displacement Engine
EKG = 3.7L V6 Engine
ESF = 6.1L SRT HEMI SMPI
V8 Engine

TRANSMISSION
DGJ = 5-Speed Auto W5A580
Transmission
DGQ = 5-Spd Automatic 545RFE
Transmission
DGU = 5-Spd Auto W5J400
Transmission

AR = use ase required - = Non illustrated part

**Oil Filler Tube
Figure NAG1-230**



ITEM	PART NUMBER	QTY	LINE	SERIES	BODY	ENGINE	TRANS	TRIM	DESCRIPTION
1									TUBE, Transmission Oil Filler
	05037752AC	1				ESF	DGJ		Includes Cap
		1	J, T			EK0	DGJ		Includes Cap
	53013684AC	1	J, T			EXL	DGU		Used Up To 2/5/07
	53013684AD	1	J, T			EXL	DGU		Used After 2/5/07
2									CAP, Oil Filler
	04591959AA	1	J, T			ESF	DGJ		
		1	J, T			EK0	DGJ		
	53013549AA	1	J, T			EXL	DGU		
3									SCREW AND WASHER, Hex Head, M6x1x17
	06501979	1	T			EX0	DGU		
		1	J			EX0	DGU		
		1	J, T				DGJ, DGQ		
4	53013919AB	1				EK0	DGJ		TUBE, Vent
5									SCREW AND WASHER, Hex Head, .375-16x1.75
	00154938AA	4	J, T			EK0, ES0	DG0		
		1	J			EX0	DGU		
6									GROMMET
	04810021AB	1	J			E00	DGQ		
		1	J			EZ0	DGQ		
		1	T			E00	DGQ		
		1	T			EZ0	DGQ		
		1	J			EK0	DGJ		
		1	T			EK0	DGJ		
7									SEAL, Oil Filler Tube
	52108664AA	1	T			EX0	DGU		
		1	J			EX0	DGU		

GRAND CHEROKEE (WK)

SERIES LINE
H = HIGHLINE T = JEEP - 2WD
P = PREMIUM J = JEEP - 4WD
S = SPORT
X = SPECIAL

BODY
74 = SPORT UTILITY 4-DR
TYPE #4

ENGINE
EVA = 4.7L V8 MPI Engine
EVD = 4.7L V8 FFV Engine
EXL = 3.0L V6 Turbo Diesel Engine
EZB = 5.7L Hemi Multi Displacement Engine
EKG = 3.7L V6 Engine
ESF = 6.1L SRT HEMI SMPI V8 Engine

TRANSMISSION
DGJ = 5-Speed Auto W5A580 Transmission
DGQ = 5-Spd Automatic 545RFE Transmission
DGU = 5-Spd Auto W5J400 Transmission

AR = use ase required - = Non illustrated part

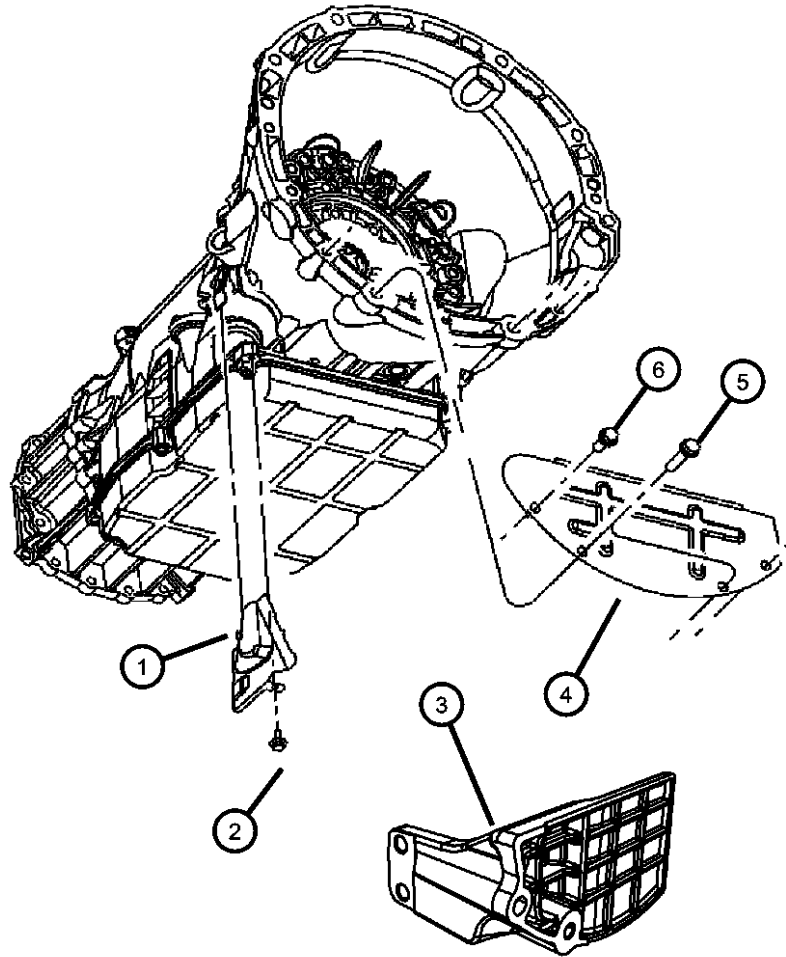
2007 WK

**Heat Shield / Structural Collar
Figure NAG1-235**

ITEM	PART NUMBER	QTY	LINE	SERIES	BODY	ENGINE	TRANS	TRIM	DESCRIPTION
------	-------------	-----	------	--------	------	--------	-------	------	-------------

NOTE:
Sales Note:
[DGJ]=5 Speed Automatic Transmission - [W5A580]
[ESF]=6.1L SRT HEMI V-8 Engine
[EK0]=All 3.7L V-6 Engines
[EV0]=All 4.7L V-8 Engines

1	53013915AA	1	J			EX0	DGU		SHIELD, Heat
2	06507210AA	1	J, T			EX0			SCREW AND WASHER, Hex Head
3	05037892AA	1				ES0	DGJ		COVER, Engine
4	53013867AA	1	J			EK0	DGJ		SHIELD, Transmission
5									SCREW AND WASHER, M10x1.50x45.00
	06101985	1	J			EX0	DGU		
		2				ES0	DGJ		
6	06101794	1	J			EX0	DGU		SCREW, Hex Head, M10x1.5x115



GRAND CHEROKEE (WK)

SERIES LINE
H = HIGHLINE T = JEEP - 2WD
P = PREMIUM J = JEEP - 4WD
S = SPORT
X = SPECIAL

BODY
74 = SPORT UTILITY 4-DR
TYPE #4

ENGINE
EVA = 4.7L V8 MPI Engine
EVD = 4.7L V8 FFV Engine
EXL = 3.0L V6 Turbo Diesel
Engine
EZB = 5.7L Hemi Multi
Displacement Engine
EKG = 3.7L V6 Engine
ESF = 6.1L SRT HEMI SMPI
V8 Engine

TRANSMISSION
DGJ = 5-Speed Auto W5A580
Transmission
DGQ = 5-Spd Automatic 545RFE
Transmission
DGU = 5-Spd Auto W5J400
Transmission

AR = use ase required - = Non illustrated part

2007 WK

**Pump, Oil
Figure NAG1-310**

ITEM	PART NUMBER	QTY	LINE	SERIES	BODY	ENGINE	TRANS	TRIM	DESCRIPTION
------	-------------	-----	------	--------	------	--------	-------	------	-------------

NOTE: Call Out [#2] Is The Oil Pump Housing Only. It Does Not Include The Oil Pump Gears, Seal & Housing O Ring.

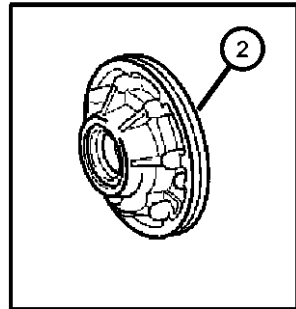
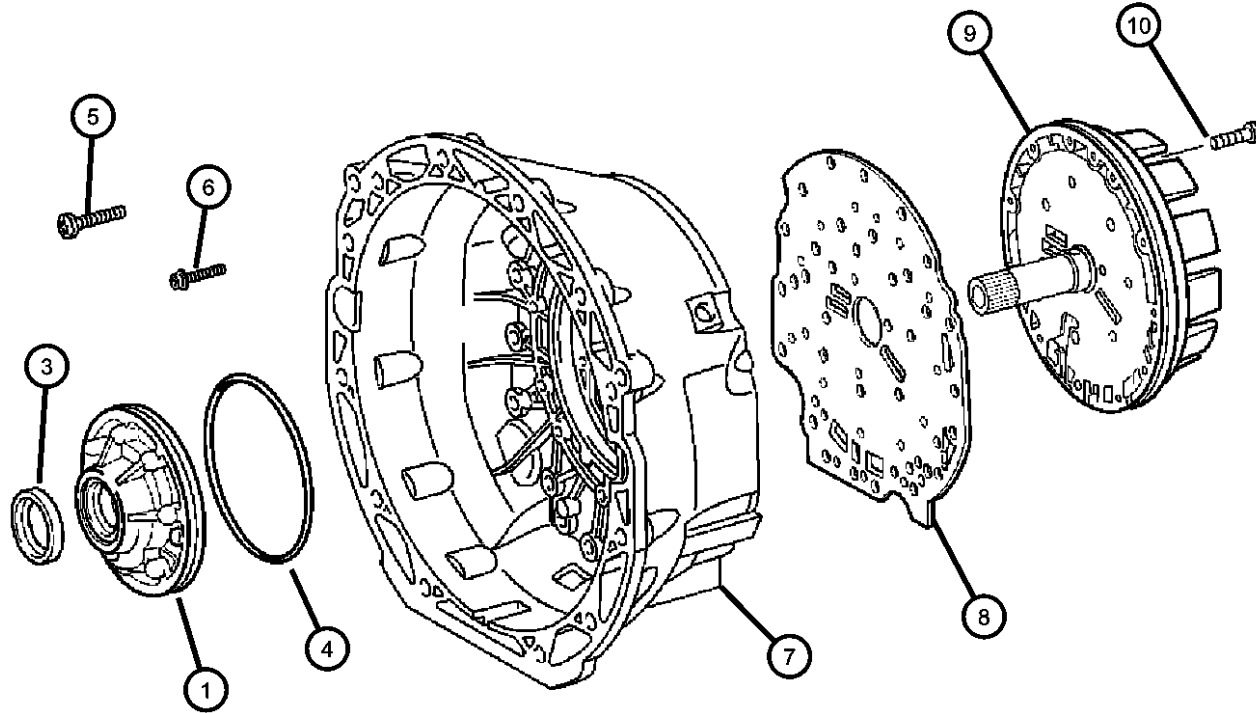
Sales Codes:

[DGJ]=5 Speed Automatic Transmission - [NAG1] - [W5A580]

[ESF]=6.1L [SRT HEMI] V-8 Engine

[DG0]=All 5 Speed Automatic Transmissions

[EK0]=All 3.7L V-6 Engine



1	05080070AA	1	J			ESF	DGJ		PUMP, Transmission Oil
		1	T			EK0	DGJ		
		1	J			EK0	DGJ		
2	52107892AA	1	J			ESF	DGJ		PUMP, Transmission Oil, Outer Oil Pump Housing Only / Gears, Seal, O Ring Not Included
		1	J			EK0	DGJ		Outer Oil Pump Housing Only / Gears, Seal, O Ring Not Included
		1	T			EK0	DGJ		Outer Oil Pump Housing Only / Gears, Seal, O Ring Not Included
3	52108424AA	1	J			ESF	DGJ		SEAL
		AR	J			EK0	DGJ		
		AR	T			EK0	DGJ		
4	52107900AA	1	J			ESF	DGJ		O RING
		1	J			EK0	DGJ		
		1	T			EK0	DGJ		
5	06104158AA	2	J, T			EKG			SCREW
	52108206AA	15	J			ESF	DGJ		Bell Housing To Transmission Case
		15	J			EK0	DGJ		Bell Housing To Transmission Case
		15	T			EK0	DGJ		Bell Housing To Transmission Case
6	52107934AA	11	J			ESF	DGJ		SCREW
		11	J			EK0	DGJ		Bell To [B1] Assembly
									Bell To [B1] Assembly

GRAND CHEROKEE (WK)

SERIES LINE
H = HIGHLINE T = JEEP - 2WD
P = PREMIUM J = JEEP - 4WD
S = SPORT
X = SPECIAL

BODY
74 = SPORT UTILITY 4-DR
TYPE #4

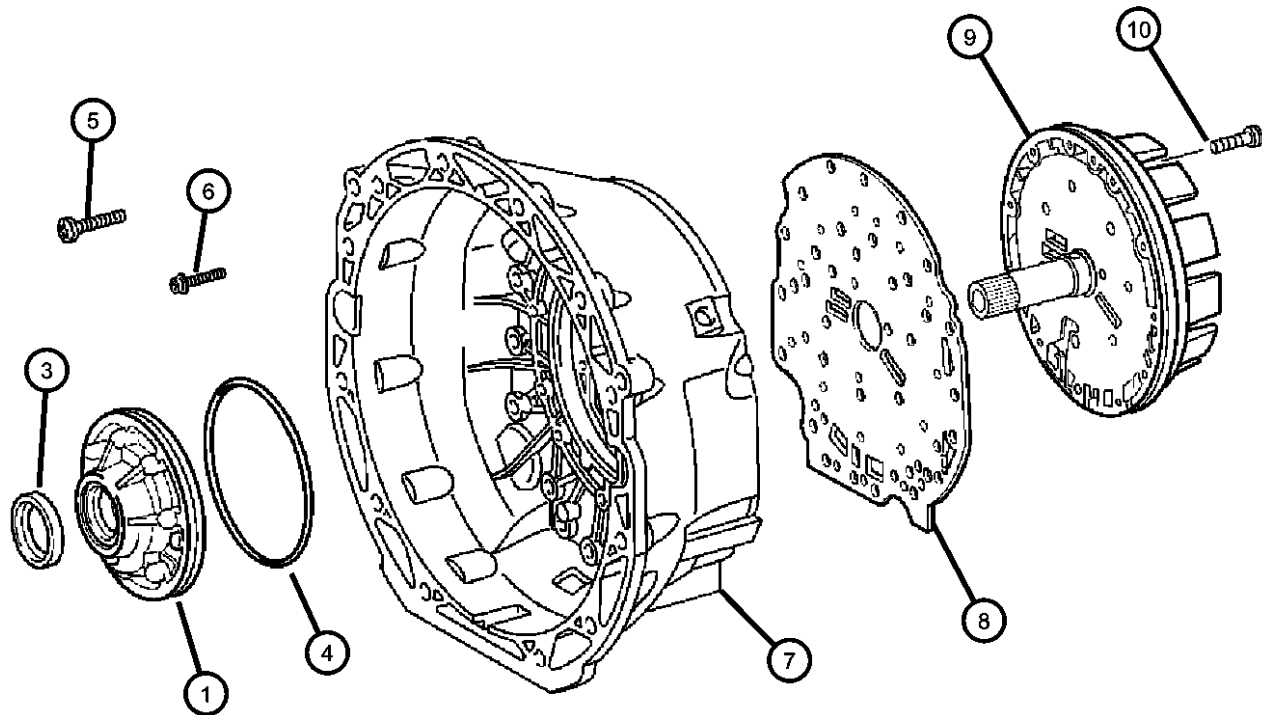
ENGINE
EVA = 4.7L V8 MPI Engine
EVD = 4.7L V8 FFV Engine
EXL = 3.0L V6 Turbo Diesel Engine
EZB = 5.7L Hemi Multi Displacement Engine
EKG = 3.7L V6 Engine
ESF = 6.1L SRT HEMI SMPI V8 Engine

TRANSMISSION
DGJ = 5-Speed Auto W5A580 Transmission
DGQ = 5-Spd Automatic 545RFE Transmission
DGU = 5-Spd Auto W5J400 Transmission

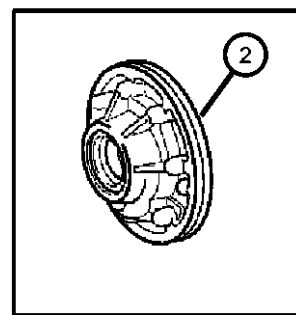
AR = use ase required - = Non illustrated part

2007 WK

Pump, Oil
Figure NAG1-310



ITEM	PART NUMBER	QTY	LINE	SERIES	BODY	ENGINE	TRANS	TRIM	DESCRIPTION
7		11	T			EK0	DGJ		Bell To [B1] Assembly HOUSING, Torque Converter
	52108422AA	1	J			ESF	DGJ		
		1	J			EK0	DGJ		
		1	T			EK0	DGJ		
8									PLATE, Intermediate
	52108147AA	1	J			ESF	DGJ		
		1	J			EK0	DGJ		
		1	T			EK0	DGJ		
9									HOLDING CLUTCH, Outer carrier, B1
	05102926AA	1	T			EK0	DGJ		
		1	J			EK0	DGJ		
	52108539AC	1	J			ESF	DGJ		
10									SCREW
	52107933AA	7	J			ESF	DGJ		
		7	J			EK0	DGJ		
		7	T			EK0	DGJ		



GRAND CHEROKEE (WK)

SERIES LINE
H = HIGHLINE T = JEEP - 2WD
P = PREMIUM J = JEEP - 4WD
S = SPORT
X = SPECIAL

BODY
74 = SPORT UTILITY 4-DR
TYPE #4

ENGINE
EVA = 4.7L V8 MPI Engine
EVD = 4.7L V8 FFV Engine
EXL = 3.0L V6 Turbo Diesel
Engine
EZB = 5.7L Hemi Multi
Displacement Engine
EKG = 3.7L V6 Engine
ESF = 6.1L SRT HEMI SMPI
V8 Engine

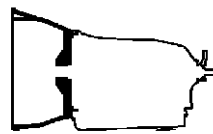
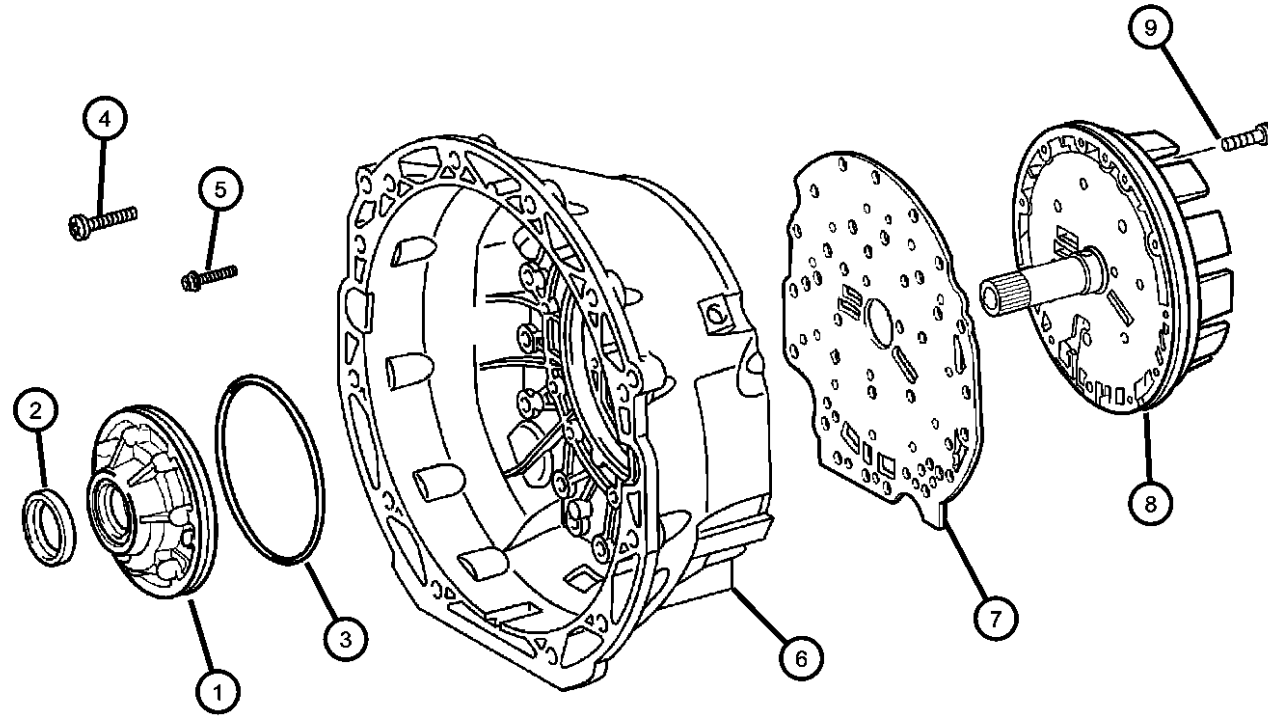
TRANSMISSION
DGJ = 5-Speed Auto W5A580
Transmission
DGQ = 5-Spd Automatic 545RFE
Transmission
DGU = 5-Spd Auto W5J400
Transmission

AR = use ase required - = Non illustrated part

2007 WK

**Pump, Oil
Figure NAG1-320**

ITEM	PART NUMBER	QTY	LINE	SERIES	BODY	ENGINE	TRANS	TRIM	DESCRIPTION
1	05080070AA	1	J			EX0	DGU		PUMP, Transmission Oil
		1	T			EX0	DGU		
2	52108424AA	1	J			EX0	DGU		SEAL
		1	T			EX0	DGU		
3	52107900AA	1	J			EX0	DGU		O RING
		1	T			EX0	DGU		
4	06104158AA	2	J			EX0	DGU		SCREW Case To Bell Housing
		2	T			EX0	DGU		Case To Bell Housing
5	52107934AA	1	J			EX0	DGU		SCREW Bell Housing To [B1]
		11	T			EX0	DGU		Bell Housing To [B1]
6	05140786AA	1	J			EX0	DGU		HOUSING, Transmission Torque Converter
		1	T			EX0	DGU		Torque Converter
7	52108147AA	1	J			EX0	DGU		PLATE, Intermediate
		1	T			EX0	DGU		
8	52108539AC	1	J			EX0	DGU		HOLDING CLUTCH, Outer carrier, B1
		1	T			EX0	DGU		
9	52107933AA	7	J			EX0	DGU		SCREW
		7	T			EX0	DGU		



GRAND CHEROKEE (WK)

SERIES LINE
H = HIGHLINE T = JEEP - 2WD
P = PREMIUM J = JEEP - 4WD
S = SPORT
X = SPECIAL

BODY
74 = SPORT UTILITY 4-DR
TYPE #4

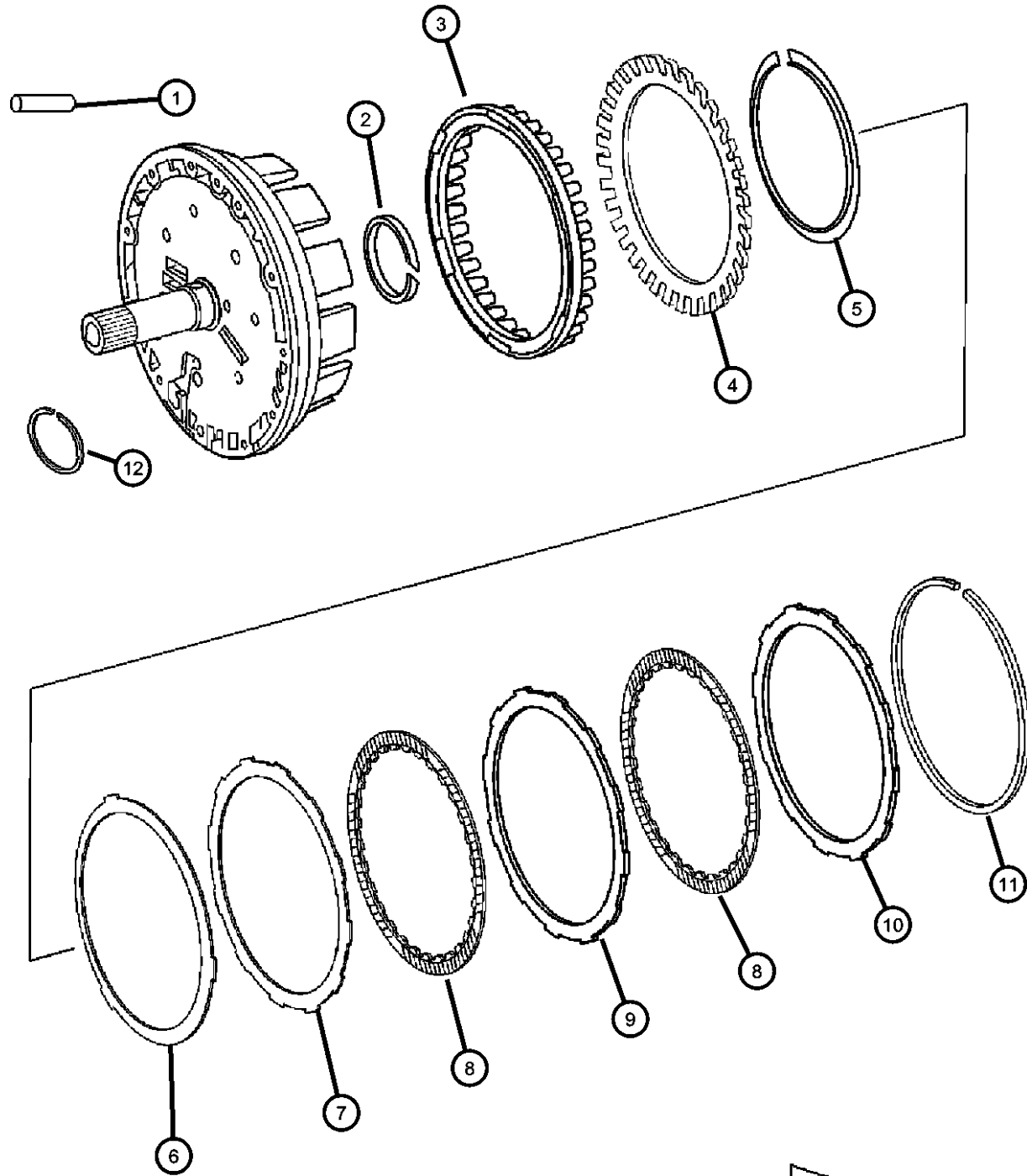
ENGINE
EVA = 4.7L V8 MPI Engine
EVD = 4.7L V8 FFV Engine
EXL = 3.0L V6 Turbo Diesel
Engine
EZB = 5.7L Hemi Multi
Displacement Engine
EKG = 3.7L V6 Engine
ESF = 6.1L SRT HEMI SMPI
V8 Engine

TRANSMISSION
DGJ = 5-Speed Auto W5A580
Transmission
DGQ = 5-Spd Automatic 545RFE
Transmission
DGU = 5-Spd Auto W5J400
Transmission

AR = use ase required - = Non illustrated part

2007 WK

**Multi-Disc Holding Clutch - [B1]
Figure NAG1-410**



ITEM	PART NUMBER	QTY	LINE	SERIES	BODY	ENGINE	TRANS	TRIM	DESCRIPTION
NOTE: Sales Codes: [DGJ]=5 Speed Automatic Transmission - [NAG1] - [W5A580]									
1	06507381AA	1	J			ESF	DGJ		PIN
		1	J			EK0	DGJ		
		1	T			EK0	DGJ		
2	52108028AA	2	J			ESF	DGJ		SEAL, Transmission
		2	J			EK0	DGJ		
		2	T			EK0	DGJ		
3	52108506AA	1	J			ESF	DGJ		PISTON
		1	J			EK0	DGJ		
		1	T			EK0	DGJ		
4	52108023AA	1	J			ESF	DGJ		DISC, Spring
		1	J			EK0	DGJ		
		1	T			EK0	DGJ		
5	52107936AA	1	J			ESF	DGJ		SNAP RING
		1	J			EK0	DGJ		
		1	T			EK0	DGJ		
6	52108024AA	1	J			ESF	DGJ		DISC, Spring
		1	J			EK0	DGJ		
		1	T			EK0	DGJ		
7	52107994AB	1	J			EX0	DGU		DISC, Outer
		1	T			EK0	DGJ		
		1	J			EK0	DGJ		
8	52108507AA	6	J			ESF	DGJ		DISC, Inner

B1



GRAND CHEROKEE (WK)

SERIES LINE
H = HIGHLINE T = JEEP - 2WD
P = PREMIUM J = JEEP - 4WD
S = SPORT
X = SPECIAL

BODY
74 = SPORT UTILITY 4-DR
TYPE #4

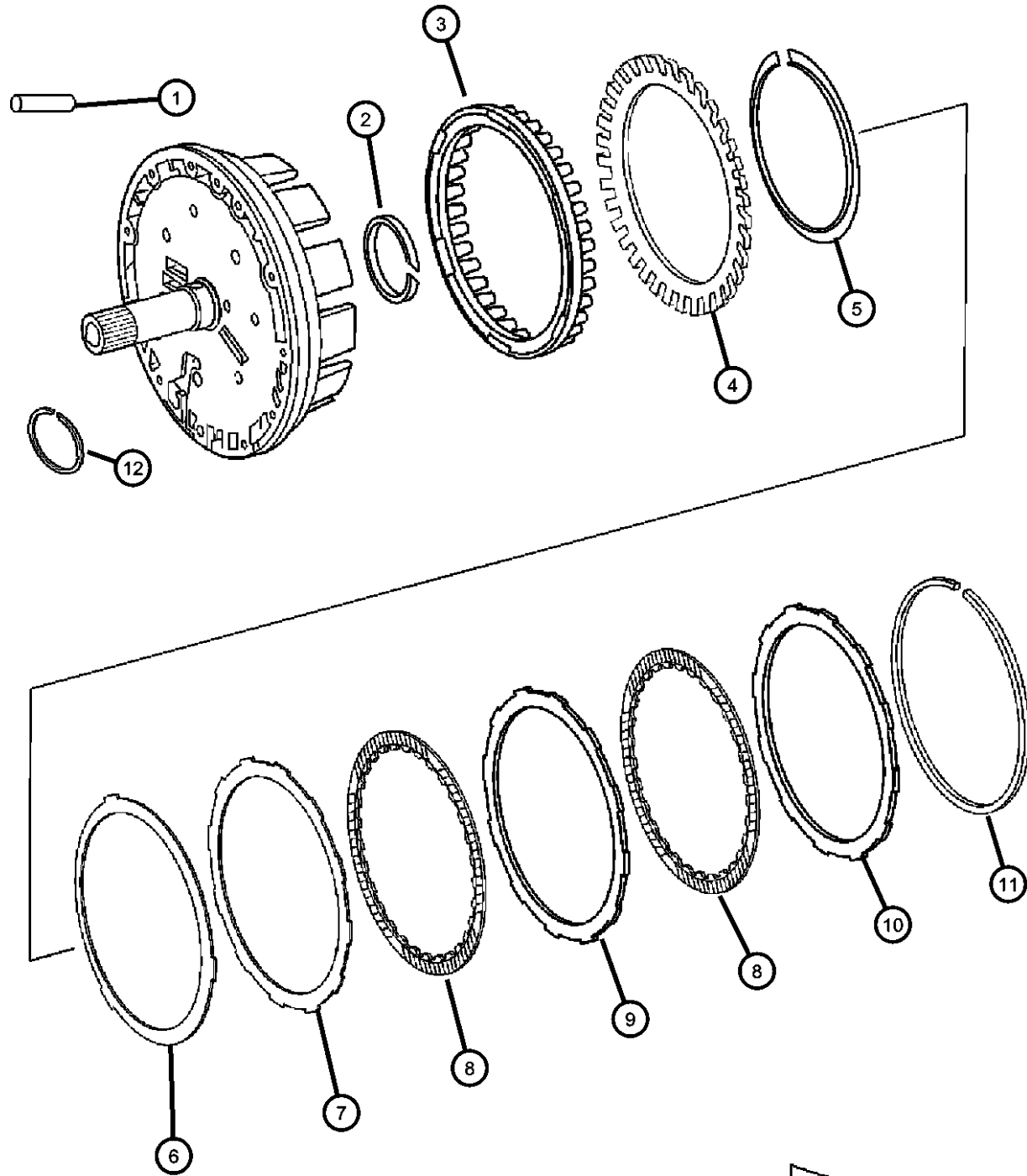
ENGINE
EVA = 4.7L V8 MPI Engine
EVD = 4.7L V8 FFV Engine
EXL = 3.0L V6 Turbo Diesel
Engine
EZB = 5.7L Hemi Multi
Displacement Engine
EKG = 3.7L V6 Engine
ESF = 6.1L SRT HEMI SMPI
V8 Engine

TRANSMISSION
DGJ = 5-Speed Auto W5A580
Transmission
DGQ = 5-Spd Automatic 545RFE
Transmission
DGU = 5-Spd Auto W5J400
Transmission

AR = use ase required - = Non illustrated part

2007 WK

**Multi-Disc Holding Clutch - [B1]
Figure NAG1-410**



ITEM	PART NUMBER	QTY	LINE	SERIES	BODY	ENGINE	TRANS	TRIM	DESCRIPTION	
9	52108508AA	5	J			EK0	DGJ		DISC, Outer	
		5	T			EK0	DGJ			
		6	J			ESF	DGJ			
		5	J			EK0	DGJ			
		5	T			EK0	DGJ			
10	52107994AB	1	J			EX0	DGU		DISC, Outer	
		1	T			EK0	DGJ			
		1	J			EK0	DGJ			
		AR	J			ESF	DGJ			SNAP RING [2.6MM]
		AR	J			EK0	DGJ			
11	52107950AA	AR	T			EK0	DGJ		[2.6MM]	
		AR	J			ESF	DGJ		[2.9MM]	
		AR	J			EK0	DGJ		[2.9MM]	
		AR	T			EK0	DGJ		[2.9MM]	
		AR	J			ESF	DGJ		[3.2MM]	
12	52107951AA	AR	J			EK0	DGJ		[3.2MM]	
		AR	T			EK0	DGJ		[3.2MM]	
		AR	J			ESF	DGJ		[3.5MM]	
		AR	J			EK0	DGJ		[3.5MM]	
		AR	T			EK0	DGJ		[3.5MM]	
12	52107952AA	1	J			ESF	DGJ		RING, Snap	
		1	J			EK0	DGJ			
		1	T			EK0	DGJ			

B1



GRAND CHEROKEE (WK)

SERIES LINE
H = HIGHLINE T = JEEP - 2WD
P = PREMIUM J = JEEP - 4WD
S = SPORT
X = SPECIAL

BODY
74 = SPORT UTILITY 4-DR
TYPE #4

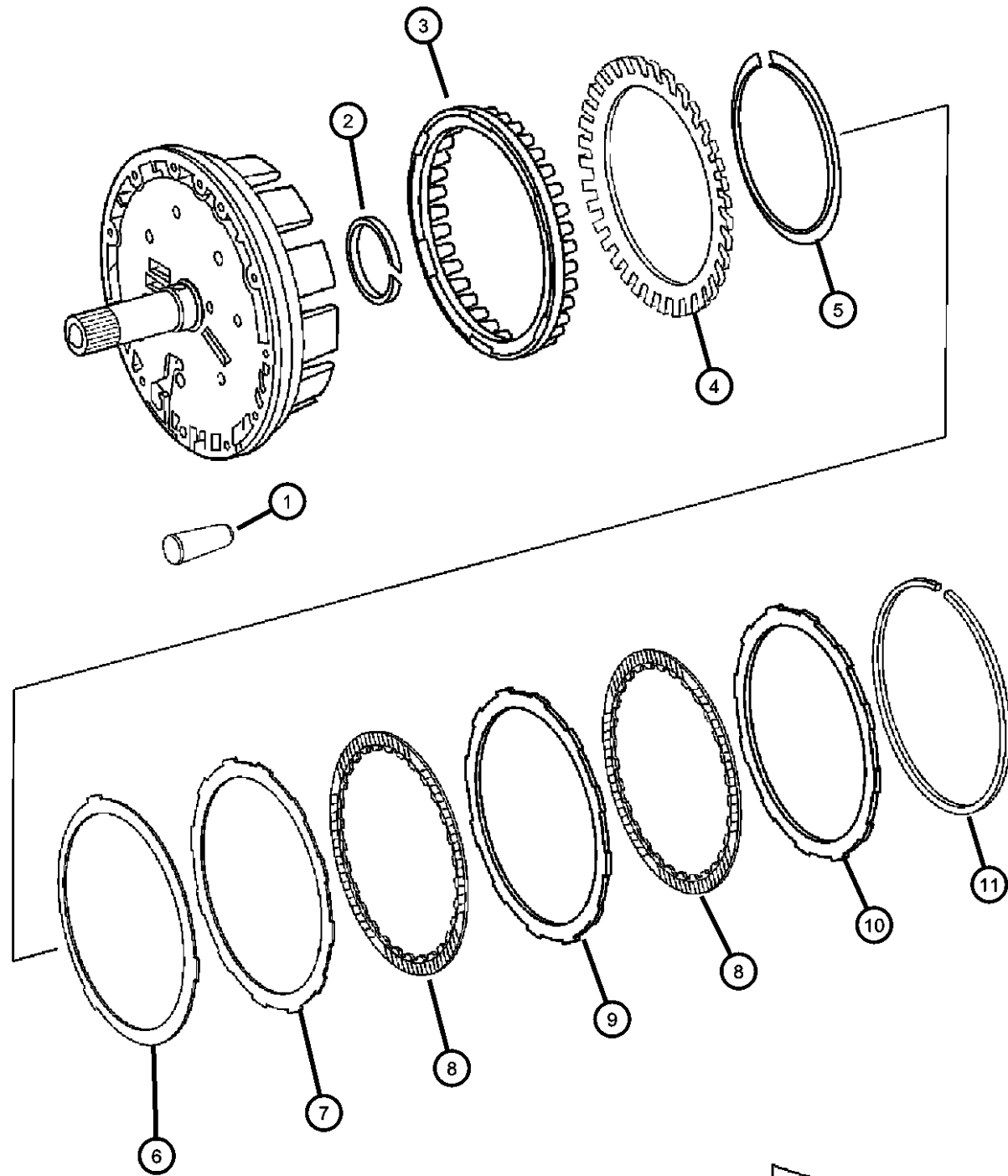
ENGINE
EVA = 4.7L V8 MPI Engine
EVD = 4.7L V8 FFV Engine
EXL = 3.0L V6 Turbo Diesel
Engine
EZB = 5.7L Hemi Multi
Displacement Engine
EKG = 3.7L V6 Engine
ESF = 6.1L SRT HEMI SMPI
V8 Engine

TRANSMISSION
DGJ = 5-Speed Auto W5A580
Transmission
DGQ = 5-Spd Automatic 545RFE
Transmission
DGU = 5-Spd Auto W5J400
Transmission

AR = use ase required - = Non illustrated part

2007 WK

**Multi-Disc Holding Clutch - [B1]
Figure NAG1-415**



ITEM	PART NUMBER	QTY	LINE	SERIES	BODY	ENGINE	TRANS	TRIM	DESCRIPTION
1	06507381AA	1	J			EX0	DGU		PIN
2	52108028AA	1	T			EX0	DGU		SEAL, Transmission
3	52108506AA	1	J			EX0	DGU		PISTON
4	52108023AA	1	J			EX0	DGU		DISC, Spring
5	52107936AA	1	J			EX0	DGU		SNAP RING
6	52108023AA	1	J			EX0	DGU		DISC, Spring
7	52107994AB	1	J			EX0	DGU		DISC, Outer
8	52108507AA	1	J			EX0	DGU		DISC, Inner
9	52108508AA	1	J			EX0	DGU		DISC, Outer
10	52107994AB	1	J			EX0	DGU		DISC, Outer

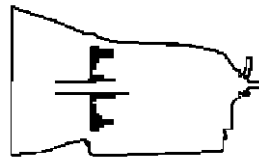
NOTE:

Sales Codes:

[DGU]=5 Speed Automatic Transmission - [NAG1] - [W5J400]

[EXL]=3.0L V6 Turbo Diesel Engine

B1



GRAND CHEROKEE (WK)

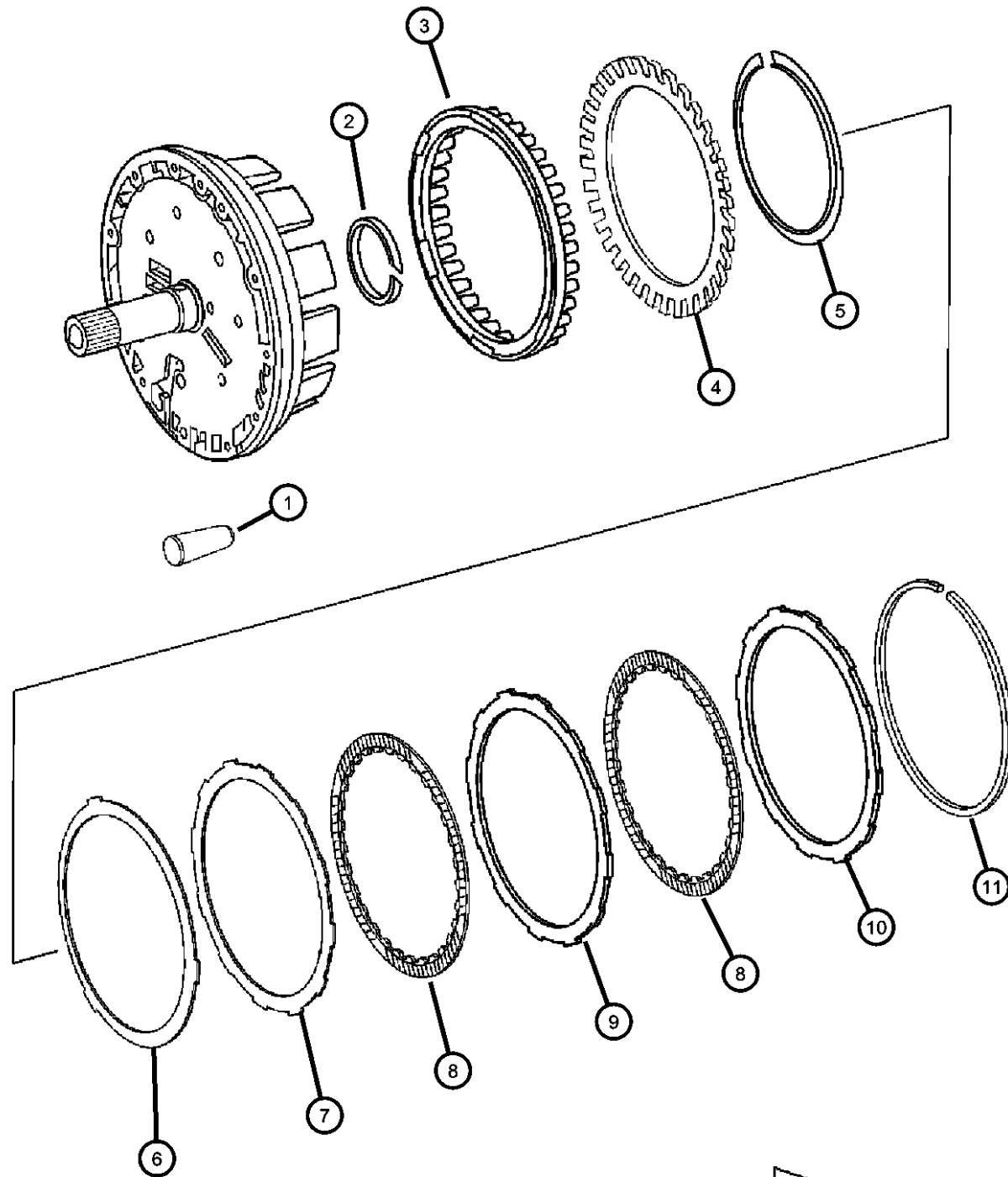
SERIES LINE
H = HIGHLINE T = JEEP - 2WD
P = PREMIUM J = JEEP - 4WD
S = SPORT
X = SPECIAL

BODY
74 = SPORT UTILITY 4-DR
TYPE #4

ENGINE
EVA = 4.7L V8 MPI Engine
EVD = 4.7L V8 FFV Engine
EXL = 3.0L V6 Turbo Diesel
Engine
EZB = 5.7L Hemi Multi
Displacement Engine
EKG = 3.7L V6 Engine
ESF = 6.1L SRT HEMI SMPI
V8 Engine

TRANSMISSION
DGJ = 5-Speed Auto W5A580
Transmission
DGQ = 5-Spd Automatic 545RFE
Transmission
DGU = 5-Spd Auto W5J400
Transmission

**Multi-Disc Holding Clutch - [B1]
Figure NAG1-415**



ITEM	PART NUMBER	QTY	LINE	SERIES	BODY	ENGINE	TRANS	TRIM	DESCRIPTION
11		1	T			EX0	DGU		SNAP RING
	52107949AA	1	J			EX0	DGU		[2.6MM]
	52107950AA	1	T			EX0	DGU		[2.6MM]
	52107951AA	1	J			EX0	DGU		[2.9MM]
	52107951AA	1	T			EX0	DGU		[2.9MM]
	52107951AA	1	J			EX0	DGU		[3.2MM]
	52107952AA	1	T			EX0	DGU		[3.2MM]
	52107952AA	1	J			EX0	DGU		[3.5MM]
	52107952AA	1	T			EX0	DGU		[3.5MM]

B1



GRAND CHEROKEE (WK)

SERIES LINE
H = HIGHLINE T = JEEP - 2WD
P = PREMIUM J = JEEP - 4WD
S = SPORT
X = SPECIAL

BODY
74 = SPORT UTILITY 4-DR
TYPE #4

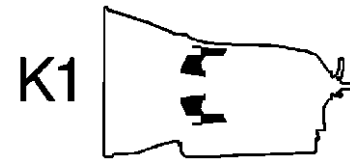
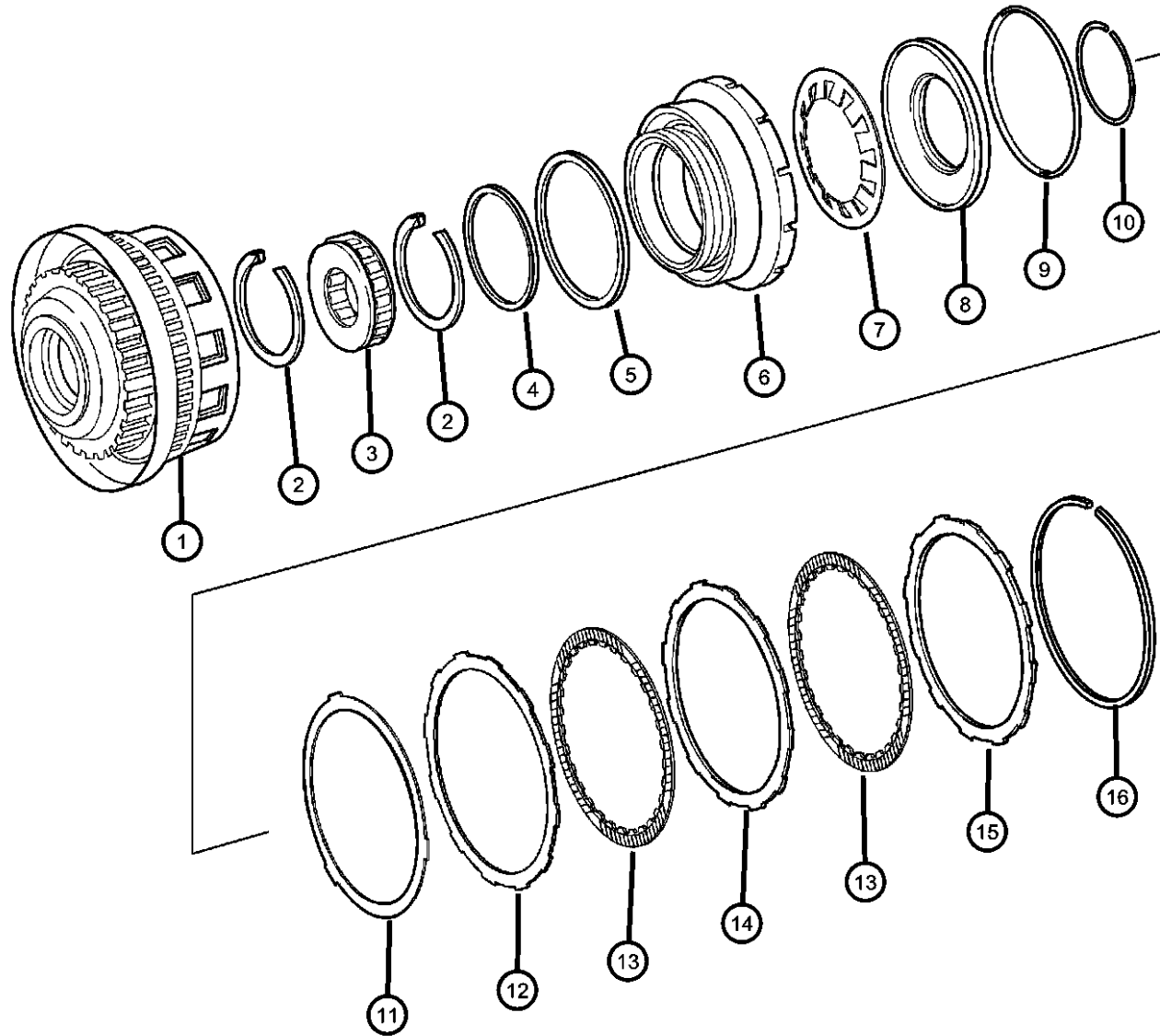
ENGINE
EVA = 4.7L V8 MPI Engine
EVD = 4.7L V8 FFV Engine
EXL = 3.0L V6 Turbo Diesel
Engine
EZB = 5.7L Hemi Multi
Displacement Engine
EKG = 3.7L V6 Engine
ESF = 6.1L SRT HEMI SMPI
V8 Engine

TRANSMISSION
DGJ = 5-Speed Auto W5A580
Transmission
DGQ = 5-Spd Automatic 545RFE
Transmission
DGU = 5-Spd Auto W5J400
Transmission

AR = use ase required - = Non illustrated part

2007 WK

Driving Clutch, Front Planetary - [K1]
Figure NAG1-420



ITEM	PART NUMBER	QTY	LINE	SERIES	BODY	ENGINE	TRANS	TRIM	DESCRIPTION
NOTE: Sales Codes: [DGJ]=5 Speed Automatic Transmission - [NAG1] - [W5A580]									
1	52108510AB	1	J			EK0	DGJ		RETAINER, Clutch
		1	T			EK0	DGJ		
	52108541AA	1	J			EX0	DGU		
		1	T			EX0	DGU		
	52108541AB	1	J			ESF	DGJ		
2	52107955AA	2	J			ESF	DGJ		SNAP RING
		2	J			EK0	DGJ		
		2	T			EK0	DGJ		
3	52108342AA	1	T			EK0	DGJ		WHEEL
		1	J			EK0	DGJ		
	52108342AB	1	J			ESF	DGJ		
4	52107938AA	1	J			ESF	DGJ		SEAL, Transmission
		1	J			EK0	DGJ		
		1	T			EK0	DGJ		
5	52107939AA	1	J			ESF	DGJ		SEAL, Transmission
		1	J			EK0	DGJ		
		1	T			EK0	DGJ		
6	52108059AA	1	J			ESF	DGJ		PISTON
		1	J			EK0	DGJ		
		1	T			EK0	DGJ		
7	52108057AA	1	J			ESF	DGJ		DISC, Spring
		1	J			EK0	DGJ		
		1	T			EK0	DGJ		

GRAND CHEROKEE (WK)

SERIES LINE
H = HIGHLINE T = JEEP - 2WD
P = PREMIUM J = JEEP - 4WD
S = SPORT
X = SPECIAL

BODY
74 = SPORT UTILITY 4-DR
TYPE #4

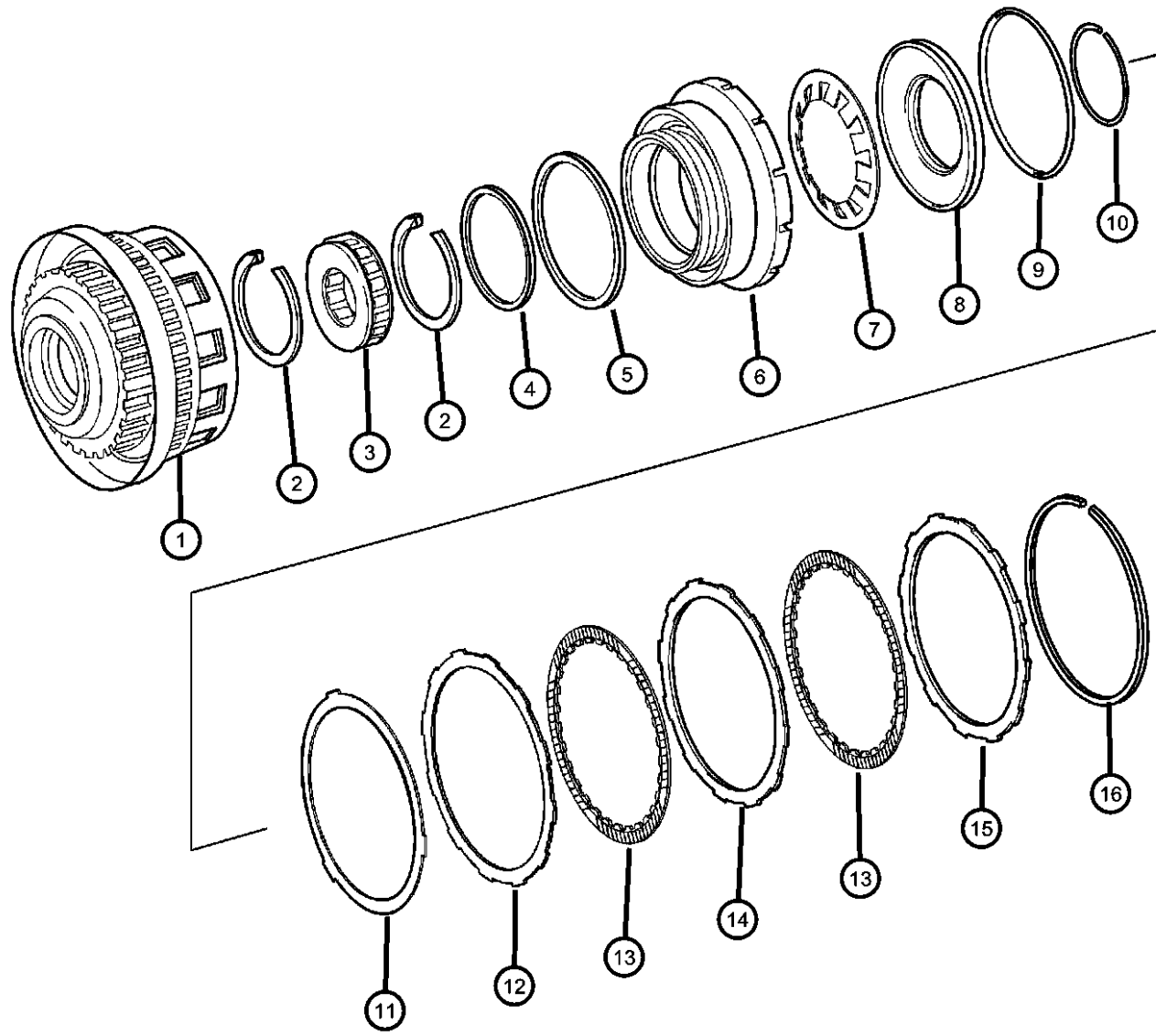
ENGINE
EVA = 4.7L V8 MPI Engine
EVD = 4.7L V8 FFV Engine
EXL = 3.0L V6 Turbo Diesel
Engine
EZB = 5.7L Hemi Multi
Displacement Engine
EKG = 3.7L V6 Engine
ESF = 6.1L SRT HEMI SMPI
V8 Engine

TRANSMISSION
DGJ = 5-Speed Auto W5A580
Transmission
DGQ = 5-Spd Automatic 545RFE
Transmission
DGU = 5-Spd Auto W5J400
Transmission

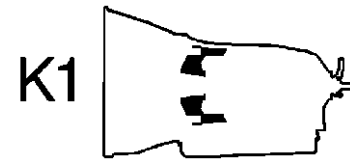
AR = use ase required - = Non illustrated part

2007 WK

Driving Clutch, Front Planetary - [K1]
Figure NAG1-420



ITEM	PART NUMBER	QTY	LINE	SERIES	BODY	ENGINE	TRANS	TRIM	DESCRIPTION
8	52108058AA	1	J			ESF	DGJ		SPRING, Retainer
		1	J			EK0	DGJ		
		1	T			EK0	DGJ		
9	52107941AA	1	J			ESF	DGJ		SEAL, Transmission
		1	J			EK0	DGJ		
		1	T			EK0	DGJ		
10	52107954AA	1	J			ESF	DGJ		SNAP RING
		1	J			EK0	DGJ		
		1	T			EK0	DGJ		
11	52108024AA	1	J			ESF	DGJ		DISC, Spring
		1	J			EK0	DGJ		
		1	T			EK0	DGJ		
12	52108508AA	6	J			ESF	DGJ		DISC, Outer
		5	J			EK0	DGJ		
		5	T			EK0	DGJ		
13	52108507AA	6	J			ESF	DGJ		DISC, Inner
		5	J			EK0	DGJ		
		5	T			EK0	DGJ		
14	52107994AB	1	J			EX0	DGU		DISC, Outer
		1	T			EK0	DGJ		
		1	J			EK0	DGJ		
15	52107994AB	1	T			EK0	DGJ		DISC, Outer
		1	J			EK0	DGJ		



GRAND CHEROKEE (WK)
 SERIES LINE
 H = HIGHLINE T = JEEP - 2WD
 P = PREMIUM J = JEEP - 4WD
 S = SPORT
 X = SPECIAL

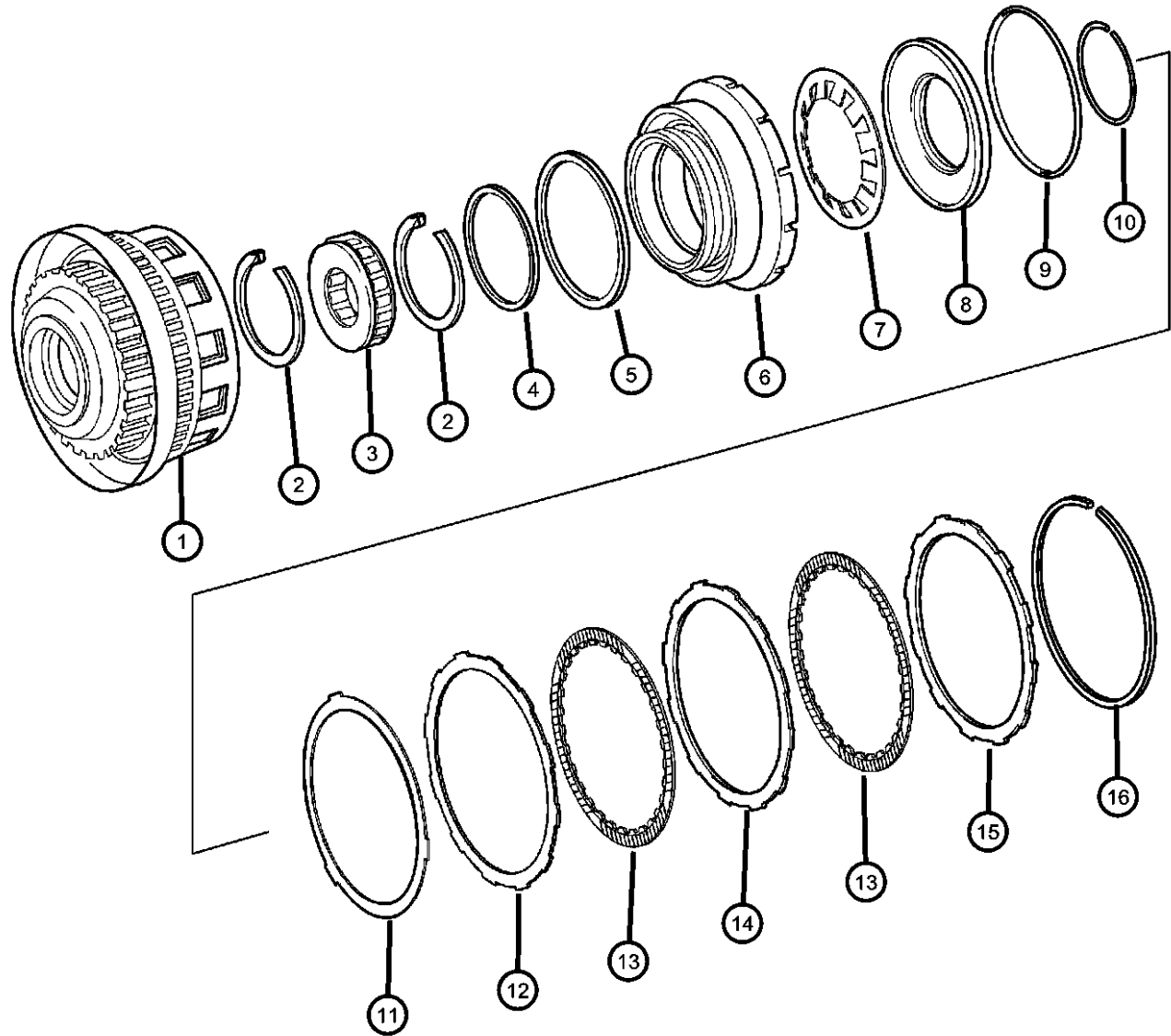
BODY
 74 = SPORT UTILITY 4-DR
 TYPE #4

ENGINE
 EVA = 4.7L V8 MPI Engine
 EVD = 4.7L V8 FFV Engine
 EXL = 3.0L V6 Turbo Diesel
 Engine
 EZB = 5.7L Hemi Multi
 Displacement Engine
 EKG = 3.7L V6 Engine
 ESF = 6.1L SRT HEMI SMPI
 V8 Engine

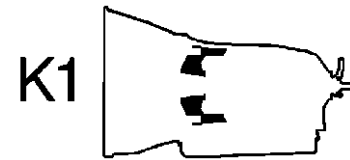
TRANSMISSION
 DGJ = 5-Speed Auto W5A580
 Transmission
 DGQ = 5-Spd Automatic 545RFE
 Transmission
 DGU = 5-Spd Auto W5J400
 Transmission

AR = use ase required - = Non illustrated part

Driving Clutch, Front Planetary - [K1]
Figure NAG1-420



ITEM	PART NUMBER	QTY	LINE	SERIES	BODY	ENGINE	TRANS	TRIM	DESCRIPTION
16		1	J			ESF	DGJ		SNAP RING
	52107949AA	AR	J			ESF	DGJ		[2.6MM]
		AR	J			EK0	DGJ		[2.6MM]
		AR	T			EK0	DGJ		[2.6MM]
	52107950AA	AR	J			ESF	DGJ		[2.9MM]
		AR	J			EK0	DGJ		[2.9MM]
		AR	T			EK0	DGJ		[2.9MM]
	52107951AA	AR	J			ESF	DGJ		[3.2MM]
		AR	J			EK0	DGJ		[3.2MM]
		AR	T			EK0	DGJ		[3.2MM]
	52107952AA	AR	J			ESF	DGJ		[3.5MM]
		AR	J			EK0	DGJ		[3.5MM]
		AR	T			EK0	DGJ		[3.5MM]
	52108373AA	AR	J			ESF	DGJ		[3.8MM]
		AR	J			EK0	DGJ		[3.8MM]
		AR	T			EK0	DGJ		[3.8MM]



GRAND CHEROKEE (WK)

SERIES LINE
H = HIGHLINE T = JEEP - 2WD
P = PREMIUM J = JEEP - 4WD
S = SPORT
X = SPECIAL

BODY
74 = SPORT UTILITY 4-DR
TYPE #4

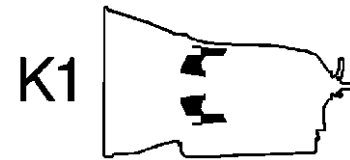
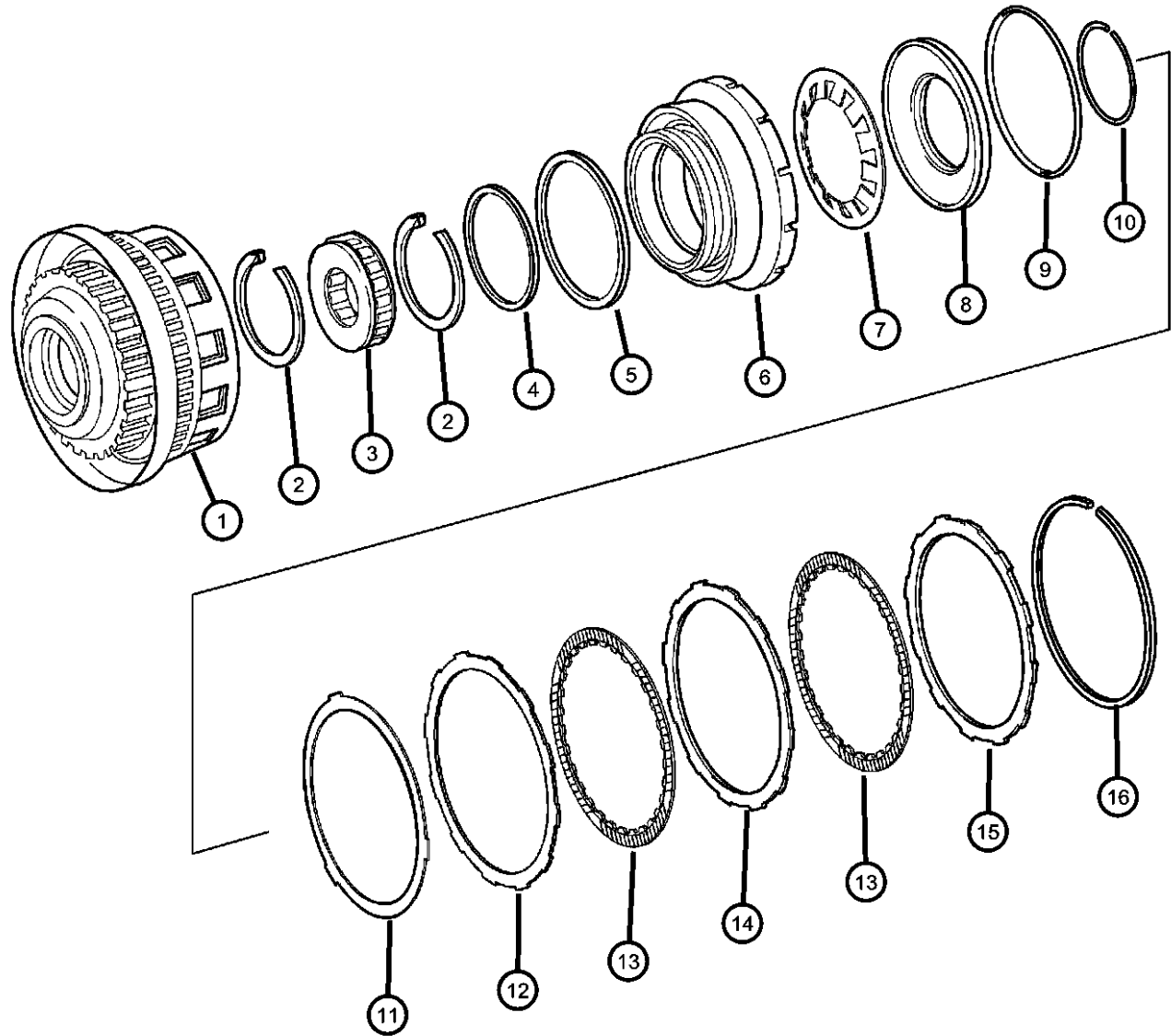
ENGINE
EVA = 4.7L V8 MPI Engine
EVD = 4.7L V8 FFV Engine
EXL = 3.0L V6 Turbo Diesel
Engine
EZB = 5.7L Hemi Multi
Displacement Engine
EKG = 3.7L V6 Engine
ESF = 6.1L SRT HEMI SMPI
V8 Engine

TRANSMISSION
DGJ = 5-Speed Auto W5A580
Transmission
DGQ = 5-Spd Automatic 545RFE
Transmission
DGU = 5-Spd Auto W5J400
Transmission

AR = use ase required - = Non illustrated part

2007 WK

Driving Clutch, Front Planetary - [K1]
Figure NAG1-425



ITEM	PART NUMBER	QTY	LINE	SERIES	BODY	ENGINE	TRANS	TRIM	DESCRIPTION
1	52108513AA	1	J			EX0	DGU		CARRIER, Planetary
		1	T			EX0	DGU		
2	52107955AA	1	J			EX0	DGU		SNAP RING
		2	T			EX0	DGU		
3	52108342AA	1	J			EX0	DGU		WHEEL
		1	T			EX0	DGU		
4	52107938AA	1	J			EX0	DGU		SEAL, Transmission
		1	T			EX0	DGU		
5	52107939AA	1	J			EX0	DGU		SEAL, Transmission
		1	T			EX0	DGU		
6	52108059AA	1	J			EX0	DGU		PISTON
		1	T			EX0	DGU		
7	52108057AA	1	J			EX0	DGU		DISC, Spring
		1	T			EX0	DGU		
8	52108058AA	1	J			EX0	DGU		SPRING, Retainer
		1	T			EX0	DGU		
9	52107941AA	1	J			EX0	DGU		SEAL, Transmission
		1	T			EX0	DGU		
10	52107954AA	1	J			EX0	DGU		SNAP RING

NOTE:

Sales Codes:

[DGU]=5 Speed Automatic Transmission - [NAG1] - [W5J400]

[EXL]=3.0L V-6 Turbo Diesel Engine

GRAND CHEROKEE (WK)

SERIES LINE
H = HIGHLINE T = JEEP - 2WD
P = PREMIUM J = JEEP - 4WD
S = SPORT
X = SPECIAL

BODY
74 = SPORT UTILITY 4-DR
TYPE #4

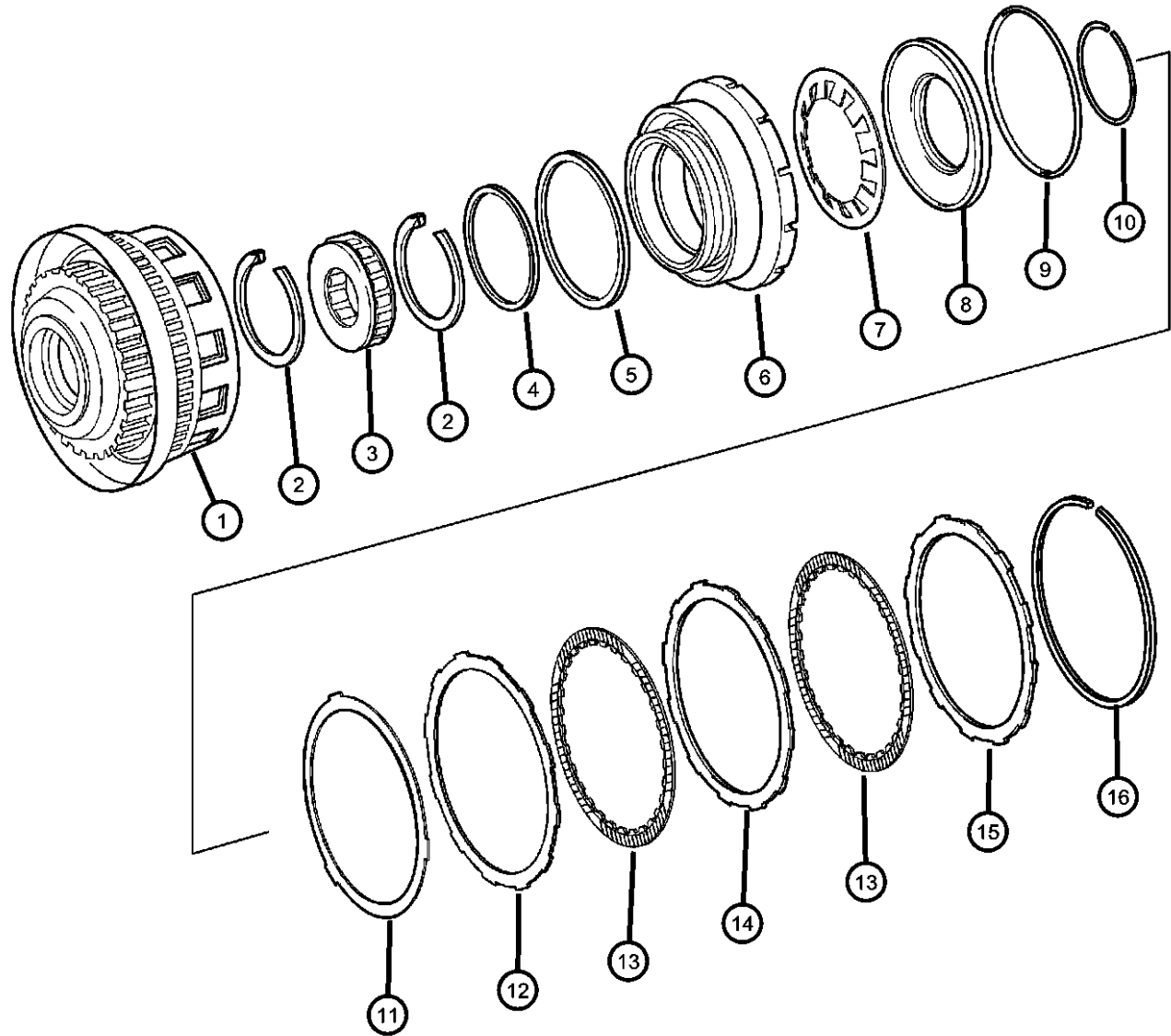
ENGINE
EVA = 4.7L V8 MPI Engine
EVD = 4.7L V8 FFV Engine
EXL = 3.0L V6 Turbo Diesel
Engine
EZB = 5.7L Hemi Multi
Displacement Engine
EKG = 3.7L V6 Engine
ESF = 6.1L SRT HEMI SMPI
V8 Engine

TRANSMISSION
DGJ = 5-Speed Auto W5A580
Transmission
DGQ = 5-Spd Automatic 545RFE
Transmission
DGU = 5-Spd Auto W5J400
Transmission

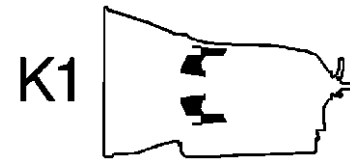
AR = use ase required - = Non illustrated part

2007 WK

Driving Clutch, Front Planetary - [K1]
Figure NAG1-425



ITEM	PART NUMBER	QTY	LINE	SERIES	BODY	ENGINE	TRANS	TRIM	DESCRIPTION
11		1	T			EX0	DGU		DISC, Spring
	52108024AA	1	J			EX0	DGU		
12		1	T			EX0	DGU		DISC, Outer
	52107994AB	1	J			EX0	DGU		
		1	T			EX0	DGU		
13		1	J			EX0	DGU		DISC, Inner
	52108507AA	1	J			EX0	DGU		
		6	T			EX0	DGU		
14		1	J			EX0	DGU		DISC, Outer
	52107994AB	1	J			EX0	DGU		
		1	T			EX0	DGU		
15		1	J			EX0	DGU		DISC, Outer
	52107994AB	1	J			EX0	DGU		
		1	T			EX0	DGU		
16									SNAP RING
	52107949AA	1	J			EX0	DGU		[2.6MM]
		1	T			EX0	DGU		[2.6MM]
	52107950AA	1	J			EX0	DGU		[2.9MM]
		1	T			EX0	DGU		[2.9MM]
	52107951AA	1	J			EX0	DGU		[3.2MM]
		1	T			EX0	DGU		[3.2MM]
	52107952AA	1	J			EX0	DGU		[3.5MM]
		1	T			EX0	DGU		[3.5MM]
	52107973AA	1	J			EX0	DGU		[3.8MM]
		1	T			EX0	DGU		[3.8MM]



GRAND CHEROKEE (WK)
 SERIES LINE
 H = HIGHLINE T = JEEP - 2WD
 P = PREMIUM J = JEEP - 4WD
 S = SPORT
 X = SPECIAL

BODY
 74 = SPORT UTILITY 4-DR
 TYPE #4

ENGINE
 EVA = 4.7L V8 MPI Engine
 EVD = 4.7L V8 FFV Engine
 EXL = 3.0L V6 Turbo Diesel
 Engine
 EZB = 5.7L Hemi Multi
 Displacement Engine
 EKG = 3.7L V6 Engine
 ESF = 6.1L SRT HEMI SMPI
 V8 Engine

TRANSMISSION
 DGJ = 5-Speed Auto W5A580
 Transmission
 DGQ = 5-Spd Automatic 545RFE
 Transmission
 DGU = 5-Spd Auto W5J400
 Transmission

AR = use ase required - = Non illustrated part

**Planetary Carrier - [K1] - [VPLS]
Figure NAG1-430**

ITEM	PART NUMBER	QTY	LINE	SERIES	BODY	ENGINE	TRANS	TRIM	DESCRIPTION
------	-------------	-----	------	--------	------	--------	-------	------	-------------

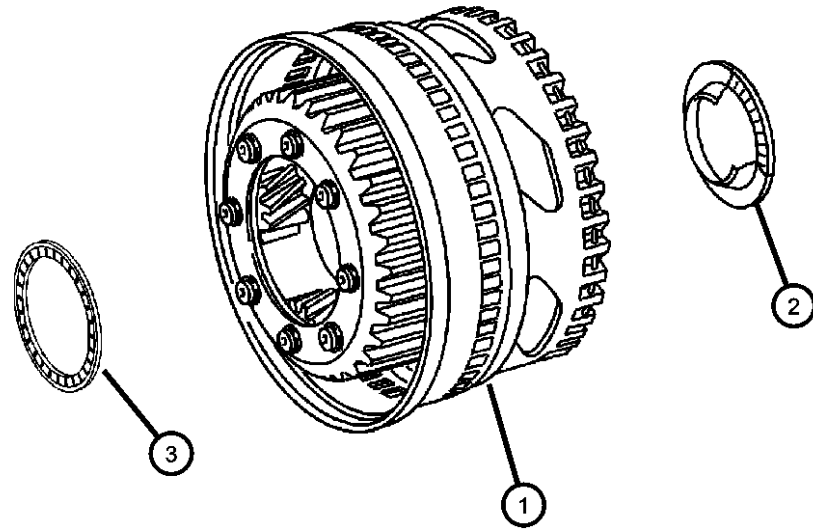
NOTE:

Sales Codes:

[DGJ]=5 Speed Automatic Transmission - [NAG1] - [W5A580]

[ESF]=6.1L SRT HEMI V-8 Engine

[EK0]=All 3.7L V6 Engines



1	52108513AA	1	J			ESF	DGJ		CARRIER, Planetary
		1	J			EK0	DGJ		
		1	T			EK0	DGJ		
2	52108123AA	1	J			ESF	DGJ		NEEDLE BEARING
		1	J			EK0	DGJ		
		1	T			EK0	DGJ		
3	52108122AA	1	J			ESF	DGJ		NEEDLE BEARING
		1	J			EK0	DGJ		
		1	T			EK0	DGJ		



GRAND CHEROKEE (WK)

SERIES LINE
H = HIGHLINE T = JEEP - 2WD
P = PREMIUM J = JEEP - 4WD
S = SPORT
X = SPECIAL

BODY
74 = SPORT UTILITY 4-DR
TYPE #4

ENGINE
EVA = 4.7L V8 MPI Engine
EVD = 4.7L V8 FFV Engine
EXL = 3.0L V6 Turbo Diesel
Engine
EZB = 5.7L Hemi Multi
Displacement Engine
EKG = 3.7L V6 Engine
ESF = 6.1L SRT HEMI SMPI
V8 Engine

TRANSMISSION
DGJ = 5-Speed Auto W5A580
Transmission
DGQ = 5-Spd Automatic 545RFE
Transmission
DGU = 5-Spd Auto W5J400
Transmission

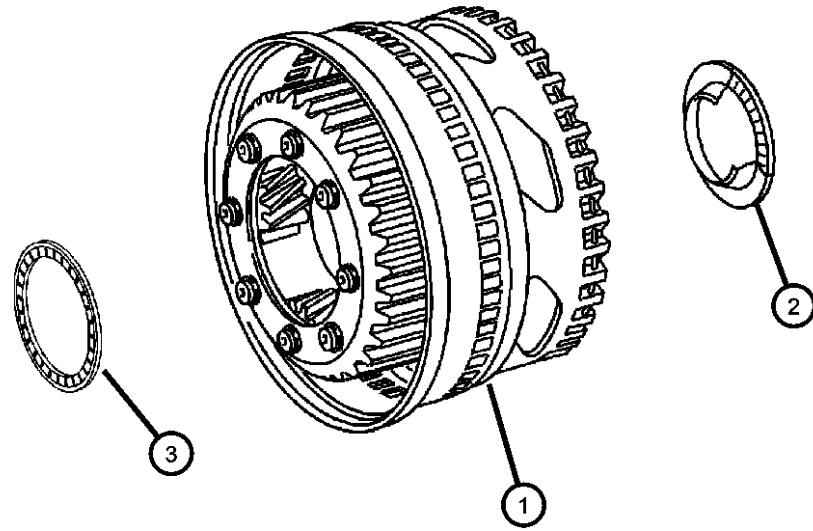
AR = use ase required - = Non illustrated part

2007 WK

**Planetary Carrier - [K1] - [VPLS]
Figure NAG1-435**

ITEM	PART NUMBER	QTY	LINE	SERIES	BODY	ENGINE	TRANS	TRIM	DESCRIPTION
------	-------------	-----	------	--------	------	--------	-------	------	-------------

NOTE:
Sales Codes:
[DGU]=5 Speed Automatic Transmission - [NAG1] - [W5J400]
[EXL]=3.0L V-6 Turbo Diesel Engine



1	52108513AA	1	J			EX0	DGU		CARRIER, Planetary
		1	T			EX0	DGU		
2	52108123AA	1	J			EX0	DGU		NEEDLE BEARING
		1	T			EX0	DGU		
3	52108122AA	1	J			EX0	DGU		NEEDLE BEARING
		1	T			EX0	DGU		



GRAND CHEROKEE (WK)

SERIES LINE
H = HIGHLINE T = JEEP - 2WD
P = PREMIUM J = JEEP - 4WD
S = SPORT
X = SPECIAL

BODY
74 = SPORT UTILITY 4-DR
TYPE #4

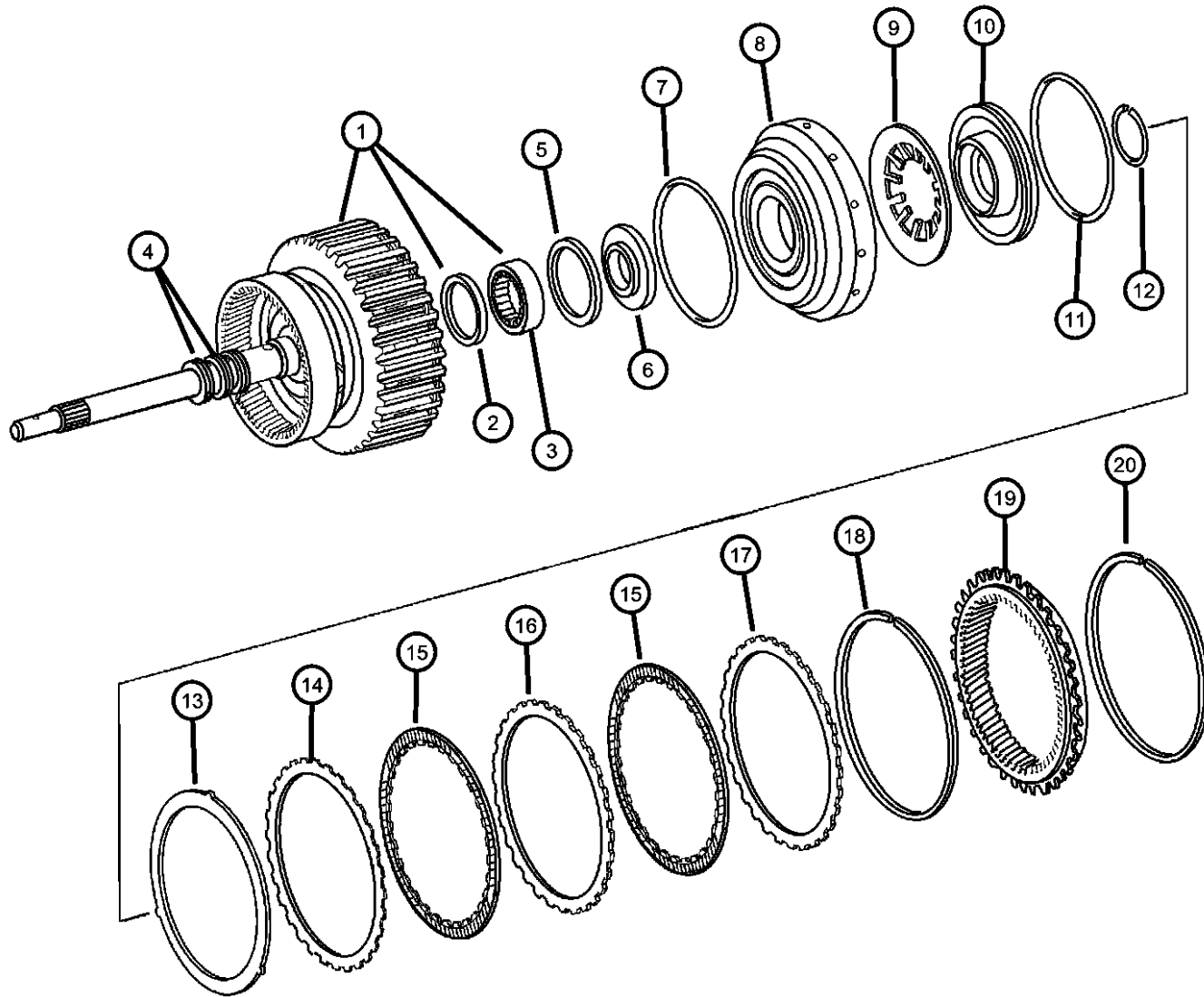
ENGINE
EVA = 4.7L V8 MPI Engine
EVD = 4.7L V8 FFV Engine
EXL = 3.0L V6 Turbo Diesel
Engine
EZB = 5.7L Hemi Multi
Displacement Engine
EKG = 3.7L V6 Engine
ESF = 6.1L SRT HEMI SMPI
V8 Engine

TRANSMISSION
DGJ = 5-Speed Auto W5A580
Transmission
DGQ = 5-Spd Automatic 545RFE
Transmission
DGU = 5-Spd Auto W5J400
Transmission

AR = use ase required - = Non illustrated part

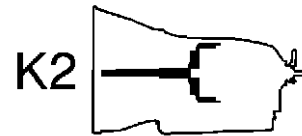
2007 WK

Driving Clutch - [K2]
Figure NAG1-440



ITEM	PART NUMBER	QTY	LINE	SERIES	BODY	ENGINE	TRANS	TRIM	DESCRIPTION
1	52108044AA	1	J			EK0	DGJ		SHAFT, Input
		1	T			EK0	DGJ		
		1	J			ESF	DGJ		
2	52108127AA	1	J			ESF	DGJ		SEAL, Transmission
		1	J			EK0	DGJ		
		1	T			EK0	DGJ		
3	52108126AA	1	J			ESF	DGJ		NEEDLE BEARING
		1	J			EK0	DGJ		
		1	T			EK0	DGJ		
4	05179366AA	3	T			EK0	DGJ		SEAL, Transmission
		3	J			EK0	DGJ		
		1	J			ESF	DGJ		
5	52108134AA	1	J			EK0	DGJ		SEAL, Transmission
		1	T			EK0	DGJ		
		1	J			ESF	DGJ		
6	52107928AA	1	J			ESF	DGJ		PLATE
		1	J			EK0	DGJ		
		1	T			EK0	DGJ		
7	52108135AA	1	J			EK0	DGJ		SEAL, Input Shaft
		1	T			EK0	DGJ		
		1	J			ESF	DGJ		

NOTE:
Sales Codes:
[DGJ]=5 Speed Automatic Transmission - [NAG1] - [W5A580]
[ESF]=6.1L SRT HEMI V-8 Engine
[EK0]=All 3.7L V-6 Engines



GRAND CHEROKEE (WK)

SERIES LINE
H = HIGHLINE T = JEEP - 2WD
P = PREMIUM J = JEEP - 4WD
S = SPORT
X = SPECIAL

BODY
74 = SPORT UTILITY 4-DR
TYPE #4

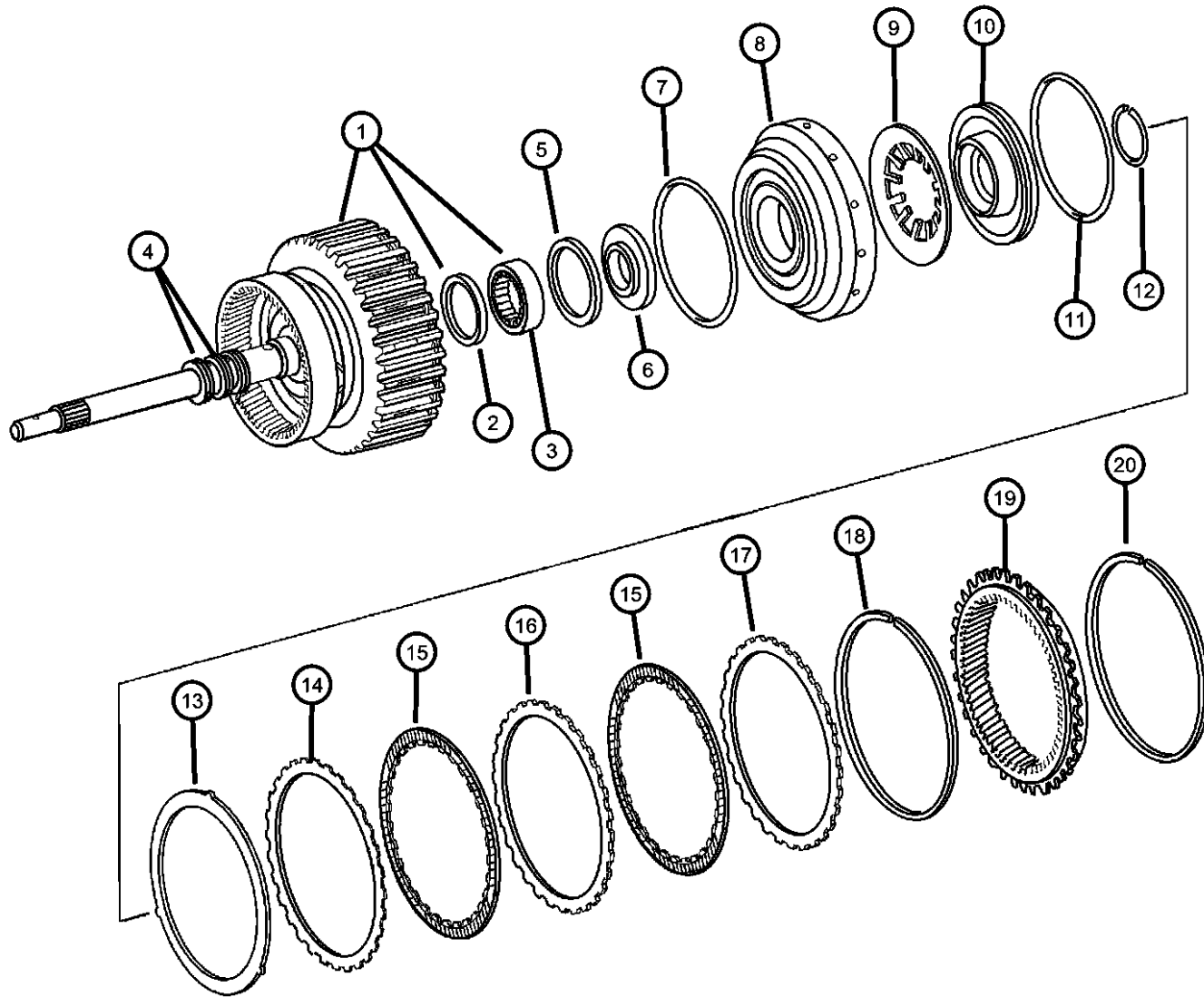
ENGINE
EVA = 4.7L V8 MPI Engine
EVD = 4.7L V8 FFV Engine
EXL = 3.0L V6 Turbo Diesel
Engine
EZB = 5.7L Hemi Multi
Displacement Engine
EKG = 3.7L V6 Engine
ESF = 6.1L SRT HEMI SMPI
V8 Engine

TRANSMISSION
DGJ = 5-Speed Auto W5A580
Transmission
DGQ = 5-Spd Automatic 545RFE
Transmission
DGU = 5-Spd Auto W5J400
Transmission

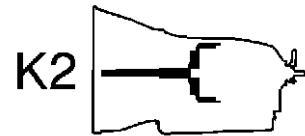
AR = use ase required - = Non illustrated part

2007 WK

Driving Clutch - [K2]
Figure NAG1-440



ITEM	PART NUMBER	QTY	LINE	SERIES	BODY	ENGINE	TRANS	TRIM	DESCRIPTION
8	52108136AA	1	J			ESF	DGJ		PISTON
	52108517AA	1	J			EK0	DGJ		
		1	T			EK0	DGJ		
9	52108137AA	1	J			EK0	DGJ		DISC, Spring
		1	T			EK0	DGJ		
		1	J			ESF	DGJ		
10	52108138AB	1	J			EK0	DGJ		SPRING, Retainer
		1	T			EK0	DGJ		
		1	J			ESF	DGJ		
11	52108140AA	1	J			ESF	DGJ		SEAL, Transmission
		1	J			EK0	DGJ		
		1	T			EK0	DGJ		
12	52107962AA	AR	J			ESF	DGJ		SNAP RING
		AR	J			EK0	DGJ		
		AR	T			EK0	DGJ		
13	52108346AA	1	J			EK0	DGJ		DISC, Spring
		1	T			EK0	DGJ		
		1	J			ESF	DGJ		
14	52107996AB	1	J			ESF	DGJ		DISC, Outer
		1	J			EK0	DGJ		
		1	T			EK0	DGJ		
15	52108141AB	6	J			ESF	DGJ		DISC, Inner
		5	J			EK0	DGJ		



GRAND CHEROKEE (WK)

SERIES LINE
H = HIGHLINE T = JEEP - 2WD
P = PREMIUM J = JEEP - 4WD
S = SPORT
X = SPECIAL

BODY
74 = SPORT UTILITY 4-DR
TYPE #4

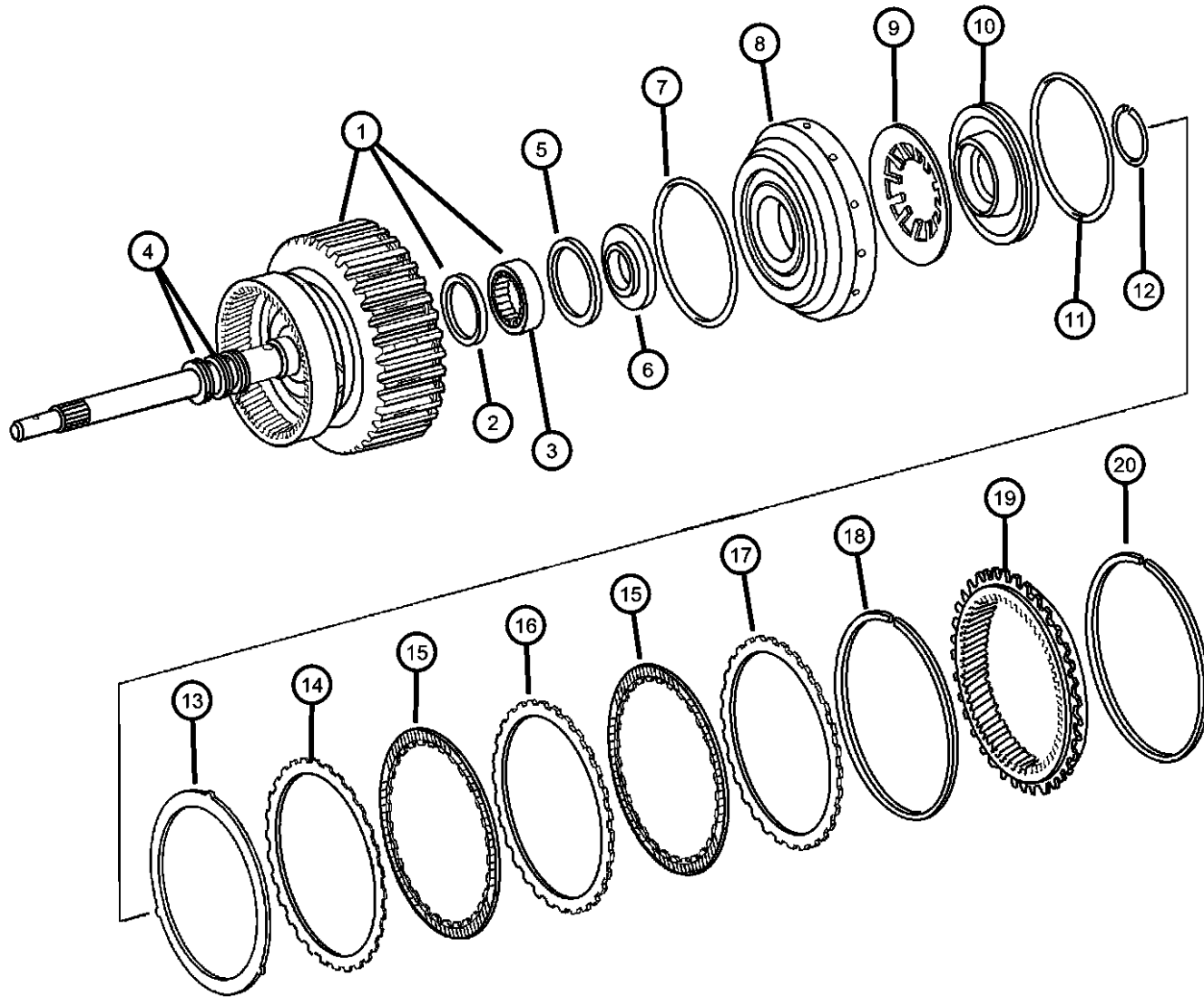
ENGINE
EVA = 4.7L V8 MPI Engine
EVD = 4.7L V8 FFV Engine
EXL = 3.0L V6 Turbo Diesel
Engine
EZB = 5.7L Hemi Multi
Displacement Engine
EKG = 3.7L V6 Engine
ESF = 6.1L SRT HEMI SMPI
V8 Engine

TRANSMISSION
DGJ = 5-Speed Auto W5A580
Transmission
DGQ = 5-Spd Automatic 545RFE
Transmission
DGU = 5-Spd Auto W5J400
Transmission

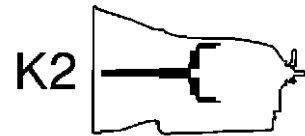
AR = use ase required - = Non illustrated part

2007 WK

Driving Clutch - [K2]
Figure NAG1-440



ITEM	PART NUMBER	QTY	LINE	SERIES	BODY	ENGINE	TRANS	TRIM	DESCRIPTION	
16	05174859AA	5	T			EK0	DGJ		DISC, Outer	
		4	J			EK0	DGJ			
		4	T			EK0	DGJ			
		1	J			ESF	DGJ			
17	05174860AA	1	J			ESF	DGJ		DISC, Outer	
		1	T			EK0	DGJ			
		1	J			EK0	DGJ			
18	52107958AA	AR	J			ESF	DGJ		SNAP RING Clutch Retainer [2.3MM]	
		AR	J			EK0	DGJ			
		AR	T			EK0	DGJ			
		52107960AA	AR	T			EK0	DGJ		
		52107961AA	AR	J			ESF	DGJ		
			AR	J			EK0	DGJ		
			AR	T			EK0	DGJ		
		52107959AA	AR	J			ESF	DGJ		
			AR	J			EK0	DGJ		
			AR	T			EK0	DGJ		
			AR	J			ESF	DGJ		
			AR	J			EK0	DGJ		
		52107962AA	AR	J			ESF	DGJ		
			AR	J			EK0	DGJ		
			AR	T			EK0	DGJ		
		19	52107922AA	1	J			ESF		DGJ
1	J					EK0	DGJ			
1	T					EK0	DGJ			
20	52107926AA	1	J			ESF	DGJ		SNAP RING	



GRAND CHEROKEE (WK)

SERIES LINE
H = HIGHLINE T = JEEP - 2WD
P = PREMIUM J = JEEP - 4WD
S = SPORT
X = SPECIAL

BODY
74 = SPORT UTILITY 4-DR
TYPE #4

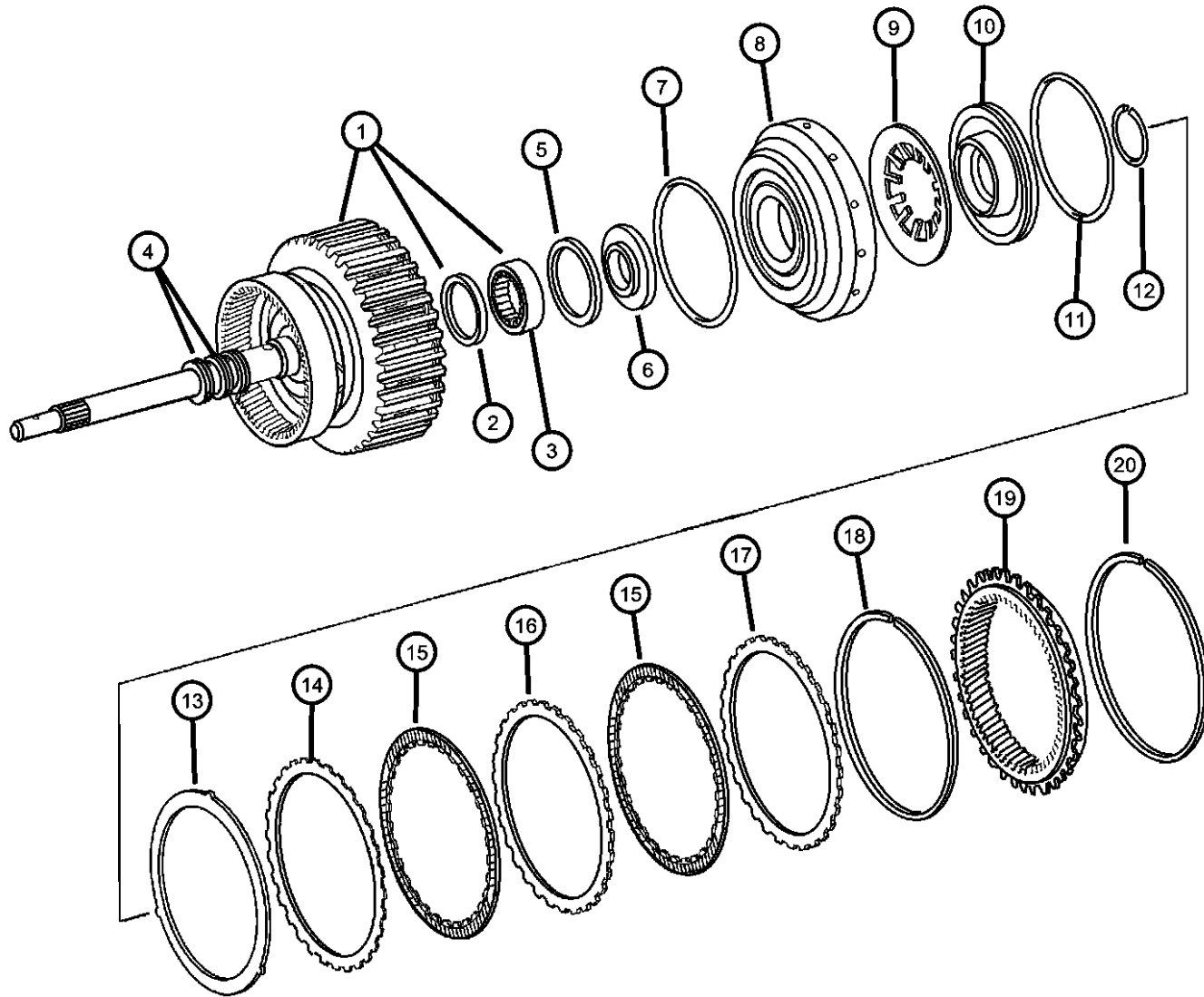
ENGINE
EVA = 4.7L V8 MPI Engine
EVD = 4.7L V8 FFV Engine
EXL = 3.0L V6 Turbo Diesel
Engine
EZB = 5.7L Hemi Multi
Displacement Engine
EKG = 3.7L V6 Engine
ESF = 6.1L SRT HEMI SMPI
V8 Engine

TRANSMISSION
DGJ = 5-Speed Auto W5A580
Transmission
DGQ = 5-Spd Automatic 545RFE
Transmission
DGU = 5-Spd Auto W5J400
Transmission

AR = use ase required - = Non illustrated part

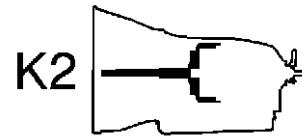
2007 WK

Driving Clutch - [K2]
Figure NAG1-440



ITEM	PART NUMBER	QTY	LINE	SERIES	BODY	ENGINE	TRANS	TRIM	DESCRIPTION
------	-------------	-----	------	--------	------	--------	-------	------	-------------

		1	J			EK0	DGJ		
		1	T			EK0	DGJ		



GRAND CHEROKEE (WK)

SERIES LINE
H = HIGHLINE T = JEEP - 2WD
P = PREMIUM J = JEEP - 4WD
S = SPORT
X = SPECIAL

BODY
74 = SPORT UTILITY 4-DR
TYPE #4

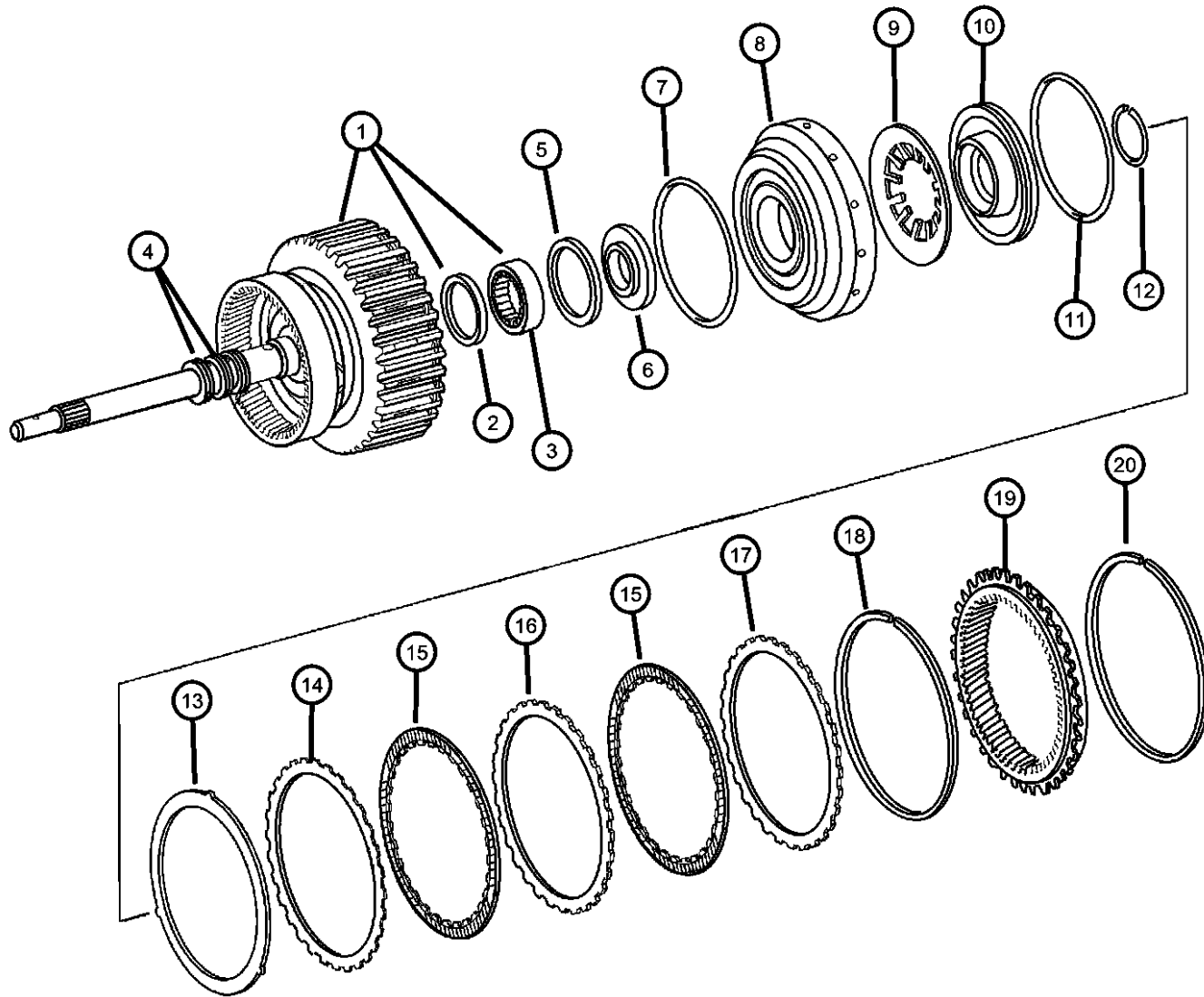
ENGINE
EVA = 4.7L V8 MPI Engine
EVD = 4.7L V8 FFV Engine
EXL = 3.0L V6 Turbo Diesel
Engine
EZB = 5.7L Hemi Multi
Displacement Engine
EKG = 3.7L V6 Engine
ESF = 6.1L SRT HEMI SMPI
V8 Engine

TRANSMISSION
DGJ = 5-Speed Auto W5A580
Transmission
DGQ = 5-Spd Automatic 545RFE
Transmission
DGU = 5-Spd Auto W5J400
Transmission

AR = use ase required - = Non illustrated part

2007 WK

Driving Clutch - [K2]
Figure NAG1-445



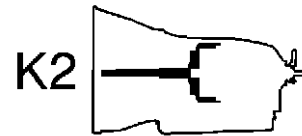
ITEM	PART NUMBER	QTY	LINE	SERIES	BODY	ENGINE	TRANS	TRIM	DESCRIPTION
1	52108044AA	1	J			EX0	DGU		SHAFT, Input
2	52108127AA	1	T			EX0	DGU		SEAL, Transmission
3	52108126AA	1	T			EX0	DGU		NEEDLE BEARING
4	05179366AA	3	J			EX0	DGU		SEAL, Transmission
5	52108134AA	1	T			EX0	DGU		SEAL, Transmission
6	52107928AA	1	J			EX0	DGU		PLATE
7	52108135AA	1	T			EX0	DGU		SEAL, Input Shaft
8	52108191AA	1	J			EX0	DGU		PISTON
9	52108137AA	1	T			EX0	DGU		DISC, Spring
10	52108138AB	1	J			EX0	DGU		SPRING, Retainer

NOTE:

Sales Codes:

[DGU]=5 Speed Automatic Transmission - [NAG1] - [W5J400]

[EXL]=3.0L V-6 Turbo Diesel Engine



GRAND CHEROKEE (WK)

SERIES LINE
H = HIGHLINE T = JEEP - 2WD
P = PREMIUM J = JEEP - 4WD
S = SPORT
X = SPECIAL

BODY
74 = SPORT UTILITY 4-DR
TYPE #4

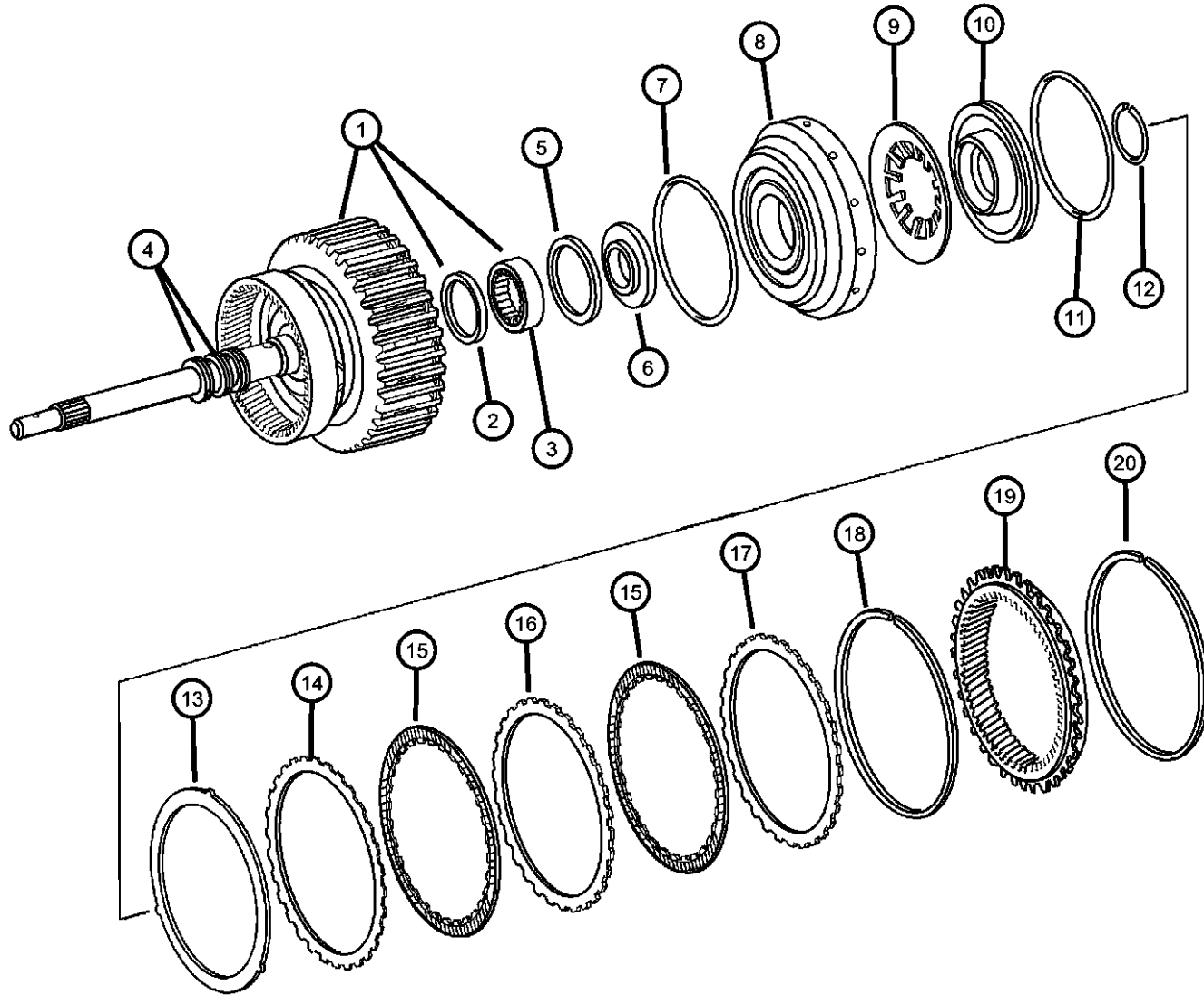
ENGINE
EVA = 4.7L V8 MPI Engine
EVD = 4.7L V8 FFV Engine
EXL = 3.0L V6 Turbo Diesel
Engine
EZB = 5.7L Hemi Multi
Displacement Engine
EKG = 3.7L V6 Engine
ESF = 6.1L SRT HEMI SMPI
V8 Engine

TRANSMISSION
DGJ = 5-Speed Auto W5A580
Transmission
DGQ = 5-Spd Automatic 545RFE
Transmission
DGU = 5-Spd Auto W5J400
Transmission

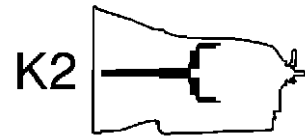
AR = use ase required - = Non illustrated part

2007 WK

Driving Clutch - [K2]
Figure NAG1-445



ITEM	PART NUMBER	QTY	LINE	SERIES	BODY	ENGINE	TRANS	TRIM	DESCRIPTION
11		1	T			EX0	DGU		SEAL, Transmission
	52108140AA	1	J			EX0	DGU		
12		1	T			EX0	DGU		SNAP RING
	52107962AA	1	J			EX0	DGU		
		1	T			EX0	DGU		
13		1	J			EX0	DGU		DISC, Spring
	52108346AA	1	J			EX0	DGU		
		1	T			EX0	DGU		
14		1	J			EX0	DGU		DISC, Outer
	52107996AB	1	J			EX0	DGU		
		1	T			EX0	DGU		
15		1	J			EX0	DGU		DISC, Inner
	52108141AB	1	J			EX0	DGU		
		6	T			EX0	DGU		
16		5	J			EX0	DGU		DISC, Outer
	05174859AA	5	J			EX0	DGU		
		5	T			EX0	DGU		
17		1	J			EX0	DGU		DISC, Outer
	05174860AA	1	J			EX0	DGU		
		1	T			EX0	DGU		
18		1	J			EX0	DGU		SNAP RING
	52107958AA	1	J			EX0	DGU		[2.3MM]
		1	T			EX0	DGU		[2.3MM]
	52107959AA	1	J			EX0	DGU		[2.6MM]
		1	T			EX0	DGU		[2.6MM]
	52107960AA	1	J			EX0	DGU		[2.9MM]
		1	T			EX0	DGU		[2.9MM]
	52107961AA	1	J			EX0	DGU		[3.2MM]
		1	T			EX0	DGU		[3.2MM]



GRAND CHEROKEE (WK)

SERIES LINE
H = HIGHLINE T = JEEP - 2WD
P = PREMIUM J = JEEP - 4WD
S = SPORT
X = SPECIAL

BODY
74 = SPORT UTILITY 4-DR
TYPE #4

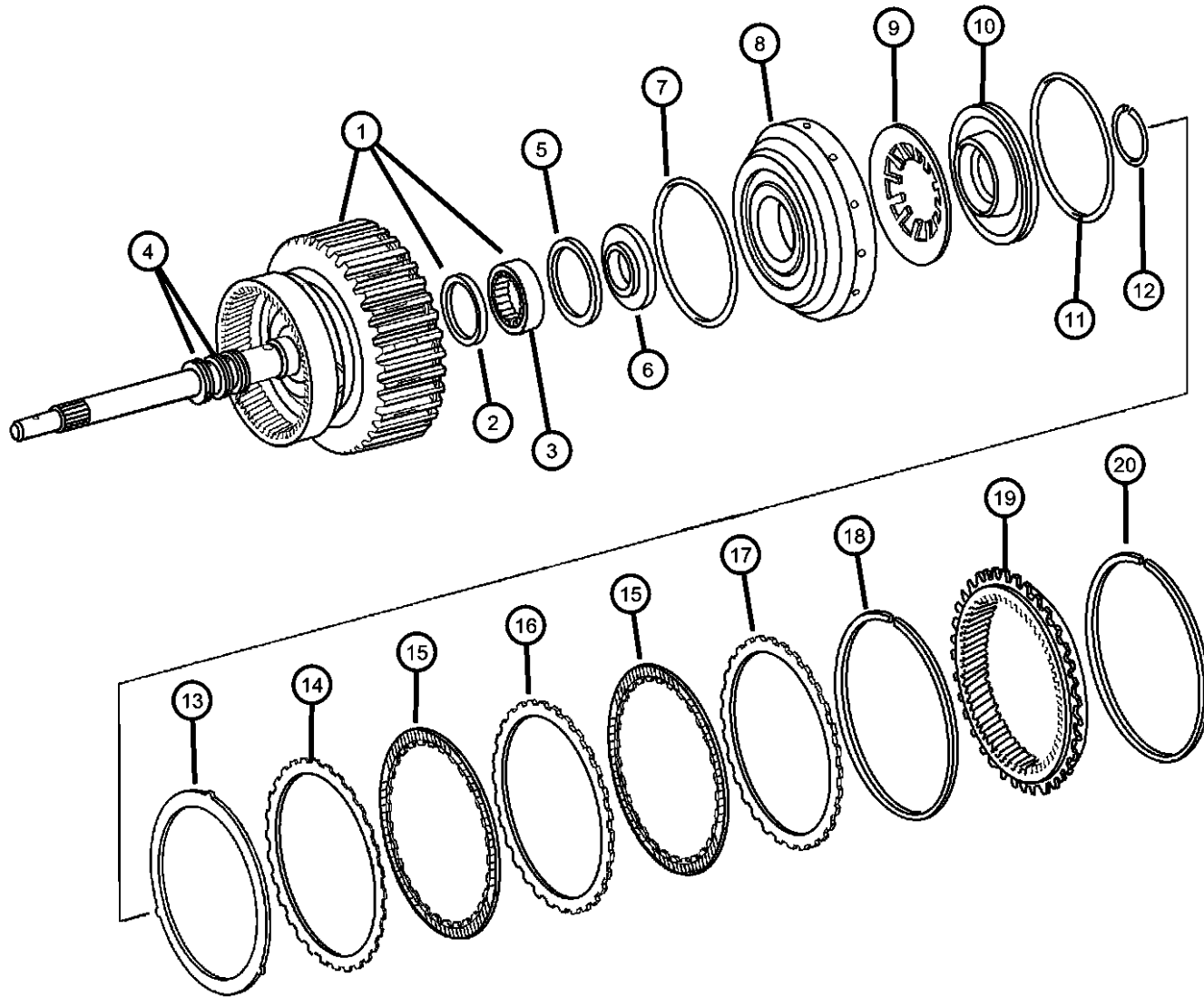
ENGINE
EVA = 4.7L V8 MPI Engine
EVD = 4.7L V8 FFV Engine
EXL = 3.0L V6 Turbo Diesel
Engine
EZB = 5.7L Hemi Multi
Displacement Engine
EKG = 3.7L V6 Engine
ESF = 6.1L SRT HEMI SMPI
V8 Engine

TRANSMISSION
DGJ = 5-Speed Auto W5A580
Transmission
DGQ = 5-Spd Automatic 545RFE
Transmission
DGU = 5-Spd Auto W5J400
Transmission

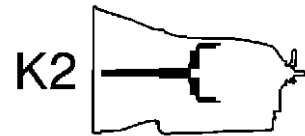
AR = use ase required - = Non illustrated part

2007 WK

Driving Clutch - [K2]
Figure NAG1-445



ITEM	PART NUMBER	QTY	LINE	SERIES	BODY	ENGINE	TRANS	TRIM	DESCRIPTION
19	52107962AA	1	J			EX0	DGU		[3.5MM]
		1	T			EX0	DGU		[3.5MM]
20	52107922AA	1	J			EX0	DGU		GEAR, Rear Annulus
		1	T			EX0	DGU		
	52107926AA	1	J			EX0	DGU		SNAP RING
		1	T			EX0	DGU		



GRAND CHEROKEE (WK)

SERIES LINE
H = HIGHLINE T = JEEP - 2WD
P = PREMIUM J = JEEP - 4WD
S = SPORT
X = SPECIAL

BODY
74 = SPORT UTILITY 4-DR
TYPE #4

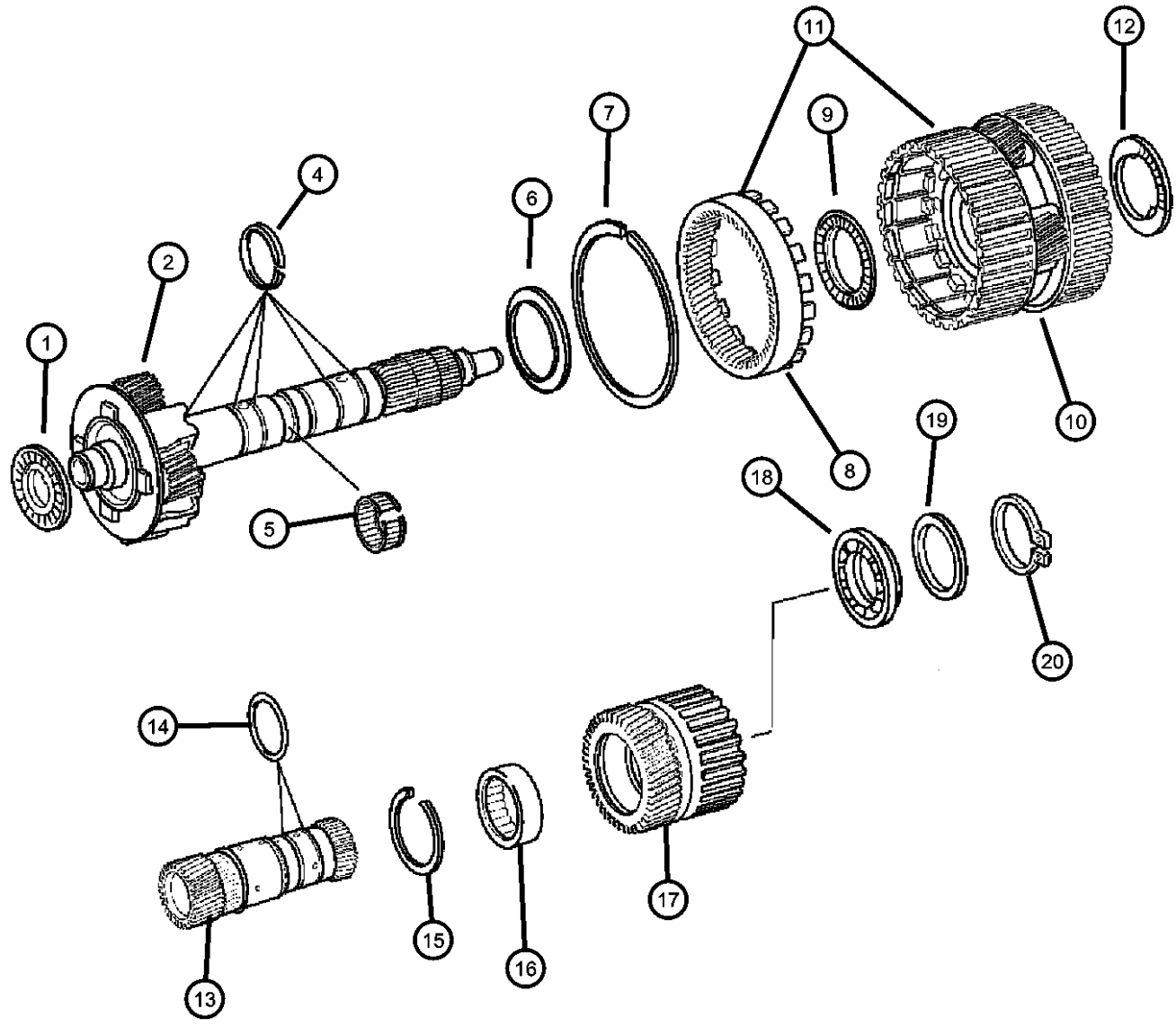
ENGINE
EVA = 4.7L V8 MPI Engine
EVD = 4.7L V8 FFV Engine
EXL = 3.0L V6 Turbo Diesel
Engine
EZB = 5.7L Hemi Multi
Displacement Engine
EKG = 3.7L V6 Engine
ESF = 6.1L SRT HEMI SMPI
V8 Engine

TRANSMISSION
DGJ = 5-Speed Auto W5A580
Transmission
DGQ = 5-Spd Automatic 545RFE
Transmission
DGU = 5-Spd Auto W5J400
Transmission

AR = use ase required - = Non illustrated part

2007 WK

**Center & Rear Planetary Set - Output Shaft - [MPLS / HPLS]
Figure NAG1-450**



ITEM	PART NUMBER	QTY	LINE	SERIES	BODY	ENGINE	TRANS	TRIM	DESCRIPTION
	NOTE: Sales Codes: [DGJ]=5 Speed Automatic Transmission - [NAG1] - [W5A580] [ESF]=6.1L SRT HEMI V-8 Engine [EK0]=ALL 3.7L V-6 Engines								
1	52107927AA	1	J			ESF	DGJ		NEEDLE BEARING
		1	J			EK0	DGJ		
		1	T			EK0	DGJ		
2	52107929AA	1	J			ESF	DGJ		SHAFT, Output
		1	J			EK0	DGJ		
		1	T			EK0	DGJ		
-3	52108390AA	1	J			ESF	DGJ		BALL, Check
		1	J			EK0	DGJ		
		1	T			EK0	DGJ		
4	52108427AA	5	J			ESF	DGJ		SEAL, Transmission
		5	J			EK0	DGJ		
		5	T			EK0	DGJ		
5	52108069AA	1	J			ESF	DGJ		NEEDLE BEARING
		1	J			EK0	DGJ		
		1	T			EK0	DGJ		
6	52108070AA	1	J			ESF	DGJ		PLATE
		1	J			EK0	DGJ		
		1	T			EK0	DGJ		
7	52108374AA	1	J			ESF	DGJ		SNAP RING
		1	J			EK0	DGJ		
		1	T			EK0	DGJ		

MPLS/HPLS



GRAND CHEROKEE (WK)
 SERIES LINE
 H = HIGHLINE T = JEEP - 2WD
 P = PREMIUM J = JEEP - 4WD
 S = SPORT
 X = SPECIAL

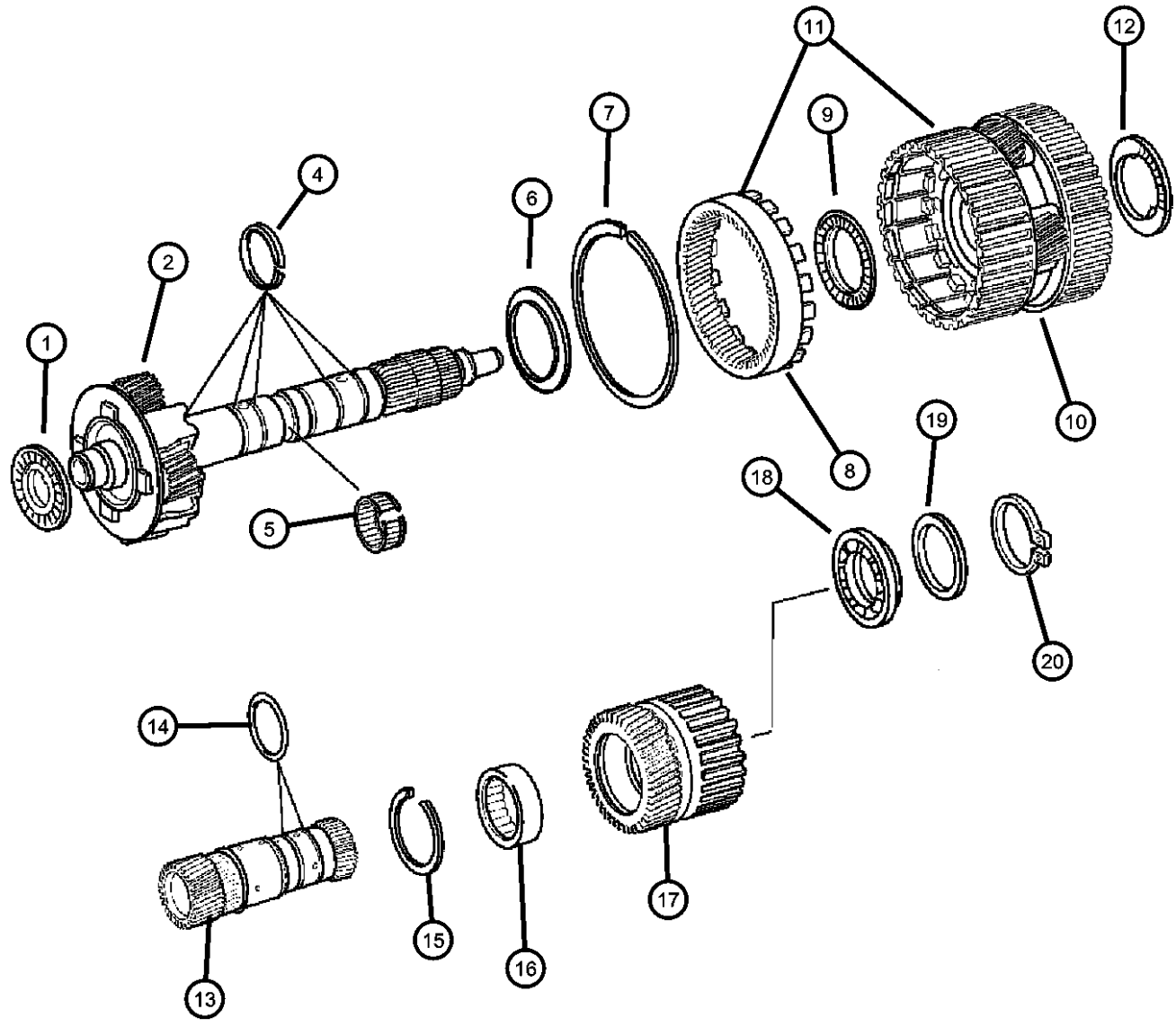
BODY
 74 = SPORT UTILITY 4-DR
 TYPE #4

ENGINE
 EVA = 4.7L V8 MPI Engine
 EVD = 4.7L V8 FFV Engine
 EXL = 3.0L V6 Turbo Diesel
 Engine
 EZB = 5.7L Hemi Multi
 Displacement Engine
 EKG = 3.7L V6 Engine
 ESF = 6.1L SRT HEMI SMPI
 V8 Engine

TRANSMISSION
 DGJ = 5-Speed Auto W5A580
 Transmission
 DGQ = 5-Spd Automatic 545RFE
 Transmission
 DGU = 5-Spd Auto W5J400
 Transmission

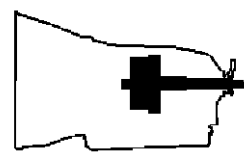
AR = use ase required - = Non illustrated part

**Center & Rear Planetary Set - Output Shaft - [MPLS / HPLS]
Figure NAG1-450**



ITEM	PART NUMBER	QTY	LINE	SERIES	BODY	ENGINE	TRANS	TRIM	DESCRIPTION
8	52108376AA	1	J			ESF	DGJ		GEAR, Annulus
		1	J			EK0	DGJ		
		1	T			EK0	DGJ		
9	52107931AA	1	J			ESF	DGJ		NEEDLE BEARING
		1	J			EK0	DGJ		
		1	T			EK0	DGJ		
10	52108072AA	1	J			ESF	DGJ		CARRIER, Planetary
		1	J			EK0	DGJ		
		1	T			EK0	DGJ		
11	52108071AA	1	J			ESF	DGJ		CARRIER, Planetary
		1	J			EK0	DGJ		
		1	T			EK0	DGJ		
12	52107932AA	1	J			ESF	DGJ		NEEDLE BEARING
		1	J			EK0	DGJ		
		1	T			EK0	DGJ		
13	52108078AA	1	J			ESF	DGJ		GEAR, Sun
		1	J			EK0	DGJ		
		1	T			EK0	DGJ		
14	52108085AA	2	J			ESF	DGJ		SEAL, Transmission
		2	J			EK0	DGJ		
		2	T			EK0	DGJ		
15	52107966AA	1	J			ESF	DGJ		SNAP RING
		1	J			EK0	DGJ		

MPLS/HPLS



GRAND CHEROKEE (WK)
 SERIES LINE
 H = HIGHLINE T = JEEP - 2WD
 P = PREMIUM J = JEEP - 4WD
 S = SPORT
 X = SPECIAL

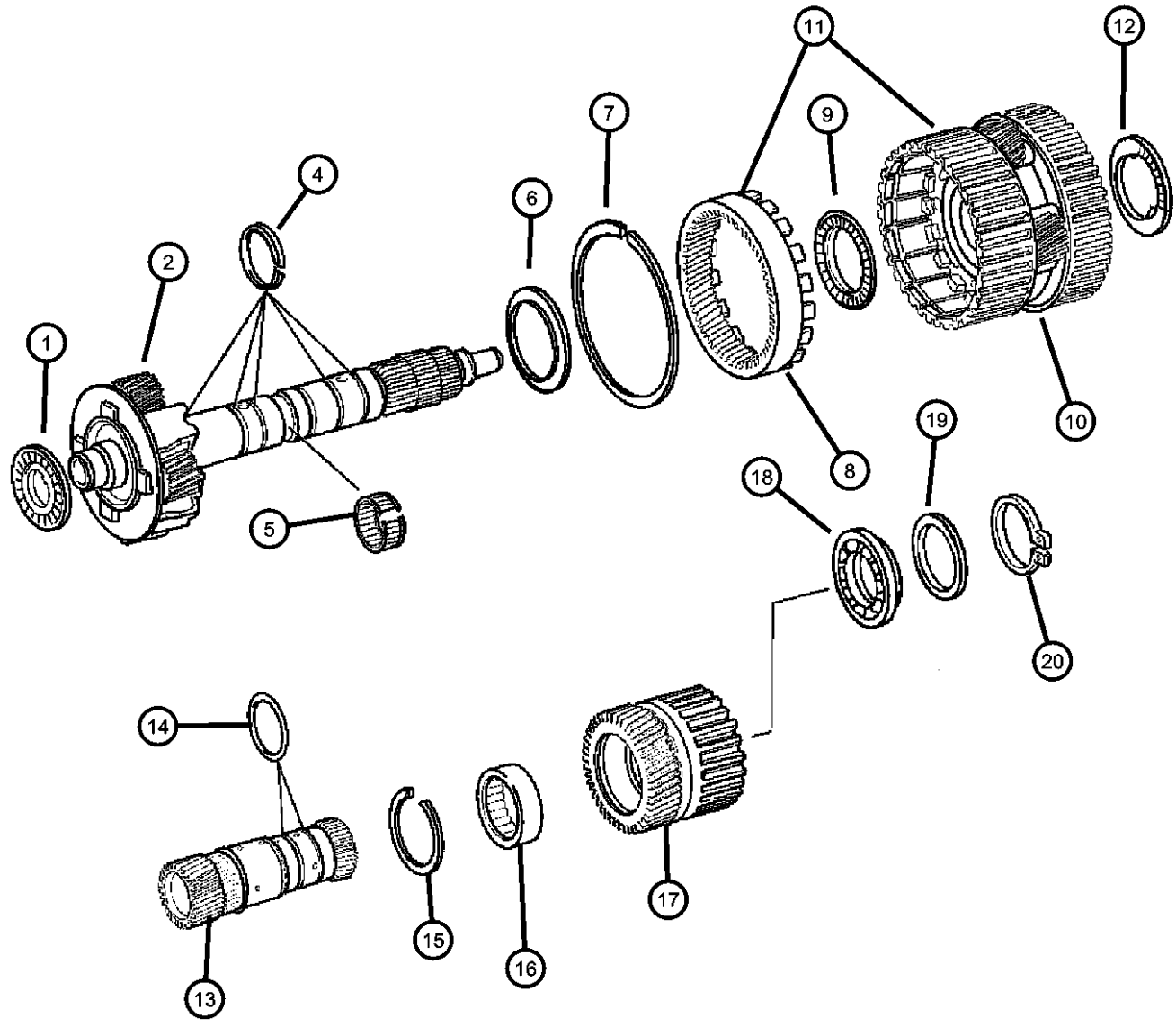
BODY
 74 = SPORT UTILITY 4-DR
 TYPE #4

ENGINE
 EVA = 4.7L V8 MPI Engine
 EVD = 4.7L V8 FFV Engine
 EXL = 3.0L V6 Turbo Diesel
 Engine
 EZB = 5.7L Hemi Multi
 Displacement Engine
 EKG = 3.7L V6 Engine
 ESF = 6.1L SRT HEMI SMPI
 V8 Engine

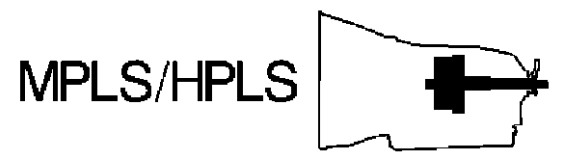
TRANSMISSION
 DGJ = 5-Speed Auto W5A580
 Transmission
 DGQ = 5-Spd Automatic 545RFE
 Transmission
 DGU = 5-Spd Auto W5J400
 Transmission

AR = use ase required - = Non illustrated part

**Center & Rear Planetary Set - Output Shaft - [MPLS / HPLS]
Figure NAG1-450**



ITEM	PART NUMBER	QTY	LINE	SERIES	BODY	ENGINE	TRANS	TRIM	DESCRIPTION
16		1	T			EK0	DGJ		BEARING, Output Shaft
	52108522AA	1	J			ESF	DGJ		
		1	J			EK0	DGJ		
		1	T			EK0	DGJ		
17									GEAR, Sun
	52108519AA	1	J			ESF	DGJ		
		1	J			EK0	DGJ		
		1	T			EK0	DGJ		
18									BEARING
	52108084AA	1	J			ESF	DGJ		
		1	J			EK0	DGJ		
		1	T			EK0	DGJ		
19									SPACER
	52108379AA	1	J			ESF	DGJ		
		1	J			EK0	DGJ		
		1	T			EK0	DGJ		
20									SNAP RING
	52107967AA	1	J			ESF	DGJ		
		1	J			EK0	DGJ		
		1	T			EK0	DGJ		



GRAND CHEROKEE (WK)
 SERIES LINE
 H = HIGHLINE T = JEEP - 2WD
 P = PREMIUM J = JEEP - 4WD
 S = SPORT
 X = SPECIAL

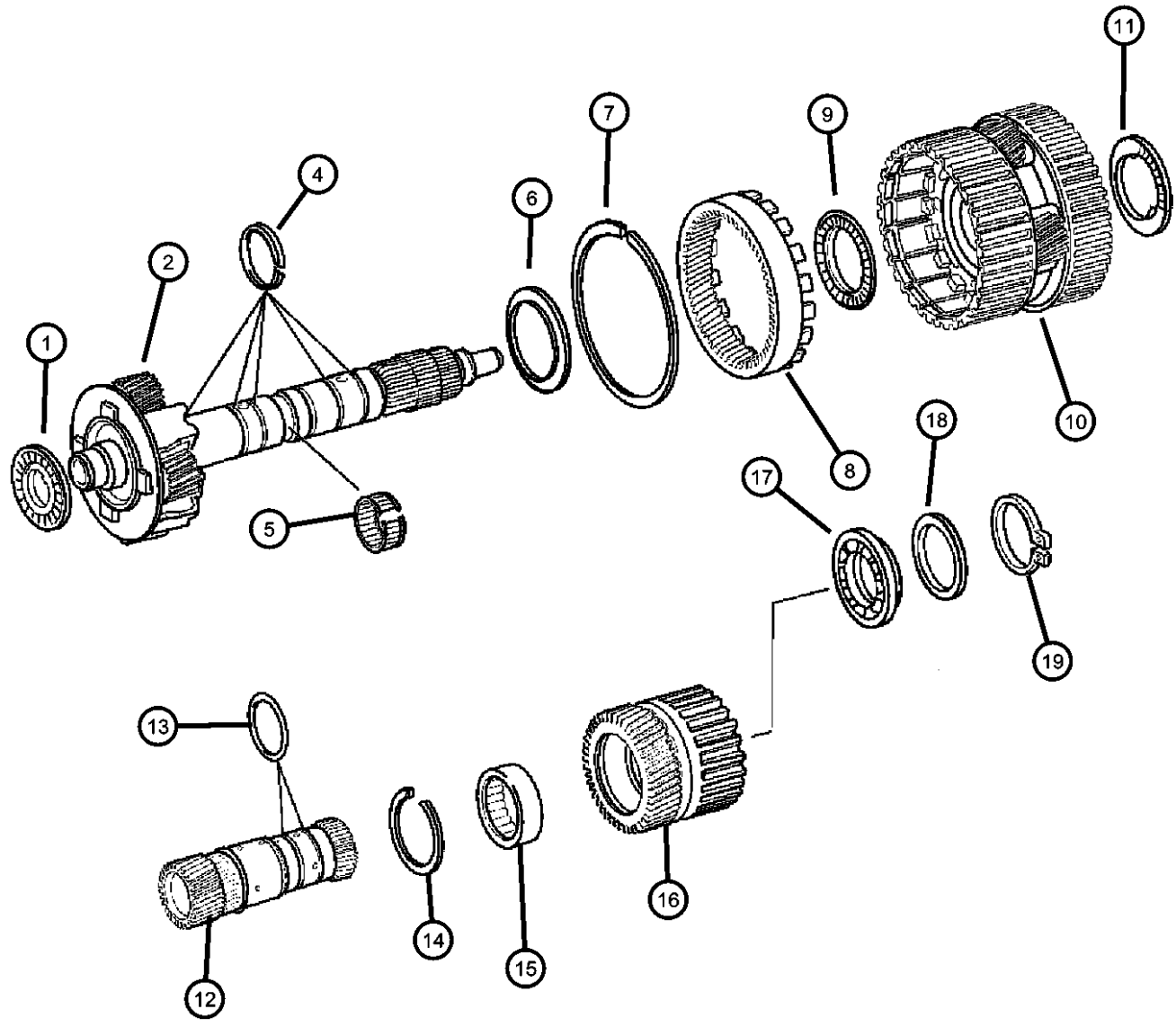
BODY
 74 = SPORT UTILITY 4-DR
 TYPE #4

ENGINE
 EVA = 4.7L V8 MPI Engine
 EVD = 4.7L V8 FFV Engine
 EXL = 3.0L V6 Turbo Diesel
 Engine
 EZB = 5.7L Hemi Multi
 Displacement Engine
 EKG = 3.7L V6 Engine
 ESF = 6.1L SRT HEMI SMPI
 V8 Engine

TRANSMISSION
 DGJ = 5-Speed Auto W5A580
 Transmission
 DGQ = 5-Spd Automatic 545RFE
 Transmission
 DGU = 5-Spd Auto W5J400
 Transmission

AR = use ase required - = Non illustrated part

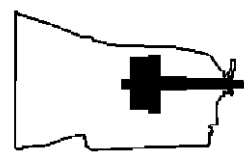
**Center & Rear Planetary Set - Output Shaft - [MPLS / HPLS]
Figure NAG1-455**



ITEM	PART NUMBER	QTY	LINE	SERIES	BODY	ENGINE	TRANS	TRIM	DESCRIPTION
1	52107927AA	1	J			EX0	DGU		NEEDLE BEARING
		1	T			EX0	DGU		
2	52107929AA	1	J			EX0	DGU		SHAFT, Output
		1	T			EX0	DGU		
-3	52108390AA	1	J			EX0	DGU		BALL, Check
		1	T			EX0	DGU		
4	52108427AA	5	J			EX0	DGU		SEAL, Transmission
		5	T			EX0	DGU		
5	52108069AA	1	J			EX0	DGU		NEEDLE BEARING
		1	T			EX0	DGU		
6	52108070AA	1	J			EX0	DGU		PLATE
		1	T			EX0	DGU		
7	52108374AA	1	J			EX0	DGU		SNAP RING
		1	T			EX0	DGU		
8	52108376AA	1	J			EX0	DGU		GEAR, Annulus
		1	T			EX0	DGU		
9	52107931AA	1	J			EX0	DGU		NEEDLE BEARING
		1	T			EX0	DGU		
10	52108072AA	1	J			EX0	DGU		CARRIER, Planetary

NOTE:
Sales Codes:
[DGU]=5 Speed Automatic Transmission - [NAG1] - [W5J400]
[EXL]=3.0L V-6 Turbo Diesel Engine

MPLS/HPLS



GRAND CHEROKEE (WK)
 SERIES LINE
 H = HIGHLINE T = JEEP - 2WD
 P = PREMIUM J = JEEP - 4WD
 S = SPORT
 X = SPECIAL

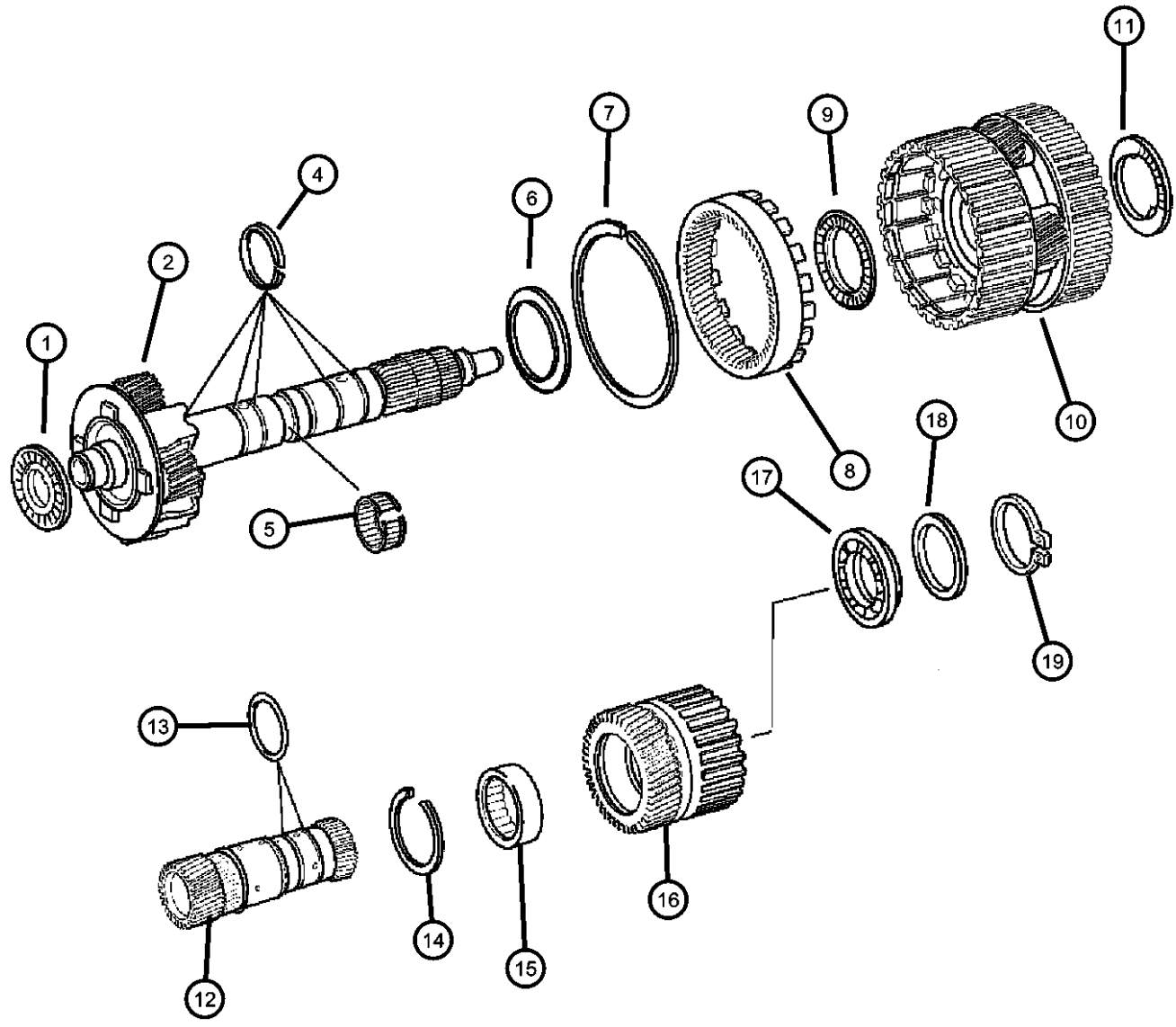
BODY
 74 = SPORT UTILITY 4-DR
 TYPE #4

ENGINE
 EVA = 4.7L V8 MPI Engine
 EVD = 4.7L V8 FFV Engine
 EXL = 3.0L V6 Turbo Diesel
 Engine
 EZB = 5.7L Hemi Multi
 Displacement Engine
 EKG = 3.7L V6 Engine
 ESF = 6.1L SRT HEMI SMPI
 V8 Engine

TRANSMISSION
 DGJ = 5-Speed Auto W5A580
 Transmission
 DGQ = 5-Spd Automatic 545RFE
 Transmission
 DGU = 5-Spd Auto W5J400
 Transmission

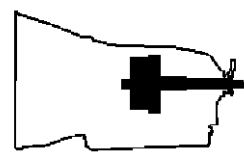
AR = use ase required - = Non illustrated part

**Center & Rear Planetary Set - Output Shaft - [MPLS / HPLS]
Figure NAG1-455**



ITEM	PART NUMBER	QTY	LINE	SERIES	BODY	ENGINE	TRANS	TRIM	DESCRIPTION
11		1	T			EX0	DGU		NEEDLE BEARING
	52107932AA	1	J			EX0	DGU		
12		1	T			EX0	DGU		GEAR, Sun
	52108078AA	1	J			EX0	DGU		
13		1	T			EX0	DGU		SEAL, Transmission
	52108085AA	1	J			EX0	DGU		
14		2	T			EX0	DGU		SNAP RING
	52107966AA	1	J			EX0	DGU		
15		1	T			EX0	DGU		BEARING, Output Shaft
	52108522AA	1	J			EX0	DGU		
16		1	T			EX0	DGU		GEAR, Sun
	52108519AA	1	J			EX0	DGU		
17		1	T			EX0	DGU		BEARING
	52108084AA	1	J			EX0	DGU		
18		1	T			EX0	DGU		SPACER
	52108379AA	1	J			EX0	DGU		
19		1	T			EX0	DGU		SNAP RING
	52107967AA	1	J			EX0	DGU		
		1	T			EX0	DGU		

MPLS/HPLS



GRAND CHEROKEE (WK)
 SERIES LINE
 H = HIGHLINE T = JEEP - 2WD
 P = PREMIUM J = JEEP - 4WD
 S = SPORT
 X = SPECIAL

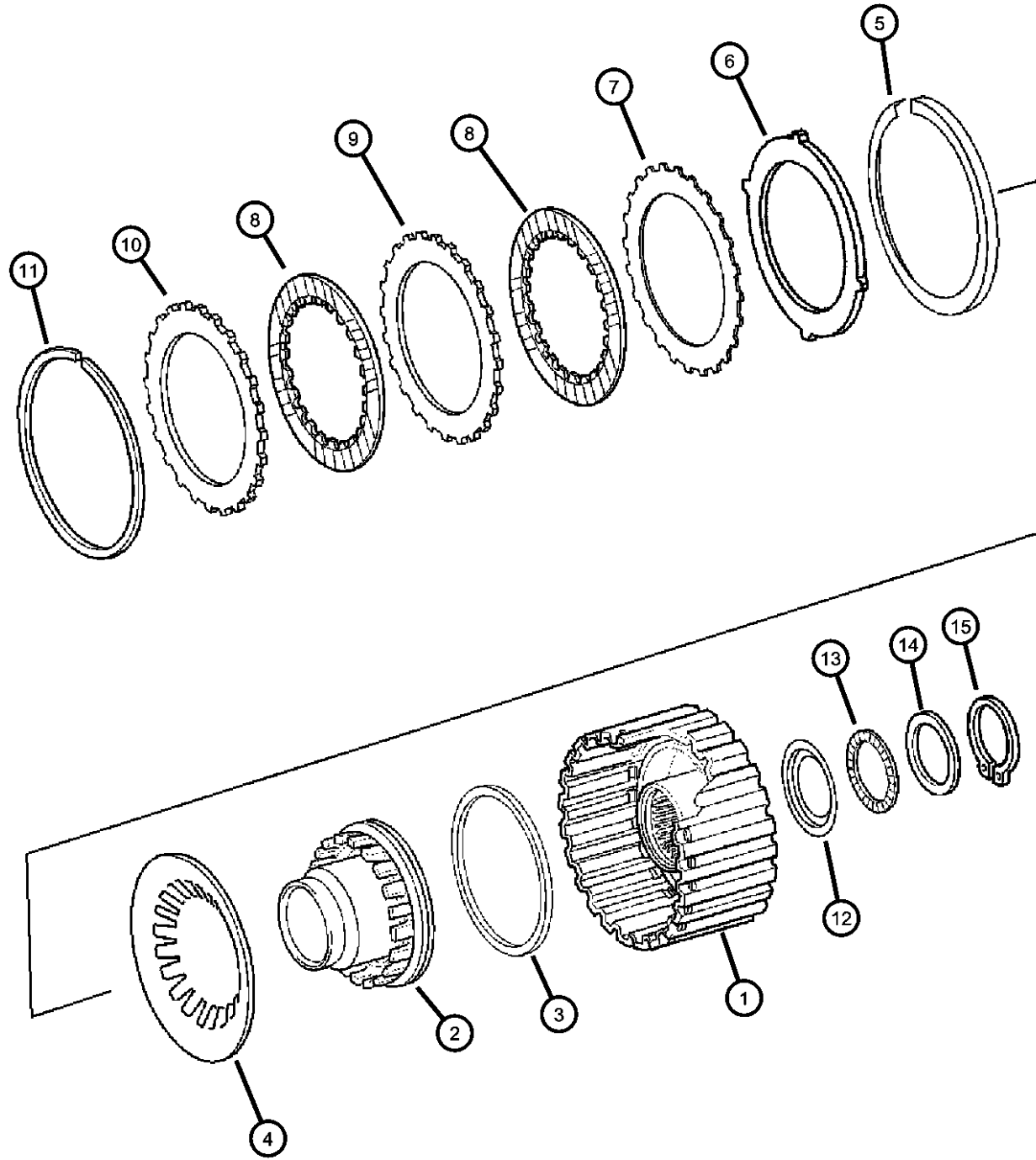
BODY
 74 = SPORT UTILITY 4-DR
 TYPE #4

ENGINE
 EVA = 4.7L V8 MPI Engine
 EVD = 4.7L V8 FFV Engine
 EXL = 3.0L V6 Turbo Diesel
 Engine
 EZB = 5.7L Hemi Multi
 Displacement Engine
 EKG = 3.7L V6 Engine
 ESF = 6.1L SRT HEMI SMPI
 V8 Engine

TRANSMISSION
 DGJ = 5-Speed Auto W5A580
 Transmission
 DGQ = 5-Spd Automatic 545RFE
 Transmission
 DGU = 5-Spd Auto W5J400
 Transmission

AR = use ase required - = Non illustrated part

Driving Clutch - [K3]
Figure NAG1-460



ITEM	PART NUMBER	QTY	LINE	SERIES	BODY	ENGINE	TRANS	TRIM	DESCRIPTION
NOTE: Sales Codes: [DGJ]=5 Speed Automatic Transmission - [NAG1] - [W5A580] [ESF]=6.1L SRT HEMI V-8 Engine [EK0]=All 3.7L V-6 Engine									
1									RETAINER, Clutch
	52108524AA	1	T			EK0	DGJ		
		1	J			EK0	DGJ		
	52108541AB	1	J			ESF	DGJ		
2									PISTON
	52108094AA	1	J			ESF	DGJ		
		1	T			EK0	DGJ		
		1	J			EK0	DGJ		
3									SEAL, Transmission
	52108093AA	1	J			ESF	DGJ		
		1	T			EK0	DGJ		
		1	J			EK0	DGJ		
4									DISC, Spring
	52108095AA	1	J			ESF	DGJ		
		1	T			EK0	DGJ		
		1	J			EK0	DGJ		
5									SNAP RING
	52107968AA	1	J			ESF	DGJ		
		1	T			EK0	DGJ		
		1	J			EK0	DGJ		
6									DISC, Spring
	52108096AA	1	J			ESF	DGJ		
		1	T			EK0	DGJ		
		1	J			EK0	DGJ		
7									DISC, Outer
	52108529AA	5	J			ESF	DGJ		[2.8MM]
		4	J			EK0	DGJ		[2.8MM]
		4	T			EK0	DGJ		[2.8MM]

GRAND CHEROKEE (WK)

SERIES LINE
H = HIGHLINE T = JEEP - 2WD
P = PREMIUM J = JEEP - 4WD
S = SPORT
X = SPECIAL

BODY
74 = SPORT UTILITY 4-DR
TYPE #4

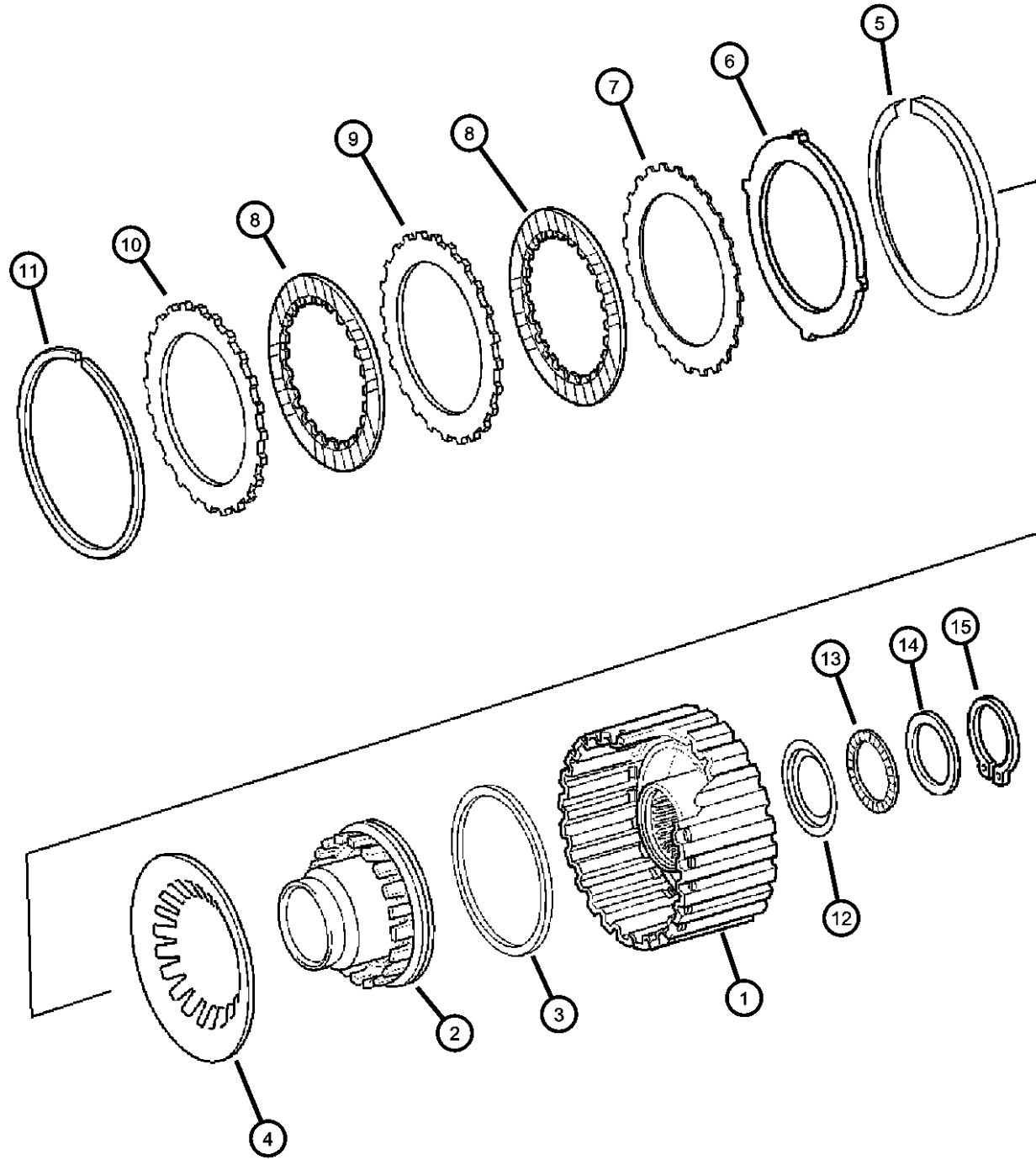
ENGINE
EVA = 4.7L V8 MPI Engine
EVD = 4.7L V8 FFV Engine
EXL = 3.0L V6 Turbo Diesel
Engine
EZB = 5.7L Hemi Multi
Displacement Engine
EKG = 3.7L V6 Engine
ESF = 6.1L SRT HEMI SMPI
V8 Engine

TRANSMISSION
DGJ = 5-Speed Auto W5A580
Transmission
DGQ = 5-Spd Automatic 545RFE
Transmission
DGU = 5-Spd Auto W5J400
Transmission

AR = use ase required - = Non illustrated part

2007 WK

Driving Clutch - [K3]
Figure NAG1-460



ITEM	PART NUMBER	QTY	LINE	SERIES	BODY	ENGINE	TRANS	TRIM	DESCRIPTION	
8	52108528AA	5	J			ESF	DGJ		DISC, Inner	
		4	J			EK0	DGJ			
		4	T			EK0	DGJ			
9	52108529AA	5	J			ESF	DGJ		DISC, Outer [2.8MM]	
		4	J			EK0	DGJ			
		4	T			EK0	DGJ			
10	05174861AA	1	T			EK0	DGJ		DISC, Outer	
		1	J			EK0	DGJ			
		1	J			ESF	DGJ			
11	52107970AA	AR	J			ESF	DGJ		SNAP RING [2.3MM]	
		AR	J			EK0	DGJ			
		52107971AA	AR	J			ESF	DGJ		
		AR	J			EK0	DGJ			
		52107972AA	AR	J			ESF	DGJ		
		AR	J			EK0	DGJ			
		AR	T			EK0	DGJ			
		52107974AA	AR	T			EK0	DGJ		
		AR	J			ESF	DGJ			
		AR	J			EK0	DGJ			
12	52108148AA	1	J			ESF	DGJ		SPACER	
		1	J			EK0	DGJ			
		1	T			EK0	DGJ			
13	52108152AA	1	J			ESF	DGJ		NEEDLE BEARING	

GRAND CHEROKEE (WK)

SERIES LINE
H = HIGHLINE T = JEEP - 2WD
P = PREMIUM J = JEEP - 4WD
S = SPORT
X = SPECIAL

BODY
74 = SPORT UTILITY 4-DR
TYPE #4

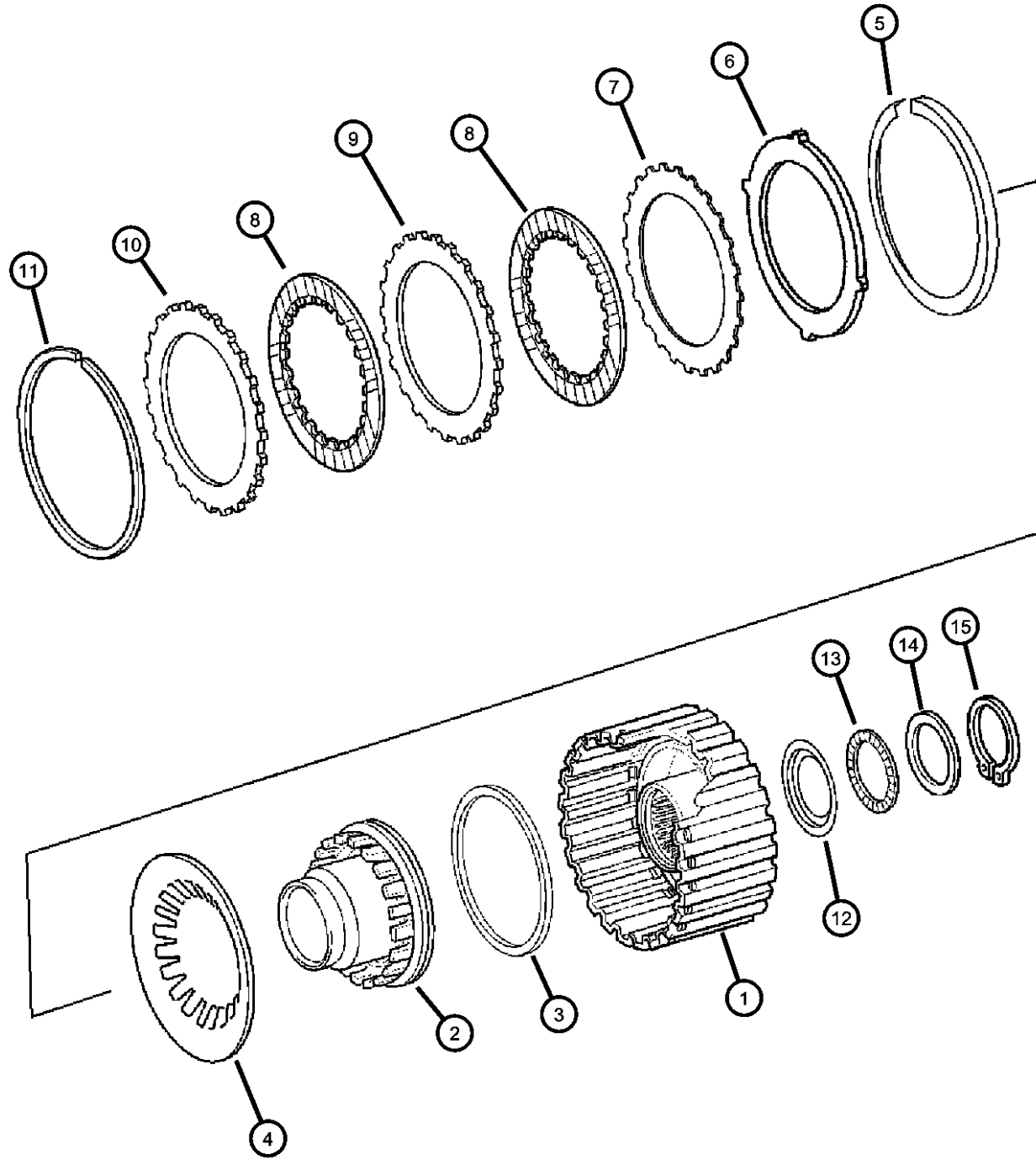
ENGINE
EVA = 4.7L V8 MPI Engine
EVD = 4.7L V8 FFV Engine
EXL = 3.0L V6 Turbo Diesel
Engine
EZB = 5.7L Hemi Multi
Displacement Engine
EKG = 3.7L V6 Engine
ESF = 6.1L SRT HEMI SMPI
V8 Engine

TRANSMISSION
DGJ = 5-Speed Auto W5A580
Transmission
DGQ = 5-Spd Automatic 545RFE
Transmission
DGU = 5-Spd Auto W5J400
Transmission

AR = use ase required - = Non illustrated part

2007 WK

Driving Clutch - [K3]
Figure NAG1-460



ITEM	PART NUMBER	QTY	LINE	SERIES	BODY	ENGINE	TRANS	TRIM	DESCRIPTION
		1	J			EK0	DGJ		
		1	T			EK0	DGJ		
14	52108149AA	AR	J			ESF	DGJ		PLATE [3.7MM]
		AR	J			EK0	DGJ		[3.7MM]
		AR	T			EK0	DGJ		[3.7MM]
	52108150AA	AR	J			ESF	DGJ		[3.1MM]
		AR	J			EK0	DGJ		[3.1MM]
		AR	T			EK0	DGJ		[3.1MM]
	52108151AA	AR	J			ESF	DGJ		[3.4MM]
		AR	J			EK0	DGJ		[3.4MM]
		AR	T			EK0	DGJ		[3.4MM]
15	06507358AA	1	J			ESF	DGJ		RING
		1	J			EK0	DGJ		
		1	T			EK0	DGJ		

GRAND CHEROKEE (WK)

SERIES LINE
H = HIGHLINE T = JEEP - 2WD
P = PREMIUM J = JEEP - 4WD
S = SPORT
X = SPECIAL

BODY
74 = SPORT UTILITY 4-DR
TYPE #4

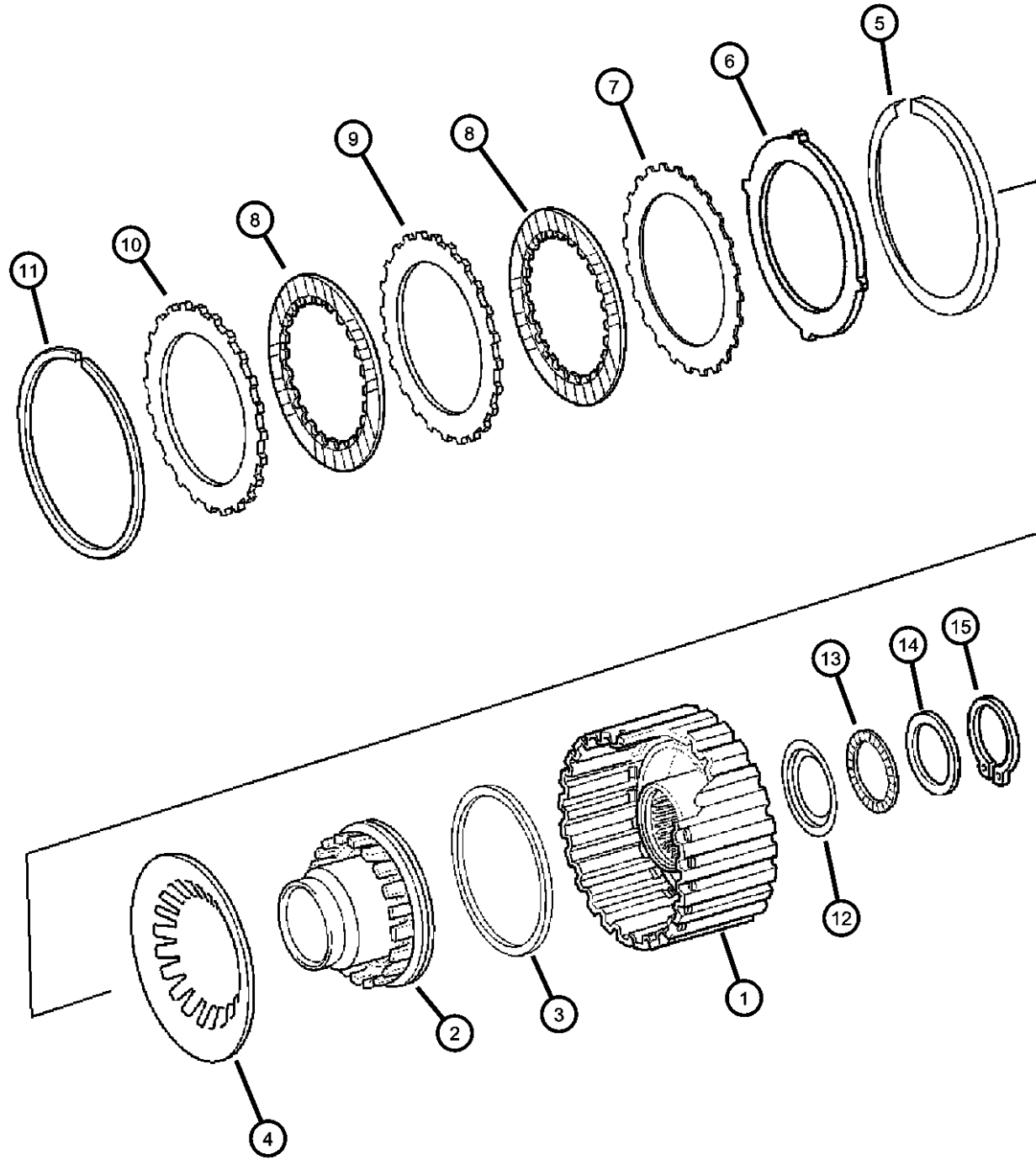
ENGINE
EVA = 4.7L V8 MPI Engine
EVD = 4.7L V8 FFV Engine
EXL = 3.0L V6 Turbo Diesel
Engine
EZB = 5.7L Hemi Multi
Displacement Engine
EKG = 3.7L V6 Engine
ESF = 6.1L SRT HEMI SMPI
V8 Engine

TRANSMISSION
DGJ = 5-Speed Auto W5A580
Transmission
DGQ = 5-Spd Automatic 545RFE
Transmission
DGU = 5-Spd Auto W5J400
Transmission

AR = use as required - = Non illustrated part

2007 WK

Driving Clutch - [K3]
Figure NAG1-465



ITEM	PART NUMBER	QTY	LINE	SERIES	BODY	ENGINE	TRANS	TRIM	DESCRIPTION
1	52108548AB	1	J			EX0	DGU		RETAINER, K3 Clutch
2	52108094AA	1	J			EX0	DGU		PISTON
3	52108093AA	1	T			EX0	DGU		SEAL, Transmission
4	52108095AA	1	J			EX0	DGU		DISC, Spring
5	52107968AA	1	T			EX0	DGU		SNAP RING
6	52108096AA	1	J			EX0	DGU		DISC, Spring
7	52108529AA	5	T			EX0	DGU		DISC, Outer
8	52108528AA	5	J			EX0	DGU		DISC, Inner
9	52108529AA	5	T			EX0	DGU		DISC, Outer
10	52108572AA	5	J			EX0	DGU		DISC, Outer
11		5	T			EX0	DGU		SNAP RING

NOTE:

Sales Codes:

[DGU]=5 Speed Automatic Transmission - [NAG1] - [W5J400]

[EXL]=3.0L V-6 Turbo Diesel Engine

GRAND CHEROKEE (WK)

SERIES LINE
H = HIGHLINE T = JEEP - 2WD
P = PREMIUM J = JEEP - 4WD
S = SPORT
X = SPECIAL

BODY
74 = SPORT UTILITY 4-DR
TYPE #4

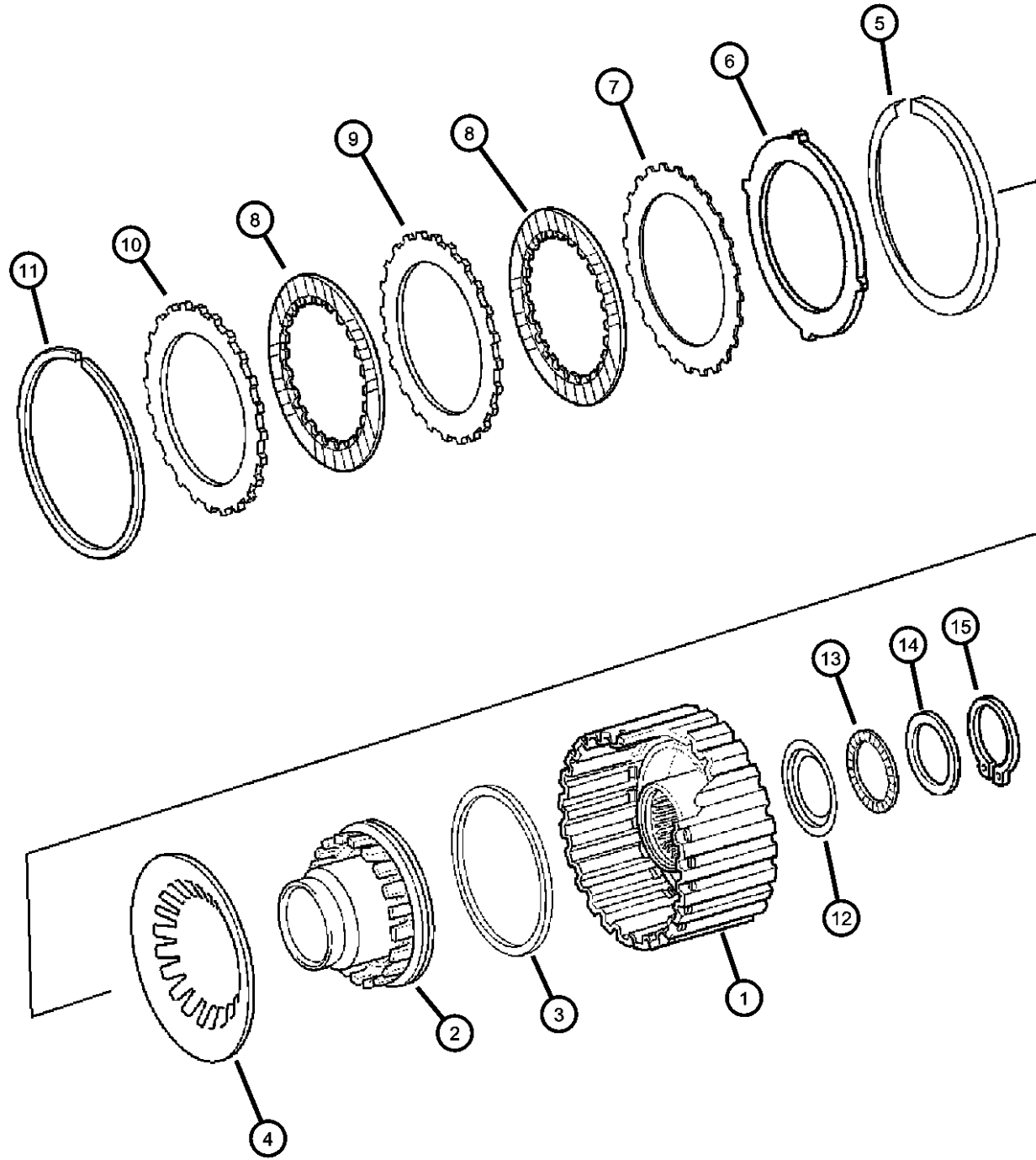
ENGINE
EVA = 4.7L V8 MPI Engine
EVD = 4.7L V8 FFV Engine
EXL = 3.0L V6 Turbo Diesel
Engine
EZB = 5.7L Hemi Multi
Displacement Engine
EKG = 3.7L V6 Engine
ESF = 6.1L SRT HEMI SMPI
V8 Engine

TRANSMISSION
DGJ = 5-Speed Auto W5A580
Transmission
DGQ = 5-Spd Automatic 545RFE
Transmission
DGU = 5-Spd Auto W5J400
Transmission

AR = use ase required - = Non illustrated part

2007 WK

Driving Clutch - [K3]
Figure NAG1-465



ITEM	PART NUMBER	QTY	LINE	SERIES	BODY	ENGINE	TRANS	TRIM	DESCRIPTION
	52107970AA	1	J			EX0	DGU		[2.3 MM]
		1	T			EX0	DGU		[2.3 MM]
	52107974AA	1	T			EX0	DGU		[2.0 MM]
	52107972AA	1	J			EX0	DGU		[2.9 MM]
		1	T			EX0	DGU		[2.9 MM]
	52107971AA	1	J			EX0	DGU		[2.0 MM]
		1	J			EX0	DGU		[2.6 MM]
		1	T			EX0	DGU		[2.6 MM]
12									SPACER
	52108148AA	1	J			EX0	DGU		
		1	T			EX0	DGU		
13									NEEDLE BEARING
	52108152AA	1	J			EX0	DGU		
		1	T			EX0	DGU		
14									PLATE
	52108151AA	1	J			EX0	DGU		[3.4 MM]
		1	T			EX0	DGU		[3.4 MM]
	52108150AA	1	J			EX0	DGU		[3.1 MM]
		1	T			EX0	DGU		[3.1 MM]
	52108149AA	1	J			EX0	DGU		[3.7 MM]
		1	T			EX0	DGU		[3.7 MM]
15									RING
	06507358AA	1	J			EX0	DGU		
		1	T			EX0	DGU		

GRAND CHEROKEE (WK)

SERIES LINE
H = HIGHLINE T = JEEP - 2WD
P = PREMIUM J = JEEP - 4WD
S = SPORT
X = SPECIAL

BODY
74 = SPORT UTILITY 4-DR
TYPE #4

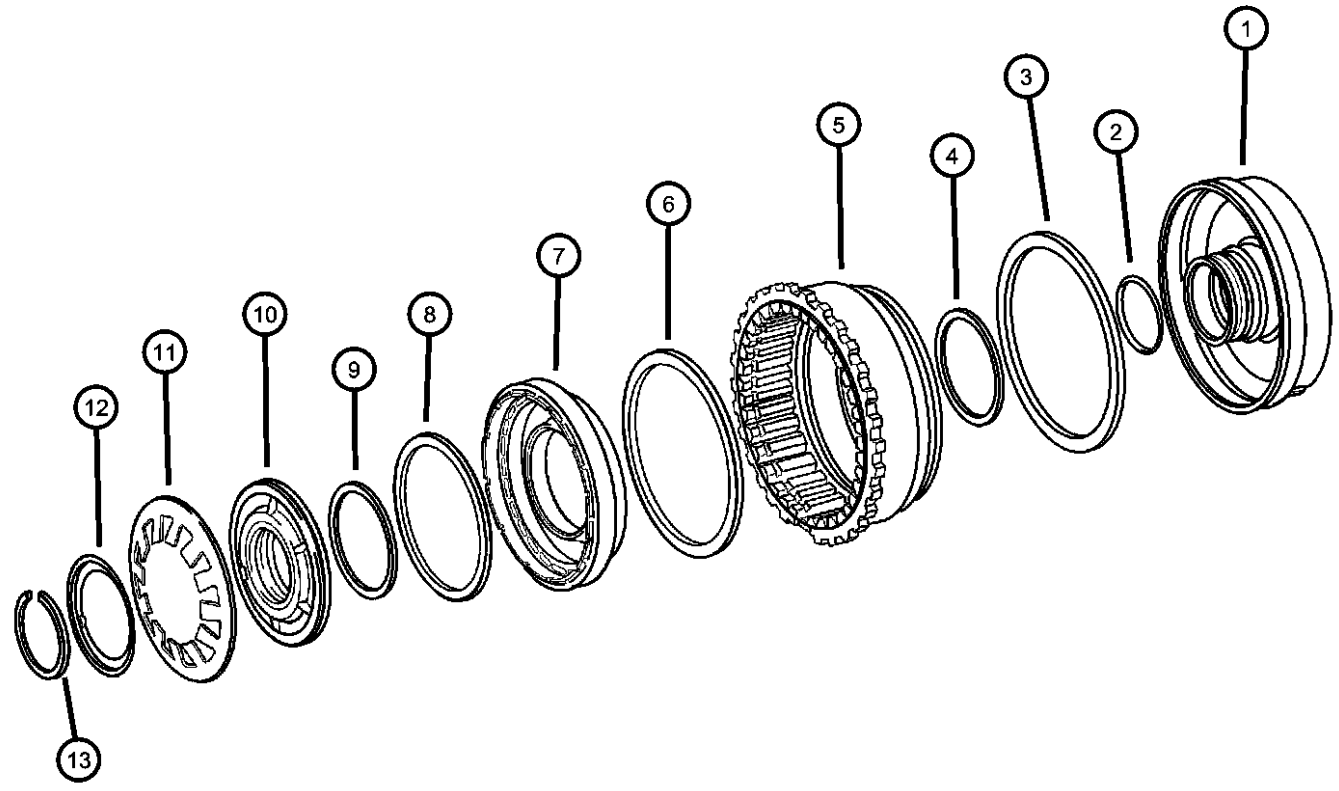
ENGINE
EVA = 4.7L V8 MPI Engine
EVD = 4.7L V8 FFV Engine
EXL = 3.0L V6 Turbo Diesel
Engine
EZB = 5.7L Hemi Multi
Displacement Engine
EKG = 3.7L V6 Engine
ESF = 6.1L SRT HEMI SMPI
V8 Engine

TRANSMISSION
DGJ = 5-Speed Auto W5A580
Transmission
DGQ = 5-Spd Automatic 545RFE
Transmission
DGU = 5-Spd Auto W5J400
Transmission

AR = use ase required - = Non illustrated part

2007 WK

**Multiple Disc Brake & Parking Lock Gearwheel - [B2 & B3]
Figure NAG1-470**



ITEM	PART NUMBER	QTY	LINE	SERIES	BODY	ENGINE	TRANS	TRIM	DESCRIPTION
NOTE: Sales Codes: [DGJ]=5 Speed Automatic Transmission - [NAG1] - [W5A580] [ESF]=6.1L SRT HEMI V-8 Engine [EK0]=All 3.7L V-6 Engines									
1	52108182AA	1	J			ESF	DGJ		PLUNGER
		1	J			EK0	DGJ		
		1	T			EK0	DGJ		
2	52108185AA	2	J			ESF	DGJ		SEAL, Transmission
		2	J			EK0	DGJ		
		2	T			EK0	DGJ		
3	52108188AA	1	J			ESF	DGJ		SEAL, Transmission
		1	J			EK0	DGJ		
		1	T			EK0	DGJ		
4	52108189AA	1	J			ESF	DGJ		SEAL, Transmission
		1	J			EK0	DGJ		
		1	T			EK0	DGJ		
5	52108395AA	1	J			ESF	DGJ		PISTON
		1	J			EK0	DGJ		
		1	T			EK0	DGJ		
6	52108199AA	1	J			ESF	DGJ		SEAL, Transmission
		1	J			EK0	DGJ		
		1	T			EK0	DGJ		
7	52108191AA	1	J			ESF	DGJ		PISTON
		1	J			EK0	DGJ		
		1	T			EK0	DGJ		

B2/B3



GRAND CHEROKEE (WK)
 SERIES LINE
 H = HIGHLINE T = JEEP - 2WD
 P = PREMIUM J = JEEP - 4WD
 S = SPORT
 X = SPECIAL

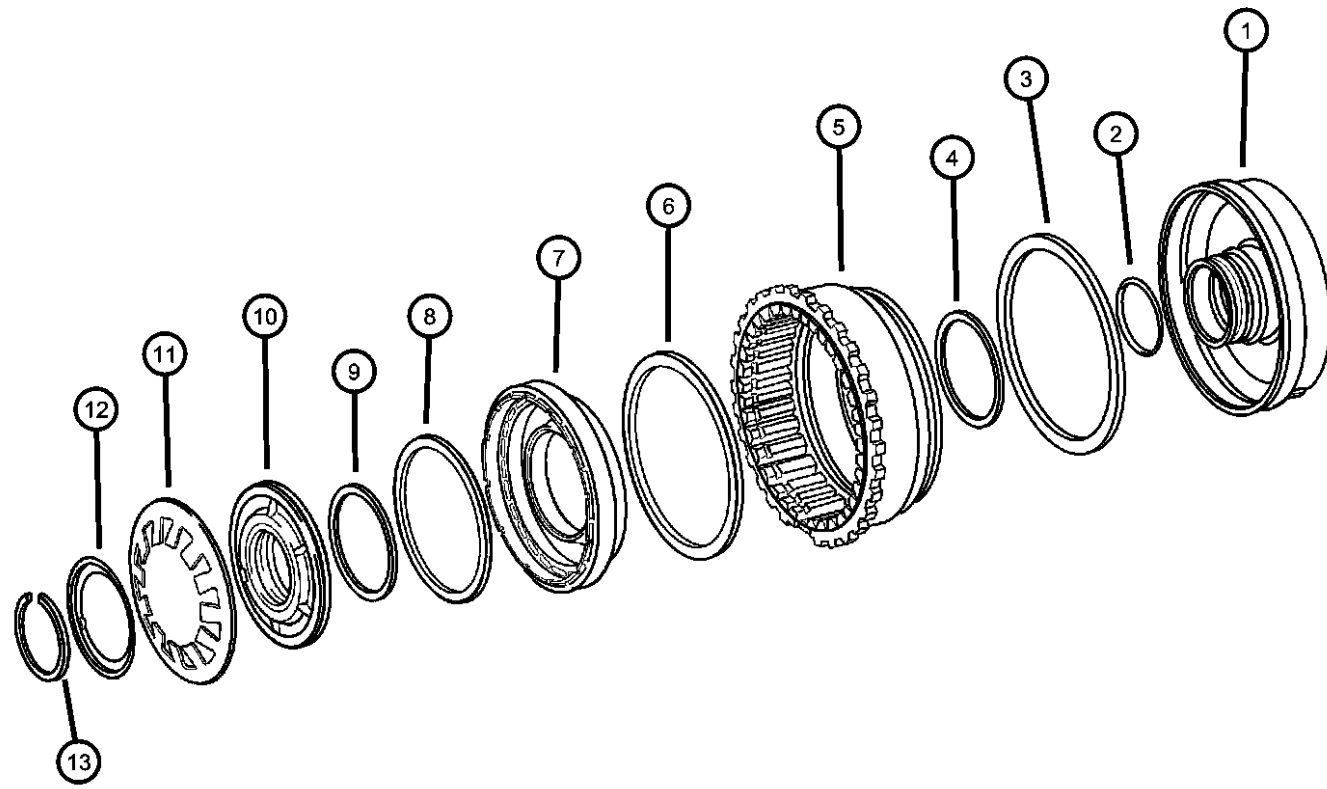
BODY
 74 = SPORT UTILITY 4-DR
 TYPE #4

ENGINE
 EVA = 4.7L V8 MPI Engine
 EVD = 4.7L V8 FFV Engine
 EXL = 3.0L V6 Turbo Diesel
 Engine
 EZB = 5.7L Hemi Multi
 Displacement Engine
 EKG = 3.7L V6 Engine
 ESF = 6.1L SRT HEMI SMPI
 V8 Engine

TRANSMISSION
 DGJ = 5-Speed Auto W5A580
 Transmission
 DGQ = 5-Spd Automatic 545RFE
 Transmission
 DGU = 5-Spd Auto W5J400
 Transmission

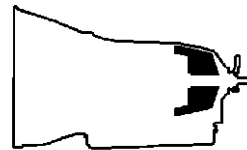
AR = use ase required - = Non illustrated part

**Multiple Disc Brake & Parking Lock Gearwheel - [B2 & B3]
Figure NAG1-470**



ITEM	PART NUMBER	QTY	LINE	SERIES	BODY	ENGINE	TRANS	TRIM	DESCRIPTION
8	52108200AA	1	J			ESF	DGJ		SEAL, Transmission
		1	J			EK0	DGJ		
		1	T			EK0	DGJ		
9	52108201AA	1	J			ESF	DGJ		SEAL, Transmission
		1	J			EK0	DGJ		
		1	T			EK0	DGJ		
10	52108351AA	1	J			ESF	DGJ		RING, Piston
		1	J			EK0	DGJ		
		1	T			EK0	DGJ		
11	52108202AA	1	J			ESF	DGJ		DISC, Spring
		1	J			EK0	DGJ		
		1	T			EK0	DGJ		
12	52108203AA	1	J			ESF	DGJ		SPRING, Retainer
		1	J			EK0	DGJ		
		1	T			EK0	DGJ		
13	52107977AA	1	J			ESF	DGJ		SNAP RING
		1	J			EK0	DGJ		
		1	T			EK0	DGJ		

B2/B3



GRAND CHEROKEE (WK)

SERIES LINE
H = HIGHLINE T = JEEP - 2WD
P = PREMIUM J = JEEP - 4WD
S = SPORT
X = SPECIAL

BODY
74 = SPORT UTILITY 4-DR
TYPE #4

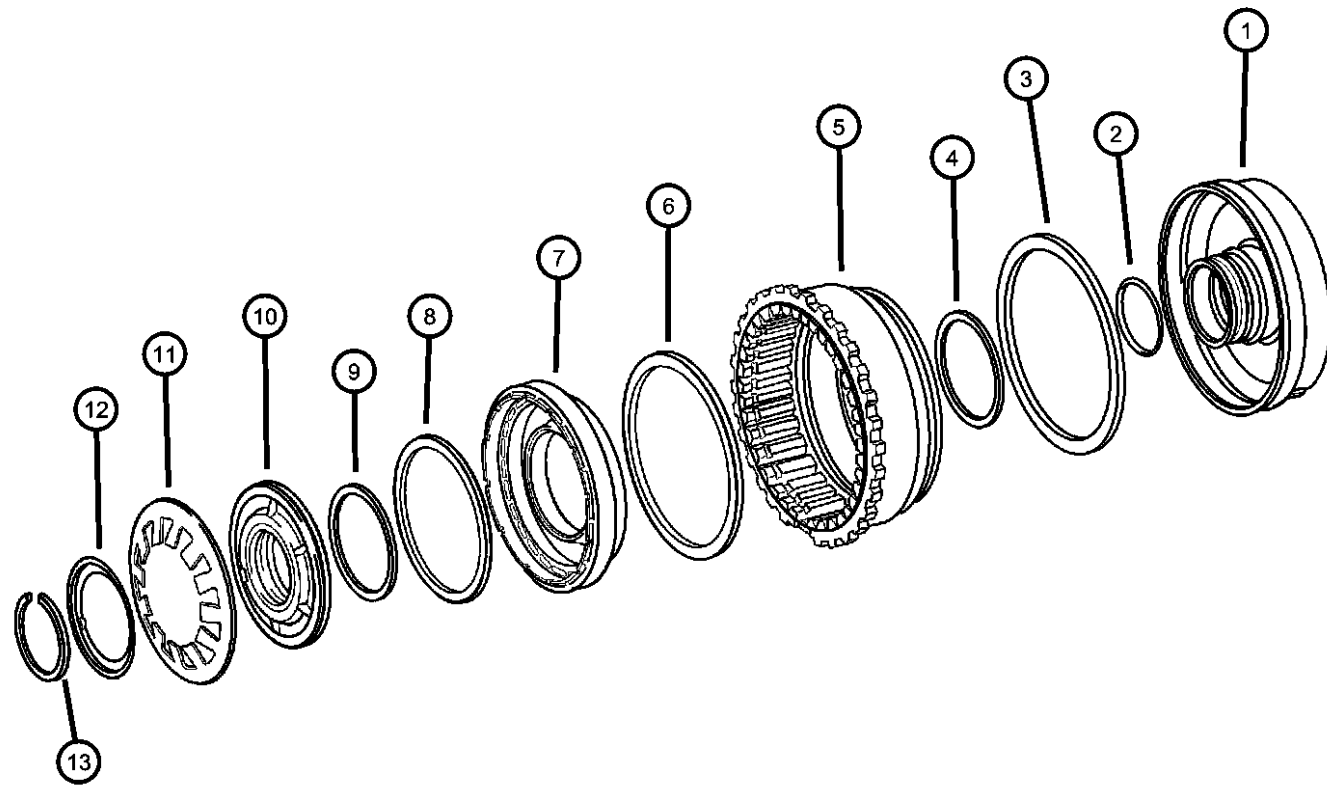
ENGINE
EVA = 4.7L V8 MPI Engine
EVD = 4.7L V8 FFV Engine
EXL = 3.0L V6 Turbo Diesel
Engine
EZB = 5.7L Hemi Multi
Displacement Engine
EKG = 3.7L V6 Engine
ESF = 6.1L SRT HEMI SMPI
V8 Engine

TRANSMISSION
DGJ = 5-Speed Auto W5A580
Transmission
DGQ = 5-Spd Automatic 545RFE
Transmission
DGU = 5-Spd Auto W5J400
Transmission

AR = use ase required - = Non illustrated part

2007 WK

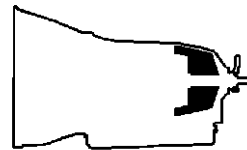
**Multiple Disc Brake & Parking Lock Gearwheel - [B2 & B3]
Figure NAG1-475**



ITEM	PART NUMBER	QTY	LINE	SERIES	BODY	ENGINE	TRANS	TRIM	DESCRIPTION
1	52108182AA	1	J			EX0	DGU		PLUNGER
		1	T			EX0	DGU		
2	52108185AA	2	J			EX0	DGU		SEAL, Transmission
		2	T			EX0	DGU		
3	52108188AA	1	J			EX0	DGU		SEAL, Transmission
		1	T			EX0	DGU		
4	52108189AA	1	J			EX0	DGU		SEAL, Transmission
		1	T			EX0	DGU		
5	52108395AA	1	J			EX0	DGU		PISTON
		1	T			EX0	DGU		
6	52108199AA	1	J			EX0	DGU		SEAL, Transmission
		1	T			EX0	DGU		
7	52108191AA	1	J			EX0	DGU		PISTON
		1	T			EX0	DGU		
8	52108200AA	1	J			EX0	DGU		SEAL, Transmission
		1	T			EX0	DGU		
9	52108201AA	1	J			EX0	DGU		SEAL, Transmission
		1	T			EX0	DGU		
10	52108351AA	1	J			EX0	DGU		RING, Piston

NOTE:
Sales Codes:
[DGU]=5 Speed Automatic Transmission - [NAG1] - [W5J400]
[EXL]=3.0L V-6 Turbo Diesel Engine

B2/B3



GRAND CHEROKEE (WK)

SERIES LINE
H = HIGHLINE T = JEEP - 2WD
P = PREMIUM J = JEEP - 4WD
S = SPORT
X = SPECIAL

BODY
74 = SPORT UTILITY 4-DR
TYPE #4

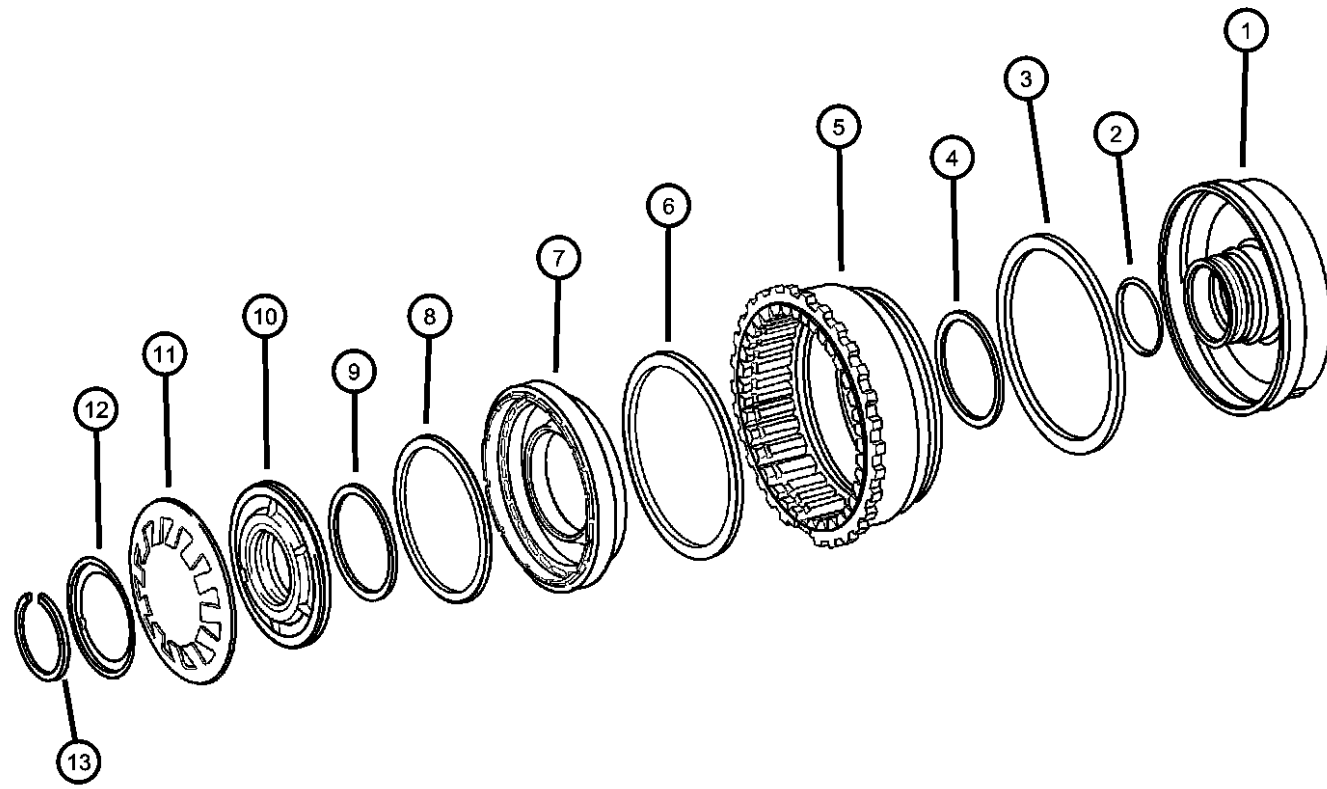
ENGINE
EVA = 4.7L V8 MPI Engine
EVD = 4.7L V8 FFV Engine
EXL = 3.0L V6 Turbo Diesel
Engine
EZB = 5.7L Hemi Multi
Displacement Engine
EKG = 3.7L V6 Engine
ESF = 6.1L SRT HEMI SMPI
V8 Engine

TRANSMISSION
DGJ = 5-Speed Auto W5A580
Transmission
DGQ = 5-Spd Automatic 545RFE
Transmission
DGU = 5-Spd Auto W5J400
Transmission

AR = use ase required - = Non illustrated part

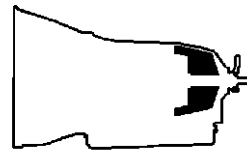
2007 WK

**Multiple Disc Brake & Parking Lock Gearwheel - [B2 & B3]
Figure NAG1-475**



ITEM	PART NUMBER	QTY	LINE	SERIES	BODY	ENGINE	TRANS	TRIM	DESCRIPTION
11		1	T			EX0	DGU		DISC, Spring
	52108202AA	1	J			EX0	DGU		
12		1	T			EX0	DGU		SPRING, Retainer
	52108203AA	1	J			EX0	DGU		
13		1	T			EX0	DGU		SNAP RING
	52107977AA	1	J			EX0	DGU		
		1	T			EX0	DGU		

B2/B3



GRAND CHEROKEE (WK)

SERIES LINE
H = HIGHLINE T = JEEP - 2WD
P = PREMIUM J = JEEP - 4WD
S = SPORT
X = SPECIAL

BODY
74 = SPORT UTILITY 4-DR
TYPE #4

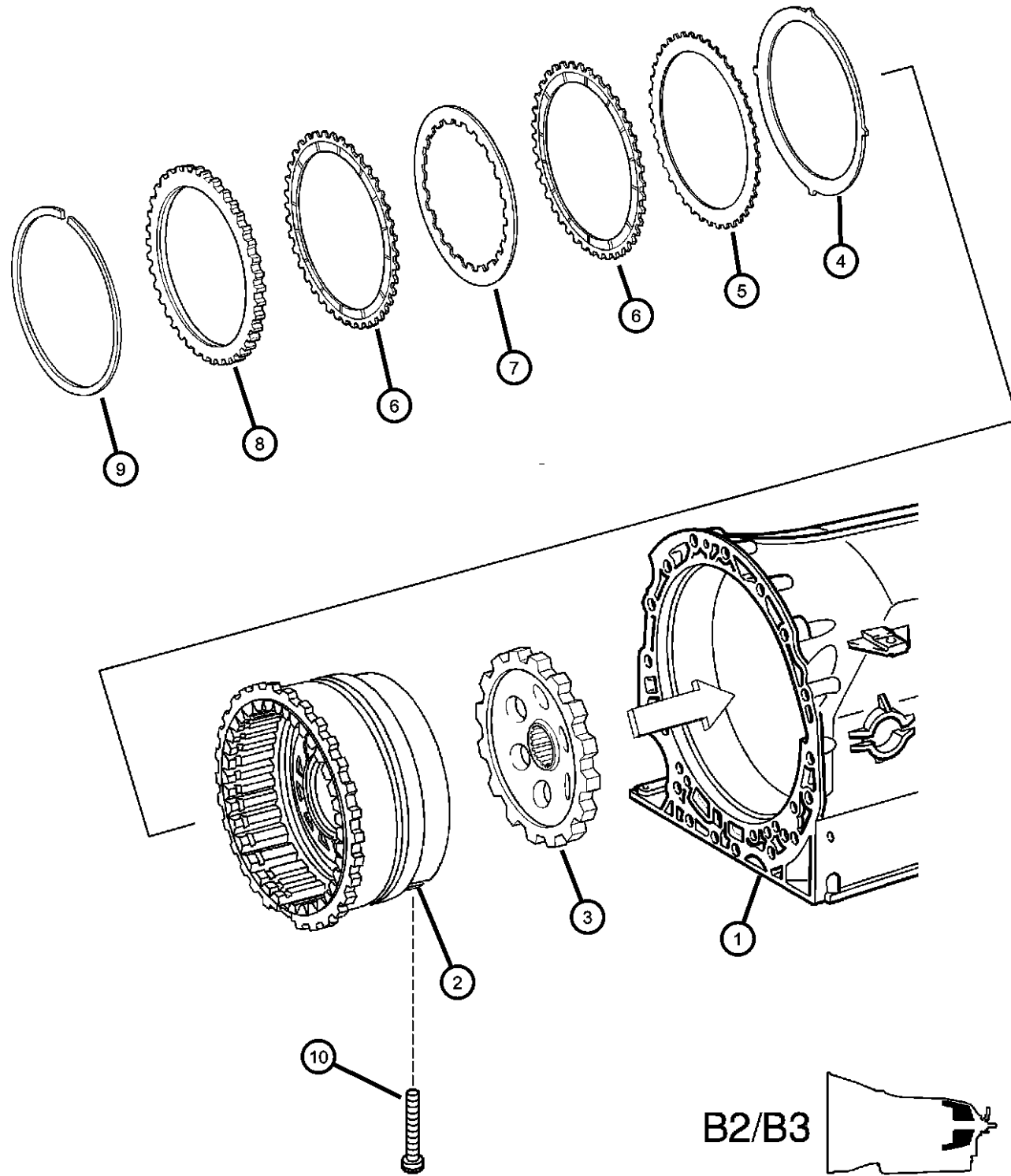
ENGINE
EVA = 4.7L V8 MPI Engine
EVD = 4.7L V8 FFV Engine
EXL = 3.0L V6 Turbo Diesel
Engine
EZB = 5.7L Hemi Multi
Displacement Engine
EKG = 3.7L V6 Engine
ESF = 6.1L SRT HEMI SMPI
V8 Engine

TRANSMISSION
DGJ = 5-Speed Auto W5A580
Transmission
DGQ = 5-Spd Automatic 545RFE
Transmission
DGU = 5-Spd Auto W5J400
Transmission

AR = use ase required - = Non illustrated part

2007 WK

**Multiple Disc Brake & Parking Lock Gearwheel - [B2 & B3]
Figure NAG1-480**



ITEM	PART NUMBER	QTY	LINE	SERIES	BODY	ENGINE	TRANS	TRIM	DESCRIPTION
1		1							CASE, Transmission, See Illustration [#210], (NOT SERVICED)
2		1							DRUM PACKAGE, Transmission, See Illustration [#470] Callout [#1,2,3,4 & 5], (NOT SERVICED)
3		1							LOCK, Parking Wheel
	52108180AA	1	J			ESF	DGJ		
		1	J			EK0	DGJ		
		1	T			EK0	DGJ		
4		1							DISC, Spring
	52108354AA	1	J			ESF	DGJ		
		1	J			EK0	DGJ		
		1	T			EK0	DGJ		
5		1							DISC, Outer
	52108013AA	1	J			ESF	DGJ		
		1	J			EK0	DGJ		
		1	T			EK0	DGJ		
6		5							DISC, Outer
	52108572AA	5	T			EK0	DGJ		
		5	J			ESF	DGJ		
		5	J			EK0	DGJ		
7		4							DISC, Inner
	52108015AA	4	J			ESF	DGJ		
		4	J			EK0	DGJ		
		4	T			EK0	DGJ		
8		1							DISC, Outer
	05174863AA	1	T			EK0	DGJ		
		1	J			EK0	DGJ		
		1	J			ESF	DGJ		

GRAND CHEROKEE (WK)

SERIES LINE
H = HIGHLINE T = JEEP - 2WD
P = PREMIUM J = JEEP - 4WD
S = SPORT
X = SPECIAL

BODY
74 = SPORT UTILITY 4-DR
TYPE #4

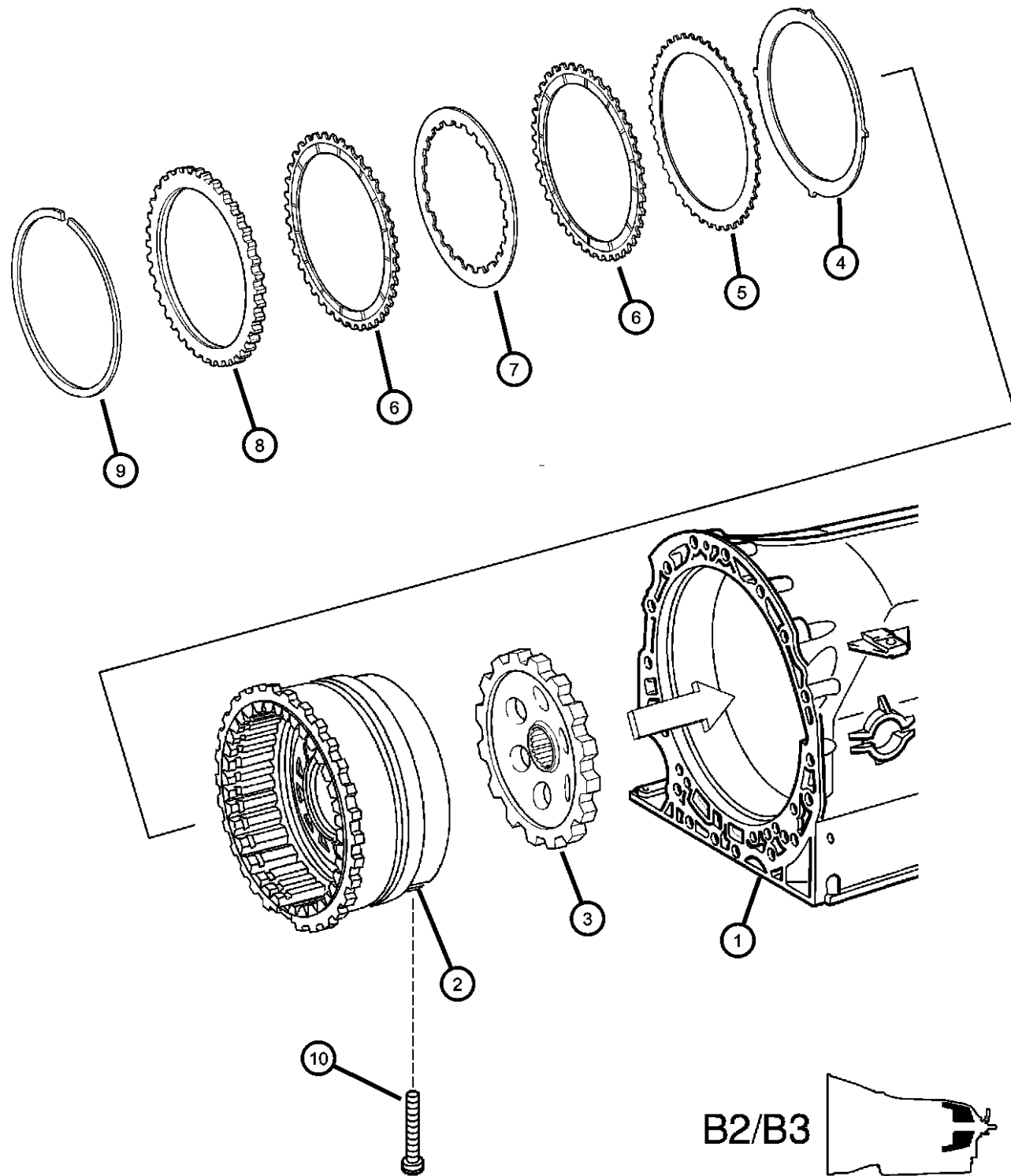
ENGINE
EVA = 4.7L V8 MPI Engine
EVD = 4.7L V8 FFV Engine
EXL = 3.0L V6 Turbo Diesel
Engine
EZB = 5.7L Hemi Multi
Displacement Engine
EKG = 3.7L V6 Engine
ESF = 6.1L SRT HEMI SMPI
V8 Engine

TRANSMISSION
DGJ = 5-Speed Auto W5A580
Transmission
DGQ = 5-Spd Automatic 545RFE
Transmission
DGU = 5-Spd Auto W5J400
Transmission

AR = use ase required - = Non illustrated part

2007 WK

**Multiple Disc Brake & Parking Lock Gearwheel - [B2 & B3]
Figure NAG1-480**



ITEM	PART NUMBER	QTY	LINE	SERIES	BODY	ENGINE	TRANS	TRIM	DESCRIPTION
9	52107980AA	AR	T			EK0	DGJ		SNAP RING [3.8MM]
	52107981AA	AR	J			ESF	DGJ		[3.5MM]
	52107979AA	AR	J			ESF	DGJ		[4.1MM]
		AR	J			EK0	DGJ		[4.1MM]
		AR	T			EK0	DGJ		[4.1MM]
		AR	J			ESF	DGJ		[3.8MM]
		AR	J			EK0	DGJ		[3.8MM]
	52107983AA	AR	J			ESF	DGJ		[2.9MM]
		AR	J			EK0	DGJ		[2.9MM]
		AR	T			EK0	DGJ		[2.9MM]
		AR	J			EK0	DGJ		[3.5MM]
		AR	T			EK0	DGJ		[3.5MM]
	52107982AA	AR	J			ESF	DGJ		[3.2MM]
		AR	J			EK0	DGJ		[3.2MM]
		AR	T			EK0	DGJ		[3.2MM]
10	52108205AA	2	J			ESF	DGJ		SCREW
		2	J			EK0	DGJ		
		2	T			EK0	DGJ		

GRAND CHEROKEE (WK)

SERIES LINE
H = HIGHLINE T = JEEP - 2WD
P = PREMIUM J = JEEP - 4WD
S = SPORT
X = SPECIAL

BODY
74 = SPORT UTILITY 4-DR
TYPE #4

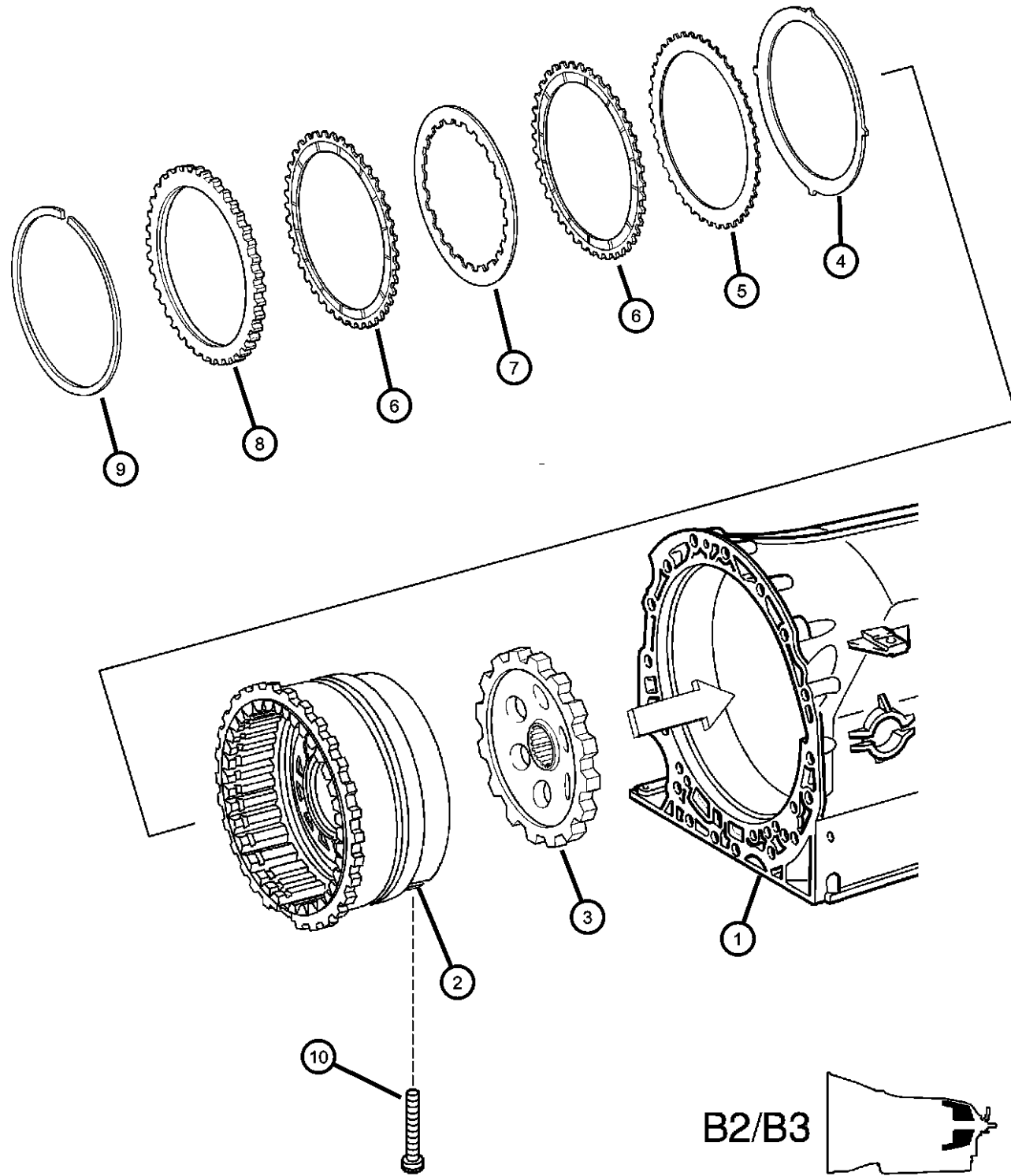
ENGINE
EVA = 4.7L V8 MPI Engine
EVD = 4.7L V8 FFV Engine
EXL = 3.0L V6 Turbo Diesel
Engine
EZB = 5.7L Hemi Multi
Displacement Engine
EKG = 3.7L V6 Engine
ESF = 6.1L SRT HEMI SMPI
V8 Engine

TRANSMISSION
DGJ = 5-Speed Auto W5A580
Transmission
DGQ = 5-Spd Automatic 545RFE
Transmission
DGU = 5-Spd Auto W5J400
Transmission

AR = use ase required - = Non illustrated part

2007 WK

**Multiple Disc Brake & Parking Lock Gearwheel - [B2 & B3]
Figure NAG1-485**



ITEM	PART NUMBER	QTY	LINE	SERIES	BODY	ENGINE	TRANS	TRIM	DESCRIPTION
NOTE: Drum Package Is Not Serviced In An Assembly. Please See Illustration [#470] Callouts [1,2,3,4 & 5] To Obtain Part Numbers Sales Codes: [DGU]=5 Speed Automatic Transmission - [NAG1] - [W5J400] [EXL]=3.0L V-6 Turbo Diesel Engine									
1		2							CASE, Transmission, See Illustration 230, (NOT SERVICED)
2		2							DRUM PACKAGE, Transmission, See Illustration [#470] Callout [#1,2,3,4 & 5], (NOT SERVICED)
3									LOCK, Parking Wheel
	52108180AA	1	J			EX0	DGU		
		1	T			EX0	DGU		
4									DISC, Spring
	52108354AA	1	J			EX0	DGU		
		1	T			EX0	DGU		
5									DISC, Outer
	52108017AA	5	J			EX0	DGU		
		5	T			EX0	DGU		
6									DISC, Outer
	52108572AA	5	J			EX0	DGU		
		5	T			EX0	DGU		
7									DISC, Inner
	52108015AA	4	J			EX0	DGU		
		4	T			EX0	DGU		
8									DISC, Outer
	52108017AA	5	J			EX0	DGU		
		5	T			EX0	DGU		
9									SNAP RING
	52107979AA	1	J			EX0	DGU		[4.1MM]
		1	T			EX0	DGU		[4.1MM]
	52107980AA	1	J			EX0	DGU		[3.8MM]
		1	T			EX0	DGU		[3.8MM]
	52107981AA	1	J			EX0	DGU		[3.5MM]
		1	T			EX0	DGU		[3.5MM]

GRAND CHEROKEE (WK)

SERIES LINE
H = HIGHLINE T = JEEP - 2WD
P = PREMIUM J = JEEP - 4WD
S = SPORT
X = SPECIAL

BODY
74 = SPORT UTILITY 4-DR
TYPE #4

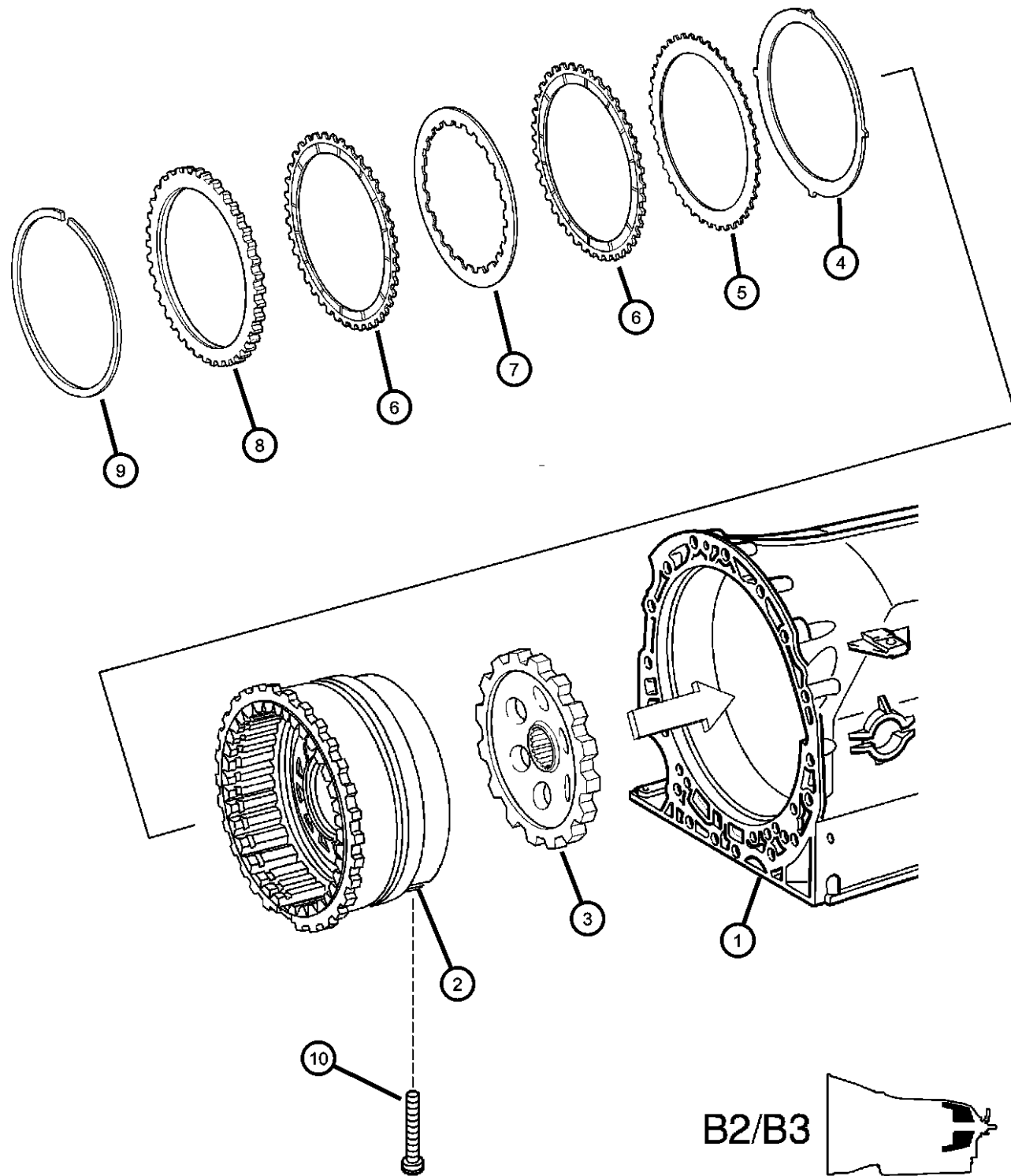
ENGINE
EVA = 4.7L V8 MPI Engine
EVD = 4.7L V8 FFV Engine
EXL = 3.0L V6 Turbo Diesel
Engine
EZB = 5.7L Hemi Multi
Displacement Engine
EKG = 3.7L V6 Engine
ESF = 6.1L SRT HEMI SMPI
V8 Engine

TRANSMISSION
DGJ = 5-Speed Auto W5A580
Transmission
DGQ = 5-Spd Automatic 545RFE
Transmission
DGU = 5-Spd Auto W5J400
Transmission

AR = use ase required - = Non illustrated part

2007 WK

**Multiple Disc Brake & Parking Lock Gearwheel - [B2 & B3]
Figure NAG1-485**



ITEM	PART NUMBER	QTY	LINE	SERIES	BODY	ENGINE	TRANS	TRIM	DESCRIPTION
	52107982AA	1	J			EX0	DGU		[3.2MM]
		1	T			EX0	DGU		[3.2MM]
	52107983AA	1	J			EX0	DGU		[2.9MM]
		1	T			EX0	DGU		[2.9MM]
10	52108205AA	1	J			EX0	DGU		SCREW
		1	T			EX0	DGU		

GRAND CHEROKEE (WK)

SERIES LINE
H = HIGHLINE T = JEEP - 2WD
P = PREMIUM J = JEEP - 4WD
S = SPORT
X = SPECIAL

BODY
74 = SPORT UTILITY 4-DR
TYPE #4

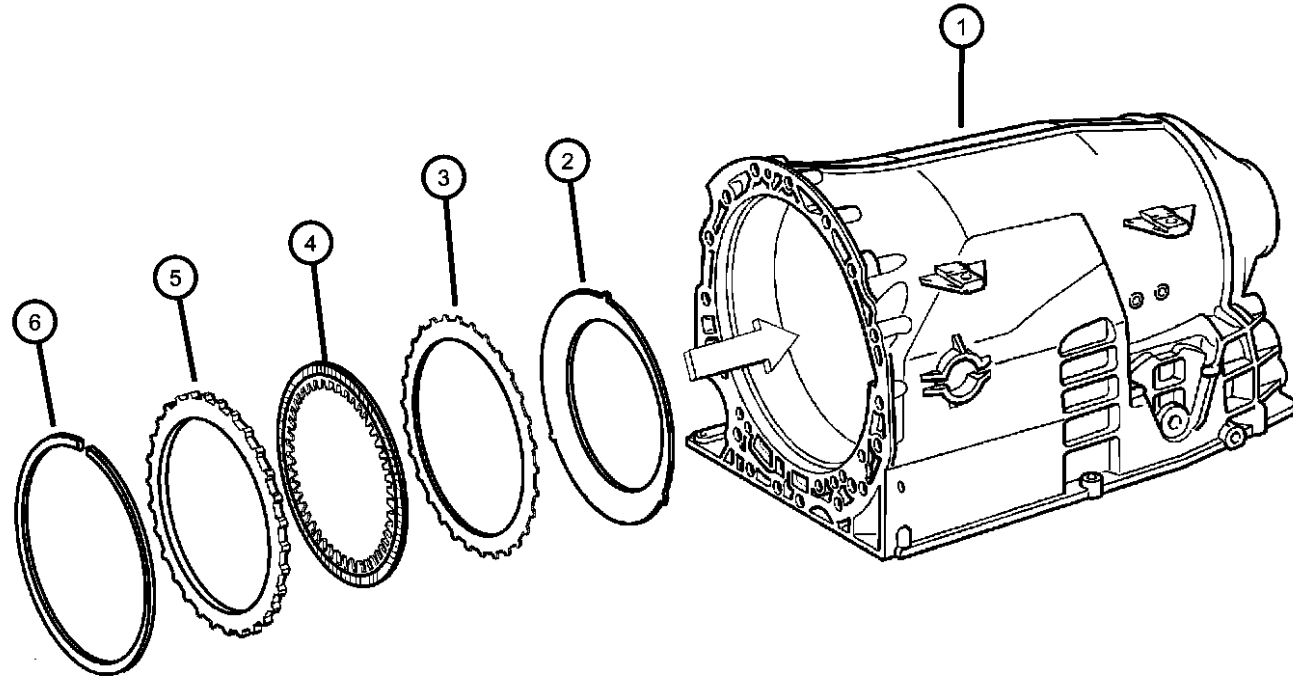
ENGINE
EVA = 4.7L V8 MPI Engine
EVD = 4.7L V8 FFV Engine
EXL = 3.0L V6 Turbo Diesel
Engine
EZB = 5.7L Hemi Multi
Displacement Engine
EKG = 3.7L V6 Engine
ESF = 6.1L SRT HEMI SMPI
V8 Engine

TRANSMISSION
DGJ = 5-Speed Auto W5A580
Transmission
DGQ = 5-Spd Automatic 545RFE
Transmission
DGU = 5-Spd Auto W5J400
Transmission

AR = use ase required - = Non illustrated part

2007 WK

**Multiple Disc Brake & Parking Lock Gearwheel - [B2 & B3]
Figure NAG1-490**



ITEM	PART NUMBER	QTY	LINE	SERIES	BODY	ENGINE	TRANS	TRIM	DESCRIPTION
1		1							HOUSING, Transmission Case, Serviced With Transmission Assembly, (NOT SERVICED)
2	52108356AA	1	J			ESF	DGJ		DISC, Spring
		1	J			EK0	DGJ		
		1	T			EK0	DGJ		
3	52108017AA	5	J			ESF	DGJ		DISC, Outer
		5	J			EK0	DGJ		
		5	T			EK0	DGJ		
4	52108573AA	5	J			ESF	DGJ		DISC, Inner
		5	J			EK0	DGJ		
		5	T			EK0	DGJ		
5	05174864AA	1	T			EK0	DGJ		DISC, Outer
		1	J			EK0	DGJ		
		1	J			ESF	DGJ		
6	52107985AA	AR	J			ESF	DGJ		SNAP RING [3.2MM]
		AR	J			EK0	DGJ		[3.2MM]
		AR	T			EK0	DGJ		[3.2MM]
	52107986AA	AR	J			ESF	DGJ		[3.5MM]
		AR	J			EK0	DGJ		[3.5MM]
		AR	T			EK0	DGJ		[3.5MM]
	52107987AA	AR	J			ESF	DGJ		[3.8MM]
		AR	J			EK0	DGJ		[3.8MM]
		AR	T			EK0	DGJ		[3.8MM]

NOTE:
Sales Codes:
[DGJ]=5 Speed Automatic Transmission - [NAG1] - [W5A580]
[ESF]=6.1L SRT HEMI Engine
[EK0]=All 3.7L V-6 Engines



GRAND CHEROKEE (WK)
 SERIES LINE
 H = HIGHLINE T = JEEP - 2WD
 P = PREMIUM J = JEEP - 4WD
 S = SPORT
 X = SPECIAL

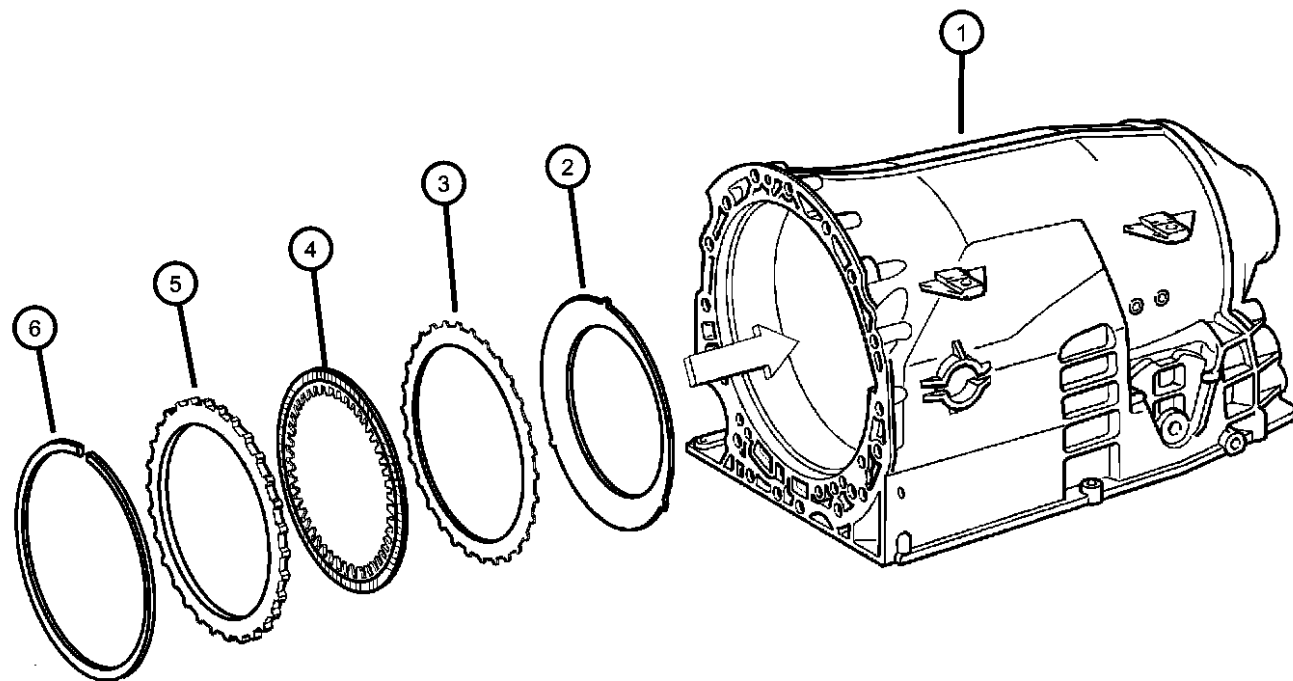
BODY
 74 = SPORT UTILITY 4-DR TYPE #4

ENGINE
 EVA = 4.7L V8 MPI Engine
 EVD = 4.7L V8 FFV Engine
 EXL = 3.0L V6 Turbo Diesel Engine
 EZB = 5.7L Hemi Multi Displacement Engine
 EKG = 3.7L V6 Engine
 ESF = 6.1L SRT HEMI SMPI V8 Engine

TRANSMISSION
 DGJ = 5-Speed Auto W5A580 Transmission
 DGQ = 5-Spd Automatic 545RFE Transmission
 DGU = 5-Spd Auto W5J400 Transmission

AR = use ase required - = Non illustrated part

**Multiple Disc Brake & Parking Lock Gearwheel - [B2 & B3]
Figure NAG1-490**



ITEM	PART NUMBER	QTY	LINE	SERIES	BODY	ENGINE	TRANS	TRIM	DESCRIPTION
	52107988AA	AR	J			ESF	DGJ		[4.1MM]
		AR	J			EK0	DGJ		[4.1MM]
		AR	T			EK0	DGJ		[4.1MM]
	52107989AA	AR	J			ESF	DGJ		[4.4MM]
		AR	J			EK0	DGJ		[4.4MM]
		AR	T			EK0	DGJ		[4.4MM]
	52107990AA	AR	J			ESF	DGJ		[4.8MM]
		AR	J			EK0	DGJ		[4.8MM]
		AR	T			EK0	DGJ		[4.8MM]



GRAND CHEROKEE (WK)

SERIES LINE
H = HIGHLINE T = JEEP - 2WD
P = PREMIUM J = JEEP - 4WD
S = SPORT
X = SPECIAL

BODY
74 = SPORT UTILITY 4-DR
TYPE #4

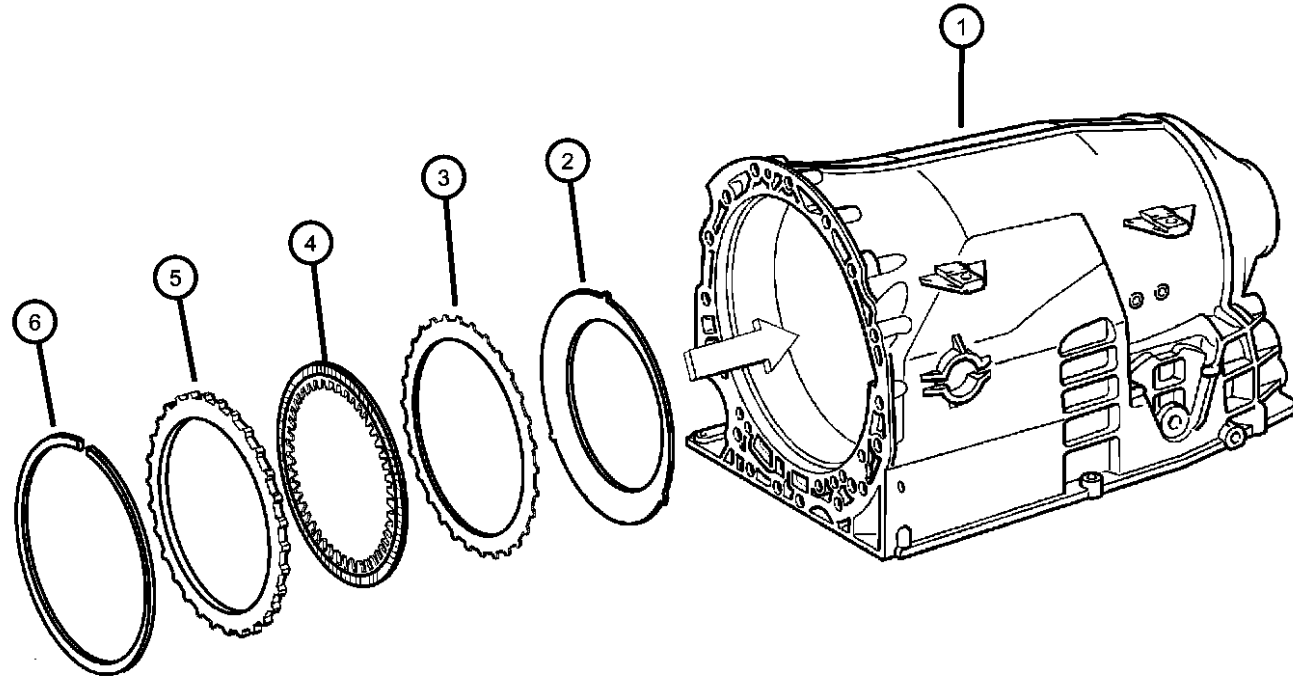
ENGINE
EVA = 4.7L V8 MPI Engine
EVD = 4.7L V8 FFV Engine
EXL = 3.0L V6 Turbo Diesel
Engine
EZB = 5.7L Hemi Multi
Displacement Engine
EKG = 3.7L V6 Engine
ESF = 6.1L SRT HEMI SMPI
V8 Engine

TRANSMISSION
DGJ = 5-Speed Auto W5A580
Transmission
DGQ = 5-Spd Automatic 545RFE
Transmission
DGU = 5-Spd Auto W5J400
Transmission

AR = use ase required - = Non illustrated part

2007 WK

**Multiple Disc Brake & Parking Lock Gearwheel - [B2 & B3]
Figure NAG1-495**



ITEM	PART NUMBER	QTY	LINE	SERIES	BODY	ENGINE	TRANS	TRIM	DESCRIPTION
1									HOUSING, Transmission Case, Serviced With Transmission Assembly, (NOT SERVICED), DISC, Spring
2	52108356AA	1	J			EX0	DGU		
3	52108017AA	5	J			EX0	DGU		DISC, Outer
4	52108573AA	5	J			EX0	DGU		DISC, Inner
5	52108017AA	5	J			EX0	DGU		DISC, Outer
6	52107985AA	1	J			EX0	DGU		SNAP RING [3.2MM]
	52107986AA	1	J			EX0	DGU		[3.5MM]
	52107987AA	1	J			EX0	DGU		[3.8MM]
	52107988AA	1	J			EX0	DGU		[4.1MM]
	52107989AA	1	J			EX0	DGU		[4.4MM]
	52107990AA	1	J			EX0	DGU		[4.8MM]

NOTE:
Sales Codes:
[DGU]=5 Speed Automatic Transmission - [NAG1] - [W5J400]
[EXL]=3.0L V-6 Turbo Diesel Engine



GRAND CHEROKEE (WK)
 SERIES LINE
 H = HIGHLINE T = JEEP - 2WD
 P = PREMIUM J = JEEP - 4WD
 S = SPORT
 X = SPECIAL

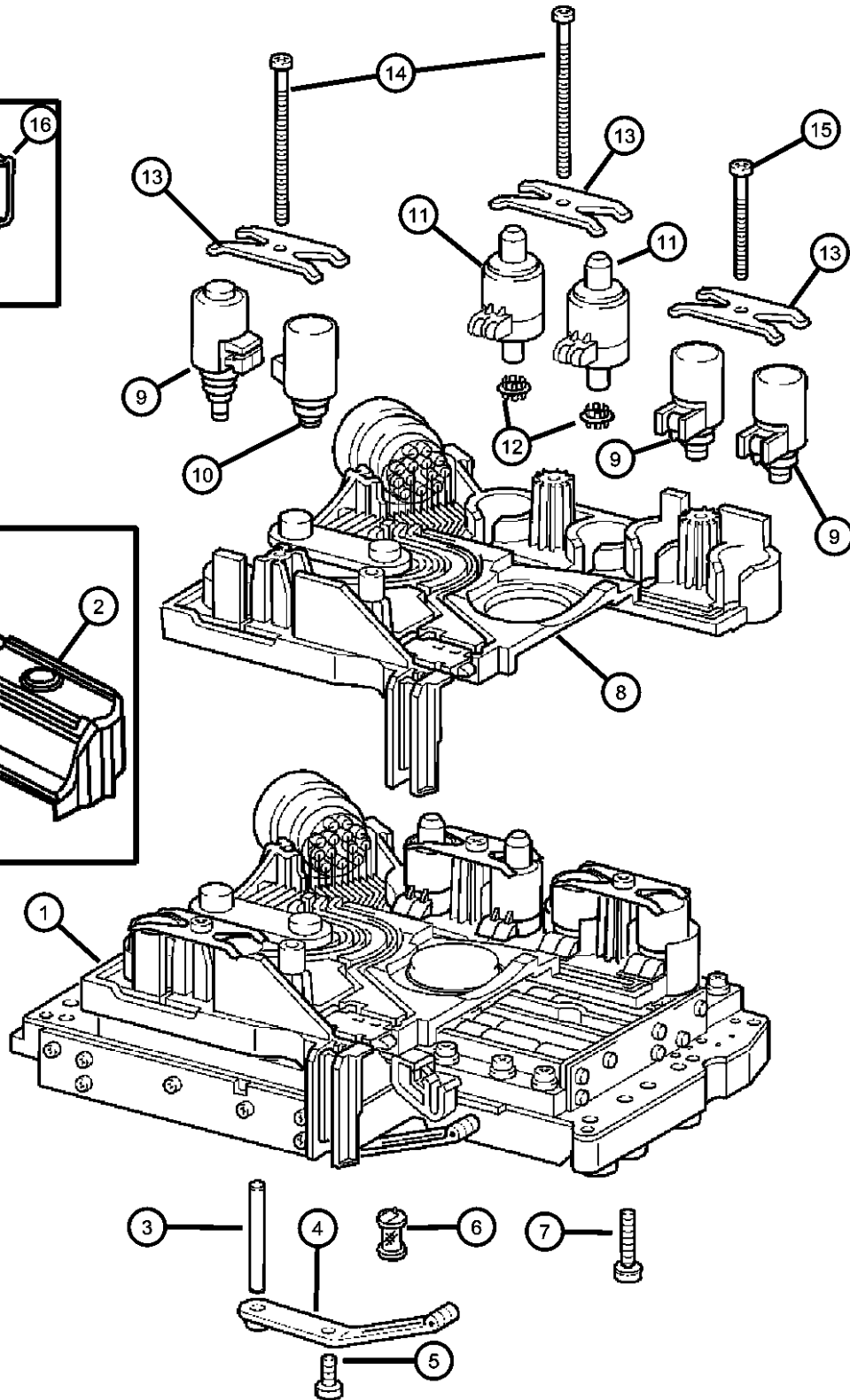
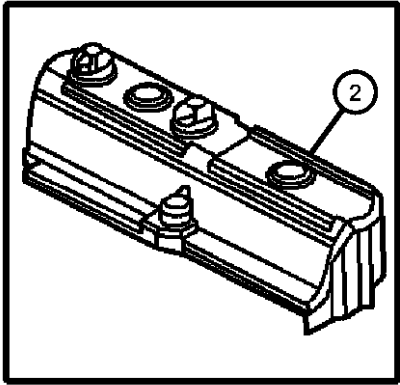
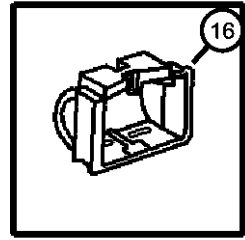
BODY
 74 = SPORT UTILITY 4-DR TYPE #4

ENGINE
 EVA = 4.7L V8 MPI Engine
 EVD = 4.7L V8 FFV Engine
 EXL = 3.0L V6 Turbo Diesel Engine
 EZB = 5.7L Hemi Multi Displacement Engine
 EKG = 3.7L V6 Engine
 ESF = 6.1L SRT HEMI SMPI V8 Engine

TRANSMISSION
 DGJ = 5-Speed Auto W5A580 Transmission
 DGQ = 5-Spd Automatic 545RFE Transmission
 DGU = 5-Spd Auto W5J400 Transmission

AR = use ase required - = Non illustrated part

**Electronic - Hydraulic Control Unit
Figure NAG1-710**



ITEM	PART NUMBER	QTY	LINE	SERIES	BODY	ENGINE	TRANS	TRIM	DESCRIPTION
NOTE: Valve Body Connector Includes Speed Sensor Sales Codes: [DGJ]=5 Speed Automatic Transmission - [NAG1] - [W5A580] [ESF]=6.1L SRT HEMI Engine [EK0]=All 3.7L V-6 Engines									
1	52108213AA	1	J			ESF	DGJ		VALVE BODY, Complete
		1	J			EK0	DGJ		
		1	T			EK0	DGJ		
2	52108320AA	1	T			EK0	DGJ		SHIELD, Transmission Solenoid
		1	J			EK0	DGJ		
		1	J			ESF	DGJ		
3	05098951AA	1	J			ESF	DGJ		DOWEL
		1	J			EK0	DGJ		
		1	T			EK0	DGJ		
4	52108258AA	1	J			ESF	DGJ		SPRING
		1	J			EK0	DGJ		
		1	T			EK0	DGJ		
5	52108266AB	1	J			ESF	DGJ		SCREW
		1	J			EK0	DGJ		
		1	T			EK0	DGJ		
6	52108304AA	2	J			ESF	DGJ		FILTER, Transmission Oil
		2	J			EK0	DGJ		
		2	T			EK0	DGJ		
7	52108267AA	29	J			ESF	DGJ		SCREW
		29	J			EK0	DGJ		
		29	T			EK0	DGJ		

GRAND CHEROKEE (WK)

SERIES LINE
H = HIGHLINE T = JEEP - 2WD
P = PREMIUM J = JEEP - 4WD
S = SPORT
X = SPECIAL

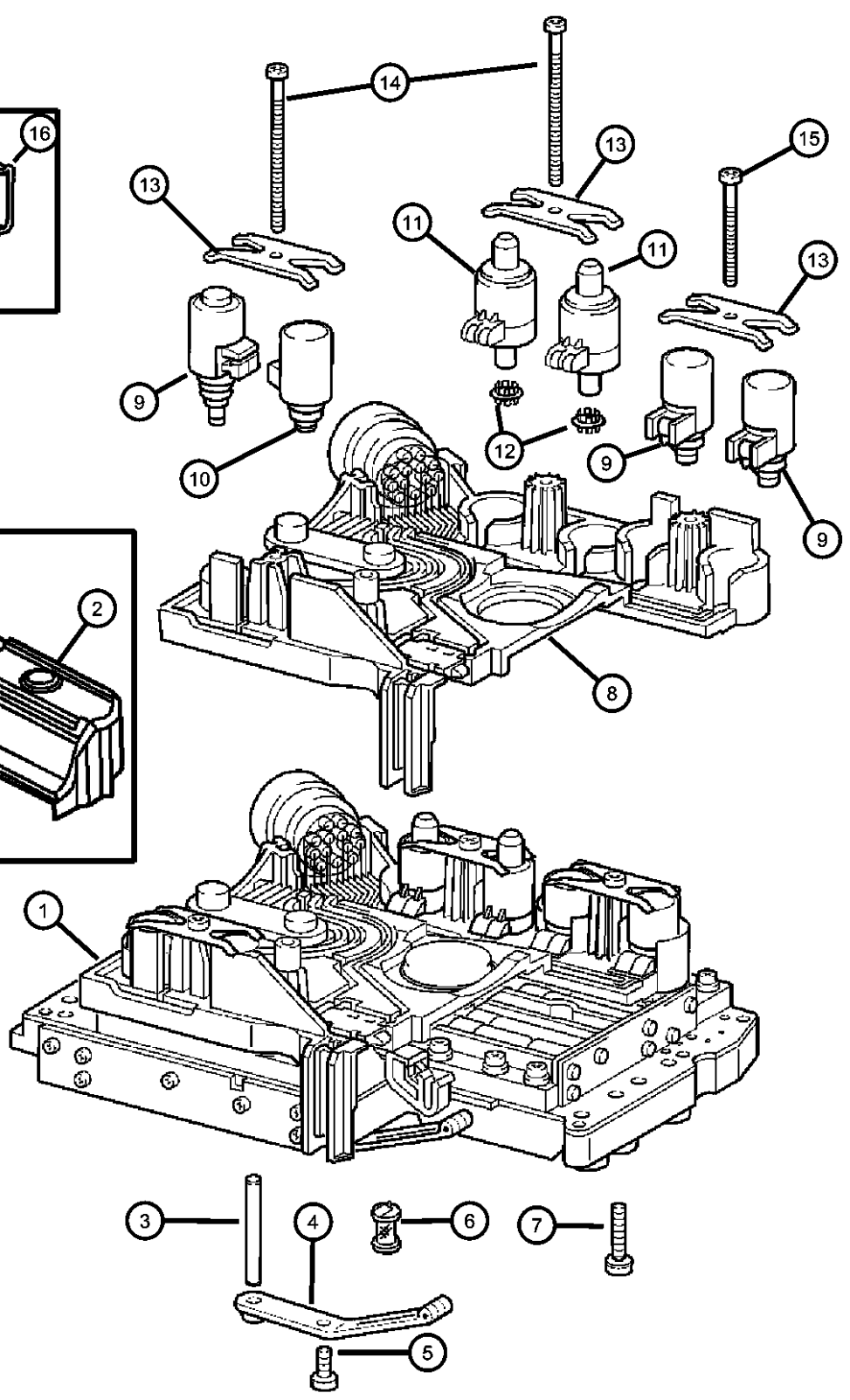
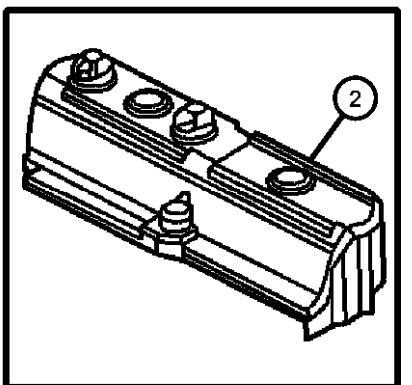
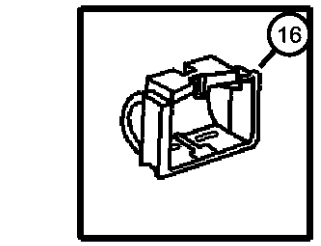
BODY
74 = SPORT UTILITY 4-DR
TYPE #4

ENGINE
EVA = 4.7L V8 MPI Engine
EVD = 4.7L V8 FFV Engine
EXL = 3.0L V6 Turbo Diesel
Engine
EZB = 5.7L Hemi Multi
Displacement Engine
EKG = 3.7L V6 Engine
ESF = 6.1L SRT HEMI SMPI
V8 Engine

TRANSMISSION
DGJ = 5-Speed Auto W5A580
Transmission
DGQ = 5-Spd Automatic 545RFE
Transmission
DGU = 5-Spd Auto W5J400
Transmission

AR = use ase required - = Non illustrated part

**Electronic - Hydraulic Control Unit
Figure NAG1-710**



ITEM	PART NUMBER	QTY	LINE	SERIES	BODY	ENGINE	TRANS	TRIM	DESCRIPTION
8	52108308AB	1	J			ESF	DGJ		CONNECTOR
		1	J			EK0	DGJ		
		1	T			EK0	DGJ		
9	05134760AA	3	J			ESF	DGJ		SOLENOID, Transmission
		3	J			EK0	DGJ		
		3	T			EK0	DGJ		
10	52108314AA	1	J			ESF	DGJ		SOLENOID, Transmission
		1	J			EK0	DGJ		
		1	T			EK0	DGJ		
11	05138838AA	2	J			ESF	DGJ		SOLENOID, Transmission
		2	J			EK0	DGJ		
		2	T			EK0	DGJ		
12	52108316AA	2	J			ESF	DGJ		FILTER, Transmission Oil
		2	J			EK0	DGJ		
		2	T			EK0	DGJ		
13	52108315AA	3	J			ESF	DGJ		PLATE
		3	J			EK0	DGJ		
		3	T			EK0	DGJ		
14	52108268AA	2	J			ESF	DGJ		SCREW
		2	J			EK0	DGJ		
		2	T			EK0	DGJ		
15	52108269AA	1	J			ESF	DGJ		SCREW
		1	J			EK0	DGJ		

GRAND CHEROKEE (WK)
 SERIES LINE
 H = HIGHLINE T = JEEP - 2WD
 P = PREMIUM J = JEEP - 4WD
 S = SPORT
 X = SPECIAL

BODY
 74 = SPORT UTILITY 4-DR
 TYPE #4

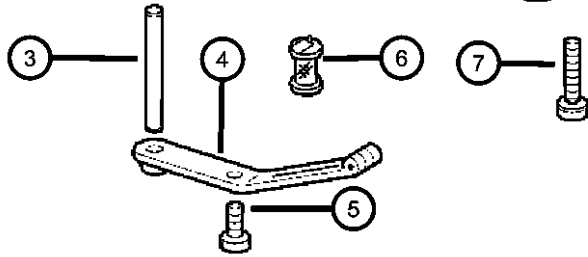
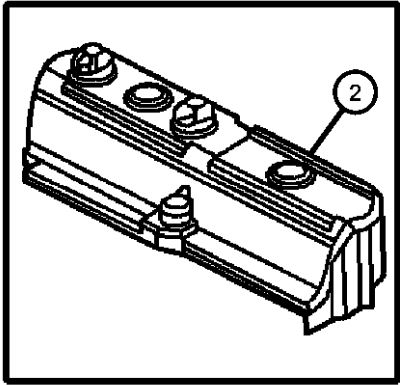
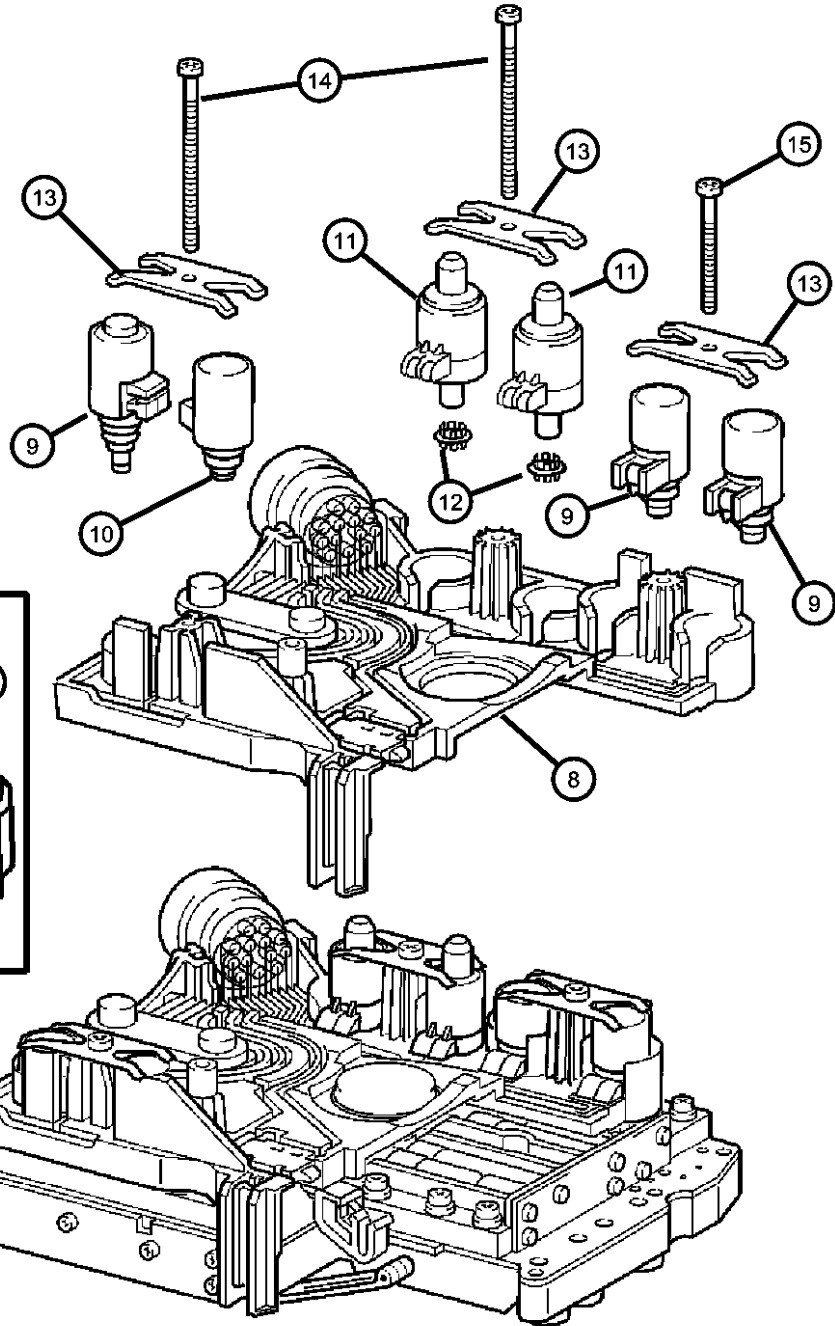
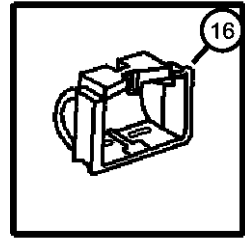
ENGINE
 EVA = 4.7L V8 MPI Engine
 EVD = 4.7L V8 FFV Engine
 EXL = 3.0L V6 Turbo Diesel
 Engine
 EZB = 5.7L Hemi Multi
 Displacement Engine
 EKG = 3.7L V6 Engine
 ESF = 6.1L SRT HEMI SMPI
 V8 Engine

TRANSMISSION
 DGJ = 5-Speed Auto W5A580
 Transmission
 DGQ = 5-Spd Automatic 545RFE
 Transmission
 DGU = 5-Spd Auto W5J400
 Transmission

AR = use ase required - = Non illustrated part

Electronic - Hydraulic Control Unit
Figure NAG1-710

ITEM	PART NUMBER	QTY	LINE	SERIES	BODY	ENGINE	TRANS	TRIM	DESCRIPTION
16		1	T			EK0	DGJ		COVER, Valve Body
	05134761AA	3	J			ESF	DGJ		
		3	J			EK0	DGJ		
		3	T			EK0	DGJ		



GRAND CHEROKEE (WK)

SERIES LINE
H = HIGHLINE T = JEEP - 2WD
P = PREMIUM J = JEEP - 4WD
S = SPORT
X = SPECIAL

BODY
74 = SPORT UTILITY 4-DR
TYPE #4

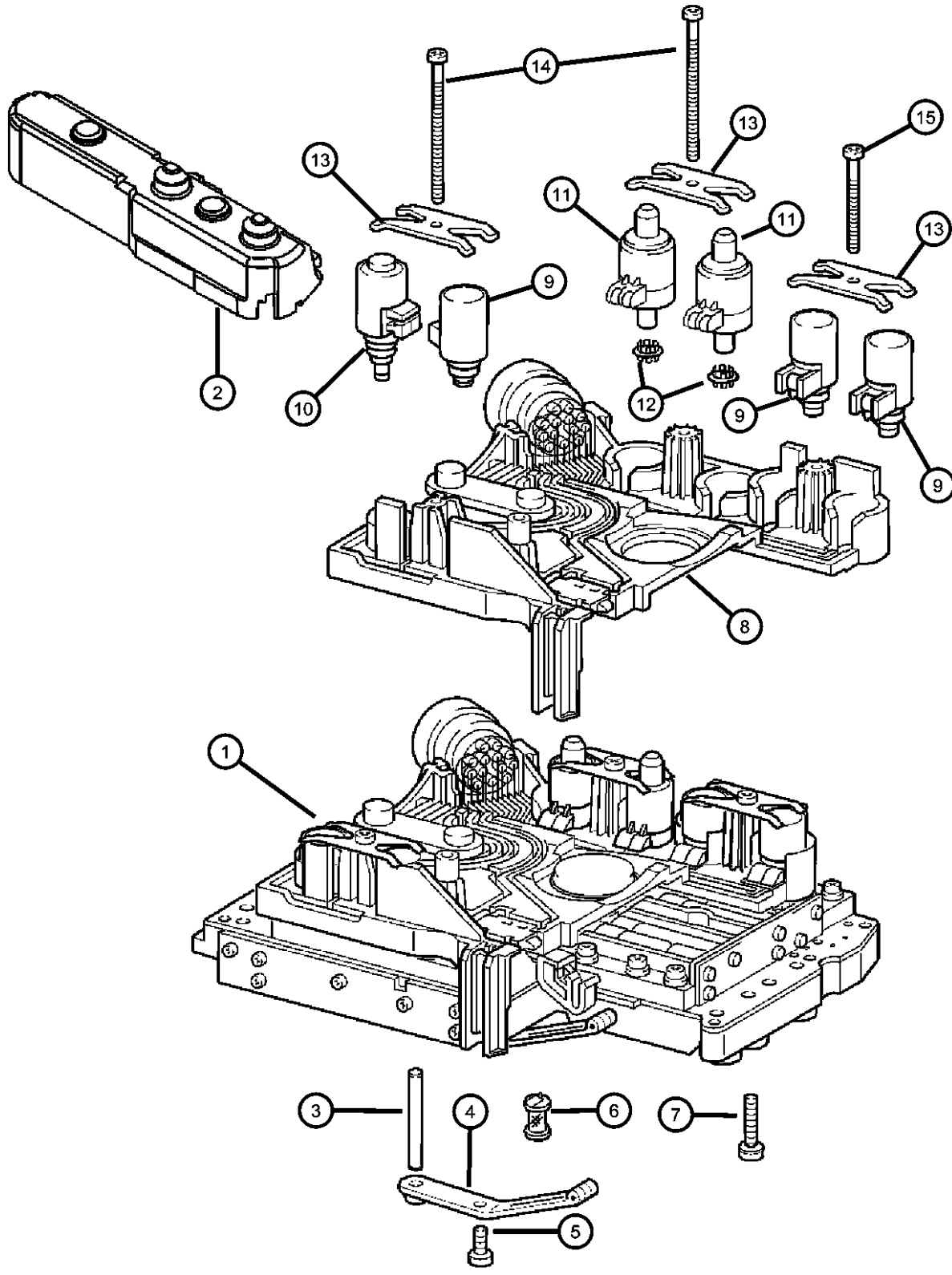
ENGINE
EVA = 4.7L V8 MPI Engine
EVD = 4.7L V8 FFV Engine
EXL = 3.0L V6 Turbo Diesel
Engine
EZB = 5.7L Hemi Multi
Displacement Engine
EKG = 3.7L V6 Engine
ESF = 6.1L SRT HEMI SMPI
V8 Engine

TRANSMISSION
DGJ = 5-Speed Auto W5A580
Transmission
DGQ = 5-Spd Automatic 545RFE
Transmission
DGU = 5-Spd Auto W5J400
Transmission

AR = use ase required - = Non illustrated part

2007 WK

**Electronic - Hydraulic Control Unit
Figure NAG1-715**



ITEM	PART NUMBER	QTY	LINE	SERIES	BODY	ENGINE	TRANS	TRIM	DESCRIPTION
1	05080262AA	1	J			EX0	DGU		VALVE BODY, Complete
2	52108320AA	1	T			EX0	DGU		SHIELD, Transmission Solenoid
3	05098951AA	1	J			EX0	DGU		DOWEL
4	52108258AA	1	J			EX0	DGU		SPRING
5	52108266AB	1	J			EX0	DGU		SCREW
6	52108304AA	1	J			EX0	DGU		FILTER, Transmission Oil
7	52108267AA	29	J			EX0	DGU		SCREW
8	05097219AA	1	J			EX0	DGU		VALVE BODY Connector
9	05134760AA	3	J			EX0	DGU		SOLENOID, Transmission On / Off Switch
10	52108314AA	1	J			EX0	DGU		SOLENOID, Transmission PWN

NOTE: Valve Body Connector Includes Speed Sensor
Sales Codes:
[DGU]=5 Speed Automatic Transmission - [NAG1] - [W5J400]
[EXL]=3.0L V-6 Turbo Diesel Engine

GRAND CHEROKEE (WK)
 SERIES LINE
 H = HIGHLINE T = JEEP - 2WD
 P = PREMIUM J = JEEP - 4WD
 S = SPORT
 X = SPECIAL

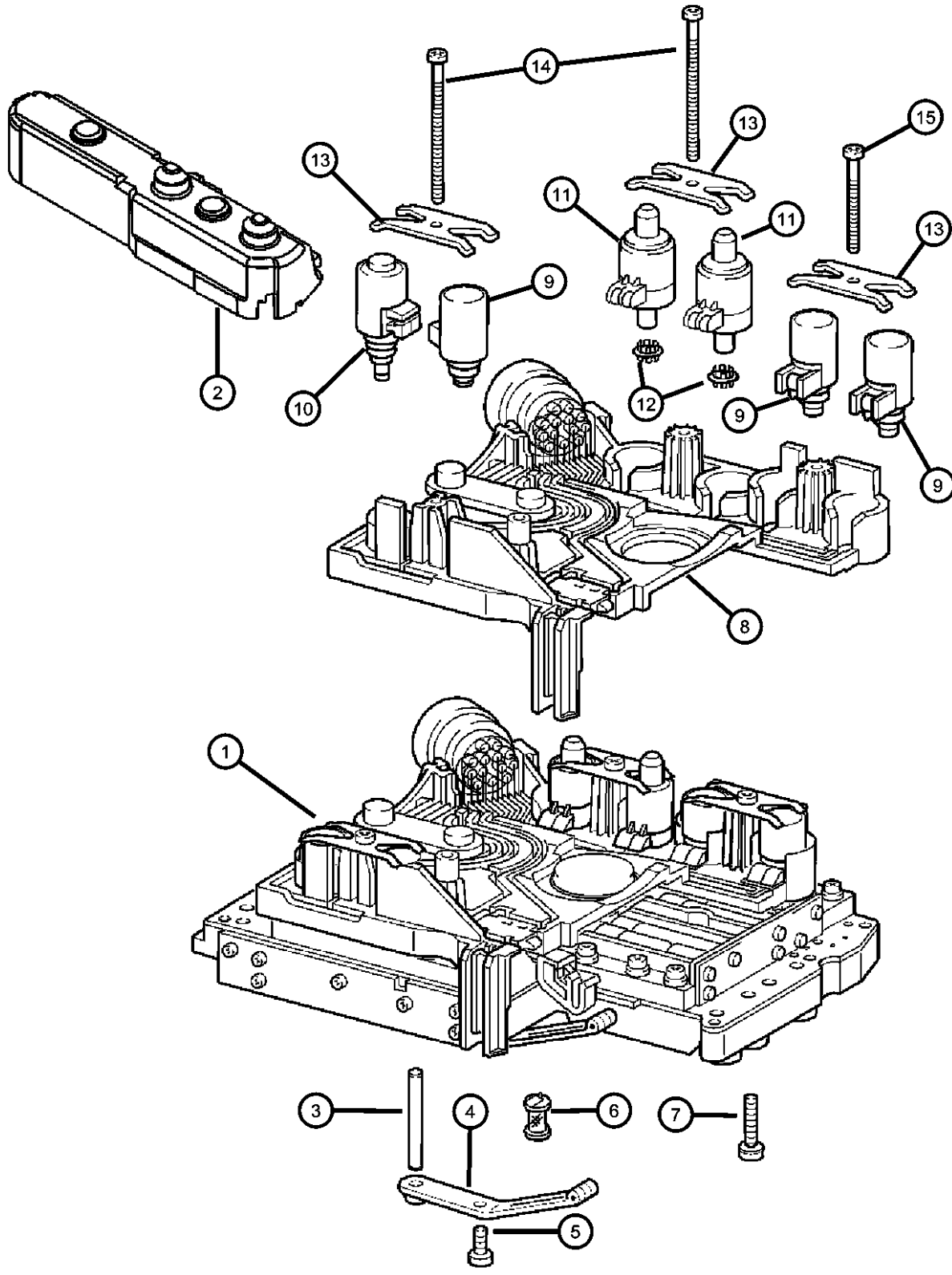
BODY
 74 = SPORT UTILITY 4-DR
 TYPE #4

ENGINE
 EVA = 4.7L V8 MPI Engine
 EVD = 4.7L V8 FFV Engine
 EXL = 3.0L V6 Turbo Diesel
 Engine
 EZB = 5.7L Hemi Multi
 Displacement Engine
 EKG = 3.7L V6 Engine
 ESF = 6.1L SRT HEMI SMPI
 V8 Engine

TRANSMISSION
 DGJ = 5-Speed Auto W5A580
 Transmission
 DGQ = 5-Spd Automatic 545RFE
 Transmission
 DGU = 5-Spd Auto W5J400
 Transmission

AR = use ase required - = Non illustrated part

Electronic - Hydraulic Control Unit
Figure NAG1-715



ITEM	PART NUMBER	QTY	LINE	SERIES	BODY	ENGINE	TRANS	TRIM	DESCRIPTION
11		1	T			EX0	DGU		PWN SOLENOID, Transmission
	05138838AA	2	J			EX0	DGU		Pressure Modulation
		2	T			EX0	DGU		Pressure Modulation
12		2	J			EX0	DGU		FILTER, Transmission Oil
	52108316AA	2	J			EX0	DGU		
		2	T			EX0	DGU		
13									PLATE
	52108315AA	3	J			EX0	DGU		
		3	T			EX0	DGU		
14									SCREW
	52108268AA	2	J			EX0	DGU		[M6x80.0]
		2	T			EX0	DGU		[M6x80.0]
15									SCREW
	52108269AA	1	J			EX0	DGU		[M6x55.0]
		1	T			EX0	DGU		[M6x55.0]

GRAND CHEROKEE (WK)
 SERIES LINE
 H = HIGHLINE T = JEEP - 2WD
 P = PREMIUM J = JEEP - 4WD
 S = SPORT
 X = SPECIAL

BODY
 74 = SPORT UTILITY 4-DR
 TYPE #4

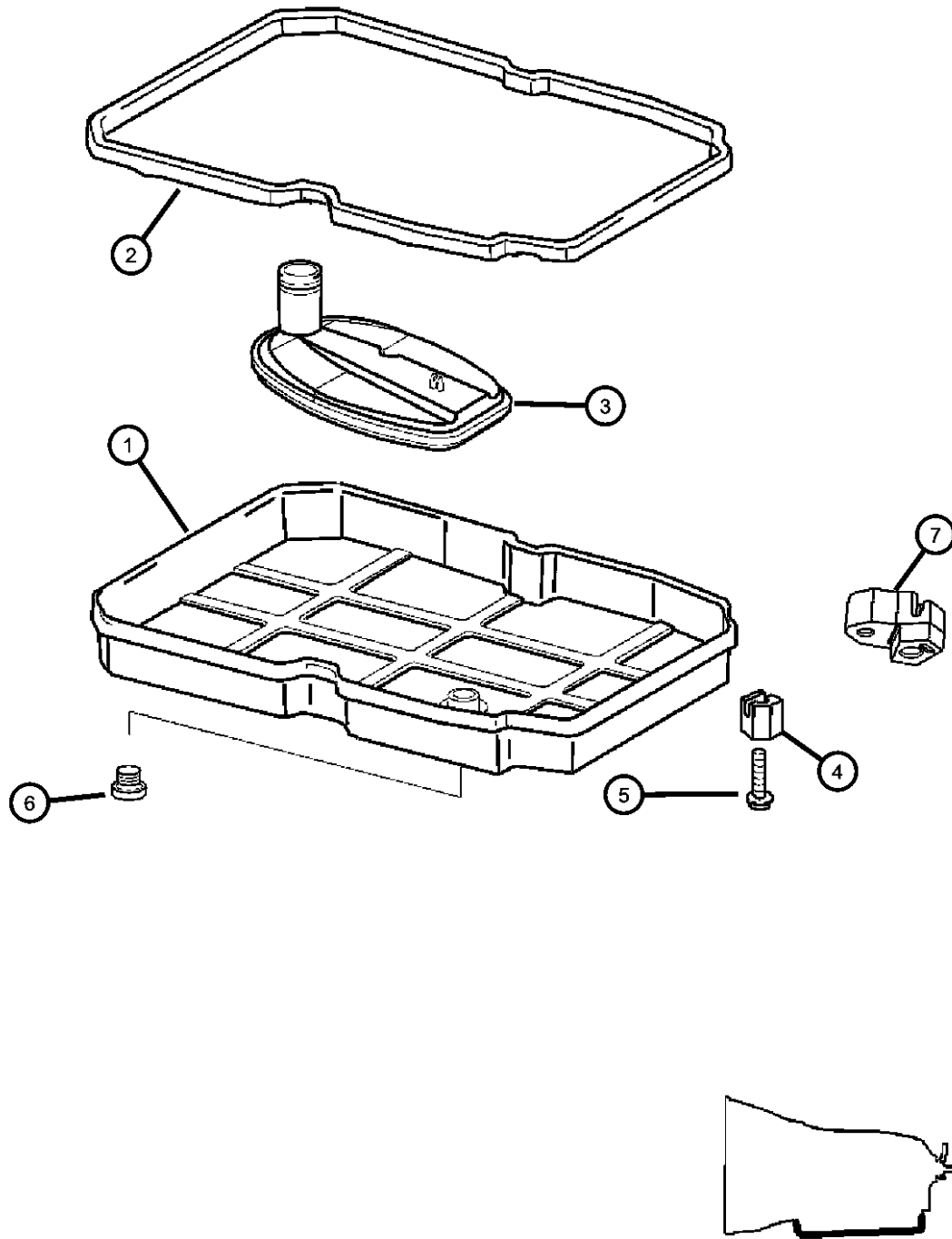
ENGINE
 EVA = 4.7L V8 MPI Engine
 EVD = 4.7L V8 FFV Engine
 EXL = 3.0L V6 Turbo Diesel
 Engine
 EZB = 5.7L Hemi Multi
 Displacement Engine
 EKG = 3.7L V6 Engine
 ESF = 6.1L SRT HEMI SMPI
 V8 Engine

TRANSMISSION
 DGJ = 5-Speed Auto W5A580
 Transmission
 DGQ = 5-Spd Automatic 545RFE
 Transmission
 DGU = 5-Spd Auto W5J400
 Transmission

AR = use ase required - = Non illustrated part

Oil Pan, Gasket & Filter
Figure NAG1-720

ITEM	PART NUMBER	QTY	LINE	SERIES	BODY	ENGINE	TRANS	TRIM	DESCRIPTION
NOTE: Sales Codes: [DGJ]=5 Speed Automatic Transmission - [NAG1] - [W5A580] [ESF]=6.1L SRT HEMI V-8 Engine [EK0]=All 3.7L V-6 Engine									
1	52108327AA	1	J			ESF	DGJ		PAN, Transmission Oil
		1	J			EK0	DGJ		
		1	T			EK0	DGJ		
2	52108332AB	1	J			EX0	DGU		GASKET
		1	T			EK0	DGJ		
		1	J			EK0	DGJ		
3	52108325AA	1	J			EK0	DGJ		FILTER, Transmission Oil
		1	J			ESF	DGJ		
		1	T			EK0	DGJ		
4	52108334AA	5	J			EK0	DGJ		CLAMP, Oil Pan
		5	T			EK0	DGJ		
		5	J			ESF	DGJ		
5	52108270AA	6	J			ESF	DGJ		SCREW
		6	J			EK0	DGJ		
		6	T			EK0	DGJ		
6	03681601	1	J			ESF	DGJ		MAGNET, Transmission
		1	J			EK0	DGJ		
		1	T			EK0	DGJ		
7	05080289AA	1	J			ESF	DGJ		CLAMP, Oil Pan
		1	J			EK0	DGJ		
		1	T			EK0	DGJ		



GRAND CHEROKEE (WK)

SERIES LINE
H = HIGHLINE T = JEEP - 2WD
P = PREMIUM J = JEEP - 4WD
S = SPORT
X = SPECIAL

BODY
74 = SPORT UTILITY 4-DR
TYPE #4

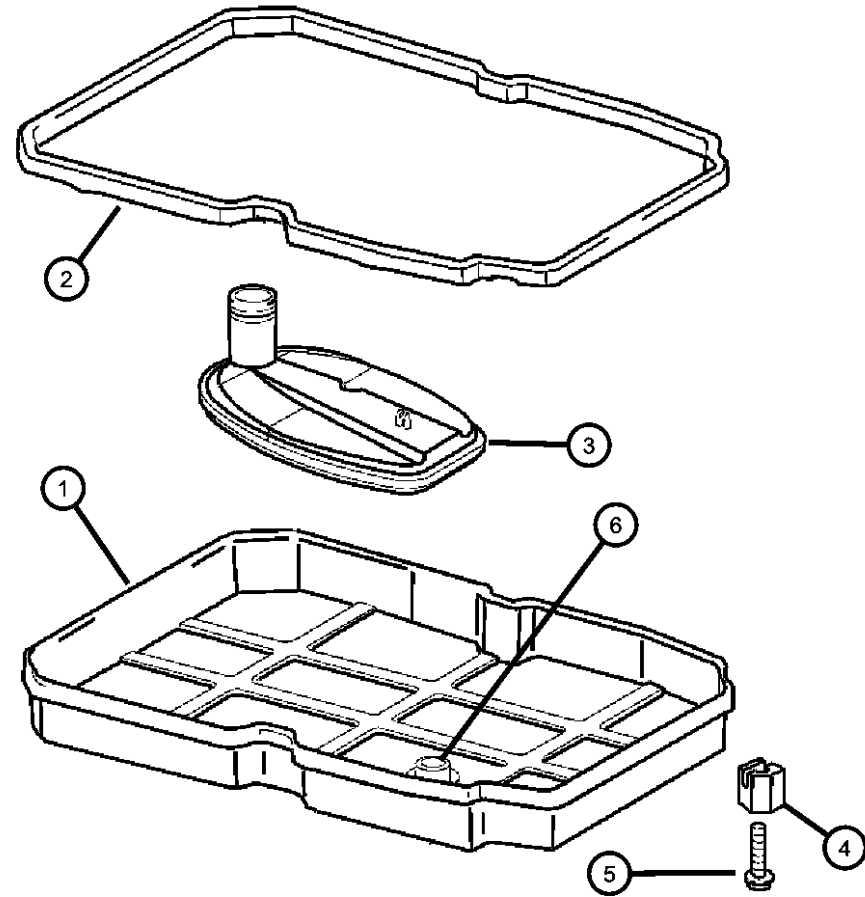
ENGINE
EVA = 4.7L V8 MPI Engine
EVD = 4.7L V8 FFV Engine
EXL = 3.0L V6 Turbo Diesel
Engine
EZB = 5.7L Hemi Multi
Displacement Engine
EKG = 3.7L V6 Engine
ESF = 6.1L SRT HEMI SMPI
V8 Engine

TRANSMISSION
DGJ = 5-Speed Auto W5A580
Transmission
DGQ = 5-Spd Automatic 545RFE
Transmission
DGU = 5-Spd Auto W5J400
Transmission

AR = use ase required - = Non illustrated part

2007 WK

Oil Pan, Gasket & Filter
Figure NAG1-725



ITEM	PART NUMBER	QTY	LINE	SERIES	BODY	ENGINE	TRANS	TRIM	DESCRIPTION
NOTE: Sales Codes: [DGU]=5 Speed Automatic Transmission - [NAG1] - [W5J400] [EXL]=3.0L V-6 Turbo Diesel Engine									
1	52108326AA	1	J			EX0	DGU		PAN, Transmission Oil
		1	T			EX0	DGU		
2	52108332AB	1	T			EX0	DGU		GASKET
		1	J			EX0	DGU		
3	52108325AA	1	J			EX0	DGU		FILTER, Transmission Oil
		1	T			EX0	DGU		
4	05080289AA	1	J			EX0	DGU		CLAMP, Oil Pan
	52108334AA	5	J			EX0	DGU		
		5	T			EX0	DGU		
		1	T			EX0	DGU		
5	52108270AA	6	J			EX0	DGU		BOLT, Torx Head, M6x32
		6	T			EX0	DGU		
6	03681601	1	T			EX0	DGU		MAGNET, Transmission
		1	J			EX0			



GRAND CHEROKEE (WK)

SERIES LINE
H = HIGHLINE T = JEEP - 2WD
P = PREMIUM J = JEEP - 4WD
S = SPORT
X = SPECIAL

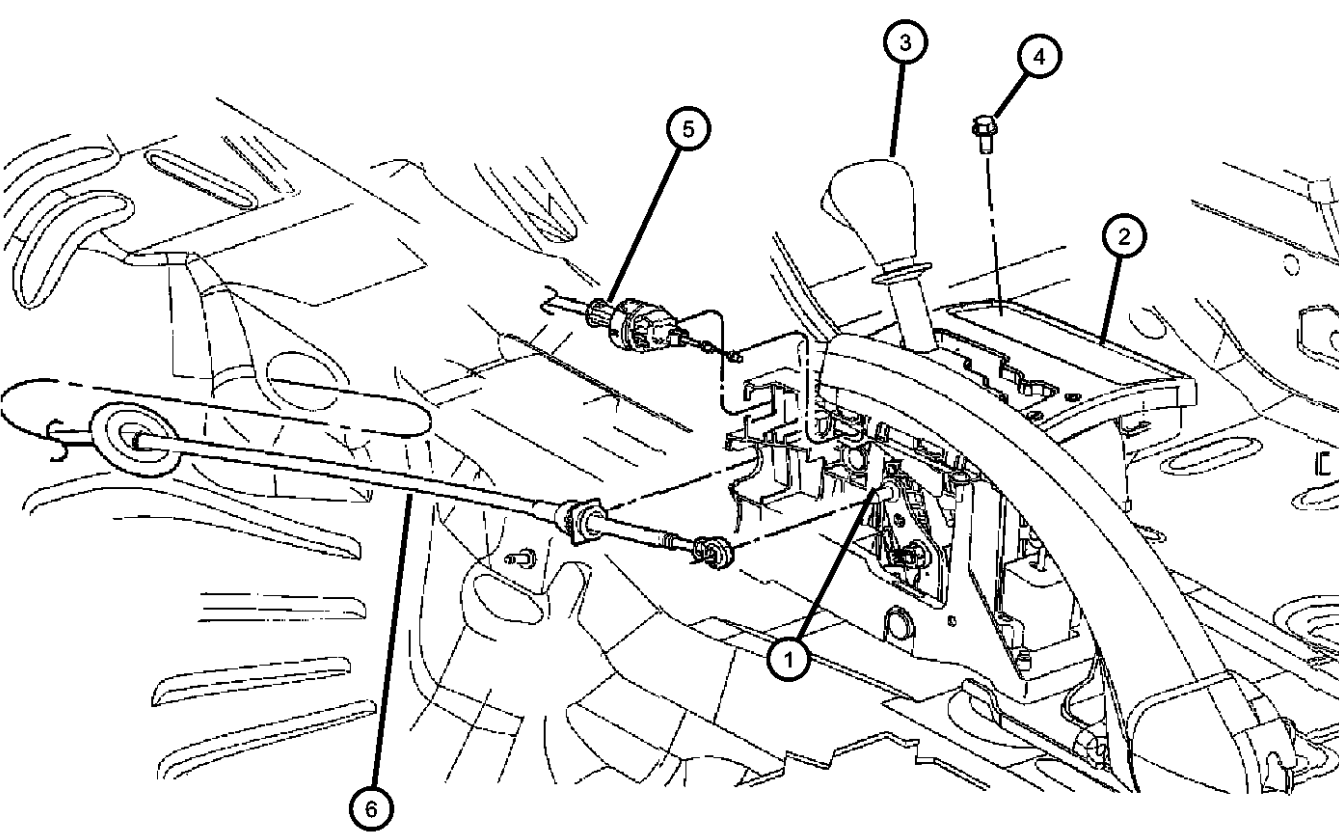
BODY
74 = SPORT UTILITY 4-DR
TYPE #4

ENGINE
EVA = 4.7L V8 MPI Engine
EVD = 4.7L V8 FFV Engine
EXL = 3.0L V6 Turbo Diesel
Engine
EZB = 5.7L Hemi Multi
Displacement Engine
EKG = 3.7L V6 Engine
ESF = 6.1L SRT HEMI SMPI
V8 Engine

TRANSMISSION
DGJ = 5-Speed Auto W5A580
Transmission
DGQ = 5-Spd Automatic 545RFE
Transmission
DGU = 5-Spd Auto W5J400
Transmission

**Gearshift Control
Figure NAG1-1210**

ITEM	PART NUMBER	QTY	LINE	SERIES	BODY	ENGINE	TRANS	TRIM	DESCRIPTION
NOTE: Sales Codes: [DGJ]=5 Speed Automatic Transmission - [NAG1] - [W5A580] [DHB]=Quadra-Trac Active On Demand [4x4] [DHZ]=Quadra-Trac [I] Full Time [4x4] [DHX]=Quadra-Trac [II] Full Time Active [4x4] [ESF]=6.1L SRT HEMI V-8 Engine [DG0]=All Automatic Transmissions [EX0]=All 3.0L V-6 Turbo Diesel Engines									
1									HOUSING AND LEVER, Shifter, Includes Bezel, Mat And Handle
	52124137AC	1	J				DGJ		With [DHZ]
	52124138AC	1	J				DGJ		With [DHH]
		1	J				DGU		With [DHH]
	05037751AB	1	J			ESF	DGJ		With [DHB]
		1	T				DGJ, DGU		
2									PRNDL BEZEL, Gear selector
	68004144AE	1	J	S			DGU		
		1	J			ESF	DGJ		
	68004143AF	1	J			ESF	DGJ		With [DHB]
		1	J				DGJ		With [DHX]
		1	J	H, P			DGU		
	68004143AD	1	T				DGJ		
		1	J				DGJ		With [DHZ]
		1	T	H, P			DGU		
		1	T	S			DGU		
3									HANDLE, Gearshift
	04854563AA	1	J			ESF	DGJ		With [DHB]
	52090460AB	1	T				DGJ, DGU		
		1	J				DGJ		With [DHZ]
		1	J				DGU		With [DHX]
4	06505846AA	3	J, T				DG0		BOLT, Hex Flange Head
5	52109666AD	1	J, T				DG0		CABLE, Park Interlock
6									CABLE, Gearshift Control



GRAND CHEROKEE (WK)

SERIES LINE
H = HIGHLINE T = JEEP - 2WD
P = PREMIUM J = JEEP - 4WD
S = SPORT
X = SPECIAL

BODY
74 = SPORT UTILITY 4-DR
TYPE #4

ENGINE
EVA = 4.7L V8 MPI Engine
EVD = 4.7L V8 FFV Engine
EXL = 3.0L V6 Turbo Diesel
Engine
EZB = 5.7L Hemi Multi
Displacement Engine
EKG = 3.7L V6 Engine
ESF = 6.1L SRT HEMI SMPI
V8 Engine

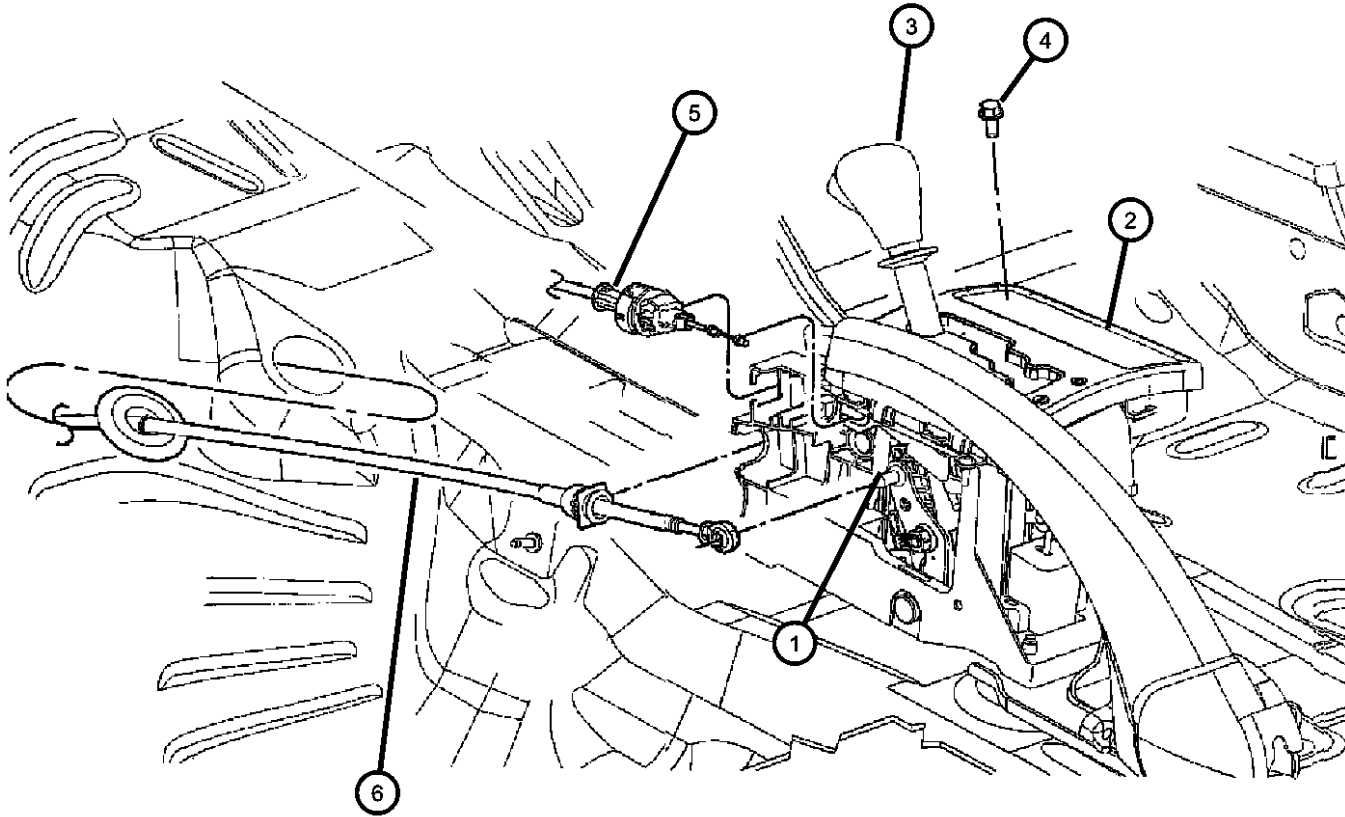
TRANSMISSION
DGJ = 5-Speed Auto W5A580
Transmission
DGQ = 5-Spd Automatic 545RFE
Transmission
DGU = 5-Spd Auto W5J400
Transmission

AR = use ase required - = Non illustrated part

2007 WK

**Gearshift Control
Figure NAG1-1210**

ITEM	PART NUMBER	QTY	LINE	SERIES	BODY	ENGINE	TRANS	TRIM	DESCRIPTION
	52090445AD	1	J, T			EX0	DGU		
	52109667AD	1	J, T				DG0		



GRAND CHEROKEE (WK)

SERIES LINE
H = HIGHLINE T = JEEP - 2WD
P = PREMIUM J = JEEP - 4WD
S = SPORT
X = SPECIAL

BODY
74 = SPORT UTILITY 4-DR
TYPE #4

ENGINE
EVA = 4.7L V8 MPI Engine
EVD = 4.7L V8 FFV Engine
EXL = 3.0L V6 Turbo Diesel
Engine
EZB = 5.7L Hemi Multi
Displacement Engine
EKG = 3.7L V6 Engine
ESF = 6.1L SRT HEMI SMPI
V8 Engine

TRANSMISSION
DGJ = 5-Speed Auto W5A580
Transmission
DGQ = 5-Spd Automatic 545RFE
Transmission
DGU = 5-Spd Auto W5J400
Transmission

AR = use ase required - = Non illustrated part

2007 WK

Shifter Cable & Transmission Shifter Cable Bracket
Figure NAG1-1220

ITEM	PART NUMBER	QTY	LINE	SERIES	BODY	ENGINE	TRANS	TRIM	DESCRIPTION
------	-------------	-----	------	--------	------	--------	-------	------	-------------

NOTE:

Sales Codes:

[DGJ]=5 Speed Automatic Transmission - [NAG1] - [W5A580]

[DG0]=All Automatic Transmissions

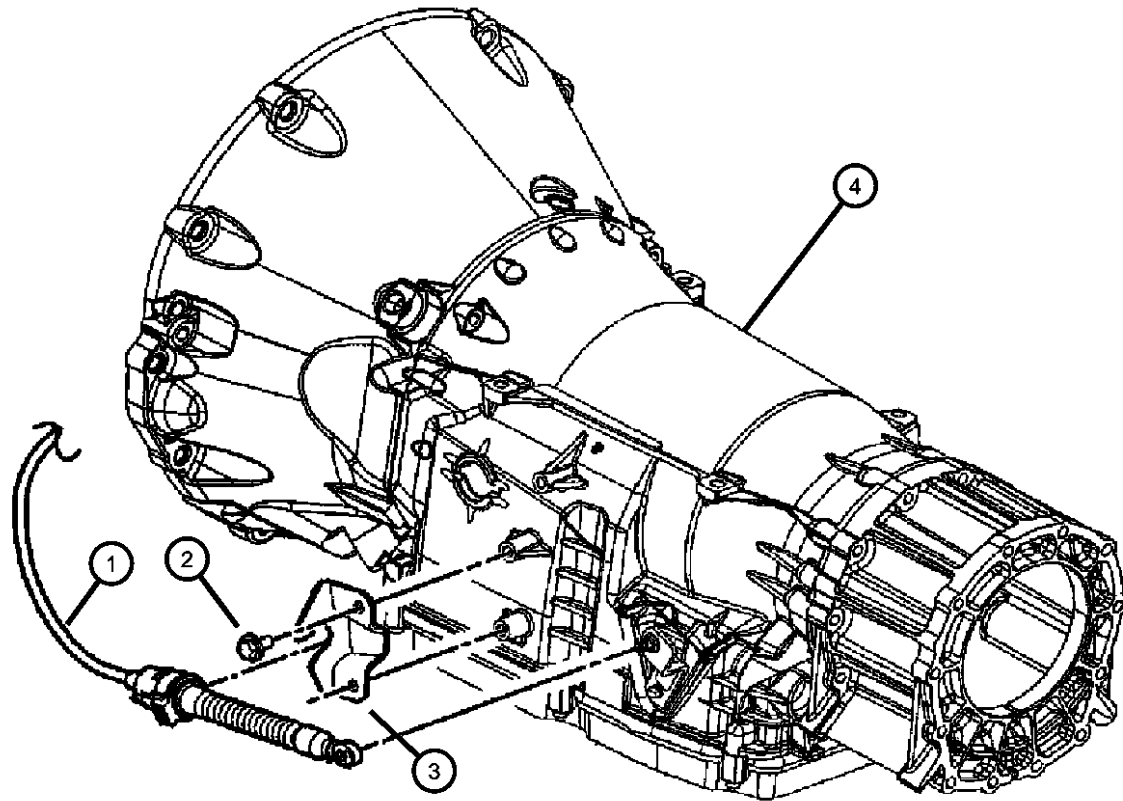
[EK0]=All 3.7L V-6 Engines

[EV0]=All 4.7L V-8 Engines

[EZ0]=All 5.7L V-8 Engines

[EX0]=All 3.0L V-6 Turbo Diesel Engines

1									CABLE, Gearshift Control
	52090445AD	1	J, T			EX0	DGU		
	52109667AE	1	J, T				DGJ, DGQ		
2	06101758	2	J, T				DG0		SCREW, Hex Head, M8x1.25x20
3	52109699AC	1	J, T				DGJ, DGU		BRACKET, Shift Cable
4		1							TRANSMISSION, 5 Speed, See Illustration 110, (NOT SERVICED)



GRAND CHEROKEE (WK)

SERIES LINE
H = HIGHLINE T = JEEP - 2WD
P = PREMIUM J = JEEP - 4WD
S = SPORT
X = SPECIAL

BODY
74 = SPORT UTILITY 4-DR
TYPE #4

ENGINE
EVA = 4.7L V8 MPI Engine
EVD = 4.7L V8 FFV Engine
EXL = 3.0L V6 Turbo Diesel
Engine
EZB = 5.7L Hemi Multi
Displacement Engine
EKG = 3.7L V6 Engine
ESF = 6.1L SRT HEMI SMPI
V8 Engine

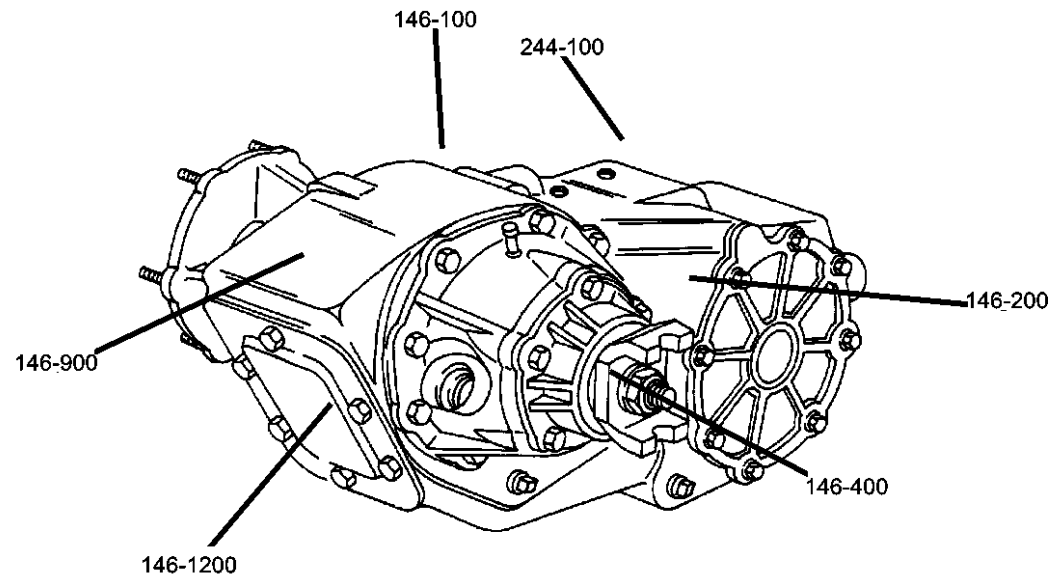
TRANSMISSION
DGJ = 5-Speed Auto W5A580
Transmission
DGQ = 5-Spd Automatic 545RFE
Transmission
DGU = 5-Spd Auto W5J400
Transmission

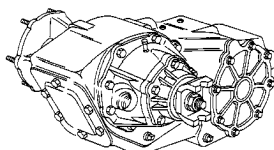
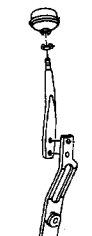
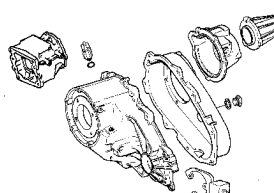
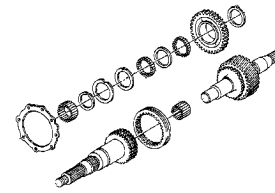
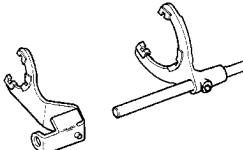
AR = use ase required - = Non illustrated part

2007 WK

Group - 146

Transfer Case Model 146 [DHB]



<p>146-100 Transfer Case Assembly</p> 	<p>146-1200 Gearshift Controls and Skid Plates</p> 	<p>146-200 Case and Extension</p> 	<p>146-400 Gear Train</p> 
<p>146-900 Fork and Rails</p> 			

Group - 146 Transfer Case Model 146 [DHB]

Illustration Title	Group-Fig. No.
Transfer Case Assembly	
Transfer Case Assembly And Identification NVG 146 [DHB]	Fig. 146 - 110
Transfer Case Mounting And Venting NVG 146 [DHB].....	Fig. 146 - 120
Case and Extension	
Case And Related Parts NVG 146 [DHB]	Fig. 146 - 210
Gear Train	
Gear Train NVG 146 [DHB]	Fig. 146 - 410
Fork and Rails	
Forks And Rails NVG 146 [DHB].....	Fig. 146 - 910
Gearshift Controls and Skid Plates	
Skid Plate And Mounting NVG 146 [DHB].....	Fig. 146 - 1210

Transfer Case Assembly And Identification NVG 146 [DHB]

Figure 146-110

ITEM	PART NUMBER	QTY	LINE	SERIES	BODY	ENGINE	TRANS	TRIM	DESCRIPTION
------	-------------	-----	------	--------	------	--------	-------	------	-------------

NOTE:

Refer To All Proper Tag Numbers And Stamping Numbers Before Ordering Transfer Cases And/Or Transfer Case Parts.

Sales Codes:

- [DGJ] = 5-Speed Automatic W5A580 Transmission
- [DGQ] = 5-Speed Automatic 545RFE Transmission
- [DGU] = 5-Speed Automatic W5J400 Transmission
- [DG0] = All Automatic Transmissions
- [DHB] = Quadra -Trac Active On Demand NVG 146 Transfer Case
- [DHX] = Quadra -Trac 2 Full Time Active NVG 245 Transfer Case
- [DHZ] = Quadra -Trac 1 Full time 4WD NVG 140 Transfer Case
- [EKG] = 3.7L [Magnum] V-6 Engine
- [EK0] = All 3.7L 6-Cylinder Gas Engines
- [ESF] = 6.1L SRT Hemi SMPI V-8 Engine
- [ES0] = All 6.1L 8-Cylinder Gas Engines
- [EVA] = 4.7L [Magnum] V-8 Engine
- [EVD] = 4.7L V-8 FFV Engine
- [EV0] = All 4.7L 8-Cylinder Gas Engines
- [EXL] = 3.0L V-6 Turbo Diesel Engine
- [EX0] = All 3.0L Cylinder Turbo Diesel Engines
- [EZB] = 5.7L Hemi Multi-Displacement Engine
- [EZ0] = All 5.7L 8-Cylinder Gas Engines
- [NAA] = Federal Emissions
- [NAE] = California Emissions
- [NAS] = 50 State Emissions
- [NA1] = Export Emissions
- [XEF] = Transfer Case Skid Plate Sheild

1	05037747AA	1	J, T			ESF			TRANSFER CASE, NVG146, See Note
	68001758AA								Mopar Transfer Case Fluid SRT8
2	05175988AA	1	J, T			ESF			VENT, Transfer Case
3	05143716AA	1	J, T			ESF			OUTPUT SHAFT, Transfer Case
4		1							IDENTIFICATION TAG, SCREW ON, See Note, (NOT SERVICED)
5	05143757AA	1	J, T			ESF			FLANGE, Driveshaft Yoke
6	04856641	1	J, T			ESF			PLUG, Oil Fill
7	05143786AA	1	J, T			ESF			ACTUATOR

GRAND CHEROKEE (WK)

SERIES LINE
 H = HIGHLINE T = JEEP - 2WD
 P = PREMIUM J = JEEP - 4WD
 S = SPORT
 X = SPECIAL

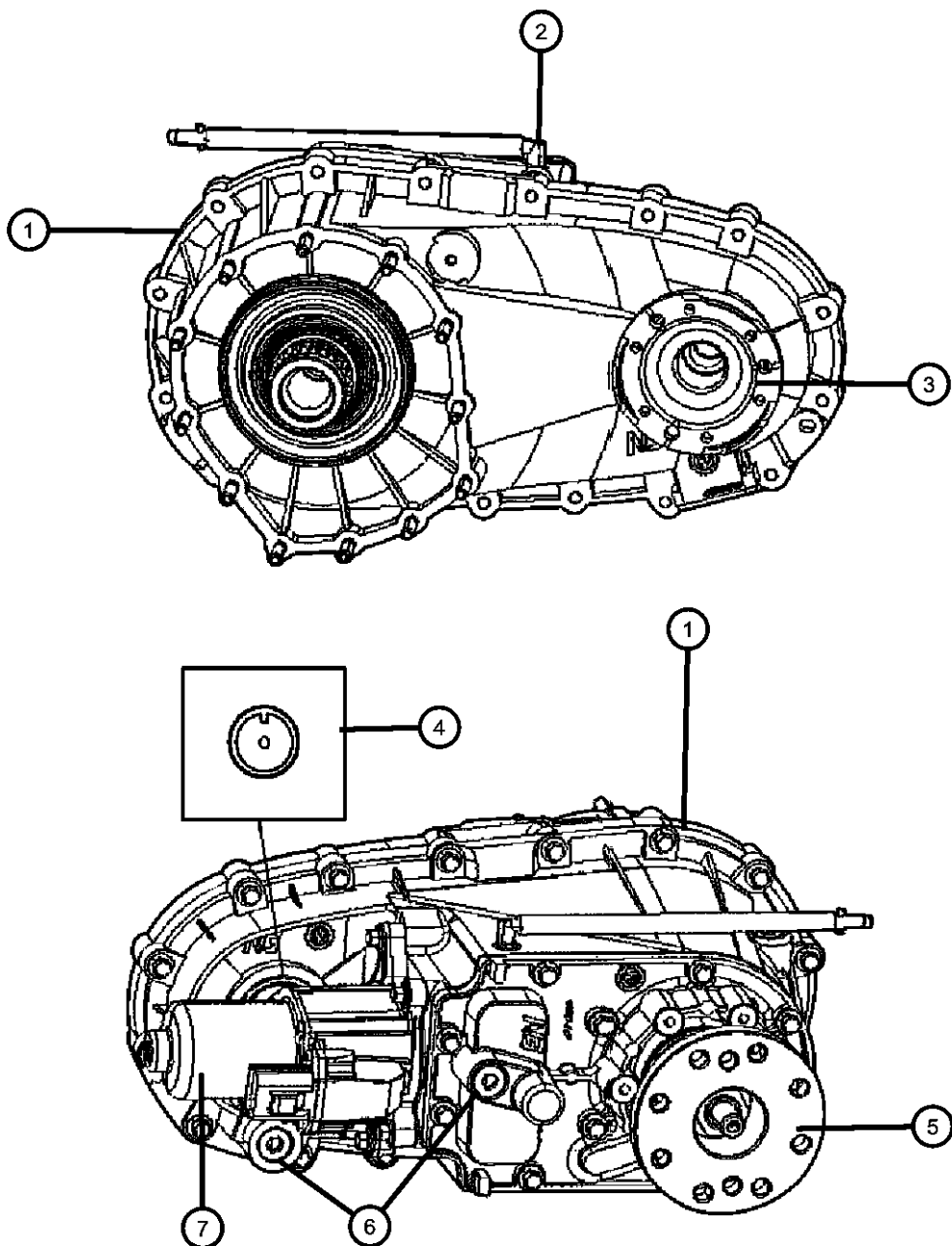
BODY
 74 = SPORT UTILITY 4-DR
 TYPE #4

ENGINE
 EVA = 4.7L V8 MPI Engine
 EVD = 4.7L V8 FFV Engine
 EXL = 3.0L V6 Turbo Diesel Engine
 EZB = 5.7L Hemi Multi Displacement Engine
 EKG = 3.7L V6 Engine
 ESF = 6.1L SRT HEMI SMPI V8 Engine

TRANSMISSION
 DGJ = 5-Speed Auto W5A580 Transmission
 DGQ = 5-Spd Automatic 545RFE Transmission
 DGU = 5-Spd Auto W5J400 Transmission

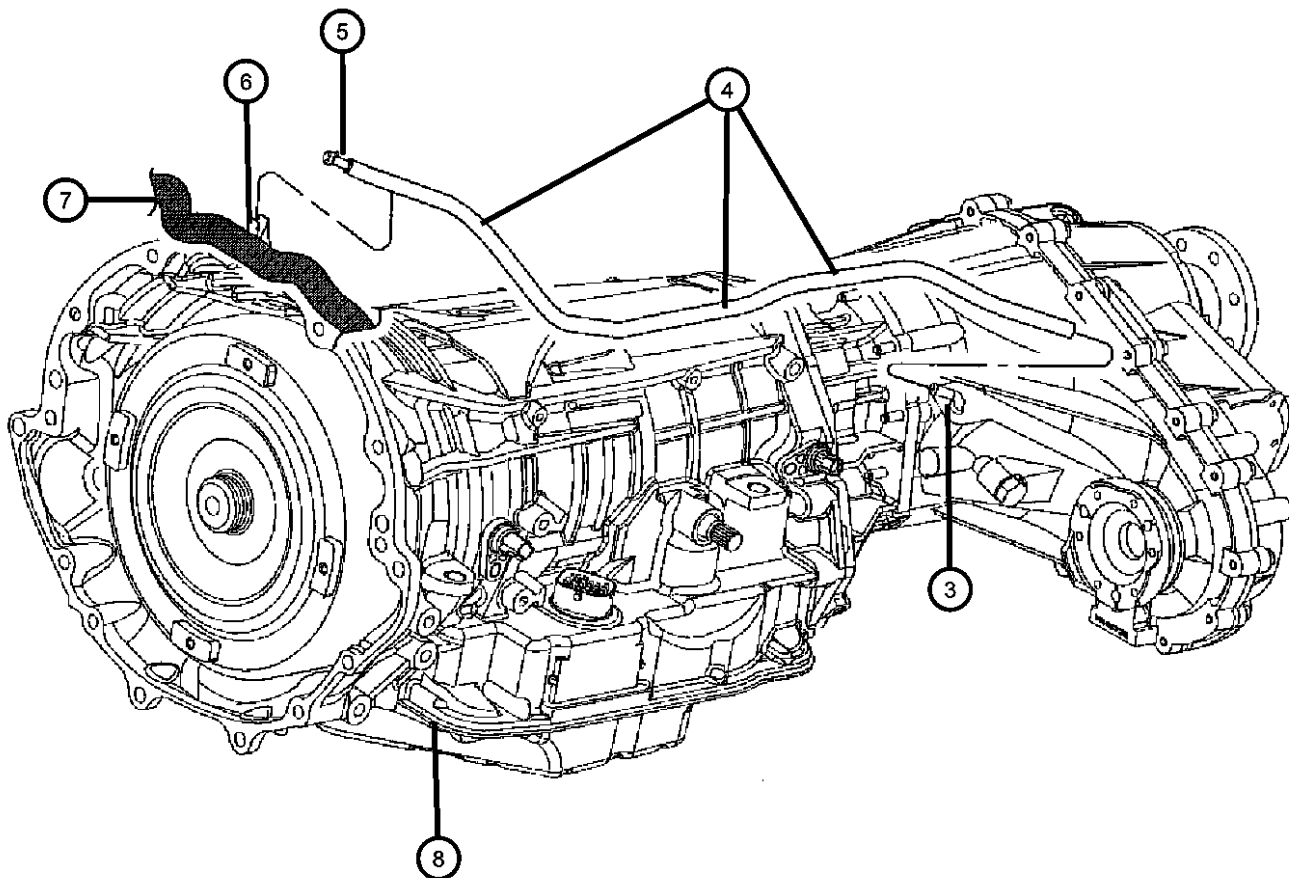
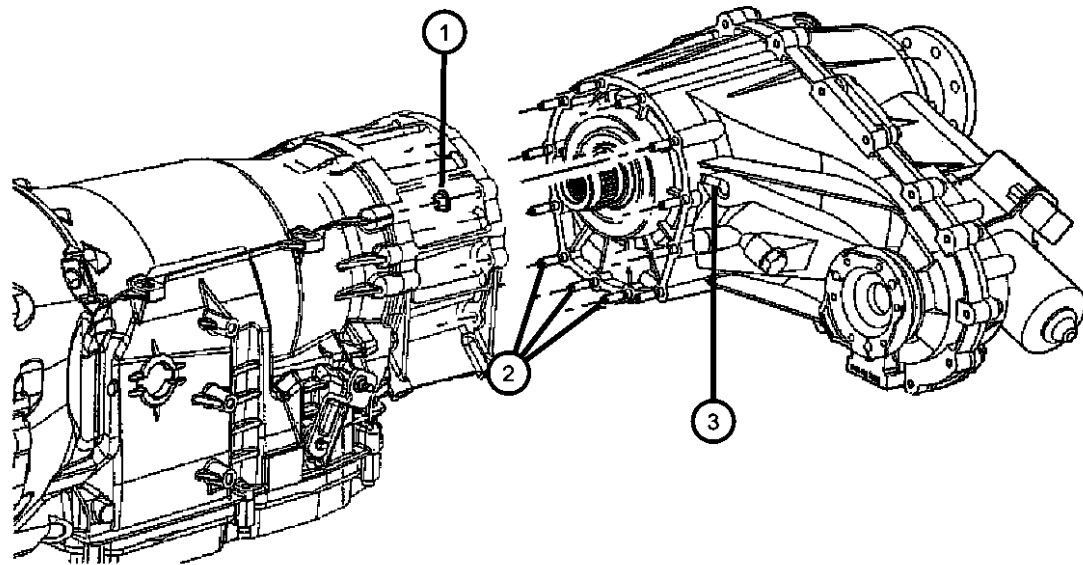
AR = use ase required - = Non illustrated part

2007 WK



**Transfer Case Mounting And Venting NVG 146 [DHB]
Figure 146-120**

ITEM	PART NUMBER	QTY	LINE	SERIES	BODY	ENGINE	TRANS	TRIM	DESCRIPTION
------	-------------	-----	------	--------	------	--------	-------	------	-------------



NOTE:

Refer To All Proper Tag Numbers And Stamping Numbers Before Ordering Transfer Cases And/Or Transfer Case Parts.

Sales Codes:

[DGJ] = 5-Speed Automatic W5A580 Transmission

[DGQ] = 5-Speed Automatic 545RFE Transmission

[DGU] = 5-Speed Automatic W5J400 Transmission

[DG0] = All Automatic Transmissions

[DHB] = Quadra -Trac Active On Demand NVG 146 Transfer Case

[DHX] = Quadra -Trac 2 Full Time Active NVG 245 Transfer Case

[DHZ] = Quadra -Trac 1 Full time 4WD NVG 140 Transfer Case

[EKG] = 3.7L [Magnum] V-6 Engine

[EK0] = All 3.7L 6-Cylinder Gas Engines

[ESF] = 6.1L SRT Hemi SMPI V-8 Engine

[ES0] = All 6.1L 8-Cylinder Gas Engines

[EVA] = 4.7L [Magnum] V-8 Engine

[EVD] = 4.7L V-8 FFV Engine

[EV0] = All 4.7L 8-Cylinder Gas Engines

[EXL] = 3.0L V-6 Turbo Diesel Engine

[EX0] = All 3.0L Cylinder Turbo Diesel Engines

[EZB] = 5.7L Hemi Multi-Displacement Engine

[EZ0] = All 5.7L 8-Cylinder Gas Engines

[NAA] = Federal Emissions

[NAE] = California Emissions

[NAS] = 50 State Emissions

[NA1] = Export Emissions

[XEF] = Transfer Case Skid Plate Shield

1	06507572AA	12	J						
2	05143725AA	1	J, T			ESF			
3	05175988AA	1	J, T			ESF			
4	HFV00516AB	1	J, T						
5	J5352955	1	J, T						
6		1							
7		1							
8		1							

NUT AND WASHER, Hex, [M8X1.00], Transfer Case To Transmission, Mounting
STUD, Transfer Case To Transmission, Mounting
VENT, Transfer Case
HOSE, Fuel And Vapor, 25 Foot Roll 5/16"
VENT, Axle
CLIP, Transfer case vent hose, Serviced On Wiring, (NOT SERVICED)
WIRING, See Group 8, (NOT SERVICED)
TRANSMISSION, See Transmission Group, (NOT SERVICED)

GRAND CHEROKEE (WK)

SERIES LINE
H = HIGHLINE T = JEEP - 2WD
P = PREMIUM J = JEEP - 4WD
S = SPORT
X = SPECIAL

BODY
74 = SPORT UTILITY 4-DR
TYPE #4

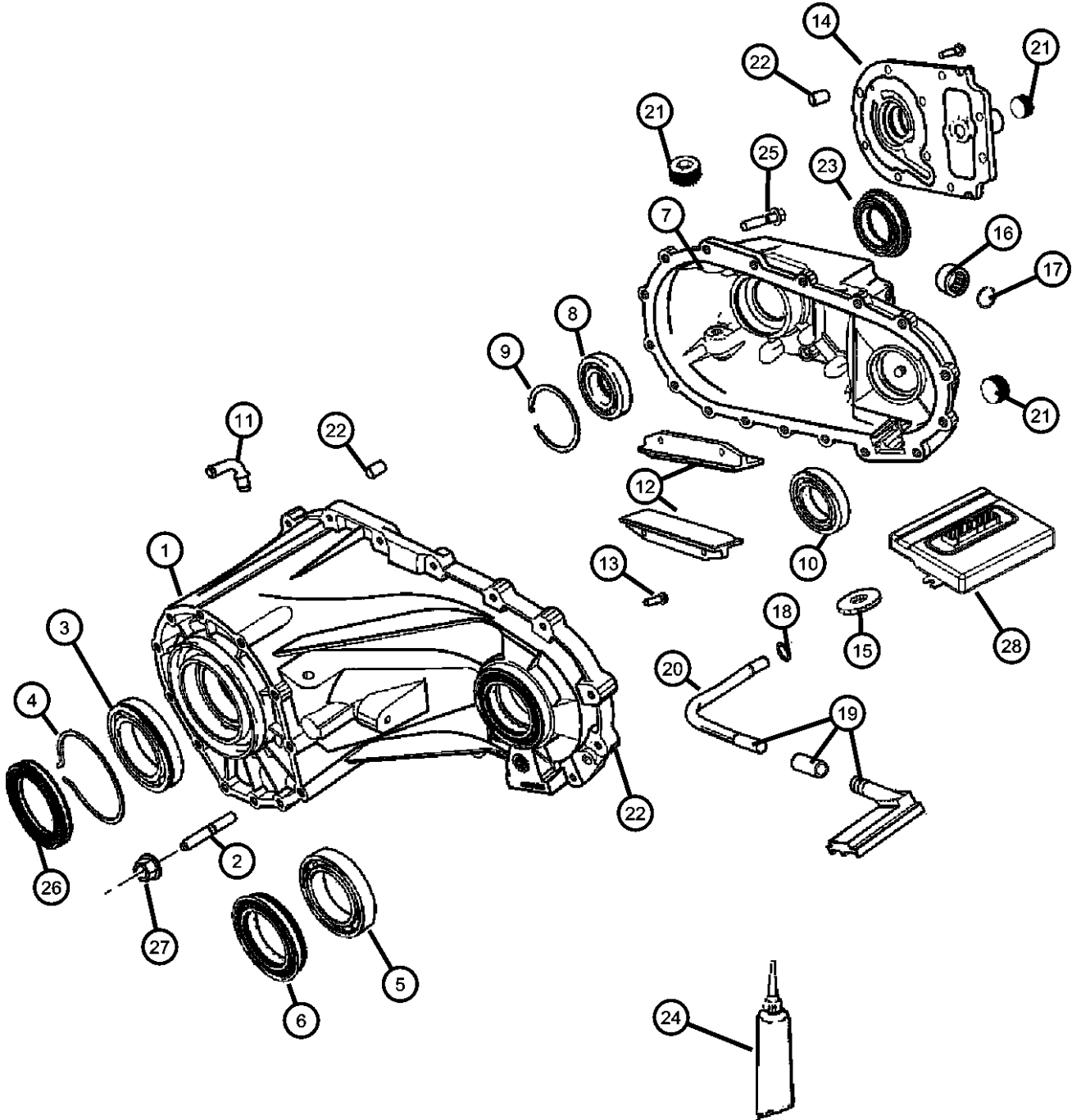
ENGINE
EVA = 4.7L V8 MPI Engine
EVD = 4.7L V8 FFV Engine
EXL = 3.0L V6 Turbo Diesel Engine
EZB = 5.7L Hemi Multi Displacement Engine
EKG = 3.7L V6 Engine
ESF = 6.1L SRT HEMI SMPI V8 Engine

TRANSMISSION
DGJ = 5-Speed Auto W5A580 Transmission
DGQ = 5-Spd Automatic 545RFE Transmission
DGU = 5-Spd Auto W5J400 Transmission

AR = use ase required - = Non illustrated part

2007 WK

**Case And Related Parts NVG 146 [DHB]
Figure 146-210**



ITEM	PART NUMBER	QTY	LINE	SERIES	BODY	ENGINE	TRANS	TRIM	DESCRIPTION
------	-------------	-----	------	--------	------	--------	-------	------	-------------

NOTE:

Refer To All Proper Tag Numbers And Stamping Numbers Before Ordering Transfer Cases And/Or Transfer Case Parts.

Sales Codes:

- [DGJ] = 5-Speed Automatic W5A580 Transmission
- [DGQ] = 5-Speed Automatic 545RFE Transmission
- [DGU] = 5-Speed Automatic W5J400 Transmission
- [DG0] = All Automatic Transmissions
- [DHB] = Quadra -Trac Active On Demand NVG 146 Transfer Case
- [DHX] = Quadra -Trac 2 Full Time Active NVG 245 Transfer Case
- [DHZ] = Quadra -Trac 1 Full time 4WD NVG 140 Transfer Case
- [EKG] = 3.7L [Magnum] V-6 Engine
- [EK0] = All 3.7L 6-Cylinder Gas Engines
- [ESF] = 6.1L SRT Hemi SMPI V-8 Engine
- [ES0] = All 6.1L 8-Cylinder Gas Engines
- [EVA] = 4.7L [Magnum] V-8 Engine
- [EVD] = 4.7L V-8 FFV Engine
- [EV0] = All 4.7L 8-Cylinder Gas Engines
- [EXL] = 3.0L V-6 Turbo Diesel Engine
- [EX0] = All 3.0L Cylinder Turbo Diesel Engines
- [EZB] = 5.7L Hemi Multi-Displacement Engine
- [EZ0] = All 5.7L 8-Cylinder Gas Engines
- [NAA] = Federal Emissions
- [NAE] = California Emissions
- [NAS] = 50 State Emissions
- [NA1] = Export Emissions
- [XEF] = Transfer Case Skid Plate Shield

1	05175982AA	1	J, T			ESF			CASE, Transfer Front
2	05143725AA	1	J, T			ESF			STUD, Transfer Case To Transmission, Mounting
3	05143739AA	1	J, T			ESF			BEARING, Input Gear
4	03821558	1	J, T			ESF			SNAP RING
5	05012997AA	1	J, T			ESF			BEARING, Input Gear
6	05143715AA	1	J, T			ESF			SEAL, Output
7	05175990AA	1	J, T			ESF			CASE, Transfer Rear
8	05161968AA	1	J, T			ESF			BEARING, Ball
9	05143776AA	1	J, T			ESF			SNAP RING
10	05143741AA	1	J, T			ESF			BEARING, Ball
11	05175988AA	1	J, T			ESF			VENT, Transfer Case
12	05012324AA	1	J, T			ESF			SNUBBER, Chain
13	05012325AA	1	J, T			ESF			BOLT

GRAND CHEROKEE (WK)

SERIES LINE
H = HIGHLINE T = JEEP - 2WD
P = PREMIUM J = JEEP - 4WD
S = SPORT
X = SPECIAL

BODY
74 = SPORT UTILITY 4-DR
TYPE #4

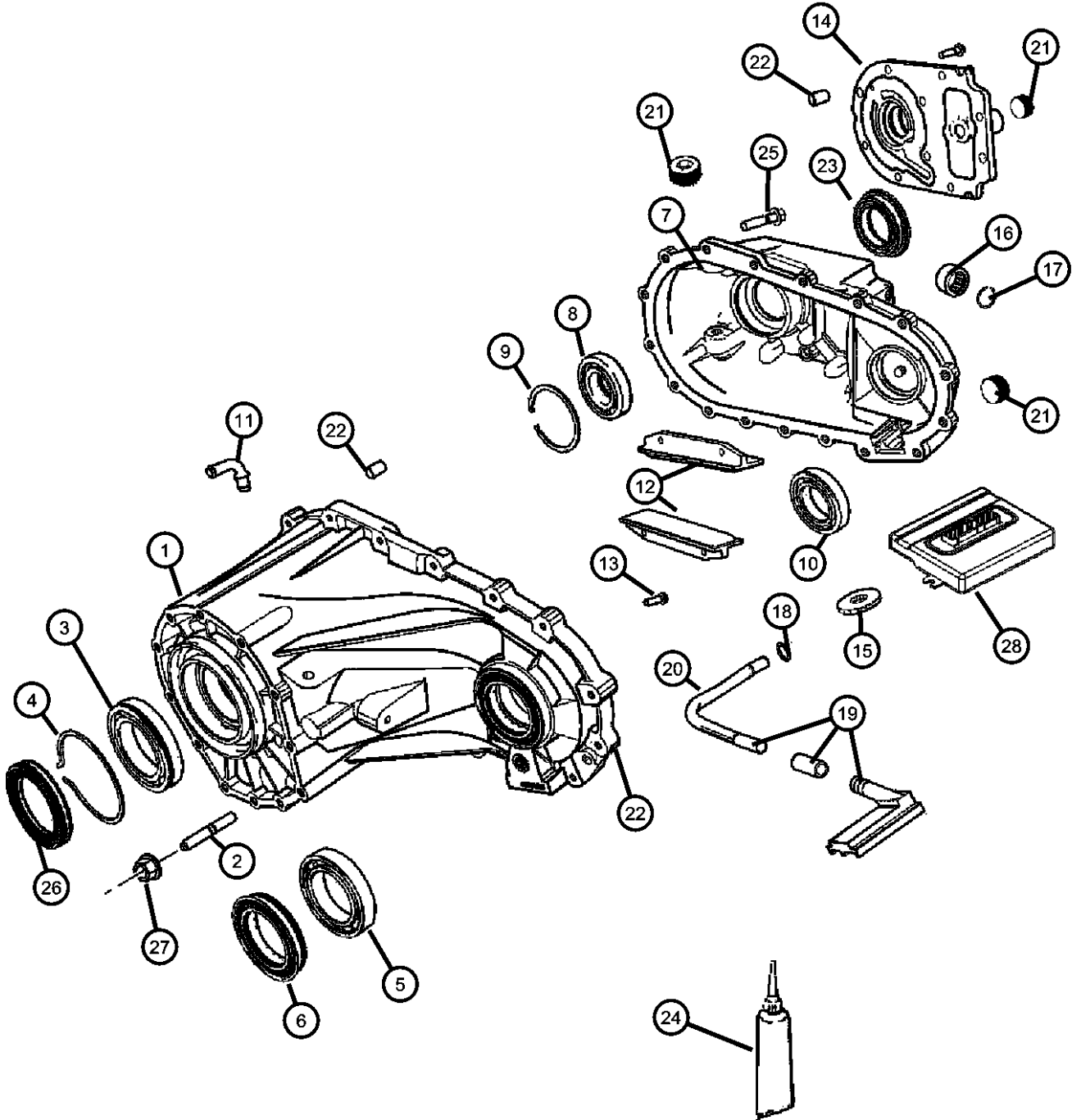
ENGINE
EVA = 4.7L V8 MPI Engine
EVD = 4.7L V8 FFV Engine
EXL = 3.0L V6 Turbo Diesel
Engine
EZB = 5.7L Hemi Multi
Displacement Engine
EKG = 3.7L V6 Engine
ESF = 6.1L SRT HEMI SMPI
V8 Engine

TRANSMISSION
DGJ = 5-Speed Auto W5A580
Transmission
DGQ = 5-Spd Automatic 545RFE
Transmission
DGU = 5-Spd Auto W5J400
Transmission

AR = use ase required - = Non illustrated part

2007 WK

Case And Related Parts NVG 146 [DHB]
Figure 146-210



ITEM	PART NUMBER	QTY	LINE	SERIES	BODY	ENGINE	TRANS	TRIM	DESCRIPTION
14	05143760AB	1	J, T			ESF			RETAINER, Transfer Case Rear
15	03681601	1	J			ESF	DGJ		MAGNET, Transmission
16	05143982AA	1	J, T			ESF			BEARING, Transfer Case Shift
17	05143774AA	1	J, T			ESF			SNAP RING
18	05013016AB	1	J, T			ESF			SEAL, Transfer Case
19	05143773AB	1	J, T			ESF			TUBE, Oil pickup assembly, Transfer case
20	53021522AE	1	J, T			ESF			TUBE, Oil Pickup
21	04856641	1	J, T			ESF			PLUG, Oil Fill
22	05086335AA	1	J, T			ESF			DOWEL, Transfer Case
23	05143733AA	1	J, T			ESF			SEAL, Oil
24	05010884AA	1	J, T			ESF			SEALANT, RTV
25	06101526	6	J			EVO	DGQ		SCREW, Hex Flange Head, M8x1.25x35, Front Case To Rear Case, Mounting
26	05143714AA	1	J, T			ESF			SEAL, Input
27	06507572AA	12	J						NUT AND WASHER, Hex, [M8X1.00], Transfer Case To Transmission, Mounting
28	05030061AE	1	J			ESF			MODULE, Transfer Case Control

GRAND CHEROKEE (WK)

SERIES LINE
H = HIGHLINE T = JEEP - 2WD
P = PREMIUM J = JEEP - 4WD
S = SPORT
X = SPECIAL

BODY
74 = SPORT UTILITY 4-DR
TYPE #4

ENGINE
EVA = 4.7L V8 MPI Engine
EVD = 4.7L V8 FFV Engine
EXL = 3.0L V6 Turbo Diesel Engine
EZB = 5.7L Hemi Multi Displacement Engine
EKG = 3.7L V6 Engine
ESF = 6.1L SRT HEMI SMPI V8 Engine

TRANSMISSION
DGJ = 5-Speed Auto W5A580 Transmission
DGQ = 5-Spd Automatic 545RFE Transmission
DGU = 5-Spd Auto W5J400 Transmission

AR = use ase required - = Non illustrated part

2007 WK

**Gear Train NVG 146 [DHB]
Figure 146-410**

ITEM	PART NUMBER	QTY	LINE	SERIES	BODY	ENGINE	TRANS	TRIM	DESCRIPTION
------	-------------	-----	------	--------	------	--------	-------	------	-------------

NOTE:

Refer To All Proper Tag Numbers And Stamping Numbers Before Ordering Transfer Cases And/Or Transfer Case Parts.

Sales Codes:

[DGJ] = 5-Speed Automatic W5A580 Transmission

[DGQ] = 5-Speed Automatic 545RFE Transmission

[DGU] = 5-Speed Automatic W5J400 Transmission

[DG0] = All Automatic Transmissions

[DHB] = Quadra -Trac Active On Demand NVG 146 Transfer Case

[DHX] = Quadra -Trac 2 Full Time Active NVG 245 Transfer Case

[DHZ] = Quadra -Trac 1 Full time 4WD NVG 140 Transfer Case

[EKG] = 3.7L [Magnum] V-6 Engine

[EK0] = All 3.7L 6-Cylinder Gas Engines

[ESF] = 6.1L SRT Hemi SMPI V-8 Engine

[ES0] = All 6.1L 8-Cylinder Gas Engines

[EVA] = 4.7L [Magnum] V-8 Engine

[EVD] = 4.7L V-8 FFV Engine

[EV0] = All 4.7L 8-Cylinder Gas Engines

[EXL] = 3.0L V-6 Turbo Diesel Engine

[EX0] = All 3.0L Cylinder Turbo Diesel Engines

[EZB] = 5.7L Hemi Multi-Displacement Engine

[EZ0] = All 5.7L 8-Cylinder Gas Engines

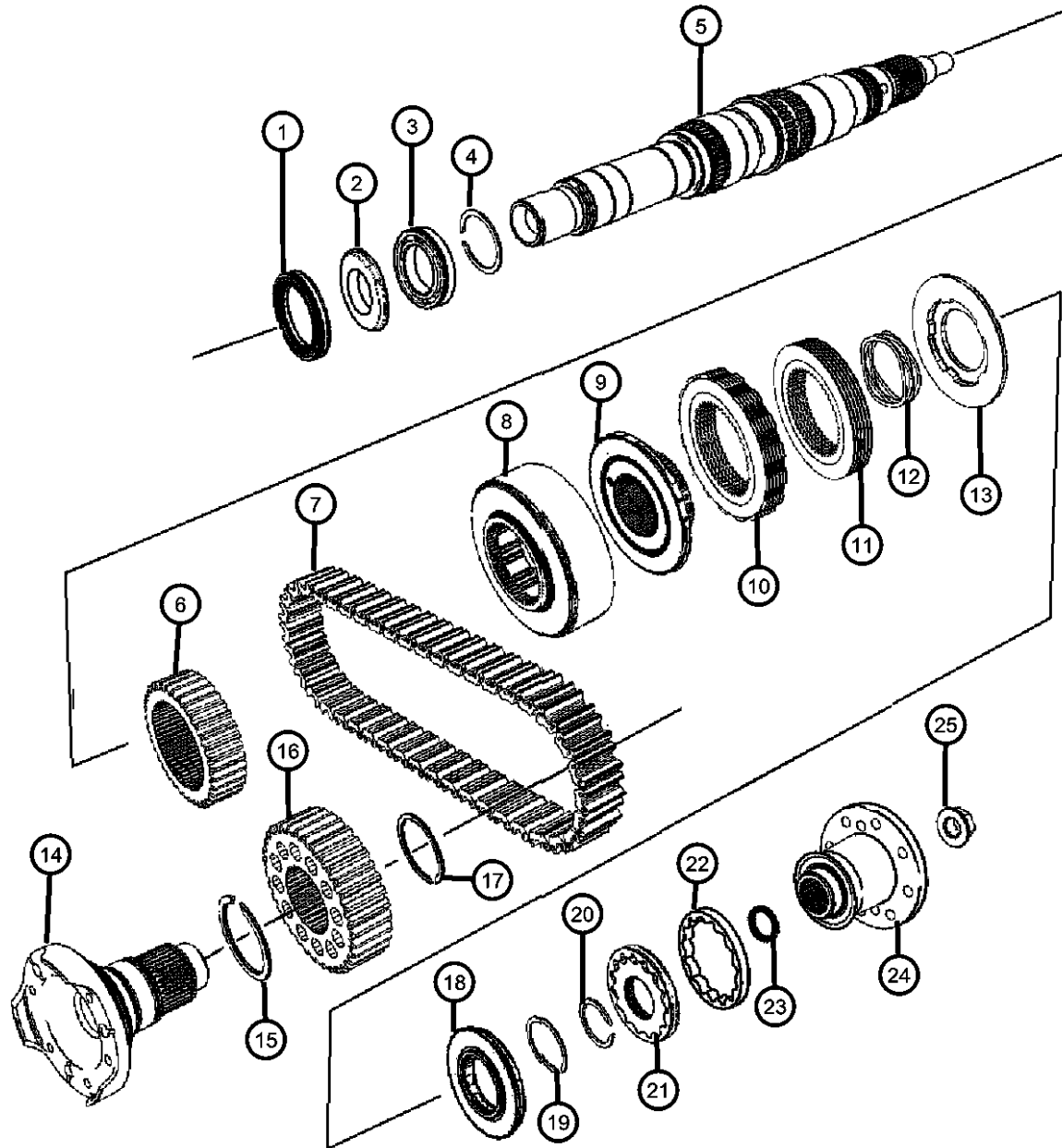
[NAA] = Federal Emissions

[NAE] = California Emissions

[NAS] = 50 State Emissions

[NA1] = Export Emissions

[XEF] = Transfer Case Skid Plate Shield



1	05143714AA	1	J, T			ESF			SEAL, Input
2	05161962AA	1	J, T			ESF			BEARING, Thrust
3	05143739AA	1	J, T			ESF			BEARING, Input Gear
4	03821558	1	J, T			ESF			SNAP RING
5	05175984AA	1	J, T			ESF			MAINSHAFT, Transfer Case
6	05143727AA	1	J, T			ESF			SPROCKET, Transfer Case
7	05161964AA	1	J, T			ESF			CHAIN, Transfer Case
8	05175983AA	1	J, T			ESF			DRUM
9	05143984AA	1	J, T			ESF			DRUM
10	05175986AA	6	J, T			ESF			PLATE, Transmission Clutch Reaction
11	05175985AA	7	J, T			ESF			PLATE, Clutch Pressure
12	05143989AA	1	J, T			ESF			SPRING, Clutch
13	05175987AA	1	J, T			ESF			PLATE

GRAND CHEROKEE (WK)

SERIES LINE
H = HIGHLINE T = JEEP - 2WD
P = PREMIUM J = JEEP - 4WD
S = SPORT
X = SPECIAL

BODY
74 = SPORT UTILITY 4-DR
TYPE #4

ENGINE
EVA = 4.7L V8 MPI Engine
EVD = 4.7L V8 FFV Engine
EXL = 3.0L V6 Turbo Diesel
Engine
EZB = 5.7L Hemi Multi
Displacement Engine
EKG = 3.7L V6 Engine
ESF = 6.1L SRT HEMI SMPI
V8 Engine

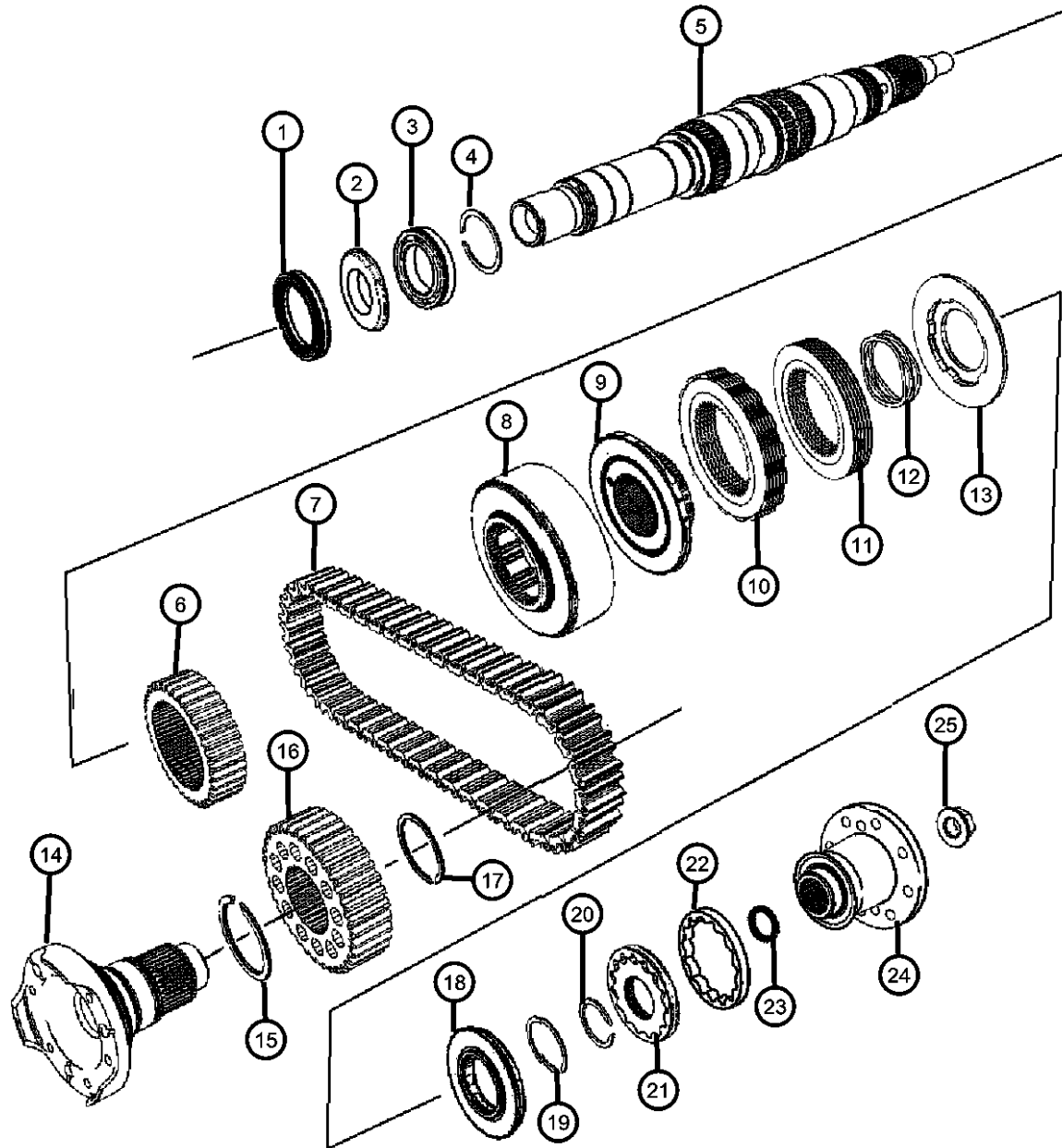
TRANSMISSION
DGJ = 5-Speed Auto W5A580
Transmission
DGQ = 5-Spd Automatic 545RFE
Transmission
DGU = 5-Spd Auto W5J400
Transmission

AR = use ase required - = Non illustrated part

2007 WK

**Gear Train NVG 146 [DHB]
Figure 146-410**

ITEM	PART NUMBER	QTY	LINE	SERIES	BODY	ENGINE	TRANS	TRIM	DESCRIPTION
14	05143716AA	1	J, T			ESF			OUTPUT SHAFT, Transfer Case
15	83503537	1	J, T			ESF			SNAP RING
16	05143730AA	1	J, T			ESF			SPROCKET, Transfer Case
17	05080503AA	1	J, T			ESF			SNAP RING, Clutch GearInner
18	05161962AA	1	J, T			ESF			BEARING, Thrust
19	83503537	1	J, T			ESF			SNAP RING
20	05143774AA	1	J, T			ESF			SNAP RING
21	05143772AA	1	J, T			ESF			PUMP, Transfer Case Oil
22	05101880AA	1	J, T			ESF			ROTOR, Outer
23	05143743AA	1	J, T			ESF			SEAL
24	05143757AA	1	J, T			ESF			FLANGE, Driveshaft Yoke
25	05143738AA	1	J, T			ESF			NUT, Transfer Case Yoke



GRAND CHEROKEE (WK)

SERIES LINE
H = HIGHLINE T = JEEP - 2WD
P = PREMIUM J = JEEP - 4WD
S = SPORT
X = SPECIAL

BODY
74 = SPORT UTILITY 4-DR
TYPE #4

ENGINE
EVA = 4.7L V8 MPI Engine
EVD = 4.7L V8 FFV Engine
EXL = 3.0L V6 Turbo Diesel
Engine
EZB = 5.7L Hemi Multi
Displacement Engine
EKG = 3.7L V6 Engine
ESF = 6.1L SRT HEMI SMPI
V8 Engine

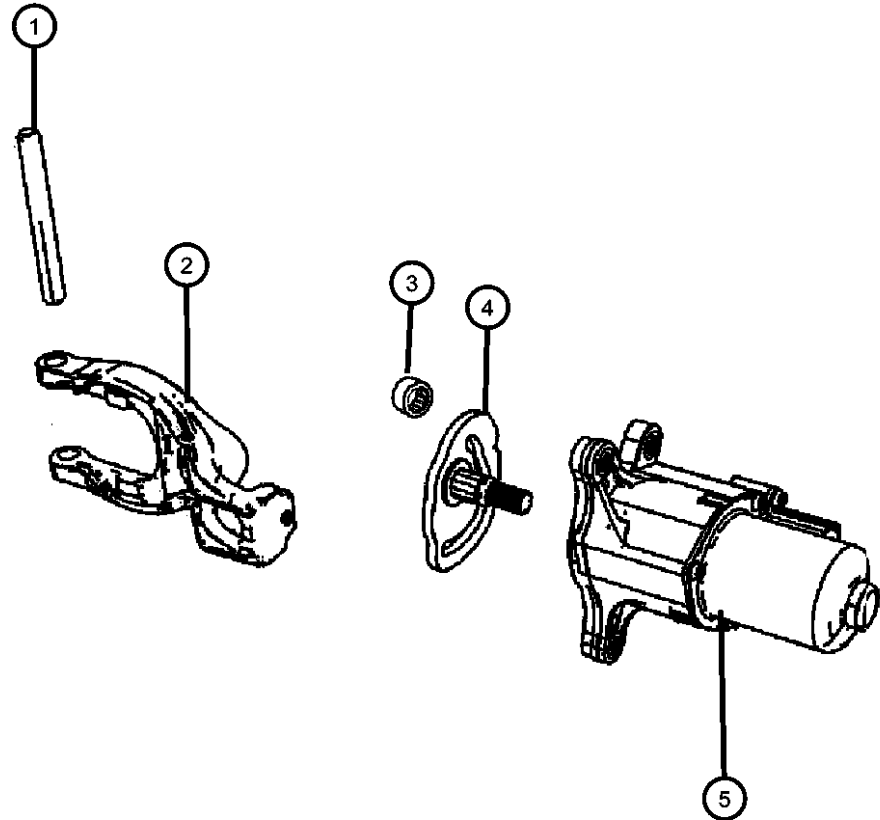
TRANSMISSION
DGJ = 5-Speed Auto W5A580
Transmission
DGQ = 5-Spd Automatic 545RFE
Transmission
DGU = 5-Spd Auto W5J400
Transmission

AR = use ase required - = Non illustrated part

2007 WK

Forks And Rails NVG 146 [DHB]
Figure 146-910

ITEM	PART NUMBER	QTY	LINE	SERIES	BODY	ENGINE	TRANS	TRIM	DESCRIPTION
------	-------------	-----	------	--------	------	--------	-------	------	-------------



NOTE:

Refer To All Proper Tag Numbers And Stamping Numbers Before Ordering Transfer Cases And/Or Transfer Case Parts.

Sales Codes:

[DGJ] = 5-Speed Automatic W5A580 Transmission

[DGQ] = 5-Speed Automatic 545RFE Transmission

[DGU] = 5-Speed Automatic W5J400 Transmission

[DG0] = All Automatic Transmissions

[DHB] = Quadra -Trac Active On Demand NVG 146 Transfer Case

[DHX] = Quadra -Trac 2 Full Time Active NVG 245 Transfer Case

[DHZ] = Quadra -Trac 1 Full time 4WD NVG 140 Transfer Case

[EKG] = 3.7L [Magnum] V-6 Engine

[EK0] = All 3.7L 6-Cylinder Gas Engines

[ESF] = 6.1L SRT Hemi SMPI V-8 Engine

[ES0] = All 6.1L 8-Cylinder Gas Engines

[EVA] = 4.7L [Magnum] V-8 Engine

[EVD] = 4.7L V-8 FFV Engine

[EV0] = All 4.7L 8-Cylinder Gas Engines

[EXL] = 3.0L V-6 Turbo Diesel Engine

[EX0] = All 3.0L Cylinder Turbo Diesel Engines

[EZB] = 5.7L Hemi Multi-Displacement Engine

[EZ0] = All 5.7L 8-Cylinder Gas Engines

[NAA] = Federal Emissions

[NAE] = California Emissions

[NAS] = 50 State Emissions

[NA1] = Export Emissions

[XEF] = Transfer Case Skid Plate Sheild

1	05143981AA	1	J, T			ESF			RAIL, Shift
2	05161975AA	1	J, T			ESF			LEVER, Transfer Case
3	05143982AA	1	J, T			ESF			BEARING, Transfer Case Shift
4	05175989AA	1	J, T			ESF			SECTOR, Transfer Case
5	05143786AA	1	J, T			ESF			ACTUATOR

GRAND CHEROKEE (WK)

SERIES LINE
H = HIGHLINE T = JEEP - 2WD
P = PREMIUM J = JEEP - 4WD
S = SPORT
X = SPECIAL

BODY
74 = SPORT UTILITY 4-DR
TYPE #4

ENGINE
EVA = 4.7L V8 MPI Engine
EVD = 4.7L V8 FFV Engine
EXL = 3.0L V6 Turbo Diesel
Engine
EZB = 5.7L Hemi Multi
Displacement Engine
EKG = 3.7L V6 Engine
ESF = 6.1L SRT HEMI SMPI
V8 Engine

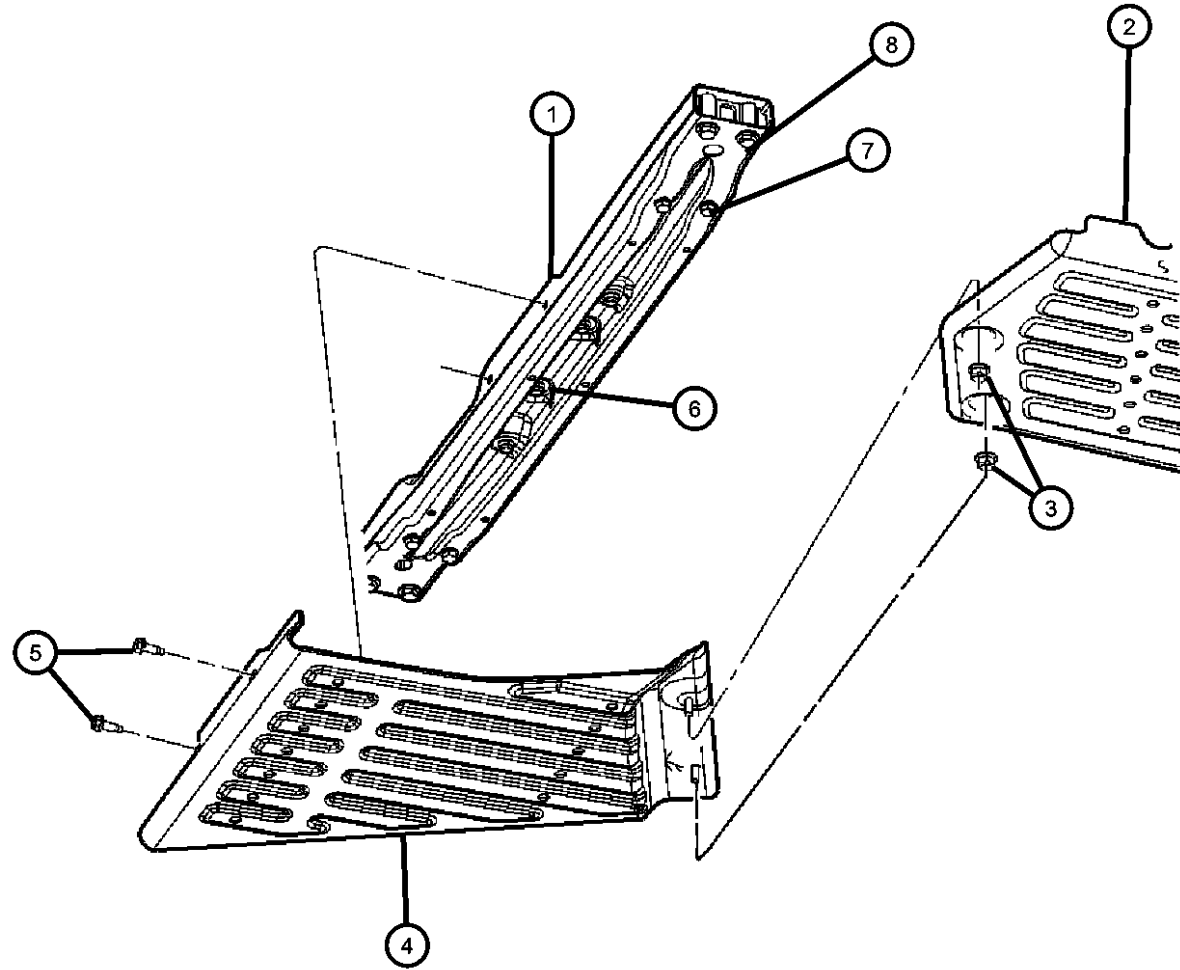
TRANSMISSION
DGJ = 5-Speed Auto W5A580
Transmission
DGQ = 5-Spd Automatic 545RFE
Transmission
DGU = 5-Spd Auto W5J400
Transmission

AR = use ase required - = Non illustrated part

2007 WK

**Skid Plate And Mounting NVG 146 [DHB]
Figure 146-1210**

ITEM	PART NUMBER	QTY	LINE	SERIES	BODY	ENGINE	TRANS	TRIM	DESCRIPTION
------	-------------	-----	------	--------	------	--------	-------	------	-------------



NOTE:

Refer To All Proper Tag Numbers And Stamping Numbers Before Ordering Transfer Cases And/Or Transfer Case Parts.

Sales Codes:

- [DGJ] = 5-Speed Automatic W5A580 Transmission
- [DGQ] = 5-Speed Automatic 545RFE Transmission
- [DGU] = 5-Speed Automatic W5J400 Transmission
- [DG0] = All Automatic Transmissions
- [DHB] = Quadra -Trac Active On Demand NVG 146 Transfer Case
- [DHX] = Quadra -Trac 2 Full Time Active NVG 245 Transfer Case
- [DHZ] = Quadra -Trac 1 Full time 4WD NVG 140 Transfer Case
- [EKG] = 3.7L [Magnum] V-6 Engine
- [EK0] = All 3.7L 6-Cylinder Gas Engines
- [ESF] = 6.1L SRT Hemi SMPI V-8 Engine
- [ES0] = All 6.1L 8-Cylinder Gas Engines
- [EVA] = 4.7L [Magnum] V-8 Engine
- [EVD] = 4.7L V-8 FFV Engine
- [EV0] = All 4.7L 8-Cylinder Gas Engines
- [EXL] = 3.0L V-6 Turbo Diesel Engine
- [EX0] = All 3.0L Cylinder Turbo Diesel Engines
- [EZB] = 5.7L Hemi Multi-Displacement Engine
- [EZ0] = All 5.7L 8-Cylinder Gas Engines
- [NAA] = Federal Emissions
- [NAE] = California Emissions
- [NAS] = 50 State Emissions
- [NA1] = Export Emissions
- [XEF] = Transfer Case Skid Plate Shield

1	52090070AI	1	J, T						CROSSMEMBER, Transmission
2	52090274AF	1	J, T			EK0, ES0, EVA, EZ0 EVD			SKID PLATE, Fuel Tank
3	06101696	2	J						NUT, [M10X1.50], Transfer Case Skid Plate To Fuel Tank Skid Plate, Mounting
4	52128499AC	1	J						SKID PLATE, Transfer Case
5	06503571	2	J			EK0, EV0, EZ0 EX0			SCREW AND WASHER, M10x1.50x35 Transfer Case Skid Plate To Crossmember, Mounting
6	06508082AA	4	J, T						Transfer Case Skid Plate To Crossmember, Mounting SCREW, [8Mx1.25x58.0]

GRAND CHEROKEE (WK)

SERIES LINE
 H = HIGHLINE T = JEEP - 2WD
 P = PREMIUM J = JEEP - 4WD
 S = SPORT
 X = SPECIAL

BODY
 74 = SPORT UTILITY 4-DR
 TYPE #4

ENGINE
 EVA = 4.7L V8 MPI Engine
 EVD = 4.7L V8 FFV Engine
 EXL = 3.0L V6 Turbo Diesel
 Engine
 EZB = 5.7L Hemi Multi
 Displacement Engine
 EKG = 3.7L V6 Engine
 ESF = 6.1L SRT HEMI SMPI
 V8 Engine

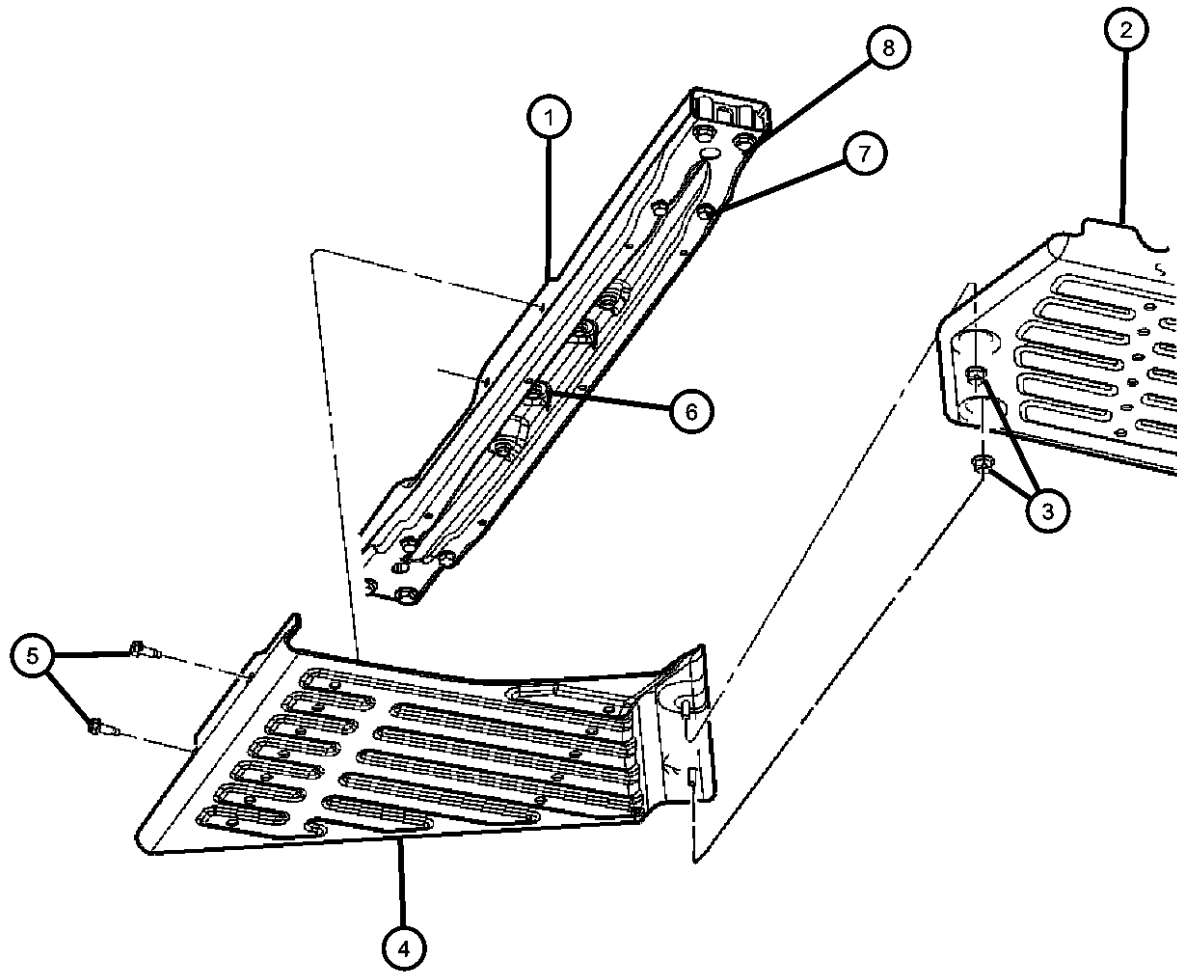
TRANSMISSION
 DGJ = 5-Speed Auto W5A580
 Transmission
 DGQ = 5-Spd Automatic 545RFE
 Transmission
 DGU = 5-Spd Auto W5J400
 Transmission

AR = use ase required - = Non illustrated part

2007 WK

**Skid Plate And Mounting NVG 146 [DHB]
Figure 146-1210**

ITEM	PART NUMBER	QTY	LINE	SERIES	BODY	ENGINE	TRANS	TRIM	DESCRIPTION
7	06104344AA	4	J, T						SCREW, [10Mx1.5x90.0]
8	06508083AA	4	J, T						SCREW, Hex Flange Head, [10Mx1.5x135.0]



GRAND CHEROKEE (WK)

SERIES LINE
H = HIGHLINE T = JEEP - 2WD
P = PREMIUM J = JEEP - 4WD
S = SPORT
X = SPECIAL

BODY
74 = SPORT UTILITY 4-DR
TYPE #4

ENGINE
EVA = 4.7L V8 MPI Engine
EVD = 4.7L V8 FFV Engine
EXL = 3.0L V6 Turbo Diesel
Engine
EZB = 5.7L Hemi Multi
Displacement Engine
EKG = 3.7L V6 Engine
ESF = 6.1L SRT HEMI SMPI
V8 Engine

TRANSMISSION
DGJ = 5-Speed Auto W5A580
Transmission
DGQ = 5-Spd Automatic 545RFE
Transmission
DGU = 5-Spd Auto W5J400
Transmission

AR = use ase required - = Non illustrated part

2007 WK

Group - 140

Transfer Case Model 140 [DHZ]

Group - 140 Transfer Case Model 140 [DHZ]

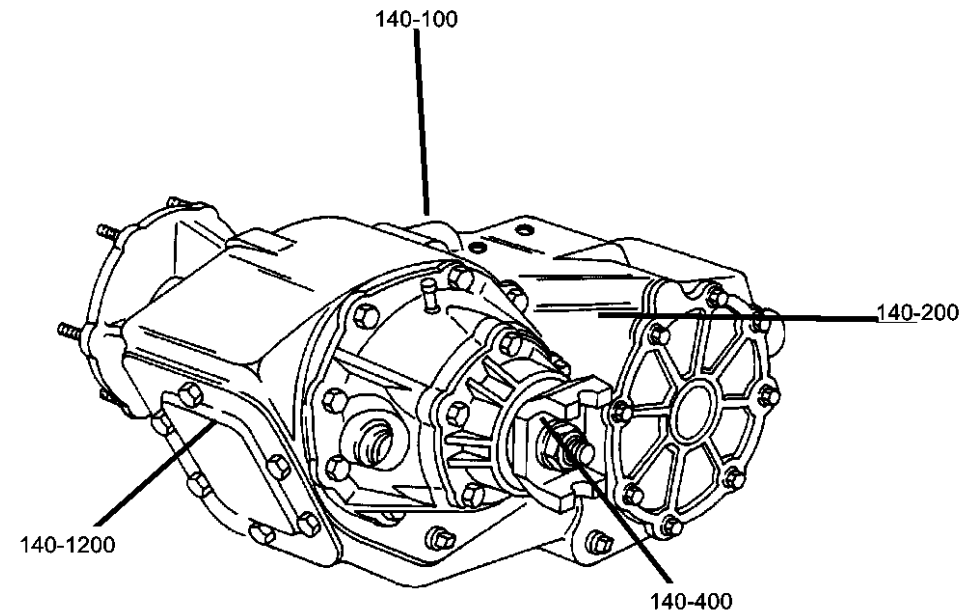


Illustration Title

Group-Fig. No.

Transfer Case Assembly

Transfer Case Assembly And Identification NVG 140 [DHZ]	Fig. 140 - 110
Transfer Case Mounting And Venting NVG 140 [DHZ].....	Fig. 140 - 120

Case and Related Parts

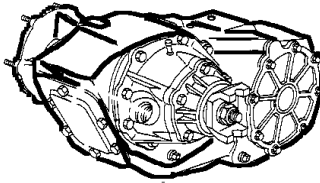

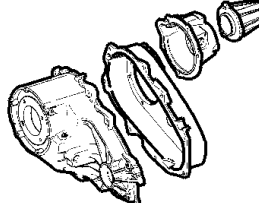
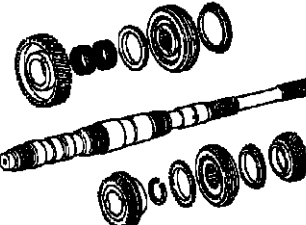
Case And Related Parts NVG 140 [DHZ]	Fig. 140 - 210
--	----------------

Gear Train

Gear Train NVG 140 [DHZ].....	Fig. 140 - 410
-------------------------------	----------------

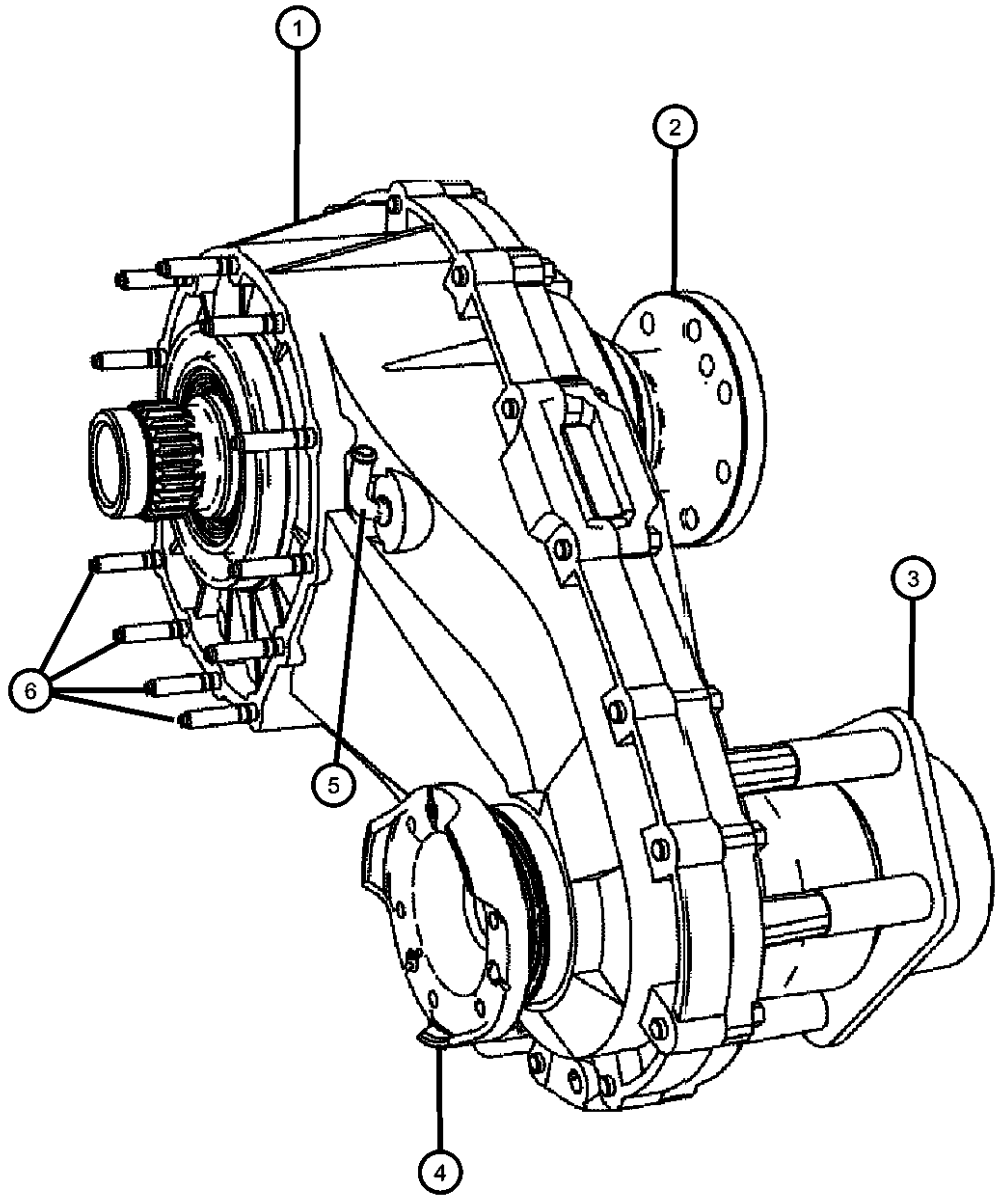
Gearshift Controls

Skid Plate And Mounting NVG 140 [DHZ].....	Fig. 140 - 1210
--	-----------------

<p>140-100 Transfer Case Assembly</p> 	<p>140-1200 Gearshift Controls</p> 	<p>140-200 Case and Related Parts</p> 	<p>140-400 Gear Train</p> 
---	---	---	--

**Transfer Case Assembly And Identification NVG 140 [DHZ]
Figure 140-110**

ITEM	PART NUMBER	QTY	LINE	SERIES	BODY	ENGINE	TRANS	TRIM	DESCRIPTION
------	-------------	-----	------	--------	------	--------	-------	------	-------------



NOTE:

Refer To All Proper Tag Numbers And Stamping Numbers Before Ordering Transfer Cases And/Or Transfer Case Parts.

Sales Codes:

- [DGJ] = 5-Speed Automatic W5A580 Transmission
- [DGQ] = 5-Speed Automatic 545RFE Transmission
- [DGU] = 5-Speed Automatic W5J400 Transmission
- [DG0] = All Automatic Transmissions
- [DHB] = Quadra -Trac Active On Demand NVG 146 Transfer Case
- [DHX] = Quadra -Trac 2 Full Time Active NVG 245 Transfer Case
- [DHZ] = Quadra -Trac 1 Full time 4WD NVG 140 Transfer Case
- [EKG] = 3.7L [Magnum] V-6 Engine
- [EK0] = All 3.7L 6-Cylinder Gas Engines
- [ESF] = 6.1L SRT Hemi SMPI V-8 Engine
- [ES0] = All 6.1L 8-Cylinder Gas Engines
- [EVA] = 4.7L [Magnum] V-8 Engine
- [EVD] = 4.7L V-8 FFV Engine
- [EV0] = All 4.7L 8-Cylinder Gas Engines
- [EXL] = 3.0L V-6 Turbo Diesel Engine
- [EX0] = All 3.0L Cylinder Turbo Diesel Engines
- [EZB] = 5.7L Hemi Multi-Displacement Engine
- [EZ0] = All 5.7L 8-Cylinder Gas Engines
- [NAA] = Federal Emissions
- [NAE] = California Emissions
- [NAS] = 50 State Emissions
- [NA1] = Export Emissions
- [XEF] = Transfer Case Skid Plate Sheild

1	52105928AB	1	J						
2	05143735AB	1	J						
3	52853176AA	1	J						
4	05143716AA	1	J						
5	04796910	1	J						
6	05143725AA	12	J						

TRANSFER CASE, NVG140, See Note
 FLANGE, Driveshaft Yoke
 DAMPER, Transfer Case
 OUTPUT SHAFT, Transfer Case
 VENT, Transfer Case
 STUD, Transfer Case To Transmission, Mounting

GRAND CHEROKEE (WK)

SERIES LINE
 H = HIGHLINE T = JEEP - 2WD
 P = PREMIUM J = JEEP - 4WD
 S = SPORT
 X = SPECIAL

BODY
 74 = SPORT UTILITY 4-DR
 TYPE #4

ENGINE
 EVA = 4.7L V8 MPI Engine
 EVD = 4.7L V8 FFV Engine
 EXL = 3.0L V6 Turbo Diesel Engine
 EZB = 5.7L Hemi Multi Displacement Engine
 EKG = 3.7L V6 Engine
 ESF = 6.1L SRT HEMI SMPI V8 Engine

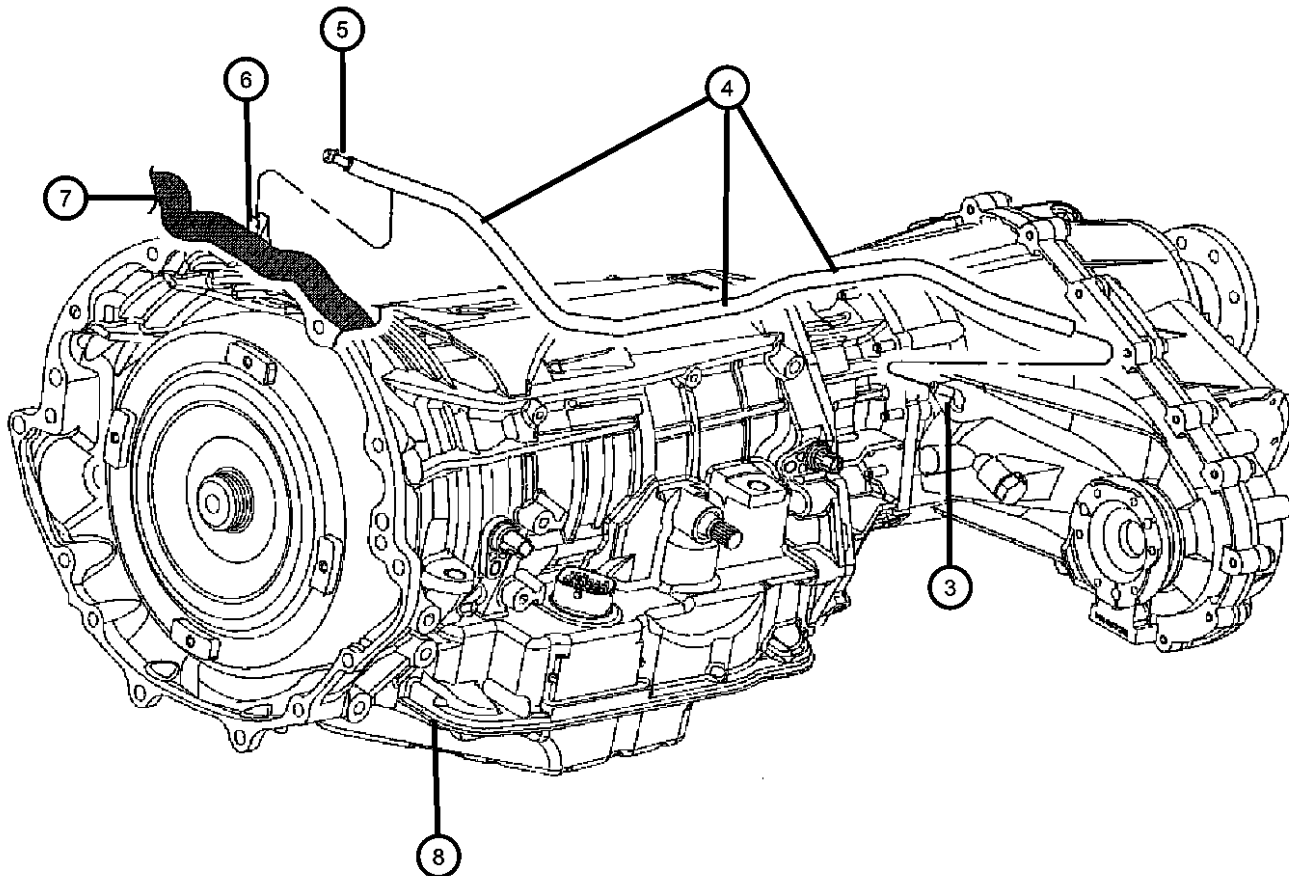
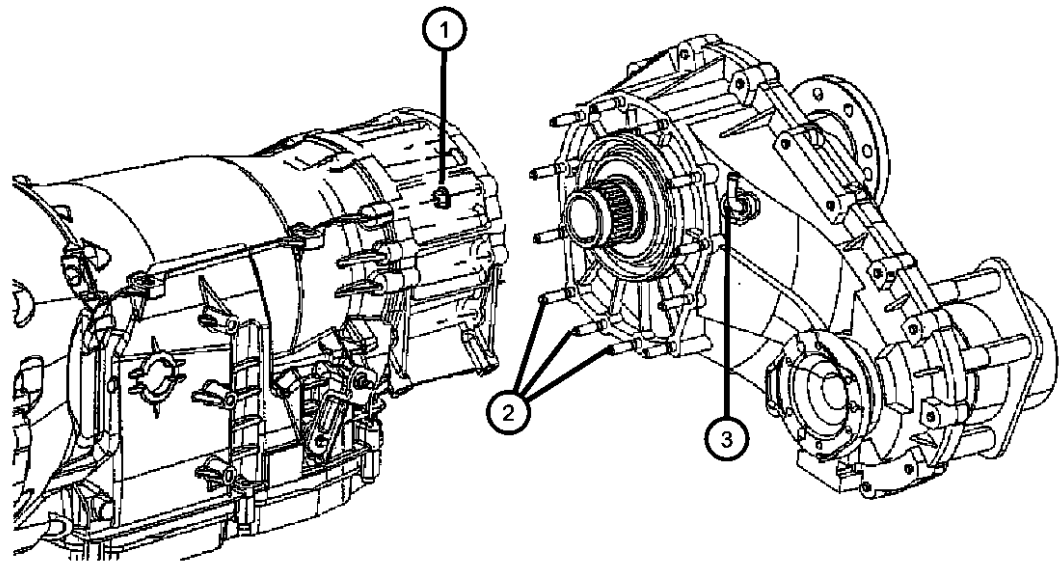
TRANSMISSION
 DGJ = 5-Speed Auto W5A580 Transmission
 DGQ = 5-Spd Automatic 545RFE Transmission
 DGU = 5-Spd Auto W5J400 Transmission

AR = use ase required - = Non illustrated part

2007 WK

**Transfer Case Mounting And Venting NVG 140 [DHZ]
Figure 140-120**

ITEM	PART NUMBER	QTY	LINE	SERIES	BODY	ENGINE	TRANS	TRIM	DESCRIPTION
------	-------------	-----	------	--------	------	--------	-------	------	-------------



NOTE:

Refer To All Proper Tag Numbers And Stamping Numbers Before Ordering Transfer Cases And/Or Transfer Case Parts.

Sales Codes:

[DGJ] = 5-Speed Automatic W5A580 Transmission

[DGQ] = 5-Speed Automatic 545RFE Transmission

[DGU] = 5-Speed Automatic W5J400 Transmission

[DG0] = All Automatic Transmissions

[DHB] = Quadra -Trac Active On Demand NVG 146 Transfer Case

[DHX] = Quadra -Trac 2 Full Time Active NVG 245 Transfer Case

[DHZ] = Quadra -Trac 1 Full time 4WD NVG 140 Transfer Case

[EKG] = 3.7L [Magnum] V-6 Engine

[EK0] = All 3.7L 6-Cylinder Gas Engines

[ESF] = 6.1L SRT Hemi SMPI V-8 Engine

[ES0] = All 6.1L 8-Cylinder Gas Engines

[EVA] = 4.7L [Magnum] V-8 Engine

[EVD] = 4.7L V-8 FFV Engine

[EV0] = All 4.7L 8-Cylinder Gas Engines

[EXL] = 3.0L V-6 Turbo Diesel Engine

[EX0] = All 3.0L Cylinder Turbo Diesel Engines

[EZB] = 5.7L Hemi Multi-Displacement Engine

[EZ0] = All 5.7L 8-Cylinder Gas Engines

[NAA] = Federal Emissions

[NAE] = California Emissions

[NAS] = 50 State Emissions

[NA1] = Export Emissions

[XEF] = Transfer Case Skid Plate Shield

1	06507572AA	12	J						
2	05143725AA	1	J						
3	04796910	1	J						
4	HFV00516AB	1	J, T						
5	J5352955	1	J, T						
6		1							
7		1							
8		1							

NUT AND WASHER, Hex, [M8X1.00], Transfer Case To Transmission, Mounting
STUD, Transfer Case To Transmission, Mounting
VENT, Transfer Case
HOSE, Fuel And Vapor, 25 Foot Roll 5/16"
VENT, Axle
CLIP, Transfer case vent hose, Serviced On Wiring, (NOT SERVICED)
WIRING, See Electrical Group 8, (NOT SERVICED)
TRANSMISSION, See Transmission Group, (NOT SERVICED)

GRAND CHEROKEE (WK)

SERIES LINE
H = HIGHLINE T = JEEP - 2WD
P = PREMIUM J = JEEP - 4WD
S = SPORT
X = SPECIAL

BODY
74 = SPORT UTILITY 4-DR
TYPE #4

ENGINE
EVA = 4.7L V8 MPI Engine
EVD = 4.7L V8 FFV Engine
EXL = 3.0L V6 Turbo Diesel Engine
EZB = 5.7L Hemi Multi Displacement Engine
EKG = 3.7L V6 Engine
ESF = 6.1L SRT HEMI SMPI V8 Engine

TRANSMISSION
DGJ = 5-Speed Auto W5A580 Transmission
DGQ = 5-Spd Automatic 545RFE Transmission
DGU = 5-Spd Auto W5J400 Transmission

AR = use ase required - = Non illustrated part

2007 WK

**Case And Related Parts NVG 140 [DHZ]
Figure 140-210**

ITEM	PART NUMBER	QTY	LINE	SERIES	BODY	ENGINE	TRANS	TRIM	DESCRIPTION
------	-------------	-----	------	--------	------	--------	-------	------	-------------

NOTE:

Refer To All Proper Tag Numbers And Stamping Numbers Before Ordering Transfer Cases And/Or Transfer Case Parts.

Sales Codes:

[DGJ] = 5-Speed Automatic W5A580 Transmission

[DGQ] = 5-Speed Automatic 545RFE Transmission

[DGU] = 5-Speed Automatic W5J400 Transmission

[DG0] = All Automatic Transmissions

[DHB] = Quadra -Trac Active On Demand NVG 146 Transfer Case

[DHX] = Quadra -Trac 2 Full Time Active NVG 245 Transfer Case

[DHZ] = Quadra -Trac 1 Full time 4WD NVG 140 Transfer Case

[EKG] = 3.7L [Magnum] V-6 Engine

[EK0] = All 3.7L 6-Cylinder Gas Engines

[ESF] = 6.1L SRT Hemi SMPI V-8 Engine

[ES0] = All 6.1L 8-Cylinder Gas Engines

[EVA] = 4.7L [Magnum] V-8 Engine

[EVD] = 4.7L V-8 FFV Engine

[EV0] = All 4.7L 8-Cylinder Gas Engines

[EXL] = 3.0L V-6 Turbo Diesel Engine

[EX0] = All 3.0L Cylinder Turbo Diesel Engines

[EZB] = 5.7L Hemi Multi-Displacement Engine

[EZ0] = All 5.7L 8-Cylinder Gas Engines

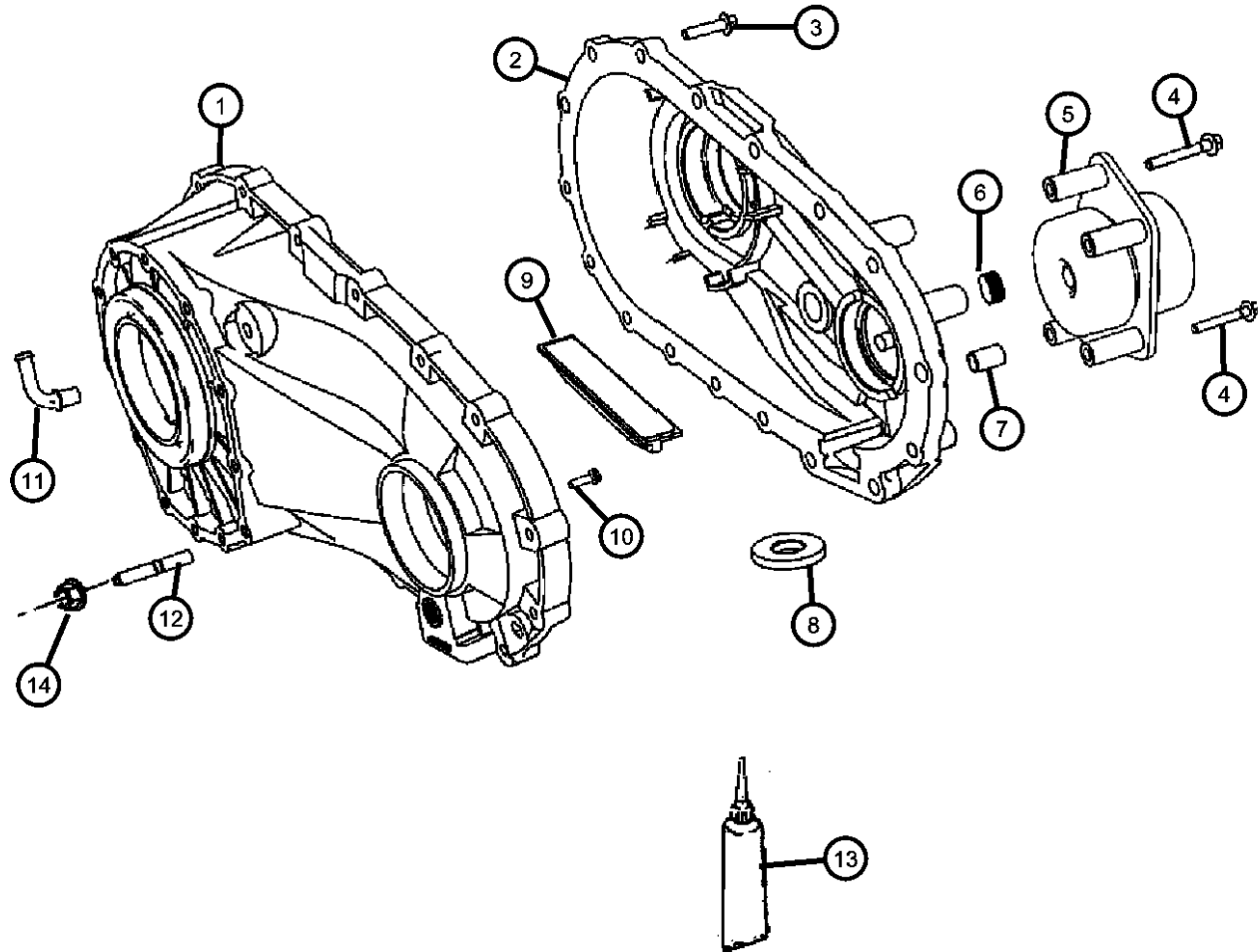
[NAA] = Federal Emissions

[NAE] = California Emissions

[NAS] = 50 State Emissions

[NA1] = Export Emissions

[XEF] = Transfer Case Skid Plate Shield



1	05143713AA	1	J						CASE, Transfer Front
2	05143731AA	1	J						CASE, Transfer Rear
3	06101526	17	J						SCREW, Hex Flange Head, M8x1.25x35, Rear Case Half To Front Case Half, Mounting
4	06100931	1	J						BOLT, Hex Flange Head, M8x1.25x55
5	52853176AA	1	J						DAMPER, Transfer Case
6	04856641	1	J						PLUG, Oil Fill
7	05086335AA	2	J						DOWEL, Transfer Case
8	03681601	1	J						MAGNET, Transmission
9	05012324AA	1	J						SNUBBER, Chain
10	05012325AA	2	J						BOLT
11	04796910	1	J						VENT, Transfer Case
12	05143725AA	1	J						STUD

GRAND CHEROKEE (WK)

SERIES LINE
H = HIGHLINE T = JEEP - 2WD
P = PREMIUM J = JEEP - 4WD
S = SPORT
X = SPECIAL

BODY
74 = SPORT UTILITY 4-DR
TYPE #4

ENGINE
EVA = 4.7L V8 MPI Engine
EVD = 4.7L V8 FFV Engine
EXL = 3.0L V6 Turbo Diesel Engine
EZB = 5.7L Hemi Multi Displacement Engine
EKG = 3.7L V6 Engine
ESF = 6.1L SRT HEMI SMPI V8 Engine

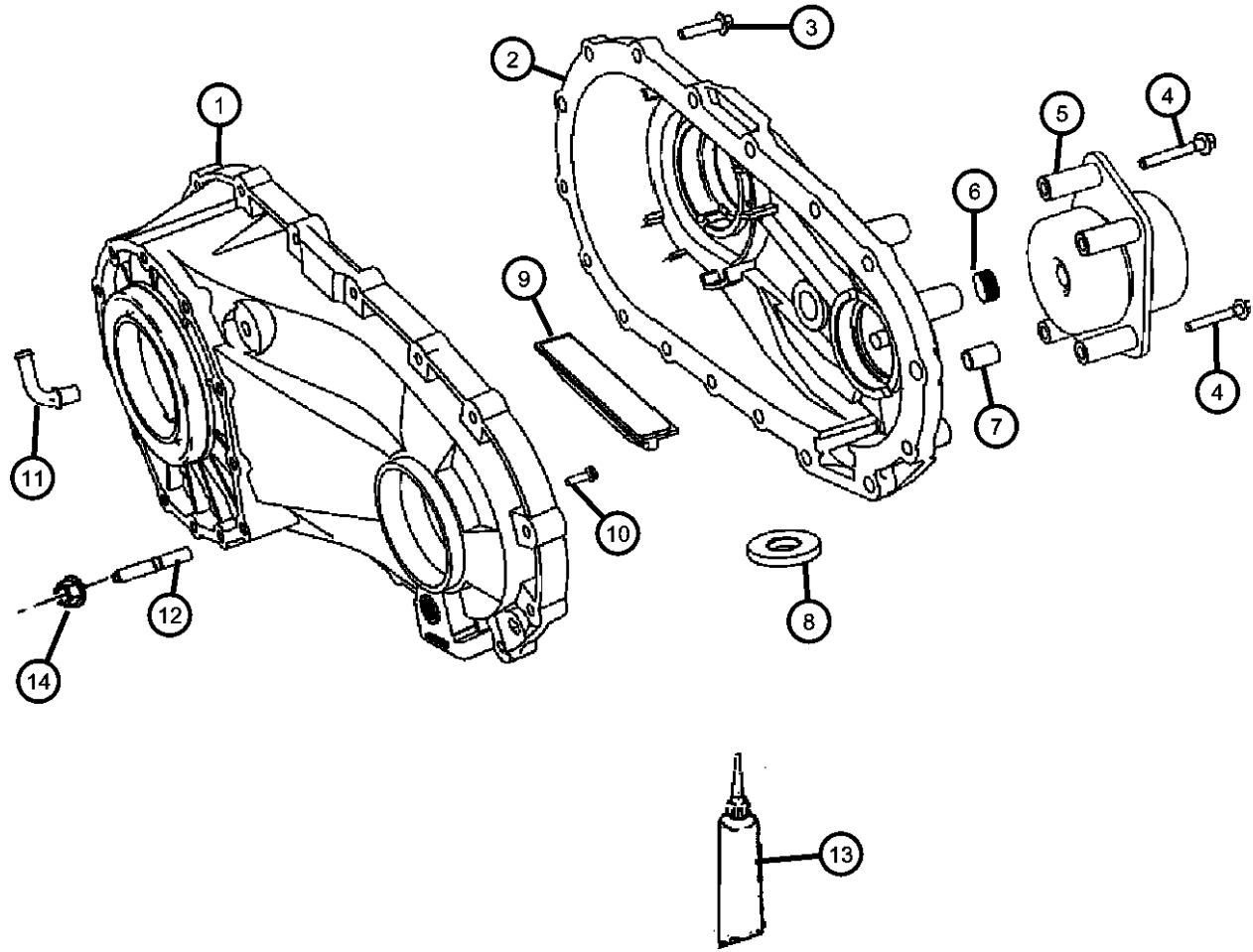
TRANSMISSION
DGJ = 5-Speed Auto W5A580 Transmission
DGQ = 5-Spd Automatic 545RFE Transmission
DGU = 5-Spd Auto W5J400 Transmission

AR = use ase required - = Non illustrated part

2007 WK

Case And Related Parts NVG 140 [DHZ]
Figure 140-210

ITEM	PART NUMBER	QTY	LINE	SERIES	BODY	ENGINE	TRANS	TRIM	DESCRIPTION
13	05010884AA	1	J						SEALANT, RTV
14	06507572AA	12	J						NUT AND WASHER, Hex, [M8X1.00], Transfer Case To Transmission, Mounting



GRAND CHEROKEE (WK)

SERIES LINE
H = HIGHLINE T = JEEP - 2WD
P = PREMIUM J = JEEP - 4WD
S = SPORT
X = SPECIAL

BODY
74 = SPORT UTILITY 4-DR
TYPE #4

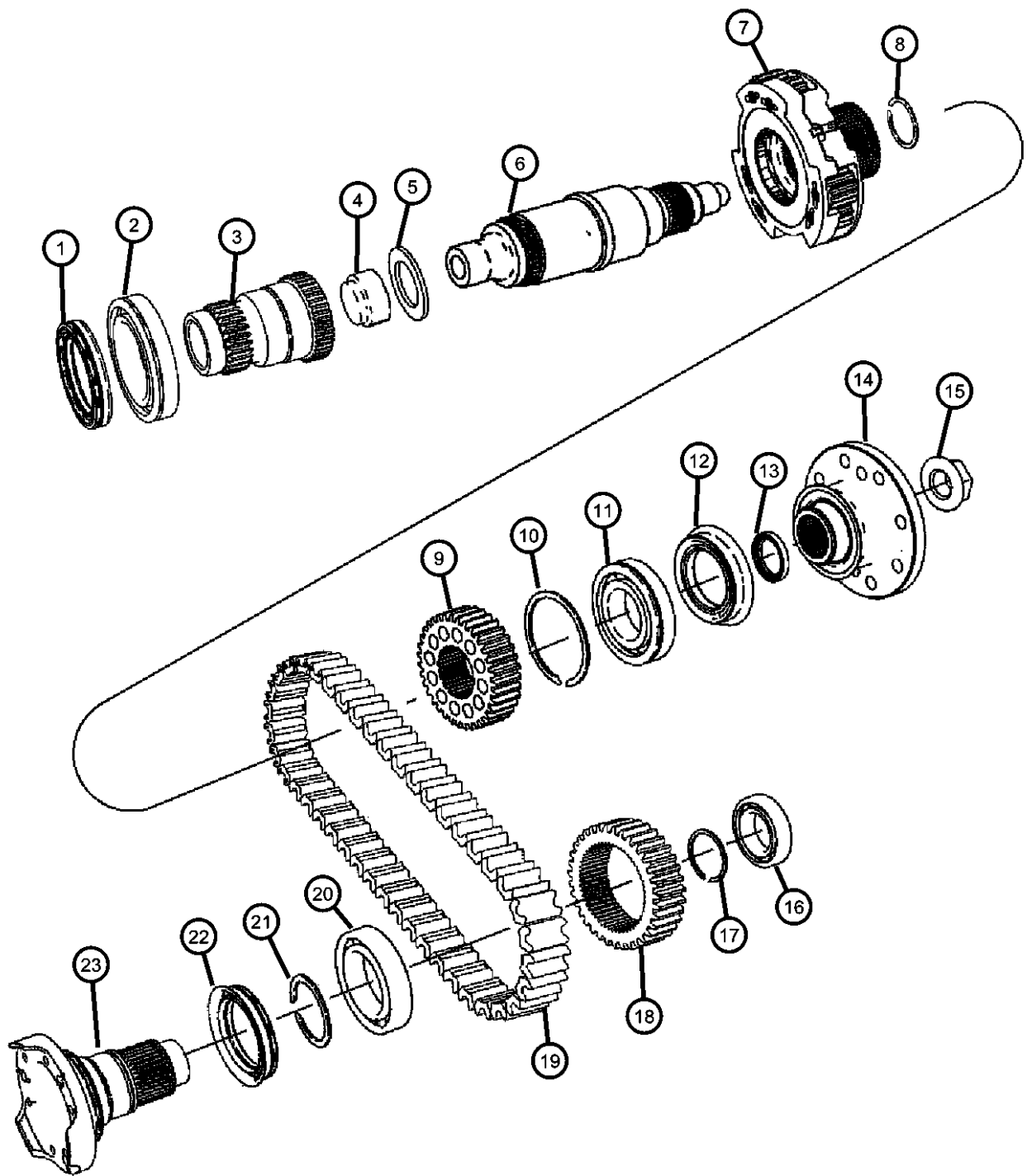
ENGINE
EVA = 4.7L V8 MPI Engine
EVD = 4.7L V8 FFV Engine
EXL = 3.0L V6 Turbo Diesel
Engine
EZB = 5.7L Hemi Multi
Displacement Engine
EKG = 3.7L V6 Engine
ESF = 6.1L SRT HEMI SMPI
V8 Engine

TRANSMISSION
DGJ = 5-Speed Auto W5A580
Transmission
DGQ = 5-Spd Automatic 545RFE
Transmission
DGU = 5-Spd Auto W5J400
Transmission

AR = use ase required - = Non illustrated part

2007 WK

**Gear Train NVG 140 [DHZ]
Figure 140-410**



ITEM	PART NUMBER	QTY	LINE	SERIES	BODY	ENGINE	TRANS	TRIM	DESCRIPTION
------	-------------	-----	------	--------	------	--------	-------	------	-------------

NOTE:

Refer To All Proper Tag Numbers And Stamping Numbers Before Ordering Transfer Cases And/Or Transfer Case Parts.

Sales Codes:

- [DGJ] = 5-Speed Automatic W5A580 Transmission
- [DGQ] = 5-Speed Automatic 545RFE Transmission
- [DGU] = 5-Speed Automatic W5J400 Transmission
- [DG0] = All Automatic Transmissions
- [DHB] = Quadra -Trac Active On Demand NVG 146 Transfer Case
- [DHX] = Quadra -Trac 2 Full Time Active NVG 245 Transfer Case
- [DHZ] = Quadra -Trac 1 Full time 4WD NVG 140 Transfer Case
- [EKG] = 3.7L [Magnum] V-6 Engine
- [EK0] = All 3.7L 6-Cylinder Gas Engines
- [ESF] = 6.1L SRT Hemi SMPI V-8 Engine
- [ES0] = All 6.1L 8-Cylinder Gas Engines
- [EVA] = 4.7L [Magnum] V-8 Engine
- [EVD] = 4.7L V-8 FFV Engine
- [EV0] = All 4.7L 8-Cylinder Gas Engines
- [EXL] = 3.0L V-6 Turbo Diesel Engine
- [EX0] = All 3.0L Cylinder Turbo Diesel Engines
- [EZB] = 5.7L Hemi Multi-Displacement Engine
- [EZ0] = All 5.7L 8-Cylinder Gas Engines
- [NAA] = Federal Emissions
- [NAE] = California Emissions
- [NAS] = 50 State Emissions
- [NA1] = Export Emissions
- [XEF] = Transfer Case Skid Plate Shield

1	05143714AA	1	J						
2	05143739AA	1	J						
3	05143717AA	1	J						
4	83503507	1	J						
5	05103263AA	1	J						
6	05143718AA	1	J						
7	05179814AA	1	J						
8	03821558	1	J						
9	05143727AA	1	J						
10	83503532	1	J						
11	05143741AA	1	J						
12	05143733AA	1	J						
13	05143743AA	1	J						

SEAL, Input
 BEARING, Input Gear
 SHAFT, Input
 BEARING, Input Shaft
 THRUST WASHER, Planetary Carrier
 MAINSHAFT, Transfer Case
 DIFFERENTIAL, Transfer Case
 SNAP RING
 SPROCKET, Transfer Case
 SNAP RING
 BEARING, Ball, Front O/P Rear
 SEAL, Oil, Rear Output
 SEAL

GRAND CHEROKEE (WK)

SERIES LINE
 H = HIGHLINE T = JEEP - 2WD
 P = PREMIUM J = JEEP - 4WD
 S = SPORT
 X = SPECIAL

BODY
 74 = SPORT UTILITY 4-DR
 TYPE #4

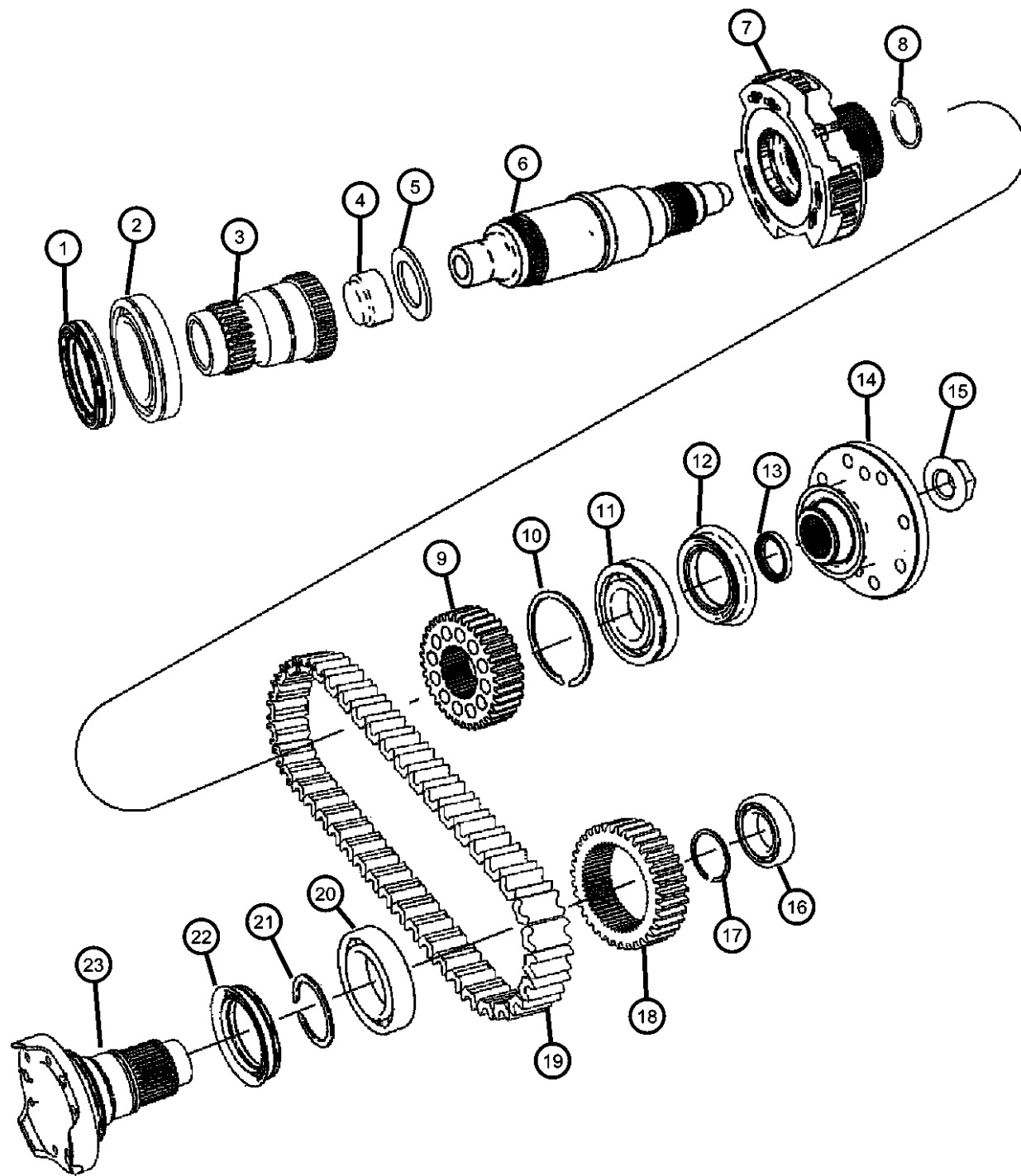
ENGINE
 EVA = 4.7L V8 MPI Engine
 EVD = 4.7L V8 FFV Engine
 EXL = 3.0L V6 Turbo Diesel Engine
 EZB = 5.7L Hemi Multi Displacement Engine
 EKG = 3.7L V6 Engine
 ESF = 6.1L SRT HEMI SMPI V8 Engine

TRANSMISSION
 DGJ = 5-Speed Auto W5A580 Transmission
 DGQ = 5-Spd Automatic 545RFE Transmission
 DGU = 5-Spd Auto W5J400 Transmission

AR = use ase required - = Non illustrated part

2007 WK

**Gear Train NVG 140 [DHZ]
Figure 140-410**



ITEM	PART NUMBER	QTY	LINE	SERIES	BODY	ENGINE	TRANS	TRIM	DESCRIPTION
14	05143735AB	1	J						FLANGE, Driveshaft Yoke
15	05143738AA	1	J						NUT, Transfer Case Yoke, Flange, Mounting
16	05161968AA	1	J						BEARING, Ball
17	05143728AA	1	J						SNAP RING
18	05143730AA	1	J						SPROCKET, Transfer Case
19	05166001AA	1	J						CHAIN, Transfer Case
20	05012997AA	1	J						BEARING, Input Gear, Front Output
21	05170294AA	1	J			EK0			SNAP RING
22	05143715AA	1	J						SEAL, Output, Front Output
23	05143716AA	1	J						OUTPUT SHAFT, Transfer Case

GRAND CHEROKEE (WK)

SERIES LINE
 H = HIGHLINE T = JEEP - 2WD
 P = PREMIUM J = JEEP - 4WD
 S = SPORT
 X = SPECIAL

BODY
 74 = SPORT UTILITY 4-DR
 TYPE #4

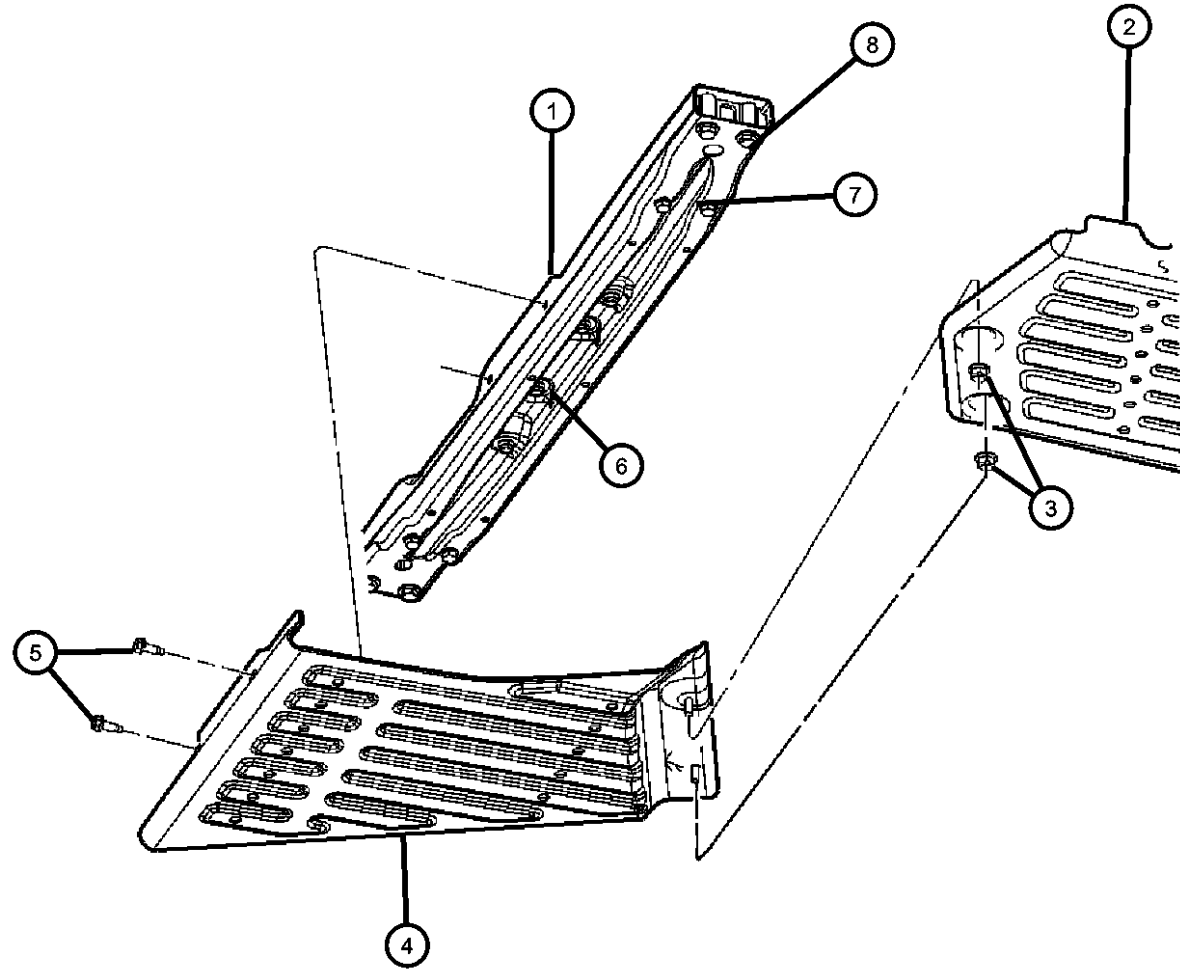
ENGINE
 EVA = 4.7L V8 MPI Engine
 EVD = 4.7L V8 FFV Engine
 EXL = 3.0L V6 Turbo Diesel
 Engine
 EZB = 5.7L Hemi Multi
 Displacement Engine
 EKG = 3.7L V6 Engine
 ESF = 6.1L SRT HEMI SMPI
 V8 Engine

TRANSMISSION
 DGJ = 5-Speed Auto W5A580
 Transmission
 DGQ = 5-Spd Automatic 545RFE
 Transmission
 DGU = 5-Spd Auto W5J400
 Transmission

AR = use ase required - = Non illustrated part

2007 WK

**Skid Plate And Mounting NVG 140 [DHZ]
Figure 140-1210**



ITEM	PART NUMBER	QTY	LINE	SERIES	BODY	ENGINE	TRANS	TRIM	DESCRIPTION
------	-------------	-----	------	--------	------	--------	-------	------	-------------

NOTE:

Refer To All Proper Tag Numbers And Stamping Numbers Before Ordering Transfer Cases And/Or Transfer Case Parts.

Sales Codes:

[DGJ] = 5-Speed Automatic W5A580 Transmission

[DGQ] = 5-Speed Automatic 545RFE Transmission

[DGU] = 5-Speed Automatic W5J400 Transmission

[DG0] = All Automatic Transmissions

[DHB] = Quadra -Trac Active On Demand NVG 146 Transfer Case

[DHX] = Quadra -Trac 2 Full Time Active NVG 245 Transfer Case

[DHZ] = Quadra -Trac 1 Full time 4WD NVG 140 Transfer Case

[EKG] = 3.7L [Magnum] V-6 Engine

[EK0] = All 3.7L 6-Cylinder Gas Engines

[ESF] = 6.1L SRT Hemi SMPI V-8 Engine

[ES0] = All 6.1L 8-Cylinder Gas Engines

[EVA] = 4.7L [Magnum] V-8 Engine

[EVD] = 4.7L V-8 FFV Engine

[EV0] = All 4.7L 8-Cylinder Gas Engines

[EXL] = 3.0L V-6 Turbo Diesel Engine

[EX0] = All 3.0L Cylinder Turbo Diesel Engines

[EZB] = 5.7L Hemi Multi-Displacement Engine

[EZ0] = All 5.7L 8-Cylinder Gas Engines

[NAA] = Federal Emissions

[NAE] = California Emissions

[NAS] = 50 State Emissions

[NA1] = Export Emissions

[XEF] = Transfer Case Skid Plate Shield

1	52090070AI	1	J, T						CROSSMEMBER, Transmission
2	52090274AF	1	J, T			EK0, ES0, EVA, EZ0			SKID PLATE, Fuel Tank
3	06101696	2	J			EVD			NUT, [M10X1.50], Transfer Case Skid Plate To Fuel Tank Skid Plate, Mounting
4	52128499AC	1	J						SKID PLATE, Transfer Case
5	06503571	2	J, T			EX0			SCREW AND WASHER, M10x1.50x35 Transfer Case Skid Plate To Crossmember, Mounting
		2	J			EK0, EV0, EZ0			Transfer Case Skid Plate To Crossmember, Mounting
6	06508082AA	4	J, T						SCREW, [8Mx1.25x58.0]

GRAND CHEROKEE (WK)

SERIES LINE
H = HIGHLINE T = JEEP - 2WD
P = PREMIUM J = JEEP - 4WD
S = SPORT
X = SPECIAL

BODY
74 = SPORT UTILITY 4-DR
TYPE #4

ENGINE
EVA = 4.7L V8 MPI Engine
EVD = 4.7L V8 FFV Engine
EXL = 3.0L V6 Turbo Diesel
Engine
EZB = 5.7L Hemi Multi
Displacement Engine
EKG = 3.7L V6 Engine
ESF = 6.1L SRT HEMI SMPI
V8 Engine

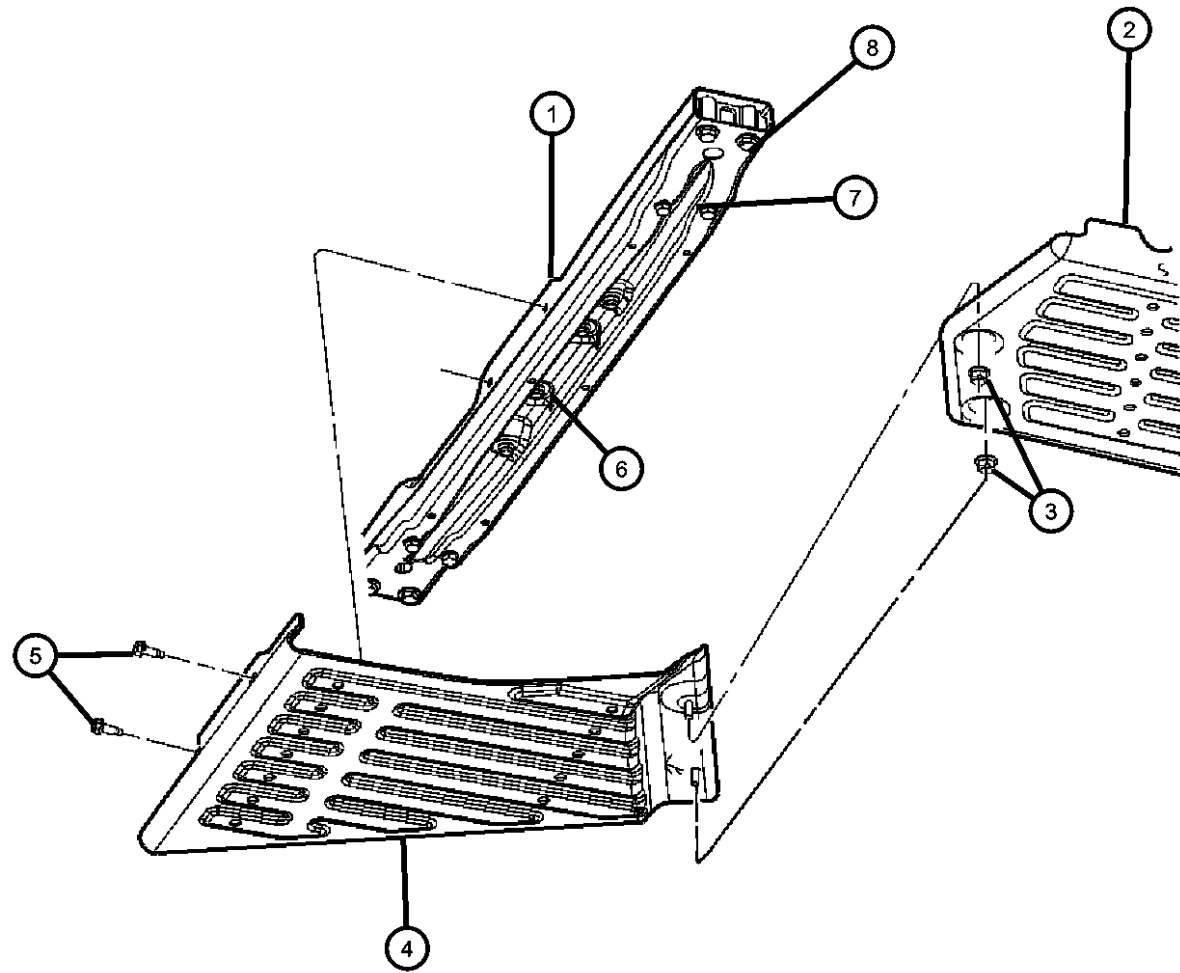
TRANSMISSION
DGJ = 5-Speed Auto W5A580
Transmission
DGQ = 5-Spd Automatic 545RFE
Transmission
DGU = 5-Spd Auto W5J400
Transmission

AR = use ase required - = Non illustrated part

2007 WK

**Skid Plate And Mounting NVG 140 [DHZ]
Figure 140-1210**

ITEM	PART NUMBER	QTY	LINE	SERIES	BODY	ENGINE	TRANS	TRIM	DESCRIPTION
7	06104344AA	4	J, T						SCREW, [10Mx1.5x90.0]
8	06508083AA	4	J, T						SCREW, Hex Flange Head, [10Mx1.5x135.0]



GRAND CHEROKEE (WK)

SERIES LINE
H = HIGHLINE T = JEEP - 2WD
P = PREMIUM J = JEEP - 4WD
S = SPORT
X = SPECIAL

BODY
74 = SPORT UTILITY 4-DR
TYPE #4

ENGINE
EVA = 4.7L V8 MPI Engine
EVD = 4.7L V8 FFV Engine
EXL = 3.0L V6 Turbo Diesel
Engine
EZB = 5.7L Hemi Multi
Displacement Engine
EKG = 3.7L V6 Engine
ESF = 6.1L SRT HEMI SMPI
V8 Engine

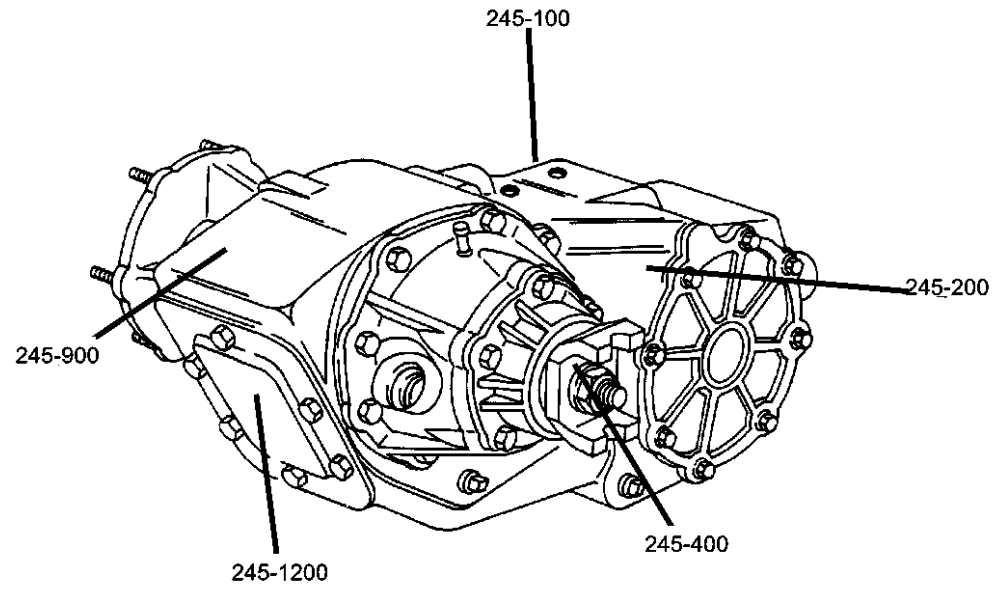
TRANSMISSION
DGJ = 5-Speed Auto W5A580
Transmission
DGQ = 5-Spd Automatic 545RFE
Transmission
DGU = 5-Spd Auto W5J400
Transmission

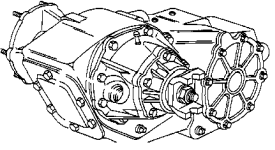

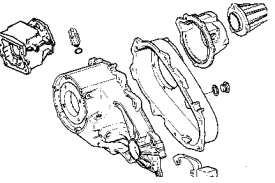
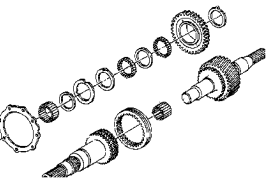
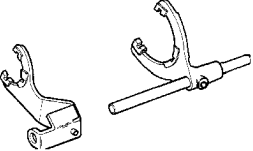
AR = use ase required - = Non illustrated part

2007 WK

Group - 245

Transfer Case Model 245 [DHX]



<p>245-100 Transfer Case Assembly</p> 	<p>245-1200 Gearshift Controls</p> 	<p>245-200 Case and Related Parts</p> 	<p>245-400 Gear Train</p> 
<p>245-900 Fork and Rails</p> 			

Group - 245 Transfer Case Model 245 [DHX]

Illustration Title	Group-Fig. No.
Transfer Case Assembly	
Transfer Case Assembly And Identification NVG 245 [DHX]	Fig. 245 - 110
Transfer Case Mounting And Venting NVG 245 [DHX].....	Fig. 245 - 120
Case and Related Parts	
Case And Related Parts NVG 245 [DHX]	Fig. 245 - 210
Gear Train	
Gear Train NVG 245 [DHX]	Fig. 245 - 410
Fork and Rails	
Fork And Rails NVG 245 [DHX].....	Fig. 245 - 910
Gearshift Controls	
Transfer Case Shifting And Controls NVG 245 [DHX].....	Fig. 245 - 1210
Skid Plate And Mounting NVG 245 [DHX].....	Fig. 245 - 1220

**Transfer Case Assembly And Identification NVG 245 [DHX]
Figure 245-110**

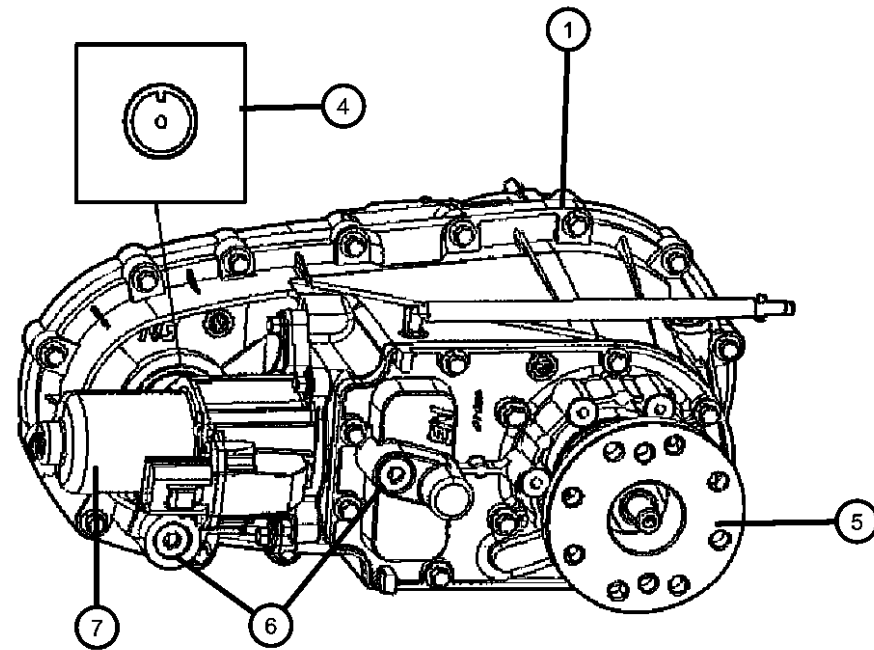
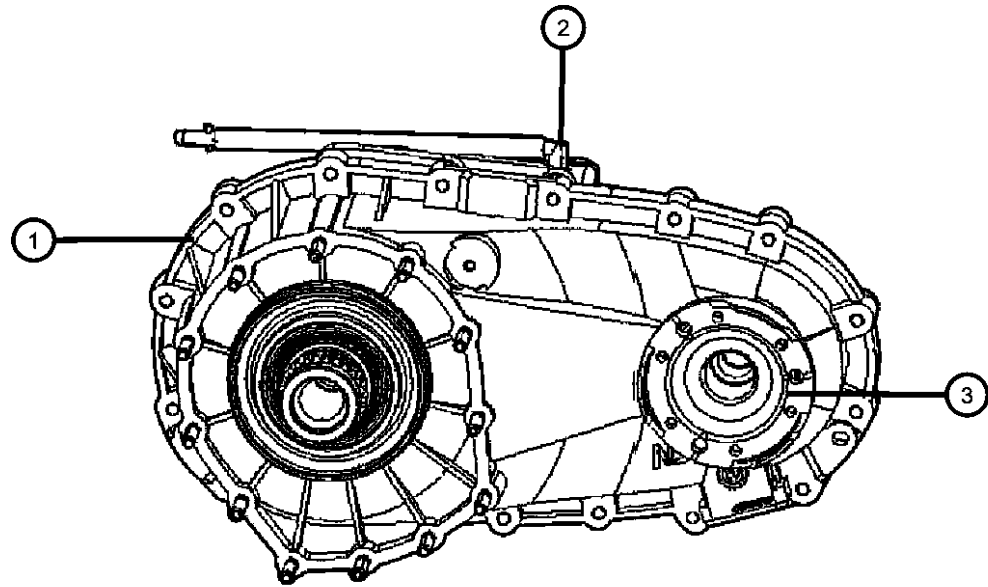
ITEM	PART NUMBER	QTY	LINE	SERIES	BODY	ENGINE	TRANS	TRIM	DESCRIPTION
------	-------------	-----	------	--------	------	--------	-------	------	-------------

NOTE:

Refer To All Proper Tag Numbers And Stamping Numbers Before Ordering Transfer Cases And/Or Transfer Case Parts.

Sales Codes:

- [DGJ] = 5-Speed Automatic W5A580 Transmission
- [DGQ] = 5-Speed Automatic 545RFE Transmission
- [DGU] = 5-Speed Automatic W5J400 Transmission
- [DG0] = All Automatic Transmissions
- [DHB] = Quadra -Trac Active On Demand NVG 146 Transfer Case
- [DHX] = Quadra -Trac 2 Full Time Active NVG 245 Transfer Case
- [DHZ] = Quadra -Trac 1 Full time 4WD NVG 140 Transfer Case
- [EKG] = 3.7L [Magnum] V-6 Engine
- [EK0] = All 3.7L 6-Cylinder Gas Engines
- [ESF] = 6.1L SRT Hemi SMPI V-8 Engine
- [ES0] = All 6.1L 8-Cylinder Gas Engines
- [EVA] = 4.7L [Magnum] V-8 Engine
- [EVD] = 4.7L V-8 FFV Engine
- [EV0] = All 4.7L 8-Cylinder Gas Engines
- [EXL] = 3.0L V-6 Turbo Diesel Engine
- [EX0] = All 3.0L Cylinder Turbo Diesel Engines
- [EZB] = 5.7L Hemi Multi-Displacement Engine
- [EZ0] = All 5.7L 8-Cylinder Gas Engines
- [NAA] = Federal Emissions
- [NAE] = California Emissions
- [NAS] = 50 State Emissions
- [NA1] = Export Emissions
- [XEF] = Transfer Case Skid Plate Shield



1									TRANSFER CASE, NVG245, See Note
	52105703AA	1	J			EV0, EZ0			With Stamping # [52105703AA]
	52105904AB	1	J			EX0			With Stamping # [52105904AB]
	52853391AB	1	J			EK0			With Stamping # [52853391AB]
2									VENT, Transfer Case
	04796910	1	J			EV0, EZ0			
		1	J			EK0			
3									OUTPUT SHAFT, Transfer Case
	05143716AA	1	J			EV0, EZ0			
		1	J			EK0			
4		1							IDENTIFICATION TAG, SCREW ON, See Note, (NOT SERVICED)
5									FLANGE, Driveshaft Yoke
	05143757AA	1	J			EV0, EZ0			

GRAND CHEROKEE (WK)

SERIES LINE
H = HIGHLINE T = JEEP - 2WD
P = PREMIUM J = JEEP - 4WD
S = SPORT
X = SPECIAL

BODY
74 = SPORT UTILITY 4-DR
TYPE #4

ENGINE
EVA = 4.7L V8 MPI Engine
EVD = 4.7L V8 FFV Engine
EXL = 3.0L V6 Turbo Diesel Engine
EZB = 5.7L Hemi Multi Displacement Engine
EKG = 3.7L V6 Engine
ESF = 6.1L SRT HEMI SMPI V8 Engine

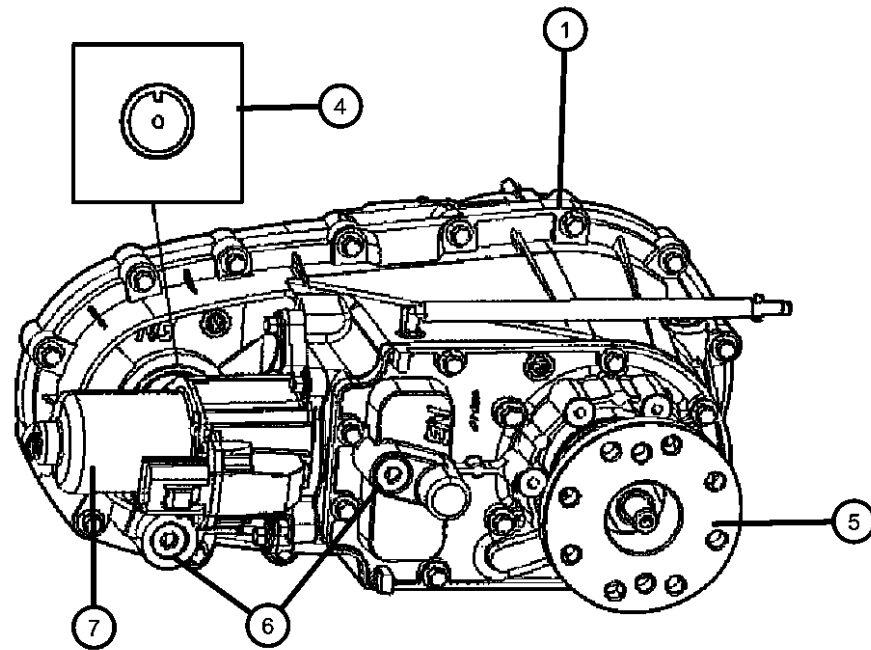
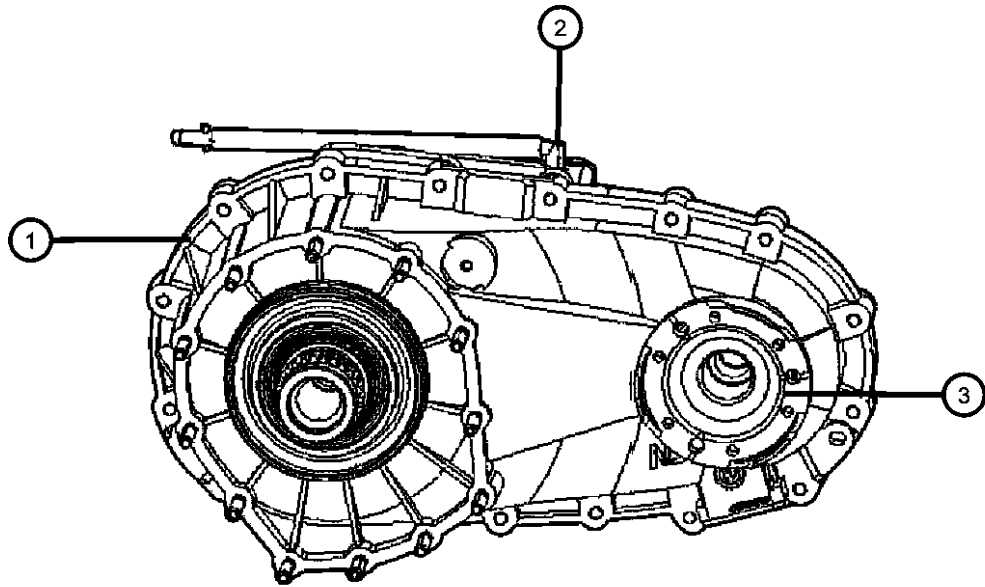
TRANSMISSION
DGJ = 5-Speed Auto W5A580 Transmission
DGQ = 5-Spd Automatic 545RFE Transmission
DGU = 5-Spd Auto W5J400 Transmission

AR = use ase required - = Non illustrated part

2007 WK

**Transfer Case Assembly And Identification NVG 245 [DHX]
Figure 245-110**

ITEM	PART NUMBER	QTY	LINE	SERIES	BODY	ENGINE	TRANS	TRIM	DESCRIPTION
		1	J			EK0			
6	04856641	1	J			EV0, EZ0			PLUG, Oil Fill
		1	J			EK0			
7	05143786AA	1	J			EV0, EZ0			ACTUATOR
		1	J			EK0			



GRAND CHEROKEE (WK)

SERIES LINE
H = HIGHLINE T = JEEP - 2WD
P = PREMIUM J = JEEP - 4WD
S = SPORT
X = SPECIAL

BODY
74 = SPORT UTILITY 4-DR
TYPE #4

ENGINE
EVA = 4.7L V8 MPI Engine
EVD = 4.7L V8 FFV Engine
EXL = 3.0L V6 Turbo Diesel
Engine
EZB = 5.7L Hemi Multi
Displacement Engine
EKG = 3.7L V6 Engine
ESF = 6.1L SRT HEMI SMPI
V8 Engine

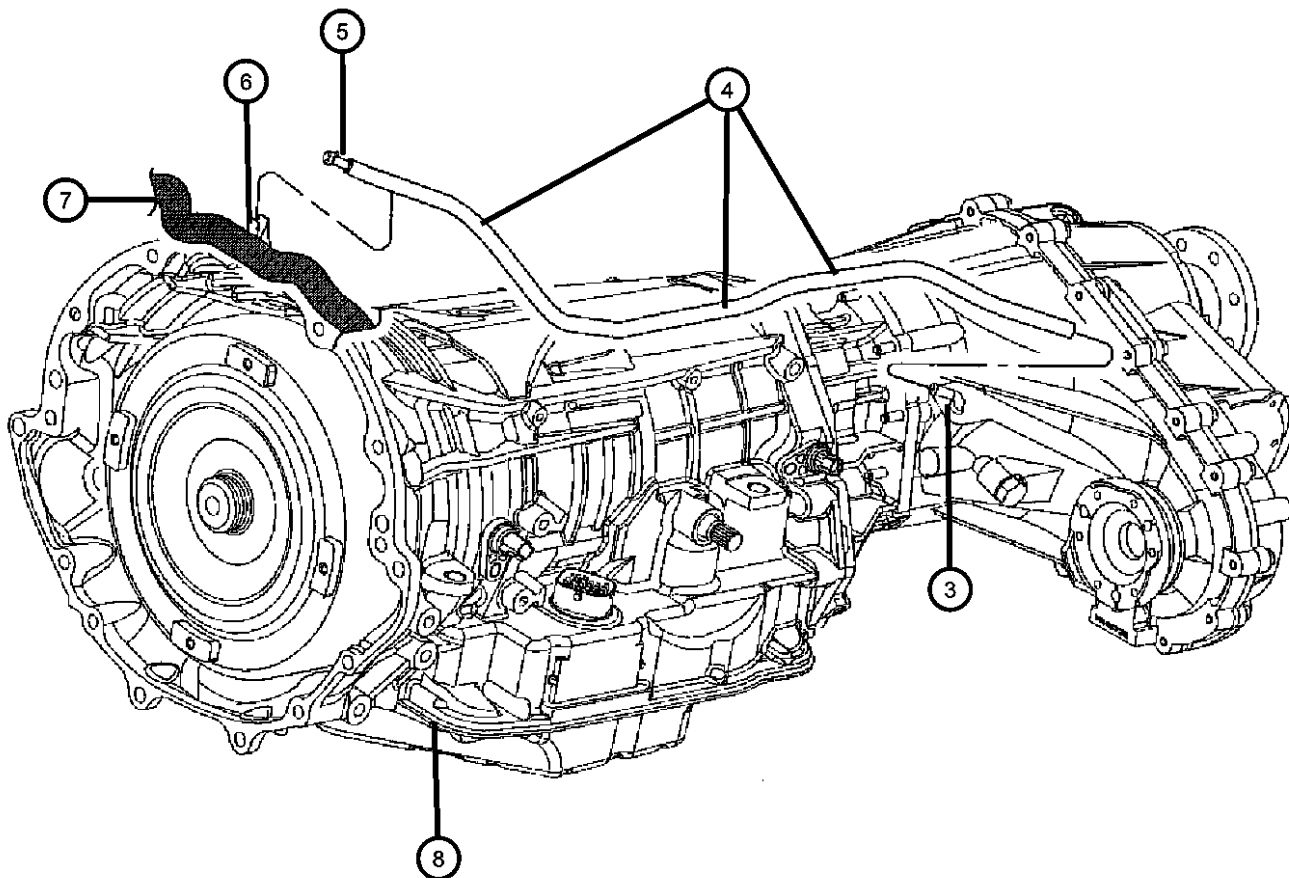
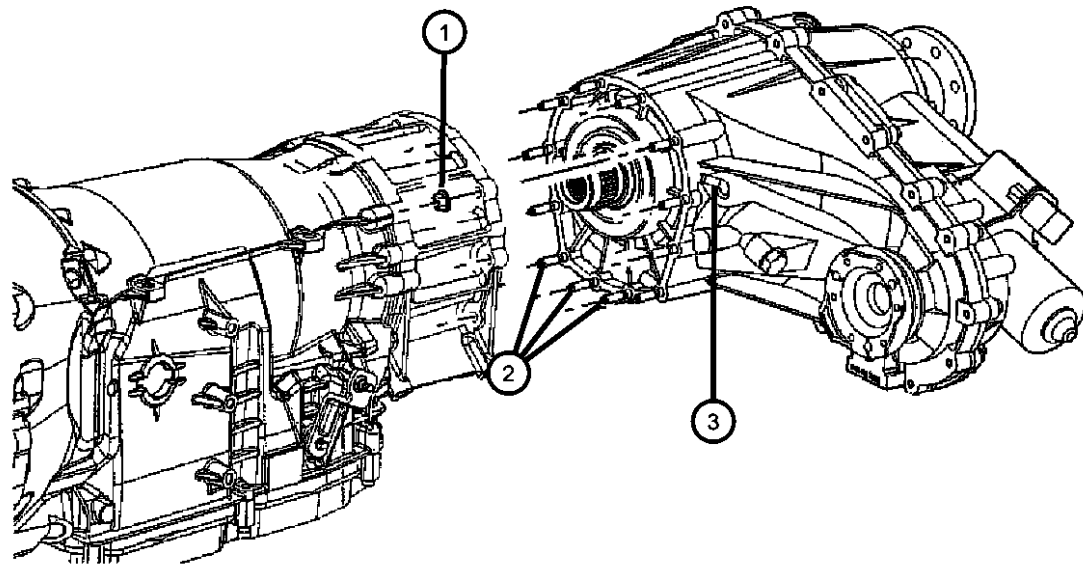
TRANSMISSION
DGJ = 5-Speed Auto W5A580
Transmission
DGQ = 5-Spd Automatic 545RFE
Transmission
DGU = 5-Spd Auto W5J400
Transmission

AR = use ase required - = Non illustrated part

2007 WK

**Transfer Case Mounting And Venting NVG 245 [DHX]
Figure 245-120**

ITEM	PART NUMBER	QTY	LINE	SERIES	BODY	ENGINE	TRANS	TRIM	DESCRIPTION
------	-------------	-----	------	--------	------	--------	-------	------	-------------



NOTE:

Refer To All Proper Tag Numbers And Stamping Numbers Before Ordering Transfer Cases And/Or Transfer Case Parts.

Sales Codes:

[DGJ] = 5-Speed Automatic W5A580 Transmission

[DGQ] = 5-Speed Automatic 545RFE Transmission

[DGU] = 5-Speed Automatic W5J400 Transmission

[DG0] = All Automatic Transmissions

[DHB] = Quadra -Trac Active On Demand NVG 146 Transfer Case

[DHX] = Quadra -Trac 2 Full Time Active NVG 245 Transfer Case

[DHZ] = Quadra -Trac 1 Full time 4WD NVG 140 Transfer Case

[EKG] = 3.7L [Magnum] V-6 Engine

[EK0] = All 3.7L 6-Cylinder Gas Engines

[ESF] = 6.1L SRT Hemi SMPI V-8 Engine

[ES0] = All 6.1L 8-Cylinder Gas Engines

[EVA] = 4.7L [Magnum] V-8 Engine

[EVD] = 4.7L V-8 FFV Engine

[EV0] = All 4.7L 8-Cylinder Gas Engines

[EXL] = 3.0L V-6 Turbo Diesel Engine

[EX0] = All 3.0L Cylinder Turbo Diesel Engines

[EZB] = 5.7L Hemi Multi-Displacement Engine

[EZ0] = All 5.7L 8-Cylinder Gas Engines

[NAA] = Federal Emissions

[NAE] = California Emissions

[NAS] = 50 State Emissions

[NA1] = Export Emissions

[XEF] = Transfer Case Skid Plate Shield

1	06507572AA	12	J						
2	05143725AA	12	J			EX0			
		12	J			EV0, EZ0			
		12	J			EK0			
3	04796910	1	J			EV0, EZ0			
		1	J			EK0			
4	HFV00516AB	1	J, T						
5	J5352955	1	J, T						

NUT AND WASHER, Hex, [M8X1.00], Transfer Case To Transmission, Mounting STUD

Transfer Case To Transmission, Mounting
Transfer Case To Transmission, Mounting
Transfer Case To Transmission, Mounting
VENT, Transfer Case

HOSE, Fuel And Vapor, 25 Foot Roll 5/16"
VENT, Axle

GRAND CHEROKEE (WK)

SERIES LINE
H = HIGHLINE T = JEEP - 2WD
P = PREMIUM J = JEEP - 4WD
S = SPORT
X = SPECIAL

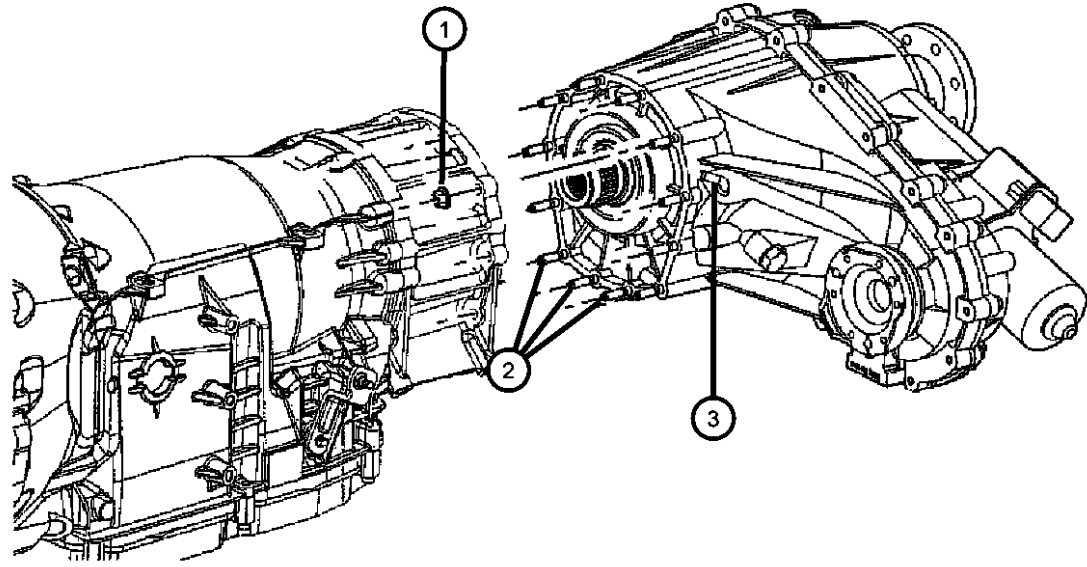
BODY
74 = SPORT UTILITY 4-DR TYPE #4

ENGINE
EVA = 4.7L V8 MPI Engine
EVD = 4.7L V8 FFV Engine
EXL = 3.0L V6 Turbo Diesel Engine
EZB = 5.7L Hemi Multi Displacement Engine
EKG = 3.7L V6 Engine
ESF = 6.1L SRT HEMI SMPI V8 Engine

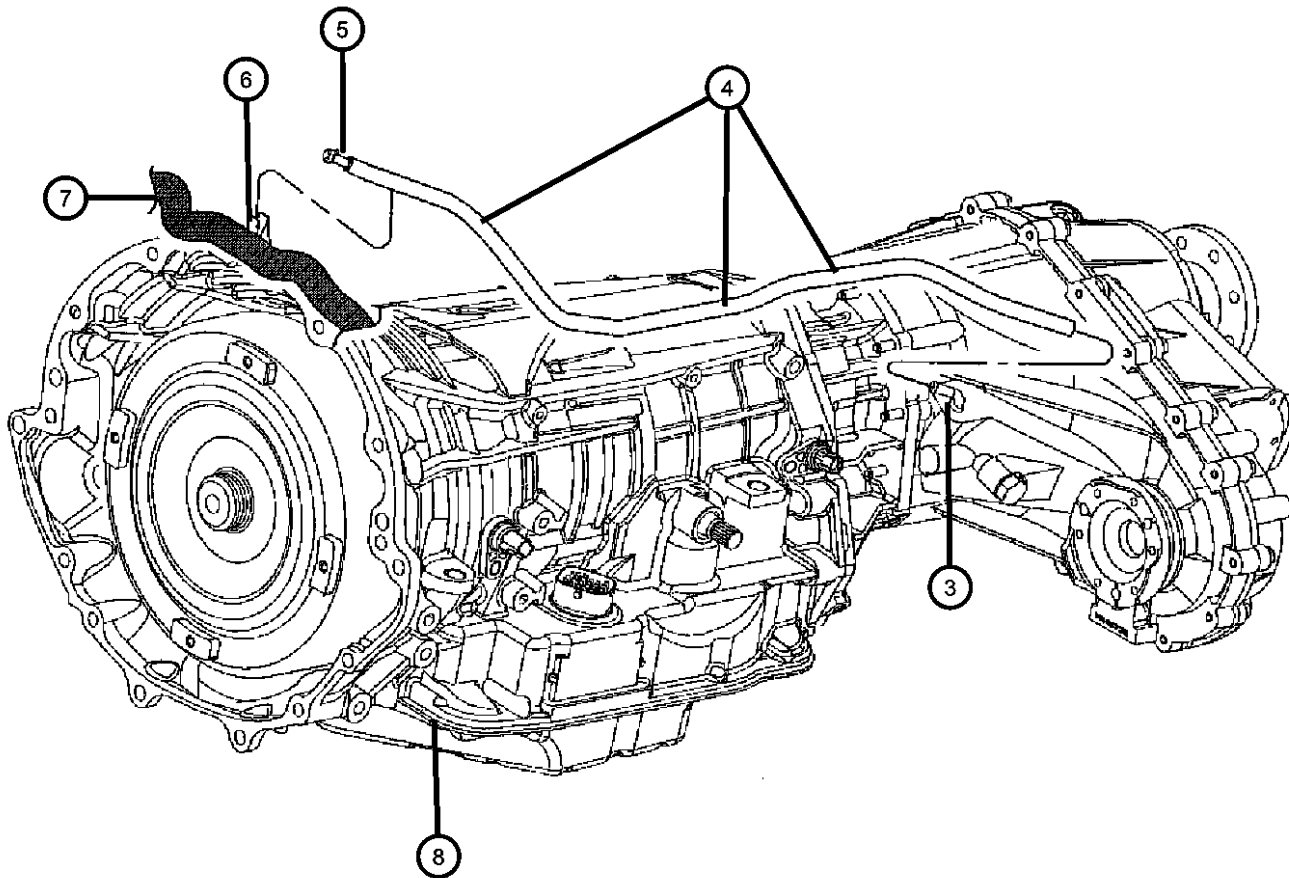
TRANSMISSION
DGJ = 5-Speed Auto W5A580 Transmission
DGQ = 5-Spd Automatic 545RFE Transmission
DGU = 5-Spd Auto W5J400 Transmission

**Transfer Case Mounting And Venting NVG 245 [DHX]
Figure 245-120**

ITEM	PART NUMBER	QTY	LINE	SERIES	BODY	ENGINE	TRANS	TRIM	DESCRIPTION
------	-------------	-----	------	--------	------	--------	-------	------	-------------



6		1							CLIP, Transfer case vent hose, Serviced On Wiring, (NOT SERVICED)
7		1							WIRING, See Group 8, (NOT SERVICED)
8		1							TRANSMISSION, See Transmission Group, (NOT SERVICED)



GRAND CHEROKEE (WK)

SERIES LINE
H = HIGHLINE T = JEEP - 2WD
P = PREMIUM J = JEEP - 4WD
S = SPORT
X = SPECIAL

BODY
74 = SPORT UTILITY 4-DR
TYPE #4

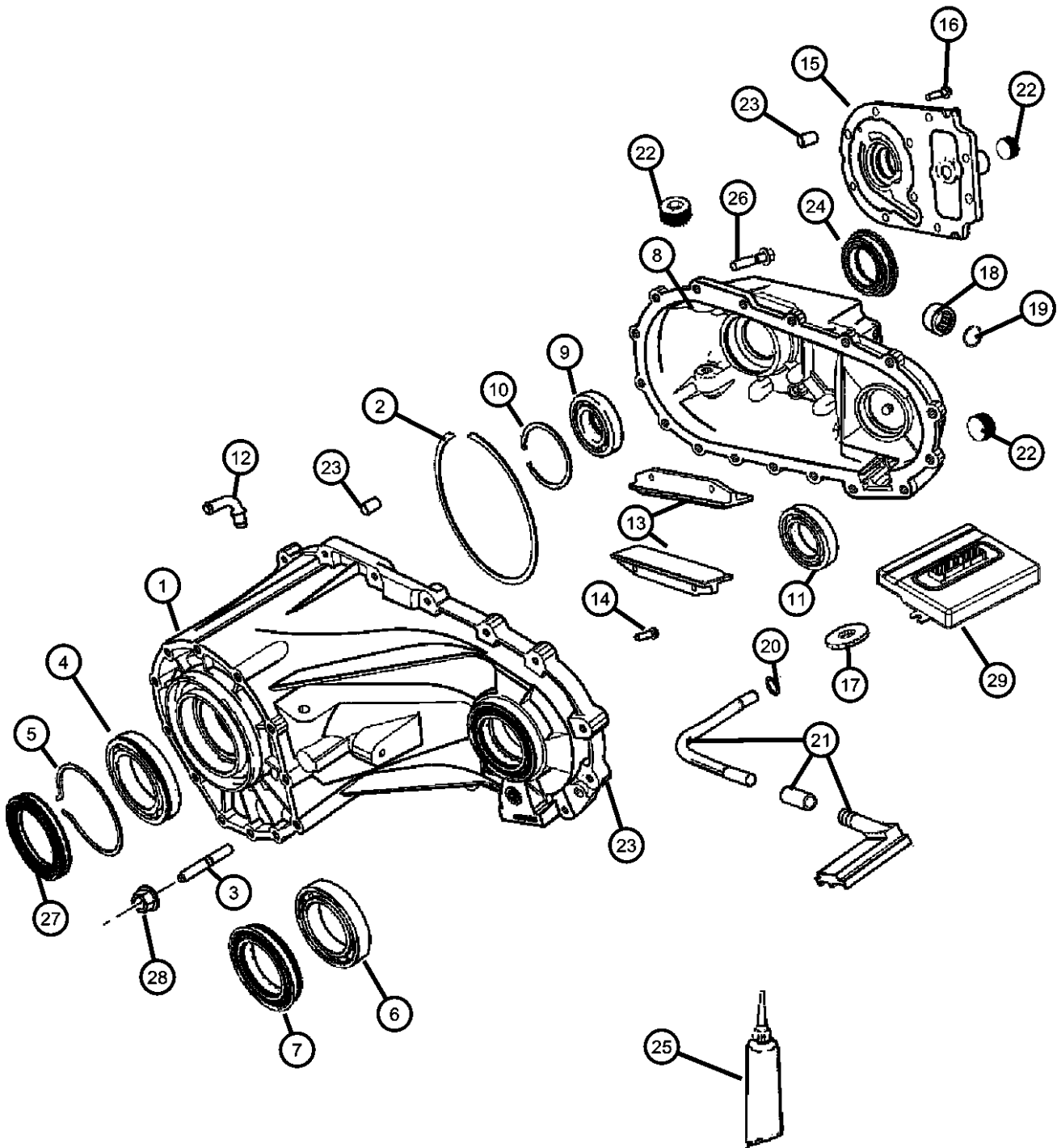
ENGINE
EVA = 4.7L V8 MPI Engine
EVD = 4.7L V8 FFV Engine
EXL = 3.0L V6 Turbo Diesel
Engine
EZB = 5.7L Hemi Multi
Displacement Engine
EKG = 3.7L V6 Engine
ESF = 6.1L SRT HEMI SMPI
V8 Engine

TRANSMISSION
DGJ = 5-Speed Auto W5A580
Transmission
DGQ = 5-Spd Automatic 545RFE
Transmission
DGU = 5-Spd Auto W5J400
Transmission

AR = use ase required - = Non illustrated part

2007 WK

**Case And Related Parts NVG 245 [DHX]
Figure 245-210**



ITEM	PART NUMBER	QTY	LINE	SERIES	BODY	ENGINE	TRANS	TRIM	DESCRIPTION
------	-------------	-----	------	--------	------	--------	-------	------	-------------

NOTE:

Refer To All Proper Tag Numbers And Stamping Numbers Before Ordering Transfer Cases And/Or Transfer Case Parts.

Sales Codes:

[DGJ] = 5-Speed Automatic W5A580 Transmission

[DGQ] = 5-Speed Automatic 545RFE Transmission

[DGU] = 5-Speed Automatic W5J400 Transmission

[DG0] = All Automatic Transmissions

[DHB] = Quadra -Trac Active On Demand NVG 146 Transfer Case

[DHX] = Quadra -Trac 2 Full Time Active NVG 245 Transfer Case

[DHZ] = Quadra -Trac 1 Full time 4WD NVG 140 Transfer Case

[EKG] = 3.7L [Magnum] V-6 Engine

[EK0] = All 3.7L 6-Cylinder Gas Engines

[ESF] = 6.1L SRT Hemi SMPI V-8 Engine

[ES0] = All 6.1L 8-Cylinder Gas Engines

[EVA] = 4.7L [Magnum] V-8 Engine

[EVD] = 4.7L V-8 FFV Engine

[EV0] = All 4.7L 8-Cylinder Gas Engines

[EXL] = 3.0L V-6 Turbo Diesel Engine

[EX0] = All 3.0L Cylinder Turbo Diesel Engines

[EZB] = 5.7L Hemi Multi-Displacement Engine

[EZ0] = All 5.7L 8-Cylinder Gas Engines

[NAA] = Federal Emissions

[NAE] = California Emissions

[NAS] = 50 State Emissions

[NA1] = Export Emissions

[XEF] = Transfer Case Skid Plate Shield

1	05143749AA	1	J						CASE, Transfer Front
		1	J			EV0, EZ0			EK0
2	04219065	1	J			EV0, EZ0			SNAP RING, Annulus Gear
		1	J			EK0			
3	05143725AA	12	J			EX0			STUD
		12	J			EV0, EZ0			Transfer Case To Transmission, Mounting
		12	J			EK0			Transfer Case To Transmission, Mounting
4	05143739AA	1	J			EV0, EZ0			BEARING, Input Gear

GRAND CHEROKEE (WK)

SERIES LINE
 H = HIGHLINE T = JEEP - 2WD
 P = PREMIUM J = JEEP - 4WD
 S = SPORT
 X = SPECIAL

BODY
 74 = SPORT UTILITY 4-DR
 TYPE #4

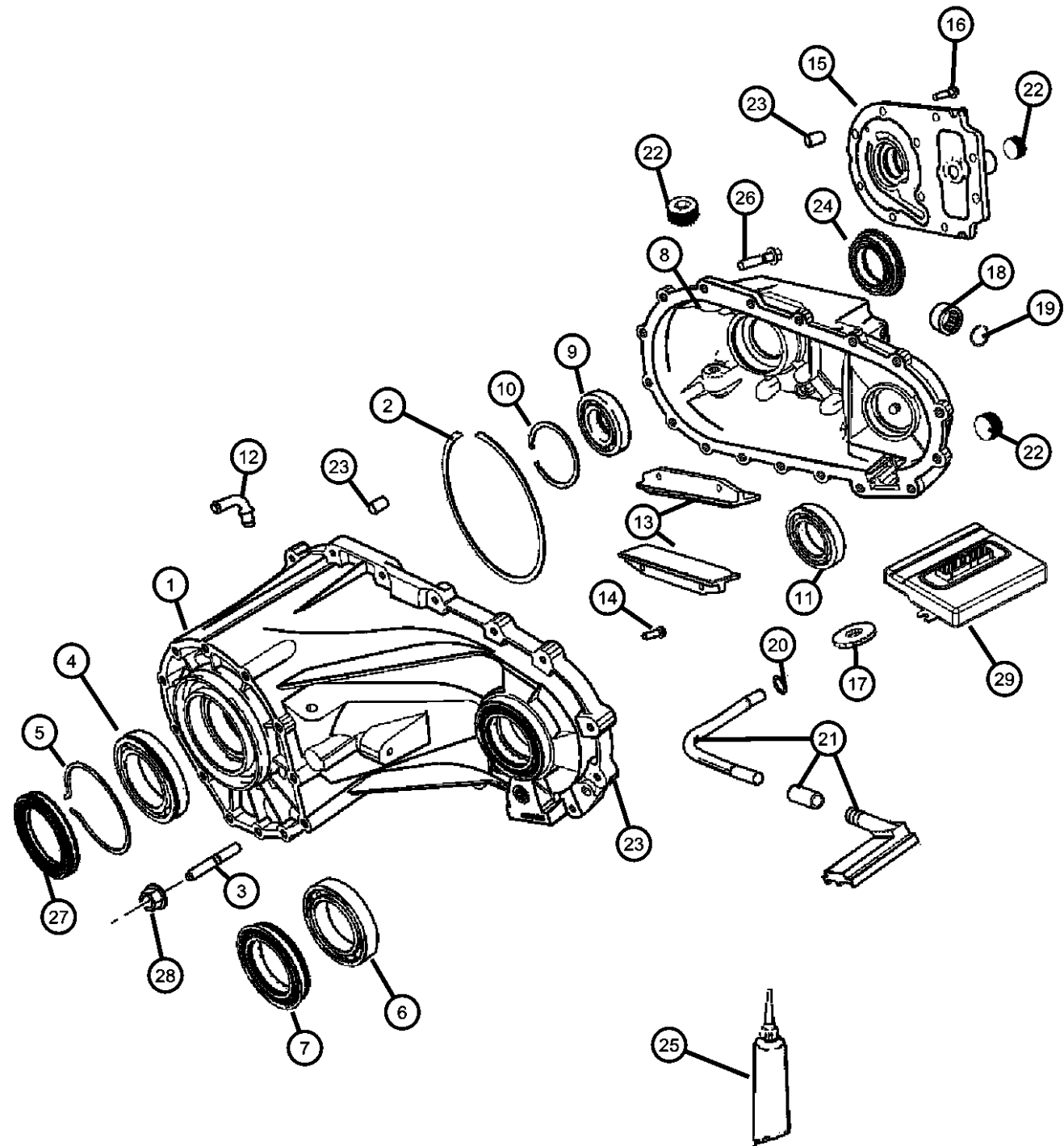
ENGINE
 EVA = 4.7L V8 MPI Engine
 EVD = 4.7L V8 FFV Engine
 EXL = 3.0L V6 Turbo Diesel Engine
 EZB = 5.7L Hemi Multi Displacement Engine
 EKG = 3.7L V6 Engine
 ESF = 6.1L SRT HEMI SMPI V8 Engine

TRANSMISSION
 DGJ = 5-Speed Auto W5A580 Transmission
 DGQ = 5-Spd Automatic 545RFE Transmission
 DGU = 5-Spd Auto W5J400 Transmission

AR = use ase required - = Non illustrated part

2007 WK

Case And Related Parts NVG 245 [DHX]
Figure 245-210



ITEM	PART NUMBER	QTY	LINE	SERIES	BODY	ENGINE	TRANS	TRIM	DESCRIPTION
5		1	J			EK0			SNAP RING
	05143748AA	1	J			EV0, EZ0			
6		1	J			EK0			BEARING, Input Gear
	05012997AA	1	J			EV0, EZ0			
7		1	J			EK0			SEAL, Output
	05143715AA	1	J			EV0, EZ0			
8		1	J			EK0			CASE, Transfer Rear
	05161965AB	1	J			EV0, EZ0			
9		1	J			EK0			BEARING, Ball
	05161968AA	1	J			EV0, EZ0			
10		1	J			EK0			SNAP RING
	05143776AA	1	J			EV0, EZ0			
11		1	J			EK0			BEARING, Ball
	05143741AA	1	J			EV0, EZ0			
12		1	J			EK0			VENT, Transfer Case
	04796910	1	J			EV0, EZ0			
13		1	J			EK0			SNUBBER, Chain
	05012324AA	1	J			EV0, EZ0			
14		1	J			EK0			BOLT
	05012325AA	1	J			EV0, EZ0			
		1	J			EK0			

GRAND CHEROKEE (WK)

SERIES LINE
H = HIGHLINE T = JEEP - 2WD
P = PREMIUM J = JEEP - 4WD
S = SPORT
X = SPECIAL

BODY
74 = SPORT UTILITY 4-DR
TYPE #4

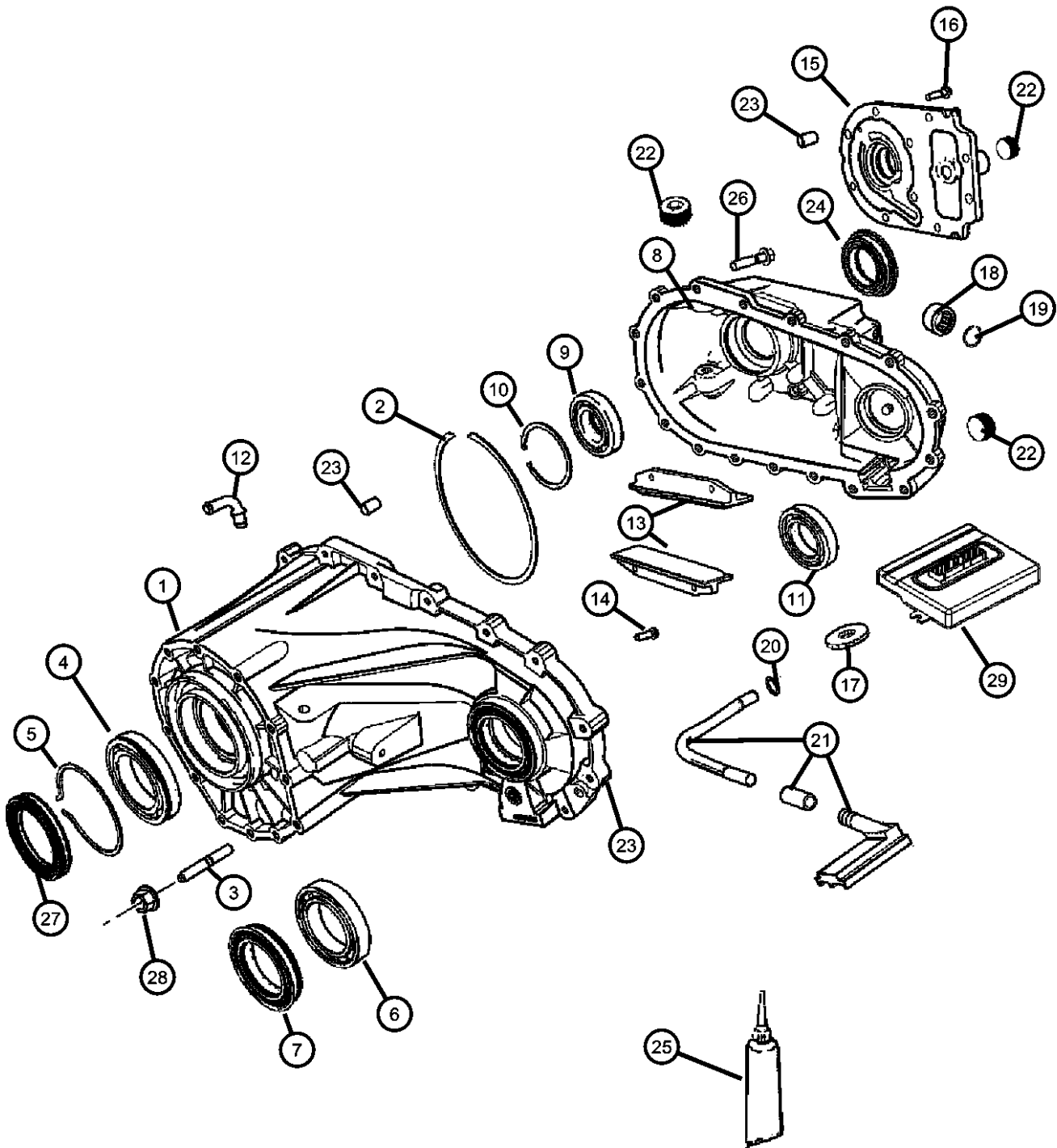
ENGINE
EVA = 4.7L V8 MPI Engine
EVD = 4.7L V8 FFV Engine
EXL = 3.0L V6 Turbo Diesel
Engine
EZB = 5.7L Hemi Multi
Displacement Engine
EKG = 3.7L V6 Engine
ESF = 6.1L SRT HEMI SMPI
V8 Engine

TRANSMISSION
DGJ = 5-Speed Auto W5A580
Transmission
DGQ = 5-Spd Automatic 545RFE
Transmission
DGU = 5-Spd Auto W5J400
Transmission

AR = use ase required - = Non illustrated part

2007 WK

Case And Related Parts NVG 245 [DHX]
Figure 245-210



ITEM	PART NUMBER	QTY	LINE	SERIES	BODY	ENGINE	TRANS	TRIM	DESCRIPTION
15	05143760AB	1	J			EV0, EZ0			RETAINER, Transfer Case Rear
		1	J			EK0			
16	06501371	1	J			EV0, EZ0			BOLT, Retainer
		6	J			EX0			
17	03681601	1	J			EX0			MAGNET, Transmission
		1	J			EV0, EZ0			
		1	J			EK0			
18	05143982AA	1	J			EV0, EZ0			BEARING, Transfer Case Shift
		1	J			EK0			
19	05143774AA	1	J			EV0, EZ0			SNAP RING
		1	J			EK0			
20	05013016AB	1	J			EV0, EZ0			SEAL, Transfer Case
		1	J			EK0			
21	05143773AB	1	J			EK0			TUBE, Oil pickup assembly, Transfer case
		1	J			EV0, EZ0			
22	04856641	1	J			EV0, EZ0			PLUG, Oil Fill
		1	J			EK0			
23	05086335AA	5	J			EX0			DOWEL, Transfer Case
		5	J			EV0, EZ0			
		5	J			EK0			
24	05143733AA	1	J			EV0, EZ0			SEAL, Oil

GRAND CHEROKEE (WK)

SERIES LINE
H = HIGHLINE T = JEEP - 2WD
P = PREMIUM J = JEEP - 4WD
S = SPORT
X = SPECIAL

BODY
74 = SPORT UTILITY 4-DR
TYPE #4

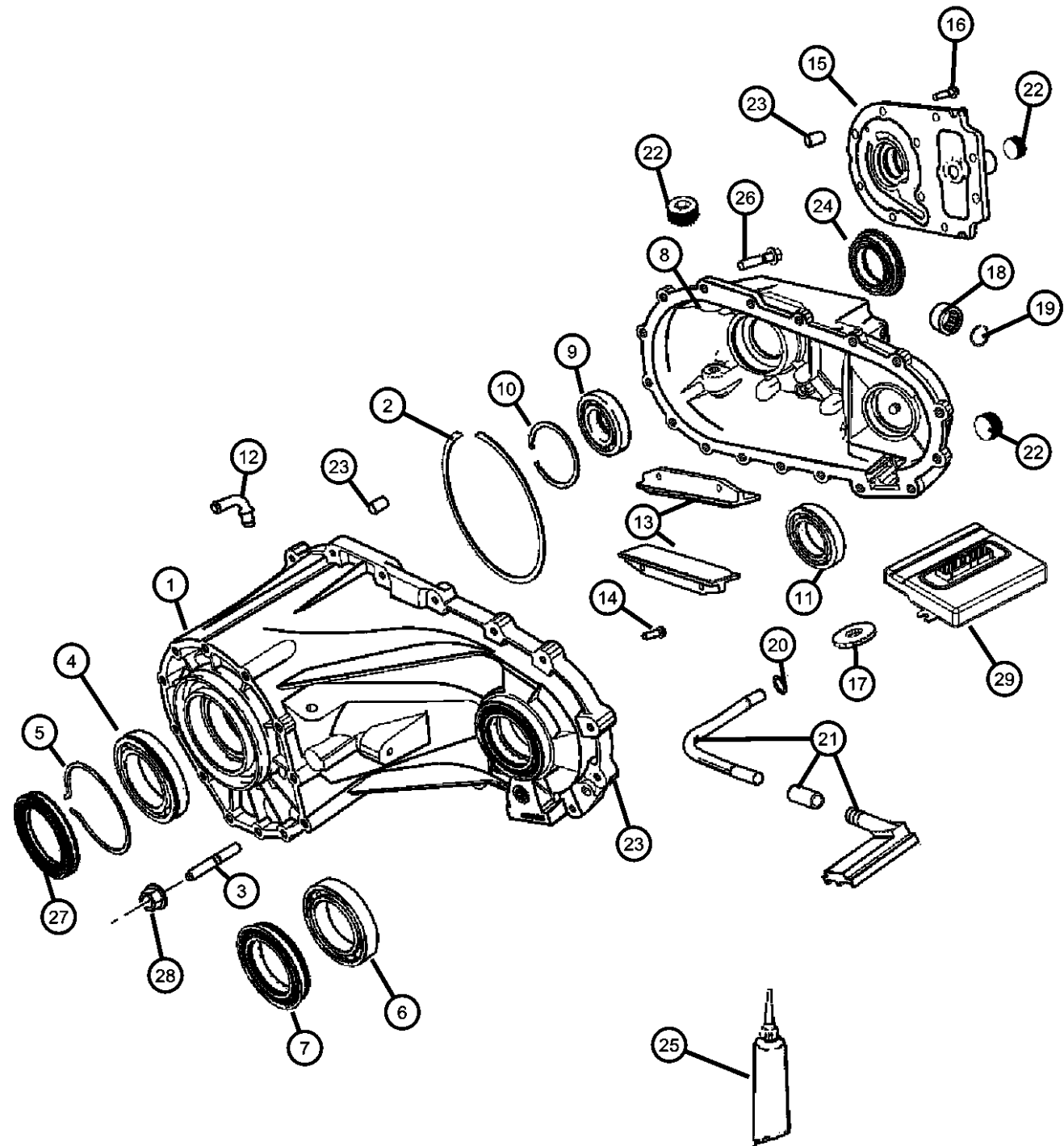
ENGINE
EVA = 4.7L V8 MPI Engine
EVD = 4.7L V8 FFV Engine
EXL = 3.0L V6 Turbo Diesel
Engine
EZB = 5.7L Hemi Multi
Displacement Engine
EKG = 3.7L V6 Engine
ESF = 6.1L SRT HEMI SMPI
V8 Engine

TRANSMISSION
DGJ = 5-Speed Auto W5A580
Transmission
DGQ = 5-Spd Automatic 545RFE
Transmission
DGU = 5-Spd Auto W5J400
Transmission

AR = use ase required - = Non illustrated part

2007 WK

Case And Related Parts NVG 245 [DHX]
Figure 245-210



ITEM	PART NUMBER	QTY	LINE	SERIES	BODY	ENGINE	TRANS	TRIM	DESCRIPTION
25		1	J			EK0			SEALANT, RTV
	05010884AA	1	J			EK0			
26		1	J			EV0, EZ0			SCREW, Hex Flange Head, M8x1.25x35
	06101526	31	J			EX0			
		31	J			EV0, EZ0			
		31	J			EK0			
27		1	J			EV0, EZ0			SEAL, Input
	05143714AA	1	J			EV0, EZ0			
28		12	J			EK0			NUT AND WASHER, Hex, [M8X1.00], Transfer Case To Transmission, Mounting MODULE, Transfer Case Control
	56044129AK	1	J						[DHX + [DS7]
	56044199AK	1	J						[DHX + [DSG]

GRAND CHEROKEE (WK)

SERIES LINE
H = HIGHLINE T = JEEP - 2WD
P = PREMIUM J = JEEP - 4WD
S = SPORT
X = SPECIAL

BODY
74 = SPORT UTILITY 4-DR
TYPE #4

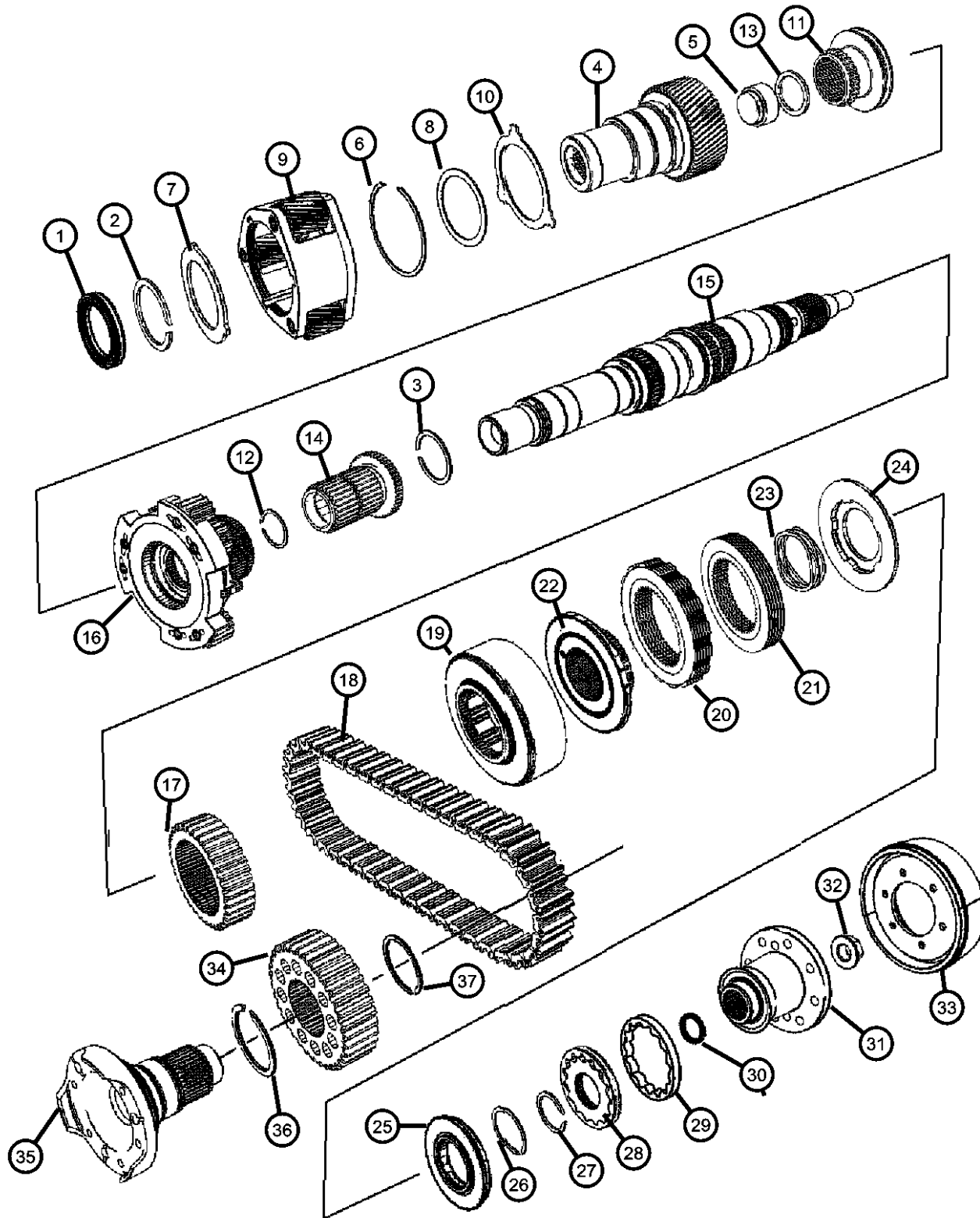
ENGINE
EVA = 4.7L V8 MPI Engine
EVD = 4.7L V8 FFV Engine
EXL = 3.0L V6 Turbo Diesel Engine
EZB = 5.7L Hemi Multi Displacement Engine
EKG = 3.7L V6 Engine
ESF = 6.1L SRT HEMI SMPI V8 Engine

TRANSMISSION
DGJ = 5-Speed Auto W5A580 Transmission
DGQ = 5-Spd Automatic 545RFE Transmission
DGU = 5-Spd Auto W5J400 Transmission

AR = use ase required - = Non illustrated part

2007 WK

**Gear Train NVG 245 [DHX]
Figure 245-410**



ITEM	PART NUMBER	QTY	LINE	SERIES	BODY	ENGINE	TRANS	TRIM	DESCRIPTION
------	-------------	-----	------	--------	------	--------	-------	------	-------------

NOTE:

Refer To All Proper Tag Numbers And Stamping Numbers Before Ordering Transfer Cases And/Or Transfer Case Parts.

Sales Codes:

- [DGJ] = 5-Speed Automatic W5A580 Transmission
- [DGQ] = 5-Speed Automatic 545RFE Transmission
- [DGU] = 5-Speed Automatic W5J400 Transmission
- [DG0] = All Automatic Transmissions
- [DHB] = Quadra -Trac Active On Demand NVG 146 Transfer Case
- [DHX] = Quadra -Trac 2 Full Time Active NVG 245 Transfer Case
- [DHZ] = Quadra -Trac 1 Full time 4WD NVG 140 Transfer Case
- [EKG] = 3.7L [Magnum] V-6 Engine
- [EK0] = All 3.7L 6-Cylinder Gas Engines
- [ESF] = 6.1L SRT Hemi SMPI V-8 Engine
- [ES0] = All 6.1L 8-Cylinder Gas Engines
- [EVA] = 4.7L [Magnum] V-8 Engine
- [EVD] = 4.7L V-8 FFV Engine
- [EV0] = All 4.7L 8-Cylinder Gas Engines
- [EXL] = 3.0L V-6 Turbo Diesel Engine
- [EX0] = All 3.0L Cylinder Turbo Diesel Engines
- [EZB] = 5.7L Hemi Multi-Displacement Engine
- [EZ0] = All 5.7L 8-Cylinder Gas Engines
- [NAA] = Federal Emissions
- [NAE] = California Emissions
- [NAS] = 50 State Emissions
- [NA1] = Export Emissions
- [XEF] = Transfer Case Skid Plate Shield

1									SEAL, Input
	05143714AA	1	J			EV0, EZ0			
		1	J			EK0			
2									SNAP RING
	05143748AA	1	J			EV0, EZ0			1
		1	J			EK0			1
	05143751AA	1	J			EV0, EZ0			
		1	J			EK0			
3									SNAP RING
	05143728AA	1	J			EV0, EZ0			
		1	J			EK0			
4									GEAR, Input
	05143747AA	1	J			EV0, EZ0			With Stamping # 52105703AA
	05174080AA	1	J			EK0			With Stamping # 52853391AB

GRAND CHEROKEE (WK)

SERIES LINE
H = HIGHLINE T = JEEP - 2WD
P = PREMIUM J = JEEP - 4WD
S = SPORT
X = SPECIAL

BODY
74 = SPORT UTILITY 4-DR
TYPE #4

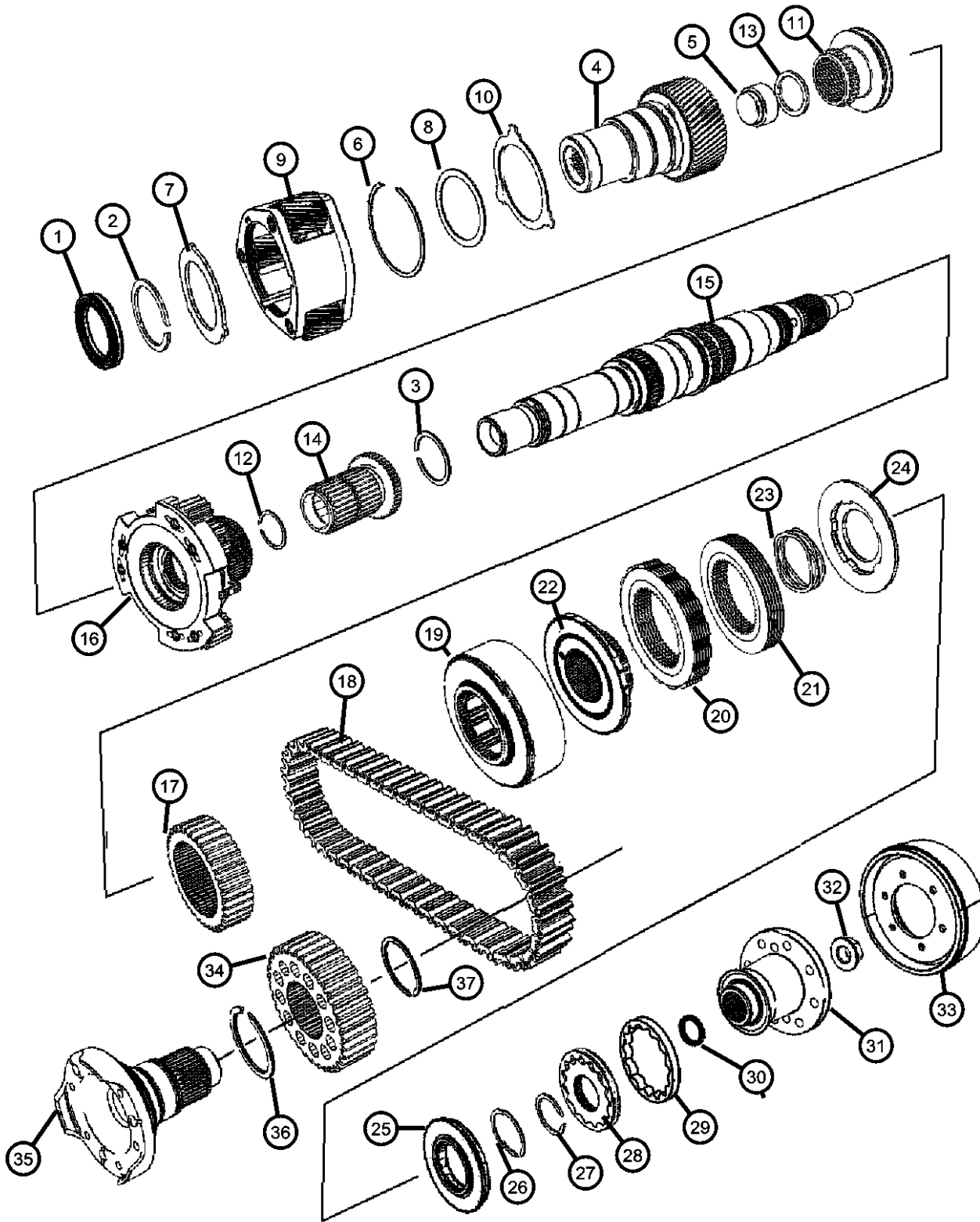
ENGINE
EVA = 4.7L V8 MPI Engine
EVD = 4.7L V8 FFV Engine
EXL = 3.0L V6 Turbo Diesel
Engine
EZB = 5.7L Hemi Multi
Displacement Engine
EKG = 3.7L V6 Engine
ESF = 6.1L SRT HEMI SMPI
V8 Engine

TRANSMISSION
DGJ = 5-Speed Auto W5A580
Transmission
DGQ = 5-Spd Automatic 545RFE
Transmission
DGU = 5-Spd Auto W5J400
Transmission

AR = use ase required - = Non illustrated part

2007 WK

Gear Train NVG 245 [DHX]
Figure 245-410



ITEM	PART NUMBER	QTY	LINE	SERIES	BODY	ENGINE	TRANS	TRIM	DESCRIPTION
5	83503507	1	J			EV0, EZ0			BEARING, Input Shaft, With Stamping # 52105703AA
6	04338910	1	J			EK0			SNAP RING
	04798130	1	J			EV0, EZ0			
7	05143750AA	1	J			EZ0, EV0			PLATE
		1	J			EK0			
8	05086313AA	1	J			EV0, EZ0			THRUST WASHER, Planetary Carrier
		1	J			EK0			
9	05143746AA	1	J			EV0, EZ0			PLANETARY, Transfer Case
		1	J			EK0			
10	05161956AA	1	J			EK0			THRUST WASHER, Planetary Carrier
		1	J			EV0, EZ0			Three Tab
									Three Tab
11	05003746AA	1	J			EV0, EZ0			SLEEVE, Shift Range
		1	J			EK0			
12	83503540	1	J			EV0, EZ0			SNAP RING
		1	J			EK0			
13	83503539	1	J			EV0, EZ0			WASHER, Intermediate Sleeve
		1	J			EK0			
14	05103314AA	1	J			EV0, EZ0			SHAFT, Intermediate
		1	J			EK0			
15	05143752AA	1	J			EK0			MAINSHAFT, Transfer Case

GRAND CHEROKEE (WK)

SERIES LINE
H = HIGHLINE T = JEEP - 2WD
P = PREMIUM J = JEEP - 4WD
S = SPORT
X = SPECIAL

BODY
74 = SPORT UTILITY 4-DR
TYPE #4

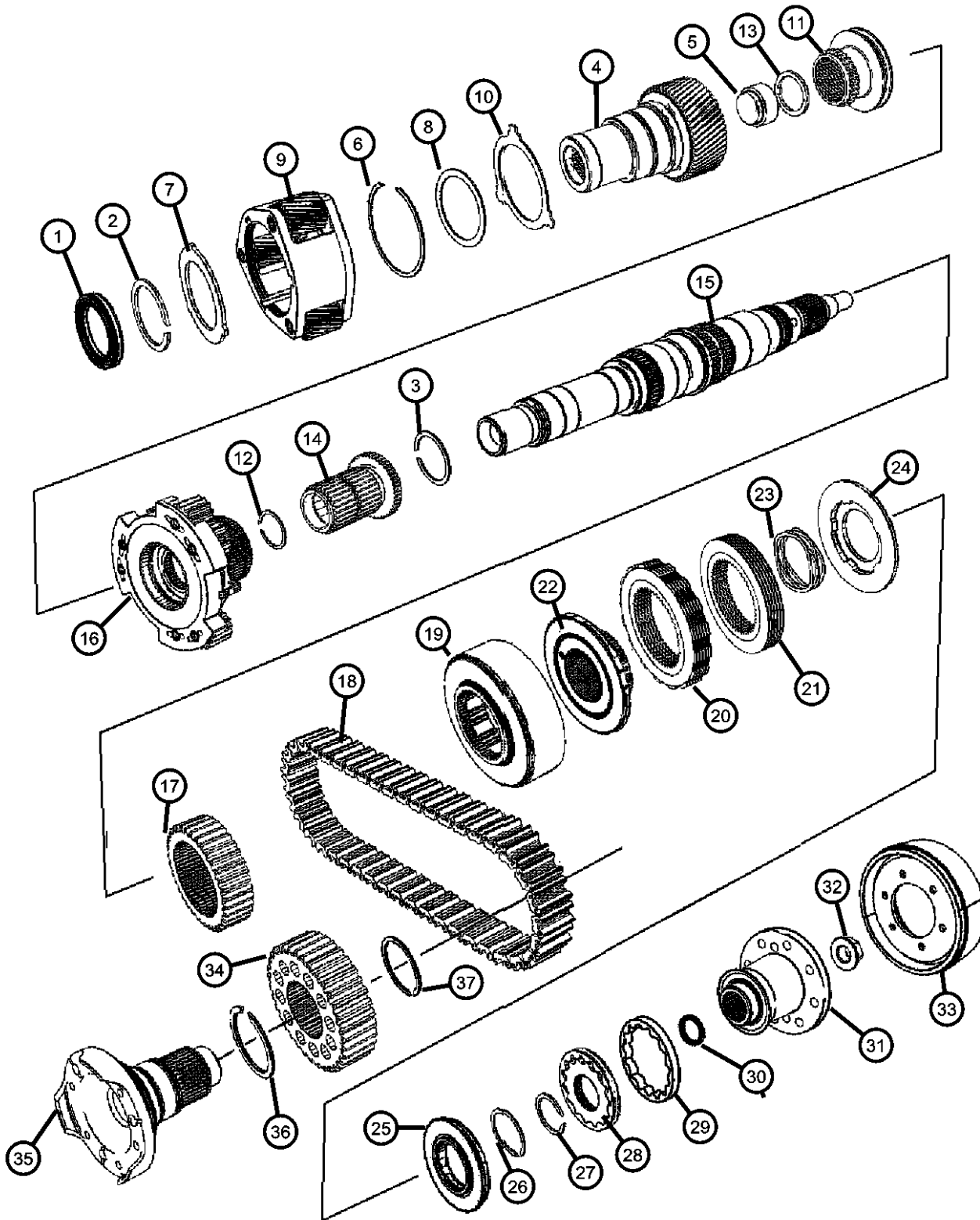
ENGINE
EVA = 4.7L V8 MPI Engine
EVD = 4.7L V8 FFV Engine
EXL = 3.0L V6 Turbo Diesel
Engine
EZB = 5.7L Hemi Multi
Displacement Engine
EKG = 3.7L V6 Engine
ESF = 6.1L SRT HEMI SMPI
V8 Engine

TRANSMISSION
DGJ = 5-Speed Auto W5A580
Transmission
DGQ = 5-Spd Automatic 545RFE
Transmission
DGU = 5-Spd Auto W5J400
Transmission

AR = use ase required - = Non illustrated part

2007 WK

**Gear Train NVG 245 [DHX]
Figure 245-410**



ITEM	PART NUMBER	QTY	LINE	SERIES	BODY	ENGINE	TRANS	TRIM	DESCRIPTION
16		1	J			EV0, EZ0			DIFFERENTIAL, Transfer Case
	05179814AA	1	J			EK0			
		1	J			EX0			
		1	J			EV0, EZ0			
17		1	J			EV0, EZ0			SPROCKET, Transfer Case
	05143727AA	1	J			EV0, EZ0			
		1	J			EK0			
18		1	J			EV0, EZ0			CHAIN, Transfer Case
	05161964AA	1	J			EV0, EZ0			
		1	J			EK0			
19		1	J			EV0, EZ0			DRUM
	05143983AA	1	J			EV0, EZ0			
		1	J			EK0			
20		1	J			EV0, EZ0			PLATE
	05143986AB	1	J			EV0, EZ0			Outer
		1	J			EK0			Outer
21		1	J			EV0, EZ0			PLATE
	05143987AB	1	J			EV0, EZ0			Inner
		1	J			EK0			Inner
22		1	J			EV0, EZ0			DRUM
	05143984AA	1	J			EV0, EZ0			
		1	J			EK0			
23		1	J			EV0, EZ0			SPRING, Clutch
	05143989AA	1	J			EV0, EZ0			
		1	J			EK0			
24		1	J			EV0, EZ0			PLATE
	05161961AA	1	J			EV0, EZ0			
		1	J			EK0			
25		1	J			EV0, EZ0			BEARING, Thrust
	05161962AA	1	J			EV0, EZ0			

GRAND CHEROKEE (WK)

SERIES LINE
H = HIGHLINE T = JEEP - 2WD
P = PREMIUM J = JEEP - 4WD
S = SPORT
X = SPECIAL

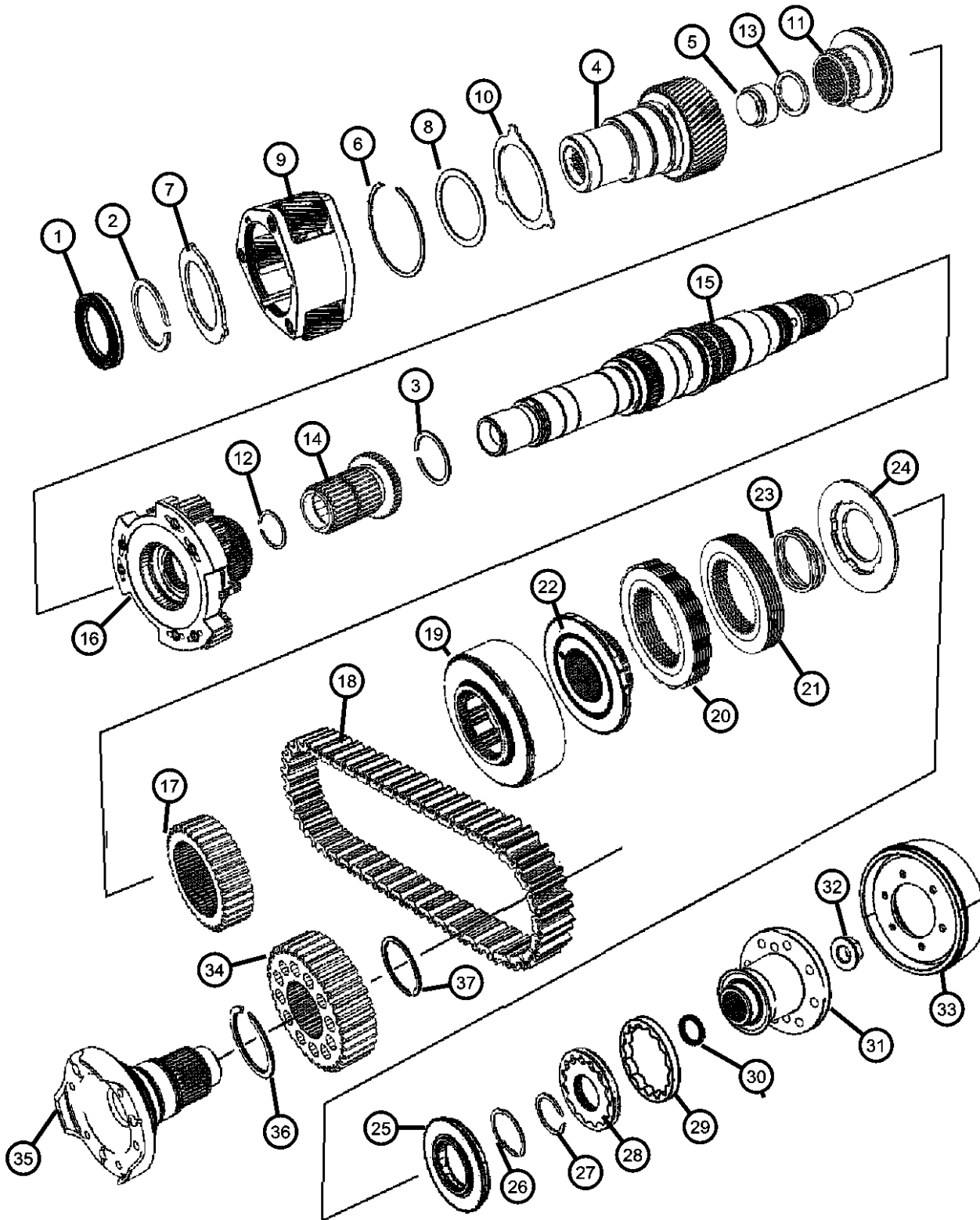
BODY
74 = SPORT UTILITY 4-DR
TYPE #4

ENGINE
EVA = 4.7L V8 MPI Engine
EVD = 4.7L V8 FFV Engine
EXL = 3.0L V6 Turbo Diesel
Engine
EZB = 5.7L Hemi Multi
Displacement Engine
EKG = 3.7L V6 Engine
ESF = 6.1L SRT HEMI SMPI
V8 Engine

TRANSMISSION
DGJ = 5-Speed Auto W5A580
Transmission
DGQ = 5-Spd Automatic 545RFE
Transmission
DGU = 5-Spd Auto W5J400
Transmission

AR = use ase required - = Non illustrated part

**Gear Train NVG 245 [DHX]
Figure 245-410**



ITEM	PART NUMBER	QTY	LINE	SERIES	BODY	ENGINE	TRANS	TRIM	DESCRIPTION
26		1	J			EK0			SNAP RING
	83503537	1	J			EV0, EZ0			
27		1	J			EK0			SNAP RING
	04883597AA	1	J			EV0, EZ0			
28		1	J			EK0			PUMP, Transfer Case Oil
	05143772AA	1	J			EV0, EZ0			
29		1	J			EK0			ROTOR, Outer
	05101880AA	1	J			EV0, EZ0			
30		1	J			EK0			SEAL
	05143743AA	1	J			EV0, EZ0			
31		1	J			EK0			FLANGE, Driveshaft Yoke
	05143757AA	1	J			EV0, EZ0			
32		1	J			EK0			NUT, Transfer Case Yoke
	05143738AA	1	J			EV0, EZ0			
33		1	J			EK0			DAMPER, Transfer Case
	52853179AA	1	J			EK0			
34		1	J			EX0			SPROCKET, Transfer Case
	05143730AA	1	J			EV0, EZ0			
35		1	J			EK0			OUTPUT SHAFT, Transfer Case
	05143716AA	1	J			EV0, EZ0			
		1	J			EK0			

GRAND CHEROKEE (WK)

SERIES LINE
H = HIGHLINE T = JEEP - 2WD
P = PREMIUM J = JEEP - 4WD
S = SPORT
X = SPECIAL

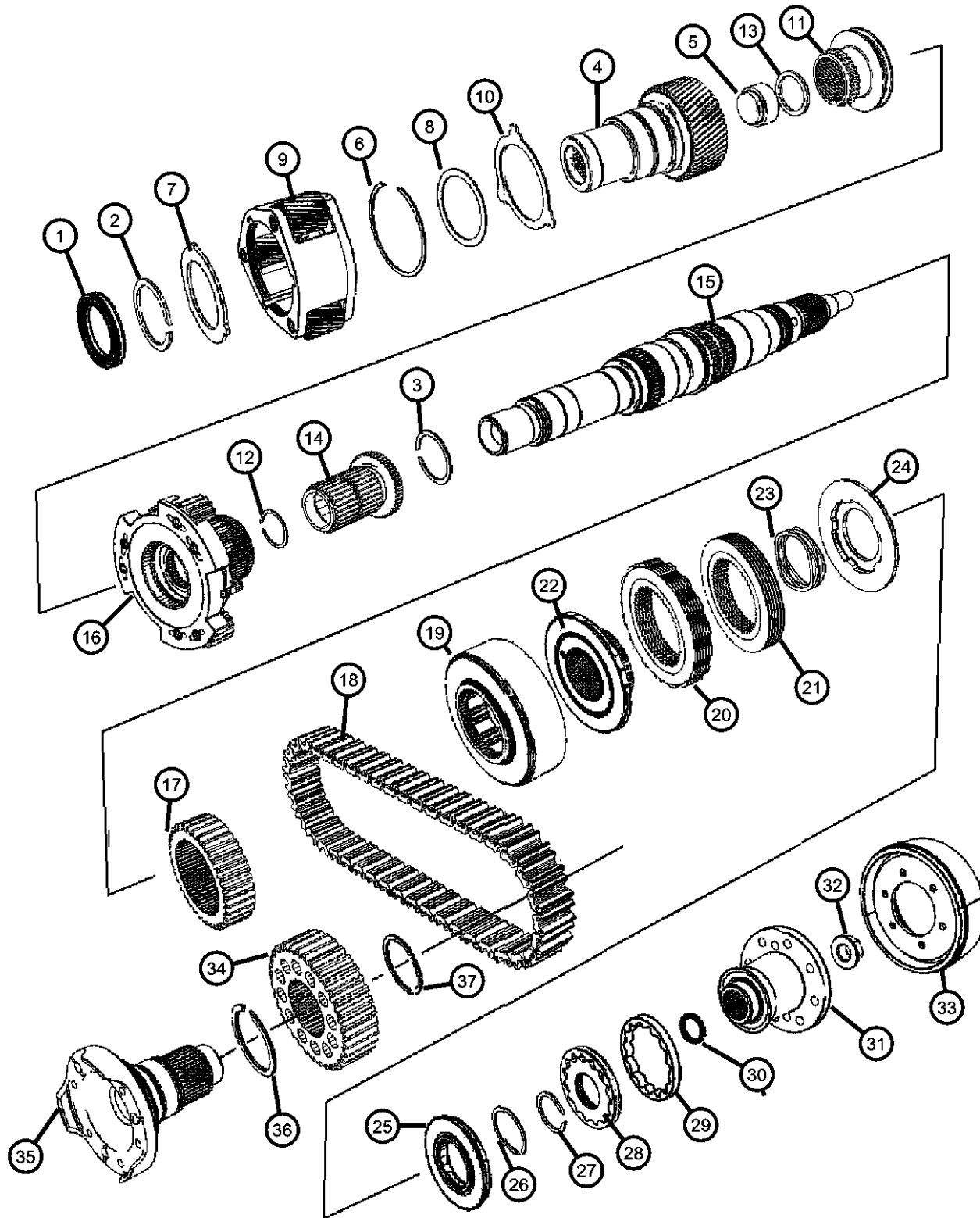
BODY
74 = SPORT UTILITY 4-DR
TYPE #4

ENGINE
EVA = 4.7L V8 MPI Engine
EVD = 4.7L V8 FFV Engine
EXL = 3.0L V6 Turbo Diesel
Engine
EZB = 5.7L Hemi Multi
Displacement Engine
EKG = 3.7L V6 Engine
ESF = 6.1L SRT HEMI SMPI
V8 Engine

TRANSMISSION
DGJ = 5-Speed Auto W5A580
Transmission
DGQ = 5-Spd Automatic 545RFE
Transmission
DGU = 5-Spd Auto W5J400
Transmission

AR = use ase required - = Non illustrated part

**Gear Train NVG 245 [DHX]
Figure 245-410**



ITEM	PART NUMBER	QTY	LINE	SERIES	BODY	ENGINE	TRANS	TRIM	DESCRIPTION
36	03821558	1	J			EV0, EZ0			SNAP RING
		1	J			EK0			
37	05170294AA	1	J			EV0, EZ0			SNAP RING
		1	J			EK0			

GRAND CHEROKEE (WK)

SERIES LINE
 H = HIGHLINE T = JEEP - 2WD
 P = PREMIUM J = JEEP - 4WD
 S = SPORT
 X = SPECIAL

BODY
 74 = SPORT UTILITY 4-DR
 TYPE #4

ENGINE
 EVA = 4.7L V8 MPI Engine
 EVD = 4.7L V8 FFV Engine
 EXL = 3.0L V6 Turbo Diesel
 Engine
 EZB = 5.7L Hemi Multi
 Displacement Engine
 EKG = 3.7L V6 Engine
 ESF = 6.1L SRT HEMI SMPI
 V8 Engine

TRANSMISSION
 DGJ = 5-Speed Auto W5A580
 Transmission
 DGQ = 5-Spd Automatic 545RFE
 Transmission
 DGU = 5-Spd Auto W5J400
 Transmission

AR = use ase required - = Non illustrated part

Fork And Rails NVG 245 [DHX]
Figure 245-910

ITEM	PART NUMBER	QTY	LINE	SERIES	BODY	ENGINE	TRANS	TRIM	DESCRIPTION
------	-------------	-----	------	--------	------	--------	-------	------	-------------

NOTE:

Refer To All Proper Tag Numbers And Stamping Numbers Before Ordering Transfer Cases And/Or Transfer Case Parts.

Sales Codes:

[DGJ] = 5-Speed Automatic W5A580 Transmission

[DGQ] = 5-Speed Automatic 545RFE Transmission

[DGU] = 5-Speed Automatic W5J400 Transmission

[DG0] = All Automatic Transmissions

[DHB] = Quadra -Trac Active On Demand NVG 146 Transfer Case

[DHX] = Quadra -Trac 2 Full Time Active NVG 245 Transfer Case

[DHZ] = Quadra -Trac 1 Full time 4WD NVG 140 Transfer Case

[EKG] = 3.7L [Magnum] V-6 Engine

[EK0] = All 3.7L 6-Cylinder Gas Engines

[ESF] = 6.1L SRT Hemi SMPI V-8 Engine

[ES0] = All 6.1L 8-Cylinder Gas Engines

[EVA] = 4.7L [Magnum] V-8 Engine

[EVD] = 4.7L V-8 FFV Engine

[EV0] = All 4.7L 8-Cylinder Gas Engines

[EXL] = 3.0L V-6 Turbo Diesel Engine

[EX0] = All 3.0L Cylinder Turbo Diesel Engines

[EZB] = 5.7L Hemi Multi-Displacement Engine

[EZ0] = All 5.7L 8-Cylinder Gas Engines

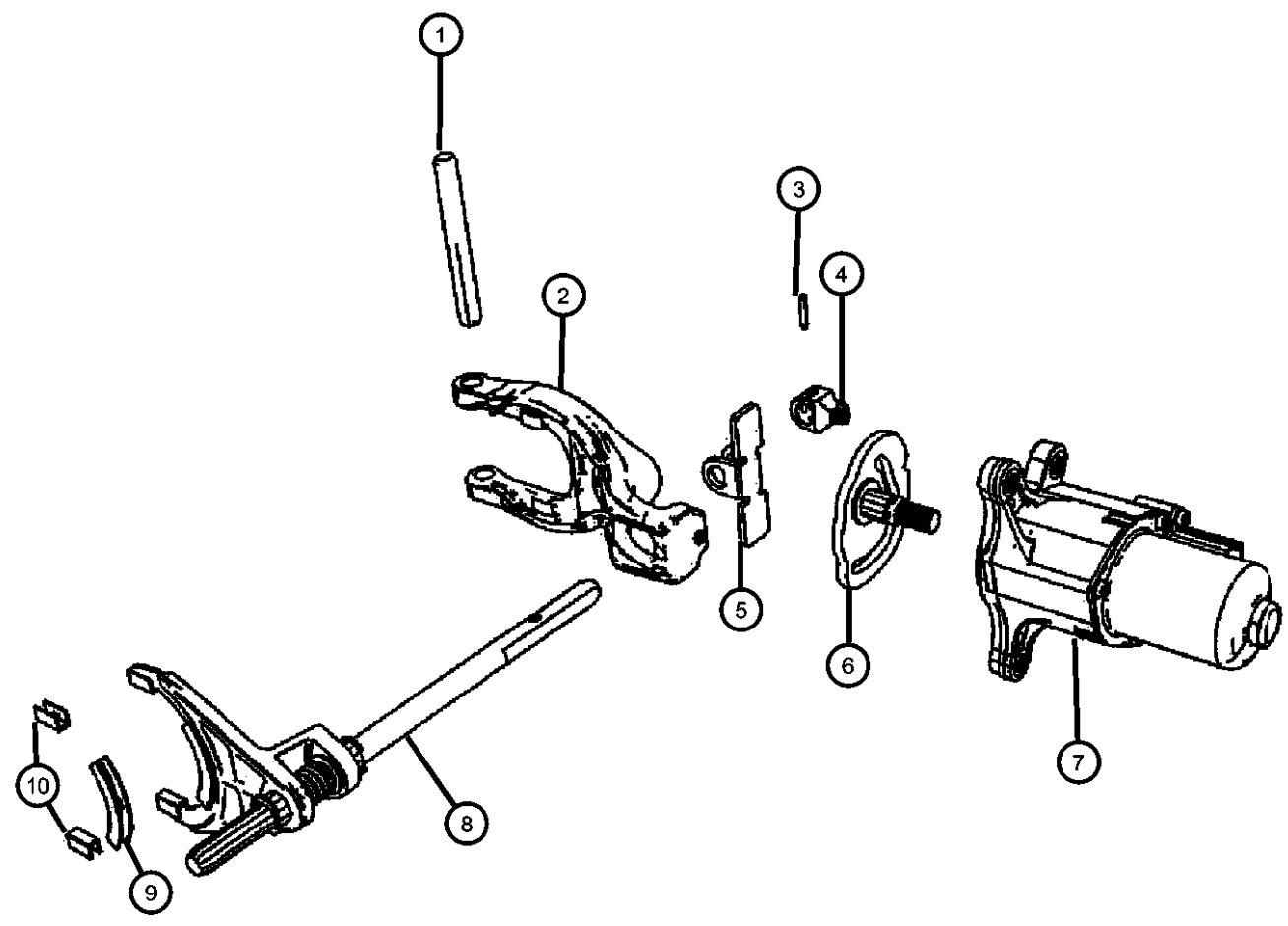
[NAA] = Federal Emissions

[NAE] = California Emissions

[NAS] = 50 State Emissions

[NA1] = Export Emissions

[XEF] = Transfer Case Skid Plate Shield



1									RAIL, Shift
	05143981AA	1	J			EV0, EZ0			
		1	J			EK0			
2									LEVER, Transfer Case
	05161975AA	1	J			EV0, EZ0			
		1	J			EK0			
3									PIN
	06101475	1	J			EV0, EZ0			
		1	J			EK0			
4									BRACKET, Shift Rail
	05170304AA	1	J			EV0, EZ0			
		1	J			EK0			
5									ROLLER, Shift Rail
	05170305AA	1	J			EV0, EZ0			

GRAND CHEROKEE (WK)

SERIES LINE
H = HIGHLINE T = JEEP - 2WD
P = PREMIUM J = JEEP - 4WD
S = SPORT
X = SPECIAL

BODY
74 = SPORT UTILITY 4-DR
TYPE #4

ENGINE
EVA = 4.7L V8 MPI Engine
EVD = 4.7L V8 FFV Engine
EXL = 3.0L V6 Turbo Diesel
Engine
EZB = 5.7L Hemi Multi
Displacement Engine
EKG = 3.7L V6 Engine
ESF = 6.1L SRT HEMI SMPI
V8 Engine

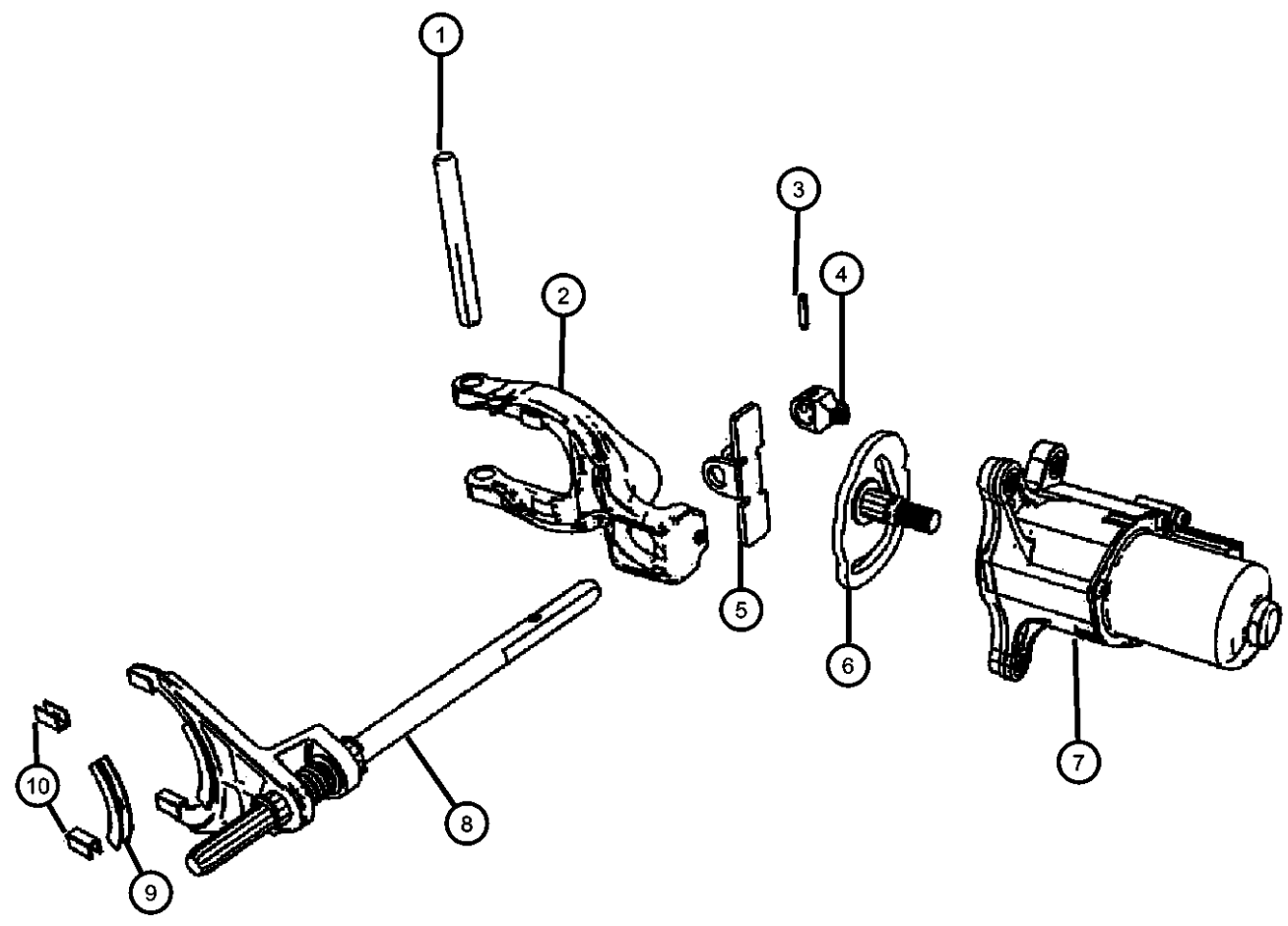
TRANSMISSION
DGJ = 5-Speed Auto W5A580
Transmission
DGQ = 5-Spd Automatic 545RFE
Transmission
DGU = 5-Spd Auto W5J400
Transmission

AR = use ase required - = Non illustrated part

2007 WK

Fork And Rails NVG 245 [DHX]
Figure 245-910

ITEM	PART NUMBER	QTY	LINE	SERIES	BODY	ENGINE	TRANS	TRIM	DESCRIPTION
6		1	J			EK0			SECTOR, Transfer Case
	05143769AB	1	J			EV0, EZ0			
7		1	J			EK0			ACTUATOR
	05143786AA	1	J			EV0, EZ0			
8		1	J			EK0			FORK, Transfer Case Mode Shift
	05143753AA	1	J			EV0, EZ0			
9		1	J			EK0			PAD, Shift Fork
	05015832AA	1	J			EK0			
10		1	J			EV0, EZ0			PAD, Shift Fork
	05012018AA	1	J			EV0, EZ0			
		1	J			EK0			



GRAND CHEROKEE (WK)

SERIES LINE
H = HIGHLINE T = JEEP - 2WD
P = PREMIUM J = JEEP - 4WD
S = SPORT
X = SPECIAL

BODY
74 = SPORT UTILITY 4-DR
TYPE #4

ENGINE
EVA = 4.7L V8 MPI Engine
EVD = 4.7L V8 FFV Engine
EXL = 3.0L V6 Turbo Diesel
Engine
EZB = 5.7L Hemi Multi
Displacement Engine
EKG = 3.7L V6 Engine
ESF = 6.1L SRT HEMI SMPI
V8 Engine

TRANSMISSION
DGJ = 5-Speed Auto W5A580
Transmission
DGQ = 5-Spd Automatic 545RFE
Transmission
DGU = 5-Spd Auto W5J400
Transmission

AR = use ase required - = Non illustrated part

2007 WK

**Transfer Case Shifting And Controls NVG 245 [DHX]
Figure 245-1210**

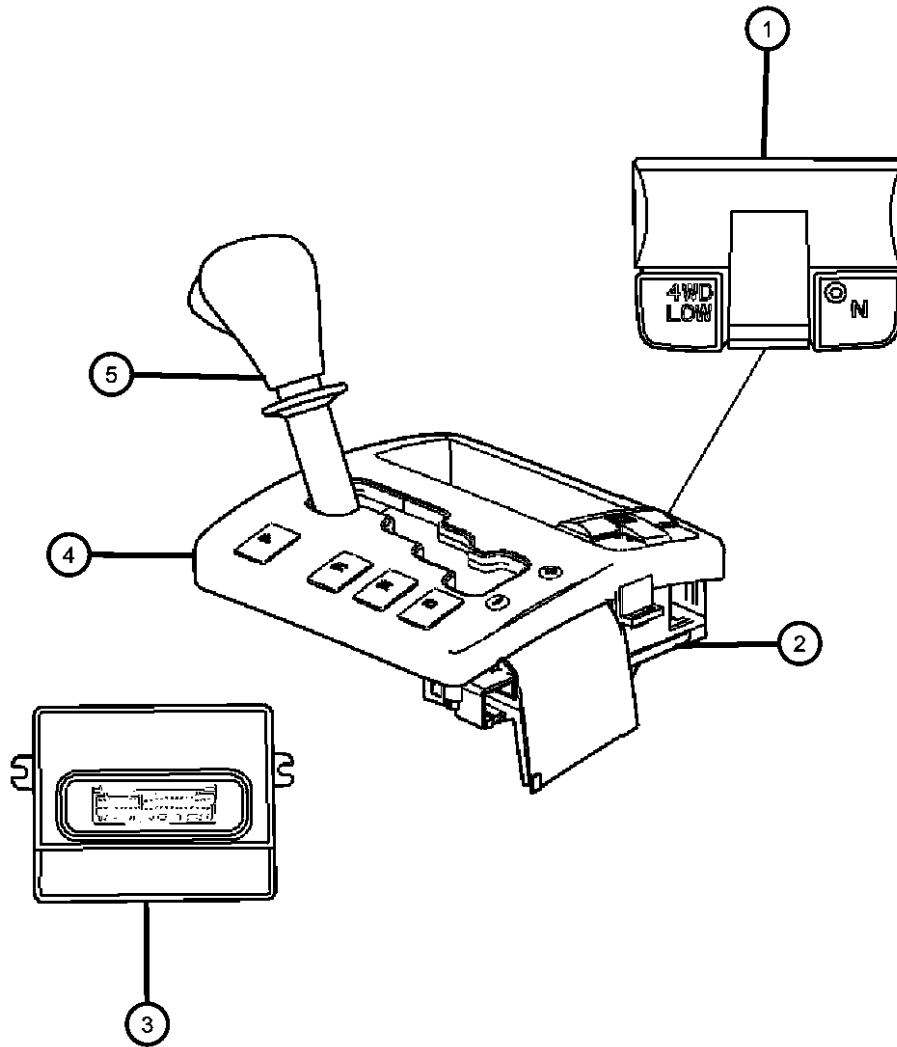
ITEM	PART NUMBER	QTY	LINE	SERIES	BODY	ENGINE	TRANS	TRIM	DESCRIPTION
------	-------------	-----	------	--------	------	--------	-------	------	-------------

NOTE:

Refer To All Proper Tag Numbers And Stamping Numbers Before Ordering Transfer Cases And/Or Transfer Case Parts.

Sales Codes:

- [DGJ] = 5-Speed Automatic W5A580 Transmission
- [DGQ] = 5-Speed Automatic 545RFE Transmission
- [DGU] = 5-Speed Automatic W5J400 Transmission
- [DG0] = All Automatic Transmissions
- [DHB] = Quadra -Trac Active On Demand NVG 146 Transfer Case
- [DHX] = Quadra -Trac 2 Full Time Active NVG 245 Transfer Case
- [DHZ] = Quadra -Trac 1 Full time 4WD NVG 140 Transfer Case
- [EKG] = 3.7L [Magnum] V-6 Engine
- [EK0] = All 3.7L 6-Cylinder Gas Engines
- [ESF] = 6.1L SRT Hemi SMPI V-8 Engine
- [ES0] = All 6.1L 8-Cylinder Gas Engines
- [EVA] = 4.7L [Magnum] V-8 Engine
- [EVD] = 4.7L V-8 FFV Engine
- [EV0] = All 4.7L 8-Cylinder Gas Engines
- [EXL] = 3.0L V-6 Turbo Diesel Engine
- [EX0] = All 3.0L Cylinder Turbo Diesel Engines
- [EZB] = 5.7L Hemi Multi-Displacement Engine
- [EZ0] = All 5.7L 8-Cylinder Gas Engines
- [NAA] = Federal Emissions
- [NAE] = California Emissions
- [NAS] = 50 State Emissions
- [NA1] = Export Emissions
- [XEF] = Transfer Case Skid Plate Shield



1									SWITCH, Transfer Case
	56050139AG	1	J			EK0	DGJ		
		1	J			EX0	DGU		
		1	J				DGJ		
		1	J				DGU		
		1	J	H, P			DGQ		
		1	J	S			DGQ		
2									HOUSING AND LEVER, Shifter
	52124138AC	1	J				DGU		
	52124142AC	1	J	S			DGQ		
3									MODULE, Transfer Case Control
	56044199AK	1	J						[DHX+DSG]
	56044129AK	1	J						[DHX+DS7]
4									PRNDL BEZEL, Gear selector

GRAND CHEROKEE (WK)

SERIES LINE
H = HIGHLINE T = JEEP - 2WD
P = PREMIUM J = JEEP - 4WD
S = SPORT
X = SPECIAL

BODY
74 = SPORT UTILITY 4-DR
TYPE #4

ENGINE
EVA = 4.7L V8 MPI Engine
EVD = 4.7L V8 FFV Engine
EXL = 3.0L V6 Turbo Diesel
Engine
EZB = 5.7L Hemi Multi
Displacement Engine
EKG = 3.7L V6 Engine
ESF = 6.1L SRT HEMI SMPI
V8 Engine

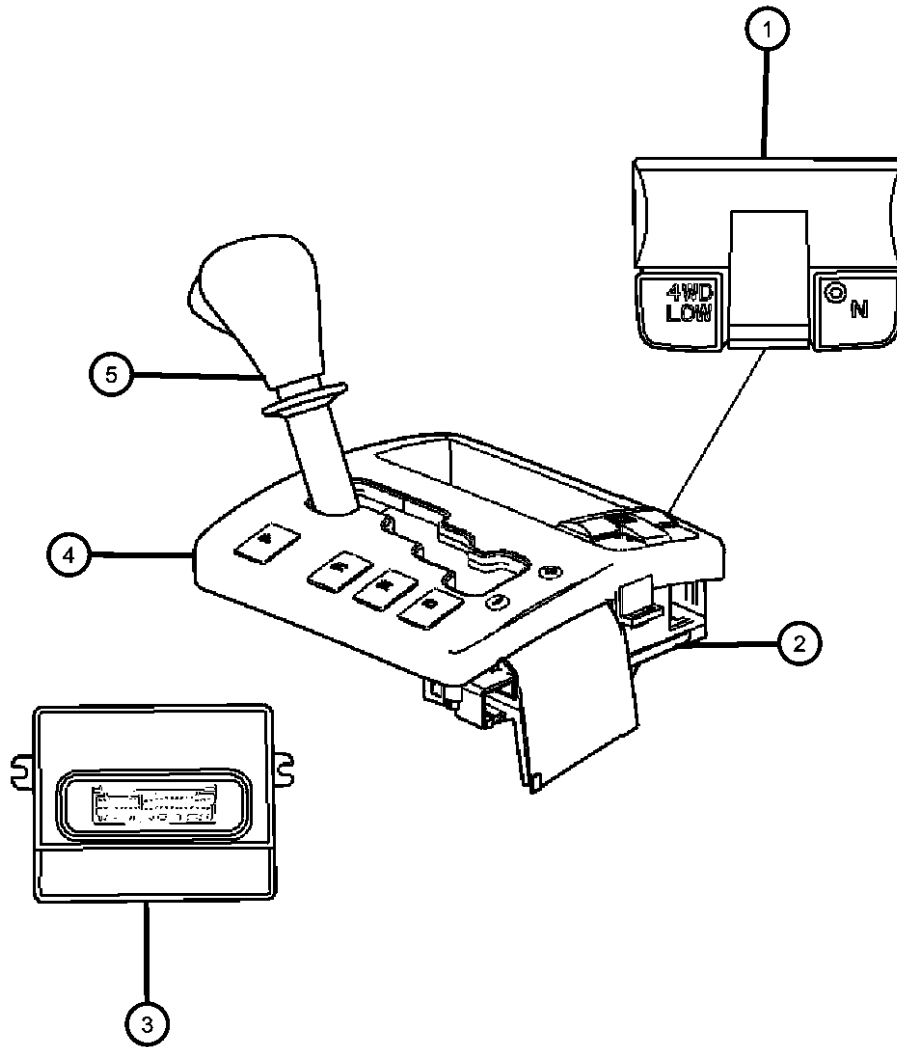
TRANSMISSION
DGJ = 5-Speed Auto W5A580
Transmission
DGQ = 5-Spd Automatic 545RFE
Transmission
DGU = 5-Spd Auto W5J400
Transmission

AR = use ase required - = Non illustrated part

2007 WK

**Transfer Case Shifting And Controls NVG 245 [DHX]
Figure 245-1210**

ITEM	PART NUMBER	QTY	LINE	SERIES	BODY	ENGINE	TRANS	TRIM	DESCRIPTION
	52124144AC	1	J				DGJ		
		1	J				DGU		
	52124146AC	1	J	H, P			DGQ		
		1	J	S			DGQ		
5									HANDLE, Gearshift
	52090460AB	1	J				DGJ		
		1	J				DGU		
		1	J	H, P			DGQ		
	52124148AA	1	J	S			DGQ		



GRAND CHEROKEE (WK)

SERIES LINE
H = HIGHLINE T = JEEP - 2WD
P = PREMIUM J = JEEP - 4WD
S = SPORT
X = SPECIAL

BODY
74 = SPORT UTILITY 4-DR
TYPE #4

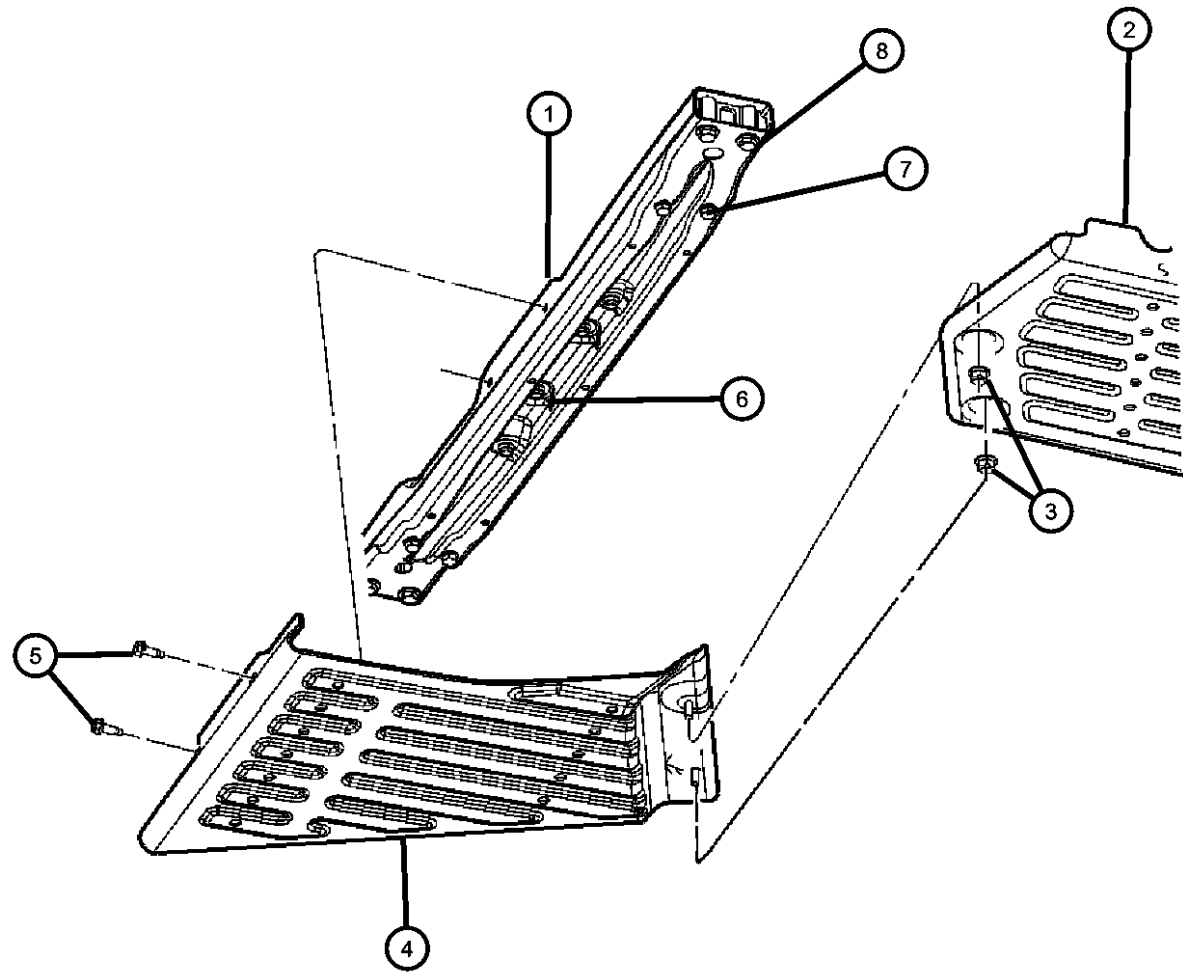
ENGINE
EVA = 4.7L V8 MPI Engine
EVD = 4.7L V8 FFV Engine
EXL = 3.0L V6 Turbo Diesel
Engine
EZB = 5.7L Hemi Multi
Displacement Engine
EKG = 3.7L V6 Engine
ESF = 6.1L SRT HEMI SMPI
V8 Engine

TRANSMISSION
DGJ = 5-Speed Auto W5A580
Transmission
DGQ = 5-Spd Automatic 545RFE
Transmission
DGU = 5-Spd Auto W5J400
Transmission

AR = use ase required - = Non illustrated part

2007 WK

**Skid Plate And Mounting NVG 245 [DHX]
Figure 245-1220**



ITEM	PART NUMBER	QTY	LINE	SERIES	BODY	ENGINE	TRANS	TRIM	DESCRIPTION
------	-------------	-----	------	--------	------	--------	-------	------	-------------

NOTE:
Refer To All Proper Tag Numbers And Stamping Numbers Before Ordering Transfer Cases And/Or Transfer Case Parts.

- Sales Codes:
 [DGJ] = 5-Speed Automatic W5A580 Transmission
 [DGQ] = 5-Speed Automatic 545RFE Transmission
 [DGU] = 5-Speed Automatic W5J400 Transmission
 [DG0] = All Automatic Transmissions
 [DHB] = Quadra -Trac Active On Demand NVG 146 Transfer Case
 [DHX] = Quadra -Trac 2 Full Time Active NVG 245 Transfer Case
 [DHZ] = Quadra -Trac 1 Full time 4WD NVG 140 Transfer Case
 [EKG] = 3.7L [Magnum] V-6 Engine
 [EK0] = All 3.7L 6-Cylinder Gas Engines
 [ESF] = 6.1L SRT Hemi SMPI V-8 Engine
 [ES0] = All 6.1L 8-Cylinder Gas Engines
 [EVA] = 4.7L [Magnum] V-8 Engine
 [EVD] = 4.7L V-8 FFV Engine
 [EV0] = All 4.7L 8-Cylinder Gas Engines
 [EXL] = 3.0L V-6 Turbo Diesel Engine
 [EX0] = All 3.0L Cylinder Turbo Diesel Engines
 [EZB] = 5.7L Hemi Multi-Displacement Engine
 [EZ0] = All 5.7L 8-Cylinder Gas Engines
 [NAA] = Federal Emissions
 [NAE] = California Emissions
 [NAS] = 50 State Emissions
 [NA1] = Export Emissions
 [XEF] = Transfer Case Skid Plate Shield

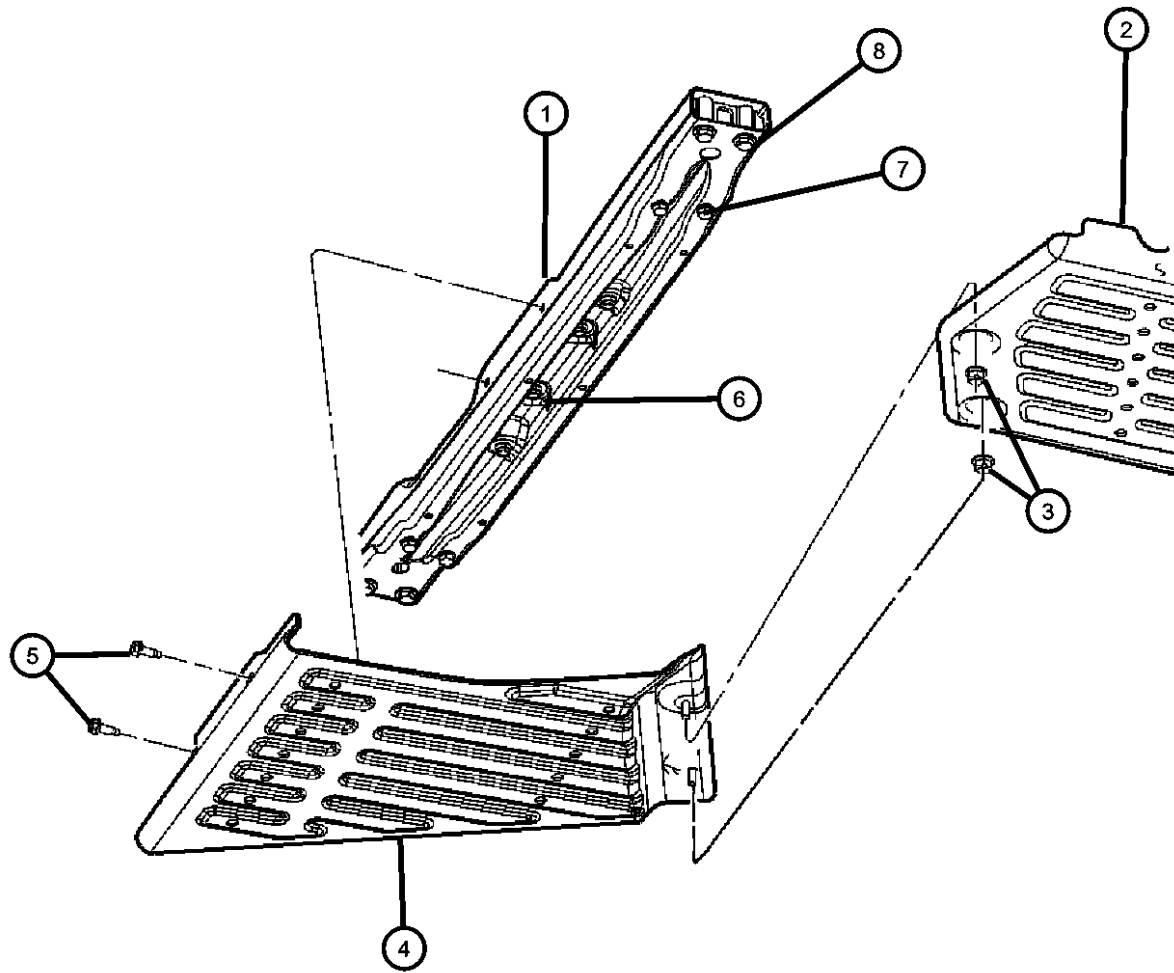
1	52090070AI	1	J, T						CROSSMEMBER, Transmission
2	52090274AF	1	J, T			EK0, ES0, EVA, EZ0			SKID PLATE, Fuel Tank
3	06101696	2	J			EVD			NUT, [M10X1.50], Transfer Case Skid Plate To Fuel Tank Skid Plate, Mounting
4	52128499AC	1	J						SKID PLATE, Transfer Case
5	06503571	2	J, T			EX0			SCREW AND WASHER, M10x1.50x35 Transfer Case Skid Plate To Crossmember, Mounting
		2	J			EK0, EV0, EZ0			Transfer Case Skid Plate To Crossmember, Mounting
6	06508082AA	4	J, T						SCREW, [8Mx1.25x58.0]

GRAND CHEROKEE (WK)		BODY	ENGINE	TRANSMISSION
SERIES	LINE	74 = SPORT UTILITY 4-DR TYPE #4	EVA = 4.7L V8 MPI Engine EVD = 4.7L V8 FFV Engine EXL = 3.0L V6 Turbo Diesel Engine EZB = 5.7L Hemi Multi Displacement Engine EKG = 3.7L V6 Engine ESF = 6.1L SRT HEMI SMPI V8 Engine	DGJ = 5-Speed Auto W5A580 Transmission DGQ = 5-Spd Automatic 545RFE Transmission DGU = 5-Spd Auto W5J400 Transmission
H = HIGHLINE	T = JEEP - 2WD			
P = PREMIUM	J = JEEP - 4WD			
S = SPORT				
X = SPECIAL				

AR = use ase required - = Non illustrated part

**Skid Plate And Mounting NVG 245 [DHX]
Figure 245-1220**

ITEM	PART NUMBER	QTY	LINE	SERIES	BODY	ENGINE	TRANS	TRIM	DESCRIPTION
7	06104344AA	4	J, T						SCREW, [10Mx1.5x90.0]
8	06508083AA	4	J, T						SCREW, Hex Flange Head, [10Mx1.5x135.0]



GRAND CHEROKEE (WK)

SERIES LINE
H = HIGHLINE T = JEEP - 2WD
P = PREMIUM J = JEEP - 4WD
S = SPORT
X = SPECIAL

BODY
74 = SPORT UTILITY 4-DR
TYPE #4

ENGINE
EVA = 4.7L V8 MPI Engine
EVD = 4.7L V8 FFV Engine
EXL = 3.0L V6 Turbo Diesel
Engine
EZB = 5.7L Hemi Multi
Displacement Engine
EKG = 3.7L V6 Engine
ESF = 6.1L SRT HEMI SMPI
V8 Engine

TRANSMISSION
DGJ = 5-Speed Auto W5A580
Transmission
DGQ = 5-Spd Automatic 545RFE
Transmission
DGU = 5-Spd Auto W5J400
Transmission

AR = use ase required - = Non illustrated part

2007 WK

Group - 22

Wheels, Covers and Jacks

Group - 22 Wheels, Covers and Jacks

Illustration Title

Group-Fig. No.

Wheels and Hardware

Wheels and HardwareFig. 22 - 130

Wheel Covers and Center Caps

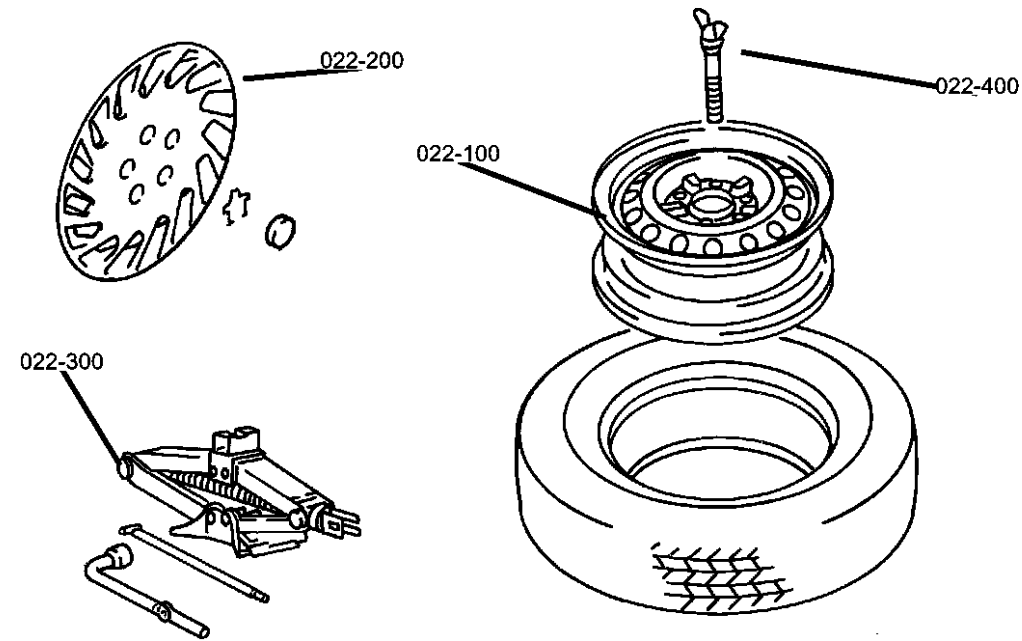
Caps, Wheel Cover and centerFig. 22 - 230


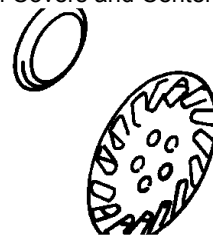
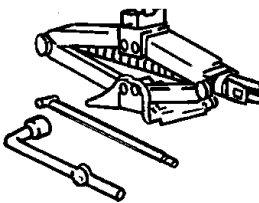
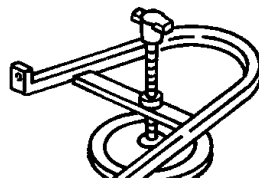
Jack Stowage

Jack Stowage.....Fig. 22 - 310

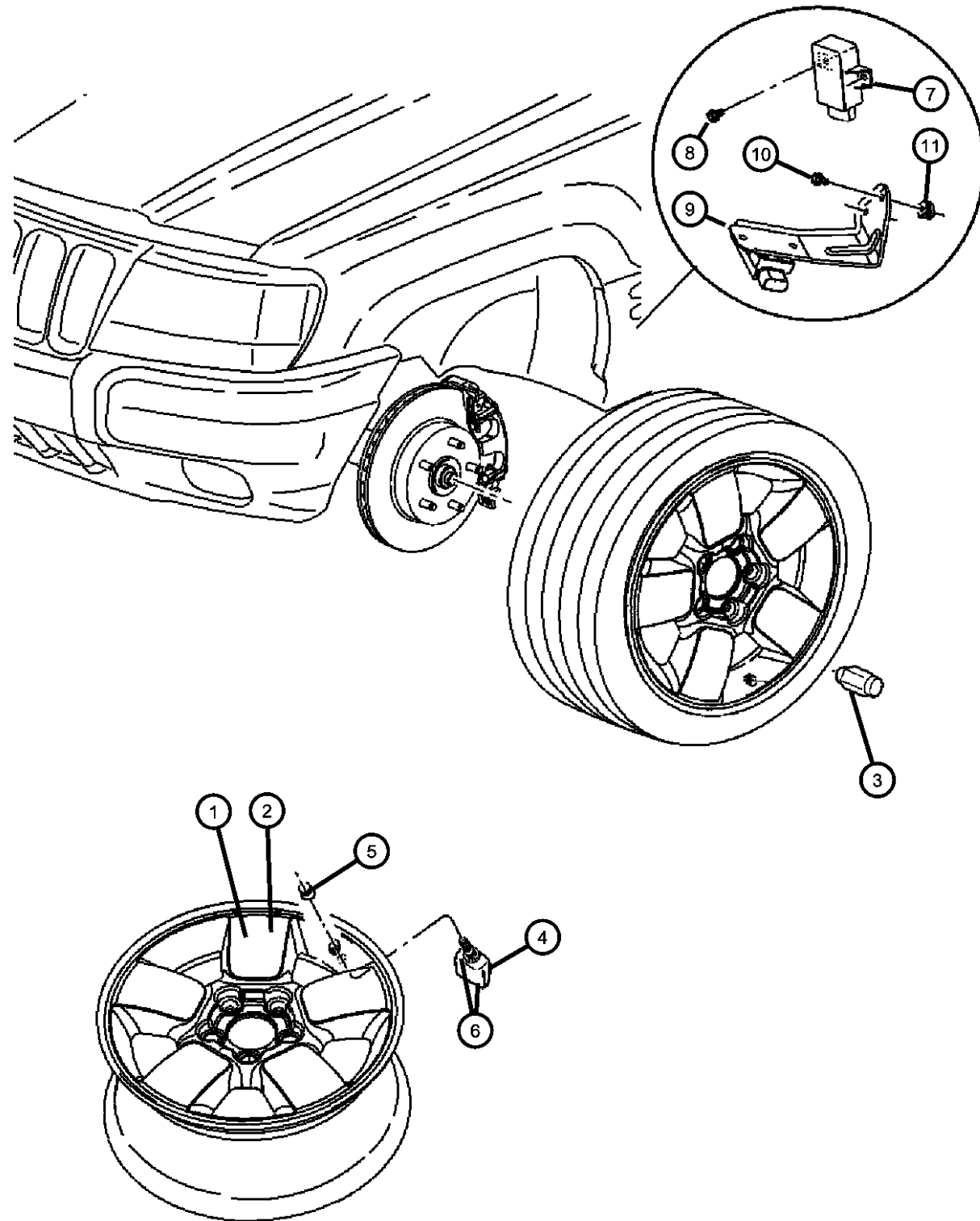
Spare Tire Stowage

Spare Wheel StowageFig. 22 - 460



<p>022-100 Wheels and Hardware</p> 	<p>022-200 Wheel Covers and Center Caps</p> 	<p>022-300 Jack Stowage</p> 	<p>022-400 Spare Tire Stowage</p> 
---	--	---	--

Wheels and Hardware
Figure 22-130



ITEM	PART NUMBER	QTY	LINE	SERIES	BODY	ENGINE	TRANS	TRIM	DESCRIPTION
------	-------------	-----	------	--------	------	--------	-------	------	-------------

NOTES: Sales Codes:

- [TBW] = Full Size Matching Wheel Spare
- [TVG] = 255/45ZR20 285/40ZR20 ASP TIRE
- [WFJ] = 17X7.5 ALUMINUM WHEELS
- [WFZ] = 17x7.5 Aluminum Gray Accent
- [WGQ] = 17X7.5 ALUMINUM WHEELS
- [WGX] = 17X8.0 ALUMINUM CHROME CLAD WHEELS
- [WPA] = 20X9.0 ALUMINUM WHEELS
- [XGM] = TIRE PRESSURE MONITORING DISPLAY

1	1BN34ZDRAA	4	J, T		74				WHEEL, Aluminum [WFZ]
	5HT52SZ0AB	4	J, T		74				[WGX]
	05290711AA	2	J, T		74				[WPA+TVG]
	05290718AA	2	J, T		74				[WPA+TVG], Rear
	1BN34PAKAA	4	J, T		74				[WGQ]
		1	J, T		74				[WGQ+TBW]
	5HT52SZ7AB	4	J, T		74				[WGC]
	5HT53PAKAA	4	J, T		74				[WFJ]
2	52124455AA	1	J, T		74				WHEEL, Steel, [TBB] Full Size Spare
3	06036310AA	20	J, T		74				NUT, Wheel, .50x20
4	56053036AA	4	J, T		74				SENSOR, Tire Pressure, [XGM]
5	56053037AA	1	J, T		74				NUT, Tire Pressure Sensor, Used to Mount New Sensor
6	68001696AA	2	J, T		74				SENSOR PACKAGE, Tire Pressure, [TVG+WPA]
7	56053034AC	2	J, T		74				MODULE, Low Tire Pressure Warning, Wheel Sensor
8	06104610AA	2							SCREW
9	56044729AC	1	J, T		74				MODULE, Low Tire Pressure Warning, Trigger
10	06104610AA	2							SCREW
11	06507010AA	2	J, T		74				NUT, U Multi Thread, M4.2x1.41
-12									CAP KIT, Valve Stem, Grey
	68023890AA	1	J, T		74				[TBW] Contains: Cap,Valve Stem,Qty.5
	68024258AA	2	J, T		74				[TVG] Contains: Cap,Valve Stem,Grey,Qty.5

GRAND CHEROKEE (WK)

SERIES LINE
H = HIGHLINE T = JEEP - 2WD
P = PREMIUM J = JEEP - 4WD
S = SPORT
X = SPECIAL

BODY
74 = SPORT UTILITY 4-DR
TYPE #4

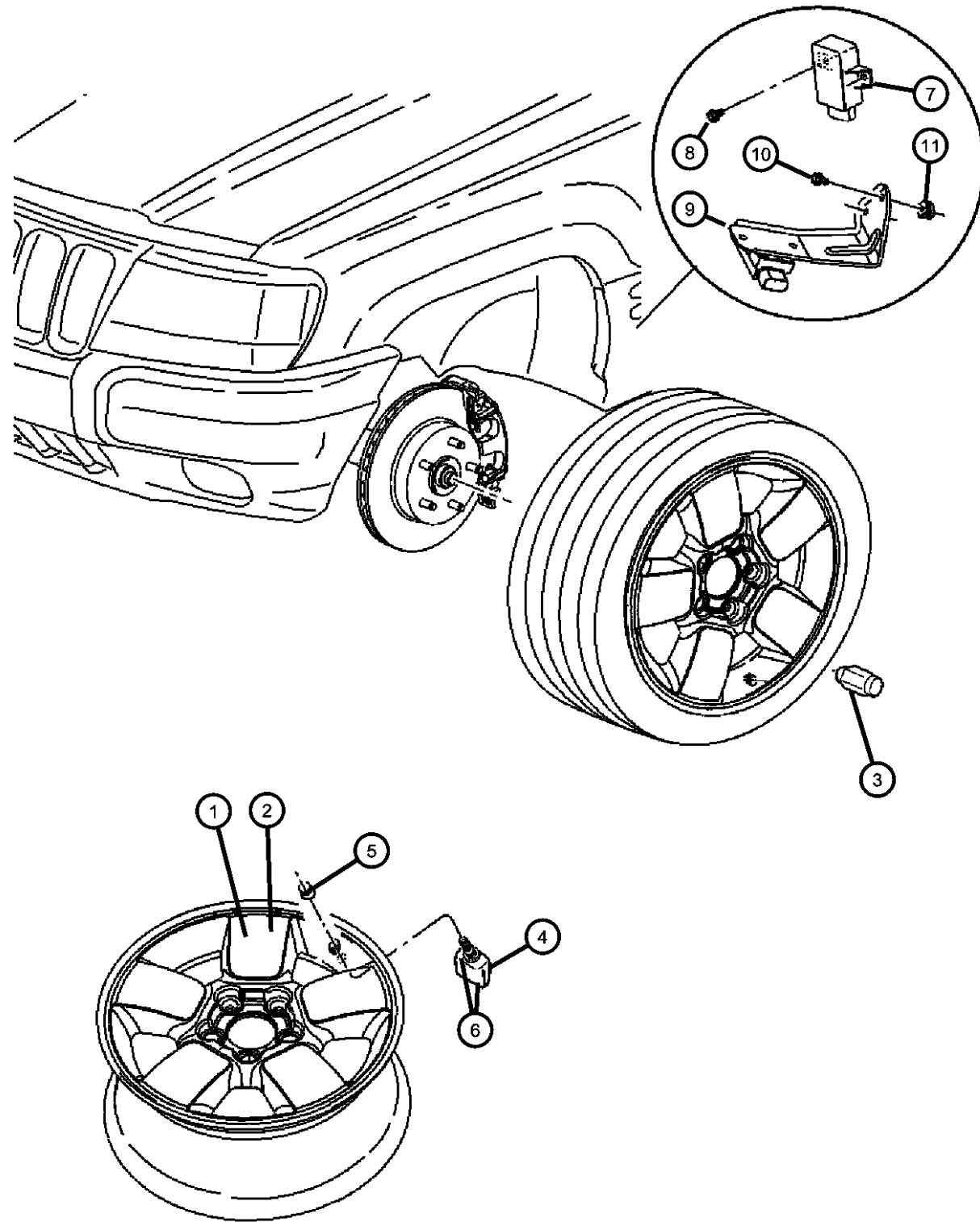
ENGINE
EVA = 4.7L V8 MPI Engine
EVD = 4.7L V8 FFV Engine
EXL = 3.0L V6 Turbo Diesel Engine
EZB = 5.7L Hemi Multi Displacement Engine
EKG = 3.7L V6 Engine
ESF = 6.1L SRT HEMI SMPI V8 Engine

TRANSMISSION
DGJ = 5-Speed Auto W5A580 Transmission
DGQ = 5-Spd Automatic 545RFE Transmission
DGU = 5-Spd Auto W5J400 Transmission

AR = use ase required - = Non illustrated part

2007 WK

Wheels and Hardware
Figure 22-130



ITEM	PART NUMBER	QTY	LINE	SERIES	BODY	ENGINE	TRANS	TRIM	DESCRIPTION
-13	68001744AA	2	J, T		74				HARDWARE KIT, Mounting Contains: 1-S122914001,Valve Core,TPM,1-S120121001,Cap,Valve Stem,Grey,Domes-tic,1-S122140001,Cap,Valve Stem,Black,Euro
	68020719AA	1	J, T		74				Contains: 1,Nut,TPM Retaining, 1-Washer,Seal Support, 1-Cap, Valve Stem,Black, 1-Cap,Valve Stem,Grey,1-Seal, TPM to Wheel Rim, 1-Valve Core,TPM,1-Instruction Sheet
	68020722AA	1	J, T		74				Contains: 1-Cap,Valve Stem,Black, 1-Cap,Valve Stem,Grey, 1- Valve Core, TPM,1- Instruction Sheet
	68020724AA	1	J, T		74				Contains: 1,Valve Stem, 1-Seal,TPM to Wheel Rim, 1-Valve Core,TPM, 1-Instruction Sheet

GRAND CHEROKEE (WK)

SERIES LINE
H = HIGHLINE T = JEEP - 2WD
P = PREMIUM J = JEEP - 4WD
S = SPORT
X = SPECIAL

BODY
74 = SPORT UTILITY 4-DR
TYPE #4

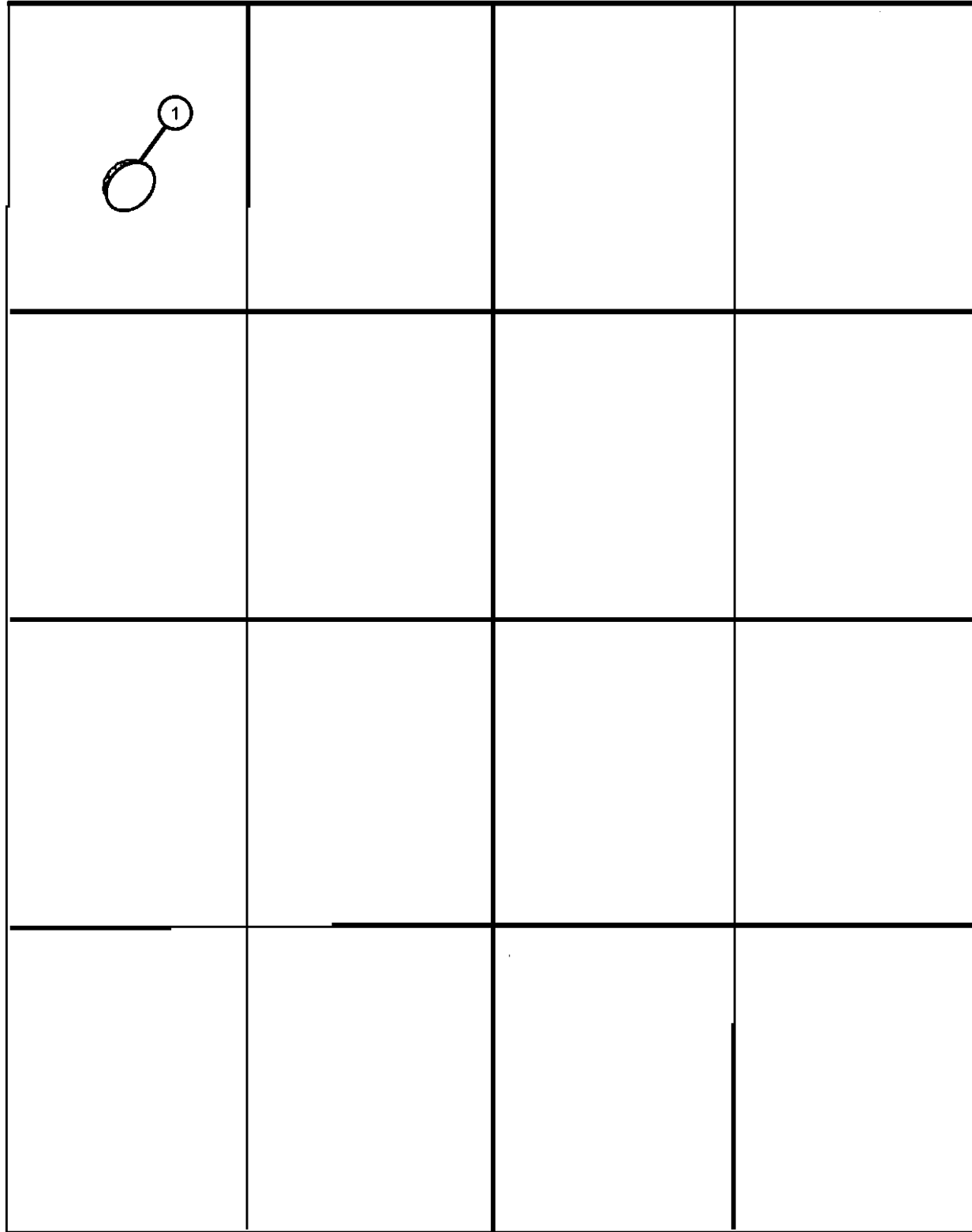
ENGINE
EVA = 4.7L V8 MPI Engine
EVD = 4.7L V8 FFV Engine
EXL = 3.0L V6 Turbo Diesel
Engine
EZB = 5.7L Hemi Multi
Displacement Engine
EKG = 3.7L V6 Engine
ESF = 6.1L SRT HEMI SMPI
V8 Engine

TRANSMISSION
DGJ = 5-Speed Auto W5A580
Transmission
DGQ = 5-Spd Automatic 545RFE
Transmission
DGU = 5-Spd Auto W5J400
Transmission

AR = use ase required - = Non illustrated part

2007 WK

**Caps, Wheel Cover and center
Figure 22-230**



ITEM	PART NUMBER	QTY	LINE	SERIES	BODY	ENGINE	TRANS	TRIM	DESCRIPTION
------	-------------	-----	------	--------	------	--------	-------	------	-------------

Note: Sales Code: WFJ = 17x7.5 Aluminum Wheel
 Note: Sales Code: WGQ = 17x7.5 Aluminum Wheel
 Note: Sales Code: WPA = 20x9.0/20x10.0 Aluminum Wheels

1									CAP, Wheel Center
	52090402AA	4	J, T		74				[WGQ] 17x7.5 Aluminum Wheel
	5HT59PAKAB	4	J, T		74				[WGQ] 17x6.5 Aluminum Wheel
	5HT59SZ0AB	4	J, T		74				[WPA] 20x9.0 Aluminum Wheel
		4	J, T		74				[WGX] 17x7.5 Aluminum Chrome Clad Wheel
	5HT59SZ7AB	4	J, T		74				[WGC] 17x6.0 Aluminum Platinum Clad Wheel

GRAND CHEROKEE (WK)

SERIES LINE
 H = HIGHLINE T = JEEP - 2WD
 P = PREMIUM J = JEEP - 4WD
 S = SPORT
 X = SPECIAL

BODY
 74 = SPORT UTILITY 4-DR
 TYPE #4

ENGINE
 EVA = 4.7L V8 MPI Engine
 EVD = 4.7L V8 FFV Engine
 EXL = 3.0L V6 Turbo Diesel
 Engine
 EZB = 5.7L Hemi Multi
 Displacement Engine
 EKG = 3.7L V6 Engine
 ESF = 6.1L SRT HEMI SMPI
 V8 Engine

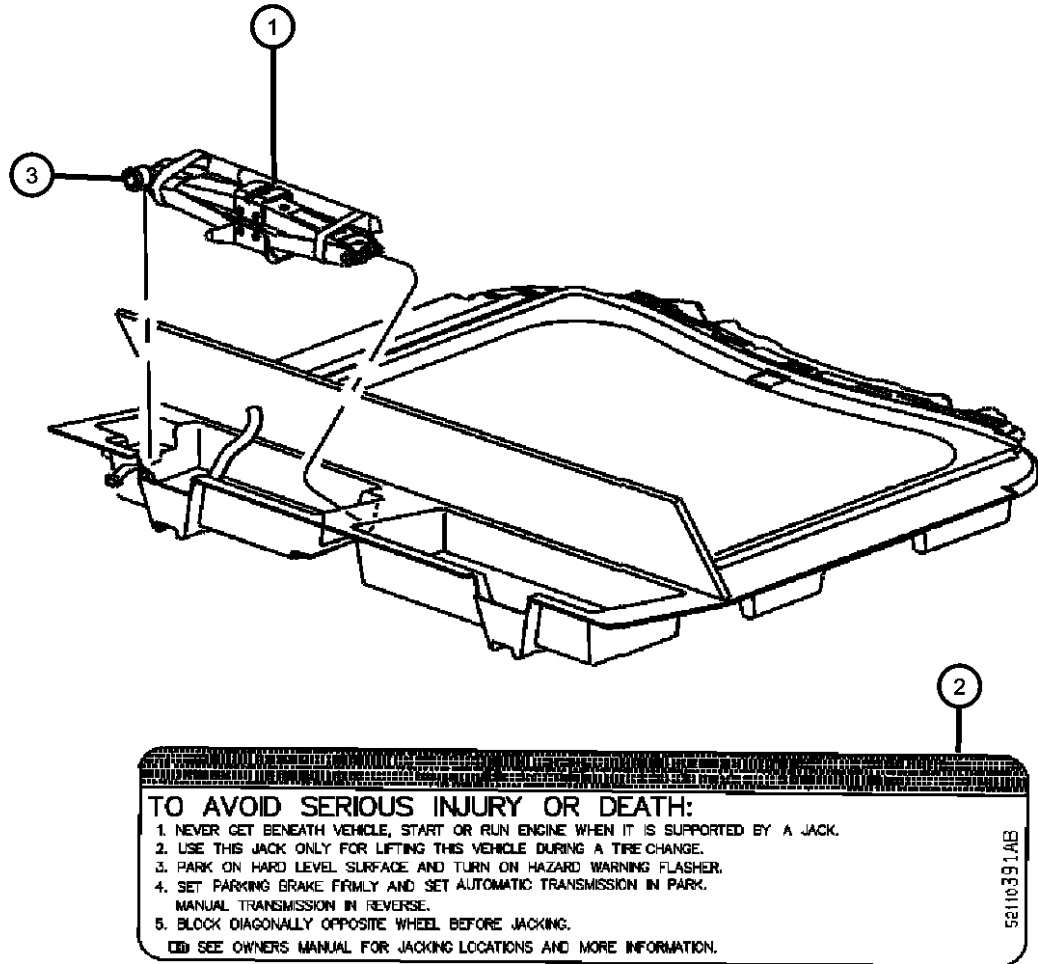
TRANSMISSION
 DGJ = 5-Speed Auto W5A580
 Transmission
 DGQ = 5-Spd Automatic 545RFE
 Transmission
 DGU = 5-Spd Auto W5J400
 Transmission

**Jack Stowage
Figure 22-310**

ITEM	PART NUMBER	QTY	LINE	SERIES	BODY	ENGINE	TRANS	TRIM	DESCRIPTION
------	-------------	-----	------	--------	------	--------	-------	------	-------------

Note: Jack includes: Storage Bag, 2 Extensions, Driver, and Caution Label

1									JACK
	52124168AA	1	J, T	H, P, S	74				Includes: Driver, Extensions and Bag
	55366972AA	1	J, T	H, P, S	74				Jack Only
2	52110392AB	1	J, T		74				LABEL, Jack Caution
3	52124170AA	1	J, T	H, P, S	74				WRENCH, Wheel Lug Nut
-4	52124172AA	1	J, T	H, P, S	74				DRIVER, Jack Handle
-5	52124171AA	2	J, T	H, P, S	74				EXTENSION, Jack Handle
-6	52124169AA	1	J, T	H, P, S	74				BAG, Jack Tool Storage



TO AVOID SERIOUS INJURY OR DEATH:

1. NEVER GET BENEATH VEHICLE, START OR RUN ENGINE WHEN IT IS SUPPORTED BY A JACK.
 2. USE THIS JACK ONLY FOR LIFTING THIS VEHICLE DURING A TIRE CHANGE.
 3. PARK ON HARD LEVEL SURFACE AND TURN ON HAZARD WARNING FLASHER.
 4. SET PARKING BRAKE FIRMLY AND SET AUTOMATIC TRANSMISSION IN PARK. MANUAL TRANSMISSION IN REVERSE.
 5. BLOCK DIAGONALLY OPPOSITE WHEEL BEFORE JACKING.
- SEE OWNERS MANUAL FOR JACKING LOCATIONS AND MORE INFORMATION.

GRAND CHEROKEE (WK)

SERIES LINE
H = HIGHLINE T = JEEP - 2WD
P = PREMIUM J = JEEP - 4WD
S = SPORT
X = SPECIAL

BODY
74 = SPORT UTILITY 4-DR
TYPE #4

ENGINE
EVA = 4.7L V8 MPI Engine
EVD = 4.7L V8 FFV Engine
EXL = 3.0L V6 Turbo Diesel Engine
EZB = 5.7L Hemi Multi Displacement Engine
EKG = 3.7L V6 Engine
ESF = 6.1L SRT HEMI SMPI V8 Engine

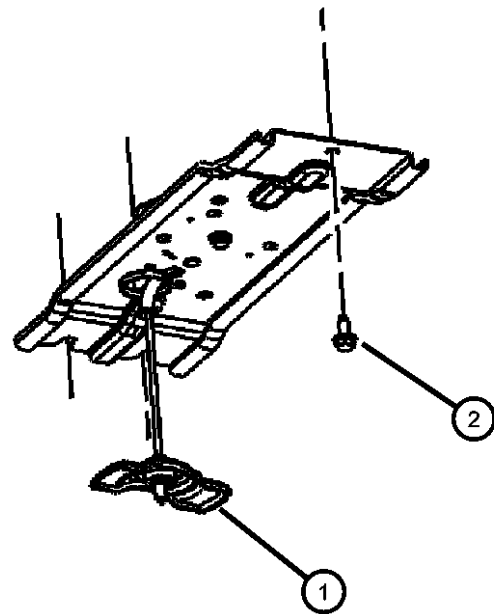
TRANSMISSION
DGJ = 5-Speed Auto W5A580 Transmission
DGQ = 5-Spd Automatic 545RFE Transmission
DGU = 5-Spd Auto W5J400 Transmission

AR = use ase required - = Non illustrated part

2007 WK

**Spare Wheel Stowage
Figure 22-460**

ITEM	PART NUMBER	QTY	LINE	SERIES	BODY	ENGINE	TRANS	TRIM	DESCRIPTION
1	52089369AH	1	J, T	H, P, S	74				WINCH, Spare Tire Carrier
2	06503543	3	J, T	H, P, S	74				BOLT AND CONED WASHER, Hex Head, M8x1.25x25



GRAND CHEROKEE (WK)

SERIES LINE
H = HIGHLINE T = JEEP - 2WD
P = PREMIUM J = JEEP - 4WD
S = SPORT
X = SPECIAL

BODY
74 = SPORT UTILITY 4-DR
TYPE #4

ENGINE
EVA = 4.7L V8 MPI Engine
EVD = 4.7L V8 FFV Engine
EXL = 3.0L V6 Turbo Diesel
Engine
EZB = 5.7L Hemi Multi
Displacement Engine
EKG = 3.7L V6 Engine
ESF = 6.1L SRT HEMI SMPI
V8 Engine

TRANSMISSION
DGJ = 5-Speed Auto W5A580
Transmission
DGQ = 5-Spd Automatic 545RFE
Transmission
DGU = 5-Spd Auto W5J400
Transmission

Group - 23D

Wiper/Lock Cylinder and Keys

Group - 23D Wiper/Lock Cylinder and Keys

Illustration Title

Group-Fig. No.

Lock Cylinders and Keys

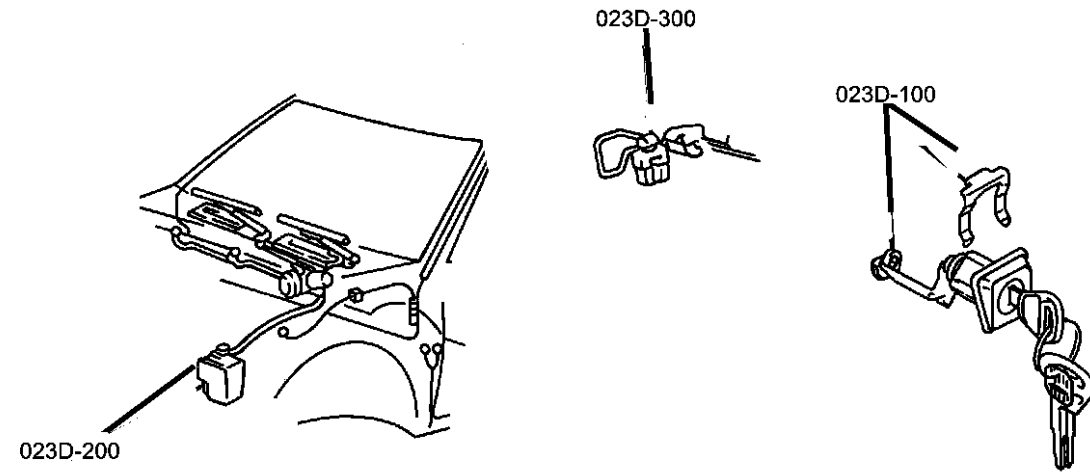
Lock Cylinders and Keys Fig. 23D - 110

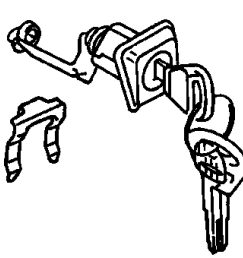
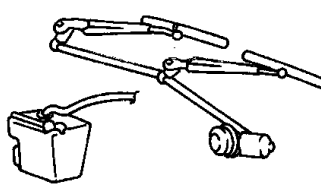
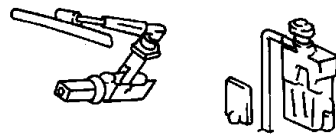
Windshield Wiper and Washer Systems

Windshield Wiper and Washer Fig. 23D - 210

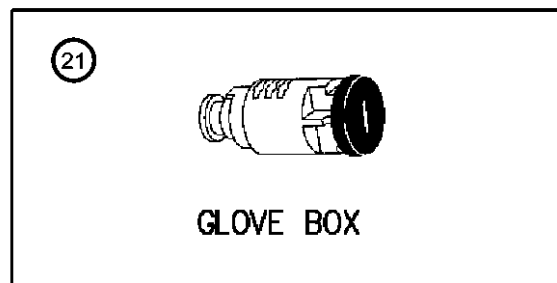
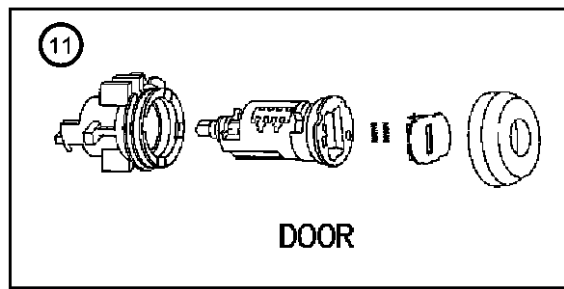
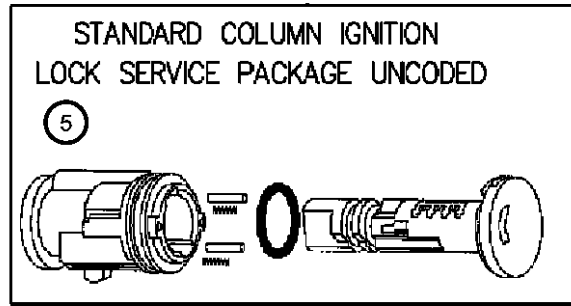
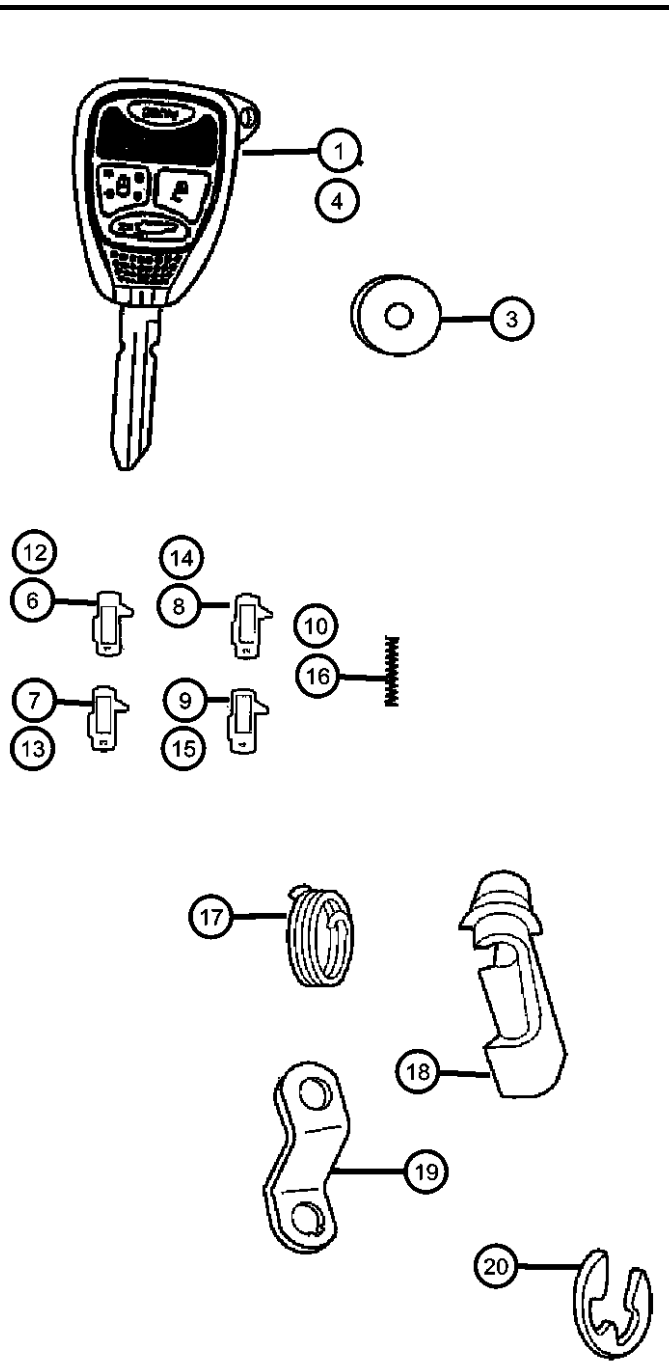
Rear Wiper and Washer System

Rear Wiper and Washer System Fig. 23D - 310



<p>23D-100 Lock Cylinders and Keys</p> 	<p>23D-200 Windshield Wiper and Washer Systems</p> 	<p>23D-300 Rear Wiper and Washer System</p> 	
--	---	---	--

**Lock Cylinders and Keys
Figure 23D-110**



ITEM	PART NUMBER	QTY	LINE	SERIES	BODY	ENGINE	TRANS	TRIM	DESCRIPTION
1	68003389AA	1	J, T		74				KEY, BLANK WITH TRANSMITTER With Remote Start [XBM]
	05183349AA	1	J, T		74				Without Remote Start [XBM]
-2	05135541AA	1							SCREW
3	05066241AA	1	J, T		74				BATTERY, Transmitter
4	05143553AA	1							KEY, Master Jeep Sentry
5	05139207AA	1							CYLINDER, Ignition Lock
6	05257132AB	1							TUMBLER, Number 1
7	05257133AB	1							TUMBLER, Number 2
8	05257134AB	1							TUMBLER, Number 3
9	05257135AB	1							TUMBLER, Number 4
10	04746873	1							SPRING, Lock Cylinder Tumbler
11	05143554AA	1							CYLINDER, Door Lock
12	04778117AB	1							TUMBLER, Number 1, Wide
13	04778118AB	1							TUMBLER, Number 2, Wide
14	04778119AB	1							TUMBLER, Number 3, Wide
15	04778120AB	1							TUMBLER, Number 4, Wide
16	04778121	1							SPRING, Lock Cylinder Tumbler
17		1							SPRING, Lock Cylinder Return, (NOT SERVICED)
18		1							CLIP, Retainer, (NOT SERVICED)
19	55136554AA	1							LEVER, Door Lock Cylinder
20	05071063AA	1							RETAINER, Lock Rod
21	04746315	1							CYLINDER, Glove Box Lock
-22	05026233AA	1	J, T		74				ANTENNA, Keyless Entry Up to 08/28/06
	05026435AA	1	J, T		74				After 08/28/06

GRAND CHEROKEE (WK)

SERIES LINE
H = HIGHLINE T = JEEP - 2WD
P = PREMIUM J = JEEP - 4WD
S = SPORT
X = SPECIAL

BODY
74 = SPORT UTILITY 4-DR
TYPE #4

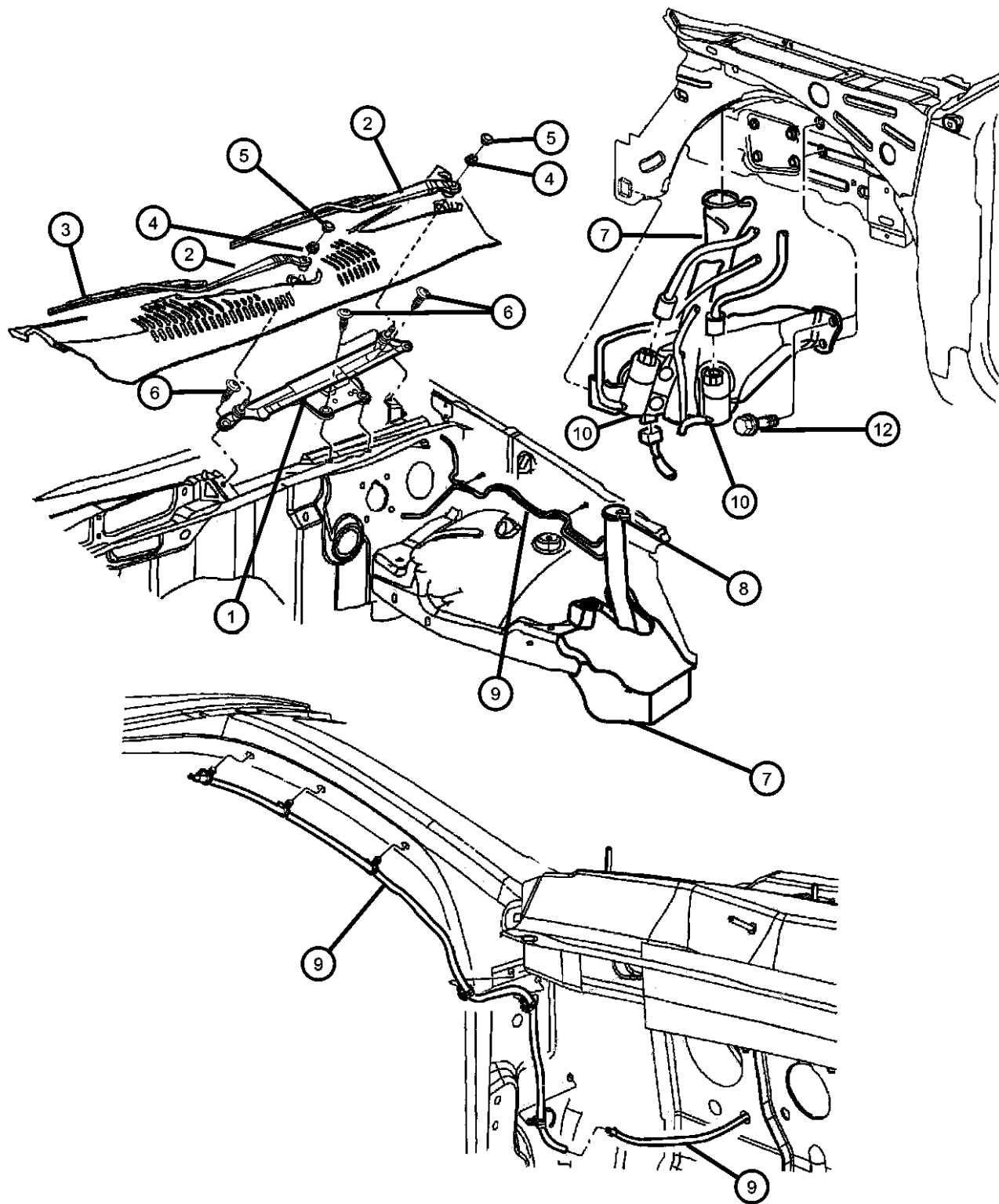
ENGINE
EVA = 4.7L V8 MPI Engine
EVD = 4.7L V8 FFV Engine
EXL = 3.0L V6 Turbo Diesel
Engine
EZB = 5.7L Hemi Multi
Displacement Engine
EKG = 3.7L V6 Engine
ESF = 6.1L SRT HEMI SMPI
V8 Engine

TRANSMISSION
DGJ = 5-Speed Auto W5A580
Transmission
DGQ = 5-Spd Automatic 545RFE
Transmission
DGU = 5-Spd Auto W5J400
Transmission

AR = use ase required - = Non illustrated part

2007 WK

**Windshield Wiper and Washer
Figure 23D-210**



ITEM	PART NUMBER	QTY	LINE	SERIES	BODY	ENGINE	TRANS	TRIM	DESCRIPTION
1	55156313AB	1	J, T		74				MODULE, Wiper
2	05143534AA	1							ARM, Front Wiper Right
	05143533AA	1							Left
3	05139095AB	1							BLADE, Wiper
	WBFLAT10AA								Mopar Alternative Flat Blade Set
	WBW00022AD								Mopar Alternative Winter Wiper Blades
	WB000022AE								Mopar V-Line Alternative Part
4	06104716AA	1							NUT, To Motor Shaft, Rear Wiper Arm
5	04389440	2	J, T		74				CAP, Wiper Arm Nut
6	06034860	4	J, T		74				BOLT AND WASHER, Implement Attaching
7	68018916AA	1	J, T		74				RESERVOIR, Windshield Washer
8	05189351AA	1	J, T		74				CAP, Washer Reservoir
9	68018917AA	1	J, T		74				HOSE, Windshield Washer
10	05179153AB	1	J, T		74				PUMP PACKAGE, Windshield Washer
-11	05152030AA	1	J, T		74				GROMMET, Windshield Washer Pump, Pump Grommet
12	06104366AA	8	J, T		74				SCREW AND WASHER, Hex Head, M6x1x20
-13	55079049AA	2	J, T		74				NOZZLE, Windshield washer
-14	68018918AA	1	J, T		74				SENSOR, Washer Fluid Level
-15	55157373AA	1	J, T		74				CLIP, Hood Washer Hose
-16	55157431AB	1	J, T		74				HOSE AND CONNECTOR, Windshield Washer
-17	05161326AA	1	J, T		74				GROMMET, Washer Level Sensor
-18	06036456AA	1	J, T		74				RIVET

GRAND CHEROKEE (WK)

SERIES LINE
H = HIGHLINE T = JEEP - 2WD
P = PREMIUM J = JEEP - 4WD
S = SPORT
X = SPECIAL

BODY
74 = SPORT UTILITY 4-DR
TYPE #4

ENGINE
EVA = 4.7L V8 MPI Engine
EVD = 4.7L V8 FFV Engine
EXL = 3.0L V6 Turbo Diesel
Engine
EZB = 5.7L Hemi Multi
Displacement Engine
EKG = 3.7L V6 Engine
ESF = 6.1L SRT HEMI SMPI
V8 Engine

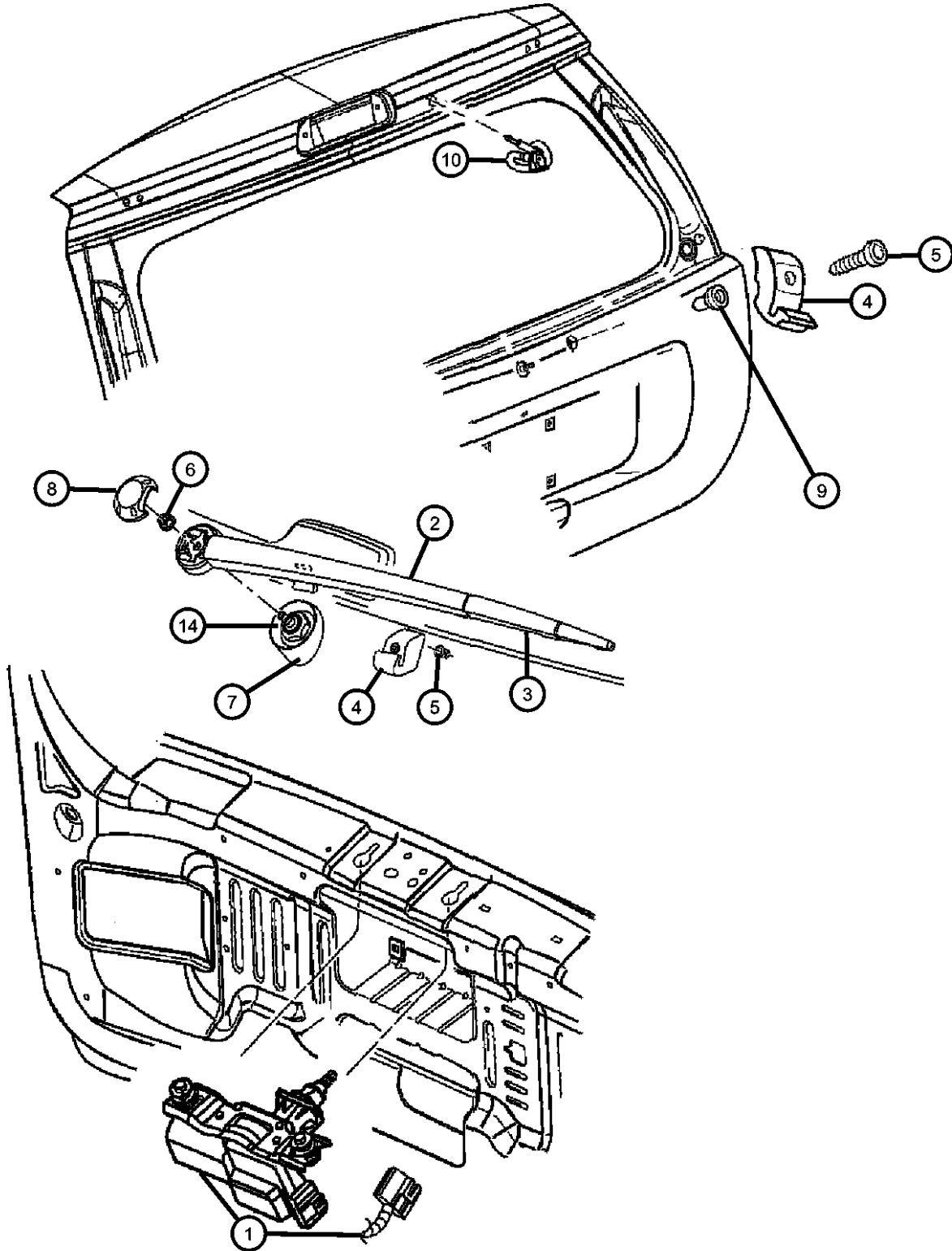
TRANSMISSION
DGJ = 5-Speed Auto W5A580
Transmission
DGQ = 5-Spd Automatic 545RFE
Transmission
DGU = 5-Spd Auto W5J400
Transmission

AR = use ase required - = Non illustrated part

2007 WK

**Rear Wiper and Washer System
Figure 23D-310**

ITEM	PART NUMBER	QTY	LINE	SERIES	BODY	ENGINE	TRANS	TRIM	DESCRIPTION
1	55156325AC	1	J, T		74				MOTOR, Liftgate Wiper
2	05139836AB	1	J, T		74				ARM, Liftgate Wiper
3	05139835AC	1	J, T		74				BLADE, Rear Wiper
4	55156371AD	1	J, T		74				RAMP, Wiper Park
5	06505062AA	1	J, T		74				SCREW, Pilot Point
6	06104716AA	1	J, T		74				NUT, Arm to Motor Shaft
7	55156372AB	1	J, T		74				BEZEL, Liftgate Wiper Motor
8	55156514AB	1	J, T		74				CAP, Wiper Arm Nut
9	06503245	1	J, T		74				RIVET
10	05143121AA	1	J, T		74				NOZZLE, Liftgate Washer
-11	05179153AB	1	J, T		74				PUMP PACKAGE, Windshield Washer
-12	68018918AA	1	J, T		74				SENSOR, Washer Fluid Level
-13	55079094AA	1	J, T		74				HOSE, Windshield Washer, Rear
14	55156806AA	1	J, T		74				NUT, Rear Wiper Motor



GRAND CHEROKEE (WK)

SERIES LINE
H = HIGHLINE T = JEEP - 2WD
P = PREMIUM J = JEEP - 4WD
S = SPORT
X = SPECIAL

BODY
74 = SPORT UTILITY 4-DR
TYPE #4

ENGINE
EVA = 4.7L V8 MPI Engine
EVD = 4.7L V8 FFV Engine
EXL = 3.0L V6 Turbo Diesel
Engine
EZB = 5.7L Hemi Multi
Displacement Engine
EKG = 3.7L V6 Engine
ESF = 6.1L SRT HEMI SMPI
V8 Engine

TRANSMISSION
DGJ = 5-Speed Auto W5A580
Transmission
DGQ = 5-Spd Automatic 545RFE
Transmission
DGU = 5-Spd Auto W5J400
Transmission

AR = use ase required - = Non illustrated part

2007 WK

Group - 24

Air Conditioning & Heater

Group - 24 Air Conditioning & Heater

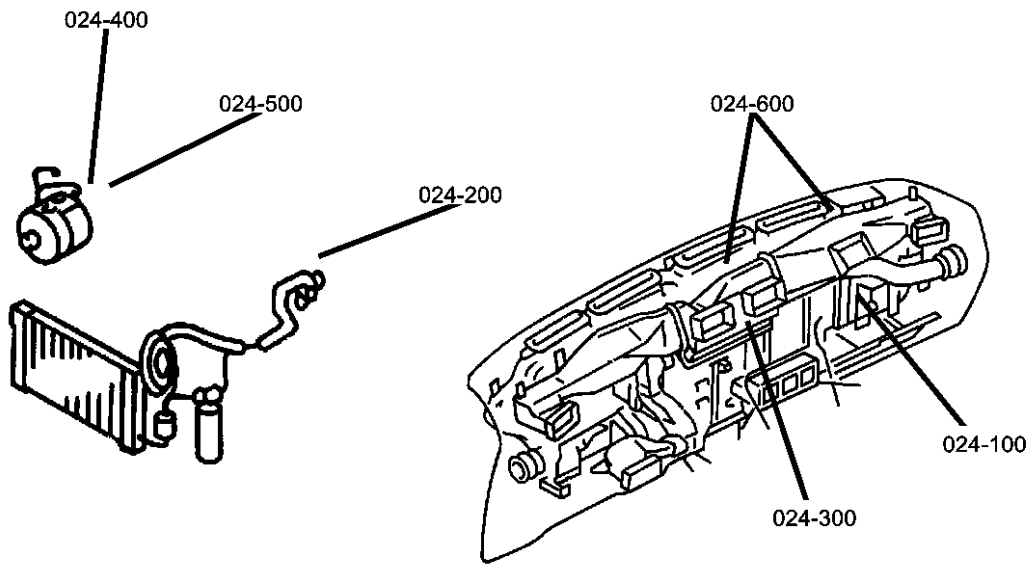


Illustration Title

Group-Fig. No.

Air Conditioner and Heater Units

HEVAC, Unit Fig. 24 - 150

Air Conditioner and Heater Plumbing

Hoses, Heater 3.7L, 4.7L Engine Fig. 24 - 210
 Hoses, Heater 5.7L, 6.1L Engine Fig. 24 - 220
 Hoses, Heater 3.0L Diesel Engine Fig. 24 - 230
 Accumulator, Condenser and Lines 3.7, 4.7L Engine Fig. 24 - 240
 Accumulator, Condenser and Lines 5.7L, 6.1L Engine Fig. 24 - 250
 Accumulator, Condenser and Lines 3.0L Diesel Fig. 24 - 260

Air Conditioner and Heater Controls

Control, Heater and Air Conditioner Fig. 24 - 330

Air Conditioning Compressor

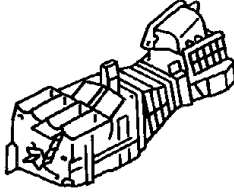
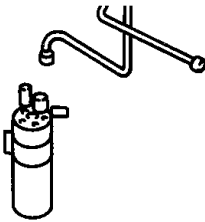
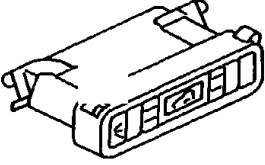
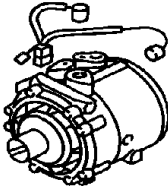
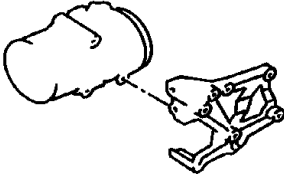
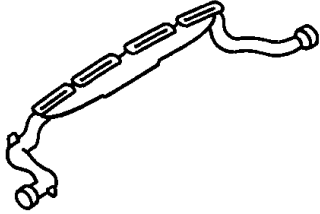
Compressor, Air Conditioning 3.7L, 4.7L Engine Fig. 24 - 420
 Compressor, Air Conditioning 5.7L, 6.1L Engine Fig. 24 - 430
 Compressor, Air Conditioning 3.0L Diesel Fig. 24 - 440

Air Conditioning Compressor Mounting

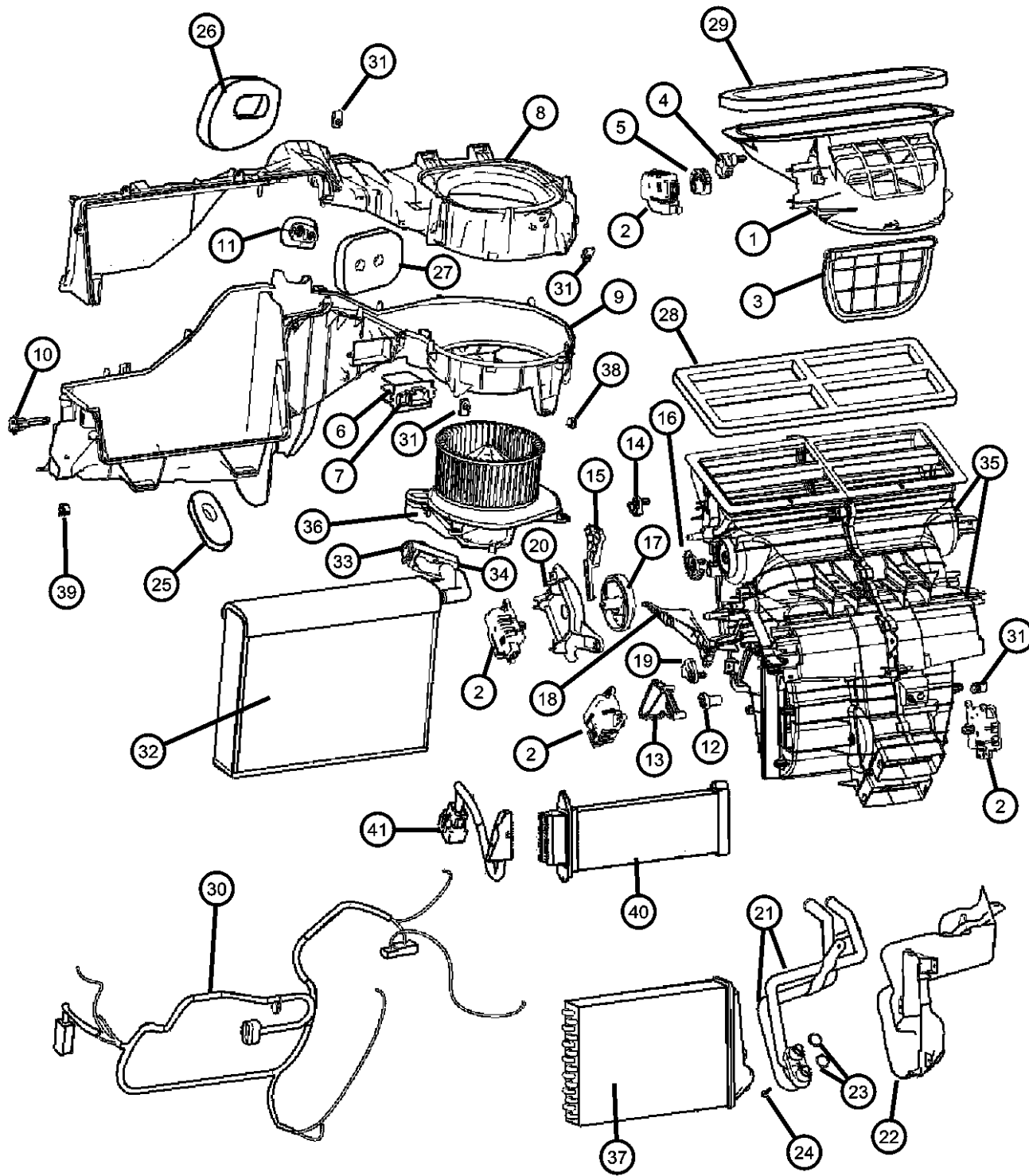
Compressor, Mounting 3.7L, 4.7L Engine Fig. 24 - 520
 Compressor, Mounting 5.7L, 6.1L Engine Fig. 24 - 530
 Compressor, Mounting 3.0L Diesel Engine Fig. 24 - 540

Air Ducts and Outlets

Air Ducts and Outlets Fig. 24 - 610

<p>024-100 Air Conditioner and Heater Units</p> 	<p>024-200 Air Conditioner and Heater Plumbing</p> 	<p>024-300 Air Conditioner and Heater Controls</p> 	<p>024-400 Air Conditioning Compressor</p> 
<p>024-500 Air Conditioning Compressor Mounting</p> 	<p>024-600 Air Ducts and Outlets</p> 		

HEVAC, Unit
Figure 24-150



ITEM	PART NUMBER	QTY	LINE	SERIES	BODY	ENGINE	TRANS	TRIM	DESCRIPTION
1	68017816AA	1	J, T		74	ES0, EV0, EZ0			HOUSING, Air Inlet [HAF]
		1	J, T		74	EK0, ES0, EV0			[HAA]
2	05143192AA	5	J, T		74				ACTUATOR, A/C and Heater [HAF]
		4	J, T		74				[HAA]
3	05143124AA	1	J, T		74				DOOR, Air Inlet
4	05143125AA	1	J, T		74				LEVER, A/C Recirculation Door
5	05143126AA	1	J, T		74				LEVER, Door Actuator
6	05179985AA	1	J, T		74	ES0, EV0, EZ0			MODULE, Power, Blower Motor [HAF]
		1	J, T		74	EX0			[HAF]
7	05143127AA	1	J, T		74	EK0, ES0, EV0			RESISTOR, Blower Motor [HAA] Up-To 6-5-06
		1	J, T		74	EX0			[HAA] Up-To 6-5-06
	68020227AA	1	J, T		74	EK0, ES0, EV0			[HAA] After 6-5-06
		1	J, T		74	EX0			[HAA] After 6-5-06
8	05143147AA	1	J, T		74				HOUSING, Evaporator Upper
9	05143148AA	1	J, T		74				HOUSING, Evaporator Lower
10	05143149AA	1	J, T		74				PROBE, Air Conditioning
11	05143150AB	1	J, T		74				GROMMET, Evaporator Tubes
12	05143183AA	2	J, T		74				LEVER, Panel Door [HAF]
		1	J, T		74				[HAA]
13		1							PLATE, Actuator Mount, (NOT SERVICED), LEVER, Panel Door
14	05143184AA	1	J, T		74				LEVER, Panel Door
15	05143188AA	1	J, T		74				LINK, Heater and Defroster Door

GRAND CHEROKEE (WK)

SERIES LINE
H = HIGHLINE T = JEEP - 2WD
P = PREMIUM J = JEEP - 4WD
S = SPORT
X = SPECIAL

BODY
74 = SPORT UTILITY 4-DR
TYPE #4

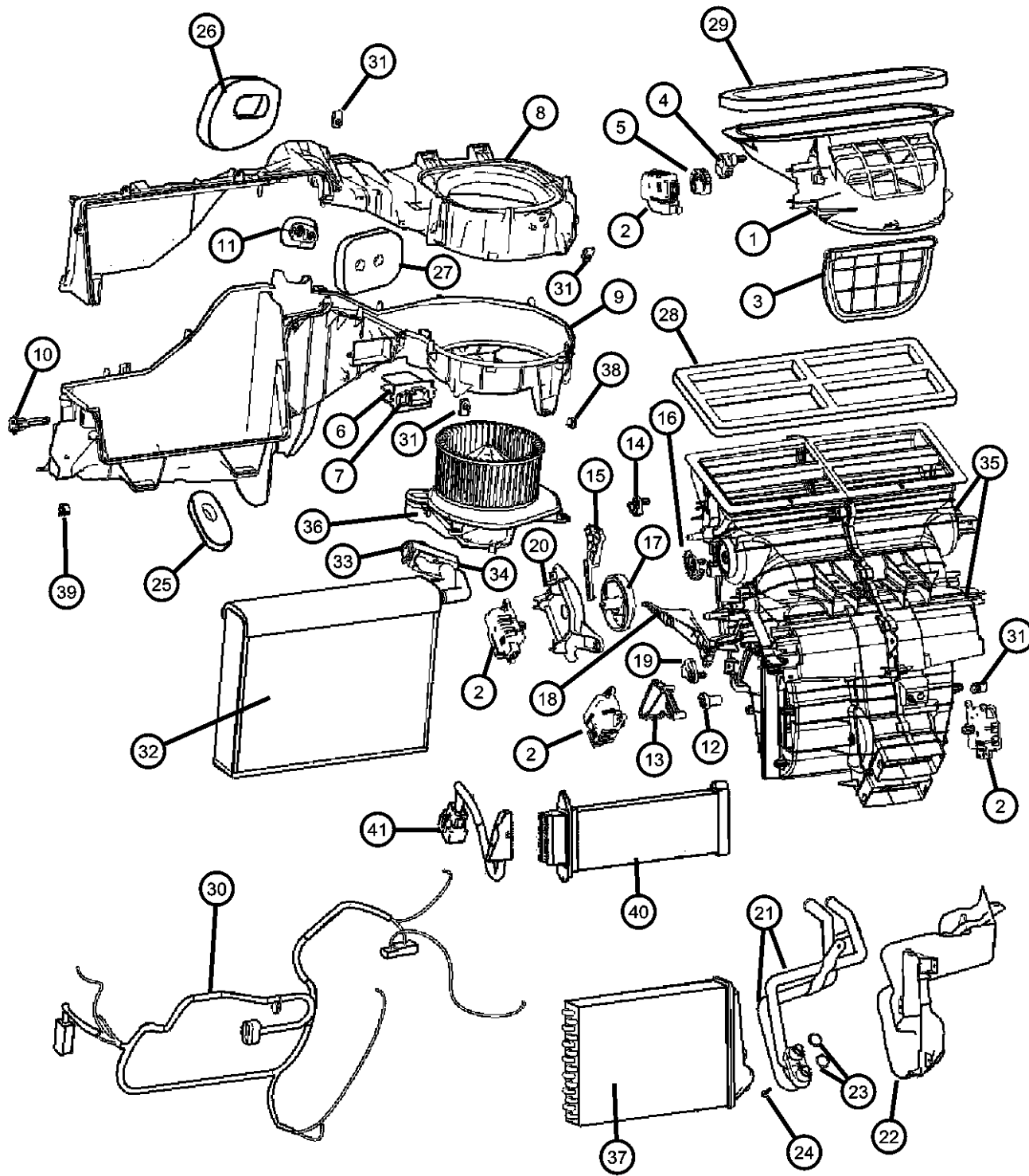
ENGINE
EVA = 4.7L V8 MPI Engine
EVD = 4.7L V8 FFV Engine
EXL = 3.0L V6 Turbo Diesel
Engine
EZB = 5.7L Hemi Multi
Displacement Engine
EKG = 3.7L V6 Engine
ESF = 6.1L SRT HEMI SMPI
V8 Engine

TRANSMISSION
DGJ = 5-Speed Auto W5A580
Transmission
DGQ = 5-Spd Automatic 545RFE
Transmission
DGU = 5-Spd Auto W5J400
Transmission

AR = use ase required - = Non illustrated part

2007 WK

HEVAC, Unit
Figure 24-150



ITEM	PART NUMBER	QTY	LINE	SERIES	BODY	ENGINE	TRANS	TRIM	DESCRIPTION
16	05143185AA	1	J, T		74				LEVER, Panel Door
17	05143187AA	1	J, T		74				CAM, Mode
18	05143189AA	1	J, T		74				LINK, Floor Door
19	05143186AA	1	J, T		74				LEVER, Panel Door
20	05143191AA	1	J, T		74				PLATE, Actuator Mount
21	05143117AA	1	J, T		74				TUBE, Heater Core
22	05143116AA	1	J, T		74				COVER, Heater Core Tubes
23									O RING, Heater Core Tubes
	04885024AC	2	J, T		74				[HAF]
		1	J, T		74	EX0			[HAA]
		1	J, T		74	EK0, ES0, EVO			[HAA]
24	04734364	1	J, T		74				SCREW, Heater Core Mounting
25	05143110AA	1	J, T		74				SEAL, Drain Tube
26	05143111AA	1	J, T		74				SEAL, Evaporator To Dash
27	05143112AA	1	J, T		74				SEAL, Heater Core Tubes
28	05143113AA	1	J, T		74				SEAL, Distribution Duct
29	05143114AB	1	J, T		74				SEAL, Air Inlet
30									WIRING, A/C and HEATER
	05143104AA	1	J, T		74				[HAA]
	05143106AA	1	J, T		74				[HAF]
31	06101956	4	J, T		74				NUT, U, M6x1.00
32	05143096AA	1	J, T		74				EVAPORATOR, Air Conditioning
33	05143544AC	1	J, T		74				VALVE, A/C Expansion
34	05189825AA	1	J, T		74				PLATE, ExtensionExpansion Valve To Evaporator
35									HOUSING, Distribution
	05143097AA	1	J, T		74	EK0, ES0, EVO			[HAA] Up-To 6-5-06
	05143550AA	1	J, T		74	ES0, EVO, EZ0			[HAF] Up-To 6-5-06
	05143551AA	1	J, T		74	EX0			[HAA] Up-To 6-5-06
	05143552AA	1	J, T		74	EX0			[HAF] Up-To 6-5-06

GRAND CHEROKEE (WK)

SERIES LINE
H = HIGHLINE T = JEEP - 2WD
P = PREMIUM J = JEEP - 4WD
S = SPORT
X = SPECIAL

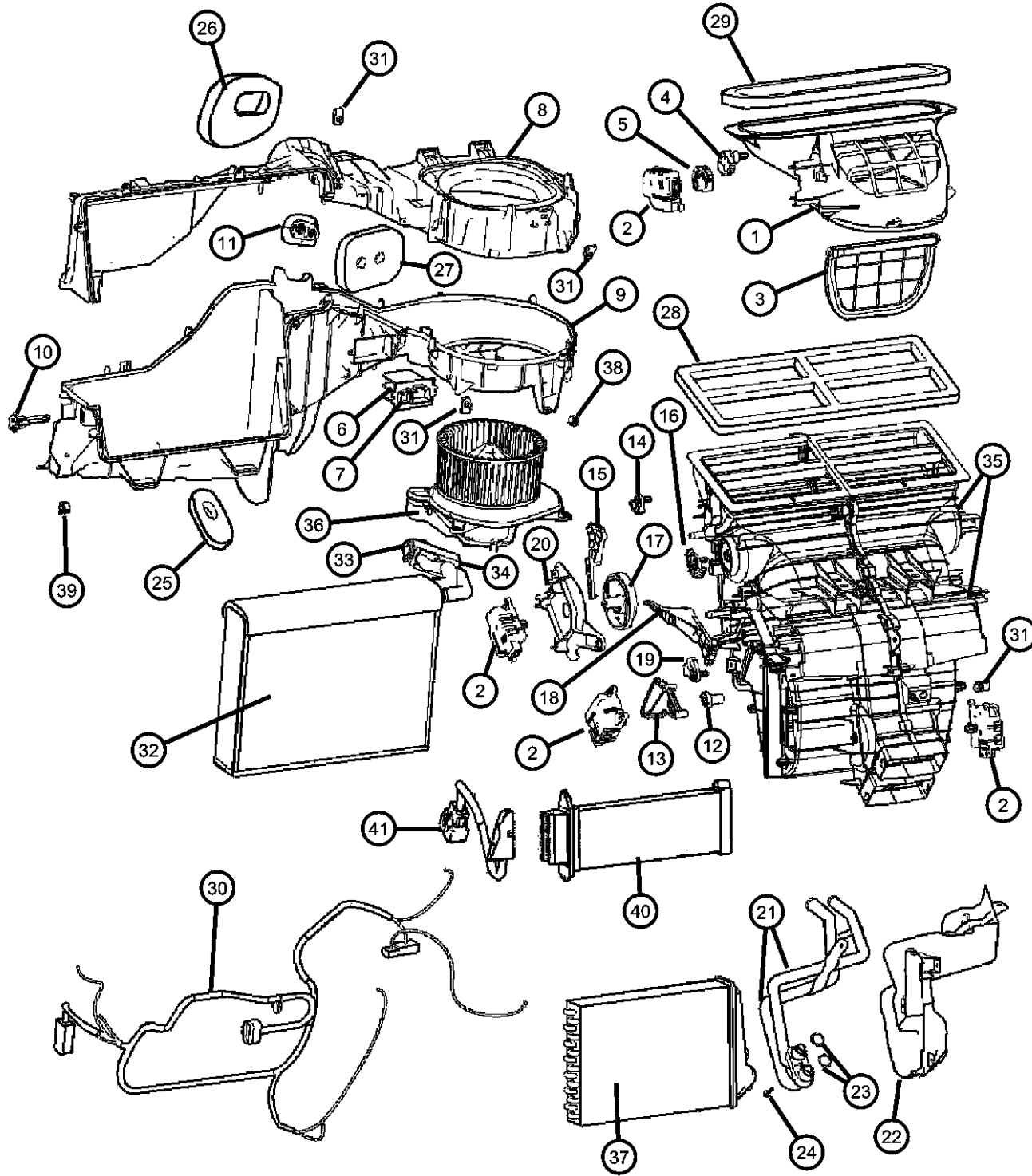
BODY
74 = SPORT UTILITY 4-DR
TYPE #4

ENGINE
EVA = 4.7L V8 MPI Engine
EVD = 4.7L V8 FFV Engine
EXL = 3.0L V6 Turbo Diesel
Engine
EZB = 5.7L Hemi Multi
Displacement Engine
EKG = 3.7L V6 Engine
ESF = 6.1L SRT HEMI SMPI
V8 Engine

TRANSMISSION
DGJ = 5-Speed Auto W5A580
Transmission
DGQ = 5-Spd Automatic 545RFE
Transmission
DGU = 5-Spd Auto W5J400
Transmission

AR = use ase required - = Non illustrated part

HEVAC, Unit
Figure 24-150



ITEM	PART NUMBER	QTY	LINE	SERIES	BODY	ENGINE	TRANS	TRIM	DESCRIPTION
	68020231AA	1	J, T		74	ES0, EVO, EZ0			[HAF] After 6-5-06
	68020233AA	1	J, T		74	EK0, ES0, EVO			[HAA] After 6-5-06
	68020246AA	1	J, T		74	EX0			[HAA] After 6-5-06
	68020402AA	1	J, T		74	EX0			[HAF] After 6-5-06
36									MOTOR, Blower with Wheel
	68020234AA	1	J, T		74	EX0			After 6-5-06
	05143099AA	1	J, T		74	EX0			Up-To 6-5-06
		1	J, T		74	EK0, ES0, EVO			After 6-5-06
		1	J, T		74	ES0, EVO, EZ0			Up-To 6-5-06
37	05143101AA	1	J, T		74				CORE, Heater
38									CLIP
	06034839	2	J, T		74				[HAF]
		1	J, T		74	EX0			[HAA]
39	06035859	2	J, T		74				CLIP, Retainer
40	05143115AA	1	J, T		74	EX0			ELEMENT, Heater
41	05143107AA	1	J, T		74	EX0			WIRING, PTC Element
-42	06505191AA	2	J, T		74				SCREW AND WASHER, Hex HeadHVAC To Dash Panel Mounting

GRAND CHEROKEE (WK)

SERIES LINE
H = HIGHLINE T = JEEP - 2WD
P = PREMIUM J = JEEP - 4WD
S = SPORT
X = SPECIAL

BODY
74 = SPORT UTILITY 4-DR
TYPE #4

ENGINE
EVA = 4.7L V8 MPI Engine
EVD = 4.7L V8 FFV Engine
EXL = 3.0L V6 Turbo Diesel
Engine
EZB = 5.7L Hemi Multi
Displacement Engine
EKG = 3.7L V6 Engine
ESF = 6.1L SRT HEMI SMPI
V8 Engine

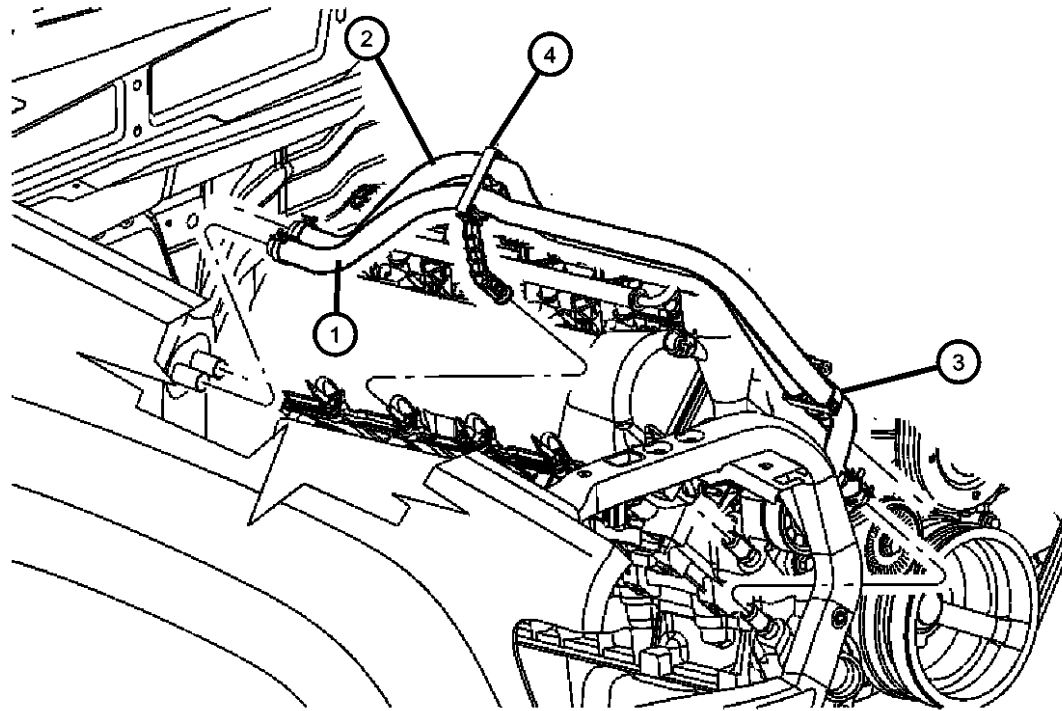
TRANSMISSION
DGJ = 5-Speed Auto W5A580
Transmission
DGQ = 5-Spd Automatic 545RFE
Transmission
DGU = 5-Spd Auto W5J400
Transmission

AR = use ase required - = Non illustrated part

2007 WK

Hoses, Heater 3.7L, 4.7L Engine
Figure 24-210

ITEM	PART NUMBER	QTY	LINE	SERIES	BODY	ENGINE	TRANS	TRIM	DESCRIPTION
Sales Codes: [EK0] = 3.7L Engine [EV0] = 4.7L Engine									
1									HOSE, Heater Return
	68000971AA	1	J, T		74	EK0			
	68000967AA	1	J, T		74	EV0			
2									HOSE, Heater Supply
	68000968AA	1	J, T		74	EV0			
	68000972AA	1	J, T		74	EK0			
3									CLIP, Heater Hose
	68000970AA	1	J, T		74	EV0			
		1	J, T		74	EK0			
4		1							CLIP, No Longer Used, (NOT SERVICED)



GRAND CHEROKEE (WK)

SERIES LINE
H = HIGHLINE T = JEEP - 2WD
P = PREMIUM J = JEEP - 4WD
S = SPORT
X = SPECIAL

BODY
74 = SPORT UTILITY 4-DR
TYPE #4

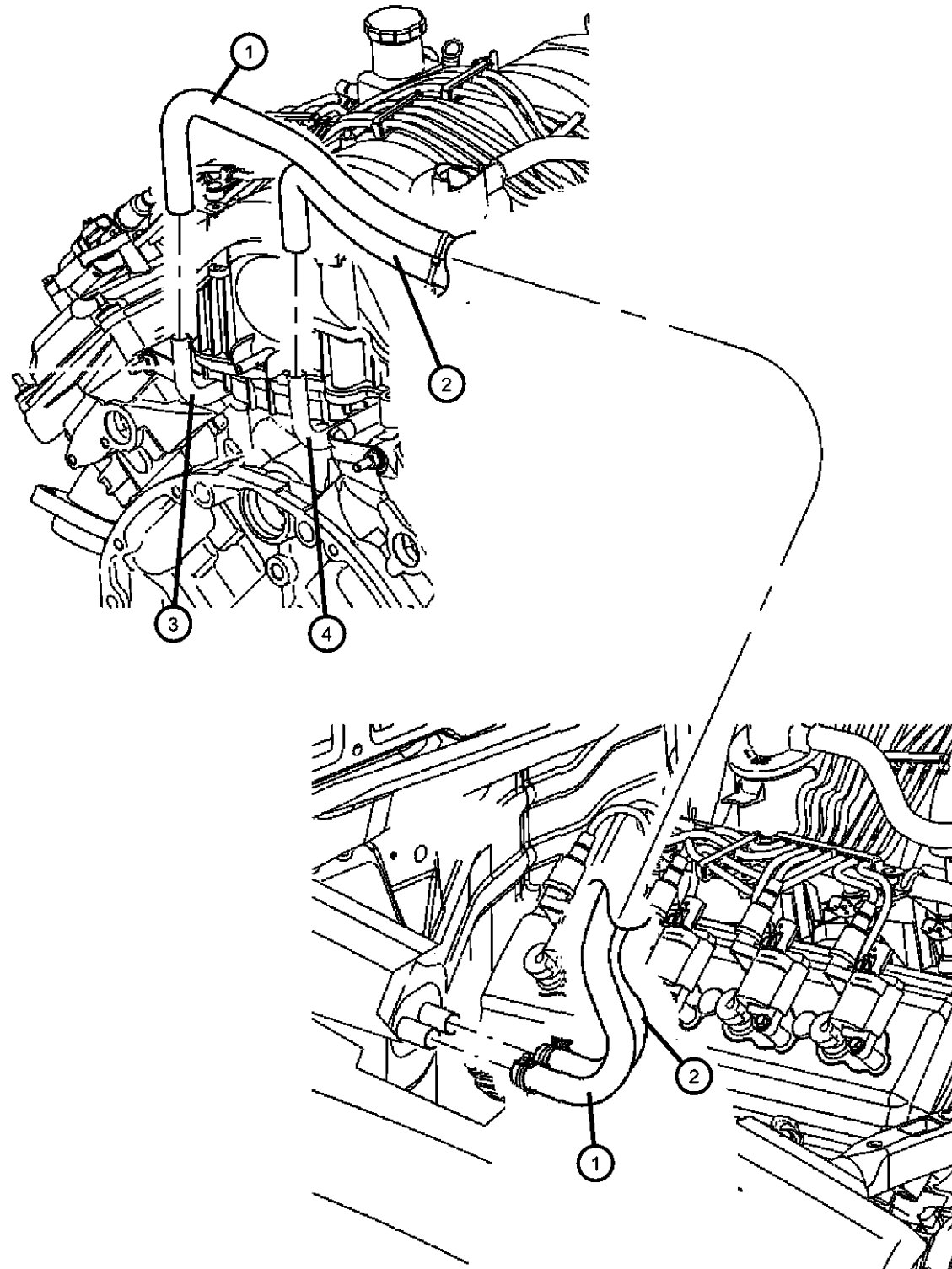
ENGINE
EVA = 4.7L V8 MPI Engine
EVD = 4.7L V8 FFV Engine
EXL = 3.0L V6 Turbo Diesel
Engine
EZB = 5.7L Hemi Multi
Displacement Engine
EKG = 3.7L V6 Engine
ESF = 6.1L SRT HEMI SMPI
V8 Engine

TRANSMISSION
DGJ = 5-Speed Auto W5A580
Transmission
DGQ = 5-Spd Automatic 545RFE
Transmission
DGU = 5-Spd Auto W5J400
Transmission

AR = use ase required - = Non illustrated part

2007 WK

Hoses, Heater 5.7L, 6.1L Engine
Figure 24-220



ITEM	PART NUMBER	QTY	LINE	SERIES	BODY	ENGINE	TRANS	TRIM	DESCRIPTION
Sales Codes: [EZ0] = 5.7L Engine [ES0] = 6.1L Engine									
1									HOSE, Heater Return
	68000978AA	1	J, T		74	EZ0			
		1	J, T		74	ES0			
2									HOSE, Heater Supply
	68000979AA	1	J, T		74	EZ0			
		1	J, T		74	ES0			
3	04892345AD	1	J, T		74	EZ0			TUBE, Coolant inlet
4	04892346AD	1	J, T		74	ESF, EZ0			TUBE, Coolant outlet
-5									O RING, Heater Line
	53013736AA	2	J, T		74	EZ0			
		2	J, T		74	ESF			

GRAND CHEROKEE (WK)

SERIES LINE
H = HIGHLINE T = JEEP - 2WD
P = PREMIUM J = JEEP - 4WD
S = SPORT
X = SPECIAL

BODY
74 = SPORT UTILITY 4-DR
TYPE #4

ENGINE
EVA = 4.7L V8 MPI Engine
EVD = 4.7L V8 FFV Engine
EXL = 3.0L V6 Turbo Diesel
Engine
EZB = 5.7L Hemi Multi
Displacement Engine
EKG = 3.7L V6 Engine
ESF = 6.1L SRT HEMI SMPI
V8 Engine

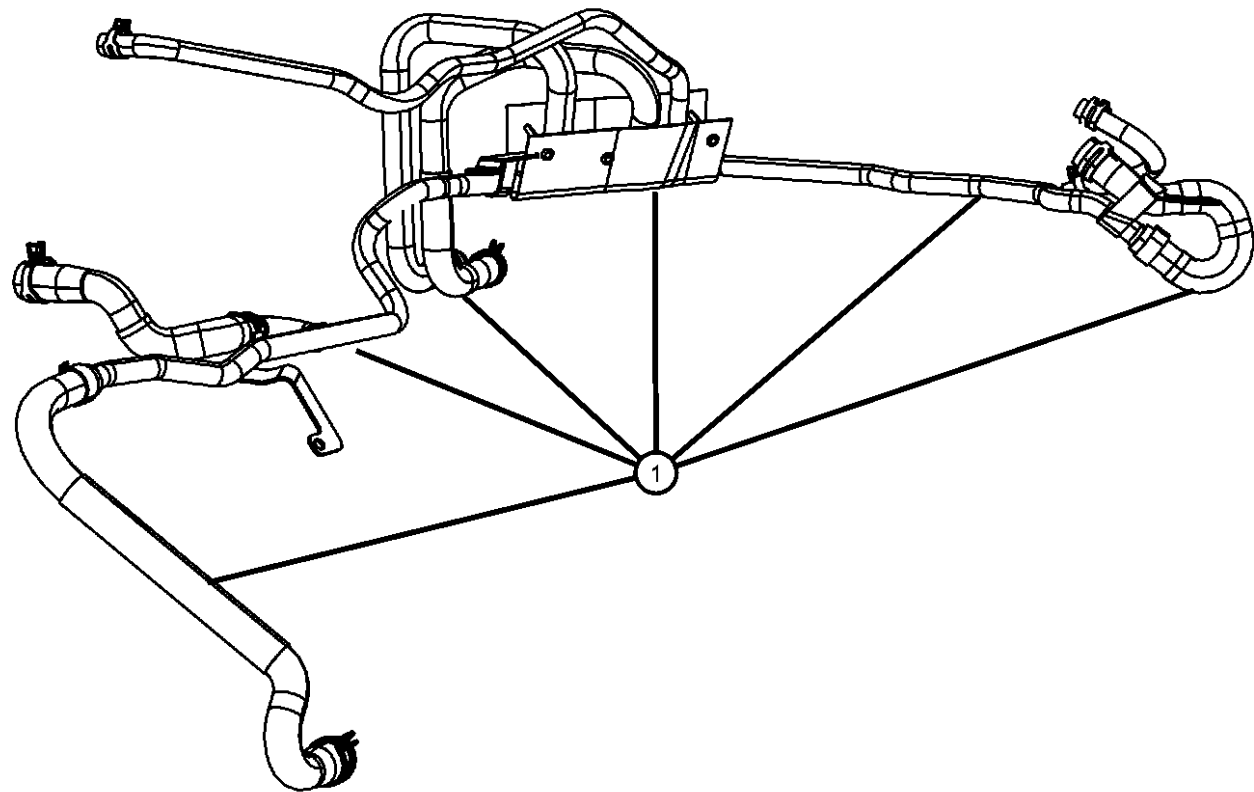
TRANSMISSION
DGJ = 5-Speed Auto W5A580
Transmission
DGQ = 5-Spd Automatic 545RFE
Transmission
DGU = 5-Spd Auto W5J400
Transmission

AR = use ase required - = Non illustrated part

2007 WK

Hoses, Heater 3.0L Diesel Engine
Figure 24-230

ITEM	PART NUMBER	QTY	LINE	SERIES	BODY	ENGINE	TRANS	TRIM	DESCRIPTION
1	55038855AC	1	J, T		74	EX0			HOSE, Heater Supply and Return, Includes: Hoses, Clamps, Tubes



GRAND CHEROKEE (WK)

SERIES LINE
H = HIGHLINE T = JEEP - 2WD
P = PREMIUM J = JEEP - 4WD
S = SPORT
X = SPECIAL

BODY
74 = SPORT UTILITY 4-DR
TYPE #4

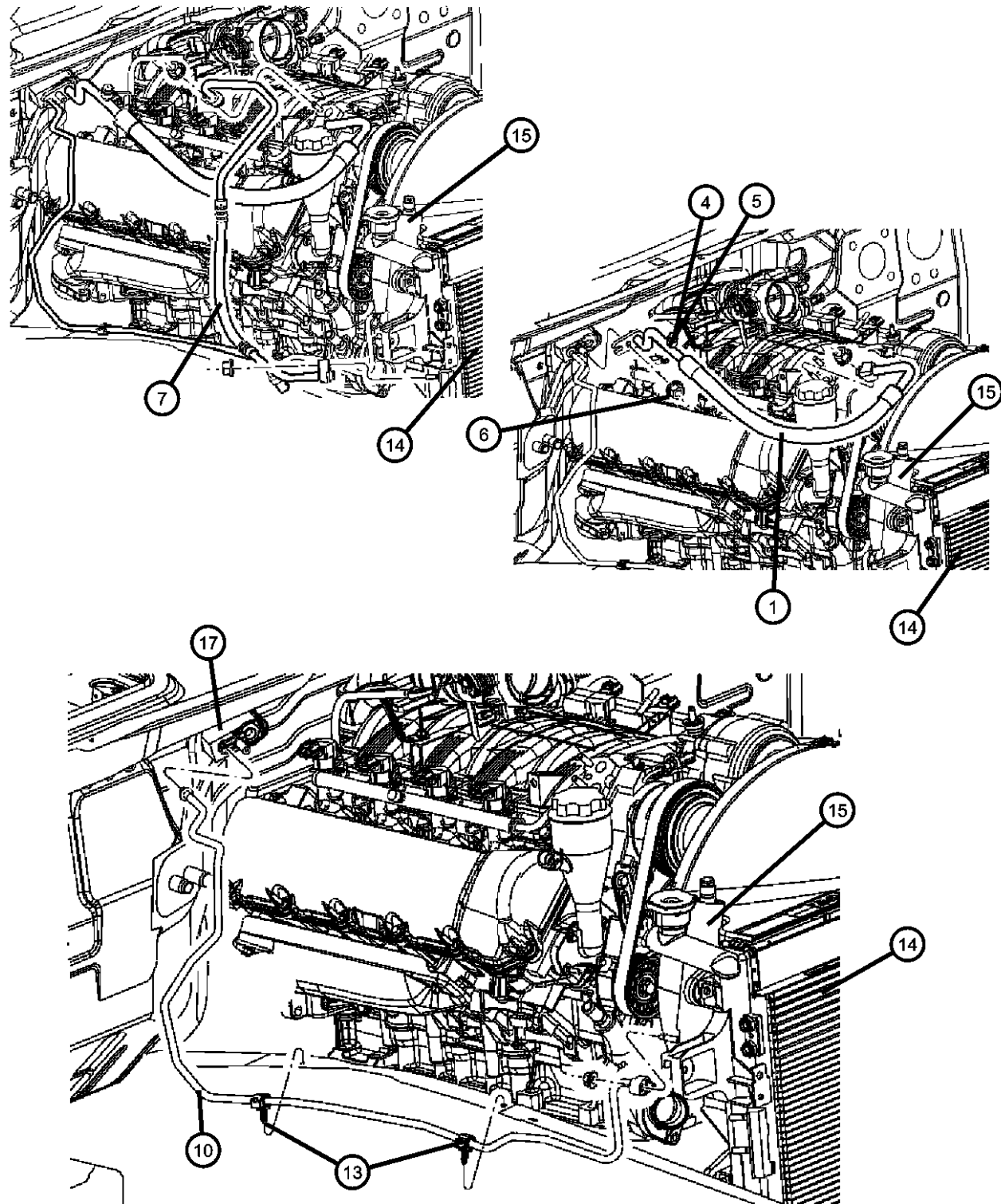
ENGINE
EVA = 4.7L V8 MPI Engine
EVD = 4.7L V8 FFV Engine
EXL = 3.0L V6 Turbo Diesel
Engine
EZB = 5.7L Hemi Multi
Displacement Engine
EKG = 3.7L V6 Engine
ESF = 6.1L SRT HEMI SMPI
V8 Engine

TRANSMISSION
DGJ = 5-Speed Auto W5A580
Transmission
DGQ = 5-Spd Automatic 545RFE
Transmission
DGU = 5-Spd Auto W5J400
Transmission

AR = use ase required - = Non illustrated part

2007 WK

**Accumulator, Condenser and Lines 3.7, 4.7L Engine
Figure 24-240**



ITEM	PART NUMBER	QTY	LINE	SERIES	BODY	ENGINE	TRANS	TRIM	DESCRIPTION
Sales Code: [EK0] = All 3.7L Gas Engines [EV0] = All 4.7L Gas Engines									
1									LINE, A/C Suction
	55116665AF	1	J, T		74	EK0			
	55116667AE	1	J, T		74	EV0			
-2									WASHER, Sealing
	05161784AA	1	J, T		74	EV0			Expansion Valve End
		1	J, T		74	EK0			Expansion Valve End
-3									WASHER, Sealing
	05161785AA	1	J, T		74	EV0			Compressor End
		1	J, T		74	EK0			Compressor End
4									CAP, A/C Charge Valve
	05161786AA	1	J, T		74	EV0			
		1	J, T		74	EK0			
5									VALVE, A/C Discharge Line Check
	05003862AA	1	J, T		74	EV0			
		1	J, T		74	EK0			
6	06101445	1	J, T		74				NUT AND WASHER, Hex, M8x1.25
7									LINE, A/C Discharge
	55116663AD	1	J, T		74	EV0			
	55116664AF	1	J, T		74	EK0			
-8									WASHER, Sealing
	05183303AA	1	J, T		74	EV0			Compressor End
		1	J, T		74	EK0			Compressor End
-9									WASHER, Sealing
	05183303AA	1	J, T		74	EV0			Condenser End
		1	J, T		74	EK0			Condenser End
10	55116909AD	1	J, T		74				LINE, A/C Liquid
-11	05161787AA	1	J, T		74				WASHER, Sealing, Drier End
-12	05161788AA	1	J, T		74	EK0, ESF, EV0			WASHER, Sealing, Expansion Valve End
13	04861553AC	2	J, T		74				PIN, Push

GRAND CHEROKEE (WK)

SERIES LINE
H = HIGHLINE T = JEEP - 2WD
P = PREMIUM J = JEEP - 4WD
S = SPORT
X = SPECIAL

BODY
74 = SPORT UTILITY 4-DR
TYPE #4

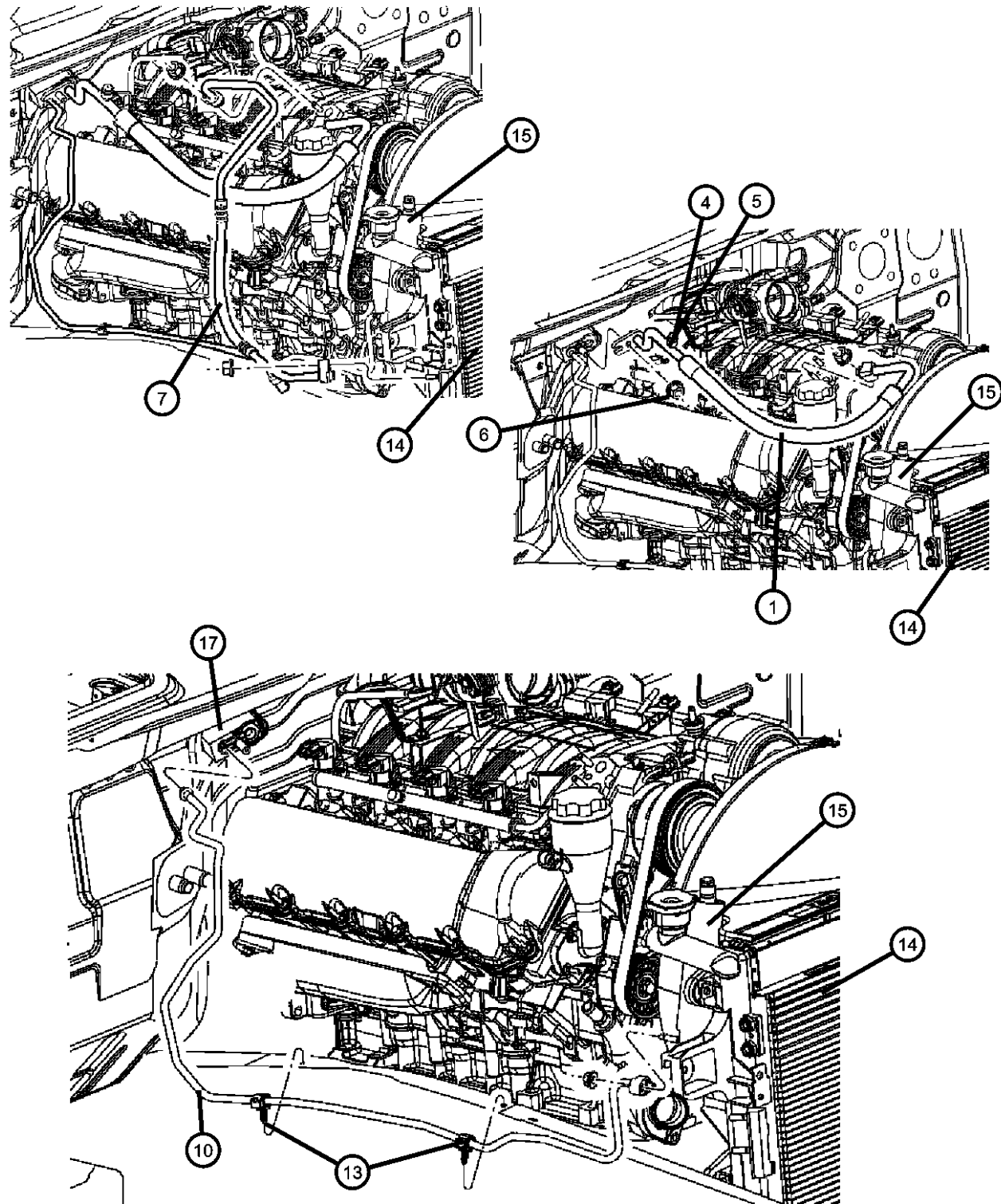
ENGINE
EVA = 4.7L V8 MPI Engine
EVD = 4.7L V8 FFV Engine
EXL = 3.0L V6 Turbo Diesel
Engine
EZB = 5.7L Hemi Multi
Displacement Engine
EKG = 3.7L V6 Engine
ESF = 6.1L SRT HEMI SMPI
V8 Engine

TRANSMISSION
DGJ = 5-Speed Auto W5A580
Transmission
DGQ = 5-Spd Automatic 545RFE
Transmission
DGU = 5-Spd Auto W5J400
Transmission

AR = use ase required - = Non illustrated part

2007 WK

**Accumulator, Condenser and Lines 3.7, 4.7L Engine
Figure 24-240**



ITEM	PART NUMBER	QTY	LINE	SERIES	BODY	ENGINE	TRANS	TRIM	DESCRIPTION
14	55116928AA	1	J, T		74	EK0, ESF, EVO			COOLER, Condenser and Trans Cooler
15	55116723AC	1				EK0, ESF, EVO			DRIER, Receiver, Includes Liquid Line to Condenser
-16	05161788AA	1	J, T		74	EK0, ESF, EVO			WASHER, Sealing, Condenser End
17	05143544AC	1	J, T		74				VALVE, A/C Expansion

GRAND CHEROKEE (WK)

SERIES LINE
H = HIGHLINE T = JEEP - 2WD
P = PREMIUM J = JEEP - 4WD
S = SPORT
X = SPECIAL

BODY
74 = SPORT UTILITY 4-DR TYPE #4

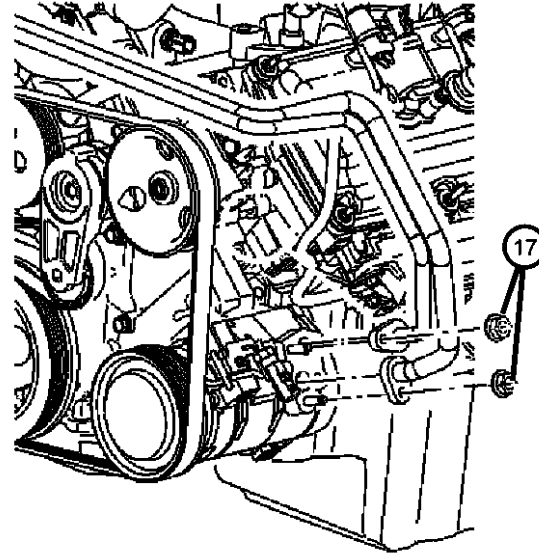
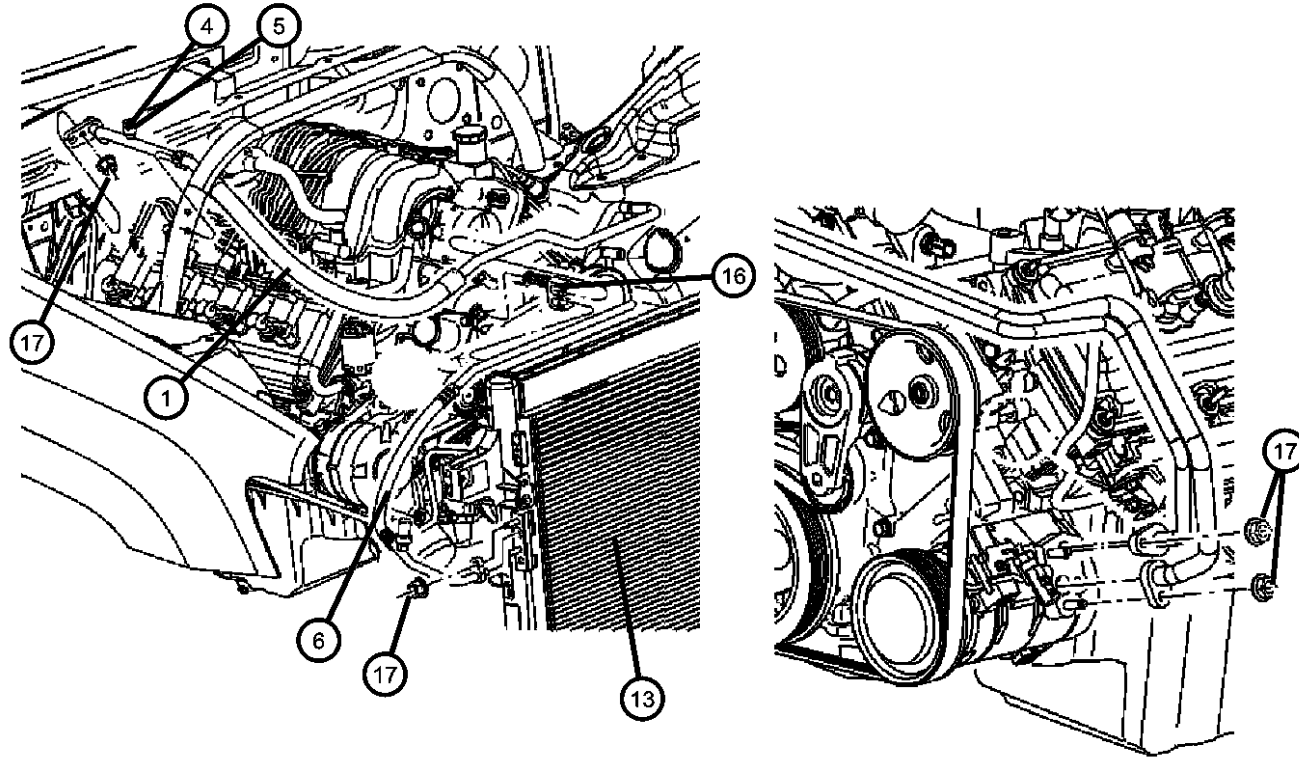
ENGINE
EVA = 4.7L V8 MPI Engine
EVD = 4.7L V8 FFV Engine
EXL = 3.0L V6 Turbo Diesel Engine
EZB = 5.7L Hemi Multi Displacement Engine
EKG = 3.7L V6 Engine
ESF = 6.1L SRT HEMI SMPI V8 Engine

TRANSMISSION
DGJ = 5-Speed Auto W5A580 Transmission
DGQ = 5-Spd Automatic 545RFE Transmission
DGU = 5-Spd Auto W5J400 Transmission

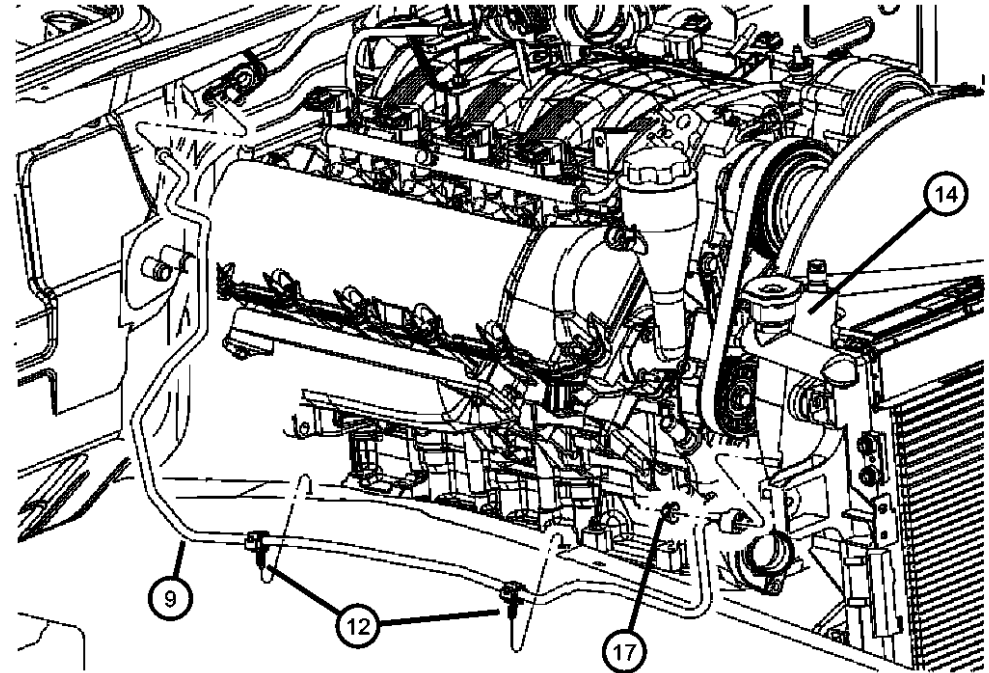
AR = use ase required - = Non illustrated part

2007 WK

Accumulator, Condenser and Lines 5.7L, 6.1L Engine
Figure 24-250



ITEM	PART NUMBER	QTY	LINE	SERIES	BODY	ENGINE	TRANS	TRIM	DESCRIPTION
Sales Codes: [ES0] = 6.1L Engine [EZ0] = 5.7L Engine									
1									LINE, A/C Suction
	55116718AF	1	J, T		74	EZ0			
		1	J, T		74	ES0			
-2									WASHER, Sealing
	05161784AA	1	J, T		74	EZ0			Expansion Valve End
		1	J, T		74	ES0			Expansion Valve End
-3									WASHER, Sealing
	05161785AA	1	J, T		74	EZ0			Compressor End
		1	J, T		74	ES0			Compressor End
4									CAP, A/C Charge Valve
	05161786AA	1	J, T		74	ES0			
		1	J, T		74	EZ0			
5									VALVE, A/C Discharge Line Check
	05003862AA	1	J, T		74	EZ0			
		1	J, T		74	ES0			
6									LINE, A/C Discharge
	55116712AE	1	J, T		74	EZ0			
		1	J, T		74	ES0			
-7									WASHER, Sealing
	05183303AA	1	J, T		74	ES0			Compressor End
		1	J, T		74	EZ0			Compressor End
-8									WASHER, Sealing
	05183303AA	1	J, T		74	EZ0			Condenser End
		1	J, T		74	ES0			Condenser End
9	55116909AD	1	J, T		74				LINE, A/C Liquid
-10	05161788AA	1	J, T		74	EZ0			WASHER, Sealing
-11									WASHER, Sealing
	05161784AA	1	J, T		74	ES0			Drier End
		1	J, T		74	EZ0			Drier End
12	04861553AC	2	J, T		74				PIN, Push



GRAND CHEROKEE (WK)

SERIES LINE
 H = HIGHLINE T = JEEP - 2WD
 P = PREMIUM J = JEEP - 4WD
 S = SPORT
 X = SPECIAL

BODY
 74 = SPORT UTILITY 4-DR
 TYPE #4

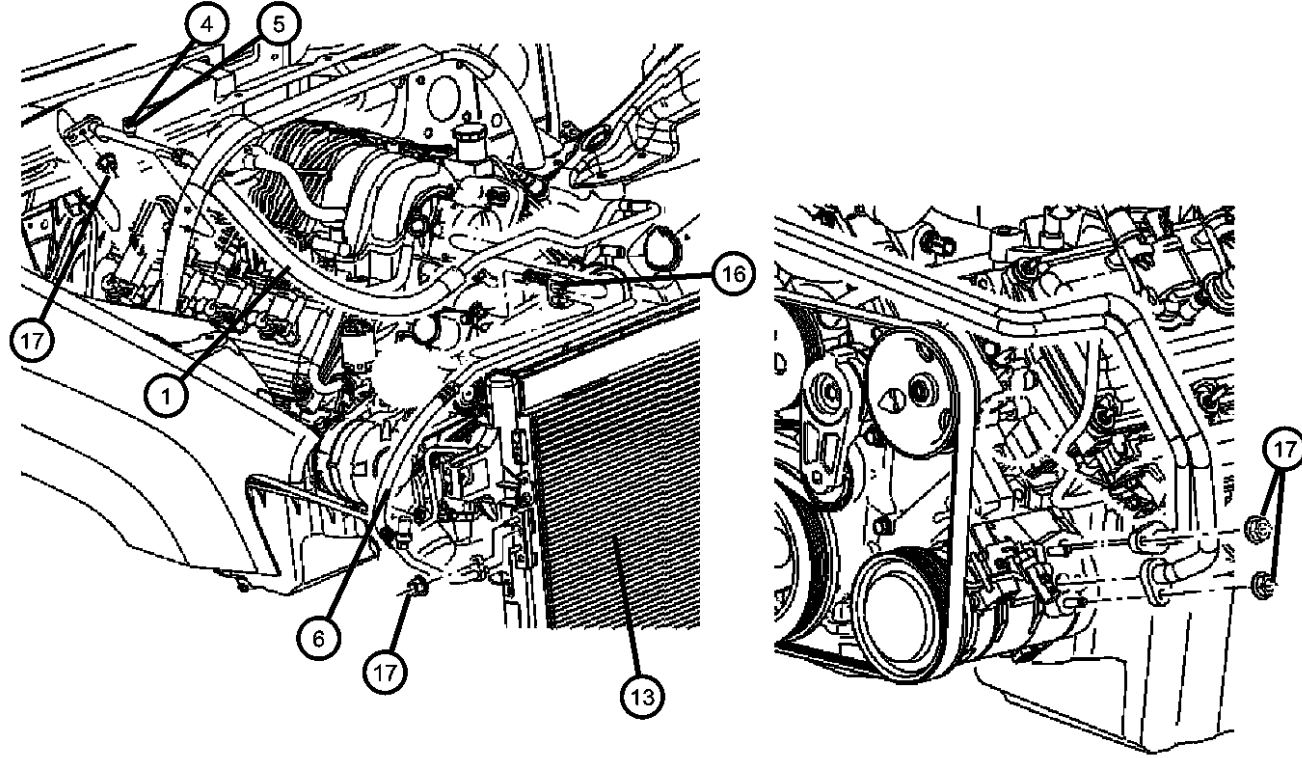
ENGINE
 EVA = 4.7L V8 MPI Engine
 EVD = 4.7L V8 FFV Engine
 EXL = 3.0L V6 Turbo Diesel
 Engine
 EZB = 5.7L Hemi Multi
 Displacement Engine
 EKG = 3.7L V6 Engine
 ESF = 6.1L SRT HEMI SMPI
 V8 Engine

TRANSMISSION
 DGJ = 5-Speed Auto W5A580
 Transmission
 DGQ = 5-Spd Automatic 545RFE
 Transmission
 DGU = 5-Spd Auto W5J400
 Transmission

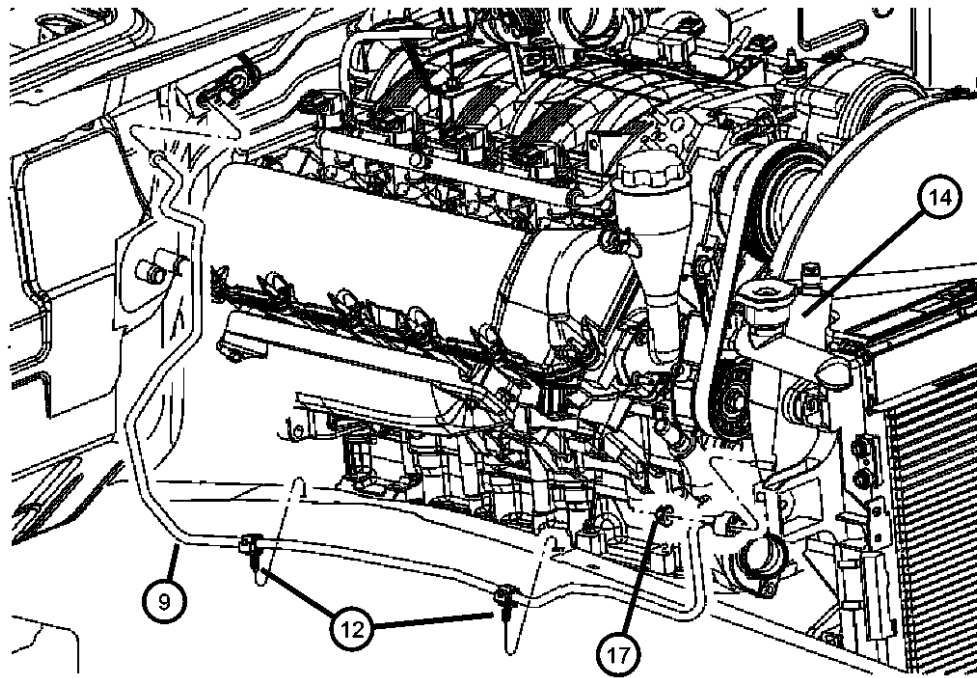
AR = use ase required - = Non illustrated part

2007 WK

Accumulator, Condenser and Lines 5.7L, 6.1L Engine
Figure 24-250



ITEM	PART NUMBER	QTY	LINE	SERIES	BODY	ENGINE	TRANS	TRIM	DESCRIPTION
13									COOLER, Condenser and Trans Cooler
	55116928AA	1	J, T		74	EK0, ESF, EVO			
		1	J, T		74	EZ0			
14									DRIER, Receiver
	55116723AE	1	J, T		74	EK0, ESF, EVO			Includes Liquid Line to Condenser
		1	J, T		74	EZ0			Includes Liquid Line to Condenser
-15	05161788AA	1	J, T		74				WASHER, Sealing, Drier to Condenser
16	55037740AB	1	J, T		74	EZ0			BRACKET, A/C Line
17	06101445	1	J, T		74				NUT AND WASHER, Hex, M8x1.25



GRAND CHEROKEE (WK)

SERIES LINE
H = HIGHLINE T = JEEP - 2WD
P = PREMIUM J = JEEP - 4WD
S = SPORT
X = SPECIAL

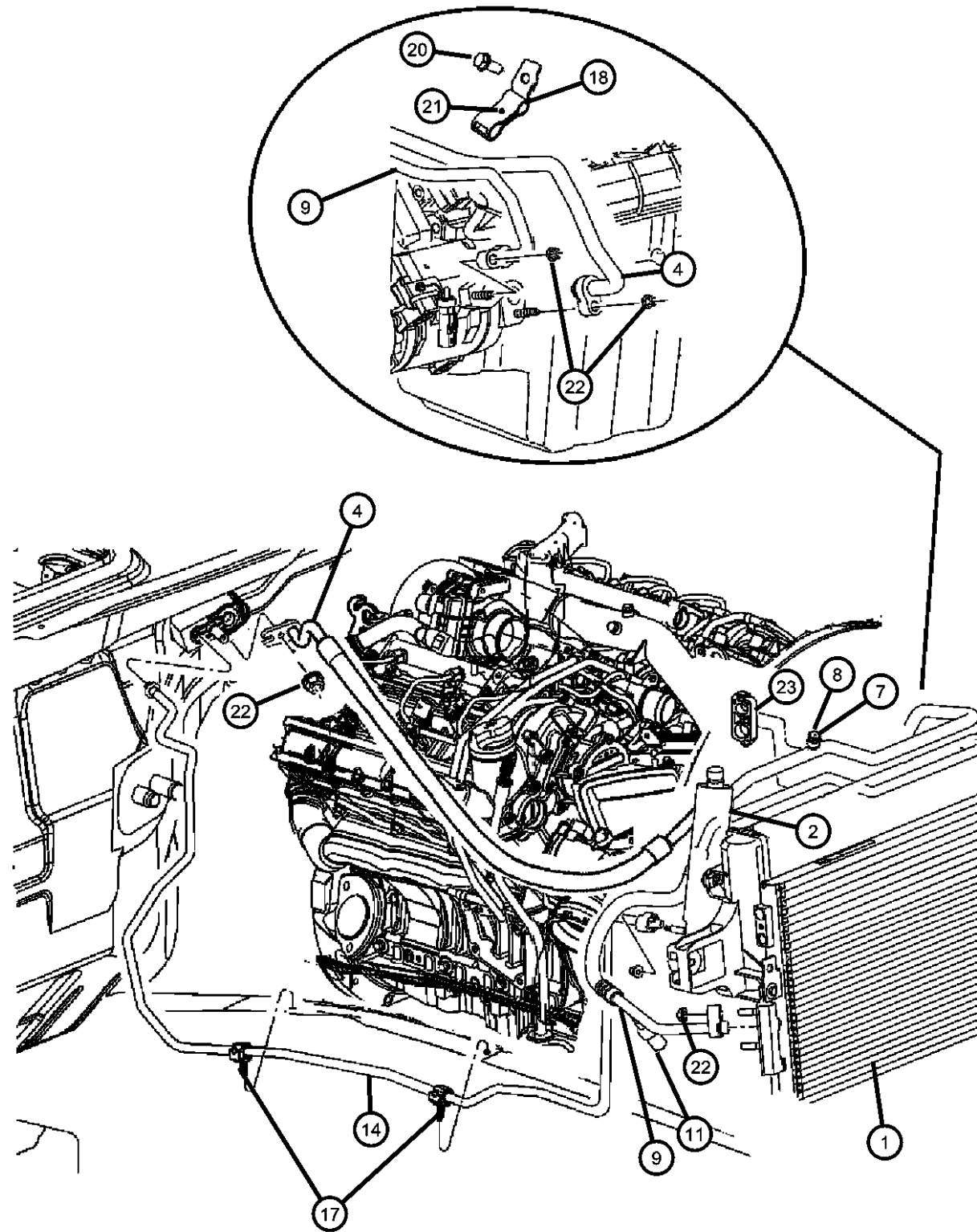
BODY
74 = SPORT UTILITY 4-DR
TYPE #4

ENGINE
EVA = 4.7L V8 MPI Engine
EVD = 4.7L V8 FFV Engine
EXL = 3.0L V6 Turbo Diesel Engine
EZB = 5.7L Hemi Multi Displacement Engine
EKG = 3.7L V6 Engine
ESF = 6.1L SRT HEMI SMPI V8 Engine

TRANSMISSION
DGJ = 5-Speed Auto W5A580 Transmission
DGQ = 5-Spd Automatic 545RFE Transmission
DGU = 5-Spd Auto W5J400 Transmission

AR = use ase required - = Non illustrated part

Accumulator, Condenser and Lines 3.0L Diesel
Figure 24-260



ITEM	PART NUMBER	QTY	LINE	SERIES	BODY	ENGINE	TRANS	TRIM	DESCRIPTION
Sales Code: [EX0] = All 3.0L Turbo Diesel Engines									
1	55116928AA	1	J, T		74	EX0			COOLER, Condenser and Trans Cooler
2	55116723AE	1	J, T		74	EX0			DRIER, Receiver
-3	05161788AA	1	J, T		74				WASHER, Sealing, Drier to Condenser
4	55116714AD	1	J, T		74	EX0			LINE, A/C Suction
-5	05183333AA	1	J, T		74	EX0			WASHER, Sealing, Expansion Valve End
-6	05161785AA	1	J, T		74	EX0			WASHER, Sealing, Compressor End
7	05003862AA	1	J, T		74	EX0			VALVE, A/C Discharge Line Check, Core
8	05161786AA	1	J, T		74	EX0			CAP, A/C Charge Valve
9	55116710AC	1	J, T		74	EX0			LINE, A/C Discharge
-10	05183303AA	2	J, T		74	EX0			WASHER, Sealing, Condenser or Compressor End
11	05174039AB	1	J, T		74	EX0			VALVE, A/C pressure Transducer
-12	05183358AA	1	J, T		74	EX0			O RING, A/C Line, Transducer to Line
-13	05003862AA	1	J, T		74	EX0			VALVE, A/C Discharge Line Check, Core
14	55037779AC	1	J, T		74	EX0			LINE, A/C Liquid
-15	05161787AA	1	J, T		74	EX0			WASHER, Sealing, Evaporator End
-16	05161788AA	1	J, T		74	EX0			WASHER, Sealing, Drier End
17	04861553AC	2	J, T		74	EX0			PIN, Push
18	55037855AB	1	J, T		74	EX0			BRACKET, A/C Line
-19	06104004AA	1	J, T		74	EX0			BOLT, A/C Bracket to Cylinder Head Cover
20	06104675AA	1	J		74	EX0			SCREW
21	00154552	1	J, T		74	EX0			SCREW, Hex Head, .190-16x.625
22	06101445	1	J, T		74				NUT AND WASHER, Hex, M8x1.25
23	55035945	1	J, T		74	EX0			CLIP, Hose To Manifold

GRAND CHEROKEE (WK)

SERIES LINE
H = HIGHLINE T = JEEP - 2WD
P = PREMIUM J = JEEP - 4WD
S = SPORT
X = SPECIAL

BODY
74 = SPORT UTILITY 4-DR
TYPE #4

ENGINE
EVA = 4.7L V8 MPI Engine
EVD = 4.7L V8 FFV Engine
EXL = 3.0L V6 Turbo Diesel Engine
EZB = 5.7L Hemi Multi Displacement Engine
EKG = 3.7L V6 Engine
ESF = 6.1L SRT HEMI SMPI V8 Engine

TRANSMISSION
DGJ = 5-Speed Auto W5A580 Transmission
DGQ = 5-Spd Automatic 545RFE Transmission
DGU = 5-Spd Auto W5J400 Transmission

AR = use ase required - = Non illustrated part

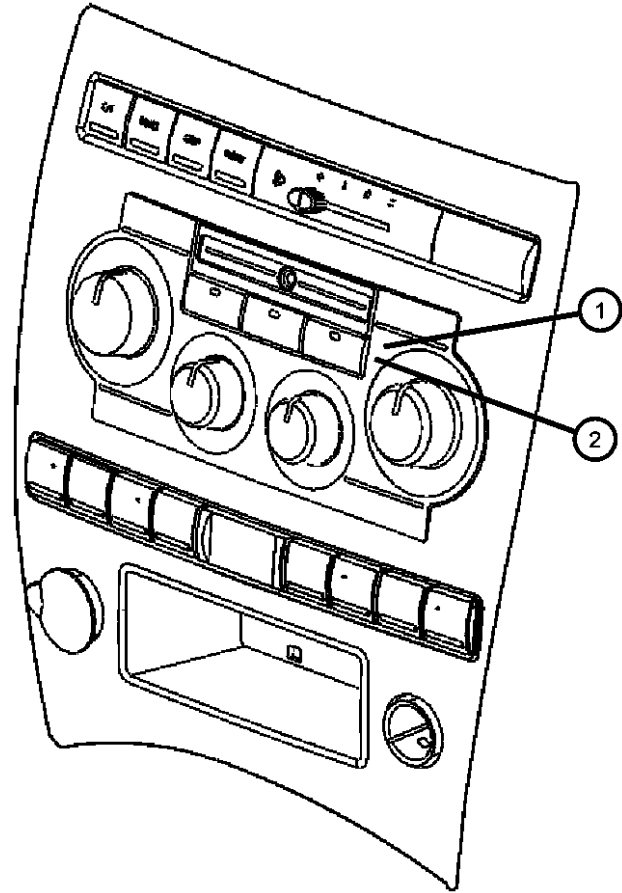
2007 WK

**Control, Heater and Air Conditioner
Figure 24-330**

ITEM	PART NUMBER	QTY	LINE	SERIES	BODY	ENGINE	TRANS	TRIM	DESCRIPTION
------	-------------	-----	------	--------	------	--------	-------	------	-------------

Sales Code:
[HAA] = Air Conditioning
[HAF] = Air Conditioning with Auto Temp Control

1									CONTROL, Auto Temp Control
	55037980AC	1	J, T		74				[HAF] , Fahrenheit
	55111011AJ	1	J, T		74				[HAF] , Celsius
2	55111009AN	1	J, T		74				CONTROL, A/C And Heater, [HAA]



GRAND CHEROKEE (WK)

SERIES LINE
H = HIGHLINE T = JEEP - 2WD
P = PREMIUM J = JEEP - 4WD
S = SPORT
X = SPECIAL

BODY
74 = SPORT UTILITY 4-DR
TYPE #4

ENGINE
EVA = 4.7L V8 MPI Engine
EVD = 4.7L V8 FFV Engine
EXL = 3.0L V6 Turbo Diesel
Engine
EZB = 5.7L Hemi Multi
Displacement Engine
EKG = 3.7L V6 Engine
ESF = 6.1L SRT HEMI SMPI
V8 Engine

TRANSMISSION
DGJ = 5-Speed Auto W5A580
Transmission
DGQ = 5-Spd Automatic 545RFE
Transmission
DGU = 5-Spd Auto W5J400
Transmission

AR = use ase required - = Non illustrated part

2007 WK

**Compressor, Air Conditioning 3.7L, 4.7L Engine
Figure 24-420**

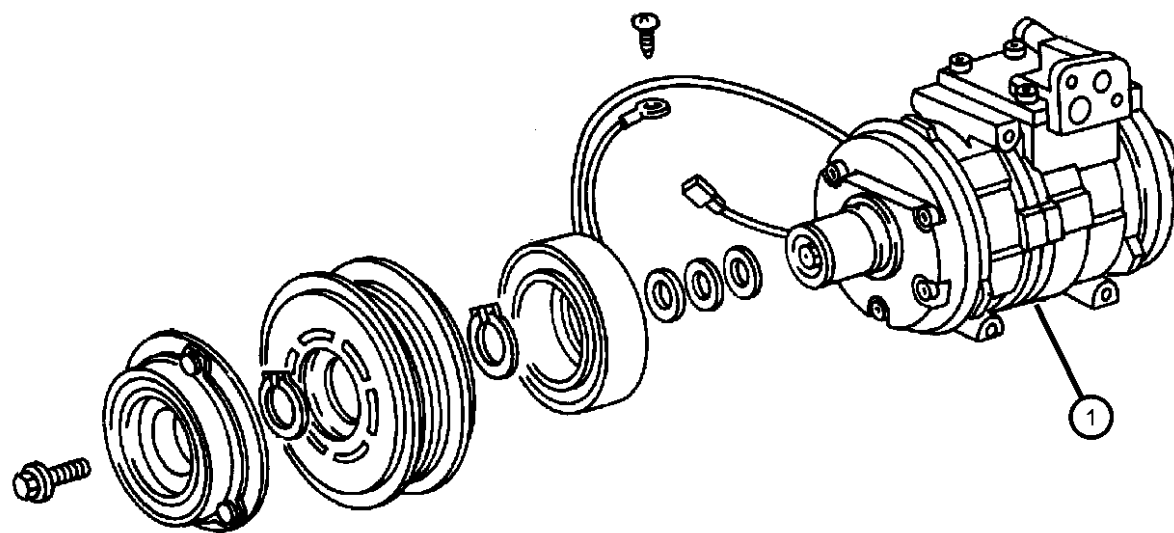
ITEM	PART NUMBER	QTY	LINE	SERIES	BODY	ENGINE	TRANS	TRIM	DESCRIPTION
------	-------------	-----	------	--------	------	--------	-------	------	-------------

Sales Codes:

[EK0] = [3.7L] Gas Engine

[EV0] = [4.7L] Gas Engine

1	55116834AD	1	J, T		74	EK0, EV0			COMPRESSOR, Air Conditioning, No Servicable Components
---	------------	---	------	--	----	----------	--	--	---



GRAND CHEROKEE (WK)

SERIES LINE
H = HIGHLINE T = JEEP - 2WD
P = PREMIUM J = JEEP - 4WD
S = SPORT
X = SPECIAL

BODY
74 = SPORT UTILITY 4-DR
TYPE #4

ENGINE
EVA = 4.7L V8 MPI Engine
EVD = 4.7L V8 FFV Engine
EXL = 3.0L V6 Turbo Diesel
Engine
EZB = 5.7L Hemi Multi
Displacement Engine
EKG = 3.7L V6 Engine
ESF = 6.1L SRT HEMI SMPI
V8 Engine

TRANSMISSION
DGJ = 5-Speed Auto W5A580
Transmission
DGQ = 5-Spd Automatic 545RFE
Transmission
DGU = 5-Spd Auto W5J400
Transmission

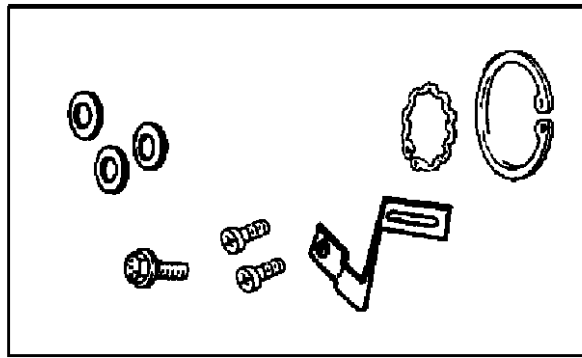
AR = use ase required - = Non illustrated part

2007 WK

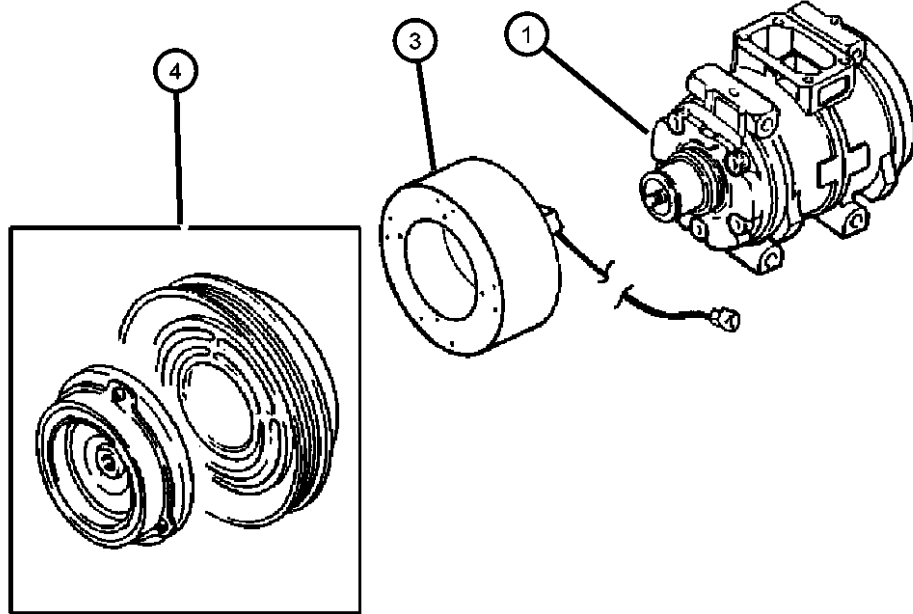
**Compressor, Air Conditioning 5.7L, 6.1L Engine
Figure 24-430**

ITEM	PART NUMBER	QTY	LINE	SERIES	BODY	ENGINE	TRANS	TRIM	DESCRIPTION
1									COMPRESSOR, Air Conditioning, Complete
	55116917AD	1	J, T		74	EZ0			
		1	J, T		74	ES0			
2									CLUTCH OVERHAUL KIT, A/C Compressor
	05140428AA	1	J, T		74	ES0			
		1	J, T		74	EZ0			
3									COIL, Air Conditioning Clutch
	05003681AA	1	J, T		74	EZ0			
		1	J, T		74	ES0			
4									PULLEY HUB KIT, A/C Compressor
	05140426AA	1	J, T		74	EZ0			
		1	J, T		74	ES0			
5									SNAP RING KIT, A/C Clutch
	05264454	1	J, T		74	EZ0			
		1	J, T		74	ES0			
-6									LUBRICANT, A/C Compressor
	82300102	1	J, T		74	EZ0			
		1	J, T		74	ES0			

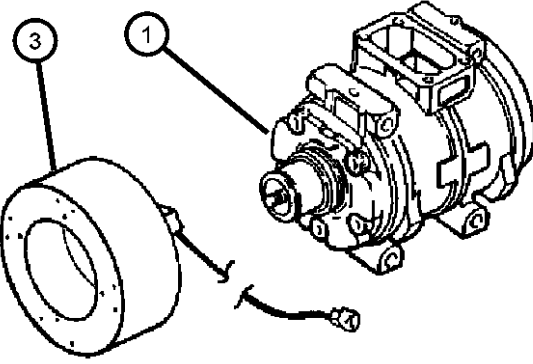
Sales Codes:
[ES0] = [6.1L] Gas Engine
[EZ0] = [5.7L] Gas Engine



2

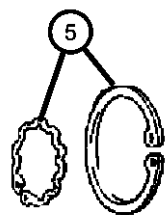


4



3

1



5

GRAND CHEROKEE (WK)

SERIES LINE
H = HIGHLINE T = JEEP - 2WD
P = PREMIUM J = JEEP - 4WD
S = SPORT
X = SPECIAL

BODY
74 = SPORT UTILITY 4-DR
TYPE #4

ENGINE
EVA = 4.7L V8 MPI Engine
EVD = 4.7L V8 FFV Engine
EXL = 3.0L V6 Turbo Diesel
Engine
EZB = 5.7L Hemi Multi
Displacement Engine
EKG = 3.7L V6 Engine
ESF = 6.1L SRT HEMI SMPI
V8 Engine

TRANSMISSION
DGJ = 5-Speed Auto W5A580
Transmission
DGQ = 5-Spd Automatic 545RFE
Transmission
DGU = 5-Spd Auto W5J400
Transmission

AR = use ase required - = Non illustrated part

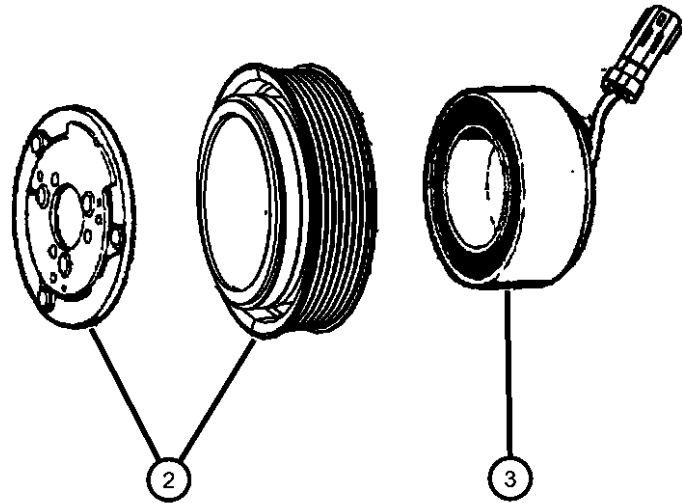
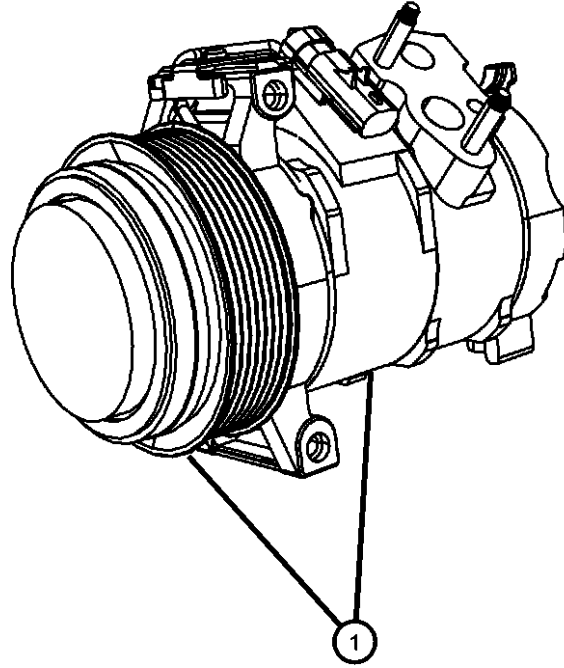
2007 WK

Compressor, Air Conditioning 3.0L Diesel
Figure 24-440

ITEM	PART NUMBER	QTY	LINE	SERIES	BODY	ENGINE	TRANS	TRIM	DESCRIPTION
------	-------------	-----	------	--------	------	--------	-------	------	-------------

Sales Code:
 [EX0] = All 3.0L and 3.1L Turbo Diesel Engines

1	55116835AE	1	J, T		74	EX0			COMPRESSOR, Air Conditioning, Complete
2	68000599AA	1	J, T		74	EX0			PULLEY & HUB, A/C Compressor
3	68000489AB	1	J, T		74	EX0			COIL, Air Conditioning Clutch
-4	05183900AA	1	J, T		74	EX0			SNAP RING, A/C Compressor, Stator
-5	05183901AA	1	J, T		74	EX0			SNAP RING, A/C Compressor, Rotor
-6	82300102	1	J, T		74	EX0			LUBRICANT, A/C Compressor



GRAND CHEROKEE (WK)

SERIES LINE
 H = HIGHLINE T = JEEP - 2WD
 P = PREMIUM J = JEEP - 4WD
 S = SPORT
 X = SPECIAL

BODY
 74 = SPORT UTILITY 4-DR
 TYPE #4

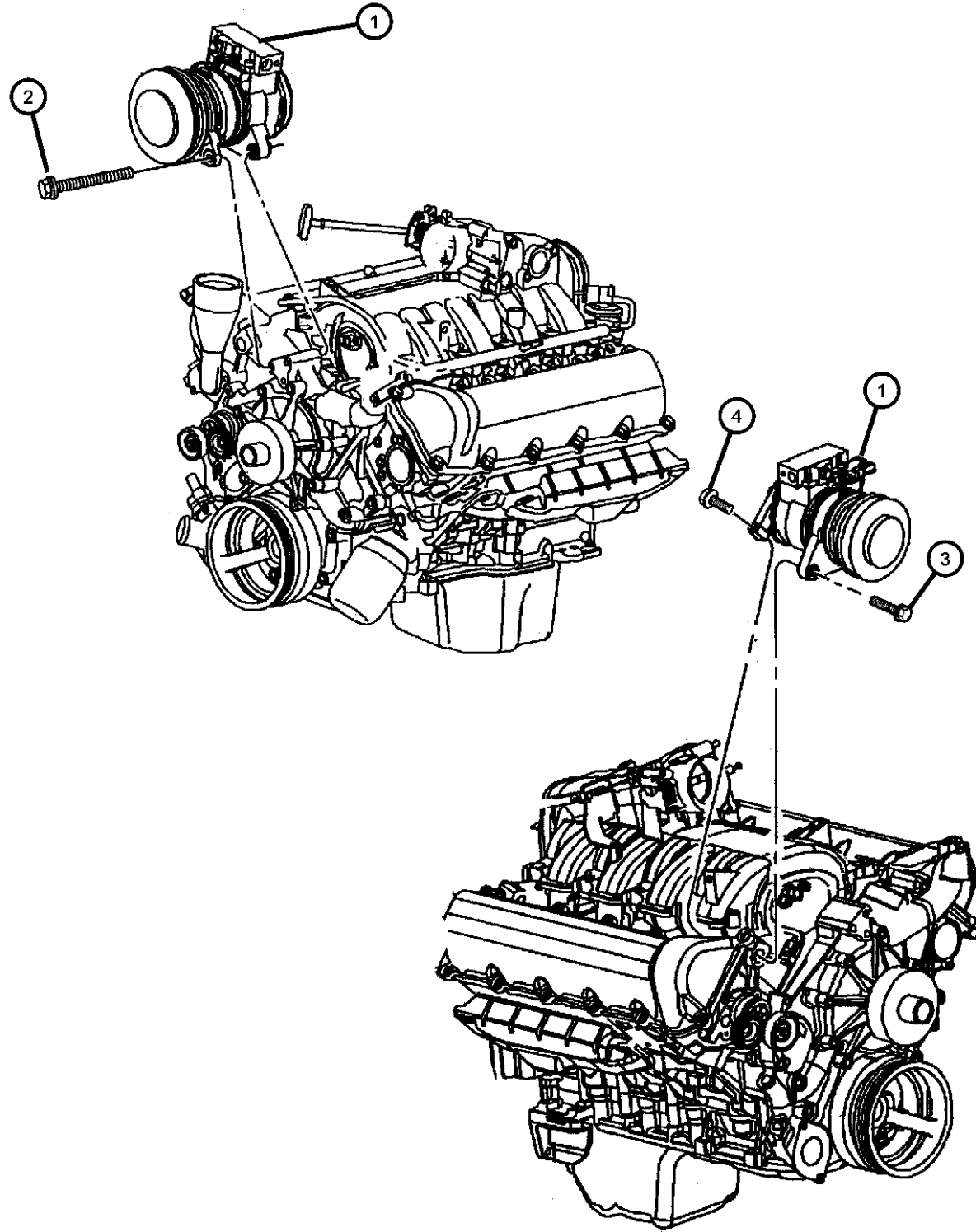
ENGINE
 EVA = 4.7L V8 MPI Engine
 EVD = 4.7L V8 FFV Engine
 EXL = 3.0L V6 Turbo Diesel
 Engine
 EZB = 5.7L Hemi Multi
 Displacement Engine
 EKG = 3.7L V6 Engine
 ESF = 6.1L SRT HEMI SMPI
 V8 Engine

TRANSMISSION
 DGJ = 5-Speed Auto W5A580
 Transmission
 DGQ = 5-Spd Automatic 545RFE
 Transmission
 DGU = 5-Spd Auto W5J400
 Transmission

AR = use ase required - = Non illustrated part

2007 WK

**Compressor, Mounting 3.7L, 4.7L Engine
Figure 24-520**



ITEM	PART NUMBER	QTY	LINE	SERIES	BODY	ENGINE	TRANS	TRIM	DESCRIPTION
------	-------------	-----	------	--------	------	--------	-------	------	-------------

Sales Codes:
[EK0] = [3.7L] Gas Engine
[EV0] = [4.7L] Gas Engine

1	55116834AD	1	J, T		74	EK0, EV0			COMPRESSOR, Air Conditioning
2	06504344	1	J, T		74	EV0			SCREW AND WASHER, Hex Head, M10X1.50X105.00
3	06505487AA	1	J, T		74	EV0			SCREW AND WASHER, M10x1.5x45
4									SCREW AND WASHER, Hex Head, M8x1.25x50
	06505482AA	1	J, T		74	EK0			
		1	J, T		74	EV0			
-5	06101794	1	J, T		74	EK0, EV0			BOLT AND CONED WASHER, Hex head, M10X1.50X25.00, A/C Brace To Front Cover
-6	53031709AA	1	J, T		74	EK0, EV0			BRACE, A/C Compressor

GRAND CHEROKEE (WK)

SERIES LINE
H = HIGHLINE T = JEEP - 2WD
P = PREMIUM J = JEEP - 4WD
S = SPORT
X = SPECIAL

BODY
74 = SPORT UTILITY 4-DR TYPE #4

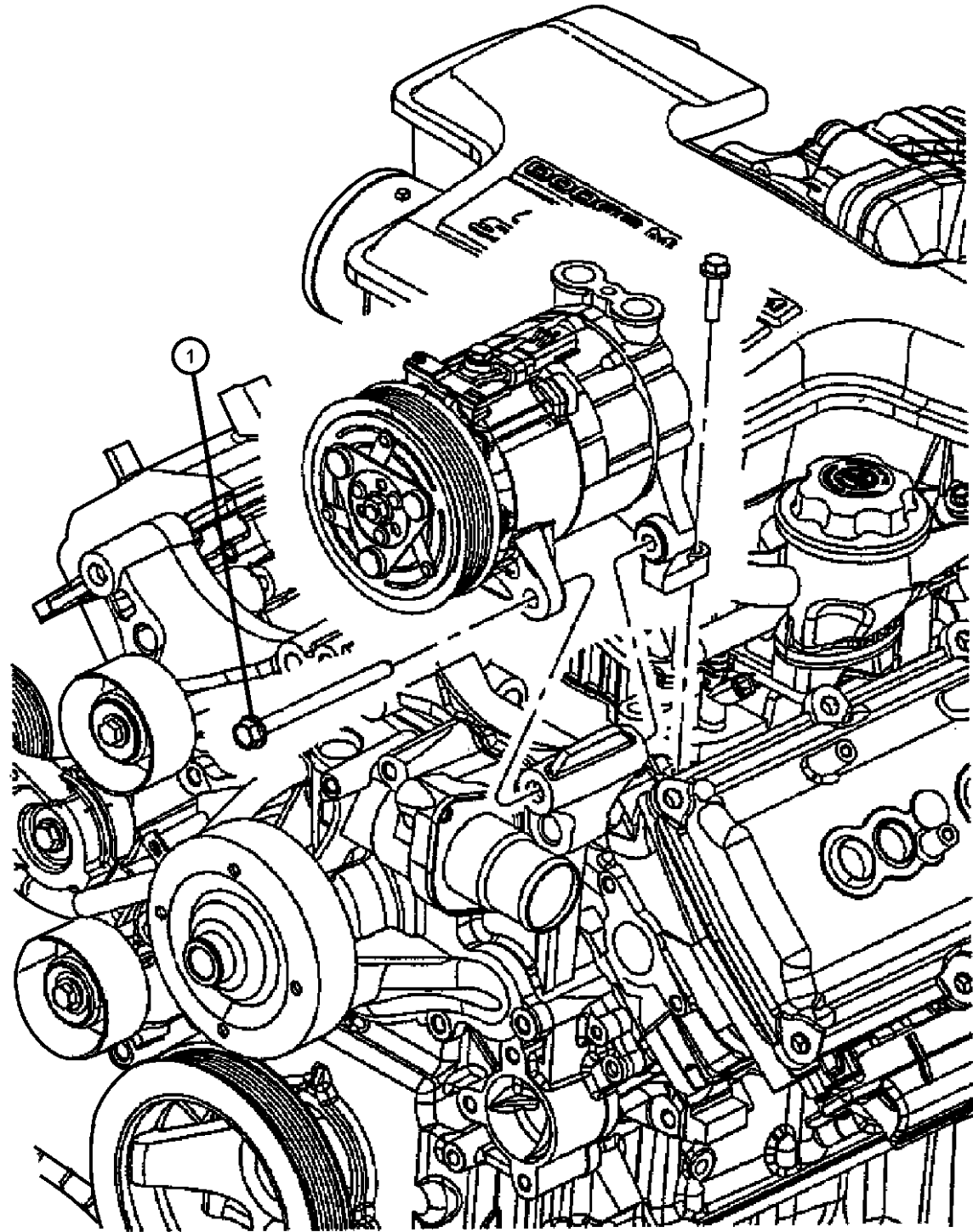
ENGINE
EVA = 4.7L V8 MPI Engine
EVD = 4.7L V8 FFV Engine
EXL = 3.0L V6 Turbo Diesel Engine
EZB = 5.7L Hemi Multi Displacement Engine
EKG = 3.7L V6 Engine
ESF = 6.1L SRT HEMI SMPI V8 Engine

TRANSMISSION
DGJ = 5-Speed Auto W5A580 Transmission
DGQ = 5-Spd Automatic 545RFE Transmission
DGU = 5-Spd Auto W5J400 Transmission

AR = use ase required - = Non illustrated part

2007 WK

**Compressor, Mounting 5.7L, 6.1L Engine
Figure 24-530**



ITEM	PART NUMBER	QTY	LINE	SERIES	BODY	ENGINE	TRANS	TRIM	DESCRIPTION
------	-------------	-----	------	--------	------	--------	-------	------	-------------

Sales Codes:
[ES0] = [6.1L] Gas Engine
[EZ0] = [5.7L] Gas Engine

1	06101639	4	J, T		74	ES0, EZ0			SCREW AND WASHER, Hex Head, M10x1.5x100
---	----------	---	------	--	----	----------	--	--	---

GRAND CHEROKEE (WK)

SERIES LINE
H = HIGHLINE T = JEEP - 2WD
P = PREMIUM J = JEEP - 4WD
S = SPORT
X = SPECIAL

BODY
74 = SPORT UTILITY 4-DR
TYPE #4

ENGINE
EVA = 4.7L V8 MPI Engine
EVD = 4.7L V8 FFV Engine
EXL = 3.0L V6 Turbo Diesel
Engine
EZB = 5.7L Hemi Multi
Displacement Engine
EKG = 3.7L V6 Engine
ESF = 6.1L SRT HEMI SMPI
V8 Engine

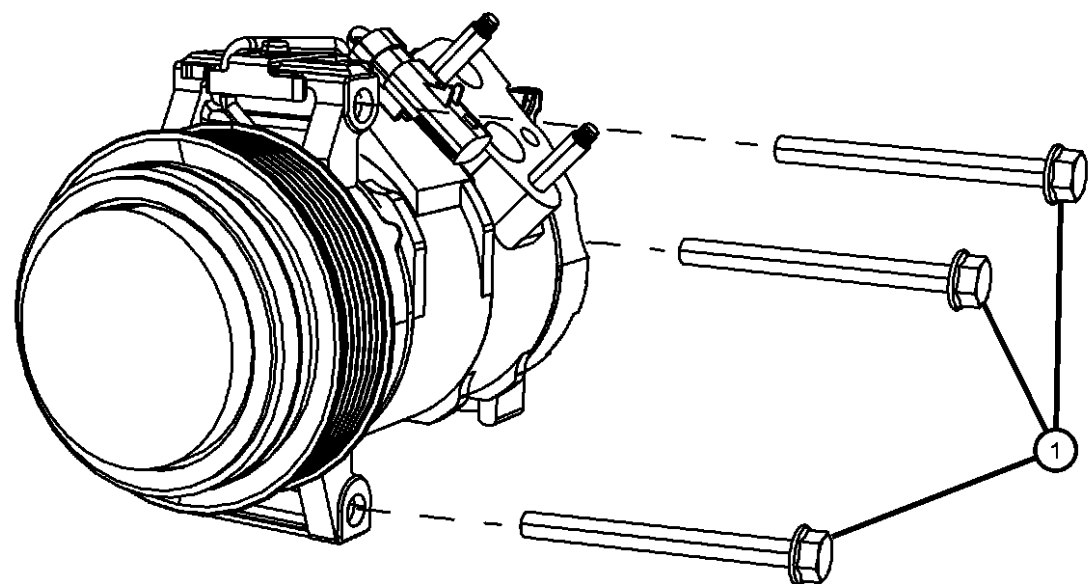
TRANSMISSION
DGJ = 5-Speed Auto W5A580
Transmission
DGQ = 5-Spd Automatic 545RFE
Transmission
DGU = 5-Spd Auto W5J400
Transmission

AR = use ase required - = Non illustrated part

2007 WK

**Compressor, Mounting 3.0L Diesel Engine
Figure 24-540**

ITEM	PART NUMBER	QTY	LINE	SERIES	BODY	ENGINE	TRANS	TRIM	DESCRIPTION
[EXL] = 3.0L Diesel Engine									
1	06104035AA	3	J, T		74	EXL			BOLT, Hex Flange Head, M8X1.25X90.00



GRAND CHEROKEE (WK)

SERIES LINE
H = HIGHLINE T = JEEP - 2WD
P = PREMIUM J = JEEP - 4WD
S = SPORT
X = SPECIAL

BODY
74 = SPORT UTILITY 4-DR TYPE #4

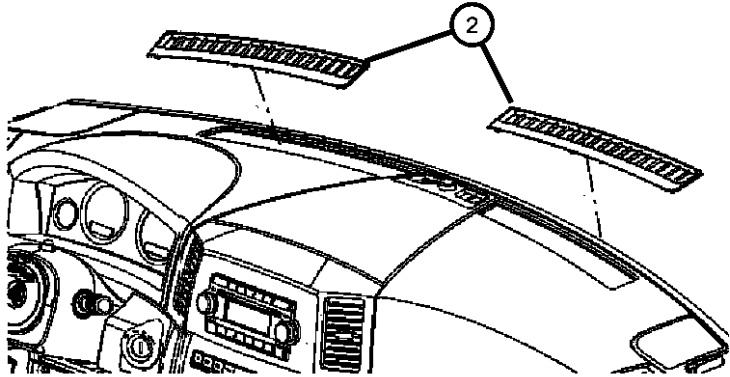
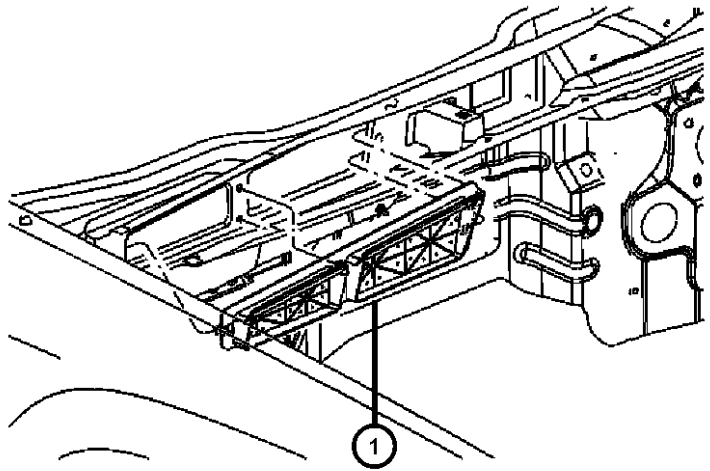
ENGINE
EVA = 4.7L V8 MPI Engine
EVD = 4.7L V8 FFV Engine
EXL = 3.0L V6 Turbo Diesel Engine
EZB = 5.7L Hemi Multi Displacement Engine
EKG = 3.7L V6 Engine
ESF = 6.1L SRT HEMI SMPI V8 Engine

TRANSMISSION
DGJ = 5-Speed Auto W5A580 Transmission
DGQ = 5-Spd Automatic 545RFE Transmission
DGU = 5-Spd Auto W5J400 Transmission

AR = use ase required - = Non illustrated part

Air Ducts and Outlets

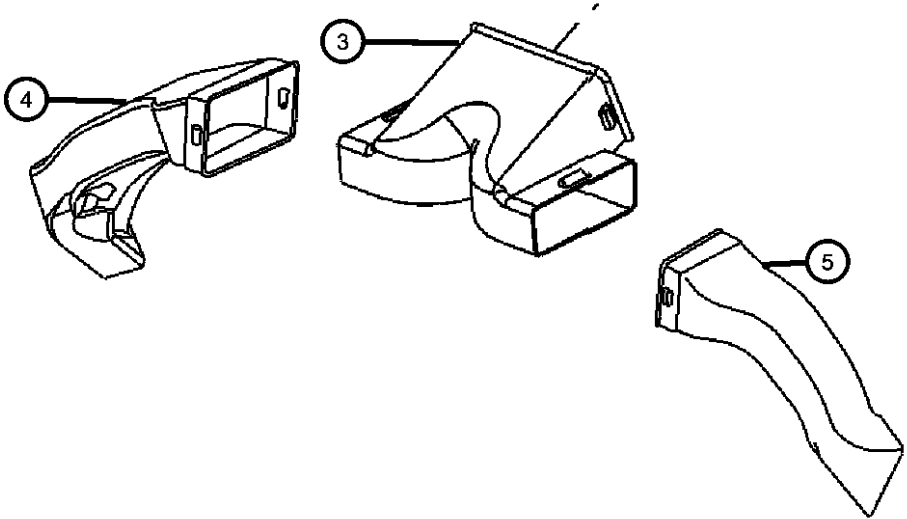
Figure 24-610



ITEM	PART NUMBER	QTY	LINE	SERIES	BODY	ENGINE	TRANS	TRIM	DESCRIPTION
------	-------------	-----	------	--------	------	--------	-------	------	-------------

Sale Codes:
[D5, J1, J3] Are Interior Trim Colors

1	55037874AB	1	J, T		74				BAFFLE, Air
2									GRILLE, Defroster, Upper
	1DQ54XD-HAA	1	J, T		74				[D5], Right
	1DQ54ZJ8AA	1	J, T		74				[J1,J3], Right
	1DQ55XD-HAA	1	J, T		74				[D5], Left
	1DQ55ZJ8AA	1	J, T		74				[J1,J3], Left
3									PANEL, Instrument Upper, Includes: Left Outer Duct
	1EC931J8AB	1	J, T		74				[J1,J3]
	1EC931DHAC	1	J, T		74				[D5]
4	55117037AA	1							DUCT, Air Outlet, CenterLeft
5	55117036AA	1							DUCT, Air Outlet, CenterRight
-6	55117050AA	1							DUCT, A/C Outlet, OuterRight
-7									DUCT, Floor Distribution, Side
	55116599AC	1	J, T		74				Right
	55116741AC	1	J, T		74				Left
-8	55116814AA	1	J, T		74				DUCT, Floor Distribution, Center Floor



GRAND CHEROKEE (WK)

SERIES LINE
H = HIGHLINE T = JEEP - 2WD
P = PREMIUM J = JEEP - 4WD
S = SPORT
X = SPECIAL

BODY
74 = SPORT UTILITY 4-DR
TYPE #4

ENGINE
EVA = 4.7L V8 MPI Engine
EVD = 4.7L V8 FFV Engine
EXL = 3.0L V6 Turbo Diesel Engine
EZB = 5.7L Hemi Multi Displacement Engine
EKG = 3.7L V6 Engine
ESF = 6.1L SRT HEMI SMPI V8 Engine

TRANSMISSION
DGJ = 5-Speed Auto W5A580 Transmission
DGQ = 5-Spd Automatic 545RFE Transmission
DGU = 5-Spd Auto W5J400 Transmission

AR = use ase required - = Non illustrated part

Group - 25

Emission Systems

Group - 25 Emission Systems

Illustration Title

Group-Fig. No.

EGR Systems

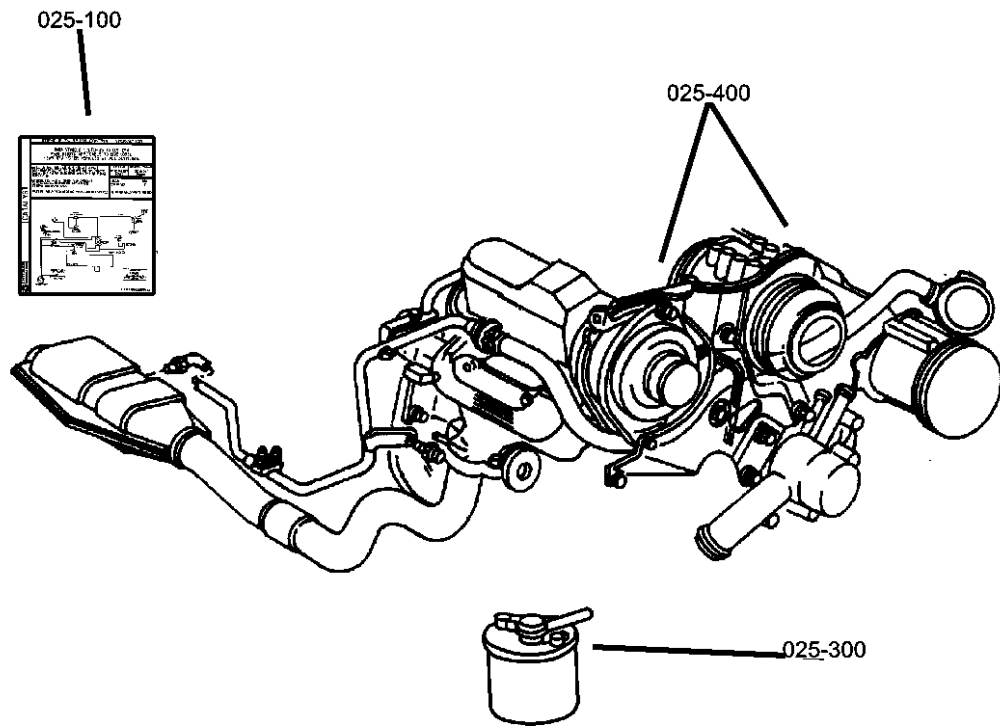
EGR System.....	Fig. 25 - 205
EGR System.....	Fig. 25 - 210

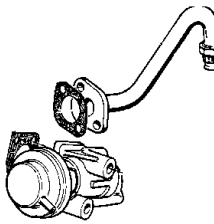
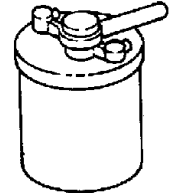
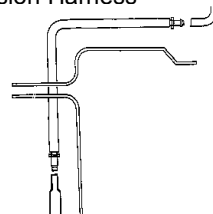
Vacuum Canister

Vacuum Canister,	Fig. 25 - 310
------------------------	---------------

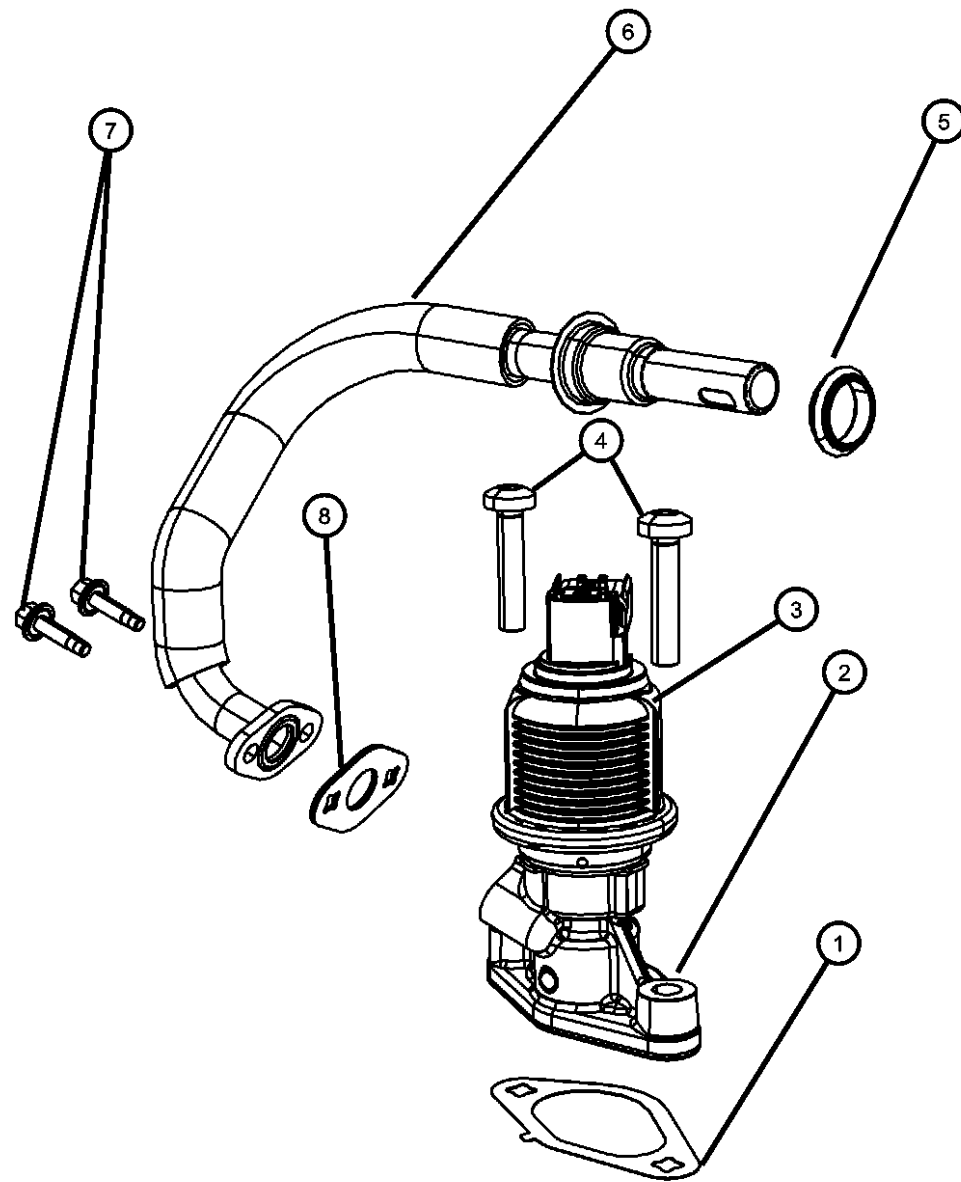
Emission Harness

Emission Control Vacuum Harness.....	Fig. 25 - 410
Leak Detection Pump,	Fig. 25 - 420



<p>025-200 EGR Systems</p> 	<p>025-300 Vacuum Canister</p> 	<p>025-400 Emission Harness</p> 	
---	---	---	--

**EGR System
Figure 25-205**



ITEM	PART NUMBER	QTY	LINE	SERIES	BODY	ENGINE	TRANS	TRIM	DESCRIPTION
1									GASKET, EGR Valve
	53030976AD	1	J, T		74	EVA, EVD			
	53032212AA	1	J, T		74	EZ0			
	53034006AA	1	J, T		74	EKG			
2	53032948AC	1	J, T		74	EKG			VALVE, Valve assy-egr
3	06104158AA	2	J, T		74	EKG			SCREW
4									VALVE, EGR
	53032509AJ	1				EZ0			
	53034058AA	1				EVA, EVD			
	68012312AA	1	J, T		74	EXL			
5									SEAL, EGR Tube
	04591250	1	J, T		74	EVA, EVD			
		1	J, T		74	EKG			
		1	J, T		74	EZ0			
6									TUBE, EGR
	53032778AC	1	J, T		74	EVA, EVD			
	53032951AB	1	J, T		74	EKG			
7									SCREW, Hex Flange Head
	06508380AA	2	J, T		74	EVA, EVD			
		2	J, T		74	EKG			
8									GASKET, EGR Tube Flange
	05277928	1	J, T		74	EVA, EVD			
		1	J, T		74	EKG			
		1	J, T		74	EZ0			
-9									BOLT, M8x1.25x30
	06502555	2	J, T		74	EZ0			
		2	J, T		74	EVA, EVD			

GRAND CHEROKEE (WK)

SERIES LINE
H = HIGHLINE T = JEEP - 2WD
P = PREMIUM J = JEEP - 4WD
S = SPORT
X = SPECIAL

BODY
74 = SPORT UTILITY 4-DR
TYPE #4

ENGINE
EVA = 4.7L V8 MPI Engine
EVD = 4.7L V8 FFV Engine
EXL = 3.0L V6 Turbo Diesel
Engine
EZB = 5.7L Hemi Multi
Displacement Engine
EKG = 3.7L V6 Engine
ESF = 6.1L SRT HEMI SMPI
V8 Engine

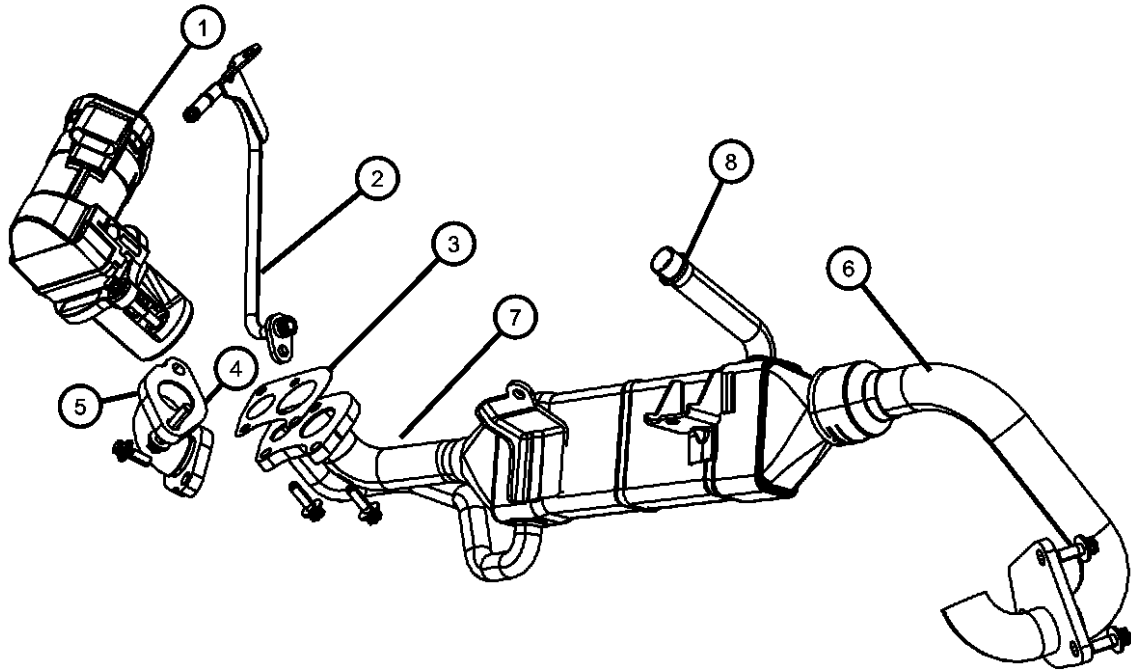
TRANSMISSION
DGJ = 5-Speed Auto W5A580
Transmission
DGQ = 5-Spd Automatic 545RFE
Transmission
DGU = 5-Spd Auto W5J400
Transmission

AR = use ase required - = Non illustrated part

2007 WK

**EGR System
Figure 25-210**

ITEM	PART NUMBER	QTY	LINE	SERIES	BODY	ENGINE	TRANS	TRIM	DESCRIPTION
1	68012312AA	1	J, T		74	EXL			VALVE, EGR
2	68014156AA	1	J, T		74	EXL			TUBE, Coolant To EGR Valve
3	05175692AA	1	J, T		74	EXL			GASKET
4	05175693AA	1	J, T		74	EXL			TUBE, EGR
5	05175695AA	1	J, T		74	EXL			GASKET
6	05175694AA	1	J, T		74	EXL			TUBE, EGR
7	05175808AB	1	J, T		74	EXL			COOLER, EGR
8	05175691AA	1	J, T		74	EXL			O RING



GRAND CHEROKEE (WK)

SERIES LINE
H = HIGHLINE T = JEEP - 2WD
P = PREMIUM J = JEEP - 4WD
S = SPORT
X = SPECIAL

BODY
74 = SPORT UTILITY 4-DR
TYPE #4

ENGINE
EVA = 4.7L V8 MPI Engine
EVD = 4.7L V8 FFV Engine
EXL = 3.0L V6 Turbo Diesel
Engine
EZB = 5.7L Hemi Multi
Displacement Engine
EKG = 3.7L V6 Engine
ESF = 6.1L SRT HEMI SMPI
V8 Engine

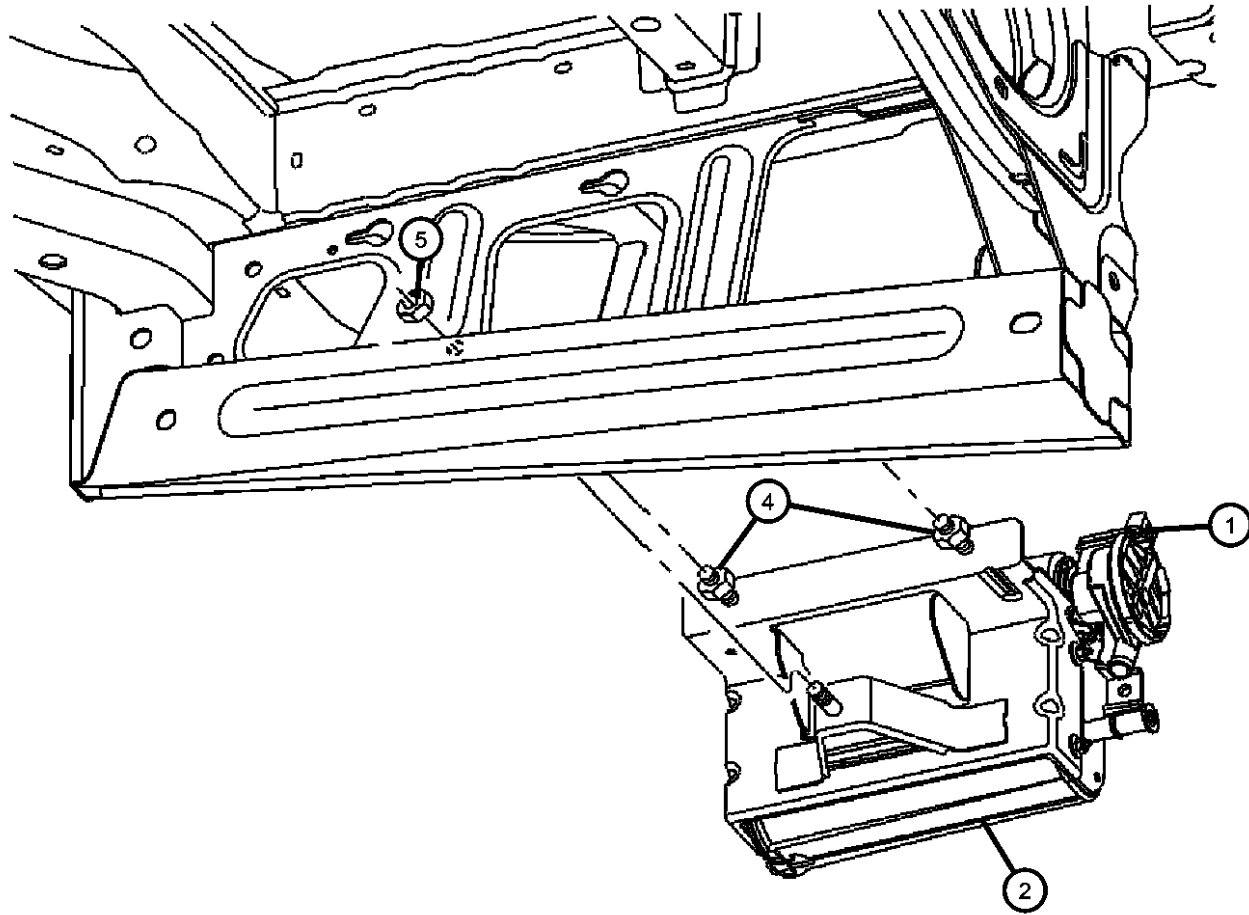
TRANSMISSION
DGJ = 5-Speed Auto W5A580
Transmission
DGQ = 5-Spd Automatic 545RFE
Transmission
DGU = 5-Spd Auto W5J400
Transmission

AR = use ase required - = Non illustrated part

2007 WK

Vacuum Canister,
Figure 25-310

ITEM	PART NUMBER	QTY	LINE	SERIES	BODY	ENGINE	TRANS	TRIM	DESCRIPTION
Sales Codes									
[ER0]= All, 6 Cylinder Gas Engines									
[EV0]= All 4.7L V-8 Gas Engines									
1	04891729AA	1	J, T		74	EK0, ES0, EV0, EZ0			DETECTOR, Evaporative System Integrity Module
2	04891725AA	1	J, T		74	EK0, ES0, EV0, EZ0			CANISTER, Fuel Vapor
-3	52090442AD	1	J, T		74	EK0, ES0, EV0, EZ0			BRACKET, Vapor Canister
4		1							NUT, Service with Canister, (NOT SERVICED)
5	06104716AA	1							NUT, Hex Flange Lock, M8X1.25
-6	68040921AA	1	J, T		74	EK0, ES0, EV0, EZ0			GROMMET, Vapor Canister Mounting
-7									FILTER, Leak Detection Pump
	05085164AA	1	J, T		74	EK0, ES0, EV0, EZ0			
		1	J, T		74	EX0			



GRAND CHEROKEE (WK)

SERIES LINE
H = HIGHLINE T = JEEP - 2WD
P = PREMIUM J = JEEP - 4WD
S = SPORT
X = SPECIAL

BODY
74 = SPORT UTILITY 4-DR
TYPE #4

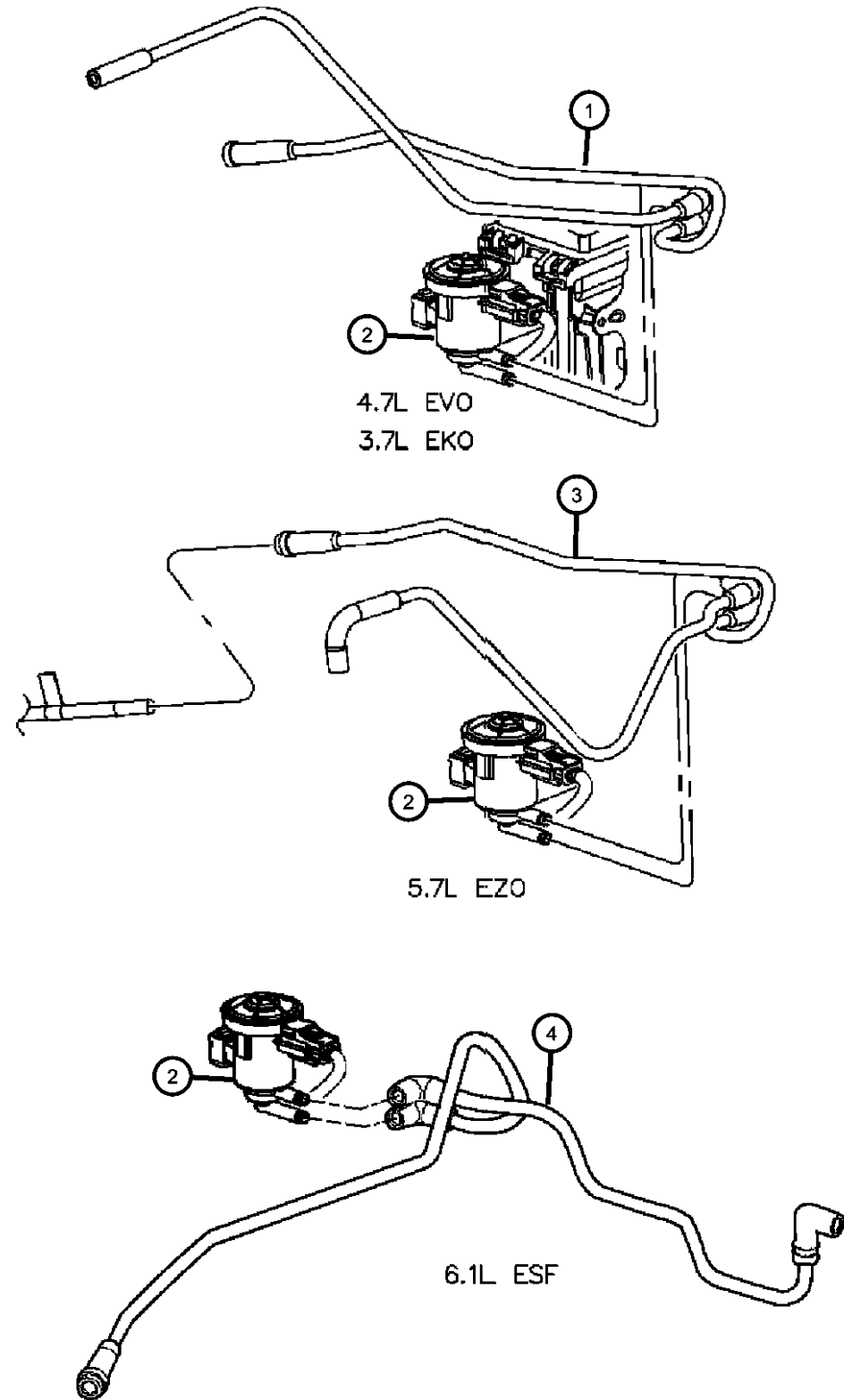
ENGINE
EVA = 4.7L V8 MPI Engine
EVD = 4.7L V8 FFV Engine
EXL = 3.0L V6 Turbo Diesel
Engine
EZB = 5.7L Hemi Multi
Displacement Engine
EKG = 3.7L V6 Engine
ESF = 6.1L SRT HEMI SMPI
V8 Engine

TRANSMISSION
DGJ = 5-Speed Auto W5A580
Transmission
DGQ = 5-Spd Automatic 545RFE
Transmission
DGU = 5-Spd Auto W5J400
Transmission

AR = use ase required - = Non illustrated part

2007 WK

**Emission Control Vacuum Harness
Figure 25-410**



ITEM	PART NUMBER	QTY	LINE	SERIES	BODY	ENGINE	TRANS	TRIM	DESCRIPTION
Note Sale Code: [ESF] =6.1L SRT HEMI SMPI V8 [EV0]=ALL 4.7L GAS ENGINES [EZ0]=ALL 5.7L 8CYL GAS ENGINES									
1									HARNESS, Proportional Purge Solenoid
	52124469AA	1	J, T		74	EK0			
	52089987AC	1	J, T		74	EV0			
2									SOLENOID, Proportional Purge
	52090419AA	1	J, T		74	EV0			
		1	J, T		74	EZ0			
		1	J, T		74	EK0			
		1	J, T		74	ESF			
3	52059606AD	1	J, T		74	EZ0			HARNESS, Proportional Purge Solenoid
4	05037762AB	1				ESF			HARNESS, Vacuum Vapor

GRAND CHEROKEE (WK)

SERIES LINE
H = HIGHLINE T = JEEP - 2WD
P = PREMIUM J = JEEP - 4WD
S = SPORT
X = SPECIAL

BODY
74 = SPORT UTILITY 4-DR
TYPE #4

ENGINE
EVA = 4.7L V8 MPI Engine
EVD = 4.7L V8 FFV Engine
EXL = 3.0L V6 Turbo Diesel
Engine
EZB = 5.7L Hemi Multi
Displacement Engine
EKG = 3.7L V6 Engine
ESF = 6.1L SRT HEMI SMPI
V8 Engine

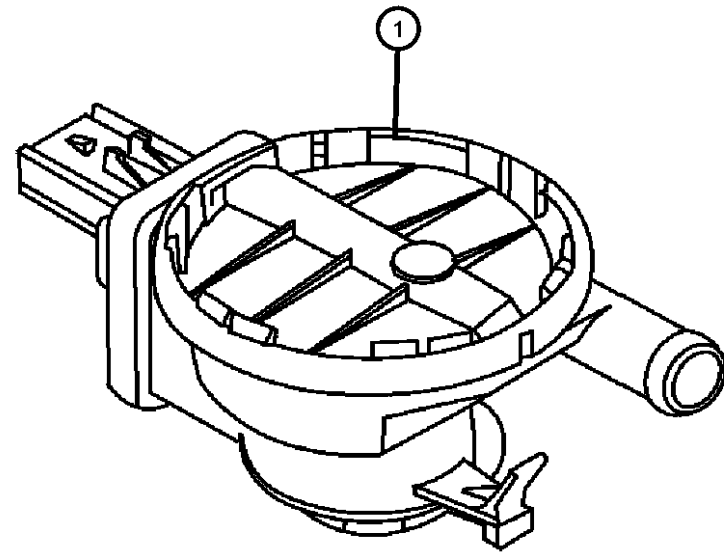
TRANSMISSION
DGJ = 5-Speed Auto W5A580
Transmission
DGQ = 5-Spd Automatic 545RFE
Transmission
DGU = 5-Spd Auto W5J400
Transmission

AR = use ase required - = Non illustrated part

2007 WK

**Leak Detection Pump,
Figure 25-420**

ITEM	PART NUMBER	QTY	LINE	SERIES	BODY	ENGINE	TRANS	TRIM	DESCRIPTION
1	04891729AA	1	J, T		74	EK0, ES0, EV0, EZ0			DETECTOR, Evaporative System Integrity Module
-2	05085164AA	1	J, T		74	EK0, ES0, EV0, EZ0			FILTER, Leak Detection Pump



GRAND CHEROKEE (WK)

SERIES LINE
H = HIGHLINE T = JEEP - 2WD
P = PREMIUM J = JEEP - 4WD
S = SPORT
X = SPECIAL

BODY
74 = SPORT UTILITY 4-DR
TYPE #4

ENGINE
EVA = 4.7L V8 MPI Engine
EVD = 4.7L V8 FFV Engine
EXL = 3.0L V6 Turbo Diesel
Engine
EZB = 5.7L Hemi Multi
Displacement Engine
EKG = 3.7L V6 Engine
ESF = 6.1L SRT HEMI SMPI
V8 Engine

TRANSMISSION
DGJ = 5-Speed Auto W5A580
Transmission
DGQ = 5-Spd Automatic 545RFE
Transmission
DGU = 5-Spd Auto W5J400
Transmission

Group - DWK

Doors and Related Parts

Group - DWK Doors and Related Parts

Illustration Title

Group-Fig. No.

Front Door

Door, Front Shell and Hinges.....	Fig. DWK - 110
Door, Front Glass and Regulators	Fig. DWK - 120
Door, Front Lock and Controls	Fig. DWK - 130

Rear Door

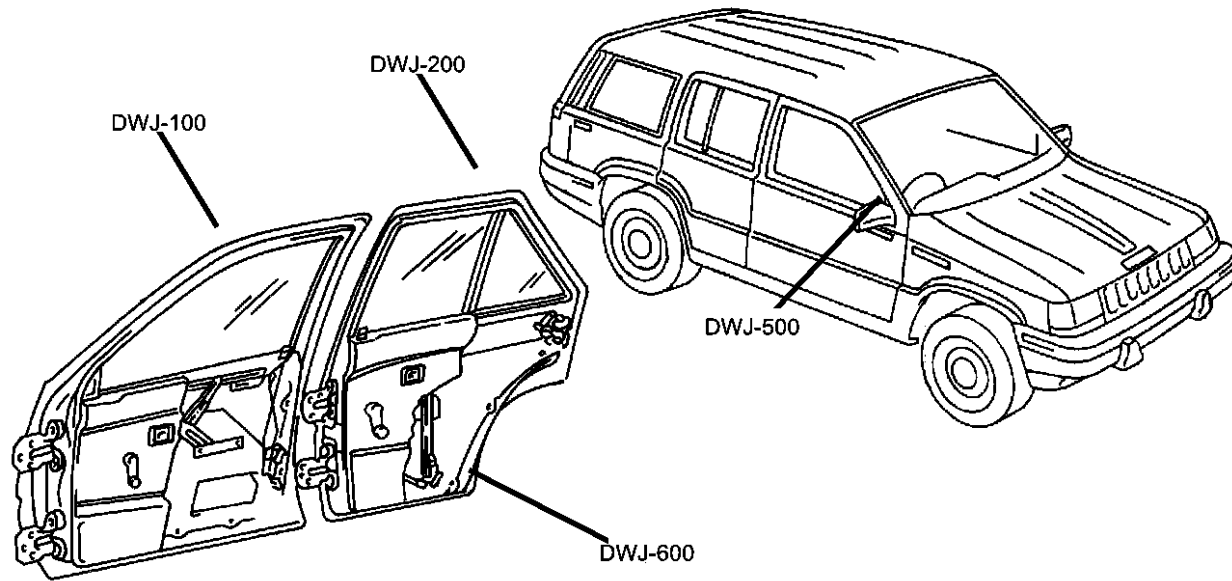
Door, Rear Shell and Hinges.....	Fig. DWK - 210
Door Rear , Glass and Regulator	Fig. DWK - 220
Door, Rear Lock and Controls.....	Fig. DWK - 230

Exterior Mirror

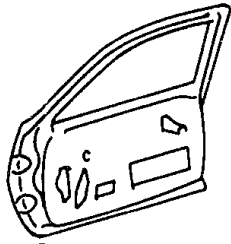
Mirrors, Exterior	Fig. DWK - 510
-------------------------	----------------

Weatherstrips and Seals

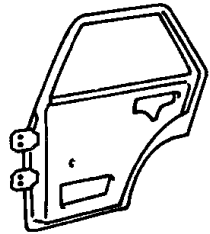
Door, Front Weatherstrips and Seals	Fig. DWK - 610
Door, Rear Weatherstrips and Seals	Fig. DWK - 620
Door, Rear Lift Gate Weatherstrips and Seals	Fig. DWK - 630



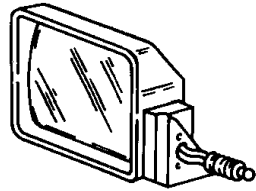
DWK-100
Front Door



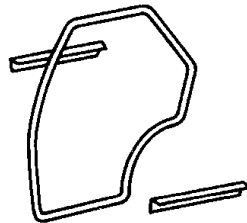
DWK-200
Rear Door



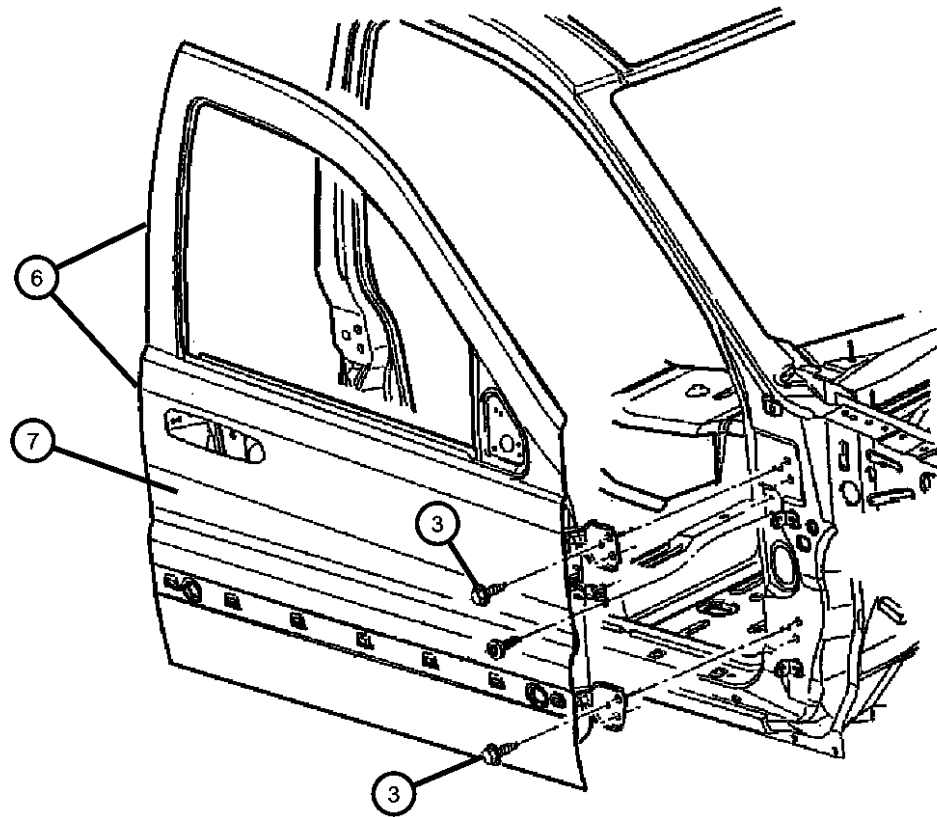
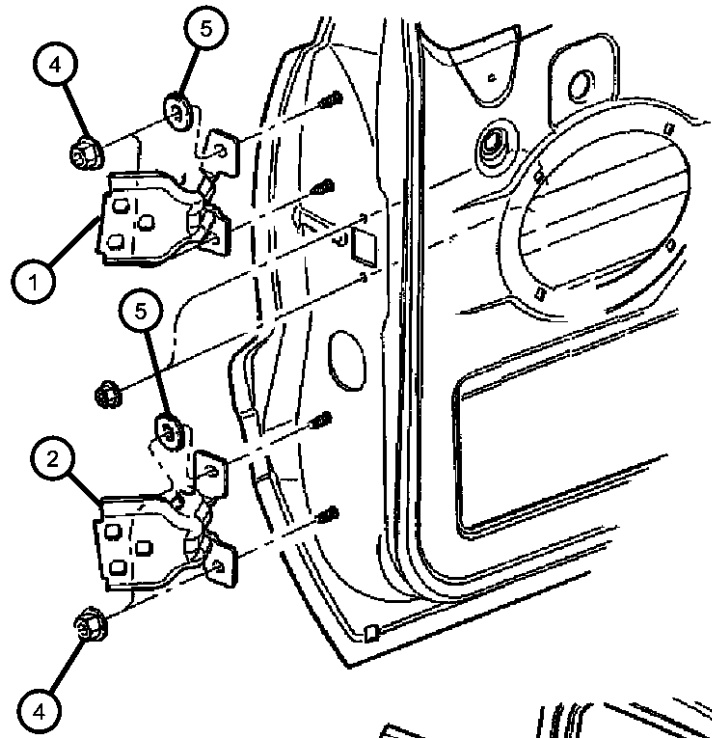
DWK-500
Exterior Mirror



DWK-600
Weatherstrips and Seals



Door, Front Shell and Hinges
Figure DWK-110



ITEM	PART NUMBER	QTY	LINE	SERIES	BODY	ENGINE	TRANS	TRIM	DESCRIPTION
1	55369194AB	1	J, T		74				HINGE, Door, Upper Right
	55369195AB	1	J, T		74				Left
2	55369192AC	1	J, T		74				HINGE, Front Door Lower Right
	55369193AC	1	J, T		74				Left
3	06503328	10	J, T		74				SCREW, Hex Head, M8x1.25x30
4	06101446	6	J, T		74				NUT AND WASHER
5		6							WASHER, Flat, (NOT SERVICED)
6	55394352AE	1	J, T		74				DOOR, Front Right
	55394353AE	1	J, T		74				Left
7	55394354AB	1	J, T		74				PANEL, Front Door Outer Repair Right
	55394355AB	1	J, T		74				Left

GRAND CHEROKEE (WK)

SERIES LINE
H = HIGHLINE T = JEEP - 2WD
P = PREMIUM J = JEEP - 4WD
S = SPORT
X = SPECIAL

BODY
74 = SPORT UTILITY 4-DR
TYPE #4

ENGINE
EVA = 4.7L V8 MPI Engine
EVD = 4.7L V8 FFV Engine
EXL = 3.0L V6 Turbo Diesel
Engine
EZB = 5.7L Hemi Multi
Displacement Engine
EKG = 3.7L V6 Engine
ESF = 6.1L SRT HEMI SMPI
V8 Engine

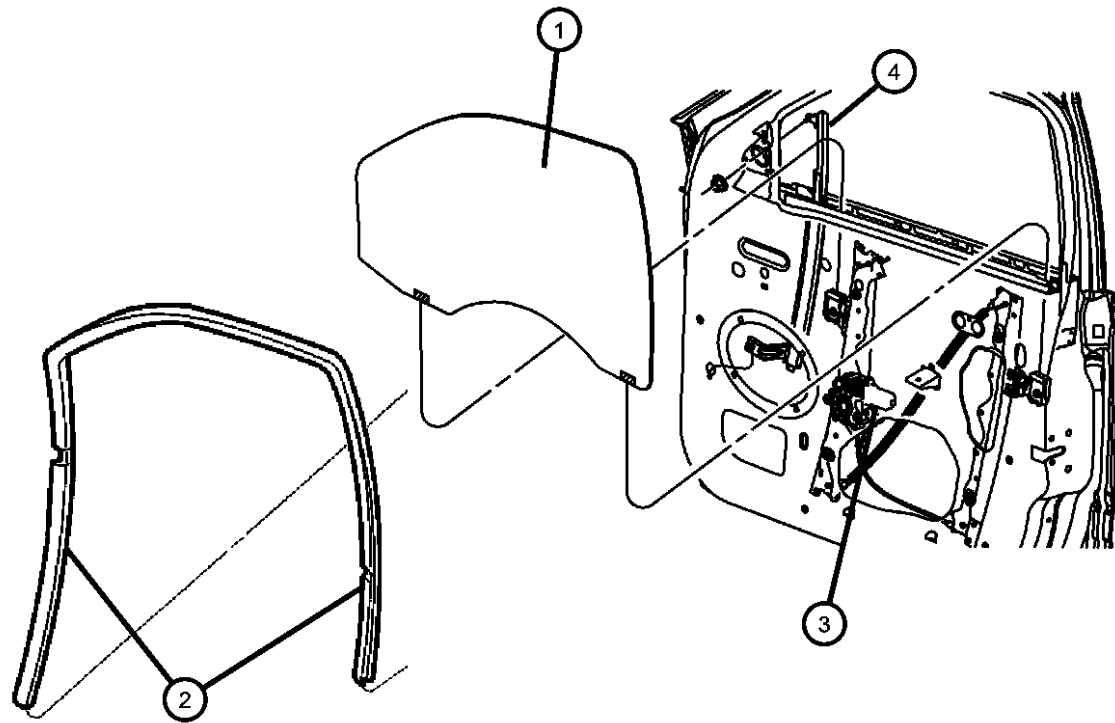
TRANSMISSION
DGJ = 5-Speed Auto W5A580
Transmission
DGQ = 5-Spd Automatic 545RFE
Transmission
DGU = 5-Spd Auto W5J400
Transmission

AR = use ase required - = Non illustrated part

2007 WK

Door, Front Glass and Regulators
Figure DWK-120

ITEM	PART NUMBER	QTY	LINE	SERIES	BODY	ENGINE	TRANS	TRIM	DESCRIPTION
Note: Laminated glass should have logo which states SECURE SHIELD, also the top edge of glass should have a film between layers of glass. Tem									
1									GLASS, Front Door, See Note
	55396954AC	1	J, T	P, S, X	74				Laminated, Right
	DD11085GTY								Collision Replacement Glass
	55396955AC	1	J, T	P, S, X	74				Laminated, Left
	DD11086GTY								Collision Replacement Glass
	55394254AC	1	J, T	H	74				Tempered, Right
	DD11131GTN								Collision Replacement Glass
	55394255AC	1	J, T	H	74				Tempered, Left
	DD11132GTN								Collision Replacement Glass
2									SEAL, Front Door Glass
	55394052AH	1							Right
	55394053AH	1							Left
3									REGULATOR, Front Door Window
	04589170AC	1							Up to 2/12/07, Right
	04589170AE	1	J, T		74				After 2/12/07, Right
	04589171AC	1							Up to 2/12/07, Left
	04589171AE	1	J, T		74				After 2/12/07, Left
4									CHANNEL, Front Door Glass
	55394358AG	1	J, T		74				Right
	55394359AG	1	J, T		74				Left



GRAND CHEROKEE (WK)

SERIES LINE
H = HIGHLINE T = JEEP - 2WD
P = PREMIUM J = JEEP - 4WD
S = SPORT
X = SPECIAL

BODY
74 = SPORT UTILITY 4-DR
TYPE #4

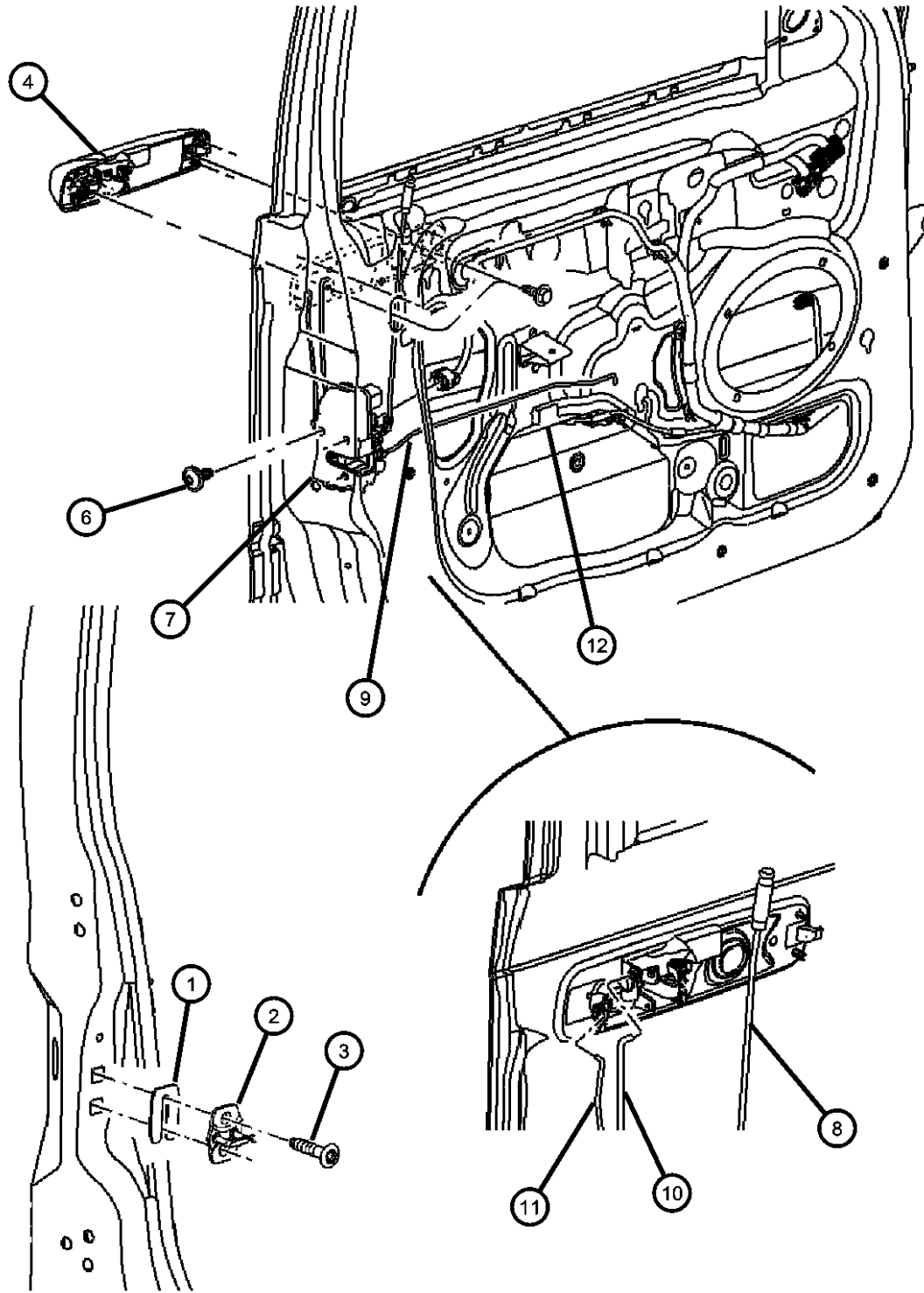
ENGINE
EVA = 4.7L V8 MPI Engine
EVD = 4.7L V8 FFV Engine
EXL = 3.0L V6 Turbo Diesel
Engine
EZB = 5.7L Hemi Multi
Displacement Engine
EKG = 3.7L V6 Engine
ESF = 6.1L SRT HEMI SMPI
V8 Engine

TRANSMISSION
DGJ = 5-Speed Auto W5A580
Transmission
DGQ = 5-Spd Automatic 545RFE
Transmission
DGU = 5-Spd Auto W5J400
Transmission

AR = use ase required - = Non illustrated part

2007 WK

Door, Front Lock and Controls
Figure DWK-130



ITEM	PART NUMBER	QTY	LINE	SERIES	BODY	ENGINE	TRANS	TRIM	DESCRIPTION
1	04520289	AR	J, T		74				SPACER, Door Latch Striker 3.75mm
	55075483	AR	J, T		74				2.0mm
2	04717779AB	2	J, T		74				STRIKER AND BUMPER, Door Latch
3	06506749AA	4	J, T		74				SCREW, 6 Lobed
4	5HS56CDMAI	1	J, T	P	74				HANDLE, Door Exterior [DM], Right
		1	J, T	H	74				[DM], Right
	5HS56DBMAI	1	J, T	P	74				[BM], Right
		1	J, T	X	74				[BM], Right
		1	J, T	S	74				[BM], Right
		1	J, T	H	74				[BM], Right
	5HS56DX8AI	1	J, T	P	74				[X8], Right
		1	J, T	X	74				[X8], Right
		1	J, T	S	74				[X8], Right
		1	J, T	H	74				[X8], Right
	5HS56EDAAI	1	J, T	P	74				[DA], Right
		1	J, T	S	74				[DA], Right
		1	J, T	H	74				[DA], Right
	5HS56EEMAI	1	J, T	P	74				[EM], Right
		1	J, T	X	74				[EM], Right
		1	J, T	S	74				[EM], Right
		1	J, T	H	74				[EM], Right
	5HS56EGJAI	1	J, T	P	74				[GJ], Right
		1	J, T	S	74				[GJ], Right
		1	J, T	H	74				[GJ], Right
5HS56SW1AI	1	J, T	P	74				[W1], Right	
	1	J, T	H	74				[W1], Right	
5HS56WSBAI	1	J, T	P	74				[SB], Right	
	1	J, T	X	74				[SB], Right	
	1	J, T	S	74				[SB], Right	
	1	J, T	H	74				[SB], Right	

GRAND CHEROKEE (WK)

SERIES LINE
H = HIGHLINE T = JEEP - 2WD
P = PREMIUM J = JEEP - 4WD
S = SPORT
X = SPECIAL

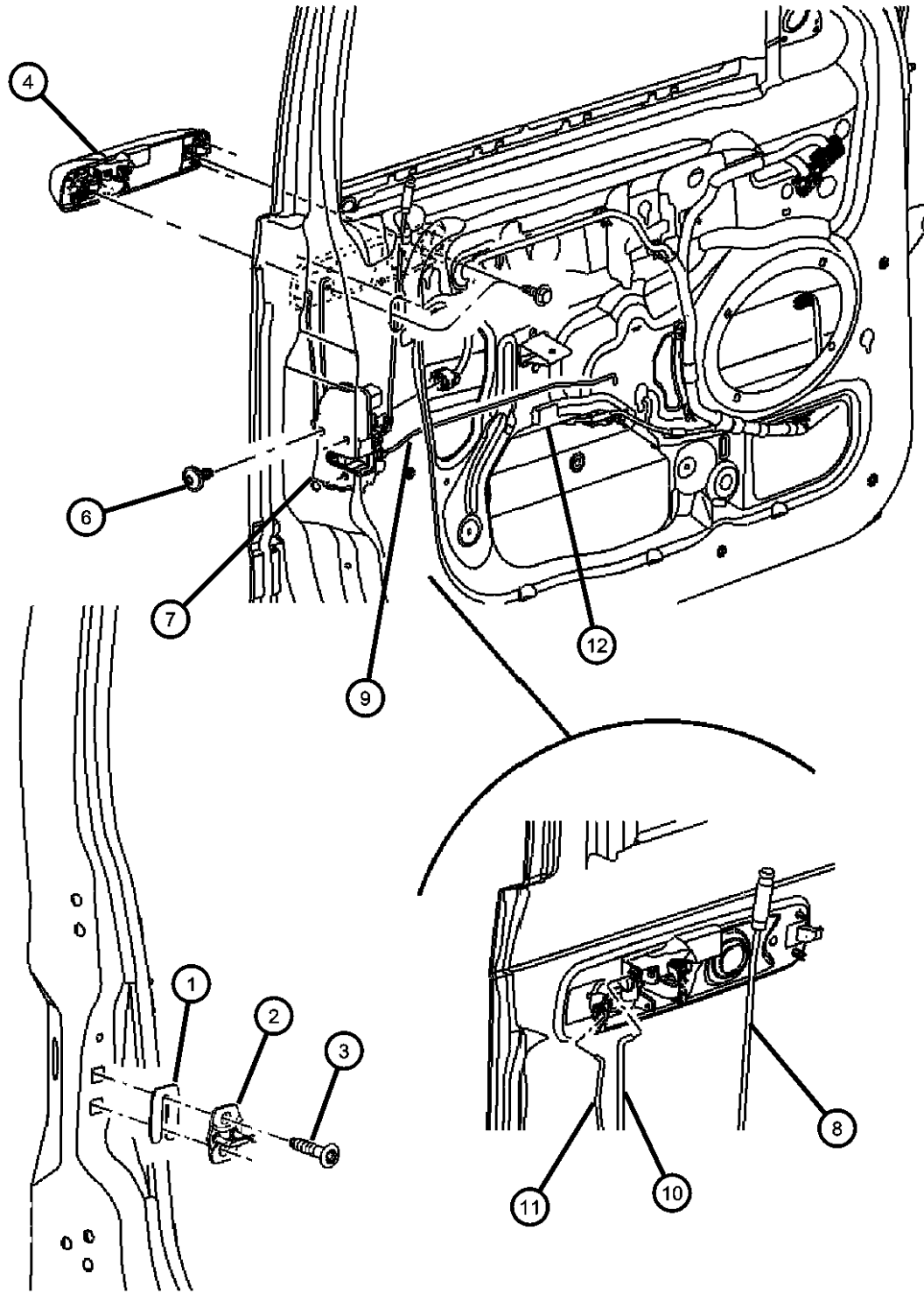
BODY
74 = SPORT UTILITY 4-DR
TYPE #4

ENGINE
EVA = 4.7L V8 MPI Engine
EVD = 4.7L V8 FFV Engine
EXL = 3.0L V6 Turbo Diesel
Engine
EZB = 5.7L Hemi Multi
Displacement Engine
EKG = 3.7L V6 Engine
ESF = 6.1L SRT HEMI SMPI
V8 Engine

TRANSMISSION
DGJ = 5-Speed Auto W5A580
Transmission
DGQ = 5-Spd Automatic 545RFE
Transmission
DGU = 5-Spd Auto W5J400
Transmission

AR = use ase required - = Non illustrated part

Door, Front Lock and Controls
Figure DWK-130



ITEM	PART NUMBER	QTY	LINE	SERIES	BODY	ENGINE	TRANS	TRIM	DESCRIPTION
	5HW79CD-MAI	1	J, T	P	74				[DM], Left
		1	J, T	H	74				[DM], Left
	5HW79DB-MAI	1	J, T	P	74				[BM], Left
		1	J, T	X	74				[BM], Left
		1	J, T	S	74				[BM], Left
		1	J, T	H	74				[BM], Left
	5HW79DX8AI	1	J, T	P	74				[X8], Left
		1	J, T	X	74				[X8], Left
		1	J, T	S	74				[X8], Left
		1	J, T	H	74				[X8], Left
	5HW79EDAAI	1	J, T	P	74				[DA], Left
		1	J, T	S	74				[DA], Left
		1	J, T	H	74				[DA], Left
	5HW79EEMAI	1	J, T	P	74				[EM], Left
		1	J, T	X	74				[EM], Left
		1	J, T	S	74				[EM], Left
		1	J, T	H	74				[EM], Left
	5HW79EGJAI	1	J, T	P	74				[GJ], Left
		1	J, T	S	74				[GJ], Left
		1	J, T	H	74				[GJ], Left
	5HW79WS-BAI	1	J, T	P	74				[SB], Left
		1	J, T	X	74				[SB], Left
		1	J, T	S	74				[SB], Left
		1	J, T	H	74				[SB], Left
	5HW79SW1AI	1	J, T	P	74				[W1], Left
		1	J, T	H	74				[W1], Left
-5									CLIP, Rod Door Lock
	05179176AA	1	J, T	P	74				
		1	J, T	X	74				
		1	J, T	S	74				

GRAND CHEROKEE (WK)

SERIES LINE
H = HIGHLINE T = JEEP - 2WD
P = PREMIUM J = JEEP - 4WD
S = SPORT
X = SPECIAL

BODY
74 = SPORT UTILITY 4-DR
TYPE #4

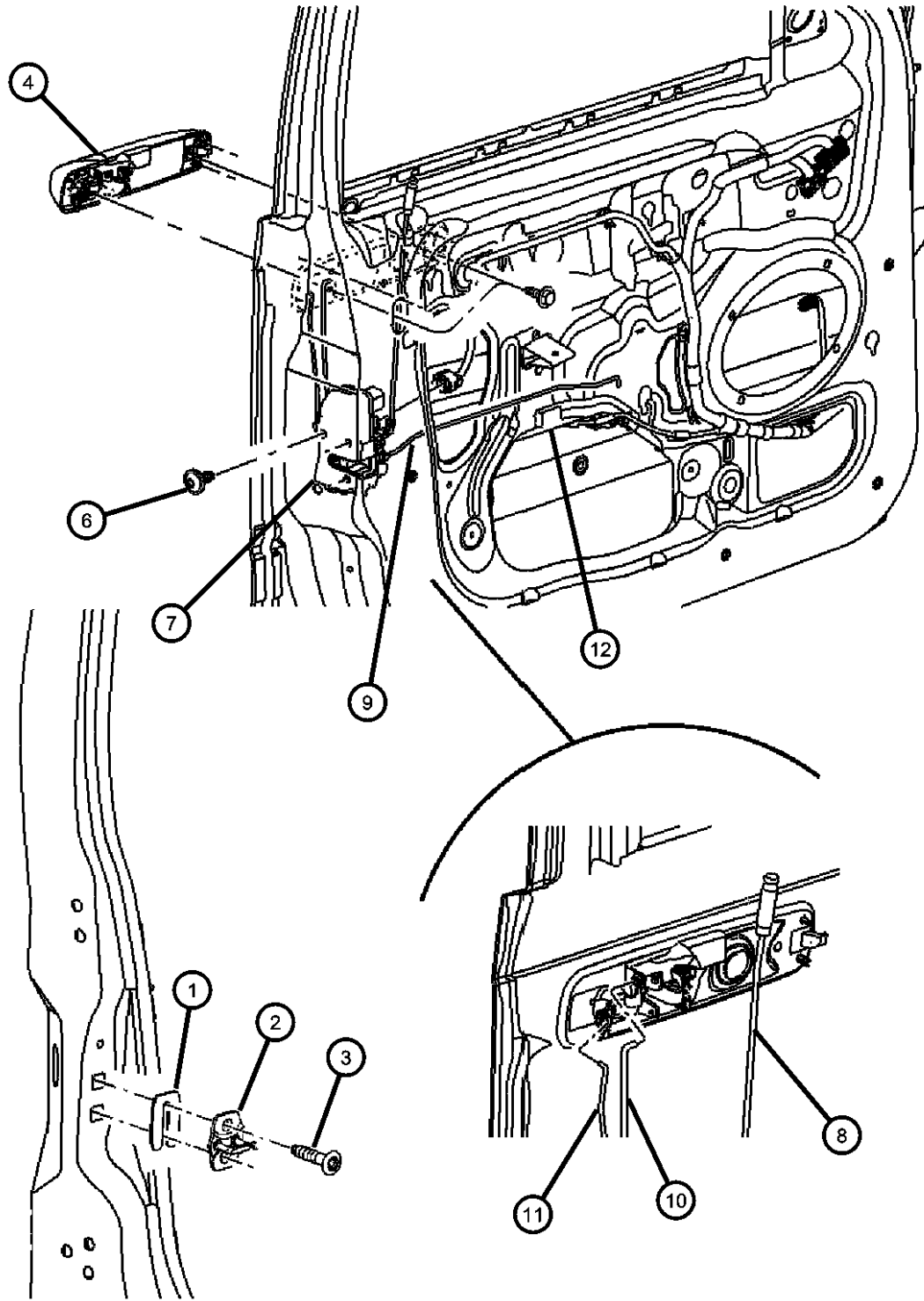
ENGINE
EVA = 4.7L V8 MPI Engine
EVD = 4.7L V8 FFV Engine
EXL = 3.0L V6 Turbo Diesel
Engine
EZB = 5.7L Hemi Multi
Displacement Engine
EKG = 3.7L V6 Engine
ESF = 6.1L SRT HEMI SMPI
V8 Engine

TRANSMISSION
DGJ = 5-Speed Auto W5A580
Transmission
DGQ = 5-Spd Automatic 545RFE
Transmission
DGU = 5-Spd Auto W5J400
Transmission

AR = use ase required - = Non illustrated part

2007 WK

Door, Front Lock and Controls
Figure DWK-130



ITEM	PART NUMBER	QTY	LINE	SERIES	BODY	ENGINE	TRANS	TRIM	DESCRIPTION
		1	J, T	H	74				
6	06507121AA	6	J, T		74				SCREW
7									LATCH, Front Door
	55394232AF	1	J, T		74				Right
	55394937AF	1	J, T		74				Left
8									KNOB AND LINK, Door Latch
	55396906AB	1							Right
	55396907AB	1							Left
9									ROD, Inside Handle to Latch
	05166835AA	1	J, T		74				Right
	05166837AA	1	J, T		74				Left
10									LINK, Exterior Door Handle
	05166836AA	1	J, T		74				Left
	05166838AA	1	J, T		74				Right
11	05166839AA	1	J, T		74				LINK, Key Cylinder To Latch
12	06508074AA	6	J, T		74				SCREW, Tapping

GRAND CHEROKEE (WK)

SERIES LINE
H = HIGHLINE T = JEEP - 2WD
P = PREMIUM J = JEEP - 4WD
S = SPORT
X = SPECIAL

BODY
74 = SPORT UTILITY 4-DR
TYPE #4

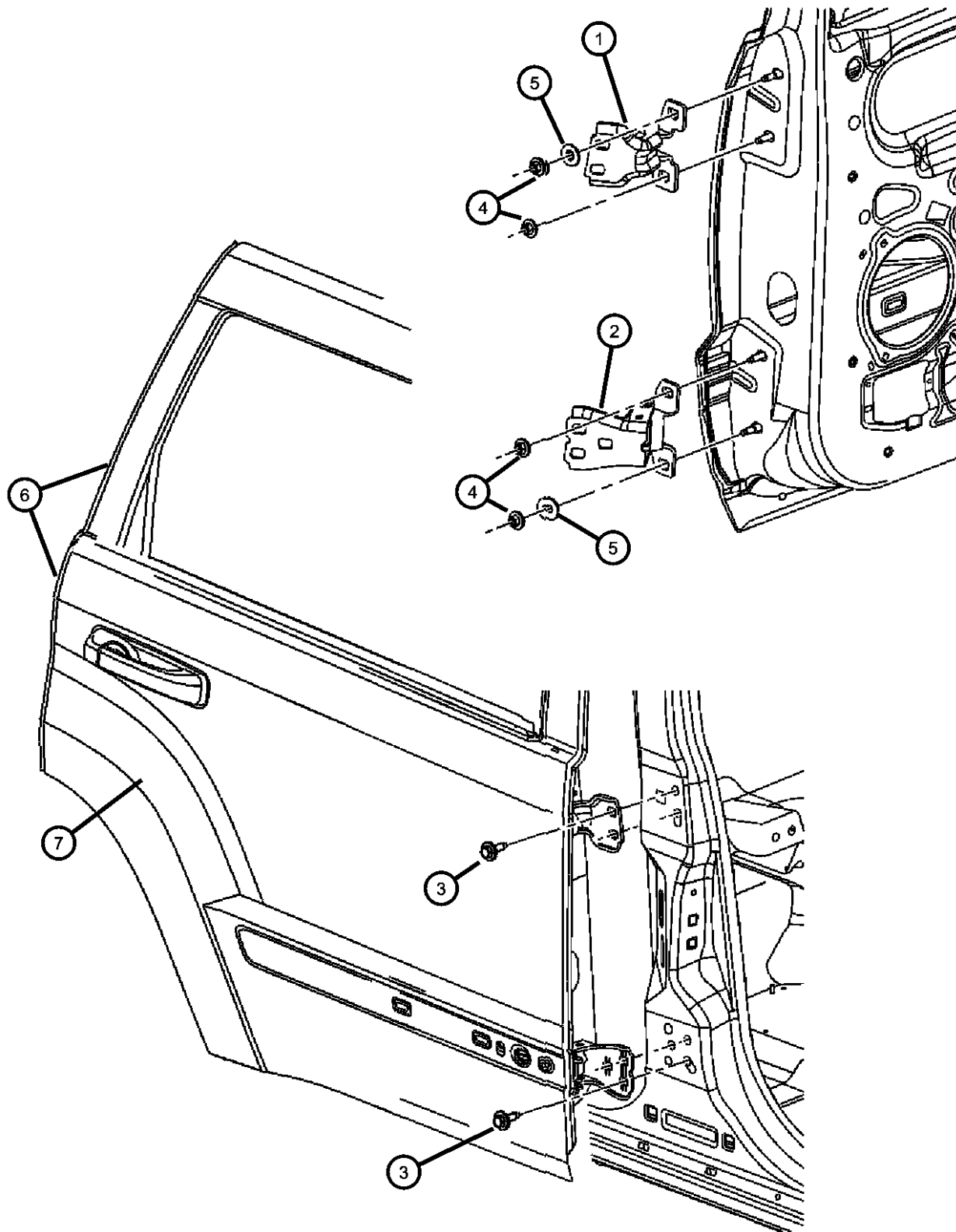
ENGINE
EVA = 4.7L V8 MPI Engine
EVD = 4.7L V8 FFV Engine
EXL = 3.0L V6 Turbo Diesel
Engine
EZB = 5.7L Hemi Multi
Displacement Engine
EKG = 3.7L V6 Engine
ESF = 6.1L SRT HEMI SMPI
V8 Engine

TRANSMISSION
DGJ = 5-Speed Auto W5A580
Transmission
DGQ = 5-Spd Automatic 545RFE
Transmission
DGU = 5-Spd Auto W5J400
Transmission

AR = use ase required - = Non illustrated part

2007 WK

Door, Rear Shell and Hinges
Figure DWK-210



ITEM	PART NUMBER	QTY	LINE	SERIES	BODY	ENGINE	TRANS	TRIM	DESCRIPTION
1	55369194AB	1	J, T		74				HINGE, Door, Upper Right
	55369195AB	1	J, T		74				Left
2	55369188AC	1	J, T		74				HINGE, Rear Door Lower Right
	55369189AC	1	J, T		74				Left
3	06503328	10	J, T		74				SCREW, Hex Head, M8x1.25x30
4	06101446	6	J, T		74				NUT AND WASHER
5		6							WASHER, Flat, (NOT SERVICED)
6	55394385AG	1	J, T		74				DOOR, Rear Left
	55394384AG	1	J, T		74				Right
7	55394386AD	1	J, T		74				PANEL, Rear Door Right
	55394387AD	1	J, T		74				Left

GRAND CHEROKEE (WK)

SERIES LINE
H = HIGHLINE T = JEEP - 2WD
P = PREMIUM J = JEEP - 4WD
S = SPORT
X = SPECIAL

BODY
74 = SPORT UTILITY 4-DR
TYPE #4

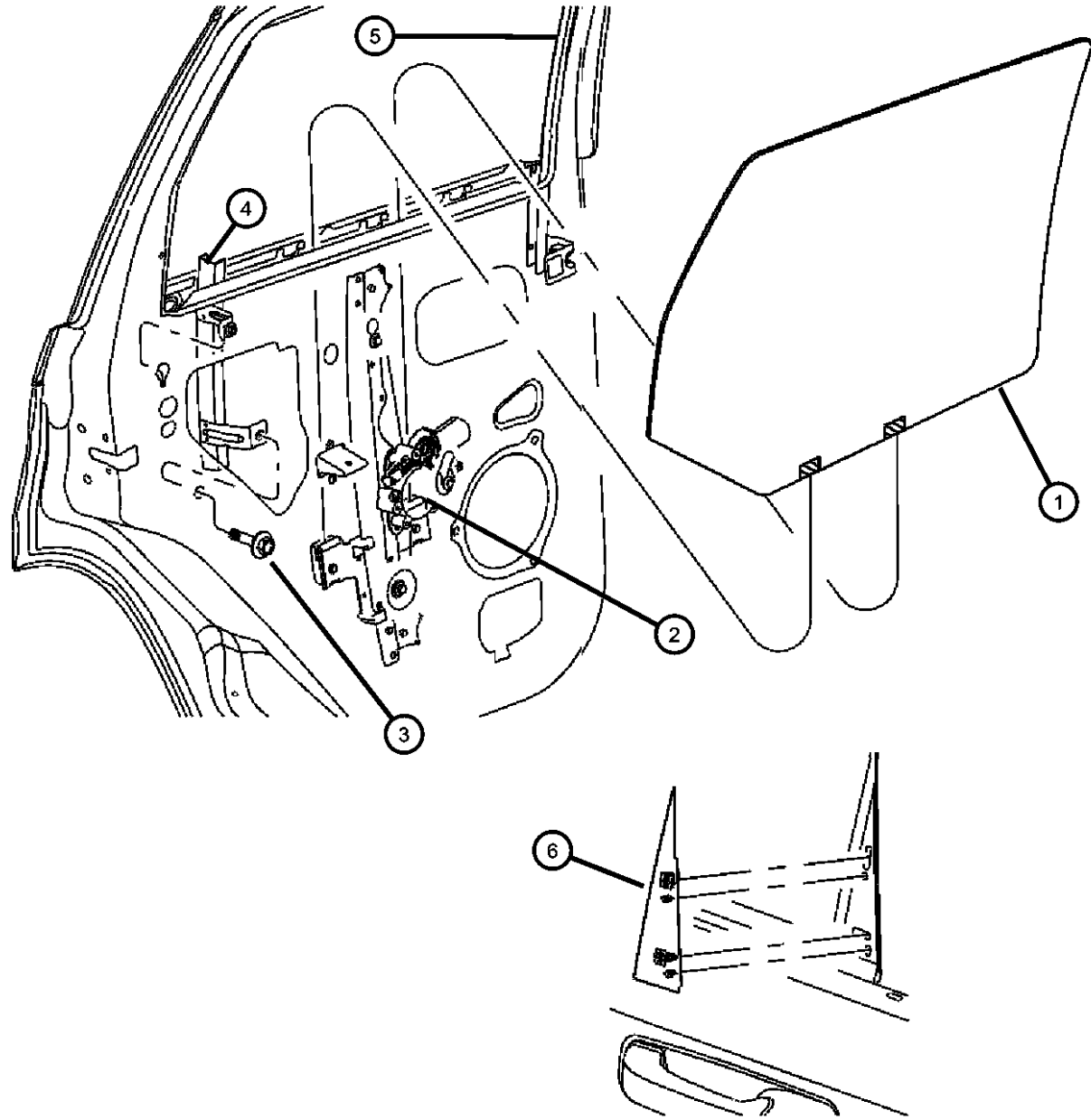
ENGINE
EVA = 4.7L V8 MPI Engine
EVD = 4.7L V8 FFV Engine
EXL = 3.0L V6 Turbo Diesel
Engine
EZB = 5.7L Hemi Multi
Displacement Engine
EKG = 3.7L V6 Engine
ESF = 6.1L SRT HEMI SMPI
V8 Engine

TRANSMISSION
DGJ = 5-Speed Auto W5A580
Transmission
DGQ = 5-Spd Automatic 545RFE
Transmission
DGU = 5-Spd Auto W5J400
Transmission

AR = use ase required - = Non illustrated part

2007 WK

**Door Rear , Glass and Regulator
Figure DWK-220**



ITEM	PART NUMBER	QTY	LINE	SERIES	BODY	ENGINE	TRANS	TRIM	DESCRIPTION
1	55394310AB	1	J, T		74				GLASS, Rear Door Right
	DD10789YPN								Collision Replacement Glass
	55394311AB	1	J, T		74				Left
	DD10790YPN								Collision Replacement Glass
2	55394228AD	1							REGULATOR, Rear Door Window Right
	55394229AD	1							Left
3	06502064	2	J		74				SCREW, Tapping, M6x1x20
4	55394329AB	1	J, T		74				CHANNEL, Rear Door Glass Lower Left
	55394328AB	1	J, T		74				Right
5	55394054AE	1	J, T		74				WEATHERSTRIP, Door Glass Right
	55394055AE	1	J, T		74				Left
6	55396380AC	1	J, T		74				APPLIQUE, Rear Door Right
	55396381AC	1	J, T		74				Left

GRAND CHEROKEE (WK)

SERIES LINE
H = HIGHLINE T = JEEP - 2WD
P = PREMIUM J = JEEP - 4WD
S = SPORT
X = SPECIAL

BODY
74 = SPORT UTILITY 4-DR
TYPE #4

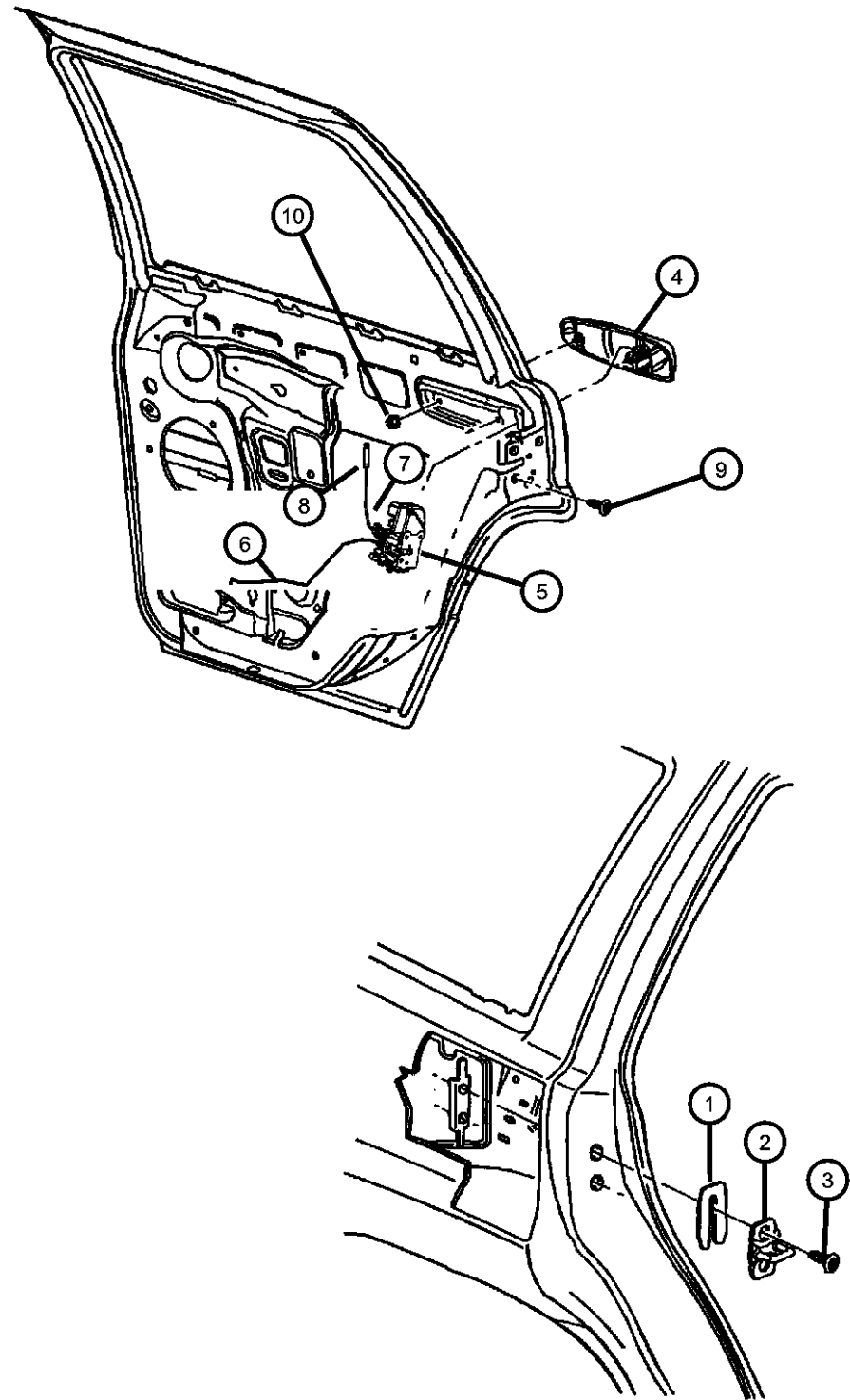
ENGINE
EVA = 4.7L V8 MPI Engine
EVD = 4.7L V8 FFV Engine
EXL = 3.0L V6 Turbo Diesel
Engine
EZB = 5.7L Hemi Multi
Displacement Engine
EKG = 3.7L V6 Engine
ESF = 6.1L SRT HEMI SMPI
V8 Engine

TRANSMISSION
DGJ = 5-Speed Auto W5A580
Transmission
DGQ = 5-Spd Automatic 545RFE
Transmission
DGU = 5-Spd Auto W5J400
Transmission

AR = use ase required - = Non illustrated part

2007 WK

Door, Rear Lock and Controls
Figure DWK-230



ITEM	PART NUMBER	QTY	LINE	SERIES	BODY	ENGINE	TRANS	TRIM	DESCRIPTION
1									SPACER, Door Latch Striker
	04520289	AR	J, T		74				3.75mm Thick
	55075483	AR	J, T		74				2.0mm Thick
2	04717779AB	2	J, T		74				STRIKER AND BUMPER, Door Latch
3	06506749AA	4	J, T		74				SCREW, 6 Lobed
4									HANDLE, Door Exterior
	5HS56CDMAI	1	J, T	P	74				[DM], Right
		1	J, T	H	74				[DM], Right
	5HS56DBMAI	1	J, T	P	74				[BM], Right
		1	J, T	X	74				[BM], Right
		1	J, T	S	74				[BM], Right
		1	J, T	H	74				[BM], Right
	5HS56DX8AI	1	J, T	P	74				[X8], Right
		1	J, T	X	74				[X8], Right
		1	J, T	S	74				[X8], Right
		1	J, T	H	74				[X8], Right
	5HS57CDMAI	1	J, T	H	74				[DM], Left
	5HS57DBMAI	1	J, T	P	74				[BM], Left
		1	J, T	X	74				[BM], Left
		1	J, T	P	74				[DM], Left
		1	J, T	H	74				[BM], Left
	5HS57DX8AI	1	J, T	P	74				[X8], Left
		1	J, T	X	74				[X8], Left
		1	J, T	S	74				[BM], Left
		1	J, T	H	74				[X8], Left
	5HS57EDAAI	1	J, T	P	74				[DA], Left
		1	J, T	S	74				[DA], Left
		1	J, T	S	74				[X8], Left
	5HS57EEMAI	1	J, T	P	74				[EM], Left
		1	J, T	X	74				[EM], Left
		1	J, T	S	74				[EM], Left
		1	J, T	H	74				[DA], Left

GRAND CHEROKEE (WK)

SERIES LINE
H = HIGHLINE T = JEEP - 2WD
P = PREMIUM J = JEEP - 4WD
S = SPORT
X = SPECIAL

BODY
74 = SPORT UTILITY 4-DR
TYPE #4

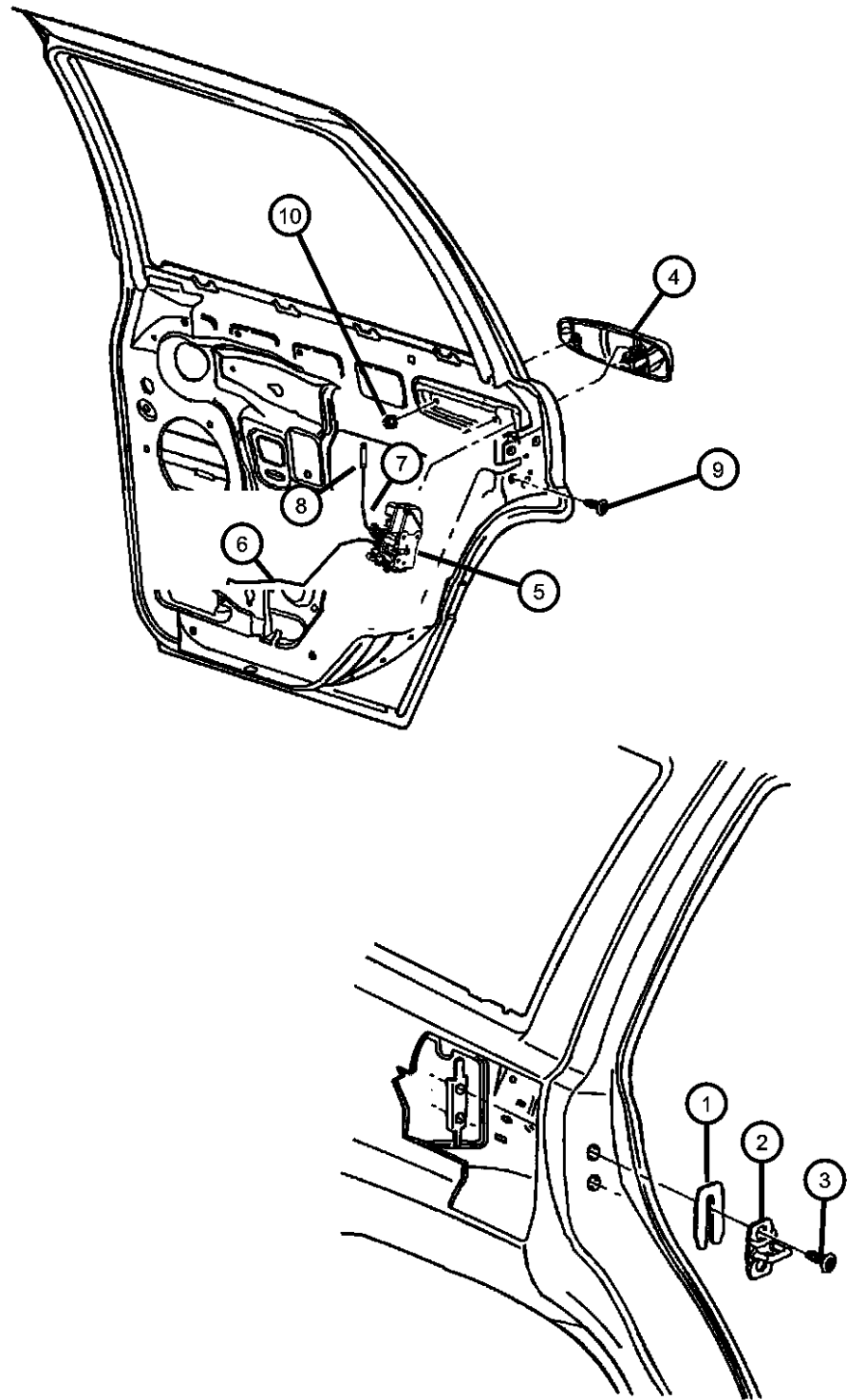
ENGINE
EVA = 4.7L V8 MPI Engine
EVD = 4.7L V8 FFV Engine
EXL = 3.0L V6 Turbo Diesel
Engine
EZB = 5.7L Hemi Multi
Displacement Engine
EKG = 3.7L V6 Engine
ESF = 6.1L SRT HEMI SMPI
V8 Engine

TRANSMISSION
DGJ = 5-Speed Auto W5A580
Transmission
DGQ = 5-Spd Automatic 545RFE
Transmission
DGU = 5-Spd Auto W5J400
Transmission

AR = use ase required - = Non illustrated part

2007 WK

Door, Rear Lock and Controls
Figure DWK-230



ITEM	PART NUMBER	QTY	LINE	SERIES	BODY	ENGINE	TRANS	TRIM	DESCRIPTION
	5HS56EEMAI	1	J, T	S	74				[EM], Right
		1	J, T	H	74				[EM], Right
	5HS56EGJAI	1	J, T	P	74				[GJ], Right
		1	J, T	X	74				[EM], Right
		1	J, T	H	74				[GJ], Right
	5HS56SW1AI	1	J, T	P	74				[W1], Right
		1	J, T	H	74				[W1], Right
		1	J, T	S	74				[GJ], Right
	5HS56WSBAI	1	J, T	X	74				[SB], Right
		1	J, T	S	74				[SB], Right
		1	J, T	H	74				[SB], Right
		1	J, T	P	74				[SB], Right
	5HS56EDAAI	1	J, T	P	74				[DA], Right
		1	J, T	S	74				[DA], Right
		1	J, T	H	74				[DA], Right
		1	J, T	P	74				[EM], Right
	5HS57EGJAI	1	J, T	P	74				[GJ], Left
		1	J, T	S	74				[GJ], Left
		1	J, T	H	74				[GJ], Left
		1	J, T	H	74				[EM], Left
	5HS57SW1AI	1	J, T	H	74				[W1], Left
	5HS57WSBAI	1	J, T	P	74				[SB], Left
		1	J, T	X	74				[SB], Left
		1	J, T	P	74				[W1], Left
		1	J, T	H	74				[SB], Left
		1	J, T	S	74				[SB], Left
5									LATCH, Rear Door
	55394234AG	1							Right
	55394235AG	1							Left
6									ROD, Inside Handle to Latch
	05166840AA	1	J, T		74				Right

GRAND CHEROKEE (WK)

SERIES LINE
H = HIGHLINE T = JEEP - 2WD
P = PREMIUM J = JEEP - 4WD
S = SPORT
X = SPECIAL

BODY
74 = SPORT UTILITY 4-DR
TYPE #4

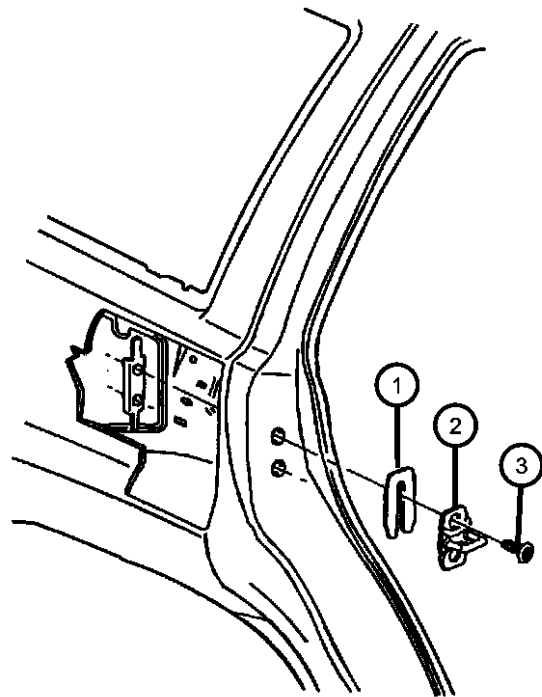
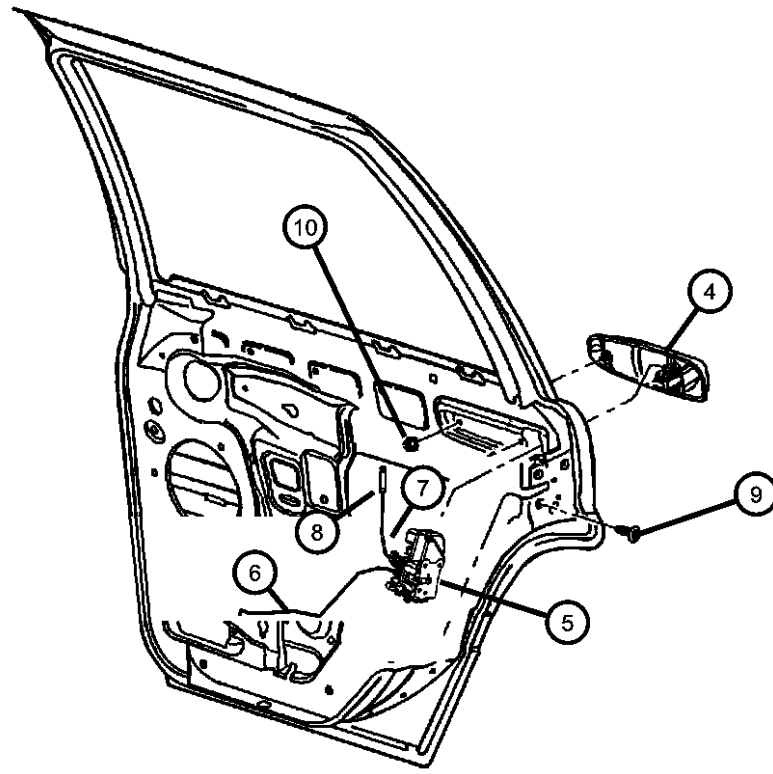
ENGINE
EVA = 4.7L V8 MPI Engine
EVD = 4.7L V8 FFV Engine
EXL = 3.0L V6 Turbo Diesel
Engine
EZB = 5.7L Hemi Multi
Displacement Engine
EKG = 3.7L V6 Engine
ESF = 6.1L SRT HEMI SMPI
V8 Engine

TRANSMISSION
DGJ = 5-Speed Auto W5A580
Transmission
DGQ = 5-Spd Automatic 545RFE
Transmission
DGU = 5-Spd Auto W5J400
Transmission

AR = use ase required - = Non illustrated part

Door, Rear Lock and Controls
Figure DWK-230

ITEM	PART NUMBER	QTY	LINE	SERIES	BODY	ENGINE	TRANS	TRIM	DESCRIPTION
7	05166842AA	1	J, T		74				Left LINK, Exterior Door Handle
	05166841AA	1	J, T		74				Right
	05166843AA	1	J, T		74				Left
8									KNOB AND LINK, Door Latch
	05179240AA	1	J, T		74				Right
	05179241AA	1	J, T		74				Left
9	06507121AA	6	J, T		74				SCREW Latch Attaching
10	06508074AA	6	J, T		74				SCREW, Tapping Outside Handle Attaching
-11	55112124AA	2	J, T		74				SEAL, Child Lock Lever



GRAND CHEROKEE (WK)

SERIES LINE
H = HIGHLINE T = JEEP - 2WD
P = PREMIUM J = JEEP - 4WD
S = SPORT
X = SPECIAL

BODY
74 = SPORT UTILITY 4-DR
TYPE #4

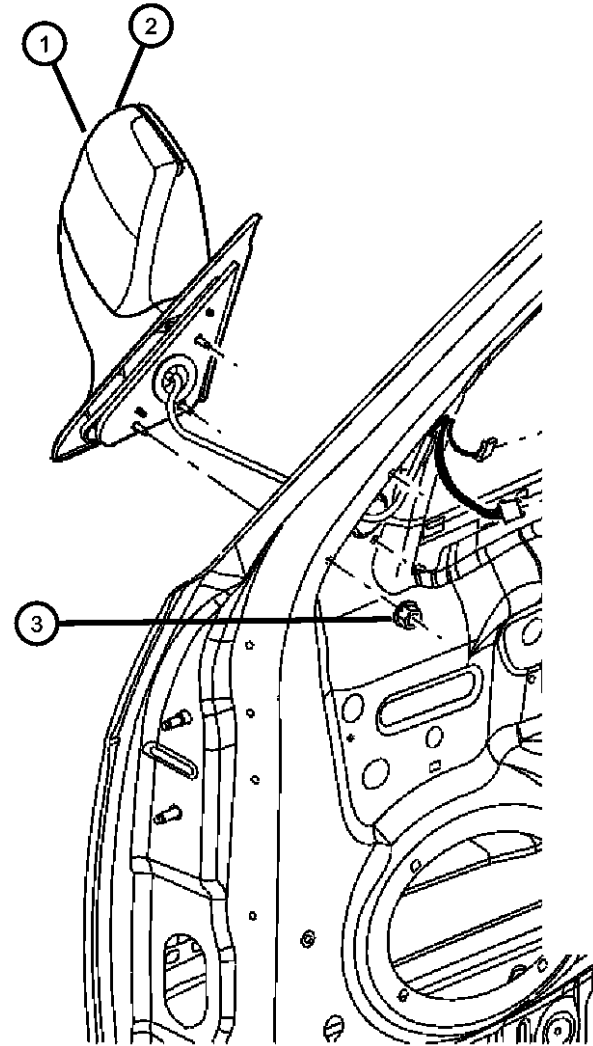
ENGINE
EVA = 4.7L V8 MPI Engine
EVD = 4.7L V8 FFV Engine
EXL = 3.0L V6 Turbo Diesel
Engine
EZB = 5.7L Hemi Multi
Displacement Engine
EKG = 3.7L V6 Engine
ESF = 6.1L SRT HEMI SMPI
V8 Engine

TRANSMISSION
DGJ = 5-Speed Auto W5A580
Transmission
DGQ = 5-Spd Automatic 545RFE
Transmission
DGU = 5-Spd Auto W5J400
Transmission

AR = use ase required - = Non illustrated part

2007 WK

Mirrors, Exterior
Figure DWK-510



ITEM	PART NUMBER	QTY	LINE	SERIES	BODY	ENGINE	TRANS	TRIM	DESCRIPTION
------	-------------	-----	------	--------	------	--------	-------	------	-------------

Sales Codes:

- [GTN]= Power Mirrors, Fold-Away
- [GTS]= Power Heated Mirrors, Fold-Away
- [GUD]= Power Heated Memory, Folding Auto Mirror
- [GUK]= Power Heated Mirrors, Fold-Away
- [GUQ]= Power Folding Multi-Functional Mirrors
- [GUT]= Power Heated Memory, Fold-Away

1

									MIRROR, Outside, Rearview, Electric, Heated
	1BU161SBAB	1	J, T		74				[SB], Sales Code [GUQ], Right
	1BU161X8AB	1	J, T		74				[X8], Sales Code [GUQ], Right
	1BU171XFAA	1	J, T		74				Sales Code [GUQ], Platinum Top, Black Bottom, Left
	1BU171BMAB	1	J, T		74				[BM], Sales Code [GUQ], Left
	1BU171DAAB	1	J, T		74				[DA], Sales Code [GUQ], Left
	1BU171EMAB	1	J, T		74				[EM], Sales Code [GUQ], Left
	1BU171GJAB	1	J, T		74				[GJ], Sales Code [GUQ], Left
	1BU161XFAA	1	J, T		74				Sales Code [GUQ], Platinum Top, Black Bottom, Right
	1BU161BMAB	1	J, T		74				[BM], Sales Code [GUQ], Right
	1BU161DAAB	1	J, T		74				[DA], Sales Code [GUQ], Right
	1BU161EMAB	1	J, T		74				[EM], Sales Code [GUQ], Right
	1BU161GJAB	1	J, T		74				[GJ], Sales Code [GUQ], Right
	1DG481SBAA	1	J, T	S	74				[SB], Sales Code [GUT], Up to 1/4/07, Right
	1DG481X8AA	1	J, T	S	74				[X8], Sales Code [GUT], Up to 1/4/07, Right
	1DG481BMAB	1	J, T	S	74				[BM], Sales Code [GUT], After 1/4/07, Right
	1DG481DAAB	1	J, T	S	74				[DA], Sales Code [GUT], After 1/4/07, Right
	1DG481EMAB	1	J, T	S	74				[EM], Sales Code [GUT], After 1/4/07, Right
	1BU171SBAB	1	J, T		74				[SB], Sales Code [GUQ], Left
	1BU171X8AB	1	J, T		74				[X8], Sales Code [GUQ], Left
	1DG481BMAA	1	J, T	S	74				[BM], Sales Code [GUT], Up to 1/4/07, Right
	1DG481DAAA	1	J, T	S	74				[DA], Sales Code [GUT], Up to 1/4/07, Right

GRAND CHEROKEE (WK)

SERIES LINE
H = HIGHLINE T = JEEP - 2WD
P = PREMIUM J = JEEP - 4WD
S = SPORT
X = SPECIAL

BODY
74 = SPORT UTILITY 4-DR
TYPE #4

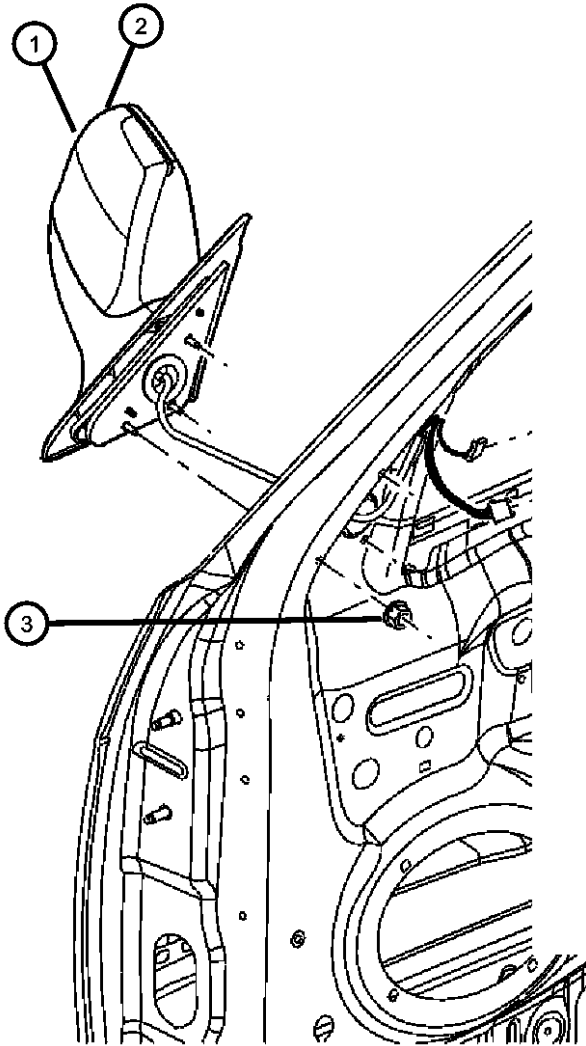
ENGINE
EVA = 4.7L V8 MPI Engine
EVD = 4.7L V8 FFV Engine
EXL = 3.0L V6 Turbo Diesel Engine
EZB = 5.7L Hemi Multi Displacement Engine
EKG = 3.7L V6 Engine
ESF = 6.1L SRT HEMI SMPI V8 Engine

TRANSMISSION
DGJ = 5-Speed Auto W5A580 Transmission
DGQ = 5-Spd Automatic 545RFE Transmission
DGU = 5-Spd Auto W5J400 Transmission

AR = use ase required - = Non illustrated part

2007 WK

Mirrors, Exterior
Figure DWK-510



ITEM	PART NUMBER	QTY	LINE	SERIES	BODY	ENGINE	TRANS	TRIM	DESCRIPTION
	1DG481EMAA	1	J, T	S	74				[EM], Sales Code [GUT], Up to 1/4/07, Right
	1DG481GJAA	1	J, T	S	74				[GJ], Sales Code [GUT], Up to 1/4/07, Right
	1DG491X8AA	1	J, T	S	74				[X8], Sales Code [GUT], Up to 1/4/07, Left
	1DG491BMAB	1	J, T	S	74				[BM], Sales Code [GUT], After 1/4/07, Left
	1DG491DAAB	1	J, T	S	74				[DA], Sales Code [GUT], After 1/4/07, Left
	1DG481GJAB	1	J, T	S	74				[GJ], Sales Code [GUT], After 1/4/07, Right
	1DG481SBAB	1	J, T	S	74				[SB], Sales Code [GUT], After 1/4/07, Right
	1DG481X8AB	1	J, T	S	74				[X8], Sales Code [GUT], After 1/4/07, Right
	1DG491BMAA	1	J, T	S	74				[BM], Sales Code [GUT], Up to 1/4/07, Left
	1DG491DAAA	1	J, T	S	74				[DA], Sales Code [GUT], Up to 1/4/07, Left
	1DG491EMAA	1	J, T	S	74				[EM], Sales Code [GUT], Up to 1/4/07, Left
	1DG491GJAA	1	J, T	S	74				[GJ], Sales Code [GUT], Up to 1/4/07, Left
	1DG491SBAA	1	J, T	S	74				[SB], Sales Code [GUT], Up to 1/4/07, Left
	1DT161SBAC	1	J, T		74				[SB], Sales Code [GUK], After 1/4/07, Right
	1DG491EMAB	1	J, T	S	74				[EM], Sales Code [GUT], After 1/4/07, Left
	1DG491GJAB	1	J, T	S	74				[GJ], Sales Code [GUT], After 1/4/07, Left
	1DG491SBAB	1	J, T	S	74				[SB], Sales Code [GUT], After 1/4/07, Left
	1DG491X8AB	1	J, T	S	74				[X8], Sales Code [GUT], After 1/4/07, Left
	1DT161BMAA	1	J, T		74				[BM], Sales Code [GUK], Up to 1/4/07, Right
	1DT161EMAA	1	J, T		74				[EM], Sales Code [GUK], Up to 1/4/07, Right
	1DT161SBAA	1	J, T		74				[SB], Sales Code [GUK], Up to 1/4/07, Right
	1DT161X8AA	1	J, T		74				[X8], Sales Code [GUK], Up to 1/4/07, Right

GRAND CHEROKEE (WK)

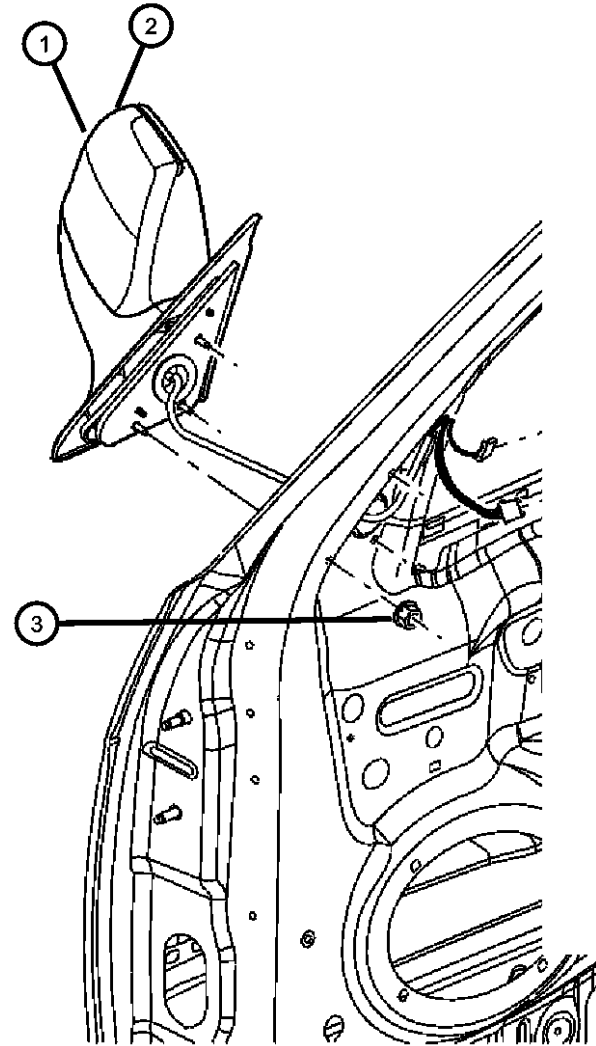
SERIES LINE
H = HIGHLINE T = JEEP - 2WD
P = PREMIUM J = JEEP - 4WD
S = SPORT
X = SPECIAL

BODY
74 = SPORT UTILITY 4-DR
TYPE #4

ENGINE
EVA = 4.7L V8 MPI Engine
EVD = 4.7L V8 FFV Engine
EXL = 3.0L V6 Turbo Diesel
Engine
EZB = 5.7L Hemi Multi
Displacement Engine
EKG = 3.7L V6 Engine
ESF = 6.1L SRT HEMI SMPI
V8 Engine

TRANSMISSION
DGJ = 5-Speed Auto W5A580
Transmission
DGQ = 5-Spd Automatic 545RFE
Transmission
DGU = 5-Spd Auto W5J400
Transmission

Mirrors, Exterior
Figure DWK-510



ITEM	PART NUMBER	QTY	LINE	SERIES	BODY	ENGINE	TRANS	TRIM	DESCRIPTION
	1DT161BMAC	1	J, T		74				[BM], Sales Code [GUK], After 1/4/07, Right
	1DT161EMAC	1	J, T		74				[EM], Sales Code [GUK], After 1/4/07, Right
	1DT161X8AC	1	J, T		74				[X8], Sales Code [GUK], After 1/4/07, Right
	1DT171BMAA	1	J, T		74				[BM], Sales Code [GUK], Up to 1/4/07, Left
	1DT171EMAA	1	J, T		74				[EM], Sales Code [GUK], Up to 1/4/07, Left
	1DT171SBAA	1	J, T		74				[SB], Sales Code [GUK], Up to 1/4/07, Left
	1DT171X8AA	1	J, T		74				[X8], Sales Code [GUK], Up to 1/4/07, Left
	1DT171BMAC	1	J, T		74				[BM], Sales Code [GUK], After 1/4/07, Left
	1DT171EMAC	1	J, T		74				[EM], Sales Code [GUK], After 1/4/07, Left
	1DT171SBAC	1	J, T		74				[SB], Sales Code [GUK], After 1/4/07, Left
	1DT171X8AC	1	J, T		74				[X8], Sales Code [GUK], After 1/4/07, Left
	1DY101BMAB	1	J, T	X	74				[BM], Sales Code [GUT], Up to 1/4/07, Long Moulding, Right
	1DY101EMAB	1	J, T	X	74				[EM], Sales Code [GUT], Up to 1/4/07, Long Moulding, Right
	1DY101X8AB	1	J, T	X	74				[X8], Sales Code [GUT], Up to 1/4/07, Long Moulding, Right
	1DY101BMAC	1	J, T	X	74				[BM], Sales Code [GUT], After 1/4/07, Right
	1DY101EMAC	1	J, T	X	74				[EM], Sales Code [GUT], After 1/4/07, Right
	1DY101SBAC	1	J, T	X	74				[SB], Sales Code [GUT], After 1/4/07, Right
	1DY101X8AC	1	J, T	X	74				[X8], Sales Code [GUT], After 1/4/07, Right
	1DY111BMAB	1	J, T	X	74				[BM], Sales Code [GUT], Up to 1/4/07, Long Moulding, Left
	1DY111EMAB	1	J, T	X	74				[EM], Sales Code [GUT], Up to 1/4/07, Long Moulding, Left
	1DY111SBAB	1	J, T	X	74				[SB], Sales Code [GUT], Up to 1/4/07, Long Moulding, Left
	1DY111X8AB	1	J, T	X	74				[X8], Sales Code [GUT], Up to 1/4/07, Long Moulding, Left

GRAND CHEROKEE (WK)

SERIES LINE
H = HIGHLINE T = JEEP - 2WD
P = PREMIUM J = JEEP - 4WD
S = SPORT
X = SPECIAL

BODY
74 = SPORT UTILITY 4-DR
TYPE #4

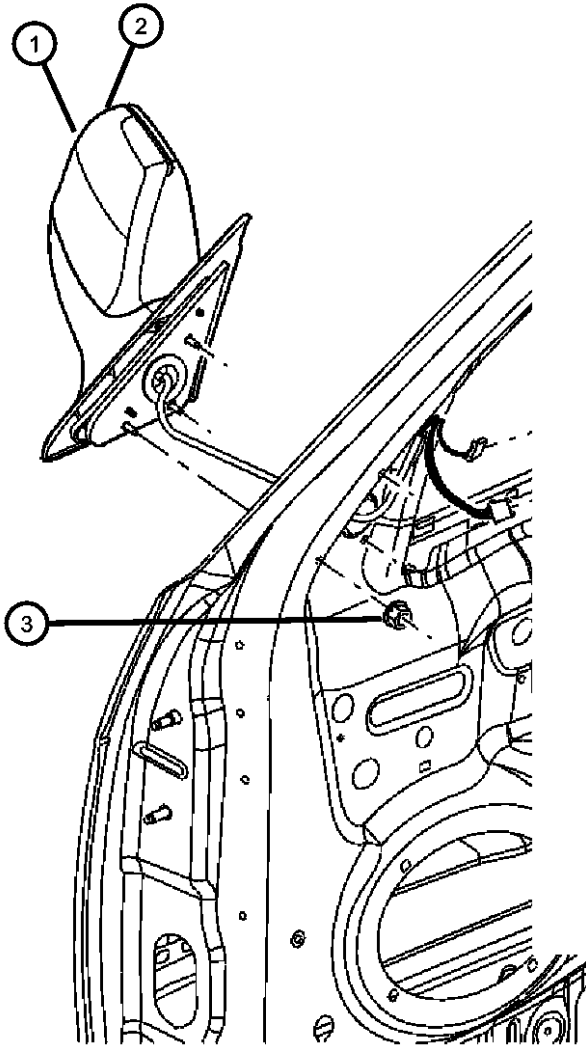
ENGINE
EVA = 4.7L V8 MPI Engine
EVD = 4.7L V8 FFV Engine
EXL = 3.0L V6 Turbo Diesel
Engine
EZB = 5.7L Hemi Multi
Displacement Engine
EKG = 3.7L V6 Engine
ESF = 6.1L SRT HEMI SMPI
V8 Engine

TRANSMISSION
DGJ = 5-Speed Auto W5A580
Transmission
DGQ = 5-Spd Automatic 545RFE
Transmission
DGU = 5-Spd Auto W5J400
Transmission

AR = use ase required - = Non illustrated part

2007 WK

Mirrors, Exterior
Figure DWK-510



ITEM	PART NUMBER	QTY	LINE	SERIES	BODY	ENGINE	TRANS	TRIM	DESCRIPTION
	1DY111BMAC	1	J, T	X	74				[BM], Sales Code [GUT], After 1/4/07, Left
	1DY101SBAB	1	J, T	X	74				[SB], Sales Code [GUT], Up to 1/4/07, Long Moulding, Right
	55156451AD	1	J, T		74				[GUD], Up to 1/4/07, Left
	55156451AF	1	J, T		74				[GUD], After 1/4/07, Left
	55156452AD	1	J, T		74				[GTS], Right
	55156453AD	1	J, T		74				[GTS], Left
	55157072AD	1	J, T		74				[GUD], Up to 1/4/07, Right
	55157072AF	1	J, T		74				[GUD], After 1/4/07, Right
	1DY111EMAC	1	J, T	X	74				[EM], Sales Code [GUT], After 1/4/07, Left
	1DY111SBAC	1	J, T	X	74				[SB], Sales Code [GUT], After 1/4/07, Left
	1DY111X8AC	1	J, T	X	74				[X8], Sales Code [GUT], After 1/4/07, Left
2									MIRROR, Outside Rearview Electric Foldaway
	55156454AD	1	J, T		74				[GTN], Right
	55156455AD	1	J, T		74				[GTN], Left
3	06102398AA	6	J, T		74				NUT, Hex
-4									GLASS, Mirror Replacement
	05142874AA	1	J, T		74				[GUT], Right
	05142872AA	1	J, T		74				[GTN], Right
	05142873AA	1	J, T		74				[GTN], Left
		1	J, T		74				[GUQ], Right
		1	J, T		74				[GUD], Right
		1	J, T		74				[GUK], Right
		1	J, T		74				[GTS], Right
	05142875AA	1	J, T		74				[GTS], Left
		1	J, T		74				[GUK], Left
	05142877AA	1	J, T		74				[GUQ], Left
		1	J, T		74				[GUT], Left
		1	J, T		74				[GUD], Left

GRAND CHEROKEE (WK)

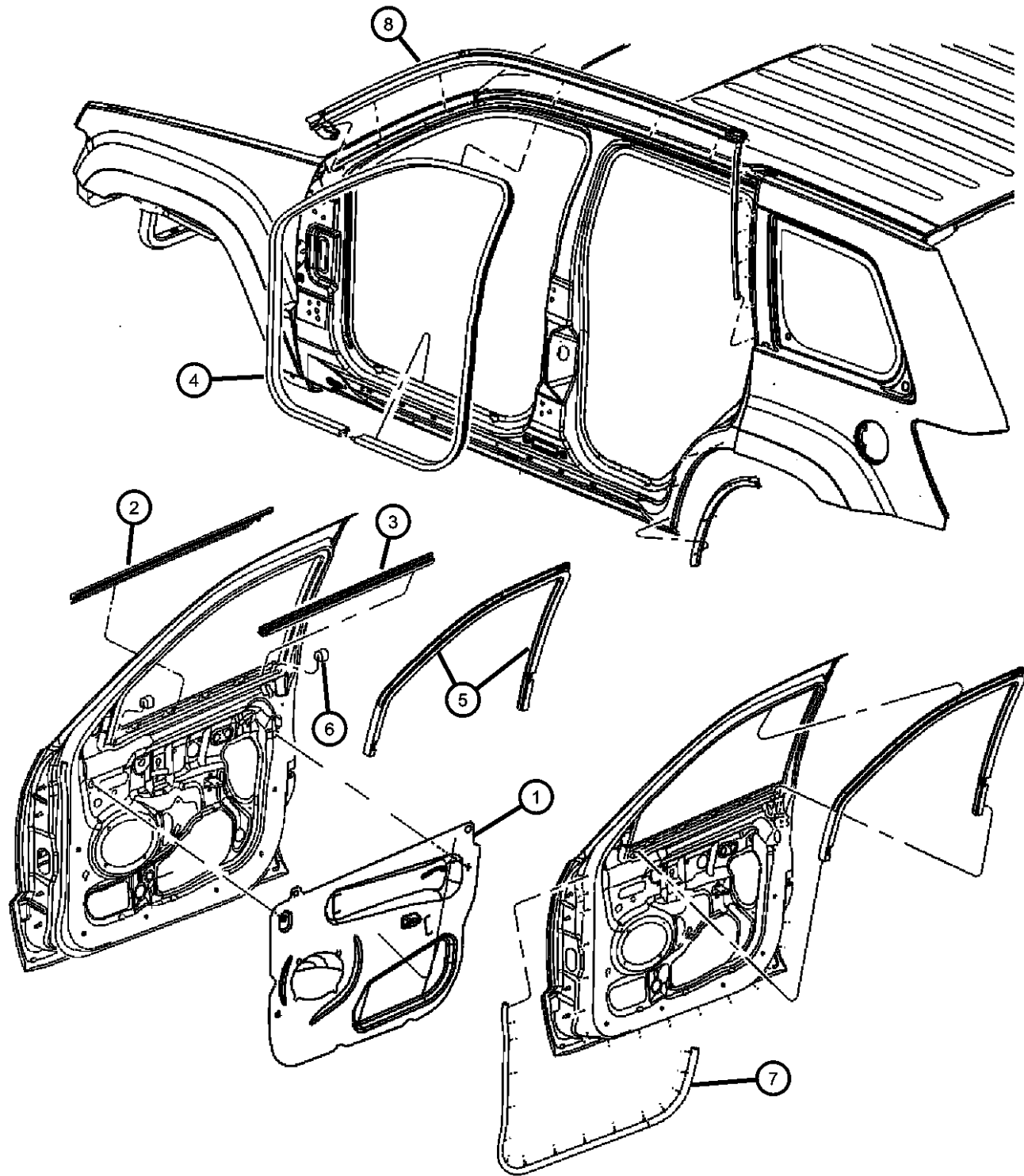
SERIES LINE
H = HIGHLINE T = JEEP - 2WD
P = PREMIUM J = JEEP - 4WD
S = SPORT
X = SPECIAL

BODY
74 = SPORT UTILITY 4-DR
TYPE #4

ENGINE
EVA = 4.7L V8 MPI Engine
EVD = 4.7L V8 FFV Engine
EXL = 3.0L V6 Turbo Diesel Engine
EZB = 5.7L Hemi Multi Displacement Engine
EKG = 3.7L V6 Engine
ESF = 6.1L SRT HEMI SMPI V8 Engine

TRANSMISSION
DGJ = 5-Speed Auto W5A580 Transmission
DGQ = 5-Spd Automatic 545RFE Transmission
DGU = 5-Spd Auto W5J400 Transmission

**Door, Front Weatherstrips and Seals
Figure DWK-610**



ITEM	PART NUMBER	QTY	LINE	SERIES	BODY	ENGINE	TRANS	TRIM	DESCRIPTION
1	55394026AG	1	J, T		74				INSULATOR, Front Door Right
	55394027AG	1	J, T		74				Left
2	55157324AA	1	J, T	S	74				WEATHERSTRIP, Front Door [MMS], Platinum, Up to 1/4/07, Right
	55157325AA	1	J, T	S	74				[MMS], Platinum, Up to 1/4/07, Left
	55394031AF	1	J, T		74				[MMG], Black, Up to 1/4/07, Left
	55396318AF	1	J, T	P	74				[MMS], Bright, Up to 1/7/07, Right
	55396319AF	1	J, T	P	74				[MMS], Bright, Up to 1/7/07, Left
	55399108AA	1	J, T	S	74				[MMS], Platinum, After 1/4/07, Right
	55399109AA	1	J, T	S	74				[MMS], Platinum, After 1/4/07, Left
	55399114AA	1	J, T		74				[MMG], Black, After 1/4/07, Right
	55399115AA	1	J, T		74				[MMG], Black, After 1/4/07, Left
	55399130AA	1	J, T	P, X	74				[MMS], Bright, After 1/7/07, Right
	55399131AA	1	J, T	P, X	74				[MMS], Bright, After 1/7/07, Left
	55394030AF	1	J, T		74				[MMG], Black, Up to 1/4/07, Right
3	55399048AA	2	J, T		74				WEATHERSTRIP, Front Door BeltRight & Left
4	55394040AF	2	J, T		74				SEAL, Front DoorBody Side
5	55394052AH	1							SEAL, Front Door Glass Glass Run, Right
	55394053AH	1							Glass Run, Left
6		1							SEAL, (NOT SERVICED),
7	55394042AD	1							SEAL, Front Door Lower Door Mounted, Right
	55394043AD	1							Lower Door Mounted, Left
8	55399016AB	1	J, T		74				SEAL, Body Side Right, Upper
	55399017AB	1	J, T		74				Left, Upper

GRAND CHEROKEE (WK)

SERIES LINE
H = HIGHLINE T = JEEP - 2WD
P = PREMIUM J = JEEP - 4WD
S = SPORT
X = SPECIAL

BODY
74 = SPORT UTILITY 4-DR
TYPE #4

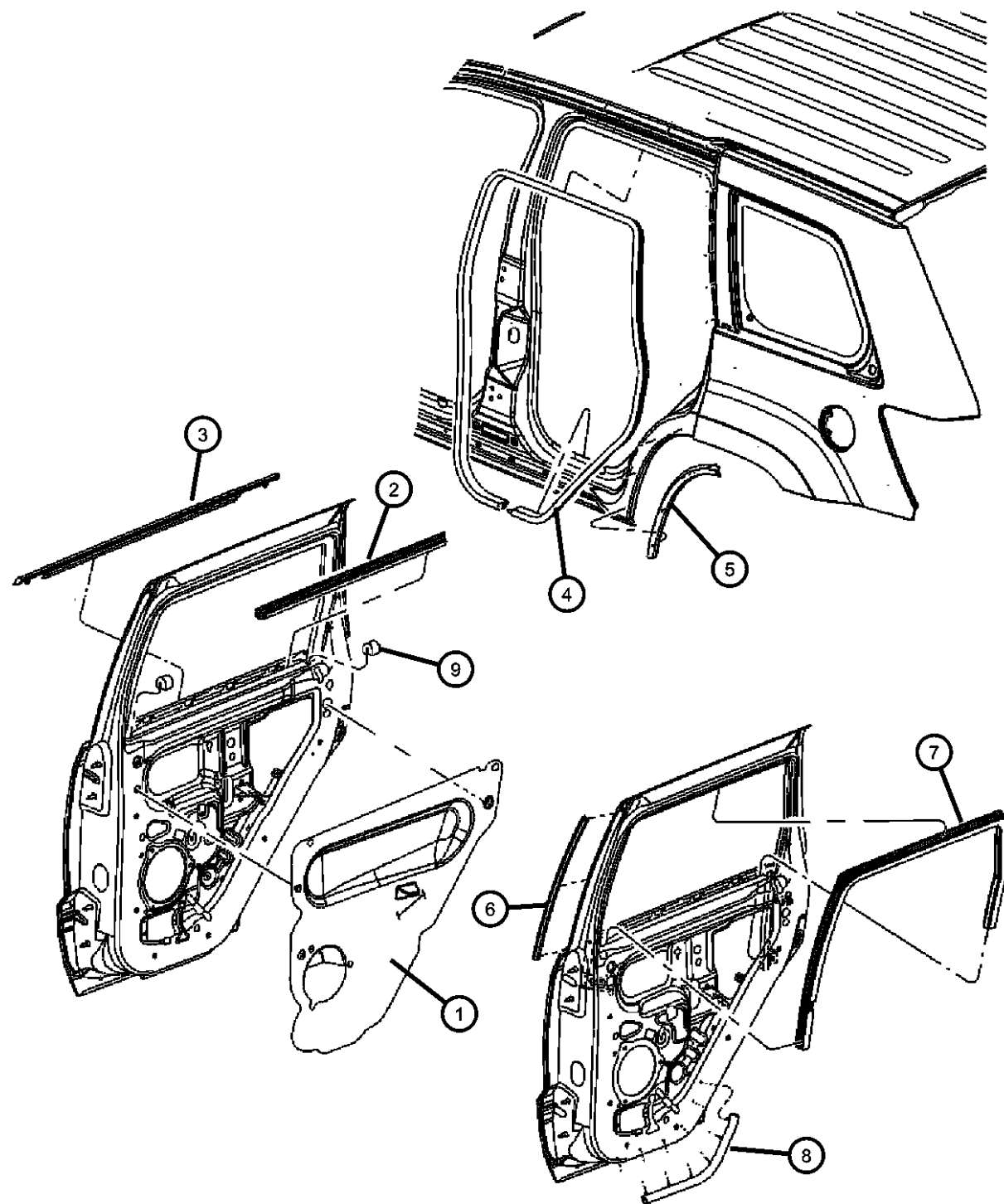
ENGINE
EVA = 4.7L V8 MPI Engine
EVD = 4.7L V8 FFV Engine
EXL = 3.0L V6 Turbo Diesel
Engine
EZB = 5.7L Hemi Multi
Displacement Engine
EKG = 3.7L V6 Engine
ESF = 6.1L SRT HEMI SMPI
V8 Engine

TRANSMISSION
DGJ = 5-Speed Auto W5A580
Transmission
DGQ = 5-Spd Automatic 545RFE
Transmission
DGU = 5-Spd Auto W5J400
Transmission

AR = use ase required - = Non illustrated part

2007 WK

**Door, Rear Weatherstrips and Seals
Figure DWK-620**



ITEM	PART NUMBER	QTY	LINE	SERIES	BODY	ENGINE	TRANS	TRIM	DESCRIPTION
NOTES: Sales Codes: [MMG] = Belt Moldings [MMS] = Bright Belt Moldings									
1									SHIELD, Water
	55394028AH	1	J, T		74				Right
	55394029AH	1	J, T		74				Left
2	55399050AA	2	J, T		74				WEATHERSTRIP, Rear Door BeltRight & Left
3									WEATHERSTRIP, Rear Door Belt
	55157326AA	1	J, T	S	74				[MMS] Platinum, Up to 1/4/07, Right
	55157327AA	1	J, T	S	74				[MMS] Platinum, Up to 1/4/07, Left
	55394034AF	1	J, T		74				[MMG], Black, Up to 1/4/07, Right
	55394035AF	1	J, T		74				[MMG], Black, Up to 1/4/07, Left
	55396320AF	1	J, T	P	74				[MMS], Bright, Up to 1/4/07, Right
	55399107AA	1	J, T	S	74				[MMS] Platinum, After 1/4/07, Left
	55399116AA	1	J, T		74				[MMG], Black, After 1/4/07, Right
	55399117AA	1	J, T		74				[MMG], Black, After 1/4/07, Left
	55399128AA	1	J, T	P, X	74				[MMS], Bright, After 1/4/07, Right
	55399129AA	1	J, T	P, X	74				[MMS], Bright, After 1/4/07, Left
	55396321AF	1	J, T	P	74				[MMS], Bright, Up to 1/4/07, Left
	55399106AA	1	J, T	S	74				[MMS] Platinum, After 1/4/07, Right
4	55399018AB	2	J, T		74				SEAL, Rear Door
5									SEAL, Wheelhouse
	55396052AC	1							Right
	55396053AC	1							Left
6									SEAL, Door
	55394038AD	1	J, T		74				Right, B Pillar
	55394039AD	1	J, T		74				Left, B Pillar
7									WEATHERSTRIP, Door Glass
	55394055AE	1	J, T		74				Left Rear
	55394054AE	1	J, T		74				Right Rear

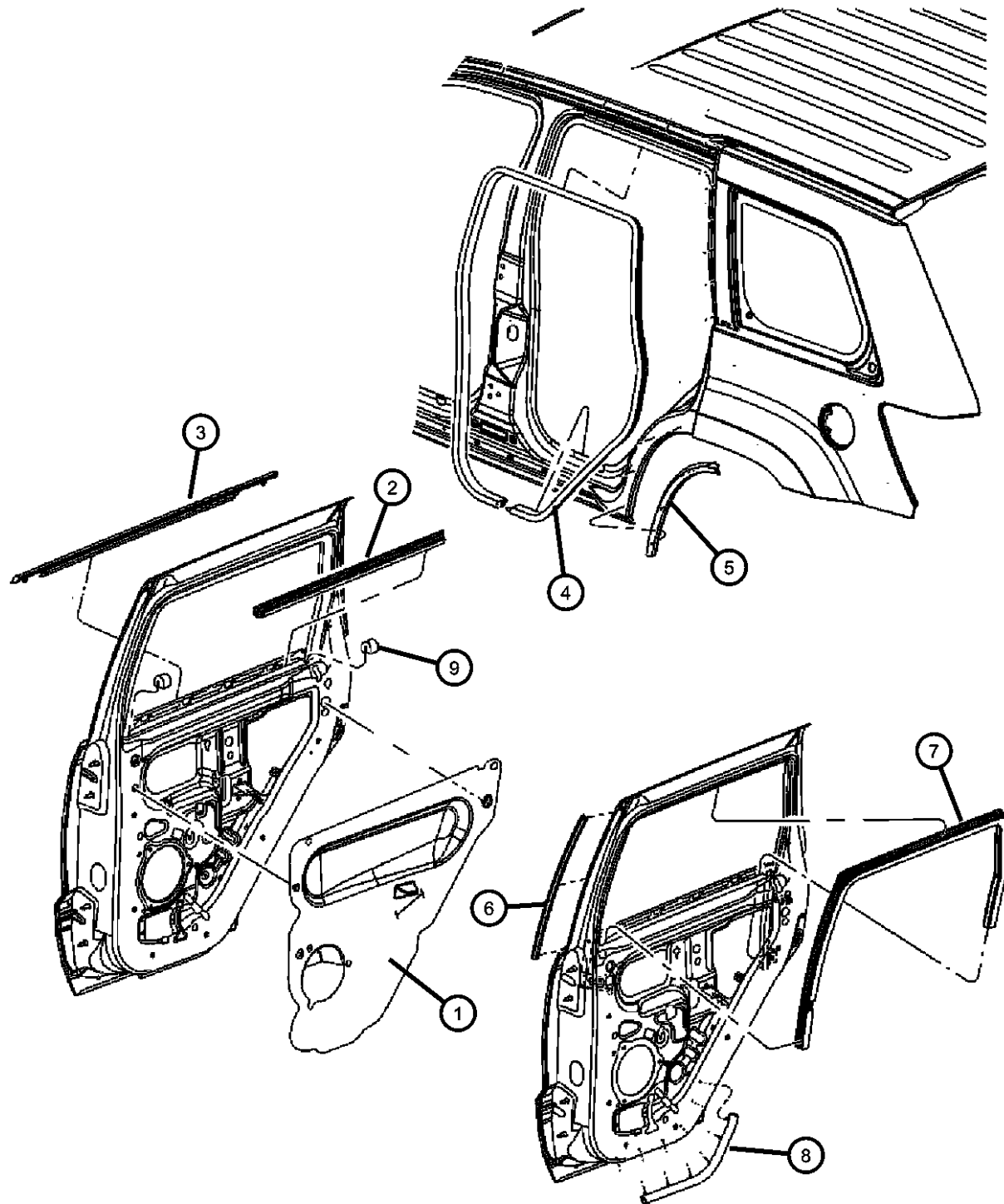
GRAND CHEROKEE (WK)

SERIES	LINE	BODY	ENGINE	TRANSMISSION
H = HIGHLINE	T = JEEP - 2WD	74 = SPORT UTILITY 4-DR	EVA = 4.7L V8 MPI Engine	DGJ = 5-Speed Auto W5A580
P = PREMIUM	J = JEEP - 4WD	TYPE #4	EVD = 4.7L V8 FFV Engine	Transmission
S = SPORT			EXL = 3.0L V6 Turbo Diesel	DGQ = 5-Spd Automatic 545RFE
X = SPECIAL			Engine	Transmission
			EZB = 5.7L Hemi Multi	DGU = 5-Spd Auto W5J400
			Displacement Engine	Transmission
			EKG = 3.7L V6 Engine	
			ESF = 6.1L SRT HEMI SMPI	
			V8 Engine	

AR = use ase required - = Non illustrated part

**Door, Rear Weatherstrips and Seals
Figure DWK-620**

ITEM	PART NUMBER	QTY	LINE	SERIES	BODY	ENGINE	TRANS	TRIM	DESCRIPTION
8	55394046AA	1	J, T		74				SEAL, Rear Door Lower Door Mounted, Right
	55394047AA	1	J, T		74				Lower Door Mounted, Left
9		1							SEAL, Foam, (NOT SERVICED),



GRAND CHEROKEE (WK)

SERIES LINE
H = HIGHLINE T = JEEP - 2WD
P = PREMIUM J = JEEP - 4WD
S = SPORT
X = SPECIAL

BODY
74 = SPORT UTILITY 4-DR
TYPE #4

ENGINE
EVA = 4.7L V8 MPI Engine
EVD = 4.7L V8 FFV Engine
EXL = 3.0L V6 Turbo Diesel
Engine
EZB = 5.7L Hemi Multi
Displacement Engine
EKG = 3.7L V6 Engine
ESF = 6.1L SRT HEMI SMPI
V8 Engine

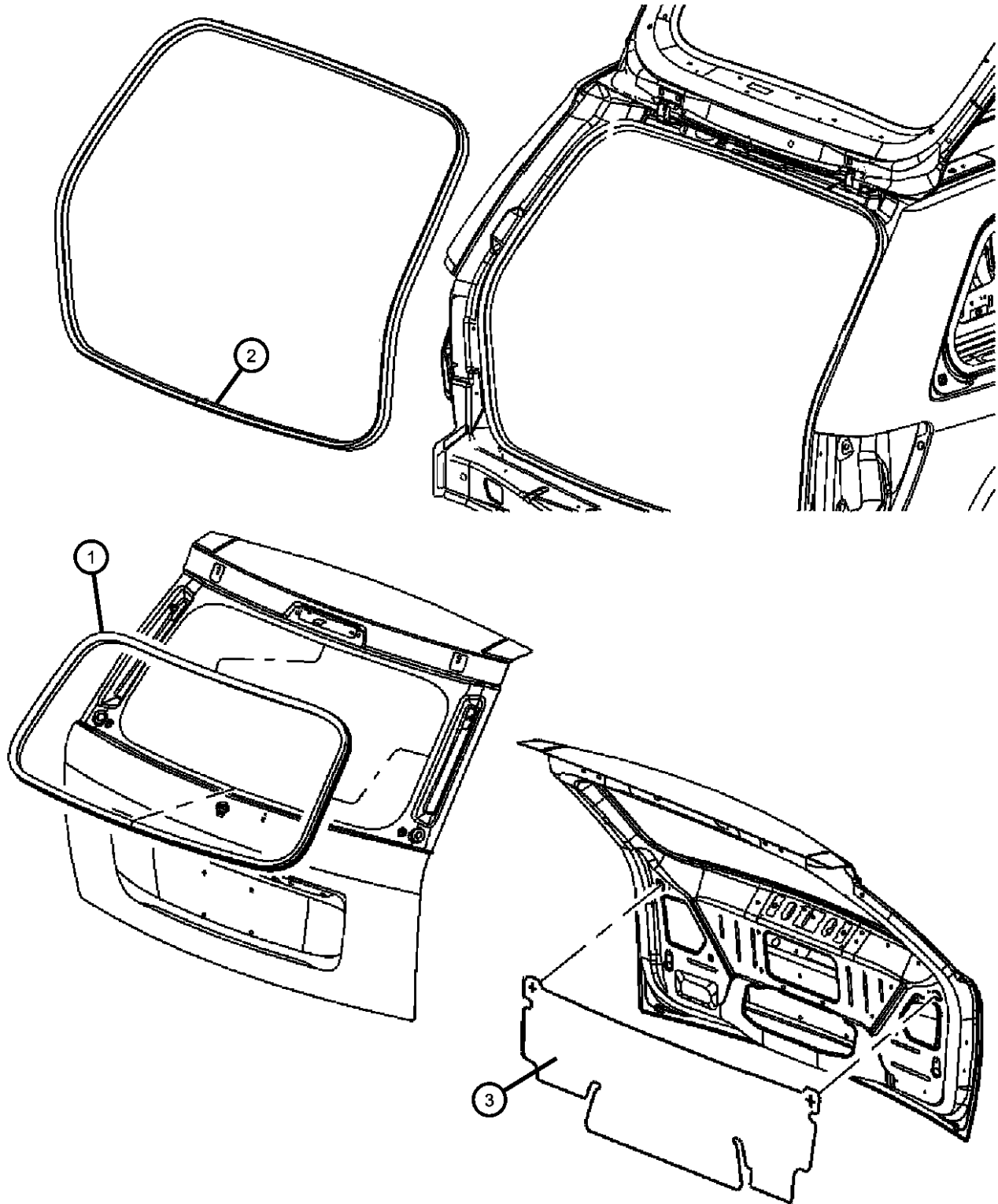
TRANSMISSION
DGJ = 5-Speed Auto W5A580
Transmission
DGQ = 5-Spd Automatic 545RFE
Transmission
DGU = 5-Spd Auto W5J400
Transmission

AR = use ase required - = Non illustrated part

2007 WK

**Door, Rear Lift Gate Weatherstrips and Seals
Figure DWK-630**

ITEM	PART NUMBER	QTY	LINE	SERIES	BODY	ENGINE	TRANS	TRIM	DESCRIPTION
1	55394780AH	1							WEATHERSTRIP, Liftgate Glass
2	55394782AE	1							WEATHERSEAL, LIFTGATE
3	55394781AA	1	J, T		74				INSULATION, Liftgate



GRAND CHEROKEE (WK)

SERIES LINE
H = HIGHLINE T = JEEP - 2WD
P = PREMIUM J = JEEP - 4WD
S = SPORT
X = SPECIAL

BODY
74 = SPORT UTILITY 4-DR
TYPE #4

ENGINE
EVA = 4.7L V8 MPI Engine
EVD = 4.7L V8 FFV Engine
EXL = 3.0L V6 Turbo Diesel
Engine
EZB = 5.7L Hemi Multi
Displacement Engine
EKG = 3.7L V6 Engine
ESF = 6.1L SRT HEMI SMPI
V8 Engine

TRANSMISSION
DGJ = 5-Speed Auto W5A580
Transmission
DGQ = 5-Spd Automatic 545RFE
Transmission
DGU = 5-Spd Auto W5J400
Transmission

AR = use ase required - = Non illustrated part

2007 WK

Group - EWK

Exterior Ornamentation

Group - EWK Exterior Ornamentation

Group-Fig. No.

Illustration Title

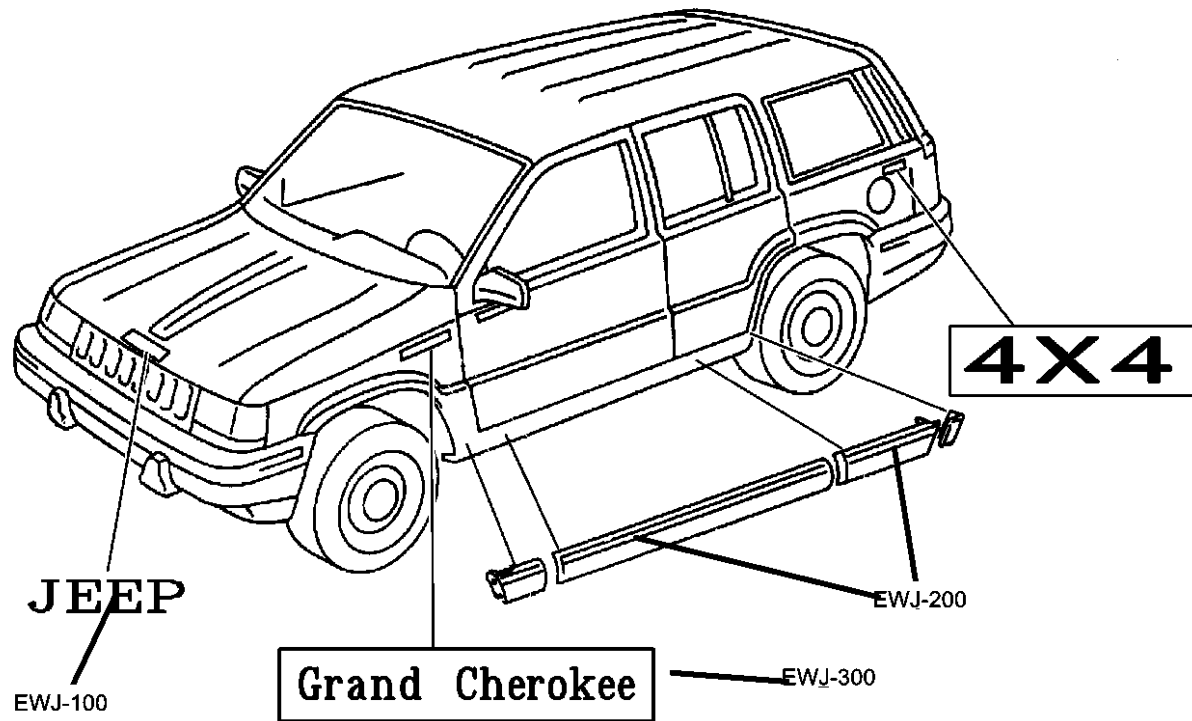
Nameplates

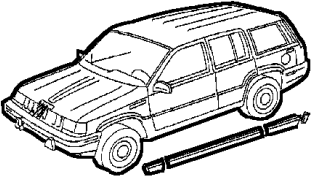
Nameplates and Decals Fig. EWK - 120

Moldings and Ornamentation

Moldings Fig. EWK - 210

Cladding and Sill Moldings Fig. EWK - 220



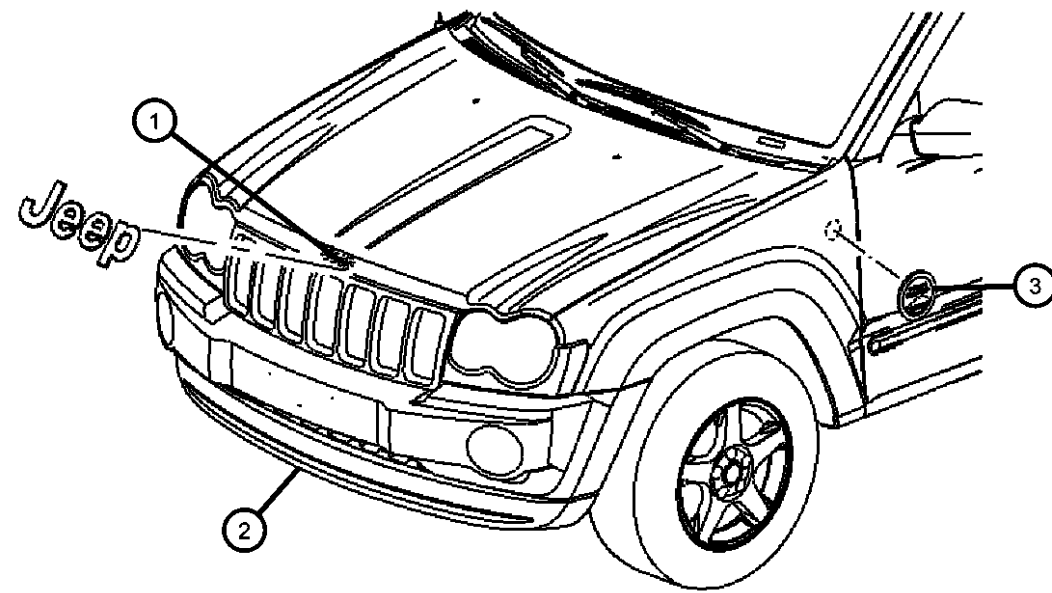
<p>EWK-100 Nameplates</p> <p>Grand Cherokee JEEP</p>	<p>EWK-200 Moldings and Ornamentation</p> 		
---	--	--	--

**Nameplates and Decals
Figure EWK-120**

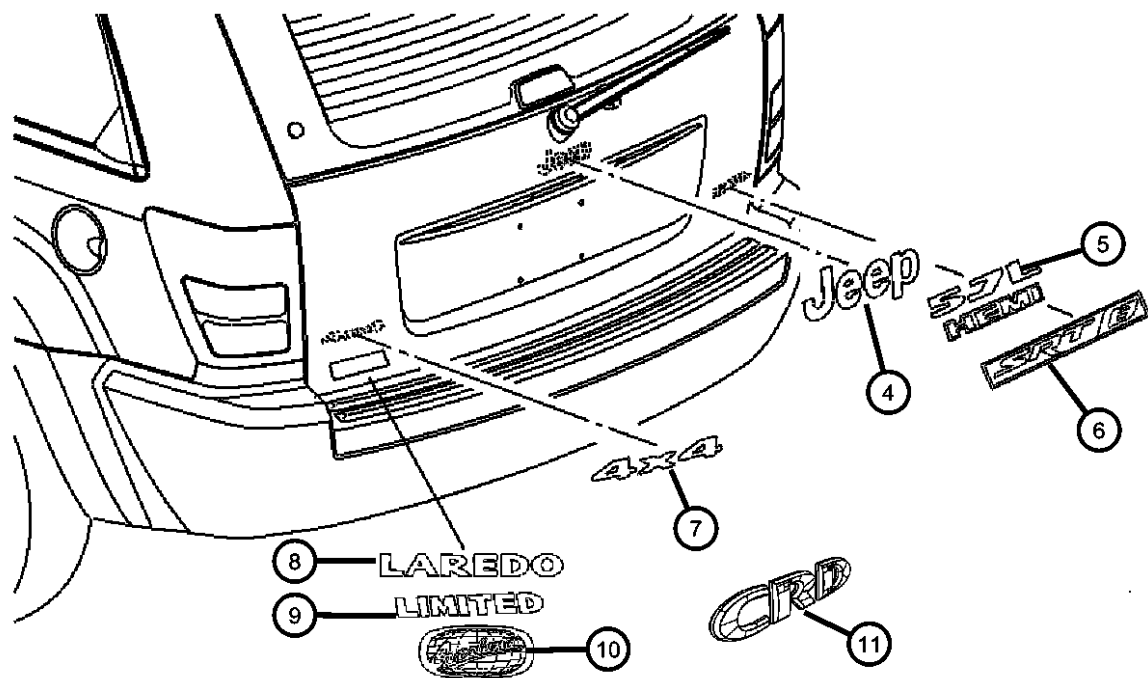
ITEM	PART NUMBER	QTY	LINE	SERIES	BODY	ENGINE	TRANS	TRIM	DESCRIPTION
------	-------------	-----	------	--------	------	--------	-------	------	-------------

Sales Codes:

- [MCY] = Body Color Fascias with Bright Inserts
- [MCZ] = Body Color Fascias with Bright Inserts
- [MT2] = Trail Rated Badge
- [MTV]= SRT8 Badge
- [MVA] = Limited Badge
- [MVC] = Jeep Badge
- [MWT]= 4x4 Badge
- [MZK] = Laredo Badge
- [MZM] = Overland Badge



1	55157088AB	1	J, T		74				NAMEPLATE, Jeep, [MVC], Hood
2									APPLIQUE, Fascia
	05030069AA	1	J, T	X	74				[MCZ], Front
	05179394AA	1	J, T	S	74				[MCY], Front
3	55157317AB	1	J, T		74				MEDALLION, [MT2] Left Side Only, [TRAIL RATED], Fender
4	55157089AB	1	J, T		74				NAMEPLATE Liftgate
5	55079103AA	1	J, T		74				NAMEPLATE, HEMI
6	05029893AB	1	J, T	X	74				NAMEPLATE, [MTV]
7	55157091AC	1	J, T		74				NAMEPLATE, [MWT], Liftgate
8	55157303AE	1	J, T		74				NAMEPLATE, [MZK], Liftgate
9	55157090AC	1	J, T		74				NAMEPLATE, [MVA], Door
10	55157358AA	1	J, T		74				NAMEPLATE, [MZM], Liftgate
11	55157095AC	1	J, T		74				NAMEPLATE, [CRD]
-12	55372784AA	1	J, T		74				NAMEPLATE, FLEX FUEL E85 ETHANOL
-13	55079387AA	2	J, T		74				NAMEPLATE, ROCKY MOUNTAIN, Mounted on Doors
-14	68038123AA	1	J, T		74				NAMEPLATE, [MZR]



GRAND CHEROKEE (WK)

SERIES LINE
H = HIGHLINE T = JEEP - 2WD
P = PREMIUM J = JEEP - 4WD
S = SPORT
X = SPECIAL

BODY
74 = SPORT UTILITY 4-DR
TYPE #4

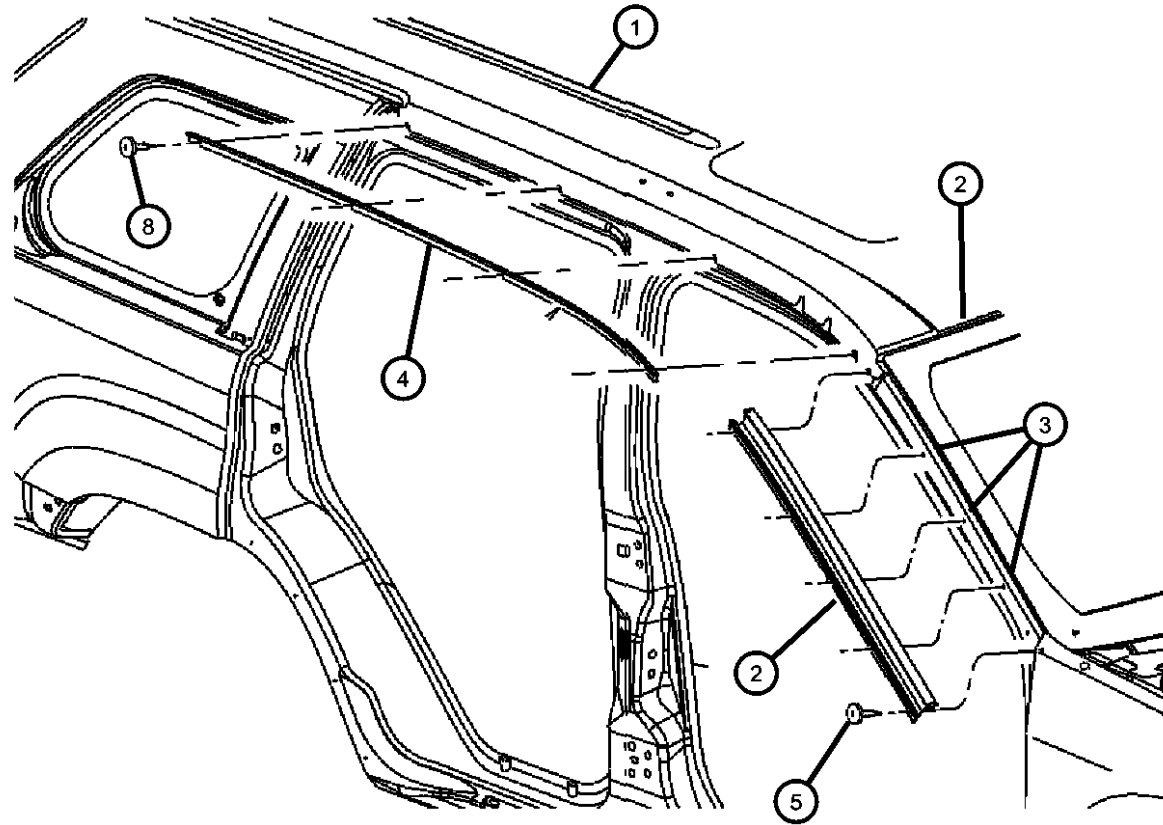
ENGINE
EVA = 4.7L V8 MPI Engine
EVD = 4.7L V8 FFV Engine
EXL = 3.0L V6 Turbo Diesel Engine
EZB = 5.7L Hemi Multi Displacement Engine
EKG = 3.7L V6 Engine
ESF = 6.1L SRT HEMI SMPI V8 Engine

TRANSMISSION
DGJ = 5-Speed Auto W5A580 Transmission
DGQ = 5-Spd Automatic 545RFE Transmission
DGU = 5-Spd Auto W5J400 Transmission

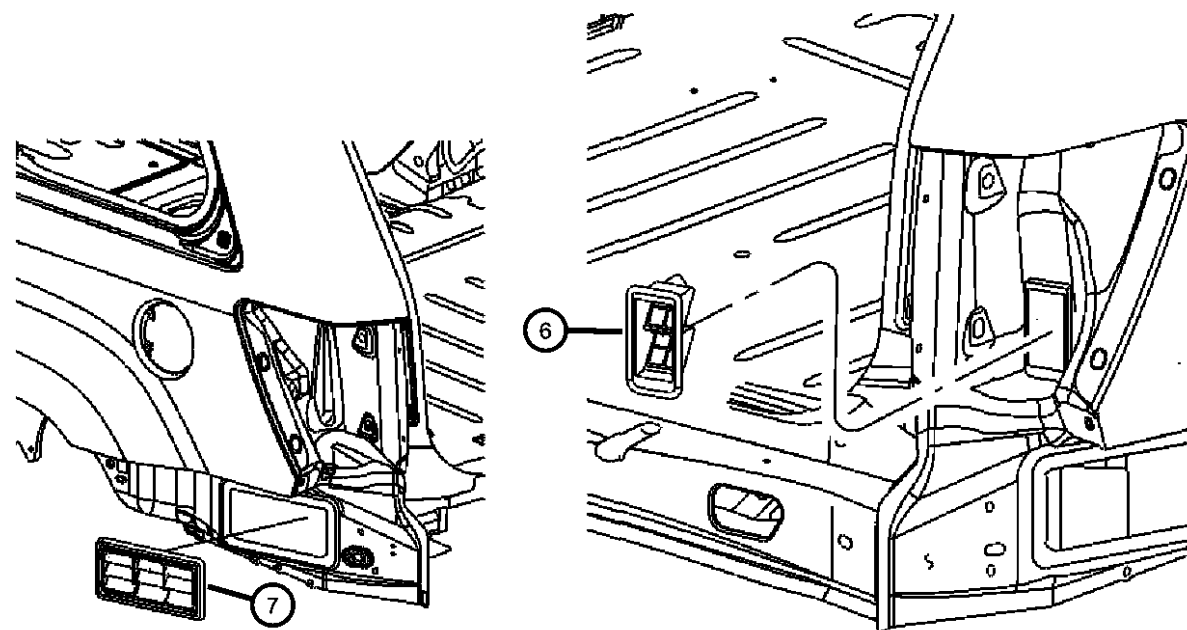
AR = use ase required - = Non illustrated part

2007 WK

Moldings
Figure EWK-210



ITEM	PART NUMBER	QTY	LINE	SERIES	BODY	ENGINE	TRANS	TRIM	DESCRIPTION
1	05030273AB	2		X					MOLDING, Roof
	55156874AD	1	J, T		74				Without Luggage Rack SRT Right
	55156875AD	1	J, T		74				Left
	05030272AB	2		X					Without Luggage Rack
2	55394511AA	1	J, T		74				MOLDING, Windshield Upper
	55394512AB	1	J, T		74				Right
	55394513AB	1	J, T		74				Left
3	05191598AA	4	J, T		74				CLIP, Repair, Windshield Moulding Attach
4	55396866AC	1	J, T		74				SEAL, Retainer Right
	55396867AC	1	J, T		74				Left
5		1							SCREW, .164-15x.500, (NOT SERVICED)
6	55136280AD	1	J, T		74				EXHAUSTER, Quarter Panel
7	55394330AB	1	J, T		74				EXHAUSTER, Bodyside Aperture
8	06104566AA	8	J, T		74				SCREW, Tapping



GRAND CHEROKEE (WK)

SERIES LINE
H = HIGHLINE T = JEEP - 2WD
P = PREMIUM J = JEEP - 4WD
S = SPORT
X = SPECIAL

BODY
74 = SPORT UTILITY 4-DR
TYPE #4

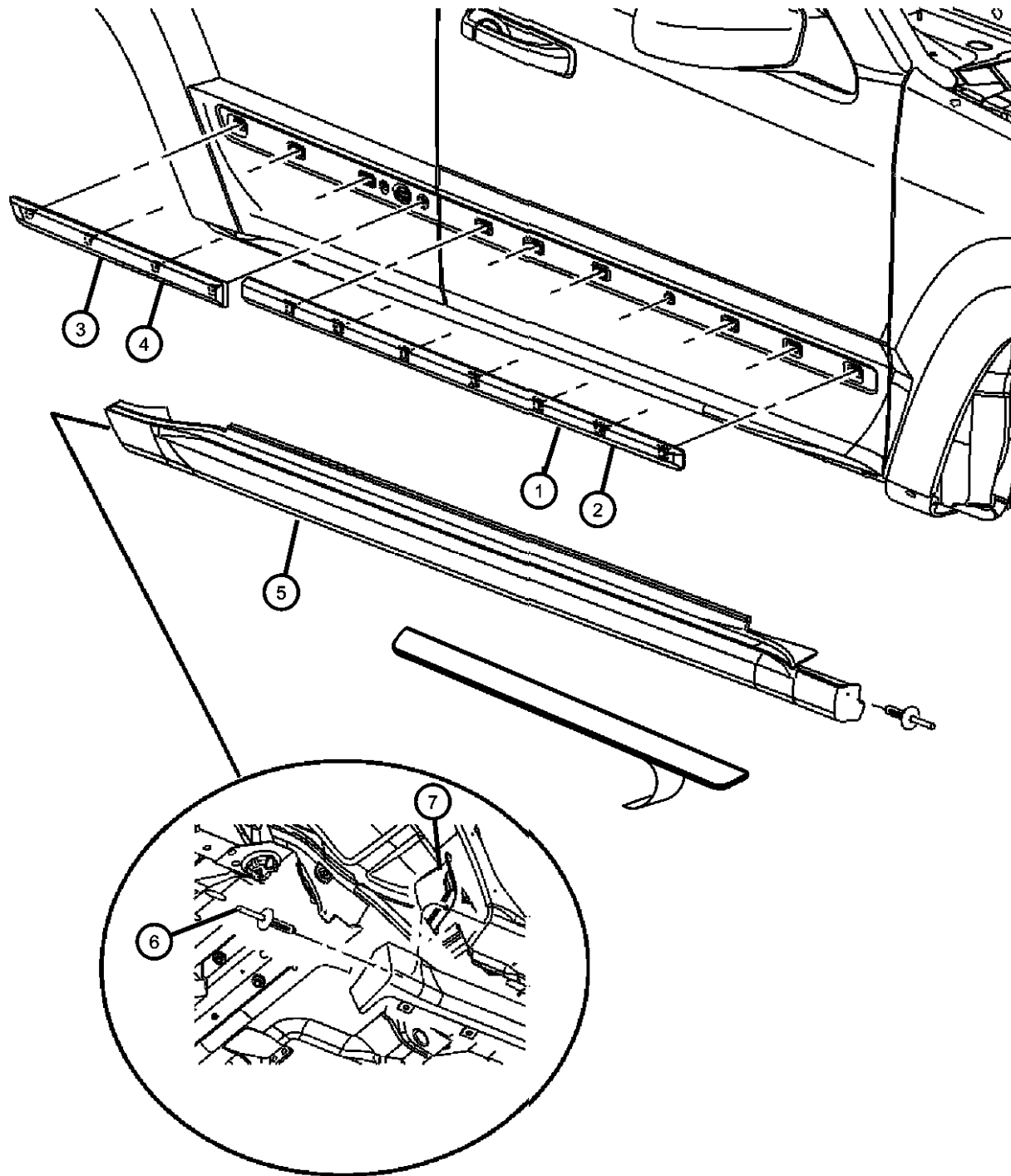
ENGINE
EVA = 4.7L V8 MPI Engine
EVD = 4.7L V8 FFV Engine
EXL = 3.0L V6 Turbo Diesel
Engine
EZB = 5.7L Hemi Multi
Displacement Engine
EKG = 3.7L V6 Engine
ESF = 6.1L SRT HEMI SMPI
V8 Engine

TRANSMISSION
DGJ = 5-Speed Auto W5A580
Transmission
DGQ = 5-Spd Automatic 545RFE
Transmission
DGU = 5-Spd Auto W5J400
Transmission

AR = use ase required - = Non illustrated part

2007 WK

**Cladding and Sill Moldings
Figure EWK-220**



ITEM	PART NUMBER	QTY	LINE	SERIES	BODY	ENGINE	TRANS	TRIM	DESCRIPTION
Sales Codes: [MJB]= Chrome Bodyside Molding [MTG]= Platinum Bodyside Molding									
1									MOLDING, Front Door
	04806274AA	1	J, T		74				[MTG], Right
	04806275AA	1	J, T		74				[MTG], Left
	55156848AD	1	J, T		74				[MJB], Right
	55156849AD	1	J, T		74				[MJB], Left
2									MOLDING, Front Door
	1DG42RXFAA	1	J, T		74				Lower Right
	1DG43RXFAA	1	J, T		74				Lower Left
3									MOLDING, Rear Door
	55156846AC	1	J, T		74				[MJB], Right
	55156847AC	1	J, T		74				[MJB], Left
	04806272AA	1	J, T		74				[MTG], Right
	04806273AA	1	J, T		74				[MTG], Left
4									MOLDING, Rear Door
	1DG40RXFAA	1	J, T		74				Lower Right
	1DG41RXFAA	1	J, T		74				Lower Left
5									MOLDING, Sill Cover
	05030001AC	1	J, T		X				[K2], Left
	1CA08TZZAA	1	J, T						[K7], Paint as Required, Right
	05030000AC	1	J, T		X				[K2], Right
	1CA09TZZAA	1	J, T						[K7], Paint as Required, Left
	5HU24RXFAB	1	J, T						[K5], Right
	5HU25RXFAB	1	J, T						[K5], Left
6									RIVET, M6.25x28
	06500911	12	J, T		74				Sill to lower weld flange
		4	J, T		74				Sill to wheel opening
7									SHIELD, Splash
	55157080AE	1	J, T		74				Right
	55157081AE	1	J, T		74				Left
-8	82209068AB	1							SILL KIT, Door Entry

GRAND CHEROKEE (WK)

SERIES LINE
H = HIGHLINE T = JEEP - 2WD
P = PREMIUM J = JEEP - 4WD
S = SPORT
X = SPECIAL

BODY
74 = SPORT UTILITY 4-DR
TYPE #4

ENGINE
EVA = 4.7L V8 MPI Engine
EVD = 4.7L V8 FFV Engine
EXL = 3.0L V6 Turbo Diesel
Engine
EZB = 5.7L Hemi Multi
Displacement Engine
EKG = 3.7L V6 Engine
ESF = 6.1L SRT HEMI SMPI
V8 Engine

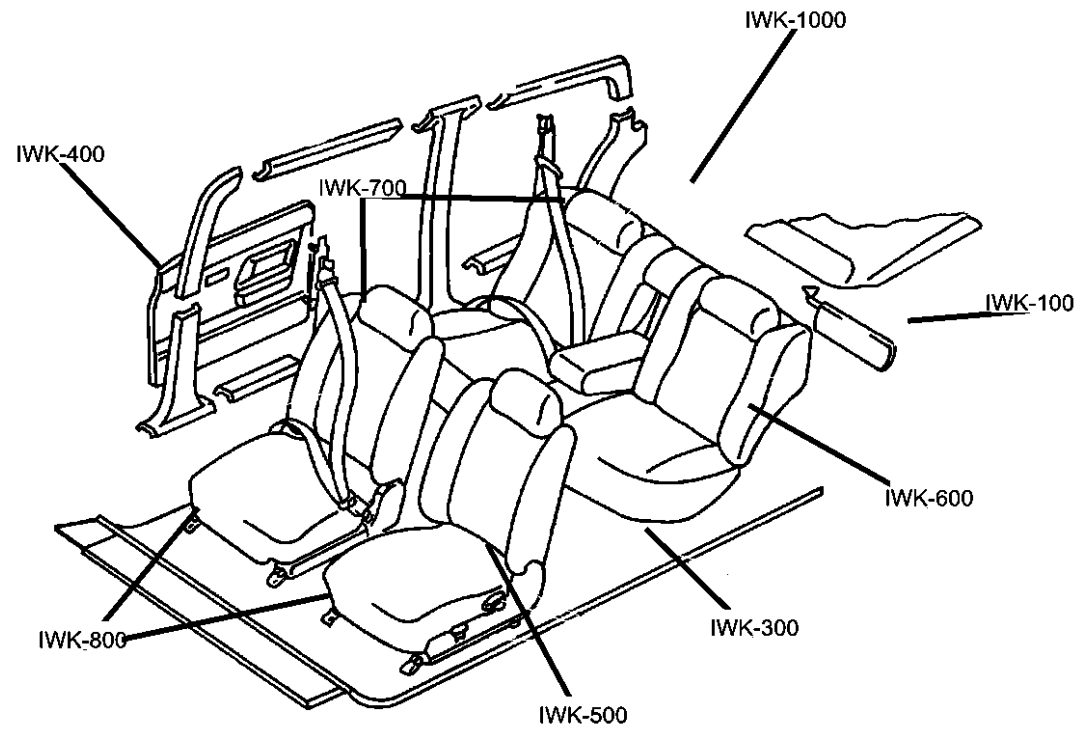
TRANSMISSION
DGJ = 5-Speed Auto W5A580
Transmission
DGQ = 5-Spd Automatic 545RFE
Transmission
DGU = 5-Spd Auto W5J400
Transmission

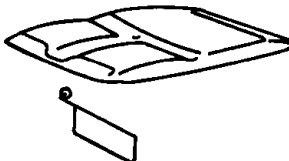
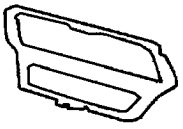
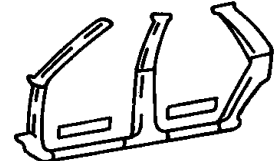
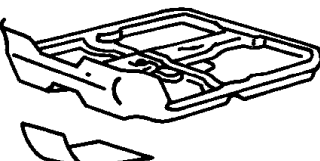
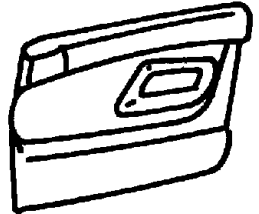
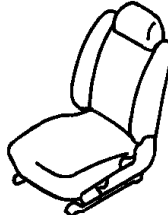
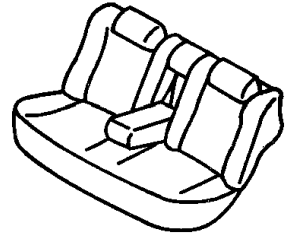
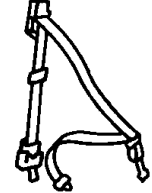
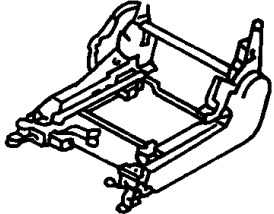
AR = use ase required - = Non illustrated part

2007 WK

Group - IWK

Interior Trim



<p>IWK-100 Headliner and Visor</p> 	<p>IWK-1000 Lift Gate Trim</p> 	<p>IWK-200 Panel - Mouldings, Scuff Plates</p> 	<p>IWK-300 Carpet</p> 
<p>IWK-400 Door Trim Panels</p> 	<p>IWK-500 Front Seats and Attaching Parts</p> 	<p>IWK-600 Rear Seats and Attaching Parts</p> 	<p>IWK-700 Seat Belts - Front and Rear</p> 
<p>IWK-800 Adjusters, Covers, Shields and Risers</p> 			

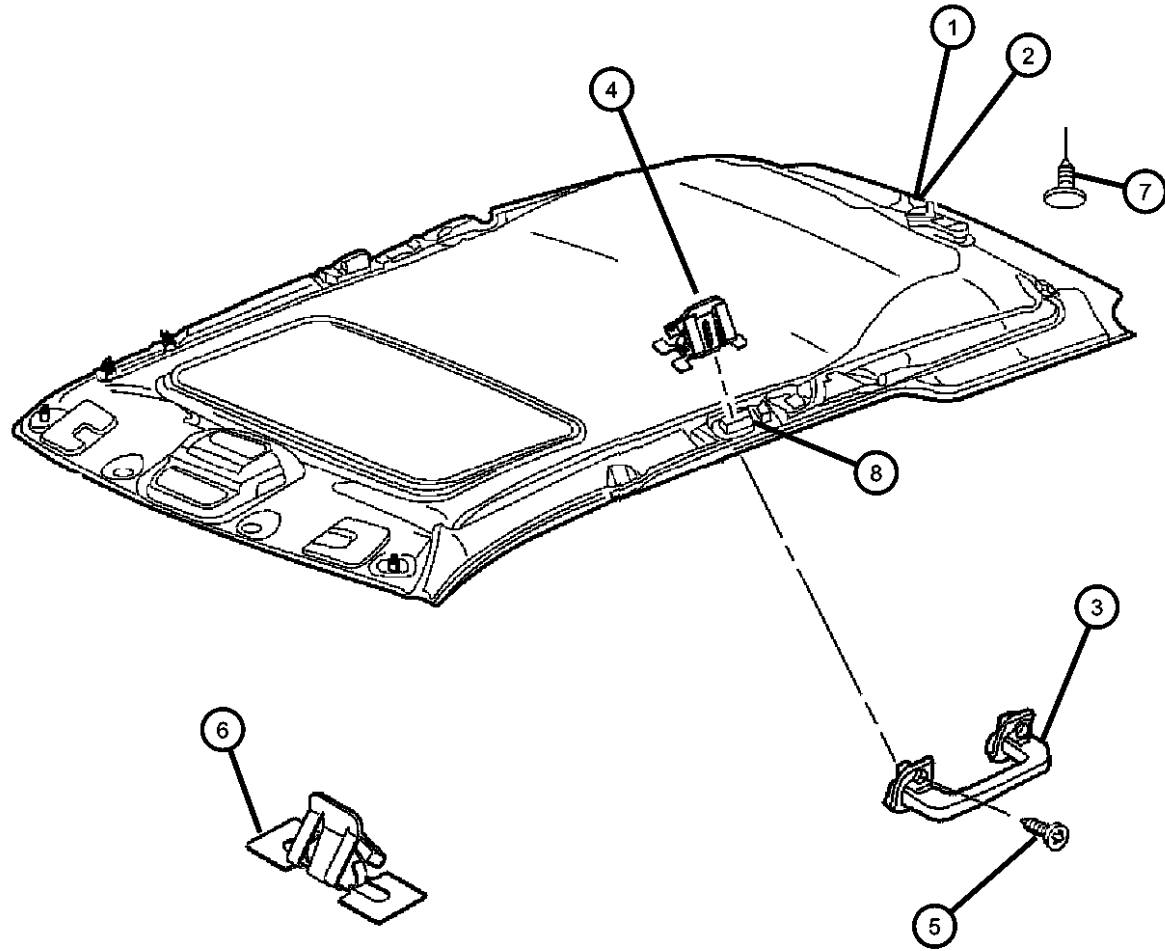
Group - IWK Interior Trim

Illustration Title	Group-Fig. No.
Headliner and Visor	
Headliner and Assist Handle	Fig. IWK - 110
Sunvisor	Fig. IWK - 120
Panel - Mouldings, Scuff Plates	
Front Trim Panels and Scuff Plates	Fig. IWK - 210
Rear Trim Panels	Fig. IWK - 220
Carpet	
Carpet	Fig. IWK - 310
Cover, Cargo	Fig. IWK - 320
Door Trim Panels	
Door Trim Panels	Fig. IWK - 410
Front Seats and Attaching Parts	
Front Seat, Cloth, Trim Code [A7]	Fig. IWK - 510
Front Seat, Cloth, Trim Code [A5]	Fig. IWK - 515
Front Seat, Leather, Trim Code [AL]	Fig. IWK - 520
Front Seat, Leather, Trim Code [PL]	Fig. IWK - 530
Front Seat, Leather, Trim Code [XL]	Fig. IWK - 540
Front Seat, Leather, Trim Code [DZ]	Fig. IWK - 550
Front Seat, Leather, Trim Code [YL]	Fig. IWK - 560
Rear Seats and Attaching Parts	
Rear Seat, Trim Code [A7]	Fig. IWK - 610
Rear Seat, Trim Code [A5]	Fig. IWK - 615
Rear Seat, Trim Code [AL]	Fig. IWK - 620
Rear Seat, Trim Code [PL]	Fig. IWK - 630
Rear Seat, Trim Code [XL]	Fig. IWK - 640
Rear Seat, Trim Code [DZ]	Fig. IWK - 650
Rear Seat, Trim Code [YL]	Fig. IWK - 660
Seat Belts - Front and Rear	
Front Seat Belts	Fig. IWK - 710
Rear Seat Belts	Fig. IWK - 720
Adjusters, Covers, Shields and Risers	
Adjuster, Recliners, Drivers Seat	Fig. IWK - 810
Adjuster, Recliners, Power Passenger Seat	Fig. IWK - 820
Adjuster, Recliners, Manual Passenger Seat	Fig. IWK - 830
Lift Gate Trim	
Liftgate Panel and Scuff Plate	Fig. IWK - 1010

**Headliner and Assist Handle
Figure IWK-110**

ITEM	PART NUMBER	QTY	LINE	SERIES	BODY	ENGINE	TRANS	TRIM	DESCRIPTION
------	-------------	-----	------	--------	------	--------	-------	------	-------------

Sales Codes :
 [CGS] = With Side Airbags
 [CVE] = Overhead Console
 [GNV] = Non Illuminated Visors
 [GWA] = Sunroof
 [JHA] = Intermitten Wipers
 [JHC] = Windshield Wiper, Rain Sensitive
 [SNA] = Dynamic Handling System
 [XAA] = Park Assist Rear Sensor



1	1AQ58BD1AA	1							HEADLINER, Without Sunroof
								*00	Without [XAA] Rear Park Assist,With [JHC] Rain Sensitive Windshield
	1AQ61BD1AA	1	J, T		74			*00	With [CVE] Rear Overhead Console, With [JHC] Rain Sensitive Windshield
	1AU84BD1AA	1	J, T		74			*00	With [XAA] Rear Park Assist, With [CVE] Rear Overhead Console, With [JHC] Rain Sensitive Windshield
	1FW02BD1AA	1	J, T		74			*00	With [JHA] Intermittent Wipers,With [XAA] Rear Park Assist, Without [CGS] Side Air Bags
	1GH43BD1AA	1	J, T		74			*00	With [GNV] Sunvisor With Vanity Mirror
	1GH47BD1AA	1	J, T		74			*00	With [JHA] Intermittent Wipers,Without [XAA] Rear Park Assist, Without [CGS] Side Air Bags
	1AQ59BD1AA	1	J, T		74			*00	With [XAA] Rear Park Assist,With [JHC] Rain Sensitive Windshield
2	1AU70BD1AA	1	J, T		74			*00	HEADLINER, With Sunroof, [GWA]
								*00	Without [CVE] Rear Overhead Console, Without [XAA] Rear Park Assist, With [JHC] Rain Sensitive Windshield
	1AU71BD1AA	1	J, T		74			*00	Without [CVE] Rear Overhead Console, With [XAA] Rear Park Assist, With [JHC] Rain Sensitive Windshield
	1AU75BD1AB	1						*00	With [CVE] Rear Overhead Console, Without [XAA] Rear Park Assist, With [JHC] Rain Sensitive Windshield

GRAND CHEROKEE (WK)

SERIES LINE
 H = HIGHLINE T = JEEP - 2WD
 P = PREMIUM J = JEEP - 4WD
 S = SPORT
 X = SPECIAL

BODY
 74 = SPORT UTILITY 4-DR
 TYPE #4

ENGINE
 EVA = 4.7L V8 MPI Engine
 EVD = 4.7L V8 FFV Engine
 EXL = 3.0L V6 Turbo Diesel
 Engine
 EZB = 5.7L Hemi Multi
 Displacement Engine
 EKG = 3.7L V6 Engine
 ESF = 6.1L SRT HEMI SMPI
 V8 Engine

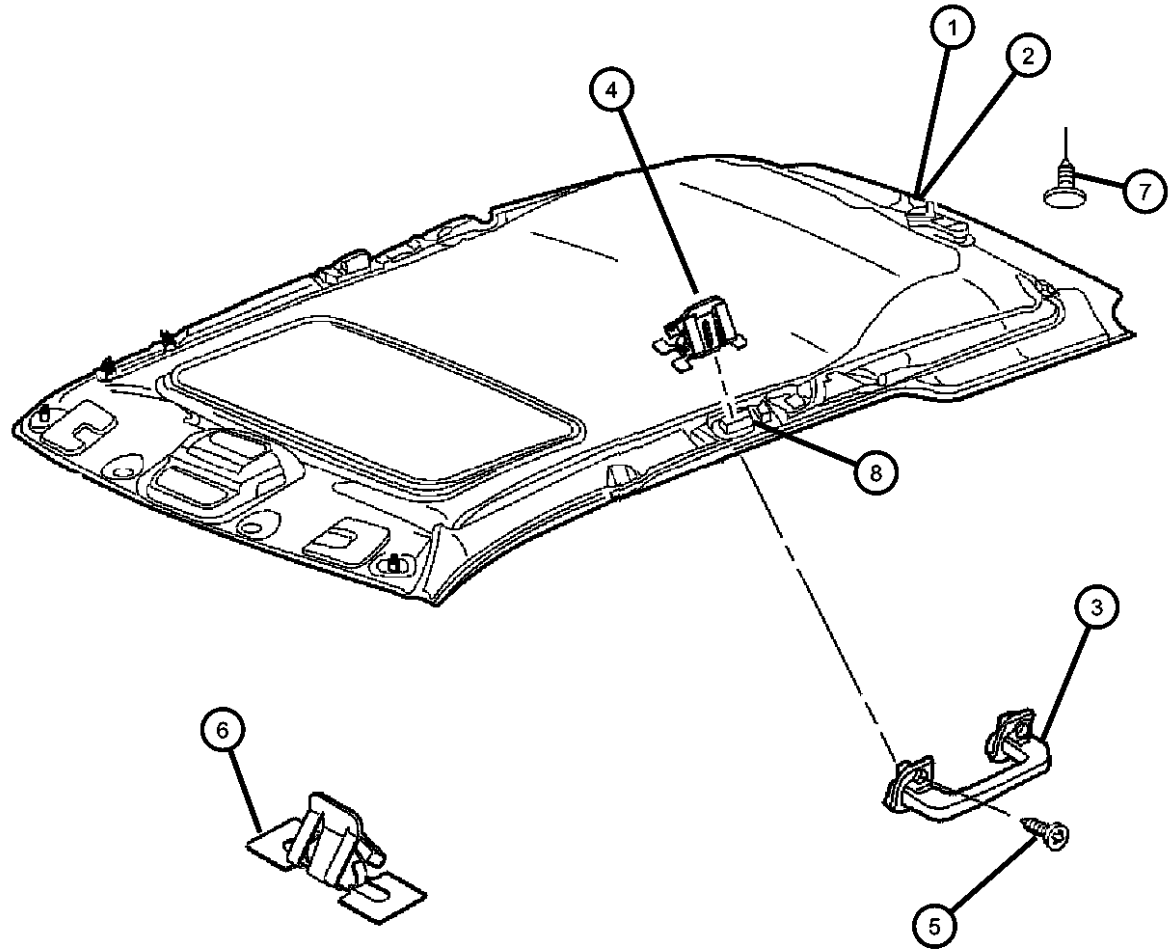
TRANSMISSION
 DGJ = 5-Speed Auto W5A580
 Transmission
 DGQ = 5-Spd Automatic 545RFE
 Transmission
 DGU = 5-Spd Auto W5J400
 Transmission

AR = use ase required - = Non illustrated part

2007 WK

**Headliner and Assist Handle
Figure IWK-110**

ITEM	PART NUMBER	QTY	LINE	SERIES	BODY	ENGINE	TRANS	TRIM	DESCRIPTION
	1AU80BD1AA	1	J, T		74			*00	With [CVE] Rear Overhead Console, With [XAA] Rear Park Assist, With [JHC] Rain Sensitive Windshield
	1FR73BD1AA	1	J, T		74			*00	Without [CVE] Rear Overhead Console, Without [CGS] Side Air Bags, With [JHA] Intermittent Wipers
	1FR75BD1AA	1	J, T		74			*00	With [CVE] Rear Overhead Console, Without [CGS] Side Air Bags, With [JHA] Intermittent Wipers
	1FW01BD1AB	1	J, T		74			*00	With [GNV], [JHA], [GWA] Sales Codes
	1GH46BD1AA	1	J, T		74			*00	With [CVE] Rear Overhead Console, With [CGS] Side Air Bags, With [JHA] Intermittent Wipers
	1GH48BD1AA	1	J, T		74			*00	Without [CVE] Rear Overhead Console, With [CGS] Side Air Bags, With [JHA] Intermittent Wipers
3									HANDLE, Roof Grab
	1AK64BD1AA	1						*00	Right
	1AK65BD1AA	1						*00	Left
4	04746232	4						*00	CLIP, Z-Axis, Visor & Grab Handle Attach
5	05139455AA	4						*00	SCREW
6	05028203AA	2						*00	CLIP, Roof Rail
7	06503943	1	J, T		74				RETAINER
8	05166015AA	2						*00	PLATE, Retaining



GRAND CHEROKEE (WK)

SERIES LINE
H = HIGHLINE T = JEEP - 2WD
P = PREMIUM J = JEEP - 4WD
S = SPORT
X = SPECIAL

BODY
74 = SPORT UTILITY 4-DR
TYPE #4

ENGINE
EVA = 4.7L V8 MPI Engine
EVD = 4.7L V8 FFV Engine
EXL = 3.0L V6 Turbo Diesel
Engine
EZB = 5.7L Hemi Multi
Displacement Engine
EKG = 3.7L V6 Engine
ESF = 6.1L SRT HEMI SMPI
V8 Engine

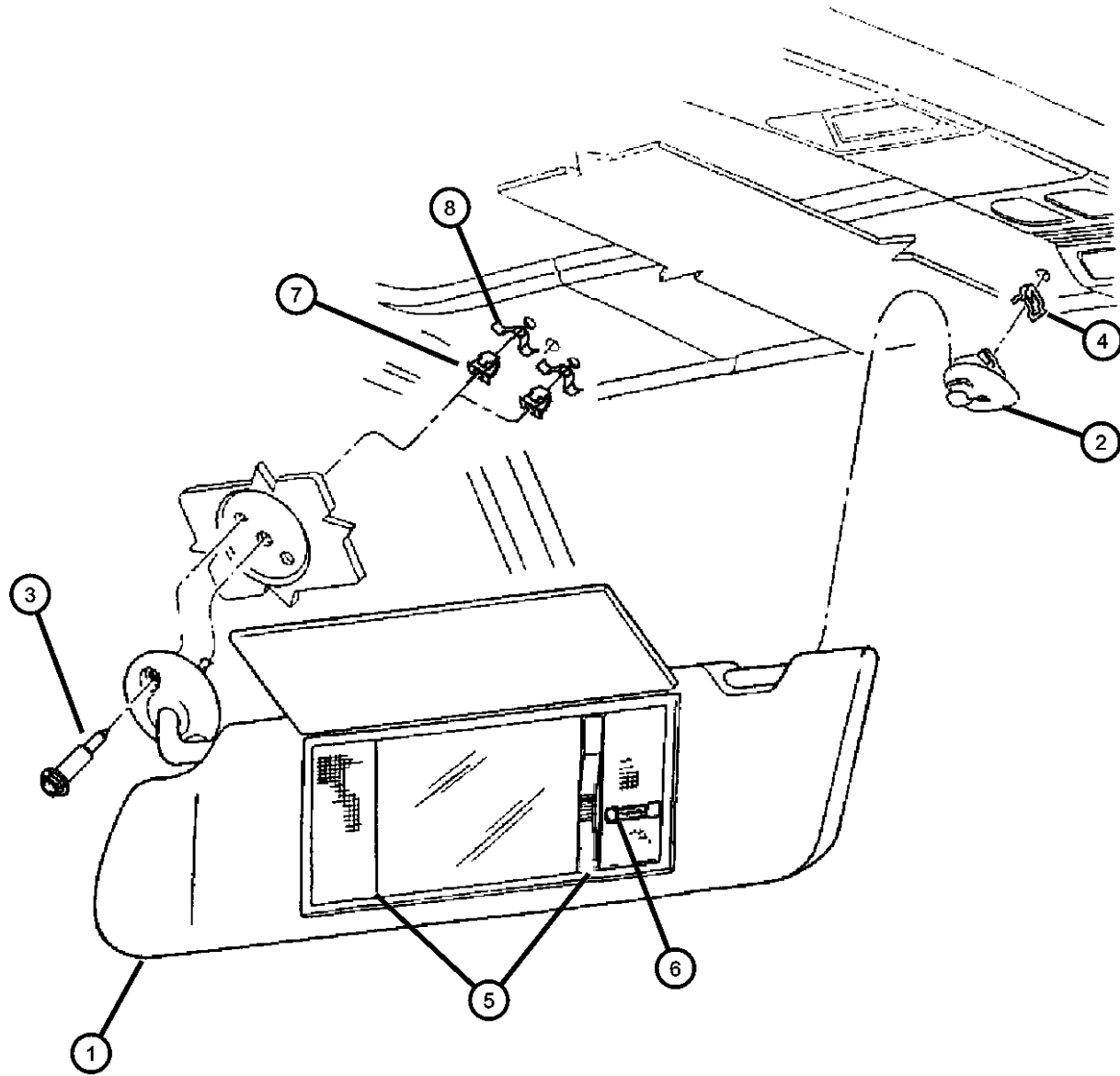
TRANSMISSION
DGJ = 5-Speed Auto W5A580
Transmission
DGQ = 5-Spd Automatic 545RFE
Transmission
DGU = 5-Spd Auto W5J400
Transmission

AR = use ase required - = Non illustrated part

2007 WK

**Sunvisor
Figure IWK-120**

ITEM	PART NUMBER	QTY	LINE	SERIES	BODY	ENGINE	TRANS	TRIM	DESCRIPTION
1									VISOR
	1AK80BD1AA	1						*00	With Vanity Mirror [GNV], Right
	1AK81BD1AA	1						*00	With Vanity Mirror [GNV], Left
	1AK82BD1AA	1						*00	With Illuminated Vanity Mirror [GNC], Right
	1AK83BD1AA	1						*00	With Illuminated Vanity Mirror [GNC], Left
2	1AL25BD1AA	2						*00	SUPPORT, Visor
3	06036610AA	4						*00	SCREW, Trim
4	04746232	4						*00	CLIP, Z-Axis, Visor & Grab Handle Attach
5	05139210AA	1						*00	LENS, Illuminated Visor
6	06501966	1						*00	BULB, Sunvisor
7	06036480AA	4	J, T		74				NUT, Push, .164-18
8	05139219AA	2						*00	RETAINER, Visor



GRAND CHEROKEE (WK)

SERIES LINE
H = HIGHLINE T = JEEP - 2WD
P = PREMIUM J = JEEP - 4WD
S = SPORT
X = SPECIAL

BODY
74 = SPORT UTILITY 4-DR
TYPE #4

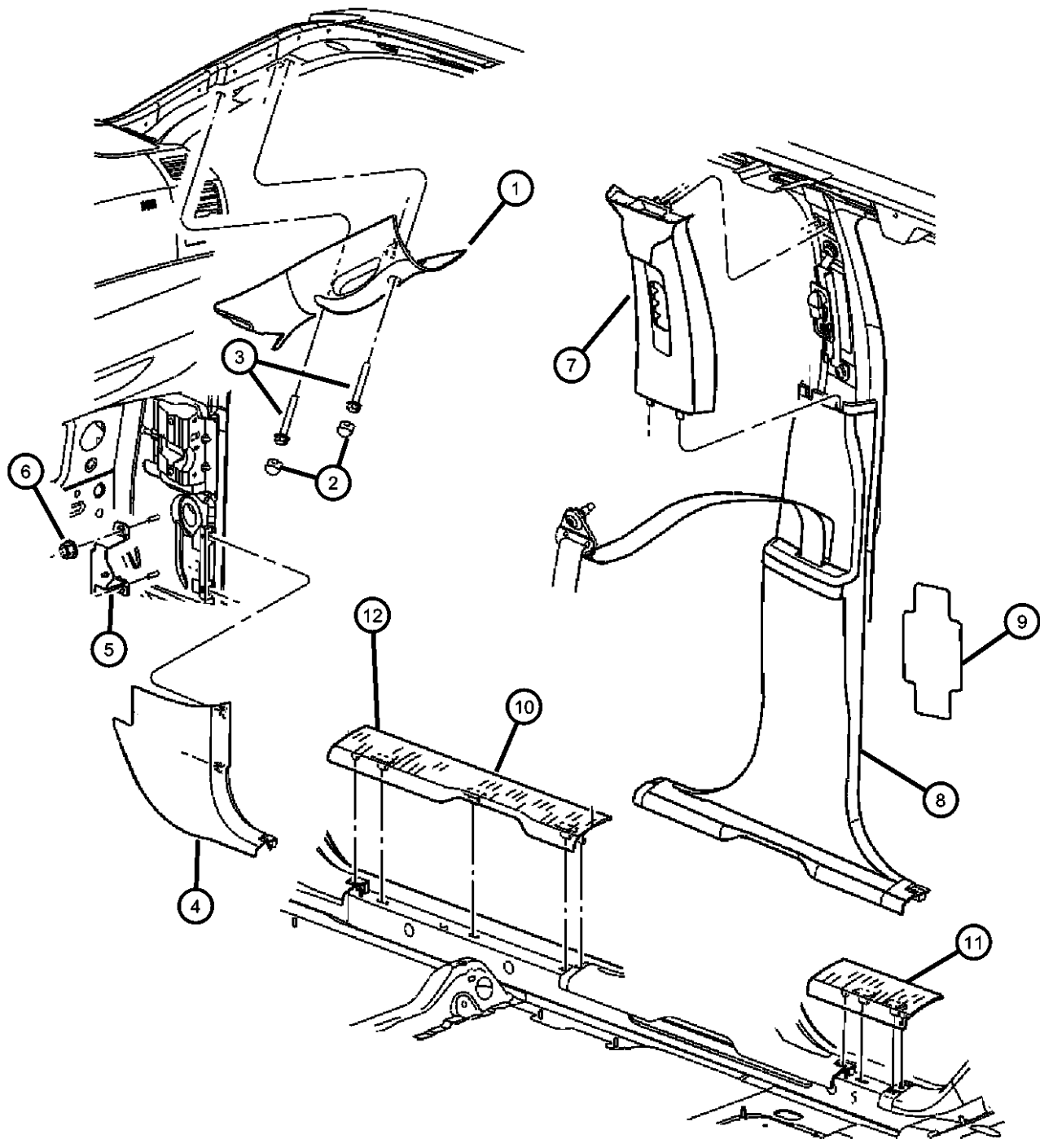
ENGINE
EVA = 4.7L V8 MPI Engine
EVD = 4.7L V8 FFV Engine
EXL = 3.0L V6 Turbo Diesel
Engine
EZB = 5.7L Hemi Multi
Displacement Engine
EKG = 3.7L V6 Engine
ESF = 6.1L SRT HEMI SMPI
V8 Engine

TRANSMISSION
DGJ = 5-Speed Auto W5A580
Transmission
DGQ = 5-Spd Automatic 545RFE
Transmission
DGU = 5-Spd Auto W5J400
Transmission

AR = use ase required - = Non illustrated part

2007 WK

**Front Trim Panels and Scuff Plates
Figure IWK-210**



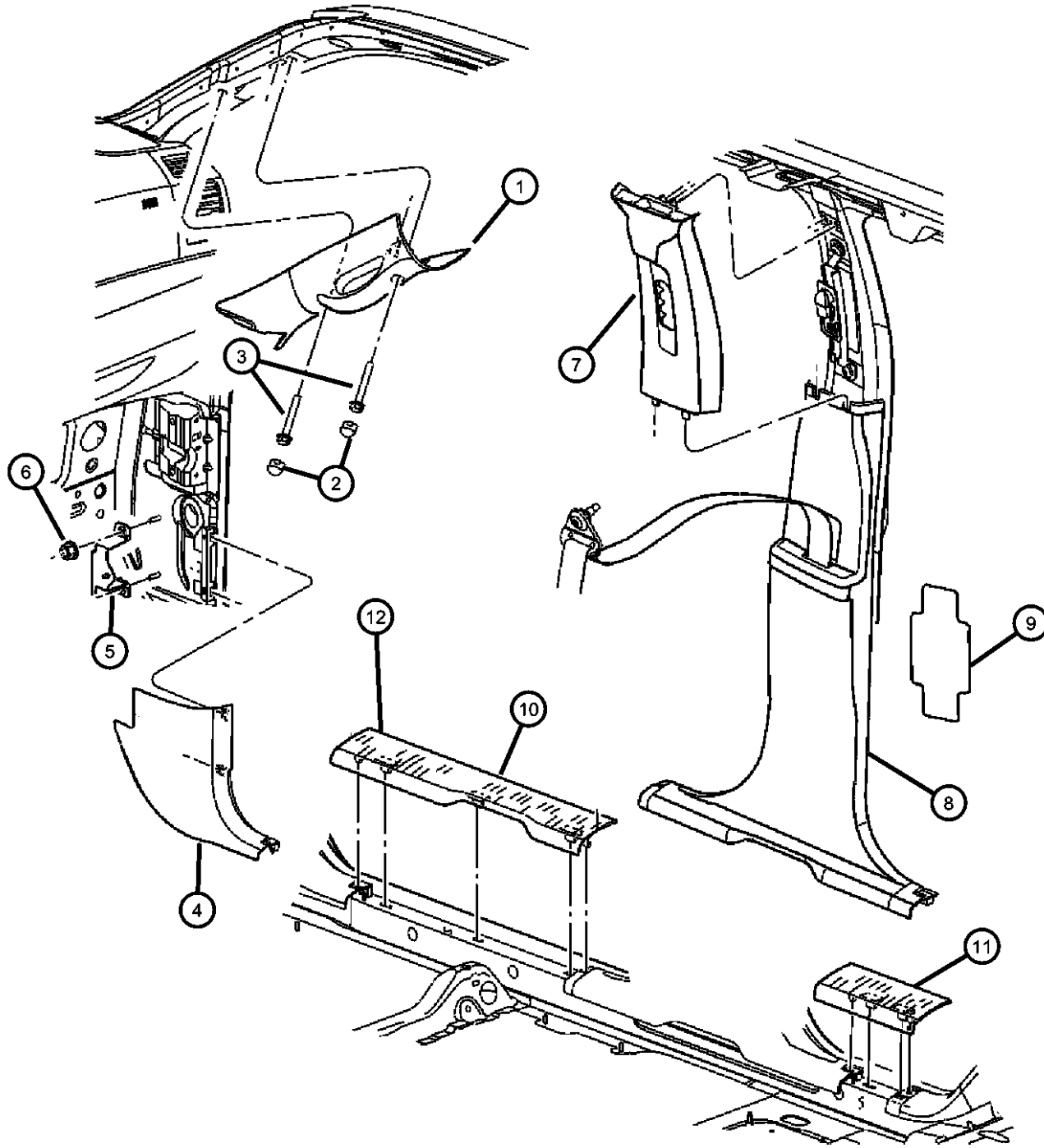
ITEM	PART NUMBER	QTY	LINE	SERIES	BODY	ENGINE	TRANS	TRIM	DESCRIPTION
1	5HS26BDXAJ	1	J, T		74			*00	PANEL, A Pillar Right
	5HS27BDXAJ	1	J, T		74			*00	Left
2	1AV94BDXAA	1	J, T		74			*00	PLUG, A Pillar Garnish Upper Right
	1AV83BDXAA	1	J, T		74			*00	Lower Left
	1AV92BDXAA	1	J, T		74			*00	Lower Right
	1AV93BDXAA	1	J, T		74			*00	Upper Left
	06105043AA	4	J, T		74				SCREW, Trim
4	1CL27BD1AB	1	J, T		74			*00	PANEL, Cowl Side Trim [J1], Left
	1CL27BD5AB	1	J, T		74			*00	[D5], Left
	1CL27ZJ3AB	1	J, T		74			*00	[J3], Left
	5HQ14BD1AG	1	J, T		74			*00	[J1], Right
	5HQ14BD5AG	1	J, T		74			*00	[D5], Right
	5HQ14ZJ3AG	1	J, T		74			*00	[J3], Right
	55352902AD	1	J, T		74				BRACKET, Cowl
6	06503825	2	J, T		74				NUT AND WASHER, Hex Nut-Cone Washer, M6 x 1.00
	5HS33BDXAI	1						*00	PANEL, B Pillar, Upper Left
	5HS32BDXAI	1					*00	Right	
8	5HQ10BD1AG	1	J, T		74			*00	PANEL, B Pillar Lower Trim [J1], Right
	5HQ10BD5AG	1	J, T		74			*00	[D5], Right
	5HQ10ZJ3AG	1	J, T		74			*00	[J3], Right
	5HQ11BD1AG	1	J, T		74			*00	[J1], Left
	5HQ11BD5AG	1	J, T		74			*00	[D5], Left
	5HQ11ZJ3AG	1	J, T		74			*00	[J3], Left
	55116545AC	2	J, T		74				SHIELD, Seat Belt Retractor
10	5JQ20BD1AB	1	J, T		74			*00	SILL COVER, Interior, Front [J1], Right
	5JQ20BD5AB	1	J, T		74			*00	[D5], Right

GRAND CHEROKEE (WK)
 SERIES LINE BODY ENGINE TRANSMISSION
 H = HIGHLINE T = JEEP - 2WD 74 = SPORT UTILITY 4-DR EVA = 4.7L V8 MPI Engine
 P = PREMIUM J = JEEP - 4WD TYPE #4 EVD = 4.7L V8 FFV Engine DGJ = 5-Speed Auto W5A580
 S = SPORT Engine DGQ = 5-Spd Automatic 545RFE Transmission
 X = SPECIAL ESF = 6.1L SRT HEMI SMPI V8 Engine V8 Engine DGU = 5-Spd Auto W5J400 Transmission

AR = use ase required - = Non illustrated part

**Front Trim Panels and Scuff Plates
Figure IWK-210**

ITEM	PART NUMBER	QTY	LINE	SERIES	BODY	ENGINE	TRANS	TRIM	DESCRIPTION
	5JQ20ZJ3AB	1	J, T		74			*O0	[J3], Right
	5JQ21BD1AB	1	J, T		74			*O0	[J1], Left
	5JQ21BD5AB	1	J, T		74			*O0	[D5], Left
	5JQ21ZJ3AB	1	J, T		74			*O0	[J3], Left
11									SILL COVER, Interior, Rear
	5JX64BD1AB	2	J, T		74			*O0	[J1]
	5JX64BD5AB	2	J, T		74			*O0	[D5]
	5JX64ZJ3AB	2	J, T		74			*O0	[J3]
12	05030271AA	2	J, T	X	74				SILL KIT, Door Entry, SRT,Front Right and Left in Pkg



GRAND CHEROKEE (WK)

SERIES LINE
H = HIGHLINE T = JEEP - 2WD
P = PREMIUM J = JEEP - 4WD
S = SPORT
X = SPECIAL

BODY
74 = SPORT UTILITY 4-DR
TYPE #4

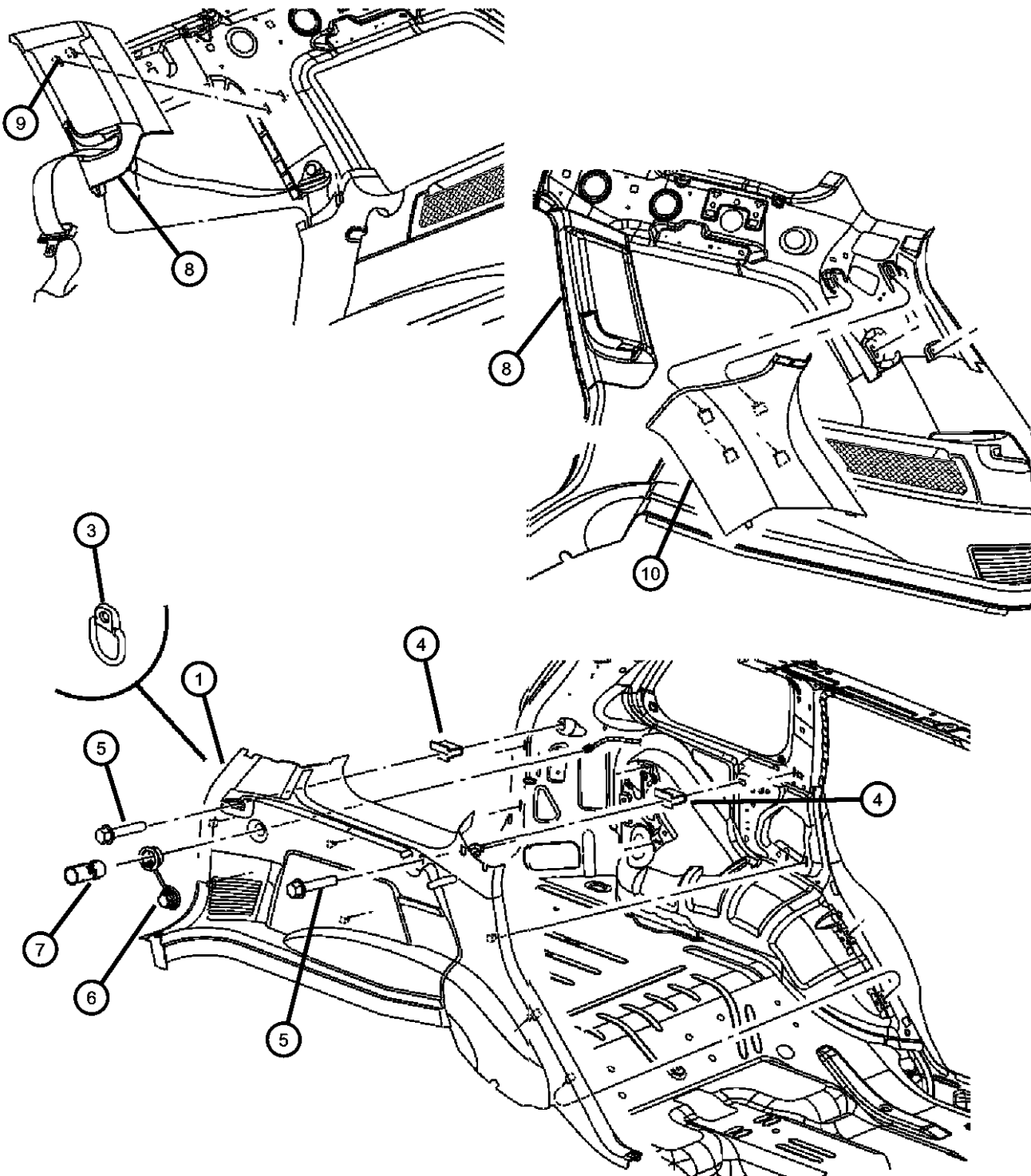
ENGINE
EVA = 4.7L V8 MPI Engine
EVD = 4.7L V8 FFV Engine
EXL = 3.0L V6 Turbo Diesel
Engine
EZB = 5.7L Hemi Multi
Displacement Engine
EKG = 3.7L V6 Engine
ESF = 6.1L SRT HEMI SMPI
V8 Engine

TRANSMISSION
DGJ = 5-Speed Auto W5A580
Transmission
DGQ = 5-Spd Automatic 545RFE
Transmission
DGU = 5-Spd Auto W5J400
Transmission

AR = use ase required - = Non illustrated part

2007 WK

Rear Trim Panels
Figure IWK-220



ITEM	PART NUMBER	QTY	LINE	SERIES	BODY	ENGINE	TRANS	TRIM	DESCRIPTION
1									PANEL, Quarter Trim
	5HS361D1AF	1	J, T		74			*00	[J1], Right
	5HS361D5AF	1	J, T		74			*00	[D5], Right
	5HS361J3AF	1	J, T		74			*00	[J3], Right
	5HS371D1AF	1	J, T		74			*00	[J1], Left
	5HS371D5AF	1	J, T		74			*00	[D5], Left
	5HS371J3AF	1	J, T		74			*00	[J3], Left
-2	1BR41DX9AA	1	J, T		74			*00	HOOK, Rear Shelf
3	55196901AB	1	J, T		74			*00	LOOP, Cargo Tie Down
4	06035773	2	J, T		74				NUT
5	06101946	4	J, T		74				SCREW, Tapping
6	04685668AA	1	J, T		74			*00	MOUNT, Power Outlet
7	04793554AC	1	J, T		74			*00	POWER OUTLET
8									PANEL, C Pillar
	5HS34BDXAG	1						*00	Right
	5HS35BDXAG	1						*00	Left
9									PLUG, C Pillar
	1CL22BDXAA	1	J, T		74			*00	Right
	1CL23BDXAA	1	J, T		74			*00	Left
10									PANEL, D Pillar
	5HS30BD1AH	1	J, T		74			*00	[J1], Right
	5HS30BD5AH	1	J, T		74			*00	[D5], Right
	5HS30ZJ3AH	1	J, T		74			*00	[J3], Right
	5HS31BD1AH	1	J, T		74			*00	[J1], Left
	5HS31BD5AH	1	J, T		74			*00	[D5], Left
	5HS31ZJ3AH	1	J, T		74			*00	[J3], Left

GRAND CHEROKEE (WK)

SERIES LINE
H = HIGHLINE T = JEEP - 2WD
P = PREMIUM J = JEEP - 4WD
S = SPORT
X = SPECIAL

BODY
74 = SPORT UTILITY 4-DR
TYPE #4

ENGINE
EVA = 4.7L V8 MPI Engine
EVD = 4.7L V8 FFV Engine
EXL = 3.0L V6 Turbo Diesel
Engine
EZB = 5.7L Hemi Multi
Displacement Engine
EKG = 3.7L V6 Engine
ESF = 6.1L SRT HEMI SMPI
V8 Engine

TRANSMISSION
DGJ = 5-Speed Auto W5A580
Transmission
DGQ = 5-Spd Automatic 545RFE
Transmission
DGU = 5-Spd Auto W5J400
Transmission

AR = use ase required - = Non illustrated part

2007 WK

**Carpet
Figure IWK-310**

ITEM	PART NUMBER	QTY	LINE	SERIES	BODY	ENGINE	TRANS	TRIM	DESCRIPTION
1	5KC56XD-HAE	1						*O0 [D5]	CARPET, Floor, Front
	5KC56ZJ8AE	1						*O0 [J3]	
		1						*O0 [J1]	
2	55197048AB	1	J, T		74				FOOTREST
3	06501916	1	J, T		74				RETAINER, Push On
4									BASE, Load Floor, Lid not Included
	5JP981D1AI	1	J, T		74			*O0 [J1]	
	5JP981DHAI	1	J, T		74			*O0 [D5]	
	5JP981J8AI	1	J, T		74			*O0 [J3]	
5									LID, Load Floor
	5JY521D1AG	1	J, T		74			*O0 [J1]	
	5JY521DHAG	1	J, T		74			*O0 [D5]	
	5JY521J8AG	1	J, T		74			*O0 [J3]	
6	06101968	2	J, T		74				NUT, M6x1.00
7									MAT KIT, Floor
	1GL691DHAA	1	J, T		74			*O0 [D5] With [CLZ] Luxury Mats	
	1GL691J8AA	1	J, T		74			*O0 [J1] With [CLZ] Luxury Mats	
		1	J, T		74			*O0 [J3] With [CLZ] Luxury Mats	
	5HS62XD-HAD	1	J, T		74			*O0 [D5]	
	5HS62ZJ8AD	1	J, T		74			*O0 [J1]	
		1	J, T		74			*O0 [J3]	
8	05142350AA	1	J, T		74			*O0	LATCH, Load Floor Cover
9									SILENCER, Wheelhouse
	55197228AC	1							Right
	55197229AC	1							Left
10	55196982AE	1	J, T		74				SILENCER, Tunnel
11	55197097AC	1							PAD, Cargo Area Pad
-12	55196834AA	1	J, T		74			*O0	CLIP, Carpet
-13	68045565AA	4	J, T		74			*O0	STRAP, Load Floor
-14	68045564AA	4	J, T		74			*O0	BEZEL, Load floor latch

GRAND CHEROKEE (WK)

SERIES LINE
H = HIGHLINE T = JEEP - 2WD
P = PREMIUM J = JEEP - 4WD
S = SPORT
X = SPECIAL

BODY
74 = SPORT UTILITY 4-DR
TYPE #4

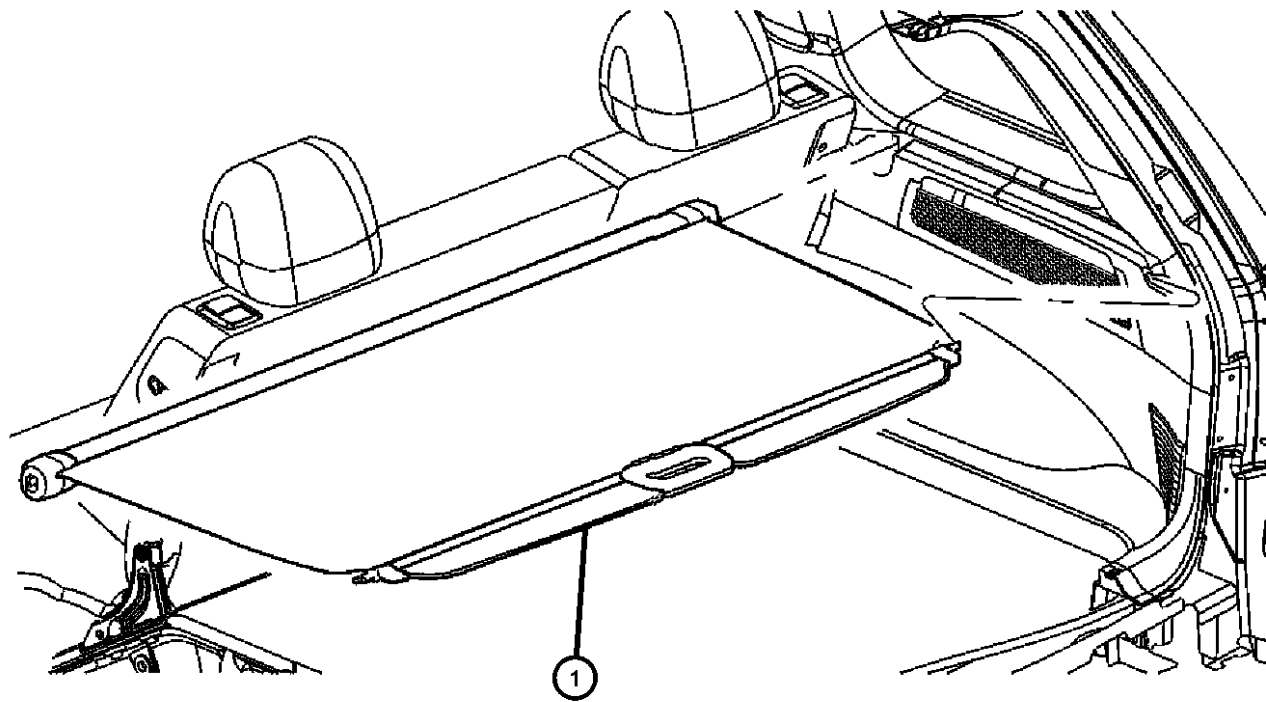
ENGINE
EVA = 4.7L V8 MPI Engine
EVD = 4.7L V8 FFV Engine
EXL = 3.0L V6 Turbo Diesel
Engine
EZB = 5.7L Hemi Multi
Displacement Engine
EKG = 3.7L V6 Engine
ESF = 6.1L SRT HEMI SMPI
V8 Engine

TRANSMISSION
DGJ = 5-Speed Auto W5A580
Transmission
DGQ = 5-Spd Automatic 545RFE
Transmission
DGU = 5-Spd Auto W5J400
Transmission

AR = use ase required - = Non illustrated part

**Cover, Cargo
Figure IWK-320**

ITEM	PART NUMBER	QTY	LINE	SERIES	BODY	ENGINE	TRANS	TRIM	DESCRIPTION
1									COVER, Cargo Compartment
	5HS38BD1AA	1	J, T		74			*O0	[J1]
	5HS38BD5AA	1	J, T		74			*O0	[D5]
	5HS38ZJ3AA	1	J, T		74			*O0	[J3]



GRAND CHEROKEE (WK)

SERIES LINE
H = HIGHLINE T = JEEP - 2WD
P = PREMIUM J = JEEP - 4WD
S = SPORT
X = SPECIAL

BODY
74 = SPORT UTILITY 4-DR
TYPE #4

ENGINE
EVA = 4.7L V8 MPI Engine
EVD = 4.7L V8 FFV Engine
EXL = 3.0L V6 Turbo Diesel
Engine
EZB = 5.7L Hemi Multi
Displacement Engine
EKG = 3.7L V6 Engine
ESF = 6.1L SRT HEMI SMPI
V8 Engine

TRANSMISSION
DGJ = 5-Speed Auto W5A580
Transmission
DGQ = 5-Spd Automatic 545RFE
Transmission
DGU = 5-Spd Auto W5J400
Transmission

AR = use ase required - = Non illustrated part

2007 WK

Door Trim Panels
Figure IWK-410

ITEM	PART NUMBER	QTY	LINE	SERIES	BODY	ENGINE	TRANS	TRIM	DESCRIPTION
------	-------------	-----	------	--------	------	--------	-------	------	-------------

Sales Codes:

- [CBF] = Premium Door Trim Panel
- [CBW] = Highline Door Trim Panel
- [CTC] = Luxury Door Trim Panel
- [CTL] = Base Door Trim Panel
- [CTM] = Deluxe Door Trim Panel

ITEM	PART NUMBER	QTY	LINE	SERIES	BODY	ENGINE	TRANS	TRIM	DESCRIPTION
1									PANEL, Front Door Trim
	1EG801D5AA	1	J, T		74			*00	[D5] Loredo, With [CTL] Base Trim Panel, Right
	1EG801J3AA	1	J, T		74			*00	[J3] Loredo, With [CTL] Base Trim Panel, Right
	1EG811D5AA	1	J, T		74			*00	[D5] Loredo, With [CTL] Base Trim Panel, Left
	1EG811J3AA	1	J, T		74			*00	[J3] Loredo, With [CTL] Base Trim Panel, Left
	1EG881D1AA	1	J, T	P	74			*00	[J1] Limited, With [CBF] Premium Trim Panel, Right
	1EG881D5AA	1	J, T	P	74			*00	[D5] Limited, With [CBF] Premium Trim Panel, Right
	1EG881J3AA	1	J, T	P	74			*00	[J3] Limited, With [CBF] Premium Trim Panel, Right
	1EG891D1AA	1	J, T	P	74			*00	[J1] Limited, With [CBF] Premium Trim Panel, Left
	1EG891D5AA	1	J, T	P	74			*00	[D5] Limited, With [CBF] Premium Trim Panel, Left
	1EG891J3AA	1	J, T	P	74			*00	[J3] Limited, With [CBF] Premium Trim Panel, Left
	1EH121D1AA	1	J, T		74			*00	[J1] Overland, With [CTC] Luxury Trim Panel, Right
	1EH121D5AA	1	J, T		74			*00	[D5] Overland, With [CTC] Luxury Trim Panel, Right
	1EH131D5AA	1	J, T		74			*00	[D5] Overland, With [CTC] Luxury Trim Panel, Left
	1EH131D1AA	1	J, T		74			*00	[J1] Overland, With [CTC] Luxury Trim Panel, Left
	1GB261D5AA	1	J, T		74			*00	[D5] Limited, With [CTM] Deluxe Trim Panel, Right
	1GB271D5AA	1	J, T		74			*00	[D5] Limited, With [CTM] Deluxe Trim Panel, Left
	1HG781D5AA	1	J, T		74			*00	[D5] [SRT-8], With [CBW] Highland Trim Panel, Right
	1HG791D5AA	1	J, T		74			*00	[D5] [SRT-8], With [CBW] Highland Trim Panel, Left

GRAND CHEROKEE (WK)

SERIES LINE
H = HIGHLINE T = JEEP - 2WD
P = PREMIUM J = JEEP - 4WD
S = SPORT
X = SPECIAL

BODY
74 = SPORT UTILITY 4-DR
TYPE #4

ENGINE
EVA = 4.7L V8 MPI Engine
EVD = 4.7L V8 FFV Engine
EXL = 3.0L V6 Turbo Diesel
Engine
EZB = 5.7L Hemi Multi
Displacement Engine
EKG = 3.7L V6 Engine
ESF = 6.1L SRT HEMI SMPI
V8 Engine

TRANSMISSION
DGJ = 5-Speed Auto W5A580
Transmission
DGQ = 5-Spd Automatic 545RFE
Transmission
DGU = 5-Spd Auto W5J400
Transmission

AR = use ase required - = Non illustrated part

2007 WK

Door Trim Panels
Figure IWK-410

ITEM	PART NUMBER	QTY	LINE	SERIES	BODY	ENGINE	TRANS	TRIM	DESCRIPTION
2	06507686AA	7	J, T		74			*O0	FASTENER, Door Trim Panel, Front And Rear Doors
3	06101946	4	J, T		74				SCREW, Tapping
4	06035807	2	J, T		74				NUT, Door Trim
5									PANEL, Rear Door Trim
	5HR371D1AJ	1	J, T		74			*O0	[J1],With [CBF or CTC] Premium Door Trim Panel, Left
	5HR371D5AJ	1	J, T		74			*O0	[D5],With [CBF or CTC] Premium Door Trim Panel, Left
		1	J, T		74			*O0	[D5]With [CBW or CTM] Deluxe/Highline Door Trim Panel, Left
	5HR371J3AJ	1	J, T		74			*O0	[J3],With [CBF or CTC] Premium Door Trim Panel, Left
	5HR381D1AJ	1	J, T		74			*O0	[J1],With [CBF or CTC] Premium Door Trim Panel, Right
	5HR381D5AJ	1	J, T		74			*O0	[D5],With [CBF or CTC] Premium Door Trim Panel, Right
		1	J, T		74			*O0	[D5]With [CBW or CTM] Deluxe/Highline Door Trim Panel, Right
	5HR381J3AJ	1	J, T		74			*O0	[J3],With [CBF or CTC] Premium Door Trim Panel, Right
	5HR411D5AJ	1	J, T		74			*O0	[D5],With [CTL] Base Door Trim Panel, Left
	5HR411J3AJ	1	J, T		74			*O0	[J3],With [CTL] Base Door Trim Panel, Left
	5HR421D5AJ	1	J, T		74			*O0	[D5],With [CTL] Base Door Trim Panel, Right
	5HR421J3AJ	1	J, T		74			*O0	[J3],With [CTL] Base Door Trim Panel, Right
6									BEZEL, Switch
	05189959AA	1	J, T		74			*O0	[Diamond Cut] With [CTL] Base Trim Panel, With [ALS] Convenience Group, Left
	05189960AA	1	J, T		74			*O0	[Diamond Cut] With [CTL] Base Trim Panel, With [ALS] Convenience Group, Right
	05191105AA	1	J, T		74			*O0	[Matrix Grid] With [CTL] Base Trim Panel, Right
	05191108AA	1	J, T		74			*O0	[Matrix Grid] With [CTL] Base Trim Panel, Left

GRAND CHEROKEE (WK)

SERIES LINE
H = HIGHLINE T = JEEP - 2WD
P = PREMIUM J = JEEP - 4WD
S = SPORT
X = SPECIAL

BODY
74 = SPORT UTILITY 4-DR TYPE #4

ENGINE
EVA = 4.7L V8 MPI Engine
EVD = 4.7L V8 FFV Engine
EXL = 3.0L V6 Turbo Diesel Engine
EZB = 5.7L Hemi Multi Displacement Engine
EKG = 3.7L V6 Engine
ESF = 6.1L SRT HEMI SMPI V8 Engine

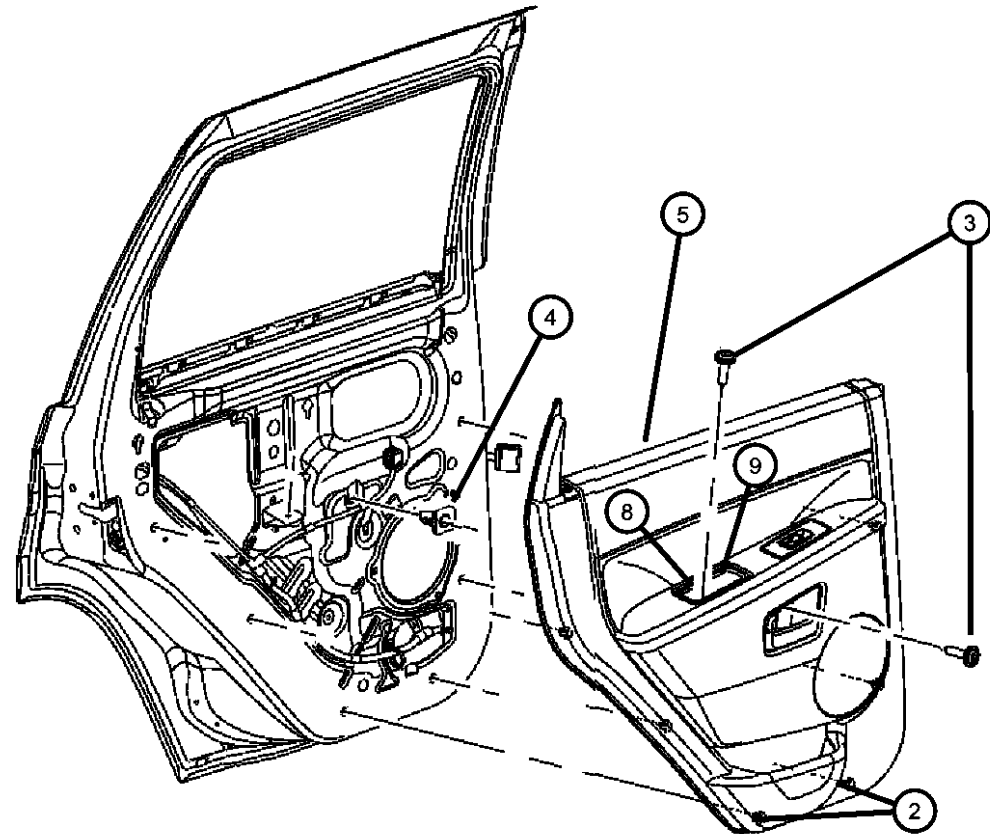
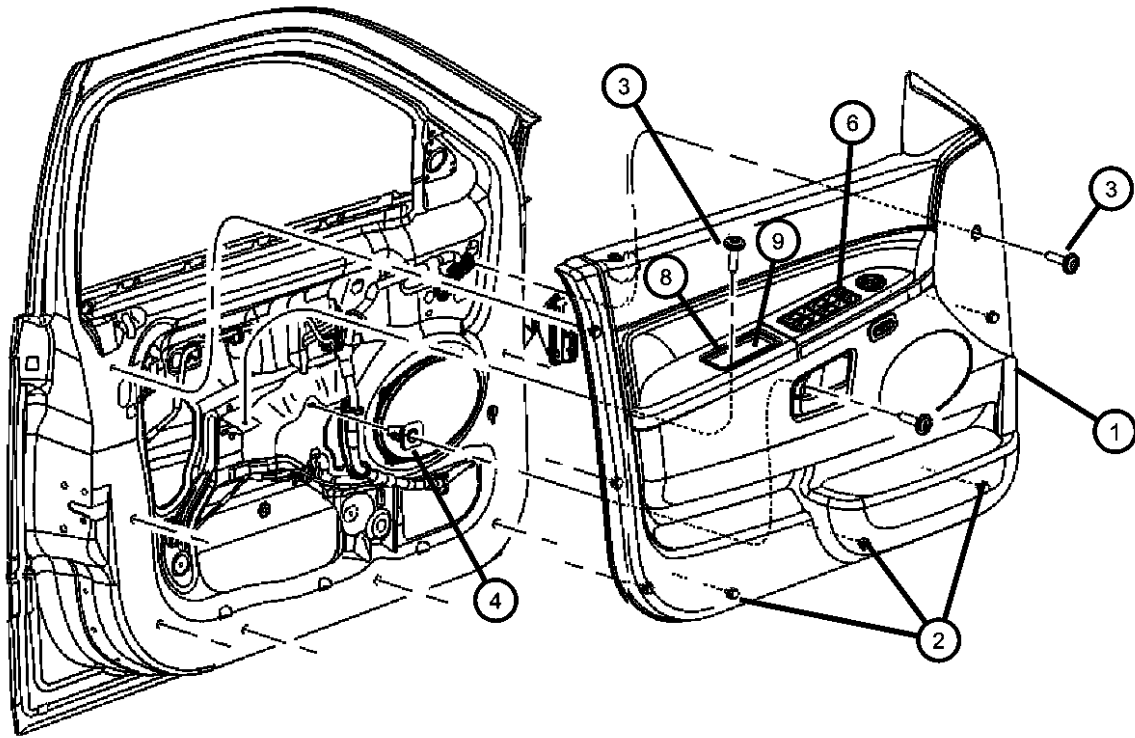
TRANSMISSION
DGJ = 5-Speed Auto W5A580 Transmission
DGQ = 5-Spd Automatic 545RFE Transmission
DGU = 5-Spd Auto W5J400 Transmission

AR = use ase required - = Non illustrated part

2007 WK

Door Trim Panels
Figure IWK-410

ITEM	PART NUMBER	QTY	LINE	SERIES	BODY	ENGINE	TRANS	TRIM	DESCRIPTION
	05191123AA	1	J, T		74			*00	[Real Wood] With [CTC] Luxury Trim Panel, Right
	68024156AA	1	J, T		74			*00	[Refined Aluminum] With [CBW] Highland Trim Panel, Left
	68024244AA	1	J, T	P	74			*00	[Sycamore] With [CBF] Premium Trim Panel, Left
	68024260AA	1	J, T	P	74			*00	[Sycamore] With [CBF] Premium Trim Panel, Right
	05191125AA	1	J, T		74			*00	[Real Wood] With [CTC] Luxury Trim Panel, Left
	68024155AA	1	J, T		74			*00	[Refined Aluminum] With [CBW] Highland Trim Panel, Right
-7	68024539AA	1	J, T		74			*00	BADGE, Boston Badge [For Speaker Grille], Boston Badge [For Speaker Grille]
8									CUP, Door Pull, Front or Rear
	1HM181D1AA	1	J, T		74			*00	[J1], Right
	1HM181D5AA	1	J, T		74			*00	[D5], Right
	1HM181J3AA	1	J, T		74			*00	[J3], Right
	1HM191D1AA	1	J, T		74			*00	[J1], Left
	1HM191D5AA	1	J, T		74			*00	[D5], Left
	1HM191J3AA	1	J, T		74			*00	[J3], Left
9	1BQ06XXXAB	2	J, T		74			*00	MAT, Pull Cup Mat, Front or Rear



GRAND CHEROKEE (WK)

SERIES LINE
H = HIGHLINE T = JEEP - 2WD
P = PREMIUM J = JEEP - 4WD
S = SPORT
X = SPECIAL

BODY
74 = SPORT UTILITY 4-DR
TYPE #4

ENGINE
EVA = 4.7L V8 MPI Engine
EVD = 4.7L V8 FFV Engine
EXL = 3.0L V6 Turbo Diesel
Engine
EZB = 5.7L Hemi Multi
Displacement Engine
EKG = 3.7L V6 Engine
ESF = 6.1L SRT HEMI SMPI
V8 Engine

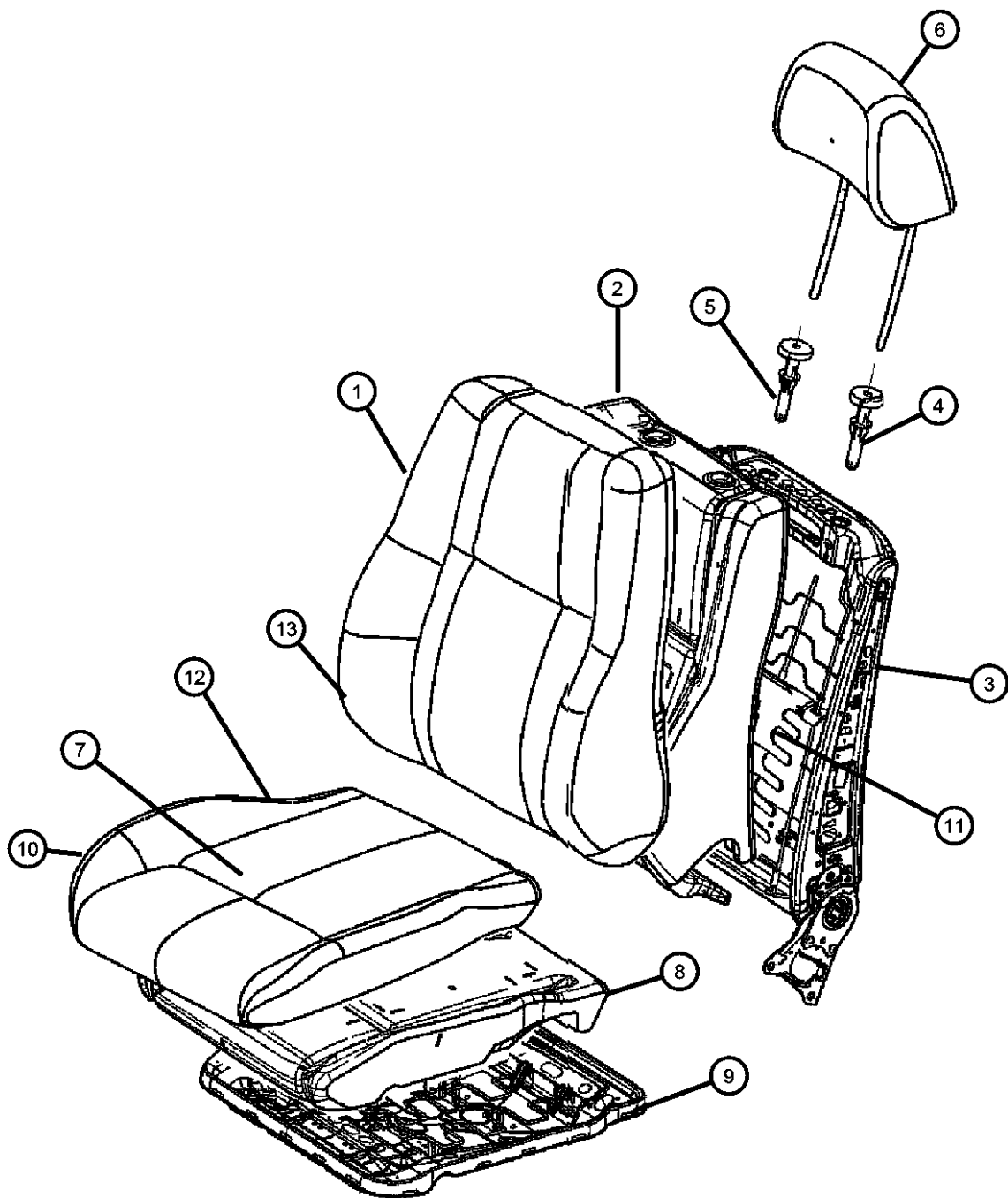
TRANSMISSION
DGJ = 5-Speed Auto W5A580
Transmission
DGQ = 5-Spd Automatic 545RFE
Transmission
DGU = 5-Spd Auto W5J400
Transmission

AR = use ase required - = Non illustrated part

2007 WK

**Front Seat, Cloth, Trim Code [A7]
Figure IWK-510**

ITEM	PART NUMBER	QTY	LINE	SERIES	BODY	ENGINE	TRANS	TRIM	DESCRIPTION
1									COVER, Front Seat Back
	1GK631J3AA	1	J, T		74			*A7	[J3], Left
	1GK631D5AA	1	J, T		74			*A7	[D5], Left
	1GK641D5AA	1	J, T		74			*A7	[D5], Right
	1GK641J3AA	1	J, T		74			*A7	[J3], Right
2									FOAM, Seat Back
	05143344AA	1	J, T		74			*A7	Right
	05143345AA	1	J, T		74			*A7	Left
3									FRAME, Front Seat Back
	05143571AB	1	J, T		74			*A7	Power With Lumbar, Left
	05136181AB	1	J, T		74			*A7	Power, Right
	05143572AB	1	J, T		74			*A7	Manual, Right
4									SLEEVE, Headrest, With Button
	1DS911J3AA	2	J, T		74			*A7	[J3]
	1DS911DAAA	2	J, T		74			*A7	[D5]
5									SLEEVE, Headrest, Without Button
	1DS941DAAA	2	J, T		74			*A7	[D5]
	1DS941J3AA	2	J, T		74			*A7	[J3]
6									HEADREST, Front
	1BD211D5AA	2	J, T		74			*A7	[D5]
	1BD211J3AA	2	J, T		74			*A7	[J3]
7									COVER, Front Seat Cushion
	1GK561D5AA	2	J, T		74			*A7	[D5]
	1GK561J3AA	2	J, T		74			*A7	[J3]
8									FOAM, Seat Cushion
	05143343AA	1	J, T		74			*A7	Left
	68019318AA	1	J, T		74			*A7	Right
9									PAN, SEAT CUSHION
	05134940AA	1	J, T		74			*A7	Manual or Power Right, Manual Left
	05134939AA	1	J, T		74			*A7	Left Power
10	05143430AA	2	J, T		74			*A7	WIRE KIT, Trimming, Cushion
11									LUMBAR, Support



GRAND CHEROKEE (WK)

SERIES LINE
H = HIGHLINE T = JEEP - 2WD
P = PREMIUM J = JEEP - 4WD
S = SPORT
X = SPECIAL

BODY
74 = SPORT UTILITY 4-DR
TYPE #4

ENGINE
EVA = 4.7L V8 MPI Engine
EVD = 4.7L V8 FFV Engine
EXL = 3.0L V6 Turbo Diesel
Engine
EZB = 5.7L Hemi Multi
Displacement Engine
EKG = 3.7L V6 Engine
ESF = 6.1L SRT HEMI SMPI
V8 Engine

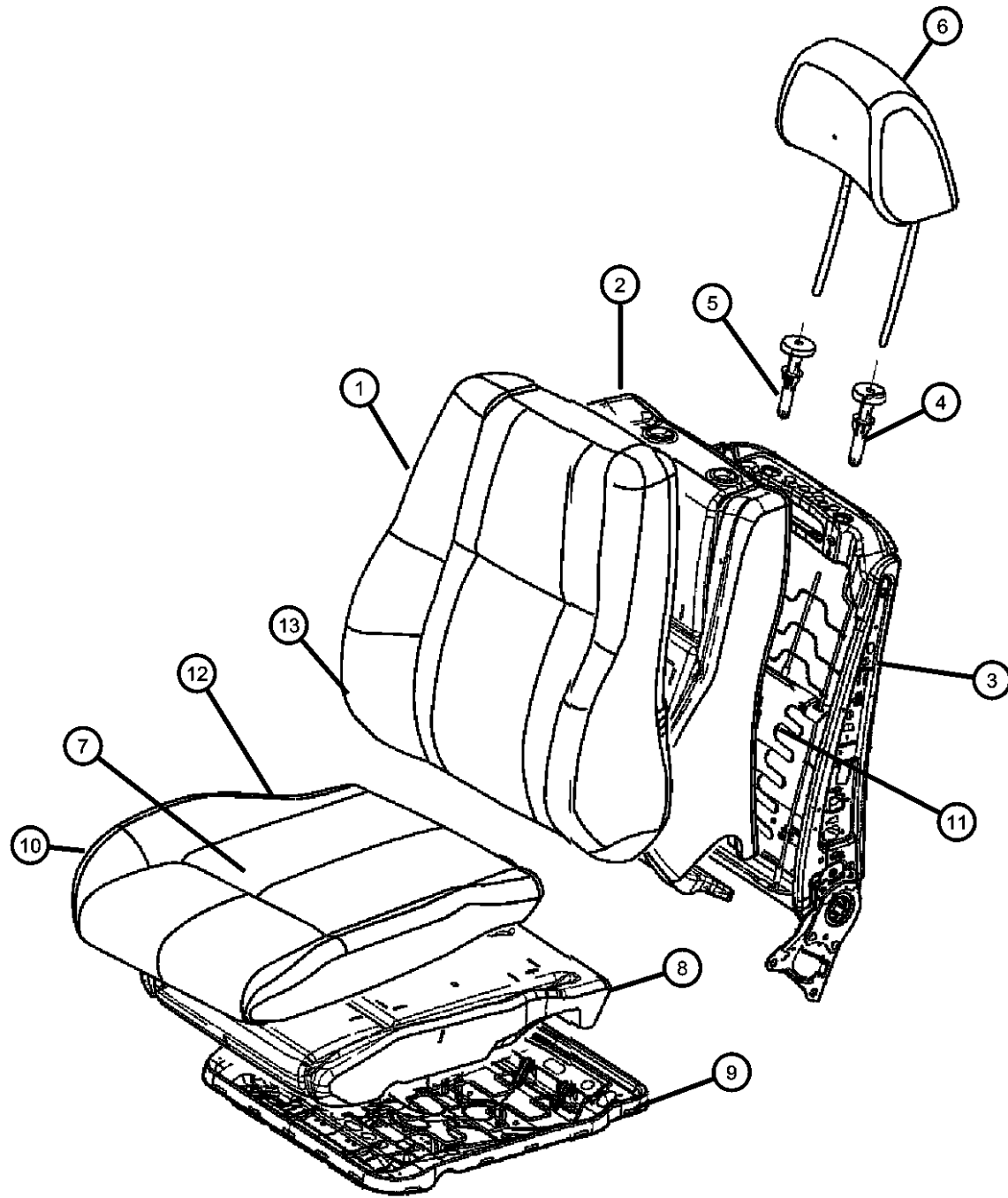
TRANSMISSION
DGJ = 5-Speed Auto W5A580
Transmission
DGQ = 5-Spd Automatic 545RFE
Transmission
DGU = 5-Spd Auto W5J400
Transmission

AR = use ase required - = Non illustrated part

2007 WK

Front Seat, Cloth, Trim Code [A7]
Figure IWK-510

ITEM	PART NUMBER	QTY	LINE	SERIES	BODY	ENGINE	TRANS	TRIM	DESCRIPTION
	05140312AA	1	J, T		74			*A7	Right
	05140313AA	1	J, T		74			*A7	Left
12	05000021AA	2	J, T		74			*A7	PAD, Heater, Cushion
13	05000022AA	2	J, T		74			*A7	PAD, Heater, Back
-14	05139663AA	4	J, T		74			*A7	BUMPER PAD, Seat Cushion
		4	J, T		74			*A7	This Front Cushion Bumper Pad Fits Over The Frame



GRAND CHEROKEE (WK)

SERIES LINE
H = HIGHLINE T = JEEP - 2WD
P = PREMIUM J = JEEP - 4WD
S = SPORT
X = SPECIAL

BODY
74 = SPORT UTILITY 4-DR
TYPE #4

ENGINE
EVA = 4.7L V8 MPI Engine
EVD = 4.7L V8 FFV Engine
EXL = 3.0L V6 Turbo Diesel
Engine
EZB = 5.7L Hemi Multi
Displacement Engine
EKG = 3.7L V6 Engine
ESF = 6.1L SRT HEMI SMPI
V8 Engine

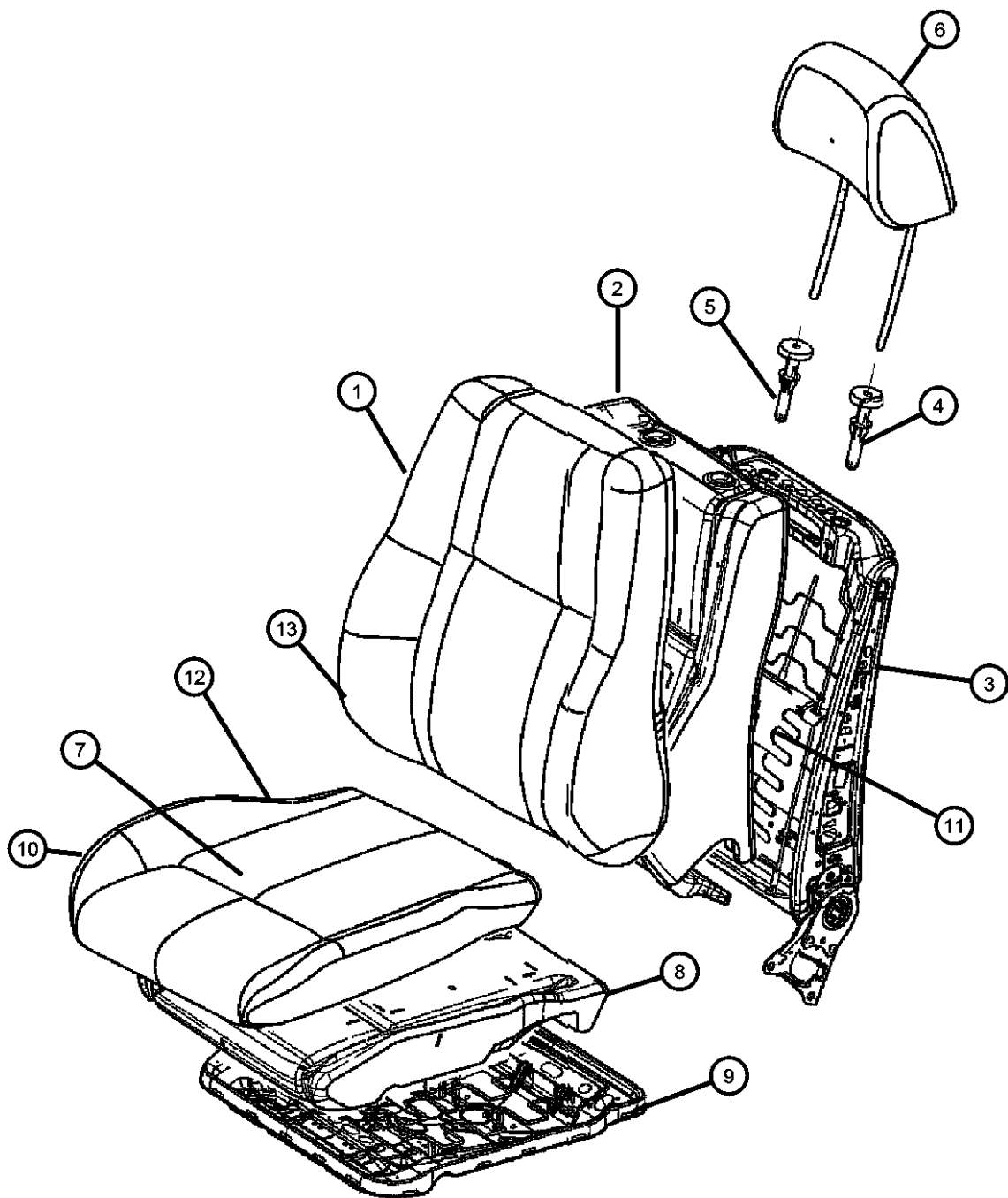
TRANSMISSION
DGJ = 5-Speed Auto W5A580
Transmission
DGQ = 5-Spd Automatic 545RFE
Transmission
DGU = 5-Spd Auto W5J400
Transmission

AR = use ase required - = Non illustrated part

2007 WK

**Front Seat, Cloth, Trim Code [A5]
Figure IWK-515**

ITEM	PART NUMBER	QTY	LINE	SERIES	BODY	ENGINE	TRANS	TRIM	DESCRIPTION
1									COVER, Front Seat Back
	1JE991D5AA	1	J, T		74			*A5	[D5] With [JPR] Left Power Seat, Without [JPM] Heated Seats, Left
		1	J, T		74			*A5	[D5] With [JTB] Left/Right Power Seat, Without [JPM] Heated Seats, Left
		1	J, T		74			*A5	[D5] With [JTB] Left/Right Power Seat, With [JPM] Heated Seats, Left
		1	J, T		74			*A5	[D5] With [JPR] Left Power Seat, With [JPM] Heated Seats, Left
	1JE991J3AA	1	J, T		74			*A5	[J3] With [JPR] Left Power Seat, Without [JPM] Heated Seats, Left
		1	J, T		74			*A5	[J3] With [JTB] Left/Right Power Seat, Without [JPM] Heated Seats, Left
	1JF001D5AA	1	J, T		74			*A5	[D5] With [JTB] Left/Right Power Seat, Without [JPM] Heated Seats, Right
		1	J, T		74			*A5	[D5] With [JTB] Left/Right Power Seat, With [JPM] Heated Seats, Right
		1	J, T		74			*A5	[D5] With [JPR] Left Power Seat, With [JPM] Heated Seats, Right
	1JF001J3AA	1	J, T		74			*A5	[J3] With [JPR] Left Power Seat, Without [JPM] Heated Seats, Right
		1	J, T		74			*A5	[J3] With [JTB] Left/Right Power Seat, Without [JPM] Heated Seats, Right
		1	J, T		74			*A5	[J3] With [JTB] Left/Right Power Seat, With [JPM] Heated Seats, Right
		1	J, T		74			*A5	[J3] With [JPR] Left Power Seat, With [JPM] Heated Seats, Right
		1	J, T		74			*A5	[J3] With [JTB] Left/Right Power Seat, With [JPM] Heated Seats, Left
		1	J, T		74			*A5	[J3] With [JPR] Left Power Seat, With [JPM] Heated Seats, Left
		1	J, T		74			*A5	[D5] With [JPR] Left Power Seat, Without [JPM] Heated Seats, Right
2									FOAM, Seat Back



GRAND CHEROKEE (WK)
 SERIES LINE
 H = HIGHLINE T = JEEP - 2WD
 P = PREMIUM J = JEEP - 4WD
 S = SPORT
 X = SPECIAL

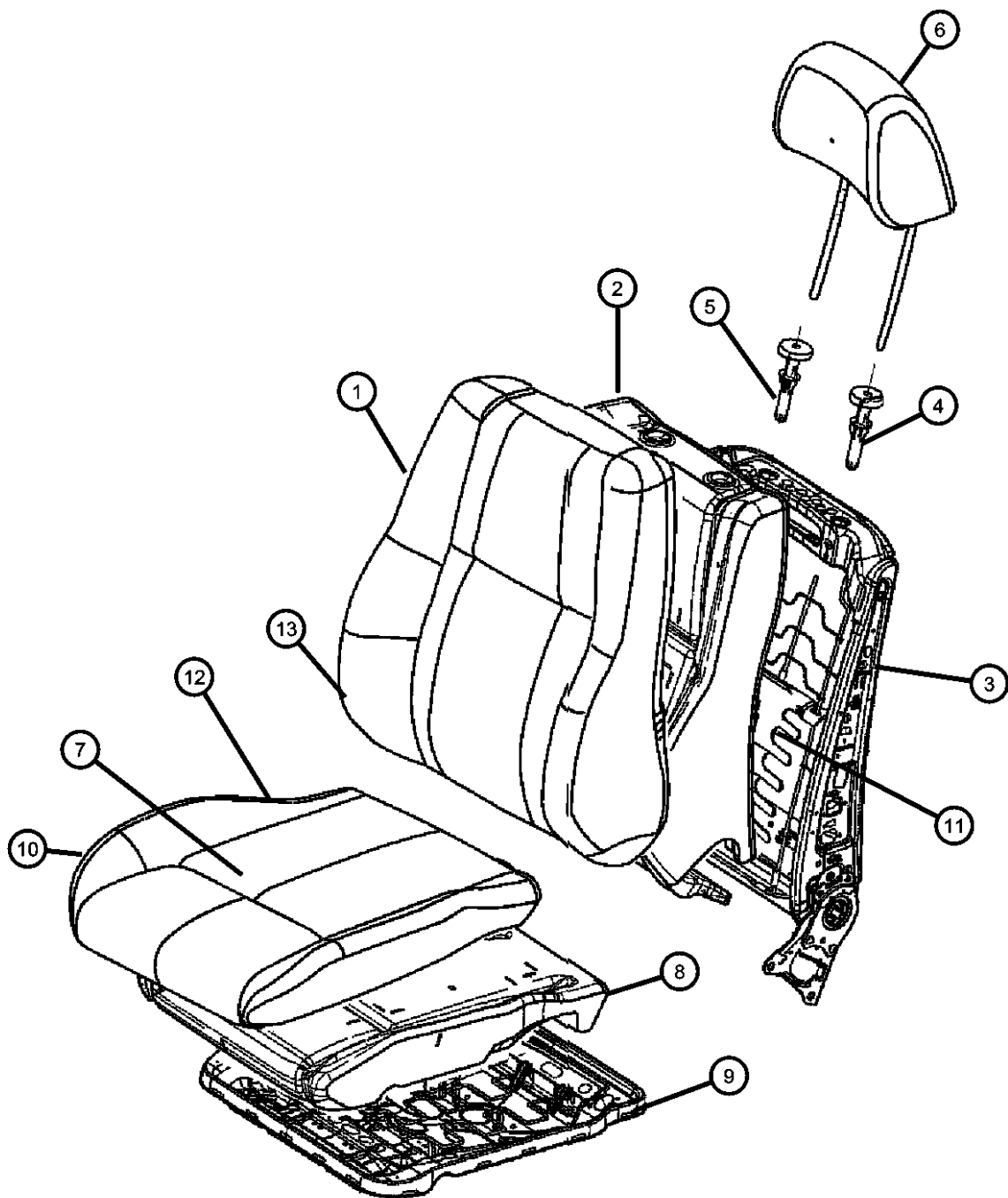
BODY
 74 = SPORT UTILITY 4-DR
 TYPE #4

ENGINE
 EVA = 4.7L V8 MPI Engine
 EVD = 4.7L V8 FFV Engine
 EXL = 3.0L V6 Turbo Diesel
 Engine
 EZB = 5.7L Hemi Multi
 Displacement Engine
 EKG = 3.7L V6 Engine
 ESF = 6.1L SRT HEMI SMPI
 V8 Engine

TRANSMISSION
 DGJ = 5-Speed Auto W5A580
 Transmission
 DGQ = 5-Spd Automatic 545RFE
 Transmission
 DGU = 5-Spd Auto W5J400
 Transmission

**Front Seat, Cloth, Trim Code [A5]
Figure IWK-515**

ITEM	PART NUMBER	QTY	LINE	SERIES	BODY	ENGINE	TRANS	TRIM	DESCRIPTION
	05143344AA	1	J, T		74			*A5	Without Heated Seats, Right
		1	J, T		74			*A5	With Left/Right Power Seats, Without Heated Seats, Right
		1	J, T		74			*A5	With Left/Right Power Seats, Right
		1	J, T		74			*A5	With Heated Seats, Right
	05143345AA	1	J, T		74			*A5	With Left Power Seat, Without Heated Seats, Left
		1	J, T		74			*A5	With Left/Right Power Seats, Without Heated Seats, Left
		1	J, T		74			*A5	With Left/Right Power Seats, Left
		1	J, T		74			*A5	With Left Power Seat, With Heated Seats, Left
3									FRAME, Front Seat Back
	05136181AB	1	J, T		74			*A5	Power, [JTB], Right
	05143571AB	1	J, T		74			*A5	, Left
	05143572AB	1	J, T		74			*A5	Manual, [JPR], Right
4									SLEEVE, Headrest, With Button
	1DS911J3AA	2	J, T		74			*A5	[J3]
	1DS911DAAA	2	J, T		74			*A5	[D5]
5									SLEEVE, Headrest, Without Button
	1DS941DAAA	2	J, T		74			*A5	[D5]
	1DS941J3AA	2	J, T		74			*A5	[J3]
6									HEADREST, Front
	1BD211D5AA	2	J, T		74			*A5	[D5]
	1BD211J3AA	2	J, T		74			*A5	[J3]
7									COVER, Front Seat Cushion
	1GK561D5AA	2	J, T		74			*A5	[D5]
	1GK561J3AA	2	J, T		74			*A5	[J3]
8	05143343AA	1	J, T		74			*A5	FOAM, Seat Cushion
9									PAN, SEAT CUSHION
	05134939AA	1	J, T		74			*A7	Left Power
	05134940AA	1	J, T		74			*A7	Manual or Power Right, Manual Left
10	05143430AA	2	J, T		74			*A5	WIRE KIT, Trimming, CushionFront



GRAND CHEROKEE (WK)

SERIES LINE
H = HIGHLINE T = JEEP - 2WD
P = PREMIUM J = JEEP - 4WD
S = SPORT
X = SPECIAL

BODY
74 = SPORT UTILITY 4-DR
TYPE #4

ENGINE
EVA = 4.7L V8 MPI Engine
EVD = 4.7L V8 FFV Engine
EXL = 3.0L V6 Turbo Diesel
Engine
EZB = 5.7L Hemi Multi
Displacement Engine
EKG = 3.7L V6 Engine
ESF = 6.1L SRT HEMI SMPI
V8 Engine

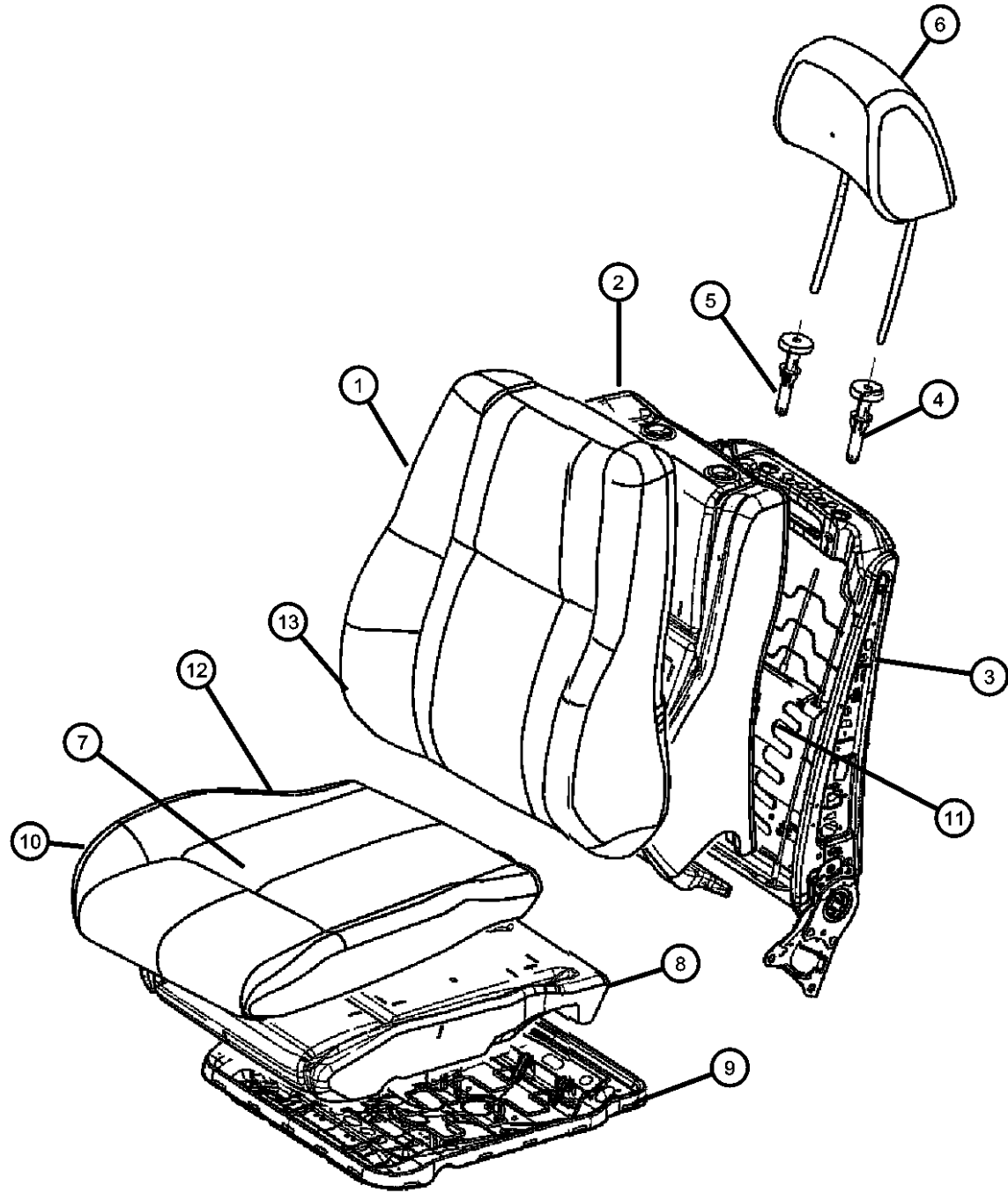
TRANSMISSION
DGJ = 5-Speed Auto W5A580
Transmission
DGQ = 5-Spd Automatic 545RFE
Transmission
DGU = 5-Spd Auto W5J400
Transmission

AR = use ase required - = Non illustrated part

2007 WK

**Front Seat, Cloth, Trim Code [A5]
Figure IWK-515**

ITEM	PART NUMBER	QTY	LINE	SERIES	BODY	ENGINE	TRANS	TRIM	DESCRIPTION
11	05140313AA	1	J, T		74			*A5	LUMBAR, Support Left
	05140312AA	1	J, T		74			*A5	Right
12	05000021AA	2	J, T		74			*A5	PAD, Heater, Cushion
13	05000021AA	2	J, T		74			*A5	PAD, Heater, Back
-14	05139663AA	4	J, T		74			*A5	BUMPER PAD, Seat Cushion, This Front Cushion Bumper Pad Fits Over The Frame



GRAND CHEROKEE (WK)

SERIES LINE
H = HIGHLINE T = JEEP - 2WD
P = PREMIUM J = JEEP - 4WD
S = SPORT
X = SPECIAL

BODY
74 = SPORT UTILITY 4-DR
TYPE #4

ENGINE
EVA = 4.7L V8 MPI Engine
EVD = 4.7L V8 FFV Engine
EXL = 3.0L V6 Turbo Diesel
Engine
EZB = 5.7L Hemi Multi
Displacement Engine
EKG = 3.7L V6 Engine
ESF = 6.1L SRT HEMI SMPI
V8 Engine

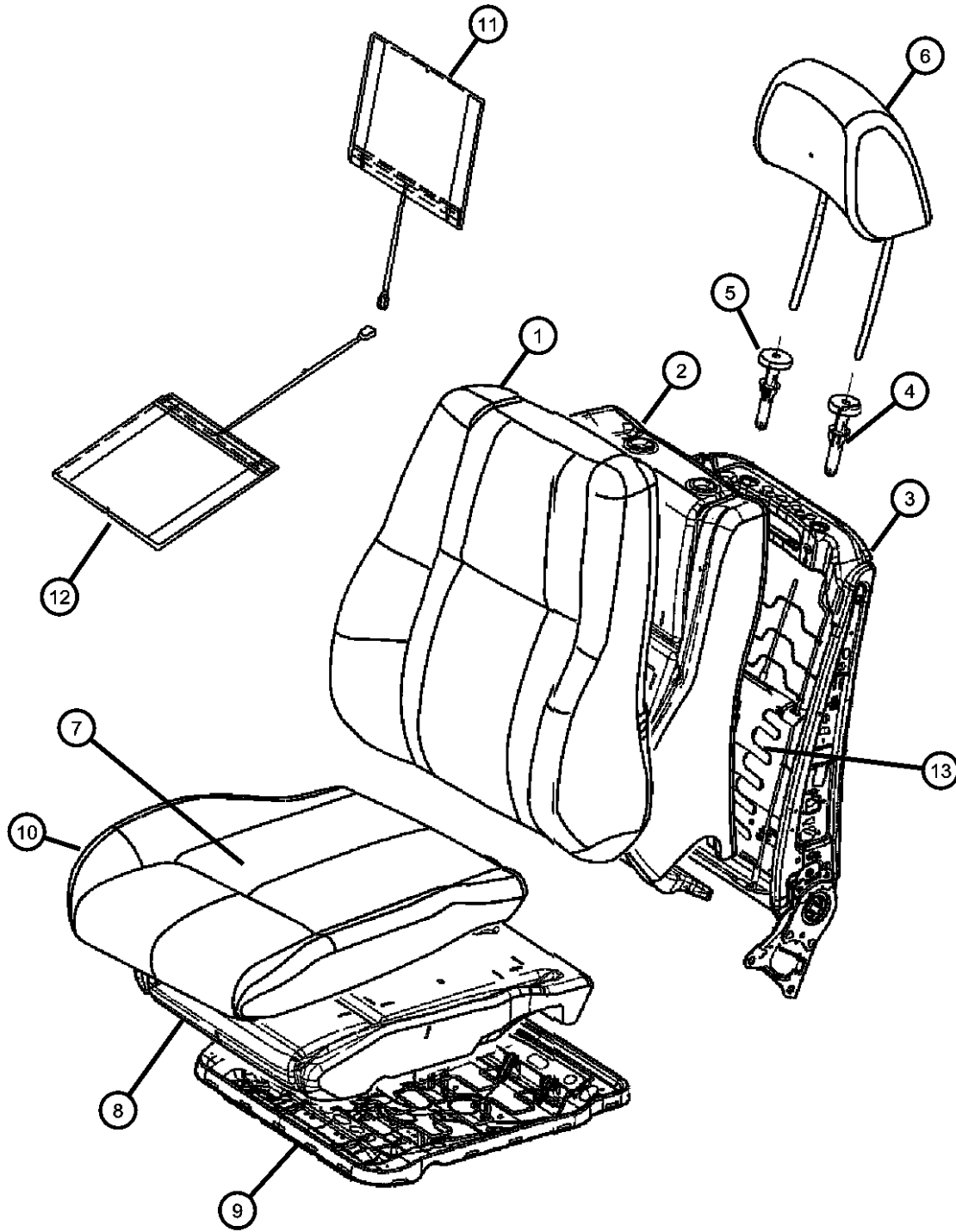
TRANSMISSION
DGJ = 5-Speed Auto W5A580
Transmission
DGQ = 5-Spd Automatic 545RFE
Transmission
DGU = 5-Spd Auto W5J400
Transmission

AR = use ase required - = Non illustrated part

2007 WK

**Front Seat, Leather, Trim Code [AL]
Figure IWK-520**

ITEM	PART NUMBER	QTY	LINE	SERIES	BODY	ENGINE	TRANS	TRIM	DESCRIPTION
1	1BF881D5AA	1	J, T		74			*AL	COVER, Front Seat Back [D5], Right
	1BF881J3AA	1	J, T		74			*AL	[J3], Right
	1BF891J3AA	1	J, T		74			*AL	[J3], Left
	1BF891D5AA	1	J, T		74			*AL	[D5], Left
2	05143344AA	1	J, T		74			*AL	FOAM, Seat Back Right
	05143345AA	1	J, T		74			*AL	Left
3	05136181AB	1	J, T		74			*AL	FRAME, Front Seat Back Right Power
	05143571AB	1	J, T		74			*AL	Left
4	1DS911DAAA	2	J, T		74			*AL	SLEEVE, Headrest, With Button [D5]
	1DS911J3AA	2	J, T		74			*AL	[J3]
5	1DS941DAAA	2	J, T		74			*AL	SLEEVE, Headrest, Without Button [D5]
	1DS941J3AA	2	J, T		74			*AL	[J3]
6	1BF861D5AA	2	J, T		74			*AL	HEADREST, Front [D5]
	1BF861J3AA	2	J, T		74			*AL	[J3]
7	1BF901D5AA	2	J, T		74			*AL	COVER, Front Seat Cushion [D5]
	1BF901J3AA	2	J, T		74			*AL	[J3]
8	05143343AA	1	J, T		74			*AL	FOAM, Seat Cushion
9	05134939AA	1	J, T		74			*AL	PAN, SEAT CUSHION Left Power
	05134940AA	1	J, T		74			*AL	Manual or Power Right, Manual Left
10	05143430AA	2	J, T		74			*AL	WIRE KIT, Trimming, Cushion
11	05000022AA	2	J, T		74			*AL	PAD, Heater, Back
12	05000021AA	2	J, T		74			*AL	PAD, Heater, Cushion



GRAND CHEROKEE (WK)

SERIES LINE
H = HIGHLINE T = JEEP - 2WD
P = PREMIUM J = JEEP - 4WD
S = SPORT
X = SPECIAL

BODY
74 = SPORT UTILITY 4-DR
TYPE #4

ENGINE
EVA = 4.7L V8 MPI Engine
EVD = 4.7L V8 FFV Engine
EXL = 3.0L V6 Turbo Diesel
Engine
EZB = 5.7L Hemi Multi
Displacement Engine
EKG = 3.7L V6 Engine
ESF = 6.1L SRT HEMI SMPI
V8 Engine

TRANSMISSION
DGJ = 5-Speed Auto W5A580
Transmission
DGQ = 5-Spd Automatic 545RFE
Transmission
DGU = 5-Spd Auto W5J400
Transmission

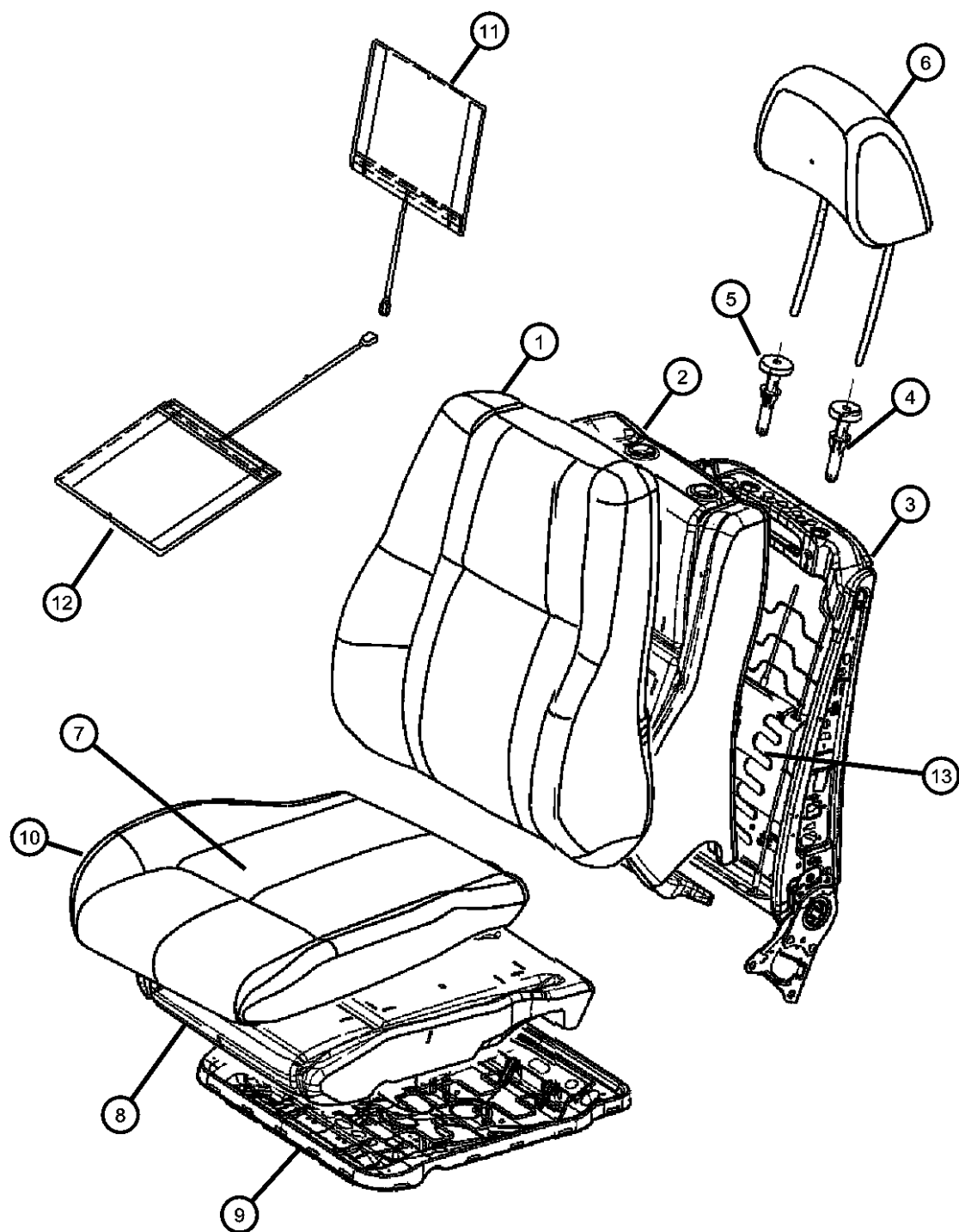
AR = use ase required - = Non illustrated part

2007 WK

**Front Seat, Leather, Trim Code [AL]
Figure IWK-520**

ITEM	PART NUMBER	QTY	LINE	SERIES	BODY	ENGINE	TRANS	TRIM	DESCRIPTION
------	-------------	-----	------	--------	------	--------	-------	------	-------------

13	05140312AA	1	J, T		74			*AL	LUMBAR, Support
-14	05139663AA	4	J, T		74			*AL	BUMPER PAD, Seat Cushion, This Front Cushion Bumper Pad Fits Over The Frame



GRAND CHEROKEE (WK)

SERIES LINE
H = HIGHLINE T = JEEP - 2WD
P = PREMIUM J = JEEP - 4WD
S = SPORT
X = SPECIAL

BODY
74 = SPORT UTILITY 4-DR
TYPE #4

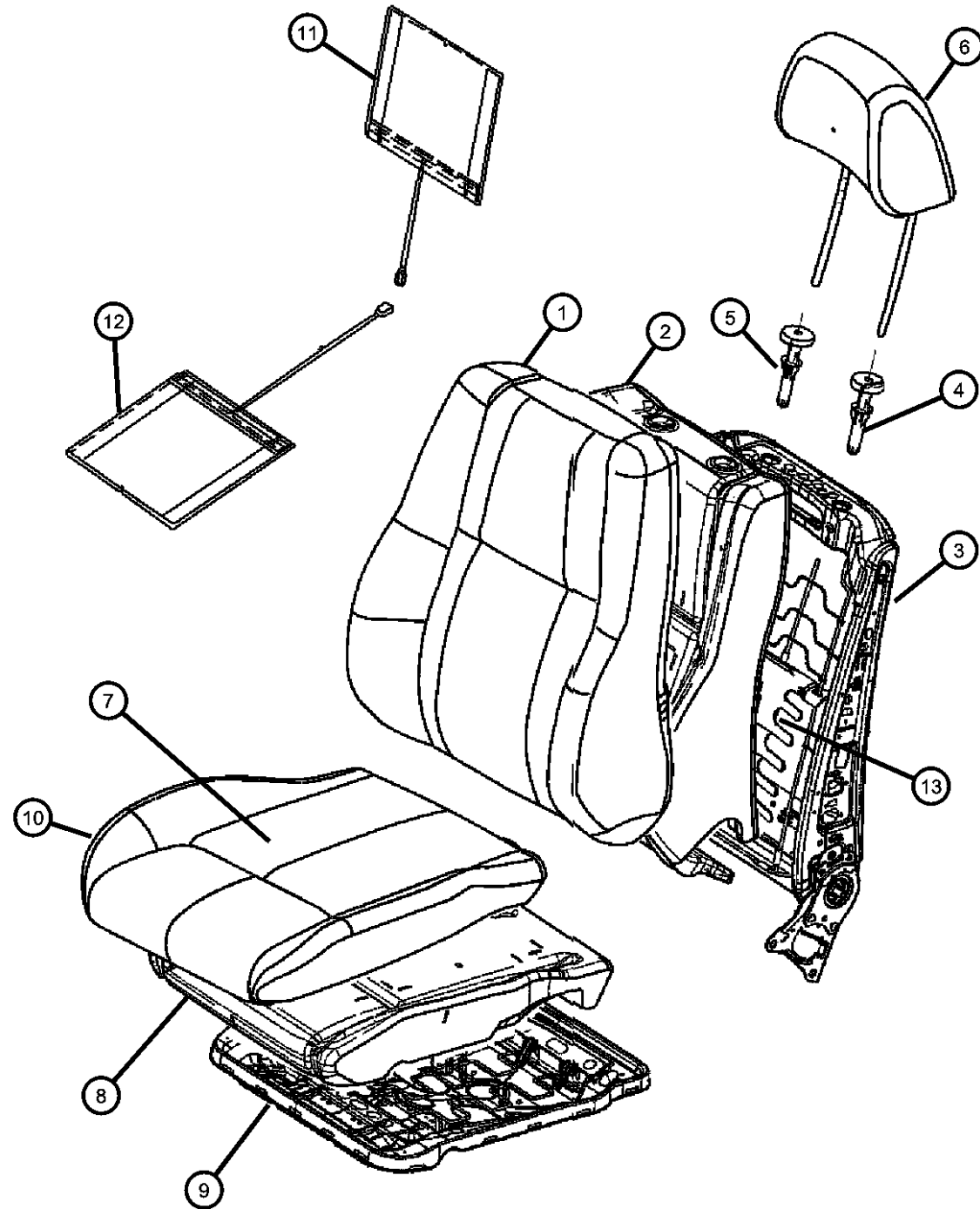
ENGINE
EVA = 4.7L V8 MPI Engine
EVD = 4.7L V8 FFV Engine
EXL = 3.0L V6 Turbo Diesel
Engine
EZB = 5.7L Hemi Multi
Displacement Engine
EKG = 3.7L V6 Engine
ESF = 6.1L SRT HEMI SMPI
V8 Engine

TRANSMISSION
DGJ = 5-Speed Auto W5A580
Transmission
DGQ = 5-Spd Automatic 545RFE
Transmission
DGU = 5-Spd Auto W5J400
Transmission

AR = use ase required - = Non illustrated part

2007 WK

**Front Seat, Leather, Trim Code [PL]
Figure IWK-530**



ITEM	PART NUMBER	QTY	LINE	SERIES	BODY	ENGINE	TRANS	TRIM	DESCRIPTION
1	1BF961J3AA	1	J, T		74			*PL	COVER, Front Seat Back [J3], [XCA], Right
	1BF961D1AA	1	J, T		74			*PL	[J1], [LAX], Right
	1BF961D5AA	1	J, T		74			*PL	[D5], [XCA], Right
	1BF971D5AA	1	J, T		74			*PL	[D5], [XCA], Left
	1LA611D5AA	1	J, T		74			*PL	[D5], Left
	1LA611J3AA	1	J, T		74			*PL	[J3], Left
	1LA581D5AA	1	J, T		74			*PL	[D5], Right
	1LA581J3AA	1	J, T		74			*PL	[J3], Right
	1LA611D1AA	1	J, T		74			*PL	[J1], Left
	1BF971D1AA	1	J, T		74			*PL	[J1], [LAX], Left
	1BF971J3AA	1	J, T		74			*PL	[J3], [XCA], Left
	1LA581D1AA	1	J, T		74			*PL	[J1], Right
	2	05143345AA	1	J, T		74			*PL
05143344AA		1	J, T		74			*PL	Right
3	05136181AB	1	J, T		74			*PL	FRAME, Front Seat Back Power, Right
	05136182AB	1	J, T		74			*PL	Power With Memory and Lumbar, Left
4	1DS911DAAA	2	J, T		74			*PL	SLEEVE, Headrest, With Button [D5]
	1DS911D1AA	2	J, T		74			*PL	[J1]
	1DS911J3AA	2	J, T		74			*PL	[J3]
5	1DS941D1AA	2	J, T		74			*PL	SLEEVE, Headrest, Without Button [J1]
	1DS941J3AA	2	J, T		74			*PL	[J3]
	1DS941DAAA	2	J, T		74			*PL	[D5]
6	1BF941D5AA	2	J, T		74			*PL	HEADREST, Front [D5]
	1BF941J3AA	2	J, T		74			*PL	[J3]
	1BF941D1AA	2	J, T		74			*PL	[J1]
7								COVER, Front Seat Cushion	

GRAND CHEROKEE (WK)
 SERIES LINE
 H = HIGHLINE T = JEEP - 2WD
 P = PREMIUM J = JEEP - 4WD
 S = SPORT
 X = SPECIAL

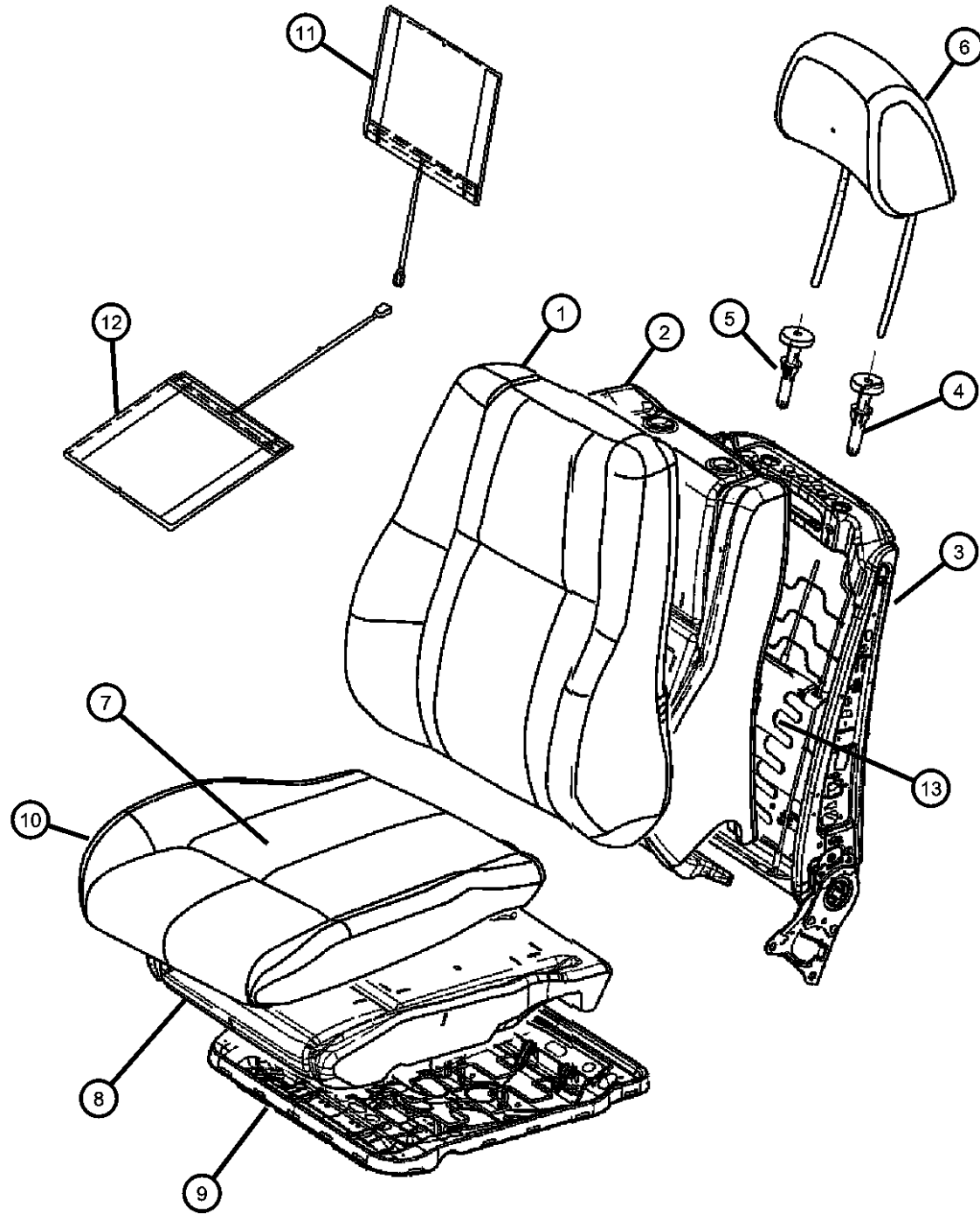
BODY
 74 = SPORT UTILITY 4-DR
 TYPE #4

ENGINE
 EVA = 4.7L V8 MPI Engine
 EVD = 4.7L V8 FFV Engine
 EXL = 3.0L V6 Turbo Diesel
 Engine
 EZB = 5.7L Hemi Multi
 Displacement Engine
 EKG = 3.7L V6 Engine
 ESF = 6.1L SRT HEMI SMPI
 V8 Engine

TRANSMISSION
 DGJ = 5-Speed Auto W5A580
 Transmission
 DGQ = 5-Spd Automatic 545RFE
 Transmission
 DGU = 5-Spd Auto W5J400
 Transmission

AR = use ase required - = Non illustrated part

**Front Seat, Leather, Trim Code [PL]
Figure IWK-530**



ITEM	PART NUMBER	QTY	LINE	SERIES	BODY	ENGINE	TRANS	TRIM	DESCRIPTION
	1LA431D1AA	2	J, T		74			*PL [J1]	
	1LA431D5AA	2	J, T		74			*PL [D5]	
	1LA431J3AA	2	J, T		74			*PL [J3]	
8	05161387AA	2	J, T		74			*PL	FOAM, Seat CushionRight & Left
9									PAN, SEAT CUSHION
	05134940AA	1	J, T		74			*PL	Manual ro Power Right
	05134939AA	1	J, T		74			*PL	Left Power
10	05143430AA	2	J, T		74			*PL	WIRE KIT, Trimming, Cushion
11	05000022AA	2	J, T		74			*PL	PAD, Heater, Back
12	05000021AA	2	J, T		74			*PL	PAD, Heater, Cushion
13									LUMBAR, Support
	05140313AA	1	J, T		74			*PL	Left
	05140312AA	1	J, T		74			*PL	Right
-14	05139663AA	4	J, T		74			*PL	BUMPER PAD, Seat Cushion, This Front Cushion Bumper Pad Fits Over The Frame

GRAND CHEROKEE (WK)

SERIES LINE
H = HIGHLINE T = JEEP - 2WD
P = PREMIUM J = JEEP - 4WD
S = SPORT
X = SPECIAL

BODY
74 = SPORT UTILITY 4-DR
TYPE #4

ENGINE
EVA = 4.7L V8 MPI Engine
EVD = 4.7L V8 FFV Engine
EXL = 3.0L V6 Turbo Diesel
Engine
EZB = 5.7L Hemi Multi
Displacement Engine
EKG = 3.7L V6 Engine
ESF = 6.1L SRT HEMI SMPI
V8 Engine

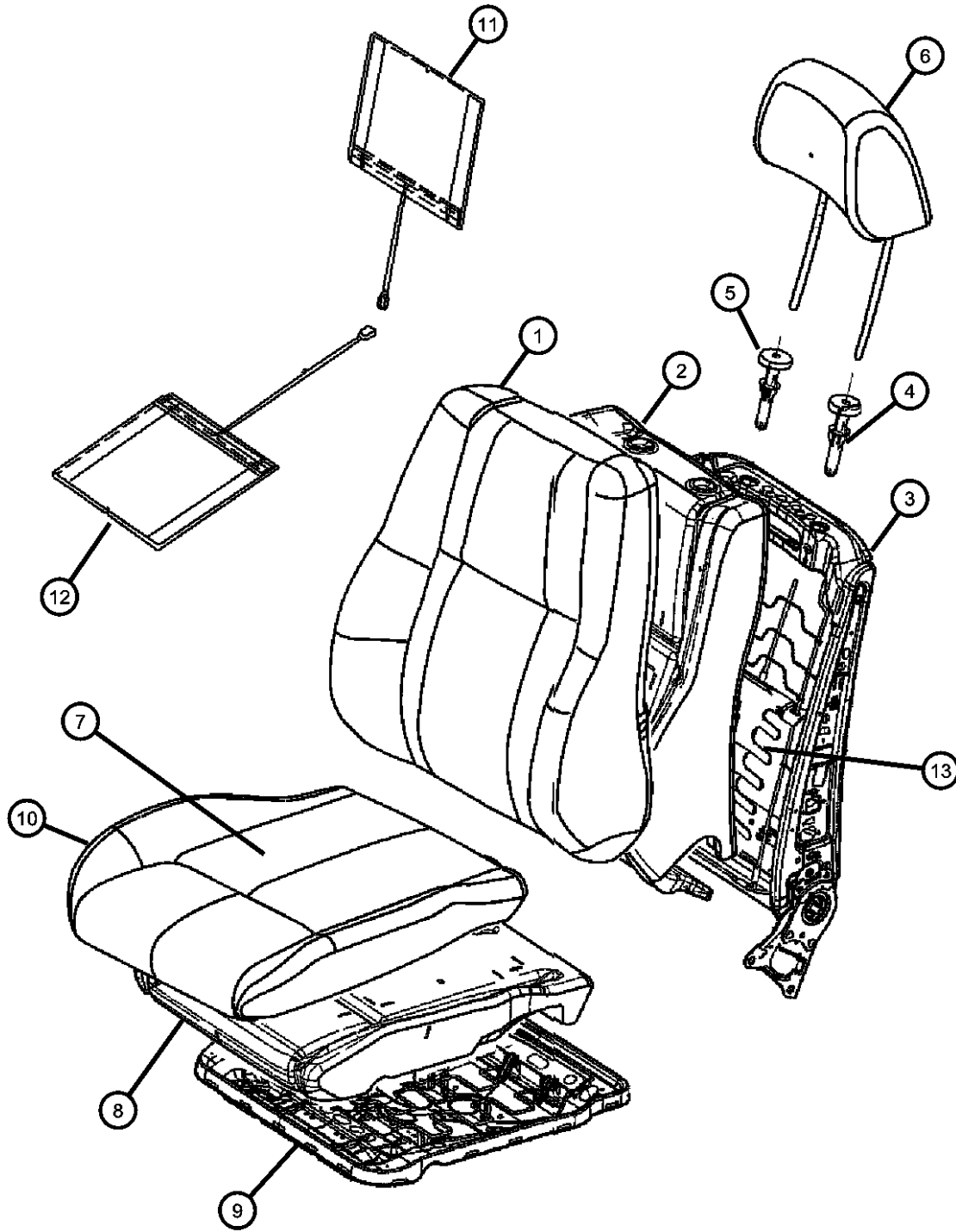
TRANSMISSION
DGJ = 5-Speed Auto W5A580
Transmission
DGQ = 5-Spd Automatic 545RFE
Transmission
DGU = 5-Spd Auto W5J400
Transmission

AR = use ase required - = Non illustrated part

2007 WK

**Front Seat, Leather, Trim Code [XL]
Figure IWK-540**

ITEM	PART NUMBER	QTY	LINE	SERIES	BODY	ENGINE	TRANS	TRIM	DESCRIPTION
1	1DF231D1AA	1	J, T	S	74			*XL	COVER, Front Seat Back [J1], Left
	1DF221D5AA	1	J, T	S	74			*XL	[D5], Right
2	05143344AA	1	J, T	S	74			*XL	FOAM, Seat Back Right
	05143345AA	1	J, T	S	74			*XL	Left
3	05136182AB	1	J, T	S	74			*XL	FRAME, Front Seat Back Left Power With Memory and Lumbar
	05136181AB	1	J, T	S	74			*XL	Right Power
4	1DS911D1AA	2	J, T		74			*XL	SLEEVE, Headrest, With Button [J1]
	1DS91BD5AA	2	J, T		74			*XL	[D5]
5	1DS94BD5AA	2	J, T		74			*XL	SLEEVE, Headrest, Without Button [D5]
	1DS941D1AA	2	J, T		74			*XL	[J1]
6	1DF281D1AA	2	J, T	S	74			*XL	HEADREST, Front [J1]
	1DF281D5AA	2	J, T	S	74			*XL	[D5]
7	1DF211D5AA	2	J, T		74			*XL	COVER, Front Seat Cushion [D5]
	1DF211D1AA	2	J, T		74			*XL	[J1]
8	05161387AA	1	J, T	S	74			*XL	FOAM, Seat Cushion Right & Left
9	05134939AA	1	J, T	S	74			*XL	PAN, SEAT CUSHION Left Power
	05134940AA	1	J, T	S	74			*XL	Manual or Power Right
	05143430AA	2	J, T	S	74			*XL	WIRE KIT, Trimming, Cushion
11	05000022AA	2	J, T	S	74			*XL	PAD, Heater, Back
12	05000021AA	2	J, T	S	74			*XL	PAD, Heater, Cushion
13	05140313AA	1	J, T	S	74			*XL	LUMBAR, Support Left



GRAND CHEROKEE (WK)

SERIES LINE
H = HIGHLINE T = JEEP - 2WD
P = PREMIUM J = JEEP - 4WD
S = SPORT
X = SPECIAL

BODY
74 = SPORT UTILITY 4-DR
TYPE #4

ENGINE
EVA = 4.7L V8 MPI Engine
EVD = 4.7L V8 FFV Engine
EXL = 3.0L V6 Turbo Diesel
Engine
EZB = 5.7L Hemi Multi
Displacement Engine
EKG = 3.7L V6 Engine
ESF = 6.1L SRT HEMI SMPI
V8 Engine

TRANSMISSION
DGJ = 5-Speed Auto W5A580
Transmission
DGQ = 5-Spd Automatic 545RFE
Transmission
DGU = 5-Spd Auto W5J400
Transmission

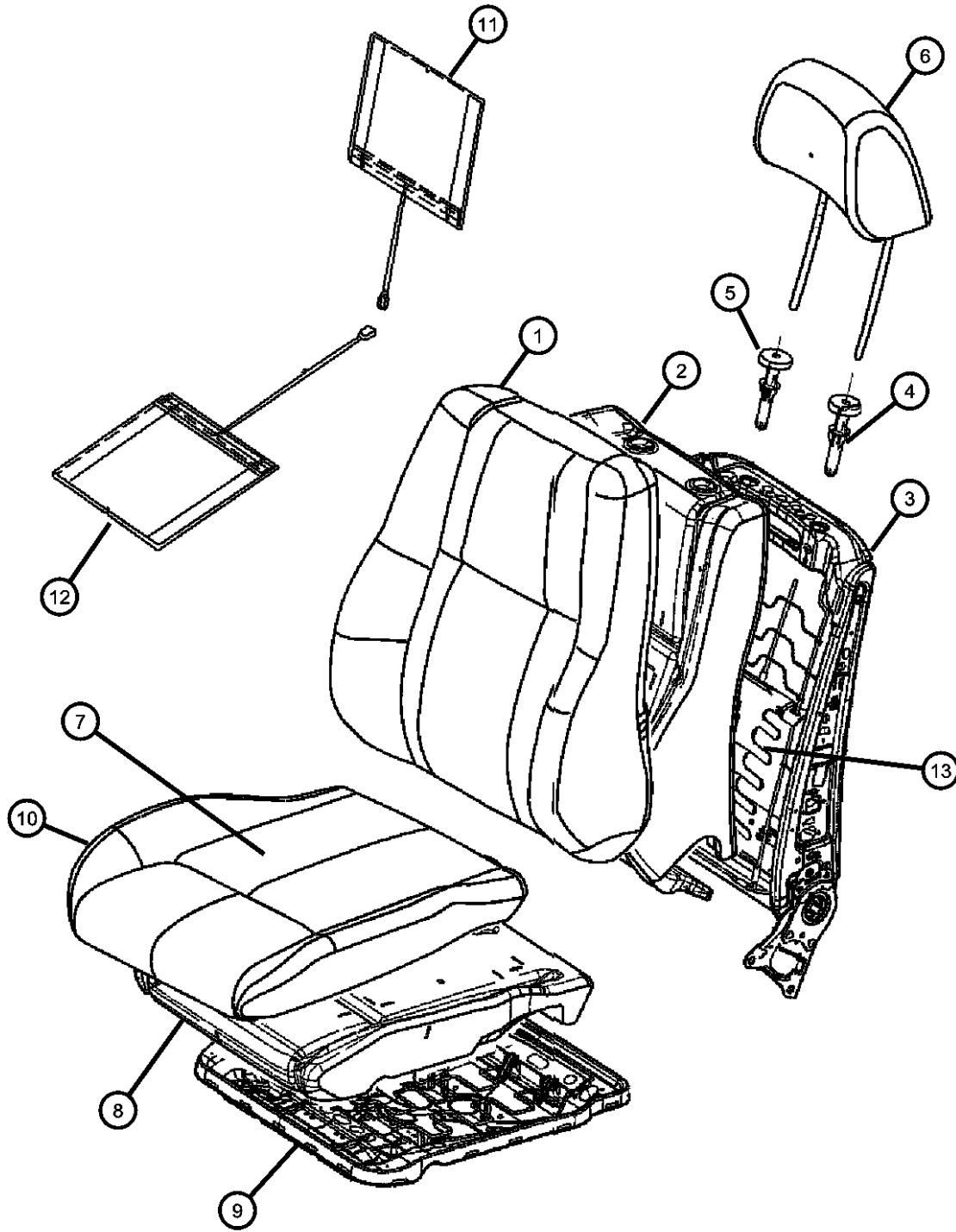
AR = use ase required - = Non illustrated part

2007 WK

Front Seat, Leather, Trim Code [XL]
Figure IWK-540

ITEM	PART NUMBER	QTY	LINE	SERIES	BODY	ENGINE	TRANS	TRIM	DESCRIPTION
------	-------------	-----	------	--------	------	--------	-------	------	-------------

	05140312AA	1	J, T	S	74			*XL	Right
-14	05139663AA	4	J, T		74			*XL	BUMPER PAD, Seat Cushion, This Front Cushion Bumper Pad Fits Over The Frame



GRAND CHEROKEE (WK)

SERIES LINE
H = HIGHLINE T = JEEP - 2WD
P = PREMIUM J = JEEP - 4WD
S = SPORT
X = SPECIAL

BODY
74 = SPORT UTILITY 4-DR
TYPE #4

ENGINE
EVA = 4.7L V8 MPI Engine
EVD = 4.7L V8 FFV Engine
EXL = 3.0L V6 Turbo Diesel
Engine
EZB = 5.7L Hemi Multi
Displacement Engine
EKG = 3.7L V6 Engine
ESF = 6.1L SRT HEMI SMPI
V8 Engine

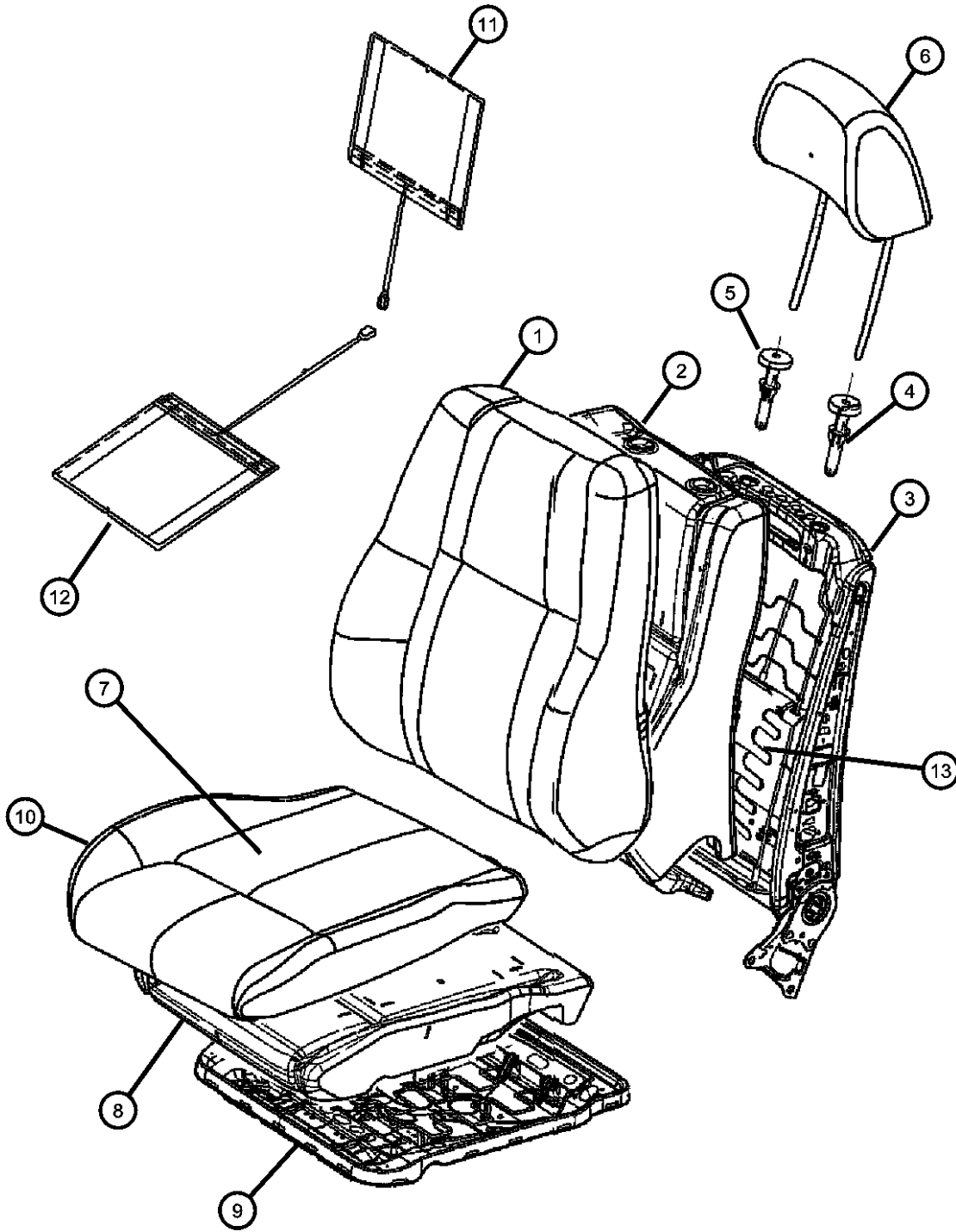
TRANSMISSION
DGJ = 5-Speed Auto W5A580
Transmission
DGQ = 5-Spd Automatic 545RFE
Transmission
DGU = 5-Spd Auto W5J400
Transmission

AR = use ase required - = Non illustrated part

2007 WK

**Front Seat, Leather, Trim Code [DZ]
Figure IWK-550**

ITEM	PART NUMBER	QTY	LINE	SERIES	BODY	ENGINE	TRANS	TRIM	DESCRIPTION
1									COVER, Front Seat Back
	1DF131D5AA	1	J, T	X	74			*DZ	Left
	1DF121D5AA	1	J, T	X	74			*DZ	Right
2									FOAM, Seat Back
	05179556AA	1		X				*DZ	Right
	05179557AA	1	J, T	X	74			*DZ	Left
3									FRAME, Front Seat Back
	05136181AB	1		X				*DZ	Passenger
	05143571AB	1		X				*DZ	Power With Lumbar, Driver
4	1DS91BD5AA	2	J, T		74			*DZ	SLEEVE, Headrest, With Button
5	1DS94BD5AA	2	J, T		74			*DZ	SLEEVE, Headrest, Without Button
6	1DF151D5AA	2	J, T	X	74			*DZ	HEADREST, Front
7	1DF111D5AA	2	J, T	X	74			*DZ	COVER, Front Seat Cushion
8	05179555AA	2	J, T	X	74			*DZ	FOAM, Seat Cushion
9									PAN, SEAT CUSHION
	05134939AA	1		X				*DZ	Left, Power
	05134940AA	1		X				*DZ	Manual or Power Right, Manual Left, Power
10	05143430AA	2		X				*DZ	WIRE KIT, Trimming, Cushion Driver and Passenger
11	05000022AA	2	J, T	X	74			*DZ	PAD, Heater, Back
12	05000021AA	2	J, T	X	74			*DZ	PAD, Heater, Cushion
13									LUMBAR, Support
	05140313AA	1		X				*DZ	Left
	05140312AA	1		X				*DZ	Right
-14	05139663AA	4		X				*DZ	BUMPER PAD, Seat Cushion, This Front Cushion Bumper Pad Fits Over The Frame



GRAND CHEROKEE (WK)

SERIES LINE
H = HIGHLINE T = JEEP - 2WD
P = PREMIUM J = JEEP - 4WD
S = SPORT
X = SPECIAL

BODY
74 = SPORT UTILITY 4-DR
TYPE #4

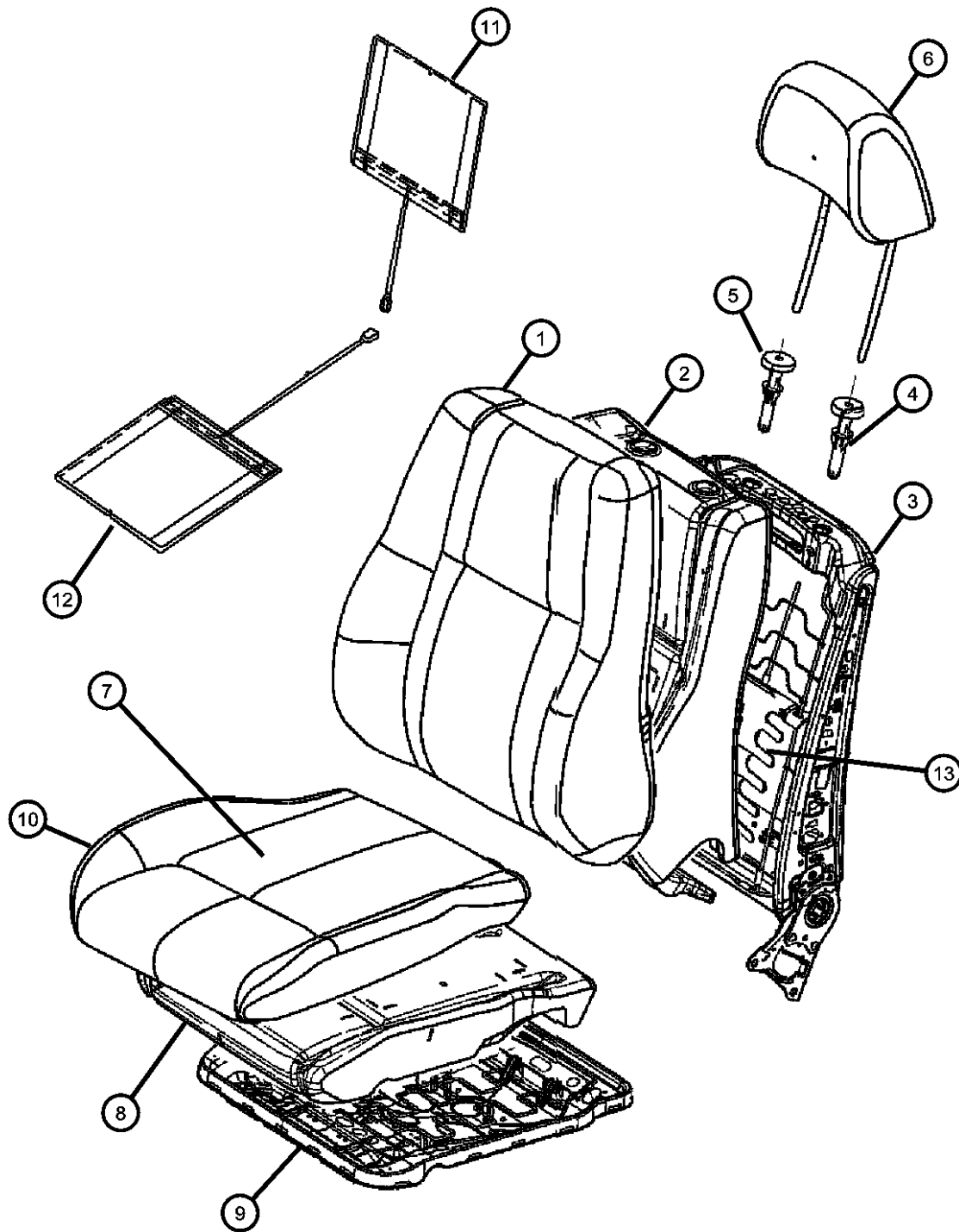
ENGINE
EVA = 4.7L V8 MPI Engine
EVD = 4.7L V8 FFV Engine
EXL = 3.0L V6 Turbo Diesel Engine
EZB = 5.7L Hemi Multi Displacement Engine
EKG = 3.7L V6 Engine
ESF = 6.1L SRT HEMI SMPI V8 Engine

TRANSMISSION
DGJ = 5-Speed Auto W5A580 Transmission
DGQ = 5-Spd Automatic 545RFE Transmission
DGU = 5-Spd Auto W5J400 Transmission

AR = use ase required - = Non illustrated part

2007 WK

**Front Seat, Leather, Trim Code [YL]
Figure IWK-560**



ITEM	PART NUMBER	QTY	LINE	SERIES	BODY	ENGINE	TRANS	TRIM	DESCRIPTION
1	1CW531D5AA	1	J, T		74			*YL	COVER, Front Seat Back [D5], Left
	1CW531J3AA	1	J, T		74			*YL	[J3], Left
	1CW521D5AA	1	J, T		74			*YL	[D5], Right
	1CW521J3AA	1	J, T		74			*YL	[J3], Right
2	05143344AA	1	J, T		74			*YL	FOAM, Seat Back Right
	05143345AA	1	J, T		74			*YL	Left
3	05136181AB	1	J, T		74			*YL	FRAME, Front Seat Back Passenger
	05143571AB	1	J, T		74			*YL	Power With Lumbar, Driver
4	1DS91BD5AA	2	J, T		74			*YL	SLEEVE, Headrest, With Button [D5]
	1DS911J3AA	2	J, T		74			*YL	[J3]
5	1DS941J3AA	2	J, T		74			*YL	SLEEVE, Headrest, Without Button [J3]
	1DS94BD5AA	2	J, T		74			*YL	[D5]
6	1BF861D5AA	2	J, T		74			*YL	HEADREST, Front [D5]
	1BF861J3AA	2	J, T		74			*YL	[J3]
7	1CW541D5AA	2	J, T		74			*YL	COVER, Front Seat Cushion [D5]
	1CW541J3AA	2	J, T		74			*YL	[J3]
8	05143343AA	2	J, T		74			*YL	FOAM, Seat Cushion
9	05134939AA	1	J, T		74			*YL	PAN, SEAT CUSHION Left, Power
	05134940AA	1	J, T		74			*YL	Manual or Power Right, Manual Left, Power
10	05143430AA	2	J, T		74			*YL	WIRE KIT, Trimming, Cushion Driver and Passenger
11	05000022AA	2	J, T		74			*YL	PAD, Heater, Back
12	05000021AA	2	J, T		74			*YL	PAD, Heater, Cushion
13									LUMBAR, Support

GRAND CHEROKEE (WK)

SERIES LINE
H = HIGHLINE T = JEEP - 2WD
P = PREMIUM J = JEEP - 4WD
S = SPORT
X = SPECIAL

BODY
74 = SPORT UTILITY 4-DR
TYPE #4

ENGINE
EVA = 4.7L V8 MPI Engine
EVD = 4.7L V8 FFV Engine
EXL = 3.0L V6 Turbo Diesel
Engine
EZB = 5.7L Hemi Multi
Displacement Engine
EKG = 3.7L V6 Engine
ESF = 6.1L SRT HEMI SMPI
V8 Engine

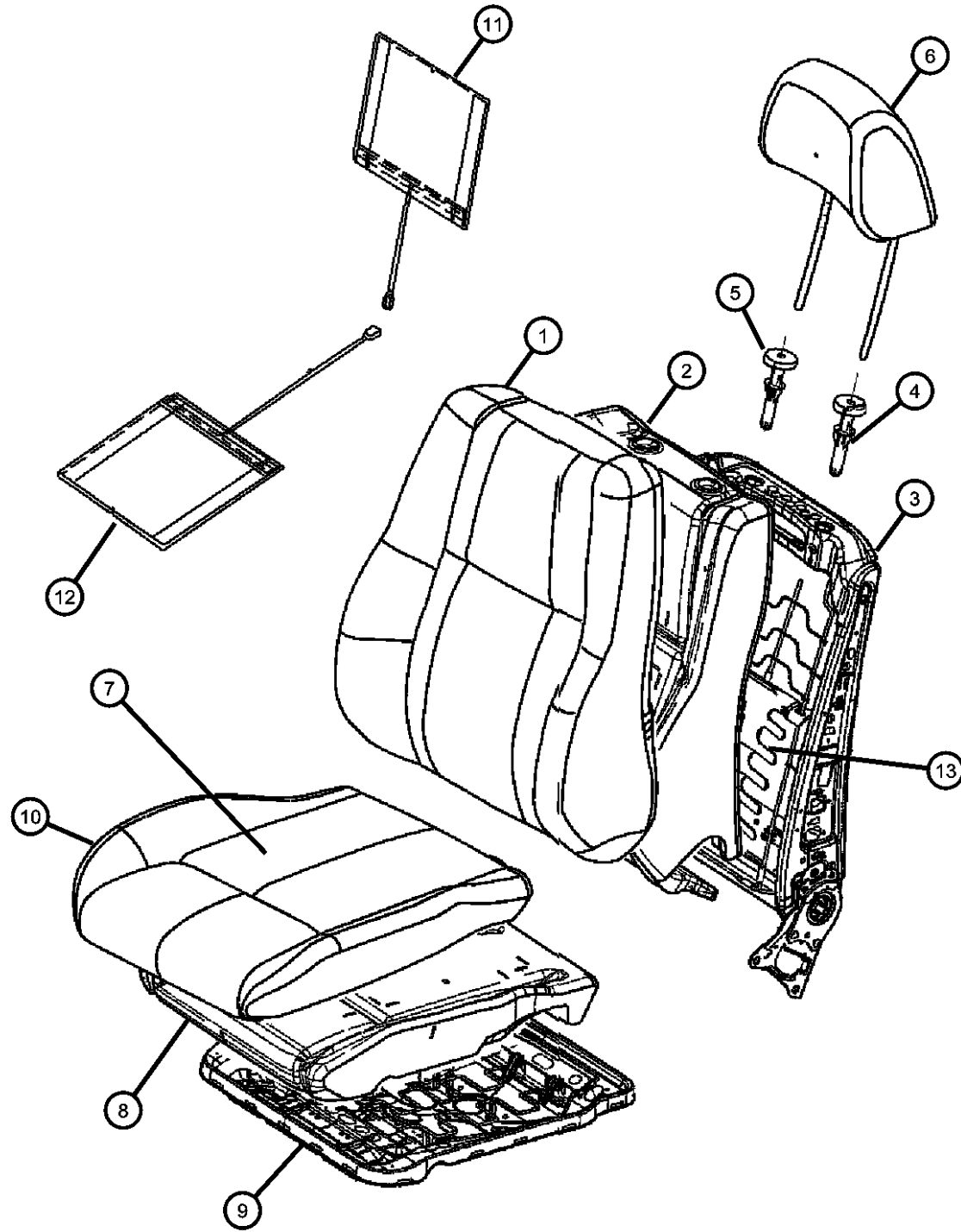
TRANSMISSION
DGJ = 5-Speed Auto W5A580
Transmission
DGQ = 5-Spd Automatic 545RFE
Transmission
DGU = 5-Spd Auto W5J400
Transmission

AR = use ase required - = Non illustrated part

2007 WK

**Front Seat, Leather, Trim Code [YL]
Figure IWK-560**

ITEM	PART NUMBER	QTY	LINE	SERIES	BODY	ENGINE	TRANS	TRIM	DESCRIPTION
	05140312AA	1	J, T		74			*YL	Right
	05140313AA	1	J, T		74			*YL	Left
-14	05139663AA	4	J, T		74			*YL	BUMPER PAD, Seat Cushion, This Front Cushion Bumper Pad Fits Over The Frame



GRAND CHEROKEE (WK)

SERIES LINE
H = HIGHLINE T = JEEP - 2WD
P = PREMIUM J = JEEP - 4WD
S = SPORT
X = SPECIAL

BODY
74 = SPORT UTILITY 4-DR
TYPE #4

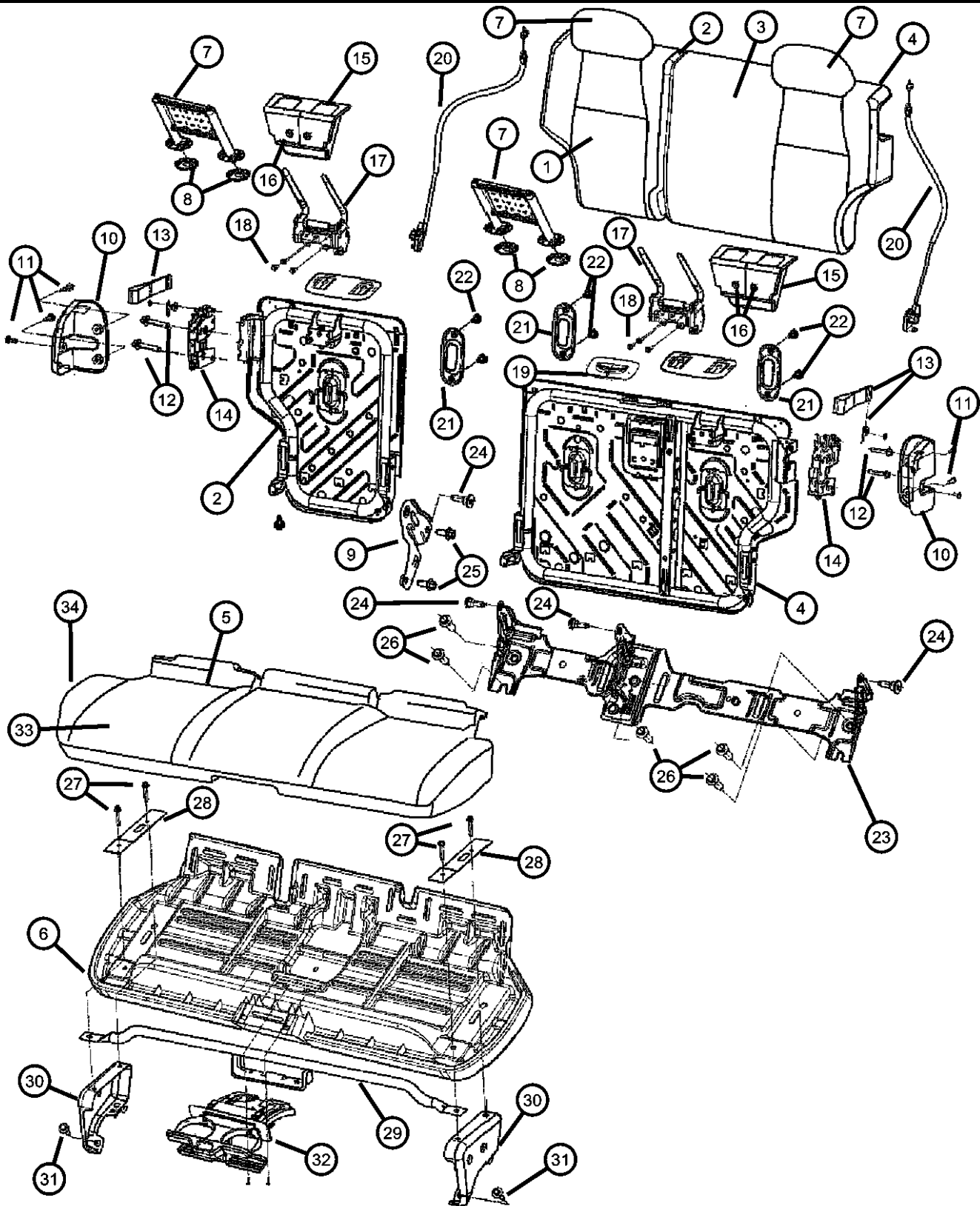
ENGINE
EVA = 4.7L V8 MPI Engine
EVD = 4.7L V8 FFV Engine
EXL = 3.0L V6 Turbo Diesel
Engine
EZB = 5.7L Hemi Multi
Displacement Engine
EKG = 3.7L V6 Engine
ESF = 6.1L SRT HEMI SMPI
V8 Engine

TRANSMISSION
DGJ = 5-Speed Auto W5A580
Transmission
DGQ = 5-Spd Automatic 545RFE
Transmission
DGU = 5-Spd Auto W5J400
Transmission

AR = use ase required - = Non illustrated part

2007 WK

Rear Seat, Trim Code [A7]
Figure IWK-610

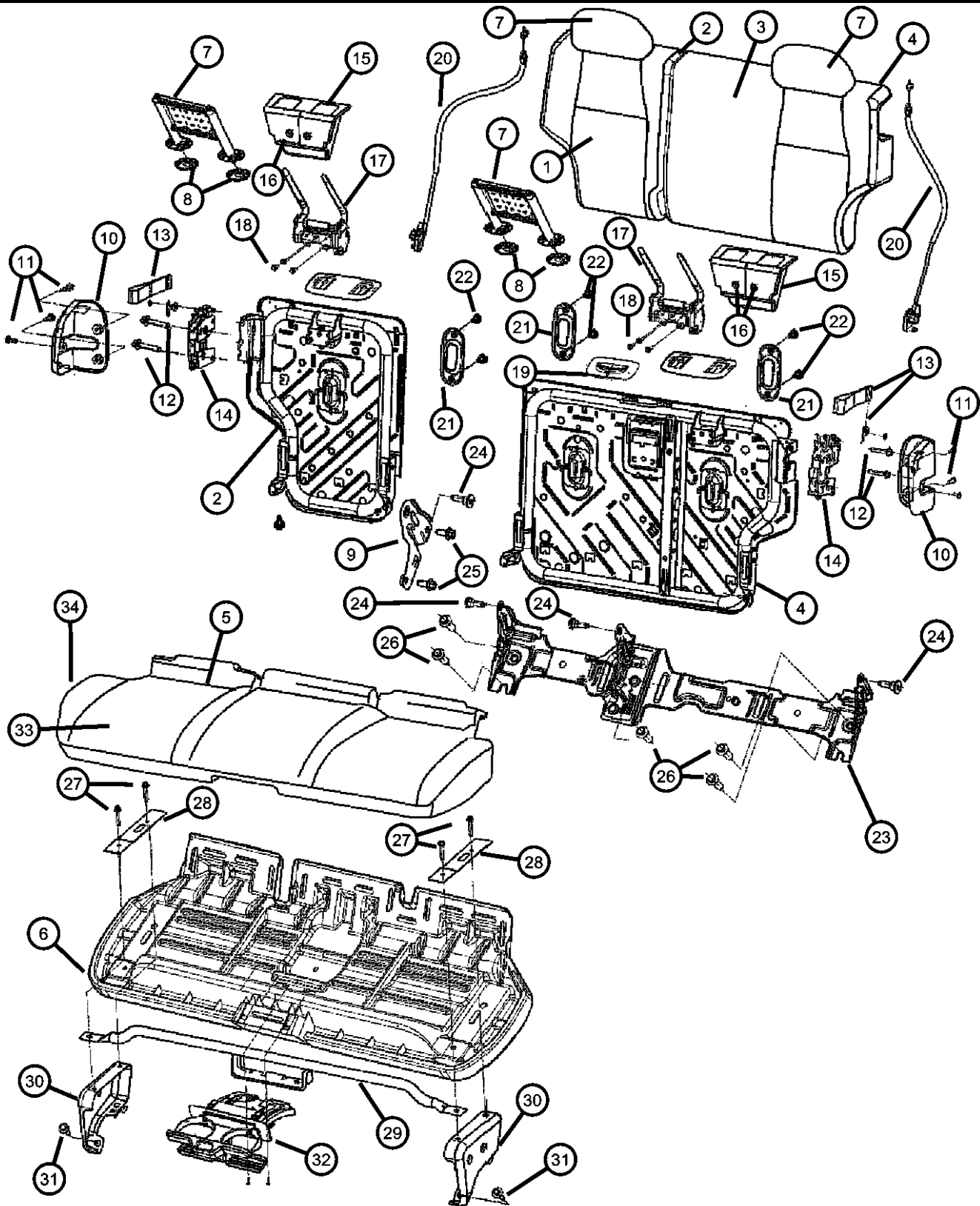


ITEM	PART NUMBER	QTY	LINE	SERIES	BODY	ENGINE	TRANS	TRIM	DESCRIPTION
1	1GK621D5AA	1	J, T		74			*A7	COVER, Rear Seat Back, 40% [D5]
	1GK621J3AA	1	J, T		74			*A7	[J3]
2	1GK601D5AA	1	J, T		74			*A7	SEAT BACK, Rear, 40% [D5]
	1GK601J3AA	1	J, T		74			*A7	[J3]
3	1GK611D5AA	1	J, T		74			*A7	COVER, Rear Seat Back, 60% [D5]
	1GK611J3AA	1	J, T		74			*A7	[J3]
4	1GK591D5AA	1	J, T		74			*A7	SEAT BACK, Rear, 60% [D5]
	1GK591J3AA	1	J, T		74			*A7	[J3]
5	1GK551D5AA	1	J, T		74			*A7	COVER, Rear Seat Cushion [D5]
	1GK551J3AA	1	J, T		74			*A7	[J3]
6	05143424AA	1	J, T		74			*A7	PANEL, Seat Cushion Base
7	1BF851D5AA	2	J, T		74			*A7	HEADREST, Rear [D5]
	1BF851J3AA	2	J, T		74			*A7	[J3]
8	1BG771D5AA	2	J, T		74			*A7	COVER, Headrest Sleeve [D5]
	1BG771J3AA	2	J, T		74			*A7	[J3]
9	05143423AA	1	J, T		74			*A7	BRACKET, Pivot
10	1BG561D5AA	1	J, T		74			*A7	COVER, Seat latch [D5], Right
	1BG561J3AA	1	J, T		74			*A7	[J3], Right
	1BG571D5AA	1	J, T		74			*A7	[D5], Left
	1BG571J3AA	1	J, T		74			*A7	[J3], Left
11	05139633AA	3	J, T		74			*A7	SCREW
12	05072205AA	2	J, T		74			*A7	BOLT, Seat
13									STRAP
	1BZ621D5AA	1	J, T		74			*A7	[D5]

GRAND CHEROKEE (WK)
 SERIES LINE BODY ENGINE TRANSMISSION
 H = HIGHLINE T = JEEP - 2WD 74 = SPORT UTILITY 4-DR EVA = 4.7L V8 MPI Engine
 P = PREMIUM J = JEEP - 4WD TYPE #4 EVD = 4.7L V8 FFV Engine DGJ = 5-Speed Auto W5A580
 S = SPORT Engine DGQ = 5-Spd Automatic 545RFE Transmission
 X = SPECIAL Engine Displacement Engine DGU = 5-Spd Auto W5J400 Transmission
 ESF = 6.1L SRT HEMI SMPI V8 Engine

AR = use ase required - = Non illustrated part

Rear Seat, Trim Code [A7]
Figure IWK-610

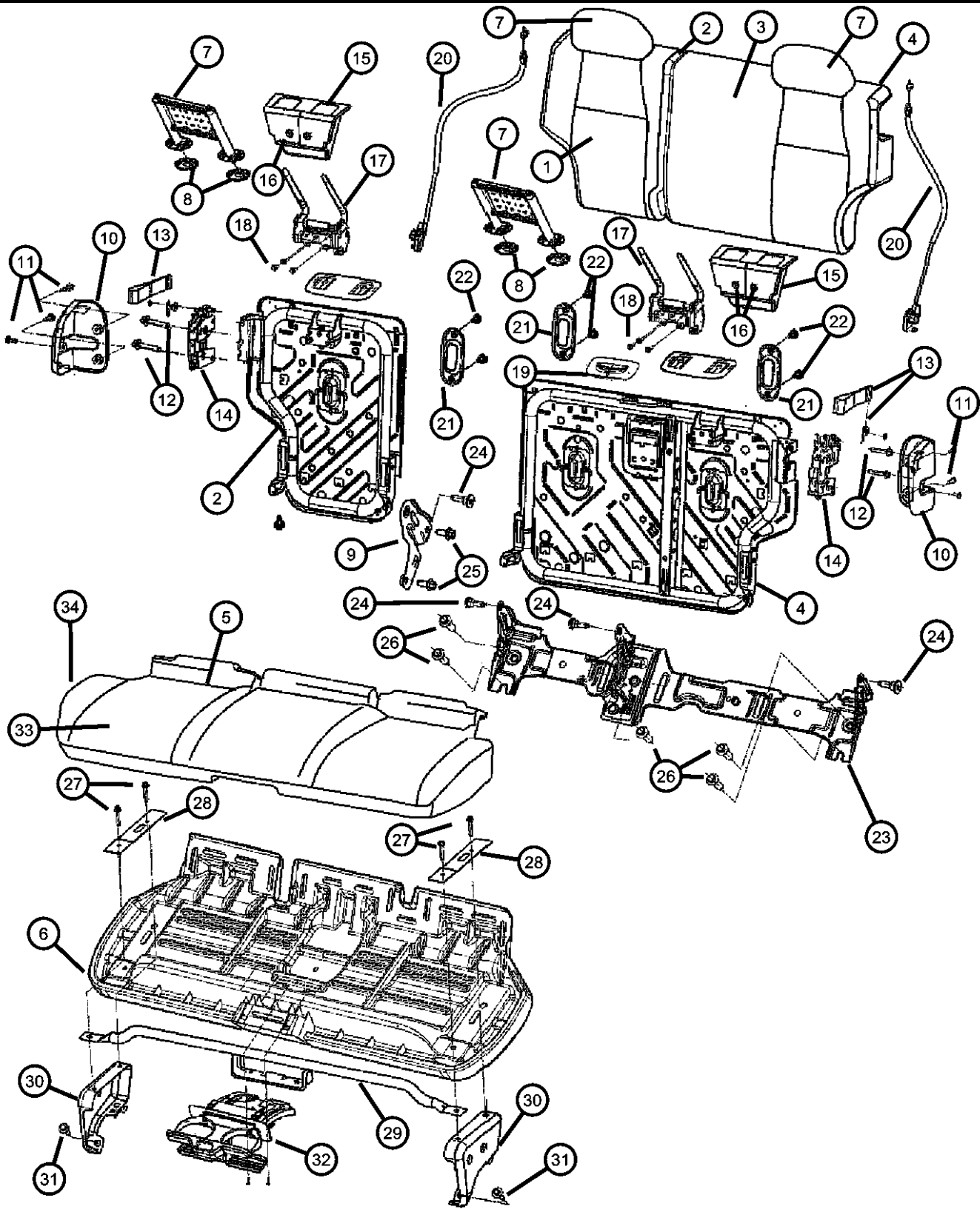


ITEM	PART NUMBER	QTY	LINE	SERIES	BODY	ENGINE	TRANS	TRIM	DESCRIPTION
	1BZ621J3AA	1	J, T		74			*A7 [J3]	
14									LATCH, Seat
	05139664AA	1	J, T		74			*A7 Right	
	05139665AA	1	J, T		74			*A7 Left	
15	05174347AA	1	J, T		74			*A7 COVER	
16	05139633AA	3	J, T		74			*A7 SCREW	
17	05143489AA	1	J, T		74			*A7 BRACKET AND HINGE, Headrest	
18	05139628AA	4	J, T		74			*A7 BOLT	
19									BEZEL, Seat Belt
	1AP311D5AA	1	J, T		74			*A7 [D5]	
	1AP311J3AA	1	J, T		74			*A7 [J3]	
20									CABLE
	05143435AA	1	J, T		74			*A7 Center	
	05143492AA	1	J, T		74			*A7 Left	
	05143493AA	1	J, T		74			*A7 Right	
21									BEZEL, TETHER
	0WT351D5AA	1	J, T		74			*A7 [D5]	
	0WT351J3AA	1	J, T		74			*A7 [J3]	
22		1							SCREW, (NOT SERVICED),
23	05143434AA	1	J, T		74			*A7 BRACKET, Rear Seat Mount	
24	05139634AA	4	J, T		74			*A7 BOLT	
25	05143464AA	1	J, T		74			*A7 BOLT, Seat	
26	06508360AA	1	J, T		74			*A7 SCREW AND WASHER, Hex	
27	05143445AA	4	J, T		74			*A7 SCREW, Seat	
28	05143431AA	2	J, T		74			*A7 PLATE, Retaining	
29	05143432AA	1	J, T		74			*A7 SUPPORT, Rear Seat	
30									RISER, Seat
	05143412AA	1	J, T		74			*A7 Right	
	05143413AA	1	J, T		74			*A7 Left	
31	06508360AA	2	J, T		74				SCREW AND WASHER, Hex
32									CUPHOLDER

GRAND CHEROKEE (WK)
 SERIES LINE BODY ENGINE TRANSMISSION
 H = HIGHLINE T = JEEP - 2WD 74 = SPORT UTILITY 4-DR EVA = 4.7L V8 MPI Engine
 P = PREMIUM J = JEEP - 4WD TYPE #4 EVD = 4.7L V8 FFV Engine
 S = SPORT EXL = 3.0L V6 Turbo Diesel DGQ = 5-Spd Automatic 545RFE
 X = SPECIAL Engine
 EZB = 5.7L Hemi Multi DGU = 5-Spd Auto W5J400
 Displacement Engine
 EKG = 3.7L V6 Engine
 ESF = 6.1L SRT HEMI SMPI
 V8 Engine

AR = use ase required - = Non illustrated part

Rear Seat, Trim Code [A7]
Figure IWK-610



ITEM	PART NUMBER	QTY	LINE	SERIES	BODY	ENGINE	TRANS	TRIM	DESCRIPTION
	1BG491D5AA	1	J, T		74			*A7 [D5]	
	1BG491J3AA	1	J, T		74			*A7 [J3]	
33	05143433AA	1	J, T		74			*A7	FOAM, Seat Cushion
34	05143454AA	1	J, T		74			*A7	WIRE KIT, Trimming

GRAND CHEROKEE (WK)

SERIES LINE
 H = HIGHLINE T = JEEP - 2WD
 P = PREMIUM J = JEEP - 4WD
 S = SPORT
 X = SPECIAL

BODY
 74 = SPORT UTILITY 4-DR
 TYPE #4

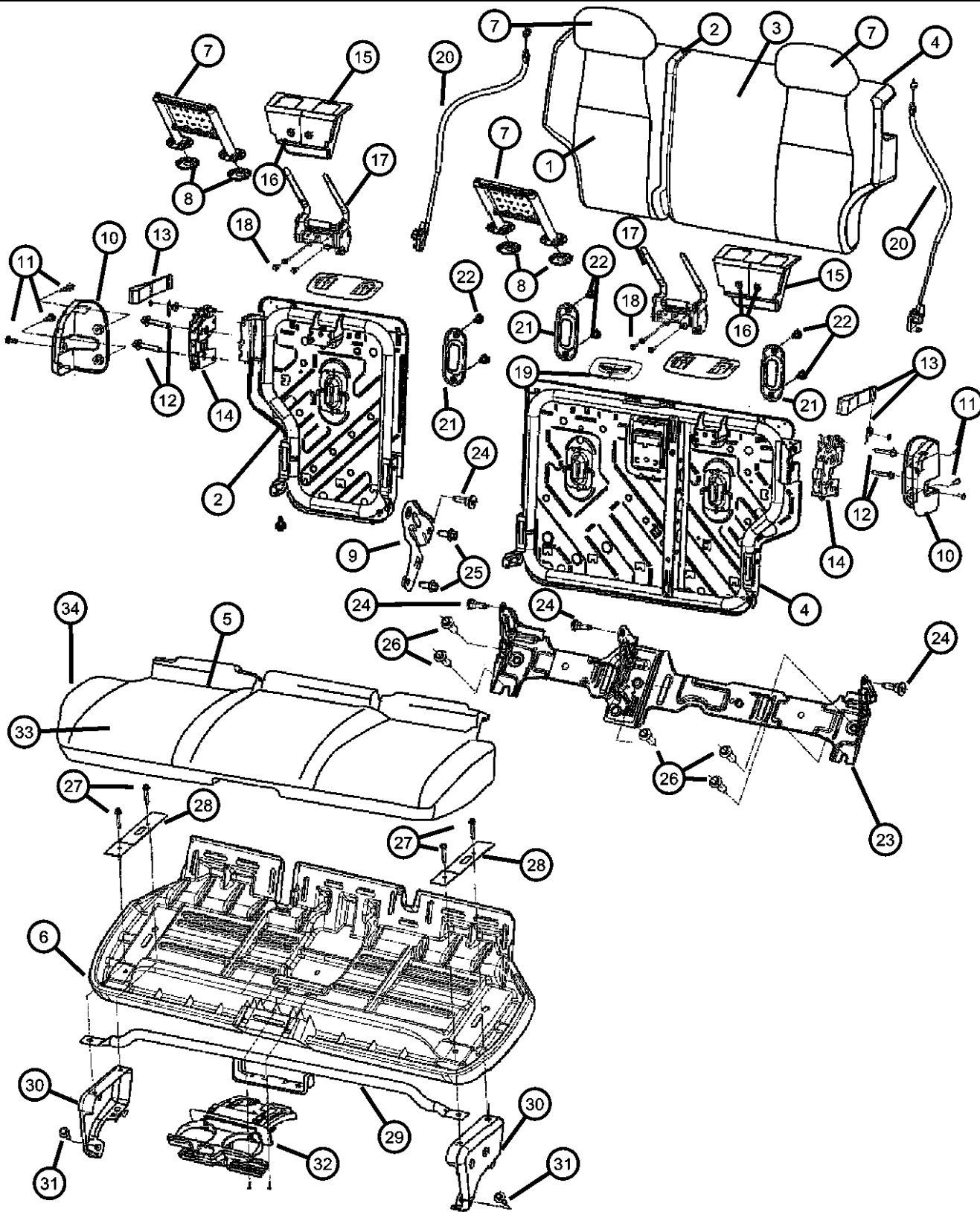
ENGINE
 EVA = 4.7L V8 MPI Engine
 EVD = 4.7L V8 FFV Engine
 EXL = 3.0L V6 Turbo Diesel
 Engine
 EZB = 5.7L Hemi Multi
 Displacement Engine
 EKG = 3.7L V6 Engine
 ESF = 6.1L SRT HEMI SMPI
 V8 Engine

TRANSMISSION
 DGJ = 5-Speed Auto W5A580
 Transmission
 DGQ = 5-Spd Automatic 545RFE
 Transmission
 DGU = 5-Spd Auto W5J400
 Transmission

AR = use ase required - = Non illustrated part

2007 WK

Rear Seat, Trim Code [A5]
Figure IWK-615



ITEM	PART NUMBER	QTY	LINE	SERIES	BODY	ENGINE	TRANS	TRIM	DESCRIPTION
1	1GK621D5AA	1	J, T		74			*A5	COVER, Rear Seat Back, 40% [D5]
	1GK621J3AA	1	J, T		74			*A5	[J3]
2	1GK601D5AA	1	J, T		74			*A5	SEAT BACK, Rear, 40% [D5]
	1GK601J3AA	1	J, T		74			*A5	[J3]
3	1GK611D5AA	1	J, T		74			*A5	COVER, Rear Seat Back, 60% [D5]
	1GK611J3AA	1	J, T		74			*A5	[J3]
4	1GK591D5AA	1	J, T		74			*A5	SEAT BACK, Rear, 60% [D5]
	1GK591J3AA	1	J, T		74			*A5	[J3]
5	1GK551D5AA	1	J, T		74			*A5	COVER, Rear Seat Cushion [D5]
	1GK551J3AA	1	J, T		74			*A5	[J3]
6	05143424AA	1	J, T		74			*A5	PANEL, Seat Cushion Base
7	1BF851D5AA	2	J, T		74			*A5	HEADREST, Rear [D5]
	1BF851J3AA	2	J, T		74			*A5	[J3]
8	1BG771D5AA	2	J, T		74			*A5	COVER, Headrest Sleeve [D5]
	1BG771J3AA	2	J, T		74			*A5	[J3]
9	05143423AA	1	J, T		74			*A5	BRACKET, Pivot
10	1BG561D5AA	1	J, T		74			*A5	COVER, Seat latch [D5], Right
	1BG561J3AA	1	J, T		74			*A5	[J3], Right
	1BG571D5AA	1	J, T		74			*A5	[D5], Left
	1BG571J3AA	1	J, T		74			*A5	[J3], Left
11	05139633AA	3	J, T		74			*A5	SCREW
12	05072205AA	2	J, T		74			*A5	BOLT, Seat
13	1BZ621D5AA	1	J, T		74			*A5	STRAP [D5]

GRAND CHEROKEE (WK)

SERIES LINE
H = HIGHLINE T = JEEP - 2WD
P = PREMIUM J = JEEP - 4WD
S = SPORT
X = SPECIAL

BODY
74 = SPORT UTILITY 4-DR
TYPE #4

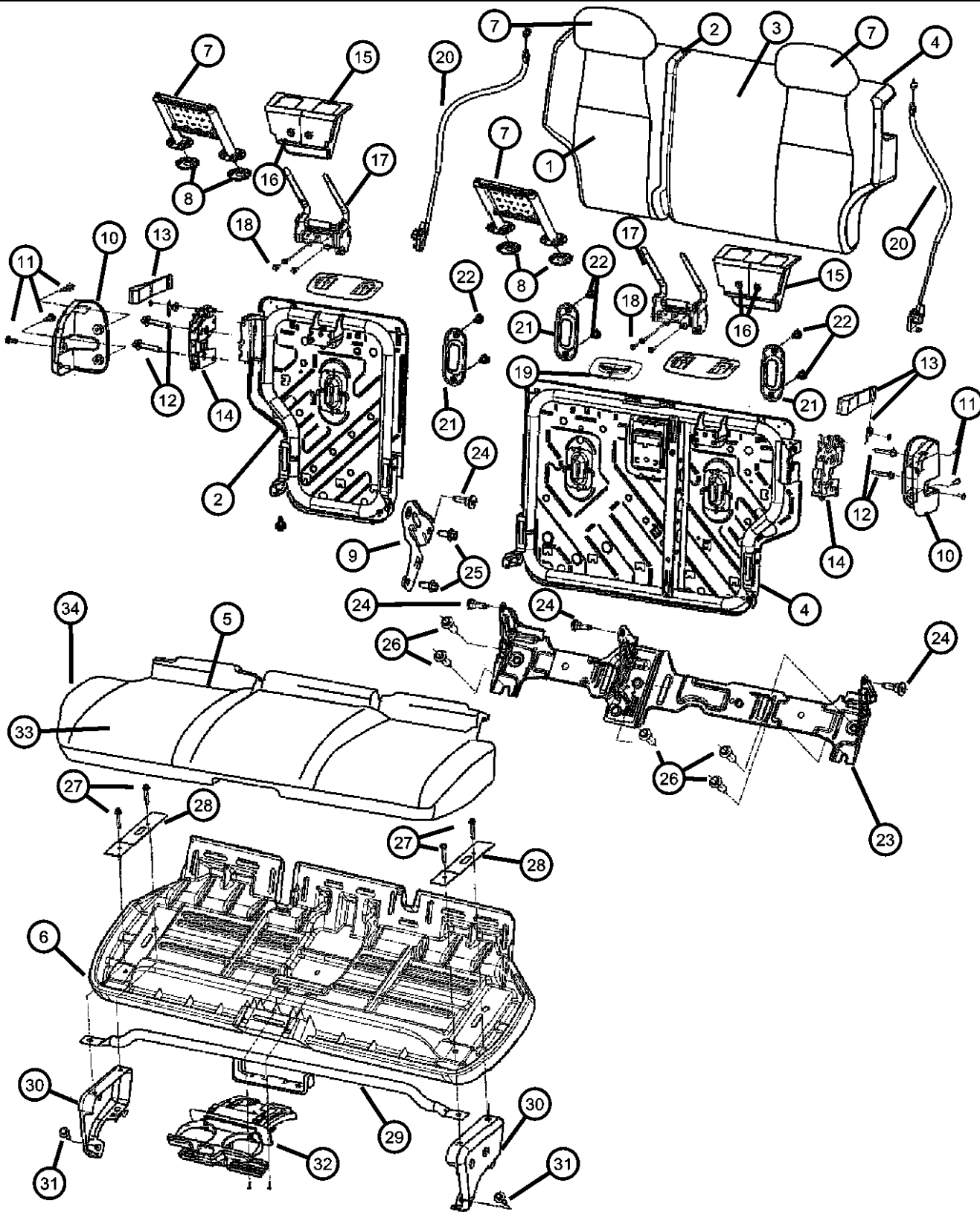
ENGINE
EVA = 4.7L V8 MPI Engine
EVD = 4.7L V8 FFV Engine
EXL = 3.0L V6 Turbo Diesel
Engine
EZB = 5.7L Hemi Multi
Displacement Engine
EKG = 3.7L V6 Engine
ESF = 6.1L SRT HEMI SMPI
V8 Engine

TRANSMISSION
DGJ = 5-Speed Auto W5A580
Transmission
DGQ = 5-Spd Automatic 545RFE
Transmission
DGU = 5-Spd Auto W5J400
Transmission

AR = use ase required - = Non illustrated part

2007 WK

Rear Seat, Trim Code [A5]
Figure IWK-615



ITEM	PART NUMBER	QTY	LINE	SERIES	BODY	ENGINE	TRANS	TRIM	DESCRIPTION
	1BZ621J3AA	1	J, T		74			*A5 [J3]	
14									LATCH, Seat
	05139664AA	1	J, T		74			*A5 Right	
	05139665AA	1	J, T		74			*A5 Left	
15	05174347AA	1	J, T		74			*A5 COVER	
16	05139633AA	3	J, T		74			*A5 SCREW	
17	05143489AA	1	J, T		74			*A5 BRACKET AND HINGE, Headrest	
18	05139628AA	4	J, T		74			*A5 BOLT	
19									BEZEL, Seat Belt
	1AP311D5AA	1	J, T		74			*A5 [D5]	
	1AP311J3AA	1	J, T		74			*A5 [J3]	
20									CABLE
	05143492AA	1	J, T		74			*A5 Left	
	05143493AA	1	J, T		74			*A5 Right	
21									BEZEL, TETHER
	0WT351D5AA	2	J, T		74			*A5 [D5]	
	0WT351J3AA	2	J, T		74			*A5 [J3]	
22		2							SCREW, (NOT SERVICED),
23	05143434AA	1	J, T		74			*A5 BRACKET, Rear Seat Mount	
24	05139634AA	4	J, T		74			*A5 BOLT	
25	05143464AA	1	J, T		74			*A5 BOLT, Seat	
26	06508360AA	1	J, T		74			*A5 SCREW AND WASHER, Hex	
27	05143445AA	4	J, T		74			*A5 SCREW, Seat	
28	05143431AA	2	J, T		74			*A5 PLATE, Retaining	
29	05143432AA	1	J, T		74			*A5 SUPPORT, Rear Seat	
30									RISER, Seat
	05143412AA	1	J, T		74			*A5 Right	
	05143413AA	1	J, T		74			*A5 Left	
31	06508360AA	1	J, T		74			*A5 SCREW AND WASHER, Hex	
32									CUPHOLDER
	1BG491D5AA	1	J, T		74			*A5 [D5]	

GRAND CHEROKEE (WK)

SERIES LINE
H = HIGHLINE T = JEEP - 2WD
P = PREMIUM J = JEEP - 4WD
S = SPORT
X = SPECIAL

BODY
74 = SPORT UTILITY 4-DR
TYPE #4

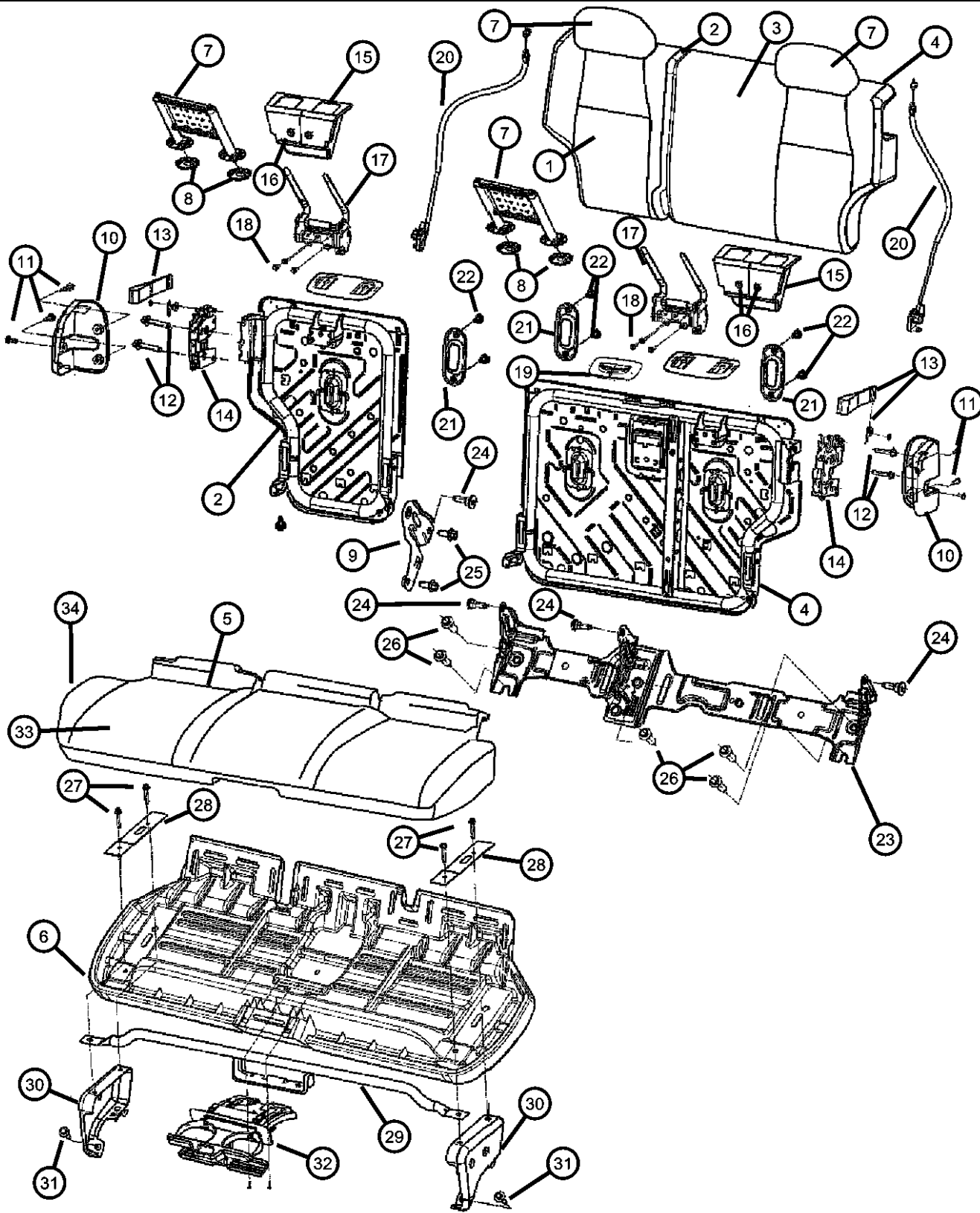
ENGINE
EVA = 4.7L V8 MPI Engine
EVD = 4.7L V8 FFV Engine
EXL = 3.0L V6 Turbo Diesel
Engine
EZB = 5.7L Hemi Multi
Displacement Engine
EKG = 3.7L V6 Engine
ESF = 6.1L SRT HEMI SMPI
V8 Engine

TRANSMISSION
DGJ = 5-Speed Auto W5A580
Transmission
DGQ = 5-Spd Automatic 545RFE
Transmission
DGU = 5-Spd Auto W5J400
Transmission

AR = use ase required - = Non illustrated part

2007 WK

Rear Seat, Trim Code [A5]
Figure IWK-615



ITEM	PART NUMBER	QTY	LINE	SERIES	BODY	ENGINE	TRANS	TRIM	DESCRIPTION
	1BG491J3AA	1	J, T		74			*A5 [J3]	
33	05143433AA	1	J, T		74			*A5	FOAM, Seat Cushion
34	05143454AA	1	J, T		74			*A5	WIRE KIT, Trimming
-35	05017779AA	2	J, T		74			*A5	NUT, Push
-36	05139636AA	1	J, T		74			*A5	BOLT, 60% Retractor Bolt

GRAND CHEROKEE (WK)

SERIES LINE
H = HIGHLINE T = JEEP - 2WD
P = PREMIUM J = JEEP - 4WD
S = SPORT
X = SPECIAL

BODY
74 = SPORT UTILITY 4-DR
TYPE #4

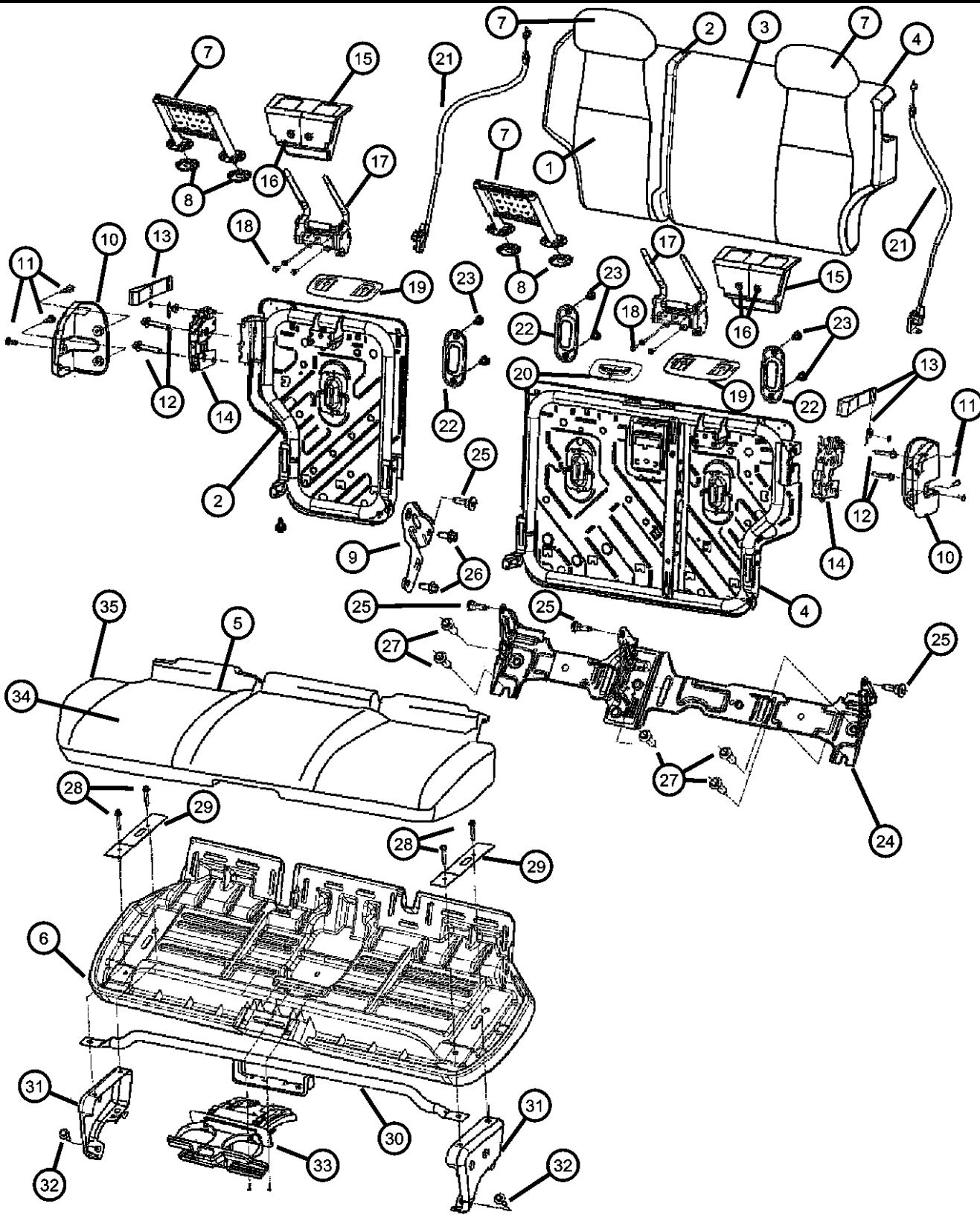
ENGINE
EVA = 4.7L V8 MPI Engine
EVD = 4.7L V8 FFV Engine
EXL = 3.0L V6 Turbo Diesel
Engine
EZB = 5.7L Hemi Multi
Displacement Engine
EKG = 3.7L V6 Engine
ESF = 6.1L SRT HEMI SMPI
V8 Engine

TRANSMISSION
DGJ = 5-Speed Auto W5A580
Transmission
DGQ = 5-Spd Automatic 545RFE
Transmission
DGU = 5-Spd Auto W5J400
Transmission

AR = use ase required - = Non illustrated part

2007 WK

Rear Seat, Trim Code [AL]
Figure IWK-620



ITEM	PART NUMBER	QTY	LINE	SERIES	BODY	ENGINE	TRANS	TRIM	DESCRIPTION
1	1EV901J3AA	1	J, T		74			*AL [J3]	COVER, Rear Seat Back, 40%
	1EV901D5AA	1	J, T		74			*AL [D5]	
2	1EV881J3AA	1	J, T		74			*AL [J3]	SEAT BACK, Rear, 40%
	1EV881D5AA	1	J, T		74			*AL [D5]	
3	1GL211J3AA	1	J, T		74			*AL [J3]	COVER, Rear Seat Back, 60%
	1GL211D5AA	1	J, T		74			*AL [D5]	
4	1EV891J3AA	1	J, T		74			*AL [J3]	SEAT BACK, Rear, 60%
	1EV891D5AA	1	J, T		74			*AL [D5]	
5	1BF911D5AA	1	J, T		74			*AL [D5]	COVER, Rear Seat Cushion
	1BF911J3AA	1	J, T		74			*AL [J3]	
6	05143424AA	1	J, T		74			*AL	PANEL, Seat Cushion Base
7	1BF871D5AA	2	J, T		74			*AL [D5]	HEADREST, Rear
	1BF871J3AA	2	J, T		74			*AL [J3]	
8	1BG771D5AA	2	J, T		74			*AL [D5]	COVER, Headrest Sleeve
	1BG771J3AA	2	J, T		74			*AL [J3]	
9	05143423AA	1	J, T		74			*AL	BRACKET, Pivot
10	1BG571J3AA	1	J, T		74			*AL [J3]	COVER, Seat latch
	1BG571D5AA	1	J, T		74			*AL [D5]	
11	05139633AA	3	J, T		74			*AL	SCREW
12	05072205AA	2	J, T		74			*AL	BOLT, Seat
13	1BZ621D5AA	1	J, T		74			*AL [D5]	STRAP
	1BZ621J3AA	1	J, T		74			*AL [J3]	
14									LATCH, Seat

GRAND CHEROKEE (WK)

SERIES LINE
H = HIGHLINE T = JEEP - 2WD
P = PREMIUM J = JEEP - 4WD
S = SPORT
X = SPECIAL

BODY
74 = SPORT UTILITY 4-DR
TYPE #4

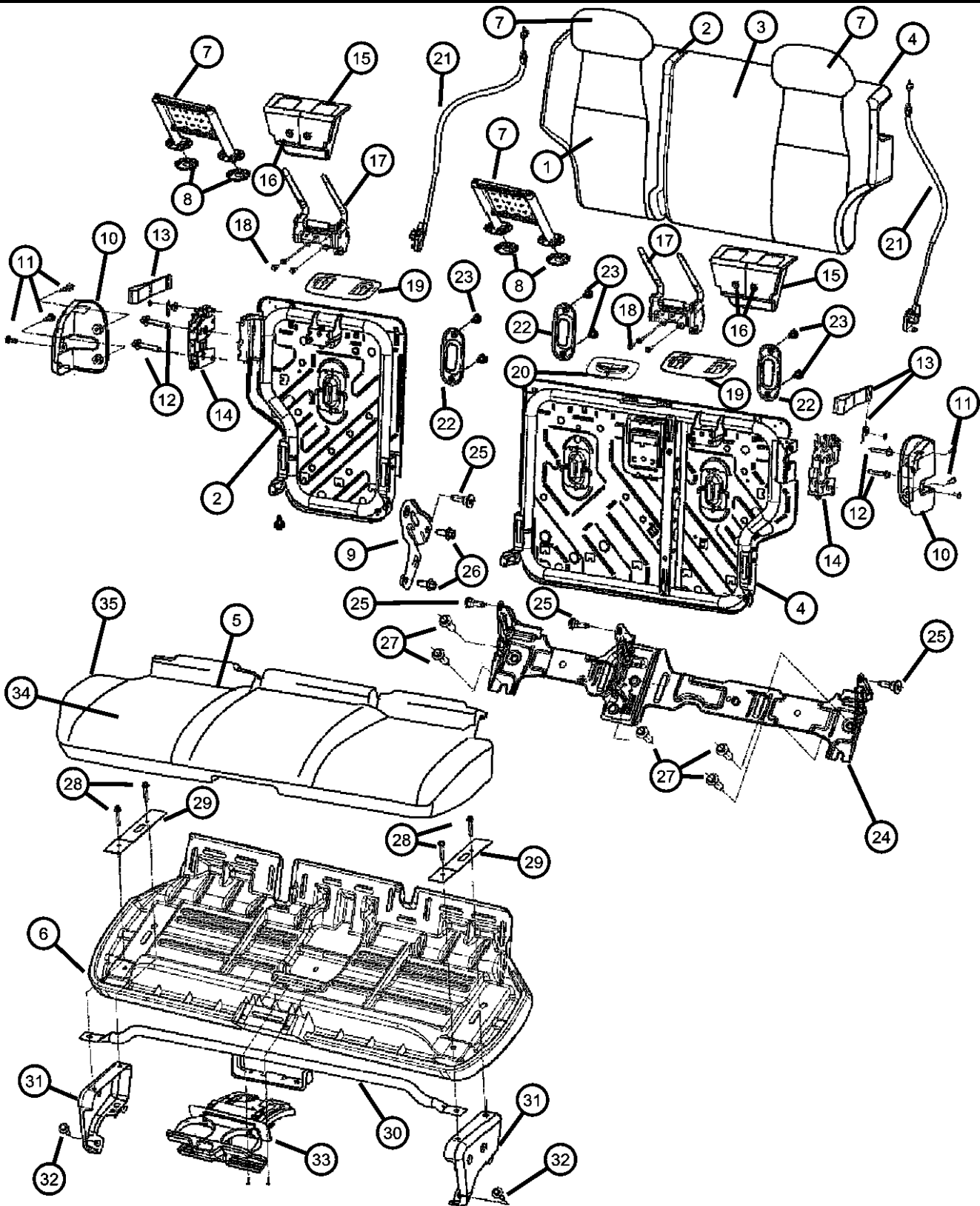
ENGINE
EVA = 4.7L V8 MPI Engine
EVD = 4.7L V8 FFV Engine
EXL = 3.0L V6 Turbo Diesel
Engine
EZB = 5.7L Hemi Multi
Displacement Engine
EKG = 3.7L V6 Engine
ESF = 6.1L SRT HEMI SMPI
V8 Engine

TRANSMISSION
DGJ = 5-Speed Auto W5A580
Transmission
DGQ = 5-Spd Automatic 545RFE
Transmission
DGU = 5-Spd Auto W5J400
Transmission

AR = use ase required - = Non illustrated part

2007 WK

Rear Seat, Trim Code [AL]
Figure IWK-620

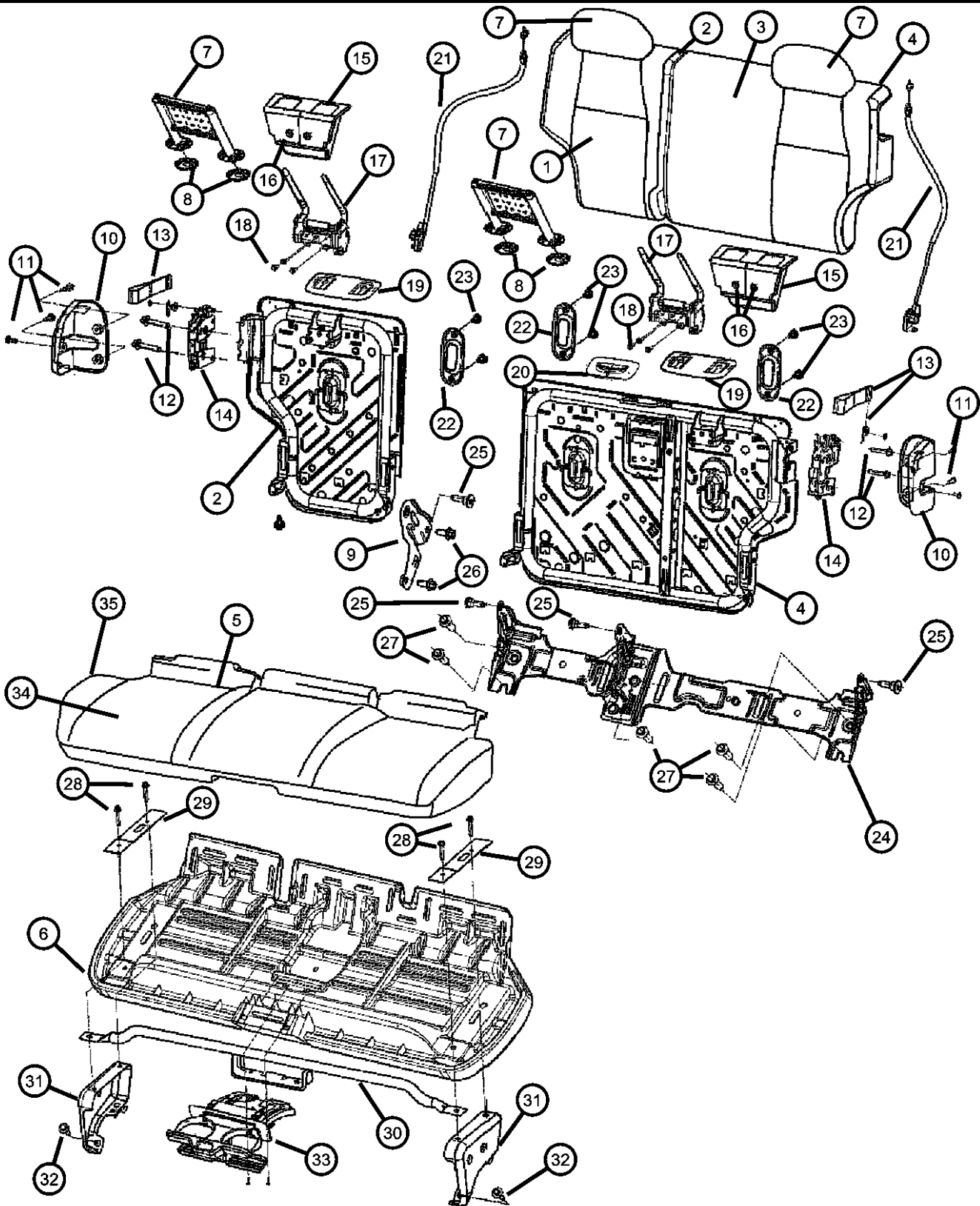


ITEM	PART NUMBER	QTY	LINE	SERIES	BODY	ENGINE	TRANS	TRIM	DESCRIPTION
	05139664AA	1	J, T		74			*AL	Right
	05139665AA	1	J, T		74			*AL	Left
15	05174347AA	1	J, T		74			*AL	COVER
16	05139633AA	3	J, T		74			*AL	SCREW
17	05143489AA	1	J, T		74			*AL	BRACKET AND HINGE, Headrest
18	05139628AA	4	J, T		74			*AL	BOLT
19									BEZEL
	1BG441D5AA	1	J, T		74			*AL	[D5], Right
	1BG451D5AA	1	J, T		74			*AL	[D5], Left
	1BG451J3AA	1	J, T		74			*AL	[J3], Left
	1BG441J3AA	1	J, T		74			*AL	[J3], Right
20									BEZEL, Seat Belt
	1AP311DDAA	1	J, T		74			*AL	[D5]
	1AP311J3AA	1	J, T		74			*AL	[J3]
21									CABLE
	05143435AA	1	J, T		74			*AL	Center
	05143492AA	1	J, T		74			*AL	Left
	05143493AA	1	J, T		74			*AL	Right
22									BEZEL, TETHER
	0WT351D5AA	2	J, T		74			*AL	[D5]
	0WT351J3AA	1	J, T		74			*AL	[J3]
23		1							SCREW, (NOT SERVICED),
24	05143434AA	1	J, T		74			*AL	BRACKET, Rear Seat Mount
25	05139634AA	4	J, T		74			*AL	BOLT
26	05143464AA	1	J, T		74			*AL	BOLT, Seat
27	06508360AA	1	J, T		74			*AL	SCREW AND WASHER, Hex
28	05143445AA	4	J, T		74			*AL	SCREW, Seat
29	05143431AA	2	J, T		74			*AL	PLATE, Retaining
30	05143432AA	1	J, T		74			*AL	SUPPORT, Rear Seat
31									RISER, Seat
	05143413AA	1	J, T		74			*AL	Left

GRAND CHEROKEE (WK)
 SERIES LINE BODY ENGINE TRANSMISSION
 H = HIGHLINE T = JEEP - 2WD 74 = SPORT UTILITY 4-DR EVA = 4.7L V8 MPI Engine
 P = PREMIUM J = JEEP - 4WD TYPE #4 EVD = 4.7L V8 FFV Engine DGJ = 5-Speed Auto W5A580
 S = SPORT Engine EXL = 3.0L V6 Turbo Diesel DGQ = 5-Spd Automatic 545RFE
 X = SPECIAL Engine EZB = 5.7L Hemi Multi DGU = 5-Spd Auto W5J400
 Displacement Engine EKG = 3.7L V6 Engine Transmission
 ESF = 6.1L SRT HEMI SMPI V8 Engine V8 Engine

AR = use ase required - = Non illustrated part

Rear Seat, Trim Code [AL]
Figure IWK-620



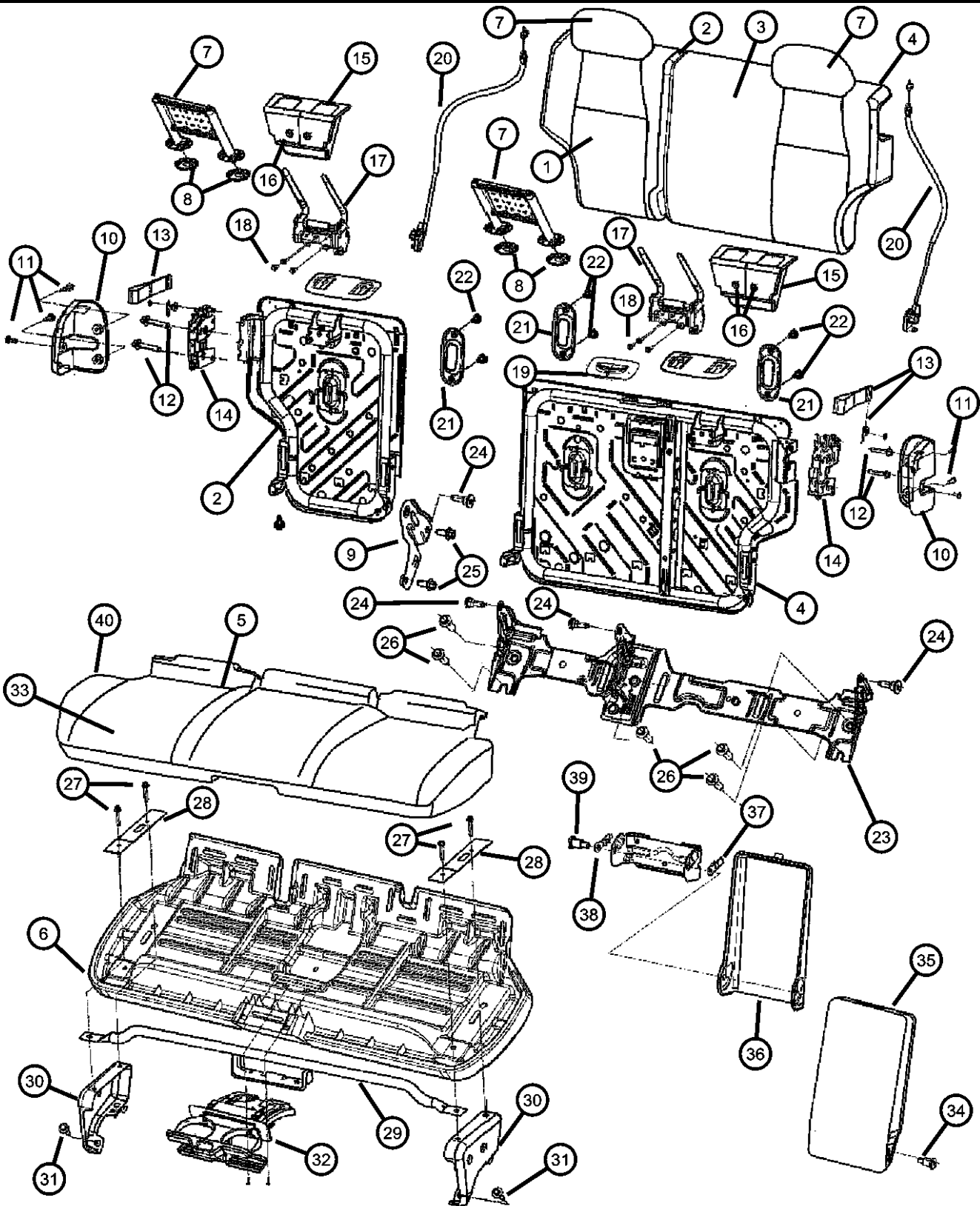
ITEM	PART NUMBER	QTY	LINE	SERIES	BODY	ENGINE	TRANS	TRIM	DESCRIPTION
	05143412AA	1	J, T		74			*AL	Right
32	06508360AA	1	J, T		74			*AL	SCREW AND WASHER, Hex
33	1BG491D5AA	1	J, T		74			*AL	CUPHOLDER
	1BG491J3AA	1	J, T		74			*AL	[D5]
34	05143433AA	1	J, T		74			*AL	[J3]
35	05143454AA	1	J, T		74			*AL	FOAM, Seat Cushion
								*AL	WIRE KIT, Trimming

GRAND CHEROKEE (WK)

SERIES	LINE	BODY	ENGINE	TRANSMISSION
H = HIGHLINE	T = JEEP - 2WD	74 = SPORT UTILITY 4-DR	EVA = 4.7L V8 MPI Engine	DGJ = 5-Speed Auto W5A580
P = PREMIUM	J = JEEP - 4WD	TYPE #4	EVD = 4.7L V8 FFV Engine	Transmission
S = SPORT			EXL = 3.0L V6 Turbo Diesel	DGQ = 5-Spd Automatic 545RFE
X = SPECIAL			Engine	Transmission
			EZB = 5.7L Hemi Multi	DGU = 5-Spd Auto W5J400
			Displacement Engine	Transmission
			EKG = 3.7L V6 Engine	
			ESF = 6.1L SRT HEMI SMPI	
			V8 Engine	

AR = use ase required - = Non illustrated part

Rear Seat, Trim Code [PL]
Figure IWK-630

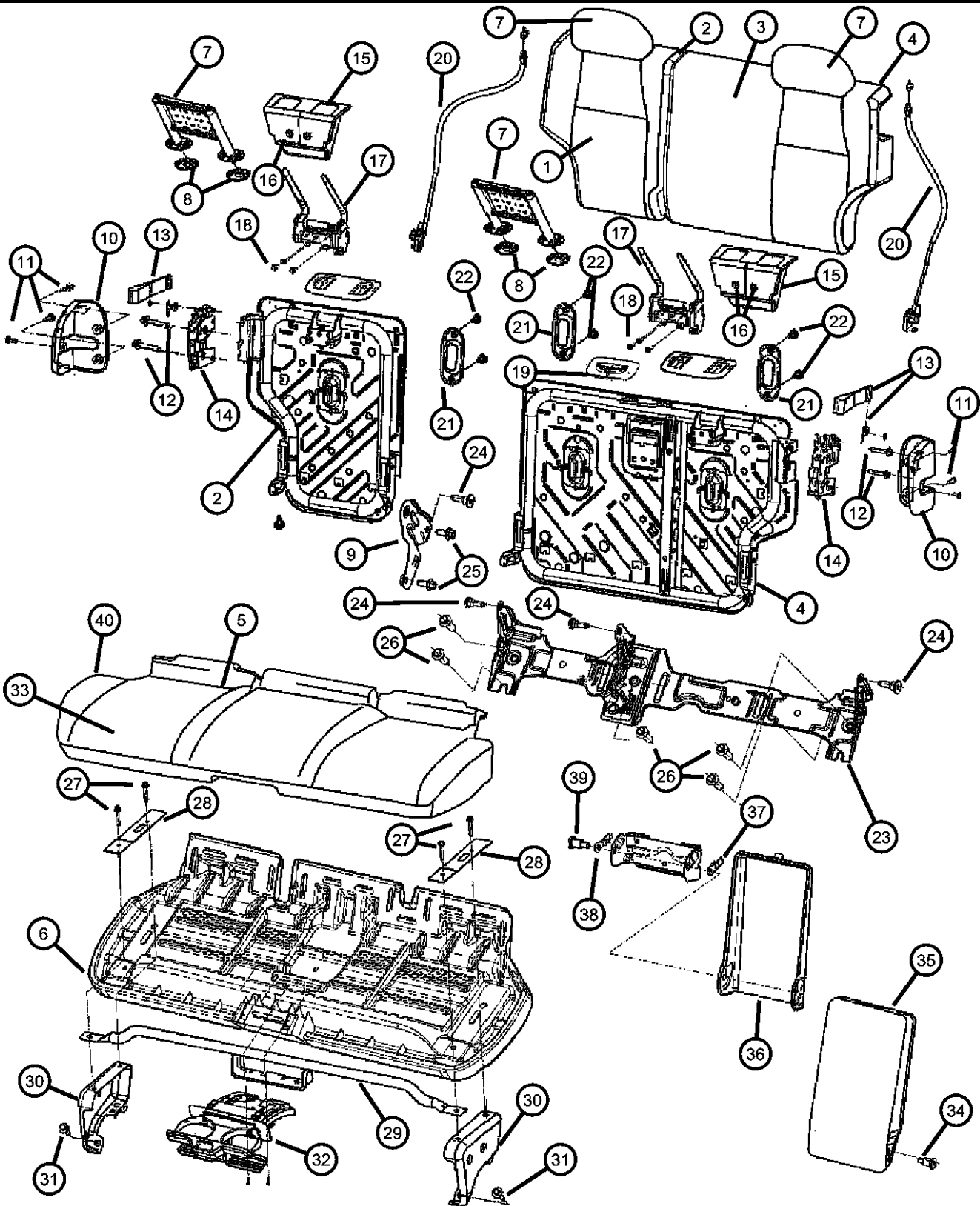


ITEM	PART NUMBER	QTY	LINE	SERIES	BODY	ENGINE	TRANS	TRIM	DESCRIPTION
1	1LA501D1AA	1	J, T		74			*PL [J1]	COVER, Rear Seat Back, 40%
	1LA501D5AA	1	J, T		74			*PL [D5]	
	1LA501J3AA	1	J, T		74			*PL [J3]	
2	1EV921J3AA	1	J, T		74			*PL [J3]	SEAT BACK, Rear, 40%
	1EV921D1AA	1	J, T		74			*PL [J1]	
	1EV921D5AA	1	J, T		74			*PL [D5]	
3	1LA571D5AA	1	J, T		74			*PL [D5]	COVER, Rear Seat Back, 60%
	1LA571J3AA	1	J, T		74			*PL [J3]	
	1LA571D1AA	1	J, T		74			*PL [J1]	
4	1EV931D5AA	1	J, T		74			*PL [D5]	SEAT BACK, Rear, 60%
	1EV931D1AA	1	J, T		74			*PL [J1]	
	1EV931J3AA	1	J, T		74			*PL [J3]	
5	1LA451D5AA	1	J, T		74			*PL [D5]	COVER, Rear Seat Cushion
	1LA451J3AA	1	J, T		74			*PL [J3]	
	1LA451D1AA	1	J, T		74			*PL [J1]	
6	05143424AA	1	J, T		74			*PL	PANEL, Seat Cushion Base
7	1BF951D5AA	2	J, T		74			*PL [D5]	HEADREST, Rear
	1BF951J3AA	2	J, T		74			*PL [J3]	
	1BF951D1AA	2	J, T		74			*PL [J1]	
8	1BG771D5AA	2	J, T		74			*PL [D5]	COVER, Headrest Sleeve
	1BG771J3AA	2	J, T		74			*PL [J3]	
	1BG771D1AA	2	J, T		74			*PL [J1]	
9	05143423AA	1	J, T		74			*PL	BRACKET, Pivot
10	1BG571D1AA	1	J, T		74			*PL [J1], Left	COVER, Seat latch

GRAND CHEROKEE (WK)
 SERIES LINE BODY ENGINE TRANSMISSION
 H = HIGHLINE T = JEEP - 2WD 74 = SPORT UTILITY 4-DR EVA = 4.7L V8 MPI Engine
 P = PREMIUM J = JEEP - 4WD TYPE #4 EVD = 4.7L V8 FFV Engine DGJ = 5-Speed Auto W5A580
 S = SPORT Engine DGQ = 5-Spd Automatic 545RFE
 X = SPECIAL Engine Displacement Engine Transmission
 EZB = 5.7L Hemi Multi DGU = 5-Spd Auto W5J400
 Displacement Engine Transmission
 EKG = 3.7L V6 Engine
 ESF = 6.1L SRT HEMI SMPI V8 Engine
 V8 Engine

AR = use ase required - = Non illustrated part

Rear Seat, Trim Code [PL]
Figure IWK-630

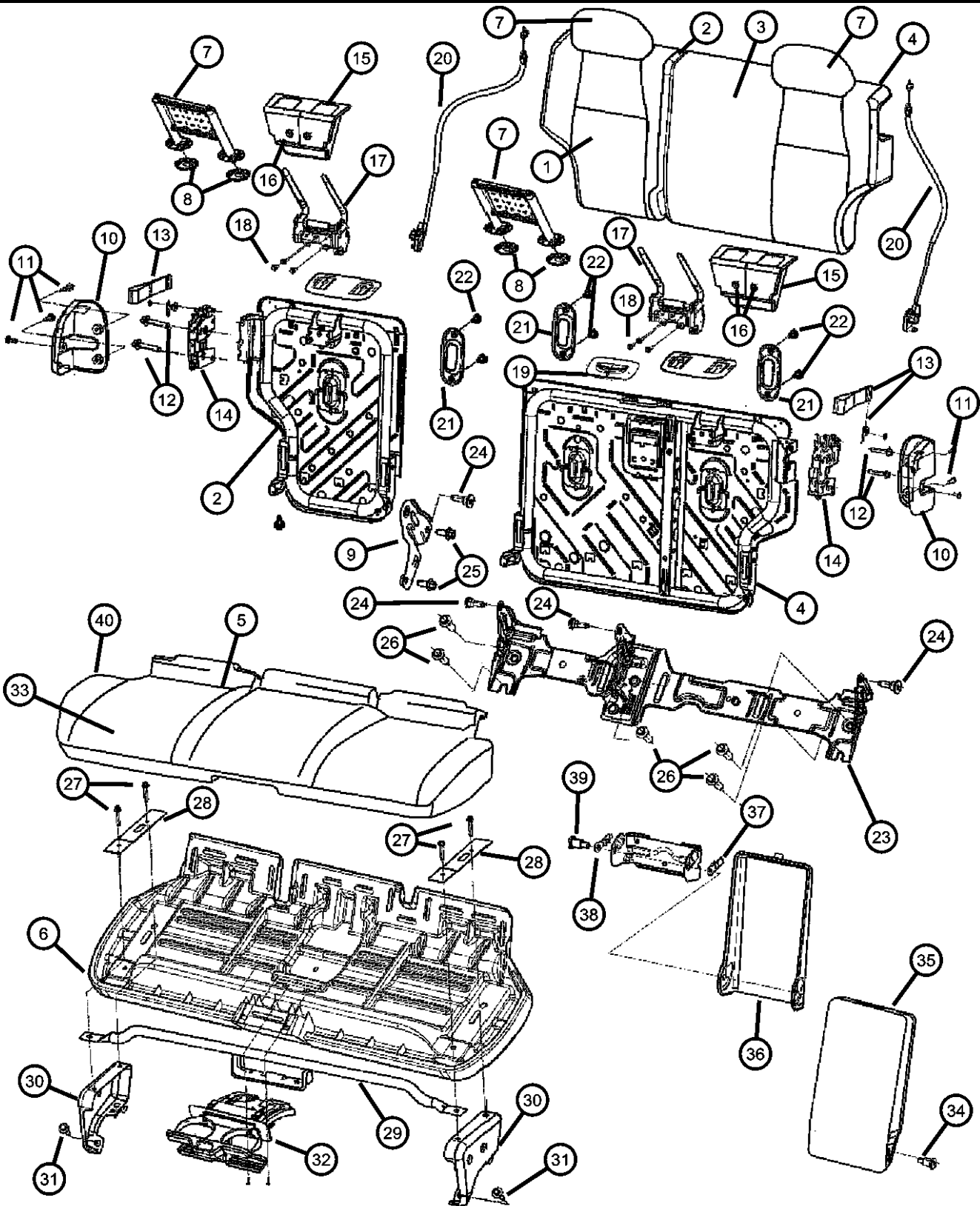


ITEM	PART NUMBER	QTY	LINE	SERIES	BODY	ENGINE	TRANS	TRIM	DESCRIPTION
	1BG571D5AA	1	J, T		74			*PL	[D5], Left
	1BG561D5AA	1	J, T		74			*PL	[D5], Right
	1BG571J3AA	1	J, T		74			*PL	[J3], Left
	1BG561D1AA	1	J, T		74			*PL	[J1], Right
	1BG561J3AA	1	J, T		74			*PL	[J3], Right
11	05139633AA	3	J, T		74			*PL	SCREW
12	05072205AA	2	J, T		74			*PL	BOLT, Seat
13									STRAP
	1BZ621D5AA	1	J, T		74			*PL	[D5]
	1BZ621D1AA	1	J, T		74			*PL	[J1]
	1BZ621J3AA	1	J, T		74			*PL	[J3]
14									LATCH, Seat
	05139665AA	1	J, T		74			*PL	Left
	05139664AA	1	J, T		74			*PL	Right
15	05174347AA	1	J, T		74			*PL	COVER
16	05139633AA	3	J, T		74			*PL	SCREW
17	05143489AA	1	J, T		74			*PL	BRACKET AND HINGE, Headrest
18	05139628AA	4	J, T		74			*PL	BOLT
19									BEZEL, Seat Belt
	1AP311D1AA	1	J, T		74			*PL	[J1]
	1AP311D5AA	1	J, T		74			*PL	[D5]
	1AP311J3AA	1	J, T		74			*PL	[J3]
20									CABLE
	05143493AA	1	J, T		74			*PL	Right
	05143492AA	1	J, T		74			*PL	Left
	05143435AA	1	J, T		74			*PL	Center
21									BEZEL, TETHER
	0WT351D1AA	2	J, T		74			*PL	[J1]
	0WT351D5AA	1	J, T		74			*PL	[D5]
	0WT351J3AA	1	J, T		74			*PL	[J3]
22		1							SCREW, (NOT SERVICED),

GRAND CHEROKEE (WK)
 SERIES LINE BODY ENGINE TRANSMISSION
 H = HIGHLINE T = JEEP - 2WD 74 = SPORT UTILITY 4-DR EVA = 4.7L V8 MPI Engine DGJ = 5-Speed Auto W5A580
 P = PREMIUM J = JEEP - 4WD TYPE #4 EVD = 4.7L V8 FFV Engine Transmission
 S = SPORT EXL = 3.0L V6 Turbo Diesel DGQ = 5-Spd Automatic 545RFE
 X = SPECIAL Engine Transmission
 EZB = 5.7L Hemi Multi DGU = 5-Spd Auto W5J400
 Displacement Engine Transmission
 EKG = 3.7L V6 Engine
 ESF = 6.1L SRT HEMI SMPI V8 Engine

AR = use ase required - = Non illustrated part

Rear Seat, Trim Code [PL]
Figure IWK-630



ITEM	PART NUMBER	QTY	LINE	SERIES	BODY	ENGINE	TRANS	TRIM	DESCRIPTION
23	05143434AA	1	J, T		74			*PL	BRACKET, Rear Seat Mount
24	05139634AA	4	J, T		74			*PL	BOLT
25	05143464AA	1	J, T		74			*PL	BOLT, Seat
26	06508360AA	1	J, T		74			*PL	SCREW AND WASHER, Hex
27	05143445AA	4	J, T		74			*PL	SCREW, Seat
28	05143431AA	2	J, T		74			*PL	PLATE, Retaining
29	05143432AA	1	J, T		74			*PL	SUPPORT, Rear Seat
30									RISER, Seat
	05143412AA	1	J, T		74			*PL	Right
	05143413AA	1	J, T		74			*PL	Left
31	06508360AA	1	J, T		74			*PL	SCREW AND WASHER, Hex
32									CUPHOLDER
	1BG491J3AA	1	J, T		74			*PL	[J3]
	1BG491D5AA	1	J, T		74			*PL	[D5]
	1BG491D1AA	1	J, T		74			*PL	[J1]
33	05143433AA	1	J, T		74			*PL	FOAM, Seat Cushion
34	05143494AA	2	J, T		74			*PL	BOLT, Pivot
35									ARMREST, Rear Seat Center
	1BG801D1AA	1	J, T		74			*PL	[J1]
	1BG801D5AA	1	J, T		74			*PL	[D5]
	1BG801J3AA	1	J, T		74			*PL	[J3]
36									PANEL, CLOSEOUT
	1BH031D1AA	1	J, T		74			*PL	[J1]
	1BH031D5AA	1	J, T		74			*PL	[D5]
	1BH031J3AA	1	J, T		74			*PL	[J3]
37	05161493AA	1	J, T		74			*PL	STOPPER, Seat
38	05161492AA	1	J, T		74			*PL	STOPPER, Seat
39	05143494AA	2	J, T		74			*PL	BOLT, Pivot
40	05143454AA	1	J, T		74			*PL	WIRE KIT, Trimming

GRAND CHEROKEE (WK)

SERIES LINE
H = HIGHLINE T = JEEP - 2WD
P = PREMIUM J = JEEP - 4WD
S = SPORT
X = SPECIAL

BODY
74 = SPORT UTILITY 4-DR
TYPE #4

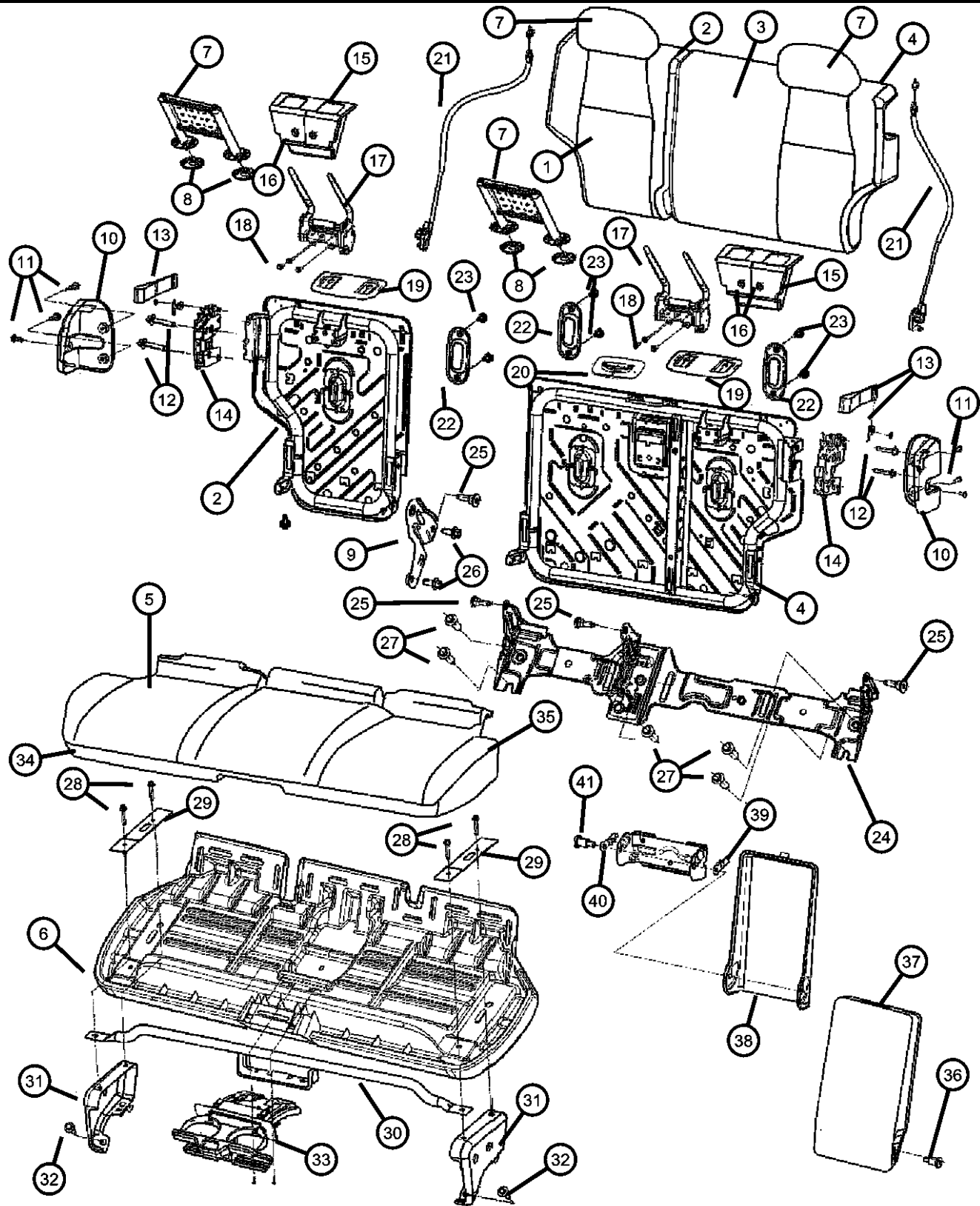
ENGINE
EVA = 4.7L V8 MPI Engine
EVD = 4.7L V8 FFV Engine
EXL = 3.0L V6 Turbo Diesel
Engine
EZB = 5.7L Hemi Multi
Displacement Engine
EKG = 3.7L V6 Engine
ESF = 6.1L SRT HEMI SMPI
V8 Engine

TRANSMISSION
DGJ = 5-Speed Auto W5A580
Transmission
DGQ = 5-Spd Automatic 545RFE
Transmission
DGU = 5-Spd Auto W5J400
Transmission

AR = use ase required - = Non illustrated part

2007 WK

Rear Seat, Trim Code [XL]
Figure IWK-640

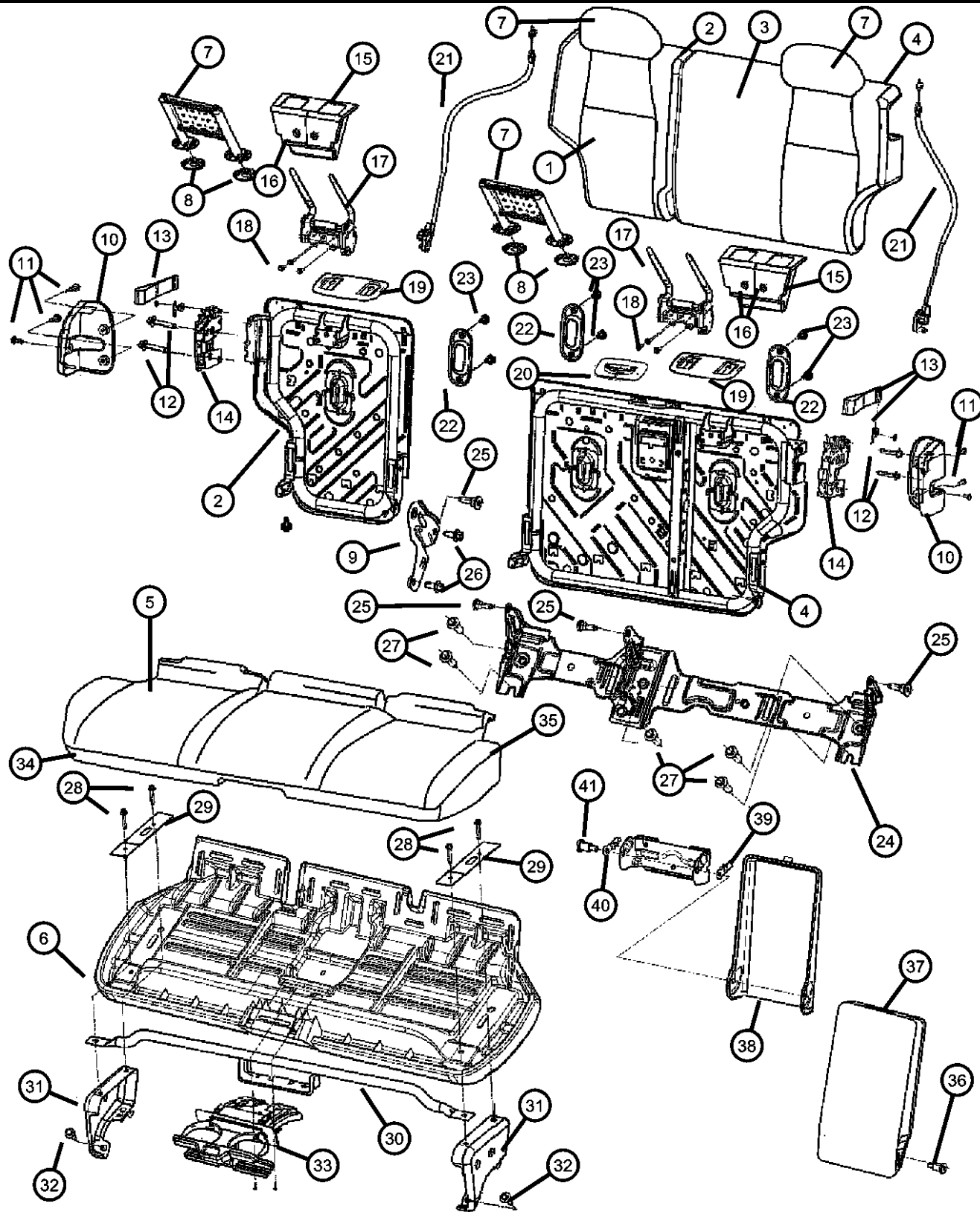


ITEM	PART NUMBER	QTY	LINE	SERIES	BODY	ENGINE	TRANS	TRIM	DESCRIPTION
1	1DF261D1AA	1	J, T		74			*XL	COVER, Rear Seat Back, 40% [J1]
	1DF261D5AA	1	J, T	S	74			*XL	[D5]
2	1DF241D1AA	1	J, T		74			*XL	SEAT BACK, Rear, 40% [J1]
	1DF241D5AA	1	J, T	S	74			*XL	[D5]
3	1DF271D1AA	1	J, T		74			*XL	COVER, Rear Seat Back, 60% [J1]
	1DF271D5AA	1	J, T	S	74			*XL	[D5]
4	1DF251D1AA	1	J, T		74			*XL	SEAT BACK, Rear, 60% [J1]
	1DF251D5AA	1	J, T	S	74			*XL	[D5]
5	1DF321D1AA	1	J, T	S	74			*XL	COVER, Rear Seat Cushion [J1]
	1DF321D5AA	1	J, T	S	74			*XL	[D5]
6	05143424AA	1	J, T	S	74			*XL	PANEL, Seat Cushion Base
7	1DF291D1AA	2	J, T		74			*XL	HEADREST, Rear [J1]
	1DF291D5AA	2	J, T	S	74			*XL	[D5]
8	1BG771D5AA	2	J, T	S	74			*XL	COVER, Headrest Sleeve [D5]
	1BG771D1AA	2	J, T	S	74			*XL	[J1]
9	05143423AA	1	J, T	S	74			*XL	BRACKET, Pivot
10	1BG571D1AA	1	J, T		74			*XL	COVER, Seat latch [J1], Left
	1BG571D5AA	1	J, T	S	74			*XL	[D5], Left
	1BG561D1AA	1	J, T		74			*XL	[J1], Right
	1BG561D5AA	1	J, T	S	74			*XL	[D5], Right
11	05139633AA	3	J, T	S	74			*XL	SCREW
12	05072205AA	2	J, T	S	74			*XL	BOLT, Seat
13	1BZ621D1AA	1	J, T		74			*XL	STRAP [J1]

GRAND CHEROKEE (WK)
 SERIES LINE BODY ENGINE TRANSMISSION
 H = HIGHLINE T = JEEP - 2WD 74 = SPORT UTILITY 4-DR EVA = 4.7L V8 MPI Engine
 P = PREMIUM J = JEEP - 4WD TYPE #4 EVD = 4.7L V8 FFV Engine
 S = SPORT EXL = 3.0L V6 Turbo Diesel DGQ = 5-Spd Automatic 545RFE
 X = SPECIAL Engine
 EZB = 5.7L Hemi Multi DGU = 5-Spd Auto W5J400
 Displacement Engine
 EKG = 3.7L V6 Engine
 ESF = 6.1L SRT HEMI SMPI V8 Engine

AR = use ase required - = Non illustrated part

Rear Seat, Trim Code [XL]
Figure IWK-640



ITEM	PART NUMBER	QTY	LINE	SERIES	BODY	ENGINE	TRANS	TRIM	DESCRIPTION
14	1BZ621D5AA	1	J, T	S	74			*XL [D5]	LATCH, Seat
	05139665AA	1	J, T	S	74			*XL	Left
	05139664AA	1	J, T	S	74			*XL	Right
15	05174347AA	1	J, T	S	74			*XL	COVER
16	05139633AA	3	J, T	S	74			*XL	SCREW
17	05143489AA	1	J, T	S	74			*XL	BRACKET AND HINGE, Headrest
18	05139628AA	4	J, T	S	74			*XL	BOLT
19									BEZEL
	1CL191D5AA	1	J, T	S	74			*XL [D5]	
	1CL191D1AA	1	J, T		74			*XL [J1]	
20									BEZEL, Seat Belt
	1AP311D1AA	1	J, T		74			*XL [J1]	
	1AP311D5AA	1	J, T		74			*XL [D5]	
21									CABLE
	05143435AA	1	J, T	S	74			*XL	Center
	05143492AA	1	J, T	S	74			*XL	Left
	05143493AA	1	J, T	S	74			*XL	Right
22									BEZEL, TETHER
	0WT351D1AA	2	J, T		74			*XL [J1]	
	0WT351D5AA	1	J, T	S	74			*XL [D5]	
23		1							SCREW, (NOT SERVICED),
24	05143434AA	1	J, T	S	74			*XL	BRACKET, Rear Seat Mount
25	05139634AA	4	J, T	S	74			*XL	BOLT
26	05143464AA	1	J, T	S	74			*XL	BOLT, Seat
27	06508360AA	1	J, T	S	74			*XL	SCREW AND WASHER, Hex
28	05143445AA	4	J, T	S	74			*XL	SCREW, Seat
29	05143431AA	2	J, T	S	74			*XL	PLATE, Retaining
30	05143432AA	1	J, T	S	74			*XL	SUPPORT, Rear Seat
31									RISER, Seat
	05143412AA	1	J, T	S	74			*XL	Right

GRAND CHEROKEE (WK)

SERIES LINE
H = HIGHLINE T = JEEP - 2WD
P = PREMIUM J = JEEP - 4WD
S = SPORT
X = SPECIAL

BODY
74 = SPORT UTILITY 4-DR
TYPE #4

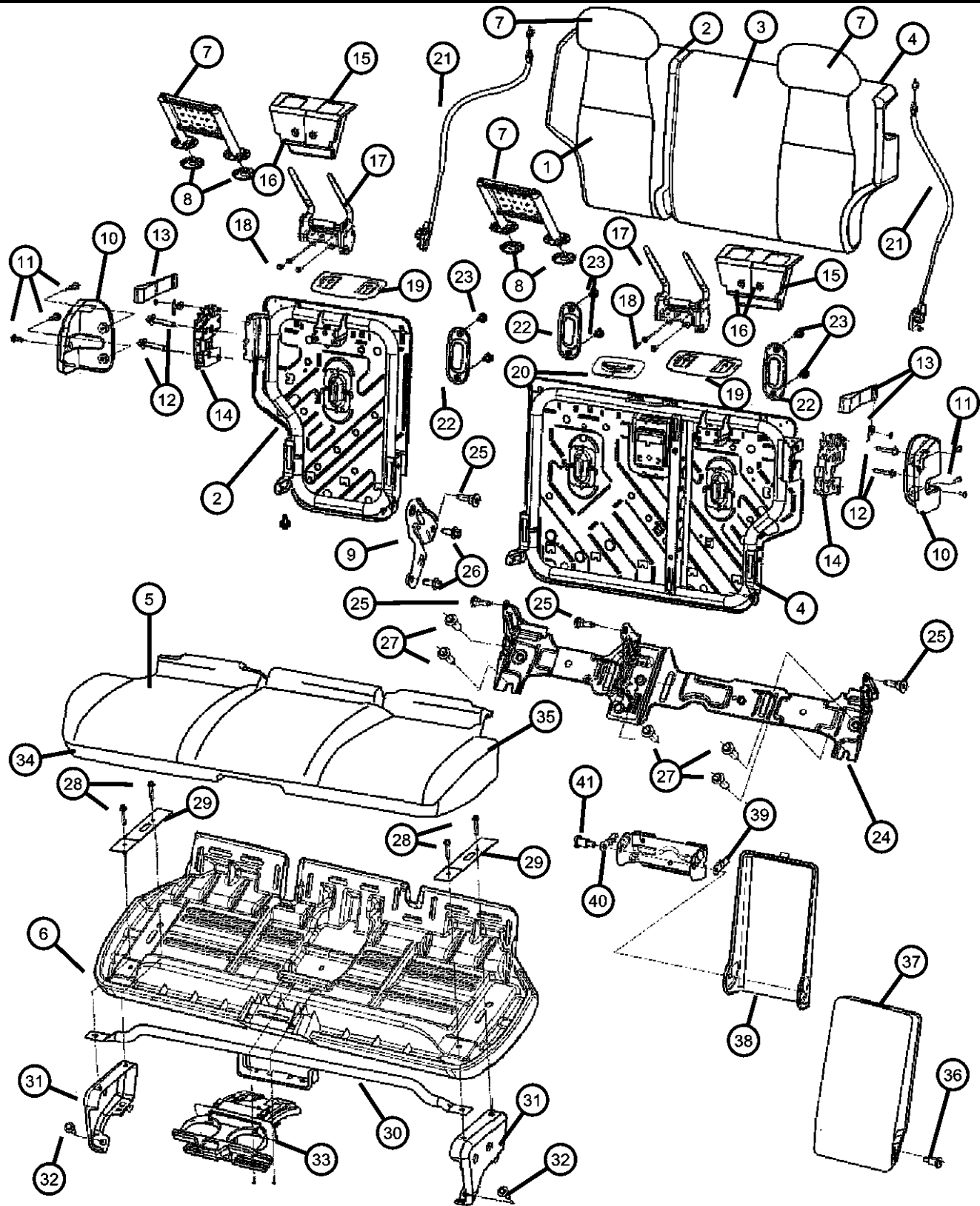
ENGINE
EVA = 4.7L V8 MPI Engine
EVD = 4.7L V8 FFV Engine
EXL = 3.0L V6 Turbo Diesel
Engine
EZB = 5.7L Hemi Multi
Displacement Engine
EKG = 3.7L V6 Engine
ESF = 6.1L SRT HEMI SMPI
V8 Engine

TRANSMISSION
DGJ = 5-Speed Auto W5A580
Transmission
DGQ = 5-Spd Automatic 545RFE
Transmission
DGU = 5-Spd Auto W5J400
Transmission

AR = use ase required - = Non illustrated part

2007 WK

Rear Seat, Trim Code [XL]
Figure IWK-640

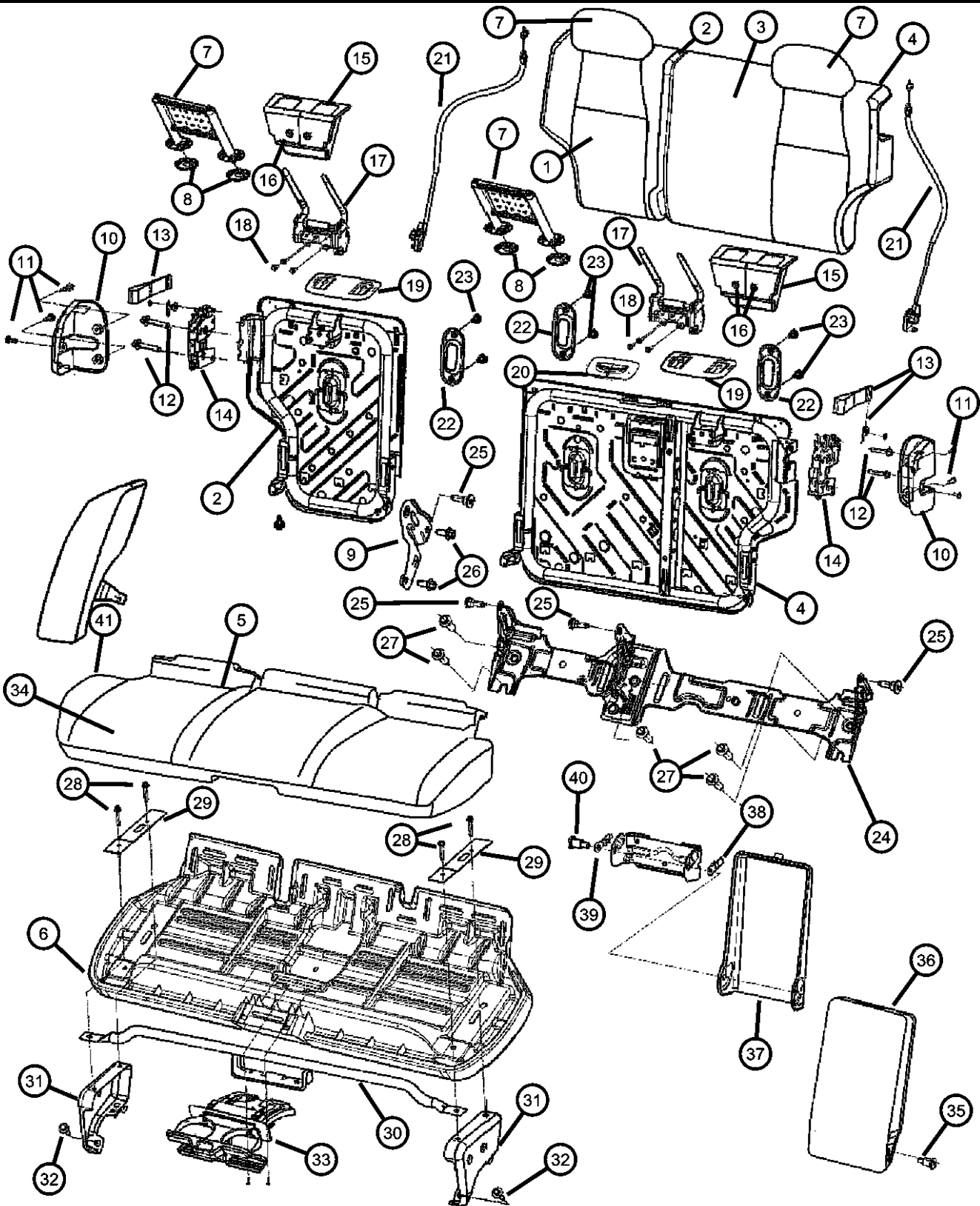


ITEM	PART NUMBER	QTY	LINE	SERIES	BODY	ENGINE	TRANS	TRIM	DESCRIPTION
	05143413AA	1	J, T	S	74			*XL	Left
32	06508360AA	1	J, T	S	74			*XL	SCREW AND WASHER, Hex
33									CUPHOLDER
	1BG491D1AA	1	J, T		74			*XL	[J1]
	1BG491D5AA	1	J, T	S	74			*XL	[D5]
34	05143433AA	1	J, T	S	74			*XL	FOAM, Seat Cushion
35	05143454AA	1	J, T	S	74			*XL	WIRE KIT, Trimming
36	05143494AA	2	J, T	S	74			*XL	BOLT, Pivot
37									ARMREST, Rear Seat Center
	1BG801D1AA	1	J, T		74			*XL	[J1]
	1BG801D5AA	1	J, T	S	74			*XL	[D5]
38									PANEL, CLOSEOUT
	1BH031D1AA	1	J, T		74			*XL	[J1]
	1BH031D5AA	1	J, T	S	74			*XL	[D5]
39	05161493AA	1	J, T	S	74			*XL	STOPPER, Seat
40	05161492AA	1	J, T	S	74			*XL	STOPPER, Seat
41	05143494AA	2	J, T	S	74			*XL	BOLT, Pivot

GRAND CHEROKEE (WK)
 SERIES LINE BODY ENGINE TRANSMISSION
 H = HIGHLINE T = JEEP - 2WD 74 = SPORT UTILITY 4-DR EVA = 4.7L V8 MPI Engine DGJ = 5-Speed Auto W5A580
 P = PREMIUM J = JEEP - 4WD TYPE #4 EVD = 4.7L V8 FFV Engine Transmission
 S = SPORT EXL = 3.0L V6 Turbo Diesel DGQ = 5-Spd Automatic 545RFE
 X = SPECIAL Engine Transmission
 EZB = 5.7L Hemi Multi DGU = 5-Spd Auto W5J400
 Displacement Engine Transmission
 EKG = 3.7L V6 Engine
 ESF = 6.1L SRT HEMI SMPI V8 Engine

AR = use ase required - = Non illustrated part

Rear Seat, Trim Code [DZ]
Figure IWK-650

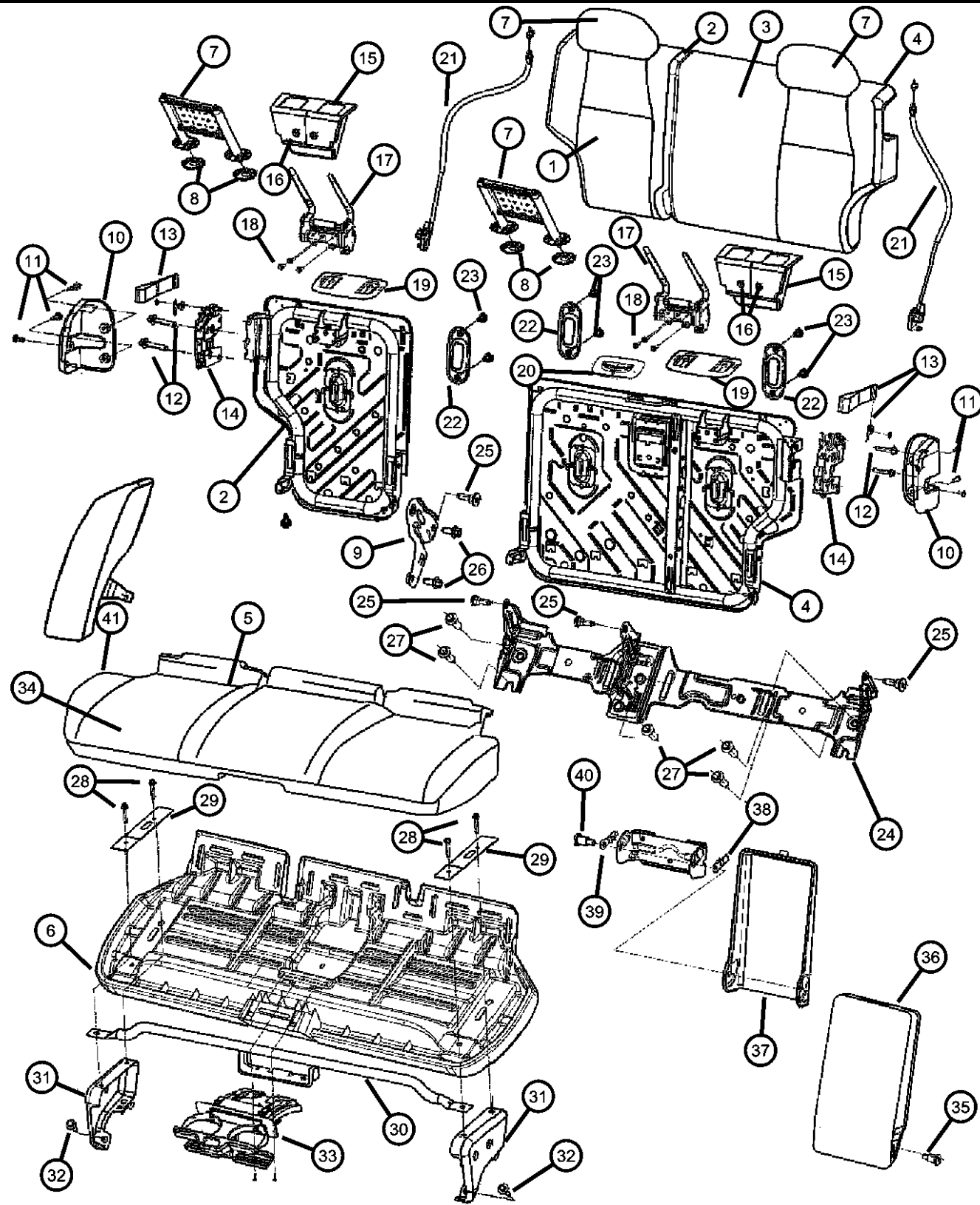


ITEM	PART NUMBER	QTY	LINE	SERIES	BODY	ENGINE	TRANS	TRIM	DESCRIPTION
1	1DF181D5AA	1	J, T	X	74			*DZ	COVER, Rear Seat Back, 40%
2	1DF161D5AA	1	J, T	X	74			*DZ	SEAT BACK, Rear, 40%
3	1DF191D5AA	1	J, T	X	74			*DZ	COVER, Rear Seat Back, 60%
4	1DF171D5AA	1	J, T	X	74			*DZ	SEAT BACK, Rear, 60%
5	1DF141D5AA	1	J, T	X	74			*DZ	COVER, Rear Seat Cushion
6	05143424AA	1		X				*DZ	PANEL, Seat Cushion Base
7	1DF201D5AA	2	J, T	X	74			*DZ	HEADREST, Rear
8	1BG771D5AA	2	J, T	X	74			*DZ	COVER, Headrest Sleeve
9	05143423AA	1		X				*DZ	BRACKET, Pivot
10									COVER, Seat latch
	1BG561D5AA	1	J, T	X	74			*DZ	Right
	1BG571D5AA	1	J, T	X	74			*DZ	Left
11	05139633AA	3	J, T	X	74			*DZ	SCREW
12	05072205AA	2		X				*DZ	BOLT, Seat
13	1BZ621D5AA	1	J, T	X	74			*DZ	STRAP
14									LATCH, Seat
	05139664AA	1		X				*DZ	Right
	05139665AA	1		X				*DZ	Left
15	05174347AA	1		X				*DZ	COVER
16	05139633AA	3	J, T	X	74			*DZ	SCREW
17	05143489AA	1		X				*DZ	BRACKET AND HINGE, Headrest
18	05139628AA	4		X				*DZ	BOLT
19	1CL191D5AA	1	J, T	X	74			*DZ	BEZEL
20	1AP311DDAA	1	J, T	X	74			*DZ	BEZEL, Seat Belt
21									CABLE
	05143435AA	1	J, T	X	74			*DZ	Center
	05143493AA	1		X				*DZ	Right
	05143492AA	1		X				*DZ	Left
22	0WT351D5AA	2	J, T	X	74			*DZ	BEZEL, TETHER
23		2							SCREW, (NOT SERVICED)
24	05143434AA	1		X				*DZ	BRACKET, Rear Seat Mount
25	05139634AA	4		X				*DZ	BOLT

GRAND CHEROKEE (WK)
 SERIES LINE BODY ENGINE TRANSMISSION
 H = HIGHLINE T = JEEP - 2WD 74 = SPORT UTILITY 4-DR EVA = 4.7L V8 MPI Engine DGJ = 5-Speed Auto W5A580
 P = PREMIUM J = JEEP - 4WD TYPE #4 EVD = 4.7L V8 FFV Engine Transmission
 S = SPORT EXL = 3.0L V6 Turbo Diesel DGQ = 5-Spd Automatic 545RFE
 X = SPECIAL Engine Transmission
 EZB = 5.7L Hemi Multi Displacement Engine DGU = 5-Spd Auto W5J400
 EKG = 3.7L V6 Engine Transmission
 ESF = 6.1L SRT HEMI SMPI V8 Engine
 V8 Engine

AR = use ase required - = Non illustrated part

Rear Seat, Trim Code [DZ]
Figure IWK-650



ITEM	PART NUMBER	QTY	LINE	SERIES	BODY	ENGINE	TRANS	TRIM	DESCRIPTION
26	05143464AA	1		X				*DZ	BOLT, Seat
27	06508360AA	1		X				*DZ	SCREW AND WASHER, Hex
28	05143445AA	4	J, T	X	74			*DZ	SCREW, Seat
29	05143431AA	2		X				*DZ	PLATE, Retaining
30	05143432AA	1		X				*DZ	SUPPORT, Rear Seat
31									RISER, Seat
	05143412AA	1		X				*DZ	Right
	05143413AA	1		X				*DZ	Left
32	06508360AA	1		X				*DZ	SCREW AND WASHER, Hex
33	1BG491D5AA	1	J, T	X	74			*DZ	CUPHOLDER
34	05179558AA	1	J, T	X	74			*DZ	FOAM, Seat Cushion
35	05143494AA	2		X				*DZ	BOLT, Pivot
36	1BG801D5AA	1	J, T	X	74			*DZ	ARMREST, Rear Seat Center
37	1BH031D5AA	1	J, T	X	74			*DZ	PANEL, CLOSEOUT
38	05161493AA	1		X				*DZ	STOPPER, Seat
39	05161492AA	1		X				*DZ	STOPPER, Seat
40	05143494AA	2		X				*DZ	BOLT, Pivot
41	05143454AA	1	J, T	X	74			*DZ	WIRE KIT, Trimming

GRAND CHEROKEE (WK)

SERIES LINE
H = HIGHLINE T = JEEP - 2WD
P = PREMIUM J = JEEP - 4WD
S = SPORT
X = SPECIAL

BODY
74 = SPORT UTILITY 4-DR
TYPE #4

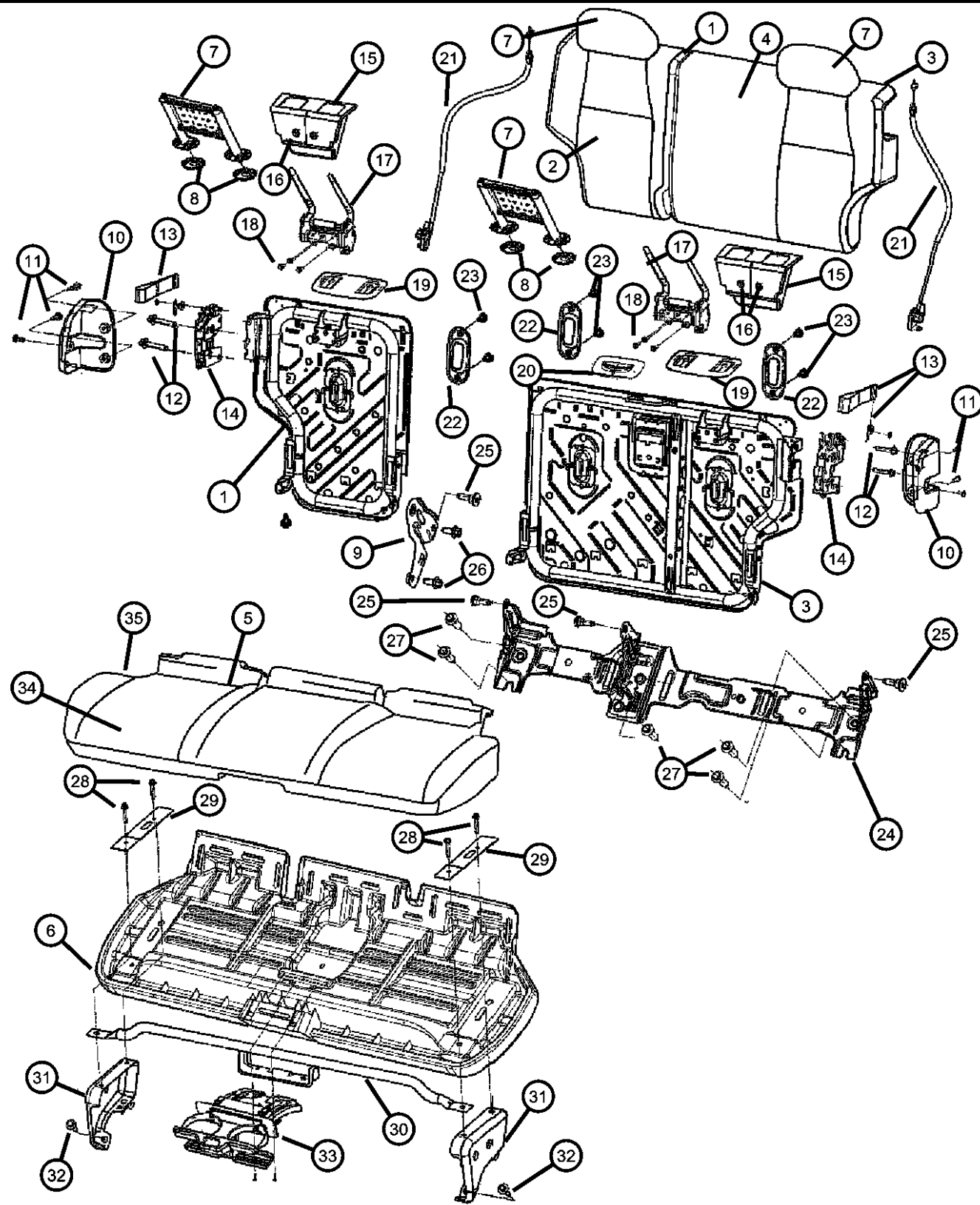
ENGINE
EVA = 4.7L V8 MPI Engine
EVD = 4.7L V8 FFV Engine
EXL = 3.0L V6 Turbo Diesel
Engine
EZB = 5.7L Hemi Multi
Displacement Engine
EKG = 3.7L V6 Engine
ESF = 6.1L SRT HEMI SMPI
V8 Engine

TRANSMISSION
DGJ = 5-Speed Auto W5A580
Transmission
DGQ = 5-Spd Automatic 545RFE
Transmission
DGU = 5-Spd Auto W5J400
Transmission

AR = use ase required - = Non illustrated part

2007 WK

Rear Seat, Trim Code [YL]
Figure IWK-660



ITEM	PART NUMBER	QTY	LINE	SERIES	BODY	ENGINE	TRANS	TRIM	DESCRIPTION
1	1CW561J3AA	1	J, T		74			*YL [J3]	SEAT BACK, Rear, 40%
	1CW561D5AA	1	J, T		74			*YL [D5]	
2	1CW581D5AA	1	J, T		74			*YL [D5]	COVER, Rear Seat Back, 40%
	1CW581J3AA	1	J, T		74			*YL [J3]	
3	1CW571D5AA	1	J, T		74			*YL [D5]	SEAT BACK, Rear, 60%
	1CW571J3AA	1	J, T		74			*YL [J3]	
4	1CW591D5AA	1	J, T		74			*YL [D5]	COVER, Rear Seat Back, 60%
	1CW591J3AA	1	J, T		74			*YL [J3]	
5	1CW551D5AA	1	J, T		74			*YL [D5]	COVER, Rear Seat Cushion
	1CW551J3AA	1	J, T		74			*YL [J3]	
6	05143424AA	1	J, T		74			*YL	PANEL, Seat Cushion Base
7	1BF871D5AA	2	J, T		74			*YL [D5]	HEADREST, Rear
	1BF871J3AA	2	J, T		74			*YL [J3]	
8	1BG771D5AA	2	J, T		74			*YL [D5]	COVER, Headrest Sleeve
	1BG771J3AA	2	J, T		74			*YL [J3]	
9	05143423AA	1	J, T		74			*YL	BRACKET, Pivot
10	1BG561D5AA	1	J, T		74			*YL [D5], Right	COVER, Seat latch
	1BG561J3AA	1	J, T		74			*YL [J3], Right	
	1BG571D5AA	1	J, T		74			*YL [D5], Left	
	1BG571J3AA	1	J, T		74			*YL [J3], Left	
11	05139633AA	3	J, T		74			*YL	SCREW
12	05072205AA	2	J, T		74			*YL	BOLT, Seat
13									STRAP
	1BZ621D5AA	1	J, T		74			*YL [D5]	

GRAND CHEROKEE (WK)

SERIES LINE
H = HIGHLINE T = JEEP - 2WD
P = PREMIUM J = JEEP - 4WD
S = SPORT
X = SPECIAL

BODY
74 = SPORT UTILITY 4-DR
TYPE #4

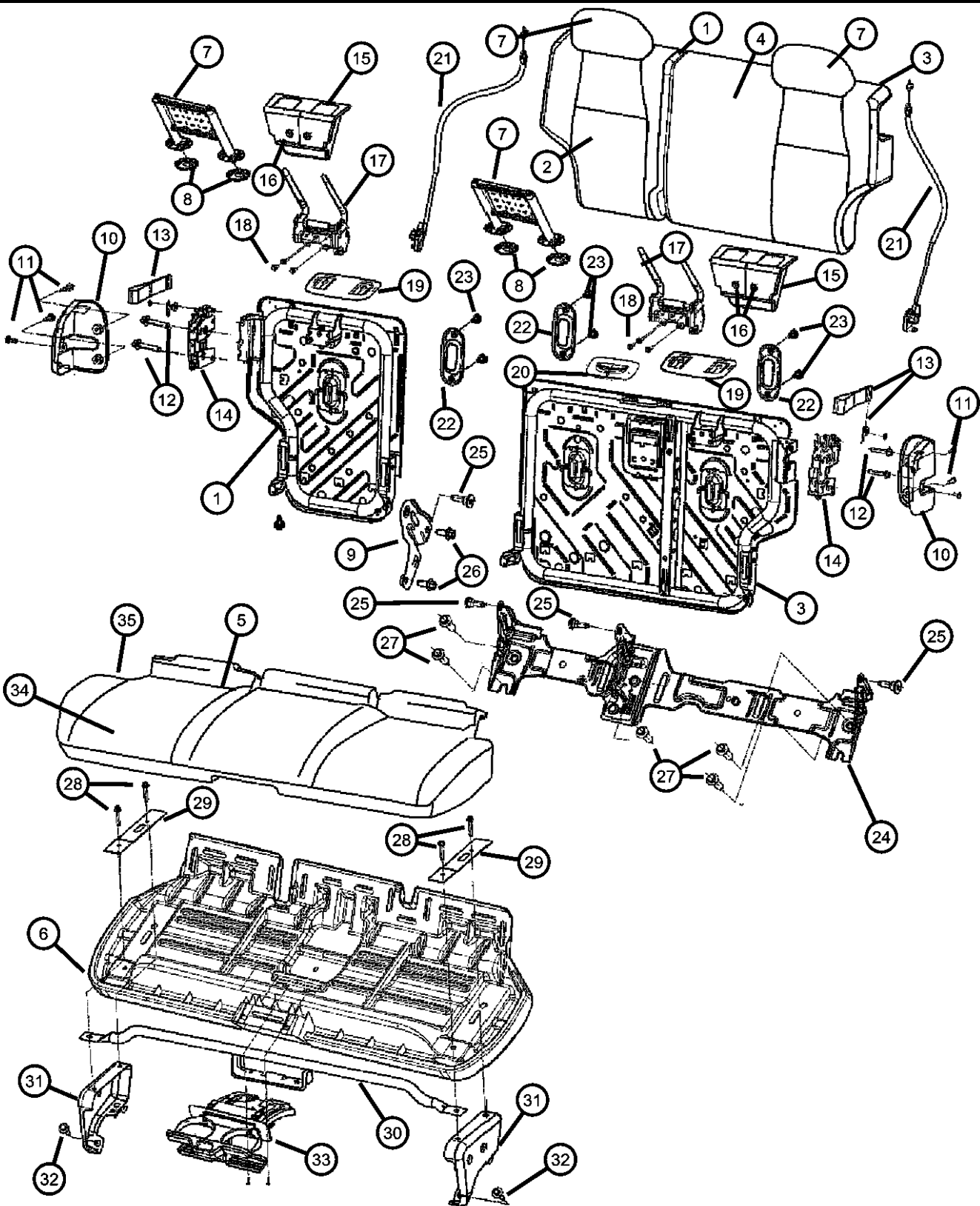
ENGINE
EVA = 4.7L V8 MPI Engine
EVD = 4.7L V8 FFV Engine
EXL = 3.0L V6 Turbo Diesel
Engine
EZB = 5.7L Hemi Multi
Displacement Engine
EKG = 3.7L V6 Engine
ESF = 6.1L SRT HEMI SMPI
V8 Engine

TRANSMISSION
DGJ = 5-Speed Auto W5A580
Transmission
DGQ = 5-Spd Automatic 545RFE
Transmission
DGU = 5-Spd Auto W5J400
Transmission

AR = use ase required - = Non illustrated part

2007 WK

Rear Seat, Trim Code [YL]
Figure IWK-660



ITEM	PART NUMBER	QTY	LINE	SERIES	BODY	ENGINE	TRANS	TRIM	DESCRIPTION
	1BZ621J3AA	1	J, T		74			*YL [J3]	
14									LATCH, Seat
	05139664AA	1	J, T		74			*YL Right	
	05139665AA	1	J, T		74			*YL Left	
15	05174347AA	1	J, T		74			*YL COVER	
16	05139633AA	3	J, T		74			*YL SCREW	
17	05143489AA	1	J, T		74			*YL BRACKET AND HINGE, Headrest	
18	05139628AA	4	J, T		74			*YL BOLT	
19									BEZEL
	1CL191D5AA	1	J, T		74			*YL [D5]	
	1CL191J3AA	1	J, T		74			*YL [J3]	
20									BEZEL, Seat Belt
	1AP311DDAA	1	J, T		74			*YL [D5]	
	1AP311J3AA	1	J, T		74			*YL [J3]	
21									CABLE
	05143492AA	1	J, T		74			*YL Left	
	05143493AA	1	J, T		74			*YL Right	
	05143435AA	1	J, T		74			*YL Center	
22									BEZEL, TETHER
	0WT351D5AA	2	J, T		74			*YL [D5]	
	0WT351J3AA	2	J, T		74			*YL [J3]	
23		2							SCREW, (NOT SERVICED),
24	05143434AA	1	J, T		74			*YL BRACKET, Rear Seat Mount	
25	05139634AA	4	J, T		74			*YL BOLT	
26	05143464AA	1	J, T		74			*YL BOLT, Seat	
27	06508360AA	1	J, T		74			*YL SCREW AND WASHER, Hex	
28	05143445AA	4	J, T		74			*YL SCREW, Seat	
29	05143431AA	2	J, T		74			*YL PLATE, Retaining	
30	05143432AA	1	J, T		74			*YL SUPPORT, Rear Seat	
31									RISER, Seat
	05143412AA	1	J, T		74			*YL Right	

GRAND CHEROKEE (WK)

SERIES LINE
H = HIGHLINE T = JEEP - 2WD
P = PREMIUM J = JEEP - 4WD
S = SPORT
X = SPECIAL

BODY
74 = SPORT UTILITY 4-DR
TYPE #4

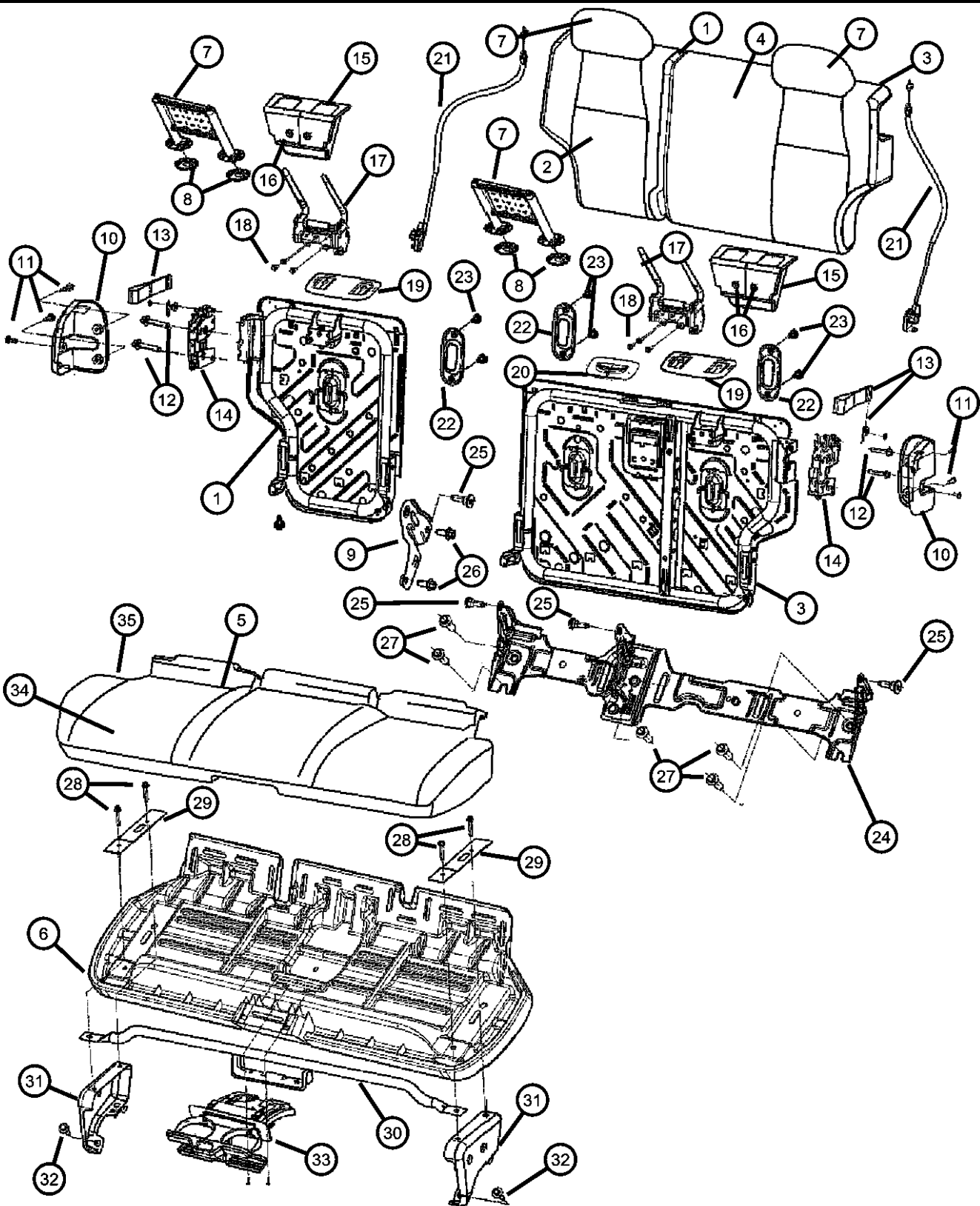
ENGINE
EVA = 4.7L V8 MPI Engine
EVD = 4.7L V8 FFV Engine
EXL = 3.0L V6 Turbo Diesel
Engine
EZB = 5.7L Hemi Multi
Displacement Engine
EKG = 3.7L V6 Engine
ESF = 6.1L SRT HEMI SMPI
V8 Engine

TRANSMISSION
DGJ = 5-Speed Auto W5A580
Transmission
DGQ = 5-Spd Automatic 545RFE
Transmission
DGU = 5-Spd Auto W5J400
Transmission

AR = use ase required - = Non illustrated part

2007 WK

Rear Seat, Trim Code [YL]
Figure IWK-660



ITEM	PART NUMBER	QTY	LINE	SERIES	BODY	ENGINE	TRANS	TRIM	DESCRIPTION
	05143413AA	1	J, T		74			*YL	Left
32	06508360AA	1	J, T		74			*YL	SCREW AND WASHER, Hex
33	1BG491D5AA	1	J, T		74			*YL	CUPHOLDER
	1BG491J3AA	1	J, T		74			*YL	[D5]
34	05143433AA	1	J, T		74			*YL	[J3]
35	05143454AA	1	J, T		74			*YL	FOAM, Seat Cushion
								*YL	WIRE KIT, Trimming

GRAND CHEROKEE (WK)

SERIES LINE
H = HIGHLINE T = JEEP - 2WD
P = PREMIUM J = JEEP - 4WD
S = SPORT
X = SPECIAL

BODY
74 = SPORT UTILITY 4-DR
TYPE #4

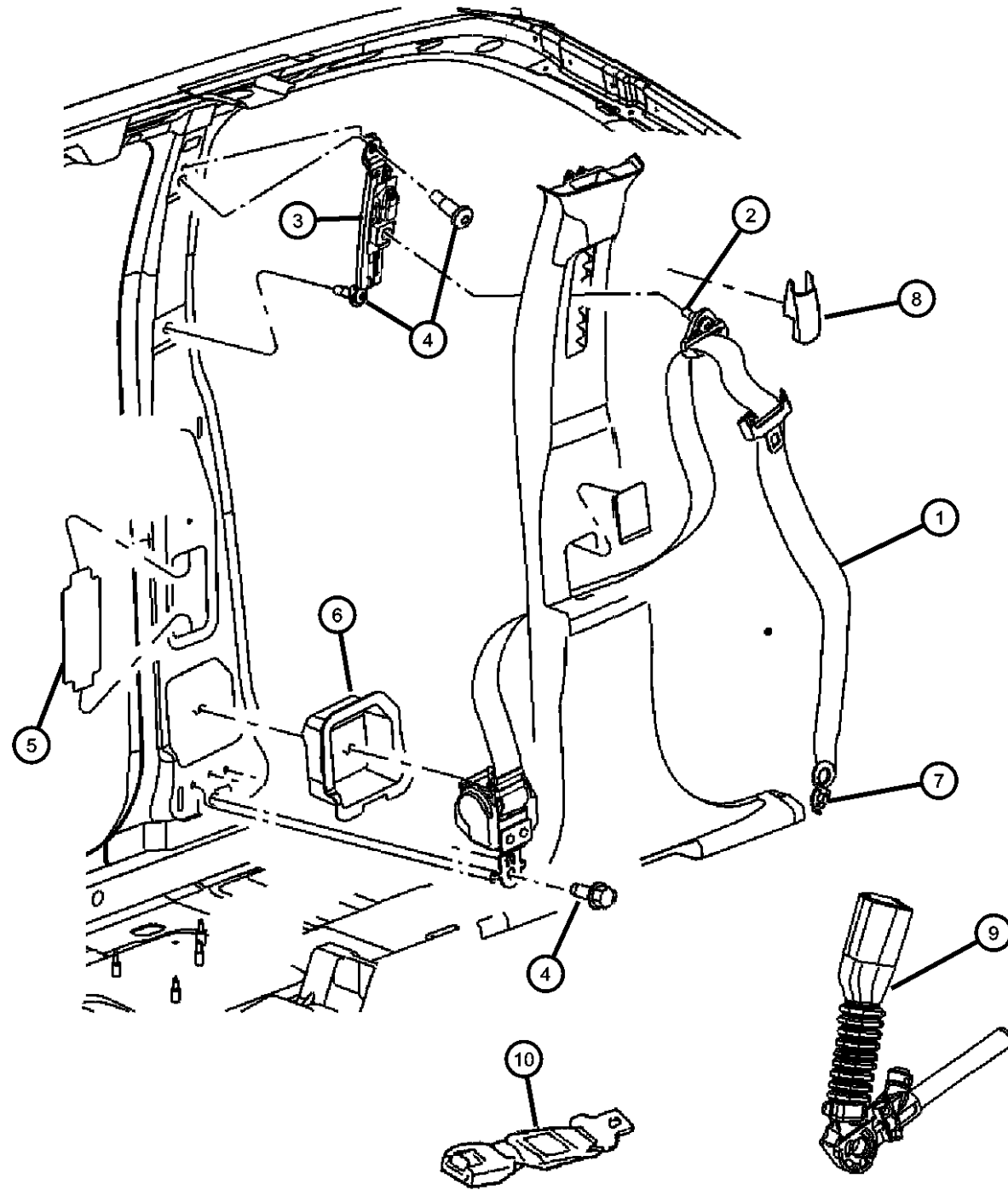
ENGINE
EVA = 4.7L V8 MPI Engine
EVD = 4.7L V8 FFV Engine
EXL = 3.0L V6 Turbo Diesel
Engine
EZB = 5.7L Hemi Multi
Displacement Engine
EKG = 3.7L V6 Engine
ESF = 6.1L SRT HEMI SMPI
V8 Engine

TRANSMISSION
DGJ = 5-Speed Auto W5A580
Transmission
DGQ = 5-Spd Automatic 545RFE
Transmission
DGU = 5-Spd Auto W5J400
Transmission

AR = use ase required - = Non illustrated part

2007 WK

Front Seat Belts
Figure IWK-710



ITEM	PART NUMBER	QTY	LINE	SERIES	BODY	ENGINE	TRANS	TRIM	DESCRIPTION
1									SEAT BELT, Front Outer
	5HQ36BD1AH	1						*O0	[J1], Right
	5HQ36BD5AH	1						*O0	[D5], Right
	5HQ36ZJ3AH	1						*O0	[J3], Right
	5HQ37BD1AH	1						*O0	[J1], Left
	5HQ37BD5AH	1						*O0	[D5], Left
	5HQ37ZJ3AH	1						*O0	[J3], Left
2	06036522AA	1	J, T		74			*O0	SCREW, .437-20X37.9
3	1CE39BD1AC	2						*O0	ADJUSTER, Seat Belt Turning Loop
4	06036187AA	2	J, T		74			*O0	SCREW, Pan Head
5	55116545AC	2	J, T		74				SHIELD, Seat Belt Retractor
6									SHIELD, Seat Belt Retractor
	55197032AA	1	J, T		74				Right
	55197033AA	1	J, T		74				Left
7	06036523AA	1	J, T		74			*O0	SCREW
8	1DX38BD1AA	2						*O0	COVER, Adjustable Turning Loop
9									SEAT BELT, Front Inner
	1GD801D5AA	1	J, T		74			*A7	[D5], Right
		1	J, T		74			*AL	[D5], Right
		1	J, T		74			*YL	[D5], Right
		1	J, T		74			*PL	[D5], Right
		1	J, T		74			*XL	[D5], Right
	1GD801D1AA	1	J, T		74			*PL	[J1], Right
		1	J, T		74			*XL	[J1], Right
	1GD801J3AA	1	J, T		74			*A7	[J3], Right
		1	J, T		74			*AL	[J3], Right
		1	J, T		74			*DZ	[D5], Right
	5HP151D1AB	1	J, T	S	74			*XL	[J1]
		1	J, T		74			*PL	[J1]
		1	J, T		74			*YL	[J3], Right
		1	J, T		74			*PL	[J3], Right
	5HP151D5AB	1	J, T	S	74			*XL	[D5]

GRAND CHEROKEE (WK)

SERIES LINE
H = HIGHLINE T = JEEP - 2WD
P = PREMIUM J = JEEP - 4WD
S = SPORT
X = SPECIAL

BODY
74 = SPORT UTILITY 4-DR
TYPE #4

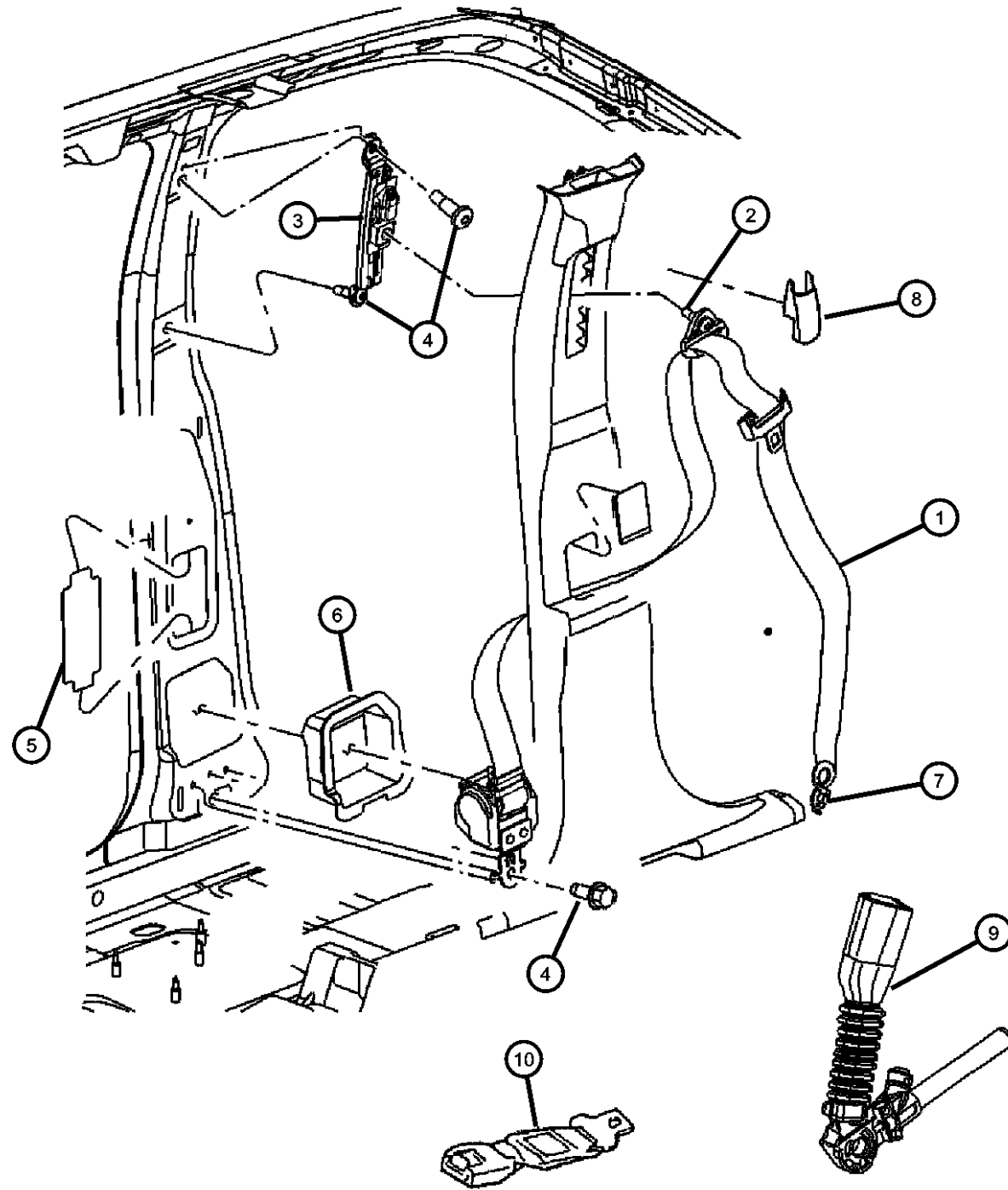
ENGINE
EVA = 4.7L V8 MPI Engine
EVD = 4.7L V8 FFV Engine
EXL = 3.0L V6 Turbo Diesel
Engine
EZB = 5.7L Hemi Multi
Displacement Engine
EKG = 3.7L V6 Engine
ESF = 6.1L SRT HEMI SMPI
V8 Engine

TRANSMISSION
DGJ = 5-Speed Auto W5A580
Transmission
DGQ = 5-Spd Automatic 545RFE
Transmission
DGU = 5-Spd Auto W5J400
Transmission

AR = use ase required - = Non illustrated part

2007 WK

Front Seat Belts
Figure IWK-710



ITEM	PART NUMBER	QTY	LINE	SERIES	BODY	ENGINE	TRANS	TRIM	DESCRIPTION
		1	J, T	X	74			*DZ	[D5]
		1	J, T		74			*A7	[D5], Left
		1	J, T		74			*YL	[D5]
		1	J, T		74			*AL	[D5], Left
		1	J, T		74			*PL	[D5], Left
	5HP151J3AB	1	J, T		74			*YL	[J3], Left
		1	J, T		74			*AL	[J3], Left
		1	J, T		74			*PL	[J3], Left
	5HP151D5AC	1	J, T		74			*A5	[D5], Left
10	05018505AA	AR						*O0	EXTENDER, Seat Belt

GRAND CHEROKEE (WK)

SERIES LINE
H = HIGHLINE T = JEEP - 2WD
P = PREMIUM J = JEEP - 4WD
S = SPORT
X = SPECIAL

BODY
74 = SPORT UTILITY 4-DR
TYPE #4

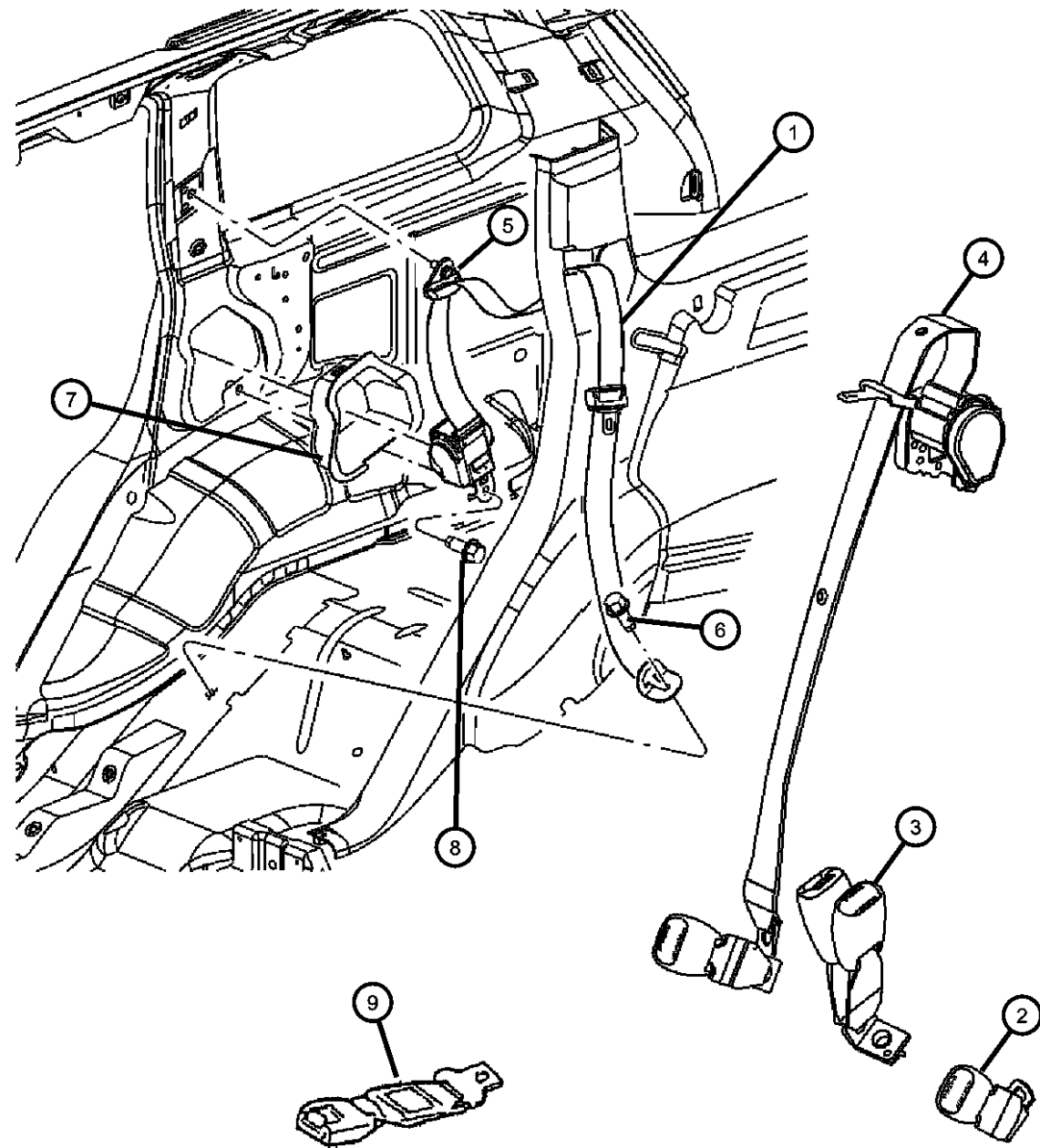
ENGINE
EVA = 4.7L V8 MPI Engine
EVD = 4.7L V8 FFV Engine
EXL = 3.0L V6 Turbo Diesel
Engine
EZB = 5.7L Hemi Multi
Displacement Engine
EKG = 3.7L V6 Engine
ESF = 6.1L SRT HEMI SMPI
V8 Engine

TRANSMISSION
DGJ = 5-Speed Auto W5A580
Transmission
DGQ = 5-Spd Automatic 545RFE
Transmission
DGU = 5-Spd Auto W5J400
Transmission

AR = use ase required - = Non illustrated part

2007 WK

Rear Seat Belts
Figure IWK-720



ITEM	PART NUMBER	QTY	LINE	SERIES	BODY	ENGINE	TRANS	TRIM	DESCRIPTION
1									SEAT BELT, Rear Outer
	5JB58BD1AF	1	J, T		74			*O0	[J1], Right
	5JB58BD5AF	1	J, T		74			*O0	[D5], Right
	5JB58ZJ3AF	1	J, T		74			*O0	[J3], Right
	5JB59BD1AF	1	J, T		74			*O0	[J1], Left
	5JB59BD5AF	1	J, T		74			*O0	[D5], Left
	5JB59ZJ3AF	1	J, T		74			*O0	[J3], Left
2									SEAT BELT, Rear Inner
	5HP161D1AA	1	J, T	S	74			*XL	[J1]
	5HP161D5AA	1	J, T		74			*A7	[D5]
		1	J, T		74			*AL	[D5]
		1	J, T		74			*PL	[J1]
		1	J, T		74			*PL	[D5]
		1	J, T	S	74			*XL	[D5]
		1	J, T		74			*YL	[D5]
		1	J, T	X	74			*DZ	[D5]
	5HP161J3AA	1	J, T		74			*A7	[J3]
		1	J, T		74			*PL	[J3]
		1	J, T		74			*A5	[D5]
		1	J, T		74			*AL	[J3]
		1	J, T		74			*YL	[J3]
		1	J, T		74			*A5	[J3]
3									SEAT BELT, Two Buckles
	5HP171D1AA	1	J, T		74			*PL	[J1]
		1	J, T	S	74			*XL	[J1]
	5HP171D5AA	1	J, T		74			*A7	[D5]
		1	J, T	X	74			*DZ	[D5]
		1	J, T		74			*YL	[D5]
		1	J, T		74			*AL	[D5]
		1	J, T	S	74			*XL	[D5]
		1	J, T		74			*PL	[D5]
	5HP171J3AA	1	J, T		74			*A7	[J3]

GRAND CHEROKEE (WK)

SERIES LINE
H = HIGHLINE T = JEEP - 2WD
P = PREMIUM J = JEEP - 4WD
S = SPORT
X = SPECIAL

BODY
74 = SPORT UTILITY 4-DR
TYPE #4

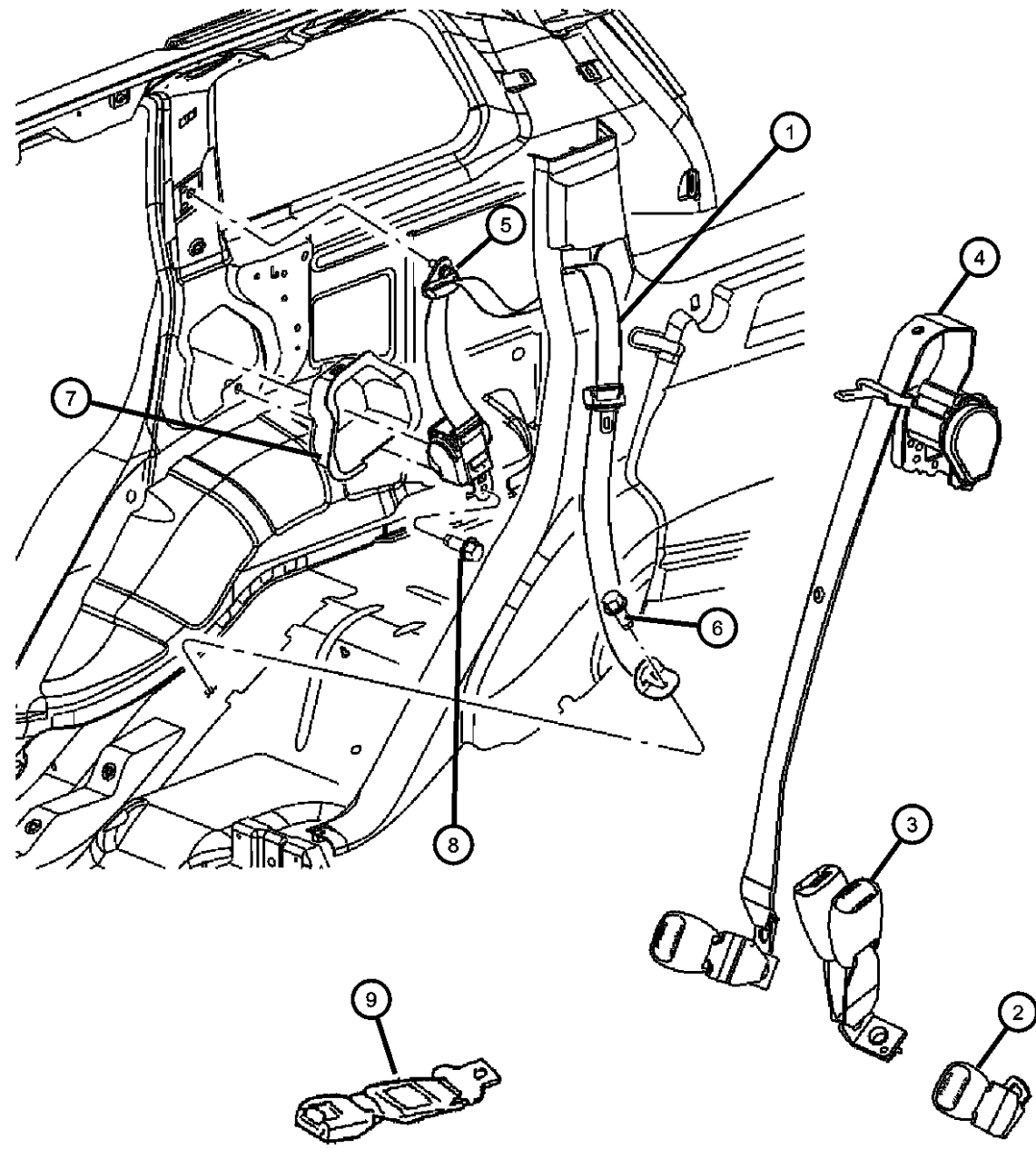
ENGINE
EVA = 4.7L V8 MPI Engine
EVD = 4.7L V8 FFV Engine
EXL = 3.0L V6 Turbo Diesel
Engine
EZB = 5.7L Hemi Multi
Displacement Engine
EKG = 3.7L V6 Engine
ESF = 6.1L SRT HEMI SMPI
V8 Engine

TRANSMISSION
DGJ = 5-Speed Auto W5A580
Transmission
DGQ = 5-Spd Automatic 545RFE
Transmission
DGU = 5-Spd Auto W5J400
Transmission

AR = use ase required - = Non illustrated part

2007 WK

Rear Seat Belts
Figure IWK-720



ITEM	PART NUMBER	QTY	LINE	SERIES	BODY	ENGINE	TRANS	TRIM	DESCRIPTION
		1	J, T		74			*A5	[D5]
		1	J, T		74			*AL	[J3]
		1	J, T		74			*PL	[J3]
		1	J, T		74			*YL	[J3]
		1	J, T		74			*A5	[J3]
4									SEAT BELT, RR CNTR SHOULDER
	5JB571D1AC	1	J, T		74			*PL	[J1]
		1	J, T		74			*XL	[J1]
	5JB571D5AC	1	J, T	X	74			*DZ	[D5]
		1	J, T	S	74			*XL	[D5]
		1	J, T		74			*YL	[D5]
		1	J, T		74			*AL	[D5]
		1	J, T		74			*PL	[D5]
	5JB571J3AC	1	J, T		74			*YL	[J3]
		1	J, T		74			*AL	[J3]
		1	J, T		74			*PL	[J3]
		1	J, T		74			*A7	[J3]
	5JB571D5AE	1						*A7	[D5]
		1	J, T		74			*A5	[D5]
	5JB571J3AE	1	J, T		74			*A5	[J3]
5	06036438AA	1	J, T		74			*O0	BOLT, Seat Belt
6	06036523AA	1	J, T		74			*O0	SCREW
7									SHIELD, Seat Belt Retractor
	55197034AB	1	J, T		74				Right
	55197035AB	1	J, T		74				Left
8	06036187AA	2	J, T		74			*O0	SCREW, Pan Head
9	05018505AA	AR						*O0	EXTENDER, Seat Belt

GRAND CHEROKEE (WK)

SERIES LINE
H = HIGHLINE T = JEEP - 2WD
P = PREMIUM J = JEEP - 4WD
S = SPORT
X = SPECIAL

BODY
74 = SPORT UTILITY 4-DR
TYPE #4

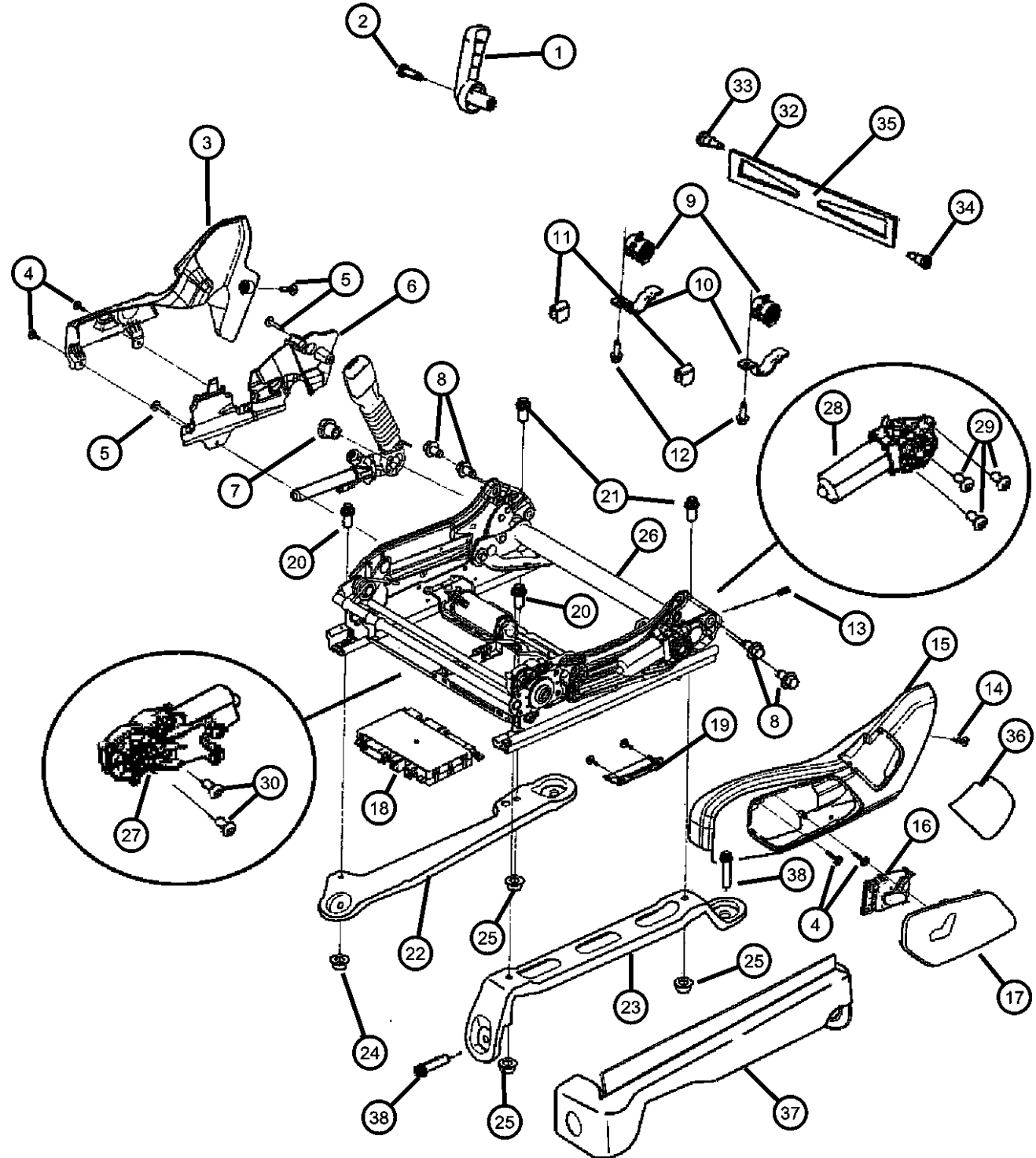
ENGINE
EVA = 4.7L V8 MPI Engine
EVD = 4.7L V8 FFV Engine
EXL = 3.0L V6 Turbo Diesel
Engine
EZB = 5.7L Hemi Multi
Displacement Engine
EKG = 3.7L V6 Engine
ESF = 6.1L SRT HEMI SMPI
V8 Engine

TRANSMISSION
DGJ = 5-Speed Auto W5A580
Transmission
DGQ = 5-Spd Automatic 545RFE
Transmission
DGU = 5-Spd Auto W5J400
Transmission

AR = use as required - = Non illustrated part

2007 WK

**Adjuster, Recliners, Drivers Seat
Figure IWK-810**



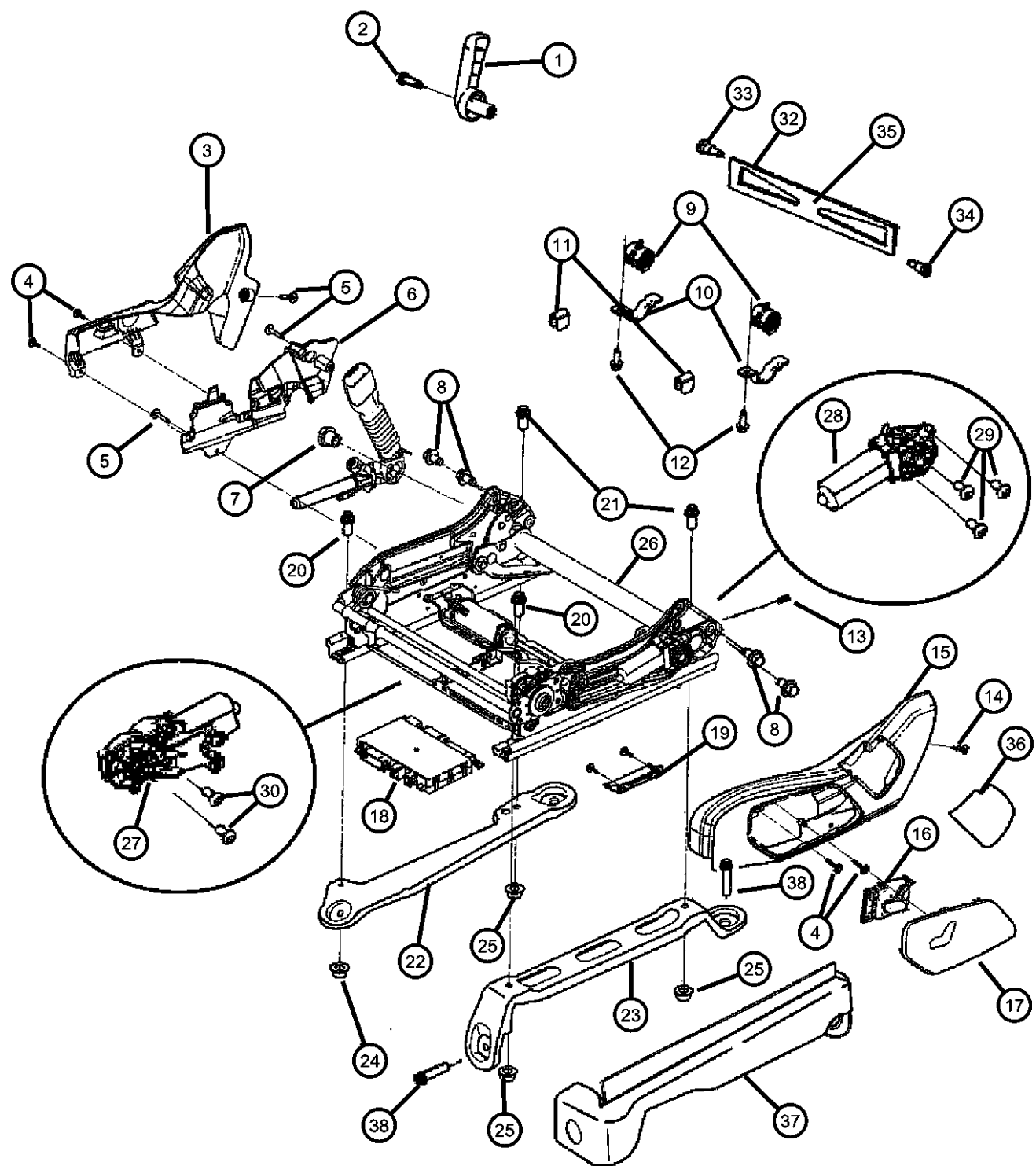
ITEM	PART NUMBER	QTY	LINE	SERIES	BODY	ENGINE	TRANS	TRIM	DESCRIPTION
1									HANDLE, Lumbar
	1BG531D1AA	2	J, T	S	74			*XL	[J1]
	1BG531D5AA	2	J, T		74			*A7	[D5]
		2	J, T	X	74			*DZ	[D5]
		2	J, T		74			*AL	[D5]
		2	J, T	S	74			*XL	[D5]
		2	J, T		74			*PL	[D5]
		2	J, T		74			*YL	[D5]
		2	J, T		74			*A5	[D5]
	1BG531J3AA	2	J, T		74			*A7	[J3]
		2	J, T		74			*YL	[J3]
		2	J, T		74			*AL	[J3]
		2	J, T		74			*PL	[J3]
		2	J, T		74			*A5	[J3]
2									SCREW
	05080813AA	1	J, T		74			*AL	
		1	J, T		74			*PL	
		1	J, T		74			*XL	
		1	J, T		74			*YL	
		1	J, T		74			*DZ	
		1	J, T		74			*A7	
3									SHIELD, Seat Adjuster
	1BG411D1AA	1	J, T	S	74			*XL	[J1]
	1BG411D5AA	1	J, T		74			*A7	[D5]
		1	J, T	X	74			*DZ	[D5]
		1	J, T		74			*YL	[D5]
		1	J, T		74			*AL	[D5]
		1	J, T		74			*PL	[D5]
		1	J, T	S	74			*XL	[D5]
		1	J, T		74			*A5	[D5]
	1BG411J3AA	1	J, T		74			*AL	[J3]
		1	J, T		74			*PL	[J3]

GRAND CHEROKEE (WK)
 SERIES LINE BODY ENGINE TRANSMISSION
 H = HIGHLINE T = JEEP - 2WD 74 = SPORT UTILITY 4-DR EVA = 4.7L V8 MPI Engine
 P = PREMIUM J = JEEP - 4WD TYPE #4 EVD = 4.7L V8 FFV Engine DGJ = 5-Speed Auto W5A580
 S = SPORT ESF = 6.1L SRT HEMI SMPI V8 Engine EKL = 3.7L V6 Engine DGQ = 5-Spd Automatic 545RFE
 X = SPECIAL Transmission DGU = 5-Spd Auto W5J400 Transmission

AR = use ase required - = Non illustrated part

**Adjuster, Recliners, Drivers Seat
Figure IWK-810**

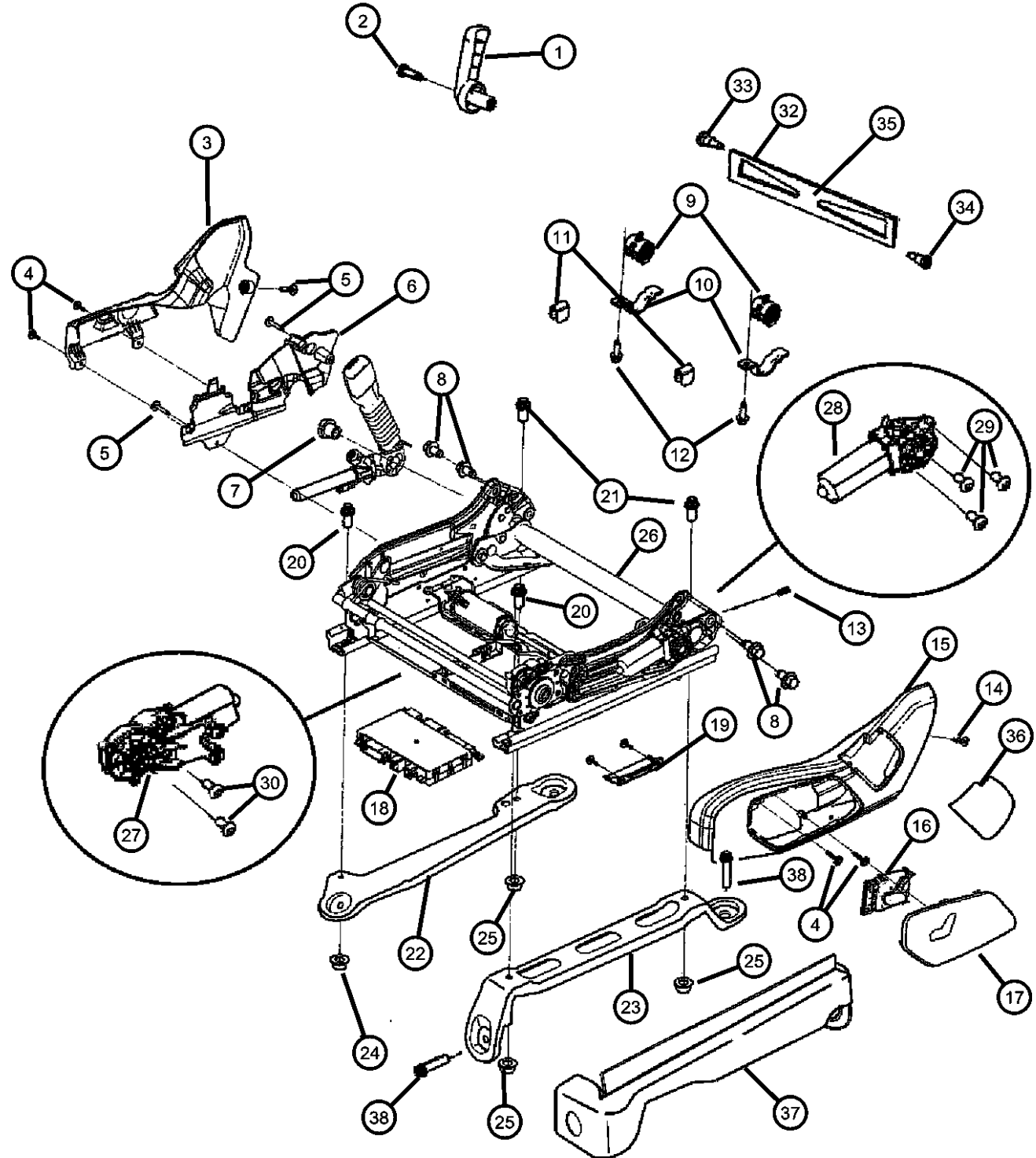
ITEM	PART NUMBER	QTY	LINE	SERIES	BODY	ENGINE	TRANS	TRIM	DESCRIPTION
		1	J, T		74			*A7 [J3]	
		1	J, T		74			*YL [J3]	
		1	J, T		74			*A5 [J3]	
4	05143453AA	4	J, T		74				SCREW, Seat
		4	J, T		74			*A7	
		4	J, T		74			*AL	
		4	J, T		74			*PL	
		4	J, T	X	74			*DZ	
		4	J, T	S	74			*XL	
		4	J, T		74			*YL	
		4	J, T		74			*A5	
5	05166485AA	1	J, T		74				SCREW, Seat
		1	J, T	X	74			*A7	
		1	J, T	S	74			*DZ	
		1	J, T		74			*XL	
		1	J, T		74			*AL	
		1	J, T		74			*PL	
		1	J, T		74			*A5	
6	1BG591D5AA	1	J, T		74				PLATE, Front Seat
		1	J, T	X	74			*A7 [D5]	
		1	J, T	S	74			*DZ [D5]	
		1	J, T		74			*XL [D5]	
		1	J, T		74			*YL [D5]	
		1	J, T		74			*AL [D5]	
		1	J, T		74			*PL [D5]	
	1BG591J3AA	1	J, T		74			*YL [J3]	
		1	J, T		74			*A5 [D5]	
		1	J, T		74			*A7 [J3]	
		1	J, T		74			*AL [J3]	
		1	J, T		74			*PL [J3]	
		1	J, T		74			*A5 [J3]	



GRAND CHEROKEE (WK)
 SERIES LINE BODY ENGINE TRANSMISSION
 H = HIGHLINE T = JEEP - 2WD 74 = SPORT UTILITY 4-DR EVA = 4.7L V8 MPI Engine DGJ = 5-Speed Auto W5A580
 P = PREMIUM J = JEEP - 4WD TYPE #4 EVD = 4.7L V8 FFV Engine Transmission
 S = SPORT EXL = 3.0L V6 Turbo Diesel DGQ = 5-Spd Automatic 545RFE
 X = SPECIAL Engine Transmission
 EZB = 5.7L Hemi Multi DGU = 5-Spd Auto W5J400
 Displacement Engine Transmission
 EKG = 3.7L V6 Engine
 ESF = 6.1L SRT HEMI SMPI V8 Engine

AR = use ase required - = Non illustrated part

**Adjuster, Recliners, Drivers Seat
Figure IWK-810**



ITEM	PART NUMBER	QTY	LINE	SERIES	BODY	ENGINE	TRANS	TRIM	DESCRIPTION
7	05143449AA	2	J, T	X	74				NUT, Tube
		2	J, T		74				*DZ
		2	J, T		74				*A7
		2	J, T		74				*YL
		2	J, T		74				*AL
		2	J, T	S	74				*PL
		2	J, T		74				*XL
8	05139629AA	8	J, T		74				BOLT
		8	J, T		74				*YL
		8	J, T		74				*A7
		8	J, T		74				*AL
		8	J, T		74				*PL
		8	J, T	X	74				*DZ
		8	J, T	S	74				*XL
		8	J, T		74				*A5
9	05139656AA	2	J, T		74				CLIP
		2	J, T		74				*A7
		2	J, T		74				*YL
		2	J, T		74				*AL
		2	J, T		74				*PL
		2	J, T	X	74				*DZ
		2	J, T	S	74				*XL
10	05139657AA	2	J, T	S	74				CLIP
		2	J, T	X	74				*XL
		2	J, T		74				*DZ
		2	J, T		74				*YL
		2	J, T		74				*AL
		2	J, T		74				*PL

GRAND CHEROKEE (WK)
 SERIES LINE
 H = HIGHLINE T = JEEP - 2WD
 P = PREMIUM J = JEEP - 4WD
 S = SPORT
 X = SPECIAL

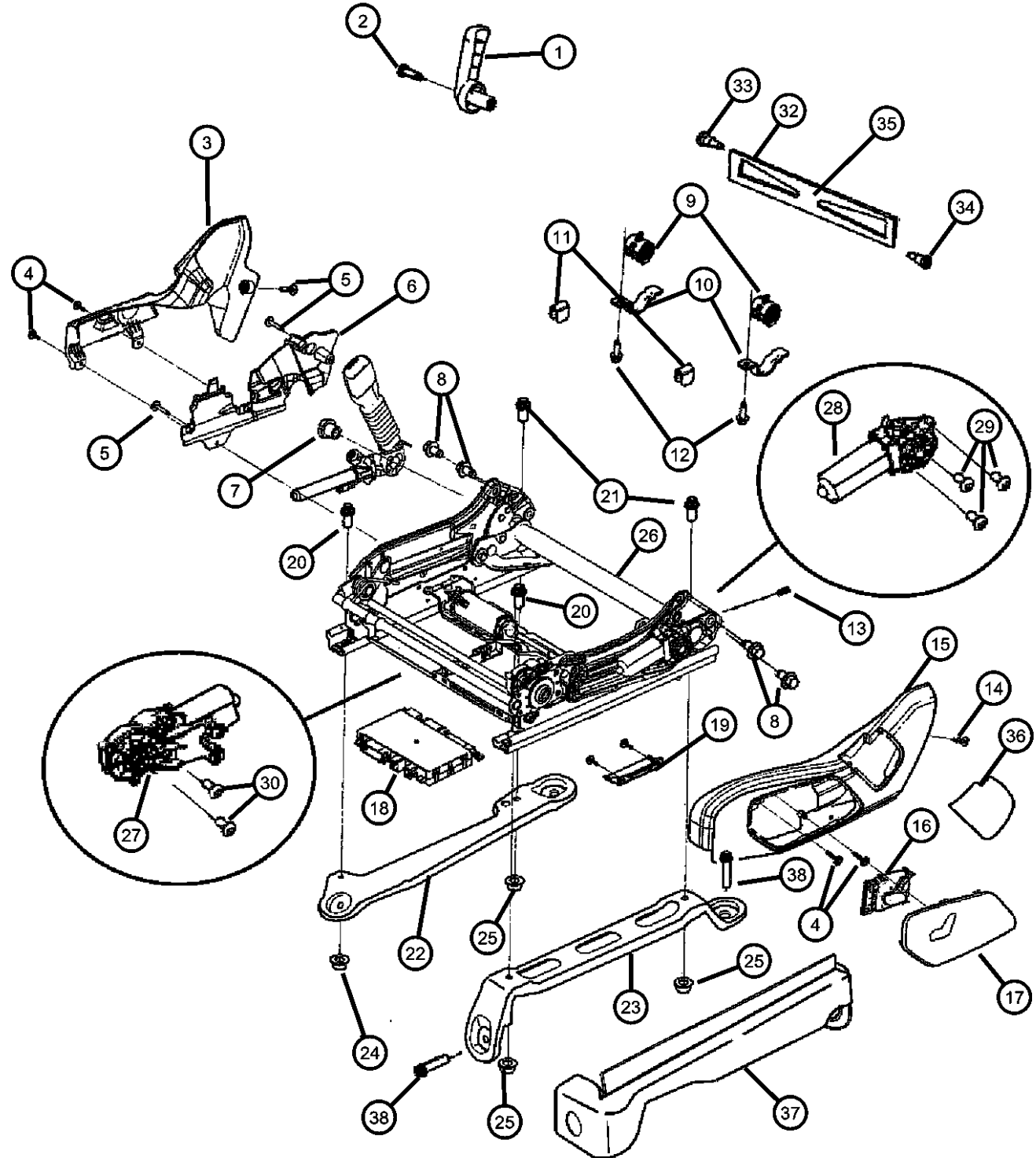
BODY
 74 = SPORT UTILITY 4-DR
 TYPE #4

ENGINE
 EVA = 4.7L V8 MPI Engine
 EVD = 4.7L V8 FFV Engine
 EXL = 3.0L V6 Turbo Diesel
 Engine
 EZB = 5.7L Hemi Multi
 Displacement Engine
 EKG = 3.7L V6 Engine
 ESF = 6.1L SRT HEMI SMPI
 V8 Engine

TRANSMISSION
 DGJ = 5-Speed Auto W5A580
 Transmission
 DGQ = 5-Spd Automatic 545RFE
 Transmission
 DGU = 5-Spd Auto W5J400
 Transmission

AR = use ase required - = Non illustrated part

**Adjuster, Recliners, Drivers Seat
Figure IWK-810**



ITEM	PART NUMBER	QTY	LINE	SERIES	BODY	ENGINE	TRANS	TRIM	DESCRIPTION
11		2	J, T		74			*A5	LIMITER, Seat Track Travel
	05139661AA	4	J, T	X	74			*DZ	
		4	J, T	S	74			*XL	
		4	J, T		74			*A7	
		4	J, T		74			*YL	
		4	J, T		74			*AL	
		4	J, T		74			*PL	
		4	J, T		74			*A5	
12									BOLT
	05139628AA	4	J, T	X	74			*DZ	
		4	J, T		74			*YL	
		4	J, T		74			*A7	
		4	J, T	S	74			*XL	
		4	J, T		74			*AL	
		4	J, T		74			*PL	
		4	J, T		74			*A5	
13									SCREW, Seat
	05143447AA	2	J, T		74			*A7	
		2	J, T		74			*YL	
		2	J, T		74			*AL	
		2	J, T		74			*PL	
		2	J, T	X	74			*DZ	
		2	J, T	S	74			*XL	
		1	J, T		74			*A5	Need Quantity Of 2
14									SCREW, Seat
	05143452AA	10	J, T		74			*A7	
		10	J, T		74			*AL	
		10	J, T		74			*PL	
		10	J, T	S	74			*XL	
		10	J, T	X	74			*DZ	

GRAND CHEROKEE (WK)
 SERIES LINE
 H = HIGHLINE T = JEEP - 2WD
 P = PREMIUM J = JEEP - 4WD
 S = SPORT
 X = SPECIAL

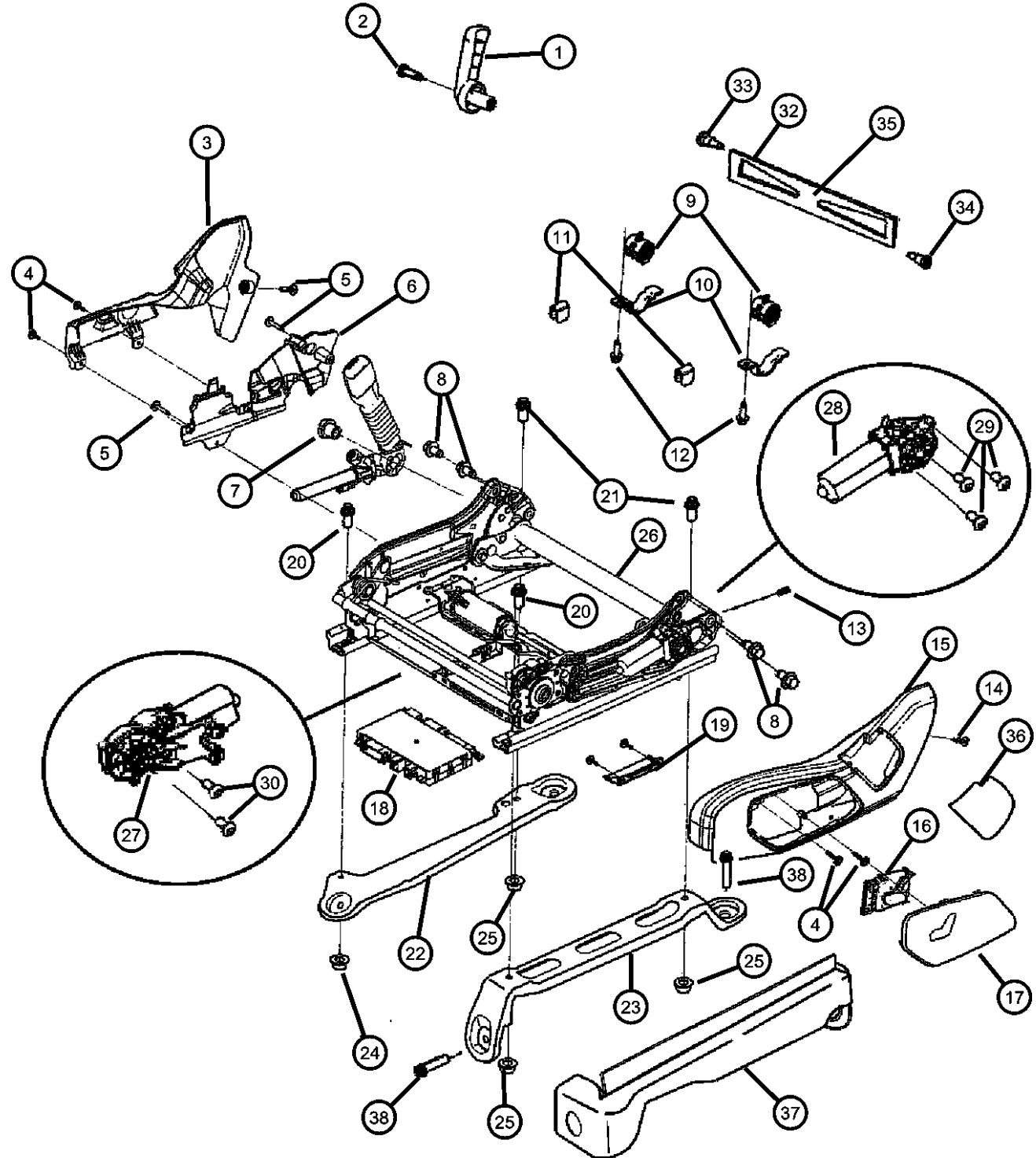
BODY
 74 = SPORT UTILITY 4-DR
 TYPE #4

ENGINE
 EVA = 4.7L V8 MPI Engine
 EVD = 4.7L V8 FFV Engine
 EXL = 3.0L V6 Turbo Diesel
 Engine
 EZB = 5.7L Hemi Multi
 Displacement Engine
 EKG = 3.7L V6 Engine
 ESF = 6.1L SRT HEMI SMPI
 V8 Engine

TRANSMISSION
 DGJ = 5-Speed Auto W5A580
 Transmission
 DGQ = 5-Spd Automatic 545RFE
 Transmission
 DGU = 5-Spd Auto W5J400
 Transmission

AR = use ase required - = Non illustrated part

**Adjuster, Recliners, Drivers Seat
Figure IWK-810**



ITEM	PART NUMBER	QTY	LINE	SERIES	BODY	ENGINE	TRANS	TRIM	DESCRIPTION
		10	J, T		74			*YL	
		10	J, T		74			*A5	
15									SHIELD, Seat Adjuster
	1BG391D1AA	1	J, T	S	74			*XL	[J1]
	1BG391D5AA	1	J, T		74			*A7	[D5]
		1	J, T	X	74			*DZ	[D5]
		1	J, T	S	74			*XL	[D5]
		1	J, T		74			*YL	[D5]
		1	J, T		74			*AL	[D5]
		1	J, T		74			*PL	[D5]
		1	J, T		74			*A5	[D5]
	1BG391J3AA	1	J, T		74			*A7	[J3]
		1	J, T		74			*AL	[J3]
		1	J, T		74			*PL	[J3]
		1	J, T		74			*YL	[J3]
		1	J, T		74			*A5	[J3]
16									SWITCH, Power Seat
	56049431AD	1	J, T		74			*PL	
		1	J, T	S	74			*XL	
		1	J, T		74			*DZ	
	56049433AD	1	J, T		74			*A7	
		1	J, T		74			*AL	
		1	J, T		74			*YL	
		1	J, T		74			*A5	
17									BEZEL
	1BG451D5AA	1	J, T		74			*A7	[D5]
		1	J, T		74			*AL	[D5]
		1	J, T		74			*PL	[D5]
		1	J, T	X	74			*DZ	[D5]
		1	J, T	S	74			*XL	[D5]
		1	J, T		74			*YL	[D5]

GRAND CHEROKEE (WK)
 SERIES LINE
 H = HIGHLINE T = JEEP - 2WD
 P = PREMIUM J = JEEP - 4WD
 S = SPORT
 X = SPECIAL

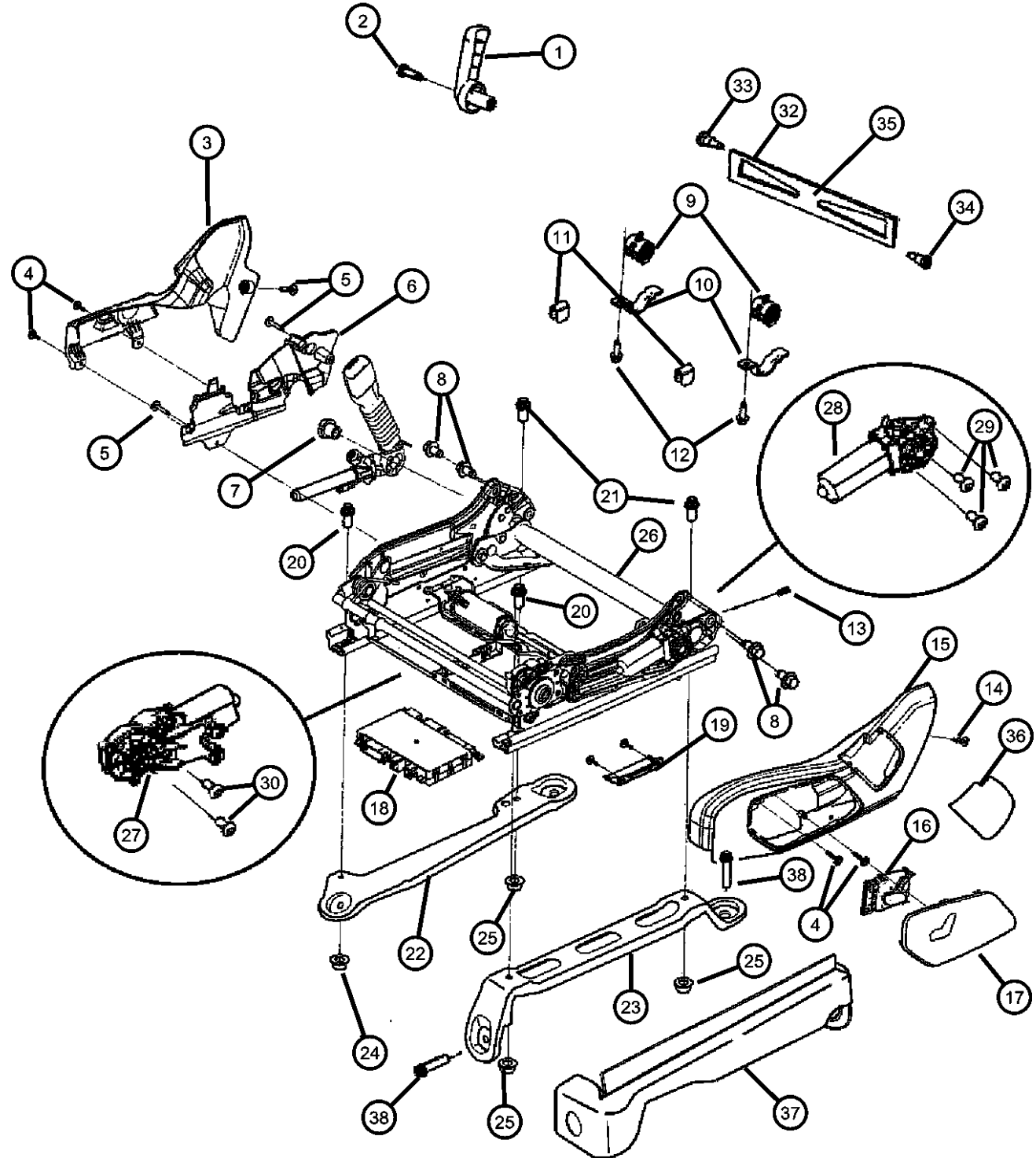
BODY
 74 = SPORT UTILITY 4-DR
 TYPE #4

ENGINE
 EVA = 4.7L V8 MPI Engine
 EVD = 4.7L V8 FFV Engine
 EXL = 3.0L V6 Turbo Diesel
 Engine
 EZB = 5.7L Hemi Multi
 Displacement Engine
 EKG = 3.7L V6 Engine
 ESF = 6.1L SRT HEMI SMPI
 V8 Engine

TRANSMISSION
 DGJ = 5-Speed Auto W5A580
 Transmission
 DGQ = 5-Spd Automatic 545RFE
 Transmission
 DGU = 5-Spd Auto W5J400
 Transmission

AR = use ase required - = Non illustrated part

**Adjuster, Recliners, Drivers Seat
Figure IWK-810**

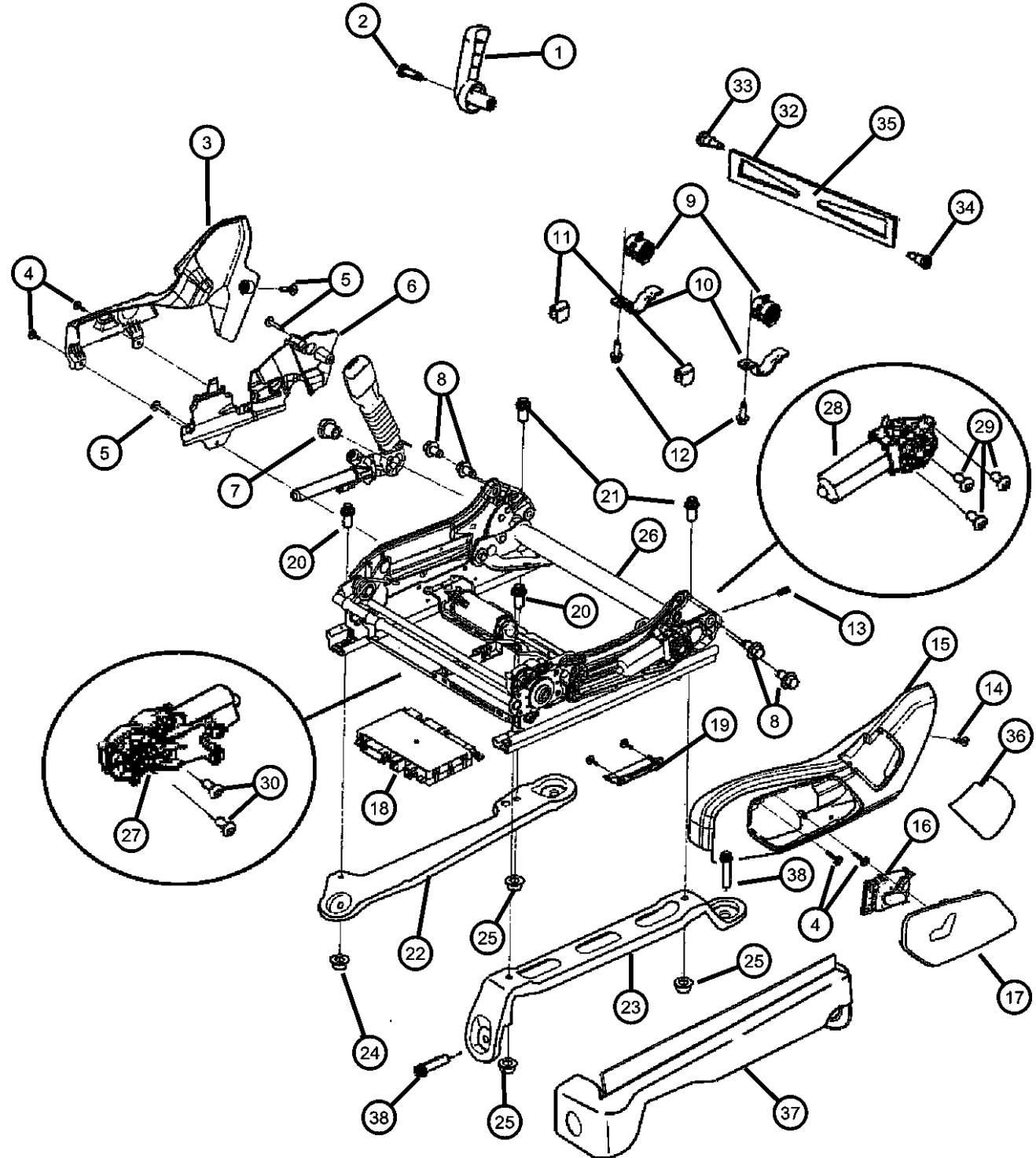


ITEM	PART NUMBER	QTY	LINE	SERIES	BODY	ENGINE	TRANS	TRIM	DESCRIPTION
	1BG451J3AA	1	J, T		74			*A7 [J3]	
		1	J, T		74			*AL [J3]	
		1	J, T		74			*A5 [D5]	
		1	J, T		74			*YL [J3]	
		1	J, T		74			*PL [J3]	
		1	J, T		74			*A5 [J3]	
18									MODULE, Seat Memory
	04602437AO	1	J, T		74			*PL	
		1	J, T	S	74			*XL	
		1	J, T	X	74			*DZ	
19									BRACKET, Seat
	05143422AA	2		X				*DZ	
		2	J, T	S	74			*XL	
		2	J, T		74			*YL	
		2	J, T		74			*AL	
		2	J, T		74			*PL	
		1	J, T		74			*A5	
20									BOLT, Seat
	05143441AA	1	J, T		74			*YL	
		1	J, T		74			*AL	
		1	J, T		74			*PL	
		1	J, T		74			*A7	
		1	J, T	X	74			*DZ	
		1	J, T	S	74			*XL	
		1	J, T		74			*A5	
21									BOLT, Seat
	05143440AA	3	J, T	X	74			*DZ	
		3	J, T		74			*YL	
		3	J, T		74			*A7	
		3	J, T		74			*AL	
		3	J, T		74			*PL	

GRAND CHEROKEE (WK)
 SERIES LINE BODY ENGINE TRANSMISSION
 H = HIGHLINE T = JEEP - 2WD 74 = SPORT UTILITY 4-DR EVA = 4.7L V8 MPI Engine DGJ = 5-Speed Auto W5A580
 P = PREMIUM J = JEEP - 4WD TYPE #4 EVD = 4.7L V8 FFV Engine Transmission
 S = SPORT EXL = 3.0L V6 Turbo Diesel DGQ = 5-Spd Automatic 545RFE
 X = SPECIAL Engine Transmission
 EZB = 5.7L Hemi Multi DGU = 5-Spd Auto W5J400
 Displacement Engine Transmission
 EKG = 3.7L V6 Engine
 ESF = 6.1L SRT HEMI SMPI V8 Engine

AR = use ase required - = Non illustrated part

**Adjuster, Recliners, Drivers Seat
Figure IWK-810**



ITEM	PART NUMBER	QTY	LINE	SERIES	BODY	ENGINE	TRANS	TRIM	DESCRIPTION
22	05143416AA	3	J, T	S	74			*XL	RISER, Seat, Inboard
		3	J, T		74			*A5	
		1	J, T	S	74			*XL	
		1	J, T	X	74			*DZ	
		1	J, T		74			*YL	
		1	J, T		74			*A7	
		1	J, T		74			*AL	
		1	J, T		74			*PL	
23	68017852AA	1	J, T		74			*A5	RISER, Seat, Outboard
		1	J, T		74			*A7	
		1	J, T		74			*AL	
		1	J, T		74			*PL	
		1	J, T	S	74			*XL	
		1	J, T		74			*YL	
		1	J, T	X	74			*DZ	
		1	J, T		74			*A5	
24	05143448AA	1	J, T	X	74			*DZ	NUT, Seat
		1	J, T	S	74			*XL	
		1	J, T		74			*A7	
		1	J, T		74			*YL	
		1	J, T		74			*AL	
		1	J, T		74			*PL	
		1	J, T		74			*A5	
		1	J, T		74			*A5	
25	05143442AA	4	J, T		74			*A7	NUT, Seat
		4	J, T		74			*YL	
		4	J, T		74			*AL	
		4	J, T		74			*PL	

GRAND CHEROKEE (WK)
 SERIES LINE
 H = HIGHLINE T = JEEP - 2WD
 P = PREMIUM J = JEEP - 4WD
 S = SPORT
 X = SPECIAL

BODY
 74 = SPORT UTILITY 4-DR
 TYPE #4

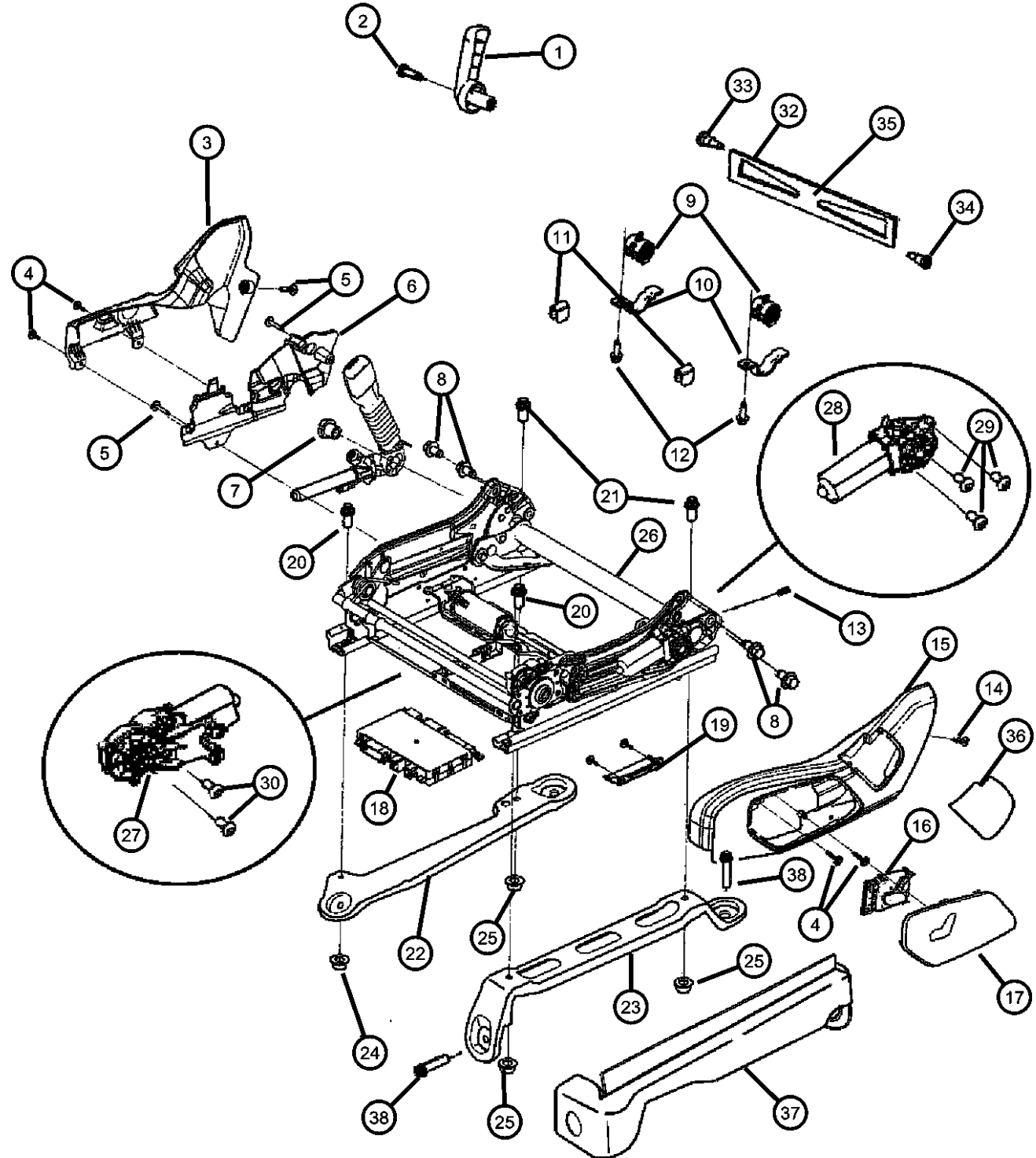
ENGINE
 EVA = 4.7L V8 MPI Engine
 EVD = 4.7L V8 FFV Engine
 EXL = 3.0L V6 Turbo Diesel
 Engine
 EZB = 5.7L Hemi Multi
 Displacement Engine
 EKG = 3.7L V6 Engine
 ESF = 6.1L SRT HEMI SMPI
 V8 Engine

TRANSMISSION
 DGJ = 5-Speed Auto W5A580
 Transmission
 DGQ = 5-Spd Automatic 545RFE
 Transmission
 DGU = 5-Spd Auto W5J400
 Transmission

AR = use ase required - = Non illustrated part

**Adjuster, Recliners, Drivers Seat
Figure IWK-810**

ITEM	PART NUMBER	QTY	LINE	SERIES	BODY	ENGINE	TRANS	TRIM	DESCRIPTION
		4	J, T	X	74			*DZ	
		4	J, T	S	74			*XL	
		7	J, T		74			*A5	
26	68020712AA	1	J, T		74			*A7	ADJUSTER, Power Seat Without Memory, Driver
		1	J, T		74			*YL	Without Memory, Driver
		1	J, T		74			*AL	Without Memory, Driver
		1	J, T		74			*A5	Without Memory, Driver
	68020713AA	1		X				*DZ	With Memory, Driver
		1	J, T	S	74			*XL	With Memory, Driver
		1	J, T		74			*PL	With Memory, Driver
27	05135155AA	1	J, T		74			*PL	MOTOR, Power Seat, Tilt
		1	J, T		74			*XL	
		1	J, T		74			*DZ	
28	05135113AB	1	J, T		74			*PL	MOTOR, Power Seat, Height
		1	J, T		74			*XL	
		1	J, T		74			*DZ	
29	05135305AA	3	J, T	X	74			*DZ	SCREW, Seat, Height Motor
		3	J, T	S	74			*XL	
		3	J, T		74			*PL	
30	05135307AA	2		X				*DZ	SCREW, Seat, Tilt Motor
		2	J, T	S	74			*XL	
		2	J, T		74			*PL	
-31	05135235AA	1	J, T	X	74			*DZ	HARDWARE KIT, Pan Mounting Kit
		1	J, T		74			*A7	
		1	J, T	S	74			*XL	



GRAND CHEROKEE (WK)
 SERIES LINE
 H = HIGHLINE T = JEEP - 2WD
 P = PREMIUM J = JEEP - 4WD
 S = SPORT
 X = SPECIAL

BODY
 74 = SPORT UTILITY 4-DR
 TYPE #4

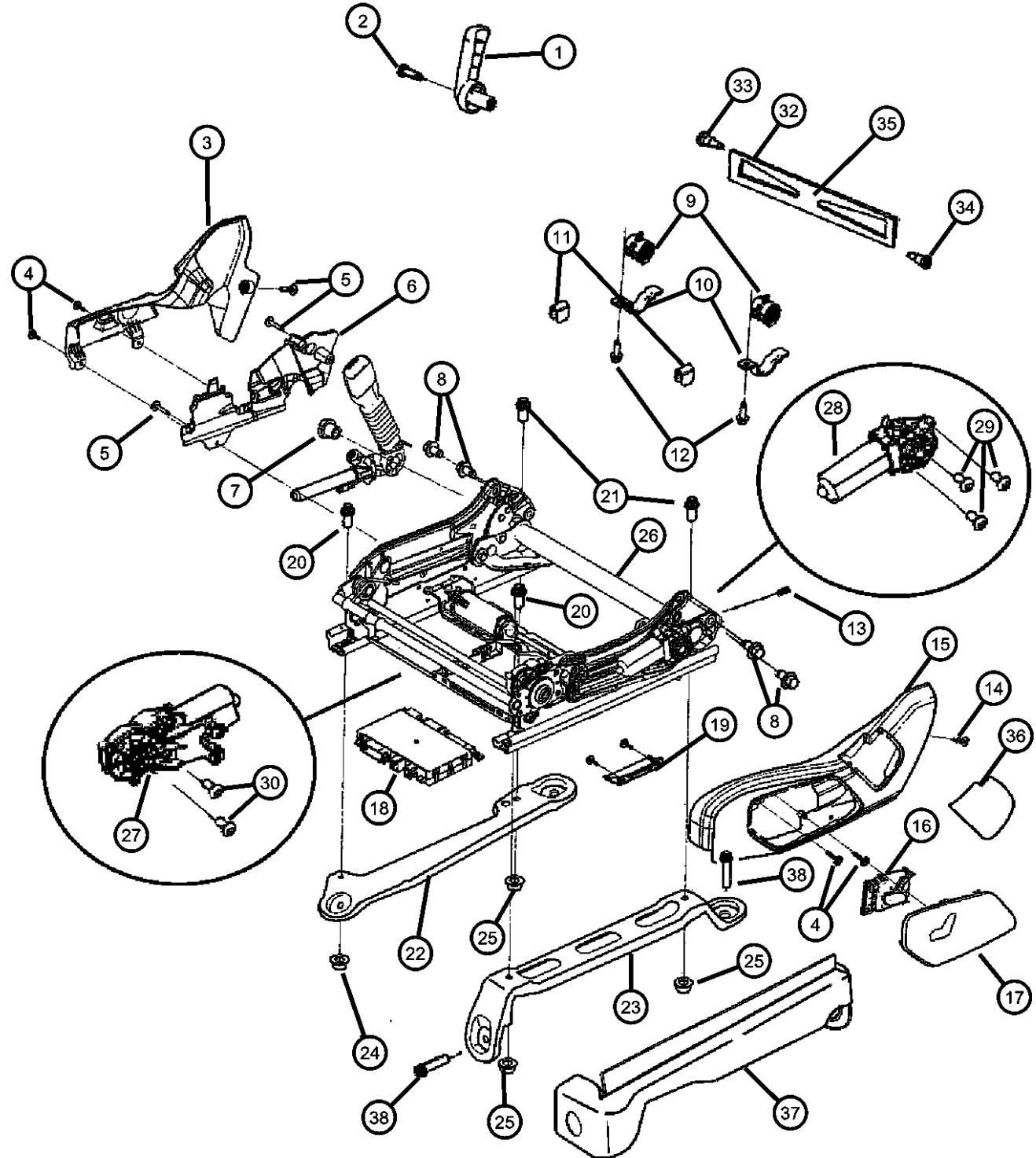
ENGINE
 EVA = 4.7L V8 MPI Engine
 EVD = 4.7L V8 FFV Engine
 EXL = 3.0L V6 Turbo Diesel
 Engine
 EZB = 5.7L Hemi Multi
 Displacement Engine
 EKG = 3.7L V6 Engine
 ESF = 6.1L SRT HEMI SMPI
 V8 Engine

TRANSMISSION
 DGJ = 5-Speed Auto W5A580
 Transmission
 DGQ = 5-Spd Automatic 545RFE
 Transmission
 DGU = 5-Spd Auto W5J400
 Transmission

AR = use ase required - = Non illustrated part

**Adjuster, Recliners, Drivers Seat
Figure IWK-810**

ITEM	PART NUMBER	QTY	LINE	SERIES	BODY	ENGINE	TRANS	TRIM	DESCRIPTION
		1	J, T		74			*YL	
		1	J, T		74			*AL	
		1	J, T		74			*PL	
		1	J, T		74			*A5	
32									BRACE, Seat
	05166484AA	2	J, T	X	74			*DZ	
		2	J, T	S	74			*XL	
		2	J, T		74			*A7	
		2	J, T		74			*YL	
		2	J, T		74			*AL	
		2	J, T		74			*PL	
		2	J, T		74			*A5	
33									SCREW, Seat, Upper
	05166485AA	4	J, T	S	74			*XL	
		4	J, T	X	74			*DZ	
		4	J, T		74			*YL	
		4	J, T		74			*A7	
		4	J, T		74			*AL	
		4	J, T		74			*PL	
		4	J, T		74			*A5	
34									SCREW, Seat, Lower
	05143451AA	8	J, T	X	74			*DZ	
		8	J, T		74			*YL	
		8	J, T		74			*AL	
		8	J, T		74			*PL	
		8	J, T		74			*A7	
		8	J, T	S	74			*XL	
		8	J, T		74			*A5	
35									COVER, Close-Out
	1CA801D5AA	2	J, T		74			*A7	[D5]
		2	J, T	X	74			*DZ	[D5]



GRAND CHEROKEE (WK)

SERIES LINE
H = HIGHLINE T = JEEP - 2WD
P = PREMIUM J = JEEP - 4WD
S = SPORT
X = SPECIAL

BODY
74 = SPORT UTILITY 4-DR
TYPE #4

ENGINE
EVA = 4.7L V8 MPI Engine
EVD = 4.7L V8 FFV Engine
EXL = 3.0L V6 Turbo Diesel
Engine
EZB = 5.7L Hemi Multi
Displacement Engine
EKG = 3.7L V6 Engine
ESF = 6.1L SRT HEMI SMPI
V8 Engine

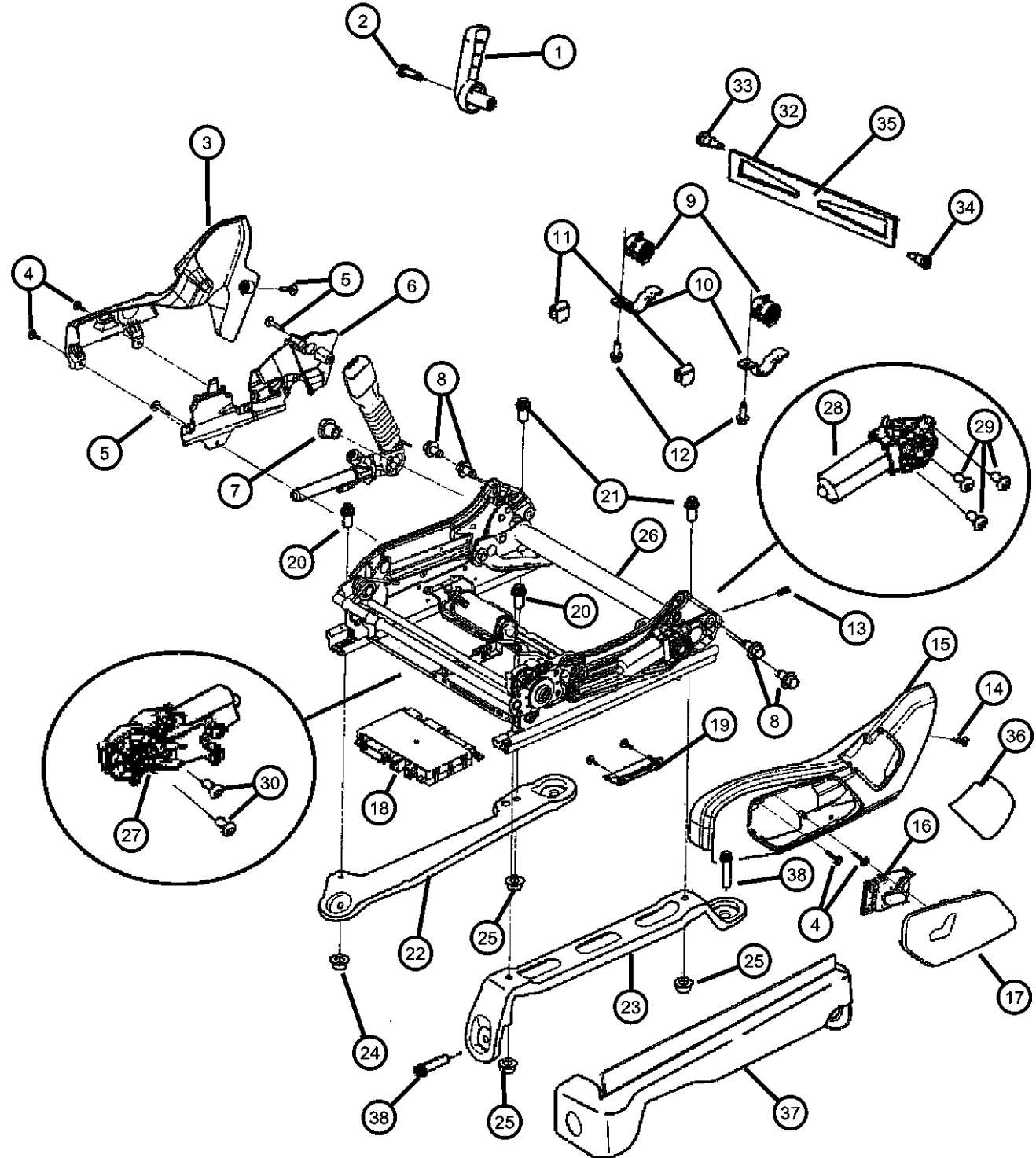
TRANSMISSION
DGJ = 5-Speed Auto W5A580
Transmission
DGQ = 5-Spd Automatic 545RFE
Transmission
DGU = 5-Spd Auto W5J400
Transmission

AR = use ase required - = Non illustrated part

2007 WK

**Adjuster, Recliners, Drivers Seat
Figure IWK-810**

ITEM	PART NUMBER	QTY	LINE	SERIES	BODY	ENGINE	TRANS	TRIM	DESCRIPTION
		2	J, T	S	74			*XL	[D5]
		2	J, T		74			*YL	[D5]
		2	J, T		74			*AL	[D5]
		2	J, T		74			*PL	[D5]
	1CA801J3AA	2	J, T		74			*A7	[J3]
		2	J, T		74			*AL	[J3]
		2	J, T		74			*YL	[J3]
		2	J, T		74			*PL	[J3]
36									SHIELD, Seat Adjuster
	5KD271D5AA	1	J, T		74			*A7	[D5]
	5KD271D1AA	1	J, T	S	74			*XL	[J1]
		1	J, T		74			*YL	[D5]
		1	J, T		74			*AL	[D5]
		1	J, T		74			*PL	[D5]
		1	J, T	X	74			*DZ	[D5]
		1	J, T	S	74			*XL	[D5]
		1	J, T		74			*A5	[D5]
	5KD271J3AA	1	J, T		74			*YL	[J3]
		1	J, T		74			*A7	[J3]
		1	J, T		74			*AL	[J3]
		1	J, T		74			*PL	[J3]
37									COVER, Seat Track
	1BU251D1AA	1	J, T	S	74			*XL	[J1]
	1BU251D5AA	1	J, T		74			*A7	[D5]
		1	J, T	X	74			*DZ	[D5]
		1	J, T		74			*YL	[D5]
		1	J, T		74			*AL	[D5]
		1	J, T		74			*PL	[D5]
		1	J, T	S	74			*XL	[D5]
	1BU251J3AA	1	J, T		74			*A5	[D5]
		1	J, T		74			*A7	[J3]



GRAND CHEROKEE (WK)
 SERIES LINE
 H = HIGHLINE T = JEEP - 2WD
 P = PREMIUM J = JEEP - 4WD
 S = SPORT
 X = SPECIAL

BODY
 74 = SPORT UTILITY 4-DR
 TYPE #4

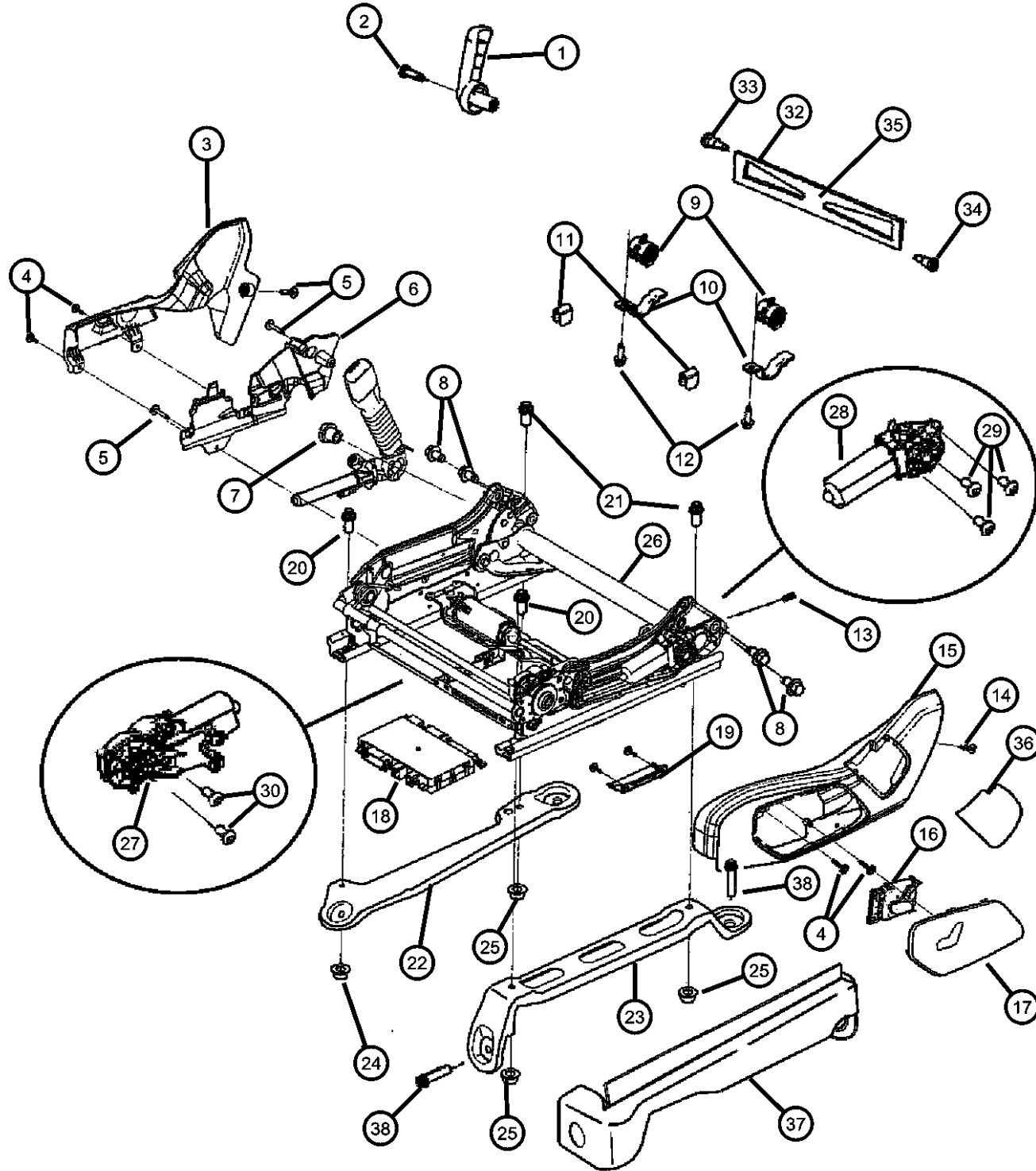
ENGINE
 EVA = 4.7L V8 MPI Engine
 EVD = 4.7L V8 FFV Engine
 EXL = 3.0L V6 Turbo Diesel
 Engine
 EZB = 5.7L Hemi Multi
 Displacement Engine
 EKG = 3.7L V6 Engine
 ESF = 6.1L SRT HEMI SMPI
 V8 Engine

TRANSMISSION
 DGJ = 5-Speed Auto W5A580
 Transmission
 DGQ = 5-Spd Automatic 545RFE
 Transmission
 DGU = 5-Spd Auto W5J400
 Transmission

AR = use ase required - = Non illustrated part

**Adjuster, Recliners, Drivers Seat
Figure IWK-810**

ITEM	PART NUMBER	QTY	LINE	SERIES	BODY	ENGINE	TRANS	TRIM	DESCRIPTION
		1	J, T		74			*PL	[J3]
		1	J, T		74			*YL	[J3]
		1	J, T		74			*AL	[J3]
		1	J, T		74			*A5	[J3]
38	06508286AA	8	J, T		74				BOLT



GRAND CHEROKEE (WK)

SERIES LINE
H = HIGHLINE T = JEEP - 2WD
P = PREMIUM J = JEEP - 4WD
S = SPORT
X = SPECIAL

BODY
74 = SPORT UTILITY 4-DR
TYPE #4

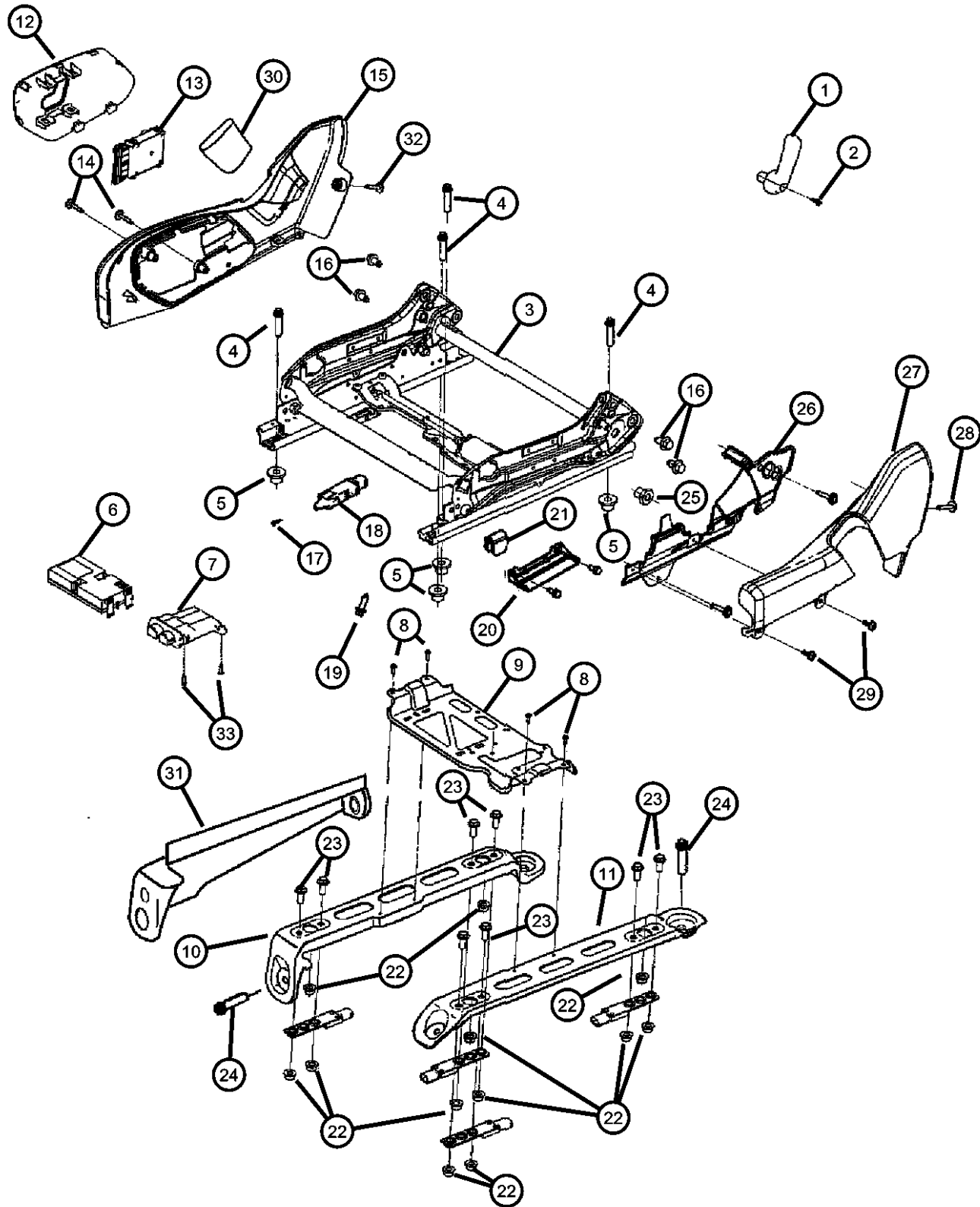
ENGINE
EVA = 4.7L V8 MPI Engine
EVD = 4.7L V8 FFV Engine
EXL = 3.0L V6 Turbo Diesel
Engine
EZB = 5.7L Hemi Multi
Displacement Engine
EKG = 3.7L V6 Engine
ESF = 6.1L SRT HEMI SMPI
V8 Engine

TRANSMISSION
DGJ = 5-Speed Auto W5A580
Transmission
DGQ = 5-Spd Automatic 545RFE
Transmission
DGU = 5-Spd Auto W5J400
Transmission

AR = use ase required - = Non illustrated part

2007 WK

**Adjuster, Recliners, Power Passenger Seat
Figure IWK-820**



ITEM	PART NUMBER	QTY	LINE	SERIES	BODY	ENGINE	TRANS	TRIM	DESCRIPTION
1									HANDLE, Lumbar
	1BG531D5AA	2	J, T		74			*A7	[D5]
		2	J, T	X	74			*DZ	[D5]
		2	J, T	S	74			*XL	[D5]
	1BG531D1AA	2	J, T	S	74			*XL	[J1]
		2	J, T		74			*AL	[D5]
		2	J, T		74			*PL	[D5]
		2	J, T		74			*YL	[D5]
	1BG531J3AA	2	J, T		74			*A7	[J3]
		2	J, T		74			*A5	[D5]
		2	J, T		74			*AL	[J3]
		2	J, T		74			*PL	[J3]
		2	J, T		74			*YL	[J3]
		2	J, T		74			*A5	[J3]
2									SCREW
	05080813AA	1	J, T		74			*AL	
		1	J, T		74			*A7	
		1	J, T		74			*PL	
		1	J, T		74			*XL	
		1	J, T		74			*YL	
		1	J, T		74			*DZ	
3									ADJUSTER, Power Seat, Lower Adjuster Frame
	05134968AA	1	J, T		74			*AL	
		1	J, T		74			*PL	
		1	J, T	X	74			*DZ	
		1	J, T		74			*A7	
		1	J, T	S	74			*XL	
		1	J, T		74			*YL	
		1	J, T		74			*A5	
4									BOLT, Seat
	05143450AA	1	J, T		74			*AL	
		1	J, T		74			*PL	

GRAND CHEROKEE (WK)

SERIES LINE
H = HIGHLINE T = JEEP - 2WD
P = PREMIUM J = JEEP - 4WD
S = SPORT
X = SPECIAL

BODY
74 = SPORT UTILITY 4-DR
TYPE #4

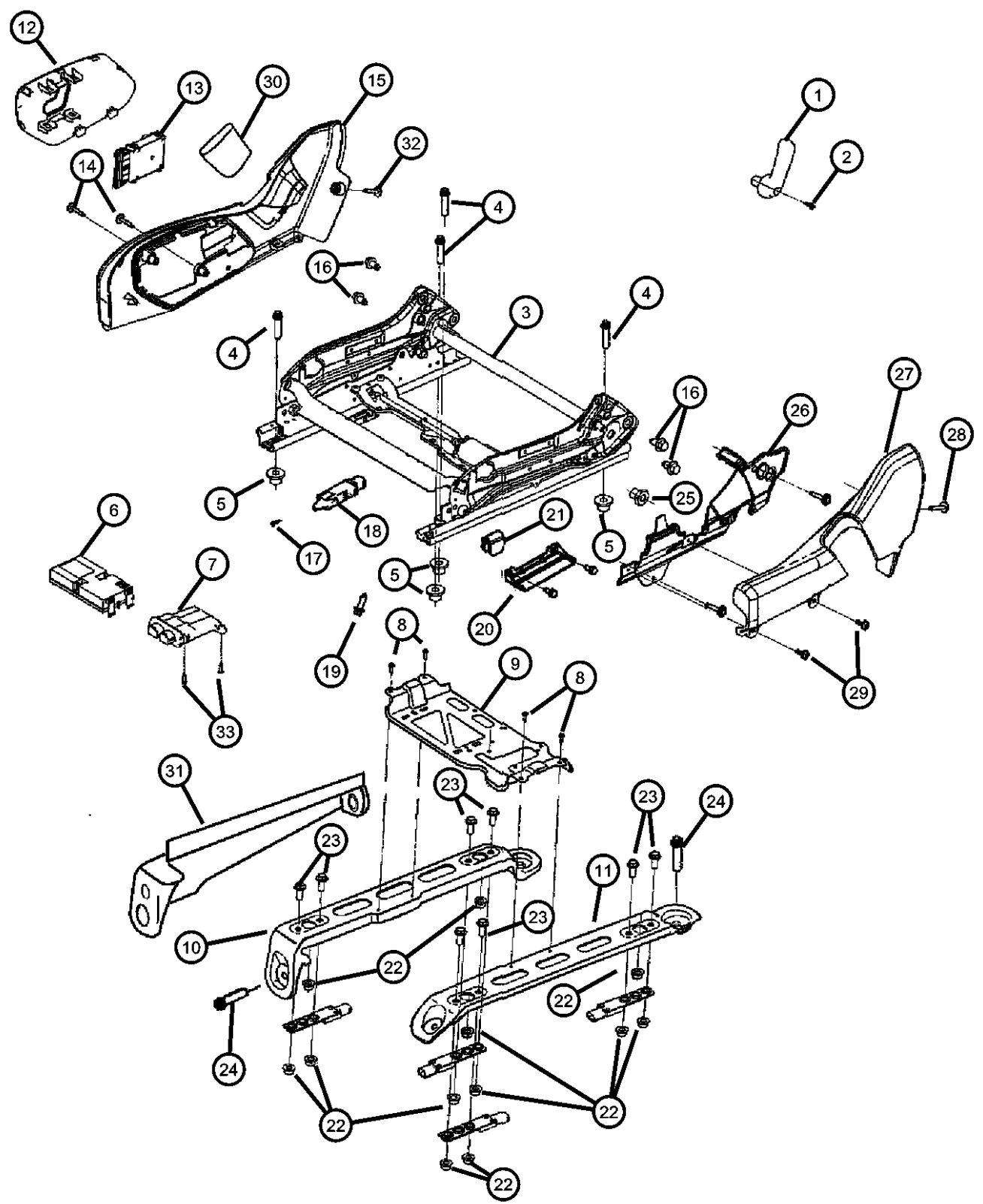
ENGINE
EVA = 4.7L V8 MPI Engine
EVD = 4.7L V8 FFV Engine
EXL = 3.0L V6 Turbo Diesel
Engine
EZB = 5.7L Hemi Multi
Displacement Engine
EKG = 3.7L V6 Engine
ESF = 6.1L SRT HEMI SMPI
V8 Engine

TRANSMISSION
DGJ = 5-Speed Auto W5A580
Transmission
DGQ = 5-Spd Automatic 545RFE
Transmission
DGU = 5-Spd Auto W5J400
Transmission

AR = use ase required - = Non illustrated part

2007 WK

**Adjuster, Recliners, Power Passenger Seat
Figure IWK-820**



ITEM	PART NUMBER	QTY	LINE	SERIES	BODY	ENGINE	TRANS	TRIM	DESCRIPTION
		1	J, T		74			*A7	
		1	J, T	S	74			*XL	
		1	J, T	X	74			*DZ	
		1	J, T		74			*YL	
5									SPACER
	05143444AA	4	J, T		74			*AL	
		2	J, T	S	74			*XL	
		4	J, T		74			*A7	
		2	J, T	X	74			*DZ	
		4	J, T		74			*YL	
	05143685AA	4	J, T		74			*PL	
6		4	J, T		74			*A5	MODULE, Heated Seat
	04602327AJ	1	J, T		74			*PL	
		1	J, T		74			*YL	
		1	J, T		74			*DZ	
		1	J, T		74			*XL	
		1	J, T		74			*AL	
		1	J, T		74			*A7	
		1	J, T		74			*A5	
7									MODULE, Occupant Classification
	05183712AA	1	J, T	S	74			*XL	
		1	J, T		74			*A7	
		1	J, T		74			*AL	
		1	J, T		74			*A5	
8									SCREW, Seat
	05143451AA	1	J, T	X	74			*DZ	
		1	J, T	S	74			*XL	
		1	J, T		74			*A7	
		1	J, T		74			*YL	
		1	J, T		74			*AL	

GRAND CHEROKEE (WK)
 SERIES LINE
 H = HIGHLINE T = JEEP - 2WD
 P = PREMIUM J = JEEP - 4WD
 S = SPORT
 X = SPECIAL

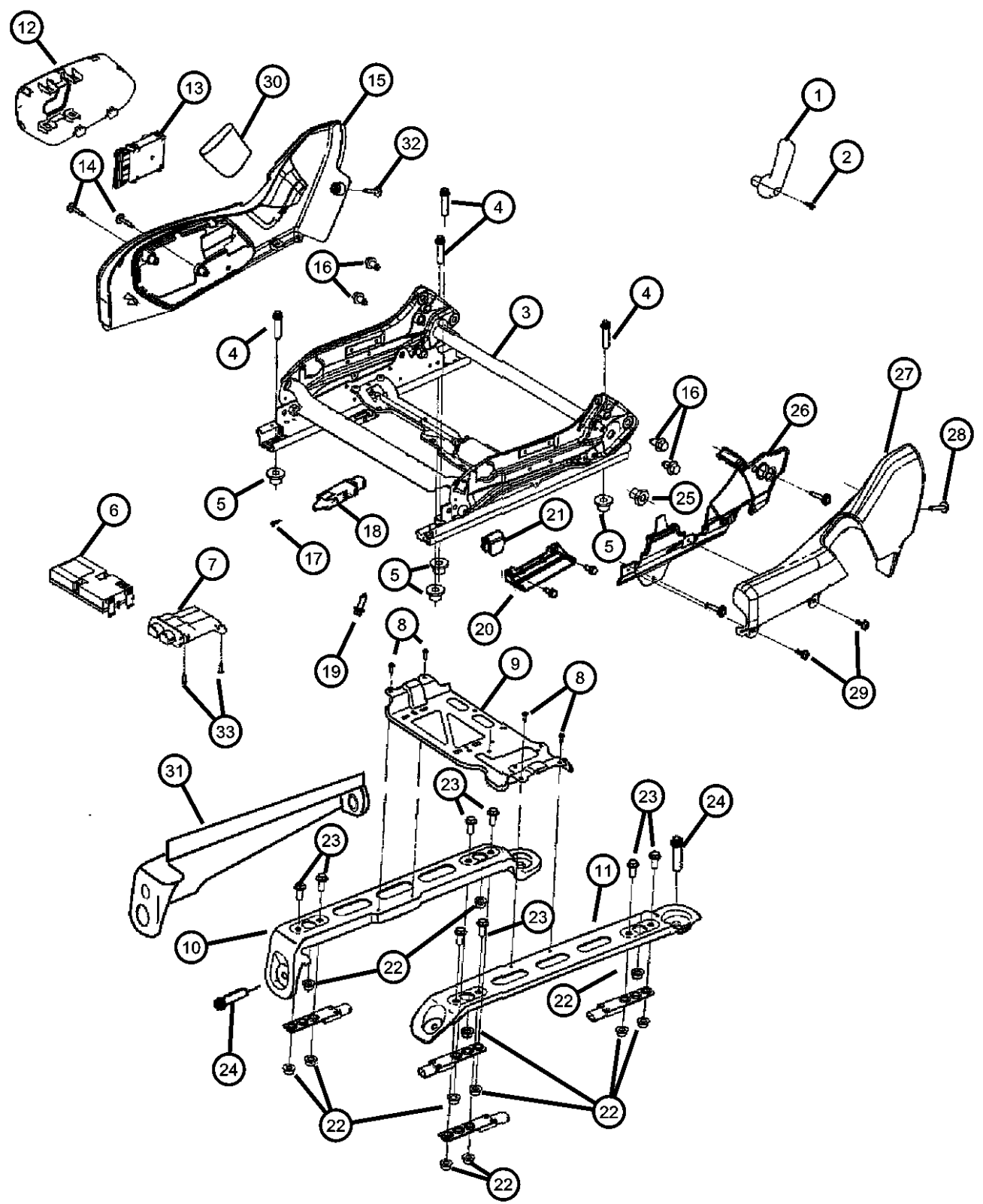
BODY
 74 = SPORT UTILITY 4-DR
 TYPE #4

ENGINE
 EVA = 4.7L V8 MPI Engine
 EVD = 4.7L V8 FFV Engine
 EXL = 3.0L V6 Turbo Diesel
 Engine
 EZB = 5.7L Hemi Multi
 Displacement Engine
 EKG = 3.7L V6 Engine
 ESF = 6.1L SRT HEMI SMPI
 V8 Engine

TRANSMISSION
 DGJ = 5-Speed Auto W5A580
 Transmission
 DGQ = 5-Spd Automatic 545RFE
 Transmission
 DGU = 5-Spd Auto W5J400
 Transmission

AR = use ase required - = Non illustrated part

**Adjuster, Recliners, Power Passenger Seat
Figure IWK-820**



ITEM	PART NUMBER	QTY	LINE	SERIES	BODY	ENGINE	TRANS	TRIM	DESCRIPTION
9	05143418AA	1	J, T		74			*PL	BRACKET, Module
		1	J, T		74			*A5	
		1	J, T	X	74			*DZ	
		1	J, T		74			*A7	
		1	J, T	S	74			*XL	
		1	J, T		74			*YL	
		1	J, T		74			*AL	
10	05143414AA	1	J, T		74			*PL	RISER, Seat, Outboard
		1	J, T		74			*A5	
		1	J, T	X	74			*DZ	
		1	J, T	S	74			*XL	
		1	J, T		74			*YL	
		1	J, T		74			*AL	
		1	J, T		74			*PL	
11	68017853AA	1	J, T		74			*A7	RISER, Seat, Inboard
		1	J, T		74			*AL	
		1	J, T		74			*PL	
		1	J, T	S	74			*XL	
		1	J, T		74			*YL	
		1	J, T	X	74			*DZ	
		1	J, T		74			*A5	
12	1BG441D5AA	1	J, T		74				BEZEL
		1	J, T	X	74			*A7 [D5]	
		1	J, T		74			*DZ [D5]	
		1	J, T		74			*AL [D5]	

GRAND CHEROKEE (WK)
 SERIES LINE
 H = HIGHLINE T = JEEP - 2WD
 P = PREMIUM J = JEEP - 4WD
 S = SPORT
 X = SPECIAL

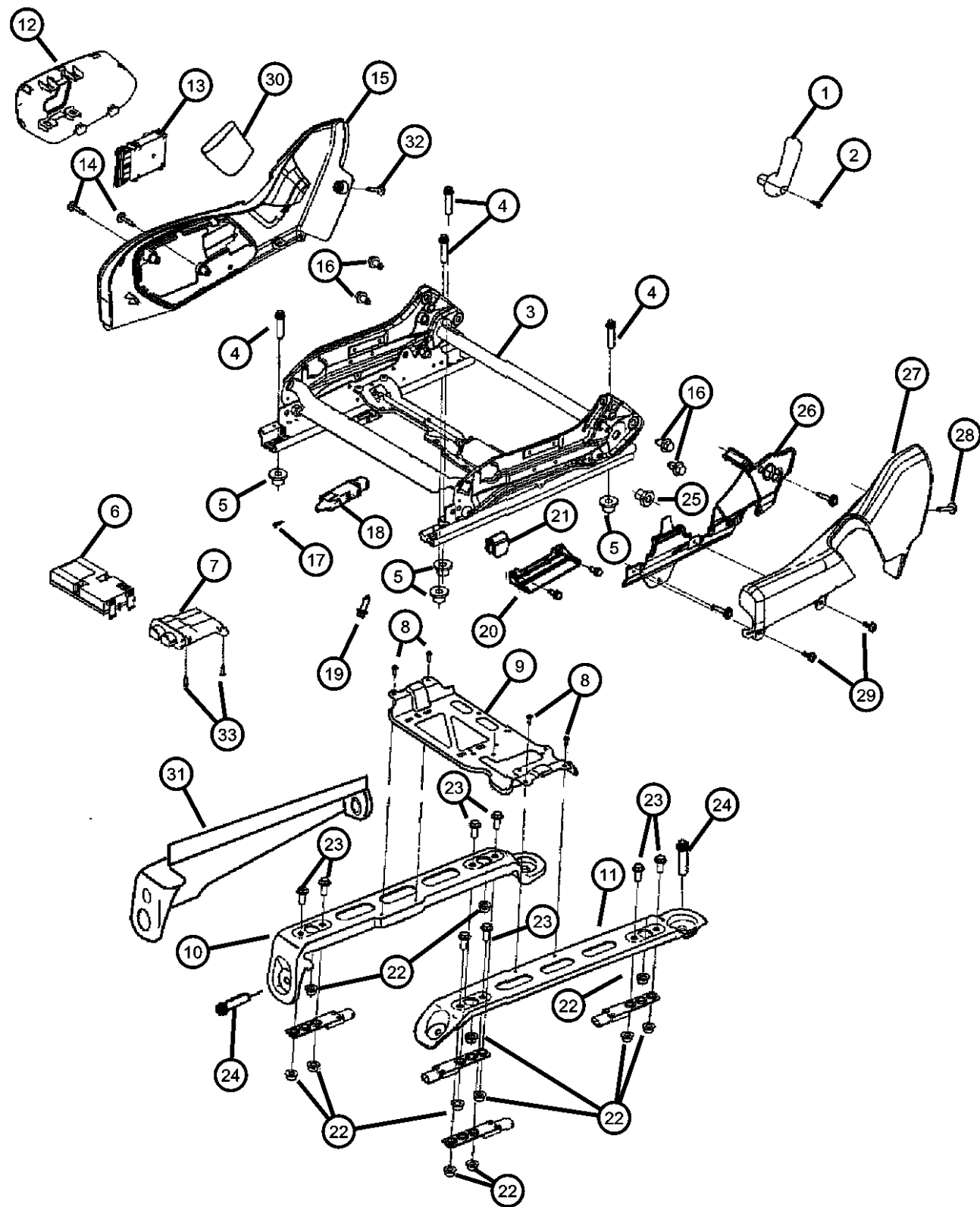
BODY
 74 = SPORT UTILITY 4-DR
 TYPE #4

ENGINE
 EVA = 4.7L V8 MPI Engine
 EVD = 4.7L V8 FFV Engine
 EXL = 3.0L V6 Turbo Diesel
 Engine
 EZB = 5.7L Hemi Multi
 Displacement Engine
 EKG = 3.7L V6 Engine
 ESF = 6.1L SRT HEMI SMPI
 V8 Engine

TRANSMISSION
 DGJ = 5-Speed Auto W5A580
 Transmission
 DGQ = 5-Spd Automatic 545RFE
 Transmission
 DGU = 5-Spd Auto W5J400
 Transmission

AR = use ase required - = Non illustrated part

**Adjuster, Recliners, Power Passenger Seat
Figure IWK-820**



ITEM	PART NUMBER	QTY	LINE	SERIES	BODY	ENGINE	TRANS	TRIM	DESCRIPTION
		1	J, T		74			*PL [D5]	
		1	J, T	S	74			*XL [D5]	
		1	J, T		74			*A5 [D5]	
	1BG441J3AA	1	J, T		74			*A7 [J3]	
		1	J, T		74			*YL [J3]	
		1	J, T		74			*AL [J3]	
		1	J, T		74			*PL [J3]	
		1	J, T		74			*A5 [J3]	
13									SWITCH, Seat
	56040636AB	1	J, T	X	74			*DZ	
		1	J, T	S	74			*XL	
		1	J, T		74			*A7	
		1	J, T		74			*YL	
		1	J, T		74			*AL	
		1	J, T		74			*PL	
		1	J, T		74			*A5	
14									SCREW, Seat
	05143452AA	1	J, T	X	74			*DZ	
		1	J, T		74			*PL	
		1	J, T		74			*A7	
		1	J, T	S	74			*XL	
		1	J, T		74			*YL	
		1	J, T		74			*AL	
		10	J, T		74			*A5	
15									SHIELD, Seat Adjuster
	1BG381D1AA	1	J, T		74			*PL [J1]	
		1	J, T	S	74			*XL [J1]	
	1BG381D5AA	1	J, T		74			*YL [D5]	
		1	J, T		74			*AL [D5]	
		1	J, T		74			*A7 [D5]	
		1	J, T		74			*PL [D5]	

GRAND CHEROKEE (WK)

SERIES LINE
H = HIGHLINE T = JEEP - 2WD
P = PREMIUM J = JEEP - 4WD
S = SPORT
X = SPECIAL

BODY
74 = SPORT UTILITY 4-DR
TYPE #4

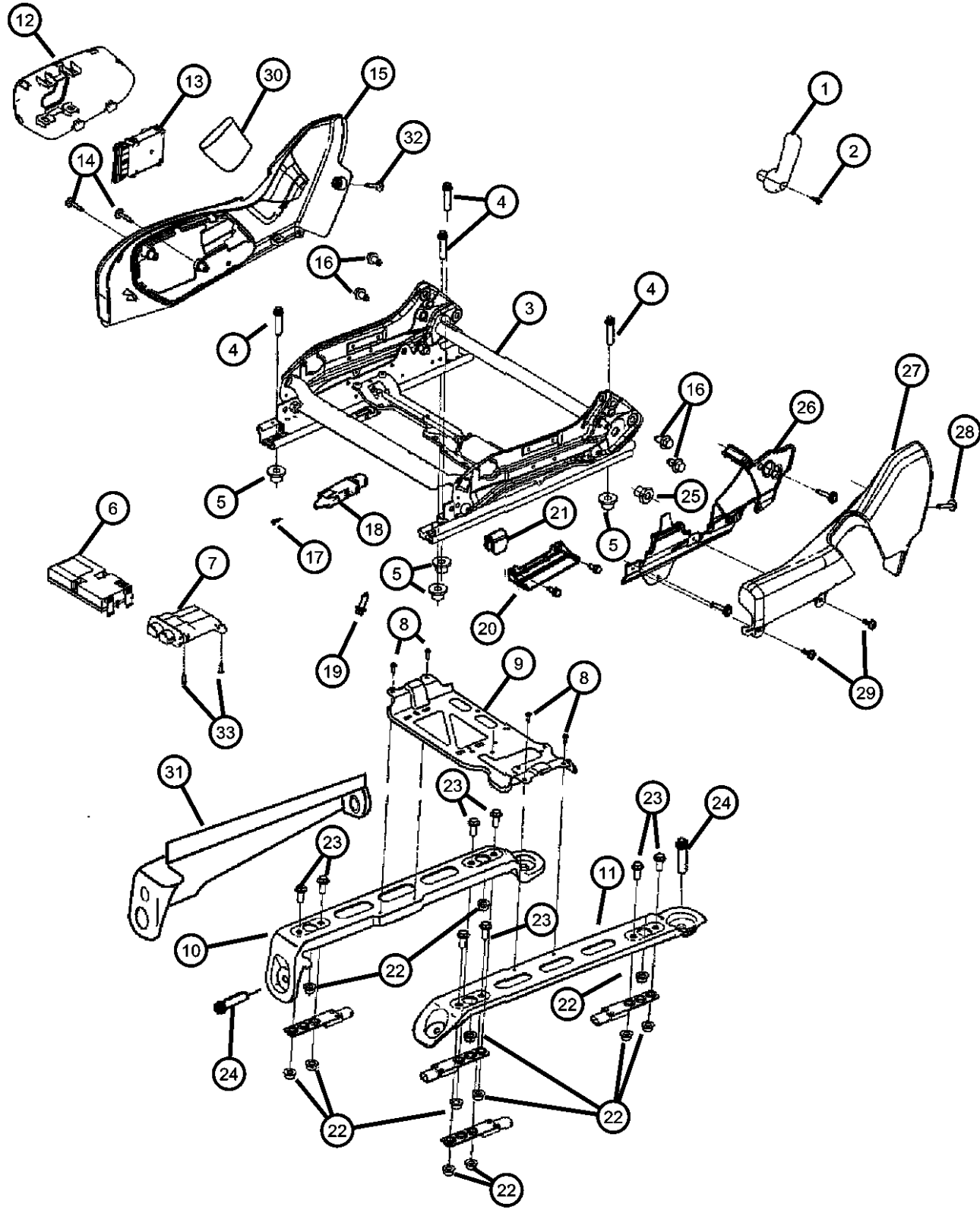
ENGINE
EVA = 4.7L V8 MPI Engine
EVD = 4.7L V8 FFV Engine
EXL = 3.0L V6 Turbo Diesel
Engine
EZB = 5.7L Hemi Multi
Displacement Engine
EKG = 3.7L V6 Engine
ESF = 6.1L SRT HEMI SMPI
V8 Engine

TRANSMISSION
DGJ = 5-Speed Auto W5A580
Transmission
DGQ = 5-Spd Automatic 545RFE
Transmission
DGU = 5-Spd Auto W5J400
Transmission

AR = use ase required - = Non illustrated part

2007 WK

**Adjuster, Recliners, Power Passenger Seat
Figure IWK-820**



ITEM	PART NUMBER	QTY	LINE	SERIES	BODY	ENGINE	TRANS	TRIM	DESCRIPTION
		1	J, T	X	74			*DZ	[D5]
		1	J, T	S	74			*XL	[D5]
		1	J, T		74			*A5	[D5]
	1BG381J3AA	1	J, T		74			*AL	[J3]
		1	J, T		74			*A7	[J3]
		1	J, T		74			*YL	[J3]
		1	J, T		74			*PL	[J3]
		1	J, T		74			*A5	[J3]
16									BOLT
	05139629AA	1	J, T	S	74			*XL	
		1	J, T	X	74			*DZ	
		1	J, T		74			*PL	
		1	J, T		74			*A7	
		1	J, T		74			*YL	
		1	J, T		74			*AL	
		1	J, T		74			*A5	
17									SCREW, Seat
	05143447AA	2	J, T		74			*AL	
		2	J, T		74			*PL	
		2	J, T	X	74			*DZ	
		2	J, T		74			*YL	
		2	J, T		74			*A7	
		2	J, T	S	74			*XL	
		1	J, T		74			*A5	
18									SENSOR, Seat track position
	56043206AC	2		X				*DZ	
		2	J, T	S	74			*XL	
		2	J, T		74			*A7	
		2	J, T		74			*AL	
		2	J, T		74			*PL	
		2	J, T		74			*YL	

GRAND CHEROKEE (WK)

SERIES LINE
H = HIGHLINE T = JEEP - 2WD
P = PREMIUM J = JEEP - 4WD
S = SPORT
X = SPECIAL

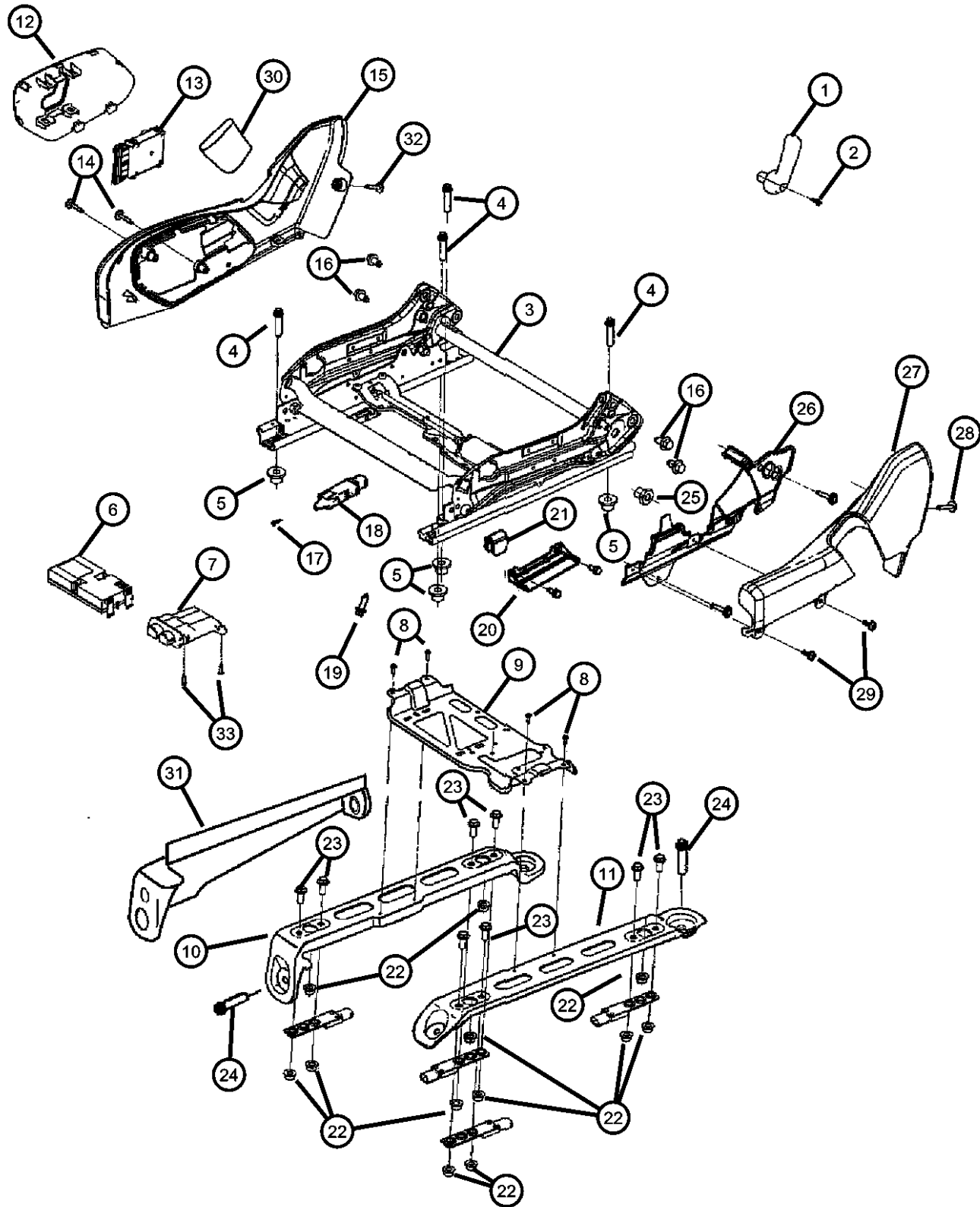
BODY
74 = SPORT UTILITY 4-DR
TYPE #4

ENGINE
EVA = 4.7L V8 MPI Engine
EVD = 4.7L V8 FFV Engine
EXL = 3.0L V6 Turbo Diesel
Engine
EZB = 5.7L Hemi Multi
Displacement Engine
EKG = 3.7L V6 Engine
ESF = 6.1L SRT HEMI SMPI
V8 Engine

TRANSMISSION
DGJ = 5-Speed Auto W5A580
Transmission
DGQ = 5-Spd Automatic 545RFE
Transmission
DGU = 5-Spd Auto W5J400
Transmission

AR = use ase required - = Non illustrated part

**Adjuster, Recliners, Power Passenger Seat
Figure IWK-820**



ITEM	PART NUMBER	QTY	LINE	SERIES	BODY	ENGINE	TRANS	TRIM	DESCRIPTION
19	56043206AD	1	J, T		74			*A5	BOLT
	05139628AA	4	J, T		74			*YL	
		4	J, T		74			*AL	
		4	J, T	X	74			*DZ	
		4	J, T	S	74			*XL	
		4	J, T		74			*PL	
		4	J, T		74			*A7	
20	05143422AA	4	J, T		74			*A5	BRACKET, Seat
		2		X			*DZ		
		2	J, T		74			*A7	
		2	J, T		74			*AL	
		2	J, T		74			*PL	
		2	J, T	S	74			*XL	
		2	J, T		74			*YL	
21	05139661AA	1	J, T		74			*A5	LIMITER, Seat Track Travel
		4	J, T		74			*A7	
		4		X			*DZ		
		4	J, T		74			*PL	
		4	J, T	S	74			*XL	
		4	J, T		74			*YL	
		4	J, T		74			*AL	
22	05135309AA 05143442AA	4	J, T		74			*A5	NUT, Seat
		4	J, T	X	74			*DZ	
		4	J, T	S	74			*XL	
		4	J, T		74			*A7	
		4	J, T		74			*YL	

GRAND CHEROKEE (WK)

SERIES LINE
H = HIGHLINE T = JEEP - 2WD
P = PREMIUM J = JEEP - 4WD
S = SPORT
X = SPECIAL

BODY
74 = SPORT UTILITY 4-DR
TYPE #4

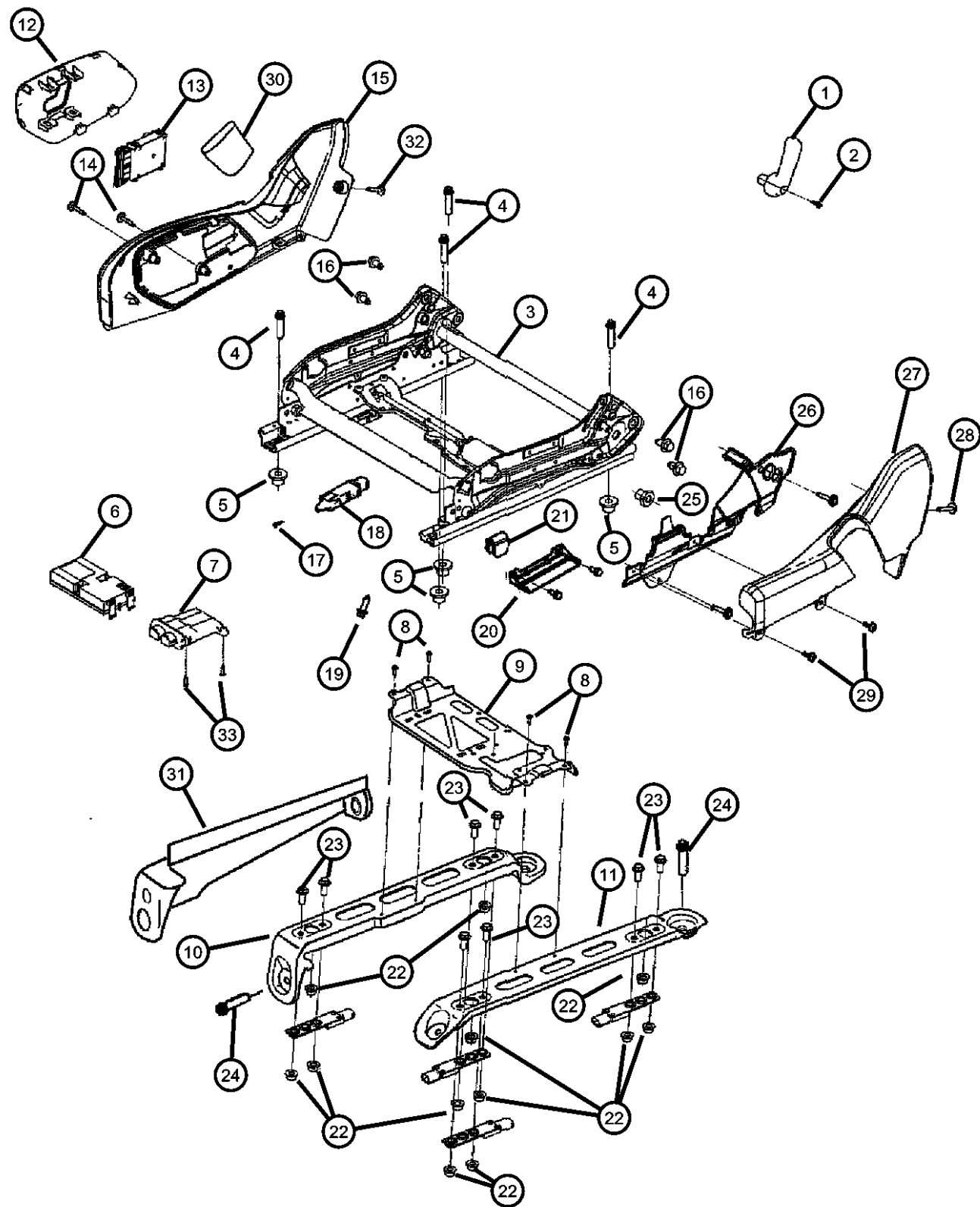
ENGINE
EVA = 4.7L V8 MPI Engine
EVD = 4.7L V8 FFV Engine
EXL = 3.0L V6 Turbo Diesel
Engine
EZB = 5.7L Hemi Multi
Displacement Engine
EKG = 3.7L V6 Engine
ESF = 6.1L SRT HEMI SMPI
V8 Engine

TRANSMISSION
DGJ = 5-Speed Auto W5A580
Transmission
DGQ = 5-Spd Automatic 545RFE
Transmission
DGU = 5-Spd Auto W5J400
Transmission

AR = use ase required - = Non illustrated part

2007 WK

**Adjuster, Recliners, Power Passenger Seat
Figure IWK-820**



ITEM	PART NUMBER	QTY	LINE	SERIES	BODY	ENGINE	TRANS	TRIM	DESCRIPTION			
23	05143443AA	4	J, T		74			*AL	BOLT, Seat			
		4	J, T		74			*PL				
		2	J, T	X	74			*DZ				
		2	J, T	S	74			*XL				
		2	J, T		74			*YL				
		2	J, T		74			*A5				
		2	J, T		74			*AL				
		2	J, T		74			*PL				
		1	J, T		74			*A7				
		24	06508286AA	8	J, T		74				BOLT, Seat	
25	05143449AA	2	J, T		74			*A7	NUT, Tube			
		2	J, T		74			*AL				
		2	J, T		74			*PL				
		2	J, T	X	74			*DZ				
		2	J, T	S	74			*XL				
		2	J, T		74			*YL				
		2	J, T		74			*A5				
		26	1BG581D1AA	1	J, T	S	74				*XL	PLATE, Front Seat
				1	J, T		74				*PL	
				1	J, T	X	74				*DZ	
1	J, T			S	74			*XL				
1	J, T				74			*A7				
1	J, T				74			*YL				
1	J, T				74			*AL				
1	J, T				74			*PL				
1	J, T				74			*A5				
1	J, T				74			*A7				
1	J, T		74			*YL						

GRAND CHEROKEE (WK)

SERIES LINE
H = HIGHLINE T = JEEP - 2WD
P = PREMIUM J = JEEP - 4WD
S = SPORT
X = SPECIAL

BODY
74 = SPORT UTILITY 4-DR
TYPE #4

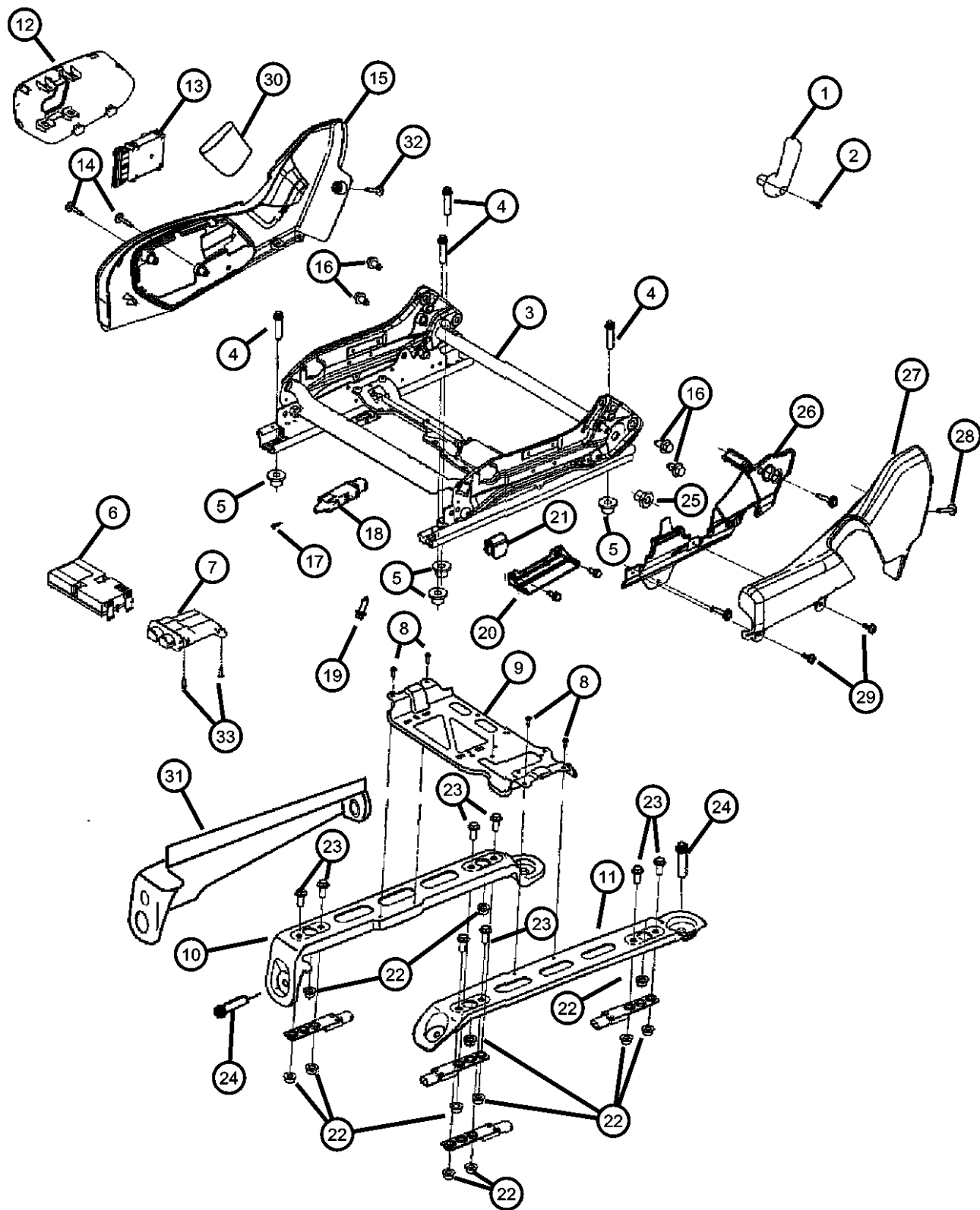
ENGINE
EVA = 4.7L V8 MPI Engine
EVD = 4.7L V8 FFV Engine
EXL = 3.0L V6 Turbo Diesel
Engine
EZB = 5.7L Hemi Multi
Displacement Engine
EKG = 3.7L V6 Engine
ESF = 6.1L SRT HEMI SMPI
V8 Engine

TRANSMISSION
DGJ = 5-Speed Auto W5A580
Transmission
DGQ = 5-Spd Automatic 545RFE
Transmission
DGU = 5-Spd Auto W5J400
Transmission

AR = use ase required - = Non illustrated part

2007 WK

**Adjuster, Recliners, Power Passenger Seat
Figure IWK-820**



ITEM	PART NUMBER	QTY	LINE	SERIES	BODY	ENGINE	TRANS	TRIM	DESCRIPTION
27		1	J, T		74			*AL [J3]	
		1	J, T		74			*PL [J3]	
									SHIELD, Seat Adjuster
	1BG401D1AA	1	J, T	S	74			*XL [J1]	
		1	J, T		74			*PL [J1]	
	1BG401D5AA	1	J, T		74			*A7 [D5]	
		1	J, T	X	74			*DZ [D5]	
		1	J, T	S	74			*XL [D5]	
		1	J, T		74			*YL [D5]	
		1	J, T		74			*AL [D5]	
28	1BG401J3AA	1	J, T		74			*PL [D5]	
		1	J, T		74			*A7 [J3]	
		1	J, T		74			*A5 [D5]	
		1	J, T		74			*AL [J3]	
		1	J, T		74			*PL [J3]	
		1	J, T		74			*YL [J3]	
		1	J, T		74			*A5 [J3]	
									SCREW, Seat
	05143452AA	1	J, T		74			*A7	
		1	J, T	S	74			*XL	
29		1	J, T	X	74			*DZ	
		1	J, T		74			*YL	
		1	J, T		74			*AL	
		1	J, T		74			*PL	
		1	J, T		74			*A5	
									SCREW, Seat
	05143453AA	4	J, T	X	74			*DZ	
		4	J, T	S	74			*XL	
		4	J, T		74			*YL	
		4	J, T		74			*AL	
	4	J, T		74			*PL		

GRAND CHEROKEE (WK)

SERIES LINE
H = HIGHLINE T = JEEP - 2WD
P = PREMIUM J = JEEP - 4WD
S = SPORT
X = SPECIAL

BODY
74 = SPORT UTILITY 4-DR
TYPE #4

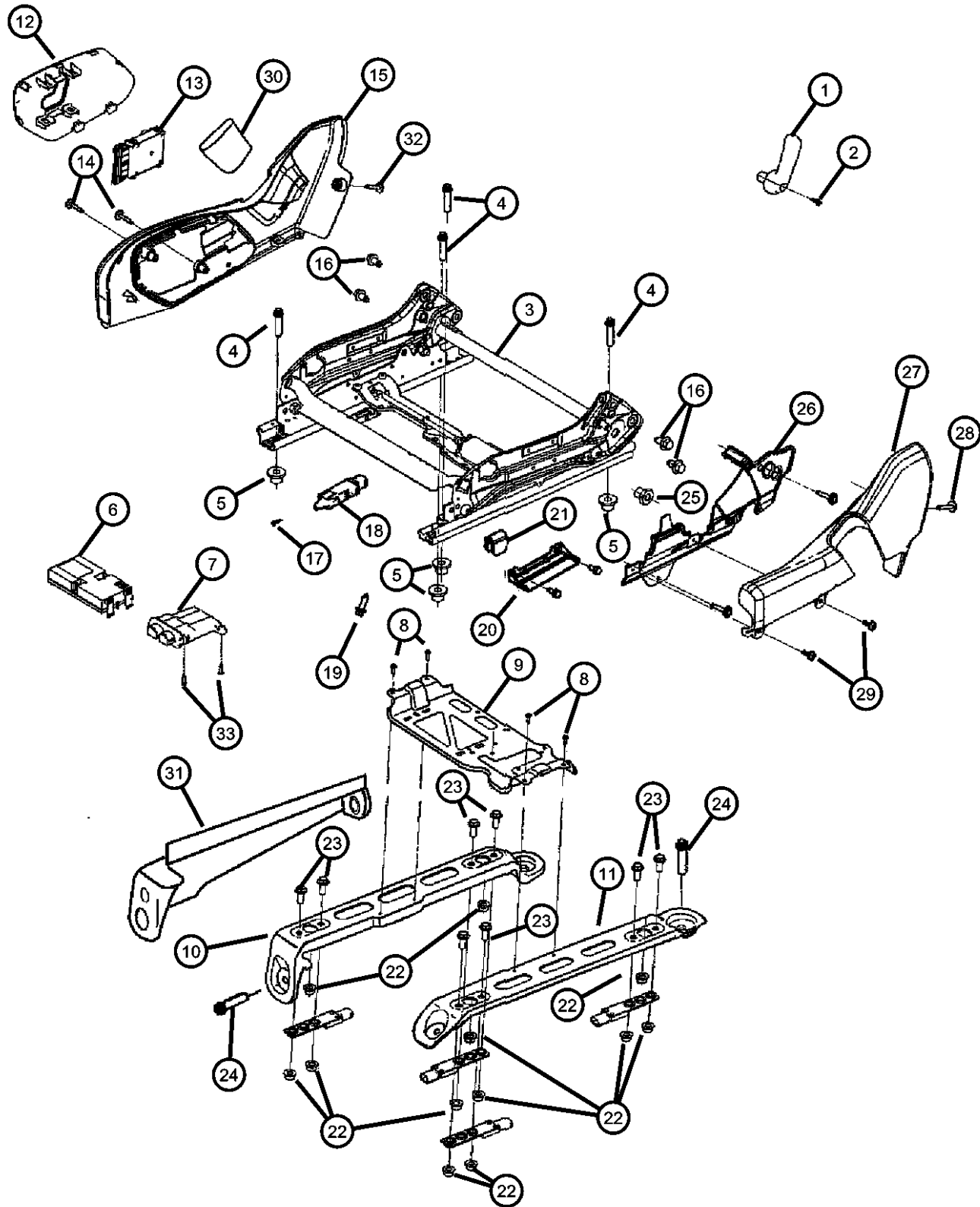
ENGINE
EVA = 4.7L V8 MPI Engine
EVD = 4.7L V8 FFV Engine
EXL = 3.0L V6 Turbo Diesel
Engine
EZB = 5.7L Hemi Multi
Displacement Engine
EKG = 3.7L V6 Engine
ESF = 6.1L SRT HEMI SMPI
V8 Engine

TRANSMISSION
DGJ = 5-Speed Auto W5A580
Transmission
DGQ = 5-Spd Automatic 545RFE
Transmission
DGU = 5-Spd Auto W5J400
Transmission

AR = use ase required - = Non illustrated part

2007 WK

**Adjuster, Recliners, Power Passenger Seat
Figure IWK-820**



ITEM	PART NUMBER	QTY	LINE	SERIES	BODY	ENGINE	TRANS	TRIM	DESCRIPTION
		4	J, T		74			*A7	
		4	J, T		74			*A5	
30									SHIELD, Seat Adjuster
	5KD261D1AA	1	J, T	S	74			*XL	[J1]
		1	J, T		74			*PL	[J1]
	5KD261D5AA	1	J, T		74			*YL	[D5]
		1	J, T		74			*AL	[D5]
		1	J, T		74			*PL	[D5]
		1	J, T	X	74			*DZ	[D5]
		1	J, T	S	74			*XL	[D5]
		1	J, T		74			*A7	[D5]
	5KD261J3AA	1	J, T		74			*A5	[D5]
		1	J, T		74			*A7	[J3]
		1	J, T		74			*PL	[J3]
		1	J, T		74			*YL	[J3]
		1	J, T		74			*AL	[J3]
		1	J, T		74			*A5	[J3]
31									COVER, Seat Track
	1BU241D1AA	1	J, T	S	74			*XL	[J1], Right
	1BU241D5AA	1	J, T		74			*A7	[D5], Right
		1	J, T		74			*PL	[J1], Right
		1	J, T		74			*YL	[D5], Right
		1	J, T		74			*AL	[D5], Right
		1	J, T		74			*PL	[D5], Right
		1	J, T	X	74			*DZ	[D5], Right
		1	J, T	S	74			*XL	[D5], Right
		1	J, T		74			*A5	[D5]
	1BU241J3AA	1	J, T		74			*YL	[J3], Right
		1	J, T		74			*AL	[J3], Right
		1	J, T		74			*PL	[J3], Right
		1	J, T		74			*A7	[J3], Right

GRAND CHEROKEE (WK)

SERIES LINE
H = HIGHLINE T = JEEP - 2WD
P = PREMIUM J = JEEP - 4WD
S = SPORT
X = SPECIAL

BODY
74 = SPORT UTILITY 4-DR
TYPE #4

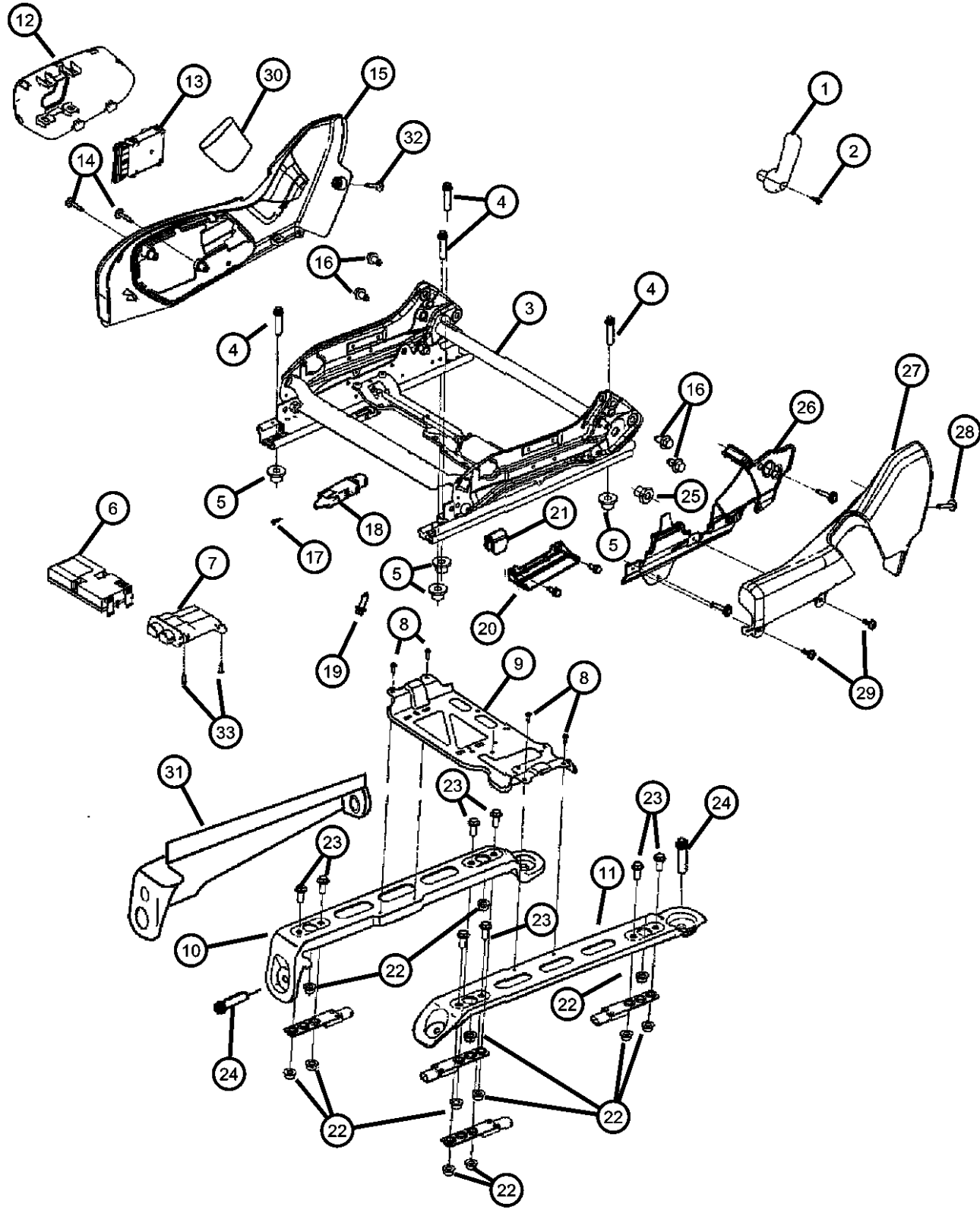
ENGINE
EVA = 4.7L V8 MPI Engine
EVD = 4.7L V8 FFV Engine
EXL = 3.0L V6 Turbo Diesel
Engine
EZB = 5.7L Hemi Multi
Displacement Engine
EKG = 3.7L V6 Engine
ESF = 6.1L SRT HEMI SMPI
V8 Engine

TRANSMISSION
DGJ = 5-Speed Auto W5A580
Transmission
DGQ = 5-Spd Automatic 545RFE
Transmission
DGU = 5-Spd Auto W5J400
Transmission

AR = use ase required - = Non illustrated part

2007 WK

**Adjuster, Recliners, Power Passenger Seat
Figure IWK-820**



ITEM	PART NUMBER	QTY	LINE	SERIES	BODY	ENGINE	TRANS	TRIM	DESCRIPTION
32	05166485AA	1	J, T		74			*A5	[J3] SCREW, Seat
		1	J, T		74			*YL	
		1	J, T		74			*AL	
		1	J, T		74			*PL	
		1	J, T		74			*A7	
		1	J, T	X	74			*DZ	
33	05170947AA	1	J, T		74			*A5	SCREW
		1	J, T		74			*AL	
		1	J, T	S	74			*XL	
		1	J, T		74			*PL	
		1	J, T		74			*A7	

GRAND CHEROKEE (WK)

SERIES LINE
H = HIGHLINE T = JEEP - 2WD
P = PREMIUM J = JEEP - 4WD
S = SPORT
X = SPECIAL

BODY
74 = SPORT UTILITY 4-DR
TYPE #4

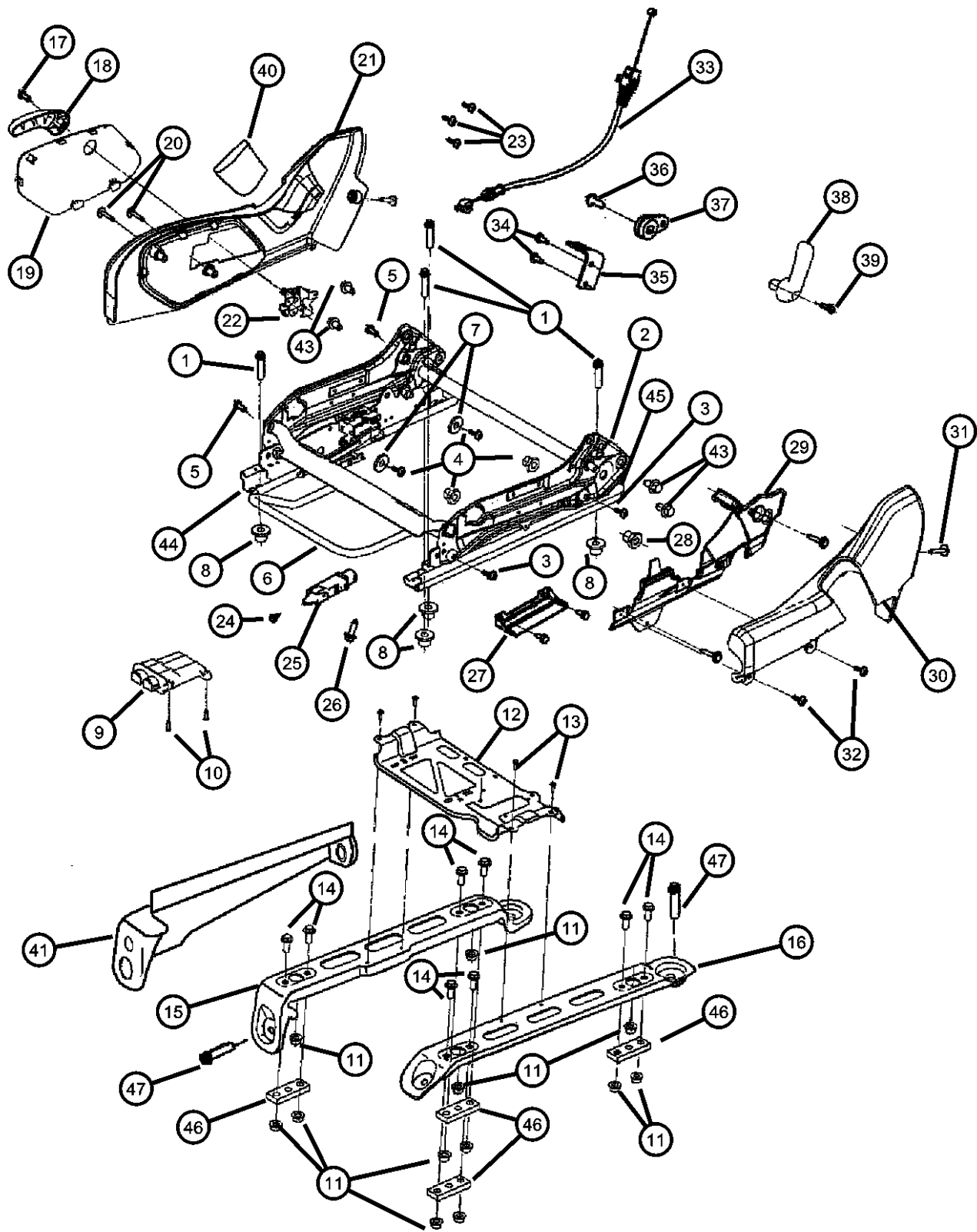
ENGINE
EVA = 4.7L V8 MPI Engine
EVD = 4.7L V8 FFV Engine
EXL = 3.0L V6 Turbo Diesel
Engine
EZB = 5.7L Hemi Multi
Displacement Engine
EKG = 3.7L V6 Engine
ESF = 6.1L SRT HEMI SMPI
V8 Engine

TRANSMISSION
DGJ = 5-Speed Auto W5A580
Transmission
DGQ = 5-Spd Automatic 545RFE
Transmission
DGU = 5-Spd Auto W5J400
Transmission

AR = use ase required - = Non illustrated part

2007 WK

**Adjuster, Recliners, Manual Passenger Seat
Figure IWK-830**



ITEM	PART NUMBER	QTY	LINE	SERIES	BODY	ENGINE	TRANS	TRIM	DESCRIPTION
1	05143450AA	4	J, T		74			*A7	BOLT, Seat
2	05135282AA	1	J, T		74			*A7	FRAME, Front Seat Cushion
3		1	J, T		74			*A5	BOLT, Seat
4	05135308AA	2	J, T		74			*A7	
		2	J, T		74			*A5	
5	05135309AA	4	J, T		74			*A7	NUT, Seat
		4	J, T		74			*A7	
6	05135310AA	2	J, T		74			*A7	BOLT, Seat
		2	J, T		74			*A5	
7	05135236AA	1	J, T		74			*A7	HANDLE, Towel Bar
		1	J, T		74			*A5	
8	05135312AA	2	J, T		74			*A5	SPACER, Seat Track
		2	J, T		74			*A7	
9	05143444AA	4	J, T		74			*A7	SPACER
	68002698AA	4	J, T		74			*A5	
10	05183712AA	1	J, T		74			*A7	MODULE, Occupant Classification
		1	J, T		74			*A5	
11	05080813AA	1	J, T		74			*A7	SCREW
									NUT, Seat
	05143442AA	1	J, T		74			*A5	
		4	J, T		74			*A7	
12	05143418AA	1	J, T		74			*A5	BRACKET, Module
		1	J, T		74			*A7	

GRAND CHEROKEE (WK)

SERIES LINE
H = HIGHLINE T = JEEP - 2WD
P = PREMIUM J = JEEP - 4WD
S = SPORT
X = SPECIAL

BODY
74 = SPORT UTILITY 4-DR
TYPE #4

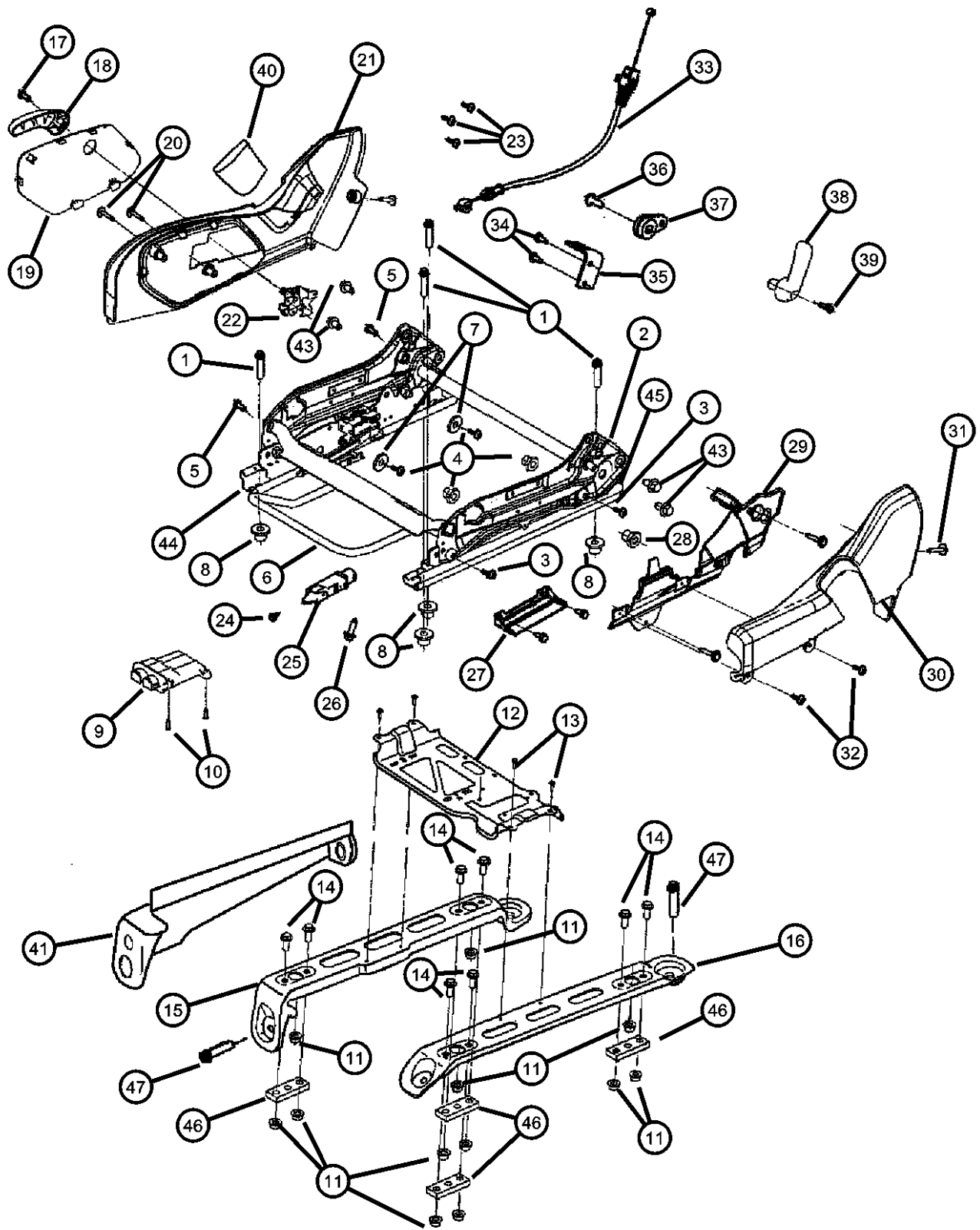
ENGINE
EVA = 4.7L V8 MPI Engine
EVD = 4.7L V8 FFV Engine
EXL = 3.0L V6 Turbo Diesel
Engine
EZB = 5.7L Hemi Multi
Displacement Engine
EKG = 3.7L V6 Engine
ESF = 6.1L SRT HEMI SMPI
V8 Engine

TRANSMISSION
DGJ = 5-Speed Auto W5A580
Transmission
DGQ = 5-Spd Automatic 545RFE
Transmission
DGU = 5-Spd Auto W5J400
Transmission

AR = use ase required - = Non illustrated part

2007 WK

**Adjuster, Recliners, Manual Passenger Seat
Figure IWK-830**



ITEM	PART NUMBER	QTY	LINE	SERIES	BODY	ENGINE	TRANS	TRIM	DESCRIPTION
13									SCREW, Seat
	05143451AA	8	J, T		74			*A7	
		8	J, T		74			*A5	
14	05143443AA	2	J, T		74			*A7	BOLT, Seat, Mexico
15									RISER, Seat, Outboard
	05143414AA	1	J, T		74			*A7	
		1	J, T		74			*A5	
16	05143415AA	1	J, T		74			*A7	RISER, Seat, Inboard
17									SCREW, Recliner Handle
	05072127AB	1	J, T		74			*A7	
		1	J, T		74			*A5	
18									HANDLE, Recliner
	0UZ281J3AB	1	J, T		74			*A5	[J3]
	0UZ281D5AB	1	J, T		74			*A5	[D5]
		1	J, T		74			*A7	[J3]
		1	J, T		74			*A7	[D5]
19									BEZEL
	1BG421J3AA	1	J, T		74			*A7	[J3]
	1BG421D5AA	1	J, T		74			*A7	[D5]
		1	J, T		74			*A5	[D5]
		1	J, T		74			*A5	[J3]
20									SCREW, Seat
	05143452AA	10	J, T		74			*A5	
		1	J, T		74			*A7	
21									SHIELD, Seat Adjuster
	1BG341J3AA	1	J, T		74			*A5	[J3]
	1BG341D5AA	1	J, T		74			*A5	[D5]
		1	J, T		74			*A7	[J3]
		1	J, T		74			*A7	[D5]
22									ACTUATOR
	05143428AA	1	J, T		74			*A5	

GRAND CHEROKEE (WK)

SERIES LINE
H = HIGHLINE T = JEEP - 2WD
P = PREMIUM J = JEEP - 4WD
S = SPORT
X = SPECIAL

BODY
74 = SPORT UTILITY 4-DR
TYPE #4

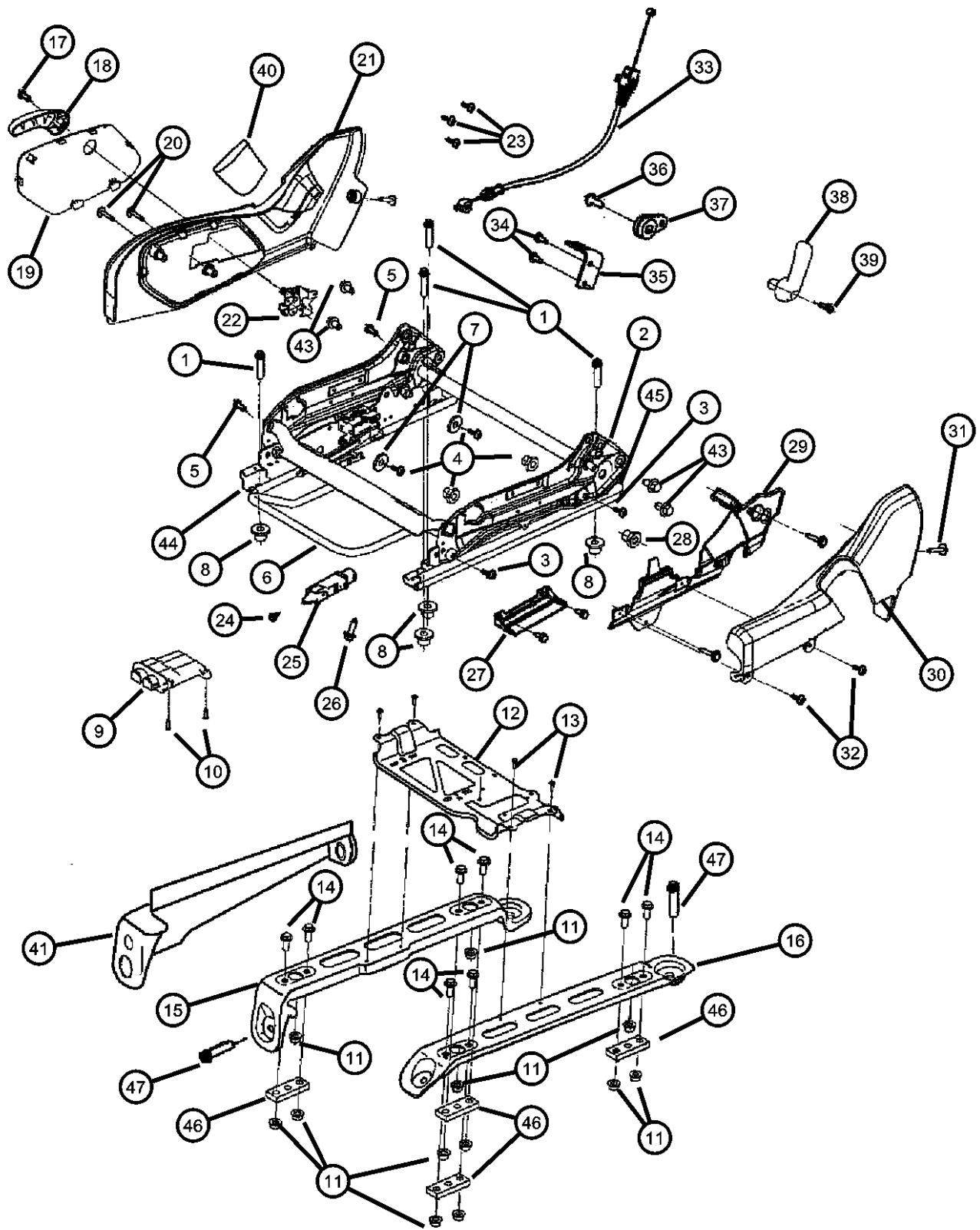
ENGINE
EVA = 4.7L V8 MPI Engine
EVD = 4.7L V8 FFV Engine
EXL = 3.0L V6 Turbo Diesel
Engine
EZB = 5.7L Hemi Multi
Displacement Engine
EKG = 3.7L V6 Engine
ESF = 6.1L SRT HEMI SMPI
V8 Engine

TRANSMISSION
DGJ = 5-Speed Auto W5A580
Transmission
DGQ = 5-Spd Automatic 545RFE
Transmission
DGU = 5-Spd Auto W5J400
Transmission

AR = use ase required - = Non illustrated part

2007 WK

**Adjuster, Recliners, Manual Passenger Seat
Figure IWK-830**



ITEM	PART NUMBER	QTY	LINE	SERIES	BODY	ENGINE	TRANS	TRIM	DESCRIPTION
23		1	J, T		74			*A7	SCREW, Trim, (NOT SERVICED)
24		1							SCREW, Seat
	05143447AA	2	J, T		74			*A7	
		1	J, T		74			*A5	
25									SENSOR, Seat track position
	56043206AD	1	J, T		74			*A5	
	56043206AC	2	J, T		74			*A7	
26									BOLT
	05139628AA	4	J, T		74			*A5	
		4	J, T		74			*A7	
27									BRACKET, Seat
	05143422AA	1	J, T		74			*A5	
		2	J, T		74			*A7	
28									NUT, Tube
	05143449AA	2	J, T		74			*A5	
		2	J, T		74			*A7	
29									PLATE, Front Seat
	1BG581D5AA	1	J, T		74			*A5	[D5]
	1BG581J3AA	1	J, T		74			*A5	[J3]
		1	J, T		74			*A7	[D5]
		1	J, T		74			*A7	[J3]
30									SHIELD, Seat Adjuster
	1BG411J3AA	1	J, T		74			*A7	[J3]
	1BG411D5AA	1	J, T		74			*A7	[D5]
	1BG401J3AA	1	J, T		74			*A5	[J3]
		1	J, T		74			*A5	[D5]
31									SCREW, Seat
	05143452AA	1	J, T		74			*A7	
		1	J, T		74			*A5	
32									SCREW, Seat

GRAND CHEROKEE (WK)

SERIES LINE
H = HIGHLINE T = JEEP - 2WD
P = PREMIUM J = JEEP - 4WD
S = SPORT
X = SPECIAL

BODY
74 = SPORT UTILITY 4-DR
TYPE #4

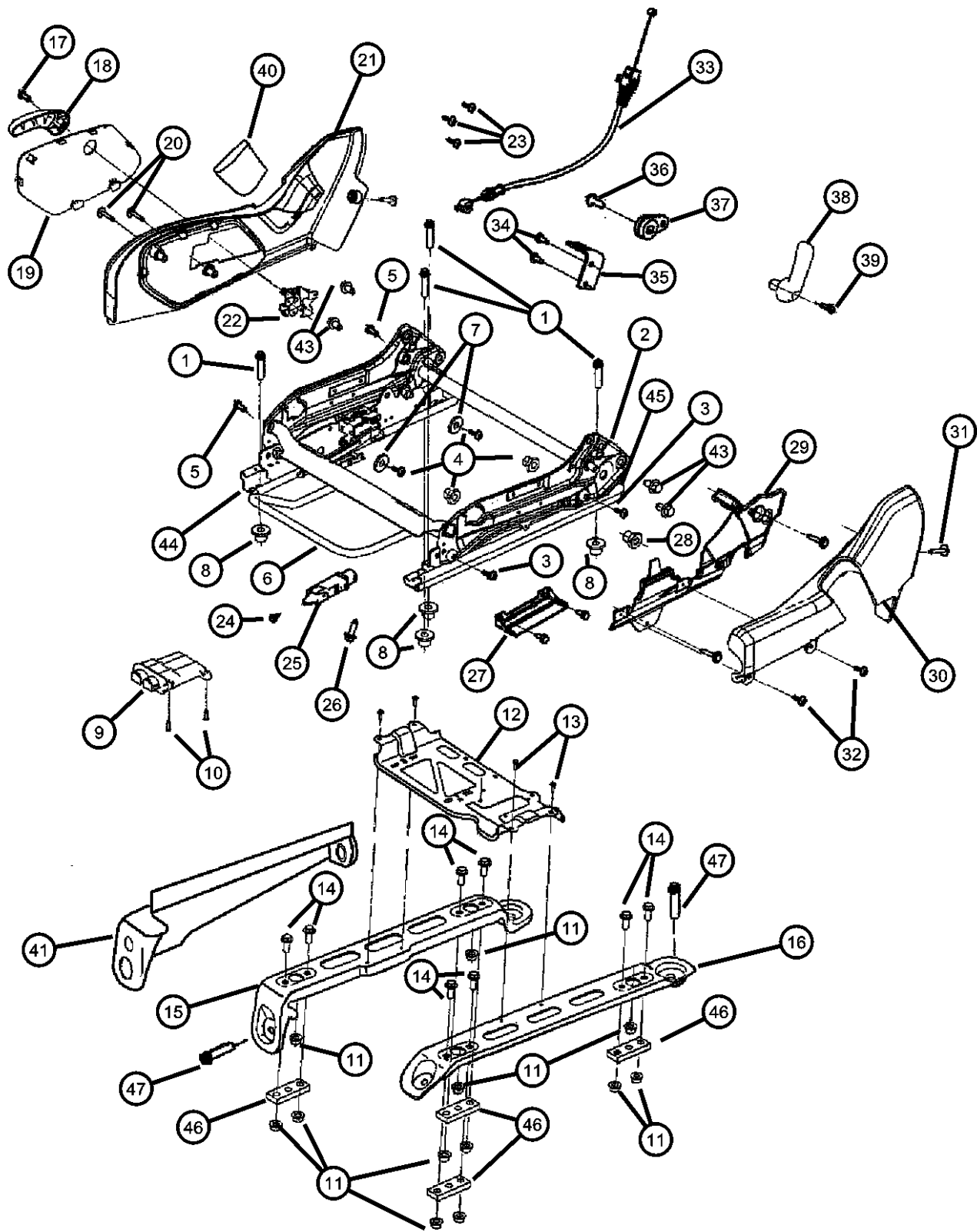
ENGINE
EVA = 4.7L V8 MPI Engine
EVD = 4.7L V8 FFV Engine
EXL = 3.0L V6 Turbo Diesel
Engine
EZB = 5.7L Hemi Multi
Displacement Engine
EKG = 3.7L V6 Engine
ESF = 6.1L SRT HEMI SMPI
V8 Engine

TRANSMISSION
DGJ = 5-Speed Auto W5A580
Transmission
DGQ = 5-Spd Automatic 545RFE
Transmission
DGU = 5-Spd Auto W5J400
Transmission

AR = use ase required - = Non illustrated part

2007 WK

**Adjuster, Recliners, Manual Passenger Seat
Figure IWK-830**



ITEM	PART NUMBER	QTY	LINE	SERIES	BODY	ENGINE	TRANS	TRIM	DESCRIPTION
	05143453AA	4	J, T		74			*A7	
		4	J, T		74			*A5	
33	05143411AA	1	J, T		74			*A5	CABLE, Recliner
		1	J, T		74			*A7	
34	05143451AA	8	J, T		74			*A5	SCREW, Seat
		8	J, T		74			*A7	
35	05143426AA	1	J, T		74			*A5	BRACKET, Cable Mounting
		1	J, T		74			*A7	
36	04741274	1	J, T		74			*A5	SCREW, Torx Head, .25-20x.75
		1	J, T		74			*A7	
37	05143490AA	1	J, T		74			*A7	LEVER, Front Seat Recliner
		1	J, T		74			*A5	
38	1BG531J3AA	2	J, T		74			*A5	HANDLE, Lumbar
	1BG531D5AA	2	J, T		74			*A5	[J3]
		2	J, T		74			*A7	[D5]
		2	J, T		74			*A7	[J3]
		2	J, T		74			*A7	[D5]
39	05080813AA	1	J, T		74			*A7	SCREW
40	5KD261D5AA	1	J, T		74			*A5	SHIELD, Seat Adjuster
	5KD261J3AA	1	J, T		74			*A5	[D5]
		1	J, T		74			*A7	[J3]
		1	J, T		74			*A7	[D5]
41	1BU241D5AA	1	J, T		74			*A7	COVER, Seat Track
	1BU241J3AA	1	J, T		74			*A7	[D5]
		1	J, T		74			*A7	[J3]

GRAND CHEROKEE (WK)

SERIES LINE
H = HIGHLINE T = JEEP - 2WD
P = PREMIUM J = JEEP - 4WD
S = SPORT
X = SPECIAL

BODY
74 = SPORT UTILITY 4-DR
TYPE #4

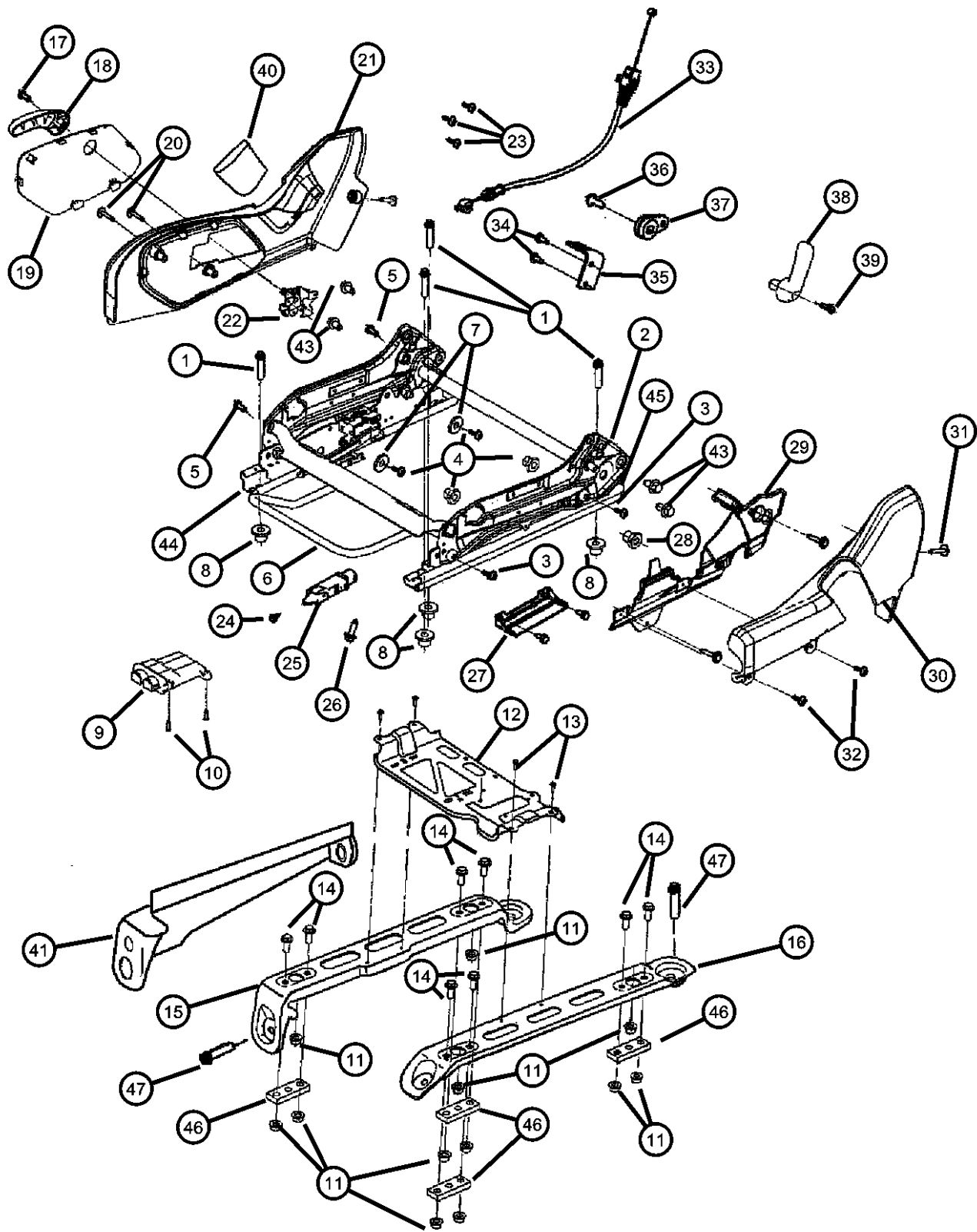
ENGINE
EVA = 4.7L V8 MPI Engine
EVD = 4.7L V8 FFV Engine
EXL = 3.0L V6 Turbo Diesel
Engine
EZB = 5.7L Hemi Multi
Displacement Engine
EKG = 3.7L V6 Engine
ESF = 6.1L SRT HEMI SMPI
V8 Engine

TRANSMISSION
DGJ = 5-Speed Auto W5A580
Transmission
DGQ = 5-Spd Automatic 545RFE
Transmission
DGU = 5-Spd Auto W5J400
Transmission

AR = use ase required - = Non illustrated part

2007 WK

**Adjuster, Recliners, Manual Passenger Seat
Figure IWK-830**



ITEM	PART NUMBER	QTY	LINE	SERIES	BODY	ENGINE	TRANS	TRIM	DESCRIPTION
		1	J, T		74			*A5	[D5]
		1	J, T		74			*A5	[J3]
-42									HARDWARE KIT
	05136790AA	1	J, T		74			*A5	
		1	J, T		74			*A7	
43									BOLT
	05139629AA	8	J, T		74			*A5	
		8	J, T		74			*A7	
44									ADJUSTER, Manual Seat, Outboard
	05143590AA	1	J, T		74			*A5	
		1	J, T		74			*A7	
45									ADJUSTER, Manual Seat, Inboard
	05143591AA	1	J, T		74			*A7	
		1	J, T		74			*A5	
46									SPACER, Mexico
	05143685AA	4	J, T		74			*A7	
		4	J, T		74			*A5	
47	06508286AA	8	J, T		74				BOLT

GRAND CHEROKEE (WK)

SERIES LINE
H = HIGHLINE T = JEEP - 2WD
P = PREMIUM J = JEEP - 4WD
S = SPORT
X = SPECIAL

BODY
74 = SPORT UTILITY 4-DR
TYPE #4

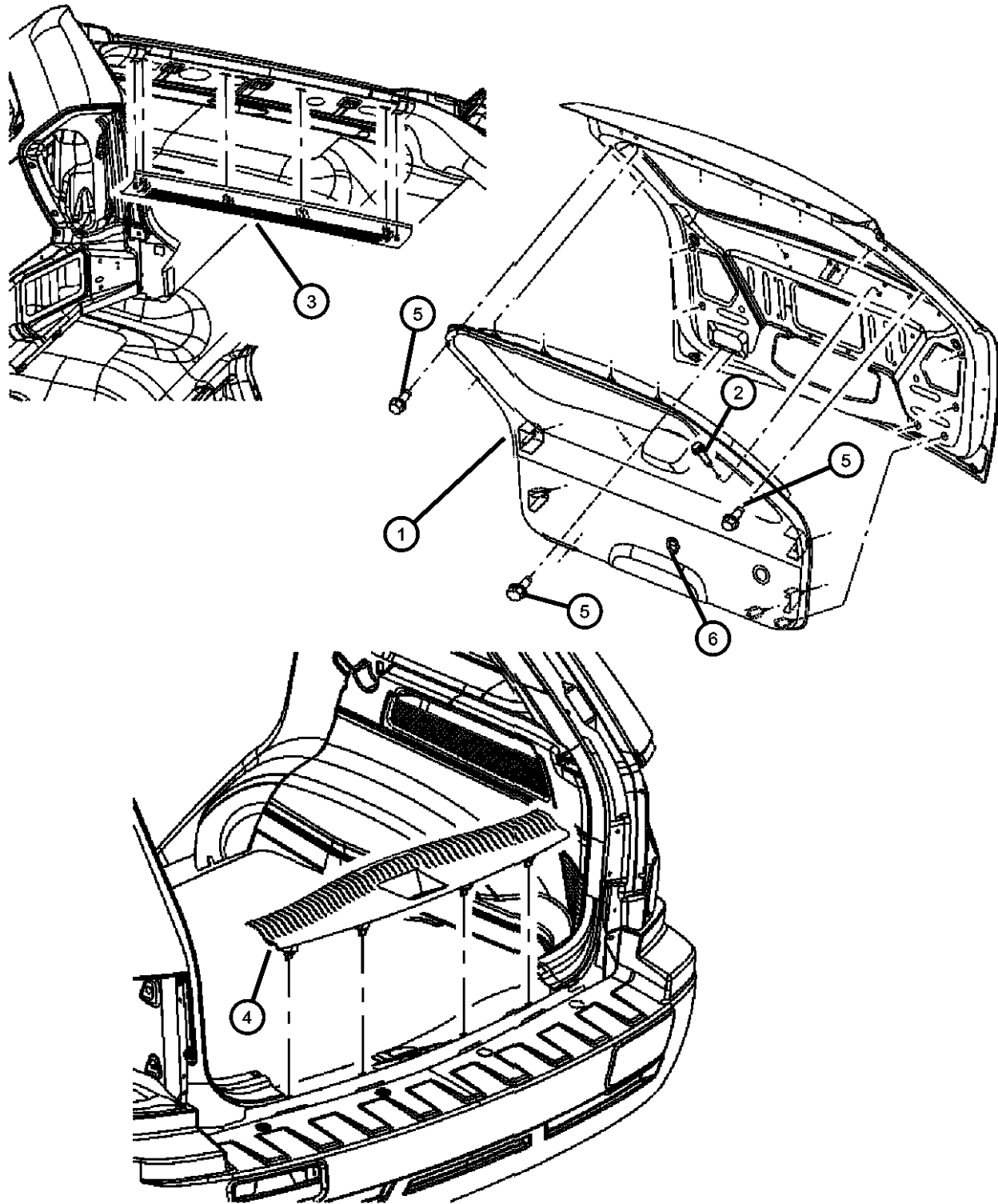
ENGINE
EVA = 4.7L V8 MPI Engine
EVD = 4.7L V8 FFV Engine
EXL = 3.0L V6 Turbo Diesel
Engine
EZB = 5.7L Hemi Multi
Displacement Engine
EKG = 3.7L V6 Engine
ESF = 6.1L SRT HEMI SMPI
V8 Engine

TRANSMISSION
DGJ = 5-Speed Auto W5A580
Transmission
DGQ = 5-Spd Automatic 545RFE
Transmission
DGU = 5-Spd Auto W5J400
Transmission

AR = use ase required - = Non illustrated part

2007 WK

Liftgate Panel and Scuff Plate
Figure IWK-1010



ITEM	PART NUMBER	QTY	LINE	SERIES	BODY	ENGINE	TRANS	TRIM	DESCRIPTION
1									PANEL, Liftgate Trim
	5JR56BD1AH	1	J, T		74			*O0	[J1]
	5JR56BD5AH	1	J, T		74			*O0	[D5]
	5JR56ZJ3AH	1	J, T		74			*O0	[J3]
2		1							SCREW, Tapping, [.164-15x2.20], (NOT SERVICED),
3	5HS28BD1AD	1	J, T		74			*O0	MOLDING, Rear Header, Upper
4									PLATE, Liftgate Scuff
	5HS29BD5AE	1	J, T		74			*O0	[D5]
	5HS29ZJ3AE	1	J, T		74			*O0	[J3]
	5HS29BD1AF	1	J, T		74			*O0	[J1]
5	06101946	6	J, T		74				SCREW, Tapping
6									PLUG
	1FD89BD1AA	1	J, T		74			*O0	[D1]
	1FD89BD5AA	1	J, T		74			*O0	[D5]
	1FD89ZJ3AA	1	J, T		74			*O0	[J3]

GRAND CHEROKEE (WK)

SERIES LINE
H = HIGHLINE T = JEEP - 2WD
P = PREMIUM J = JEEP - 4WD
S = SPORT
X = SPECIAL

BODY
74 = SPORT UTILITY 4-DR
TYPE #4

ENGINE
EVA = 4.7L V8 MPI Engine
EVD = 4.7L V8 FFV Engine
EXL = 3.0L V6 Turbo Diesel
Engine
EZB = 5.7L Hemi Multi
Displacement Engine
EKG = 3.7L V6 Engine
ESF = 6.1L SRT HEMI SMPI
V8 Engine

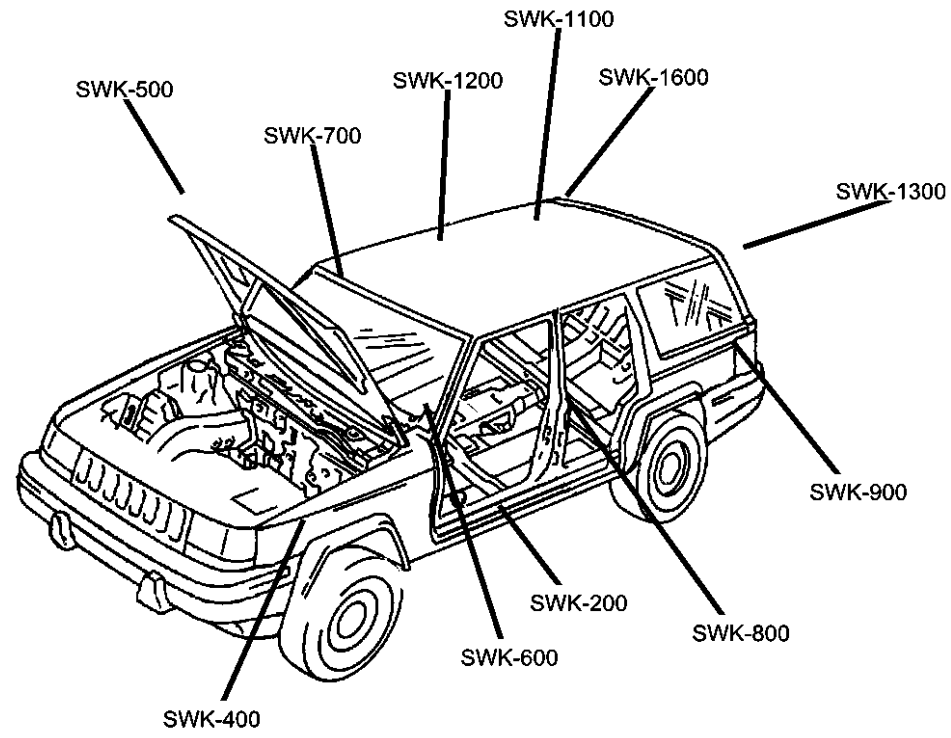
TRANSMISSION
DGJ = 5-Speed Auto W5A580
Transmission
DGQ = 5-Spd Automatic 545RFE
Transmission
DGU = 5-Spd Auto W5J400
Transmission

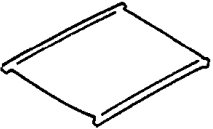

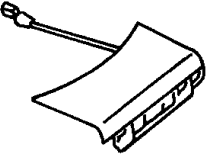
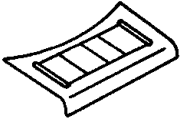
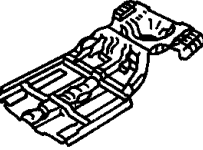

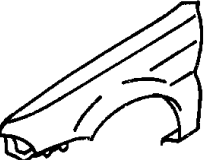
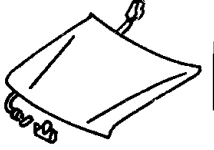
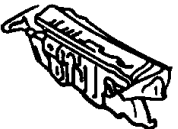

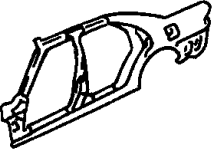
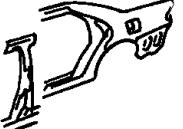
AR = use ase required - = Non illustrated part

2007 WK

Group - SWK

Body Sheet Metal Except Doors

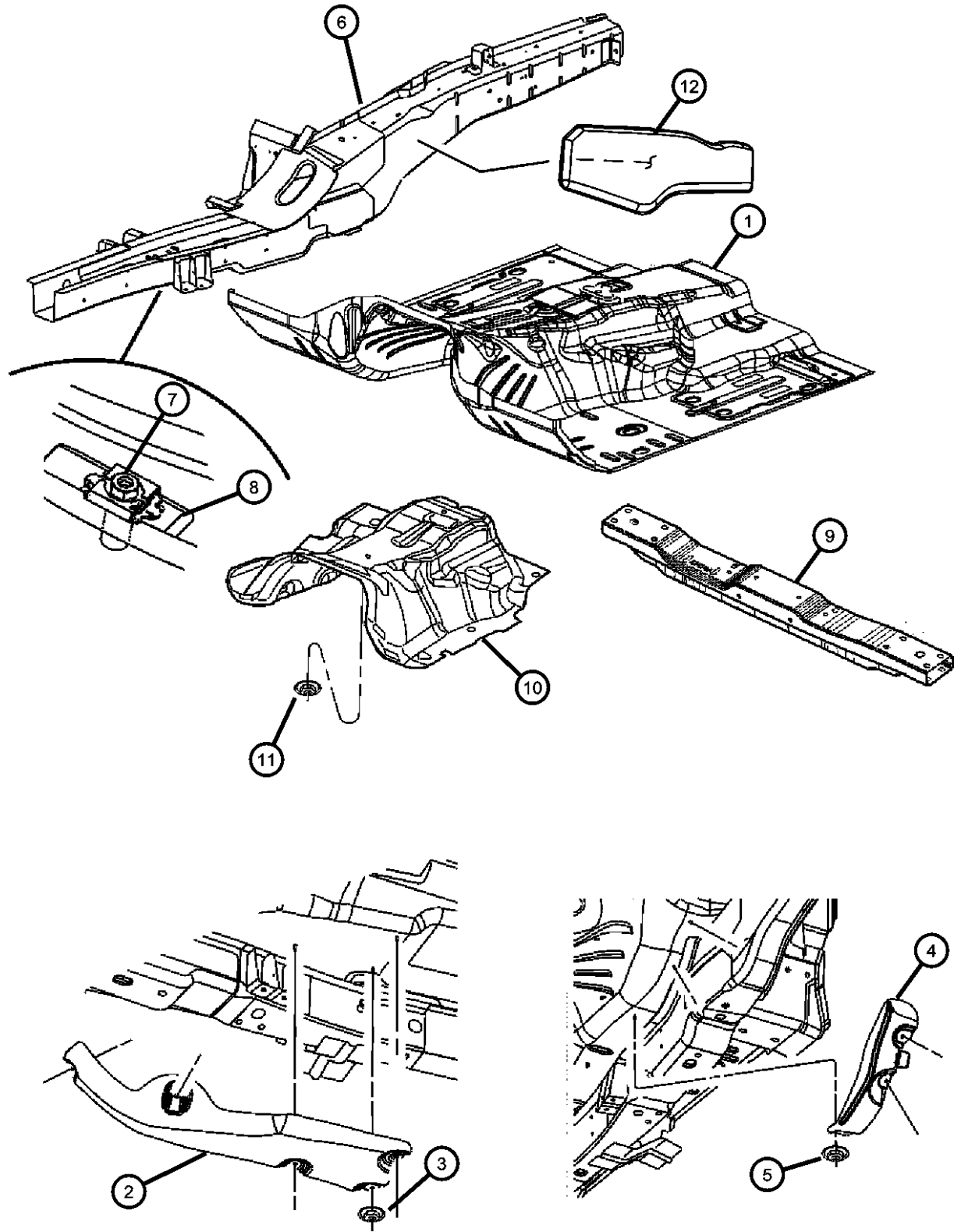


SWK-1100 Roof Panels 	SWK-1200 Sunroof 	SWK-1300 Liftgate Panel 	SWK-1600 Luggage Rack 
SWK-200 Floor Pans 	SWK-300 Plugs 	SWK-400 Front Fenders 	SWK-500 Hood and Hood Release 
SWK-600 Cowl and Dash Panel 	SWK-700 Glass and Rear View Mirror 	SWK-800 Aperture Panel 	SWK-900 Quarter Panel and Pillars 

Group - SWK Body Sheet Metal Except Doors

Illustration Title	Group-Fig. No.
Floor Pans	
Front Floor Pan.....	Fig. SWK - 210
Center and Rear Floor Pan.....	Fig. SWK - 220
Plugs	
Plugs.....	Fig. SWK - 310
Front Fenders	
Front Fender.....	Fig. SWK - 410
Hood and Hood Release	
Hood, Latch, Hinges.....	Fig. SWK - 510
Cowl and Dash Panel	
Panels, Cowl and Dash.....	Fig. SWK - 610
Insulation, Dash And Cowl.....	Fig. SWK - 620
Glass and Rear View Mirror	
Glass, Windshield, Backlite, Quarter Window, Rear View Mirror.....	Fig. SWK - 710
Aperture Panel	
Panels, Body Side.....	Fig. SWK - 810
Quarter Panel and Pillars	
Panels, Rear Quarter.....	Fig. SWK - 910
Roof Panels	
Panels, Roof.....	Fig. SWK - 1110
Sunroof	
Sunroof.....	Fig. SWK - 1210
Liftgate Panel	
Liftgate, Latch and Hinges.....	Fig. SWK - 1310
Luggage Rack	
Roof Rack.....	Fig. SWK - 1610

Front Floor Pan
Figure SWK-210



ITEM	PART NUMBER	QTY	LINE	SERIES	BODY	ENGINE	TRANS	TRIM	DESCRIPTION
1	55394418AG	1							PAN, Floor
2	55394456AC	1	J, T		74				SHIELD, Heat
3	06505199AA	3	J, T		74				NUT
4	55394453AA	1	J, T		74				SHIELD, Heat
5	06505199AA	3	J, T		74				NUT
6									RAIL, Frame Side
	55394059AN	1							Left
	55394058AN	1	J, T		74				Right
7	06101916	1	J, T		74				NUT, Hex Weld, M8x1.25
8	55136398AB	1	J, T		74				PLATE, Control Arm
9	52090070AI	1	J, T		74				CROSSMEMBER, Transmission
10	55197007AE	1							INSULATION, Floor
11	06508463AA	4	J, T		74				NUT, Plastic
12	55197174AA	1	J, T		74				INSULATOR

GRAND CHEROKEE (WK)

SERIES LINE
H = HIGHLINE T = JEEP - 2WD
P = PREMIUM J = JEEP - 4WD
S = SPORT
X = SPECIAL

BODY
74 = SPORT UTILITY 4-DR
TYPE #4

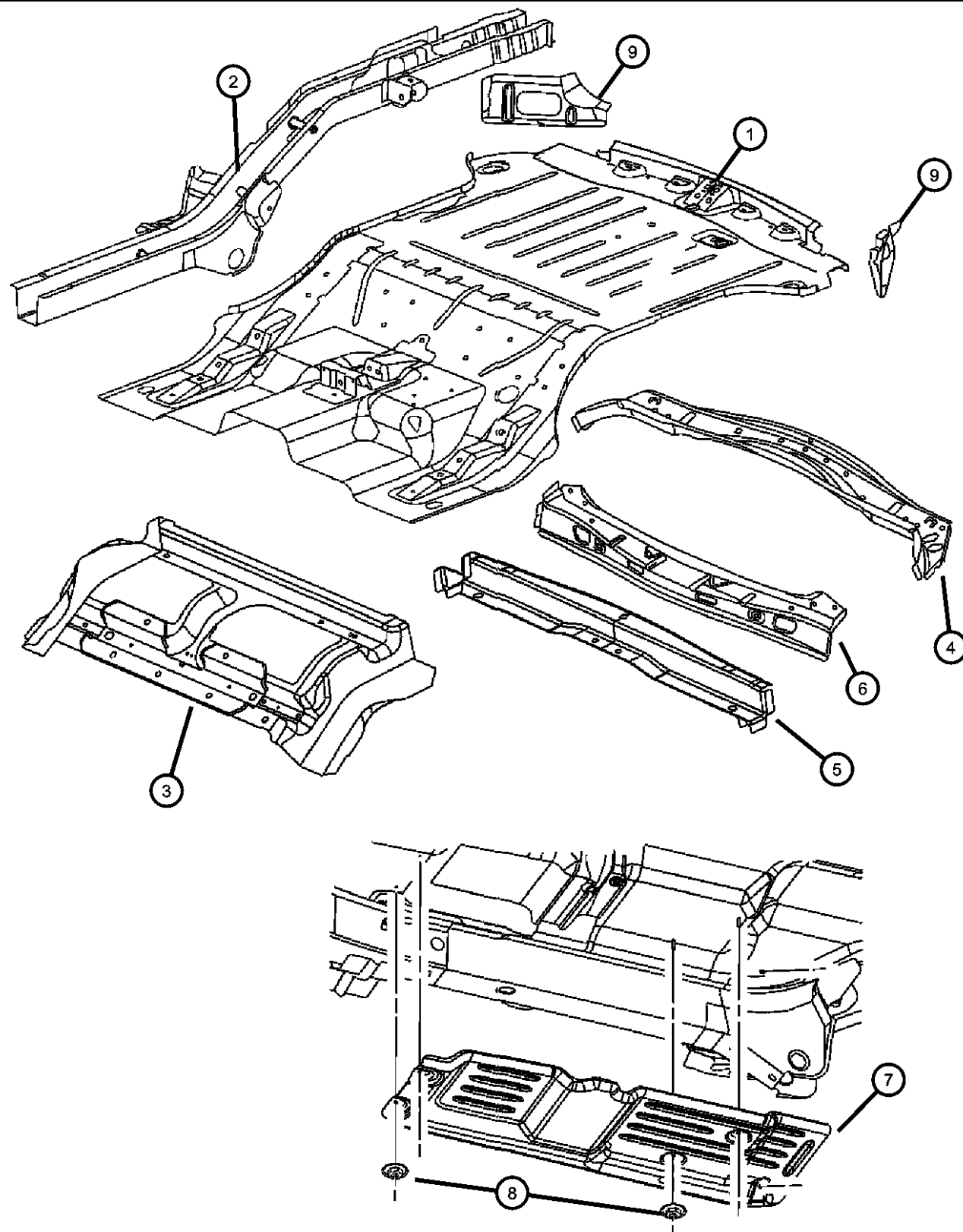
ENGINE
EVA = 4.7L V8 MPI Engine
EVD = 4.7L V8 FFV Engine
EXL = 3.0L V6 Turbo Diesel
Engine
EZB = 5.7L Hemi Multi
Displacement Engine
EKG = 3.7L V6 Engine
ESF = 6.1L SRT HEMI SMPI
V8 Engine

TRANSMISSION
DGJ = 5-Speed Auto W5A580
Transmission
DGQ = 5-Spd Automatic 545RFE
Transmission
DGU = 5-Spd Auto W5J400
Transmission

AR = use ase required - = Non illustrated part

2007 WK

**Center and Rear Floor Pan
Figure SWK-220**



ITEM	PART NUMBER	QTY	LINE	SERIES	BODY	ENGINE	TRANS	TRIM	DESCRIPTION
1	55396322AJ	1	J, T		74				PAN, Floor
2									RAIL, Rear Floor Pan Side
	05166026AB	1	J, T		74				Right
	05166027AA	1	J, T		74				Left
3	55396338AG	1							CROSSMEMBER, Floor PanCenter
4	55396340AE	1	J, T		74				CROSSMEMBER, Floor PanRear Inner
5	55396447AC	1	J, T		74				CROSSMEMBER, Floor PanSpare Tire
6	55396186AC	1							CROSSMEMBER, Rear FloorRear Outer
7	55394460AB	1	J, T		74				SHIELD, Heat
8	06505199AA	2	J, T		74				NUT
9									GUSSET, Side Member
	55394441AD	1	J, T		74				Left
	55394440AD	1	J, T		74				Right

GRAND CHEROKEE (WK)

SERIES LINE
H = HIGHLINE T = JEEP - 2WD
P = PREMIUM J = JEEP - 4WD
S = SPORT
X = SPECIAL

BODY
74 = SPORT UTILITY 4-DR TYPE #4

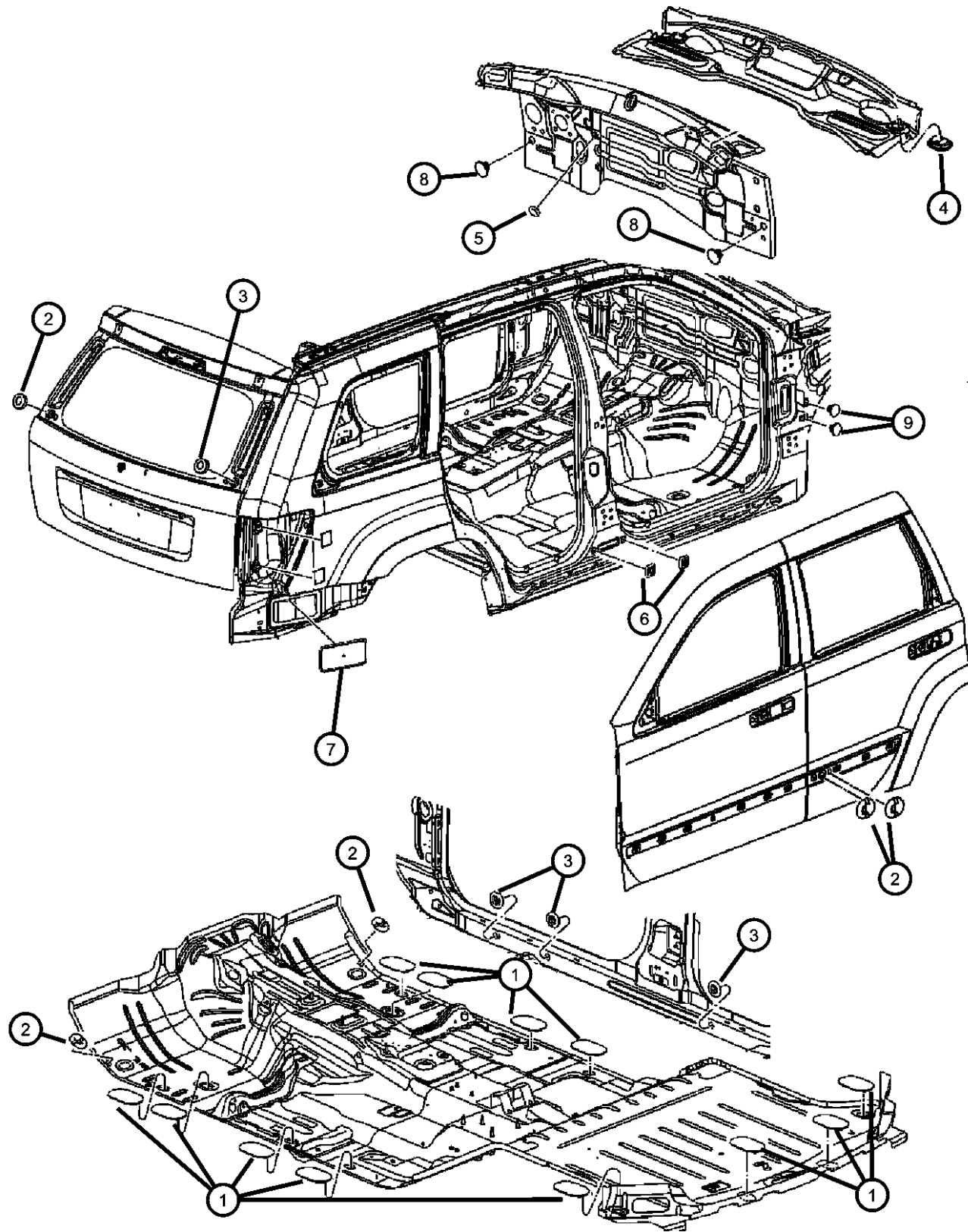
ENGINE
EVA = 4.7L V8 MPI Engine
EVD = 4.7L V8 FFV Engine
EXL = 3.0L V6 Turbo Diesel Engine
EZB = 5.7L Hemi Multi Displacement Engine
EKG = 3.7L V6 Engine
ESF = 6.1L SRT HEMI SMPI V8 Engine

TRANSMISSION
DGJ = 5-Speed Auto W5A580 Transmission
DGQ = 5-Spd Automatic 545RFE Transmission
DGU = 5-Spd Auto W5J400 Transmission

AR = use ase required - = Non illustrated part

2007 WK

Plugs
Figure SWK-310



ITEM	PART NUMBER	QTY	LINE	SERIES	BODY	ENGINE	TRANS	TRIM	DESCRIPTION
1	55360966AA	12	J, T		74				PLUG, Floor Pan
2	04440294	2	J, T		74				PLUG
3	05255216	1	J, T		74				PLUG, Body, .875 Diameter
4	55136456AB	1	J, T		74				PLUG, Body
5	04674441	1	J, T		74				PLUG, Body, .75 Diameter
6	55136566AA	4	J, T		74				PLUG, Body
7	55396896AB	1	J, T		74				PLUG, Body
8	55360494AA	2	J, T		74				PLUG, Body, 1.00 Diameter
9		2							PLUG, Plastic Expandable, 19mm, (NOT SERVICED)

GRAND CHEROKEE (WK)

SERIES LINE
H = HIGHLINE T = JEEP - 2WD
P = PREMIUM J = JEEP - 4WD
S = SPORT
X = SPECIAL

BODY
74 = SPORT UTILITY 4-DR
TYPE #4

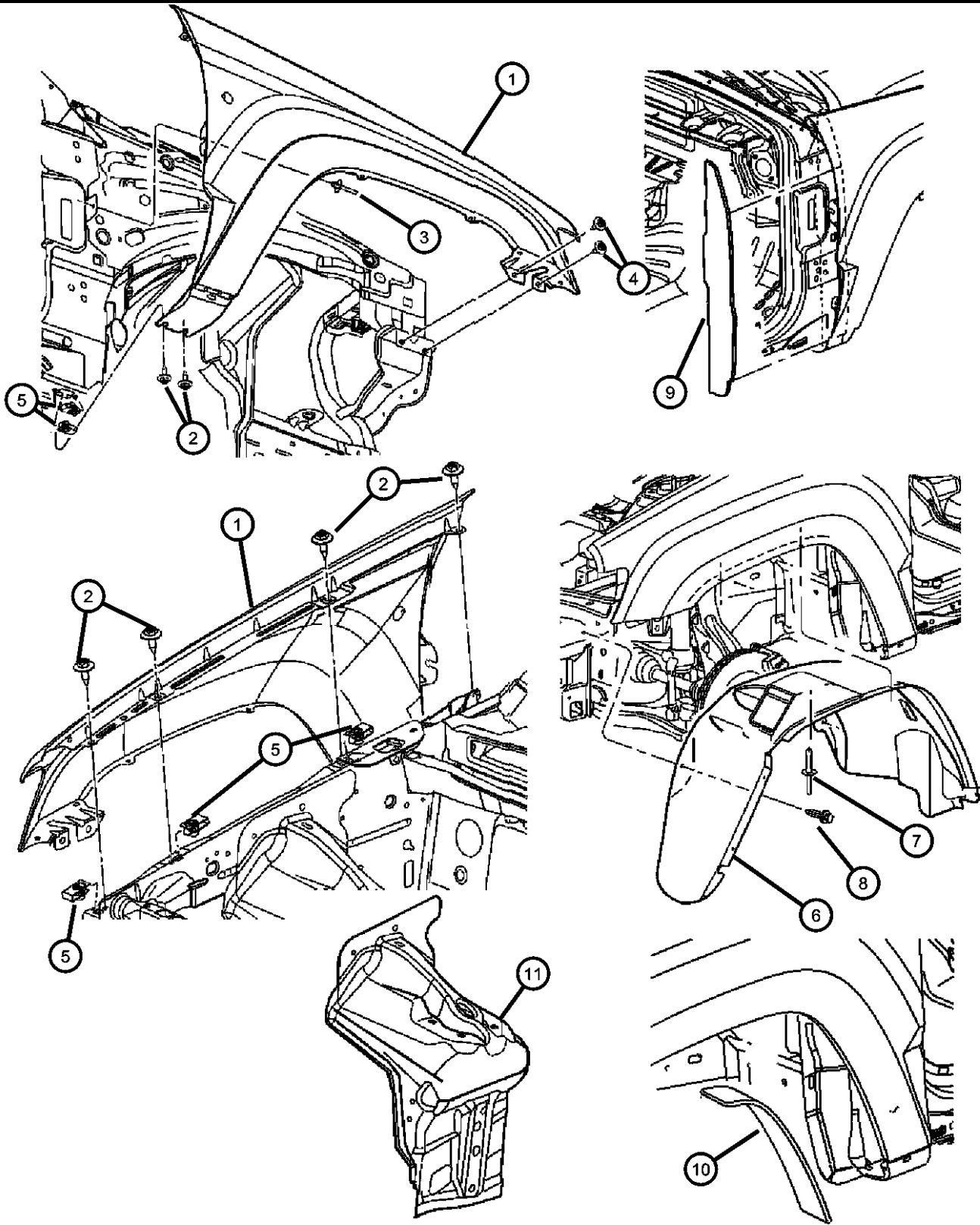
ENGINE
EVA = 4.7L V8 MPI Engine
EVD = 4.7L V8 FFV Engine
EXL = 3.0L V6 Turbo Diesel
Engine
EZB = 5.7L Hemi Multi
Displacement Engine
EKG = 3.7L V6 Engine
ESF = 6.1L SRT HEMI SMPI
V8 Engine

TRANSMISSION
DGJ = 5-Speed Auto W5A580
Transmission
DGQ = 5-Spd Automatic 545RFE
Transmission
DGU = 5-Spd Auto W5J400
Transmission

AR = use ase required - = Non illustrated part

2007 WK

Front Fender
Figure SWK-410



ITEM	PART NUMBER	QTY	LINE	SERIES	BODY	ENGINE	TRANS	TRIM	DESCRIPTION
1	55394450AB	1	J, T		74				FENDER, Front Right
	55394451AB	1	J, T		74				FENDER, Front Left
2	06100286	4	J, T		74				BOLT AND CONED WASHER, Hex Head, M6x20x20
3		4							STUD, Double Ended, [M6x1.00x57.00], (NOT SERVICED)
4	06505903AA	4	J, T		74				SCREW AND WASHER, Self Tapping, M6x1x22
5		4							NUT, U Multi Thread, M6 x 1.00, (NOT SERVICED)
6	55156620AF	1	J, T		74				LINER, Fender Side Right
	55156621AF	1	J, T		74				LINER, Fender Side Left
7	06500911	4	J, T		74				RIVET, M6.25x28
8	34201621	4	J, T		74				RIVET, M6.3x37.40
9	55196996AC	2	J, T		74				SILENCER, Cowl Side To Fender
10	55197234AB	2	J, T		74				STUFFER
11	05161876AC	1	J, T		74				SUPPORT, Suspension Right
	05161877AC	1	J, T		74				SUPPORT, Suspension Left

GRAND CHEROKEE (WK)
 SERIES LINE
 H = HIGHLINE T = JEEP - 2WD
 P = PREMIUM J = JEEP - 4WD
 S = SPORT
 X = SPECIAL

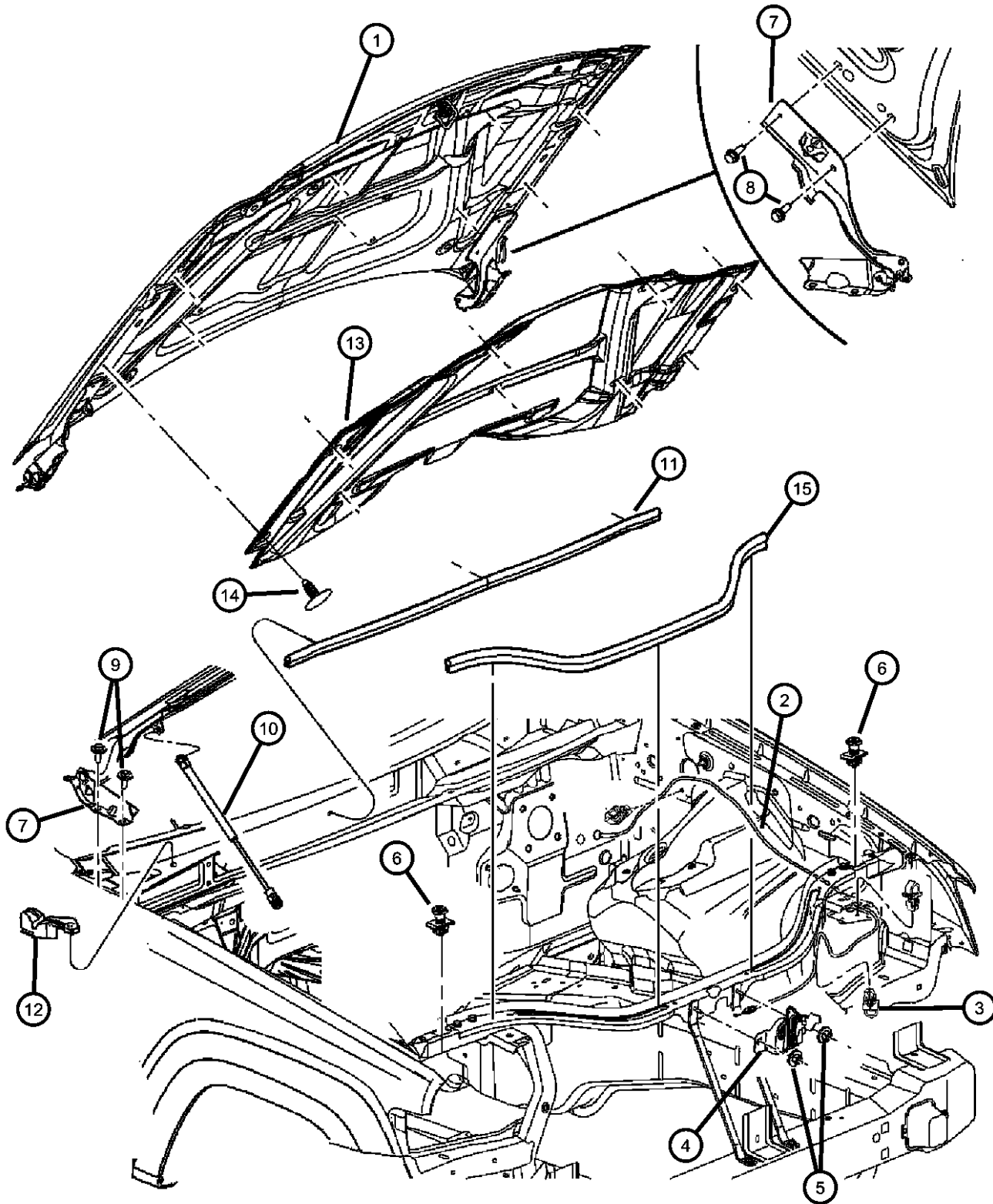
BODY
 74 = SPORT UTILITY 4-DR TYPE #4

ENGINE
 EVA = 4.7L V8 MPI Engine
 EVD = 4.7L V8 FFV Engine
 EXL = 3.0L V6 Turbo Diesel Engine
 EZB = 5.7L Hemi Multi Displacement Engine
 EKG = 3.7L V6 Engine
 ESF = 6.1L SRT HEMI SMPI V8 Engine

TRANSMISSION
 DGJ = 5-Speed Auto W5A580 Transmission
 DGQ = 5-Spd Automatic 545RFE Transmission
 DGU = 5-Spd Auto W5J400 Transmission

AR = use ase required - = Non illustrated part

Hood, Latch, Hinges
Figure SWK-510



ITEM	PART NUMBER	QTY	LINE	SERIES	BODY	ENGINE	TRANS	TRIM	DESCRIPTION
1	55394496AF	1	J, T		74				PANEL, Hood
2	55394495AB	1	J, T		74				CABLE, Hood Release
3	04814094	3	J, T		74				CLIP, Hood Latch Release
4	55396247AE	1	J, T		74				LATCH, Hood
5	06501483	2							NUT, Hex Flange, M8x1.25
6	55364470AB	2	J, T		74				BUMPER, Hood
7									HINGE, Hood
	55394474AB	1	J, T		74				Right
	55394475AB	1	J, T		74				Left
8	06503543	4	J, T		74				BOLT AND CONED WASHER, Hex Head, M8x1.25x25
9	06100286	4	J, T		74				BOLT AND CONED WASHER, Hex Head, M6x20x20
10	55394472AA	1	J, T		74				PROP, Hood
11	55394777AB	1	J, T		74				SEAL, Hood To Plenum
12									SEAL, Hood To Plenum
	55396862AA	1	J, T		74				Right
	55396863AA	1	J, T		74				Left
13	55196983AE	1	J, T		74				INSULATION, Hood
14	06506293AA	9	J, T		74				PIN, Push
15	55394851AA	1	J, T		74				WEATHERSTRIP, Hood
-16		1							STRIKER, Hood Striker Serviced With Hood Only, (NOT SERVICED)

GRAND CHEROKEE (WK)

SERIES LINE
H = HIGHLINE T = JEEP - 2WD
P = PREMIUM J = JEEP - 4WD
S = SPORT
X = SPECIAL

BODY
74 = SPORT UTILITY 4-DR
TYPE #4

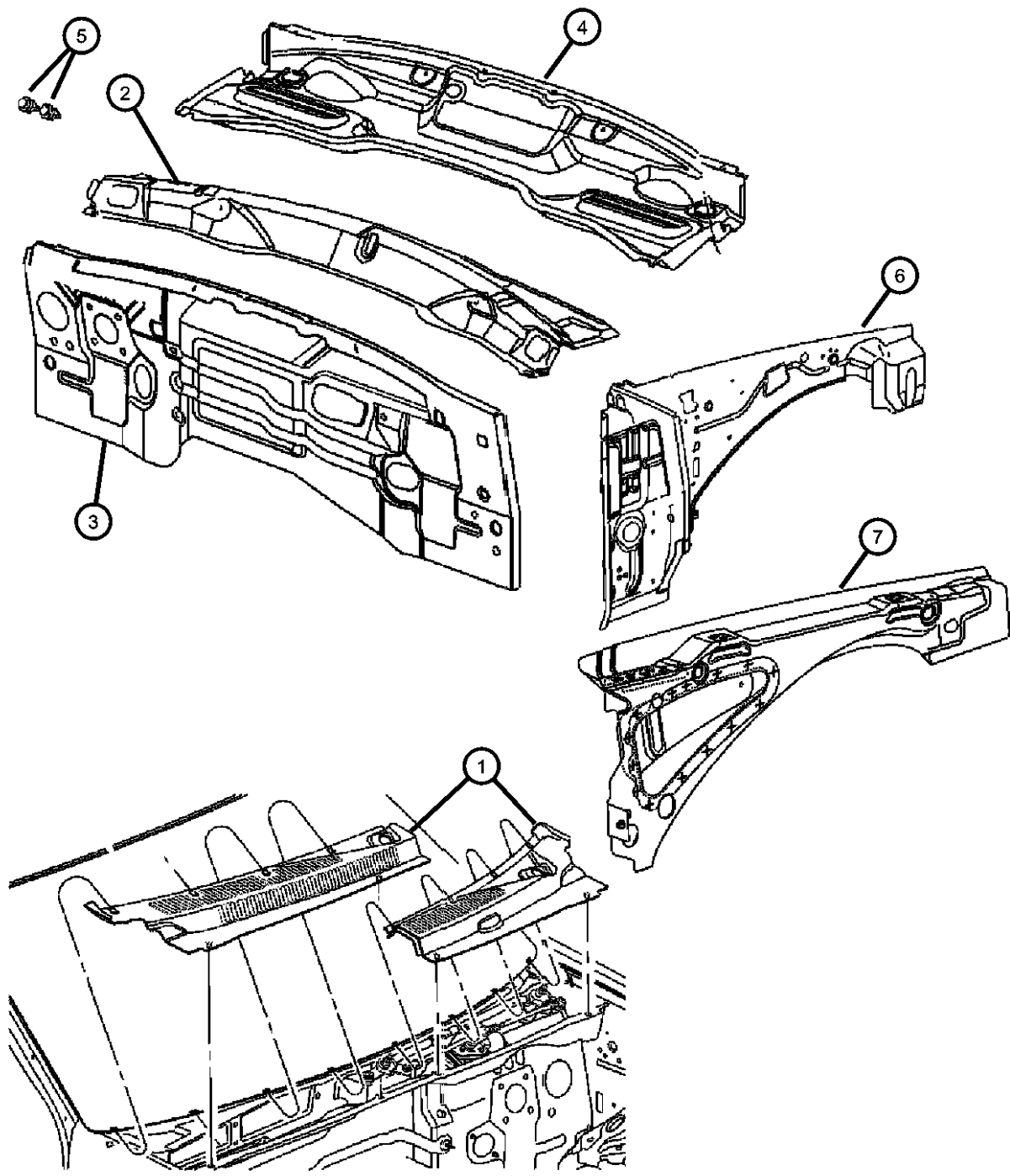
ENGINE
EVA = 4.7L V8 MPI Engine
EVD = 4.7L V8 FFV Engine
EXL = 3.0L V6 Turbo Diesel Engine
EZB = 5.7L Hemi Multi Displacement Engine
EKG = 3.7L V6 Engine
ESF = 6.1L SRT HEMI SMPI V8 Engine

TRANSMISSION
DGJ = 5-Speed Auto W5A580 Transmission
DGQ = 5-Spd Automatic 545RFE Transmission
DGU = 5-Spd Auto W5J400 Transmission

AR = use ase required - = Non illustrated part

2007 WK

Panels, Cowl and Dash
Figure SWK-610



ITEM	PART NUMBER	QTY	LINE	SERIES	BODY	ENGINE	TRANS	TRIM	DESCRIPTION
1	55156852AF	1	J, T		74				COVER, Cowl Grille Right
	55156853AF	1	J, T		74				Left
2	55394116AF	1	J, T		74				PANEL, Cowl Top
3	55394100AG	1							PANEL, Dash
4	55394118AF	1	J, T		74				PANEL, Cowl And Plenum
5	06505526AA	1	J, T		74				STUD
6	55394112AH	1	J, T		74				PANEL, Cowl Right
	55394113AH	1	J, T		74				Left
7	55394106AC	1	J, T		74				REINFORCEMENT, Cowl Side Right
	55394107AC	1	J, T		74				Left

GRAND CHEROKEE (WK)

SERIES LINE
H = HIGHLINE T = JEEP - 2WD
P = PREMIUM J = JEEP - 4WD
S = SPORT
X = SPECIAL

BODY
74 = SPORT UTILITY 4-DR
TYPE #4

ENGINE
EVA = 4.7L V8 MPI Engine
EVD = 4.7L V8 FFV Engine
EXL = 3.0L V6 Turbo Diesel
Engine
EZB = 5.7L Hemi Multi
Displacement Engine
EKG = 3.7L V6 Engine
ESF = 6.1L SRT HEMI SMPI
V8 Engine

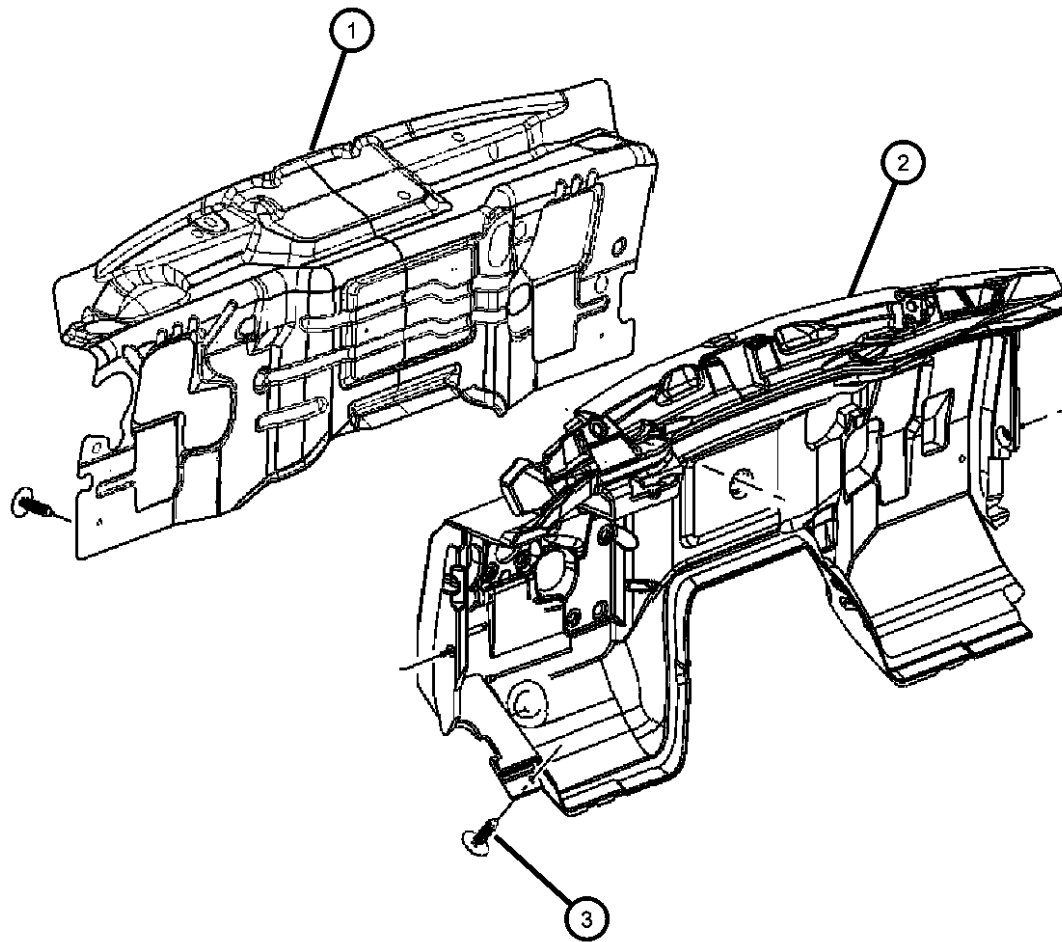
TRANSMISSION
DGJ = 5-Speed Auto W5A580
Transmission
DGQ = 5-Spd Automatic 545RFE
Transmission
DGU = 5-Spd Auto W5J400
Transmission

AR = use ase required - = Non illustrated part

2007 WK

**Insulation, Dash And Cowl
Figure SWK-620**

ITEM	PART NUMBER	QTY	LINE	SERIES	BODY	ENGINE	TRANS	TRIM	DESCRIPTION
1	55196984AG	1	J, T		74				INSULATION, Dash Panel, Engine Side
2	55196981AJ	1							INSULATION, Dash Panel, Interior
3	06501916	1	J, T		74				RETAINER, Push On



GRAND CHEROKEE (WK)

SERIES LINE
H = HIGHLINE T = JEEP - 2WD
P = PREMIUM J = JEEP - 4WD
S = SPORT
X = SPECIAL

BODY
74 = SPORT UTILITY 4-DR
TYPE #4

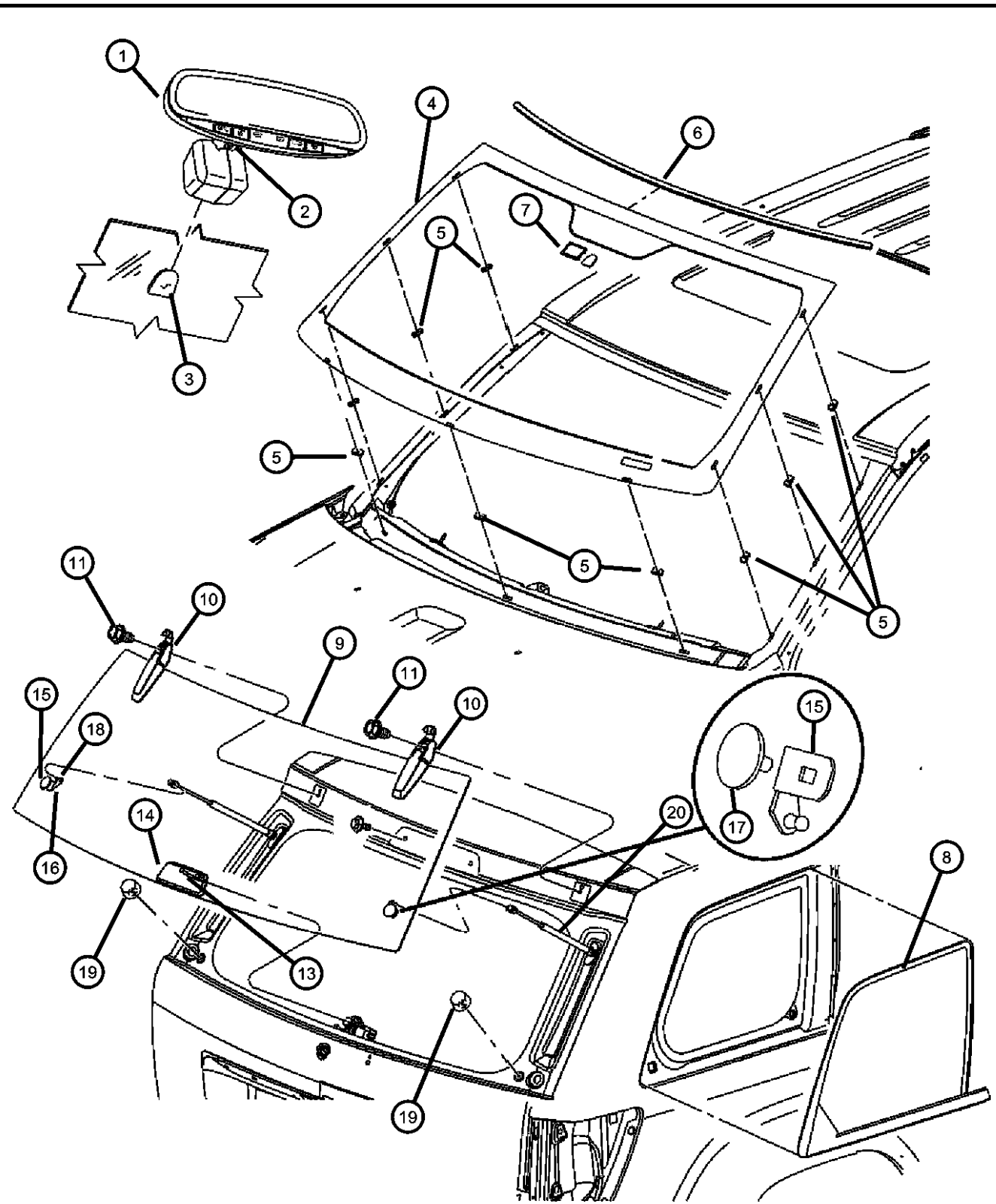
ENGINE
EVA = 4.7L V8 MPI Engine
EVD = 4.7L V8 FFV Engine
EXL = 3.0L V6 Turbo Diesel
Engine
EZB = 5.7L Hemi Multi
Displacement Engine
EKG = 3.7L V6 Engine
ESF = 6.1L SRT HEMI SMPI
V8 Engine

TRANSMISSION
DGJ = 5-Speed Auto W5A580
Transmission
DGQ = 5-Spd Automatic 545RFE
Transmission
DGU = 5-Spd Auto W5J400
Transmission

AR = use ase required - = Non illustrated part

2007 WK

**Glass, Windshield, Backlite, Quarter Window, Rear View Mirror
Figure SWK-710**



ITEM	PART NUMBER	QTY	LINE	SERIES	BODY	ENGINE	TRANS	TRIM	DESCRIPTION
1	55157463AA	1	J, T		74				MIRROR, Inside Rear View Loredo, With Auto Dim [GNK] Without Hands Free Communication [RSP] Prismatic [GNA]
	04805332AC	1	J, T		74				Loredo, With Auto Dim [GNK] and Hands Free Communication [RSP]
	05064017AE	1	J, T		74				With [GNK] Auto Dim, With [LMS] Headlamp Smart Beam, With [RSP] Hands Free Communication
	55156726AH	1	J, T		74				With [GNK] Auto Dim, With [LMS] Headlamp Smart Beam, Without [RSP] Hands Free Communication
	55157395AB	1	J, T		74				
2	06036548AA	1	J, T		74				SCREW
3	55076401	1	J, T		74				BUTTON, Rear View Mirror
4									WINDSHIELD
	55394143AD	1	J, T		74				With [JHA] Intermittent Wipers
	55394160AC	1	J, T		74				With [JHC] Rain Sensitive Windshield
5	55369224AA	9	J, T		74				SPACER, Windshield
6	55394511AA	1	J, T		74				MOLDING, Windshield
7		1							BRACKET, Windshield, Rain Sensor Bracket Serviced With Windshield, (NOT SERVICED)
8									GLASS, Quarter Window
	55394169AB	1	J, T		74				Laredo, Left
	DQ10792YPY								Collision Replacement Glass
	55396304AA	1	J, T		74				Limited, With Chrome, Right
	DQ10793YPY								Collision Replacement Glass
	55157329AA	1	J, T		74				Overland, Left
	DQ11050YPY								Collision Replacement Glass
	55394168AB	1	J, T		74				Laredo, Right
	DQ10791YPY								Collision Replacement Glass
	55157328AA	1	J, T		74				Overland, Right
	DQ11049YPY								Collision Replacement Glass

GRAND CHEROKEE (WK)
 SERIES LINE
 H = HIGHLINE T = JEEP - 2WD
 P = PREMIUM J = JEEP - 4WD
 S = SPORT
 X = SPECIAL

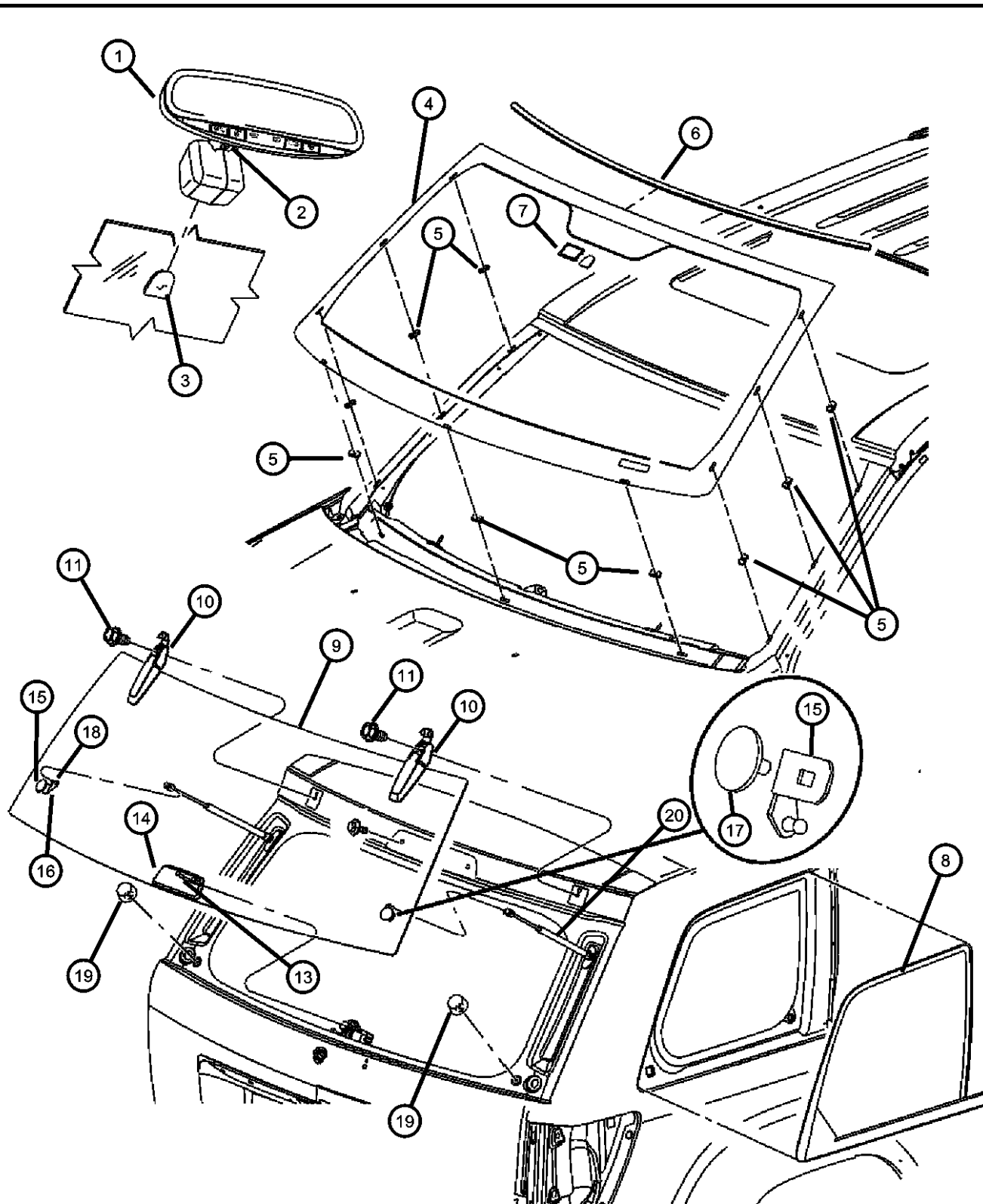
BODY
 74 = SPORT UTILITY 4-DR
 TYPE #4

ENGINE
 EVA = 4.7L V8 MPI Engine
 EVD = 4.7L V8 FFV Engine
 EXL = 3.0L V6 Turbo Diesel
 Engine
 EZB = 5.7L Hemi Multi
 Displacement Engine
 EKG = 3.7L V6 Engine
 ESF = 6.1L SRT HEMI SMPI
 V8 Engine

TRANSMISSION
 DGJ = 5-Speed Auto W5A580
 Transmission
 DGQ = 5-Spd Automatic 545RFE
 Transmission
 DGU = 5-Spd Auto W5J400
 Transmission

AR = use ase required - = Non illustrated part

**Glass, Windshield, Backlite, Quarter Window, Rear View Mirror
Figure SWK-710**



ITEM	PART NUMBER	QTY	LINE	SERIES	BODY	ENGINE	TRANS	TRIM	DESCRIPTION
	55396305AA	1	J, T		74				Limited, With Chrome, Left
	DQ10794YPY								Collision Replacement Glass
9	55394172AE	1	J, T		74				BACKLITE
	DB10795YPY								Collision Replacement Glass
10									HINGE, Liftglass
	55394178AB	1	J, T		74				Right
	55394179AB	1	J, T		74				Left
11	06502808	2	J, T		74				SCREW, M6x1x25, Hinge To Body
-12	06508004AA	2	J, T		74				SCREW, M6x1x13, Glass To Hinge
13	55394182AA	1	J, T		74				STRIKER, Liftgate Glass, Includes Plate
14	55396413AA	1	J, T		74				PAD, Isolator
15									BALL STUD, Liftgate Glass
	55136968AA	1	J, T		74				Right
	55136969AA	1	J, T		74				Left
16	55295914	4	J, T		74				GASKET, Ball Stud
17	06506200AA	2	J, T		74				FASTENER
18	06101968	2	J, T		74				NUT, M6x1.00
19	55136845AA	2	J, T		74				BUMPER, Liftgate Glass
20	55394245AD	2	J, T		74				GAS CYLINDER, Liftgate Glass

GRAND CHEROKEE (WK)

SERIES LINE
H = HIGHLINE T = JEEP - 2WD
P = PREMIUM J = JEEP - 4WD
S = SPORT
X = SPECIAL

BODY
74 = SPORT UTILITY 4-DR
TYPE #4

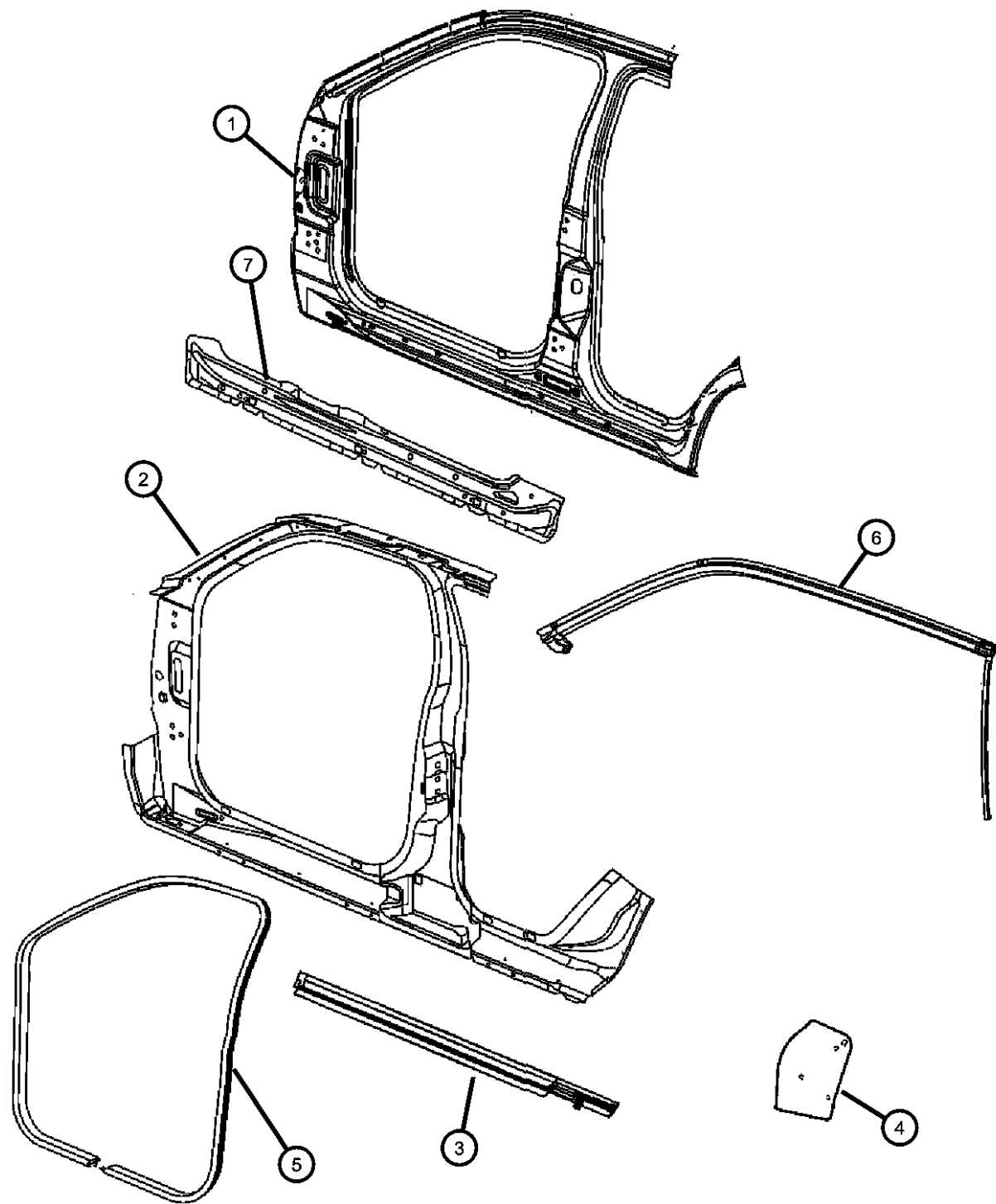
ENGINE
EVA = 4.7L V8 MPI Engine
EVD = 4.7L V8 FFV Engine
EXL = 3.0L V6 Turbo Diesel
Engine
EZB = 5.7L Hemi Multi
Displacement Engine
EKG = 3.7L V6 Engine
ESF = 6.1L SRT HEMI SMPI
V8 Engine

TRANSMISSION
DGJ = 5-Speed Auto W5A580
Transmission
DGQ = 5-Spd Automatic 545RFE
Transmission
DGU = 5-Spd Auto W5J400
Transmission

AR = use ase required - = Non illustrated part

2007 WK

Panels, Body Side
Figure SWK-810



ITEM	PART NUMBER	QTY	LINE	SERIES	BODY	ENGINE	TRANS	TRIM	DESCRIPTION
1									PANEL, Body Side Aperture Front, Complete
	05142299AF	1	J, T		74				Left
	05142298AF	1	J, T		74				Right
2									PANEL, Body Side Aperture Front, Outer
	05142292AC	1	J, T		74				Right
	05142293AC	1	J, T		74				Left
3	55394824AB	2	J, T		74				REINFORCEMENT, Sill
4	55396276AB	2	J, T		74				EXTENSION, Body Side Aperture
5	55394040AF	2	J, T		74				SEAL, Front Door
6									SEAL, Body Side
	55399016AB	1	J, T		74				Right
	55399017AB	1	J, T		74				Left
7									SILL, Body Side
	55394454AC	1	J, T		74				Right
	55394455AC	1	J, T		74				Left

GRAND CHEROKEE (WK)

SERIES LINE
H = HIGHLINE T = JEEP - 2WD
P = PREMIUM J = JEEP - 4WD
S = SPORT
X = SPECIAL

BODY
74 = SPORT UTILITY 4-DR
TYPE #4

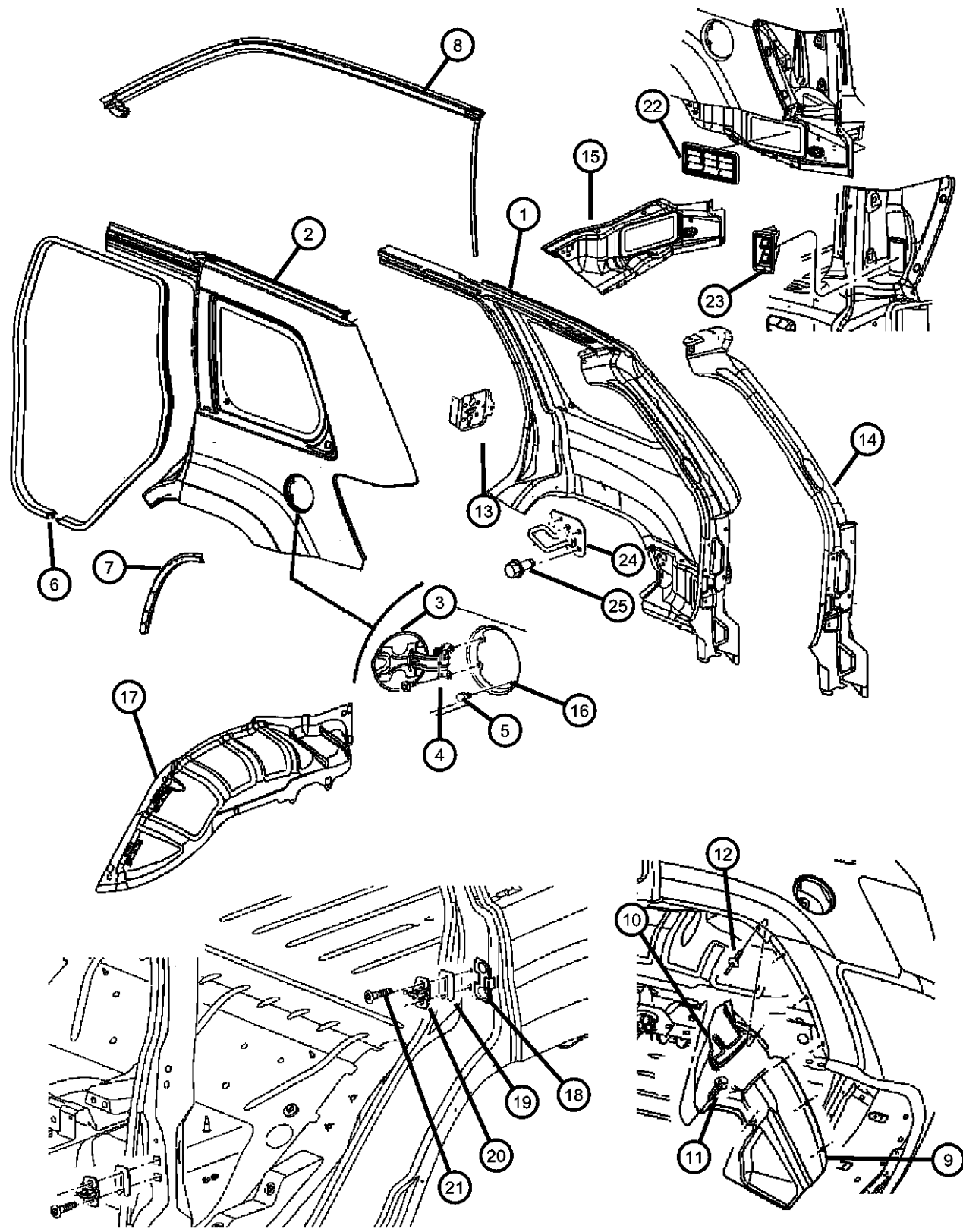
ENGINE
EVA = 4.7L V8 MPI Engine
EVD = 4.7L V8 FFV Engine
EXL = 3.0L V6 Turbo Diesel
Engine
EZB = 5.7L Hemi Multi
Displacement Engine
EKG = 3.7L V6 Engine
ESF = 6.1L SRT HEMI SMPI
V8 Engine

TRANSMISSION
DGJ = 5-Speed Auto W5A580
Transmission
DGQ = 5-Spd Automatic 545RFE
Transmission
DGU = 5-Spd Auto W5J400
Transmission

AR = use ase required - = Non illustrated part

2007 WK

Panels, Rear Quarter
Figure SWK-910



ITEM	PART NUMBER	QTY	LINE	SERIES	BODY	ENGINE	TRANS	TRIM	DESCRIPTION
1	05142300AF	1	J, T		74				PANEL, Body Side Aperture Rear, Complete, Includes Tailamp Pocket Right
	05142301AF	1	J, T		74				Left
2	05142294AC	1	J, T		74				PANEL, Quarter, Outer Only, Without Tailamp Pocket Right
	05142295AC	1	J, T		74				Left
3	55394206AC	1	J, T		74				DOOR, Fuel Fill
4	06507847AA	2	J, T		74				BOLT
5	52102405AA	2	J, T		74				BUMPER, Fuel Door
6	55399018AB	2	J, T		74				SEAL, Rear Door
7	55396052AC	1							SEAL, Wheelhouse Right
	55396053AC	1							Left
8	55399016AB	1	J, T		74				SEAL, Body Side Right
	55399017AB	1	J, T		74				Left
9	55156618AF	1	J, T		74				SHIELD, Splash Rear Right
	55156619AE	1	J, T		74				Rear Left
	55157312AE	1	J, T		74				With [EZO] 8 Cylinder, Rear Right
	55157313AE	1	J, T		74				With [EZO] 8 Cylinder, Rear Left
10	55157080AE	1	J, T		74				SHIELD, Splash Rear Wheelhouse Inner Front, Right
	55157081AE	1	J, T		74				Left
11	34201621	4	J, T		74				RIVET, M6.3x37.40
12	06500911	6	J, T		74				RIVET, M6.25x28
13	55394200AB	2	J, T		74				REINFORCEMENT, Door Striker
14	55396058AE	1	J, T		74				TROUGH, Liftgate Opening Right
	55396059AE	1	J, T		74				Left

GRAND CHEROKEE (WK)

SERIES LINE
H = HIGHLINE T = JEEP - 2WD
P = PREMIUM J = JEEP - 4WD
S = SPORT
X = SPECIAL

BODY
74 = SPORT UTILITY 4-DR
TYPE #4

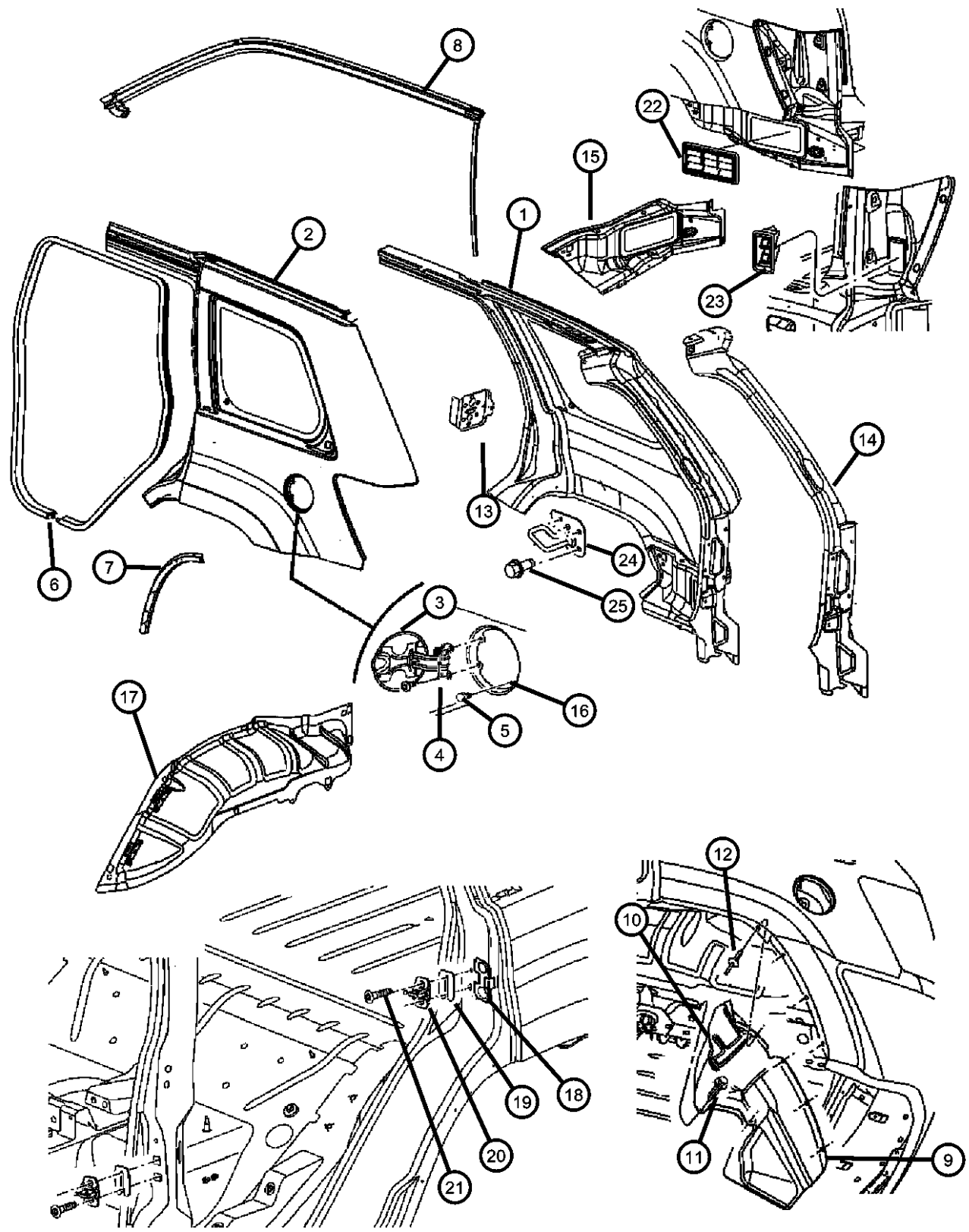
ENGINE
EVA = 4.7L V8 MPI Engine
EVD = 4.7L V8 FFV Engine
EXL = 3.0L V6 Turbo Diesel
Engine
EZB = 5.7L Hemi Multi
Displacement Engine
EKG = 3.7L V6 Engine
ESF = 6.1L SRT HEMI SMPI
V8 Engine

TRANSMISSION
DGJ = 5-Speed Auto W5A580
Transmission
DGQ = 5-Spd Automatic 545RFE
Transmission
DGU = 5-Spd Auto W5J400
Transmission

AR = use ase required - = Non illustrated part

2007 WK

Panels, Rear Quarter
Figure SWK-910



ITEM	PART NUMBER	QTY	LINE	SERIES	BODY	ENGINE	TRANS	TRIM	DESCRIPTION
15									EXTENSION, Body Side Aperture
	55396442AB	1	J, T		74				Right
	55396443AB	1	J, T		74				Left
16	52090493AB	1							HOUSING, Fuel Filler
17									WHEELHOUSE, Rear Inner
	55394458AF	1	J, T		74				Right
	55394459AF	1	J, T		74				Left
18	04674669	2	J, T		74				PLATE, Striker
19									SPACER, Door Latch Striker
	04520289	AR	J, T		74				3.75 Thick
	55075483	AR	J, T		74				2.0 To 2.5 Thick
20	04717779AB	2	J, T		74				STRIKER AND BUMPER, Door Latch
21	06506749AA	4	J, T		74				SCREW, 6 Lobed
22	55394330AB	1	J, T		74				EXHAUSTER, Bodyside Aperture
23	55136280AD	1	J, T		74				EXHAUSTER, Quarter Panel, Tail Lamp Exhauster
24									STRIKER, Seat Back Latch
	55197084AB	1	J, T		74				Right
	55197085AB	1	J, T		74				Left
25	06508286AA	8	J, T		74				BOLT, Seat

GRAND CHEROKEE (WK)

SERIES LINE
H = HIGHLINE T = JEEP - 2WD
P = PREMIUM J = JEEP - 4WD
S = SPORT
X = SPECIAL

BODY
74 = SPORT UTILITY 4-DR
TYPE #4

ENGINE
EVA = 4.7L V8 MPI Engine
EVD = 4.7L V8 FFV Engine
EXL = 3.0L V6 Turbo Diesel
Engine
EZB = 5.7L Hemi Multi
Displacement Engine
EKG = 3.7L V6 Engine
ESF = 6.1L SRT HEMI SMPI
V8 Engine

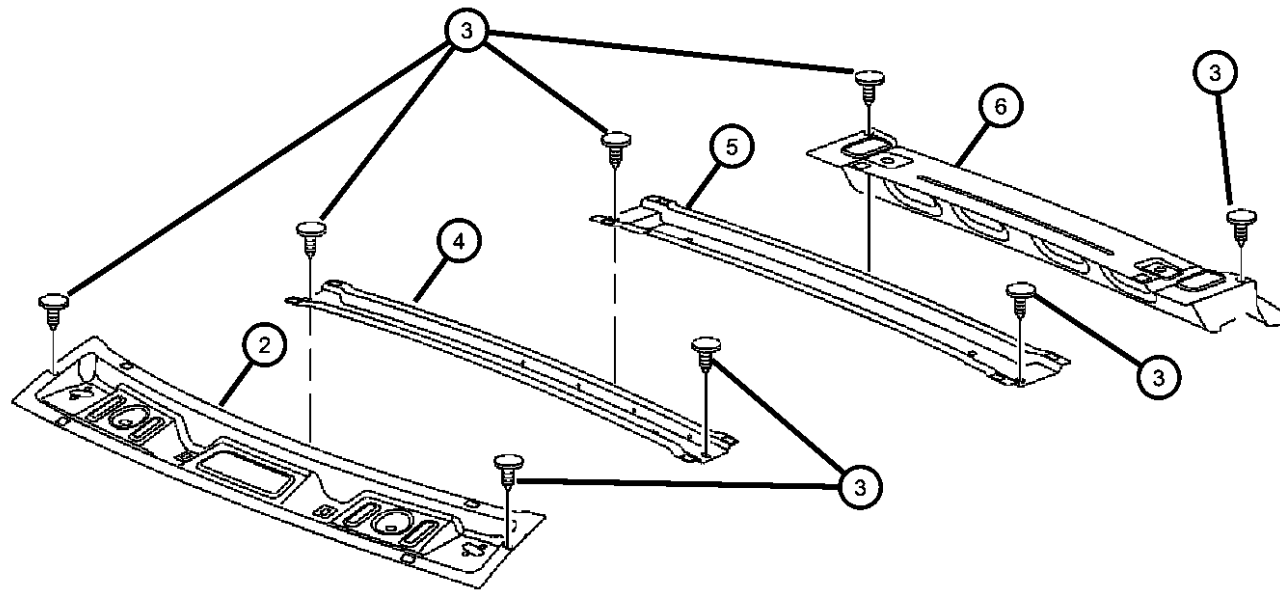
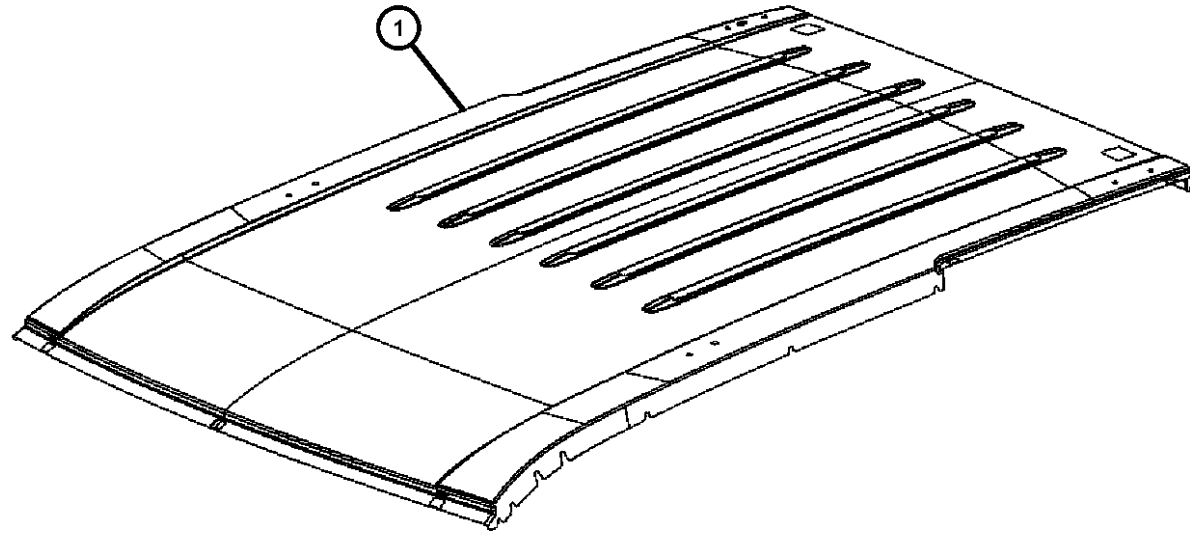
TRANSMISSION
DGJ = 5-Speed Auto W5A580
Transmission
DGQ = 5-Spd Automatic 545RFE
Transmission
DGU = 5-Spd Auto W5J400
Transmission

AR = use ase required - = Non illustrated part

2007 WK

Panels, Roof
Figure SWK-1110

ITEM	PART NUMBER	QTY	LINE	SERIES	BODY	ENGINE	TRANS	TRIM	DESCRIPTION
1									PANEL, Roof
	55394293AB	1	J, T		74				
	55394298AD	1	J, T		74				With Sunroof
2	55363368AD	1	J, T		74				HEADER, Panel
3	06034608	2	J, T		74				PIN, Headline
4	55394300AA	1	J, T		74				BOW, Roof
5	55396908AA	1	J, T		74				BOW, Roof
6	55396055AG	1							HEADER, Panel



GRAND CHEROKEE (WK)

SERIES LINE
H = HIGHLINE T = JEEP - 2WD
P = PREMIUM J = JEEP - 4WD
S = SPORT
X = SPECIAL

BODY
74 = SPORT UTILITY 4-DR
TYPE #4

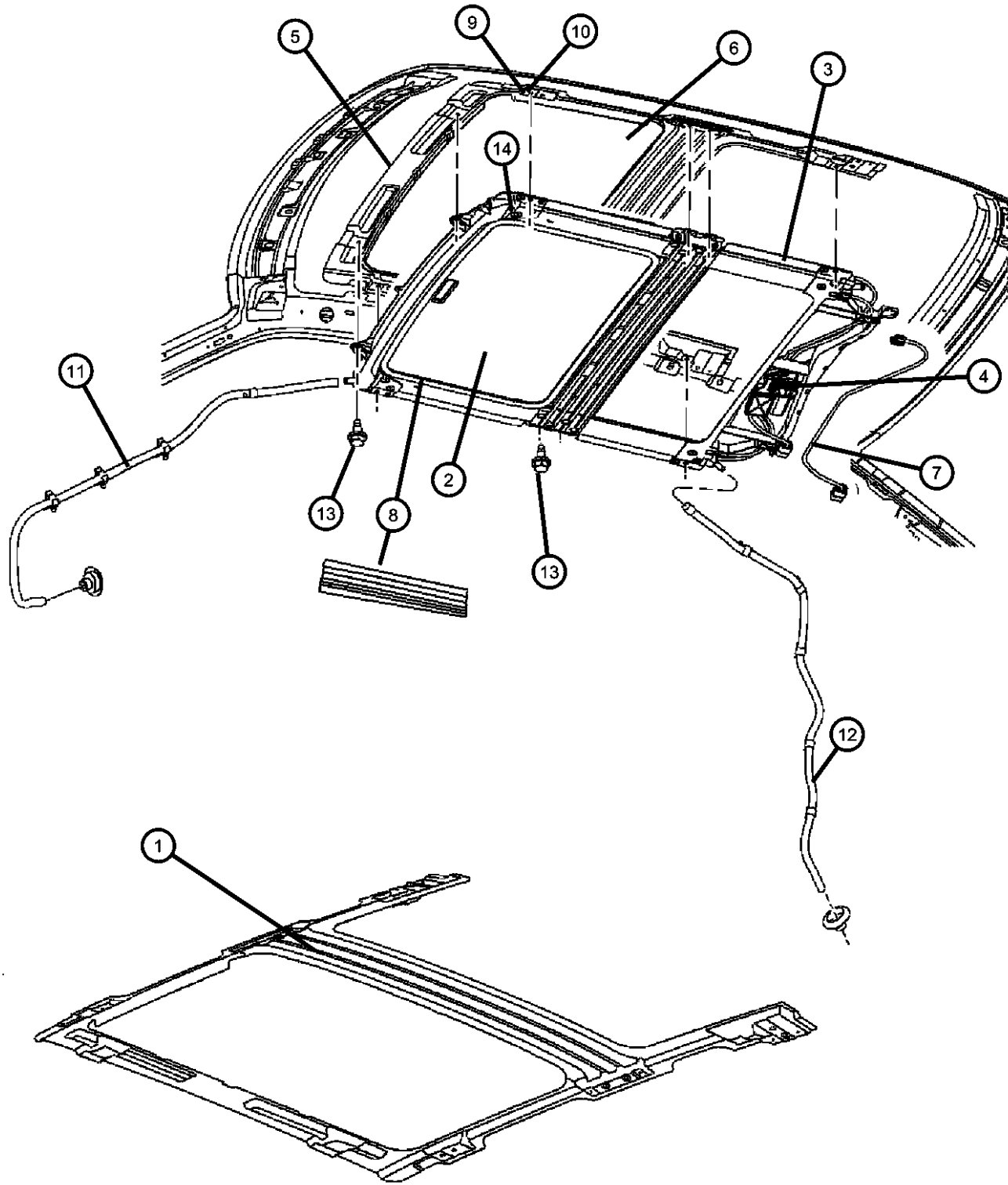
ENGINE
EVA = 4.7L V8 MPI Engine
EVD = 4.7L V8 FFV Engine
EXL = 3.0L V6 Turbo Diesel
Engine
EZB = 5.7L Hemi Multi
Displacement Engine
EKG = 3.7L V6 Engine
ESF = 6.1L SRT HEMI SMPI
V8 Engine

TRANSMISSION
DGJ = 5-Speed Auto W5A580
Transmission
DGQ = 5-Spd Automatic 545RFE
Transmission
DGU = 5-Spd Auto W5J400
Transmission

AR = use ase required - = Non illustrated part

2007 WK

Sunroof
Figure SWK-1210



ITEM	PART NUMBER	QTY	LINE	SERIES	BODY	ENGINE	TRANS	TRIM	DESCRIPTION
1	05137559AD	1	J, T		74				CHANNEL, Sunroof Drain, Includes Weatherstrip
2	1AH31BD1AA	1	J, T		74				SUNSHADE, Sunroof
3	05139927AB	1	J, T		74				FRAME, Sunroof, Includes Cables
4	05137557AE	1	J, T		74				MOTOR/MODULE, Sunroof
5	05170957AA	1	J, T		74				DEFLECTOR, Sunroof Wind
6	05139931AA	1	J, T		74				GLASS, Sunroof, Includes Seal
7	05139930AB	1	J, T		74				WIRING, Sunroof
8	05137558AB	2	J, T		74				COVER, Sunroof Mechanism, Accordion Style Covers. 2 Per Pkg
9	05139814AA	1	J, T		74				GUIDE, Sunroof Glass
10	05139815AA	1	J, T		74				GUIDE, Sunroof Glass
11	55394318AE	2	J, T		74				HOSE, Sunroof Drain
12	55394324AE	2	J, T		74				HOSE, Sunroof Drain
13	06101455	8							SCREW AND WASHER, Hex Head, M6x1x20
14	06508405AA	4	J, T		74				SCREW
-15	68003812AA	2	J, T		74				CONDUIT, Sunroof Actuator Cable, Rear

GRAND CHEROKEE (WK)

SERIES LINE
H = HIGHLINE T = JEEP - 2WD
P = PREMIUM J = JEEP - 4WD
S = SPORT
X = SPECIAL

BODY
74 = SPORT UTILITY 4-DR
TYPE #4

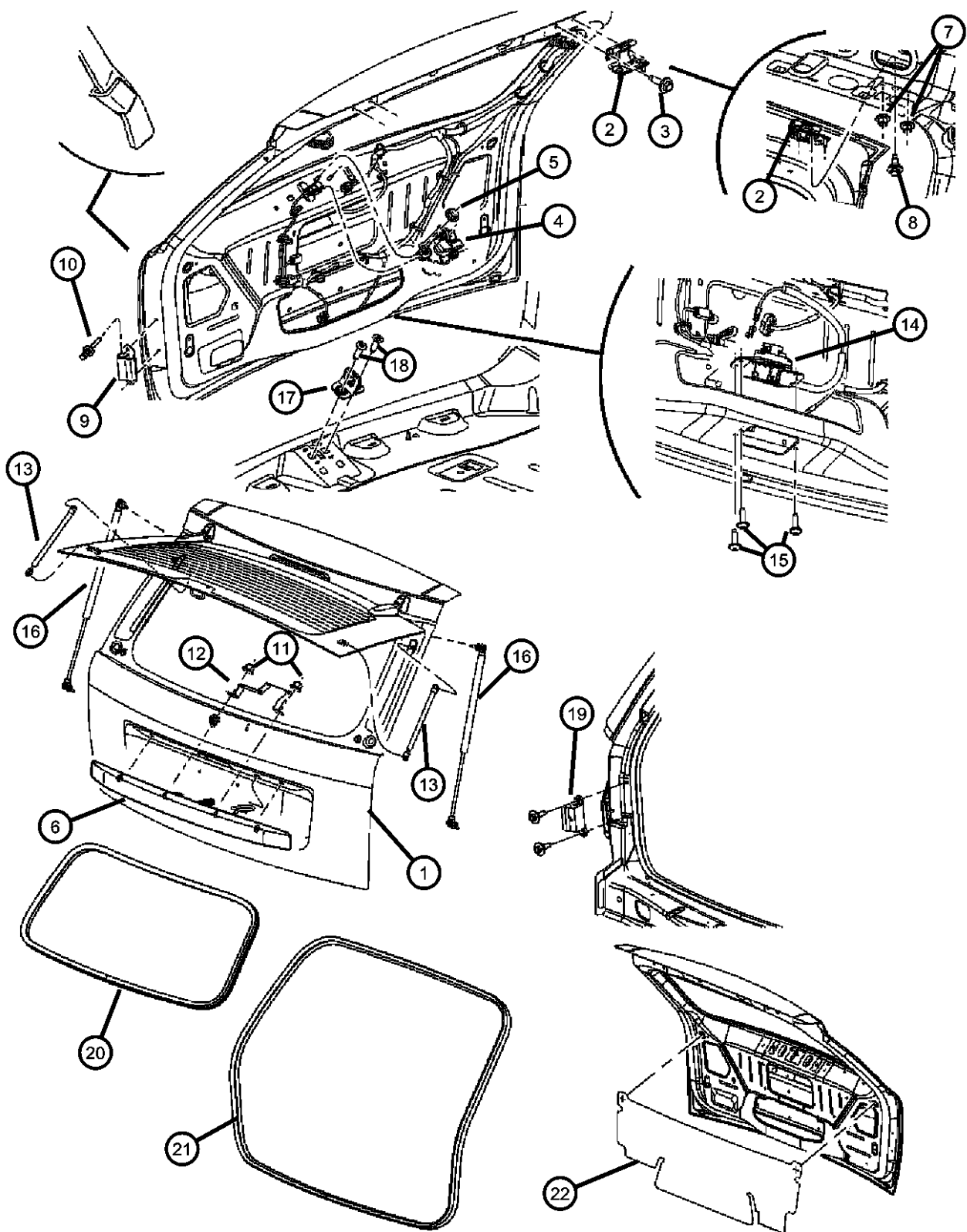
ENGINE
EVA = 4.7L V8 MPI Engine
EVD = 4.7L V8 FFV Engine
EXL = 3.0L V6 Turbo Diesel Engine
EZB = 5.7L Hemi Multi Displacement Engine
EKG = 3.7L V6 Engine
ESF = 6.1L SRT HEMI SMPI V8 Engine

TRANSMISSION
DGJ = 5-Speed Auto W5A580 Transmission
DGQ = 5-Spd Automatic 545RFE Transmission
DGU = 5-Spd Auto W5J400 Transmission

AR = use ase required - = Non illustrated part

2007 WK

Liftgate, Latch and Hinges
Figure SWK-1310

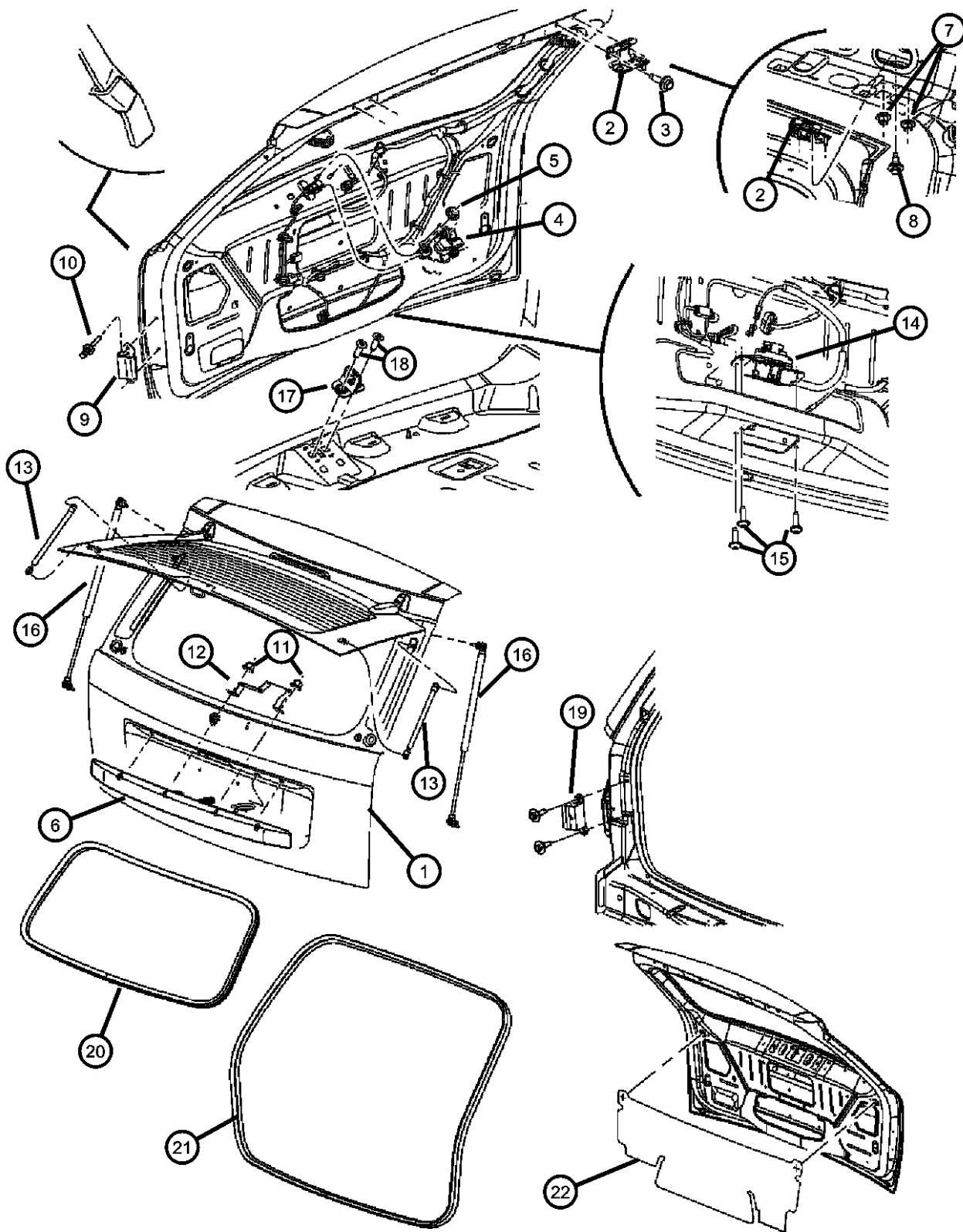


ITEM	PART NUMBER	QTY	LINE	SERIES	BODY	ENGINE	TRANS	TRIM	DESCRIPTION
1	55399066AB	1	J, T		74				PANEL, Liftgate
2	55396772AF	2							HINGE, Liftgate
3	06502975	4	J, T		74				SCREW AND WASHER, Hex Head, M8x1.25x33
4	55396445AA	1	J, T		74				LATCH, Liftgate Glass
5	06503102	2	J, T		74				NUT AND WASHER, Hex Nut-Coned Washer, M6 x 1.00
6									HANDLE, Liftgate
	55156354AG	1	J, T		74				Black ,With [MNS] Without [XAC]
	55399460AA	1	J, T		74				With [MNL]
	5HU81CD-MAE	1	J, T		74				[DM] Limited
	5HU81DB-MAE	1	J, T		74				[BM] Limited
	5HU81DX8AE	1	J, T		74				[X8] Limited
	5HU81EDAAE	1	J, T		74				[DA] Limited
	5HU81EEMAE	1	J, T		74				[EM] Limited
	5HU81EGJAE	1	J, T		74				[GJ] Limited
	5HU81SW1AE	1	J, T		74				[W1] Limited
	5HU81WS-BAE	1	J, T		74				[SB] Limited
7	06101446	4	J, T		74				NUT AND WASHER
8	06506802AA	2							SCREW AND WASHER, Hex Head
9	04860873AD	2	J, T		74				BUMPER, Liftgate
10		2							RIVET, Blind, .250 x .660, (NOT SERVICED)
11	06503856	2	J, T		74				NUT AND WASHER, Hex
12	55396922AA	1	J, T		74				BRACKET, Liftgate
13	55394245AD	2	J, T		74				GAS CYLINDER, Liftgate Glass
14	04589131AB	1	J, T		74				LATCH, Liftgate
15	06508611AA	3	J, T		74				SCREW, LARGE ROUND WASHER HEAD LOCK, M6X1.00X22.00
16									SUPPORT, Liftgate Opening
	55394322AA	1	J, T		74				Right
	55394323AA	1	J, T		74				Left

GRAND CHEROKEE (WK)
 SERIES LINE BODY ENGINE TRANSMISSION
 H = HIGHLINE T = JEEP - 2WD 74 = SPORT UTILITY 4-DR EVA = 4.7L V8 MPI Engine
 P = PREMIUM J = JEEP - 4WD TYPE #4 EVD = 4.7L V8 FFV Engine DGJ = 5-Speed Auto W5A580
 S = SPORT Engine DGQ = 5-Spd Automatic 545RFE
 X = SPECIAL ESF = 6.1L SRT HEMI SMPI V8 Engine V8 Engine DGU = 5-Spd Auto W5J400
 Transmission

AR = use ase required - = Non illustrated part

Liftgate, Latch and Hinges
Figure SWK-1310



ITEM	PART NUMBER	QTY	LINE	SERIES	BODY	ENGINE	TRANS	TRIM	DESCRIPTION
17	04717707AA	1	J, T		74				STRIKER, Liftgate
18	06503533	2	J, T		74				SCREW, Flange Head, M8x1.25x26
19	55396825AA	2	J, T		74				BUMPER, Rubber
20	55394780AH	1							WEATHERSTRIP, Liftgate Glass
21	55394782AE	1							WEATHERSEAL, LIFTGATE
22	55394781AA	1	J, T		74				INSULATION, Liftgate
-23									WIRING, License Lamp, Includes Lamp Socket
	68020997AA	1	J, T		74				
	68020994AA	1	J, T		74				[XAC]

GRAND CHEROKEE (WK)

SERIES LINE
H = HIGHLINE T = JEEP - 2WD
P = PREMIUM J = JEEP - 4WD
S = SPORT
X = SPECIAL

BODY
74 = SPORT UTILITY 4-DR TYPE #4

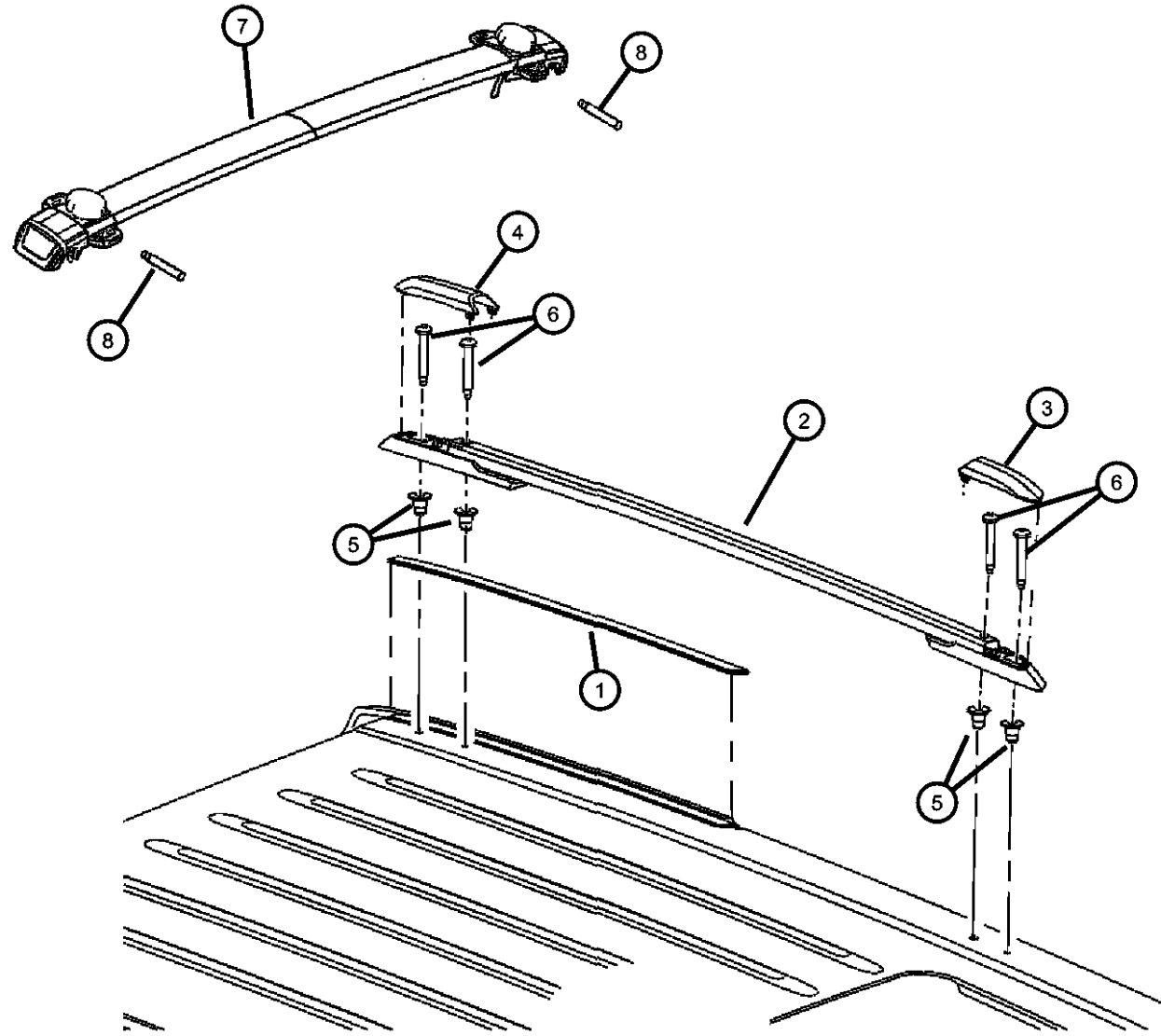
ENGINE
EVA = 4.7L V8 MPI Engine
EVD = 4.7L V8 FFV Engine
EXL = 3.0L V6 Turbo Diesel Engine
EZB = 5.7L Hemi Multi Displacement Engine
EKG = 3.7L V6 Engine
ESF = 6.1L SRT HEMI SMPI V8 Engine

TRANSMISSION
DGJ = 5-Speed Auto W5A580 Transmission
DGQ = 5-Spd Automatic 545RFE Transmission
DGU = 5-Spd Auto W5J400 Transmission

AR = use ase required - = Non illustrated part

2007 WK

**Roof Rack
Figure SWK-1610**



ITEM	PART NUMBER	QTY	LINE	SERIES	BODY	ENGINE	TRANS	TRIM	DESCRIPTION
1	55156874AD	1	J, T		74				MOLDING, Roof Right
	55156875AD	1	J, T		74				MOLDING, Roof Left
2	55157386AA	1	J, T		74				RAIL, Roof With [MW1],Platinum, Right
	55157387AA	1	J, T		74				RAIL, Roof With [MW1],Platinum, Left
	55157468AA	1							RAIL, Roof With [MWE],Black, Right
	55157469AA	1							RAIL, Roof With [MWE],Black, Left
3	55394343AB	1	J, T		74				COVER, Luggage Rack, Front Left
	55394342AB	1	J, T		74				COVER, Luggage Rack, Front Right
4	55394344AB	1	J, T		74				COVER, Luggage Rack, Rear Right
	55394345AB	1	J, T		74				COVER, Luggage Rack, Rear Left
5	06508202AA	8	J, T		74				RIVNUT, Installation
6	06508390AA	8	J, T		74				SCREW
7	55157114AC	1	J, T		74				RAIL, Luggage Rack
8	05174361AA	1	J, T		74				PIN, PIN-LOCK

GRAND CHEROKEE (WK)

SERIES LINE
H = HIGHLINE T = JEEP - 2WD
P = PREMIUM J = JEEP - 4WD
S = SPORT
X = SPECIAL

BODY
74 = SPORT UTILITY 4-DR
TYPE #4

ENGINE
EVA = 4.7L V8 MPI Engine
EVD = 4.7L V8 FFV Engine
EXL = 3.0L V6 Turbo Diesel
Engine
EZB = 5.7L Hemi Multi
Displacement Engine
EKG = 3.7L V6 Engine
ESF = 6.1L SRT HEMI SMPI
V8 Engine

TRANSMISSION
DGJ = 5-Speed Auto W5A580
Transmission
DGQ = 5-Spd Automatic 545RFE
Transmission
DGU = 5-Spd Auto W5J400
Transmission

AR = use ase required - = Non illustrated part

2007 WK

Group - LBLS

Labels All Vehicle Locations

Group - LBLS Labels All Vehicle Locations

Illustration Title

Group-Fig. No.

Interior

Instrument Panel and Visors Fig. LBLS - 110

Under Hood

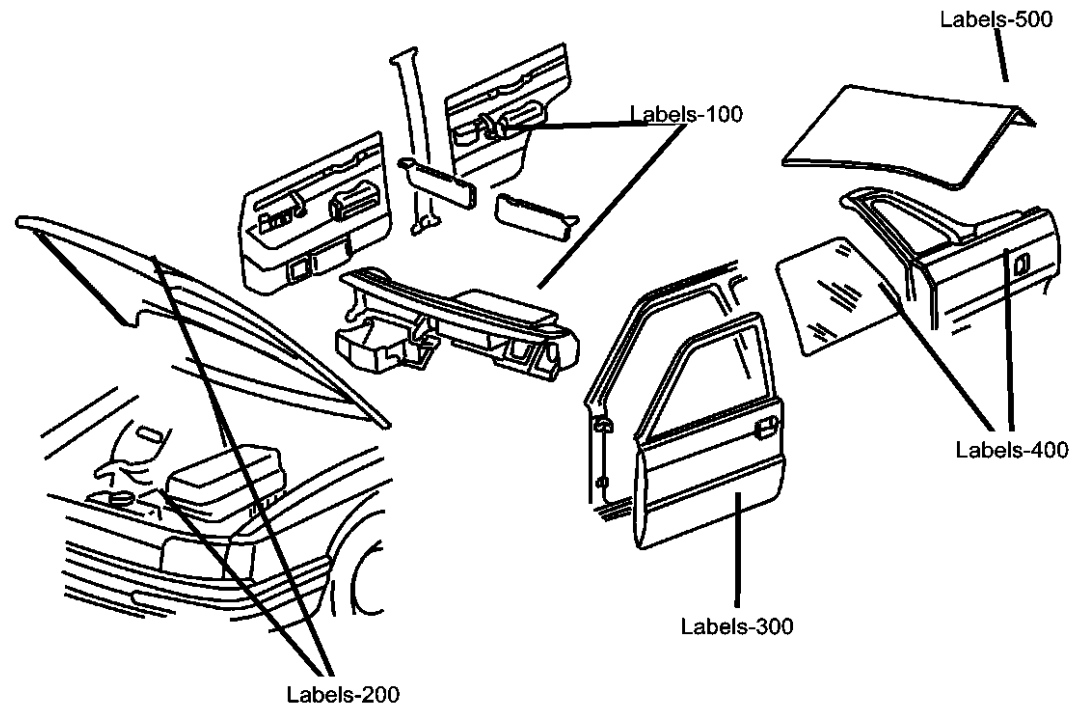
Engine Compartment Fig. LBLS - 210

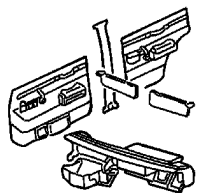
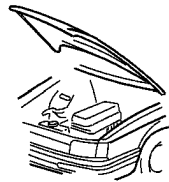


Doors

Doors and Pillars Fig. LBLS - 310

Rear Cargo & Storage

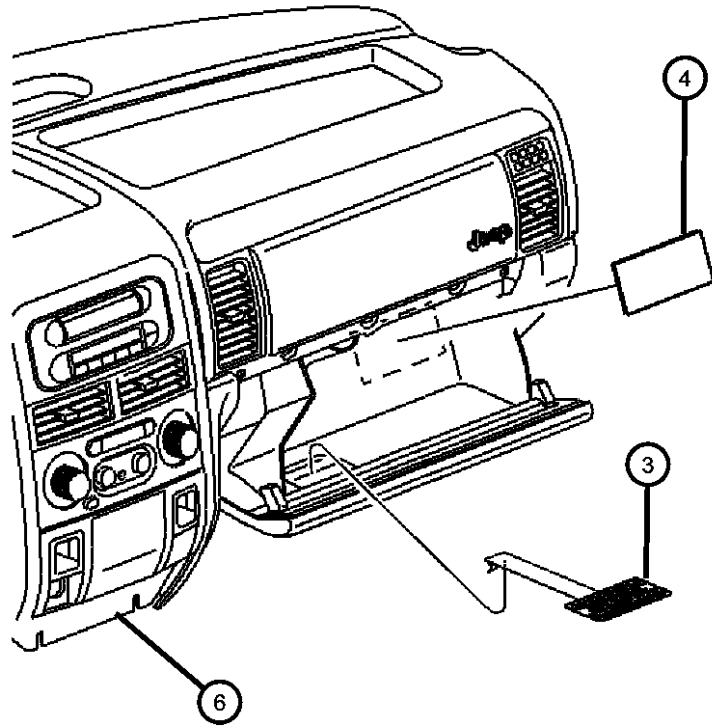
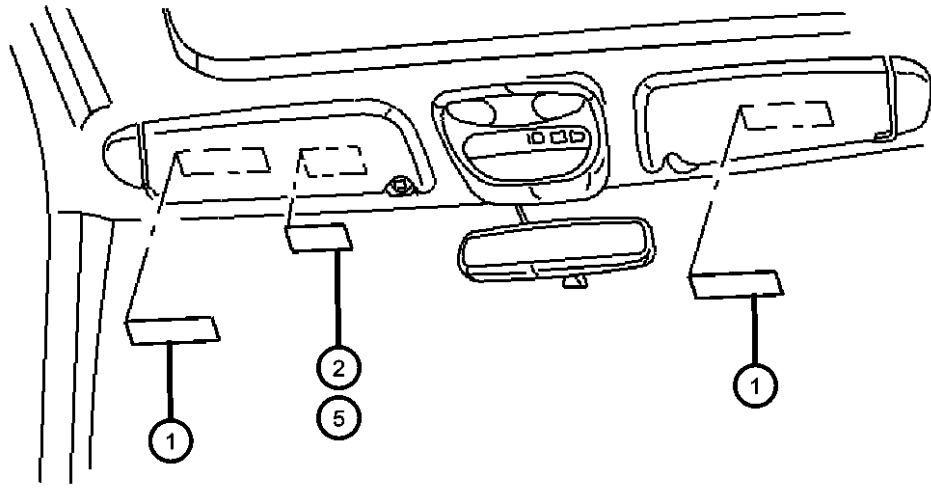
Rear Cargo and Storage..... Fig. LBLS - 510



<p>LBLS-100 Interior</p> 	<p>LBLS-200 Under Hood</p> 	<p>LBLS-300 Doors</p> 	<p>LBLS-500 Rear Cargo & Storage</p> 
---	---	--	---

**Instrument Panel and Visors
Figure LBLS-110**

ITEM	PART NUMBER	QTY	LINE	SERIES	BODY	ENGINE	TRANS	TRIM	DESCRIPTION
1	05108000AA	2			74				LABEL, Air Bag Warning
2	05108000AA	2			74				LABEL, Air Bag Warning, Rollover Risk
3	05108000AA	2			74				LABEL, Air Bag Warning
4		2							LABEL, Tire Pressure, (NOT SERVICED)
5	55352825AA	1			74				LABEL, Warning, Rollover wrning
6	68000202AA	1			74				LABEL, Air Bag



GRAND CHEROKEE (WK)

SERIES LINE
H = HIGHLINE T = JEEP - 2WD
P = PREMIUM J = JEEP - 4WD
S = SPORT
X = SPECIAL

BODY
74 = SPORT UTILITY 4-DR
TYPE #4

ENGINE
EVA = 4.7L V8 MPI Engine
EVD = 4.7L V8 FFV Engine
EXL = 3.0L V6 Turbo Diesel
Engine
EZB = 5.7L Hemi Multi
Displacement Engine
EKG = 3.7L V6 Engine
ESF = 6.1L SRT HEMI SMPI
V8 Engine

TRANSMISSION
DGJ = 5-Speed Auto W5A580
Transmission
DGQ = 5-Spd Automatic 545RFE
Transmission
DGU = 5-Spd Auto W5J400
Transmission

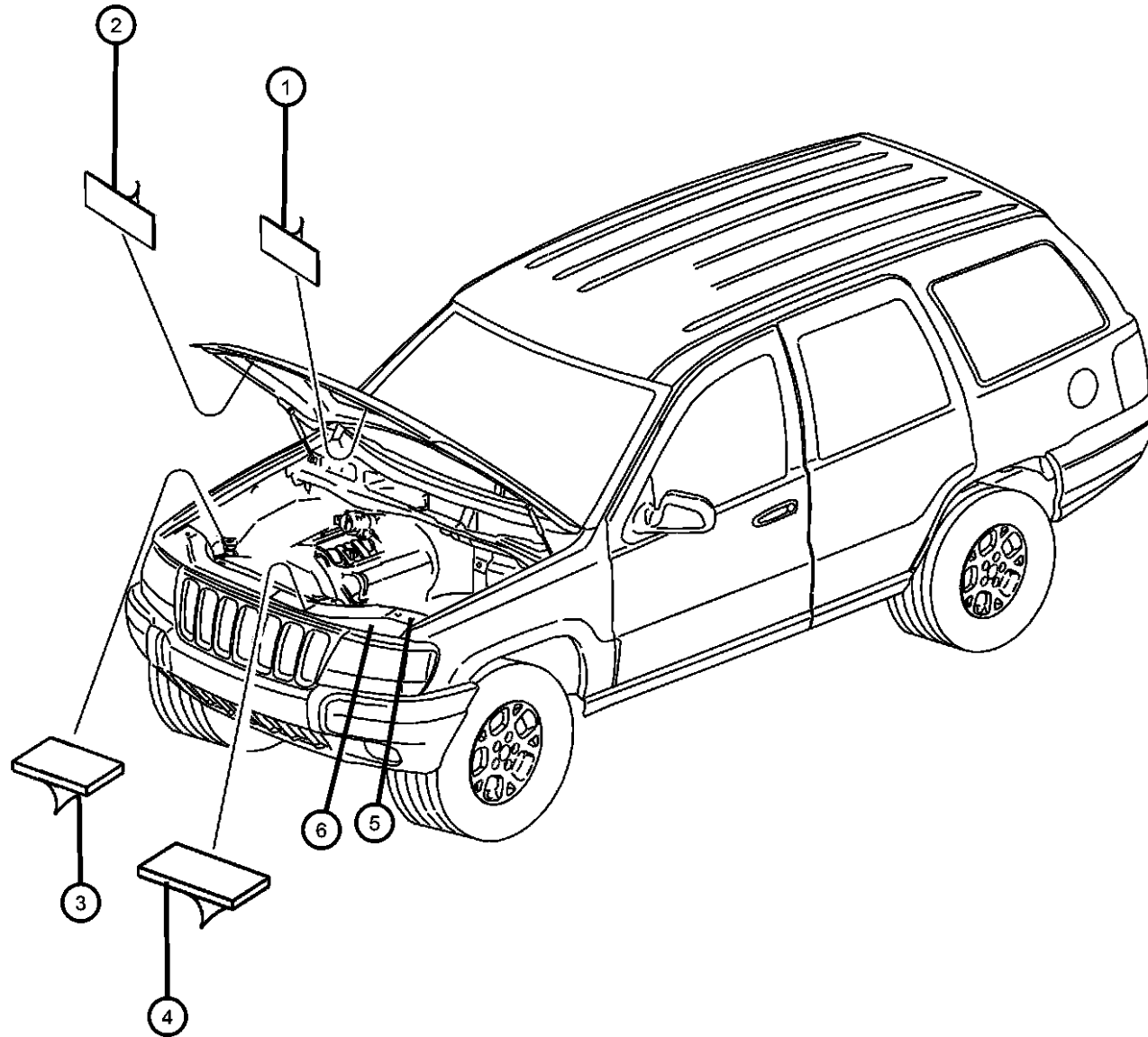
AR = use ase required - = Non illustrated part

2007 WK

**Engine Compartment
Figure LBL5-210**

ITEM	PART NUMBER	QTY	LINE	SERIES	BODY	ENGINE	TRANS	TRIM	DESCRIPTION
------	-------------	-----	------	--------	------	--------	-------	------	-------------

NOTES: Sales Codes:
 [NAA] = Federal Emissions
 [NAE] = California Emissions
 [NAS] = 50 State Emissions
 [NMH] = Hydraulic Engine Cooling



1	55056347AA	1			74				LABEL, Air Conditioning System
2									LABEL, Emission
	68001004AA	1			74	EXL			[NAA] Federal Emissions
	68001005AA	1			74	EK0			NAA
	68001007AA	1			74	EK0			[NAE] California Emissions
	68001015AA	1			74	EZB			NAE
	68001016AA	1			74	EZB			[NAS] 50 State Emissions
	68001018AA	1			74	ESF			NAE
	68001008AA	1			74	EK0			NAE
	68001009AA	1			74	EVA			NAA
	68001010AA	1			74	EVD			NAA
3	55116955AC	1			74	EK0, ESF, EVO			LABEL, A/C Spec.
4		1							LABEL, Fan Caution, SCP, (NOT SERVICED)
5									BATTERY
	05080706AA	1			74				Dry Battery International
	05170018AA	1			74				Japan Battery Rogram - Wet
6	52124056AA	1			74	EK0, EVO			LABEL, Power Steering Fluid

GRAND CHEROKEE (WK)

SERIES LINE
 H = HIGHLINE T = JEEP - 2WD
 P = PREMIUM J = JEEP - 4WD
 S = SPORT
 X = SPECIAL

BODY
 74 = SPORT UTILITY 4-DR
 TYPE #4

ENGINE
 EVA = 4.7L V8 MPI Engine
 EVD = 4.7L V8 FFV Engine
 EXL = 3.0L V6 Turbo Diesel
 Engine
 EZB = 5.7L Hemi Multi
 Displacement Engine
 EKG = 3.7L V6 Engine
 ESF = 6.1L SRT HEMI SMPI
 V8 Engine

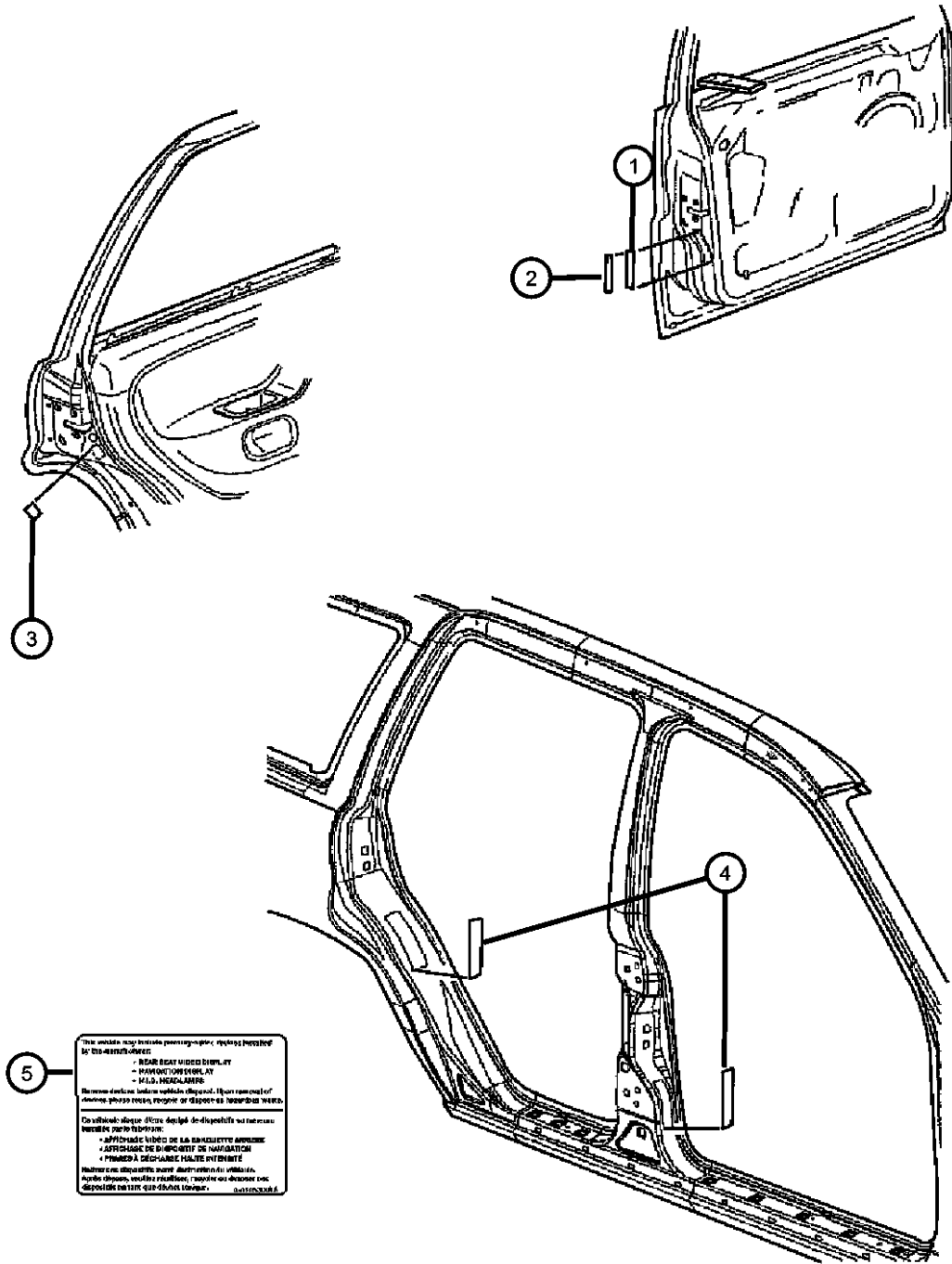
TRANSMISSION
 DGJ = 5-Speed Auto W5A580
 Transmission
 DGQ = 5-Spd Automatic 545RFE
 Transmission
 DGU = 5-Spd Auto W5J400
 Transmission

AR = use ase required - = Non illustrated part

2007 WK

Doors and Pillars
Figure LBL5-310

ITEM	PART NUMBER	QTY	LINE	SERIES	BODY	ENGINE	TRANS	TRIM	DESCRIPTION
1		1							LABEL, Certification, (NOT SERVICED)
2		1							OVERLAY, Vehicle Certification, (NOT SERVICED)
3	04615730	2			74				LABEL, Child Protection Lock, English
4	05108000AA	2			74				LABEL, Air Bag Warning
5	05020533AA	1			74				LABEL, Mercury Warning



GRAND CHEROKEE (WK)

SERIES LINE
H = HIGHLINE T = JEEP - 2WD
P = PREMIUM J = JEEP - 4WD
S = SPORT
X = SPECIAL

BODY
74 = SPORT UTILITY 4-DR
TYPE #4

ENGINE
EVA = 4.7L V8 MPI Engine
EVD = 4.7L V8 FFV Engine
EXL = 3.0L V6 Turbo Diesel
Engine
EZB = 5.7L Hemi Multi
Displacement Engine
EKG = 3.7L V6 Engine
ESF = 6.1L SRT HEMI SMPI
V8 Engine

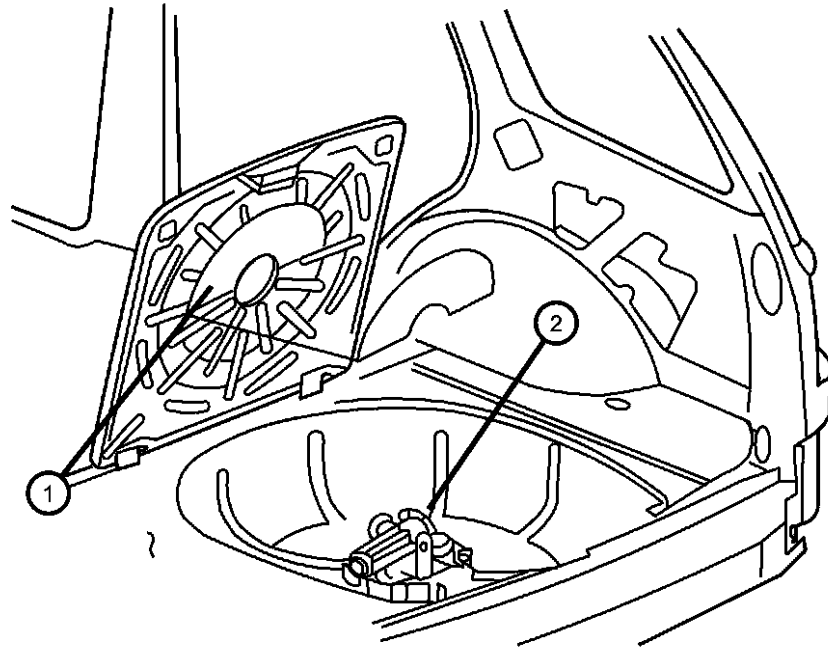
TRANSMISSION
DGJ = 5-Speed Auto W5A580
Transmission
DGQ = 5-Spd Automatic 545RFE
Transmission
DGU = 5-Spd Auto W5J400
Transmission

AR = use ase required - = Non illustrated part

2007 WK

**Rear Cargo and Storage
Figure LBL5-510**

ITEM	PART NUMBER	QTY	LINE	SERIES	BODY	ENGINE	TRANS	TRIM	DESCRIPTION
1	52110392AB	1			74				LABEL, Jack Caution
2	52124168AA	1		H, P, S	74				JACK
	55366972AA	1		H, P, S	74				Contains: Driver, Extensions and Bag Jack Only
-3	05056245AA	1			74				LABEL, Tire Pressure



GRAND CHEROKEE (WK)

SERIES LINE
H = HIGHLINE T = JEEP - 2WD
P = PREMIUM J = JEEP - 4WD
S = SPORT
X = SPECIAL

BODY
74 = SPORT UTILITY 4-DR
TYPE #4

ENGINE
EVA = 4.7L V8 MPI Engine
EVD = 4.7L V8 FFV Engine
EXL = 3.0L V6 Turbo Diesel
Engine
EZB = 5.7L Hemi Multi
Displacement Engine
EKG = 3.7L V6 Engine
ESF = 6.1L SRT HEMI SMPI
V8 Engine

TRANSMISSION
DGJ = 5-Speed Auto W5A580
Transmission
DGQ = 5-Spd Automatic 545RFE
Transmission
DGU = 5-Spd Auto W5J400
Transmission

AR = use ase required - = Non illustrated part

2007 WK