

VIN PLATE DECODING INFORMATION

1	2	3	4	5	6	7	8	9	10	11	12 thru 17
Country	Make	Vehicle Type	Other	Line	Series	Body Style	Engine	Check Digit	Model Year	Assy. Plant	Sequence No.

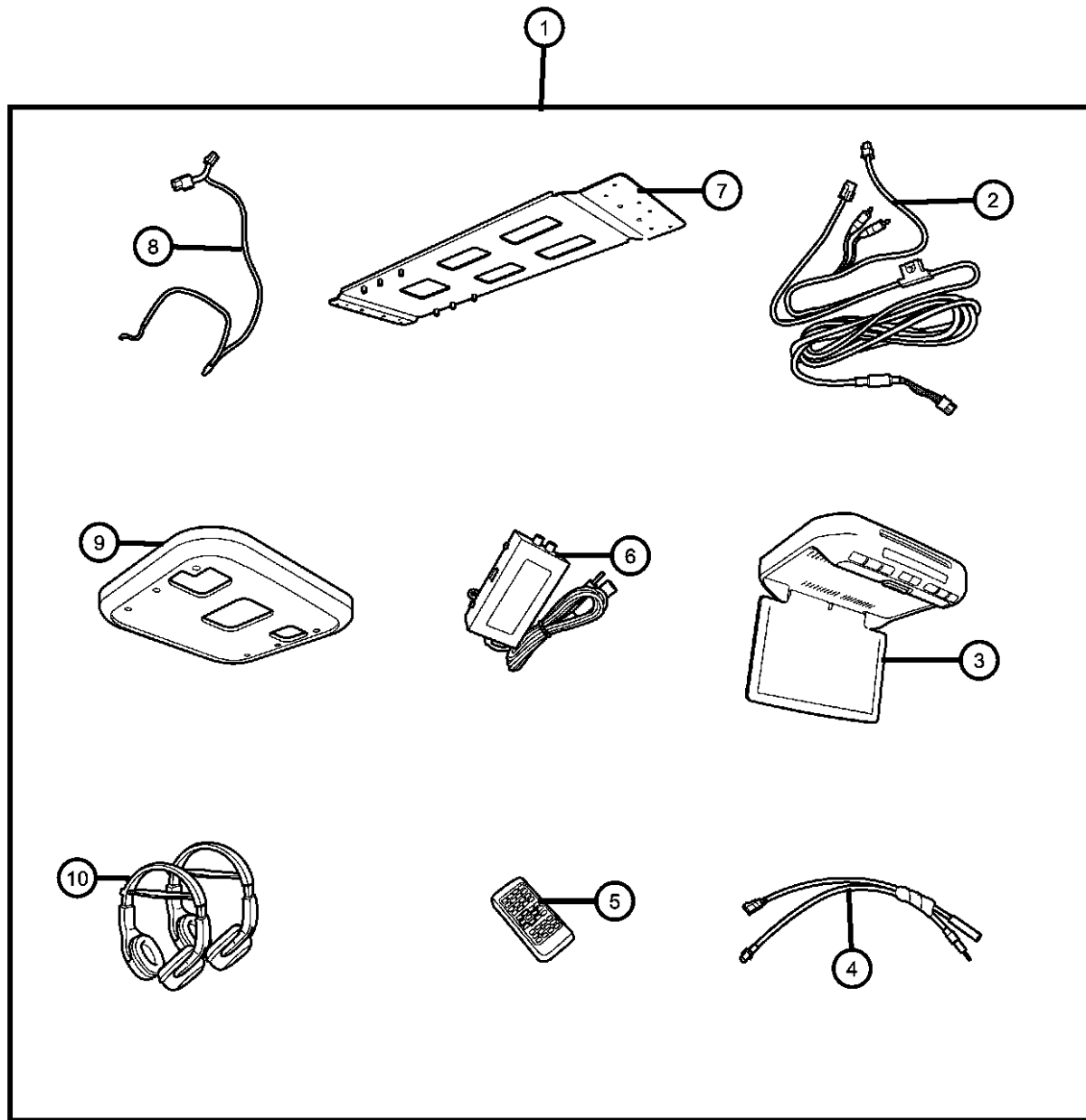
The following table interprets the VIN Plate position shown above.

Position	Interpretation	Codes = Description
1	Country of Origin	1 = Built by DaimlerChrysler Corp.
2	Assembler	J = Jeep
3	Vehicle Type	4 = Multipurpose Passenger Vehicle 4 = Multipurpose Passenger Vehicle Less Sales Code "CGS" Side Air Bags 8 = Multipurpose Passenger Vehicle With Sales Code "CGS" Side Air Bags
4	GVWR & Pass. Safety	D = 1-3000 lbs (0-1360 kg) M = 10,001-14,000 lbs (4536-6350 kg) E = 3001-4000 lbs (1361-1814 kg) F = 4001-5000 lbs (1815-2267 kg) G = 5001-6000 lbs (2268-2721 kg) H = 6001-7000 lbs (2722-3175 kg) J = 7001-8000 lbs (3176-3628 kg) K = 8001-9000 lbs (3629-4082 kg) L = 9001-10,000 lbs (4083-4535 kg)
5	Vehicle Line	S = Grand Cherokee 4x2 R = Grand Cherokee 4x4
6	Series	4 = Grand Cherokee Laredo (U.S., Canada, Mexico) 5 = Grand Cherokee Limited (U.S., Canada, Mexico) 6 = Grand Cherokee Overland (U.S., Canada, Mexico) 7 = Grand Cherokee SRT-8 (U.S., Canada, Mexico)
7	Body Style	8 = 4 Door Sport Utility (74)
8	Engine	M = 3.0L V6 CYL Turbo Diesel (EXL) 2 = 5.7L V8 HEMI Multiple Displacement (EZB) 3 = 6.1L V8 CYL SRT HEMI Gasoline SMPI (ESF) K = 3.7L V6 CYL Magnum Gasoline EKG N = 4.7L V8 CYL Gasoline (EVE)
9	Check Digit	0 = Check Digit
10	Model Year	8 = 2008 Model Year
11	Assembly Plant	C = Jefferson North Assembly
12 thru 17	Vehicle Build Sequence	Model Year Assembly Sequence

Group - 1 Mopar Accessories - Component Parts

Illustration Title	Group-Fig. No.
Audio & Electronics	
Media System	Fig. 1 - 110
Install Kit - Satellite Receiver	Fig. 1 - 114
Camera - Back Up	Fig. 1 - 118
iPod	Fig. 1 - 122
Carriers & Cargo Hauling	
Carrier Kit - Bike Hitch Mount	Fig. 1 - 204
Carrier Kit - Water Sports	Fig. 1 - 210
Carrier Kit - Canoe	Fig. 1 - 212
Carrier Kit - Bike Fork Mount	Fig. 1 - 214
Carrier Kit - Bike Upright Mount	Fig. 1 - 216
Carrier Kit - Ski	Fig. 1 - 220
Carrier Kit - Luggage Soft	Fig. 1 - 252
Wiring Kit - Off Road	Fig. 1 - 264
Driving Convenience	
Hands Free Kit - Cellular Phone - Blue Tooth-Low Speed	Fig. 1 - 312
Sensor Kit - Park/Distance	Fig. 1 - 320
Exterior Appearance	
Effects Kit - Ground	Fig. 1 - 442
Wheel Kit	Fig. 1 - 448
Fog Lights & Electrical	
Heater Kit - Engine Block	Fig. 1 - 602
Light Kit - Fog	Fig. 1 - 604
Powertrain	
Engine Cooling Kit	Fig. 1 - 1104

Media System
Figure 1-110



ITEM	PART NUMBER	QTY	LINE	SERIES	BODY	ENGINE	TRANS	TRIM	DESCRIPTION
1	82210914AB	1							MEDIA SYSTEM, Monitor With DVD, 10 Inch
2	68026724AA	1							HARNESS, Wiring
3	68036468AA	1							DVD CHANGER
4	68037916AA	1							HARNESS, Wiring
5	68024459AA	1							REMOTE, Wireless Infrared
6	05166872AA	1							MODULATOR, FM
7	68037924AA	1							BRACKET
8	68033634AA	1							HARNESS, Wiring
9	68036470AA	1							SHROUD, SHROUD
10	05064037AA	1							HEADPHONES, Wireless

GRAND CHEROKEE (WK)

SERIES LINE
H = HIGHLINE T = JEEP - 2WD
P = PREMIUM J = JEEP - 4WD
S = SPORT
X = SPECIAL

BODY
74 = SPORT UTILITY 4-DR
TYPE #4

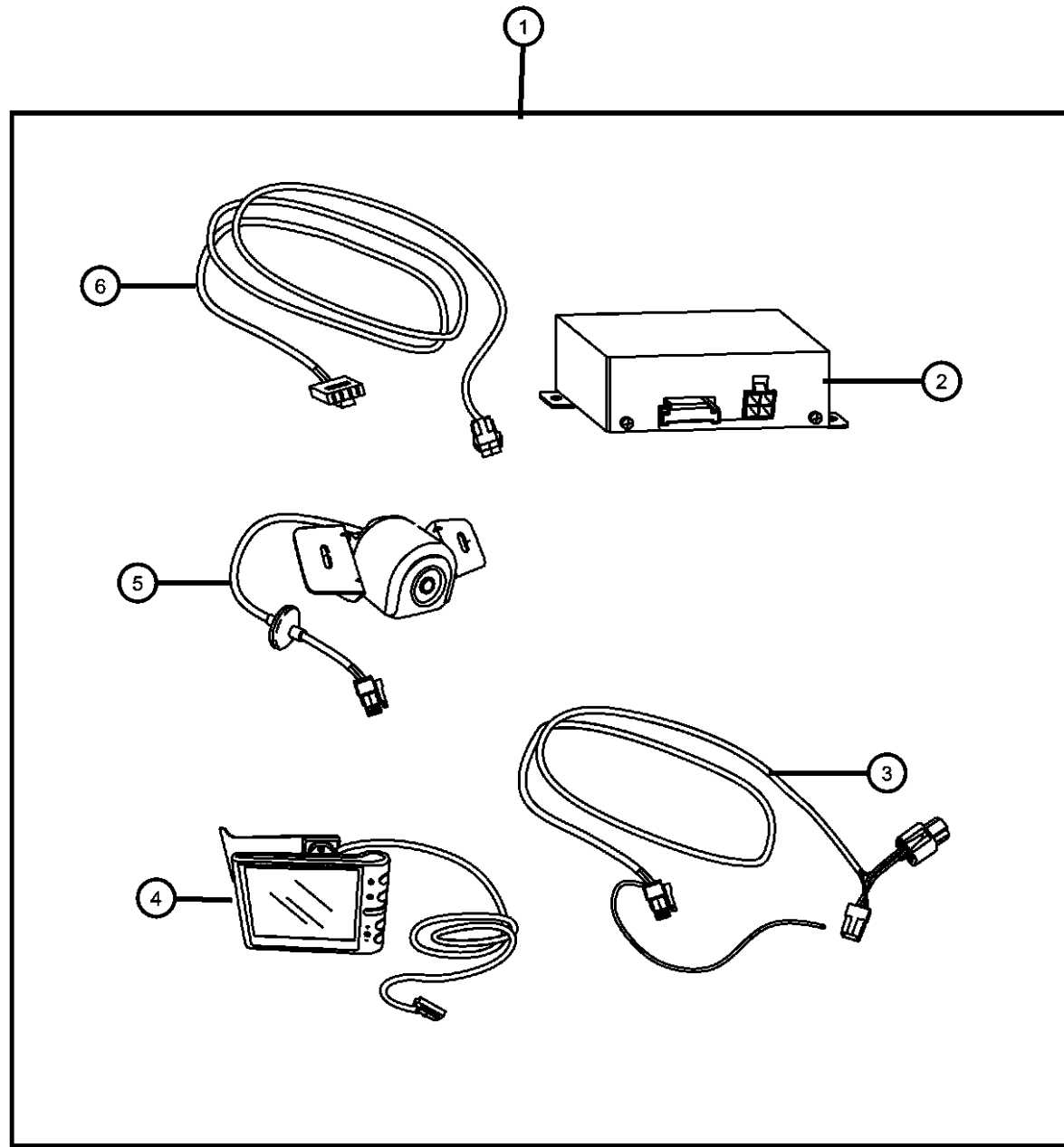
ENGINE TRANSMISSION
EVE = Engine - 4.7L V8 DOHC 3 Valve
EZB = 5.7L Hemi Multi Displacement Engine
EKG = 3.7L V6 Engine
ESF = 6.1L SRT HEMI SMPI V8 Engine
EXL = 3.0L V6 Turbo Diesel Engine
DGJ = 5-Speed Auto W5A580 Transmission
DGU = 5-Spd Auto W5J400 Transmission
DGQ = 5-Spd Automatic 545RFE Transmission

AR = use ase required - = Non illustrated part

2008 WK

Camera - Back Up
Figure 1-118

ITEM	PART NUMBER	QTY	LINE	SERIES	BODY	ENGINE	TRANS	TRIM	DESCRIPTION
1	82210145	1							CAMERA KIT, Back Up
2	05191903AA	1							CONTROL MODULE, Receiver
3	05191905AA	1							HARNESS, Wiring
4	05191907AA	1							MONITOR, Back Up Camera
5	05191906AA	1							CAMERA
6	05191904AA	1							HARNESS, Wiring



GRAND CHEROKEE (WK)

SERIES LINE
 H = HIGHLINE T = JEEP - 2WD
 P = PREMIUM J = JEEP - 4WD
 S = SPORT
 X = SPECIAL

BODY
 74 = SPORT UTILITY 4-DR
 TYPE #4

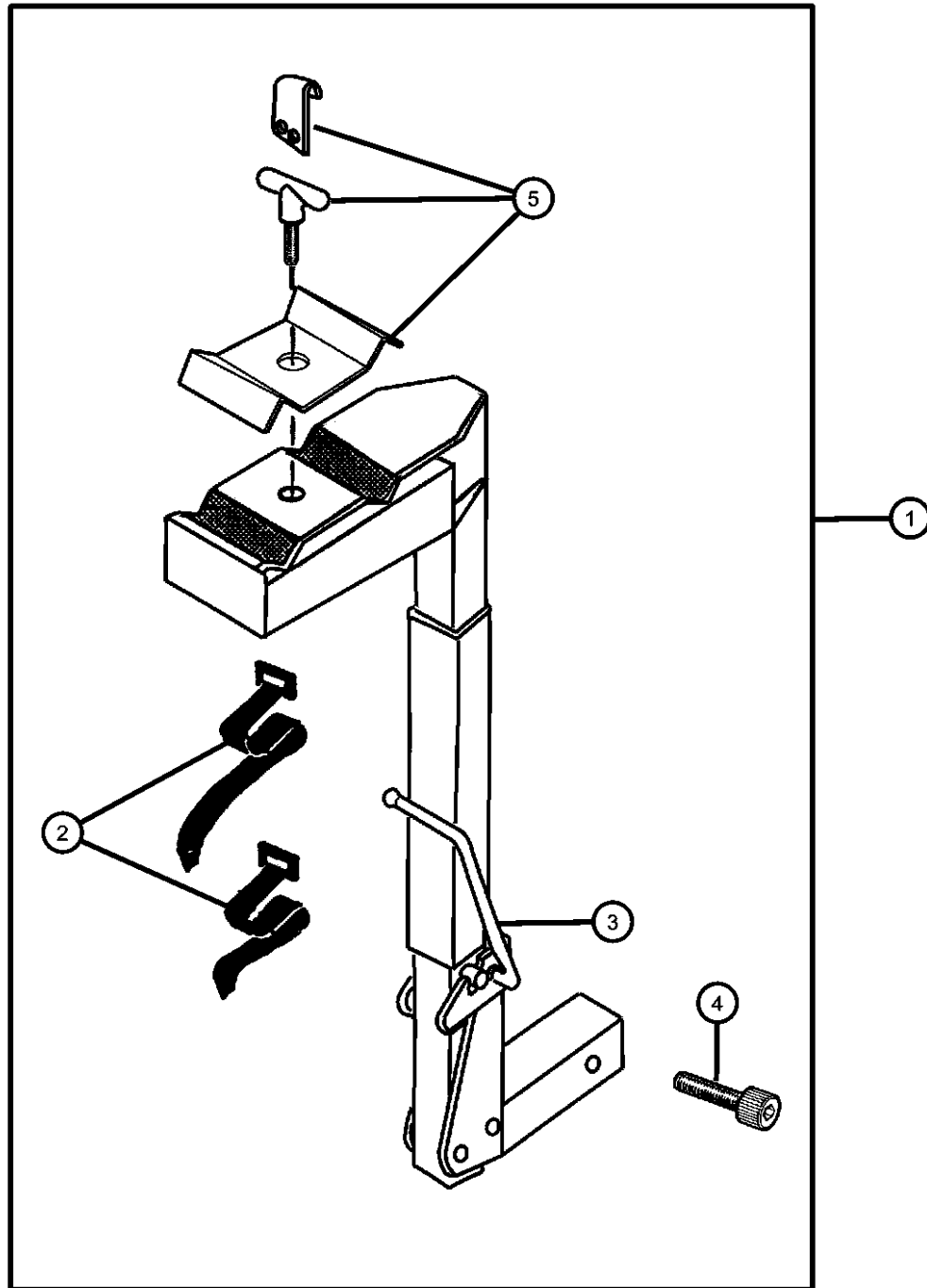
ENGINE TRANSMISSION
 EVE = Engine - 4.7L V8 DOHC 3 Valve
 EZB = 5.7L Hemi Multi Displacement Engine
 EKG = 3.7L V6 Engine
 ESF = 6.1L SRT HEMI SMPI V8 Engine
 EXL = 3.0L V6 Turbo Diesel Engine
 DGJ = 5-Speed Auto W5A580 Transmission
 DGU = 5-Spd Auto W5J400 Transmission
 DGQ = 5-Spd Automatic 545RFE Transmission

AR = use ase required - = Non illustrated part

2008 WK

Carrier Kit - Bike Hitch Mount
Figure 1-204

ITEM	PART NUMBER	QTY	LINE	SERIES	BODY	ENGINE	TRANS	TRIM	DESCRIPTION
1	82204328	1							CARRIER KIT, Bike Requires 2 inch Receiver
	82204452	1							Requires 1 1/4 inch Hitch Receiver
	82204453	1							Requires 2 Inch Hitch Receiver
2	04762880	1							STRAP KIT, Velcro
3	05016775AA	1							STRAP KIT, Bike Carrier Latch
4	05016776AA	1							BOLT KIT, Security
5	05018825AA	1							HARDWARE KIT, Bike Carrier, Contains: T-Handle, Lock Strap, Top Clamp Assy., & Nylon Washer



GRAND CHEROKEE (WK)

SERIES LINE
H = HIGHLINE T = JEEP - 2WD
P = PREMIUM J = JEEP - 4WD
S = SPORT
X = SPECIAL

BODY
74 = SPORT UTILITY 4-DR
TYPE #4

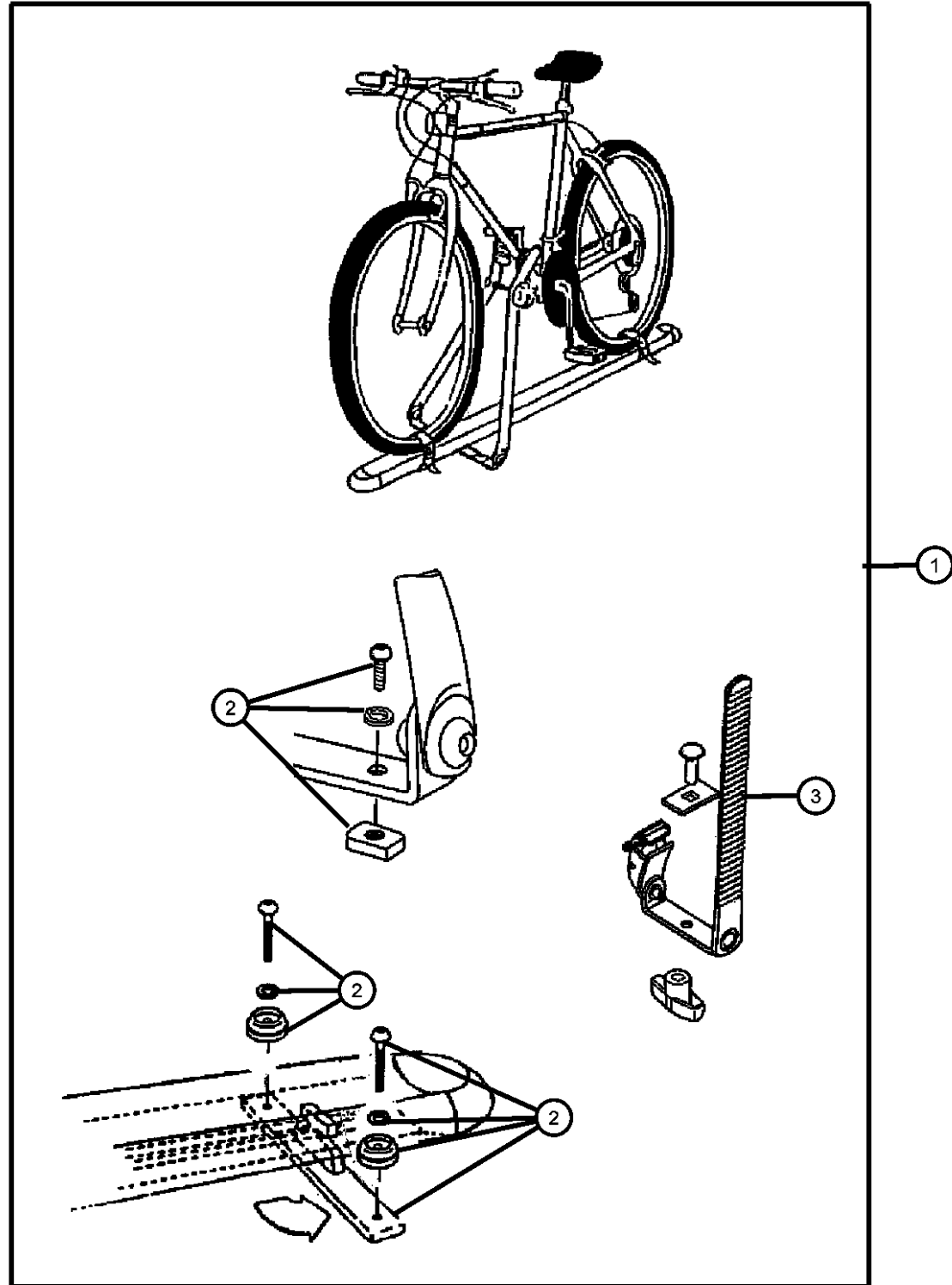
ENGINE TRANSMISSION
EVE = Engine - 4.7L V8 DOHC 3 Valve
EZB = 5.7L Hemi Multi Displacement Engine
EKG = 3.7L V6 Engine
ESF = 6.1L SRT HEMI SMPI V8 Engine
EXL = 3.0L V6 Turbo Diesel Engine
DGJ = 5-Speed Auto W5A580 Transmission
DGU = 5-Spd Auto W5J400 Transmission
DGQ = 5-Spd Automatic 545RFE Transmission

AR = use ase required - = Non illustrated part

2008 WK

Carrier Kit - Bike Fork Mount
Figure 1-214

ITEM	PART NUMBER	QTY	LINE	SERIES	BODY	ENGINE	TRANS	TRIM	DESCRIPTION
1	82207942	1							CARRIER KIT, Bike
2	05093779AA	1							HARDWARE KIT, Accessory, Contains: 2-T-Slot Anchors, 1-Rear T-Slot Bar, 4-Button Head Screws, 2-Lockwashers, 4-Round Dome Washers
3	05114532AA	1							STRAP, Cargo Tie Down



GRAND CHEROKEE (WK)

SERIES LINE
H = HIGHLINE T = JEEP - 2WD
P = PREMIUM J = JEEP - 4WD
S = SPORT
X = SPECIAL

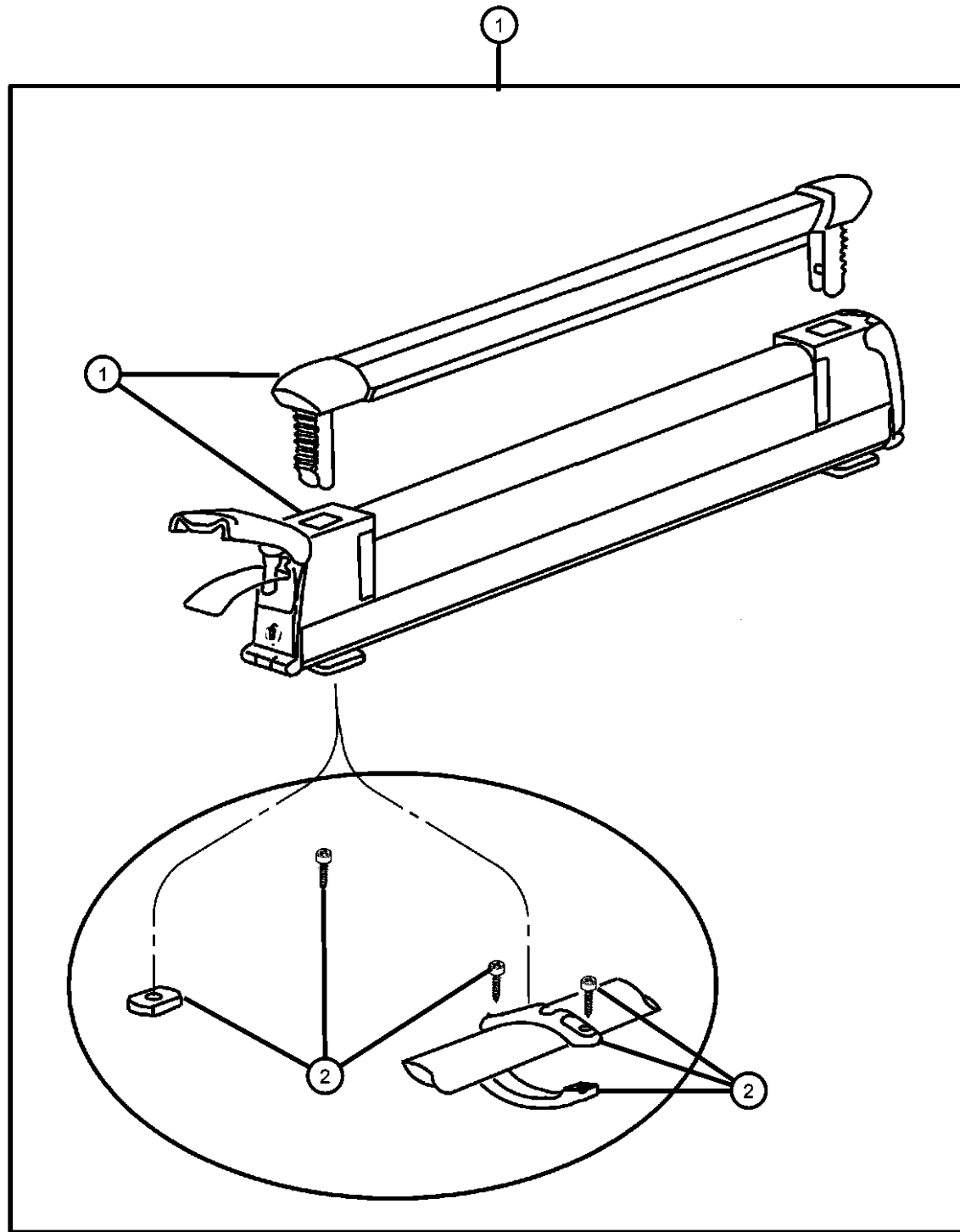
BODY
74 = SPORT UTILITY 4-DR
TYPE #4

ENGINE TRANSMISSION
EVE = Engine - 4.7L V8 DOHC 3 Valve
EVB = 5.7L Hemi Multi Displacement Engine
EKG = 3.7L V6 Engine
ESF = 6.1L SRT HEMI SMPI V8 Engine
EXL = 3.0L V6 Turbo Diesel Engine
DGJ = 5-Speed Auto W5A580 Transmission
DGU = 5-Spd Auto W5J400 Transmission
DGQ = 5-Spd Automatic 545RFE Transmission

AR = use ase required - = Non illustrated part

2008 WK

Carrier Kit - Ski
Figure 1-220



ITEM	PART NUMBER	QTY	LINE	SERIES	BODY	ENGINE	TRANS	TRIM	DESCRIPTION
1	82207312	1							CARRIER KIT, Ski, 3 Pair Skis or 2 Snowboards
2	05086158AA	1							HARDWARE KIT, Accessory, Contains: 4-25MM Screws, 4-16MM Screws, 4-20MM Screws, 4-Lock Washers, 4-Flat Washers, 4-T Plates & 4- Rubber Washers
-3	05066632AA	1							TOOL, Screw Driver
-4	82207522	1							ADAPTER KIT, Roof Rack, For use with OE bars

GRAND CHEROKEE (WK)

SERIES LINE
H = HIGHLINE T = JEEP - 2WD
P = PREMIUM J = JEEP - 4WD
S = SPORT
X = SPECIAL

BODY
74 = SPORT UTILITY 4-DR
TYPE #4

ENGINE TRANSMISSION
EVE = Engine - 4.7L V8 DOHC 3 Valve
EVB = 5.7L Hemi Multi Displacement Engine
EKG = 3.7L V6 Engine
ESF = 6.1L SRT HEMI SMPI V8 Engine
EXL = 3.0L V6 Turbo Diesel Engine
DGJ = 5-Speed Auto W5A580 Transmission
DGU = 5-Spd Auto W5J400 Transmission
DGQ = 5-Spd Automatic 545RFE Transmission

AR = use ase required - = Non illustrated part

2008 WK

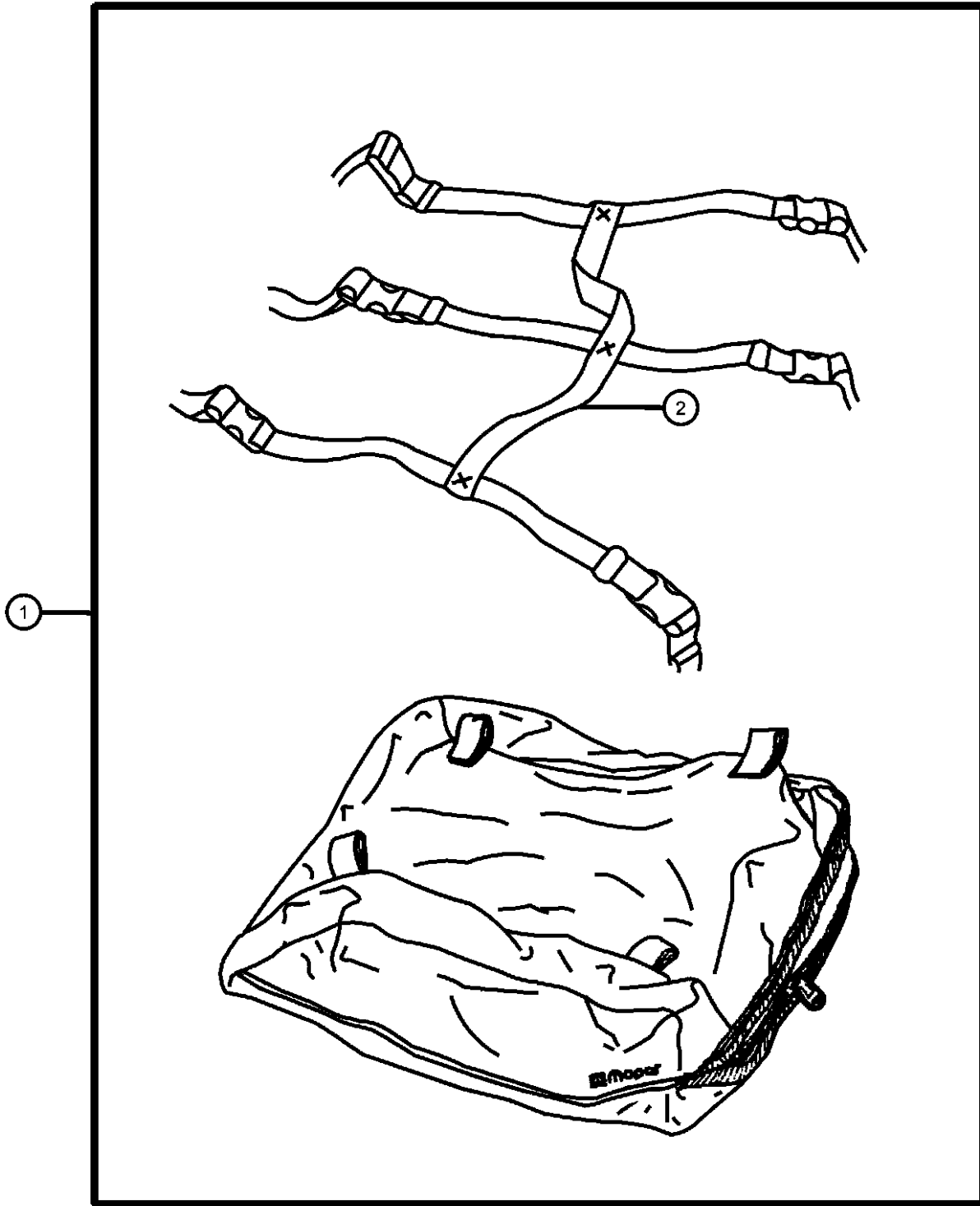
Carrier Kit - Luggage Soft
Figure 1-252

ITEM	PART NUMBER	QTY	LINE	SERIES	BODY	ENGINE	TRANS	TRIM	DESCRIPTION
------	-------------	-----	------	--------	------	--------	-------	------	-------------

NOTE: Requires Roof Rack.

1	82207198	1							CARRIER KIT, Luggage
2	05066332AA	1							STRAP KIT, Luggage Carrier

CARRIER KIT, Luggage
STRAP KIT, Luggage Carrier



GRAND CHEROKEE (WK)

SERIES LINE
H = HIGHLINE T = JEEP - 2WD
P = PREMIUM J = JEEP - 4WD
S = SPORT
X = SPECIAL

BODY
74 = SPORT UTILITY 4-DR
TYPE #4

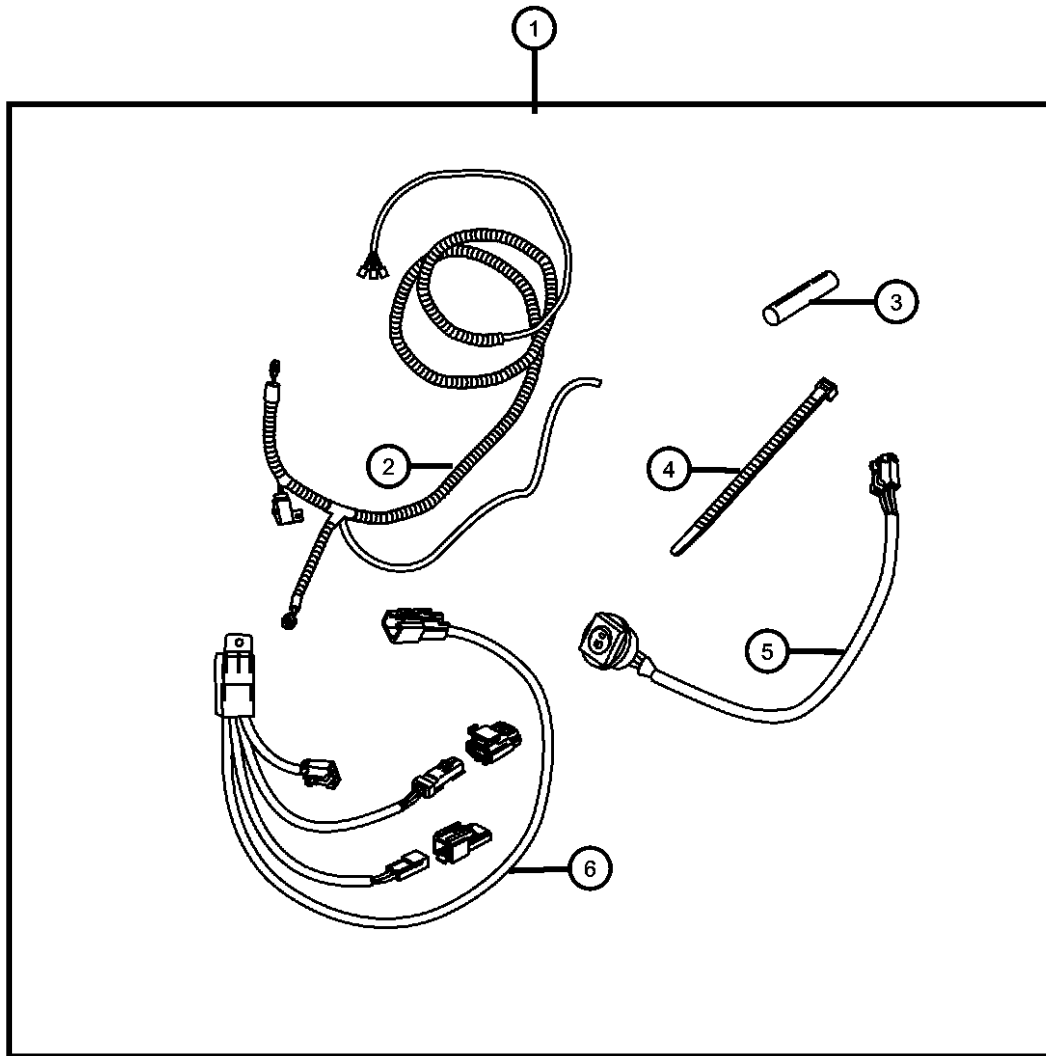
ENGINE TRANSMISSION
EVE = Engine - 4.7L V8 DOHC 3 Valve
EZB = 5.7L Hemi Multi Displacement Engine
EKG = 3.7L V6 Engine
ESF = 6.1L SRT HEMI SMPI V8 Engine
EXL = 3.0L V6 Turbo Diesel Engine
DGJ = 5-Speed Auto W5A580 Transmission
DGU = 5-Spd Auto W5J400 Transmission
DGQ = 5-Spd Automatic 545RFE Transmission

AR = use ase required - = Non illustrated part

2008 WK

Wiring Kit - Off Road
Figure 1-264

ITEM	PART NUMBER	QTY	LINE	SERIES	BODY	ENGINE	TRANS	TRIM	DESCRIPTION
1	82211450	1			74				WIRING KIT, Off Road
2	05179784AA	1							HARNESS, Roof
3	04778570	1							TUBE, Heat Shrink
4	06015756	1							STRAP, Tie, Quantity of 14
5	68005178AC	1			74				SWITCH, Fog Lamp
6	05179783AA	1							HARNESS, Wiring



GRAND CHEROKEE (WK)

SERIES LINE
H = HIGHLINE T = JEEP - 2WD
P = PREMIUM J = JEEP - 4WD
S = SPORT
X = SPECIAL

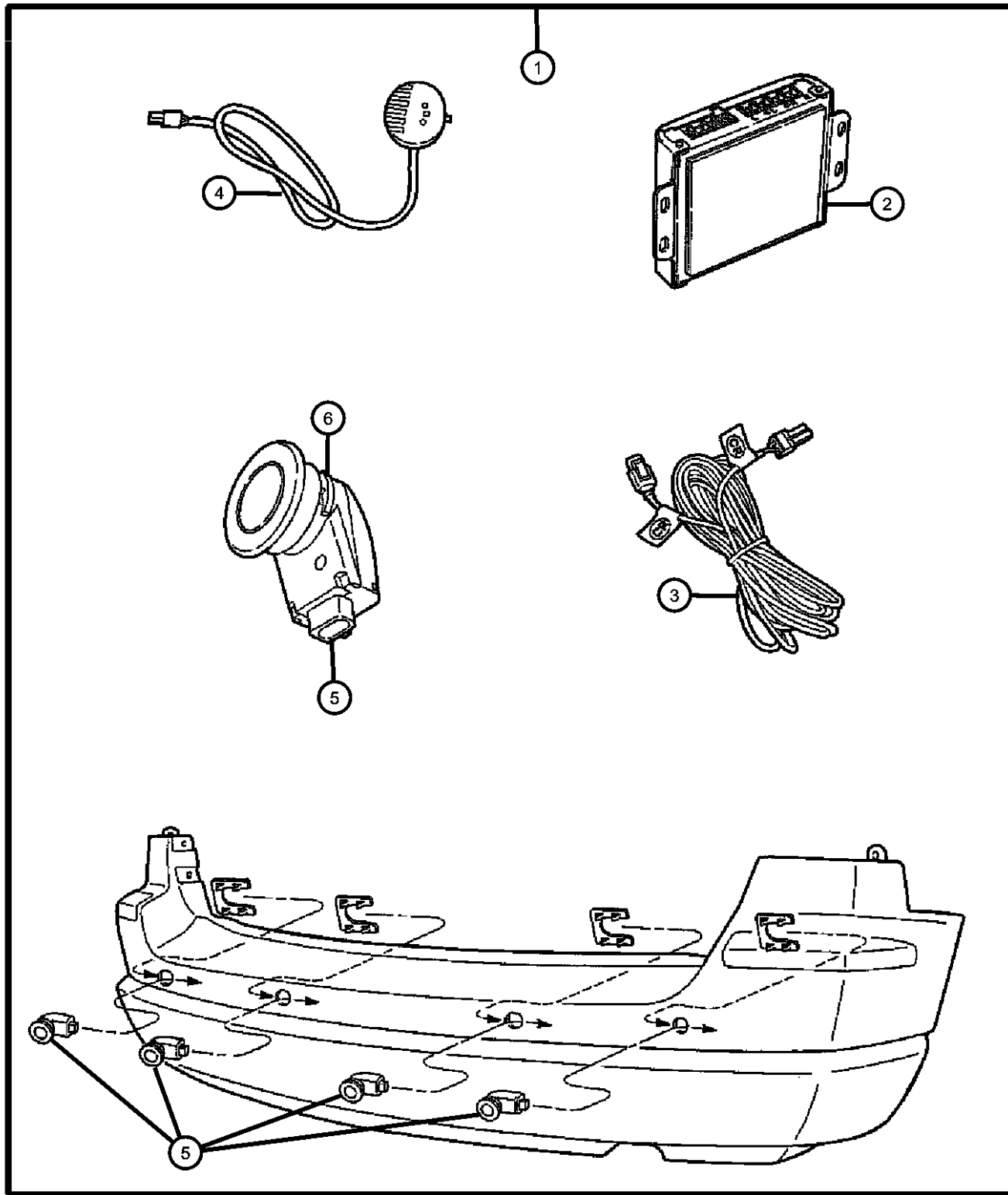
BODY
74 = SPORT UTILITY 4-DR
TYPE #4

ENGINE TRANSMISSION
EVE = Engine - 4.7L V8 DOHC 3 Valve
EZH = 5.7L Hemi Multi Displacement Engine
EKG = 3.7L V6 Engine
ESF = 6.1L SRT HEMI SMPI V8 Engine
EXL = 3.0L V6 Turbo Diesel Engine
DGJ = 5-Speed Auto W5A580 Transmission
DGU = 5-Spd Auto W5J400 Transmission
DGQ = 5-Spd Automatic 545RFE Transmission

AR = use ase required - = Non illustrated part

2008 WK

Sensor Kit - Park/Distance
Figure 1-320



ITEM	PART NUMBER	QTY	LINE	SERIES	BODY	ENGINE	TRANS	TRIM	DESCRIPTION
1	82208246AE	1							SENSOR KIT, Park Distance
2	05137541AA	1							MODULE, Parking Assist
3	05137540AA	1							WIRING, Distance Sensor
4	05137539AA	1							DISPLAY, Parking Assist
5	05137536AA	1							SENSOR
6	05191116AA	1							CLIP, Retainer

GRAND CHEROKEE (WK)

SERIES LINE
H = HIGHLINE T = JEEP - 2WD
P = PREMIUM J = JEEP - 4WD
S = SPORT
X = SPECIAL

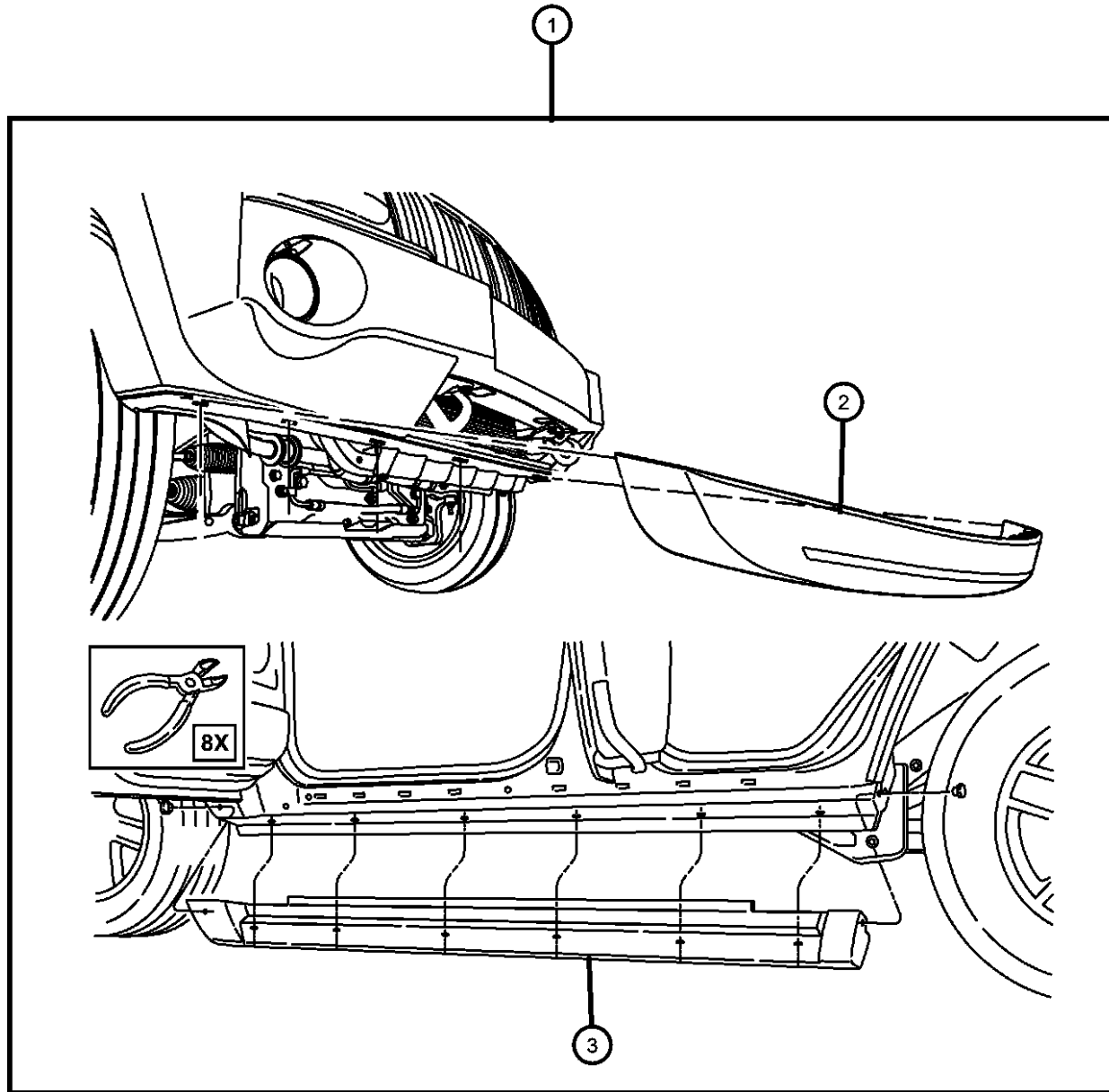
BODY
74 = SPORT UTILITY 4-DR
TYPE #4

ENGINE TRANSMISSION
EVE = Engine - 4.7L V8 DOHC 3 Valve
EVB = 5.7L Hemi Multi Displacement Engine
EKG = 3.7L V6 Engine
ESF = 6.1L SRT HEMI SMPI V8 Engine
EXL = 3.0L V6 Turbo Diesel Engine
DGJ = 5-Speed Auto W5A580 Transmission
DGU = 5-Spd Auto W5J400 Transmission
DGQ = 5-Spd Automatic 545RFE Transmission

AR = use ase required - = Non illustrated part

Effects Kit - Ground
Figure 1-442

ITEM	PART NUMBER	QTY	LINE	SERIES	BODY	ENGINE	TRANS	TRIM	DESCRIPTION
1	82208333AC	1							CLADDING KIT, Lowerside
2	05166227AA	1							AIR DAM
3									SILL, Body Side
	05166228AB	1							Right
	05166229AB	1							Left
-4	05166232AA	1							HARDWARE KIT, ATTACHMENT, Contains: All Hardware needed for attachment



GRAND CHEROKEE (WK)

SERIES LINE
H = HIGHLINE T = JEEP - 2WD
P = PREMIUM J = JEEP - 4WD
S = SPORT
X = SPECIAL

BODY
74 = SPORT UTILITY 4-DR
TYPE #4

ENGINE
EVE = Engine - 4.7L V8 DOHC
3 Valve
EZB = 5.7L Hemi Multi
Displacement Engine
EKG = 3.7L V6 Engine
ESF = 6.1L SRT HEMI SMPI
V8 Engine
EXL = 3.0L V6 Turbo Diesel
Engine

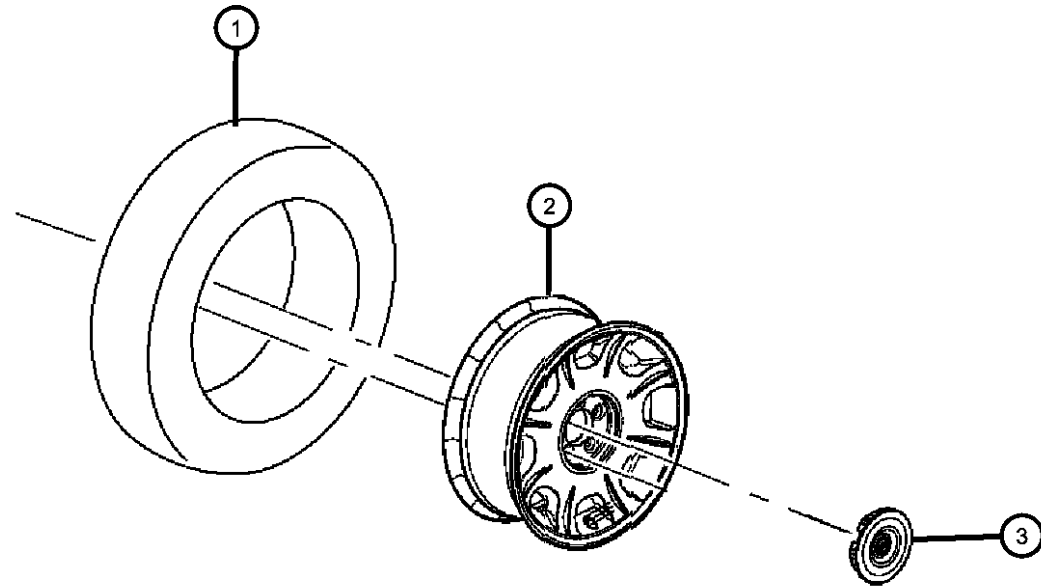
TRANSMISSION
DGJ = 5-Speed Auto W5A580
Transmission
DGU = 5-Spd Auto W5J400
Transmission
DGQ = 5-Spd Automatic 545RFE
Transmission

AR = use ase required - = Non illustrated part

2008 WK

**Wheel Kit
Figure 1-448**

ITEM	PART NUMBER	QTY	LINE	SERIES	BODY	ENGINE	TRANS	TRIM	DESCRIPTION
1									WHEEL KIT, Cast Aluminum
	82205898	1							17x7.5 Chrome
	82209112	1			74				17x7.5 Chrome Clad
	82210036	1			74				18x7.5J Chrome
2		1							WHEEL KIT, Forged Aluminum, (NOT SERVICED), CAP, Wheel Center
3									
	52090401AA	1			74				18x7.5 Chrome
	5HT59SZ0AB	4	J, T		74				Chrome Clad
	05003079AA	1							17x7.5 Chrome



GRAND CHEROKEE (WK)

SERIES LINE
H = HIGHLINE T = JEEP - 2WD
P = PREMIUM J = JEEP - 4WD
S = SPORT
X = SPECIAL

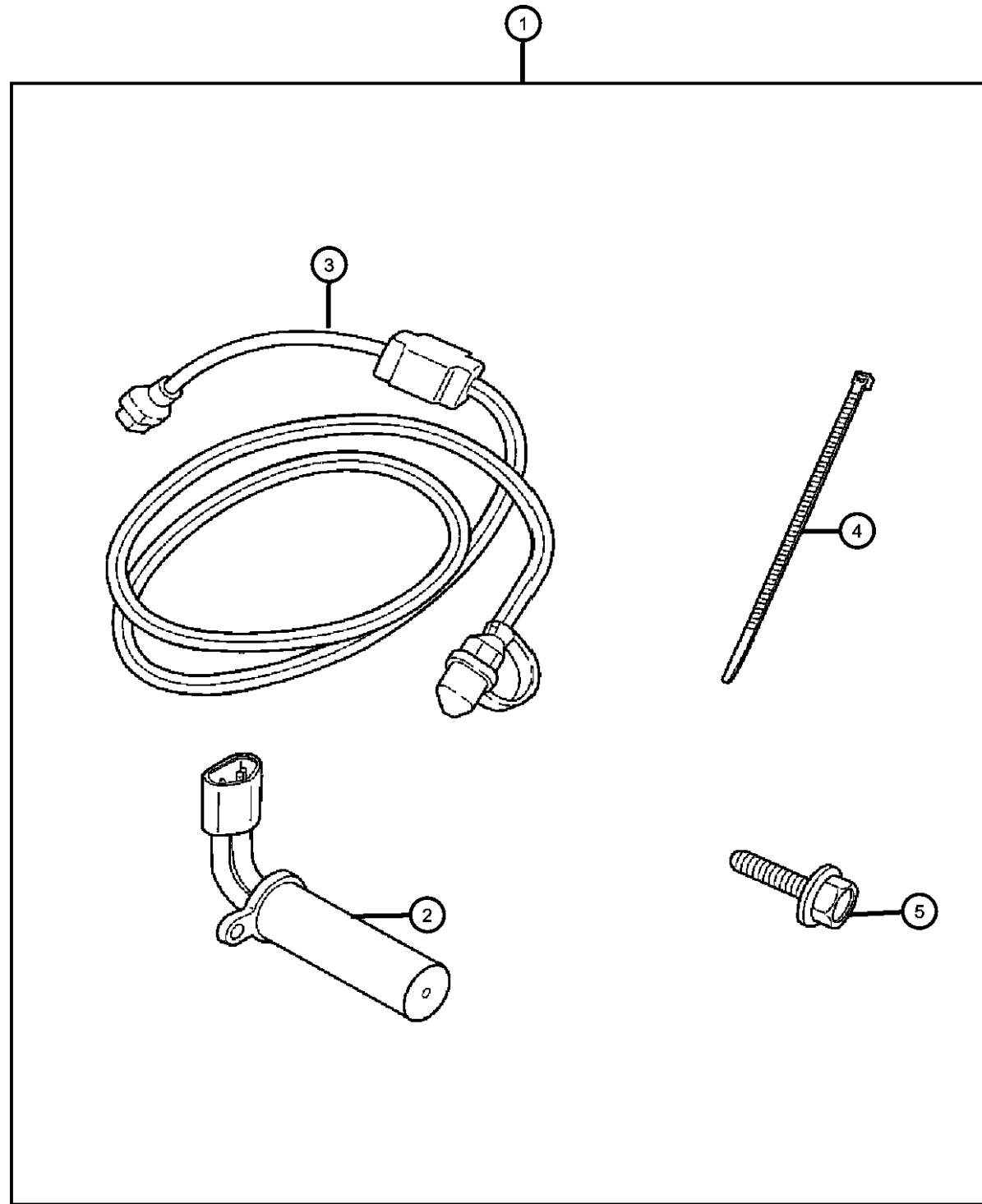
BODY
74 = SPORT UTILITY 4-DR
TYPE #4

ENGINE TRANSMISSION
EVE = Engine - 4.7L V8 DOHC 3 Valve
EVB = Engine - 4.7L V8 DOHC 3 Valve
EZA = 5.7L Hemi Multi Displacement Engine
EKB = 3.7L V6 Engine
ESF = 6.1L SRT HEMI SMPI V8 Engine
EXL = 3.0L V6 Turbo Diesel Engine
DGJ = 5-Speed Auto W5A580 Transmission
DGU = 5-Spd Auto W5J400 Transmission
DGQ = 5-Spd Automatic 545RFE Transmission

AR = use ase required - = Non illustrated part

2008 WK

Heater Kit - Engine Block
Figure 1-602



ITEM	PART NUMBER	QTY	LINE	SERIES	BODY	ENGINE	TRANS	TRIM	DESCRIPTION
1	82208937	1							HEATER PACKAGE, Engine Block
2	56044359AA	1							HEATER, Engine Block
3	04608805AD	1							CORD, Engine Block Heater
4	06015756	1							STRAP, Tie
5	06102001	1							BOLT AND WASHER, M6x12

GRAND CHEROKEE (WK)

SERIES LINE
H = HIGHLINE T = JEEP - 2WD
P = PREMIUM J = JEEP - 4WD
S = SPORT
X = SPECIAL

BODY
74 = SPORT UTILITY 4-DR
TYPE #4

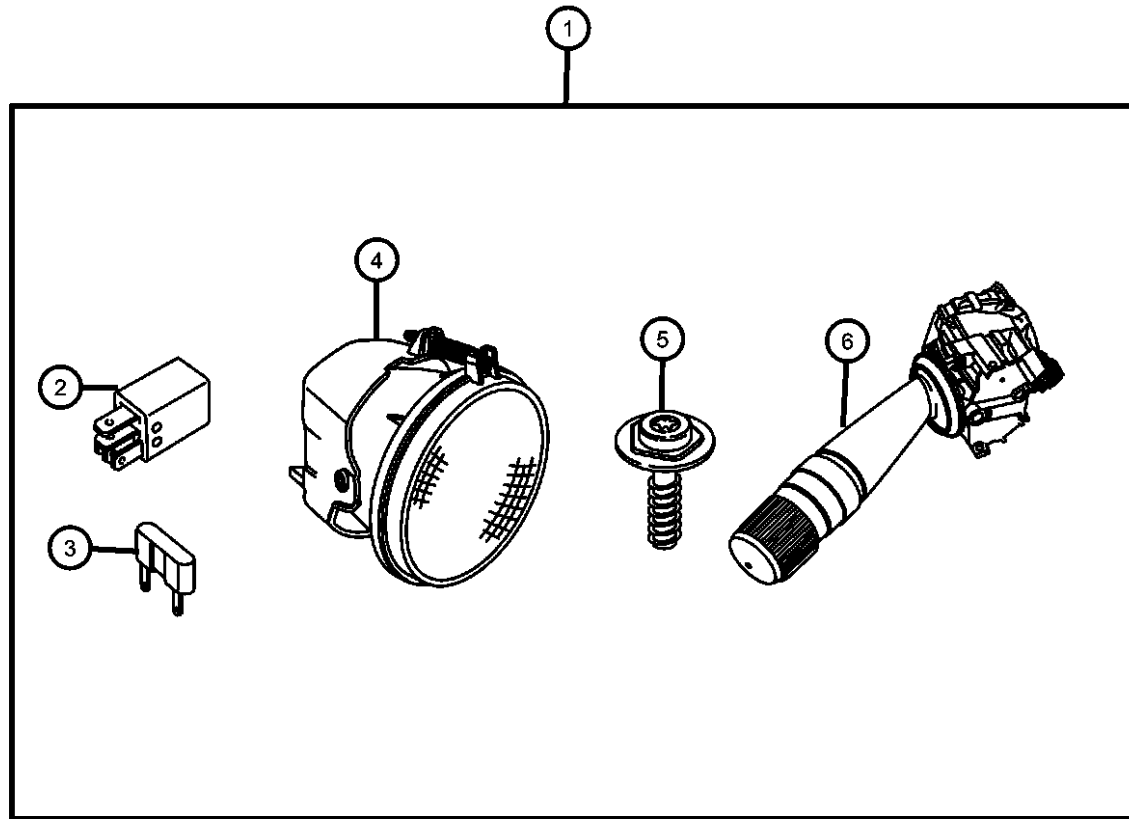
ENGINE TRANSMISSION
EVE = Engine - 4.7L V8 DOHC 3 Valve
EZH = 5.7L Hemi Multi Displacement Engine
EKG = 3.7L V6 Engine
ESF = 6.1L SRT HEMI SMPI V8 Engine
EXL = 3.0L V6 Turbo Diesel Engine
DGJ = 5-Speed Auto W5A580 Transmission
DGU = 5-Spd Auto W5J400 Transmission
DGQ = 5-Spd Automatic 545RFE Transmission

AR = use ase required - = Non illustrated part

2008 WK

Light Kit - Fog
Figure 1-604

ITEM	PART NUMBER	QTY	LINE	SERIES	BODY	ENGINE	TRANS	TRIM	DESCRIPTION
1	82211641	1							LIGHT KIT, Fog
2	04671168	1							RELAY, Mini
3	06101488	1							FUSE, Mini, 20 AMP, Yellow
4	04805859AB	2	J, T		74				LAMP, Fog
5	06506579AA	1							SCREW, Tapping, M6X2.69X21.55
6	68015101AD	1	J, T		74				SWITCH, Multifunction



GRAND CHEROKEE (WK)

SERIES LINE
H = HIGHLINE T = JEEP - 2WD
P = PREMIUM J = JEEP - 4WD
S = SPORT
X = SPECIAL

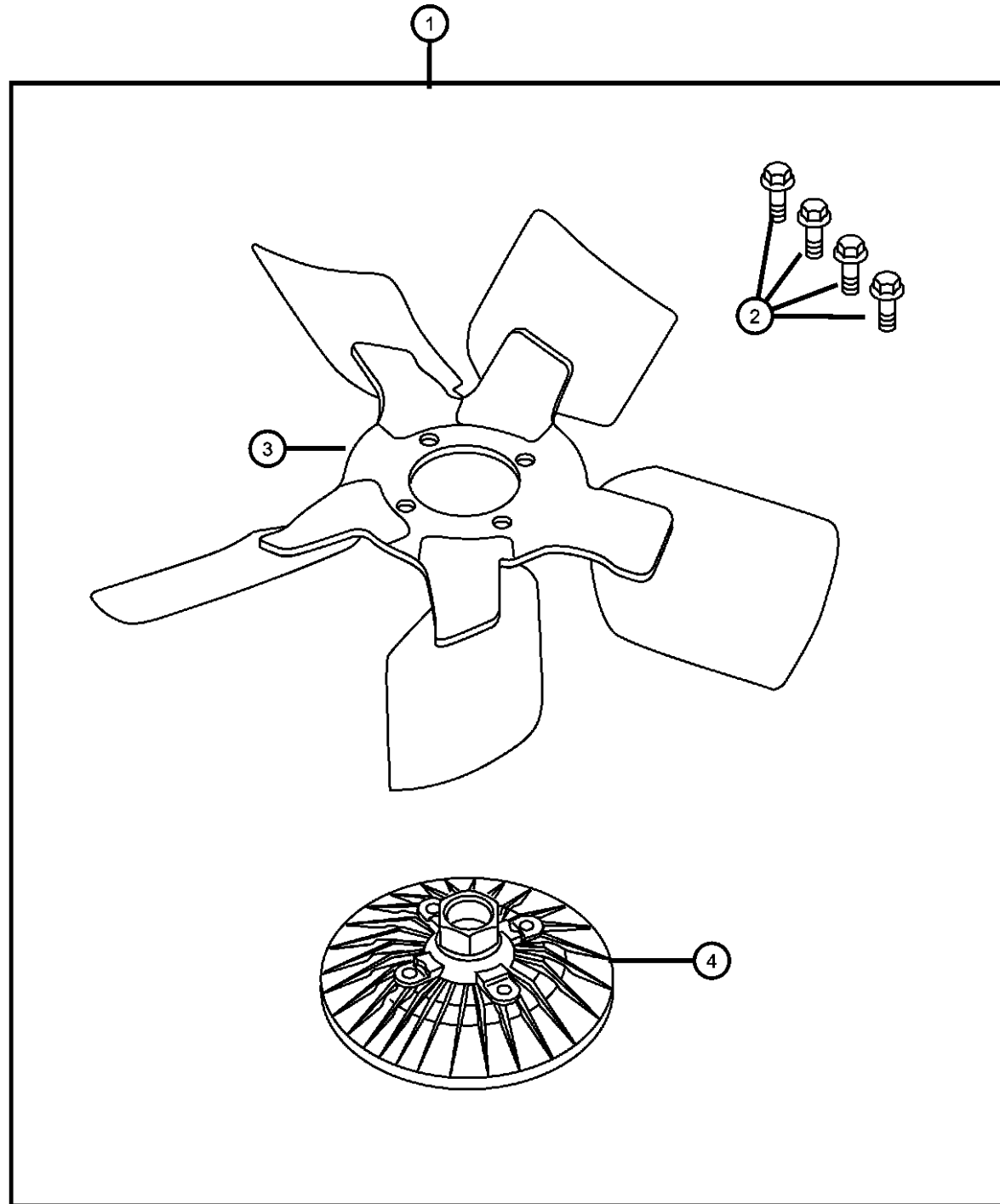
BODY
74 = SPORT UTILITY 4-DR
TYPE #4

ENGINE TRANSMISSION
EVE = Engine - 4.7L V8 DOHC 3 Valve DGJ = 5-Speed Auto W5A580
EZH = 5.7L Hemi Multi Displacement Engine DGU = 5-Spd Auto W5J400
EKG = 3.7L V6 Engine DGQ = 5-Spd Automatic 545RFE
ESF = 6.1L SRT HEMI SMPI V8 Engine
EXL = 3.0L V6 Turbo Diesel Engine

AR = use ase required - = Non illustrated part

2008 WK

Engine Cooling Kit
Figure 1-1104



ITEM	PART NUMBER	QTY	LINE	SERIES	BODY	ENGINE	TRANS	TRIM	DESCRIPTION
1	82210991	1							FAN KIT, Cooling Heavy Duty
2	06034860	4	J, T		74				BOLT AND WASHER, Implement Attaching
3	55116884AA	1							FAN, Cooling
4	55116882AA	1							VISCOUS CLUTCH, Fan Drive

GRAND CHEROKEE (WK)

SERIES LINE
H = HIGHLINE T = JEEP - 2WD
P = PREMIUM J = JEEP - 4WD
S = SPORT
X = SPECIAL

BODY
74 = SPORT UTILITY 4-DR
TYPE #4

ENGINE TRANSMISSION
EVE = Engine - 4.7L V8 DOHC 3 Valve
EZH = 5.7L Hemi Multi Displacement Engine
EKG = 3.7L V6 Engine
ESF = 6.1L SRT HEMI SMPI V8 Engine
EXL = 3.0L V6 Turbo Diesel Engine
DGJ = 5-Speed Auto W5A580 Transmission
DGU = 5-Spd Auto W5J400 Transmission
DGQ = 5-Spd Automatic 545RFE Transmission

AR = use ase required - = Non illustrated part

2008 WK

Group - 2

Front Suspension

Group - 2 Front Suspension

Illustration Title

Group-Fig. No.

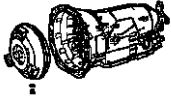
Front Suspension, Strut and Cradle

Suspension, Front..... Fig. 2 - 110

Cradle, Front Suspension Fig. 2 - 120

Front Stabilizer Bar

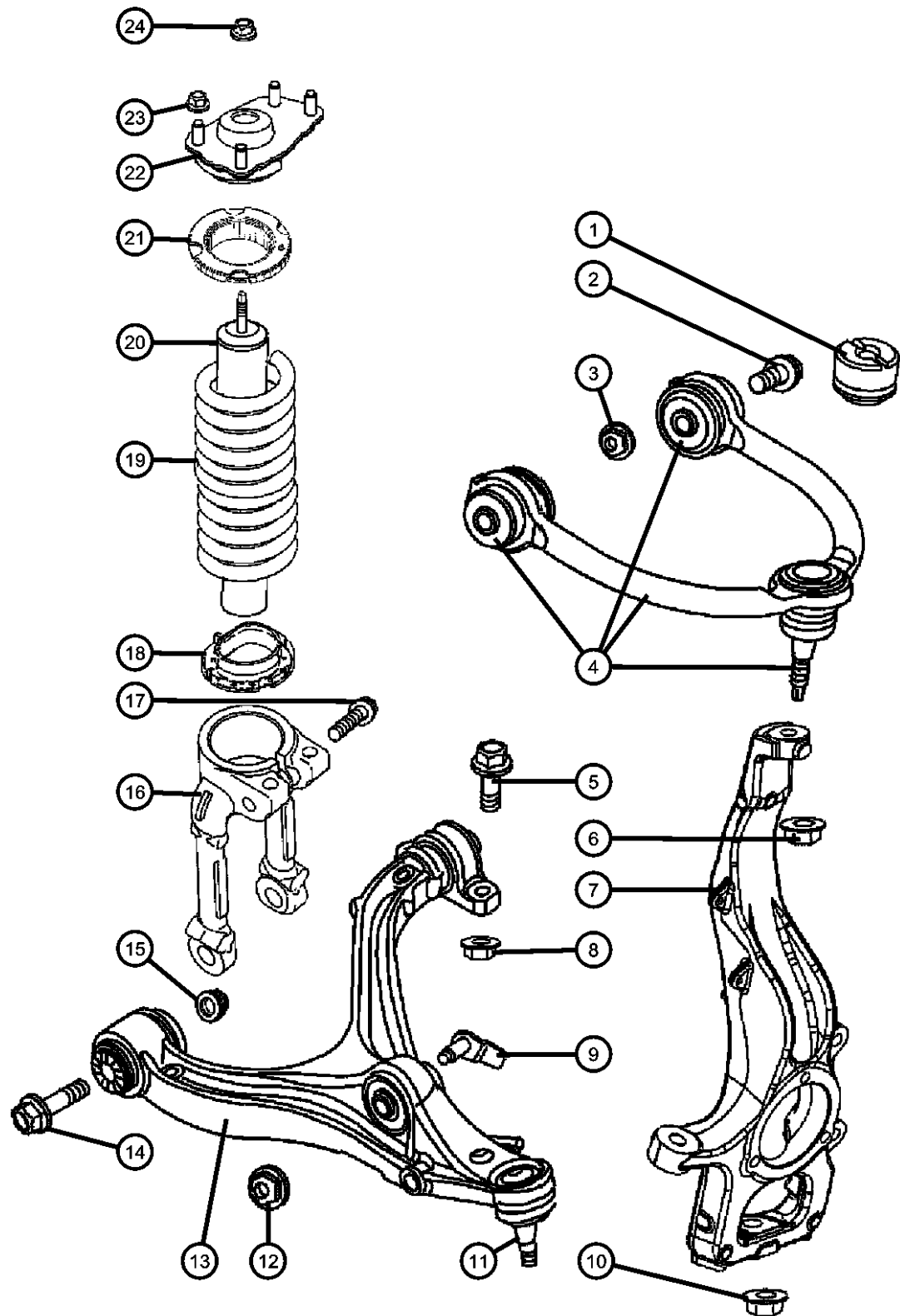
Stabilizer Bar, Front..... Fig. 2 - 210

<p>002-100 Front Suspension, Strut and Cradle</p> 	<p>002-200 Front Stabilizer Bar</p>		
--	--	--	--

Suspension, Front
Figure 2-110

ITEM	PART NUMBER	QTY	LINE	SERIES	BODY	ENGINE	TRANS	TRIM	DESCRIPTION
------	-------------	-----	------	--------	------	--------	-------	------	-------------

Note:Sales Codes;
[EK0]=ALL V6 ENGINES
[EV0]=ALL V8 ENGINES
[ES0]=ALL V8 ENGINES
[EX0]=ALL 3.0/3.1L TURBO DIESELS ENGINES



1	52089347AA	2	J, T		74				BUMPER, Jounce
2	06507770AA	4	J, T		74				BOLT, Hex Flange Head, M12x1.75X85.00, UCA to Body, Mounting
3									NUT, Hex Flange Lock, M12x1.75 UCA to Body, Mounting
	06502835	4	J, T		74				
		4	J, T		74				
4	52090206AH	1	J, T		74				ARM, Upper Control, Front, Also Includes Item 6, Right or Left
5									BOLT AND WASHER, Hex Head, M12X1.75X70.00 LCA to Cradle Rear, Mounting
	06101984	4	J, T		74				
		2	J, T		74				
6	06507676AA	2	J, T		74				NUT, Hex Flange Lock, M12X1.50, UCA to Knuckle, Mounting
7									KNUCKLE, Front
	05290648AB	1	J		74	ES0			[ES0], Right
	05290649AB	1	J		74	ES0			[ES0], Left
	52090179AD	1	J, T		74	EK0, EV0, EX0, EZ0			[EK0,EV0,EX0,EZ0], Left
	52090180AD	1	J, T		74	EK0, EV0, EX0, EZ0			[EK0,EV0,EX0,EZ0], Right
8	06508257AA	4	J, T		74				NUT AND RETAINER, Hex Flange Locking, M12x1.75, LCA to Cradle Rear, Mounting
9	06503047	2	J, T		74				BOLT, Hex Flange Head, M16x2.00x135.00, Clevis, Mounting
10	06505623AA	2	J, T		74				NUT, Hex Lock, M14x1.50, LCA to Knuckle, Mounting
11	05135651AC	1	J, T		74				BALL JOINT PACKAGE, Lower Control ArmRight or Left
12	06102252AA	2	J, T		74				NUT, Hex Flange Lock, M16x2.00, Clevis, Mounting
13									ARM, Lower Control, Front

GRAND CHEROKEE (WK)

SERIES LINE
H = HIGHLINE T = JEEP - 2WD
P = PREMIUM J = JEEP - 4WD
S = SPORT
X = SPECIAL

BODY
74 = SPORT UTILITY 4-DR TYPE #4

ENGINE
EVE = Engine - 4.7L V8 DOHC 3 Valve
EZB = 5.7L Hemi Multi Displacement Engine
EKG = 3.7L V6 Engine
ESF = 6.1L SRT HEMI SMPI V8 Engine
EXL = 3.0L V6 Turbo Diesel Engine

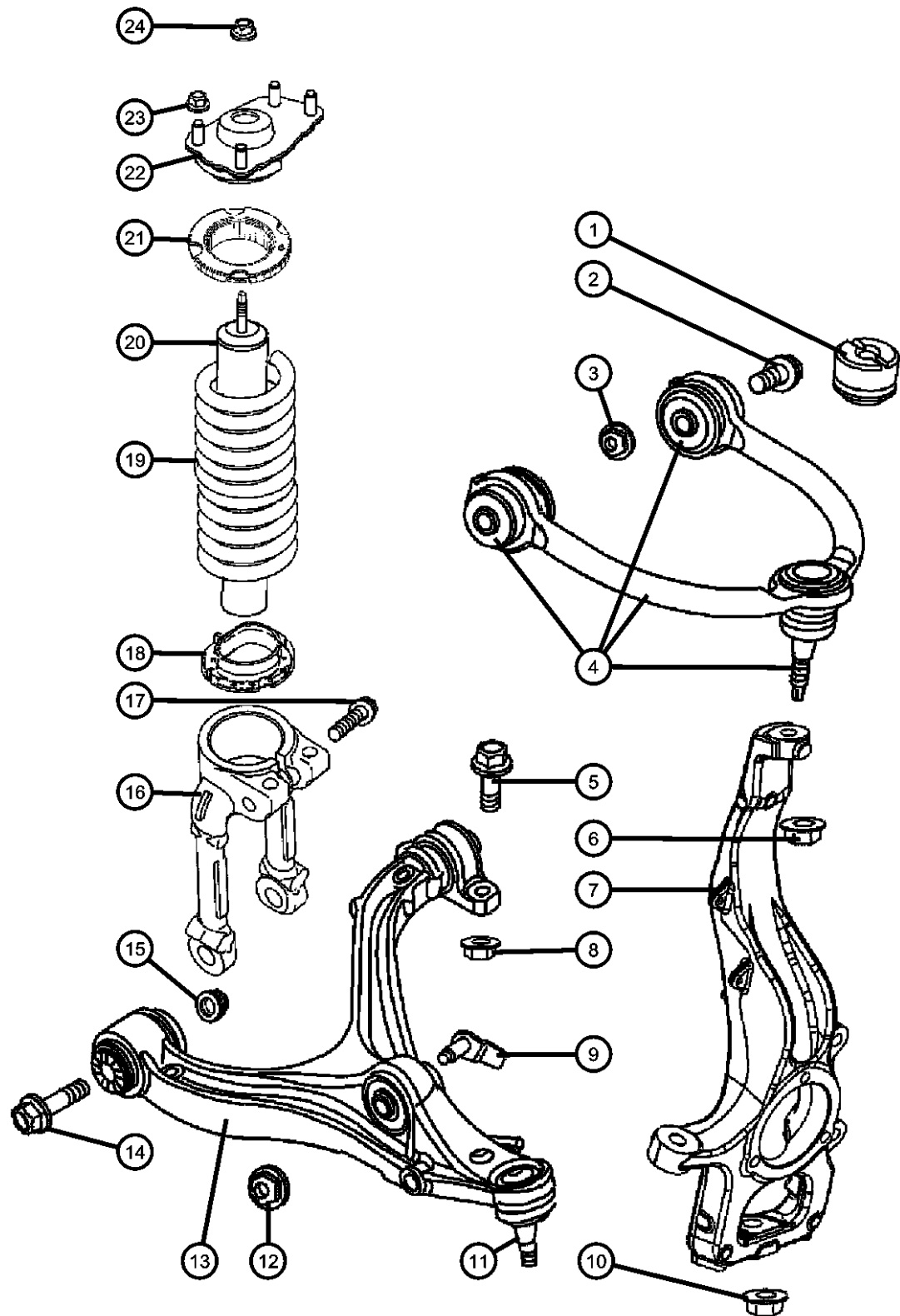
TRANSMISSION
DGJ = 5-Speed Auto W5A580 Transmission
DGU = 5-Spd Auto W5J400 Transmission
DGQ = 5-Spd Automatic 545RFE Transmission

AR = use ase required - = Non illustrated part

2008 WK

Suspension, Front
Figure 2-110

ITEM	PART NUMBER	QTY	LINE	SERIES	BODY	ENGINE	TRANS	TRIM	DESCRIPTION
	05290634AA	1	J, T		74				[SDX] Includes Items 10,11 and All Bushings, Right
	05290635AA	1	J, T		74				[SDX] Includes Items 10,11 and All Bushings, Left
	52089980AG	1	J, T		74				[SDA] Includes Items 10,11 and All Bushings, Right
	52089981AG	1	J, T		74				[SDA] Includes Items 10,11 and All Bushings, Left
14	06503047	2	J, T		74				BOLT, Hex Flange Head, M16x2.00x135.00, LCA to Cradle Front, Mounting
15	06507869AA	2	J, T		74				NUT AND RETAINER, Hex Flange Locking, M16x2.00x70.00, LCA to Cradle Front, Mounting
16									CLEVIS, Front
	52090476AA	1	J, T		74				Right
	52090477AA	1	J, T		74				Left
17	06502818	2	J, T		74				BOLT, Hex Flange Head, M14x2.00x80.00, Clevis Pinch Bolt, Mounting
18	52089330AB	2	J, T		74				ISOLATOR, Spring, Lower
19									SPRING, Front Coil
	52124012AD	1	J, T		74				[ZJC,ZXC]
	52124089AE	1	J, T		74				[ZJG,ZXG]
	52124092AE	1	J, T		74				[ZJJ,ZXJ]
	05290629AB	1	J, T		74				[ZKL], Left
	05290771AB	1	J, T		74				[ZYL], Right
	52089761AE	1	J, T		74				[ZHA,ZWA]
	52089763AE	1	J, T		74				[ZHC,ZWC]
	52089764AE	1	J, T		74				[ZHD,ZWD]
	52089765AE	1	J, T		74				[ZHE,ZWE]
	52089766AE	1	J, T		74				[ZHF,ZWF]
	52089767AE	1	J, T		74				[ZHG,ZWG]
	52124011AE	1	J, T		74				[ZJB,ZXB]
20									SHOCK ABSORBER PACKAGE, Suspension, Front
	05135573AJ	2	J, T		74				[SDA]



GRAND CHEROKEE (WK)

SERIES LINE
H = HIGHLINE T = JEEP - 2WD
P = PREMIUM J = JEEP - 4WD
S = SPORT
X = SPECIAL

BODY
74 = SPORT UTILITY 4-DR
TYPE #4

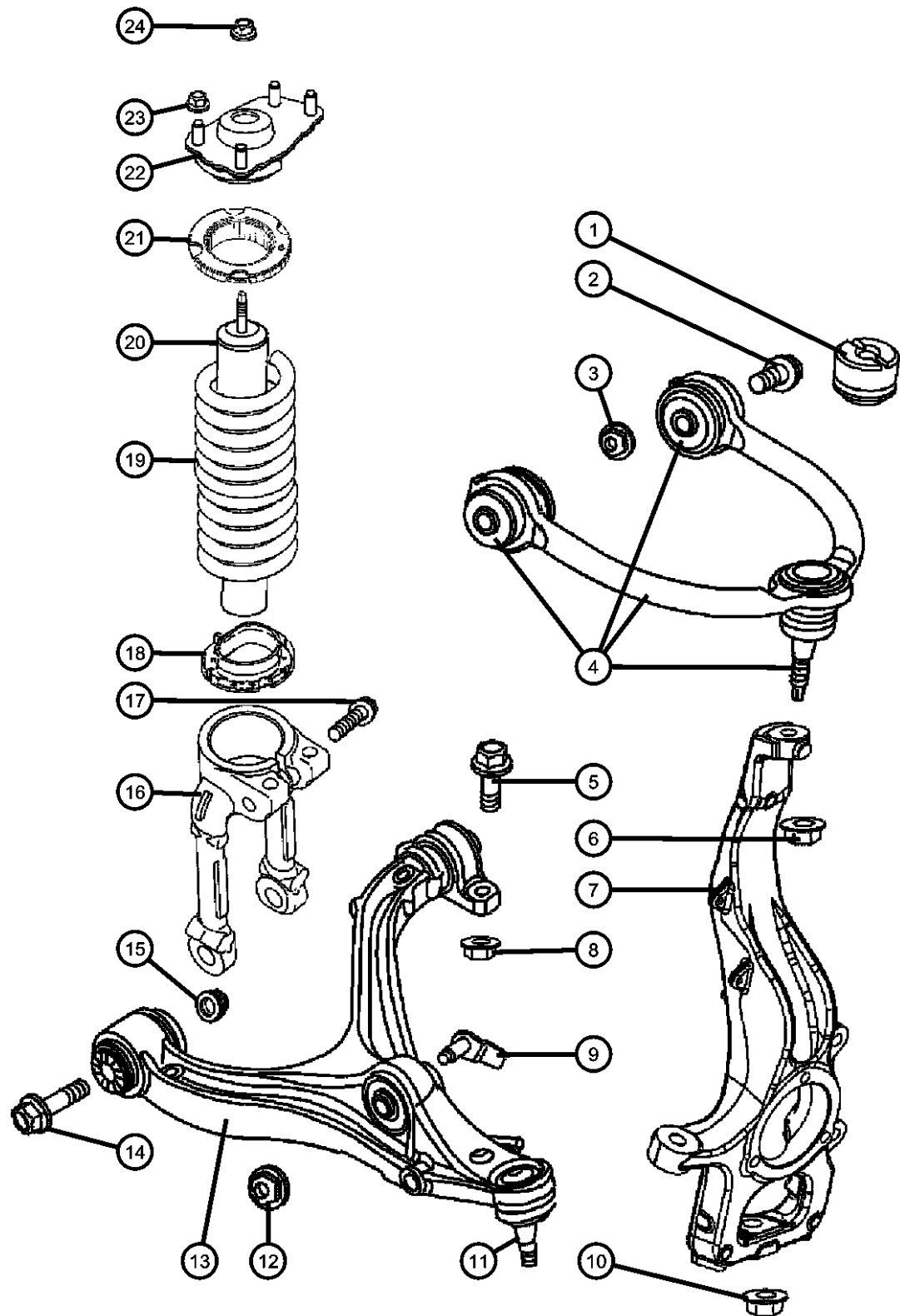
ENGINE TRANSMISSION
EVE = Engine - 4.7L V8 DOHC 3 Valve
EZB = 5.7L Hemi Multi Displacement Engine
EKG = 3.7L V6 Engine
ESF = 6.1L SRT HEMI SMPI V8 Engine
EXL = 3.0L V6 Turbo Diesel Engine
DGJ = 5-Speed Auto W5A580 Transmission
DGU = 5-Spd Auto W5J400 Transmission
DGQ = 5-Spd Automatic 545RFE Transmission

AR = use ase required - = Non illustrated part

2008 WK

Suspension, Front
Figure 2-110

ITEM	PART NUMBER	QTY	LINE	SERIES	BODY	ENGINE	TRANS	TRIM	DESCRIPTION
	05175959AC	2	J, T		74				[SDX]
21	52089328AC	2	J, T		74				ISOLATOR, Spring, UpperUpper
22	52089331AC	2	J, T		74				MOUNT, Shock Upper
23	06502835	8	J, T		74				NUT, Hex Flange Lock, M12x1.75, Shock Upper Mount, Mounting
24	06507207AA	2	J, T		74				NUT, Hex Flange Lock, M12x1.75, Shock Upper, Mounting



GRAND CHEROKEE (WK)

SERIES LINE
H = HIGHLINE T = JEEP - 2WD
P = PREMIUM J = JEEP - 4WD
S = SPORT
X = SPECIAL

BODY
74 = SPORT UTILITY 4-DR
TYPE #4

ENGINE TRANSMISSION
EVE = Engine - 4.7L V8 DOHC 3 Valve
EVB = Engine - 4.7L V8 DOHC 3 Valve
EZB = 5.7L Hemi Multi Displacement Engine
EKG = 3.7L V6 Engine
ESF = 6.1L SRT HEMI SMPI V8 Engine
EXL = 3.0L V6 Turbo Diesel Engine
DGJ = 5-Speed Auto W5A580 Transmission
DGU = 5-Spd Auto W5J400 Transmission
DGQ = 5-Spd Automatic 545RFE Transmission

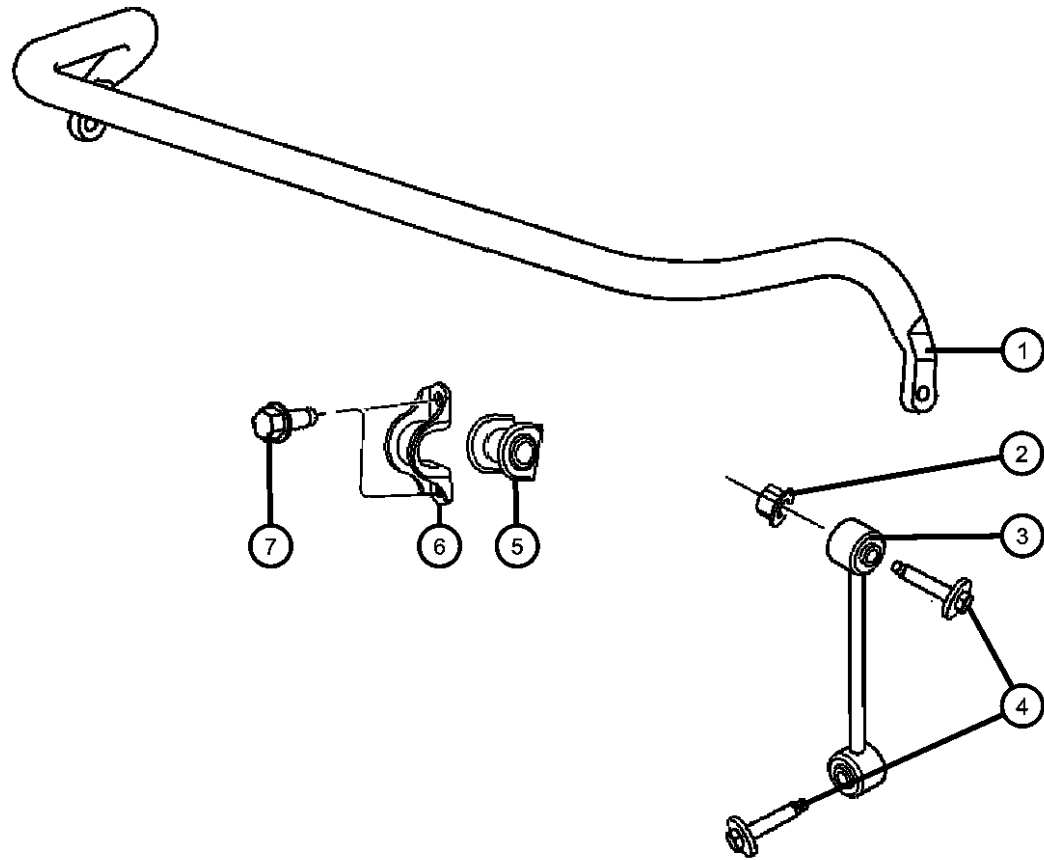
AR = use ase required - = Non illustrated part

2008 WK

Stabilizer Bar,Front
Figure 2-210

ITEM	PART NUMBER	QTY	LINE	SERIES	BODY	ENGINE	TRANS	TRIM	DESCRIPTION
------	-------------	-----	------	--------	------	--------	-------	------	-------------

Note: Sales Codes:
 Note:SDX Sway Bars do not use bushing or retainers with the raised beads.
 [SDA]=Normal Duty Suspension
 [SDX]=High Performance Suspension



1									STABILIZER BAR, Front
	52089466AE	1	J, T		74				[SDA]
	52090154AG	1	J, T		74				[SDX]
2	06502835	2	J, T		74				NUT, Hex Flange Lock, M12x1.75, Stabilizer Bar Link to Stabilizer Bar, Mounting
3	52089467AB	2	J, T		74				LINK ASSEMBLY, Stabilizer Bar
4	06508710AA	2	J, T		74				BOLT AND WASHER, Hex Head Lock, M12x1.75x80.00, Stabilizer Bar Link to Stabilizer Bar or LCA, Mounting
5									BUSHING, Stabilizer Bar
	52089465AF	2	J, T		74				[SDA] Stabilizer Bar to Sill, Mounting
	52090155AH	2	J, T		74				[SDX] Stabilizer Bar to Sill, Mounting
6	52090474AB	2	J, T		74				RETAINER, Stabilizer Bar BushingMounting
7	06508668AA	4	J, T		74				BOLT AND WASHER, Hex Head, M14x2.00x45.00, Retainer Bracket to Cradle, Mounting

GRAND CHEROKEE (WK)

SERIES LINE
 H = HIGHLINE T = JEEP - 2WD
 P = PREMIUM J = JEEP - 4WD
 S = SPORT
 X = SPECIAL

BODY
 74 = SPORT UTILITY 4-DR
 TYPE #4

ENGINE TRANSMISSION
 EVE = Engine - 4.7L V8 DOHC 3 Valve
 EZB = 5.7L Hemi Multi Displacement Engine
 EKG = 3.7L V6 Engine
 ESF = 6.1L SRT HEMI SMPI V8 Engine
 EXL = 3.0L V6 Turbo Diesel Engine
 DGJ = 5-Speed Auto W5A580 Transmission
 DGU = 5-Spd Auto W5J400 Transmission
 DGQ = 5-Spd Automatic 545RFE Transmission

AR = use ase required - = Non illustrated part

2008 WK

Group - 003DJA

Front Axle; Corporate 200 MM; Differential and Drive Line

Group - 003DJA Front Axle; Corporate 200 MM; Differential and Drive Line

Illustration Title	Group-Fig. No.
Front Axle Assembly	
Axle Assembly, Front	Fig. 003DJA - 110
Front Axle; Housing, Differential and Vent	
Housing and Vent	Fig. 003DJA - 210
Differential Assembly, Front	Fig. 003DJA - 220
Front Axle Drive Shafts	
Shaft, Front Axle	Fig. 003DJA - 310
Front Axle Skid Plate	
Skid Plate, Front Axle.....	Fig. 003DJA - 510
Drive Shaft	
Shaft, Drive, Front	Fig. 003DJA - 610

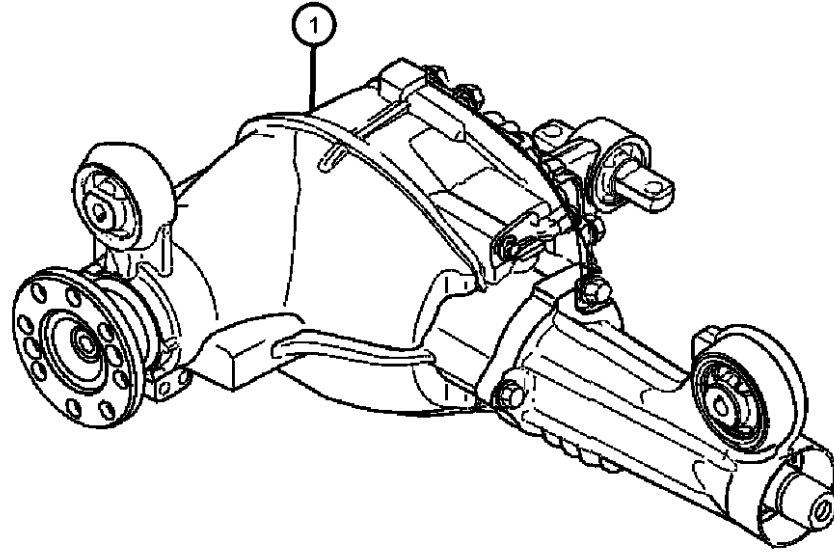
003DJA-100 Front Axle Assembly	003DJA-200 Front Axle; Housing, Differential and Vent	003DJA-300 Front Axle Drive Shafts	003DJA-500 Front Axle Skid Plate
003DJA-600 Drive Shaft			

Axle Assembly,Front
Figure 003DJA-110

ITEM	PART NUMBER	QTY	LINE	SERIES	BODY	ENGINE	TRANS	TRIM	DESCRIPTION
------	-------------	-----	------	--------	------	--------	-------	------	-------------

Note:Sales Codes;
[DJA]=Axle - Front,200MM
[DMD]=Axle Ratio 3.55
[DME]=Axle Ratio 3.73
[DMM]=Axle Ratio 3.07
[DSG]=Axle - Electric Limited Slip Differential,Front
[DS7]=Axle-Conventional Differential,Front

1									AXLE, Service Front
	52114728AD	1	J		74				[DMD]
	52111369AF	1	J		74				[DME+DS7]
	52111936AD	1	J		74				[DME+DSG]
	52111938AF	1	J		74				[DMM]



GRAND CHEROKEE (WK)

SERIES LINE
H = HIGHLINE T = JEEP - 2WD
P = PREMIUM J = JEEP - 4WD
S = SPORT
X = SPECIAL

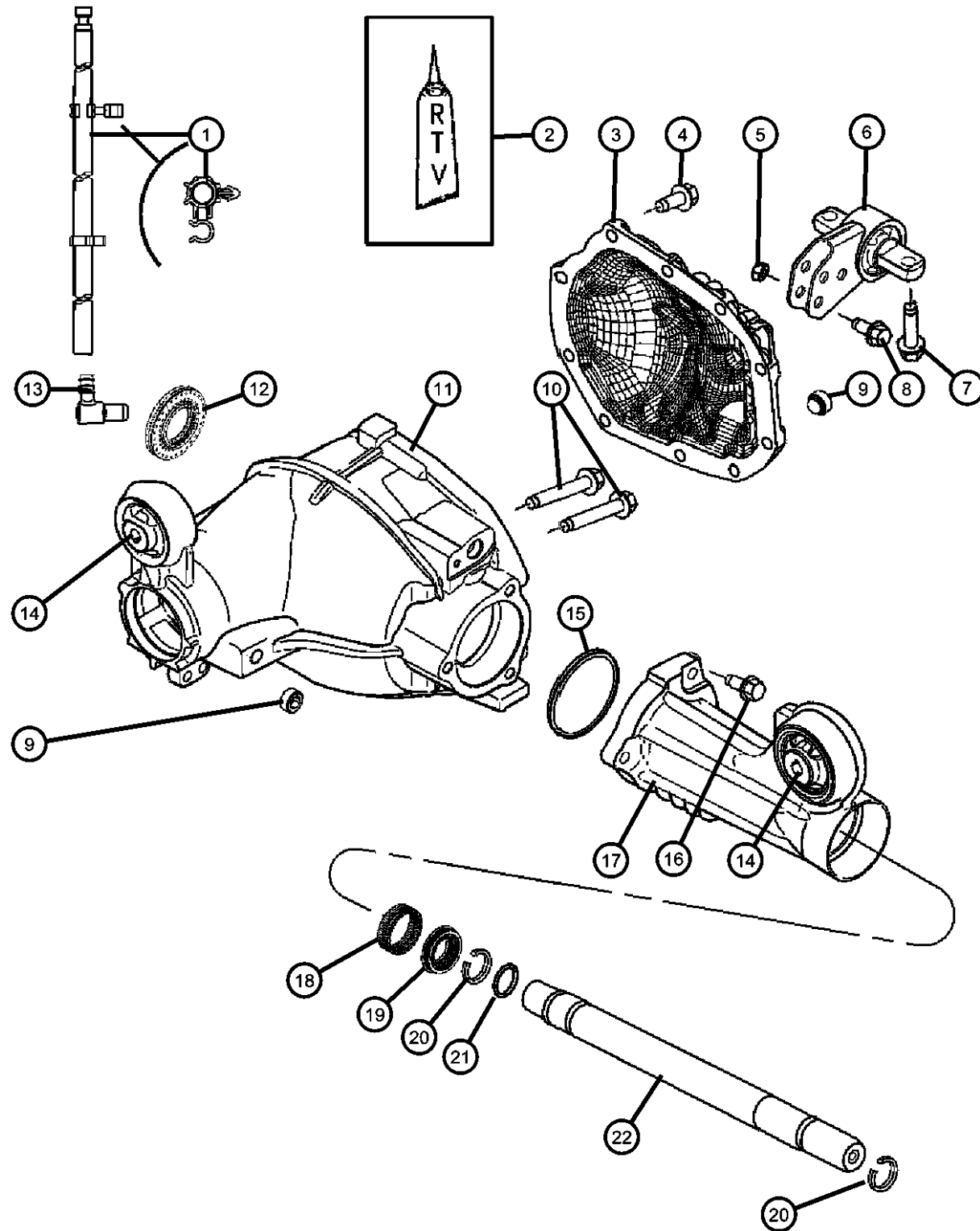
BODY
74 = SPORT UTILITY 4-DR
TYPE #4

ENGINE TRANSMISSION
EVE = Engine - 4.7L V8 DOHC 3 Valve
EVB = Engine - 4.7L V8 DOHC 3 Valve
EZA = 5.7L Hemi Multi Displacement Engine
EKB = 3.7L V6 Engine
ESF = 6.1L SRT HEMI SMPI V8 Engine
EXL = 3.0L V6 Turbo Diesel Engine
DGJ = 5-Speed Auto W5A580 Transmission
DGU = 5-Spd Auto W5J400 Transmission
DGQ = 5-Spd Automatic 545RFE Transmission

AR = use ase required - = Non illustrated part

2008 WK

Housing and Vent
Figure 003DJA-210



ITEM	PART NUMBER	QTY	LINE	SERIES	BODY	ENGINE	TRANS	TRIM	DESCRIPTION
Note:Sales Codes; [DJA]=Axle - Front,200MM [DS7]=Conventional Differential Front Axle [DSG]=Axle - Electric Limited Slip Differential,Front									
1	52114884AA	1	J		74				HOSE, Axle Vent
	52114148AD	1	J		74				[EX0]
									[EK0,ES0,EV0,EZ0]
2	05013477AA	1	J		74				SEALANT, RTV
3	52111342AC	1	J		74				COVER, Differential
	52111964AC	1	J		74				[DS7]
									[DSG]
4	06507903AA	8	J		74				BOLT, Hex Flange Head, M10x1.50x30.00
		10	J		74				[DS7], Mounting
									[DSG], Mounting
5	06104718AA	3	J		74				NUT, Hex Flange Lock, M12X1.50, Axle Bracket, Mounting
6	52114354AA	1	J		74				BRACKET ASSEMBLY, Front Cover, Axle
7	06508159AA	2	J		74				BOLT, Hex Flange Head, M10x1.50x40.00, Differential Dogbone to Cradle, Mounting
8	06104237AA	3	J		74				BOLT, Hex Flange Head, M12x1.50x45.00, Axle Bracket, Mounting
9	05097712AB	1	J		74				PLUG, Oil Drain
10	03432695	2	J		74				BOLT, Hex Head, .500-13x2.38, Carrier Cap, Mounting
11	52114326AA	1	J		74				HOUSING, Axle
	52114331AA	1	J		74				[DSG] Includes 9,10,14
									[DS7] Includes 9,13,14
12	52111338AC	1	J		74				SEAL, Axle Drive Shaft
13	52114325AA	1	J		74				VENT, Axle
14	52089516AB	1	J		74				ISOLATOR, Axle Mounting
15	52114079AA	1	J		74				O RING, Axle Housing Tube to Axle Housing, Mounting

GRAND CHEROKEE (WK)

SERIES LINE
H = HIGHLINE T = JEEP - 2WD
P = PREMIUM J = JEEP - 4WD
S = SPORT
X = SPECIAL

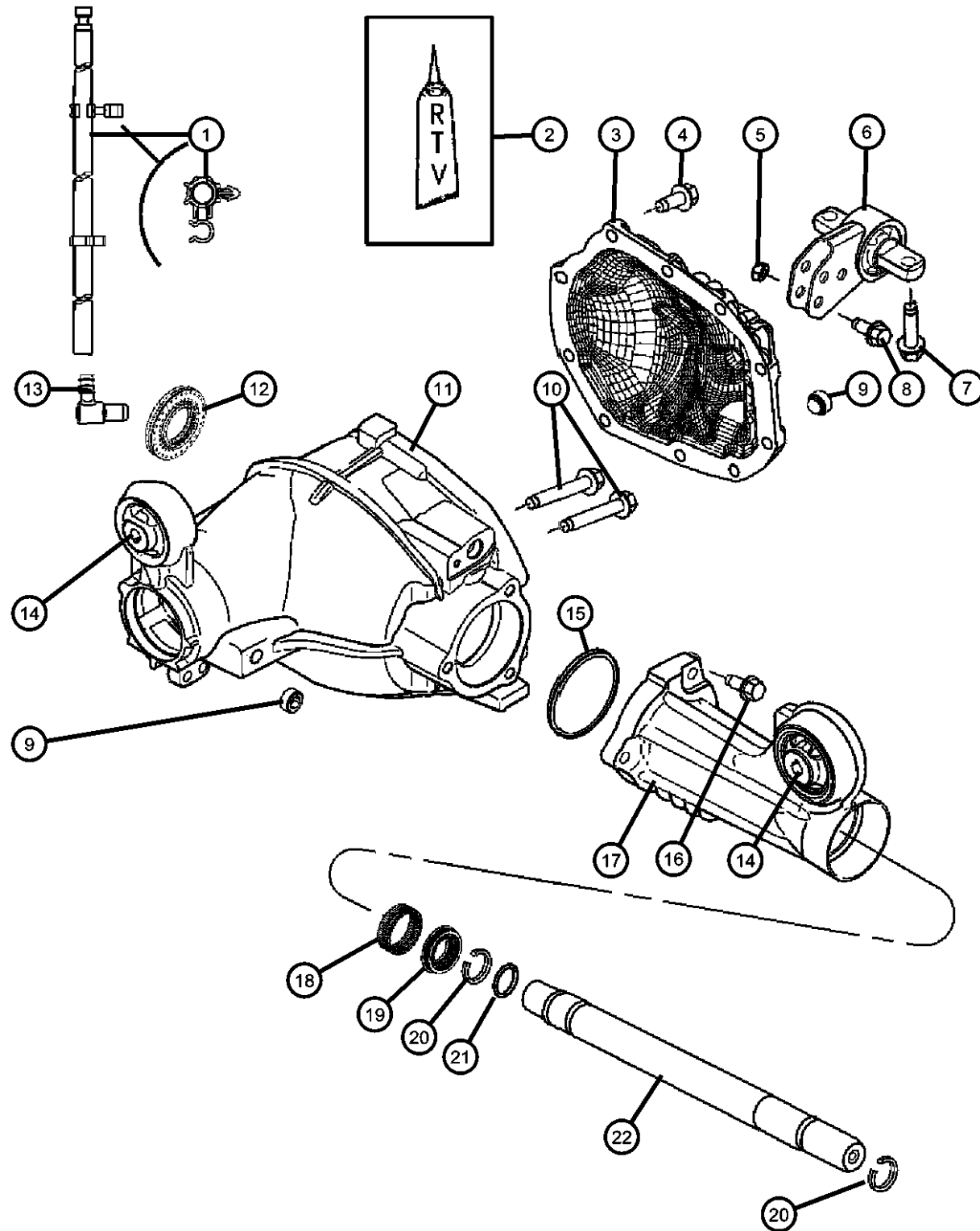
BODY
74 = SPORT UTILITY 4-DR
TYPE #4

ENGINE TRANSMISSION
EVE = Engine - 4.7L V8 DOHC 3 Valve
DGJ = 5-Speed Auto W5A580 Transmission
EZB = 5.7L Hemi Multi Displacement Engine
DGU = 5-Spd Auto W5J400 Transmission
EKG = 3.7L V6 Engine
DGQ = 5-Spd Automatic 545RFE Transmission
ESF = 6.1L SRT HEMI SMPI V8 Engine
EXL = 3.0L V6 Turbo Diesel Engine

AR = use ase required - = Non illustrated part

2008 WK

Housing and Vent
Figure 003DJA-210



ITEM	PART NUMBER	QTY	LINE	SERIES	BODY	ENGINE	TRANS	TRIM	DESCRIPTION
16	06507903AA	3	J		74				BOLT, Hex Flange Head, M10x1.50x30.00, Axle Housing Tube to Axle Housing, Mounting
17									TUBE, Axle Housing
	52111343AC	1	J		74				[DS7] Includes 14,18
	52111966AC	1	J		74				[DSG] Includes 14,18
18	52111167AA	1	J		74				BUSHING, Axle Shaft
19	52069706AB	1	J		74				SEAL, Axle Drive Shaft
20	52069710AB	2	J		74				SNAP RING, Axle Shaft
21	52069888AB	1	J		74				O RING, Shaft Disconnect
22									SHAFT, Axle
	52111969AD	1	J		74				[DSG]
	52111347AC	1	J		74				[DS7]

GRAND CHEROKEE (WK)

SERIES LINE
H = HIGHLINE T = JEEP - 2WD
P = PREMIUM J = JEEP - 4WD
S = SPORT
X = SPECIAL

BODY
74 = SPORT UTILITY 4-DR
TYPE #4

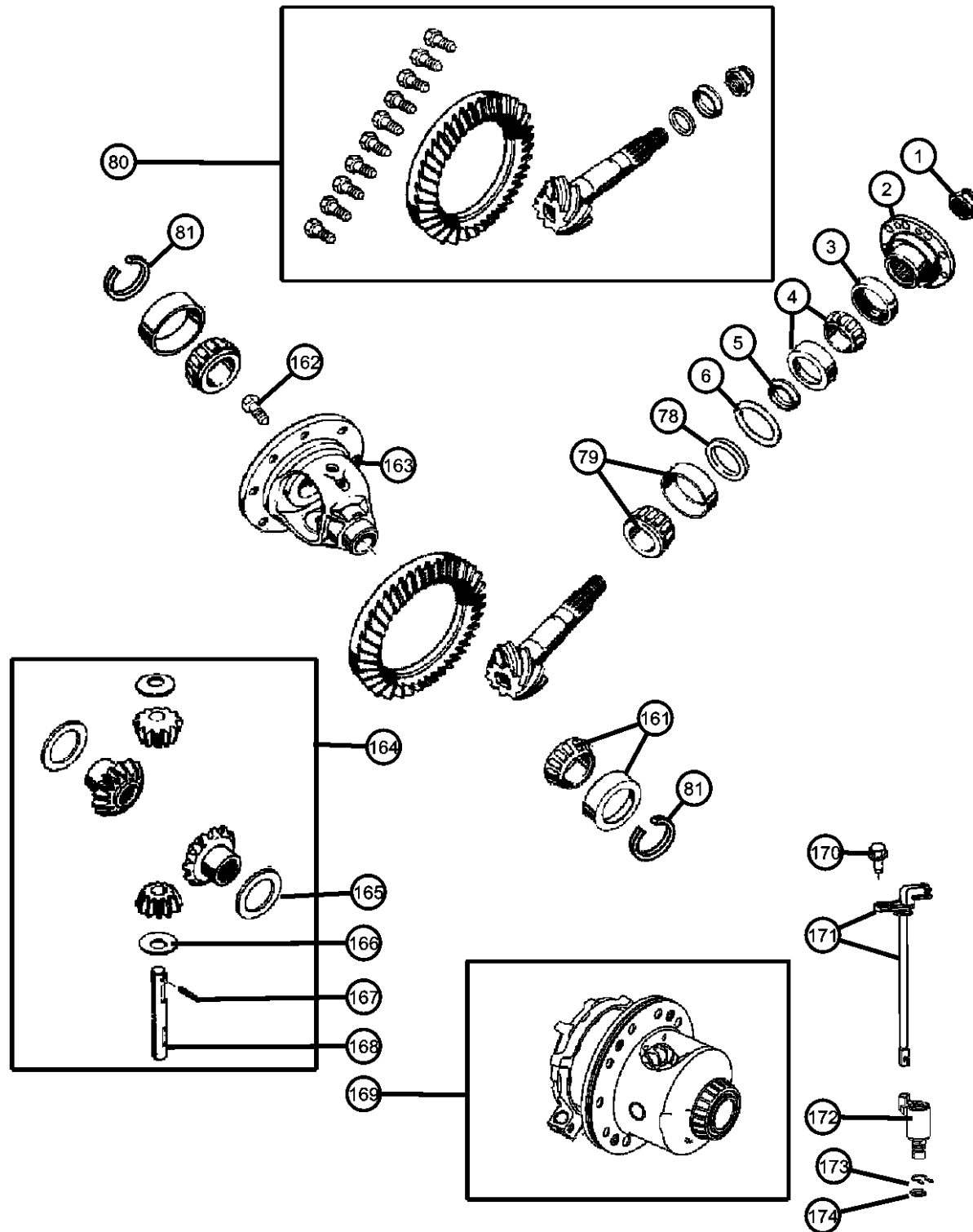
ENGINE
EVE = Engine - 4.7L V8 DOHC
3 Valve
EZB = 5.7L Hemi Multi
Displacement Engine
EKG = 3.7L V6 Engine
ESF = 6.1L SRT HEMI SMPI
V8 Engine
EXL = 3.0L V6 Turbo Diesel
Engine

TRANSMISSION
DGJ = 5-Speed Auto W5A580
Transmission
DGU = 5-Spd Auto W5J400
Transmission
DGQ = 5-Spd Automatic 545RFE
Transmission

AR = use ase required - = Non illustrated part

2008 WK

Differential Assembly, Front
Figure 003DJA-220



ITEM	PART NUMBER	QTY	LINE	SERIES	BODY	ENGINE	TRANS	TRIM	DESCRIPTION
------	-------------	-----	------	--------	------	--------	-------	------	-------------

Note:Sales Codes;
 [DJA]=Axle - Front,200MM
 [DMD]=Axle Ratio 3.55
 [DME]=Axle Ratio 3.73
 [DMM]=Axle Ratio 3.07
 [DSG]=Axle - Electric Limited Slip Differential,Front
 [DS7]=Axle-Conventional Differential,Front

1	06507901AA	1	J		74				NUT, Pinion
2	52114795AB	1	J		74				FLANGE, Pinion
3	52111953AC	1	J		74				SEAL, Drive Pinion
4	05135674AB	1	J		74				BEARING KIT, Drive Pinion, Bearing and Cup, Front
5	52111336AA	1	J		74				SPACER, Drive Pinion Bearing, Crush
6	52111335AA	1	J		74				SHIM, Drive Pinion Bearing, 4.90mm
-7	52111334AA	1	J		74				SHIM, Drive Pinion Bearing, 4.92mm
-8	52111333AA	1	J		74				SHIM, Drive Pinion Bearing, 4.94mm
-9	52111332AA	1	J		74				SHIM, Drive Pinion Bearing, 4.96mm
-10	52111331AA	1	J		74				SHIM, Drive Pinion Bearing, 4.98mm
-11	52111330AA	1	J		74				SHIM, Drive Pinion Bearing, 5.00mm
-12	52111328AA	1	J		74				SHIM, Drive Pinion Bearing, 5.02mm
-13	52111327AA	1	J		74				SHIM, Drive Pinion Bearing, 5.04mm
-14	52111326AA	1	J		74				SHIM, Drive Pinion Bearing, 5.06mm
-15	52111325AA	1	J		74				SHIM, Drive Pinion Bearing, 5.08mm
-16	52111324AA	1	J		74				SHIM, Drive Pinion Bearing, 5.10mm
-17	52111323AA	1	J		74				SHIM, Drive Pinion Bearing, 5.12mm
-18	52111322AA	1	J		74				SHIM, Drive Pinion Bearing, 5.14mm
-19	52111321AA	1	J		74				SHIM, Drive Pinion Bearing, 5.16mm
-20	52111320AA	1	J		74				SHIM, Drive Pinion Bearing, 5.18mm

GRAND CHEROKEE (WK)

SERIES LINE
 H = HIGHLINE T = JEEP - 2WD
 P = PREMIUM J = JEEP - 4WD
 S = SPORT
 X = SPECIAL

BODY
 74 = SPORT UTILITY 4-DR
 TYPE #4

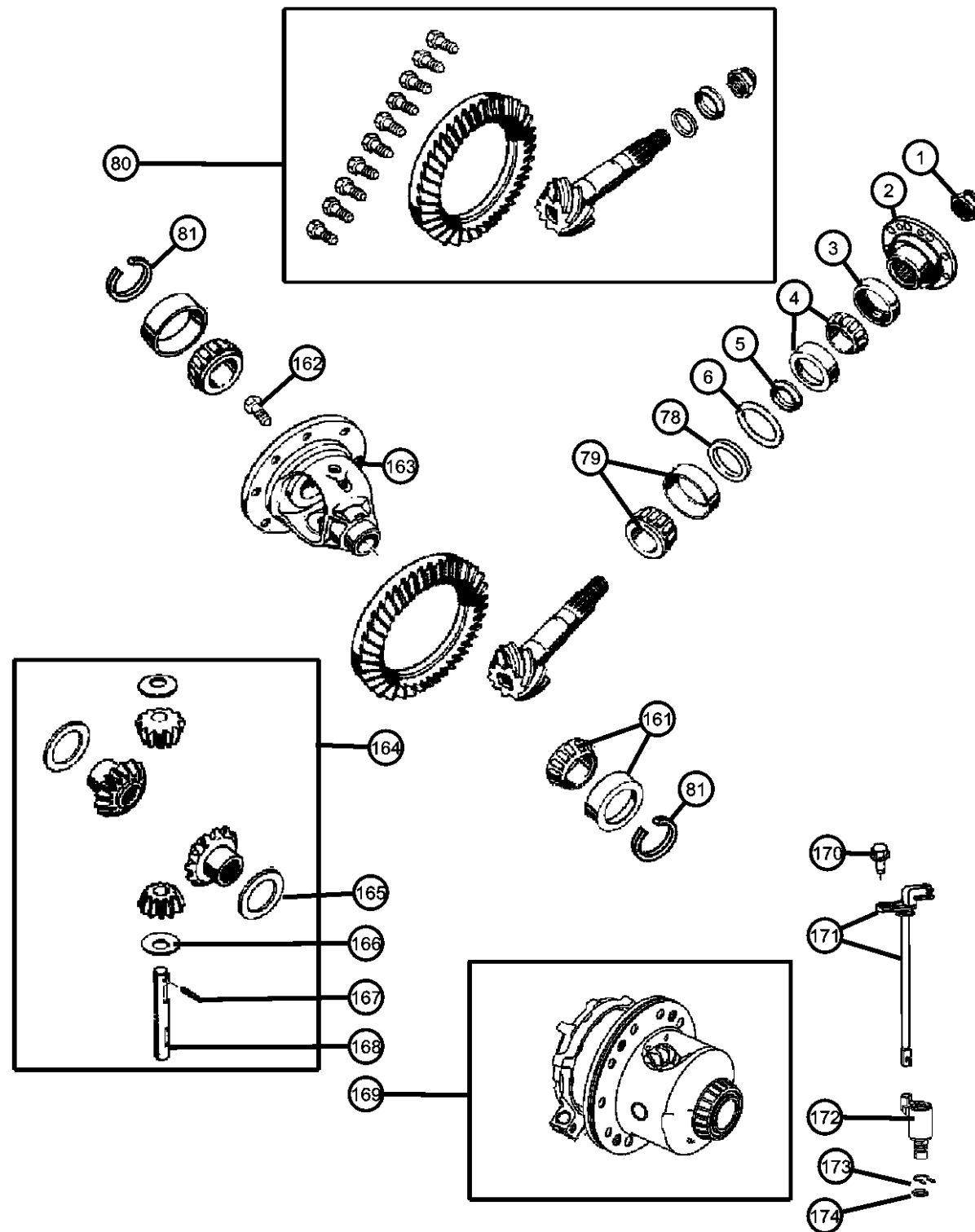
ENGINE
 EVE = Engine - 4.7L V8 DOHC
 3 Valve
 EZB = 5.7L Hemi Multi
 Displacement Engine
 EKG = 3.7L V6 Engine
 ESF = 6.1L SRT HEMI SMPI
 V8 Engine
 EXL = 3.0L V6 Turbo Diesel
 Engine

TRANSMISSION
 DGJ = 5-Speed Auto W5A580
 Transmission
 DGU = 5-Spd Auto W5J400
 Transmission
 DGQ = 5-Spd Automatic 545RFE
 Transmission

AR = use ase required - = Non illustrated part

2008 WK

Differential Assembly, Front
Figure 003DJA-220



ITEM	PART NUMBER	QTY	LINE	SERIES	BODY	ENGINE	TRANS	TRIM	DESCRIPTION
-21	52111319AA	1	J		74				SHIM, Drive Pinion Bearing, 5.20mm
-22	52111318AA	1	J		74				SHIM, Drive Pinion Bearing, 5.22mm
-23	52111317AA	1	J		74				SHIM, Drive Pinion Bearing, 5.24mm
-24	52111316AA	1	J		74				SHIM, Drive Pinion Bearing, 5.26mm
-25	52111315AA	1	J		74				SHIM, Drive Pinion Bearing, 5.28mm
-26	52111310AA	1	J		74				SHIM, Drive Pinion Bearing, 5.30mm
-27	52111309AA	1	J		74				SHIM, Drive Pinion Bearing, 5.32mm
-28	52111308AA	1	J		74				SHIM, Drive Pinion Bearing, 5.34mm
-29	52111306AA	1	J		74				SHIM, Drive Pinion Bearing, 5.38mm
-30	52111305AA	1	J		74				SHIM, Drive Pinion Bearing, 5.40mm
-31	52111304AA	1	J		74				SHIM, Drive Pinion Bearing, 5.42mm
-32	52111303AA	1	J		74				SHIM, Drive Pinion Bearing, 5.44mm
-33	52111302AA	1	J		74				SHIM, Drive Pinion Bearing, 5.46mm
-34	52111301AA	1	J		74				SHIM, Drive Pinion Bearing, 5.48mm
-35	52111300AA	1	J		74				SHIM, Drive Pinion Bearing, 5.50mm
-36	52111299AA	1	J		74				SHIM, Drive Pinion Bearing, 5.52mm
-37	52111298AA	1	J		74				SHIM, Drive Pinion Bearing, 5.54mm
-38	52111297AA	1	J		74				SHIM, Drive Pinion Bearing, 5.56mm
-39	52111296AA	1	J		74				SHIM, Drive Pinion Bearing, 5.58mm
-40	52111295AA	1	J		74				SHIM, Drive Pinion Bearing, 5.60mm
-41	52111294AA	1	J		74				SHIM, Drive Pinion Bearing, 5.62mm
-42	52111293AA	1	J		74				SHIM, Drive Pinion Bearing, 5.64mm

GRAND CHEROKEE (WK)

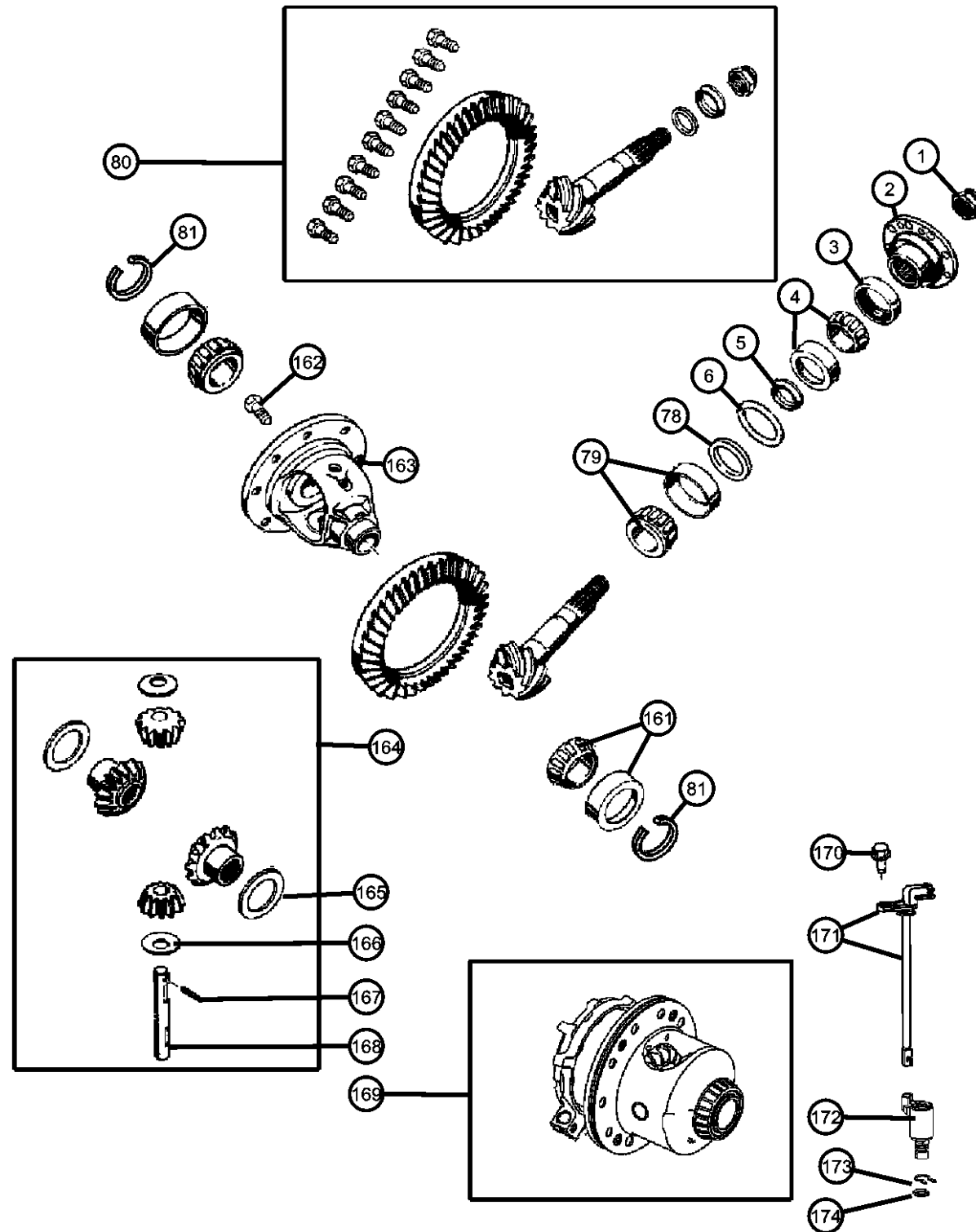
SERIES LINE
H = HIGHLINE T = JEEP - 2WD
P = PREMIUM J = JEEP - 4WD
S = SPORT
X = SPECIAL

BODY
74 = SPORT UTILITY 4-DR
TYPE #4

ENGINE TRANSMISSION
EVE = Engine - 4.7L V8 DOHC 3 Valve
EZB = 5.7L Hemi Multi Displacement Engine
EKG = 3.7L V6 Engine
ESF = 6.1L SRT HEMI SMPI V8 Engine
EXL = 3.0L V6 Turbo Diesel Engine
DGJ = 5-Speed Auto W5A580 Transmission
DGU = 5-Spd Auto W5J400 Transmission
DGQ = 5-Spd Automatic 545RFE Transmission

AR = use ase required - = Non illustrated part

Differential Assembly, Front
Figure 003DJA-220



ITEM	PART NUMBER	QTY	LINE	SERIES	BODY	ENGINE	TRANS	TRIM	DESCRIPTION
-43	52111292AA	1	J		74				SHIM, Drive Pinion Bearing, 5.66mm
-44	52111291AA	1	J		74				SHIM, Drive Pinion Bearing, 5.68mm
-45	52111290AA	1	J		74				SHIM, Drive Pinion Bearing, 5.70mm
-46	52111288AA	1	J		74				SHIM, Drive Pinion Bearing, 5.74mm
-47	52111289AA	1	J		74				SHIM, Drive Pinion Bearing, 5.72mm
-48	52111286AA	1	J		74				SHIM, Drive Pinion Bearing, 5.78mm
-49	52111285AA	1	J		74				SHIM, Drive Pinion Bearing, 5.80mm
-50	52111284AA	1	J		74				SHIM, Drive Pinion Bearing, 5.82mm
-51	52111283AA	1	J		74				SHIM, Drive Pinion Bearing, 5.84mm
-52	52111282AA	1	J		74				SHIM, Drive Pinion Bearing, 5.86mm
-53	52111281AA	1	J		74				SHIM, Drive Pinion Bearing, 5.88mm
-54	52111280AA	1	J		74				SHIM, Drive Pinion Bearing, 5.90mm
-55	52111279AA	1	J		74				SHIM, Drive Pinion Bearing, 5.92mm
-56	52111278AA	1	J		74				SHIM, Drive Pinion Bearing, 5.94mm
-57	52111277AA	1	J		74				SHIM, Drive Pinion Bearing, 5.96mm
-58	52111276AA	1	J		74				SHIM, Drive Pinion Bearing, 5.98mm
-59	52111274AA	1	J		74				SHIM, Drive Pinion Bearing, 6.02mm
-60	52111273AA	1	J		74				SHIM, Drive Pinion Bearing, 6.04mm
-61	52111272AA	1	J		74				SHIM, Drive Pinion Bearing, 6.06mm
-62	52111271AA	1	J		74				SHIM, Drive Pinion Bearing, 6.08mm
-63	52111270AA	1	J		74				SHIM, Drive Pinion Bearing, 6.10mm
-64	52111267AA	1	J		74				SHIM, Drive Pinion Bearing, 6.12mm

GRAND CHEROKEE (WK)

SERIES LINE
H = HIGHLINE T = JEEP - 2WD
P = PREMIUM J = JEEP - 4WD
S = SPORT
X = SPECIAL

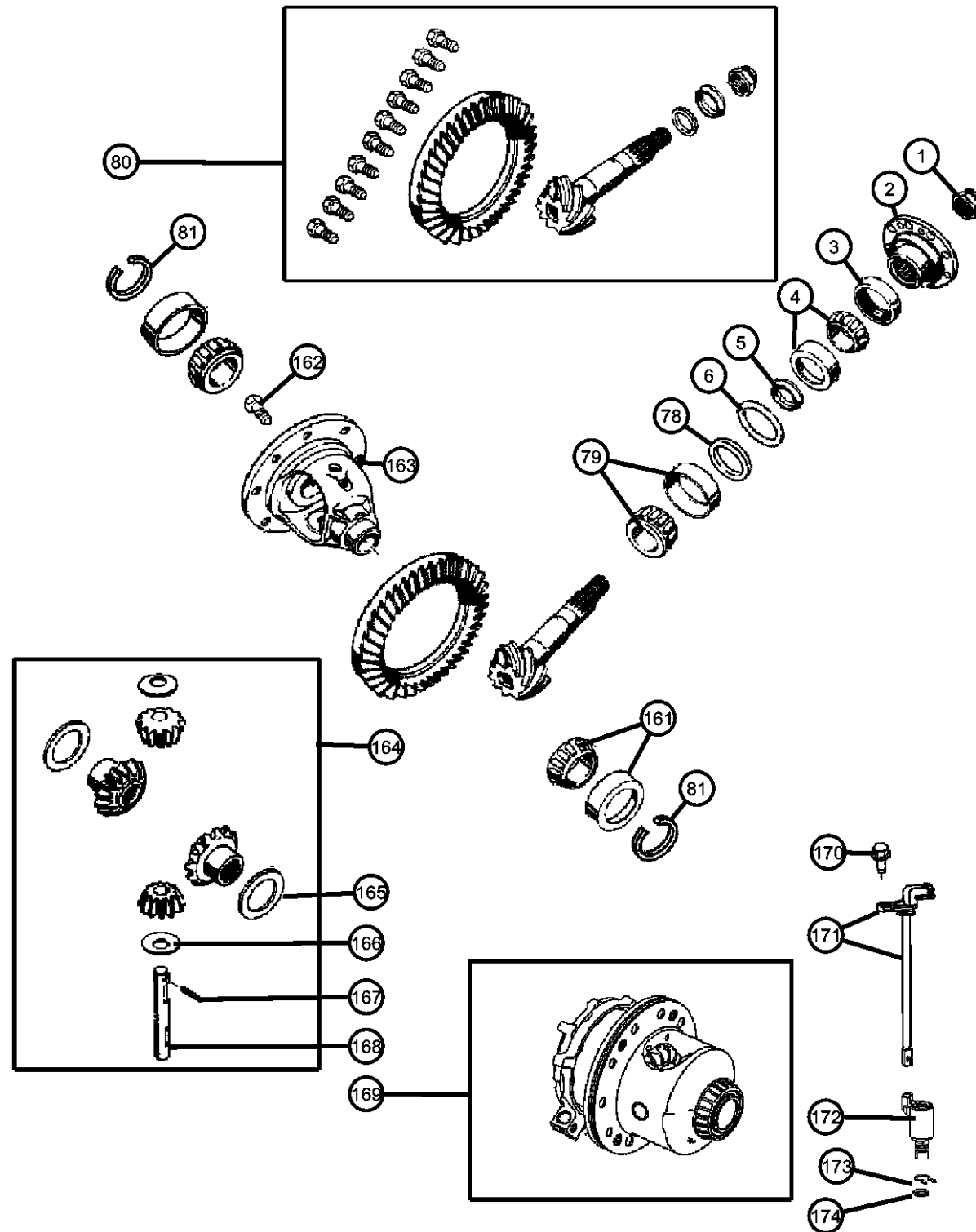
BODY
74 = SPORT UTILITY 4-DR
TYPE #4

ENGINE TRANSMISSION
EVE = Engine - 4.7L V8 DOHC 3 Valve
EVB = Engine - 4.7L V8 DOHC 3 Valve
EZB = 5.7L Hemi Multi Displacement Engine
EKG = 3.7L V6 Engine
ESF = 6.1L SRT HEMI SMPI V8 Engine
EXL = 3.0L V6 Turbo Diesel Engine
DGJ = 5-Speed Auto W5A580 Transmission
DGU = 5-Spd Auto W5J400 Transmission
DGQ = 5-Spd Automatic 545RFE Transmission

AR = use ase required - = Non illustrated part

2008 WK

Differential Assembly, Front
Figure 003DJA-220



ITEM	PART NUMBER	QTY	LINE	SERIES	BODY	ENGINE	TRANS	TRIM	DESCRIPTION
-65	52111266AA	1	J		74				SHIM, Drive Pinion Bearing, 6.14mm
-66	52111265AA	1	J		74				SHIM, Drive Pinion Bearing, 6.16mm
-67	52111264AA	1	J		74				SHIM, Drive Pinion Bearing, 6.18mm
-68	52111263AA	1	J		74				SHIM, Drive Pinion Bearing, 6.20mm
-69	52111262AA	1	J		74				SHIM, Drive Pinion Bearing, 6.22mm
-70	52111261AA	1	J		74				SHIM, Drive Pinion Bearing, 6.24mm
-71	52111260AA	1	J		74				SHIM, Drive Pinion Bearing, 6.26mm
-72	52111259AA	1	J		74				SHIM, Drive Pinion Bearing, 6.28mm
-73	52111258AA	1	J		74				SHIM, Drive Pinion Bearing, 6.30mm
-74	52111257AA	1	J		74				SHIM, Drive Pinion Bearing, 6.32mm
-75	52111256AA	1	J		74				SHIM, Drive Pinion Bearing, 6.34mm
-76	52111255AA	1	J		74				SHIM, Drive Pinion Bearing, 6.36mm
-77	52111254AA	1	J		74				SHIM, Drive Pinion Bearing, 6.38mm
78	52111356AA	1	J		74				RING, Pinion Spacer
79	05135673AA	1	J		74				BEARING KIT, Drive Pinion, Bearing and Cup, Rear
80									GEAR KIT, Ring And Pinion
	05135939AB	1	J		74				[DMD]
	05135661AB	1	J		74				[DME]
	05135691AB	1	J		74				[DMM]
81	52111230AA	1	J		74				RETAINING RING/SHIM, Differential Bearing, 3.60mm
-82	52111231AA	1	J		74				RETAINING RING/SHIM, Differential Bearing, 3.62mm
-83	52111232AA	1	J		74				RETAINING RING/SHIM, Differential Bearing, 3.64mm
-84	52111233AA	1	J		74				RETAINING RING/SHIM, Differential Bearing, 3.66mm

GRAND CHEROKEE (WK)

SERIES LINE
H = HIGHLINE T = JEEP - 2WD
P = PREMIUM J = JEEP - 4WD
S = SPORT
X = SPECIAL

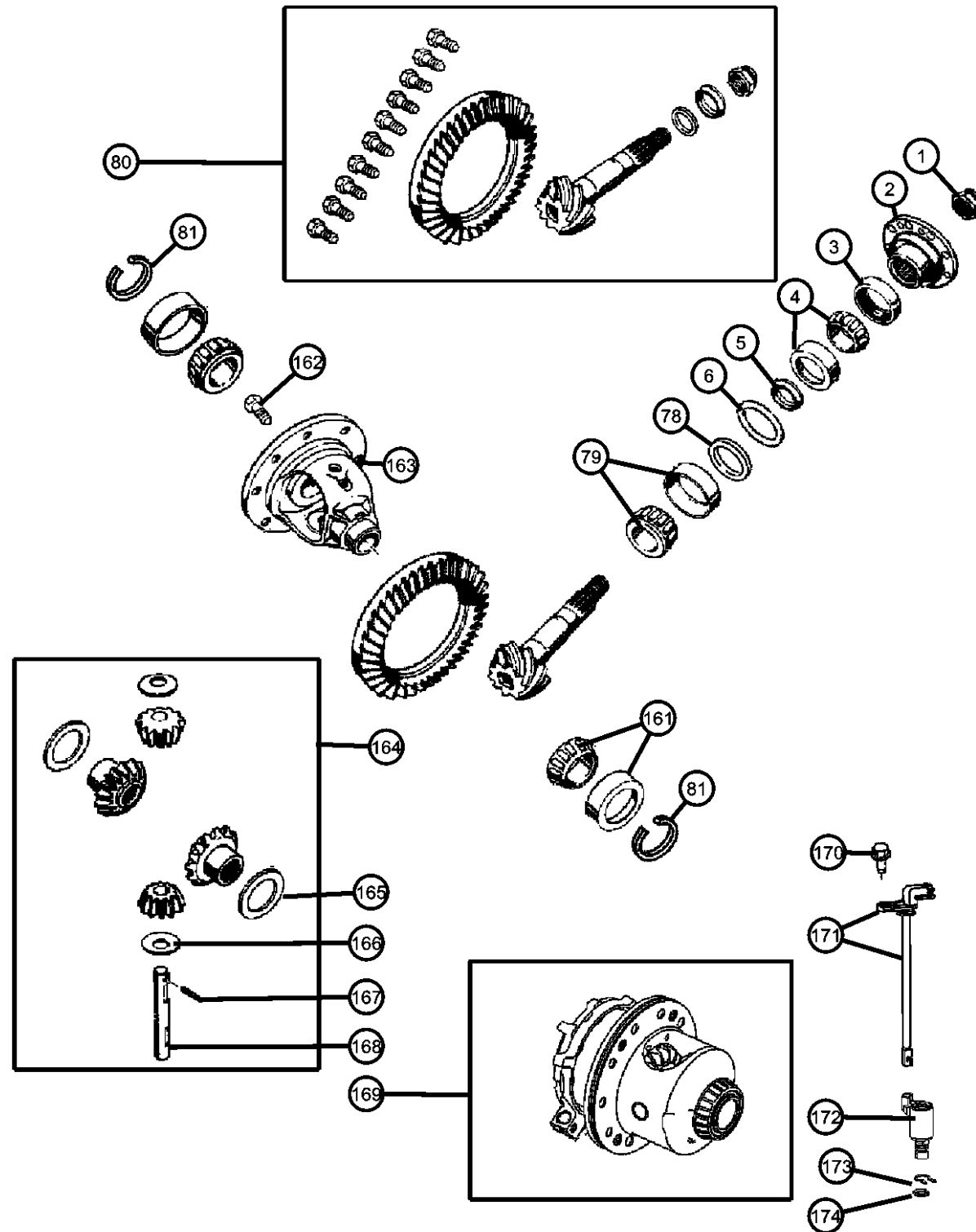
BODY
74 = SPORT UTILITY 4-DR
TYPE #4

ENGINE TRANSMISSION
EVE = Engine - 4.7L V8 DOHC 3 Valve
EVB = Engine - 4.7L V8 DOHC 3 Valve
EZB = 5.7L Hemi Multi Displacement Engine
EKG = 3.7L V6 Engine
ESF = 6.1L SRT HEMI SMPI V8 Engine
EXL = 3.0L V6 Turbo Diesel Engine
DGJ = 5-Speed Auto W5A580 Transmission
DGU = 5-Spd Auto W5J400 Transmission
DGQ = 5-Spd Automatic 545RFE Transmission

AR = use ase required - = Non illustrated part

2008 WK

Differential Assembly, Front
Figure 003DJA-220



ITEM	PART NUMBER	QTY	LINE	SERIES	BODY	ENGINE	TRANS	TRIM	DESCRIPTION
-85	52111234AA	1	J		74				RETAINING RING/SHIM, Differential Bearing, 3.68mm
-86	52111235AA	1	J		74				RETAINING RING/SHIM, Differential Bearing, 3.70mm
-87	52111236AA	1	J		74				RETAINING RING/SHIM, Differential Bearing, 3.72mm
-88	52111238AA	1	J		74				RETAINING RING/SHIM, Differential Bearing, 3.76mm
-89	52111239AA	1	J		74				RETAINING RING/SHIM, Differential Bearing, 3.78mm
-90	52111240AA	1	J		74				RETAINING RING/SHIM, Differential Bearing, 3.80mm
-91	52111241AA	1	J		74				RETAINING RING/SHIM, Differential Bearing, 3.82mm
-92	52111242AA	1	J		74				RETAINING RING/SHIM, Differential Bearing, 3.84mm
-93	52111243AA	1	J		74				RETAINING RING/SHIM, Differential Bearing, 3.86mm
-94	52111244AA	1	J		74				RETAINING RING/SHIM, Differential Bearing, 3.88mm
-95	52111245AA	1	J		74				RETAINING RING/SHIM, Differential Bearing, 3.90mm
-96	52114083AA	1	J		74				RETAINING RING/SHIM, Differential Bearing, 3.92mm
-97	52114084AA	1	J		74				RETAINING RING/SHIM, Differential Bearing, 3.94mm
-98	52114085AA	1	J		74				RETAINING RING/SHIM, Differential Bearing, 3.96mm
-99	52114086AA	1	J		74				RETAINING RING/SHIM, Differential Bearing, 3.98mm
-100	52114087AA	1	J		74				RETAINING RING/SHIM, Differential Bearing, 4.00mm
-101	52114088AA	1	J		74				RETAINING RING/SHIM, Differential Bearing, 4.02mm
-102	52114089AA	1	J		74				RETAINING RING/SHIM, Differential Bearing, 4.04mm
-103	52114090AA	1	J		74				RETAINING RING/SHIM, Differential Bearing, 4.06mm
-104	52114091AA	1	J		74				RETAINING RING/SHIM, Differential Bearing, 4.08mm
-105	52114092AA	1	J		74				RETAINING RING/SHIM, Differential Bearing, 4.10mm
-106	52114093AA	1	J		74				RETAINING RING/SHIM, Differential Bearing, 4.12mm

GRAND CHEROKEE (WK)

SERIES LINE
H = HIGHLINE T = JEEP - 2WD
P = PREMIUM J = JEEP - 4WD
S = SPORT
X = SPECIAL

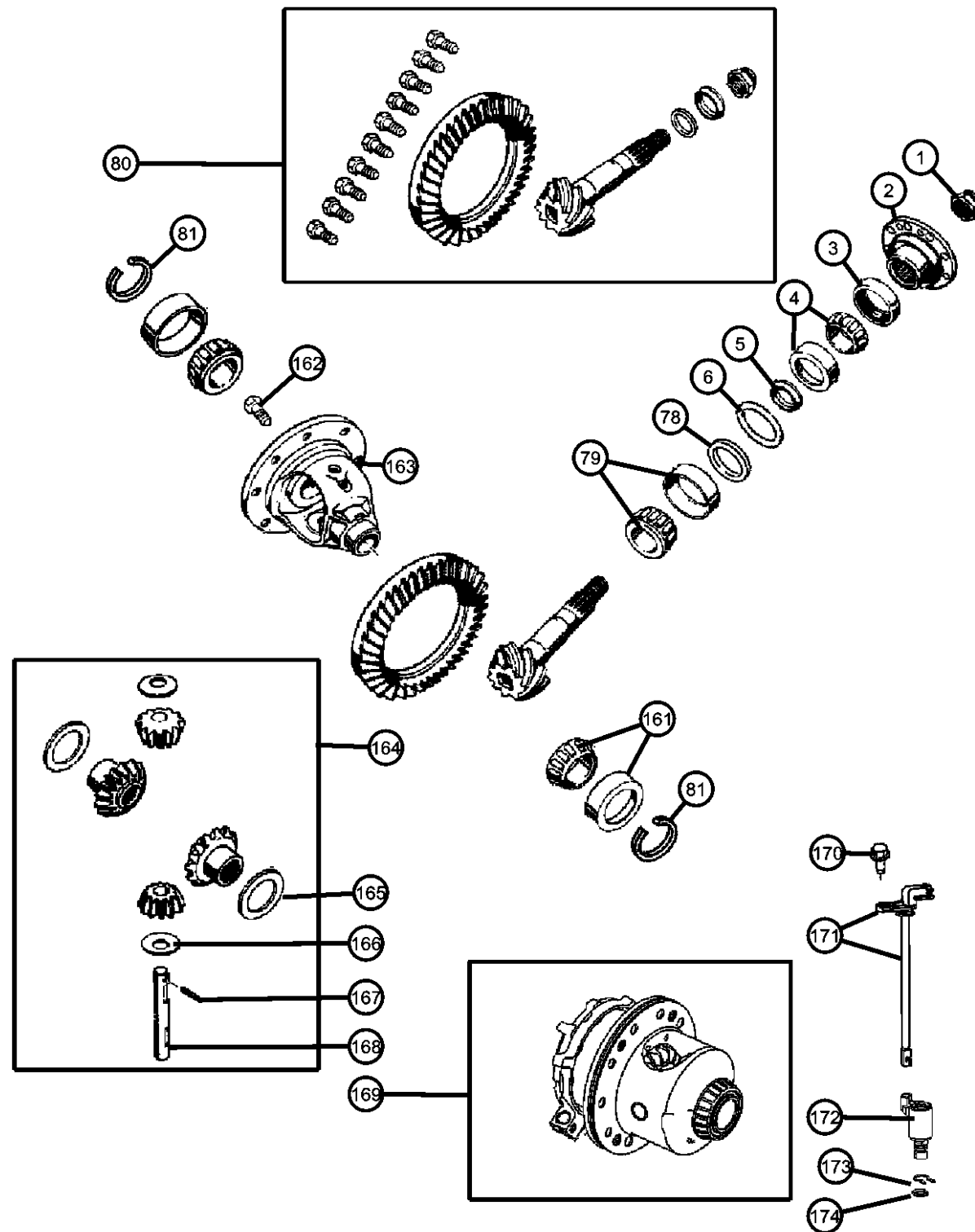
BODY
74 = SPORT UTILITY 4-DR
TYPE #4

ENGINE TRANSMISSION
EVE = Engine - 4.7L V8 DOHC 3 Valve
EVB = Engine - 4.7L V8 DOHC 3 Valve
EZB = 5.7L Hemi Multi Displacement Engine
EKG = 3.7L V6 Engine
ESF = 6.1L SRT HEMI SMPI V8 Engine
EXL = 3.0L V6 Turbo Diesel Engine
DGJ = 5-Speed Auto W5A580 Transmission
DGU = 5-Spd Auto W5J400 Transmission
DGQ = 5-Spd Automatic 545RFE Transmission

AR = use ase required - = Non illustrated part

2008 WK

Differential Assembly, Front
Figure 003DJA-220



ITEM	PART NUMBER	QTY	LINE	SERIES	BODY	ENGINE	TRANS	TRIM	DESCRIPTION
-107	52114094AA	1	J		74				RETAINING RING/SHIM, Differential Bearing, 4.14mm
-108	52114095AA	1	J		74				RETAINING RING/SHIM, Differential Bearing, 4.16mm
-109	52114096AA	1	J		74				RETAINING RING/SHIM, Differential Bearing, 4.18mm
-110	52114097AA	1	J		74				RETAINING RING/SHIM, Differential Bearing, 4.20mm
-111	52114098AA	1	J		74				RETAINING RING/SHIM, Differential Bearing, 4.22mm
-112	52114099AA	1	J		74				RETAINING RING/SHIM, Differential Bearing, 4.24mm
-113	52114100AA	1	J		74				RETAINING RING/SHIM, Differential Bearing, 4.26mm
-114	52114101AA	1	J		74				RETAINING RING/SHIM, Differential Bearing, 4.28mm
-115	52114102AA	1	J		74				RETAINING RING/SHIM, Differential Bearing, 4.30mm
-116	52114103AA	1	J		74				RETAINING RING/SHIM, Differential Bearing, 4.32mm
-117	52114104AA	1	J		74				RETAINING RING/SHIM, Differential Bearing, 4.34mm
-118	52114105AA	1	J		74				RETAINING RING/SHIM, Differential Bearing, 4.36mm
-119	52114106AA	1	J		74				RETAINING RING/SHIM, Differential Bearing, 4.38mm
-120	52114107AA	1	J		74				RETAINING RING/SHIM, Differential Bearing, 4.40mm
-121	52114108AA	1	J		74				RETAINING RING/SHIM, Differential Bearing, 4.42mm
-122	52114109AA	1	J		74				RETAINING RING/SHIM, Differential Bearing, 4.44mm
-123	52114110AA	1	J		74				RETAINING RING/SHIM, Differential Bearing, 4.46mm
-124	52114111AA	1	J		74				RETAINING RING/SHIM, Differential Bearing, 4.48mm
-125	52114112AA	1	J		74				RETAINING RING/SHIM, Differential Bearing, 4.50mm
-126	52114113AA	1	J		74				RETAINING RING/SHIM, Differential Bearing, 4.52mm
-127	52114114AA	1	J		74				RETAINING RING/SHIM, Differential Bearing, 4.54mm
-128	52114115AA	1	J		74				RETAINING RING/SHIM, Differential Bearing, 4.56mm

GRAND CHEROKEE (WK)

SERIES LINE
H = HIGHLINE T = JEEP - 2WD
P = PREMIUM J = JEEP - 4WD
S = SPORT
X = SPECIAL

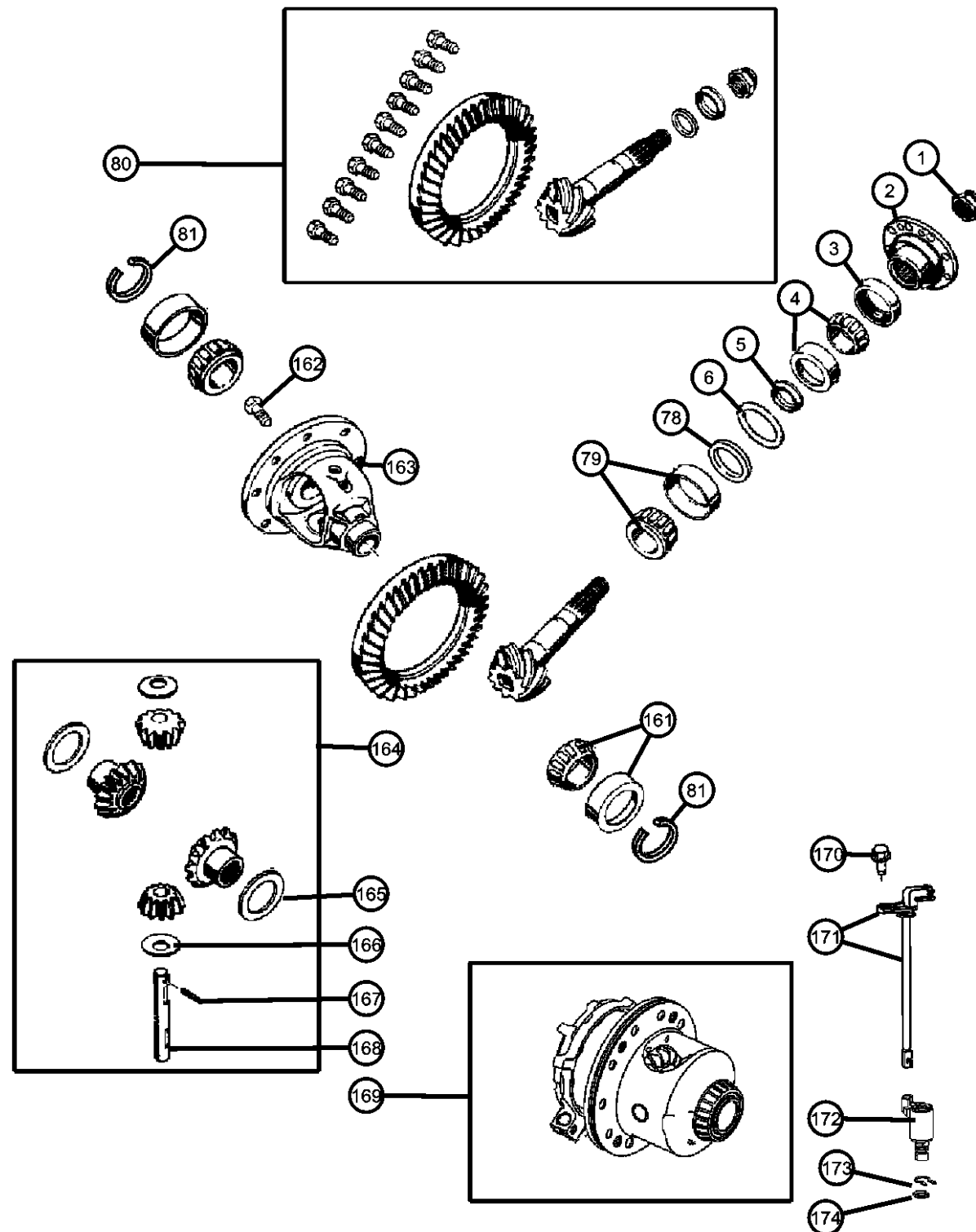
BODY
74 = SPORT UTILITY 4-DR
TYPE #4

ENGINE TRANSMISSION
EVE = Engine - 4.7L V8 DOHC 3 Valve
EVB = Engine - 4.7L V8 DOHC 3 Valve
EZB = 5.7L Hemi Multi Displacement Engine
EKG = 3.7L V6 Engine
ESF = 6.1L SRT HEMI SMPI V8 Engine
EXL = 3.0L V6 Turbo Diesel Engine
DGJ = 5-Speed Auto W5A580 Transmission
DGU = 5-Spd Auto W5J400 Transmission
DGQ = 5-Spd Automatic 545RFE Transmission

AR = use ase required - = Non illustrated part

2008 WK

Differential Assembly, Front
Figure 003DJA-220



ITEM	PART NUMBER	QTY	LINE	SERIES	BODY	ENGINE	TRANS	TRIM	DESCRIPTION
-129	52114116AA	1	J		74				RETAINING RING/SHIM, Differential Bearing, 4.58mm
-130	52114117AA	1	J		74				RETAINING RING/SHIM, Differential Bearing, 4.60mm
-131	52114118AA	1	J		74				RETAINING RING/SHIM, Differential Bearing, 4.62mm
-132	52114119AA	1	J		74				RETAINING RING/SHIM, Differential Bearing, 4.64mm
-133	52114120AA	1	J		74				RETAINING RING/SHIM, Differential Bearing, 4.66mm
-134	52114121AA	1	J		74				RETAINING RING/SHIM, Differential Bearing, 4.68mm
-135	52114122AA	1	J		74				RETAINING RING/SHIM, Differential Bearing, 4.70mm
-136	52114123AA	1	J		74				RETAINING RING/SHIM, Differential Bearing, 4.72mm
-137	52114124AA	1	J		74				RETAINING RING/SHIM, Differential Bearing, 4.74mm
-138	52114125AA	1	J		74				RETAINING RING/SHIM, Differential Bearing, 4.76mm
-139	52114126AA	1	J		74				RETAINING RING/SHIM, Differential Bearing, 4.78mm
-140	52114127AA	1	J		74				RETAINING RING/SHIM, Differential Bearing, 4.80mm
-141	52114128AA	1	J		74				RETAINING RING/SHIM, Differential Bearing, 4.82mm
-142	52114129AA	1	J		74				RETAINING RING/SHIM, Differential Bearing, 4.84mm
-143	52114130AA	1	J		74				RETAINING RING/SHIM, Differential Bearing, 4.86mm
-144	52114131AA	1	J		74				RETAINING RING/SHIM, Differential Bearing, 4.88mm
-145	52114132AA	1	J		74				RETAINING RING/SHIM, Differential Bearing, 4.90mm
-146	52114133AA	1	J		74				RETAINING RING/SHIM, Differential Bearing, 4.92mm
-147	52114134AA	1	J		74				RETAINING RING/SHIM, Differential Bearing, 4.94mm
-148	52114135AA	1	J		74				RETAINING RING/SHIM, Differential Bearing, 4.96mm
-149	52114136AA	1	J		74				RETAINING RING/SHIM, Differential Bearing, 4.98mm
-150	52114137AA	1	J		74				RETAINING RING/SHIM, Differential Bearing, 5.00mm

GRAND CHEROKEE (WK)

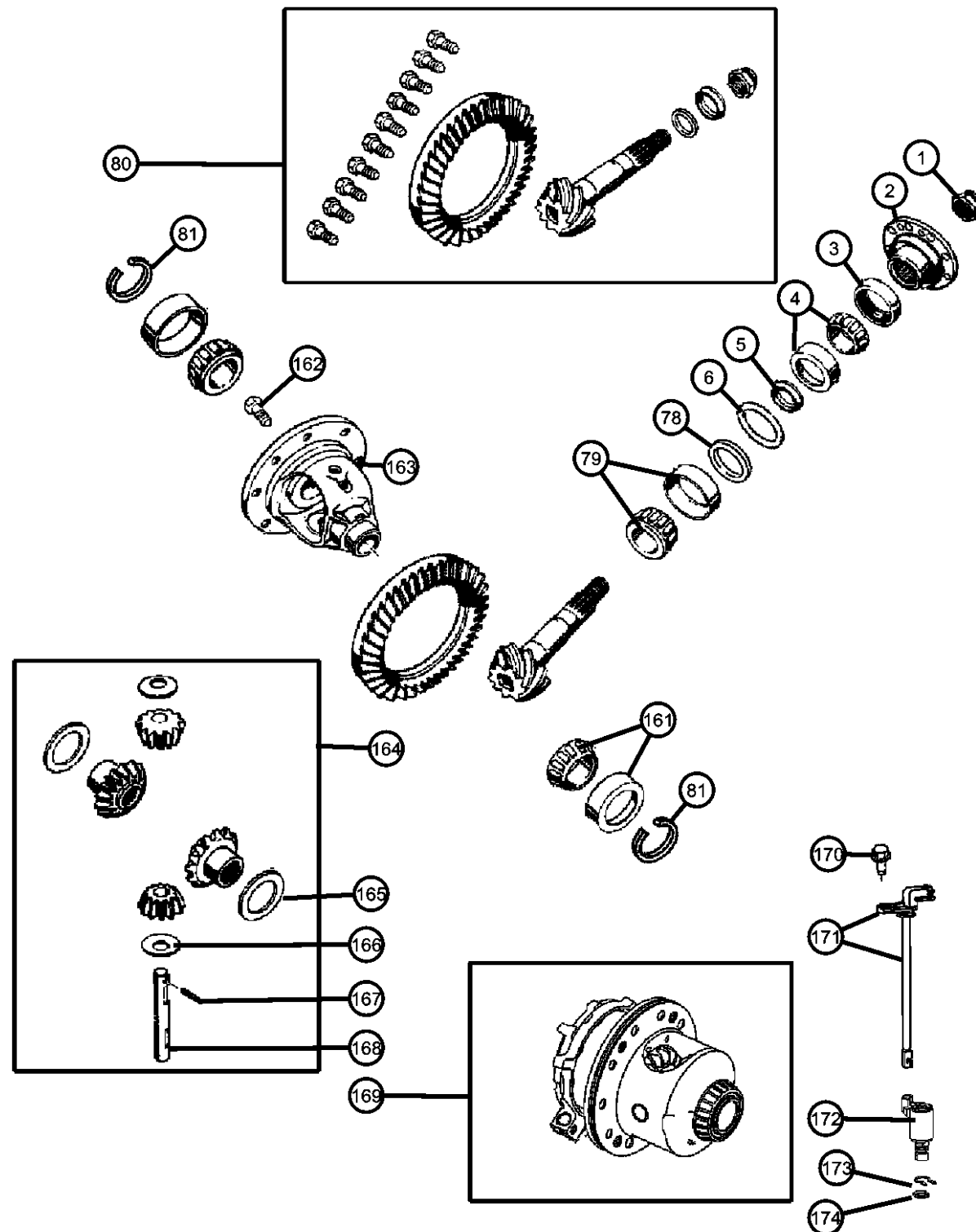
SERIES LINE
H = HIGHLINE T = JEEP - 2WD
P = PREMIUM J = JEEP - 4WD
S = SPORT
X = SPECIAL

BODY
74 = SPORT UTILITY 4-DR
TYPE #4

ENGINE TRANSMISSION
EVE = Engine - 4.7L V8 DOHC 3 Valve
EVB = Engine - 4.7L V8 DOHC 3 Valve
EZB = 5.7L Hemi Multi Displacement Engine
EKG = 3.7L V6 Engine
ESF = 6.1L SRT HEMI SMPI V8 Engine
EXL = 3.0L V6 Turbo Diesel Engine
DGJ = 5-Speed Auto W5A580 Transmission
DGU = 5-Spd Auto W5J400 Transmission
DGQ = 5-Spd Automatic 545RFE Transmission

AR = use ase required - = Non illustrated part

Differential Assembly, Front
Figure 003DJA-220



ITEM	PART NUMBER	QTY	LINE	SERIES	BODY	ENGINE	TRANS	TRIM	DESCRIPTION
-151	52114138AA	1	J		74				RETAINING RING/SHIM, Differential Bearing, 5.02mm
-152	52114139AA	1	J		74				RETAINING RING/SHIM, Differential Bearing, 5.04mm
-153	52114140AA	1	J		74				RETAINING RING/SHIM, Differential Bearing, 5.06mm
-154	52114141AA	1	J		74				RETAINING RING/SHIM, Differential Bearing, 5.08mm
-155	52114142AA	1	J		74				RETAINING RING/SHIM, Differential Bearing, 5.10mm
-156	52114143AA	1	J		74				RETAINING RING/SHIM, Differential Bearing, 5.12mm
-157	52114144AA	1	J		74				RETAINING RING/SHIM, Differential Bearing, 5.14mm
-158	52114145AA	1	J		74				RETAINING RING/SHIM, Differential Bearing, 5.16mm
-159	52114146AA	1	J		74				RETAINING RING/SHIM, Differential Bearing, 5.18mm
-160	52114147AA	1	J		74				RETAINING RING/SHIM, Differential Bearing, 5.20mm
161	05135660AB	1	J		74				BEARING KIT, Differential Side, Contains 2 Bearings and 2 Cups
162	06507634AA	10	J		74				BOLT, Ring GearMounting
163	52111226AC	1	J		74				CASE ASSEMBLY, Differential, Without [DSG] With Internal Parts
164	05072492AB	1	J		74				GEAR KIT, Center Differential, Without [DSG]
165	05015864AA	1	J		74				WASHER KIT, Side Gear Thrust, Contains 2 each .031,.036,.041,.046,Washers, Without [DSG]
166	02852912	2	J		74				WASHER, Pinion Gear Thrust, Without [DSG]
167	52070338AA	1	J		74				PIN, Differential Shaft, Without [DSG]
168	52114600AA	1	J		74				SHAFT, Differential Pinion, Without [DSG]
169	52104673AF	1	J		74				CASE ASSEMBLY, Differential, With [DSG] With Internal Parts
170	06501979	1	J		74				BOLT, Hex Flange Head, M6X1.00X17.00, With [DSG]
171	52114327AC	1	J		74				HARNES, Electronic Front Axle, With [DSG]

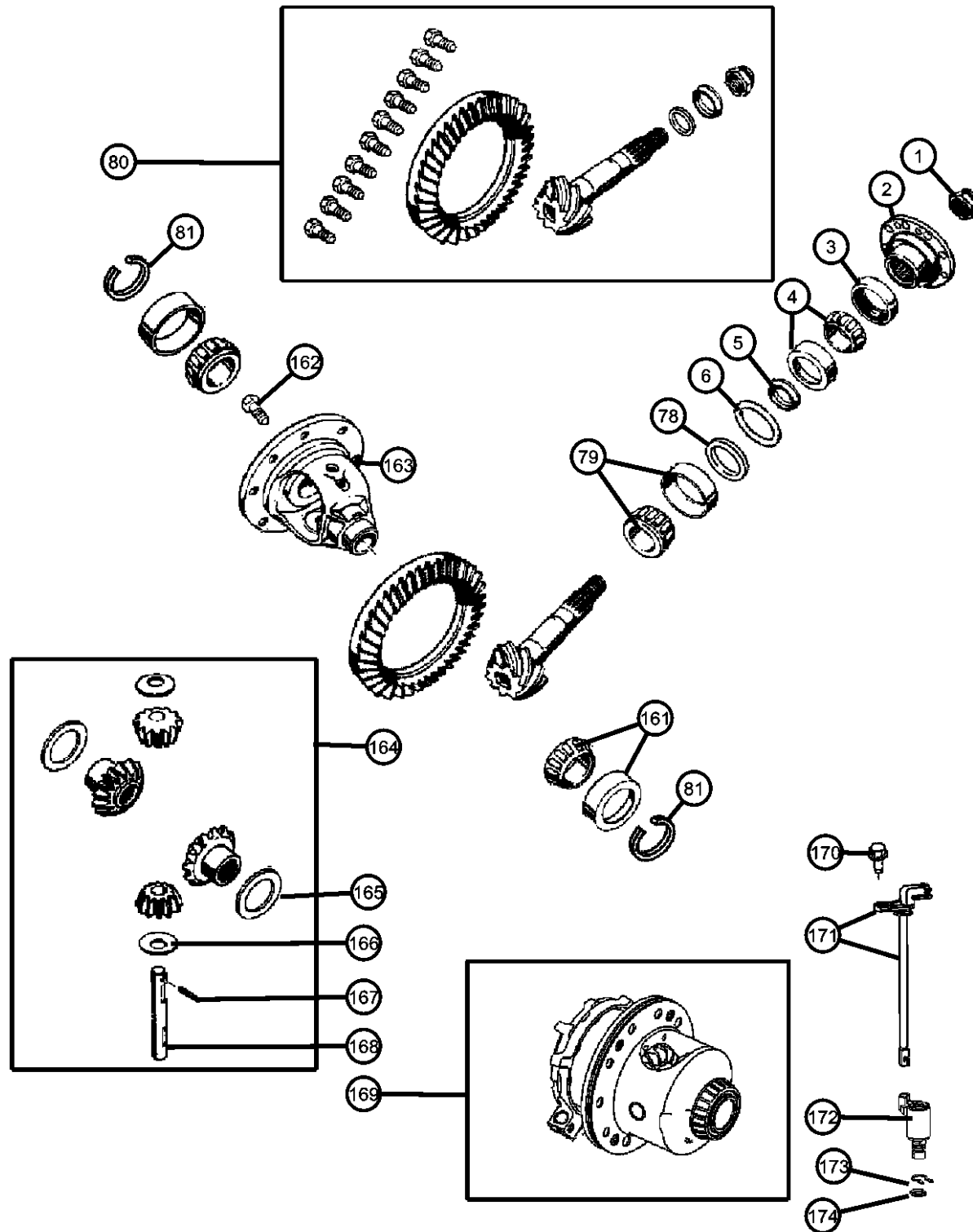
GRAND CHEROKEE (WK)

SERIES	LINE	BODY	ENGINE	TRANSMISSION
H = HIGHLINE	T = JEEP - 2WD	74 = SPORT UTILITY 4-DR	EVE = Engine - 4.7L V8 DOHC	DGJ = 5-Speed Auto W5A580
P = PREMIUM	J = JEEP - 4WD	TYPE #4	3 Valve	Transmission
S = SPORT			EZB = 5.7L Hemi Multi	DGU = 5-Spd Auto W5J400
X = SPECIAL			Displacement Engine	Transmission
			EKG = 3.7L V6 Engine	DGQ = 5-Spd Automatic 545RFE
			ESF = 6.1L SRT HEMI SMPI	Transmission
			V8 Engine	
			EXL = 3.0L V6 Turbo Diesel	
			Engine	

AR = use ase required - = Non illustrated part

Differential Assembly, Front
Figure 003DJA-220

ITEM	PART NUMBER	QTY	LINE	SERIES	BODY	ENGINE	TRANS	TRIM	DESCRIPTION
172	52114003AD	1	J		74				ACTUATOR, Axle Locker, With [DSG]
173	05135813AA	1	J		74				SNAP RING, Differential, With [DSG]
174	05135814AA	1	J		74				O RING, With [DSG]



GRAND CHEROKEE (WK)

SERIES LINE
H = HIGHLINE T = JEEP - 2WD
P = PREMIUM J = JEEP - 4WD
S = SPORT
X = SPECIAL

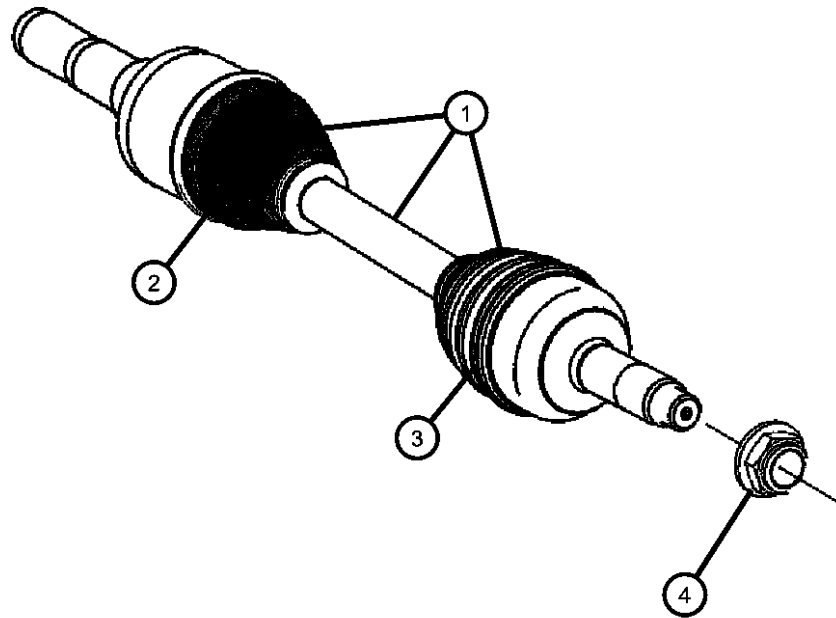
BODY
74 = SPORT UTILITY 4-DR
TYPE #4

ENGINE TRANSMISSION
EVE = Engine - 4.7L V8 DOHC 3 Valve
EZB = 5.7L Hemi Multi Displacement Engine
EKG = 3.7L V6 Engine
ESF = 6.1L SRT HEMI SMPI V8 Engine
EXL = 3.0L V6 Turbo Diesel Engine
DGJ = 5-Speed Auto W5A580 Transmission
DGU = 5-Spd Auto W5J400 Transmission
DGQ = 5-Spd Automatic 545RFE Transmission

AR = use ase required - = Non illustrated part

Shaft, Front Axle
Figure 003DJA-310

ITEM	PART NUMBER	QTY	LINE	SERIES	BODY	ENGINE	TRANS	TRIM	DESCRIPTION
Note:Sales Codes; [DJA]=Axle - Front,200MM [DSG]=Axle - Electric Limited Slip Differential,Front [DS7]=Conventional Differential Front Axle									
1									SHAFT, Axle Half
	52104591AB	1	J		74				[DS7], Left
	52104701AB	1	J		74				[DSG], Left
	52104590AA	1	J		74				[DS7,DSG], Right
2	05140758AA	1	J		74				BOOT KIT, Half Shaft, InnerRight or Left
3	05140759AA	1	J		74				BOOT KIT, Half Shaft, OuterRight or Left
4	06506454AA	2	J		74				NUT AND WASHER, Hex Lock, M24x2.00, Front Halfshaft to Hub and Bearing, Mounting



GRAND CHEROKEE (WK)

SERIES LINE
H = HIGHLINE T = JEEP - 2WD
P = PREMIUM J = JEEP - 4WD
S = SPORT
X = SPECIAL

BODY
74 = SPORT UTILITY 4-DR
TYPE #4

ENGINE TRANSMISSION
EVE = Engine - 4.7L V8 DOHC 3 Valve
EZH = 5.7L Hemi Multi Displacement Engine
EKG = 3.7L V6 Engine
ESF = 6.1L SRT HEMI SMPI V8 Engine
EXL = 3.0L V6 Turbo Diesel Engine
DGJ = 5-Speed Auto W5A580 Transmission
DGU = 5-Spd Auto W5J400 Transmission
DGQ = 5-Spd Automatic 545RFE Transmission

**Skid Plate, Front Axle
Figure 003DJA-510**

ITEM	PART NUMBER	QTY	LINE	SERIES	BODY	ENGINE	TRANS	TRIM	DESCRIPTION
------	-------------	-----	------	--------	------	--------	-------	------	-------------

Note:Sales Codes;
 [EK0]=All 3.7L 6-Cylinder Gas Engines
 [EV0]=Engines - All 4.7L Gas
 [EX0]=All 3.0/3.1L Turbo Diesel Engines
 [EZ0]=All 5.7L 8Cylinder Gas Engines
 [XEU]=Skid Plate - Front Suspension

1	55157121AC	1	J, T		74				COVER, Underbody and Front End, [EK0,EV0,EZ0] Without [XEU]
2	06505974AA	2	J, T		74				NUT/RIVET, Hex Drive, M8x1.25x17.78, [EX0] Skid Plate to Cradle, Mounting
3	06505269AA	4	J, T		74				BOLT AND WASHER, Hex Head, M8x1.25x32.00, [EK0,EV0,EX0,EZ0] Skid Plate/Underbody and Front End Cover, Mounting
4	52124966AA	1	J		74				SKID PLATE, Front [EX0] With [XEU]
	52090316AG	1	J		74				[EK0,EV0,EZ0] With [XEU]
5	52124446AA	1	J		74				GUARD, Splash [EX0] With [XEU], Oil
		1	J, T		74				[EX0] Without [XEU], Oil
6	06104725AA	3	J		74				NUT AND WASHER, Hex, M6X1.00, [EX0] With [XEU] Splash Guard to Skid Plate/Reinforcement, Mounting
7	06101221	3	J		74				SCREW AND WASHER, Hex Head, M6x1x12, [EX0] With [XEU] Splash Guard to Skid Plate/Reinforcement, Mounting
-8	06505984AA	3	J, T		74				NUT, M6x1.00, [EX0] Without [XEU] Splash Guard to Skid Plate/Reinforcement, Mounting

GRAND CHEROKEE (WK)

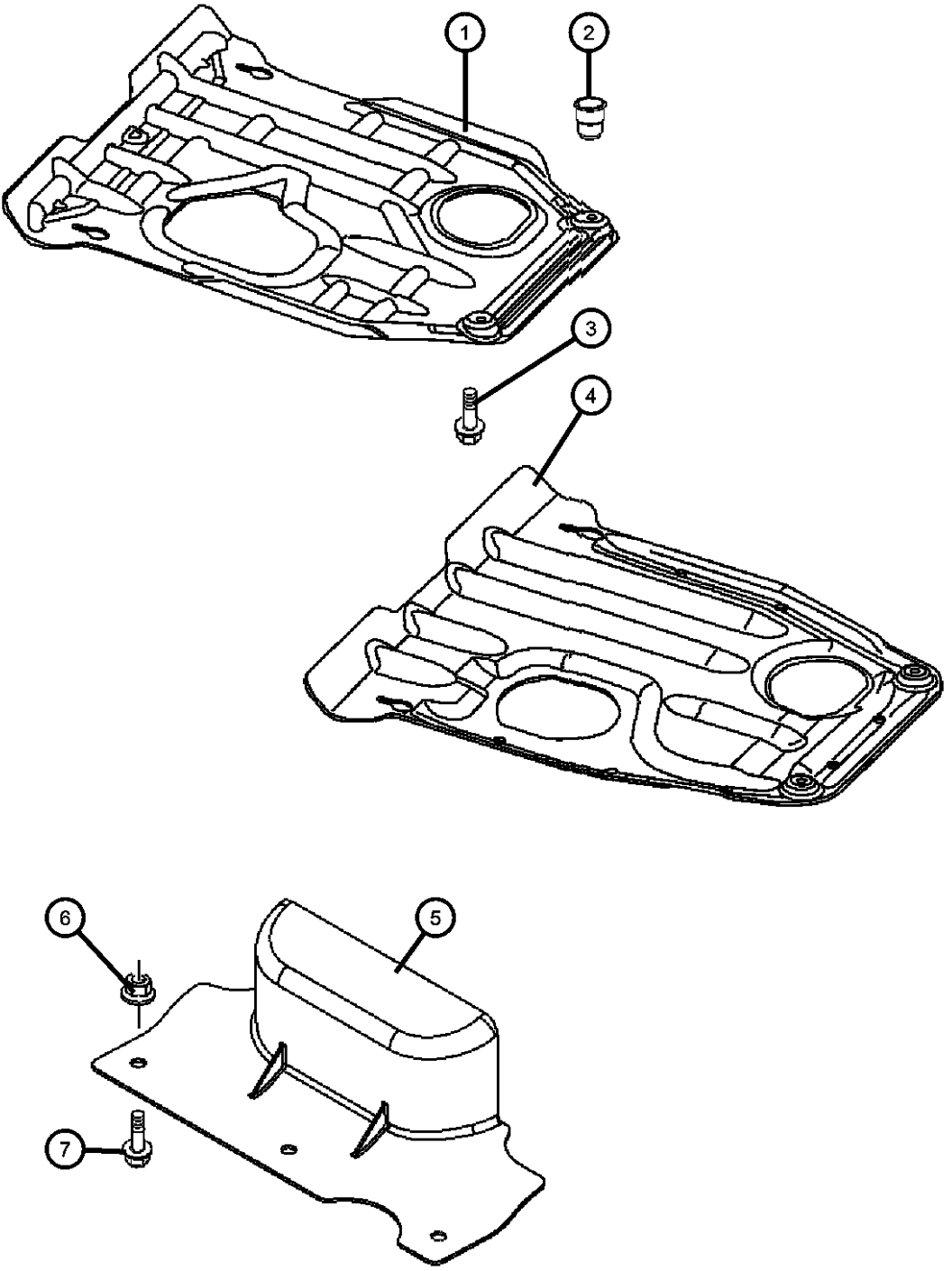
SERIES LINE
 H = HIGHLINE T = JEEP - 2WD
 P = PREMIUM J = JEEP - 4WD
 S = SPORT
 X = SPECIAL

BODY
 74 = SPORT UTILITY 4-DR TYPE #4

ENGINE
 EVE = Engine - 4.7L V8 DOHC 3 Valve
 EZB = 5.7L Hemi Multi Displacement Engine
 EKG = 3.7L V6 Engine
 ESF = 6.1L SRT HEMI SMPI V8 Engine
 EXL = 3.0L V6 Turbo Diesel Engine

TRANSMISSION
 DGJ = 5-Speed Auto W5A580 Transmission
 DGU = 5-Spd Auto W5J400 Transmission
 DGQ = 5-Spd Automatic 545RFE Transmission

AR = use ase required - = Non illustrated part

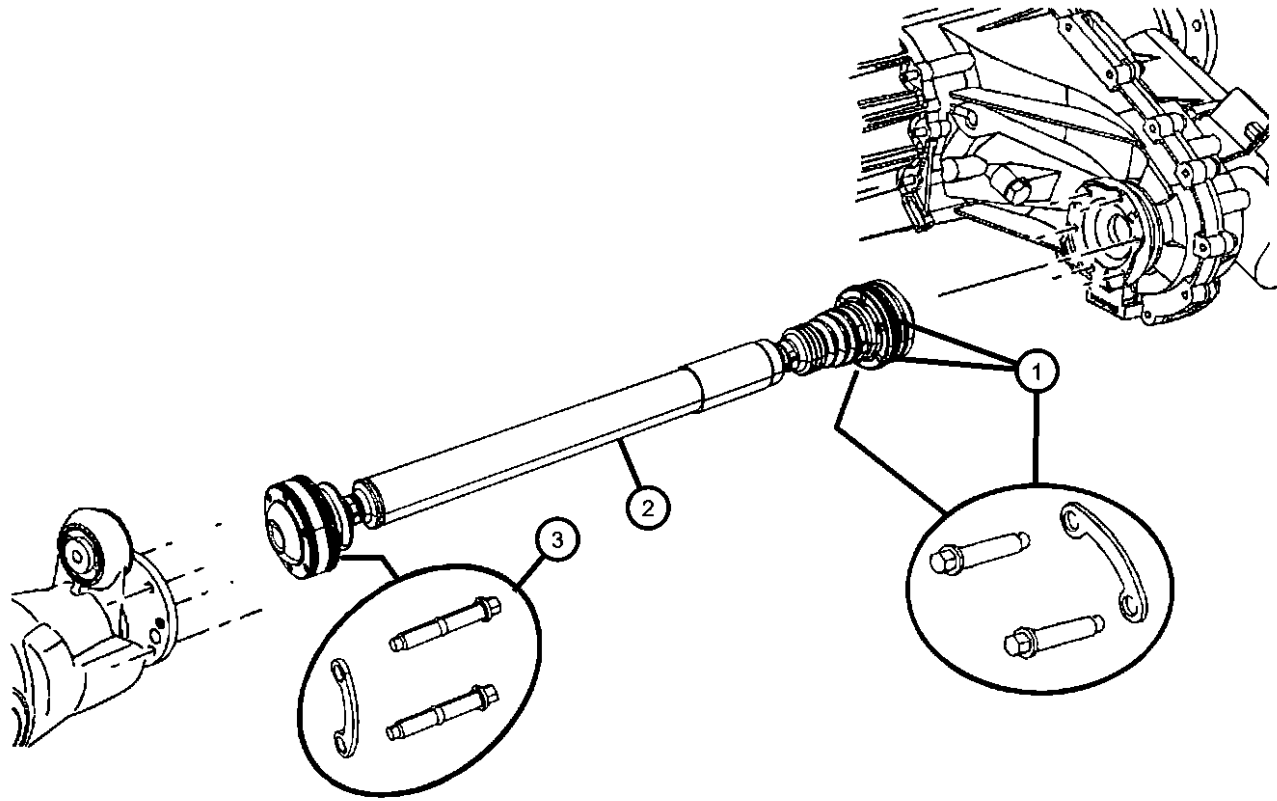


Shaft, Drive, Front
Figure 003DJA-610

ITEM	PART NUMBER	QTY	LINE	SERIES	BODY	ENGINE	TRANS	TRIM	DESCRIPTION
------	-------------	-----	------	--------	------	--------	-------	------	-------------

Note: Sales Codes;
 [DHB]=Quadra-Trac Active On Demand 4WD
 [DHX]=Quadra-Trac II Full-Time Active 4WD
 [DHZ]=Full Time 4 Wheel Drive

1	05015109AA	3	J		74				BOLT AND WASHER, Front Drive Shaft to Transfer Case, Mounting
2									SHAFT, Drive, Front
	52853431AA	1	J		74				[DHX] [DGJ, DGQ]
	52853432AA	1	J		74				[DHB, DHZ] [DGJ]
	52853464AB	1	J		74				[DHX] [DGU]
3	68026091AA	3	J		74				BOLT AND WASHER, Front Drive Shaft to Front Axle, Mounting



GRAND CHEROKEE (WK)

SERIES LINE
 H = HIGHLINE T = JEEP - 2WD
 P = PREMIUM J = JEEP - 4WD
 S = SPORT
 X = SPECIAL

BODY
 74 = SPORT UTILITY 4-DR
 TYPE #4

ENGINE
 EVE = Engine - 4.7L V8 DOHC
 3 Valve
 EZB = 5.7L Hemi Multi
 Displacement Engine
 EKG = 3.7L V6 Engine
 ESF = 6.1L SRT HEMI SMPI
 V8 Engine
 EXL = 3.0L V6 Turbo Diesel
 Engine

TRANSMISSION
 DGJ = 5-Speed Auto W5A580
 Transmission
 DGU = 5-Spd Auto W5J400
 Transmission
 DGQ = 5-Spd Automatic 545RFE
 Transmission

AR = use ase required - = Non illustrated part

2008 WK

Group - 003DRK

Rear Axle; Dana 226 MM; Differential and Drive Line

Group - 003DRK Rear Axle; Dana 226 MM; Differential and Drive Line

Illustration Title

Group-Fig. No.

Drive Shaft

Shaft, Drive, Rear, 1-Piece Fig. 003DRK - 610

Rear Axle Assembly

Axle Assembly, Rear Fig. 003DRK - 710

Rear Axle; Housing, Differential and Vent

Housing and Vent, Rear Axle Fig. 003DRK - 810

Differential Assembly, Rear Fig. 003DRK - 820

Rear Axle Shafts

Shafts, Rear, Axle Fig. 003DRK - 910

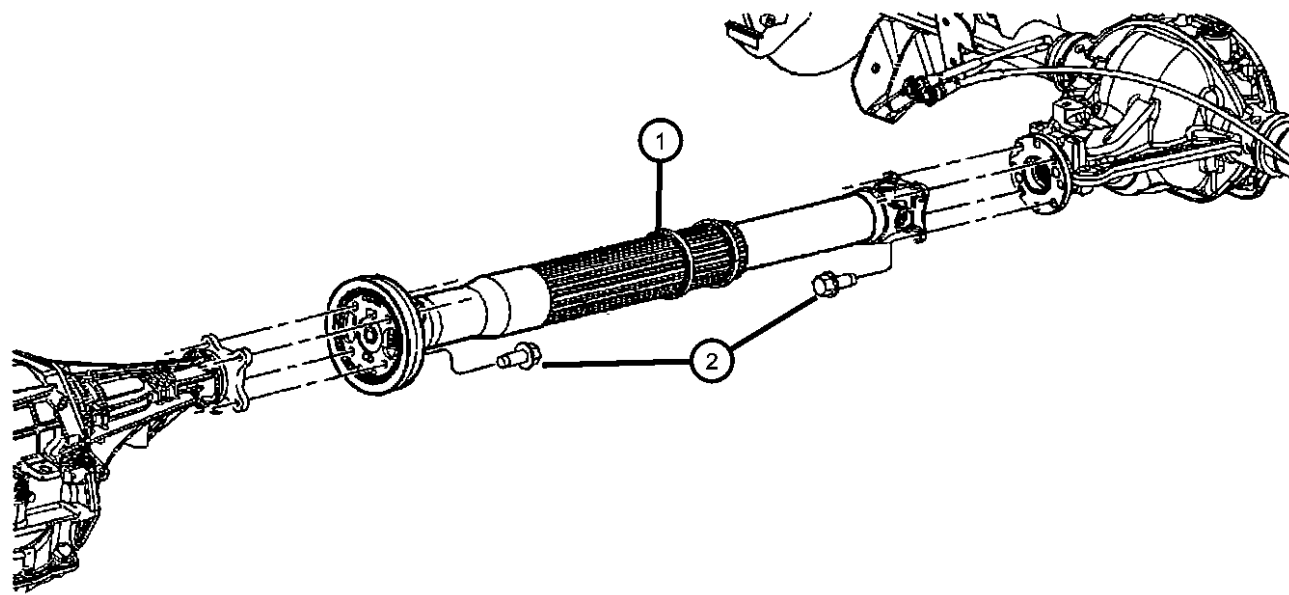
<p>003DRK-600 Drive Shaft</p>	<p>003DRK-700 Rear Axle Assembly</p>	<p>003DRK-800 Rear Axle; Housing, Differential and Vent</p>	<p>003DRK-900 Rear Axle Shafts</p>
--	---	--	---

**Shaft, Drive, Rear, 1-Piece
Figure 003DRK-610**

ITEM	PART NUMBER	QTY	LINE	SERIES	BODY	ENGINE	TRANS	TRIM	DESCRIPTION
------	-------------	-----	------	--------	------	--------	-------	------	-------------

Note: Sales Codes;

[DGJ]=5-SPEED AUTO W5A580 TRANSMISSION
 [DGQ]=5-SPD AUTOMATIC 545RFE TRANSMISSION
 [DGU]=5-SPD AUTO W5J400 TRANSMISSION
 [DHB]=QUADRA-TRAC ACTIVE ON DEMAND 4WD
 [DHX]=QUADRA-TRAC II FULL-TIME, ACTIVE 4WD
 [DHZ]=FULL-TIME SINGLE MODE T/CASE



1									SHAFT, Drive, Rear 1-Piece
	52853006AF	1	J				74		[DHZ]
	52853747AA	1	T				74		[DRK,DGU]
	52853433AB	1	T				74		[DRK,DGQ]
	52105760AF	1	J				74		[DHX,DGJ,DGQ]
	52853003AF	1	J				74		[DHB]
		1	J				74		[DHX,DGU]
2	06506497AA	8	J, T				74		BOLT, Hex Flange Head Locking, Drive Shaft to Rear Axle and Transfer Case, Mounting

GRAND CHEROKEE (WK)

SERIES LINE
 H = HIGHLINE T = JEEP - 2WD
 P = PREMIUM J = JEEP - 4WD
 S = SPORT
 X = SPECIAL

BODY
 74 = SPORT UTILITY 4-DR
 TYPE #4

ENGINE TRANSMISSION
 EVE = Engine - 4.7L V8 DOHC 3 Valve
 EZB = 5.7L Hemi Multi Displacement Engine
 EKG = 3.7L V6 Engine
 ESF = 6.1L SRT HEMI SMPI V8 Engine
 EXL = 3.0L V6 Turbo Diesel Engine
 DGJ = 5-Speed Auto W5A580 Transmission
 DGU = 5-Spd Auto W5J400 Transmission
 DGQ = 5-Spd Automatic 545RFE Transmission

AR = use ase required - = Non illustrated part

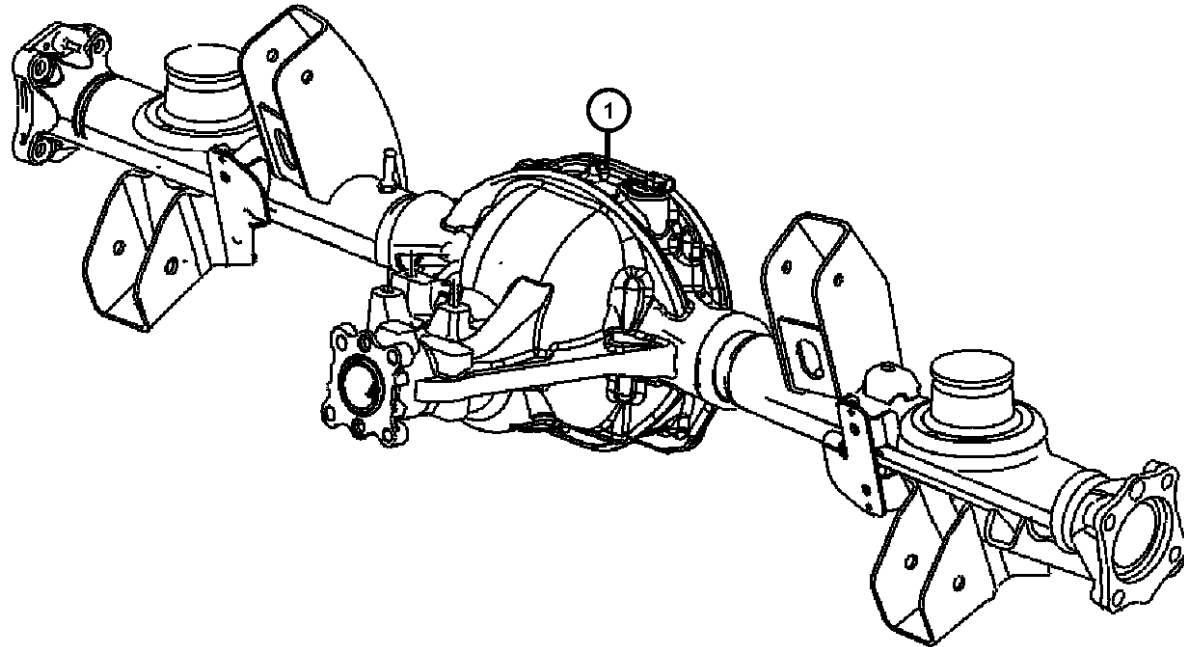
2008 WK

Axle Assembly, Rear
Figure 003DRK-710

ITEM	PART NUMBER	QTY	LINE	SERIES	BODY	ENGINE	TRANS	TRIM	DESCRIPTION
------	-------------	-----	------	--------	------	--------	-------	------	-------------

Note:Sales Codes;
 [BR4]=ANTI-LOCK 4-WHEEL DISC PERF BRAKES
 [BRY]=ANTI-LOCK 4-WHEEL DISC BRAKES
 [DME]=3.73 AXLE RATIO
 [DS8]=CONVENTIONAL DIFFERENTIAL REAR AXLE

1									AXLE, Service Rear
	05183509AB	1	J, T		74				[DME+BR4+DS8]
	05191214AA	1	J, T		74				[DME+BRY+DS8]
	04874469								Mopar SAE 75W-140 Synthetic Gear and Axle Lube Quart
	68003055AA								Mopar SAE 75W-140 Synthetic Gear and Axle Lube 16 Gallon Keg



GRAND CHEROKEE (WK)

SERIES LINE
 H = HIGHLINE T = JEEP - 2WD
 P = PREMIUM J = JEEP - 4WD
 S = SPORT
 X = SPECIAL

BODY
 74 = SPORT UTILITY 4-DR
 TYPE #4

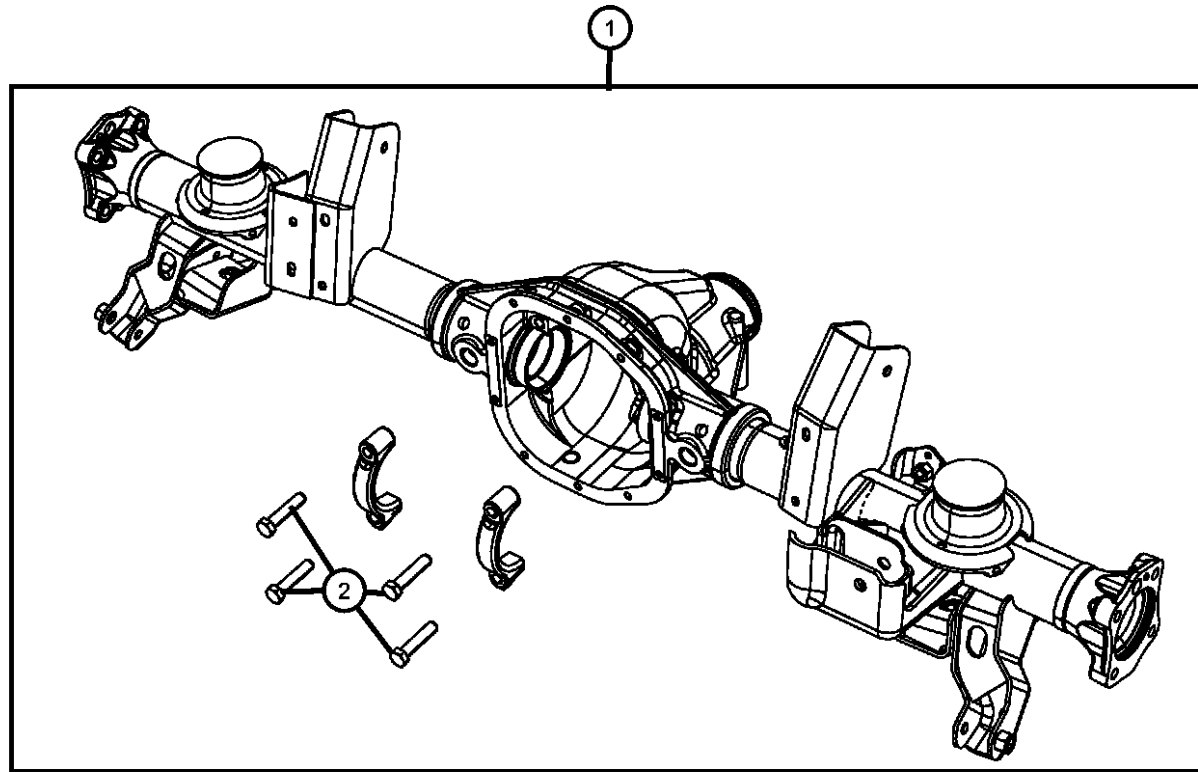
ENGINE TRANSMISSION
 EVE = Engine - 4.7L V8 DOHC 3 Valve
 EZB = 5.7L Hemi Multi Displacement Engine
 EKG = 3.7L V6 Engine
 ESF = 6.1L SRT HEMI SMPI V8 Engine
 EXL = 3.0L V6 Turbo Diesel Engine
 DGJ = 5-Speed Auto W5A580 Transmission
 DGU = 5-Spd Auto W5J400 Transmission
 DGQ = 5-Spd Automatic 545RFE Transmission

AR = use ase required - = Non illustrated part

2008 WK

Housing and Vent,Rear Axle
Figure 003DRK-810

ITEM	PART NUMBER	QTY	LINE	SERIES	BODY	ENGINE	TRANS	TRIM	DESCRIPTION
------	-------------	-----	------	--------	------	--------	-------	------	-------------

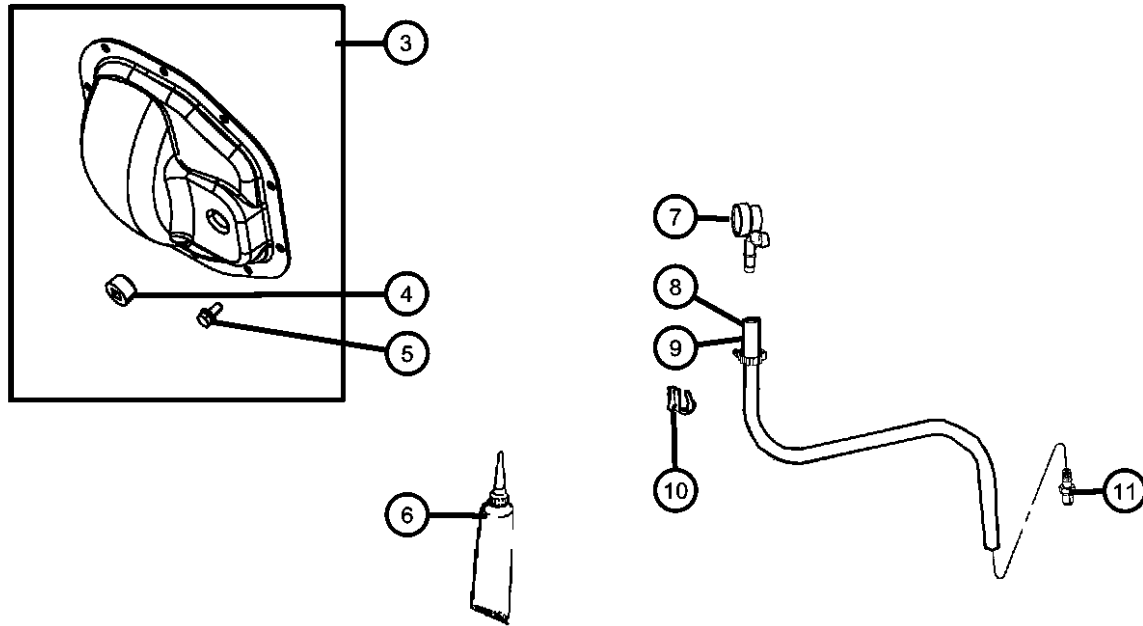


Note;Sales Codes:

[BR4]=ANTI-LOCK 4-WHEEL DISC PERF BRAKES

[BRY]=ANTI-LOCK 4-WHEEL DISC BRAKES

1									HOUSING, Rear Axle
	05183511AA	1	J, T		74				[DRK+BR4]
	05191205AA	1	J, T		74				[DRK+BRY]
2	05003648AA	1	J, T		74				BOLT, Hex Head, 1/2-13x2.25, Carrier Cap, Mounting
3	05183507AB	1	J, T		74				COVER KIT, Differential
4	68033969AA	1	J, T		74				PLUG, Differential Cover
5	02954031	10	J, T		74				BOLT, Hex Flange Head, 5/16-18x.900, Differential Cover, Mounting
6	05013477AA	1	J, T		74				SEALANT, RTV, Differential Cover, Mounting
7									VENT, Axle
	52104552AC	1	J, T		74				[DRK+BRY], Upper
	J5352955	1	J, T		74				[DRK+BR4], Upper
8	04854583AA	1	J, T		74				HOSE, Axle Vent, [DRK+BR4]
9	HFV00516AB	1	J, T		74				HOSE, Fuel And Vapor, 25 Foot Roll 5/16", [DRK+BRY]
10	06032633AB	1	J, T		74				CLIP, Vent Tube
11	68003771AA	1	J, T		74				BOLT, Axle VentLower



GRAND CHEROKEE (WK)

SERIES LINE
H = HIGHLINE T = JEEP - 2WD
P = PREMIUM J = JEEP - 4WD
S = SPORT
X = SPECIAL

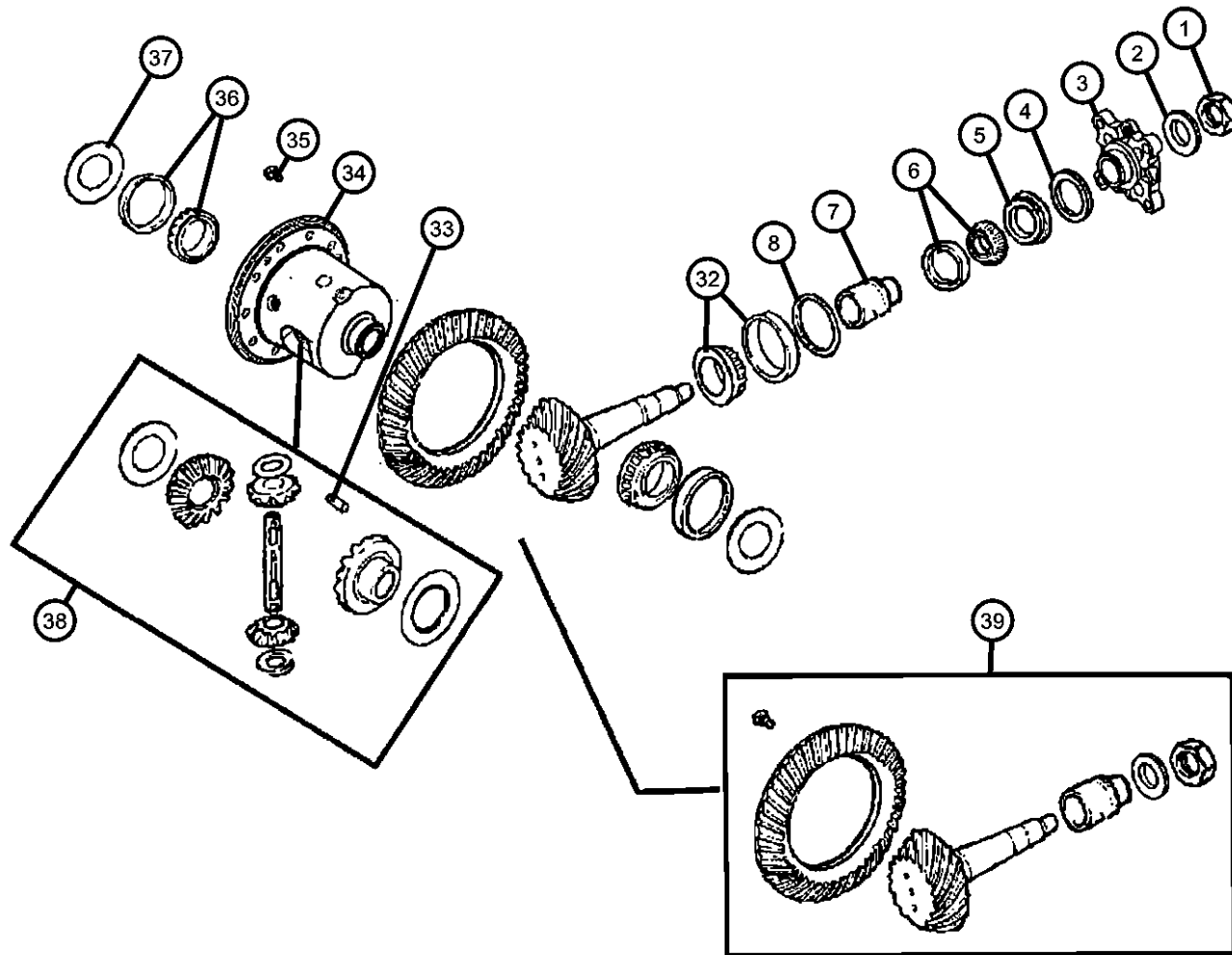
BODY
74 = SPORT UTILITY 4-DR
TYPE #4

ENGINE TRANSMISSION
EVE = Engine - 4.7L V8 DOHC 3 Valve
EZB = 5.7L Hemi Multi Displacement Engine
EKG = 3.7L V6 Engine
ESF = 6.1L SRT HEMI SMPI V8 Engine
EXL = 3.0L V6 Turbo Diesel Engine
DGJ = 5-Speed Auto W5A580 Transmission
DGU = 5-Spd Auto W5J400 Transmission
DGQ = 5-Spd Automatic 545RFE Transmission

AR = use ase required - = Non illustrated part

2008 WK

Differential Assembly,Rear
Figure 003DRK-820



ITEM	PART NUMBER	QTY	LINE	SERIES	BODY	ENGINE	TRANS	TRIM	DESCRIPTION
1	05191197AA	1	J, T		74				NUT, Pinion
2	01795175	1	J, T		74				WASHER, Pinion
3	05183523AA	1	J, T		74				FLANGE, Pinion
4	04746867	1	J, T		74				SLINGER, Drive Pinion
5	68003265AA	1	J, T		74				SEAL, Drive Pinion
6	04864210	1	J, T		74				BEARING KIT, Drive Pinion, Cup and Cone, Front
7	05183525AA	1	J, T		74				SPACER, Drive Pinion Bearing, Crush
8	04856368	1	J, T		74				SHIM KIT, Pinion Shaft, 0.035 to 0.039
-9	04856369	1	J, T		74				SHIM KIT, Pinion Shaft, 0.040 to 0.044
-10	04856370	1	J, T		74				SHIM KIT, Pinion Shaft, 0.045 to 0.049
-11	04856371	1	J, T		74				SHIM KIT, Pinion Shaft, 0.050 to 0.054
-12	68014932AA	1	J, T		74				SHIM, Drive Pinion Bearing, 0.035, In Shim Kit 04856368
-13	68014933AA	1	J, T		74				SHIM, Drive Pinion Bearing, 0.036, In Shim Kit 04856368
-14	68014934AA	1	J, T		74				SHIM, Drive Pinion Bearing, 0.037, In Shim Kit 04856368
-15	68014935AA	1	J, T		74				SHIM, Drive Pinion Bearing, 0.038, In Shim Kit 04856368
-16	68014936AA	1	J, T		74				SHIM, Drive Pinion Bearing, 0.039, In Shim Kit 04856368
-17	05017332AA	1	J, T		74				SHIM, Drive Pinion Bearing, 0.040, In Shim Kit 04856369
-18	05017333AA	1	J, T		74				SHIM, Drive Pinion Bearing, 0.041, In Shim Kit 04856369
-19	05017334AA	1	J, T		74				SHIM, Drive Pinion Bearing, 0.042, In Shim Kit 04856369
-20	05017335AA	1	J, T		74				SHIM, Drive Pinion Bearing, 0.043, In Shim Kit 04856369
-21	05017336AA	1	J, T		74				SHIM, Drive Pinion Bearing, 0.044, In Shim Kit 04856369
-22	05017337AA	1	J, T		74				SHIM, Drive Pinion Bearing, 0.045, In Shim Kit 04856370
-23	05017338AA	1	J, T		74				SHIM, Drive Pinion Bearing, 0.046, In Shim Kit 04856370
-24	05017339AA	1	J, T		74				SHIM, Drive Pinion Bearing, 0.047, In Shim Kit 04856370

GRAND CHEROKEE (WK)

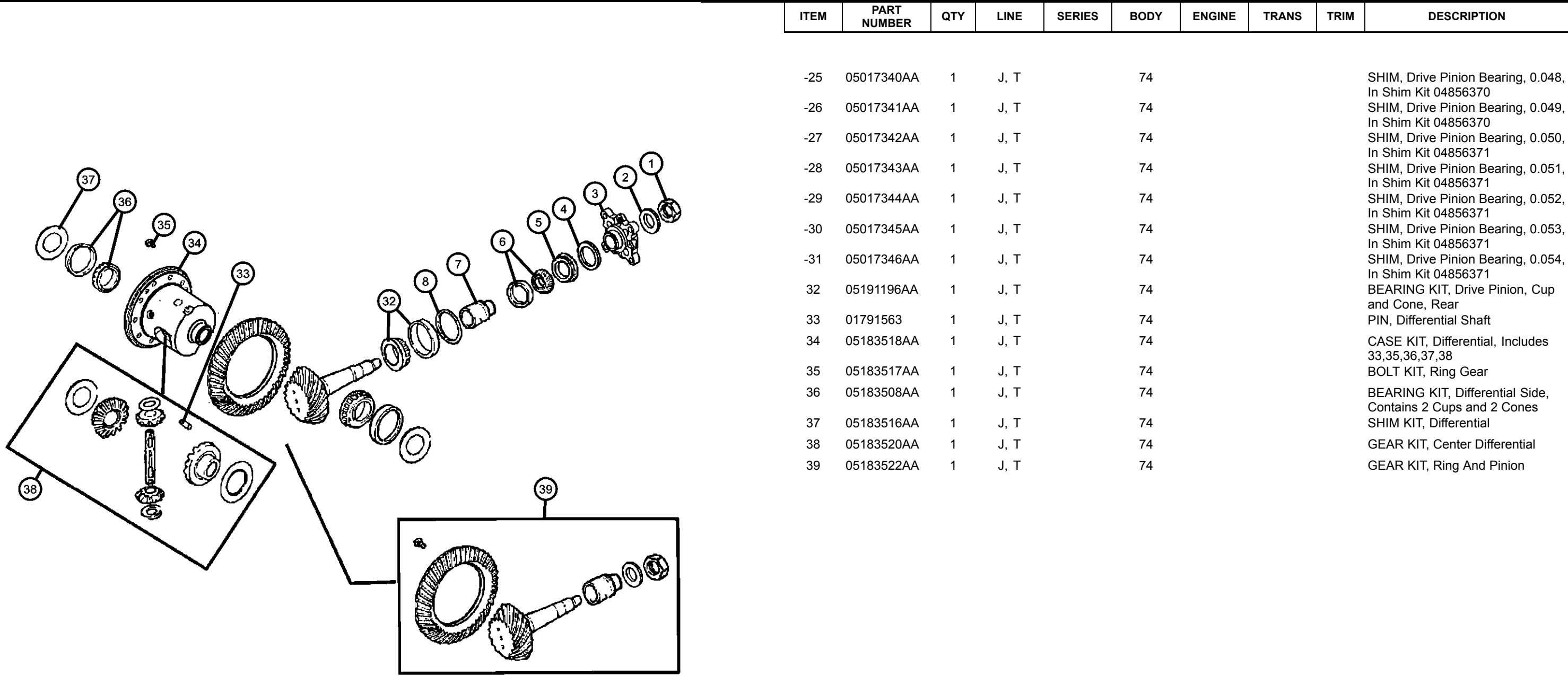
SERIES LINE
H = HIGHLINE T = JEEP - 2WD
P = PREMIUM J = JEEP - 4WD
S = SPORT
X = SPECIAL

BODY
74 = SPORT UTILITY 4-DR
TYPE #4

ENGINE TRANSMISSION
EVE = Engine - 4.7L V8 DOHC 3 Valve
EZB = 5.7L Hemi Multi Displacement Engine
EKG = 3.7L V6 Engine
ESF = 6.1L SRT HEMI SMPI V8 Engine
EXL = 3.0L V6 Turbo Diesel Engine
DGJ = 5-Speed Auto W5A580 Transmission
DGU = 5-Spd Auto W5J400 Transmission
DGQ = 5-Spd Automatic 545RFE Transmission

AR = use ase required - = Non illustrated part

**Differential Assembly,Rear
Figure 003DRK-820**



ITEM	PART NUMBER	QTY	LINE	SERIES	BODY	ENGINE	TRANS	TRIM	DESCRIPTION
-25	05017340AA	1	J, T		74				SHIM, Drive Pinion Bearing, 0.048, In Shim Kit 04856370
-26	05017341AA	1	J, T		74				SHIM, Drive Pinion Bearing, 0.049, In Shim Kit 04856370
-27	05017342AA	1	J, T		74				SHIM, Drive Pinion Bearing, 0.050, In Shim Kit 04856371
-28	05017343AA	1	J, T		74				SHIM, Drive Pinion Bearing, 0.051, In Shim Kit 04856371
-29	05017344AA	1	J, T		74				SHIM, Drive Pinion Bearing, 0.052, In Shim Kit 04856371
-30	05017345AA	1	J, T		74				SHIM, Drive Pinion Bearing, 0.053, In Shim Kit 04856371
-31	05017346AA	1	J, T		74				SHIM, Drive Pinion Bearing, 0.054, In Shim Kit 04856371
32	05191196AA	1	J, T		74				BEARING KIT, Drive Pinion, Cup and Cone, Rear
33	01791563	1	J, T		74				PIN, Differential Shaft
34	05183518AA	1	J, T		74				CASE KIT, Differential, Includes 33,35,36,37,38
35	05183517AA	1	J, T		74				BOLT KIT, Ring Gear
36	05183508AA	1	J, T		74				BEARING KIT, Differential Side, Contains 2 Cups and 2 Cones
37	05183516AA	1	J, T		74				SHIM KIT, Differential
38	05183520AA	1	J, T		74				GEAR KIT, Center Differential
39	05183522AA	1	J, T		74				GEAR KIT, Ring And Pinion

GRAND CHEROKEE (WK)

SERIES	LINE	BODY	ENGINE	TRANSMISSION
H = HIGHLINE	T = JEEP - 2WD	74 = SPORT UTILITY 4-DR	EVE = Engine - 4.7L V8 DOHC 3 Valve	DGJ = 5-Speed Auto W5A580 Transmission
P = PREMIUM	J = JEEP - 4WD	TYPE #4	EZB = 5.7L Hemi Multi Displacement Engine	DGU = 5-Spd Auto W5J400 Transmission
S = SPORT			EKG = 3.7L V6 Engine	DGQ = 5-Spd Automatic 545RFE Transmission
X = SPECIAL			ESF = 6.1L SRT HEMI SMPI V8 Engine	
			EXL = 3.0L V6 Turbo Diesel Engine	

AR = use ase required - = Non illustrated part

Group - 003DRS

Rear Axle; Corporate 213 MM; Differential and Drive Line

Group - 003DRS Rear Axle; Corporate 213 MM; Differential and Drive Line

Illustration Title	Group-Fig. No.
Drive Shaft	
Shaft, Drive, Rear, 1-Piece	Fig. 003DRS - 610
Rear Axle Assembly	
Axle Assembly, Rear	Fig. 003DRS - 710
Rear Axle; Housing, Differential and Vent	
Housing and Vent, Rear Axle	Fig. 003DRS - 810
Differential Assembly, Rear	Fig. 003DRS - 820
Rear Axle Shafts	
Shafts, Rear, Axle	Fig. 003DRS - 910

003DRS-600 Drive Shaft	003DRS-700 Rear Axle Assembly	003DRS-800 Rear Axle; Housing, Differential and Vent	003DRS-900 Rear Axle Shafts
----------------------------------	---	---	---------------------------------------

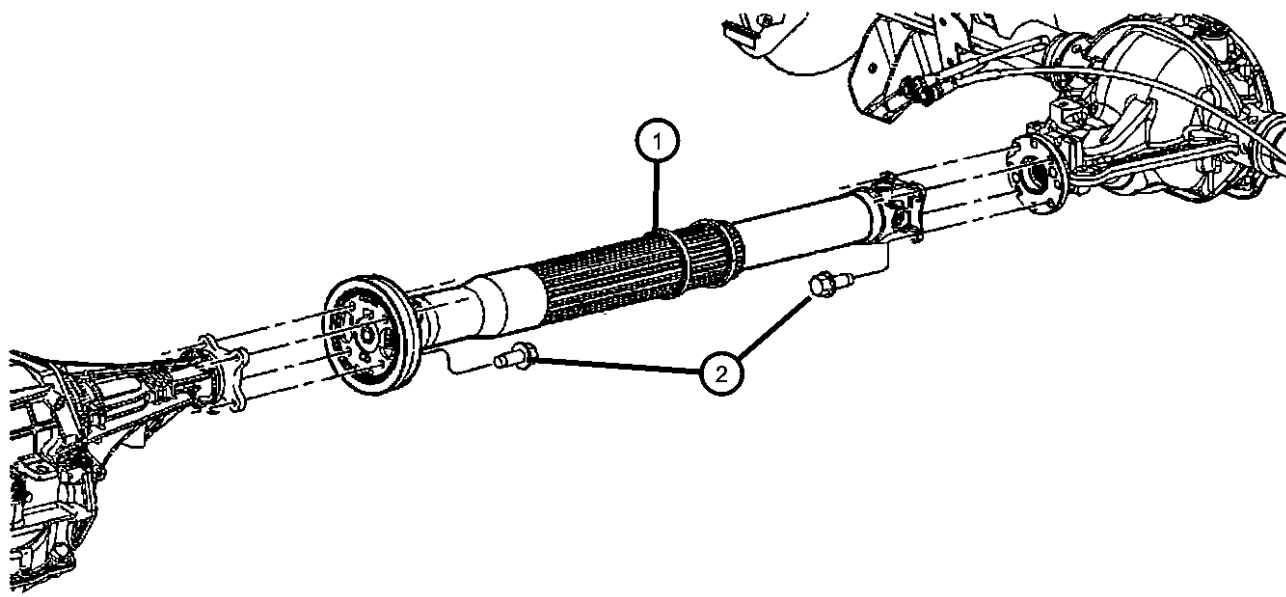
**Shaft, Drive, Rear, 1-Piece
Figure 003DRS-610**

ITEM	PART NUMBER	QTY	LINE	SERIES	BODY	ENGINE	TRANS	TRIM	DESCRIPTION
------	-------------	-----	------	--------	------	--------	-------	------	-------------

Note: Sales Codes;

[DGJ]=5-SPEED AUTO W5A580 TRANSMISSION
 [DGQ]=5-SPD AUTOMATIC 545RFE TRANSMISSION
 [DGU]=5-SPD AUTO W5J400 TRANSMISSION
 [DHB]=QUADRA-TRAC ACTIVE ON DEMAND 4WD
 [DHX]=QUADRA-TRAC II FULL-TIME, ACTIVE 4WD
 [DHZ]=FULL-TIME SINGLE MODE T/CA

1									SHAFT, Drive, Rear 1-Piece
	52105726AF	1	T		74				[DRS,DGQ]
	52105760AF	1	J		74				[DHX,DGJ,DGQ]
	52853003AF	1	J		74				[DHB]
		1	J		74				[DHX,DGU]
	52853004AF	1	T		74				[DRS,DGJ]
	52853006AF	1	J		74				[DHZ]
2	06506497AA	8	J, T		74				BOLT, Hex Flange Head Locking, Drive Shaft to Rear Axle and Transfer Case, Mounting



GRAND CHEROKEE (WK)

SERIES LINE
 H = HIGHLINE T = JEEP - 2WD
 P = PREMIUM J = JEEP - 4WD
 S = SPORT
 X = SPECIAL

BODY
 74 = SPORT UTILITY 4-DR
 TYPE #4

ENGINE TRANSMISSION
 EVE = Engine - 4.7L V8 DOHC 3 Valve
 EZB = 5.7L Hemi Multi Displacement Engine
 EKG = 3.7L V6 Engine
 ESF = 6.1L SRT HEMI SMPI V8 Engine
 EXL = 3.0L V6 Turbo Diesel Engine
 DGJ = 5-Speed Auto W5A580 Transmission
 DGU = 5-Spd Auto W5J400 Transmission
 DGQ = 5-Spd Automatic 545RFE Transmission

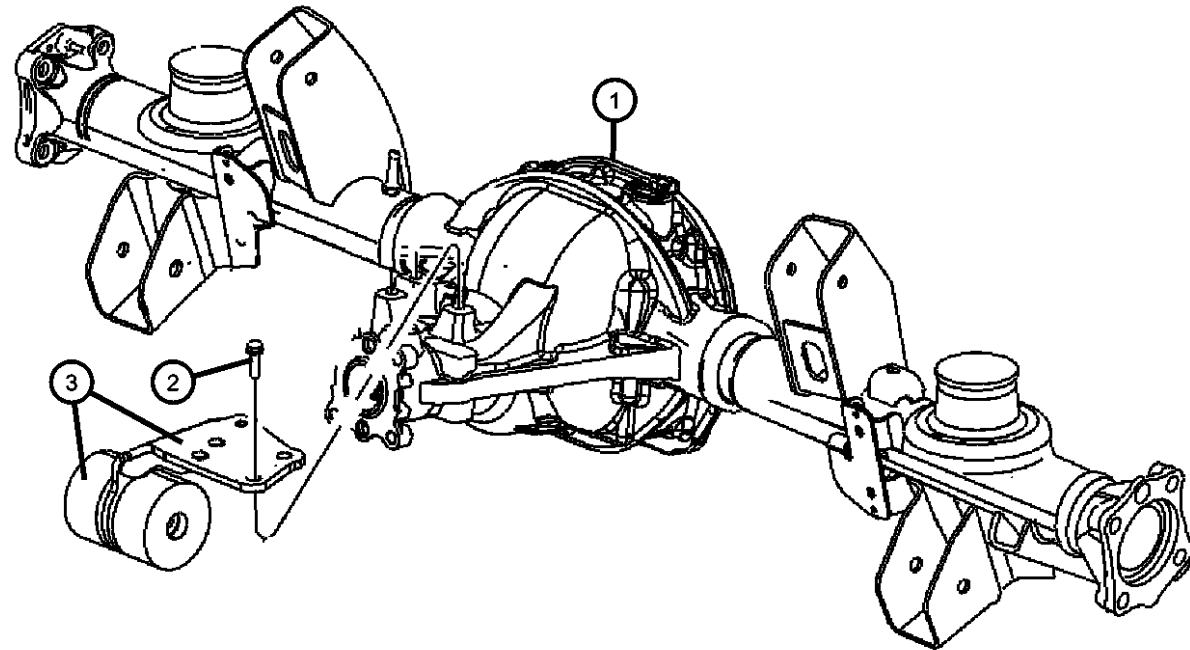
AR = use ase required - = Non illustrated part

2008 WK

Axle Assembly, Rear
Figure 003DRS-710

ITEM	PART NUMBER	QTY	LINE	SERIES	BODY	ENGINE	TRANS	TRIM	DESCRIPTION
------	-------------	-----	------	--------	------	--------	-------	------	-------------

Note:Sales Codes;
[DMD]=Axle Ratio 3.55
[DME]=Axle Ratio - 3.73
[DMM]=Axle Ratio - 3.07
[DRS]=Axle - Rear,213MM
[DSF]=Axle - Electric Limited Slip Differential Rear
[DS8]=Axle - Conventional Differential Rear



1									AXLE ASSEMBLY, Rear Complete
	68031427AA	1	T		74				[DME+DS8,EVE]
	52114838AA	1	J, T		74				[DME+DSF]
	04874469								Mopar SAE 75W-140 Synthetic Gear and Axle Lube Quart
	68003055AA								Mopar SAE 75W-140 Synthetic Gear and Axle Lube 16 Gallon Keg
	52114889AA	1	J, T		74				[DMD+DS8]
	04874469								Mopar SAE 75W-140 Synthetic Gear and Axle Lube Quart
	68003055AA								Mopar SAE 75W-140 Synthetic Gear and Axle Lube 16 Gallon Keg
	52114833AA	1	J, T		74				[DMM+DS8]
	04874469								Mopar SAE 75W-140 Synthetic Gear and Axle Lube Quart
	68003055AA								Mopar SAE 75W-140 Synthetic Gear and Axle Lube 16 Gallon Keg
	52114834AA	1	J		74				[DME+DS8,EVE]
	04874469								Mopar SAE 75W-140 Synthetic Gear and Axle Lube Quart
	68003055AA								Mopar SAE 75W-140 Synthetic Gear and Axle Lube 16 Gallon Keg
		1	J, T		74				[DME+DS8,EKG,EXL,EZB]
	04874469								Mopar SAE 75W-140 Synthetic Gear and Axle Lube Quart
	68003055AA								Mopar SAE 75W-140 Synthetic Gear and Axle Lube 16 Gallon Keg

GRAND CHEROKEE (WK)

SERIES LINE
H = HIGHLINE T = JEEP - 2WD
P = PREMIUM J = JEEP - 4WD
S = SPORT
X = SPECIAL

BODY
74 = SPORT UTILITY 4-DR
TYPE #4

ENGINE
EVE = Engine - 4.7L V8 DOHC
3 Valve
EZB = 5.7L Hemi Multi
Displacement Engine
EKG = 3.7L V6 Engine
ESF = 6.1L SRT HEMI SMPI
V8 Engine
EXL = 3.0L V6 Turbo Diesel
Engine

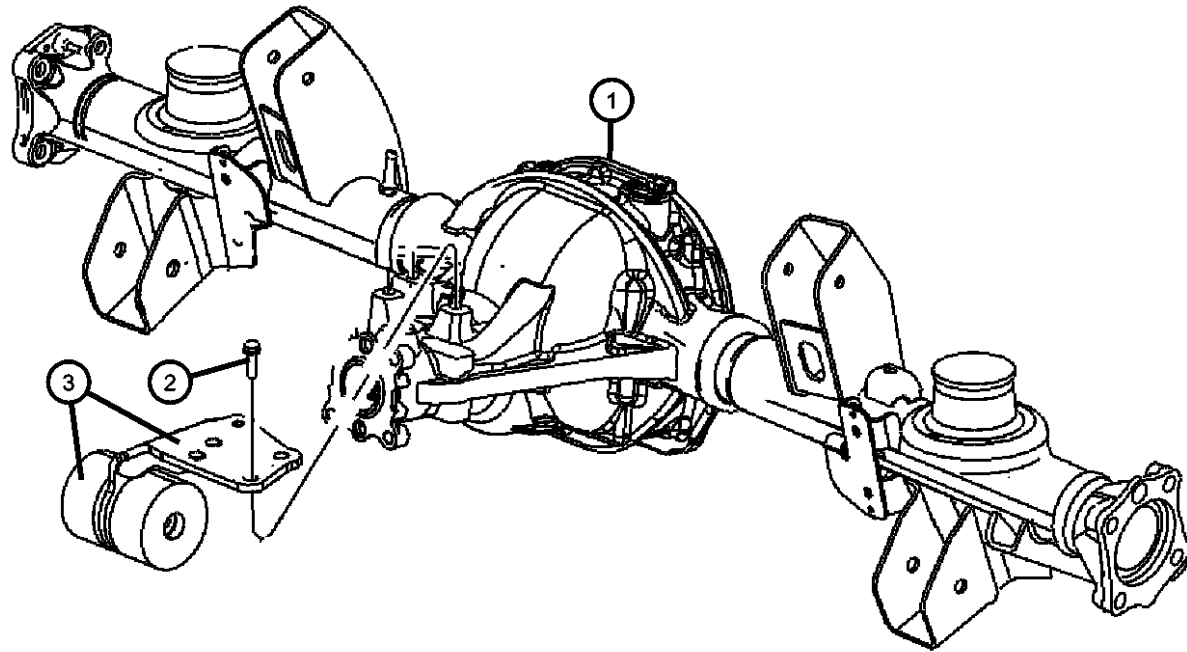
TRANSMISSION
DGJ = 5-Speed Auto W5A580
Transmission
DGU = 5-Spd Auto W5J400
Transmission
DGQ = 5-Spd Automatic 545RFE
Transmission

AR = use ase required - = Non illustrated part

2008 WK

Axle Assembly, Rear
Figure 003DRS-710

ITEM	PART NUMBER	QTY	LINE	SERIES	BODY	ENGINE	TRANS	TRIM	DESCRIPTION
2	06105070AA	2	T		74				BOLT, Hex Flange Head, M10x1.50x65.00, [EK0,EX0]
3	52114861AB	1	T		74				AXLE DAMPER, MOUNTING DAMPER, AXLE, [EK0,EX0]



GRAND CHEROKEE (WK)

SERIES LINE
H = HIGHLINE T = JEEP - 2WD
P = PREMIUM J = JEEP - 4WD
S = SPORT
X = SPECIAL

BODY
74 = SPORT UTILITY 4-DR
TYPE #4

ENGINE TRANSMISSION
EVE = Engine - 4.7L V8 DOHC 3 Valve
EZH = 5.7L Hemi Multi Displacement Engine
EKG = 3.7L V6 Engine
ESF = 6.1L SRT HEMI SMPI V8 Engine
EXL = 3.0L V6 Turbo Diesel Engine
DGJ = 5-Speed Auto W5A580 Transmission
DGU = 5-Spd Auto W5J400 Transmission
DGQ = 5-Spd Automatic 545RFE Transmission

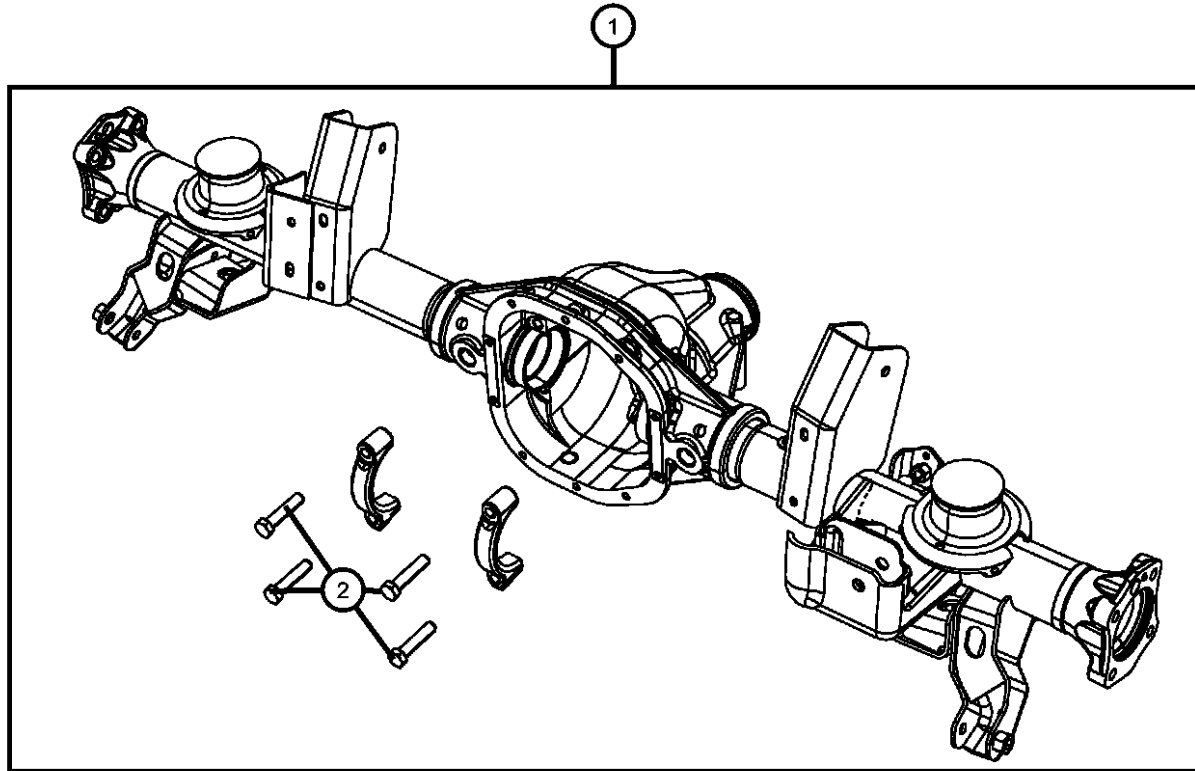
AR = use ase required - = Non illustrated part

2008 WK

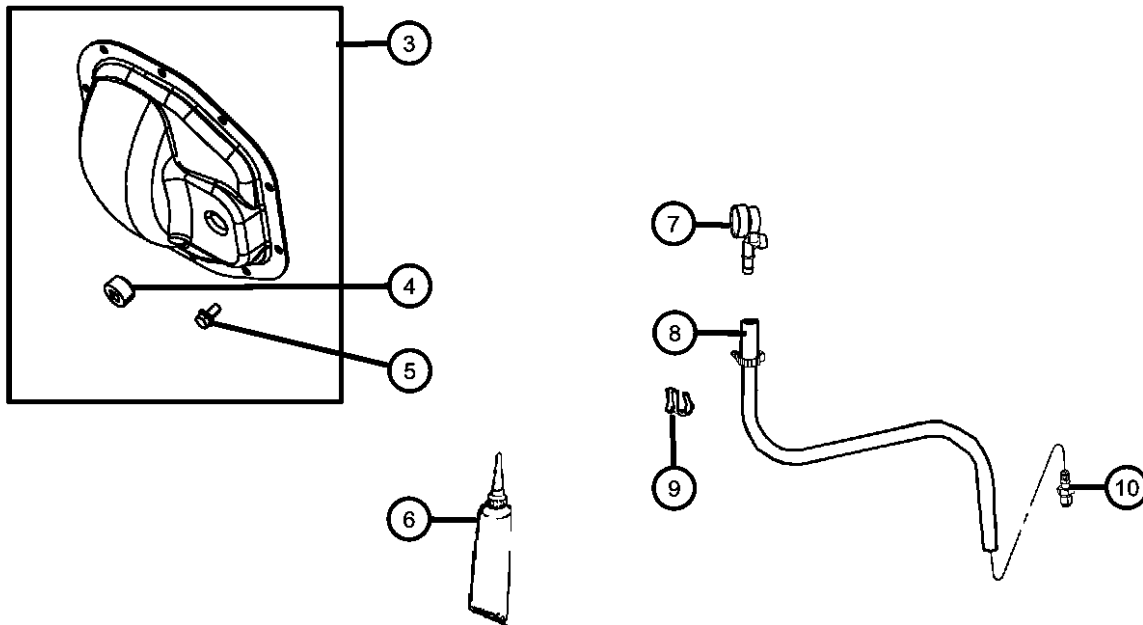
Housing and Vent,Rear Axle
Figure 003DRS-810

ITEM	PART NUMBER	QTY	LINE	SERIES	BODY	ENGINE	TRANS	TRIM	DESCRIPTION
------	-------------	-----	------	--------	------	--------	-------	------	-------------

Note;Sales Codes:
[BR4]=ANTI-LOCK 4-WHEEL DISC PERF BRAKES
[BRY]=ANTI-LOCK 4-WHEEL DISC BRAKES



1									HOUSING, Rear Axle
	05135769AG	1	J, T		74				[DS8]
	05142347AE	1	J, T		74				[DSF]
2	03432695	4	J, T		74				BOLT, Hex Head, .500-13x2.38, Carrier Cap, Mounting
3									COVER, Differential
	52114002AA	1	J, T		74				[DSF]
	03723681AC	1	J, T		74				[DS8]
4	52070428AA	1	J, T		74				PLUG, Differential Cover
5	06036671AA	12	J, T		74				BOLT, Hex Flange Head, .312-18x0.562, Differential Cover, Mounting
6	05013477AA	1	J, T		74				SEALANT, RTV, Differential Cover, Mounting
7	52104552AC	1	J, T		74				VENT, AxleUpper
8	HFV00516AB	1	J, T		74				HOSE, Fuel And Vapor, 25 Foot Roll 5/16"
9	06032633AB	1	J, T		74				CLIP, Vent Tube
10	68003771AA	1	J, T		74				BOLT, Axle VentLower



GRAND CHEROKEE (WK)

SERIES LINE
H = HIGHLINE T = JEEP - 2WD
P = PREMIUM J = JEEP - 4WD
S = SPORT
X = SPECIAL

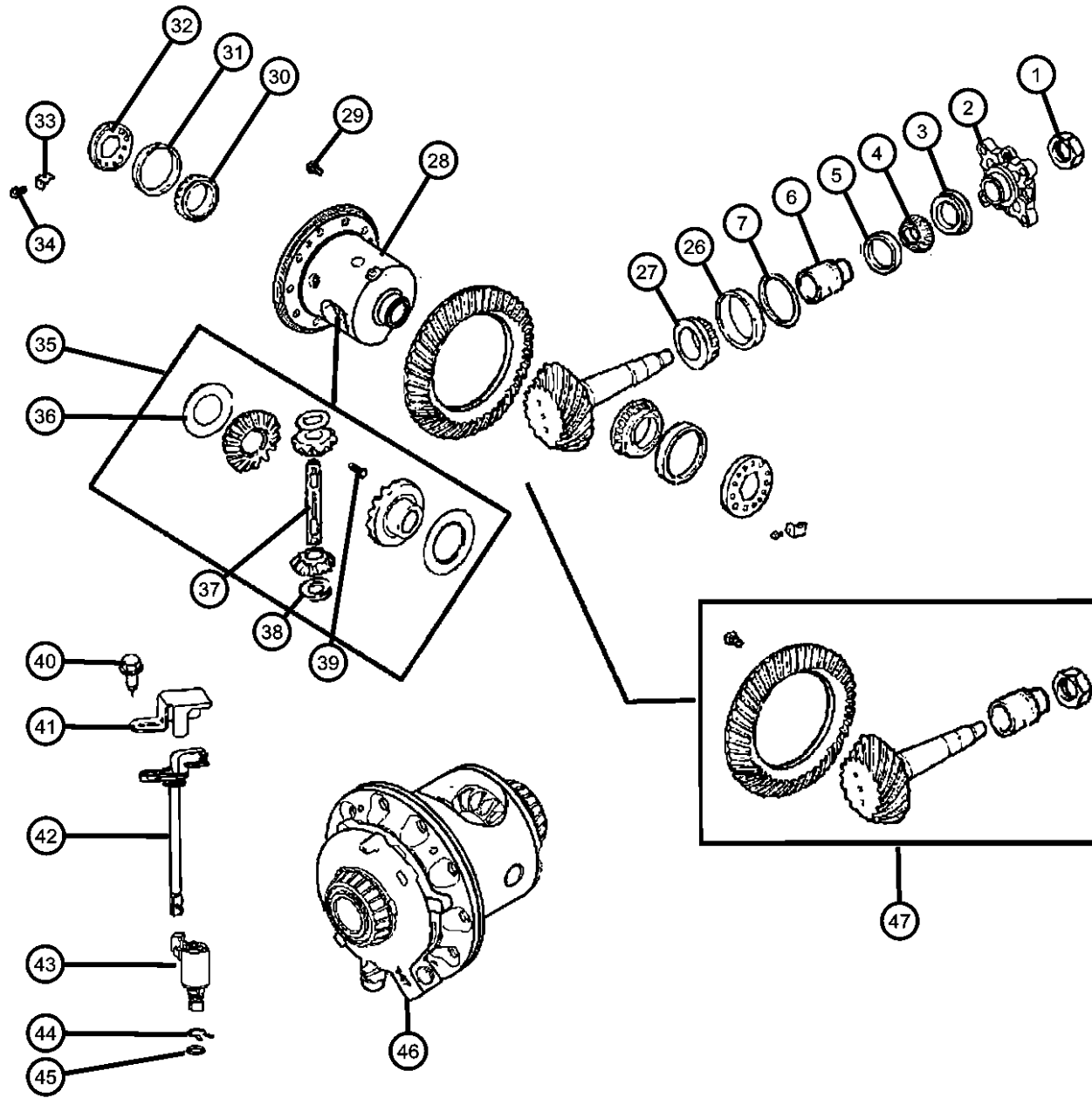
BODY
74 = SPORT UTILITY 4-DR
TYPE #4

ENGINE TRANSMISSION
EVE = Engine - 4.7L V8 DOHC 3 Valve
EVB = Engine - 4.7L V8 DOHC 3 Valve
EZE = 5.7L Hemi Multi Displacement Engine
EKG = 3.7L V6 Engine
ESF = 6.1L SRT HEMI SMPI V8 Engine
EXL = 3.0L V6 Turbo Diesel Engine
DGJ = 5-Speed Auto W5A580 Transmission
DGU = 5-Spd Auto W5J400 Transmission
DGQ = 5-Spd Automatic 545RFE Transmission

AR = use ase required - = Non illustrated part

2008 WK

Differential Assembly,Rear
Figure 003DRS-820



ITEM	PART NUMBER	QTY	LINE	SERIES	BODY	ENGINE	TRANS	TRIM	DESCRIPTION
------	-------------	-----	------	--------	------	--------	-------	------	-------------

Note:Sales Codes;
 [DMD]=Axle Ratio - 3.55
 [DME]=Axle Ratio - 3.73
 [DMM]=Axle Ratio - 3.07
 [DRS]=Axle - Rear,213MM
 [DSF]=Axle - Electric Limited Slip Differential Rear
 [DS8]=Axle - Conventional Differential Rear

1									NUT, Pinion
	06036572AA	1	J, T		74				Without Tag 68031427AA
	06036698AA	1	T		74				With Tag 68031427AA
2	52114046AC	1	J, T		74				FLANGE, Pinion
3	52070339AB	1	J, T		74				SEAL, Drive Pinion
4	02070316	1	J, T		74				BEARING, Drive PinionFront
5	02070317	1	J, T		74				CUP, Drive PinionFront
6	03507575	1	J, T		74				SPACER, Drive Pinion Bearing, Crush
7	03723520	AR	J, T		74				SHIM, Drive Pinion Bearing, 0.020
-8	03723521	AR	J, T		74				SHIM, Drive Pinion Bearing, 0.021
-9	03723522	AR	J, T		74				SHIM, Drive Pinion Bearing, 0.022
-10	03723523	AR	J, T		74				SHIM, Drive Pinion Bearing, 0.023
-11	03723524	AR	J, T		74				SHIM, Drive Pinion Bearing, 0.024
-12	03723525	AR	J, T		74				SHIM, Drive Pinion Bearing, 0.025
-13	03723526	AR	J, T		74				SHIM, Drive Pinion Bearing, 0.026
-14	03723527	AR	J, T		74				SHIM, Drive Pinion Bearing, 0.027
-15	03723528	AR	J, T		74				SHIM, Drive Pinion Bearing, 0.028
-16	03723529	AR	J, T		74				SHIM, Drive Pinion Bearing, 0.029
-17	03723530	AR	J, T		74				SHIM, Drive Pinion Bearing, 0.030
-18	03723531	AR	J, T		74				SHIM, Drive Pinion Bearing, 0.031
-19	03723532	AR	J, T		74				SHIM, Drive Pinion Bearing, 0.032
-20	03723533	AR	J, T		74				SHIM, Drive Pinion Bearing, 0.033
-21	03723534	AR	J, T		74				SHIM, Drive Pinion Bearing, 0.034
-22	03723535	AR	J, T		74				SHIM, Drive Pinion Bearing, 0.035
-23	03723536	AR	J, T		74				SHIM, Drive Pinion Bearing, 0.036
-24	03723537	AR	J, T		74				SHIM, Drive Pinion Bearing, 0.037

GRAND CHEROKEE (WK)

SERIES LINE
 H = HIGHLINE T = JEEP - 2WD
 P = PREMIUM J = JEEP - 4WD
 S = SPORT
 X = SPECIAL

BODY
 74 = SPORT UTILITY 4-DR
 TYPE #4

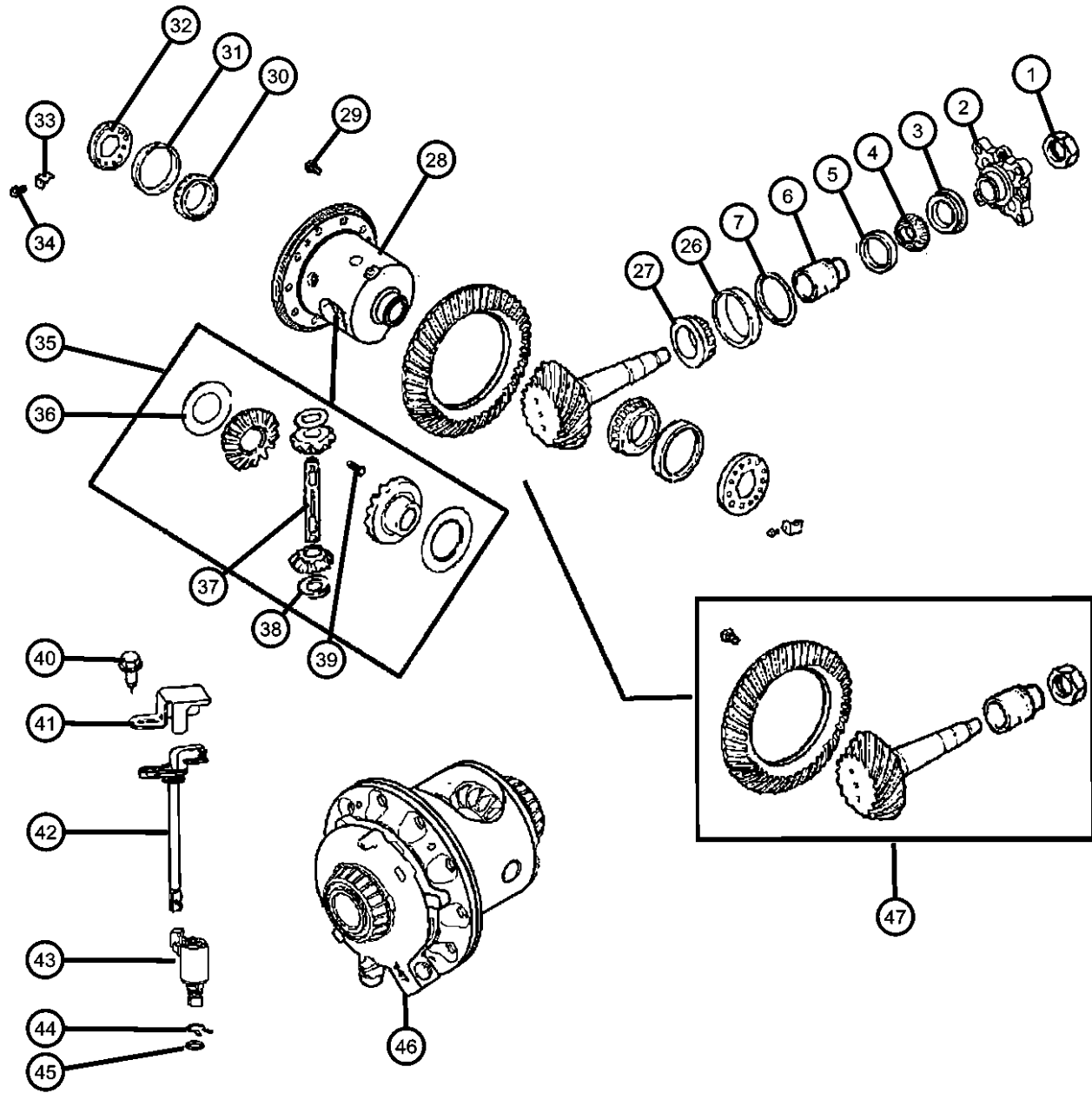
ENGINE
 EVE = Engine - 4.7L V8 DOHC
 3 Valve
 EZB = 5.7L Hemi Multi
 Displacement Engine
 EKG = 3.7L V6 Engine
 ESF = 6.1L SRT HEMI SMPI
 V8 Engine
 EXL = 3.0L V6 Turbo Diesel
 Engine

TRANSMISSION
 DGJ = 5-Speed Auto W5A580
 Transmission
 DGU = 5-Spd Auto W5J400
 Transmission
 DGQ = 5-Spd Automatic 545RFE
 Transmission

AR = use ase required - = Non illustrated part

2008 WK

Differential Assembly,Rear
Figure 003DRS-820



ITEM	PART NUMBER	QTY	LINE	SERIES	BODY	ENGINE	TRANS	TRIM	DESCRIPTION
-25	03723538	AR	J, T		74				SHIM, Drive Pinion Bearing, 0.038
26	02800485	1	J, T		74				CUP, Drive PinionRear
27	02800484	1	J, T		74				BEARING, Drive PinionRear
28									CASE ASSEMBLY, Differential
	68032258AA	1	T		74				With Tag 68031427AA
	52114574AA	1	J, T		74				Without Tag 68031427AA
29									BOLT, Ring Gear
	06508815AA	10	J, T		74				Without Tag 68031427AA, Mounting
	06509207AA	10	T		74				With Tag 68031427AA, Mounting
30	01790541	2	J, T		74				BEARING, Differential
31	03723569	2	J, T		74				CUP, Differential Side
32	03507876AB	2	J, T		74				ADJUSTER, Differential Bearing
33	03723859	2	J, T		74				LOCK, Differential Bearing
34	06023092	2	J, T		74				BOLT AND WASHER, Hex Head, .250-20x.500, Differential Bearing Lock, Mounting
35	04883087AC	1	J, T		74				GEAR KIT, Center Differential, [DS8]
36	04883085	1	J, T		74				WASHER KIT, Side Gear Thrust, [DS8]
37	52114600AA	1	J, T		74				SHAFT, Differential Pinion, [DS8]
38	02852912	2	J, T		74				WASHER, Pinion Gear Thrust, [DS8]
39	03507724	1	J, T		74				SCREW, Hex Head, .312-18x1.80, [DS8] Differential Pinion Shaft Lock, Mounting
40	06501979	1	J, T		74				BOLT, Hex Flange Head, M6X1.00X17.00, [DSF] Electronic Rear Axle Harness, Mounting
41	52114530AB	1	J, T		74				SHIELD, Wiring, [DSF]
42	52114328AC	1	J, T		74				HARNES, Electronic Rear Axle, [DSF]
43	52114003AD	1	J, T		74				ACTUATOR, Axle Locker, [DSF]
44	05135813AA	1	J, T		74				SNAP RING, Differential, [DSF]
45	05135814AA	1	J, T		74				O RING, [DSF]
46	52104674AE	1	J, T		74				CASE KIT, Differential, [DSF]

GRAND CHEROKEE (WK)

SERIES LINE
H = HIGHLINE T = JEEP - 2WD
P = PREMIUM J = JEEP - 4WD
S = SPORT
X = SPECIAL

BODY
74 = SPORT UTILITY 4-DR
TYPE #4

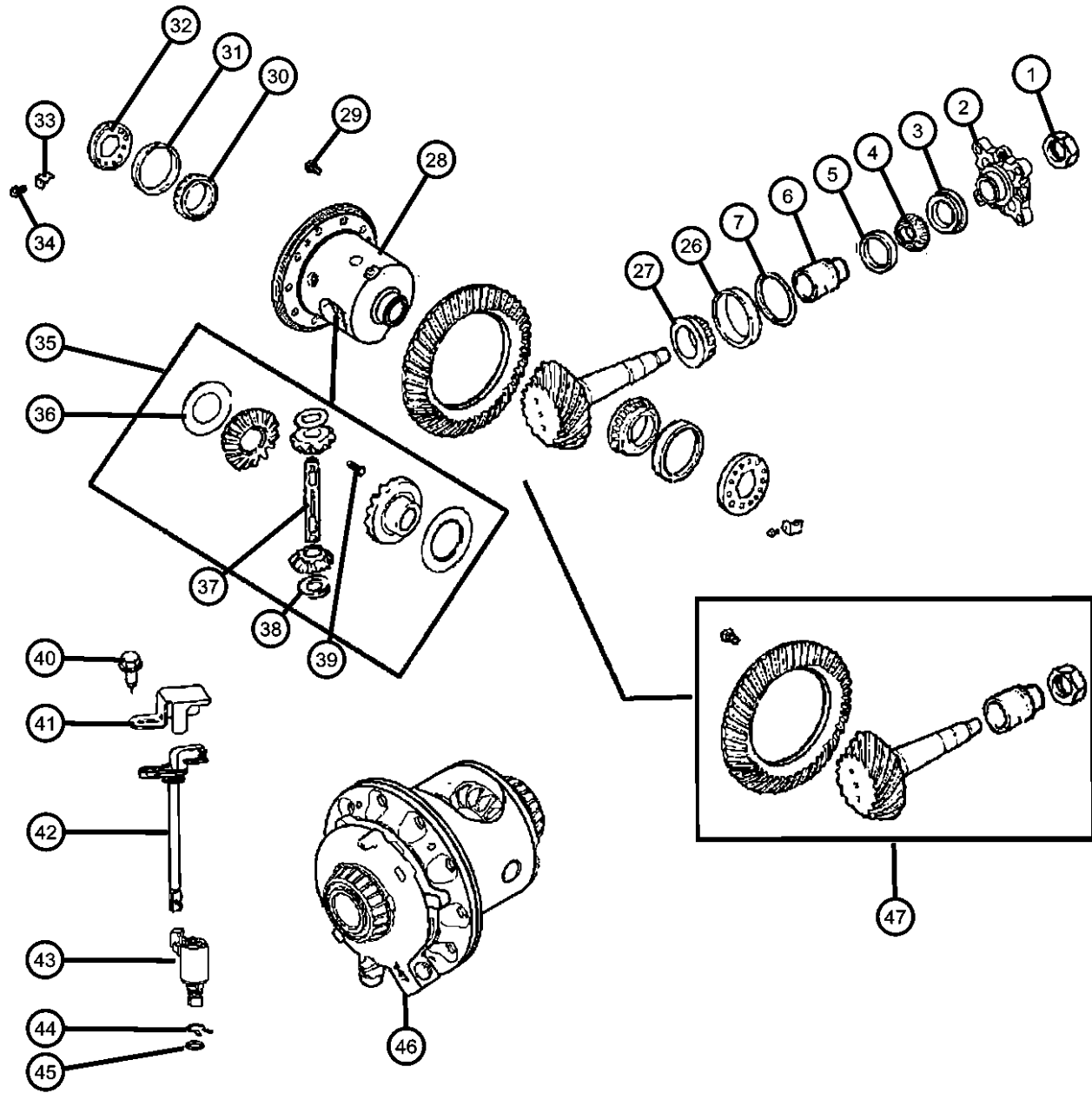
ENGINE TRANSMISSION
EVE = Engine - 4.7L V8 DOHC 3 Valve
EVB = Engine - 4.7L V8 DOHC 3 Valve
EZA = 5.7L Hemi Multi Displacement Engine
EKB = 3.7L V6 Engine
ESF = 6.1L SRT HEMI SMPI V8 Engine
EXL = 3.0L V6 Turbo Diesel Engine
DGJ = 5-Speed Auto W5A580 Transmission
DGU = 5-Spd Auto W5J400 Transmission
DGQ = 5-Spd Automatic 545RFE Transmission

AR = use ase required - = Non illustrated part

2008 WK

Differential Assembly,Rear
Figure 003DRS-820

ITEM	PART NUMBER	QTY	LINE	SERIES	BODY	ENGINE	TRANS	TRIM	DESCRIPTION
47									GEAR KIT, Ring And Pinion
	05143812AB	1	J, T		74				[DME,DSF]
	05175783AB	AR	J, T		74				[DMD]
	68040773AA	1	J, T		74				[DME,DS8]
	05135768AC	1	J, T		74				[DMM]



GRAND CHEROKEE (WK)

SERIES LINE
H = HIGHLINE T = JEEP - 2WD
P = PREMIUM J = JEEP - 4WD
S = SPORT
X = SPECIAL

BODY
74 = SPORT UTILITY 4-DR
TYPE #4

ENGINE
EVE = Engine - 4.7L V8 DOHC
3 Valve
EZB = 5.7L Hemi Multi
Displacement Engine
EKG = 3.7L V6 Engine
ESF = 6.1L SRT HEMI SMPI
V8 Engine
EXL = 3.0L V6 Turbo Diesel
Engine

TRANSMISSION
DGJ = 5-Speed Auto W5A580
Transmission
DGU = 5-Spd Auto W5J400
Transmission
DGQ = 5-Spd Automatic 545RFE
Transmission

AR = use ase required - = Non illustrated part

2008 WK

Group - 5

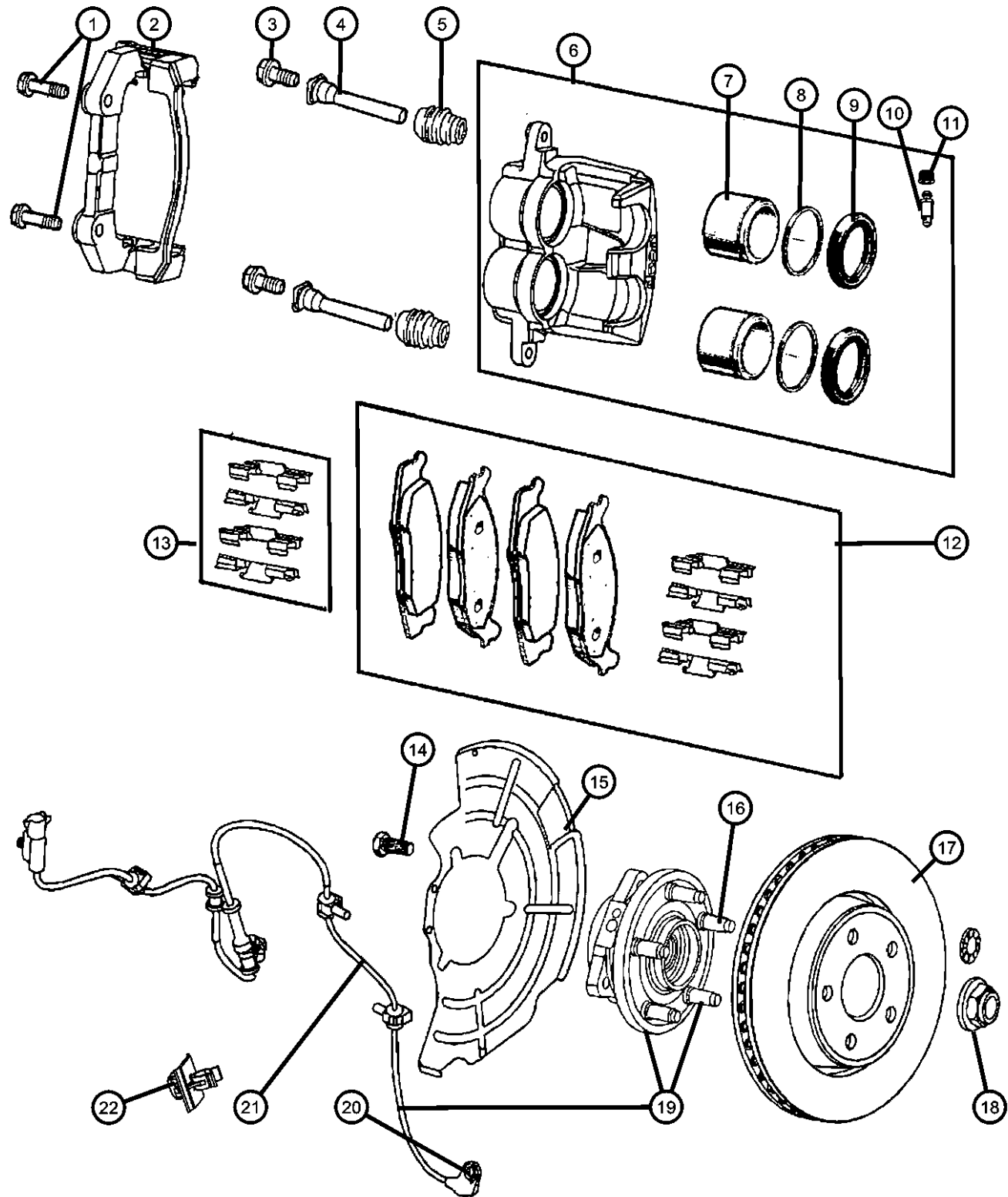
Brakes

Group - 5 Brakes

Illustration Title	Group-Fig. No.
Front Brakes	
Brakes, Front	Fig. 5 - 110
Brakes, Front, 6.1L [ES0].....	Fig. 5 - 115
Rear Brakes	
Brakes, Rear, Disc, With [DRS] Rear Axle	Fig. 5 - 210
Brakes, Rear, Disc, With [DRK] Rear Axle	Fig. 5 - 215
Power Brake Booster	
Booster, Vacuum Power Brake	Fig. 5 - 310
Pump, Vacuum, Diesel [EX0].....	Fig. 5 - 330
Brake Master Cylinder	
Master Cylinder, Brake.....	Fig. 5 - 410
Hydraulic Control Unit, Brake Tubes and Hoses	
HCU, Brake Tubes and Hoses, Front.....	Fig. 5 - 510
Brake Tubes and Hoses,Front	Fig. 5 - 515
Brake Tubes and Hoses, Rear and Chassis	Fig. 5 - 520
Brake Pedals	
Pedal, Brake.....	Fig. 5 - 610
Pedal, Brake, Adjustable [XAM,XAP].....	Fig. 5 - 615
Parking Brake Lever, Cables, and Rear Disc Park Brake Assembly	
Park Brake Lever Assembly and Cable, Front	Fig. 5 - 710
Park Brake Assembly, Rear Disc	Fig. 5 - 730

005-100 Front Brakes	005-200 Rear Brakes	005-300 Power Brake Booster	005-400 Brake Master Cylinder
005-500 Hydraulic Control Unit, Brake Tubes and Hoses	005-600 Brake Pedals	005-700 Parking Brake Lever, Cables, and Rear Disc Park Brake Assembly	

Brakes, Front
Figure 5-110



ITEM	PART NUMBER	QTY	LINE	SERIES	BODY	ENGINE	TRANS	TRIM	DESCRIPTION
1	06507152AA	4	J, T		74				BOLT, Hex Flange Head, M14x2.00x45.00, Caliper to Knuckle, Mounting
2	05143699AB	1	J, T		74				ADAPTER, Disc Brake Caliper, FrontRight or Left
3	05093355AA	2	J, T		74				BOLTRight or Left
4	05143697AA	2	J, T		74				PIN, CaliperRight or Left
5	05103112AA	2	J, T		74				BOOT, Disc Brake Caliper Pin, Caliper Pin, Right or Left
6									CALIPER ASSEMBLY, Disc Brake, Front
	05143692AA	1	J, T		74				Right
	05143693AA	1	J, T		74				Left
7	05143696AA	2	J, T		74				PISTON, BrakeRight or Left
8	05143694AA	2	J, T		74				SEAL, Caliper PistonRight or Left
9	05143691AA	2	J, T		74				BOOT, Brake PistonRight or Left
10	05093343AA	1	J, T		74				SCREW, BleederRight or Left
11	05093278AA	1	J, T		74				CAP, BleederRight or Left
12	05080868AC	1	J, T		74				PAD KIT, Front Disc Brake
	V3010868								Mopar V-Line Alternative Part
	VCWK0868AA								Ceramic
	VWKXK868AA								Make It Ceramic Brake Kit
	V1010868AB								Make It New Brake Kits
									Mopar V-Line Alternative Part
13	05143700AA	1	J, T		74				SLIPPER KIT, CaliperRight or Left
14	06505935AA	6	J, T		74				BOLT, Hex Flange Head, M12x1.75x70.00, Hub and Bearing to Knuckle, Mounting
15									SHIELD, Splash
	52090432AC	1	J, T		74				Right
	52090433AC	1	J, T		74				Left
16	06036424AA	10	J, T		74				STUD, Hub

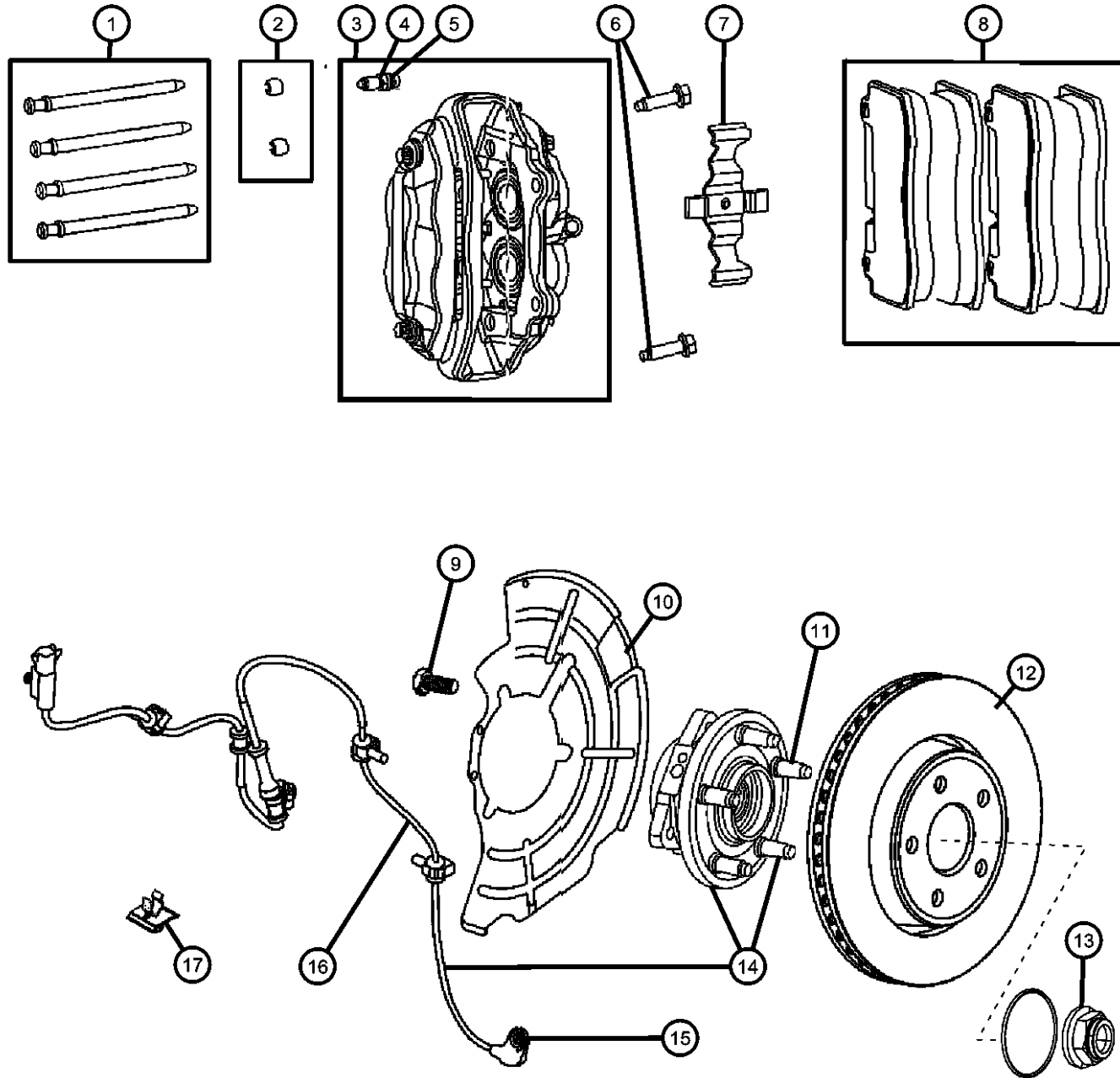
GRAND CHEROKEE (WK)
 SERIES LINE BODY ENGINE TRANSMISSION
 H = HIGHLINE T = JEEP - 2WD 74 = SPORT UTILITY 4-DR EVE = Engine - 4.7L V8 DOHC DGJ = 5-Speed Auto W5A580
 P = PREMIUM J = JEEP - 4WD TYPE #4 3 Valve Transmission
 S = SPORT EZB = 5.7L Hemi Multi Displacement Engine DGU = 5-Spd Auto W5J400
 X = SPECIAL EKG = 3.7L V6 Engine DGQ = 5-Spd Automatic 545RFE
 ESF = 6.1L SRT HEMI SMPI V8 Engine Transmission
 EXL = 3.0L V6 Turbo Diesel Engine

AR = use ase required - = Non illustrated part

**Brakes, Front, 6.1L [ES0]
Figure 5-115**

ITEM	PART NUMBER	QTY	LINE	SERIES	BODY	ENGINE	TRANS	TRIM	DESCRIPTION
------	-------------	-----	------	--------	------	--------	-------	------	-------------

Sales Codes:
[ES0]= ALL 6.1L ENGINES
[ESF]= 6.1L SRT HEMI SMPI V8 ENGINE



1	05174320AA	1	J		74				PIN KIT, Disc BrakeRight or Left
2	05174318AA	1	J		74				BOOT KIT, Disc brake, For the Pin Kit, Right or Left
3									CALIPER ASSEMBLY, Disc Brake, Front
	05175106AB	1	J		74				Painted Red, Right Front
	05175107AB	1	J		74				Painted Red, Left Front
	68002158AA	1	J		74				Painted Black, Right Front
	68002159AA	1	J		74				Painted Black, Left Front
4	05174319AA	1	J		74				SCREW, BleederRight or Left
5		1							CAP, Bleeder, (NOT SERVICED)
6	06104258AA	4	J, T		74				BOLT, Hex Flange Head, M14x1.50x45.00, Caliper to Knuckle, Mounting
7	05174321AA	1	J		74				CLIP, Brake Anti-RattleRight or Left
8	68002193AA	1	J		74				PAD KIT, Front Disc Brake
9	06505935AA	6	J, T		74				BOLT, Hex Flange Head, M12x1.75x70.00
10									SHIELD, Splash
	05290650AA	1	J, T		74				Right
	05290651AA	1	J, T		74				Left
11	06036424AA	10	J, T		74				STUD, Hub
12	05290733AB	2	J, T		74				ROTOR, Brake, Front
13	06506454AA	2	J		74				NUT AND WASHER, Hex Lock, M24x2.00, Halfshaft to Hub Assembly, Mounting
14	52089434AD	2	J, T		74				HUB AND BEARING, Brake, Front
15	05175374AA	2	J, T		74				BOLT, Hex Head, M6x1.00x12.00, Anti-Lock Brake Sensor, Mounting
16	56044144AD	2	J, T		74				SENSOR, Anti-Lock Brakes
17	52124121AA	2	J, T		74				CLIP, Wiring, ABS Sensor
-18									AIR DUCT, Brake Cooling
	05029992AB	1	J, T		74				Right
	05029993AB	1	J, T		74				Left

GRAND CHEROKEE (WK)

SERIES LINE
H = HIGHLINE T = JEEP - 2WD
P = PREMIUM J = JEEP - 4WD
S = SPORT
X = SPECIAL

BODY
74 = SPORT UTILITY 4-DR
TYPE #4

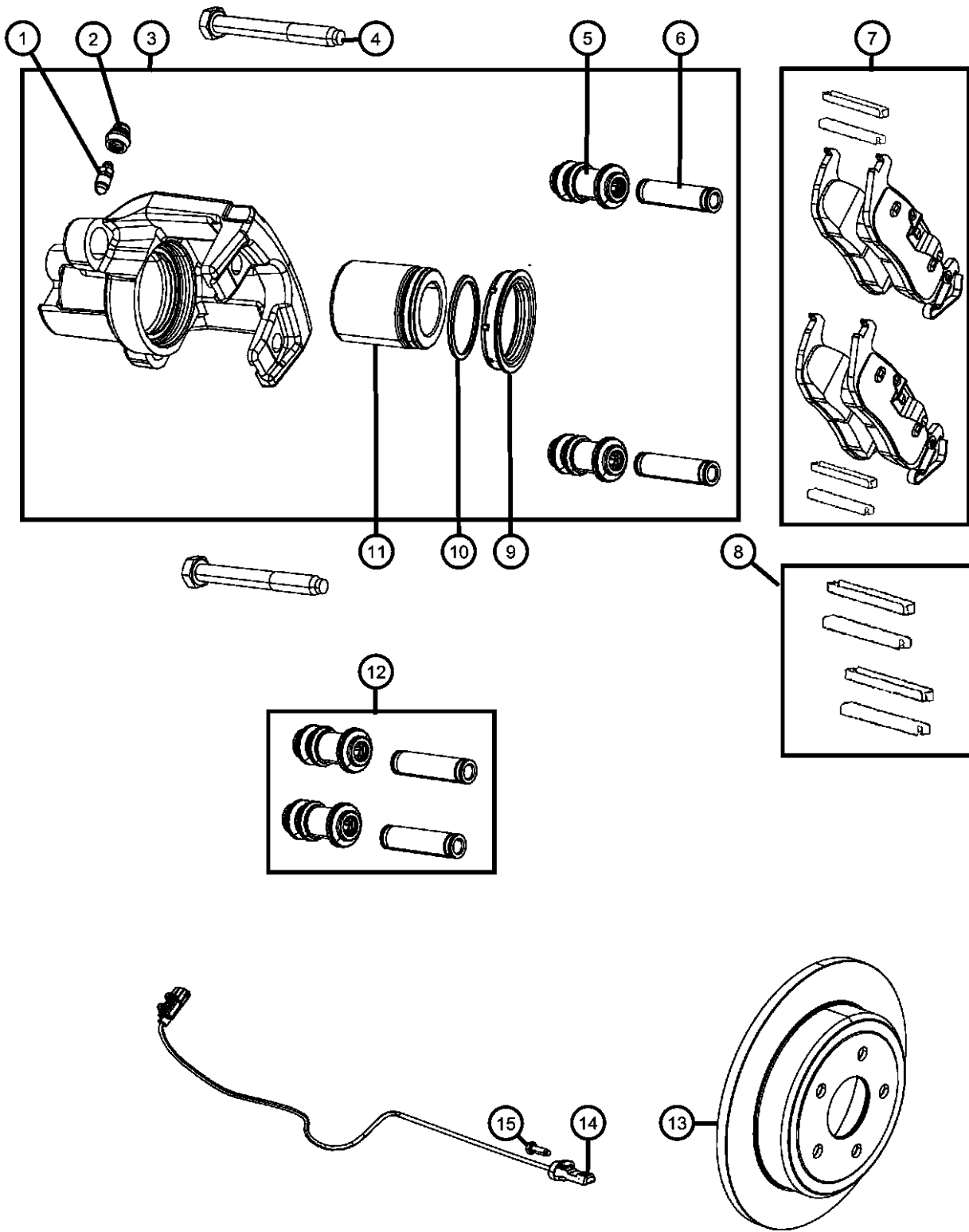
ENGINE
EVE = Engine - 4.7L V8 DOHC
3 Valve
EZB = 5.7L Hemi Multi
Displacement Engine
EKG = 3.7L V6 Engine
ESF = 6.1L SRT HEMI SMPI
V8 Engine
EXL = 3.0L V6 Turbo Diesel
Engine

TRANSMISSION
DGJ = 5-Speed Auto W5A580
Transmission
DGU = 5-Spd Auto W5J400
Transmission
DGQ = 5-Spd Automatic 545RFE
Transmission

AR = use ase required - = Non illustrated part

2008 WK

**Brakes, Rear, Disc, With [DRS] Rear Axle
Figure 5-210**



ITEM	PART NUMBER	QTY	LINE	SERIES	BODY	ENGINE	TRANS	TRIM	DESCRIPTION
1	05093343AA	2	J, T		74				SCREW, Bleeder
2	05093278AA	2	J, T		74				CAP, Bleeder
3									CALIPER ASSEMBLY, Disc Brake, Rear
	05143703AB	1	J, T		74				Left
	05143702AB	1	J, T		74				Right
4	06507603AA	4	J, T		74				PIN, Caliper
5	04762106	4	J, T		74				BUSHING, Disc Brake Caliper
6	04762105	4	J, T		74				SLEEVE, Disc Brake Caliper
7	05080871AB	1	J, T		74				PAD KIT, Rear Disc Brake
	V2010871								Mopar V-Line Alternative Part
	V4010871								Mopar V-Line Alternative Part Ceramic
	VCWK0871AB								Make It Ceramic Rear Brake Kit
	VRWK0871AB								Make It New Brake Kits
8	05143705AA	1	J, T		74				SLIPPER KIT, Caliper
9	05143691AA	2	J, T		74				BOOT, Brake Piston
10	05143694AA	2	J, T		74				SEAL, Caliper Piston
11	05143704AA	2	J, T		74				PISTON, Brake
12	05103158AA	1	J, T		74				BUSHING AND SLEEVE KIT, Caliper
13	52089275AB	2	J, T		74				ROTOR, Brake, Rear
	V5019275AA								Mopar V-Line Alternative Brake Rotors
	VCWK0871AB								Make It Ceramic Rear Brake Kit
	VRWK0871AB								Make It New Brake Kits
14	56044146AB	2	J, T		74				SENSOR, Wheel Speed
15	06506968AA	2	J, T		74				SCREW, Hex Head, M6 x 1.00 x 17.50, Anti-Lock Brake Sensor, Mounting

GRAND CHEROKEE (WK)

SERIES LINE
H = HIGHLINE T = JEEP - 2WD
P = PREMIUM J = JEEP - 4WD
S = SPORT
X = SPECIAL

BODY
74 = SPORT UTILITY 4-DR
TYPE #4

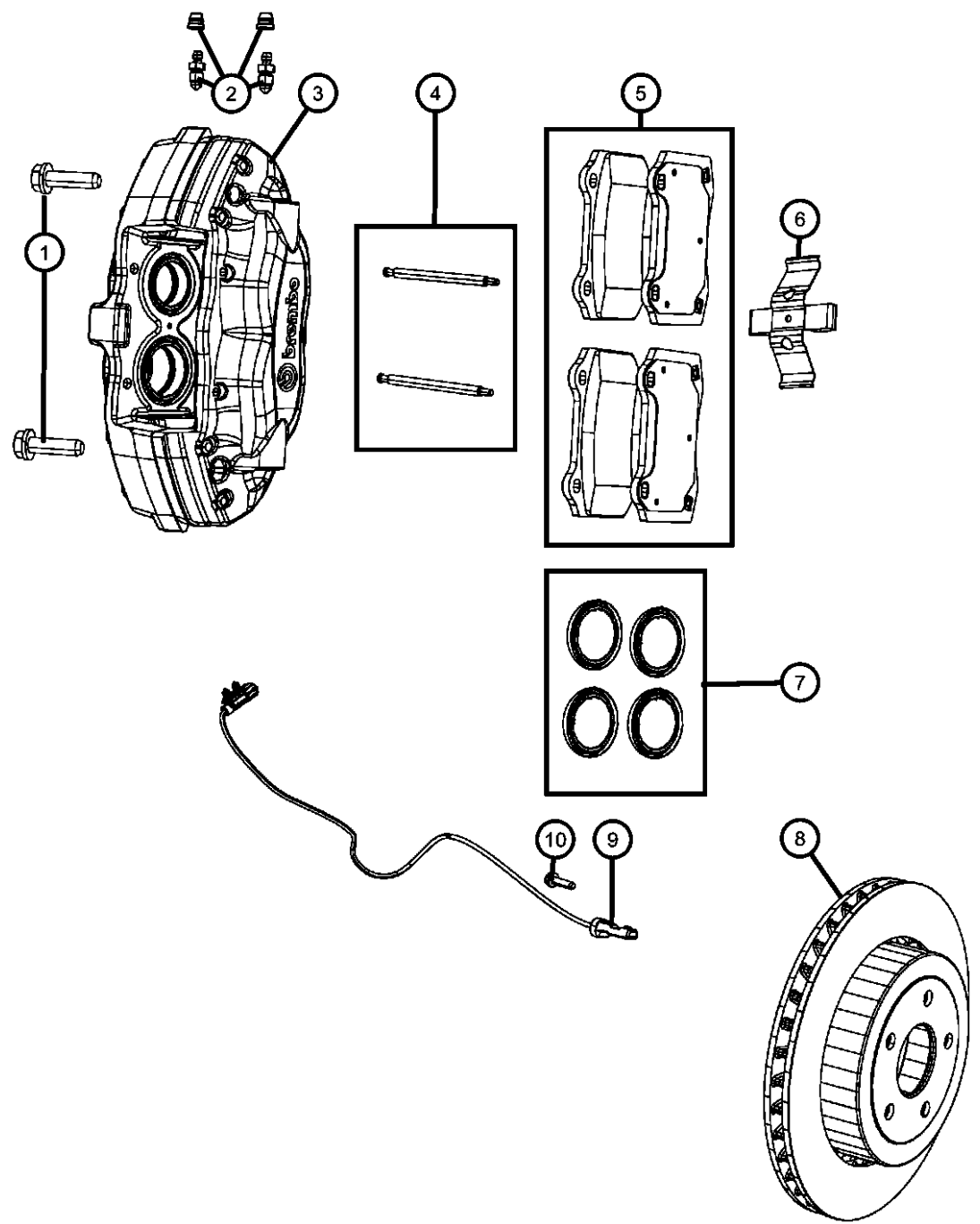
ENGINE TRANSMISSION
EVE = Engine - 4.7L V8 DOHC 3 Valve
EZB = 5.7L Hemi Multi Displacement Engine
EKG = 3.7L V6 Engine
ESF = 6.1L SRT HEMI SMPI V8 Engine
EXL = 3.0L V6 Turbo Diesel Engine
DGJ = 5-Speed Auto W5A580 Transmission
DGU = 5-Spd Auto W5J400 Transmission
DGQ = 5-Spd Automatic 545RFE Transmission

AR = use ase required - = Non illustrated part

2008 WK

**Brakes, Rear, Disc, With [DRK] Rear Axle
Figure 5-215**

ITEM	PART NUMBER	QTY	LINE	SERIES	BODY	ENGINE	TRANS	TRIM	DESCRIPTION
1	06104258AA	4	J, T		74				BOLT, Hex Flange Head, M14x1.50x45.00, Caliper to Knuckle, Mounting
2	05174331AA	1	J, T		74				SCREW, BleederRight or Left
3	05175108AA	1	J, T		74				CALIPER ASSEMBLY, Disc Brake, Rear Painted Red, Right Front
	05175109AA	1	J, T		74				Painted Red, Left Front
	68002194AA	1	J, T		74				Painted Black, Right Front
	68002195AA	1	J, T		74				Painted Black, Left Front
4	05174332AA	1	J, T		74				PIN KIT, Disc BrakeRight or Left
5	68034993AA	1	J, T		74				PAD KIT, Rear Disc Brake
6	05174333AA	1	J, T		74				CLIP, Brake Anti-RattleRight or Left
7	05174330AC	1	J, T		74				BOOT KIT, Disc brakeRight or Left
8	05290731AB	2	J, T		74				ROTOR, Brake, Rear
	V5010731AA								Mopar V-Line Alternative Brake Rotors
9	56044146AB	2	J, T		74				SENSOR, Wheel Speed
10	06508345AA	2	J, T		74				SCREW, Pan Head Locking, M6x1.00x17.00, ABS Sensor, Mounting



GRAND CHEROKEE (WK)
 SERIES LINE
 H = HIGHLINE T = JEEP - 2WD
 P = PREMIUM J = JEEP - 4WD
 S = SPORT
 X = SPECIAL

BODY
 74 = SPORT UTILITY 4-DR
 TYPE #4

ENGINE
 EVE = Engine - 4.7L V8 DOHC
 3 Valve
 EZB = 5.7L Hemi Multi
 Displacement Engine
 EKG = 3.7L V6 Engine
 ESF = 6.1L SRT HEMI SMPI
 V8 Engine
 EXL = 3.0L V6 Turbo Diesel
 Engine

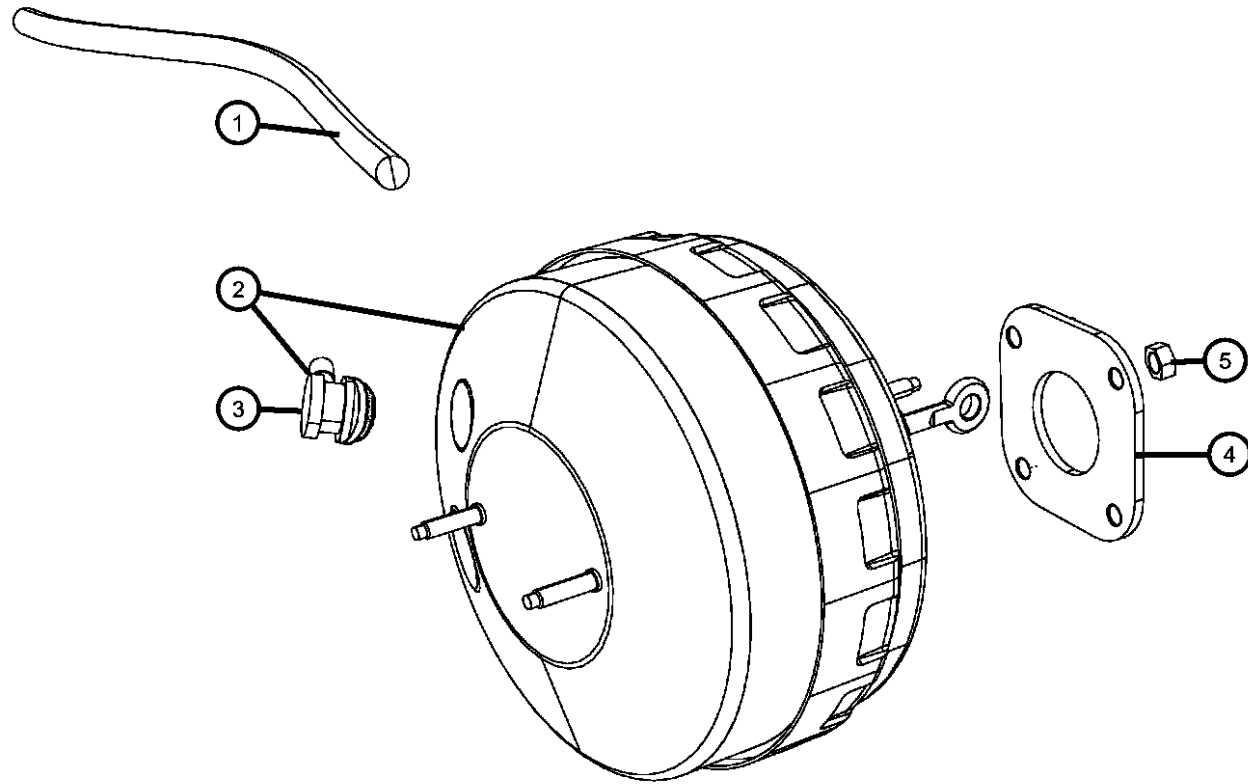
TRANSMISSION
 DGJ = 5-Speed Auto W5A580
 Transmission
 DGU = 5-Spd Auto W5J400
 Transmission
 DGQ = 5-Spd Automatic 545RFE
 Transmission

AR = use ase required - = Non illustrated part

**Booster, Vacuum Power Brake
Figure 5-310**

ITEM	PART NUMBER	QTY	LINE	SERIES	BODY	ENGINE	TRANS	TRIM	DESCRIPTION
------	-------------	-----	------	--------	------	--------	-------	------	-------------

Sales Codes:
 [EK0]= ALL V6 ENGINES
 [ES0]= ALL V8 ENGINES
 [EV0]= ALL V8 ENGINES
 [EZ0]= ALL V8 ENGINES
 [EX0]= ALL 3.0/3.1L TURBO DIESELS ENGINES



1									HOSE, Brake Booster Vacuum
	52089996AD	1	J, T		74				[EZ0]
		1	J, T		74				[ES0]
	52124112AA	1	J, T		74				[EK0,EV0]
	68022963AA	1	J, T		74				[EX0]
2	05175731AA	1	J, T		74				BOOSTER, Power Brake
3	05143282AA	1	J, T		74				VALVE, Brake Booster Check, With Grommet
4	05143281AA	1	J, T		74				GASKET, Booster To Dash, Booster to Dash, Mounting
5	06101695	4	J, T		74				NUT, Hex Flange Lock, M8X1.25, Booster to Dash, Mounting

GRAND CHEROKEE (WK)

SERIES LINE
 H = HIGHLINE T = JEEP - 2WD
 P = PREMIUM J = JEEP - 4WD
 S = SPORT
 X = SPECIAL

BODY
 74 = SPORT UTILITY 4-DR
 TYPE #4

ENGINE TRANSMISSION
 EVE = Engine - 4.7L V8 DOHC 3 Valve
 EZB = 5.7L Hemi Multi Displacement Engine
 EKG = 3.7L V6 Engine
 ESF = 6.1L SRT HEMI SMPI V8 Engine
 EXL = 3.0L V6 Turbo Diesel Engine
 DGJ = 5-Speed Auto W5A580 Transmission
 DGU = 5-Spd Auto W5J400 Transmission
 DGQ = 5-Spd Automatic 545RFE Transmission

AR = use ase required - = Non illustrated part

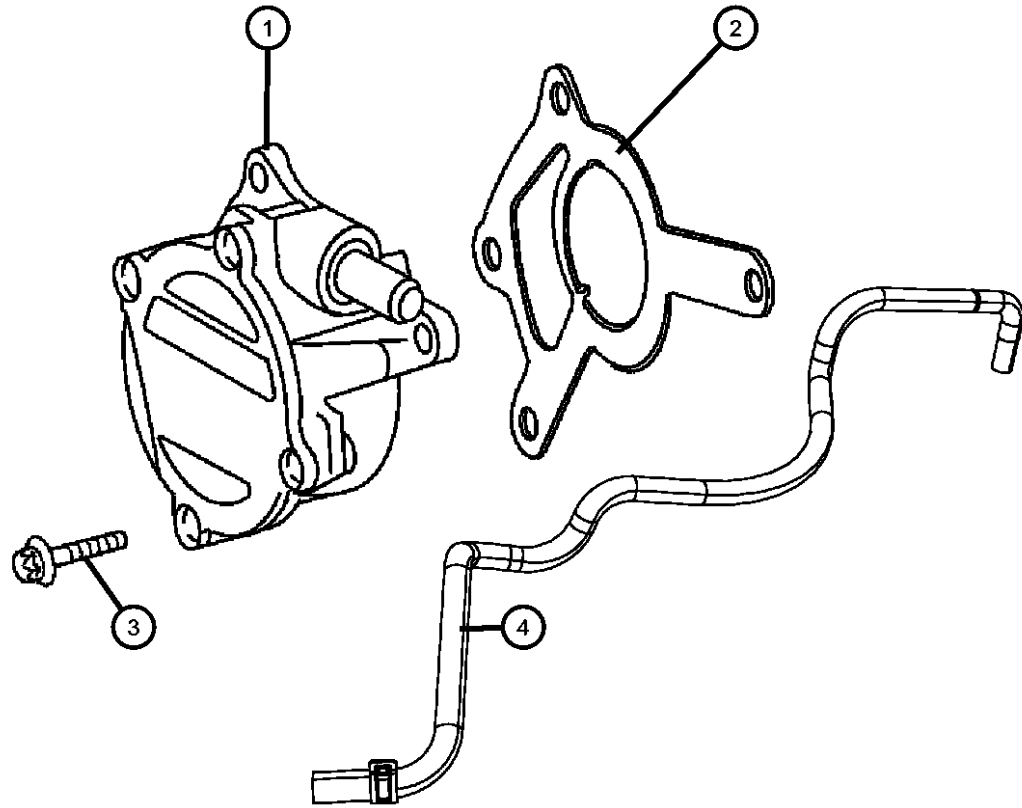
2008 WK

**Pump, Vacuum, Diesel [EX0]
Figure 5-330**

ITEM	PART NUMBER	QTY	LINE	SERIES	BODY	ENGINE	TRANS	TRIM	DESCRIPTION
------	-------------	-----	------	--------	------	--------	-------	------	-------------

Sales Codes:
 [EX0]= ALL 3.0/3.1L TURBO DIESEL ENGINES
 [EXL]= 3.0L V6 TURBO DIESEL ENGINE

1	05175850AA	1	J, T		74				PUMP, Vacuum
2	05175755AA	1	J, T		74				GASKET, Vacuum Pump, Mounting
3	06104006AA	4	J, T		74				BOLT, Torx Socket Head, M6X1.00X20.00, Vacuum Pump, Mounting
4	68022963AA	1	J, T		74				HOSE, Brake Booster Vacuum



GRAND CHEROKEE (WK)

SERIES LINE
 H = HIGHLINE T = JEEP - 2WD
 P = PREMIUM J = JEEP - 4WD
 S = SPORT
 X = SPECIAL

BODY
 74 = SPORT UTILITY 4-DR
 TYPE #4

ENGINE TRANSMISSION
 EVE = Engine - 4.7L V8 DOHC 3 Valve
 EZB = 5.7L Hemi Multi Displacement Engine
 EKG = 3.7L V6 Engine
 ESF = 6.1L SRT HEMI SMPI V8 Engine
 EXL = 3.0L V6 Turbo Diesel Engine
 DGJ = 5-Speed Auto W5A580 Transmission
 DGU = 5-Spd Auto W5J400 Transmission
 DGQ = 5-Spd Automatic 545RFE Transmission

AR = use ase required - = Non illustrated part

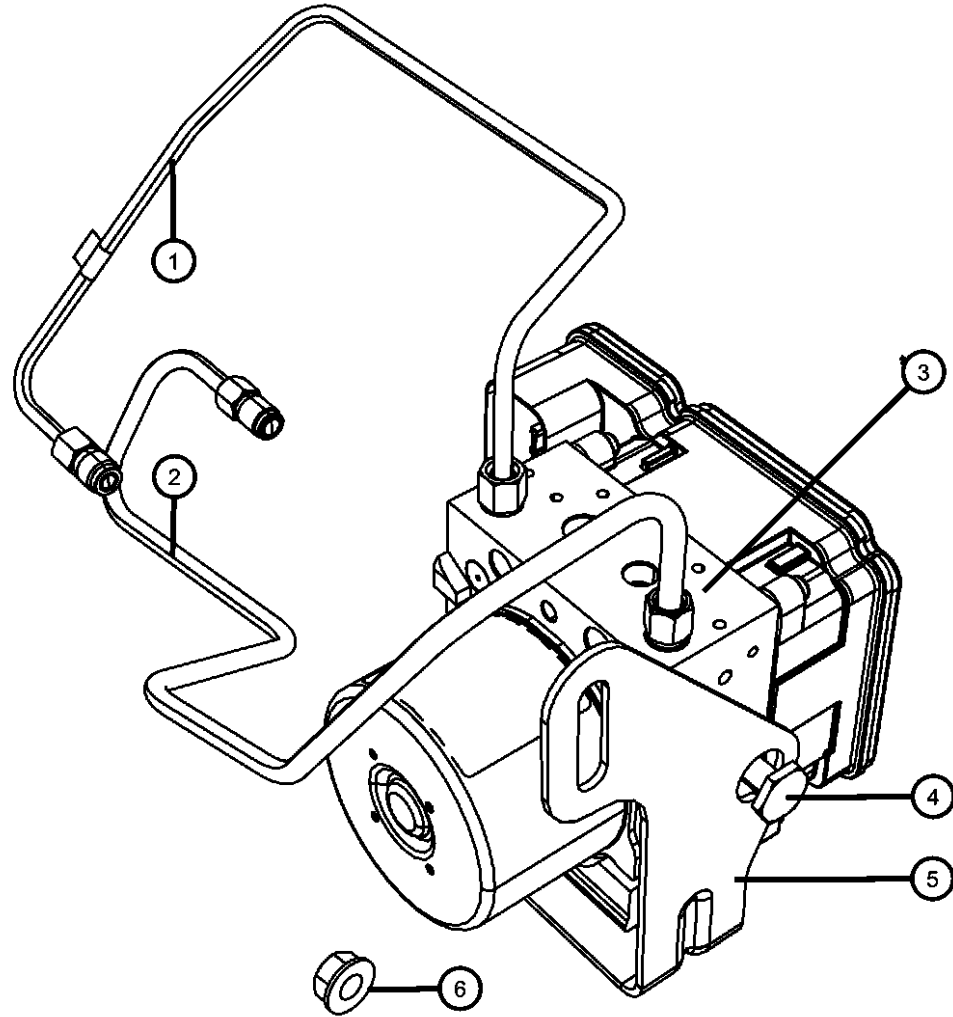
2008 WK

HCU, Brake Tubes and Hoses, Front
Figure 5-510

ITEM	PART NUMBER	QTY	LINE	SERIES	BODY	ENGINE	TRANS	TRIM	DESCRIPTION
------	-------------	-----	------	--------	------	--------	-------	------	-------------

Sales Codes:
 [BNB]= Electronic Stability Program
 [DHB]= Quadra-Trac Active On Demand 4WD
 [DHX]= Quadra-Trac II Full-Time Active 4WD
 [DHZ]= Full-Time Single Mode Transfer Case

1	52090405AF	1	J, T		74				TUBE ASSEMBLY, BRAKE, Master Cylinder to HCU, Secondary
2	52124077AB	1	J, T		74				TUBE ASSEMBLY, BRAKE, Master Cylinder to HCU, Primary
3	68037915AA	1	J, T		74				CONTROL UNIT, Anti-Lock Brake
4	06105049AA	1	J, T		74				BOLT, Hex Flange Head, M8X1.25X25.00, HCU Bracket, Mounting
5	05179774AA	1	J, T		74				BRACKET, Hydraulic Control UnitMounting
6	34201711	1	J, T		74				NUT, Hex Flange, M8x1.25, HCU Bracket, Mounting



GRAND CHEROKEE (WK)

SERIES LINE
 H = HIGHLINE T = JEEP - 2WD
 P = PREMIUM J = JEEP - 4WD
 S = SPORT
 X = SPECIAL

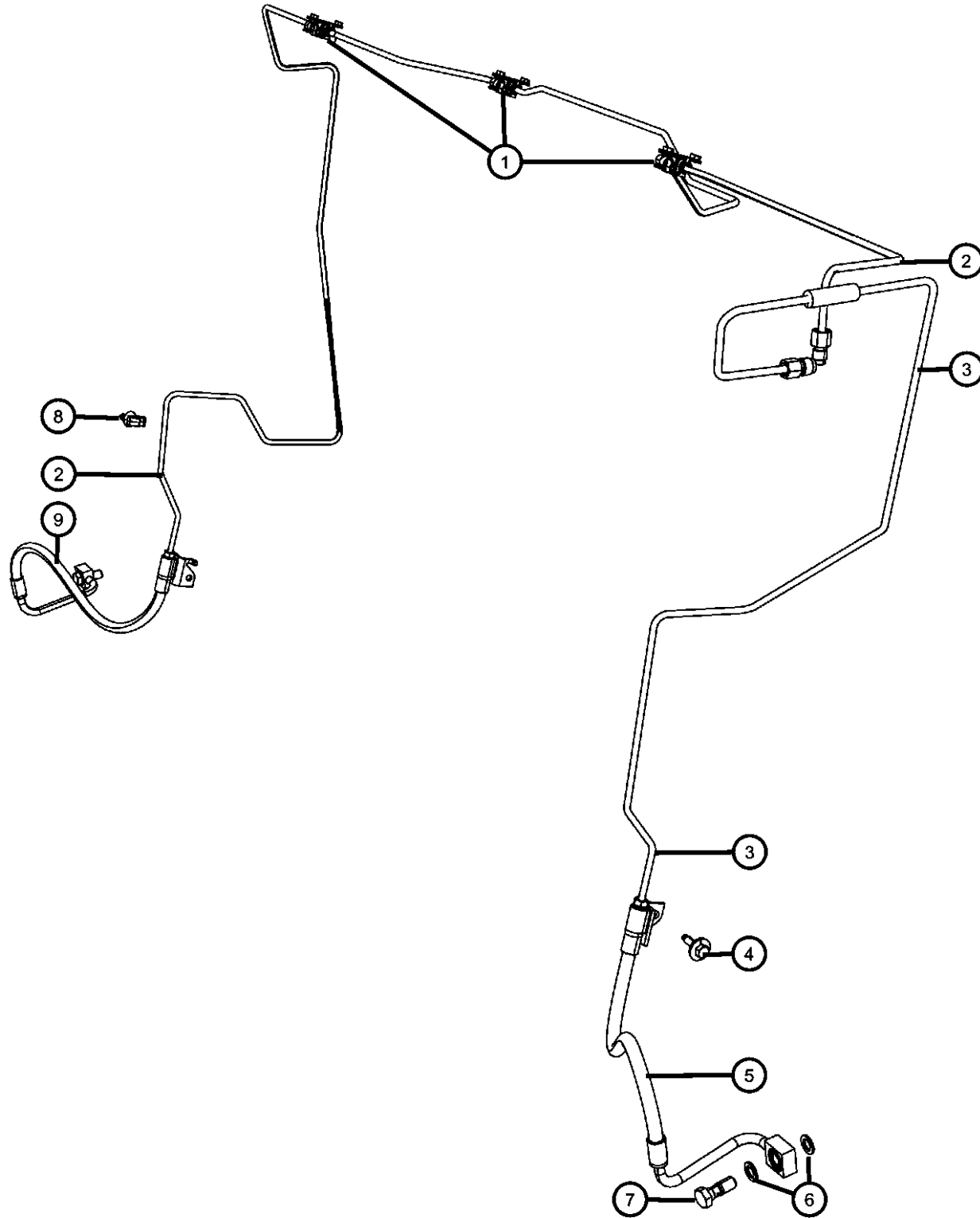
BODY
 74 = SPORT UTILITY 4-DR
 TYPE #4

ENGINE TRANSMISSION
 EVE = Engine - 4.7L V8 DOHC 3 Valve
 EZB = 5.7L Hemi Multi Displacement Engine
 EKG = 3.7L V6 Engine
 ESF = 6.1L SRT HEMI SMPI V8 Engine
 EXL = 3.0L V6 Turbo Diesel Engine
 DGJ = 5-Speed Auto W5A580 Transmission
 DGU = 5-Spd Auto W5J400 Transmission
 DGQ = 5-Spd Automatic 545RFE Transmission

AR = use ase required - = Non illustrated part

2008 WK

Brake Tubes and Hoses,Front
Figure 5-515



ITEM	PART NUMBER	QTY	LINE	SERIES	BODY	ENGINE	TRANS	TRIM	DESCRIPTION
1	52128214	3	J, T		74				CLIP, Brake Tube, [BR4,BRY] To Front of Plenum, Mounting
2									TUBE, Brake, HCU To Right Front Hose
	52124132AC	1	J, T		74				[BR4,BRY] [EK0,ES0,EV0,EZ0]
	52124322AB	1	J, T		74				[BRY] [EX0]
3	52090403AE	1	J, T		74				TUBE, Brake, HCU To Left Front Hose, [BR4,BRY]
4	06508376AA	2	J, T		74				SCREW & WASHER, Hex Head Tapping, M6x1.00x18.50, [BR4,BRY] Brake Hose to Sill, Mounting
5									HOSE, Brake, Left Front
	05290657AA	1	J		74				[BR4]
	52089258AC	1	J, T		74				[BRY]
6									GASKET, Brake Hose To Caliper
	06502114	4	J, T		74				[BR4], Mounting
	J3237672	4							[BRY], Mounting
7									BOLT, Banjo
	06508914AA	2	J, T		74				[BR4] Brake Hose to Caliper, Mounting
	06035911AA	2	J, T		74				[BRY] Brake Hose to Caliper, Mounting
8									CLIP, Brake Tube
	06506087AA	2	J, T		74				[BR4,BRY] Brake Tube to Sill, Mounting
	52009234	1	J, T		74				[BR4,BRY] Brake Tube to Sill, Mounting
9									HOSE, Brake, Right Front
	05290656AA	1	J		74				[BR4]
	52089256AC	1	J, T		74				[BRY]

GRAND CHEROKEE (WK)

SERIES LINE
H = HIGHLINE T = JEEP - 2WD
P = PREMIUM J = JEEP - 4WD
S = SPORT
X = SPECIAL

BODY
74 = SPORT UTILITY 4-DR TYPE #4

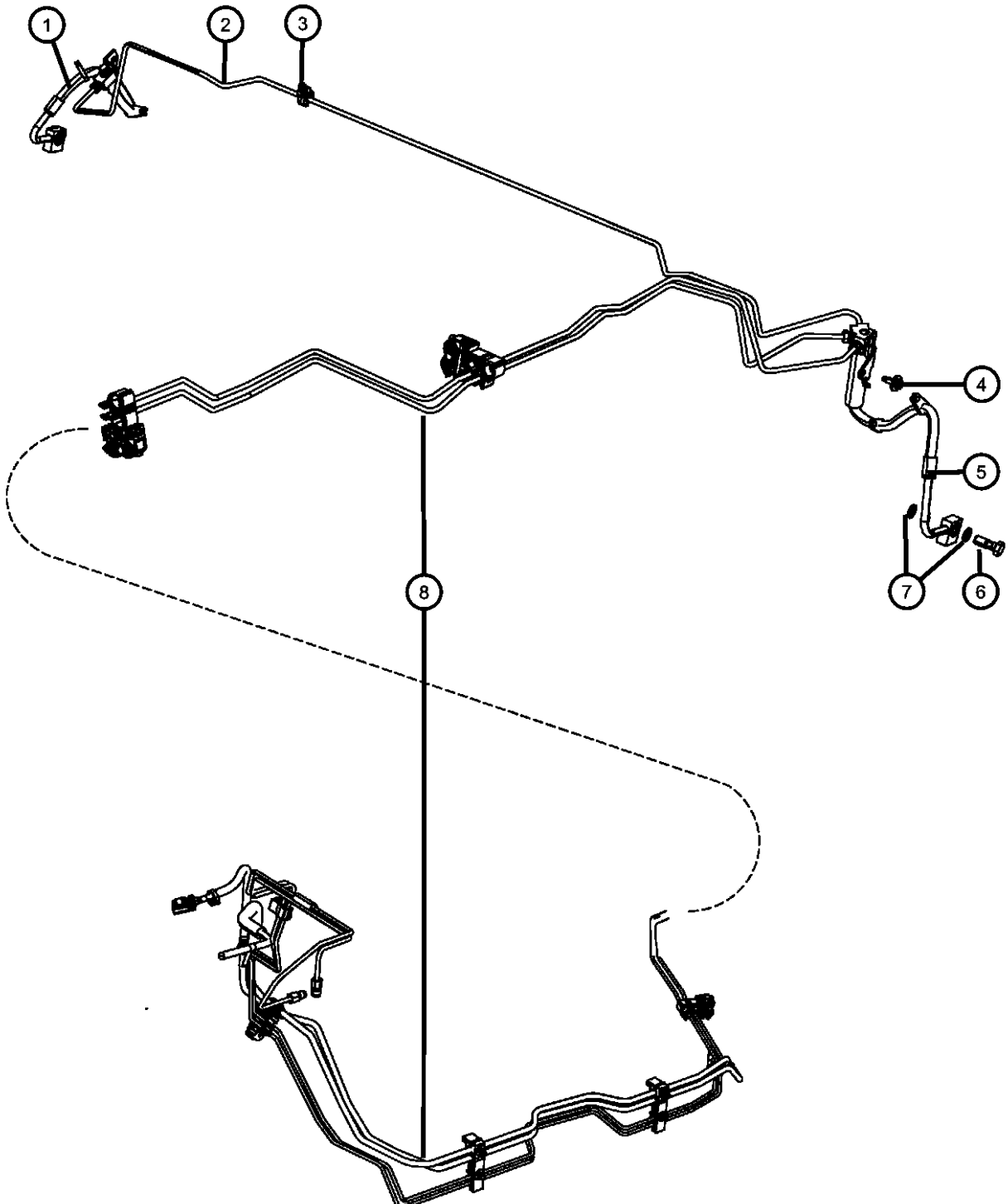
ENGINE
EVE = Engine - 4.7L V8 DOHC 3 Valve
EZB = 5.7L Hemi Multi Displacement Engine
EKG = 3.7L V6 Engine
ESF = 6.1L SRT HEMI SMPI V8 Engine
EXL = 3.0L V6 Turbo Diesel Engine

TRANSMISSION
DGJ = 5-Speed Auto W5A580 Transmission
DGU = 5-Spd Auto W5J400 Transmission
DGQ = 5-Spd Automatic 545RFE Transmission

AR = use ase required - = Non illustrated part

2008 WK

Brake Tubes and Hoses, Rear and Chassis
Figure 5-520



ITEM	PART NUMBER	QTY	LINE	SERIES	BODY	ENGINE	TRANS	TRIM	DESCRIPTION
------	-------------	-----	------	--------	------	--------	-------	------	-------------

Sales Codes:

- [BR4]= ANTI-LOCK 4-WHEEL DISC PERF BRAKES
- [BRY]= ANTI-LOCK 4-WHEEL DISC BRAKES
- [EK0]= ALL V6 ENGINES
- [ESF]= 6.1L SRT HEMI MDS V8 ENGINE
- [EV0]= ALL V8 ENGINES
- [EZ0]= ALL V8 ENGINES

1	05290642AB	1	J, T		74				HOSE, Brake, Right Rear [BR4]
	52089259AD	1	J, T		74				[BRY]
2	52089995AE	1	J, T		74				TUBE, Brake, Rear Crossover
3	06506087AA	2	J, T		74				CLIP, Brake TubeMounting
4	06508376AA	2	J, T		74				SCREW & WASHER, Hex Head Tapping, M6x1.00x18.50, Rear Brake Hose to Sill, Mounting
5	05290643AB	1	J		74				HOSE, Brake, Left Rear [BR4]
	52089997AE	1	J, T		74				[BRY]
6	06035911AA	2	J, T		74				BOLT, Banjo [BRY]-Brake Hose to Caliper, Mounting
	06508914AA	2	J, T		74				[BR4]-Brake Hose to Caliper, Mounting
7	06035886	8	J, T		74				GASKET, Brake Hose To Caliper [BRY], Mounting
	06502114	4	J		74				[BR4], Mounting
8	52124026AG	1	J, T		74				BUNDLE, Fuel and Brake Tube [EK0], Chassis
	52124240AD	1	J, T		74				[ESF,EZ0], Chassis
	52124669AA	1	J, T		74				[EV0], Chassis

GRAND CHEROKEE (WK)

SERIES LINE
H = HIGHLINE T = JEEP - 2WD
P = PREMIUM J = JEEP - 4WD
S = SPORT
X = SPECIAL

BODY
74 = SPORT UTILITY 4-DR
TYPE #4

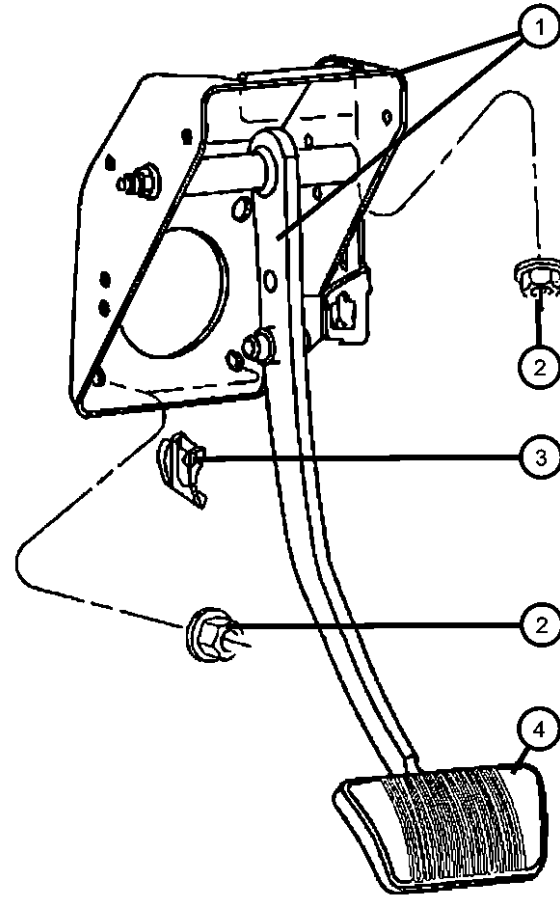
ENGINE
EVE = Engine - 4.7L V8 DOHC
3 Valve
EZB = 5.7L Hemi Multi
Displacement Engine
EKG = 3.7L V6 Engine
ESF = 6.1L SRT HEMI SMPI
V8 Engine
EXL = 3.0L V6 Turbo Diesel
Engine

TRANSMISSION
DGJ = 5-Speed Auto W5A580
Transmission
DGU = 5-Spd Auto W5J400
Transmission
DGQ = 5-Spd Automatic 545RFE
Transmission

AR = use ase required - = Non illustrated part

2008 WK

Pedal, Brake
Figure 5-610



ITEM	PART NUMBER	QTY	LINE	SERIES	BODY	ENGINE	TRANS	TRIM	DESCRIPTION
1	52089244AE	1	J, T		74				PEDAL ASSEMBLY, Non Adjustable
2	06101695	2	J, T		74				NUT, Hex Flange Lock, M8X1.25
		4	J, T		74				Pedal Bracket, Mounting
3	06035334	1	J, T		74				Booster to Sled, Mounting
4	05102023AB	1	J, T		74				CLIP, Master Cylinder Push Rod PinMounting PAD, Pedal

GRAND CHEROKEE (WK)

SERIES LINE
H = HIGHLINE T = JEEP - 2WD
P = PREMIUM J = JEEP - 4WD
S = SPORT
X = SPECIAL

BODY
74 = SPORT UTILITY 4-DR
TYPE #4

ENGINE TRANSMISSION
EVE = Engine - 4.7L V8 DOHC 3 Valve DGJ = 5-Speed Auto W5A580
EZB = 5.7L Hemi Multi Displacement Engine DGU = 5-Spd Auto W5J400
EKG = 3.7L V6 Engine DGQ = 5-Spd Automatic 545RFE
ESF = 6.1L SRT HEMI SMPI V8 Engine
EXL = 3.0L V6 Turbo Diesel Engine

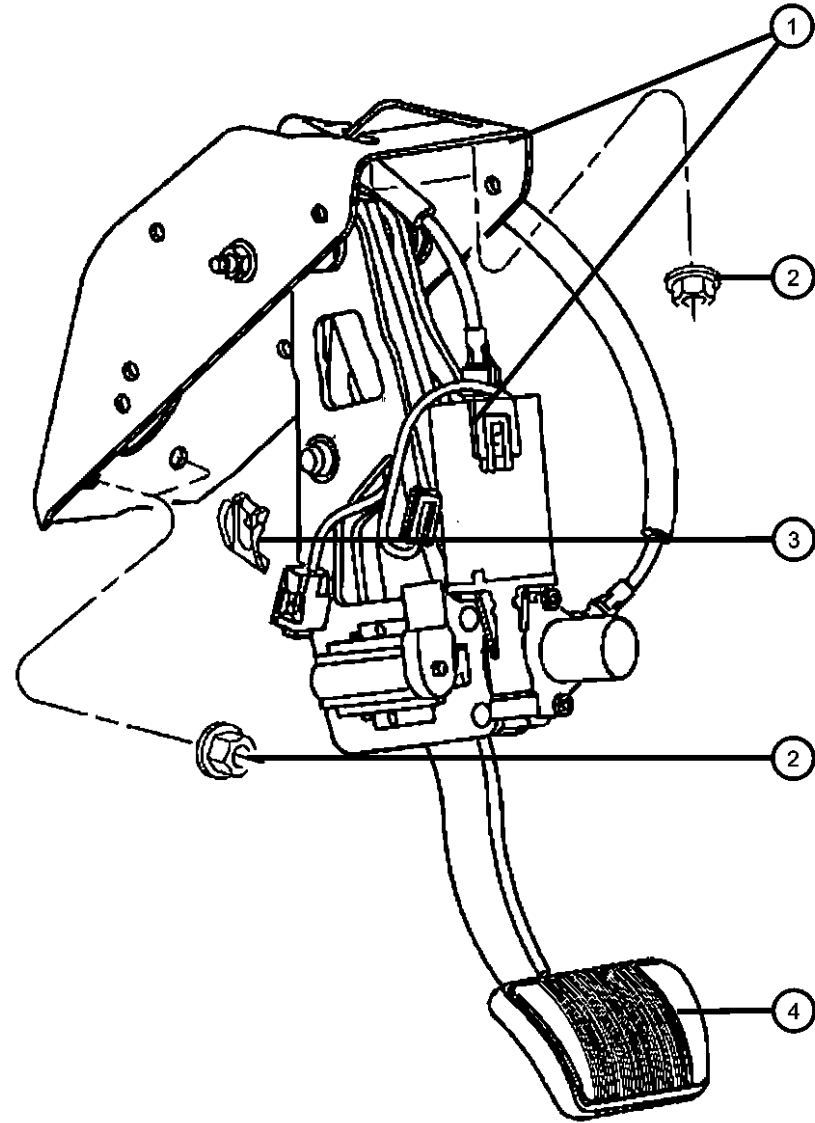
AR = use ase required - = Non illustrated part

2008 WK

**Pedal, Brake, Adjustable [XAM,XAP]
Figure 5-615**

ITEM	PART NUMBER	QTY	LINE	SERIES	BODY	ENGINE	TRANS	TRIM	DESCRIPTION
------	-------------	-----	------	--------	------	--------	-------	------	-------------

Sales Codes:
[XAM]= POWER ADJUSTABLE PEDALS W/MEMORY
[XAP]= POWER ADJUSTABLE PEDALS



1	52089242AG	1	J, T		74				PEDAL ASSEMBLY, Adjustable, Brake, [XAM,XAP]
2	06101695	2	J, T		74				NUT, Hex Flange Lock, M8X1.25
		4	J, T		74				Pedal Bracket, Mounting
		4	J, T		74				Booster to Sled, Mounting
3	06035334	1	J, T		74				CLIP, Master Cylinder Push Rod PinMounting
4	05102023AB	1	J, T		74				PAD, Pedal
-5	05290949AC	1	J, T		74				OVERLAY KIT, Brake and Accel Pads, [XAR]

GRAND CHEROKEE (WK)

SERIES LINE
H = HIGHLINE T = JEEP - 2WD
P = PREMIUM J = JEEP - 4WD
S = SPORT
X = SPECIAL

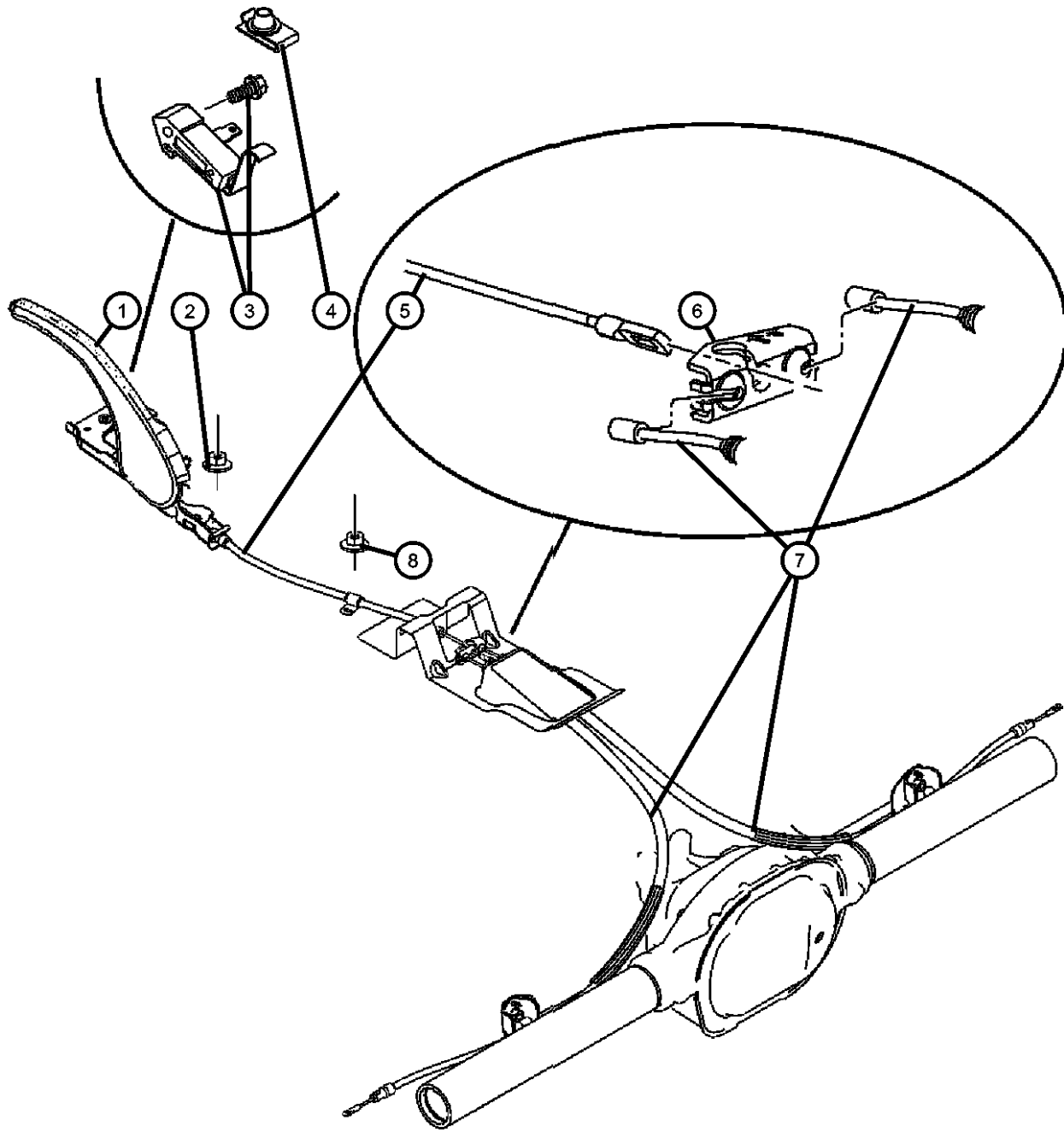
BODY
74 = SPORT UTILITY 4-DR
TYPE #4

ENGINE TRANSMISSION
EVE = Engine - 4.7L V8 DOHC 3 Valve
EZB = 5.7L Hemi Multi Displacement Engine
EKG = 3.7L V6 Engine
ESF = 6.1L SRT HEMI SMPI V8 Engine
EXL = 3.0L V6 Turbo Diesel Engine
DGJ = 5-Speed Auto W5A580 Transmission
DGU = 5-Spd Auto W5J400 Transmission
DGQ = 5-Spd Automatic 545RFE Transmission

AR = use ase required - = Non illustrated part

2008 WK

Park Brake Lever Assembly and Cable, Front
Figure 5-710



ITEM	PART NUMBER	QTY	LINE	SERIES	BODY	ENGINE	TRANS	TRIM	DESCRIPTION
1	5KD70ZJ3AE	1	J, T		74				LEVER ASSEMBLY, Parking Brake [J3] Series H
	1EM311D1AB	1	J, T		74				[J1] Series P,S,X
	1EM311DVAB	1	J, T		74				[DV] Series P,S,X
	5KD70XDVAE	1	J, T		74				[DV] Series H
		1	J, T		74				[D1] Series P,S,X
2	05096978AA	1	J, T		74				NUT, Hex, M6, Parking Brake Assembly to Tunnel Reinforcement, Mounting
3	04671936AA	1	J, T		74				SWITCH, Parking Brake
4	06506035AA	1	J, T		74				NUT, U, M6x1.00, Console to Park Brake Bracket, Mounting
5									CABLE, Parking Brake
	05134701AB	1	J, T		74				Series H
	68065503AA	1	J, T		74				Series P,S,X
6	52124029AA	1	J, T		74				EQUALIZER, Parking Brake Cable
7									CABLE, Parking Brake
	52124334AA	1	J, T		74				Right
	52124333AA	1	J, T		74				Left
8	05096978AA	1	J, T		74				NUT, Hex, M6, Intermediate Cable, Mounting
-9	52124158AA	1	J, T		74				INSULATOR, Parking brake cable, Cable to Unerbody Isolator

GRAND CHEROKEE (WK)

SERIES LINE
H = HIGHLINE T = JEEP - 2WD
P = PREMIUM J = JEEP - 4WD
S = SPORT
X = SPECIAL

BODY
74 = SPORT UTILITY 4-DR
TYPE #4

ENGINE TRANSMISSION
EVE = Engine - 4.7L V8 DOHC
3 Valve DGJ = 5-Speed Auto W5A580
Transmission
EZB = 5.7L Hemi Multi
Displacement Engine DGU = 5-Spd Auto W5J400
Transmission
EKG = 3.7L V6 Engine DGQ = 5-Spd Automatic 545RFE
ESF = 6.1L SRT HEMI SMPI Transmission
V8 Engine
EXL = 3.0L V6 Turbo Diesel
Engine

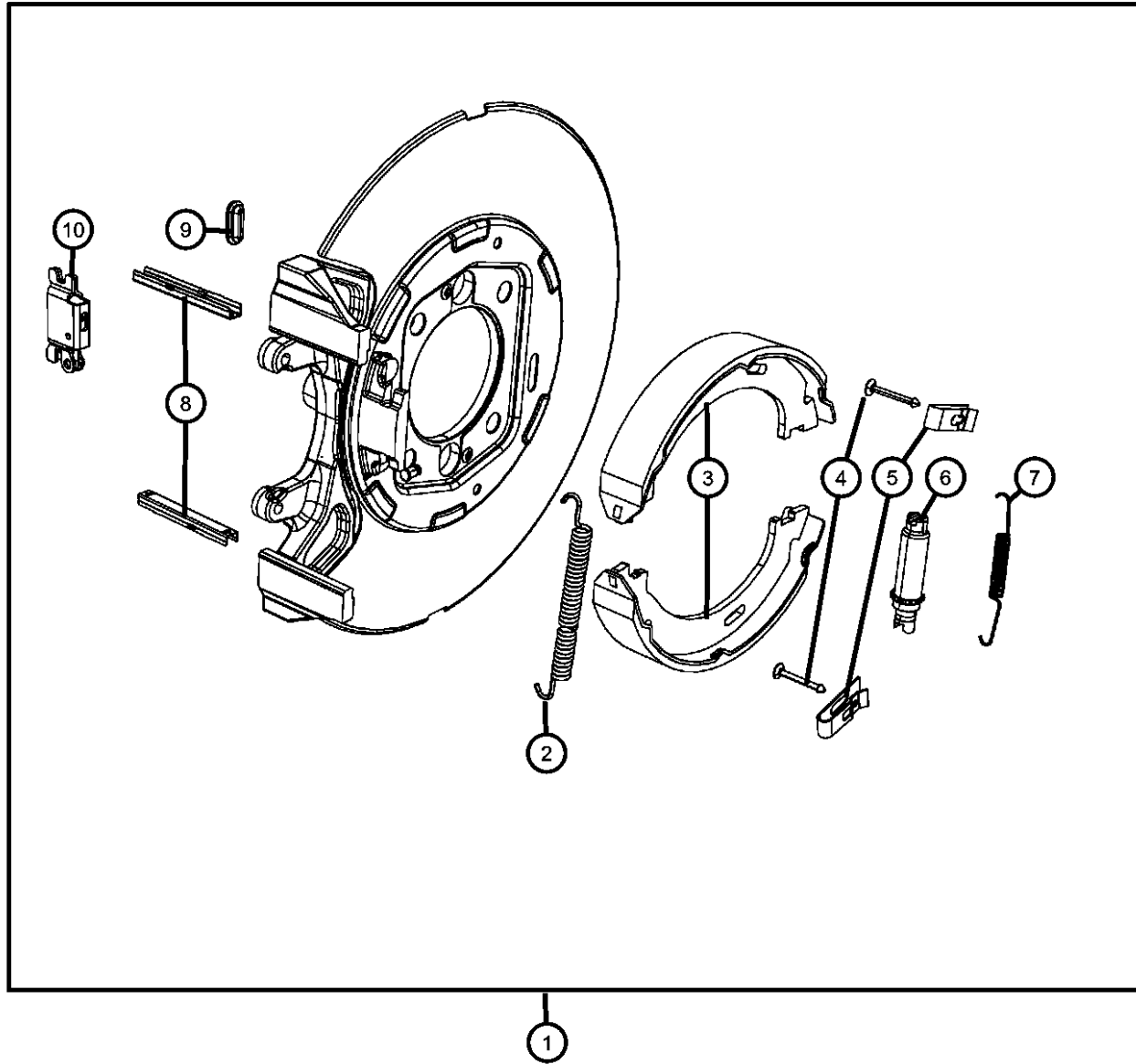
AR = use ase required - = Non illustrated part

2008 WK

**Park Brake Assembly, Rear Disc
Figure 5-730**

ITEM	PART NUMBER	QTY	LINE	SERIES	BODY	ENGINE	TRANS	TRIM	DESCRIPTION
------	-------------	-----	------	--------	------	--------	-------	------	-------------

Sales Codes:
 [BR4]= ANTI-LOCK 4-WHEEL DISC PERF BRAKES
 [BRY]= ANTI-LOCK 4-WHEEL DISC BRAKES
 [DRK]= DANA 44/226MM REAR AXLE
 [DRS]= 213MM REAR AXLE



1									ADAPTER ASSEMBLY, Parking Brake [BRY]
	52089418AB	1	J, T		74				[BR4]
	05290734AA	2	J, T		74				
2	05143732AA	1	J, T		74				SPRING, Upper Shoe Return
3	05086930AB	1	J, T		74				SHOE AND LINING KIT, Parking BrakeRight & Left Make It New Brake Kits
	VRWK0871AA								
4	05179890AA	1	J, T		74				PIN, Brake Shoe Hold Down
5	05179889AA	1	J, T		74				CLIP, Parking Brake Hold Down
6	05179888AA	1	J, T		74				ADJUSTER, Parking Brake
7	04762116	1	J, T		74				SPRING, Lower Shoe Return
8	05143705AA	1	J, T		74				SLIPPER KIT, Caliper, Contains 4 Slippers
9	04762121	1	J, T		74				PLUG, Brake Adjusting Hole
10	05143737AA	1	J, T		74				LINK AND LEVER ASSEMBLY, Parking Brake

GRAND CHEROKEE (WK)

SERIES LINE
 H = HIGHLINE T = JEEP - 2WD
 P = PREMIUM J = JEEP - 4WD
 S = SPORT
 X = SPECIAL

BODY
 74 = SPORT UTILITY 4-DR
 TYPE #4

ENGINE TRANSMISSION
 EVE = Engine - 4.7L V8 DOHC 3 Valve
 EZB = 5.7L Hemi Multi Displacement Engine
 EKG = 3.7L V6 Engine
 ESF = 6.1L SRT HEMI SMPI V8 Engine
 EXL = 3.0L V6 Turbo Diesel Engine
 DGJ = 5-Speed Auto W5A580 Transmission
 DGU = 5-Spd Auto W5J400 Transmission
 DGQ = 5-Spd Automatic 545RFE Transmission

AR = use ase required - = Non illustrated part

2008 WK

Group - 7

Cooling

Group - 7 Cooling

Illustration Title

Group-Fig. No.

Radiator and Related Parts; Charge Air Cooler

Radiator and Related Parts 3.0L Diesel [EXL]	Fig. 7 - 105
Radiator and Related Parts 3.7L [EKG] 4.7L [EVE]	Fig. 7 - 110
Radiator and Related Parts 5.7L [EZB] 6.1L [ESF]	Fig. 7 - 115
Radiator Support	Fig. 7 - 150
Charge Air Cooler	Fig. 7 - 175

Water Pump and Related Parts

Water Pump and Related Parts 3.7L [EKG] 4.7L [EVE]	Fig. 7 - 205
Water Pump and Related Parts 5.7L [EZB] 6.1L [ESF]	Fig. 7 - 210
Water Pump and Related Parts 3.0L Diesel [EXL]	Fig. 7 - 225
Thermostat and Related Parts 3.7L [EKG] 4.7L [EVE]	Fig. 7 - 250
Thermostat and Related Parts 5.7L [EZB] 6.1L [ESF]	Fig. 7 - 255
Thermostat and Related Parts 3.0L Diesel [EXL]	Fig. 7 - 260

Engine Coolant Reservoir (Bottle)

Coolant Recovery Bottle 3.0L Diesel [EXL]	Fig. 7 - 305
Coolant Recovery Bottle 3.7L [EKG] 4.7L [EVE] 5.7L [EZB] 6.1L [ESF]	Fig. 7 - 310

Pulleys and Related Parts

Pulley and Related Parts 3.0L Diesel [EXL]	Fig. 7 - 405
Pulleys and Related Parts 3.7L [EKG] 4.7L [EVE]	Fig. 7 - 410
Pulleys and Related Parts 5.7L [EZB] 6.1L [ESF]	Fig. 7 - 415

Drive Belts

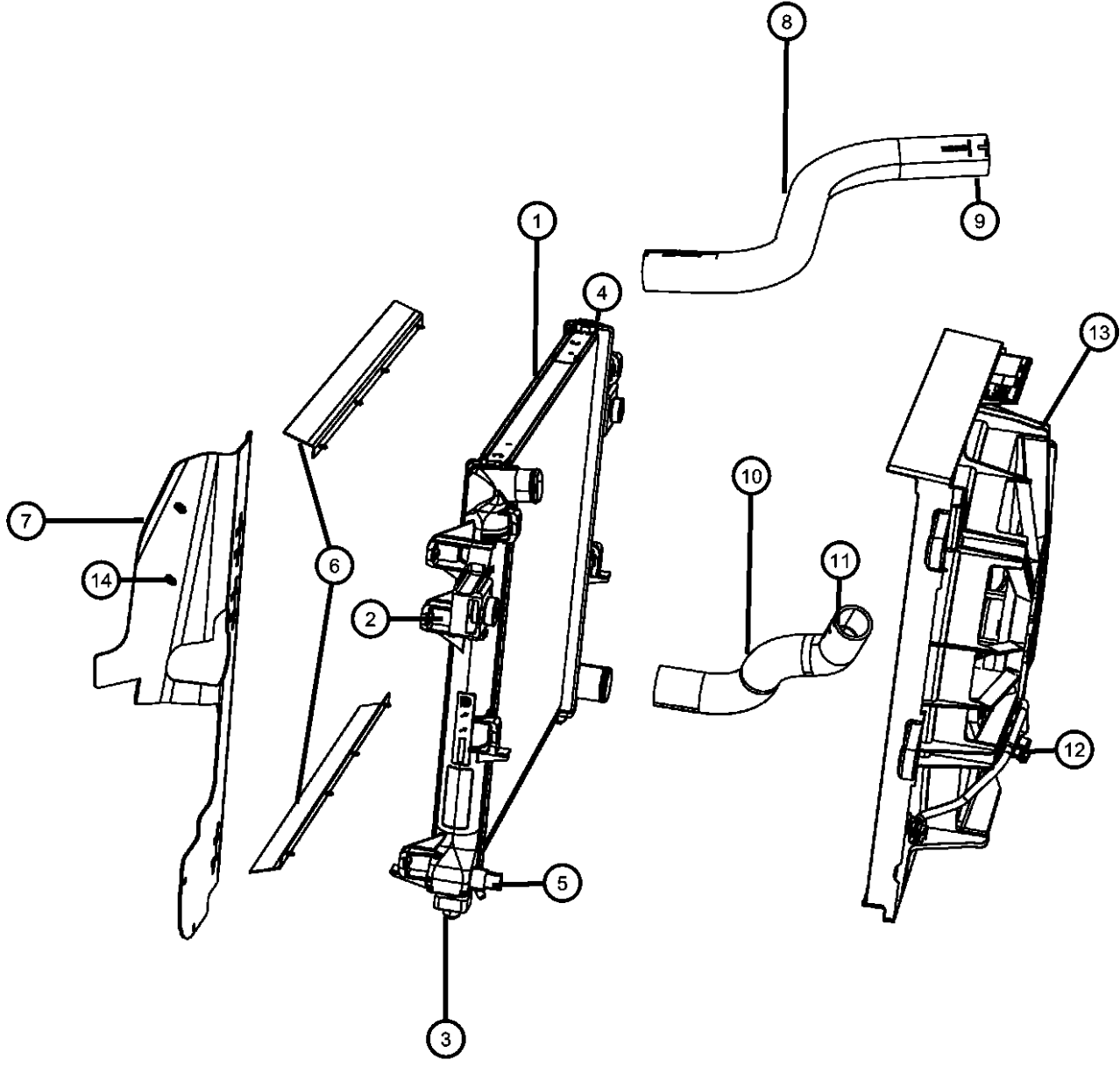
Belts, Serpentine and V-Belts 3.0L Diesel [EXL]	Fig. 7 - 505
Belts, Serpentine and V-Belts 3.7L [EKG] 4.7L [EVE]	Fig. 7 - 510
Belts, Serpentine and V-Belts 5.7L [EZB] 6.1L [ESF]	Fig. 7 - 515

Transmission Oil Cooler, and Lines

Transmission Oil Cooler and Lines	Fig. 7 - 605
---	--------------

007-100 Radiator and Related Parts; Charge Air Cooler	007-200 Water Pump and Related Parts	007-300 Engine Coolant Reservoir (Bottle)	007-400 Pulleys and Related Parts
007-500 Drive Belts	007-600 Transmission Oil Cooler, and Lines		

**Radiator and Related Parts 3.0L Diesel [EXL]
Figure 7-105**



ITEM	PART NUMBER	QTY	LINE	SERIES	BODY	ENGINE	TRANS	TRIM	DESCRIPTION
------	-------------	-----	------	--------	------	--------	-------	------	-------------

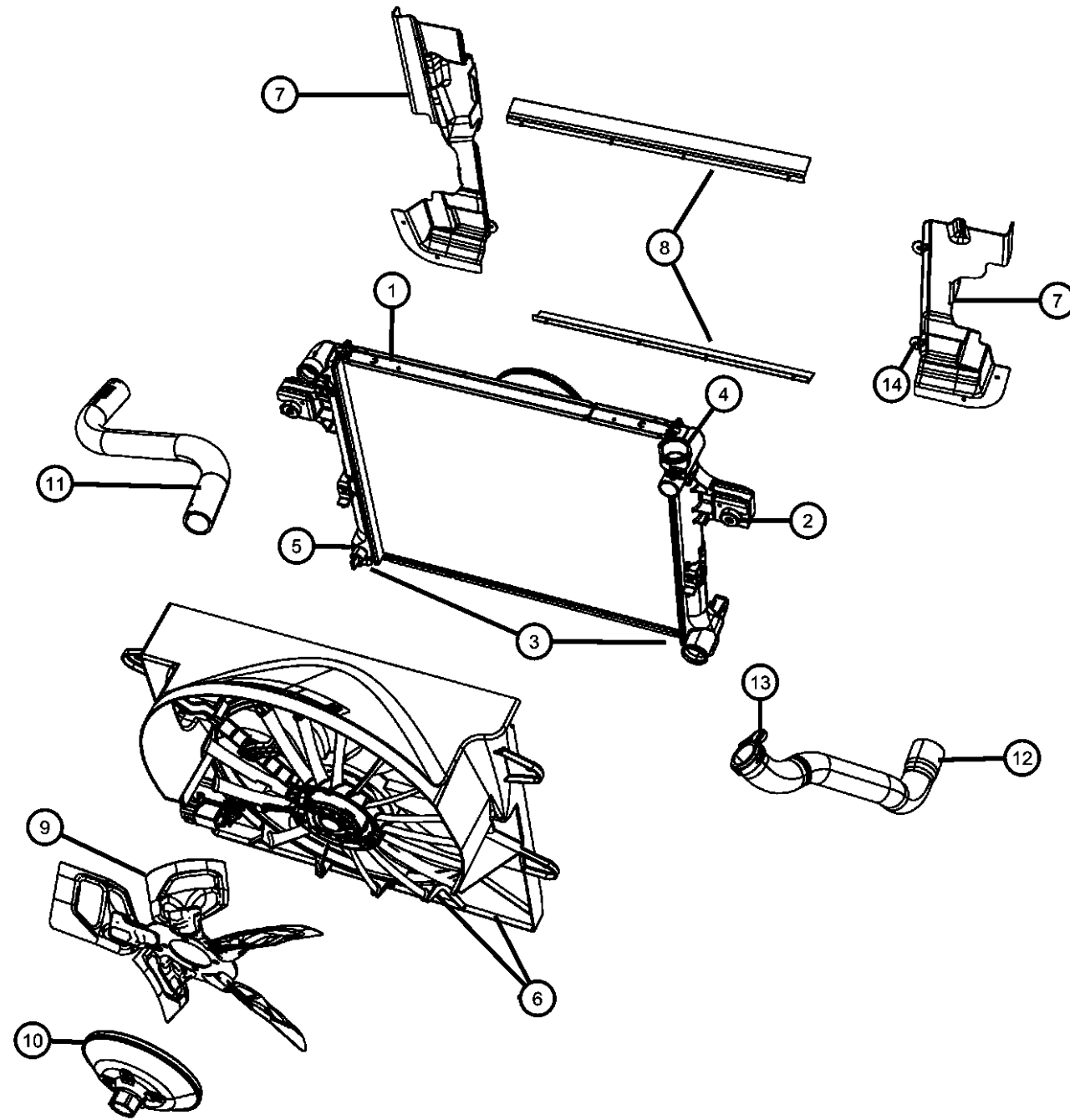
Sales Codes:
[EX0] = ALL 3.0/3.1L Turbo Diesel Engines

1	55116858AA	1	J, T			EX0	DG0		RADIATOR, Engine Cooling
2	52079419	1	J, T			EX0	DG0		ISOLATOR, Radiator, Upper
3	52079884AA	1	J, T			EX0	DG0		ISOLATOR, Radiator
4	55116897AA	1	J, T			EX0	DG0		CAP, Radiator
5	04644269	1	J, T			EX0	DG0		DRAINCOCK, Radiator
6	55116920AA	2	J, T			EX0	DG0		SEAL, Radiator LowerUpper And Lower
7	55116953AA	1	J, T			EX0	DG0		SEAL, Radiator Side
8	55116864AE	1	J, T			EX0			HOSE, Radiator InletInlet
9	52029090AA	1	J, T						CLAMP, Hose to Radiator, UPR RADIATOR HOSE TO RADIATOR
10	55116863AC	1	J, T			EX0			HOSE, Radiator Outlet
11	55037660AA	1	J, T						CLAMP, Hose, 55X15, RADIATOR OUTLET ATTACH
12	55111023AA	2	T			EX0	DGU		FITTING, Quick Connect
13									FAN MODULE, Radiator Cooling, Hydraulic
	05159121AF	1	J, T			EX0	DG0		[NMH]
		1	J, T			EZ0	DG0		
14	06506293AA	2	J, T			EX0			PIN, Push, RADIATOR SIDE SEAL TO SUPPORT

GRAND CHEROKEE (WK)				
SERIES	LINE	BODY	ENGINE	TRANSMISSION
H = HIGHLINE	T = JEEP - 2WD	74 = SPORT UTILITY 4-DR	EVE = Engine - 4.7L V8 DOHC	DGJ = 5-Speed Auto W5A580
P = PREMIUM	J = JEEP - 4WD	TYPE #4	3 Valve	Transmission
S = SPORT			EZB = 5.7L Hemi Multi	DGU = 5-Spd Auto W5J400
X = SPECIAL			Displacement Engine	Transmission
			EKG = 3.7L V6 Engine	DGQ = 5-Spd Automatic 545RFE
			ESF = 6.1L SRT HEMI SMPI	Transmission
			V8 Engine	
			EXL = 3.0L V6 Turbo Diesel	
			Engine	

AR = use ase required - = Non illustrated part

**Radiator and Related Parts 3.7L [EKG] 4.7L [EVE]
Figure 7-110**



ITEM	PART NUMBER	QTY	LINE	SERIES	BODY	ENGINE	TRANS	TRIM	DESCRIPTION
Sales Codes: [EK0] = ALL 3.7L 6-CYL GAS ENGINES [EV0] = ALL 4.7L GAS ENGINES									
1	55116849AB	1	J, T			EK0, ESF, EV0	DG0		RADIATOR, Engine Cooling
2	52079419	2	J, T			EK0, ESF, EV0	DG0		ISOLATOR, Radiator, Upper
3	52079884AA	2	J, T			EK0, ESF, EV0	DG0		ISOLATOR, Radiator
4	55116897AA	1	J, T			EK0, ESF, EV0	DG0		CAP, Radiator
5	04644269	1	J, T			EK0, ESF, EV0	DG0		DRAINCOCK, Radiator
6	55037969AB	1	J, T			EK0, ESF, EV0	DG0		FAN MODULE, Radiator Cooling, Stamp # M142715-B, Shroud, Fan and Motor
7	55037944AB	1	J, T			EK0, ES0, EV0, EZ0			SEAL, Radiator Side Right
	55037945AB	1	J, T			EK0, ES0, EZ0, EV0			Left
8	55116920AA	2	J, T			EK0, ESF, EV0	DG0		SEAL, Radiator LowerUpper And Lower
9	55116884AA	1	J, T			EV0			FAN, Cooling
10	55116882AA	1	J, T			EV0			VISCOUS CLUTCH, Fan Drive
11	55116867AA	1	J, T			EK0			HOSE, Radiator Inlet
	55116866AA	1	J, T			EV0			
12	55116869AD	1	J, T			EV0			HOSE, Radiator Outlet
	55116870AC	1	J, T			EK0			
13	55037660AA	1	J, T						CLAMP, Hose, 55X15
14	06506293AA	2	J, T			EX0			PIN, Push

GRAND CHEROKEE (WK)

SERIES LINE
H = HIGHLINE T = JEEP - 2WD
P = PREMIUM J = JEEP - 4WD
S = SPORT
X = SPECIAL

BODY
74 = SPORT UTILITY 4-DR
TYPE #4

ENGINE TRANSMISSION
EVE = Engine - 4.7L V8 DOHC 3 Valve
EZB = 5.7L Hemi Multi Displacement Engine
EKG = 3.7L V6 Engine
ESF = 6.1L SRT HEMI SMPI V8 Engine
EXL = 3.0L V6 Turbo Diesel Engine
DGJ = 5-Speed Auto W5A580 Transmission
DGU = 5-Spd Auto W5J400 Transmission
DGQ = 5-Spd Automatic 545RFE Transmission

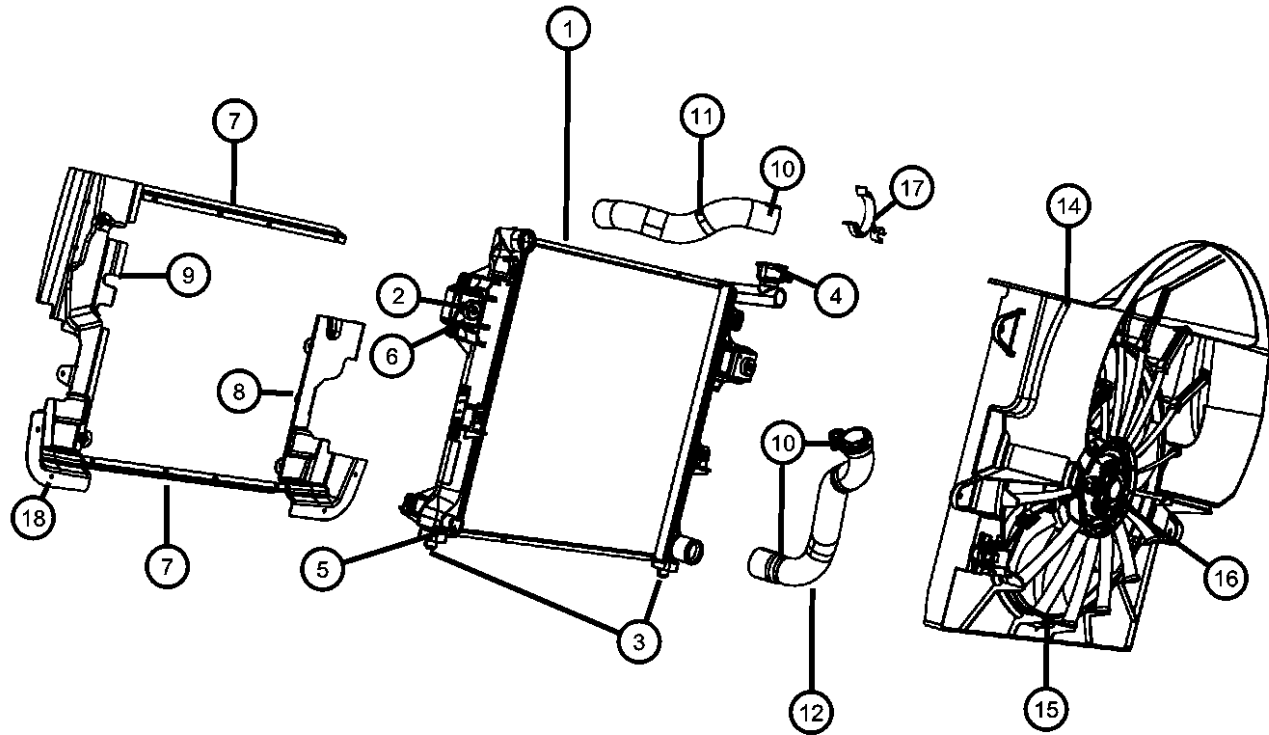
AR = use ase required - = Non illustrated part

2008 WK

**Radiator and Related Parts 5.7L [EZB] 6.1L [ESF]
Figure 7-115**

ITEM	PART NUMBER	QTY	LINE	SERIES	BODY	ENGINE	TRANS	TRIM	DESCRIPTION
------	-------------	-----	------	--------	------	--------	-------	------	-------------

Sales Codes:
[ES0] = All 6.1L SRT HEMI SMPI V8 ENGINES
[EZ0] = ALL 5.7L 8CYL GAS ENGINES



1									RADIATOR, Engine Cooling
	55116842AB	1	J, T			EZ0	DG0		
	55116849AB	1	J, T			EK0, ESF, EV0	DG0		
2									ISOLATOR, Radiator, Upper
	52079419	2	J, T			EK0, ESF, EV0	DG0		
		2	J, T			EZ0	DG0		
3									ISOLATOR, Radiator
	52079884AA	2	J, T			EK0, ESF, EV0	DG0		
		2	J, T			EZ0	DG0		
4									CAP, Radiator
	55116897AA	1	J, T			EK0, ESF, EV0	DG0		
		1	J, T			EZ0	DG0		
5									DRAINCOCK, Radiator
	04644269	1	J, T			EZ0	DG0		
		1	J, T			EK0, ESF, EV0	DG0		
6									BOLT, COOLING MODULE TO SUPPORT
	06508012AA	2	J, T						SEAL, Radiator Lower
7									Upper And Lower
	55116920AA	2	J, T			EZ0	DG0		
		2	J, T			EK0, ESF, EV0	DG0		Upper And Lower
8									SEAL, Radiator Side Air
	55037944AC	1	J, T			EK0, ES0, EV0, EZ0			
9									SEAL, Radiator Side
	55037945AB	1	J, T			EK0, ES0, EV0, EZ0			
	55116953AA	1	J, T			EZ0	DG0		[NMH]
10									CLAMP, Hose, 55X15, RADIATOR HOSE TO PUMP OUTLET
	55037660AA	1	J, T			ESF, EZ0			HOSE, Radiator Inlet
11									

GRAND CHEROKEE (WK)

SERIES LINE
H = HIGHLINE T = JEEP - 2WD
P = PREMIUM J = JEEP - 4WD
S = SPORT
X = SPECIAL

BODY
74 = SPORT UTILITY 4-DR
TYPE #4

ENGINE
EVE = Engine - 4.7L V8 DOHC 3 Valve
EZB = 5.7L Hemi Multi Displacement Engine
EKG = 3.7L V6 Engine
ESF = 6.1L SRT HEMI SMPI V8 Engine
EXL = 3.0L V6 Turbo Diesel Engine

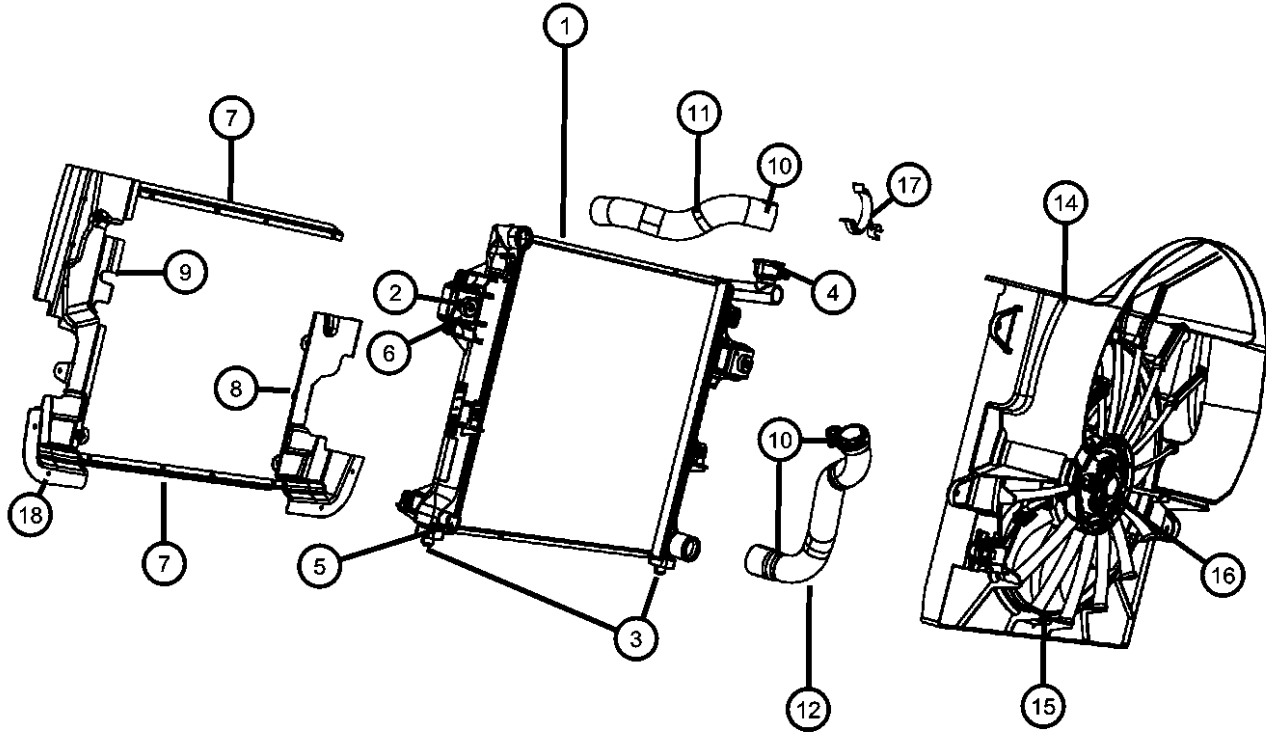
TRANSMISSION
DGJ = 5-Speed Auto W5A580 Transmission
DGU = 5-Spd Auto W5J400 Transmission
DGQ = 5-Spd Automatic 545RFE Transmission

AR = use ase required - = Non illustrated part

2008 WK

**Radiator and Related Parts 5.7L [EZB] 6.1L [ESF]
Figure 7-115**

ITEM	PART NUMBER	QTY	LINE	SERIES	BODY	ENGINE	TRANS	TRIM	DESCRIPTION
	05290720AA	1	J, T			ES0			
	55116865AC	1	J, T			EZ0			
12	55116868AB	1	J, T			ESF, EZ0			HOSE, Radiator Outlet
-13	05143201AA	1	J, T			EZ0	DG0		SOLENOID, Hydraulic Fan Control
14	05143209AB	1	J, T			EK0, ESF, EV0	DG0		SHROUD, Fan
15									FAN MODULE, Radiator Cooling
	05159121AF	1	J, T			EZ0	DG0		
	55037969AB	1	J, T			EK0, ESF, EV0	DG0		
16	05143208AA	1	J, T			EK0, ESF, EV0	DG0		FAN & MOTOR ASSY, FAN & MOTOR ASSY
17	05181155AA	1	J, T			ES0			CLIP, Air Conditioning Wire, RAD HOSE TO A/C LINE
18	06501916	4	J, T			ES0			RETAINER, CLOSEOUT TO LWR FRT XMEMBER



GRAND CHEROKEE (WK)

SERIES LINE
H = HIGHLINE T = JEEP - 2WD
P = PREMIUM J = JEEP - 4WD
S = SPORT
X = SPECIAL

BODY
74 = SPORT UTILITY 4-DR
TYPE #4

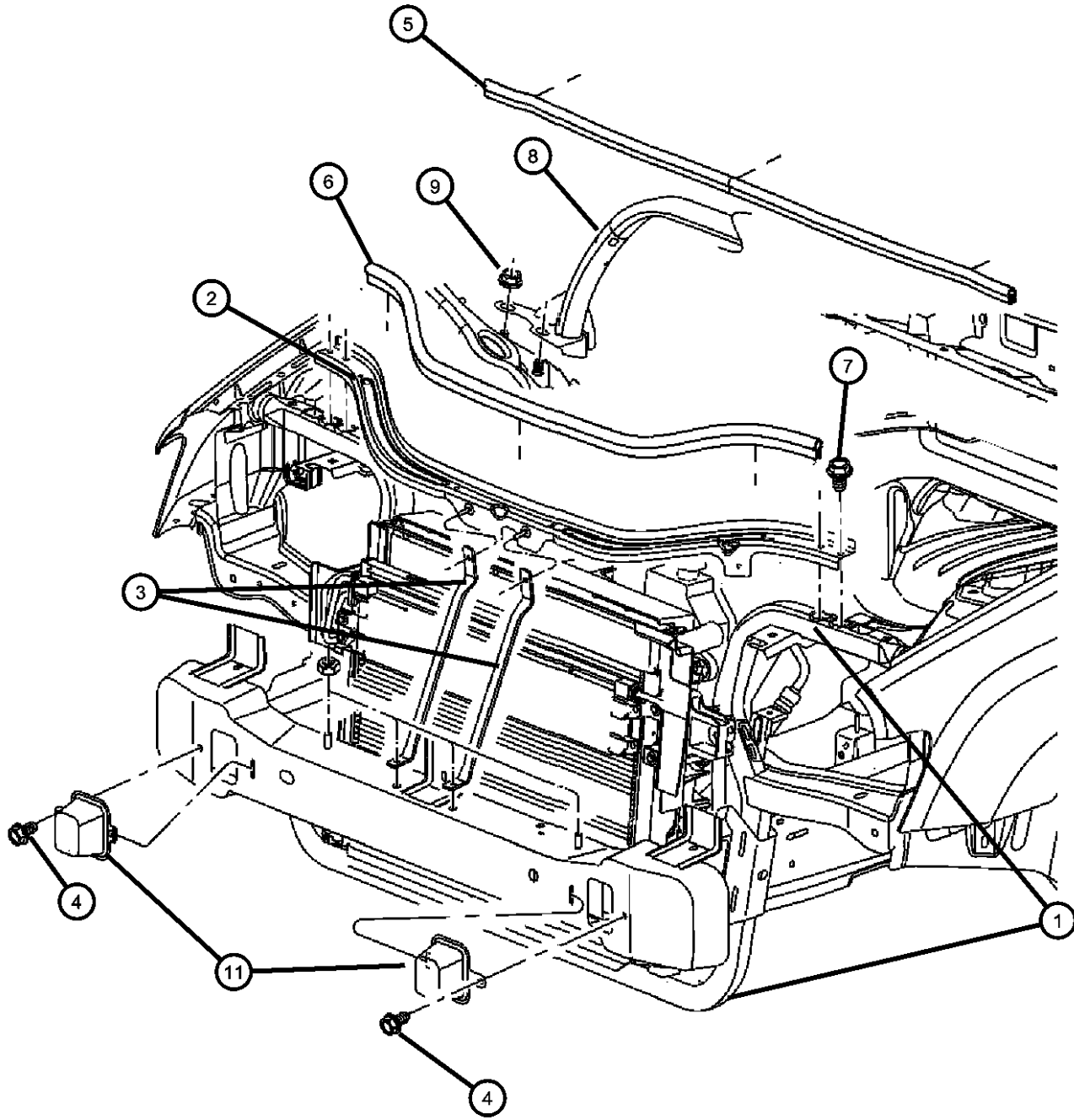
ENGINE TRANSMISSION
EVE = Engine - 4.7L V8 DOHC 3 Valve
EZB = 5.7L Hemi Multi Displacement Engine
EKG = 3.7L V6 Engine
ESF = 6.1L SRT HEMI SMPI V8 Engine
EXL = 3.0L V6 Turbo Diesel Engine
DGJ = 5-Speed Auto W5A580 Transmission
DGU = 5-Spd Auto W5J400 Transmission
DGQ = 5-Spd Automatic 545RFE Transmission

AR = use ase required - = Non illustrated part

2008 WK

**Radiator Support
Figure 7-150**

ITEM	PART NUMBER	QTY	LINE	SERIES	BODY	ENGINE	TRANS	TRIM	DESCRIPTION
1	05143322AE	1	J, T						CROSSMEMBER, Radiator
2	55394951AF	1	J, T						CROSSMEMBER, Radiator
3	55394098AE	2	J, T						BRACE, Radiator Crossmember
4	06505903AA	2	J, T						SCREW AND WASHER, Self Tapping, M6x1x22, Crush Can Attachment
5	55394777AB	1	J, T						SEAL, Hood To Plenum
6	55394851AA	1	J, T						WEATHERSTRIP, Hood
7	06104368AA	4	J, T						BOLT AND WASHER, Hex Head, M6X1.00X25.00, ATT UPR C/MBR TO LWR C/MBR
8	55396886AC	1	J, T						BRACE, Suspension
9	06502697	8	J, T						NUT, Hex Flange Lock, M12x1.75
-10	06508012AA	2	J, T						BOLT, Cooling Module to Support
11	55360410AA	2	J, T						SPACER, Jounce Bumper



GRAND CHEROKEE (WK)

SERIES LINE
H = HIGHLINE T = JEEP - 2WD
P = PREMIUM J = JEEP - 4WD
S = SPORT
X = SPECIAL

BODY
74 = SPORT UTILITY 4-DR
TYPE #4

ENGINE
EVE = Engine - 4.7L V8 DOHC
3 Valve
EZB = 5.7L Hemi Multi
Displacement Engine
EKG = 3.7L V6 Engine
ESF = 6.1L SRT HEMI SMPI
V8 Engine
EXL = 3.0L V6 Turbo Diesel
Engine

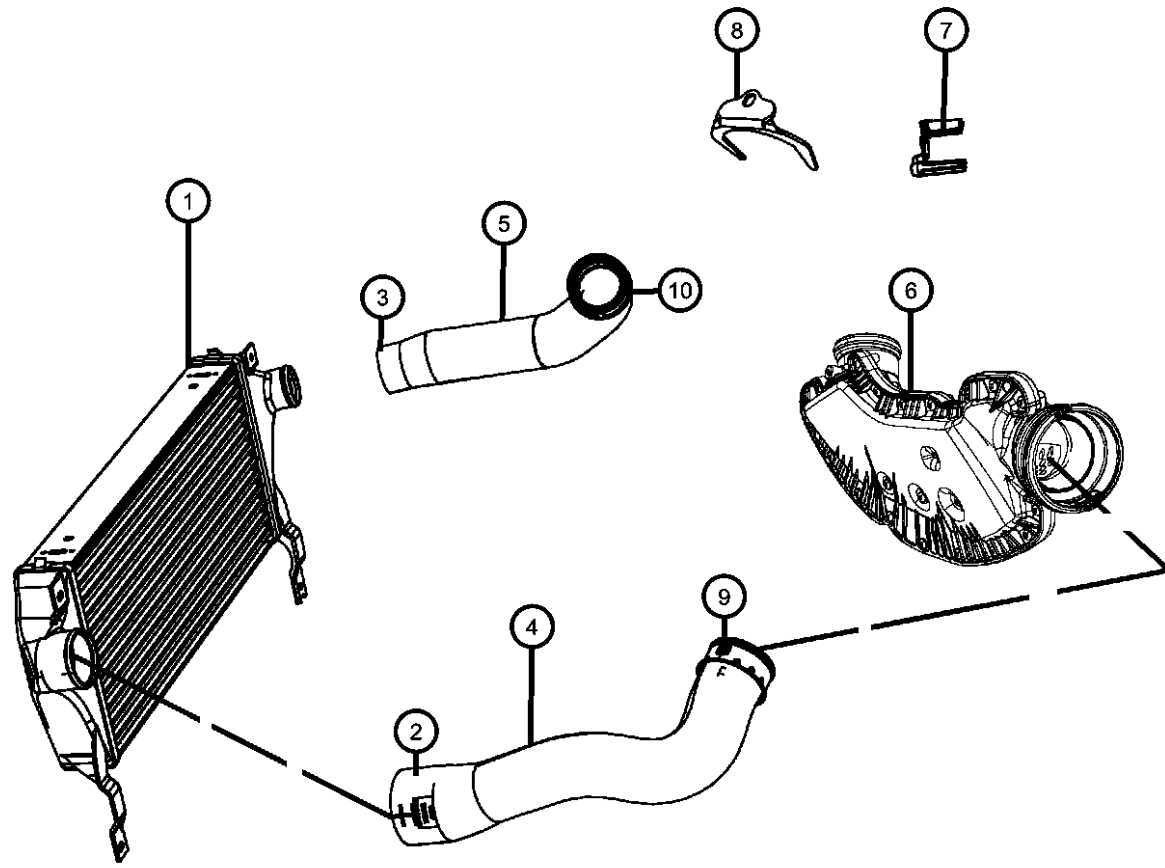
TRANSMISSION
DGJ = 5-Speed Auto W5A580
Transmission
DGU = 5-Spd Auto W5J400
Transmission
DGQ = 5-Spd Automatic 545RFE
Transmission

AR = use ase required - = Non illustrated part

2008 WK

Charge Air Cooler
Figure 7-175

ITEM	PART NUMBER	QTY	LINE	SERIES	BODY	ENGINE	TRANS	TRIM	DESCRIPTION
1	55037908AA	1	J, T			EX0	DG0		COOLER, Charge Air
2	06509203AA	1	J, T			EX0			CLAMP
3	06104795AA	1	J, T			EX0			CLAMP, Hose, CAC INLET HOSE TO CAC
4	55037962AA	1	J, T			EX0			HOSE, Charge Air CoolerInlet
5	55037961AA	1	J, T			EX0			HOSE, Charge Air CoolerOutlet
6	04861679AC	1	J, T			EX0			RESONATOR, Intercooler
7	04861696AB	1	J, T			EX0			BRACKET, Resonator
8	04861680AA	1	J, T			EX0			BRACKET, Resonator, RESONATOR TO TURBO TUBE
9	68013653AA	1	J, T			EX0			SEAL, CHARGE AIR COOLER, Serviced with Outlet Hose
10	68021275AA	1	J, T			EX0			SEAL, Charge Air Cooler Hose, Included with Inlet Hose



GRAND CHEROKEE (WK)

SERIES LINE
H = HIGHLINE T = JEEP - 2WD
P = PREMIUM J = JEEP - 4WD
S = SPORT
X = SPECIAL

BODY
74 = SPORT UTILITY 4-DR
TYPE #4

ENGINE
EVE = Engine - 4.7L V8 DOHC
3 Valve
EZB = 5.7L Hemi Multi
Displacement Engine
EKG = 3.7L V6 Engine
ESF = 6.1L SRT HEMI SMPI
V8 Engine
EXL = 3.0L V6 Turbo Diesel
Engine

TRANSMISSION
DGJ = 5-Speed Auto W5A580
Transmission
DGU = 5-Spd Auto W5J400
Transmission
DGQ = 5-Spd Automatic 545RFE
Transmission

AR = use ase required - = Non illustrated part

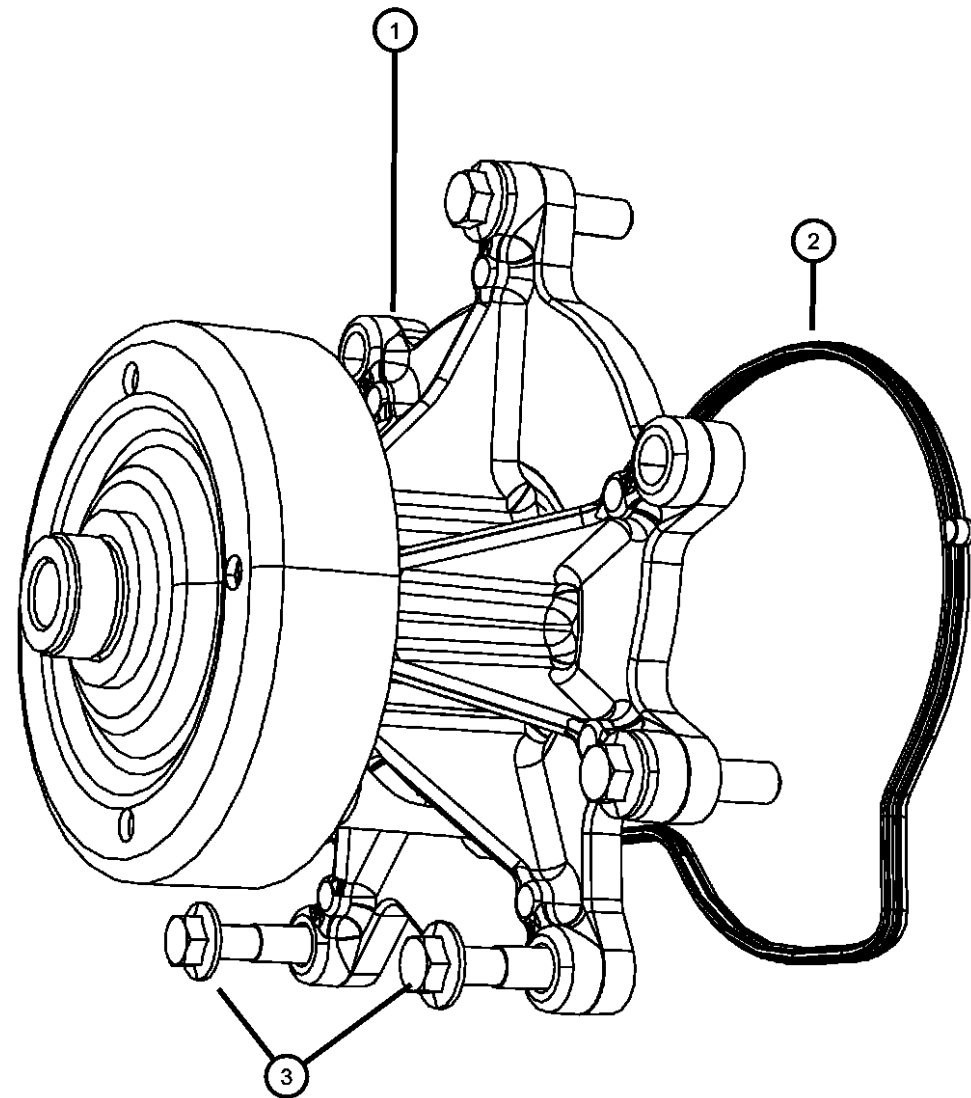
2008 WK

**Water Pump and Related Parts 3.7L [EKG] 4.7L [EVE]
Figure 7-205**

ITEM	PART NUMBER	QTY	LINE	SERIES	BODY	ENGINE	TRANS	TRIM	DESCRIPTION
------	-------------	-----	------	--------	------	--------	-------	------	-------------

Sales Codes
 [EK0] = ALL 3.7L 6-CYL GAS ENGINES
 [EV0] = ALL 4.7L 8-CYL GAS ENGINES

1									PUMP, Water
	53022189AC	1	J, T			EKG			
	68045797AA	1	J, T			EVE			
2	53020865	1	J, T			EKG, EVE			GASKET, Water Pump
3	06102380AA	5	J, T			EK0, EV0			BOLT, Hex Flange Head, M10X1.50X42.00



GRAND CHEROKEE (WK)

SERIES LINE
 H = HIGHLINE T = JEEP - 2WD
 P = PREMIUM J = JEEP - 4WD
 S = SPORT
 X = SPECIAL

BODY
 74 = SPORT UTILITY 4-DR
 TYPE #4

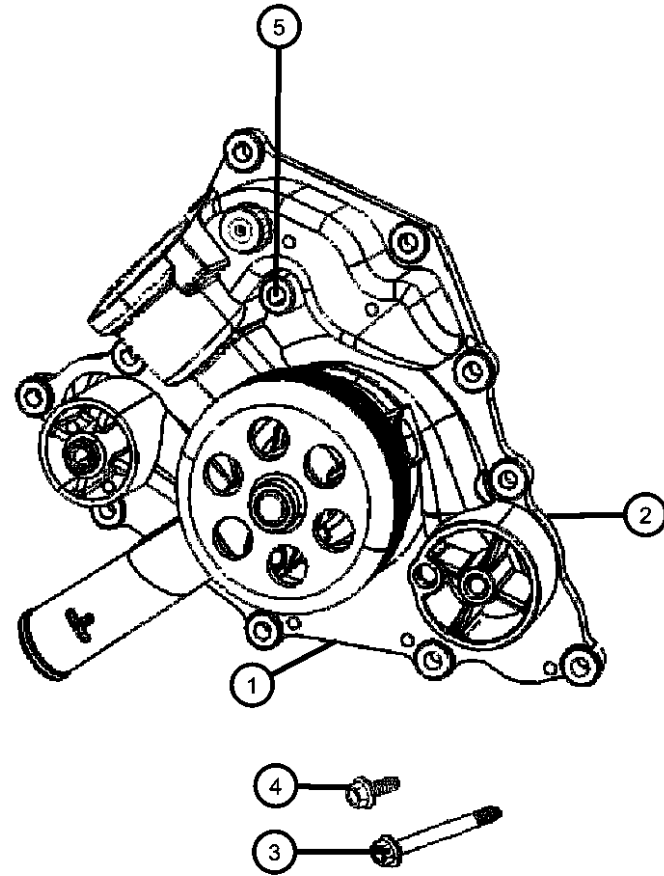
ENGINE
 EVE = Engine - 4.7L V8 DOHC
 3 Valve
 EZB = 5.7L Hemi Multi
 Displacement Engine
 EKG = 3.7L V6 Engine
 ESF = 6.1L SRT HEMI SMPI
 V8 Engine
 EXL = 3.0L V6 Turbo Diesel
 Engine

TRANSMISSION
 DGJ = 5-Speed Auto W5A580
 Transmission
 DGU = 5-Spd Auto W5J400
 Transmission
 DGQ = 5-Spd Automatic 545RFE
 Transmission

AR = use ase required - = Non illustrated part

2008 WK

**Water Pump and Related Parts 5.7L [EZB] 6.1L [ESF]
Figure 7-210**



ITEM	PART NUMBER	QTY	LINE	SERIES	BODY	ENGINE	TRANS	TRIM	DESCRIPTION
Sales Codes: [EZ0] = ALL 5.7L 8CYL HEMI GAS ENGINES [ES0] = All 6.1L 8CYL HEMI GAS ENGINES									
1									PUMP, Water
	04792838AB	1	J, T			EZB			
		1	J, T			ESF			
2									GASKET, Water Pump
	04792922AA	1	J, T			EZB			
		1	J, T			ESF			
3									BOLT AND CONED WASHER, Hex Head, M8X1.25X80.00
	06506270AA	5	J, T			ESF			WATER PUMP TO CYL BLOCK
		5	J, T			EZ0			WATER PUMP TO CYL BLOCK
4									BOLT AND CONED WASHER, Hex Head, M8X1.25X35.00
	06506269AA	5	J, T			ESF			WATER PUMP TO FRT COVER
		5	J, T			EZ0			WATER PUMP TO FRT COVER
5									STUD
	06506684AA	1	J, T			EZ0			WATER PUMP TO CYL BLOCK
		1	J, T			ESF			WATER PUMP TO CYL BLOCK
-6	06036307AA	1	J, T			ESF			PLUG, Pipe, .250-18X.413, WATER PUMP BLEED

GRAND CHEROKEE (WK)

SERIES LINE
H = HIGHLINE T = JEEP - 2WD
P = PREMIUM J = JEEP - 4WD
S = SPORT
X = SPECIAL

BODY
74 = SPORT UTILITY 4-DR
TYPE #4

ENGINE
EVE = Engine - 4.7L V8 DOHC
3 Valve
EZB = 5.7L Hemi Multi
Displacement Engine
EKG = 3.7L V6 Engine
ESF = 6.1L SRT HEMI SMPI
V8 Engine
EXL = 3.0L V6 Turbo Diesel
Engine

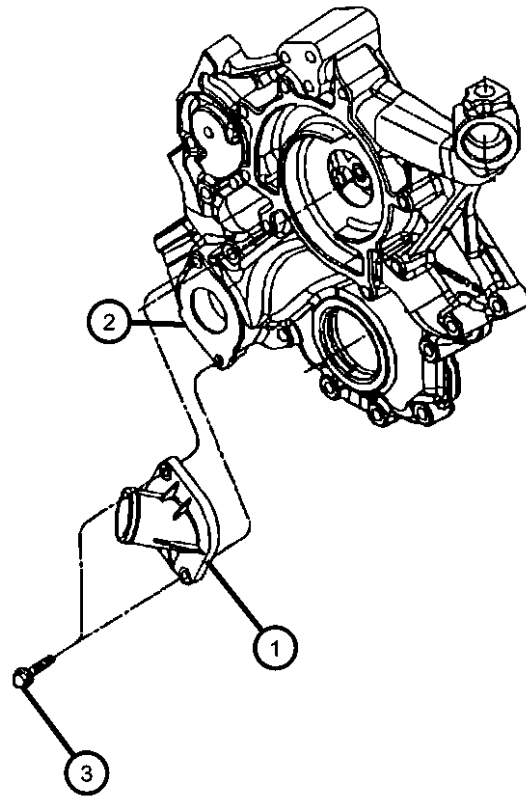
TRANSMISSION
DGJ = 5-Speed Auto W5A580
Transmission
DGU = 5-Spd Auto W5J400
Transmission
DGQ = 5-Spd Automatic 545RFE
Transmission

AR = use ase required - = Non illustrated part

2008 WK

**Thermostat and Related Parts 3.7L [EKG] 4.7L [EVE]
Figure 7-250**

ITEM	PART NUMBER	QTY	LINE	SERIES	BODY	ENGINE	TRANS	TRIM	DESCRIPTION
Sales Codes [EK0] = ALL 3.7L 6-CYL GAS ENGINES [EV0] = ALL 4.7L GAS ENGINES									
1									HOUSING, Thermostat
	53020887AD	1	J, T			EK0			
		1	J, T			EV0			
2									THERMOSTAT, with Seal
	52079476AD	1	J, T			EK0			
	68045798AA	1	J, T			EV0			
3	06505502AA	2	J, T			EK0, EV0			SCREW



GRAND CHEROKEE (WK)

SERIES LINE
H = HIGHLINE T = JEEP - 2WD
P = PREMIUM J = JEEP - 4WD
S = SPORT
X = SPECIAL

BODY
74 = SPORT UTILITY 4-DR
TYPE #4

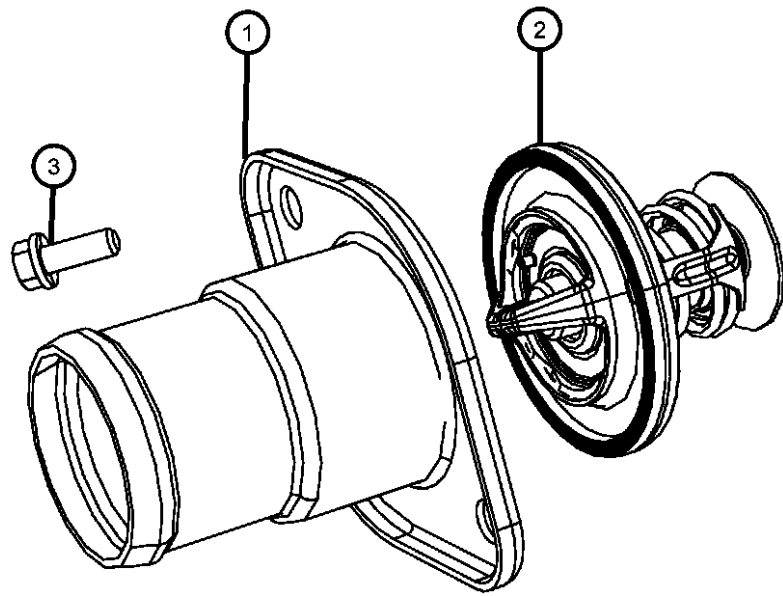
ENGINE TRANSMISSION
EVE = Engine - 4.7L V8 DOHC 3 Valve
EVB = Engine - 4.7L V8 DOHC 3 Valve
EZB = 5.7L Hemi Multi Displacement Engine
EKG = 3.7L V6 Engine
ESF = 6.1L SRT HEMI SMPI V8 Engine
EXL = 3.0L V6 Turbo Diesel Engine
DGJ = 5-Speed Auto W5A580 Transmission
DGU = 5-Spd Auto W5J400 Transmission
DGQ = 5-Spd Automatic 545RFE Transmission

AR = use ase required - = Non illustrated part

2008 WK

**Thermostat and Related Parts 5.7L [EZB] 6.1L [ESF]
Figure 7-255**

ITEM	PART NUMBER	QTY	LINE	SERIES	BODY	ENGINE	TRANS	TRIM	DESCRIPTION
1	53021536AC	1	J, T			EZ0			HOUSING, Thermostat
		1	J, T			ESF			
2	52028898AE	1	J, T			ESF			THERMOSTAT
		1	J, T			EZ0			
3	06507071AA	2	J, T			ESF			SCREW AND WASHER, Hex Head, M8X1.25X24.00
		2	J, T			EZ0			THERMOSTAT HOUSING TO WATER PUMP THERMOSTAT HOUSING TO WATER PUMP



GRAND CHEROKEE (WK)

SERIES LINE
H = HIGHLINE T = JEEP - 2WD
P = PREMIUM J = JEEP - 4WD
S = SPORT
X = SPECIAL

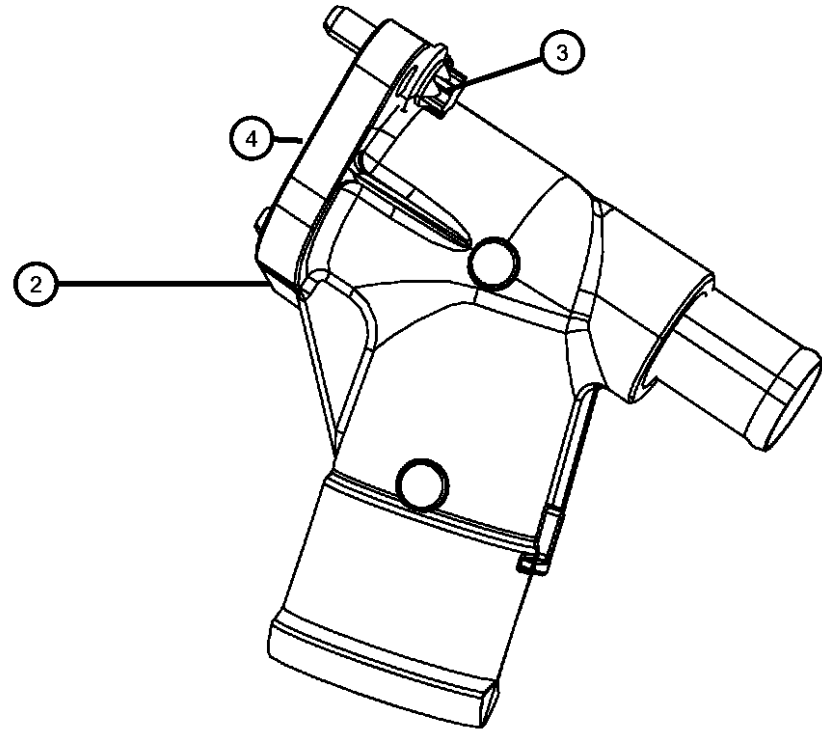
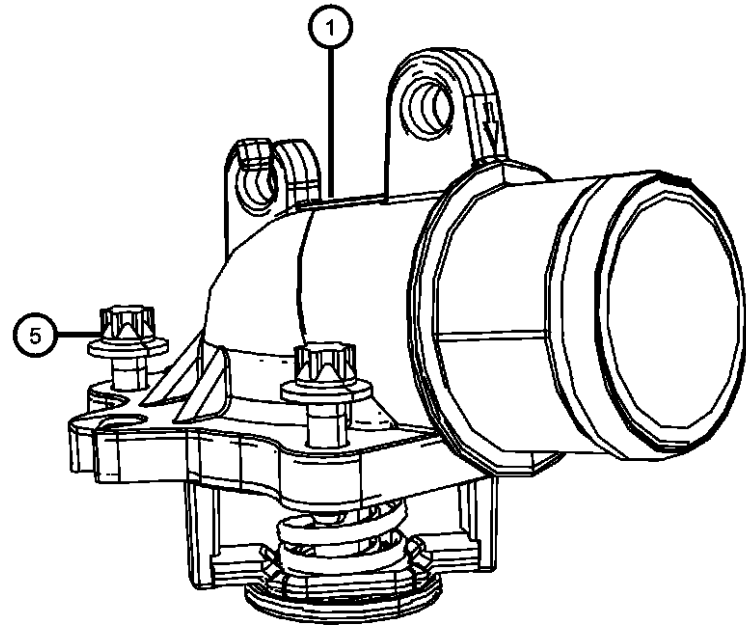
BODY
74 = SPORT UTILITY 4-DR
TYPE #4

ENGINE TRANSMISSION
EVE = Engine - 4.7L V8 DOHC 3 Valve
EZB = 5.7L Hemi Multi Displacement Engine
EKG = 3.7L V6 Engine
ESF = 6.1L SRT HEMI SMPI V8 Engine
EXL = 3.0L V6 Turbo Diesel Engine
DGJ = 5-Speed Auto W5A580 Transmission
DGU = 5-Spd Auto W5J400 Transmission
DGQ = 5-Spd Automatic 545RFE Transmission

AR = use ase required - = Non illustrated part

2008 WK

**Thermostat and Related Parts 3.0L Diesel [EXL]
Figure 7-260**



ITEM	PART NUMBER	QTY	LINE	SERIES	BODY	ENGINE	TRANS	TRIM	DESCRIPTION
1	05175583AB	1	J, T			EXL			THERMOSTAT
2	68014142AA	1	J, T			EXL			CONNECTOR, Water Inlet, Includes Block Heater, NOT Serviced Separate
3	05073688AB	4	J, T			EXL			BOLT
4	05175584AA	1	J, T			EXL			GASKET, Thermostat
5	06104006AA	4	J, T			EXL			BOLT, Torx Socket Head, M6X1.00X20.00

GRAND CHEROKEE (WK)

SERIES LINE
H = HIGHLINE T = JEEP - 2WD
P = PREMIUM J = JEEP - 4WD
S = SPORT
X = SPECIAL

BODY
74 = SPORT UTILITY 4-DR
TYPE #4

ENGINE TRANSMISSION
EVE = Engine - 4.7L V8 DOHC 3 Valve
EZH = 5.7L Hemi Multi Displacement Engine
EKG = 3.7L V6 Engine
ESF = 6.1L SRT HEMI SMPI V8 Engine
EXL = 3.0L V6 Turbo Diesel Engine
DGJ = 5-Speed Auto W5A580 Transmission
DGU = 5-Spd Auto W5J400 Transmission
DGQ = 5-Spd Automatic 545RFE Transmission

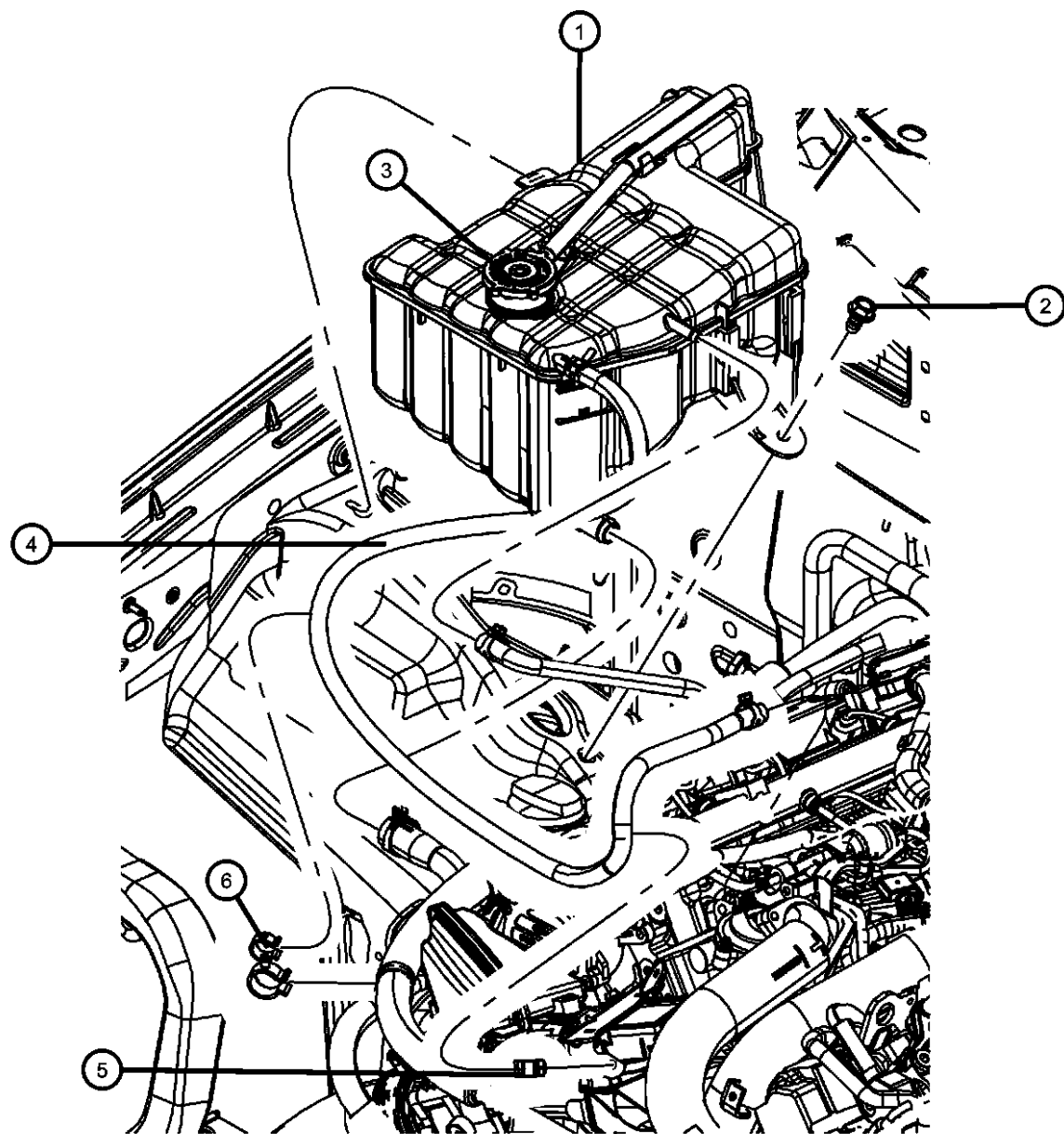
AR = use ase required - = Non illustrated part

2008 WK

Coolant Recovery Bottle 3.0L Diesel [EXL]

Figure 7-305

ITEM	PART NUMBER	QTY	LINE	SERIES	BODY	ENGINE	TRANS	TRIM	DESCRIPTION
1	55116873AD	1	J, T			EX0			BOTTLE, Coolant Recovery
2	06509092AA	1	J, T						STUD, Double Ended, COOLANT RECOVERY BOTTLE TO BODY
3	04596198	1	J, T			EX0			CAP
4		1							HOSE, Overflow, Serviced With Recovery Bottle, (NOT SERVICED)
5	52080133AB	1	J, T			EX0			CLIP, Hose
6	06506545AA	1	J, T			EX0			CLIP, Cruise Control, COOLANT VENT HOSE



GRAND CHEROKEE (WK)

SERIES LINE
 H = HIGHLINE T = JEEP - 2WD
 P = PREMIUM J = JEEP - 4WD
 S = SPORT
 X = SPECIAL

BODY
 74 = SPORT UTILITY 4-DR
 TYPE #4

ENGINE TRANSMISSION
 EVE = Engine - 4.7L V8 DOHC 3 Valve
 EZB = 5.7L Hemi Multi Displacement Engine
 EKG = 3.7L V6 Engine
 ESF = 6.1L SRT HEMI SMPI V8 Engine
 EXL = 3.0L V6 Turbo Diesel Engine
 DGJ = 5-Speed Auto W5A580 Transmission
 DGU = 5-Spd Auto W5J400 Transmission
 DGQ = 5-Spd Automatic 545RFE Transmission

AR = use ase required - = Non illustrated part

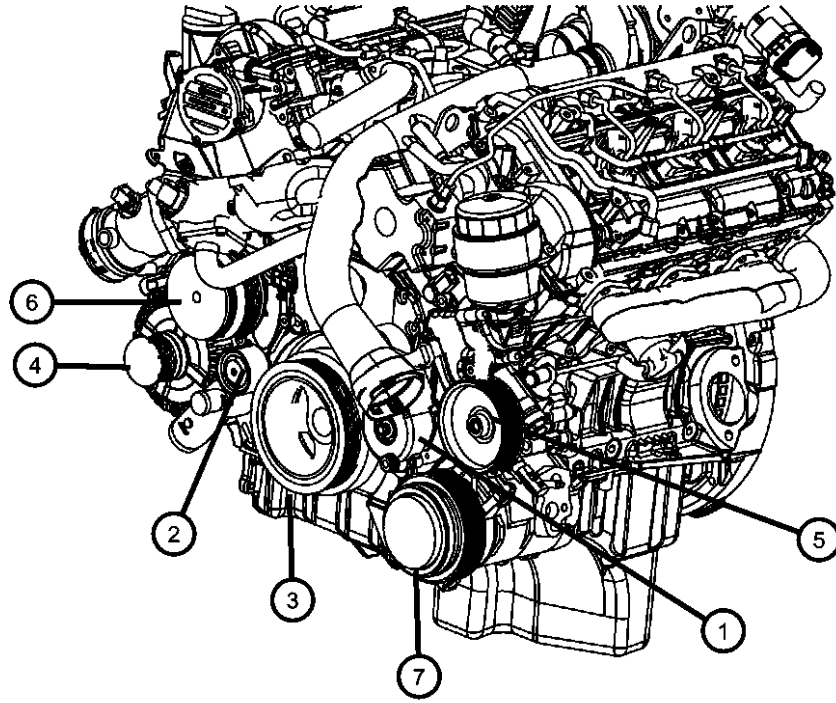
2008 WK

**Pulley and Related Parts 3.0L Diesel [EXL]
Figure 7-405**

ITEM	PART NUMBER	QTY	LINE	SERIES	BODY	ENGINE	TRANS	TRIM	DESCRIPTION
------	-------------	-----	------	--------	------	--------	-------	------	-------------

Sales Code:
[EX0] = ALL 3.0/3.1L TURBO DIESEL ENGINES

1	05175588AA	1	J, T			EXL			TENSIONER, Belt
2	05175589AB	1	J, T			EXL			PULLEY, Idler
3		1							PULLEY, Crankshaft, Serviced with Damper, (NOT SERVICED)
4	05175811AA	1	J, T			EXL			PULLEY, Alternator
5	04891579AA	1	J, T			EX0			PULLEY, Power Steering Pump
6		1							PULLEY, Water Pump, Serviced with Pump, (NOT SERVICED)
7	68000599AA	1	J, T			EX0			PULLEY & HUB, A/C Compressor



GRAND CHEROKEE (WK)

SERIES LINE
H = HIGHLINE T = JEEP - 2WD
P = PREMIUM J = JEEP - 4WD
S = SPORT
X = SPECIAL

BODY
74 = SPORT UTILITY 4-DR
TYPE #4

ENGINE
EVE = Engine - 4.7L V8 DOHC
3 Valve
EZB = 5.7L Hemi Multi
Displacement Engine
EKG = 3.7L V6 Engine
ESF = 6.1L SRT HEMI SMPI
V8 Engine
EXL = 3.0L V6 Turbo Diesel
Engine

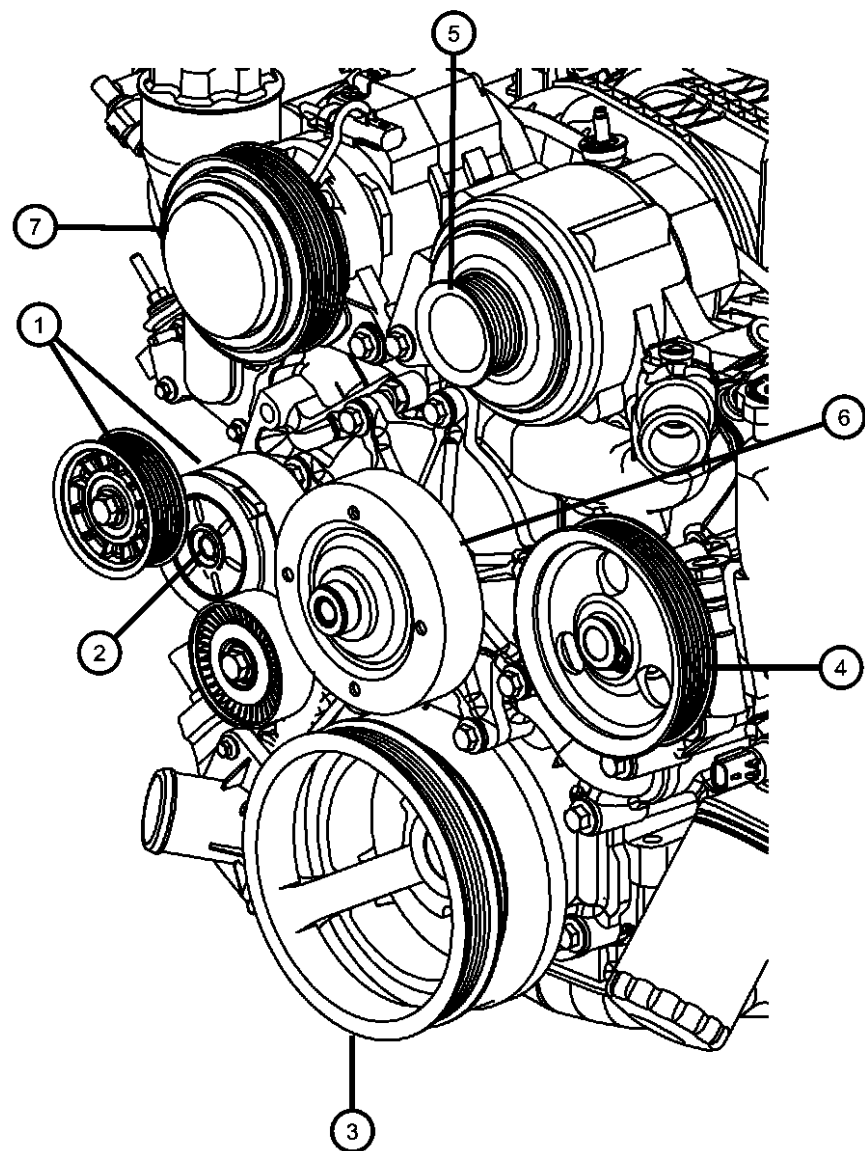
TRANSMISSION
DGJ = 5-Speed Auto W5A580
Transmission
DGU = 5-Spd Auto W5J400
Transmission
DGQ = 5-Spd Automatic 545RFE
Transmission

AR = use ase required - = Non illustrated part

2008 WK

Pulleys and Related Parts 3.7L [EKG] 4.7L [EVE]

Figure 7-410



ITEM	PART NUMBER	QTY	LINE	SERIES	BODY	ENGINE	TRANS	TRIM	DESCRIPTION
------	-------------	-----	------	--------	------	--------	-------	------	-------------

Sales Codes:

[EK0] = ALL 3.7L 6-CYL GAS ENGINES

[EV0] = ALL 4.7L GAS ENGINES

1									TENSIONER, Belt
	53030958AE	1	J, T			EK0			
	68045800AA	1	J, T			EV0			
2	06504930AA	1	J, T			EK0			SCREW AND WASHER, Hex Head, M10x1.5x70
3		1							PULLEY, Crankshaft, Serviced with Damper group 09, (NOT SERVICED)
4	53013688AC	1	J, T			EK0, EV0			PULLEY, Power Steering Pump
5		1							PULLEY, Alternator, Serviced with Alternator Only, (NOT SERVICED)
6		1							PULLEY, Water Pump, Serviced with Water Pump, (NOT SERVICED)
7	68034537AA	1	J, T			EK0, EV0			PULLEY HUB KIT, A/C Compressor

GRAND CHEROKEE (WK)

SERIES LINE
 H = HIGHLINE T = JEEP - 2WD
 P = PREMIUM J = JEEP - 4WD
 S = SPORT
 X = SPECIAL

BODY
 74 = SPORT UTILITY 4-DR
 TYPE #4

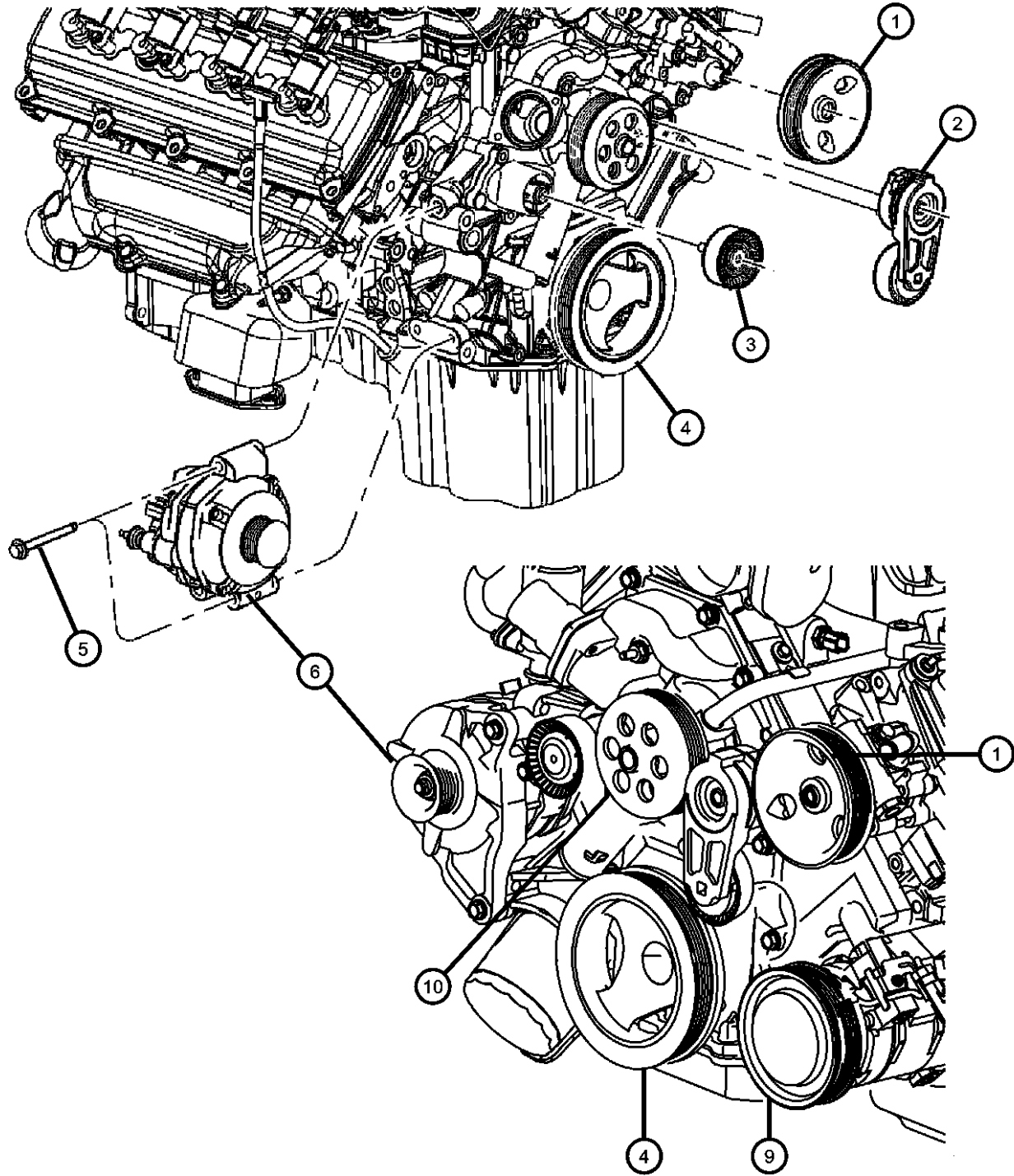
ENGINE
 EVE = Engine - 4.7L V8 DOHC 3 Valve
 EZB = 5.7L Hemi Multi Displacement Engine
 EKG = 3.7L V6 Engine
 ESF = 6.1L SRT HEMI SMPI V8 Engine
 EXL = 3.0L V6 Turbo Diesel Engine

TRANSMISSION
 DGJ = 5-Speed Auto W5A580 Transmission
 DGU = 5-Spd Auto W5J400 Transmission
 DGQ = 5-Spd Automatic 545RFE Transmission

AR = use ase required - = Non illustrated part

2008 WK

**Pulleys and Related Parts 5.7L [EZB] 6.1L [ESF]
Figure 7-415**



ITEM	PART NUMBER	QTY	LINE	SERIES	BODY	ENGINE	TRANS	TRIM	DESCRIPTION
Sales Codes: [EZ0] = ALL 5.7L 8CYL GAS ENGINES [ES0] = All 6.1L SRT HEMI SMPI V8 ENGINES									
1	53013677AB	1	J, T			EZ0			PULLEY, Power Steering Pump
2	04593817AB	1	J, T			ESF			TENSIONER, Belt
3	04891720AA	1	J, T			EZ0			PULLEY, Idler
4		1							PULLEY, Crankshaft, Serviced with Damper 09 group, (NOT SERVICED)
5									SCREW AND WASHER, Hex head, M10X1.50X45.00
	06102120AA	2	J, T			EK0, EV0, EZ0			
		2	J, T			ESF			
6		2							PULLEY, Alternator, Serviced with Alternator, (NOT SERVICED)
-7									BOLT AND CONED WASHER, Hex Head, M14X1.5X102.00
	06508400AA	1	J, T			ESF			DAMPER & PULLEY ASSY TO CRANKSHAFT
		1	J, T			EZ0			DAMPER & PULLEY ASSY TO CRANKSHAFT
-8	06507929AA	1	J, T			ESF			SCREW, Shoulder Hex Flange Head, M10x1.50x40.00, Backside Idler Pulley to Water Pump
9									PULLEY HUB KIT, A/C Compressor
	05140426AA	1	J, T			EZ0			
		1	J, T			ES0			
10		1							PULLEY, Water Pump, Serviced with Water Pump, (NOT SERVICED)

GRAND CHEROKEE (WK)

SERIES LINE
H = HIGHLINE T = JEEP - 2WD
P = PREMIUM J = JEEP - 4WD
S = SPORT
X = SPECIAL

BODY
74 = SPORT UTILITY 4-DR TYPE #4

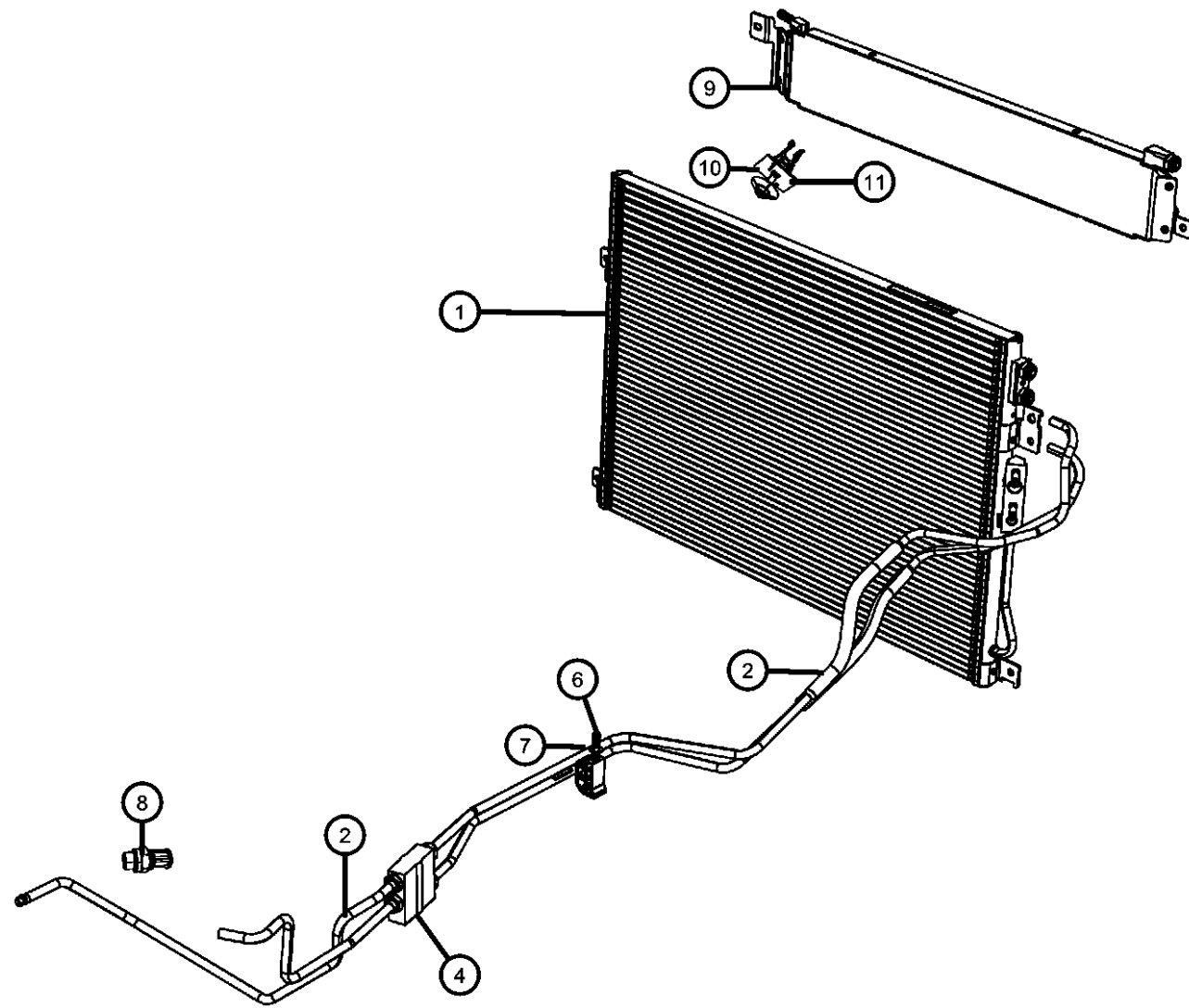
ENGINE
EVE = Engine - 4.7L V8 DOHC 3 Valve
EZB = 5.7L Hemi Multi Displacement Engine
EKG = 3.7L V6 Engine
ESF = 6.1L SRT HEMI SMPI V8 Engine
EXL = 3.0L V6 Turbo Diesel Engine

TRANSMISSION
DGJ = 5-Speed Auto W5A580 Transmission
DGU = 5-Spd Auto W5J400 Transmission
DGQ = 5-Spd Automatic 545RFE Transmission

AR = use ase required - = Non illustrated part

2008 WK

Transmission Oil Cooler and Lines
Figure 7-605



ITEM	PART NUMBER	QTY	LINE	SERIES	BODY	ENGINE	TRANS	TRIM	DESCRIPTION
1									COOLER, Condenser and Trans Cooler
	55116928AA	1	J, T			EK0, ESF, EVO	DG0		
		1	J, T			EX0	DG0		
		1	J, T			EZ0	DG0		[NHM]
2									HOSE AND TUBE, Oil Cooler Pressure and Return
	55038175AA	1	J, T			EVO, EZ0	DG0		
	55038177AA	1	J, T			EK0, ESF	DG0		With By Pass Valve
	55038178AA	1	J, T			EXL	DG0		With By Pass Valve
-3	05175691AA	1	J, T			EXL			O RING
4									VALVE, Cooler Bypass
	55111005AA	1	J, T			EK0, ESF	DG0		
		1	J, T			EXL	DG0		
-5	05137722AA	2	J, T			EZ0	DG0		CONNECTOR, Oil Cooler Tube
6	55038012AA	1	J, T			EK0	DG0		CLIP, Oil Cooler Tube
7									CLIP, Oil Cooler Line
	05290854AB	1	J, T			ES0	DG0		
	52079789AB	1	J, T			EVO, EZ0	DG0		
8									FITTING, Quick Connect
	52119547AA	2	J			ESF	DGJ		COOLER LINES
		2	T			EK0	DGJ		COOLER LINES
		2	J			EVO, EZ0	DGQ		COOLER LINE TO CASE
		2	T			EVO, EZ0	DGQ		COOLER LINE TO CASE
	55037858AA	1	J, T			EX0	DG0		
9									COOLER, Power Steering
	05181117AA	1	J, T			ES0	DG0		
	52090052AB	1	J, T			EK0, EVO	DG0		
	55037927AA	1	J, T			EX0	DG0		
	55116927AA	1	J, T			EZ0	DG0		
10									CLIP, Oil Cooler Tube
	68038830AA	3	J, T			EK0, ESF, EVO	DG0		

GRAND CHEROKEE (WK)

SERIES LINE
H = HIGHLINE T = JEEP - 2WD
P = PREMIUM J = JEEP - 4WD
S = SPORT
X = SPECIAL

BODY
74 = SPORT UTILITY 4-DR
TYPE #4

ENGINE
EVE = Engine - 4.7L V8 DOHC
3 Valve
EZB = 5.7L Hemi Multi
Displacement Engine
EKG = 3.7L V6 Engine
ESF = 6.1L SRT HEMI SMPI
V8 Engine
EXL = 3.0L V6 Turbo Diesel
Engine

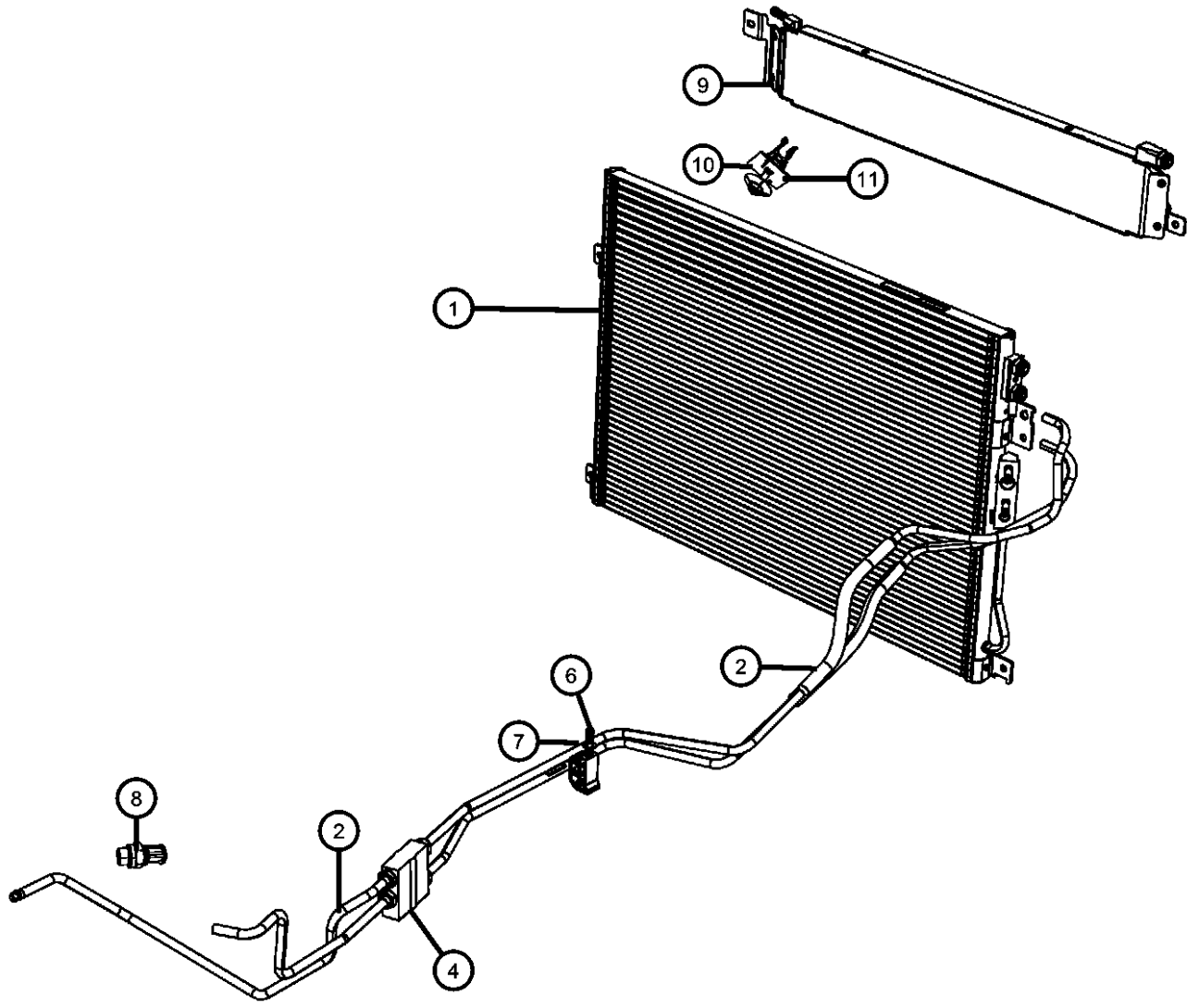
TRANSMISSION
DGJ = 5-Speed Auto W5A580
Transmission
DGU = 5-Spd Auto W5J400
Transmission
DGQ = 5-Spd Automatic 545RFE
Transmission

AR = use ase required - = Non illustrated part

2008 WK

Transmission Oil Cooler and Lines
Figure 7-605

ITEM	PART NUMBER	QTY	LINE	SERIES	BODY	ENGINE	TRANS	TRIM	DESCRIPTION
		3	J, T			EZ0	DG0		
11	05183297AB	2	J, T			EK0, ESF, EVO	DG0		RETAINER, Power Steering Oil Cooler



GRAND CHEROKEE (WK)

SERIES LINE
H = HIGHLINE T = JEEP - 2WD
P = PREMIUM J = JEEP - 4WD
S = SPORT
X = SPECIAL

BODY
74 = SPORT UTILITY 4-DR
TYPE #4

ENGINE TRANSMISSION
EVE = Engine - 4.7L V8 DOHC 3 Valve
EZB = 5.7L Hemi Multi Displacement Engine
EKG = 3.7L V6 Engine
ESF = 6.1L SRT HEMI SMPI V8 Engine
EXL = 3.0L V6 Turbo Diesel Engine
DGJ = 5-Speed Auto W5A580 Transmission
DGU = 5-Spd Auto W5J400 Transmission
DGQ = 5-Spd Automatic 545RFE Transmission

AR = use ase required - = Non illustrated part

2008 WK

Group - 8

Electrical

008-1900 Ignition - Spark Plugs, Cables, Coils, and Glow Plugs	008-200 Generators / Alternators	008-2000 Instrument Panel	008-2100 Instrument Panel Cluster
008-2200 Radio, Antenna, Speakers, DVD, and Video systems	008-2300 Consoles	008-2400 Navigation	008-2500 Telecommunication
008-2600 Park Assist	008-2700 Speed Control	008-300 Wiper and Washer System	008-400 Keys, Modules and Engine Controllers
008-500 Power Distribution Center, Fuse Block, Junction Block, Relays and Fuses	008-600 Sensors	008-800 Switches	008-900 Horns

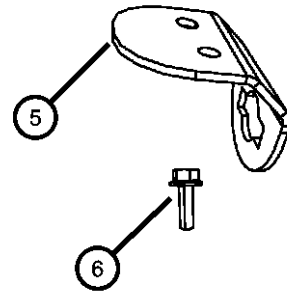
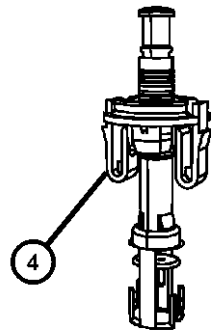
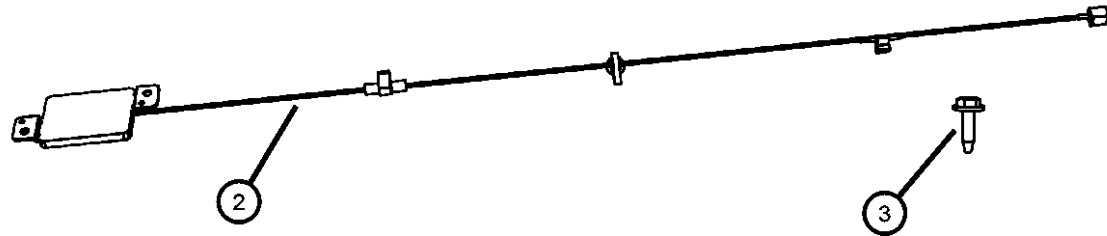
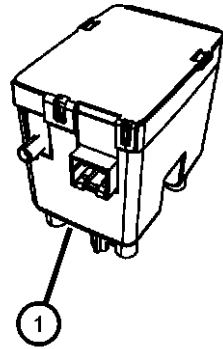
008-100 Starters	008-1000 Battery, Battery Tray and Cables	008-1100 Lamps-Interior and Exterior	008-1200 Wiring-Powertrain
008-1300 Wiring-Headlamp to Dash	008-1400 Wiring-Instrument Panel	008-1500 Wiring-Body and Accessories	008-1600 Wiring and Repair

Group - 8 Electrical

Illustration Title	Group-Fig. No.
Starters	
Starter and Related Parts.....	Fig. 8 - 105
Starter and Related Parts.....	Fig. 8 - 110
Remote Start	Fig. 8 - 115
Generators / Alternators	
Generator/Alternator and Related Parts.....	Fig. 8 - 205
Generator/Alternator and Related Parts.....	Fig. 8 - 210
Generator/Alternator and Related Parts.....	Fig. 8 - 215
Wiper and Washer System	
Front Wiper System.....	Fig. 8 - 305
Front Washer System.....	Fig. 8 - 310
Rear Wiper System.....	Fig. 8 - 315
Rear Washer System.....	Fig. 8 - 320
Keys, Modules and Engine Controllers	
Modules Engine Compartment.....	Fig. 8 - 405
Modules Instrument Panel.....	Fig. 8 - 410
Modules Overhead.....	Fig. 8 - 415
Modules Body.....	Fig. 8 - 420
Modules Lighting.....	Fig. 8 - 425
Modules, Brakes, Suspension, and Steering.....	Fig. 8 - 430
Receiver Modules, Keys, and Key FOBS.....	Fig. 8 - 435
Power Distribution Center, Fuse Block, Junction Block, Relays and Fuses	
Power Distribution Center.....	Fig. 8 - 505
Power Distribution Center.....	Fig. 8 - 510
Junction Block Fuses and Relays.....	Fig. 8 - 515
Sensors	
Sensors, Gas Engine.....	Fig. 8 - 605
Sensors, Gas Engine.....	Fig. 8 - 606
Sensors, Gas Engine.....	Fig. 8 - 607
Sensors Diesel Engine.....	Fig. 8 - 610
Sensors Oxygen Gas.....	Fig. 8 - 615
Sensors Oxygen Gas.....	Fig. 8 - 616
Sensors Oxygen Gas.....	Fig. 8 - 617
Sensors Oxygen and Exhaust Temperature.....	Fig. 8 - 618
Sensors Brakes.....	Fig. 8 - 625
Sensors Suspension and Steering.....	Fig. 8 - 630
Sensors Body.....	Fig. 8 - 635
Sensors Drivetrain.....	Fig. 8 - 640
Switches	
Switches Instrument Panel.....	Fig. 8 - 805
Switches Console.....	Fig. 8 - 810
Switches Doors and Liftgate.....	Fig. 8 - 815
Switches Seats.....	Fig. 8 - 825
Switches Steering Column and Wheel.....	Fig. 8 - 830
Switches Powertrain.....	Fig. 8 - 835
Switches Heating and Air Conditioning.....	Fig. 8 - 840
Horns	
Horns.....	Fig. 8 - 905
Battery, Battery Tray and Cables	
Battery Tray and Support.....	Fig. 8 - 1005
Battery Wiring.....	Fig. 8 - 1010
Lamps-Interior and Exterior	
Lamps Front.....	Fig. 8 - 1105
Lamps Rear.....	Fig. 8 - 1110
Lamps Interior.....	Fig. 8 - 1115
Wiring-Powertrain	
Wiring Engine Gas.....	Fig. 8 - 1205
Wiring Engine Gas.....	Fig. 8 - 1206
Wiring Engine Diesel.....	Fig. 8 - 1210
Ground Straps.....	Fig. 8 - 1215
Wiring-Headlamp to Dash	
Wiring Headlamp to Dash.....	Fig. 8 - 1305
Wiring-Instrument Panel	
Wiring Instrument Panel.....	Fig. 8 - 1405
Wiring-Body and Accessories	
Wiring Body.....	Fig. 8 - 1505
Wiring Chassis and Underbody.....	Fig. 8 - 1510
Wiring Door, Deck Lid, and Liftgate.....	Fig. 8 - 1515
Wiring Seats Front.....	Fig. 8 - 1520
Wiring Seats Rear.....	Fig. 8 - 1525
Wiring Heating and Airconditioning.....	Fig. 8 - 1530
Wiring and Repair	
Wiring Repairs.....	Fig. 8 - 1605
Ignition - Spark Plugs, Cables, Coils, and Glow Plugs	
Spark Plugs, Ignition Wires, Ignition Coil.....	Fig. 8 - 1905
Spark Plugs, Ignition Wires, and Ignition Coil.....	Fig. 8 - 1906
Spark Plugs, Ignition Wires, Ignition Coil.....	Fig. 8 - 1910
Glow Plugs.....	Fig. 8 - 1915
Instrument Panel	
Instrument Panel and Structure.....	Fig. 8 - 2005
Instrument Panel Trim.....	Fig. 8 - 2010
Instrument Panel Cluster	
Instrument Panel Cluster.....	Fig. 8 - 2105
Radio, Antenna, Speakers, DVD, and Video systems	
Radio.....	Fig. 8 - 2205
Antenna.....	Fig. 8 - 2210
Satellite Radio System.....	Fig. 8 - 2215
Speakers and Amplifiers.....	Fig. 8 - 2220
DVD and Video System.....	Fig. 8 - 2225
Rear View Camera System.....	Fig. 8 - 2230
Consoles	
Floor Console Front.....	Fig. 8 - 2305
Overhead Console.....	Fig. 8 - 2320
Navigation	
Navigation System.....	Fig. 8 - 2405
Telecommunication	
Telecommunications.....	Fig. 8 - 2505
Park Assist	
Park Assist.....	Fig. 8 - 2605
Speed Control	
Speed Control.....	Fig. 8 - 2705

Remote Start
Figure 8-115

ITEM	PART NUMBER	QTY	LINE	SERIES	BODY	ENGINE	TRANS	TRIM	DESCRIPTION
1	05026297AD	1	J, T		74				RECEIVER, Wireless Ignition Node
2	05026234AA	1	J, T		74				ANTENNA, Keyless Entry
3		1							SCREW, Tapping Hex Head, M4.2X1.7X15.80, (NOT SERVICED)
4	05026211AA	1	J, T		74				SWITCH, Remote Starter
5	05026483AA	1	J, T		74				BRACKET, Hood Ajar Disarm Switch
6	06104173AA	2	J, T		74				SCREW, Hex Flange Head, M5x0.8x16.00



GRAND CHEROKEE (WK)

SERIES LINE
H = HIGHLINE T = JEEP - 2WD
P = PREMIUM J = JEEP - 4WD
S = SPORT
X = SPECIAL

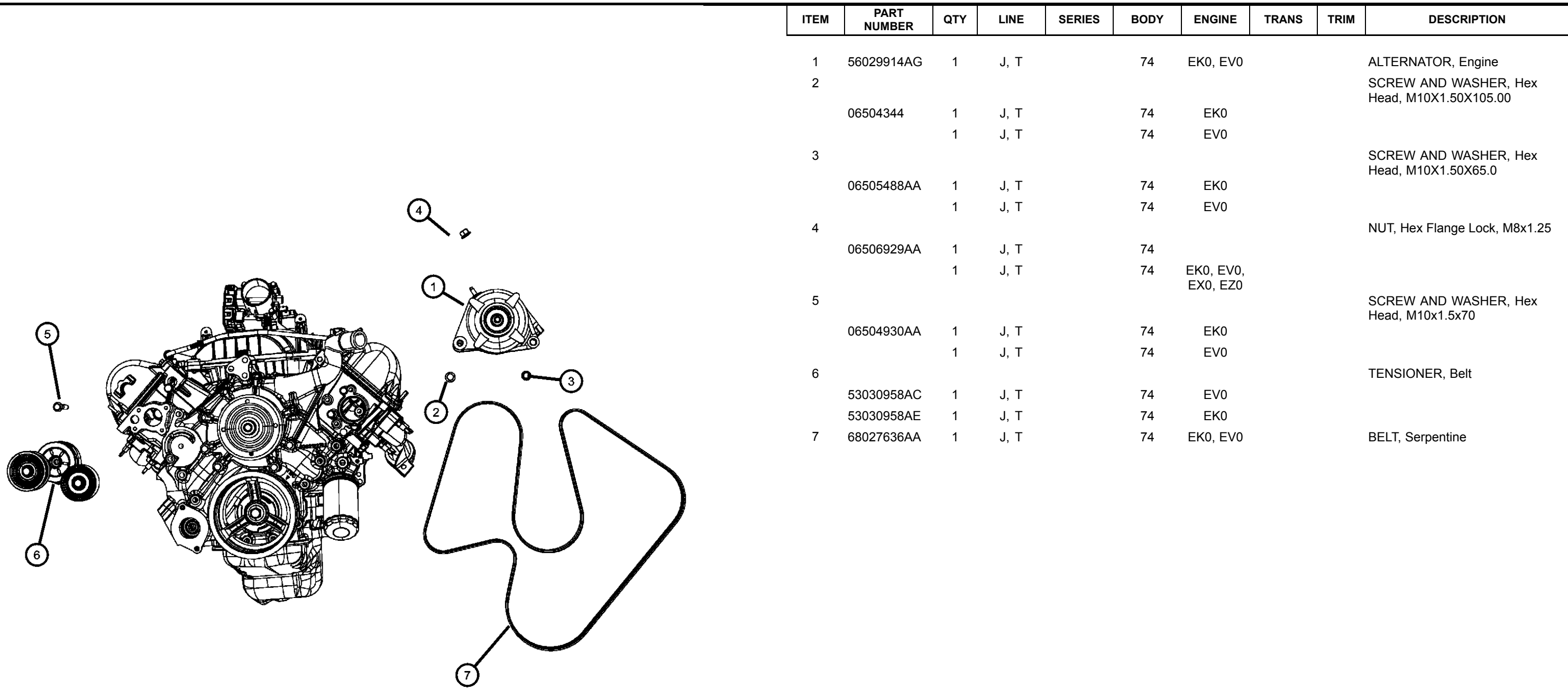
BODY
74 = SPORT UTILITY 4-DR
TYPE #4

ENGINE TRANSMISSION
EVE = Engine - 4.7L V8 DOHC 3 Valve
EZB = 5.7L Hemi Multi Displacement Engine
EKG = 3.7L V6 Engine
ESF = 6.1L SRT HEMI SMPI V8 Engine
EXL = 3.0L V6 Turbo Diesel Engine
DGJ = 5-Speed Auto W5A580 Transmission
DGU = 5-Spd Auto W5J400 Transmission
DGQ = 5-Spd Automatic 545RFE Transmission

AR = use ase required - = Non illustrated part

2008 WK

**Generator/Alternator and Related Parts
Figure 8-205**



ITEM	PART NUMBER	QTY	LINE	SERIES	BODY	ENGINE	TRANS	TRIM	DESCRIPTION
1	56029914AG	1	J, T		74	EK0, EVO			ALTERNATOR, Engine
2									SCREW AND WASHER, Hex Head, M10X1.50X105.00
	06504344	1	J, T		74	EK0			
		1	J, T		74	EVO			
3									SCREW AND WASHER, Hex Head, M10X1.50X65.0
	06505488AA	1	J, T		74	EK0			
		1	J, T		74	EVO			
4									NUT, Hex Flange Lock, M8x1.25
	06506929AA	1	J, T		74				
		1	J, T		74	EK0, EVO, EX0, EZ0			
5									SCREW AND WASHER, Hex Head, M10x1.5x70
	06504930AA	1	J, T		74	EK0			
		1	J, T		74	EVO			
6									TENSIONER, Belt
	53030958AC	1	J, T		74	EVO			
	53030958AE	1	J, T		74	EK0			
7	68027636AA	1	J, T		74	EK0, EVO			BELT, Serpentine

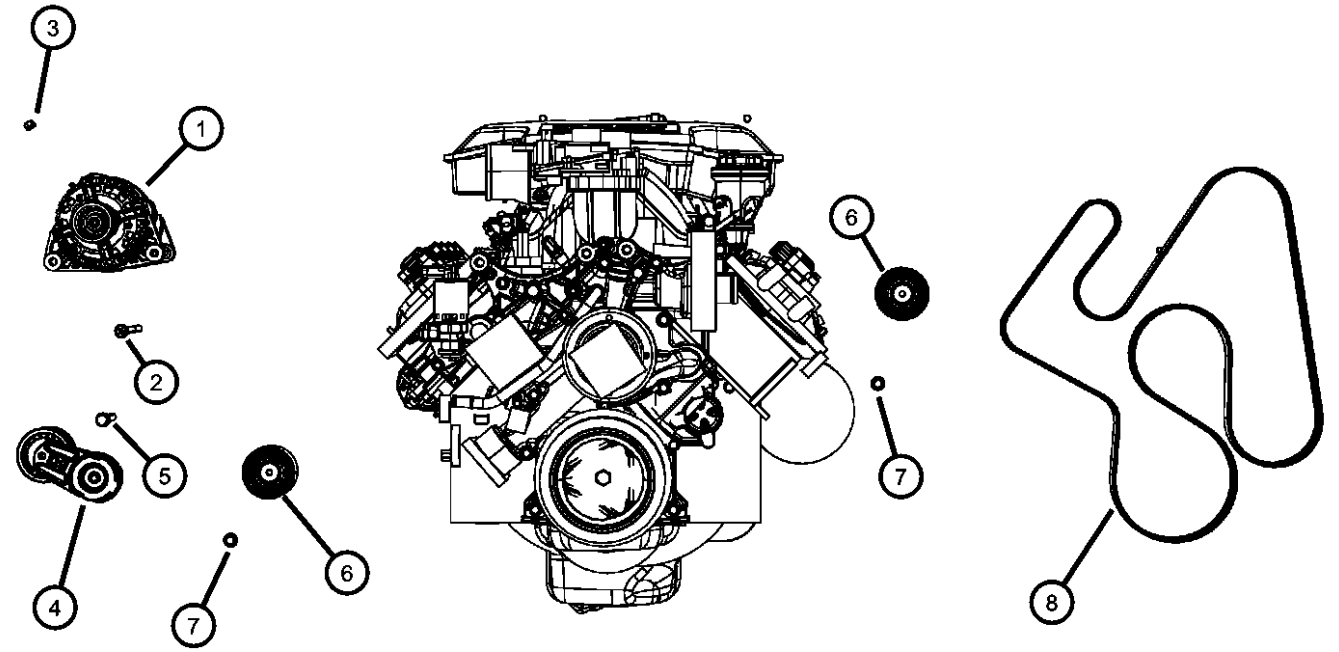
GRAND CHEROKEE (WK)

SERIES	LINE	BODY	ENGINE	TRANSMISSION
H = HIGHLINE	T = JEEP - 2WD	74 = SPORT UTILITY 4-DR	EVE = Engine - 4.7L V8 DOHC	DGJ = 5-Speed Auto W5A580
P = PREMIUM	J = JEEP - 4WD	TYPE #4	3 Valve	Transmission
S = SPORT			EZB = 5.7L Hemi Multi	DGU = 5-Spd Auto W5J400
X = SPECIAL			Displacement Engine	Transmission
			EKG = 3.7L V6 Engine	DGQ = 5-Spd Automatic 545RFE
			ESF = 6.1L SRT HEMI SMPI	Transmission
			V8 Engine	
			EXL = 3.0L V6 Turbo Diesel	
			Engine	

AR = use ase required - = Non illustrated part

**Generator/Alternator and Related Parts
Figure 8-210**

ITEM	PART NUMBER	QTY	LINE	SERIES	BODY	ENGINE	TRANS	TRIM	DESCRIPTION
1	56044380AI	1	J, T		74	EZ0			ALTERNATOR, Engine
		1	J, T		74	ESF			
2	06102381AA	1	J, T		74	EZ0			BOLT, Hex Flange Head, M10X1.50X62.00
		1	J, T		74	ESF			
3	06506929AA	1	J, T		74				NUT, Hex Flange Lock, M8x1.25
4									TENSIONER, Belt
	04861660AA	1	J, T		74	EZ0			
		1	J, T		74	ESF			
5	06102381AA	1	J, T		74	EZ0			BOLT, Hex Flange Head, M10X1.50X62.00
		1	J, T		74	ESF			
6	04891720AA	1	J, T		74	ESF			PULLEY, Idler
		1	J, T		74	EZ0			
7	06507929AA	1	J, T		74	EZ0			SCREW, Shoulder Hex Flange Head, M10x1.50x40.00
		1	J, T		74	ESF			
8	05037542AA	1	J, T		74	ESF			BELT, Serpentine
	53013676AC	1	J, T		74	EZ0			



GRAND CHEROKEE (WK)
 SERIES LINE
 H = HIGHLINE T = JEEP - 2WD
 P = PREMIUM J = JEEP - 4WD
 S = SPORT
 X = SPECIAL

BODY
 74 = SPORT UTILITY 4-DR TYPE #4

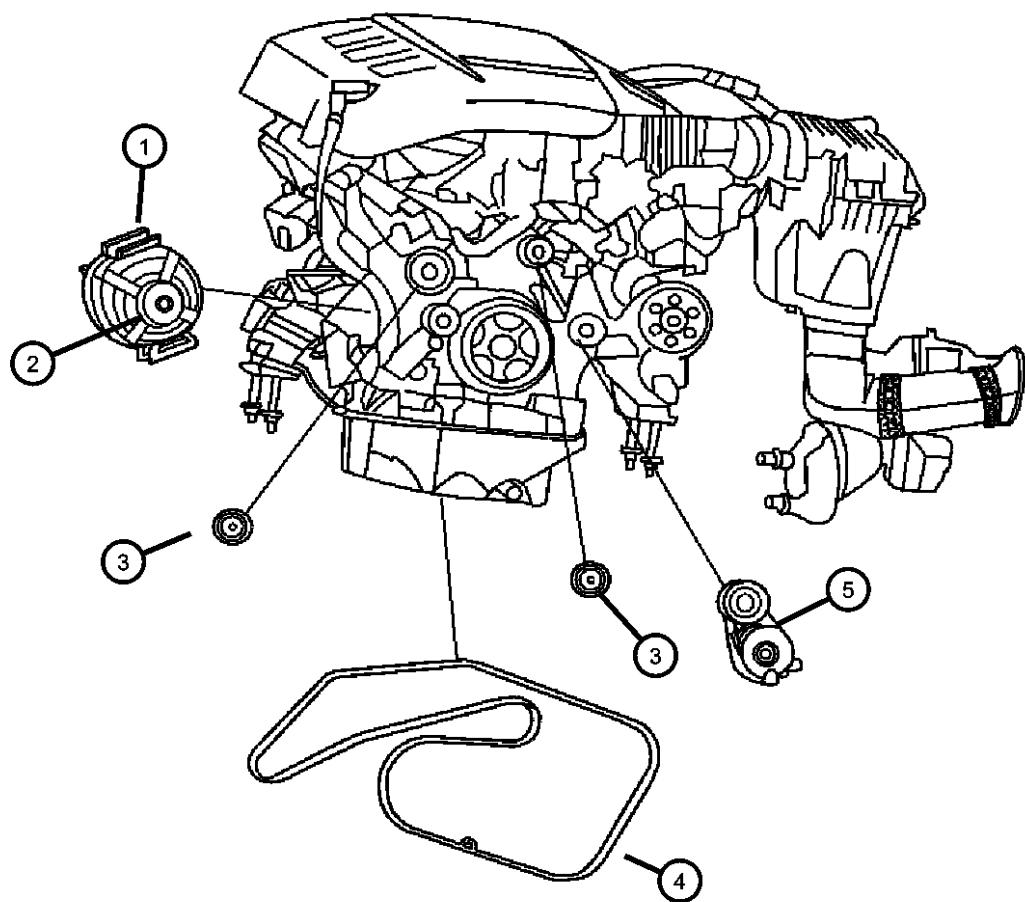
ENGINE
 EVE = Engine - 4.7L V8 DOHC 3 Valve
 EZB = 5.7L Hemi Multi Displacement Engine
 EKG = 3.7L V6 Engine
 ESF = 6.1L SRT HEMI SMPI V8 Engine
 EXL = 3.0L V6 Turbo Diesel Engine

TRANSMISSION
 DGJ = 5-Speed Auto W5A580 Transmission
 DGU = 5-Spd Auto W5J400 Transmission
 DGQ = 5-Spd Automatic 545RFE Transmission

AR = use ase required - = Non illustrated part

**Generator/Alternator and Related Parts
Figure 8-215**

ITEM	PART NUMBER	QTY	LINE	SERIES	BODY	ENGINE	TRANS	TRIM	DESCRIPTION
1	04801250AC	1	J, T		74	EX0			ALTERNATOR, Engine
2	05175811AA	1	J, T		74	EXL			PULLEY, Alternator
3	05175589AB	1	J, T		74	EXL			PULLEY, Idler
4	04891587AA	1	J, T		74	EXL			BELT, Serpentine
5	05175588AA	1	J, T		74	EXL			TENSIONER, Belt
-6		1							SCREW, (NOT SERVICED)
-7		1							WIRING, Alternator and Battery, (NOT SERVICED)



GRAND CHEROKEE (WK)

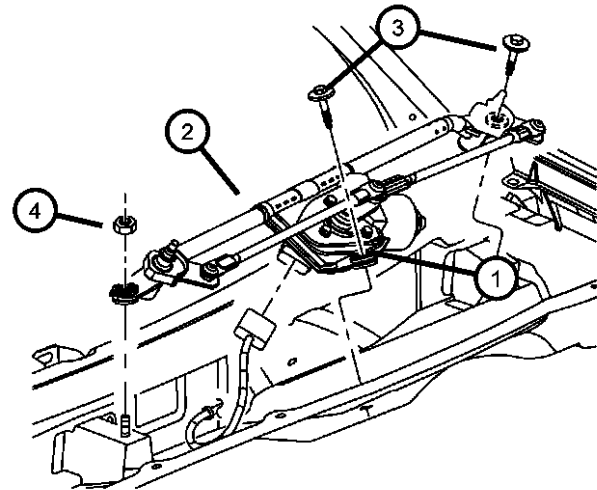
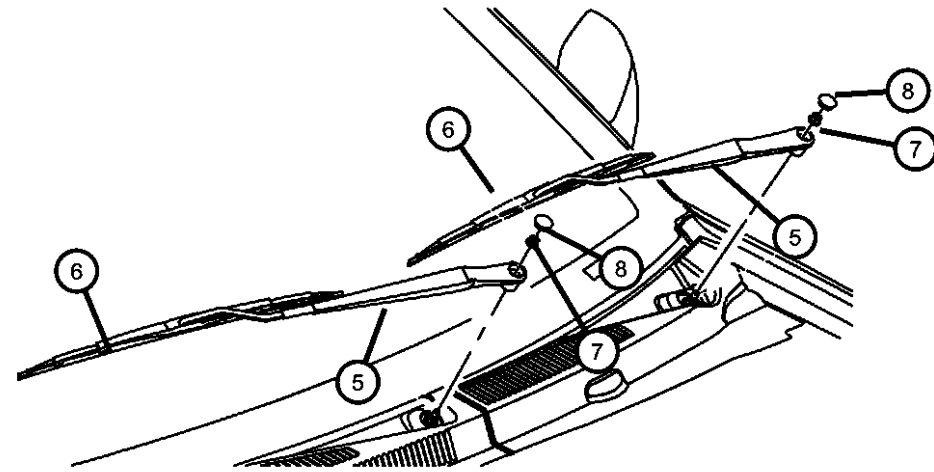
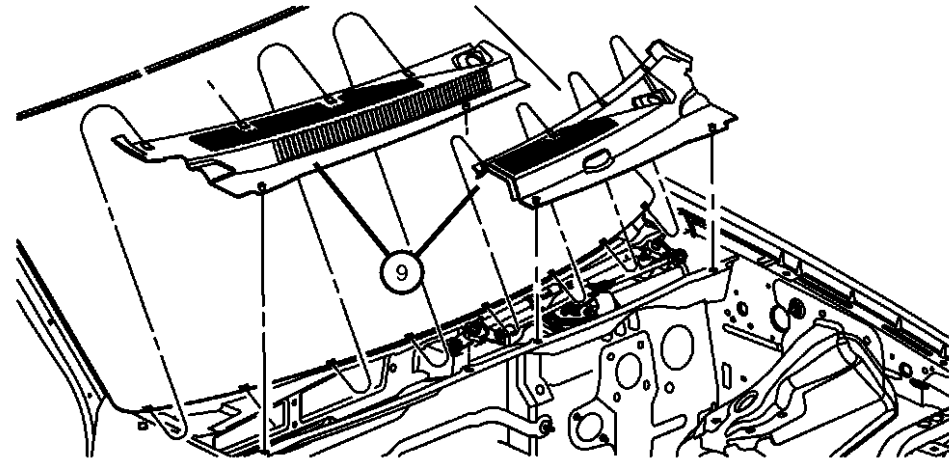
SERIES LINE
H = HIGHLINE T = JEEP - 2WD
P = PREMIUM J = JEEP - 4WD
S = SPORT
X = SPECIAL

BODY
74 = SPORT UTILITY 4-DR
TYPE #4

ENGINE TRANSMISSION
EVE = Engine - 4.7L V8 DOHC 3 Valve
EZB = 5.7L Hemi Multi Displacement Engine
EKG = 3.7L V6 Engine
ESF = 6.1L SRT HEMI SMPI V8 Engine
EXL = 3.0L V6 Turbo Diesel Engine
DGJ = 5-Speed Auto W5A580 Transmission
DGU = 5-Spd Auto W5J400 Transmission
DGQ = 5-Spd Automatic 545RFE Transmission

AR = use ase required - = Non illustrated part

**Front Wiper System
Figure 8-305**



ITEM	PART NUMBER	QTY	LINE	SERIES	BODY	ENGINE	TRANS	TRIM	DESCRIPTION
1	68040580AA	1	J, T		74				MOTOR KIT, Windshield Wiper
2	68040581AA	1	J, T		74				PIVOT AND LINKAGE, Wiper
3		1							SCREW AND WASHER, Hex Head, M6X1.0X40.00, (NOT SERVICED)
4		1							NUT AND WASHER, Hex, M6X1.00, (NOT SERVICED)
5									ARM, Front Wiper
	05143533AA	1	J, T		74				Left
	05143534AA	1	J, T		74				Right
6	05139095AB	1	J, T		74				BLADE, Front Wiper
	WBFLAT10AA								Mopar Alternative Flat Blade Set
	WBW00022AD								Mopar Alternative Winter Wiper Blades
	WB000022AE								Mopar V-Line Alternative Part
7	06508578AA	2	J, T		74				NUT AND WASHER, Hex Nut-Coned Washer, M8 x 1.25
8	04389440	2	J, T		74				CAP, Wiper Arm Nut
9									PANEL, Cowl Top
	55156852AG	1	J, T		74				Right
	55156853AG	1	J, T		74				Left

GRAND CHEROKEE (WK)

SERIES LINE
H = HIGHLINE T = JEEP - 2WD
P = PREMIUM J = JEEP - 4WD
S = SPORT
X = SPECIAL

BODY
74 = SPORT UTILITY 4-DR TYPE #4

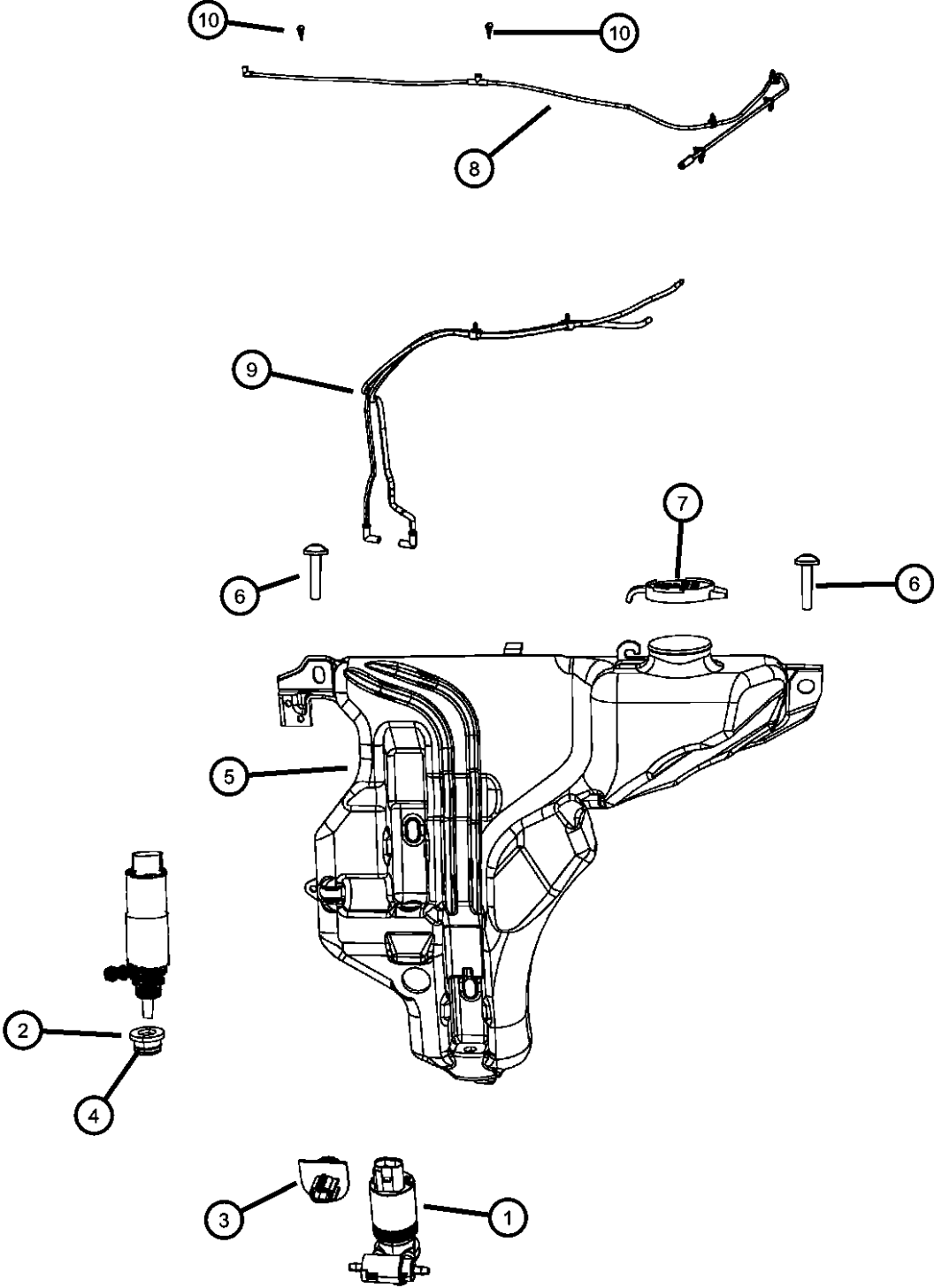
ENGINE TRANSMISSION
EVE = Engine - 4.7L V8 DOHC 3 Valve
EZH = 5.7L Hemi Multi Displacement Engine
EKG = 3.7L V6 Engine
ESF = 6.1L SRT HEMI SMPI V8 Engine
EXL = 3.0L V6 Turbo Diesel Engine
DGJ = 5-Speed Auto W5A580 Transmission
DGU = 5-Spd Auto W5J400 Transmission
DGQ = 5-Spd Automatic 545RFE Transmission

AR = use ase required - = Non illustrated part

2008 WK

**Front Washer System
Figure 8-310**

ITEM	PART NUMBER	QTY	LINE	SERIES	BODY	ENGINE	TRANS	TRIM	DESCRIPTION
1	05179153AC	1	J, T		74				PUMP, Windshield Washer, Dual Outlet
2	05152030AA	1	J, T		74				GROMMET, Windshield Washer Pump
3	68018918AA	1	J, T		74				SENSOR, Washer Fluid Level
4	05161326AA	1	J, T		74				GROMMET, Washer Level Sensor
5	68018916AA	1	J, T		74				RESERVOIR, Windshield Washer
6	06104366AA	2	J, T		74				SCREW AND WASHER, Hex Head, M6x1x20
7	05189351AA	1	J, T		74				CAP, Washer Reservoir
8	68018917AB	1	J, T		74				HOSE, Windshield Washer
9	55157431AC	1	J, T		74				HOSE ASSY, WINDSHIELD WASHER
10	55079049AA	2	J, T		74				NOZZLE, Washer, Windshield



GRAND CHEROKEE (WK)

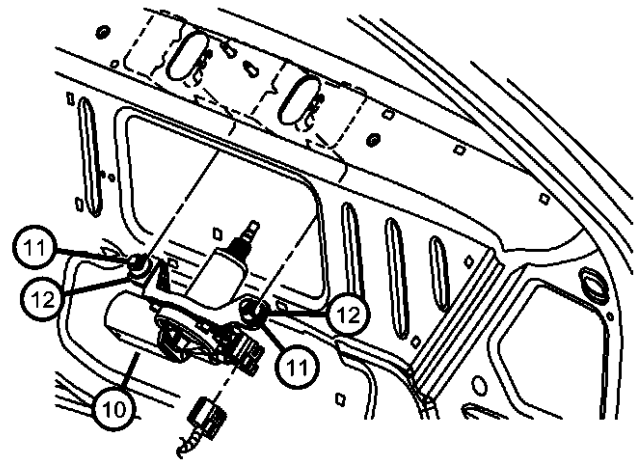
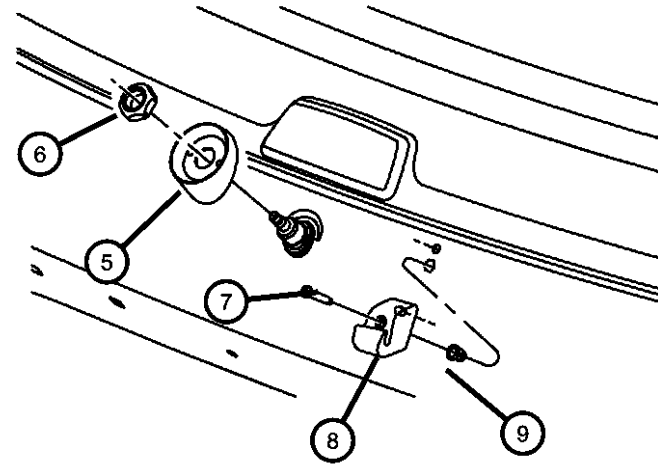
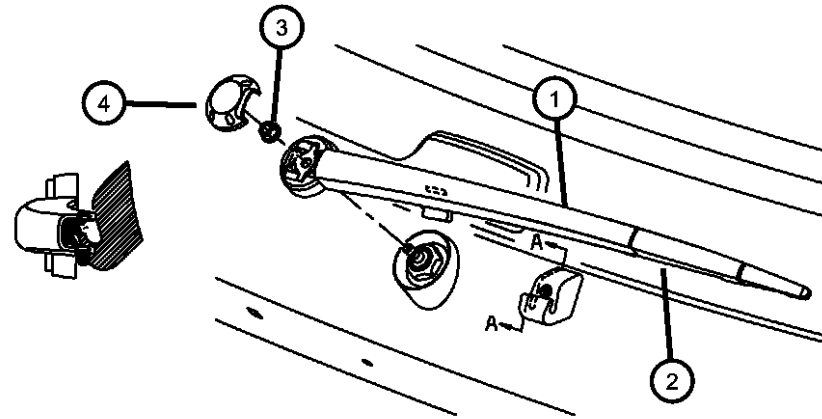
SERIES LINE
H = HIGHLINE T = JEEP - 2WD
P = PREMIUM J = JEEP - 4WD
S = SPORT
X = SPECIAL

BODY
74 = SPORT UTILITY 4-DR
TYPE #4

ENGINE TRANSMISSION
EVE = Engine - 4.7L V8 DOHC 3 Valve
EZB = 5.7L Hemi Multi Displacement Engine
EKG = 3.7L V6 Engine
ESF = 6.1L SRT HEMI SMPI V8 Engine
EXL = 3.0L V6 Turbo Diesel Engine
DGJ = 5-Speed Auto W5A580 Transmission
DGU = 5-Spd Auto W5J400 Transmission
DGQ = 5-Spd Automatic 545RFE Transmission

AR = use ase required - = Non illustrated part

Rear Wiper System
Figure 8-315



ITEM	PART NUMBER	QTY	LINE	SERIES	BODY	ENGINE	TRANS	TRIM	DESCRIPTION
1	05139836AB	1	J, T		74				ARM, Rear Wiper
2	05139835AC	1	J, T		74				BLADE, Rear Wiper
3	06104709AA	1	J, T		74				NUT, Hex Flange, M8x1.25
4	55156514AB	1	J, T		74				CAP, Wiper Arm Nut
5	55156372AB	1	J, T		74				BEZEL, Liftgate Wiper Motor
6	55156806AA	1	J, T		74				NUT, Rear Wiper Motor
7	06505062AA	1	J, T		74				SCREW, Pilot Point
8	55156371AD	1	J, T		74				RAMP, Wiper Park
9	06503245	1	J, T		74				NUT RIVET, Hex, M6X1.00
10	55156325AD	1	J, T		74				MOTOR, Liftgate Wiper
11	06503996	2	J, T		74				BOLT, Hex Flange Head, M6x1.00x30
12	04778097	2	J, T		74				GROMMET, WIPER FRAME

GRAND CHEROKEE (WK)

SERIES LINE
H = HIGHLINE T = JEEP - 2WD
P = PREMIUM J = JEEP - 4WD
S = SPORT
X = SPECIAL

BODY
74 = SPORT UTILITY 4-DR
TYPE #4

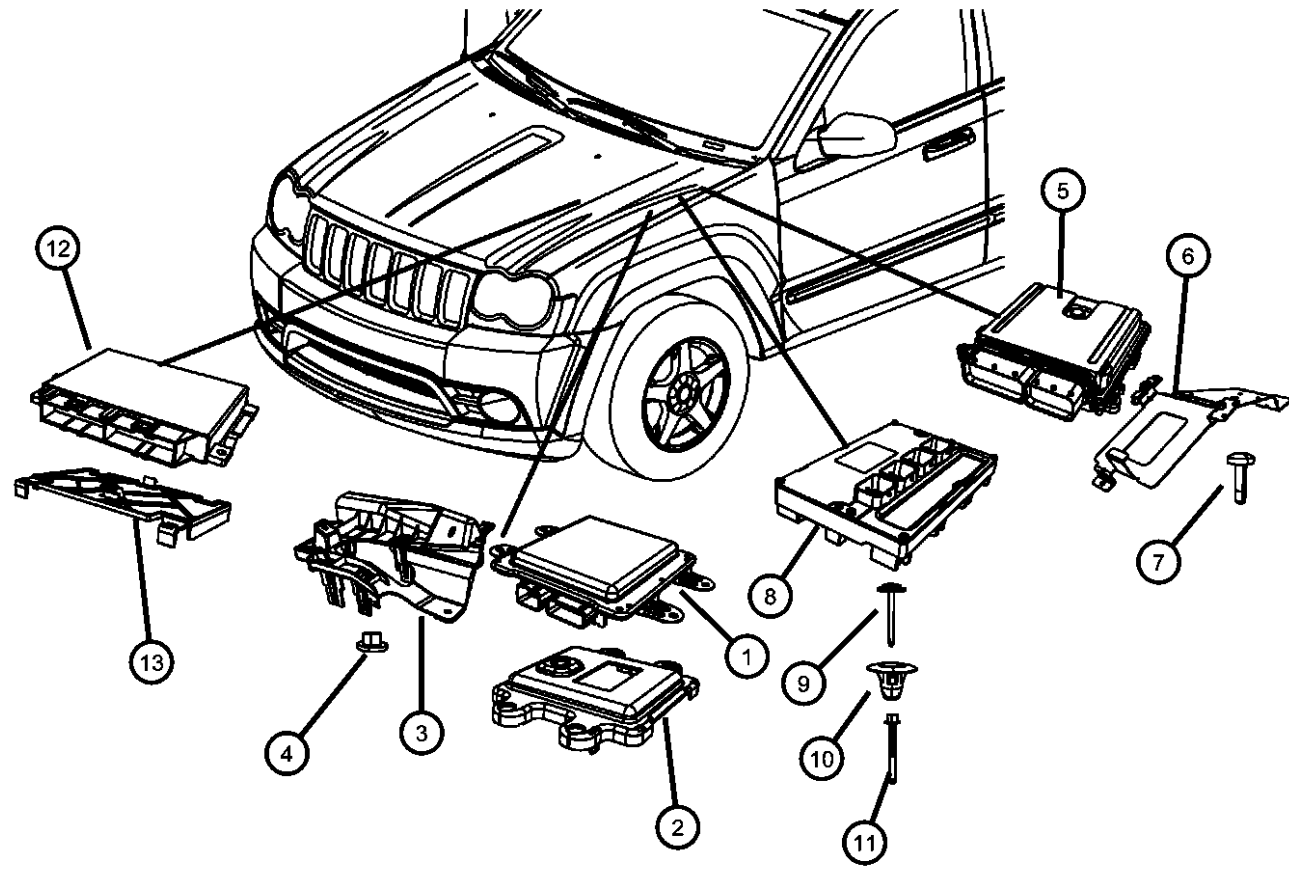
ENGINE TRANSMISSION
EVE = Engine - 4.7L V8 DOHC 3 Valve
EVB = Engine - 4.7L V8 DOHC 3 Valve
EZB = 5.7L Hemi Multi Displacement Engine
EKG = 3.7L V6 Engine
ESF = 6.1L SRT HEMI SMPI V8 Engine
EXL = 3.0L V6 Turbo Diesel Engine
DGJ = 5-Speed Auto W5A580 Transmission
DGU = 5-Spd Auto W5J400 Transmission
DGQ = 5-Spd Automatic 545RFE Transmission

AR = use ase required - = Non illustrated part

2008 WK

**Modules Engine Compartment
Figure 8-405**

ITEM	PART NUMBER	QTY	LINE	SERIES	BODY	ENGINE	TRANS	TRIM	DESCRIPTION
1	04692163AE	1	J, T		74	EK0, EV0			MODULE, Front Control
		1	J, T		74	ES0			
		1	J, T		74	EX0, EZ0			
2	04692074AA	1	J, T		74	EX0, EZ0			COVER, Control Unit
		1	J, T		74	ES0			
		1	J, T		74	EK0, EV0			
3	56049995AB	1	J, T		74				BRACKET, Power Distribution Center
4	06101968	3	J, T		74				NUT, M6x1.00, Front control module bracket
5	05187296AB	1	J		74	EXL	DG0		MODULE, Powertrain Control
	05187298AA	1	T		74	EXL	DG0		
6	05149043AB	1	J, T		74	EXL	DG0		BRACKET, Powertrain Control Module
7	06505026AA	2	J, T		74	EXL	DG0		SCREW, Pan Head, M5x0.8x16.00, Powertrain module and bracket attaching
8	05150302AC	1	J, T		74	EK0	DG0		MODULE, Powertrain Control, Generic
	05150255AC	1	J, T		74	EV0	DG0		
	05150311AC	1	J, T		74	ESF	DG0		
	05150258AC	1	J, T		74	EZ0	DG0		
9	04712006AB	1	J, T		74	EK0, ES0, EV0, EZ0			FASTENER, Powertrain control module attaching
10	06506655AA	1	J, T		74	EK0, EV0, EZ0			PLUG, Door Trim Panel, Powertrain control module attaching
11		1							SCREW, Tapping Hex Flange Head, M5x0.8x55.00, (NOT SERVICED)
12	05150240AB	1	J, T		74		DGJ, DGU		MODULE, Transmission Control
13	56044171AD	1	J, T		74		DGJ, DGU		BRACKET, Control Unit, Transmission control module



GRAND CHEROKEE (WK)

SERIES LINE
H = HIGHLINE T = JEEP - 2WD
P = PREMIUM J = JEEP - 4WD
S = SPORT
X = SPECIAL

BODY
74 = SPORT UTILITY 4-DR
TYPE #4

ENGINE
EVE = Engine - 4.7L V8 DOHC
3 Valve
EZB = 5.7L Hemi Multi
Displacement Engine
EKG = 3.7L V6 Engine
ESF = 6.1L SRT HEMI SMPI
V8 Engine
EXL = 3.0L V6 Turbo Diesel
Engine

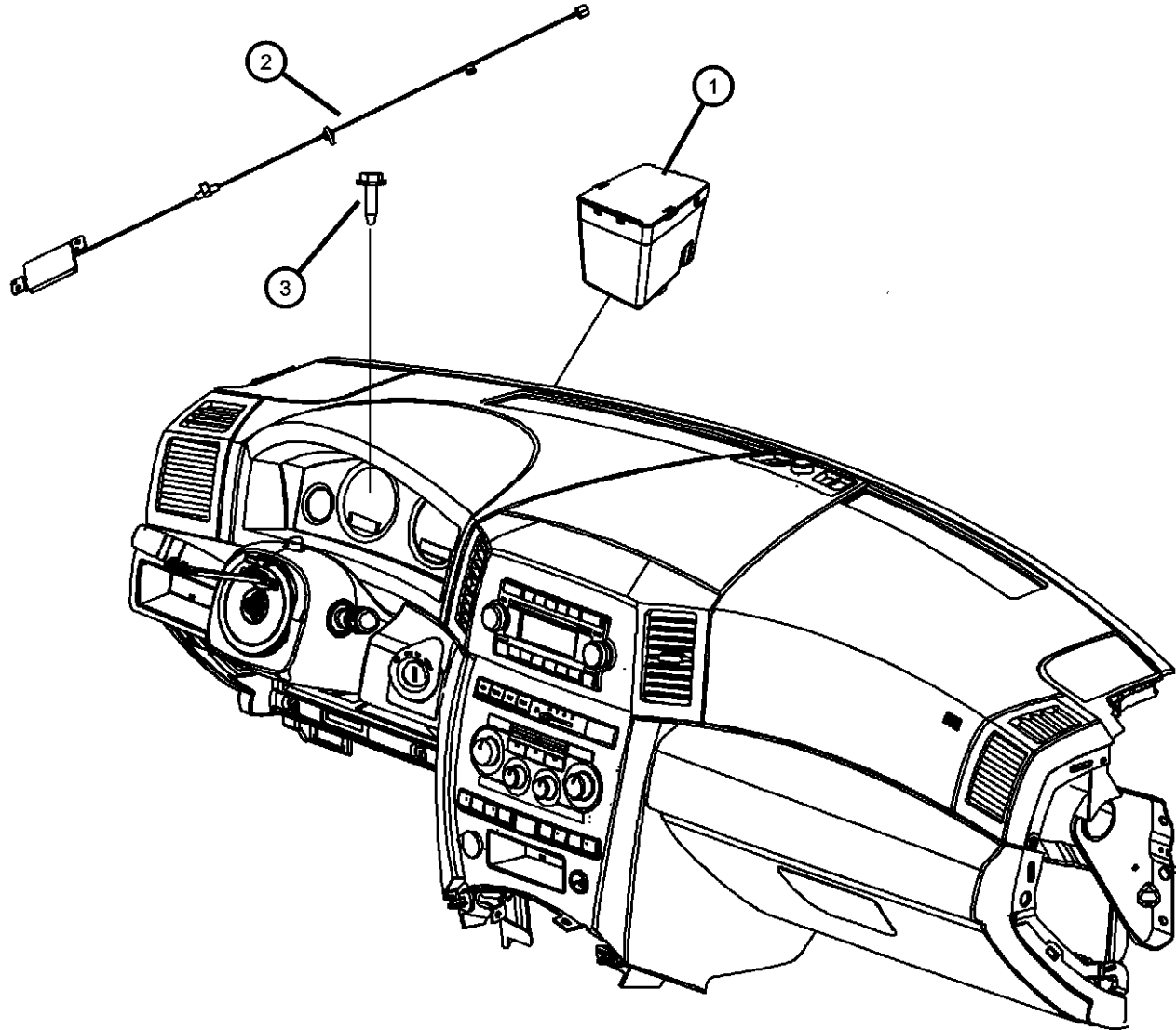
TRANSMISSION
DGJ = 5-Speed Auto W5A580
Transmission
DGU = 5-Spd Auto W5J400
Transmission
DGQ = 5-Spd Automatic 545RFE
Transmission

AR = use ase required - = Non illustrated part

2008 WK

Modules Instrument Panel
Figure 8-410

ITEM	PART NUMBER	QTY	LINE	SERIES	BODY	ENGINE	TRANS	TRIM	DESCRIPTION
1	05026296AD	1	J, T		74				RECEIVER, Wireless Ignition Node [LAB]
	05026297AD	1	J, T		74				[XGM]
	05026298AD	1	J, T		74				[XBM]
2	05026234AA	1	J, T		74				ANTENNA, Keyless Entry
3		1							SCREW, Tapping Hex Head, M4.2X1.7X15.80, (NOT SERVICED)



GRAND CHEROKEE (WK)

SERIES LINE
H = HIGHLINE T = JEEP - 2WD
P = PREMIUM J = JEEP - 4WD
S = SPORT
X = SPECIAL

BODY
74 = SPORT UTILITY 4-DR
TYPE #4

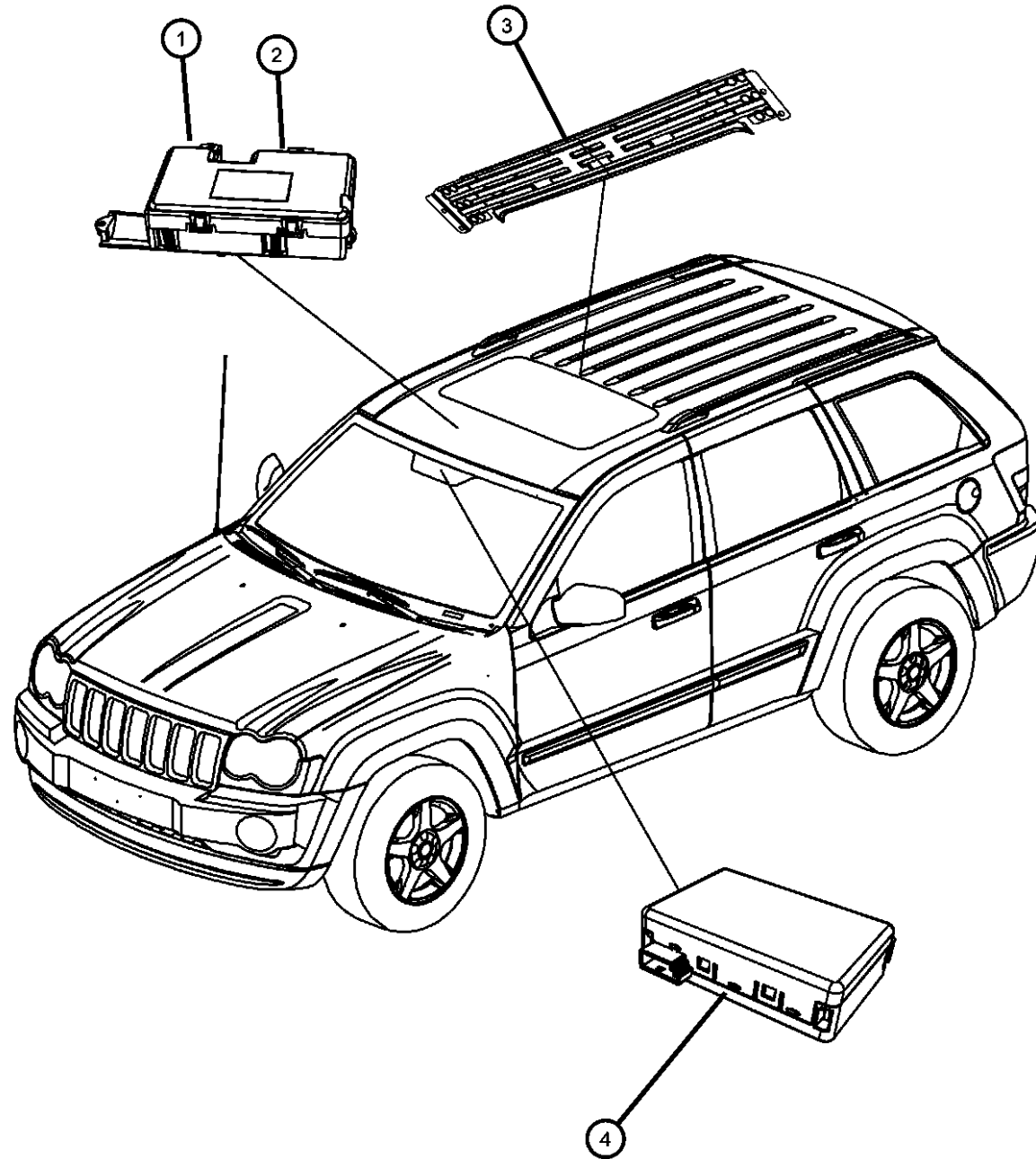
ENGINE TRANSMISSION
EVE = Engine - 4.7L V8 DOHC 3 Valve
EVB = Engine - 4.7L V8 DOHC 3 Valve
EZE = 5.7L Hemi Multi Displacement Engine
EKG = 3.7L V6 Engine
ESF = 6.1L SRT HEMI SMPI V8 Engine
EXL = 3.0L V6 Turbo Diesel Engine
DGJ = 5-Speed Auto W5A580 Transmission
DGU = 5-Spd Auto W5J400 Transmission
DGQ = 5-Spd Automatic 545RFE Transmission

AR = use ase required - = Non illustrated part

2008 WK

Modules Overhead
Figure 8-415

ITEM	PART NUMBER	QTY	LINE	SERIES	BODY	ENGINE	TRANS	TRIM	DESCRIPTION
1	1HT92BD1AA	1	J, T		74				MODULE, Compass
2	1HT94BD1AA	1	J, T		74				MODULE, Compass Temperature, W/Garage Door Opener
3	56050078AN	1	J, T		74				MODULE, Rain Sensor
4	05137557AF	1	J, T		74				MOTOR/MODULE, Sunroof



GRAND CHEROKEE (WK)

SERIES LINE
H = HIGHLINE T = JEEP - 2WD
P = PREMIUM J = JEEP - 4WD
S = SPORT
X = SPECIAL

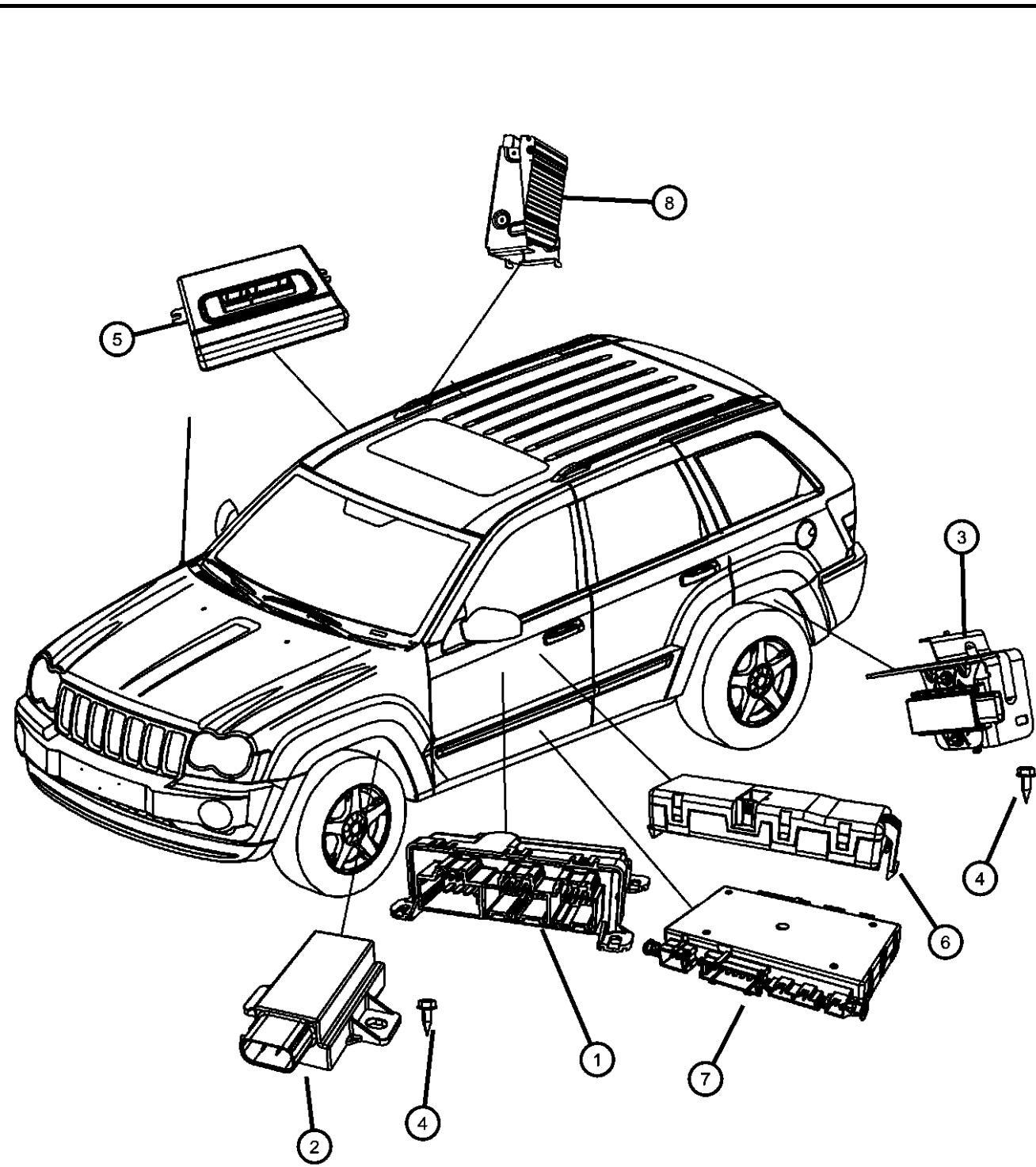
BODY
74 = SPORT UTILITY 4-DR
TYPE #4

ENGINE TRANSMISSION
EVE = Engine - 4.7L V8 DOHC 3 Valve
EVB = Engine - 4.7L V8 DOHC 3 Valve
EZB = 5.7L Hemi Multi Displacement Engine
EKG = 3.7L V6 Engine
ESF = 6.1L SRT HEMI SMPI V8 Engine
EXL = 3.0L V6 Turbo Diesel Engine
DGJ = 5-Speed Auto W5A580 Transmission
DGU = 5-Spd Auto W5J400 Transmission
DGQ = 5-Spd Automatic 545RFE Transmission

AR = use ase required - = Non illustrated part

2008 WK

Modules Body
Figure 8-420



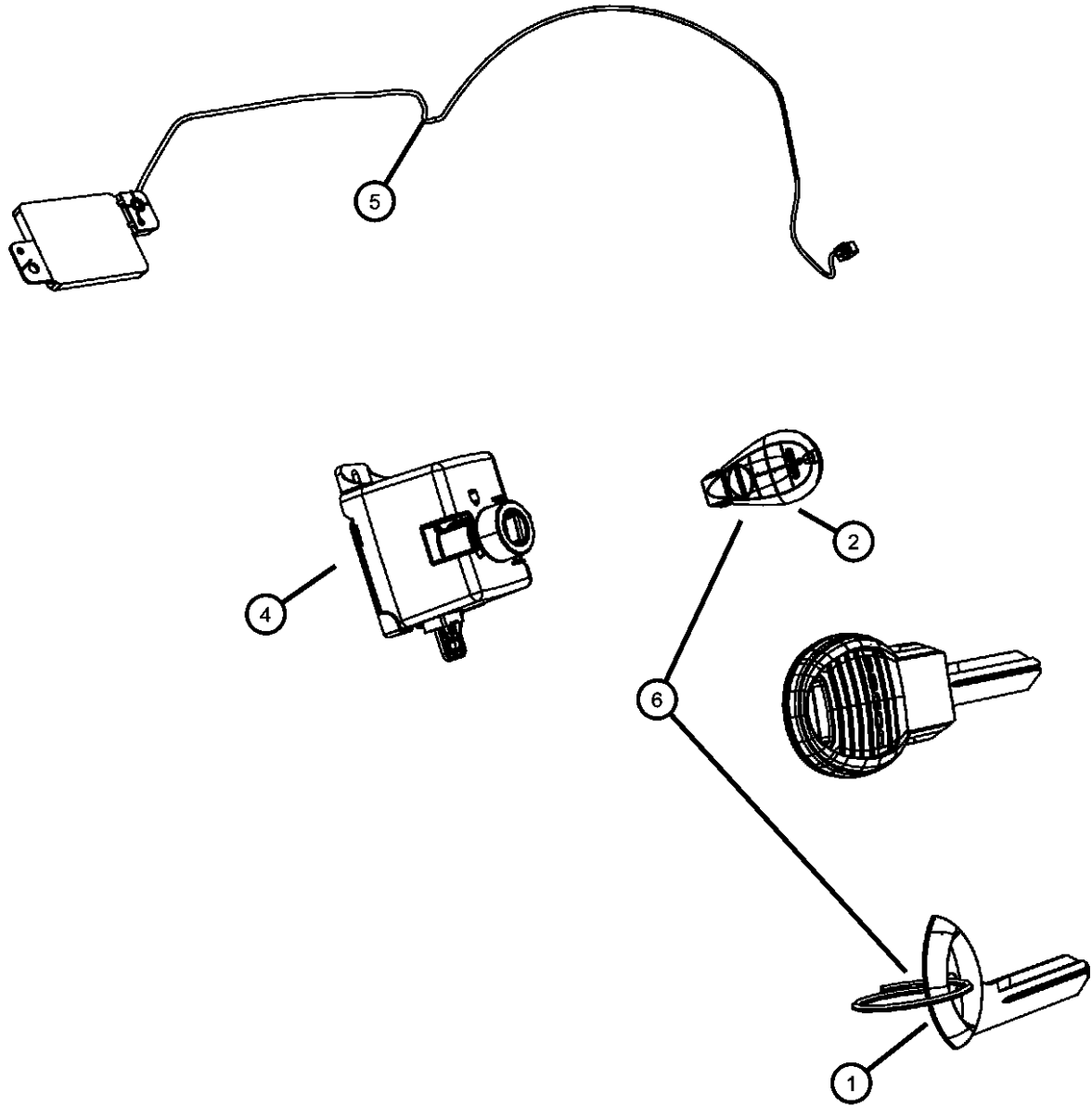
ITEM	PART NUMBER	QTY	LINE	SERIES	BODY	ENGINE	TRANS	TRIM	DESCRIPTION
1									MODULE, Door
	04602922AB	2	J, T		74				
	04602921AB	2	J, T		74				[LEW]
2	56053034AC	2	J, T		74				MODULE, Low Tire Pressure Warning, Wheel sensor trigger
3	56044729AC	1	J, T		74				MODULE, Low Tire Pressure Warning, Trigger
4	00154552	4	J, T		74				SCREW, Hex Head, .190-16x.625
5									MODULE, Transfer Case Control
	05035000AB	1	J		74	ESF			[DHB]
	56044129AM	1	J		74				[DHX.DS7]
	56044199AM	1	J		74				[DHX.DSG]
6									MODULE, Heated Seat
	04602670AC	1	J, T		74				
	04602794AC	1	J, T		74				[JPZ]
7									MODULE, Seat Memory
	04602437AO	1	J, T		74				
		1	J, T	X	74				
8									MODULE, Power Inverter
	05026278AB	1	J, T		74				
	05107079AB	1	J, T		74				With bracket

GRAND CHEROKEE (WK)

SERIES	LINE	BODY	ENGINE	TRANSMISSION
H = HIGHLINE	T = JEEP - 2WD	74 = SPORT UTILITY 4-DR	EVE = Engine - 4.7L V8 DOHC 3 Valve	DGJ = 5-Speed Auto W5A580 Transmission
P = PREMIUM	J = JEEP - 4WD	TYPE #4	EZB = 5.7L Hemi Multi Displacement Engine	DGU = 5-Spd Auto W5J400 Transmission
S = SPORT			EKG = 3.7L V6 Engine	DGQ = 5-Spd Automatic 545RFE Transmission
X = SPECIAL			ESF = 6.1L SRT HEMI SMPI V8 Engine	
			EXL = 3.0L V6 Turbo Diesel Engine	

AR = use ase required - = Non illustrated part

Receiver Modules, Keys, and Key FOBS
Figure 8-435



ITEM	PART NUMBER	QTY	LINE	SERIES	BODY	ENGINE	TRANS	TRIM	DESCRIPTION
1	68029829AA	2	J, T		74				KEY, Blank
2									TRANSMITTER, Integrated Key FOB
	05026308AD	2	J, T		74				[XGM]
	05026309AD	2	J, T		74				[XBM]
		2	J, T		74				[LAB]
-3	05066241AA	2	J, T		74				BATTERY, Transmitter
4									RECEIVER, Wireless Ignition Node
	05026296AD	1	J, T		74				[LAB]
	05026297AD	1	J, T		74				[XGM]
	05026298AD	1	J, T		74				[XBM]
5	05026234AA	1	J, T		74				ANTENNA, Keyless Entry
6									TRANSMITTER KIT, Integrated Key FOB
	68043894AA	2	J, T		74				[LAB]
		2	J, T		74				[XGM]
	68043895AA	1	J, T		74				[XBM]

GRAND CHEROKEE (WK)

SERIES LINE
H = HIGHLINE T = JEEP - 2WD
P = PREMIUM J = JEEP - 4WD
S = SPORT
X = SPECIAL

BODY
74 = SPORT UTILITY 4-DR
TYPE #4

ENGINE TRANSMISSION
EVE = Engine - 4.7L V8 DOHC 3 Valve
EVB = Engine - 4.7L V8 DOHC 3 Valve
EZB = 5.7L Hemi Multi Displacement Engine
EKG = 3.7L V6 Engine
ESF = 6.1L SRT HEMI SMPI V8 Engine
EXL = 3.0L V6 Turbo Diesel Engine
DGJ = 5-Speed Auto W5A580 Transmission
DGU = 5-Spd Auto W5J400 Transmission
DGQ = 5-Spd Automatic 545RFE Transmission

AR = use ase required - = Non illustrated part

**Power Distribution Center
Figure 8-505**

ITEM	PART NUMBER	QTY	LINE	SERIES	BODY	ENGINE	TRANS	TRIM	DESCRIPTION
1									POWER DISTRIBUTION CENTER
	04692165AB	1	J, T		74	EK0, EV0			
		1	J, T		74	ES0			
	04692167AB	1	J, T		74	EX0, EZ0			
	04692164AB	1	J, T		74	EK0, EV0			[AHT,AHX]
		1	J, T		74	EX0, EZ0			[AHX]
2	04671168	1	J, T		74				RELAY, Mini
3	04727370AA	2	J, T		74	EX0, EZ0			RELAY, Mini
4									FUSE CARTRIDGE, 30 Amp
	04868007AA	1	J, T		74	EK0, EV0			
		1	J, T		74	EX0, EZ0			
		1	J, T		74	ES0			
5									FUSE CARTRIDGE, 50 Amp
	06102078AA	1	J, T		74	EX0, EZ0			
		1	J, T		74	EK0, EV0			
		1	J, T		74	ES0			
6									FUSE, Mini, 10 AMP, Red
	000ATM10	5	J, T		74	EK0, EV0			
		5	J, T		74	ES0			
		5	J, T		74	EX0, EZ0			
7									FUSE, Mini, 15 AMP, Light Blue
	000ATM15	1	J, T		74	EK0, EV0			
		1	J, T		74	ES0			
		1	J, T		74	EX0, EZ0			
8									FUSE, Mini, 20 AMP, Yellow
	000ATM20	11	J, T		74	EK0, EV0			
		11	J, T		74	ES0			
		11	J, T		74	EX0, EZ0			
9	000ATM25	1							FUSE, Mini, 25 Amp, Natural
10	000MAX50	1							FUSE, Maxi, 50 AMP, Red
11	000ATM30	1							FUSE, Mini, 30 AMP, Green
12	000MAX30	1							FUSE, Maxi, 30 Amp, Green

GRAND CHEROKEE (WK)
 SERIES LINE
 H = HIGHLINE T = JEEP - 2WD
 P = PREMIUM J = JEEP - 4WD
 S = SPORT
 X = SPECIAL

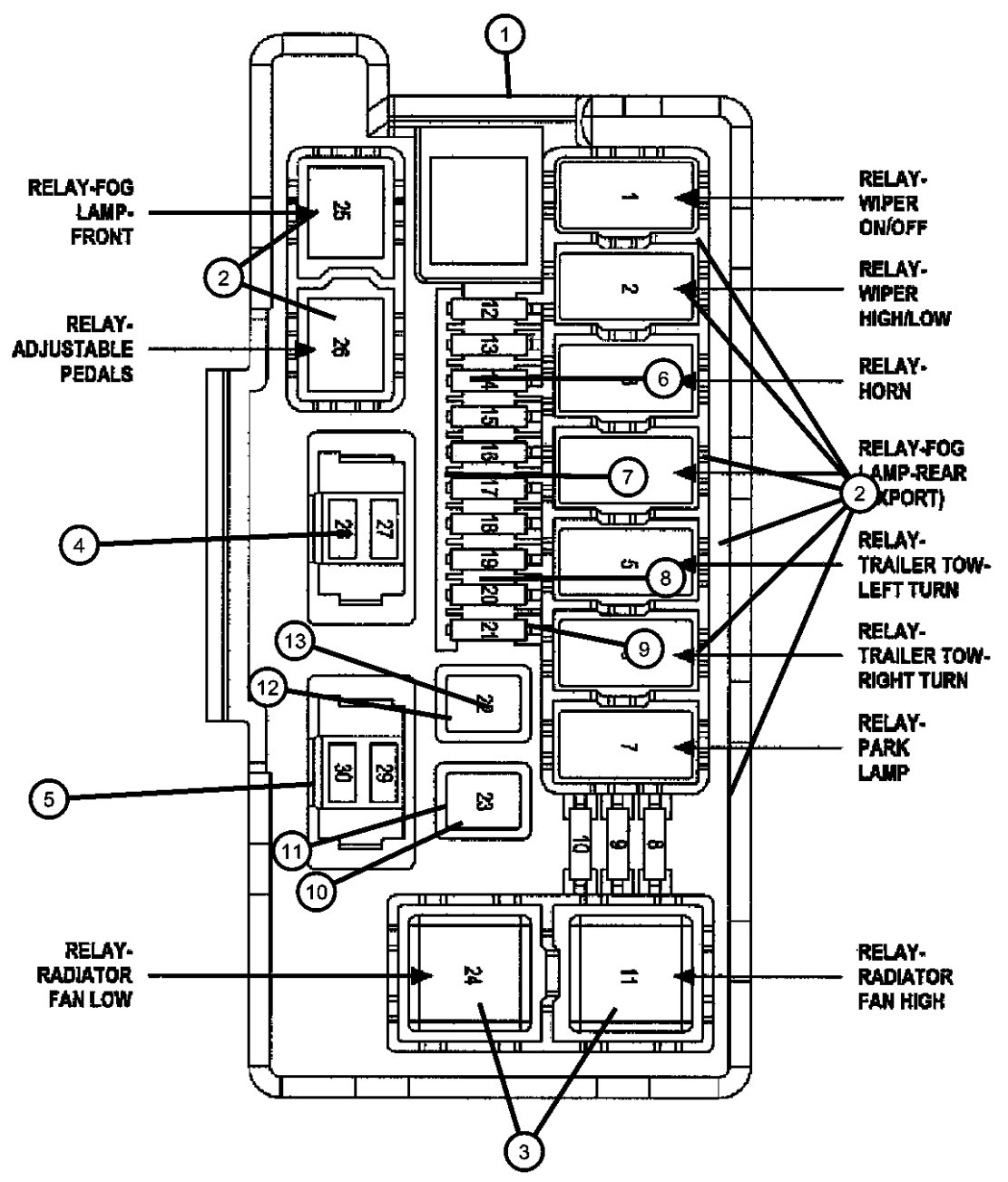
BODY
 74 = SPORT UTILITY 4-DR
 TYPE #4

ENGINE
 EVE = Engine - 4.7L V8 DOHC
 3 Valve
 EZB = 5.7L Hemi Multi
 Displacement Engine
 EKG = 3.7L V6 Engine
 ESF = 6.1L SRT HEMI SMPI
 V8 Engine
 EXL = 3.0L V6 Turbo Diesel
 Engine

TRANSMISSION
 DGJ = 5-Speed Auto W5A580
 Transmission
 DGU = 5-Spd Auto W5J400
 Transmission
 DGQ = 5-Spd Automatic 545RFE
 Transmission

AR = use ase required - = Non illustrated part

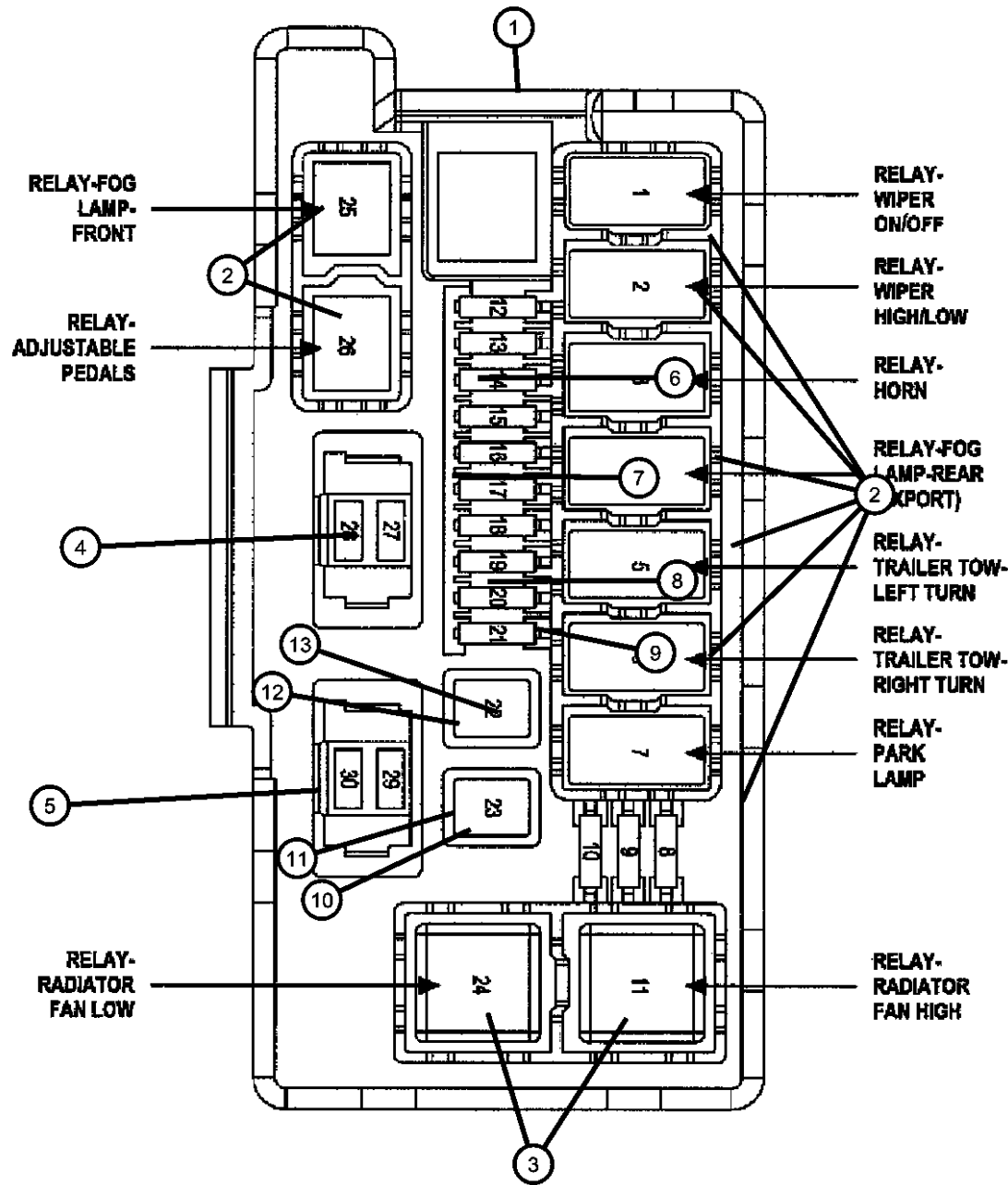
MODULE-INTEGRATED POWER



Power Distribution Center
Figure 8-505

ITEM	PART NUMBER	QTY	LINE	SERIES	BODY	ENGINE	TRANS	TRIM	DESCRIPTION
13	000MAX40	1							FUSE, Maxi, 40 AMP, Amber
-14	68026933AA	1	J, T		74	EK0, EV0			COVER, Power Distribution Center
		1	J, T		74	ES0			
		1	J, T		74	EX0, EZ0			

MODULE-INTEGRATED POWER



GRAND CHEROKEE (WK)

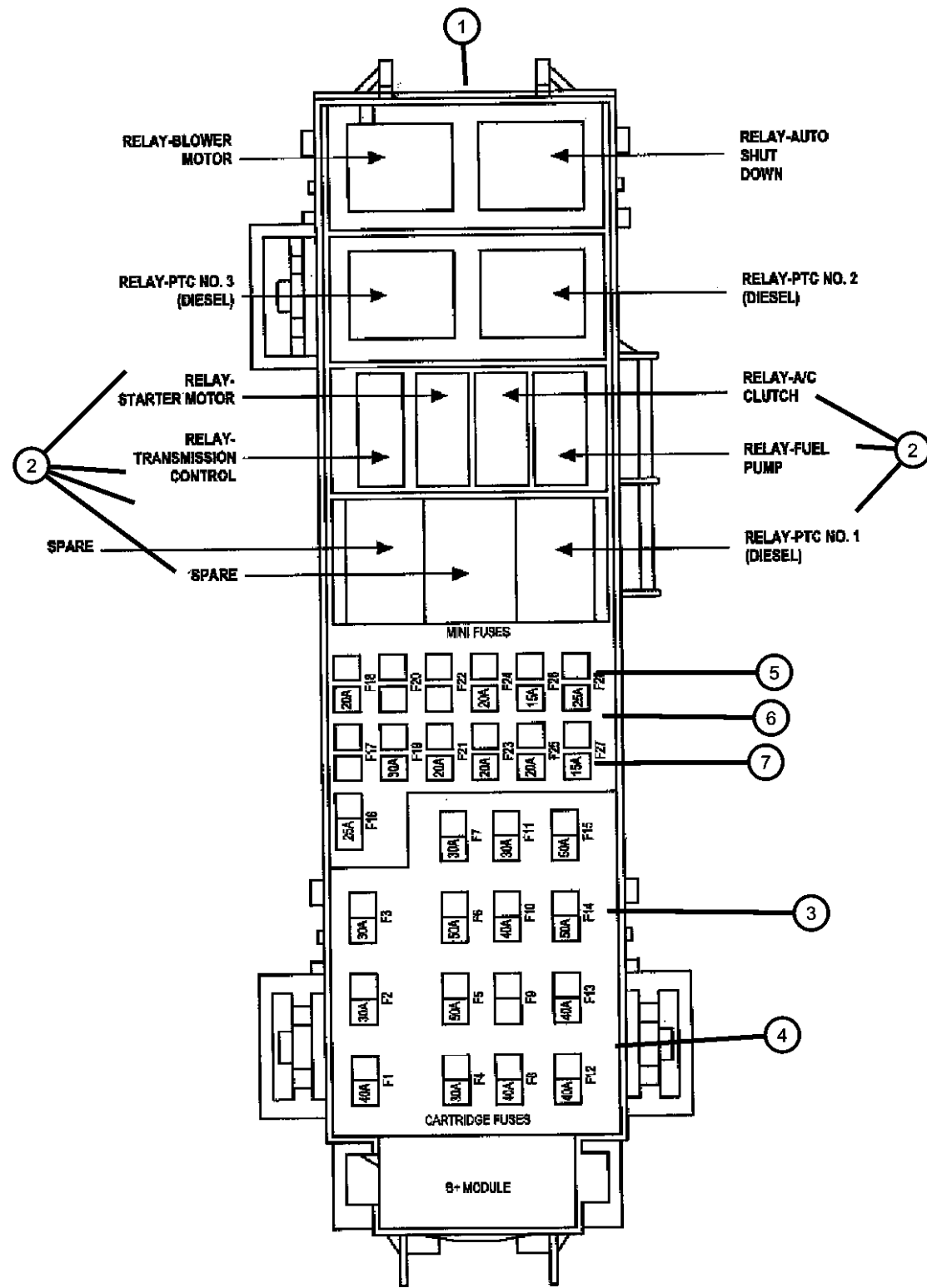
SERIES LINE
H = HIGHLINE T = JEEP - 2WD
P = PREMIUM J = JEEP - 4WD
S = SPORT
X = SPECIAL

BODY
74 = SPORT UTILITY 4-DR
TYPE #4

ENGINE TRANSMISSION
EVE = Engine - 4.7L V8 DOHC 3 Valve
EVB = 5.7L Hemi Multi Displacement Engine
EKG = 3.7L V6 Engine
ESF = 6.1L SRT HEMI SMPI V8 Engine
EXL = 3.0L V6 Turbo Diesel Engine
DGJ = 5-Speed Auto W5A580 Transmission
DGU = 5-Spd Auto W5J400 Transmission
DGQ = 5-Spd Automatic 545RFE Transmission

AR = use ase required - = Non illustrated part

**Power Distribution Center
Figure 8-510**



ITEM	PART NUMBER	QTY	LINE	SERIES	BODY	ENGINE	TRANS	TRIM	DESCRIPTION
1		1							POWER DISTRIBUTION CENTER, Serviced in Headlamp to Dash Wiring, (NOT SERVICED)
2	04671168	1	J, T		74				RELAY, Mini
3	04868007AA	1	J, T		74	EX0, EZ0			FUSE CARTRIDGE, 30 Amp
		1	J, T		74	EK0, EV0			
		1	J, T		74	ES0			
4	06102078AA	1	J, T		74	EX0, EZ0			FUSE CARTRIDGE, 50 Amp
		1	J, T		74	EK0, EV0			
		1	J, T		74	ES0			
5	000ATM10	5	J, T		74	EK0, EV0			FUSE, Mini, 10 AMP, Red
		5	J, T		74	ES0			
		5	J, T		74	EX0, EZ0			
6	000ATM15	1	J, T		74	EK0, EV0			FUSE, Mini, 15 AMP, Light Blue
		1	J, T		74	ES0			
		1	J, T		74	EX0, EZ0			
7	000ATM20	11	J, T		74	EX0, EZ0			FUSE, Mini, 20 AMP, Yellow
		11	J, T		74	EK0, EV0			
		11	J, T		74	ES0			

GRAND CHEROKEE (WK)

SERIES LINE
H = HIGHLINE T = JEEP - 2WD
P = PREMIUM J = JEEP - 4WD
S = SPORT
X = SPECIAL

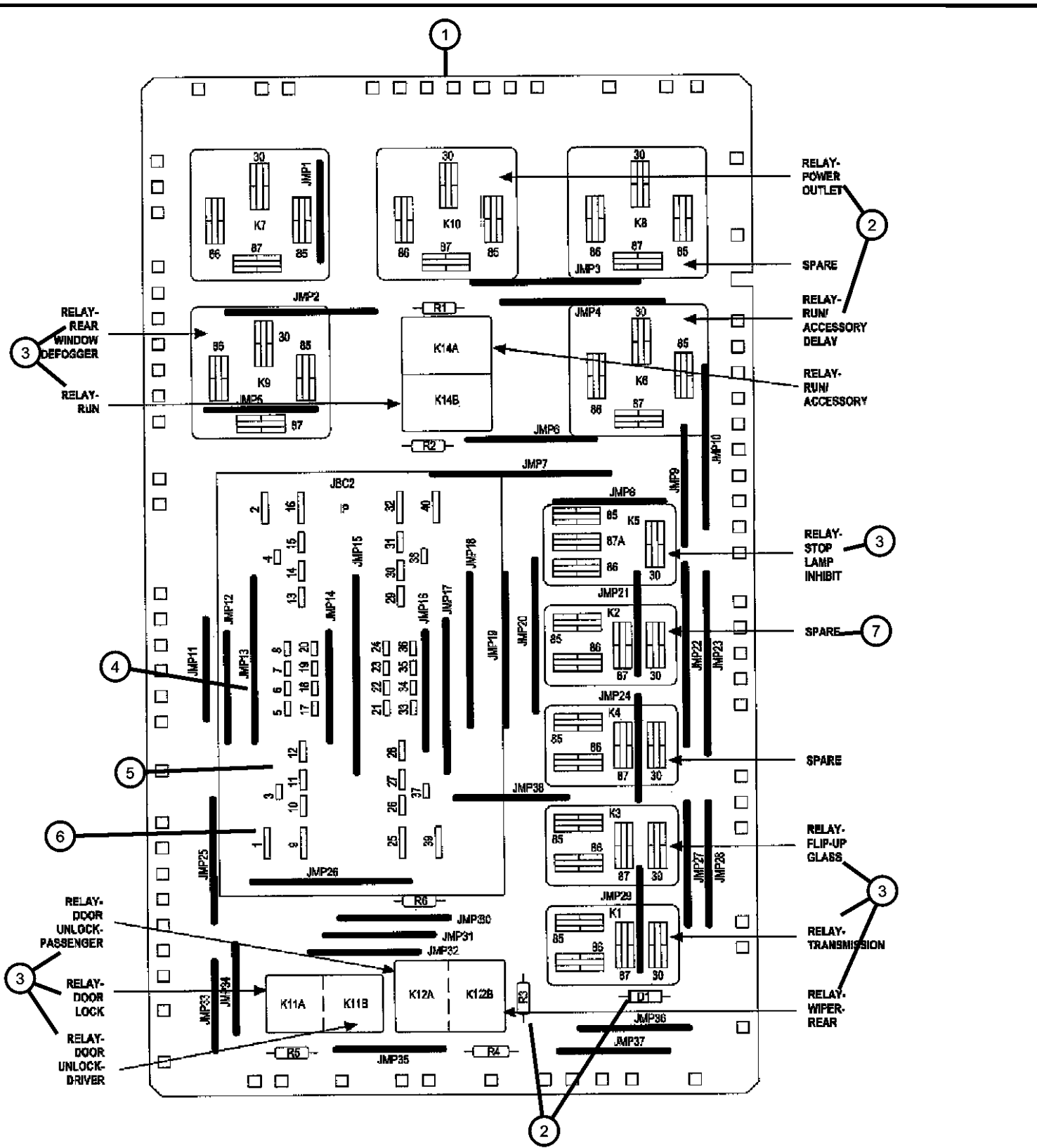
BODY
74 = SPORT UTILITY 4-DR
TYPE #4

ENGINE
EVE = Engine - 4.7L V8 DOHC 3 Valve
EZB = 5.7L Hemi Multi Displacement Engine
EKG = 3.7L V6 Engine
ESF = 6.1L SRT HEMI SMPI V8 Engine
EXL = 3.0L V6 Turbo Diesel Engine

TRANSMISSION
DGJ = 5-Speed Auto W5A580 Transmission
DGU = 5-Spd Auto W5J400 Transmission
DGQ = 5-Spd Automatic 545RFE Transmission

AR = use ase required - = Non illustrated part

Junction Block Fuses and Relays
Figure 8-515



ITEM	PART NUMBER	QTY	LINE	SERIES	BODY	ENGINE	TRANS	TRIM	DESCRIPTION
1	56048366AE	1	J, T		74				JUNCTION BLOCK, Relay
2	05143950AA	1	J, T		74				BREAKER, Circuit SILVER
	05143953AA	1	J, T		74				GOLD
3	04671168	1	J, T		74				RELAY, Mini
4	000ATM10	5	J, T		74	EK0, EVO			FUSE, Mini, 10 AMP, Red
		5	J, T		74	ES0			
		5	J, T		74	EX0, EZ0			
5	000ATM15	1	J, T		74	EK0, EVO			FUSE, Mini, 15 AMP, Light Blue
		1	J, T		74	ES0			
		1	J, T		74	EX0, EZ0			
6	000ATM20	11	J, T		74	EX0, EZ0			FUSE, Mini, 20 AMP, Yellow
		11	J, T		74	EK0, EVO			
		11	J, T		74	ES0			
7	04671168	1	J, T		74				RELAY, Mini

GRAND CHEROKEE (WK)
 SERIES LINE
 H = HIGHLINE T = JEEP - 2WD
 P = PREMIUM J = JEEP - 4WD
 S = SPORT
 X = SPECIAL

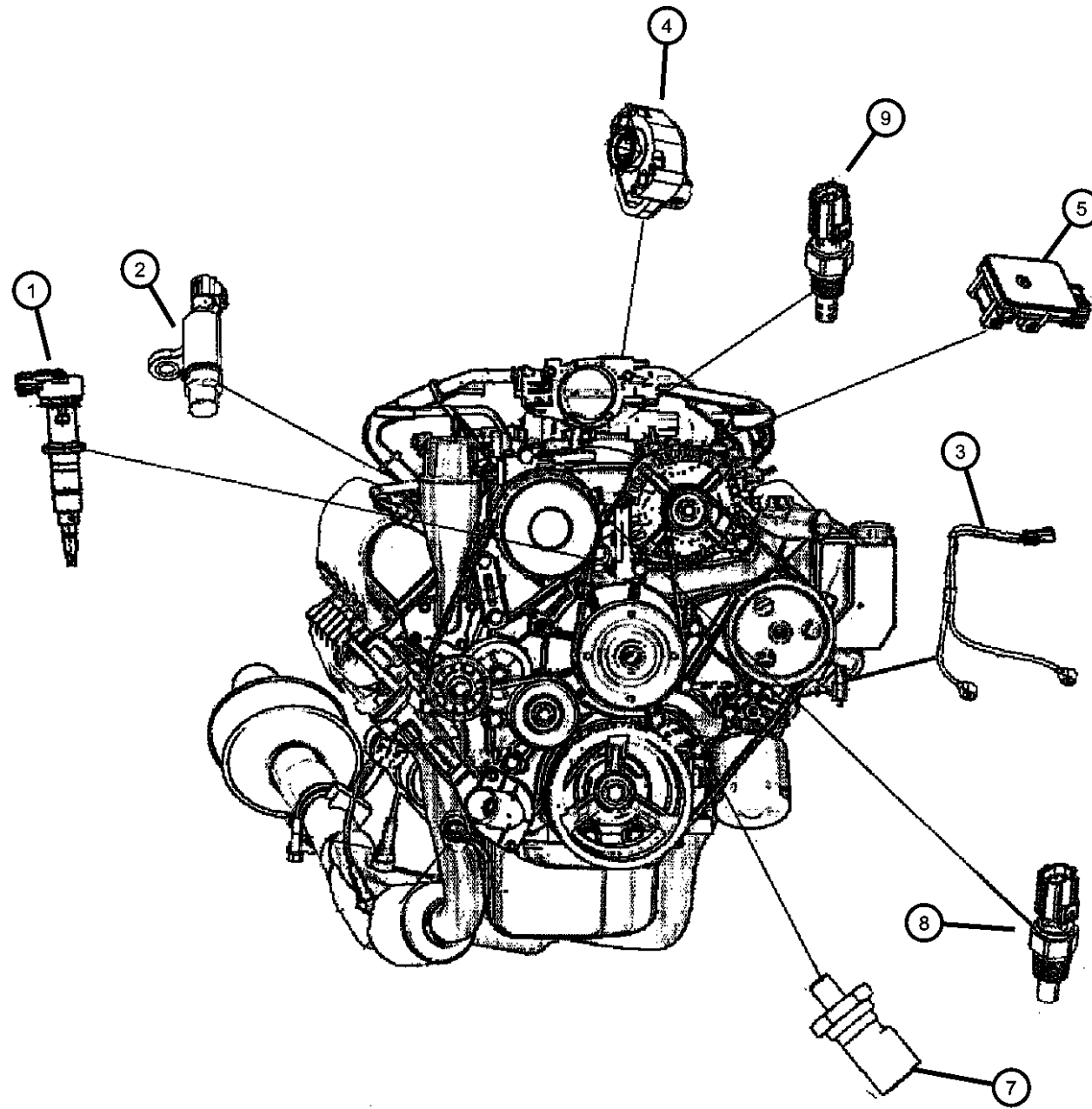
BODY
 74 = SPORT UTILITY 4-DR
 TYPE #4

ENGINE
 EVE = Engine - 4.7L V8 DOHC
 3 Valve
 EZB = 5.7L Hemi Multi
 Displacement Engine
 EKG = 3.7L V6 Engine
 ESF = 6.1L SRT HEMI SMPI
 V8 Engine
 EXL = 3.0L V6 Turbo Diesel
 Engine

TRANSMISSION
 DGJ = 5-Speed Auto W5A580
 Transmission
 DGU = 5-Spd Auto W5J400
 Transmission
 DGQ = 5-Spd Automatic 545RFE
 Transmission

AR = use as required - = Non illustrated part

Sensors, Gas Engine
Figure 8-606



ITEM	PART NUMBER	QTY	LINE	SERIES	BODY	ENGINE	TRANS	TRIM	DESCRIPTION
1	05149054AA	1	J, T		74	EK0, EV0			SENSOR, Camshaft
2	68046030AA	1	J, T		74	EV0			SENSOR, Crankshaft Position
3	68045802AA	1	J, T		74	EV0			SENSOR, Knock
4		1							SENSOR, Throttle Position, serviced in throttle body, (NOT SERVICED)
5	56041018AC	1	J, T		74	EV0			SENSOR, MAP
-6	06102192AA	1	J, T		74	EV0			BOLT, Hex Flange Head, M4.2X1.70X16.00, MAP SENSOR TO INTAKE MANIFOLD
7	05149097AA	1	J, T		74	EK0, EV0			SENDING UNIT, Oil Pressure
8	68045803AA	1	J, T		74	EV0			SENSOR, Coolant Temperature
9		1							SENSOR, Air Temperature, Serviced in duct, (NOT SERVICED)

GRAND CHEROKEE (WK)

SERIES LINE
H = HIGHLINE T = JEEP - 2WD
P = PREMIUM J = JEEP - 4WD
S = SPORT
X = SPECIAL

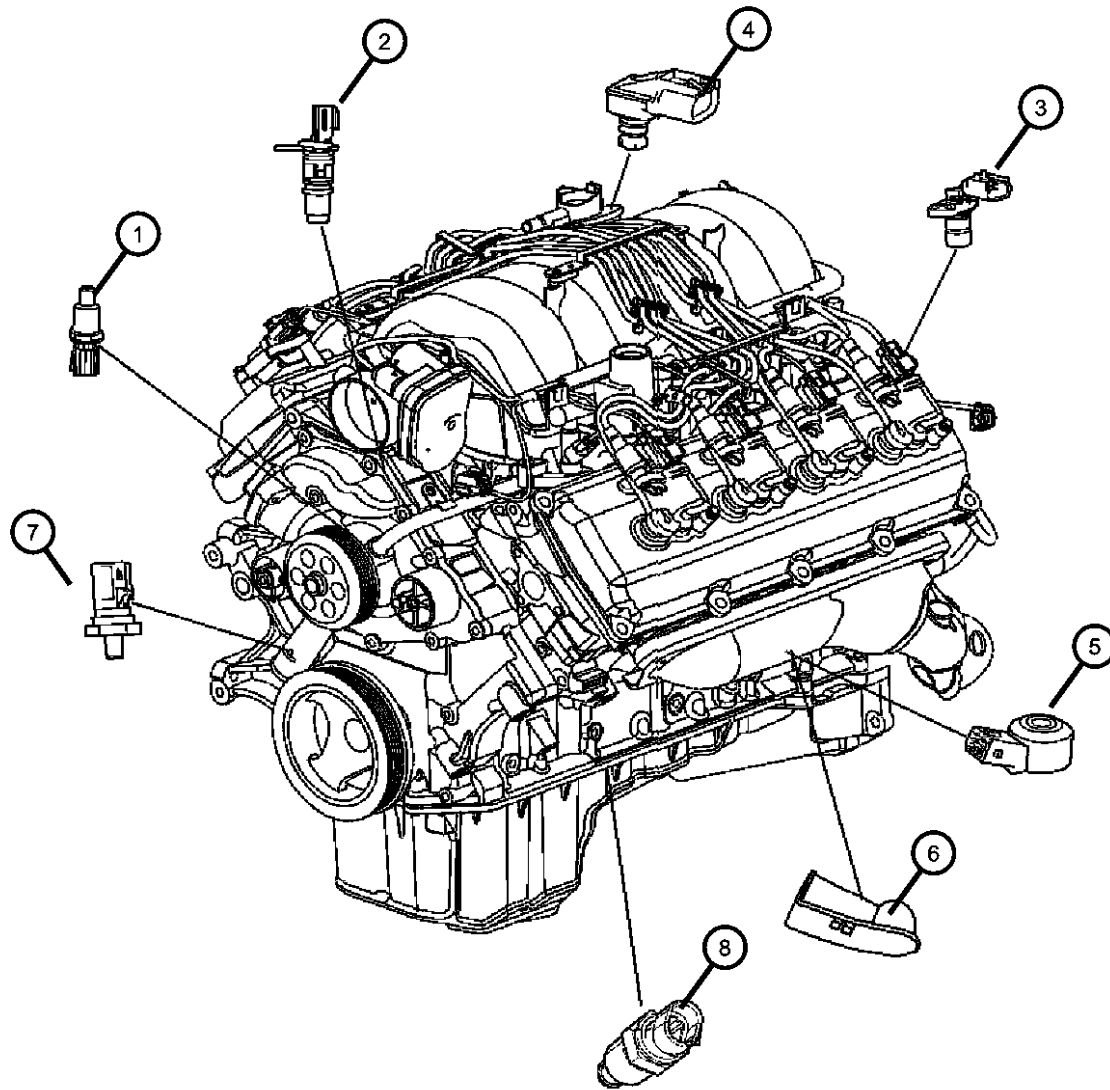
BODY
74 = SPORT UTILITY 4-DR TYPE #4

ENGINE TRANSMISSION
EVE = Engine - 4.7L V8 DOHC 3 Valve DGJ = 5-Speed Auto W5A580 Transmission
EZB = 5.7L Hemi Multi Displacement Engine DGU = 5-Spd Auto W5J400 Transmission
EKG = 3.7L V6 Engine DGQ = 5-Spd Automatic 545RFE Transmission
ESF = 6.1L SRT HEMI SMPI V8 Engine
EXL = 3.0L V6 Turbo Diesel Engine

AR = use ase required - = Non illustrated part

2008 WK

Sensors, Gas Engine
Figure 8-607



ITEM	PART NUMBER	QTY	LINE	SERIES	BODY	ENGINE	TRANS	TRIM	DESCRIPTION
1	05149077AB	1	J, T		74	EZ0			SENSOR, Coolant Temperature
		1	J, T		74	ES0			
2	05149054AA	1	J, T		74	ESF, EZ0			SENSOR, Camshaft
3	05149009AA	1	J, T		74	EZ0			SENSOR, Crankshaft Position
		1	J, T		74	ESF			
4	05033310AC	1	J, T		74	EZB			SENSOR, MAP
		1	J, T		74	ESF			
5	56028563AA	2	J, T		74	EZ0			SENSOR, Knock
		2	J, T		74	ES0			
6	55394453AB	1	J, T		74	EK0, EV0, EZ0			SHIELD, Heat
7	05149062AA	1	J, T		74	ESF			SENDING UNIT, Oil Pressure
		1	J, T		74	EZ0			
8	05149077AB	1	J, T		74	EZ0			SENSOR, Coolant Temperature
		1	J, T		74	ES0			ENGINE OIL TEMPERATURE
		1	J, T		74	ES0			ENGINE OIL TEMPERATURE

GRAND CHEROKEE (WK)

SERIES LINE
H = HIGHLINE T = JEEP - 2WD
P = PREMIUM J = JEEP - 4WD
S = SPORT
X = SPECIAL

BODY
74 = SPORT UTILITY 4-DR
TYPE #4

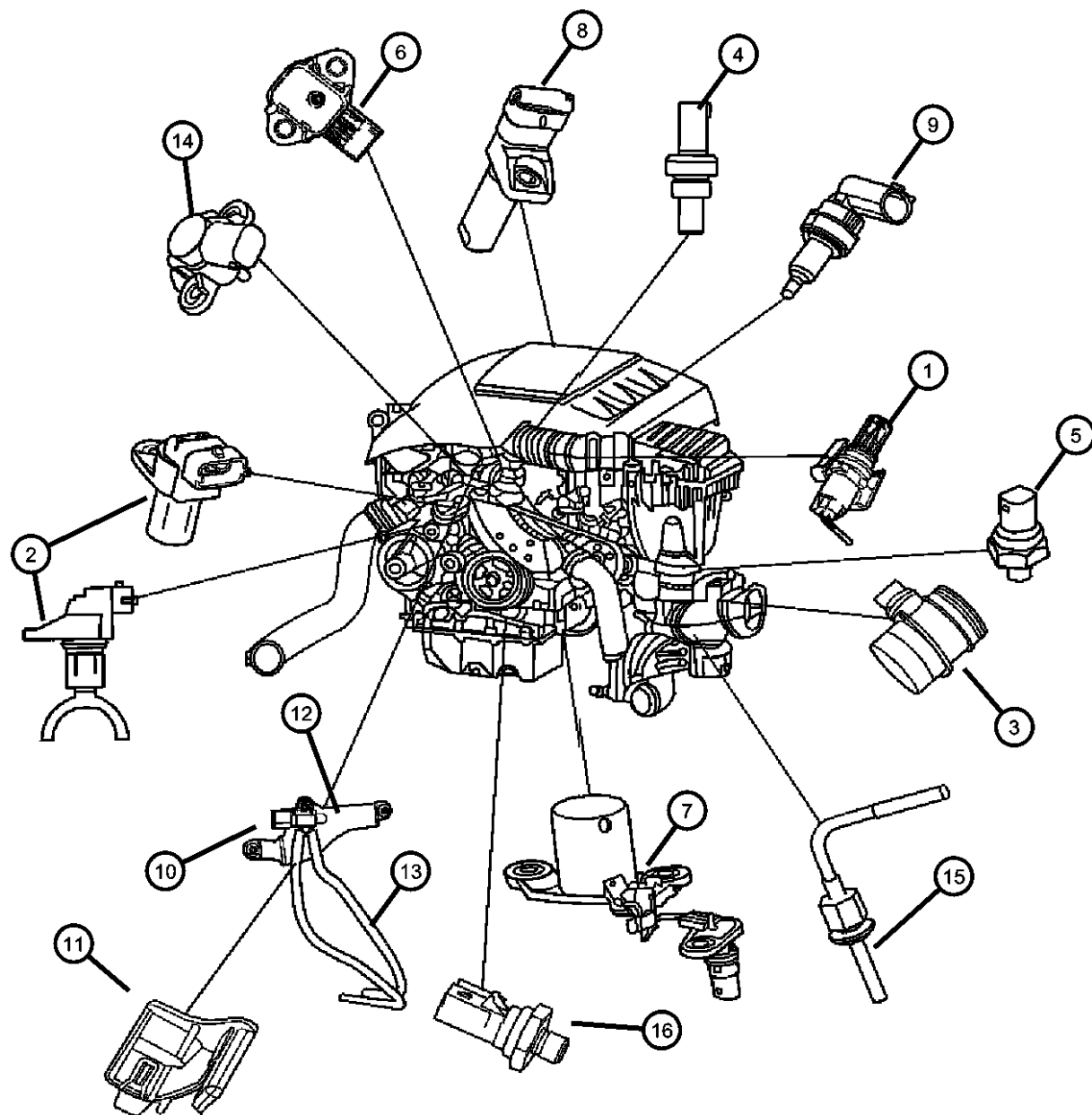
ENGINE
EVE = Engine - 4.7L V8 DOHC
3 Valve
EZB = 5.7L Hemi Multi
Displacement Engine
EKG = 3.7L V6 Engine
ESF = 6.1L SRT HEMI SMPI
V8 Engine
EXL = 3.0L V6 Turbo Diesel
Engine

TRANSMISSION
DGJ = 5-Speed Auto W5A580
Transmission
DGU = 5-Spd Auto W5J400
Transmission
DGQ = 5-Spd Automatic 545RFE
Transmission

AR = use ase required - = Non illustrated part

2008 WK

**Sensors Diesel Engine
Figure 8-610**



ITEM	PART NUMBER	QTY	LINE	SERIES	BODY	ENGINE	TRANS	TRIM	DESCRIPTION
1	05080343AA	1	J, T		74	EXL			SENSOR, Temperature, Air intake
2	05080346AA	1	J, T		74	EXL			SENSOR, Camshaft
3	53013673AA	1	J, T		74	EX0			SENSOR, Mass Airflow
4	05103534AB	1	J, T		74	EXL			SENDING UNIT, Temperature Gauge, Location In The Oil Pan
5	68013186AA	1	J, T		74	EXL			SENSOR, Exhaust Back Pressure
6	05117545AB	1	J, T		74	EXL			SENSOR, MAP
7	05175760AA	1	J, T		74	EXL			SENSOR, Oil Level
8	68039478AA	1	J, T		74	EXL			SENSOR, Crankshaft Position
9	05175764AA	1	J, T		74	EXL			SENSOR, Temperature
10	56044587AA	1	J, T		74	EXL			SENSOR, Differential Pressure
11	05149186AB	1	J, T		74	EX0			BRACKET, Sensor Mounting
12	56044587AA	1	J, T		74	EX0			SENSOR, Differential Pressure
13									HOSE, Differential Pressure
	05149184AA	1	J, T		74	EX0			Down stream
	05149185AA	1	J, T		74	EX0			Up stream
14	56044591AA	1	J, T		74	EX0			SENSOR, Air Pressure
15	05149103AA	1	J, T		74	EX0			SENSOR, Exhaust Temperature
16	05149038AB	1	J, T		74	EXL			SWITCH, Oil Pressure

GRAND CHEROKEE (WK)

SERIES LINE
H = HIGHLINE T = JEEP - 2WD
P = PREMIUM J = JEEP - 4WD
S = SPORT
X = SPECIAL

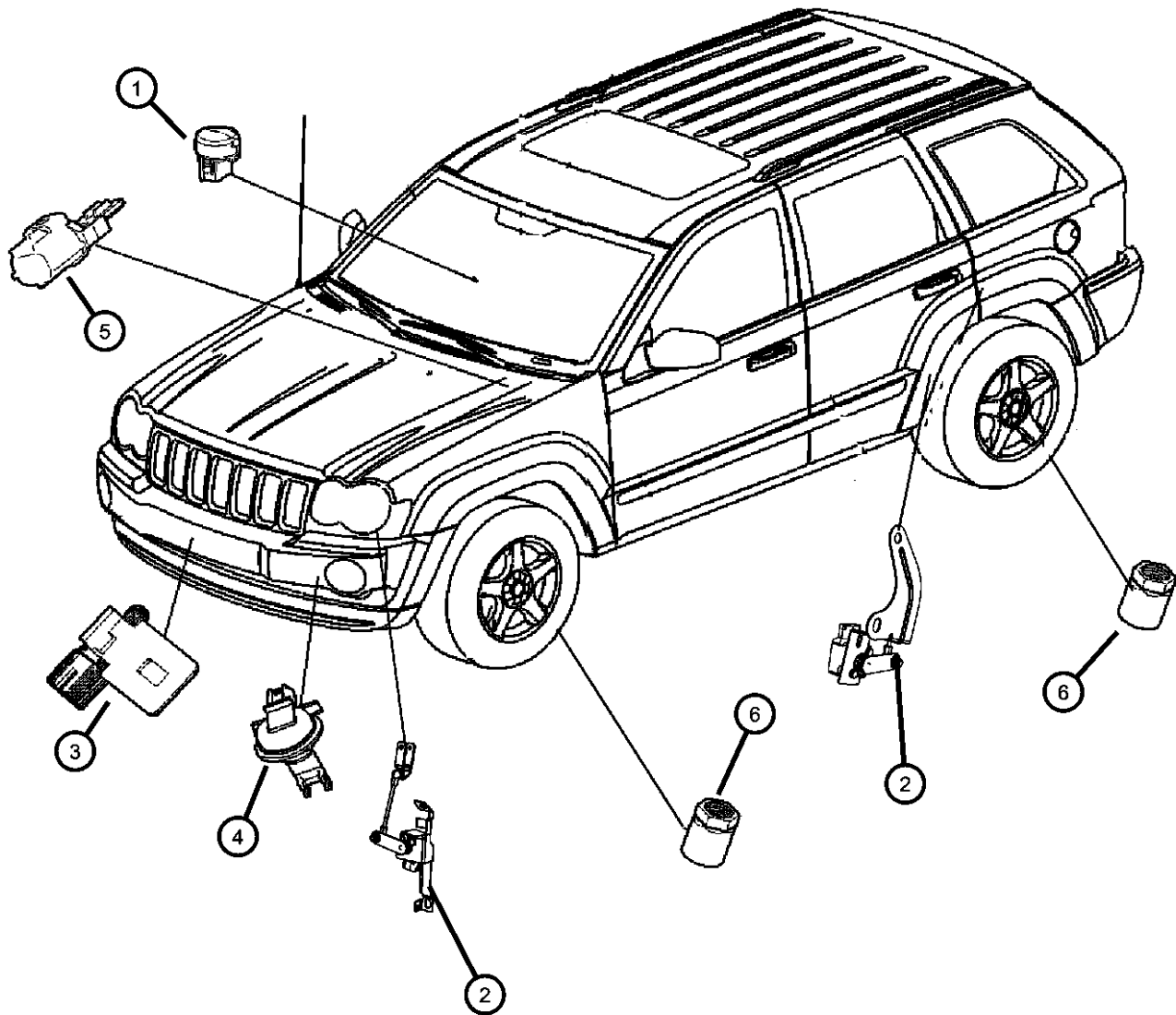
BODY
74 = SPORT UTILITY 4-DR
TYPE #4

ENGINE TRANSMISSION
EVE = Engine - 4.7L V8 DOHC 3 Valve
EZB = 5.7L Hemi Multi Displacement Engine
EKG = 3.7L V6 Engine
ESF = 6.1L SRT HEMI SMPI V8 Engine
EXL = 3.0L V6 Turbo Diesel Engine
DGJ = 5-Speed Auto W5A580 Transmission
DGU = 5-Spd Auto W5J400 Transmission
DGQ = 5-Spd Automatic 545RFE Transmission

AR = use ase required - = Non illustrated part

Sensors Body
Figure 8-635

ITEM	PART NUMBER	QTY	LINE	SERIES	BODY	ENGINE	TRANS	TRIM	DESCRIPTION
1	55111900AB	1	J, T		74				SENSOR, Sun
2									SENSOR, Headlamp
	55079006AB	1	J, T		74				[LMP], Rear
	55079007AC	1	J, T		74				[LMP], Front
	56050241AB	1	J, T		74				[LMG]
3	56042395	1	J, T		74				SENSOR, Ambient Temperature
4	68018918AA	1	J, T		74				SENSOR, Washer Fluid Level
5	05013903AA	1	J, T		74				SENSOR, Brake Fluid Level
6									HARDWARE KIT, Mounting
	68020719AA	4	J, T	H, P, S	74				
		4	J, T	X	74				



GRAND CHEROKEE (WK)

SERIES LINE
H = HIGHLINE T = JEEP - 2WD
P = PREMIUM J = JEEP - 4WD
S = SPORT
X = SPECIAL

BODY
74 = SPORT UTILITY 4-DR
TYPE #4

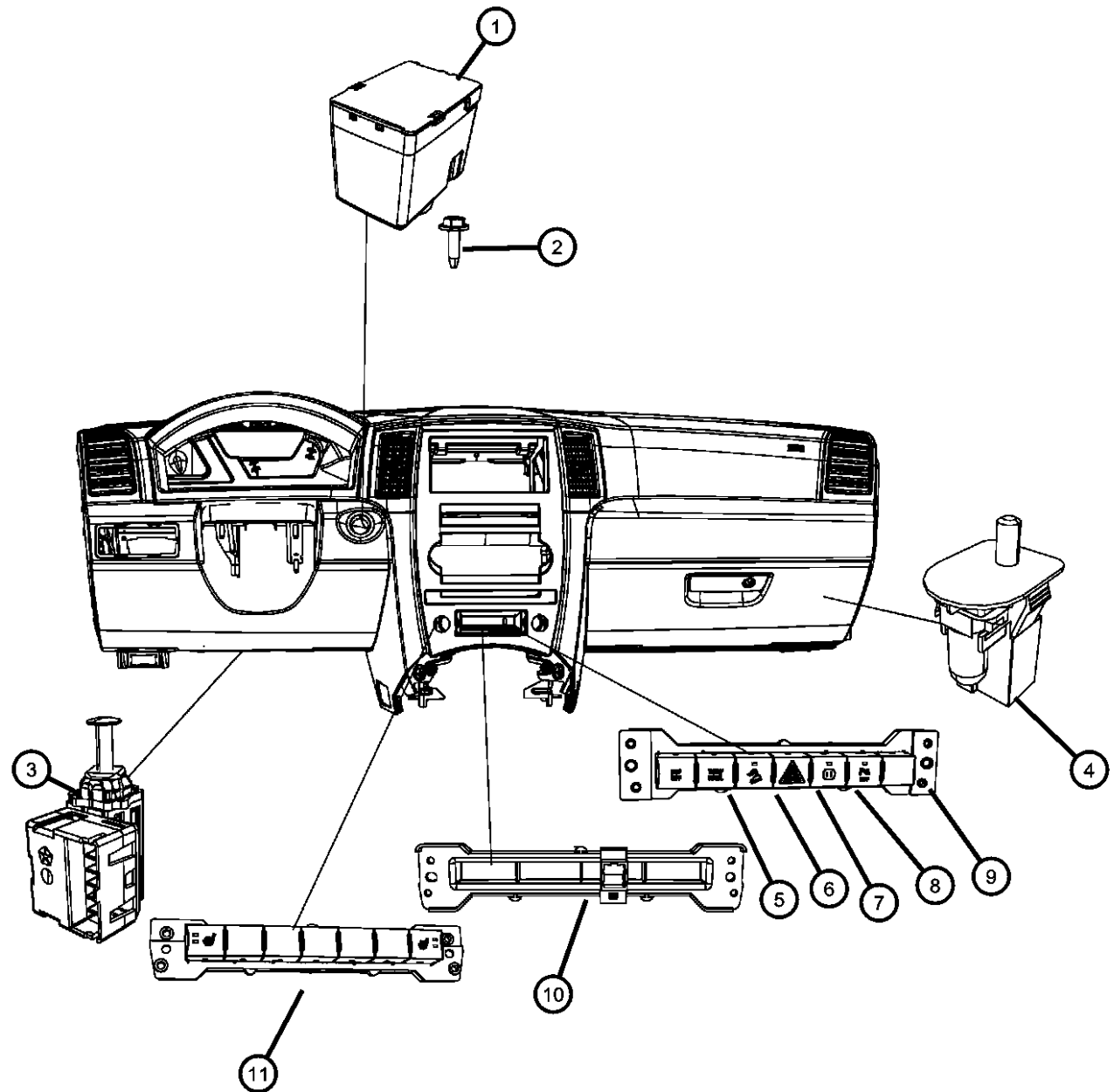
ENGINE TRANSMISSION
EVE = Engine - 4.7L V8 DOHC 3 Valve
EVB = Engine - 4.7L V8 DOHC 3 Valve
EZE = 5.7L Hemi Multi Displacement Engine
EKG = 3.7L V6 Engine
ESF = 6.1L SRT HEMI SMPI V8 Engine
EXL = 3.0L V6 Turbo Diesel Engine
DGJ = 5-Speed Auto W5A580 Transmission
DGR = 5-Speed Auto W5A580 Transmission
DGU = 5-Spd Auto W5J400 Transmission
DGQ = 5-Spd Automatic 545RFE Transmission

AR = use ase required - = Non illustrated part

2008 WK

Switches Instrument Panel
Figure 8-805

ITEM	PART NUMBER	QTY	LINE	SERIES	BODY	ENGINE	TRANS	TRIM	DESCRIPTION
1									RECEIVER, Wireless Ignition Node
	05026296AD	1	J, T		74				[LAB]
	05026297AD	1	J, T		74				[XGM]
	05026298AD	1	J, T		74				[XBM]
2		1							SCREW, Tapping Hex Head, M4.2X1.7X15.80, (NOT SERVICED),
3	56054001AB	1	J, T		74				SWITCH, Stop Lamp
4	04565022	1	J, T		74				SWITCH AND LAMP, Glove Box
5	04602900AC	1	J, T		74		DGQ		SWITCH, 6 Gang, [XAA,BNH,JKV,BNB,BNR]
6									SWITCH, 5 Gang
	04602844AC	1	J, T		74		DGQ		[BNH,XAA,BNB,BNR]
	04602899AC	1	J, T		74		DGQ		[JKV,BNH,BNB,BNR]
	04602902AC	1	J, T		74		DGJ, DGU		[JKV,BNH,XAA,BNB,BNR]
	04602904AC	1	J, T		74		DGQ		[JKV,XAA,BNB,BNR]
7									SWITCH, 4 Gang
	04602843AC	1	J, T		74		DGQ		[BHN,BNB,BNR]
	04602846AC	1	J, T		74		DGJ, DGU		[BNH,XAA,BNB,BNR]
	04602848AC	1	J, T		74		DGQ		[XAA,BNB,BNR]
	04602898AC	1	J, T		74		DGQ		[JKV,BNB,BNR]
	04602901AC	1	J, T		74		DGJ, DGU		[JKV,XAA,BNB,BNR]
	04602903AC	1	J, T		74		DGJ, DGU		[JKV,BNH,BNB,BNR]
8									SWITCH, 3 Gang
	04602897AC	1	J, T		74		DGJ, DGU		[JKV,BNB,BNR]
	04602842AC	1	J, T		74		DGQ		[BNB,BNR]
	04602845AC	1	J, T		74		DGJ, DGU		[XAA,BNB,BNR]
	04602847AC	1	J, T		74		DGJ, DGU		[BNH,BNB,BNR]
9	04602793AC	1	J, T		74		DGJ, DGU		SWITCH, 2 Gang, [BNB,BNR]
10	55117093AC	1	J, T		74				COVER, Switch Opening, [-JPM]
11	04602840AC	1	J, T		74				SWITCH, Heated Seat, [JPM]



GRAND CHEROKEE (WK)

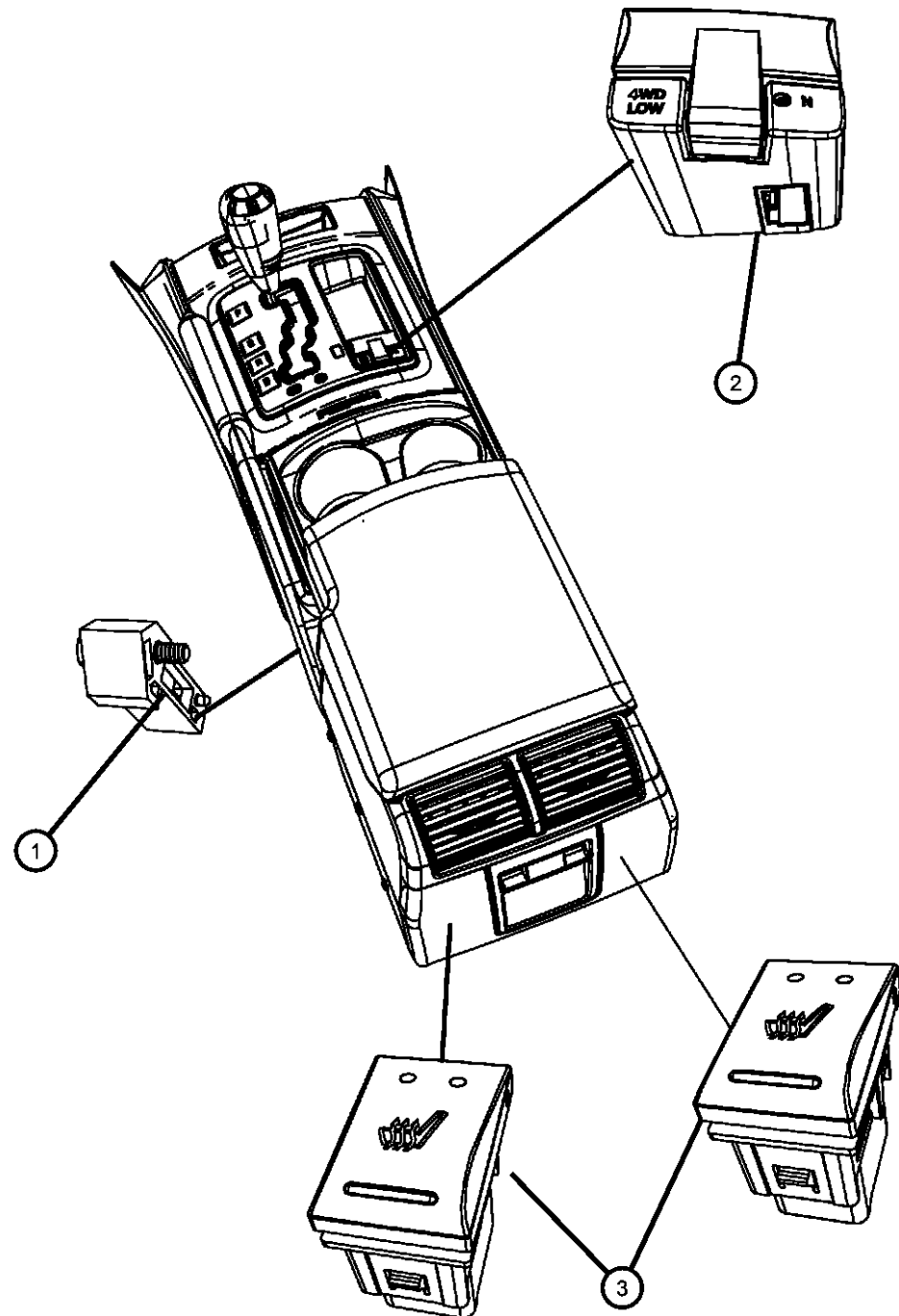
SERIES LINE
H = HIGHLINE T = JEEP - 2WD
P = PREMIUM J = JEEP - 4WD
S = SPORT
X = SPECIAL

BODY
74 = SPORT UTILITY 4-DR
TYPE #4

ENGINE TRANSMISSION
EVE = Engine - 4.7L V8 DOHC 3 Valve
EZB = 5.7L Hemi Multi Displacement Engine
EKG = 3.7L V6 Engine
ESF = 6.1L SRT HEMI SMPI V8 Engine
EXL = 3.0L V6 Turbo Diesel Engine
DGJ = 5-Speed Auto W5A580 Transmission
DGU = 5-Spd Auto W5J400 Transmission
DGQ = 5-Spd Automatic 545RFE Transmission

AR = use ase required - = Non illustrated part

Switches Console
Figure 8-810



ITEM	PART NUMBER	QTY	LINE	SERIES	BODY	ENGINE	TRANS	TRIM	DESCRIPTION
1	04671936AA	1	J, T	P, S, X	74				SWITCH, Parking Brake
		1	J, T	H	74				
2	56050139AG	1	J	H, P	74		DGJ, DGU		SWITCH, Transfer Case
		1	J	S	74		DGQ		
3	04602872AA	1	J, T		74				SWITCH, Heated Seat Right
		1	J, T		74				Left

GRAND CHEROKEE (WK)

SERIES LINE
H = HIGHLINE T = JEEP - 2WD
P = PREMIUM J = JEEP - 4WD
S = SPORT
X = SPECIAL

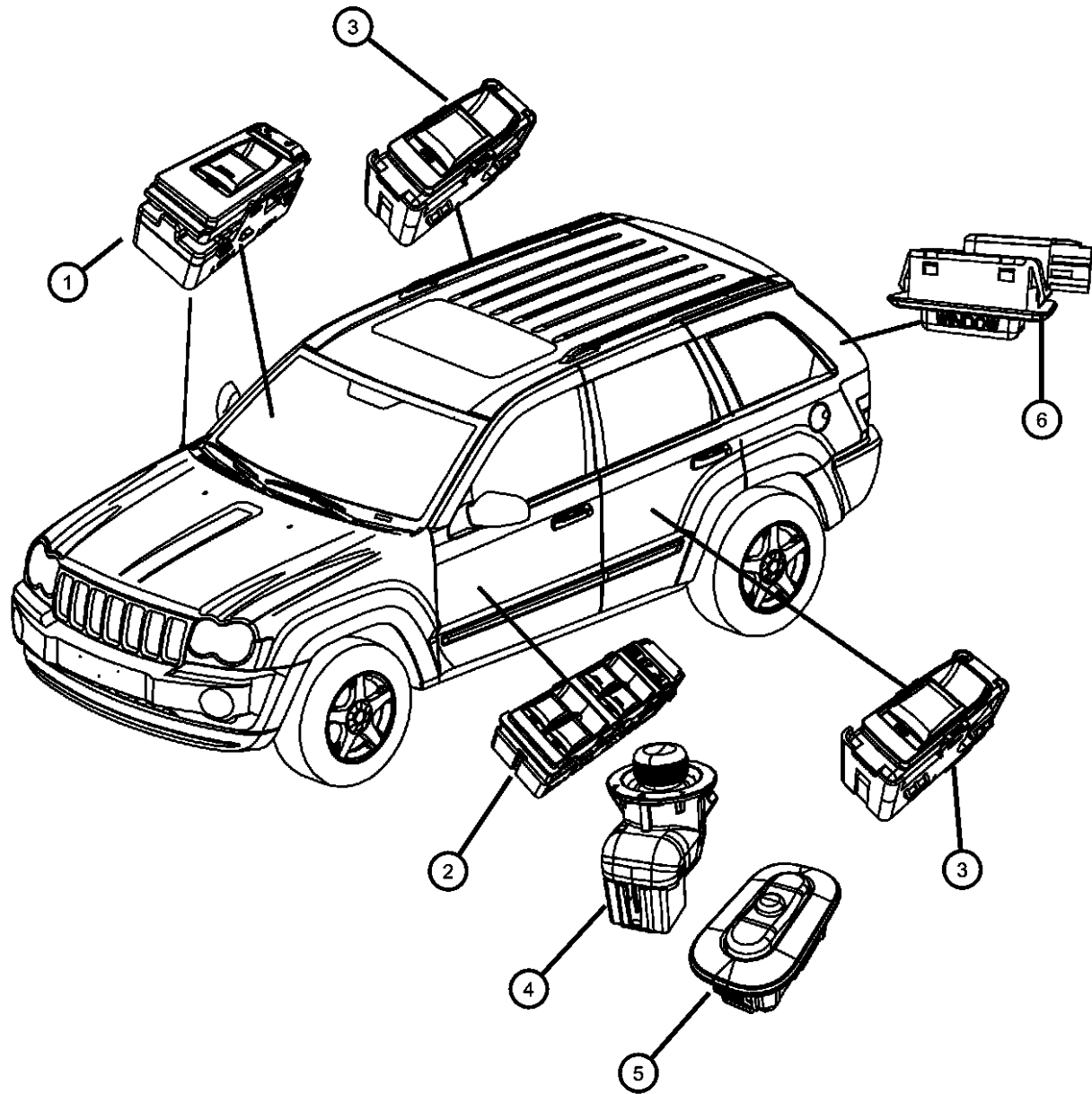
BODY
74 = SPORT UTILITY 4-DR
TYPE #4

ENGINE TRANSMISSION
EVE = Engine - 4.7L V8 DOHC 3 Valve
EZB = 5.7L Hemi Multi Displacement Engine
EKG = 3.7L V6 Engine
ESF = 6.1L SRT HEMI SMPI V8 Engine
EXL = 3.0L V6 Turbo Diesel Engine
DGJ = 5-Speed Auto W5A580 Transmission
DGU = 5-Spd Auto W5J400 Transmission
DGQ = 5-Spd Automatic 545RFE Transmission

AR = use ase required - = Non illustrated part

2008 WK

**Switches Doors and Liftgate
Figure 8-815**



ITEM	PART NUMBER	QTY	LINE	SERIES	BODY	ENGINE	TRANS	TRIM	DESCRIPTION
1	04602786AA V7700005AA	1	J, T		74				SWITCH, Power Window, 2 gang Mopar Alternative Switch
2	04602781AA V7700002AA	1	J, T		74				SWITCH, Power Window, 6 gang Mopar Alternative Switch
3	04602933AA	1	J, T		74				SWITCH, Power Window, 1 gang
4	04602789AA V7700008AA 04602788AA V7700007AA	1	J, T		74				SWITCH, Mirror [CTC] Mopar Alternative Switch [GTN,GTS,GUD] Mopar Alternative Switch [GUQ,GUK] Mopar Alternative Switch
5	V7700008AA 5JF971D1AC	1	J, T		74				SWITCH, Memory Selector [D1]
		1	J, T		74				[J1]
	5JF971DVAC	1	J, T		74				[DV]
6	56042450AB	1	J, T		74				SWITCH, Flipper Window

GRAND CHEROKEE (WK)

SERIES LINE
H = HIGHLINE T = JEEP - 2WD
P = PREMIUM J = JEEP - 4WD
S = SPORT
X = SPECIAL

BODY
74 = SPORT UTILITY 4-DR
TYPE #4

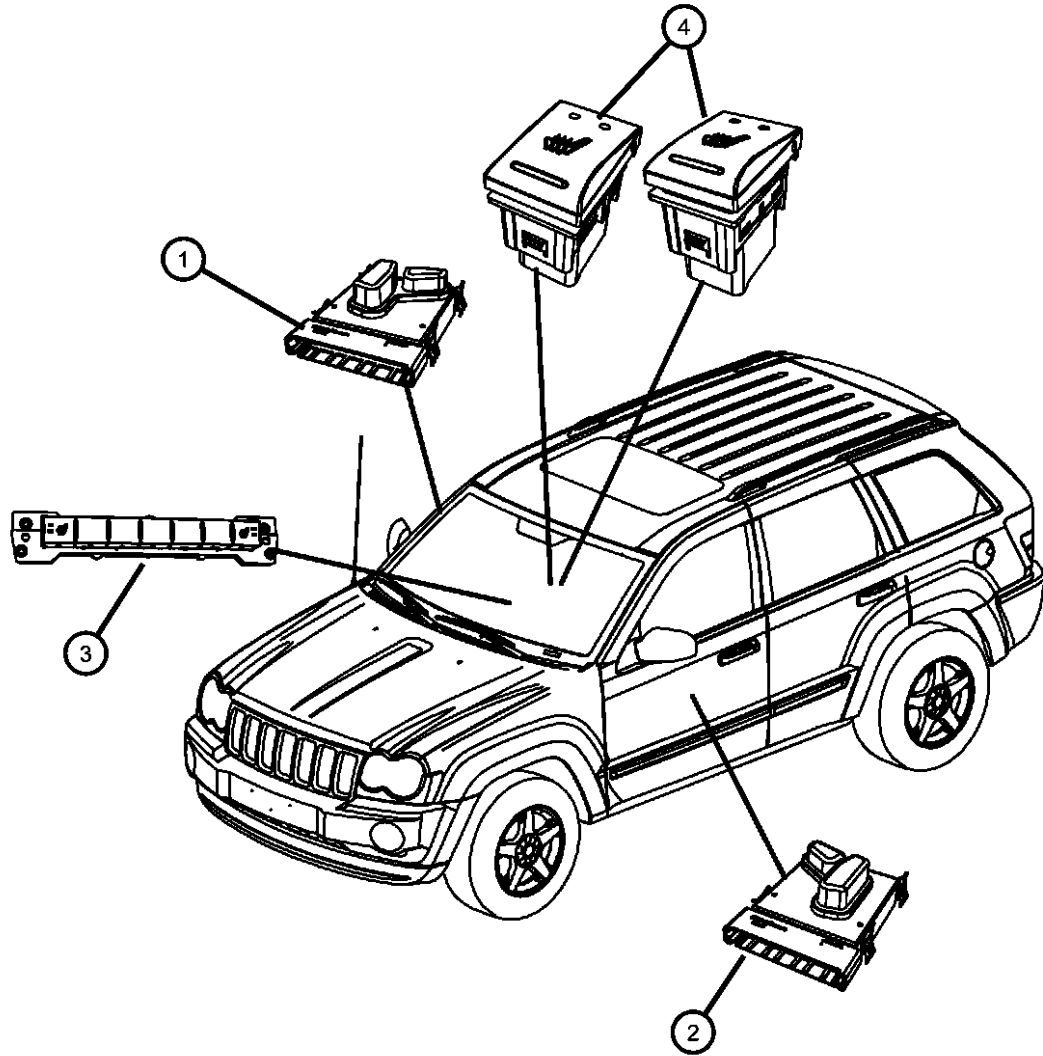
ENGINE TRANSMISSION
EVE = Engine - 4.7L V8 DOHC 3 Valve
EZB = 5.7L Hemi Multi Displacement Engine
EKG = 3.7L V6 Engine
ESF = 6.1L SRT HEMI SMPI V8 Engine
EXL = 3.0L V6 Turbo Diesel Engine
DGJ = 5-Speed Auto W5A580 Transmission
DGU = 5-Spd Auto W5J400 Transmission
DGQ = 5-Spd Automatic 545RFE Transmission

AR = use ase required - = Non illustrated part

2008 WK

Switches Seats
Figure 8-825

ITEM	PART NUMBER	QTY	LINE	SERIES	BODY	ENGINE	TRANS	TRIM	DESCRIPTION
1	56040636AB	1	J, T		74				SWITCH, Seat, 4 way
2									SWITCH, Power Seat
	56049431AD	1	J, T	X	74				[JPK] 8 way
	56049433AD	1	J, T	X	74				[JTB] 8 way
3	04602840AC	1	J, T		74				SWITCH, Heated SeatInstrument Panel
4									SWITCH, Heated Seat
	04602872AA	1	J, T		74				Right, Console
	04602970AA	1	J, T		74				Left, Console



GRAND CHEROKEE (WK)

SERIES LINE
H = HIGHLINE T = JEEP - 2WD
P = PREMIUM J = JEEP - 4WD
S = SPORT
X = SPECIAL

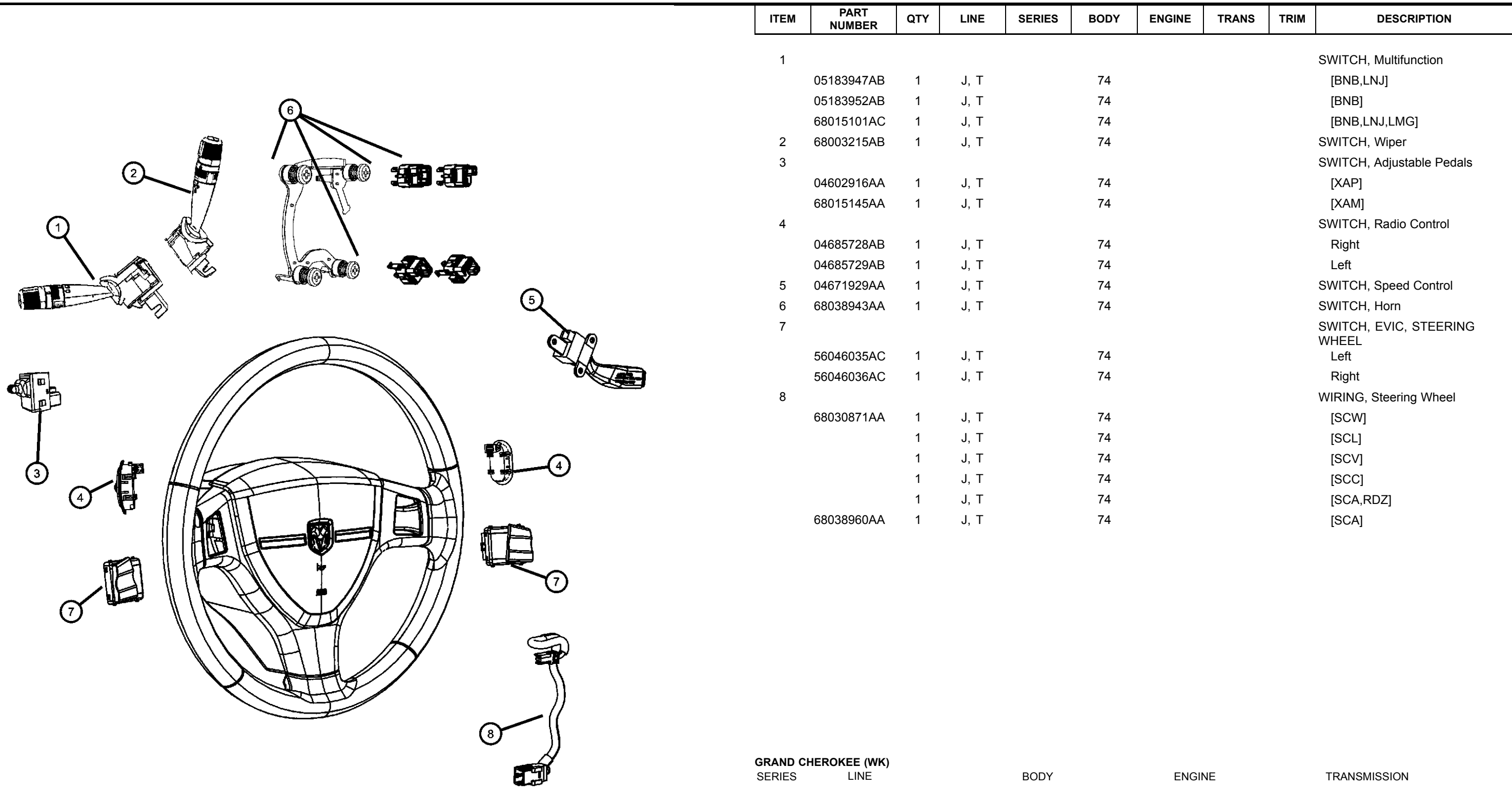
BODY
74 = SPORT UTILITY 4-DR
TYPE #4

ENGINE TRANSMISSION
EVE = Engine - 4.7L V8 DOHC 3 Valve
EZB = 5.7L Hemi Multi Displacement Engine
EKG = 3.7L V6 Engine
ESF = 6.1L SRT HEMI SMPI V8 Engine
EXL = 3.0L V6 Turbo Diesel Engine
DGJ = 5-Speed Auto W5A580 Transmission
DGU = 5-Spd Auto W5J400 Transmission
DGQ = 5-Spd Automatic 545RFE Transmission

AR = use ase required - = Non illustrated part

2008 WK

Switches Steering Column and Wheel
Figure 8-830



ITEM	PART NUMBER	QTY	LINE	SERIES	BODY	ENGINE	TRANS	TRIM	DESCRIPTION
1	05183947AB	1	J, T		74				SWITCH, Multifunction [BNB,LNJ]
	05183952AB	1	J, T		74				[BNB]
	68015101AC	1	J, T		74				[BNB,LNJ,LMG]
	68003215AB	1	J, T		74				SWITCH, Wiper
3	04602916AA	1	J, T		74				SWITCH, Adjustable Pedals [XAP]
	68015145AA	1	J, T		74				[XAM]
4	04685728AB	1	J, T		74				SWITCH, Radio Control Right
	04685729AB	1	J, T		74				Left
	04671929AA	1	J, T		74				SWITCH, Speed Control
6	68038943AA	1	J, T		74				SWITCH, Horn
7	56046035AC	1	J, T		74				SWITCH, EVIC, STEERING WHEEL Left
	56046036AC	1	J, T		74				Right
	68030871AA	1	J, T		74				WIRING, Steering Wheel [SCW]
8		1	J, T		74				[SCL]
		1	J, T		74				[SCV]
		1	J, T		74				[SCC]
		1	J, T		74				[SCA,RDZ]
	68038960AA	1	J, T		74				[SCA]
		1	J, T		74				

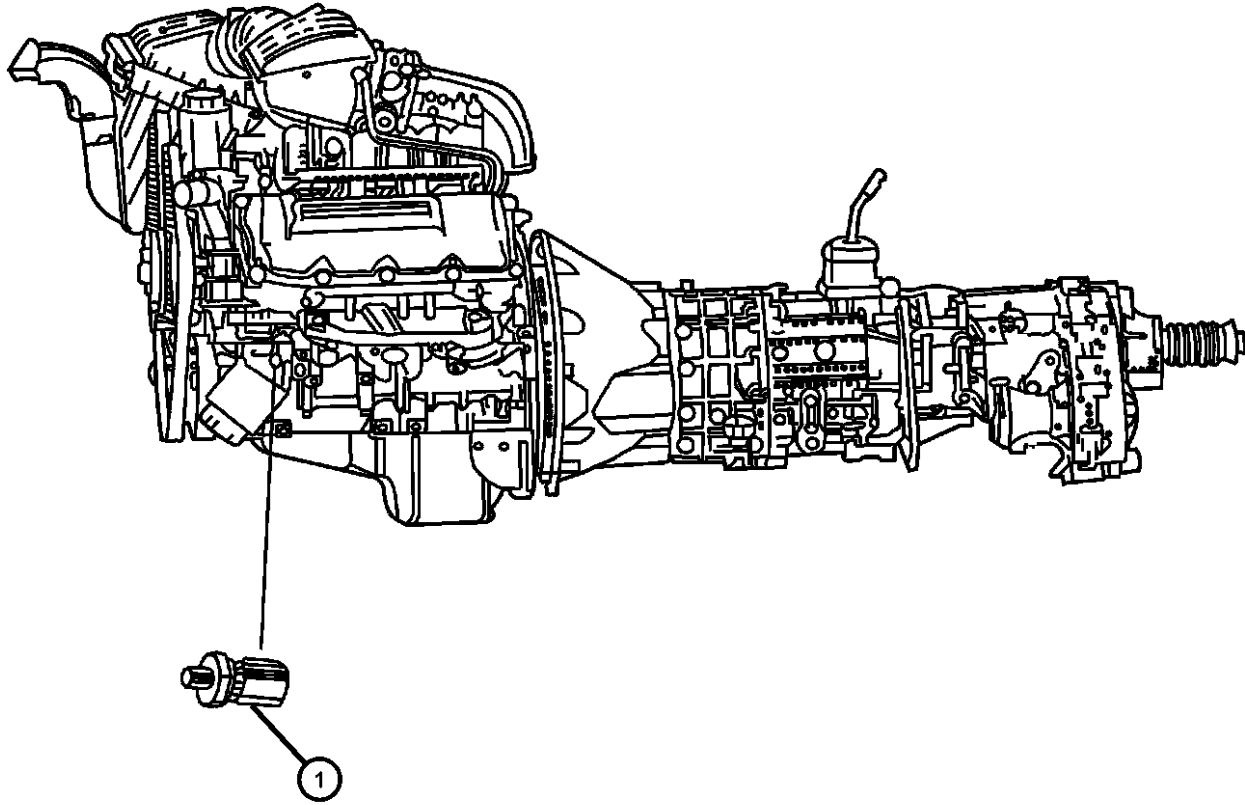
GRAND CHEROKEE (WK)

SERIES	LINE	BODY	ENGINE	TRANSMISSION
H = HIGHLINE	T = JEEP - 2WD	74 = SPORT UTILITY 4-DR	EVE = Engine - 4.7L V8 DOHC	DGJ = 5-Speed Auto W5A580
P = PREMIUM	J = JEEP - 4WD	TYPE #4	3 Valve	Transmission
S = SPORT			EZB = 5.7L Hemi Multi	DGU = 5-Spd Auto W5J400
X = SPECIAL			Displacement Engine	Transmission
			EKG = 3.7L V6 Engine	DGQ = 5-Spd Automatic 545RFE
			ESF = 6.1L SRT HEMI SMPI	Transmission
			V8 Engine	
			EXL = 3.0L V6 Turbo Diesel	
			Engine	

AR = use ase required - = Non illustrated part

**Switches Powertrain
Figure 8-835**

ITEM	PART NUMBER	QTY	LINE	SERIES	BODY	ENGINE	TRANS	TRIM	DESCRIPTION
1									SENDING UNIT, Oil Pressure
	05149062AA	1	J, T		74	ESF			
		1	J, T		74	EZ0			
	05149097AA	1	J, T		74	EK0, EV0			



GRAND CHEROKEE (WK)

SERIES LINE
H = HIGHLINE T = JEEP - 2WD
P = PREMIUM J = JEEP - 4WD
S = SPORT
X = SPECIAL

BODY
74 = SPORT UTILITY 4-DR
TYPE #4

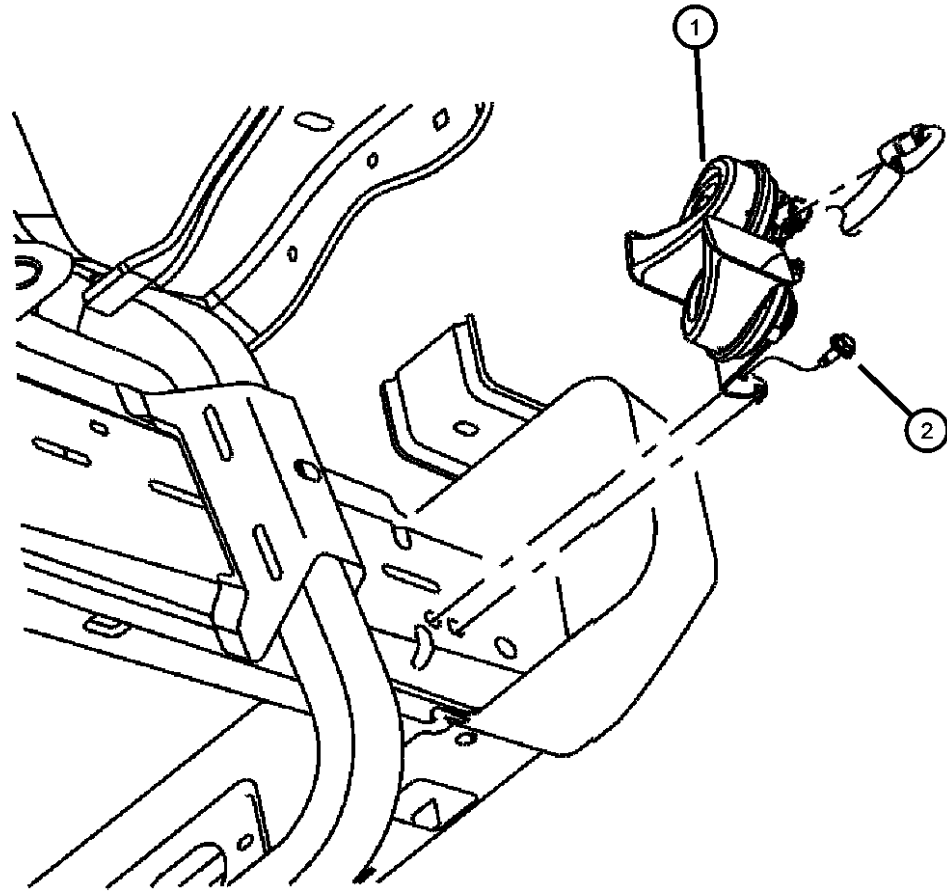
ENGINE TRANSMISSION
EVE = Engine - 4.7L V8 DOHC 3 Valve
EVB = Engine - 4.7L V8 DOHC 3 Valve
EZB = 5.7L Hemi Multi Displacement Engine
EKG = 3.7L V6 Engine
ESF = 6.1L SRT HEMI SMPI V8 Engine
EXL = 3.0L V6 Turbo Diesel Engine
DGJ = 5-Speed Auto W5A580 Transmission
DGU = 5-Spd Auto W5J400 Transmission
DGQ = 5-Spd Automatic 545RFE Transmission

AR = use ase required - = Non illustrated part

2008 WK

Horns
Figure 8-905

ITEM	PART NUMBER	QTY	LINE	SERIES	BODY	ENGINE	TRANS	TRIM	DESCRIPTION
1	56050166AC	1	J, T		74				HORN AND BRACKET, Dual
2		1							SCREW AND WASHER, Hex Flange Head, M8x1.25x25, (NOT SERVICED)



GRAND CHEROKEE (WK)

SERIES LINE
H = HIGHLINE T = JEEP - 2WD
P = PREMIUM J = JEEP - 4WD
S = SPORT
X = SPECIAL

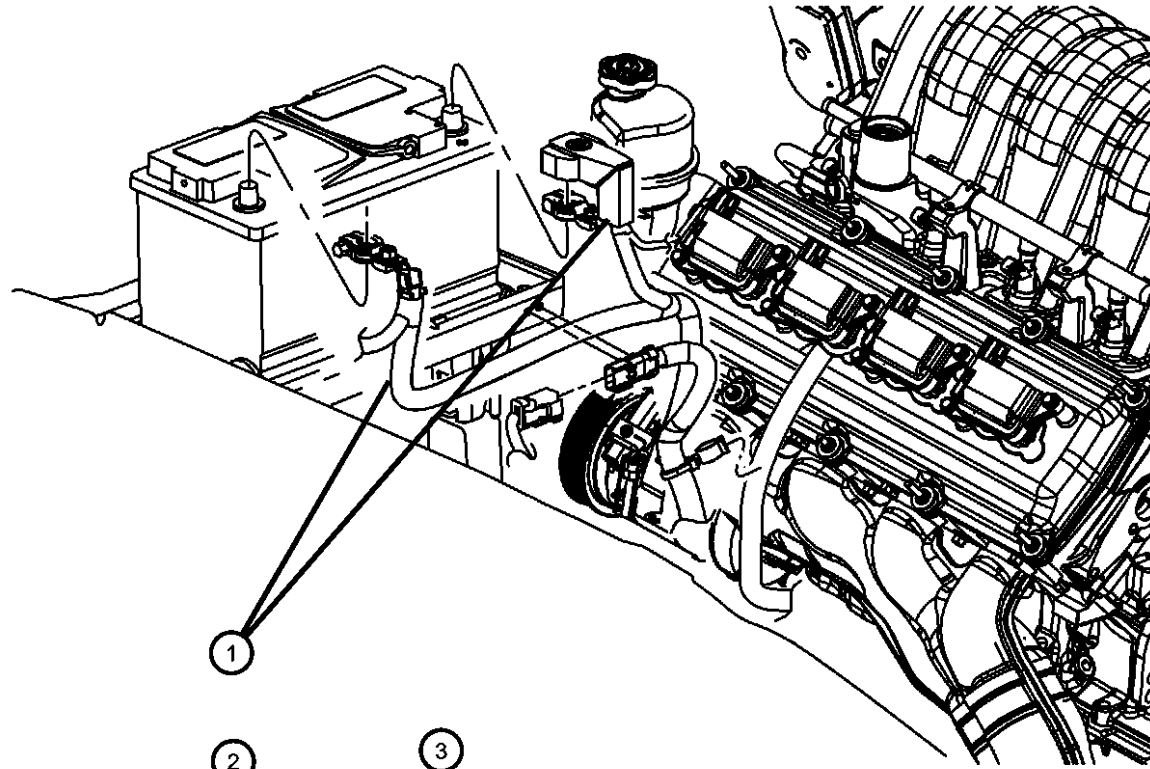
BODY
74 = SPORT UTILITY 4-DR
TYPE #4

ENGINE TRANSMISSION
EVE = Engine - 4.7L V8 DOHC 3 Valve
EVB = Engine - 4.7L V8 DOHC 3 Valve
EZB = 5.7L Hemi Multi Displacement Engine
EKG = 3.7L V6 Engine
ESF = 6.1L SRT HEMI SMPI V8 Engine
EXL = 3.0L V6 Turbo Diesel Engine
DGJ = 5-Speed Auto W5A580 Transmission
DGU = 5-Spd Auto W5J400 Transmission
DGQ = 5-Spd Automatic 545RFE Transmission

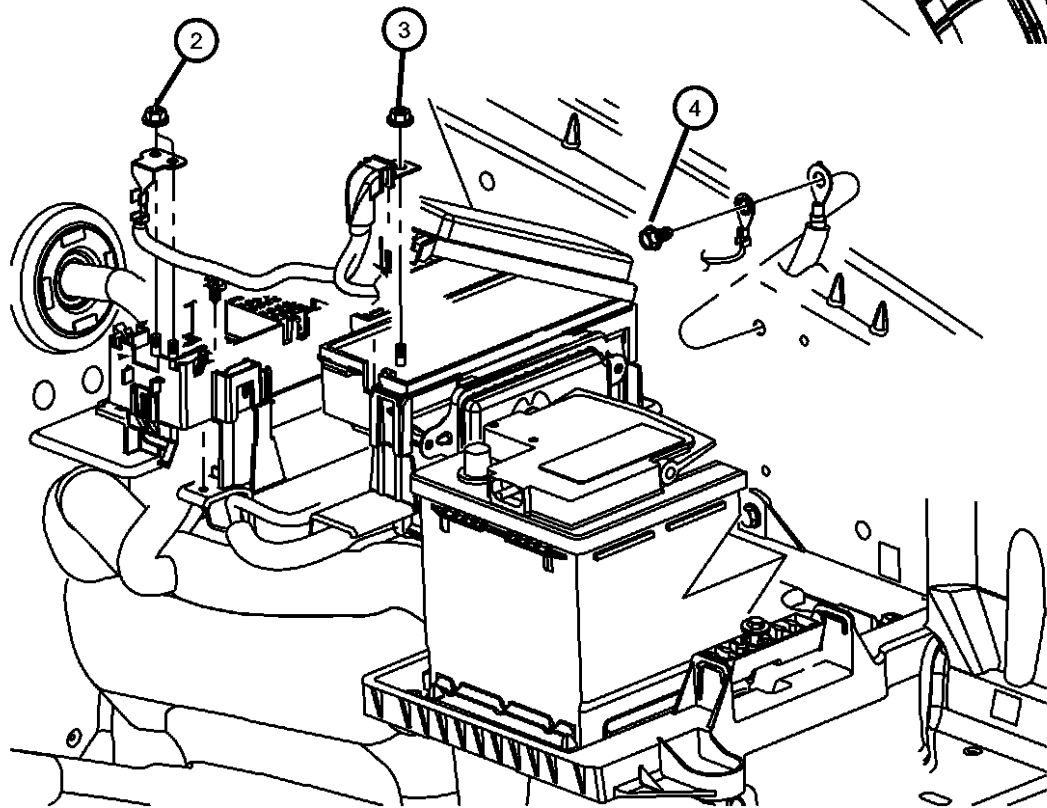
AR = use ase required - = Non illustrated part

2008 WK

**Battery Wiring
Figure 8-1010**



ITEM	PART NUMBER	QTY	LINE	SERIES	BODY	ENGINE	TRANS	TRIM	DESCRIPTION
1									WIRING, Alternator and Battery
	05029964AE	1	J, T	X	74	ESF			
	56044142AH	1	J, T		74	EX0			
	56047793AD	1	J, T		74	EZ0			
	56050945AB	1	J, T		74	EVO			
	56050959AA	1	J, T		74	EK0			
2									NUT, Hex, M6x1
	06101808	2	J, T		74	EK0			
		2	J, T		74	EZ0			
		2	J, T		74	EX0			
3	06101809	1	J, T		74				NUT AND WASHER, Hex, M8x1.25
4	06506080AA	1	J, T		74				SCREW, Hex Head, M8X1.25X25.00



GRAND CHEROKEE (WK)

SERIES LINE
H = HIGHLINE T = JEEP - 2WD
P = PREMIUM J = JEEP - 4WD
S = SPORT
X = SPECIAL

BODY
74 = SPORT UTILITY 4-DR
TYPE #4

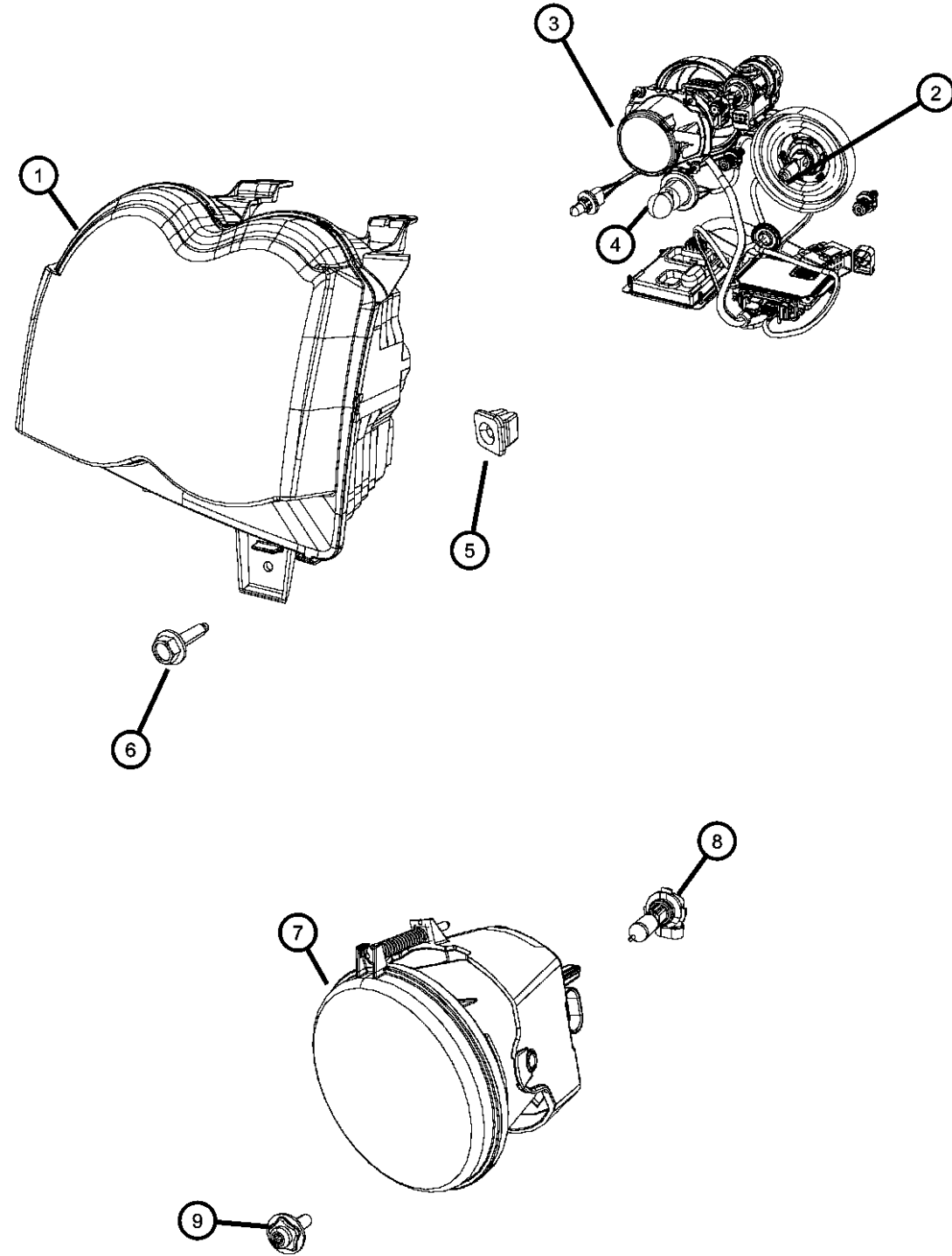
ENGINE
EVE = Engine - 4.7L V8 DOHC
3 Valve
EZB = 5.7L Hemi Multi
Displacement Engine
EKG = 3.7L V6 Engine
ESF = 6.1L SRT HEMI SMPI
V8 Engine
EXL = 3.0L V6 Turbo Diesel
Engine

TRANSMISSION
DGJ = 5-Speed Auto W5A580
Transmission
DGU = 5-Spd Auto W5J400
Transmission
DGQ = 5-Spd Automatic 545RFE
Transmission

AR = use ase required - = Non illustrated part

2008 WK

Lamps Front
Figure 8-1105



ITEM	PART NUMBER	QTY	LINE	SERIES	BODY	ENGINE	TRANS	TRIM	DESCRIPTION
1									HEADLAMP
	55157482AC	1	J, T		74				Right
	55157483AC	1	J, T		74				Left
	55157484AE	1	J, T		74				[LMP] Includes Ballast, Right
	55157485AE	1	J, T		74				[LMP] Includes Ballast, Left
2	L0009005	1	J, T		74				BULB, Headlamp
	P0009005EB								SilverStar
3	04865941AB	1	J, T		74				BULB, Headlamp
4	L0003457	1	J, T		74				BULB, 3457
5	06508072AA	6	J, T		74				NUT, Plastic Snap-in
6	06508237AA	6	J, T		74				SCREW, Tapping Hex Head, M6.3X1.81X25.0, Headlamp attaching
7	04805859AB	2	J, T	H	74				LAMP, Front Fog
8									BULB, 9145
	L0009145	2	J, T	H	74				
		2	J, T	X	74				
		1	J, T	P	74				
		2	J, T	S	74				
9									SCREW, Tapping, M6X2.69X21.55
	06506579AA	4	J, T	S	74				Fog lamp attaching
		4	J, T	H	74				Fog lamp attaching
		4	J, T	P	74				Fog lamp attaching
		4	J, T	X	74				Fog lamp attaching

GRAND CHEROKEE (WK)

SERIES LINE
H = HIGHLINE T = JEEP - 2WD
P = PREMIUM J = JEEP - 4WD
S = SPORT
X = SPECIAL

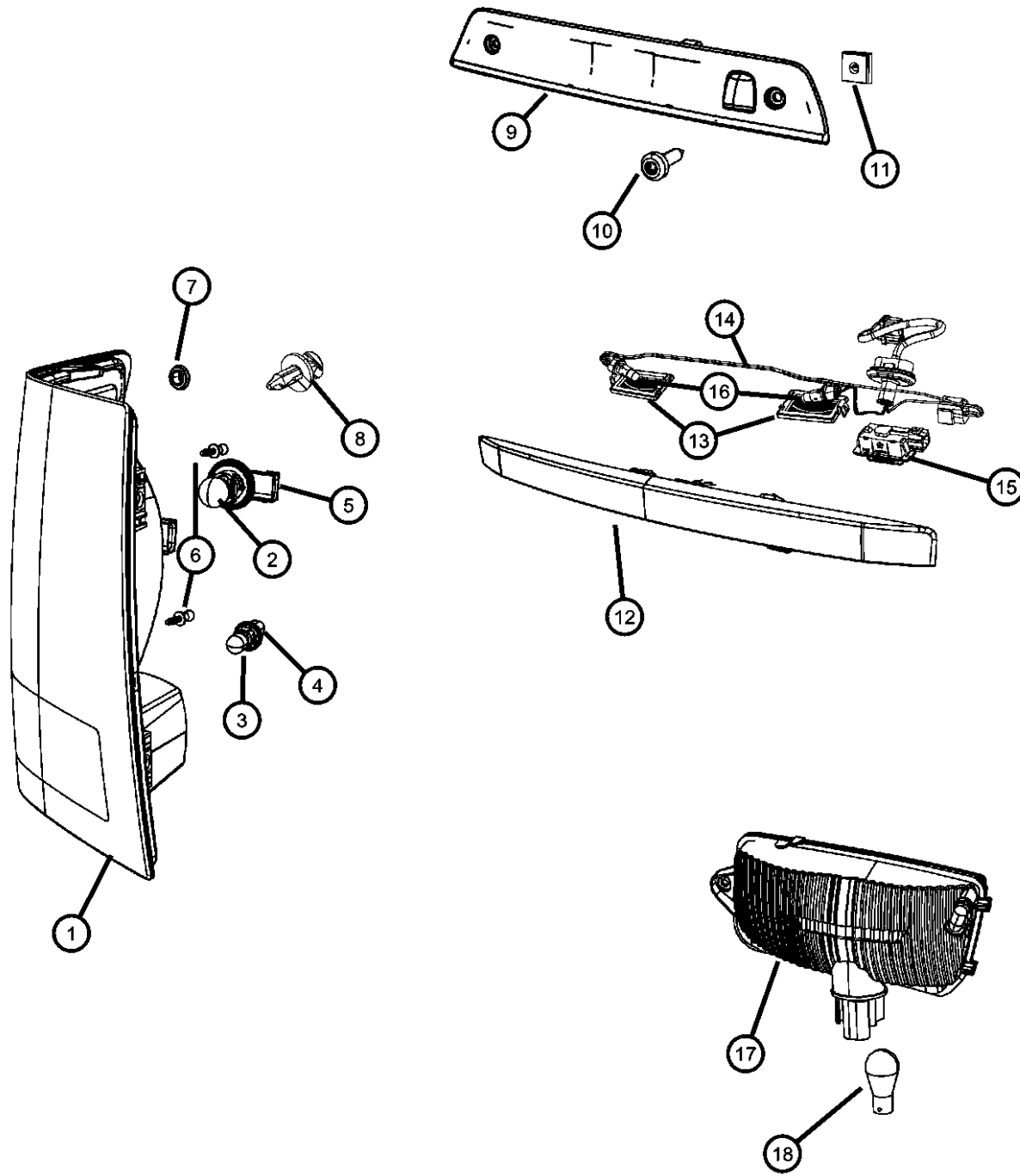
BODY
74 = SPORT UTILITY 4-DR
TYPE #4

ENGINE TRANSMISSION
EVE = Engine - 4.7L V8 DOHC 3 Valve
EZH = 5.7L Hemi Multi Displacement Engine
EKG = 3.7L V6 Engine
ESF = 6.1L SRT HEMI SMPI V8 Engine
EXL = 3.0L V6 Turbo Diesel Engine
DGJ = 5-Speed Auto W5A580 Transmission
DGU = 5-Spd Auto W5J400 Transmission
DGQ = 5-Spd Automatic 545RFE Transmission

AR = use ase required - = Non illustrated part

2008 WK

Lamps Rear
Figure 8-1110



ITEM	PART NUMBER	QTY	LINE	SERIES	BODY	ENGINE	TRANS	TRIM	DESCRIPTION
1									LAMP, Tail Stop Turn Sidemarker
	55079012AB	1	J, T		74				Right
	55079013AB	1	J, T		74				Left
2	L0003157	1	J, T		74				BULB
3	L000921E	1	J, T		74				BULB, 921
	P000921STS								SilverStar
4	04857378AA	1	J, T		74				SOCKET
5	68004162AA	1	J, T		74				SOCKET, Tail, Stop, and Turn Lamp
6		1							SCREW, Tapping, .19-16x.75, (NOT SERVICED)
7	55156879AB	4	J, T		74				GROMMET, Lamp
8	06503598	4	J, T		74				PIN, Push, M8x21, Tail lamp attaching
9	55156389AF	1	J, T		74				LAMP, Center High Mounted Stop
10	06104635AA	2	J, T		74				SCREW, Tapping Round Head, M5.0X2.24X20.00
11	06035211	2	J, T		74				NUT, Snap In
12									HANDLE, Liftgate
	1FN57CD-MAA	1	J, T		74				[DM][MNS,MNN,XAC]
	1FN57DB-MAA	1	J, T		74				[BM][MNS,MNN,XAC]
	1FN57DX8AA	1	J, T		74				[X8][MNS,MNN,XAC]
	1FN57EEMAA	1	J, T		74				[EM][MNS,MNN,XAC]
	1FN57EGJAA	1	J, T		74				[GJ][MNS,MNN,XAC]
	1FN57SW1AA	1	J, T		74				[W1][MNS,MNN,XAC]
	1FN57WS2AA	1	J, T		74				[S2][MNS,MNN,XAC]
	1FV92AXRAA	1	J, T		74				[XR][MNN]
	1FV92CD-MAA	1	J, T		74				[DM][MNN]
	1FN57EDAAA	1	J, T		74				[DA][MNS,MNN,XAC]
	1FV92EDAAA	1	J, T		74				[DA][MNN]
	1FV92EEMAA	1	J, T		74				[EM][MNN]
	1FV92EGJAA	1	J, T		74				[GJ][MNN]
	1FV92SW1AA	1	J, T		74				[W1][MNN]

GRAND CHEROKEE (WK)

SERIES LINE
H = HIGHLINE T = JEEP - 2WD
P = PREMIUM J = JEEP - 4WD
S = SPORT
X = SPECIAL

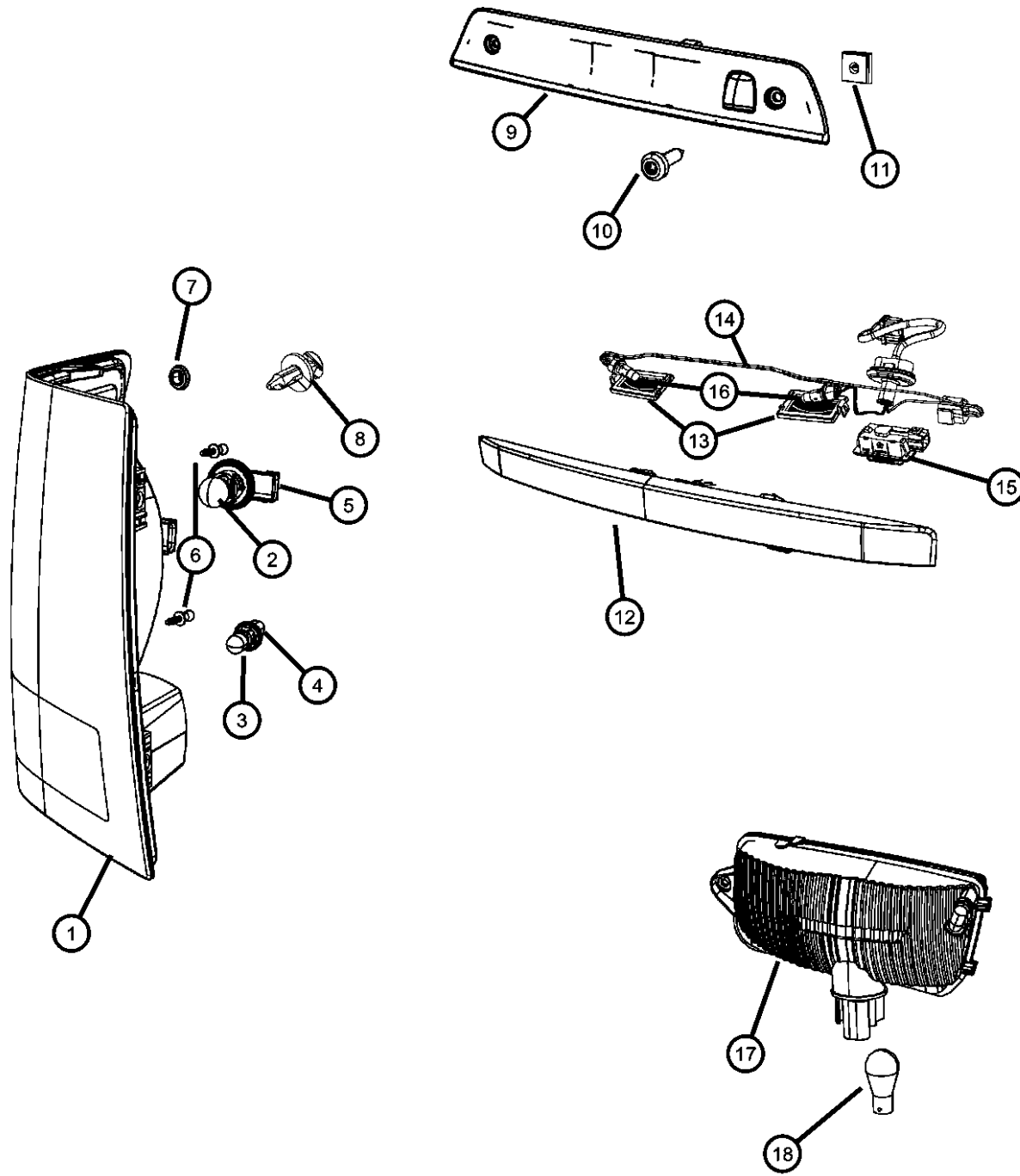
BODY
74 = SPORT UTILITY 4-DR
TYPE #4

ENGINE TRANSMISSION
EVE = Engine - 4.7L V8 DOHC 3 Valve DGJ = 5-Speed Auto W5A580 Transmission
EZB = 5.7L Hemi Multi Displacement Engine DGU = 5-Spd Auto W5J400 Transmission
EKG = 3.7L V6 Engine DGQ = 5-Spd Automatic 545RFE Transmission
ESF = 6.1L SRT HEMI SMPI V8 Engine
EXL = 3.0L V6 Turbo Diesel Engine

AR = use ase required - = Non illustrated part

2008 WK

Lamps Rear
Figure 8-1110



ITEM	PART NUMBER	QTY	LINE	SERIES	BODY	ENGINE	TRANS	TRIM	DESCRIPTION
	1FV92WS2AA	1	J, T		74				[S2][MNN]
	55156354AG	1	J, T		74				[MNS]
	68039947AA	1	J, T		74				[MNS,XAC]
	68039948AA	1	J, T		74				[MNP,XAC]
	1FV92DB-MAA	1	J, T		74				[BM][MNN]
	1FV92DX8AA	1	J, T		74				[X8][MNN]
13									LENS, License Lamp
	68020954AA	1	J, T		74				Right
	68020955AA	1	J, T		74				Left
14									WIRING, License Lamp
	68020994AA	1	J, T		74				[XAC]
	68020997AA	1	J, T		74				
15	56042450AB	1	J, T		74				SWITCH, Flipper Window
16	L0000168	2	J, T		74				BULB, 168
17									LAMP, Rear Fog
	55156102AA	1	J, T	X	74				Right
	55156103AA	1	J, T	X	74				Left
18	00153622	1	J, T	X	74				BULB, P-25-1

GRAND CHEROKEE (WK)

SERIES LINE
H = HIGHLINE T = JEEP - 2WD
P = PREMIUM J = JEEP - 4WD
S = SPORT
X = SPECIAL

BODY
74 = SPORT UTILITY 4-DR
TYPE #4

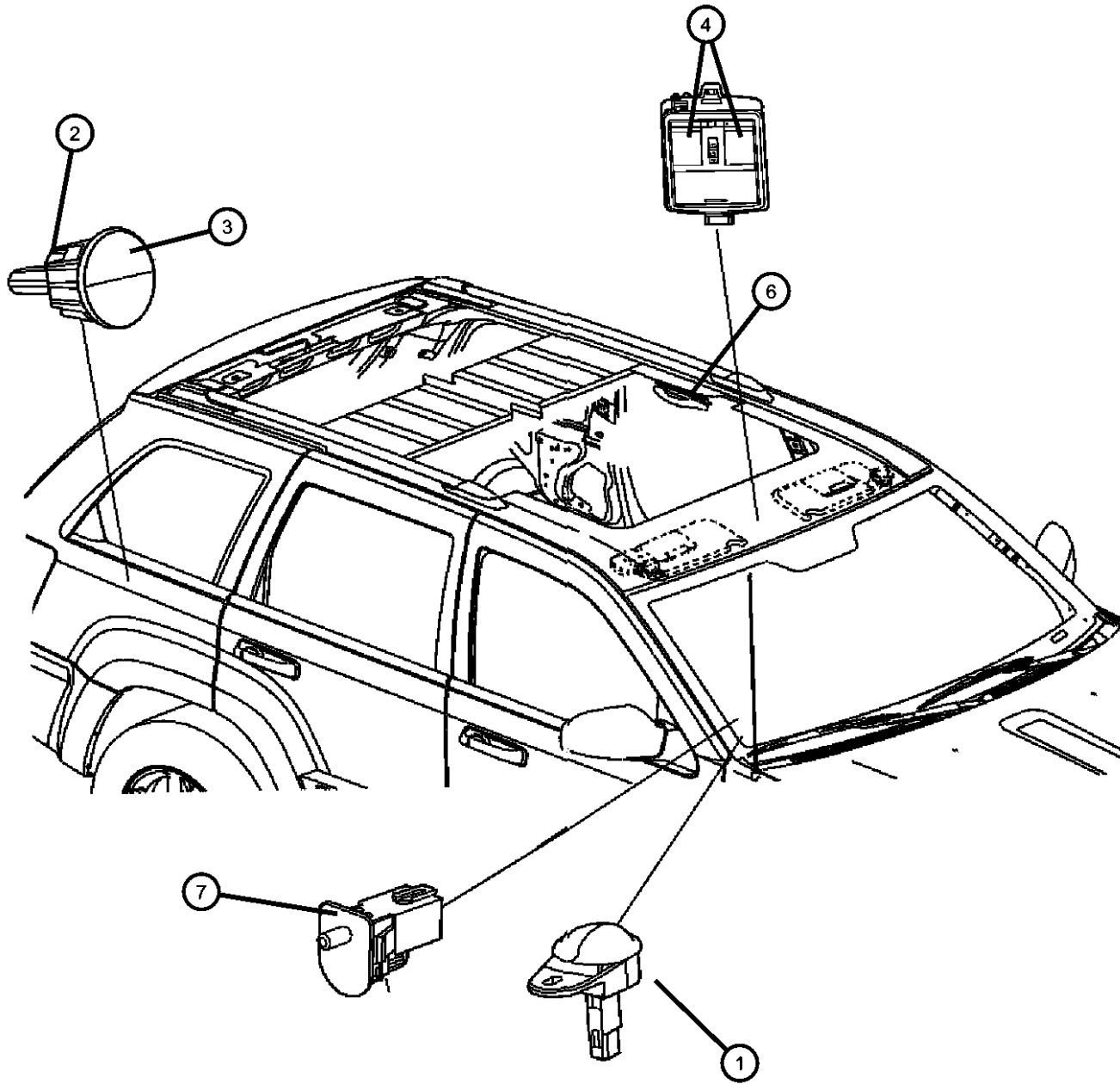
ENGINE TRANSMISSION
EVE = Engine - 4.7L V8 DOHC 3 Valve
EZH = 5.7L Hemi Multi Displacement Engine
EKG = 3.7L V6 Engine
ESF = 6.1L SRT HEMI SMPI V8 Engine
EXL = 3.0L V6 Turbo Diesel Engine
DGJ = 5-Speed Auto W5A580 Transmission
DGU = 5-Spd Auto W5J400 Transmission
DGQ = 5-Spd Automatic 545RFE Transmission

AR = use ase required - = Non illustrated part

2008 WK

Lamps Interior
Figure 8-1115

ITEM	PART NUMBER	QTY	LINE	SERIES	BODY	ENGINE	TRANS	TRIM	DESCRIPTION
1	56042559AA	2	J, T		74				LAMP, Courtesy
2	05023881AA	1	J, T		74				LAMP, Cargo
3	05018023AA	1	J, T		74				LENS, Cargo Lamp
4									LENS
	05137526AA	1	J, T		74				Over Head Console, Right
	05137527AA	1	J, T		74				Over Head Console, Left
-5	05137535AA	2	J, T		74				SWITCH, Map Light
6									LENS
	05137528AA	1	J, T		74				Right
	05137529AA	1	J, T		74				Left
7	04565022	1	J, T		74				SWITCH AND LAMP, Glove Box



GRAND CHEROKEE (WK)

SERIES LINE
H = HIGHLINE T = JEEP - 2WD
P = PREMIUM J = JEEP - 4WD
S = SPORT
X = SPECIAL

BODY
74 = SPORT UTILITY 4-DR
TYPE #4

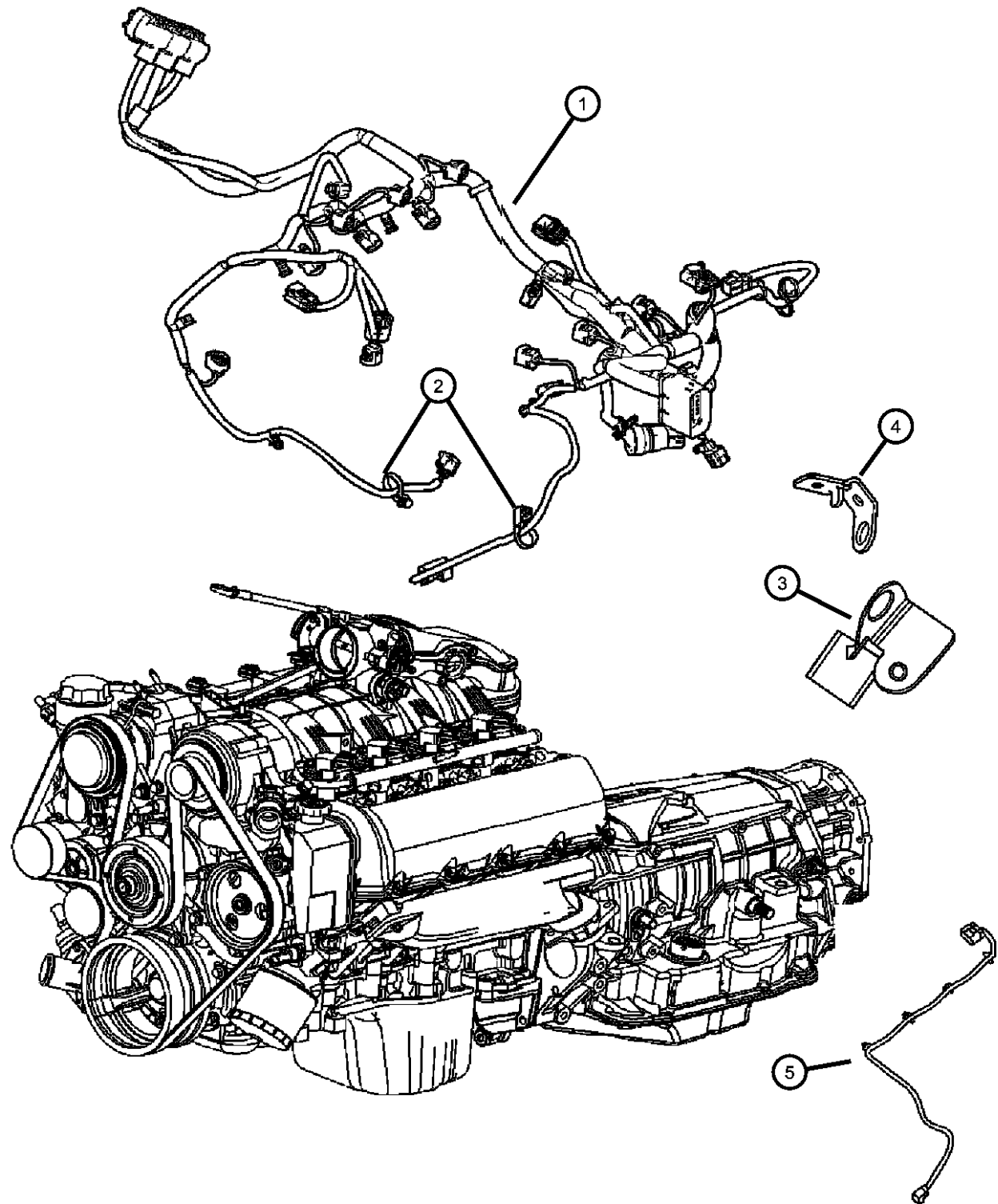
ENGINE TRANSMISSION
EVE = Engine - 4.7L V8 DOHC 3 Valve
EVB = Engine - 4.7L V8 DOHC 3 Valve
EZB = 5.7L Hemi Multi Displacement Engine
EKG = 3.7L V6 Engine
ESF = 6.1L SRT HEMI SMPI V8 Engine
EXL = 3.0L V6 Turbo Diesel Engine
DGJ = 5-Speed Auto W5A580 Transmission
DGU = 5-Spd Auto W5J400 Transmission
DGQ = 5-Spd Automatic 545RFE Transmission

AR = use ase required - = Non illustrated part

2008 WK

Wiring Engine Gas
Figure 8-1205

ITEM	PART NUMBER	QTY	LINE	SERIES	BODY	ENGINE	TRANS	TRIM	DESCRIPTION
1									WIRING, Injector
	04801575AD	1	J, T		74	EK0			
	04801578AD	1	J, T		74	EVO			
2	04641780	1	J, T		74	EK0			STRAP, Tie
3	06034839	1	J, T		74	EK0, ES0, EVO			CLIP, Transmission Wiring
4		1							CLIP, Housing, (NOT SERVICED)
5	56048637AA	1	J, T		74				WIRING, Cradle



GRAND CHEROKEE (WK)

SERIES LINE
H = HIGHLINE T = JEEP - 2WD
P = PREMIUM J = JEEP - 4WD
S = SPORT
X = SPECIAL

BODY
74 = SPORT UTILITY 4-DR
TYPE #4

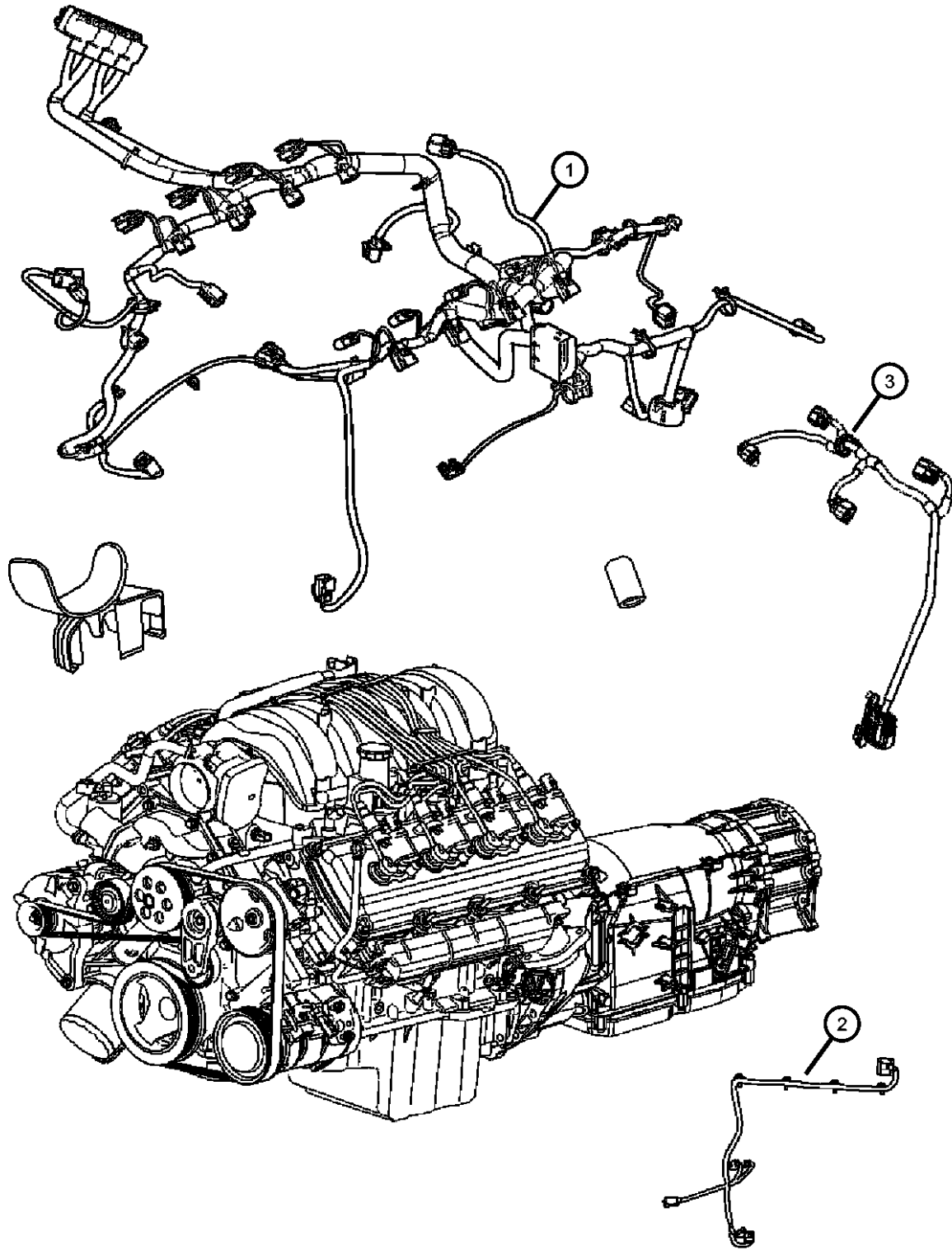
ENGINE TRANSMISSION
EVE = Engine - 4.7L V8 DOHC 3 Valve
EVB = Engine - 4.7L V8 DOHC 3 Valve
EZB = 5.7L Hemi Multi Displacement Engine
EKG = 3.7L V6 Engine
ESF = 6.1L SRT HEMI SMPI V8 Engine
EXL = 3.0L V6 Turbo Diesel Engine
DGJ = 5-Speed Auto W5A580 Transmission
DGU = 5-Spd Auto W5J400 Transmission
DGQ = 5-Spd Automatic 545RFE Transmission

AR = use ase required - = Non illustrated part

2008 WK

Wiring Engine Gas
Figure 8-1206

ITEM	PART NUMBER	QTY	LINE	SERIES	BODY	ENGINE	TRANS	TRIM	DESCRIPTION
1	04801579AC	1	J, T		74	EZ0			WIRING, Injector
	05030980AC	1	J, T		74	ESF			
2	56048637AA	1	J, T		74				WIRING, Cradle
3	56045793AC	1	J, T		74	EZ0			WIRING, Jumper, Multiple displacement solenoid



GRAND CHEROKEE (WK)

SERIES LINE
H = HIGHLINE T = JEEP - 2WD
P = PREMIUM J = JEEP - 4WD
S = SPORT
X = SPECIAL

BODY
74 = SPORT UTILITY 4-DR
TYPE #4

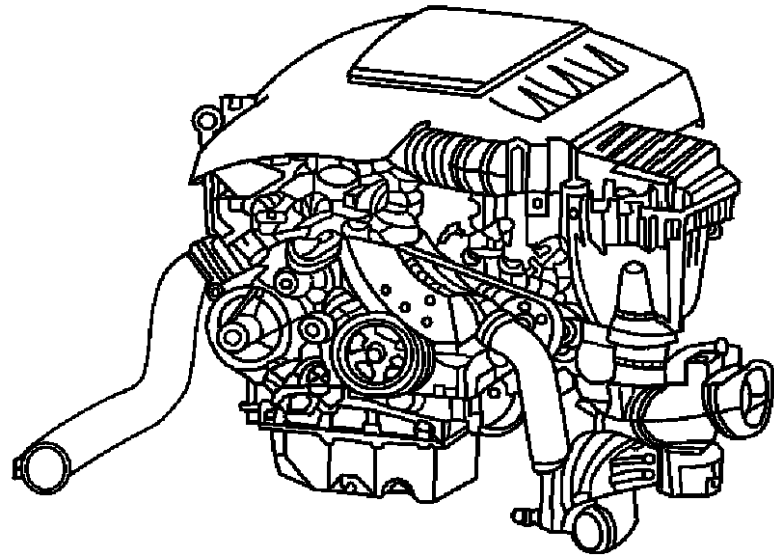
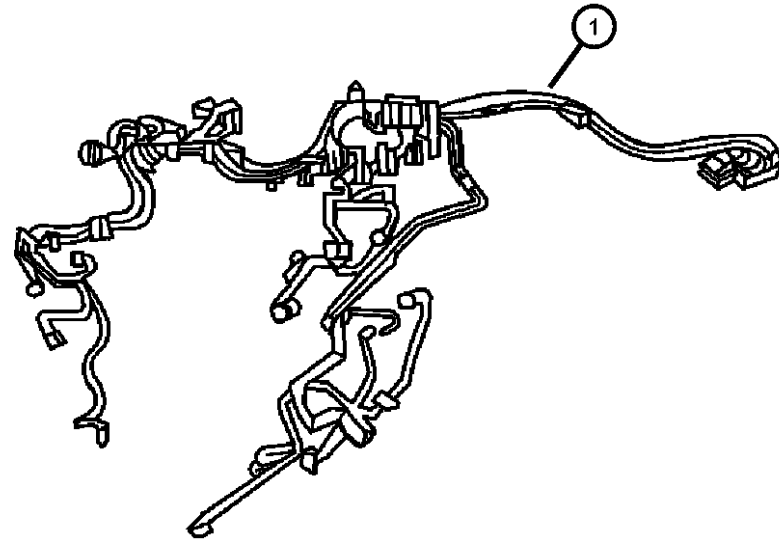
ENGINE TRANSMISSION
EVE = Engine - 4.7L V8 DOHC 3 Valve
EVB = Engine - 4.7L V8 DOHC 3 Valve
EZB = 5.7L Hemi Multi Displacement Engine
EKG = 3.7L V6 Engine
ESF = 6.1L SRT HEMI SMPI V8 Engine
EXL = 3.0L V6 Turbo Diesel Engine
DGJ = 5-Speed Auto W5A580 Transmission
DGU = 5-Spd Auto W5J400 Transmission
DGQ = 5-Spd Automatic 545RFE Transmission

AR = use ase required - = Non illustrated part

2008 WK

Wiring Engine Diesel
Figure 8-1210

ITEM	PART NUMBER	QTY	LINE	SERIES	BODY	ENGINE	TRANS	TRIM	DESCRIPTION
1									WIRING, Engine
	68019724AA	1	J, T		74	EXL			Tag #A 642 150 88 20
	68019725AA	1	J, T		74	EXL			Tag #A 642 150 80 20



GRAND CHEROKEE (WK)

SERIES LINE
H = HIGHLINE T = JEEP - 2WD
P = PREMIUM J = JEEP - 4WD
S = SPORT
X = SPECIAL

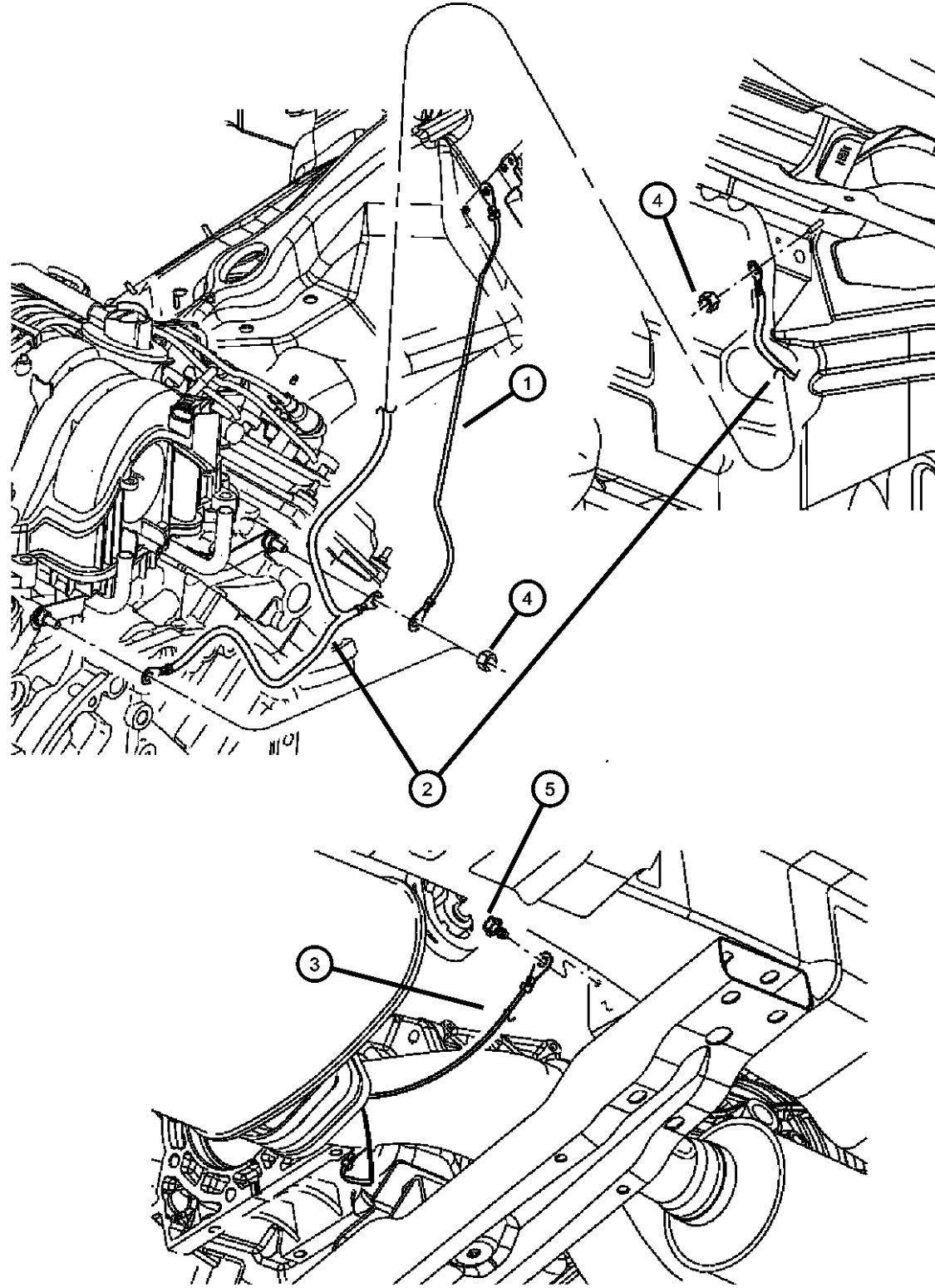
BODY
74 = SPORT UTILITY 4-DR
TYPE #4

ENGINE TRANSMISSION
EVE = Engine - 4.7L V8 DOHC 3 Valve
EVB = Engine - 4.7L V8 DOHC 3 Valve
EZE = 5.7L Hemi Multi Displacement Engine
EKG = 3.7L V6 Engine
ESF = 6.1L SRT HEMI SMPI V8 Engine
EXL = 3.0L V6 Turbo Diesel Engine
DGJ = 5-Speed Auto W5A580 Transmission
DGU = 5-Spd Auto W5J400 Transmission
DGQ = 5-Spd Automatic 545RFE Transmission

AR = use ase required - = Non illustrated part

2008 WK

**Ground Straps
Figure 8-1215**



ITEM	PART NUMBER	QTY	LINE	SERIES	BODY	ENGINE	TRANS	TRIM	DESCRIPTION
1	56038680AA	1	J, T		74	EK0, ES0, EV0, EZ0			STRAP, Ground, Engine to plenum
2	56038682AD	1	J, T		74	EK0, ES0, EV0, EZ0			STRAP, Ground, NGC to Engine
3	56038740AE	1	J		74	EK0, ES0, EV0, EZ0			STRAP, Ground, Exhaust
4	06101802	2	J, T		74	EZ0			NUT, Ground strap to cylinder head
5		2							SCREW, Hex Flange Head, M6x1.00x25.00, (NOT SERVICED)

GRAND CHEROKEE (WK)

SERIES LINE
H = HIGHLINE T = JEEP - 2WD
P = PREMIUM J = JEEP - 4WD
S = SPORT
X = SPECIAL

BODY
74 = SPORT UTILITY 4-DR
TYPE #4

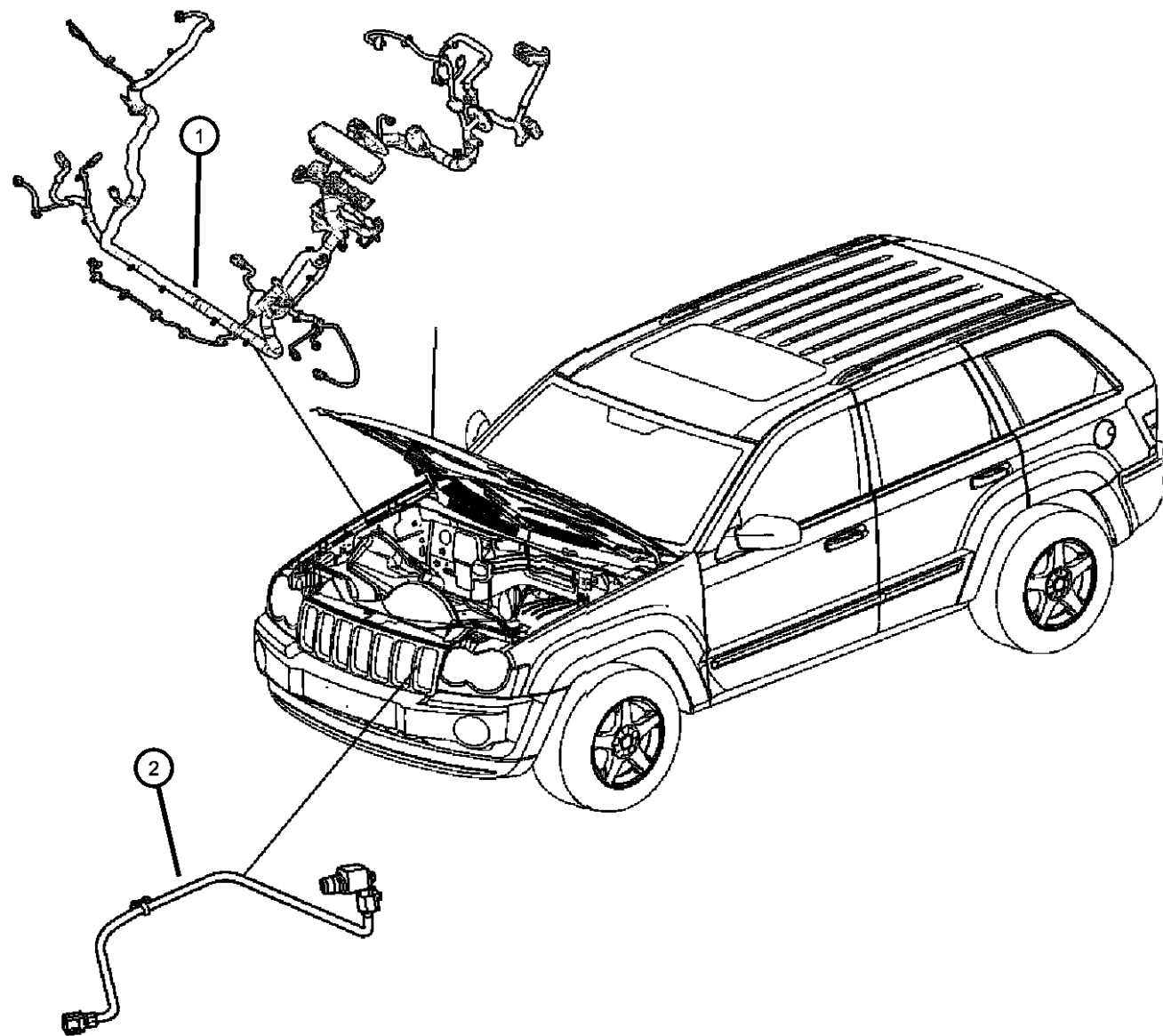
ENGINE
EVE = Engine - 4.7L V8 DOHC
3 Valve
EZB = 5.7L Hemi Multi
Displacement Engine
EKG = 3.7L V6 Engine
ESF = 6.1L SRT HEMI SMPI
V8 Engine
EXL = 3.0L V6 Turbo Diesel
Engine

TRANSMISSION
DGJ = 5-Speed Auto W5A580
Transmission
DGU = 5-Spd Auto W5J400
Transmission
DGQ = 5-Spd Automatic 545RFE
Transmission

AR = use ase required - = Non illustrated part

2008 WK

Wiring Headlamp to Dash
Figure 8-1305



ITEM	PART NUMBER	QTY	LINE	SERIES	BODY	ENGINE	TRANS	TRIM	DESCRIPTION
1									WIRING, Headlamp to Dash
	05030982AC	1	J, T		74	ESF			
	56048398AG	1	J, T		74	EK0			[LAB,DHX]
	56048399AG	1	J, T		74	EK0			[LAB]
	56048402AG	1	J, T		74	EVO			[LAB]
	56048404AG	1	J, T		74	EX0			[LAB]
	56048415AG	1	J, T		74	EVO			[XGM]
	56048417AG	1	J, T		74	EZO			[XGM]
	56048419AG	1	J, T		74	EX0			[XGM]
	56048651AF	1	J, T		74	EVO			[XGM,LMP]
	56048652AF	1	J, T		74	EZO			[XGM,LMP]
	56048654AF	1	J, T		74	EX0			[XGM,LMP]
	68029980AB	1	J, T	X	74	ESF			[XGM,LMP]
	05030981AC	1	J, T		74	ESF			[XBM]
2									WIRING, Jumper, Cooling Fan
	05143200AA	1	J, T		74	EZO	DG0		
	68048545AA	1	J, T		74	EK0, ESF, EVO	DG0		

GRAND CHEROKEE (WK)

SERIES LINE
H = HIGHLINE T = JEEP - 2WD
P = PREMIUM J = JEEP - 4WD
S = SPORT
X = SPECIAL

BODY
74 = SPORT UTILITY 4-DR
TYPE #4

ENGINE
EVE = Engine - 4.7L V8 DOHC
3 Valve
EZB = 5.7L Hemi Multi
Displacement Engine
EKG = 3.7L V6 Engine
ESF = 6.1L SRT HEMI SMPI
V8 Engine
EXL = 3.0L V6 Turbo Diesel
Engine

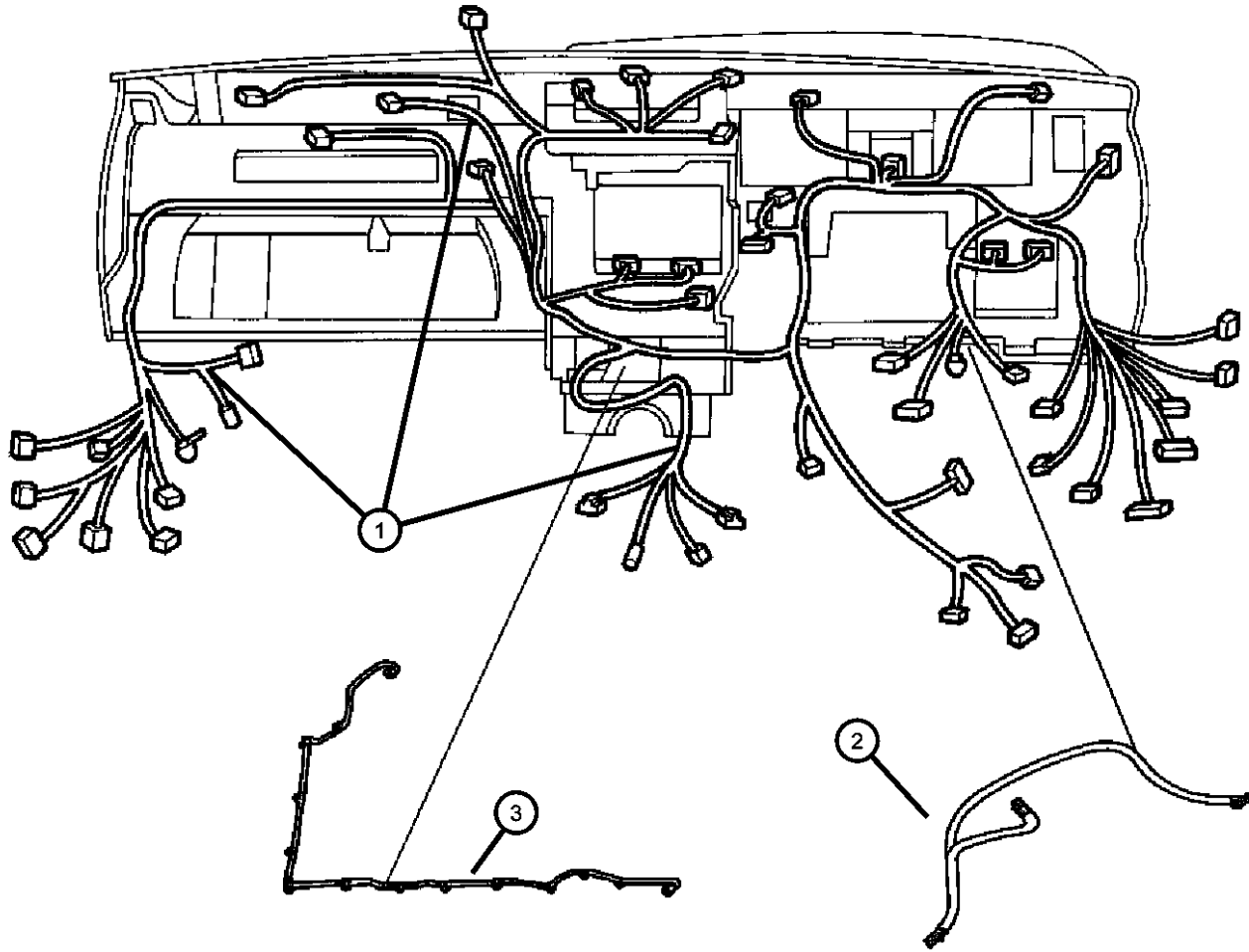
TRANSMISSION
DGJ = 5-Speed Auto W5A580
Transmission
DGU = 5-Spd Auto W5J400
Transmission
DGQ = 5-Spd Automatic 545RFE
Transmission

AR = use ase required - = Non illustrated part

2008 WK

**Wiring Instrument Panel
Figure 8-1405**

ITEM	PART NUMBER	QTY	LINE	SERIES	BODY	ENGINE	TRANS	TRIM	DESCRIPTION
1									WIRING, Instrument Panel
	56048136AF	1	J, T	H, X	74	EK0, ES0, EV0			[HAA,RSC,RC6,RER]
	56048138AF	1	J, T	H, X	74	EK0, ES0, EV0			[HAA,RSC,RSP,RC6]
	56048142AF	1	J, T	H	74	EX0			[HAA,RC6]
		1	J, T	H	74	EX0			[HAA,RC6,RER]
	56048148AF	1	J, T	H, X	74	EK0, ES0, EV0			[HAA,RC6,RSP,XAC]
	56048149AF	1	J, T	H, X	74	EK0, ES0, EV0			[HAA,RSP,XRV,RC6,XAC]
	56048150AF	1	J, T	H, X	74	EK0, ES0, EV0			[HAA,RC6,XAC]
		1	J, T	X, H	74	EK0, ES0, EV0			[HAA,RC6,XAC,RER]
	56048161AF	1	J, T	H, X	74	EK0, ES0, EV0			[HAA,XRV,RC6,XAC]
		1	J, T	H, X	74	EK0, ES0, EV0			[HAA,XRV,RC6,XAC,RER]
	56048183AF	1	J, T	H, X	74	EK0, ES0, EV0			[HAA,RSC,XRV,RC6,RER]
	56048184AF	1	J, T	H, X	74	EK0, EV0, ES0			[HAA,RSC,XRV]
	56048185AF	1	J, T	H, X	74	EK0, ES0, EV0			[HAA,RSC,RSP,XRV,RC6]
	56048191AF	1	J, T	H, X	74	EK0, ES0, EV0			[HAA,RSC,XRV,RC6,XAC]
		1	J, T	H, X	74	EK0, ES0, EV0			[HAA,RSC,XRV,RC6,XAC,RER]
	56048192AF	1	J, T	H, X	74	EK0, ES0, EV0			[HAA,RC6,RSP,RSC,XAC]
	56048193AF	1	J, T	H, X	74	EK0, ES0, EV0			[HAA,RC6,RSP,RSC,XAC,XRV]
	56048197AF	1	J, T	H	74	EX0			[HAA,RC6,RSP]
	56048199AF	1	J, T	P, S, X	74	ES0, EV0, EZ0			[HAF,RSP,XRV,XAC,RSC]
	56048201AF	1	J, T	P, S, X	74	ES0, EV0, EZ0			[HAF,XRV,XAC,RSC]
		1	J, T	P, S, X	74	ES0, EV0, EZ0			[HAF,XRV,XAC,RSC,RER]
	56048206AF	1	J, T	P, S, X	74	ES0, EV0, EZ0			[HAF,RSP]



GRAND CHEROKEE (WK)

SERIES LINE
H = HIGHLINE T = JEEP - 2WD
P = PREMIUM J = JEEP - 4WD
S = SPORT
X = SPECIAL

BODY
74 = SPORT UTILITY 4-DR
TYPE #4

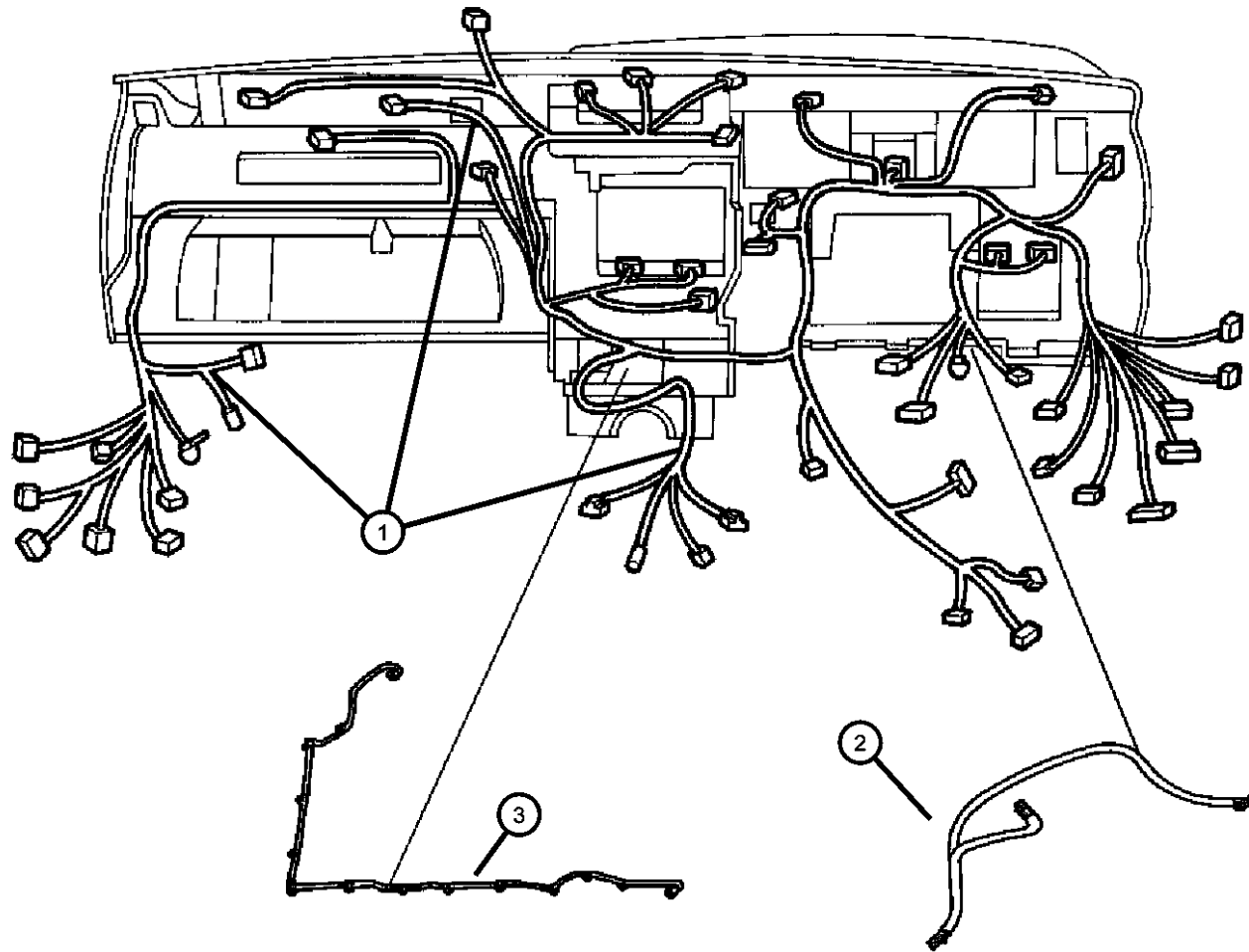
ENGINE
EVE = Engine - 4.7L V8 DOHC
3 Valve
EZB = 5.7L Hemi Multi
Displacement Engine
EKG = 3.7L V6 Engine
ESF = 6.1L SRT HEMI SMPI
V8 Engine
EXL = 3.0L V6 Turbo Diesel
Engine

TRANSMISSION
DGJ = 5-Speed Auto W5A580
Transmission
DGU = 5-Spd Auto W5J400
Transmission
DGQ = 5-Spd Automatic 545RFE
Transmission

AR = use ase required - = Non illustrated part

2008 WK

**Wiring Instrument Panel
Figure 8-1405**



ITEM	PART NUMBER	QTY	LINE	SERIES	BODY	ENGINE	TRANS	TRIM	DESCRIPTION
	56048207AF	1	J, T	P, S, X	74	ES0, EV0, EZ0			[HAF,RSP,XRV]
	56048208AF	1	J, T	P, S, X	74	ES0, EV0, EZ0			[HAF]
		1	J, T	P, S, X	74	ES0, EZ0, EV0			[HAF,RER]
	56048209AF	1	J, T	P, S, X	74	ES0, EV0, EZ0			[HAF,XRV]
		1	J, T	P, S, X	74	ES0, EV0, EZ0			[HAF,XRV,RER]
	56048212AF	1	J, T	P, S	74	EX0			[HAF,RER]
		1	J, T	P, S	74	EX0			[HAF]
	56048215AF	1	J, T	P, S, X	74	ES0, EV0, EZ0			[HAF,RSC,XRV]
		1	J, T	S, X, P	74	ES0, EV0, EZ0			[HAF,RSC,XRV,RER]
	56048216AF	1	J, T	P, S, X	74	ES0, EV0, EZ0			[HAF,RSP,RSC]
	56048217AF	1	J, T	P, S, X	74	ES0, EV0, EZ0			[HAF,RSC,RSP,XRV]
	56048226AF	1	J, T	P, S	74	EX0			[HAF,RSC,XAC]
		1	J, T	P, S	74	EX0			[HAF,RER,RSC,XAC]
	56048229AF	1	J, T	P, S	74	EX0			[HAF,RSP]
	56048230AF	1	J, T	P, S, X	74	EZ0, ES0, EV0			[HAF,RSC]
		1	J, T	P, S, X	74	ES0, EV0, EZ0			[HAF,RSC,RER]
	56048238AF	1	J, T	P, S, X	74	ES0, EV0, EZ0			[HAF,RSC,XAC]
		1	J, T	P, S, X	74	ES0, EV0, EZ0			[HAF,RSC,XAC,RER]
	56048240AF	1	J, T	P, S, X	74	ES0, EV0, EZ0			[HAF,RSC,RSP,XAC]
	56048673AF	1	J, T	P, S, X	74	ES0, EV0, EZ0			[HAF,RSP,XRV,XAC]
	56048674AF	1	J, T	P, S, X	74	ES0, EV0, EZ0			[HAF,RSP,XAC]
	56048675AF	1	J, T	P, S, X	74	ES0, EV0, EZ0			[HAF,XAC,XRV]
		1	J, T	P, S, X	74	ES0, EV0, EZ0			[HAF,XAC,XRV,RER]

GRAND CHEROKEE (WK)

SERIES LINE
H = HIGHLINE T = JEEP - 2WD
P = PREMIUM J = JEEP - 4WD
S = SPORT
X = SPECIAL

BODY
74 = SPORT UTILITY 4-DR TYPE #4

ENGINE
EVE = Engine - 4.7L V8 DOHC 3 Valve
EZB = 5.7L Hemi Multi Displacement Engine
EKG = 3.7L V6 Engine
ESF = 6.1L SRT HEMI SMPI V8 Engine
EXL = 3.0L V6 Turbo Diesel Engine

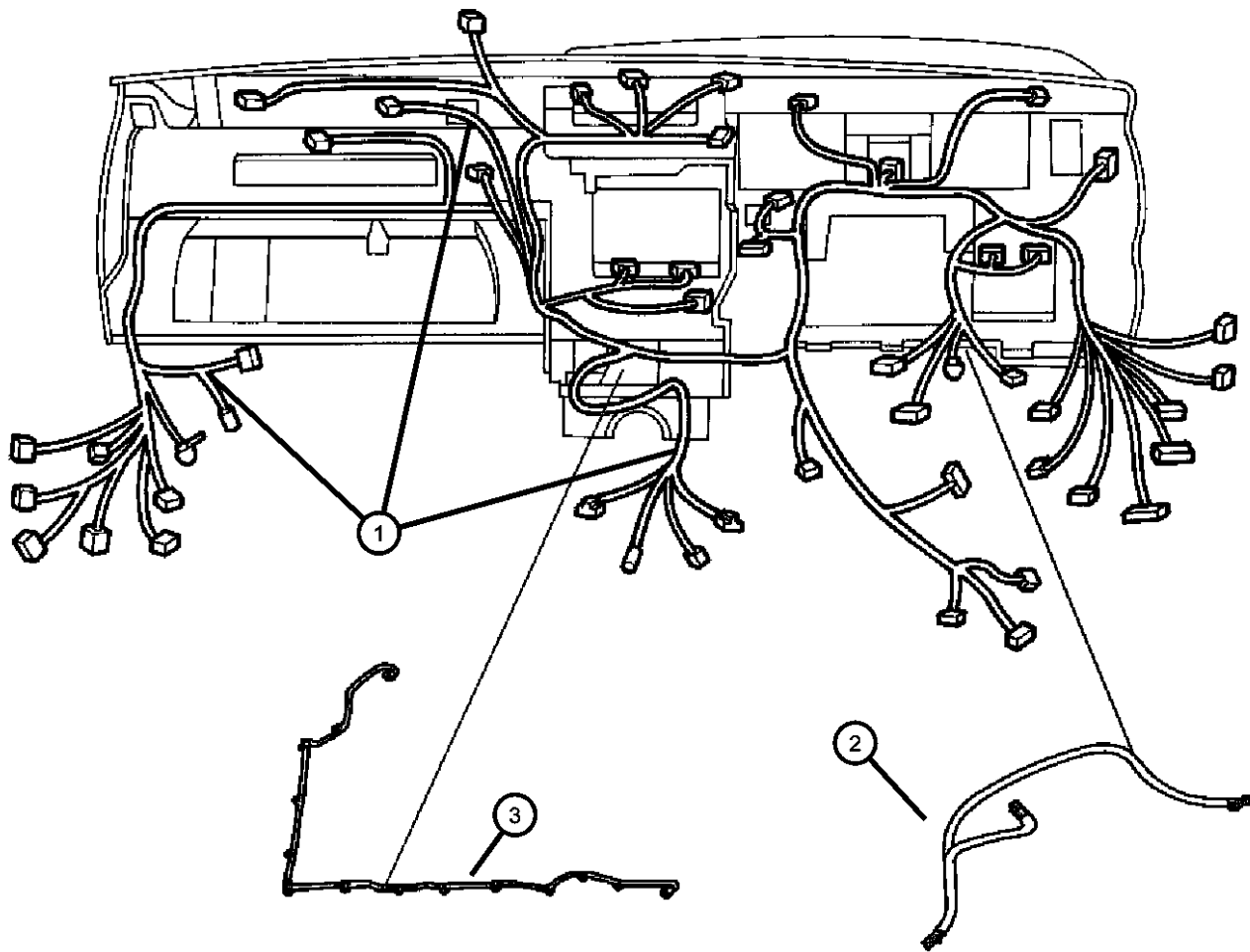
TRANSMISSION
DGJ = 5-Speed Auto W5A580 Transmission
DGU = 5-Spd Auto W5J400 Transmission
DGQ = 5-Spd Automatic 545RFE Transmission

AR = use ase required - = Non illustrated part

2008 WK

**Wiring Instrument Panel
Figure 8-1405**

ITEM	PART NUMBER	QTY	LINE	SERIES	BODY	ENGINE	TRANS	TRIM	DESCRIPTION
	56048676AF	1	J, T	P, S, X	74	ES0, EV0, EZ0			[HAF,XAC]
		1	J, T	P, S, X	74	ES0, EV0, EZ0			[HAF,XAC,RER]
	68024400AD	1	J, T	H	74	EX0			[HAA,RC6,RER,XRV]
		1	J, T	H	74	EX0			[HAA,RC6,XRV]
	68024401AD	1	J, T	S, P	74	EX0			[HAF,RER,XRV]
		1	J, T	P, S	74	EX0			[HAF,XRV]
	68028514AB	1	J, T		74	EX0			[HAA,RC6,RSC]
		1	J, T		74	EX0			[HAA,RER,RC6,RSC]
	68039201AA	1	J, T	H, X	74	EK0, ES0, EV0			
	56048170AF	1	J, T	H	74	EX0			[HAA,RSC,RC6,XAC,RER]
		1	J, T	H, X	74	EK0, ES0, EV0			[HAA,RSC,XRV,RC6]
	56048162AF	1	J, T	H, X	74	EK0, ES0, EV0			[HAA,RSC,RC6,XAC]
		1	J, T	H, X	74	EK0, ES0, EV0			[HAA,RSC,RC6,XAC,RER]
		1	J, T	H	74	EX0			[HAA,RSC,RC6,XAC]
	56048131AF	1	J, T	H, X	74	EK0, ES0, EV0			[HAA,RCG]
	56048132AF	1	J, T	H, X	74	EK0, ES0, EV0			[HAA,RC6,RSP]
	56048133AF	1	J, T	H, X	74	EK0, ES0, EV0			[HAA,RSP,XRV,RC6]
	56048134AF	1	J, T	H, X	74	EK0, ES0, EV0			[HAA,RC6]
		1	J, T	H, X	74	ES0, EV0, EK0			[HAA,RC6,RER]
	56048135AF	1	J, T	H, X	74	EK0, ES0, EV0			[HAA,XRV,RC6]
		1	J, T	H, X	74	EK0, ES0, EV0			[HAA,XRV,RC6,RER]
		1	J, T	H, X	74	EK0, ES0, EV0			[HAA,RSC,RC6]
2	68030871AA	1	J, T		74				WIRING, Steering Wheel [SCW]
		1	J, T		74				[SCL]



GRAND CHEROKEE (WK)

SERIES LINE
H = HIGHLINE T = JEEP - 2WD
P = PREMIUM J = JEEP - 4WD
S = SPORT
X = SPECIAL

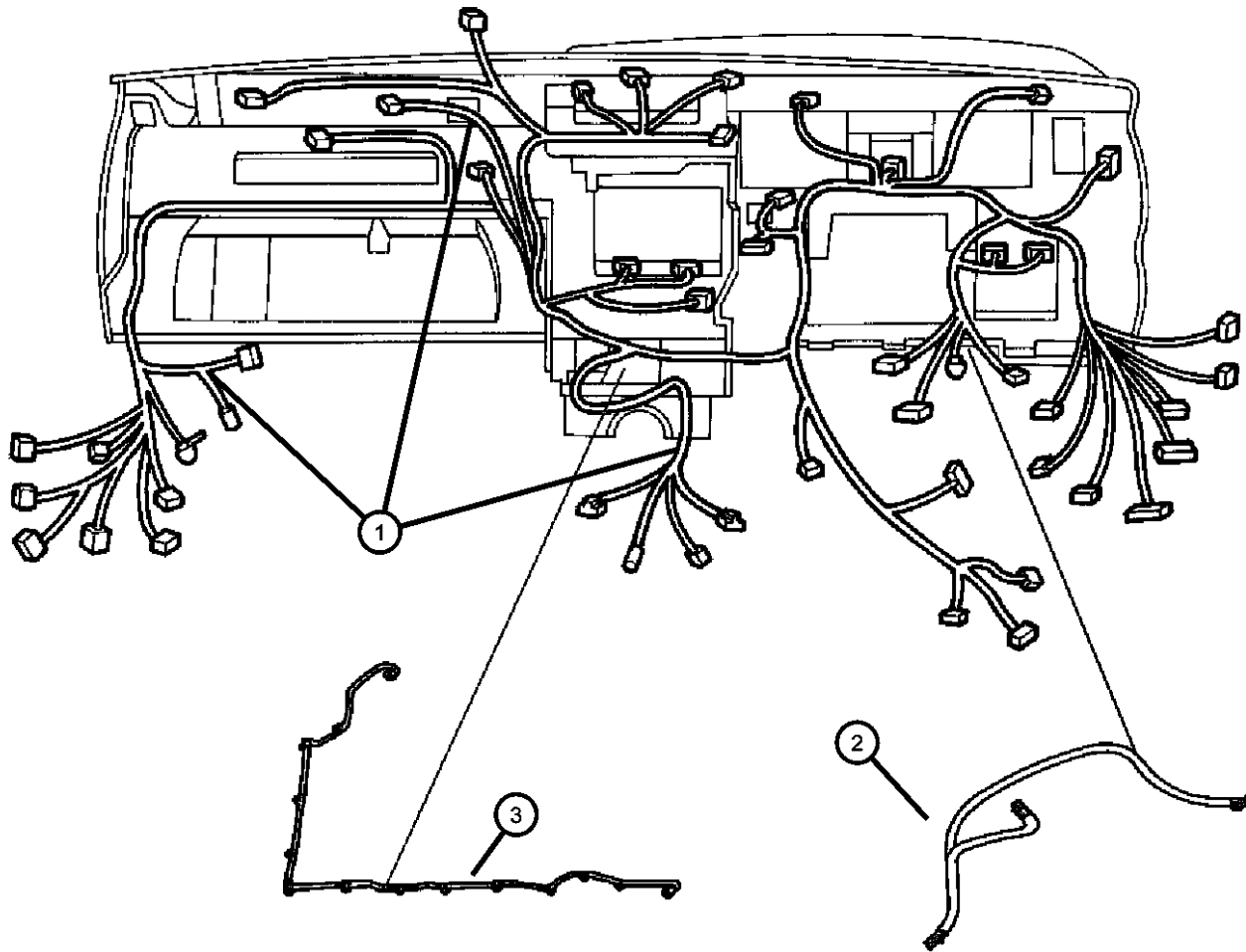
BODY
74 = SPORT UTILITY 4-DR
TYPE #4

ENGINE
EVE = Engine - 4.7L V8 DOHC
3 Valve
EZB = 5.7L Hemi Multi
Displacement Engine
EKG = 3.7L V6 Engine
ESF = 6.1L SRT HEMI SMPI
V8 Engine
EXL = 3.0L V6 Turbo Diesel
Engine

TRANSMISSION
DGJ = 5-Speed Auto W5A580
Transmission
DGU = 5-Spd Auto W5J400
Transmission
DGQ = 5-Spd Automatic 545RFE
Transmission

**Wiring Instrument Panel
Figure 8-1405**

ITEM	PART NUMBER	QTY	LINE	SERIES	BODY	ENGINE	TRANS	TRIM	DESCRIPTION
		1	J, T		74				[SCV]
		1	J, T		74				[SCC]
		1	J, T		74				[RCA,RDZ]
	68038960AA	1	J, T		74				[SCA]
3									WIRING, Hands Free Communication
	56050906AB	1	J, T		74				[RSP]
	56050907AB	1	J, T		74				



GRAND CHEROKEE (WK)

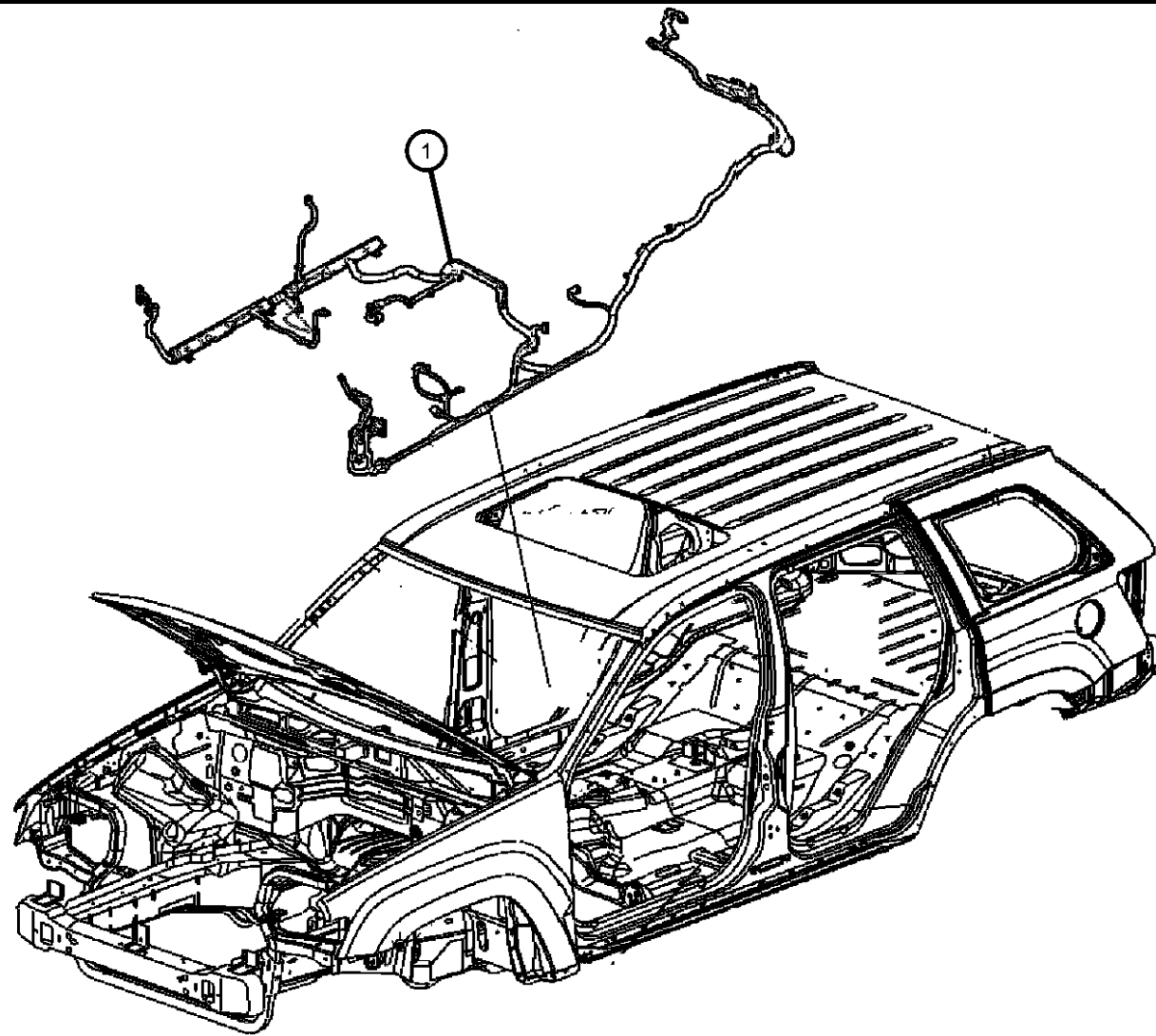
SERIES LINE
H = HIGHLINE T = JEEP - 2WD
P = PREMIUM J = JEEP - 4WD
S = SPORT
X = SPECIAL

BODY
74 = SPORT UTILITY 4-DR
TYPE #4

ENGINE TRANSMISSION
EVE = Engine - 4.7L V8 DOHC 3 Valve
EZB = 5.7L Hemi Multi Displacement Engine
EKG = 3.7L V6 Engine
ESF = 6.1L SRT HEMI SMPI V8 Engine
EXL = 3.0L V6 Turbo Diesel Engine
DGJ = 5-Speed Auto W5A580 Transmission
DGU = 5-Spd Auto W5J400 Transmission
DGQ = 5-Spd Automatic 545RFE Transmission

AR = use ase required - = Non illustrated part

Wiring Body
Figure 8-1505



ITEM	PART NUMBER	QTY	LINE	SERIES	BODY	ENGINE	TRANS	TRIM	DESCRIPTION
1									WIRING, Body
	56048267AE	1	J, T		74				[JTB,JPR,RC6,JJM]
	56048273AE	1	J, T		74				[JTB,JPR,RC6,JJM,XAC]
	56048274AF	1	J, T		74				[JTB,JPR,RC6,JJM,XAC,JKV]
	56048275AF	1	J, T		74				[JTB,JPR,RC6,JJM,XAC,JKV,RSC]
	56048284AE	1	J, T		74				[JTB,JPR,RC6,RSC,JJM,XAC]
	56048285AF	1	J, T		74				[JTB,JPR,RC6,JJM,JKV]
	56048286AF	1	J, T		74				[JTB,JPR,RC6,JKV,JJM]
	56048289AE	1	J, T		74				[JTB,JPR,RC6,JJM,RSC]
	56048293AF	1	J, T		74				[JPK,RC6]
	68036408AA	1	J, T		74				[JTB,JPR,RCG,JKV]
	68036409AA	1	J, T		74				[JTB,JPR,RCG,JKV,XAC]
	68036420AA	1	J, T		74				[JPK,RC6,RSC]
	68036421AA	1	J, T		74				[JPK,RC6,RSC,XAC]
	68036422AA	1	J, T		74				[JPK,RC6,RSC,XAC,RSV]
	68038898AA	1	J, T		74				[JTB,JPR,RCG,RSC]
	68038899AA	1	J, T		74				[JTB,JPR,RCG,XAC,RSC]
	56048299AF	1	J, T		74				[JPK,RC6,XAC]
	56048303AF	1	J, T		74				[JPK,RC6,RSC,RSV]
	68036403AA	1	J, T		74				[JTB,JPR,RCG]
	68036407AA	1	J, T		74				[JTB,JPR,RCG,XAC]

GRAND CHEROKEE (WK)

SERIES LINE
H = HIGHLINE T = JEEP - 2WD
P = PREMIUM J = JEEP - 4WD
S = SPORT
X = SPECIAL

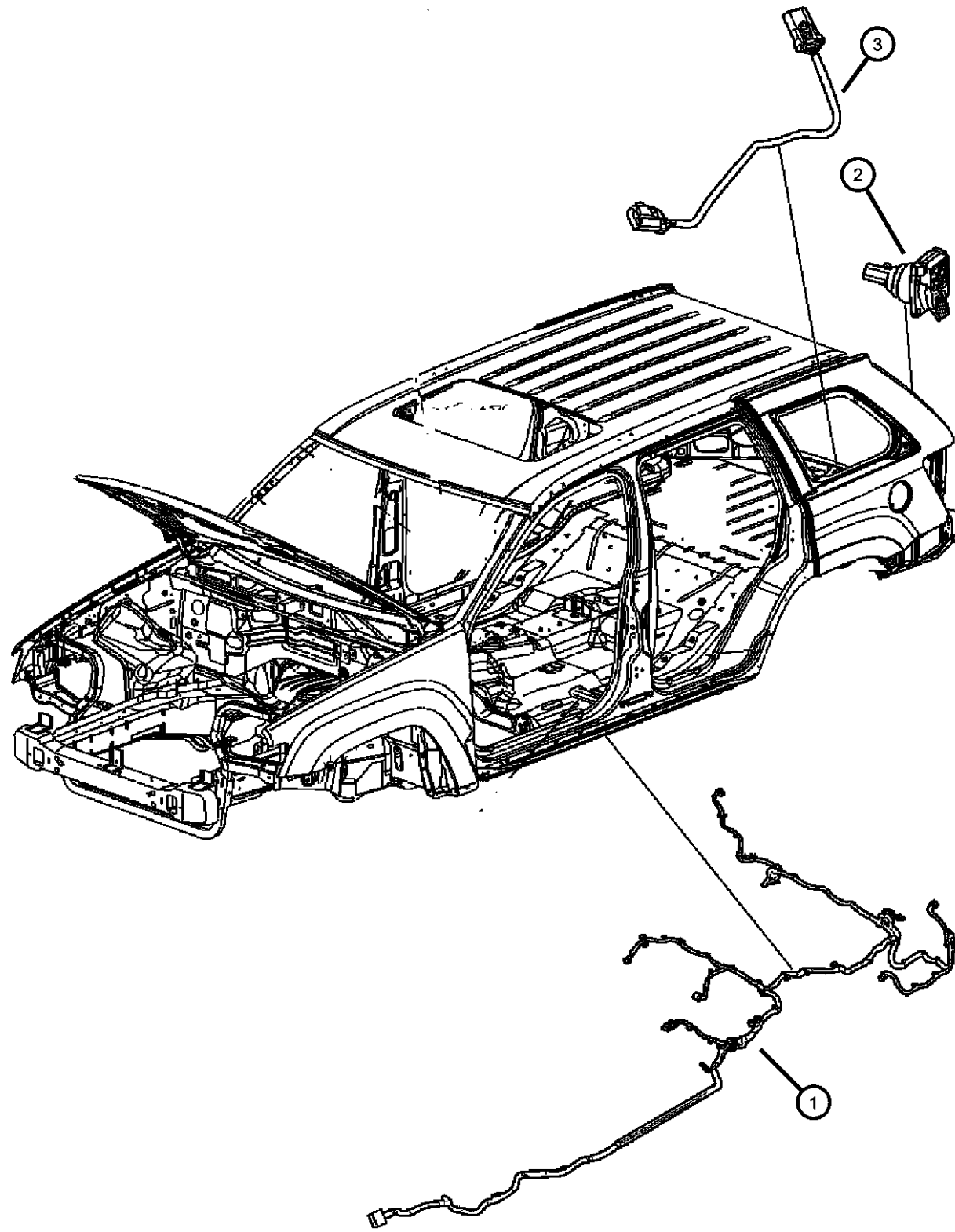
BODY
74 = SPORT UTILITY 4-DR
TYPE #4

ENGINE TRANSMISSION
EVE = Engine - 4.7L V8 DOHC 3 Valve
EZB = 5.7L Hemi Multi Displacement Engine
EKG = 3.7L V6 Engine
ESF = 6.1L SRT HEMI SMPI V8 Engine
EXL = 3.0L V6 Turbo Diesel Engine
DGJ = 5-Speed Auto W5A580 Transmission
DGU = 5-Spd Auto W5J400 Transmission
DGQ = 5-Spd Automatic 545RFE Transmission

AR = use ase required - = Non illustrated part

2008 WK

**Wiring Chassis and Underbody
Figure 8-1510**



ITEM	PART NUMBER	QTY	LINE	SERIES	BODY	ENGINE	TRANS	TRIM	DESCRIPTION
1									WIRING, Underbody
	56050929AC	1	J	H	74				[AHX,AHT,DSF]
	56050922AC	1	J	H, P, S	74				[DHX]
	56050923AC	1	J	H, P, S	74				[AHX,AHT,DHX]
	56050924AC	1	J, T	H, P, S	74				[AHX,AHT]
	56050925AC	1	J, T	H, P, S	74				Base
	56050926AC	1	J	H, P, S	74				[XGM,DHX]
	56050927AC	1	J	H, P, S	74				[AHX,AHT,XGM,DHX]
	56050928AC	1	J	P, S	74				[DSF,XGM]
		1	J	H	74				[DSF]
		1	J	P, S	74				[AHX,AHT,XGM,DSF]
	56050930AC	1	T	H, P, S	74				[AHX,AHT,XGM]
	56050931AC	1	T	H, P, S	74				[XGM]
	56050932AC	1	J, T	H, P, S	74				[XAA]
	56050933AC	1	J, T	H, P, S	74				[AHX,AHT,XAA]
	56050934AC	1	J	P, S, H	74				[XAA,DHX]
	56050935AC	1	J	H, P, S	74				[AHX,AHT,XAA,DHX]
	56050938AC	1	T	H, P, S	74				[XAA,XGM]
	56050940AC	1	T	H, P, S	74				[AHT,AHX,XAA,XGM]
	56050941AC	1	J	P, S	74				[XAA,XGM,DSF]
	68004189AC	1	J, T	X	74				[XAA]
	68004190AC	1	J, T	X	74				Base
	68021488AC	1	J, T	X	74				[XAA,JKJ]
		1	J	H	74				[XAA,DSF]
	56050942AC	1	J	P, S	74				[AHX,AHT,XAA,XGM,DSF]
		1	J	H	74				[AHX,AHT,XAA,DSF]
	56050943AC	1	J	H, P, S	74				[XAA,XGM,DHX]
	56050944AC	1	J	H, P, S	74				[AHX,AHT,XAA,XGM,DHX]
2	56038366AB	1	J, T		74				CONNECTOR, 7 Way
3									WIRING, Fuel Module
	05143963AB	1	J, T		74	EK0, ES0, EZ0			
	68027924AA	1	J, T		74	EVE			[XKN]

GRAND CHEROKEE (WK)

SERIES LINE
H = HIGHLINE T = JEEP - 2WD
P = PREMIUM J = JEEP - 4WD
S = SPORT
X = SPECIAL

BODY
74 = SPORT UTILITY 4-DR
TYPE #4

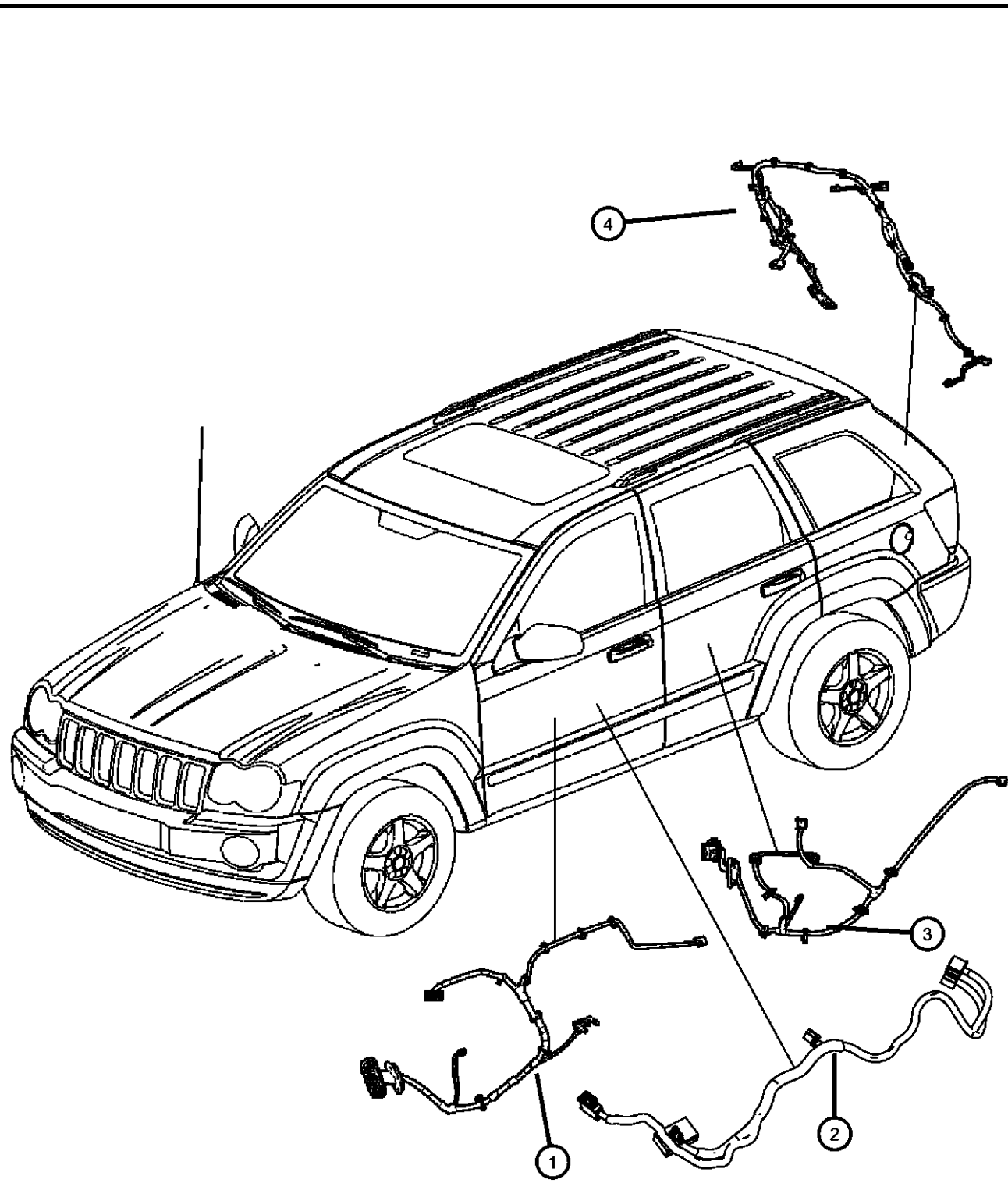
ENGINE
EVE = Engine - 4.7L V8 DOHC
3 Valve
EZB = 5.7L Hemi Multi
Displacement Engine
EKG = 3.7L V6 Engine
ESF = 6.1L SRT HEMI SMPI
V8 Engine
EXL = 3.0L V6 Turbo Diesel
Engine

TRANSMISSION
DGJ = 5-Speed Auto W5A580
Transmission
DGU = 5-Spd Auto W5J400
Transmission
DGQ = 5-Spd Automatic 545RFE
Transmission

AR = use ase required - = Non illustrated part

2008 WK

Wiring Door, Deck Lid, and Liftgate
Figure 8-1515



ITEM	PART NUMBER	QTY	LINE	SERIES	BODY	ENGINE	TRANS	TRIM	DESCRIPTION
1									WIRING, Front Door
	56048795AA	1	J, T	H	74				[GTN], Passenger
	56048796AA	1	J, T	H	74				[GTS], Passenger
		1	J, T	X	74				[GUK], Passenger
	56048805AA	1	J, T	H	74				[GTN], Driver
	56048806AA	1	J, T	H	74				[GTS], Driver
		1	J, T	X	74				[GUK], Driver
	56048808AA	1	J, T	P, S	74				Driver
		1	J, T	X	74				[GUT], Driver
	68028397AA	1	J, T	P, S	74				Passenger
		1	J, T	X	74				[GUT], Passenger
2									WIRING, Door Jumper
	68029245AA	1	J, T		74				[CTL,RC6], Right
		1	J, T		74				[CBW], Right
	68029536AA	1	J, T		74				[CTL,RC6], Left
	68029689AA	1	J, T		74				[CTM], Left
	68029690AA	1	J, T		74				[CTM], Right
	68029956AA	1	J, T		74				[CBF], Right
		1	J, T		74				[CBW], Left
		1	J, T		74				[CBF], Left
		1	J, T		74				[CTC], Right
3									WIRING, Rear Door
	56050067AJ	1	J, T	X	74				
		1	J, T	P, S, H	74				
4									WIRING, Liftgate
	56047788AC	1	J, T		74				
	56050879AC	1	J, T		74				[XAC]

GRAND CHEROKEE (WK)
 SERIES LINE
 H = HIGHLINE T = JEEP - 2WD
 P = PREMIUM J = JEEP - 4WD
 S = SPORT
 X = SPECIAL

BODY
 74 = SPORT UTILITY 4-DR
 TYPE #4

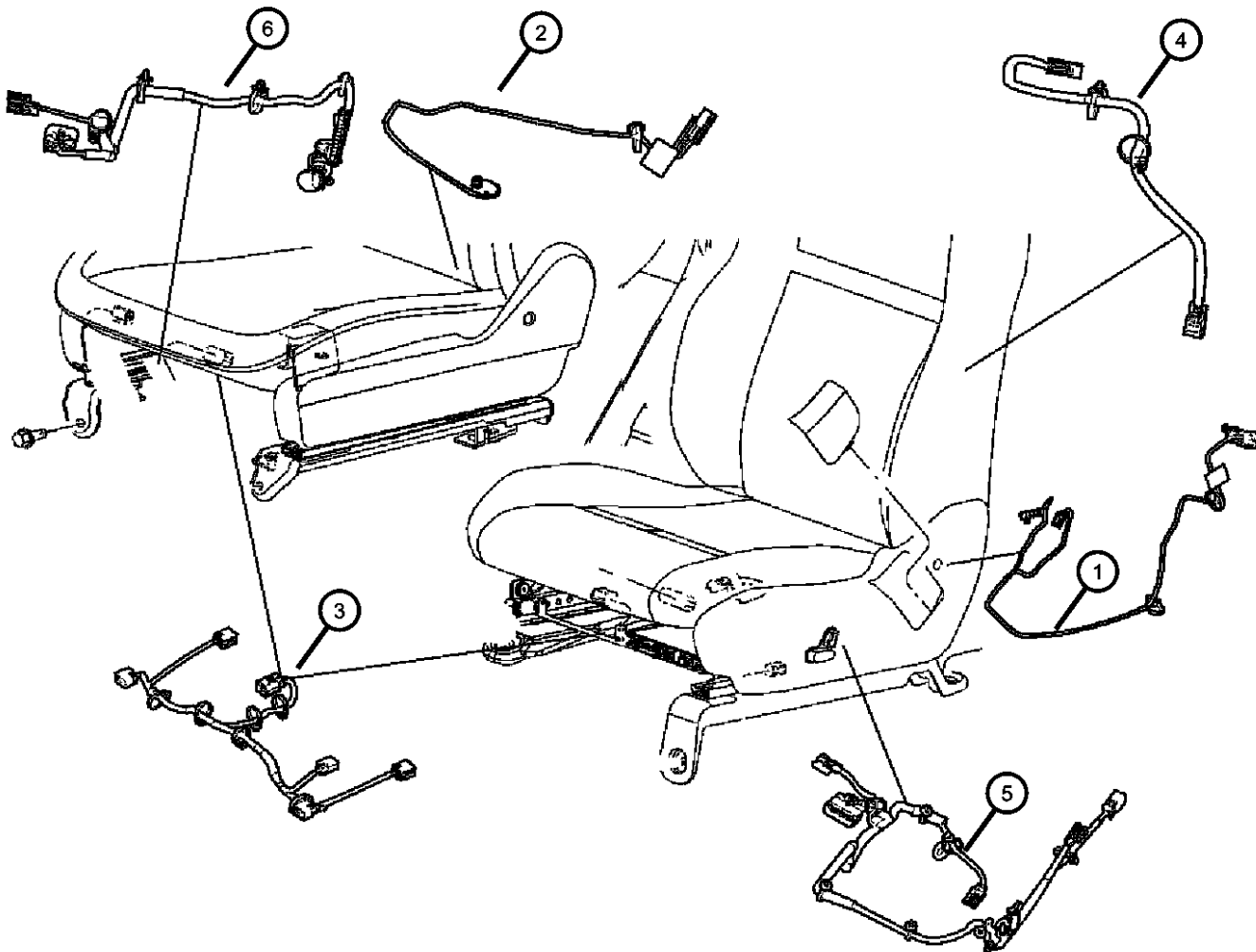
ENGINE
 EVE = Engine - 4.7L V8 DOHC
 3 Valve
 EZB = 5.7L Hemi Multi
 Displacement Engine
 EKG = 3.7L V6 Engine
 ESF = 6.1L SRT HEMI SMPI
 V8 Engine
 EXL = 3.0L V6 Turbo Diesel
 Engine

TRANSMISSION
 DGJ = 5-Speed Auto W5A580
 Transmission
 DGU = 5-Spd Auto W5J400
 Transmission
 DGQ = 5-Spd Automatic 545RFE
 Transmission

AR = use ase required - = Non illustrated part

Wiring Seats Front
Figure 8-1520

ITEM	PART NUMBER	QTY	LINE	SERIES	BODY	ENGINE	TRANS	TRIM	DESCRIPTION
1	05143387AA	1	J, T		74				WIRING, Pretentioner
2	05143384AA	1	J, T		74				WIRING, Pretentioner
	05183706AA	1	J, T	X	74				Tagged 1199927
3	68042402AA	1	J, T		74				WIRING, Seat Manual Heated, Right
	68031376AA	1	J, T		74				Manual, Right
4	05143366AA	1	J, T		74				WIRING, Seat Back Power, Right
	05143367AA	1	J, T		74				Power, Left
	05143383AA	1	J, T		74				Memory, heated, Left
	68002254AA	1	J, T		74				Heated, Right
	05143368AA	1	J, T		74				Power heated, Right
	05143369AA	1	J, T		74				Power heated, Left
5	68031367AA	1	J, T		74				WIRING, Power Seat Memory heated, Left
	68031372AA	1	J, T		74				, Left
	68017844AA	1	J, T	X	74				Left
	68017978AA	1	J, T	X	74				Memory heated, Left
	68031374AA	1	J, T		74				Heated, Left
6	68031375AA	1	J, T		74				WIRING, Power Seat Heated, Right
	68020393AA	1	J, T	X	74				4 way, Right
	68020847AA	1	J, T	X	74				4 way heated, Right
	68031368AA	1	J, T		74				Front and rear heated, Right
	68031373AA	1	J, T		74				Right



GRAND CHEROKEE (WK)

SERIES LINE
H = HIGHLINE T = JEEP - 2WD
P = PREMIUM J = JEEP - 4WD
S = SPORT
X = SPECIAL

BODY
74 = SPORT UTILITY 4-DR
TYPE #4

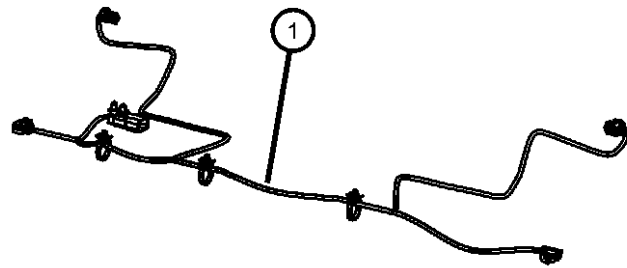
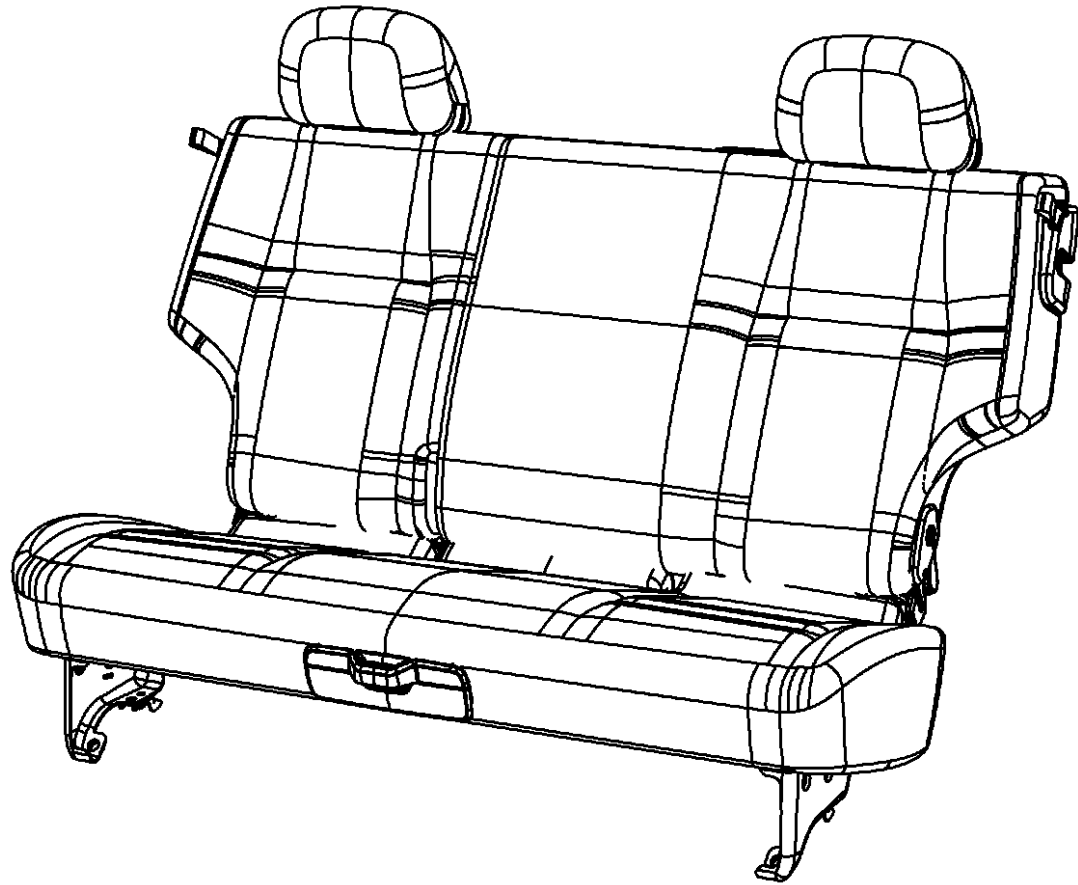
ENGINE TRANSMISSION
EVE = Engine - 4.7L V8 DOHC 3 Valve DGJ = 5-Speed Auto W5A580
EZB = 5.7L Hemi Multi Displacement Engine DGU = 5-Spd Auto W5J400
EKG = 3.7L V6 Engine DGQ = 5-Spd Automatic 545RFE
ESF = 6.1L SRT HEMI SMPI V8 Engine
EXL = 3.0L V6 Turbo Diesel Engine

AR = use ase required - = Non illustrated part

2008 WK

Wiring Seats Rear
Figure 8-1525

ITEM	PART NUMBER	QTY	LINE	SERIES	BODY	ENGINE	TRANS	TRIM	DESCRIPTION
1	68031371AA	1	J, T		74				WIRING, Rear Seat



GRAND CHEROKEE (WK)

SERIES LINE
H = HIGHLINE T = JEEP - 2WD
P = PREMIUM J = JEEP - 4WD
S = SPORT
X = SPECIAL

BODY
74 = SPORT UTILITY 4-DR
TYPE #4

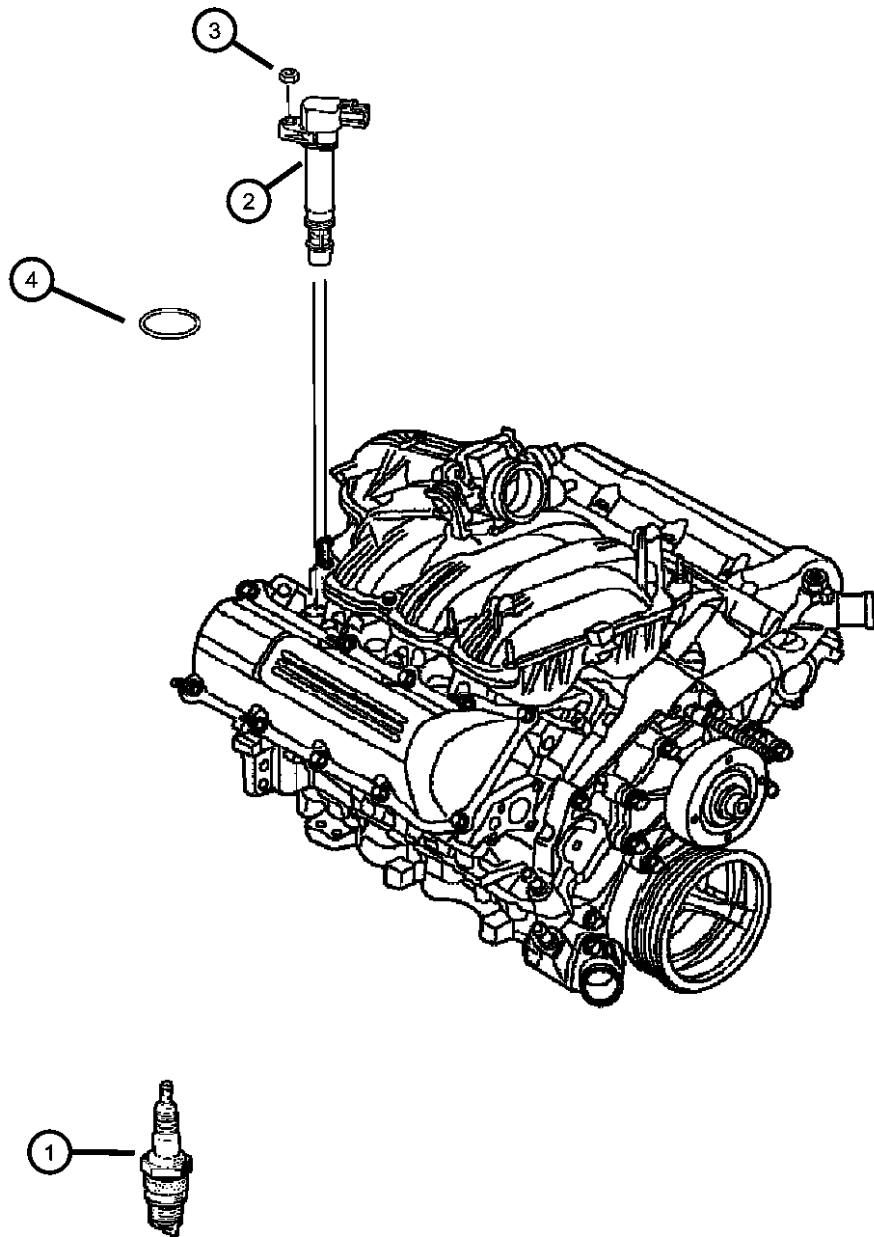
ENGINE TRANSMISSION
EVE = Engine - 4.7L V8 DOHC 3 Valve
EZB = 5.7L Hemi Multi Displacement Engine
EKG = 3.7L V6 Engine
ESF = 6.1L SRT HEMI SMPI V8 Engine
EXL = 3.0L V6 Turbo Diesel Engine
DGJ = 5-Speed Auto W5A580 Transmission
DGU = 5-Spd Auto W5J400 Transmission
DGQ = 5-Spd Automatic 545RFE Transmission

AR = use ase required - = Non illustrated part

2008 WK

**Spark Plugs, Ignition Wires, Ignition Coil
Figure 8-1905**

ITEM	PART NUMBER	QTY	LINE	SERIES	BODY	ENGINE	TRANS	TRIM	DESCRIPTION
1	SPZFR6F11G	3	J, T		74	EK0			SPARK PLUG
2	56028138AF	6	J, T		74	EK0			COIL, Ignition
3	06508272AA	6	J, T		74	EK0			NUT, M6x1.00, Coil mounting
4	05072382AA	6	J, T		74	EK0			O RING



GRAND CHEROKEE (WK)

SERIES LINE
H = HIGHLINE T = JEEP - 2WD
P = PREMIUM J = JEEP - 4WD
S = SPORT
X = SPECIAL

BODY
74 = SPORT UTILITY 4-DR
TYPE #4

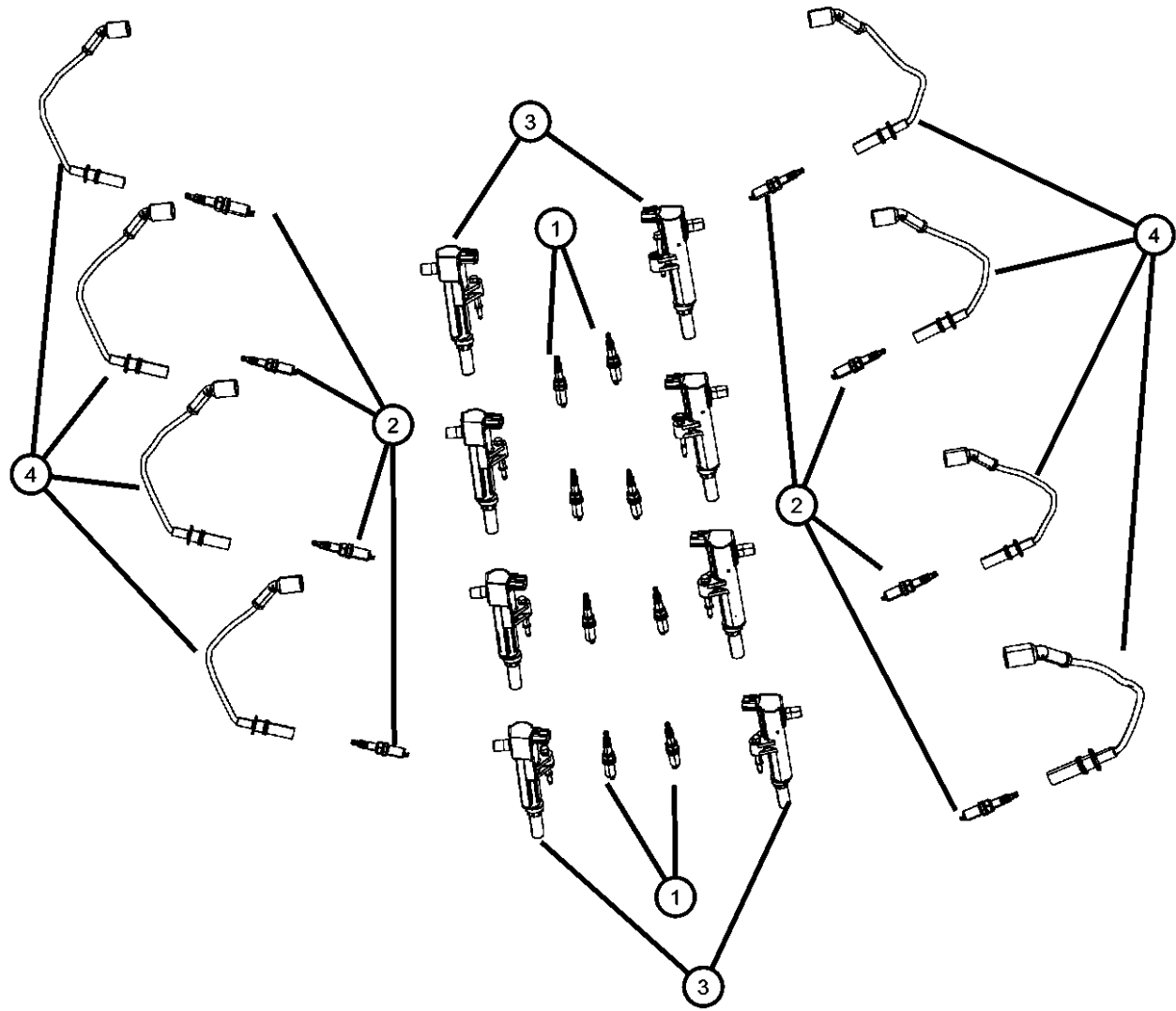
ENGINE TRANSMISSION
EVE = Engine - 4.7L V8 DOHC 3 Valve
EVB = Engine - 4.7L V8 DOHC 3 Valve
EZB = 5.7L Hemi Multi Displacement Engine
EKG = 3.7L V6 Engine
ESF = 6.1L SRT HEMI SMPI V8 Engine
EXL = 3.0L V6 Turbo Diesel Engine
DGJ = 5-Speed Auto W5A580 Transmission
DGU = 5-Spd Auto W5J400 Transmission
DGQ = 5-Spd Automatic 545RFE Transmission

AR = use ase required - = Non illustrated part

2008 WK

Spark Plugs, Ignition Wires, and Ignition Coil
Figure 8-1906

ITEM	PART NUMBER	QTY	LINE	SERIES	BODY	ENGINE	TRANS	TRIM	DESCRIPTION
1	05149050AB	8	J, T		74	EVO			SPARK PLUG, INTAKE SIDE
2	05149888AA	8	J, T		74	EVO			SPARK PLUG, EXHAUST SIDE
3	05149049AB	8	J, T		74	EVO			COIL, Ignition
4	05149051AC	8	J, T		74	EVO			CABLE, Ignition
5	68078732AA	8	J, T		74	EVO			BOOT, Ignition Coil



GRAND CHEROKEE (WK)

SERIES LINE
H = HIGHLINE T = JEEP - 2WD
P = PREMIUM J = JEEP - 4WD
S = SPORT
X = SPECIAL

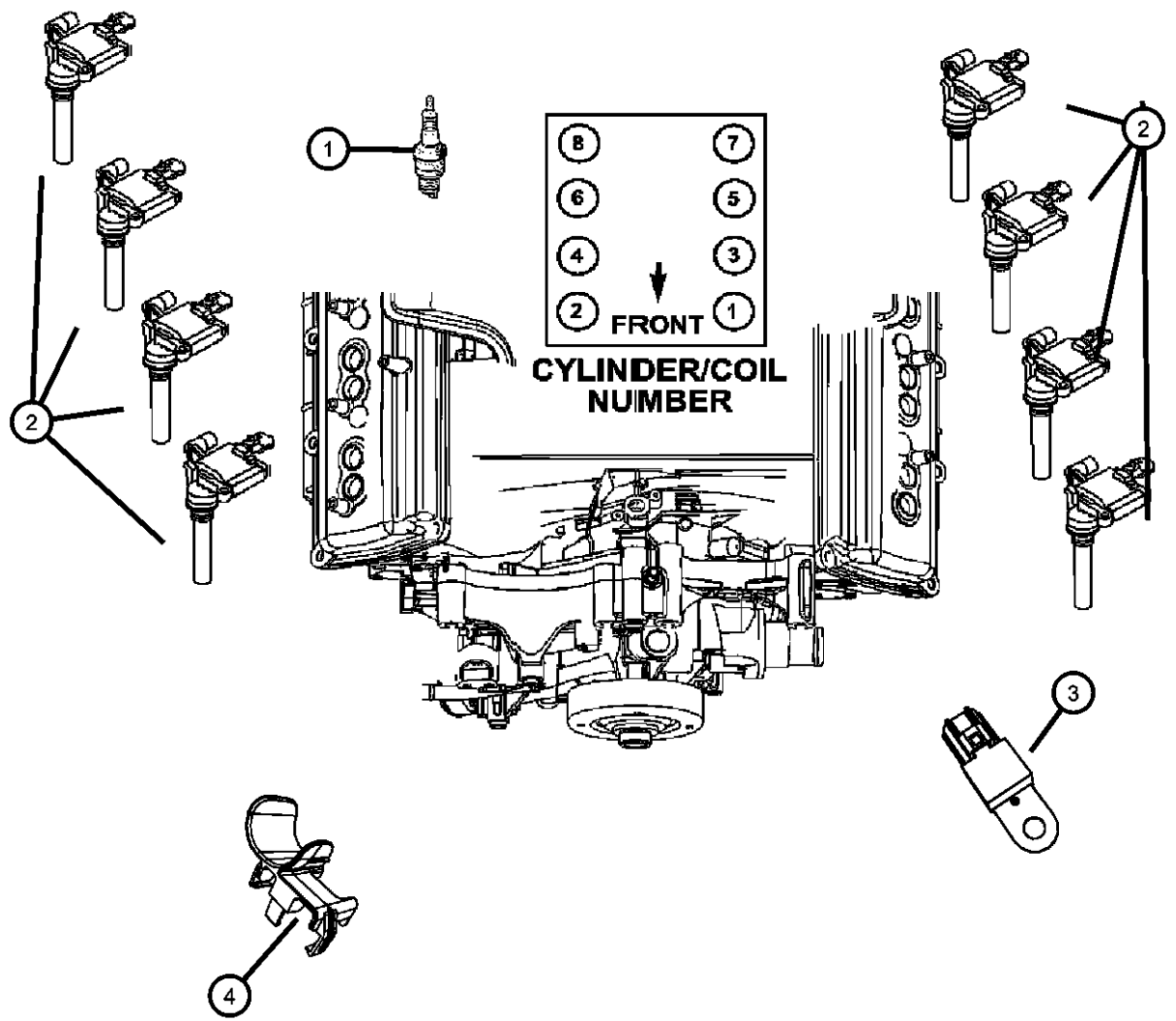
BODY
74 = SPORT UTILITY 4-DR
TYPE #4

ENGINE TRANSMISSION
EVE = Engine - 4.7L V8 DOHC 3 Valve
EZB = 5.7L Hemi Multi Displacement Engine
EKG = 3.7L V6 Engine
ESF = 6.1L SRT HEMI SMPI V8 Engine
EXL = 3.0L V6 Turbo Diesel Engine
DGJ = 5-Speed Auto W5A580 Transmission
DGU = 5-Spd Auto W5J400 Transmission
DGQ = 5-Spd Automatic 545RFE Transmission

AR = use ase required - = Non illustrated part

2008 WK

Spark Plugs, Ignition Wires, Ignition Coil
Figure 8-1910



ITEM	PART NUMBER	QTY	LINE	SERIES	BODY	ENGINE	TRANS	TRIM	DESCRIPTION
1	SPRE14MCC4	16	J, T		74	EZ0			SPARK PLUG
	SPLZTR5A13	16	J, T		74	ESF			
2	56029129AB	8	J, T		74	EZ0			COIL, Ignition
		8	J, T		74	ESF			
3	05149011AA	1	J, T		74	ESF			CAPACITOR, Ignition
4	04801474AA	2	J, T		74	EZ0			BRACKET, Ignition Coil

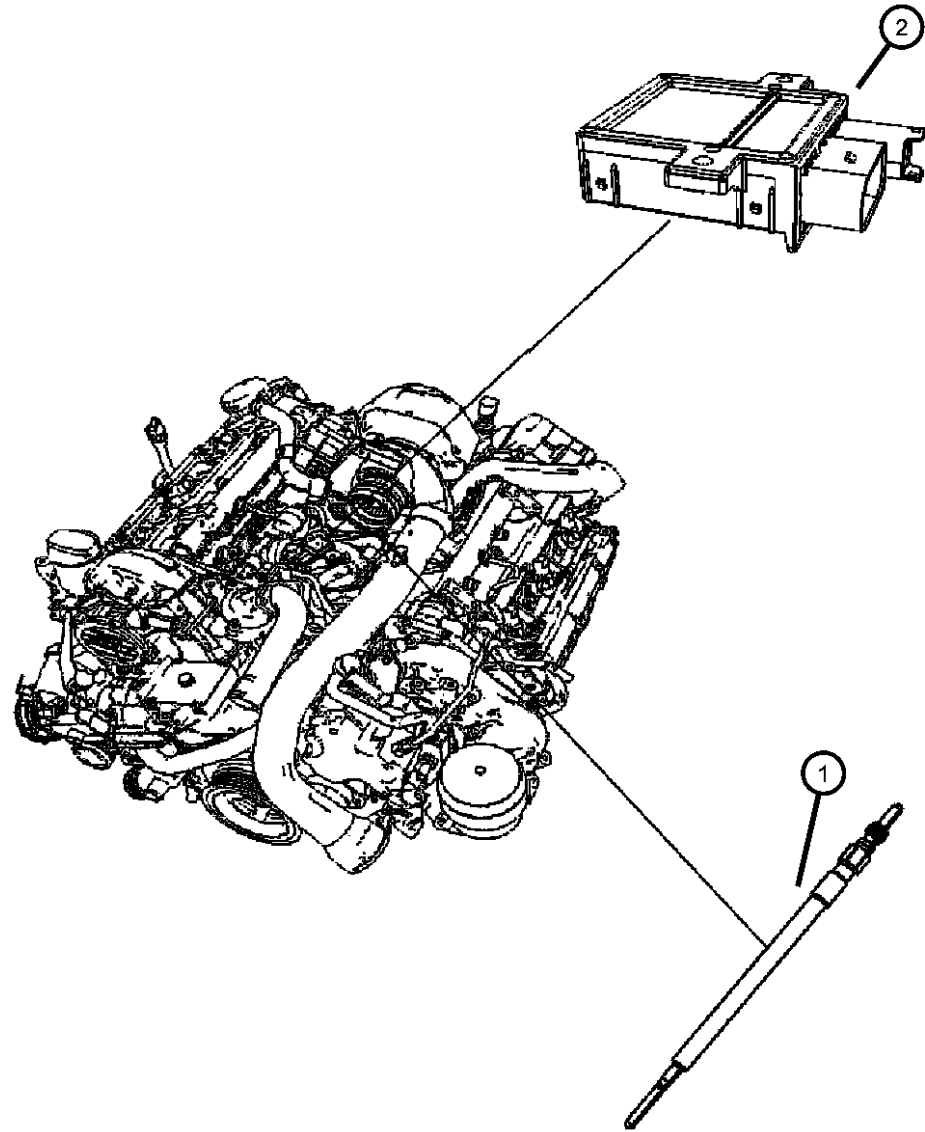
GRAND CHEROKEE (WK)

SERIES	LINE	BODY	ENGINE	TRANSMISSION
H = HIGHLINE	T = JEEP - 2WD	74 = SPORT UTILITY 4-DR	EVE = Engine - 4.7L V8 DOHC	DGJ = 5-Speed Auto W5A580
P = PREMIUM	J = JEEP - 4WD	TYPE #4	3 Valve	Transmission
S = SPORT			EZB = 5.7L Hemi Multi	DGU = 5-Spd Auto W5J400
X = SPECIAL			Displacement Engine	Transmission
			EKG = 3.7L V6 Engine	DGQ = 5-Spd Automatic 545RFE
			ESF = 6.1L SRT HEMI SMPI	Transmission
			V8 Engine	
			EXL = 3.0L V6 Turbo Diesel	
			Engine	

AR = use ase required - = Non illustrated part

**Glow Plugs
Figure 8-1915**

ITEM	PART NUMBER	QTY	LINE	SERIES	BODY	ENGINE	TRANS	TRIM	DESCRIPTION
1	05175756AA	6	J, T		74	EXL			GLOW PLUG
2	05175759AB	1	J, T		74	EXL			MODULE, Glow Plug



GRAND CHEROKEE (WK)

SERIES LINE
H = HIGHLINE T = JEEP - 2WD
P = PREMIUM J = JEEP - 4WD
S = SPORT
X = SPECIAL

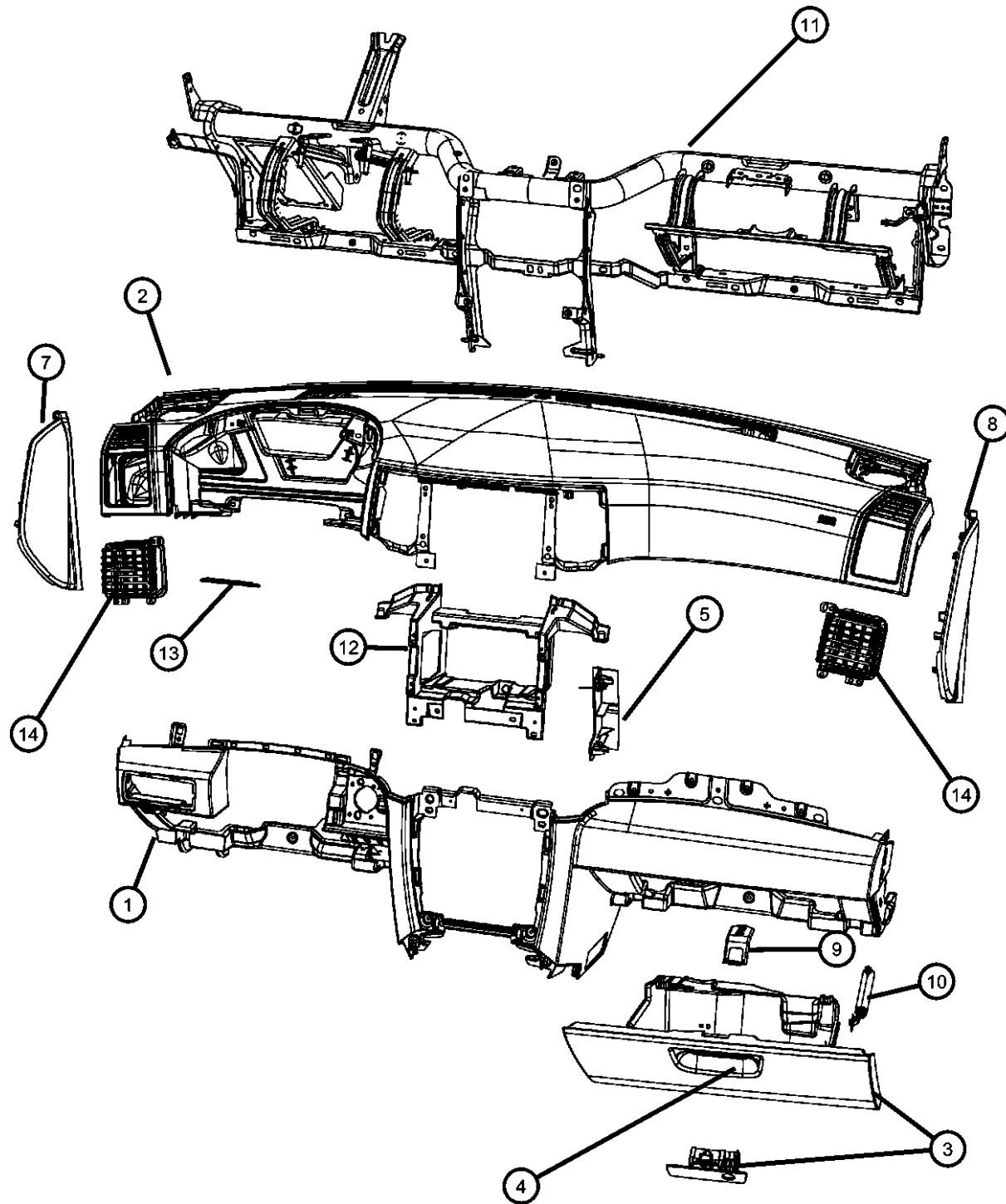
BODY
74 = SPORT UTILITY 4-DR
TYPE #4

ENGINE TRANSMISSION
EVE = Engine - 4.7L V8 DOHC 3 Valve
EVB = Engine - 4.7L V8 DOHC 3 Valve
EZB = 5.7L Hemi Multi Displacement Engine
EKG = 3.7L V6 Engine
ESF = 6.1L SRT HEMI SMPI V8 Engine
EXL = 3.0L V6 Turbo Diesel Engine
DGJ = 5-Speed Auto W5A580 Transmission
DGU = 5-Spd Auto W5J400 Transmission
DGQ = 5-Spd Automatic 545RFE Transmission

AR = use ase required - = Non illustrated part

2008 WK

**Instrument Panel and Structure
Figure 8-2005**



ITEM	PART NUMBER	QTY	LINE	SERIES	BODY	ENGINE	TRANS	TRIM	DESCRIPTION
1	1DS70ZJ3AC	1	J, T		74				PANEL, Instrument Lower [J3]
	1DS70BD1AC	1	J, T		74				[D1]
		1	J, T		74				[J1]
	1DS70XDVAC	1	J, T		74				[DV]
2	1DE841DVAD	1	J, T		74				PANEL, Instrument Upper [D1]
		1	J, T		74				[DV]
	1DE841J8AD	1	J, T		74				[J1]
		1	J, T		74				[J3]
3	1EJ321D1AE	1	J, T		74				GLOVE BOX, Instrument Panel [D1]
		1	J, T		74				[J1]
	1EJ321J3AE	1	J, T		74				[J3]
	1EJ321DVAE	1	J, T		74				[DV]
4	04746315	1	J, T		74				CYLINDER, Glove Box Lock
5	55116622AB	2	J, T		74				BRACKET, Instrument Panel
-6	55117145AA	1	J, T		74				BRACKET, Module
7	5HS95BD1AM	1	J, T		74				CAP, Instrument Panel End [J1], Left
	5HS95XD-VAM	1	J, T		74				[DV], Left
	5HS95ZJ3AM	1	J, T		74				[J3], Left
		1	J, T		74				[D1], Left
8	5HU58BD1AM	1	J, T		74				CAP, Instrument Panel End [D1], Right
		1	J, T		74				[J1], Right
	5HU58XD-VAM	1	J, T		74				[DV], Right
	5HU58ZJ3AM	1	J, T		74				[J3], Right
9	55116991AC	1	J, T		74				STRIKER, Glove Box Door Latch
10	55117034AC	1	J, T		74				DAMPENER, Glove Box Door
11	55117067AD	1	J, T		74				REINFORCEMENT, Instrument Panel

GRAND CHEROKEE (WK)

SERIES LINE
H = HIGHLINE T = JEEP - 2WD
P = PREMIUM J = JEEP - 4WD
S = SPORT
X = SPECIAL

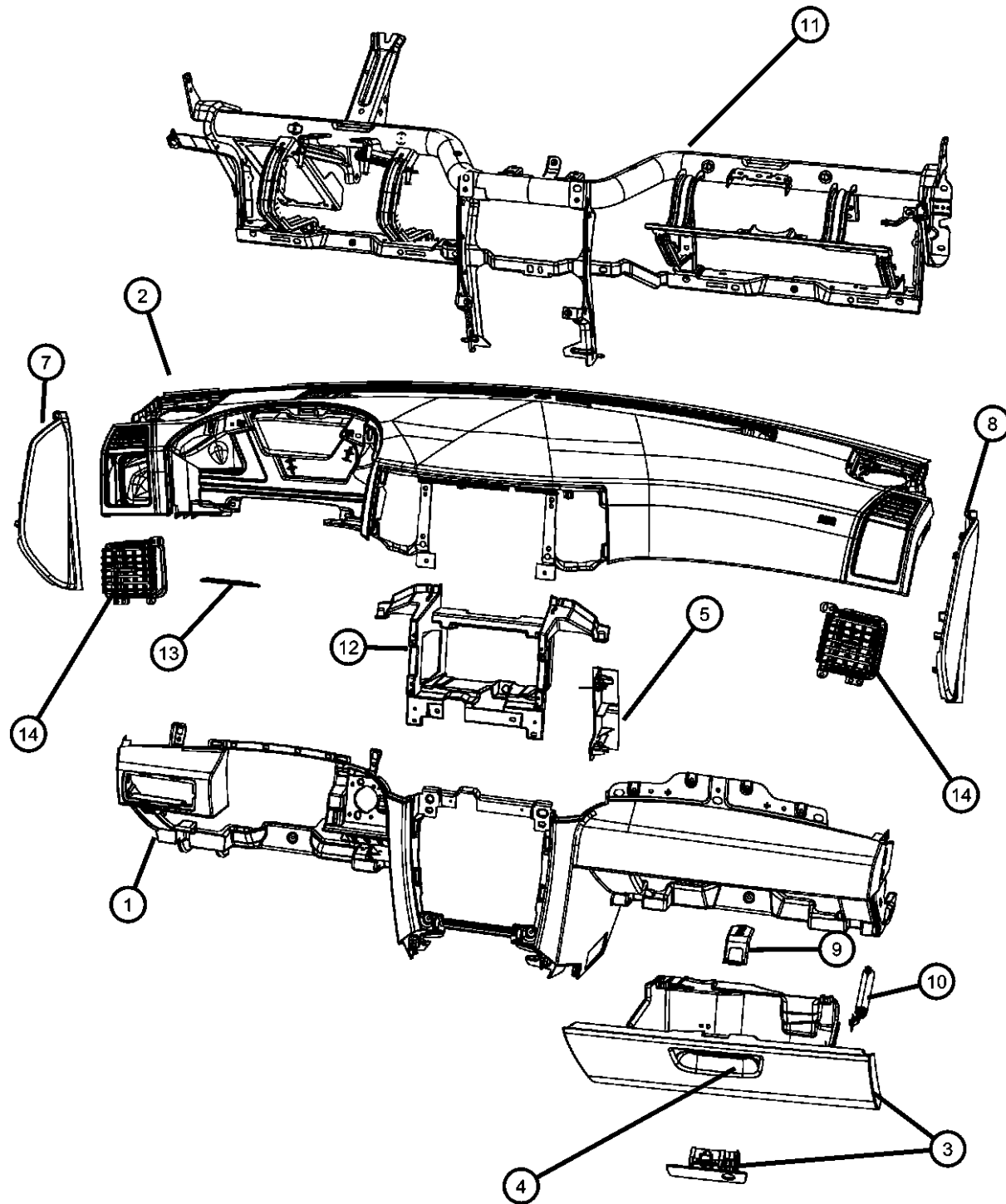
BODY
74 = SPORT UTILITY 4-DR
TYPE #4

ENGINE TRANSMISSION
EVE = Engine - 4.7L V8 DOHC 3 Valve
EVB = Engine - 4.7L V8 DOHC 3 Valve
EZB = 5.7L Hemi Multi Displacement Engine
EKG = 3.7L V6 Engine
ESF = 6.1L SRT HEMI SMPI V8 Engine
EXL = 3.0L V6 Turbo Diesel Engine
DGJ = 5-Speed Auto W5A580 Transmission
DGU = 5-Spd Auto W5J400 Transmission
DGQ = 5-Spd Automatic 545RFE Transmission

AR = use ase required - = Non illustrated part

2008 WK

Instrument Panel and Structure
Figure 8-2005



ITEM	PART NUMBER	QTY	LINE	SERIES	BODY	ENGINE	TRANS	TRIM	DESCRIPTION
12	55117070AC	1	J, T		74				BRACKET, Radio
13	55117106AA	1	J, T		74				PROTECTOR, Wiring
14									OUTLET, Air Conditioning & Heater
	1BL761J8AB	1	J, T		74				[J1], Right
	1BL771DVAB	1	J, T		74				[DV], Left
	1BL771J8AB	1	J, T		74				[J1], Left
		1	J, T		74				[J3], Left
	1BL761D1AB	1	J, T		74				[D1], Right
	1BL761DVAB	1	J, T		74				[DV], Right
		1	J, T		74				[J3], Right
	1BL771D1AB	1	J, T		74				[D1], Left

GRAND CHEROKEE (WK)

SERIES LINE
H = HIGHLINE T = JEEP - 2WD
P = PREMIUM J = JEEP - 4WD
S = SPORT
X = SPECIAL

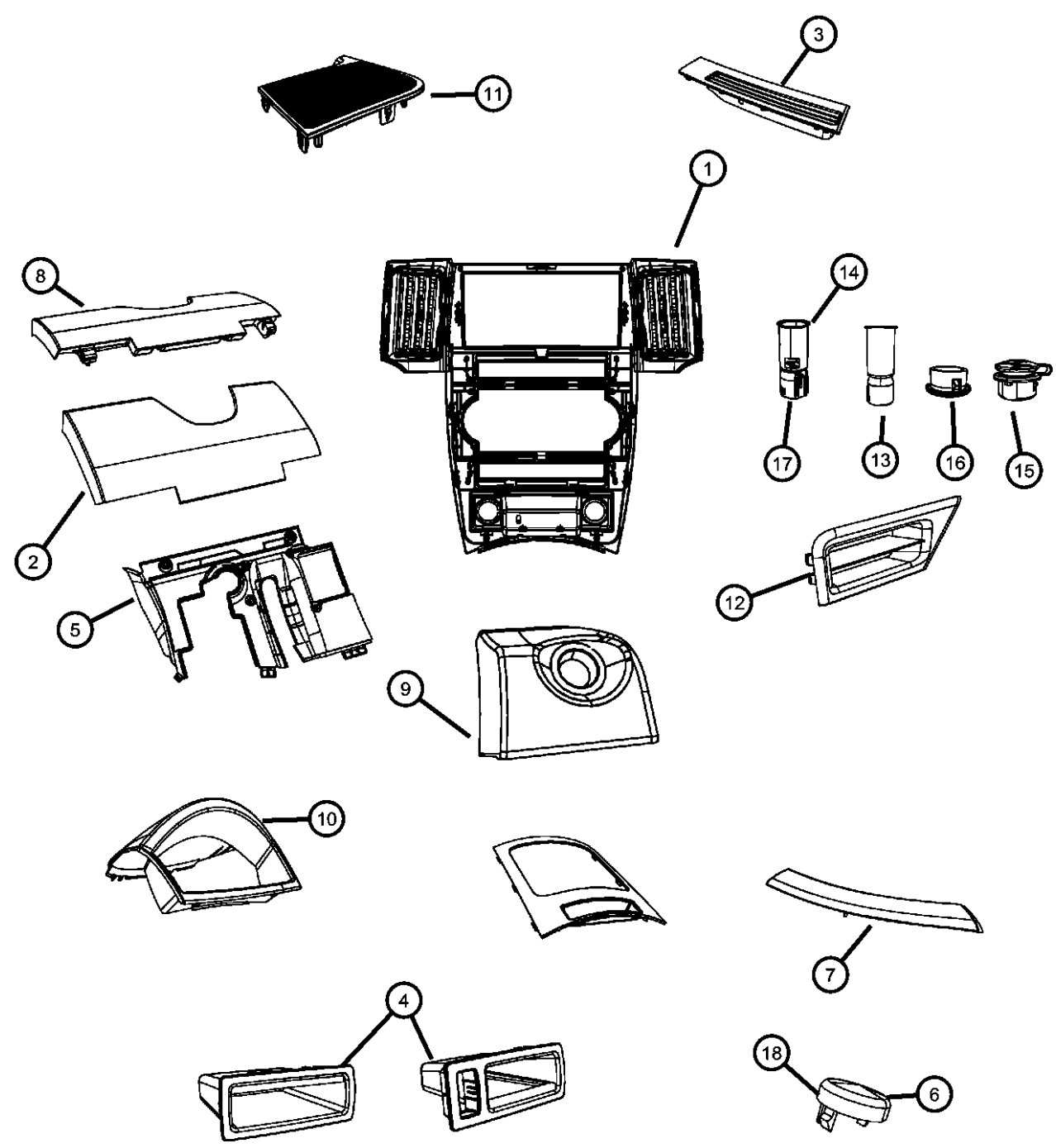
BODY
74 = SPORT UTILITY 4-DR
TYPE #4

ENGINE TRANSMISSION
EVE = Engine - 4.7L V8 DOHC 3 Valve
EZH = 5.7L Hemi Multi Displacement Engine
EKG = 3.7L V6 Engine
ESF = 6.1L SRT HEMI SMPI V8 Engine
EXL = 3.0L V6 Turbo Diesel Engine
DGJ = 5-Speed Auto W5A580 Transmission
DGU = 5-Spd Auto W5J400 Transmission
DGQ = 5-Spd Automatic 545RFE Transmission

AR = use ase required - = Non illustrated part

2008 WK

Instrument Panel Trim
Figure 8-2010

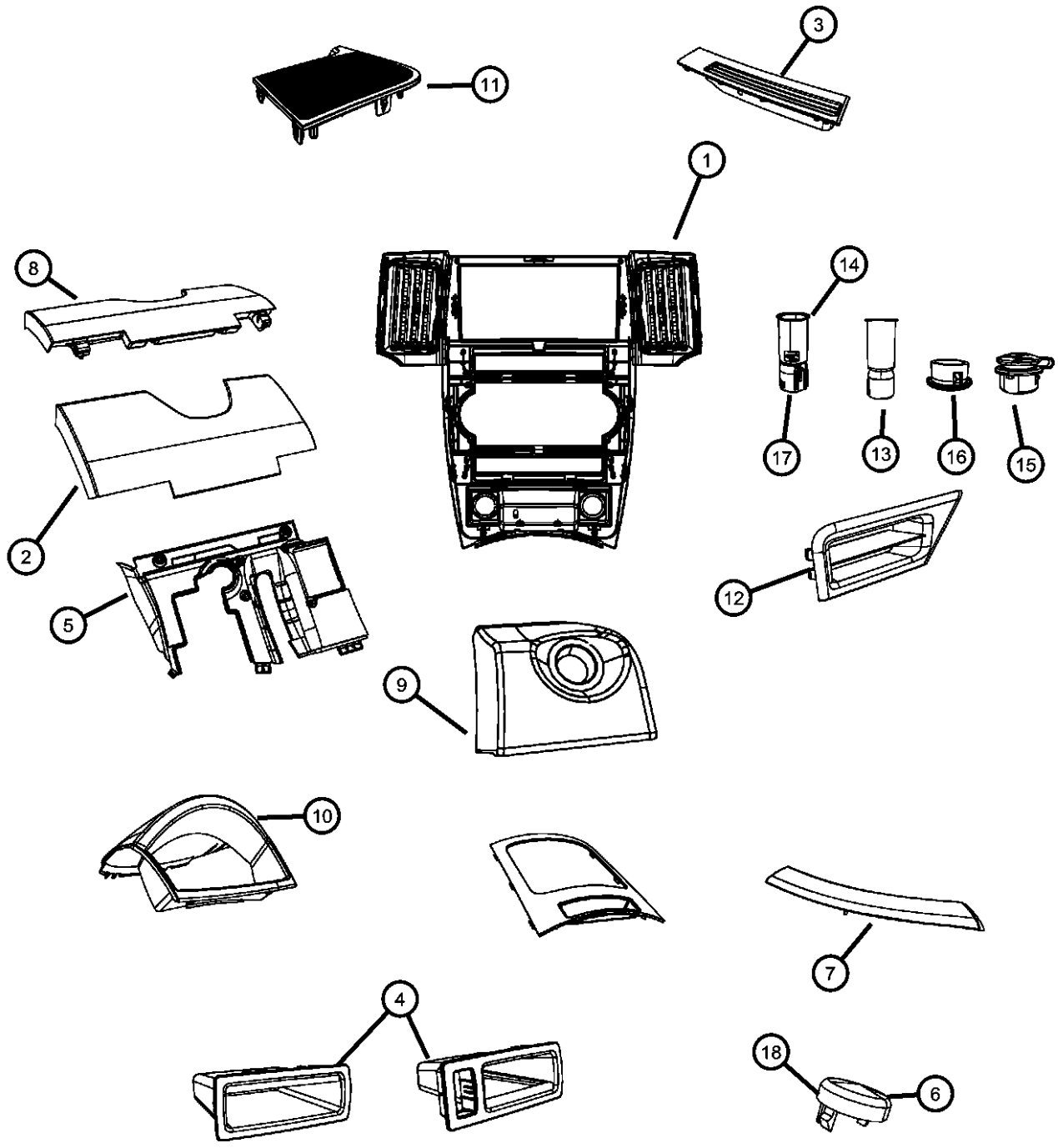


ITEM	PART NUMBER	QTY	LINE	SERIES	BODY	ENGINE	TRANS	TRIM	DESCRIPTION
1									BEZEL, Instrument Panel, Center
	1DE914AAAH	1	J, T	P	74				[ADS]
	1DE931AAAH	1	J, T	S	74				
	1DE913AAAG	1	J, T	X	74				
	1DE911AAAG	1	J, T	H	74				
	1DE912AAAG	1	J, T	P	74				
2									COVER, Knee Blocker
	1DS74BD1AC	1	J, T		74				[D1]
		1	J, T		74				[J1]
	1DS74XDVAC	1	J, T		74				[DV]
	1DS74ZJ3AC	1	J, T		74				[J3]
3									GRILLE, Defroster
	1DQ54XD-VAA	1	J, T		74				[D1], Right
		1	J, T		74				[DV], Right
	1DQ54ZJ8AA	1	J, T		74				[J1], Right
		1	J, T		74				[J3], Right
	1DQ55XD-VAA	1	J, T		74				[D1], Left
		1	J, T		74				[DV], Left
	1DQ55ZJ8AA	1	J, T		74				[J1], Left
		1	J, T		74				[J3], Left
4									BIN, Instrument Panel
	1EJ29XDVAD	1	J, T		74				[DV][XA8]
	1EJ29ZJ3AD	1	J, T		74				[J3][XA8]
	1EJ30BD1AD	1	J, T		74				[D1][XAM,XAP]
		1	J, T		74				[J1][XAM,XAP]
	1EJ30XDVAD	1	J, T		74				[DV][XAM,XAP]
	1EJ30ZJ3AD	1	J, T		74				[J3][XAM,XAP]
5	55116775AL	1	J, T		74				PANEL, Instrument Panel CloseoutLeft
6									PLUG, Instrument Panel
	5JN32XDVAD	1	J, T		74				[DV][JHA]
	5JN32ZJ8AD	1	J, T		74				[J3][JHA]

GRAND CHEROKEE (WK)
 SERIES LINE BODY ENGINE TRANSMISSION
 H = HIGHLINE T = JEEP - 2WD 74 = SPORT UTILITY 4-DR EVE = Engine - 4.7L V8 DOHC DGJ = 5-Speed Auto W5A580
 P = PREMIUM J = JEEP - 4WD TYPE #4 3 Valve Transmission
 S = SPORT EZB = 5.7L Hemi Multi DGU = 5-Spd Auto W5J400
 X = SPECIAL Displacement Engine Transmission
 EKG = 3.7L V6 Engine DGQ = 5-Spd Automatic 545RFE
 ESF = 6.1L SRT HEMI SMPI Transmission
 V8 Engine
 EXL = 3.0L V6 Turbo Diesel Engine

AR = use ase required - = Non illustrated part

**Instrument Panel Trim
Figure 8-2010**



ITEM	PART NUMBER	QTY	LINE	SERIES	BODY	ENGINE	TRANS	TRIM	DESCRIPTION
7	1DE99ZJ3AC	1	J, T		74				COVER, Instrument Panel, Steering Column Opening [J3]
	1DE99BD1AC	1	J, T		74				[D1]
		1	J, T		74				[J1]
	1DE99XDVAC	1	J, T		74				[DV]
8	55116780AL	1	J, T		74				PANEL, Instrument Panel CloseoutRight
9	1DS72BD1AC	1	J, T		74				BEZEL, Ignition Switch [D1]
		1	J, T		74				[J1]
	1DS72XDVAC	1	J, T		74				[DV]
	1DS72ZJ3AC	1	J, T		74				[J3]
10	1DE89XDVAB	1	J, T		74				BEZEL, Cluster [D1]
		1	J, T		74				[DV]
	1DE89ZJ8AB	1	J, T		74				[J1]
		1	J, T		74				[J3]
11	5KB00XDVAH	1	J, T		74				GRILLE, Instrument Panel Speaker [D1], Right
		1	J, T		74				[DV], Right
	5KB00ZJ8AH	1	J, T		74				[J1], Right
		1	J, T		74				[J3], Right
	5KB01XDVAH	1	J, T		74				[D1], Left
		1	J, T		74				[DV], Left
	5KB01ZJ8AH	1	J, T		74				[J1], Left
		1	J, T		74				[J3], Left
12	1FC54BD1AB	1	J, T		74				GRILLE, Lower [D1], Right
		1	J, T		74				[J1], Right
	1FC54XDVAB	1	J, T		74				[DV], Right
	1FC54ZJ3AB	1	J, T		74				[J3], Right
	1FC55BD1AB	1	J, T		74				[D1], Left

GRAND CHEROKEE (WK)
 SERIES LINE
 H = HIGHLINE T = JEEP - 2WD
 P = PREMIUM J = JEEP - 4WD
 S = SPORT
 X = SPECIAL

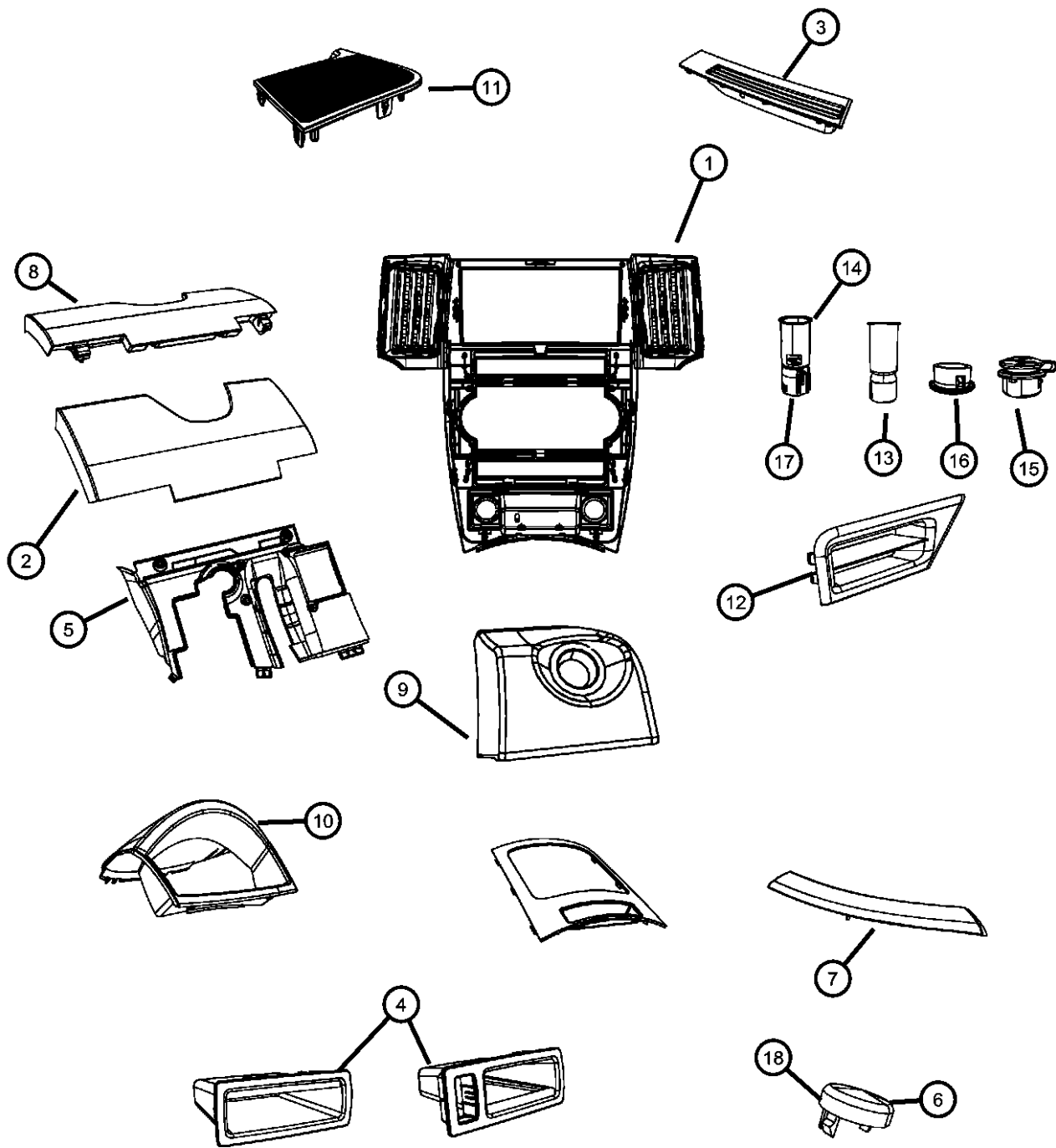
BODY
 74 = SPORT UTILITY 4-DR TYPE #4

ENGINE
 EVE = Engine - 4.7L V8 DOHC 3 Valve
 EZB = 5.7L Hemi Multi Displacement Engine
 EKG = 3.7L V6 Engine
 ESF = 6.1L SRT HEMI SMPI V8 Engine
 EXL = 3.0L V6 Turbo Diesel Engine

TRANSMISSION
 DGJ = 5-Speed Auto W5A580 Transmission
 DGU = 5-Spd Auto W5J400 Transmission
 DGQ = 5-Spd Automatic 545RFE Transmission

AR = use ase required - = Non illustrated part

**Instrument Panel Trim
Figure 8-2010**



ITEM	PART NUMBER	QTY	LINE	SERIES	BODY	ENGINE	TRANS	TRIM	DESCRIPTION
		1	J, T		74				[J1], Left
	1FC55XDVAB	1	J, T		74				[DV], Left
	1FC55ZJ3AB	1	J, T		74				[J3], Left
13	04793554AC	1	J, T		74				POWER OUTLET
14	04685590	1	J, T		74				BASE, Cigar Lighter
15	05026599AA	1	J, T		74				CAP, Power Outlet
16	04793555	1	J, T		74				RING, Cigar Lighter Mounting
17	04685668AA	1	J, T		74				MOUNT, Power Outlet
18									BEZEL, Sensor
	1EJ31XDVAC	1	J, T		74				[D1]
		1	J, T		74				[DV]
	1EJ31ZJ8AC	1	J, T		74				[J1]

GRAND CHEROKEE (WK)

SERIES LINE
H = HIGHLINE T = JEEP - 2WD
P = PREMIUM J = JEEP - 4WD
S = SPORT
X = SPECIAL

BODY
74 = SPORT UTILITY 4-DR
TYPE #4

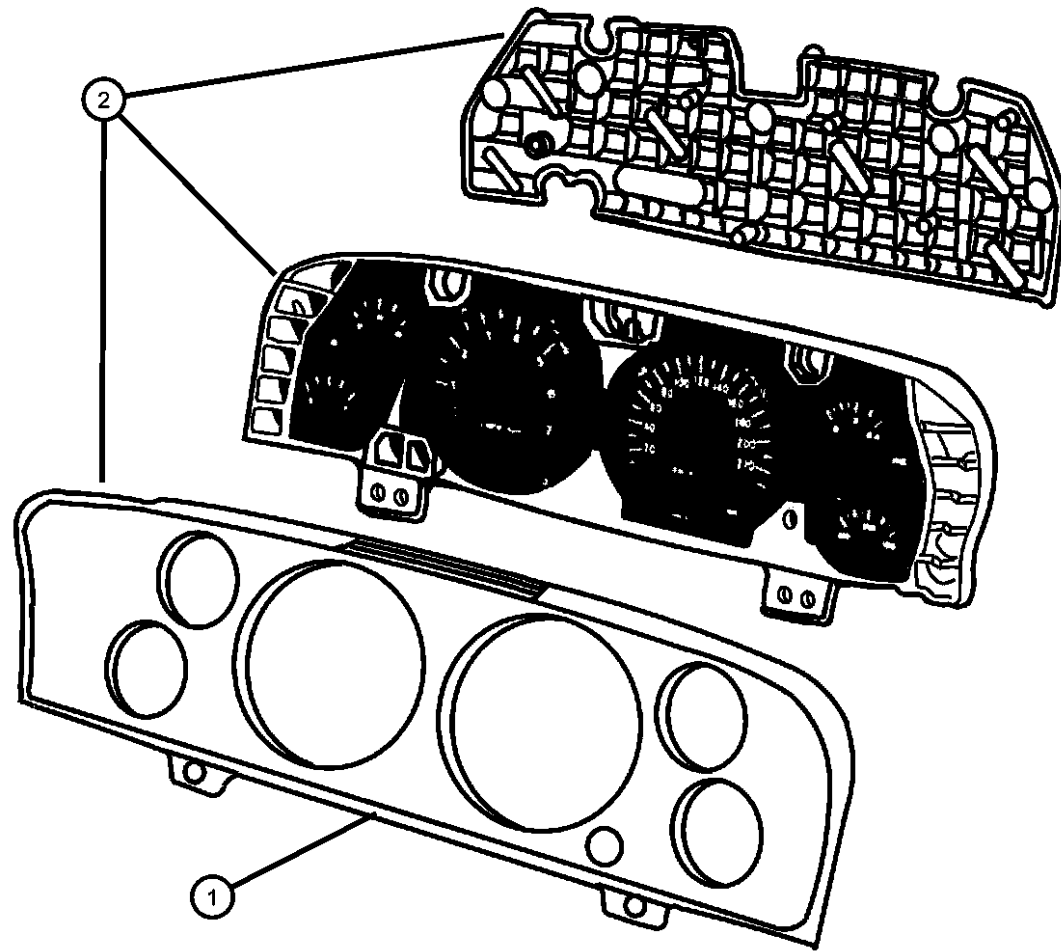
ENGINE TRANSMISSION
EVE = Engine - 4.7L V8 DOHC 3 Valve
EZB = 5.7L Hemi Multi Displacement Engine
EKG = 3.7L V6 Engine
ESF = 6.1L SRT HEMI SMPI V8 Engine
EXL = 3.0L V6 Turbo Diesel Engine
DGJ = 5-Speed Auto W5A580 Transmission
DGU = 5-Spd Auto W5J400 Transmission
DGQ = 5-Spd Automatic 545RFE Transmission

AR = use ase required - = Non illustrated part

2008 WK

Instrument Panel Cluster
Figure 8-2105

ITEM	PART NUMBER	QTY	LINE	SERIES	BODY	ENGINE	TRANS	TRIM	DESCRIPTION
1									LENS, Cluster
	05142356AA	1	J, T	X	74	ES0			
		1	J, T	H	74	EK0			
		1	J, T	H	74	EVO			
		1	J, T	P, S	74	EVO, EZ0			
		1	J, T	P, S	74	EX0			
		1	J, T	H	74	EX0			
2									CLUSTER, Instrument Panel
	05172415AF	1	J, T	P, S	74	EVO, EZ0			[JDH]
	05172416AF	1	J, T	H	74	EVO			[JDH]
	05172417AF	1	J, T	P, S	74	EVO, EZ0			[JCE]
	05172418AF	1	J, T	P, S	74	EX0			[JDH]
	05172419AF	1	J, T	H	74	EX0			[JDH]
	05172420AF	1	J, T	P, S	74	EX0			[JCE]
	05172421AF	1	J, T	H	74	EX0			[JCE]
	68004208AB	1	J, T	X	74	ES0			[JCG]
	68004209AB	1	J, T	X	74	ES0			[JDU]
	05172401AF	1	J, T	H	74	EVO			[JCE]
	05172409AF	1	J, T	H	74	EK0			[JDH]
	05172400AF	1	J, T	H	74	EK0			[JCE]



GRAND CHEROKEE (WK)

SERIES LINE
H = HIGHLINE T = JEEP - 2WD
P = PREMIUM J = JEEP - 4WD
S = SPORT
X = SPECIAL

BODY
74 = SPORT UTILITY 4-DR
TYPE #4

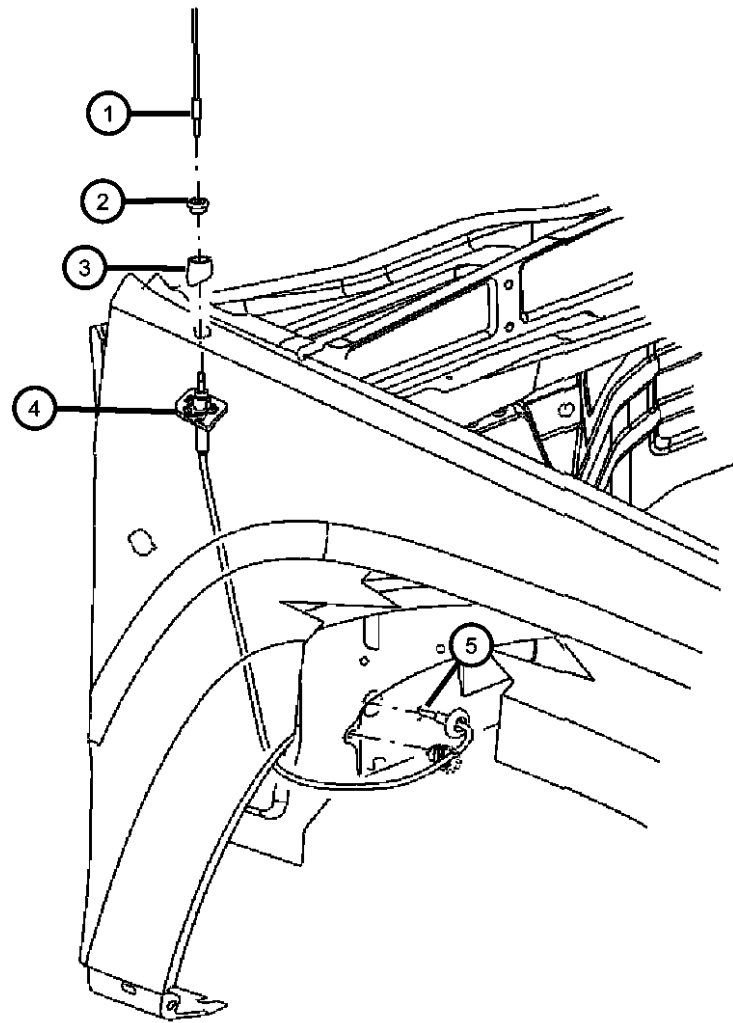
ENGINE TRANSMISSION
EVE = Engine - 4.7L V8 DOHC 3 Valve
EVB = Engine - 4.7L V8 DOHC 3 Valve
EZB = 5.7L Hemi Multi Displacement Engine
EKG = 3.7L V6 Engine
ESF = 6.1L SRT HEMI SMPI V8 Engine
EXL = 3.0L V6 Turbo Diesel Engine
DGJ = 5-Speed Auto W5A580 Transmission
DGU = 5-Spd Auto W5J400 Transmission
DGQ = 5-Spd Automatic 545RFE Transmission

AR = use ase required - = Non illustrated part

2008 WK

Antenna
Figure 8-2210

ITEM	PART NUMBER	QTY	LINE	SERIES	BODY	ENGINE	TRANS	TRIM	DESCRIPTION
1	56038725AC	1	J, T		74				MAST, Antenna
2	56038729AE	1	J, T		74				CAP NUT, Antenna
3	56038730AC	1	J, T		74				ESCUTCHEON, Antenna
4	56038731AH	1	J, T		74				BASE, Antenna, Base and Cable
5	56038732AH	1	J, T		74				CABLE, Antenna



GRAND CHEROKEE (WK)

SERIES LINE
H = HIGHLINE T = JEEP - 2WD
P = PREMIUM J = JEEP - 4WD
S = SPORT
X = SPECIAL

BODY
74 = SPORT UTILITY 4-DR
TYPE #4

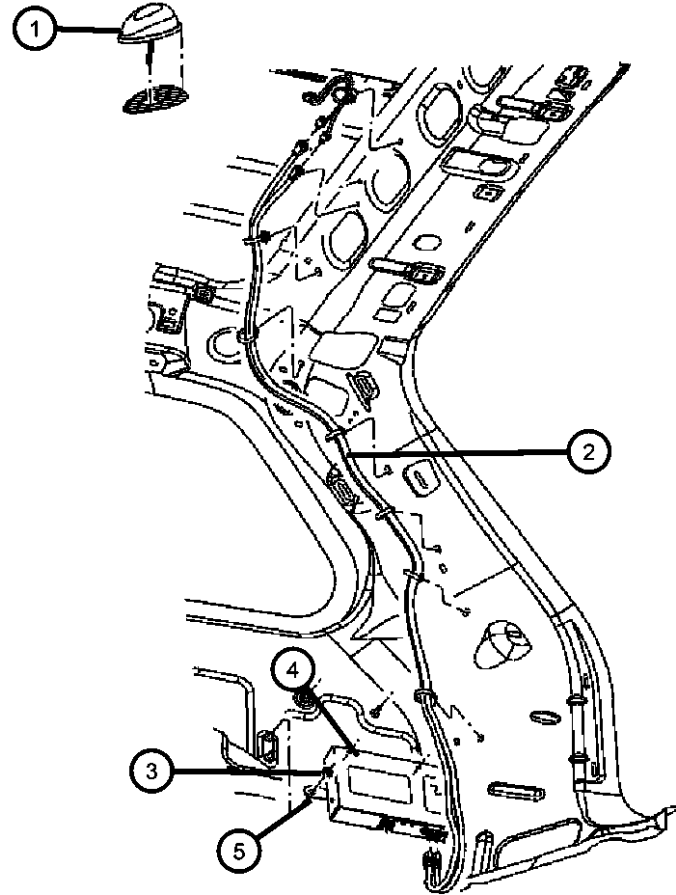
ENGINE TRANSMISSION
EVE = Engine - 4.7L V8 DOHC 3 Valve
EVB = Engine - 4.7L V8 DOHC 3 Valve
EZE = 5.7L Hemi Multi Displacement Engine
EKG = 3.7L V6 Engine
ESF = 6.1L SRT HEMI SMPI V8 Engine
EXL = 3.0L V6 Turbo Diesel Engine
DGJ = 5-Speed Auto W5A580 Transmission
DGU = 5-Spd Auto W5J400 Transmission
DGQ = 5-Spd Automatic 545RFE Transmission

AR = use ase required - = Non illustrated part

2008 WK

**Satellite Radio System
Figure 8-2215**

ITEM	PART NUMBER	QTY	LINE	SERIES	BODY	ENGINE	TRANS	TRIM	DESCRIPTION
1	05064467AA	1	J, T		74				ANTENNA, Satellite [RSV]
	05150048AB	1	J, T		74				
2	05064425AA	1	J, T		74				CABLE, Antenna
3	06503825	3	J, T		74				NUT AND WASHER, Hex Nut-Coned Washer, M6 x 1.00
4	05064281AF	1	J, T		74				RECEIVER, Satellite
5	05064322AA	1	J, T		74				BRACKET, Radio



GRAND CHEROKEE (WK)

SERIES LINE
H = HIGHLINE T = JEEP - 2WD
P = PREMIUM J = JEEP - 4WD
S = SPORT
X = SPECIAL

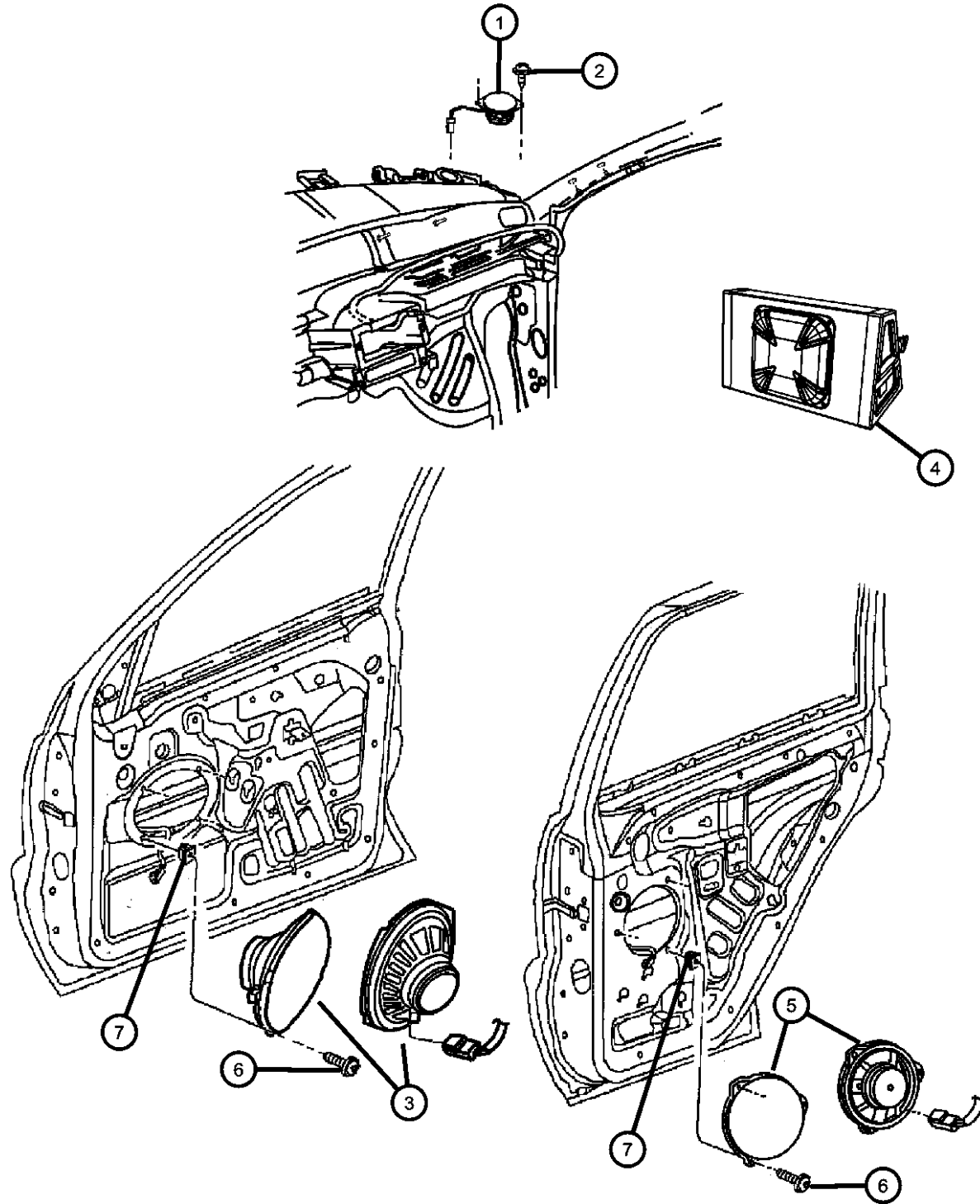
BODY
74 = SPORT UTILITY 4-DR
TYPE #4

ENGINE TRANSMISSION
EVE = Engine - 4.7L V8 DOHC 3 Valve
EZB = 5.7L Hemi Multi Displacement Engine
EKG = 3.7L V6 Engine
ESF = 6.1L SRT HEMI SMPI V8 Engine
EXL = 3.0L V6 Turbo Diesel Engine
DGJ = 5-Speed Auto W5A580 Transmission
DGU = 5-Spd Auto W5J400 Transmission
DGQ = 5-Spd Automatic 545RFE Transmission

AR = use ase required - = Non illustrated part

2008 WK

Speakers and Amplifiers
Figure 8-2220



ITEM	PART NUMBER	QTY	LINE	SERIES	BODY	ENGINE	TRANS	TRIM	DESCRIPTION
1	05059062AB	2	J, T		74				SPEAKER, 3.5" [RCG]
	05059068AB	2	J, T		74				[RC6]
	68039662AA	2	J, T		74				[RGB]
2		2							SCREW, Tapping, (NOT SERVICED),
3	68039663AA	1	J, T		74				SPEAKER, 6"X9" [RGB]
	05059063AC	2	J, T		74				[RC6], Front Door
	05091019AB	1	J, T		74				[RCG]
4	68039652AA	1	J, T		74	ES0			SPEAKER, Sub Woofer, [RFF]
5	05081670AB	1	J, T		74				SPEAKER, 6.5" [RC6], Rear Door
	05091020AB	1	J, T		74				[RCG], Rear Door
	68025300AA	1	J, T		74				[RGB]
6		1							SCREW, (NOT SERVICED),
7	06507009AA	8	J, T		74				NUT, Plastic Snap-in, Door speaker mounting
-8	05064353AF	1	J, T		74				AMPLIFIER [RC6]
	68041189AA	1	J, T		74	ES0			[RFE]

GRAND CHEROKEE (WK)

SERIES LINE
H = HIGHLINE T = JEEP - 2WD
P = PREMIUM J = JEEP - 4WD
S = SPORT
X = SPECIAL

BODY
74 = SPORT UTILITY 4-DR
TYPE #4

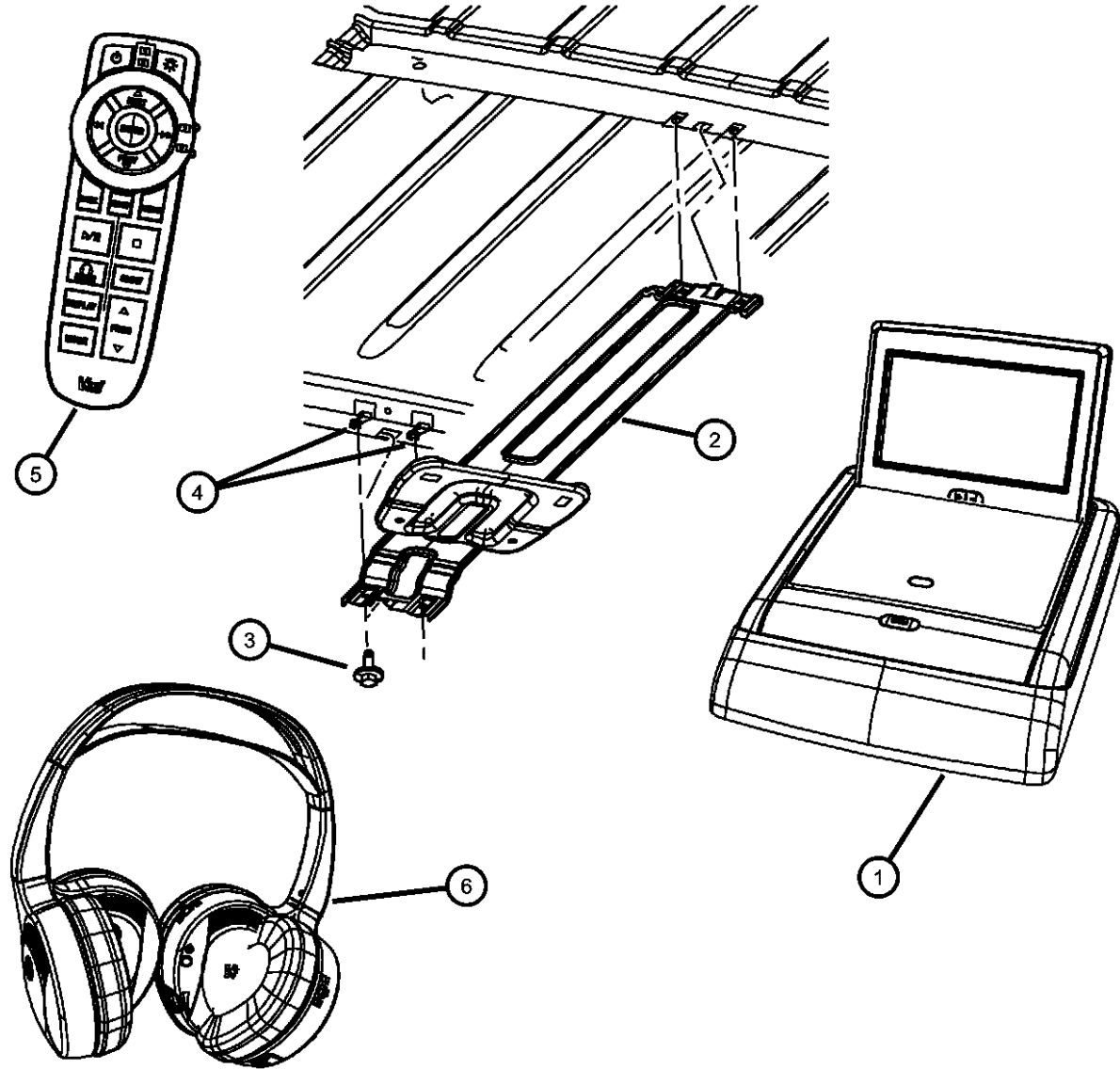
ENGINE TRANSMISSION
EVE = Engine - 4.7L V8 DOHC 3 Valve
EZH = 5.7L Hemi Multi Displacement Engine
EKG = 3.7L V6 Engine
ESF = 6.1L SRT HEMI SMPI V8 Engine
EXL = 3.0L V6 Turbo Diesel Engine
DGJ = 5-Speed Auto W5A580 Transmission
DGU = 5-Spd Auto W5J400 Transmission
DGQ = 5-Spd Automatic 545RFE Transmission

AR = use ase required - = Non illustrated part

2008 WK

DVD and Video System
Figure 8-2225

ITEM	PART NUMBER	QTY	LINE	SERIES	BODY	ENGINE	TRANS	TRIM	DESCRIPTION
1	1ED12BD1AF	1	J, T		74				MONITOR, Media System
2									BRACKET ASSY, REAR SEAT VIDEO
	05064381AA	1	J, T		74				[GWA]
	05064388AC	1	J, T		74				
3	06104366AA	2	J, T		74				SCREW AND WASHER, Hex Head, M6x1x20
4	06506081AA	2	J, T		74				NUT, U
5	05107094AB	1	J, T		74				REMOTE, Wireless Infrared
6	05107082AC	2	J, T		74				HEADPHONES, Wireless



GRAND CHEROKEE (WK)

SERIES LINE
H = HIGHLINE T = JEEP - 2WD
P = PREMIUM J = JEEP - 4WD
S = SPORT
X = SPECIAL

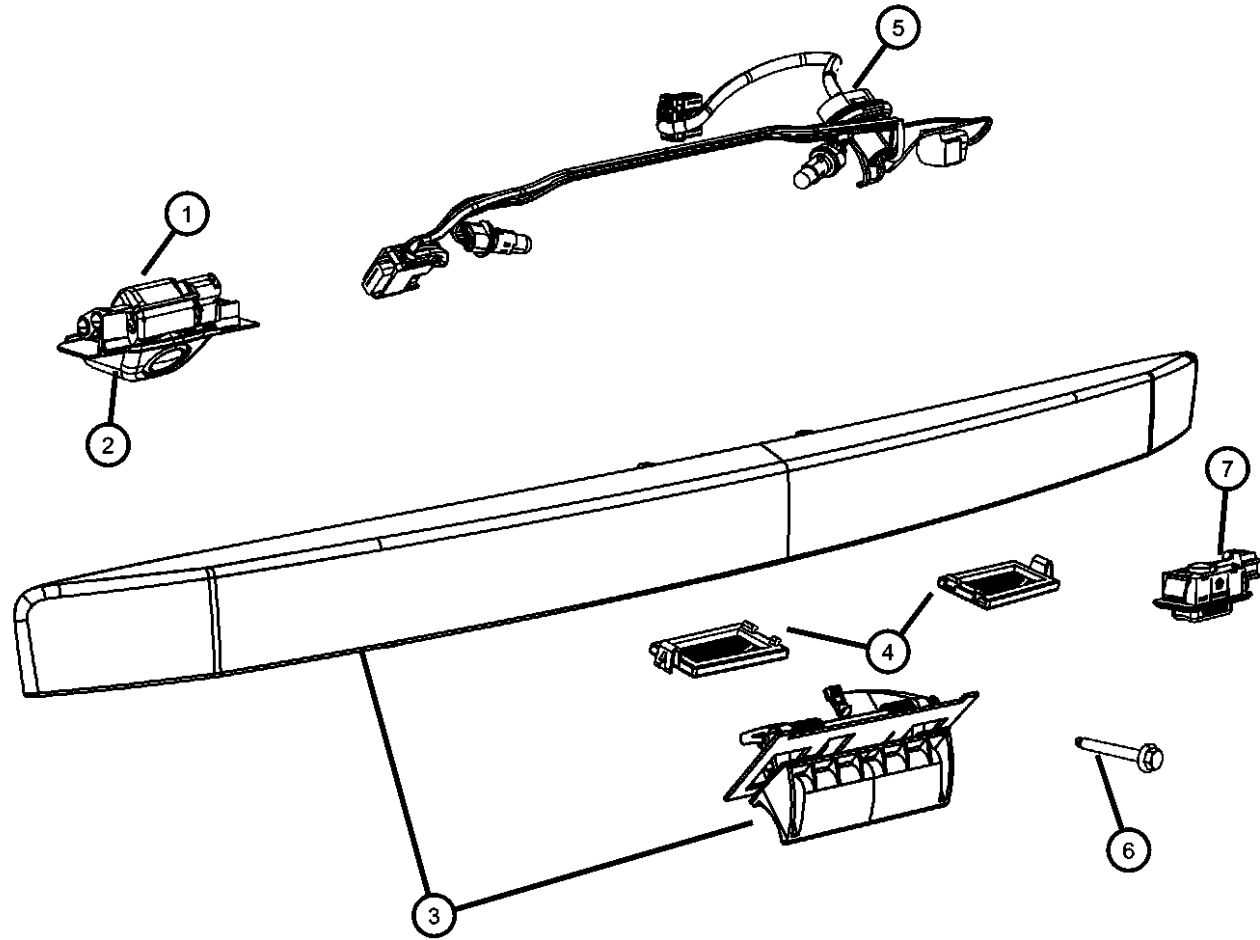
BODY
74 = SPORT UTILITY 4-DR
TYPE #4

ENGINE TRANSMISSION
EVE = Engine - 4.7L V8 DOHC 3 Valve
EZB = 5.7L Hemi Multi Displacement Engine
EKG = 3.7L V6 Engine
ESF = 6.1L SRT HEMI SMPI V8 Engine
EXL = 3.0L V6 Turbo Diesel Engine
DGJ = 5-Speed Auto W5A580 Transmission
DGU = 5-Spd Auto W5J400 Transmission
DGQ = 5-Spd Automatic 545RFE Transmission

AR = use ase required - = Non illustrated part

2008 WK

**Rear View Camera System
Figure 8-2230**



ITEM	PART NUMBER	QTY	LINE	SERIES	BODY	ENGINE	TRANS	TRIM	DESCRIPTION
1	05026338AA	1	J, T		74				CAMERA
2	68011584AA	1	J, T		74				BRACKET, Camera
3									HANDLE, Liftgate, Includes Camera Bezel
	1FN57EEMAA	1	J, T		74				[EM]
	1FN57EGJAA	1	J, T		74				[GJ]
	1FN57WS2AA	1	J, T		74				[S2]
	1FN57DX8AA	1	J, T		74				[X8]
	1FN57EDAAA	1	J, T		74				[DA]
	1FN57SW1AA	1	J, T		74				[W1]
	1FN57AXRAA	1	J, T		74				[XR]
	1FN57CD-MAA	1	J, T		74				[DM]
	1FN57DB-MAA	1	J, T		74				[BM]
4									LENS, License Lamp
	68020955AA	1	J, T		74				Left
	68020954AA	1	J, T		74				Right
5	68020994AA	1	J, T		74				WIRING, License Lamp
6	06503369	2	J, T		74				SCREW, Tapping Round Head, M4X0.7X14.00
7	56042450AB	1	J, T		74				SWITCH, Flipper Window

GRAND CHEROKEE (WK)

SERIES LINE
H = HIGHLINE T = JEEP - 2WD
P = PREMIUM J = JEEP - 4WD
S = SPORT
X = SPECIAL

BODY
74 = SPORT UTILITY 4-DR
TYPE #4

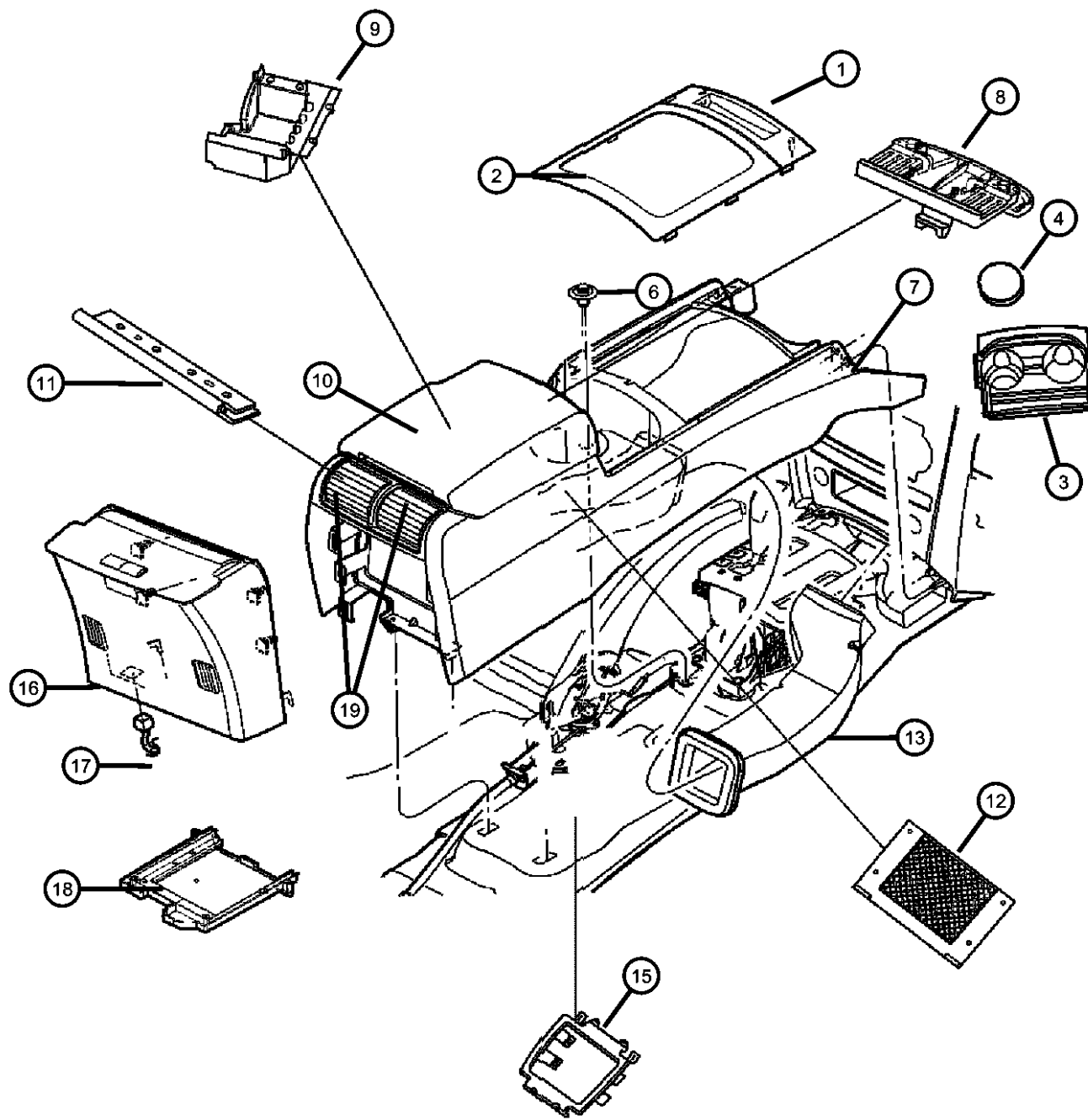
ENGINE
EVE = Engine - 4.7L V8 DOHC
3 Valve
EZB = 5.7L Hemi Multi
Displacement Engine
EKG = 3.7L V6 Engine
ESF = 6.1L SRT HEMI SMPI
V8 Engine
EXL = 3.0L V6 Turbo Diesel
Engine

TRANSMISSION
DGJ = 5-Speed Auto W5A580
Transmission
DGU = 5-Spd Auto W5J400
Transmission
DGQ = 5-Spd Automatic 545RFE
Transmission

AR = use ase required - = Non illustrated part

2008 WK

Floor Console Front
Figure 8-2305



ITEM	PART NUMBER	QTY	LINE	SERIES	BODY	ENGINE	TRANS	TRIM	DESCRIPTION
1									BEZEL, Gear Shift Indicator
	1CG893AAAA	1	J, T	X	74				
	55117073AA	1	J, T	P	74				[AWB]
	55117076AA	1	J, T	P	74				
	0XG86DX9AD	1	J, T	H	74				
	55117077AB	1	J, T	S	74				[AWB]
2	5JN05SZ0AD	1	J, T		74				RING, Trim
3									CUPHOLDER, Floor Console
	1FB241D1AA	1	J, T	P	74				
	1FB241J3AA	1	J, T	H	74				
4									MAT, Console Cup Holder
	1ED73BD1AB	1	J, T	H, P, S	74				[D1] Small
		1	J, T	H, P, S	74				[J1] Small
	1ED73DX9AB	1	J, T	X	74				Small
	1ED73XDVAB	1	J, T	H, P, S	74				[DV] Small
	1ED73ZJ3AB	1	J, T	H, P, S	74				[J3] Small
	1JD30BD1AA	1	J, T	H, P, S	74				[D1] Large
		1	J, T	H, P, S	74				[J1] Large
	1JD30XDVAA	1	J, T	X	74				Large
		1	J, T	H, P, S	74				[DV] Large
	1JD30ZJ3AA	1	J, T	H, P, S	74				[J3] Large
-5		1							SCREW, Self Piercing, .164-15x.625, (NOT SERVICED),
6		1							SCREW, (NOT SERVICED)
7									CONSOLE, Base
	1PB71ZJ3AA	1	J, T	H	74				[J3]
	1PB71BD1AA	1	J, T	S	74				[J1]
	1PB71XDVAA	1	J, T	P	74				[DV]
		1	J, T	H	74				[DV]
		1	J, T	X	74				[DV]
		1	J, T	S	74				[DV]
		1	J, T	P	74				[J3]
		1	J, T	P	74				[J3]

GRAND CHEROKEE (WK)

SERIES LINE
H = HIGHLINE T = JEEP - 2WD
P = PREMIUM J = JEEP - 4WD
S = SPORT
X = SPECIAL

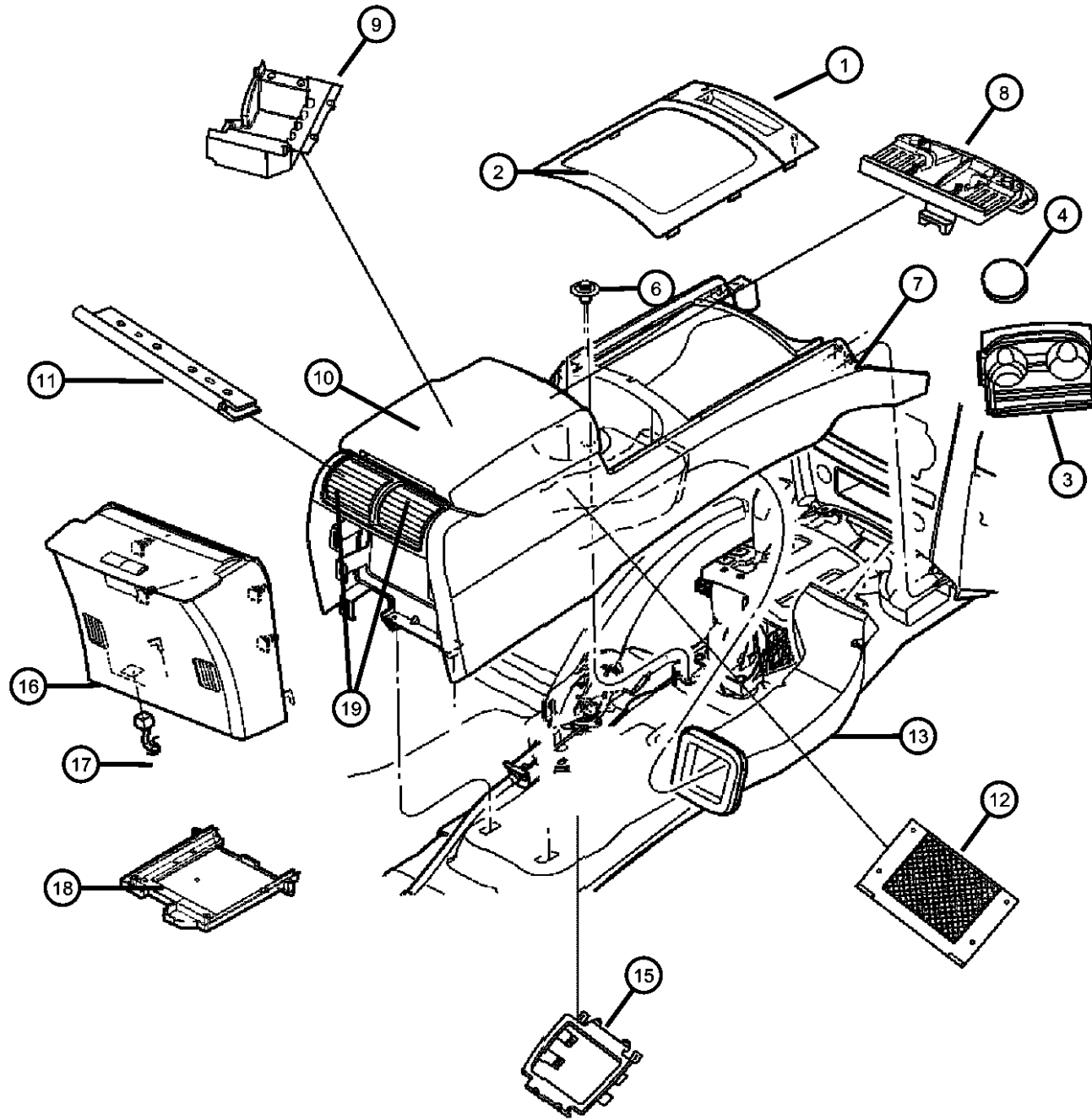
BODY
74 = SPORT UTILITY 4-DR
TYPE #4

ENGINE TRANSMISSION
EVE = Engine - 4.7L V8 DOHC 3 Valve DGJ = 5-Speed Auto W5A580
Transmission
EZB = 5.7L Hemi Multi DGU = 5-Spd Auto W5J400
Displacement Engine Transmission
EKG = 3.7L V6 Engine DGQ = 5-Spd Automatic 545RFE
Transmission
ESF = 6.1L SRT HEMI SMPI V8 Engine
EXL = 3.0L V6 Turbo Diesel Engine

AR = use ase required - = Non illustrated part

2008 WK

Floor Console Front
Figure 8-2305



ITEM	PART NUMBER	QTY	LINE	SERIES	BODY	ENGINE	TRANS	TRIM	DESCRIPTION
8	05143594AA	1	J, T	H	74				LATCH, Console Lock
		1	J, T	P	74				
		1	J, T	S	74				
		1	J, T	X	74				
9	05143596AA	1	J, T	S	74				BIN, Floor Console
		1	J, T	X	74				
		1	J, T	H	74				
		1	J, T	P	74				
10	1JQ001DVAA	1	J, T	H	74				LID, Floor Console Bin [DV]
	1JQ001J3AA	1	J, T	H	74				[J3]
	1JQ191D1AA	1	J, T	P	74				
	1QF17BD1AA	1	J, T	S	74				[J1]
	1QF17DUYAA	1	J, T	S	74				[DV]
	1QF17XDVAA	1	J, T	X	74				[DV]
11	05143595AA	1	J, T	H	74				HINGE, Floor Console Lid
		1	J, T	P	74				
		1	J, T	S	74				
		1	J, T	X	74				
12	68032917AA	1	J, T	H	74				NET, Storage
		1	J, T	P	74				
		1	J, T	S	74				
		1	J, T	X	74				
13	55197077AB	1							DUCT, Floor Console, Between HVAC and Instrument Panel. Includes foam and a clip, Front SCREW, .164-18x.50, (NOT SERVICED)
-14		1							SCREW, .164-18x.50, (NOT SERVICED)
15									BRACKET, Console

GRAND CHEROKEE (WK)

SERIES LINE
H = HIGHLINE T = JEEP - 2WD
P = PREMIUM J = JEEP - 4WD
S = SPORT
X = SPECIAL

BODY
74 = SPORT UTILITY 4-DR
TYPE #4

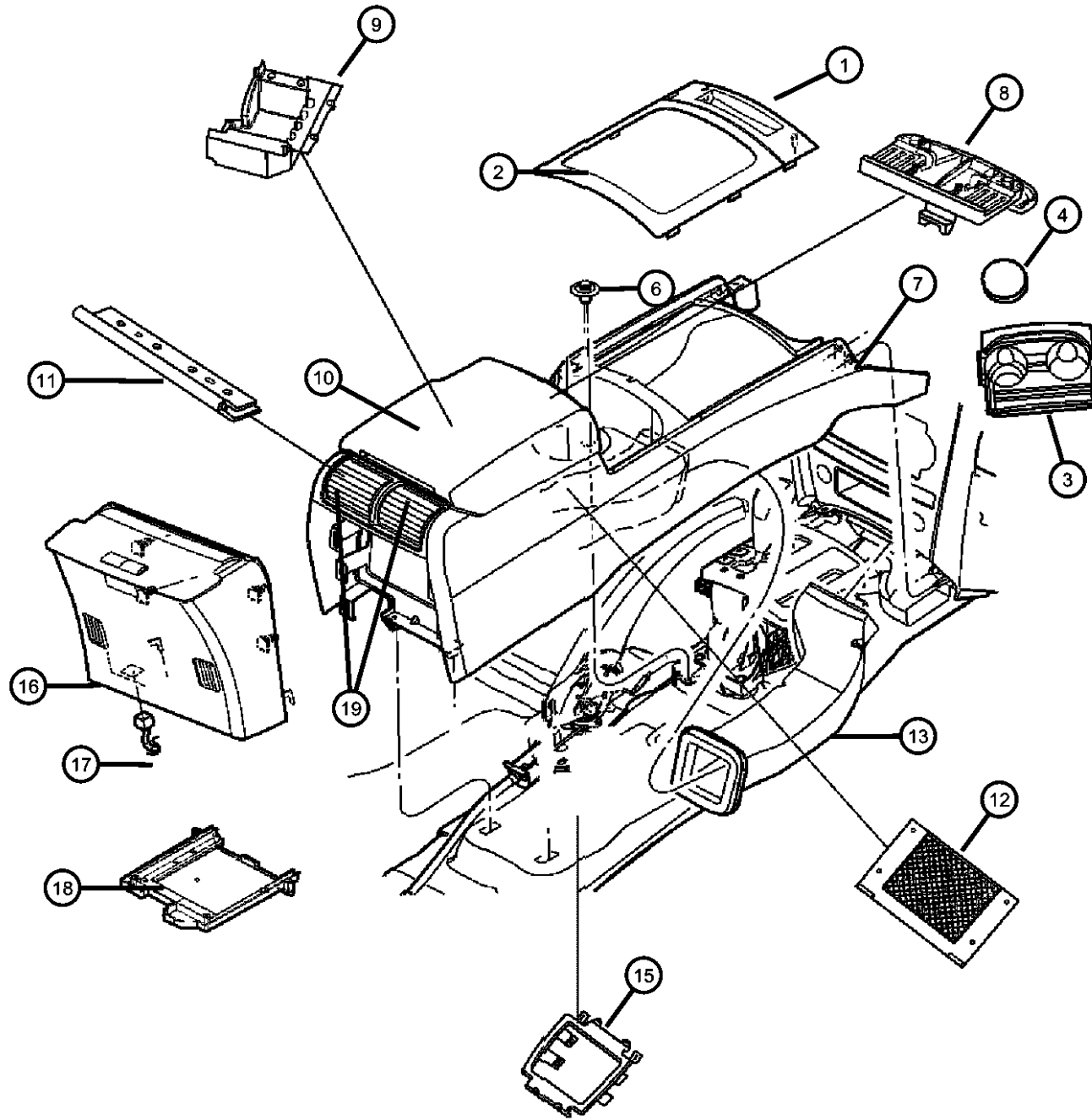
ENGINE
EVE = Engine - 4.7L V8 DOHC
3 Valve
EZB = 5.7L Hemi Multi
Displacement Engine
EKG = 3.7L V6 Engine
ESF = 6.1L SRT HEMI SMPI
V8 Engine
EXL = 3.0L V6 Turbo Diesel
Engine

TRANSMISSION
DGJ = 5-Speed Auto W5A580
Transmission
DGU = 5-Spd Auto W5J400
Transmission
DGQ = 5-Spd Automatic 545RFE
Transmission

AR = use ase required - = Non illustrated part

2008 WK

Floor Console Front
Figure 8-2305



ITEM	PART NUMBER	QTY	LINE	SERIES	BODY	ENGINE	TRANS	TRIM	DESCRIPTION
	05143597AC	1	J, T	H	74				
		1	J, T	P	74				
		1	J, T	S	74				
		1	J, T	X	74				
16									CAP, Floor Console End
	1JN741D1AA	1	J, T		74				[D1][JPZ]
		1	J, T		74				[J1][JPZ]
	1JN741DVAA	1	J, T		74				[DV][JPZ]
	5KB96BD1AB	1	J, T		74				[D1]
		1	J, T		74				[J1]
	5KB96XDVAB	1	J, T		74				[DV]
	5KB96ZJ3AB	1	J, T		74				[J3]
17		1							CONNECTOR, Serviced with Body Wiring, (NOT SERVICED),
18		1							PLATE, Serviced with Console Assy., (NOT SERVICED)
19									OUTLET, Air Conditioning & Heater
	1BJ021D1AA	1	J, T	P	74				
		1	J, T	S	74				[D1]
		1	J, T	S	74				[J1]
	1BJ021DVAA	1	J, T	X	74				[DV]
	1BJ021J3AA	1	J, T	H	74				[J3]
		1	J, T	H	74				[DV]
-20									BRACKET, Console
	05143597AC	1	J, T	H	74				
		1	J, T	P	74				
		1	J, T	S	74				
		1	J, T	X	74				
-21	56052851AA	1	J, T		74	EXL			SILENCER, Tunnel, Floor console silencer
-22	05082095AB	1	J, T		74				POWER OUTLET, Inverter, [JKV]
-23									END CAP, Console
	1JN761D1AA	1	J, T		74				[J1] [JKV]

GRAND CHEROKEE (WK)

SERIES LINE
H = HIGHLINE T = JEEP - 2WD
P = PREMIUM J = JEEP - 4WD
S = SPORT
X = SPECIAL

BODY
74 = SPORT UTILITY 4-DR
TYPE #4

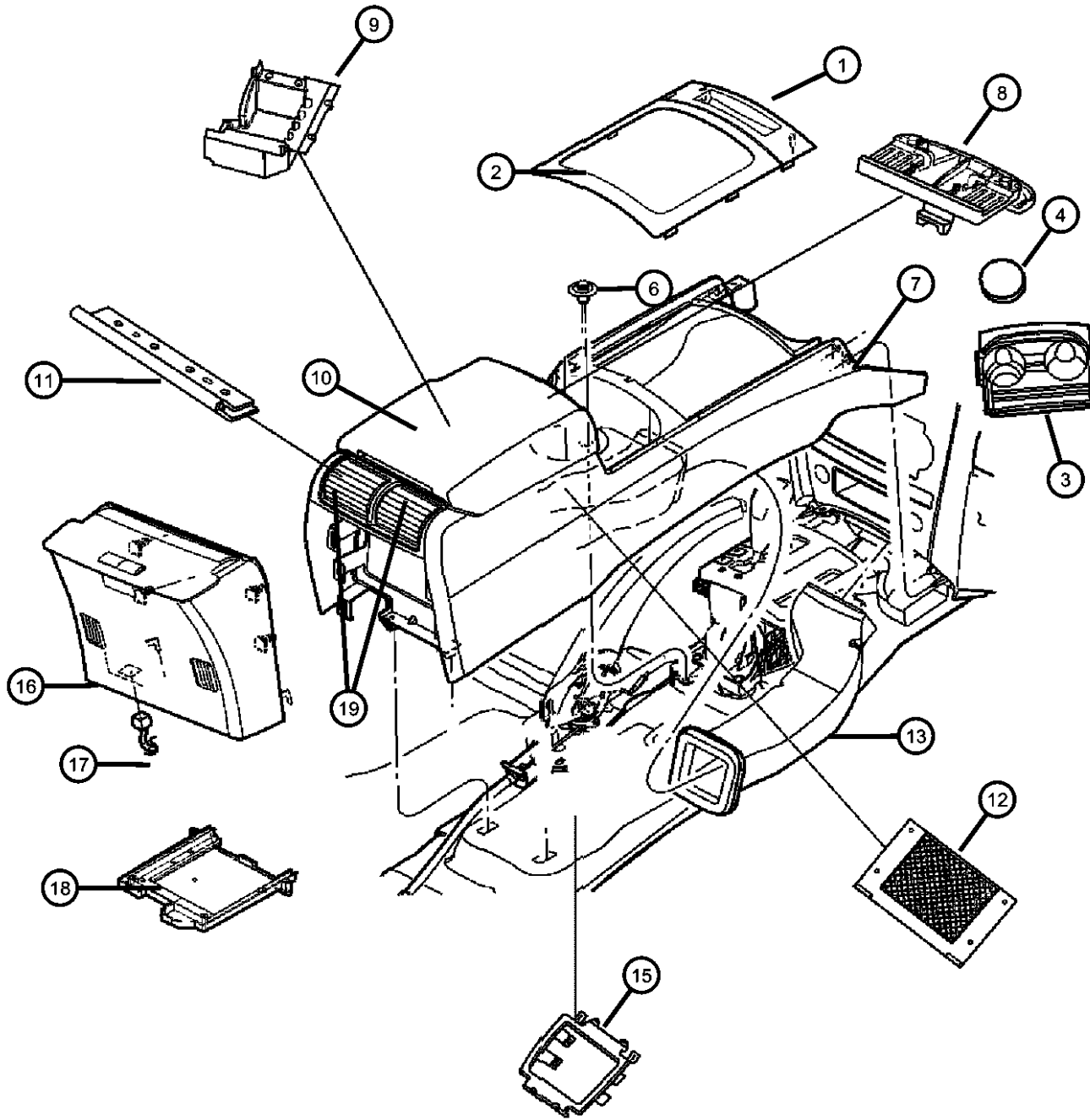
ENGINE TRANSMISSION
EVE = Engine - 4.7L V8 DOHC 3 Valve
EVB = Engine - 4.7L V8 DOHC 3 Valve
EZB = 5.7L Hemi Multi Displacement Engine
EKG = 3.7L V6 Engine
ESF = 6.1L SRT HEMI SMPI V8 Engine
EXL = 3.0L V6 Turbo Diesel Engine
DGJ = 5-Speed Auto W5A580 Transmission
DGU = 5-Spd Auto W5J400 Transmission
DGQ = 5-Spd Automatic 545RFE Transmission

AR = use ase required - = Non illustrated part

2008 WK

Floor Console Front
Figure 8-2305

ITEM	PART NUMBER	QTY	LINE	SERIES	BODY	ENGINE	TRANS	TRIM	DESCRIPTION
	1JN761DVAA	1	J, T		74				[DV] [JKV]
	1JN751D1AA	1	J, T		74				[D1] [JKV, XRV]
		1	J, T		74				[J1] [JKV, XRV]
	1JN751DVAA	1	J, T		74				[DV] [JKV, XRV]
		1	J, T		74				[D1] [JKV]



GRAND CHEROKEE (WK)

SERIES LINE
H = HIGHLINE T = JEEP - 2WD
P = PREMIUM J = JEEP - 4WD
S = SPORT
X = SPECIAL

BODY
74 = SPORT UTILITY 4-DR
TYPE #4

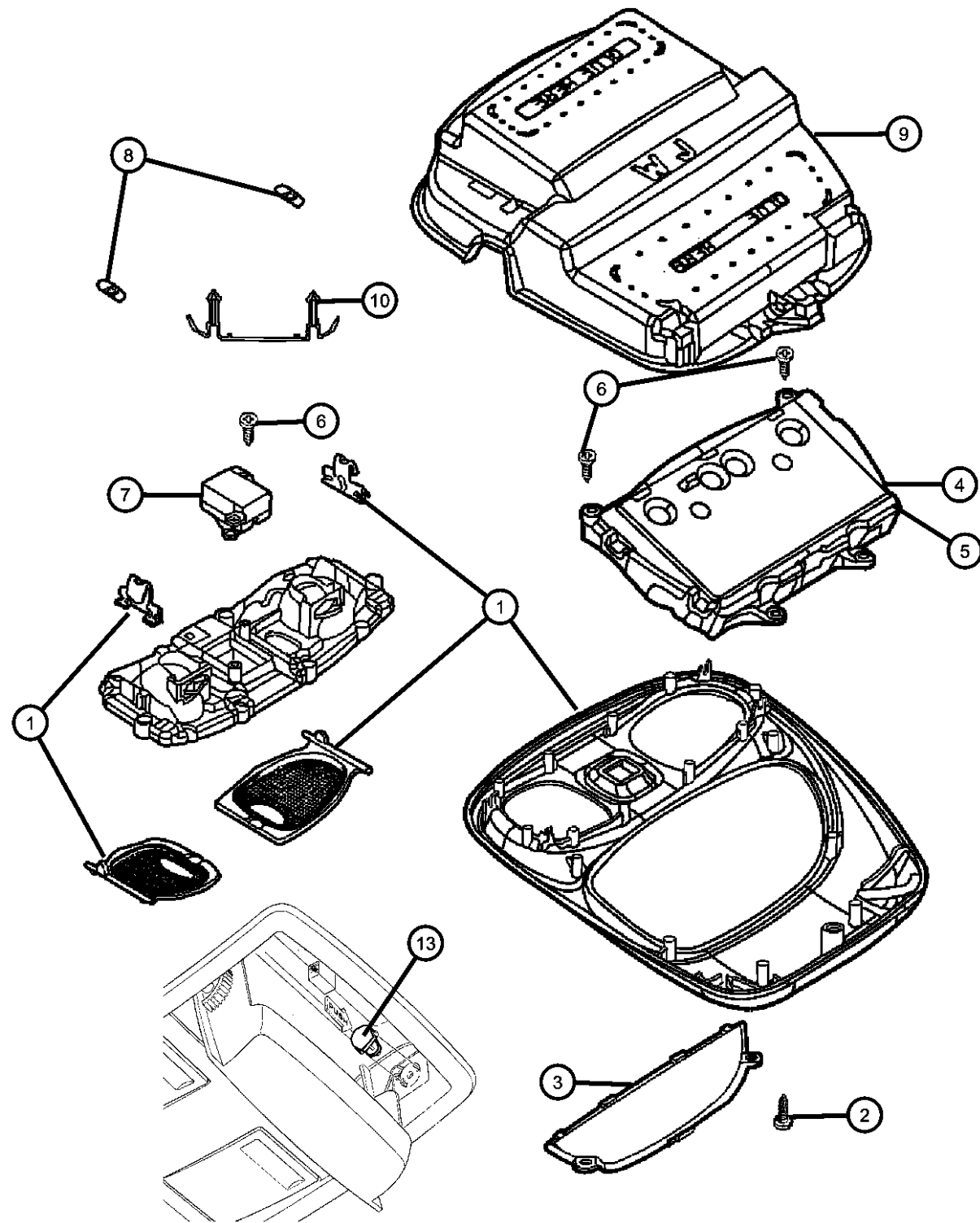
ENGINE
EVE = Engine - 4.7L V8 DOHC
3 Valve
EZB = 5.7L Hemi Multi
Displacement Engine
EKG = 3.7L V6 Engine
ESF = 6.1L SRT HEMI SMPI
V8 Engine
EXL = 3.0L V6 Turbo Diesel
Engine

TRANSMISSION
DGJ = 5-Speed Auto W5A580
Transmission
DGU = 5-Spd Auto W5J400
Transmission
DGQ = 5-Spd Automatic 545RFE
Transmission

AR = use ase required - = Non illustrated part

2008 WK

Overhead Console
Figure 8-2320



ITEM	PART NUMBER	QTY	LINE	SERIES	BODY	ENGINE	TRANS	TRIM	DESCRIPTION
1									CONSOLE, Overhead
	1AR29BD1AA	1	J, T		74				
	1AR301D1AA	1	J, T		74				[GWA]
2		1							SCREW, .164-18x.500, (NOT SERVICED),
3									LENS
	05137526AA	1	J, T		74				Right
	05137527AA	1	J, T		74				Left
4	1HT92BD1AA	1	J, T		74				MODULE, Compass
5	1HT94BD1AA	1	J, T		74				MODULE, Compass Temperature, W/Garage Door Opener
6		1							SCREW, (NOT SERVICED)
7		1							SWITCH, 1 Gang, (NOT SERVICED)
8	L0000578	2	J, T		74				BULB, 578
9	05139449AA	1	J, T		74				RETAINER, Overhead Console
10	04746232	2	J, T		74				CLIP, Z-Axis
-11	05166015AA	2	J, T		74				PLATE, Retaining
-12	05137535AA	2	J, T		74				SWITCH, Map Light
13	68043540AA	1	J, T		74				FOLLOWER, Sunglass Bin

GRAND CHEROKEE (WK)

SERIES LINE
H = HIGHLINE T = JEEP - 2WD
P = PREMIUM J = JEEP - 4WD
S = SPORT
X = SPECIAL

BODY
74 = SPORT UTILITY 4-DR
TYPE #4

ENGINE TRANSMISSION
EVE = Engine - 4.7L V8 DOHC 3 Valve
EZB = 5.7L Hemi Multi Displacement Engine
EKG = 3.7L V6 Engine
ESF = 6.1L SRT HEMI SMPI V8 Engine
EXL = 3.0L V6 Turbo Diesel Engine
DGJ = 5-Speed Auto W5A580 Transmission
DGU = 5-Spd Auto W5J400 Transmission
DGQ = 5-Spd Automatic 545RFE Transmission

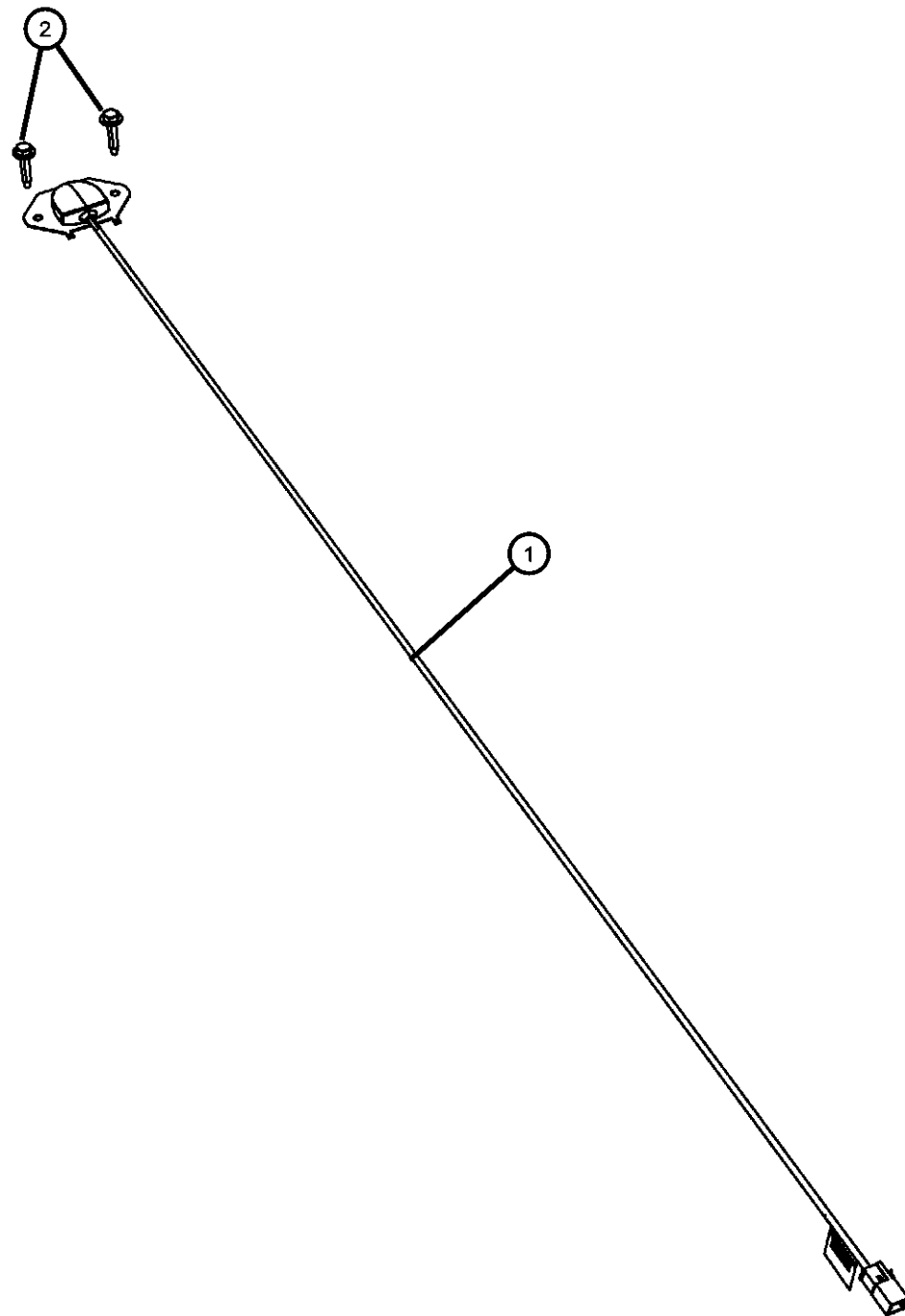
AR = use ase required - = Non illustrated part

2008 WK

Navigation System
Figure 8-2405

ITEM	PART NUMBER	QTY	LINE	SERIES	BODY	ENGINE	TRANS	TRIM	DESCRIPTION
------	-------------	-----	------	--------	------	--------	-------	------	-------------

1	05064187AA	1							ANTENNA, Global Positioning
2		1							SCREW, Tapping Hex Head, M4.2X1.70X20.00, (NOT SERVICED)



GRAND CHEROKEE (WK)

SERIES LINE
H = HIGHLINE T = JEEP - 2WD
P = PREMIUM J = JEEP - 4WD
S = SPORT
X = SPECIAL

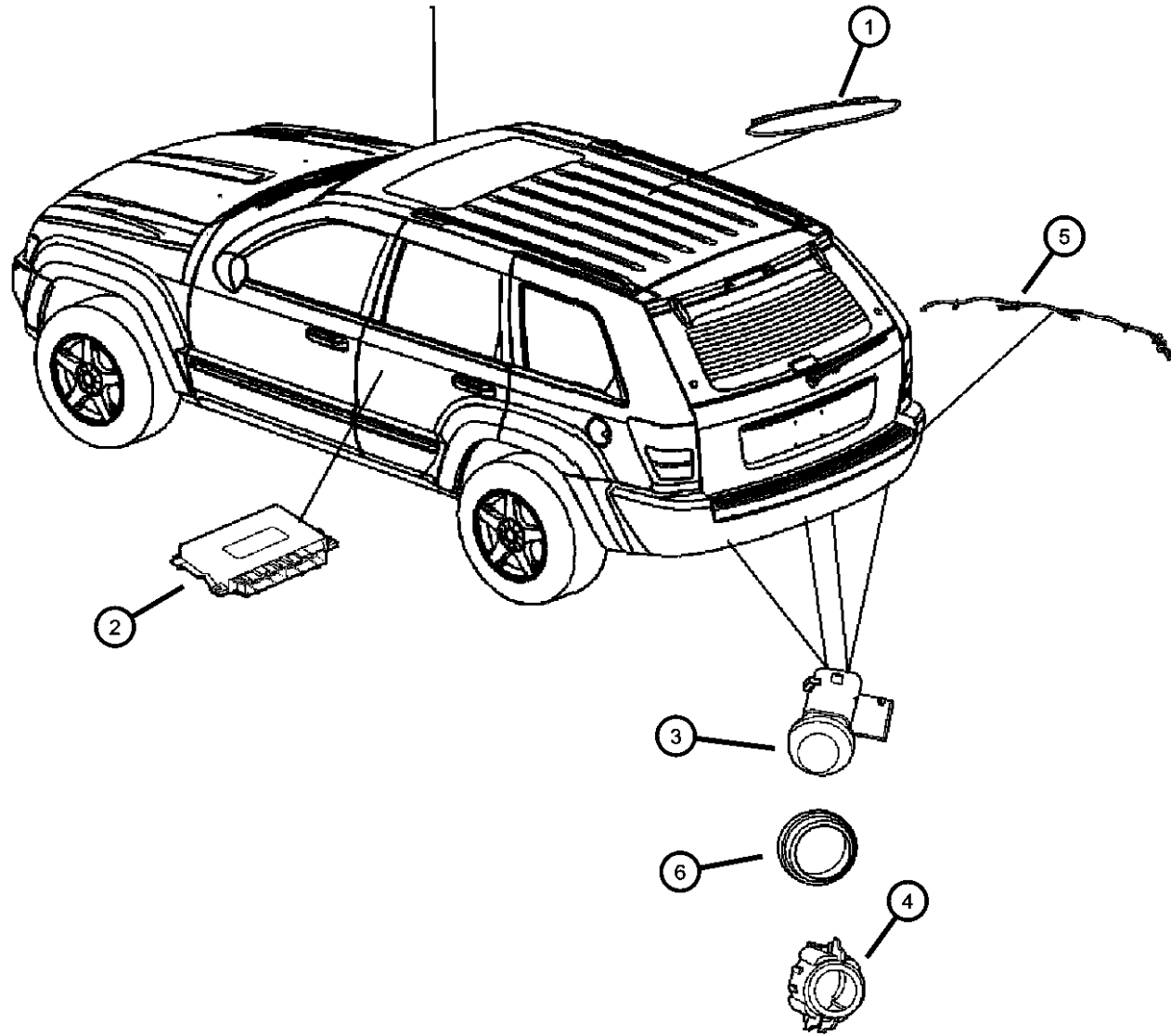
BODY
74 = SPORT UTILITY 4-DR
TYPE #4

ENGINE TRANSMISSION
EVE = Engine - 4.7L V8 DOHC 3 Valve
DGJ = 5-Speed Auto W5A580 Transmission
EZB = 5.7L Hemi Multi Displacement Engine
DGU = 5-Spd Auto W5J400 Transmission
EKG = 3.7L V6 Engine
DGQ = 5-Spd Automatic 545RFE Transmission
ESF = 6.1L SRT HEMI SMPI V8 Engine
EXL = 3.0L V6 Turbo Diesel Engine

AR = use ase required - = Non illustrated part

2008 WK

**Park Assist
Figure 8-2605**



ITEM	PART NUMBER	QTY	LINE	SERIES	BODY	ENGINE	TRANS	TRIM	DESCRIPTION
1	56046042AA	1	J, T		74				DISPLAY, Parking Assist
2	05026016AE	1	J, T		74				MODULE, Parking Assist
3									SENSOR, Park Assist
	5HX08SZ0AB	4	J, T	S	74				[DA]
		4	J, T	S	74				[EM]
		4	J, T	S	74				[BM]
		4	J, T	S	74				[XR]
		1	J, T	X	74				
	5HX08S3XAB	4	J, T	H	74				[DM]
		4	J, T	H	74				[EM]
		4	J, T	H	74				[GJ]
		4	J, T	H	74				[S2]
		4	J, T	H	74				[W1]
		4	J, T	H	74				[X8]
		4	J, T	P	74				[BM]
		4	J, T	P	74				[DA]
		4	J, T	P	74				[DM]
		4	J, T	P	74				[EM]
		4	J, T	P	74				[GJ]
		4	J, T	P	74				[S2]
		4	J, T	P	74				[W1]
		4	J, T	P	74				[X8]
		4	J, T	P	74				[XR]
		4	J, T	S	74				[GJ]
		4	J, T	S	74				[S2]
		4	J, T	S	74				[X8]
		4	J, T	H	74				[BM]
		4	J, T	H	74				[DA]
4									BRACKET, Sensor Mounting, Park Assist Sensor
	05159097AB	1	J, T	H	74				
		1	J, T	P	74				
		1	J, T	S	74				

GRAND CHEROKEE (WK)

SERIES LINE
H = HIGHLINE T = JEEP - 2WD
P = PREMIUM J = JEEP - 4WD
S = SPORT
X = SPECIAL

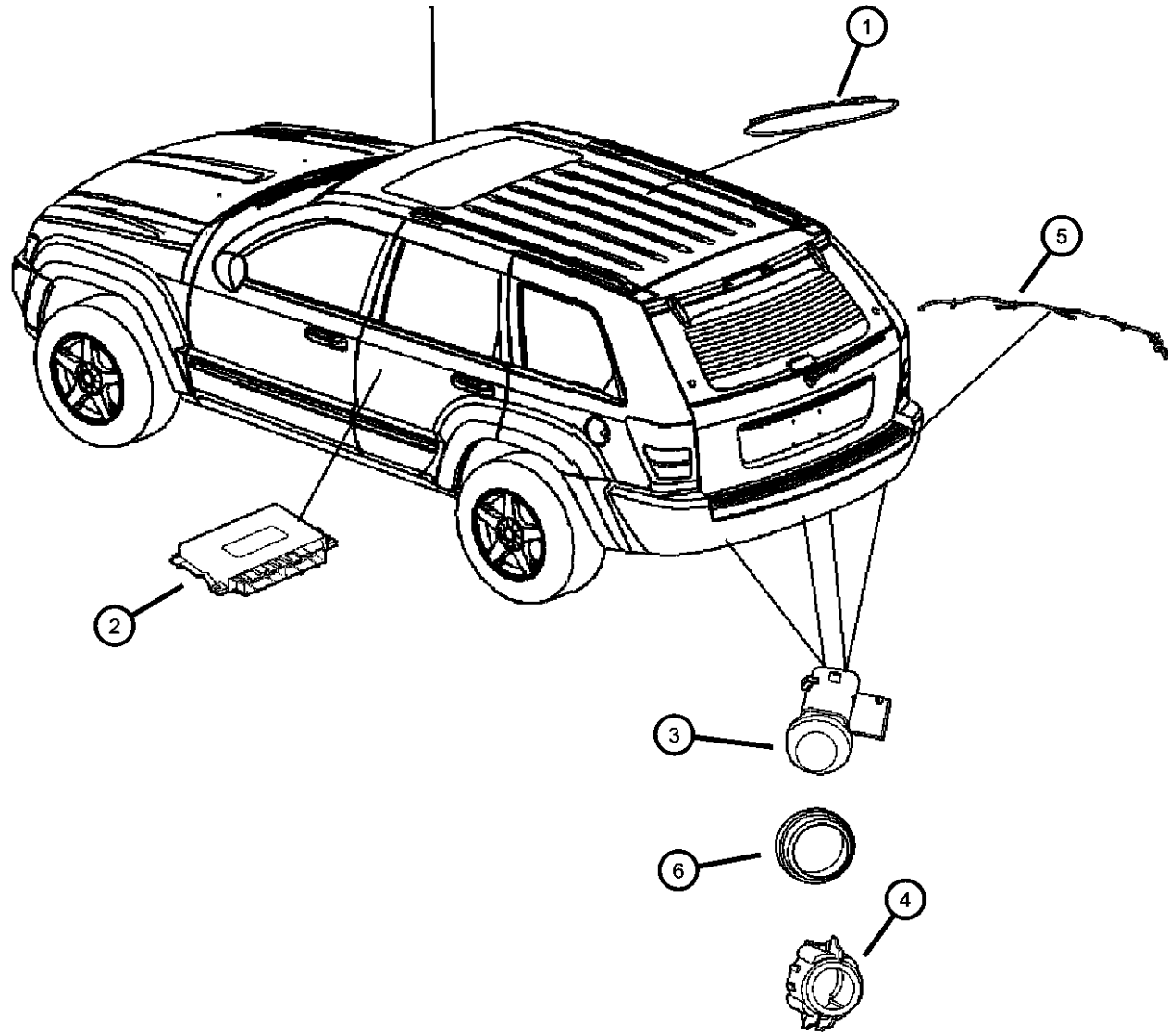
BODY
74 = SPORT UTILITY 4-DR
TYPE #4

ENGINE TRANSMISSION
EVE = Engine - 4.7L V8 DOHC 3 Valve
EZB = 5.7L Hemi Multi Displacement Engine
EKG = 3.7L V6 Engine
ESF = 6.1L SRT HEMI SMPI V8 Engine
EXL = 3.0L V6 Turbo Diesel Engine
DGJ = 5-Speed Auto W5A580 Transmission
DGU = 5-Spd Auto W5J400 Transmission
DGQ = 5-Spd Automatic 545RFE Transmission

AR = use ase required - = Non illustrated part

2008 WK

**Park Assist
Figure 8-2605**



ITEM	PART NUMBER	QTY	LINE	SERIES	BODY	ENGINE	TRANS	TRIM	DESCRIPTION
5		4	J, T	X	74				WIRING, Rear Fascia
	05159098AA	1	J, T	P	74				
		1	J, T	S	74				
6	68039281AA	1	J, T	H	74				SPACER, Sensor
		1	J, T	X	74				
	05159096AB	1	J, T	H	74				
		1	J, T	P	74				
		4	J, T	X	74				
		1	J, T	S	74				

GRAND CHEROKEE (WK)

SERIES LINE
H = HIGHLINE T = JEEP - 2WD
P = PREMIUM J = JEEP - 4WD
S = SPORT
X = SPECIAL

BODY
74 = SPORT UTILITY 4-DR
TYPE #4

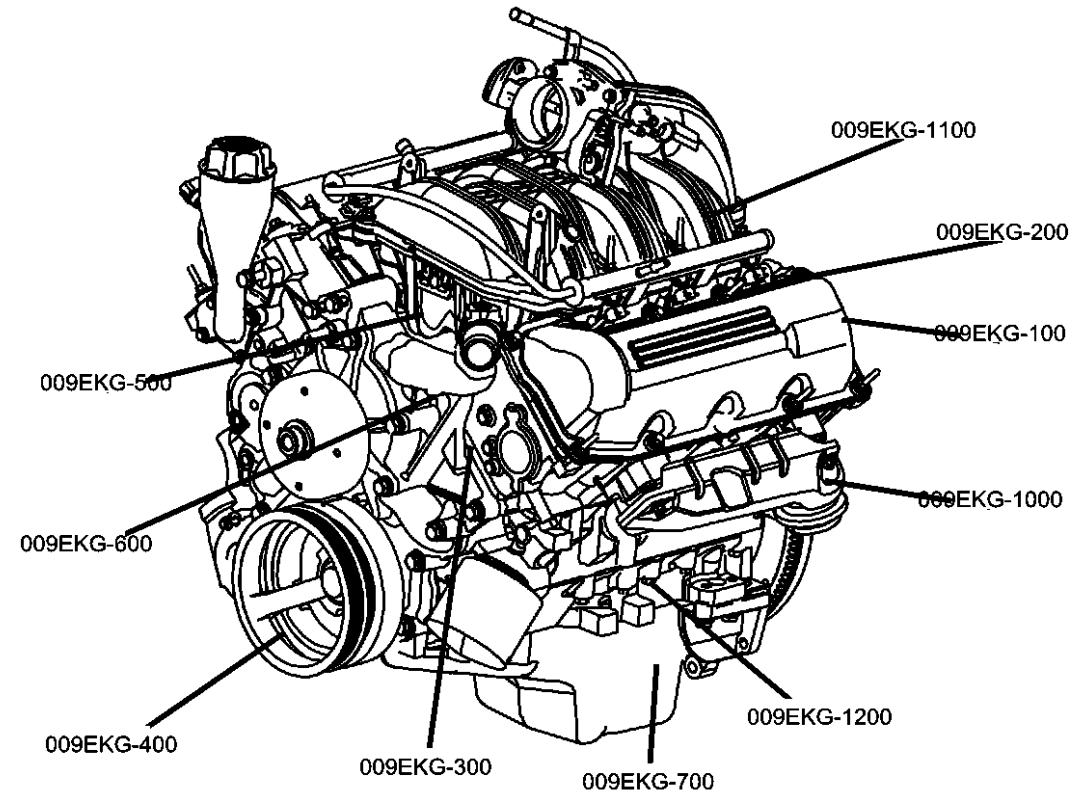
ENGINE TRANSMISSION
EVE = Engine - 4.7L V8 DOHC 3 Valve
EZH = 5.7L Hemi Multi Displacement Engine
EKG = 3.7L V6 Engine
ESF = 6.1L SRT HEMI SMPI V8 Engine
EXL = 3.0L V6 Turbo Diesel Engine
DGJ = 5-Speed Auto W5A580 Transmission
DGU = 5-Spd Auto W5J400 Transmission
DGQ = 5-Spd Automatic 545RFE Transmission

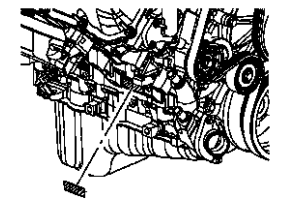
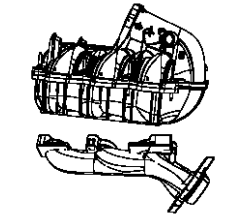

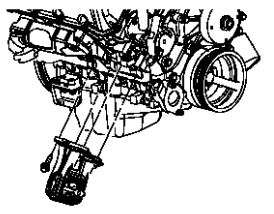
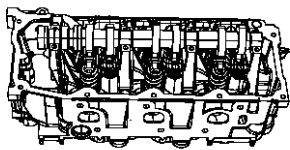
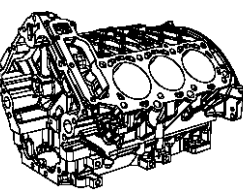
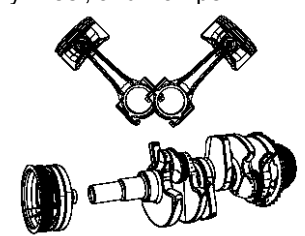
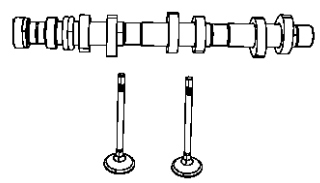
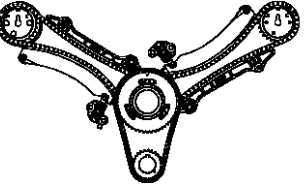
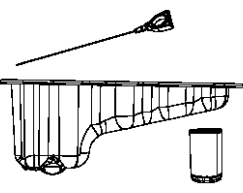
AR = use ase required - = Non illustrated part

2008 WK

Group - 009EKG

3.7L Gas; Engine

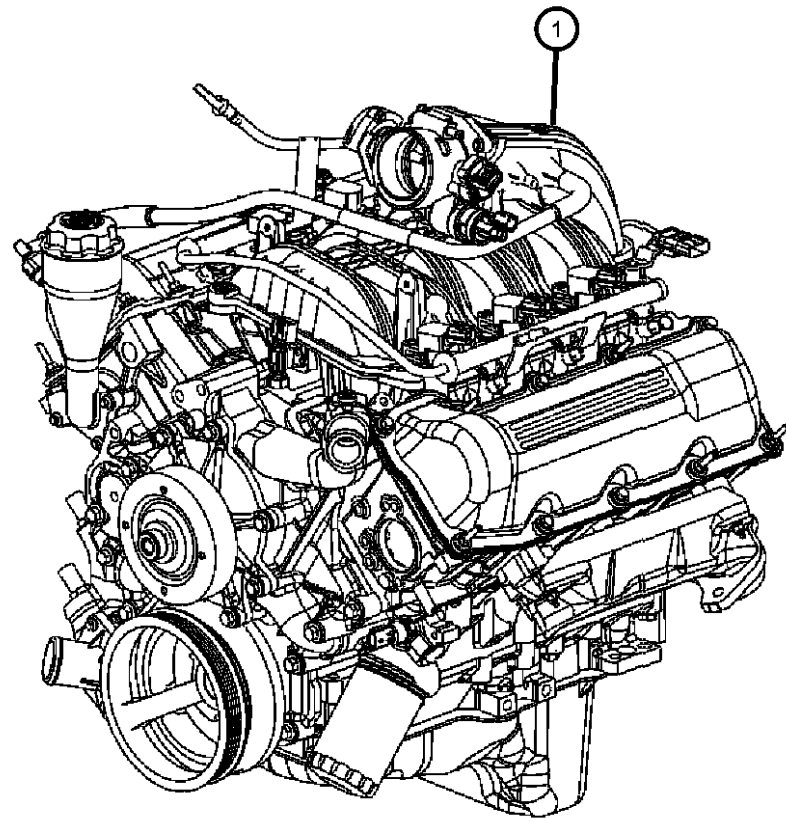


<p>009EKG-100 Engine Identification</p> 	<p>009EKG-1000 Manifolds and Vacuum Fittings</p> 	<p>009EKG-1100 Crankcase Ventilation</p> 	<p>009EKG-1200 Engine Mounting</p> 
<p>009EKG-200 Cylinder Head</p> 	<p>009EKG-300 Cylinder Block</p> 	<p>009EKG-400 Crankshaft, Piston, Drive Plate, Flywheel, and Damper</p> 	<p>009EKG-500 Camshaft and Valve</p> 
<p>009EKG-600 Timing Belt/Chain and Cover and Balance Shaft</p> 	<p>009EKG-700 Engine Oiling, Oil Pan and Indicator (Dipstick)</p> 		

Group - 009EKG 3.7L Gas; Engine

Illustration Title	Group-Fig. No.
Engine Identification	
Engine Assembly And Identification 3.7L[EKG].....	Fig. 009EKG - 105
Service Engine And Suggested Parts 3.7L [EKG].....	Fig. 009EKG - 125
Gasket Packages 3.7L [EKG].....	Fig. 009EKG - 145
Cylinder Head	
Cylinder Head Covers 3.7L [EKG].....	Fig. 009EKG - 205
Cylinder Heads 3.7L [EKG].....	Fig. 009EKG - 225
Cylinder Block	
Engine Cylinder Block And Hardware 3.7L[EKG].....	Fig. 009EKG - 305
Engine Cylinder Block Heater 3.7L [EKG].....	Fig. 009EKG - 325
Crankshaft, Piston, Drive Plate, Flywheel, and Damper	
Crankshaft,Bearings,Damper,Flywheel3.7L[EKG].....	Fig. 009EKG - 405
Piston, Connecting Rod, Bearings, Rings 3.7L [EKG].....	Fig. 009EKG - 425
Camshaft and Valve	
Camshafts And Valvetrain 3.7L [EKG].....	Fig. 009EKG - 505
Timing Belt/Chain and Cover and Balance Shaft	
Timing Case Cover 3.7L [EKG].....	Fig. 009EKG - 605
Timing System 3.7L [EKG].....	Fig. 009EKG - 625
Balance Shaft 3.7L [EKG].....	Fig. 009EKG - 645
Engine Oiling, Oil Pan and Indicator (Dipstick)	
Engine Oil Pump 3.7L [EKG].....	Fig. 009EKG - 705
Engine Oil Pan, Oil Level Indicator 3.7L [EKG].....	Fig. 009EKG - 725
Engine Oil Filter And Splash Guard 3.7L [EKG].....	Fig. 009EKG - 745
Manifolds and Vacuum Fittings	
Exhaust Manifolds 3.7L [EKG].....	Fig. 009EKG - 1005
Intake Manifold 3.7L [EKG].....	Fig. 009EKG - 1025
Crankcase Ventilation	
Crankcase Ventilation 3.7L [EKG].....	Fig. 009EKG - 1105
Engine Mounting	
Engine Mounting Right Side 3.7L [EKG].....	Fig. 009EKG - 1230
Engine Mounting Left Side 3.7L [EKG].....	Fig. 009EKG - 1250

**Engine Assembly And Identification 3.7L[EKG]
Figure 009EKG-105**

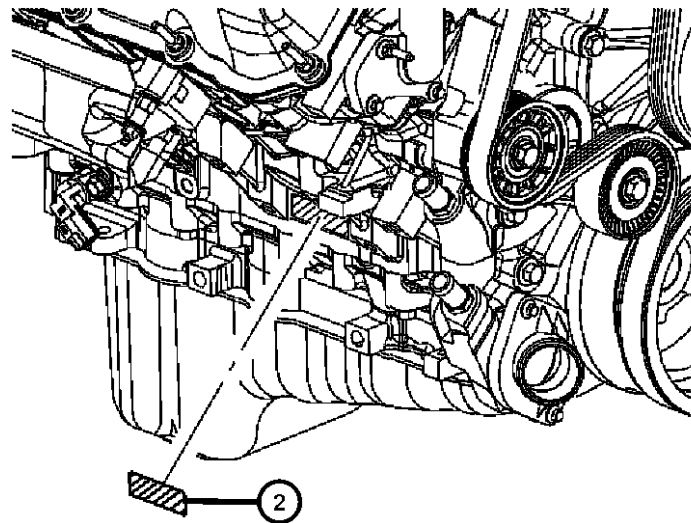


ITEM	PART NUMBER	QTY	LINE	SERIES	BODY	ENGINE	TRANS	TRIM	DESCRIPTION
------	-------------	-----	------	--------	------	--------	-------	------	-------------

NOTE:

The Engine Identification Label Contains: The Production Assembly Part Number And Displacement. It is located On The Left Front Cylinder Head Shortblock Does Not Include Camshaft, Lifters, Oil Pump Or Oil Pan,But Does Include The Camshaft Be

1		1							ENGINE, Complete, Serviced By New Short Block Only, (NOT SERVICED)
2		1							LABEL, Engine Identification, See Note, (NOT SERVICED)



GRAND CHEROKEE (WK)

SERIES	LINE
H = HIGHLINE	T = JEEP - 2WD
P = PREMIUM	J = JEEP - 4WD
S = SPORT	
X = SPECIAL	

BODY
74 = SPORT UTILITY 4-DR TYPE #4

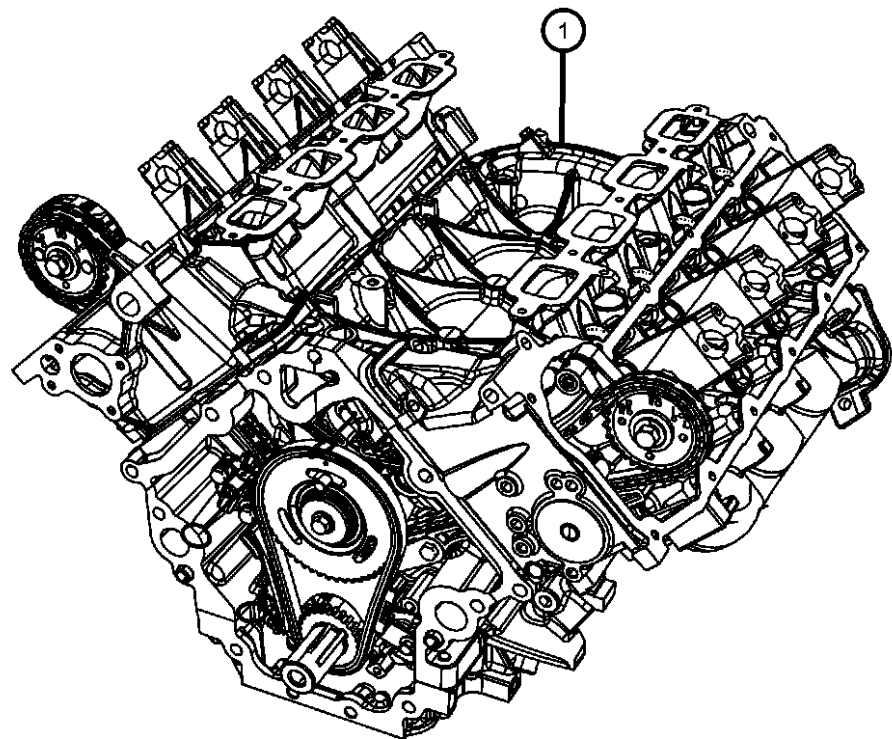
ENGINE	TRANSMISSION
EVE = Engine - 4.7L V8 DOHC 3 Valve	DGJ = 5-Speed Auto W5A580 Transmission
EZB = 5.7L Hemi Multi Displacement Engine	DGU = 5-Spd Auto W5J400 Transmission
EKG = 3.7L V6 Engine	DGQ = 5-Spd Automatic 545RFE Transmission
ESF = 6.1L SRT HEMI SMPI V8 Engine	
EXL = 3.0L V6 Turbo Diesel Engine	

AR = use ase required - = Non illustrated part

2008 WK

Service Engine And Suggested Parts 3.7L [EKG]

Figure 009EKG-125

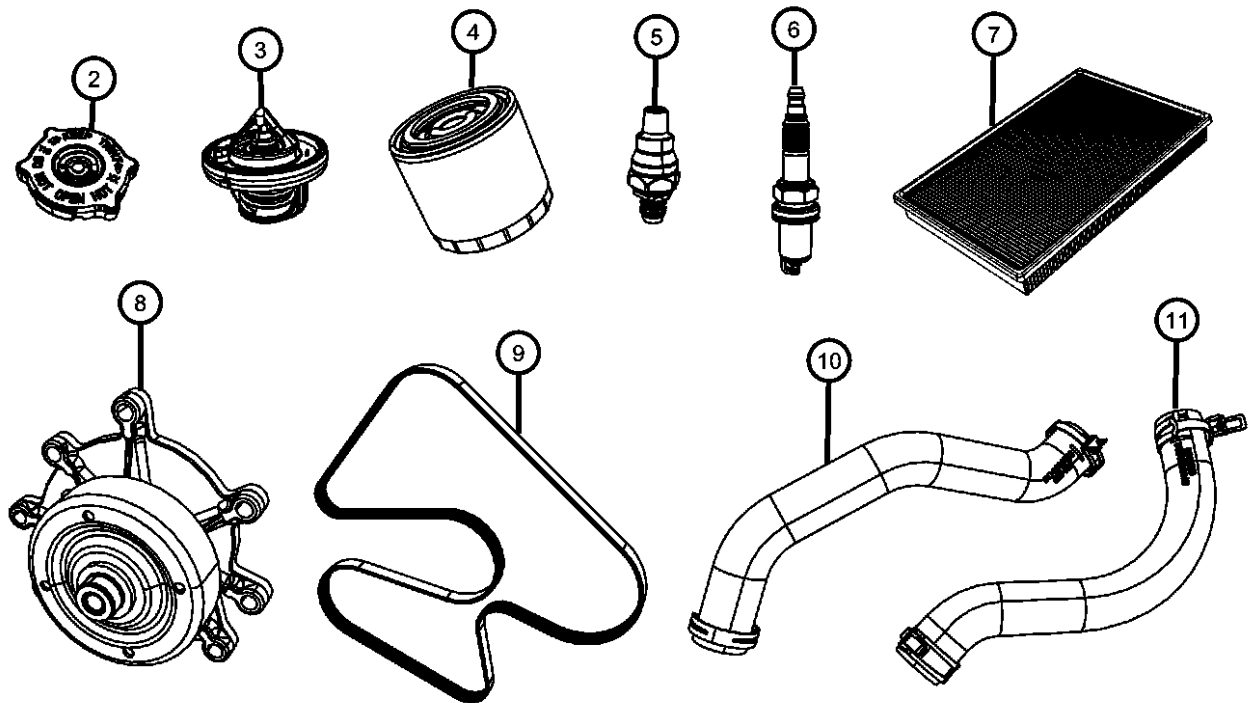


ITEM	PART NUMBER	QTY	LINE	SERIES	BODY	ENGINE	TRANS	TRIM	DESCRIPTION
------	-------------	-----	------	--------	------	--------	-------	------	-------------

Remanufactured Long Block Engine Contains: Cylinder Block, Cylinder Heads, Crankshaft, Main & Connecting Rod Bearings, Pistons, Piston Rings, Piston Pins, Camshafts, Intake & Exhaust Valves, Springs, Rocker Arms, Valve Lash Adjusters, Timing Chain System, Oil Pump, Inner Timing Cover, Cylinder Head Cover Gaskets, Water Outlet Cover Gasket, Intake Manifold Seals, & Fuel Rail Gaskets.

1		1							ENGINE, Long Block, See Note, (NOT SERVICED)
2	55116897AA	1	J, T			EK0, ESF, EVO	DG0		CAP, Radiator
3	52079476AD	1	J, T			EK0			THERMOSTAT
4	04781452BB	1	J, T			EK0			FILTER, Engine Oil
5	53034065AA	1	J, T			EK0			VALVE, PCV
6									SPARK PLUG
	SPZFR6F11G	3	J, T			EK0			Cylinders 1,3,5
		3	J, T			EK0			Cylinders 2,4,6
7	05018777AB	1	J, T			EK0, EVO			FILTER, Air
	VMWK30K1AA								Mopar HEMI 5.7L Maintenance Kit 30,000 Mile (Air/Oil Filters, Plugs, PCV)
	VMWK60K1AA								Mopar HEMI 5.7L Maintenance Kit 60,000 Mile (Air/Oil Filters, Plugs, PCV, Drive Belt, LX Cabin Filter)
8	53022189AC	1	J, T			EKG			PUMP, Water
9	68027636AA	1	J, T			EK0			BELT, Serpentine
10	55116867AA	1	J, T			EK0			HOSE, Radiator Inlet
11	55116870AC	1	J, T			EK0			HOSE, Radiator Outlet

LISTED BELOW ARE SUGGESTED PARTS WHEN REPLACING AN ENGINE



GRAND CHEROKEE (WK)

SERIES LINE
 H = HIGHLINE T = JEEP - 2WD
 P = PREMIUM J = JEEP - 4WD
 S = SPORT
 X = SPECIAL

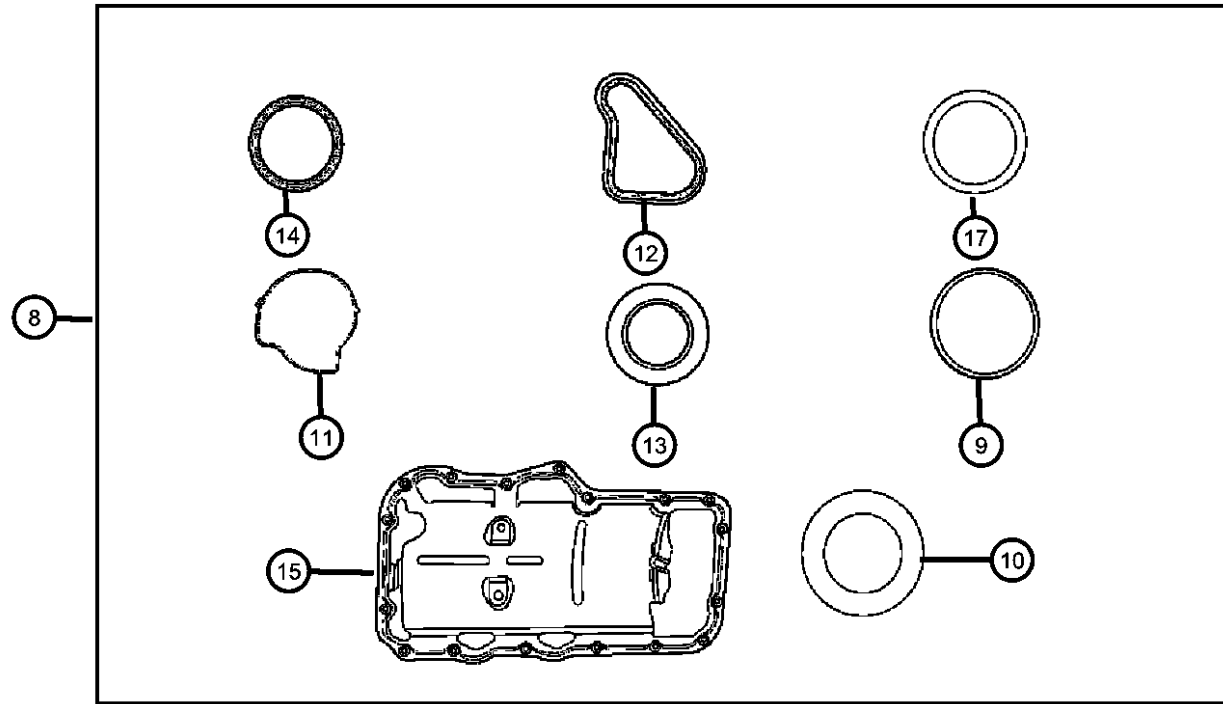
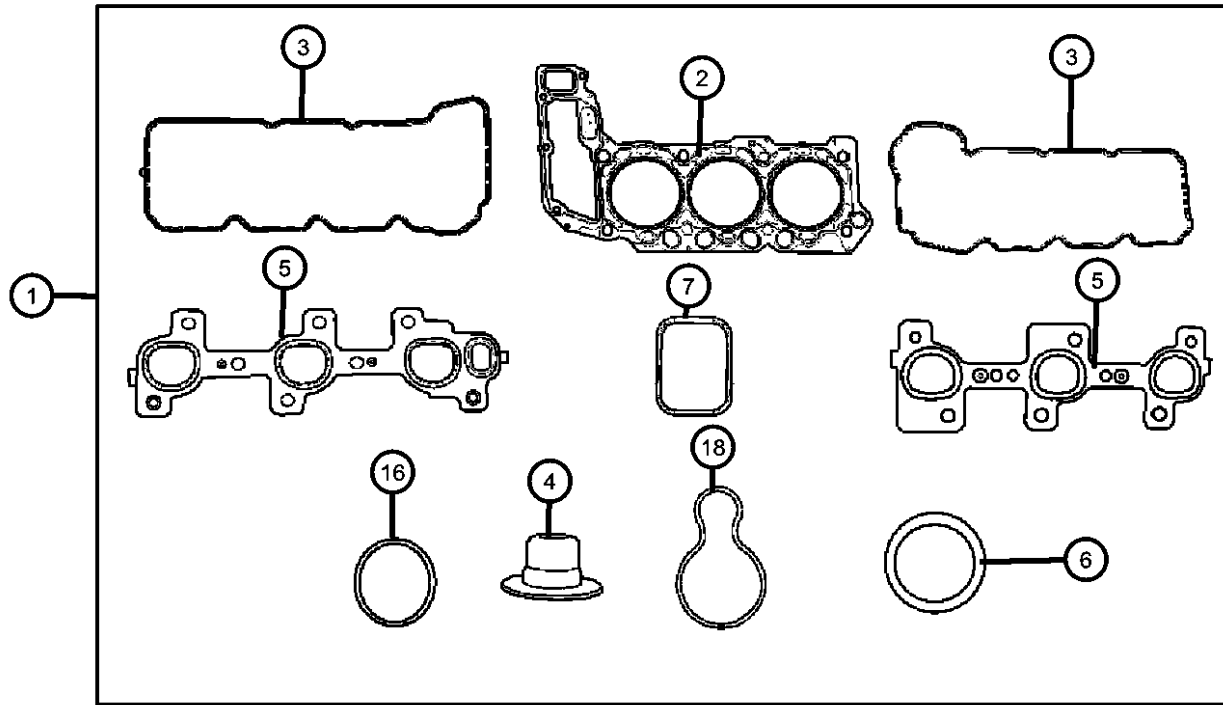
BODY
 74 = SPORT UTILITY 4-DR
 TYPE #4

ENGINE
 EVE = Engine - 4.7L V8 DOHC 3 Valve
 EZB = 5.7L Hemi Multi Displacement Engine
 EKG = 3.7L V6 Engine
 ESF = 6.1L SRT HEMI SMPI V8 Engine
 EXL = 3.0L V6 Turbo Diesel Engine

TRANSMISSION
 DGJ = 5-Speed Auto W5A580 Transmission
 DGU = 5-Spd Auto W5J400 Transmission
 DGQ = 5-Spd Automatic 545RFE Transmission

AR = use ase required - = Non illustrated part

**Gasket Packages 3.7L [EKG]
Figure 009EKG-145**



ITEM	PART NUMBER	QTY	LINE	SERIES	BODY	ENGINE	TRANS	TRIM	DESCRIPTION
------	-------------	-----	------	--------	------	--------	-------	------	-------------

NOTE:
The Engine Identification Label Contains: The Production Assembly Part Number And Displacement. It is located On The Left Front Cylinder Head Shortblock Does Not Include Camshaft, Lifters, Oil Pump Or Oil Pan, But Does Include The Camshaft Be

1	68003564AA	1	J, T			EKG	DG0		GASKET PACKAGE, Engine Upper
2	53020989	2	J, T			EK0			GASKET, Cylinder Head
3									GASKET, Cylinder head Cover
	53021958AA	1	J, T			EK0			Right
	53021959AA	1	J, T			EK0			Left
4	53021974AA	6	J, T			EK0			SEAL, Valve Guide
5									GASKET, Exhaust Manifold
	53013933AB	1	J, T			EK0			Left
	53013932AB	1	J, T			EK0			Right
6	04666113AA	1	J, T			EK0			GASKET, Throttle Body
7	53010310AB	6	J, T			EK0			SEAL, Intake Manifold
8	05135793AA	1	J, T			EKG	DG0		GASKET PACKAGE, Engine Lower
9	53020861	1	J, T			EK0, EVO			SEAL, Oil Pick Up Tube
10	53021144AA	1	J, T			EK0			O RING, Engine Oil Indicator Tube
11	53020865	1	J, T			EKG, EVE			GASKET, Water Pump
12	53021226AA	1	J, T			EK0			GASKET, Chain Case Cover
13	53021313AA	1	J, T			EK0			SEAL, Crankshaft Oil, Front
14	53020788AB	1	J, T			EK0, EVO			SEAL, Crankshaft Oil, Rear
15	53021001AB	1	J, T			EK0			GASKET, Oil Pan
16	53021032	1	J, T			EK0, EVO			O RING
17	53021239AA	2	J, T			EK0			O RING, Chain Case Cover
18	53020889AC	1	J, T			EK0			GASKET, Oil Fill Housing

GRAND CHEROKEE (WK)

SERIES LINE
H = HIGHLINE T = JEEP - 2WD
P = PREMIUM J = JEEP - 4WD
S = SPORT
X = SPECIAL

BODY
74 = SPORT UTILITY 4-DR
TYPE #4

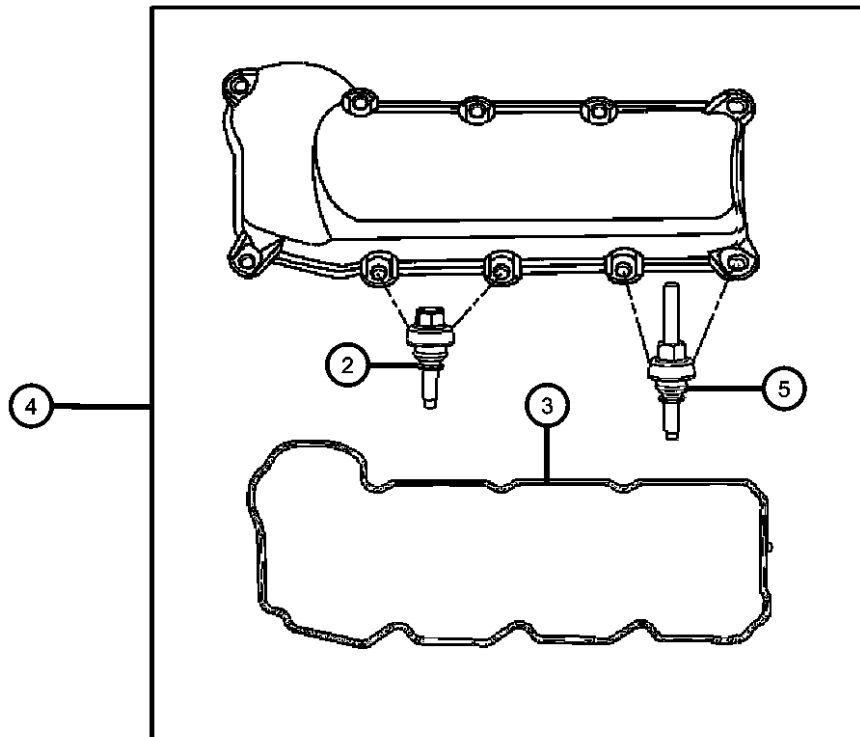
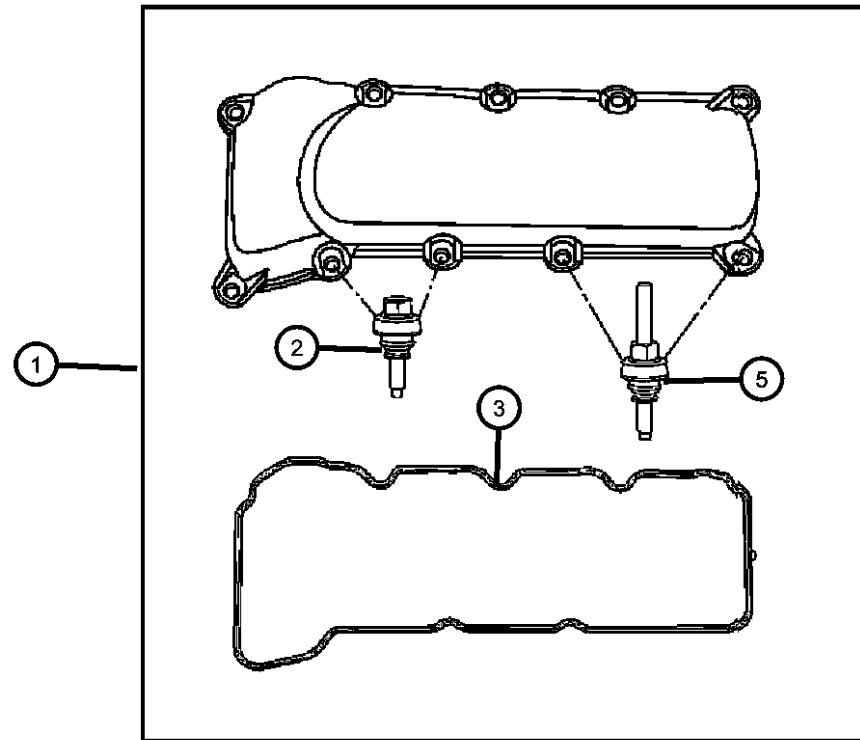
ENGINE
EVE = Engine - 4.7L V8 DOHC
3 Valve
EZB = 5.7L Hemi Multi
Displacement Engine
EKG = 3.7L V6 Engine
ESF = 6.1L SRT HEMI SMPI
V8 Engine
EXL = 3.0L V6 Turbo Diesel
Engine

TRANSMISSION
DGJ = 5-Speed Auto W5A580
Transmission
DGU = 5-Spd Auto W5J400
Transmission
DGQ = 5-Spd Automatic 545RFE
Transmission

AR = use ase required - = Non illustrated part

2008 WK

**Cylinder Head Covers 3.7L [EKG]
Figure 009EKG-205**



ITEM	PART NUMBER	QTY	LINE	SERIES	BODY	ENGINE	TRANS	TRIM	DESCRIPTION
1	53021938AA	1	J, T			EK0			COVER, Cylinder Head, Right
2	06508296AA	4	J, T			EK0			BOLT AND GROMMET, Special, M6X1.00X33.00 Cylinder Head Cover To Cylinder Head, Mounting Right Side
		5	J, T			EK0			Cylinder Head Cover To Cylinder Head, Mounting Left Side
3	53021958AA	1	J, T			EK0			GASKET, Cylinder head Cover Right
	53021959AA	1	J, T			EK0			Left
4	53021937AB	1	J, T			EK0			COVER, Cylinder Head, Left
5	06508297AA	6	J, T			EK0			STUD AND GROMMET, Special, M6X1.00X61.00 Cylinder Head Cover To Cylinder Head, Mounting Right Side
		5	J, T			EK0			Cylinder Head Cover To Cylinder Head, Mounting Left Side

NOTE:

Sales Codes:

[DBB] = All Manual Transmissions

[DEJ] = 6-Speed Manual Getrag 238 Transmission

[DGQ] = 5-Speed Automatic 545RFE Transmission

[DGV] = 4-Speed Automatic VLP 42RLE Transmission

[DG0] = All Automatic Transmissions

[DH5] = Electronic

GRAND CHEROKEE (WK)

SERIES LINE
H = HIGHLINE T = JEEP - 2WD
P = PREMIUM J = JEEP - 4WD
S = SPORT
X = SPECIAL

BODY
74 = SPORT UTILITY 4-DR
TYPE #4

ENGINE TRANSMISSION
EVE = Engine - 4.7L V8 DOHC 3 Valve
EZB = 5.7L Hemi Multi Displacement Engine
EKG = 3.7L V6 Engine
ESF = 6.1L SRT HEMI SMPI V8 Engine
EXL = 3.0L V6 Turbo Diesel Engine
DGJ = 5-Speed Auto W5A580 Transmission
DGU = 5-Spd Auto W5J400 Transmission
DGQ = 5-Spd Automatic 545RFE Transmission

AR = use ase required - = Non illustrated part

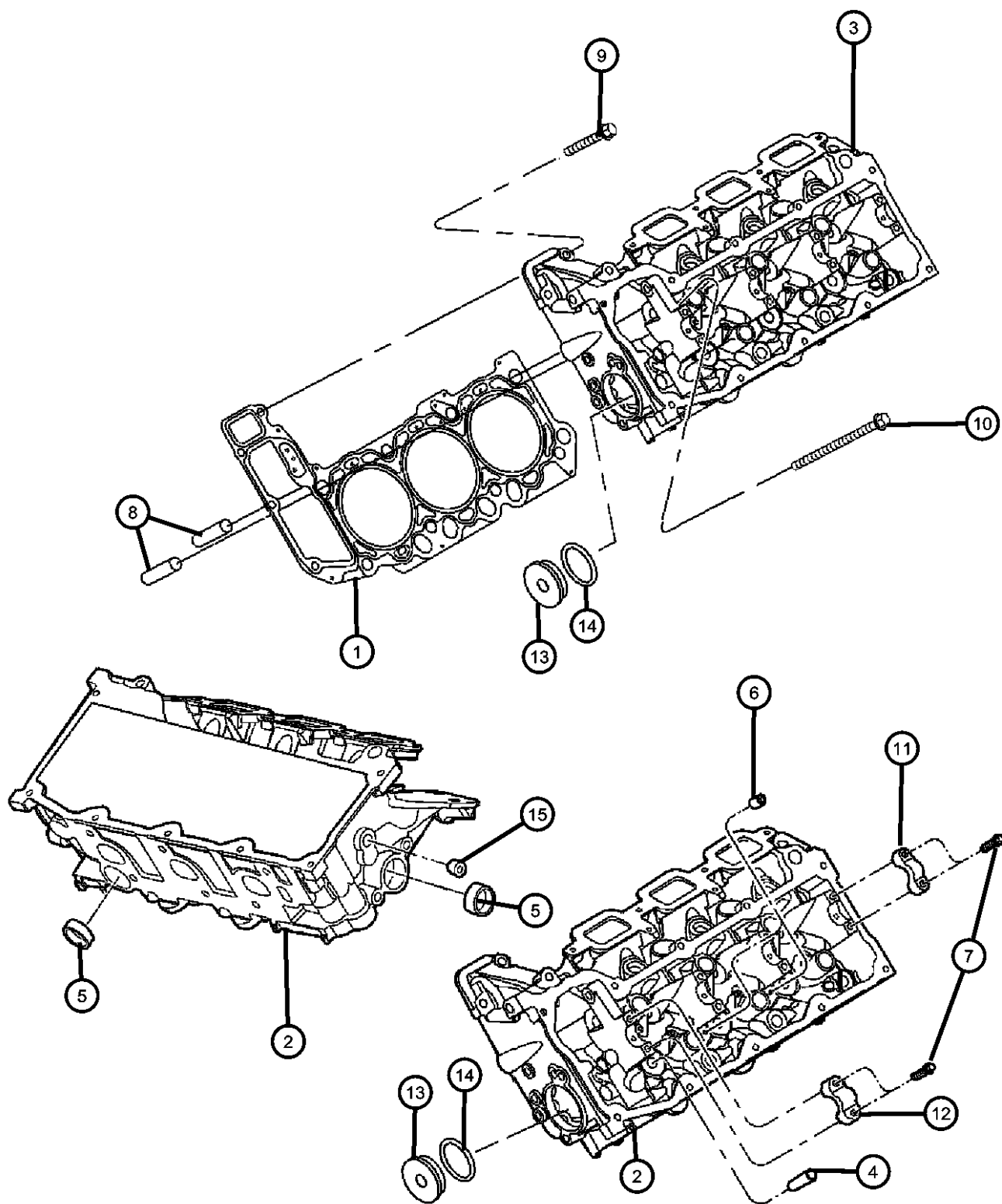
2008 WK

**Cylinder Heads 3.7L [EKG]
Figure 009EKG-225**

ITEM	PART NUMBER	QTY	LINE	SERIES	BODY	ENGINE	TRANS	TRIM	DESCRIPTION
------	-------------	-----	------	--------	------	--------	-------	------	-------------

NOTE:
New Cylinder Heads Contain: Valve Guides, Valve Seat Inserts, Cam Bearing Caps, Cam Bearing Cap Mounting Bolts, Freeze Plugs. Valves, Valves, Valves
Sales Codes:
[DBB] = All Manual Transmissions
[DEJ] = 6-Speed Manu

1	53020989	2	J, T			EK0			GASKET, Cylinder Head
2	53021942AA	1	J, T			EK0			HEAD, Cylinder, Right, See Note
3	53021941AB	1	J, T			EK0			HEAD, Cylinder, Left, See Note
4		1							GUIDE, Valve, Serviced In Cylinder Head Only, (NOT SERVICED)
5	04556020AB	2	J, T			EK0			PLUG, Core, 1.25 Diameter
6		2							PLUG, Hex Socket, 3/8-18NPTx.475, (NOT SERVICED)
7	06505034AA	8	J, T			EK0			BOLT, Hex Flange Head, M6X1.00X40.00
8	05240849	4	J, T			EK0, EVO			DOWEL PIN
9	06506785AA	8	J, T			EK0			BOLT, Hex Flange Head, M8X1.25X31.00
10	06505528AA	16	J, T			EK0			BOLT, Hex Flange Head, M11X1.50X173.00
11		16							CAP, Camshaft Bearing Serviced With Cylinder Head Only, (NOT SERVICED)
12		16							CAP, Camshaft Bearing Thrust Serviced In Cylinder Head Only, (NOT SERVICED)
13	53021031	1	J, T			EK0, EVO			PLUG, Access Hole
14	53021032	1	J, T			EK0, EVO			O RING, [54MM ID X 2.0 Section]
15	06036307AA	1	J, T			EK0			PLUG, Pipe, .250-18X.413, [.25-18x.413]



GRAND CHEROKEE (WK)

SERIES LINE
H = HIGHLINE T = JEEP - 2WD
P = PREMIUM J = JEEP - 4WD
S = SPORT
X = SPECIAL

BODY
74 = SPORT UTILITY 4-DR
TYPE #4

ENGINE
EVE = Engine - 4.7L V8 DOHC
3 Valve
EZB = 5.7L Hemi Multi
Displacement Engine
EKG = 3.7L V6 Engine
ESF = 6.1L SRT HEMI SMPI
V8 Engine
EXL = 3.0L V6 Turbo Diesel
Engine

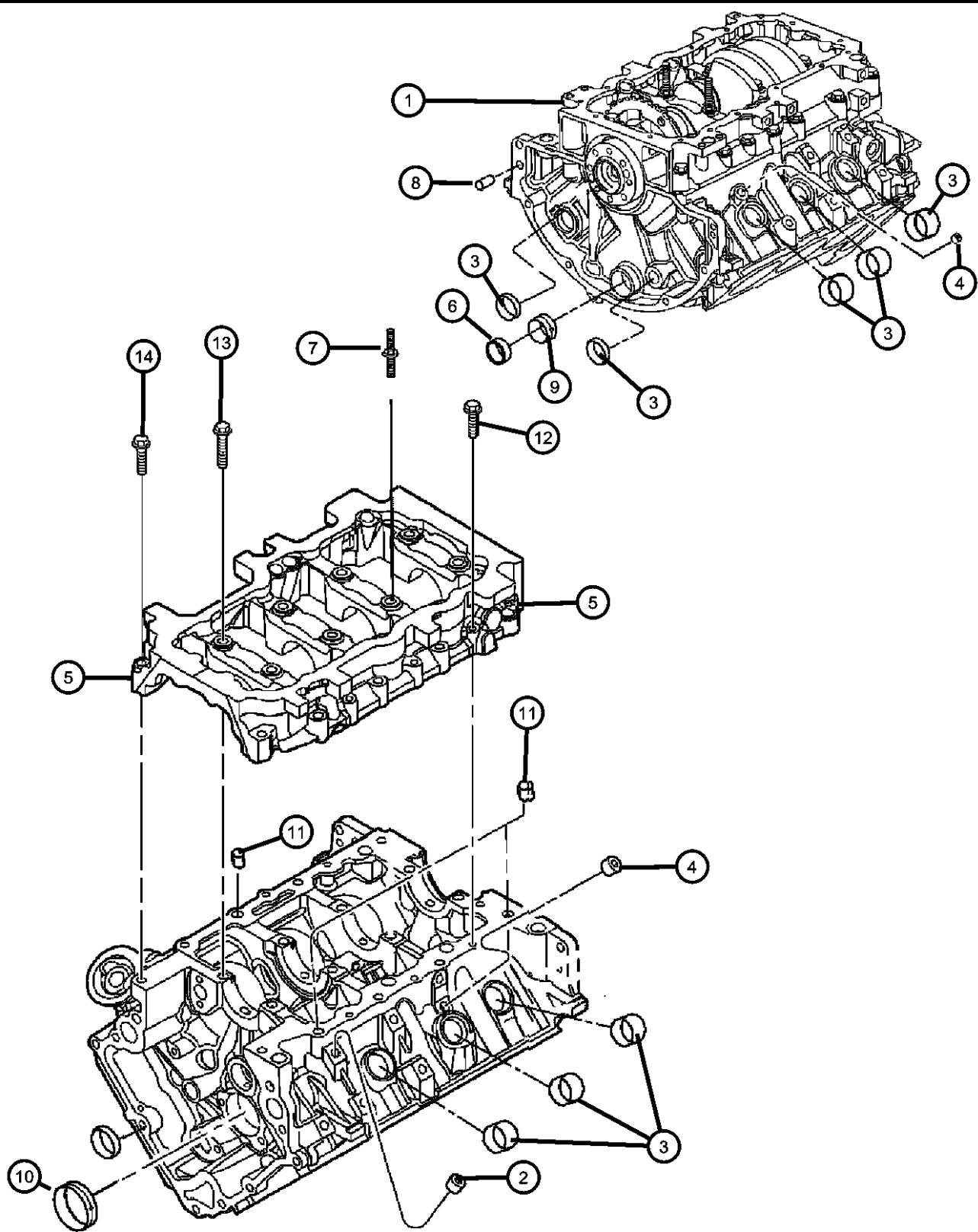
TRANSMISSION
DGJ = 5-Speed Auto W5A580
Transmission
DGU = 5-Spd Auto W5J400
Transmission
DGQ = 5-Spd Automatic 545RFE
Transmission

AR = use ase required - = Non illustrated part

2008 WK

Engine Cylinder Block And Hardware 3.7L[EKG]

Figure 009EKG-305



ITEM	PART NUMBER	QTY	LINE	SERIES	BODY	ENGINE	TRANS	TRIM	DESCRIPTION
------	-------------	-----	------	--------	------	--------	-------	------	-------------

NOTE:
New Short Block Contains: Cylinder Block, Bedplate, Freeze Plugs, Crankshaft, Crankshaft Sensor Target Ring, Crankshaft Bearings, Thrust Washer

1	05174604AB	1	J, T			EKG	DG0		ENGINE, Short Block, See Note
2	06036114AA	4	J, T			EK0, EVO			PLUG, .500-14X.560
3	06034804	8	J, T			EK0			PLUG, Cup, ID=M32.26 OD=35.00 THICK=1.37
4	06036307AA	1	J, T			EK0			PLUG, Pipe, .250-18X.413
5		1							BEDPLATE, Serviced With Short Block, (NOT SERVICED)
6	04663942	1	J, T			EK0			PLUG, Core, 1.50 Diameter
7	06508259AA	1	J, T			EK0			STUD, Double Ended, M10X1.50X55.00/M8X1.25X84.30
8	01122532	2	J, T			EK0, EVO			DOWEL, Block to Clutch Housing, 1/2X3/4
9		2							BUSHING, Balance Shaft, Serviced With Short Block, (NOT SERVICED)
10	05083878AA	1	J, T			EK0			BEARING PACKAGE, Balance Shaft
11	53010533AA	5	J, T			EK0			DOWEL
12	06102156AA	5	J, T			EK0			BOLT, Hex Flange Head, M8X1.25X44.00
13	06505394AA	6	J, T			EK0			BOLT, Hex Flange Head, M11X1.50X90.00
14	06504410	7	J, T			EK0			BOLT, Hex Flange Head, M10X1.50X55.00

GRAND CHEROKEE (WK)		BODY	ENGINE	TRANSMISSION
SERIES	LINE	74 = SPORT UTILITY 4-DR TYPE #4	EVE = Engine - 4.7L V8 DOHC 3 Valve EZB = 5.7L Hemi Multi Displacement Engine EKG = 3.7L V6 Engine ESF = 6.1L SRT HEMI SMPI V8 Engine EXL = 3.0L V6 Turbo Diesel Engine	DGJ = 5-Speed Auto W5A580 Transmission DGU = 5-Spd Auto W5J400 Transmission DGQ = 5-Spd Automatic 545RFE Transmission

AR = use ase required - = Non illustrated part

**Engine Cylinder Block Heater 3.7L [EKG]
Figure 009EKG-325**

ITEM	PART NUMBER	QTY	LINE	SERIES	BODY	ENGINE	TRANS	TRIM	DESCRIPTION
------	-------------	-----	------	--------	------	--------	-------	------	-------------

NOTE:

Sales Codes:

[DBB] = All Manual Transmissions

[DEJ] = 6-Speed Manual Getrag 238 Transmission

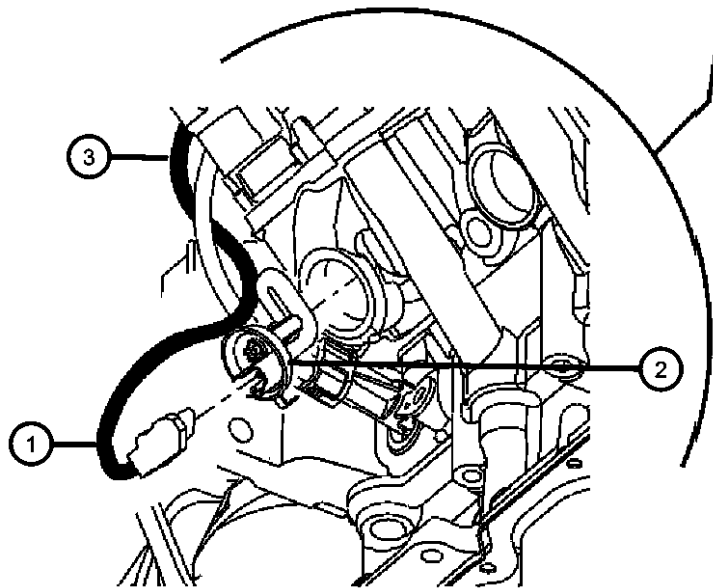
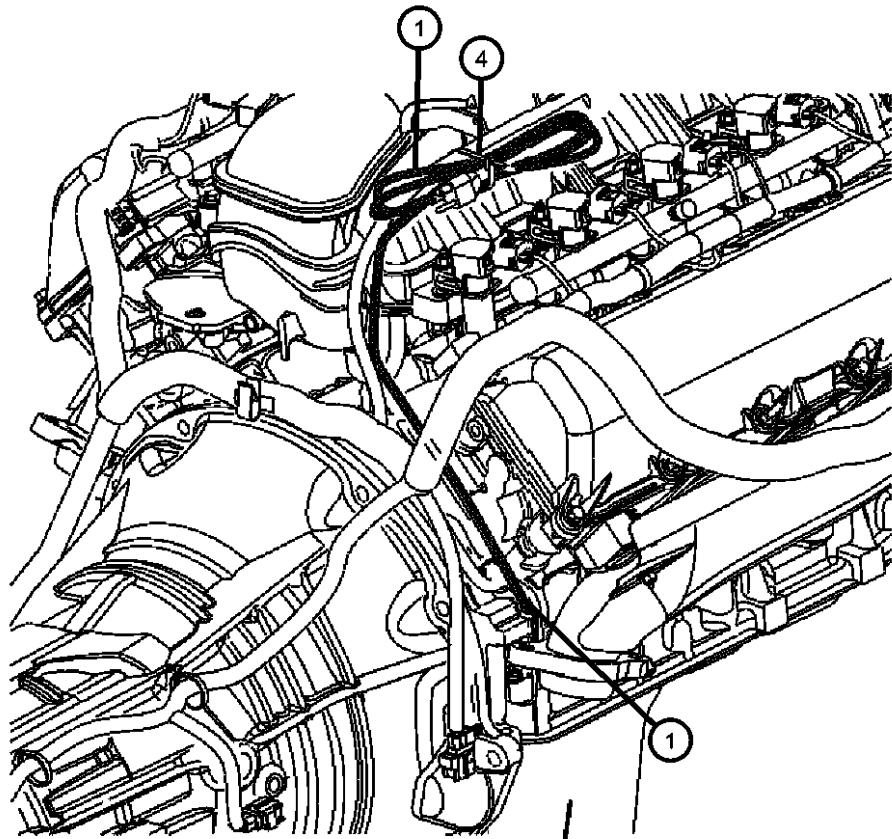
[DGQ] = 5-Speed Automatic 545RFE Transmission

[DGV] = 4-Speed Automatic VLP 42RLE Transmission

[DG0] = All Automatic Transmissions

[DH5] = Electronic

1	56027117	1	J, T			EK0, EV0			CORD, Engine Block Heater
2	56041304AB	1	J, T			EK0, EV0			HEATER, Engine Block
3		1							CLIP, (NOT SERVICED)
4		1							STRAP, Tie, (NOT SERVICED)



GRAND CHEROKEE (WK)

SERIES LINE
H = HIGHLINE T = JEEP - 2WD
P = PREMIUM J = JEEP - 4WD
S = SPORT
X = SPECIAL

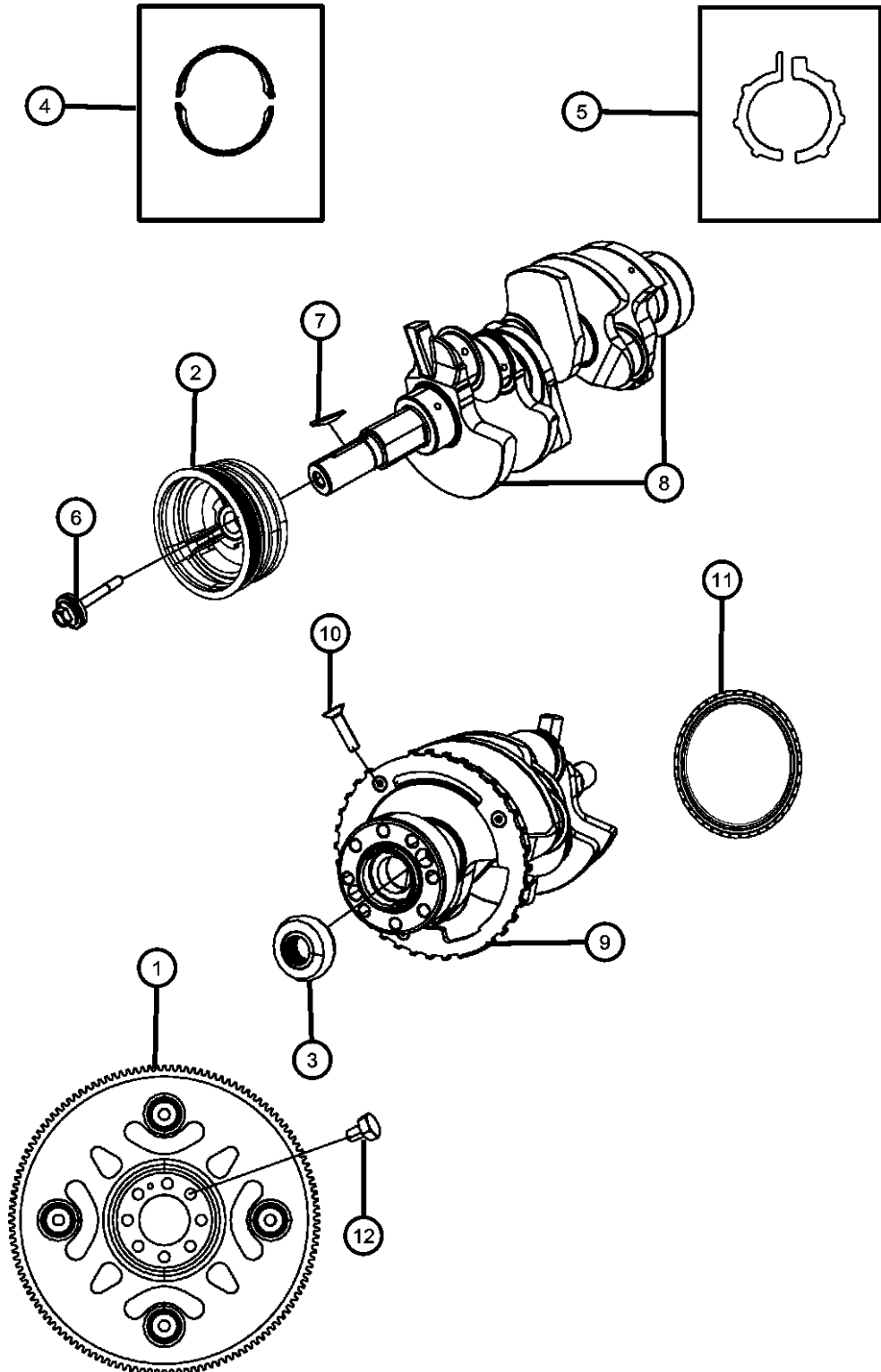
BODY
74 = SPORT UTILITY 4-DR
TYPE #4

ENGINE TRANSMISSION
EVE = Engine - 4.7L V8 DOHC 3 Valve
EZB = 5.7L Hemi Multi Displacement Engine
EKG = 3.7L V6 Engine
ESF = 6.1L SRT HEMI SMPI V8 Engine
EXL = 3.0L V6 Turbo Diesel Engine
DGJ = 5-Speed Auto W5A580 Transmission
DGU = 5-Spd Auto W5J400 Transmission
DGQ = 5-Spd Automatic 545RFE Transmission

AR = use ase required - = Non illustrated part

2008 WK

**Crankshaft,Bearings,Damper,Flywheel3.7L[EKG]
Figure 009EKG-405**



ITEM	PART NUMBER	QTY	LINE	SERIES	BODY	ENGINE	TRANS	TRIM	DESCRIPTION
------	-------------	-----	------	--------	------	--------	-------	------	-------------

NOTE: For Crankshaft Identification, Stamping Location And Bearing Information Refer To The Service Manual.
For Bearing Selection Sizes Please Refer To Service Manual Group 9, Bearings Crankshaft Main, [Select Fit Identification]

Sales Codes:
[DBB]

1	04752574AB	1	J, T			EK0	DG0		PLATE, Torque Converter Drive
2	53020689AB	1	J, T			EK0			DAMPER, Crankshaft
3	04736483AA	1	J, T			EK0	DGJ		SLEEVE, Crank Shaft Pilot, Automatic Transmission Sleeve
4	05066733AB	4	J, T			EK0			BEARING PACKAGE, Crankshaft, A Grade, [R] Crankshaft Mains 1 And 2
5	05012356AD	1	J, T			EK0, EV0			WASHER PACKAGE, Thrust
6	06504415	1	J, T			EK0, EV0			BOLT, Hex Flange Head, M14X1.50X112.00
7	06504471	1	J, T			EK0, EV0			KEY, Woodruff
8	53020959AB	1	J, T			EK0			CRANKSHAFT
9		1							TONE RING, Sensor, Serviced With Crankshaft, (NOT SERVICED)
10	06504480	3	J, T			EK0			SCREW, M6x1x25
11	53020788AB	1	J, T			EK0, EV0			SEAL, Crankshaft Oil, Rear
12	06503465	8	J, T			EK0, EV0	DG0		BOLT, Hex Head Lock, M10X1.00X18.00

GRAND CHEROKEE (WK)

SERIES LINE
H = HIGHLINE T = JEEP - 2WD
P = PREMIUM J = JEEP - 4WD
S = SPORT
X = SPECIAL

BODY
74 = SPORT UTILITY 4-DR
TYPE #4

ENGINE
EVE = Engine - 4.7L V8 DOHC 3 Valve
EZB = 5.7L Hemi Multi Displacement Engine
EKG = 3.7L V6 Engine
ESF = 6.1L SRT HEMI SMPI V8 Engine
EXL = 3.0L V6 Turbo Diesel Engine

TRANSMISSION
DGJ = 5-Speed Auto W5A580 Transmission
DGU = 5-Spd Auto W5J400 Transmission
DGQ = 5-Spd Automatic 545RFE Transmission

AR = use ase required - = Non illustrated part

2008 WK

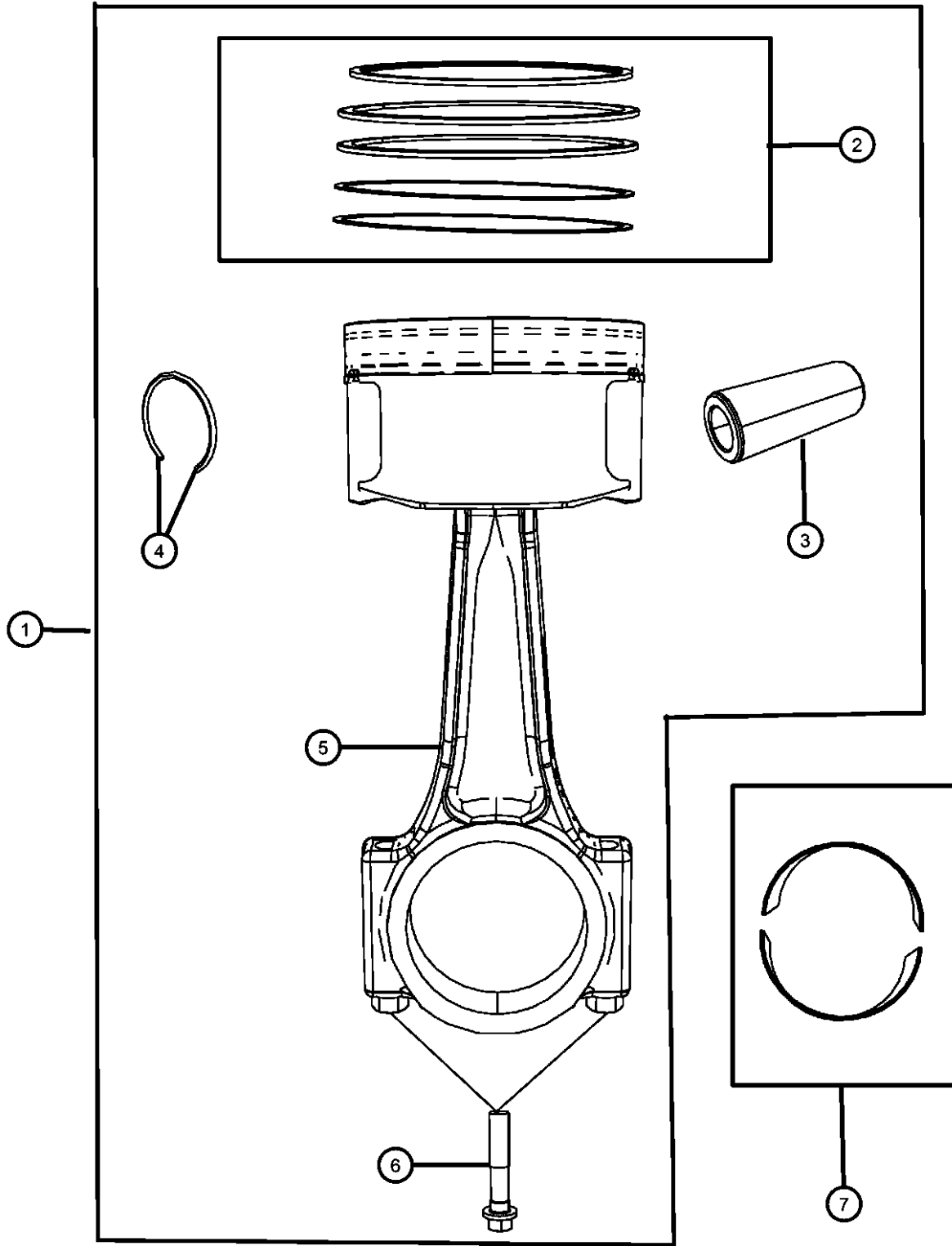
**Piston, Connecting Rod, Bearings, Rings 3.7L [EKG]
Figure 009EKG-425**

ITEM	PART NUMBER	QTY	LINE	SERIES	BODY	ENGINE	TRANS	TRIM	DESCRIPTION
------	-------------	-----	------	--------	------	--------	-------	------	-------------

NOTE: For Crankshaft Identification, Stamping Location And Bearing Information Refer To The Service Manual.
For Bearing Selection Sizes Please Refer To Service Manual Group 9, Bearings Crankshaft Main, [Select Fit Identification]

Sales Codes:
[DBB]

1	05019316AB	6	J, T			EK0			PISTON PIN AND ROD
2	05012364AE	6	J, T			EK0			RING PACKAGE, Piston, Standard Size, One Package Is For One Piston
3		6							PIN, Piston, Serviced With Piston Package, (NOT SERVICED)
4		6							RING, Piston Pin, Serviced With Piston Package, (NOT SERVICED)
5		6							ROD, Connecting, Serviced With Piston Package, (NOT SERVICED)
6	06503928	12	J, T			EK0			BOLT, Connecting Rod
7	05019447AA	6	J, T			EK0			BEARING PACKAGE, Connecting Rod, Standard



GRAND CHEROKEE (WK)

SERIES LINE
H = HIGHLINE T = JEEP - 2WD
P = PREMIUM J = JEEP - 4WD
S = SPORT
X = SPECIAL

BODY
74 = SPORT UTILITY 4-DR
TYPE #4

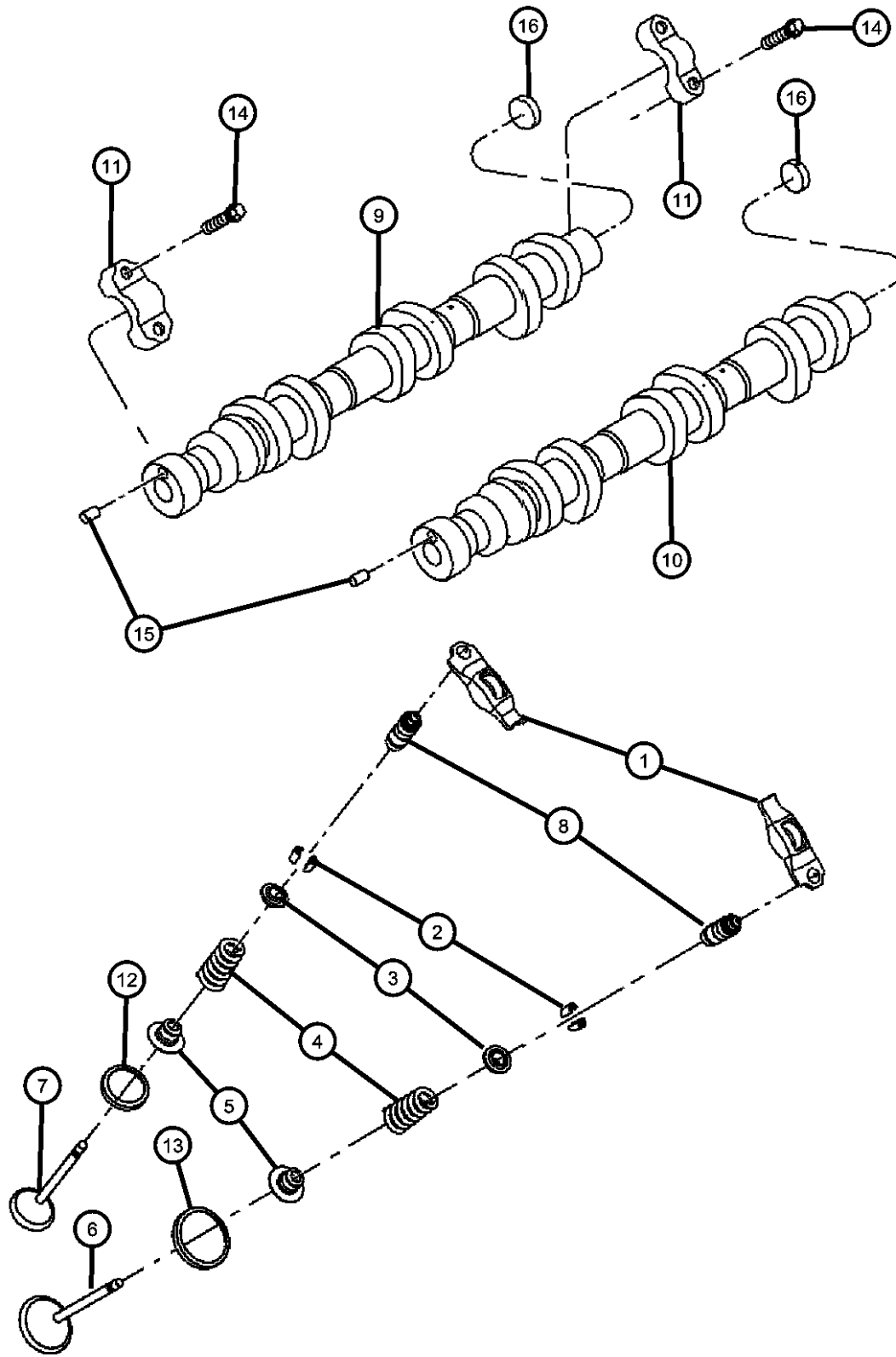
ENGINE
EVE = Engine - 4.7L V8 DOHC 3 Valve
EZB = 5.7L Hemi Multi Displacement Engine
EKG = 3.7L V6 Engine
ESF = 6.1L SRT HEMI SMPI V8 Engine
EXL = 3.0L V6 Turbo Diesel Engine

TRANSMISSION
DGJ = 5-Speed Auto W5A580 Transmission
DGU = 5-Spd Auto W5J400 Transmission
DGQ = 5-Spd Automatic 545RFE Transmission

AR = use ase required - = Non illustrated part

2008 WK

**Camshafts And Valvetrain 3.7L [EKG]
Figure 009EKG-505**



ITEM	PART NUMBER	QTY	LINE	SERIES	BODY	ENGINE	TRANS	TRIM	DESCRIPTION
1	53020742AC	6	J, T			EK0			ROCKER ARM, Valve Right Cylinder Head
		6	J, T			EK0			Left Cylinder Head
2	53022277AA	12	J, T			EK0			LOCK, Valve Spring Retainer
3	53021977AA	6	J, T			EK0			RETAINER, Valve Spring Left Cylinder Head
		6	J, T			EK0			Right Cylinder Head
4	53021873AA	3	J, T			EK0			SPRING, Valve Exhaust, Left Cylinder Head
		3	J, T			EK0			Exhaust, Right Cylinder Head
	53021887AA	3	J, T			EK0			Intake, Right Cylinder Head
		3	J, T			EK0			Intake, Left Cylinder Head
5	53021974AA	6	J, T			EK0			SEAL, Valve Guide Right Cylinder Head
		6	J, T			EK0			Left Cylinder Head
6	53020747AB	3	J, T			EK0			VALVE, Intake, Standard Right Cylinder Head
		3	J, T			EK0			Left Cylinder Head
7	53021916AB	3	J, T			EK0			VALVE, Exhaust, Standard Left Cylinder Head
		3	J, T			EK0			Right Cylinder Head
8	53021894AA	6	J, T			EK0			ADJUSTER, Valve Lash Right Cylinder Head
		6	J, T			EK0			Left Cylinder Head
9	53021892AA	1	J, T			EK0			CAMSHAFT, Engine, Right
10	53021893AA	1	J, T			EK0			CAMSHAFT, Engine, Left

GRAND CHEROKEE (WK)

SERIES LINE
H = HIGHLINE T = JEEP - 2WD
P = PREMIUM J = JEEP - 4WD
S = SPORT
X = SPECIAL

BODY
74 = SPORT UTILITY 4-DR
TYPE #4

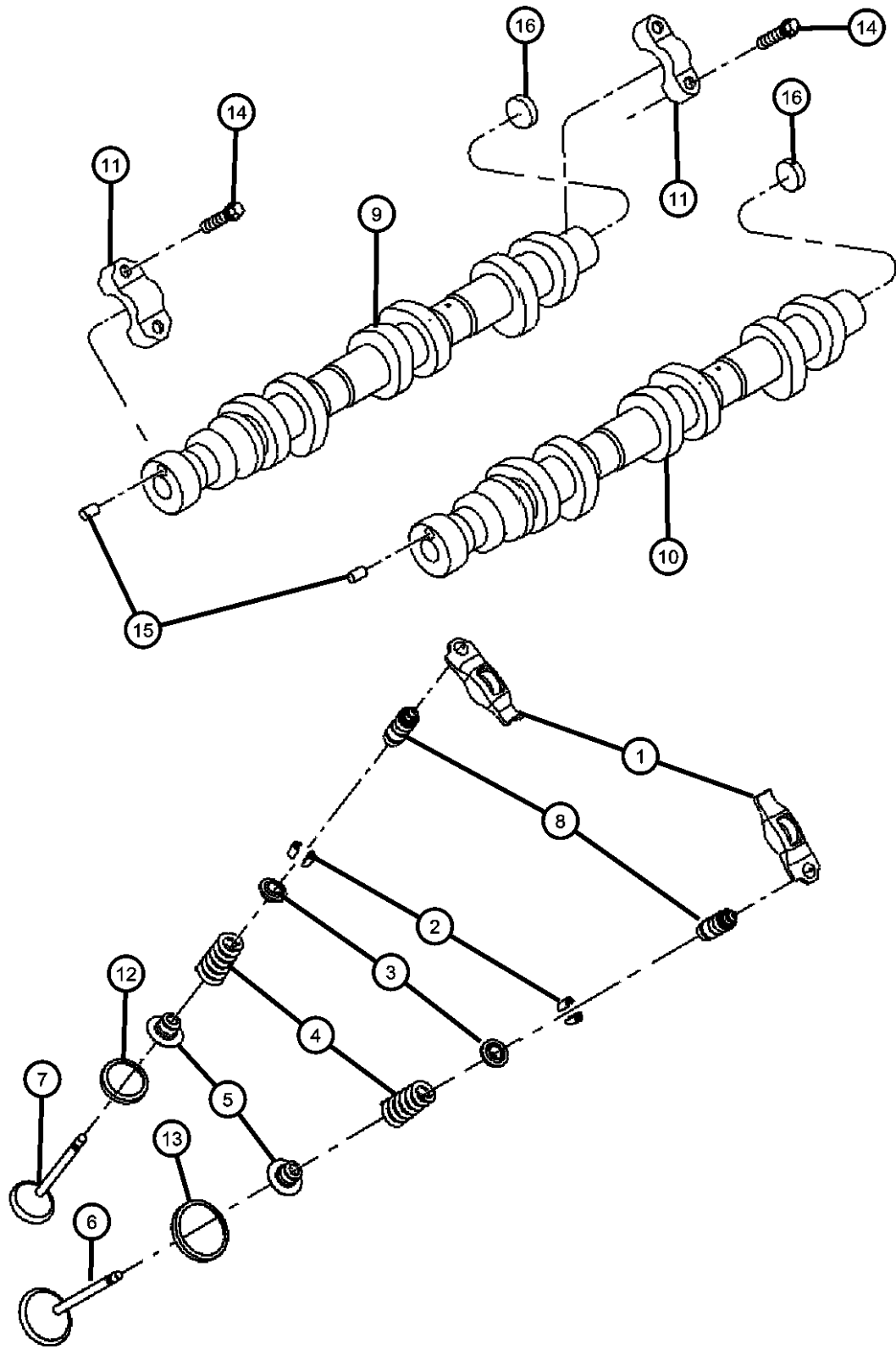
ENGINE
EVE = Engine - 4.7L V8 DOHC
3 Valve
EZB = 5.7L Hemi Multi
Displacement Engine
EKG = 3.7L V6 Engine
ESF = 6.1L SRT HEMI SMPI
V8 Engine
EXL = 3.0L V6 Turbo Diesel
Engine

TRANSMISSION
DGJ = 5-Speed Auto W5A580
Transmission
DGU = 5-Spd Auto W5J400
Transmission
DGQ = 5-Spd Automatic 545RFE
Transmission

AR = use ase required - = Non illustrated part

2008 WK

**Camshafts And Valvetrain 3.7L [EKG]
Figure 009EKG-505**



ITEM	PART NUMBER	QTY	LINE	SERIES	BODY	ENGINE	TRANS	TRIM	DESCRIPTION
11		1							CAP, Camshaft Bearing, Serviced With Cylinder Head Only, (NOT SERVICED)
12		1							SEAT, Exhaust Valve, Serviced With Cylinder Head Only, (NOT SERVICED)
13		1							SEAT, Intake Valve, Serviced With Cylinder Head Only, (NOT SERVICED)
14	06505034AA	8	J, T			EK0			BOLT, Hex Flange Head, M6X1.00X40.00, Camshaft Bearing Cap
15	06100902	1	J, T			EK0			DOWEL PIN, [M6X14.00] Camshaft Sprocket To Camshaft, Right Side, Mounting
		1	J, T			EK0			Camshaft Sprocket To Camshaft, Left Side, Mounting
16		1							WASHER, [B=.734 A=.740] Serviced With Camshaft, (NOT SERVICED),

GRAND CHEROKEE (WK)

SERIES LINE
H = HIGHLINE T = JEEP - 2WD
P = PREMIUM J = JEEP - 4WD
S = SPORT
X = SPECIAL

BODY
74 = SPORT UTILITY 4-DR
TYPE #4

ENGINE TRANSMISSION
EVE = Engine - 4.7L V8 DOHC 3 Valve
EZB = 5.7L Hemi Multi Displacement Engine
EKG = 3.7L V6 Engine
ESF = 6.1L SRT HEMI SMPI V8 Engine
EXL = 3.0L V6 Turbo Diesel Engine
DGJ = 5-Speed Auto W5A580 Transmission
DGU = 5-Spd Auto W5J400 Transmission
DGQ = 5-Spd Automatic 545RFE Transmission

AR = use ase required - = Non illustrated part

**Timing Case Cover 3.7L [EKG]
Figure 009EKG-605**

ITEM	PART NUMBER	QTY	LINE	SERIES	BODY	ENGINE	TRANS	TRIM	DESCRIPTION
------	-------------	-----	------	--------	------	--------	-------	------	-------------

NOTE:

Sales Codes:

[DBB] = All Manual Transmissions

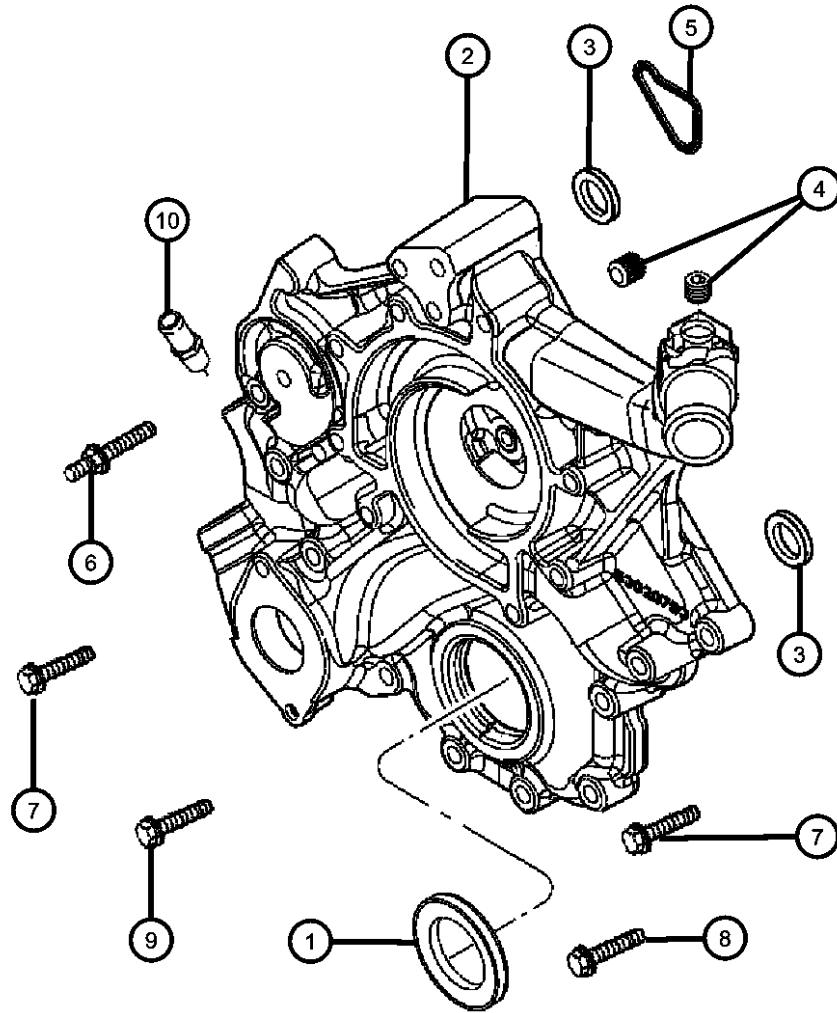
[DEJ] = 6-Speed Manual Getrag 238 Transmission

[DGQ] = 5-Speed Automatic 545RFE Transmission

[DGV] = 4-Speed Automatic VLP 42RLE Transmission

[DG0] = All Automatic Transmissions

[DH5] = Electronic



1	53021313AA	1	J, T			EK0			SEAL, Crankshaft Oil, Front, Also Serviced With Cover
2	53021238AB	1	J, T			EK0			COVER, Chain Case, Includes Items 2,3,4,5,8,11
3	53021239AA	2	J, T			EK0			O RING, Chain Case Cover, Also Serviced With Cover
4	06034331	3	J, T			EK0			PLUG, Hex Socket, 3/8-18NPTx.475, Also Serviced With Cover
5	53021226AA	1	J, T			EK0			GASKET, Chain Case Cover, Also Serviced With Cover
6	06505293AA	1	J, T			EK0, EVO			STUD, Double Ended, M10X1.50X.437-14X145.20Cover, Cylinder Block, Mounting
7	06507776AA	3	J, T			EK0			BOLT, Hex Flange Head, M10X1.50X87.00, Cover And Water Pump To Cylinder Block, Mounting
8	06102380AA	5	J, T			EK0, EVO			BOLT, Hex Flange Head, M10X1.50X42.00, Cover To Cylinder Block, Mounting
9	06102381AA	5	J, T			EK0, EVO			BOLT, Hex Flange Head, M10X1.50X62.00, Cover To Cylinder Block, Mounting
10	06035854	2	J, T			EK0			NIPPLE, .375-18X2.00, Also Serviced With Cover

GRAND CHEROKEE (WK)

SERIES LINE
H = HIGHLINE T = JEEP - 2WD
P = PREMIUM J = JEEP - 4WD
S = SPORT
X = SPECIAL

BODY
74 = SPORT UTILITY 4-DR
TYPE #4

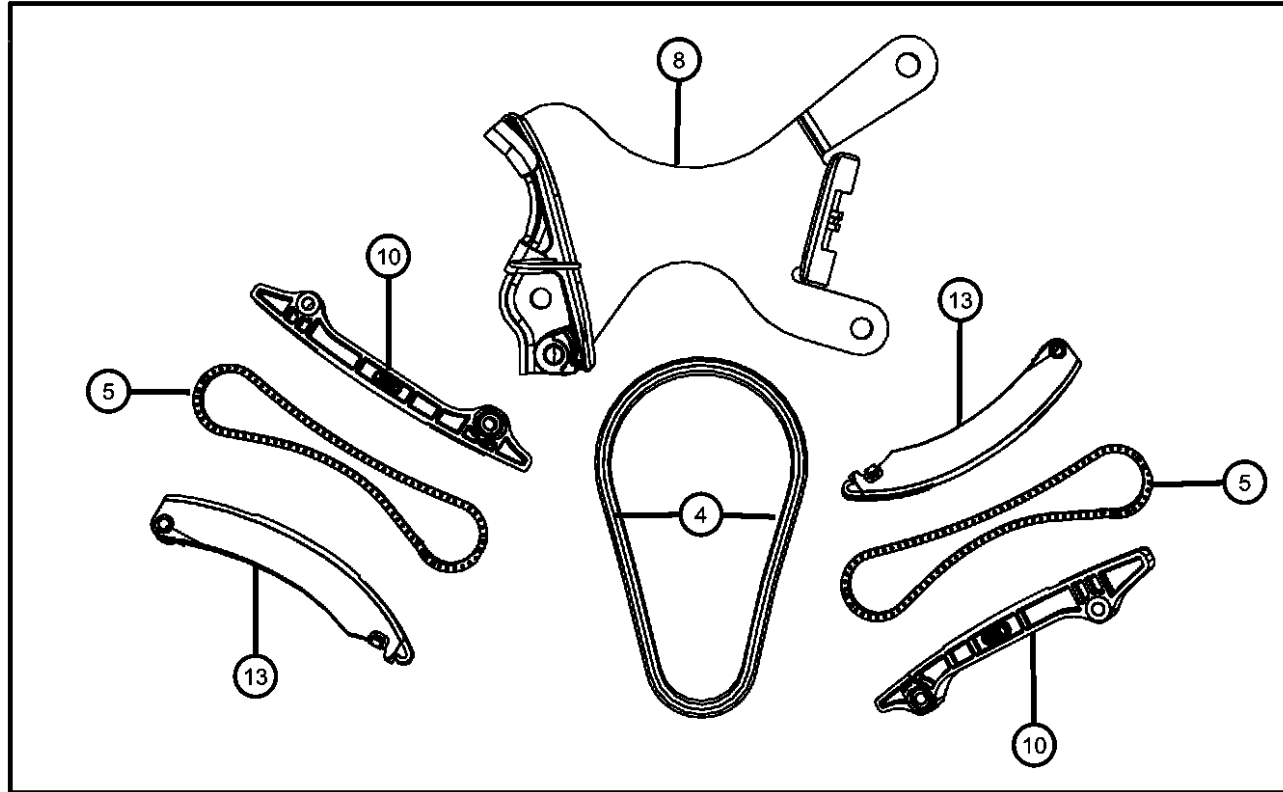
ENGINE
EVE = Engine - 4.7L V8 DOHC
3 Valve
EZB = 5.7L Hemi Multi
Displacement Engine
EKG = 3.7L V6 Engine
ESF = 6.1L SRT HEMI SMPI
V8 Engine
EXL = 3.0L V6 Turbo Diesel
Engine

TRANSMISSION
DGJ = 5-Speed Auto W5A580
Transmission
DGU = 5-Spd Auto W5J400
Transmission
DGQ = 5-Spd Automatic 545RFE
Transmission

AR = use ase required - = Non illustrated part

2008 WK

Timing System 3.7L [EKG]
Figure 009EKG-625



ITEM	PART NUMBER	QTY	LINE	SERIES	BODY	ENGINE	TRANS	TRIM	DESCRIPTION
------	-------------	-----	------	--------	------	--------	-------	------	-------------

NOTE:

Sales Codes:

[DBB] = All Manual Transmissions

[DEJ] = 6-Speed Manual Getrag 238 Transmission

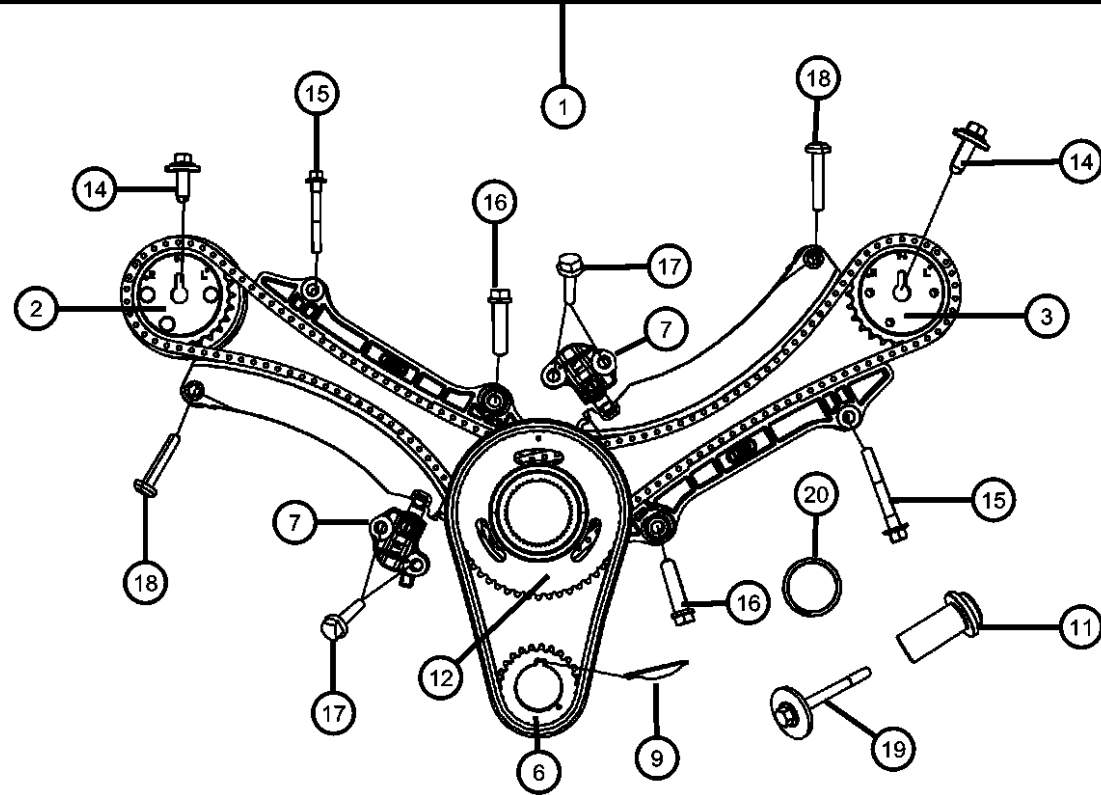
[DGQ] = 5-Speed Automatic 545RFE Transmission

[DGV] = 4-Speed Automatic VLP 42RLE Transmission

[DG0] = All Automatic Transmissions

[DH5] = Electronic

1	05019423AD	1	J, T			EK0			TIMING DRIVE PACKAGE, Engine
2	53021291AD	1	J, T			EK0			SPROCKET, Camshaft, Right
3	53021290AA	1	J, T			EK0			SPROCKET, Camshaft, Left
4		1							CHAIN, Timing, [Primary] Serviced In Timing Drive Package, (NOT SERVICED)
5		1							CHAIN, Timing, [Secondary] Serviced In Timing Drive Package, (NOT SERVICED)
6	53020679	1	J, T			EK0			SPROCKET, Crankshaft
7									TENSIONER, Chain
	53021249AA	1	J, T			EK0			Right, Lower
	53021250AA	1	J, T			EK0			Left, Upper
8	53020681	1	J, T			EK0			TENSIONER, Chain, Primary
9	06504471	1	J, T			EK0, EVO			KEY, Woodruff
10		1							GUIDE, Timing Chain, [Secondary] Serviced In Timing Drive Package, (NOT SERVICED)
11	53020835	1	J, T			EK0, EVO			SHAFT, Idler
12	53021170AA	1	J, T			EK0			SPROCKET, Idler
13		1							ARM, Tensioner, [Secondary] Serviced In Timing Drive Package, (NOT SERVICED)
14	06504429	2	J, T			EK0, EVO			BOLT, Hex Flange Head, M12X1.75X35.00, Camshaft Sprocket To Camshaft
15	06100932	2	J, T			EK0, EVO			BOLT, Hex Flange Head, M8X1.25X60.00, Timing Chain Guide To Cylinder Block
16	06102111AA	2	J, T			EK0, EVO			BOLT AND CONED WASHER, Hex Head, M8X1.25X45.00, Timing Chain Guide To Cylinder Block



GRAND CHEROKEE (WK)

SERIES LINE
H = HIGHLINE T = JEEP - 2WD
P = PREMIUM J = JEEP - 4WD
S = SPORT
X = SPECIAL

BODY
74 = SPORT UTILITY 4-DR
TYPE #4

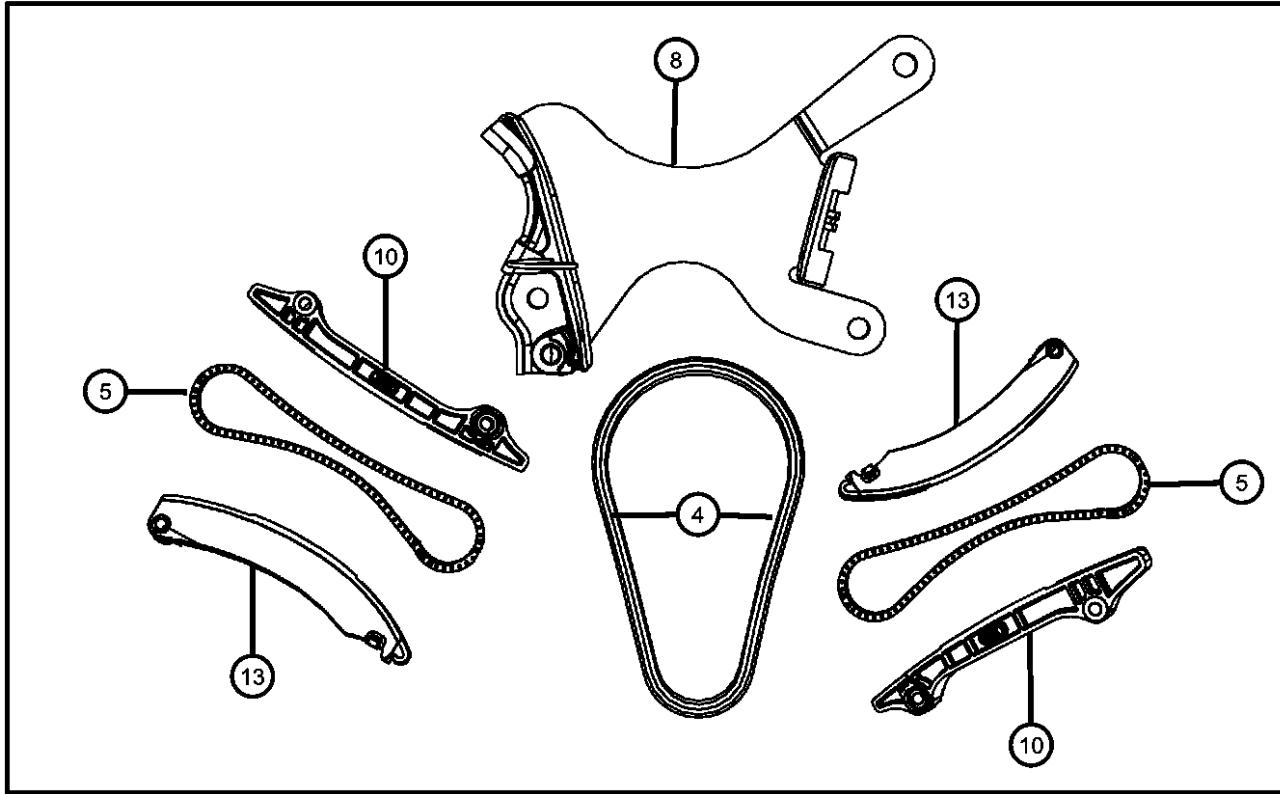
ENGINE
EVE = Engine - 4.7L V8 DOHC 3 Valve
EZB = 5.7L Hemi Multi Displacement Engine
EKG = 3.7L V6 Engine
ESF = 6.1L SRT HEMI SMPI V8 Engine
EXL = 3.0L V6 Turbo Diesel Engine

TRANSMISSION
DGJ = 5-Speed Auto W5A580 Transmission
DGU = 5-Spd Auto W5J400 Transmission
DGQ = 5-Spd Automatic 545RFE Transmission

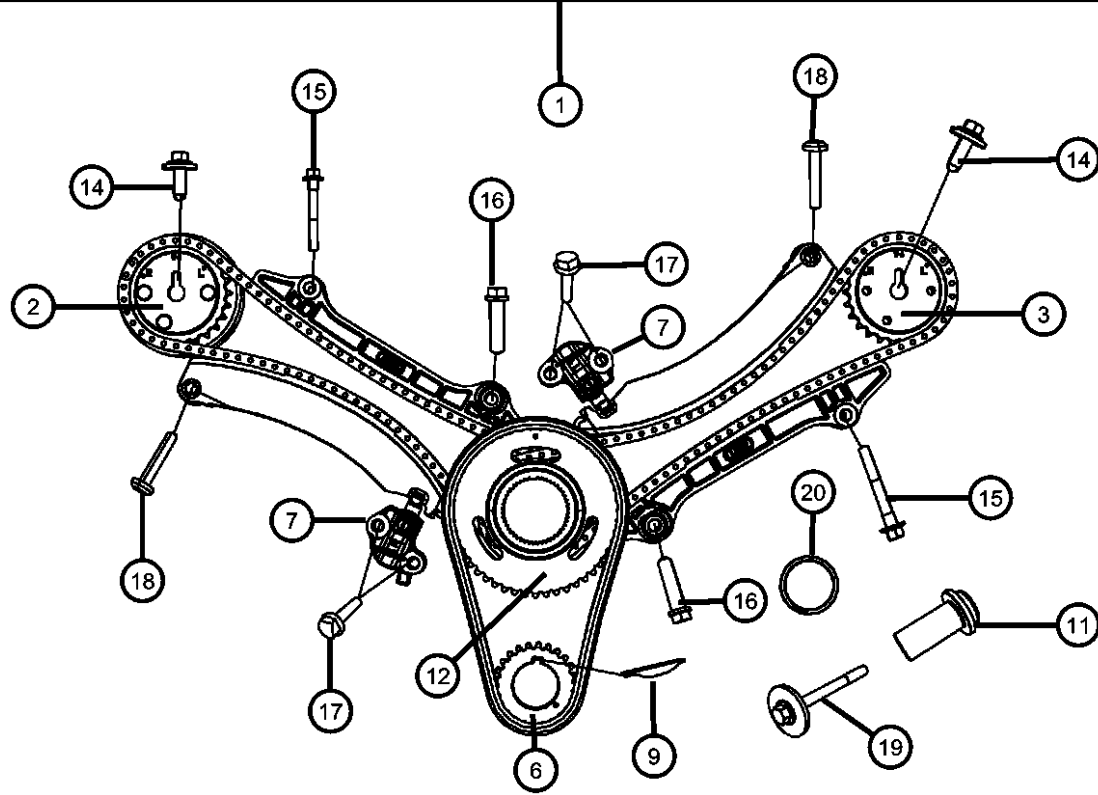
AR = use ase required - = Non illustrated part

2008 WK

Timing System 3.7L [EKG]
Figure 009EKG-625



ITEM	PART NUMBER	QTY	LINE	SERIES	BODY	ENGINE	TRANS	TRIM	DESCRIPTION
17	06503257	5	J, T			EK0			BOLT, Hex Head, M8x1.25x37.50, Secondary Tensioner
18	06506028AA	1	J, T			EK0			BOLT, Truss Head, M8X1.25X45.00, Tensioner Arm
19	06504370	1	J, T			EK0, EVO			BOLT AND WASHER, Hex Head, M10X1.50X110.00, Idler To Cylinder Block
20		1							RETAINING RING, Idler, (NOT SERVICED)



GRAND CHEROKEE (WK)

SERIES LINE
H = HIGHLINE T = JEEP - 2WD
P = PREMIUM J = JEEP - 4WD
S = SPORT
X = SPECIAL

BODY
74 = SPORT UTILITY 4-DR
TYPE #4

ENGINE
EVE = Engine - 4.7L V8 DOHC 3 Valve
EZB = 5.7L Hemi Multi Displacement Engine
EKG = 3.7L V6 Engine
ESF = 6.1L SRT HEMI SMPI V8 Engine
EXL = 3.0L V6 Turbo Diesel Engine

TRANSMISSION
DGJ = 5-Speed Auto W5A580 Transmission
DGU = 5-Spd Auto W5J400 Transmission
DGQ = 5-Spd Automatic 545RFE Transmission

AR = use ase required - = Non illustrated part

2008 WK

**Balance Shaft 3.7L [EKG]
Figure 009EKG-645**

ITEM	PART NUMBER	QTY	LINE	SERIES	BODY	ENGINE	TRANS	TRIM	DESCRIPTION
------	-------------	-----	------	--------	------	--------	-------	------	-------------

NOTE:

Sales Codes:

[DBB] = All Manual Transmissions

[DEJ] = 6-Speed Manual Getrag 238 Transmission

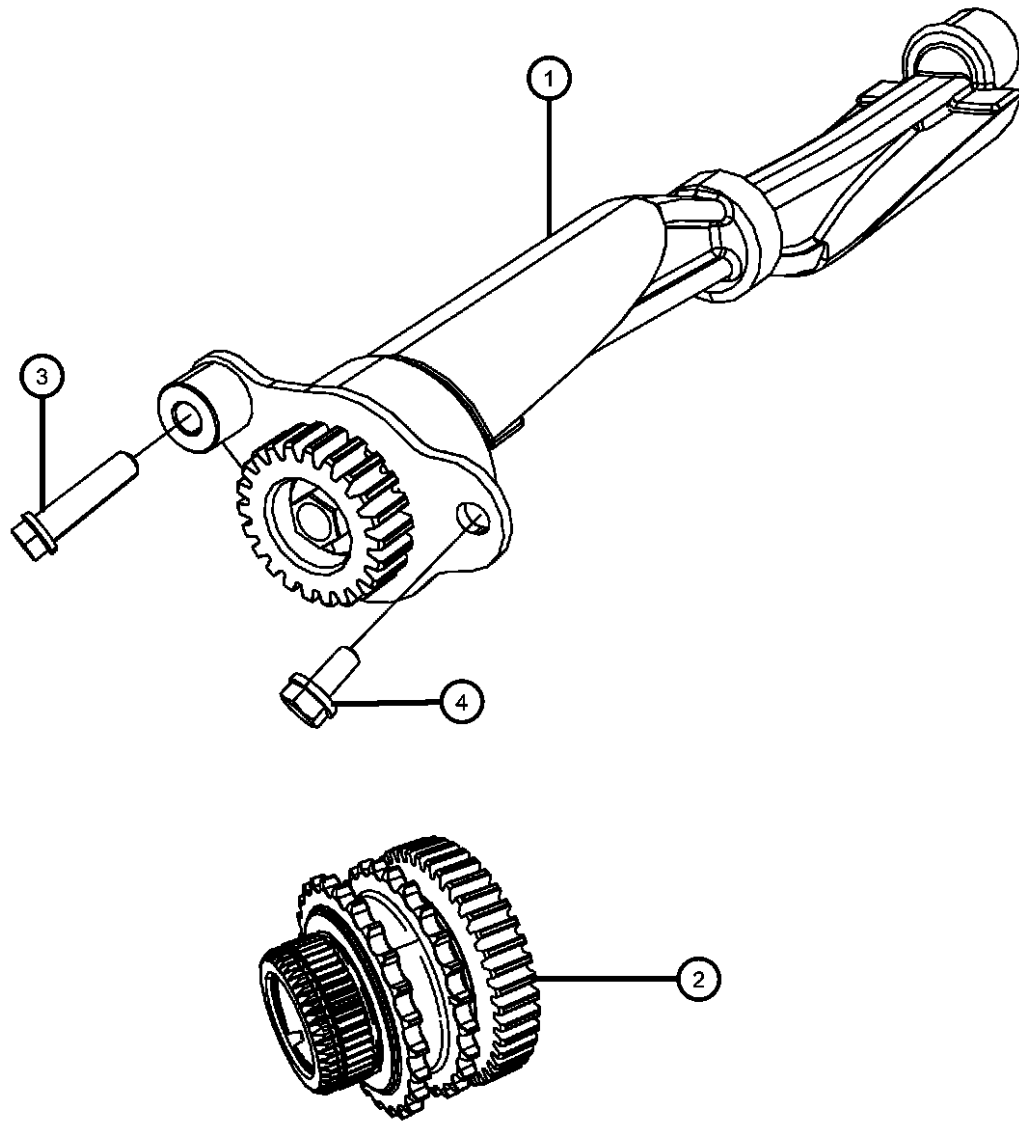
[DGQ] = 5-Speed Automatic 545RFE Transmission

[DGV] = 4-Speed Automatic VLP 42RLE Transmission

[DG0] = All Automatic Transmissions

[DH5] = Electronic

1	53020818	1	J, T			EK0			SHAFT, Balance, Includes Shaft, Gear, Pin, Bolt, Plate
2	53021298AB	1	J, T			EK0			SHAFT, Balance, Driver
3	06102111AA	1	J, T			EK0			BOLT AND CONED WASHER, Hex Head, M8X1.25X45.00, Balance Shaft Assembly
4	06100295	1	J, T			EK0			BOLT AND CONED WASHER, Hex HEAD, M8X1.25X20.00, Balance Shaft Assembly To Cylinder Block



GRAND CHEROKEE (WK)

SERIES	LINE
H = HIGHLINE	T = JEEP - 2WD
P = PREMIUM	J = JEEP - 4WD
S = SPORT	
X = SPECIAL	

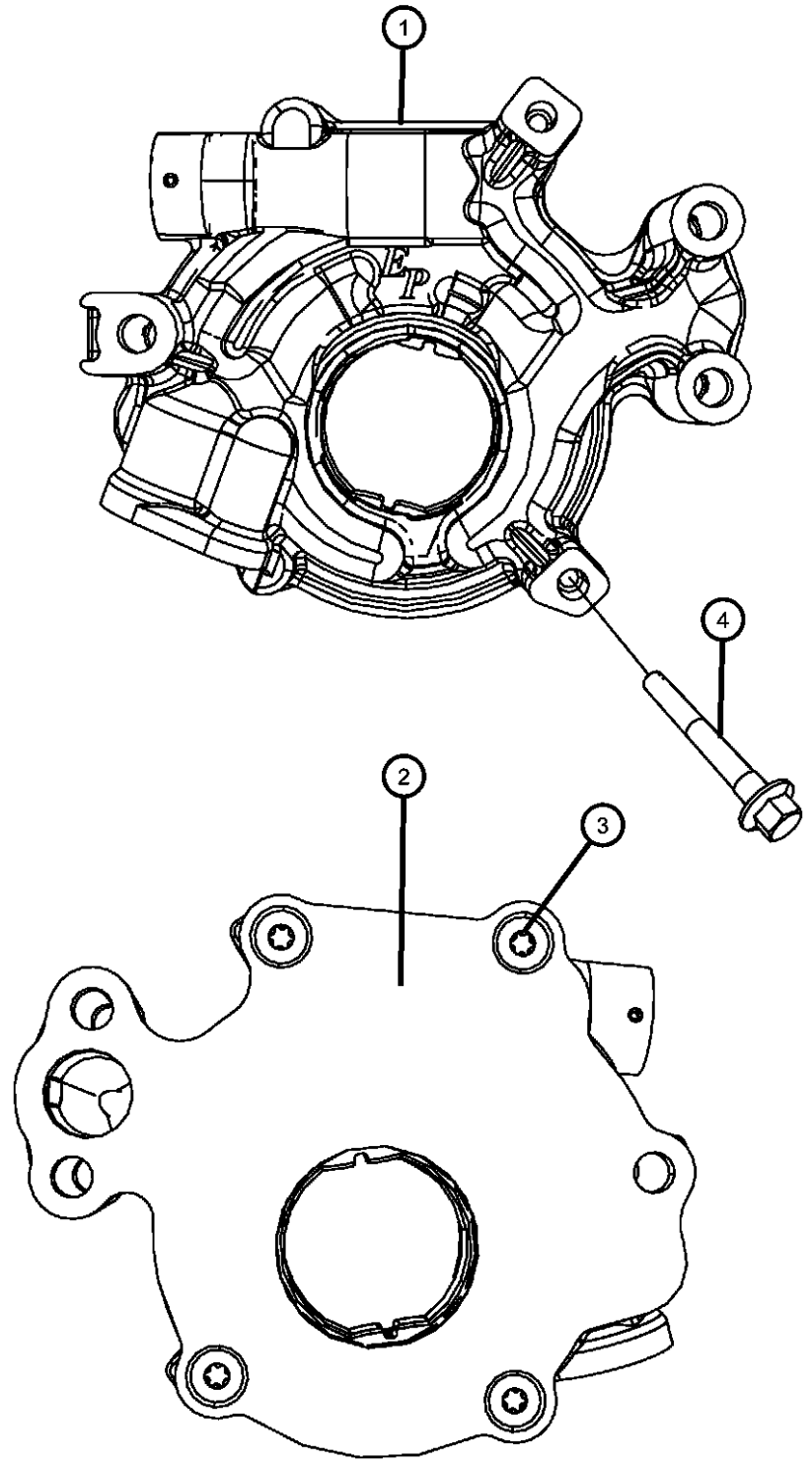
BODY
74 = SPORT UTILITY 4-DR TYPE #4

ENGINE	TRANSMISSION
EVE = Engine - 4.7L V8 DOHC 3 Valve	DGJ = 5-Speed Auto W5A580 Transmission
EZB = 5.7L Hemi Multi Displacement Engine	DGU = 5-Spd Auto W5J400 Transmission
EKG = 3.7L V6 Engine	DGQ = 5-Spd Automatic 545RFE Transmission
ESF = 6.1L SRT HEMI SMPI V8 Engine	
EXL = 3.0L V6 Turbo Diesel Engine	

AR = use ase required - = Non illustrated part

2008 WK

**Engine Oil Pump 3.7L [EKG]
Figure 009EKG-705**



ITEM	PART NUMBER	QTY	LINE	SERIES	BODY	ENGINE	TRANS	TRIM	DESCRIPTION
------	-------------	-----	------	--------	------	--------	-------	------	-------------

NOTE:

Sales Codes:

[DBB] = All Manual Transmissions

[DEJ] = 6-Speed Manual Getrag 238 Transmission

[DGQ] = 5-Speed Automatic 545RFE Transmission

[DGV] = 4-Speed Automatic VLP 42RLE Transmission

[DG0] = All Automatic Transmissions

[DH5] = Electronic

1	53020827AC	1	J, T			EK0, EV0			PUMP, Engine Oil
2		1							COVER, Engine Oil Pump, Serviced With Oil Pump Assembly, (NOT SERVICED)
3		1							SCREW, Torx Head, M6x1.00x15.00, Serviced With Oil Pump Assembly, (NOT SERVICED)
4	06100932	1	J, T			EK0, EV0			BOLT, Hex Flange Head, M8X1.25X60.00, Oil Pump To Cylinder Block

GRAND CHEROKEE (WK)

SERIES LINE
H = HIGHLINE T = JEEP - 2WD
P = PREMIUM J = JEEP - 4WD
S = SPORT
X = SPECIAL

BODY
74 = SPORT UTILITY 4-DR
TYPE #4

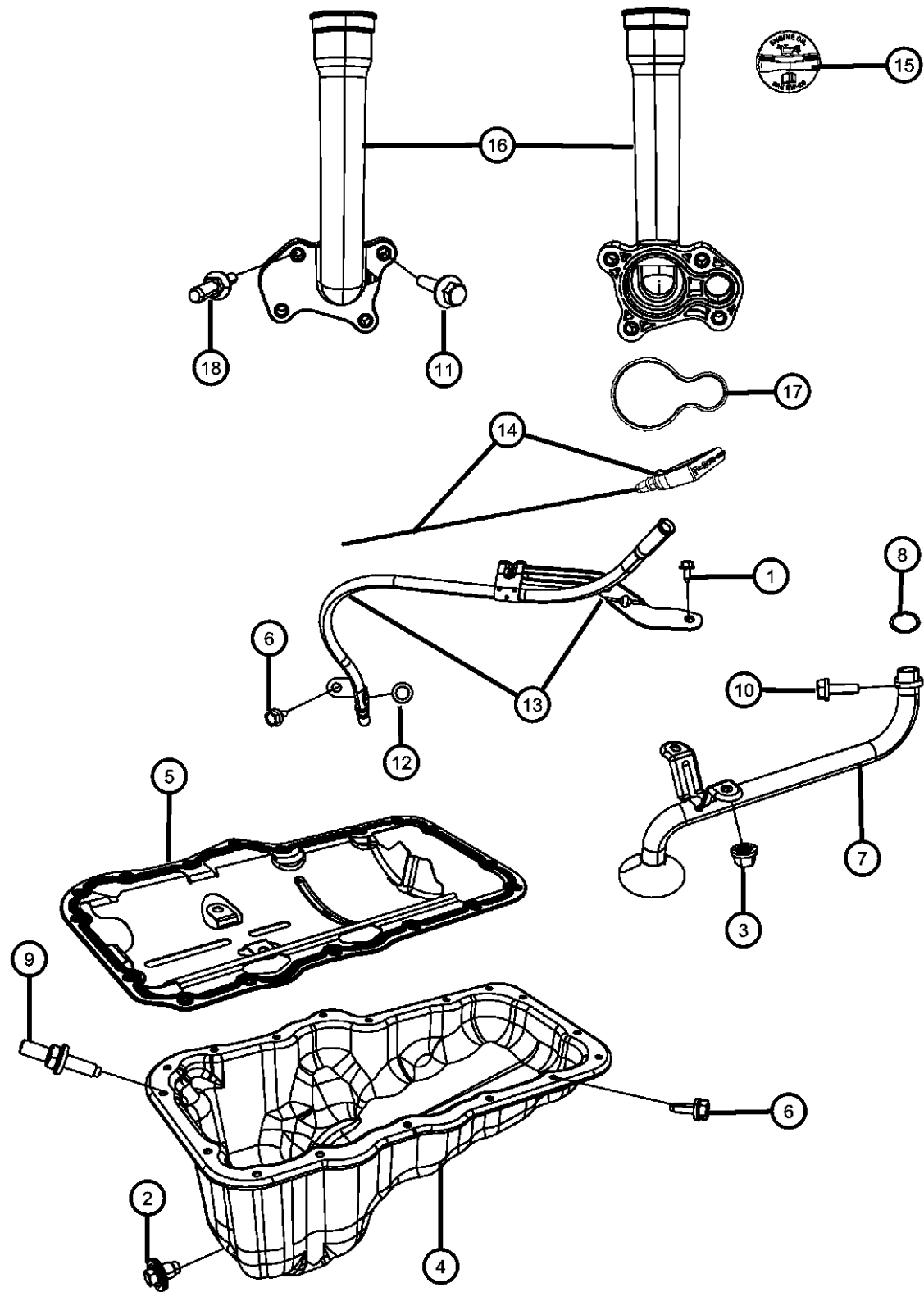
ENGINE
EVE = Engine - 4.7L V8 DOHC
3 Valve
EZB = 5.7L Hemi Multi
Displacement Engine
EKG = 3.7L V6 Engine
ESF = 6.1L SRT HEMI SMPI
V8 Engine
EXL = 3.0L V6 Turbo Diesel
Engine

TRANSMISSION
DGJ = 5-Speed Auto W5A580
Transmission
DGU = 5-Spd Auto W5J400
Transmission
DGQ = 5-Spd Automatic 545RFE
Transmission

AR = use ase required - = Non illustrated part

2008 WK

**Engine Oil Pan, Oil Level Indicator 3.7L [EKG]
Figure 009EKG-725**



ITEM	PART NUMBER	QTY	LINE	SERIES	BODY	ENGINE	TRANS	TRIM	DESCRIPTION
------	-------------	-----	------	--------	------	--------	-------	------	-------------

NOTE:

Sales Codes:

[DBB] = All Manual Transmissions

[DEJ] = 6-Speed Manual Getrag 238 Transmission

[DGQ] = 5-Speed Automatic 545RFE Transmission

[DGV] = 4-Speed Automatic VLP 42RLE Transmission

[DG0] = All Automatic Transmissions

[DH5] = Electronic

1	06102050AA	1	J, T			EK0			BOLT, Hex Flange Head, M6.3X1.81X15.00, Oil Level Indicator Tube To Intake Manifold
2	06506100AA	1	J, T			EK0			PLUG, Oil Drain, [M14X1.5X20.0]
3	06502756	2	J, T			EK0			NUT, Hex Lock, M8x1.25, Oil Pickup Tube To Cylinder Block
4	53021755AA	1	J, T			EK0			PAN, Engine Oil
5	53021001AB	1	J, T			EK0			GASKET, Oil Pan
6									BOLT AND CONED WASHER, Hex head, M6X1.00X20.00
	06504810AA	1	J, T			EK0, EV0			Oil Level Indicator Tube To Cylinder Block
		16	J, T			EK0			Oil Pan To Cylinder Block
7	53021776AA	1	J, T			EK0			TUBE, Oil Pickup
8	53020861	1	J, T			EK0, EV0			SEAL, Oil Pick Up Tube
9	06508066AA	1	J, T			EK0			STUD, M6.3X1.81X15.00, Oil Pan To Cylinder Block
10	06102046AA	1	J, T			EK0, EV0			BOLT AND CONED WASHER, Hex Head, M8X1.25X27.00, Oil Pickup Tube To Cylinder Block
11	06505504AA	3	J, T			EK0			BOLT, Hex Flange Head, M6X1.00X27.00, Oil Fill Housing To Cylinder Block
12	53021144AA	1	J, T			EK0			O RING, Engine Oil Indicator Tube
13	53021741AD	1	J, T			EK0			TUBE, Engine Oil Indicator
14	53021747AF	1	J, T			EK0			INDICATOR, Engine Oil Level
15	53022221AA	1	J, T			EK0			CAP, Oil Filler
16	53020891AH	1	J, T			EK0			HOUSING, Oil Fill
17	53020889AC	1	J, T			EK0			GASKET, Oil Fill Housing
18	06505566AA	1	J, T			EK0			STUD, Double Ended, M6X1.00X51.90, Oil Fill Housing To Cylinder Block

GRAND CHEROKEE (WK)

SERIES LINE
H = HIGHLINE T = JEEP - 2WD
P = PREMIUM J = JEEP - 4WD
S = SPORT
X = SPECIAL

BODY
74 = SPORT UTILITY 4-DR
TYPE #4

ENGINE
EVE = Engine - 4.7L V8 DOHC
3 Valve
EZB = 5.7L Hemi Multi
Displacement Engine
EKG = 3.7L V6 Engine
ESF = 6.1L SRT HEMI SMPI
V8 Engine
EXL = 3.0L V6 Turbo Diesel
Engine

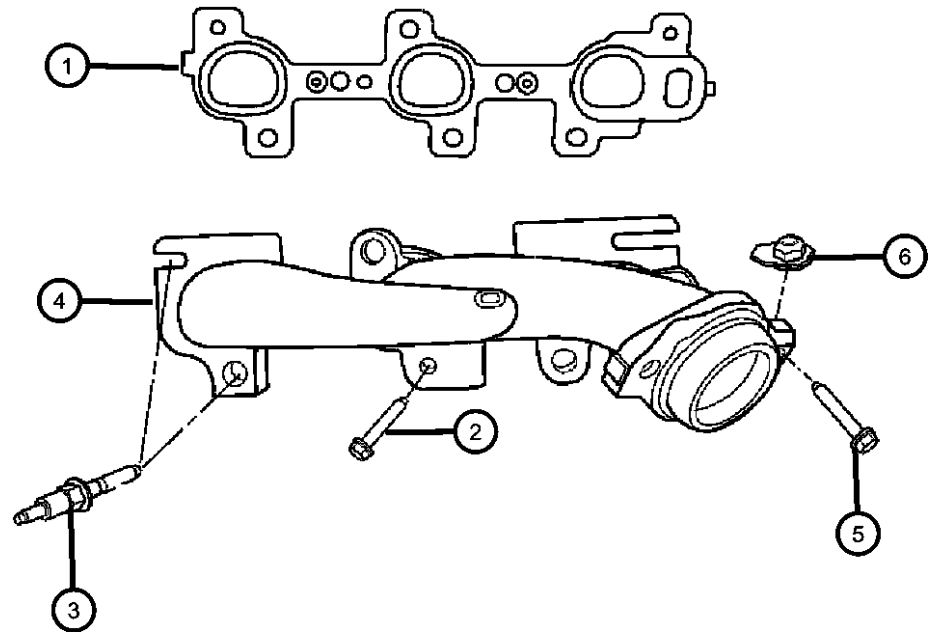
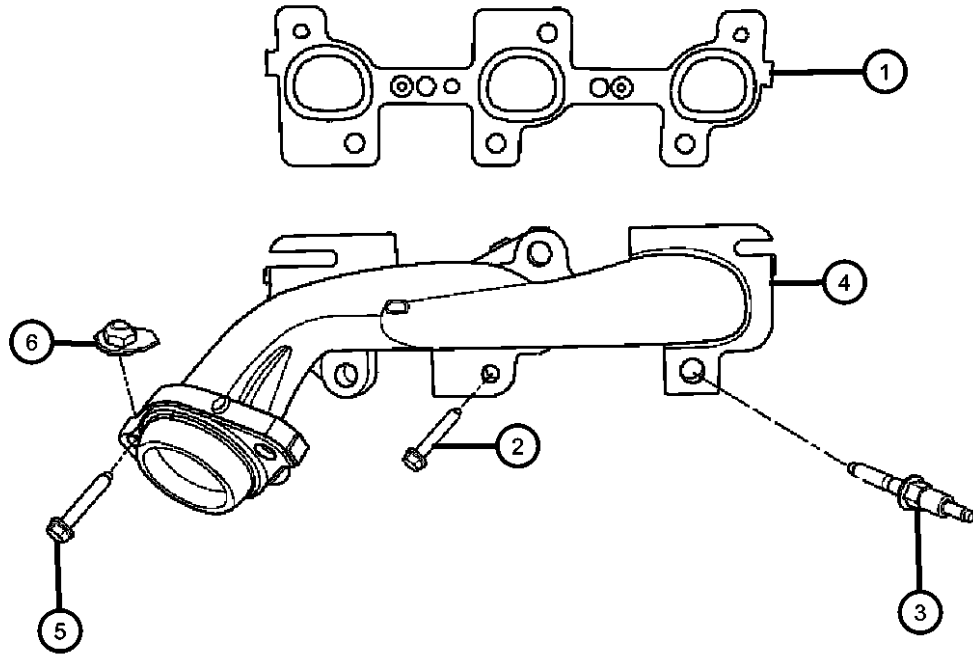
TRANSMISSION
DGJ = 5-Speed Auto W5A580
Transmission
DGU = 5-Spd Auto W5J400
Transmission
DGQ = 5-Spd Automatic 545RFE
Transmission

AR = use ase required - = Non illustrated part

2008 WK

Exhaust Manifolds 3.7L [EKG]
Figure 009EKG-1005

ITEM	PART NUMBER	QTY	LINE	SERIES	BODY	ENGINE	TRANS	TRIM	DESCRIPTION
1	53013932AB	1	J, T			EK0			GASKET, Exhaust Manifold Right
	53013933AB	1	J, T			EK0			Left
2	06507746AA	4	J, T			EK0			BOLT, Exhaust Manifold, M8x1.25x46.00
3	06508220AA	8	J, T			EK0			STUD, Double Ended, M8X1.25/M6X1.00X86.00
4									MANIFOLD, Exhaust
	53013691AB	1	J, T			EK0			Left
	53013692AA	1	J, T			EK0			Right
5	06104426AA	4	J, T						BOLT AND CONED WASHER, Hex Head, M10X1.50X60.00
6	06506081AA	4	J, T						NUT, U, [.375-16]
-7									SHIELD, Exhaust Manifold
	53032674AE	1	J, T			EK0			Right
	53032675AD	1	J, T			EK0			Left



GRAND CHEROKEE (WK)

SERIES LINE
H = HIGHLINE T = JEEP - 2WD
P = PREMIUM J = JEEP - 4WD
S = SPORT
X = SPECIAL

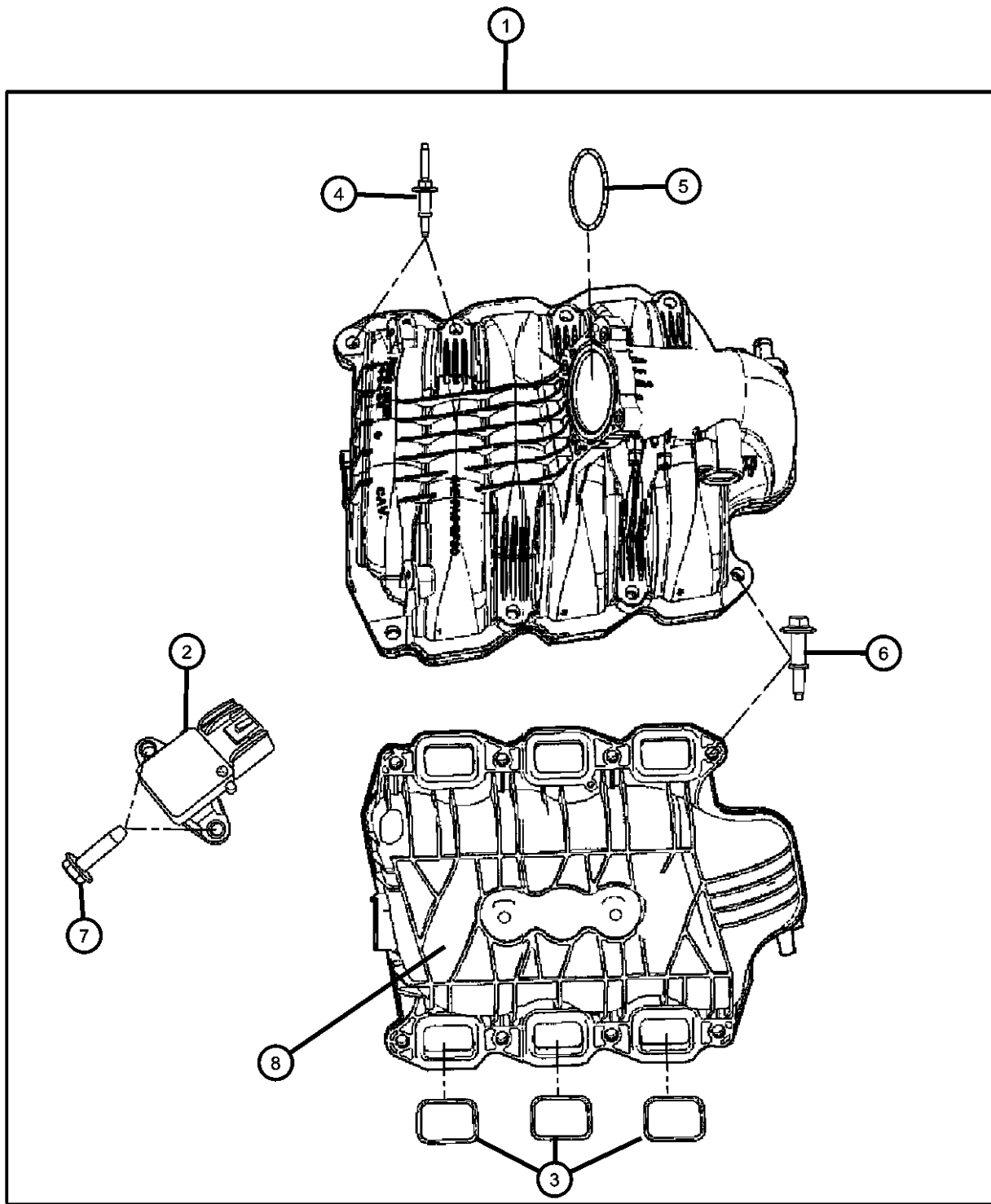
BODY
74 = SPORT UTILITY 4-DR
TYPE #4

ENGINE TRANSMISSION
EVE = Engine - 4.7L V8 DOHC 3 Valve
EVB = Engine - 4.7L V8 DOHC 3 Valve
EZB = 5.7L Hemi Multi Displacement Engine
EKG = 3.7L V6 Engine
ESF = 6.1L SRT HEMI SMPI V8 Engine
EXL = 3.0L V6 Turbo Diesel Engine
DGJ = 5-Speed Auto W5A580 Transmission
DGU = 5-Spd Auto W5J400 Transmission
DGQ = 5-Spd Automatic 545RFE Transmission

AR = use ase required - = Non illustrated part

2008 WK

Intake Manifold 3.7L [EKG]
Figure 009EKG-1025



ITEM	PART NUMBER	QTY	LINE	SERIES	BODY	ENGINE	TRANS	TRIM	DESCRIPTION
1	53032999AD	1	J, T			EK0			MANIFOLD, Intake
2	56041018AD	1	J, T			EK0			SENSOR, MAP
3	53010310AB	6	J, T			EK0			SEAL, Intake Manifold
4	06507434AA	6	J, T			EK0			STUD, Double Ended, [M6X1.00X80.00]
5	04666113AA	1	J, T			EK0			GASKET, Throttle Body
6	06507433AA	2	J, T			EK0			BOLT, Hex Flange Head, M6X1.00X43.00, [M6X1.00X43.00]
7	06102192AA	1	J, T			EK0			BOLT, Hex Flange Head, M4.2X1.70X16.00, [M4.2X1.70X16.00]
8	53032787AA	1	J, T			EK0			PAD, Engine

GRAND CHEROKEE (WK)

SERIES LINE
H = HIGHLINE T = JEEP - 2WD
P = PREMIUM J = JEEP - 4WD
S = SPORT
X = SPECIAL

BODY
74 = SPORT UTILITY 4-DR
TYPE #4

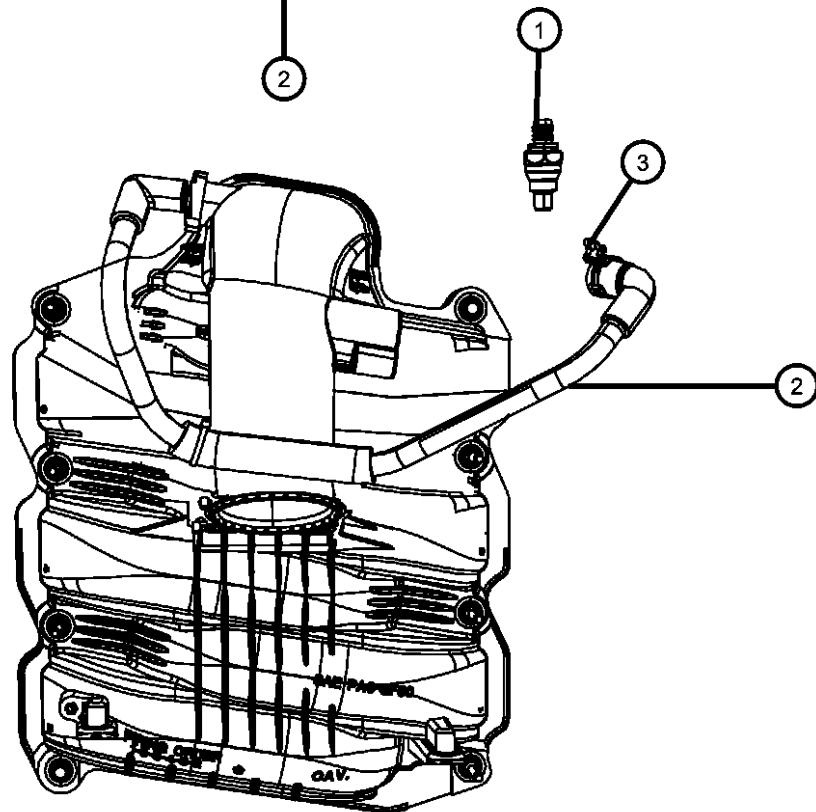
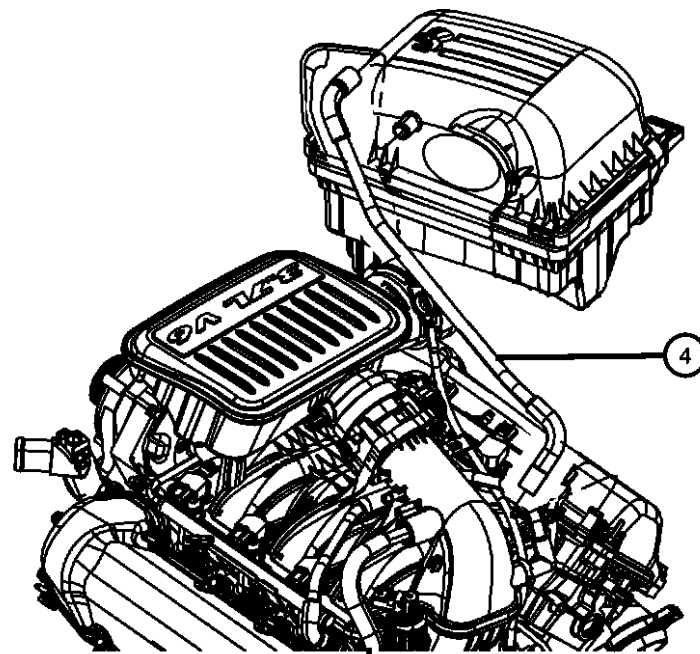
ENGINE TRANSMISSION
EVE = Engine - 4.7L V8 DOHC 3 Valve
EVB = Engine - 4.7L V8 DOHC 3 Valve
EZB = 5.7L Hemi Multi Displacement Engine
EKG = 3.7L V6 Engine
ESF = 6.1L SRT HEMI SMPI V8 Engine
EXL = 3.0L V6 Turbo Diesel Engine
DGJ = 5-Speed Auto W5A580 Transmission
DGU = 5-Spd Auto W5J400 Transmission
DGQ = 5-Spd Automatic 545RFE Transmission

AR = use ase required - = Non illustrated part

2008 WK

**Crankcase Ventilation 3.7L [EKG]
Figure 009EKG-1105**

ITEM	PART NUMBER	QTY	LINE	SERIES	BODY	ENGINE	TRANS	TRIM	DESCRIPTION
------	-------------	-----	------	--------	------	--------	-------	------	-------------



NOTE:

Sales Codes:

[DBB] = All Manual Transmissions

[DEJ] = 6-Speed Manual Getrag 238 Transmission

[DGQ] = 5-Speed Automatic 545RFE Transmission

[DGV] = 4-Speed Automatic VLP 42RLE Transmission

[DG0] = All Automatic Transmissions

[DH5] = Electronic

1	53034065AA	1	J, T			EK0			VALVE, Crankcase Vent
2	53032993AD	1	J, T			EK0			HOSE, PCV Valve To intake Manifold
3		1							CLAMP, Serviced With Crankcase Vent Tube, (NOT SERVICED)
4	53013884AB	1	J, T			EK0			HOSE, Make Up Air

GRAND CHEROKEE (WK)

SERIES LINE
H = HIGHLINE T = JEEP - 2WD
P = PREMIUM J = JEEP - 4WD
S = SPORT
X = SPECIAL

BODY
74 = SPORT UTILITY 4-DR
TYPE #4

ENGINE TRANSMISSION
EVE = Engine - 4.7L V8 DOHC 3 Valve
EZB = 5.7L Hemi Multi Displacement Engine
EKG = 3.7L V6 Engine
ESF = 6.1L SRT HEMI SMPI V8 Engine
EXL = 3.0L V6 Turbo Diesel Engine
DGJ = 5-Speed Auto W5A580 Transmission
DGU = 5-Spd Auto W5J400 Transmission
DGQ = 5-Spd Automatic 545RFE Transmission

AR = use ase required - = Non illustrated part

2008 WK

**Engine Mounting Right Side 3.7L [EKG]
Figure 009EKG-1230**

ITEM	PART NUMBER	QTY	LINE	SERIES	BODY	ENGINE	TRANS	TRIM	DESCRIPTION
------	-------------	-----	------	--------	------	--------	-------	------	-------------

NOTE:

Sales Codes:

[DBB] = All Manual Transmissions

[DEJ] = 6-Speed Manual Getrag 238 Transmission

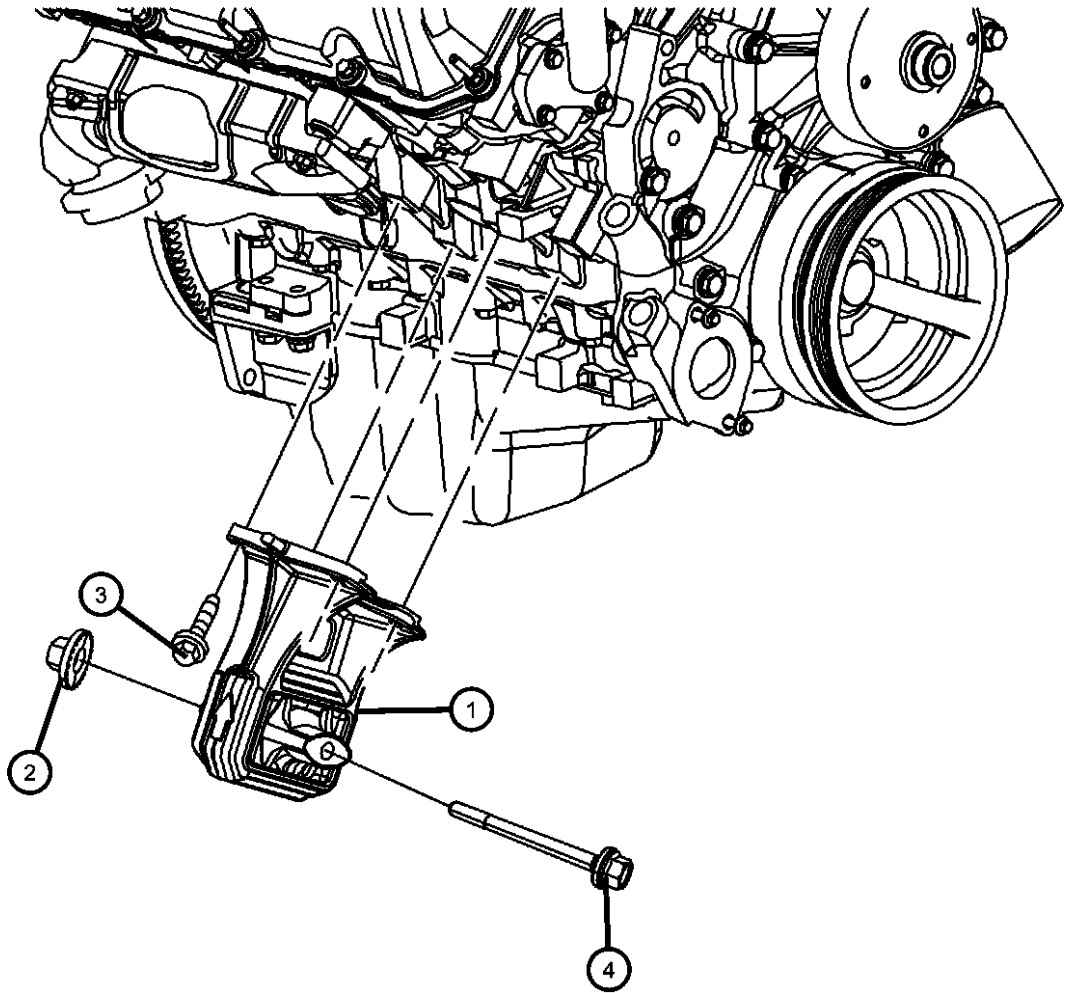
[DGQ] = 5-Speed Automatic 545RFE Transmission

[DGV] = 4-Speed Automatic VLP 42RLE Transmission

[DG0] = All Automatic Transmissions

[DH5] = Electronic

1	52090296AF	1	J, T			EK0			BRACKET, Engine MountRight
2	06502585	1	J, T			EX0			NUT AND CONED WASHER, Hex, M12X1.75Right
3	06104214AA	4	J, T			ES0, EZ0			BOLT, Hex Flange Head, M10X1.50X20.00
4	06508081AA	1	J, T			EX0			BOLT, Hex Flange Head, M12X1.75X150.00



GRAND CHEROKEE (WK)

SERIES LINE
H = HIGHLINE T = JEEP - 2WD
P = PREMIUM J = JEEP - 4WD
S = SPORT
X = SPECIAL

BODY
74 = SPORT UTILITY 4-DR
TYPE #4

ENGINE TRANSMISSION
EVE = Engine - 4.7L V8 DOHC 3 Valve
EZB = 5.7L Hemi Multi Displacement Engine
EKG = 3.7L V6 Engine
ESF = 6.1L SRT HEMI SMPI V8 Engine
EXL = 3.0L V6 Turbo Diesel Engine
DGJ = 5-Speed Auto W5A580 Transmission
DGU = 5-Spd Auto W5J400 Transmission
DGQ = 5-Spd Automatic 545RFE Transmission

AR = use ase required - = Non illustrated part

2008 WK

**Engine Mounting Left Side 3.7L [EKG]
Figure 009EKG-1250**

ITEM	PART NUMBER	QTY	LINE	SERIES	BODY	ENGINE	TRANS	TRIM	DESCRIPTION
------	-------------	-----	------	--------	------	--------	-------	------	-------------

NOTE:

Sales Codes:

[DBB] = All Manual Transmissions

[DEJ] = 6-Speed Manual Getrag 238 Transmission

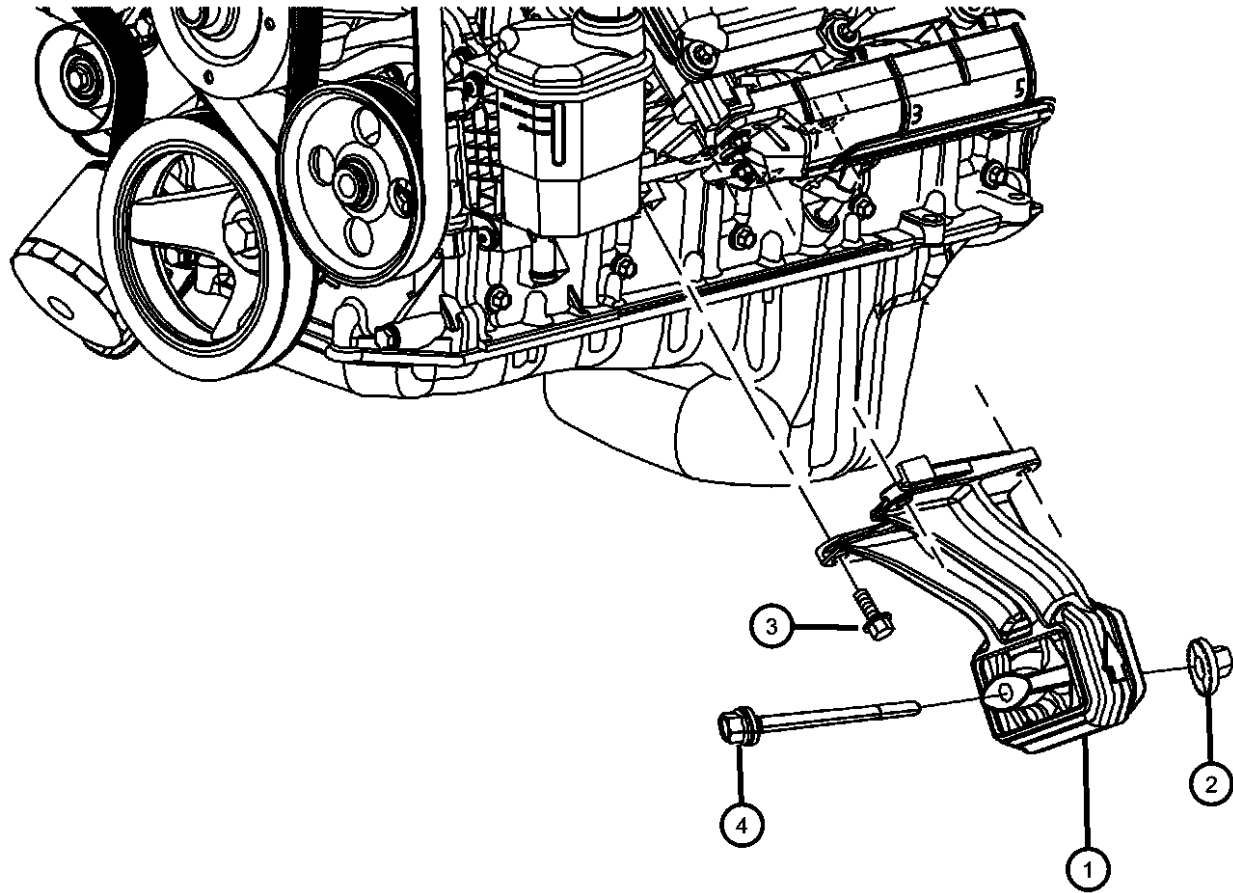
[DGQ] = 5-Speed Automatic 545RFE Transmission

[DGV] = 4-Speed Automatic VLP 42RLE Transmission

[DG0] = All Automatic Transmissions

[DH5] = Electronic

1	52090297AG	1	J, T			EK0			BRACKET, Engine MountLeft
2	06502585	2	J, T			EK0, ES0, EV0, EZ0			NUT AND CONED WASHER, Hex, M12X1.75Left
3	06104344AA	4	J, T						SCREW, [M10X1.50X20.00]
4	06508081AA	2	J, T			EK0, ES0, EV0, EZ0			BOLT, Hex Flange Head, M12X1.75X150.00



GRAND CHEROKEE (WK)

SERIES LINE
H = HIGHLINE T = JEEP - 2WD
P = PREMIUM J = JEEP - 4WD
S = SPORT
X = SPECIAL

BODY
74 = SPORT UTILITY 4-DR
TYPE #4

ENGINE TRANSMISSION
EVE = Engine - 4.7L V8 DOHC
3 Valve DGJ = 5-Speed Auto W5A580
Transmission
EZB = 5.7L Hemi Multi
Displacement Engine DGU = 5-Spd Auto W5J400
Transmission
EKG = 3.7L V6 Engine DGQ = 5-Spd Automatic 545RFE
Transmission
ESF = 6.1L SRT HEMI SMPI
V8 Engine
EXL = 3.0L V6 Turbo Diesel
Engine

AR = use ase required - = Non illustrated part

2008 WK

Group - 009ESF

6.1L Gas; Engine

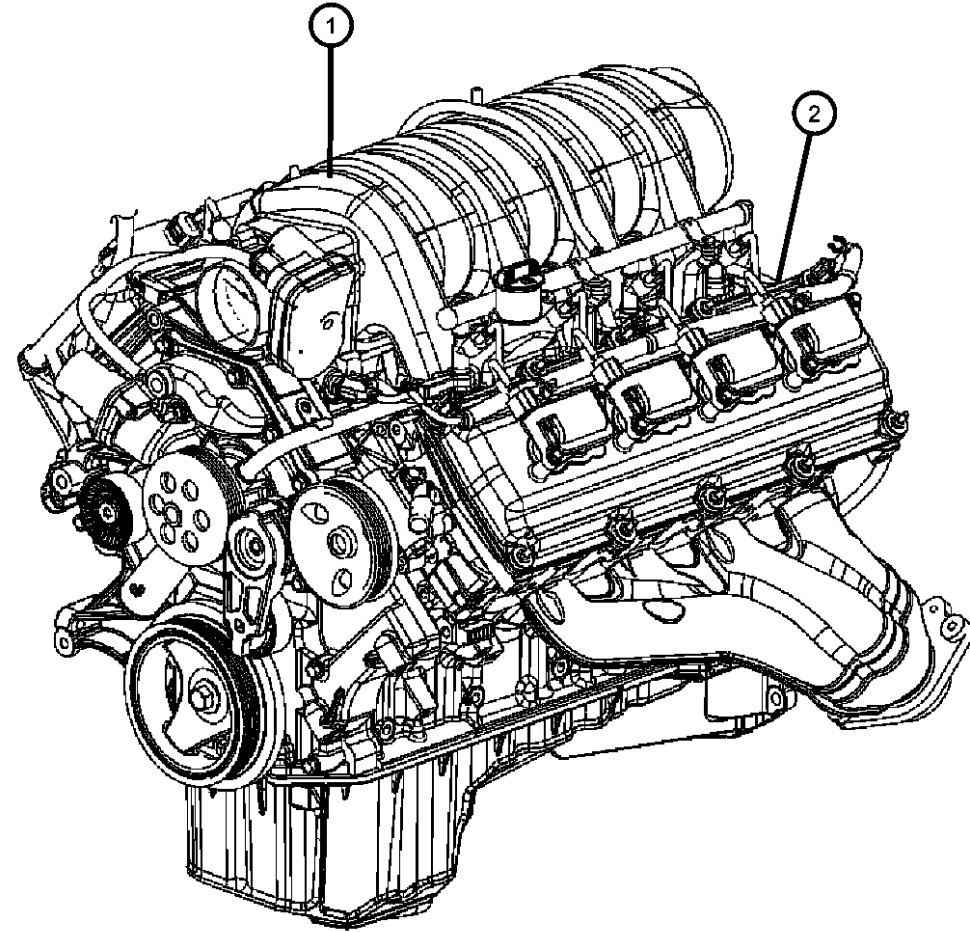
009ESF-100 Engine Identification	009ESF-1000 Manifolds and Vacuum Fittings	009ESF-1100 Crankcase Ventilation	009ESF-1200 Engine Mounting
009ESF-200 Cylinder Head	009ESF-300 Cylinder Block	009ESF-400 Crankshaft, Piston, Drive Plate, Flywheel, and Damper	009ESF-500 Camshaft and Valve
009ESF-600 Timing Belt/Chain and Cover and Balance Shaft	009ESF-700 Engine Oiling, Oil Pan and Indicator (Dipstick)		

Group - 009ESF 6.1L Gas; Engine

Illustration Title	Group-Fig. No.
Engine Identification	
Engine Assembly And Identification 6.1L [ESF]	Fig. 009ESF - 105
Engine Covers And Related Parts 6.1L [ESF]	Fig. 009ESF - 125
Engine Gasket Packages 6.1L [ESF]	Fig. 009ESF - 145
Cylinder Head	
Cylinder Head Covers 6.1L [ESF]	Fig. 009ESF - 205
Cylinder Heads 6.1L [ESF]	Fig. 009ESF - 225
Cylinder Block	
Cylinder Block And Hardware 6.1L [ESF]	Fig. 009ESF - 305
Engine Cylinder Block Heater 6.1L [ESF]	Fig. 009ESF - 325
Crankshaft, Piston, Drive Plate, Flywheel, and Damper	
Crankshaft, Crankshaft Bearings, Damper And Flexplate 6.1L [ESF]	Fig. 009ESF - 405
Pistons, Connecting Rods, And Connecting Rod Bearings 6.1L [ESF]	Fig. 009ESF - 425
Camshaft and Valve	
Camshaft And Valvetrain 6.1L [ESF]	Fig. 009ESF - 505
Timing Belt/Chain and Cover and Balance Shaft	
Timing Case Cover 6.1L [ESF]	Fig. 009ESF - 605
Timing System 6.1L [ESF]	Fig. 009ESF - 625
Engine Oiling, Oil Pan and Indicator (Dipstick)	
Engine Oiling Pump 6.1L [ESF]	Fig. 009ESF - 705
Engine Oil Pan, Engine Oil Level Indicator And Tube 6.1L [ESF]	Fig. 009ESF - 725
Engine Oil Filter And Splash Guard 6.1L [ESF]	Fig. 009ESF - 745
Manifolds and Vacuum Fittings	
Exhaust Manifolds 6.1L [ESF]	Fig. 009ESF - 1005
Intake Manifold 6.1L [ESF]	Fig. 009ESF - 1025
Crankcase Ventilation	
Crankcase Ventilation 6.1L [ESF]	Fig. 009ESF - 1105
Engine Mounting	
Engine Mounting Right Side AWD/4WD 6.1L [ESF]	Fig. 009ESF - 1235
Engine Mounting Left Side AWD/4WD 6.1L [ESF]	Fig. 009ESF - 1255

**Engine Assembly And Identification 6.1L [ESF]
Figure 009ESF-105**

ITEM	PART NUMBER	QTY	LINE	SERIES	BODY	ENGINE	TRANS	TRIM	DESCRIPTION
------	-------------	-----	------	--------	------	--------	-------	------	-------------



NOTE:

The Engine Identification Label Contains: The Production Assembly Part Number And Displacement.

Sales Codes:

- [DGJ] = 5-Speed Automatic W5A580 Transmission
- [DGQ] = 5-Speed Automatic 545RFE Transmission
- [DGU] = 5-Speed Automatic W5J400 Transmission
- [DG0] = All Automatic Transmissions
- [DHB] = Quadra -Trac Active On Demand NVG 146 Transfer Case
- [DHX] = Quadra -Trac 2 Full Time Active NVG 245 Transfer Case
- [DHZ] = Quadra -Trac 1 Full time 4WD NVG 140 Transfer Case
- [EKG] = 3.7L [Magnum] V-6 Engine
- [EK0] = All 3.7L 6-Cylinder Gas Engines
- [ESF] = 6.1L SRT Hemi SMPI V-8 Engine
- [ES0] = All 6.1L 8-Cylinder Gas Engines
- [EVA] = 4.7L [Magnum] V-8 Engine
- [EVD] = 4.7L V-8 FFV Engine
- [EV0] = All 4.7L 8-Cylinder Gas Engines
- [EXL] = 3.0L V-6 Turbo Diesel Engine
- [EX0] = All 3.0L Cylinder Turbo Diesel Engines
- [EZB] = 5.7L Hemi Multi-Displacement Engine
- [EZ0] = All 5.7L 8-Cylinder Gas Engines
- [NAA] = Federal Emissions
- [NAE] = California Emissions
- [NAS] = 50 State Emissions
- [NA1] = Export Emissions
- [XEF] = Transfer Case Skid Plate Shield

1	2
2	2

ENGINE, Complete, Serviced
By New Short Block Only, (NOT
SERVICED)
LABEL, Engine Identification, See
Note, (NOT SERVICED)

GRAND CHEROKEE (WK)

SERIES LINE
H = HIGHLINE T = JEEP - 2WD
P = PREMIUM J = JEEP - 4WD
S = SPORT
X = SPECIAL

BODY
74 = SPORT UTILITY 4-DR
TYPE #4

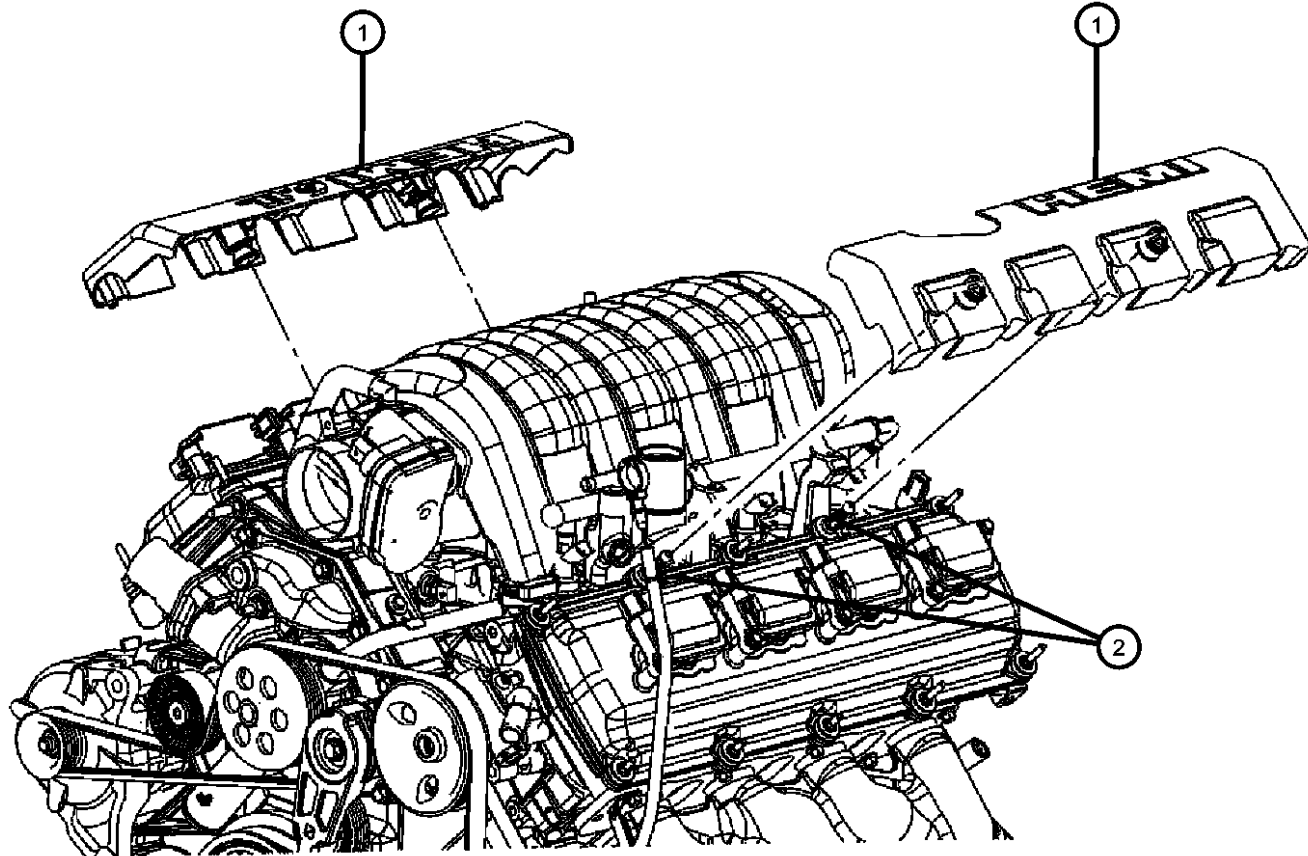
ENGINE TRANSMISSION
EVE = Engine - 4.7L V8 DOHC
3 Valve DGJ = 5-Speed Auto W5A580
Transmission
EZB = 5.7L Hemi Multi
Displacement Engine DGU = 5-Spd Auto W5J400
Transmission
EKG = 3.7L V6 Engine DGQ = 5-Spd Automatic 545RFE
Transmission
ESF = 6.1L SRT HEMI SMPI
V8 Engine
EXL = 3.0L V6 Turbo Diesel
Engine

AR = use ase required - = Non illustrated part

2008 WK

**Engine Covers And Related Parts 6.1L [ESF]
Figure 009ESF-125**

ITEM	PART NUMBER	QTY	LINE	SERIES	BODY	ENGINE	TRANS	TRIM	DESCRIPTION
------	-------------	-----	------	--------	------	--------	-------	------	-------------



NOTE:

Sales Codes:

- [DGJ] = 5-Speed Automatic W5A580 Transmission
- [DGQ] = 5-Speed Automatic 545RFE Transmission
- [DGU] = 5-Speed Automatic W5J400 Transmission
- [DG0] = All Automatic Transmissions
- [DHB] = Quadra -Trac Active On Demand NVG 146 Transfer Case
- [DHX] = Quadra -Trac 2 Full Time Active NVG 245 Transfer Case
- [DHZ] = Quadra -Trac 1 Full time 4WD NVG 140 Transfer Case
- [EKG] = 3.7L [Magnum] V-6 Engine
- [EK0] = All 3.7L 6-Cylinder Gas Engines
- [ESF] = 6.1L SRT Hemi SMPI V-8 Engine
- [ES0] = All 6.1L 8-Cylinder Gas Engines
- [EVA] = 4.7L [Magnum] V-8 Engine
- [EVD] = 4.7L V-8 FFV Engine
- [EV0] = All 4.7L 8-Cylinder Gas Engines
- [EXL] = 3.0L V-6 Turbo Diesel Engine
- [EX0] = All 3.0L Cylinder Turbo Diesel Engines
- [EZB] = 5.7L Hemi Multi-Displacement Engine
- [EZ0] = All 5.7L 8-Cylinder Gas Engines
- [NAA] = Federal Emissions
- [NAE] = California Emissions
- [NAS] = 50 State Emissions
- [NA1] = Export Emissions
- [XEF] = Transfer Case Skid Plate Sheild

1									COVER, Wiring Protector
	05037534AB	1	J, T			ESF			With [Hemi 6.1L], Right
	05037535AB	1	J, T			ESF			With [Hemi], Left
2	05037581AB	4	J, T			ESF			BALL STUD, [42.04 MM], Wiring Retension Cover To Engine, Mounting

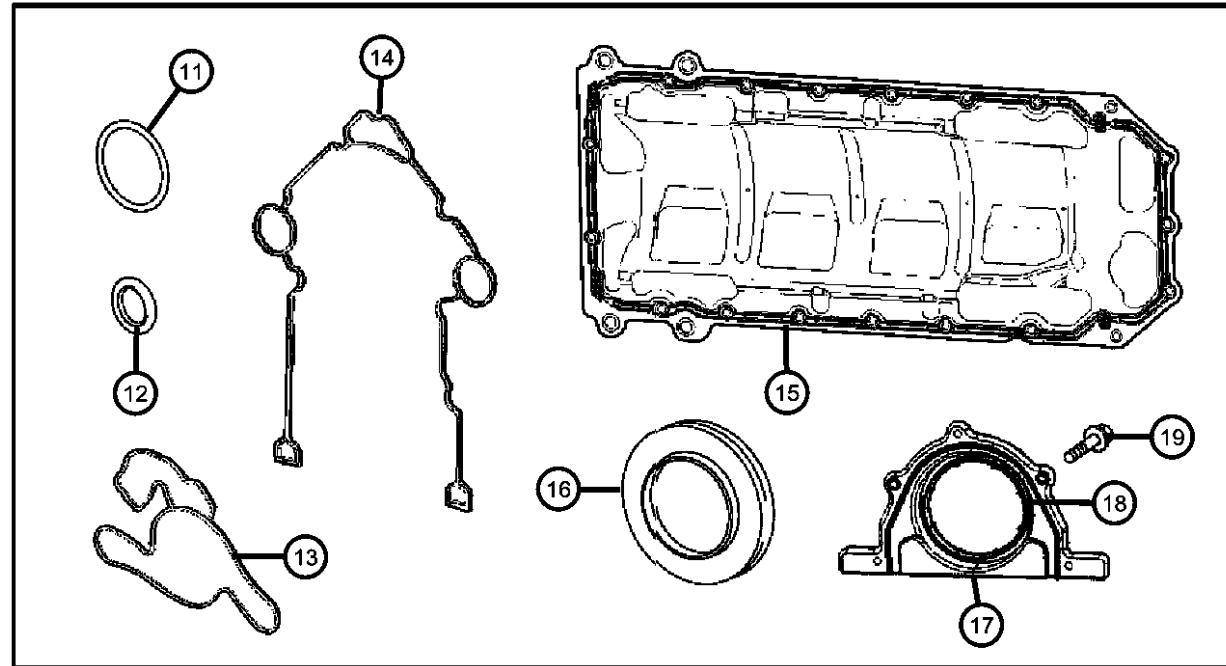
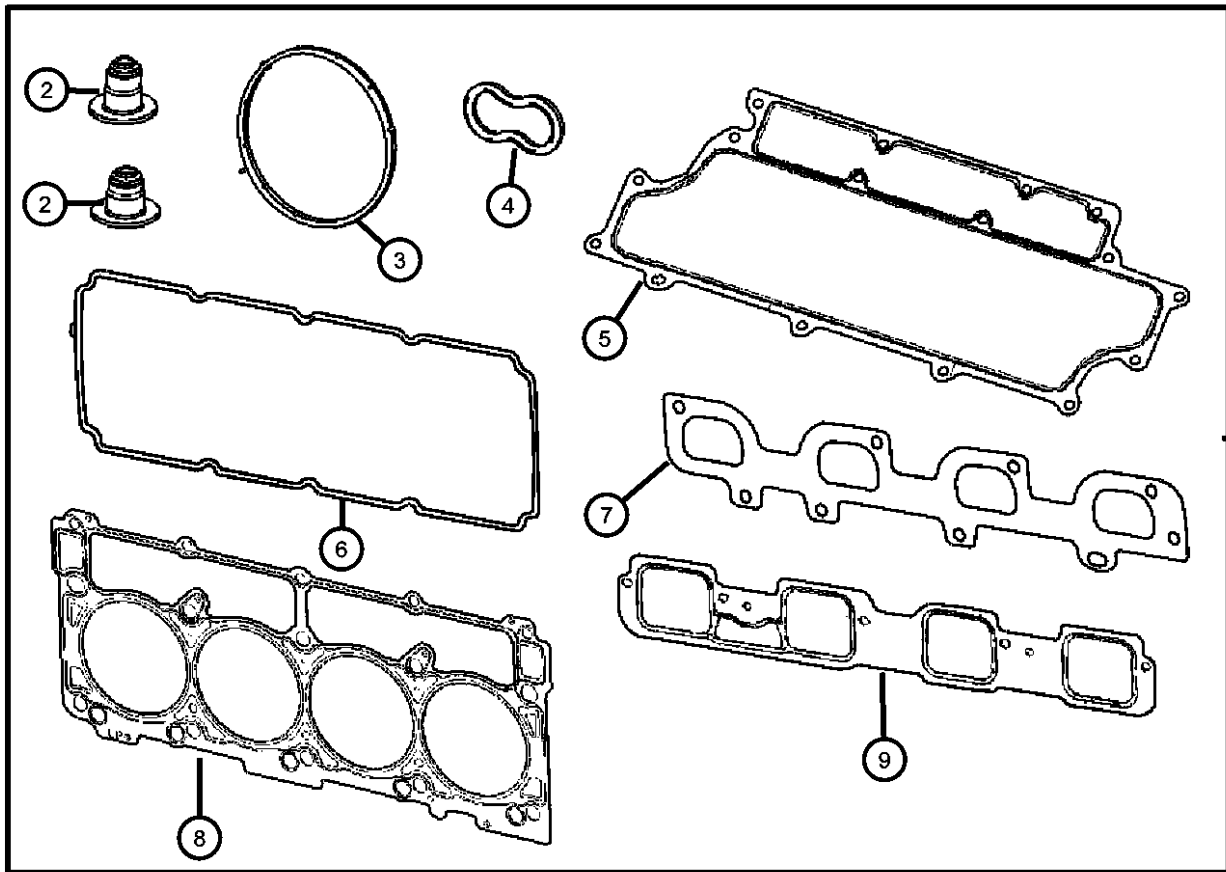
GRAND CHEROKEE (WK)

SERIES	LINE	BODY	ENGINE	TRANSMISSION
H = HIGHLINE	T = JEEP - 2WD	74 = SPORT UTILITY 4-DR	EVE = Engine - 4.7L V8 DOHC 3 Valve	DGJ = 5-Speed Auto W5A580 Transmission
P = PREMIUM	J = JEEP - 4WD	TYPE #4	EZB = 5.7L Hemi Multi Displacement Engine	DGU = 5-Spd Auto W5J400 Transmission
S = SPORT			EKG = 3.7L V6 Engine	DGQ = 5-Spd Automatic 545RFE Transmission
X = SPECIAL			ESF = 6.1L SRT HEMI SMPI V8 Engine	
			EXL = 3.0L V6 Turbo Diesel Engine	

AR = use ase required - = Non illustrated part

2008 WK

**Engine Gasket Packages 6.1L [ESF]
Figure 009ESF-145**



ITEM	PART NUMBER	QTY	LINE	SERIES	BODY	ENGINE	TRANS	TRIM	DESCRIPTION
------	-------------	-----	------	--------	------	--------	-------	------	-------------

NOTE:

Sales Codes:

- [DGJ] = 5-Speed Automatic W5A580 Transmission
- [DGQ] = 5-Speed Automatic 545RFE Transmission
- [DGU] = 5-Speed Automatic W5J400 Transmission
- [DG0] = All Automatic Transmissions
- [DHB] = Quadra -Trac Active On Demand NVG 146 Transfer Case
- [DHX] = Quadra -Trac 2 Full Time Active NVG 245 Transfer Case
- [DHZ] = Quadra -Trac 1 Full time 4WD NVG 140 Transfer Case
- [EKG] = 3.7L [Magnum] V-6 Engine
- [EK0] = All 3.7L 6-Cylinder Gas Engines
- [ESF] = 6.1L SRT Hemi SMPI V-8 Engine
- [ES0] = All 6.1L 8-Cylinder Gas Engines
- [EVA] = 4.7L [Magnum] V-8 Engine
- [EVD] = 4.7L V-8 FFV Engine
- [EV0] = All 4.7L 8-Cylinder Gas Engines
- [EXL] = 3.0L V-6 Turbo Diesel Engine
- [EX0] = All 3.0L Cylinder Turbo Diesel Engines
- [EZB] = 5.7L Hemi Multi-Displacement Engine
- [EZ0] = All 5.7L 8-Cylinder Gas Engines
- [NAA] = Federal Emissions
- [NAE] = California Emissions
- [NAS] = 50 State Emissions
- [NA1] = Export Emissions
- [XEF] = Transfer Case Skid Plate Shield

1	05170961AB	1	J, T			ESF			GASKET PACKAGE, Engine Upper
2									SEAL, Valve Guide
	05037798AA	8	J, T			ESF			Intake, Valve
	53021578AA	8	J, T			ESF			Exhaust, Valve
3	53032383AB	1	J, T			ESF			SEAL, Throttle Body to Intake
4	53021569AD	8	J, T			ESF			GASKET, Spark Plug Well
5	05037555AA	1	J, T			ESF			GASKET, Intake Manifold Pan
6	05114179AB	2	J, T			ESF			GASKET KIT, Cylinder Head Cover
7									GASKET, Exhaust Manifold
	05038098AA	1	J, T			ESF			Right
	05038099AA	1	J, T			ESF			Left
8	05037592AC	2	J, T			ESF			GASKET, Cylinder Head
9	05037503AA	2	J, T			ESF			GASKET, Intake Manifold
10	68003172AC	1	J, T			ESF			GASKET PACKAGE, Engine Lower

GRAND CHEROKEE (WK)

SERIES LINE
H = HIGHLINE T = JEEP - 2WD
P = PREMIUM J = JEEP - 4WD
S = SPORT
X = SPECIAL

BODY
74 = SPORT UTILITY 4-DR
TYPE #4

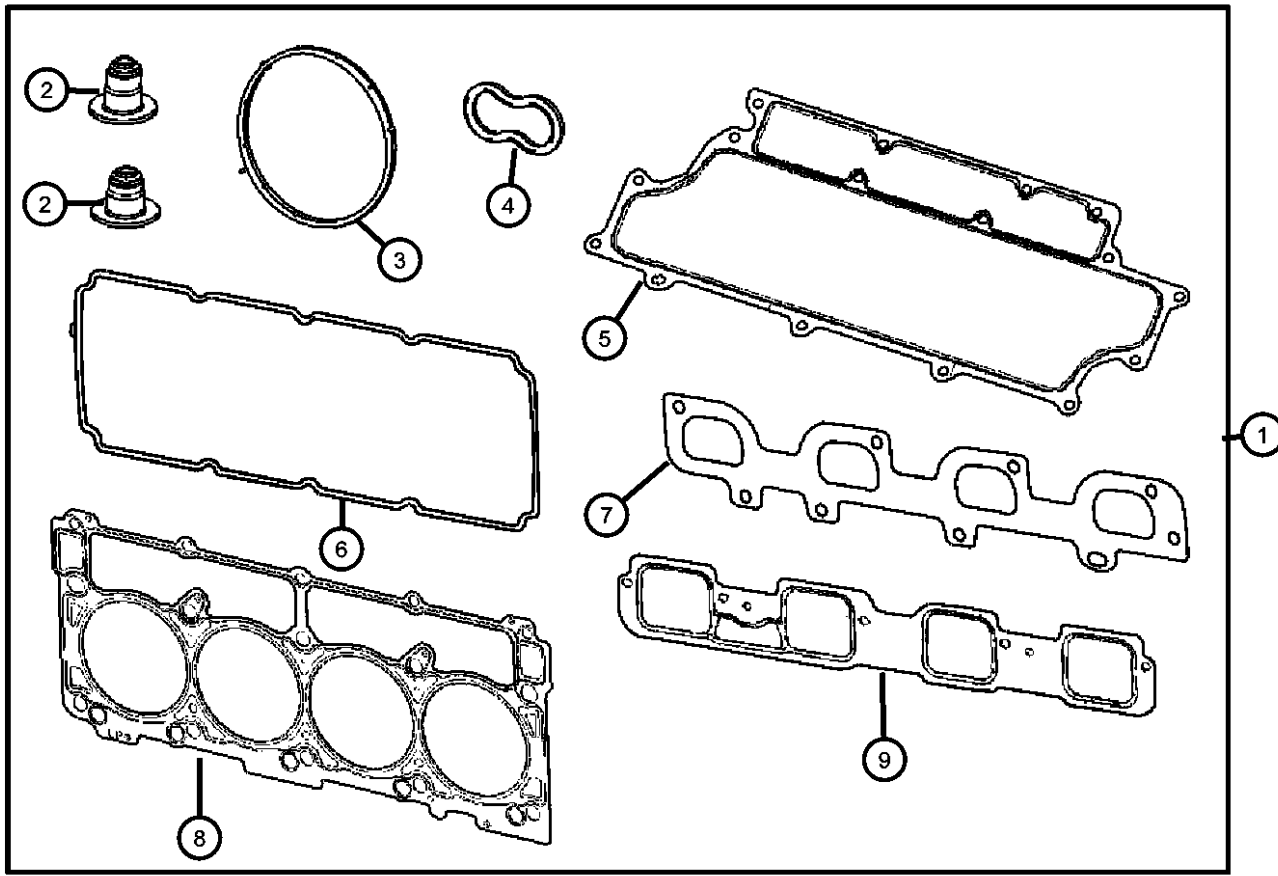
ENGINE
EVE = Engine - 4.7L V8 DOHC
3 Valve
EZB = 5.7L Hemi Multi
Displacement Engine
EKG = 3.7L V6 Engine
ESF = 6.1L SRT HEMI SMPI
V8 Engine
EXL = 3.0L V6 Turbo Diesel
Engine

TRANSMISSION
DGJ = 5-Speed Auto W5A580
Transmission
DGU = 5-Spd Auto W5J400
Transmission
DGQ = 5-Spd Automatic 545RFE
Transmission

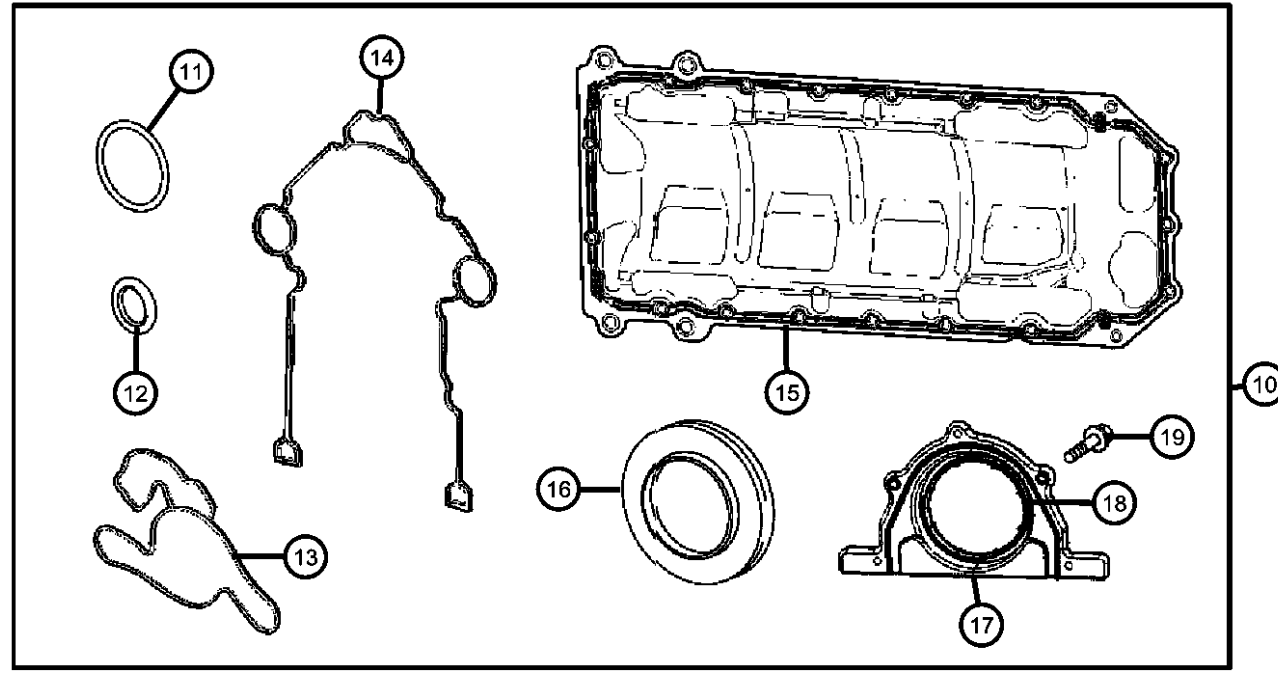
AR = use ase required - = Non illustrated part

2008 WK

**Engine Gasket Packages 6.1L [ESF]
Figure 009ESF-145**



ITEM	PART NUMBER	QTY	LINE	SERIES	BODY	ENGINE	TRANS	TRIM	DESCRIPTION
11	53020861	1	J, T			ESF			SEAL, Oil Pick Up Tube
12	53021144AA	1	J, T			ESF			O RING, Engine Oil Indicator Tube
13	04792922AA	1	J, T			ESF			GASKET, Water Pump
14	05139933AB	1	J, T			ESF			GASKET PACKAGE, Front Cover
15	05037692AA	1	J, T			ESF			GASKET, Oil Pan
16	53021585AD	1	J, T			ESF			SEAL, Crankshaft Oil, Front
17	68017721AA	1	J, T			ESF			RETAINER PACKAGE, Crankshaft Rear Oil Seal, Includes Items 18,19
18		1							SEAL, Crankshaft Bearing Oil, (NOT SERVICED)
19		1							SCREW, (NOT SERVICED)

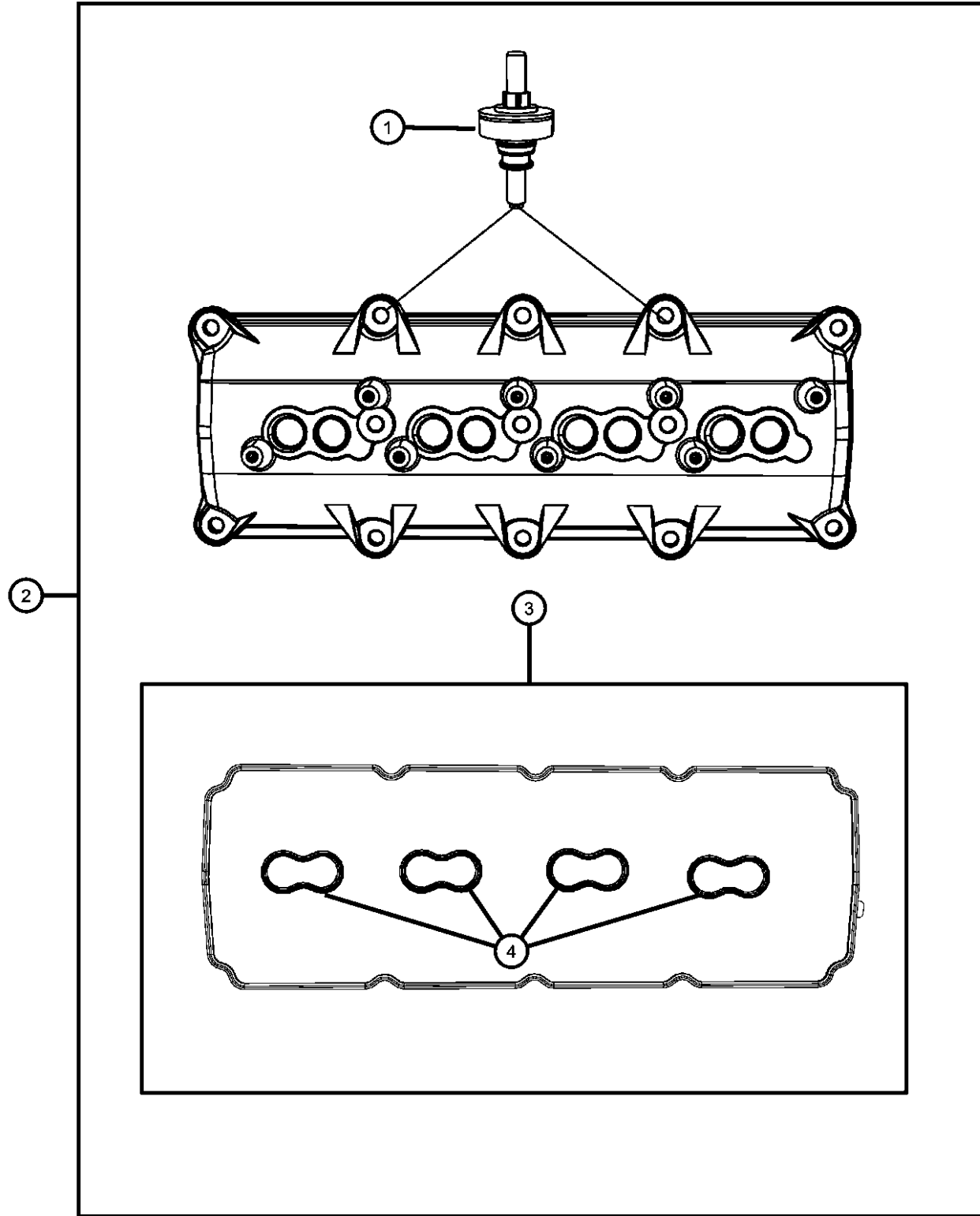


GRAND CHEROKEE (WK)

SERIES	LINE	BODY	ENGINE	TRANSMISSION
H = HIGHLINE	T = JEEP - 2WD	74 = SPORT UTILITY 4-DR	EVE = Engine - 4.7L V8 DOHC 3 Valve	DGJ = 5-Speed Auto W5A580 Transmission
P = PREMIUM	J = JEEP - 4WD	TYPE #4	EZB = 5.7L Hemi Multi Displacement Engine	DGU = 5-Spd Auto W5J400 Transmission
S = SPORT			EKG = 3.7L V6 Engine	DGQ = 5-Spd Automatic 545RFE Transmission
X = SPECIAL			ESF = 6.1L SRT HEMI SMPI V8 Engine	
			EXL = 3.0L V6 Turbo Diesel Engine	

AR = use ase required - = Non illustrated part

**Cylinder Head Covers 6.1L [ESF]
Figure 009ESF-205**



ITEM	PART NUMBER	QTY	LINE	SERIES	BODY	ENGINE	TRANS	TRIM	DESCRIPTION
------	-------------	-----	------	--------	------	--------	-------	------	-------------

NOTE:
Sales Codes:
[DGJ] = 5-Speed Automatic W5A580 Transmission
[DGQ] = 5-Speed Automatic 545RFE Transmission
[DGU] = 5-Speed Automatic W5J400 Transmission
[DG0] = All Automatic Transmissions
[DHB] = Quadra -Trac Active On Demand NVG 146 Transfer Case
[DHX] = Quadra -Trac 2 Full Time Active NVG 245 Transfer Case
[DHZ] = Quadra -Trac 1 Full time 4WD NVG 140 Transfer Case
[EKG] = 3.7L [Magnum] V-6 Engine
[EK0] = All 3.7L 6-Cylinder Gas Engines
[ESF] = 6.1L SRT Hemi SMPI V-8 Engine
[ES0] = All 6.1L 8-Cylinder Gas Engines
[EVA] = 4.7L [Magnum] V-8 Engine
[EVD] = 4.7L V-8 FFV Engine
[EV0] = All 4.7L 8-Cylinder Gas Engines
[EXL] = 3.0L V-6 Turbo Diesel Engine
[EX0] = All 3.0L Cylinder Turbo Diesel Engines
[EZB] = 5.7L Hemi Multi-Displacement Engine
[EZ0] = All 5.7L 8-Cylinder Gas Engines
[NAA] = Federal Emissions
[NAE] = California Emissions
[NAS] = 50 State Emissions
[NA1] = Export Emissions
[XEF] = Transfer Case Skid Plate Sheild

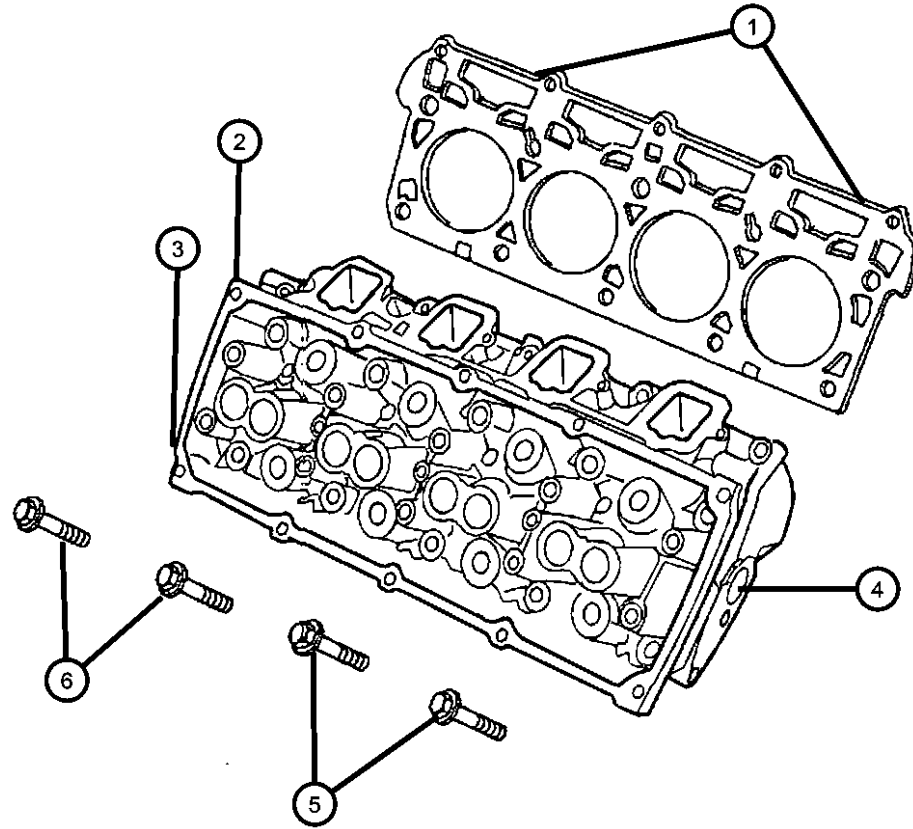
1	06507366AA	10	J, T			ESF			STUD AND GROMMET, Special, M6X1.00X50.50, Cylinder Head Cover To Cylinder Head, Mounting
2	05037531AC	2	J, T			ESF			COVER, Cylinder HeadRight And Left
3	05114179AB	2	J, T			ESF			GASKET KIT, Cylinder Head Cover
4	53021569AD	8	J, T			ESF			GASKET, Spark Plug Well

GRAND CHEROKEE (WK)				
SERIES	LINE	BODY	ENGINE	TRANSMISSION
H = HIGHLINE	T = JEEP - 2WD	74 = SPORT UTILITY 4-DR	EVE = Engine - 4.7L V8 DOHC 3 Valve	DGJ = 5-Speed Auto W5A580 Transmission
P = PREMIUM	J = JEEP - 4WD	TYPE #4	EZB = 5.7L Hemi Multi Displacement Engine	DGU = 5-Spd Auto W5J400 Transmission
S = SPORT			EKG = 3.7L V6 Engine	DGQ = 5-Spd Automatic 545RFE Transmission
X = SPECIAL			ESF = 6.1L SRT HEMI SMPI V8 Engine	
			EXL = 3.0L V6 Turbo Diesel Engine	

AR = use ase required - = Non illustrated part

**Cylinder Heads 6.1L [ESF]
Figure 009ESF-225**

ITEM	PART NUMBER	QTY	LINE	SERIES	BODY	ENGINE	TRANS	TRIM	DESCRIPTION
------	-------------	-----	------	--------	------	--------	-------	------	-------------



NOTE:

Sales Codes:

- [DGJ] = 5-Speed Automatic W5A580 Transmission
- [DGQ] = 5-Speed Automatic 545RFE Transmission
- [DGU] = 5-Speed Automatic W5J400 Transmission
- [DG0] = All Automatic Transmissions
- [DHB] = Quadra -Trac Active On Demand NVG 146 Transfer Case
- [DHX] = Quadra -Trac 2 Full Time Active NVG 245 Transfer Case
- [DHZ] = Quadra -Trac 1 Full time 4WD NVG 140 Transfer Case
- [EKG] = 3.7L [Magnum] V-6 Engine
- [EK0] = All 3.7L 6-Cylinder Gas Engines
- [ESF] = 6.1L SRT Hemi SMPI V-8 Engine
- [ES0] = All 6.1L 8-Cylinder Gas Engines
- [EVA] = 4.7L [Magnum] V-8 Engine
- [EVD] = 4.7L V-8 FFV Engine
- [EV0] = All 4.7L 8-Cylinder Gas Engines
- [EXL] = 3.0L V-6 Turbo Diesel Engine
- [EX0] = All 3.0L Cylinder Turbo Diesel Engines
- [EZB] = 5.7L Hemi Multi-Displacement Engine
- [EZ0] = All 5.7L 8-Cylinder Gas Engines
- [NAA] = Federal Emissions
- [NAE] = California Emissions
- [NAS] = 50 State Emissions
- [NA1] = Export Emissions
- [XEF] = Transfer Case Skid Plate Sheild

1	05037592AC	2	J, T			ESF			GASKET, Cylinder Head Right And Left
2	05170620AA	1	J, T			ESF			HEAD, Cylinder, Right
3	05170621AA	1	J, T			ESF			HEAD, Cylinder, Left
4									PLUG, Core, 1.25 Diameter
	04556020AB	2	J, T			ESF			Right Cylinder Head
		2	J, T			ESF			Left Cylinder Head
5	06506334AA	10	J, T			ESF			BOLT, Hex Flange Head, M8X1.25X45.00, Cylinder Head To Cylinder Block, Mounting
6	06506694AA	20	J, T			ESF			BOLT AND CONED WASHER, Hex Head, M12X1.50X135.00, Cylinder Head To Cylinder Block, Mounting

GRAND CHEROKEE (WK)

SERIES LINE
H = HIGHLINE T = JEEP - 2WD
P = PREMIUM J = JEEP - 4WD
S = SPORT
X = SPECIAL

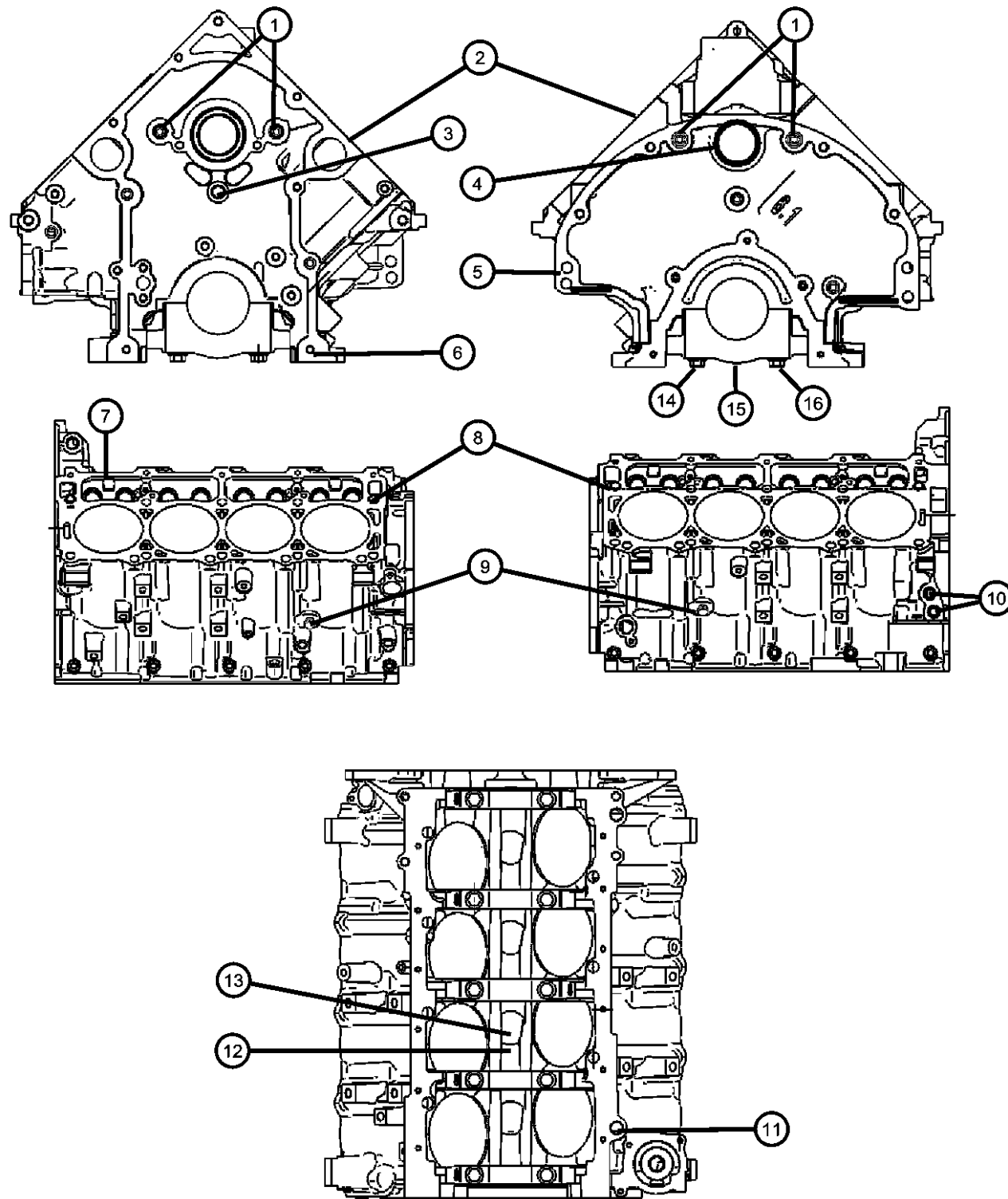
BODY
74 = SPORT UTILITY 4-DR
TYPE #4

ENGINE TRANSMISSION
EVE = Engine - 4.7L V8 DOHC 3 Valve
EZB = 5.7L Hemi Multi Displacement Engine
EKG = 3.7L V6 Engine
ESF = 6.1L SRT HEMI SMPI V8 Engine
EXL = 3.0L V6 Turbo Diesel Engine
DGJ = 5-Speed Auto W5A580 Transmission
DGU = 5-Spd Auto W5J400 Transmission
DGQ = 5-Spd Automatic 545RFE Transmission

AR = use ase required - = Non illustrated part

2008 WK

**Cylinder Block And Hardware 6.1L [ESF]
Figure 009ESF-305**



ITEM	PART NUMBER	QTY	LINE	SERIES	BODY	ENGINE	TRANS	TRIM	DESCRIPTION
------	-------------	-----	------	--------	------	--------	-------	------	-------------

NOTE:

Shortblock Does Not Include Camshaft, Lifters, Oil Pump Or Oil Pan, But Does Include The Camshaft Bearings.

Sales Codes:

- [DGJ] = 5-Speed Automatic W5A580 Transmission
- [DGQ] = 5-Speed Automatic 545RFE Transmission
- [DGU] = 5-Speed Automatic W5J400 Transmission
- [DG0] = All Automatic Transmissions
- [DHB] = Quadra -Trac Active On Demand NVG 146 Transfer Case
- [DHX] = Quadra -Trac 2 Full Time Active NVG 245 Transfer Case
- [DHZ] = Quadra -Trac 1 Full time 4WD NVG 140 Transfer Case
- [EKG] = 3.7L [Magnum] V-6 Engine
- [EK0] = All 3.7L 6-Cylinder Gas Engines
- [ESF] = 6.1L SRT Hemi SMPI V-8 Engine
- [ES0] = All 6.1L 8-Cylinder Gas Engines
- [EVA] = 4.7L [Magnum] V-8 Engine
- [EVD] = 4.7L V-8 FFV Engine
- [EV0] = All 4.7L 8-Cylinder Gas Engines
- [EXL] = 3.0L V-6 Turbo Diesel Engine
- [EX0] = All 3.0L Cylinder Turbo Diesel Engines
- [EZB] = 5.7L Hemi Multi-Displacement Engine
- [EZ0] = All 5.7L 8-Cylinder Gas Engines
- [NAA] = Federal Emissions
- [NAE] = California Emissions
- [NAS] = 50 State Emissions
- [NA1] = Export Emissions
- [XEF] = Transfer Case Skid Plate Shield

1		20							PLUG, Cylinder Block, [.375-18X1.343] Serviced In Short Block, (NOT SERVICED) ENGINE, Short Block, See Note
2	05159561AC	1	J, T			ESF			PLUG, Cylinder Block, .562X.280 Stainless, Oil Gallery, Front
3	06036286AA	1	J, T			ESF			PLUG, Camshaft, [M47.93 OD 6.4 THK 51.5 FLG OD]
4	06507663AA	1	J, T			ESF			DOWEL, Block to Clutch Housing, 1/2X3/4
5	01122532	2	J, T			ESF			PIN, Dowel, M8X10.00, Front Cover To Cylinder Block, Mounting
6	06506332AA	2	J, T			ESF			PLUG, Cylinder Block, MDS
7	53032221AA	4	J, T			ESF			DOWEL PIN, Cylinder Head To Cylinder Block, Mounting
8	05240849	4	J, T			ESF			PLUG, .250-18X.690, Cylinder Block Coolant Drain
9	06036592AA	2	J, T			ESF			PLUG, Hex Socket, 3/8-18NPTx.475
10	06034331	4	J, T			ESF			

GRAND CHEROKEE (WK)

SERIES LINE
H = HIGHLINE T = JEEP - 2WD
P = PREMIUM J = JEEP - 4WD
S = SPORT
X = SPECIAL

BODY
74 = SPORT UTILITY 4-DR TYPE #4

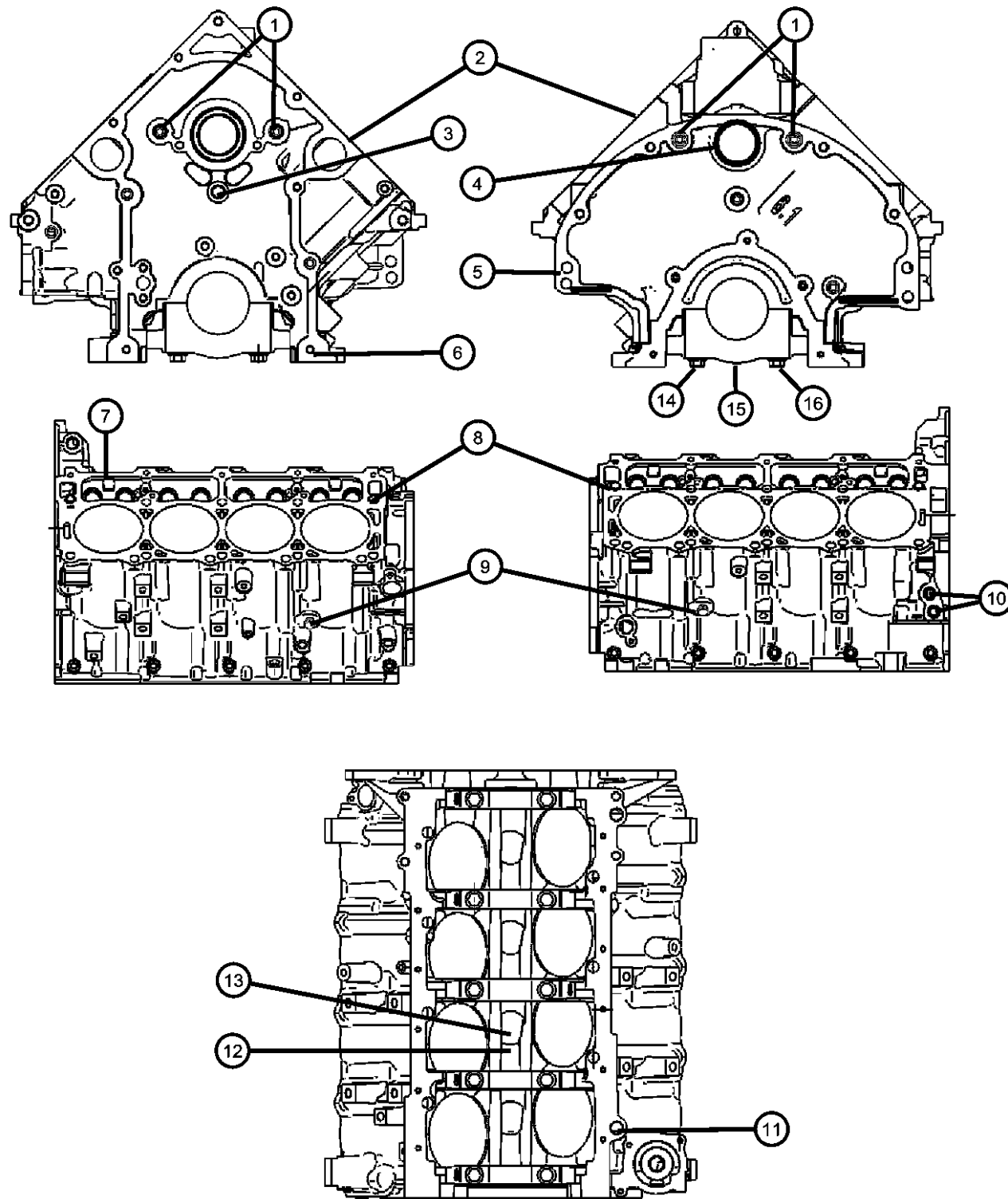
ENGINE
EVE = Engine - 4.7L V8 DOHC 3 Valve
EZB = 5.7L Hemi Multi Displacement Engine
EKG = 3.7L V6 Engine
ESF = 6.1L SRT HEMI SMPI V8 Engine
EXL = 3.0L V6 Turbo Diesel Engine

TRANSMISSION
DGJ = 5-Speed Auto W5A580 Transmission
DGU = 5-Spd Auto W5J400 Transmission
DGQ = 5-Spd Automatic 545RFE Transmission

AR = use ase required - = Non illustrated part

2008 WK

**Cylinder Block And Hardware 6.1L [ESF]
Figure 009ESF-305**



ITEM	PART NUMBER	QTY	LINE	SERIES	BODY	ENGINE	TRANS	TRIM	DESCRIPTION
11	06036307AA	2	J, T			ESF			PLUG, Pipe, .250-18X.413
12	05037524AB	4	J, T			ESF			JET, Piston Oil Cooler
13	06104179AA	4	J, T			ESF			BOLT, Hex Flange Head, M6x1.00x12.00, Piston Oil Jet Cooler To Cylinder Block, Mounting
14	06506333AA	2	J, T			ESF			STUD, Double Ended, M12&M8, Main Bearing Cap To Cylinder Block, Mounting
15		2							CAP, Main, Serviced With New Short Block Engine, (NOT SERVICED)
16	06506272AA	10	J, T			ESF			BOLT, Hex Flange Head, M12X1.75X91.50, Main Bearing Cap To Cylinder Block, Mounting

GRAND CHEROKEE (WK)

SERIES LINE
H = HIGHLINE T = JEEP - 2WD
P = PREMIUM J = JEEP - 4WD
S = SPORT
X = SPECIAL

BODY
74 = SPORT UTILITY 4-DR
TYPE #4

ENGINE
EVE = Engine - 4.7L V8 DOHC 3 Valve
EZB = 5.7L Hemi Multi Displacement Engine
EKG = 3.7L V6 Engine
ESF = 6.1L SRT HEMI SMPI V8 Engine
EXL = 3.0L V6 Turbo Diesel Engine

TRANSMISSION
DGJ = 5-Speed Auto W5A580 Transmission
DGU = 5-Spd Auto W5J400 Transmission
DGQ = 5-Spd Automatic 545RFE Transmission

AR = use ase required - = Non illustrated part

2008 WK

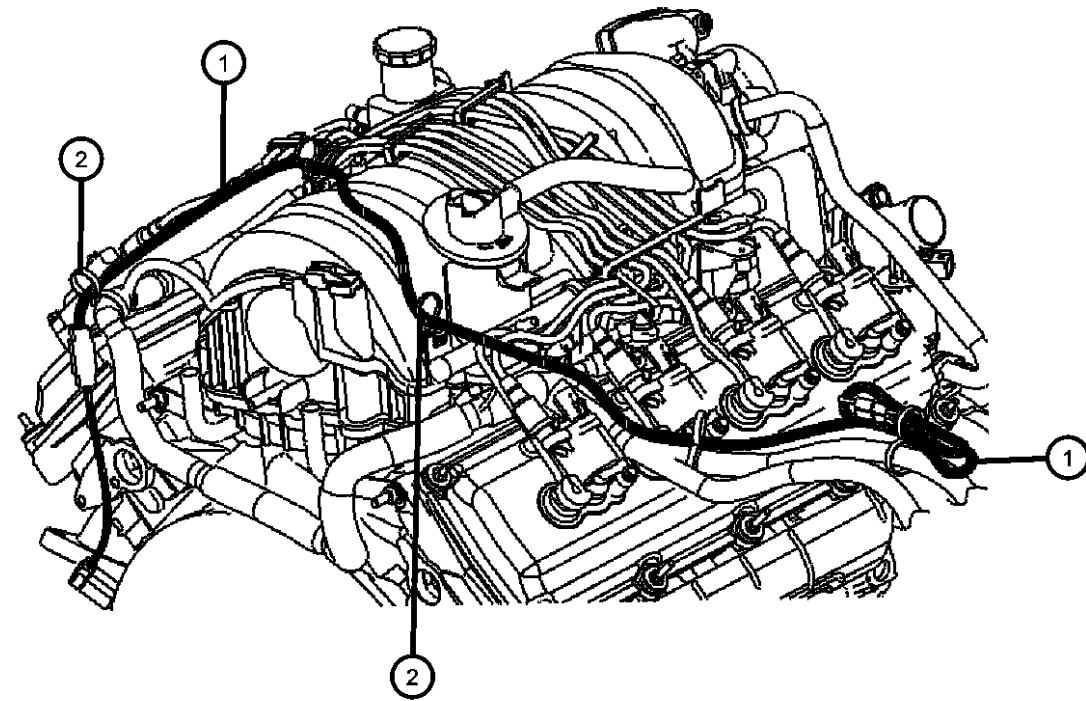
**Engine Cylinder Block Heater 6.1L [ESF]
Figure 009ESF-325**

ITEM	PART NUMBER	QTY	LINE	SERIES	BODY	ENGINE	TRANS	TRIM	DESCRIPTION
------	-------------	-----	------	--------	------	--------	-------	------	-------------

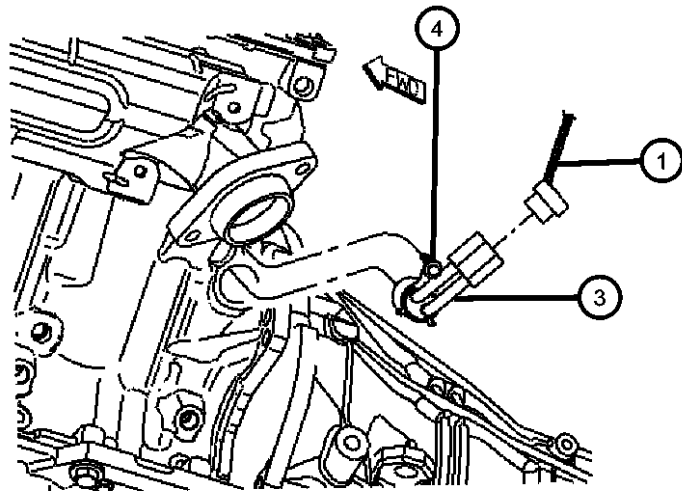
NOTE:

Sales Codes:

- [DGJ] = 5-Speed Automatic W5A580 Transmission
- [DGQ] = 5-Speed Automatic 545RFE Transmission
- [DGU] = 5-Speed Automatic W5J400 Transmission
- [DG0] = All Automatic Transmissions
- [DHB] = Quadra -Trac Active On Demand NVG 146 Transfer Case
- [DHX] = Quadra -Trac 2 Full Time Active NVG 245 Transfer Case
- [DHZ] = Quadra -Trac 1 Full time 4WD NVG 140 Transfer Case
- [EKG] = 3.7L [Magnum] V-6 Engine
- [EK0] = All 3.7L 6-Cylinder Gas Engines
- [ESF] = 6.1L SRT Hemi SMPI V-8 Engine
- [ES0] = All 6.1L 8-Cylinder Gas Engines
- [EVA] = 4.7L [Magnum] V-8 Engine
- [EVD] = 4.7L V-8 FFV Engine
- [EV0] = All 4.7L 8-Cylinder Gas Engines
- [EXL] = 3.0L V-6 Turbo Diesel Engine
- [EX0] = All 3.0L Cylinder Turbo Diesel Engines
- [EZB] = 5.7L Hemi Multi-Displacement Engine
- [EZ0] = All 5.7L 8-Cylinder Gas Engines
- [NAA] = Federal Emissions
- [NAE] = California Emissions
- [NAS] = 50 State Emissions
- [NA1] = Export Emissions
- [XEF] = Transfer Case Skid Plate Sheild



1	56044577AB	1	J, T			ES0, EZ0			CORD, Engine Block Heater
2	56008876	1	J, T			ES0, EV0, EZ0			STRAP, Tie, Double Ended And Biter Tie Clips Serviced With The Cord Only
3	05149055AA	1	J, T			ESF			HEATER, Engine Block
4		1							SCREW AND WASHER, Hex Head, M6x1x20, (NOT SERVICED)



GRAND CHEROKEE (WK)

SERIES LINE
H = HIGHLINE T = JEEP - 2WD
P = PREMIUM J = JEEP - 4WD
S = SPORT
X = SPECIAL

BODY
74 = SPORT UTILITY 4-DR TYPE #4

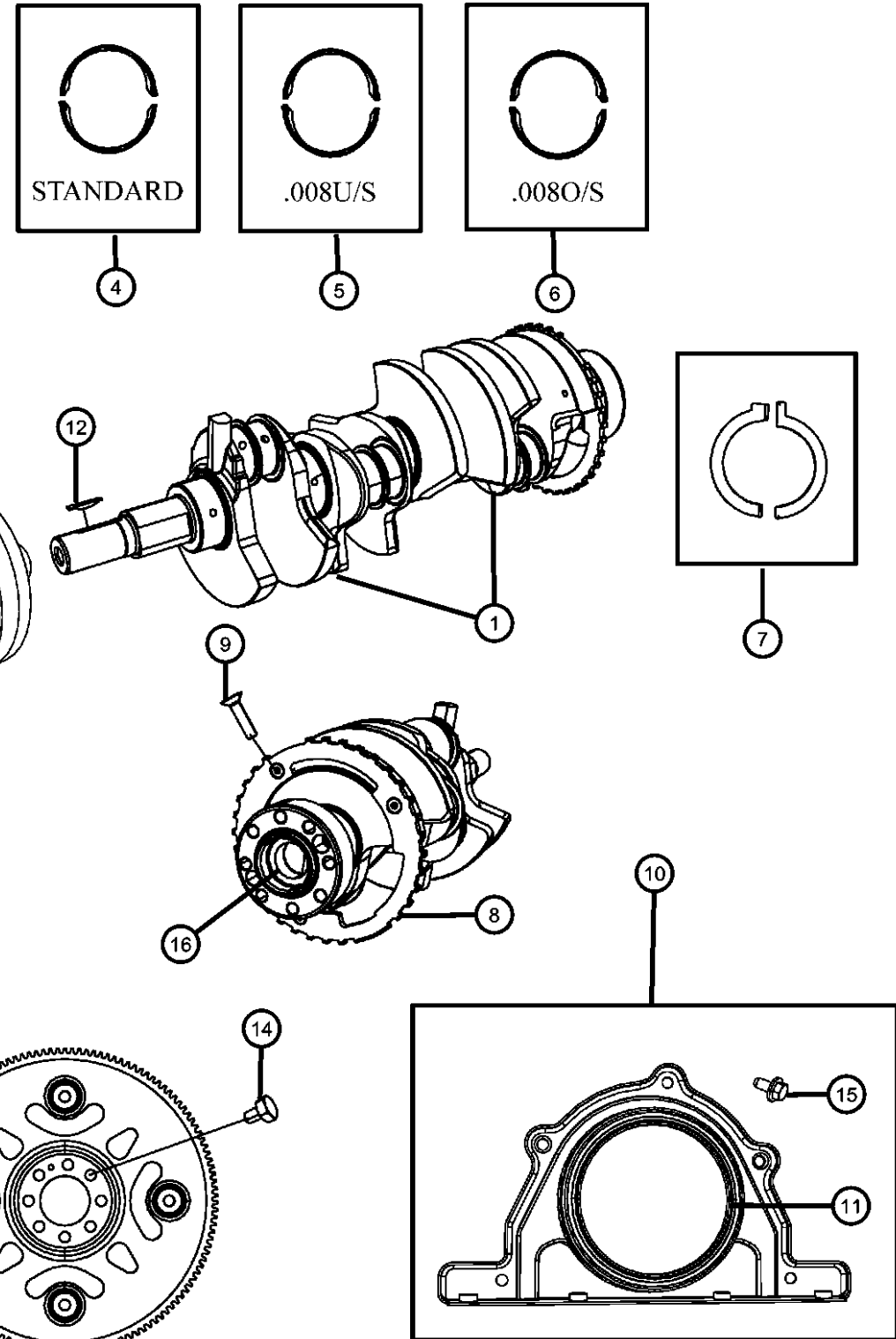
ENGINE TRANSMISSION
EVE = Engine - 4.7L V8 DOHC 3 Valve
EZB = 5.7L Hemi Multi Displacement Engine
EKG = 3.7L V6 Engine
ESF = 6.1L SRT HEMI SMPI V8 Engine
EXL = 3.0L V6 Turbo Diesel Engine
DGJ = 5-Speed Auto W5A580 Transmission
DGU = 5-Spd Auto W5J400 Transmission
DGQ = 5-Spd Automatic 545RFE Transmission

AR = use ase required - = Non illustrated part

2008 WK

**Crankshaft, Crankshaft Bearings, Damper And Flexplate 6.1L [ESF]
Figure 009ESF-405**

ITEM	PART NUMBER	QTY	LINE	SERIES	BODY	ENGINE	TRANS	TRIM	DESCRIPTION
------	-------------	-----	------	--------	------	--------	-------	------	-------------



NOTE: For Crankshaft Identification, Stamping Location And Bearing Information Refer To The Service Manual.
For Bearing Selection Sizes Please Refer To Service Manual Group 9, Bearings Crankshaft Main, [Select Fit Identification]

Sales Codes:

- [DGJ] = 5-Speed Automatic W5A580 Transmission
- [DGQ] = 5-Speed Automatic 545RFE Transmission
- [DGU] = 5-Speed Automatic W5J400 Transmission
- [DG0] = All Automatic Transmissions
- [DHB] = Quadra -Trac Active On Demand NVG 146 Transfer Case
- [DHX] = Quadra -Trac 2 Full Time Active NVG 245 Transfer Case
- [DHZ] = Quadra -Trac 1 Full time 4WD NVG 140 Transfer Case
- [EKG] = 3.7L [Magnum] V-6 Engine
- [EK0] = All 3.7L 6-Cylinder Gas Engines
- [ESF] = 6.1L SRT Hemi SMPI V-8 Engine
- [ES0] = All 6.1L 8-Cylinder Gas Engines
- [EVA] = 4.7L [Magnum] V-8 Engine
- [EVD] = 4.7L V-8 FFV Engine
- [EV0] = All 4.7L 8-Cylinder Gas Engines
- [EXL] = 3.0L V-6 Turbo Diesel Engine
- [EX0] = All 3.0L Cylinder Turbo Diesel Engines
- [EZB] = 5.7L Hemi Multi-Displacement Engine
- [EZ0] = All 5.7L 8-Cylinder Gas Engines
- [NAA] = Federal Emissions
- [NAE] = California Emissions
- [NAS] = 50 State Emissions
- [NA1] = Export Emissions
- [XEF] = Transfer Case Skid Plate Shield

1	05037458AA	1	J, T			ESF			CRANKSHAFT
2	05037394AA	1	J, T			ESF			DAMPER, Crankshaft
3	06508400AA	1	J, T			ESF			BOLT AND CONED WASHER, Hex Head, M14X1.5X102.00, Damper To Crankshaft, Mounting
4	05174003AA	5	J, T			ESF			BEARING KIT, Crankshaft, Standard
5	05174004AB	5	J, T			ESF			BEARING KIT, Crankshaft, .008mm U/S
6	05174002AB	5	J, T			ESF			BEARING KIT, Crankshaft, .008mm O/S
7	05083979AA	1	J, T			ESF			THRUST WASHER PACKAGE, Crankshaft
8		1							TONE RING, Sensor, Serviced With Crankshaft, (NOT SERVICED)
9		1							SCREW, M6x1x25, Serviced With Crankshaft, (NOT SERVICED)
10	05140028AA	1	J, T			ESF			RETAINER PACKAGE, Crankshaft Rear Oil Seal

GRAND CHEROKEE (WK)

SERIES LINE
H = HIGHLINE T = JEEP - 2WD
P = PREMIUM J = JEEP - 4WD
S = SPORT
X = SPECIAL

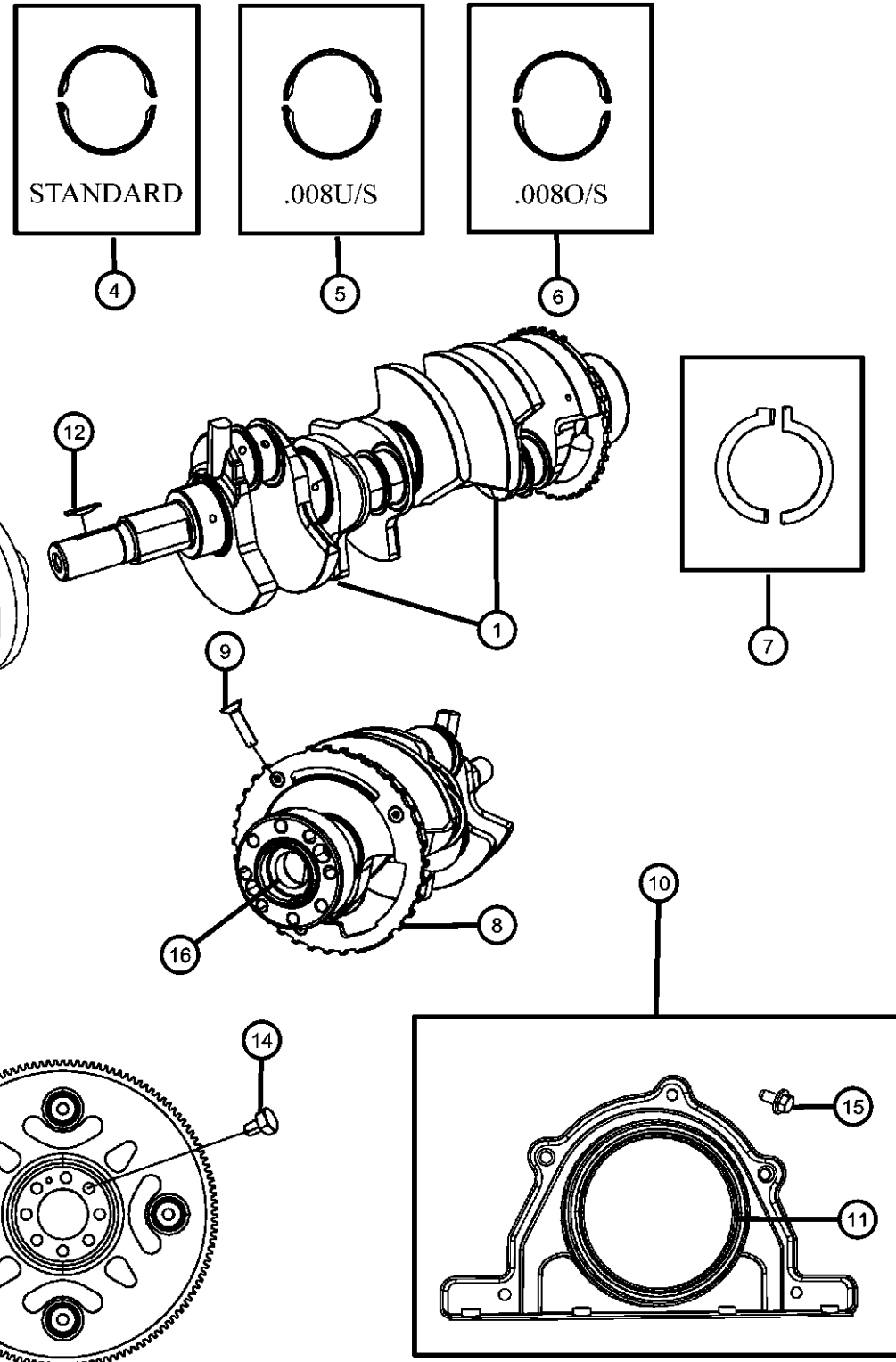
BODY
74 = SPORT UTILITY 4-DR TYPE #4

ENGINE TRANSMISSION
EVE = Engine - 4.7L V8 DOHC 3 Valve
EZB = 5.7L Hemi Multi Displacement Engine
EKG = 3.7L V6 Engine
ESF = 6.1L SRT HEMI SMPI V8 Engine
EXL = 3.0L V6 Turbo Diesel Engine
DGJ = 5-Speed Auto W5A580 Transmission
DGU = 5-Spd Auto W5J400 Transmission
DGQ = 5-Spd Automatic 545RFE Transmission

AR = use ase required - = Non illustrated part

2008 WK

**Crankshaft, Crankshaft Bearings, Damper And Flexplate 6.1L [ESF]
Figure 009ESF-405**



ITEM	PART NUMBER	QTY	LINE	SERIES	BODY	ENGINE	TRANS	TRIM	DESCRIPTION
11		1							SEAL, Crankshaft Oil, Rear, Serviced In Rear Retainer Package, (NOT SERVICED)
12	06506397AA	1	J, T			ESF			KEY, Woodruff, Crankshaft Sprocket
13	04752455AA	1	J, T			ESF	DG0		PLATE, Torque Converter Drive
14	06503465	8	J, T			ESF	DG0		BOLT, Hex Head Lock, M10X1.00X18.00, Flexplate To Crankshaft, Mounting
15	06104005AA	5	J, T			ESF			BOLT, 6 Lobe External Head, M6X1.00X16.00, Rear Crankshaft Oil Seal Retainer To Cylinder Block, Mounting
16	04736283AA	1	J, T			ESF			SLEEVE Crankshaft

GRAND CHEROKEE (WK)

SERIES LINE
H = HIGHLINE T = JEEP - 2WD
P = PREMIUM J = JEEP - 4WD
S = SPORT
X = SPECIAL

BODY
74 = SPORT UTILITY 4-DR
TYPE #4

ENGINE
EVE = Engine - 4.7L V8 DOHC 3 Valve
EZB = 5.7L Hemi Multi Displacement Engine
EKG = 3.7L V6 Engine
ESF = 6.1L SRT HEMI SMPI V8 Engine
EXL = 3.0L V6 Turbo Diesel Engine

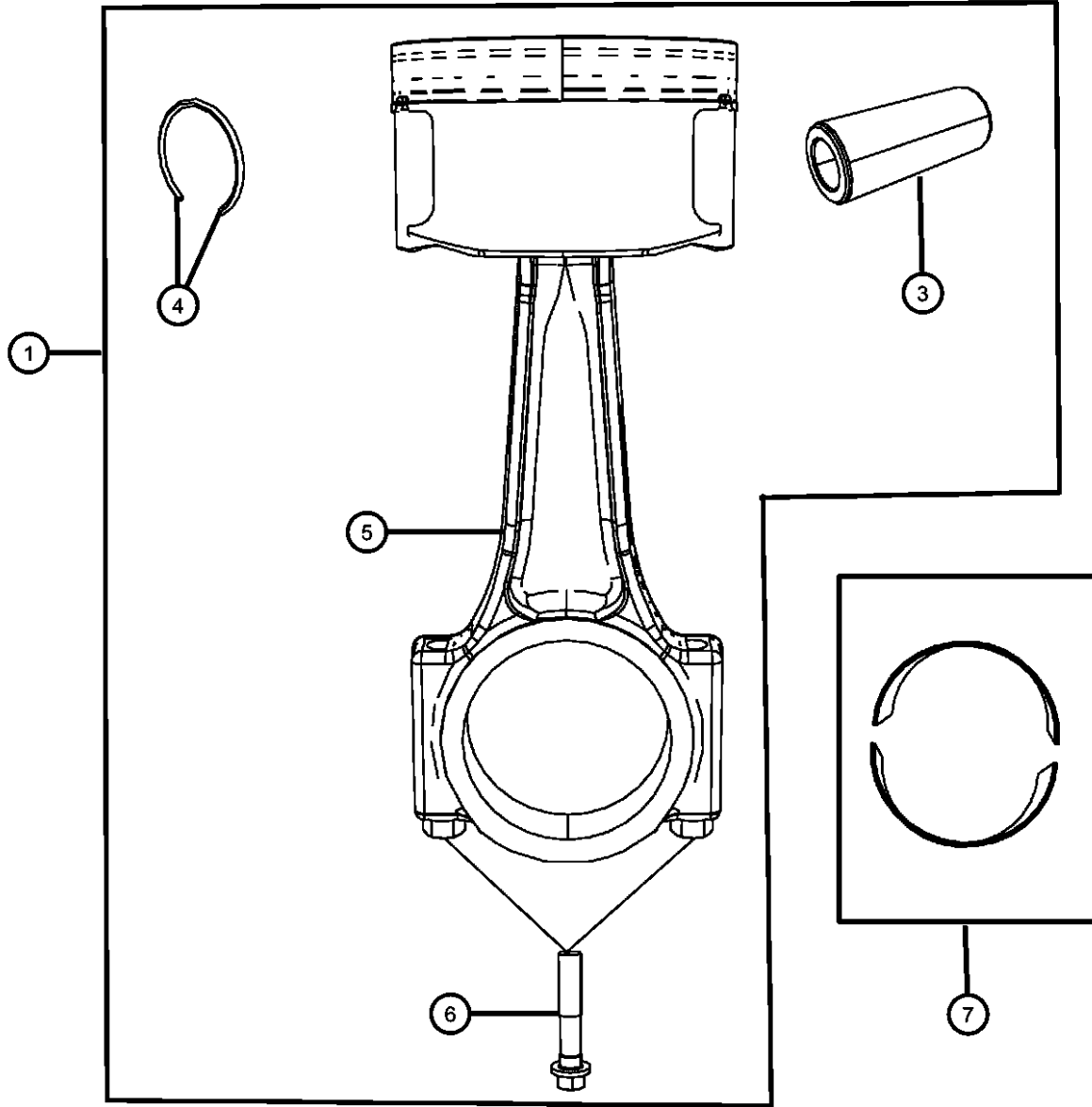
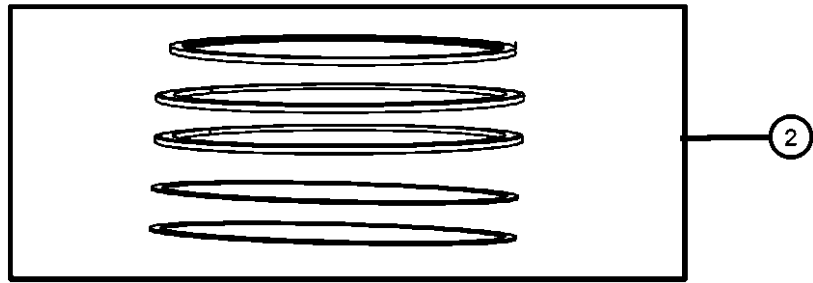
TRANSMISSION
DGJ = 5-Speed Auto W5A580 Transmission
DGU = 5-Spd Auto W5J400 Transmission
DGQ = 5-Spd Automatic 545RFE Transmission

AR = use ase required - = Non illustrated part

2008 WK

**Pistons, Connecting Rods, And Connecting Rod Bearings 6.1L [ESF]
Figure 009ESF-425**

ITEM	PART NUMBER	QTY	LINE	SERIES	BODY	ENGINE	TRANS	TRIM	DESCRIPTION
------	-------------	-----	------	--------	------	--------	-------	------	-------------



NOTE: For Crankshaft Identification, Stamping Location And Bearing Information Refer To The Service Manual.
For Bearing Selection Sizes Please Refer To Service Manual Group 9, Bearings Crankshaft Main, [Select Fit Identification]

Sales Codes:
 [DGJ] = 5-Speed Automatic W5A580 Transmission
 [DGQ] = 5-Speed Automatic 545RFE Transmission
 [DGU] = 5-Speed Automatic W5J400 Transmission
 [DG0] = All Automatic Transmissions
 [DHB] = Quadra -Trac Active On Demand NVG 146 Transfer Case
 [DHX] = Quadra -Trac 2 Full Time Active NVG 245 Transfer Case
 [DHZ] = Quadra -Trac 1 Full time 4WD NVG 140 Transfer Case
 [EKG] = 3.7L [Magnum] V-6 Engine
 [EK0] = All 3.7L 6-Cylinder Gas Engines
 [ESF] = 6.1L SRT Hemi SMPI V-8 Engine
 [ES0] = All 6.1L 8-Cylinder Gas Engines
 [EVA] = 4.7L [Magnum] V-8 Engine
 [EVD] = 4.7L V-8 FFV Engine
 [EV0] = All 4.7L 8-Cylinder Gas Engines
 [EXL] = 3.0L V-6 Turbo Diesel Engine
 [EX0] = All 3.0L Cylinder Turbo Diesel Engines
 [EZB] = 5.7L Hemi Multi-Displacement Engine
 [EZ0] = All 5.7L 8-Cylinder Gas Engines
 [NAA] = Federal Emissions
 [NAE] = California Emissions
 [NAS] = 50 State Emissions
 [NA1] = Export Emissions
 [XEF] = Transfer Case Skid Plate Sheild

1									PISTON PIN AND ROD, STD
	05037490AB	4	J, T			ESF			Cylinders 2,4,6,8 For Vehicles Built Up To 6/18/07, Right
	05037490AC	4	J, T			ESF			Cylinders 2,4,6,8 For Vehicles Built After 6/18/07, Right
	05037491AB	4	J, T			ESF			Cylinders 1,3,5,7 For Vehicles Built Up To 6/18/07, Left
	05037491AC	4	J, T			ESF			Cylinders 1,3,5,7 For Vehicles Built After 6/18/07, Left
2	05159661AA	1	J, T			ESF			RING PACKAGE, Piston, Standard Size, One [1] Package Services The Complete Engine
3		1							PIN, Piston, Serviced With Piston Package, (NOT SERVICED)
4		1							RING, Piston Pin, Serviced With Piston Package, (NOT SERVICED)
5		1							ROD, Connecting, Serviced With Piston Package, (NOT SERVICED)

GRAND CHEROKEE (WK)

SERIES LINE
 H = HIGHLINE T = JEEP - 2WD
 P = PREMIUM J = JEEP - 4WD
 S = SPORT
 X = SPECIAL

BODY
 74 = SPORT UTILITY 4-DR
 TYPE #4

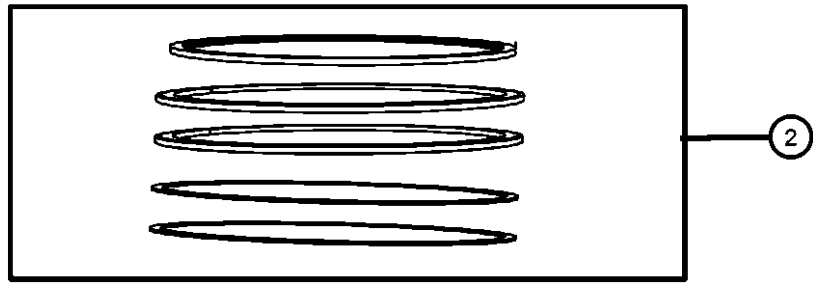
ENGINE TRANSMISSION
 EVE = Engine - 4.7L V8 DOHC 3 Valve
 EZB = 5.7L Hemi Multi Displacement Engine
 EKG = 3.7L V6 Engine
 ESF = 6.1L SRT HEMI SMPI V8 Engine
 EXL = 3.0L V6 Turbo Diesel Engine
 DGJ = 5-Speed Auto W5A580 Transmission
 DGU = 5-Spd Auto W5J400 Transmission
 DGQ = 5-Spd Automatic 545RFE Transmission

AR = use ase required - = Non illustrated part

2008 WK

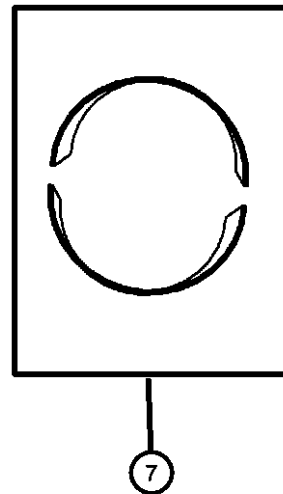
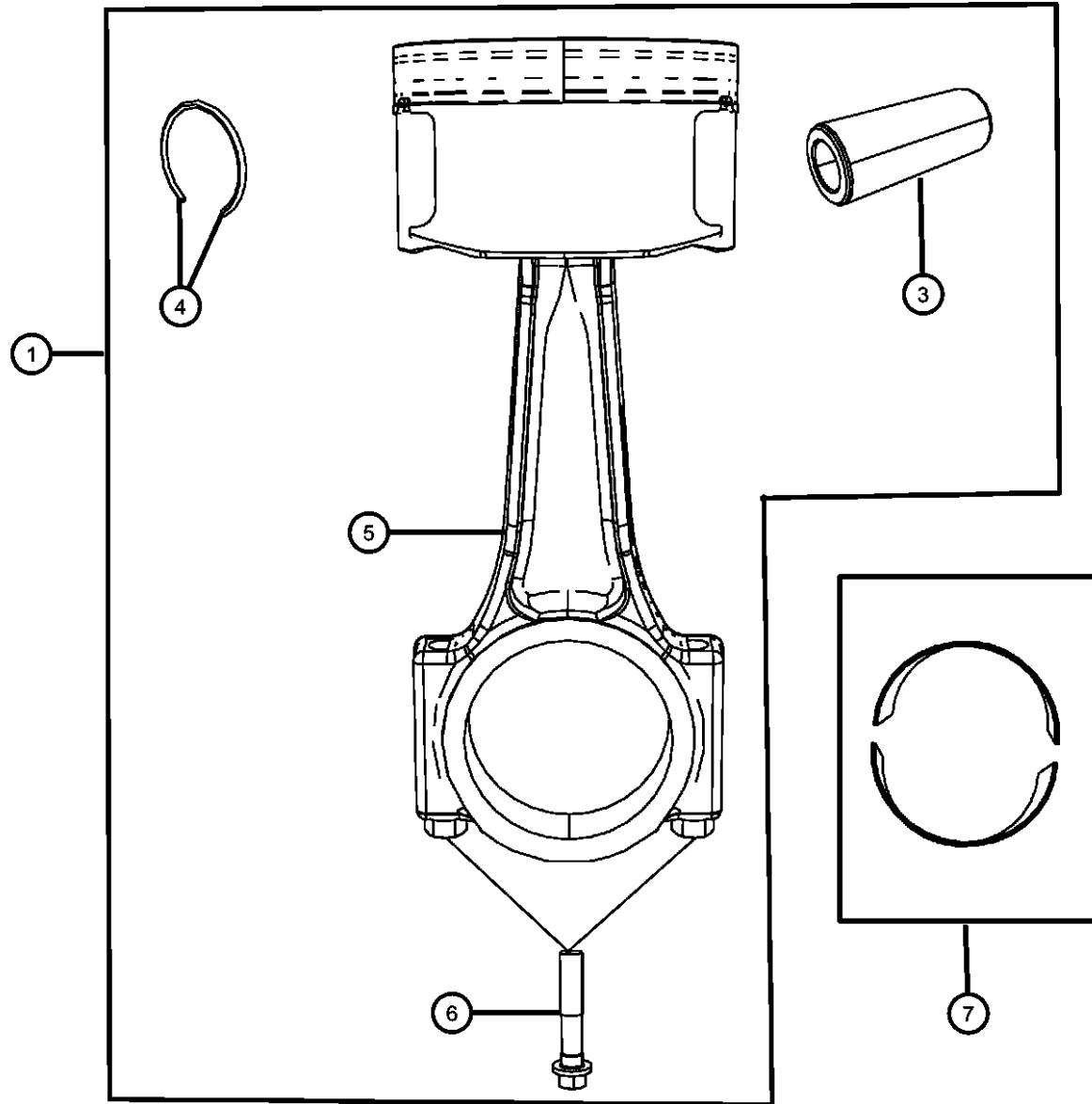
Pistons, Connecting Rods, And Connecting Rod Bearings 6.1L [ESF]
Figure 009ESF-425

ITEM	PART NUMBER	QTY	LINE	SERIES	BODY	ENGINE	TRANS	TRIM	DESCRIPTION
------	-------------	-----	------	--------	------	--------	-------	------	-------------



6	06508245AA	8	J, T			ESF			BOLT, Connecting Rod
7	05086003AC	AR	J, T			ESF			BEARING KIT, Connecting Rod, Standard, See Note

BOLT, Connecting Rod
BEARING KIT, Connecting Rod, Standard, See Note



GRAND CHEROKEE (WK)

SERIES LINE
H = HIGHLINE T = JEEP - 2WD
P = PREMIUM J = JEEP - 4WD
S = SPORT
X = SPECIAL

BODY
74 = SPORT UTILITY 4-DR
TYPE #4

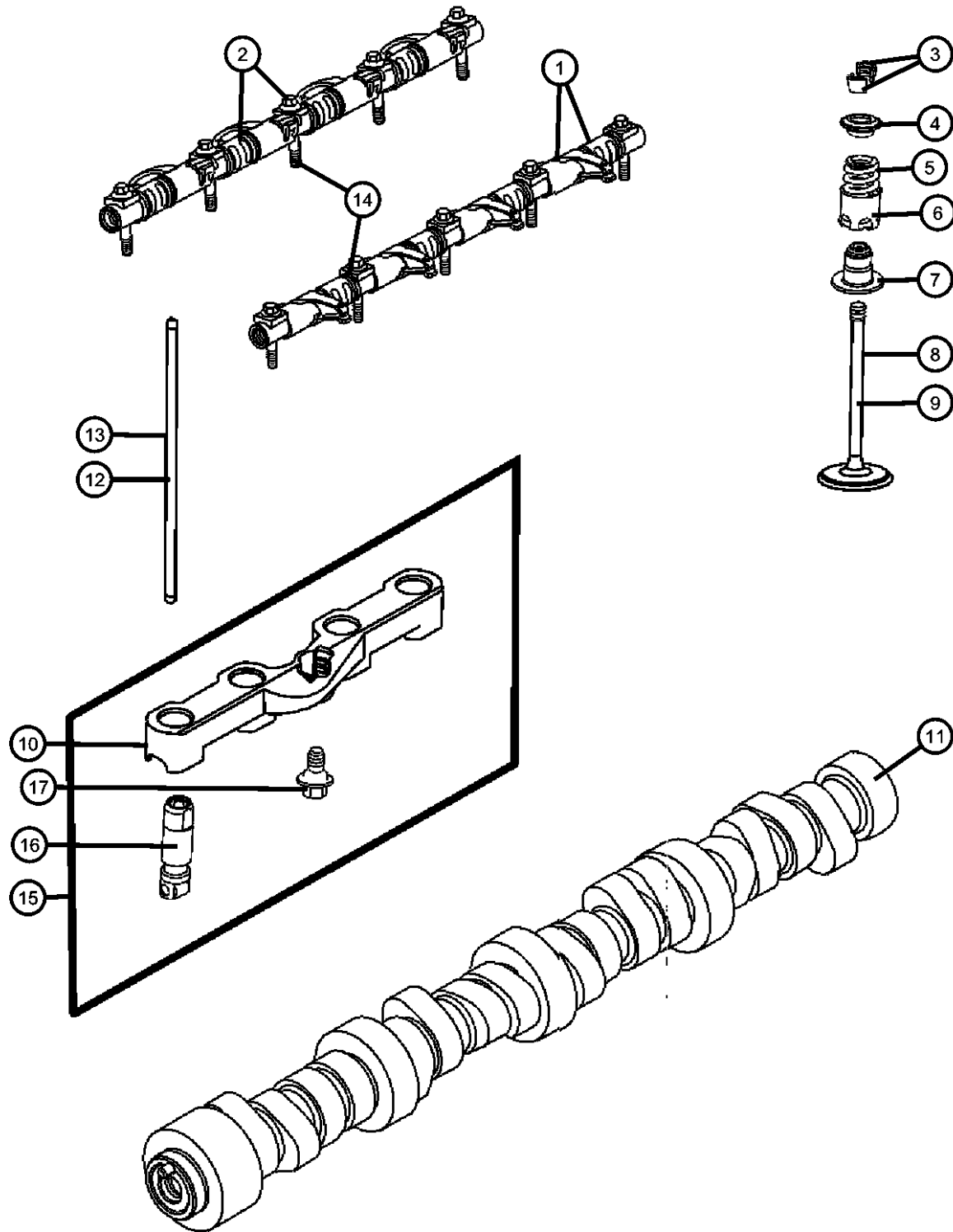
ENGINE
EVE = Engine - 4.7L V8 DOHC 3 Valve
EZB = 5.7L Hemi Multi Displacement Engine
EKG = 3.7L V6 Engine
ESF = 6.1L SRT HEMI SMPI V8 Engine
EXL = 3.0L V6 Turbo Diesel Engine

TRANSMISSION
DGJ = 5-Speed Auto W5A580 Transmission
DGU = 5-Spd Auto W5J400 Transmission
DGQ = 5-Spd Automatic 545RFE Transmission

AR = use ase required - = Non illustrated part

2008 WK

**Camshaft And Valvetrain 6.1L [ESF]
Figure 009ESF-505**



ITEM	PART NUMBER	QTY	LINE	SERIES	BODY	ENGINE	TRANS	TRIM	DESCRIPTION
------	-------------	-----	------	--------	------	--------	-------	------	-------------

NOTE:
Sales Codes:
[DGJ] = 5-Speed Automatic W5A580 Transmission
[DGQ] = 5-Speed Automatic 545RFE Transmission
[DGU] = 5-Speed Automatic W5J400 Transmission
[DG0] = All Automatic Transmissions
[DHB] = Quadra -Trac Active On Demand NVG 146 Transfer Case
[DHX] = Quadra -Trac 2 Full Time Active NVG 245 Transfer Case
[DHZ] = Quadra -Trac 1 Full time 4WD NVG 140 Transfer Case
[EKG] = 3.7L [Magnum] V-6 Engine
[EK0] = All 3.7L 6-Cylinder Gas Engines
[ESF] = 6.1L SRT Hemi SMPI V-8 Engine
[ES0] = All 6.1L 8-Cylinder Gas Engines
[EVA] = 4.7L [Magnum] V-8 Engine
[EVD] = 4.7L V-8 FFV Engine
[EV0] = All 4.7L 8-Cylinder Gas Engines
[EXL] = 3.0L V-6 Turbo Diesel Engine
[EX0] = All 3.0L Cylinder Turbo Diesel Engines
[EZB] = 5.7L Hemi Multi-Displacement Engine
[EZ0] = All 5.7L 8-Cylinder Gas Engines
[NAA] = Federal Emissions
[NAE] = California Emissions
[NAS] = 50 State Emissions
[NA1] = Export Emissions
[XEF] = Transfer Case Skid Plate Sheild

1	53021553AA	2	J, T			ESF			ROCKER ARM, Exhaust
2	53021552AA	2	J, T			ESF			ROCKER ARM, Intake
3	53010515AA	32	J, T			ESF			LOCK, Valve Spring Retainer
4	53021676AB	16	J, T			ESF			RETAINER, Valve Spring
5	05037382AC	8	J, T			ESF			SPRING, Intake Valve
6	05037477AC	8	J, T			ESF			SPRING, Exhaust Valve
7									SEAL, Valve Guide
	05037798AA	8	J, T			ESF			Intake, Valve
	53021578AA	8	J, T			ESF			Exhaust, Valve
8	05037372AB	8	J, T			ESF			VALVE, Intake, Standard
9	05037373AB	8	J, T			ESF			VALVE, Exhaust, Standard
10	53021721AA	4	J, T			ESF			YOKE, Tappet Aligning
11	05037379AC	1	J, T			ESF			CAMSHAFT, Engine
12	05037476AB	8	J, T			ESF			PUSH ROD, Intake Valve

GRAND CHEROKEE (WK)
 SERIES LINE
 H = HIGHLINE T = JEEP - 2WD
 P = PREMIUM J = JEEP - 4WD
 S = SPORT
 X = SPECIAL

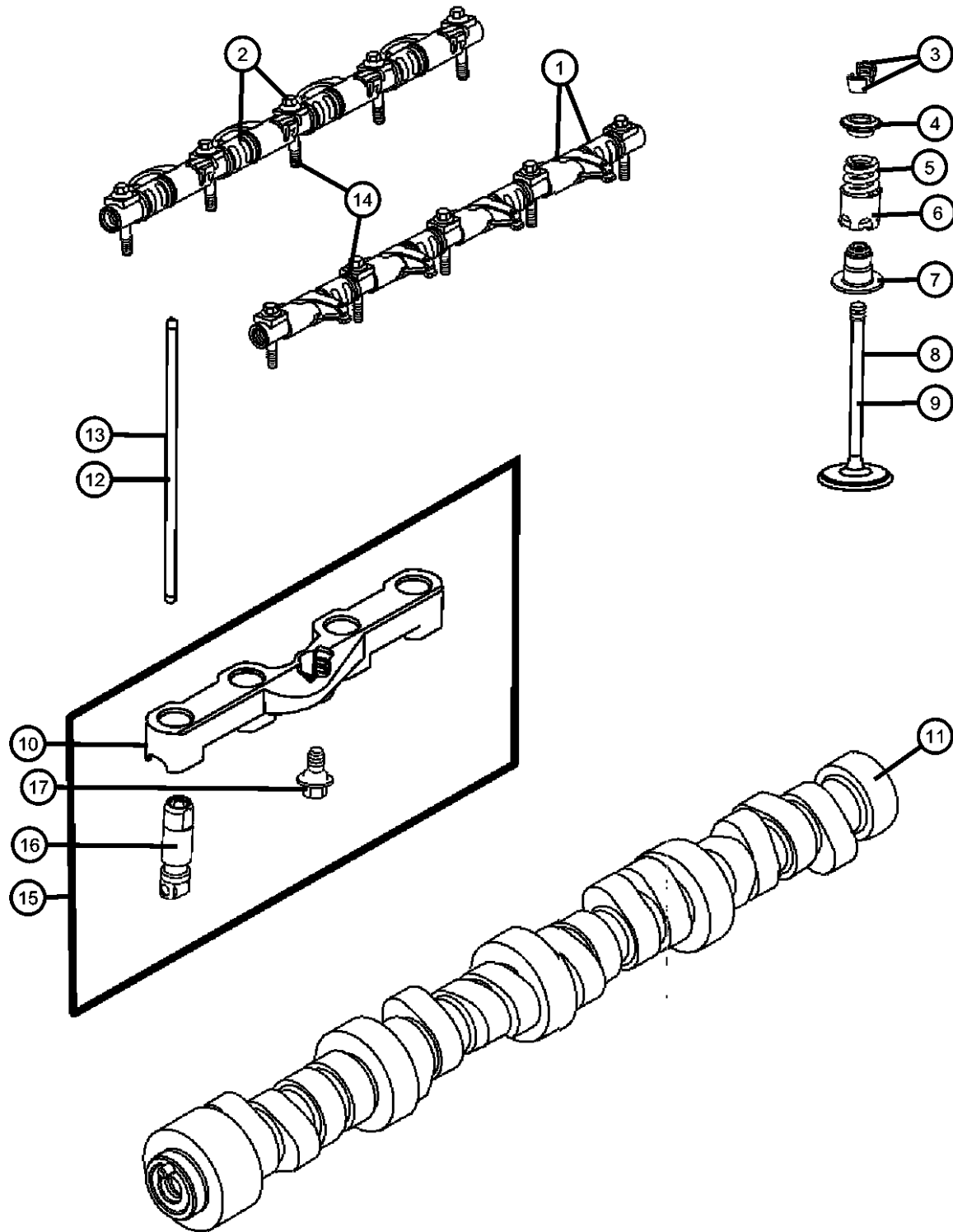
BODY
 74 = SPORT UTILITY 4-DR
 TYPE #4

ENGINE
 EVE = Engine - 4.7L V8 DOHC
 3 Valve
 EZB = 5.7L Hemi Multi
 Displacement Engine
 EKG = 3.7L V6 Engine
 ESF = 6.1L SRT HEMI SMPI
 V8 Engine
 EXL = 3.0L V6 Turbo Diesel
 Engine

TRANSMISSION
 DGJ = 5-Speed Auto W5A580
 Transmission
 DGU = 5-Spd Auto W5J400
 Transmission
 DGQ = 5-Spd Automatic 545RFE
 Transmission

AR = use ase required - = Non illustrated part

**Camshaft And Valvetrain 6.1L [ESF]
Figure 009ESF-505**



ITEM	PART NUMBER	QTY	LINE	SERIES	BODY	ENGINE	TRANS	TRIM	DESCRIPTION
13	05037475AB	8	J, T			ESF			PUSH ROD, Exhaust Valve
14	06507072AA	10	J, T			ESF			BOLT, Hex Flange Head, M8X1.25X50.00, Rocker Shaft To Cylinder Head, Mounting
15	53021720AB	4	J, T			ESF			LIFTERS AND YOKE, Hydraulic, Engine
16		4							TAPPET, Hyd. Roller, Serviced In Item 12, (NOT SERVICED)
17	06507067AA	4	J, T			ESF			BOLT, Hex Flange Head, M6x1.00x14.00, Lifter Guide To Cylinder Block, Mounting

GRAND CHEROKEE (WK)

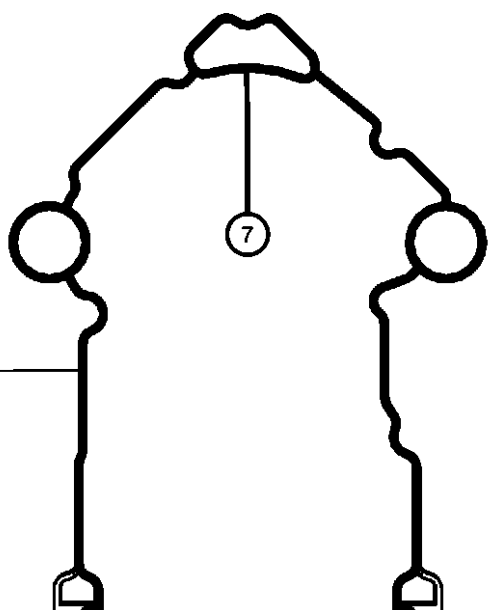
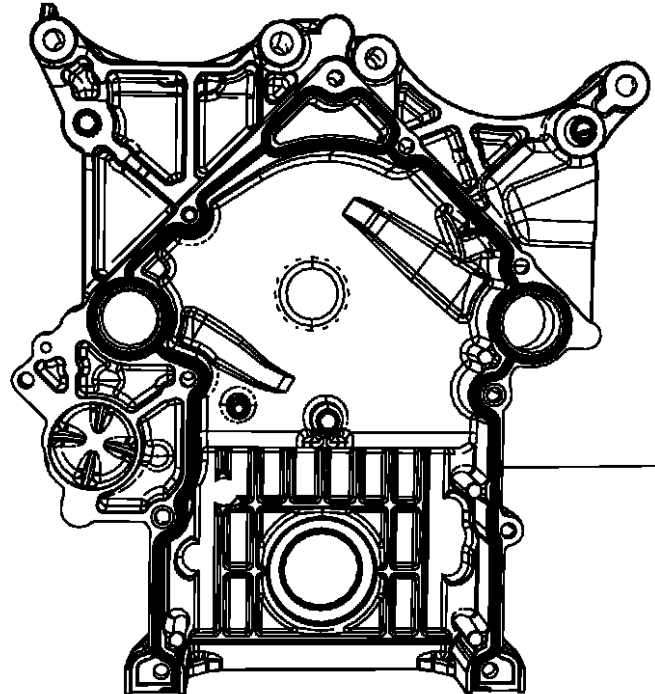
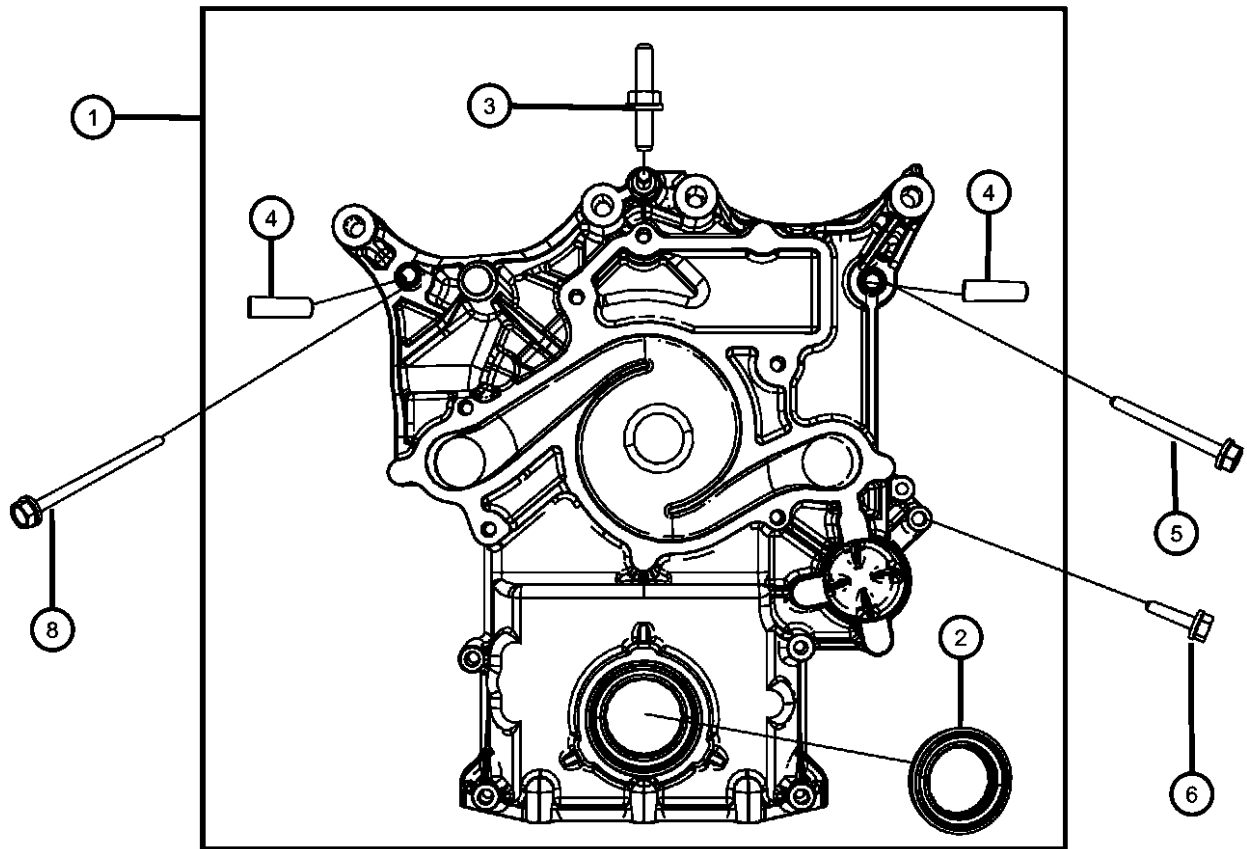
SERIES LINE
H = HIGHLINE T = JEEP - 2WD
P = PREMIUM J = JEEP - 4WD
S = SPORT
X = SPECIAL

BODY
74 = SPORT UTILITY 4-DR
TYPE #4

ENGINE TRANSMISSION
EVE = Engine - 4.7L V8 DOHC 3 Valve
EZB = 5.7L Hemi Multi Displacement Engine
EKG = 3.7L V6 Engine
ESF = 6.1L SRT HEMI SMPI V8 Engine
EXL = 3.0L V6 Turbo Diesel Engine
DGJ = 5-Speed Auto W5A580 Transmission
DGU = 5-Spd Auto W5J400 Transmission
DGQ = 5-Spd Automatic 545RFE Transmission

AR = use ase required - = Non illustrated part

Timing Case Cover 6.1L [ESF]
Figure 009ESF-605



ITEM	PART NUMBER	QTY	LINE	SERIES	BODY	ENGINE	TRANS	TRIM	DESCRIPTION
------	-------------	-----	------	--------	------	--------	-------	------	-------------

NOTE:
Sales Codes:
[DGJ] = 5-Speed Automatic W5A580 Transmission
[DGQ] = 5-Speed Automatic 545RFE Transmission
[DGU] = 5-Speed Automatic W5J400 Transmission
[DG0] = All Automatic Transmissions
[DHB] = Quadra -Trac Active On Demand NVG 146 Transfer Case
[DHX] = Quadra -Trac 2 Full Time Active NVG 245 Transfer Case
[DHZ] = Quadra -Trac 1 Full time 4WD NVG 140 Transfer Case
[EKG] = 3.7L [Magnum] V-6 Engine
[EK0] = All 3.7L 6-Cylinder Gas Engines
[ESF] = 6.1L SRT Hemi SMPI V-8 Engine
[ES0] = All 6.1L 8-Cylinder Gas Engines
[EVA] = 4.7L [Magnum] V-8 Engine
[EVD] = 4.7L V-8 FFV Engine
[EV0] = All 4.7L 8-Cylinder Gas Engines
[EXL] = 3.0L V-6 Turbo Diesel Engine
[EX0] = All 3.0L Cylinder Turbo Diesel Engines
[EZB] = 5.7L Hemi Multi-Displacement Engine
[EZ0] = All 5.7L 8-Cylinder Gas Engines
[NAA] = Federal Emissions
[NAE] = California Emissions
[NAS] = 50 State Emissions
[NA1] = Export Emissions
[XEF] = Transfer Case Skid Plate Shield

1	04792795AD	1	J, T			ESF			COVER, Timing Case
2	53021585AD	1	J, T			ESF			SEAL, Crankshaft Oil, Front
3	06506343AA	1	J, T			ESF			STUD, Double Ended, M10X1.50X25.00, Cover/Lifting Stud, Mounting
4	06506697AA	2	J, T			ESF			BUSHING, Timing Cover
5	06506270AA	3	J, T			ESF			BOLT AND CONED WASHER, Hex Head, M8X1.25X80.00 Cover to Cylinder Block, Mounting
		5	J, T			ESF			Water Pump To Cylinder Block, Mounting
6	06506269AA	5	J, T			ESF			BOLT AND CONED WASHER, Hex Head, M8X1.25X35.00, Water Pump To Cover, Mounting
7	05139933AB	1	J, T			ESF			GASKET PACKAGE, Front Cover
8		1							BOLT AND CONED WASHER, Hex Head, M8X1.25X130.00, (NOT SERVICED)

GRAND CHEROKEE (WK)		BODY	ENGINE	TRANSMISSION
SERIES	LINE	74 = SPORT UTILITY 4-DR TYPE #4	EVE = Engine - 4.7L V8 DOHC 3 Valve	DGJ = 5-Speed Auto W5A580 Transmission
H = HIGHLINE	T = JEEP - 2WD		EZB = 5.7L Hemi Multi Displacement Engine	DGU = 5-Spd Auto W5J400 Transmission
P = PREMIUM	J = JEEP - 4WD		EKG = 3.7L V6 Engine	DGQ = 5-Spd Automatic 545RFE Transmission
S = SPORT			ESF = 6.1L SRT HEMI SMPI V8 Engine	
X = SPECIAL			EXL = 3.0L V6 Turbo Diesel Engine	

AR = use ase required - = Non illustrated part

Timing System 6.1L [ESF]
Figure 009ESF-625

ITEM	PART NUMBER	QTY	LINE	SERIES	BODY	ENGINE	TRANS	TRIM	DESCRIPTION
------	-------------	-----	------	--------	------	--------	-------	------	-------------

NOTE:

Sales Codes:

[DGJ] = 5-Speed Automatic W5A580 Transmission

[DGQ] = 5-Speed Automatic 545RFE Transmission

[DGU] = 5-Speed Automatic W5J400 Transmission

[DG0] = All Automatic Transmissions

[DHB] = Quadra -Trac Active On Demand NVG 146 Transfer Case

[DHX] = Quadra -Trac 2 Full Time Active NVG 245 Transfer Case

[DHZ] = Quadra -Trac 1 Full time 4WD NVG 140 Transfer Case

[EKG] = 3.7L [Magnum] V-6 Engine

[EK0] = All 3.7L 6-Cylinder Gas Engines

[ESF] = 6.1L SRT Hemi SMPI V-8 Engine

[ES0] = All 6.1L 8-Cylinder Gas Engines

[EVA] = 4.7L [Magnum] V-8 Engine

[EVD] = 4.7L V-8 FFV Engine

[EV0] = All 4.7L 8-Cylinder Gas Engines

[EXL] = 3.0L V-6 Turbo Diesel Engine

[EX0] = All 3.0L Cylinder Turbo Diesel Engines

[EZB] = 5.7L Hemi Multi-Displacement Engine

[EZ0] = All 5.7L 8-Cylinder Gas Engines

[NAA] = Federal Emissions

[NAE] = California Emissions

[NAS] = 50 State Emissions

[NA1] = Export Emissions

[XEF] = Transfer Case Skid Plate Sheild

1	05037579AB	1	J, T			ESF			TIMING DRIVE KIT, Engine
2		1							CHAIN, Timing, Serviced in Kit, (NOT SERVICED)
3		1							SPROCKET, Camshaft, Serviced In Kit, (NOT SERVICED)
4	05037593AB	1	J, T			ESF			TENSIONER, Chain, Also Serviced In Kit
5		1							SPROCKET, Crankshaft, Serviced In Kit, (NOT SERVICED)
6	06507480AA	1	J, T			ESF			BOLT, Hex Flange Head, M12X1.75X37.00, Sprocket To Camshaft, Mounting
7	06507479AA	3	J, T			ESF			BOLT AND WASHER, Hex Head, M8x1.25x20.00, Tensioner To Cylinder Block, Mounting

GRAND CHEROKEE (WK)

SERIES LINE
H = HIGHLINE T = JEEP - 2WD
P = PREMIUM J = JEEP - 4WD
S = SPORT
X = SPECIAL

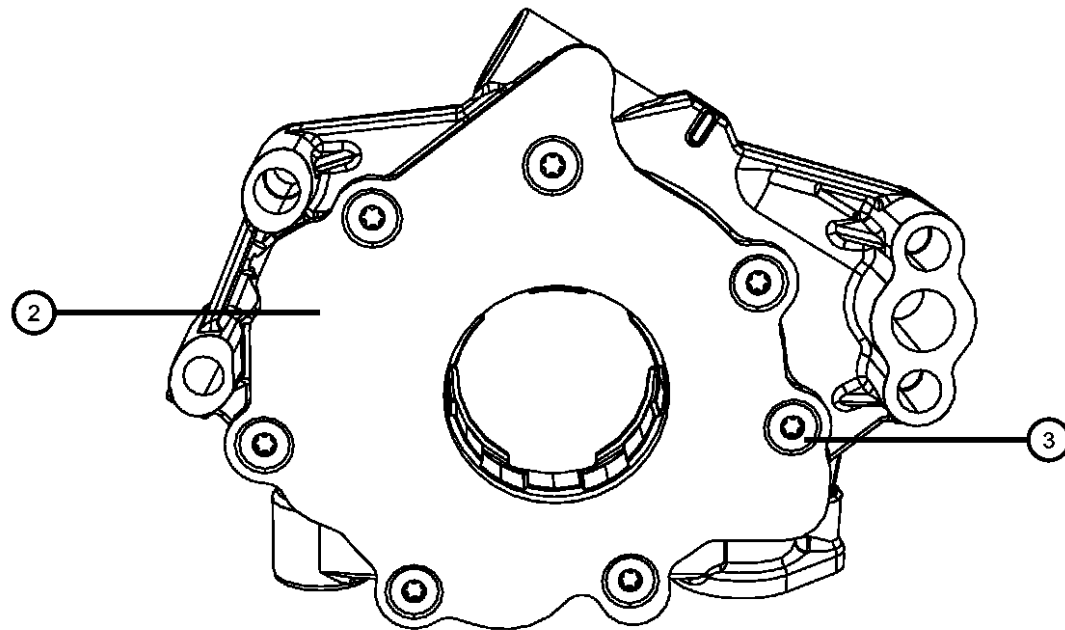
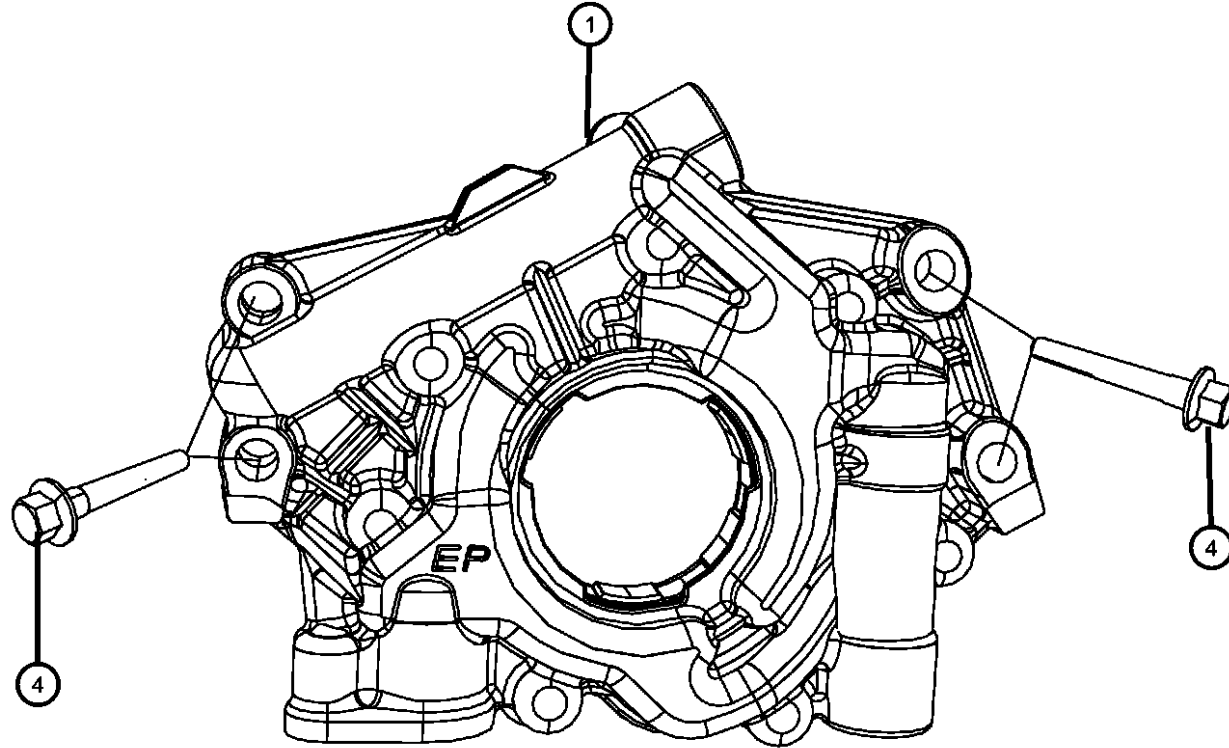
BODY
74 = SPORT UTILITY 4-DR
TYPE #4

ENGINE TRANSMISSION
EVE = Engine - 4.7L V8 DOHC 3 Valve
EZB = 5.7L Hemi Multi Displacement Engine
EKG = 3.7L V6 Engine
ESF = 6.1L SRT HEMI SMPI V8 Engine
EXL = 3.0L V6 Turbo Diesel Engine
DGJ = 5-Speed Auto W5A580 Transmission
DGU = 5-Spd Auto W5J400 Transmission
DGQ = 5-Spd Automatic 545RFE Transmission

AR = use ase required - = Non illustrated part

2008 WK

**Engine Oiling Pump 6.1L [ESF]
Figure 009ESF-705**



ITEM	PART NUMBER	QTY	LINE	SERIES	BODY	ENGINE	TRANS	TRIM	DESCRIPTION
------	-------------	-----	------	--------	------	--------	-------	------	-------------

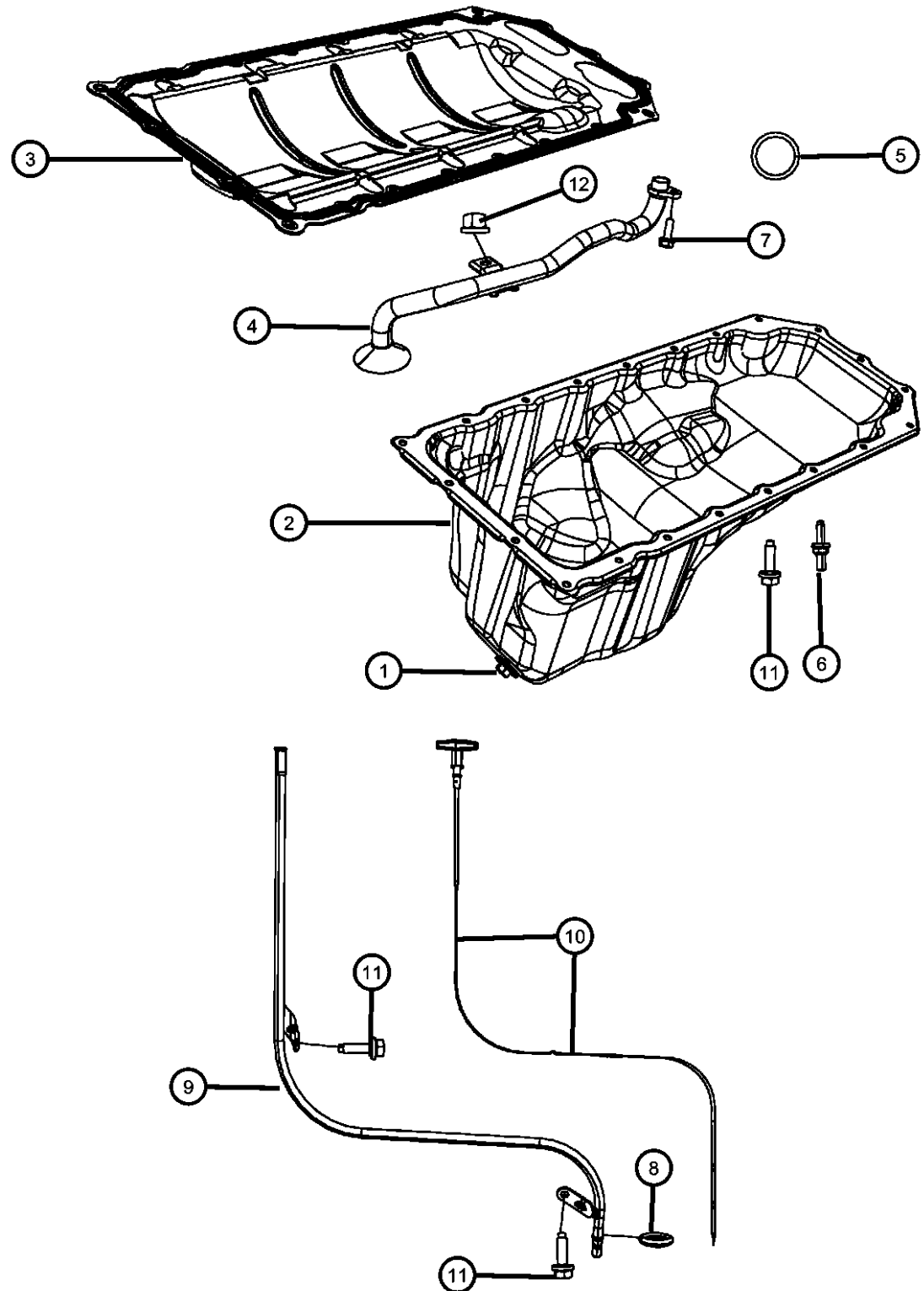
NOTE:
Sales Codes:
[DGJ] = 5-Speed Automatic W5A580 Transmission
[DGQ] = 5-Speed Automatic 545RFE Transmission
[DGU] = 5-Speed Automatic W5J400 Transmission
[DG0] = All Automatic Transmissions
[DHB] = Quadra -Trac Active On Demand NVG 146 Transfer Case
[DHX] = Quadra -Trac 2 Full Time Active NVG 245 Transfer Case
[DHZ] = Quadra -Trac 1 Full time 4WD NVG 140 Transfer Case
[EKG] = 3.7L [Magnum] V-6 Engine
[EK0] = All 3.7L 6-Cylinder Gas Engines
[ESF] = 6.1L SRT Hemi SMPI V-8 Engine
[ES0] = All 6.1L 8-Cylinder Gas Engines
[EVA] = 4.7L [Magnum] V-8 Engine
[EVD] = 4.7L V-8 FFV Engine
[EV0] = All 4.7L 8-Cylinder Gas Engines
[EXL] = 3.0L V-6 Turbo Diesel Engine
[EX0] = All 3.0L Cylinder Turbo Diesel Engines
[EZB] = 5.7L Hemi Multi-Displacement Engine
[EZ0] = All 5.7L 8-Cylinder Gas Engines
[NAA] = Federal Emissions
[NAE] = California Emissions
[NAS] = 50 State Emissions
[NA1] = Export Emissions
[XEF] = Transfer Case Skid Plate Sheild

1	05037687AB	1	J, T			ESF			PUMP, Engine Oil
2		1							COVER, Engine Oil Pump, Serviced With Oil Pump, (NOT SERVICED)
3		1							SCREW, Torx Head, Serviced With Oil Pump, (NOT SERVICED)
4	06101383	4	J, T			ESF			BOLT AND CONED WASHER, Hex Head, M8X1.25X55.00, Oil Pump To Cylinder Block, Mounting

GRAND CHEROKEE (WK)		BODY	ENGINE	TRANSMISSION
SERIES	LINE	74 = SPORT UTILITY 4-DR TYPE #4	EVE = Engine - 4.7L V8 DOHC 3 Valve	DGJ = 5-Speed Auto W5A580 Transmission
H = HIGHLINE	T = JEEP - 2WD		EZB = 5.7L Hemi Multi Displacement Engine	DGU = 5-Spd Auto W5J400 Transmission
P = PREMIUM	J = JEEP - 4WD		EKG = 3.7L V6 Engine	DGQ = 5-Spd Automatic 545RFE Transmission
S = SPORT			ESF = 6.1L SRT HEMI SMPI V8 Engine	
X = SPECIAL			EXL = 3.0L V6 Turbo Diesel Engine	

AR = use ase required - = Non illustrated part

**Engine Oil Pan, Engine Oil Level Indicator And Tube 6.1L [ESF]
Figure 009ESF-725**



ITEM	PART NUMBER	QTY	LINE	SERIES	BODY	ENGINE	TRANS	TRIM	DESCRIPTION
------	-------------	-----	------	--------	------	--------	-------	------	-------------

NOTE:
Sales Codes:
[DGJ] = 5-Speed Automatic W5A580 Transmission
[DGQ] = 5-Speed Automatic 545RFE Transmission
[DGU] = 5-Speed Automatic W5J400 Transmission
[DG0] = All Automatic Transmissions
[DHB] = Quadra -Trac Active On Demand NVG 146 Transfer Case
[DHX] = Quadra -Trac 2 Full Time Active NVG 245 Transfer Case
[DHZ] = Quadra -Trac 1 Full time 4WD NVG 140 Transfer Case
[EKG] = 3.7L [Magnum] V-6 Engine
[EK0] = All 3.7L 6-Cylinder Gas Engines
[ESF] = 6.1L SRT Hemi SMPI V-8 Engine
[ES0] = All 6.1L 8-Cylinder Gas Engines
[EVA] = 4.7L [Magnum] V-8 Engine
[EVD] = 4.7L V-8 FFV Engine
[EV0] = All 4.7L 8-Cylinder Gas Engines
[EXL] = 3.0L V-6 Turbo Diesel Engine
[EX0] = All 3.0L Cylinder Turbo Diesel Engines
[EZB] = 5.7L Hemi Multi-Displacement Engine
[EZ0] = All 5.7L 8-Cylinder Gas Engines
[NAA] = Federal Emissions
[NAE] = California Emissions
[NAS] = 50 State Emissions
[NA1] = Export Emissions
[XEF] = Transfer Case Skid Plate Sheild

1	06507741AA	1	J, T			ESF			PLUG, Oil Drain
2	05037685AA	1	J, T			ESF			PAN, Engine Oil
3	05037692AA	1	J, T			ESF			GASKET, Oil Pan
4	53021522AE	1	J, T			ESF			TUBE, Oil Pickup
5	53020861	1	J, T			ESF			SEAL, Oil Pick Up Tube
6	06508067AA	3	J, T			ESF			STUD, M6X1.00X49.00, Oil Pan To Cylinder Block, Mounting
7	06102046AA	1	J, T			ESF			BOLT AND CONED WASHER, Hex Head, M8X1.25X27.00, Oil Pickup Tube To Cylinder Block, Mounting
8	53021144AA	1	J, T			ESF			O RING, Engine Oil Indicator Tube
9	05037683AB	1	J, T			ESF			TUBE, Engine Oil Indicator
10	05037757AA	1	J, T			ESF			INDICATOR, Engine Oil Level

GRAND CHEROKEE (WK)
 SERIES LINE
 H = HIGHLINE T = JEEP - 2WD
 P = PREMIUM J = JEEP - 4WD
 S = SPORT
 X = SPECIAL

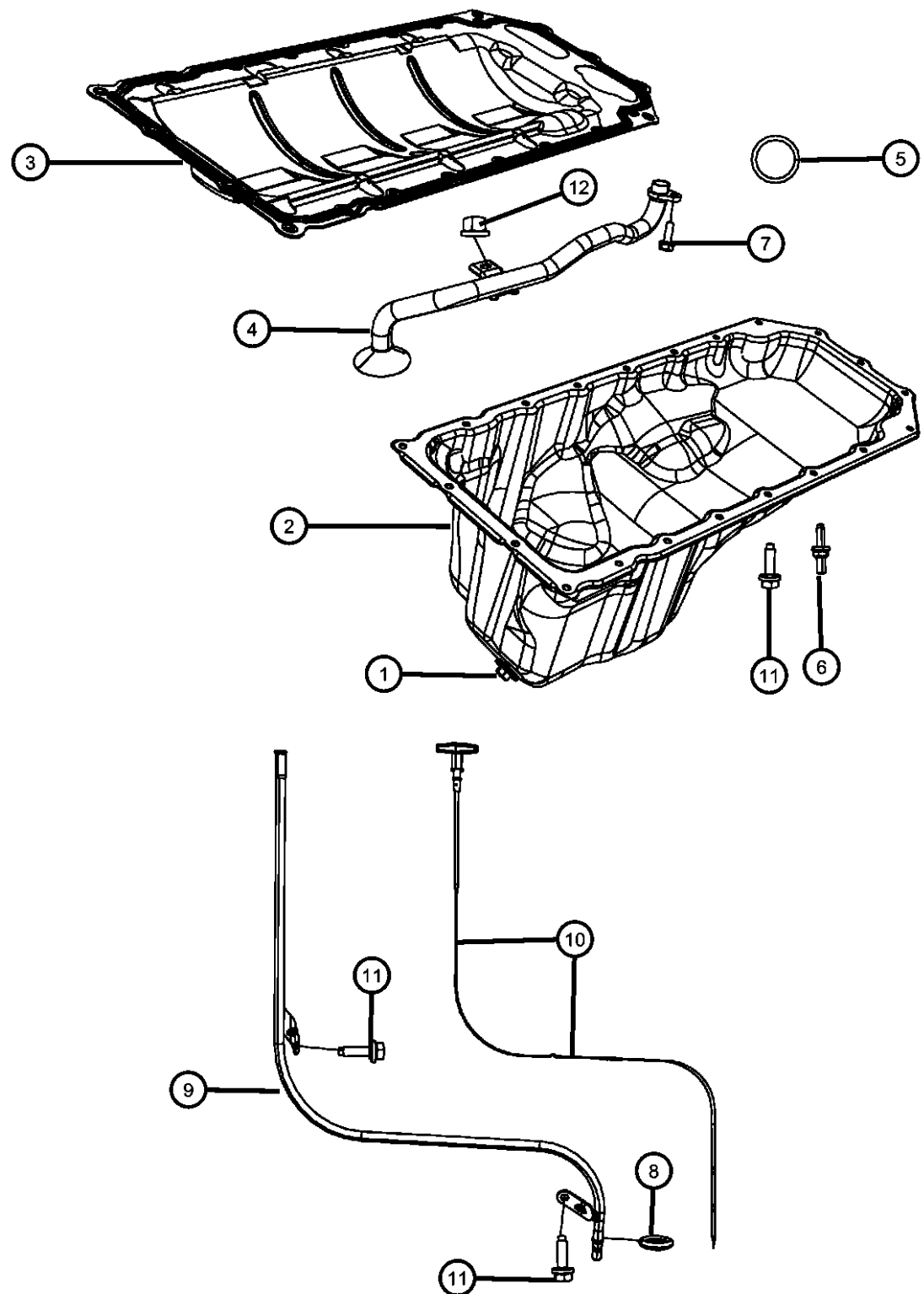
BODY
 74 = SPORT UTILITY 4-DR TYPE #4

ENGINE
 EVE = Engine - 4.7L V8 DOHC 3 Valve
 EZB = 5.7L Hemi Multi Displacement Engine
 EKG = 3.7L V6 Engine
 ESF = 6.1L SRT HEMI SMPI V8 Engine
 EXL = 3.0L V6 Turbo Diesel Engine

TRANSMISSION
 DGJ = 5-Speed Auto W5A580 Transmission
 DGU = 5-Spd Auto W5J400 Transmission
 DGQ = 5-Spd Automatic 545RFE Transmission

AR = use ase required - = Non illustrated part

**Engine Oil Pan, Engine Oil Level Indicator And Tube 6.1L [ESF]
Figure 009ESF-725**



ITEM	PART NUMBER	QTY	LINE	SERIES	BODY	ENGINE	TRANS	TRIM	DESCRIPTION
11	06508448AA	16	J, T			ESF			BOLT AND CONED WASHER, Hex Head, M6X1.00X25.00, Oil Pan To Cylinder Block, Mounting
12	06502756	1	J, T			ESF			NUT, Hex Lock, M8x1.25, Pickup Tube To Cylinder Block, Mounting

GRAND CHEROKEE (WK)				
SERIES	LINE	BODY	ENGINE	TRANSMISSION
H = HIGHLINE	T = JEEP - 2WD	74 = SPORT UTILITY 4-DR	EVE = Engine - 4.7L V8 DOHC	DGJ = 5-Speed Auto W5A580
P = PREMIUM	J = JEEP - 4WD	TYPE #4	3 Valve	Transmission
S = SPORT			EZB = 5.7L Hemi Multi	DGU = 5-Spd Auto W5J400
X = SPECIAL			Displacement Engine	Transmission
			EKG = 3.7L V6 Engine	DGQ = 5-Spd Automatic 545RFE
			ESF = 6.1L SRT HEMI SMPI	Transmission
			V8 Engine	
			EXL = 3.0L V6 Turbo Diesel	
			Engine	

AR = use ase required - = Non illustrated part

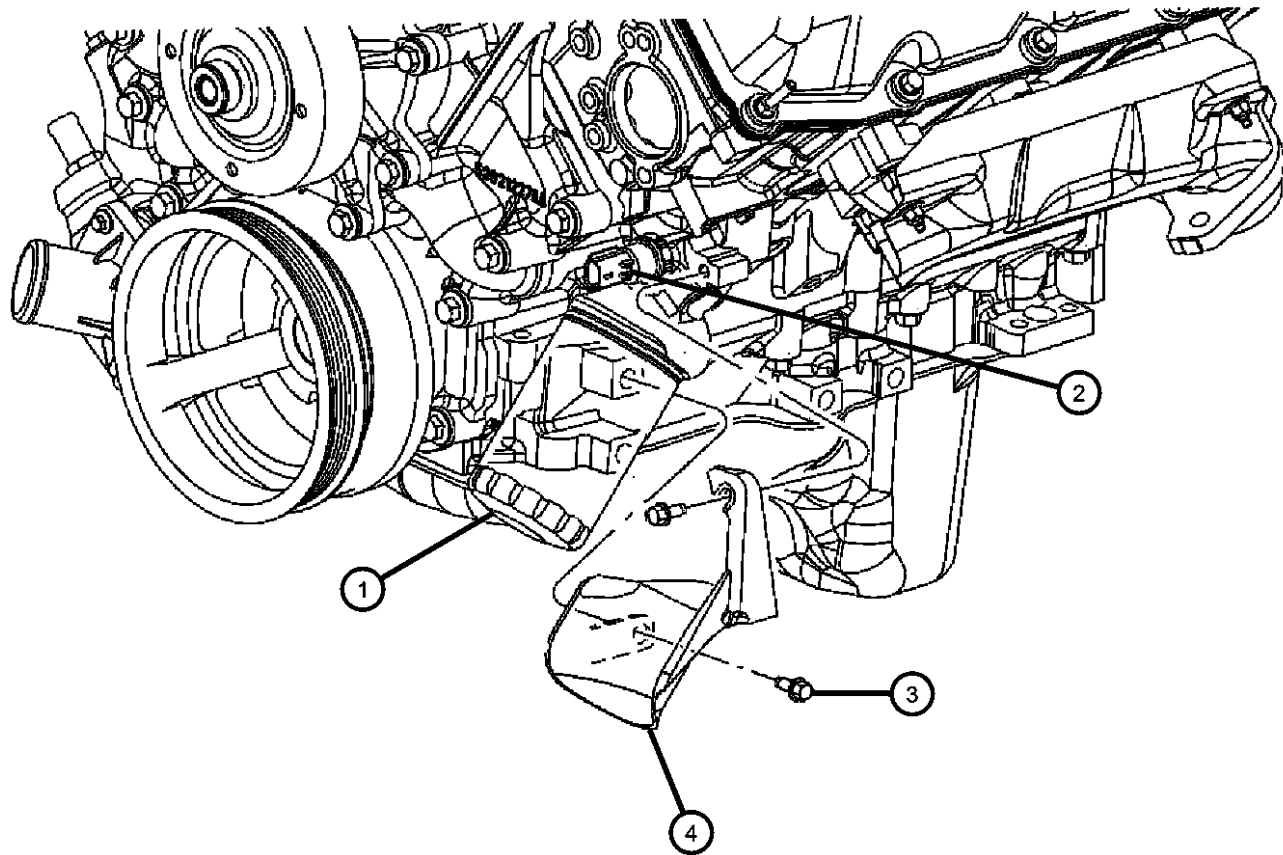
**Engine Oil Filter And Splash Guard 6.1L [ESF]
Figure 009ESF-745**

ITEM	PART NUMBER	QTY	LINE	SERIES	BODY	ENGINE	TRANS	TRIM	DESCRIPTION
------	-------------	-----	------	--------	------	--------	-------	------	-------------

NOTE:

Sales Codes:

- [DGJ] = 5-Speed Automatic W5A580 Transmission
- [DGQ] = 5-Speed Automatic 545RFE Transmission
- [DGU] = 5-Speed Automatic W5J400 Transmission
- [DG0] = All Automatic Transmissions
- [DHB] = Quadra -Trac Active On Demand NVG 146 Transfer Case
- [DHX] = Quadra -Trac 2 Full Time Active NVG 245 Transfer Case
- [DHZ] = Quadra -Trac 1 Full time 4WD NVG 140 Transfer Case
- [EKG] = 3.7L [Magnum] V-6 Engine
- [EK0] = All 3.7L 6-Cylinder Gas Engines
- [ESF] = 6.1L SRT Hemi SMPI V-8 Engine
- [ES0] = All 6.1L 8-Cylinder Gas Engines
- [EVA] = 4.7L [Magnum] V-8 Engine
- [EVD] = 4.7L V-8 FFV Engine
- [EV0] = All 4.7L 8-Cylinder Gas Engines
- [EXL] = 3.0L V-6 Turbo Diesel Engine
- [EX0] = All 3.0L Cylinder Turbo Diesel Engines
- [EZB] = 5.7L Hemi Multi-Displacement Engine
- [EZ0] = All 5.7L 8-Cylinder Gas Engines
- [NAA] = Federal Emissions
- [NAE] = California Emissions
- [NAS] = 50 State Emissions
- [NA1] = Export Emissions
- [XEF] = Transfer Case Skid Plate Sheild



1	04884899AB	1	J, T			ESF			FILTER, Engine Oil, 22 MM Thread
2	05149062AA	1	J, T			ESF			SENDING UNIT, Oil Pressure
3	06505178AA	2	J, T			ESF			SCREW & WASHER, Hex Head Tapping, M8x1.25x25.00, Splash Guard, Mounting
4	53013711AD	1	J, T			ESF			GUARD, Splash
-5	04892338AA	1	J, T			ESF			CONNECTOR, Oil Filter, M22X1.50

GRAND CHEROKEE (WK)

SERIES LINE
H = HIGHLINE T = JEEP - 2WD
P = PREMIUM J = JEEP - 4WD
S = SPORT
X = SPECIAL

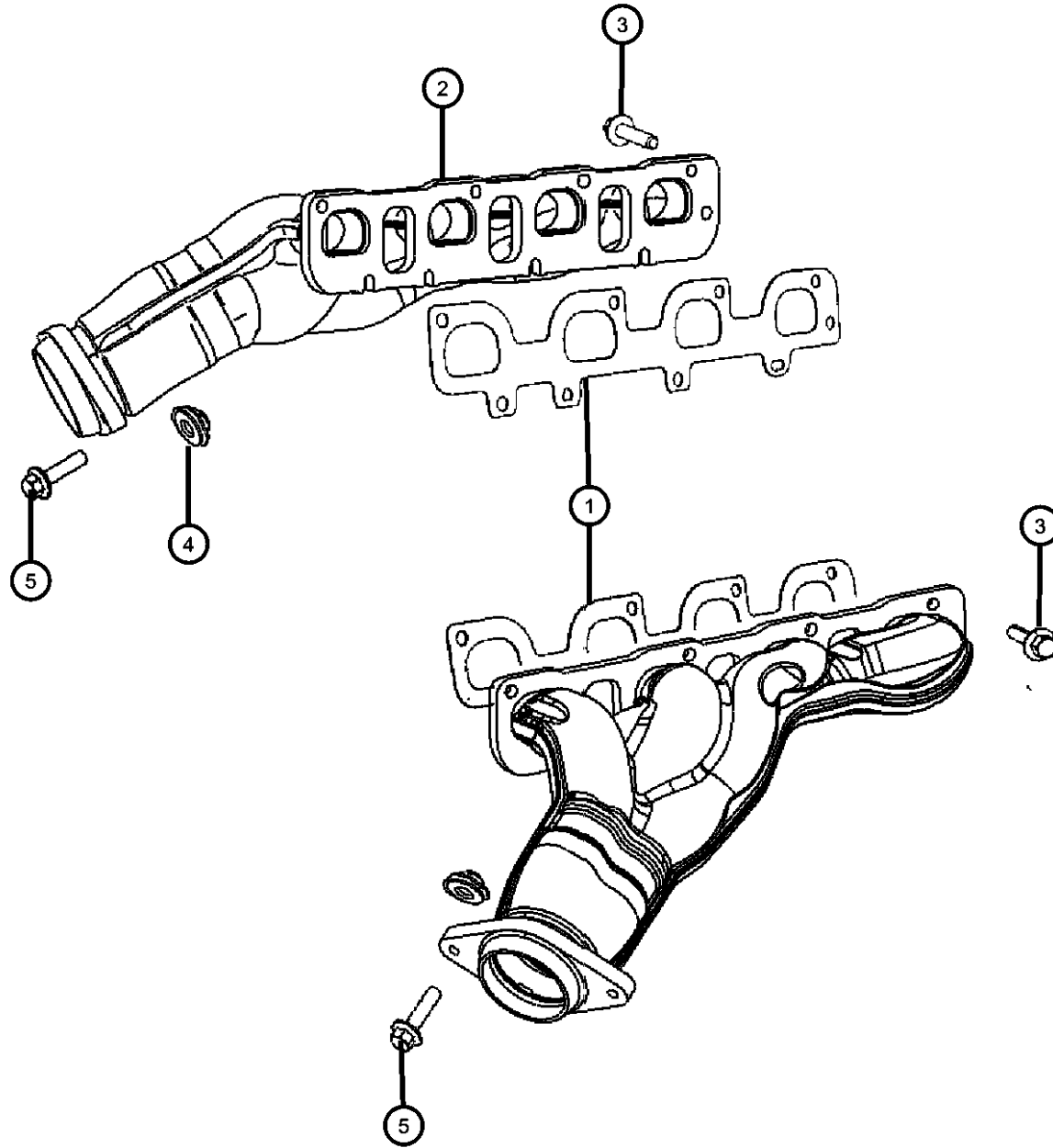
BODY
74 = SPORT UTILITY 4-DR
TYPE #4

ENGINE TRANSMISSION
EVE = Engine - 4.7L V8 DOHC 3 Valve
EZB = 5.7L Hemi Multi Displacement Engine
EKG = 3.7L V6 Engine
ESF = 6.1L SRT HEMI SMPI V8 Engine
EXL = 3.0L V6 Turbo Diesel Engine
DGJ = 5-Speed Auto W5A580 Transmission
DGU = 5-Spd Auto W5J400 Transmission
DGQ = 5-Spd Automatic 545RFE Transmission

AR = use ase required - = Non illustrated part

2008 WK

**Exhaust Manifolds 6.1L [ESF]
Figure 009ESF-1005**



ITEM	PART NUMBER	QTY	LINE	SERIES	BODY	ENGINE	TRANS	TRIM	DESCRIPTION
------	-------------	-----	------	--------	------	--------	-------	------	-------------

NOTE:
Sales Codes:
[DGJ] = 5-Speed Automatic W5A580 Transmission
[DGQ] = 5-Speed Automatic 545RFE Transmission
[DGU] = 5-Speed Automatic W5J400 Transmission
[DG0] = All Automatic Transmissions
[DHB] = Quadra -Trac Active On Demand NVG 146 Transfer Case
[DHX] = Quadra -Trac 2 Full Time Active NVG 245 Transfer Case
[DHZ] = Quadra -Trac 1 Full time 4WD NVG 140 Transfer Case
[EKG] = 3.7L [Magnum] V-6 Engine
[EK0] = All 3.7L 6-Cylinder Gas Engines
[ESF] = 6.1L SRT Hemi SMPI V-8 Engine
[ES0] = All 6.1L 8-Cylinder Gas Engines
[EVA] = 4.7L [Magnum] V-8 Engine
[EVD] = 4.7L V-8 FFV Engine
[EV0] = All 4.7L 8-Cylinder Gas Engines
[EXL] = 3.0L V-6 Turbo Diesel Engine
[EX0] = All 3.0L Cylinder Turbo Diesel Engines
[EZB] = 5.7L Hemi Multi-Displacement Engine
[EZ0] = All 5.7L 8-Cylinder Gas Engines
[NAA] = Federal Emissions
[NAE] = California Emissions
[NAS] = 50 State Emissions
[NA1] = Export Emissions
[XEF] = Transfer Case Skid Plate Sheild

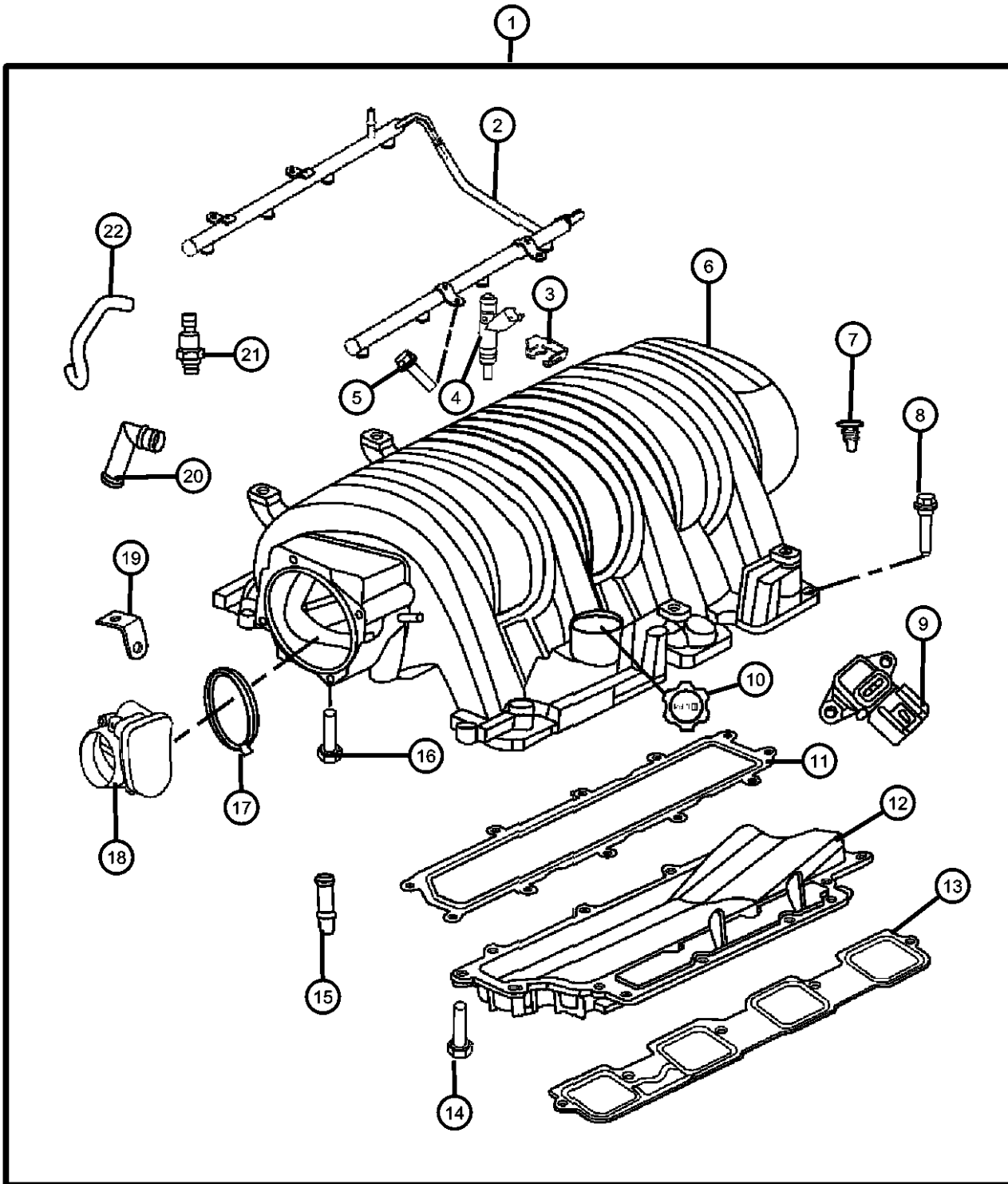
1									GASKET, Exhaust Manifold
	05038099AA	1	J, T			ESF			Left
	05038098AA	1	J, T			ESF			Right
2									MANIFOLD, Exhaust
	05037637AD	1	J, T			ESF			Left
	05037638AD	1	J, T			ESF			Right
3	06503131	10	J, T			ESF			BOLT, Hex Flange Head, M8x1.25x30, Exhaust Manifold To Cylinder Head, Mounting
4	06503231	4	J, T			EK0, ES0, EV0, EZ0			NUT, Hex Flange Lock, M14x1.50, Front Pipe To Exhaust Manifold, Mounting
5	06104426AA	4	J, T						BOLT AND CONED WASHER, Hex Head, M10X1.50X60.00, Front pipe To Exhaust Manifold, Mounting

GRAND CHEROKEE (WK)		BODY	ENGINE	TRANSMISSION
SERIES	LINE	74 = SPORT UTILITY 4-DR TYPE #4	EVE = Engine - 4.7L V8 DOHC 3 Valve	DGJ = 5-Speed Auto W5A580 Transmission
H = HIGHLINE	T = JEEP - 2WD		EZB = 5.7L Hemi Multi Displacement Engine	DGU = 5-Spd Auto W5J400 Transmission
P = PREMIUM	J = JEEP - 4WD		EKG = 3.7L V6 Engine	DGQ = 5-Spd Automatic 545RFE Transmission
S = SPORT			ESF = 6.1L SRT HEMI SMPI V8 Engine	
X = SPECIAL			EXL = 3.0L V6 Turbo Diesel Engine	

AR = use ase required - = Non illustrated part

**Intake Manifold 6.1L [ESF]
Figure 009ESF-1025**

ITEM	PART NUMBER	QTY	LINE	SERIES	BODY	ENGINE	TRANS	TRIM	DESCRIPTION
------	-------------	-----	------	--------	------	--------	-------	------	-------------



NOTE:

Sales Codes:

- [DGJ] = 5-Speed Automatic W5A580 Transmission
- [DGQ] = 5-Speed Automatic 545RFE Transmission
- [DGU] = 5-Speed Automatic W5J400 Transmission
- [DG0] = All Automatic Transmissions
- [DHB] = Quadra -Trac Active On Demand NVG 146 Transfer Case
- [DHX] = Quadra -Trac 2 Full Time Active NVG 245 Transfer Case
- [DHZ] = Quadra -Trac 1 Full time 4WD NVG 140 Transfer Case
- [EKG] = 3.7L [Magnum] V-6 Engine
- [EK0] = All 3.7L 6-Cylinder Gas Engines
- [ESF] = 6.1L SRT Hemi SMPI V-8 Engine
- [ES0] = All 6.1L 8-Cylinder Gas Engines
- [EVA] = 4.7L [Magnum] V-8 Engine
- [EVD] = 4.7L V-8 FFV Engine
- [EV0] = All 4.7L 8-Cylinder Gas Engines
- [EXL] = 3.0L V-6 Turbo Diesel Engine
- [EX0] = All 3.0L Cylinder Turbo Diesel Engines
- [EZB] = 5.7L Hemi Multi-Displacement Engine
- [EZ0] = All 5.7L 8-Cylinder Gas Engines
- [NAA] = Federal Emissions
- [NAE] = California Emissions
- [NAS] = 50 State Emissions
- [NA1] = Export Emissions
- [XEF] = Transfer Case Skid Plate Shield

1	05037510AI	1	J, T			ESF			MANIFOLD, Intake, This Package Contains All Parts Listed Below
2	05037480AA	1	J, T			ESF			RAIL, Fuel
3	53030058AC	8	J, T			ESF			CLIP, Fuel Injector
4	05037479AA	8	J, T			ESF			INJECTOR, Fuel
5	06102024	4	J, T			ESF			SCREW, Hex Flange Head, M6x1.00x20.00, Fuel Rail To Intake Manifold, Mounting
6		4							MANIFOLD, Engine Intake, Sevised In Item 1 Package Only, (NOT SERVICED)
7	56009338AB	4	J, T			ESF			RIVET
8	06508208AA	10	J, T			ESF			SCREW, [M6X1.00X35.00], Intake Manifold To Cylinder Head, Mounting
9	56041018AD	1	J, T			ESF			SENSOR, MAP
10	05037665AA	1	J, T			ESF			CAP, Oil Filler
11	05037555AA	1	J, T			ESF			GASKET, Intake Manifold Pan

GRAND CHEROKEE (WK)

SERIES LINE
H = HIGHLINE T = JEEP - 2WD
P = PREMIUM J = JEEP - 4WD
S = SPORT
X = SPECIAL

BODY
74 = SPORT UTILITY 4-DR
TYPE #4

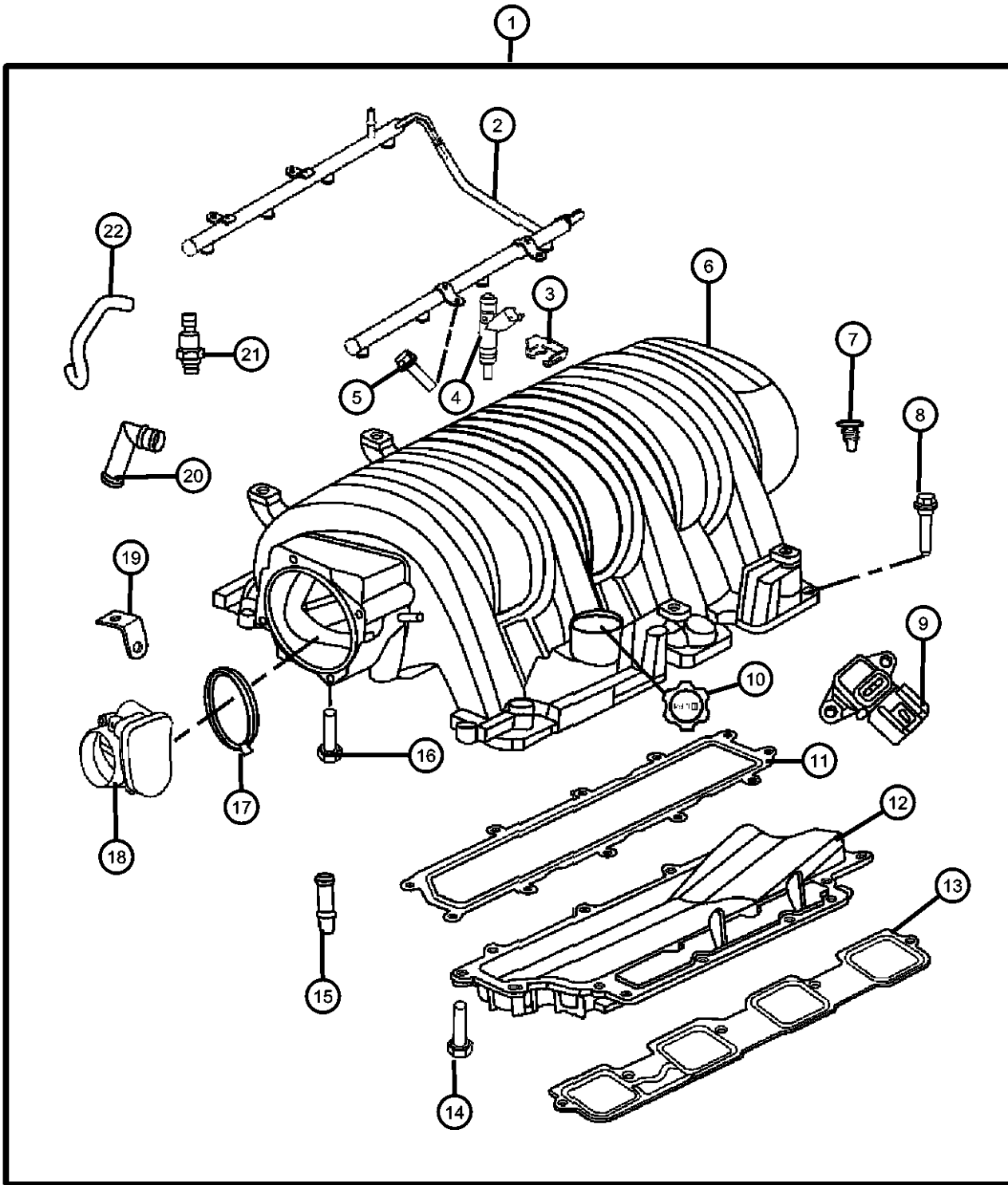
ENGINE TRANSMISSION
EVE = Engine - 4.7L V8 DOHC 3 Valve
EZB = 5.7L Hemi Multi Displacement Engine
EKG = 3.7L V6 Engine
ESF = 6.1L SRT HEMI SMPI V8 Engine
EXL = 3.0L V6 Turbo Diesel Engine
DGJ = 5-Speed Auto W5A580 Transmission
DGU = 5-Spd Auto W5J400 Transmission
DGQ = 5-Spd Automatic 545RFE Transmission

AR = use ase required - = Non illustrated part

2008 WK

**Intake Manifold 6.1L [ESF]
Figure 009ESF-1025**

ITEM	PART NUMBER	QTY	LINE	SERIES	BODY	ENGINE	TRANS	TRIM	DESCRIPTION
12		1							PAN, Intake Manifold, Sevised In Item 1 Package Only, (NOT SERVICED)
13	05037503AA	2	J, T			ESF			GASKET, Intake Manifold
14	06101451	16	J, T			ESF			BOLT AND WASHER, Hex Head, M6X1.00X25.00, Valley Pan To Intake Manifold, Mounting
15		16							NIPPLE, Intake Manifold, For Power Brake Booster, Sevised In Item 1 Package Only, (NOT SERVICED)
16	06104186AA	4	J, T			ESF			BOLT, Hex Flange Head, M6X1.00X45.00, Throttle Control To Intake Manifold, Mounting
17	53032383AB	1	J, T			ESF			SEAL, Throttle Body to Intake
18	04591847AC	1	J, T			ESF			THROTTLE BODY
19	05037679AA	1	J, T			ESF			BRACKET, Wire Harness
20		1							NIPPLE, Crankcase Vent, Sevised In Item 1 Package Only, (NOT SERVICED)
21	05037831AA	1	J, T			ESF			VALVE, PCV
22	05037515AA	1	J, T			ESF			HOSE, PCV Valve To intake Manifold



GRAND CHEROKEE (WK)

SERIES LINE
H = HIGHLINE T = JEEP - 2WD
P = PREMIUM J = JEEP - 4WD
S = SPORT
X = SPECIAL

BODY
74 = SPORT UTILITY 4-DR
TYPE #4

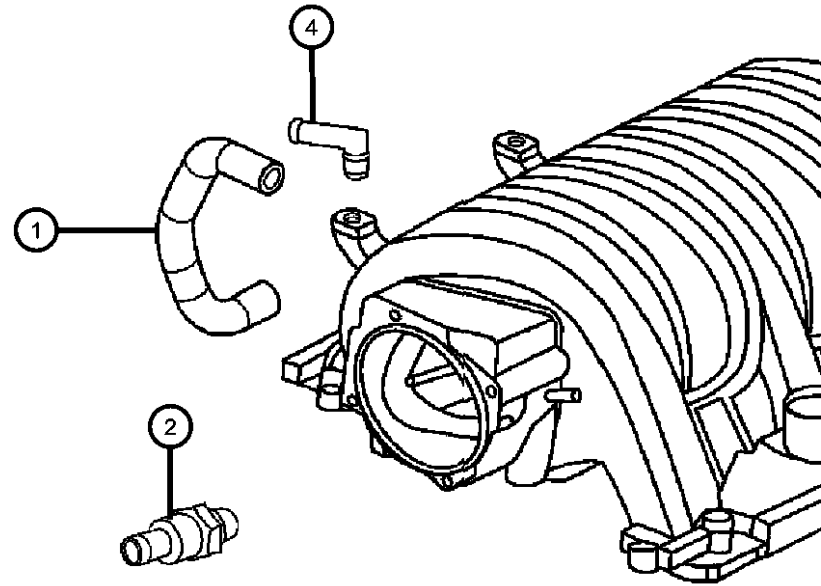
ENGINE TRANSMISSION
EVE = Engine - 4.7L V8 DOHC 3 Valve
EZB = 5.7L Hemi Multi Displacement Engine
EKG = 3.7L V6 Engine
ESF = 6.1L SRT HEMI SMPI V8 Engine
EXL = 3.0L V6 Turbo Diesel Engine
DGJ = 5-Speed Auto W5A580 Transmission
DGU = 5-Spd Auto W5J400 Transmission
DGQ = 5-Spd Automatic 545RFE Transmission

AR = use ase required - = Non illustrated part

2008 WK

**Crankcase Ventilation 6.1L [ESF]
Figure 009ESF-1105**

ITEM	PART NUMBER	QTY	LINE	SERIES	BODY	ENGINE	TRANS	TRIM	DESCRIPTION
------	-------------	-----	------	--------	------	--------	-------	------	-------------

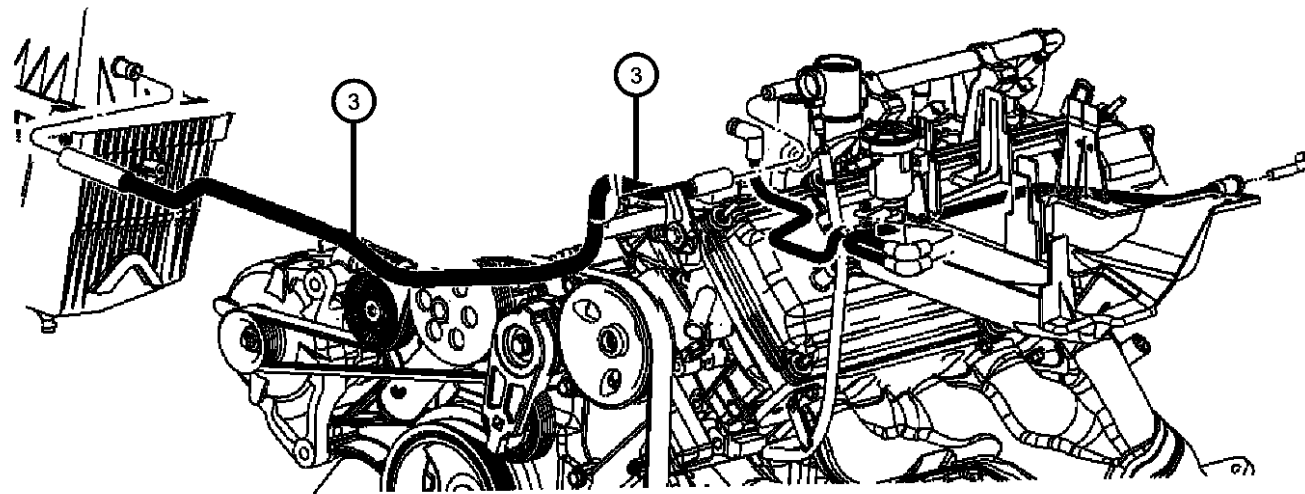


NOTE:

Sales Codes:

- [DGJ] = 5-Speed Automatic W5A580 Transmission
- [DGQ] = 5-Speed Automatic 545RFE Transmission
- [DGU] = 5-Speed Automatic W5J400 Transmission
- [DG0] = All Automatic Transmissions
- [DHB] = Quadra -Trac Active On Demand NVG 146 Transfer Case
- [DHX] = Quadra -Trac 2 Full Time Active NVG 245 Transfer Case
- [DHZ] = Quadra -Trac 1 Full time 4WD NVG 140 Transfer Case
- [EKG] = 3.7L [Magnum] V-6 Engine
- [EK0] = All 3.7L 6-Cylinder Gas Engines
- [ESF] = 6.1L SRT Hemi SMPI V-8 Engine
- [ES0] = All 6.1L 8-Cylinder Gas Engines
- [EVA] = 4.7L [Magnum] V-8 Engine
- [EVD] = 4.7L V-8 FFV Engine
- [EV0] = All 4.7L 8-Cylinder Gas Engines
- [EXL] = 3.0L V-6 Turbo Diesel Engine
- [EX0] = All 3.0L Cylinder Turbo Diesel Engines
- [EZB] = 5.7L Hemi Multi-Displacement Engine
- [EZ0] = All 5.7L 8-Cylinder Gas Engines
- [NAA] = Federal Emissions
- [NAE] = California Emissions
- [NAS] = 50 State Emissions
- [NA1] = Export Emissions
- [XEF] = Transfer Case Skid Plate Sheild

1	05037515AA	1	J, T			ESF			HOSE, PCV Valve To intake Manifold
2	05037831AA	1	J, T			ESF			VALVE, PCV
3	05037763AB	1	J, T			ESF			HOSE, Make Up Air
4		1							NIPPLE, Intake Manifold, Serviced With Intake Manifold, (NOT SERVICED)



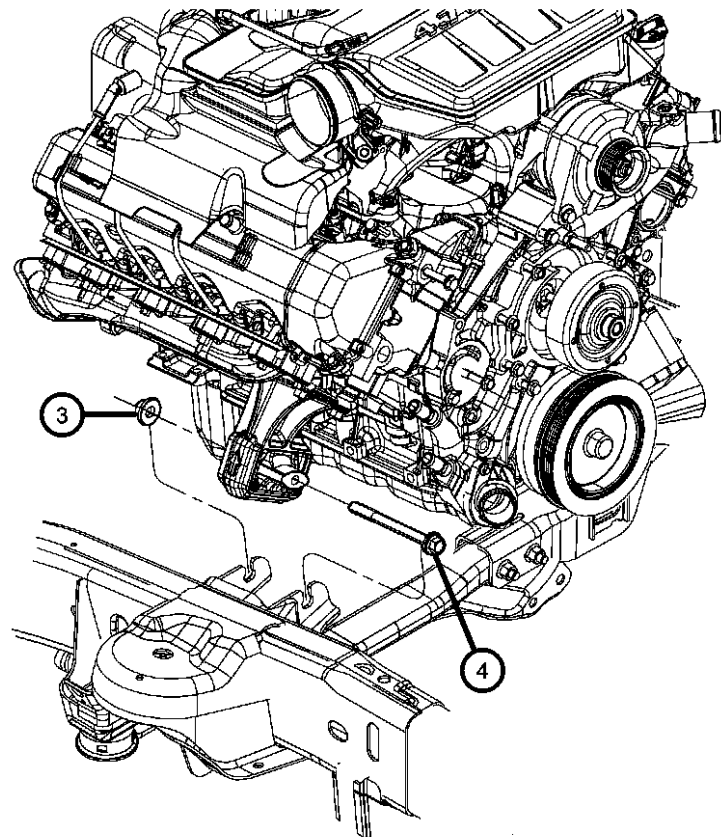
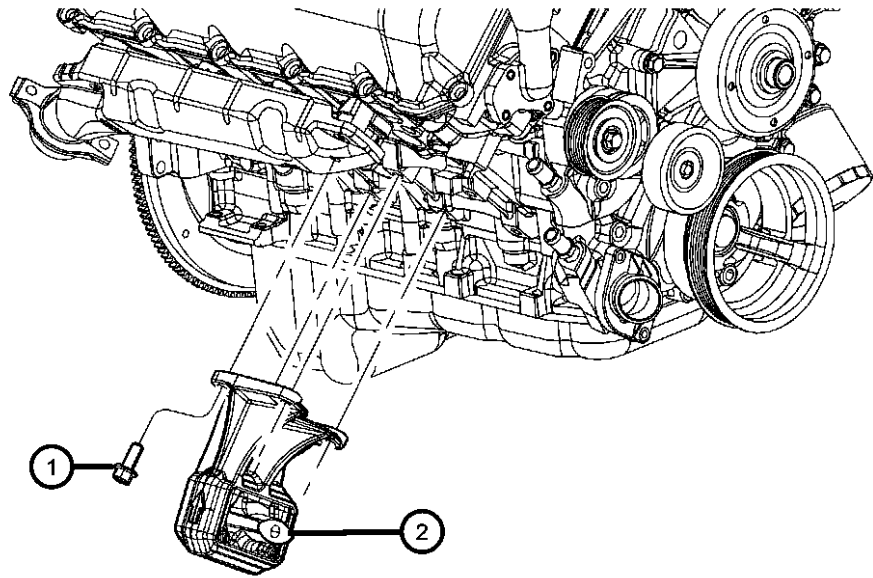
GRAND CHEROKEE (WK)

SERIES	LINE	BODY	ENGINE	TRANSMISSION
H = HIGHLINE	T = JEEP - 2WD	74 = SPORT UTILITY 4-DR	EVE = Engine - 4.7L V8 DOHC 3 Valve	DGJ = 5-Speed Auto W5A580 Transmission
P = PREMIUM	J = JEEP - 4WD	TYPE #4	EZB = 5.7L Hemi Multi Displacement Engine	DGU = 5-Spd Auto W5J400 Transmission
S = SPORT			EKG = 3.7L V6 Engine	DGQ = 5-Spd Automatic 545RFE Transmission
X = SPECIAL			ESF = 6.1L SRT HEMI SMPI V8 Engine	
			EXL = 3.0L V6 Turbo Diesel Engine	

AR = use ase required - = Non illustrated part

2008 WK

**Engine Mounting Right Side AWD/4WD 6.1L [ESF]
Figure 009ESF-1235**



ITEM	PART NUMBER	QTY	LINE	SERIES	BODY	ENGINE	TRANS	TRIM	DESCRIPTION
------	-------------	-----	------	--------	------	--------	-------	------	-------------

NOTE:

Sales Codes:

- [DGJ] = 5-Speed Automatic W5A580 Transmission
- [DGQ] = 5-Speed Automatic 545RFE Transmission
- [DGU] = 5-Speed Automatic W5J400 Transmission
- [DG0] = All Automatic Transmissions
- [DHB] = Quadra -Trac Active On Demand NVG 146 Transfer Case
- [DHX] = Quadra -Trac 2 Full Time Active NVG 245 Transfer Case
- [DHZ] = Quadra -Trac 1 Full time 4WD NVG 140 Transfer Case
- [EKG] = 3.7L [Magnum] V-6 Engine
- [EK0] = All 3.7L 6-Cylinder Gas Engines
- [ESF] = 6.1L SRT Hemi SMPI V-8 Engine
- [ES0] = All 6.1L 8-Cylinder Gas Engines
- [EVA] = 4.7L [Magnum] V-8 Engine
- [EVD] = 4.7L V-8 FFV Engine
- [EV0] = All 4.7L 8-Cylinder Gas Engines
- [EXL] = 3.0L V-6 Turbo Diesel Engine
- [EX0] = All 3.0L Cylinder Turbo Diesel Engines
- [EZB] = 5.7L Hemi Multi-Displacement Engine
- [EZ0] = All 5.7L 8-Cylinder Gas Engines
- [NAA] = Federal Emissions
- [NAE] = California Emissions
- [NAS] = 50 State Emissions
- [NA1] = Export Emissions
- [XEF] = Transfer Case Skid Plate Sheild

1	06104214AA	4	J, T			ES0, EZ0			BOLT, Hex Flange Head, M10X1.50X20.00, Engine Mount Bracket To Cylinder Block, Mounting
2	04854565AB	1	J, T			ES0			BRACKET AND INSULATOR, Engine MountingRight
3	06502585	2	J, T			EK0, ES0, EV0, EZ0			NUT AND CONED WASHER, Hex, M12X1.75, Engine Mount To Cradle Bracket, Mounting
4	06508081AA	2	J, T			EK0, ES0, EV0, EZ0			BOLT, Hex Flange Head, M12X1.75X150.00, Engine Mount To Cradle Bracket, Mounting

GRAND CHEROKEE (WK)

SERIES LINE
H = HIGHLINE T = JEEP - 2WD
P = PREMIUM J = JEEP - 4WD
S = SPORT
X = SPECIAL

BODY
74 = SPORT UTILITY 4-DR
TYPE #4

ENGINE TRANSMISSION
EVE = Engine - 4.7L V8 DOHC 3 Valve
EZB = 5.7L Hemi Multi Displacement Engine
EKG = 3.7L V6 Engine
ESF = 6.1L SRT HEMI SMPI V8 Engine
EXL = 3.0L V6 Turbo Diesel Engine
DGJ = 5-Speed Auto W5A580 Transmission
DGU = 5-Spd Auto W5J400 Transmission
DGQ = 5-Spd Automatic 545RFE Transmission

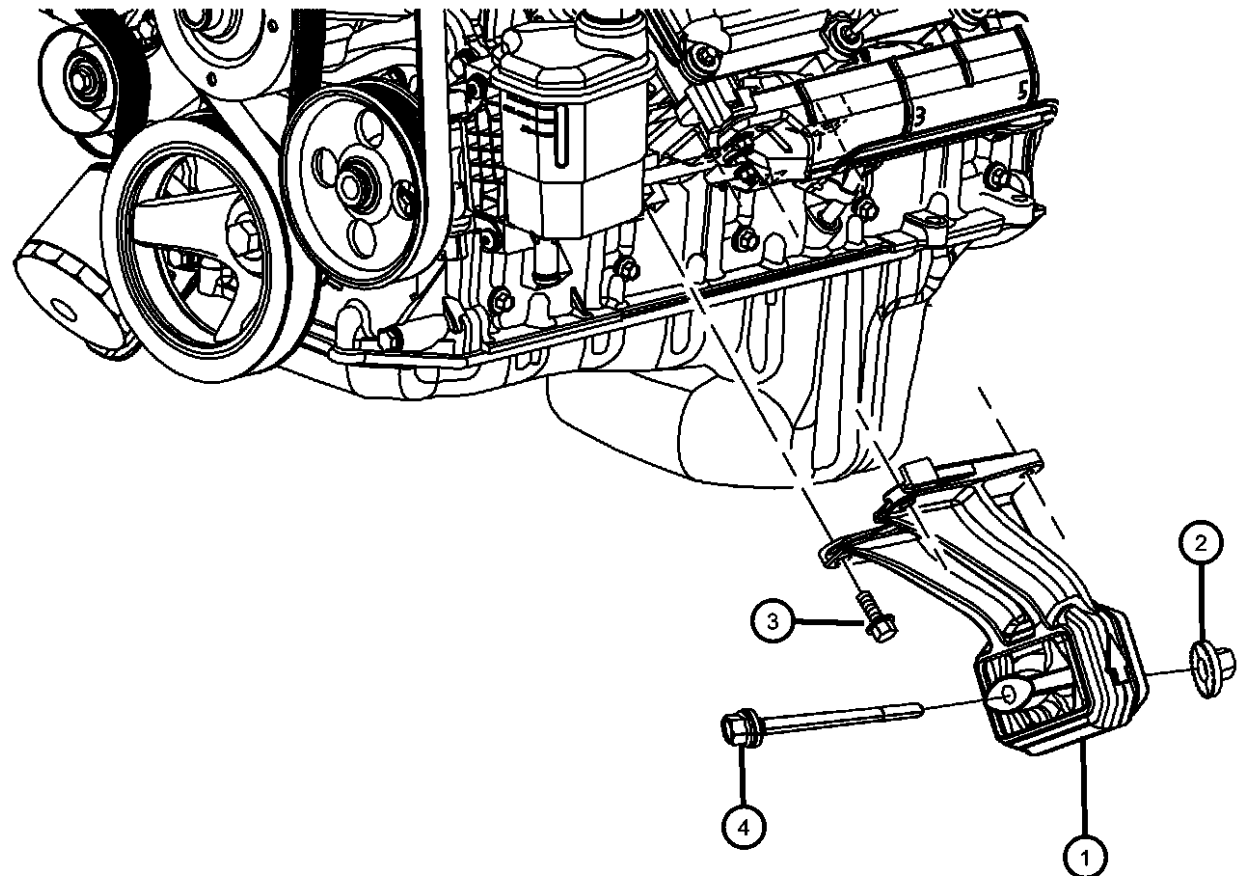
AR = use ase required - = Non illustrated part

2008 WK

Engine Mounting Left Side AWD/4WD 6.1L [ESF]

Figure 009ESF-1255

ITEM	PART NUMBER	QTY	LINE	SERIES	BODY	ENGINE	TRANS	TRIM	DESCRIPTION
------	-------------	-----	------	--------	------	--------	-------	------	-------------



NOTE:

Sales Codes:

- [DGJ] = 5-Speed Automatic W5A580 Transmission
- [DGQ] = 5-Speed Automatic 545RFE Transmission
- [DGU] = 5-Speed Automatic W5J400 Transmission
- [DG0] = All Automatic Transmissions
- [DHB] = Quadra -Trac Active On Demand NVG 146 Transfer Case
- [DHX] = Quadra -Trac 2 Full Time Active NVG 245 Transfer Case
- [DHZ] = Quadra -Trac 1 Full time 4WD NVG 140 Transfer Case
- [EKG] = 3.7L [Magnum] V-6 Engine
- [EK0] = All 3.7L 6-Cylinder Gas Engines
- [ESF] = 6.1L SRT Hemi SMPI V-8 Engine
- [ES0] = All 6.1L 8-Cylinder Gas Engines
- [EVA] = 4.7L [Magnum] V-8 Engine
- [EVD] = 4.7L V-8 FFV Engine
- [EV0] = All 4.7L 8-Cylinder Gas Engines
- [EXL] = 3.0L V-6 Turbo Diesel Engine
- [EX0] = All 3.0L Cylinder Turbo Diesel Engines
- [EZB] = 5.7L Hemi Multi-Displacement Engine
- [EZ0] = All 5.7L 8-Cylinder Gas Engines
- [NAA] = Federal Emissions
- [NAE] = California Emissions
- [NAS] = 50 State Emissions
- [NA1] = Export Emissions
- [XEF] = Transfer Case Skid Plate Sheild

1	04854564AB	1	J, T			ES0			BRACKET AND INSULATOR, Engine MountingLeft
2	06502585	2	J, T			EK0, ES0, EV0, EZ0			NUT AND CONED WASHER, Hex, M12X1.75, Engine Mount To Cradle Bracket, Mounting
3	06104214AA	4	J, T			ES0, EZ0			BOLT, Hex Flange Head, M10X1.50X20.00, Engine Mount Bracket To cylinder Block, Mounting
4	06508081AA	2	J, T			EK0, ES0, EV0, EZ0			BOLT, Hex Flange Head, M12X1.75X150.00, Engine Mount To Cradle Bracket, Mounting

GRAND CHEROKEE (WK)

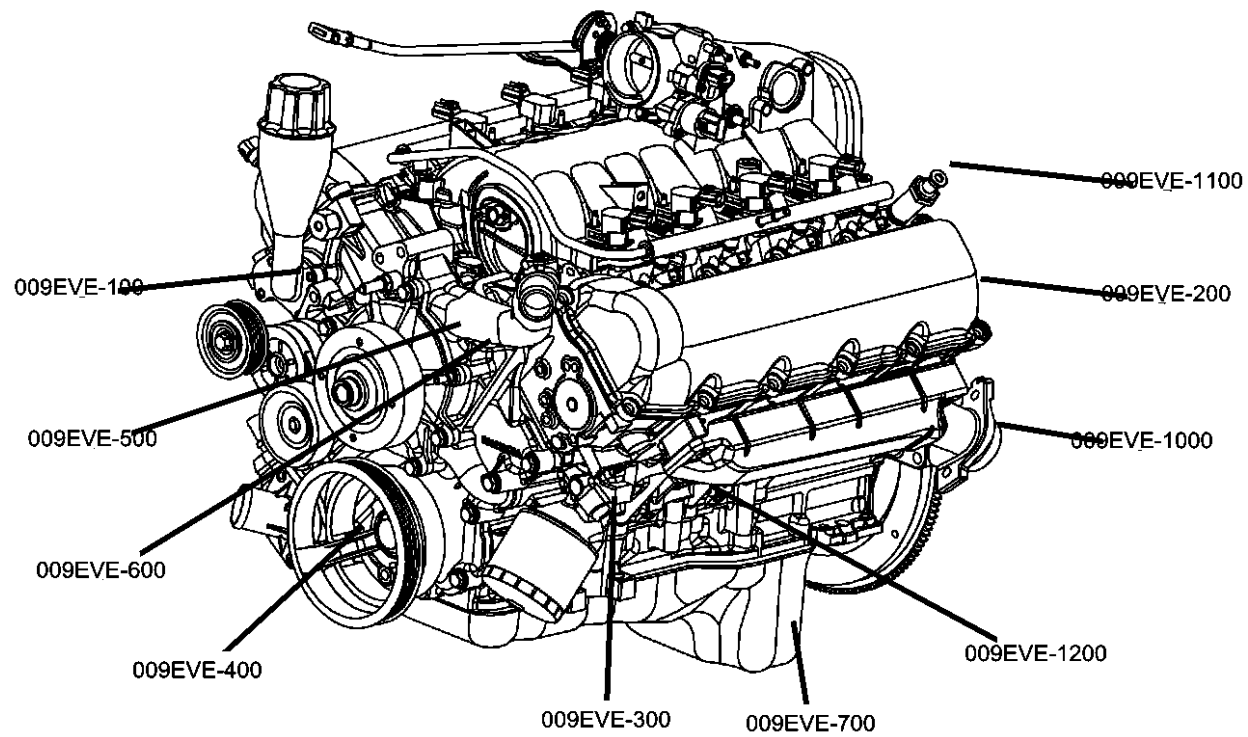
SERIES	LINE	BODY	ENGINE	TRANSMISSION
H = HIGHLINE	T = JEEP - 2WD	74 = SPORT UTILITY 4-DR	EVE = Engine - 4.7L V8 DOHC 3 Valve	DGJ = 5-Speed Auto W5A580 Transmission
P = PREMIUM	J = JEEP - 4WD	TYPE #4	EZB = 5.7L Hemi Multi Displacement Engine	DGU = 5-Spd Auto W5J400 Transmission
S = SPORT			EKG = 3.7L V6 Engine	DGQ = 5-Spd Automatic 545RFE Transmission
X = SPECIAL			ESF = 6.1L SRT HEMI SMPI V8 Engine	
			EXL = 3.0L V6 Turbo Diesel Engine	

AR = use ase required - = Non illustrated part

2008 WK

Group - 009EVE

4.7L Gas; Engine

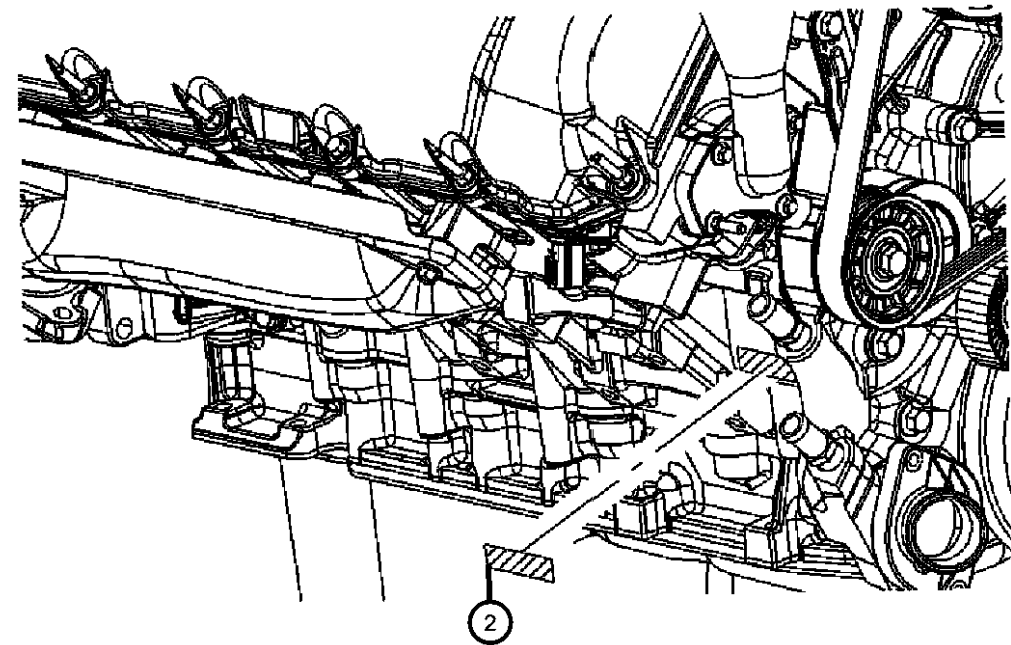
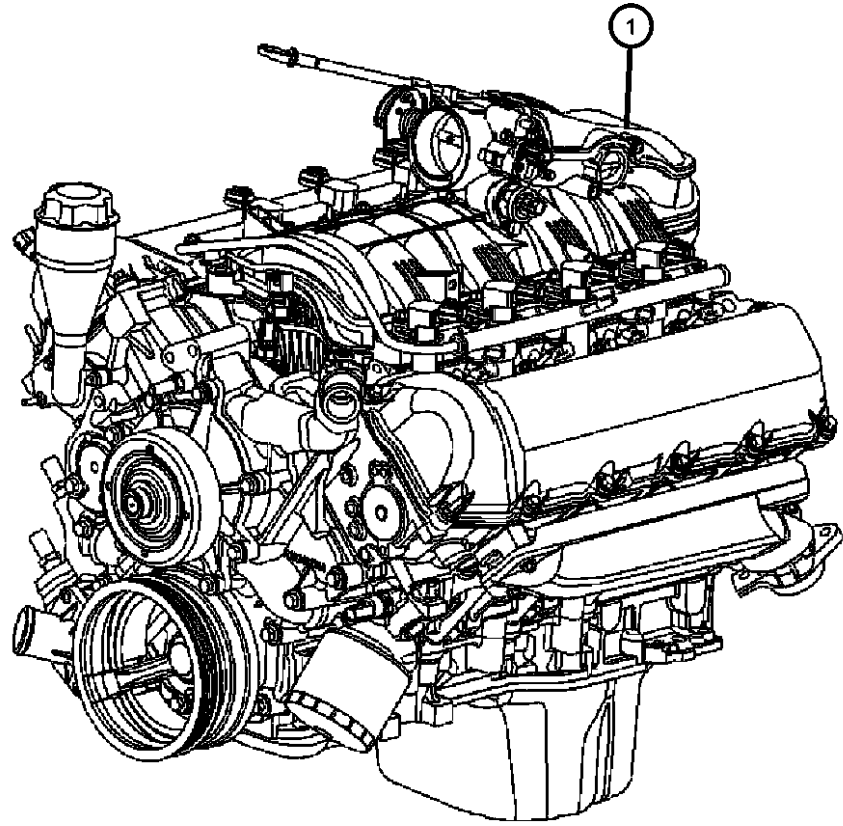


<p>009EVE-100 Engine Identification</p>	<p>009EVE-1000 Manifolds and Vacuum Fittings</p>	<p>009EVE-1100 Crankcase Ventilation</p>	<p>009EVE-1200 Engine Mounting</p>
<p>009EVE-200 Cylinder Head</p>	<p>009EVE-300 Cylinder Block</p>	<p>009EVE-400 Crankshaft, Piston, Drive Plate, Flywheel, and Damper</p>	<p>009EVE-500 Camshaft and Valve</p>
<p>009EVE-600 Timing Belt/Chain and Cover and Balance Shaft</p>	<p>009EVE-700 Engine Oiling, Oil Pan and Indicator (Dipstick)</p>		

Group - 009EVE 4.7L Gas; Engine

Illustration Title	Group-Fig. No.
Engine Identification	
Engine Assembly And Identification 4.7L[EVE]	Fig. 009EVE - 105
Service Engine And Suggested Parts 4.7L [EVE]	Fig. 009EVE - 125
Engine Cover And Related Parts 4.7L [EVE]	Fig. 009EVE - 135
Engine Gasket Packages 4.7L [EVE].....	Fig. 009EVE - 145
Cylinder Head	
Cylinder Head Covers 4.7L [EVE]	Fig. 009EVE - 205
Cylinder Heads 4.7L [EVE].....	Fig. 009EVE - 225
Cylinder Block	
Engine Cylinder Block And Hardware 4.7L [EVE]	Fig. 009EVE - 305
Engine Cylinder Block Heater 4.7L [EVE].....	Fig. 009EVE - 325
Crankshaft, Piston, Drive Plate, Flywheel, and Damper	
Crankshaft, Crankshaft Bearings, Damper, Flywheel, And Flexplate 4.7L [EVE]	Fig. 009EVE - 405
Pistons, Connecting Rods, Connecting Rod Bearings 4.7L [EVE]	Fig. 009EVE - 425
Camshaft and Valve	
Camshafts And Valvetrain 4.7L [EVE].....	Fig. 009EVE - 505
Timing Belt/Chain and Cover and Balance Shaft	
Timing Case Cover 4.7L [EVE].....	Fig. 009EVE - 605
Timing System 4.7L [EVE].....	Fig. 009EVE - 625
Engine Oiling, Oil Pan and Indicator (Dipstick)	
Engine Oiling Pump 4.7L [EVE].....	Fig. 009EVE - 705
Engine Oil Pan, Engine Oil Level Indicator And Related Parts 4.7L [EVE]	Fig. 009EVE - 725
Engine Oil Filter and Splash Guard 4.7L [EVE].....	Fig. 009EVE - 745
Manifolds and Vacuum Fittings	
Exhaust Manifold And Exhaust Manifold Heat Sheild 4.7L [EVE]	Fig. 009EVE - 1005
Intake Manifold 4.7L [EVE]	Fig. 009EVE - 1025
Crankcase Ventilation	
Crankcase Ventilation 4.7L [EVE].....	Fig. 009EVE - 1105
Engine Mounting	
Engine Mounting Right Side RWD/2WD 4.7L [EVE]	Fig. 009EVE - 1230
Engine Mounting Right Side AWD/4WD 4.7L [EVE].....	Fig. 009EVE - 1235
Engine Mounting Left Side RWD/2WD 4.7L [EVE]	Fig. 009EVE - 1250
Engine Mounting Left Side AWD/4WD 4.7L [EVE]	Fig. 009EVE - 1255

**Engine Assembly And Identification 4.7L[EVE]
Figure 009EVE-105**



ITEM	PART NUMBER	QTY	LINE	SERIES	BODY	ENGINE	TRANS	TRIM	DESCRIPTION
------	-------------	-----	------	--------	------	--------	-------	------	-------------

NOTE:
The Engine Identification Label Contains: The Production Assembly Part Number And Displacement. Bar Code Label Is On Right Side By Cylinder

NOTE:
Sales Codes:
[DBB] = All Manual Transmissions
[DEJ] = 6-Speed Manual Getrag 238 Transmi

1		2							
2		2							

ENGINE, Complete, Serviced
By New Short Block, (NOT
SERVICED)
LABEL, Engine Identification, See
Note, (NOT SERVICED)

GRAND CHEROKEE (WK)

SERIES	LINE
H = HIGHLINE	T = JEEP - 2WD
P = PREMIUM	J = JEEP - 4WD
S = SPORT	
X = SPECIAL	

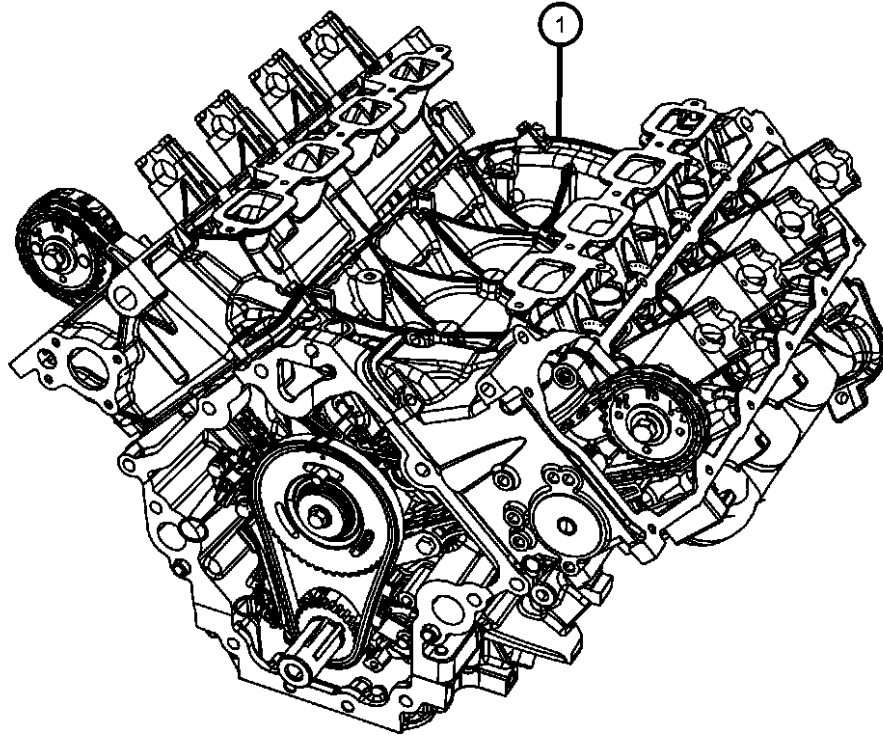
BODY
74 = SPORT UTILITY 4-DR TYPE #4

ENGINE	TRANSMISSION
EVE = Engine - 4.7L V8 DOHC 3 Valve	DGJ = 5-Speed Auto W5A580 Transmission
EZB = 5.7L Hemi Multi Displacement Engine	DGU = 5-Spd Auto W5J400 Transmission
EKG = 3.7L V6 Engine	DGQ = 5-Spd Automatic 545RFE Transmission
ESF = 6.1L SRT HEMI SMPI V8 Engine	
EXL = 3.0L V6 Turbo Diesel Engine	

AR = use ase required - = Non illustrated part

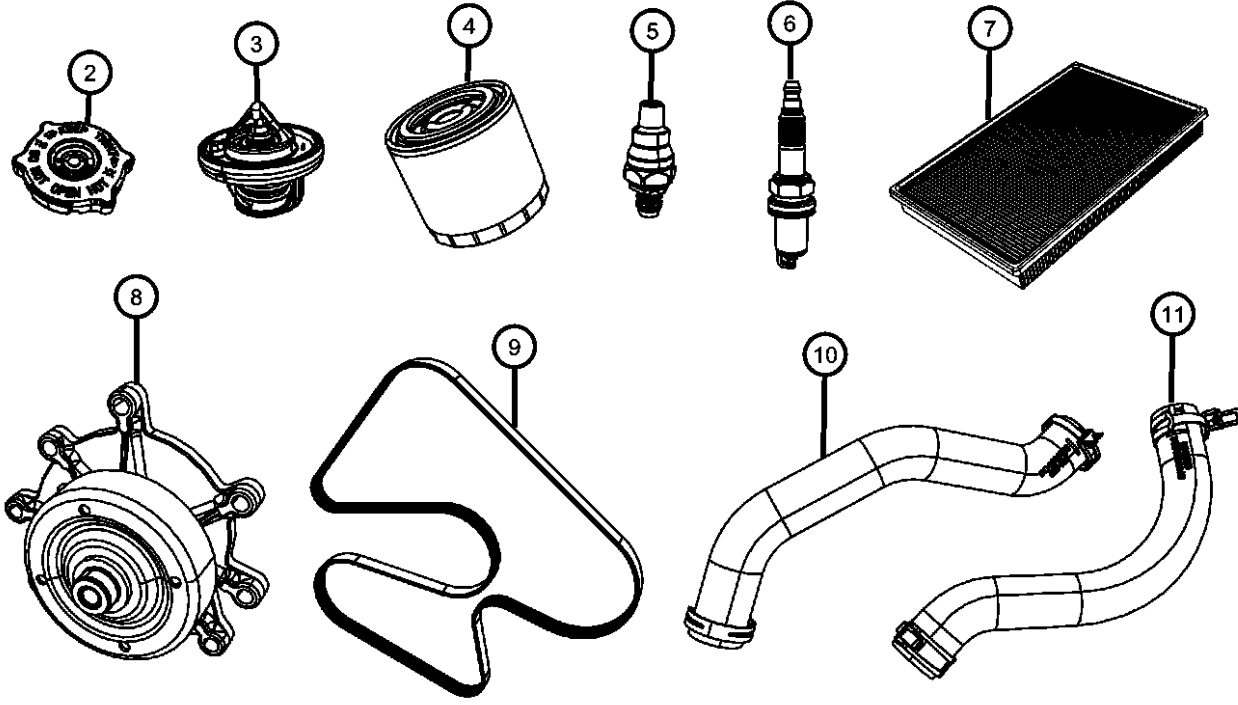
2008 WK

**Service Engine And Suggested Parts 4.7L [EVE]
Figure 009EVE-125**



ITEM	PART NUMBER	QTY	LINE	SERIES	BODY	ENGINE	TRANS	TRIM	DESCRIPTION
Remanufactured Long Block Engine Contains: Cylinder Block, Cylinder Heads, Crankshaft, Main & Connecting Rod Bearings, Pistons, Piston Rings, Piston Pins, Camshafts, Intake & Exhaust Valves, Springs, Rocker Arms, Valve Lash Adjusters, Timing Chain Syst									
1		2							ENGINE, Long Block, See Note, (NOT SERVICED)
2	55116897AA	1	J, T			EK0, ESF, EVO	DG0		CAP, Radiator
3	52079476AD	1	J, T			EVO			THERMOSTAT
4	04884899AB	1	J, T			EVO			FILTER, Engine Oil
5	53032855AA	1	J, T			EVO			VALVE, PCV
6									SPARK PLUG
	05149888AA	8	J, T			EVO			Exhaust, Side
	05149050AB	8	J, T			EVO			Intake, Side
7	05018777AB	1	J, T			EK0, EVO			FILTER, Air
	VMWK30K1AA								Mopar HEMI 5.7L Maintenance Kit 30,000 Mile (Air/Oil Filters, Plugs, PCV)
	VMWK60K1AA								Mopar HEMI 5.7L Maintenance Kit 60,000 Mile (Air/Oil Filters, Plugs, PCV, Drive Belt, LX Cabin Filter)
8	68045797AA	1	J, T			EVE			PUMP, Water
9	68045801AA	1	J, T			EVO			BELT, Serpentine
10	55116866AA	1	J, T			EVO			HOSE, Radiator Inlet
11	55116869AD	1	J, T			EVO			HOSE, Radiator Outlet

LISTED BELOW ARE SUGGESTED PARTS WHEN REPLACING AN ENGINE



GRAND CHEROKEE (WK)

SERIES LINE
H = HIGHLINE T = JEEP - 2WD
P = PREMIUM J = JEEP - 4WD
S = SPORT
X = SPECIAL

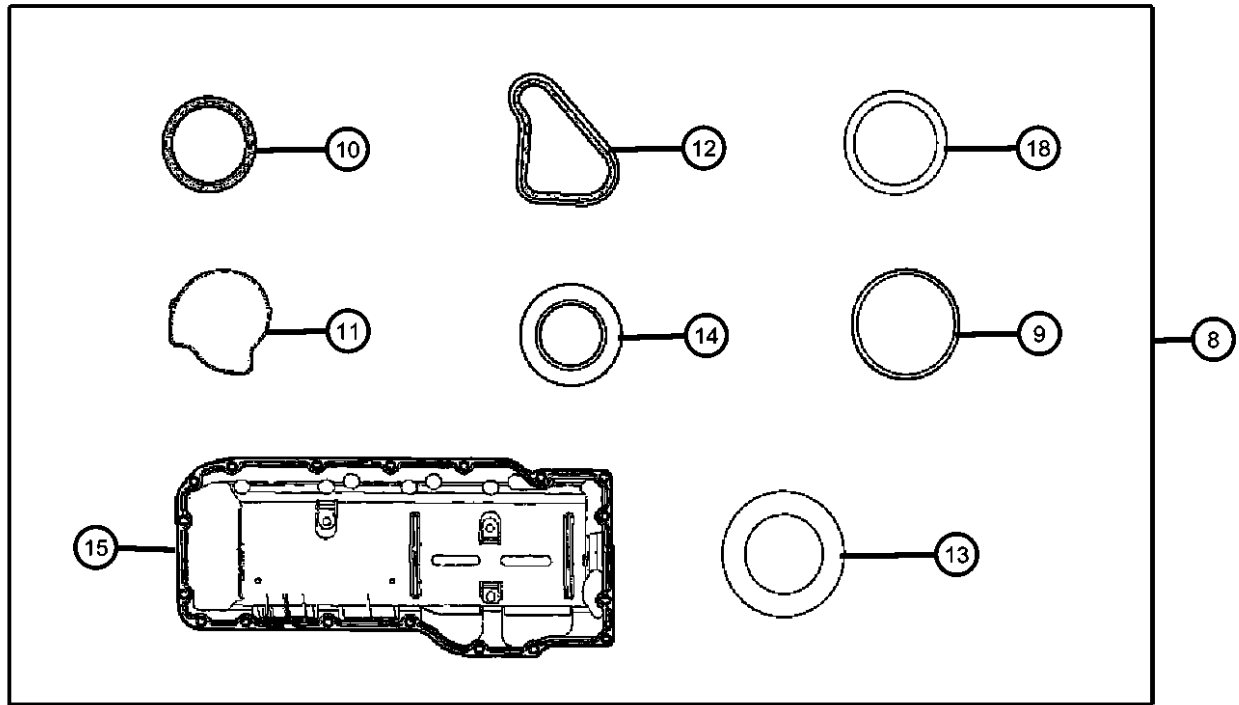
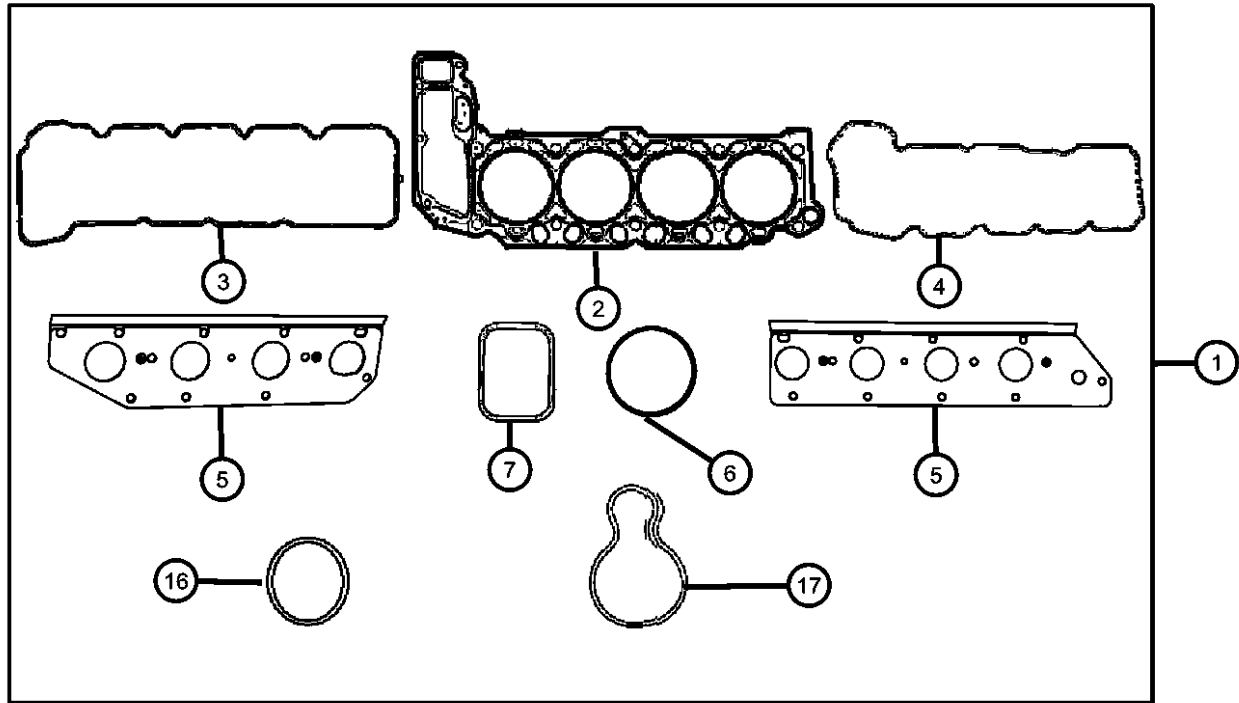
BODY
74 = SPORT UTILITY 4-DR
TYPE #4

ENGINE
EVE = Engine - 4.7L V8 DOHC 3 Valve
EZB = 5.7L Hemi Multi Displacement Engine
EKG = 3.7L V6 Engine
ESF = 6.1L SRT HEMI SMPI V8 Engine
EXL = 3.0L V6 Turbo Diesel Engine

TRANSMISSION
DGJ = 5-Speed Auto W5A580 Transmission
DGU = 5-Spd Auto W5J400 Transmission
DGQ = 5-Spd Automatic 545RFE Transmission

AR = use ase required - = Non illustrated part

**Engine Gasket Packages 4.7L [EVE]
Figure 009EVE-145**



ITEM	PART NUMBER	QTY	LINE	SERIES	BODY	ENGINE	TRANS	TRIM	DESCRIPTION
------	-------------	-----	------	--------	------	--------	-------	------	-------------

NOTE:

Sales Codes:

[DBB] = All Manual Transmissions

[DEJ] = 6-Speed Manual Getrag 238 Transmission

[DGQ] = 5-Speed Automatic 545RFE Transmission

[DGV] = 4-Speed Automatic VLP 42RLE Transmission

[DG0] = All Automatic Transmissions

[DH5] = Electronic

1	68031383AA	1	J, T			EVE	DG0		GASKET PACKAGE, Engine Upper
2	53020673AD	2	J, T			EVO			GASKET, Cylinder Head Right And Left
3	53022008AA	1	J, T			EVO			GASKET, Cylinder Head Cover, Right
4	53022009AA	1	J, T			EVO			GASKET, Cylinder Head Cover, Left
5									GASKET, Exhaust Manifold
	53032832AG	1	J, T			EVO			Right
	53032833AG	1	J, T			EVO			Left
6	53032763AA	1	J, T			EVE			GASKET, Throttle Body
7	53034081AA	8	J, T			EVE			SEAL, Intake Manifold
8	05135798AB	1	J, T			EVE	DG0		GASKET PACKAGE, Engine Lower
9	53020861	1	J, T			EK0, EVO			SEAL, Oil Pick Up Tube
10	53021144AA	1	J, T			EVO			O RING, Engine Oil Indicator Tube
11	53020865	1	J, T			EKG, EVE			GASKET, Water Pump
12	53021226AA	1	J, T			EK0			GASKET, Chain Case Cover
13	53021313AA	1	J, T			EVO			SEAL, Crankshaft Oil, Front
14	53020788AB	1	J, T			EK0, EVO			SEAL, Crankshaft Oil, Rear
15	53020675AE	1	J, T			EVO			GASKET, Oil Pan
16	53021032	1	J, T			EK0, EVO			O RING
17	53020889AC	1	J, T			EVO			GASKET, Oil Fill Housing
18	53021239AA	2	J, T			EK0			O RING, Chain Case Cover

GRAND CHEROKEE (WK)

SERIES LINE
H = HIGHLINE T = JEEP - 2WD
P = PREMIUM J = JEEP - 4WD
S = SPORT
X = SPECIAL

BODY
74 = SPORT UTILITY 4-DR
TYPE #4

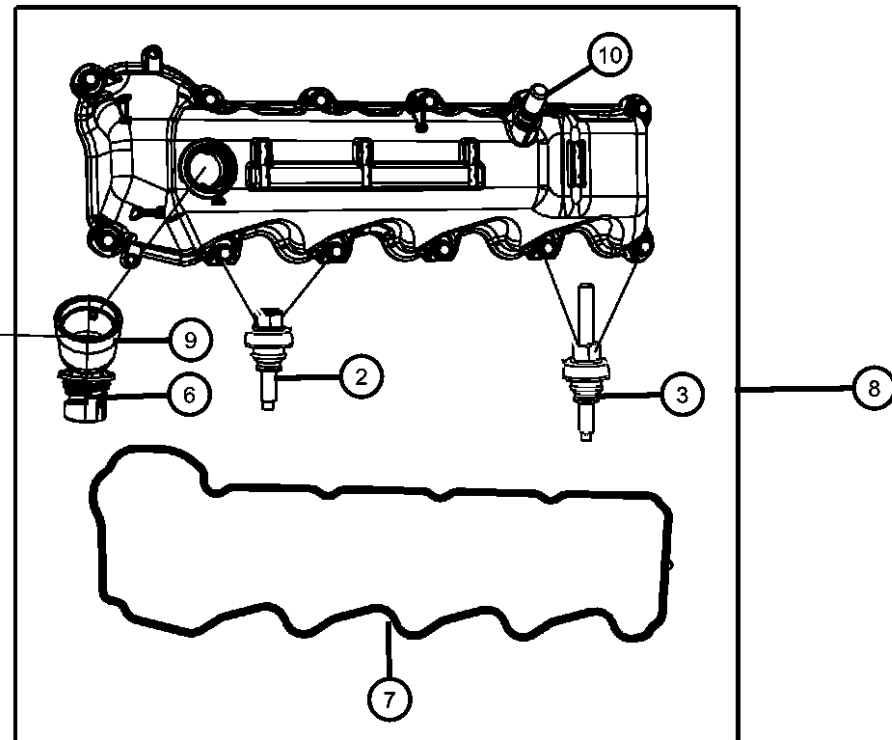
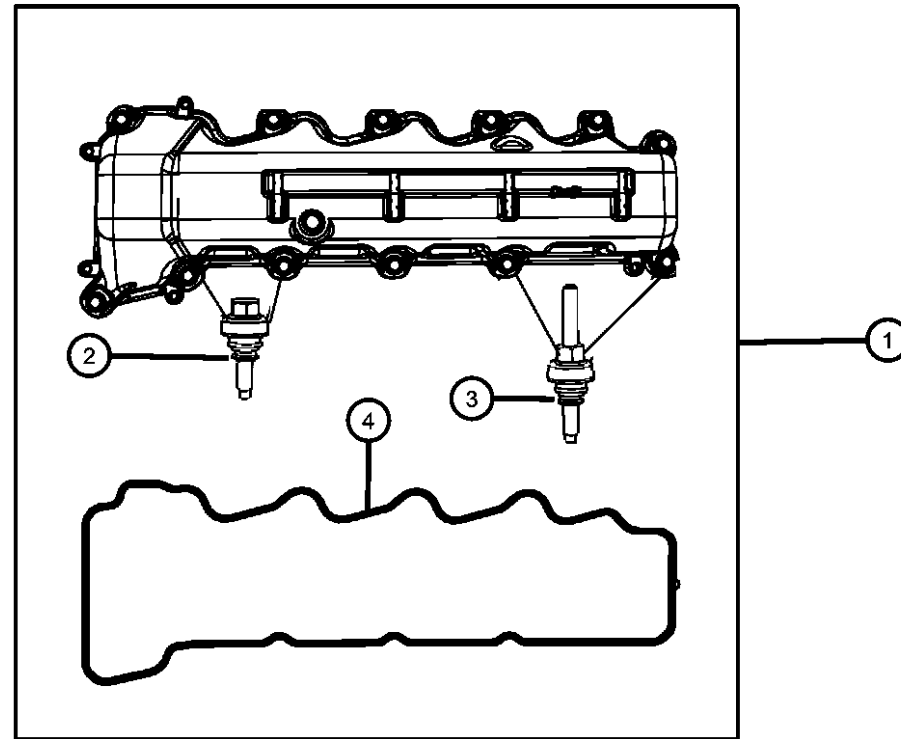
ENGINE
EVE = Engine - 4.7L V8 DOHC
3 Valve
EZB = 5.7L Hemi Multi
Displacement Engine
EKG = 3.7L V6 Engine
ESF = 6.1L SRT HEMI SMPI
V8 Engine
EXL = 3.0L V6 Turbo Diesel
Engine

TRANSMISSION
DGJ = 5-Speed Auto W5A580
Transmission
DGU = 5-Spd Auto W5J400
Transmission
DGQ = 5-Spd Automatic 545RFE
Transmission

AR = use ase required - = Non illustrated part

2008 WK

**Cylinder Head Covers 4.7L [EVE]
Figure 009EVE-205**



ITEM	PART NUMBER	QTY	LINE	SERIES	BODY	ENGINE	TRANS	TRIM	DESCRIPTION
1	53022138AA	1	J, T			EVO			COVER, Cylinder Head, Right
2									BOLT AND GROMMET, Special, M6X1.00X33.00
	06508296AA	11	J, T			EVO			Right
		12	J, T			EVO			Left
3	06508297AA	1	J, T			EVO			STUD AND GROMMET, Special, M6X1.00X61.00
4	53022008AA	1	J, T			EVO			GASKET, Cylinder Head Cover, Right
5	53022221AA	1	J, T			EVO			CAP, Oil Filler
6	68029299AA	1	J, T			EVO			O RING, Oil Filler Cap
7	53022009AA	1	J, T			EVO			GASKET, Cylinder Head Cover, Left
8	53022139AA	1	J, T			EVO			COVER, Cylinder Head, Left
9	53022166AA	1	J, T			EVO			HOUSING, Oil Fill
10	53032855AA	1	J, T			EVO			VALVE, PCV

NOTE:

Sales Codes:

[DBB] = All Manual Transmissions

[DEJ] = 6-Speed Manual Getrag 238 Transmission

[DGQ] = 5-Speed Automatic 545RFE Transmission

[DGV] = 4-Speed Automatic VLP 42RLE Transmission

[DG0] = All Automatic Transmissions

[DH5] = Electronic

GRAND CHEROKEE (WK)

SERIES LINE
H = HIGHLINE T = JEEP - 2WD
P = PREMIUM J = JEEP - 4WD
S = SPORT
X = SPECIAL

BODY
74 = SPORT UTILITY 4-DR
TYPE #4

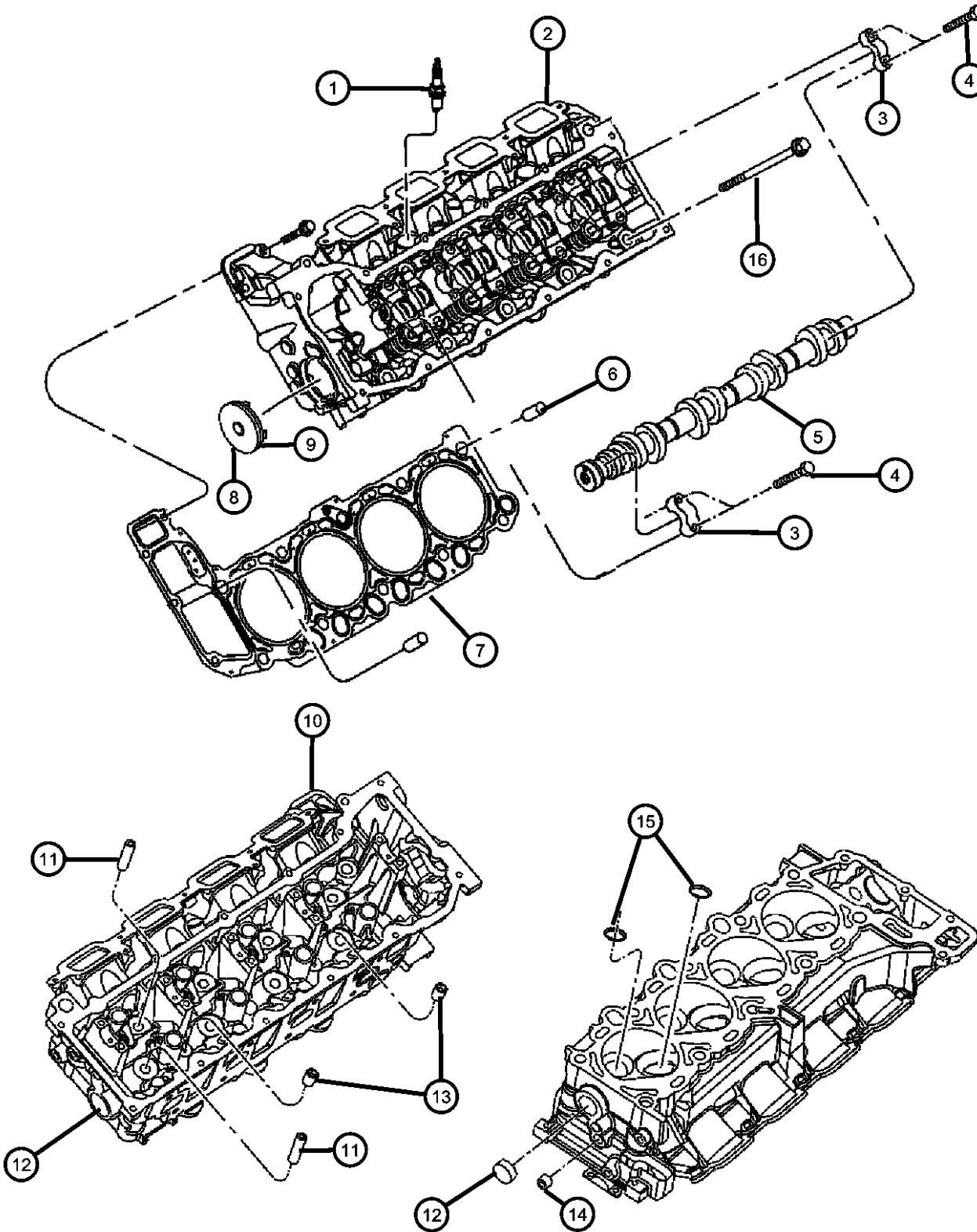
ENGINE
EVE = Engine - 4.7L V8 DOHC
3 Valve
EZB = 5.7L Hemi Multi
Displacement Engine
EKG = 3.7L V6 Engine
ESF = 6.1L SRT HEMI SMPI
V8 Engine
EXL = 3.0L V6 Turbo Diesel
Engine

TRANSMISSION
DGJ = 5-Speed Auto W5A580
Transmission
DGU = 5-Spd Auto W5J400
Transmission
DGQ = 5-Spd Automatic 545RFE
Transmission

AR = use ase required - = Non illustrated part

2008 WK

**Cylinder Heads 4.7L [EVE]
Figure 009EVE-225**



ITEM	PART NUMBER	QTY	LINE	SERIES	BODY	ENGINE	TRANS	TRIM	DESCRIPTION
------	-------------	-----	------	--------	------	--------	-------	------	-------------

NOTE:
New Cylinder Heads Contain: Valve Guides, Valve Seat Inserts, Cam Bearing Caps, Cam Bearing Cap Mounting Bolts, Freeze Plugs. Valves, Valve
Sales Codes:
[DBB] = All Manual Transmissions
[DEJ] = 6-Speed Manu

1		1							SPARK PLUG, See Group 8, (NOT SERVICED)
2	53022133AA	1	J, T			EVO			HEAD, Cylinder, Left
3		1							CAP, Cylinder Head, Serviced With Cylinder Head, (NOT SERVICED)
4	06505034AA	10	J, T			EVO			BOLT, Hex Flange Head, M6X1.00X40.00, Camshaft Bearing Cap To Cylinder Head, Mounting
5									CAMSHAFT, Engine
	53021983AA	1	J, T			EVO			Left
	53021984AA	1	J, T			EVO			Right
6	05240849	4	J, T			EK0, EVO			DOWEL PIN, Cylinder Head To Cylinder Block, Mounting
7	53020673AD	2	J, T			EVO			GASKET, Cylinder Head Right And Left
8	53021031	1	J, T			EK0, EVO			PLUG, Access Hole, Includes O-Ring
9	53021032	1	J, T			EK0, EVO			O RING, [54MM ID X 2.0 Section], Plug Access Hole
10	53022132AA	1	J, T			EVO			HEAD, Cylinder, Right
11		1							GUIDE, Intake/Exhaust Valve, Standard Size, Serviced With Cylinder Head, (NOT SERVICED)
12	04556020AB	2	J, T			EVO			PLUG, Core, 1.25 Diameter
13	06034331	2	J, T			EVO			PLUG, Hex Socket, 3/8-18NPTx.475
14	06036307AA	1	J, T			EVO			PLUG, Pipe, .250-18X.413, Oil Gallery
15		1							INSERT, Valve Guide, Serviced With Cylinder Head, (NOT SERVICED)
16	06505528AA	20	J, T			EVO			BOLT, Hex Flange Head, M11X1.50X173.00, Cylinder Head To Cylinder Block, Mounting

GRAND CHEROKEE (WK)

SERIES	LINE
H = HIGHLINE	T = JEEP - 2WD
P = PREMIUM	J = JEEP - 4WD
S = SPORT	
X = SPECIAL	

BODY
74 = SPORT UTILITY 4-DR
TYPE #4

ENGINE	TRANSMISSION
EVE = Engine - 4.7L V8 DOHC 3 Valve	DGJ = 5-Speed Auto W5A580 Transmission
EZB = 5.7L Hemi Multi Displacement Engine	DGU = 5-Spd Auto W5J400 Transmission
EKG = 3.7L V6 Engine	DGQ = 5-Spd Automatic 545RFE Transmission
ESF = 6.1L SRT HEMI SMPI V8 Engine	
EXL = 3.0L V6 Turbo Diesel Engine	

AR = use ase required - = Non illustrated part

2008 WK

Engine Cylinder Block And Hardware 4.7L [EVE]

Figure 009EVE-305

ITEM	PART NUMBER	QTY	LINE	SERIES	BODY	ENGINE	TRANS	TRIM	DESCRIPTION
------	-------------	-----	------	--------	------	--------	-------	------	-------------

NOTE: New Short Block Contains: Cylinder Block, Bedplate, Freeze Plugs, Crankshaft, Crankshaft Sensor Target Ring, Crankshaft Bearings, Thru

1	68031382AA	1	J, T			EVE	DG0		ENGINE, Short Block, See Note
2	06505457AA	3	J, T			EVO			PIN, M15X12.50, Bedplate To Cylinder Block, Mounting
3	06036592AA	2	J, T			EVO			PLUG, .250-18X.690, Cylinder Block Coolant Drain
4	68045804AA	1	J, T			EVO			PLUG, .500-14X.560
5	06034804	10	J, T			EVO			PLUG, Cup, ID=M32.26 OD=35.00 THICK=1.37
6	05240849	4	J, T			EK0, EVO			DOWEL PIN, Cylinder Head To Cylinder Block, Mounting
7	68045792AA	1	J, T			EVO			SEAL, Crankshaft Oil, Rear
8	01122532	2	J, T			EK0, EVO			DOWEL, Block to Clutch Housing, 1/2X3/4
9	06506187AA	2	J, T			EVO			STUD, Double Ended, M11X1.50XM8X1.25X142.75, Bedplate To Cylinder Block, Mounting
10	06506186AA	1	J, T			EVO			STUD, Double Ended, M11X1.50XM8X1.25X118.50, Bedplate To Cylinder Block, Mounting
11	06505394AA	7	J, T			EVO			BOLT, Hex Flange Head, M11X1.50X90.00, Bedplate To Cylinder Block, Mounting
12	06504410	5	J, T			EVO			BOLT, Hex Flange Head, M10X1.50X55.00
13	06102047AA	6	J, T			EVO			BOLT, Hex Flange Head, M8X1.25X50.00, Bedplate To Cylinder Block, Mounting
14	06504411	7	J, T			EVO			BOLT, Hex Flange Head, M10X1.50X83.50, Bedplate To Cylinder Block, Mounting
15		7							BEDPLATE, Serviced With Short Block, (NOT SERVICED)
16	05184151AA	1	J, T			EVO			CONNECTOR, Oil Filter, M22X1.50
17	53010533AA	2	J, T			EVO			DOWEL, Timing Case Cover To Cylinder Block, Mounting

GRAND CHEROKEE (WK)

SERIES LINE
 H = HIGHLINE T = JEEP - 2WD
 P = PREMIUM J = JEEP - 4WD
 S = SPORT
 X = SPECIAL

BODY
 74 = SPORT UTILITY 4-DR
 TYPE #4

ENGINE
 EVE = Engine - 4.7L V8 DOHC
 3 Valve
 EZB = 5.7L Hemi Multi
 Displacement Engine
 EKG = 3.7L V6 Engine
 ESF = 6.1L SRT HEMI SMPI
 V8 Engine
 EXL = 3.0L V6 Turbo Diesel
 Engine

TRANSMISSION
 DGJ = 5-Speed Auto W5A580
 Transmission
 DGU = 5-Spd Auto W5J400
 Transmission
 DGQ = 5-Spd Automatic 545RFE
 Transmission

AR = use ase required - = Non illustrated part

2008 WK

**Engine Cylinder Block Heater 4.7L [EVE]
Figure 009EVE-325**

ITEM	PART NUMBER	QTY	LINE	SERIES	BODY	ENGINE	TRANS	TRIM	DESCRIPTION
------	-------------	-----	------	--------	------	--------	-------	------	-------------

NOTE:

Sales Codes:

[DBB] = All Manual Transmissions

[DEJ] = 6-Speed Manual Getrag 238 Transmission

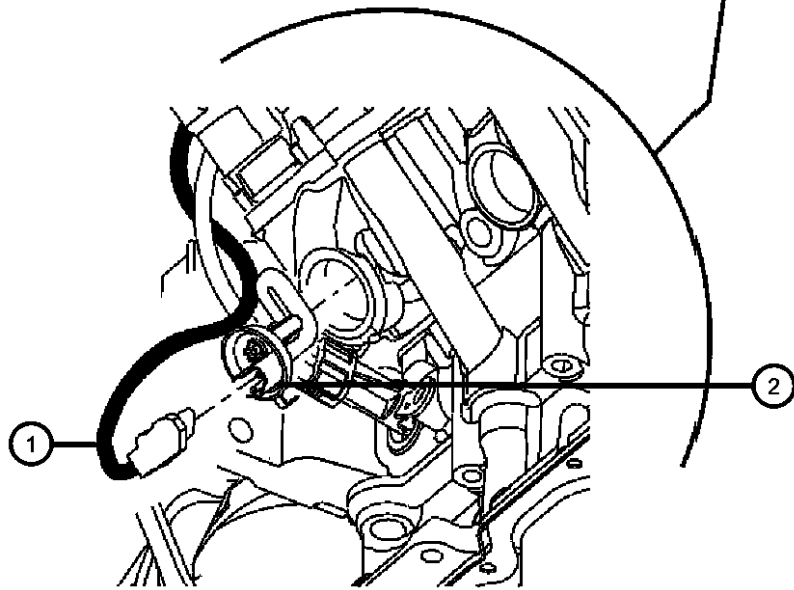
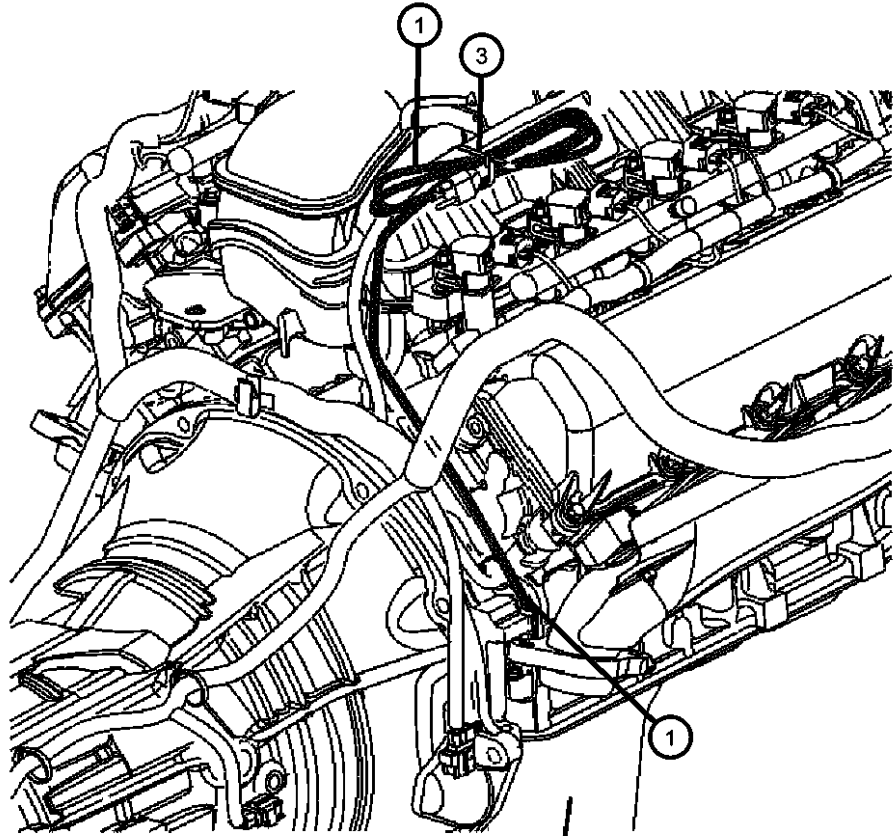
[DGQ] = 5-Speed Automatic 545RFE Transmission

[DGV] = 4-Speed Automatic VLP 42RLE Transmission

[DG0] = All Automatic Transmissions

[DH5] = Electronic

1	56027117	1	J, T			EK0, EV0			CORD, Engine Block Heater
2	56041304AB	1	J, T			EK0, EV0			HEATER, Engine Block
3	04641780	1							STRAP, Tie



GRAND CHEROKEE (WK)

SERIES LINE
H = HIGHLINE T = JEEP - 2WD
P = PREMIUM J = JEEP - 4WD
S = SPORT
X = SPECIAL

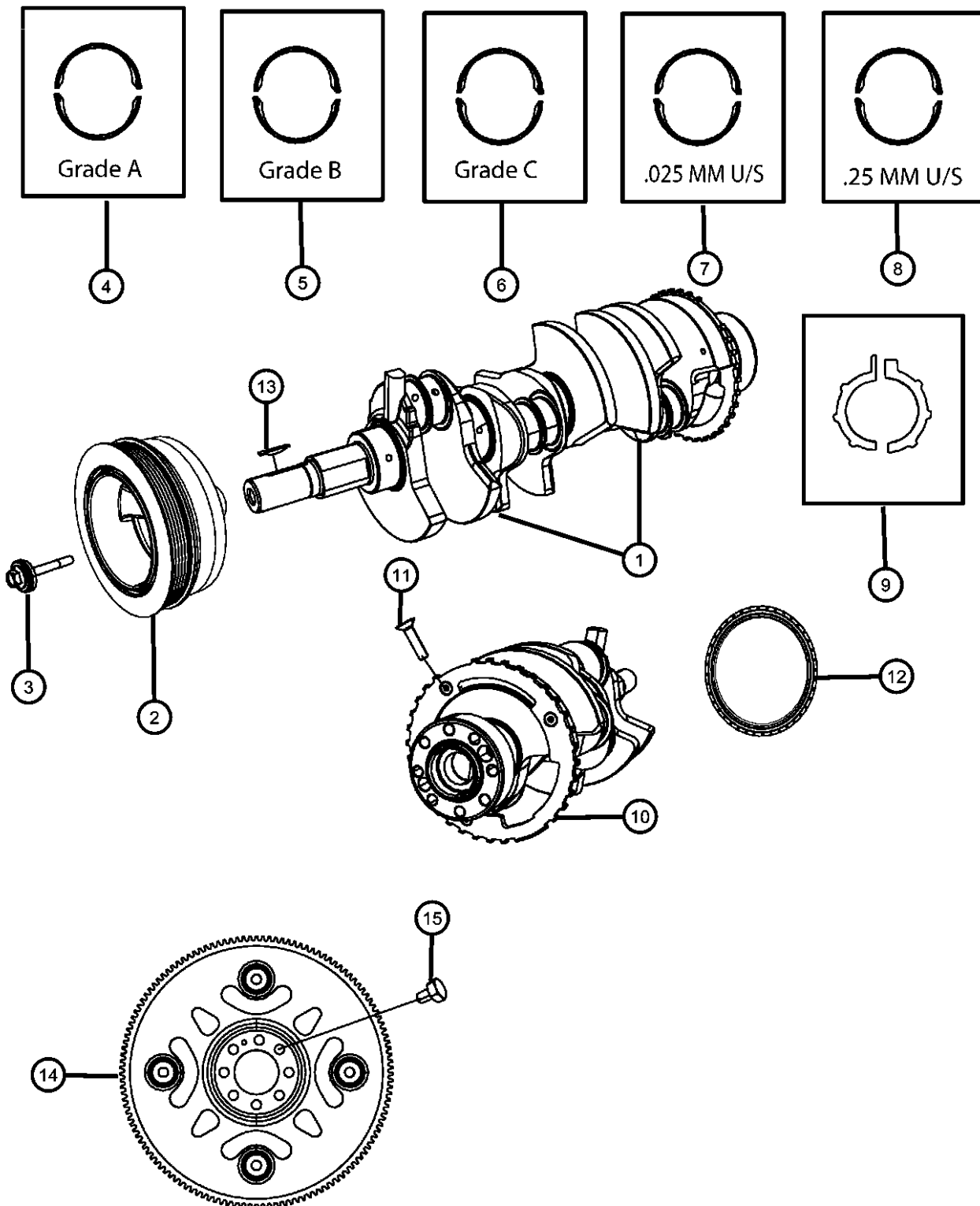
BODY
74 = SPORT UTILITY 4-DR
TYPE #4

ENGINE TRANSMISSION
EVE = Engine - 4.7L V8 DOHC 3 Valve
EZB = 5.7L Hemi Multi Displacement Engine
EKG = 3.7L V6 Engine
ESF = 6.1L SRT HEMI SMPI V8 Engine
EXL = 3.0L V6 Turbo Diesel Engine
DGJ = 5-Speed Auto W5A580 Transmission
DGU = 5-Spd Auto W5J400 Transmission
DGQ = 5-Spd Automatic 545RFE Transmission

AR = use ase required - = Non illustrated part

2008 WK

**Crankshaft, Crankshaft Bearings, Damper, Flywheel, And Flexplate 4.7L [EVE]
Figure 009EVE-405**



ITEM	PART NUMBER	QTY	LINE	SERIES	BODY	ENGINE	TRANS	TRIM	DESCRIPTION
1	53022286AA	1	J, T			EVO	DG0		CRANKSHAFT
2	53022162AA	1	J, T			EVO			DAMPER, Crankshaft
3	06504415	1	J, T			EK0, EVO			BOLT, Hex Flange Head, M14X1.50X112.00, Damper To Crankshaft, Mounting
4	05014183AC	5	J, T			EVE	DG0		BEARING PACKAGE, Crankshaft, A Grade
5		5							BEARING PACKAGE, Crankshaft, B Grade, (NOT SERVICED)
6		5							BEARING PACKAGE, Crankshaft, C Grade, (NOT SERVICED)
7		5							BEARING PACKAGE, Crankshaft, .025mm Undersize, (NOT SERVICED)
8		5							BEARING PACKAGE, Crankshaft, .25mm Undersize, (NOT SERVICED)
9	05012356AD	1	J, T			EK0, EVO			WASHER PACKAGE, Thrust
10		1							STONE RING, Sensor, (NOT SERVICED)
11	06504480	3	J, T			EVO	DG0		SCREW, M6x1x25, Tone Ring To Crankshaft, Mounting
12	53020788AB	1	J, T			EK0, EVO			SEAL, Crankshaft Oil, Rear
13	06504471	1	J, T			EK0, EVO			KEY, Woodruff
14	04736604AA	1	J, T			EVO	DG0		PLATE, Torque Converter Drive
15	06503465	8	J, T			EK0, EVO	DG0		BOLT, Hex Head Lock, M10X1.00X18.00, Driveplate To Crankshaft, Mounting

NOTE:

Sales Codes:

[DBB] = All Manual Transmissions

[DEJ] = 6-Speed Manual Getrag 238 Transmission

[DGQ] = 5-Speed Automatic 545RFE Transmission

[DGV] = 4-Speed Automatic VLP 42RLE Transmission

[DG0] = All Automatic Transmissions

[DH5] = Electronic

GRAND CHEROKEE (WK)

SERIES LINE
H = HIGHLINE T = JEEP - 2WD
P = PREMIUM J = JEEP - 4WD
S = SPORT
X = SPECIAL

BODY
74 = SPORT UTILITY 4-DR
TYPE #4

ENGINE
EVE = Engine - 4.7L V8 DOHC
3 Valve
EZB = 5.7L Hemi Multi
Displacement Engine
EKG = 3.7L V6 Engine
ESF = 6.1L SRT HEMI SMPI
V8 Engine
EXL = 3.0L V6 Turbo Diesel
Engine

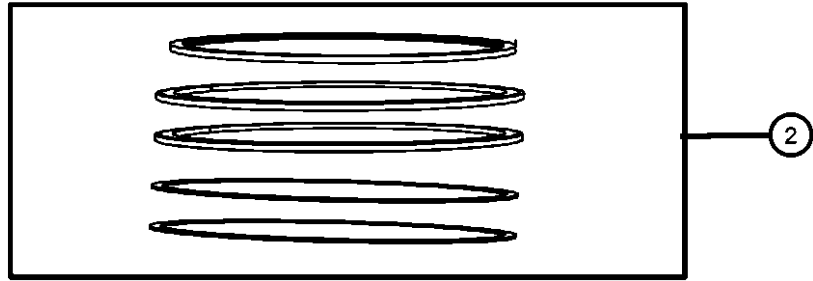
TRANSMISSION
DGJ = 5-Speed Auto W5A580
Transmission
DGU = 5-Spd Auto W5J400
Transmission
DGQ = 5-Spd Automatic 545RFE
Transmission

AR = use ase required - = Non illustrated part

2008 WK

**Pistons, Connecting Rods, Connecting Rod Bearings 4.7L [EVE]
Figure 009EVE-425**

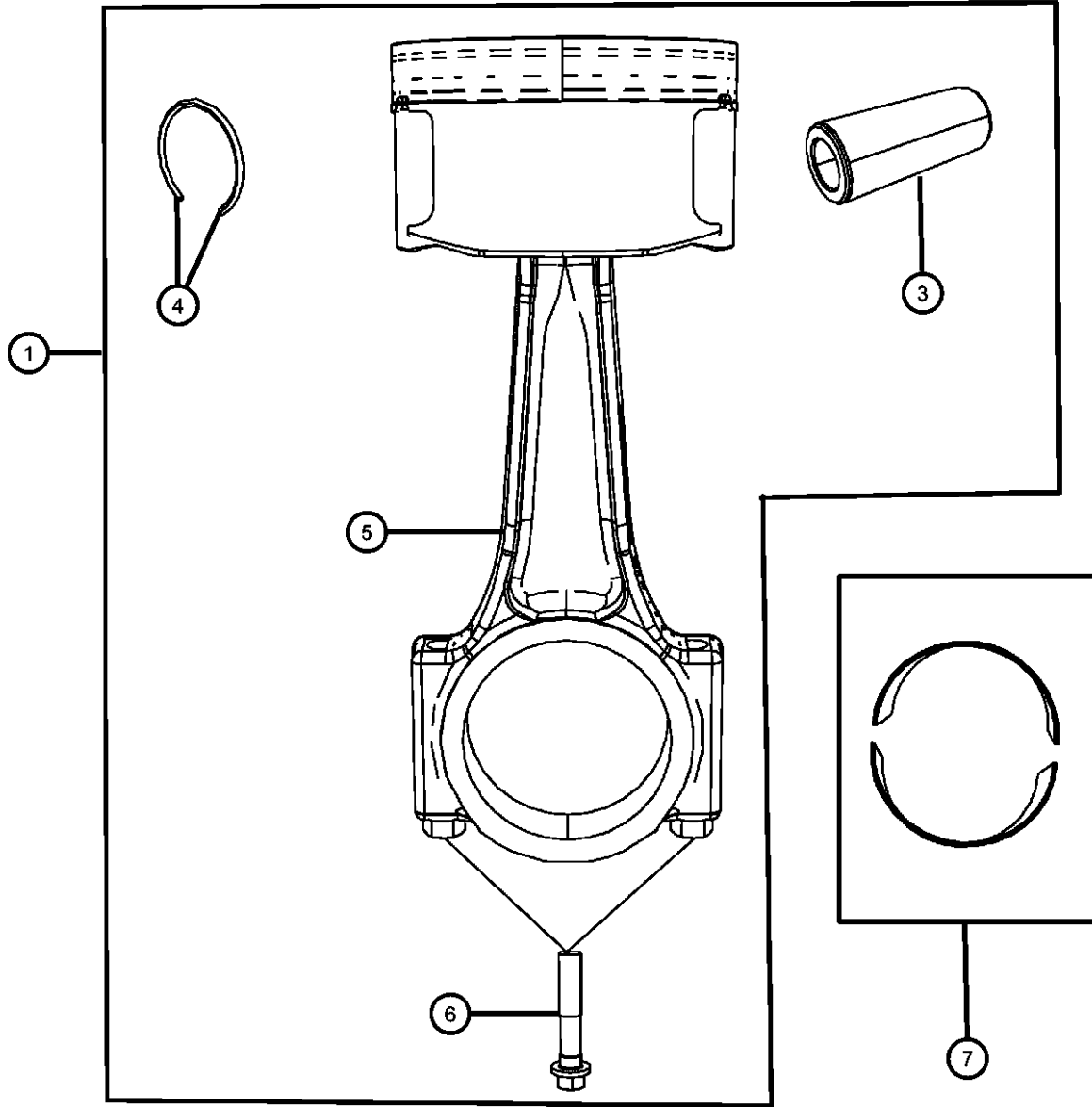
ITEM	PART NUMBER	QTY	LINE	SERIES	BODY	ENGINE	TRANS	TRIM	DESCRIPTION
------	-------------	-----	------	--------	------	--------	-------	------	-------------



NOTE: For Crankshaft Identification, Stamping Location And Bearing Information Refer To The Service Manual.
For Bearing Selection Sizes Please Refer To Service Manual Group 9, Bearings Crankshaft Main, [Select Fit Identification]

Sales Codes:
[DBB]

1	68031605AA	8	J, T			EVO			PISTON PIN AND ROD, STD
2	68031606AA	8	J, T			EVO			RING PACKAGE, Piston, Standard Size, One Package Contains Four Rings To Supply One Piston
3		8							PIN, Piston, Serviced With Piston Package, (NOT SERVICED)
4		8							RING, Piston Pin, Serviced With Piston Package, (NOT SERVICED)
5		8							ROD, Connecting, Serviced With Piston Package, (NOT SERVICED)
6	06508811AA	16	J, T			EVO			BOLT, Connecting Rod
7	05012363AC	8	J, T			EVO			BEARING PACKAGE, Connecting Rod, Standard



GRAND CHEROKEE (WK)

SERIES LINE
H = HIGHLINE T = JEEP - 2WD
P = PREMIUM J = JEEP - 4WD
S = SPORT
X = SPECIAL

BODY
74 = SPORT UTILITY 4-DR
TYPE #4

ENGINE
EVE = Engine - 4.7L V8 DOHC 3 Valve
EZB = 5.7L Hemi Multi Displacement Engine
EKG = 3.7L V6 Engine
ESF = 6.1L SRT HEMI SMPI V8 Engine
EXL = 3.0L V6 Turbo Diesel Engine

TRANSMISSION
DGJ = 5-Speed Auto W5A580 Transmission
DGU = 5-Spd Auto W5J400 Transmission
DGQ = 5-Spd Automatic 545RFE Transmission

AR = use ase required - = Non illustrated part

2008 WK

**Camshafts And Valvetrain 4.7L [EVE]
Figure 009EVE-505**

ITEM	PART NUMBER	QTY	LINE	SERIES	BODY	ENGINE	TRANS	TRIM	DESCRIPTION
------	-------------	-----	------	--------	------	--------	-------	------	-------------

NOTE:

Sales Codes:

[DBB] = All Manual Transmissions

[DEJ] = 6-Speed Manual Getrag 238 Transmission

[DGQ] = 5-Speed Automatic 545RFE Transmission

[DGV] = 4-Speed Automatic VLP 42RLE Transmission

[DG0] = All Automatic Transmissions

[DH5] = Electronic

1	68045794AA	16	J, T			EVO			ROCKER ARM, Valve
2	53022277AA	32	J, T			EVO			LOCK, Valve Spring Retainer
3	53021977AA	16	J, T			EVO			RETAINER, Valve Spring
4	53021994AA	16	J, T			EVO			SPRING, Valve, With Valve Seal
5	53021990AA	8	J, T			EVO			VALVE, Intake, Standard
6	53021644AC	8	J, T			EVO			VALVE, Exhaust, Standard
7	68045795AA	16	J, T			EVO			ADJUSTER, Valve Lash
8									CAMSHAFT, Engine
	53021983AA	1	J, T			EVO			Left
	53021984AA	1	J, T			EVO			Right
9		1							PLUG, Camshaft, (NOT SERVICED)
10		1							SEAT, Exhaust Valve, Serviced With Cylinder Head, (NOT SERVICED)
11		1							SEAT, Intake Valve, Serviced With Cylinder Head, (NOT SERVICED)
12									DOWEL PIN, [M6X14.00]
	06100902	1	J, T			EVO			Left, Camshaft
		1	J, T			EVO			Right, Camshaft
13		1							CAP, Serviced With Cylinder Head, (NOT SERVICED)
14	06505034AA	10	J, T			EVO			BOLT, Hex Flange Head, M6X1.00X40.00, Camshaft Cap To Cylinder Head, Mounting

GRAND CHEROKEE (WK)

SERIES LINE
H = HIGHLINE T = JEEP - 2WD
P = PREMIUM J = JEEP - 4WD
S = SPORT
X = SPECIAL

BODY
74 = SPORT UTILITY 4-DR
TYPE #4

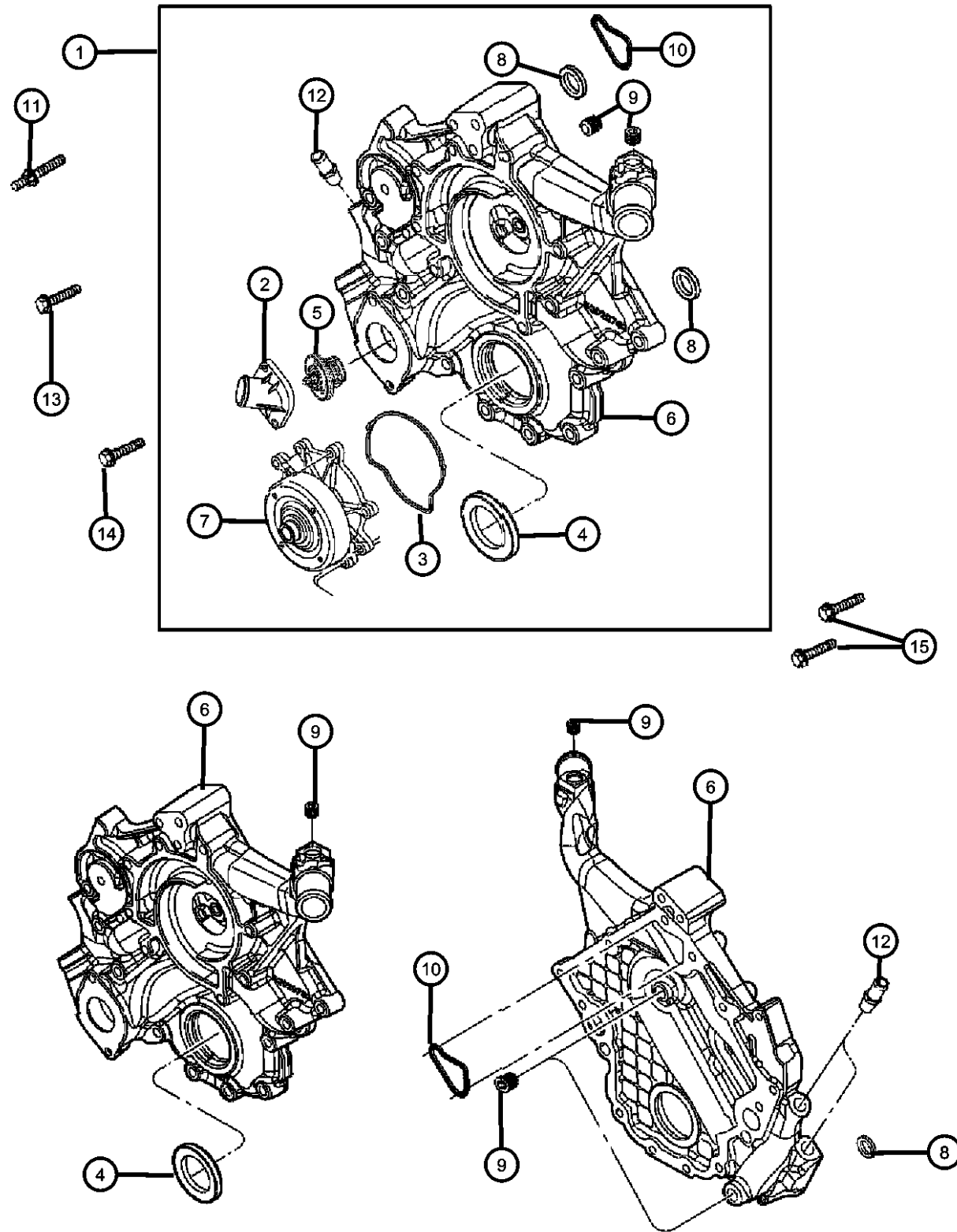
ENGINE
EVE = Engine - 4.7L V8 DOHC
3 Valve
EZB = 5.7L Hemi Multi
Displacement Engine
EKG = 3.7L V6 Engine
ESF = 6.1L SRT HEMI SMPI
V8 Engine
EXL = 3.0L V6 Turbo Diesel
Engine

TRANSMISSION
DGJ = 5-Speed Auto W5A580
Transmission
DGU = 5-Spd Auto W5J400
Transmission
DGQ = 5-Spd Automatic 545RFE
Transmission

AR = use ase required - = Non illustrated part

2008 WK

Timing Case Cover 4.7L [EVE]
Figure 009EVE-605



ITEM	PART NUMBER	QTY	LINE	SERIES	BODY	ENGINE	TRANS	TRIM	DESCRIPTION
1	05134142AF	1	J, T			EVO			COVER KIT, Timing
2	53020887AD	1	J, T			EVO			HOUSING, Thermostat
3	53020865	1	J, T			EKG, EVE			GASKET, Water Pump
4	53021313AA	1	J, T			EVO			SEAL, Crankshaft Oil, Front
5	52079476AD	1	J, T			EVO			THERMOSTAT
6		1							COVER, Chain Case, Serviced In Item 1 Kit Only, (NOT SERVICED)
7	53022189AC	1	J, T			EKG, EVE			PUMP, Water
8		1							O RING, Serviced In Item 1 Kit Only, (NOT SERVICED)
9	06034331	3	J, T			EVO			PLUG, Hex Socket, 3/8-18NPTx.475
10		3							GASKET, Chain Case Cover, Serviced In Item 1 Kit Only, (NOT SERVICED)
11	06505293AA	1	J, T			EK0, EVO			STUD, Double Ended, M10X1.50X.437-14X145.20, Chain Case Cover To Cylinder Block, Mounting
12	06035854	2	J, T			EVO			NIPPLE, .375-18X2.00
13	06507776AA	3	J, T			EVO			BOLT, Hex Flange Head, M10X1.50X87.00, Cover To Cylinder Block, Mounting
14	06102380AA	5	J, T			EK0, EVO			BOLT, Hex Flange Head, M10X1.50X42.00, Cover To Cylinder Block, Mounting
15	06102381AA	5	J, T			EK0, EVO			BOLT, Hex Flange Head, M10X1.50X62.00, Cover To Cylinder Block, Mounting

GRAND CHEROKEE (WK)

SERIES LINE
H = HIGHLINE T = JEEP - 2WD
P = PREMIUM J = JEEP - 4WD
S = SPORT
X = SPECIAL

BODY
74 = SPORT UTILITY 4-DR
TYPE #4

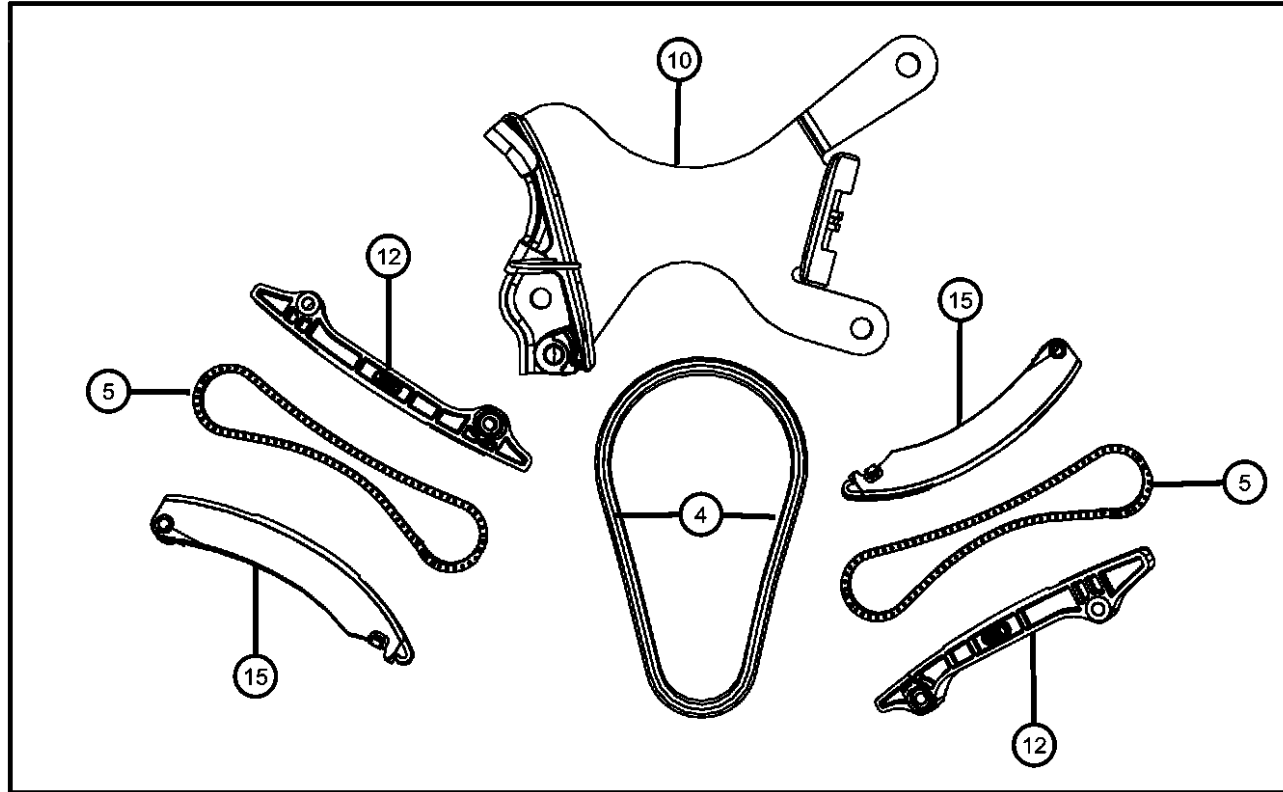
ENGINE
EVE = Engine - 4.7L V8 DOHC 3 Valve
EZB = 5.7L Hemi Multi Displacement Engine
EKG = 3.7L V6 Engine
ESF = 6.1L SRT HEMI SMPI V8 Engine
EXL = 3.0L V6 Turbo Diesel Engine

TRANSMISSION
DGJ = 5-Speed Auto W5A580 Transmission
DGU = 5-Spd Auto W5J400 Transmission
DGQ = 5-Spd Automatic 545RFE Transmission

AR = use ase required - = Non illustrated part

2008 WK

Timing System 4.7L [EVE]
Figure 009EVE-625



ITEM	PART NUMBER	QTY	LINE	SERIES	BODY	ENGINE	TRANS	TRIM	DESCRIPTION
------	-------------	-----	------	--------	------	--------	-------	------	-------------

NOTE:

Sales Codes:

[DBB] = All Manual Transmissions

[DEJ] = 6-Speed Manual Getrag 238 Transmission

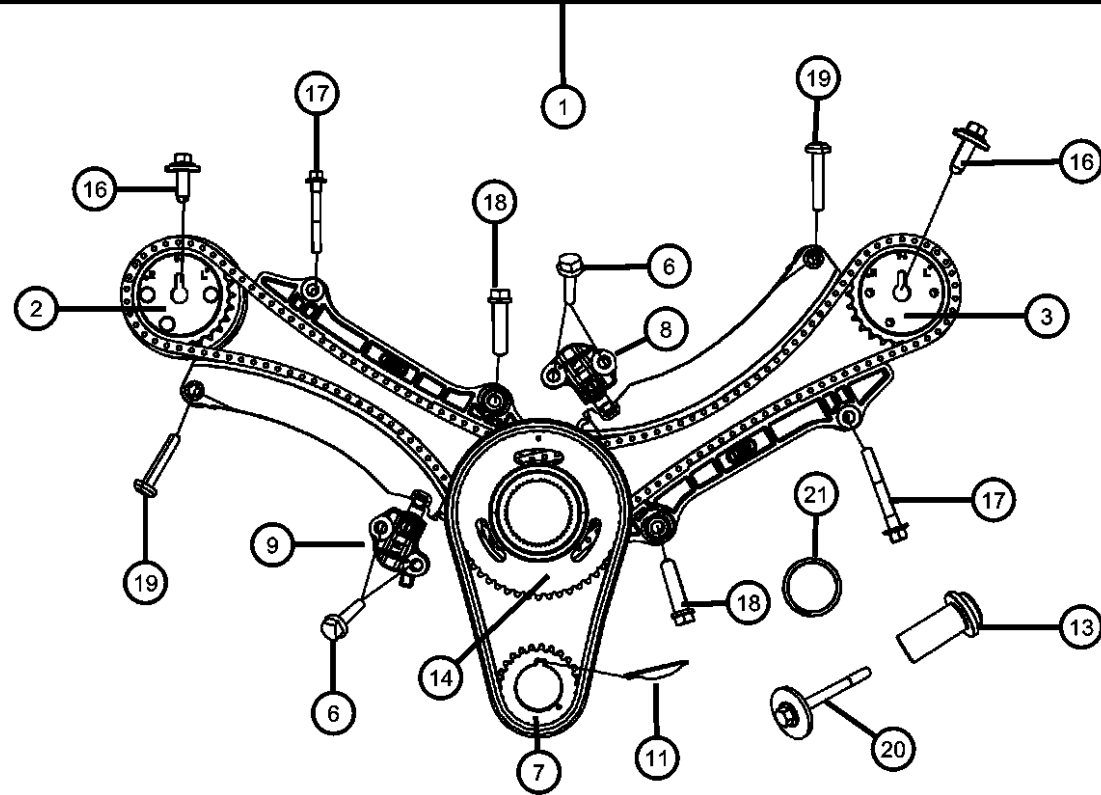
[DGQ] = 5-Speed Automatic 545RFE Transmission

[DGV] = 4-Speed Automatic VLP 42RLE Transmission

[DG0] = All Automatic Transmissions

[DH5] = Electronic

1	68045793AA	1	J, T			EVE	DG0		TIMING DRIVE PACKAGE, Engine
2	53021965AA	1	J, T			EVO			SPROCKET, Camshaft, Right
3	53021968AA	1	J, T			EVO			SPROCKET, Camshaft, Left
4		1							CHAIN, Timing, [Primary] Serviced In Timing Drive Package, (NOT SERVICED)
5		1							CHAIN, Timing, [Secondary] Serviced In Timing Drive Package, (NOT SERVICED)
6	06503257	6	J, T			EVO			BOLT, Hex Head, M8x1.25x37.50, Chain Guide And Secondary Tensioner To Cylinder Block, Mounting
7	53020679	1	J, T			EVO			SPROCKET, Crankshaft
8	53021168AA	1	J, T			EVO			TENSIONER, Chain
9	53020779	1	J, T			EVO			TENSIONER, Chain
10	53020681	1	J, T			EVO			TENSIONER, Chain, Primary
11	06504471	1	J, T			EK0, EVO			KEY, Woodruff
12	53021796AA	2	J, T			EVO			GUIDE, Timing Chain, [Secondary] Serviced In Timing Drive Package
13	53020835	1	J, T			EK0, EVO			SHAFT, Idler
14	68003353AA	1	J, T			EVO			SPROCKET, Idler, Includes Primary And Secondary Sprockets
15		1							ARM, Tensioner, [Secondary] Serviced In Timing Drive Package, (NOT SERVICED)
16	06504429	2	J, T			EK0, EVO			BOLT, Hex Flange Head, M12X1.75X35.00, Camshaft Sprocket To Camshaft, Mounting
17	06100932	2	J, T			EK0, EVO			BOLT, Hex Flange Head, M8X1.25X60.00, Timing Chain Guide To Cylinder Block, Mounting



GRAND CHEROKEE (WK)

SERIES LINE
H = HIGHLINE T = JEEP - 2WD
P = PREMIUM J = JEEP - 4WD
S = SPORT
X = SPECIAL

BODY
74 = SPORT UTILITY 4-DR
TYPE #4

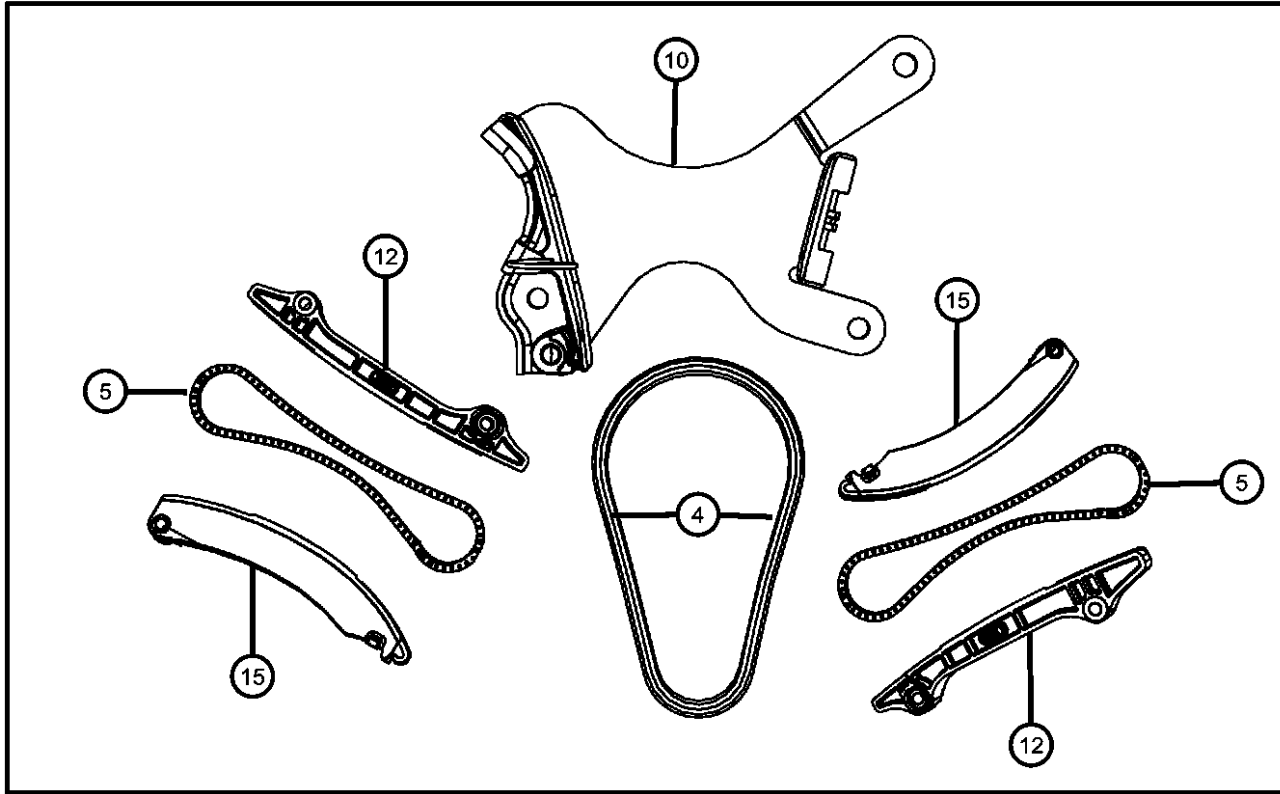
ENGINE
EVE = Engine - 4.7L V8 DOHC 3 Valve
EZB = 5.7L Hemi Multi Displacement Engine
EKG = 3.7L V6 Engine
ESF = 6.1L SRT HEMI SMPI V8 Engine
EXL = 3.0L V6 Turbo Diesel Engine

TRANSMISSION
DGJ = 5-Speed Auto W5A580 Transmission
DGU = 5-Spd Auto W5J400 Transmission
DGQ = 5-Spd Automatic 545RFE Transmission

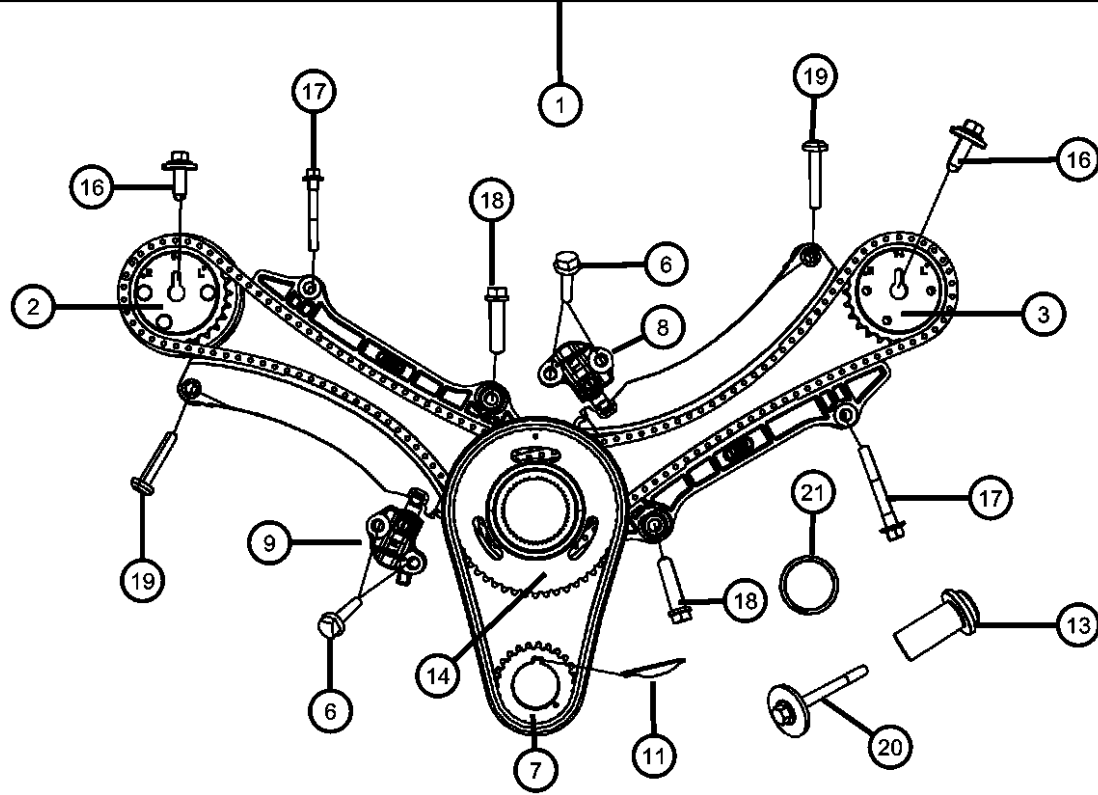
AR = use ase required - = Non illustrated part

2008 WK

Timing System 4.7L [EVE]
Figure 009EVE-625



ITEM	PART NUMBER	QTY	LINE	SERIES	BODY	ENGINE	TRANS	TRIM	DESCRIPTION
18	06102111AA	2	J, T			EK0, EV0			BOLT AND CONED WASHER, Hex Head, M8X1.25X45.00, Timing Chain Guide To Cylinder Block, Mounting
19	06506028AA	2	J, T			EV0			BOLT, Truss Head, M8X1.25X45.00, Tensioner Arm, Mounting
20	06504370	1	J, T			EK0, EV0			BOLT AND WASHER, Hex Head, M10X1.50X110.00, Idler To Cylinder Block, Mounting
21		1							RETAINING RING, Idler, (NOT SERVICED)



GRAND CHEROKEE (WK)

SERIES LINE
H = HIGHLINE T = JEEP - 2WD
P = PREMIUM J = JEEP - 4WD
S = SPORT
X = SPECIAL

BODY
74 = SPORT UTILITY 4-DR
TYPE #4

ENGINE
EVE = Engine - 4.7L V8 DOHC 3 Valve
EZB = 5.7L Hemi Multi Displacement Engine
EKG = 3.7L V6 Engine
ESF = 6.1L SRT HEMI SMPI V8 Engine
EXL = 3.0L V6 Turbo Diesel Engine

TRANSMISSION
DGJ = 5-Speed Auto W5A580 Transmission
DGU = 5-Spd Auto W5J400 Transmission
DGQ = 5-Spd Automatic 545RFE Transmission

AR = use ase required - = Non illustrated part

2008 WK

**Engine Oiling Pump 4.7L [EVE]
Figure 009EVE-705**

ITEM	PART NUMBER	QTY	LINE	SERIES	BODY	ENGINE	TRANS	TRIM	DESCRIPTION
------	-------------	-----	------	--------	------	--------	-------	------	-------------

NOTE:

Sales Codes:

[DBB] = All Manual Transmissions

[DEJ] = 6-Speed Manual Getrag 238 Transmission

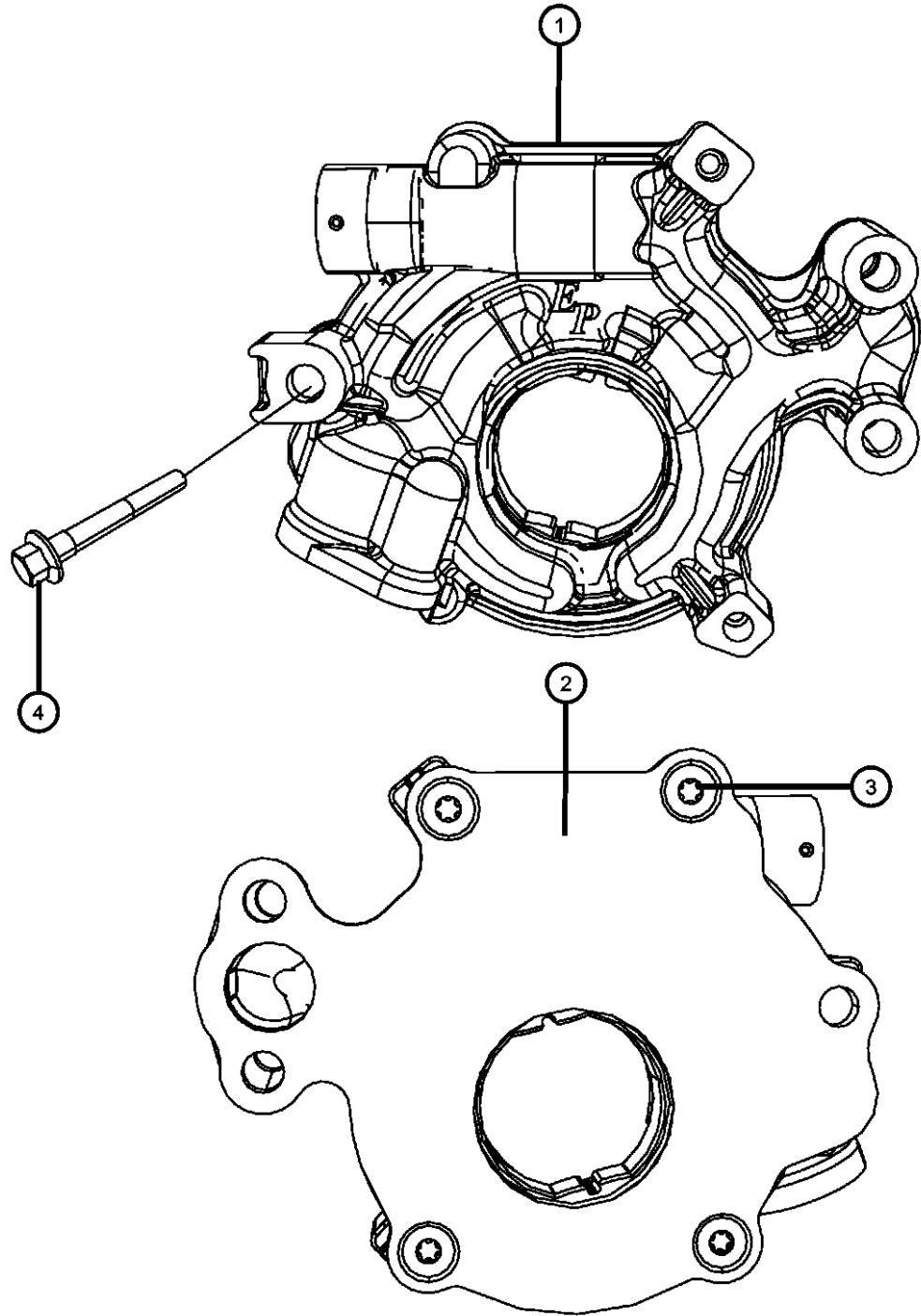
[DGQ] = 5-Speed Automatic 545RFE Transmission

[DGV] = 4-Speed Automatic VLP 42RLE Transmission

[DG0] = All Automatic Transmissions

[DH5] = Electronic

1	68045796AA	1	J, T			EVO			PUMP, Engine Oil
2		1							COVER, Engine Oil Pump, Serviced With Oil Pump Assembly, (NOT SERVICED)
3		1							SCREW, Torx Head, M6x1.00x15.00, Serviced With Oil Pump Assembly, (NOT SERVICED)
4	06100932	2	J, T			EK0, EVO			BOLT, Hex Flange Head, M8X1.25X60.00, Oil Pump To Cylinder Block, Mounting



GRAND CHEROKEE (WK)

SERIES LINE
H = HIGHLINE T = JEEP - 2WD
P = PREMIUM J = JEEP - 4WD
S = SPORT
X = SPECIAL

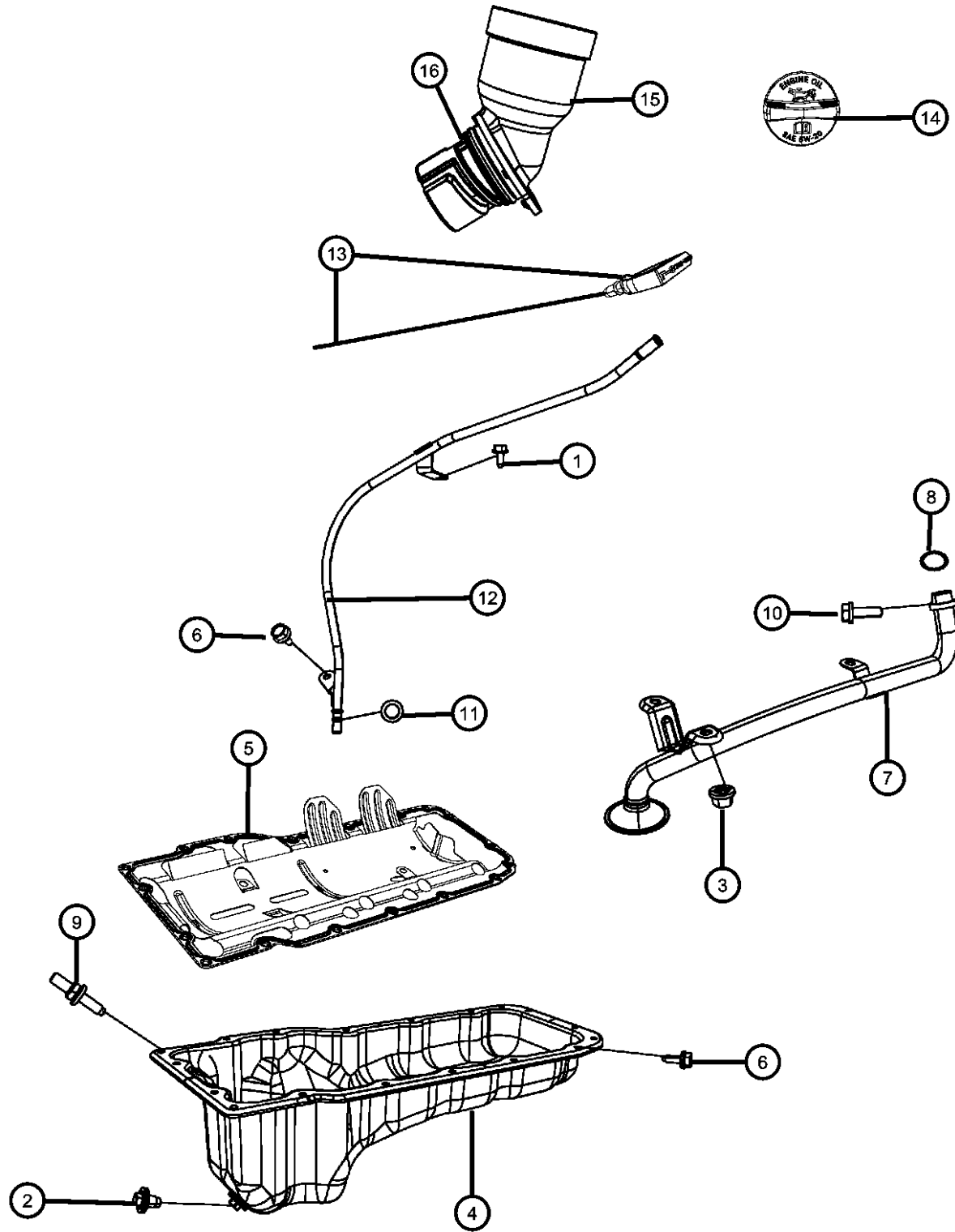
BODY
74 = SPORT UTILITY 4-DR
TYPE #4

ENGINE TRANSMISSION
EVE = Engine - 4.7L V8 DOHC
3 Valve DGJ = 5-Speed Auto W5A580
Transmission
EZB = 5.7L Hemi Multi DGU = 5-Spd Auto W5J400
Displacement Engine Transmission
EKG = 3.7L V6 Engine DGQ = 5-Spd Automatic 545RFE
ESF = 6.1L SRT HEMI SMPI Transmission
V8 Engine
EXL = 3.0L V6 Turbo Diesel
Engine

AR = use ase required - = Non illustrated part

2008 WK

**Engine Oil Pan, Engine Oil Level Indicator And Related Parts 4.7L [EVE]
Figure 009EVE-725**



ITEM	PART NUMBER	QTY	LINE	SERIES	BODY	ENGINE	TRANS	TRIM	DESCRIPTION
1	06102050AA	1	J, T			EVO			BOLT, Hex Flange Head, M6.3X1.81X15.00, Engine Oil Indicator Tube To Intake Manifold, Mounting
2	06506100AA	1	J, T			EVO			PLUG, Oil Drain, [M14X1.5X20.0]
3	06502756	3	J, T			EVO			NUT, Hex Lock, M8x1.25, Oil Pickup Tube To Cylinder Block, Mounting
4	53022293AA	1	J, T			EVO			PAN, Engine Oil
5	53020675AE	1	J, T			EVO			GASKET, Oil Pan
6	06504810AA	1	J, T			EK0, EVO			BOLT AND CONED WASHER, Hex head, M6X1.00X20.00 Oil Level Indicator Tube To Cylinder Block, Mounting
7	53021684AB	17	J, T			EVO			Oil Pan To Cylinder Block, Mounting
8	53020861	1	J, T			EVE			TUBE, Oil Pickup
9	06508066AA	1	J, T			EK0, EVO			SEAL, Oil Pick Up Tube
10	06102046AA	1	J, T			EVO			STUD, M6.3X1.81X15.00, Oil Pan To Cylinder Block, Mounting
11	53021144AA	1	J, T			EK0, EVO			BOLT AND CONED WASHER, Hex Head, M8X1.25X27.00, Oil Pickup Tube To Cylinder Block, Mounting
12	53013951AB	1	J, T			EVO			O RING, Engine Oil Indicator Tube
13	53013949AD	1	J, T			EVO			TUBE, Engine Oil Indicator
14	53022221AA	1	J, T			EVO			INDICATOR, Engine Oil Level
15	53022166AA	1	J, T			EVO			CAP, Oil Filler
16	68029299AA	1	J, T			EVO			HOUSING, Oil Fill O RING, Oil Filler Cap

NOTE:

Sales Codes:

[DBB] = All Manual Transmissions

[DEJ] = 6-Speed Manual Getrag 238 Transmission

[DGQ] = 5-Speed Automatic 545RFE Transmission

[DGV] = 4-Speed Automatic VLP 42RLE Transmission

[DG0] = All Automatic Transmissions

[DH5] = Electronic

GRAND CHEROKEE (WK)

SERIES LINE
H = HIGHLINE T = JEEP - 2WD
P = PREMIUM J = JEEP - 4WD
S = SPORT
X = SPECIAL

BODY
74 = SPORT UTILITY 4-DR
TYPE #4

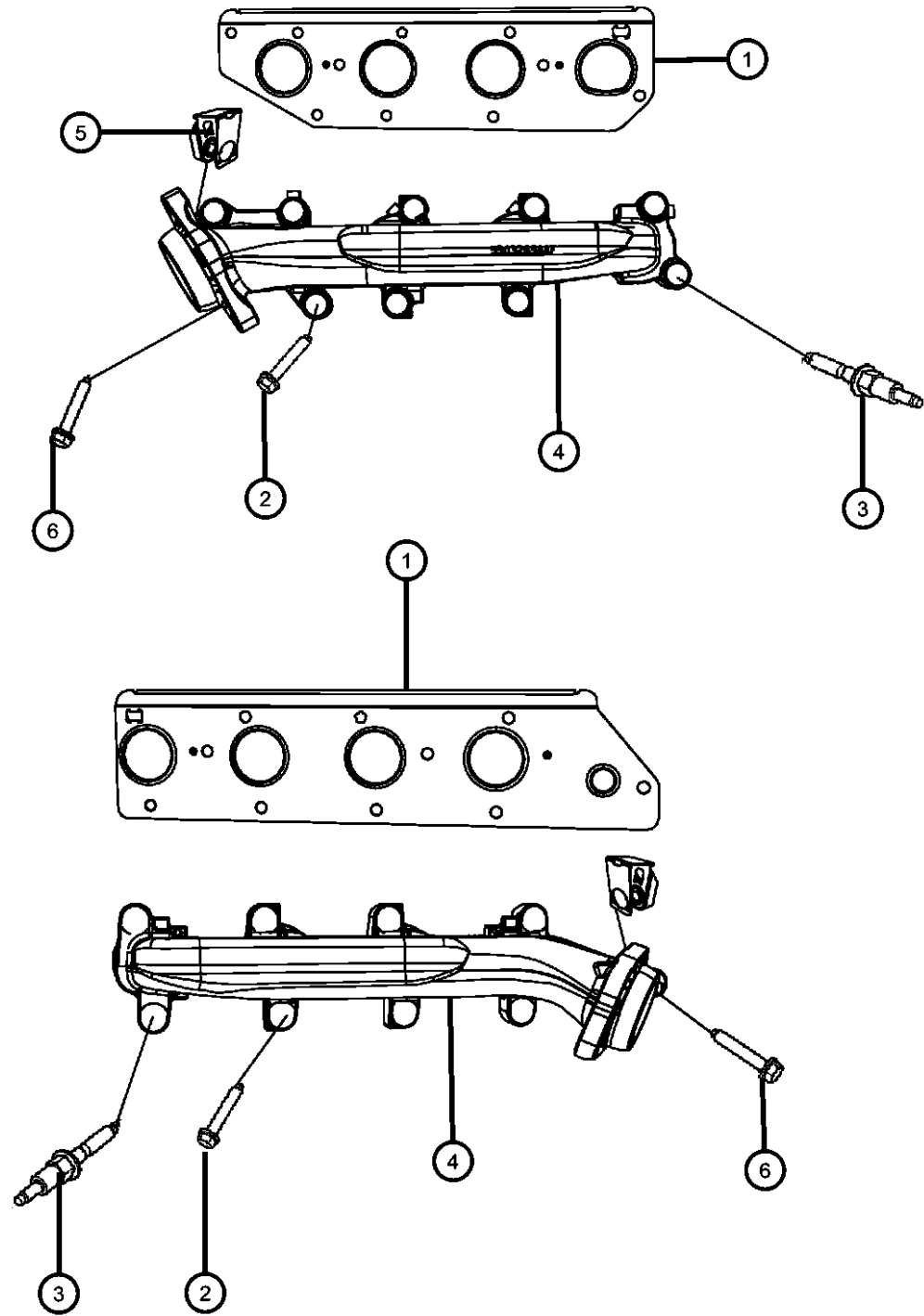
ENGINE
EVE = Engine - 4.7L V8 DOHC
3 Valve
EZB = 5.7L Hemi Multi
Displacement Engine
EKG = 3.7L V6 Engine
ESF = 6.1L SRT HEMI SMPI
V8 Engine
EXL = 3.0L V6 Turbo Diesel
Engine

TRANSMISSION
DGJ = 5-Speed Auto W5A580
Transmission
DGU = 5-Spd Auto W5J400
Transmission
DGQ = 5-Spd Automatic 545RFE
Transmission

AR = use ase required - = Non illustrated part

2008 WK

**Exhaust Manifold And Exhaust Manifold Heat Sheild 4.7L [EVE]
Figure 009EVE-1005**



ITEM	PART NUMBER	QTY	LINE	SERIES	BODY	ENGINE	TRANS	TRIM	DESCRIPTION
1	53032832AG	1	J, T			EVO			GASKET, Exhaust Manifold Right
	53032833AG	1	J, T			EVO			Left
2	06507746AA	10	J, T			EVO			BOLT, Exhaust Manifold, M8x1.25x46.00, Exhaust Manifold To Cylinder Head, Mounting
						EVO			STUD, Double Ended, M8X1.25XM6X1X73.00 MANIFOLD, Exhaust
3	06508219AA	8	J, T			EVO			
4	53013792AE	1	J, T			EVO			Right
	53013793AE	1	J, T			EVO			Left
5	06503231	4	J, T			EK0, ES0, EVO, EZ0			NUT, Hex Flange Lock, M14x1.50, Front Pipe To Exhaust Manifold, Mounting
6	06104426AA	4	J, T						BOLT AND CONED WASHER, Hex Head, M10X1.50X60.00, Y-Pipe To Exhaust Manifold, Mounting
-7	53032835AE	1	J, T			EVO			SHIELD, Exhaust Manifold Left
	53032834AF	1	J, T			EVO			Right

GRAND CHEROKEE (WK)

SERIES LINE
H = HIGHLINE T = JEEP - 2WD
P = PREMIUM J = JEEP - 4WD
S = SPORT
X = SPECIAL

BODY
74 = SPORT UTILITY 4-DR
TYPE #4

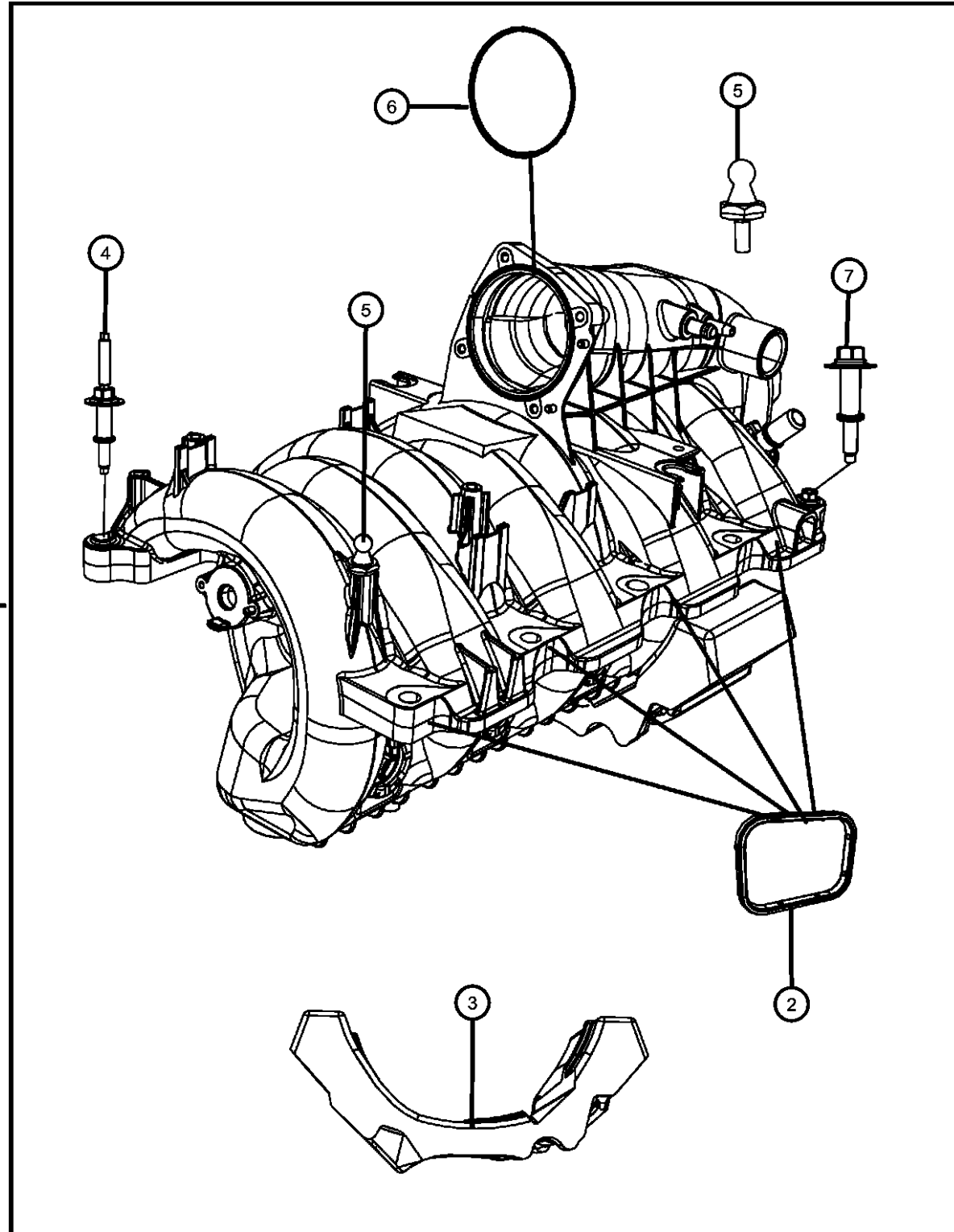
ENGINE TRANSMISSION
EVE = Engine - 4.7L V8 DOHC
3 Valve DGJ = 5-Speed Auto W5A580
Transmission
EZB = 5.7L Hemi Multi
Displacement Engine DGU = 5-Spd Auto W5J400
Transmission
EKG = 3.7L V6 Engine DGQ = 5-Spd Automatic 545RFE
Transmission
ESF = 6.1L SRT HEMI SMPI
V8 Engine
EXL = 3.0L V6 Turbo Diesel
Engine

AR = use ase required - = Non illustrated part

2008 WK

Intake Manifold 4.7L [EVE]
Figure 009EVE-1025

ITEM	PART NUMBER	QTY	LINE	SERIES	BODY	ENGINE	TRANS	TRIM	DESCRIPTION
------	-------------	-----	------	--------	------	--------	-------	------	-------------



NOTE:

Sales Codes:

- [DBB] = All Manual Transmissions
- [DEJ] = 6-Speed Manual Getrag 238 Transmission
- [DGQ] = 5-Speed Automatic 545RFE Transmission
- [DGV] = 4-Speed Automatic VLP 42RLE Transmission
- [DG0] = All Automatic Transmissions
- [DH5] = Electronic

1	53032761AH	1	J, T			EVO			MANIFOLD, Engine Intake
2	53034081AA	8	J, T			EVO			SEAL, Intake Manifold
3	53032883AB	1	J, T			EVO			PAD, Engine
4		1							STUD, Double Ended, [M6X1.00X80.00], (NOT SERVICED)
5	53034108AA	1	J, T			EVO			BALL STUD, Engine Cover Attach
6	53032763AA	1	J, T			EVO			GASKET, Throttle Body
7	06507433AA	2	J, T			EVO			BOLT, Hex Flange Head, M6X1.00X43.00

GRAND CHEROKEE (WK)

SERIES LINE
H = HIGHLINE T = JEEP - 2WD
P = PREMIUM J = JEEP - 4WD
S = SPORT
X = SPECIAL

BODY
74 = SPORT UTILITY 4-DR
TYPE #4

ENGINE
EVE = Engine - 4.7L V8 DOHC
3 Valve
EZB = 5.7L Hemi Multi
Displacement Engine
EKG = 3.7L V6 Engine
ESF = 6.1L SRT HEMI SMPI
V8 Engine
EXL = 3.0L V6 Turbo Diesel
Engine

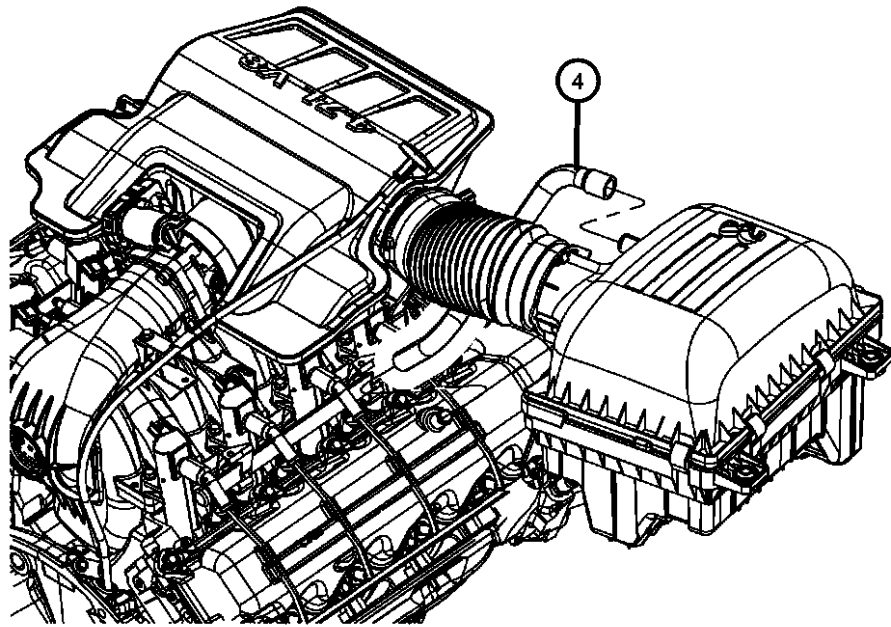
TRANSMISSION
DGJ = 5-Speed Auto W5A580
Transmission
DGU = 5-Spd Auto W5J400
Transmission
DGQ = 5-Spd Automatic 545RFE
Transmission

AR = use ase required - = Non illustrated part

2008 WK

**Crankcase Ventilation 4.7L [EVE]
Figure 009EVE-1105**

ITEM	PART NUMBER	QTY	LINE	SERIES	BODY	ENGINE	TRANS	TRIM	DESCRIPTION
------	-------------	-----	------	--------	------	--------	-------	------	-------------



NOTE:

Sales Codes:

[DBB] = All Manual Transmissions

[DEJ] = 6-Speed Manual Getrag 238 Transmission

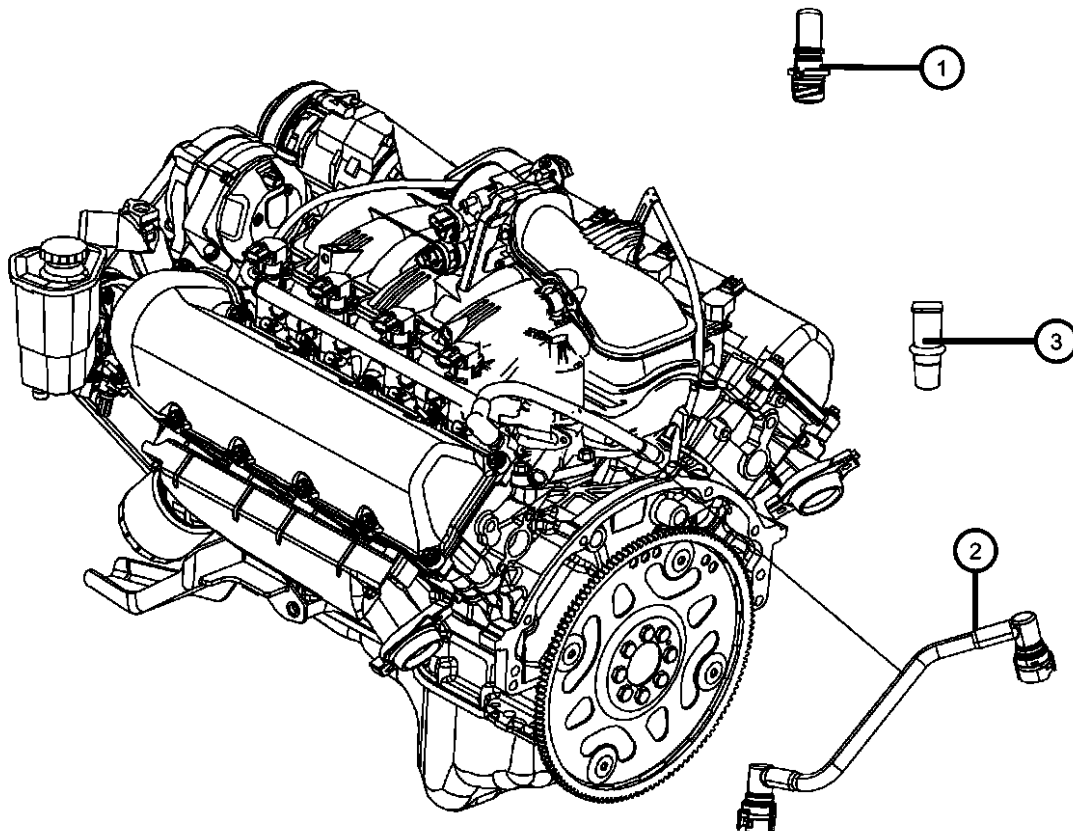
[DGQ] = 5-Speed Automatic 545RFE Transmission

[DGV] = 4-Speed Automatic VLP 42RLE Transmission

[DG0] = All Automatic Transmissions

[DH5] = Electronic

1	53032855AA	1	J, T			EVO			VALVE, PCV
2	53032856AB	1	J, T			EVO			TUBE, Crankcase Vent To Intake Manifold
3	06036575AA	1	J, T			EVO			NIPPLE, .375-18X2.00
4	53013887AB	1	J, T			EVO			HOSE, Make Up Air



GRAND CHEROKEE (WK)

SERIES	LINE
H = HIGHLINE	T = JEEP - 2WD
P = PREMIUM	J = JEEP - 4WD
S = SPORT	
X = SPECIAL	

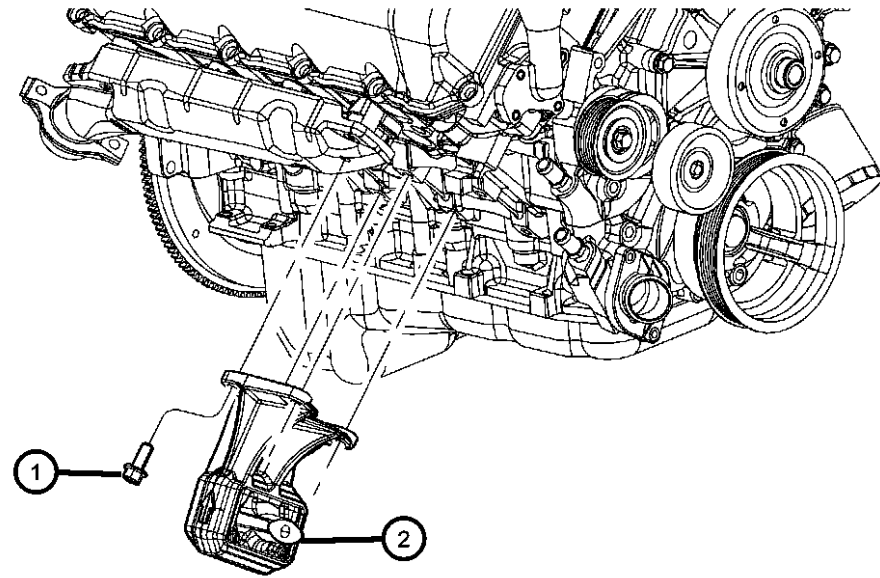
BODY
74 = SPORT UTILITY 4-DR TYPE #4

ENGINE	TRANSMISSION
EVE = Engine - 4.7L V8 DOHC 3 Valve	DGJ = 5-Speed Auto W5A580 Transmission
EZB = 5.7L Hemi Multi Displacement Engine	DGU = 5-Spd Auto W5J400 Transmission
EKG = 3.7L V6 Engine	DGQ = 5-Spd Automatic 545RFE Transmission
ESF = 6.1L SRT HEMI SMPI V8 Engine	
EXL = 3.0L V6 Turbo Diesel Engine	

AR = use ase required - = Non illustrated part

2008 WK

**Engine Mounting Right Side RWD/2WD 4.7L [EVE]
Figure 009EVE-1230**



ITEM	PART NUMBER	QTY	LINE	SERIES	BODY	ENGINE	TRANS	TRIM	DESCRIPTION
------	-------------	-----	------	--------	------	--------	-------	------	-------------

NOTE:

Sales Codes:

[DBB] = All Manual Transmissions

[DEJ] = 6-Speed Manual Getrag 238 Transmission

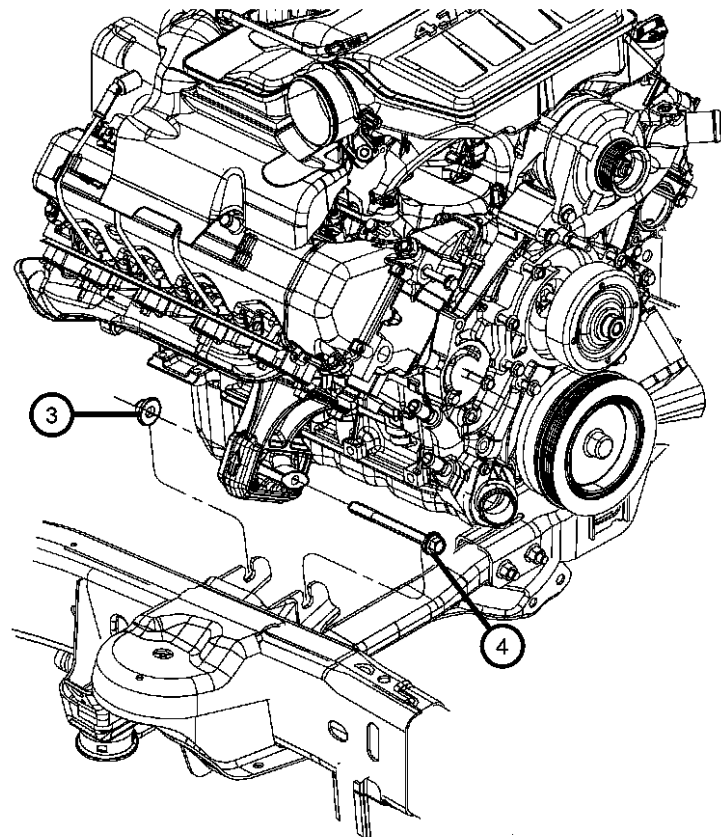
[DGQ] = 5-Speed Automatic 545RFE Transmission

[DGV] = 4-Speed Automatic VLP 42RLE Transmission

[DG0] = All Automatic Transmissions

[DH5] = Electronic

1	06104214AA	8	J, T			EK0, EVO			BOLT, Hex Flange Head, M10X1.50X20.00
2	52090300AF	1	J, T			EVO			BRACKET AND INSULATOR, Engine Mounting
3	06502585	2	J, T			EK0, ES0, EVO, EZ0			NUT AND CONED WASHER, Hex, M12X1.75
4	06508081AA	2	J, T			EK0, ES0, EVO, EZ0			BOLT, Hex Flange Head, M12X1.75X150.00



GRAND CHEROKEE (WK)

SERIES LINE
H = HIGHLINE T = JEEP - 2WD
P = PREMIUM J = JEEP - 4WD
S = SPORT
X = SPECIAL

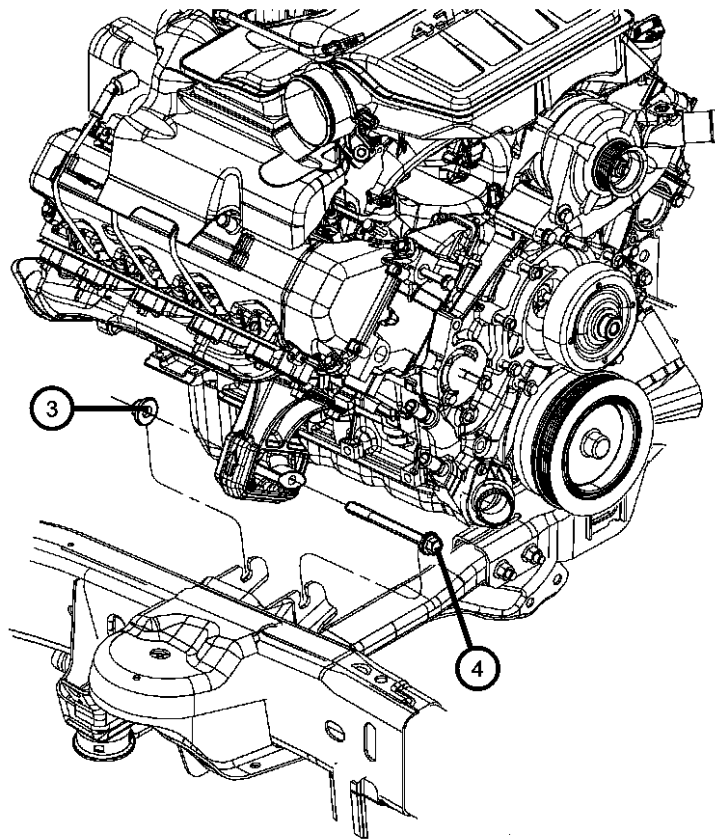
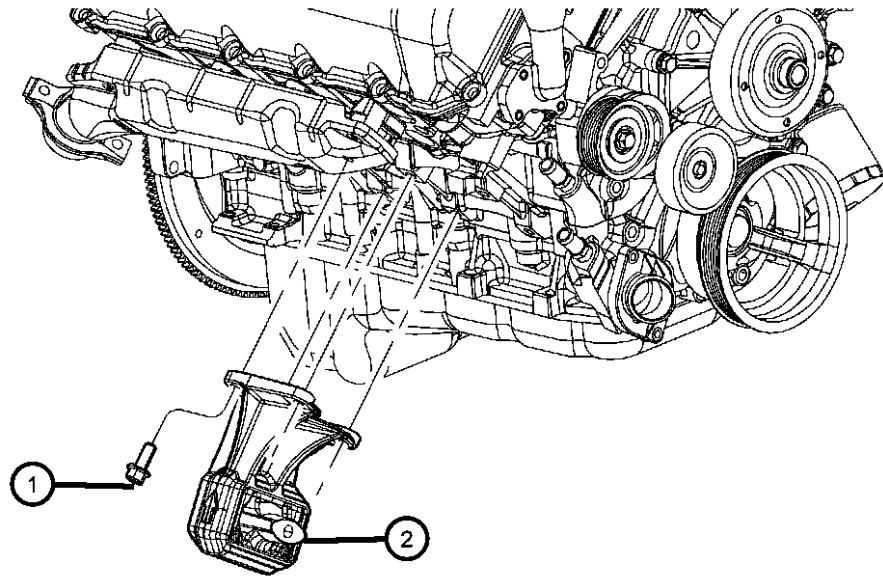
BODY
74 = SPORT UTILITY 4-DR
TYPE #4

ENGINE TRANSMISSION
EVE = Engine - 4.7L V8 DOHC 3 Valve
EZB = 5.7L Hemi Multi Displacement Engine
EKG = 3.7L V6 Engine
ESF = 6.1L SRT HEMI SMPI V8 Engine
EXL = 3.0L V6 Turbo Diesel Engine
DGJ = 5-Speed Auto W5A580 Transmission
DGU = 5-Spd Auto W5J400 Transmission
DGQ = 5-Spd Automatic 545RFE Transmission

AR = use ase required - = Non illustrated part

2008 WK

**Engine Mounting Right Side AWD/4WD 4.7L [EVE]
Figure 009EVE-1235**



ITEM	PART NUMBER	QTY	LINE	SERIES	BODY	ENGINE	TRANS	TRIM	DESCRIPTION
------	-------------	-----	------	--------	------	--------	-------	------	-------------

NOTE:

Sales Codes:

[DBB] = All Manual Transmissions

[DEJ] = 6-Speed Manual Getrag 238 Transmission

[DGQ] = 5-Speed Automatic 545RFE Transmission

[DGV] = 4-Speed Automatic VLP 42RLE Transmission

[DG0] = All Automatic Transmissions

[DH5] = Electronic

1	06104214AA	8	J, T			EK0, EVO			BOLT, Hex Flange Head, M10X1.50X20.00
2	52090300AF	1	J, T			EVO			BRACKET AND INSULATOR, Engine Mounting
3	06502585	2	J, T			EK0, ESO, EVO, EZ0			NUT AND CONED WASHER, Hex, M12X1.75
4	06508081AA	2	J, T			EVO, EZ0, EK0, ESO			BOLT, Hex Flange Head, M12X1.75X150.00

GRAND CHEROKEE (WK)

SERIES LINE
H = HIGHLINE T = JEEP - 2WD
P = PREMIUM J = JEEP - 4WD
S = SPORT
X = SPECIAL

BODY
74 = SPORT UTILITY 4-DR
TYPE #4

ENGINE TRANSMISSION
EVE = Engine - 4.7L V8 DOHC 3 Valve
EZB = 5.7L Hemi Multi Displacement Engine
EKG = 3.7L V6 Engine
ESF = 6.1L SRT HEMI SMPI V8 Engine
EXL = 3.0L V6 Turbo Diesel Engine
DGJ = 5-Speed Auto W5A580 Transmission
DGU = 5-Spd Auto W5J400 Transmission
DGQ = 5-Spd Automatic 545RFE Transmission

AR = use ase required - = Non illustrated part

2008 WK

**Engine Mounting Left Side RWD/2WD 4.7L [EVE]
Figure 009EVE-1250**

ITEM	PART NUMBER	QTY	LINE	SERIES	BODY	ENGINE	TRANS	TRIM	DESCRIPTION
------	-------------	-----	------	--------	------	--------	-------	------	-------------

NOTE:

Sales Codes:

[DBB] = All Manual Transmissions

[DEJ] = 6-Speed Manual Getrag 238 Transmission

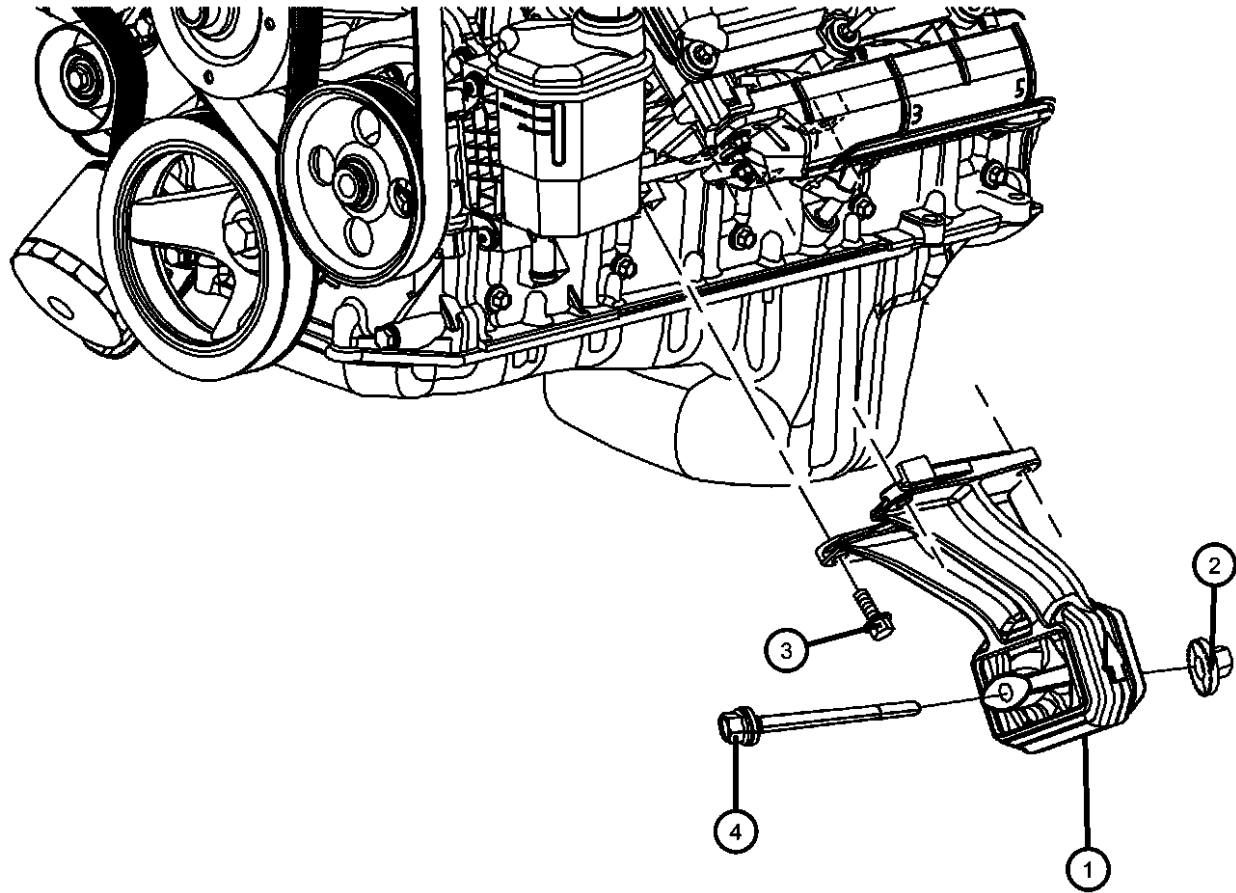
[DGQ] = 5-Speed Automatic 545RFE Transmission

[DGV] = 4-Speed Automatic VLP 42RLE Transmission

[DG0] = All Automatic Transmissions

[DH5] = Electronic

1	52090301AF	1	J, T			EVO			BRACKET AND INSULATOR, Engine Mounting
2	06502585	2	J, T			EK0, ES0, EVO, EZ0			NUT AND CONED WASHER, Hex, M12X1.75
3	06104214AA	8	J, T			EK0, EVO			BOLT, Hex Flange Head, M10X1.50X20.00
4	06508081AA	2	J, T			EK0, ES0, EVO, EZ0			BOLT, Hex Flange Head, M12X1.75X150.00



GRAND CHEROKEE (WK)

SERIES LINE
H = HIGHLINE T = JEEP - 2WD
P = PREMIUM J = JEEP - 4WD
S = SPORT
X = SPECIAL

BODY
74 = SPORT UTILITY 4-DR
TYPE #4

ENGINE TRANSMISSION
EVE = Engine - 4.7L V8 DOHC 3 Valve
EZB = 5.7L Hemi Multi Displacement Engine
EKG = 3.7L V6 Engine
ESF = 6.1L SRT HEMI SMPI V8 Engine
EXL = 3.0L V6 Turbo Diesel Engine
DGJ = 5-Speed Auto W5A580 Transmission
DGU = 5-Spd Auto W5J400 Transmission
DGQ = 5-Spd Automatic 545RFE Transmission

AR = use ase required - = Non illustrated part

2008 WK

**Engine Mounting Left Side AWD/4WD 4.7L [EVE]
Figure 009EVE-1255**

ITEM	PART NUMBER	QTY	LINE	SERIES	BODY	ENGINE	TRANS	TRIM	DESCRIPTION
------	-------------	-----	------	--------	------	--------	-------	------	-------------

NOTE:

Sales Codes:

[DBB] = All Manual Transmissions

[DEJ] = 6-Speed Manual Getrag 238 Transmission

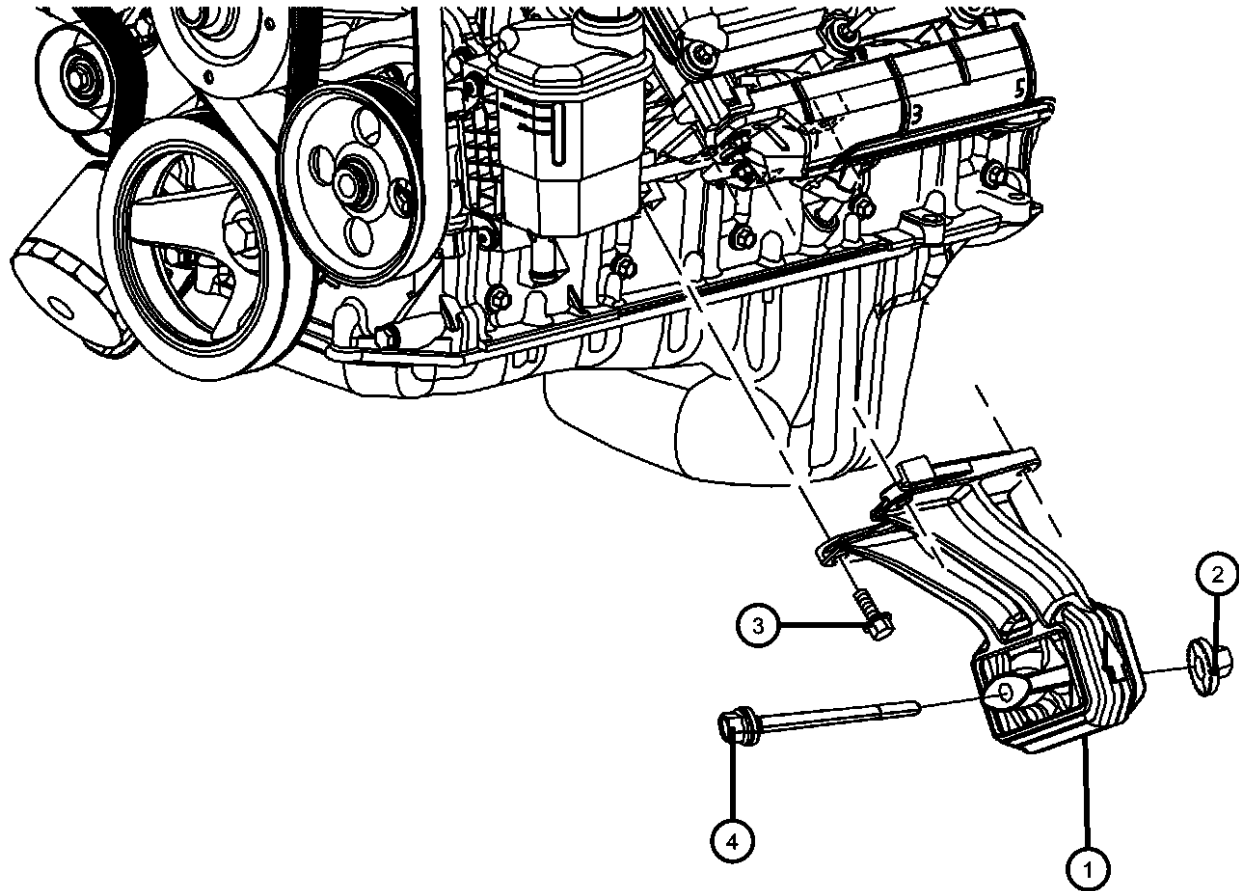
[DGQ] = 5-Speed Automatic 545RFE Transmission

[DGV] = 4-Speed Automatic VLP 42RLE Transmission

[DG0] = All Automatic Transmissions

[DH5] = Electronic

1	52090301AF	1	J, T			EVO			BRACKET AND INSULATOR, Engine Mounting
2	06502585	2	J, T			EK0, ES0, EVO, EZ0			NUT AND CONED WASHER, Hex, M12X1.75
3	06104214AA	8	J, T			EK0, EVO			BOLT, Hex Flange Head, M10X1.50X20.00
4	06508081AA	2	J, T			EK0, ES0, EVO, EZ0			BOLT, Hex Flange Head, M12X1.75X150.00



GRAND CHEROKEE (WK)

SERIES LINE
H = HIGHLINE T = JEEP - 2WD
P = PREMIUM J = JEEP - 4WD
S = SPORT
X = SPECIAL

BODY
74 = SPORT UTILITY 4-DR
TYPE #4

ENGINE
EVE = Engine - 4.7L V8 DOHC
3 Valve
EZB = 5.7L Hemi Multi
Displacement Engine
EKG = 3.7L V6 Engine
ESF = 6.1L SRT HEMI SMPI
V8 Engine
EXL = 3.0L V6 Turbo Diesel
Engine

TRANSMISSION
DGJ = 5-Speed Auto W5A580
Transmission
DGU = 5-Spd Auto W5J400
Transmission
DGQ = 5-Spd Automatic 545RFE
Transmission

AR = use ase required - = Non illustrated part

2008 WK

Group - 009EXL

3.0L Turbo Diesel; Engine

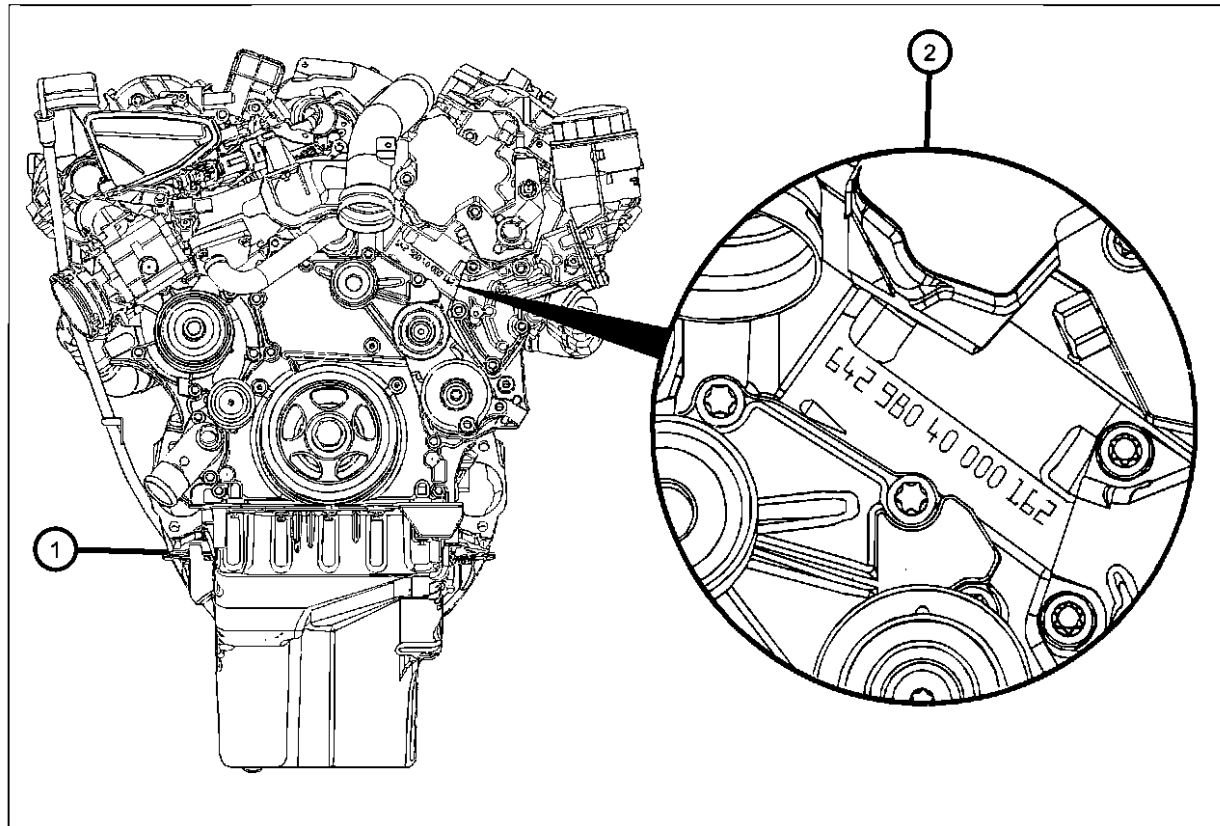
009EXL-100 Engine Identification	009EXL-1000 Manifolds and Vacuum Fittings	009EXL-1100 Crankcase Ventilation	009EXL-200 Cylinder Head
009EXL-300 Cylinder Block	009EXL-400 Crankshaft, Piston, Drive Plate, Flywheel, and Damper	009EXL-500 Camshaft and Valve	009EXL-600 Timing Belt/Chain and Cover and Balance Shaft
009EXL-700 Engine Oiling, Oil Pan and Indicator (Dipstick)	009EXL-800 Engine Oil Cooler	009EXL-900 Turbo and Super Chargers	

Group - 009EXL 3.0L Turbo Diesel; Engine

Illustration Title	Group-Fig. No.
Engine Identification	
Engine Assembly And Identification 3.0L Diesel [EXL].....	Fig. 009EXL - 105
Engine Cover And Related Parts 3.0L Diesel [EXL].....	Fig. 009EXL - 125
Cylinder Head	
Cylinder Head 3.0L [EXL].....	Fig. 009EXL - 205
Cylinder Block	
Cylinder block and Hardware 3.0L [EXL].....	Fig. 009EXL - 305
Crankshaft, Piston, Drive Plate, Flywheel, and Damper	
Crankshaft, Pistons And Driveplate 3.0L Diesel [EXL].....	Fig. 009EXL - 410
Camshaft and Valve	
Camshafts And Valvetrain 3.0L Diesel [EXL]	Fig. 009EXL - 510
Timing Belt/Chain and Cover and Balance Shaft	
Timing Cover And Timing System 3.0L Diesel [EXL].....	Fig. 009EXL - 610
Balance Shafts 3.0L Diesel [EXL].....	Fig. 009EXL - 620
Engine Oiling, Oil Pan and Indicator (Dipstick)	
Engine Oil Pump 3.0L Diesel [EXL].....	Fig. 009EXL - 710
Engine Oil Pan, Engine Oil Level Indicator And Related Parts 3.0L Diesel [EXL].....	Fig. 009EXL - 720
Engine Oil Filter And Housing 3.0L Diesel [EXL]	Fig. 009EXL - 730
Engine Oil Cooler	
Engine Oil Cooler 3.0L Diesel [EXL].....	Fig. 009EXL - 810
Turbo and Super Chargers	
Turbocharger 3.0L Diesel [EXL].....	Fig. 009EXL - 910
Manifolds and Vacuum Fittings	
Exhaust Manifolds 3.0L Diesel [EXL]	Fig. 009EXL - 1010
Intake Manifold 3.0L Diesel [EXL].....	Fig. 009EXL - 1020
Crankcase Ventilation	
Crankcase Ventilation 3.0L Diesel [EXL]	Fig. 009EXL - 1110

**Engine Assembly And Identification 3.0L Diesel [EXL]
Figure 009EXL-105**

ITEM	PART NUMBER	QTY	LINE	SERIES	BODY	ENGINE	TRANS	TRIM	DESCRIPTION
------	-------------	-----	------	--------	------	--------	-------	------	-------------

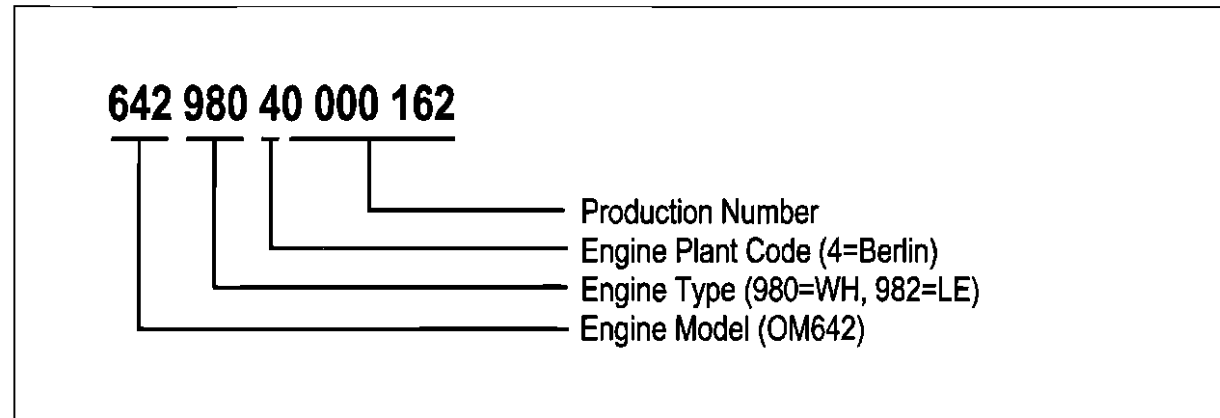


NOTE:

Sales Codes:

- [DGJ] = 5-Speed Automatic W5A580 Transmission
- [DGQ] = 5-Speed Automatic 545RFE Transmission
- [DGU] = 5-Speed Automatic W5J400 Transmission
- [DG0] = All Automatic Transmissions
- [DHB] = Quadra -Trac Active On Demand NVG 146 Transfer Case
- [DHX] = Quadra -Trac 2 Full Time Active NVG 245 Transfer Case
- [DHZ] = Quadra -Trac 1 Full time 4WD NVG 140 Transfer Case
- [EKG] = 3.7L [Magnum] V-6 Engine
- [EK0] = All 3.7L 6-Cylinder Gas Engines
- [ESF] = 6.1L SRT Hemi SMPI V-8 Engine
- [ES0] = All 6.1L 8-Cylinder Gas Engines
- [EVA] = 4.7L [Magnum] V-8 Engine
- [EVD] = 4.7L V-8 FFV Engine
- [EV0] = All 4.7L 8-Cylinder Gas Engines
- [EXL] = 3.0L V-6 Turbo Diesel Engine
- [EX0] = All 3.0L Cylinder Turbo Diesel Engines
- [EZB] = 5.7L Hemi Multi-Displacement Engine
- [EZ0] = All 5.7L 8-Cylinder Gas Engines
- [NAA] = Federal Emissions
- [NAE] = California Emissions
- [NAS] = 50 State Emissions
- [NA1] = Export Emissions
- [XEF] = Transfer Case Skid Plate Sheild

1	68036611AA	1	J, T			EXL			ENGINE, Complete
2		1							CASTING, (NOT SERVICED)



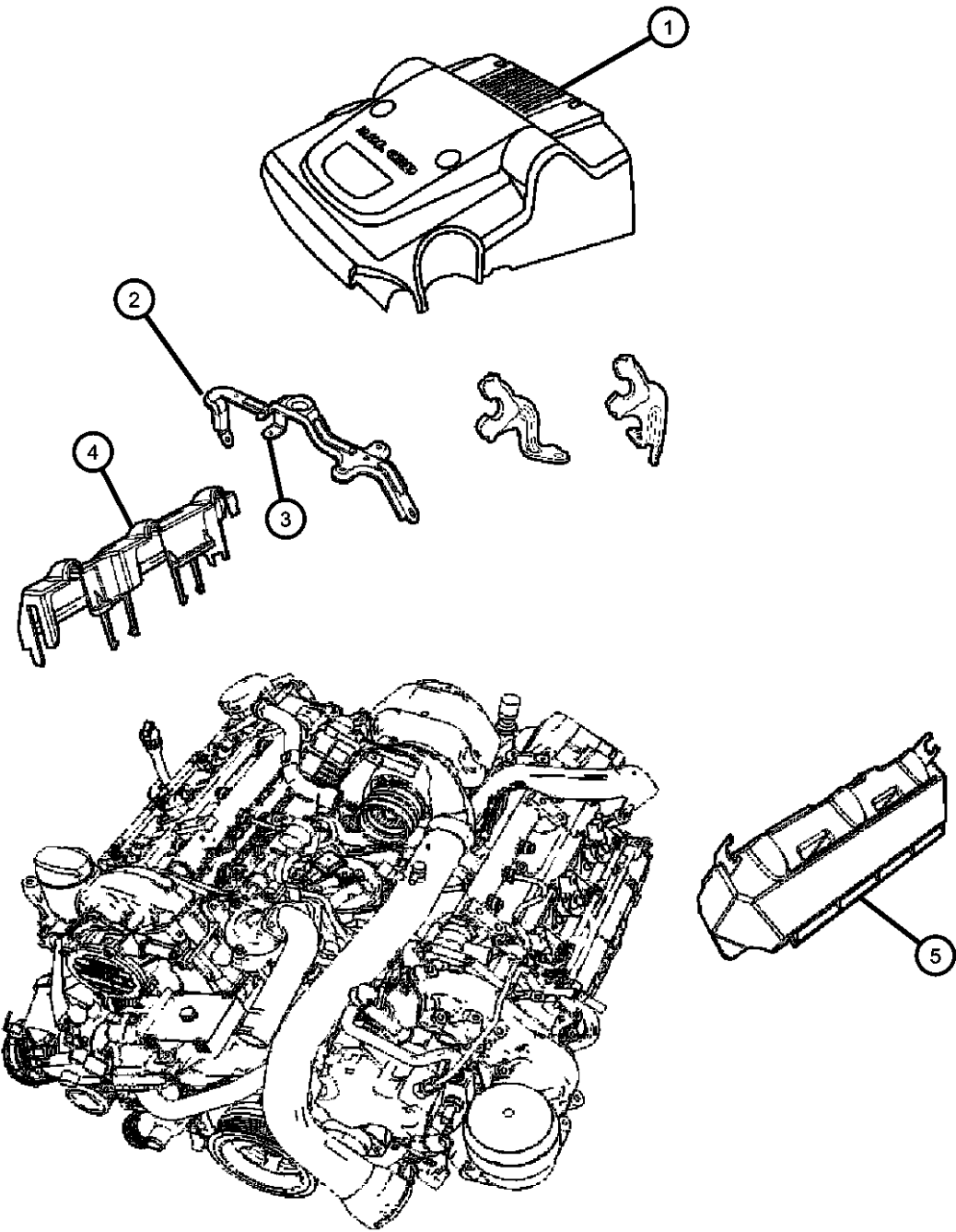
GRAND CHEROKEE (WK)

SERIES LINE
H = HIGHLINE T = JEEP - 2WD
P = PREMIUM J = JEEP - 4WD
S = SPORT
X = SPECIAL

BODY
74 = SPORT UTILITY 4-DR
TYPE #4

ENGINE TRANSMISSION
EVE = Engine - 4.7L V8 DOHC 3 Valve
EZB = 5.7L Hemi Multi Displacement Engine
EKG = 3.7L V6 Engine
ESF = 6.1L SRT HEMI SMPI V8 Engine
EXL = 3.0L V6 Turbo Diesel Engine
DGJ = 5-Speed Auto W5A580 Transmission
DGU = 5-Spd Auto W5J400 Transmission
DGQ = 5-Spd Automatic 545RFE Transmission

**Engine Cover And Related Parts 3.0L Diesel [EXL]
Figure 009EXL-125**



ITEM	PART NUMBER	QTY	LINE	SERIES	BODY	ENGINE	TRANS	TRIM	DESCRIPTION
1	53013728AE	1	J, T			EX0			COVER, Engine
2	53013752AC	1	J, T			EX0			BRACKET, Engine Cover Front
	53013996AA	1	J, T			EX0			
3	06501979	2	J, T						BOLT, Hex Flange Head, M6X1.00X17.00
4		2							SHIELD, Fuel Injector, Not Used in 2008, (NOT SERVICED)
5		2							SHIELD, Fuel Injector, Not Used in 2008, (NOT SERVICED)

GRAND CHEROKEE (WK)

SERIES LINE
H = HIGHLINE T = JEEP - 2WD
P = PREMIUM J = JEEP - 4WD
S = SPORT
X = SPECIAL

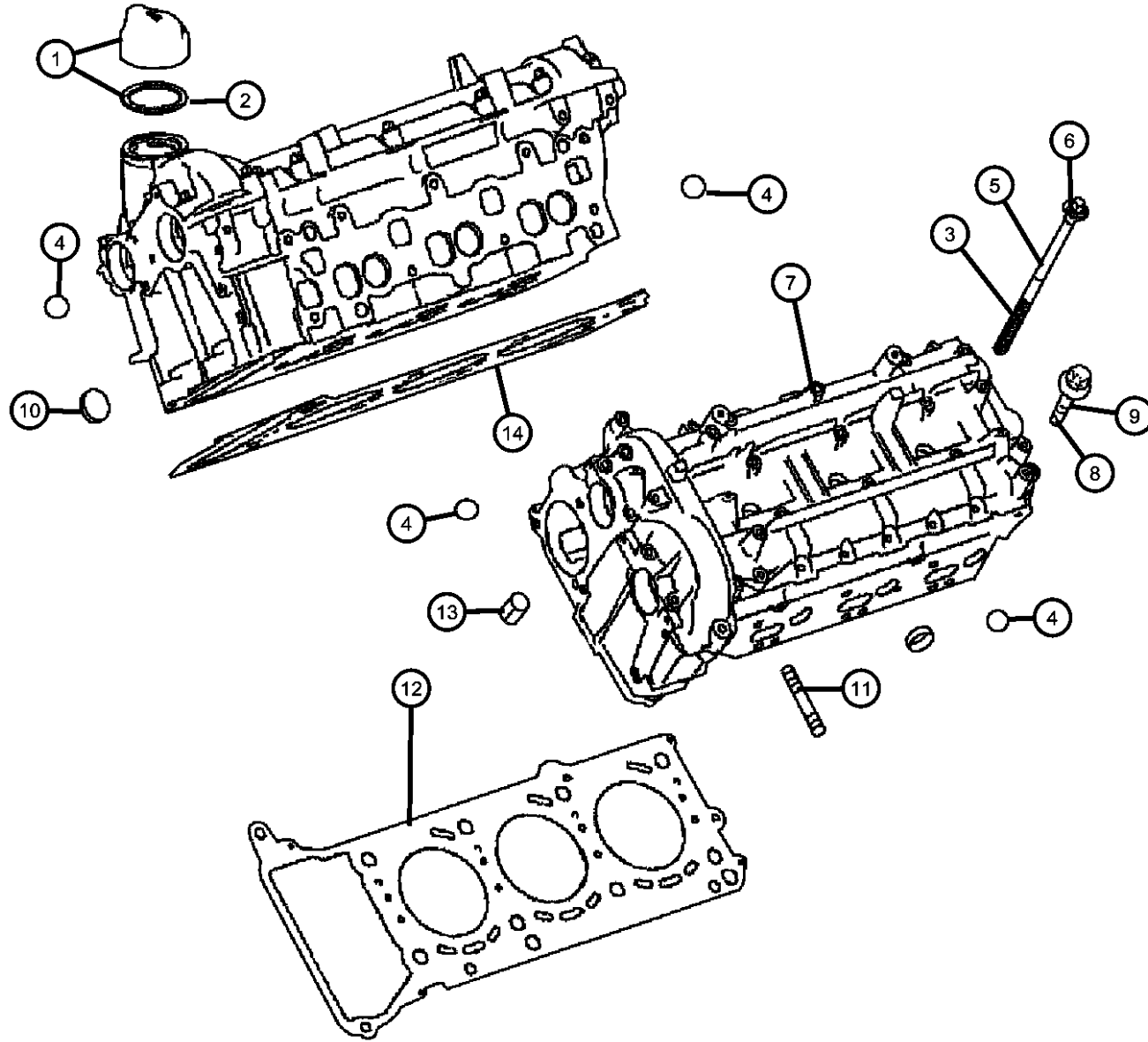
BODY
74 = SPORT UTILITY 4-DR
TYPE #4

ENGINE TRANSMISSION
EVE = Engine - 4.7L V8 DOHC
3 Valve DGJ = 5-Speed Auto W5A580
Transmission
EZB = 5.7L Hemi Multi
Displacement Engine DGU = 5-Spd Auto W5J400
Transmission
EKG = 3.7L V6 Engine DGQ = 5-Spd Automatic 545RFE
ESF = 6.1L SRT HEMI SMPI Transmission
V8 Engine
EXL = 3.0L V6 Turbo Diesel
Engine

AR = use ase required - = Non illustrated part

2008 WK

**Cylinder Head 3.0L [EXL]
Figure 009EXL-205**



ITEM	PART NUMBER	QTY	LINE	SERIES	BODY	ENGINE	TRANS	TRIM	DESCRIPTION
NOTE:									
1	05175447AA	1	J, T			EXL			CAP, Oil Filler
2	05080088AA	1	J, T			EXL			SEAL, Oil Fill Cap
3									BOLT, [8 Per Cylinder Head]
	05175446AA	8	J, T			EXL			Right Cylinder Head
		8	J, T			EXL			Left Cylinder Head
4									BALL
	05138265AA	3	J, T			EXL			Right Cylinder Head
		3	J, T			EXL			Left Cylinder Head
5	06104035AA	1	J, T			EXL			BOLT, Hex Head, M8X1.25X90, Cylinder Head, Mounting
6									BOLT, [M8 X 35]
	05096986AA	2	J, T			EXL			Cylinder Head Two In Right One In Left, Mounting
		1	J, T			EXL			Cylinder Head Two In Right One In Left, Mounting
7									HEAD, Cylinder
	68032945AA	1	J, T			EXL			Left
	68028109AA	1	J, T			EXL			Right
8									BOLT, [M6X1.00X35.00]
	06104009AA	2	J, T			EXL			Cylinder Head, Mounting Right Side
		2	J, T			EXL			Cylinder Head, Mounting Left Side
9									BOLT, Torx Socket Head, M6X1.00X20.00
	06104006AA	6	J, T			EXL			Right Side, Mounting
		5	J, T			EXL			Left Side, Mounting
10									PLUG, Core
	05080026AB	3	J, T			EXL			Right Side
		3	J, T			EXL			Left Side
11									STUD
	05080027AA	6	J, T			EXL			Six Per Cylinder Head, Right
		6	J, T			EXL			Six Per Cylinder Head, Left
12	05175445AA	1	J, T			EXL			GASKET, Cylinder Head, Left

GRAND CHEROKEE (WK)

SERIES LINE
H = HIGHLINE T = JEEP - 2WD
P = PREMIUM J = JEEP - 4WD
S = SPORT
X = SPECIAL

BODY
74 = SPORT UTILITY 4-DR
TYPE #4

ENGINE
EVE = Engine - 4.7L V8 DOHC
3 Valve
EZB = 5.7L Hemi Multi
Displacement Engine
EKG = 3.7L V6 Engine
ESF = 6.1L SRT HEMI SMPI
V8 Engine
EXL = 3.0L V6 Turbo Diesel
Engine

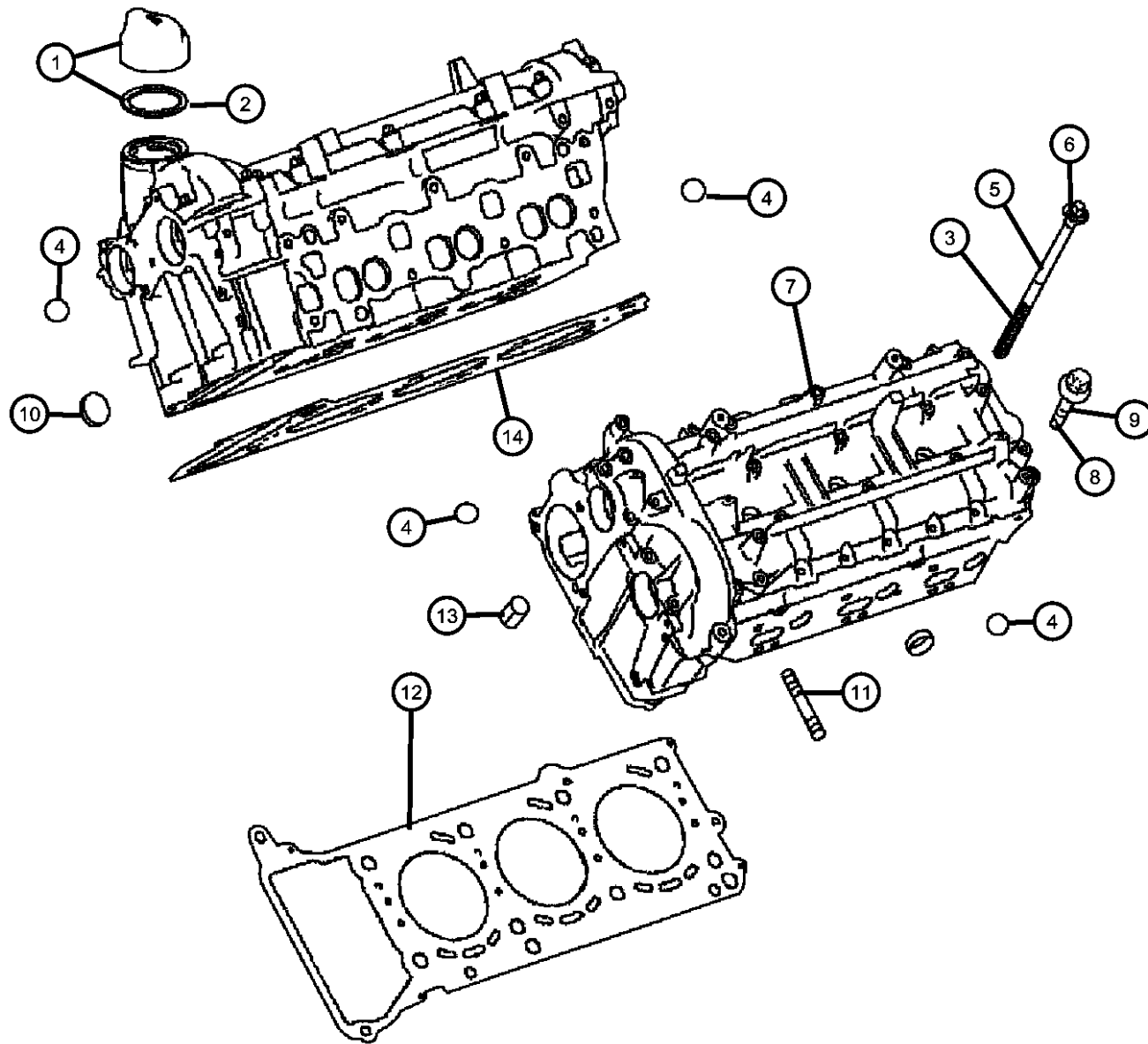
TRANSMISSION
DGJ = 5-Speed Auto W5A580
Transmission
DGU = 5-Spd Auto W5J400
Transmission
DGQ = 5-Spd Automatic 545RFE
Transmission

AR = use ase required - = Non illustrated part

2008 WK

**Cylinder Head 3.0L [EXL]
Figure 009EXL-205**

ITEM	PART NUMBER	QTY	LINE	SERIES	BODY	ENGINE	TRANS	TRIM	DESCRIPTION
13									DOWEL PIN
	05175383AA	2	J, T			EXL			Rocker, Right Cylinder Head
		2	J, T			EXL			Rocker, Left Cylinder Head
14	05175444AA	1	J, T			EXL			GASKET, Cylinder Head, Right



GRAND CHEROKEE (WK)

SERIES LINE
H = HIGHLINE T = JEEP - 2WD
P = PREMIUM J = JEEP - 4WD
S = SPORT
X = SPECIAL

BODY
74 = SPORT UTILITY 4-DR
TYPE #4

ENGINE TRANSMISSION
EVE = Engine - 4.7L V8 DOHC 3 Valve
EZB = 5.7L Hemi Multi Displacement Engine
EKG = 3.7L V6 Engine
ESF = 6.1L SRT HEMI SMPI V8 Engine
EXL = 3.0L V6 Turbo Diesel Engine
DGJ = 5-Speed Auto W5A580 Transmission
DGU = 5-Spd Auto W5J400 Transmission
DGQ = 5-Spd Automatic 545RFE Transmission

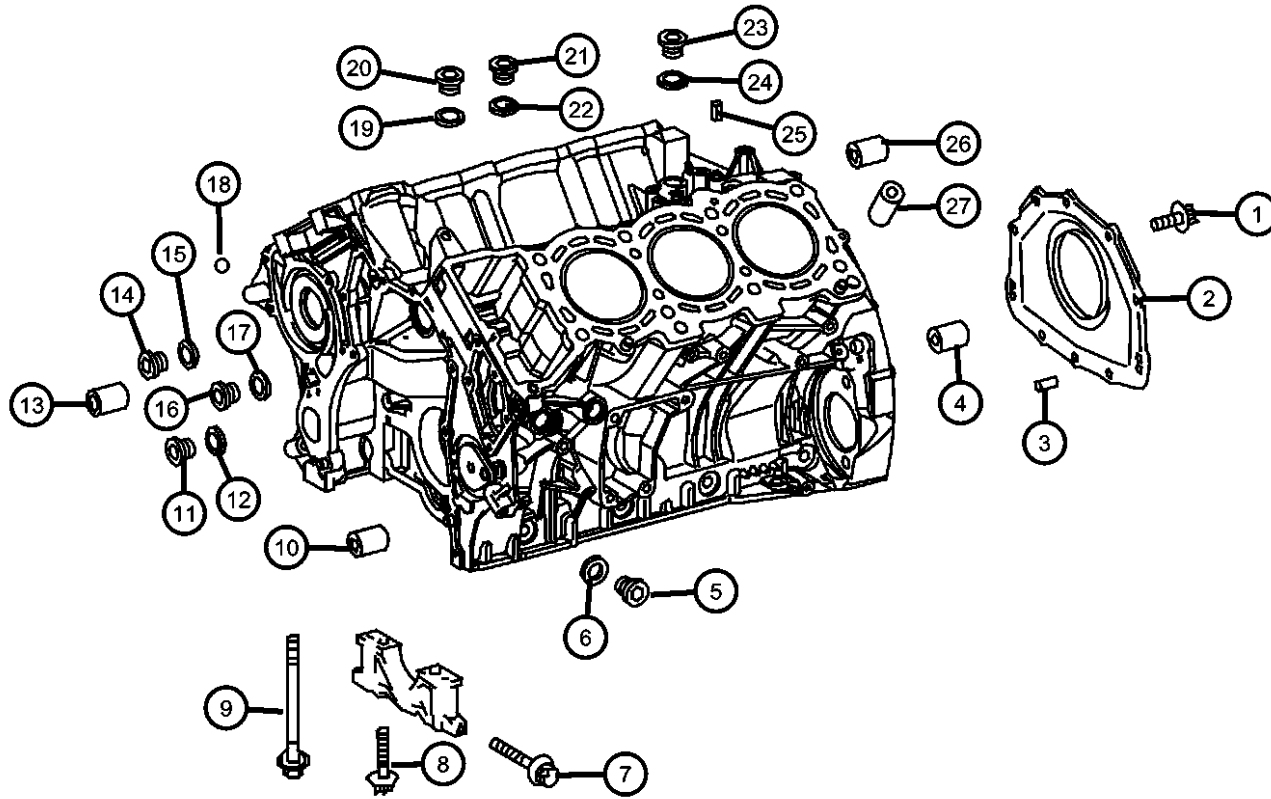
AR = use ase required - = Non illustrated part

2008 WK

**Cylinder block and Hardware 3.0L [EXL]
Figure 009EXL-305**

ITEM	PART NUMBER	QTY	LINE	SERIES	BODY	ENGINE	TRANS	TRIM	DESCRIPTION
------	-------------	-----	------	--------	------	--------	-------	------	-------------

NOTES:
Sales Code:
[EXM] = 3.0L V6 Turbo Diesel Engine



1	06104006AA	1	J, T			EXL			BOLT, Torx Socket Head, M6X1.00X20.00
2									RETAINER AND SEAL, Crankshaft Rear Oil
	68006028AA	1	J, T			EXL			Steel Design For Engines Built Before June 7 2006
	68006029AA	1	J, T			EXL			Aluminum Design For Engines Built June 7 2006 And After. Serial Number 40214379
3	05099279AA	1	J, T			EXL			DOWEL PIN
4	05097167AA	1	J, T			EXL			DOWEL PIN
5	06104470AA	4	J, T			EXL			PLUG, Pipe
6	05073866AA	1	J, T			EXL			O RING
7	06104218AA	8	J, T			EXL			BOLT, Hex Flange Head, M10x1.50x40.00
8	05175321AA	1	J, T			EXL			BOLT
9	05175322AA	1	J, T			EXL			BOLT
10	05073868AA	6	J, T			EXL			DOWEL PIN
11	06104476AA	1	J, T			EXL			PLUG, Pipe
12	05133840AA	1	J, T			EXL			O RING
13		1							BUSHING, Crankshaft, (NOT SERVICED)
14	06104468AA	1	J, T			EXL			PLUG, Pipe
15	05104626AA	1	J, T			EXL			SEAL
16	06104470AA	4	J, T			EXL			PLUG, Pipe
17	05073866AA	1	J, T			EXL			O RING
18	05175317AA	1	J, T			EXL			BALL
19	05133840AA	1	J, T			EXL			O RING
20	06104476AA	1	J, T			EXL			PLUG, Pipe
21	06104472AA	1	J, T			EXL			PLUG, Pipe
22	05175309AA	2	J, T			EXL			O RING
23	06104464AA	1	J, T			EXL			PLUG, Pipe
24	05175317AA	1	J, T			EXL			BALL

GRAND CHEROKEE (WK)

SERIES LINE
H = HIGHLINE T = JEEP - 2WD
P = PREMIUM J = JEEP - 4WD
S = SPORT
X = SPECIAL

BODY
74 = SPORT UTILITY 4-DR
TYPE #4

ENGINE
EVE = Engine - 4.7L V8 DOHC 3 Valve
EZB = 5.7L Hemi Multi Displacement Engine
EKG = 3.7L V6 Engine
ESF = 6.1L SRT HEMI SMPI V8 Engine
EXL = 3.0L V6 Turbo Diesel Engine

TRANSMISSION
DGJ = 5-Speed Auto W5A580 Transmission
DGU = 5-Spd Auto W5J400 Transmission
DGQ = 5-Spd Automatic 545RFE Transmission

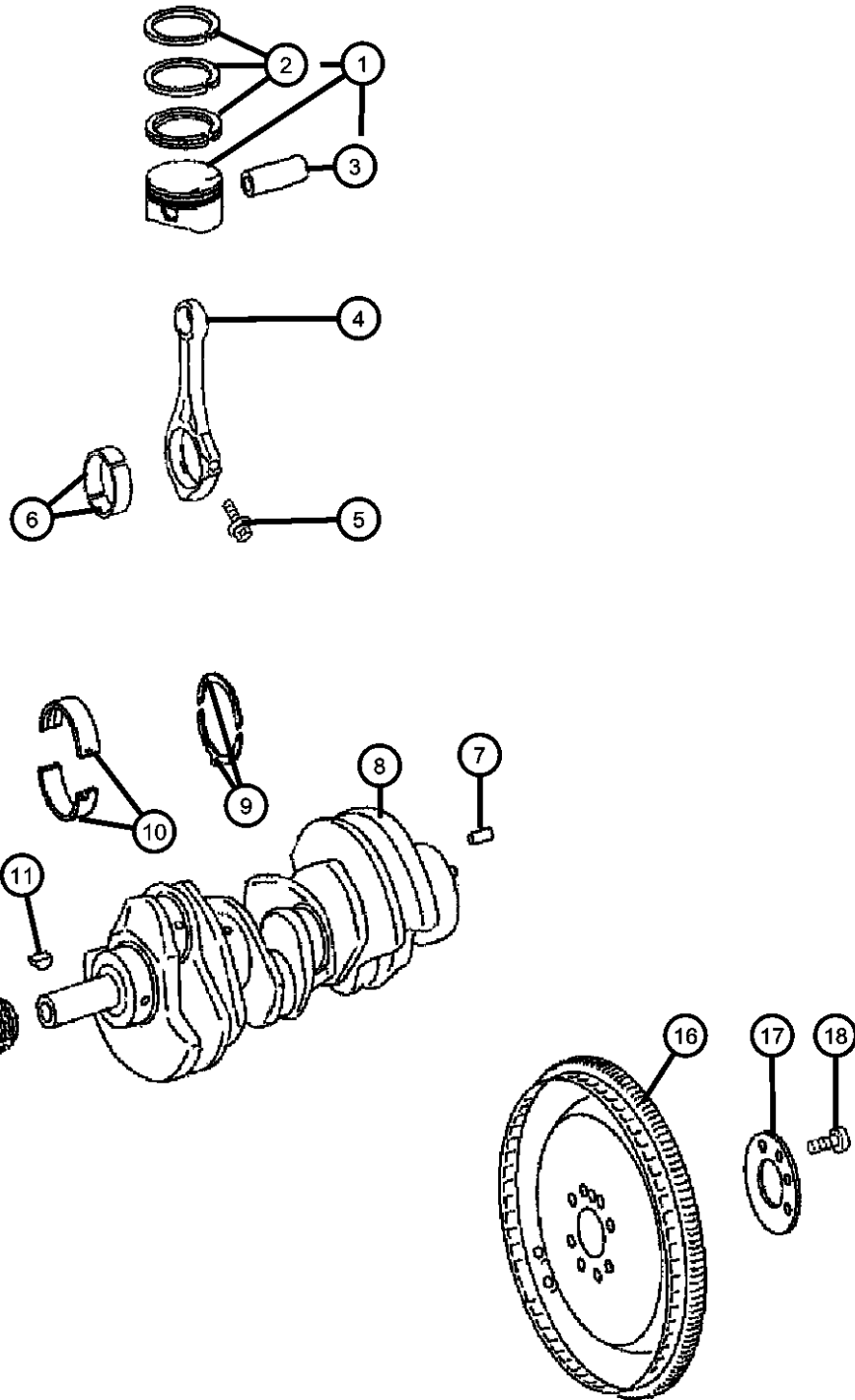
AR = use ase required - = Non illustrated part

2008 WK

**Crankshaft, Pistons And Driveplate 3.0L Diesel [EXL]
Figure 009EXL-410**

ITEM	PART NUMBER	QTY	LINE	SERIES	BODY	ENGINE	TRANS	TRIM	DESCRIPTION
------	-------------	-----	------	--------	------	--------	-------	------	-------------

NOTE:
Connecting Rod Bearing Cap Bolts Part Number 05179418AA Must Be Replaced Anytime Item 4 Connecting Rod Or Item 6 Connecting Rod Bearing Is Replaced.



1									PISTON PIN AND RINGS, STD. Right
	05179423AC	3	J, T			EXL			Left
	05179424AB	3	J, T			EXL			
2	05175364AA	1	J, T			EXL			RING, Piston
3	05080034AA	6	J, T			EXL			RING KIT, Piston
4	05179425AB	6	J, T			EXL			ROD, Connecting, See Note
5	05179418AA	12	J, T			EXL			BOLT, Connecting Rod, See Note
6	05175363AB	6	J, T			EXL			BEARING, Connecting Rod, STD., See Note
7	05080024AA	1	J, T			EXL			DOWEL PIN
8	68018731AA	1	J, T			EXL			CRANKSHAFT AND KEY
9	68026322AA	2	J, T			EXL			THRUST BEARING
10									BEARING, Crankshaft
	05179441AA	4	J, T			EXL			[Blue], Upper
	05179442AA	4	J, T			EXL			[Yellow], Upper
	05179443AA	4	J, T			EXL			[Red], Upper
	05179444AA	4	J, T			EXL			[Blue], Lower
	05179445AA	4	J, T			EXL			[Yellow], Lower
	05179446AA	4	J, T			EXL			[Red], Lower
	05179447AA	4	J, T			EXL			[White], Lower
	05179448AA	4	J, T			EXL			[Magenta], Lower
11	05101484AB	1	J, T			EXL			KEY, Woodruff
12	05175345AA	1	J, T			EXL			GEAR, Crankshaft
13	05175356AA	1	J, T			EXL			DAMPER, Crankshaft
14	05080005AA	1	J, T			EXL			WASHER
15	06104301AA	1	J, T			EXL			BOLT, Hex Flange Head, M18x1.50x80.00
16	68017771AA	1	J, T			EXL			FLEX PLATE
17	05099315AA	1	J, T			EXL			PLATE, Drive Plate Backing
18	05179426AA	8	J, T			EXL			BOLT, Flexplate To Crankshaft, Mounting

GRAND CHEROKEE (WK)

SERIES LINE
H = HIGHLINE T = JEEP - 2WD
P = PREMIUM J = JEEP - 4WD
S = SPORT
X = SPECIAL

BODY
74 = SPORT UTILITY 4-DR
TYPE #4

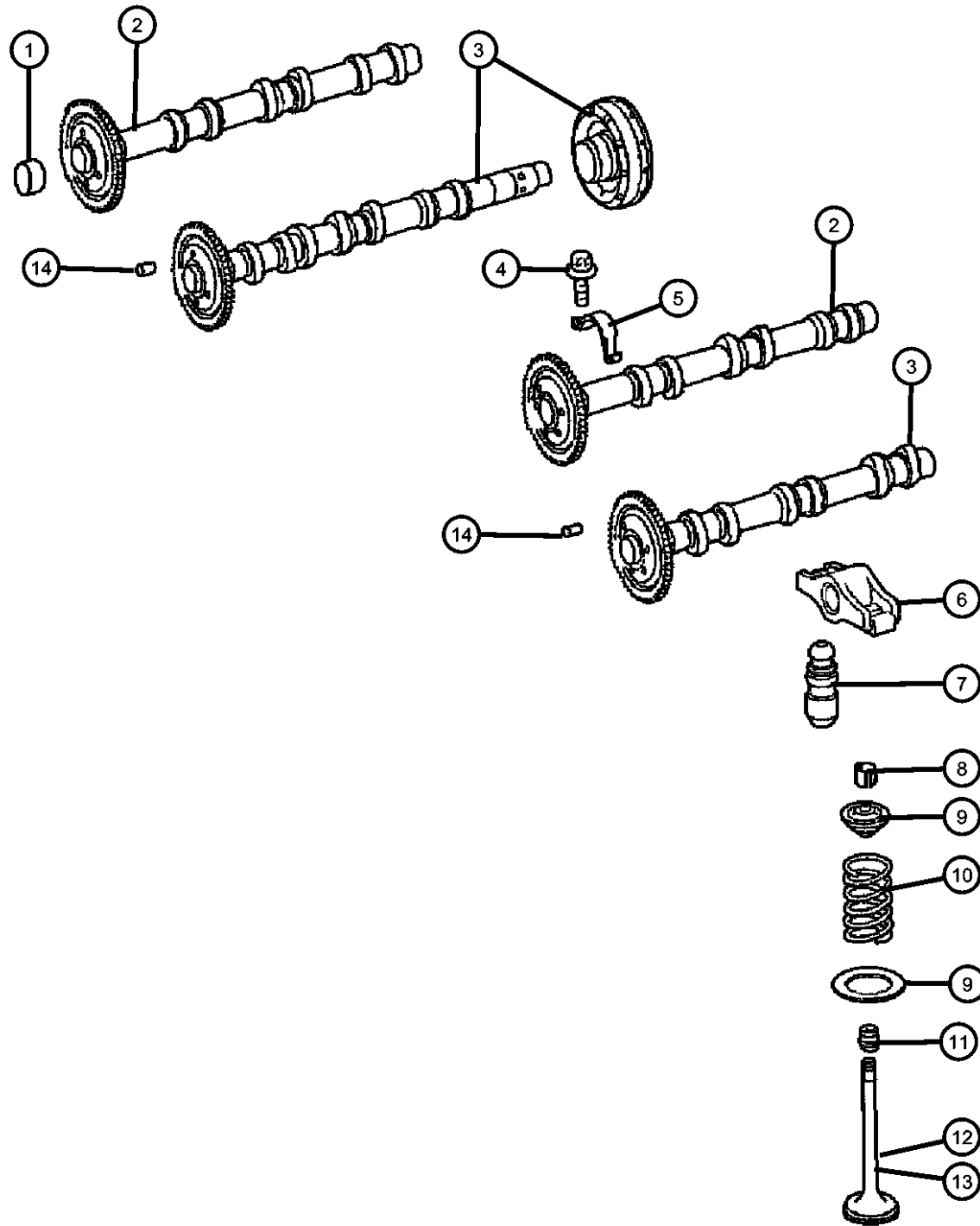
ENGINE
EVE = Engine - 4.7L V8 DOHC
3 Valve
EZB = 5.7L Hemi Multi
Displacement Engine
EKG = 3.7L V6 Engine
ESF = 6.1L SRT HEMI SMPI
V8 Engine
EXL = 3.0L V6 Turbo Diesel
Engine

TRANSMISSION
DGJ = 5-Speed Auto W5A580
Transmission
DGU = 5-Spd Auto W5J400
Transmission
DGQ = 5-Spd Automatic 545RFE
Transmission

AR = use ase required - = Non illustrated part

2008 WK

**Camshafts And Valvetrain 3.0L Diesel [EXL]
Figure 009EXL-510**



ITEM	PART NUMBER	QTY	LINE	SERIES	BODY	ENGINE	TRANS	TRIM	DESCRIPTION
1									PLUG, Core
	05175442AA	2	J, T			EXL			
		1	J, T			EXL			
2									CAMSHAFT, Exhaust
	05175453AA	1	J, T			EXL			Right
	05175454AA	1	J, T			EXL			Left
3									CAMSHAFT, Intake
	05175451AA	1	J, T			EXL			Right
	05175452AA	1	J, T			EXL			Left
4	06104075AA	4	J, T			EXL			BOLT, [M6X1.0X12.00]
5	05175448AA	4	J, T			EXL			CAP, Camshaft Bearing
6	05175441AA	12	J, T			EXL			ROCKER ARM, Inlet and Exhaust Valve
7	05175440AA	12	J, T			EXL			ADJUSTER, Valve Lash
8	05175399AA	24	J, T			EXL			LOCK, Valve Spring Retainer
9									RETAINER, Valve Spring
	05175400AA	12	J, T			EXL			Upper
	05175401AA	12	J, T			EXL			Lower
10									SPRING, Valve
	05175398AA	6	J, T			EXL			Intake
	05175402AA	6	J, T			EXL			Exhaust
11	05175438AA	3	J, T			EXL			SEAL, Valve Guide
12	05175397AA	6	J, T			EXL			VALVE, Exhaust, Standard
13	05175396AA	6	J, T			EXL			VALVE, Intake, Standard
14	68032668AA	1	J, T			EXL			PIN, Dowel

NOTE:
Sales Codes:
[DGJ] = 5-Speed Automatic W5A580 Transmission
[DGQ] = 5-Speed Automatic 545RFE Transmission
[DGU] = 5-Speed Automatic W5J400 Transmission
[DGO] = All Automatic Transmissions

GRAND CHEROKEE (WK)
 SERIES LINE
 H = HIGHLINE T = JEEP - 2WD
 P = PREMIUM J = JEEP - 4WD
 S = SPORT
 X = SPECIAL

BODY
 74 = SPORT UTILITY 4-DR
 TYPE #4

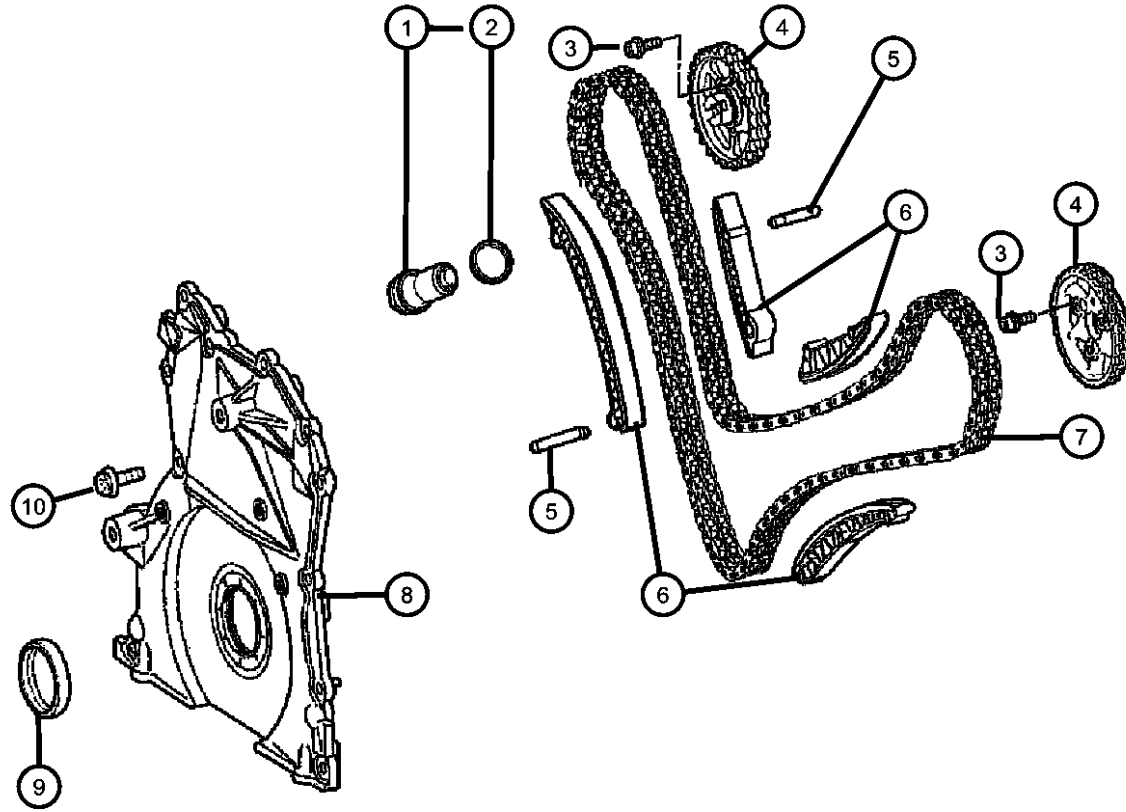
ENGINE
 EVE = Engine - 4.7L V8 DOHC
 3 Valve
 EZB = 5.7L Hemi Multi
 Displacement Engine
 EKG = 3.7L V6 Engine
 ESF = 6.1L SRT HEMI SMPI
 V8 Engine
 EXL = 3.0L V6 Turbo Diesel
 Engine

TRANSMISSION
 DGJ = 5-Speed Auto W5A580
 Transmission
 DGU = 5-Spd Auto W5J400
 Transmission
 DGQ = 5-Spd Automatic 545RFE
 Transmission

AR = use ase required - = Non illustrated part

**Timing Cover And Timing System 3.0L Diesel [EXL]
Figure 009EXL-610**

ITEM	PART NUMBER	QTY	LINE	SERIES	BODY	ENGINE	TRANS	TRIM	DESCRIPTION
NOTE: Sales Codes: [DGJ] = 5-Speed Automatic W5A580 Transmission [DGQ] = 5-Speed Automatic 545RFE Transmission [DGU] = 5-Speed Automatic W5J400 Transmission [DGO] = All Automatic Transmissions									
1	68017937AA	1	J, T			EXL			TENSIONER, Chain
2	05125905AA	1	J, T			EXL			O RING
3	05073901AA	3	J, T			EXL			BOLT
4									GEAR, Camshaft
	05175458AA	1	J, T			EXL			Left
	68029142AA	1	J, T			EXL			Right
5	05175459AA	2	J, T			EXL			DOWEL PINCamshaft
6	68028691AA	1	J, T			EXL			GUIDE, Timing Chain
7	05175510AA	1	J, T			EXL			CHAIN, Timing
8	05175337AA	1	J, T			EXL			COVER, Timing Case
9	05073675AB	1	J, T			EXL			SEAL, Crankshaft Oil, Front
10	05175338AA	12	J, T			EXL			BOLT, Timing Cover, Mounting



GRAND CHEROKEE (WK)

SERIES LINE
H = HIGHLINE T = JEEP - 2WD
P = PREMIUM J = JEEP - 4WD
S = SPORT
X = SPECIAL

BODY
74 = SPORT UTILITY 4-DR
TYPE #4

ENGINE
EVE = Engine - 4.7L V8 DOHC
3 Valve
EZB = 5.7L Hemi Multi
Displacement Engine
EKG = 3.7L V6 Engine
ESF = 6.1L SRT HEMI SMPI
V8 Engine
EXL = 3.0L V6 Turbo Diesel
Engine

TRANSMISSION
DGJ = 5-Speed Auto W5A580
Transmission
DGU = 5-Spd Auto W5J400
Transmission
DGQ = 5-Spd Automatic 545RFE
Transmission

AR = use ase required - = Non illustrated part

2008 WK

**Engine Oil Pump 3.0L Diesel [EXL]
Figure 009EXL-710**

ITEM	PART NUMBER	QTY	LINE	SERIES	BODY	ENGINE	TRANS	TRIM	DESCRIPTION
------	-------------	-----	------	--------	------	--------	-------	------	-------------

NOTE:

Sales Codes:

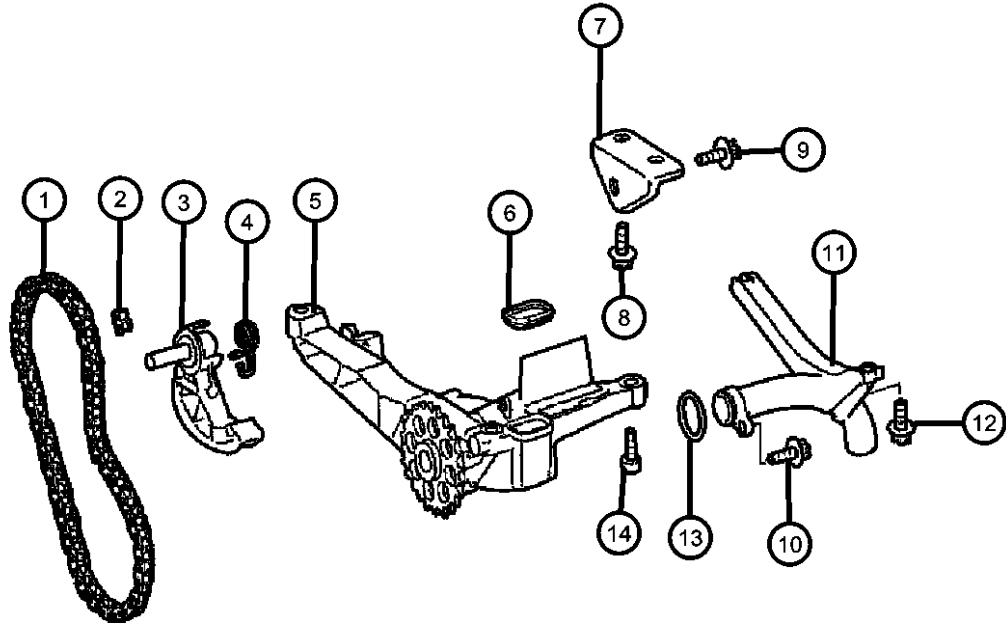
[DGJ] = 5-Speed Automatic W5A580 Transmission

[DGQ] = 5-Speed Automatic 545RFE Transmission

[DGU] = 5-Speed Automatic W5J400 Transmission

[DGO] = All Automatic Transmissions

1	05080128AA	1	J, T			EXL			CHAIN, Oil Pump Drive
2	05080129AA	1	J, T			EXL			LINK, Chain
3	05175524AA	1	J, T			EXL			GUIDE, Timing Chain
4	05175525AA	1	J, T			EXL			TENSIONER, Chain
5	05175517AA	1	J, T			EXL			PUMP, Engine Oil
6	05175527AA	1	J, T			EXL			GASKET, Oil Pump
7	05175528AA	1	J, T			EXL			BRACKET
8	06104682AA	11	J, T			EXL			BOLT
9	05073824AA	1	J, T			EX0			BOLT
10	06104682AA	11	J, T			EXL			BOLT
11	05175846AA	1	J, T			EXL			TUBE, Oil Pickup
12	06104684AA	2	J, T			EXL			BOLT, Oil Pickup Tube, Mounting
13	05175523AA	1	J, T			EXL			O RING
14	05175526AA	3	J, T			EXL			BOLT, Oil Pump, Mounting



GRAND CHEROKEE (WK)

SERIES LINE
H = HIGHLINE T = JEEP - 2WD
P = PREMIUM J = JEEP - 4WD
S = SPORT
X = SPECIAL

BODY
74 = SPORT UTILITY 4-DR
TYPE #4

ENGINE TRANSMISSION
EVE = Engine - 4.7L V8 DOHC 3 Valve
EZB = 5.7L Hemi Multi Displacement Engine
EKG = 3.7L V6 Engine
ESF = 6.1L SRT HEMI SMPI V8 Engine
EXL = 3.0L V6 Turbo Diesel Engine
DGJ = 5-Speed Auto W5A580 Transmission
DGU = 5-Spd Auto W5J400 Transmission
DGQ = 5-Spd Automatic 545RFE Transmission

AR = use ase required - = Non illustrated part

2008 WK

**Engine Oil Pan, Engine Oil Level Indicator And Related Parts 3.0L Diesel [EXL]
Figure 009EXL-720**

ITEM	PART NUMBER	QTY	LINE	SERIES	BODY	ENGINE	TRANS	TRIM	DESCRIPTION
------	-------------	-----	------	--------	------	--------	-------	------	-------------

NOTE:

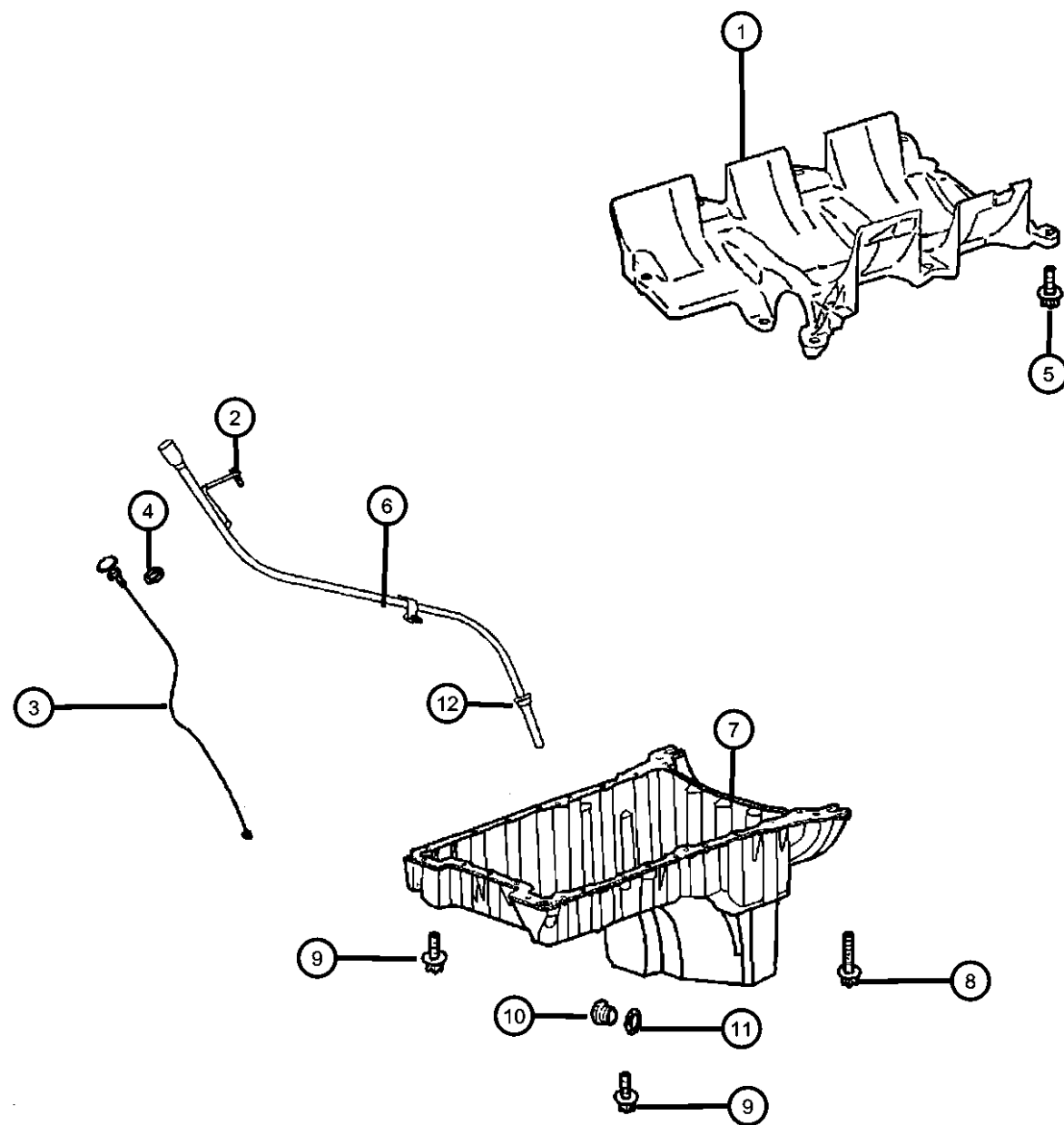
Sales Codes:

[DGJ] = 5-Speed Automatic W5A580 Transmission

[DGQ] = 5-Speed Automatic 545RFE Transmission

[DGU] = 5-Speed Automatic W5J400 Transmission

[DG0] = All Automatic Transmissions



1	68017821AA	1	J, T			EXL			TRAY, Windage
2	05175526AA	1	J, T			EXL			BOLT, Engine Oil level indicator Tube, Mounting
3	68006132AA	1	J, T			EXL			INDICATOR, Engine Oil Level
4	05073943AA	1	J, T			EXL			O RING, Engine Oil Indicator Tube
5	06104682AA	3	J, T			EXL			BOLTMounting
6	05175805AA	1	J, T			EXL			TUBE, Engine Oil Indicator
7	05175803AB	1	J, T			EXL			PAN, Engine Oil
8	06104689AA	2	J, T			EXL			SCREW, Torx Head, M6x2.69x25.00, Engine Oil Pan, Mounting
9	06104684AA	18	J, T			EXL			BOLT, Engine Oil Pan, Mounting
10	05073945AA	1	J, T			EXL			PLUG, Oil Drain
11	05073946AA	1	J, T			EXL			GASKET, Drain Plug
12	05096486AA	1	J, T			EXL			SEAL, Engine Oil Indicator tube

GRAND CHEROKEE (WK)

SERIES LINE
H = HIGHLINE T = JEEP - 2WD
P = PREMIUM J = JEEP - 4WD
S = SPORT
X = SPECIAL

BODY
74 = SPORT UTILITY 4-DR
TYPE #4

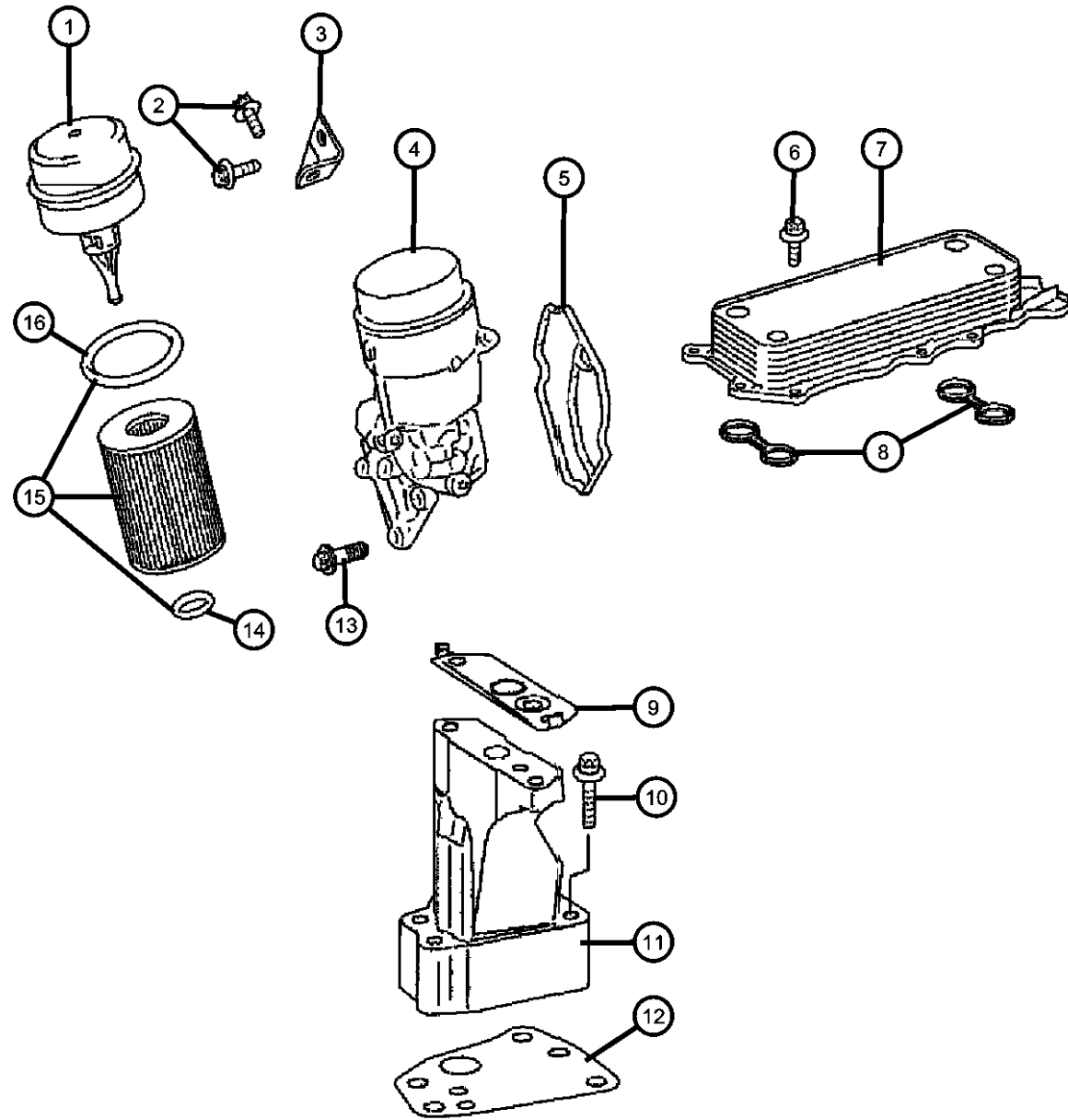
ENGINE
EVE = Engine - 4.7L V8 DOHC
3 Valve
EZB = 5.7L Hemi Multi
Displacement Engine
EKG = 3.7L V6 Engine
ESF = 6.1L SRT HEMI SMPI
V8 Engine
EXL = 3.0L V6 Turbo Diesel
Engine

TRANSMISSION
DGJ = 5-Speed Auto W5A580
Transmission
DGU = 5-Spd Auto W5J400
Transmission
DGQ = 5-Spd Automatic 545RFE
Transmission

AR = use ase required - = Non illustrated part

2008 WK

**Engine Oil Filter And Housing 3.0L Diesel [EXL]
Figure 009EXL-730**



NOTE:

Sales Codes:

[DGJ] = 5-Speed Automatic W5A580 Transmission

[DGQ] = 5-Speed Automatic 545RFE Transmission

[DGU] = 5-Speed Automatic W5J400 Transmission

[DG0] = All Automatic Transmissions

ITEM	PART NUMBER	QTY	LINE	SERIES	BODY	ENGINE	TRANS	TRIM	DESCRIPTION
1	05175570AA	1	J, T			EXL			CAP, Oil Filter Housing
2	06104144AA	3	J, T			EXL			BOLT, 6 Lobe Recessed Head, M12X1.25X45.00, Oil Filter Housing, Mounting
3	05175847AA	1	J, T			EXL			BRACKET, Filter To Head
4	68000478AA	1	J, T			EXL			HOUSING, Oil Filter
5	05175574AA	1	J, T			EXL			GASKET, Oil Filter Housing
6	06104682AA	3	J, T			EXL			BOLT, [M6.0X1.0X19.0], Engine Oil Cooler, Mounting
7	05179360AB	1	J, T			EXL			COOLER, Oil
8	05175579AA	2	J, T			EXL			GASKET
9	05175630AA	1	J, T			EXL			GASKET, Turbocharger, Turbo Bracket
10	05133207AA	1	J, T			EXL			BOLT
11	05175627AA	1	J, T			EXL			BRACKET, Turbo Charger
12	05175632AA	1	J, T			EXL			GASKET, Turbocharger
13	05175577AA	4	J, T			EXL			BOLT
14		4							O RING, (NOT SERVICED)
15	05175571AA	1	J, T			EXL			FILTER, Engine Oil
16	05175572AA	1	J, T			EXL			O RING

GRAND CHEROKEE (WK)

SERIES LINE
H = HIGHLINE T = JEEP - 2WD
P = PREMIUM J = JEEP - 4WD
S = SPORT
X = SPECIAL

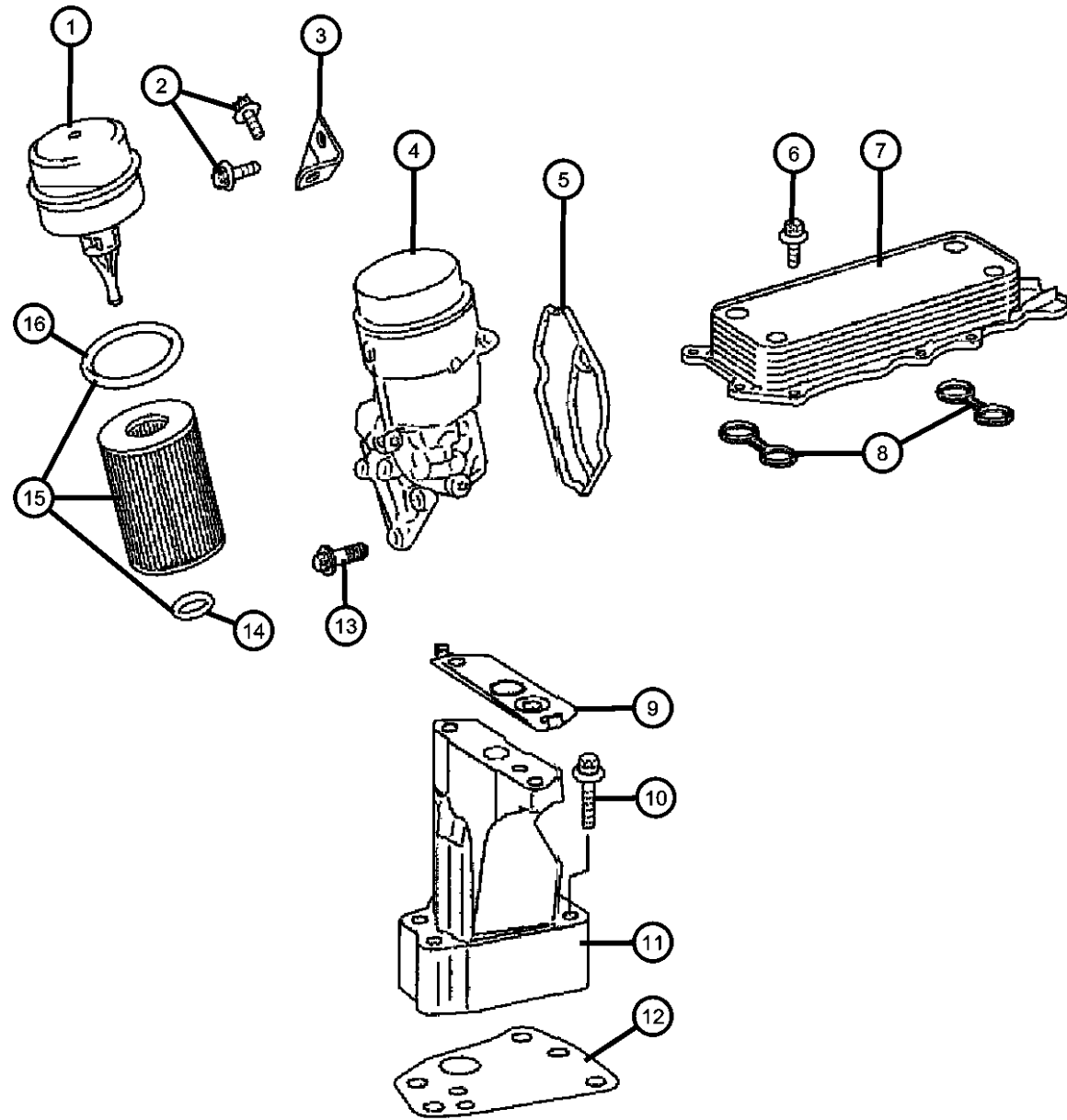
BODY
74 = SPORT UTILITY 4-DR
TYPE #4

ENGINE TRANSMISSION
EVE = Engine - 4.7L V8 DOHC 3 Valve
EZB = 5.7L Hemi Multi Displacement Engine
EKG = 3.7L V6 Engine
ESF = 6.1L SRT HEMI SMPI V8 Engine
EXL = 3.0L V6 Turbo Diesel Engine
DGJ = 5-Speed Auto W5A580 Transmission
DGU = 5-Spd Auto W5J400 Transmission
DGQ = 5-Spd Automatic 545RFE Transmission

AR = use ase required - = Non illustrated part

2008 WK

**Engine Oil Cooler 3.0L Diesel [EXL]
Figure 009EXL-810**



ITEM	PART NUMBER	QTY	LINE	SERIES	BODY	ENGINE	TRANS	TRIM	DESCRIPTION
1	05175570AA	1	J, T			EXL			CAP, Oil Filter Housing
2	06104144AA	3	J, T			EXL			BOLT, 6 Lobe Recessed Head, M12X1.25X45.00, Oil Filter Housing, Mounting
3	05175847AA	1	J, T			EXL			BRACKET, Filter To Head
4	05175569AA	1	J, T			EXL			HOUSING, Oil Filter
5	05175574AA	1	J, T			EXL			GASKET, Oil Filter Housing
6	06104682AA	3	J, T			EXL			BOLT, [M6.0X1.0X19.0], Engine Oil Cooler, Mounting
7	05179360AB	1	J, T			EXL			COOLER, Oil
8	05175579AA	2	J, T			EXL			GASKET
9	05175630AA	1	J, T			EXL			GASKET, Turbocharger, Turbo Bracket
10	05133207AA	1	J, T			EXL			BOLT
11	05175627AA	1	J, T			EXL			BRACKET, Turbo Charger
12	05175632AA	1	J, T			EXL			GASKET, Turbocharger
13	05175577AA	4	J, T			EXL			BOLT
14		4							O RING, (NOT SERVICED)
15	05175571AA	1	J, T			EXL			FILTER, Engine Oil
16	05175572AA	1	J, T			EXL			O RING

NOTE:
Sales Codes:
[DGJ] = 5-Speed Automatic W5A580 Transmission
[DGQ] = 5-Speed Automatic 545RFE Transmission
[DGU] = 5-Speed Automatic W5J400 Transmission
[DG0] = All Automatic Transmissions

GRAND CHEROKEE (WK)
 SERIES LINE
 H = HIGHLINE T = JEEP - 2WD
 P = PREMIUM J = JEEP - 4WD
 S = SPORT
 X = SPECIAL

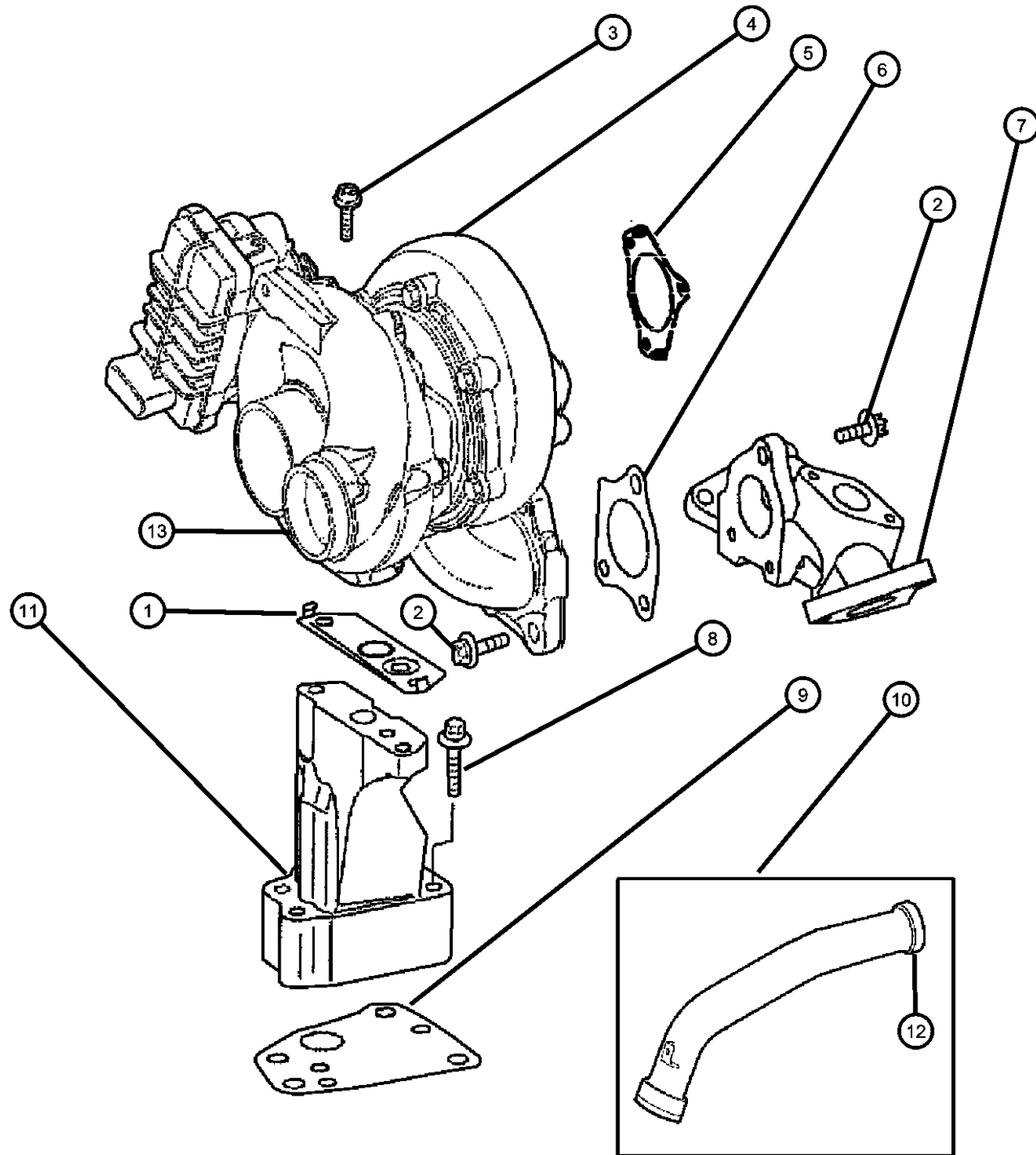
BODY
 74 = SPORT UTILITY 4-DR TYPE #4

ENGINE
 EVE = Engine - 4.7L V8 DOHC 3 Valve
 EZB = 5.7L Hemi Multi Displacement Engine
 EKG = 3.7L V6 Engine
 ESF = 6.1L SRT HEMI SMPI V8 Engine
 EXL = 3.0L V6 Turbo Diesel Engine

TRANSMISSION
 DGJ = 5-Speed Auto W5A580 Transmission
 DGU = 5-Spd Auto W5J400 Transmission
 DGQ = 5-Spd Automatic 545RFE Transmission

AR = use ase required - = Non illustrated part

Turbocharger 3.0L Diesel [EXL]
Figure 009EXL-910



ITEM	PART NUMBER	QTY	LINE	SERIES	BODY	ENGINE	TRANS	TRIM	DESCRIPTION
1	05175630AA	1	J, T			EXL			GASKET, Turbocharger
2	68032740AA	5	J, T			EXL			BOLT, Exhaust Manifold To Turbocharger
3	05073701AA	2	J, T			EXL			SCREW
4	68004663AA	1	J, T			EXL			TURBOCHARGER
5	68012070AA	1	J, T			EX0			SEAL
6	05175629AA	1	J, T			EXL	DGU		GASKET, Turbocharger
7	68004667AA	1	J, T			EXL	DGU		PIPE, Exhaust Crossover
8	05133207AA	1	J, T			EXL			BOLT
9	05175632AA	1	J, T			EXL			GASKET, Turbocharger
10	05175738AA	1	J, T			EXL			LINE, Charge Air
11	05175627AA	1	J, T			EXL			BRACKET, Turbo Charger
12	68043485AA	1	J, T			EXL			SEAL, Clean Air Hose
13	05175626AA	1	J, T			EXL			O RING

GRAND CHEROKEE (WK)

SERIES LINE
H = HIGHLINE T = JEEP - 2WD
P = PREMIUM J = JEEP - 4WD
S = SPORT
X = SPECIAL

BODY
74 = SPORT UTILITY 4-DR
TYPE #4

ENGINE TRANSMISSION
EVE = Engine - 4.7L V8 DOHC 3 Valve
EZB = 5.7L Hemi Multi Displacement Engine
EKG = 3.7L V6 Engine
ESF = 6.1L SRT HEMI SMPI V8 Engine
EXL = 3.0L V6 Turbo Diesel Engine
DGJ = 5-Speed Auto W5A580 Transmission
DGU = 5-Spd Auto W5J400 Transmission
DGQ = 5-Spd Automatic 545RFE Transmission

AR = use ase required - = Non illustrated part

2008 WK

**Exhaust Manifolds 3.0L Diesel [EXL]
Figure 009EXL-1010**

ITEM	PART NUMBER	QTY	LINE	SERIES	BODY	ENGINE	TRANS	TRIM	DESCRIPTION
------	-------------	-----	------	--------	------	--------	-------	------	-------------

NOTE:

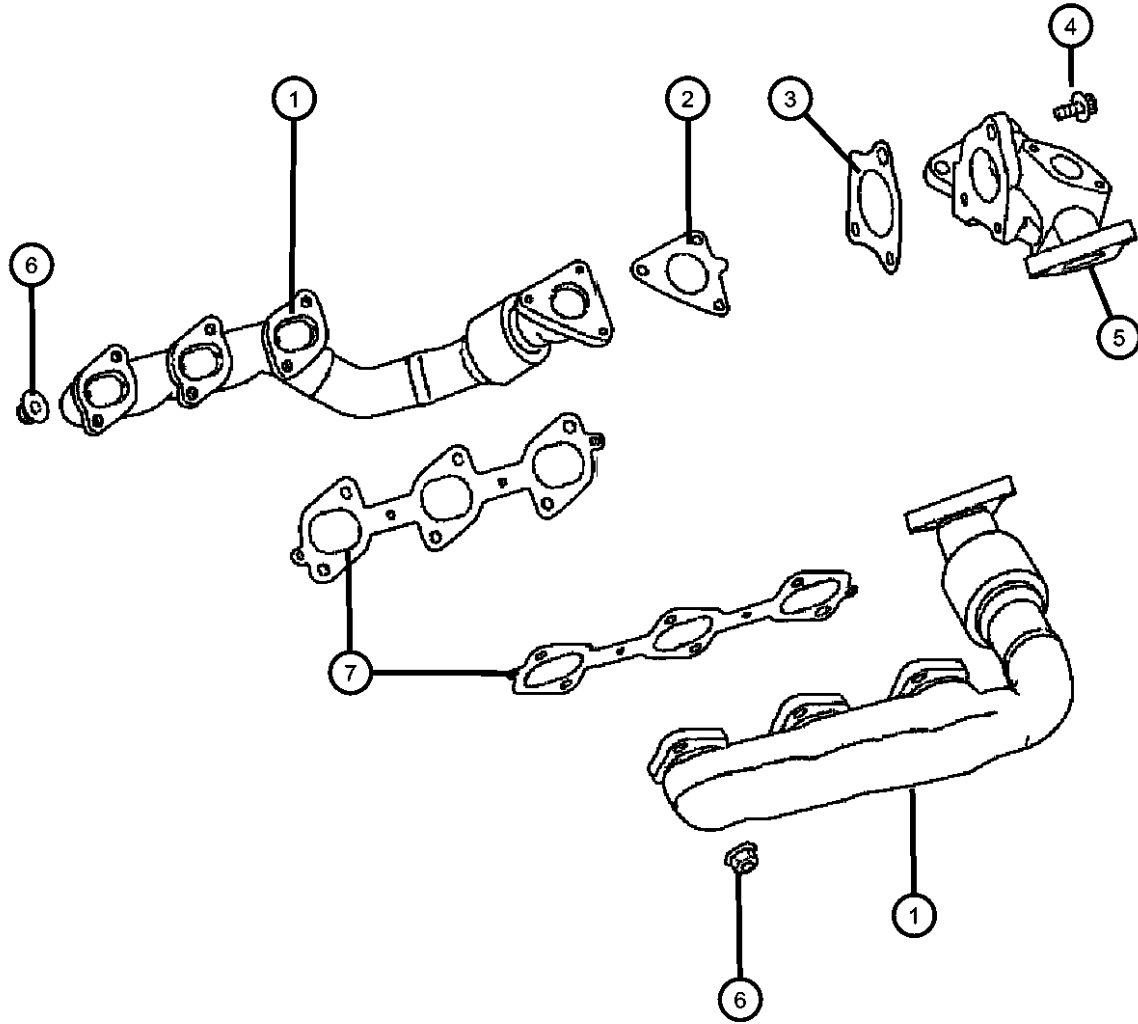
Sales Codes:

[DGJ] = 5-Speed Automatic W5A580 Transmission

[DGQ] = 5-Speed Automatic 545RFE Transmission

[DGU] = 5-Speed Automatic W5J400 Transmission

[DG0] = All Automatic Transmissions



1									MANIFOLD, Exhaust
	05175747AA	1	J, T			EXL			Left
	05175746AA	1	J, T			EXL			Right
2	68004670AA	1	J, T			EXL			GASKET, Exhaust manifold, To exhaust collectorRight
3	05175629AA	1	J, T			EXL	DGU		GASKET, Turbocharger
4									BOLT
	68032740AA	6	J, T			EXL			Exhaust Manifold, Mounting
		5	J, T			EXL			Exhaust Manifold Adapter To Turbocharger, Mounting
5	68004667AA	1	J, T			EXL	DGU		PIPE, Exhaust Crossover
6	06104729AA	12	J, T			EXL			NUT, Hex Flange Lock, M8X1.25, Exhaust Manifold, Mounting
7									GASKET, Exhaust Manifold
	05175748AA	1	J, T			EXL			Right
		1	J, T			EXL			Left

GRAND CHEROKEE (WK)

SERIES LINE
H = HIGHLINE T = JEEP - 2WD
P = PREMIUM J = JEEP - 4WD
S = SPORT
X = SPECIAL

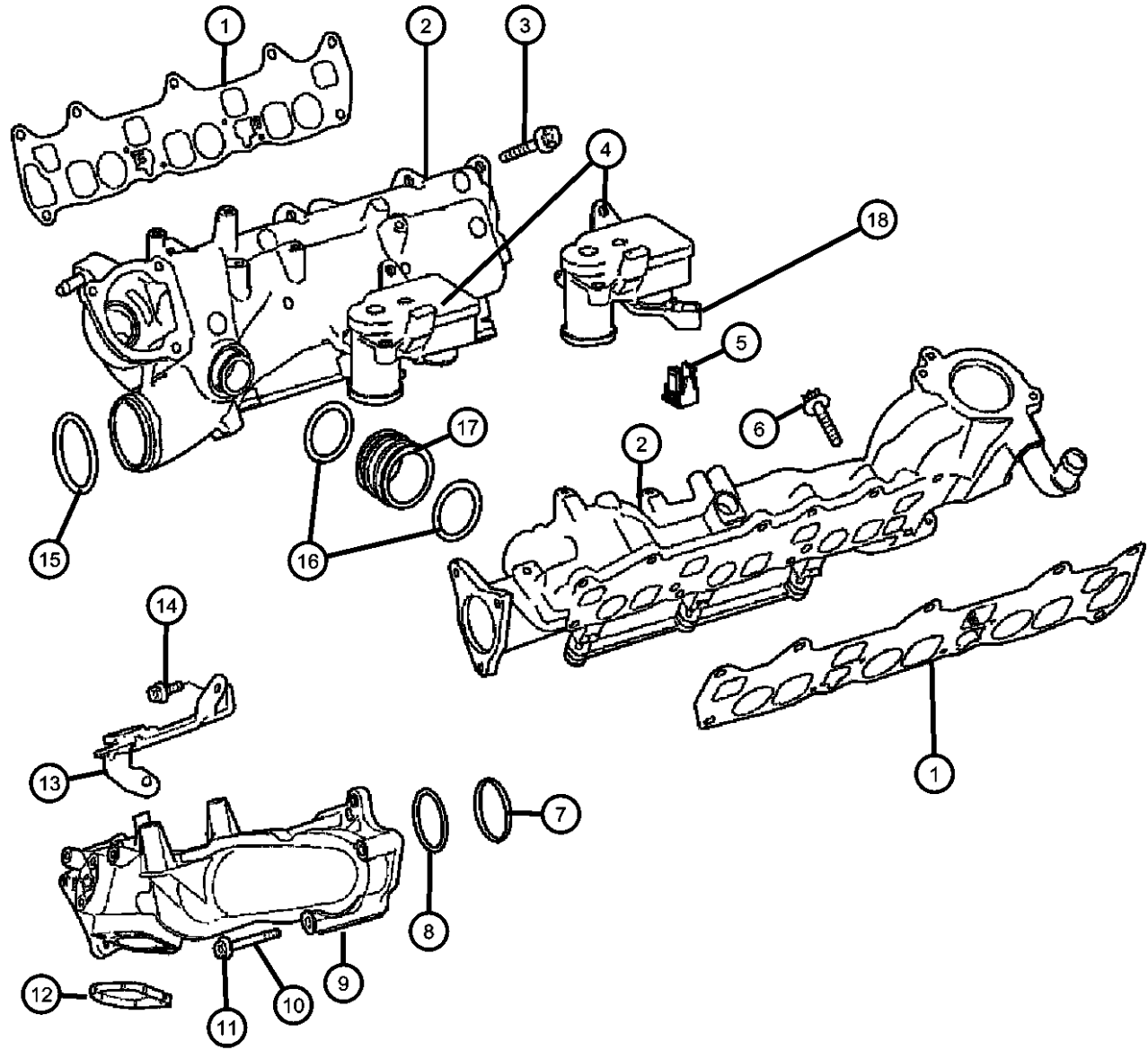
BODY
74 = SPORT UTILITY 4-DR
TYPE #4

ENGINE TRANSMISSION
EVE = Engine - 4.7L V8 DOHC 3 Valve
EZB = 5.7L Hemi Multi Displacement Engine
EKG = 3.7L V6 Engine
ESF = 6.1L SRT HEMI SMPI V8 Engine
EXL = 3.0L V6 Turbo Diesel Engine
DGJ = 5-Speed Auto W5A580 Transmission
DGU = 5-Spd Auto W5J400 Transmission
DGQ = 5-Spd Automatic 545RFE Transmission

AR = use ase required - = Non illustrated part

2008 WK

**Intake Manifold 3.0L Diesel [EXL]
Figure 009EXL-1020**



ITEM	PART NUMBER	QTY	LINE	SERIES	BODY	ENGINE	TRANS	TRIM	DESCRIPTION
NOTE: Sales Codes: [DGJ] = 5-Speed Automatic W5A580 Transmission [DGQ] = 5-Speed Automatic 545RFE Transmission [DGU] = 5-Speed Automatic W5J400 Transmission [DG0] = All Automatic Transmissions									
1									GASKET
	05175645AA	1	J, T			EXL			Left
		1	J, T			EXL			Right
2									PLENUM, Intake Manifold
	68023870AA	1	J, T			EXL			Right
	68030168AA	1	J, T			EXL			Left
3									BOLT
	05073702AA	6	J, T			EXL			Mounting, Right
	05175646AA	3	J, T			EXL			Mounting, Right
4	68023872AA	1	J, T			EXL			MOTOR
5	05175673AB	3	J, T			EXL			INSERT
6									BOLT
	05073688AB	4	J, T			EXL			Mounting, Left
	05175646AA	3	J, T			EXL			Mounting, Left
7	05175710AA	1	J, T			EXL			O RING
8	05175711AA	1	J, T			EXL			O RING
9	05175709AA	1	J, T			EXL			TUBE, CHARGE AIR CROSS PIPE
10	06104188AA	1	J, T			EXL			BOLT, Torx Head, M6x1.0x55.00
11									BOLT, Torx Socket Head, M6X1.00X20.00
	06104006AA	5	J, T			EXL			Left Side
		6	J, T			EXL			Right Side
12	05175712AA	1	J, T			EXL			O RING
13	05175722AA	1	J, T			EXL	DGU		BRACKET, Air Duct
14	06104004AA	3	J, T			EXL			BOLT, [M6x12], Bracket, Mounting
15	05175644AA	1	J, T						O RING
16		1							O RING, Serviced With Item 21, (NOT SERVICED)

GRAND CHEROKEE (WK)

SERIES LINE
H = HIGHLINE T = JEEP - 2WD
P = PREMIUM J = JEEP - 4WD
S = SPORT
X = SPECIAL

BODY
74 = SPORT UTILITY 4-DR
TYPE #4

ENGINE
EVE = Engine - 4.7L V8 DOHC
3 Valve
EZB = 5.7L Hemi Multi
Displacement Engine
EKG = 3.7L V6 Engine
ESF = 6.1L SRT HEMI SMPI
V8 Engine
EXL = 3.0L V6 Turbo Diesel
Engine

TRANSMISSION
DGJ = 5-Speed Auto W5A580
Transmission
DGU = 5-Spd Auto W5J400
Transmission
DGQ = 5-Spd Automatic 545RFE
Transmission

AR = use ase required - = Non illustrated part

2008 WK

**Crankcase Ventilation 3.0L Diesel [EXL]
Figure 009EXL-1110**

ITEM	PART NUMBER	QTY	LINE	SERIES	BODY	ENGINE	TRANS	TRIM	DESCRIPTION
------	-------------	-----	------	--------	------	--------	-------	------	-------------

NOTE:

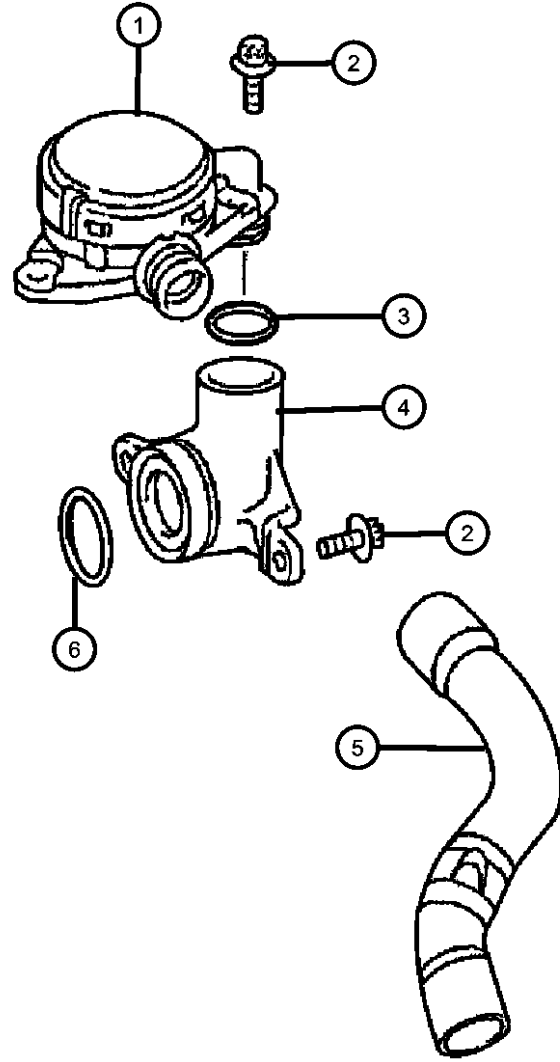
Sales Codes:

[DGJ] = 5-Speed Automatic W5A580 Transmission

[DGQ] = 5-Speed Automatic 545RFE Transmission

[DGU] = 5-Speed Automatic W5J400 Transmission

[DG0] = All Automatic Transmissions



1	05175514AB	1	J, T			EXL			VALVE, PCV
2									BOLT, [M6.0X1.0X19.0]
	06104682AA	3	J, T			EXL			Housing, Mounting
		1	J, T			EXL			PCV Valve, Mounting
3	05175515AA	1	J, T			EXL			O RING
4	05175512AA	1	J, T			EXL			COVER
5	05175516AA	1	J, T			EXL	DGU		HOSE, Cylinder Head To Intake Manifold PCV
6	05175513AB	1	J, T			EXL			O RING

GRAND CHEROKEE (WK)

SERIES LINE
H = HIGHLINE T = JEEP - 2WD
P = PREMIUM J = JEEP - 4WD
S = SPORT
X = SPECIAL

BODY
74 = SPORT UTILITY 4-DR
TYPE #4

ENGINE TRANSMISSION
EVE = Engine - 4.7L V8 DOHC
3 Valve DGJ = 5-Speed Auto W5A580
Transmission
EZB = 5.7L Hemi Multi DGU = 5-Spd Auto W5J400
Displacement Engine Transmission
EKG = 3.7L V6 Engine DGQ = 5-Spd Automatic 545RFE
ESF = 6.1L SRT HEMI SMPI Transmission
V8 Engine
EXL = 3.0L V6 Turbo Diesel
Engine

AR = use ase required - = Non illustrated part

2008 WK

Group - 009EZB

5.7L Gas; Engine

009EZB-100 Engine Identification	009EZB-1000 Manifolds and Vacuum Fittings	009EZB-1100 Crankcase Ventilation	009EZB-1200 Engine Mounting
009EZB-200 Cylinder Head	009EZB-300 Cylinder Block	009EZB-400 Crankshaft, Piston, Drive Plate, Flywheel, and Damper	009EZB-500 Camshaft and Valve
009EZB-600 Timing Belt/Chain and Cover and Balance Shaft	009EZB-700 Engine Oiling, Oil Pan and Indicator (Dipstick)		

Group - 009EZB 5.7L Gas; Engine

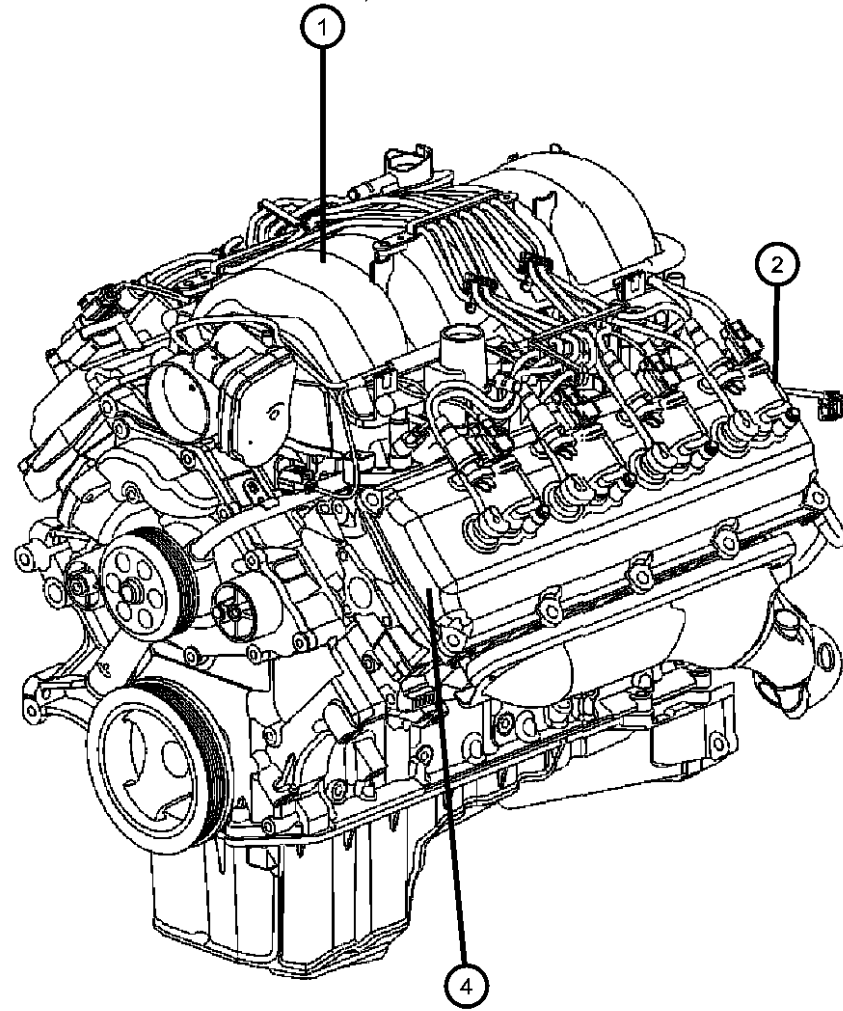
Illustration Title	Group-Fig. No.
Engine Identification	
Engine Assembly And Identification 5.7L [EZB]	Fig. 009EZB - 105
Engine Cover And Related Parts 5.7L [EZB].....	Fig. 009EZB - 125
Engine Gasket Packages 5.7L [EZB].....	Fig. 009EZB - 145
Cylinder Head	
Cylinder Head Covers 5.7L [EZB].....	Fig. 009EZB - 205
Cylinder Heads 5.7L [EZB]	Fig. 009EZB - 225
Cylinder Block	
Engine Cylinder Block And Hardware 5.7L [EZB]	Fig. 009EZB - 305
Engine Cylinder Block Heater 5.7L [EZB]	Fig. 009EZB - 325
Crankshaft, Piston, Drive Plate, Flywheel, and Damper	
Crankshaft, Crankshaft Bearings, Damper, And Flexplate 5.7L [EZB].....	Fig. 009EZB - 405
Pistons, Connecting Rods, Connecting Rod Bearings 5.7L [EZB]	Fig. 009EZB - 425
Camshaft and Valve	
Camshaft And Valvetrain 5.7L [EZB]	Fig. 009EZB - 505
Timing Belt/Chain and Cover and Balance Shaft	
Timing Case Cover 5.7L [EZB].....	Fig. 009EZB - 605
Timing System 5.7L [EZB].....	Fig. 009EZB - 625
Engine Oiling, Oil Pan and Indicator (Dipstick)	
Engine Oiling Pump 5.7L [EZB]	Fig. 009EZB - 705
Engine Oil Pan, Engine Oil Level Indicator And Tube 5.7L [EZB]	Fig. 009EZB - 725
Engine Oil Filter And Splash Guard 5.7L [EZB].....	Fig. 009EZB - 745
Manifolds and Vacuum Fittings	
Exhaust Manifolds And Exhaust Manifold Heat Shields 5.7L [EZB].....	Fig. 009EZB - 1005
Intake Manifold 5.7L [EZB]	Fig. 009EZB - 1025
Crankcase Ventilation	
Crankcase Ventilation 5.7L [EZB].....	Fig. 009EZB - 1105
Engine Mounting	
Engine Mounting Right Side RWD/2WD 5.7L [EZB].....	Fig. 009EZB - 1230
Engine Mounting Right Side AWD/4WD 5.7L [EZB].....	Fig. 009EZB - 1235
Engine Mounting Left Side RWD/2WD 5.7L [EZB]	Fig. 009EZB - 1250
Engine Mounting Left Side AWD/4WD 5.7L [EZB]	Fig. 009EZB - 1255

**Engine Assembly And Identification 5.7L [EZB]
Figure 009EZB-105**

ITEM	PART NUMBER	QTY	LINE	SERIES	BODY	ENGINE	TRANS	TRIM	DESCRIPTION
------	-------------	-----	------	--------	------	--------	-------	------	-------------

NOTE:

The Engine Identification Label Contains: The Production Assembly Part Number And Displacement. It is located On The Left Front Cylinder Head
Long Block Includes: Short Block Components Plus Complete Cylinder Heads With Covers, Chain Case Cover, Oil Pump, Oil Pan And Water Pump



1		1							ENGINE, Complete, Serviced By Long Or Short Block Only, (NOT SERVICED)
2	R2857367AA	1				EZB			ENGINE, Long Block, SERVICE WARNING: If The Original Engine Has Experienced A Catastrophic Failure - Including Piston, Cylinder Bore, Valve, or Valve Seat Failure - The Intake Manifold Must Be Replaced With A New Manifold., Remanufactured With [EZB] Multi-Displacement System
-3									ENGINE, Short Block, SERVICE WARNING: If The Original Engine Has Experienced A Catastrophic Failure - Including Piston, Cylinder Bore, Valve, or Valve Seat Failure - The Intake Manifold Must Be Replaced With A New Manifold.
	R9257057AA	1				EZB	DGQ		Remanufactured With [EZB] Multi-Displacement System
	05139102AD	1	J, T			EZB			With [EZB] Multi-Displacement System
4		1							LABEL, Engine Identification, See Note, (NOT SERVICED),

GRAND CHEROKEE (WK)

SERIES LINE
H = HIGHLINE T = JEEP - 2WD
P = PREMIUM J = JEEP - 4WD
S = SPORT
X = SPECIAL

BODY
74 = SPORT UTILITY 4-DR
TYPE #4

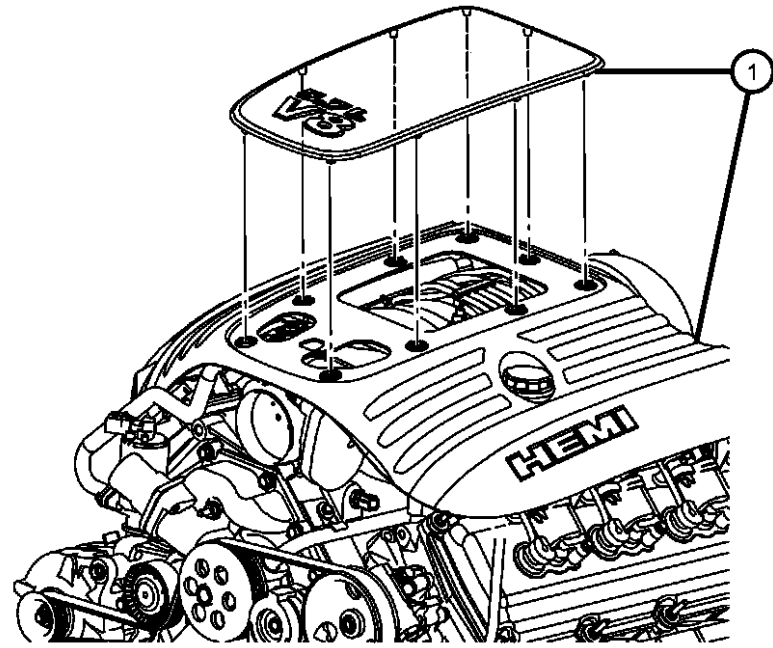
ENGINE
EVE = Engine - 4.7L V8 DOHC
3 Valve
EZB = 5.7L Hemi Multi
Displacement Engine
EKG = 3.7L V6 Engine
ESF = 6.1L SRT HEMI SMPI
V8 Engine
EXL = 3.0L V6 Turbo Diesel
Engine

TRANSMISSION
DGJ = 5-Speed Auto W5A580
Transmission
DGU = 5-Spd Auto W5J400
Transmission
DGQ = 5-Spd Automatic 545RFE
Transmission

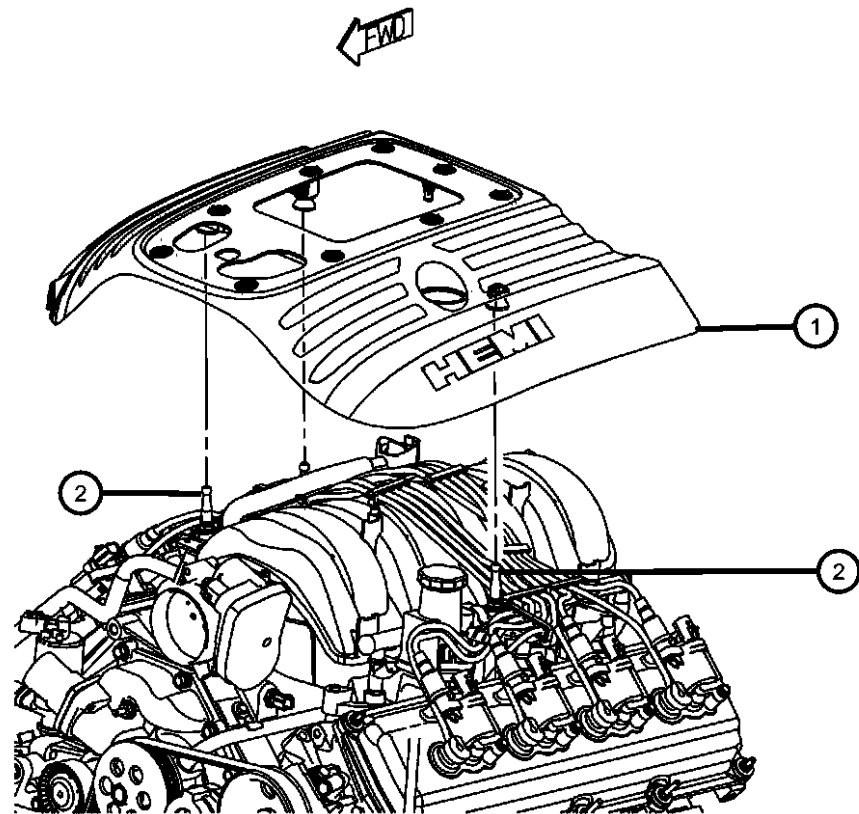
AR = use ase required - = Non illustrated part

2008 WK

**Engine Cover And Related Parts 5.7L [EZB]
Figure 009EZB-125**



ITEM	PART NUMBER	QTY	LINE	SERIES	BODY	ENGINE	TRANS	TRIM	DESCRIPTION
1	53013718AB	1	J, T			EZ0			COVER, Engine With [HEMI] Markings, Lower
	53013789AA	1	J, T			EZ0			With 5.7L V8 And [JEEP] Markings, Upper
	53013789AB	1	J, T			EZ0			With 5.7L V8 Markings Only, Upper
2	53013748AC	4	J, T			EZB			BALL STUD, 60X2.14X21.59



GRAND CHEROKEE (WK)

SERIES LINE
H = HIGHLINE T = JEEP - 2WD
P = PREMIUM J = JEEP - 4WD
S = SPORT
X = SPECIAL

BODY
74 = SPORT UTILITY 4-DR
TYPE #4

ENGINE TRANSMISSION
EVE = Engine - 4.7L V8 DOHC 3 Valve
EZB = 5.7L Hemi Multi Displacement Engine
EKG = 3.7L V6 Engine
ESF = 6.1L SRT HEMI SMPI V8 Engine
EXL = 3.0L V6 Turbo Diesel Engine
DGJ = 5-Speed Auto W5A580 Transmission
DGU = 5-Spd Auto W5J400 Transmission
DGQ = 5-Spd Automatic 545RFE Transmission

AR = use ase required - = Non illustrated part

2008 WK

Engine Gasket Packages 5.7L [EZB]
Figure 009EZB-145

ITEM	PART NUMBER	QTY	LINE	SERIES	BODY	ENGINE	TRANS	TRIM	DESCRIPTION
------	-------------	-----	------	--------	------	--------	-------	------	-------------

NOTE:

Sales Codes:

[DBB] = All Manual Transmissions

[DEJ] = 6-Speed Manual Getrag 238 Transmission

[DGQ] = 5-Speed Automatic 545RFE Transmission

[DGV] = 4-Speed Automatic VLP 42RLE Transmission

[DG0] = All Automatic Transmissions

[DH5] = Electronic

1	05135357AG	1	J, T			EZB			GASKET PACKAGE, Engine Upper
2	53021620AE	1	J, T			EZ0			GASKET, Cylinder Head, Right/Right
3	53021621AE	1	J, T			EZ0			GASKET, Cylinder Head, Left/Left
4	05114179AB	2	J, T			EZB			GASKET KIT, Cylinder Head Cover, Includes Spark Plug Well Gaskets, Right & Left
5	53021578AA	8	J, T			ESF			SEAL, Valve Guide
6									GASKET, Exhaust Manifold
	53013943AA	1	J, T			EZB			Left
	53013944AA	1	J, T			EZB			Right
7	53021569AD	8	J, T			ESF			GASKET, Spark Plug Well
8	53032383AB	1	J, T			EZB			SEAL, Throttle Body to Intake
9	53032382AB	8	J, T			EZB			SEAL, Intake Manifold
10	05135457AF	1	J, T			EZB			GASKET PACKAGE, Engine Lower
11	53020861	1	J, T			EZ0			SEAL, Oil Pick Up Tube
12	53021144AA	1	J, T			EZ0			O RING, Engine Oil Indicator Tube
13	04792922AA	1	J, T			EZB			GASKET, Water Pump
14	05140028AA	1	J, T			EZ0			RETAINER PACKAGE, Crankshaft Rear Oil Seal
15	05139933AB	1	J, T			EZB			GASKET PACKAGE, Front Cover
16	53021585AB	1				ESF			SEAL, Crankshaft Oil, Front
17	04792874AA	1	J, T			EZ0			GASKET, Oil Pan
18	53032384AB	2	J, T			EZB			SEAL, PCV
19		2							SEAL, Throttle Body to Intake, (NOT SERVICED)

GRAND CHEROKEE (WK)

SERIES LINE
H = HIGHLINE T = JEEP - 2WD
P = PREMIUM J = JEEP - 4WD
S = SPORT
X = SPECIAL

BODY
74 = SPORT UTILITY 4-DR
TYPE #4

ENGINE TRANSMISSION
EVE = Engine - 4.7L V8 DOHC 3 Valve
EZB = 5.7L Hemi Multi Displacement Engine
EKG = 3.7L V6 Engine
ESF = 6.1L SRT HEMI SMPI V8 Engine
EXL = 3.0L V6 Turbo Diesel Engine
DGJ = 5-Speed Auto W5A580 Transmission
DGU = 5-Spd Auto W5J400 Transmission
DGQ = 5-Spd Automatic 545RFE Transmission

AR = use ase required - = Non illustrated part

2008 WK

**Cylinder Head Covers 5.7L [EZB]
Figure 009EZB-205**

ITEM	PART NUMBER	QTY	LINE	SERIES	BODY	ENGINE	TRANS	TRIM	DESCRIPTION
------	-------------	-----	------	--------	------	--------	-------	------	-------------

NOTE:

Sales Codes:

[DBB] = All Manual Transmissions

[DEJ] = 6-Speed Manual Getrag 238 Transmission

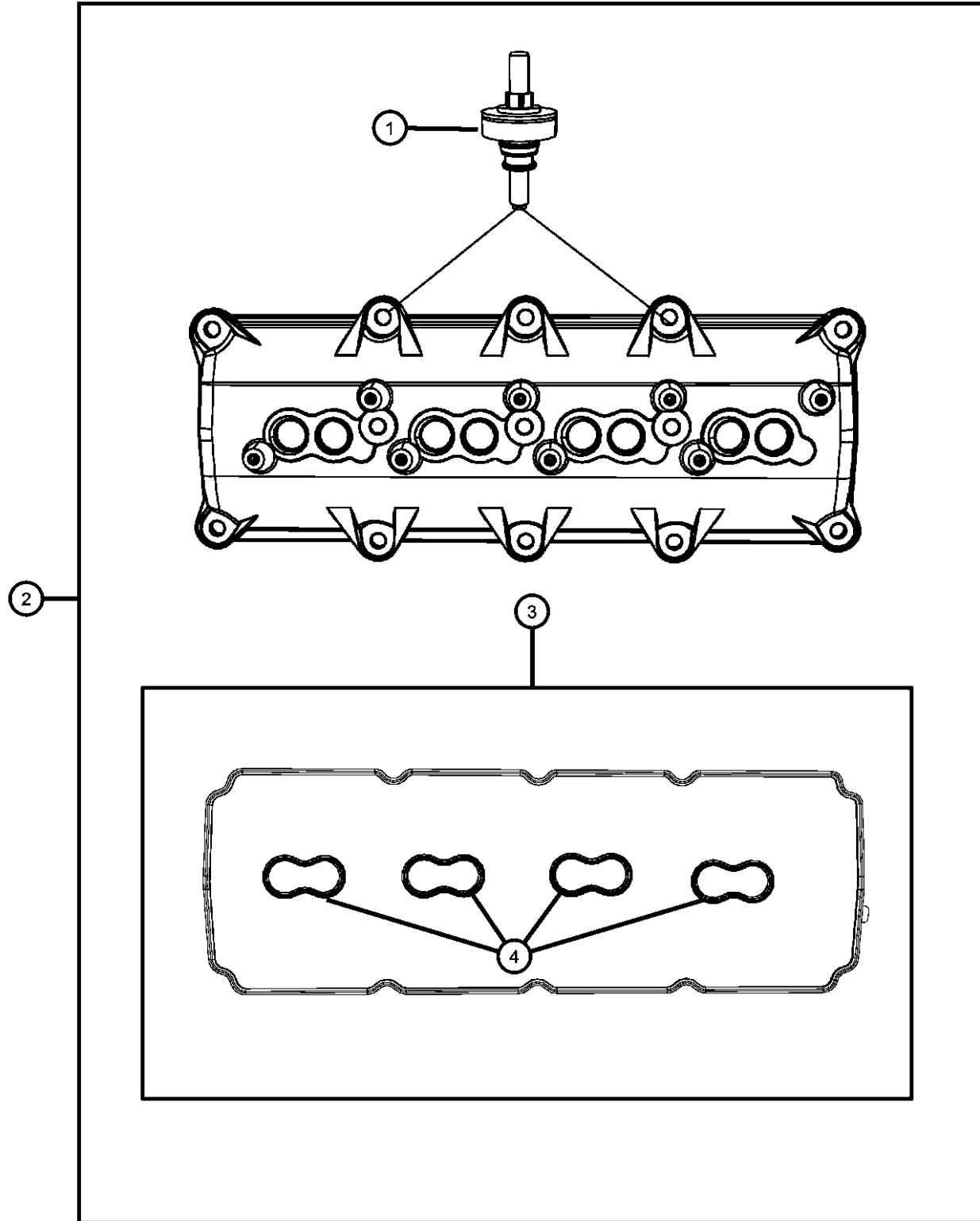
[DGQ] = 5-Speed Automatic 545RFE Transmission

[DGV] = 4-Speed Automatic VLP 42RLE Transmission

[DG0] = All Automatic Transmissions

[DH5] = Electronic

1	06507366AA	20	J, T			EZB			STUD AND GROMMET, Special, M6X1.00X50.50, Cylinder Head Cover To Cylinder Head, Mounting
2	53021333BA	2	J, T			EZB			COVER, Cylinder HeadRight & Left
3	05114179AB	2	J, T			EZB			GASKET KIT, Cylinder Head CoverRight & Left
4	53021569AD	8	J, T			EZB			GASKET, Spark Plug Well



GRAND CHEROKEE (WK)

SERIES LINE
H = HIGHLINE T = JEEP - 2WD
P = PREMIUM J = JEEP - 4WD
S = SPORT
X = SPECIAL

BODY
74 = SPORT UTILITY 4-DR
TYPE #4

ENGINE TRANSMISSION
EVE = Engine - 4.7L V8 DOHC 3 Valve
EZB = 5.7L Hemi Multi Displacement Engine
EKG = 3.7L V6 Engine
ESF = 6.1L SRT HEMI SMPI V8 Engine
EXL = 3.0L V6 Turbo Diesel Engine
DGJ = 5-Speed Auto W5A580 Transmission
DGU = 5-Spd Auto W5J400 Transmission
DGQ = 5-Spd Automatic 545RFE Transmission

AR = use ase required - = Non illustrated part

2008 WK

**Cylinder Heads 5.7L [EZB]
Figure 009EZB-225**

ITEM	PART NUMBER	QTY	LINE	SERIES	BODY	ENGINE	TRANS	TRIM	DESCRIPTION
------	-------------	-----	------	--------	------	--------	-------	------	-------------

NOTE:

Sales Codes:

[DBB] = All Manual Transmissions

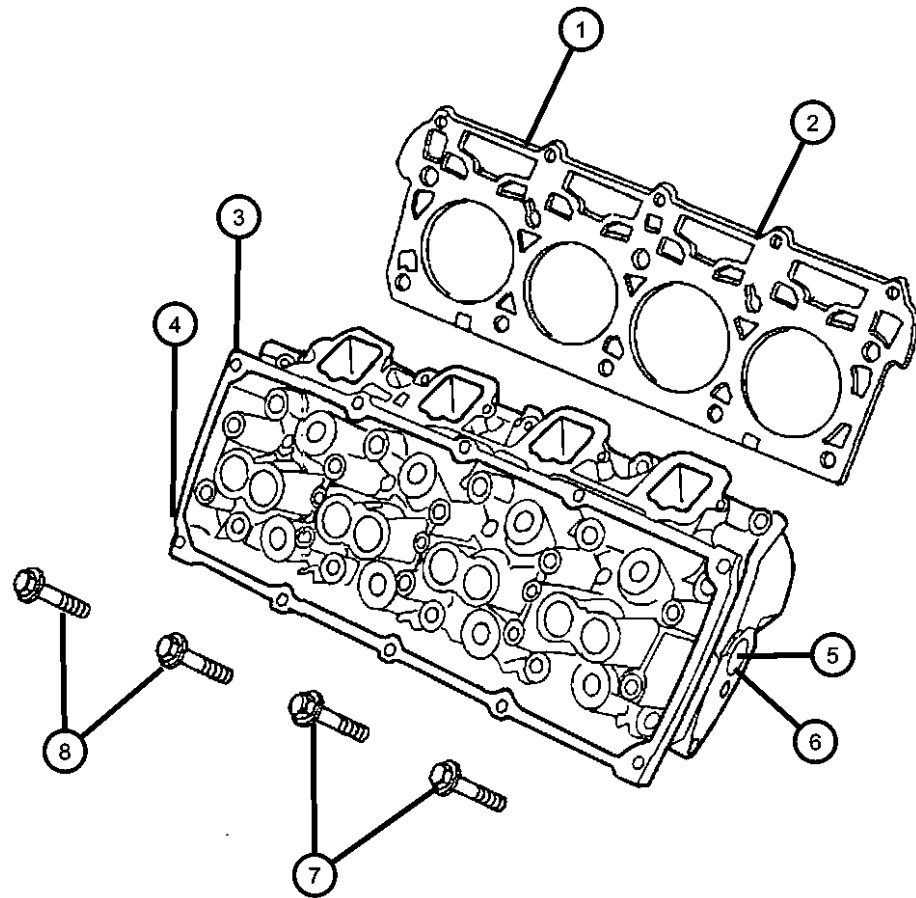
[DEJ] = 6-Speed Manual Getrag 238 Transmission

[DGQ] = 5-Speed Automatic 545RFE Transmission

[DGV] = 4-Speed Automatic VLP 42RLE Transmission

[DG0] = All Automatic Transmissions

[DH5] = Electronic



1	53021620AE	1	J, T			EZ0			GASKET, Cylinder Head, RightRight
2	53021621AE	1	J, T			EZ0			GASKET, Cylinder Head, LeftLeft
3	05143396AB	1	J, T			EZB			HEAD, Cylinder, Right
4	05143397AB	1	J, T			EZB			HEAD, Cylinder, Left
5	06036308AA	2	J, T			EZB			PLUG, Core, Water Jacket Block Off, Right & Left, Cylinder Head
6	04556020AB	2	J, T			EZB			PLUG, Core, 1.25 DiameterRight & Left
7	06506334AA	10	J, T			EZ0			BOLT, Hex Flange Head, M8X1.25X45.00, Cylinder Head To Cylinder Block, Mounting
8	06506694AA	20	J, T			EZ0			BOLT AND CONED WASHER, Hex Head, M12X1.50X135.00, Cylinder Head To Cylinder Block, Mounting

GRAND CHEROKEE (WK)

SERIES LINE
H = HIGHLINE T = JEEP - 2WD
P = PREMIUM J = JEEP - 4WD
S = SPORT
X = SPECIAL

BODY
74 = SPORT UTILITY 4-DR
TYPE #4

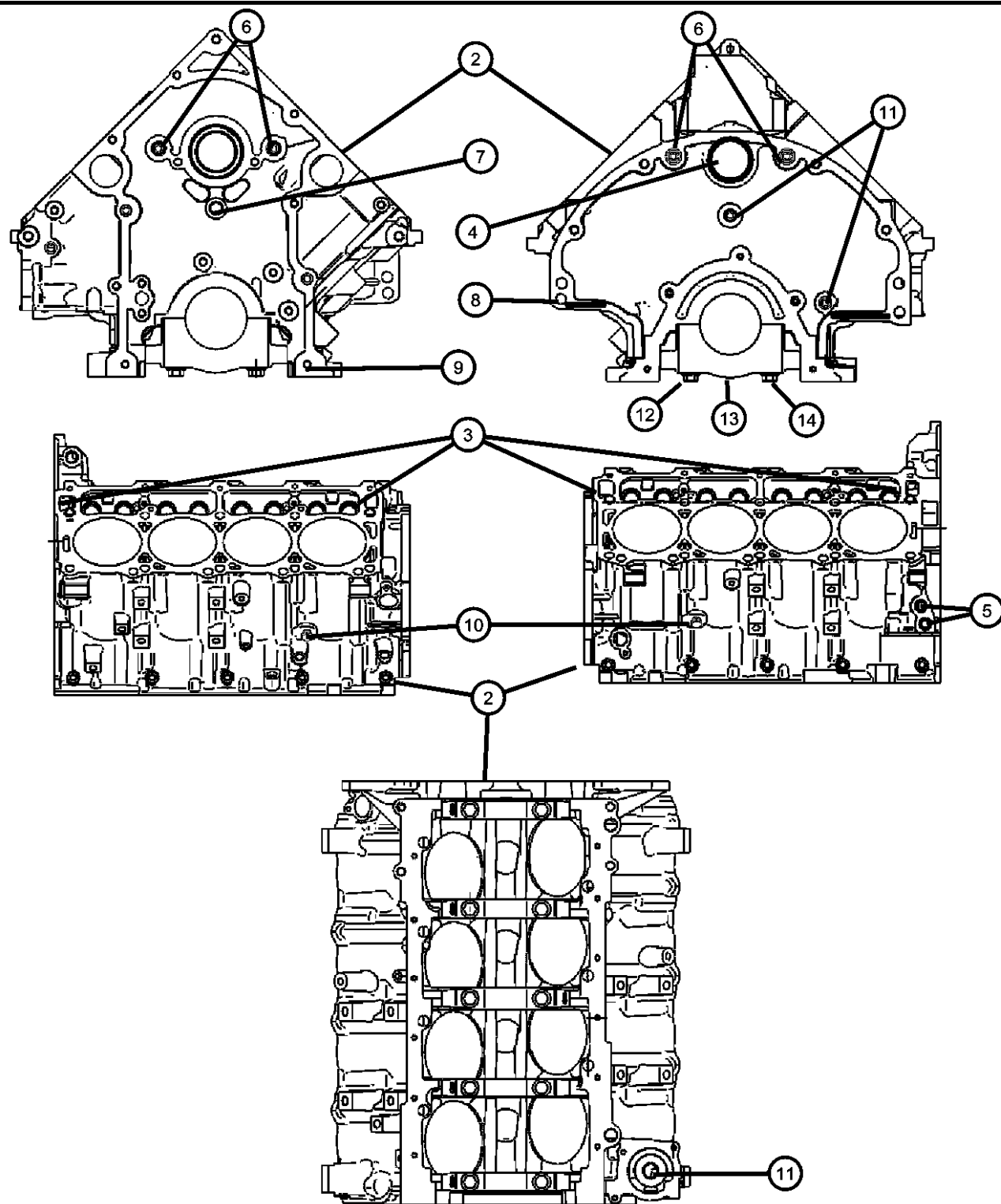
ENGINE TRANSMISSION
EVE = Engine - 4.7L V8 DOHC 3 Valve
EZB = 5.7L Hemi Multi Displacement Engine
EKG = 3.7L V6 Engine
ESF = 6.1L SRT HEMI SMPI V8 Engine
EXL = 3.0L V6 Turbo Diesel Engine
DGJ = 5-Speed Auto W5A580 Transmission
DGU = 5-Spd Auto W5J400 Transmission
DGQ = 5-Spd Automatic 545RFE Transmission

AR = use ase required - = Non illustrated part

2008 WK

Engine Cylinder Block And Hardware 5.7L [EZB]

Figure 009EZB-305



ITEM	PART NUMBER	QTY	LINE	SERIES	BODY	ENGINE	TRANS	TRIM	DESCRIPTION
-1	R2857367AA	1				EZB			ENGINE, Long Block, SERVICE WARNING: If The Original Engine Has Experienced A Catastrophic Failure - Including Piston, Cylinder Bore, Valve, or Valve Seat Failure - The Intake Manifold Must Be Replaced With A New Manifold., Remanufactured With [EZB] Multi-Displacement System
2	05139102AD	1	J, T			EZB			ENGINE, Short Block, SERVICE WARNING: If The Original Engine Has Experienced A Catastrophic Failure - Including Piston, Cylinder Bore, Valve, or Valve Seat Failure - The Intake Manifold Must Be Replaced With A New Manifold. With [EZB] Multi-Displacement System
	R9257057AA	1				EZB	DGQ		Remanufactured With [EZB] Multi-Displacement System
3	05240849	4	J, T			EZ0			DOWEL PIN, Cylinder Head To Cylinder Block, Mounting
4	06507663AA	1	J, T			EZ0			PLUG, Camshaft, [M47.93 OD 6.4 THK 51.5 FLG OD]
5	06034331	2	J, T			EZB			PLUG, Hex Socket, 3/8-18NPTx.475
6	06036417AA	4	J, T			EZB			PLUG, Cylinder Block, .375-18X1.343, Oil Gallery
7	06036286AA	1	J, T			EZB			PLUG, Cylinder Block, .562X.280 Stainless, Oil Gallery
8	01122532	2	J, T			EZ0			DOWEL, Block to Clutch Housing, 1/2X3/4
9	06506332AA	2	J, T			EZ0			PIN, Dowel, M8X10.00, Front Cover To Cylinder Block, Mounting
10	06036592AA	2	J, T			EZB			PLUG, .250-18X.690, Cylinder Block Coolant Drain
11	06036307AA	2	J, T			EZB			PLUG, Pipe, .250-18X.413, Oil Gallery Block Off
12	06506333AA	1	J, T			EZ0			STUD, Double Ended, M12&M8, Main Bearing Cap To Cylinder Block, Mounting

GRAND CHEROKEE (WK)

SERIES LINE
 H = HIGHLINE T = JEEP - 2WD
 P = PREMIUM J = JEEP - 4WD
 S = SPORT
 X = SPECIAL

BODY
 74 = SPORT UTILITY 4-DR
 TYPE #4

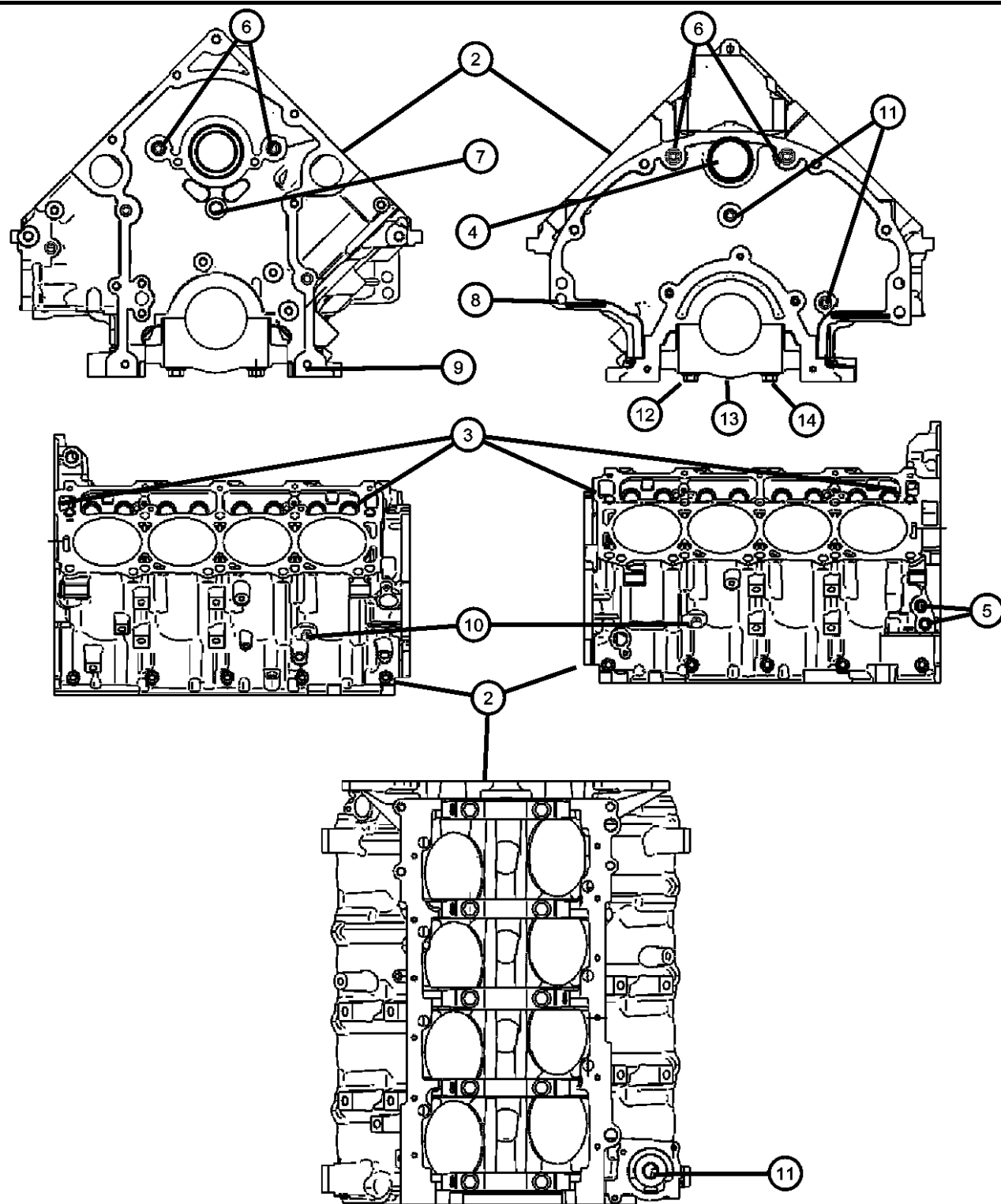
ENGINE
 EVE = Engine - 4.7L V8 DOHC 3 Valve
 EZB = 5.7L Hemi Multi Displacement Engine
 EKG = 3.7L V6 Engine
 ESF = 6.1L SRT HEMI SMPI V8 Engine
 EXL = 3.0L V6 Turbo Diesel Engine

TRANSMISSION
 DGJ = 5-Speed Auto W5A580 Transmission
 DGU = 5-Spd Auto W5J400 Transmission
 DGQ = 5-Spd Automatic 545RFE Transmission

AR = use ase required - = Non illustrated part

Engine Cylinder Block And Hardware 5.7L [EZB]

Figure 009EZB-305



ITEM	PART NUMBER	QTY	LINE	SERIES	BODY	ENGINE	TRANS	TRIM	DESCRIPTION
13		1							CAP, Main, Serviced With New Short Block Engine, (NOT SERVICED)
14	06506272AA	10	J, T			EZB			BOLT, Hex Flange Head, M12X1.75X91.50, Main Bearing Cap To Cylinder Block, Mounting

GRAND CHEROKEE (WK)

SERIES LINE
 H = HIGHLINE T = JEEP - 2WD
 P = PREMIUM J = JEEP - 4WD
 S = SPORT
 X = SPECIAL

BODY
 74 = SPORT UTILITY 4-DR
 TYPE #4

ENGINE
 EVE = Engine - 4.7L V8 DOHC
 3 Valve
 EZB = 5.7L Hemi Multi
 Displacement Engine
 EKG = 3.7L V6 Engine
 ESF = 6.1L SRT HEMI SMPI
 V8 Engine
 EXL = 3.0L V6 Turbo Diesel
 Engine

TRANSMISSION
 DGJ = 5-Speed Auto W5A580
 Transmission
 DGU = 5-Spd Auto W5J400
 Transmission
 DGQ = 5-Spd Automatic 545RFE
 Transmission

AR = use ase required - = Non illustrated part

**Engine Cylinder Block Heater 5.7L [EZB]
Figure 009EZB-325**

ITEM	PART NUMBER	QTY	LINE	SERIES	BODY	ENGINE	TRANS	TRIM	DESCRIPTION
------	-------------	-----	------	--------	------	--------	-------	------	-------------

NOTE:

Sales Codes:

[DBB] = All Manual Transmissions

[DEJ] = 6-Speed Manual Getrag 238 Transmission

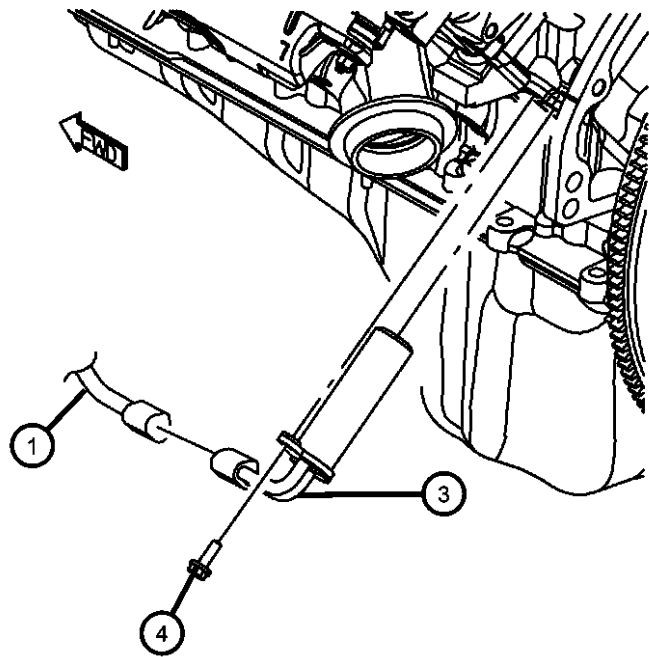
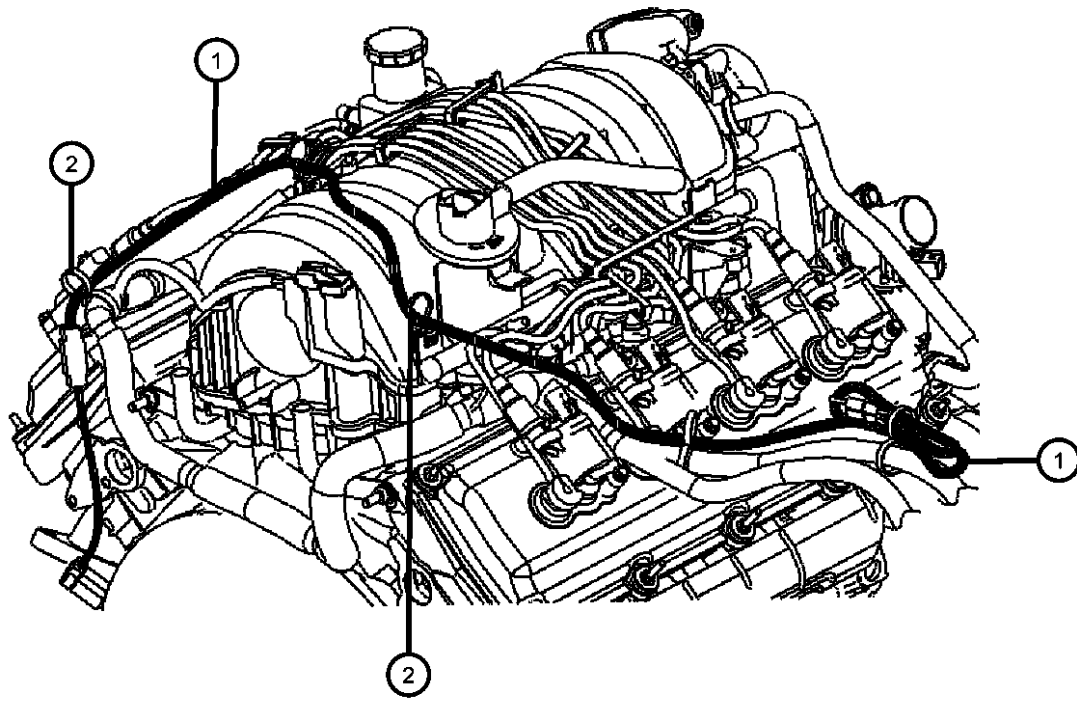
[DGQ] = 5-Speed Automatic 545RFE Transmission

[DGV] = 4-Speed Automatic VLP 42RLE Transmission

[DG0] = All Automatic Transmissions

[DH5] = Electronic

1	04608805AC	1							CORD, Engine Block Heater
2	06015756	1							STRAP, Tie
3	05149022AA	1	J, T			EZ0			HEATER, Engine Block
4	06501373	1	J, T			EZ0			BOLT, Hex Head, M6x1.00x20.00



GRAND CHEROKEE (WK)

SERIES LINE
H = HIGHLINE T = JEEP - 2WD
P = PREMIUM J = JEEP - 4WD
S = SPORT
X = SPECIAL

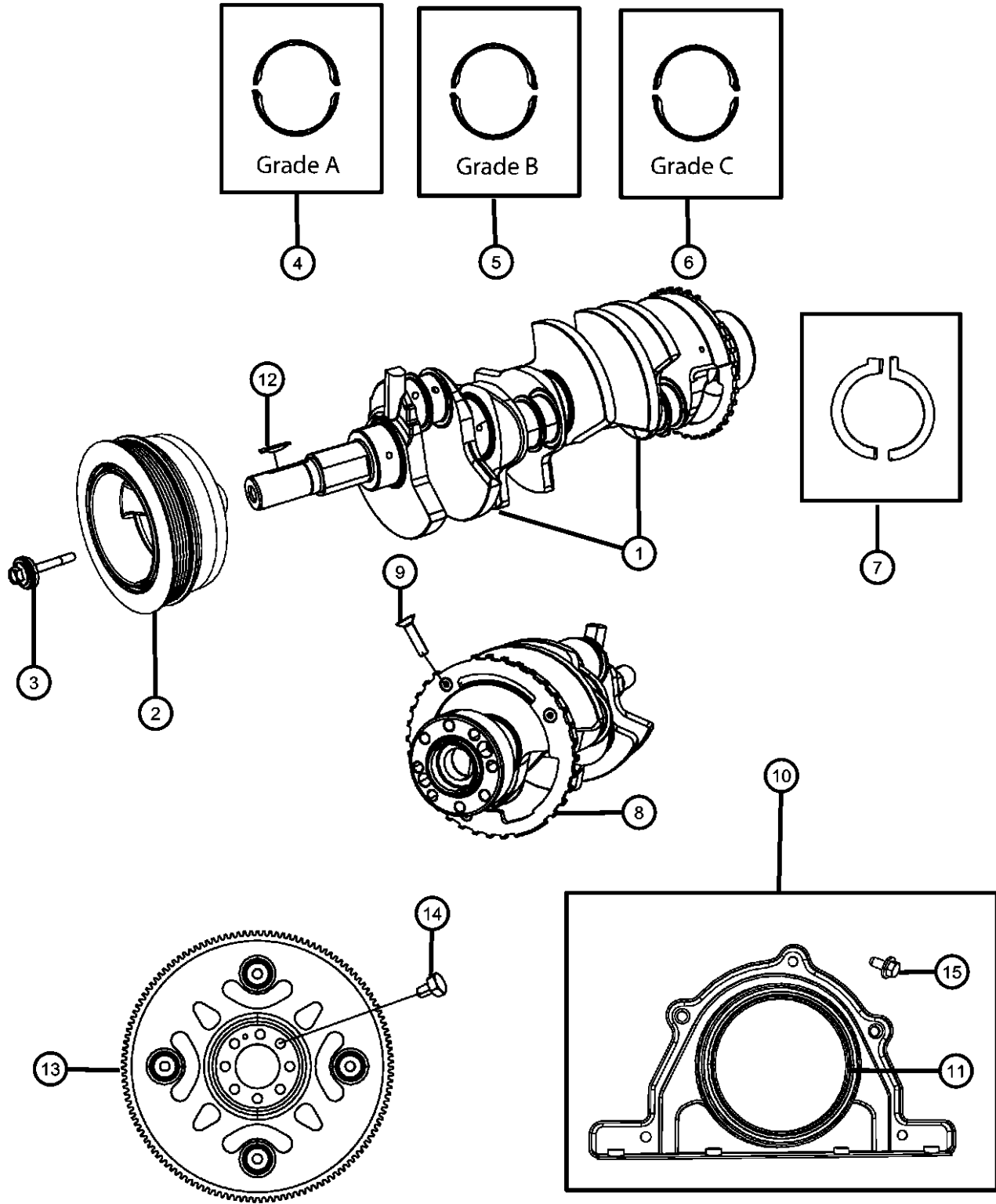
BODY
74 = SPORT UTILITY 4-DR
TYPE #4

ENGINE TRANSMISSION
EVE = Engine - 4.7L V8 DOHC
3 Valve DGJ = 5-Speed Auto W5A580
Transmission
EZB = 5.7L Hemi Multi
Displacement Engine DGU = 5-Spd Auto W5J400
Transmission
EKG = 3.7L V6 Engine DGQ = 5-Spd Automatic 545RFE
Transmission
ESF = 6.1L SRT HEMI SMPI
V8 Engine
EXL = 3.0L V6 Turbo Diesel
Engine

AR = use ase required - = Non illustrated part

2008 WK

**Crankshaft, Crankshaft Bearings, Damper, And Flexplate 5.7L [EZB]
Figure 009EZB-405**



ITEM	PART NUMBER	QTY	LINE	SERIES	BODY	ENGINE	TRANS	TRIM	DESCRIPTION
------	-------------	-----	------	--------	------	--------	-------	------	-------------

NOTE:

Sales Codes:

[DBB] = All Manual Transmissions

[DEJ] = 6-Speed Manual Getrag 238 Transmission

[DGQ] = 5-Speed Automatic 545RFE Transmission

[DGV] = 4-Speed Automatic VLP 42RLE Transmission

[DG0] = All Automatic Transmissions

[DH5] = Electronic

1	53021302AD	1	J, T			EZ0			CRANKSHAFT
2	04792815AB	1	J, T			EZB			DAMPER, Crankshaft
3	06508400AA	1	J, T			EZ0			BOLT AND CONED WASHER, Hex Head, M14X1.5X102.00
4	05083993AA	5	J, T			EZ0			BEARING PACKAGE, Crankshaft, A Grade
5	05083994AA	5	J, T			EZ0			BEARING PACKAGE, Crankshaft, B Grade
6	05083995AA	5	J, T			EZ0			BEARING PACKAGE, Crankshaft, C Grade
7	05083979AA	1	J, T			EZ0			THRUST WASHER PACKAGE, Crankshaft
8		1							TONE RING, Sensor, Serviced With Crankshaft, (NOT SERVICED)
9		1							SCREW, M6x1x25, Serviced With Crankshaft, (NOT SERVICED)
10	05140028AA	1	J, T			EZ0			RETAINER PACKAGE, Crankshaft Rear Oil Seal
11		1							SEAL, Crankshaft Oil, Rear, Serviced In Rear Retainer Package, (NOT SERVICED)
12	06506397AA	1	J, T			EZ0			KEY, Woodruff
13	04736604AA	1	J, T			EZ0	DG0		PLATE, Torque Converter Drive
14	06503465	8	J, T			EZ0	DG0		BOLT, Hex Head Lock, M10X1.00X18.00
15	06104005AA	5	J, T			EZ0			BOLT, 6 Lobe External Head, M6X1.00X16.00

GRAND CHEROKEE (WK)

SERIES LINE
H = HIGHLINE T = JEEP - 2WD
P = PREMIUM J = JEEP - 4WD
S = SPORT
X = SPECIAL

BODY
74 = SPORT UTILITY 4-DR
TYPE #4

ENGINE
EVE = Engine - 4.7L V8 DOHC 3 Valve
EZB = 5.7L Hemi Multi Displacement Engine
EKG = 3.7L V6 Engine
ESF = 6.1L SRT HEMI SMPI V8 Engine
EXL = 3.0L V6 Turbo Diesel Engine

TRANSMISSION
DGJ = 5-Speed Auto W5A580 Transmission
DGV = 5-Speed Auto W5J400 Transmission
DGQ = 5-Speed Automatic 545RFE Transmission

AR = use ase required - = Non illustrated part

2008 WK

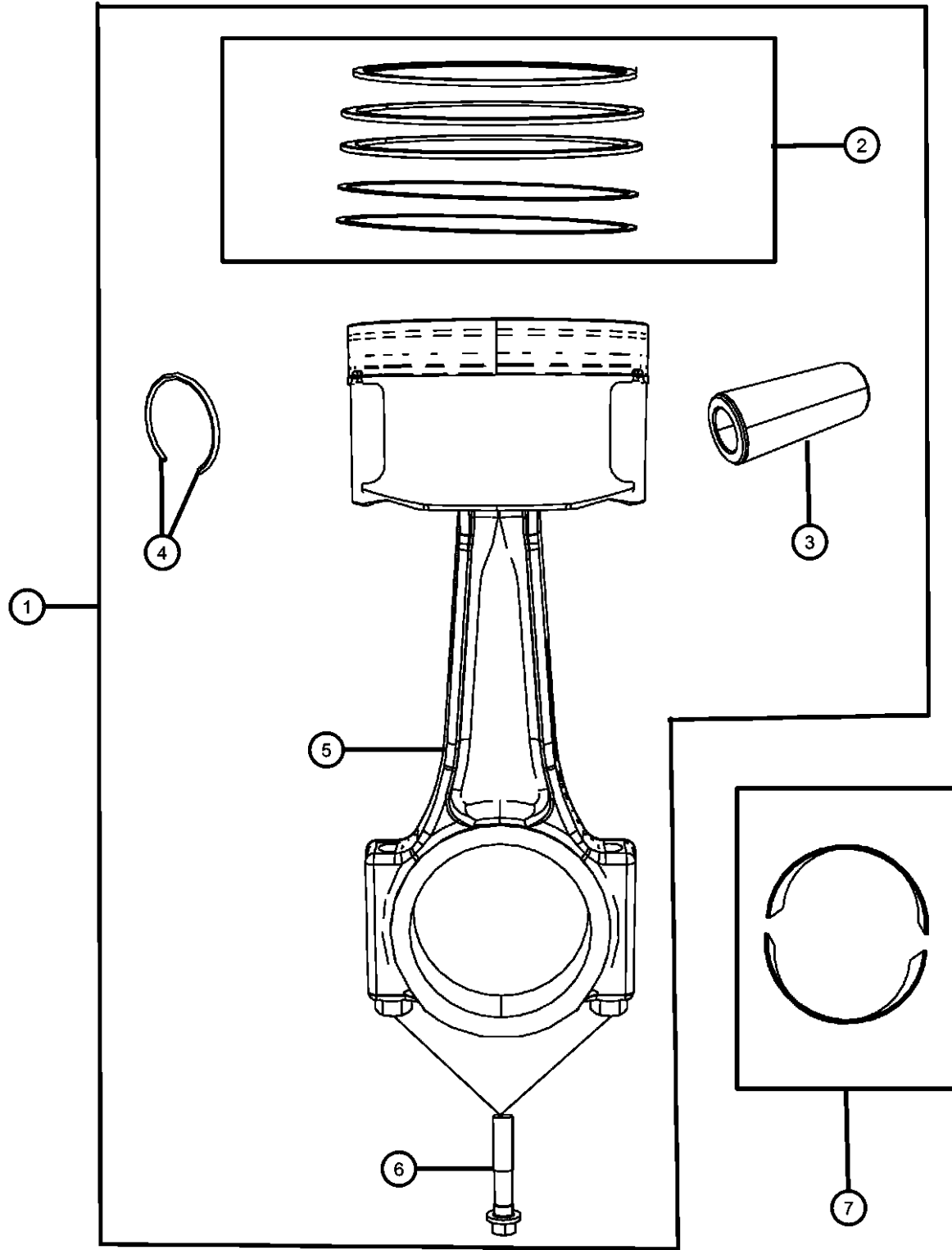
**Pistons, Connecting Rods, Connecting Rod Bearings 5.7L [EZB]
Figure 009EZB-425**

ITEM	PART NUMBER	QTY	LINE	SERIES	BODY	ENGINE	TRANS	TRIM	DESCRIPTION
------	-------------	-----	------	--------	------	--------	-------	------	-------------

NOTE: For Crankshaft Identification, Stamping Location And Bearing Information Refer To The Service Manual.
For Bearing Selection Sizes Please Refer To Service Manual Group 9, Bearings Crankshaft Main, [Select Fit Identification]

Sales Codes:
[DBB]

1									PISTON PIN AND ROD Cylinders 2,4,6,8, Right, Side, Cylinder Block
	53021538AD	4	J, T			EZB			Cylinders 1,3,5,7, Left, Side, Cylinder Block
	53021539AD	4	J, T			EZB			Cylinder Block
2	05086002AC	8	J, T			EZB			RING PACKAGE, Piston, Standard Size
3		8							PIN, Piston, Serviced With Piston Package, (NOT SERVICED)
4		8							RING, Piston Pin, Serviced With Piston Package, (NOT SERVICED)
5		8							ROD, Connecting, Serviced With Piston Package, (NOT SERVICED)
6	06506335AA	8	J, T			EZB			BOLT, Connecting Rod
7	68029429AA	8	J, T			EZB			BEARING PACKAGE, Connecting Rod, Standard



GRAND CHEROKEE (WK)

SERIES LINE
H = HIGHLINE T = JEEP - 2WD
P = PREMIUM J = JEEP - 4WD
S = SPORT
X = SPECIAL

BODY
74 = SPORT UTILITY 4-DR
TYPE #4

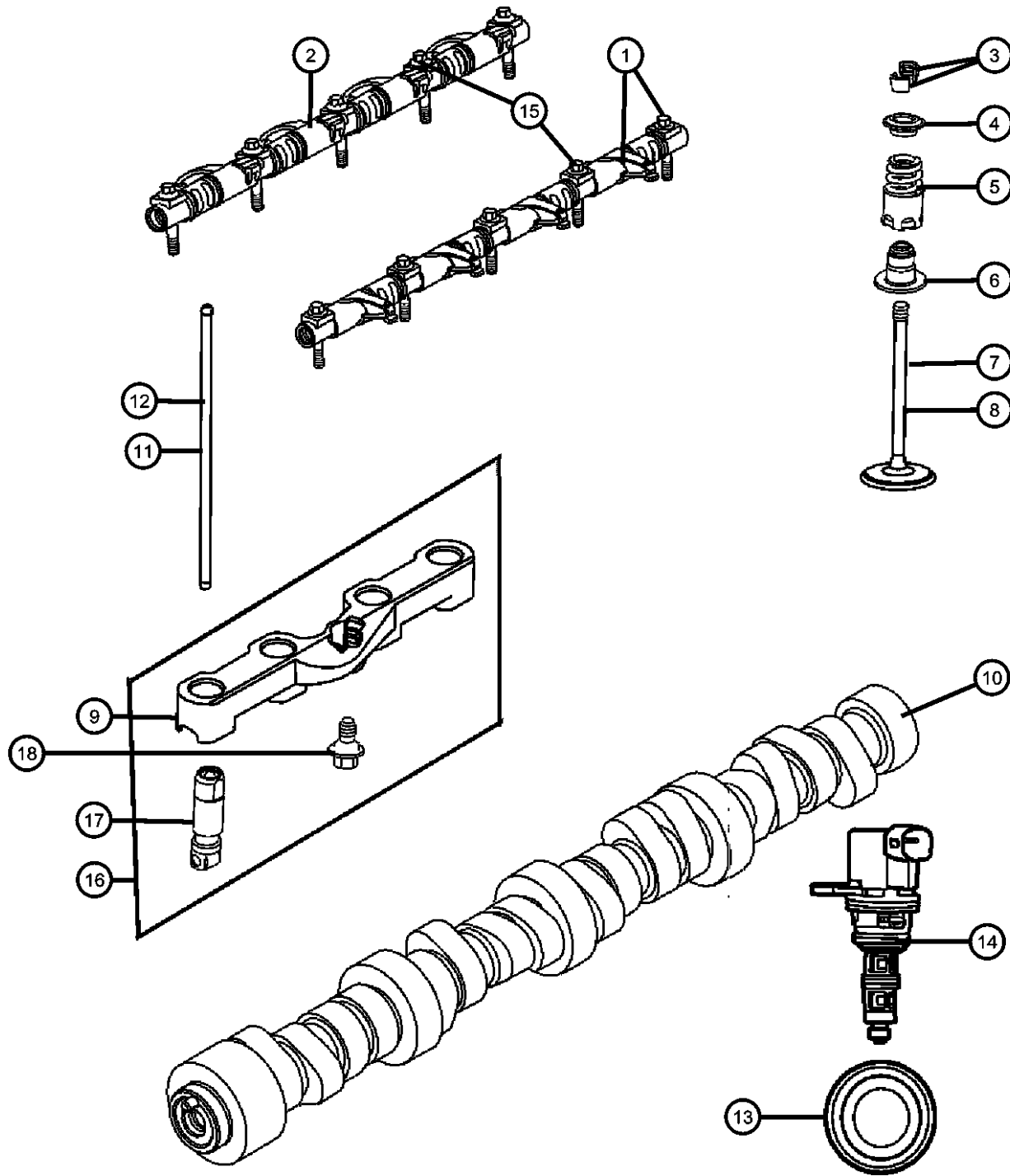
ENGINE
EVE = Engine - 4.7L V8 DOHC
3 Valve
EZB = 5.7L Hemi Multi
Displacement Engine
EKG = 3.7L V6 Engine
ESF = 6.1L SRT HEMI SMPI
V8 Engine
EXL = 3.0L V6 Turbo Diesel
Engine

TRANSMISSION
DGJ = 5-Speed Auto W5A580
Transmission
DGU = 5-Spd Auto W5J400
Transmission
DGQ = 5-Spd Automatic 545RFE
Transmission

AR = use ase required - = Non illustrated part

2008 WK

**Camshaft And Valvetrain 5.7L [EZB]
Figure 009EZB-505**



ITEM	PART NUMBER	QTY	LINE	SERIES	BODY	ENGINE	TRANS	TRIM	DESCRIPTION
------	-------------	-----	------	--------	------	--------	-------	------	-------------

NOTE:

Sales Codes:

[DBB] = All Manual Transmissions

[DEJ] = 6-Speed Manual Getrag 238 Transmission

[DGQ] = 5-Speed Automatic 545RFE Transmission

[DGV] = 4-Speed Automatic VLP 42RLE Transmission

[DG0] = All Automatic Transmissions

[DH5] = Electronic

1	53021553AA	2	J, T			EZ0			ROCKER ARM, Exhaust
2	53021552AA	2	J, T			EZ0			ROCKER ARM, Intake
3	53010515AA	32	J, T			EZ0			LOCK, Valve Spring Retainer
4	53021676AB	16	J, T			EZ0			RETAINER, Valve Spring
5	53021580AE	16	J, T			EZB			SPRING, Valve
6	53021578AA	16	J, T			EZB			SEAL, Valve Guide
7	53021550AA	8	J, T			EZB			VALVE, Intake, Standard
8	53021551AB	8	J, T			EZB			VALVE, Exhaust, Standard
9									YOKE, Tappet Aligning
	53021727AC	2	J, T			EZB			Front
	53021729AC	2	J, T			EZB			Rear
10	53021731AE	1	J, T			EZB			CAMSHAFT, Engine
11	53021556AA	8	J, T			EZB			PUSH ROD, Intake Valve
12	53021557AA	8	J, T			EZB			PUSH ROD, Exhaust Valve
13	06507663AA	1	J, T			EZ0			PLUG, Camshaft
14	53032152AC	4	J, T			EZB			SOLENOID, Multiple Displacement
15	06507072AA	10	J, T			EZ0			BOLT, Hex Flange Head, M8X1.25X50.00, Rocker Arm Shaft To Cylinder Head, Mounting
16									LIFTERS AND YOKE, Hydraulic, Engine
	53021726AE	2	J, T			EZB			Front
	53021728AE	2	J, T			EZB			Rear
17		2							LIFTER, Hydraulic Roller Deactivating, Serviced In Item 16, (NOT SERVICED)
18	06507067AA	2	J, T			EZB			BOLT, Hex Flange Head, M6x1.00x14.00, Lifter Guide To Cylinder Block, Mounting

GRAND CHEROKEE (WK)

SERIES LINE
H = HIGHLINE T = JEEP - 2WD
P = PREMIUM J = JEEP - 4WD
S = SPORT
X = SPECIAL

BODY
74 = SPORT UTILITY 4-DR TYPE #4

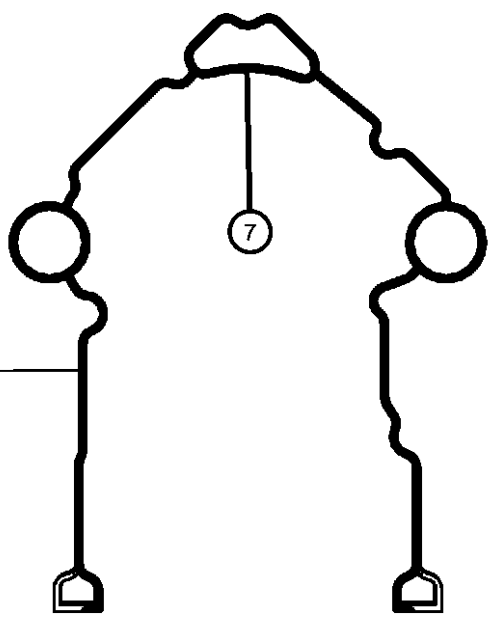
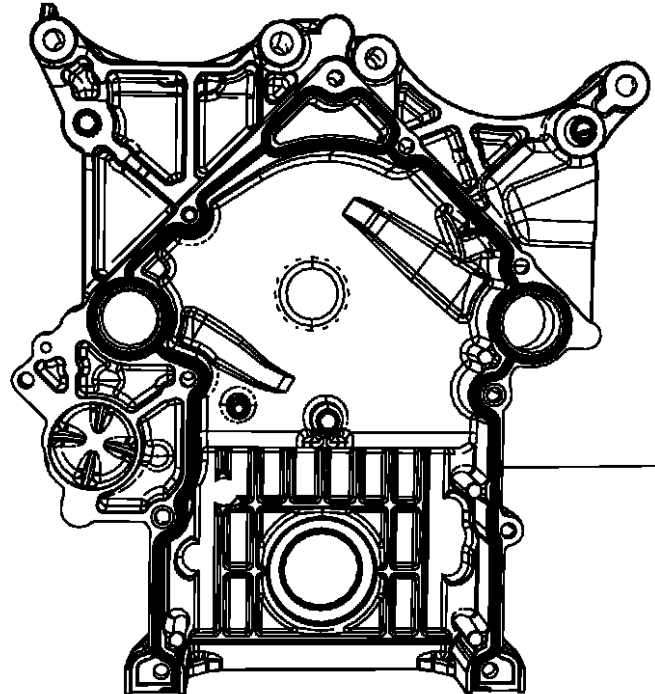
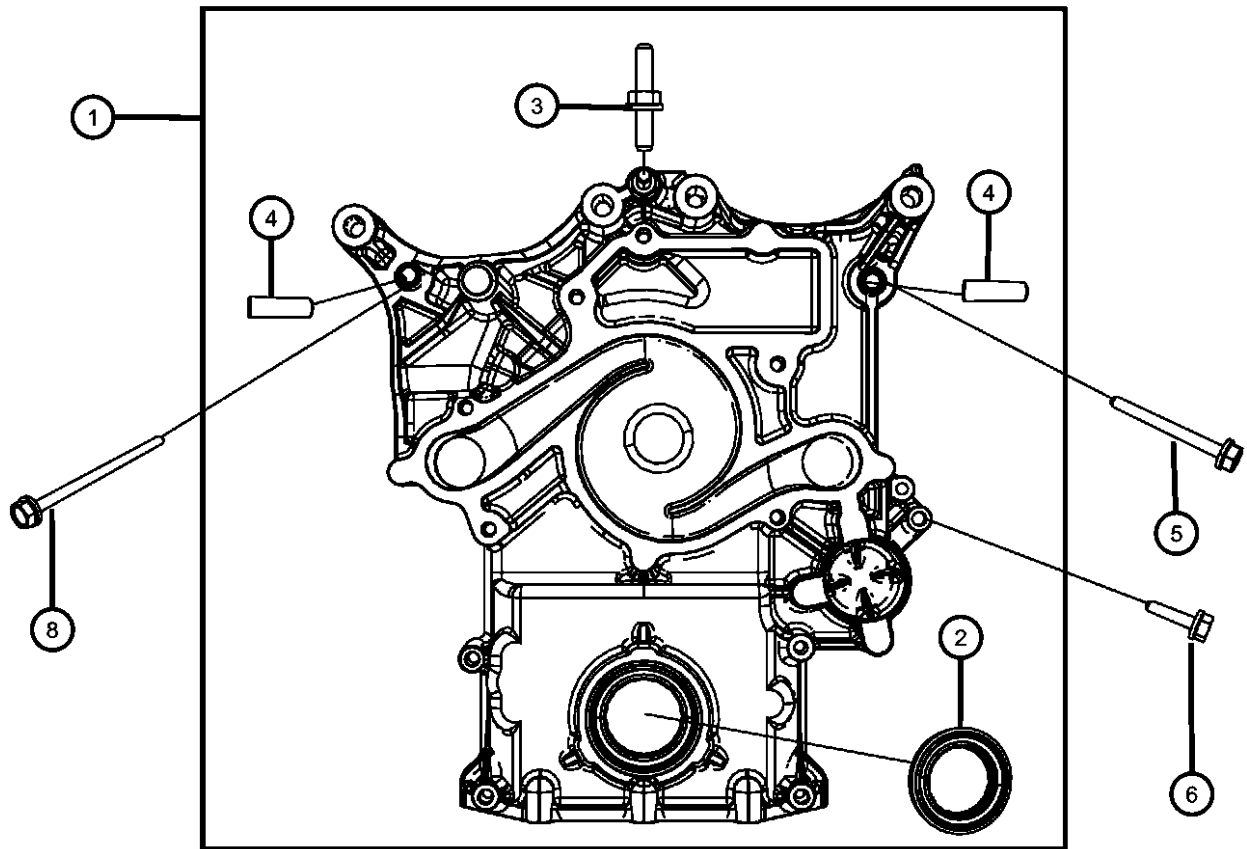
ENGINE
EVE = Engine - 4.7L V8 DOHC 3 Valve
EZB = 5.7L Hemi Multi Displacement Engine
EKG = 3.7L V6 Engine
ESF = 6.1L SRT HEMI SMPI V8 Engine
EXL = 3.0L V6 Turbo Diesel Engine

TRANSMISSION
DGJ = 5-Speed Auto W5A580 Transmission
DGU = 5-Spd Auto W5J400 Transmission
DGQ = 5-Spd Automatic 545RFE Transmission

AR = use ase required - = Non illustrated part

2008 WK

**Timing Case Cover 5.7L [EZB]
Figure 009EZB-605**



ITEM	PART NUMBER	QTY	LINE	SERIES	BODY	ENGINE	TRANS	TRIM	DESCRIPTION
NOTE: Sales Codes: [DBB] = All Manual Transmissions [DEJ] = 6-Speed Manual Getrag 238 Transmission [DGQ] = 5-Speed Automatic 545RFE Transmission [DGV] = 4-Speed Automatic VLP 42RLE Transmission [DG0] = All Automatic Transmissions [DH5] = Electronic									
1	04792795AD	1	J, T			EZB			COVER, Timing Case
2	53021585AD	1	J, T			EZB			SEAL, Crankshaft Oil, Front
3	06506343AA	1	J, T			EZB			STUD, Double Ended, M10X1.50X25.00, Cover/Lifting Stud
4	06506697AA	2	J, T			EZB			BUSHING, Timing Cover
5	06506270AA	3	J, T			EZ0			BOLT AND CONED WASHER, Hex Head, M8X1.25X80.00 Cover To Cylinder Block, Mounting
	06506270AA	5	J, T			EZ0			Water Pump To Cylinder Block, Mounting
6	06506269AA	5	J, T			EZ0			BOLT AND CONED WASHER, Hex Head, M8X1.25X35.00 Water Pump To Front Cover, Mounting
	06506269AA	5	J, T			EZ0			Cover To Cylinder Block, Mounting
7	05139933AB	1	J, T			EZB			GASKET PACKAGE, Front Cover, Also Included In Cover Package
8	06506270AA	3	J, T			EZ0			BOLT AND CONED WASHER, Hex Head, M8X1.25X80.00, Front Cover To Cylinder Block

GRAND CHEROKEE (WK)				
SERIES	LINE	BODY	ENGINE	TRANSMISSION
H = HIGHLINE	T = JEEP - 2WD	74 = SPORT UTILITY 4-DR	EVE = Engine - 4.7L V8 DOHC 3 Valve	DGJ = 5-Speed Auto W5A580 Transmission
P = PREMIUM	J = JEEP - 4WD	TYPE #4	EZB = 5.7L Hemi Multi Displacement Engine	DGU = 5-Spd Auto W5J400 Transmission
S = SPORT			EKG = 3.7L V6 Engine	DGQ = 5-Spd Automatic 545RFE Transmission
X = SPECIAL			ESF = 6.1L SRT HEMI SMPI V8 Engine	
			EXL = 3.0L V6 Turbo Diesel Engine	

AR = use ase required - = Non illustrated part

Timing System 5.7L [EZB]
Figure 009EZB-625

ITEM	PART NUMBER	QTY	LINE	SERIES	BODY	ENGINE	TRANS	TRIM	DESCRIPTION
------	-------------	-----	------	--------	------	--------	-------	------	-------------

NOTE:

Sales Codes:

[DBB] = All Manual Transmissions

[DEJ] = 6-Speed Manual Getrag 238 Transmission

[DGQ] = 5-Speed Automatic 545RFE Transmission

[DGV] = 4-Speed Automatic VLP 42RLE Transmission

[DG0] = All Automatic Transmissions

[DH5] = Electronic

1	53021581AC	1	J			EZB			TIMING DRIVE KIT, Engine
2		1							CHAIN, Timing, Serviced in Kit, (NOT SERVICED)
3		1							SPROCKET, Camshaft, Serviced In Kit, (NOT SERVICED)
4	53021582AD	1	J			EZB			TENSIONER, Chain, Also Serviced In Kit
5		1							SPROCKET, Crankshaft, Serviced In Kit, (NOT SERVICED)
6	06507480AA	1	J, T			EZO			BOLT, Hex Flange Head, M12X1.75X37.00, Camshaft Sprocket To Camshaft
7	06507479AA	3	J, T			EZB			BOLT AND WASHER, Hex Head, M8x1.25x20.00, Tensioner To Cylinder Block

GRAND CHEROKEE (WK)

SERIES LINE
H = HIGHLINE T = JEEP - 2WD
P = PREMIUM J = JEEP - 4WD
S = SPORT
X = SPECIAL

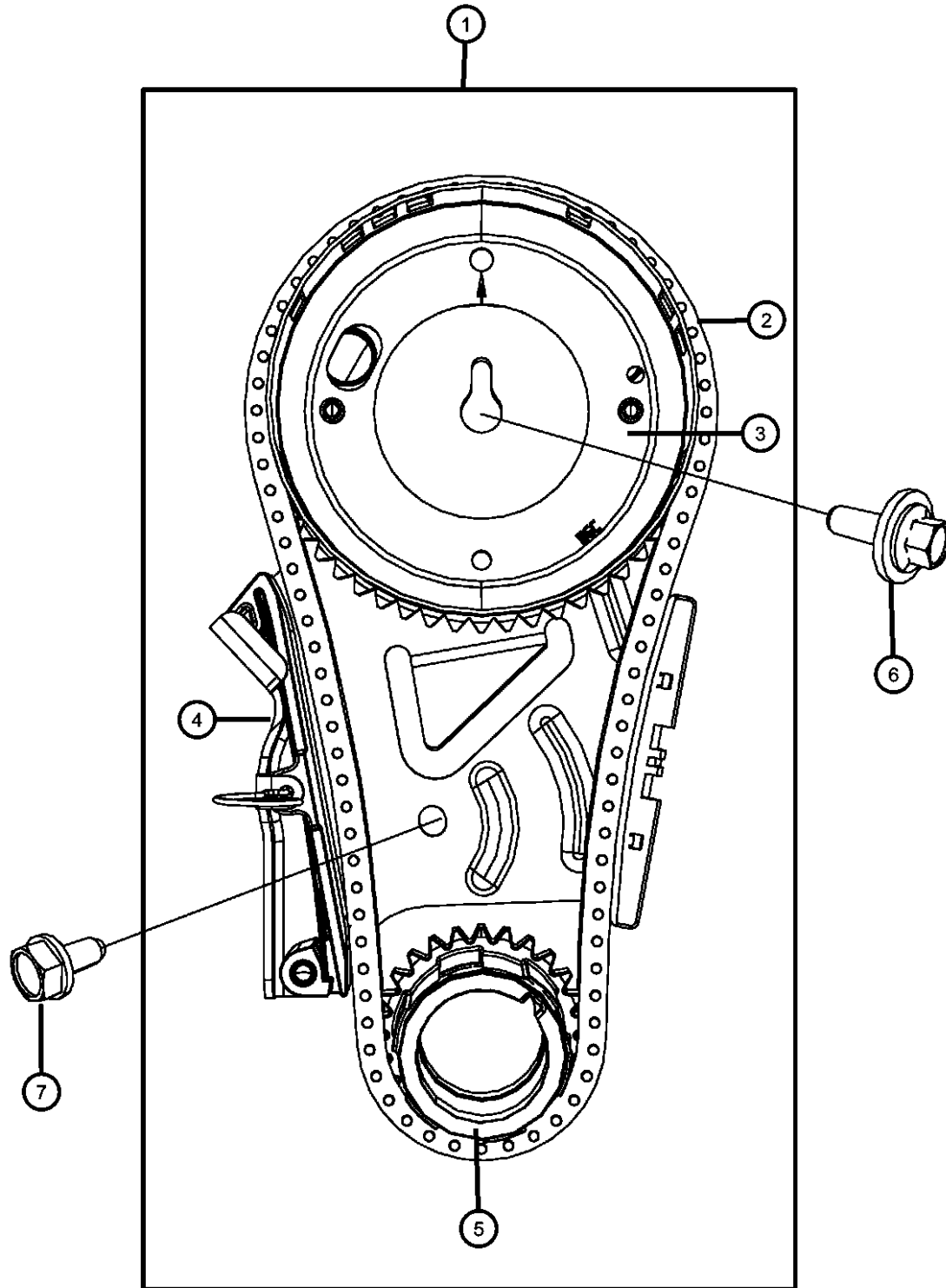
BODY
74 = SPORT UTILITY 4-DR
TYPE #4

ENGINE
EVE = Engine - 4.7L V8 DOHC 3 Valve
EZB = 5.7L Hemi Multi Displacement Engine
EKG = 3.7L V6 Engine
ESF = 6.1L SRT HEMI SMPI V8 Engine
EXL = 3.0L V6 Turbo Diesel Engine

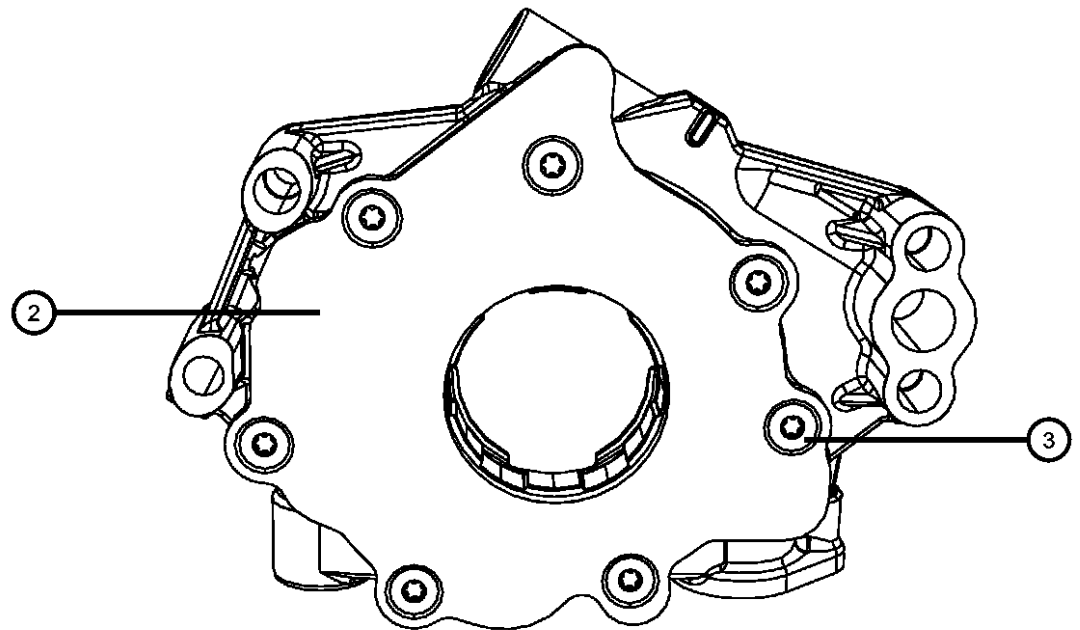
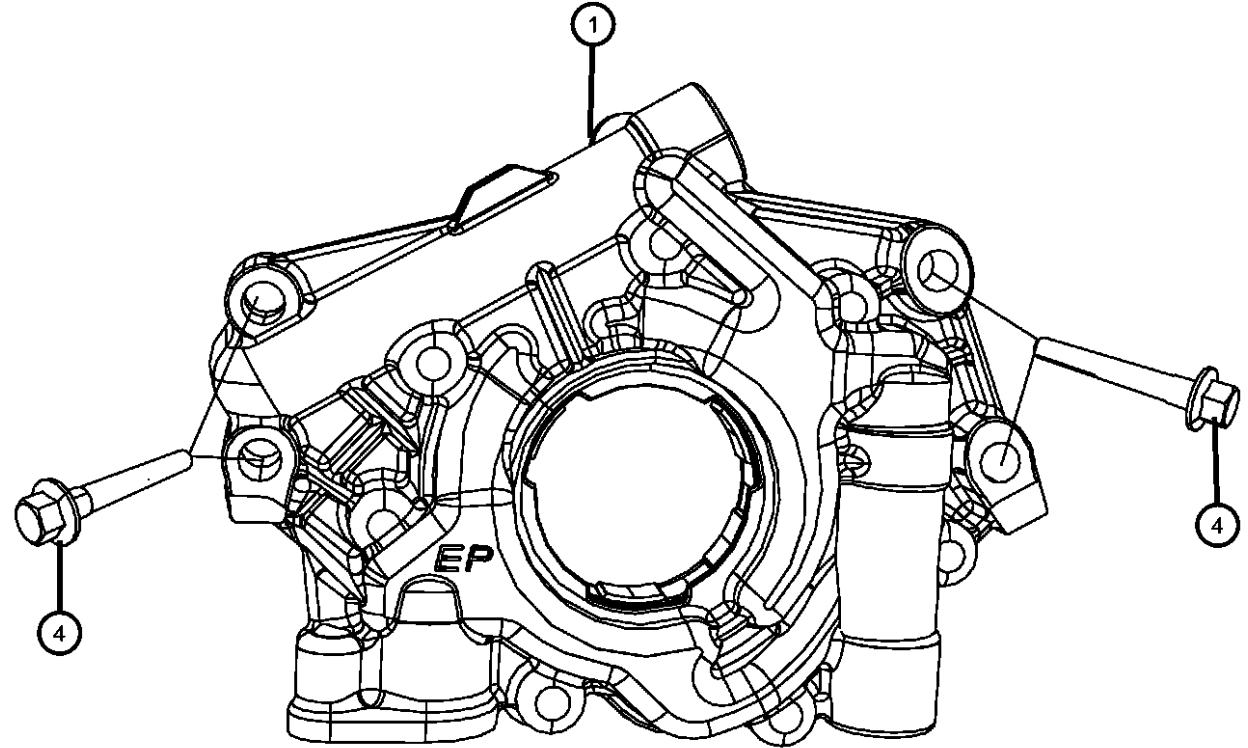
TRANSMISSION
DGJ = 5-Speed Auto W5A580 Transmission
DGU = 5-Spd Auto W5J400 Transmission
DGQ = 5-Spd Automatic 545RFE Transmission

AR = use ase required - = Non illustrated part

2008 WK



**Engine Oiling Pump 5.7L [EZB]
Figure 009EZB-705**



ITEM	PART NUMBER	QTY	LINE	SERIES	BODY	ENGINE	TRANS	TRIM	DESCRIPTION
------	-------------	-----	------	--------	------	--------	-------	------	-------------

NOTE:
Sales Codes:
[DBB] = All Manual Transmissions
[DEJ] = 6-Speed Manual Getrag 238 Transmission
[DGQ] = 5-Speed Automatic 545RFE Transmission
[DGV] = 4-Speed Automatic VLP 42RLE Transmission
[DG0] = All Automatic Transmissions
[DH5] = Electronic

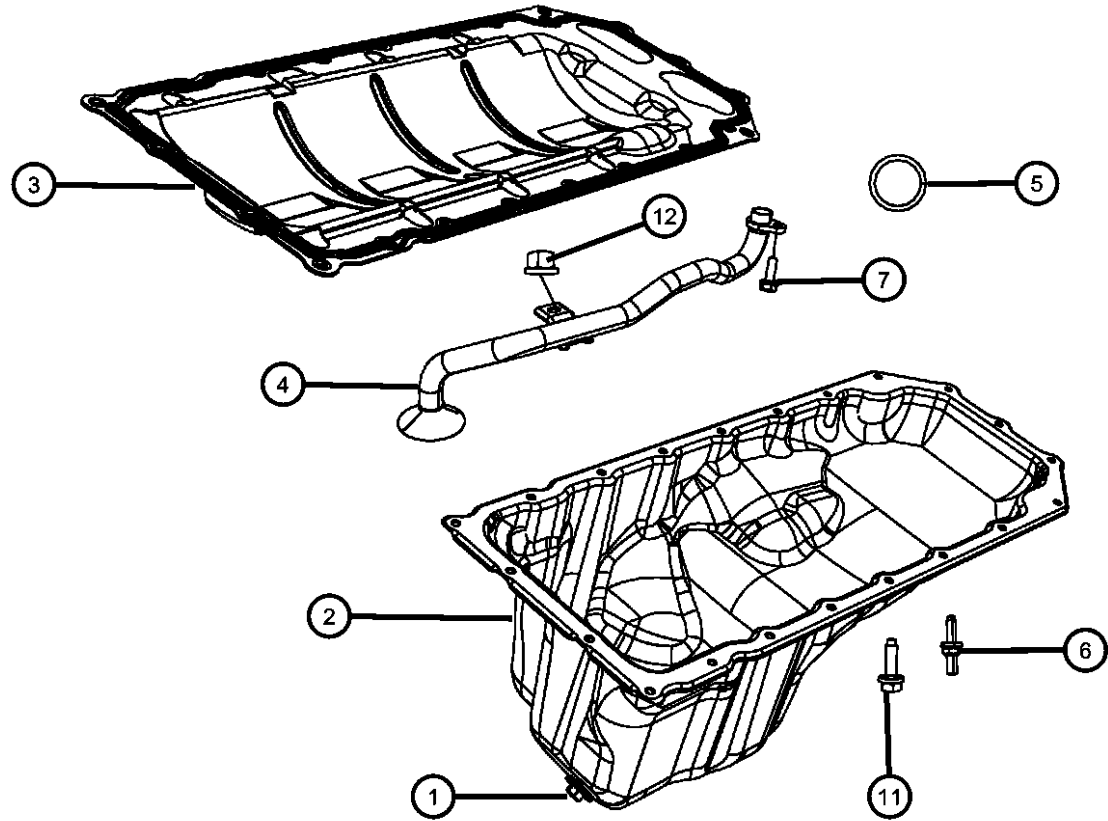
1	53021622AF	1	J, T			EZ0			PUMP, Engine Oil
2		1							COVER, Engine Oil Pump, Serviced With Oil Pump, (NOT SERVICED)
3		1							SCREW, Torx Head, Serviced With Oil Pump, (NOT SERVICED)
4	06101383	4	J, T			EZ0			BOLT AND CONED WASHER, Hex Head, M8X1.25X55.00, Oil Pump To Cylinder Block

GRAND CHEROKEE (WK)		BODY	ENGINE	TRANSMISSION
SERIES	LINE			
H = HIGHLINE	T = JEEP - 2WD	74 = SPORT UTILITY 4-DR	EVE = Engine - 4.7L V8 DOHC 3 Valve	DGJ = 5-Speed Auto W5A580 Transmission
P = PREMIUM	J = JEEP - 4WD	TYPE #4	EZB = 5.7L Hemi Multi Displacement Engine	DGU = 5-Spd Auto W5J400 Transmission
S = SPORT			EKG = 3.7L V6 Engine	DGQ = 5-Spd Automatic 545RFE Transmission
X = SPECIAL			ESF = 6.1L SRT HEMI SMPI V8 Engine	
			EXL = 3.0L V6 Turbo Diesel Engine	

AR = use ase required - = Non illustrated part

**Engine Oil Pan, Engine Oil Level Indicator And Tube 5.7L [EZB]
Figure 009EZB-725**

ITEM	PART NUMBER	QTY	LINE	SERIES	BODY	ENGINE	TRANS	TRIM	DESCRIPTION
------	-------------	-----	------	--------	------	--------	-------	------	-------------



NOTE:

Sales Codes:

[DBB] = All Manual Transmissions

[DEJ] = 6-Speed Manual Getrag 238 Transmission

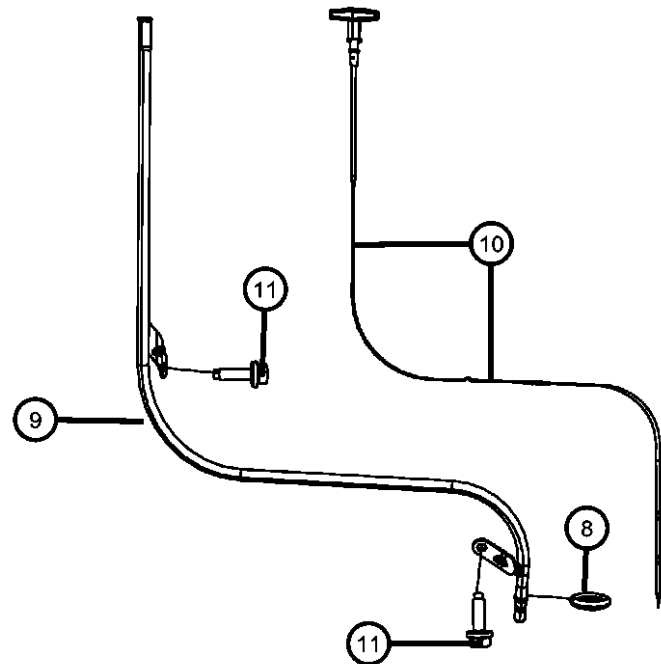
[DGQ] = 5-Speed Automatic 545RFE Transmission

[DGV] = 4-Speed Automatic VLP 42RLE Transmission

[DG0] = All Automatic Transmissions

[DH5] = Electronic

1	06507741AA	1	J, T			EZ0			PLUG, Oil Drain
2	53021860AC	1	J, T			EZ0			PAN, Engine Oil
3	04792874AA	1	J, T			EZ0			GASKET, Oil Pan
4	53021522AE	1	J, T			EZ0			TUBE, Oil Pickup
5	53020861	1	J, T			EZ0			SEAL, Oil Pick Up Tube
6	06508066AA	1	J, T			EVO			STUD, M6.3X1.81X15.00
7	06102046AA	1	J, T			EZ0			BOLT AND CONED WASHER, Hex Head, M8X1.25X27.00
8	53021144AA	1	J, T			EZ0			O RING, Engine Oil Indicator Tube
9	53021859AC	1	J, T			EZ0			TUBE, Engine Oil Indicator
10	53021858AD	1	J, T			EZ0			INDICATOR, Engine Oil Level
11	06508448AA	18	J, T			EZ0			BOLT AND CONED WASHER, Hex Head, M6X1.00X25.00
12	06502756	1	J, T			EZ0			NUT, Hex Lock, M8x1.25



GRAND CHEROKEE (WK)

SERIES LINE
 H = HIGHLINE T = JEEP - 2WD
 P = PREMIUM J = JEEP - 4WD
 S = SPORT
 X = SPECIAL

BODY
 74 = SPORT UTILITY 4-DR
 TYPE #4

ENGINE TRANSMISSION
 EVE = Engine - 4.7L V8 DOHC 3 Valve
 EZB = 5.7L Hemi Multi Displacement Engine
 EKG = 3.7L V6 Engine
 ESF = 6.1L SRT HEMI SMPI V8 Engine
 EXL = 3.0L V6 Turbo Diesel Engine
 DGJ = 5-Speed Auto W5A580 Transmission
 DGU = 5-Spd Auto W5J400 Transmission
 DGQ = 5-Spd Automatic 545RFE Transmission

AR = use ase required - = Non illustrated part

2008 WK

**Engine Oil Filter And Splash Guard 5.7L [EZB]
Figure 009EZB-745**

ITEM	PART NUMBER	QTY	LINE	SERIES	BODY	ENGINE	TRANS	TRIM	DESCRIPTION
------	-------------	-----	------	--------	------	--------	-------	------	-------------

NOTE:

Sales Codes:

[DBB] = All Manual Transmissions

[DEJ] = 6-Speed Manual Getrag 238 Transmission

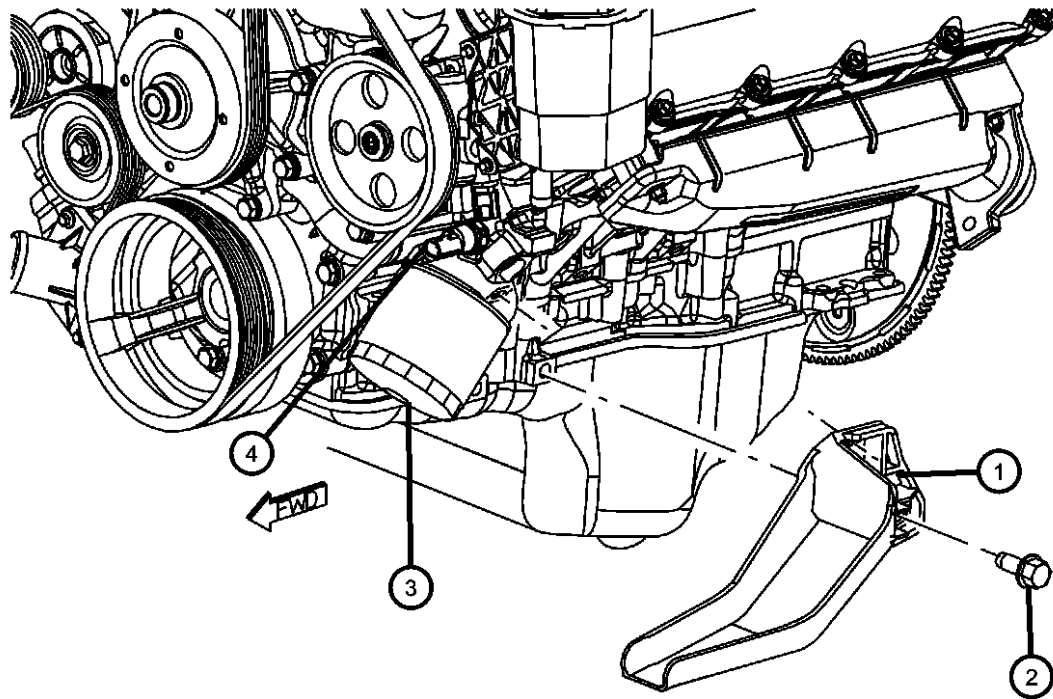
[DGQ] = 5-Speed Automatic 545RFE Transmission

[DGV] = 4-Speed Automatic VLP 42RLE Transmission

[DG0] = All Automatic Transmissions

[DH5] = Electronic

1	53013711AD	1	J, T			EZ0			GUARD, Splash
2	06505178AA	2	J, T			EZ0			SCREW & WASHER, Hex Head Tapping, M8x1.25x25.00, Splash Guard To Bracket, Mounting
3	04884899AB	1	J, T			EZ0			FILTER, Engine Oil, 22MM Thread
4	05149062AA	1	J, T			EZ0			SENDING UNIT, Oil Pressure
-5	04892338AA	1	J, T			EZ0			CONNECTOR, Oil Filter, M22X1.50



GRAND CHEROKEE (WK)

SERIES LINE
H = HIGHLINE T = JEEP - 2WD
P = PREMIUM J = JEEP - 4WD
S = SPORT
X = SPECIAL

BODY
74 = SPORT UTILITY 4-DR
TYPE #4

ENGINE TRANSMISSION
EVE = Engine - 4.7L V8 DOHC 3 Valve
EZB = 5.7L Hemi Multi Displacement Engine
EKG = 3.7L V6 Engine
ESF = 6.1L SRT HEMI SMPI V8 Engine
EXL = 3.0L V6 Turbo Diesel Engine
DGJ = 5-Speed Auto W5A580 Transmission
DGU = 5-Spd Auto W5J400 Transmission
DGQ = 5-Spd Automatic 545RFE Transmission

AR = use ase required - = Non illustrated part

2008 WK

**Exhaust Manifolds And Exhaust Manifold Heat Sheilds 5.7L [EZB]
Figure 009EZB-1005**

ITEM	PART NUMBER	QTY	LINE	SERIES	BODY	ENGINE	TRANS	TRIM	DESCRIPTION
------	-------------	-----	------	--------	------	--------	-------	------	-------------

NOTE:

Sales Codes:

[DBB] = All Manual Transmissions

[DEJ] = 6-Speed Manual Getrag 238 Transmission

[DGQ] = 5-Speed Automatic 545RFE Transmission

[DGV] = 4-Speed Automatic VLP 42RLE Transmission

[DG0] = All Automatic Transmissions

[DH5] = Electronic

1									GASKET, Exhaust Manifold
	53013943AA	1	J, T			EZB			Left
	53013944AA	1	J, T			EZB			Right
2									MANIFOLD, Exhaust
	53013606AB	1	J, T			EZB			Right
	53013605AB	1	J, T			EZB			Left
3	06507746AA	8	J, T			EZB			BOLT, Exhaust Manifold, M8x1.25x46.00
4	06508218AA	9	J, T			EZB			STUD, Exhaust Manifold, M8x1.25xM6x1.00x83.00
5	06505316AA	8	J, T			EZB			NUT, Hex Flange Lock, M6X1.00
6	53032208AH	2	J, T			EZB			SHIELD, Exhaust Manifold
7	06506081AA	4	J, T						NUT, U
8	06104426AA	4	J, T						BOLT AND CONED WASHER, Hex Head, M10X1.50X60.00

GRAND CHEROKEE (WK)

SERIES LINE
 H = HIGHLINE T = JEEP - 2WD
 P = PREMIUM J = JEEP - 4WD
 S = SPORT
 X = SPECIAL

BODY
 74 = SPORT UTILITY 4-DR
 TYPE #4

ENGINE TRANSMISSION
 EVE = Engine - 4.7L V8 DOHC
 3 Valve
 EZB = 5.7L Hemi Multi
 Displacement Engine
 EKG = 3.7L V6 Engine
 ESF = 6.1L SRT HEMI SMPI
 V8 Engine
 EXL = 3.0L V6 Turbo Diesel
 Engine
 DGJ = 5-Speed Auto W5A580
 Transmission
 DGU = 5-Spd Auto W5J400
 Transmission
 DGQ = 5-Spd Automatic 545RFE
 Transmission

AR = use ase required - = Non illustrated part

2008 WK

**Intake Manifold 5.7L [EZB]
Figure 009EZB-1025**

ITEM	PART NUMBER	QTY	LINE	SERIES	BODY	ENGINE	TRANS	TRIM	DESCRIPTION
------	-------------	-----	------	--------	------	--------	-------	------	-------------

NOTE:

Sales Codes:

[DBB] = All Manual Transmissions

[DEJ] = 6-Speed Manual Getrag 238 Transmission

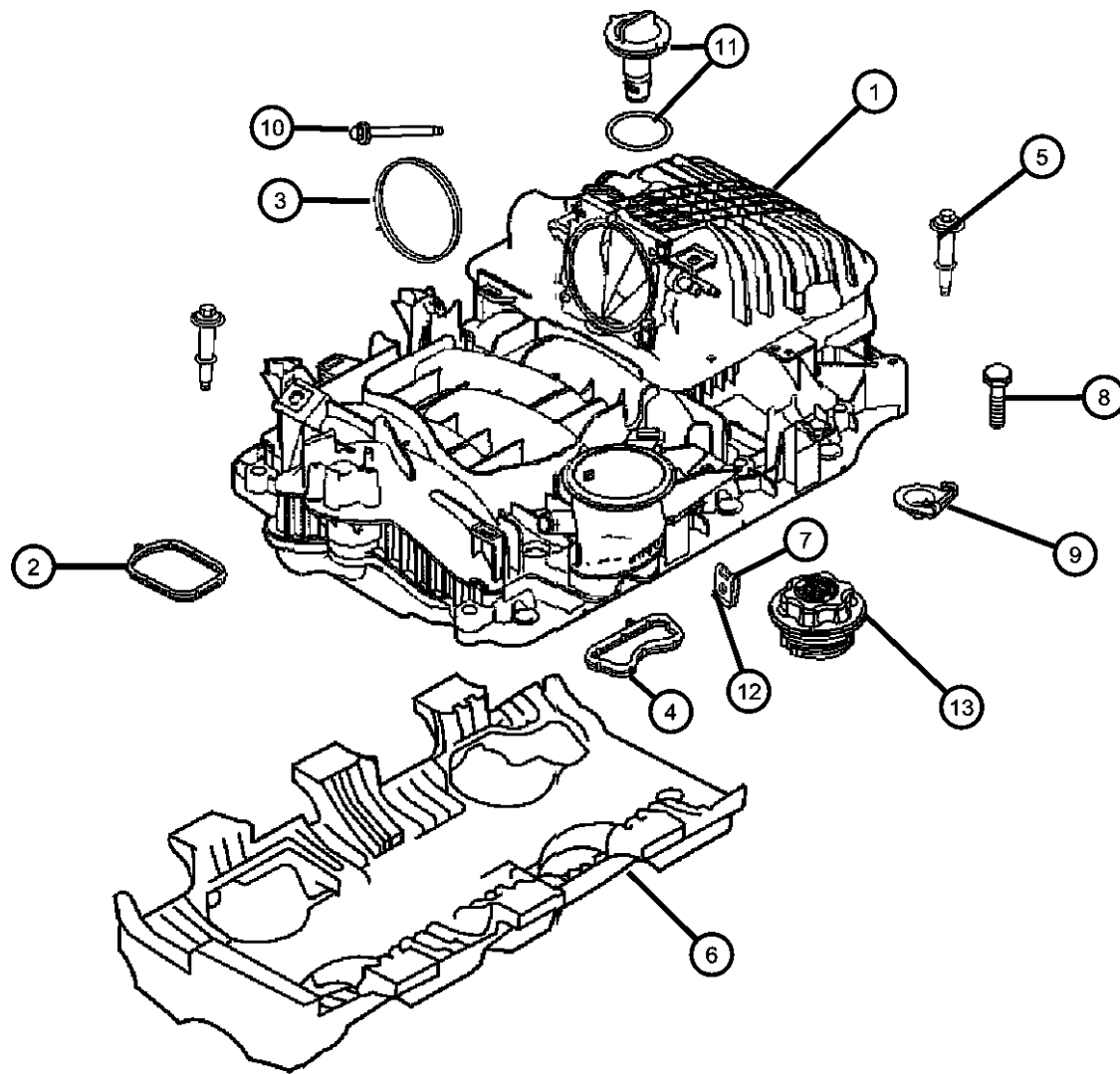
[DGQ] = 5-Speed Automatic 545RFE Transmission

[DGV] = 4-Speed Automatic VLP 42RLE Transmission

[DG0] = All Automatic Transmissions

[DH5] = Electronic

1	04591846BA	1	J, T			EZB			MANIFOLD, Intake
2	53032382AB	8	J, T			EZB			SEAL, Intake Manifold, Also Serviced In Item 1 Package
3	53032383AB	1	J, T			EZB			SEAL, Throttle Body to Intake, Also Serviced In Item 1 Package
4	53032384AB	2	J, T			EZB			SEAL, PCV, Also Serviced In Item 1 Package
5	06506725AA	10	J, T			EZB			BOLT, Hex Flange Head, M6X1.00X48.00
6									PAD, Engine, Also Serviced In Item 1 Package
	53013735AA	1	J, T			EZB			Round Rear Of Intake
	53013747AC	1	J, T			EZB			
7		1							NUT, Push On, Serviced In Item 1 Package, (NOT SERVICED)
8	06505846AA	1	J, T						BOLT, Hex Flange Head, [M6X1.00X25.00]
9	06504968AA	4	J, T			EZB			NUT, J, [M6X1.00]
10		4							SCREW AND WASHER, Hex, [M6X1.00.65.00], (NOT SERVICED)
11	53032940AA	1	J, T			EZB			VALVE, Crankcase Vent
12	06101802	2	J, T			EZ0			NUT AND WASHER, Hex, M6X1.00
13	53013775AA	1	J, T			EZB			CAP, Oil Filler



GRAND CHEROKEE (WK)

SERIES LINE
H = HIGHLINE T = JEEP - 2WD
P = PREMIUM J = JEEP - 4WD
S = SPORT
X = SPECIAL

BODY
74 = SPORT UTILITY 4-DR
TYPE #4

ENGINE
EVE = Engine - 4.7L V8 DOHC
3 Valve
EZB = 5.7L Hemi Multi
Displacement Engine
EKG = 3.7L V6 Engine
ESF = 6.1L SRT HEMI SMPI
V8 Engine
EXL = 3.0L V6 Turbo Diesel
Engine

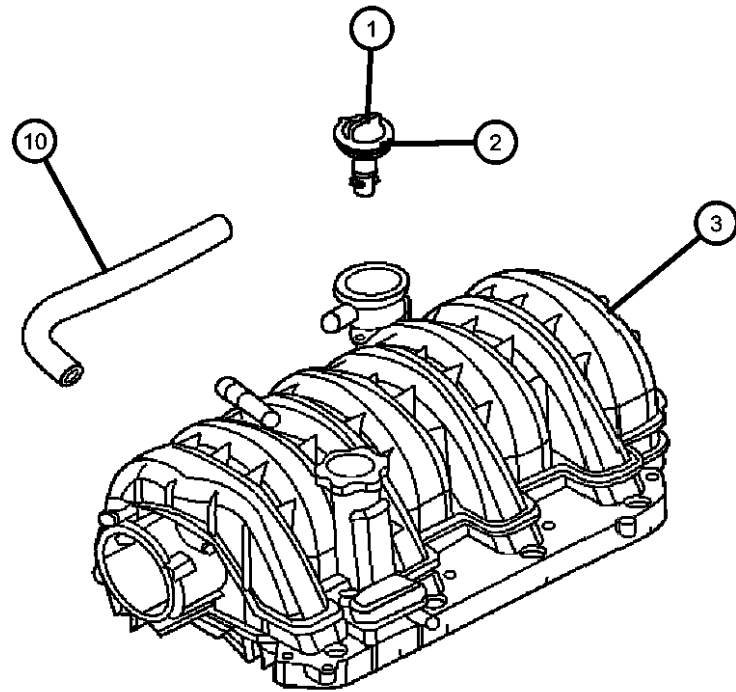
TRANSMISSION
DGJ = 5-Speed Auto W5A580
Transmission
DGU = 5-Spd Auto W5J400
Transmission
DGQ = 5-Spd Automatic 545RFE
Transmission

AR = use ase required - = Non illustrated part

2008 WK

**Crankcase Ventilation 5.7L [EZB]
Figure 009EZB-1105**

ITEM	PART NUMBER	QTY	LINE	SERIES	BODY	ENGINE	TRANS	TRIM	DESCRIPTION
------	-------------	-----	------	--------	------	--------	-------	------	-------------



NOTE:

Sales Codes:

[DGJ] = 5-Speed Automatic W5A580 Transmission

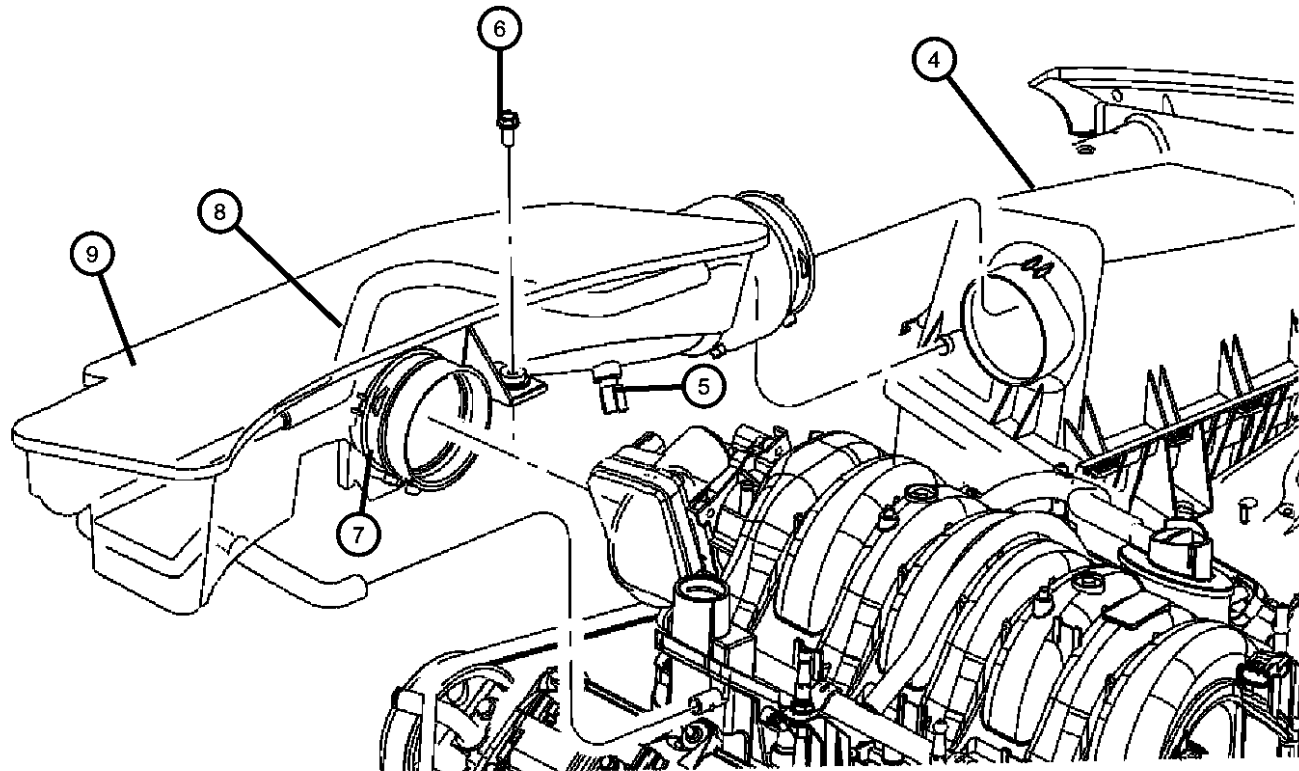
[DGQ] = 5-Speed Automatic 545RFE Transmission

[DGU] = 5-Speed Automatic W5J400 Transmission

[DG0] = All Automatic Transmissions

[DHB] = Quadra -Trac Active On Demand NVG 146 Transfer C

1	53032940AA	1	J, T			EZB			VALVE, Crankcase Vent
2	53032384AB	2	J, T			EZB			SEAL, PCV
3		2							MANIFOLD, Engine Intake, Reference, (NOT SERVICED)
4	05143969AA	1	J, T			EZ0			COVER, Air Cleaner
5	56028364AA	1	J, T			EZB			SENSOR, Air Temperature
6	06105039AA	1	J, T			EZ0			BOLT, Hex Flange Head, M6X1.00X30.00
7	53013714AA	1	J, T			EZB			CLAMP, Air Cleaner to T/Body
8	53013759AB	1	J, T			EZB			HOSE, Make Up Air
9	53013517AD	1	J, T			EZB			RESONATOR, Air Cleaner
10	04591961AB	1	J, T			EZB			HOSE, Cylinder Head To Intake Manifold PCV



GRAND CHEROKEE (WK)

SERIES LINE
H = HIGHLINE T = JEEP - 2WD
P = PREMIUM J = JEEP - 4WD
S = SPORT
X = SPECIAL

BODY
74 = SPORT UTILITY 4-DR
TYPE #4

ENGINE
EVE = Engine - 4.7L V8 DOHC
3 Valve
EZB = 5.7L Hemi Multi
Displacement Engine
EKG = 3.7L V6 Engine
ESF = 6.1L SRT HEMI SMPI
V8 Engine
EXL = 3.0L V6 Turbo Diesel
Engine

TRANSMISSION
DGJ = 5-Speed Auto W5A580
Transmission
DGU = 5-Spd Auto W5J400
Transmission
DGQ = 5-Spd Automatic 545RFE
Transmission

AR = use ase required - = Non illustrated part

2008 WK

**Engine Mounting Right Side RWD/2WD 5.7L [EZB]
Figure 009EZB-1230**

ITEM	PART NUMBER	QTY	LINE	SERIES	BODY	ENGINE	TRANS	TRIM	DESCRIPTION
------	-------------	-----	------	--------	------	--------	-------	------	-------------

NOTE:

Sales Codes:

[DBB] = All Manual Transmissions

[DEJ] = 6-Speed Manual Getrag 238 Transmission

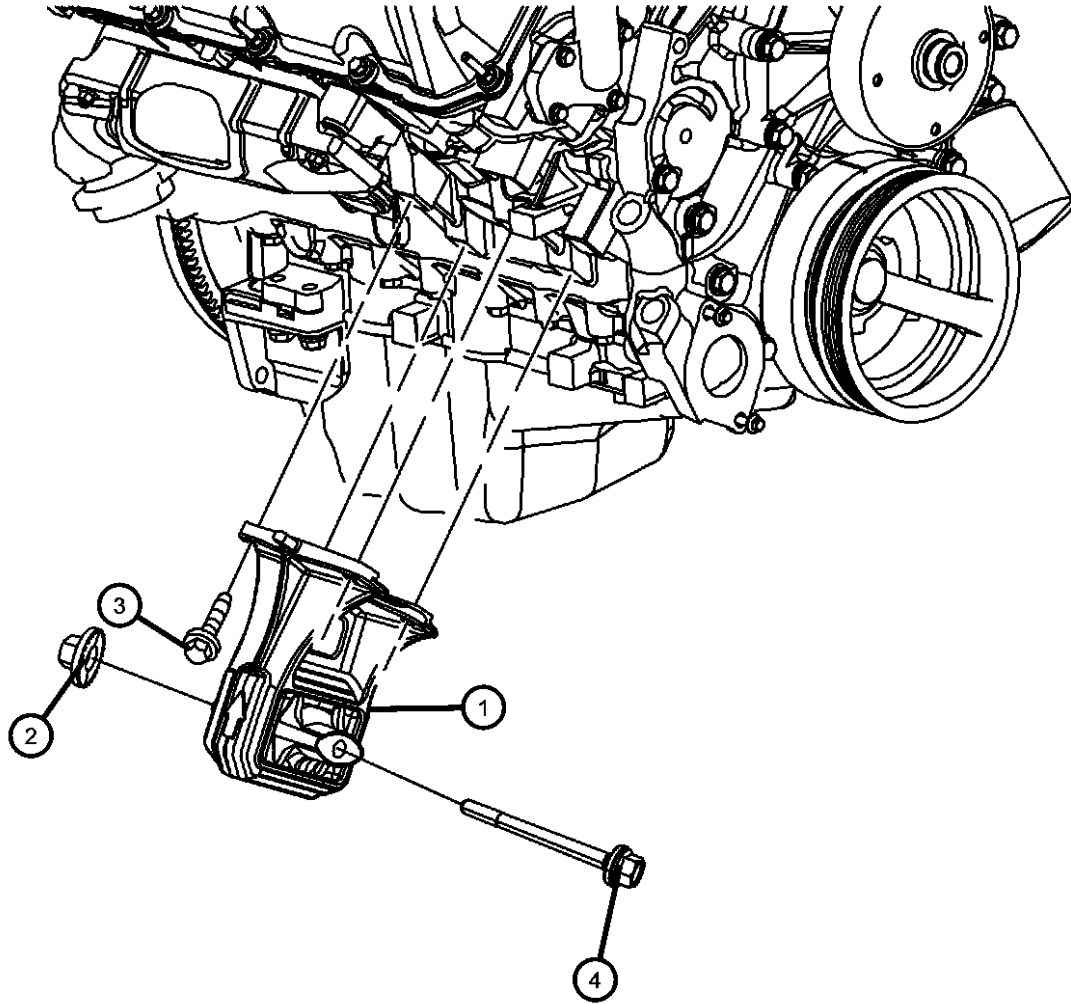
[DGQ] = 5-Speed Automatic 545RFE Transmission

[DGV] = 4-Speed Automatic VLP 42RLE Transmission

[DG0] = All Automatic Transmissions

[DH5] = Electronic

1	04854565AB	1	T			EZ0			BRACKET AND INSULATOR, Engine Mounting
2	06502585	2	J, T			EK0, ES0, EV0, EZ0			NUT AND CONED WASHER, Hex, M12X1.75
3	06104214AA	4	J, T			ES0, EZ0			BOLT, Hex Flange Head, M10X1.50X20.00
4	06508081AA	2	J, T			EK0, ES0, EV0, EZ0			BOLT, Hex Flange Head, M12X1.75X150.00



GRAND CHEROKEE (WK)

SERIES LINE
H = HIGHLINE T = JEEP - 2WD
P = PREMIUM J = JEEP - 4WD
S = SPORT
X = SPECIAL

BODY
74 = SPORT UTILITY 4-DR
TYPE #4

ENGINE
EVE = Engine - 4.7L V8 DOHC
3 Valve
EZB = 5.7L Hemi Multi
Displacement Engine
EKG = 3.7L V6 Engine
ESF = 6.1L SRT HEMI SMPI
V8 Engine
EXL = 3.0L V6 Turbo Diesel
Engine

TRANSMISSION
DGJ = 5-Speed Auto W5A580
Transmission
DGU = 5-Spd Auto W5J400
Transmission
DGQ = 5-Spd Automatic 545RFE
Transmission

AR = use ase required - = Non illustrated part

2008 WK

**Engine Mounting Right Side AWD/4WD 5.7L [EZB]
Figure 009EZB-1235**

ITEM	PART NUMBER	QTY	LINE	SERIES	BODY	ENGINE	TRANS	TRIM	DESCRIPTION
------	-------------	-----	------	--------	------	--------	-------	------	-------------

NOTE:

Sales Codes:

[DBB] = All Manual Transmissions

[DEJ] = 6-Speed Manual Getrag 238 Transmission

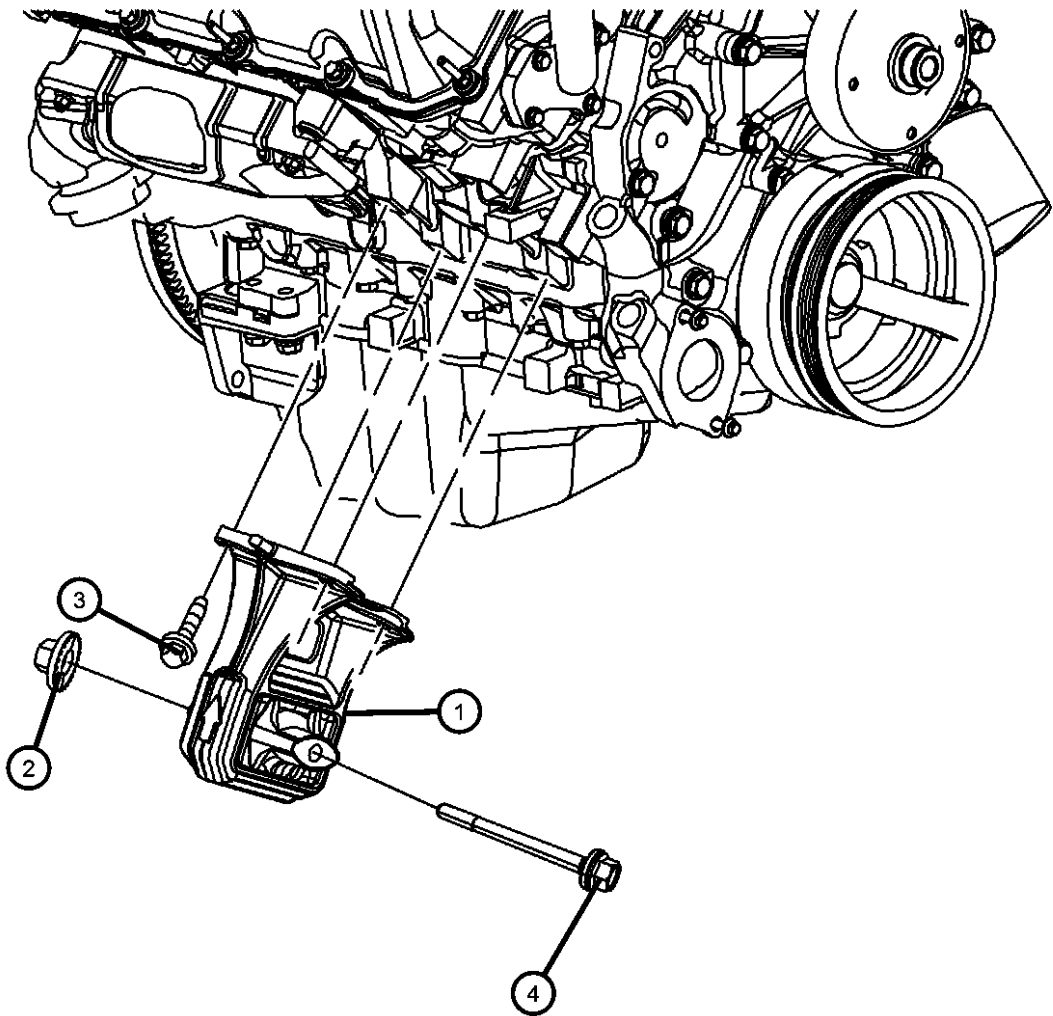
[DGQ] = 5-Speed Automatic 545RFE Transmission

[DGV] = 4-Speed Automatic VLP 42RLE Transmission

[DG0] = All Automatic Transmissions

[DH5] = Electronic

1	52090304AG	1	J			EZ0			BRACKET AND INSULATOR, Engine MountingRight
2	06502585	2	J, T			EK0, ES0, EV0, EZ0			NUT AND CONED WASHER, Hex, M12X1.75
3	06104214AA	4	J, T			ES0, EZ0			BOLT, Hex Flange Head, M10X1.50X20.00
4	06508081AA	2	J, T			EK0, ES0, EV0, EZ0			BOLT, Hex Flange Head, M12X1.75X150.00



GRAND CHEROKEE (WK)

SERIES LINE
H = HIGHLINE T = JEEP - 2WD
P = PREMIUM J = JEEP - 4WD
S = SPORT
X = SPECIAL

BODY
74 = SPORT UTILITY 4-DR
TYPE #4

ENGINE TRANSMISSION
EVE = Engine - 4.7L V8 DOHC 3 Valve
EZB = 5.7L Hemi Multi Displacement Engine
EKG = 3.7L V6 Engine
ESF = 6.1L SRT HEMI SMPI V8 Engine
EXL = 3.0L V6 Turbo Diesel Engine
DGJ = 5-Speed Auto W5A580 Transmission
DGU = 5-Spd Auto W5J400 Transmission
DGQ = 5-Spd Automatic 545RFE Transmission

AR = use ase required - = Non illustrated part

2008 WK

**Engine Mounting Left Side RWD/2WD 5.7L [EZB]
Figure 009EZB-1250**

ITEM	PART NUMBER	QTY	LINE	SERIES	BODY	ENGINE	TRANS	TRIM	DESCRIPTION
------	-------------	-----	------	--------	------	--------	-------	------	-------------

NOTE:

Sales Codes:

[DBB] = All Manual Transmissions

[DEJ] = 6-Speed Manual Getrag 238 Transmission

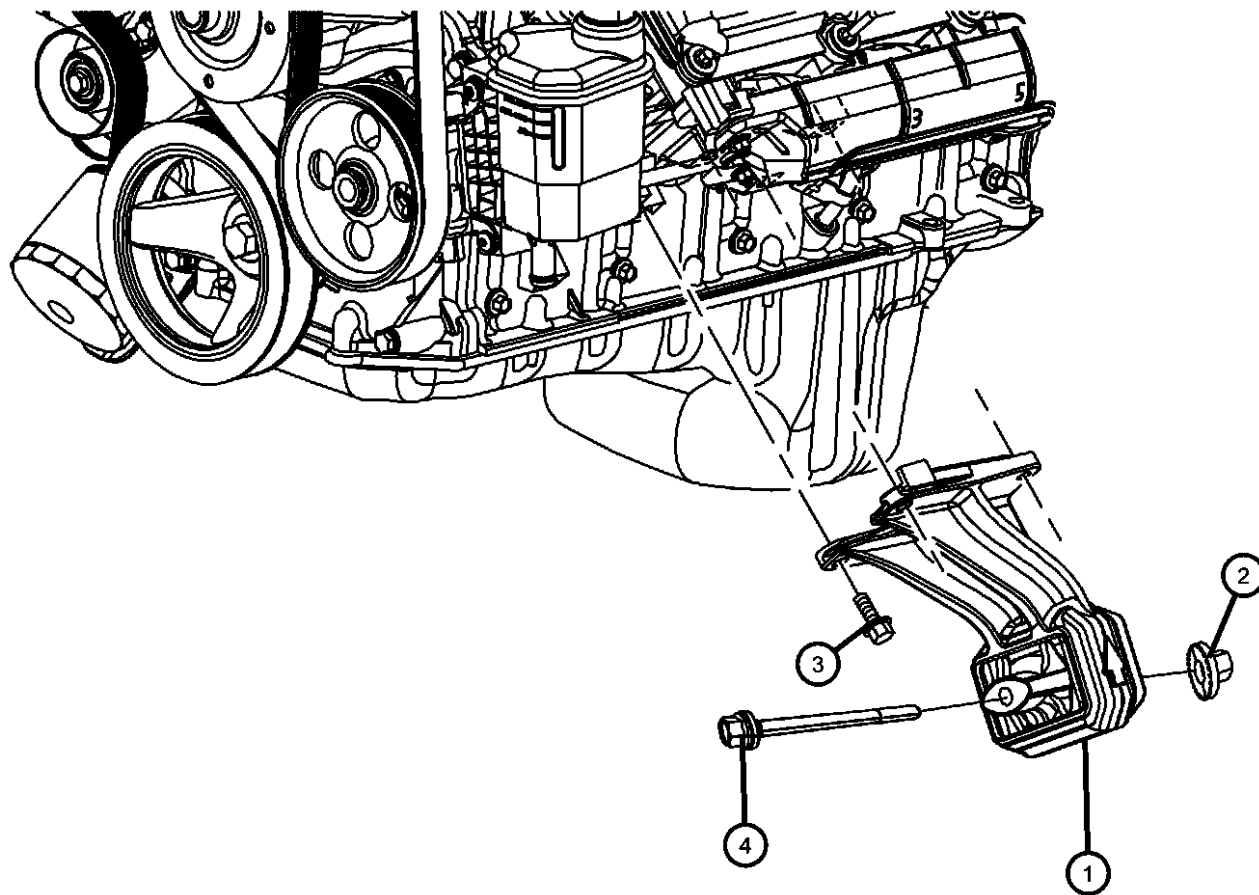
[DGQ] = 5-Speed Automatic 545RFE Transmission

[DGV] = 4-Speed Automatic VLP 42RLE Transmission

[DG0] = All Automatic Transmissions

[DH5] = Electronic

1	04854564AB	1	T			EZ0			BRACKET AND INSULATOR, Engine Mounting
2	06502585	2	J, T			EK0, ES0, EV0, EZ0			NUT AND CONED WASHER, Hex, M12X1.75
3	06104214AA	4	J, T			ES0, EZ0			BOLT, Hex Flange Head, M10X1.50X20.00
4	06508081AA	2	J, T			EK0, ES0, EV0, EZ0			BOLT, Hex Flange Head, M12X1.75X150.00



GRAND CHEROKEE (WK)

SERIES LINE
H = HIGHLINE T = JEEP - 2WD
P = PREMIUM J = JEEP - 4WD
S = SPORT
X = SPECIAL

BODY
74 = SPORT UTILITY 4-DR
TYPE #4

ENGINE
EVE = Engine - 4.7L V8 DOHC
3 Valve
EZB = 5.7L Hemi Multi
Displacement Engine
EKG = 3.7L V6 Engine
ESF = 6.1L SRT HEMI SMPI
V8 Engine
EXL = 3.0L V6 Turbo Diesel
Engine

TRANSMISSION
DGJ = 5-Speed Auto W5A580
Transmission
DGU = 5-Spd Auto W5J400
Transmission
DGQ = 5-Spd Automatic 545RFE
Transmission

AR = use ase required - = Non illustrated part

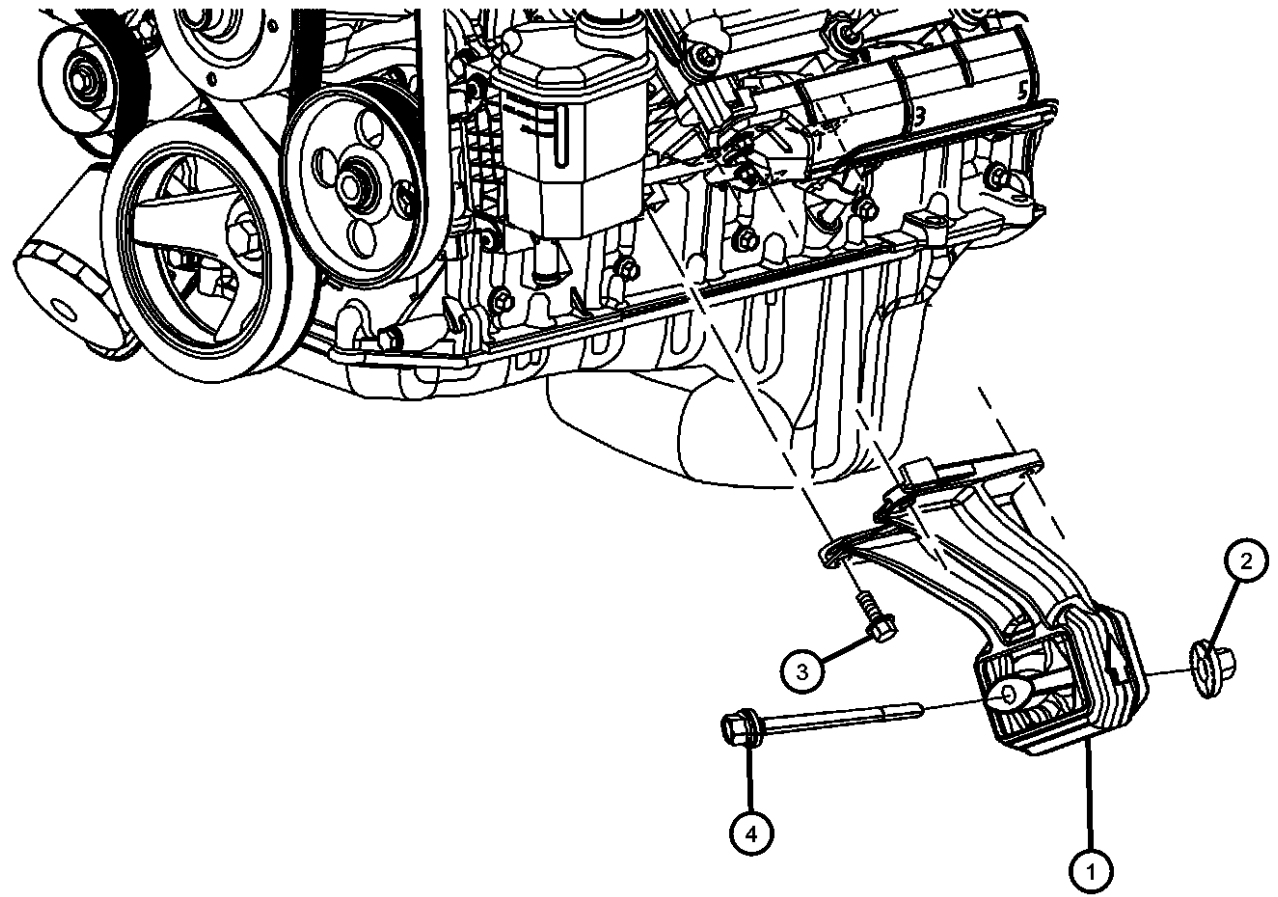
2008 WK

**Engine Mounting Left Side AWD/4WD 5.7L [EZB]
Figure 009EZB-1255**

ITEM	PART NUMBER	QTY	LINE	SERIES	BODY	ENGINE	TRANS	TRIM	DESCRIPTION
------	-------------	-----	------	--------	------	--------	-------	------	-------------

NOTE:
Sales Codes:
[DBB] = All Manual Transmissions
[DEJ] = 6-Speed Manual Getrag 238 Transmission
[DGQ] = 5-Speed Automatic 545RFE Transmission
[DGV] = 4-Speed Automatic VLP 42RLE Transmission
[DG0] = All Automatic Transmissions
[DH5] = Electronic

1	52090305AG	1	J			EZ0			BRACKET AND INSULATOR, Engine Mounting
2	06502585	2	J, T			ES0, EV0, EZ0, EK0			NUT AND CONED WASHER, Hex, M12X1.75
3	06104214AA	4	J, T			ES0, EZ0			BOLT, Hex Flange Head, M10X1.50X20.00
4	06508081AA	2	J, T			EK0, ES0, EV0, EZ0			BOLT, Hex Flange Head, M12X1.75X150.00



GRAND CHEROKEE (WK)		BODY	ENGINE	TRANSMISSION
SERIES	LINE			
H = HIGHLINE	T = JEEP - 2WD	74 = SPORT UTILITY 4-DR	EVE = Engine - 4.7L V8 DOHC 3 Valve	DGJ = 5-Speed Auto W5A580 Transmission
P = PREMIUM	J = JEEP - 4WD	TYPE #4	EZB = 5.7L Hemi Multi Displacement Engine	DGU = 5-Spd Auto W5J400 Transmission
S = SPORT			EKG = 3.7L V6 Engine	DGQ = 5-Spd Automatic 545RFE Transmission
X = SPECIAL			ESF = 6.1L SRT HEMI SMPI V8 Engine	
			EXL = 3.0L V6 Turbo Diesel Engine	

AR = use ase required - = Non illustrated part

Group - 10

Restraints

Group - 10 Restraints

Illustration Title

Group-Fig. No.

Air Bags

Air Bag Modules, Impact Sensors and Clock SpringFig. 10 - 205

Air Bags FrontFig. 10 - 210

Air Bags SideFig. 10 - 215

Seat Belts

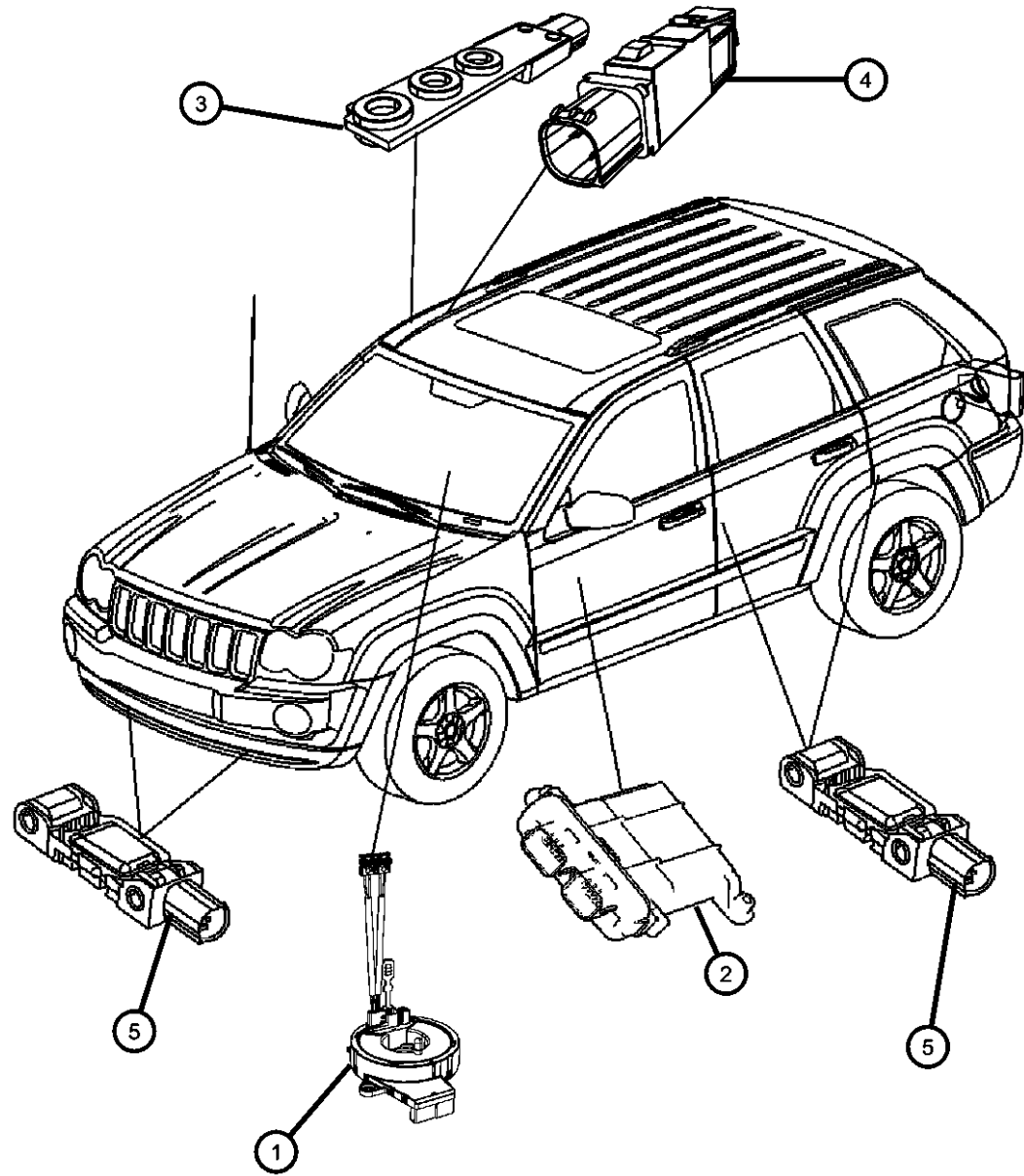
Seat Belts First RowFig. 10 - 305

Seat Belts Second RowFig. 10 - 310

<p>010-200 Air Bags</p>	<p>010-300 Seat Belts</p>		
------------------------------------	--------------------------------------	--	--

Air Bag Modules, Impact Sensors and Clock Spring
Figure 10-205

ITEM	PART NUMBER	QTY	LINE	SERIES	BODY	ENGINE	TRANS	TRIM	DESCRIPTION
1	68003216AC	1	J, T		74				CLOCKSPRING
2									MODULE, Occupant Restraint
	04896099AA	1	J, T	X	74				
	04896122AD	1	J, T		74				
	68003741AA	1	J, T	H, P, S	74				
3	56043196AF	4	J, T	X	74				SENSOR, Strain Gauge
4	56043206AC	2	J, T	X	74				SENSOR, Seat track position
5	04896083AA	2	J, T		74				SENSOR, Side Airbag Impact



GRAND CHEROKEE (WK)

SERIES LINE
H = HIGHLINE T = JEEP - 2WD
P = PREMIUM J = JEEP - 4WD
S = SPORT
X = SPECIAL

BODY
74 = SPORT UTILITY 4-DR
TYPE #4

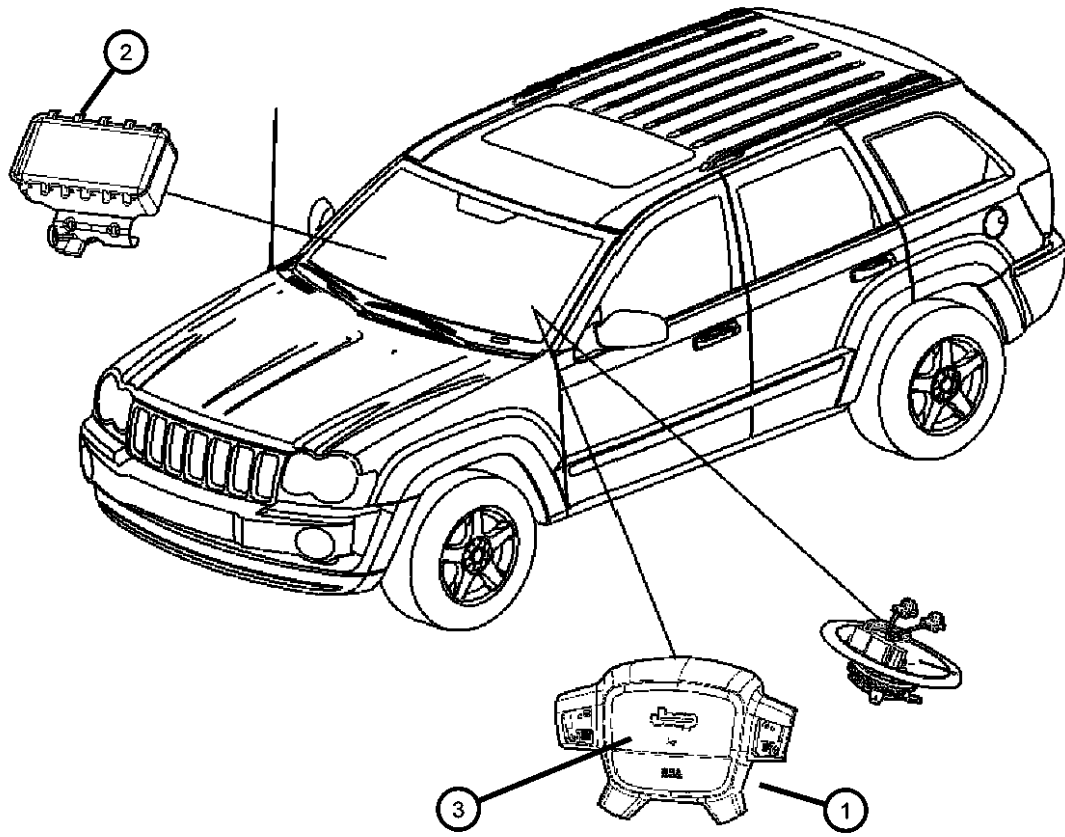
ENGINE TRANSMISSION
EVE = Engine - 4.7L V8 DOHC 3 Valve
EZB = 5.7L Hemi Multi Displacement Engine
EKG = 3.7L V6 Engine
ESF = 6.1L SRT HEMI SMPI V8 Engine
EXL = 3.0L V6 Turbo Diesel Engine
DGJ = 5-Speed Auto W5A580 Transmission
DGU = 5-Spd Auto W5J400 Transmission
DGQ = 5-Spd Automatic 545RFE Transmission

AR = use ase required - = Non illustrated part

2008 WK

Air Bags Front
Figure 10-210

ITEM	PART NUMBER	QTY	LINE	SERIES	BODY	ENGINE	TRANS	TRIM	DESCRIPTION
1	1EB40BD1AC	1	J, T		74				AIR BAG, Driver
			J, T		74			[D1]	
	1EB40XDVAC	1	J, T		74				[J1]
			J, T		74			[DV]	
1EB40ZJ3AC	1	J, T		74					[J3]
		J, T		74			[J3]		
2	55197375AA	1	J, T		74				AIR BAG, Passenger
3	1HS82XDVAA	1	J, T	H, P, S	74				COVER, Air Bag Module
			J, T	H, P, S	74				[DV]
			J, T	H, P, S	74				[J3]
			J, T	X	74				[DV]
			J, T	H, P, S	74				[D1]
		1	J, T	H, P, S	74				[J1]



GRAND CHEROKEE (WK)

SERIES LINE
H = HIGHLINE T = JEEP - 2WD
P = PREMIUM J = JEEP - 4WD
S = SPORT
X = SPECIAL

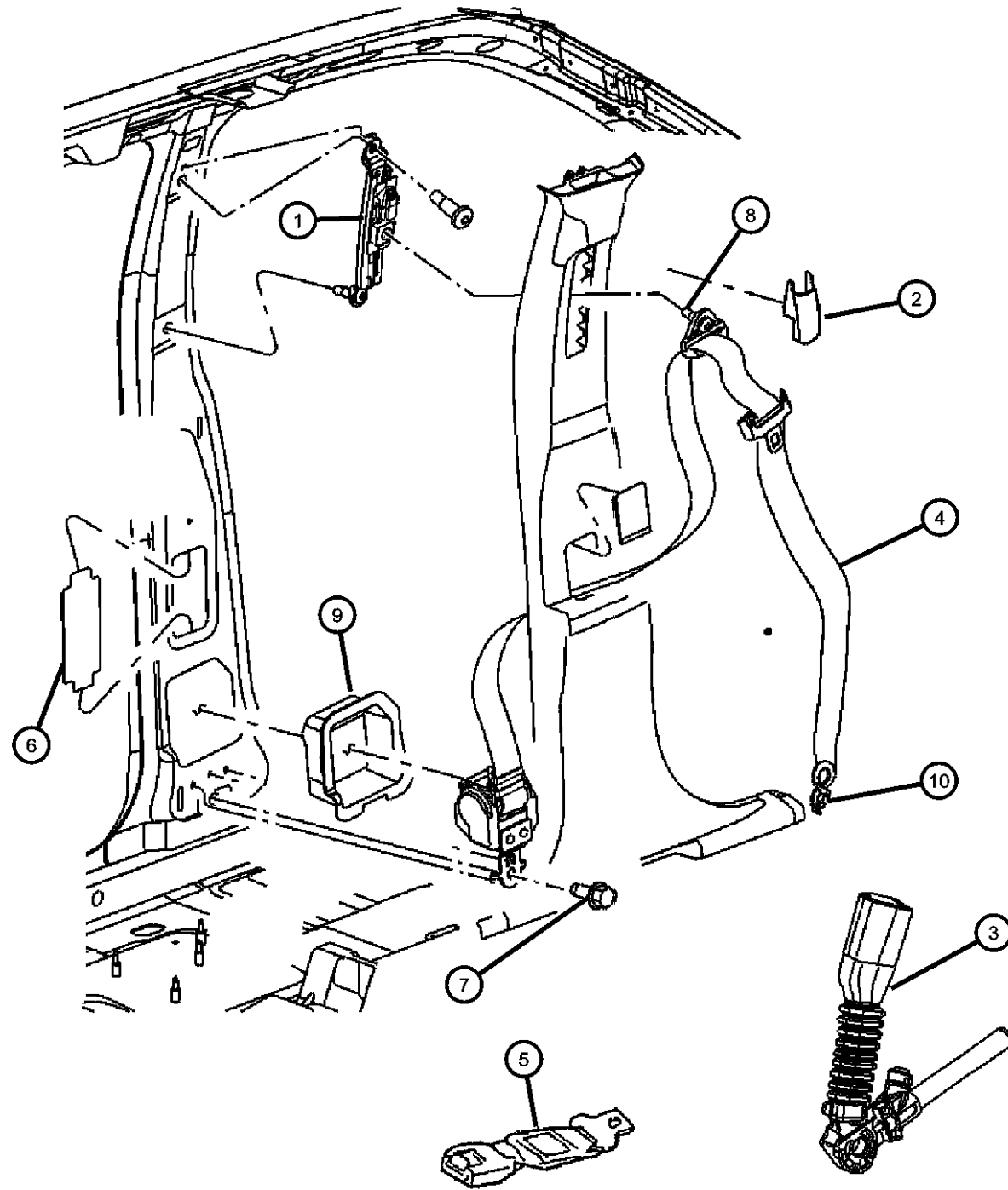
BODY
74 = SPORT UTILITY 4-DR
TYPE #4

ENGINE TRANSMISSION
EVE = Engine - 4.7L V8 DOHC 3 Valve
EZB = 5.7L Hemi Multi Displacement Engine
EKG = 3.7L V6 Engine
ESF = 6.1L SRT HEMI SMPI V8 Engine
EXL = 3.0L V6 Turbo Diesel Engine
DGJ = 5-Speed Auto W5A580 Transmission
DGU = 5-Spd Auto W5J400 Transmission
DGQ = 5-Spd Automatic 545RFE Transmission

AR = use ase required - = Non illustrated part

2008 WK

Seat Belts First Row
Figure 10-305



ITEM	PART NUMBER	QTY	LINE	SERIES	BODY	ENGINE	TRANS	TRIM	DESCRIPTION
1	1FS92BD1AA	2	J, T		74				ADJUSTER, Seat Belt Turning Loop
2	5HP13BD1AB	2	J, T		74				COVER, Adjustable Turning Loop
3									SEAT BELT, Front Inner
	1GD801D1AA	1	J, T		74				[J1], Right
	1GD801DVAA	1	J, T		74				[DV], Right
		1	J, T		74				[DV], Right
		1	J, T		74				[DV], Right
		1	J, T		74				[D1], Right
		1	J, T		74				[DV], Right
	5HP15D1AC	1	J, T		74				[J1], Left
	5HP15DVAC	1	J, T		74				[DV], Left
	1GD801J8AA	1	J, T		74				[J3], Right
		1	J, T		74				[J3], Right
		1	J, T		74				[J1], Right
	5HP15J8AC	1	J, T		74				[J3], Left
		1	J, T		74				[DV], Left
		1	J, T		74				[DV], Left
		1	J, T		74				[D1], Left
		1	J, T		74				[DV], Left
		1	J, T		74				[J1], Left
		1	J, T		74				[J3], Left
4									SEAT BELT, Front Outer
	5HQ36ZJ8AL	1	J, T	H, P, X	74				[J3], Right
	5HQ37BD1AL	1	J, T	S	74				[J1], Left
	5HQ37XDVAL	1	J, T	H, P, X	74				[D1], Left
		1	J, T	H, P, X	74				[DV], Left
		1	J, T	S	74				[DV], Left
	5HQ37ZJ8AL	1	J, T	H, P, X	74				[J1], Left
	5HQ36BD1AL	1	J, T	S	74				[J1], Right
	5HQ36XDVAL	1	J, T	H, P, X	74				[D1], Right
		1	J, T	H, P, X	74				[DV], Right
		1	J, T	S	74				[DV], Right

GRAND CHEROKEE (WK)

SERIES LINE
H = HIGHLINE T = JEEP - 2WD
P = PREMIUM J = JEEP - 4WD
S = SPORT
X = SPECIAL

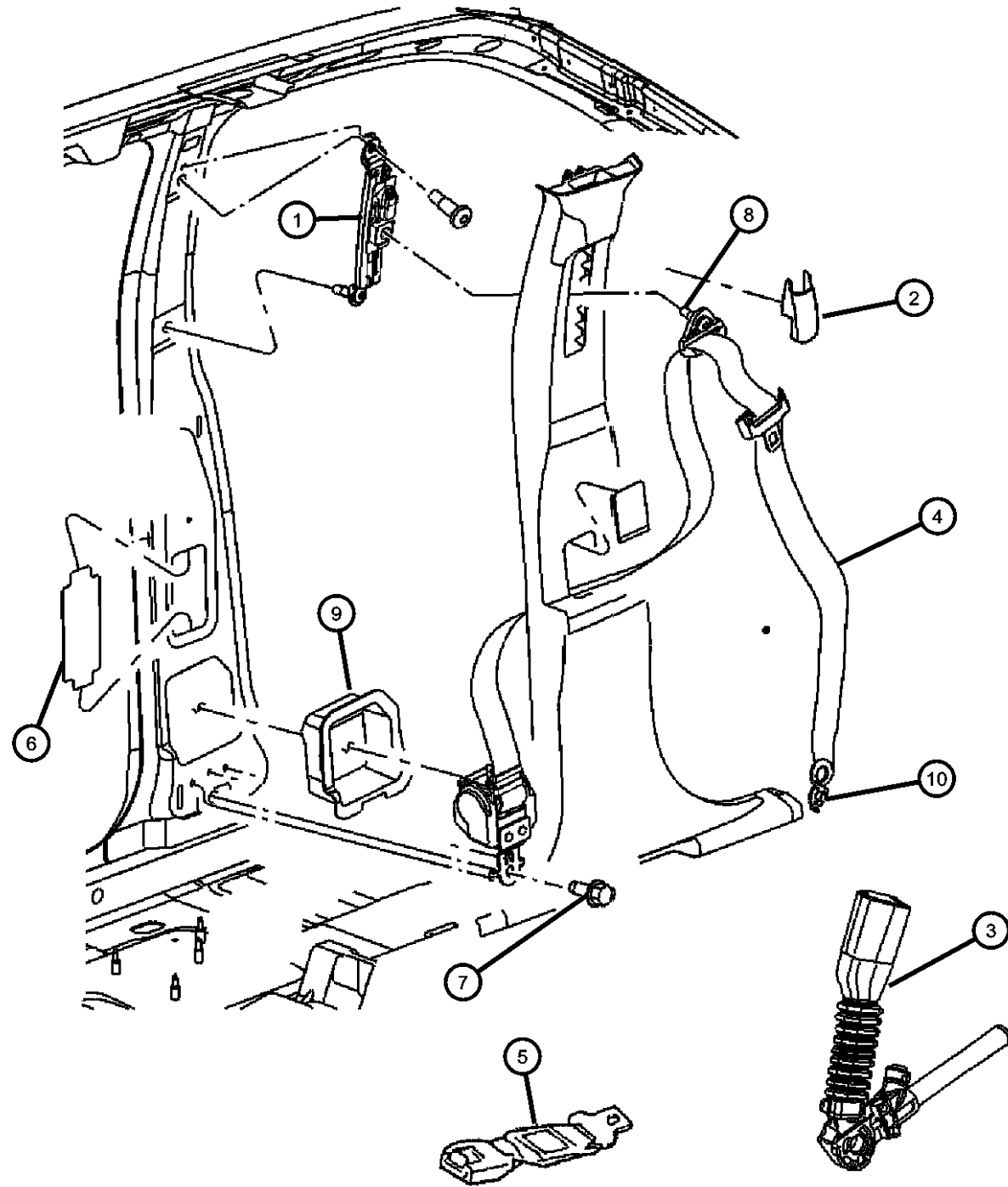
BODY
74 = SPORT UTILITY 4-DR
TYPE #4

ENGINE TRANSMISSION
EVE = Engine - 4.7L V8 DOHC 3 Valve
EZB = 5.7L Hemi Multi Displacement Engine
EKG = 3.7L V6 Engine
ESF = 6.1L SRT HEMI SMPI V8 Engine
EXL = 3.0L V6 Turbo Diesel Engine
DGJ = 5-Speed Auto W5A580 Transmission
DGU = 5-Spd Auto W5J400 Transmission
DGQ = 5-Spd Automatic 545RFE Transmission

AR = use ase required - = Non illustrated part

2008 WK

Seat Belts First Row
Figure 10-305



ITEM	PART NUMBER	QTY	LINE	SERIES	BODY	ENGINE	TRANS	TRIM	DESCRIPTION
		1	J, T	H, P, X	74				[J1], Right
		1	J, T	H, P, X	74				[J3], Left
5	05018505AA	AR							EXTENDER, Seat Belt
6	55116545AC	2	J, T		74				SHIELD, Seat Belt Retractor
7	06105123AA	2	J, T		74				SCREW
8									SCREW, .437-20X37.9
	06036522AA	1	J, T	H, P, X	74				
		1	J, T	S	74				
9									SHIELD, Seat Belt Retractor
	55197032AA	1	J, T		74				Right
	55197033AA	1	J, T		74				Left
10									SCREW
	06036523AA	1	J, T	H, P, X	74				
		1	J, T	S	74				

GRAND CHEROKEE (WK)

SERIES LINE
H = HIGHLINE T = JEEP - 2WD
P = PREMIUM J = JEEP - 4WD
S = SPORT
X = SPECIAL

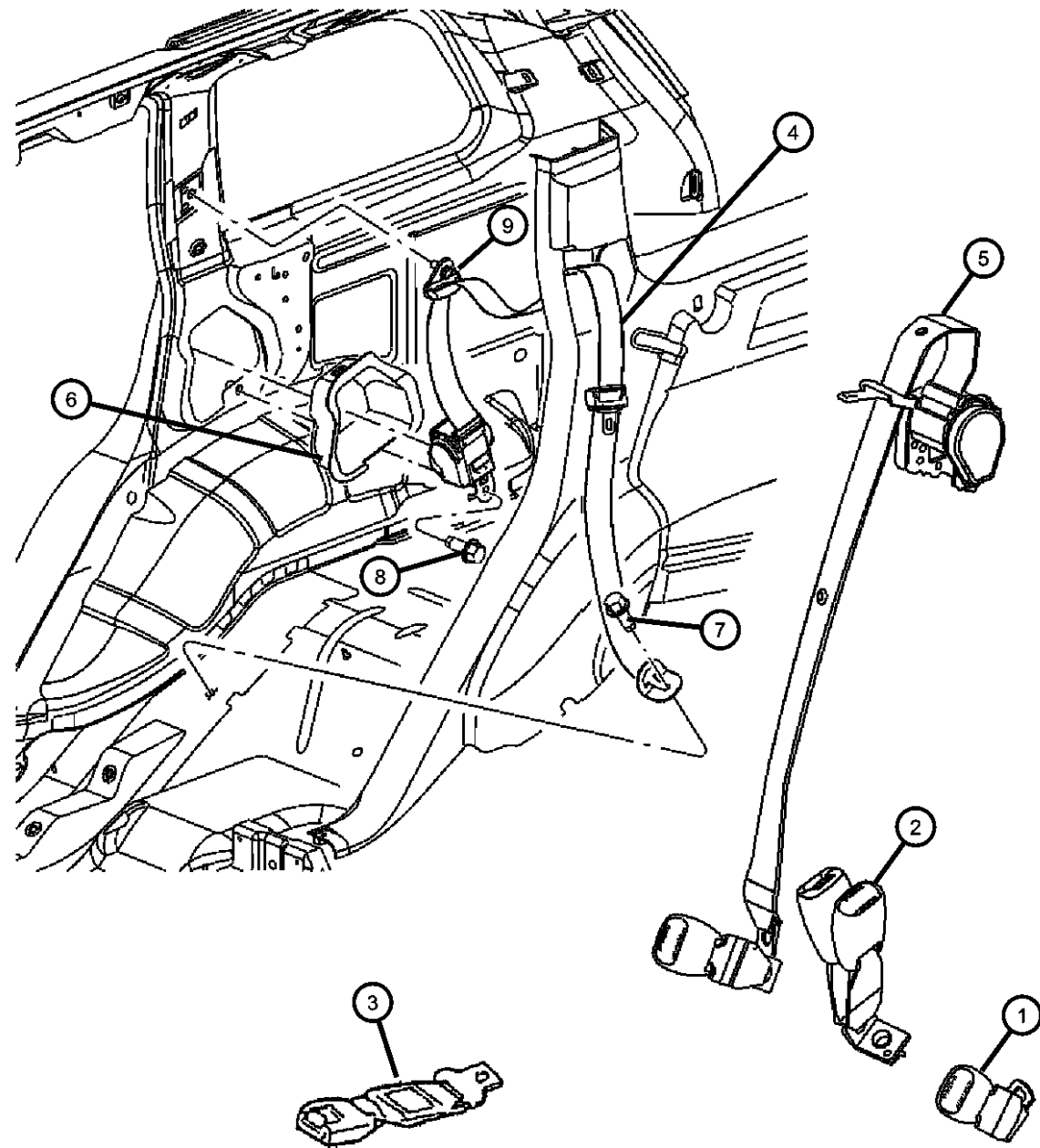
BODY
74 = SPORT UTILITY 4-DR
TYPE #4

ENGINE TRANSMISSION
EVE = Engine - 4.7L V8 DOHC 3 Valve
EZB = 5.7L Hemi Multi Displacement Engine
EKG = 3.7L V6 Engine
ESF = 6.1L SRT HEMI SMPI V8 Engine
EXL = 3.0L V6 Turbo Diesel Engine
DGJ = 5-Speed Auto W5A580 Transmission
DGU = 5-Spd Auto W5J400 Transmission
DGQ = 5-Spd Automatic 545RFE Transmission

AR = use ase required - = Non illustrated part

2008 WK

Seat Belts Second Row
Figure 10-310



ITEM	PART NUMBER	QTY	LINE	SERIES	BODY	ENGINE	TRANS	TRIM	DESCRIPTION
1									SEAT BELT, Rear Inner
	5HP161D1AA	1	J, T		74				[J1]
	5HP161DVAA	1	J, T		74				[DV]
		1	J, T		74				[DV]
		1	J, T		74				[DV]
		1	J, T		74				[D1]
		1	J, T		74				[DV]
	5HP161J8AA	1	J, T		74				[J3]
		1	J, T		74				[J3]
		1	J, T		74				[J1]
2									SEAT BELT, Two Buckles
	5HP171D1AA	1	J, T		74				[J1]
	5HP171DVAA	1	J, T		74				[DV]
		1	J, T		74				[D1]
		1	J, T		74				[DV]
		1	J, T		74				[DV]
	5HP171J8AA	1	J, T		74				[J3]
		1	J, T		74				[J1]
		1	J, T		74				[J3]
3	05018505AA	AR							EXTENDER, Seat Belt
4									SEAT BELT, Rear Outer
	5JB58BD1AH	1	J, T	S	74				[J1], Right
	5JB58XDVAH	1	J, T	H, P, X	74				[D1], Right
		1	J, T	H, P, X	74				[DV], Right
		1	J, T	S	74				[DV], Right
	5JB58ZJ8AH	1	J, T	H, P, X	74				[J1], Right
		1	J, T	H, P, X	74				[J3], Right
	5JB59BD1AH	1	J, T	S	74				[J1], Left
	5JB59XDVAH	1	J, T	H, P, X	74				[D1], Left
	5JB59ZJ8AH	1	J, T	H, P, X	74				[J1], Left
		1	J, T	H, P, X	74				[J3], Left
		1	J, T	H, P, X	74				[DV], Left

GRAND CHEROKEE (WK)

SERIES LINE
H = HIGHLINE T = JEEP - 2WD
P = PREMIUM J = JEEP - 4WD
S = SPORT
X = SPECIAL

BODY
74 = SPORT UTILITY 4-DR
TYPE #4

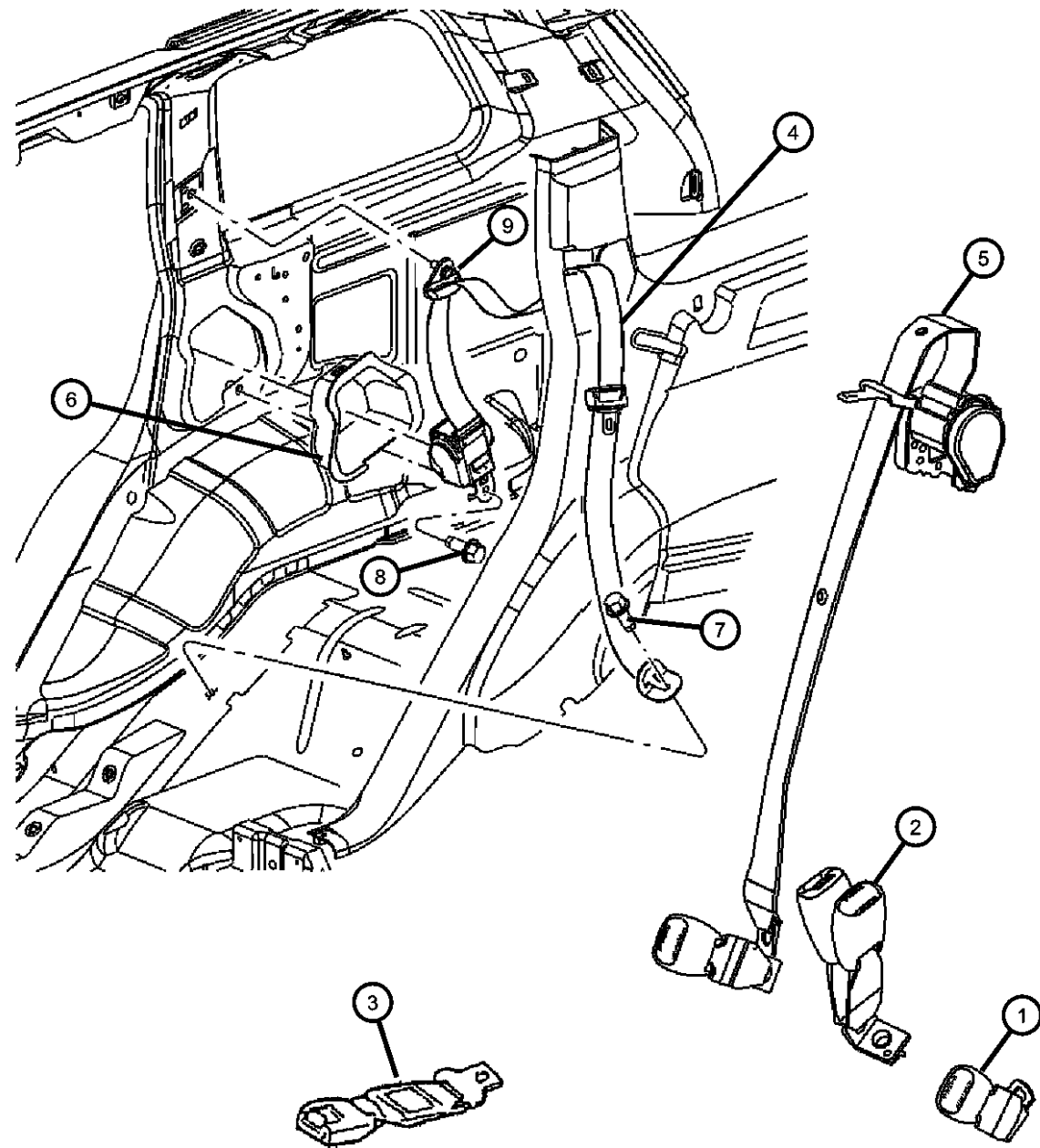
ENGINE
EVE = Engine - 4.7L V8 DOHC
3 Valve
EZB = 5.7L Hemi Multi
Displacement Engine
EKG = 3.7L V6 Engine
ESF = 6.1L SRT HEMI SMPI
V8 Engine
EXL = 3.0L V6 Turbo Diesel
Engine

TRANSMISSION
DGJ = 5-Speed Auto W5A580
Transmission
DGU = 5-Spd Auto W5J400
Transmission
DGQ = 5-Spd Automatic 545RFE
Transmission

AR = use ase required - = Non illustrated part

2008 WK

**Seat Belts Second Row
Figure 10-310**



ITEM	PART NUMBER	QTY	LINE	SERIES	BODY	ENGINE	TRANS	TRIM	DESCRIPTION
		1	J, T	S	74				[DV], Left
5									SEAT BELT, RR CNTR SHOULDER
	5JB571DVAE	1	J, T		74				[DV]
		1	J, T		74				[DV]
	5JB571J8AE	1	J, T		74				[J3]
	5JB571DVAF	1	J, T		74				[DV]
		1	J, T		74				[D1]
		1	J, T		74				[DV]
	5JB571J8AF	1	J, T		74				[J3]
		1	J, T		74				[J1]
	5JB571D1AF	1	J, T		74				[J1]
6									SHIELD, Seat Belt Retractor
	55197034AB	1	J, T		74				Right
	55197035AB	1	J, T		74				Left
7									SCREW
	06036523AA	1	J, T	S	74				
		1	J, T	H, P, X	74				
8	06105123AA	2	J, T		74				SCREW
9									BOLT, Seat Belt
	06036438AA	1	J, T	H, P, X	74				
		1	J, T	S	74				

GRAND CHEROKEE (WK)

SERIES LINE
H = HIGHLINE T = JEEP - 2WD
P = PREMIUM J = JEEP - 4WD
S = SPORT
X = SPECIAL

BODY
74 = SPORT UTILITY 4-DR
TYPE #4

ENGINE TRANSMISSION
EVE = Engine - 4.7L V8 DOHC 3 Valve
EZB = 5.7L Hemi Multi Displacement Engine
EKG = 3.7L V6 Engine
ESF = 6.1L SRT HEMI SMPI V8 Engine
EXL = 3.0L V6 Turbo Diesel Engine
DGJ = 5-Speed Auto W5A580 Transmission
DGU = 5-Spd Auto W5J400 Transmission
DGQ = 5-Spd Automatic 545RFE Transmission

AR = use ase required - = Non illustrated part

2008 WK

Group - 11

Exhaust

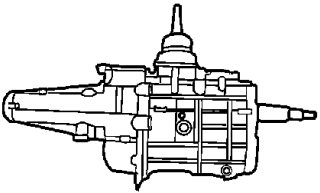
Group - 11 Exhaust

Illustration Title

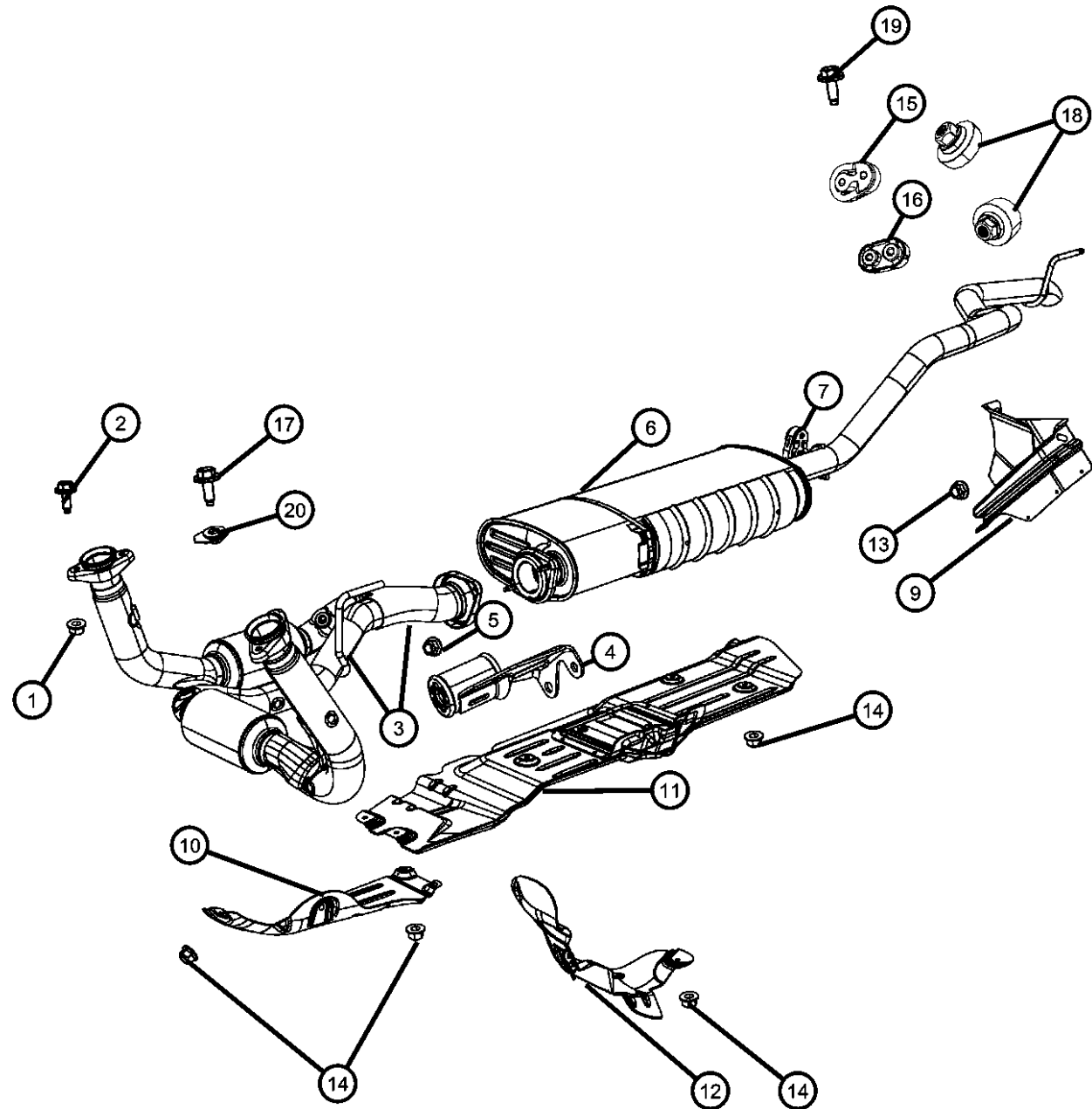
Group-Fig. No.

Exhaust System

Exhaust System 3.7L [EKG] 4.7L [EVE] 5.7L [EZB]	Fig. 11 - 105
Exhaust System 6.1L [ESF]	Fig. 11 - 115
Exhaust System 3.0L [EXL]	Fig. 11 - 120

<p>011-100 Exhaust System</p> 			
---	--	--	--

**Exhaust System 3.7L [EKG] 4.7L [EVE] 5.7L [EZB]
Figure 11-105**



ITEM	PART NUMBER	QTY	LINE	SERIES	BODY	ENGINE	TRANS	TRIM	DESCRIPTION
Note Sales Codes: [EKG]=MAGNUM 3.7L V6 ENGINE [EVA]=MAGNUM 4.7L V8 ENGINE [EZB]=5.7L HEMI MULTI DISPLACEMENT									
1	06503231	4	J, T		74	EK0, ES0, EV0, EZ0			NUT, Hex Flange Lock, M14x1.50, MANIFOLD/EXHAUST
2	06104426AA	4	J, T		74				BOLT AND CONED WASHER, Hex Head, M10X1.50X60.00
3									PIPE AND CONVERTER, Exhaust
	05290722AE	1	J		74	ES0			
	52124344AB	1	J, T		74	EK0			
	52124345AB	1	J, T		74	EV0			[NAE]
	52124346AB	1	J, T		74	EZ0			
	68007615AA	1	J, T		74	EV0			[NAA]
4									BRACKET AND ISOLATOR, Exhaust
	52090057AB	1	J, T		74	EV0, EZ0			
	52124079AA	1	J		74	EK0, ES0			
5	06502696	1	J		74	ESF			NUT, Hex Flange Lock, M14x1.50
6									MUFFLER AND TAILPIPE, Exhaust
	52124037AG	1	J, T		74	EK0			
	52124039AF	1	J, T		74	EZ0			
	E0019421								Dynomax Cat Back Single Exhaust
	68030054AA	1	J, T		74	EV0			
7	52124115AC	1	J, T		74				ISOLATOR, Exhaust
-8		1							CLAMP, Exhaust, Serviced With Muffler and Tailpipe, (NOT SERVICED)
9	52090420AF	1	J, T	H, P, S	74				SHIELD, Spare Tire
10	55394456AC	1	J, T		74				SHIELD, Heat
11									SHIELD, Heat
	55394460AB	1	J, T		74	EK0, EV0, EZ0			
		1	J, T		74	EK0, ESF, EV0, EZ0			
12	55394453AB	1	J, T		74	EK0, EV0, EZ0			SHIELD, Heat

GRAND CHEROKEE (WK)

SERIES LINE
H = HIGHLINE T = JEEP - 2WD
P = PREMIUM J = JEEP - 4WD
S = SPORT
X = SPECIAL

BODY
74 = SPORT UTILITY 4-DR
TYPE #4

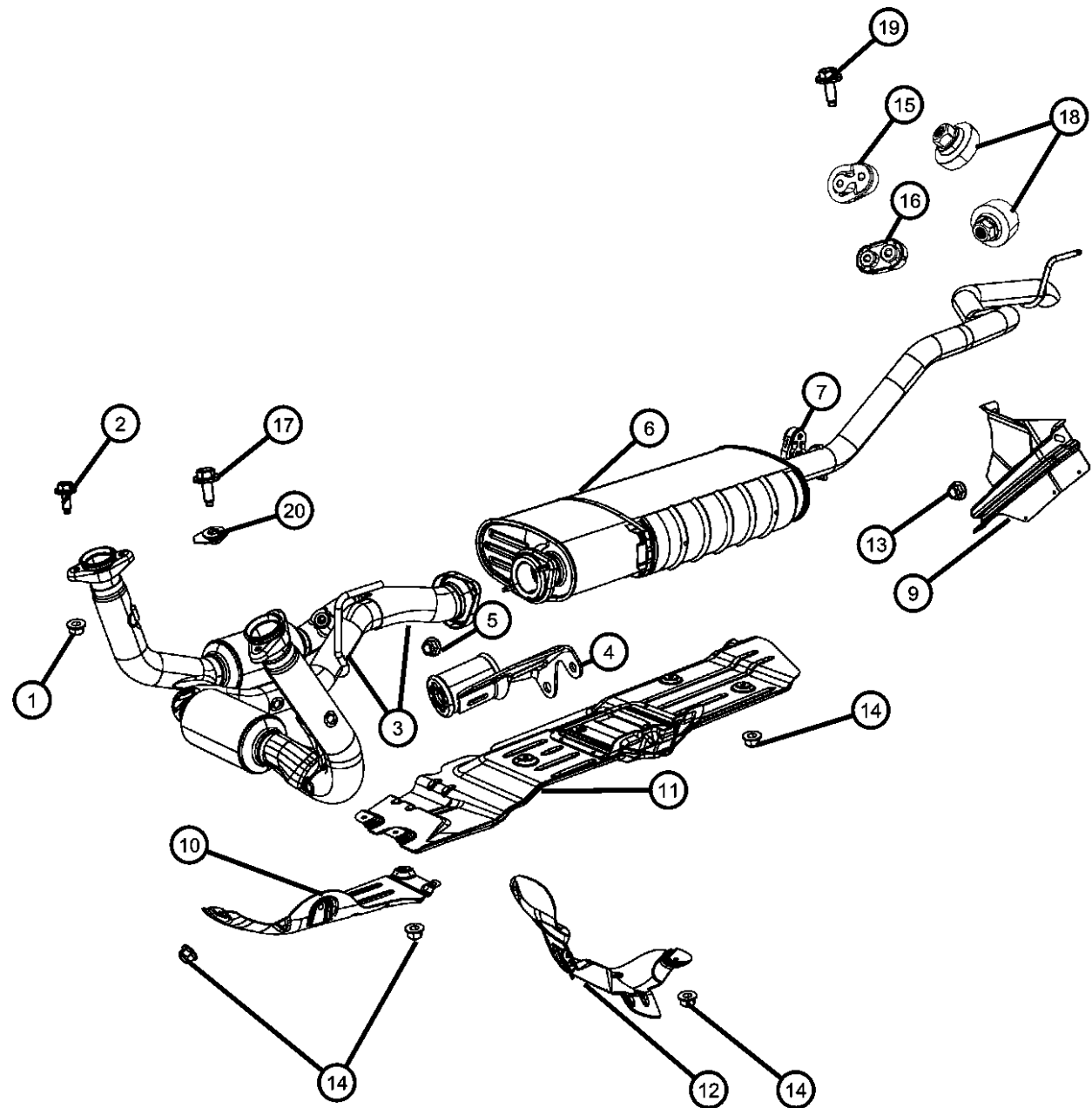
ENGINE
EVE = Engine - 4.7L V8 DOHC
3 Valve
EZB = 5.7L Hemi Multi
Displacement Engine
EKG = 3.7L V6 Engine
ESF = 6.1L SRT HEMI SMPI
V8 Engine
EXL = 3.0L V6 Turbo Diesel
Engine

TRANSMISSION
DGJ = 5-Speed Auto W5A580
Transmission
DGU = 5-Spd Auto W5J400
Transmission
DGQ = 5-Spd Automatic 545RFE
Transmission

AR = use ase required - = Non illustrated part

2008 WK

**Exhaust System 3.7L [EKG] 4.7L [EVE] 5.7L [EZB]
Figure 11-105**



ITEM	PART NUMBER	QTY	LINE	SERIES	BODY	ENGINE	TRANS	TRIM	DESCRIPTION
13	06101831	3	J, T	H, P, S	74				NUT, Hex Flange, M8x1.25
14									NUT, Stamped Hex Flange, M5x1.60
	06505199AA	3	J, T		74	EK0, EVO, EZ0			
		2	J, T		74				
15	52128501AA	1	J, T		74	EVO			ISOLATOR
16	52124044AA	3	J, T		74	EZ0			ISOLATOR, Exhaust Support
17	06104215AA	3	T		74	EVO, EZ0	DG0		BOLT, Hex Flange Head, M10x1.50x25.00, TRANS ISOLATOR BKT DAMPER, Exhaust Pipe
18									
	52124156AA	1	J, T		74	EK0			
	52124157AA	1	J, T		74	EVO			ATT TO TAIL PIPE HANGER
19	06101994	4	J, T		74				BOLT AND CONED WASHER, Hex Head, M14x2.00x110.00, EXHAUST HANGER BRKT TO RR CRADLE
20	06503231	4	J, T		74	EK0, ES0, EVO, EZ0			NUT, Hex Flange Lock, M14x1.50, MANIFOLD/EXHAUST

GRAND CHEROKEE (WK)

SERIES LINE
H = HIGHLINE T = JEEP - 2WD
P = PREMIUM J = JEEP - 4WD
S = SPORT
X = SPECIAL

BODY
74 = SPORT UTILITY 4-DR TYPE #4

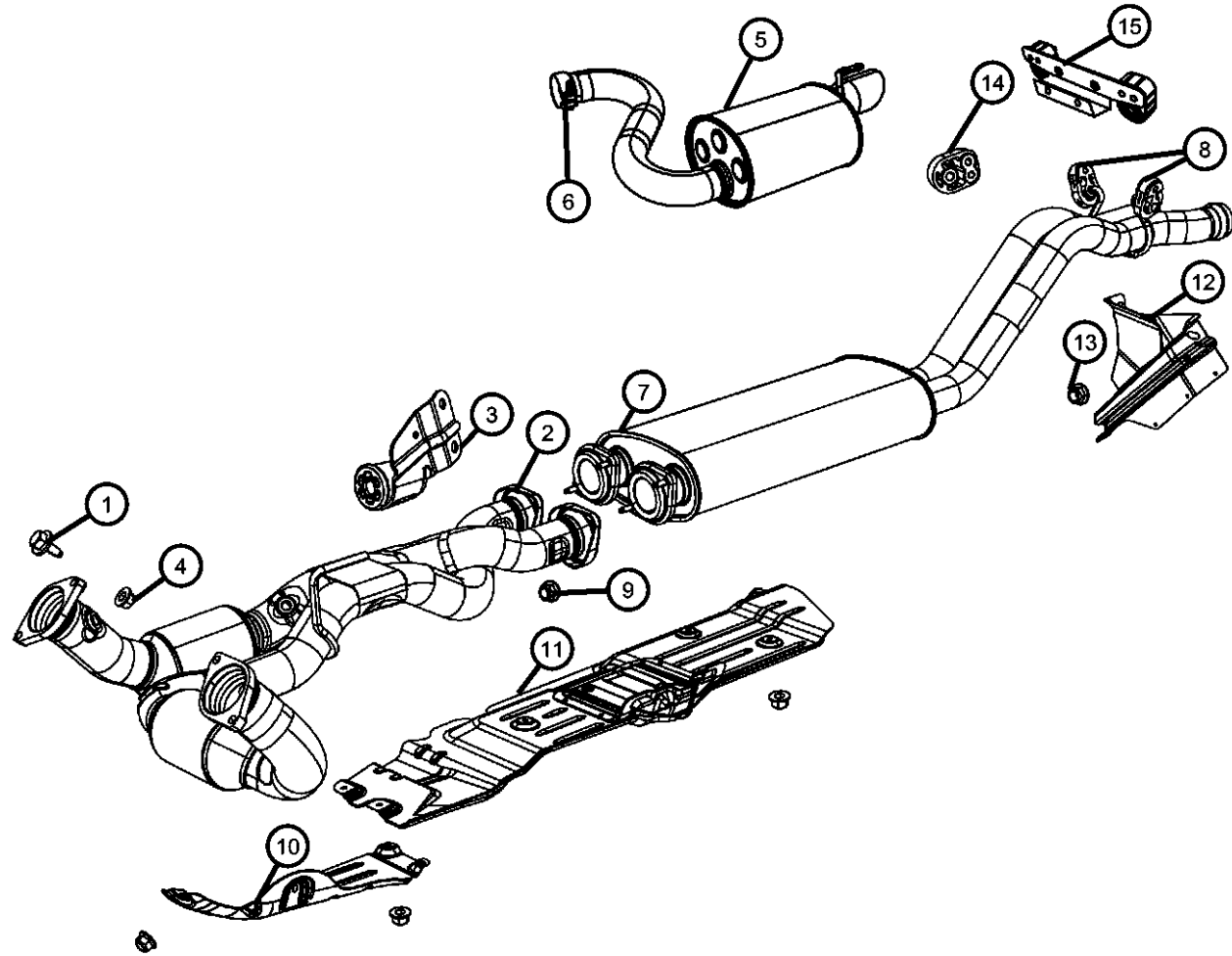
ENGINE
EVE = Engine - 4.7L V8 DOHC 3 Valve
EZB = 5.7L Hemi Multi Displacement Engine
EKG = 3.7L V6 Engine
ESF = 6.1L SRT HEMI SMPI V8 Engine
EXL = 3.0L V6 Turbo Diesel Engine

TRANSMISSION
DGJ = 5-Speed Auto W5A580 Transmission
DGU = 5-Spd Auto W5J400 Transmission
DGQ = 5-Spd Automatic 545RFE Transmission

AR = use ase required - = Non illustrated part

2008 WK

**Exhaust System 6.1L [ESF]
Figure 11-115**



ITEM	PART NUMBER	QTY	LINE	SERIES	BODY	ENGINE	TRANS	TRIM	DESCRIPTION
Note sale Codes: 6.1L [ESF]=6.1L SRT HEMI MDS V8 ENGINE									
1	06104426AA	4	J, T		74				BOLT AND CONED WASHER, Hex Head, M10X1.50X60.00
2	05290722AE	1	J		74	ES0			PIPE AND CONVERTER, Exhaust
3	52124079AA	1	J		74	EK0, ES0			BRACKET AND ISOLATOR, Exhaust
4	06502696	1	J		74	ESF			NUT, Hex Flange Lock, M14x1.50
5									RESONATOR AND PIPE, Exhaust
	05181382AB	1	J		74	ES0			Left
	05181383AB	1	J		74	ES0			Right
6	05181116AB	1	J		74	ES0			CLAMP, Exhaust
7	05290726AA	1	J		74	ES0			MUFFLER, Exhaust
8	52124115AC	1	J, T		74				ISOLATOR, Exhaust
9	06503231	4	J, T		74	EK0, ES0, EV0, EZ0			NUT, Hex Flange Lock, M14x1.50, MANIFOLD/EXHAUST
10	55394456AC	1	J, T		74				SHIELD, Heat
11	55394460AB	1	J, T		74	EK0, ESF, EV0, EZ0			SHIELD, Heat
12	52090420AF	1	J, T	H, P, S	74				SHIELD, Spare Tire
13	06101831	3	J, T	H, P, S	74				NUT, Hex Flange, M8x1.25
14	52101126AA	4	J, T	X	74	ES0			ISOLATOR, Exhaust Support
15	05290823AB	2	J, T	X	74	ES0			HANGER, Tailpipe

GRAND CHEROKEE (WK)

SERIES LINE
H = HIGHLINE T = JEEP - 2WD
P = PREMIUM J = JEEP - 4WD
S = SPORT
X = SPECIAL

BODY
74 = SPORT UTILITY 4-DR
TYPE #4

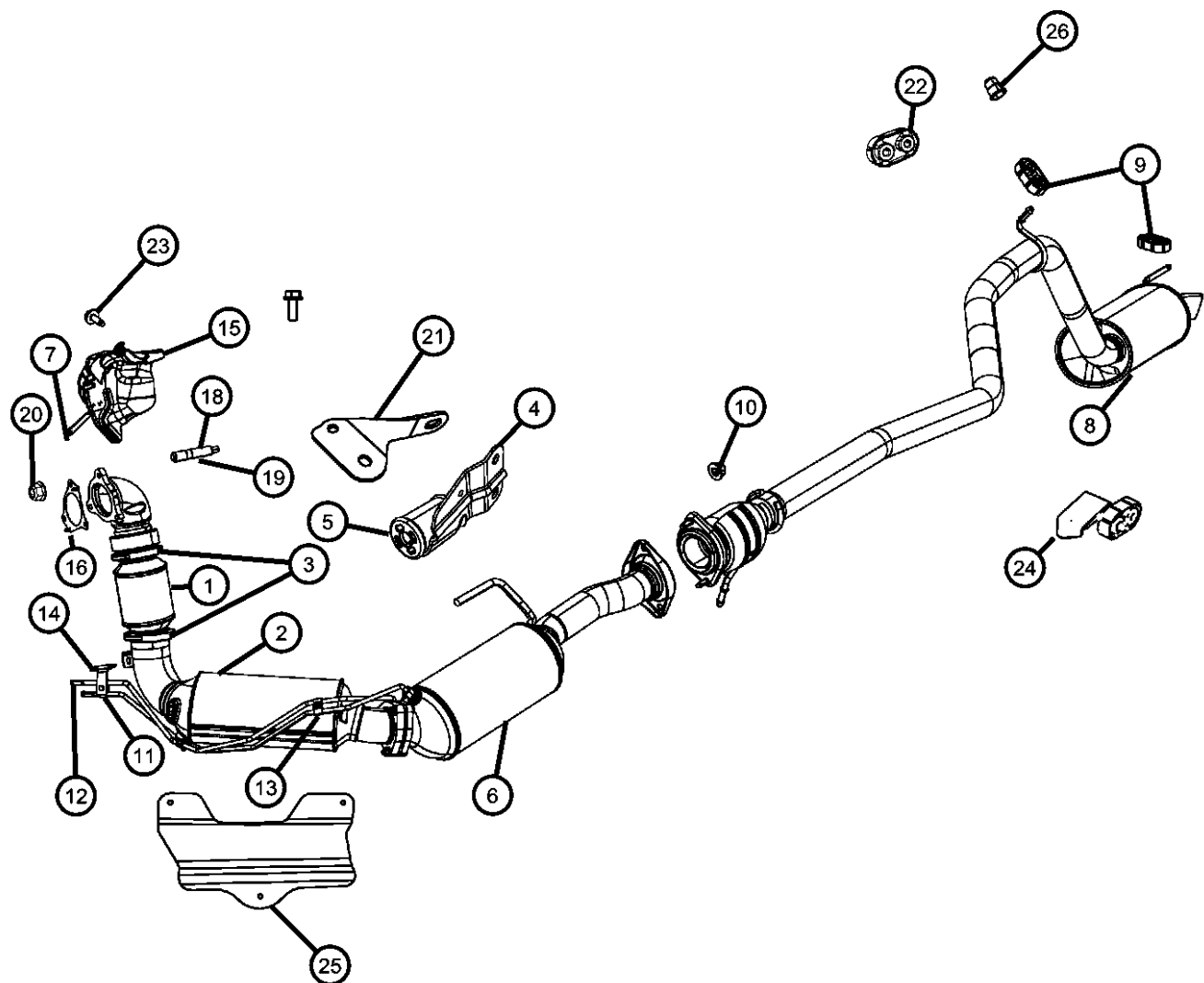
ENGINE
EVE = Engine - 4.7L V8 DOHC 3 Valve
EZB = 5.7L Hemi Multi Displacement Engine
EKG = 3.7L V6 Engine
ESF = 6.1L SRT HEMI SMPI V8 Engine
EXL = 3.0L V6 Turbo Diesel Engine

TRANSMISSION
DGJ = 5-Speed Auto W5A580 Transmission
DGU = 5-Spd Auto W5J400 Transmission
DGQ = 5-Spd Automatic 545RFE Transmission

AR = use ase required - = Non illustrated part

2008 WK

**Exhaust System 3.0L [EXL]
Figure 11-120**



ITEM	PART NUMBER	QTY	LINE	SERIES	BODY	ENGINE	TRANS	TRIM	DESCRIPTION
1	05175603AA	1	J, T		74	EX0			CONVERTER, Catalytic, Upstream
2	52124922AA	1	J, T		74	EX0			CONVERTER, Catalytic
3	52090372AA	2	J, T		74	EX0			CLAMP, Exhaust
4	52089898AA	1	J, T		74	EX0			BRACKET AND ISOLATOR, Exhaust
5	52124062AA	1	J, T		74	EX0			ISOLATOR, Exhaust Support
6	52090351AC	1	J, T		74	EX0			FILTER ASSY, DIESEL PARTICULATE
7	06506606AA	3	J, T		74	EX0			STUD, Double Ended
8	68001234AD	1	J, T		74	EX0			MUFFLER AND TAILPIPE, Exhaust
9	52124115AC	1	J, T		74				ISOLATOR, Exhaust
10	05175408AA	3	J, T		74	EX0			NUT, Exhaust Pipe
11	68032599AA	1	J, T		74	EX0			TUBE, Particulate Filter, Inlet
12	68032610AA	1	J, T		74	EX0			TUBE, Particulate Filter, Outlet
13	68032611AA	1	J, T		74	EX0			CLAMP, Particulate Tube
14	68032612AA	1	J, T		74	EX0			HOLDER, Particulate Tube
15	52124023AB	1	J, T		74	EX0			SHIELD, Turbocharger
16	05175669AA	1	J, T		74	EX0			GASKET, Exhaust Pipe
17	68012070AA	1	J, T		74	EX0			SEAL, Front Exhaust Pipe To Turbocharger
18	06507947AA	2	J, T		74	EX0			BOLT, Hex Flange Head, M6X1.00X17.00, Exhaust Pipe
19	05183964AA	3	J, T		74	EX0			BOLT, Hex Flange Head, M6x1.00x10.90
20	06506619AA	3	J, T		74	EX0			NUT, M8x1.25
21	52090132AB	1	J, T		74	EX0			BRACKET, Isolator
22	52124044AA	2	J, T		74	EX0			ISOLATOR, Exhaust Support
23	06104215AA	4	J		74				BOLT, Hex Flange Head, M10x1.50x25.00, TRAN ISOLATOR BKT
24	52124047AA	1	J, T		74	EX0			BRACKET, Exhaust Hanger
25	55197347AA	1	J, T		74	EX0			SHIELD, Heat
26	06505974AA	2	J, T		74	EX0			NUT/RIVET, Hex Drive, M8x1.25x17.78

GRAND CHEROKEE (WK)

SERIES LINE
H = HIGHLINE T = JEEP - 2WD
P = PREMIUM J = JEEP - 4WD
S = SPORT
X = SPECIAL

BODY
74 = SPORT UTILITY 4-DR TYPE #4

ENGINE TRANSMISSION
EVE = Engine - 4.7L V8 DOHC 3 Valve
EZB = 5.7L Hemi Multi Displacement Engine
EKG = 3.7L V6 Engine
ESF = 6.1L SRT HEMI SMPI V8 Engine
EXL = 3.0L V6 Turbo Diesel Engine
DGJ = 5-Speed Auto W5A580 Transmission
DGU = 5-Spd Auto W5J400 Transmission
DGQ = 5-Spd Automatic 545RFE Transmission

AR = use ase required - = Non illustrated part

2008 WK

Group - 13

Frame, Bumper, and Fascia

Group - 13 Frame, Bumper, and Fascia

Illustration Title

Group-Fig. No.

Front Bumper and Fascia

Fascia, Front.....Fig. 13 - 205

Rear Bumper and Fascia

Fascia, Rear.....Fig. 13 - 305

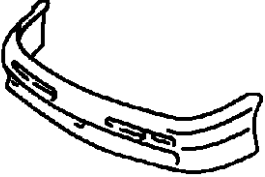
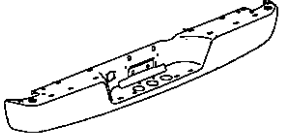
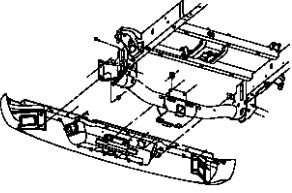
Trailer Tow and Tow Hooks

Tow Hooks, Front.....Fig. 13 - 505

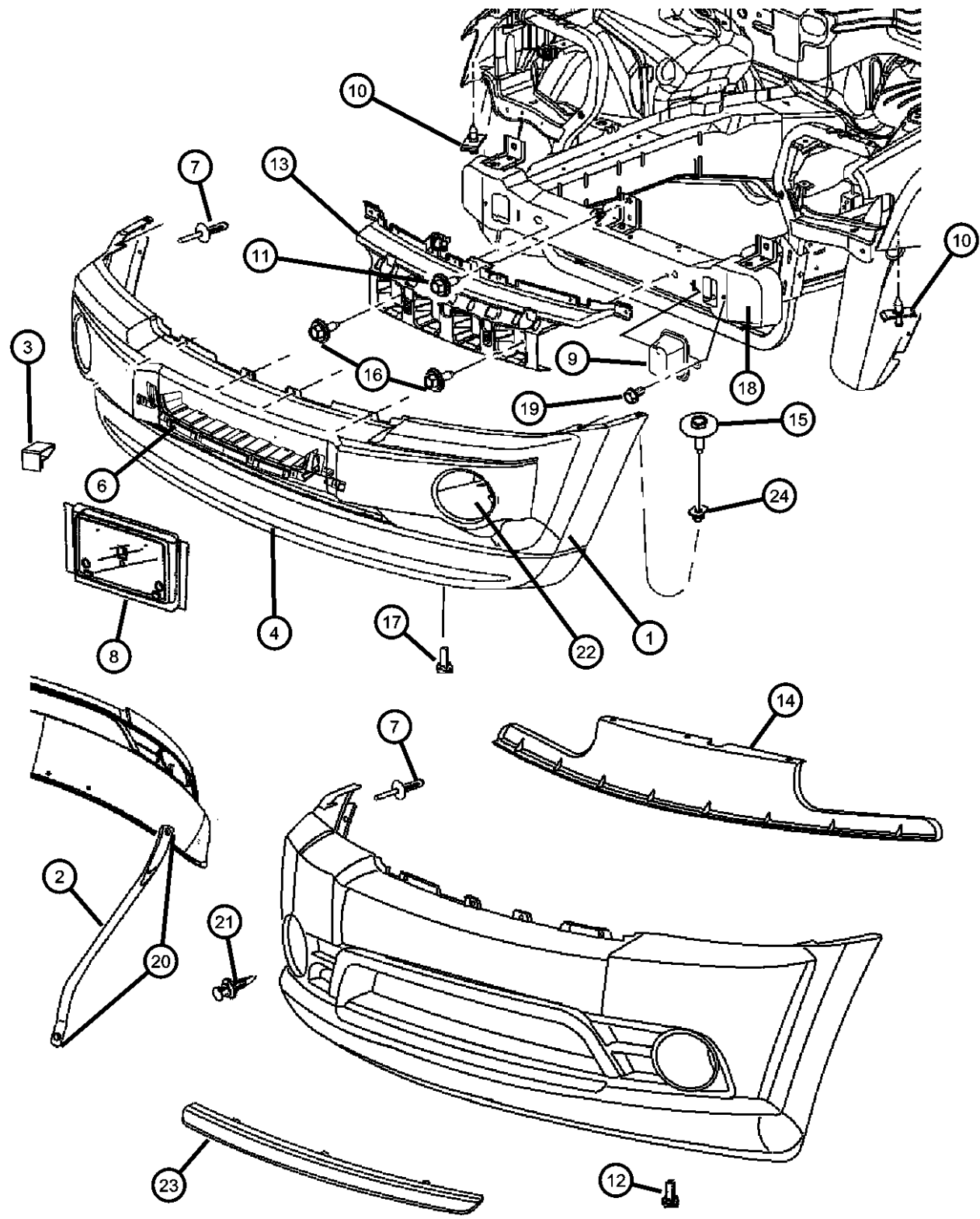
Tow Hooks and Hitches, Rear.....Fig. 13 - 520

Under Body Protection

Underbody Plates and Shields.....Fig. 13 - 704

<p>013-200 Front Bumper and Fascia</p> 	<p>013-300 Rear Bumper and Fascia</p> 	<p>013-500 Trailer Tow and Tow Hooks</p> 	<p>013-700 Under Body Protection</p>
--	--	--	---

Fascia, Front
Figure 13-205

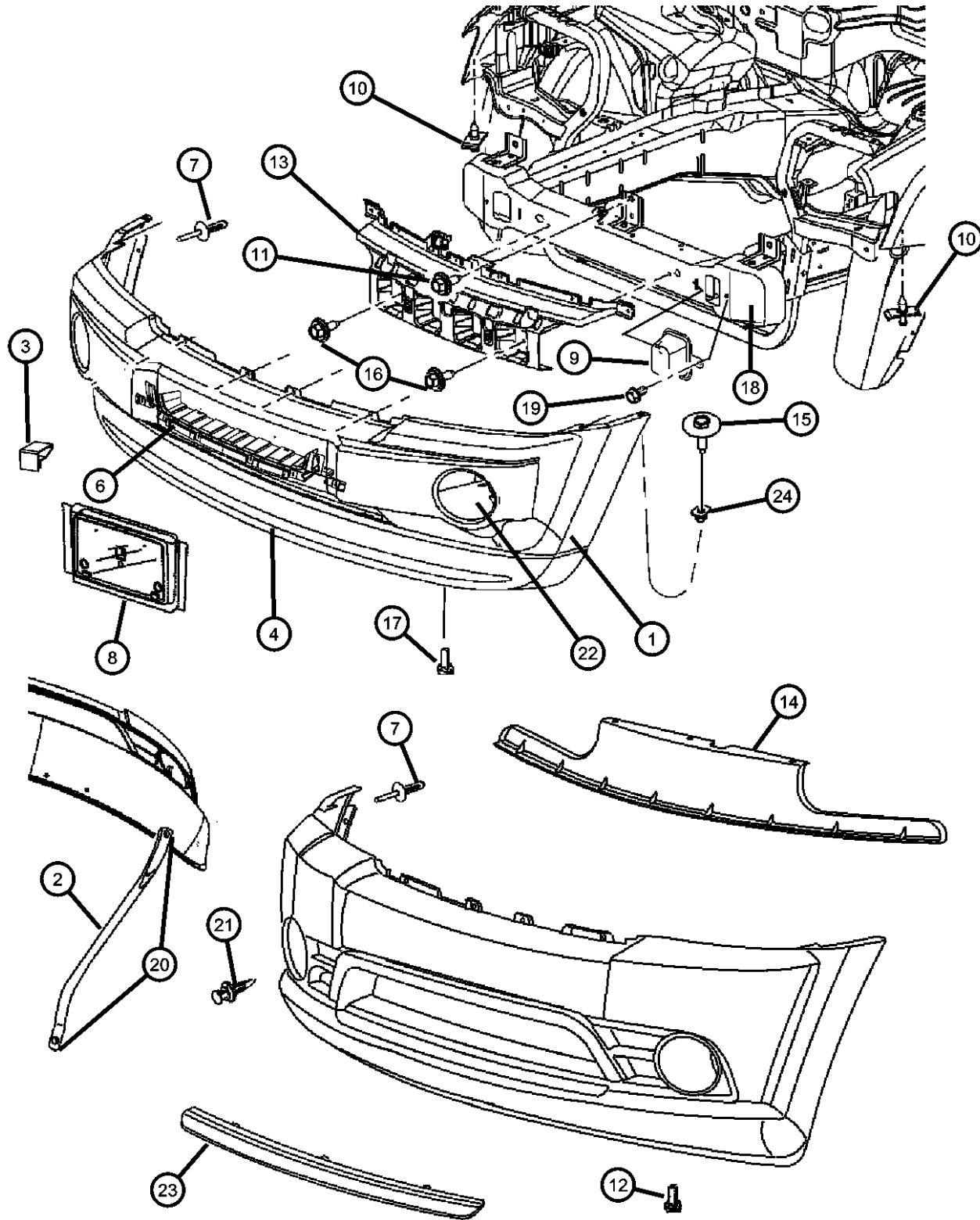


ITEM	PART NUMBER	QTY	LINE	SERIES	BODY	ENGINE	TRANS	TRIM	DESCRIPTION
1	05029989AC	1	J, T	X	74				FASCIA, Front [SRT-8], With Bright Insert, Not included, Up to 8/13/07
	05030977AA	1	J, T	X	74				[SRT-8], With Bright Insert, Not included, After8/13/07
	68033744AA	1	J, T	H	74				
		1	J, T	P	74				[MCY, LNJ]
	68033744AB	1	J, T	P	74				[MCY]
2	05030620AA	2	J, T	X	74				SUPPORT, Front Fascia, [SRT8]
3	04806226AA	6	J, T	H	74				CLIP, Spring
4									AIR DAM
	68033745AA	1	J, T	H	74				
	68033816AA	1	J, T	S	74				
	68044528AA	1	J, T	P	74				
-5									RETAINER, Air Dam
	68033794AA	7	J, T	S	74				
		7	J, T	H	74				
		7	J, T	P	74				
6									BRACKET, Air Dam Support
	68033747AA	1	J, T	H	74				
		1	J, T	P	74				
		1	J, T	S	74				
7	06500911	4	J, T		74				RIVET, M6.25x28, Fender Liner to Fascia
8	55156796AA	1	J, T		74				LICENSE PLATE KIT
9	55360410AA	2	J, T		74				SPACER, Jounce Bumper
10	55157112AB	2	J, T		74				PIN, Push, Fascia to Fender
11	06508237AA	1	J, T		74				SCREW
12	06506579AA	4	J, T	X	74				SCREW, Tapping, M6X2.69X21.55
13	55157476AB	1	J, T		74				BRACKET, Fascia, To Lower Crossmember
14	05029991AB	1	J, T	X	74				BRACKET, Fascia
15	06505520AA	2	J, T		74				SCREW, Hex Head, M4.2 x 1.70 x 33.50, Fascia Attach

GRAND CHEROKEE (WK)
 SERIES LINE BODY ENGINE TRANSMISSION
 H = HIGHLINE T = JEEP - 2WD 74 = SPORT UTILITY 4-DR ENGINE 3 Valve DGJ = 5-Speed Auto W5A580
 P = PREMIUM J = JEEP - 4WD TYPE #4 Transmission
 S = SPORT EZB = 5.7L Hemi Multi DGU = 5-Spd Auto W5J400
 X = SPECIAL Displacement Engine Transmission
 EKG = 3.7L V6 Engine DGQ = 5-Spd Automatic 545RFE
 ESF = 6.1L SRT HEMI SMPI Transmission
 V8 Engine
 EXL = 3.0L V6 Turbo Diesel Engine

AR = use ase required - = Non illustrated part

Fascia, Front
Figure 13-205



ITEM	PART NUMBER	QTY	LINE	SERIES	BODY	ENGINE	TRANS	TRIM	DESCRIPTION
16	06505903AA	2	J, T		74				SCREW AND WASHER, Self Tapping, M6x1x22
17	06505903AA	3	J, T		74				SCREW AND WASHER, Self Tapping, M6x1x22, Fascia Bracket to Body
18	05166082AB	1	J, T		74				CROSSMEMBER, Underbody
19	06505903AA	2	J, T		74				SCREW AND WASHER, Self Tapping, M6x1x22
20	06505269AA	4	J, T		74				SCREW AND WASHER, Hex Head
21	06503598	6	J, T		74				PIN, Push, M8x21, Grille Attach
22	68033797AA	2	J, T	H	74				COVER, Lamp Opening
23	68033817AA	1	J, T	P	74				APPLIQUE, Fascia
	05030069AB	1	J, T	X	74				
		1	J, T	S	74				
24	55157298AB	2	J, T		74				GROMMET, Fascia, Fascia to Fender

GRAND CHEROKEE (WK)

SERIES LINE
H = HIGHLINE T = JEEP - 2WD
P = PREMIUM J = JEEP - 4WD
S = SPORT
X = SPECIAL

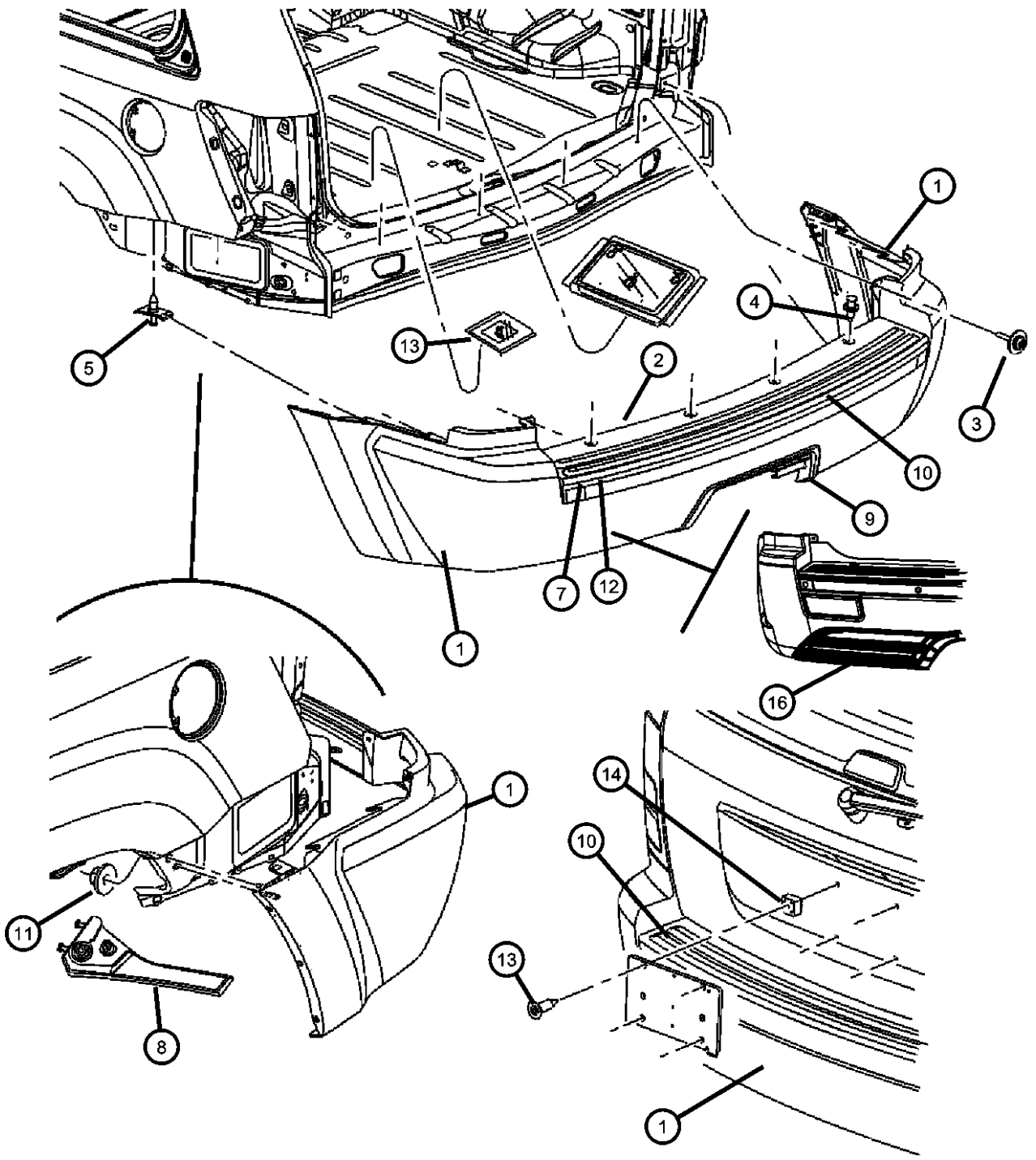
BODY
74 = SPORT UTILITY 4-DR TYPE #4

ENGINE TRANSMISSION
EVE = Engine - 4.7L V8 DOHC 3 Valve
EZB = 5.7L Hemi Multi Displacement Engine
EKG = 3.7L V6 Engine
ESF = 6.1L SRT HEMI SMPI V8 Engine
EXL = 3.0L V6 Turbo Diesel Engine
DGJ = 5-Speed Auto W5A580 Transmission
DGU = 5-Spd Auto W5J400 Transmission
DGQ = 5-Spd Automatic 545RFE Transmission

AR = use ase required - = Non illustrated part

2008 WK

Fascia, Rear
Figure 13-305

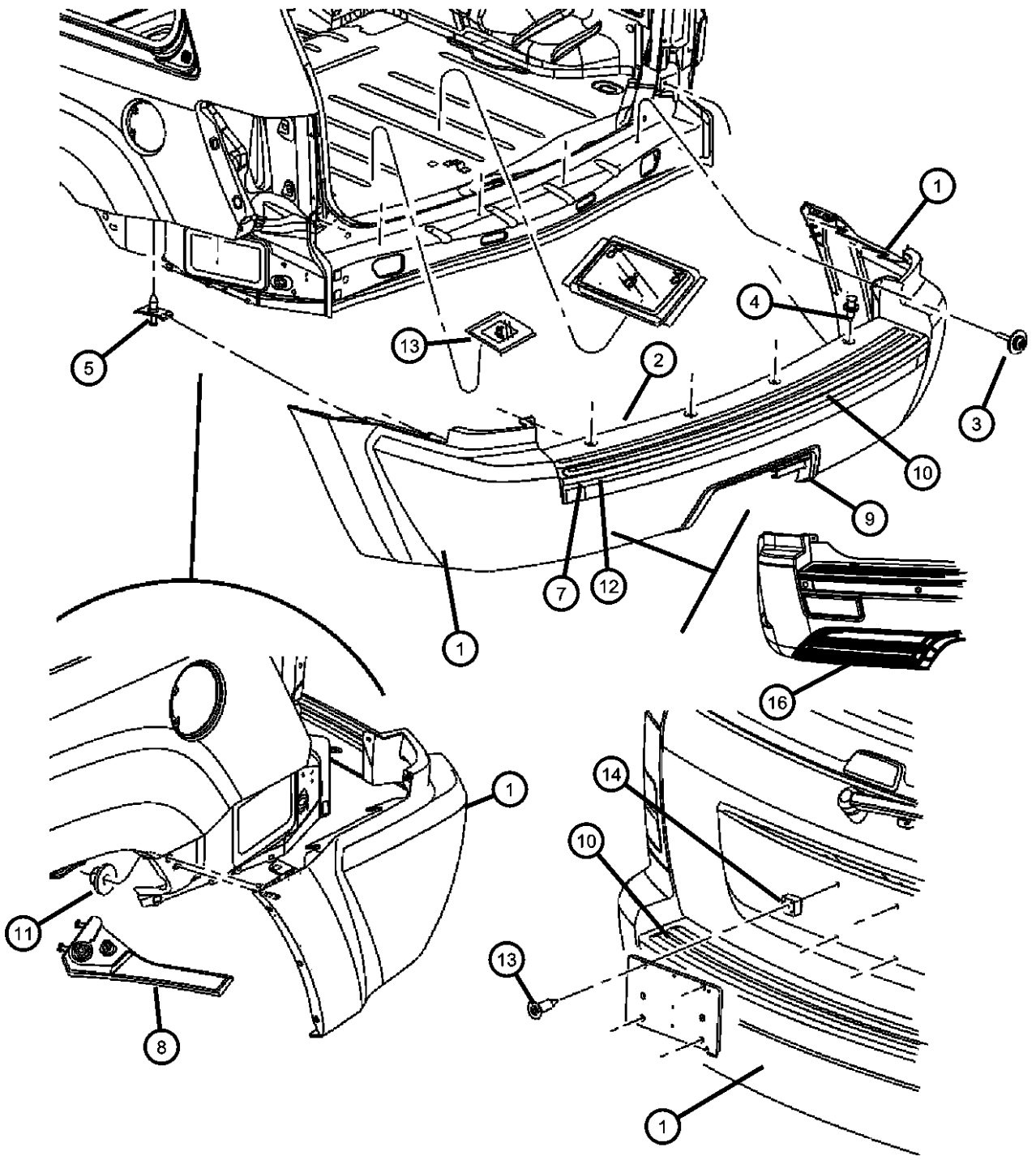


ITEM	PART NUMBER	QTY	LINE	SERIES	BODY	ENGINE	TRANS	TRIM	DESCRIPTION
1									FASCIA, Rear
	05159086AA	1	J, T	P	74				With Hitch Bezel
		1	J, T	S	74				
	05159058AC	1	J, T	H	74				Without Hitch Bezel, Without Parksense [XAA]
		1	J, T	H	74				With Hitch Bezel, With Parksense [XAA]
	05159094AC	1	J, T	H	74				With Hitch Bezel, Without Parksense [XAA]
	68035611AA	1	J, T	X	74				[SRT-8], With Bright Insert
	05159091AA	1	J, T	H	74				Without Hitch Bezel, With Parksense [XAA]
		1	J, T	P	74				Without Hitch Bezel
2									ABSORBER, Rear Energy
	05159059AB	1	J, T	P	74				
		1	J, T	H	74				
	05166742AA	1	J, T	X	74				
3	06036585AA	2	J, T		74				SCREW
4	06503598	4	J, T		74				PIN, Push, M8x21, Step Pad to Fascia
5	55157112AB	4	J, T		74				PIN, Push
-6									CLIP, Spring
	04806226AA	3	J, T	X	74				
		3	J, T	H	74				
7									NERF, Fascia
	05159095AA	1	J, T	P	74				
		1	J, T	S	74				
		1	J, T	X	74				
	68002109AA	1	J, T	H	74				
8									RETAINER, Fascia, Wing Tip Retainer
	05159078AA	1	J, T	X	74				Right
		1	J, T	H	74				Right
	05159079AA	1	J, T	X	74				Left
		1	J, T	S	74				Left
		1	J, T	H	74				Left

GRAND CHEROKEE (WK)
 SERIES LINE BODY ENGINE TRANSMISSION
 H = HIGHLINE T = JEEP - 2WD 74 = SPORT UTILITY 4-DR EVE = Engine - 4.7L V8 DOHC DGJ = 5-Speed Auto W5A580
 P = PREMIUM J = JEEP - 4WD TYPE #4 3 Valve Transmission
 S = SPORT EZB = 5.7L Hemi Multi DGU = 5-Spd Auto W5J400
 X = SPECIAL Displacement Engine Transmission
 EKG = 3.7L V6 Engine DGQ = 5-Spd Automatic 545RFE
 ESF = 6.1L SRT HEMI SMPI Transmission
 V8 Engine
 EXL = 3.0L V6 Turbo Diesel Engine

AR = use ase required - = Non illustrated part

Fascia, Rear
Figure 13-305



ITEM	PART NUMBER	QTY	LINE	SERIES	BODY	ENGINE	TRANS	TRIM	DESCRIPTION
		1	J, T	P	74				Right
		1	J, T	S	74				Right
		1	J, T	P	74				Left
9									BEZEL, Hitch
	05159088AA	1	J, T	S	74				
		1	J, T	H	74				
		1	J, T	P	74				
10									STEP PAD, Rear Fascia
	05159080AA	1	J, T	S	74				
		1	J, T	H	74				
		1	J, T	P	74				
		1	J, T	X	74				
11	06100048	2	J, T		74				NUT, Hex, M6x1.00, Fascia to Body Side
12									NERF, Fascia, Bright
	05159087AA	1	J, T	X	74				Without Parksense [XAA]
		1	J, T	P	74				Without Parksense [XAA]
13	04270974	1	J, T		74				LICENSE PLATE KIT, Hardware
14	04860786AB	4	J, T		74				NUT, Plastic Snap-in
-15									CLIP, Fascia, Under Tail Lamps
	05159077AB	2	J, T	X	74				
		2	J, T	H	74				
16	68036603AA	1	J, T	X	74				TAPE KIT, Rear Fascia, Blackout, Red & Silver Vehicles Only

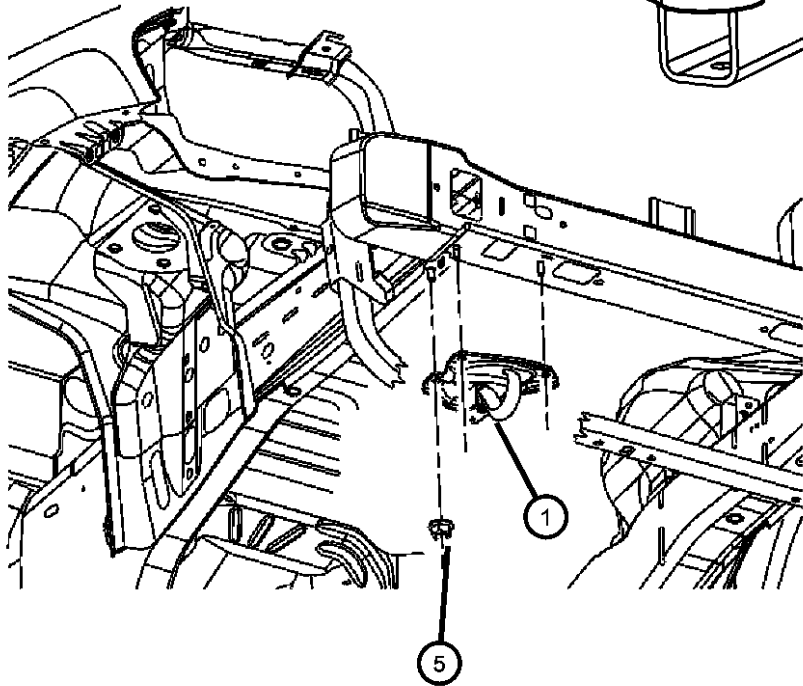
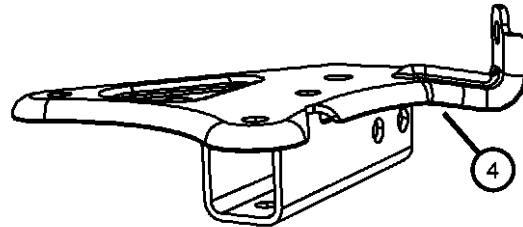
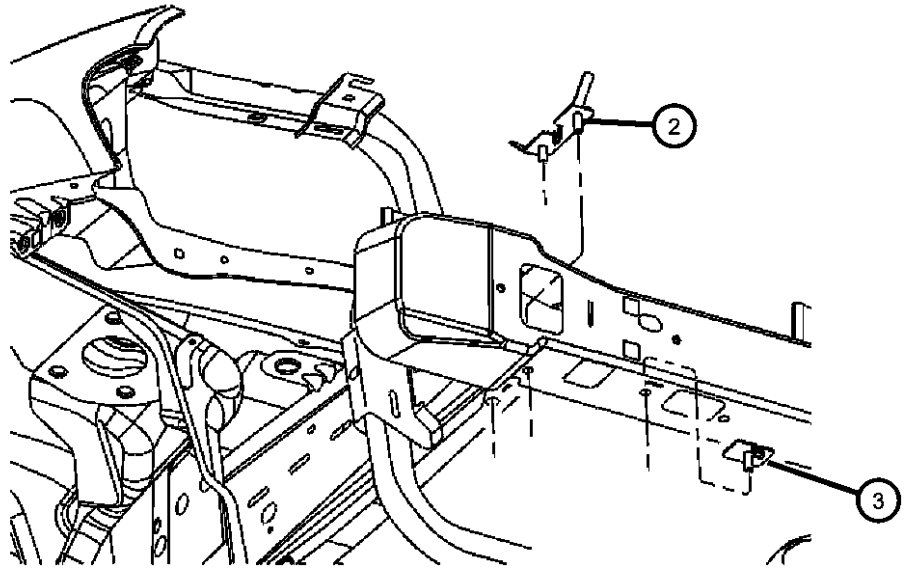
GRAND CHEROKEE (WK)

SERIES	LINE	BODY	ENGINE	TRANSMISSION
H = HIGHLINE	T = JEEP - 2WD	74 = SPORT UTILITY 4-DR	EVE = Engine - 4.7L V8 DOHC 3 Valve	DGJ = 5-Speed Auto W5A580 Transmission
P = PREMIUM	J = JEEP - 4WD	TYPE #4	EZB = 5.7L Hemi Multi Displacement Engine	DGU = 5-Spd Auto W5J400 Transmission
S = SPORT			EKG = 3.7L V6 Engine	DGQ = 5-Spd Automatic 545RFE Transmission
X = SPECIAL			ESF = 6.1L SRT HEMI SMPI V8 Engine	
			EXL = 3.0L V6 Turbo Diesel Engine	

AR = use ase required - = Non illustrated part

Tow Hooks, Front
Figure 13-505

ITEM	PART NUMBER	QTY	LINE	SERIES	BODY	ENGINE	TRANS	TRIM	DESCRIPTION
1									HOOK, Tow
	52089357AB	1	J, T		74				Right
	52089360AB	1	J, T		74				Left
2	52090140AA	2	J, T		74				STUD PLATE
3	52090141AA	2	J, T		74				STUD PLATE
4	52089364AC	1	J, T		74				BRACKET, Tow Hook
5	06101696	6	J, T		74				NUT, Hex Flange Lock, M14x1.50



GRAND CHEROKEE (WK)

SERIES LINE
H = HIGHLINE T = JEEP - 2WD
P = PREMIUM J = JEEP - 4WD
S = SPORT
X = SPECIAL

BODY
74 = SPORT UTILITY 4-DR
TYPE #4

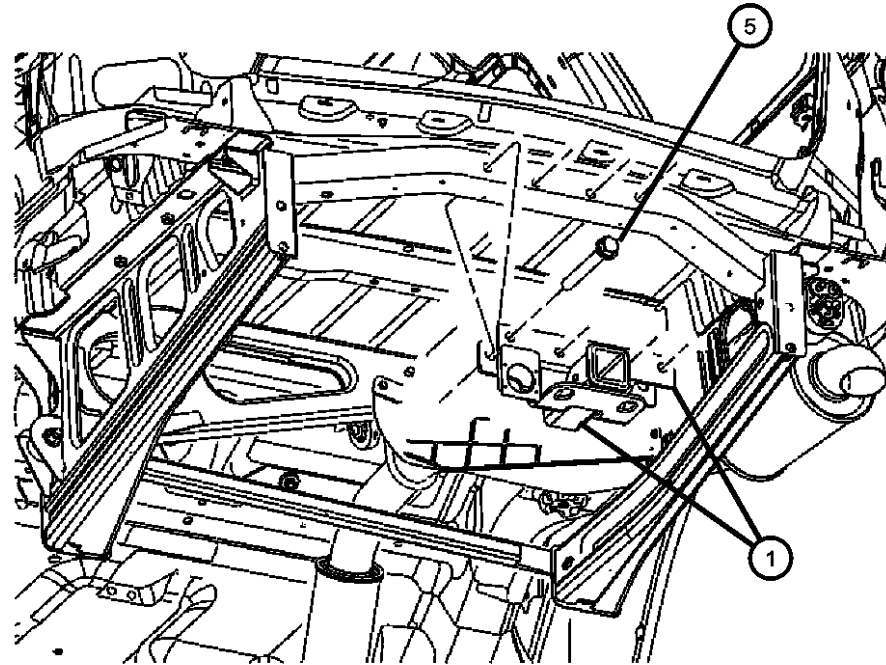
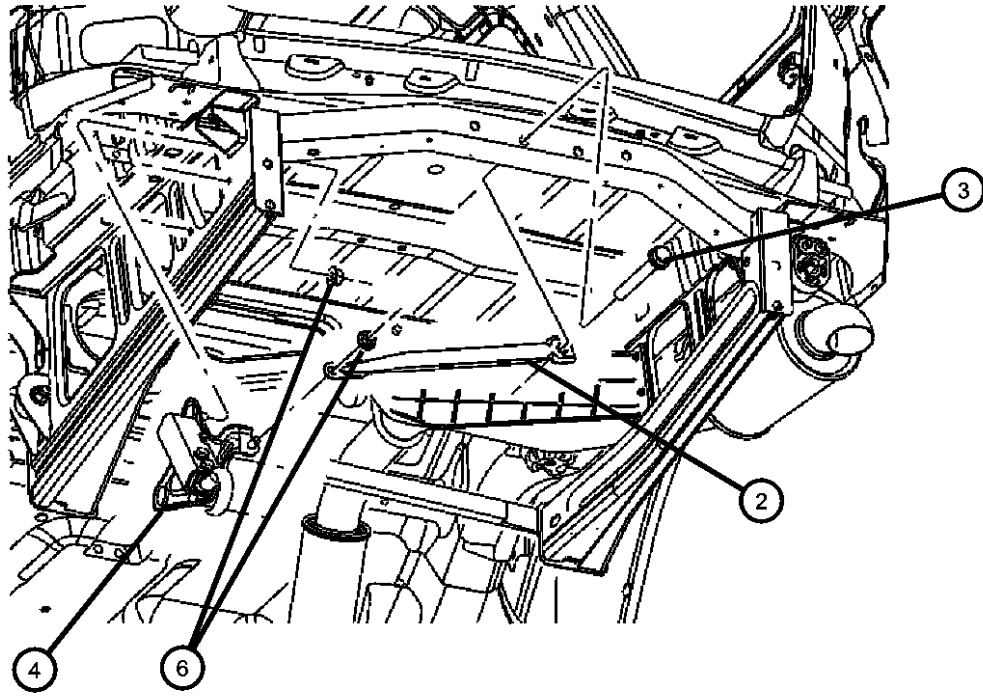
ENGINE TRANSMISSION
EVE = Engine - 4.7L V8 DOHC 3 Valve
EVB = Engine - 4.7L V8 DOHC 3 Valve
EZB = 5.7L Hemi Multi Displacement Engine
EKG = 3.7L V6 Engine
ESF = 6.1L SRT HEMI SMPI V8 Engine
EXL = 3.0L V6 Turbo Diesel Engine
DGJ = 5-Speed Auto W5A580 Transmission
DGU = 5-Spd Auto W5J400 Transmission
DGQ = 5-Spd Automatic 545RFE Transmission

AR = use ase required - = Non illustrated part

2008 WK

Tow Hooks and Hitches, Rear
Figure 13-520

ITEM	PART NUMBER	QTY	LINE	SERIES	BODY	ENGINE	TRANS	TRIM	DESCRIPTION
1	82208228	1							RECEIVER KIT, Trailer Tow
2	52090399AC	1	J, T		74				BRACE, Tow Hook
3	06104462AA	1	J, T		74				SCREW, Hex Head, Brace to Cradle
4	52089363AC	1	J, T		74				HOOK, Tow
5		1							SCREW, Hex Flange Head, M14x2x110, 10x1.5x20, (NOT SERVICED)
6	06502697	4	J, T		74				NUT, Hex Flange Lock, M12x1.75, Attaching to Rear Cradle



GRAND CHEROKEE (WK)

SERIES LINE
H = HIGHLINE T = JEEP - 2WD
P = PREMIUM J = JEEP - 4WD
S = SPORT
X = SPECIAL

BODY
74 = SPORT UTILITY 4-DR
TYPE #4

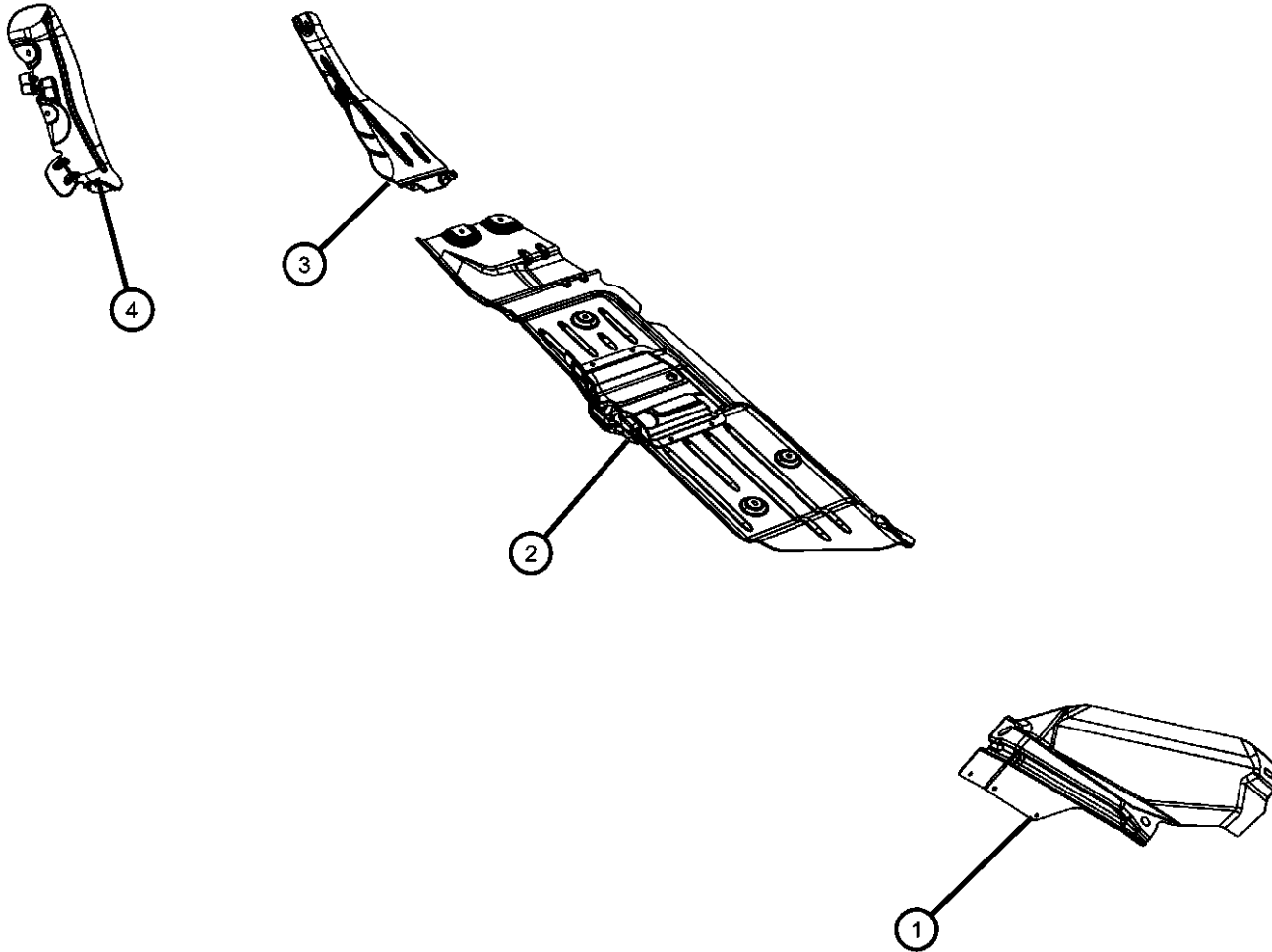
ENGINE TRANSMISSION
EVE = Engine - 4.7L V8 DOHC 3 Valve
EZB = 5.7L Hemi Multi Displacement Engine
EKG = 3.7L V6 Engine
ESF = 6.1L SRT HEMI SMPI V8 Engine
EXL = 3.0L V6 Turbo Diesel Engine
DGJ = 5-Speed Auto W5A580 Transmission
DGU = 5-Spd Auto W5J400 Transmission
DGQ = 5-Spd Automatic 545RFE Transmission

AR = use ase required - = Non illustrated part

2008 WK

Underbody Plates and Shields
Figure 13-704

ITEM	PART NUMBER	QTY	LINE	SERIES	BODY	ENGINE	TRANS	TRIM	DESCRIPTION
1	52090420AF	1	J, T	H, P, S	74				SHIELD, Spare Tire
	52124516AB	1	J, T		74				[AHX]
2	55394460AB	1	J, T		74				SHIELD, Exhaust, Muffler
3	55394456AC	1	J, T		74				SHIELD, Exhaust, Front Pipe or Converter
4	55394453AB	1	J, T		74				SHIELD, Exhaust, Front Pipe or Converter
	55197347AA	1	J, T		74				[EX0]
-5	06505199AA	2	J, T		74				NUT, Stamped Hex Flange, M5x1.60



GRAND CHEROKEE (WK)

SERIES LINE
H = HIGHLINE T = JEEP - 2WD
P = PREMIUM J = JEEP - 4WD
S = SPORT
X = SPECIAL

BODY
74 = SPORT UTILITY 4-DR
TYPE #4

ENGINE TRANSMISSION
EVE = Engine - 4.7L V8 DOHC 3 Valve
EZH = 5.7L Hemi Multi Displacement Engine
EKG = 3.7L V6 Engine
ESF = 6.1L SRT HEMI SMPI V8 Engine
EXL = 3.0L V6 Turbo Diesel Engine
DGJ = 5-Speed Auto W5A580 Transmission
DGU = 5-Spd Auto W5J400 Transmission
DGQ = 5-Spd Automatic 545RFE Transmission

AR = use ase required - = Non illustrated part

2008 WK

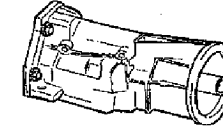
Group - 14

Fuel

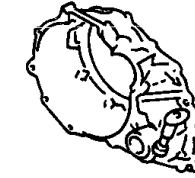
014-100
Fuel Tank



014-1000
Accelerator Pedal



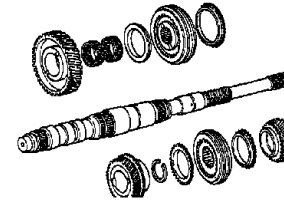
014-200
Fuel Tank Filler Tube



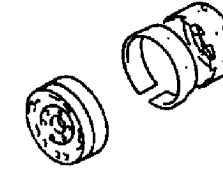
014-300
Fuel Lines



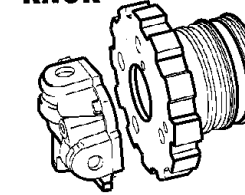
014-400
Fuel Rail and Injectors



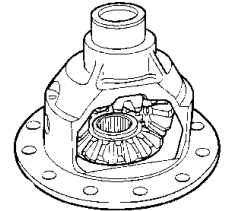
014-500
Fuel Pump and Sending Unit



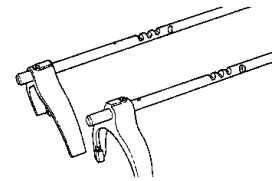
014-600
Throttle Body



014-800
Air Cleaner



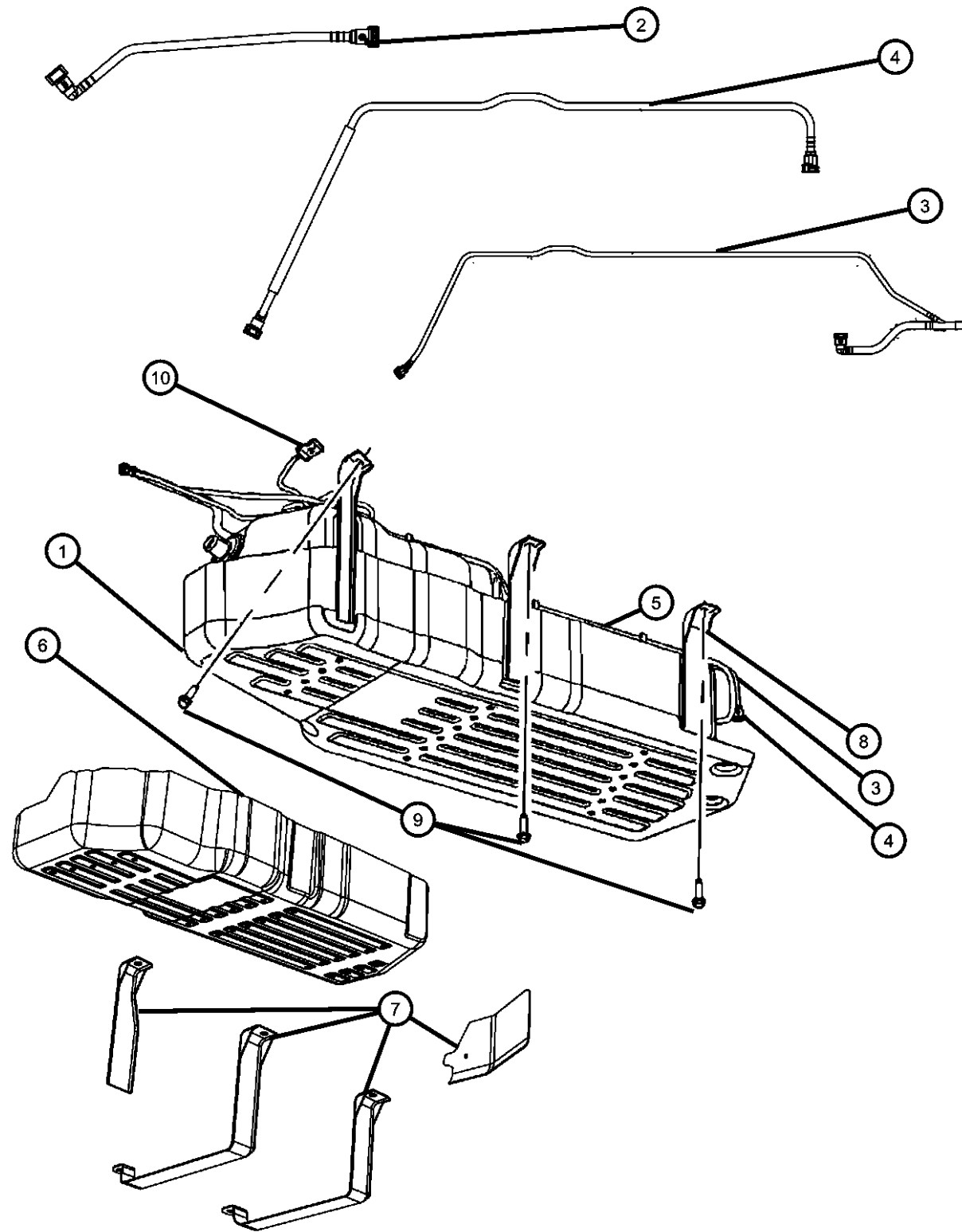
014-900
Air Inlet Components



Group - 14 Fuel

Illustration Title	Group-Fig. No.
Fuel Tank	
Fuel Tank	Fig. 14 - 105
Fuel Tank Filler Tube	
Fuel Filler Tube and Related	Fig. 14 - 205
Fuel Lines	
Fuel Lines Gas	Fig. 14 - 305
Fuel Lines Diesel.....	Fig. 14 - 310
Fuel Rail and Injectors	
Fuel Rail Gas	Fig. 14 - 405
Fuel Rail Diesel.....	Fig. 14 - 410
Fuel Pump and Sending Unit	
Fuel Sending Unit	Fig. 14 - 510
Fuel Injection Pump.....	Fig. 14 - 520
Fuel Filter and Related.....	Fig. 14 - 530
Throttle Body	
Throttle Body And Related, Gas Engines	Fig. 14 - 605
Throttle Body	Fig. 14 - 610
Air Cleaner	
Air Cleaner and Related	Fig. 14 - 805
Air Inlet Components	
Air Inlet and Components.....	Fig. 14 - 905
Accelerator Pedal	
Accelerator Pedal and Related.....	Fig. 14 - 1005

Fuel Tank
Figure 14-105



ITEM	PART NUMBER	QTY	LINE	SERIES	BODY	ENGINE	TRANS	TRIM	DESCRIPTION
1	52124339AB	1	J, T		74	EK0, ES0, EZ0			TANK, Fuel Flexible Fuel Vehicle
	68025106AC	1	J, T		74	EVE			Flexible Fuel Vehicle [NGB+XKN, with or without XEE]
	68033748AA	1	J, T		74	EX0			
	68025089AB	1	J, T		74	EVE			
	68025089AC	1	J, T		74	EK0, ES0, EZ0, EVE			[NGB] TUBE, Fuel Vapor Recirculation
2	05143791AA	1	J, T		74	EK0, ES0, EZ0, EVE			
3	68027880AA	1	J, T		74	EK0, ES0, EZ0, EVE			TUBE, Fuel Vapor
4	05143956AA	1	J, T		74	EX0			TUBE, Fuel Module to Supply Line
	68027883AB	1	J, T		74	EVE			Flexible Fuel Vehicle
	68027879AB	1	J, T		74	EK0, ES0, EZ0, EVE			Without / Skid Plate Without / Skid Plate
5	05143955AA	1	J, T		74	EX0			TUBE, Fuel Return Line
6	52090274AF	1	J, T		74	EVE			SKID PLATE, Fuel Tank
	52090270AF	1	J, T		74	EK0, ES0, EZ0, EVE			GUARD, Brush, Fuel Tank
8	52090411AC	1	J, T		74				BRACKET, Fuel Tank
9	06508267AA	3	J, T		74				BOLT AND WASHER, Hex Head, M12x1.75x40.00
10									WIRING, Fuel Module

GRAND CHEROKEE (WK)

SERIES LINE
H = HIGHLINE T = JEEP - 2WD
P = PREMIUM J = JEEP - 4WD
S = SPORT
X = SPECIAL

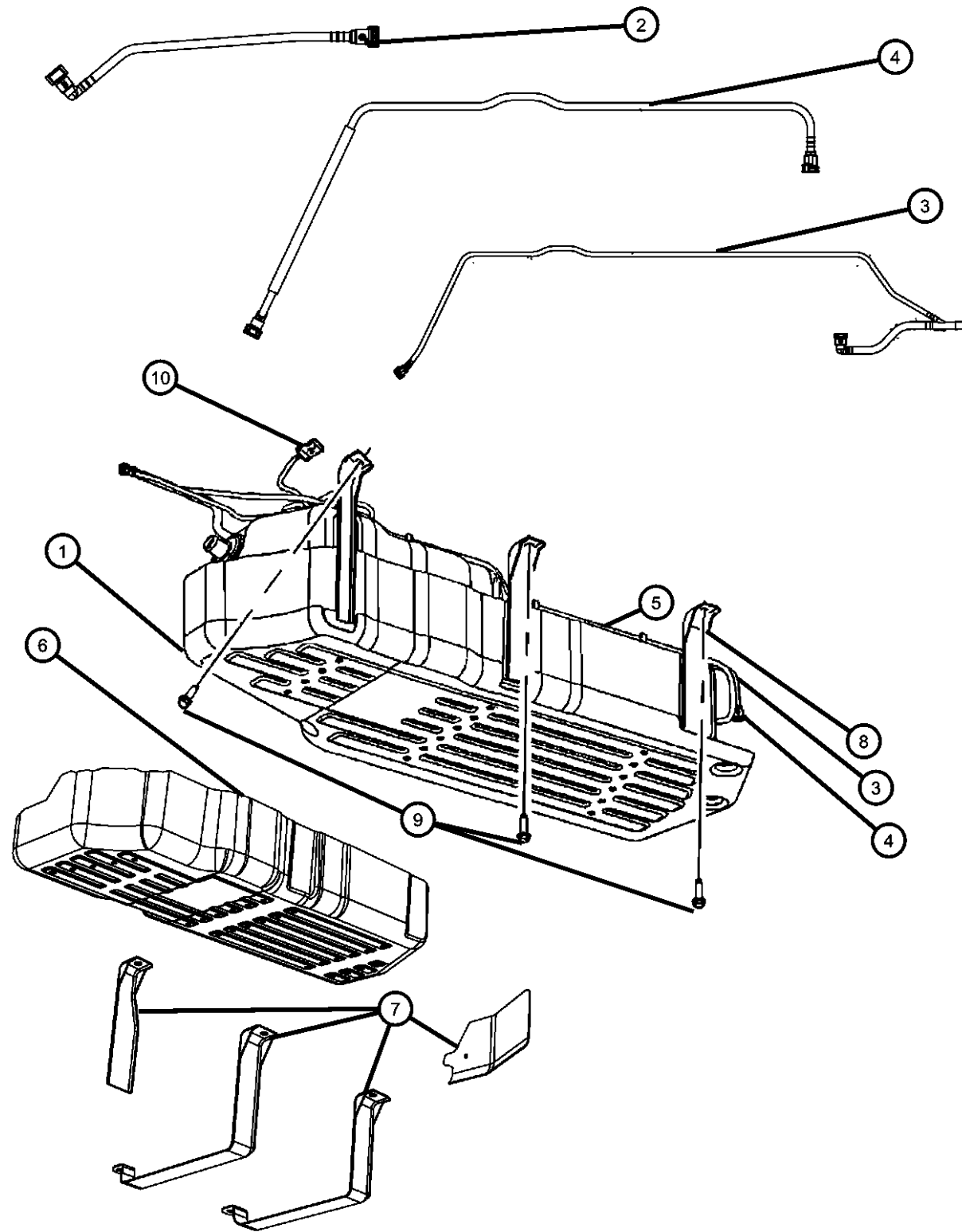
BODY
74 = SPORT UTILITY 4-DR
TYPE #4

ENGINE TRANSMISSION
EVE = Engine - 4.7L V8 DOHC 3 Valve
EZB = 5.7L Hemi Multi Displacement Engine
EKG = 3.7L V6 Engine
ESF = 6.1L SRT HEMI SMPI V8 Engine
EXL = 3.0L V6 Turbo Diesel Engine
DGJ = 5-Speed Auto W5A580 Transmission
DGU = 5-Spd Auto W5J400 Transmission
DGQ = 5-Spd Automatic 545RFE Transmission

AR = use ase required - = Non illustrated part

2008 WK

Fuel Tank
Figure 14-105



ITEM	PART NUMBER	QTY	LINE	SERIES	BODY	ENGINE	TRANS	TRIM	DESCRIPTION
------	-------------	-----	------	--------	------	--------	-------	------	-------------

	05143963AB	1	J, T		74	EK0, ES0, EZ0			
		1	J, T		74	EVE			

GRAND CHEROKEE (WK)

SERIES LINE
H = HIGHLINE T = JEEP - 2WD
P = PREMIUM J = JEEP - 4WD
S = SPORT
X = SPECIAL

BODY
74 = SPORT UTILITY 4-DR
TYPE #4

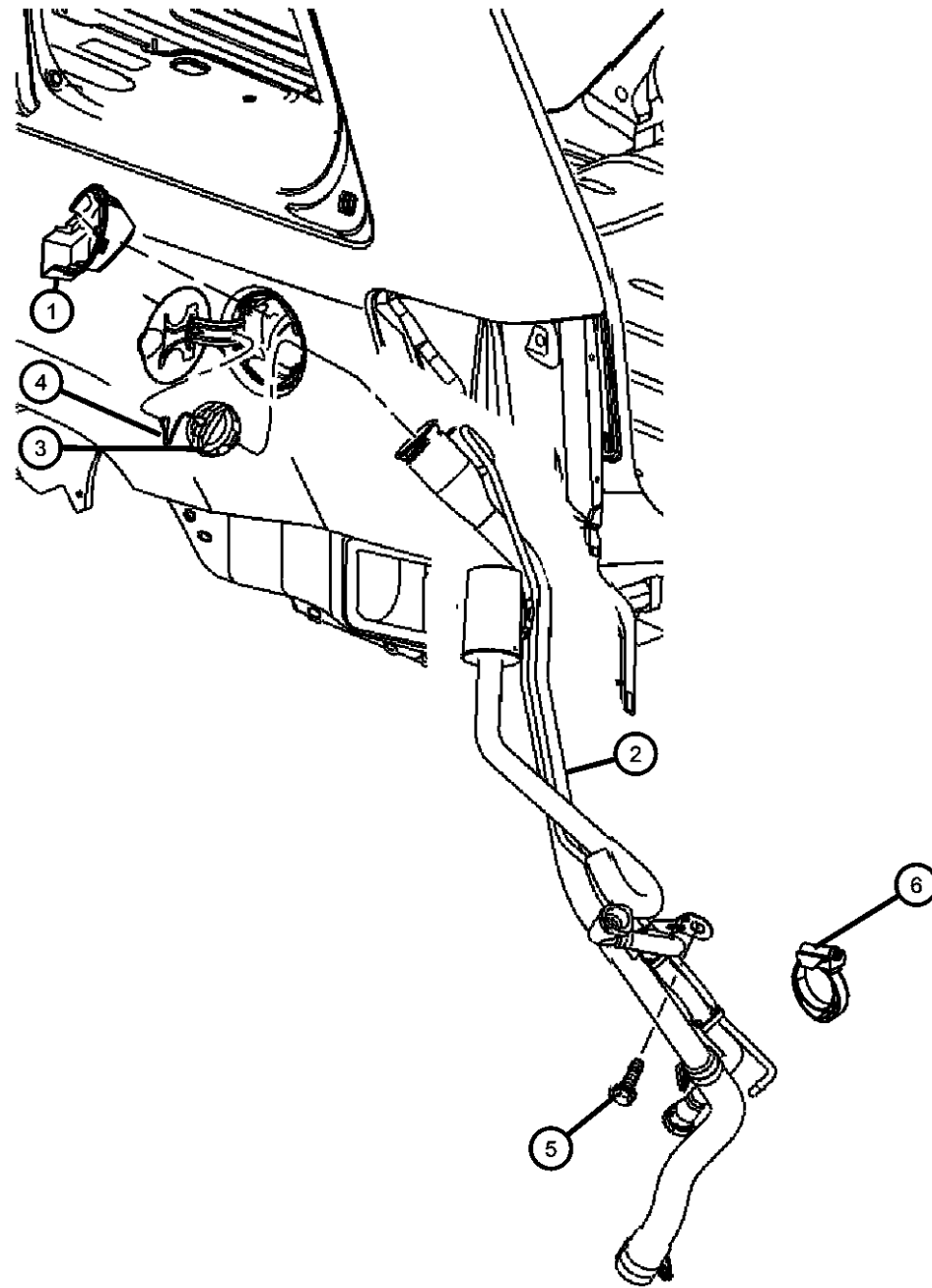
ENGINE
EVE = Engine - 4.7L V8 DOHC
3 Valve
EZB = 5.7L Hemi Multi
Displacement Engine
EKG = 3.7L V6 Engine
ESF = 6.1L SRT HEMI SMPI
V8 Engine
EXL = 3.0L V6 Turbo Diesel
Engine

TRANSMISSION
DGJ = 5-Speed Auto W5A580
Transmission
DGU = 5-Spd Auto W5J400
Transmission
DGQ = 5-Spd Automatic 545RFE
Transmission

AR = use ase required - = Non illustrated part

2008 WK

Fuel Filler Tube and Related
Figure 14-205



ITEM	PART NUMBER	QTY	LINE	SERIES	BODY	ENGINE	TRANS	TRIM	DESCRIPTION
1	52090493AB	1	J, T		74				HOUSING, Fuel Filler
2	52090315AI	1	J, T		74	EK0, ES0, EV0, EZ0			TUBE, Fuel Filler
3	52090321AH	1	J, T		74	EX0			CAP, Fuel Filler
	52124512AA	1	J, T		74	EK0, ES0, EZ0			
	52124513AA	1	J, T		74	EVE			
	52124596AA	1	J, T		74	EX0			
4	04682676	1	J, T		74	EVE			[XKN] Flex Fuel Vehicle TETHER, Fuel Filler Cap
	06104386AA	1	J, T		74	EX0			
5	06104386AA	1	J, T		74	EK0, ES0, EZ0			BOLT AND WASHER, Hex Head, M8X1.25X25.00
6	06504998AA	1	J, T		74	EVE			CLAMP, Hose
		1	J, T		74	EX0			
		1	J, T		74	EK0, ES0, EV0, EZ0			

GRAND CHEROKEE (WK)

SERIES LINE
H = HIGHLINE T = JEEP - 2WD
P = PREMIUM J = JEEP - 4WD
S = SPORT
X = SPECIAL

BODY
74 = SPORT UTILITY 4-DR
TYPE #4

ENGINE TRANSMISSION
EVE = Engine - 4.7L V8 DOHC 3 Valve
EZB = 5.7L Hemi Multi Displacement Engine
EKG = 3.7L V6 Engine
ESF = 6.1L SRT HEMI SMPI V8 Engine
EXL = 3.0L V6 Turbo Diesel Engine
DGJ = 5-Speed Auto W5A580 Transmission
DGU = 5-Spd Auto W5J400 Transmission
DGQ = 5-Spd Automatic 545RFE Transmission

AR = use ase required - = Non illustrated part

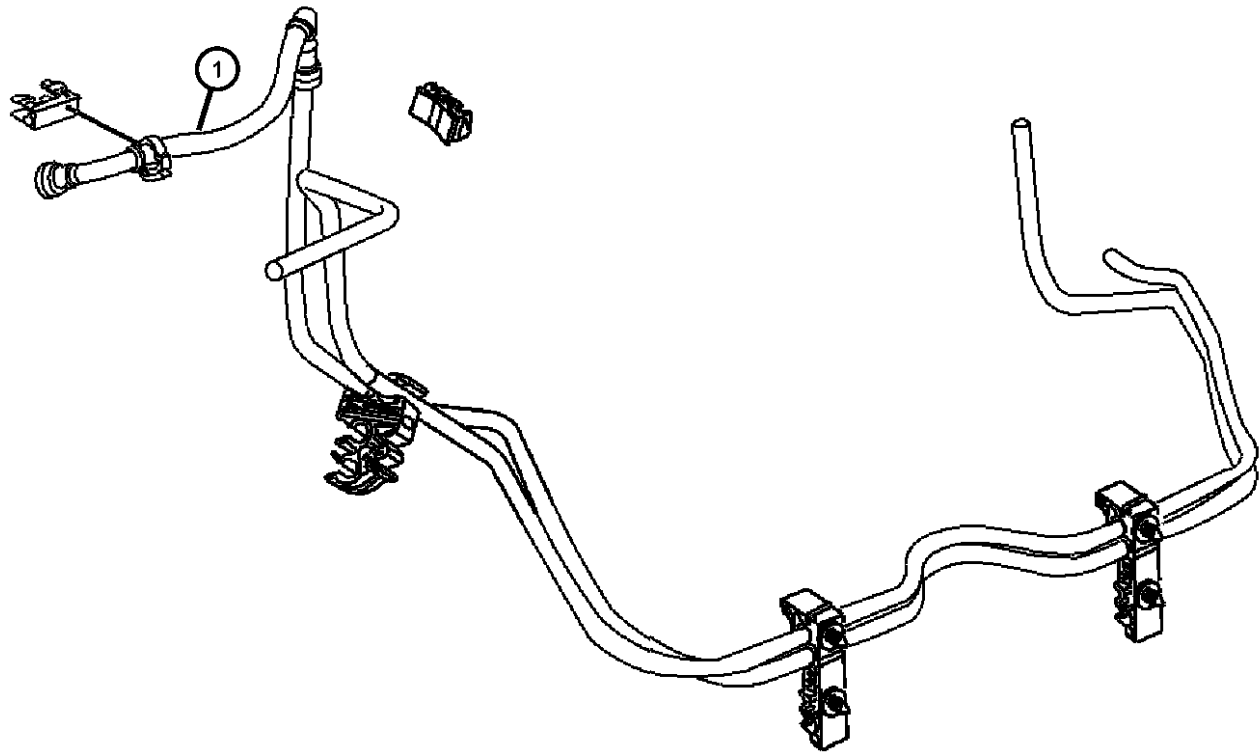
2008 WK

Fuel Lines Gas
Figure 14-305

ITEM	PART NUMBER	QTY	LINE	SERIES	BODY	ENGINE	TRANS	TRIM	DESCRIPTION
------	-------------	-----	------	--------	------	--------	-------	------	-------------

Note Sale Code: [EKG]=MAGNUM 3.7L V6 ENGINE
[EZA]=5.7L HEMI V8 ENGINE
[ESF]=6.1L SRT HEMI MDS V8 ENGINE

1									BUNDLE, Fuel and Brake Tube
	52124240AD	1	J, T		74	ESF, EZ0			
	52124669AA	1	J, T		74	EVO			
	52124026AG	1	J, T		74	EK0			



GRAND CHEROKEE (WK)

SERIES LINE
H = HIGHLINE T = JEEP - 2WD
P = PREMIUM J = JEEP - 4WD
S = SPORT
X = SPECIAL

BODY
74 = SPORT UTILITY 4-DR
TYPE #4

ENGINE
EVE = Engine - 4.7L V8 DOHC
3 Valve
EZB = 5.7L Hemi Multi
Displacement Engine
EKG = 3.7L V6 Engine
ESF = 6.1L SRT HEMI SMPI
V8 Engine
EXL = 3.0L V6 Turbo Diesel
Engine

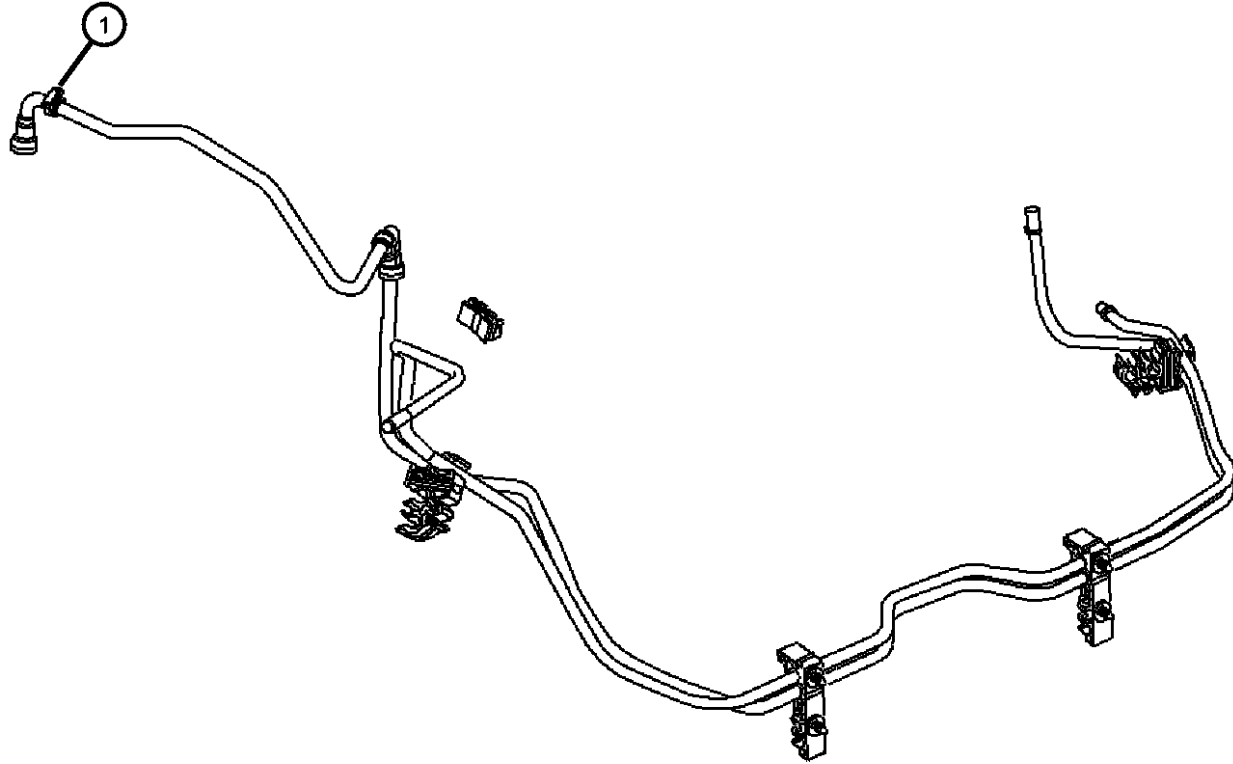
TRANSMISSION
DGJ = 5-Speed Auto W5A580
Transmission
DGU = 5-Spd Auto W5J400
Transmission
DGQ = 5-Spd Automatic 545RFE
Transmission

AR = use ase required - = Non illustrated part

2008 WK

Fuel Lines Diesel
Figure 14-310

ITEM	PART NUMBER	QTY	LINE	SERIES	BODY	ENGINE	TRANS	TRIM	DESCRIPTION
1	52124444AB	1	J, T		74	EX0			BUNDLE, Fuel and Brake Tube



GRAND CHEROKEE (WK)

SERIES LINE
H = HIGHLINE T = JEEP - 2WD
P = PREMIUM J = JEEP - 4WD
S = SPORT
X = SPECIAL

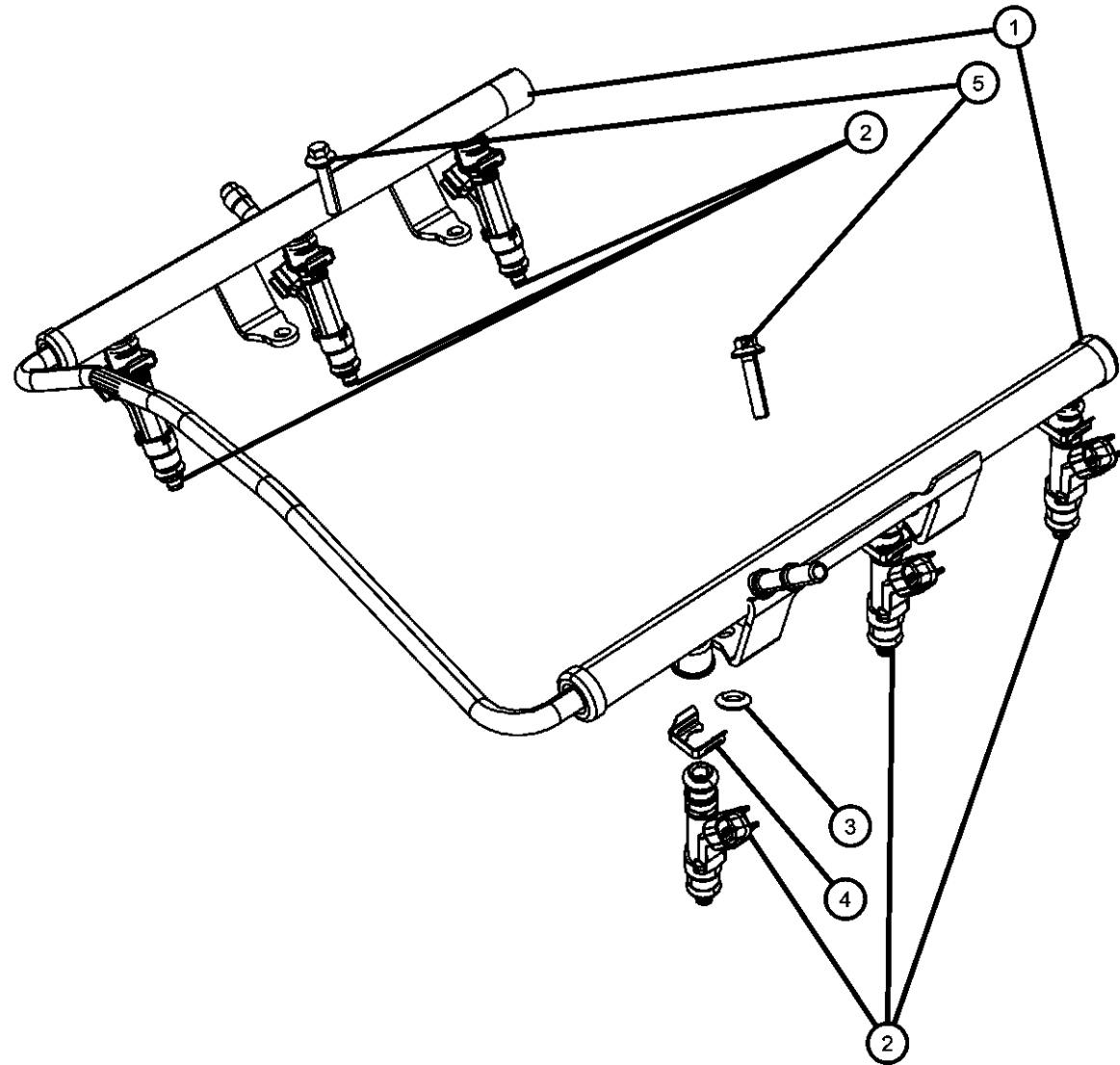
BODY
74 = SPORT UTILITY 4-DR
TYPE #4

ENGINE TRANSMISSION
EVE = Engine - 4.7L V8 DOHC 3 Valve DGJ = 5-Speed Auto W5A580 Transmission
EZB = 5.7L Hemi Multi Displacement Engine DGU = 5-Spd Auto W5J400 Transmission
EKG = 3.7L V6 Engine DGQ = 5-Spd Automatic 545RFE Transmission
ESF = 6.1L SRT HEMI SMPI V8 Engine
EXL = 3.0L V6 Turbo Diesel Engine

AR = use ase required - = Non illustrated part

2008 WK

Fuel Rail Gas
Figure 14-405



ITEM	PART NUMBER	QTY	LINE	SERIES	BODY	ENGINE	TRANS	TRIM	DESCRIPTION
1									RAIL, Fuel
	04591853AG	1	J, T		74	EZB			
	05037480AA	1	J, T		74	ESF			
	53031102AB	1	J, T		74	EK0			
	53032903AC	1	J, T		74	EVO			
2									INJECTOR, Fuel
	04591851AA	8	J, T		74	EZB			
	53032701AA	6	J, T		74	EK0			
	68000881AA								Wholesale Bulk Injector Package - 70 pieces of 53032701AA
	68028405AA	1	J, T		74	EXL			
	68045799AA	8	J, T		74	EVO			
	05037479AA	8	J, T		74	ESF			
3									O RING KIT, Fuel Injector
	04897125AA	8	J, T		74	EVO			
		8	J, T		74	EZB			
	05083745AA	1	J, T		74	EK0			
4									CLIP, Fuel Injector
	04418257AB	6	J, T		74	EK0			
	53030058AC	8	J, T		74	EZB			
		8	J, T		74	ESF			
	53032905AA	8	J, T		74	EVO			
5	06505504AA	4	J, T		74	EK0			BOLT, Hex Flange Head, M6X1.00X27.00

GRAND CHEROKEE (WK)

SERIES LINE
H = HIGHLINE T = JEEP - 2WD
P = PREMIUM J = JEEP - 4WD
S = SPORT
X = SPECIAL

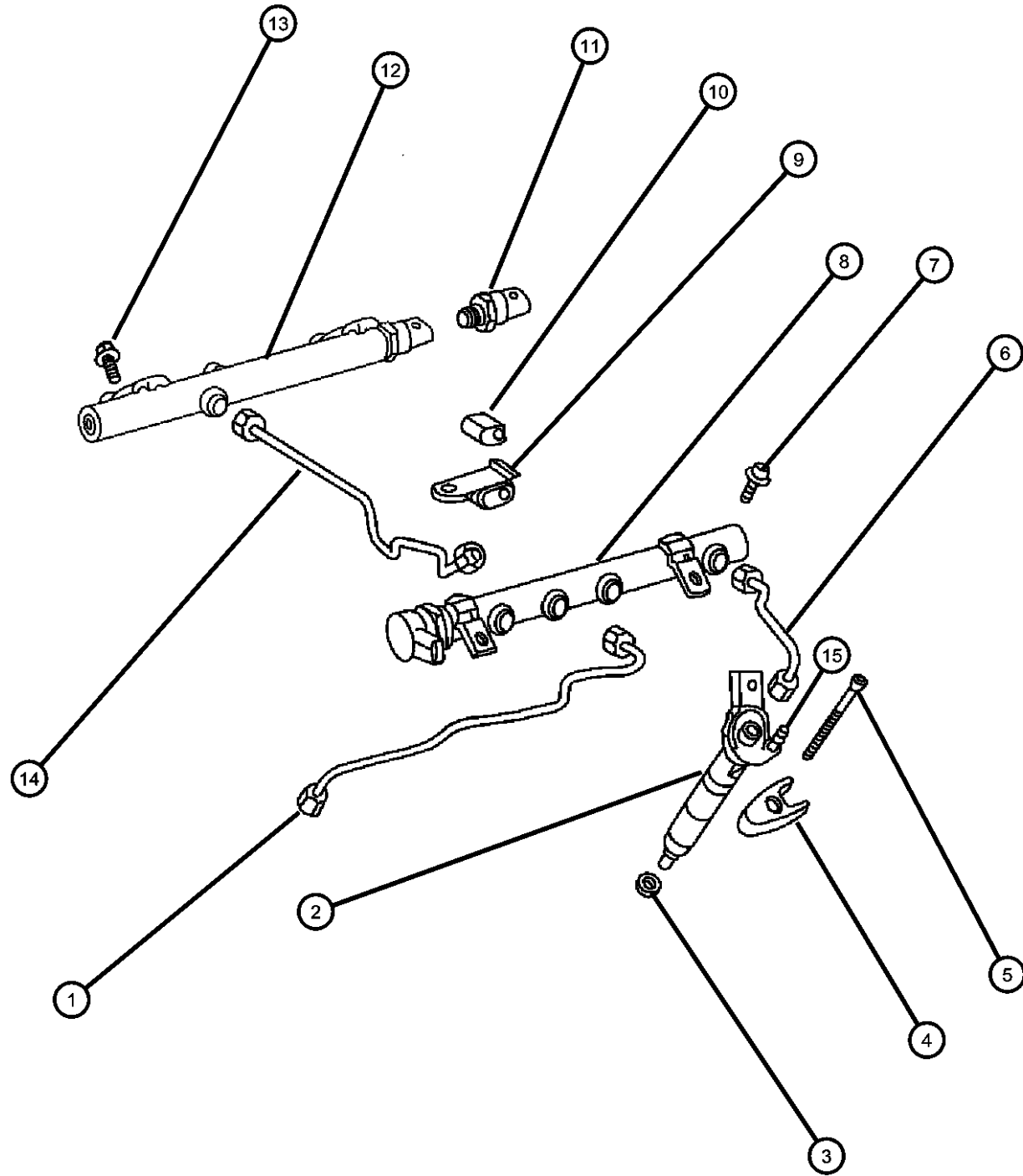
BODY
74 = SPORT UTILITY 4-DR
TYPE #4

ENGINE TRANSMISSION
EVE = Engine - 4.7L V8 DOHC 3 Valve DGJ = 5-Speed Auto W5A580
Transmission
EZB = 5.7L Hemi Multi DGU = 5-Spd Auto W5J400
Displacement Engine Transmission
EKG = 3.7L V6 Engine DGQ = 5-Spd Automatic 545RFE
ESF = 6.1L SRT HEMI SMPI Transmission
V8 Engine
EXL = 3.0L V6 Turbo Diesel
Engine

AR = use ase required - = Non illustrated part

2008 WK

Fuel Rail Diesel
Figure 14-410



ITEM	PART NUMBER	QTY	LINE	SERIES	BODY	ENGINE	TRANS	TRIM	DESCRIPTION
------	-------------	-----	------	--------	------	--------	-------	------	-------------

Note Sales Code: [EX0] =ALL 3.0/3.1L Turbo Diesels

1	05175612AA	1	J, T		74	EXL			TUBE, Fuel Injector Supply
2	68028405AA	6	J, T		74	EXL			INJECTOR, Fuel
3	05080301AA	6	J, T		74	EXL			O RING, Fuel Injector
4	05175620AA	6	J, T		74	EXL			BRACKET, Fuel Line
5	05175770AA	3	J, T		74	EXL			SCREW
6	05175619AA	6	J, T		74	EXL			TUBE
7	05073701AA	2	J, T		74	EXL			SCREW
8	68014068AA	1	J, T		74	EXL			RAIL, Fuel
9	05080296AA	2	J, T		74	EXL			CLAMP
10	05080297AA	2	J, T		74	EXL			INSULATOR
11	68032066AA	1	J, T		74	EXL			SENSOR, Fuel Pressure
12	68032065AA	1	J, T		74	EXL			RAIL, Fuel
13	05073701AA	2	J, T		74	EXL			SCREW
14	05175618AA	1	J, T		74	EXL			TUBE
15	68014080AA	6	J, T		74	EXL			O RING

GRAND CHEROKEE (WK)

SERIES LINE
H = HIGHLINE T = JEEP - 2WD
P = PREMIUM J = JEEP - 4WD
S = SPORT
X = SPECIAL

BODY
74 = SPORT UTILITY 4-DR
TYPE #4

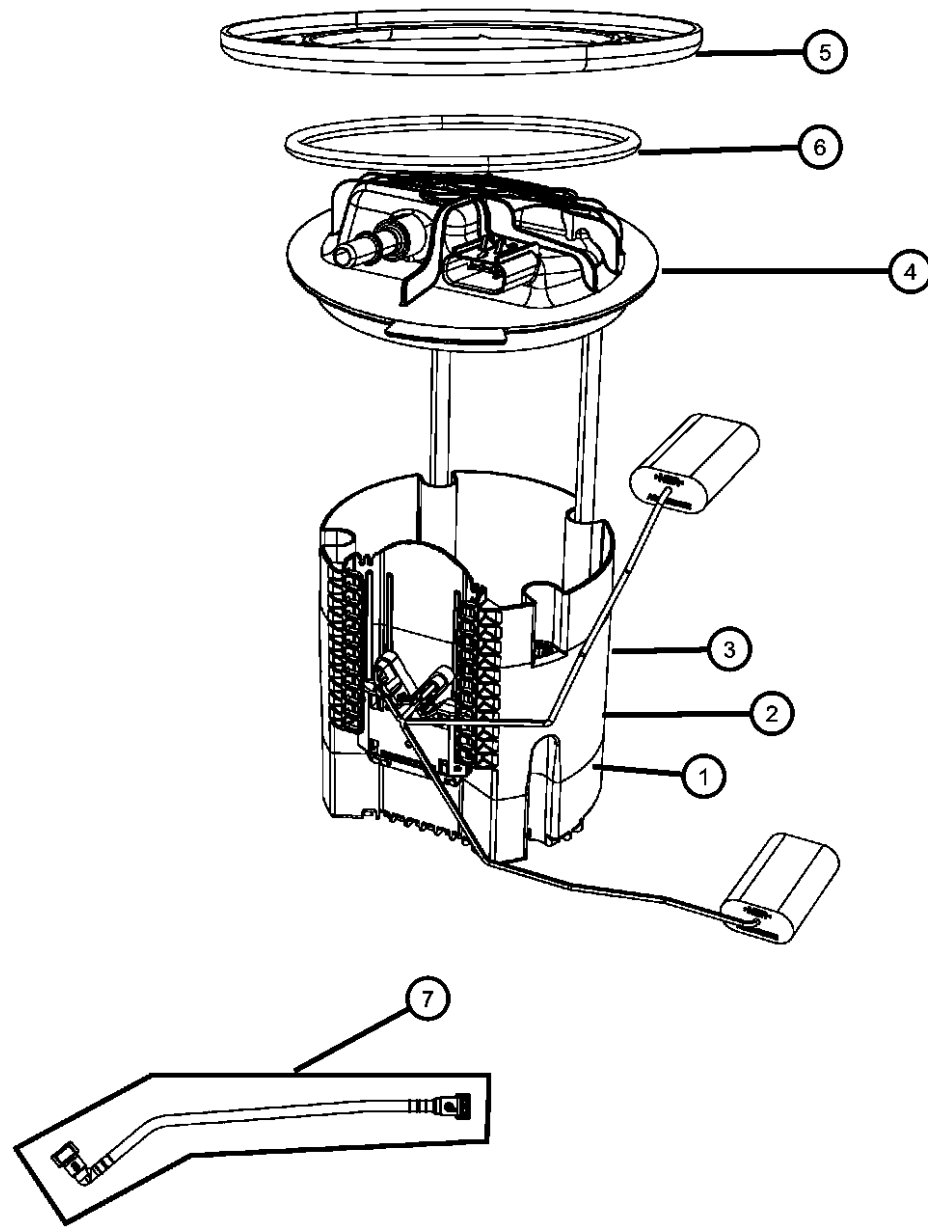
ENGINE TRANSMISSION
EVE = Engine - 4.7L V8 DOHC 3 Valve
EVB = Engine - 4.7L V8 DOHC 3 Valve
EZE = 5.7L Hemi Multi Displacement Engine
EKG = 3.7L V6 Engine
ESF = 6.1L SRT HEMI SMPI V8 Engine
EXL = 3.0L V6 Turbo Diesel Engine
DGJ = 5-Speed Auto W5A580 Transmission
DGU = 5-Spd Auto W5J400 Transmission
DGQ = 5-Spd Automatic 545RFE Transmission

AR = use ase required - = Non illustrated part

2008 WK

**Fuel Sending Unit
Figure 14-510**

ITEM	PART NUMBER	QTY	LINE	SERIES	BODY	ENGINE	TRANS	TRIM	DESCRIPTION
1	68024002AA	1	J, T		74	EVE			MODULE PACKAGE, Fuel Pump/Level Unit, This Kit Contain fuel Module assy 0-Ring uel Pump and Level Unit, FLEXIBLE FUEL VEHICLE
2	05143579AI	1	J, T		74	EK0, ES0, EZ0			MODULE KIT, Fuel Pump/Level Unit, This Kit Contain fuel Module assy 0-Ring uel Pump and Level Unit
3	05175039AC	1	J, T		74	EVE			MODULE, Fuel Tank - Diesel
4	68028976AA	1	J, T		74	EX0			LEVEL UNIT KIT, Fuel
5	55366299AA	1	J, T		74	EK0, ES0, EZ0			RING, Lock, Fuel Module
6	55366298AA	1	J, T		74	EVE			O RING, Fuel Pump and Level Unit
7	05143956AA	1	J, T		74	EVE			TUBE, Fuel Module to Supply Line
	68027879AB	1	J, T		74	EK0, ES0, EZ0			
	68027883AB	1	J, T		74	EVE			FLEXIBLE FUEL VEHICLE



GRAND CHEROKEE (WK)

SERIES LINE
H = HIGHLINE T = JEEP - 2WD
P = PREMIUM J = JEEP - 4WD
S = SPORT
X = SPECIAL

BODY
74 = SPORT UTILITY 4-DR
TYPE #4

ENGINE
EVE = Engine - 4.7L V8 DOHC
3 Valve
EZB = 5.7L Hemi Multi
Displacement Engine
EKG = 3.7L V6 Engine
ESF = 6.1L SRT HEMI SMPI
V8 Engine
EXL = 3.0L V6 Turbo Diesel
Engine

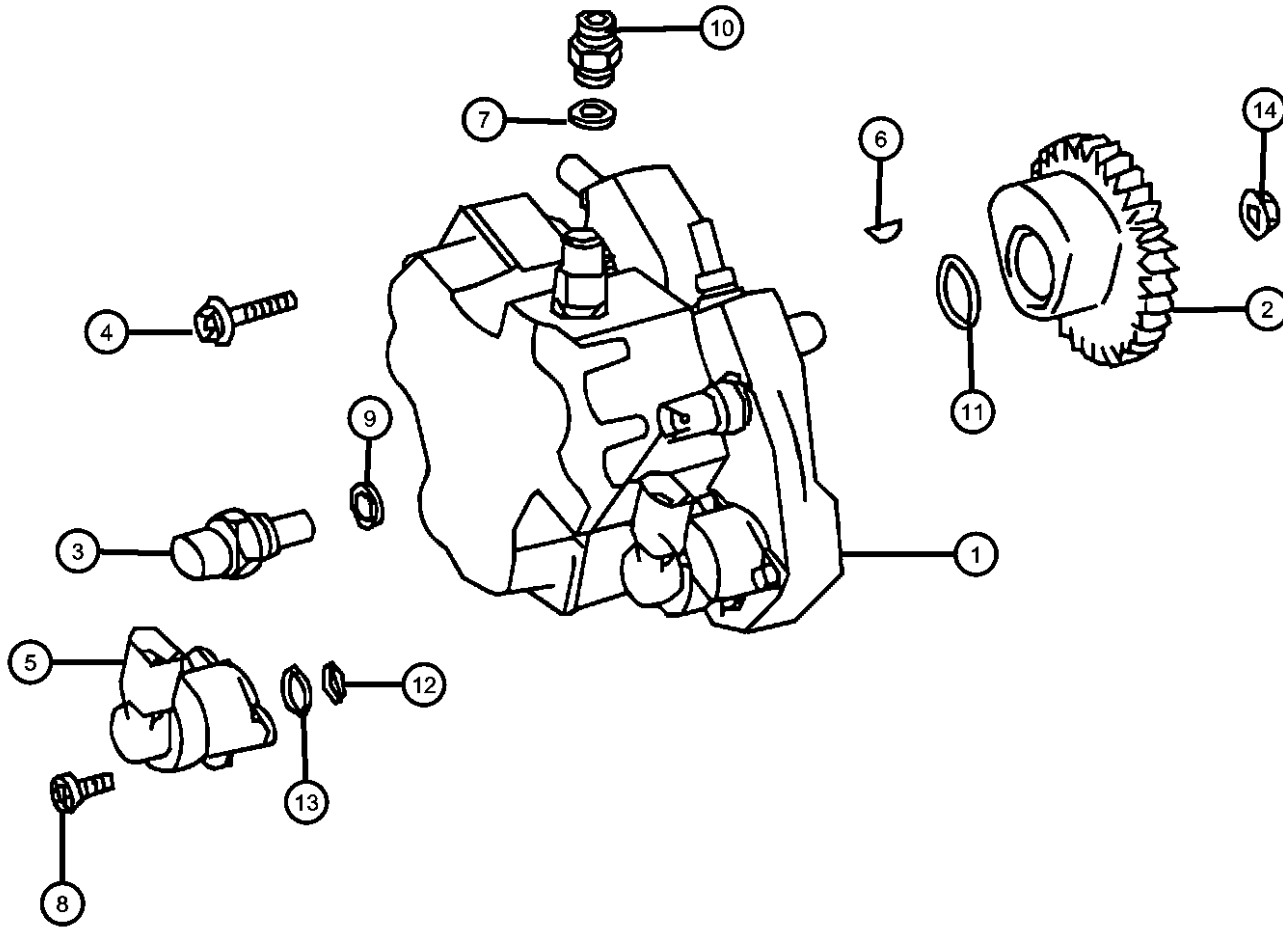
TRANSMISSION
DGJ = 5-Speed Auto W5A580
Transmission
DGU = 5-Spd Auto W5J400
Transmission
DGQ = 5-Spd Automatic 545RFE
Transmission

AR = use ase required - = Non illustrated part

2008 WK

**Fuel Injection Pump
Figure 14-520**

ITEM	PART NUMBER	QTY	LINE	SERIES	BODY	ENGINE	TRANS	TRIM	DESCRIPTION
Note Sales Code:[EX0] = 3.0/3.1L Turbo Diesels									
1	68018733AA	1	J, T		74	EXL			PUMP, Fuel Injection
2	05175601AA	1	J, T		74	EXL			GEAR, Injection Pump
3	05103534AB	1	J, T		74	EXL			SENDING UNIT, Temperature Gauge
4	68014063AA	3	J, T		74	EXL			SCREW, Injection Pump to Cylinder Head, Mounting
5	68014062AA	1	J, T		74	EXL			VALVE, Flow Control
6	05175602AA	1	J, T		74	EXL			KEY, Woodruff
7	05175769AA	1	J, T		74	EXL			O RING
8	05175770AA	3	J, T		74	EXL			SCREW, Valve to Housing, Mounting
9	05179226AA	1	J, T		74	EXL			GASKET
10	05175768AA	1	J, T		74	EXL			CONNECTOR, Fuel Line
11	68014061AA	1	J, T		74	EXL			GASKET
12	05142116AA	1	J, T		74	EXL			GASKET, Injection Pump
13	05142117AA	1	J, T		74	EXL			GASKET, Injection Pump
14	06104719AA	1	J, T		74	EXL			NUT, Hex Flange Lock, M14x1.50



GRAND CHEROKEE (WK)

SERIES LINE
H = HIGHLINE T = JEEP - 2WD
P = PREMIUM J = JEEP - 4WD
S = SPORT
X = SPECIAL

BODY
74 = SPORT UTILITY 4-DR
TYPE #4

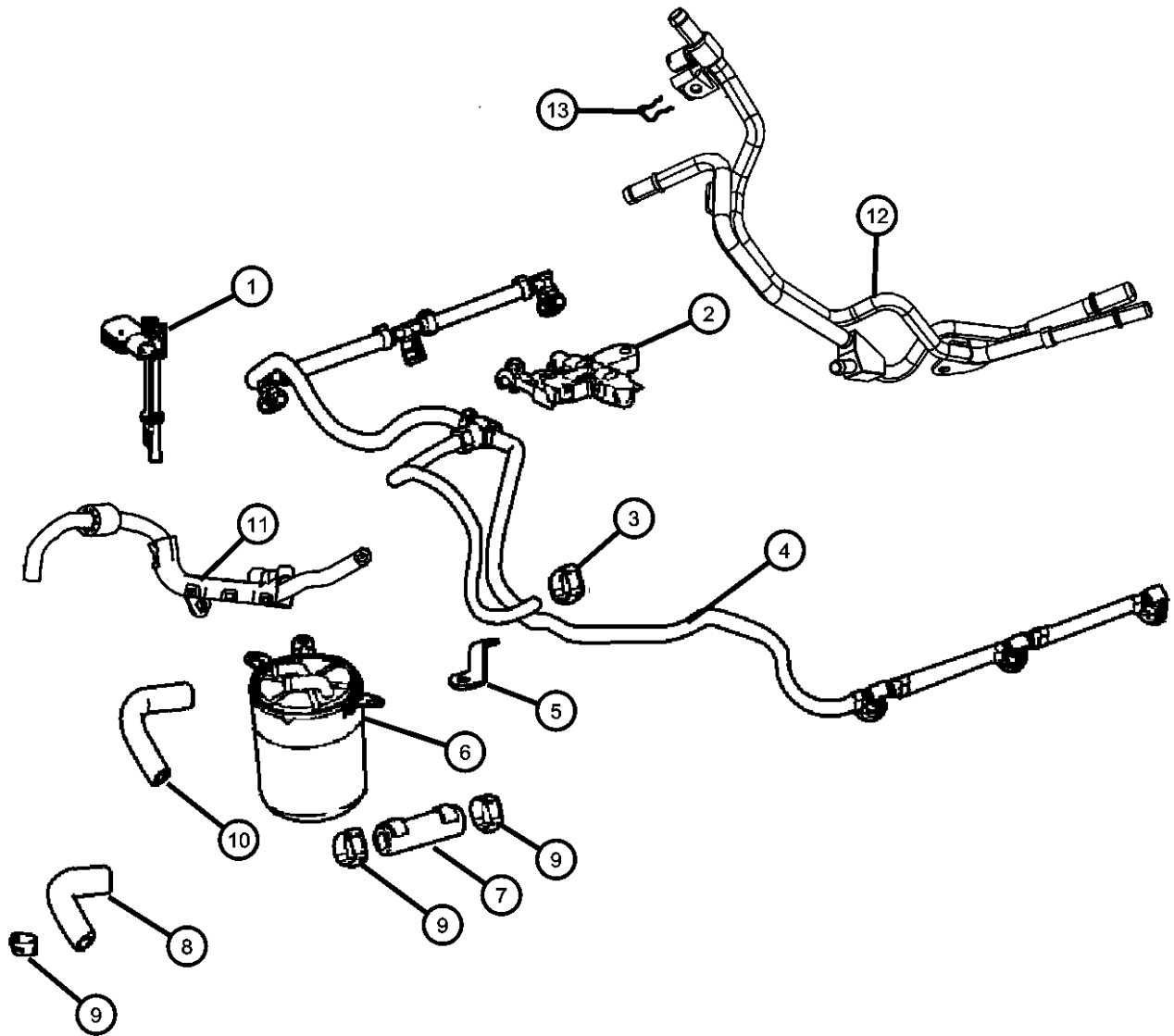
ENGINE
EVE = Engine - 4.7L V8 DOHC
3 Valve
EZB = 5.7L Hemi Multi
Displacement Engine
EKG = 3.7L V6 Engine
ESF = 6.1L SRT HEMI SMPI
V8 Engine
EXL = 3.0L V6 Turbo Diesel
Engine

TRANSMISSION
DGJ = 5-Speed Auto W5A580
Transmission
DGU = 5-Spd Auto W5J400
Transmission
DGQ = 5-Spd Automatic 545RFE
Transmission

AR = use ase required - = Non illustrated part

2008 WK

Fuel Filter and Related
Figure 14-530



ITEM	PART NUMBER	QTY	LINE	SERIES	BODY	ENGINE	TRANS	TRIM	DESCRIPTION
1	05117542AA	1	J, T		74	EXL			SENSOR, Fuel/Water
2	05175595AA	1	J, T		74	EXL			BRACKET
3	05175594AA	1	J, T		74	EXL			CLAMP
4									TUBE, Fuel Return, Includes elbow fitting
	05175807AA	1	J, T		74	EXL			For use up engine serial number 137622.
	68022031AA	1	J, T	H, P, S	74	EXL	DGU		For use from engine serial number 137622 and forward.
5	05175596AA	1	J, T		74	EXL			BRACKET
6	05175429AB	1	J, T		74	EXL			FILTER, Fuel
7	68005707AB	1	J, T		74	EXL			HOSE, Fuel
8	05175592AC	1	J, T		74	EXL			TUBE, Fuel
9	05080439AC	4	J, T		74	EXL			CLAMP
10	05175591AB	1	J, T		74	EXL			TUBE, Fuel
11	68003484AA	1	J, T		74	EXL			HOSE, Fuel Filter, This is the rubber hose off the corner of the injection pump.
12	68005699AA	1	J, T		74	EXL			LINE, Fuel, Includes T Fitting
13	68005701AA	1	J, T		74	EXL			CLAMP

GRAND CHEROKEE (WK)

SERIES LINE
H = HIGHLINE T = JEEP - 2WD
P = PREMIUM J = JEEP - 4WD
S = SPORT
X = SPECIAL

BODY
74 = SPORT UTILITY 4-DR
TYPE #4

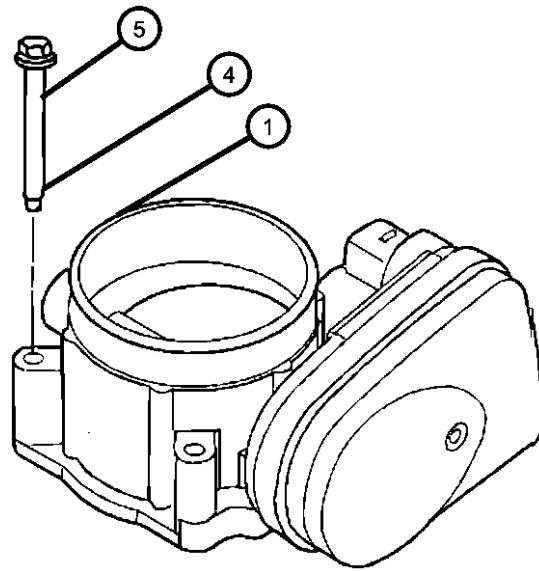
ENGINE
EVE = Engine - 4.7L V8 DOHC
3 Valve
EZB = 5.7L Hemi Multi
Displacement Engine
EKG = 3.7L V6 Engine
ESF = 6.1L SRT HEMI SMPI
V8 Engine
EXL = 3.0L V6 Turbo Diesel
Engine

TRANSMISSION
DGJ = 5-Speed Auto W5A580
Transmission
DGU = 5-Spd Auto W5J400
Transmission
DGQ = 5-Spd Automatic 545RFE
Transmission

AR = use ase required - = Non illustrated part

Throttle Body And Related, Gas Engines
Figure 14-605

ITEM	PART NUMBER	QTY	LINE	SERIES	BODY	ENGINE	TRANS	TRIM	DESCRIPTION
1									THROTTLE BODY
	04591847AC	1	J, T		74	EZB			
		1	J, T		74	ESF			
	04861661AA	1	J, T		74	EK0			
	53032837AA	1	J, T		74	EVO			
-2									GASKET, Throttle Body
	04666113AA	1	J, T		74	EK0			
	53032763AA	1	J, T		74	EVO			
-3									SEAL, Throttle Body to Intake
	53032383AB	1	J, T		74	EZB			
		1	J, T		74	ESF			
4	06507725AA	4	J, T		74	EVO			BOLT, Hex Head Flat Washer, M5.74X1.81X49.00, M6X1.00X40.00
5									BOLT, Hex Flange Head, M6X1.00X45.00
	06104186AA	4	J, T		74	ESF			
		4	J, T		74	EK0			



GRAND CHEROKEE (WK)

SERIES LINE
H = HIGHLINE T = JEEP - 2WD
P = PREMIUM J = JEEP - 4WD
S = SPORT
X = SPECIAL

BODY
74 = SPORT UTILITY 4-DR TYPE #4

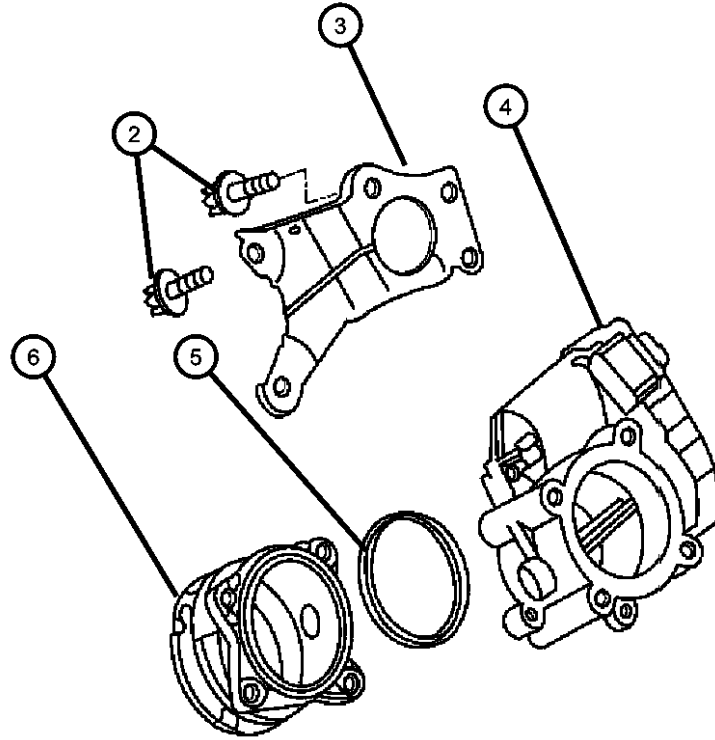
ENGINE TRANSMISSION
EVE = Engine - 4.7L V8 DOHC 3 Valve
EZB = 5.7L Hemi Multi Displacement Engine
EKG = 3.7L V6 Engine
ESF = 6.1L SRT HEMI SMPI V8 Engine
EXL = 3.0L V6 Turbo Diesel Engine
DGJ = 5-Speed Auto W5A580 Transmission
DGU = 5-Spd Auto W5J400 Transmission
DGQ = 5-Spd Automatic 545RFE Transmission

AR = use ase required - = Non illustrated part

2008 WK

**Throttle Body
Figure 14-610**

ITEM	PART NUMBER	QTY	LINE	SERIES	BODY	ENGINE	TRANS	TRIM	DESCRIPTION
Note Sale Code: [DG0] = All Automatic Transmissions [EX0] = All 3.0/3.1L Turbo Diesels									
-1	06104006AA	1	J, T		74	EXL			BOLT, Torx Socket Head, M6X1.00X20.00
2	06104004AA	1	J, T		74	EX0			SCREW, 6 Lobe, M6X1.00X12.00
3	05175730AA	1	J, T		74	EXL			BRACKET, Air Duct
4	68012325AA	1	J, T		74	EXL			THROTTLE BODY
5	05175729AA	1	J, T		74	EXL			GASKET
6	05175728AA	1	J, T		74	EXL			FLANGE, Intake throttle



GRAND CHEROKEE (WK)

SERIES LINE
H = HIGHLINE T = JEEP - 2WD
P = PREMIUM J = JEEP - 4WD
S = SPORT
X = SPECIAL

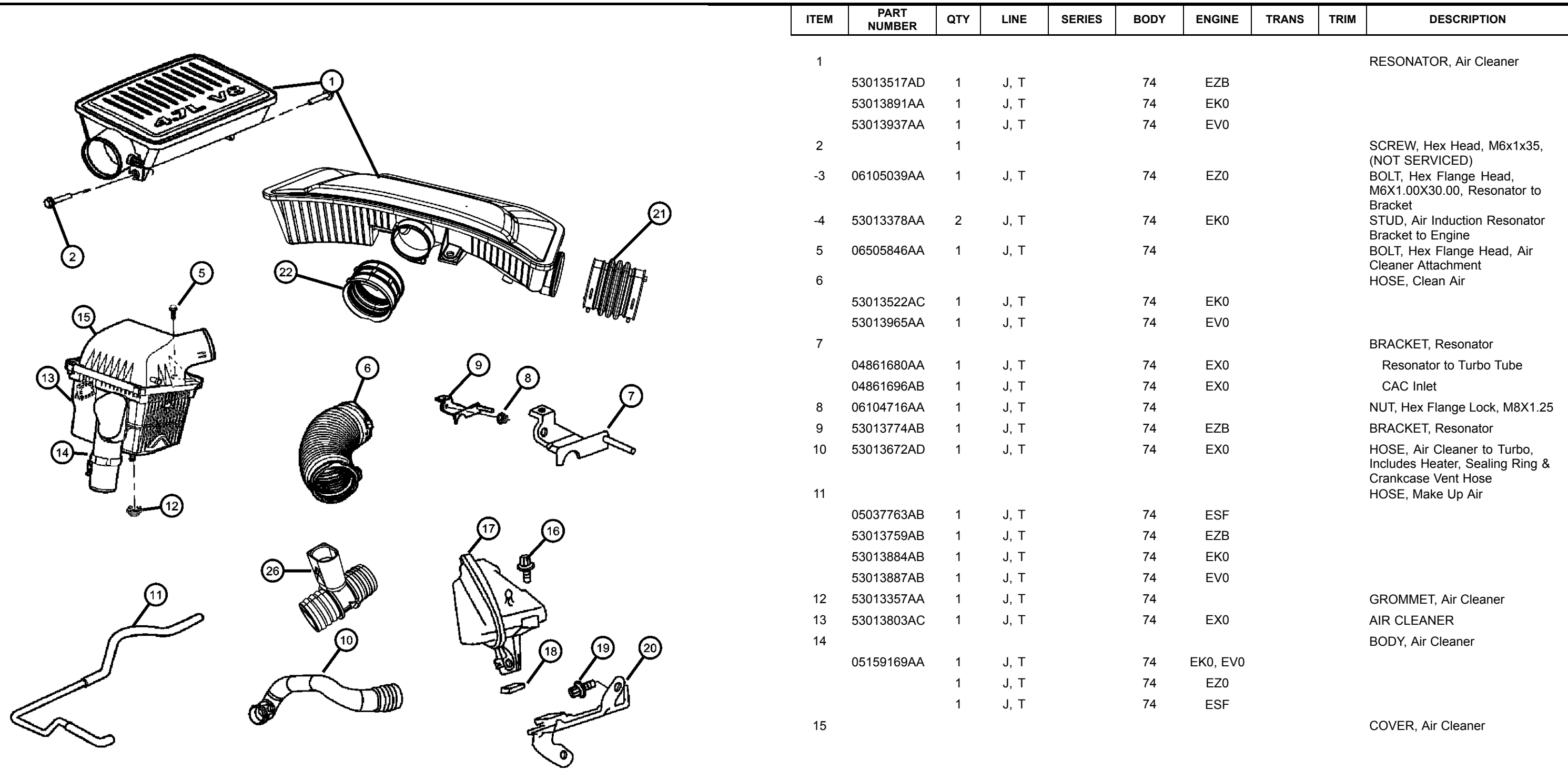
BODY
74 = SPORT UTILITY 4-DR
TYPE #4

ENGINE TRANSMISSION
EVE = Engine - 4.7L V8 DOHC 3 Valve
EZB = 5.7L Hemi Multi Displacement Engine
EKG = 3.7L V6 Engine
ESF = 6.1L SRT HEMI SMPI V8 Engine
EXL = 3.0L V6 Turbo Diesel Engine
DGJ = 5-Speed Auto W5A580 Transmission
DGU = 5-Spd Auto W5J400 Transmission
DGQ = 5-Spd Automatic 545RFE Transmission

AR = use ase required - = Non illustrated part

2008 WK

**Air Cleaner and Related
Figure 14-805**



ITEM	PART NUMBER	QTY	LINE	SERIES	BODY	ENGINE	TRANS	TRIM	DESCRIPTION
1									RESONATOR, Air Cleaner
	53013517AD	1	J, T		74	EZB			
	53013891AA	1	J, T		74	EK0			
	53013937AA	1	J, T		74	EVO			
2		1							SCREW, Hex Head, M6x1x35, (NOT SERVICED)
-3	06105039AA	1	J, T		74	EZ0			BOLT, Hex Flange Head, M6X1.00X30.00, Resonator to Bracket
-4	53013378AA	2	J, T		74	EK0			STUD, Air Induction Resonator Bracket to Engine
5	06505846AA	1	J, T		74				BOLT, Hex Flange Head, Air Cleaner Attachment
6									HOSE, Clean Air
	53013522AC	1	J, T		74	EK0			
	53013965AA	1	J, T		74	EVO			
7									BRACKET, Resonator
	04861680AA	1	J, T		74	EX0			Resonator to Turbo Tube
	04861696AB	1	J, T		74	EX0			CAC Inlet
8	06104716AA	1	J, T		74				NUT, Hex Flange Lock, M8X1.25
9	53013774AB	1	J, T		74	EZB			BRACKET, Resonator
10	53013672AD	1	J, T		74	EX0			HOSE, Air Cleaner to Turbo, Includes Heater, Sealing Ring & Crankcase Vent Hose
11									HOSE, Make Up Air
	05037763AB	1	J, T		74	ESF			
	53013759AB	1	J, T		74	EZB			
	53013884AB	1	J, T		74	EK0			
	53013887AB	1	J, T		74	EVO			
12	53013357AA	1	J, T		74				GROMMET, Air Cleaner
13	53013803AC	1	J, T		74	EX0			AIR CLEANER
14									BODY, Air Cleaner
	05159169AA	1	J, T		74	EK0, EVO			
		1	J, T		74	EZ0			
		1	J, T		74	ESF			
15									COVER, Air Cleaner

GRAND CHEROKEE (WK)
 SERIES LINE
 H = HIGHLINE T = JEEP - 2WD
 P = PREMIUM J = JEEP - 4WD
 S = SPORT
 X = SPECIAL

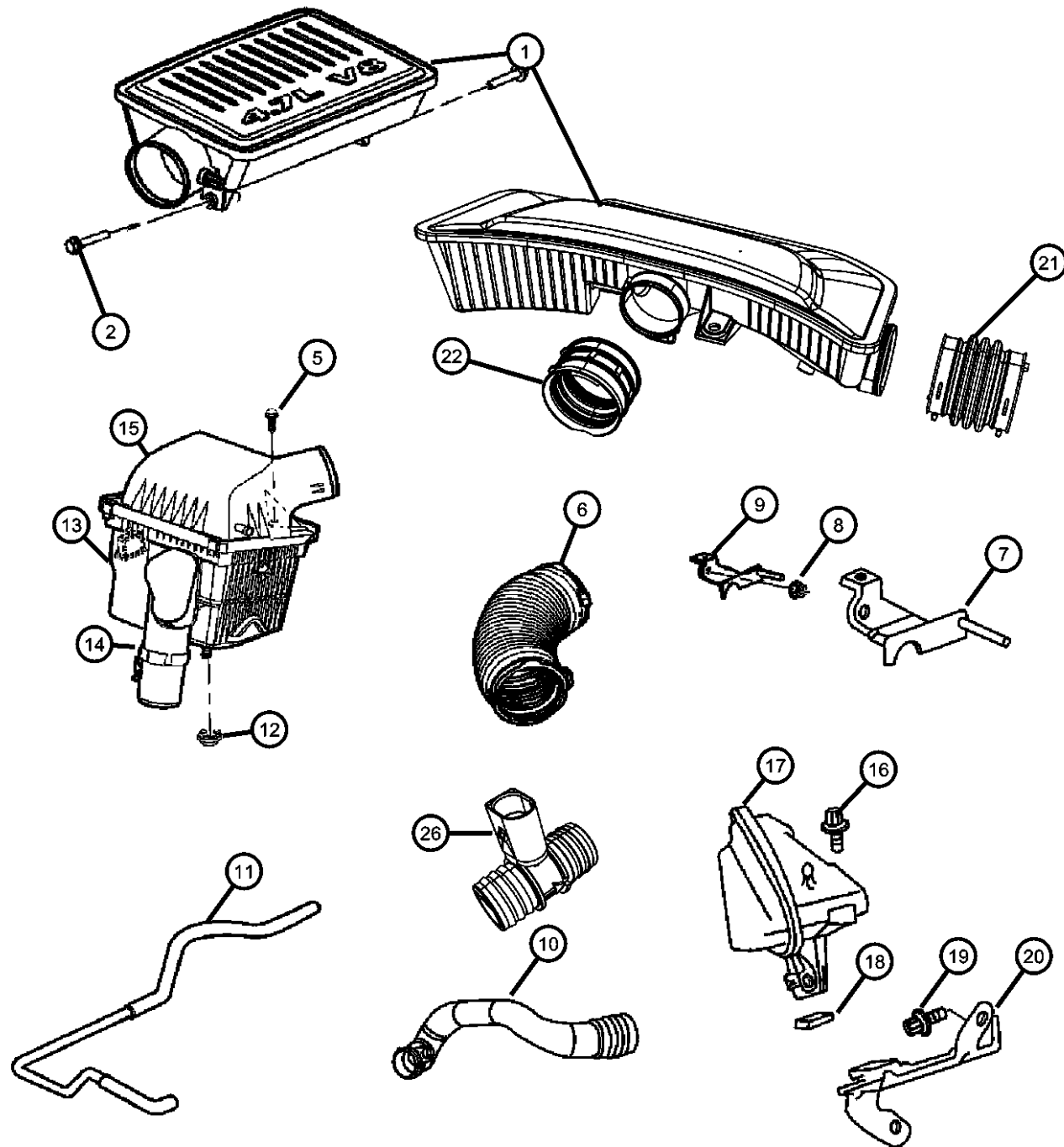
BODY
 74 = SPORT UTILITY 4-DR TYPE #4

ENGINE
 EVE = Engine - 4.7L V8 DOHC 3 Valve
 EZB = 5.7L Hemi Multi Displacement Engine
 EKG = 3.7L V6 Engine
 ESF = 6.1L SRT HEMI SMPI V8 Engine
 EXL = 3.0L V6 Turbo Diesel Engine

TRANSMISSION
 DGJ = 5-Speed Auto W5A580 Transmission
 DGU = 5-Spd Auto W5J400 Transmission
 DGQ = 5-Spd Automatic 545RFE Transmission

AR = use ase required - = Non illustrated part

**Air Cleaner and Related
Figure 14-805**



ITEM	PART NUMBER	QTY	LINE	SERIES	BODY	ENGINE	TRANS	TRIM	DESCRIPTION
	05143969AA	1	J, T		74	EZ0			
		1	J, T		74	ESF			
	05143968AA	1	J, T		74	EK0, EVO			
16	06104004AA	1	J, T		74	EX0			SCREW, 6 Lobe, M6X1.00X12.00
17	05175733AA	1	J, T		74	EXL			RESONATOR, Air Cleaner
18	05175734AA	1	J, T		74	EXL			O RING
19	05073824AA	1	J, T		74	EX0			BOLT
20	05175722AA	1	J, T	H, P, S	74	EXL	DGU		BRACKET, Air Duct
21									COUPLER
	68057653AA	1	J, T		74	EVO			
	68057654AA	1	J, T		74	EZB			
22	68057659AA	1	J, T		74	EZB			COUPLER
-23									NUT, Hex Flange Lock, M10x1.50
	06104717AA	2	J, T		74	EVO, EZ0			
		2	J		74	EX0			
-24	05037774AB	1	J, T		74	ESF			DUCT, Clean Air
-25									FILTER, Air
	05018777AB	1	J, T		74	EX0			
	VMWK30K1AA								Mopar HEMI 5.7L Maintenance Kit 30,000 Mile (Air/Oil Filters, Plugs, PCV)
	VMWK60K1AA								Mopar HEMI 5.7L Maintenance Kit 60,000 Mile (Air/Oil Filters, Plugs, PCV, Drive Belt, LX Cabin Filter)
		1	J, T		74	EZ0			
	VMWK30K1AA								Mopar HEMI 5.7L Maintenance Kit 30,000 Mile (Air/Oil Filters, Plugs, PCV)
	VMWK60K1AA								Mopar HEMI 5.7L Maintenance Kit 60,000 Mile (Air/Oil Filters, Plugs, PCV, Drive Belt, LX Cabin Filter)
		1	J, T		74	ESF			

GRAND CHEROKEE (WK)

SERIES LINE
H = HIGHLINE T = JEEP - 2WD
P = PREMIUM J = JEEP - 4WD
S = SPORT
X = SPECIAL

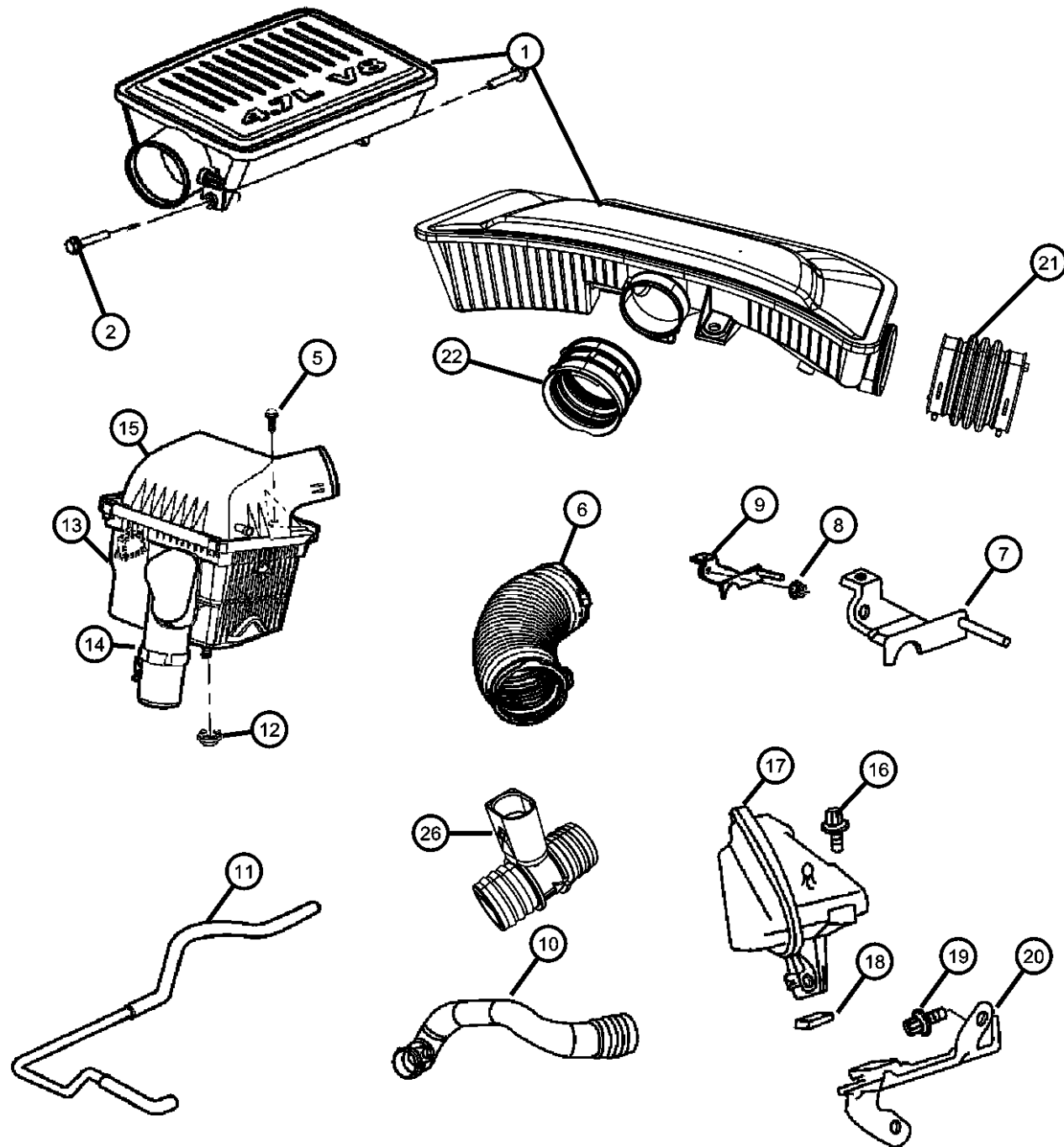
BODY
74 = SPORT UTILITY 4-DR
TYPE #4

ENGINE
EVE = Engine - 4.7L V8 DOHC
3 Valve
EZB = 5.7L Hemi Multi
Displacement Engine
EKG = 3.7L V6 Engine
ESF = 6.1L SRT HEMI SMPI
V8 Engine
EXL = 3.0L V6 Turbo Diesel
Engine

TRANSMISSION
DGJ = 5-Speed Auto W5A580
Transmission
DGU = 5-Spd Auto W5J400
Transmission
DGQ = 5-Spd Automatic 545RFE
Transmission

AR = use ase required - = Non illustrated part

**Air Cleaner and Related
Figure 14-805**



ITEM	PART NUMBER	QTY	LINE	SERIES	BODY	ENGINE	TRANS	TRIM	DESCRIPTION
	VMWK30K1AA								Mopar HEMI 5.7L Maintenance Kit 30,000 Mile (Air/Oil Filters, Plugs, PCV)
	VMWK60K1AA								Mopar HEMI 5.7L Maintenance Kit 60,000 Mile (Air/Oil Filters, Plugs, PCV, Drive Belt, LX Cabin Filter)
		1	J, T		74	EK0, EV0			
	VMWK30K1AA								Mopar HEMI 5.7L Maintenance Kit 30,000 Mile (Air/Oil Filters, Plugs, PCV)
	VMWK60K1AA								Mopar HEMI 5.7L Maintenance Kit 60,000 Mile (Air/Oil Filters, Plugs, PCV, Drive Belt, LX Cabin Filter)
26	04861678AA	1	J, T		74	EX0			HEATER, Included with Item 10
-27	04861677AB	1	J, T		74	EX0			HOSE, Crankcase Vent, Included with Item 10

GRAND CHEROKEE (WK)

SERIES LINE
H = HIGHLINE T = JEEP - 2WD
P = PREMIUM J = JEEP - 4WD
S = SPORT
X = SPECIAL

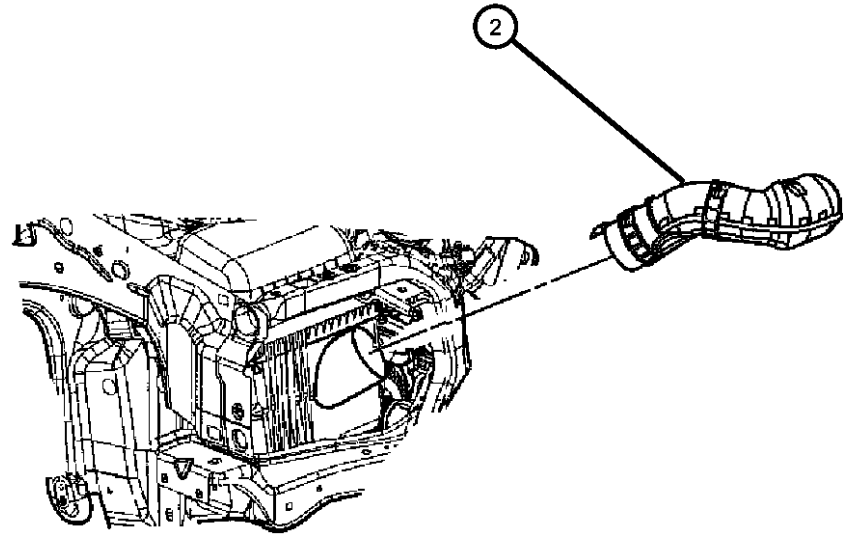
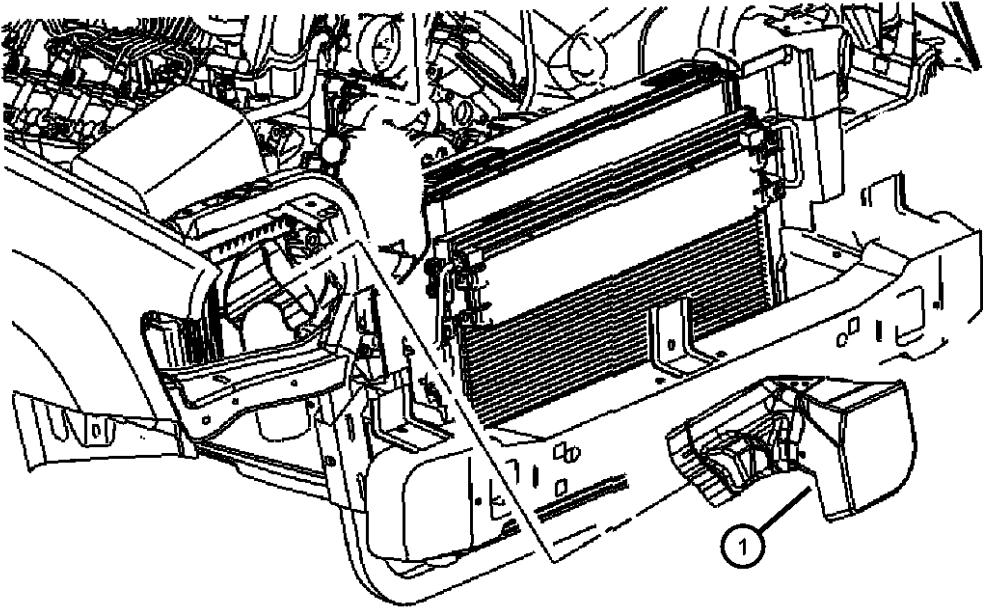
BODY
74 = SPORT UTILITY 4-DR
TYPE #4

ENGINE
EVE = Engine - 4.7L V8 DOHC
3 Valve
EZB = 5.7L Hemi Multi
Displacement Engine
EKG = 3.7L V6 Engine
ESF = 6.1L SRT HEMI SMPI
V8 Engine
EXL = 3.0L V6 Turbo Diesel
Engine

TRANSMISSION
DGJ = 5-Speed Auto W5A580
Transmission
DGU = 5-Spd Auto W5J400
Transmission
DGQ = 5-Spd Automatic 545RFE
Transmission

AR = use ase required - = Non illustrated part

Air Inlet and Components
Figure 14-905



ITEM	PART NUMBER	QTY	LINE	SERIES	BODY	ENGINE	TRANS	TRIM	DESCRIPTION
------	-------------	-----	------	--------	------	--------	-------	------	-------------

Note Sales Codes: 3.7L [EKG]=MAGNUM 3.7L V6 ENGINE
 4.7L [EVE]=4.7L V8 ENGINE
 5.7L [EZB]=5.7L HEMI MULTI DISPLACEMENT
 6.1L [ESF]=6.1L SRT HEMI MDS V8 ENGINE
 3.0L [EXL]=3.0L V6 TURBO DIESEL ENGINE

1									DUCT, Ambient Air
	05037815AA	1	J, T		74	ESF			
	53013730AC	1	J, T		74	EK0, EZ0			
		1	J, T	H, P, S	74	EV0			
2									DUCT, Ambient Air
	53013794AB	1	J, T		74	EX0			
	05037815AA	1	J, T		74	ESF			

GRAND CHEROKEE (WK)

SERIES LINE
 H = HIGHLINE T = JEEP - 2WD
 P = PREMIUM J = JEEP - 4WD
 S = SPORT
 X = SPECIAL

BODY
 74 = SPORT UTILITY 4-DR
 TYPE #4

ENGINE
 EVE = Engine - 4.7L V8 DOHC
 3 Valve
 EZB = 5.7L Hemi Multi
 Displacement Engine
 EKG = 3.7L V6 Engine
 ESF = 6.1L SRT HEMI SMPI
 V8 Engine
 EXL = 3.0L V6 Turbo Diesel
 Engine

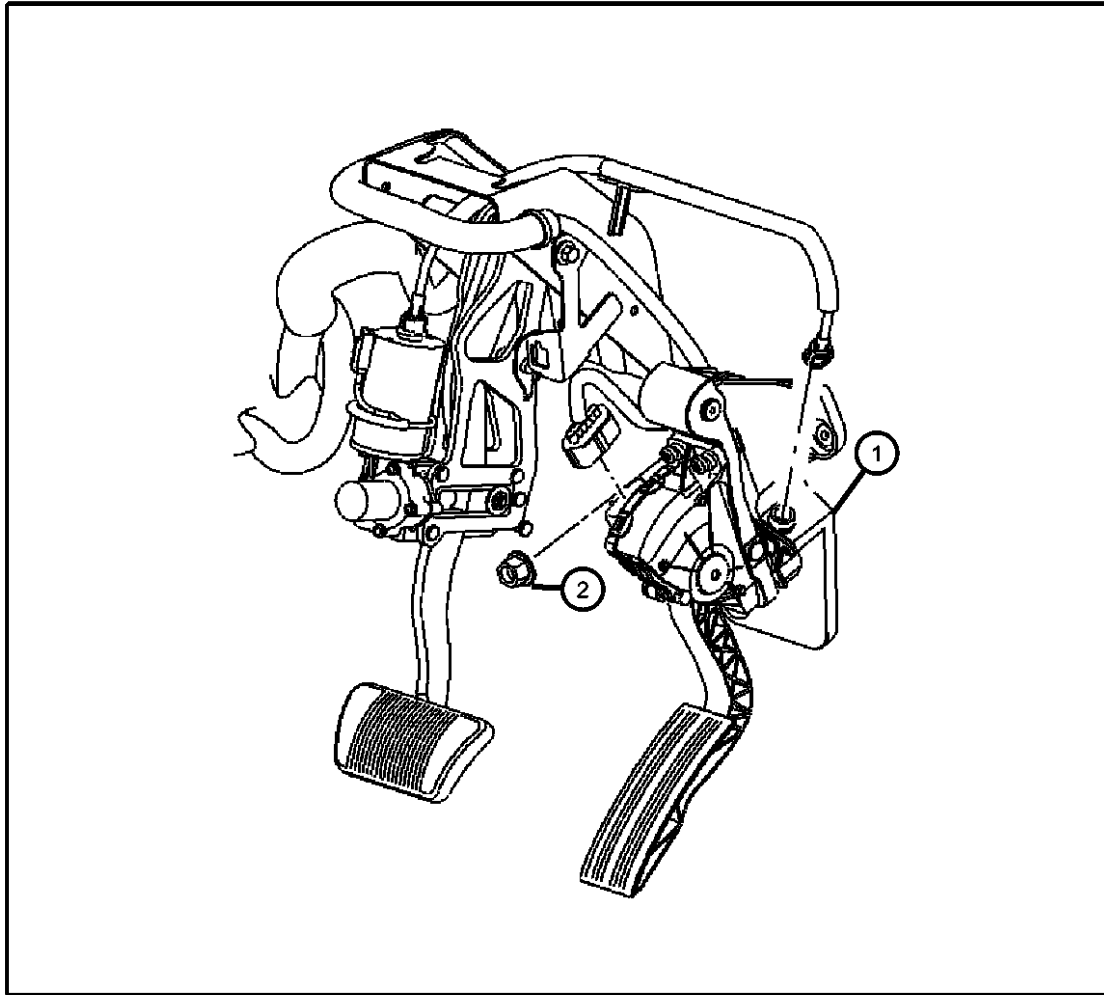
TRANSMISSION
 DGJ = 5-Speed Auto W5A580
 Transmission
 DGU = 5-Spd Auto W5J400
 Transmission
 DGQ = 5-Spd Automatic 545RFE
 Transmission

AR = use ase required - = Non illustrated part

2008 WK

**Accelerator Pedal and Related
Figure 14-1005**

ITEM	PART NUMBER	QTY	LINE	SERIES	BODY	ENGINE	TRANS	TRIM	DESCRIPTION
1									PEDAL, Accelerator
	53013904AB	1	J, T		74	EX0			
	52121952AA	1	J, T		74	EK0, ES0, EV0, EZ0			POWER ADJUSTABLE PEDALS W/MEMO
	53013894AB	1	J, T		74	EK0, ES0, EV0, EZ0			
2	06502726	2	J, T		74				NUT, Hex Flange, M6X1.0
-3	05290949AC	1	J, T	X	74				OVERLAY KIT, Brake and Accel Pads



GRAND CHEROKEE (WK)

SERIES LINE
H = HIGHLINE T = JEEP - 2WD
P = PREMIUM J = JEEP - 4WD
S = SPORT
X = SPECIAL

BODY
74 = SPORT UTILITY 4-DR
TYPE #4

ENGINE TRANSMISSION
EVE = Engine - 4.7L V8 DOHC 3 Valve
EZB = 5.7L Hemi Multi Displacement Engine
EKG = 3.7L V6 Engine
ESF = 6.1L SRT HEMI SMPI V8 Engine
EXL = 3.0L V6 Turbo Diesel Engine
DGJ = 5-Speed Auto W5A580 Transmission
DGU = 5-Spd Auto W5J400 Transmission
DGQ = 5-Spd Automatic 545RFE Transmission

AR = use ase required - = Non illustrated part

2008 WK

Group - 17

Rear Suspension

Group - 17 Rear Suspension

Illustration Title

Group-Fig. No.

Rear Suspension and Cradle

Suspension,Rear Fig. 17 - 110

Cradle/Crossmember, Rear Suspension Fig. 17 - 115

Rear Stabilizer Bar

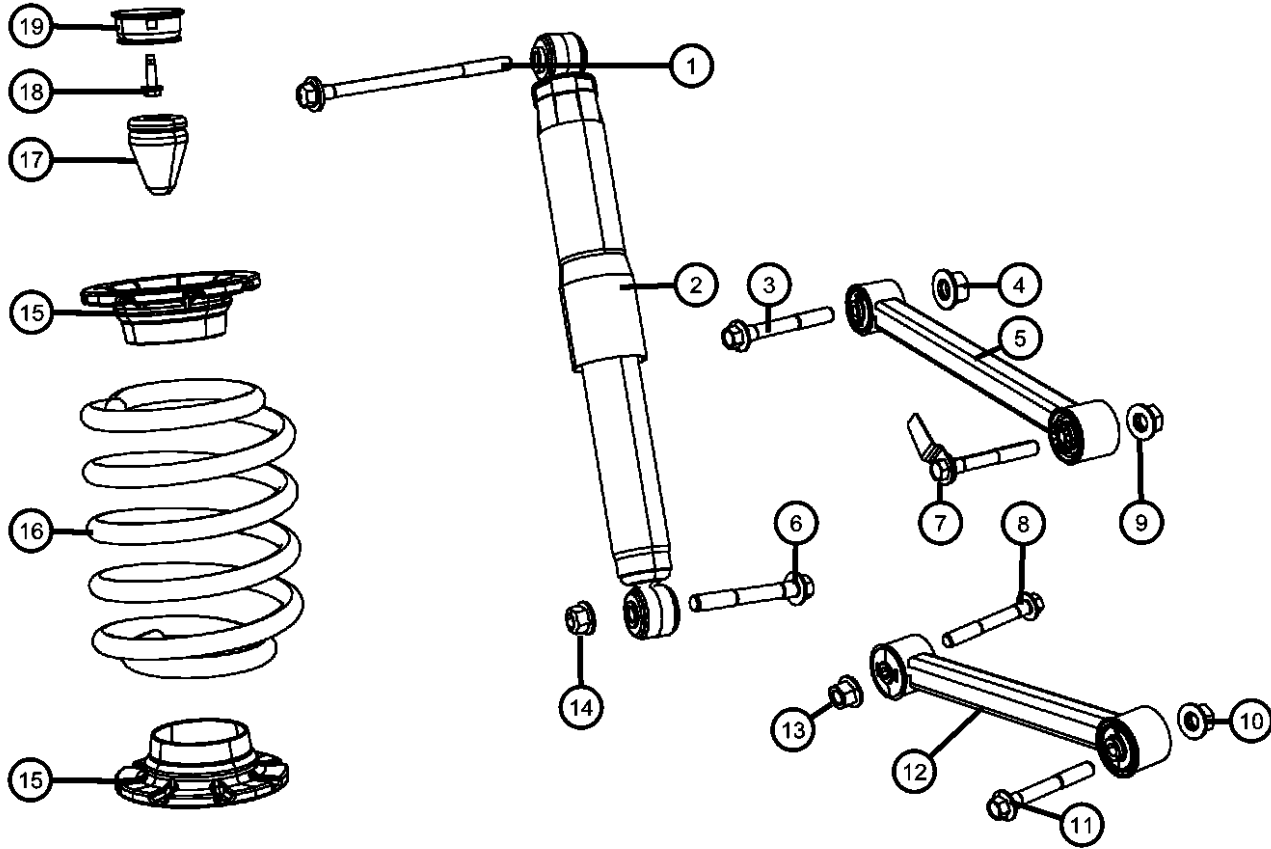
Stabilizer Bar,Rear Fig. 17 - 205

Track Bar,Rear Fig. 17 - 210

017-100 Rear Suspension and Cradle	017-200 Rear Stabilizer Bar		
--	---------------------------------------	--	--

**Suspension,Rear
Figure 17-110**

ITEM	PART NUMBER	QTY	LINE	SERIES	BODY	ENGINE	TRANS	TRIM	DESCRIPTION
Note:Sales Codes; [SDA]=Normal Duty Suspension [SDX]=High Performance Suspension [SNA]=Dynamic Handling System									
1	06506147AA	2	J, T		74				BOLT, Hex Flange Head, M12x1.75x80.00, Shock to Body, Mounting
2									SHOCK ABSORBER, Suspension, Rear
	05290641AC	2	J, T		74	ES0			[SDX]
	52089751AJ	2	J, T		74				[SDA]
3	06502725	2	J, T		74				BOLT, Hex Flange Head, M12x1.75x90.00, UCA to Axle, Mounting
4	06502835	2	J, T		74				NUT, Hex Flange Lock, M12x1.75, UCA to Axle, Mounting
5									ARM, Upper Control, Rear
	05181494AA	1	J, T		74				[SDX], Left
	05290953AC	1	J, T		74				[SDX], Right
	52089629AC	2	J, T		74				[SDA-JKJ], Right or Left
		1	J, T		74				[SDA+JKJ], Left
	68005174AC	1	J, T		74				[SDA+JKJ], Right
6	06506147AA	2	J, T		74				BOLT, Hex Flange Head, M12x1.75x80.00, Shock to Axle, Mounting
7	06508216AA	1	J, T		74				BOLT, Hex Flange Head, M12x1.75x203.60, UCA to Body Mounting, Right or Left
8	06507620AA	2	J, T		74				BOLT, Hex Flange Head, M14x2.00x100.00, LCA to Axle, Mounting
9	06502835	1	J, T		74				NUT, Hex Flange Lock, M12x1.75, UCA to Body Mounting, Right or Left
10	06502698	2	J, T		74				NUT, Hex Flange Lock, M14x2.00, LCA to Body, Mounting
11	06507971AA	2	J, T		74				BOLT AND RETAINER, Hex Head, M14x2.00x110.00, LCA to Body, Mounting
12									ARM, Lower Control, Rear
	05290957AA	2	J, T		74				[SDX]



GRAND CHEROKEE (WK)

SERIES LINE
H = HIGHLINE T = JEEP - 2WD
P = PREMIUM J = JEEP - 4WD
S = SPORT
X = SPECIAL

BODY
74 = SPORT UTILITY 4-DR
TYPE #4

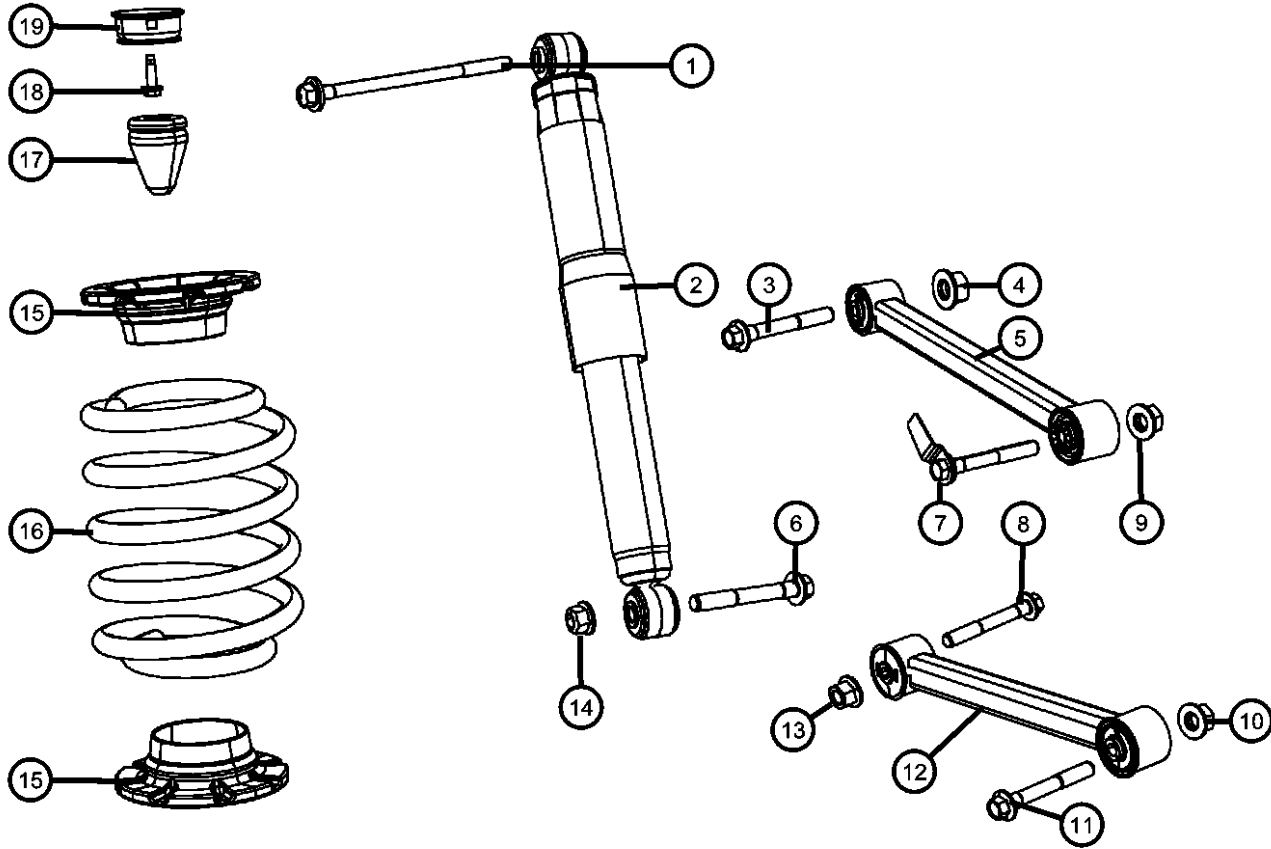
ENGINE TRANSMISSION
EVE = Engine - 4.7L V8 DOHC 3 Valve
EVB = Engine - 4.7L V8 DOHC 3 Valve
EZB = 5.7L Hemi Multi Displacement Engine
EKG = 3.7L V6 Engine
ESF = 6.1L SRT HEMI SMPI V8 Engine
EXL = 3.0L V6 Turbo Diesel Engine
DGJ = 5-Speed Auto W5A580 Transmission
DGU = 5-Spd Auto W5J400 Transmission
DGQ = 5-Spd Automatic 545RFE Transmission

AR = use ase required - = Non illustrated part

2008 WK

Suspension,Rear
Figure 17-110

ITEM	PART NUMBER	QTY	LINE	SERIES	BODY	ENGINE	TRANS	TRIM	DESCRIPTION
	52089630AC	2	J, T		74				[SDA,SNA]
13	06502698	2	J, T		74				NUT, Hex Flange Lock, M14x2.00, LCA to Axle, Mounting
14		2							NUT, Purchase Axle Housing Assembly, (NOT SERVICED)
15									ISOLATOR, Spring
	52089341AE	2	J, T		74				Lower
		2	J, T		74				Upper
16									SPRING, Rear Coil
	05290638AA	1	J, T		74				[ZAZ]
	05290773AA	1	J, T		74				[ZNZ]
	52089818AD	1	J, T		74				[ZHT,ZWT]
	52089819AD	1	J, T		74				[ZHU,ZWU]
	52089820AD	1	J, T		74				[ZHV,ZWV]
	52089821AD	1	J, T		74				[ZHW,ZWW]
	52124822AD	1	J, T		74				[ZHX,ZWX]
17									BUMPER, Jounce
	05290639AB	2	J, T	X	74				
	52089343AA	2	J, T	H, P, S	74				
18	06101838	2	J, T		74				BOLT AND WASHER, Hex Head, M10x1.50x40.00, Jounce Bumper to Rail, Mounting
19									CUP, Jounce Bumper
	05290783AB	2	J, T		74				[SDX], Mounting
	52089977AB	2	J, T		74				[SDA], Mounting



GRAND CHEROKEE (WK)

SERIES LINE
H = HIGHLINE T = JEEP - 2WD
P = PREMIUM J = JEEP - 4WD
S = SPORT
X = SPECIAL

BODY
74 = SPORT UTILITY 4-DR
TYPE #4

ENGINE TRANSMISSION
EVE = Engine - 4.7L V8 DOHC 3 Valve
EVB = Engine - 4.7L V8 DOHC 3 Valve
EZB = 5.7L Hemi Multi Displacement Engine
EKG = 3.7L V6 Engine
ESF = 6.1L SRT HEMI SMPI V8 Engine
EXL = 3.0L V6 Turbo Diesel Engine
DGJ = 5-Speed Auto W5A580 Transmission
DGU = 5-Spd Auto W5J400 Transmission
DGQ = 5-Spd Automatic 545RFE Transmission

AR = use ase required - = Non illustrated part

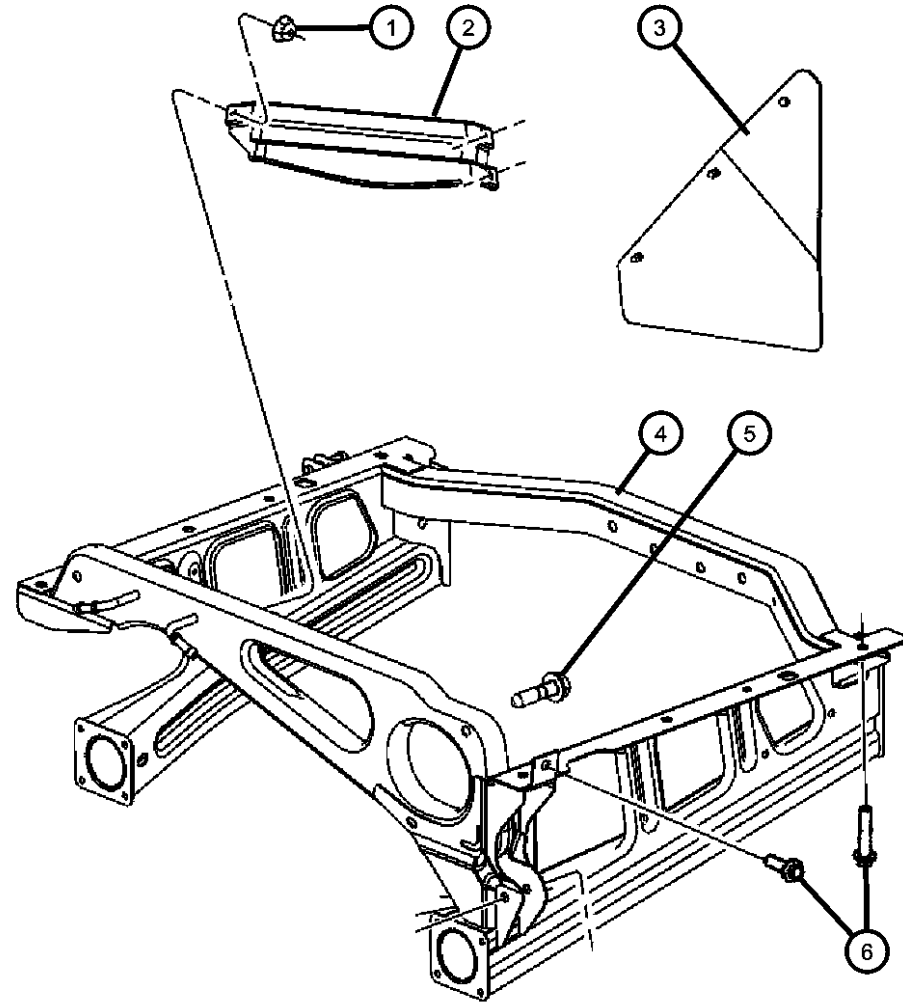
2008 WK

Cradle/Crossmember, Rear Suspension
Figure 17-115

ITEM	PART NUMBER	QTY	LINE	SERIES	BODY	ENGINE	TRANS	TRIM	DESCRIPTION
------	-------------	-----	------	--------	------	--------	-------	------	-------------

Note;Sales Codes;
[AHX]=TRAILER TOW GROUP IV

1	06101831	3	J, T	H, P, S	74				NUT, Hex Flange, M8x1.25, Spare Tire Heat Shield to Rear Suspension Cradle, Mounting
2	52090420AF	1	J, T	H, P, S	74				SHIELD, Spare Tire, Heat
3	52124516AB	1	J, T		74				SHIELD, Spare Tire, [AHX] Used With Item 2, Secondary
4	52090278AK	1	J, T		74				CRADLE, Rear Suspension
5	06507231AA	2	J, T		74				BOLT AND WASHER, Hex Head, M12x1.75x80.00, Rear Suspension Cradle to Rail Brackets, Mounting
6	06508267AA	9	J, T		74				BOLT AND WASHER, Hex Head, M12x1.75x40.00, Rear Suspension Cradle to Rails, Mounting



GRAND CHEROKEE (WK)

SERIES LINE
H = HIGHLINE T = JEEP - 2WD
P = PREMIUM J = JEEP - 4WD
S = SPORT
X = SPECIAL

BODY
74 = SPORT UTILITY 4-DR
TYPE #4

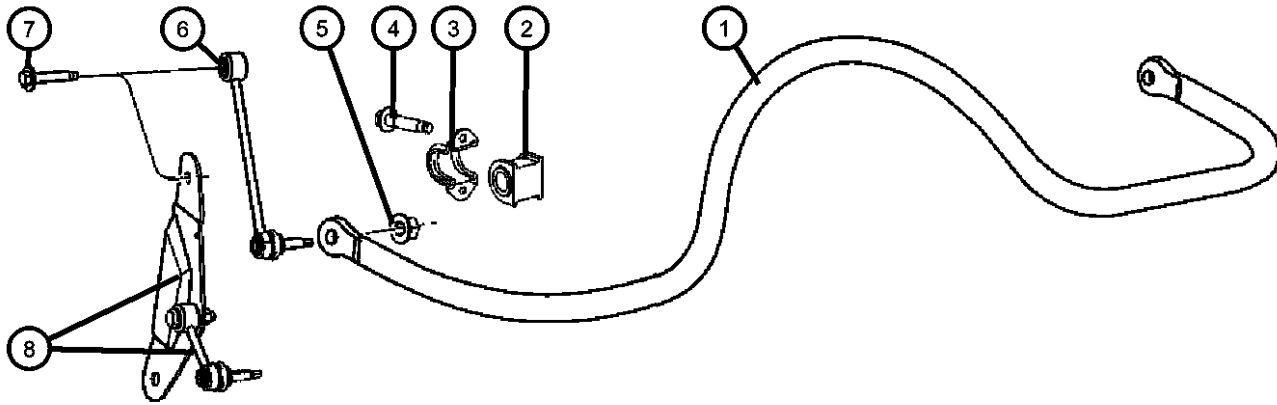
ENGINE TRANSMISSION
EVE = Engine - 4.7L V8 DOHC 3 Valve
EZB = 5.7L Hemi Multi Displacement Engine
EKG = 3.7L V6 Engine
ESF = 6.1L SRT HEMI SMPI V8 Engine
EXL = 3.0L V6 Turbo Diesel Engine
DGJ = 5-Speed Auto W5A580 Transmission
DGU = 5-Spd Auto W5J400 Transmission
DGQ = 5-Spd Automatic 545RFE Transmission

AR = use ase required - = Non illustrated part

2008 WK

**Stabilizer Bar,Rear
Figure 17-205**

ITEM	PART NUMBER	QTY	LINE	SERIES	BODY	ENGINE	TRANS	TRIM	DESCRIPTION
Note:Sales Codes; [SDA]=Normal Duty Suspension [SDX]=High Performance Suspension									
1									STABILIZER BAR, Rear Suspension
	52089484AD	1	J, T		74				[SDA]
	52124303AA	1	J, T		74				[SDX]
2									BUSHING, Stabilizer Bar
	52089485AC	2	J, T		74				[SDA]-Without Retention Nubs, Mounting
	52089485AE	2	J, T		74				[SDA]-With Retention Nubs, Mounting
	52124302AA	2	J, T		74				[SDX]-Without Retention Nubs, Mounting
	52124302AC	2	J, T		74				[SDX]-With Retention Nubs, Mounting
3									RETAINER, Stabilizer Bar Bushing
	52090271AA	2	J, T		74				Without Retention Nubs
	52090271AB	2	J, T		74				With Retention Nubs
4	06508505AA	4	J, T		74				BOLT AND WASHER, Hex Head, M10X1.50X35.00, Stabilizer Bar Bushing Retainer, Mounting
5	06502835	2	J, T		74				NUT, Hex Flange Lock, M12x1.75, End Link to Stabilizer Bar, Mounting
6	52089486AD	2	J, T		74				LINK ASSEMBLY, Stabilizer Bar, [SDA]
7	06101984	2	J, T		74				BOLT AND WASHER, Hex Head, M12X1.75X70.00, Stabilizer Bar to Sill Bracket, Mounting
8									LINK ASSEMBLY, Stabilizer Bar
	05290768AE	1	J, T		74				[SDX], Right
	05290769AE	1	J, T		74				[SDX], Left



GRAND CHEROKEE (WK)

SERIES LINE
H = HIGHLINE T = JEEP - 2WD
P = PREMIUM J = JEEP - 4WD
S = SPORT
X = SPECIAL

BODY
74 = SPORT UTILITY 4-DR
TYPE #4

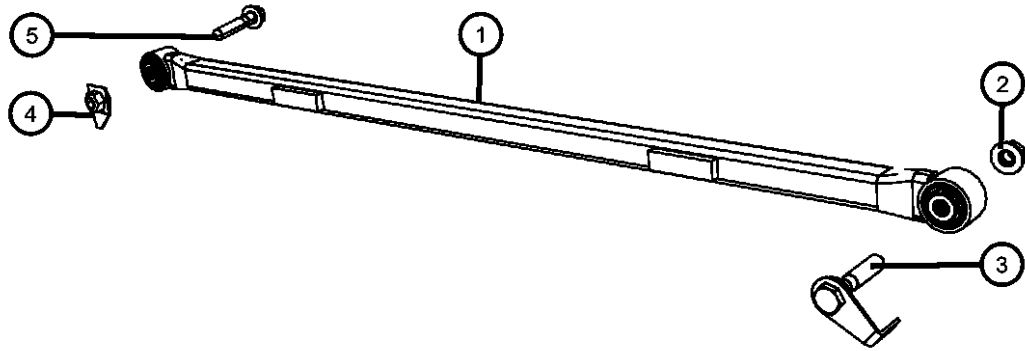
ENGINE TRANSMISSION
EVE = Engine - 4.7L V8 DOHC 3 Valve
EVB = Engine - 4.7L V8 DOHC 3 Valve
EZA = 5.7L Hemi Multi Displacement Engine
EKB = 3.7L V6 Engine
ESF = 6.1L SRT HEMI SMPI V8 Engine
EXL = 3.0L V6 Turbo Diesel Engine
DGJ = 5-Speed Auto W5A580 Transmission
DGU = 5-Spd Auto W5J400 Transmission
DGQ = 5-Spd Automatic 545RFE Transmission

AR = use ase required - = Non illustrated part

2008 WK

Track Bar,Rear
Figure 17-210

ITEM	PART NUMBER	QTY	LINE	SERIES	BODY	ENGINE	TRANS	TRIM	DESCRIPTION
1	52089605AD	1	J, T		74				TRACK BAR, Rear
2	06502698	1	J, T		74				NUT, Hex Flange Lock, M14x2.00, Track Bar to Body, Mounting
3	06508079AA	1	J, T		74				BOLT AND RETAINER, Hex Head, M14x2.00x75.00, Track Bar to Body, Mounting
4	06508132AA	1	J, T		74				NUT AND RETAINER, Hex Flange Locking, M14 x 2.00, Track Bar to Axle, Mounting
5	06502818	1	J, T		74				BOLT, Hex Flange Head, M14x2.00x80.00, Track Bar to Axle, Mounting



GRAND CHEROKEE (WK)

SERIES LINE
H = HIGHLINE T = JEEP - 2WD
P = PREMIUM J = JEEP - 4WD
S = SPORT
X = SPECIAL

BODY
74 = SPORT UTILITY 4-DR
TYPE #4

ENGINE TRANSMISSION
EVE = Engine - 4.7L V8 DOHC 3 Valve
EZH = 5.7L Hemi Multi Displacement Engine
EKG = 3.7L V6 Engine
ESF = 6.1L SRT HEMI SMPI V8 Engine
EXL = 3.0L V6 Turbo Diesel Engine
DGJ = 5-Speed Auto W5A580 Transmission
DGU = 5-Spd Auto W5J400 Transmission
DGQ = 5-Spd Automatic 545RFE Transmission

AR = use ase required - = Non illustrated part

2008 WK

Group - 19

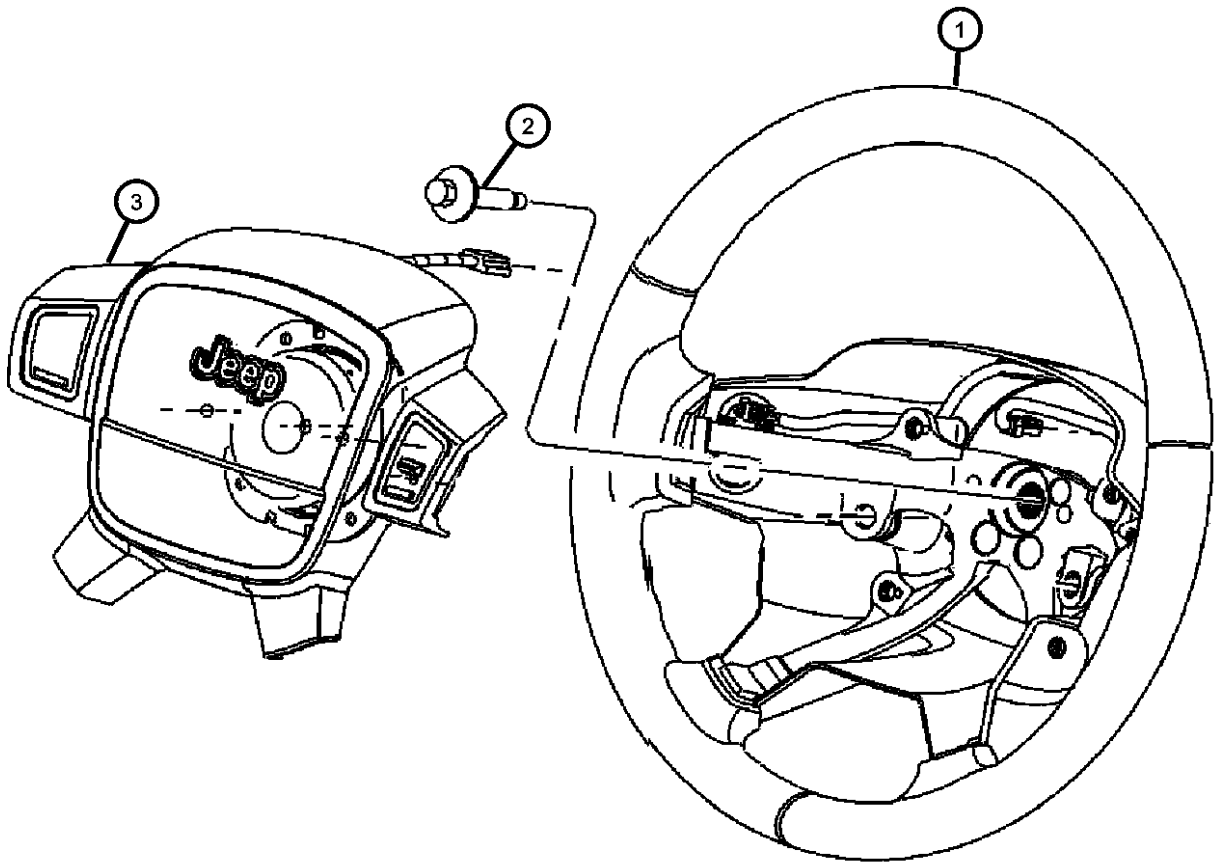
Steering

Group - 19 Steering

Illustration Title	Group-Fig. No.
Steering Wheel	
Steering Wheel Assembly	Fig. 19 - 105
Steering Column and Intermediate Shaft	
Steering Column	Fig. 19 - 205
Steering Gear	
Gear Rack and Pinion	Fig. 19 - 305
Power Steering Pump	
Power Steering Pump	Fig. 19 - 505
Power Steering Reservoir	Fig. 19 - 510
Power Steering Hoses	
Power Steering Hoses	Fig. 19 - 605

019-100 Steering Wheel	019-200 Steering Column and Intermediate Shaft	019-300 Steering Gear	019-500 Power Steering Pump
019-600 Power Steering Hoses			

**Steering Wheel Assembly
Figure 19-105**



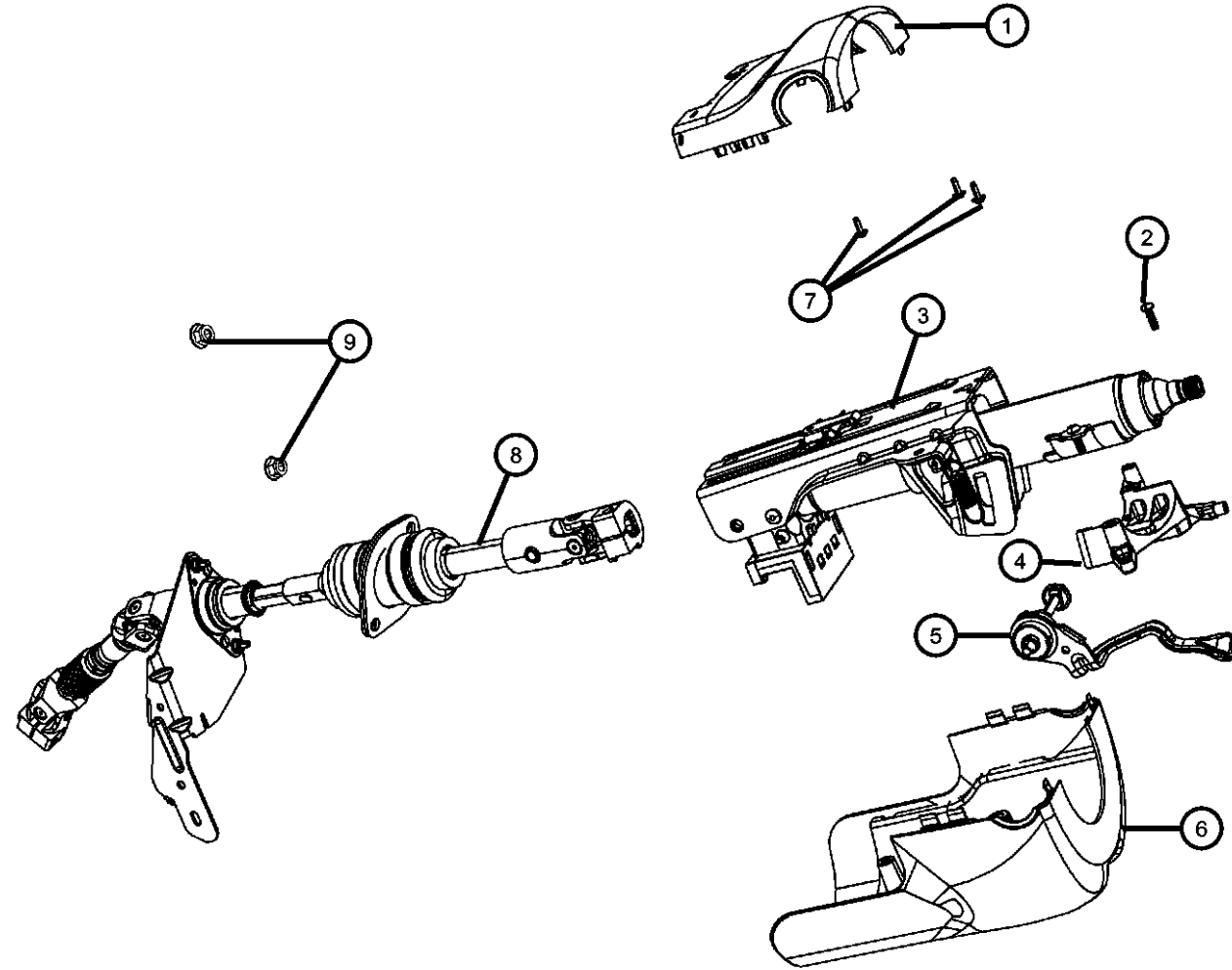
ITEM	PART NUMBER	QTY	LINE	SERIES	BODY	ENGINE	TRANS	TRIM	DESCRIPTION
1									WHEEL, Steering
	1KQ431J1AA	1	J, T		74				[J1][SCV]
	1KQ451DVAA	1	J, T		74				[DV][SCC]
	1KQ461DVAA	1	J, T		74				[DV][SCA]
		1	J, T		74				[J3][SCA]
	1KQ421DVAA	1	J, T		74				[DV][SCL]
	1KQ421J3AA	1	J, T		74				[J3][SCL]
	1KQ431D1AA	1	J, T		74				[D1][SCV]
	1KP771DVAA	1	J, T		74				[DV][SCW]
	1KQ351DVAA	1	J, T		74				[DV]SCA] without switches
	1KQ351J3AA	1	J, T		74				[J3]SCA] without switches
	1DG831DVAF	1	J, T		74				[DV][SCA] With switches
	1DG831J3AF	1	J, T		74				[J3][SCA] With switches
	1KP771D1AA	1	J, T		74				[J1][SCW]
2		1							SCREW, Hex Flange Head, M10x1.5x35., (NOT SERVICED),
3									BEZEL, Steering Wheel
	1KQ36XZAAA	1	J, T		74				Right
	1KQ39XZAAA	1	J, T		74				Left

GRAND CHEROKEE (WK)

SERIES	LINE	BODY	ENGINE	TRANSMISSION
H = HIGHLINE	T = JEEP - 2WD	74 = SPORT UTILITY 4-DR	EVE = Engine - 4.7L V8 DOHC	DGJ = 5-Speed Auto W5A580
P = PREMIUM	J = JEEP - 4WD	TYPE #4	3 Valve	Transmission
S = SPORT			EZB = 5.7L Hemi Multi	DGU = 5-Spd Auto W5J400
X = SPECIAL			Displacement Engine	Transmission
			EKG = 3.7L V6 Engine	DGQ = 5-Spd Automatic 545RFE
			ESF = 6.1L SRT HEMI SMPI	Transmission
			V8 Engine	
			EXL = 3.0L V6 Turbo Diesel	
			Engine	

AR = use ase required - = Non illustrated part

Steering Column
Figure 19-205



ITEM	PART NUMBER	QTY	LINE	SERIES	BODY	ENGINE	TRANS	TRIM	DESCRIPTION
1	1JE43BD1AA	1	J, T		74				SHROUD, Steering Column, Upper [D1]
		1	J, T		74				[J1]
	1JE43XDVAA	1	J, T		74				[DV]
	1JE43ZJ3AA	1	J, T		74				[J3]
2	05057330AA	2	J, T		74				FASTENER, Steering Column Lock Housing
3	05057801AB	1	J, T		74				COLUMN, Steering
4	05057238AC	1	J, T		74				SUPPORT MOUNT, MULTIFUNCTION SWITCH & CLOCKSPRING
5	05057246AE	1	J, T		74				LEVER, Tilt Column Release
6	1JE44BD1AA	1	J, T		74				SHROUD, Steering Column, Lower [D1]
		1	J, T		74				[J1]
	1JE44XDVAA	1	J, T		74				[DV]
	1JE44ZJ3AA	1	J, T		74				[J3]
7	06508440AA	3	J, T		74				SCREW, Tapping Round Head, M4X1.40X14.00
8									SHAFT, Steering column intermediate
	05057494AA	1	J, T		74				After 09/03/07
	05057975AA	1	J, T		74				Up to 09/03/07
9	06504926AA	1	J, T		74				SCREW, Hex Flange Head, M10x1.5x40

GRAND CHEROKEE (WK)

SERIES LINE
H = HIGHLINE T = JEEP - 2WD
P = PREMIUM J = JEEP - 4WD
S = SPORT
X = SPECIAL

BODY
74 = SPORT UTILITY 4-DR
TYPE #4

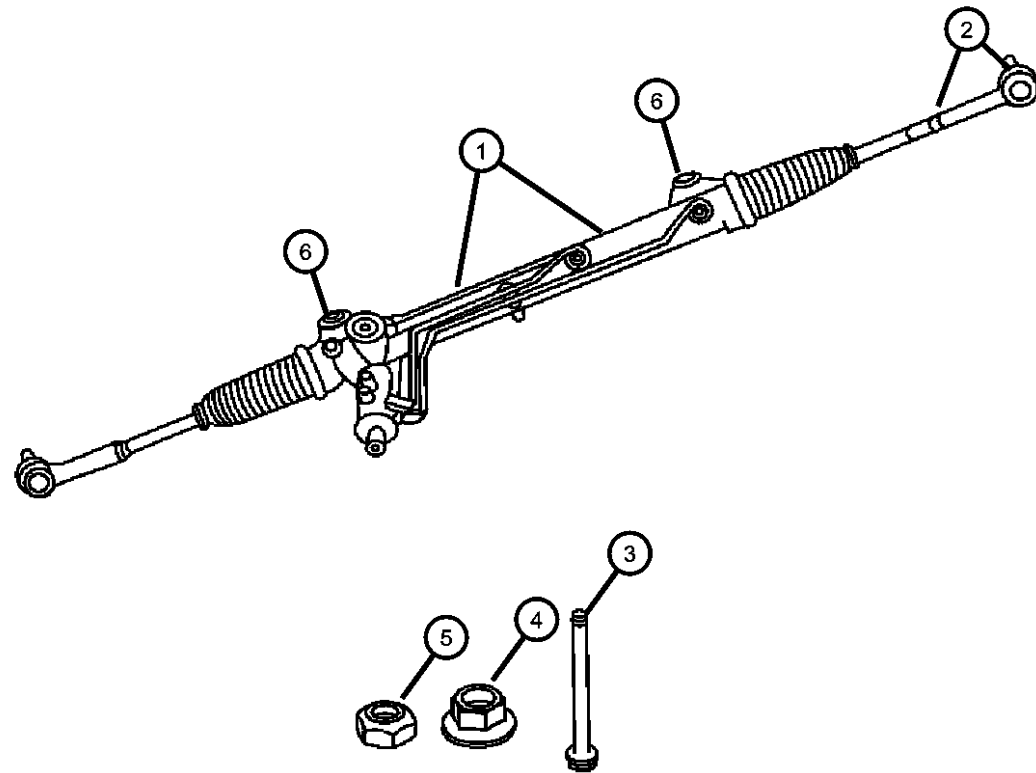
ENGINE TRANSMISSION
EVE = Engine - 4.7L V8 DOHC 3 Valve
EVB = Engine - 4.7L V8 DOHC 3 Valve
EZE = 5.7L Hemi Multi Displacement Engine
EKG = 3.7L V6 Engine
ESF = 6.1L SRT HEMI SMPI V8 Engine
EXL = 3.0L V6 Turbo Diesel Engine
DGJ = 5-Speed Auto W5A580 Transmission
DGU = 5-Spd Auto W5J400 Transmission
DGQ = 5-Spd Automatic 545RFE Transmission

AR = use ase required - = Non illustrated part

2008 WK

**Gear Rack and Pinion
Figure 19-305**

ITEM	PART NUMBER	QTY	LINE	SERIES	BODY	ENGINE	TRANS	TRIM	DESCRIPTION
1	04854700AA	1	J, T		74				GEAR, Rack and Pinion [SBX]
	52089292AD	1	J, T		74				Up To 9/03/07
	52124800AA	1	J, T		74				After 9/03/07
2	05143555AC	1	J, T		74				END PACKAGE, Tie Rod Left
	05143556AC	1	J, T		74				Right
3	06507661AA	2	J, T		74				SCREW, Hex Flange Head
4	06505623AA	2	J, T		74				NUT, Hex Lock, M14x1.50
5	06507706AA	2	J, T		74				NUT, Power Steering Gear
6	52089312AA	2	J, T		74				BUSHING, Steering Gear



GRAND CHEROKEE (WK)

SERIES LINE
H = HIGHLINE T = JEEP - 2WD
P = PREMIUM J = JEEP - 4WD
S = SPORT
X = SPECIAL

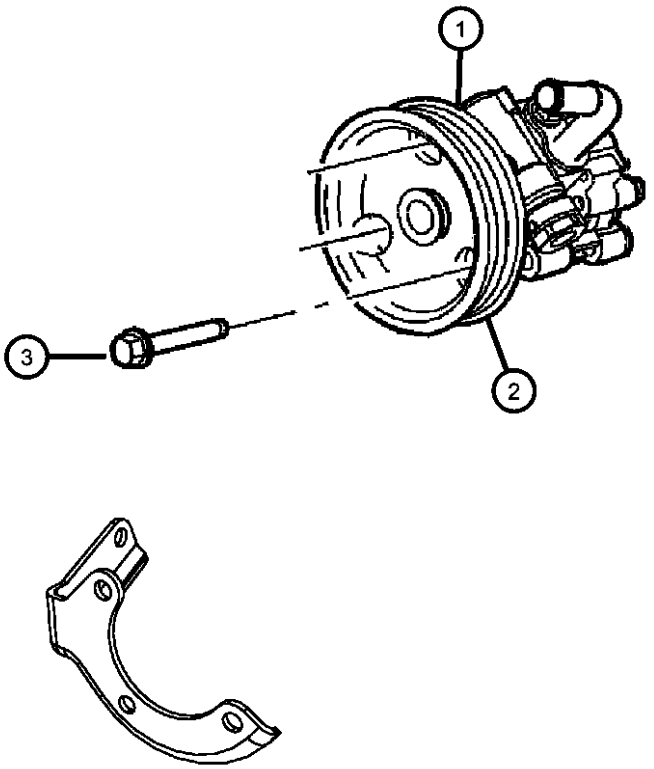
BODY
74 = SPORT UTILITY 4-DR
TYPE #4

ENGINE TRANSMISSION
EVE = Engine - 4.7L V8 DOHC 3 Valve
EZB = 5.7L Hemi Multi Displacement Engine
EKG = 3.7L V6 Engine
ESF = 6.1L SRT HEMI SMPI V8 Engine
EXL = 3.0L V6 Turbo Diesel Engine
DGJ = 5-Speed Auto W5A580 Transmission
DGU = 5-Spd Auto W5J400 Transmission
DGQ = 5-Spd Automatic 545RFE Transmission

AR = use ase required - = Non illustrated part

2008 WK

**Power Steering Pump
Figure 19-505**



ITEM	PART NUMBER	QTY	LINE	SERIES	BODY	ENGINE	TRANS	TRIM	DESCRIPTION
1									PUMP ASSEMBLY, Power Steering with Pulley
	52089883AD	1	J, T		74	EZ0			
	52124461AB	1	J, T		74	EX0			
	05290778AA	1	J, T		74	ES0			
	52089339AD	1	J, T		74	EK0, EV0			
2									PULLEY, Power Steering Pump
	04891579AA	1	J, T		74	EX0			
	53013677AB	1	J, T		74	EZ0			
3									SCREW, Hex Flange Head, M8X1.25X80.0
	06104206AA	3	J, T		74	EZ0			
		3	J, T		74	EK0			
		3	J, T		74	EV0			

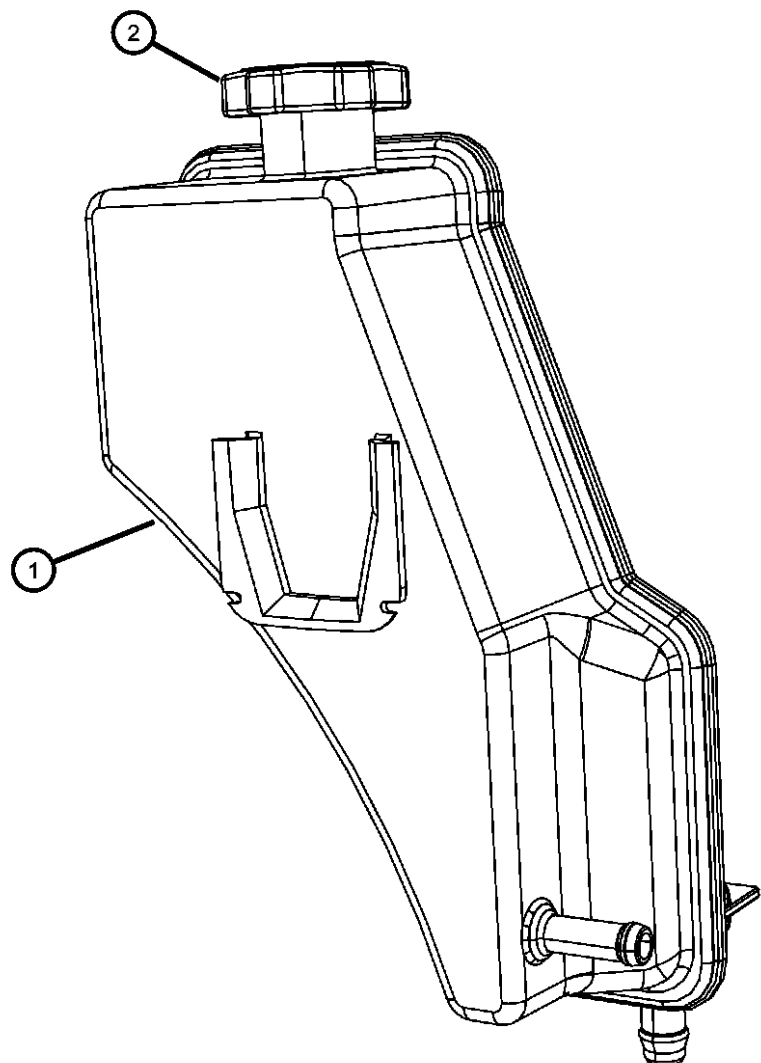
GRAND CHEROKEE (WK)

SERIES	LINE	BODY	ENGINE	TRANSMISSION
H = HIGHLINE	T = JEEP - 2WD	74 = SPORT UTILITY 4-DR	EVE = Engine - 4.7L V8 DOHC	DGJ = 5-Speed Auto W5A580
P = PREMIUM	J = JEEP - 4WD	TYPE #4	3 Valve	Transmission
S = SPORT			EZB = 5.7L Hemi Multi	DGU = 5-Spd Auto W5J400
X = SPECIAL			Displacement Engine	Transmission
			EKG = 3.7L V6 Engine	DGQ = 5-Spd Automatic 545RFE
			ESF = 6.1L SRT HEMI SMPI	Transmission
			V8 Engine	
			EXL = 3.0L V6 Turbo Diesel	
			Engine	

AR = use ase required - = Non illustrated part

**Power Steering Reservoir
Figure 19-510**

ITEM	PART NUMBER	QTY	LINE	SERIES	BODY	ENGINE	TRANS	TRIM	DESCRIPTION
1	52124317AA	1	J, T		74	EX0	DG0		RESERVOIR, Power Steering Fluid
		1	J, T		74	EZ0	DG0		
2	05143614AA	1	J, T		74	EK0, EVO			CAP, Power Steering Reservoir
		1	J, T		74	EZ0			
		1	J, T		74	ES0			



GRAND CHEROKEE (WK)

SERIES LINE
H = HIGHLINE T = JEEP - 2WD
P = PREMIUM J = JEEP - 4WD
S = SPORT
X = SPECIAL

BODY
74 = SPORT UTILITY 4-DR
TYPE #4

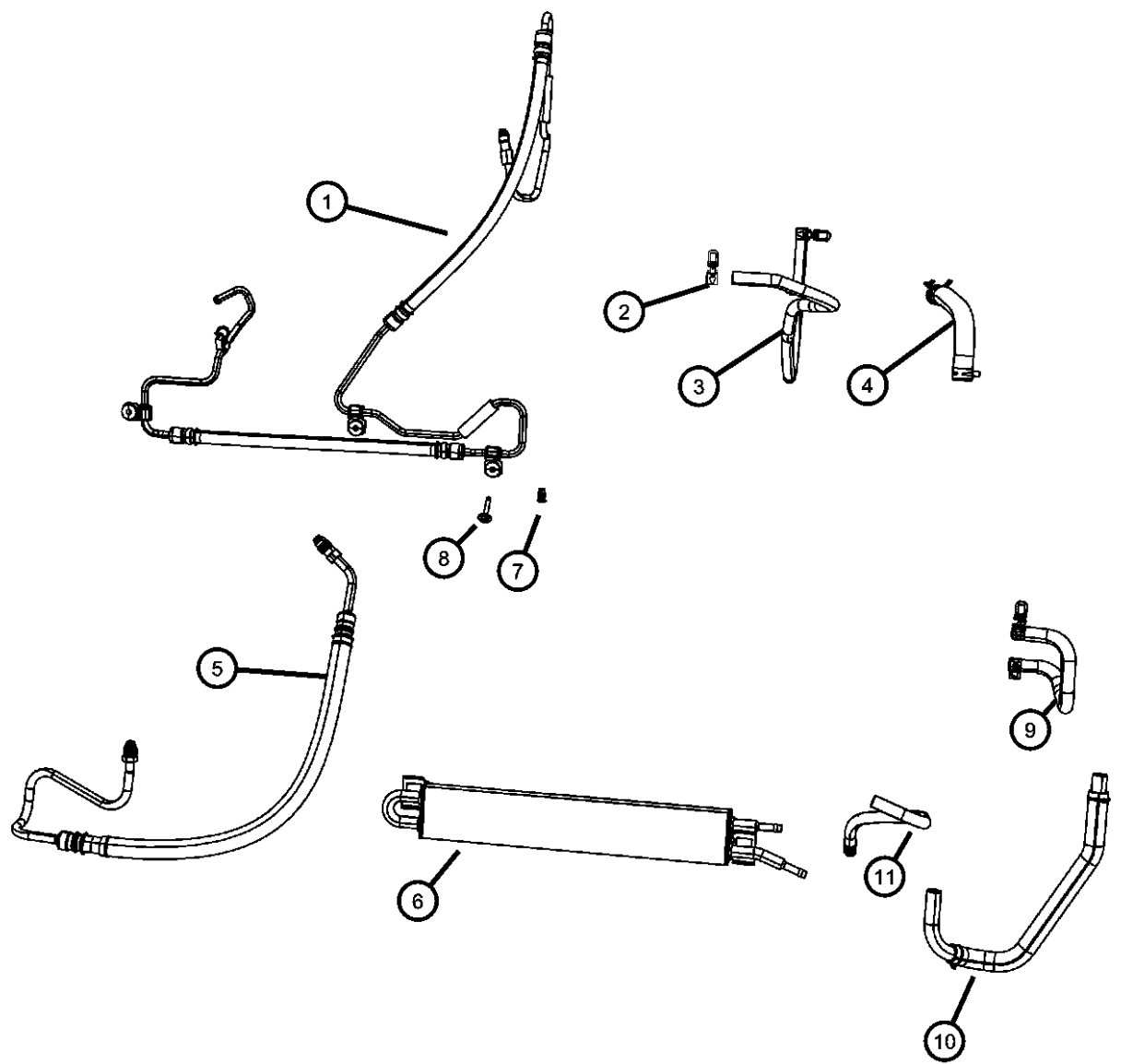
ENGINE TRANSMISSION
EVE = Engine - 4.7L V8 DOHC 3 Valve
EVB = 5.7L Hemi Multi Displacement Engine
EKG = 3.7L V6 Engine
ESF = 6.1L SRT HEMI SMPI V8 Engine
EXL = 3.0L V6 Turbo Diesel Engine
DGJ = 5-Speed Auto W5A580 Transmission
DGU = 5-Spd Auto W5J400 Transmission
DGQ = 5-Spd Automatic 545RFE Transmission

AR = use ase required - = Non illustrated part

2008 WK

**Power Steering Hoses
Figure 19-605**

ITEM	PART NUMBER	QTY	LINE	SERIES	BODY	ENGINE	TRANS	TRIM	DESCRIPTION
1	05290781AD	1	J		74	ES0			HOSE, Power Steering Pressure
	52080154AB	1	J, T		74	EZ0	DG0		
	52089325AD	1	J, T		74	EK0, EV0			
2	52124091AA	1	J, T		74	EK0, EV0			CLAMP, Power Steering Hose
3	52089317AD	1	J, T		74	EK0			HOSE, Power Steering Return
4									HOSE, Power Steering Supply
	52089487AA	1	J, T		74	EZ0	DG0		
	52089861AA	1	J, T		74	EX0	DG0		
5	52089329AA	1	J, T		74	EX0	DG0		HOSE, Power Steering Pressure
	52124114AC	1	J, T		74	EX0, EZ0			
6									COOLER, Power Steering
	05181117AA	1	J, T		74	ES0	DG0		
	52090052AB	1	J, T		74	EK0, EV0	DG0		
	55037927AA	1	J, T		74	EX0	DG0		
	55116927AA	1	J, T		74	EZ0	DG0		
7									NUT, Rivet, M6X1.00
	06507828AA	3	J, T		74	EK0			
		3	J, T		74	ESF, EV0			
		2	J, T		74	EX0, EZ0			
8									SCREW AND WASHER, HEX HEAD, M6X1.0X35.00
	06506669AA	2	J, T		74	EX0, EZ0			
		3	J, T		74	ESF, EV0			
		3	J, T		74	EK0			
9									HOSE, Power Steering Return
	52089318AC	1	J, T		74	EX0	DG0		
		1	J, T		74	EZ0	DG0		
10									HOSE, Power Steering Return
	52089641AC	1	J, T		74	EX0	DG0		
		1	J, T		74	EZ0	DG0		
11									HOSE, Power Steering Return



GRAND CHEROKEE (WK)
 SERIES LINE
 H = HIGHLINE T = JEEP - 2WD
 P = PREMIUM J = JEEP - 4WD
 S = SPORT
 X = SPECIAL

BODY
 74 = SPORT UTILITY 4-DR TYPE #4

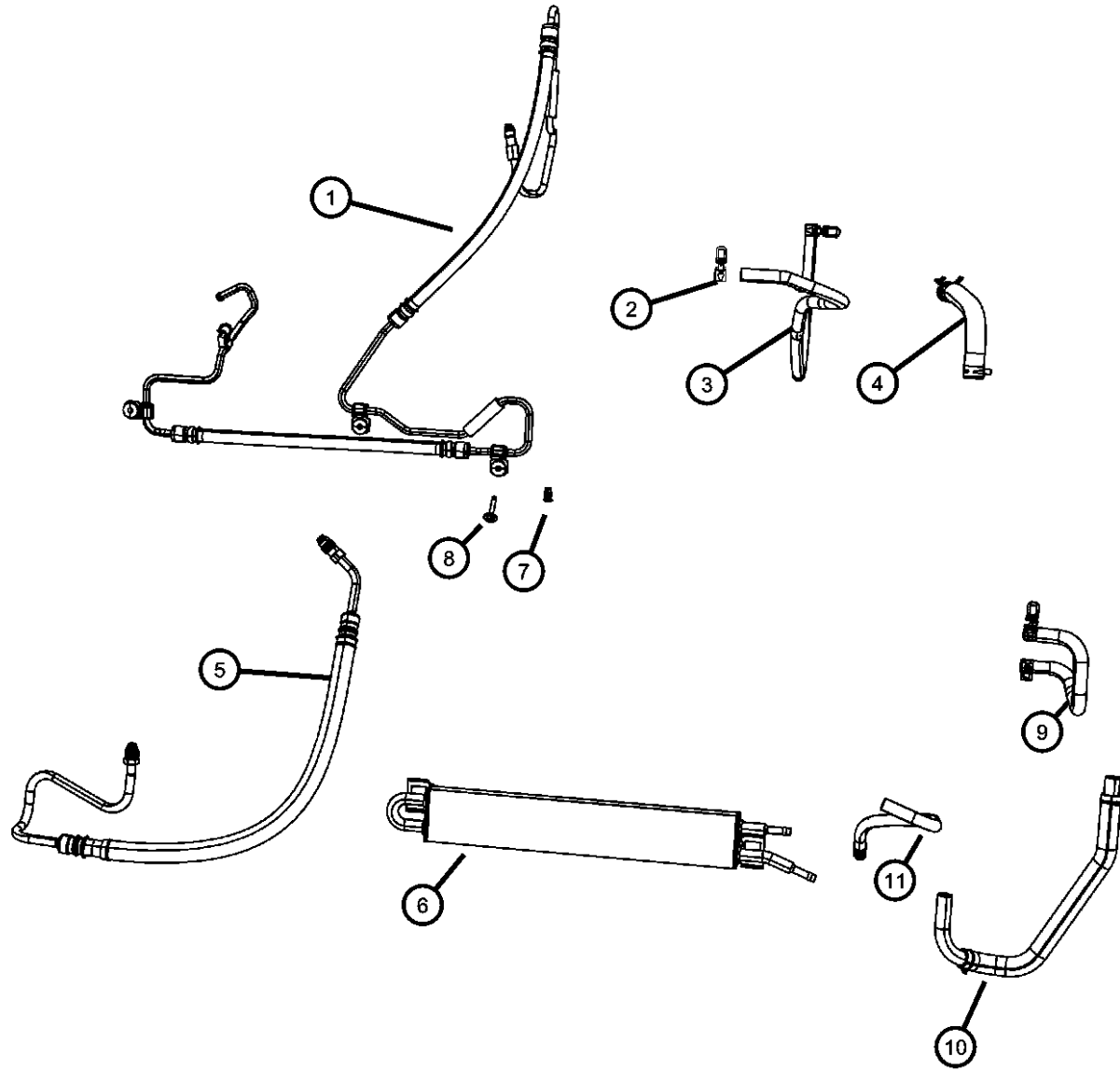
ENGINE
 EVE = Engine - 4.7L V8 DOHC 3 Valve
 EZB = 5.7L Hemi Multi Displacement Engine
 EKG = 3.7L V6 Engine
 ESF = 6.1L SRT HEMI SMPI V8 Engine
 EXL = 3.0L V6 Turbo Diesel Engine

TRANSMISSION
 DGJ = 5-Speed Auto W5A580 Transmission
 DGU = 5-Spd Auto W5J400 Transmission
 DGQ = 5-Spd Automatic 545RFE Transmission

AR = use ase required - = Non illustrated part

**Power Steering Hoses
Figure 19-605**

ITEM	PART NUMBER	QTY	LINE	SERIES	BODY	ENGINE	TRANS	TRIM	DESCRIPTION
	52089865AC	1	J, T		74	EK0, EV0			
		1	J, T		74	ES0			
	52090121AA	1	J, T		74	EX0, EZ0			GEAR TO COOLER



GRAND CHEROKEE (WK)

SERIES LINE
H = HIGHLINE T = JEEP - 2WD
P = PREMIUM J = JEEP - 4WD
S = SPORT
X = SPECIAL

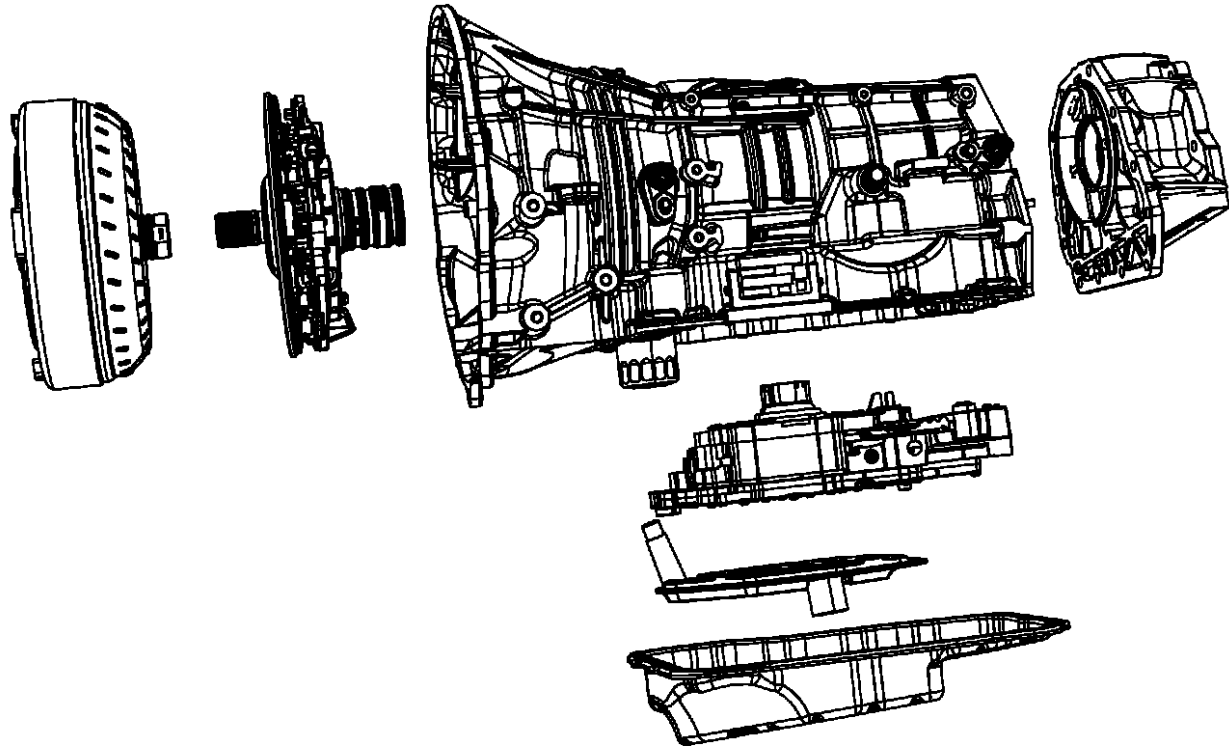
BODY
74 = SPORT UTILITY 4-DR
TYPE #4

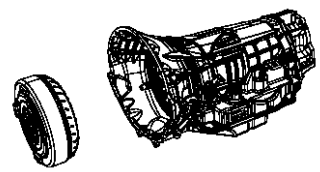
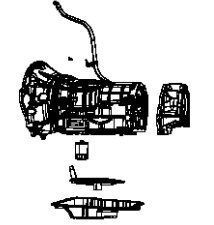
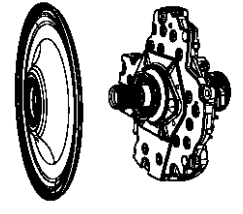

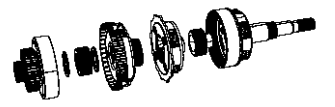
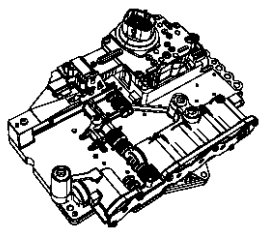
ENGINE TRANSMISSION
EVE = Engine - 4.7L V8 DOHC 3 Valve
EVB = Engine - 4.7L V8 DOHC 3 Valve
EZB = 5.7L Hemi Multi Displacement Engine
EKG = 3.7L V6 Engine
ESF = 6.1L SRT HEMI SMPI V8 Engine
EXL = 3.0L V6 Turbo Diesel Engine
DGJ = 5-Speed Auto W5A580 Transmission
DGU = 5-Spd Auto W5J400 Transmission
DGQ = 5-Spd Automatic 545RFE Transmission

AR = use ase required - = Non illustrated part

Group - 021DGJ

NAG1; W5A580; 5-Speed; Automatic Transmission



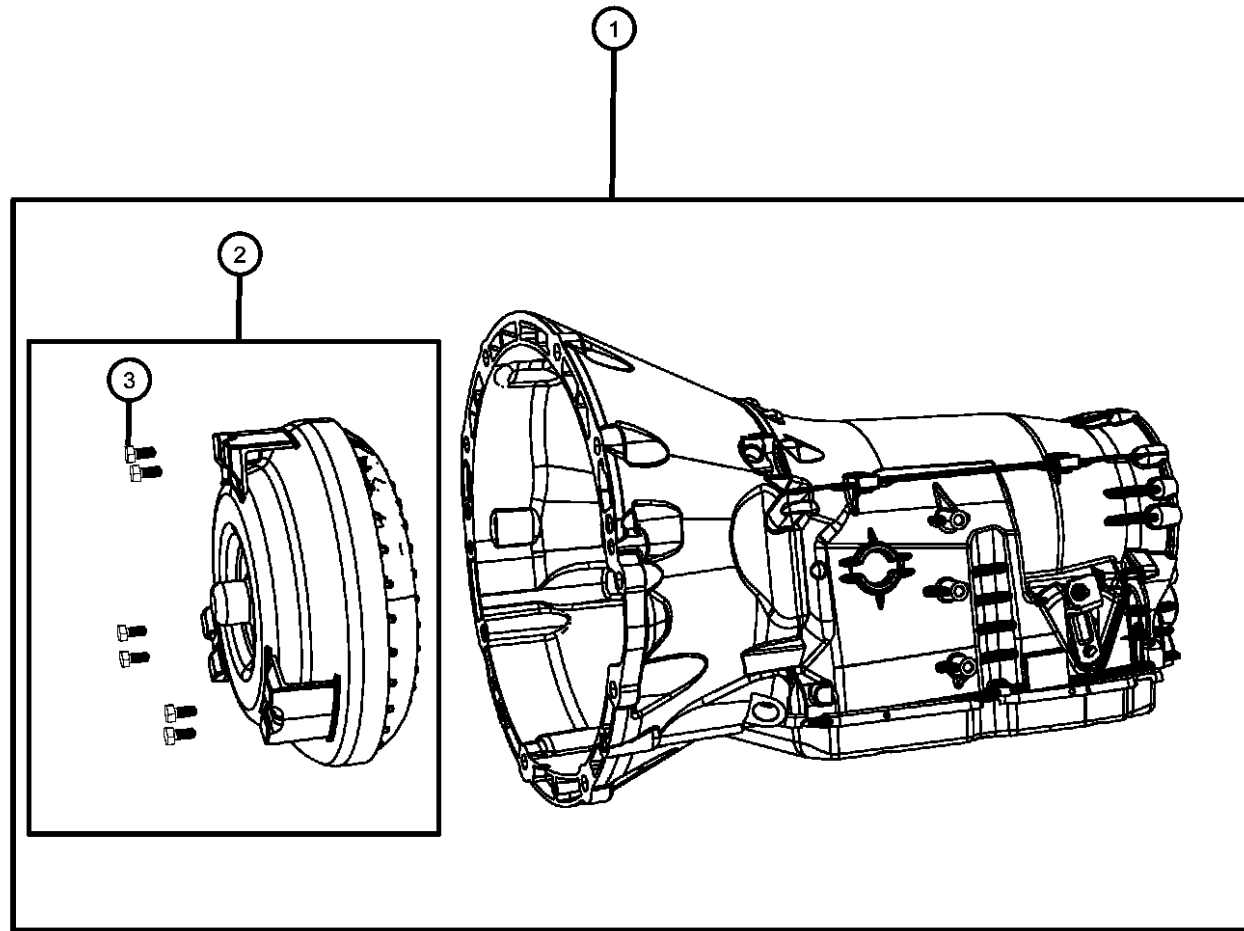
<p>021DGJ-100 Automatic Transmission / Transaxle and Torque Converter</p> 	<p>021DGJ-1100 Gearshift Controls and Related Parts</p>	<p>021DGJ-1200 Mounting and Skid Plate</p>	<p>021DGJ-200 Case, Extension, Oil Pan, and Indicator (Dipstick)</p> 
<p>021DGJ-300 Seal and Shim Packages</p>	<p>021DGJ-400 Oil Pump</p> 	<p>021DGJ-500 Clutches</p> 	<p>021DGJ-600 Gear Train</p> 
<p>021DGJ-800 Valve Body, Accumulator, Solenoid and Parking Sprag</p> 			

Group - 021DGJ NAG1; W5A580; 5-Speed; Automatic Transmission

Illustration Title	Group-Fig. No.
Automatic Transmission / Transaxle and Torque Converter	
Transmission / Transaxle Assembly	Fig. 021DGJ - 105
Torque Converter	Fig. 021DGJ - 110
Case, Extension, Oil Pan, and Indicator (Dipstick)	
Case	Fig. 021DGJ - 210
Adapter 4WD	Fig. 021DGJ - 221
Extension 2WD	Fig. 021DGJ - 222
Oil Fill Tube And Related Parts	Fig. 021DGJ - 225
Oil Pan, Cover And Related Parts	Fig. 021DGJ - 230
Filters	Fig. 021DGJ - 235
Sensors, Vents And Quick Connectors	Fig. 021DGJ - 240
Seal and Shim Packages	
Seal And Shim Packages	Fig. 021DGJ - 305
Oil Pump	
Oil Pump and Related Parts	Fig. 021DGJ - 420
Clutches	
B1 Brake Clutch	Fig. 021DGJ - 526
K1 Clutch Assembly	Fig. 021DGJ - 527
K2 Clutch Assembly	Fig. 021DGJ - 528
K3 Clutch Assembly	Fig. 021DGJ - 529
B3 Clutch Assembly	Fig. 021DGJ - 530
B2 Clutch Assembly	Fig. 021DGJ - 531
B2 Clutch Assembly	Fig. 021DGJ - 532
Gear Train	
Front Planetary Carrier	Fig. 021DGJ - 611
Output Shaft With Center And Rear Planetary Gear Sets	Fig. 021DGJ - 612
Valve Body, Accumulator, Solenoid and Parking Sprag	
Valve Body And Related Parts	Fig. 021DGJ - 825
Parking Sprag And Related Parts	Fig. 021DGJ - 860
Gearshift Controls and Related Parts	
Gearshift Controls	Fig. 021DGJ - 1105
Gearshift Lever, Cable and Bracket	Fig. 021DGJ - 1115
Mounting and Skid Plate	
Mounting Covers And Shields	Fig. 021DGJ - 1205
Structural Collar	Fig. 021DGJ - 1210
Mounting Bolts	Fig. 021DGJ - 1215

**Transmission / Transaxle Assembly
Figure 021DGJ-105**

ITEM	PART NUMBER	QTY	LINE	SERIES	BODY	ENGINE	TRANS	TRIM	DESCRIPTION
1									TRANSMISSION PACKAGE, With Torque Converter
	05179337AB	1	J			ESF	DGJ		
	68003108AB	1	T			EK0	DGJ		
	68003109AB	1	J			EK0	DGJ		
2									CONVERTER PACKAGE, Torque
	05174299AA	1	J			ESF	DGJ		
	68003092AA	1	T			EK0	DGJ		
		1	J			EK0	DGJ		
3	06507095AA	6	J, T			EK0, ES0	DG0		BOLT, Hex Head, M8x1.25x18.00



GRAND CHEROKEE (WK)

SERIES LINE
H = HIGHLINE T = JEEP - 2WD
P = PREMIUM J = JEEP - 4WD
S = SPORT
X = SPECIAL

BODY
74 = SPORT UTILITY 4-DR
TYPE #4

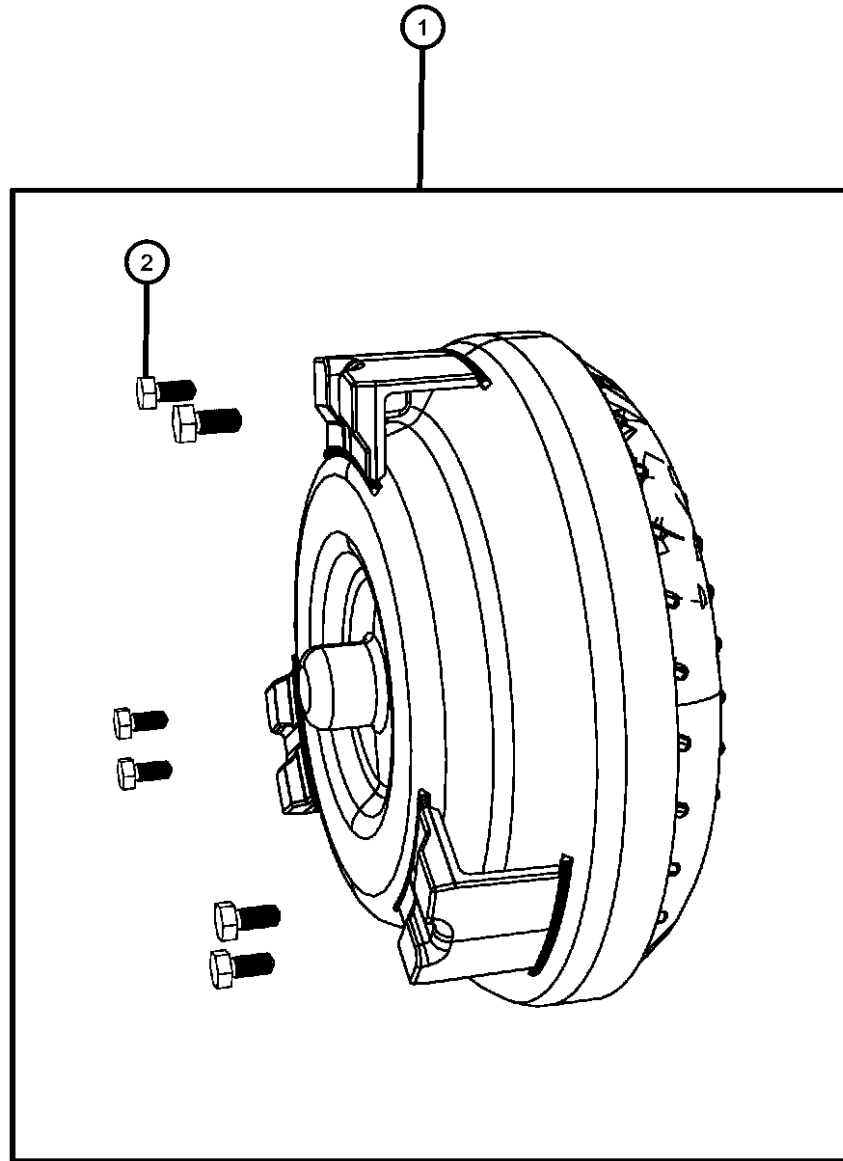
ENGINE TRANSMISSION
EVE = Engine - 4.7L V8 DOHC 3 Valve
EVB = Engine - 4.7L V8 DOHC 3 Valve
EZB = 5.7L Hemi Multi Displacement Engine
EKG = 3.7L V6 Engine
ESF = 6.1L SRT HEMI SMPI V8 Engine
EXL = 3.0L V6 Turbo Diesel Engine
DGJ = 5-Speed Auto W5A580 Transmission
DGU = 5-Spd Auto W5J400 Transmission
DGQ = 5-Spd Automatic 545RFE Transmission

AR = use ase required - = Non illustrated part

2008 WK

**Torque Converter
Figure 021DGJ-110**

ITEM	PART NUMBER	QTY	LINE	SERIES	BODY	ENGINE	TRANS	TRIM	DESCRIPTION
1	05174299AA	1	J			ESF	DGJ		CONVERTER PACKAGE, Torque
	68003092AA	1	T			EK0	DGJ		
		1	J			EK0	DGJ		
2	06507095AA	6	J, T			EK0, ES0	DG0		BOLT, Hex Head, M8x1.25x18.00



GRAND CHEROKEE (WK)

SERIES LINE
H = HIGHLINE T = JEEP - 2WD
P = PREMIUM J = JEEP - 4WD
S = SPORT
X = SPECIAL

BODY
74 = SPORT UTILITY 4-DR
TYPE #4

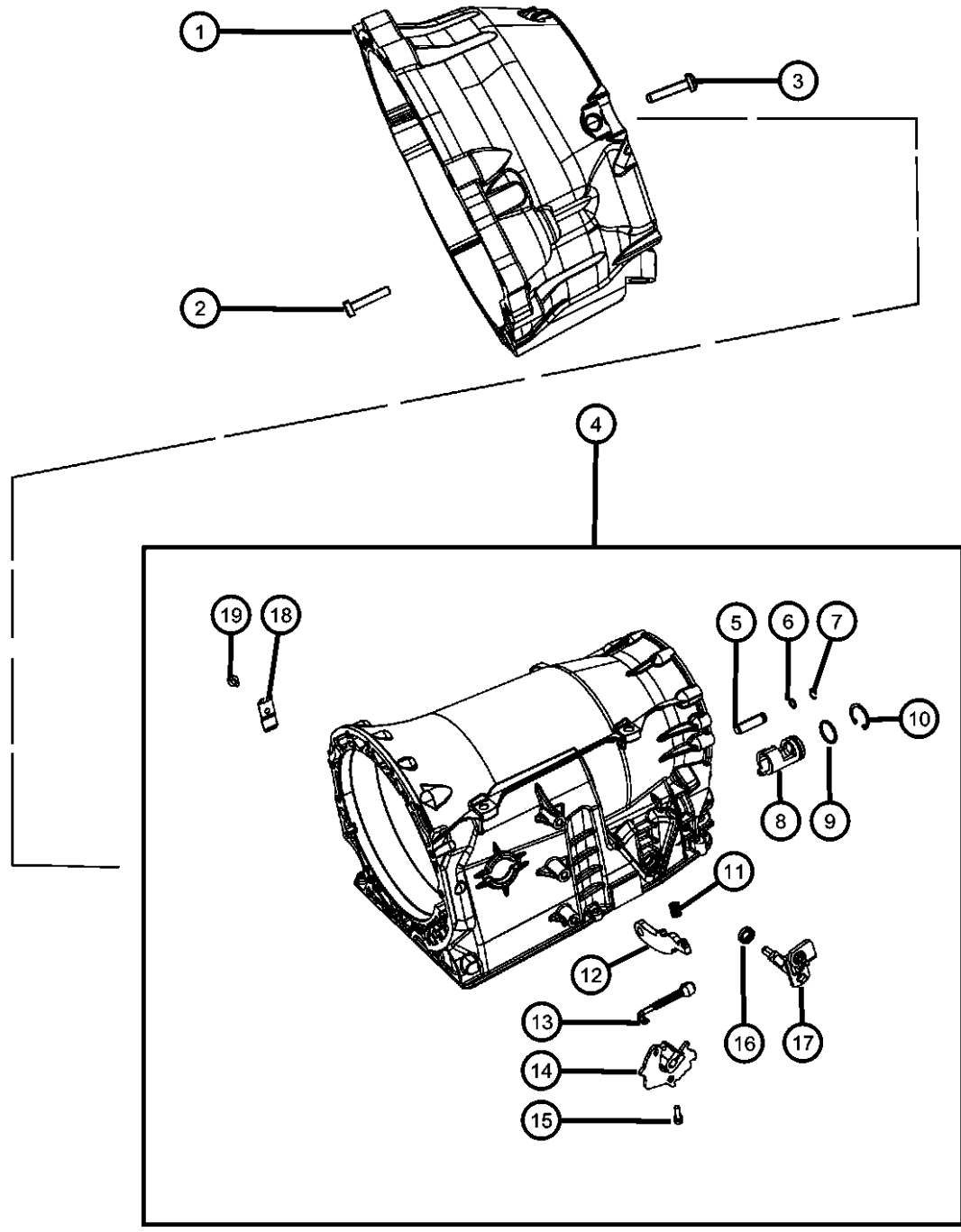
ENGINE TRANSMISSION
EVE = Engine - 4.7L V8 DOHC 3 Valve
EVB = Engine - 4.7L V8 DOHC 3 Valve
EZB = 5.7L Hemi Multi Displacement Engine
EKG = 3.7L V6 Engine
ESF = 6.1L SRT HEMI SMPI V8 Engine
EXL = 3.0L V6 Turbo Diesel Engine
DGJ = 5-Speed Auto W5A580 Transmission
DGU = 5-Spd Auto W5J400 Transmission
DGQ = 5-Spd Automatic 545RFE Transmission

AR = use ase required - = Non illustrated part

2008 WK

Case
Figure 021DGJ-210

ITEM	PART NUMBER	QTY	LINE	SERIES	BODY	ENGINE	TRANS	TRIM	DESCRIPTION
1	52108422AA	1	J			ESF	DGJ		HOUSING, Torque Converter
		1	T			EK0	DGJ		
		1	J			EK0	DGJ		
2	52108206AA	15	J			ESF	DGJ		BOLT, Socket Head, M8x40
		15	T			EK0	DGJ		
		15	J			EK0	DGJ		
3	06104158AA	2	J			ESF	DGJ		BOLT, Torx Head, M8x1.25x40, Case to Bell Housing
		2	T			EK0	DGJ		
		2	J			EK0	DGJ		
4	52108431AA	1	T			EK0	DGJ		CASE, Transmission
		1	J			ESF	DGJ		
		1	J			EK0	DGJ		
5	52108155AA	1	J			ESF	DGJ		SHAFT, Parking Pawl
		1	T			EK0	DGJ		
		1	J			EK0	DGJ		
6	52108156AB	1	J			EK0	DGJ		O RING
		1	J			ESF	DGJ		
		1	T			EK0	DGJ		
7	52107975AA	1	J			ESF	DGJ		SNAP RING
		1	T			EK0	DGJ		
		1	J			EK0	DGJ		
8	52108176AA	1	J			ESF	DGJ		GUIDE
		1	T			EK0	DGJ		
		1	J			EK0	DGJ		



GRAND CHEROKEE (WK)

SERIES LINE
H = HIGHLINE T = JEEP - 2WD
P = PREMIUM J = JEEP - 4WD
S = SPORT
X = SPECIAL

BODY
74 = SPORT UTILITY 4-DR
TYPE #4

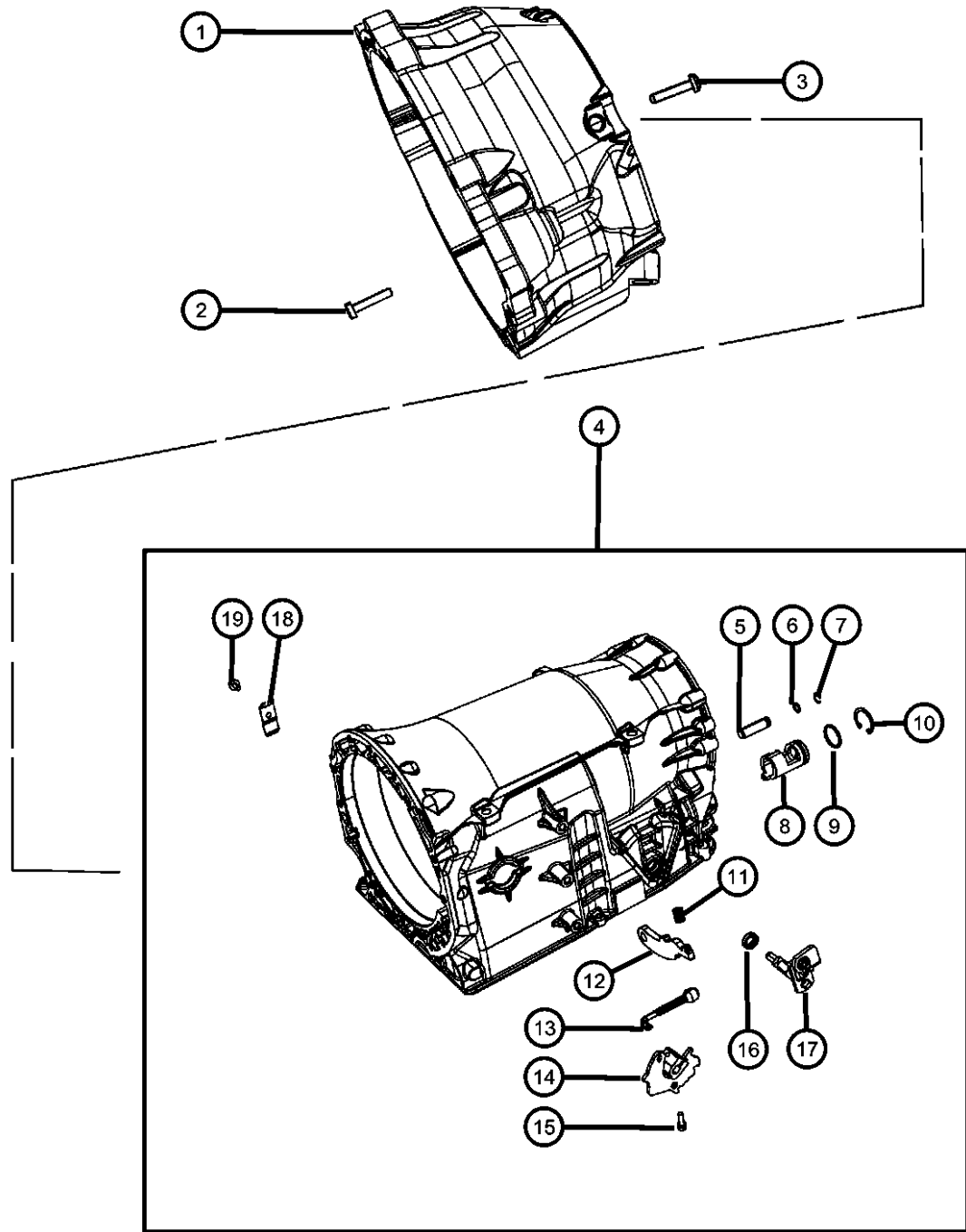
ENGINE TRANSMISSION
EVE = Engine - 4.7L V8 DOHC 3 Valve
EVB = Engine - 4.7L V8 DOHC 3 Valve
EZE = 5.7L Hemi Multi Displacement Engine
EKG = 3.7L V6 Engine
ESF = 6.1L SRT HEMI SMPI V8 Engine
EXL = 3.0L V6 Turbo Diesel Engine
DGJ = 5-Speed Auto W5A580 Transmission
DGU = 5-Spd Auto W5J400 Transmission
DGQ = 5-Spd Automatic 545RFE Transmission

AR = use ase required - = Non illustrated part

2008 WK

Case
Figure 021DGJ-210

ITEM	PART NUMBER	QTY	LINE	SERIES	BODY	ENGINE	TRANS	TRIM	DESCRIPTION
9	52108177AA	1	J			ESF	DGJ		O RING
		1	T			EK0	DGJ		
		1	J			EK0	DGJ		
10	52107976AA	1	J			ESF	DGJ		SNAP RING
		1	T			EK0	DGJ		
		1	J			EK0	DGJ		
11	52108157AA	1	J			ESF	DGJ		SPRING
		1	T			EK0	DGJ		
		1	J			EK0	DGJ		
12	52108154AA	1	J			ESF	DGJ		PAWL, Parking Sprag
		1	T			EK0	DGJ		
		1	J			EK0	DGJ		
13	52108166AA	1	J			ESF	DGJ		LINKAGE, Transmission
		1	T			EK0	DGJ		
		1	J			EK0	DGJ		
14	52108349AA	1	J			ESF	DGJ		DETENT, Gearshift
		1	T			EK0	DGJ		
		1	J			EK0	DGJ		
15	52108178AA	1	J			ESF	DGJ		BOLT, Torx Head, M6x20
		1	T			EK0	DGJ		
		1	J			EK0	DGJ		
16	05134933AA	1	T			EK0	DGJ		SEAL, Transmission
		1	J			EK0	DGJ		



GRAND CHEROKEE (WK)

SERIES LINE
H = HIGHLINE T = JEEP - 2WD
P = PREMIUM J = JEEP - 4WD
S = SPORT
X = SPECIAL

BODY
74 = SPORT UTILITY 4-DR
TYPE #4

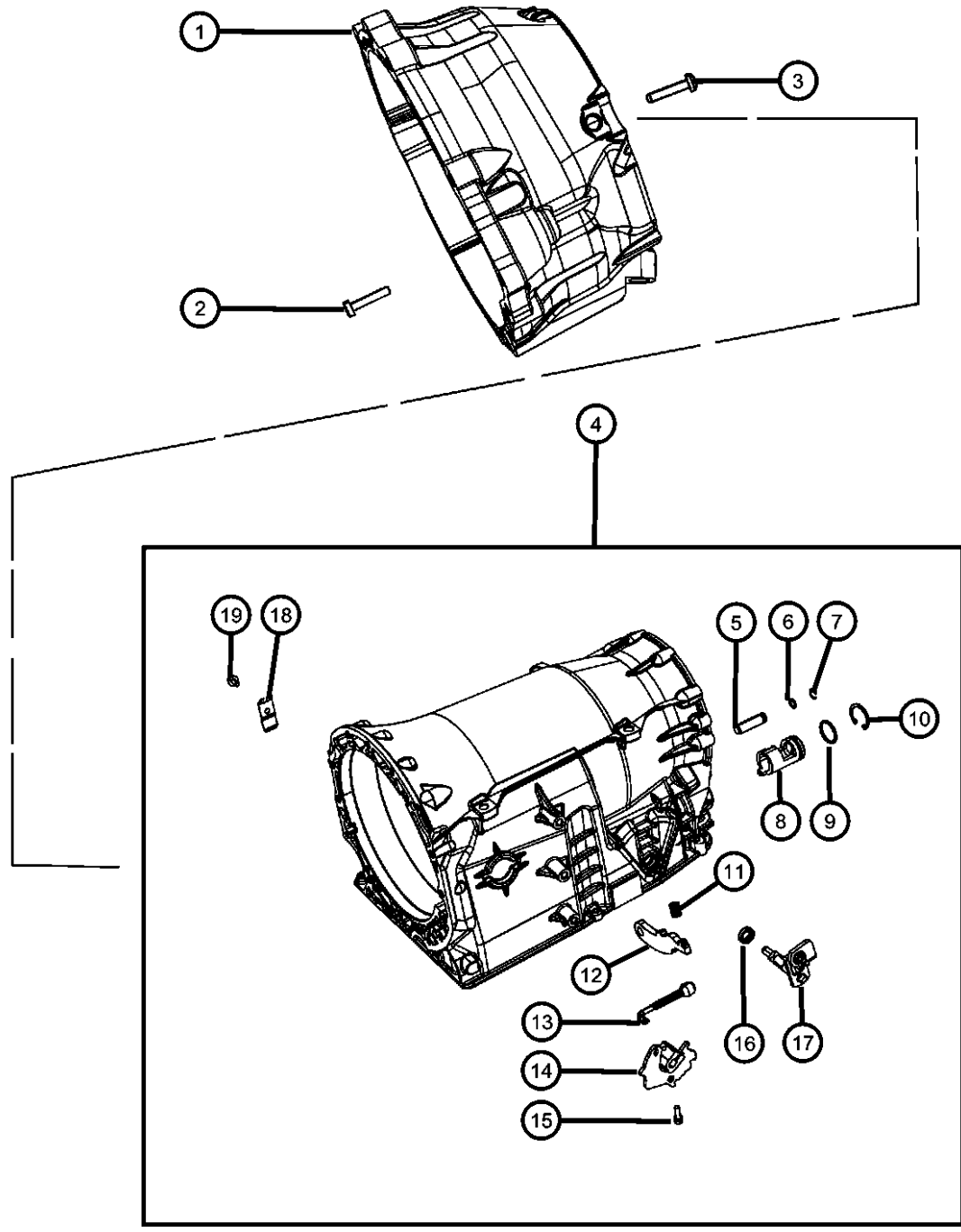
ENGINE TRANSMISSION
EVE = Engine - 4.7L V8 DOHC 3 Valve
EVB = Engine - 4.7L V8 DOHC 3 Valve
EZB = 5.7L Hemi Multi Displacement Engine
EKG = 3.7L V6 Engine
ESF = 6.1L SRT HEMI SMPI V8 Engine
EXL = 3.0L V6 Turbo Diesel Engine
DGJ = 5-Speed Auto W5A580 Transmission
DGU = 5-Spd Auto W5J400 Transmission
DGQ = 5-Spd Automatic 545RFE Transmission

AR = use ase required - = Non illustrated part

2008 WK

Case
Figure 021DGJ-210

ITEM	PART NUMBER	QTY	LINE	SERIES	BODY	ENGINE	TRANS	TRIM	DESCRIPTION
17		1	J			ESF	DGJ		SHAFT, Shift Lever
	52108432AA	1	J			ESF	DGJ		
		1	T			EK0	DGJ		
18		1	J			EK0	DGJ		SPRING
	52108179AA	1	J			ESF	DGJ		
		1	T			EK0	DGJ		
		1	J			EK0	DGJ		
19		1							SCREW AND WASHER, Hex Head, M6x1x14, (NOT SERVICED)



GRAND CHEROKEE (WK)

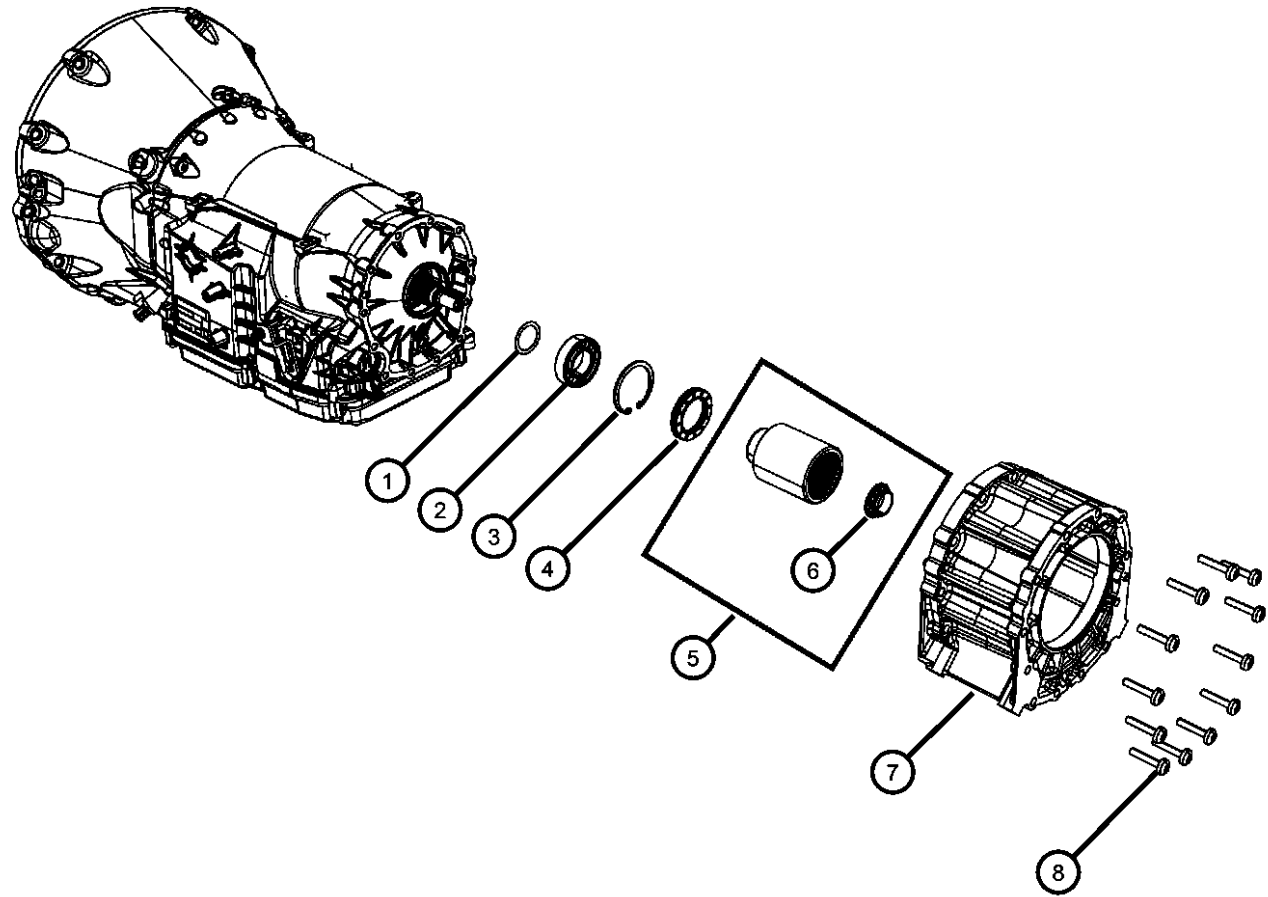
SERIES LINE
H = HIGHLINE T = JEEP - 2WD
P = PREMIUM J = JEEP - 4WD
S = SPORT
X = SPECIAL

BODY
74 = SPORT UTILITY 4-DR
TYPE #4

ENGINE TRANSMISSION
EVE = Engine - 4.7L V8 DOHC 3 Valve
EZB = 5.7L Hemi Multi Displacement Engine
EKG = 3.7L V6 Engine
ESF = 6.1L SRT HEMI SMPI V8 Engine
EXL = 3.0L V6 Turbo Diesel Engine
DGJ = 5-Speed Auto W5A580 Transmission
DGU = 5-Spd Auto W5J400 Transmission
DGQ = 5-Spd Automatic 545RFE Transmission

AR = use ase required - = Non illustrated part

**Adapter 4WD
Figure 021DGJ-221**



ITEM	PART NUMBER	QTY	LINE	SERIES	BODY	ENGINE	TRANS	TRIM	DESCRIPTION
1	68001917AA	AR	J			ESF	DGJ		SHIM PACKAGE, Park & output bearing
		AR	J			EK0	DGJ		
2	52108207AA	1	J			ESF	DGJ		BEARING, Output Shaft
		1	J			EK0	DGJ		
3	68008210AA	AR	J			ESF	DGJ		SNAP RING PACKAGE, Transmission
		AR	J			EK0	DGJ		
4	52108428AA	1	J			ESF	DGJ		SEAL, Output Shaft
		1	J			EK0	DGJ		
5	05179989AA	1	J			ESF	DGJ		FLANGE PACKAGE
		1	J			EK0	DGJ		
6	52108234AA	1	J			ESF	DGJ		NUT, Flange to Output Shaft, M26x1.5
		1	J			EK0	DGJ		
7	52108451AB	1	J			ESF	DGJ		ADAPTER, Transfer Case
		1	J			EK0	DGJ		
8	06104157AB	12	J			ESF	DGJ		BOLT, Torx Head, M8x1.25x35.00
		12	J			EK0	DGJ		

GRAND CHEROKEE (WK)

SERIES LINE
H = HIGHLINE T = JEEP - 2WD
P = PREMIUM J = JEEP - 4WD
S = SPORT
X = SPECIAL

BODY
74 = SPORT UTILITY 4-DR
TYPE #4

ENGINE
EVE = Engine - 4.7L V8 DOHC
3 Valve
EZB = 5.7L Hemi Multi
Displacement Engine
EKG = 3.7L V6 Engine
ESF = 6.1L SRT HEMI SMPI
V8 Engine
EXL = 3.0L V6 Turbo Diesel
Engine

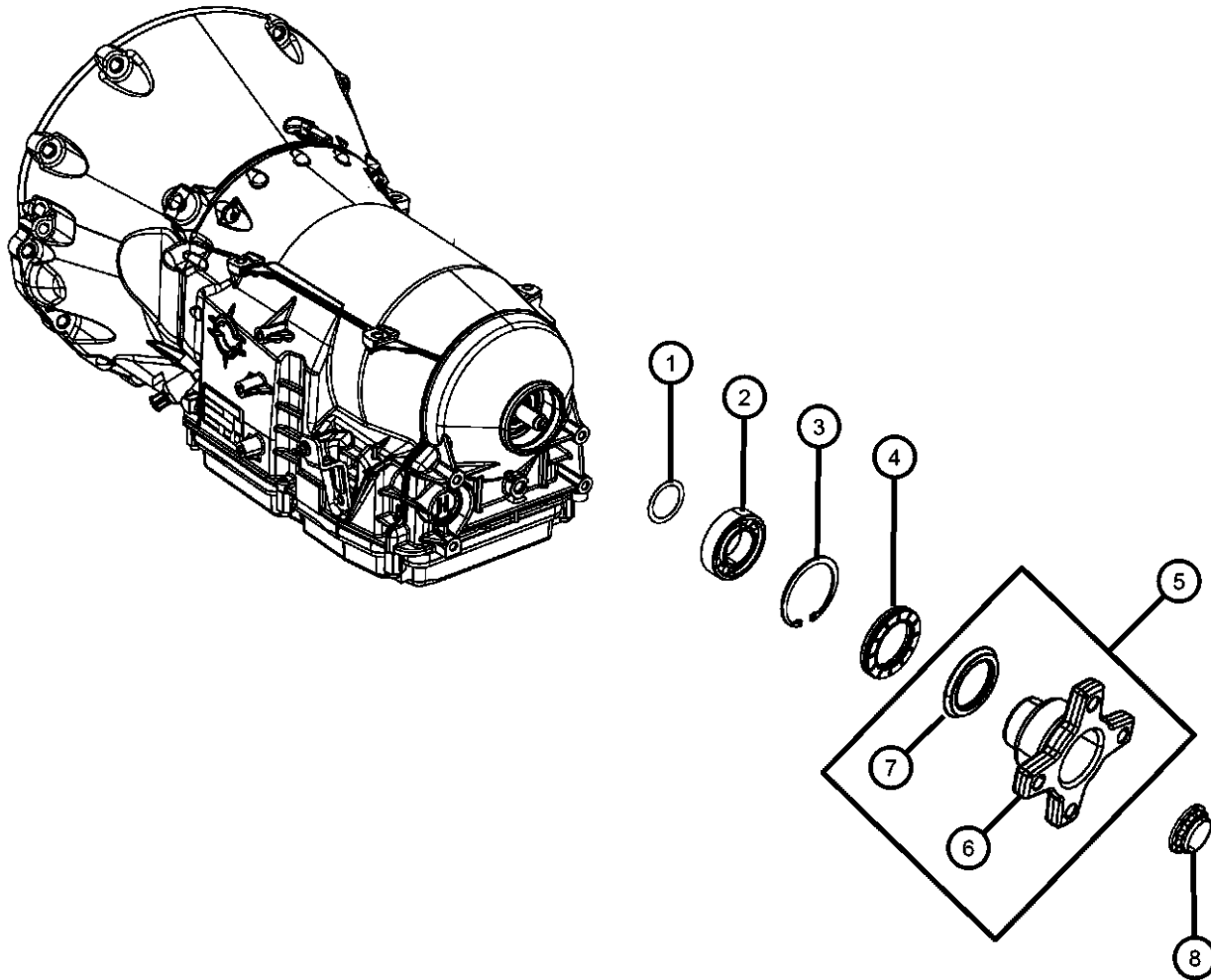
TRANSMISSION
DGJ = 5-Speed Auto W5A580
Transmission
DGU = 5-Spd Auto W5J400
Transmission
DGQ = 5-Spd Automatic 545RFE
Transmission

AR = use ase required - = Non illustrated part

2008 WK

Extension 2WD
Figure 021DGJ-222

ITEM	PART NUMBER	QTY	LINE	SERIES	BODY	ENGINE	TRANS	TRIM	DESCRIPTION
1	68001917AA	AR	T			EK0	DGJ		SHIM PACKAGE, Park & output bearing
2	52108207AA	1	T			EK0	DGJ		BEARING, Output Shaft
3	68008210AA	AR	T			EK0	DGJ		SNAP RING PACKAGE, Transmission
4	52108428AA	1	T			EK0	DGJ		SEAL, Output Shaft
5	52108628AB	1	T			EK0	DGJ		FLANGE ASSEMBLY, Output
6	52108496AB	1	T			EK0	DGJ		FLANGE, Output
7	52108626AA	1	T			EK0	DGJ		SLINGER, Output Shaft Seal
8	52108234AA	1	T			EK0	DGJ		NUT, Flange to Output Shaft, M26x1.5



GRAND CHEROKEE (WK)

SERIES LINE
H = HIGHLINE T = JEEP - 2WD
P = PREMIUM J = JEEP - 4WD
S = SPORT
X = SPECIAL

BODY
74 = SPORT UTILITY 4-DR
TYPE #4

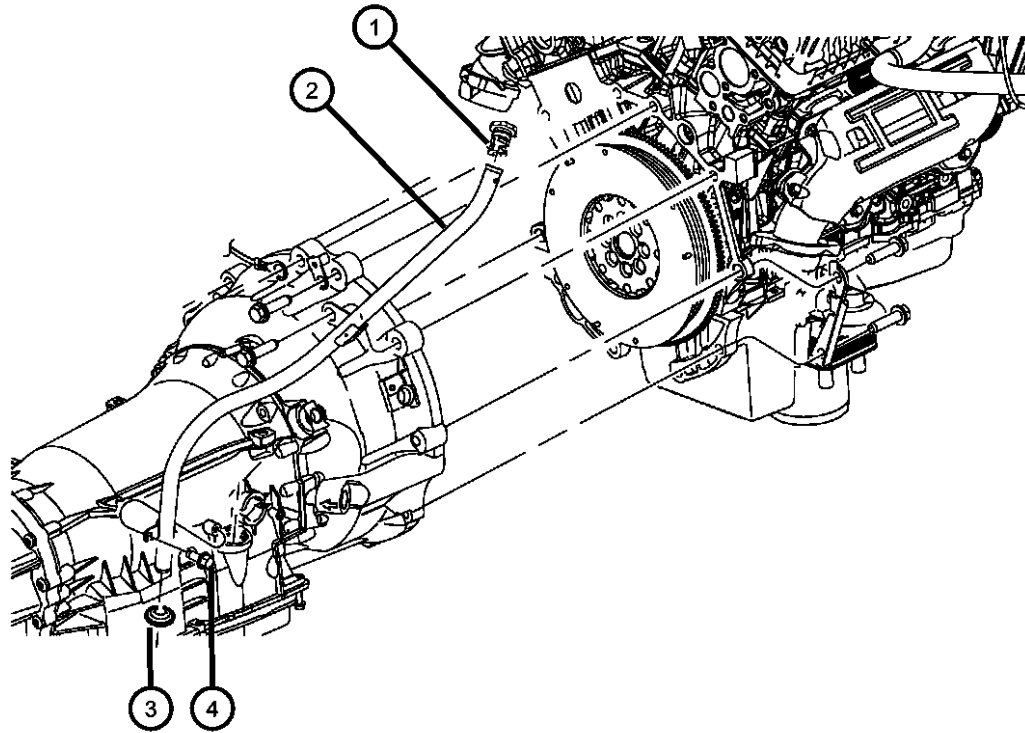
ENGINE TRANSMISSION
EVE = Engine - 4.7L V8 DOHC 3 Valve
EVB = Engine - 4.7L V8 DOHC 3 Valve
EZB = 5.7L Hemi Multi Displacement Engine
EKG = 3.7L V6 Engine
ESF = 6.1L SRT HEMI SMPI V8 Engine
EXL = 3.0L V6 Turbo Diesel Engine
DGJ = 5-Speed Auto W5A580 Transmission
DGU = 5-Spd Auto W5J400 Transmission
DGQ = 5-Spd Automatic 545RFE Transmission

AR = use ase required - = Non illustrated part

2008 WK

**Oil Fill Tube And Related Parts
Figure 021DGJ-225**

ITEM	PART NUMBER	QTY	LINE	SERIES	BODY	ENGINE	TRANS	TRIM	DESCRIPTION
1		1							CAP, Oil Filler, Only Serviced With Oil Filler Tube, Item #2, (NOT SERVICED)
2	05037752AC	1	J, T			ESF	DGJ		TUBE, Transmission Oil Filler
		1	J, T			EK0	DGJ		
3	04810021AB	1	J			EK0	DGJ		GROMMET
		1	J			ESF	DGJ		
		1	T			EK0	DGJ		
4	06501979	1	J, T						BOLT, Hex Flange Head, M6X1.00X17.00



GRAND CHEROKEE (WK)

SERIES LINE
H = HIGHLINE T = JEEP - 2WD
P = PREMIUM J = JEEP - 4WD
S = SPORT
X = SPECIAL

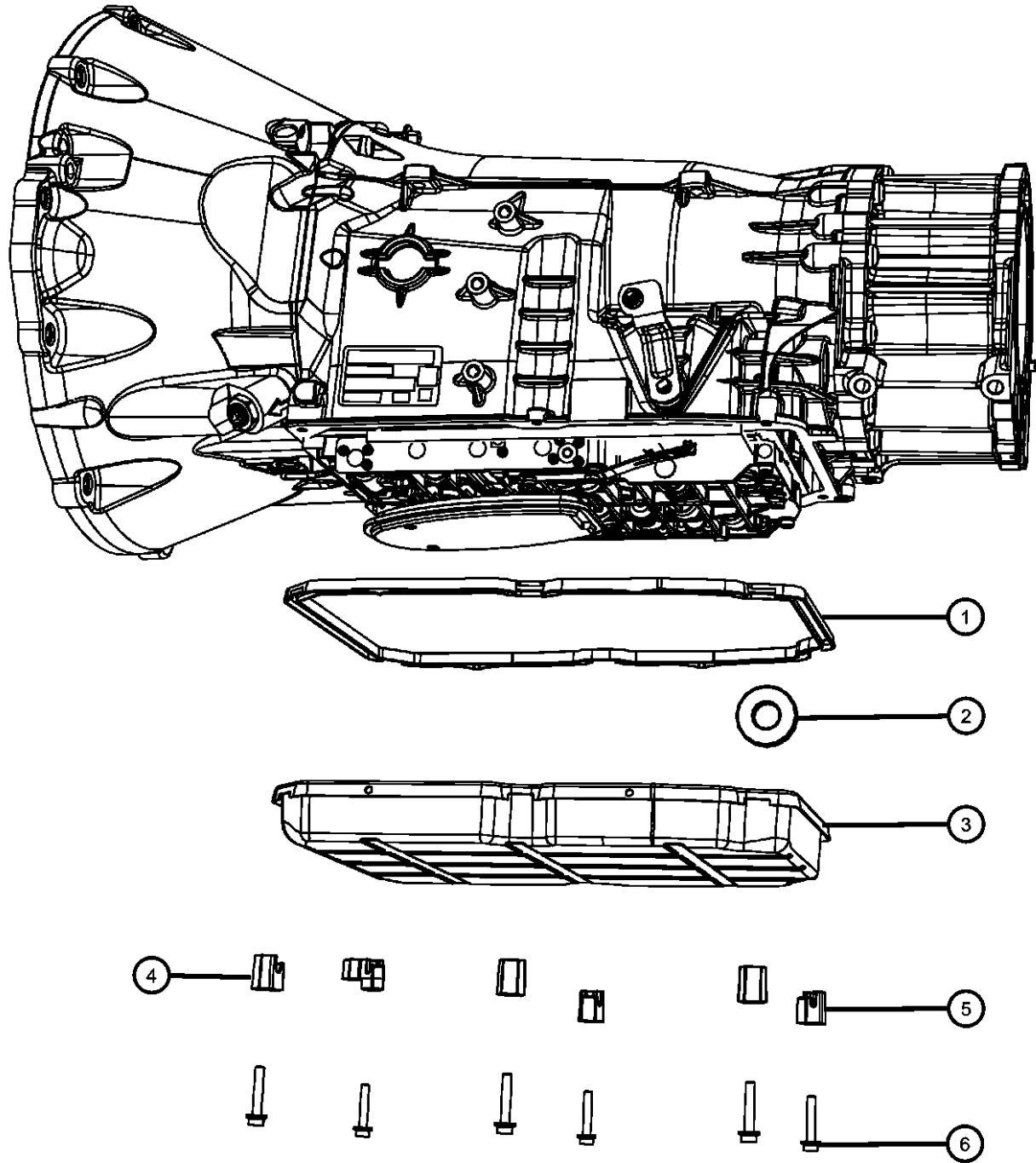
BODY
74 = SPORT UTILITY 4-DR
TYPE #4

ENGINE TRANSMISSION
EVE = Engine - 4.7L V8 DOHC 3 Valve
EZB = 5.7L Hemi Multi Displacement Engine
EKG = 3.7L V6 Engine
ESF = 6.1L SRT HEMI SMPI V8 Engine
EXL = 3.0L V6 Turbo Diesel Engine
DGJ = 5-Speed Auto W5A580 Transmission
DGU = 5-Spd Auto W5J400 Transmission
DGQ = 5-Spd Automatic 545RFE Transmission

AR = use ase required - = Non illustrated part

2008 WK

**Oil Pan, Cover And Related Parts
Figure 021DGJ-230**



ITEM	PART NUMBER	QTY	LINE	SERIES	BODY	ENGINE	TRANS	TRIM	DESCRIPTION
1	52108332AA	1	J			ESF	DGJ		GASKET, Oil Pan
		1	T			EK0	DGJ		
		1	J			EK0	DGJ		
2	03681601	1	J			ESF	DGJ		MAGNET, Transmission
		1	T			EK0	DGJ		
		1	J			EK0	DGJ		
3	52108327AA	1	T			EK0	DGJ		PAN, Transmission Oil
		1	J			EK0	DGJ		
		1	J			ESF	DGJ		
4	05080289AA	1	J			ESF	DGJ		CLAMP, Oil Pan
		1	T			EK0	DGJ		
		1	J			EK0	DGJ		
5	52108334AA	5	J			ESF	DGJ		CLAMP, Oil Pan
		5	T			EK0	DGJ		
		5	J			EK0	DGJ		
6	52108270AA	6	J			ESF	DGJ		BOLT, Torx Head, M6x32
		6	T			EK0	DGJ		
		6	J			EK0	DGJ		

GRAND CHEROKEE (WK)

SERIES LINE
H = HIGHLINE T = JEEP - 2WD
P = PREMIUM J = JEEP - 4WD
S = SPORT
X = SPECIAL

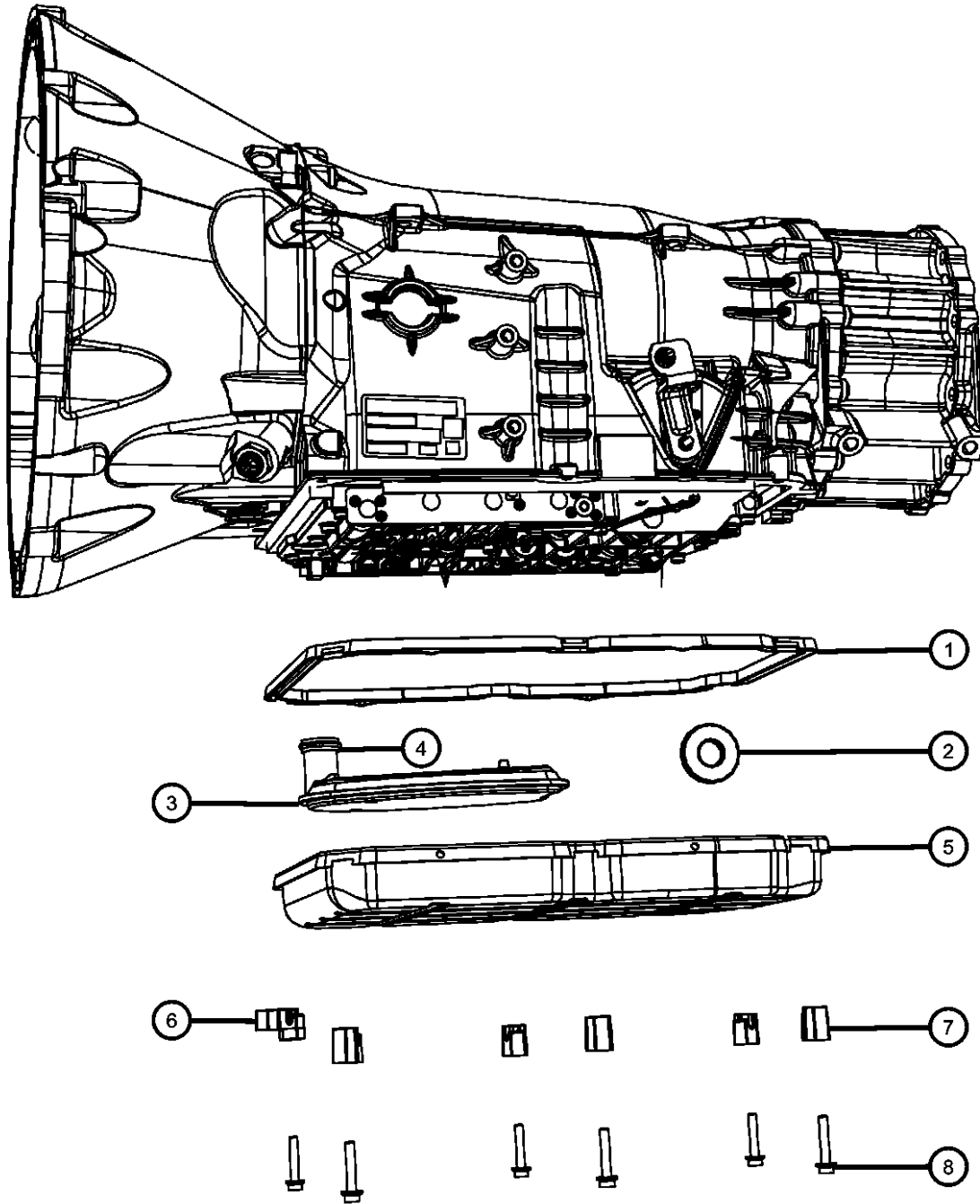
BODY
74 = SPORT UTILITY 4-DR
TYPE #4

ENGINE
EVE = Engine - 4.7L V8 DOHC
3 Valve
EZB = 5.7L Hemi Multi
Displacement Engine
EKG = 3.7L V6 Engine
ESF = 6.1L SRT HEMI SMPI
V8 Engine
EXL = 3.0L V6 Turbo Diesel
Engine

TRANSMISSION
DGJ = 5-Speed Auto W5A580
Transmission
DGU = 5-Spd Auto W5J400
Transmission
DGQ = 5-Spd Automatic 545RFE
Transmission

AR = use ase required - = Non illustrated part

Filters
Figure 021DGJ-235



ITEM	PART NUMBER	QTY	LINE	SERIES	BODY	ENGINE	TRANS	TRIM	DESCRIPTION
1	52108332AA	1	J			ESF	DGJ		GASKET, Oil Pan
		1	T			EK0	DGJ		
		1	J			EK0	DGJ		
2	03681601	1	J			ESF	DGJ		MAGNET, Transmission
		1	T			EK0	DGJ		
		1	J			EK0	DGJ		
3	52108325AA	1	J			ESF	DGJ		FILTER, Transmission Oil
		1	T			EK0	DGJ		
		1	J			EK0	DGJ		
4	52108327AA	1	T			EK0	DGJ		O RING, (NOT SERVICED) PAN, Transmission Oil
		1	J			EK0	DGJ		
		1	J			ESF	DGJ		
6	05080289AA	1	J			ESF	DGJ		CLAMP, Oil Pan
		1	T			EK0	DGJ		
		1	J			EK0	DGJ		
7	52108334AA	5	J			ESF	DGJ		CLAMP, Oil Pan
		5	T			EK0	DGJ		
		5	J			EK0	DGJ		
8	52108270AA	6	T			EK0	DGJ		BOLT, Torx Head, M6x32
		6	J			EK0	DGJ		
		6	J			ESF	DGJ		

GRAND CHEROKEE (WK)

SERIES LINE
H = HIGHLINE T = JEEP - 2WD
P = PREMIUM J = JEEP - 4WD
S = SPORT
X = SPECIAL

BODY
74 = SPORT UTILITY 4-DR
TYPE #4

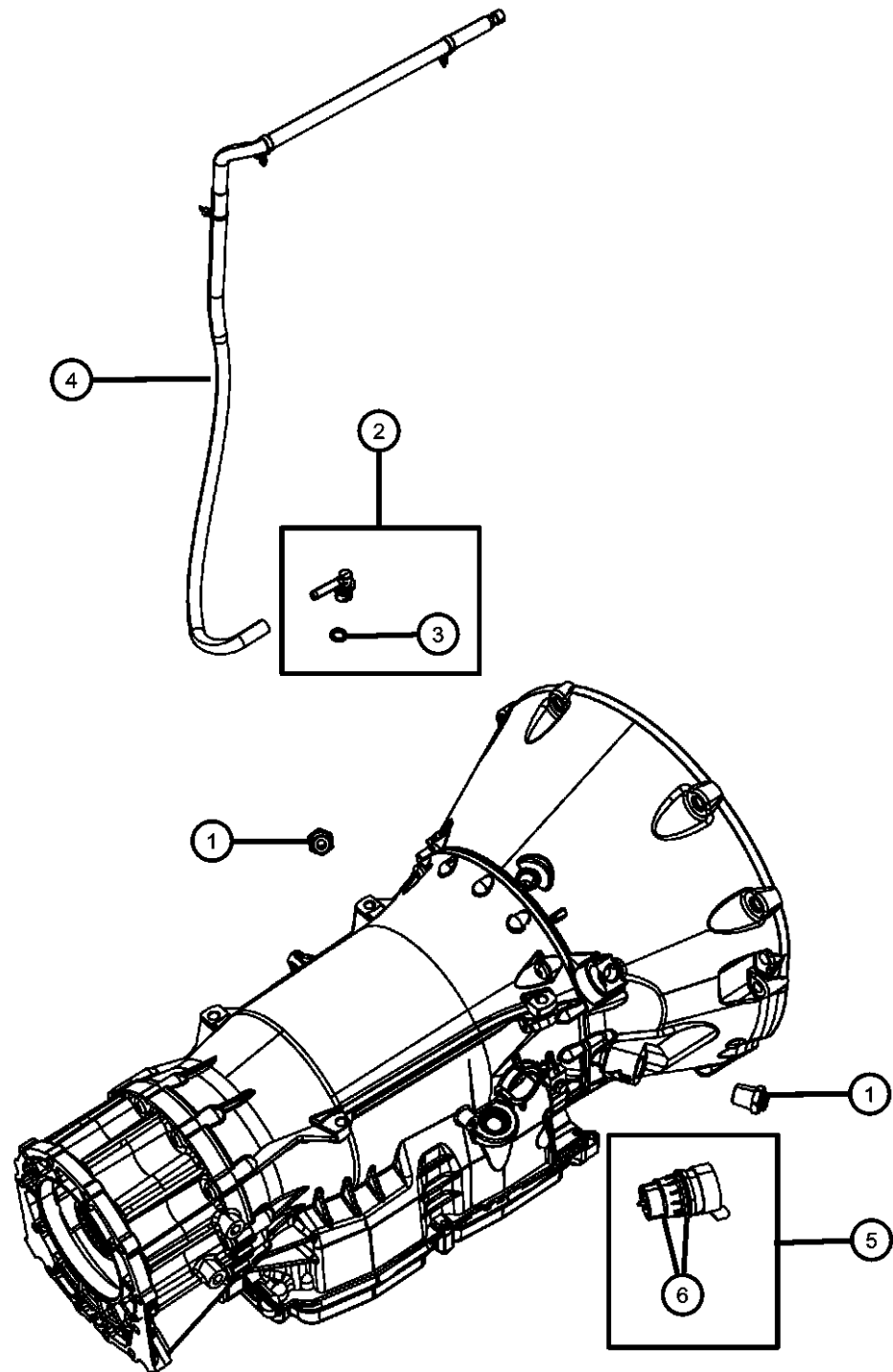
ENGINE
EVE = Engine - 4.7L V8 DOHC
3 Valve
EZB = 5.7L Hemi Multi
Displacement Engine
EKG = 3.7L V6 Engine
ESF = 6.1L SRT HEMI SMPI
V8 Engine
EXL = 3.0L V6 Turbo Diesel
Engine

TRANSMISSION
DGJ = 5-Speed Auto W5A580
Transmission
DGU = 5-Spd Auto W5J400
Transmission
DGQ = 5-Spd Automatic 545RFE
Transmission

AR = use ase required - = Non illustrated part

2008 WK

Sensors, Vents And Quick Connectors
Figure 021DGJ-240



ITEM	PART NUMBER	QTY	LINE	SERIES	BODY	ENGINE	TRANS	TRIM	DESCRIPTION
1	52119547AA	2	J			ESF	DGJ		FITTING, Quick Connect
		2	T			EK0	DGJ		
		2	J			EK0	DGJ		
2	52108397AA	1	J			ESF	DGJ		BREATHER, Transmission
		1	T			EK0	DGJ		
		1	J			EK0	DGJ		
3	52108399AA	1	J			EK0	DGJ		O RING
		1	J			ESF	DGJ		
		1	T			EK0	DGJ		
4	53013952AA	1	J, T			EK0	DGJ		TUBE, Vent
5	05189122AA	1	J			ESF	DGJ		PLUG, Adapter
		1	T			EK0	DGJ		
		1	J			EK0	DGJ		
6	68001278AA	1	J			ESF	DGJ		O RING, Adapter Plug Large
		1	T			EK0	DGJ		
		1	J			EK0	DGJ		
	68001279AA	1	J			ESF	DGJ		Small
		1	T			EK0	DGJ		
		1	J			EK0	DGJ		

GRAND CHEROKEE (WK)

SERIES LINE
H = HIGHLINE T = JEEP - 2WD
P = PREMIUM J = JEEP - 4WD
S = SPORT
X = SPECIAL

BODY
74 = SPORT UTILITY 4-DR
TYPE #4

ENGINE TRANSMISSION
EVE = Engine - 4.7L V8 DOHC
3 Valve DGJ = 5-Speed Auto W5A580
Transmission
EZB = 5.7L Hemi Multi
Displacement Engine DGU = 5-Spd Auto W5J400
Transmission
EKG = 3.7L V6 Engine DGQ = 5-Spd Automatic 545RFE
Transmission
ESF = 6.1L SRT HEMI SMPI
V8 Engine
EXL = 3.0L V6 Turbo Diesel
Engine

AR = use ase required - = Non illustrated part

2008 WK

**Seal And Shim Packages
Figure 021DGJ-305**

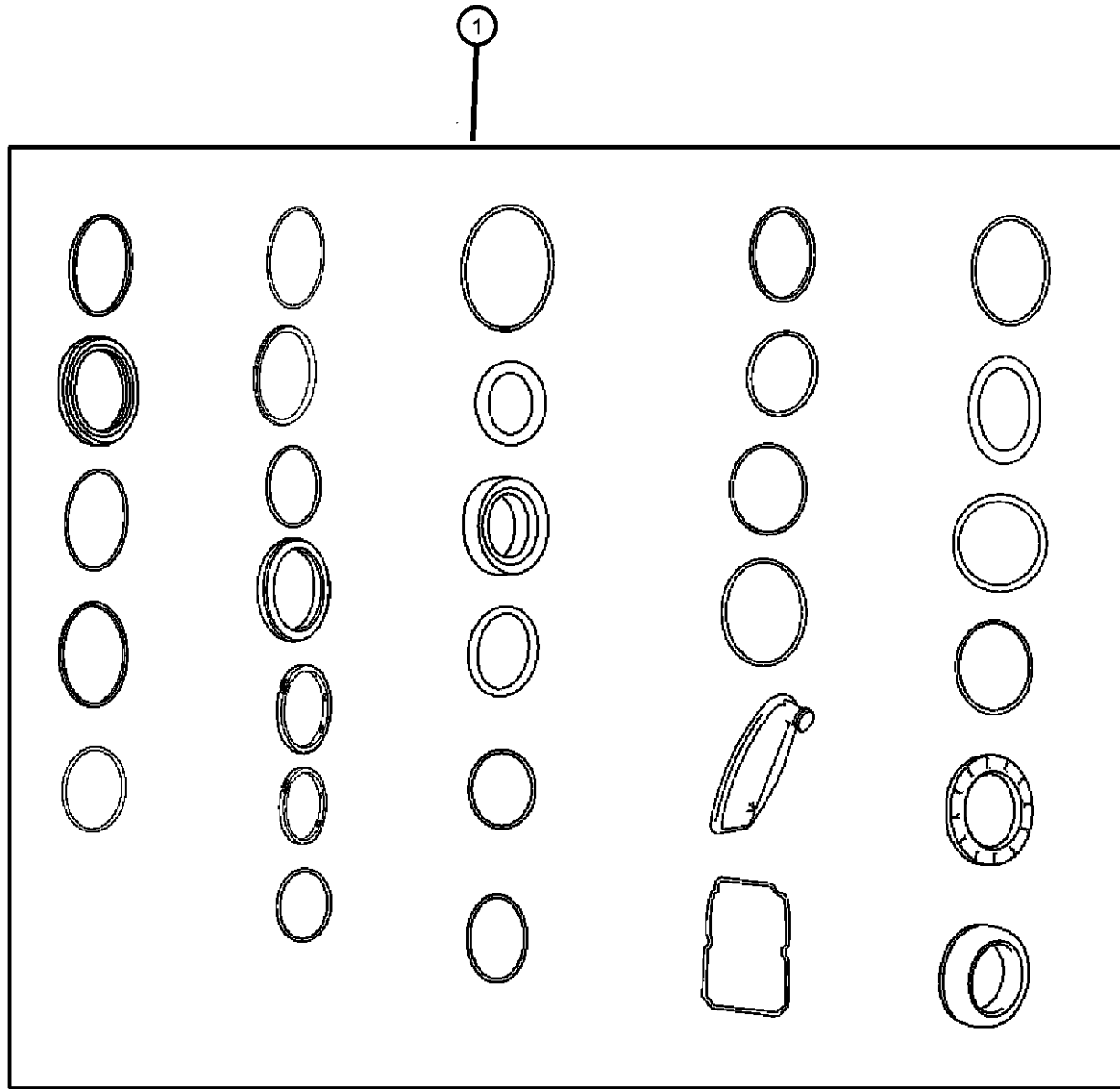
ITEM	PART NUMBER	QTY	LINE	SERIES	BODY	ENGINE	TRANS	TRIM	DESCRIPTION
------	-------------	-----	------	--------	------	--------	-------	------	-------------

NOTE: PARTS ILLUSTRATED ARE NOT IN SCALE OR IN CORRECT SIZE. THIS IS A GASKET AND SEAL PACKAGE. IT DOES NOT INCLUDE

1

SEAL AND GASKET PACKAGE,
Transmission, See Note:

05139580AI	1	T				EK0	DGJ		
	1	J				EK0	DGJ		
	1	J				ESF	DGJ		



GRAND CHEROKEE (WK)

SERIES LINE
H = HIGHLINE T = JEEP - 2WD
P = PREMIUM J = JEEP - 4WD
S = SPORT
X = SPECIAL

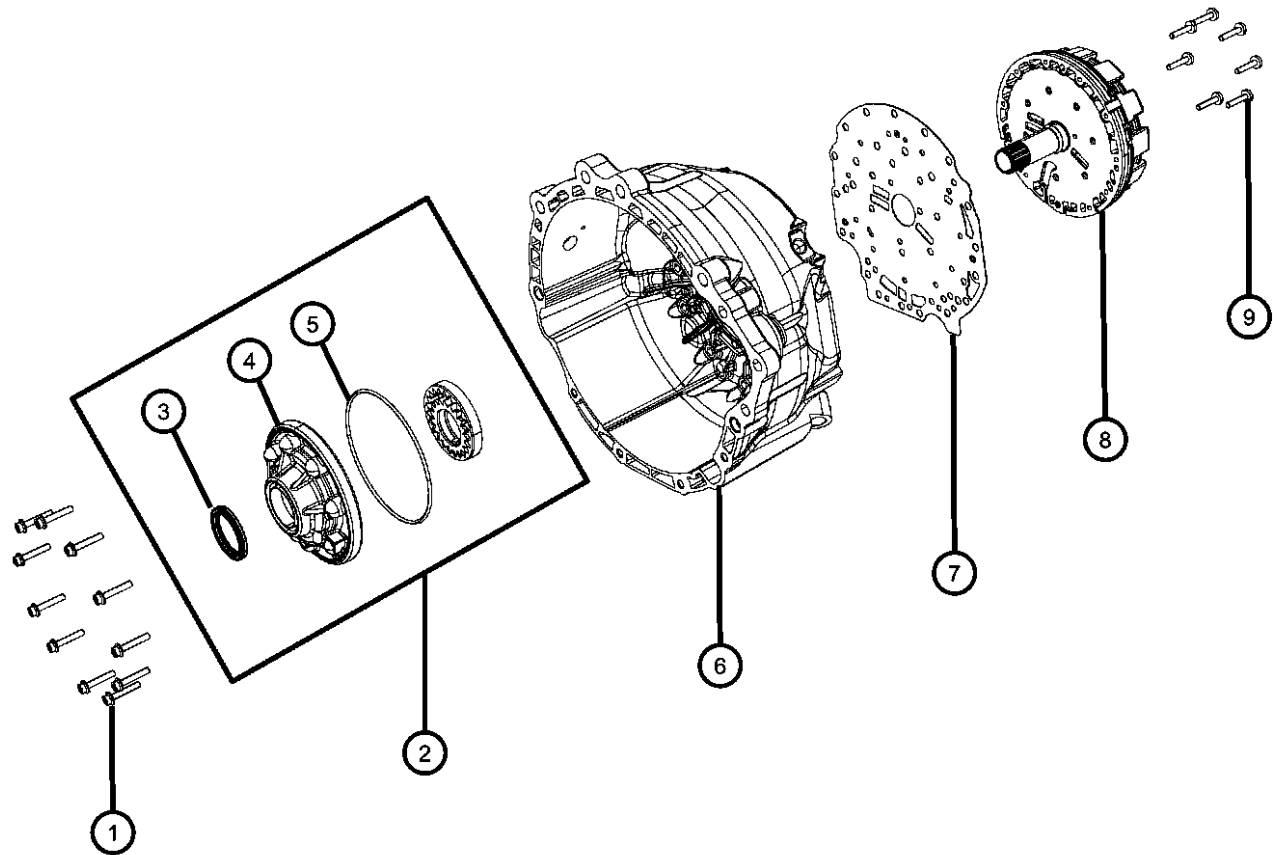
BODY
74 = SPORT UTILITY 4-DR
TYPE #4

ENGINE TRANSMISSION
EVE = Engine - 4.7L V8 DOHC 3 Valve
EZB = 5.7L Hemi Multi Displacement Engine
EKG = 3.7L V6 Engine
ESF = 6.1L SRT HEMI SMPI V8 Engine
EXL = 3.0L V6 Turbo Diesel Engine
DGJ = 5-Speed Auto W5A580 Transmission
DGU = 5-Spd Auto W5J400 Transmission
DGQ = 5-Spd Automatic 545RFE Transmission

AR = use ase required - = Non illustrated part

2008 WK

**Oil Pump and Related Parts
Figure 021DGJ-420**



ITEM	PART NUMBER	QTY	LINE	SERIES	BODY	ENGINE	TRANS	TRIM	DESCRIPTION
1	52107934AA	11	J			ESF	DGJ		BOLT, Torx Head, M6x32
		11	T			EK0	DGJ		
		11	J			EK0	DGJ		
2	05080070AA	1	T			EK0	DGJ		PUMP, Transmission Oil
		1	J			ESF	DGJ		
		1	J			EK0	DGJ		
3	52108424AA	1	J			ESF	DGJ		SEAL
		AR	T			EK0	DGJ		
		AR	J			EK0	DGJ		
4	52107892AA	1	J			ESF	DGJ		HOUSING, Transmission Oil Pump
		1	T			EK0	DGJ		
		1	J			EK0	DGJ		
5	52107900AA	1	J			ESF	DGJ		O RING, Transmission Oil Pump
		1	T			EK0	DGJ		
		1	J			EK0	DGJ		
6	52108422AA	1	J			ESF	DGJ		HOUSING, Torque Converter
		1	T			EK0	DGJ		
		1	J			EK0	DGJ		
7	52108147AA	1	J			ESF	DGJ		PLATE, Intermediate
		1	T			EK0	DGJ		
		1	J			EK0	DGJ		
8	52108539AC	1	J			ESF	DGJ		HOLDING CLUTCH, Outer carrier, B1
		1	T			EK0	DGJ		
		1	J			EK0	DGJ		

GRAND CHEROKEE (WK)
 SERIES LINE
 H = HIGHLINE T = JEEP - 2WD
 P = PREMIUM J = JEEP - 4WD
 S = SPORT
 X = SPECIAL

BODY
 74 = SPORT UTILITY 4-DR TYPE #4

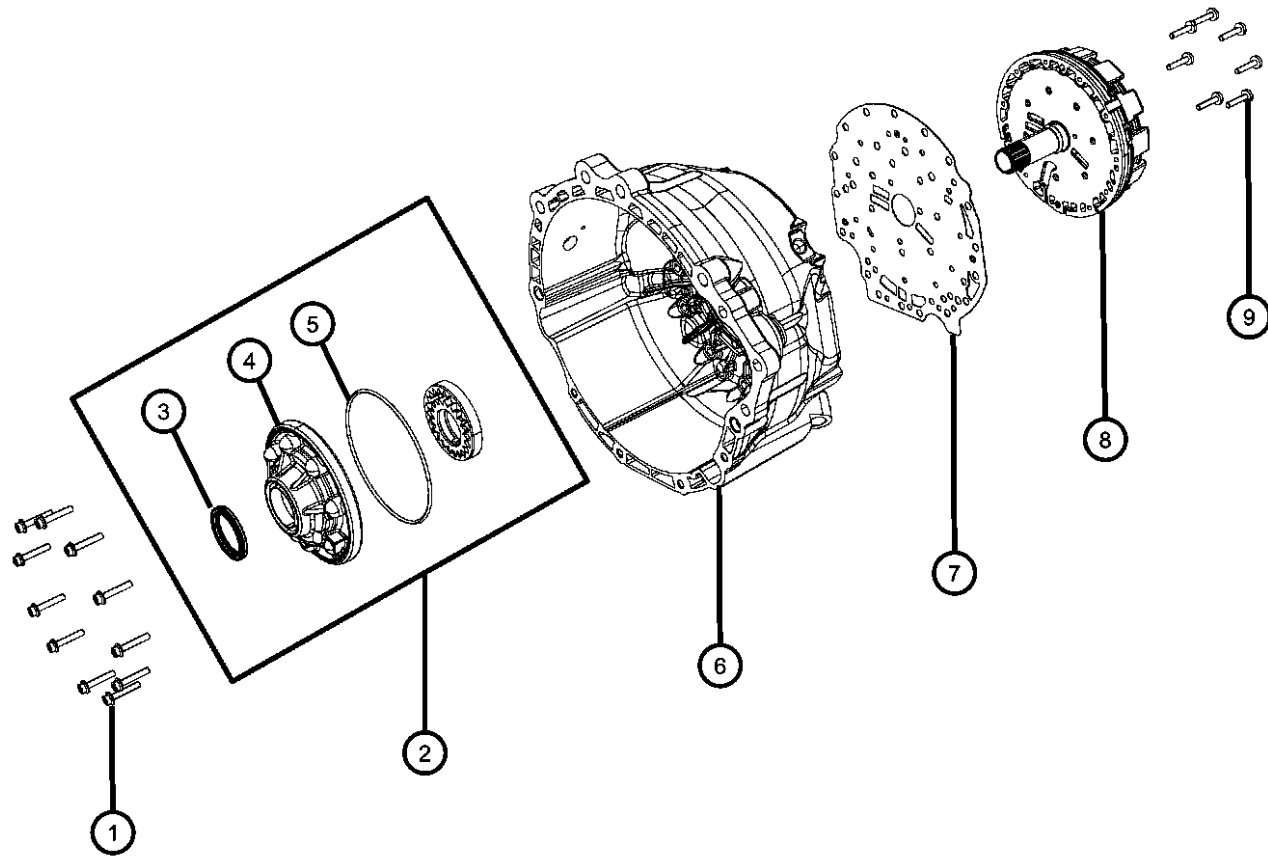
ENGINE
 EVE = Engine - 4.7L V8 DOHC 3 Valve
 EZB = 5.7L Hemi Multi Displacement Engine
 EKG = 3.7L V6 Engine
 ESF = 6.1L SRT HEMI SMPI V8 Engine
 EXL = 3.0L V6 Turbo Diesel Engine

TRANSMISSION
 DGJ = 5-Speed Auto W5A580 Transmission
 DGU = 5-Spd Auto W5J400 Transmission
 DGQ = 5-Spd Automatic 545RFE Transmission

AR = use ase required - = Non illustrated part

**Oil Pump and Related Parts
Figure 021DGJ-420**

ITEM	PART NUMBER	QTY	LINE	SERIES	BODY	ENGINE	TRANS	TRIM	DESCRIPTION
9									BOLT, Torx Head, M8x35
	52107933AA	7	J			ESF	DGJ		
		7	T			EK0	DGJ		
		7	J			EK0	DGJ		



GRAND CHEROKEE (WK)

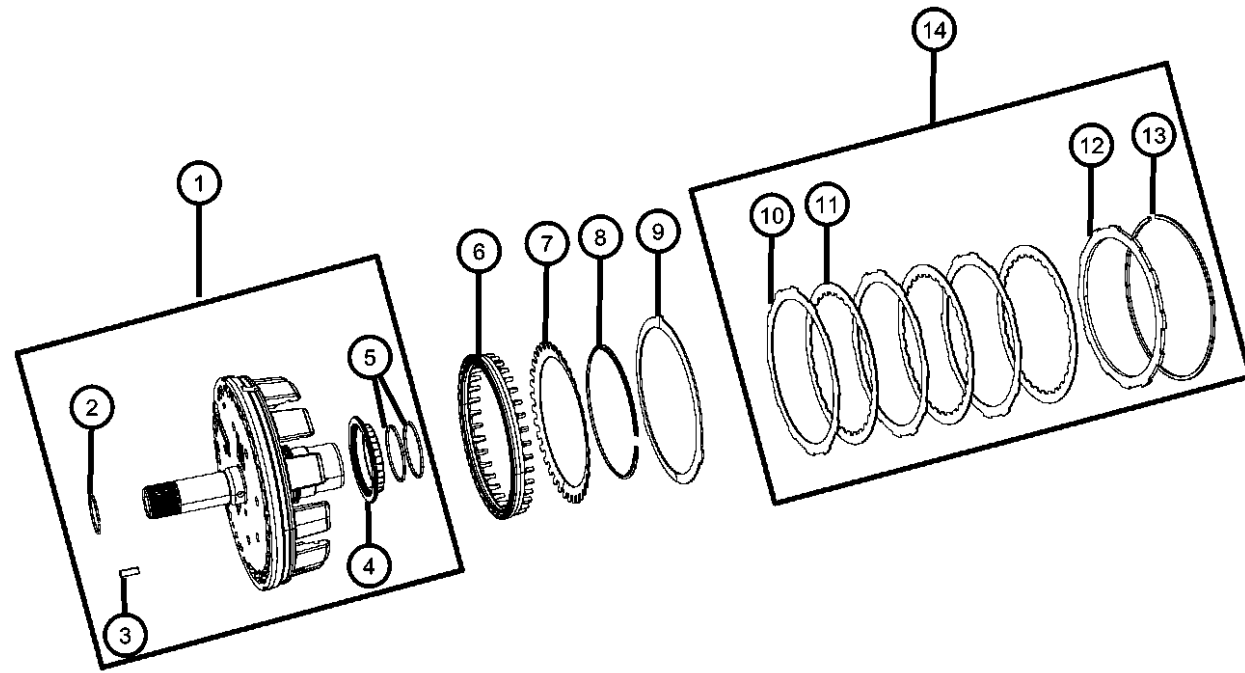
SERIES LINE
H = HIGHLINE T = JEEP - 2WD
P = PREMIUM J = JEEP - 4WD
S = SPORT
X = SPECIAL

BODY
74 = SPORT UTILITY 4-DR
TYPE #4

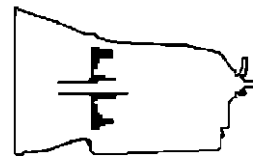
ENGINE TRANSMISSION
EVE = Engine - 4.7L V8 DOHC 3 Valve
EVB = Engine - 4.7L V8 DOHC 3 Valve
EZA = 5.7L Hemi Multi Displacement Engine
EKB = 3.7L V6 Engine
ESF = 6.1L SRT HEMI SMPI V8 Engine
EXL = 3.0L V6 Turbo Diesel Engine
DGJ = 5-Speed Auto W5A580 Transmission
DGU = 5-Spd Auto W5J400 Transmission
DGQ = 5-Spd Automatic 545RFE Transmission

AR = use ase required - = Non illustrated part

**B1 Brake Clutch
Figure 021DGJ-526**



ITEM	PART NUMBER	QTY	LINE	SERIES	BODY	ENGINE	TRANS	TRIM	DESCRIPTION
1									HOLDING CLUTCH, Outer carrier, B1
	05102926AA	1	T			EK0	DGJ		
		1	J			EK0	DGJ		
	52108539AC	1	J			ESF	DGJ		
2									SNAP RING
	52107948AA	1	J			ESF	DGJ		
		1	T			EK0	DGJ		
		1	J			EK0	DGJ		
3									DOWEL
	06507381AA	1	J			ESF	DGJ		
		1	T			EK0	DGJ		
		1	J			EK0	DGJ		
4		1							BEARING, Needle, (NOT SERVICED)
5									SEAL, Transmission
	52108028AA	2	J			ESF	DGJ		
		2	T			EK0	DGJ		
		2	J			EK0	DGJ		
6									PISTON, B1 Clutch
	52108506AA	1	J			ESF	DGJ		
		1	T			EK0	DGJ		
		1	J			EK0	DGJ		
7									SPRING, Piston Return
	52108023AA	1	J			ESF	DGJ		
		1	T			EK0	DGJ		
		1	J			EK0	DGJ		
8									SNAP RING
	52107936AA	1	J			EK0	DGJ		
		1	J			ESF	DGJ		
		1	T			EK0	DGJ		
9									DISC, Spring
	52108024AA	1	J			ESF	DGJ		



GRAND CHEROKEE (WK)

SERIES LINE
H = HIGHLINE T = JEEP - 2WD
P = PREMIUM J = JEEP - 4WD
S = SPORT
X = SPECIAL

BODY
74 = SPORT UTILITY 4-DR
TYPE #4

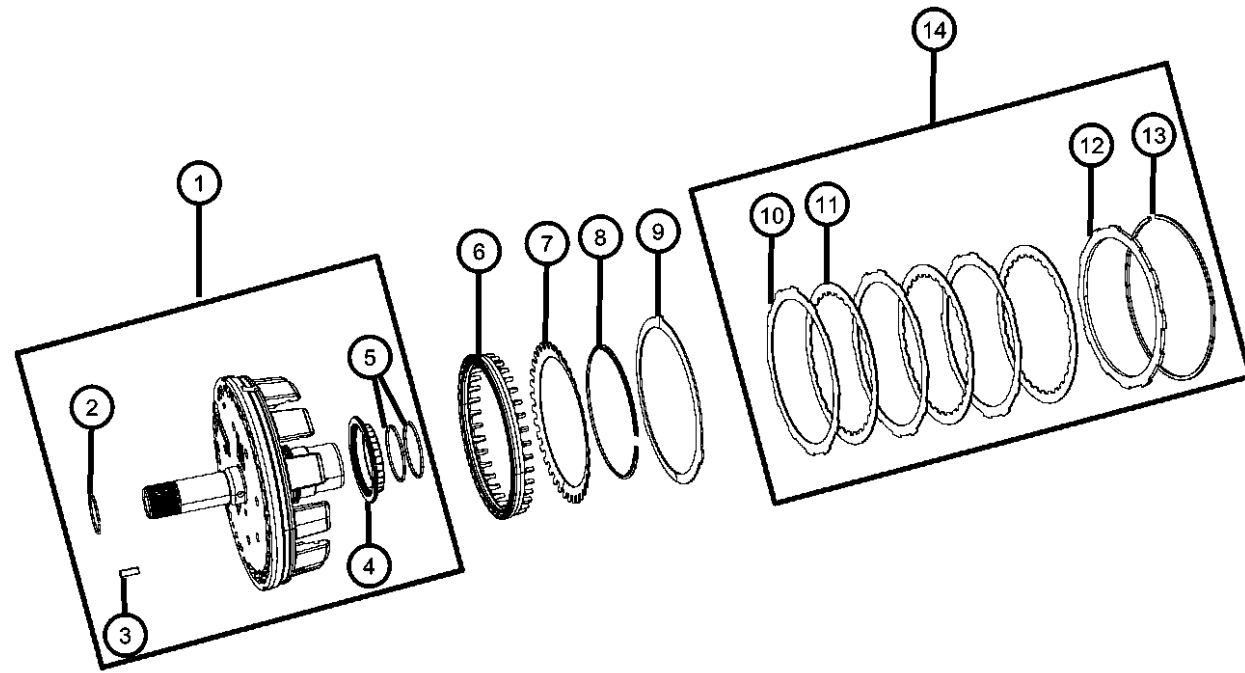
ENGINE
EVE = Engine - 4.7L V8 DOHC
3 Valve
EZB = 5.7L Hemi Multi
Displacement Engine
EKG = 3.7L V6 Engine
ESF = 6.1L SRT HEMI SMPI
V8 Engine
EXL = 3.0L V6 Turbo Diesel
Engine

TRANSMISSION
DGJ = 5-Speed Auto W5A580
Transmission
DGU = 5-Spd Auto W5J400
Transmission
DGQ = 5-Spd Automatic 545RFE
Transmission

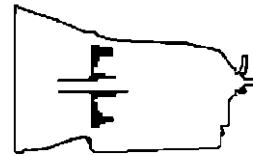
AR = use ase required - = Non illustrated part

2008 WK

**B1 Brake Clutch
Figure 021DGJ-526**



ITEM	PART NUMBER	QTY	LINE	SERIES	BODY	ENGINE	TRANS	TRIM	DESCRIPTION
		1	T			EK0	DGJ		
		1	J			EK0	DGJ		
10	52108508AA	4	J			ESF	DGJ		DISC, Outer
		3	T			EK0	DGJ		
		3	J			EK0	DGJ		
11	52108507AA	4	J			ESF	DGJ		DISC, Inner
		3	T			EK0	DGJ		
		3	J			EK0	DGJ		
12	52107994AB	1	T			EK0	DGJ		DISC, Outer
		1	J			EK0	DGJ		
		1	J			ESF	DGJ		
13	52107949AA	AR	T			EK0	DGJ		SNAP RING [2.6MM]
		AR	J			EK0	DGJ		[2.6MM]
	52107950AA	AR	J			ESF	DGJ		[2.9MM]
		AR	J			ESF	DGJ		[2.6MM]
		AR	T			EK0	DGJ		[2.9MM]
		AR	J			EK0	DGJ		[2.9MM]
	52107951AA	AR	J			ESF	DGJ		[3.2MM]
		AR	T			EK0	DGJ		[3.2MM]
		AR	J			EK0	DGJ		[3.2MM]
	52107952AA	AR	J			ESF	DGJ		[3.5MM]
		AR	T			EK0	DGJ		[3.5MM]
		AR	J			EK0	DGJ		[3.5MM]
14									CLUTCH PACKAGE, B1 Brake Clutch
	68028659AA	1	J			ESF	DGJ		
	68028666AA	1	T			EK0	DGJ		
		1	J			EK0	DGJ		



GRAND CHEROKEE (WK)

SERIES LINE
H = HIGHLINE T = JEEP - 2WD
P = PREMIUM J = JEEP - 4WD
S = SPORT
X = SPECIAL

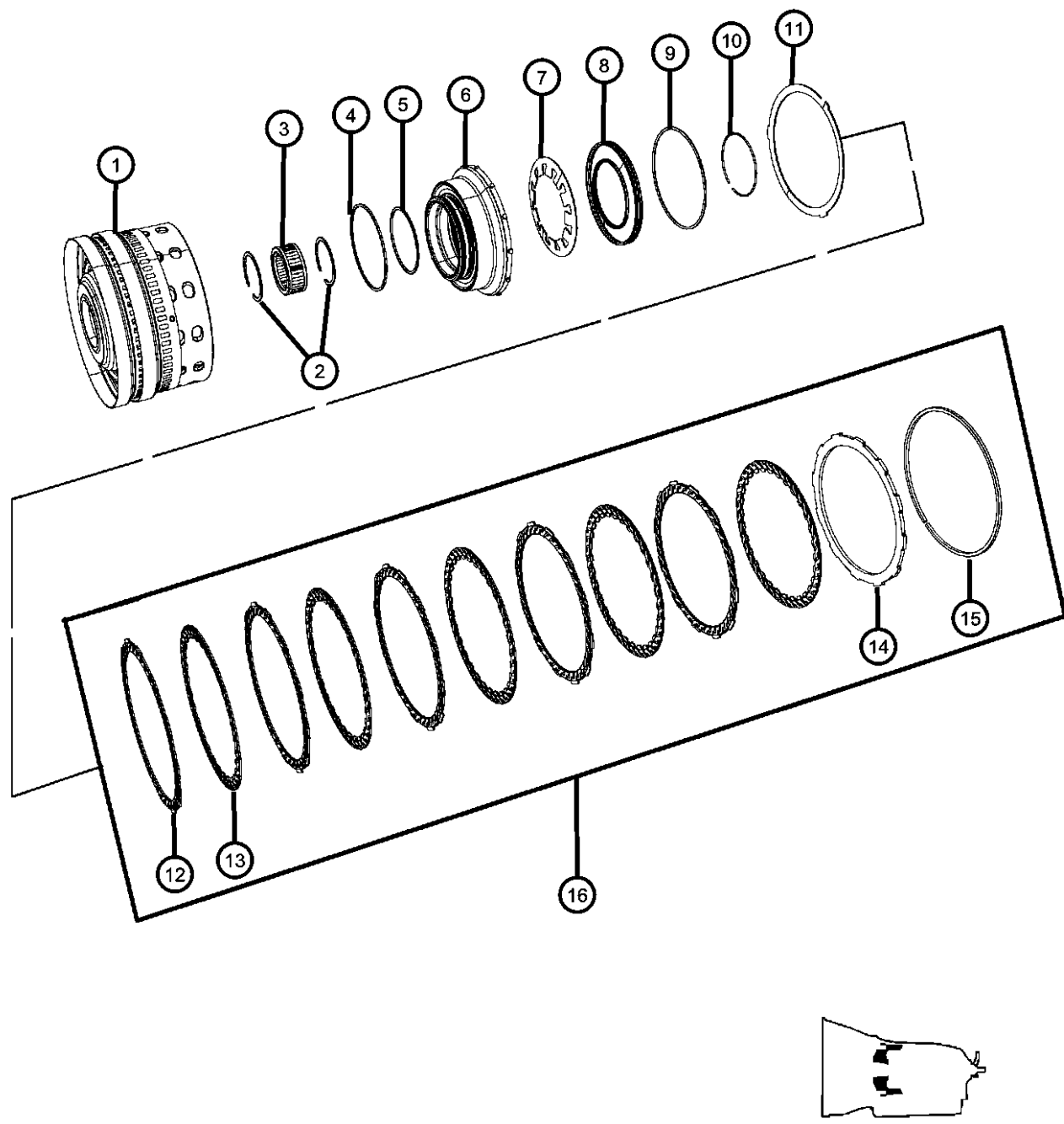
BODY
74 = SPORT UTILITY 4-DR
TYPE #4

ENGINE TRANSMISSION
EVE = Engine - 4.7L V8 DOHC 3 Valve
EVB = Engine - 4.7L V8 DOHC 3 Valve
EZB = 5.7L Hemi Multi Displacement Engine
EKG = 3.7L V6 Engine
ESF = 6.1L SRT HEMI SMPI V8 Engine
EXL = 3.0L V6 Turbo Diesel Engine
DGJ = 5-Speed Auto W5A580 Transmission
DGU = 5-Spd Auto W5J400 Transmission
DGQ = 5-Spd Automatic 545RFE Transmission

AR = use ase required - = Non illustrated part

2008 WK

**K1 Clutch Assembly
Figure 021DGJ-527**

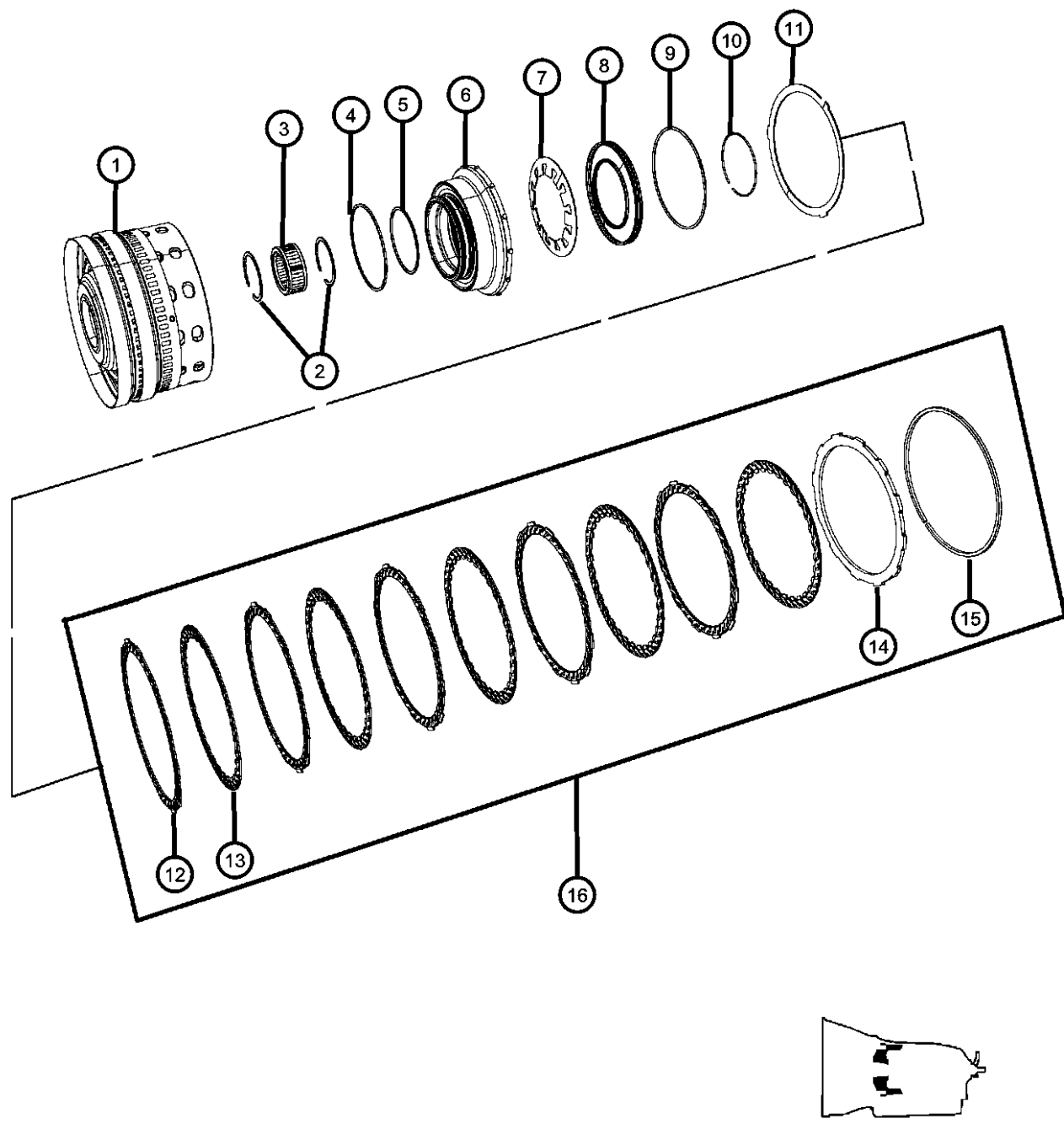


ITEM	PART NUMBER	QTY	LINE	SERIES	BODY	ENGINE	TRANS	TRIM	DESCRIPTION
1	52108510AC	1	T			EK0	DGJ		RETAINER, K1 Clutch
		1	J			EK0	DGJ		
	52108541AC	1	J			ESF	DGJ		
2	52107955AA	2	J			ESF	DGJ		SNAP RING
		2	T			EK0	DGJ		
		2	J			EK0	DGJ		
3	52108342AB	1	T			EK0	DGJ		CLUTCH, Front Sun Gear Sprag
		1	J			EK0	DGJ		
		1	J			ESF	DGJ		
4	52107939AA	1	J			ESF	DGJ		SEAL, Transmission, Large
		1	T			EK0	DGJ		
		1	J			EK0	DGJ		
5	52107938AA	1	J			ESF	DGJ		SEAL, Transmission, Small
		1	T			EK0	DGJ		
		1	J			EK0	DGJ		
6	52108059AA	1	J			ESF	DGJ		PISTON, K1 Clutch
		1	T			EK0	DGJ		
		1	J			EK0	DGJ		
7	52108057AA	1	J			EK0	DGJ		SPRING, Piston Return
		1	J			ESF	DGJ		
		1	T			EK0	DGJ		
8	52108058AA	1	J			ESF	DGJ		RETAINER, Spring
		1	T			EK0	DGJ		
		1	J			EK0	DGJ		

GRAND CHEROKEE (WK)
 SERIES LINE BODY ENGINE TRANSMISSION
 H = HIGHLINE T = JEEP - 2WD 74 = SPORT UTILITY 4-DR EVE = Engine - 4.7L V8 DOHC 3 Valve DGJ = 5-Speed Auto W5A580 Transmission
 P = PREMIUM J = JEEP - 4WD TYPE #4 EZB = 5.7L Hemi Multi Displacement Engine DGU = 5-Spd Auto W5J400 Transmission
 S = SPORT EKG = 3.7L V6 Engine DGQ = 5-Spd Automatic 545RFE Transmission
 X = SPECIAL ESF = 6.1L SRT HEMI SMPI V8 Engine
 EXL = 3.0L V6 Turbo Diesel Engine

AR = use ase required - = Non illustrated part

**K1 Clutch Assembly
Figure 021DGJ-527**

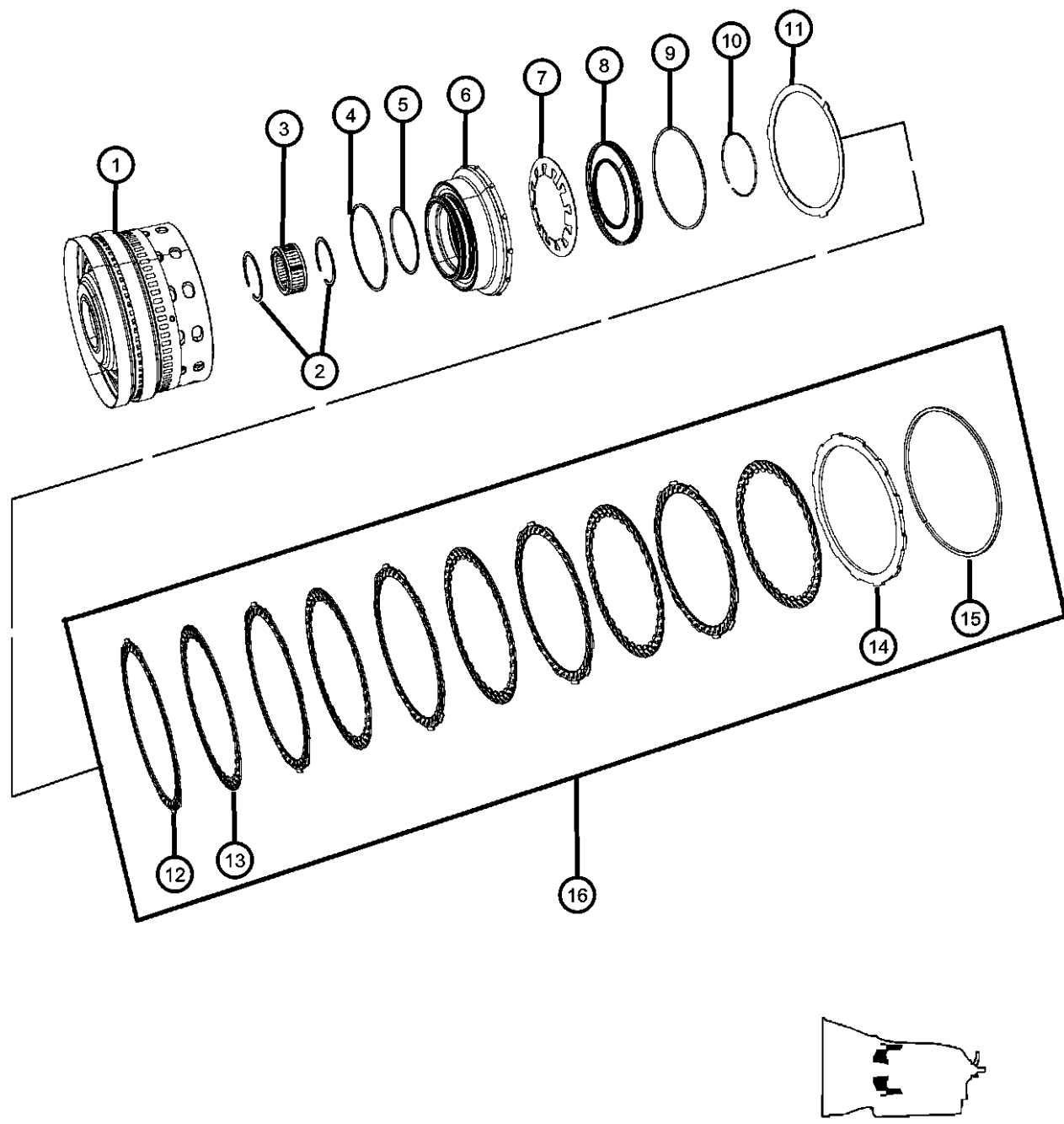


ITEM	PART NUMBER	QTY	LINE	SERIES	BODY	ENGINE	TRANS	TRIM	DESCRIPTION
9	52107941AA	1	J			ESF	DGJ		O RING
		1	T			EK0	DGJ		
		1	J			EK0	DGJ		
10	52107954AA	1	J			ESF	DGJ		SNAP RING
		1	T			EK0	DGJ		
		1	J			EK0	DGJ		
11	52108024AA	1	J			ESF	DGJ		DISC, Spring
		1	T			EK0	DGJ		
		1	J			EK0	DGJ		
12	52108508AA	6	J			ESF	DGJ		DISC, Outer
		5	T			EK0	DGJ		
		5	J			EK0	DGJ		
13	52108507AA	6	J			ESF	DGJ		DISC, Inner
		5	T			EK0	DGJ		
		5	J			EK0	DGJ		
14	52107994AB	1	J			EK0	DGJ		DISC, Outer
		1	J			ESF	DGJ		
		1	T			EK0	DGJ		
15	52107949AA	AR	J			ESF	DGJ		SNAP RING [2.6MM]
		AR	J			EK0	DGJ		
		AR	J			ESF	DGJ		
		AR	T			EK0	DGJ		
		AR	T			EK0	DGJ		
		AR	J			EK0	DGJ		

GRAND CHEROKEE (WK)
 SERIES LINE BODY ENGINE TRANSMISSION
 H = HIGHLINE T = JEEP - 2WD 74 = SPORT UTILITY 4-DR EVE = Engine - 4.7L V8 DOHC 3 Valve DGJ = 5-Speed Auto W5A580 Transmission
 P = PREMIUM J = JEEP - 4WD TYPE #4 EZB = 5.7L Hemi Multi Displacement Engine DGU = 5-Spd Auto W5J400 Transmission
 S = SPORT EKG = 3.7L V6 Engine DGQ = 5-Spd Automatic 545RFE Transmission
 X = SPECIAL ESF = 6.1L SRT HEMI SMPI V8 Engine
 EXL = 3.0L V6 Turbo Diesel Engine

AR = use ase required - = Non illustrated part

K1 Clutch Assembly
Figure 021DGJ-527



ITEM	PART NUMBER	QTY	LINE	SERIES	BODY	ENGINE	TRANS	TRIM	DESCRIPTION
	52107950AA	AR	J			ESF	DGJ		[2.9MM]
		AR	T			EK0	DGJ		[2.9MM]
		AR	J			EK0	DGJ		[2.9MM]
	52107951AA	AR	J			ESF	DGJ		[3.2MM]
		AR	T			EK0	DGJ		[3.2MM]
		AR	J			EK0	DGJ		[3.2MM]
		AR	J			ESF	DGJ		[3.5MM]
		AR	T			EK0	DGJ		[3.5MM]
		AR	J			EK0	DGJ		[3.8MM]
16									CLUTCH PACKAGE, K1 Input Clutch
	68027270AA	1	J			ESF	DGJ		
	68028662AA	1	T			EK0	DGJ		
		1	J			EK0	DGJ		

GRAND CHEROKEE (WK)
 SERIES LINE
 H = HIGHLINE T = JEEP - 2WD
 P = PREMIUM J = JEEP - 4WD
 S = SPORT
 X = SPECIAL

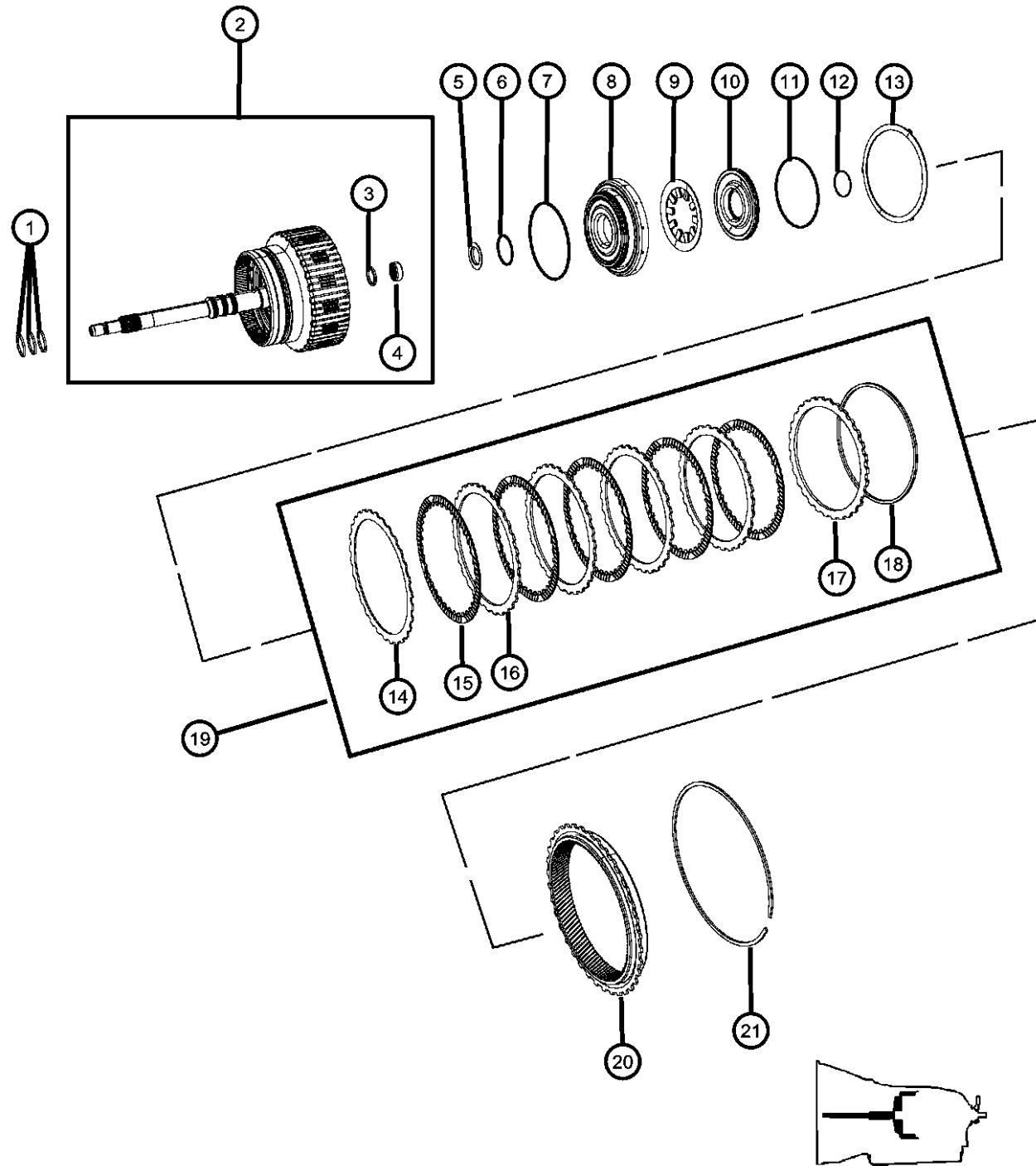
BODY
 74 = SPORT UTILITY 4-DR TYPE #4

ENGINE
 EVE = Engine - 4.7L V8 DOHC 3 Valve
 EZB = 5.7L Hemi Multi Displacement Engine
 EKG = 3.7L V6 Engine
 ESF = 6.1L SRT HEMI SMPI V8 Engine
 EXL = 3.0L V6 Turbo Diesel Engine

TRANSMISSION
 DGJ = 5-Speed Auto W5A580 Transmission
 DGU = 5-Spd Auto W5J400 Transmission
 DGQ = 5-Spd Automatic 545RFE Transmission

AR = use ase required - = Non illustrated part

**K2 Clutch Assembly
Figure 021DGJ-528**



ITEM	PART NUMBER	QTY	LINE	SERIES	BODY	ENGINE	TRANS	TRIM	DESCRIPTION
1	05179366AA	3	J			EK0	DGJ		SEAL, Transmission
		3	J			ESF	DGJ		
		3	T			EK0	DGJ		
2	52108044AA	1	J			ESF	DGJ		SHAFT, Input
		1	T			EK0	DGJ		
		1	J			EK0	DGJ		
3	52108127AA	1	J			ESF	DGJ		SEAL, Transmission
		1	T			EK0	DGJ		
		1	J			EK0	DGJ		
4	52108126AA	1	J			ESF	DGJ		NEEDLE BEARING
		1	T			EK0	DGJ		
		1	J			EK0	DGJ		
5	52107928AA	1	J			ESF	DGJ		RETAINER, Bearing
		1	T			EK0	DGJ		
		1	J			EK0	DGJ		
6	52108134AA	1	J			ESF	DGJ		SEAL, Transmission
		1	T			EK0	DGJ		
		1	J			EK0	DGJ		
7	52108135AA	1	J			ESF	DGJ		SEAL, Input Shaft
		1	T			EK0	DGJ		
		1	J			EK0	DGJ		
8	52108136AA	1	J			ESF	DGJ		PISTON, K2 Clutch
		1	T			EK0	DGJ		
		1	J			EK0	DGJ		

GRAND CHEROKEE (WK)

SERIES LINE
H = HIGHLINE T = JEEP - 2WD
P = PREMIUM J = JEEP - 4WD
S = SPORT
X = SPECIAL

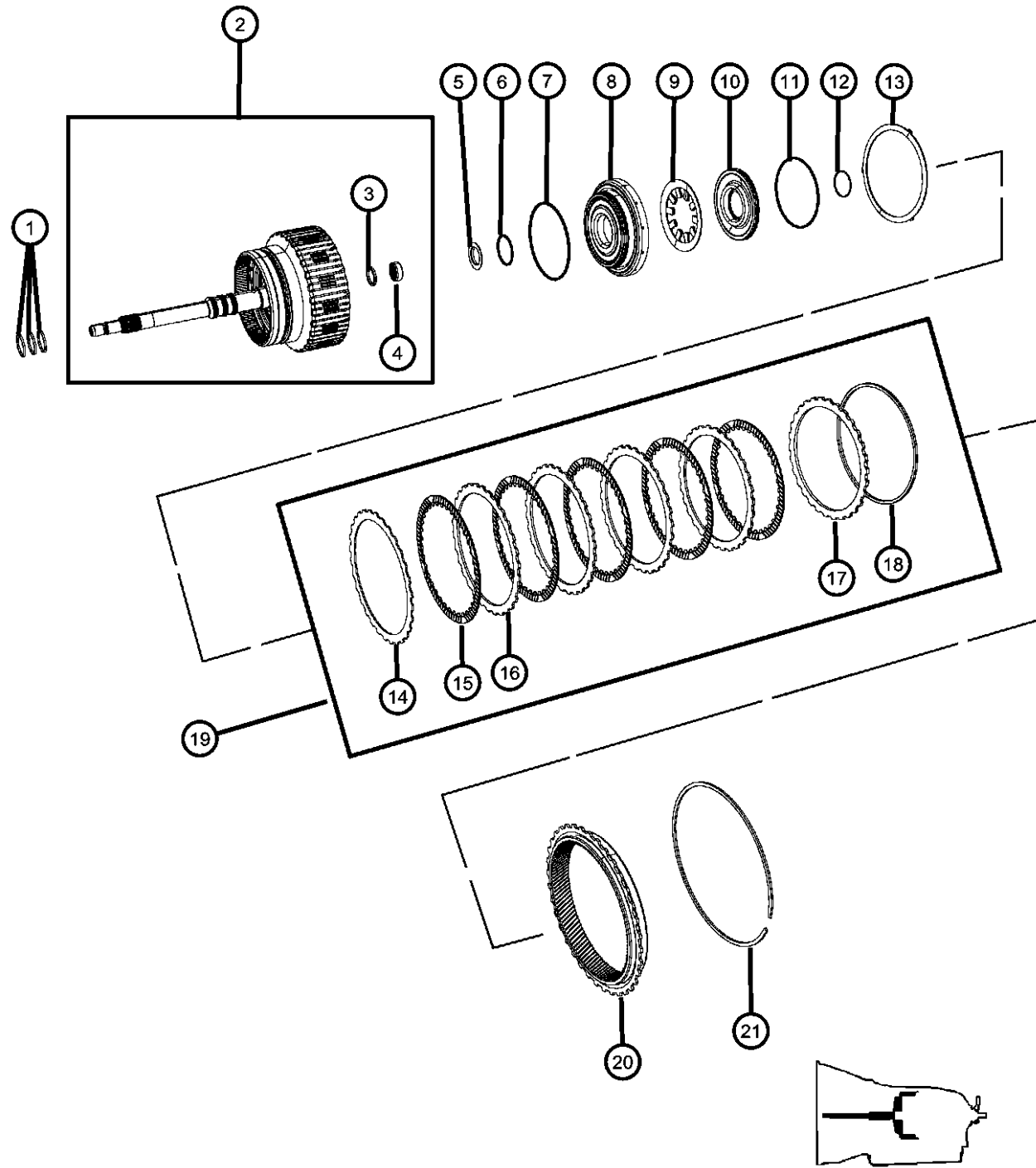
BODY
74 = SPORT UTILITY 4-DR
TYPE #4

ENGINE TRANSMISSION
EVE = Engine - 4.7L V8 DOHC 3 Valve
EVB = Engine - 4.7L V8 DOHC 3 Valve
EZB = 5.7L Hemi Multi Displacement Engine
EKG = 3.7L V6 Engine
ESF = 6.1L SRT HEMI SMPI V8 Engine
EXL = 3.0L V6 Turbo Diesel Engine
DGJ = 5-Speed Auto W5A580 Transmission
DGU = 5-Spd Auto W5J400 Transmission
DGQ = 5-Spd Automatic 545RFE Transmission

AR = use ase required - = Non illustrated part

2008 WK

**K2 Clutch Assembly
Figure 021DGJ-528**



ITEM	PART NUMBER	QTY	LINE	SERIES	BODY	ENGINE	TRANS	TRIM	DESCRIPTION
9	52108137AA	1	J			ESF	DGJ		SPRING, Piston Return
		1	T			EK0	DGJ		
		1	J			EK0	DGJ		
10	52108138AB	1	J			ESF	DGJ		RETAINER, Spring
		1	T			EK0	DGJ		
		1	J			EK0	DGJ		
11	52108140AA	1	J			EK0	DGJ		O RING
		1	J			ESF	DGJ		
		1	T			EK0	DGJ		
12	52108533AA	1	J			ESF	DGJ		SNAP RING
		1	T			EK0	DGJ		
		1	J			EK0	DGJ		
13	52108346AA	1	J			ESF	DGJ		DISC, Spring
		1	T			EK0	DGJ		
		1	J			EK0	DGJ		
14	52107996AA	1	J			ESF	DGJ		DISC, Outer
		1	T			EK0	DGJ		
		1	J			EK0	DGJ		
15	52108141AB	6	J			ESF	DGJ		DISC, Inner
		5	T			EK0	DGJ		
		5	J			EK0	DGJ		
16	52107997AA	4	J			EK0	DGJ		DISC, Outer
		5	J			ESF	DGJ		

GRAND CHEROKEE (WK)

SERIES LINE
H = HIGHLINE T = JEEP - 2WD
P = PREMIUM J = JEEP - 4WD
S = SPORT
X = SPECIAL

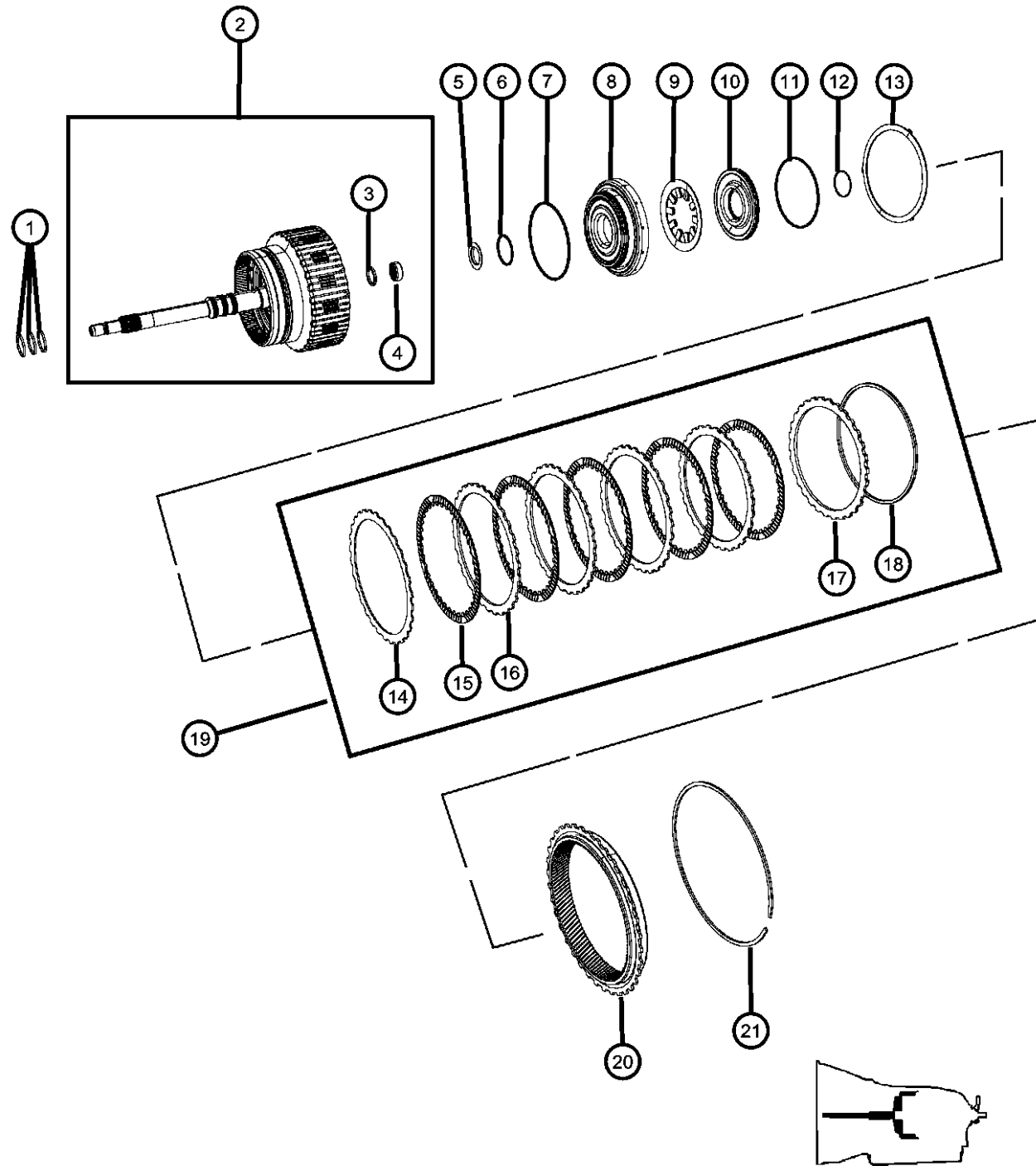
BODY
74 = SPORT UTILITY 4-DR
TYPE #4

ENGINE TRANSMISSION
EVE = Engine - 4.7L V8 DOHC 3 Valve
EZB = 5.7L Hemi Multi Displacement Engine
EKG = 3.7L V6 Engine
ESF = 6.1L SRT HEMI SMPI V8 Engine
EXL = 3.0L V6 Turbo Diesel Engine
DGJ = 5-Speed Auto W5A580 Transmission
DGU = 5-Spd Auto W5J400 Transmission
DGQ = 5-Spd Automatic 545RFE Transmission

AR = use ase required - = Non illustrated part

2008 WK

**K2 Clutch Assembly
Figure 021DGJ-528**



ITEM	PART NUMBER	QTY	LINE	SERIES	BODY	ENGINE	TRANS	TRIM	DESCRIPTION
17		4	T			EK0	DGJ		DISC, Outer
	52107998AA	1	J			ESF	DGJ		
		1	T			EK0	DGJ		
		1	J			EK0	DGJ		
18		AR	J			ESF	DGJ		SNAP RING [2.3 MM]
	52107958AA	AR	T			EK0	DGJ		[2.3 MM]
		AR	J			EK0	DGJ		[2.3 MM]
	52107959AA	AR	J			ESF	DGJ		[2.6 MM]
		AR	T			EK0	DGJ		[2.6 MM]
		AR	J			EK0	DGJ		[2.6 MM]
	52107960AA	AR	J			ESF	DGJ		[2.9 MM]
	52107961AA	AR	J			ESF	DGJ		[3.2 MM]
		AR	T			EK0	DGJ		[3.2 MM]
		AR	J			EK0	DGJ		[3.2 MM]
	52107962AA	AR	J			ESF	DGJ		[3.5 MM]
		AR	T			EK0	DGJ		[3.5 MM]
		AR	J			EK0	DGJ		[3.5 MM]
		AR	T			EK0	DGJ		[2.9 MM]
		AR	J			EK0	DGJ		[2.9 MM]
19									CLUTCH PACKAGE, K2 Input Clutch
	68028663AA	1	J			EK0	DGJ		
	68028565AA	1	J			ESF	DGJ		
		1	T			EK0	DGJ		
20									GEAR, Rear Annulus
	52107922AA	1	J			ESF	DGJ		
		1	T			EK0	DGJ		
		1	J			EK0	DGJ		
21									SNAP RING
	52107926AA	1	J			ESF	DGJ		

GRAND CHEROKEE (WK)

SERIES LINE
H = HIGHLINE T = JEEP - 2WD
P = PREMIUM J = JEEP - 4WD
S = SPORT
X = SPECIAL

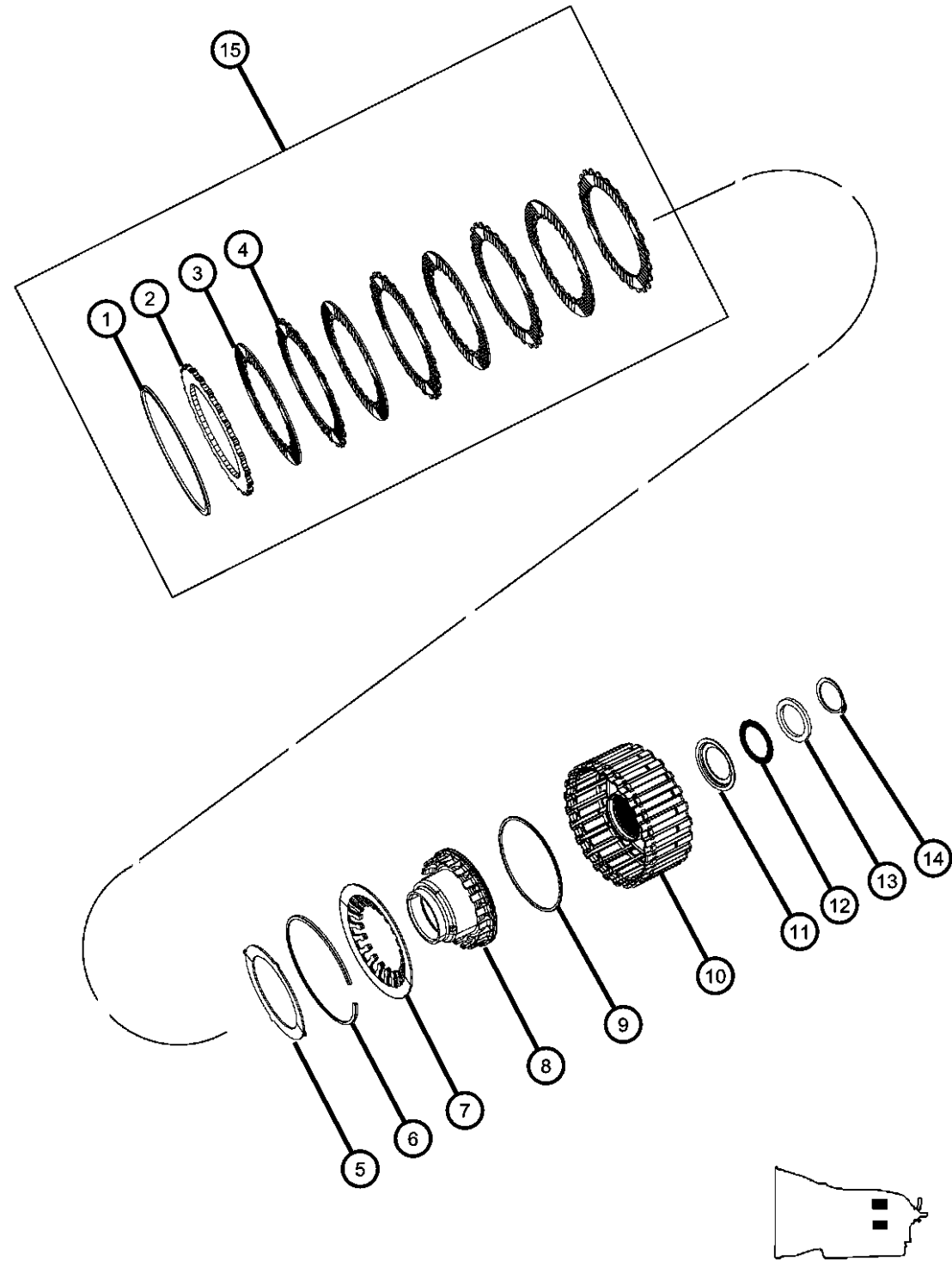
BODY
74 = SPORT UTILITY 4-DR
TYPE #4

ENGINE TRANSMISSION
EVE = Engine - 4.7L V8 DOHC 3 Valve
EVB = Engine - 4.7L V8 DOHC 3 Valve
EZB = 5.7L Hemi Multi Displacement Engine
EKG = 3.7L V6 Engine
ESF = 6.1L SRT HEMI SMPI V8 Engine
EXL = 3.0L V6 Turbo Diesel Engine
DGJ = 5-Speed Auto W5A580 Transmission
DGU = 5-Spd Auto W5J400 Transmission
DGQ = 5-Spd Automatic 545RFE Transmission

AR = use ase required - = Non illustrated part

2008 WK

**K3 Clutch Assembly
Figure 021DGJ-529**



ITEM	PART NUMBER	QTY	LINE	SERIES	BODY	ENGINE	TRANS	TRIM	DESCRIPTION
1	52107970AA	AR	J			ESF	DGJ		SNAP RING [2.3 MM]
		AR	T			EK0	DGJ		[2.3 MM]
		AR	J			EK0	DGJ		[2.3 MM]
	52107971AA	AR	J			ESF	DGJ		[2.6 MM]
		AR	T			EK0	DGJ		[2.6 MM]
		AR	J			EK0	DGJ		[2.6 MM]
	52107972AA	AR	J			ESF	DGJ		[2.9 MM]
		AR	T			EK0	DGJ		[2.9 MM]
		AR	J			EK0	DGJ		[2.9 MM]
	52107974AA	AR	J			ESF	DGJ		[2.0 MM]
		AR	T			EK0	DGJ		[2.0 MM]
		AR	J			EK0	DGJ		[2.0 MM]
2	52108011AA	1	T			EK0	DGJ		DISC, Outer
		1	J			EK0	DGJ		
		1	J			ESF	DGJ		
3	52108528AA	5	J			ESF	DGJ		DISC, Inner
		4	T			EK0	DGJ		
		4	J			EK0	DGJ		
4	52108529AA	5	J			ESF	DGJ		DISC, Outer
		4	T			EK0	DGJ		
		4	J			EK0	DGJ		
5	52108096AA	1	J			ESF	DGJ		DISC, Spring
		1	T			EK0	DGJ		
		1	J			EK0	DGJ		
6	52107968AA	1	J			ESF	DGJ		SNAP RING
		1	T			EK0	DGJ		

GRAND CHEROKEE (WK)

SERIES LINE
H = HIGHLINE T = JEEP - 2WD
P = PREMIUM J = JEEP - 4WD
S = SPORT
X = SPECIAL

BODY
74 = SPORT UTILITY 4-DR
TYPE #4

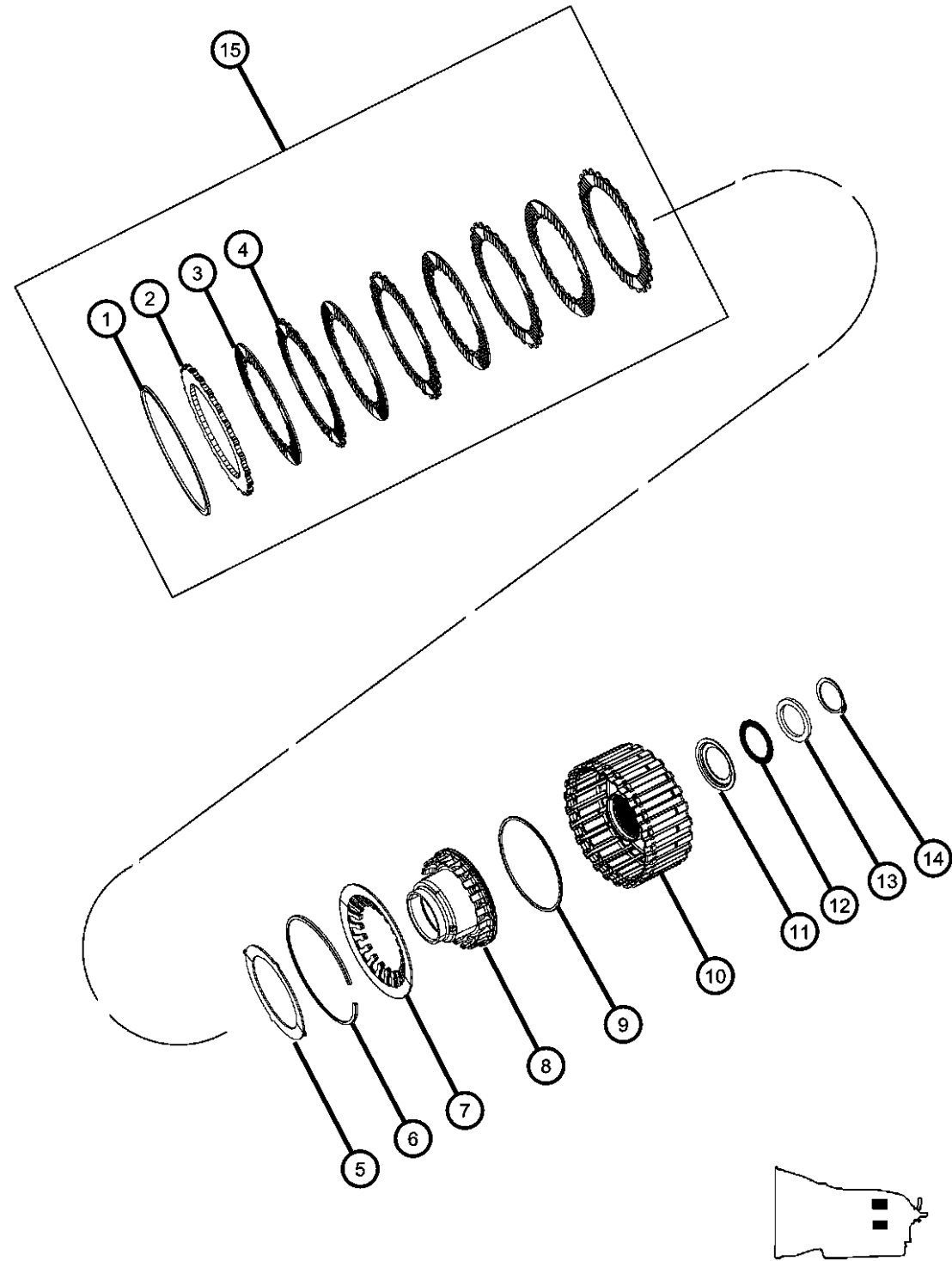
ENGINE
EVE = Engine - 4.7L V8 DOHC
3 Valve
EZB = 5.7L Hemi Multi
Displacement Engine
EKG = 3.7L V6 Engine
ESF = 6.1L SRT HEMI SMPI
V8 Engine
EXL = 3.0L V6 Turbo Diesel
Engine

TRANSMISSION
DGJ = 5-Speed Auto W5A580
Transmission
DGU = 5-Spd Auto W5J400
Transmission
DGQ = 5-Spd Automatic 545RFE
Transmission

AR = use ase required - = Non illustrated part

2008 WK

**K3 Clutch Assembly
Figure 021DGJ-529**



ITEM	PART NUMBER	QTY	LINE	SERIES	BODY	ENGINE	TRANS	TRIM	DESCRIPTION
7		1	J			EK0	DGJ		SPRING, Piston Return
	52108095AA	1	J			ESF	DGJ		
		1	T			EK0	DGJ		
		1	J			EK0	DGJ		
8		1	T			EK0	DGJ		PISTON, K3 Clutch
	52108094AA	1	T			EK0	DGJ		
		1	J			ESF	DGJ		
		1	J			EK0	DGJ		
9		1	J			ESF	DGJ		SEAL, Transmission
	52108093AA	1	J			ESF	DGJ		
		1	T			EK0	DGJ		
		1	J			EK0	DGJ		
10		1	T			EK0	DGJ		RETAINER, K3 Clutch
	52108524AA	1	T			EK0	DGJ		
		1	J			EK0	DGJ		
	52108548AB	1	J			ESF	DGJ		
11		1	J			ESF	DGJ		RETAINER, Bearing
	52108148AA	1	J			ESF	DGJ		
		1	T			EK0	DGJ		
		1	J			EK0	DGJ		
12		1	J			EK0	DGJ		NEEDLE BEARING
	52108152AA	1	J			EK0	DGJ		
		1	J			ESF	DGJ		
		1	T			EK0	DGJ		
13		AR	J			ESF	DGJ		SPACER
	52108149AA	AR	J			ESF	DGJ		[3.7 MM]
		AR	T			EK0	DGJ		[3.7 MM]
		AR	J			EK0	DGJ		[3.7 MM]
	52108150AA	AR	J			ESF	DGJ		[3.1 MM]
		AR	T			EK0	DGJ		[3.1 MM]

GRAND CHEROKEE (WK)

SERIES LINE
H = HIGHLINE T = JEEP - 2WD
P = PREMIUM J = JEEP - 4WD
S = SPORT
X = SPECIAL

BODY
74 = SPORT UTILITY 4-DR
TYPE #4

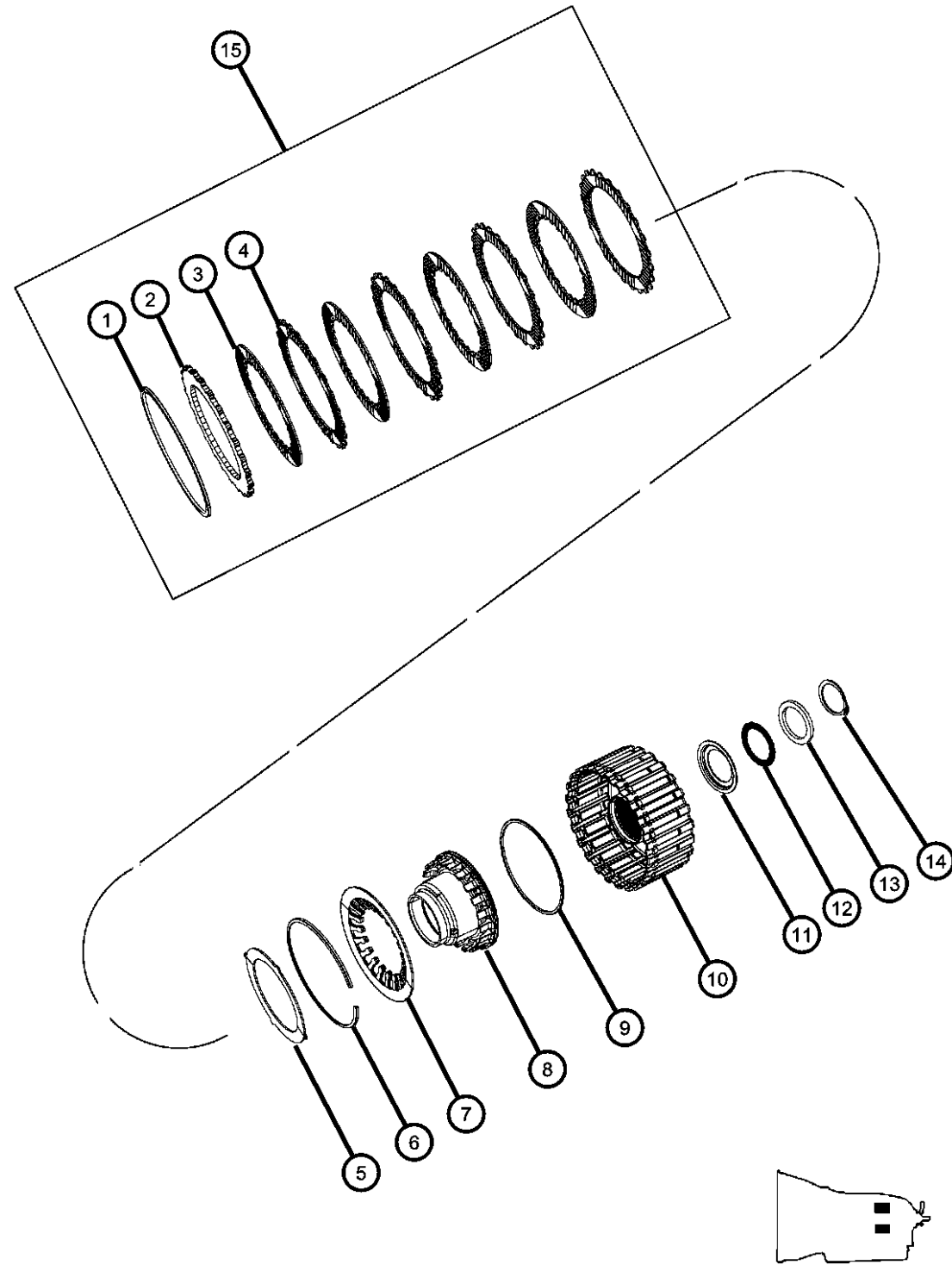
ENGINE
EVE = Engine - 4.7L V8 DOHC
3 Valve
EZB = 5.7L Hemi Multi
Displacement Engine
EKG = 3.7L V6 Engine
ESF = 6.1L SRT HEMI SMPI
V8 Engine
EXL = 3.0L V6 Turbo Diesel
Engine

TRANSMISSION
DGJ = 5-Speed Auto W5A580
Transmission
DGU = 5-Spd Auto W5J400
Transmission
DGQ = 5-Spd Automatic 545RFE
Transmission

AR = use ase required - = Non illustrated part

2008 WK

**K3 Clutch Assembly
Figure 021DGJ-529**



ITEM	PART NUMBER	QTY	LINE	SERIES	BODY	ENGINE	TRANS	TRIM	DESCRIPTION
		AR	J			EK0	DGJ		[3.1 MM]
	52108151AA	AR	J			ESF	DGJ		[3.4 MM]
		AR	T			EK0	DGJ		[3.4 MM]
		AR	J			EK0	DGJ		[3.4 MM]
14									SNAP RING, M35x2.5x1.5
	06507358AA	1	J			ESF	DGJ		
		1	T			EK0	DGJ		
		1	J			EK0	DGJ		
15									CLUTCH PACKAGE, K3 Input Clutch
	68028572AA	1	J			ESF	DGJ		
	68028665AA	1	T			EK0	DGJ		
		1	J			EK0	DGJ		

GRAND CHEROKEE (WK)

SERIES LINE
H = HIGHLINE T = JEEP - 2WD
P = PREMIUM J = JEEP - 4WD
S = SPORT
X = SPECIAL

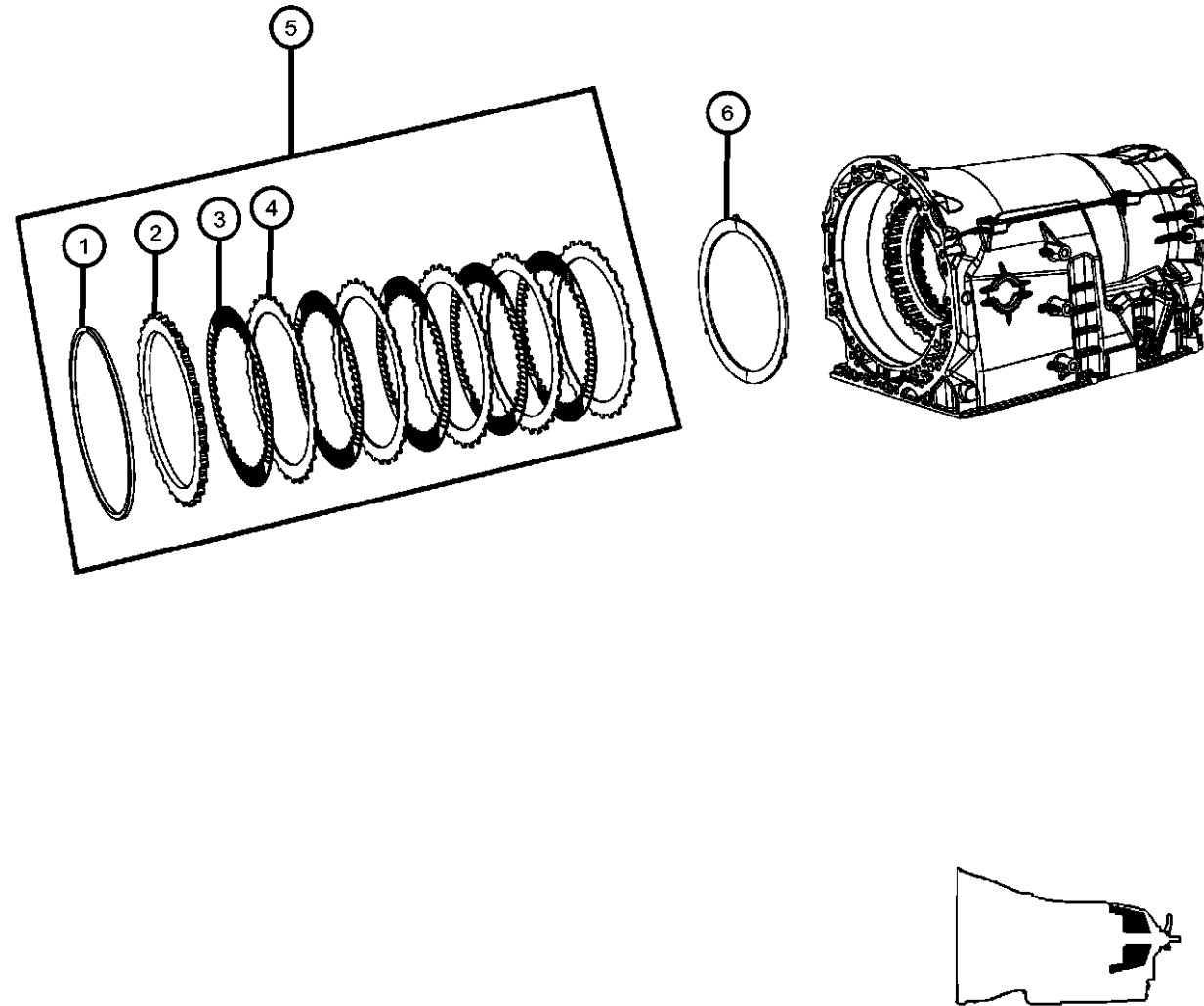
BODY
74 = SPORT UTILITY 4-DR
TYPE #4

ENGINE TRANSMISSION
EVE = Engine - 4.7L V8 DOHC 3 Valve
EVB = Engine - 4.7L V8 DOHC 3 Valve
EZB = 5.7L Hemi Multi Displacement Engine
EKG = 3.7L V6 Engine
ESF = 6.1L SRT HEMI SMPI V8 Engine
EXL = 3.0L V6 Turbo Diesel Engine
DGJ = 5-Speed Auto W5A580 Transmission
DGU = 5-Spd Auto W5J400 Transmission
DGQ = 5-Spd Automatic 545RFE Transmission

AR = use ase required - = Non illustrated part

2008 WK

**B3 Clutch Assembly
Figure 021DGJ-530**



ITEM	PART NUMBER	QTY	LINE	SERIES	BODY	ENGINE	TRANS	TRIM	DESCRIPTION
1									SNAP RING
	52107985AA	AR	J			ESF	DGJ		[3.2 MM]
		AR	T			EK0	DGJ		[3.2 MM]
		AR	J			EK0	DGJ		[3.2 MM]
	52107986AA	AR	J			ESF	DGJ		[3.5 MM]
		AR	T			EK0	DGJ		[3.5 MM]
		AR	J			EK0	DGJ		[3.5 MM]
	52107987AA	AR	J			ESF	DGJ		[3.8 MM]
		AR	T			EK0	DGJ		[3.8 MM]
		AR	J			EK0	DGJ		[3.8 MM]
	52107989AA	AR	T			EK0	DGJ		[4.4 MM]
		AR	J			EK0	DGJ		[4.4 MM]
	52107990AA	AR	J			ESF	DGJ		[4.8 MM]
		AR	T			EK0	DGJ		[4.8 MM]
		AR	J			EK0	DGJ		[4.8 MM]
	52107988AA	AR	J			ESF	DGJ		[4.1 MM]
		AR	T			EK0	DGJ		[4.1 MM]
		AR	J			EK0	DGJ		[4.1 MM]
		AR	J			ESF	DGJ		[4.4 MM]
2									DISC, Outer
	52108018AA	1	J			ESF	DGJ		
		1	T			EK0	DGJ		
		1	J			EK0	DGJ		
3									DISC, Inner
	52108573AA	5	J			ESF	DGJ		
		5	T			EK0	DGJ		
		5	J			EK0	DGJ		
4									DISC, Outer
	52108017AA	5	J			ESF	DGJ		
		5	T			EK0	DGJ		
		5	J			EK0	DGJ		
5									CLUTCH PACKAGE, B3 Brake Clutch Stack Up

GRAND CHEROKEE (WK)

SERIES LINE
H = HIGHLINE T = JEEP - 2WD
P = PREMIUM J = JEEP - 4WD
S = SPORT
X = SPECIAL

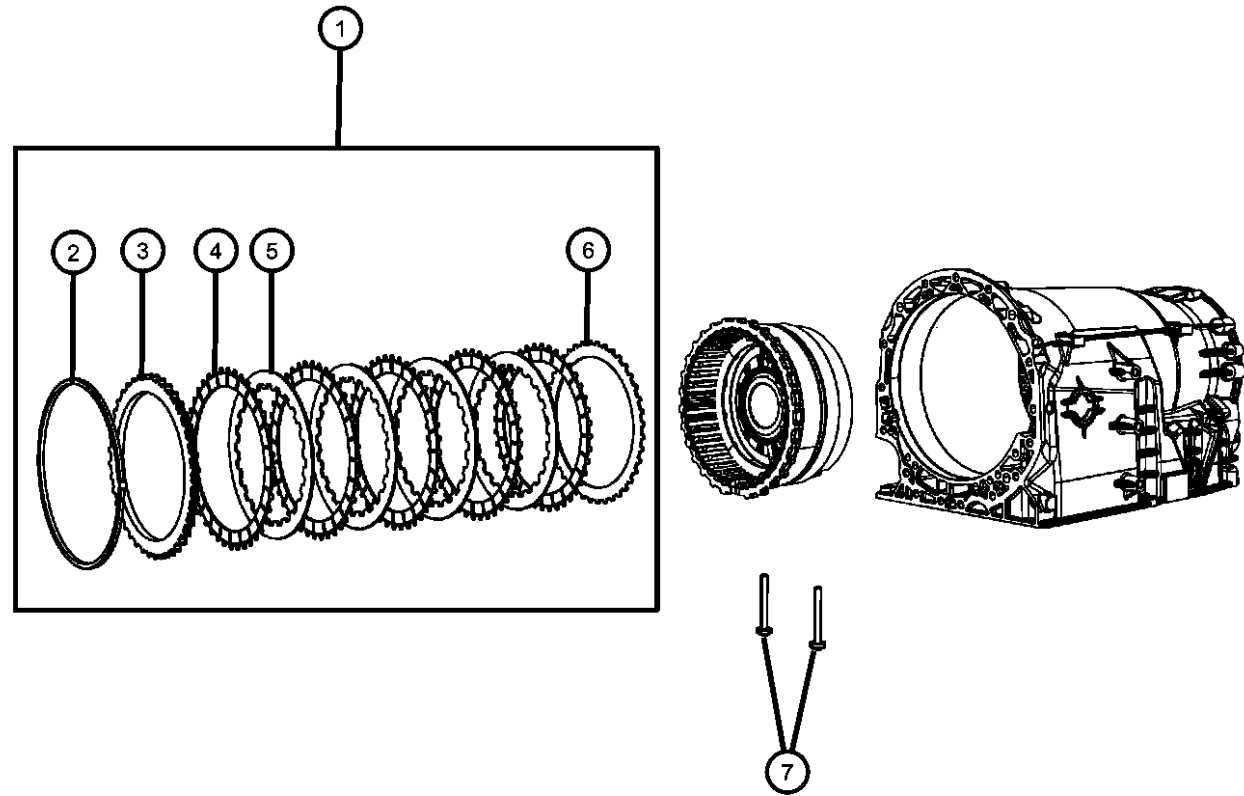
BODY
74 = SPORT UTILITY 4-DR
TYPE #4

ENGINE TRANSMISSION
EVE = Engine - 4.7L V8 DOHC 3 Valve
EVB = Engine - 4.7L V8 DOHC 3 Valve
EZA = 5.7L Hemi Multi Displacement Engine
EKB = 3.7L V6 Engine
ESF = 6.1L SRT HEMI SMPI V8 Engine
EXL = 3.0L V6 Turbo Diesel Engine
DGJ = 5-Speed Auto W5A580 Transmission
DGU = 5-Spd Auto W5J400 Transmission
DGQ = 5-Spd Automatic 545RFE Transmission

AR = use ase required - = Non illustrated part

2008 WK

**B2 Clutch Assembly
Figure 021DGJ-531**



ITEM	PART NUMBER	QTY	LINE	SERIES	BODY	ENGINE	TRANS	TRIM	DESCRIPTION
1									CLUTCH PACKAGE, B2 Brake Clutch Stack Up
	68028660AA	1	J			ESF	DGJ		
	68028667AA	1	T			EK0	DGJ		
		1	J			EK0	DGJ		
2									SNAP RING
	52107981AA	AR	T			EK0	DGJ		[3.5 MM]
		AR	J			EK0	DGJ		[3.5 MM]
	52107982AA	AR	J			ESF	DGJ		[3.2 MM]
		AR	T			EK0	DGJ		[3.2 MM]
		AR	J			EK0	DGJ		[3.2 MM]
	52107979AA	AR	J			ESF	DGJ		[4.1 MM]
		AR	T			EK0	DGJ		[4.1 MM]
		AR	J			EK0	DGJ		[4.1 MM]
	52107980AA	AR	J			ESF	DGJ		[3.8 MM]
		AR	T			EK0	DGJ		[3.8 MM]
		AR	J			EK0	DGJ		[3.8 MM]
		AR	J			ESF	DGJ		[3.5 MM]
	52107983AA	AR	J			ESF	DGJ		[2.9 MM]
		AR	T			EK0	DGJ		[2.9 MM]
		AR	J			EK0	DGJ		[2.9 MM]
3									DISC, Outer
	52108014AA	1	J			ESF	DGJ		
		1	T			EK0	DGJ		
		1	J			EK0	DGJ		
4									DISC, Outer
	52108572AA	5	J			ESF	DGJ		
		5	T			EK0	DGJ		
		5	J			EK0	DGJ		
5									DISC, Inner
	52108015AA	4	J			ESF	DGJ		
		4	T			EK0	DGJ		
		4	J			EK0	DGJ		



GRAND CHEROKEE (WK)

SERIES LINE
H = HIGHLINE T = JEEP - 2WD
P = PREMIUM J = JEEP - 4WD
S = SPORT
X = SPECIAL

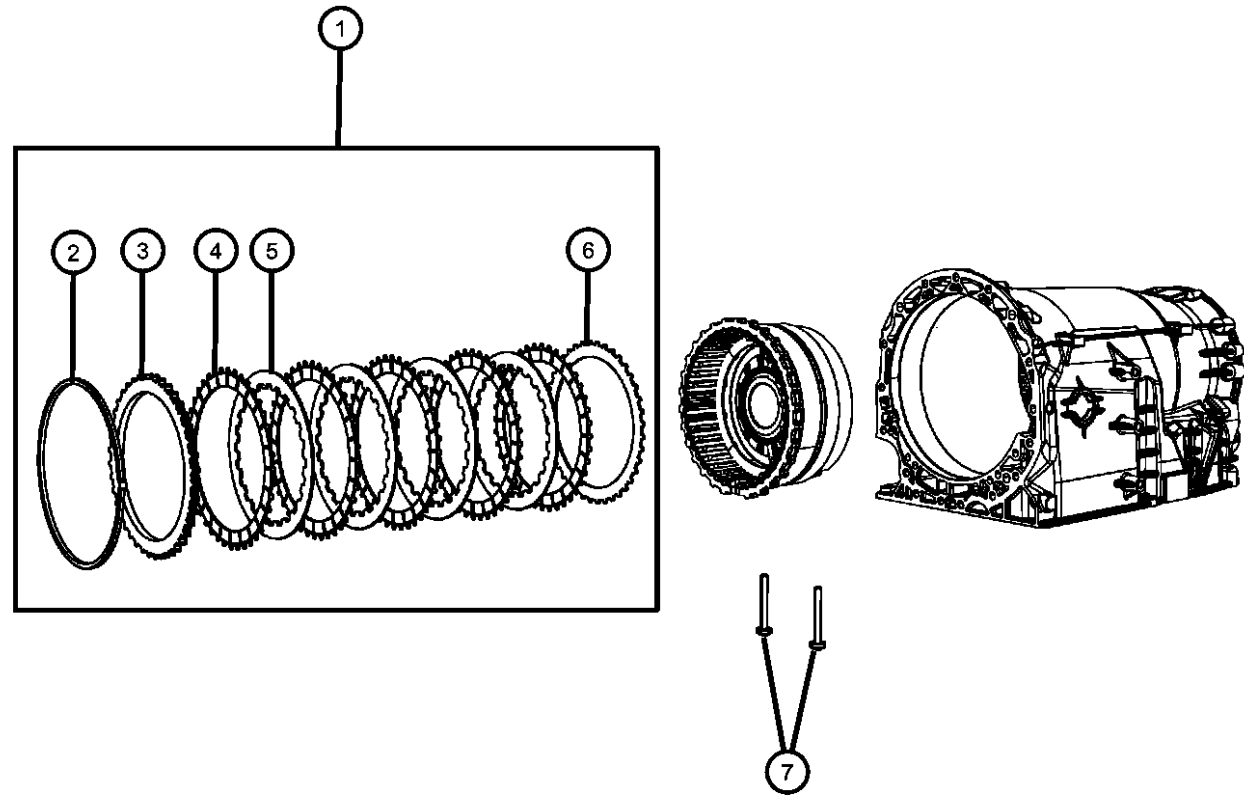
BODY
74 = SPORT UTILITY 4-DR
TYPE #4

ENGINE TRANSMISSION
EVE = Engine - 4.7L V8 DOHC 3 Valve
EVB = Engine - 4.7L V8 DOHC 3 Valve
EZB = 5.7L Hemi Multi Displacement Engine
EKG = 3.7L V6 Engine
ESF = 6.1L SRT HEMI SMPI V8 Engine
EXL = 3.0L V6 Turbo Diesel Engine
DGJ = 5-Speed Auto W5A580 Transmission
DGU = 5-Spd Auto W5J400 Transmission
DGQ = 5-Spd Automatic 545RFE Transmission

AR = use ase required - = Non illustrated part

2008 WK

**B2 Clutch Assembly
Figure 021DGJ-531**



ITEM	PART NUMBER	QTY	LINE	SERIES	BODY	ENGINE	TRANS	TRIM	DESCRIPTION
6	52108013AA	1	J			ESF	DGJ		DISC, Outer
		1	T			EK0	DGJ		
		1	J			EK0	DGJ		
7	52108205AA	2	J			ESF	DGJ		BOLT, Torx Head, M8x60
		2	T			EK0	DGJ		
		2	J			EK0	DGJ		



GRAND CHEROKEE (WK)

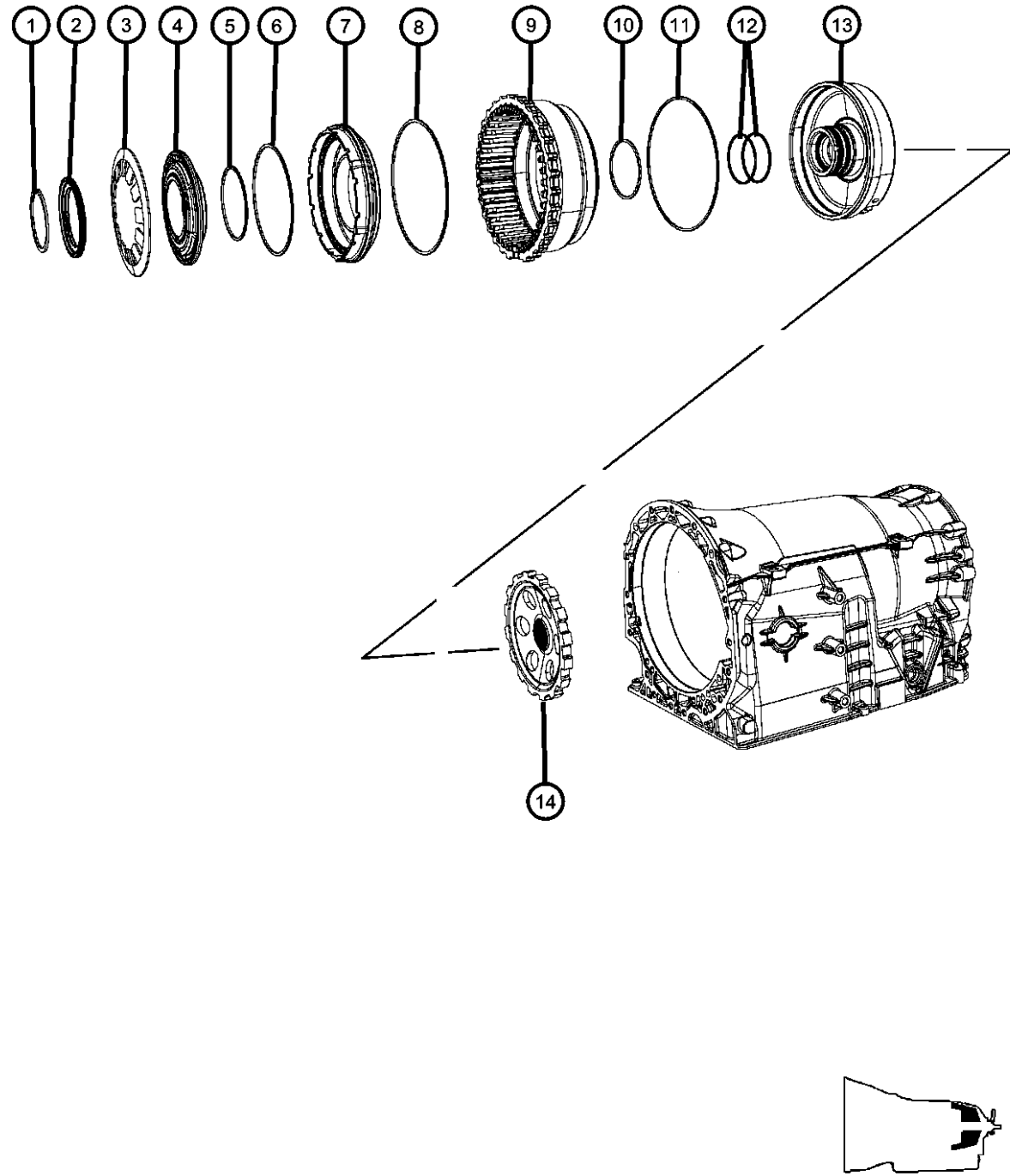
SERIES LINE
H = HIGHLINE T = JEEP - 2WD
P = PREMIUM J = JEEP - 4WD
S = SPORT
X = SPECIAL

BODY
74 = SPORT UTILITY 4-DR
TYPE #4

ENGINE TRANSMISSION
EVE = Engine - 4.7L V8 DOHC 3 Valve
EVB = Engine - 4.7L V8 DOHC 3 Valve
EZA = 5.7L Hemi Multi Displacement Engine
EKB = 3.7L V6 Engine
ESF = 6.1L SRT HEMI SMPI V8 Engine
EXL = 3.0L V6 Turbo Diesel Engine
DGJ = 5-Speed Auto W5A580 Transmission
DGU = 5-Spd Auto W5J400 Transmission
DGQ = 5-Spd Automatic 545RFE Transmission

AR = use ase required - = Non illustrated part

**B2 Clutch Assembly
Figure 021DGJ-532**



ITEM	PART NUMBER	QTY	LINE	SERIES	BODY	ENGINE	TRANS	TRIM	DESCRIPTION
1	52107977AA	1	J			ESF	DGJ		SNAP RING
		1	T			EK0	DGJ		
		1	J			EK0	DGJ		
2	52108203AA	1	J			ESF	DGJ		RETAINER, Spring
		1	T			EK0	DGJ		
		1	J			EK0	DGJ		
3	52108202AA	1	J			ESF	DGJ		SPRING, Piston Return
		1	T			EK0	DGJ		
		1	J			EK0	DGJ		
4	52108351AA	1	J			ESF	DGJ		RING ASSEMBLY, Piston guide
		1	T			EK0	DGJ		
		1	J			EK0	DGJ		
5	52108201AA	1	J			ESF	DGJ		SEAL, Transmission
		1	T			EK0	DGJ		
		1	J			EK0	DGJ		
6	52108200AA	1	J			ESF	DGJ		SEAL, Transmission
		1	T			EK0	DGJ		
		1	J			EK0	DGJ		
7	52108191AA	1	J			ESF	DGJ		PISTON, B2 Clutch
		1	T			EK0	DGJ		
		1	J			EK0	DGJ		
8	52108199AA	1	J			ESF	DGJ		SEAL, Transmission
		1	T			EK0	DGJ		
		1	J			EK0	DGJ		

GRAND CHEROKEE (WK)

SERIES LINE
H = HIGHLINE T = JEEP - 2WD
P = PREMIUM J = JEEP - 4WD
S = SPORT
X = SPECIAL

BODY
74 = SPORT UTILITY 4-DR
TYPE #4

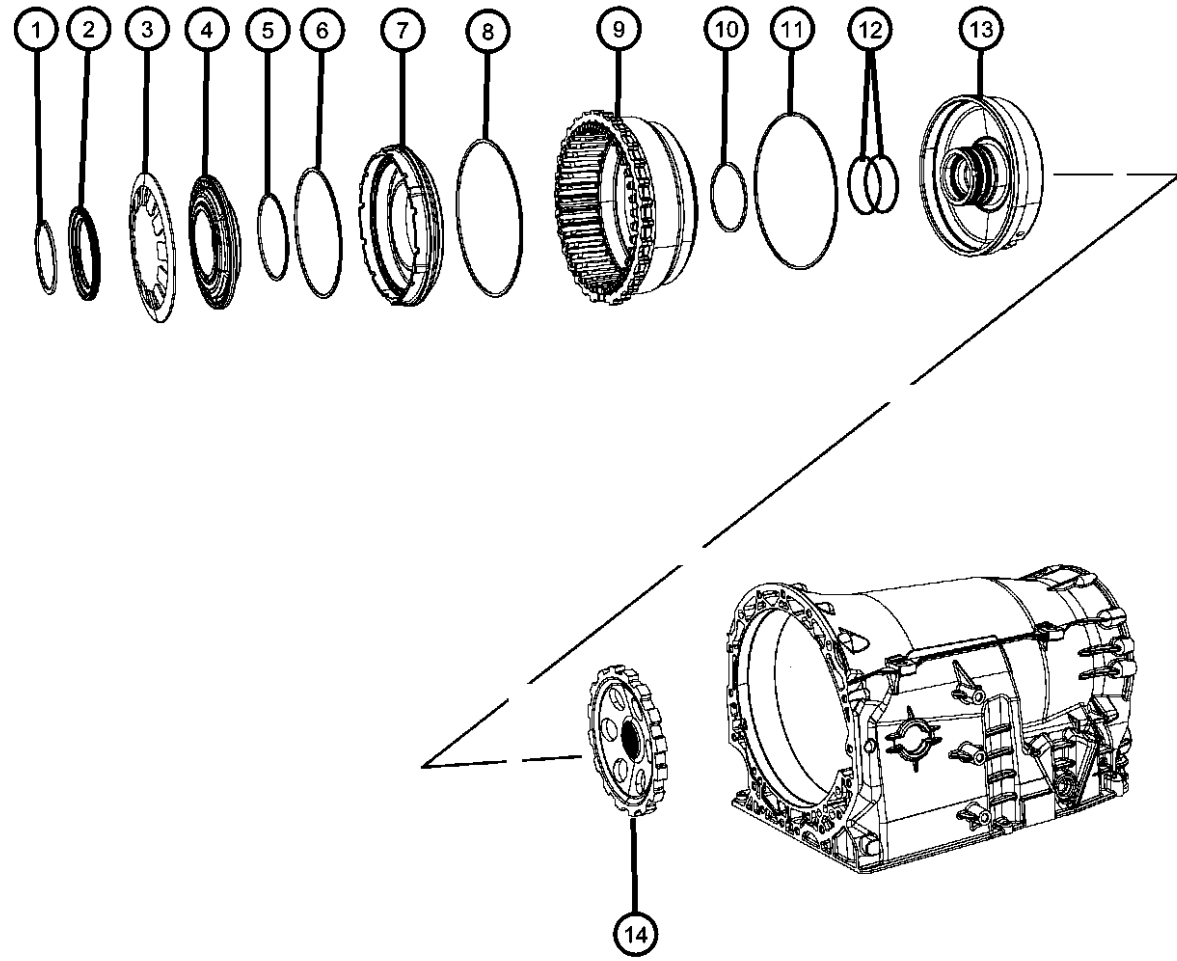
ENGINE
EVE = Engine - 4.7L V8 DOHC
3 Valve
EZB = 5.7L Hemi Multi
Displacement Engine
EKG = 3.7L V6 Engine
ESF = 6.1L SRT HEMI SMPI
V8 Engine
EXL = 3.0L V6 Turbo Diesel
Engine

TRANSMISSION
DGJ = 5-Speed Auto W5A580
Transmission
DGU = 5-Spd Auto W5J400
Transmission
DGQ = 5-Spd Automatic 545RFE
Transmission

AR = use ase required - = Non illustrated part

2008 WK

**B2 Clutch Assembly
Figure 021DGJ-532**



ITEM	PART NUMBER	QTY	LINE	SERIES	BODY	ENGINE	TRANS	TRIM	DESCRIPTION
9	52108395AA	1	J			ESF	DGJ		RETAINER, Clutch
		1	T			EK0	DGJ		
		1	J			EK0	DGJ		
10	52108189AA	1	J			ESF	DGJ		SEAL, Transmission
		1	T			EK0	DGJ		
		1	J			EK0	DGJ		
11	52108188AA	1	J			ESF	DGJ		SEAL, Transmission
		1	T			EK0	DGJ		
		1	J			EK0	DGJ		
12	52108185AA	2	J			ESF	DGJ		O RING
		2	T			EK0	DGJ		
		2	J			EK0	DGJ		
13	52108182AA	1	J			ESF	DGJ		PLUNGER
		1	T			EK0	DGJ		
		1	J			EK0	DGJ		
14	52108180AA	1	J			ESF	DGJ		SPRAG, Transmission Parking
		1	T			EK0	DGJ		
		1	J			EK0	DGJ		



GRAND CHEROKEE (WK)
 SERIES LINE
 H = HIGHLINE T = JEEP - 2WD
 P = PREMIUM J = JEEP - 4WD
 S = SPORT
 X = SPECIAL

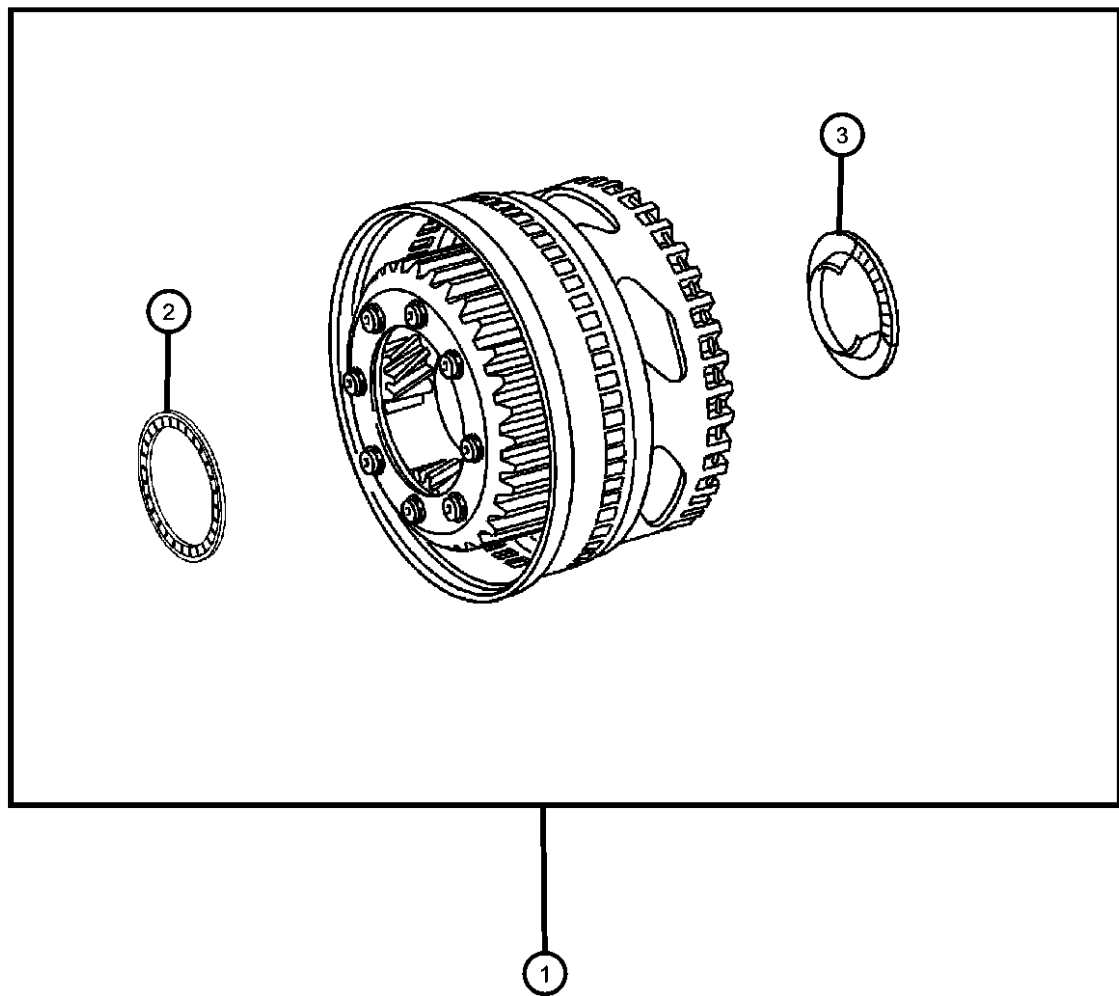
BODY
 74 = SPORT UTILITY 4-DR
 TYPE #4

ENGINE
 EVE = Engine - 4.7L V8 DOHC
 3 Valve
 EZB = 5.7L Hemi Multi
 Displacement Engine
 EKG = 3.7L V6 Engine
 ESF = 6.1L SRT HEMI SMPI
 V8 Engine
 EXL = 3.0L V6 Turbo Diesel
 Engine

TRANSMISSION
 DGJ = 5-Speed Auto W5A580
 Transmission
 DGU = 5-Spd Auto W5J400
 Transmission
 DGQ = 5-Spd Automatic 545RFE
 Transmission

AR = use ase required - = Non illustrated part

Front Planetary Carrier
Figure 021DGJ-611



ITEM	PART NUMBER	QTY	LINE	SERIES	BODY	ENGINE	TRANS	TRIM	DESCRIPTION
1	52108513AA	1	J			ESF	DGJ		CARRIER, Planetary
		1	T			EK0	DGJ		
		1	J			EK0	DGJ		
2	52108122AA	1	J			ESF	DGJ		NEEDLE BEARING
		1	T			EK0	DGJ		
		1	J			EK0	DGJ		
3	52108123AA	1	J			ESF	DGJ		NEEDLE BEARING
		1	T			EK0	DGJ		
		1	J			EK0	DGJ		



GRAND CHEROKEE (WK)

SERIES LINE
H = HIGHLINE T = JEEP - 2WD
P = PREMIUM J = JEEP - 4WD
S = SPORT
X = SPECIAL

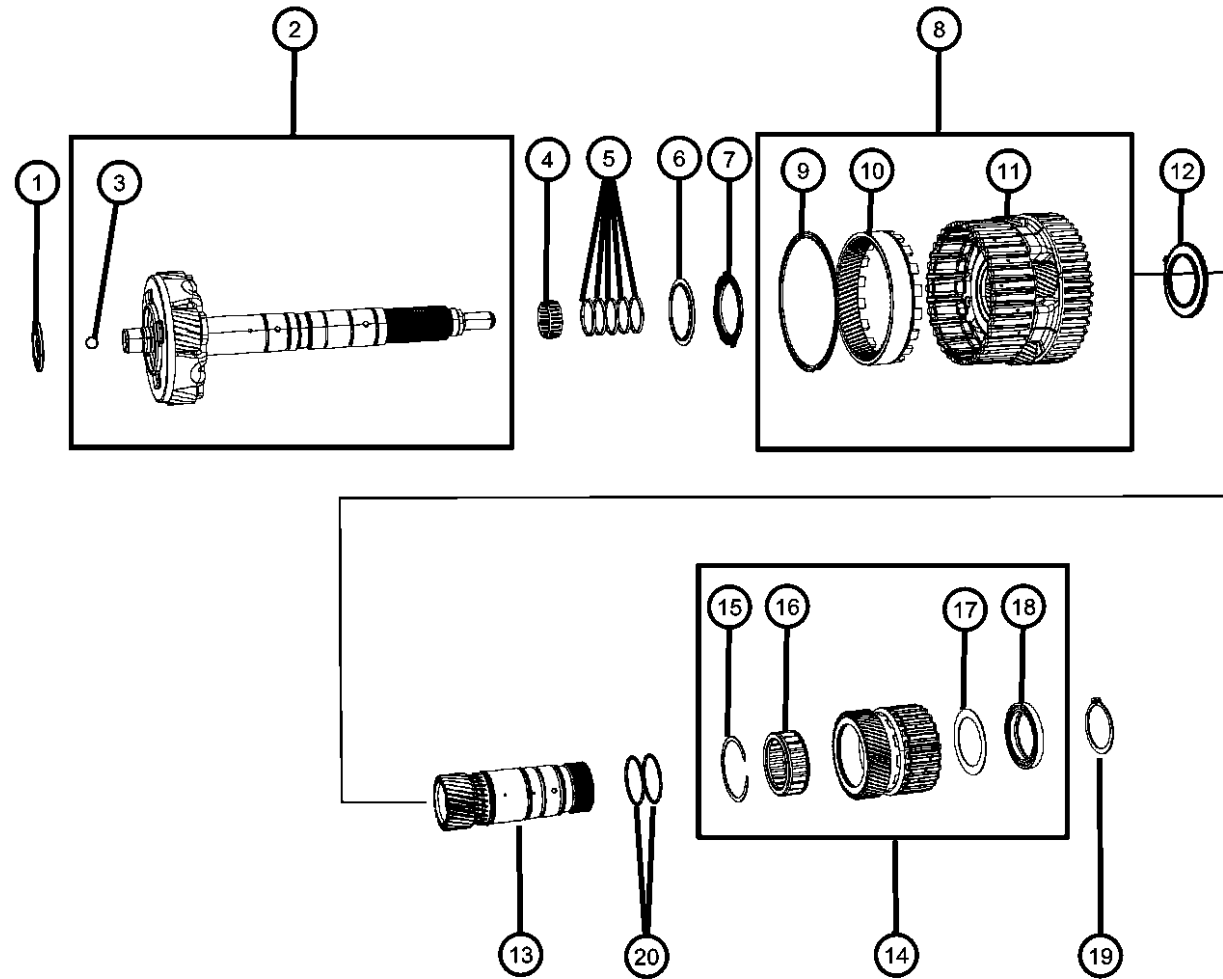
BODY
74 = SPORT UTILITY 4-DR
TYPE #4

ENGINE TRANSMISSION
EVE = Engine - 4.7L V8 DOHC 3 Valve DGJ = 5-Speed Auto W5A580 Transmission
EZB = 5.7L Hemi Multi Displacement Engine DGU = 5-Spd Auto W5J400 Transmission
EKG = 3.7L V6 Engine DGQ = 5-Spd Automatic 545RFE Transmission
ESF = 6.1L SRT HEMI SMPI V8 Engine
EXL = 3.0L V6 Turbo Diesel Engine

AR = use ase required - = Non illustrated part

2008 WK

**Output Shaft With Center And Rear Planetary Gear Sets
Figure 021DGJ-612**



ITEM	PART NUMBER	QTY	LINE	SERIES	BODY	ENGINE	TRANS	TRIM	DESCRIPTION
1	52107927AA	1	J			ESF	DGJ		NEEDLE BEARING
		1	T			EK0	DGJ		
		1	J			EK0	DGJ		
2	52107929AA	1	J			ESF	DGJ		SHAFT, Output
		1	T			EK0	DGJ		
		1	J			EK0	DGJ		
3	52108390AA	1	J			ESF	DGJ		BALL, Check
		1	T			EK0	DGJ		
		1	J			EK0	DGJ		
4	52108069AA	1	T			EK0	DGJ		NEEDLE BEARING
		1	J			ESF	DGJ		
		1	J			EK0	DGJ		
5	05179367AA	5	J			ESF	DGJ		SEAL, Transmission
		5	T			EK0	DGJ		
		5	J			EK0	DGJ		
6	52108070AA	1	J			ESF	DGJ		RETAINER, Bearing
		1	T			EK0	DGJ		
		1	J			EK0	DGJ		
7	52107931AA	1	J			ESF	DGJ		NEEDLE BEARING
		1	T			EK0	DGJ		
		1	J			EK0	DGJ		
8	52108071AA	1	J			EK0	DGJ		CARRIER ASSEMBLY, Planetary
		1	J			ESF	DGJ		
		1	T			EK0	DGJ		

GRAND CHEROKEE (WK)

SERIES LINE
H = HIGHLINE T = JEEP - 2WD
P = PREMIUM J = JEEP - 4WD
S = SPORT
X = SPECIAL

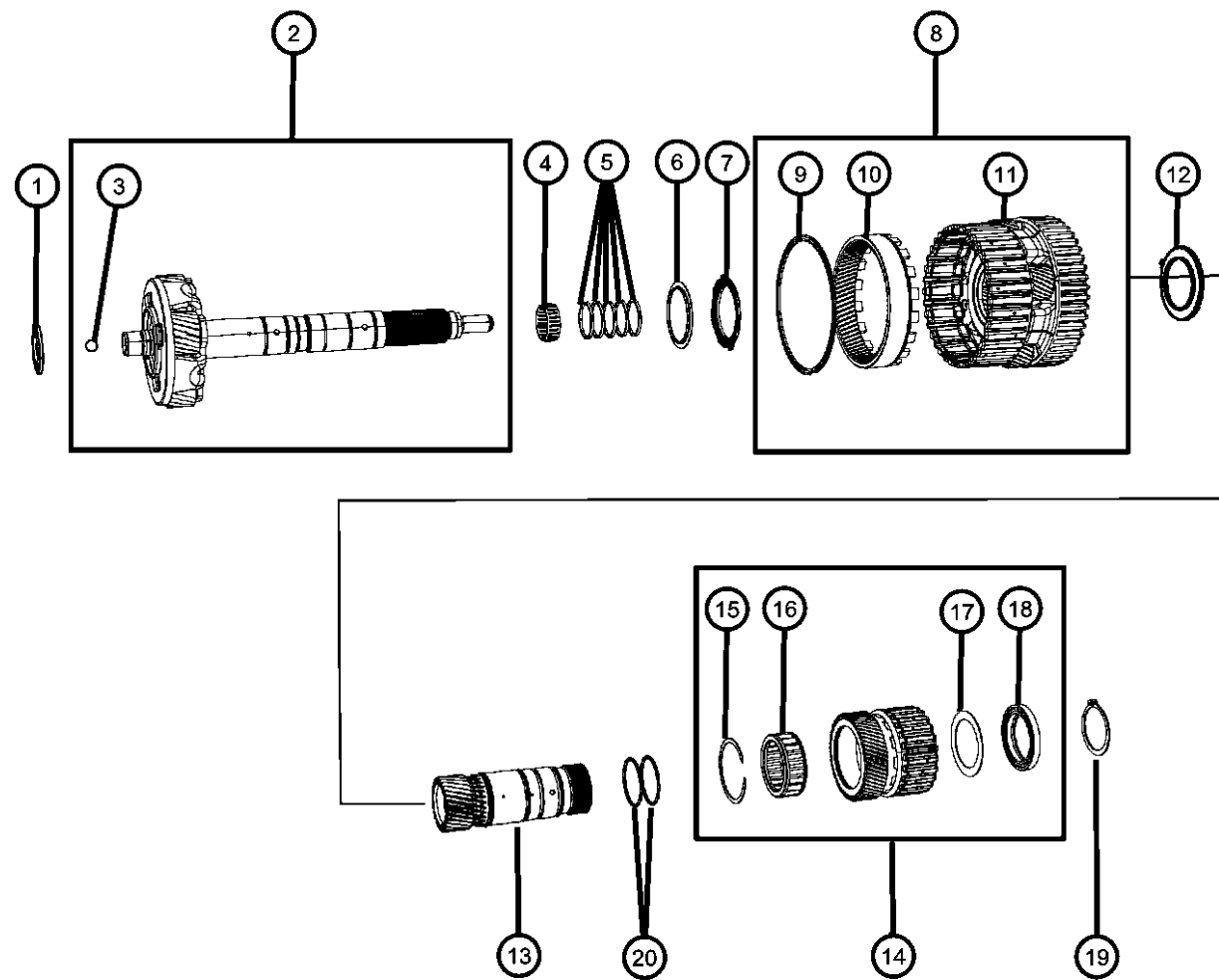
BODY
74 = SPORT UTILITY 4-DR
TYPE #4

ENGINE
EVE = Engine - 4.7L V8 DOHC
3 Valve
EZB = 5.7L Hemi Multi
Displacement Engine
EKG = 3.7L V6 Engine
ESF = 6.1L SRT HEMI SMPI
V8 Engine
EXL = 3.0L V6 Turbo Diesel
Engine

TRANSMISSION
DGJ = 5-Speed Auto W5A580
Transmission
DGU = 5-Spd Auto W5J400
Transmission
DGQ = 5-Spd Automatic 545RFE
Transmission

AR = use ase required - = Non illustrated part

**Output Shaft With Center And Rear Planetary Gear Sets
Figure 021DGJ-612**



ITEM	PART NUMBER	QTY	LINE	SERIES	BODY	ENGINE	TRANS	TRIM	DESCRIPTION
9	52108374AA	1	J			ESF	DGJ		SNAP RING
		1	T			EK0	DGJ		
		1	J			EK0	DGJ		
10	52108376AA	1	J			ESF	DGJ		GEAR, Annulus
		1	T			EK0	DGJ		
		1	J			EK0	DGJ		
11	52108072AA	1	J			ESF	DGJ		CARRIER, Planetary
		1	T			EK0	DGJ		
		1	J			EK0	DGJ		
12	52107932AA	1	J			ESF	DGJ		NEEDLE BEARING
		1	T			EK0	DGJ		
		1	J			EK0	DGJ		
13	52108078AA	1	J			ESF	DGJ		GEAR, Sun
		1	T			EK0	DGJ		
		1	J			EK0	DGJ		
14	52108519AA	1	J			ESF	DGJ		SUN GEAR ASSEMBLY
		1	T			EK0	DGJ		
		1	J			EK0	DGJ		
15	52107966AA	1	J			ESF	DGJ		SNAP RING
		1	T			EK0	DGJ		
		1	J			EK0	DGJ		
16	52108522AA	1	J			ESF	DGJ		CLUTCH, One Way
		1	T			EK0	DGJ		

GRAND CHEROKEE (WK)
 SERIES LINE
 H = HIGHLINE T = JEEP - 2WD
 P = PREMIUM J = JEEP - 4WD
 S = SPORT
 X = SPECIAL

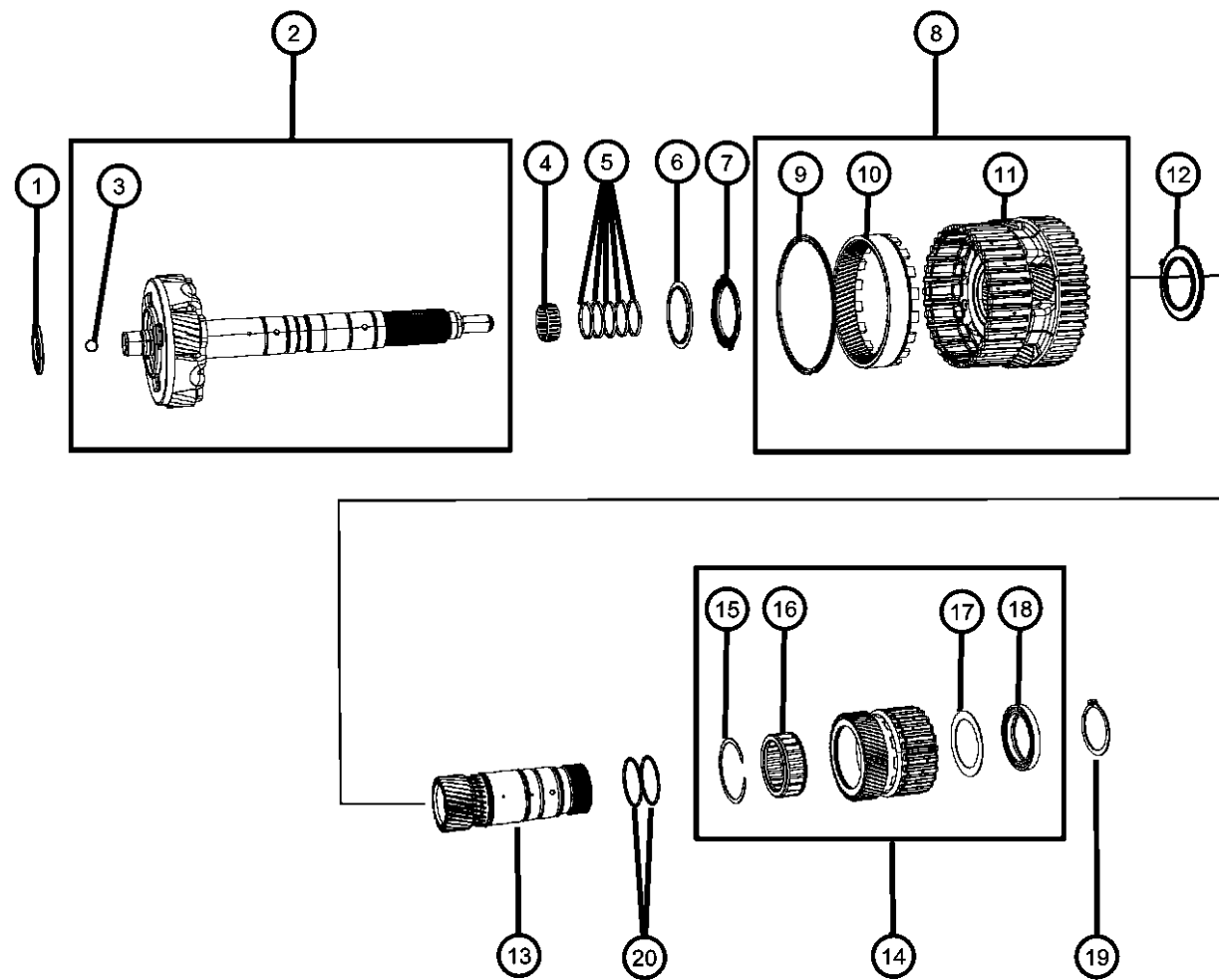
BODY
 74 = SPORT UTILITY 4-DR
 TYPE #4

ENGINE
 EVE = Engine - 4.7L V8 DOHC
 3 Valve
 EZB = 5.7L Hemi Multi
 Displacement Engine
 EKG = 3.7L V6 Engine
 ESF = 6.1L SRT HEMI SMPI
 V8 Engine
 EXL = 3.0L V6 Turbo Diesel
 Engine

TRANSMISSION
 DGJ = 5-Speed Auto W5A580
 Transmission
 DGU = 5-Spd Auto W5J400
 Transmission
 DGQ = 5-Spd Automatic 545RFE
 Transmission

AR = use ase required - = Non illustrated part

**Output Shaft With Center And Rear Planetary Gear Sets
Figure 021DGJ-612**



ITEM	PART NUMBER	QTY	LINE	SERIES	BODY	ENGINE	TRANS	TRIM	DESCRIPTION
17		1	J			EK0	DGJ		SPACER
	52108379AA	1	T			EK0	DGJ		
		1	J			ESF	DGJ		
		1	J			EK0	DGJ		
18		1	J			ESF	DGJ		BEARING, Ball
	52108084AA	1	T			EK0	DGJ		
		1	J			EK0	DGJ		
19		1	T			EK0	DGJ		SNAP RING
	52107967AA	1	J			ESF	DGJ		
		1	J			EK0	DGJ		
20		2	J			ESF	DGJ		O RING
	52108085AA	2	T			EK0	DGJ		
		2	J			EK0	DGJ		

GRAND CHEROKEE (WK)
 SERIES LINE
 H = HIGHLINE T = JEEP - 2WD
 P = PREMIUM J = JEEP - 4WD
 S = SPORT
 X = SPECIAL

BODY
 74 = SPORT UTILITY 4-DR
 TYPE #4

ENGINE
 EVE = Engine - 4.7L V8 DOHC
 3 Valve
 EZB = 5.7L Hemi Multi
 Displacement Engine
 EKG = 3.7L V6 Engine
 ESF = 6.1L SRT HEMI SMPI
 V8 Engine
 EXL = 3.0L V6 Turbo Diesel
 Engine

TRANSMISSION
 DGJ = 5-Speed Auto W5A580
 Transmission
 DGU = 5-Spd Auto W5J400
 Transmission
 DGQ = 5-Spd Automatic 545RFE
 Transmission

AR = use ase required - = Non illustrated part

Valve Body And Related Parts
Figure 021DGJ-825

ITEM	PART NUMBER	QTY	LINE	SERIES	BODY	ENGINE	TRANS	TRIM	DESCRIPTION
1	52108213AA	1	T			EK0	DGJ		VALVE BODY, Complete
		1	J			EK0	DGJ		
		1	J			ESF	DGJ		
2	52108268AA	2	J			ESF	DGJ		BOLT, Torx Head, M6x80
		2	T			EK0	DGJ		
		2	J			EK0	DGJ		
3	52108269AA	1	J			ESF	DGJ		BOLT, Torx Head, M6x55
		1	T			EK0	DGJ		
		1	J			EK0	DGJ		
4	52108315AA	3	J			ESF	DGJ		PLATE
		3	T			EK0	DGJ		
		3	J			EK0	DGJ		
5	52108314AA	1	J			ESF	DGJ		SOLENOID, Transmission, Torque Converter Clutch
		1	T			EK0	DGJ		
		1	J			EK0	DGJ		
6	05189057AA	3	J			ESF	DGJ		SOLENOID, Transmission, Shift ON/OFF
		3	T			EK0	DGJ		
		3	J			EK0	DGJ		
7	05134761AA	3	J			ESF	DGJ		CAP, Solenoid
		3	T			EK0	DGJ		
		3	J			EK0	DGJ		
8	05138838AA	2	J			ESF	DGJ		SOLENOID, Transmission, Shift Pressure
		2	T			EK0	DGJ		

GRAND CHEROKEE (WK)

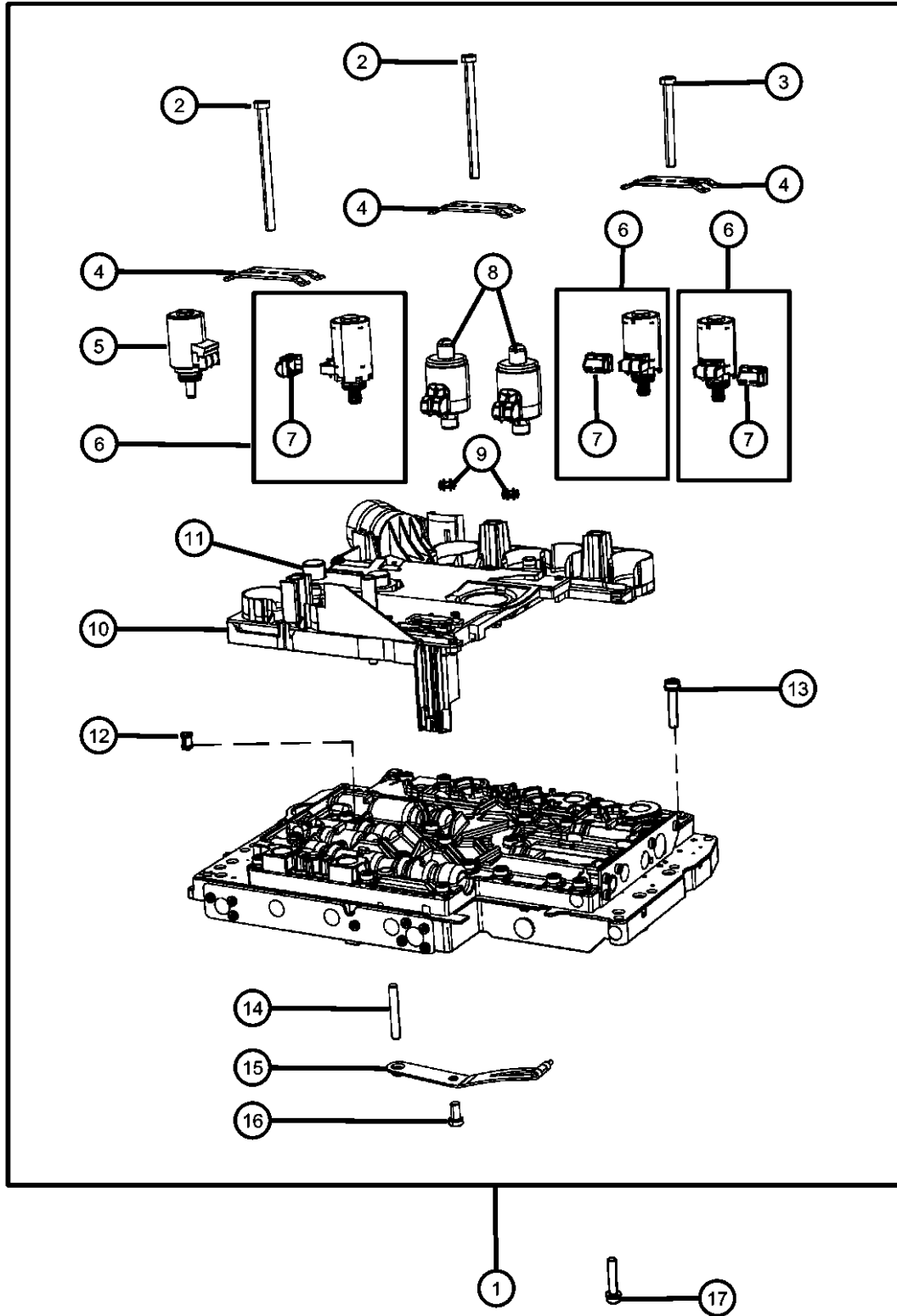
SERIES LINE
H = HIGHLINE T = JEEP - 2WD
P = PREMIUM J = JEEP - 4WD
S = SPORT
X = SPECIAL

BODY
74 = SPORT UTILITY 4-DR
TYPE #4

ENGINE TRANSMISSION
EVE = Engine - 4.7L V8 DOHC 3 Valve
EVB = Engine - 4.7L V8 DOHC 3 Valve
EZB = 5.7L Hemi Multi Displacement Engine
EKG = 3.7L V6 Engine
ESF = 6.1L SRT HEMI SMPI V8 Engine
EXL = 3.0L V6 Turbo Diesel Engine
DGJ = 5-Speed Auto W5A580 Transmission
DGU = 5-Spd Auto W5J400 Transmission
DGQ = 5-Spd Automatic 545RFE Transmission

AR = use ase required - = Non illustrated part

2008 WK



Valve Body And Related Parts
Figure 021DGJ-825

ITEM	PART NUMBER	QTY	LINE	SERIES	BODY	ENGINE	TRANS	TRIM	DESCRIPTION
9		2	J			EK0	DGJ		FILTER, Transmission Oil
	52108316AA	2	J			ESF	DGJ		
		2	T			EK0	DGJ		
		2	J			EK0	DGJ		
10									CONNECTOR ASSEMBLY, Electrical
	52108308AB	1	J			ESF	DGJ		
		1	T			EK0	DGJ		
		1	J			EK0	DGJ		
11		1							SENSOR, Speed, (NOT SERVICED)
12									FILTER, Transmission Oil
	52108304AA	2	T			EK0	DGJ		
		2	J			EK0	DGJ		
		2	J			ESF	DGJ		
13									BOLT, Torx Head, M6x30
	52108267AA	29	J			ESF	DGJ		
		29	T			EK0	DGJ		
		29	J			EK0	DGJ		
14									DOWEL
	05098951AA	1	J			ESF	DGJ		
		1	T			EK0	DGJ		
		1	J			EK0	DGJ		
15									DETENT, Valve Body
	52108258AA	1	J			ESF	DGJ		
		1	T			EK0	DGJ		
		1	J			EK0	DGJ		
16									BOLT, Torx Head, M6x12
	52108266AB	1	J			ESF	DGJ		
		1	J			EK0	DGJ		
		1	T			EK0	DGJ		

GRAND CHEROKEE (WK)

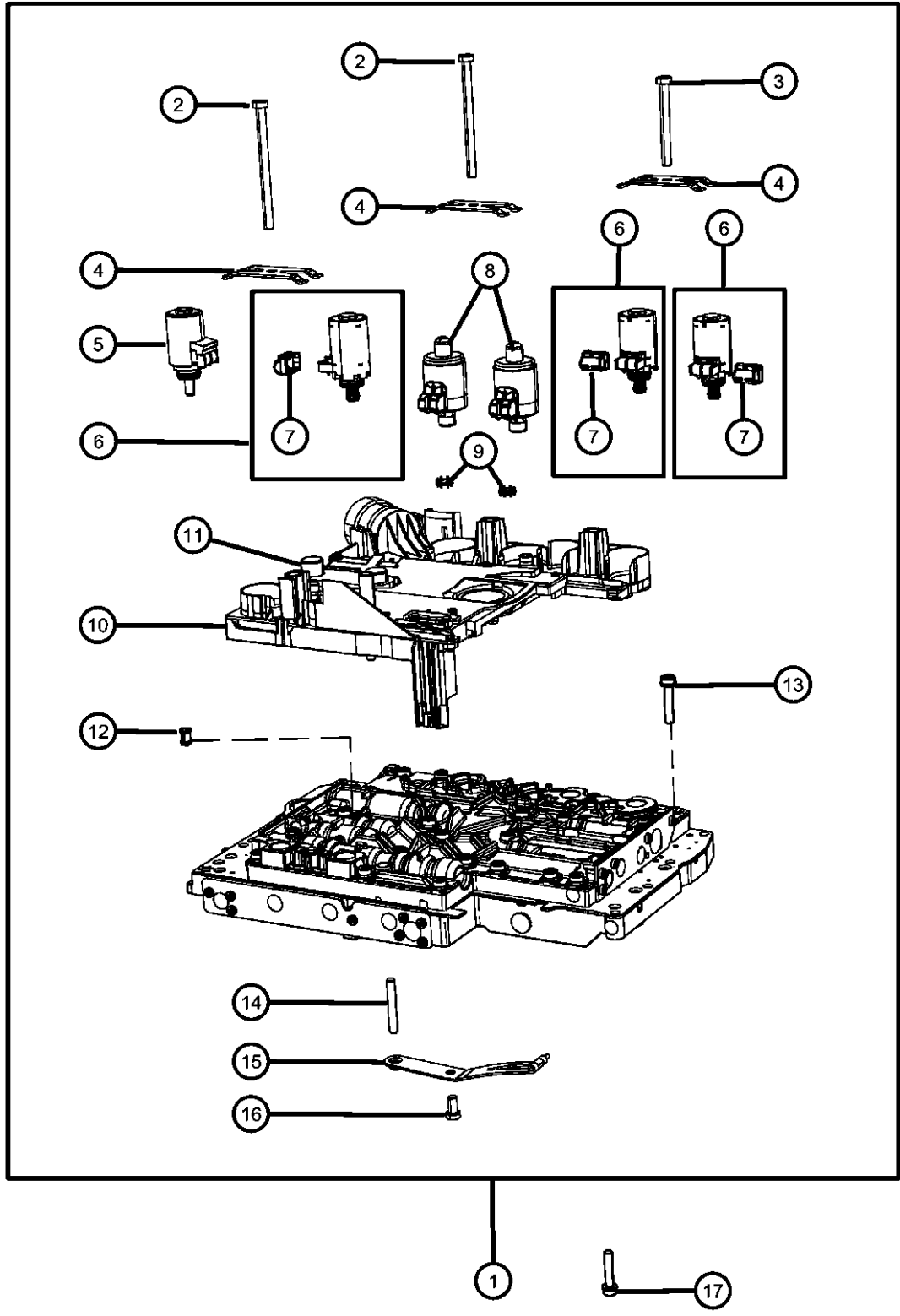
SERIES LINE
H = HIGHLINE T = JEEP - 2WD
P = PREMIUM J = JEEP - 4WD
S = SPORT
X = SPECIAL

BODY
74 = SPORT UTILITY 4-DR
TYPE #4

ENGINE TRANSMISSION
EVE = Engine - 4.7L V8 DOHC 3 Valve
EZB = 5.7L Hemi Multi Displacement Engine
EKG = 3.7L V6 Engine
ESF = 6.1L SRT HEMI SMPI V8 Engine
EXL = 3.0L V6 Turbo Diesel Engine
DGJ = 5-Speed Auto W5A580 Transmission
DGU = 5-Spd Auto W5J400 Transmission
DGQ = 5-Spd Automatic 545RFE Transmission

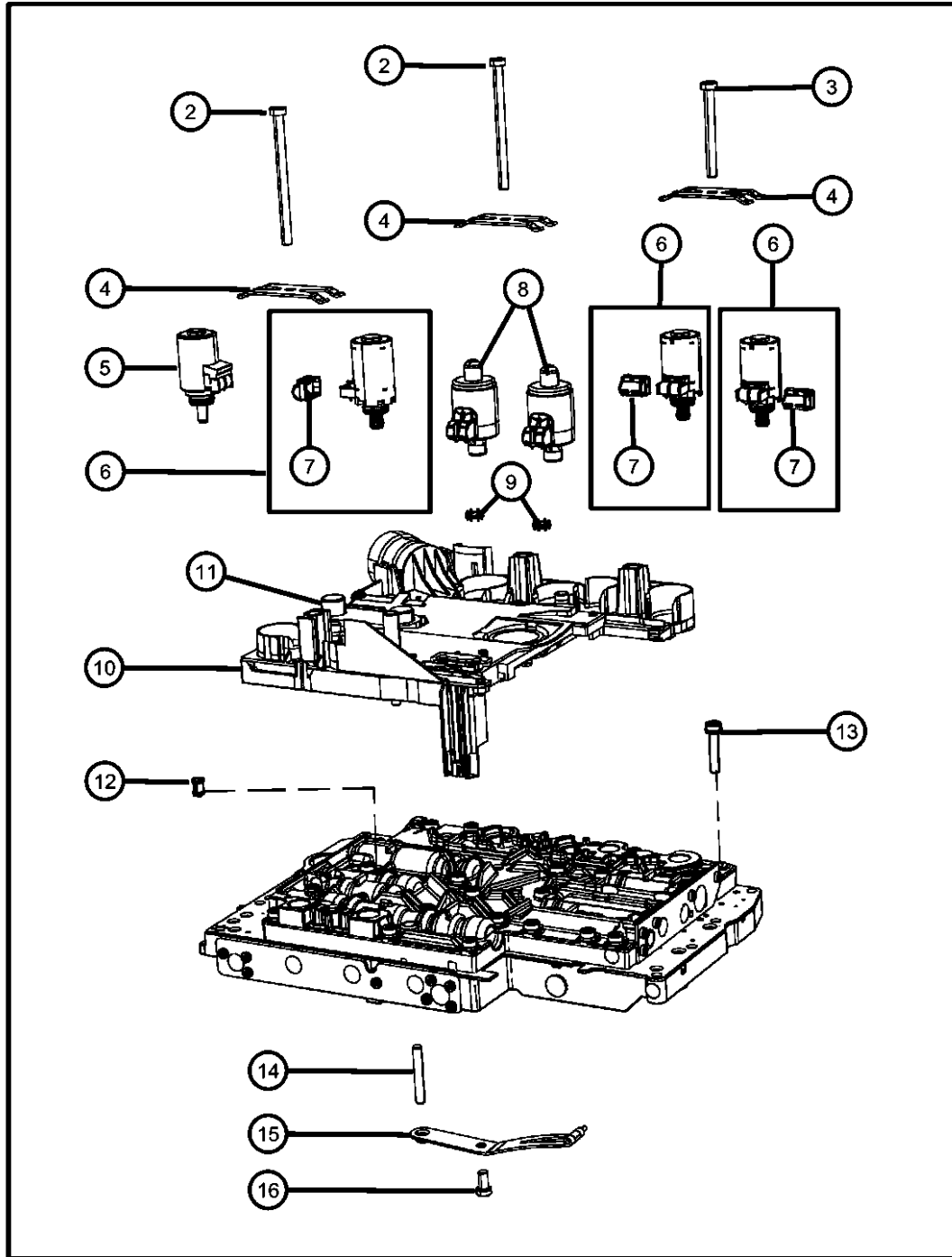
AR = use ase required - = Non illustrated part

2008 WK



Valve Body And Related Parts
Figure 021DGJ-825

ITEM	PART NUMBER	QTY	LINE	SERIES	BODY	ENGINE	TRANS	TRIM	DESCRIPTION
------	-------------	-----	------	--------	------	--------	-------	------	-------------



17	52108267AA	10	J			ESF	DGJ		BOLT, Torx Head, M6x30
		10	T			EK0	DGJ		
		10	J			EK0	DGJ		

GRAND CHEROKEE (WK)

SERIES LINE
H = HIGHLINE T = JEEP - 2WD
P = PREMIUM J = JEEP - 4WD
S = SPORT
X = SPECIAL

BODY
74 = SPORT UTILITY 4-DR
TYPE #4

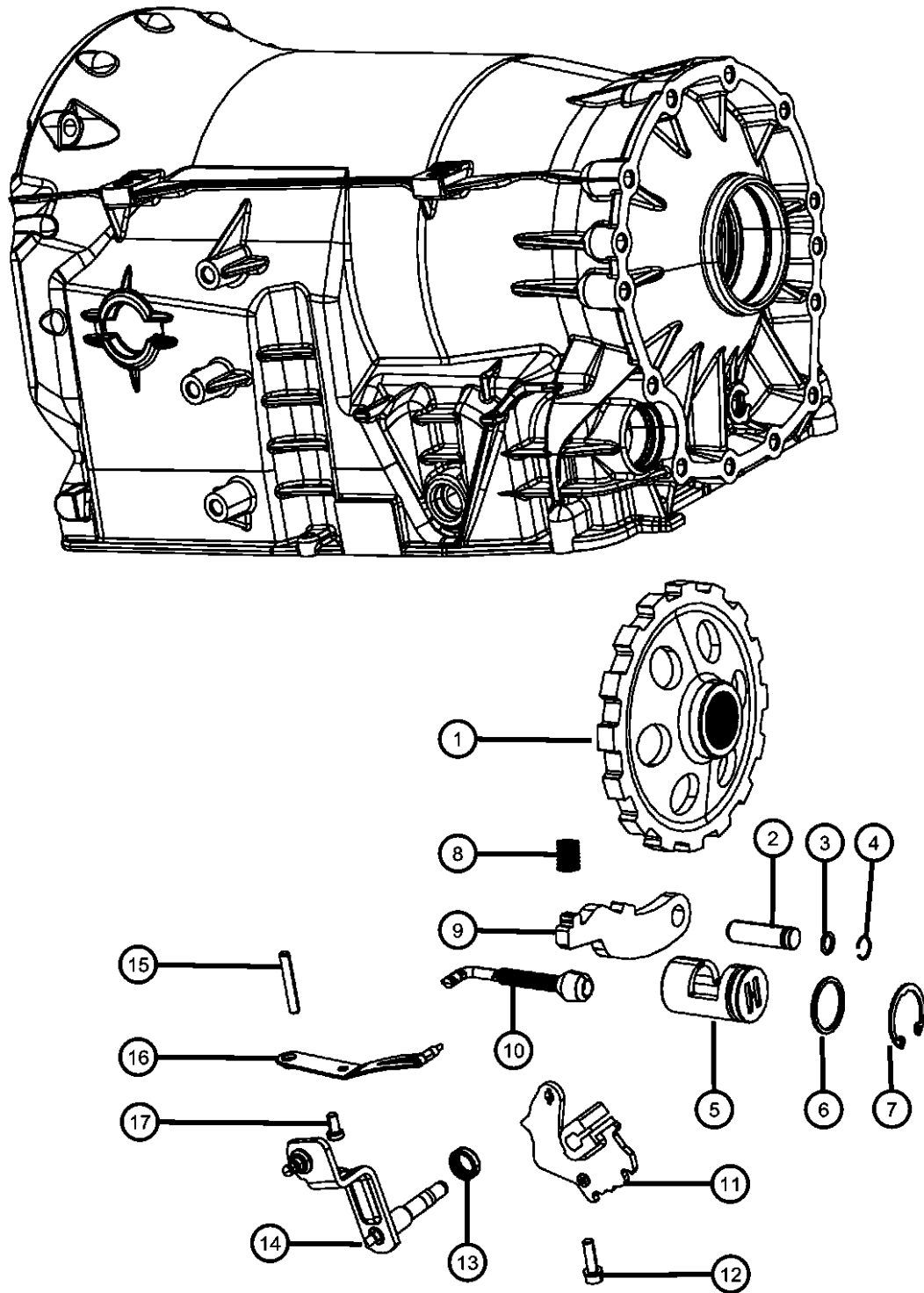
ENGINE TRANSMISSION
EVE = Engine - 4.7L V8 DOHC 3 Valve
EVB = 5.7L Hemi Multi Displacement Engine
EKG = 3.7L V6 Engine
ESF = 6.1L SRT HEMI SMPI V8 Engine
EXL = 3.0L V6 Turbo Diesel Engine
DGJ = 5-Speed Auto W5A580 Transmission
DGU = 5-Spd Auto W5J400 Transmission
DGQ = 5-Spd Automatic 545RFE Transmission

AR = use ase required - = Non illustrated part

2008 WK

**Parking Sprag And Related Parts
Figure 021DGJ-860**

ITEM	PART NUMBER	QTY	LINE	SERIES	BODY	ENGINE	TRANS	TRIM	DESCRIPTION
1	52108180AA	1	J			ESF	DGJ		SPRAG, Transmission Parking
		1	T			EK0	DGJ		
		1	J			EK0	DGJ		
2	52108155AA	1	J			ESF	DGJ		SHAFT, Parking Pawl
		1	T			EK0	DGJ		
		1	J			EK0	DGJ		
3	52108156AB	1	J			ESF	DGJ		O RING
		1	T			EK0	DGJ		
		1	J			EK0	DGJ		
4	52107975AA	1	J			ESF	DGJ		SNAP RING
		1	T			EK0	DGJ		
		1	J			EK0	DGJ		
5	52108176AA	1	J			ESF	DGJ		GUIDE
		1	T			EK0	DGJ		
		1	J			EK0	DGJ		
6	52108177AA	1	J			ESF	DGJ		O RING
		1	T			EK0	DGJ		
		1	J			EK0	DGJ		
7	52107976AA	1	J			ESF	DGJ		SNAP RING
		1	T			EK0	DGJ		
		1	J			EK0	DGJ		
8	52108157AA	1	J			EK0	DGJ		SPRING
		1	J			ESF	DGJ		
		1	T			EK0	DGJ		



GRAND CHEROKEE (WK)

SERIES LINE
H = HIGHLINE T = JEEP - 2WD
P = PREMIUM J = JEEP - 4WD
S = SPORT
X = SPECIAL

BODY
74 = SPORT UTILITY 4-DR
TYPE #4

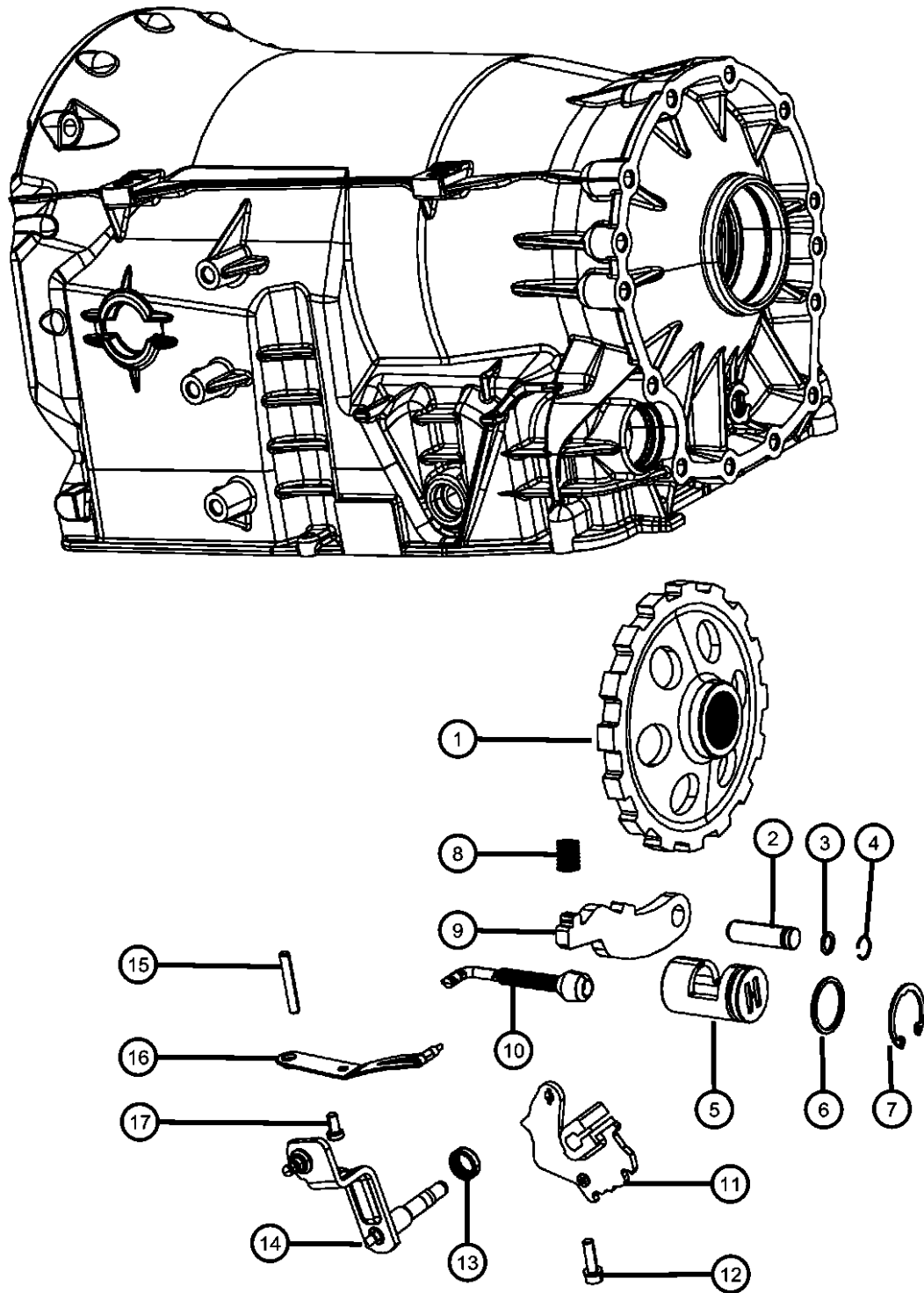
ENGINE TRANSMISSION
EVE = Engine - 4.7L V8 DOHC 3 Valve
EZH = 5.7L Hemi Multi Displacement Engine
EKG = 3.7L V6 Engine
ESF = 6.1L SRT HEMI SMPI V8 Engine
EXL = 3.0L V6 Turbo Diesel Engine
DGJ = 5-Speed Auto W5A580 Transmission
DGU = 5-Spd Auto W5J400 Transmission
DGQ = 5-Spd Automatic 545RFE Transmission

AR = use ase required - = Non illustrated part

2008 WK

**Parking Sprag And Related Parts
Figure 021DGJ-860**

ITEM	PART NUMBER	QTY	LINE	SERIES	BODY	ENGINE	TRANS	TRIM	DESCRIPTION
9	52108154AA	1	T			EK0	DGJ		PAWL, Parking Sprag
		1	J			ESF	DGJ		
		1	J			EK0	DGJ		
10	52108166AA	1	J			ESF	DGJ		LINKAGE, Transmission
		1	T			EK0	DGJ		
		1	J			EK0	DGJ		
11	52108349AA	1	J			ESF	DGJ		DETENT, Gearshift
		1	T			EK0	DGJ		
		1	J			EK0	DGJ		
12	52108178AA	1	J			ESF	DGJ		BOLT, Torx Head, M6x20
		1	T			EK0	DGJ		
		1	J			EK0	DGJ		
13	05134933AA	1	J			ESF	DGJ		SEAL, Transmission
		1	T			EK0	DGJ		
		1	J			EK0	DGJ		
14	52108432AA	1	J			ESF	DGJ		SHAFT, Shift Lever
		1	T			EK0	DGJ		
		1	J			EK0	DGJ		
15	05098951AA	1	J			ESF	DGJ		DOWEL
		1	T			EK0	DGJ		
		1	J			EK0	DGJ		
16	52108258AA	1	J			ESF	DGJ		DETENT, Valve Body
		1	T			EK0	DGJ		



GRAND CHEROKEE (WK)

SERIES LINE
H = HIGHLINE T = JEEP - 2WD
P = PREMIUM J = JEEP - 4WD
S = SPORT
X = SPECIAL

BODY
74 = SPORT UTILITY 4-DR
TYPE #4

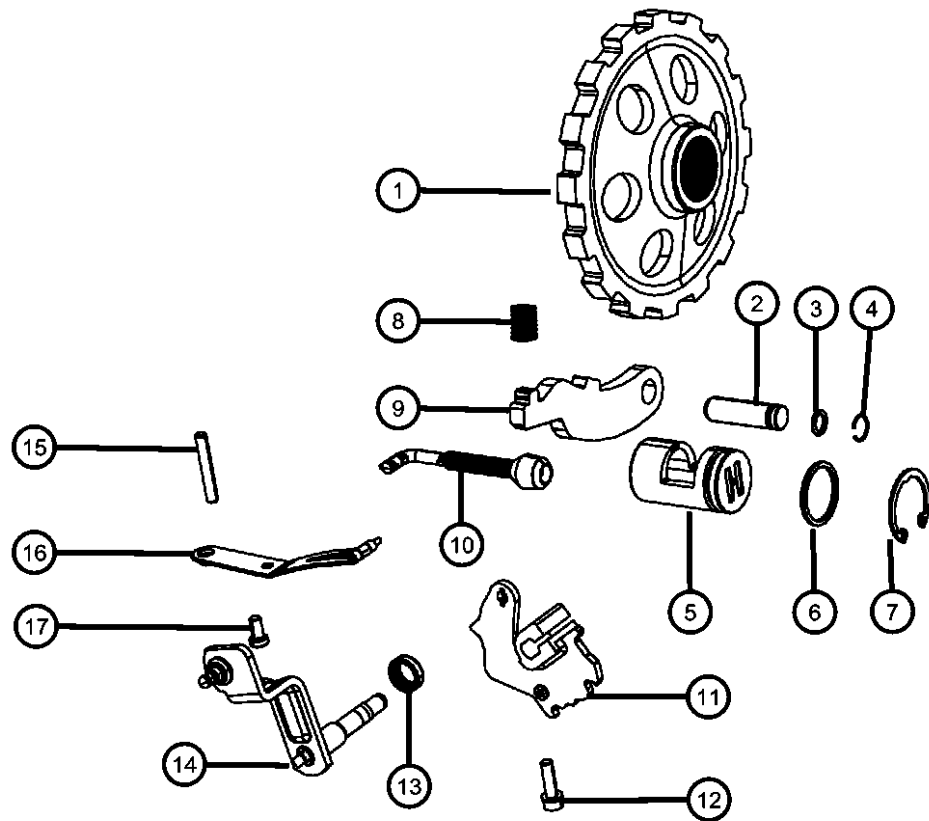
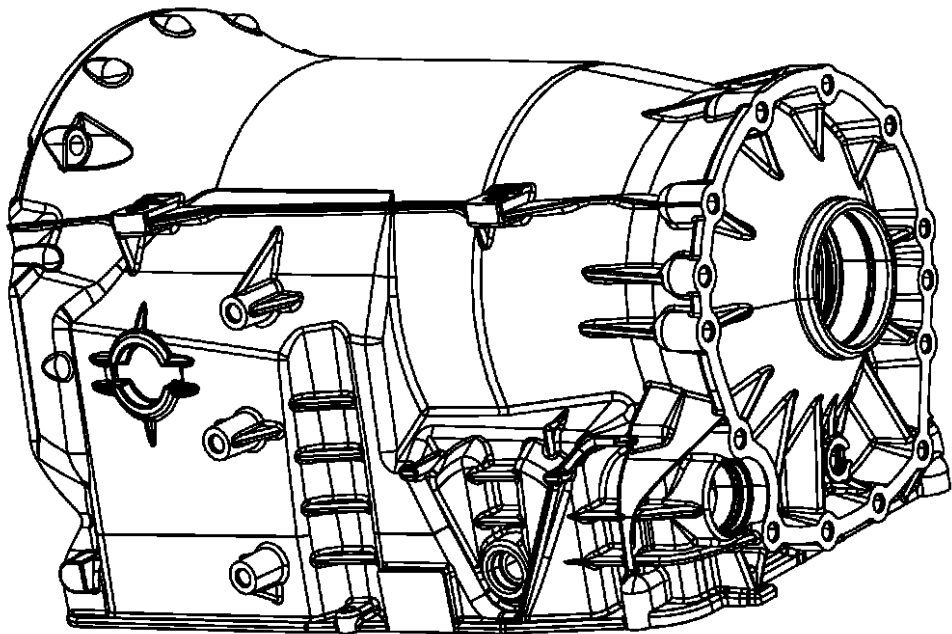
ENGINE TRANSMISSION
EVE = Engine - 4.7L V8 DOHC 3 Valve
EVB = Engine - 4.7L V8 DOHC 3 Valve
EZA = 5.7L Hemi Multi Displacement Engine
EKB = 3.7L V6 Engine
ESF = 6.1L SRT HEMI SMPI V8 Engine
EXL = 3.0L V6 Turbo Diesel Engine
DGJ = 5-Speed Auto W5A580 Transmission
DGU = 5-Spd Auto W5J400 Transmission
DGQ = 5-Spd Automatic 545RFE Transmission

AR = use ase required - = Non illustrated part

2008 WK

**Parking Sprag And Related Parts
Figure 021DGJ-860**

ITEM	PART NUMBER	QTY	LINE	SERIES	BODY	ENGINE	TRANS	TRIM	DESCRIPTION
17		1	J			EK0	DGJ		
	52108266AB	1	J			ESF	DGJ		BOLT, Torx Head, M6x12
		1	T			EK0	DGJ		
		1	J			EK0	DGJ		



GRAND CHEROKEE (WK)

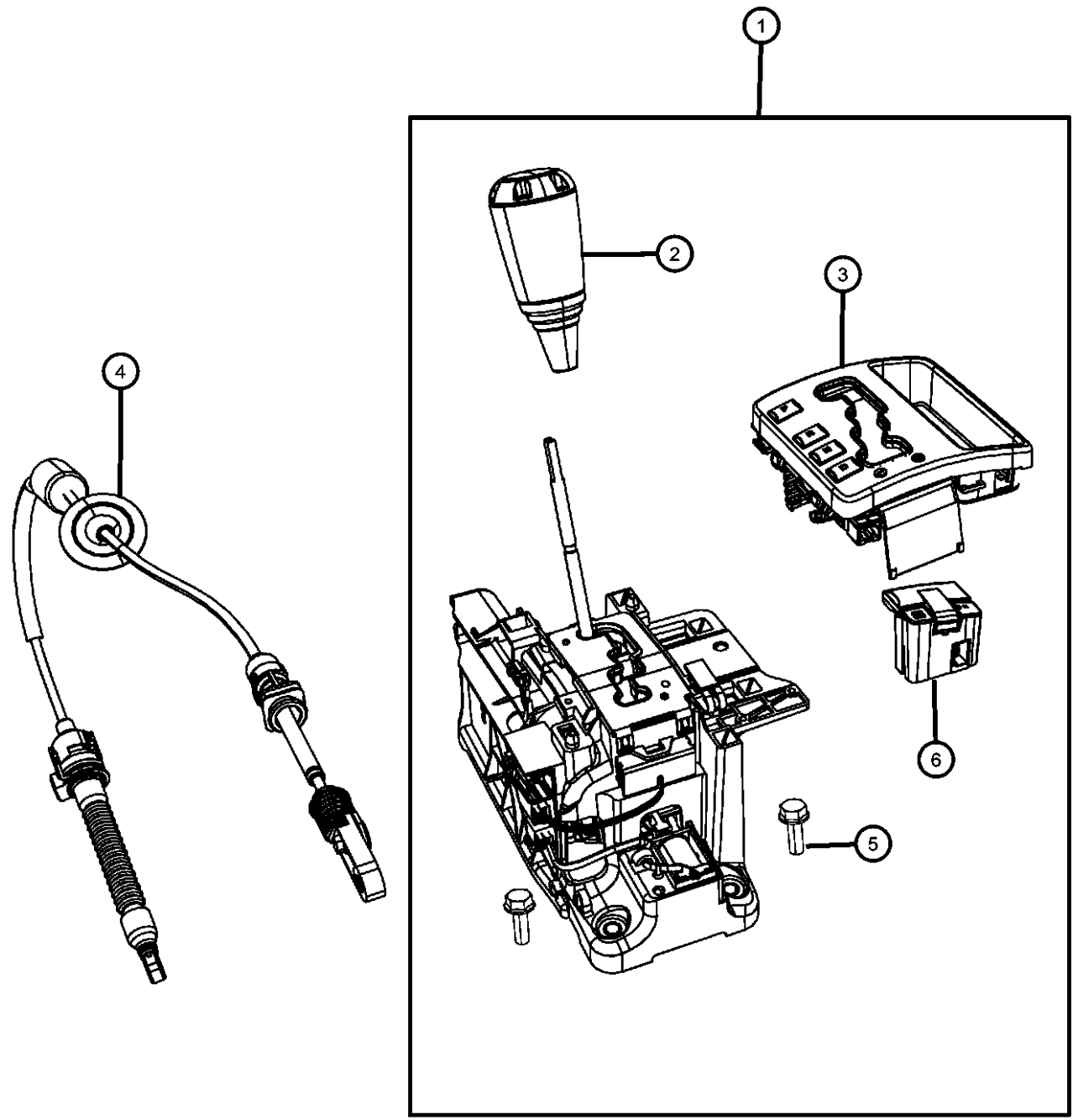
SERIES LINE
H = HIGHLINE T = JEEP - 2WD
P = PREMIUM J = JEEP - 4WD
S = SPORT
X = SPECIAL

BODY
74 = SPORT UTILITY 4-DR
TYPE #4

ENGINE TRANSMISSION
EVE = Engine - 4.7L V8 DOHC 3 Valve
EZB = 5.7L Hemi Multi Displacement Engine
EKG = 3.7L V6 Engine
ESF = 6.1L SRT HEMI SMPI V8 Engine
EXL = 3.0L V6 Turbo Diesel Engine
DGJ = 5-Speed Auto W5A580 Transmission
DGU = 5-Spd Auto W5J400 Transmission
DGQ = 5-Spd Automatic 545RFE Transmission

AR = use ase required - = Non illustrated part

**Gearshift Controls
Figure 021DGJ-1105**



ITEM	PART NUMBER	QTY	LINE	SERIES	BODY	ENGINE	TRANS	TRIM	DESCRIPTION
1	04855575AD	1	J			ESF	DGJ		HOUSING AND LEVER, Shifter After 1/21/08
	52124687AD	1	T	H			DGJ, DGU		Up To 1/10/08
		1	J	H			DGJ		With [DHZ] Up To 1/10/08
	52124687AE	1	T	H			DGJ, DGU		After 1/10/08
		1	J	H			DGJ		With [DHZ] After 1/10/08
	52124688AD	1	J	H			DGJ, DGU		With [DHX] Up To 1/10/08
	52124688AE	1	J	H			DGJ, DGU		With [DHX] After 1/10/08
2	04855575AC	1	J			ESF	DGJ		Up To 1/21/08
	04854695AB	1	J			ESF	DGJ		KNOB, Gearshift Up To 1/21/08
	04854695AC	1	J			ESF	DGJ		After 1/21/08
	52125510AA	1	T	H			DGJ, DGU		Up To 1/10/08
	52125510AB	1	T	H			DGJ, DGU		After 1/10/08
		1	J	H			DGJ		After 1/10/08
		1	J	H			DGJ		Up To 1/10/08
3	52124584AA	1	J			ESF	DGJ		PRNDL BEZEL, Gear selector
		1	T	H			DGJ, DGU		
		1	J	H			DGJ		
4	68003138AA	1	J, T			EK0, ES0	DGJ		CABLE, Gearshift Control
5	06105040AA	3	J, T				DG0		BOLT, Hex Flange Head, M6X1.00X35.00, Not Included In Item #1
6	56050139AG	1	J	H			DGJ, DGU		SWITCH, Transfer Case

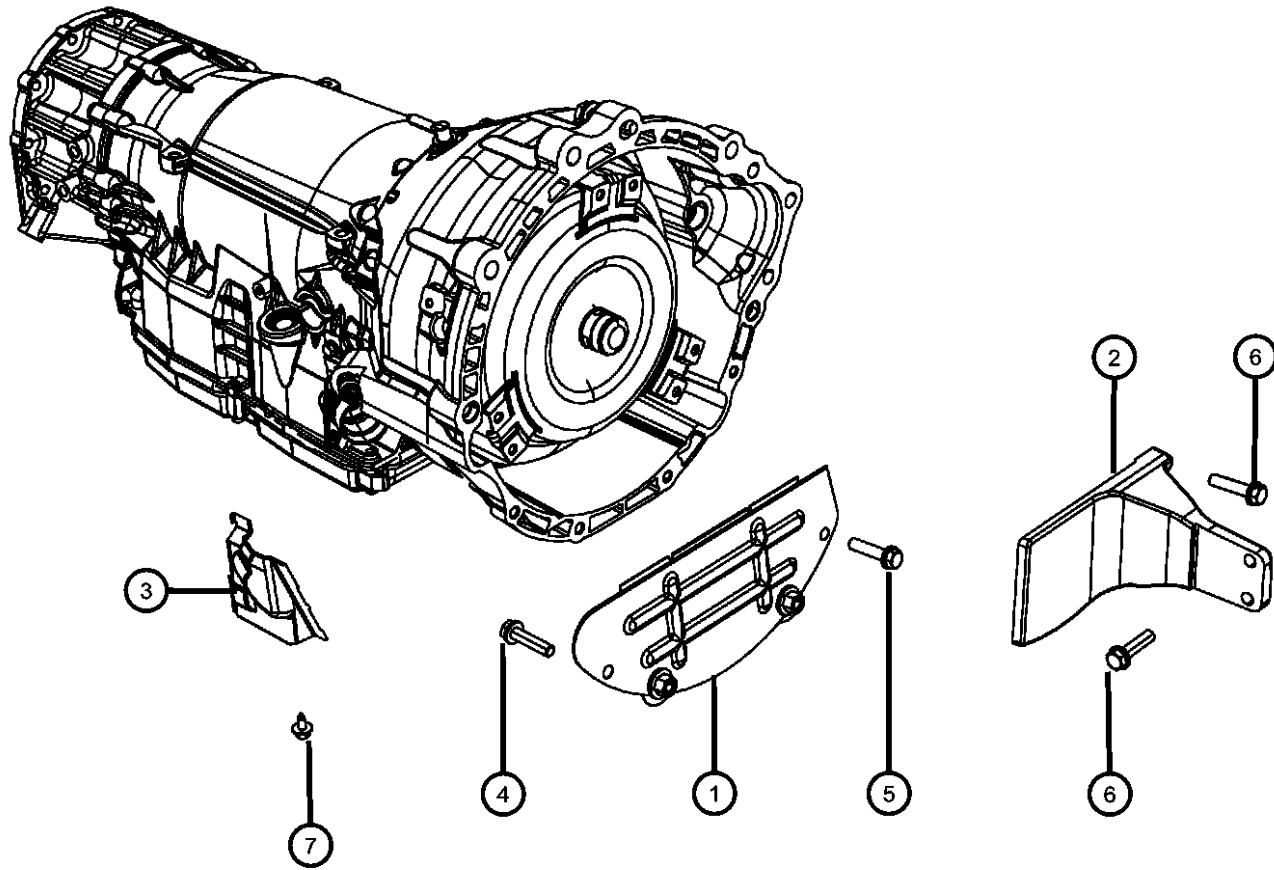
GRAND CHEROKEE (WK)

SERIES	LINE	BODY	ENGINE	TRANSMISSION
H = HIGHLINE	T = JEEP - 2WD	74 = SPORT UTILITY 4-DR	EVE = Engine - 4.7L V8 DOHC	DGJ = 5-Speed Auto W5A580
P = PREMIUM	J = JEEP - 4WD	TYPE #4	3 Valve	Transmission
S = SPORT			EZB = 5.7L Hemi Multi	DGU = 5-Spd Auto W5J400
X = SPECIAL			Displacement Engine	Transmission
			EKG = 3.7L V6 Engine	DGQ = 5-Spd Automatic 545RFE
			ESF = 6.1L SRT HEMI SMPI	Transmission
			V8 Engine	
			EXL = 3.0L V6 Turbo Diesel	
			Engine	

AR = use ase required - = Non illustrated part

Mounting Covers And Shields
Figure 021DGJ-1205

ITEM	PART NUMBER	QTY	LINE	SERIES	BODY	ENGINE	TRANS	TRIM	DESCRIPTION
1	53013867AA	1	J			EK0	DGJ		SHIELD, Transmission
2	05037892AA	1	J, T			ES0	DGJ		COVER, Engine
3	53013915AA	1	J, T				DGJ, DGU		SHIELD, Heat
4	06101985	2	J			EK0			BOLT AND WASHER, Hex Head, M10x1.50x45.00
5	06101794	2	J			EK0			BOLT AND CONED WASHER, Hex head, M10X1.50X25.00
6	06101985	2	J, T			ES0	DGJ		BOLT AND WASHER, Hex Head, M10x1.50x45.00
7	06507210AA	1	J, T				DGJ, DGU		BOLT, Hex Head, M6X1.00X11.00



GRAND CHEROKEE (WK)

SERIES LINE
H = HIGHLINE T = JEEP - 2WD
P = PREMIUM J = JEEP - 4WD
S = SPORT
X = SPECIAL

BODY
74 = SPORT UTILITY 4-DR
TYPE #4

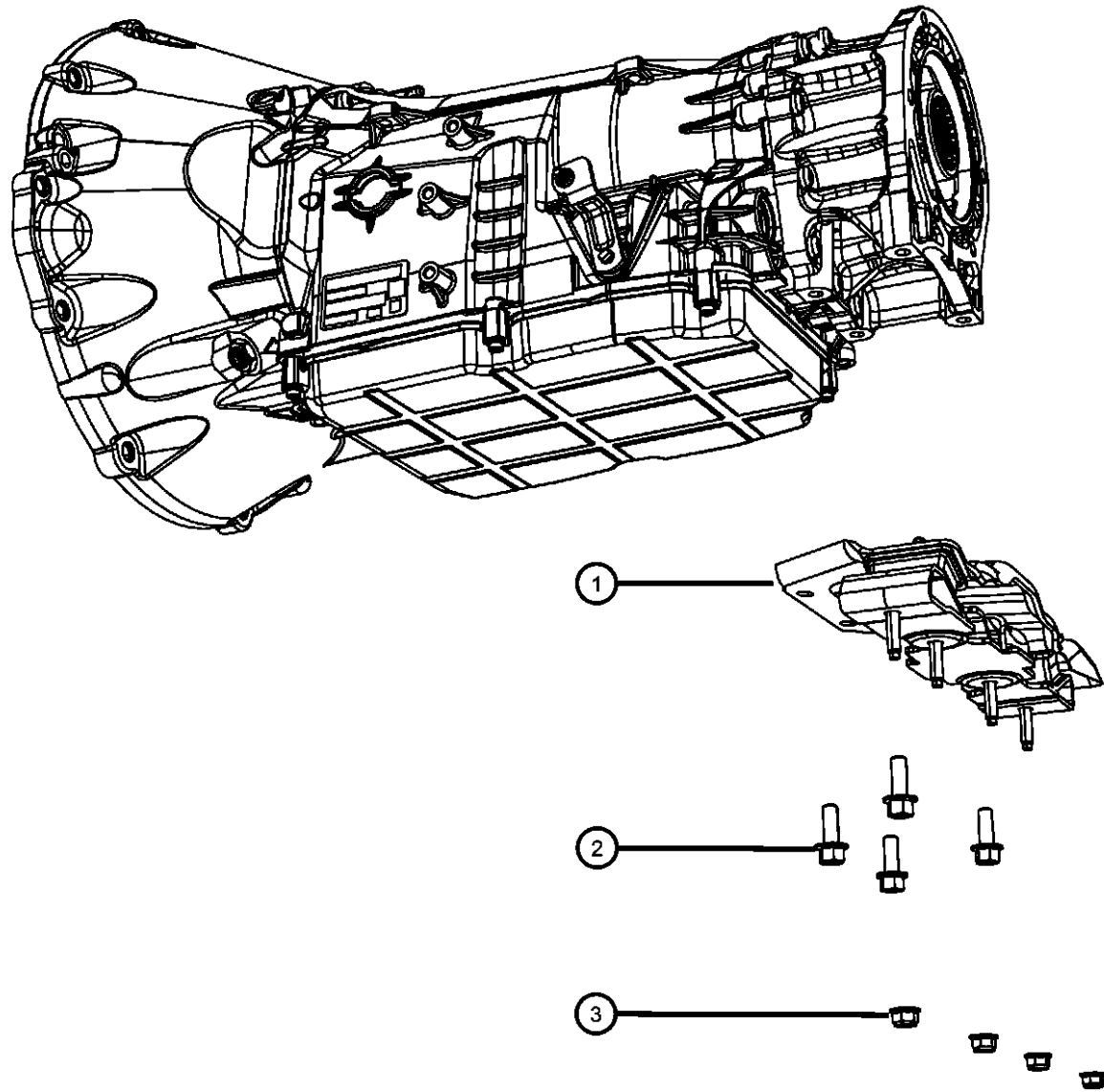
ENGINE TRANSMISSION
EVE = Engine - 4.7L V8 DOHC 3 Valve
EZB = 5.7L Hemi Multi Displacement Engine
EKG = 3.7L V6 Engine
ESF = 6.1L SRT HEMI SMPI V8 Engine
EXL = 3.0L V6 Turbo Diesel Engine
DGJ = 5-Speed Auto W5A580 Transmission
DGU = 5-Spd Auto W5J400 Transmission
DGQ = 5-Spd Automatic 545RFE Transmission

AR = use ase required - = Non illustrated part

2008 WK

**Structural Collar
Figure 021DGJ-1210**

ITEM	PART NUMBER	QTY	LINE	SERIES	BODY	ENGINE	TRANS	TRIM	DESCRIPTION
1	52089932AH	1	J			EK0	DG0		INSULATOR, Transmission support
	52124085AB	1	J, T			ES0	DG0		
2	06104215AA	4	J						BOLT, Hex Flange Head, M10x1.50x25.00 NUT, Hex Flange Lock, M8X1.25
3	06101695	4	J, T						



GRAND CHEROKEE (WK)

SERIES LINE
H = HIGHLINE T = JEEP - 2WD
P = PREMIUM J = JEEP - 4WD
S = SPORT
X = SPECIAL

BODY
74 = SPORT UTILITY 4-DR
TYPE #4

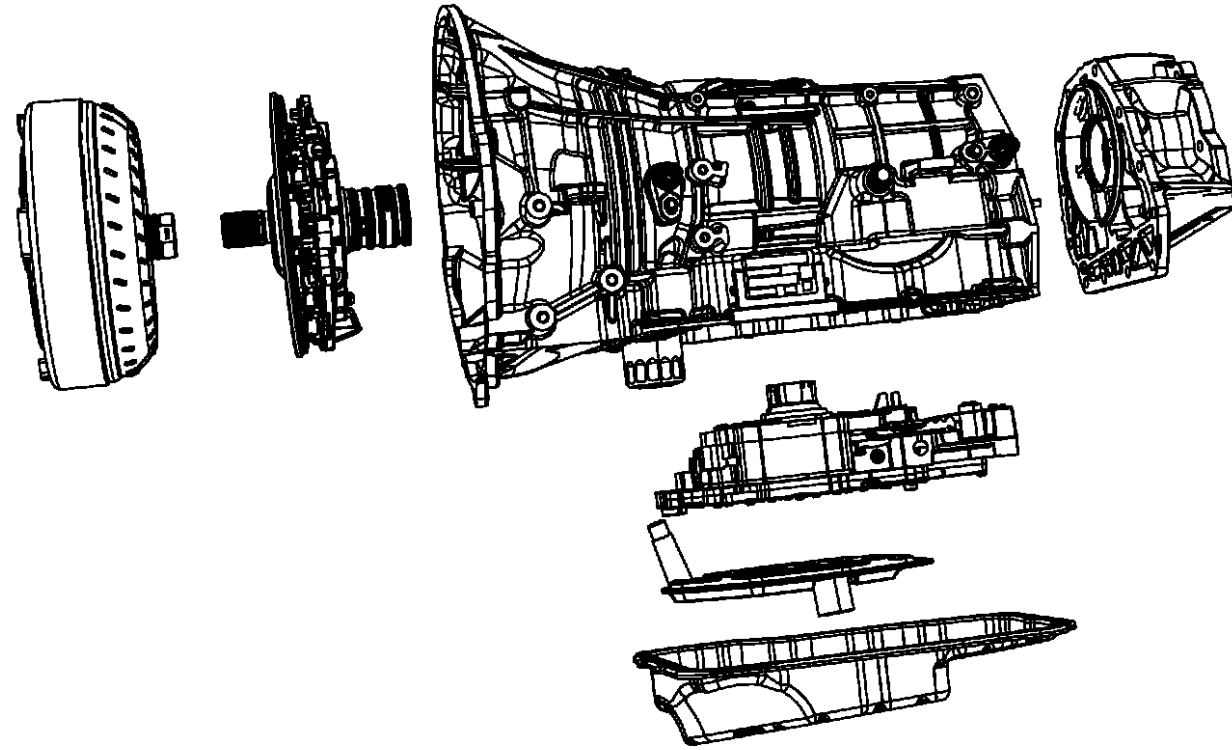
ENGINE TRANSMISSION
EVE = Engine - 4.7L V8 DOHC 3 Valve
EZB = 5.7L Hemi Multi Displacement Engine
EKG = 3.7L V6 Engine
ESF = 6.1L SRT HEMI SMPI V8 Engine
EXL = 3.0L V6 Turbo Diesel Engine
DGJ = 5-Speed Auto W5A580 Transmission
DGU = 5-Spd Auto W5J400 Transmission
DGQ = 5-Spd Automatic 545RFE Transmission

AR = use ase required - = Non illustrated part

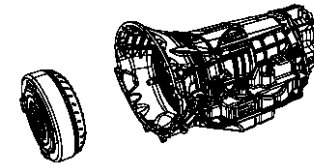
2008 WK

Group - 021DGQ

545RFE; 5-Speed; Automatic Transmission



021DGQ-100
Automatic Transmission /
Transaxle and Torque Converter



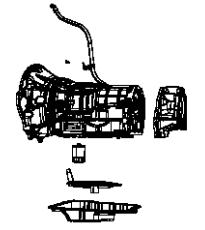
021DGQ-1100
Gearshift Controls and Related
Parts

021DGQ-300
Seal and Shim Packages

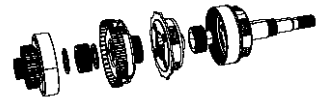
021DGQ-400
Oil Pump

021DGQ-500
Clutches

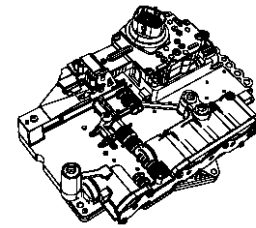
021DGQ-200
Case, Extension, Oil Pan, and
Indicator (Dipstick)



021DGQ-600
Gear Train



021DGQ-800
Valve Body, Accumulator,
Solenoid and Parking Sprag

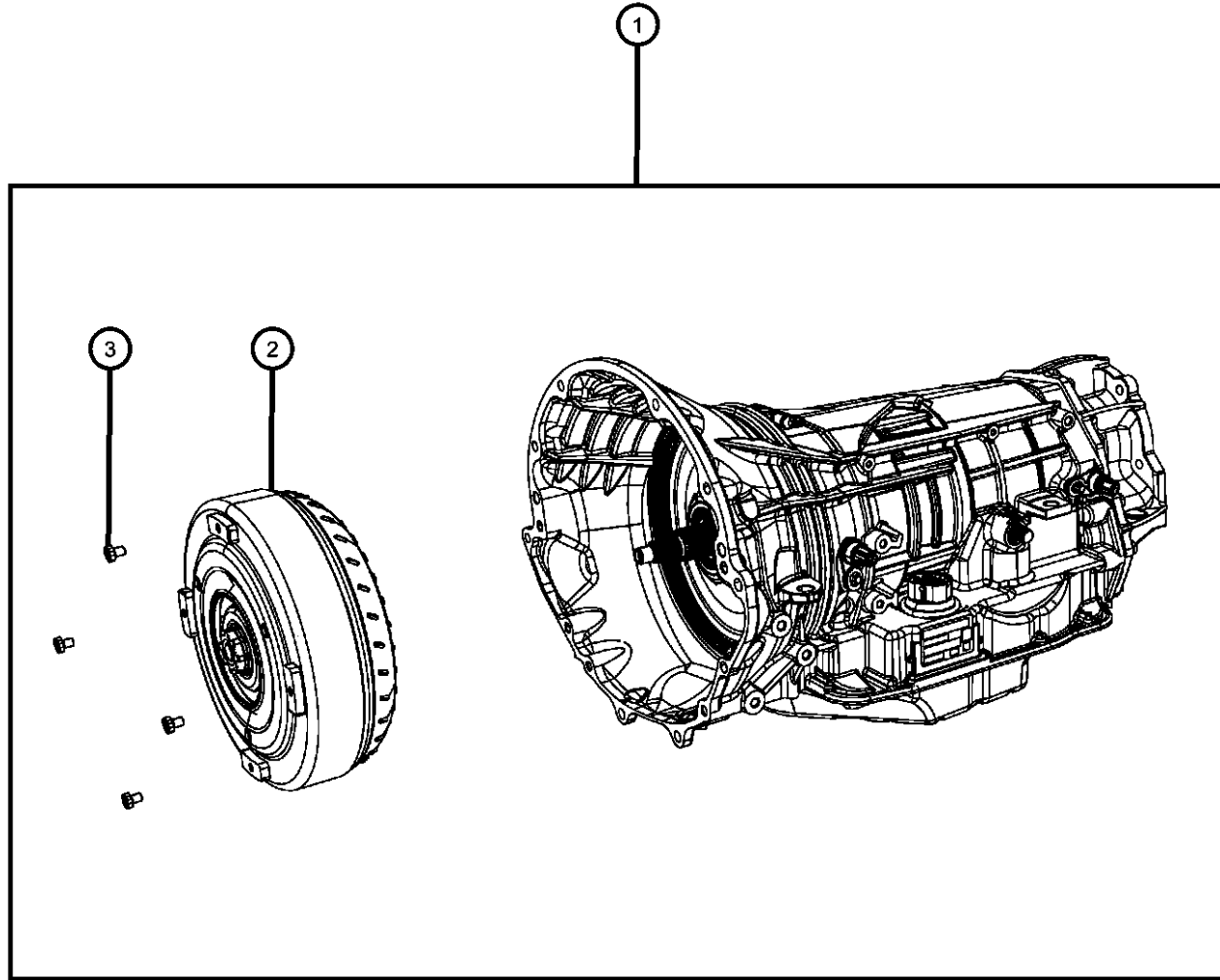


Group - 021DGQ 545RFE; 5-Speed; Automatic Transmission

Illustration Title	Group-Fig. No.
Automatic Transmission / Transaxle and Torque Converter	
Transmission / Transaxle Assembly	Fig. 021DGQ - 105
Torque Converter	Fig. 021DGQ - 110
Case, Extension, Oil Pan, and Indicator (Dipstick)	
Case	Fig. 021DGQ - 205
Adapter	Fig. 021DGQ - 221
Extension	Fig. 021DGQ - 222
Oil Fill Tube And Related Parts	Fig. 021DGQ - 225
Oil Pan, Cover And Related Parts	Fig. 021DGQ - 230
Filters	Fig. 021DGQ - 235
Sensors, Vents And Quick Connectors	Fig. 021DGQ - 240
Seal and Shim Packages	
Seal and Shim Packages	Fig. 021DGQ - 305
Oil Pump	
Oil Pump and Related Parts	Fig. 021DGQ - 415
Clutches	
Input Clutch Assembly	Fig. 021DGQ - 521
Input Clutch Assembly	Fig. 021DGQ - 522
Input Clutch Assembly	Fig. 021DGQ - 523
2C / 4C Clutch	Fig. 021DGQ - 524
Low / Reverse Clutch	Fig. 021DGQ - 525
Gear Train	
Reaction Planetary	Fig. 021DGQ - 609
Input / Reverse Planetary	Fig. 021DGQ - 610
Valve Body, Accumulator, Solenoid and Parking Sprag	
Valve Body And Related Parts	Fig. 021DGQ - 820
Parking Sprag And Related Parts	Fig. 021DGQ - 860
Gearshift Controls and Related Parts	
Gearshift Controls	Fig. 021DGQ - 1105
Gearshift Lever, Cable and Bracket	Fig. 021DGQ - 1115
Mounting and Skid Plate	
Structural Collar	Fig. 021DGQ - 1210
Mounting Bolts	Fig. 021DGQ - 1215

**Transmission / Transaxle Assembly
Figure 021DGQ-105**

ITEM	PART NUMBER	QTY	LINE	SERIES	BODY	ENGINE	TRANS	TRIM	DESCRIPTION
1									TRANSMISSION PACKAGE, With Torque Converter
	68009098AB	1	T			EV0, EZ0	DGQ		With [PK # 52119098AL]
	68009099AB	1	J			EV0, EZ0	DGQ		With [PK # 52119099AL]
2									TORQUE CONVERTER
	04736352AB	1	T			EV0, EZ0	DGQ		
	R4736352AC	1	J			EV0, EZ0	DGQ		Remanufactured
		1	T			EV0, EZ0	DGQ		Remanufactured
		1	T			EV0	DGQ		Remanufactured
		1	J			EV0	DGQ		Remanufactured
		1	T			EZ0	DGQ		Remanufactured
		1	J			EZ0	DGQ		Remanufactured
		1	J			EV0, EZ0	DGQ		
3	01949765	4	J, T			EV0, EZ0	DG0		SCREW, Hex Head Header Point, .312-24x.44



GRAND CHEROKEE (WK)

SERIES LINE
H = HIGHLINE T = JEEP - 2WD
P = PREMIUM J = JEEP - 4WD
S = SPORT
X = SPECIAL

BODY
74 = SPORT UTILITY 4-DR
TYPE #4

ENGINE
EVE = Engine - 4.7L V8 DOHC
3 Valve
EZB = 5.7L Hemi Multi
Displacement Engine
EKG = 3.7L V6 Engine
ESF = 6.1L SRT HEMI SMPI
V8 Engine
EXL = 3.0L V6 Turbo Diesel
Engine

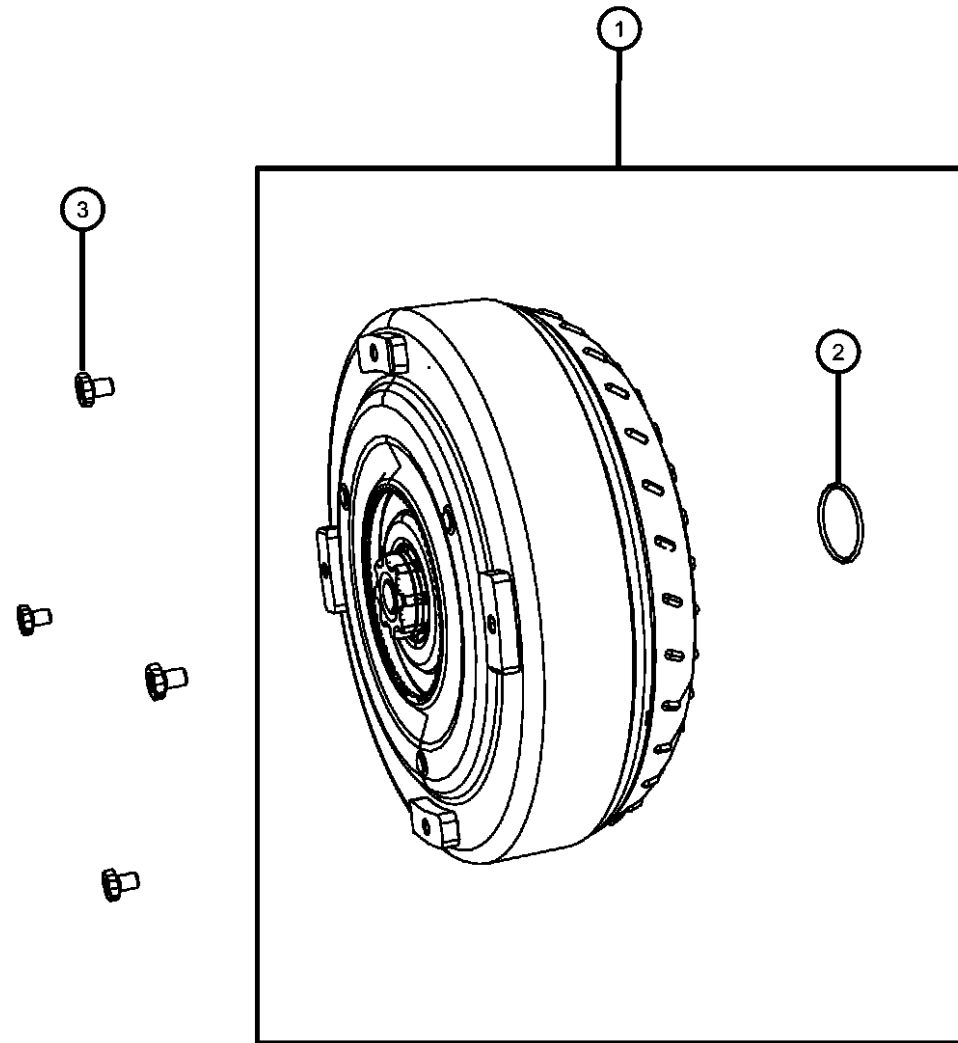
TRANSMISSION
DGJ = 5-Speed Auto W5A580
Transmission
DGU = 5-Spd Auto W5J400
Transmission
DGQ = 5-Spd Automatic 545RFE
Transmission

AR = use ase required - = Non illustrated part

2008 WK

**Torque Converter
Figure 021DGQ-110**

ITEM	PART NUMBER	QTY	LINE	SERIES	BODY	ENGINE	TRANS	TRIM	DESCRIPTION
1									TORQUE CONVERTER
	R4736352AC	1	J			EVO	DGQ		Remanufactured
		1	T			EZO	DGQ		Remanufactured
		1	J			EZO	DGQ		Remanufactured
	04736352AB	1	J			EVO, EZ0	DGQ		
		1	T			EVO, EZ0	DGQ		
		1	J			EZO, EVO	DGQ		Remanufactured
		1	T			EVO, EZ0	DGQ		Remanufactured
		1	T			EVO	DGQ		Remanufactured
2									O RING, Torque Converter Hub
	04736547	1	J			EVO, EZ0	DGQ		
		1	T			EVO, EZ0	DGQ		
3	01949765	4	J, T			EVO, EZ0	DG0		SCREW, Hex Head Header Point, .312-24x.44



GRAND CHEROKEE (WK)

SERIES LINE
H = HIGHLINE T = JEEP - 2WD
P = PREMIUM J = JEEP - 4WD
S = SPORT
X = SPECIAL

BODY
74 = SPORT UTILITY 4-DR
TYPE #4

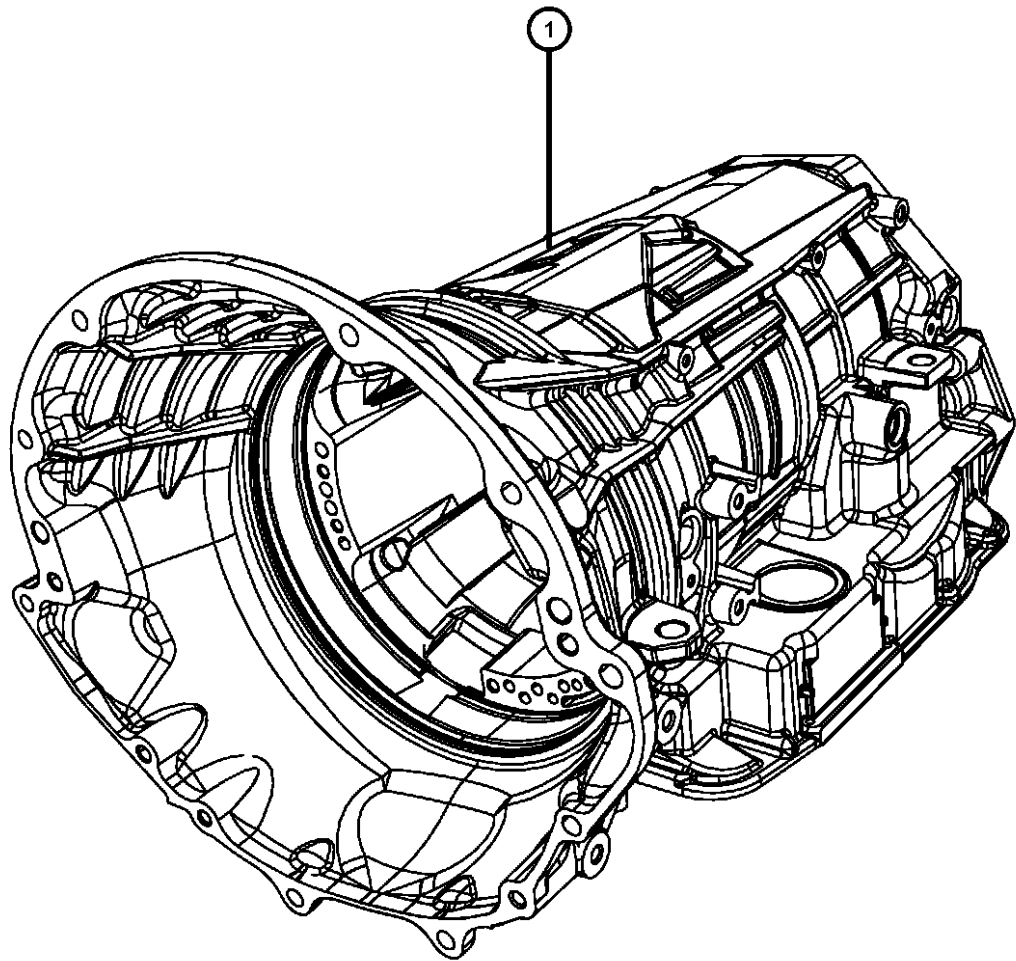
ENGINE TRANSMISSION
EVE = Engine - 4.7L V8 DOHC 3 Valve
EVB = Engine - 4.7L V8 DOHC 3 Valve
EZA = 5.7L Hemi Multi Displacement Engine
EKB = 3.7L V6 Engine
ESF = 6.1L SRT HEMI SMPI V8 Engine
EXL = 3.0L V6 Turbo Diesel Engine
DGJ = 5-Speed Auto W5A580 Transmission
DGU = 5-Spd Auto W5J400 Transmission
DGQ = 5-Spd Automatic 545RFE Transmission

AR = use ase required - = Non illustrated part

2008 WK

Case
Figure 021DGQ-205

ITEM	PART NUMBER	QTY	LINE	SERIES	BODY	ENGINE	TRANS	TRIM	DESCRIPTION
1	05189883AB	1	J			EV0, EZ0	DGQ		CASE PACKAGE, Transmission
		1	T			EV0, EZ0	DGQ		
-2	06030035	7	J			EV0, EZ0	DGQ		PLUG, Pressure Check
		7	T			EV0, EZ0	DGQ		



GRAND CHEROKEE (WK)

SERIES LINE
H = HIGHLINE T = JEEP - 2WD
P = PREMIUM J = JEEP - 4WD
S = SPORT
X = SPECIAL

BODY
74 = SPORT UTILITY 4-DR
TYPE #4

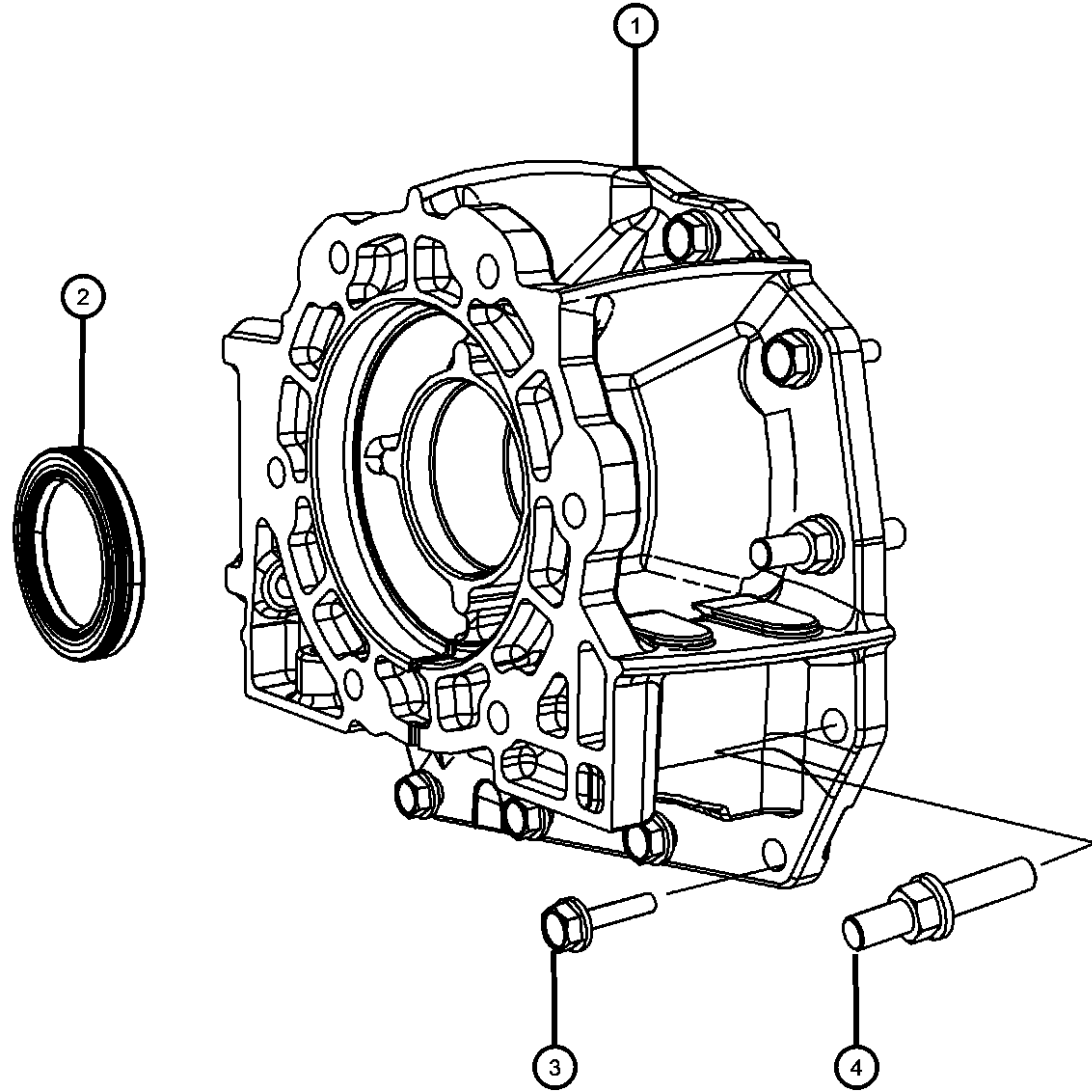
ENGINE TRANSMISSION
EVE = Engine - 4.7L V8 DOHC 3 Valve
EVB = Engine - 4.7L V8 DOHC 3 Valve
EZB = 5.7L Hemi Multi Displacement Engine
EKG = 3.7L V6 Engine
ESF = 6.1L SRT HEMI SMPI V8 Engine
EXL = 3.0L V6 Turbo Diesel Engine
DGJ = 5-Speed Auto W5A580 Transmission
DGU = 5-Spd Auto W5J400 Transmission
DGQ = 5-Spd Automatic 545RFE Transmission

AR = use ase required - = Non illustrated part

2008 WK

**Adapter
Figure 021DGQ-221**

ITEM	PART NUMBER	QTY	LINE	SERIES	BODY	ENGINE	TRANS	TRIM	DESCRIPTION
1	52119463AB	1	J			EV0, EZ0	DGQ		ADAPTER, Transfer Case
2	52119498AA	1	J			EV0, EZ0	DGQ		SEAL, Adapter
3	06504774	10	J			EV0, EZ0	DGQ		SCREW AND WASHER, Hex Head, M10x1.5x37
4	06505064AA	2	J			EV0, EZ0	DGQ		STUD, M10x1.5x62



GRAND CHEROKEE (WK)

SERIES LINE
H = HIGHLINE T = JEEP - 2WD
P = PREMIUM J = JEEP - 4WD
S = SPORT
X = SPECIAL

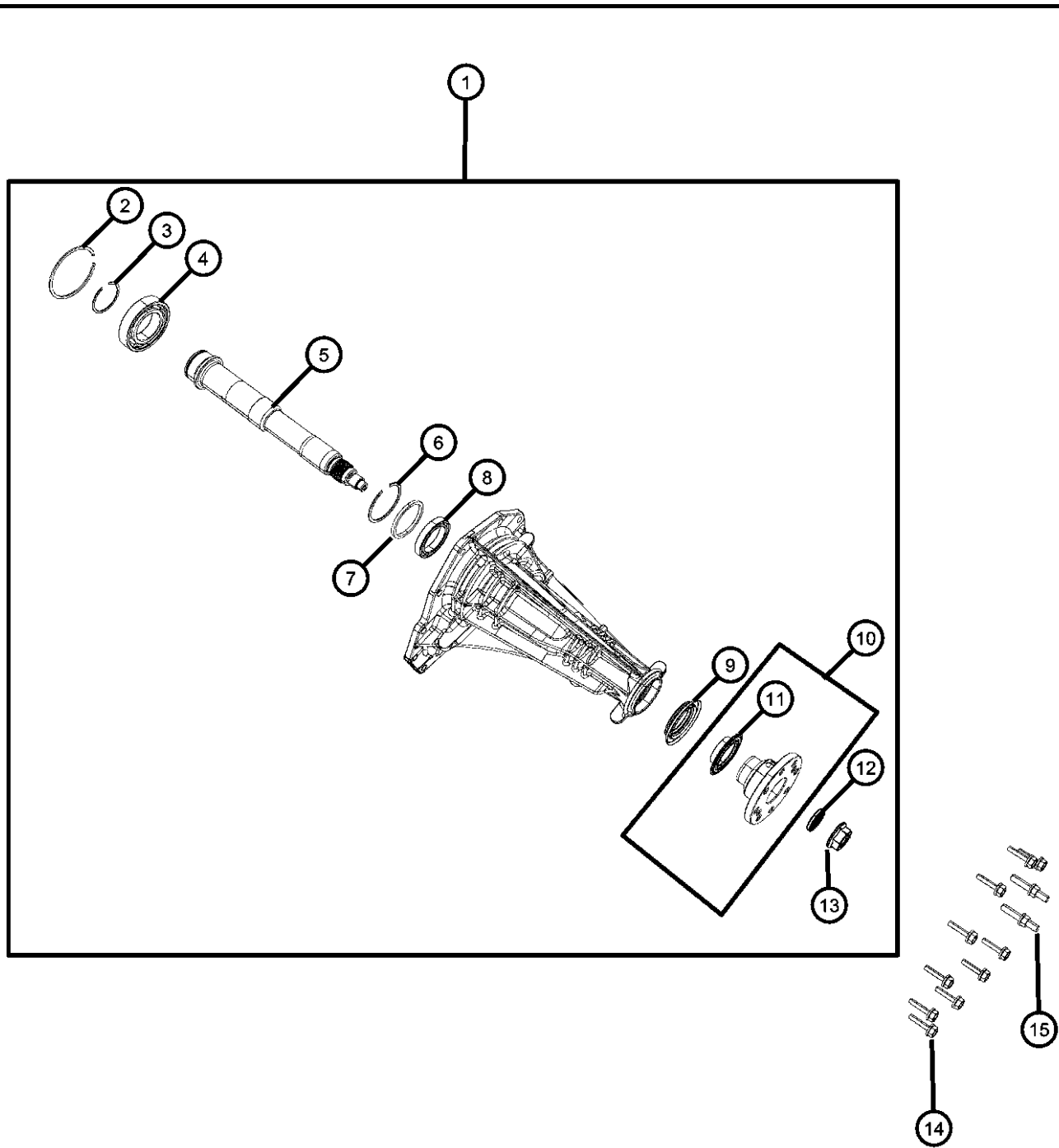
BODY
74 = SPORT UTILITY 4-DR
TYPE #4

ENGINE TRANSMISSION
EVE = Engine - 4.7L V8 DOHC 3 Valve
EZB = 5.7L Hemi Multi Displacement Engine
EKG = 3.7L V6 Engine
ESF = 6.1L SRT HEMI SMPI V8 Engine
EXL = 3.0L V6 Turbo Diesel Engine
DGJ = 5-Speed Auto W5A580 Transmission
DGU = 5-Spd Auto W5J400 Transmission
DGQ = 5-Spd Automatic 545RFE Transmission

AR = use ase required - = Non illustrated part

2008 WK

Extension
Figure 021DGQ-222



ITEM	PART NUMBER	QTY	LINE	SERIES	BODY	ENGINE	TRANS	TRIM	DESCRIPTION
1	52119499AA	1	T			EV0, EZ0	DGQ		HOUSING, Transmission Rear Extension
2	05086304AA	1	T			EV0, EZ0	DGQ		SNAP RING
3	05086314AA	1	T			EV0, EZ0	DGQ		SNAP RING
4	05086303AA	1	T			EV0, EZ0	DGQ		BEARING, Input Gear
5		1							SHAFT, (NOT SERVICED)
6	04461069	1	T			EV0, EZ0	DGQ		SNAP RING
7		1							SPACER, (NOT SERVICED)
8		1							BEARING, (NOT SERVICED)
9	68024699AA	1	T			EV0, EZ0	DGQ		SEAL, Output Shaft
10	05143735AB	1	T			EV0, EZ0	DGQ		FLANGE, Driveshaft Yoke
11	68001384AA	1	T			EV0, EZ0	DGQ		SLEEVE, Wear
12	05143743AA	1	T			EV0, EZ0	DGQ		SEAL
13	05143738AB	1	T			EV0, EZ0	DGQ		NUT, Transfer Case Yoke
14	06504774	10	T			EV0, EZ0	DGQ		SCREW AND WASHER, Hex Head, M10x1.5x37
15	06505064AA	2	T			EV0, EZ0	DGQ		STUD, M10x1.5x62

GRAND CHEROKEE (WK)

SERIES LINE
H = HIGHLINE T = JEEP - 2WD
P = PREMIUM J = JEEP - 4WD
S = SPORT
X = SPECIAL

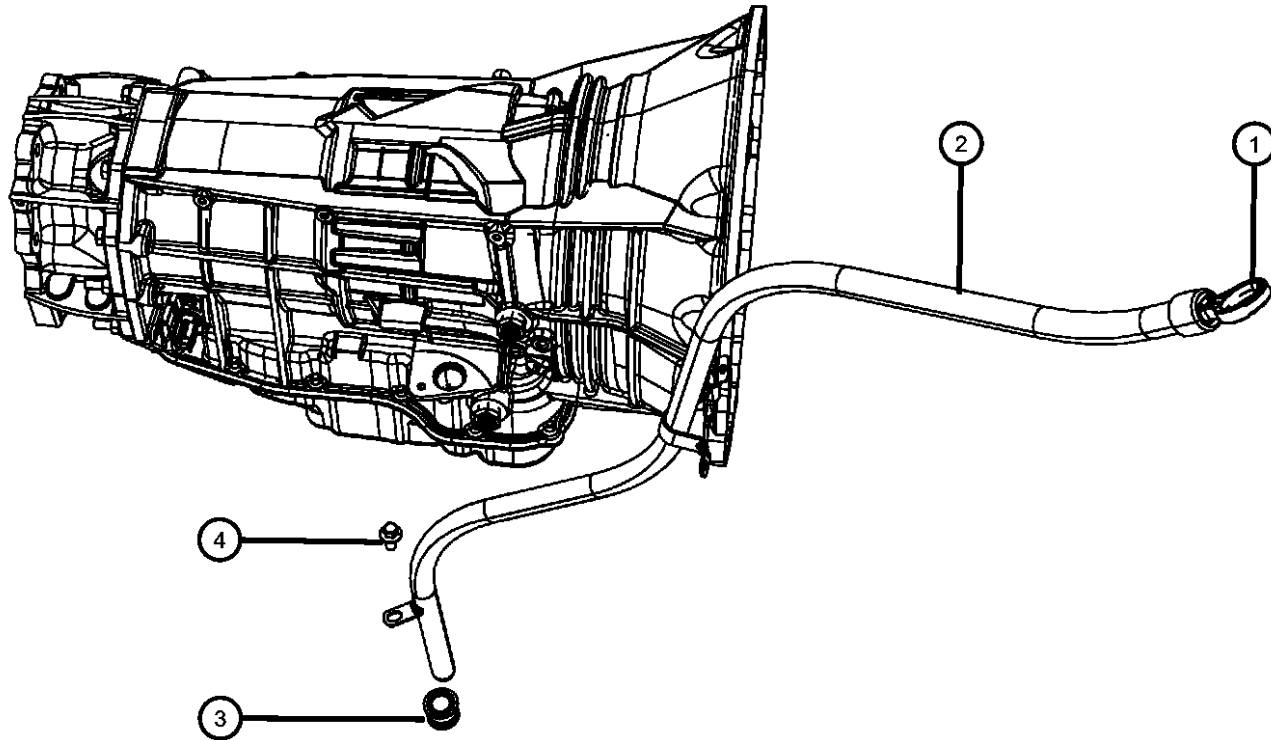
BODY
74 = SPORT UTILITY 4-DR
TYPE #4

ENGINE TRANSMISSION
EVE = Engine - 4.7L V8 DOHC 3 Valve
EVB = 5.7L Hemi Multi Displacement Engine
EKG = 3.7L V6 Engine
ESF = 6.1L SRT HEMI SMPI V8 Engine
EXL = 3.0L V6 Turbo Diesel Engine
DGJ = 5-Speed Auto W5A580 Transmission
DGU = 5-Spd Auto W5J400 Transmission
DGQ = 5-Spd Automatic 545RFE Transmission

AR = use ase required - = Non illustrated part

**Oil Fill Tube And Related Parts
Figure 021DGQ-225**

ITEM	PART NUMBER	QTY	LINE	SERIES	BODY	ENGINE	TRANS	TRIM	DESCRIPTION
1									INDICATOR, Transmission Fluid Level
	53013686AD	1	J, T			EZ0	DGQ		
	53013991AB	1	J, T			EV0	DGQ		
2									TUBE, Transmission Oil Filler
	53013685AD	1	J, T			EZ0	DGQ		
	53013990AA	1	J, T			EV0	DGQ		
3									GROMMET
	04810021AB	1	J			EV0, EZ0	DGQ		
		1	T			EV0, EZ0	DGQ		
4	06501979	1	J, T						BOLT, Hex Flange Head, M6X1.00X17.00



GRAND CHEROKEE (WK)

SERIES LINE
H = HIGHLINE T = JEEP - 2WD
P = PREMIUM J = JEEP - 4WD
S = SPORT
X = SPECIAL

BODY
74 = SPORT UTILITY 4-DR
TYPE #4

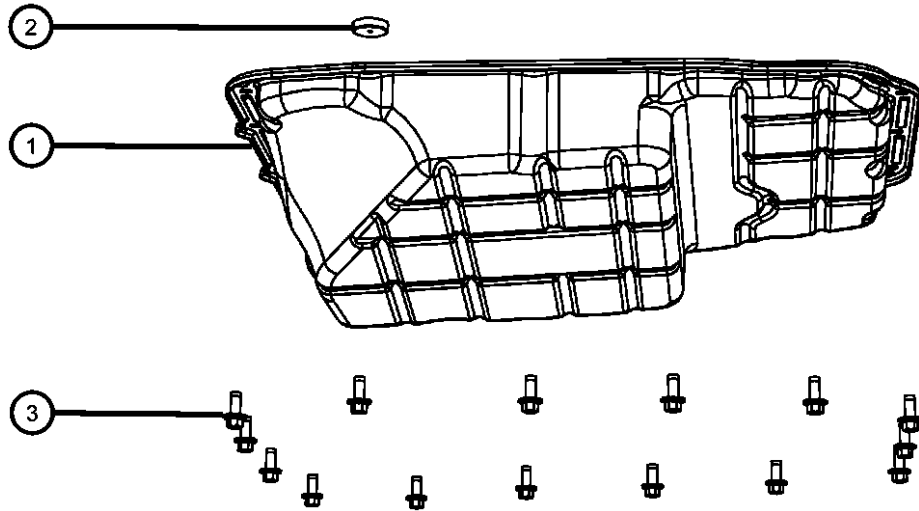
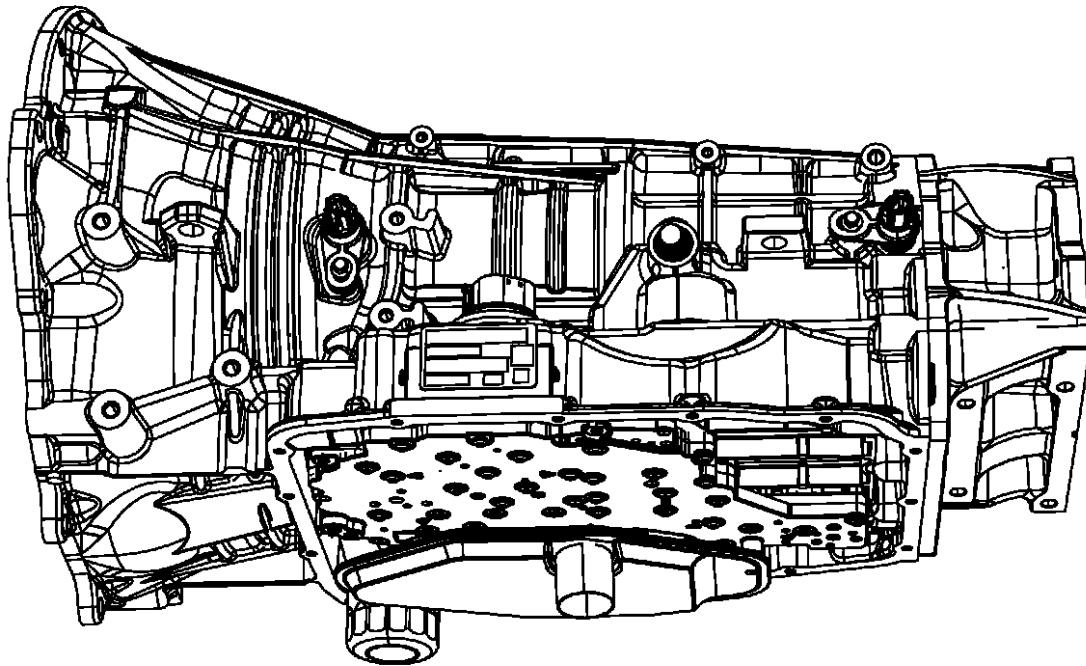
ENGINE TRANSMISSION
EVE = Engine - 4.7L V8 DOHC 3 Valve
EVB = Engine - 4.7L V8 DOHC 3 Valve
EZB = 5.7L Hemi Multi Displacement Engine
EKG = 3.7L V6 Engine
ESF = 6.1L SRT HEMI SMPI V8 Engine
EXL = 3.0L V6 Turbo Diesel Engine
DGJ = 5-Speed Auto W5A580 Transmission
DGU = 5-Spd Auto W5J400 Transmission
DGQ = 5-Spd Automatic 545RFE Transmission

AR = use ase required - = Non illustrated part

2008 WK

**Oil Pan, Cover And Related Parts
Figure 021DGQ-230**

ITEM	PART NUMBER	QTY	LINE	SERIES	BODY	ENGINE	TRANS	TRIM	DESCRIPTION
1	04800078AA	1	T			EV0, EZ0	DGQ		PAN, Transmission Oil
	05013681AA	1	J			EV0, EZ0	DGQ		
2	04446728	1	J			EV0, EZ0	DGQ		MAGNET, Transmission
		1	T			EV0, EZ0	DGQ		
3	06101419	15	J			EV0, EZ0	DGQ		BOLT, Hex Head, M6x1.00x14
		15	T			EV0, EZ0	DGQ		



GRAND CHEROKEE (WK)

SERIES LINE
H = HIGHLINE T = JEEP - 2WD
P = PREMIUM J = JEEP - 4WD
S = SPORT
X = SPECIAL

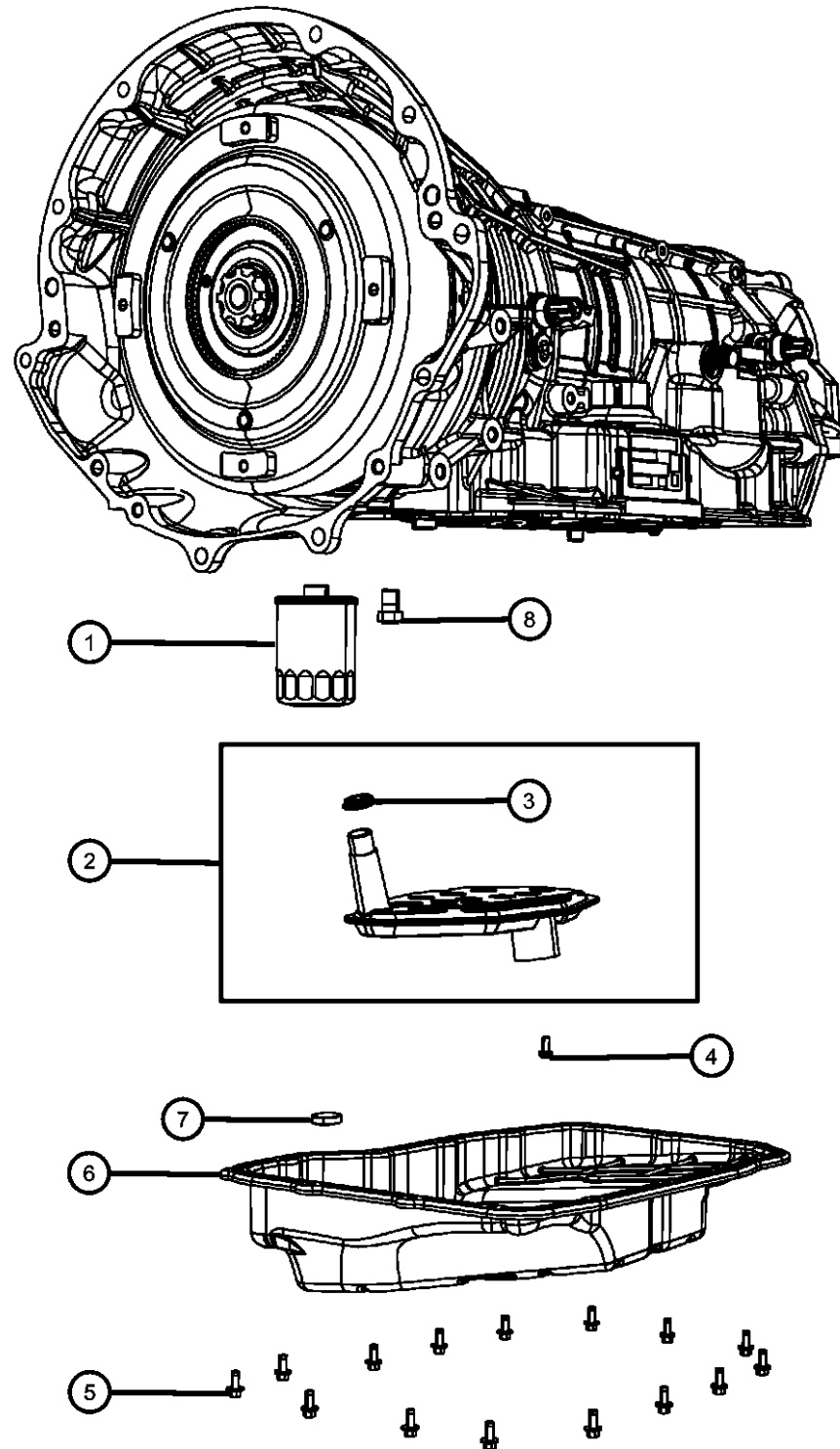
BODY
74 = SPORT UTILITY 4-DR
TYPE #4

ENGINE TRANSMISSION
EVE = Engine - 4.7L V8 DOHC 3 Valve
EZB = 5.7L Hemi Multi Displacement Engine
EKG = 3.7L V6 Engine
ESF = 6.1L SRT HEMI SMPI V8 Engine
EXL = 3.0L V6 Turbo Diesel Engine
DGJ = 5-Speed Auto W5A580 Transmission
DGU = 5-Spd Auto W5J400 Transmission
DGQ = 5-Spd Automatic 545RFE Transmission

AR = use ase required - = Non illustrated part

2008 WK

Filters
Figure 021DGQ-235



ITEM	PART NUMBER	QTY	LINE	SERIES	BODY	ENGINE	TRANS	TRIM	DESCRIPTION
1									FILTER PACKAGE, Transmission Oil
	05179267AC	1	T			EV0, EZ0	DGQ		
		1	J			EV0, EZ0	DGQ		
2									SUMP FILTER PACKAGE, Transmission oil
	05013470AC	1	J			EV0, EZ0	DGQ		
	05015267AC	1	T			EV0, EZ0	DGQ		
3									SEAL, Sump Filter
	04799964AD	1	J			EV0, EZ0	DGQ		
		1	T			EV0, EZ0	DGQ		
4									SCREW, Pan Head, M5 x 0.8 x 12.60
	06503232	1	J			EV0, EZ0	DGQ		
		1	T			EV0, EZ0	DGQ		
5									BOLT, Hex Head, M6x1.00x14
	06101419	15	J			EV0, EZ0	DGQ		
		15	T			EV0, EZ0	DGQ		
6									PAN, Transmission Oil
	04800078AA	1	T			EV0, EZ0	DGQ		
	05013681AA	1	J			EV0, EZ0	DGQ		
7									MAGNET, Transmission
	04446728	1	J			EV0, EZ0	DGQ		
		1	T			EV0, EZ0	DGQ		
8									VALVE, Flow Control
	04799681	1	J			EV0, EZ0	DGQ		
		1	T			EV0, EZ0	DGQ		

GRAND CHEROKEE (WK)

SERIES LINE
H = HIGHLINE T = JEEP - 2WD
P = PREMIUM J = JEEP - 4WD
S = SPORT
X = SPECIAL

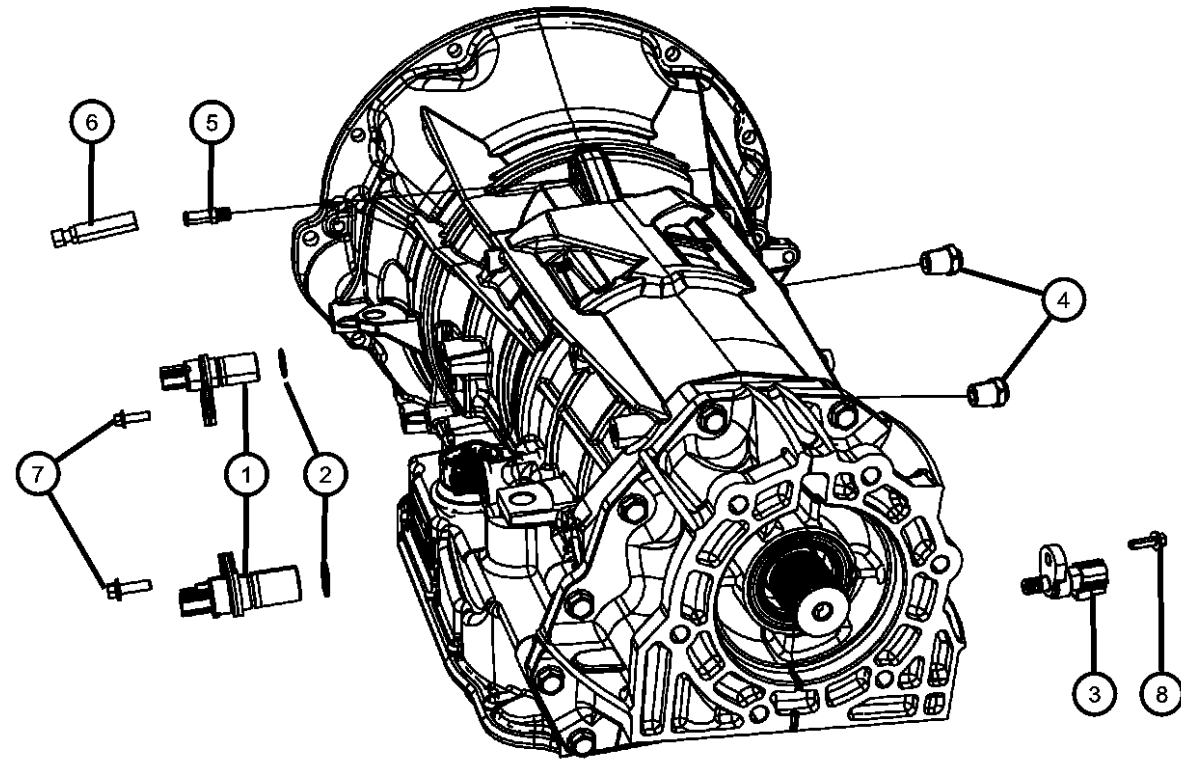
BODY
74 = SPORT UTILITY 4-DR
TYPE #4

ENGINE
EVE = Engine - 4.7L V8 DOHC
3 Valve
EZB = 5.7L Hemi Multi
Displacement Engine
EKG = 3.7L V6 Engine
ESF = 6.1L SRT HEMI SMPI
V8 Engine
EXL = 3.0L V6 Turbo Diesel
Engine

TRANSMISSION
DGJ = 5-Speed Auto W5A580
Transmission
DGU = 5-Spd Auto W5J400
Transmission
DGQ = 5-Spd Automatic 545RFE
Transmission

AR = use ase required - = Non illustrated part

Sensors, Vents And Quick Connectors
Figure 021DGQ-240



ITEM	PART NUMBER	QTY	LINE	SERIES	BODY	ENGINE	TRANS	TRIM	DESCRIPTION
1									SENSOR, Transmission Input Speed
	04799061AB	2	J			EV0, EZ0	DGQ		
		2	T			EV0, EZ0	DGQ		
2									O RING
	04799062	2	J			EV0, EZ0	DGQ		
		2	T			EV0, EZ0	DGQ		
3									TRANSDUCER, Pressure Sensor
	04799758	1	J			EV0, EZ0	DGQ		
		1	T			EV0, EZ0	DGQ		
4									FITTING, Quick Connect
	52119547AA	2	J			EV0, EZ0	DGQ		
		2	T			EV0, EZ0	DGQ		
5									VENT, Transmission
	04799861AB	1	J			EV0, EZ0	DGQ		
		1	T			EV0, EZ0	DGQ		
6	53032457AA	1	J, T				DGQ		TUBE, Vent
7									BOLT, M6x1.00x20
	06101331	2	J			EV0, EZ0	DGQ		
		2	T			EV0, EZ0	DGQ		
8									BOLT, M6x1.00x20
	06101331	1	J			EV0, EZ0	DGQ		
		1	T			EV0, EZ0	DGQ		

GRAND CHEROKEE (WK)

SERIES LINE
H = HIGHLINE T = JEEP - 2WD
P = PREMIUM J = JEEP - 4WD
S = SPORT
X = SPECIAL

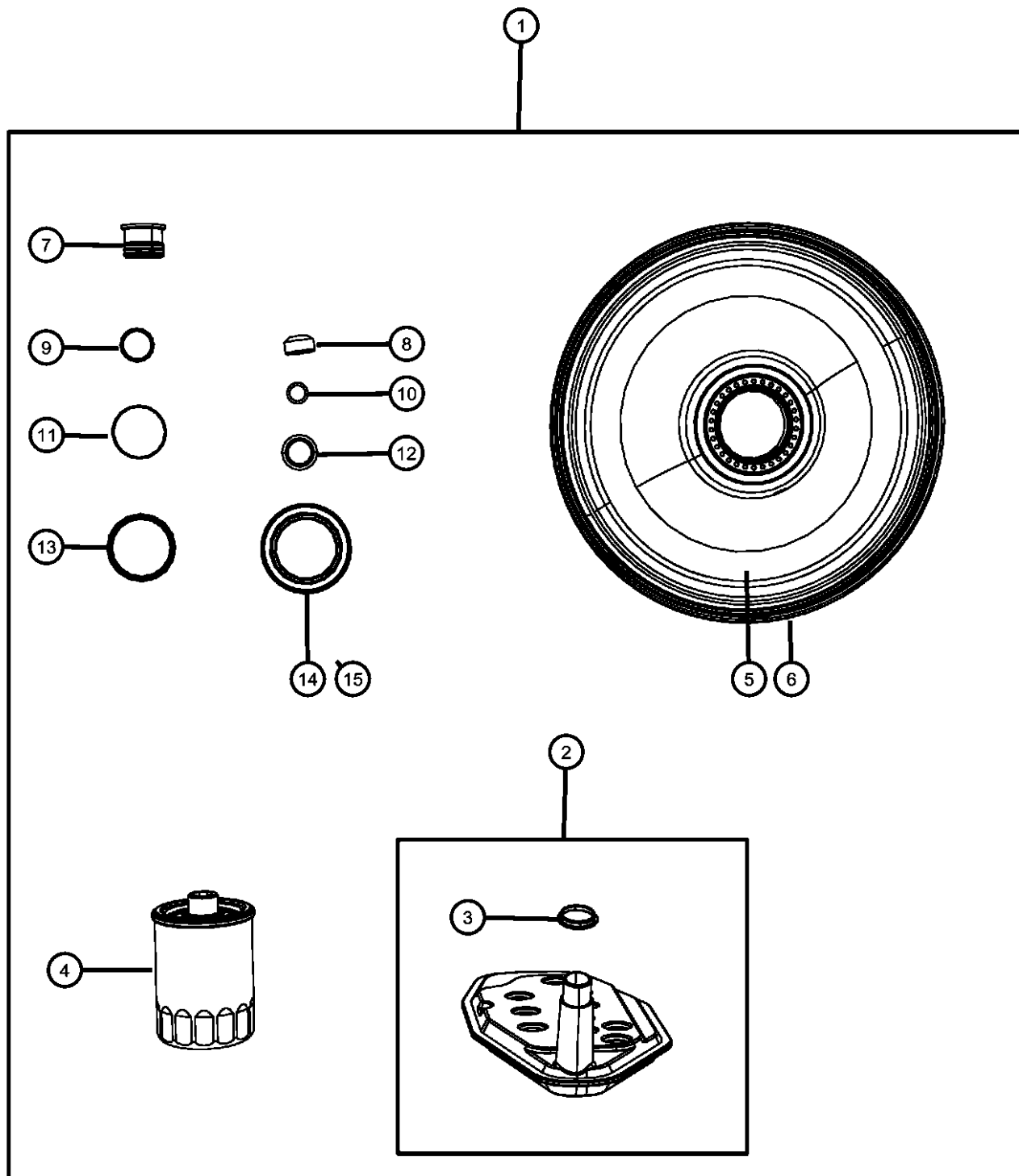
BODY
74 = SPORT UTILITY 4-DR
TYPE #4

ENGINE TRANSMISSION
EVE = Engine - 4.7L V8 DOHC
3 Valve DGJ = 5-Speed Auto W5A580
Transmission
EZB = 5.7L Hemi Multi
Displacement Engine DGU = 5-Spd Auto W5J400
Transmission
EKG = 3.7L V6 Engine DGQ = 5-Spd Automatic 545RFE
ESF = 6.1L SRT HEMI SMPI Transmission
V8 Engine
EXL = 3.0L V6 Turbo Diesel
Engine

AR = use ase required - = Non illustrated part

2008 WK

Seal and Shim Packages
Figure 021DGQ-305



ITEM	PART NUMBER	QTY	LINE	SERIES	BODY	ENGINE	TRANS	TRIM	DESCRIPTION
1	68010021AB	1	T			EV0, EZ0	DGQ		SEAL PACKAGE, Transmission
	68010041AB	1	J			EV0, EZ0	DGQ		
2	05013470AC	1	J			EV0, EZ0	DGQ		SUMP FILTER PACKAGE, Transmission oil
	05015267AC	1	T			EV0, EZ0	DGQ		
3	04799964AD	1	J			EV0, EZ0	DGQ		SEAL, Sump Filter
		1	T			EV0, EZ0	DGQ		
4	05179267AC	1	T			EV0, EZ0	DGQ		FILTER PACKAGE, Transmission Oil
		1	J			EV0, EZ0	DGQ		
5	68009859AB	1	T			EV0, EZ0	DGQ		COVER, Oil Pump
		1	J			EV0, EZ0	DGQ		
6	04799003AB	1	J			EZ0, EV0	DGQ		O RING, Pump Cover
		1	T			EV0, EZ0	DGQ		
7	04810021AB	1	J			EV0, EZ0	DGQ		GROMMET
		1	T			EV0, EZ0	DGQ		
8	04799778	3	J			EV0, EZ0	DGQ		SEAL, Clutch Feed
		3	T			EV0, EZ0	DGQ		
9	04799062	2	J			EV0, EZ0	DGQ		O RING
		2	T			EV0, EZ0	DGQ		
10	06505335AA	1	J			EV0, EZ0	DGQ		O RING, Control Valve
		1	T			EV0, EZ0	DGQ		
11									SEAL, Accumulator

GRAND CHEROKEE (WK)

SERIES LINE
H = HIGHLINE T = JEEP - 2WD
P = PREMIUM J = JEEP - 4WD
S = SPORT
X = SPECIAL

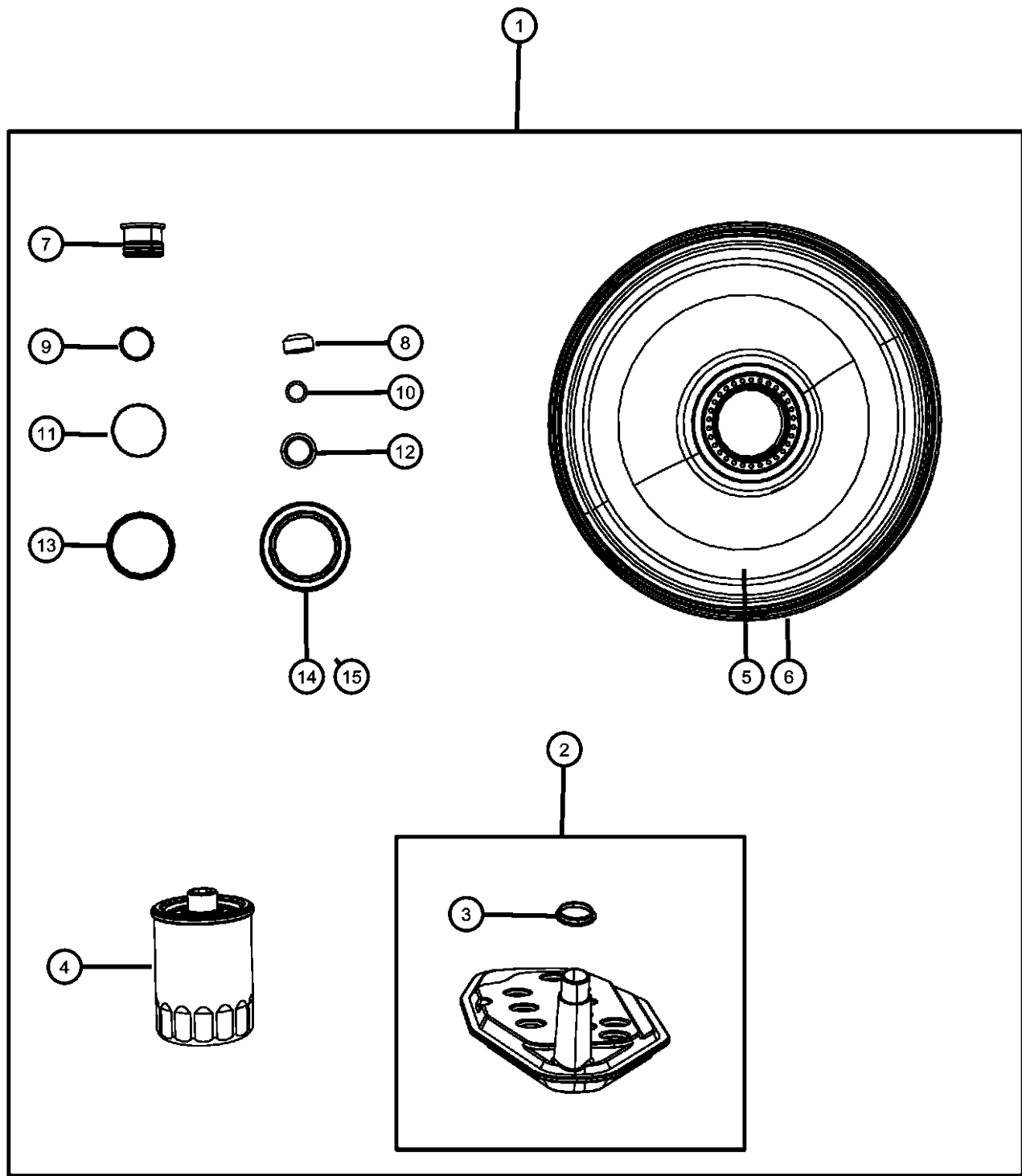
BODY
74 = SPORT UTILITY 4-DR
TYPE #4

ENGINE TRANSMISSION
EVE = Engine - 4.7L V8 DOHC 3 Valve
EZB = 5.7L Hemi Multi Displacement Engine
EKG = 3.7L V6 Engine
ESF = 6.1L SRT HEMI SMPI V8 Engine
EXL = 3.0L V6 Turbo Diesel Engine
DGJ = 5-Speed Auto W5A580 Transmission
DGU = 5-Spd Auto W5J400 Transmission
DGQ = 5-Spd Automatic 545RFE Transmission

AR = use ase required - = Non illustrated part

2008 WK

Seal and Shim Packages
Figure 021DGQ-305



ITEM	PART NUMBER	QTY	LINE	SERIES	BODY	ENGINE	TRANS	TRIM	DESCRIPTION
	04446544	10	J			EV0, EZ0	DGQ		
		10	T			EV0, EZ0	DGQ		
12									SEAL
	04799346	1	J			EV0, EZ0	DGQ		
		1	T			EV0, EZ0	DGQ		
13									O RING, Torque Converter Hub
	04736547	1	J			EV0, EZ0	DGQ		
		1	T			EV0, EZ0	DGQ		
14	68024699AA	1	T			EV0, EZ0	DGQ		SEAL, Output Shaft
15	52119498AA	1	J			EV0, EZ0	DGQ		SEAL, Adapter

GRAND CHEROKEE (WK)

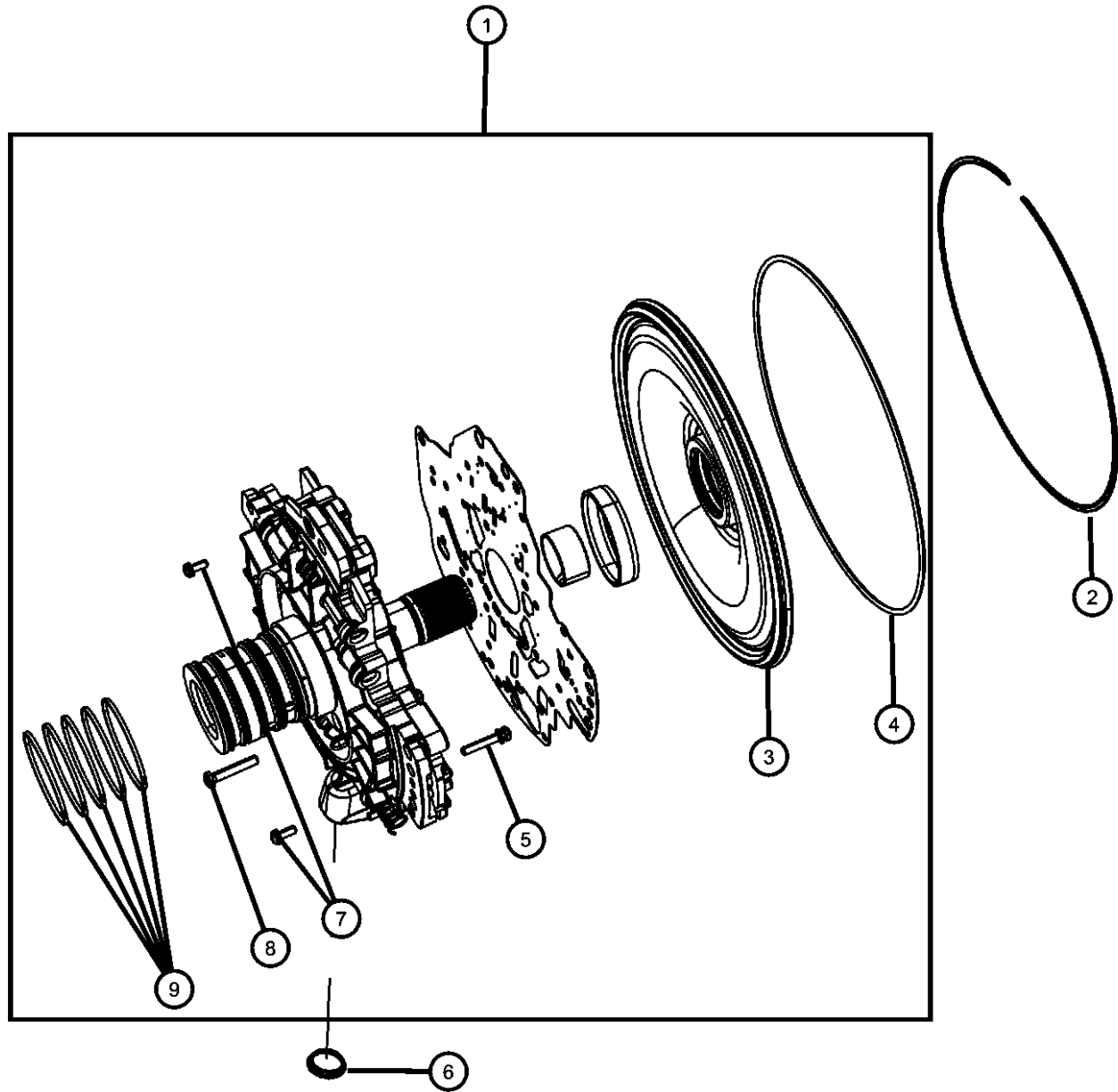
SERIES LINE
H = HIGHLINE T = JEEP - 2WD
P = PREMIUM J = JEEP - 4WD
S = SPORT
X = SPECIAL

BODY
74 = SPORT UTILITY 4-DR
TYPE #4

ENGINE TRANSMISSION
EVE = Engine - 4.7L V8 DOHC 3 Valve
EVB = Engine - 4.7L V8 DOHC 3 Valve
EZB = 5.7L Hemi Multi Displacement Engine
EKG = 3.7L V6 Engine
ESF = 6.1L SRT HEMI SMPI V8 Engine
EXL = 3.0L V6 Turbo Diesel Engine
DGJ = 5-Speed Auto W5A580 Transmission
DGU = 5-Spd Auto W5J400 Transmission
DGQ = 5-Spd Automatic 545RFE Transmission

AR = use ase required - = Non illustrated part

**Oil Pump and Related Parts
Figure 021DGQ-415**



ITEM	PART NUMBER	QTY	LINE	SERIES	BODY	ENGINE	TRANS	TRIM	DESCRIPTION
1	68009879AB	1	T			EV0, EZ0	DGQ		PUMP PACKAGE, Transmission
		1	J			EV0, EZ0	DGQ		
2	04799005	1	J			EV0, EZ0	DGQ		SNAP RING, Pump Cover
		1	T			EV0, EZ0	DGQ		
3	68009859AB	1	T			EV0, EZ0	DGQ		COVER, Oil Pump
		1	J			EV0, EZ0	DGQ		
4	04799003AB	1	J			EV0, EZ0	DGQ		O RING, Pump Cover
		1	T			EV0, EZ0	DGQ		
5	06504780AA	24	J			EV0, EZ0	DGQ		SCREW
		24	T			EV0, EZ0	DGQ		
6	04799964AD	1	J			EV0, EZ0	DGQ		SEAL, Sump Filter
		1	T			EV0, EZ0	DGQ		
7	06503232	2	J			EV0, EZ0	DGQ		SCREW, Pan Head, M5 x 0.8 x 12.60
		2	T			EV0, EZ0	DGQ		
8	06504661	5	J			EV0, EZ0	DGQ		SCREW, Button Head
		5	T			EV0, EZ0	DGQ		
9	04799056	5	J			EV0, EZ0	DGQ		RING, Transmission
		5	T			EV0, EZ0	DGQ		

GRAND CHEROKEE (WK)

SERIES LINE
H = HIGHLINE T = JEEP - 2WD
P = PREMIUM J = JEEP - 4WD
S = SPORT
X = SPECIAL

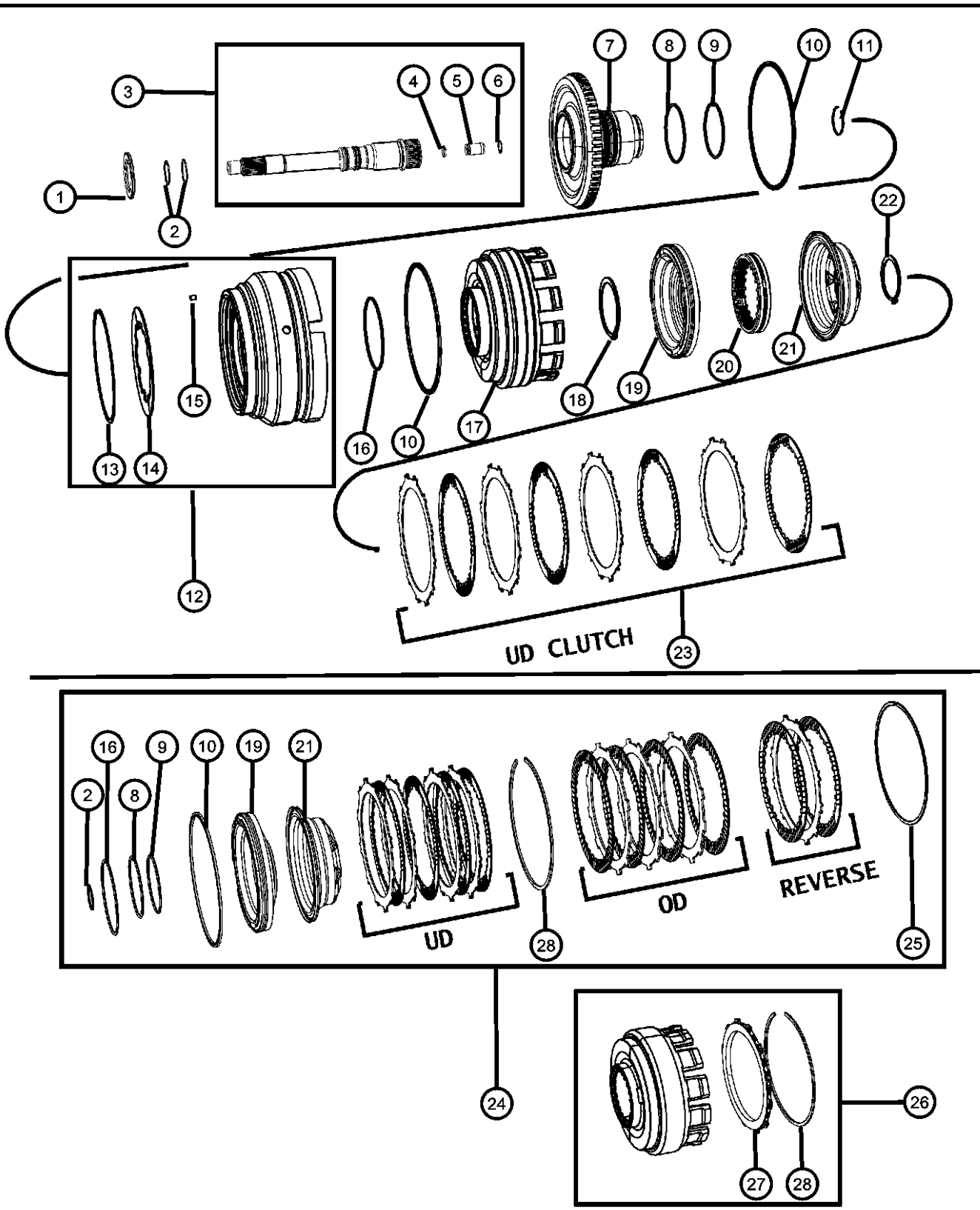
BODY
74 = SPORT UTILITY 4-DR
TYPE #4

ENGINE
EVE = Engine - 4.7L V8 DOHC
3 Valve
EZB = 5.7L Hemi Multi
Displacement Engine
EKG = 3.7L V6 Engine
ESF = 6.1L SRT HEMI SMPI
V8 Engine
EXL = 3.0L V6 Turbo Diesel
Engine

TRANSMISSION
DGJ = 5-Speed Auto W5A580
Transmission
DGU = 5-Spd Auto W5J400
Transmission
DGQ = 5-Spd Automatic 545RFE
Transmission

AR = use ase required - = Non illustrated part

**Input Clutch Assembly
Figure 021DGQ-521**



ITEM	PART NUMBER	QTY	LINE	SERIES	BODY	ENGINE	TRANS	TRIM	DESCRIPTION
1	04799469	1	J			EV0, EZ0	DGQ		THRUST BEARING, Needle Roller
2	04799539	2	J			EV0, EZ0	DGQ		SEAL, Input Shaft
3	05114582AA	1	T			EV0, EZ0	DGQ		SHAFT, Input
4	06505335AA	1	J			EV0, EZ0	DGQ		O RING, Control Valve
5	04799974AA	1	J			EV0, EZ0	DGQ		CHECK VALVE, Transmission
6	04799978AA	1	J			EV0, EZ0	DGQ		SNAP RING
7	04799536AC	1	J			EV0, EZ0	DGQ		HUB, Input Clutch
8	04799073	1	J			EV0, EZ0	DGQ		O RING, Transmission Clutch, Green
9	04799755	1	J			EV0, EZ0	DGQ		O RING, Transmission Clutch, Red
10	04799090	1	J			EV0, EZ0	DGQ		SEAL, Input
11	04799538	1	J			EV0, EZ0	DGQ		SNAP RING, Input Shaft

GRAND CHEROKEE (WK)
 SERIES LINE
 H = HIGHLINE T = JEEP - 2WD
 P = PREMIUM J = JEEP - 4WD
 S = SPORT
 X = SPECIAL

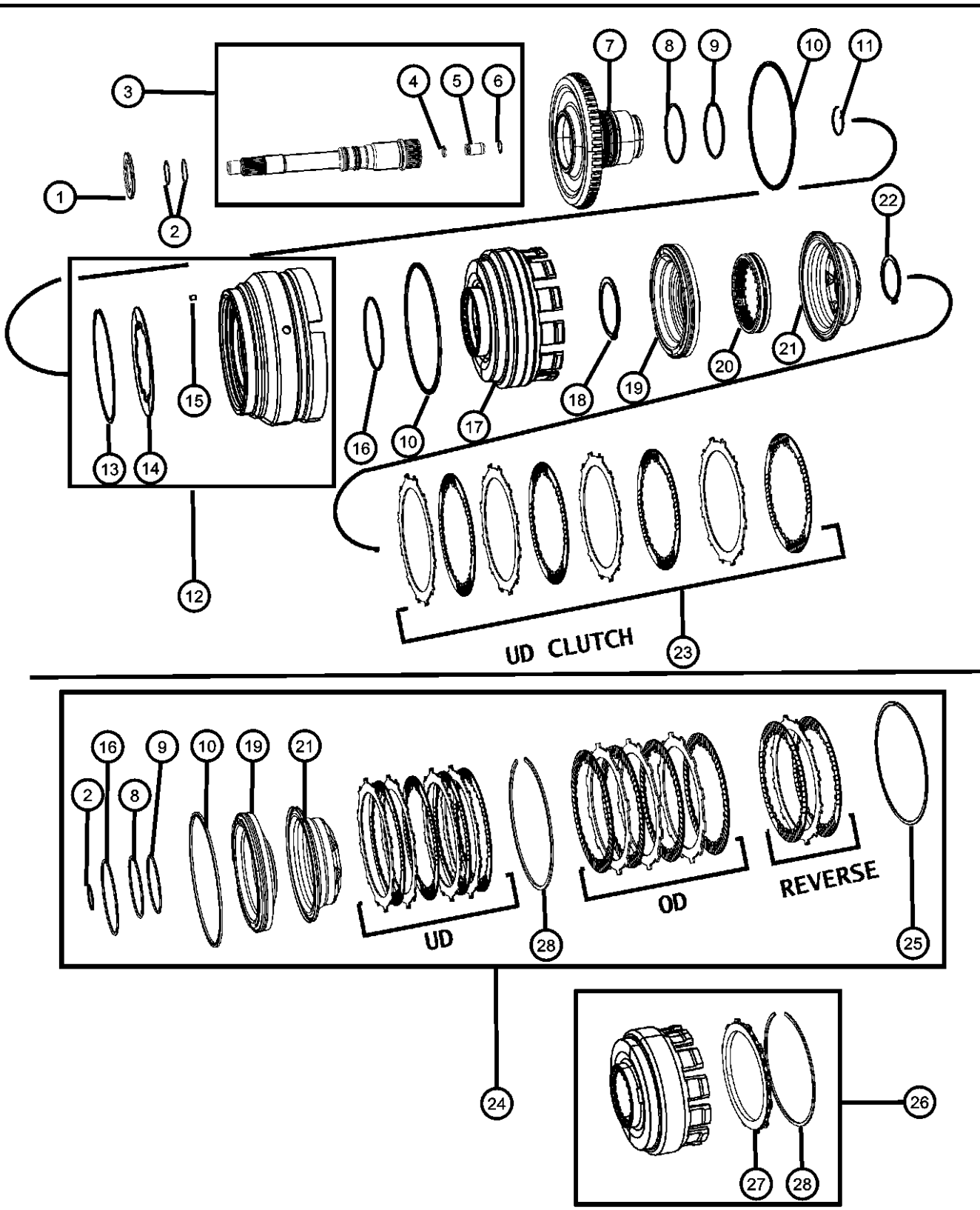
BODY
 74 = SPORT UTILITY 4-DR
 TYPE #4

ENGINE
 EVE = Engine - 4.7L V8 DOHC
 3 Valve
 EZB = 5.7L Hemi Multi
 Displacement Engine
 EKG = 3.7L V6 Engine
 ESF = 6.1L SRT HEMI SMPI
 V8 Engine
 EXL = 3.0L V6 Turbo Diesel
 Engine

TRANSMISSION
 DGJ = 5-Speed Auto W5A580
 Transmission
 DGU = 5-Spd Auto W5J400
 Transmission
 DGQ = 5-Spd Automatic 545RFE
 Transmission

AR = use ase required - = Non illustrated part

**Input Clutch Assembly
Figure 021DGQ-521**



ITEM	PART NUMBER	QTY	LINE	SERIES	BODY	ENGINE	TRANS	TRIM	DESCRIPTION
12		1	T			EV0, EZ0	DGQ		PISTON, Reverse and Overdrive
	05073525AA	1	J			EV0, EZ0	DGQ		
		1	T			EV0, EZ0	DGQ		
13		1	J			EV0, EZ0	DGQ		SNAP RING, Transmission
	04799088	1	T			EV0, EZ0	DGQ		
14		1	J			EV0, EZ0	DGQ		SPRING, Piston Return
	04799087	1	T			EV0, EZ0	DGQ		
15		1	J			EV0, EZ0	DGQ		FILTER, Reverse And O/D Clutch
	04531903	1	T			EV0, EZ0	DGQ		
16		1	J			EV0, EZ0	DGQ		O RING, Reverse & O/Drive Clutch Piston, Transmission
	04799089	1	T			EV0, EZ0	DGQ		
17		1	J			EV0, EZ0	DGQ		RETAINER, Transmission Input Clutch
	04799648AB	1	T			EV0, EZ0	DGQ		
18		1	J			EV0, EZ0	DGQ		SNAP RING
	04799097	1	T			EV0, EZ0	DGQ		
19		1	J			EV0, EZ0	DGQ		PISTON, Underdrive
	04799650	1	T			EV0, EZ0	DGQ		
20		1	J			EV0, EZ0	DGQ		SPRING, Undredrive Piston
	04799101	1	T			EV0, EZ0	DGQ		
21		1	J			EV0, EZ0	DGQ		PISTON, Underdrive
	04799652	1	T			EV0, EZ0	DGQ		

GRAND CHEROKEE (WK)
 SERIES LINE
 H = HIGHLINE T = JEEP - 2WD
 P = PREMIUM J = JEEP - 4WD
 S = SPORT
 X = SPECIAL

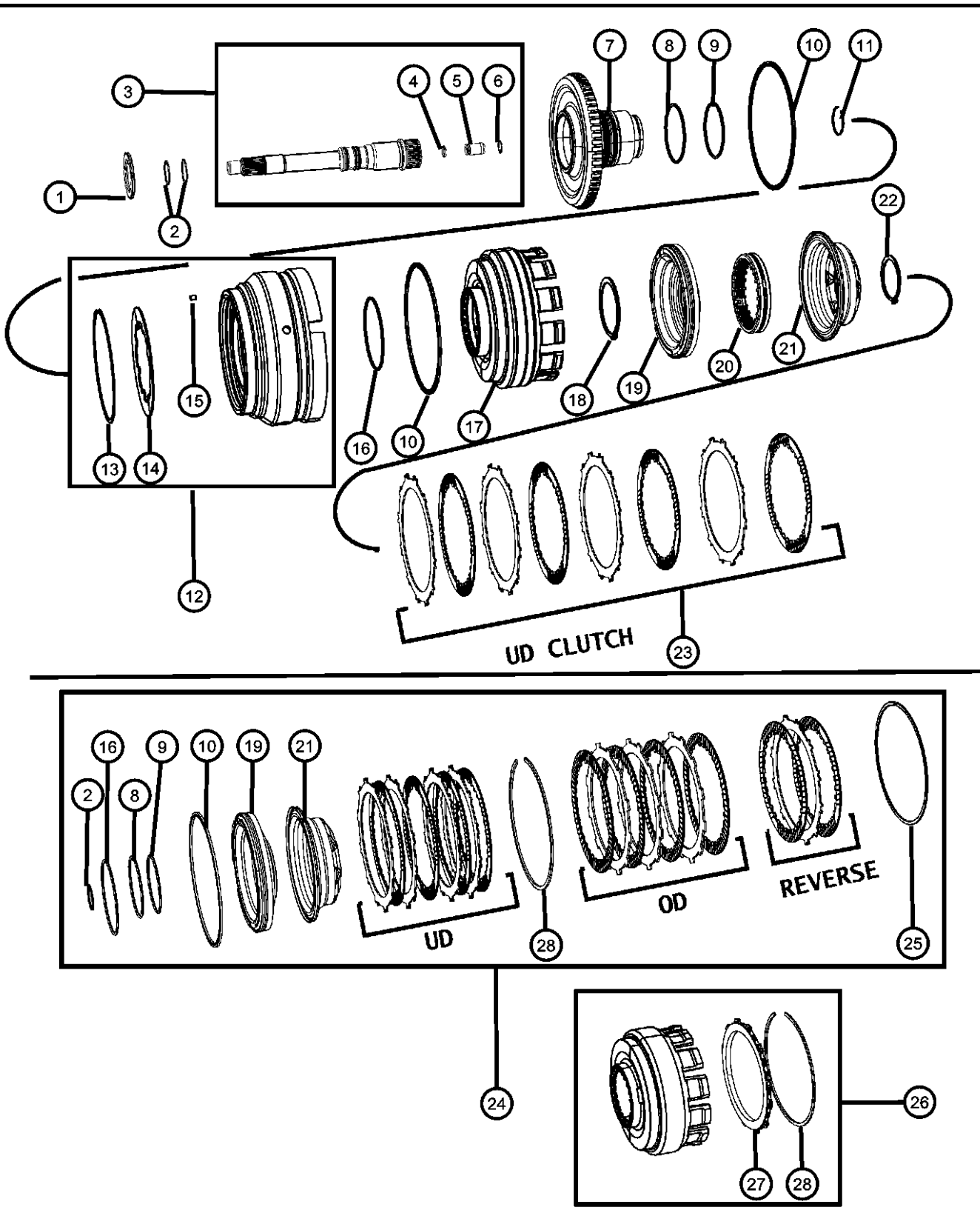
BODY
 74 = SPORT UTILITY 4-DR
 TYPE #4

ENGINE
 EVE = Engine - 4.7L V8 DOHC
 3 Valve
 EZB = 5.7L Hemi Multi
 Displacement Engine
 EKG = 3.7L V6 Engine
 ESF = 6.1L SRT HEMI SMPI
 V8 Engine
 EXL = 3.0L V6 Turbo Diesel
 Engine

TRANSMISSION
 DGJ = 5-Speed Auto W5A580
 Transmission
 DGU = 5-Spd Auto W5J400
 Transmission
 DGQ = 5-Spd Automatic 545RFE
 Transmission

AR = use ase required - = Non illustrated part

**Input Clutch Assembly
Figure 021DGQ-521**



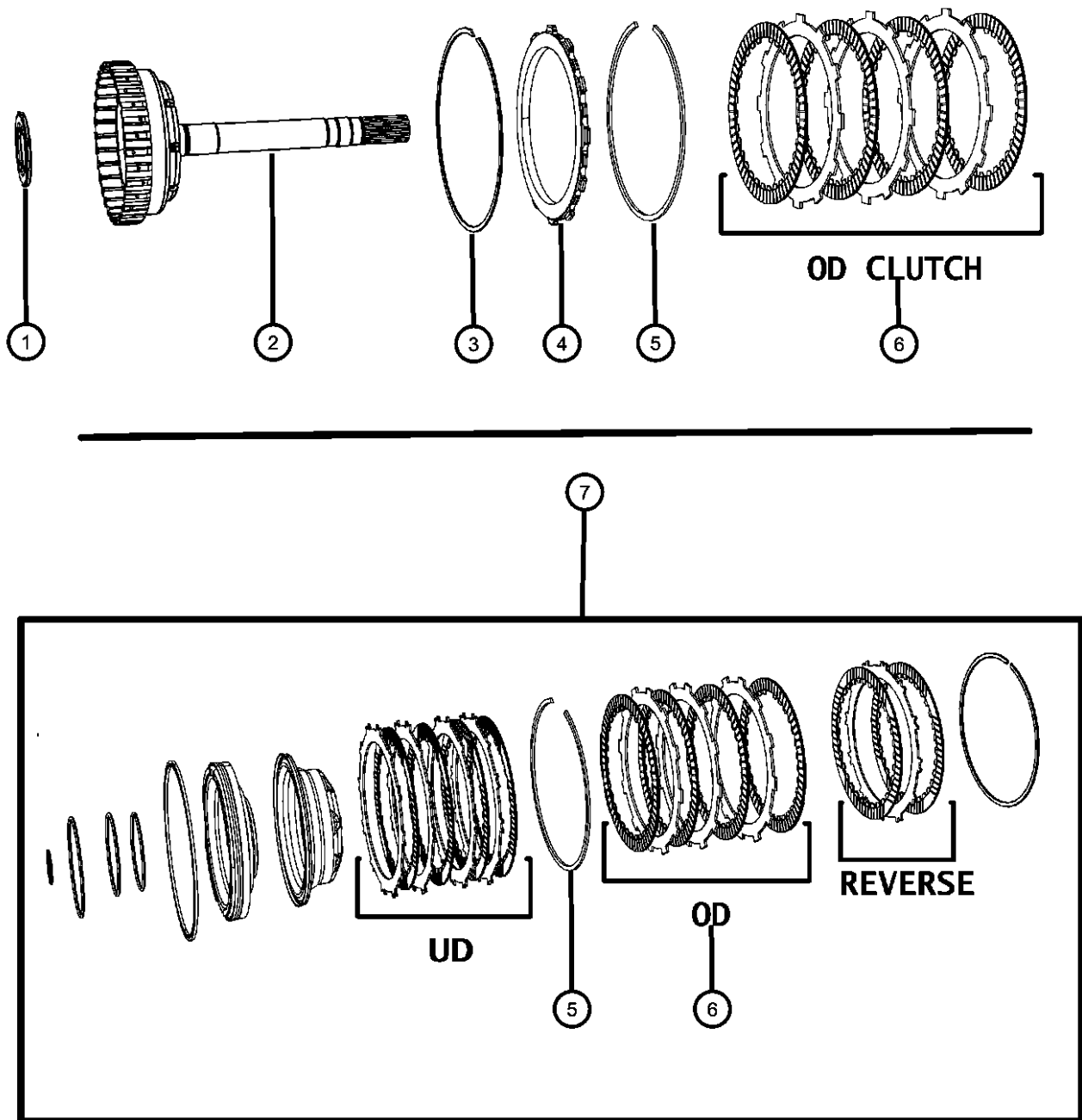
ITEM	PART NUMBER	QTY	LINE	SERIES	BODY	ENGINE	TRANS	TRIM	DESCRIPTION
22	04799103	1	J			EV0, EZ0	DGQ		SNAP RING, Transmission
23		1	T			EV0, EZ0	DGQ		CLUTCH PACKAGE, Underdrive clutch, Serviced With Item #24, (NOT SERVICED)
24	05013090AG	1	T			EV0, EZ0	DGQ		CLUTCH PACKAGE, Automatic Transmission, Input
25		1	J			EV0, EZ0	DGQ		SNAP RING, Selective, (NOT SERVICED)
26	68009648AB	1	T			EV0, EZ0	DGQ		RETAINER PACKAGE, Input clutch, 45rfe
27		1	J			EV0, EZ0	DGQ		PLATE, Transmission Clutch Reaction, (NOT SERVICED)
28	04799111AB	1	T			EV0, EZ0	DGQ		SNAP RING, Transmission

GRAND CHEROKEE (WK)

SERIES	LINE	BODY	ENGINE	TRANSMISSION
H = HIGHLINE	T = JEEP - 2WD	74 = SPORT UTILITY 4-DR	EVE = Engine - 4.7L V8 DOHC 3 Valve	DGJ = 5-Speed Auto W5A580 Transmission
P = PREMIUM	J = JEEP - 4WD	TYPE #4	EZB = 5.7L Hemi Multi Displacement Engine	DGU = 5-Spd Auto W5J400 Transmission
S = SPORT			EKG = 3.7L V6 Engine	DGQ = 5-Spd Automatic 545RFE Transmission
X = SPECIAL			ESF = 6.1L SRT HEMI SMPI V8 Engine	
			EXL = 3.0L V6 Turbo Diesel Engine	

AR = use ase required - = Non illustrated part

**Input Clutch Assembly
Figure 021DGQ-522**



ITEM	PART NUMBER	QTY	LINE	SERIES	BODY	ENGINE	TRANS	TRIM	DESCRIPTION
1	04799469	1	J			EV0, EZ0	DGQ		THRUST BEARING, Needle Roller
2	05127485AA	1	T			EV0, EZ0	DGQ		HUB AND SHAFT, Underdrive Clutch
3	04799760	1	J			EV0, EZ0	DGQ		SNAP RING, Transmission
4	68009902AB	1	T			EV0, EZ0	DGQ		PLATE PACKAGE, Clutch Reaction
5	04799111AB	1	J			EV0, EZ0	DGQ		SNAP RING, Transmission
6		1							CLUTCH PACKAGE, Overdrive clutch, Serviced With Item #7, (NOT SERVICED)
7	05013090AG	1	T			EV0, EZ0	DGQ		CLUTCH PACKAGE, Automatic Transmission, Input

GRAND CHEROKEE (WK)

SERIES LINE
H = HIGHLINE T = JEEP - 2WD
P = PREMIUM J = JEEP - 4WD
S = SPORT
X = SPECIAL

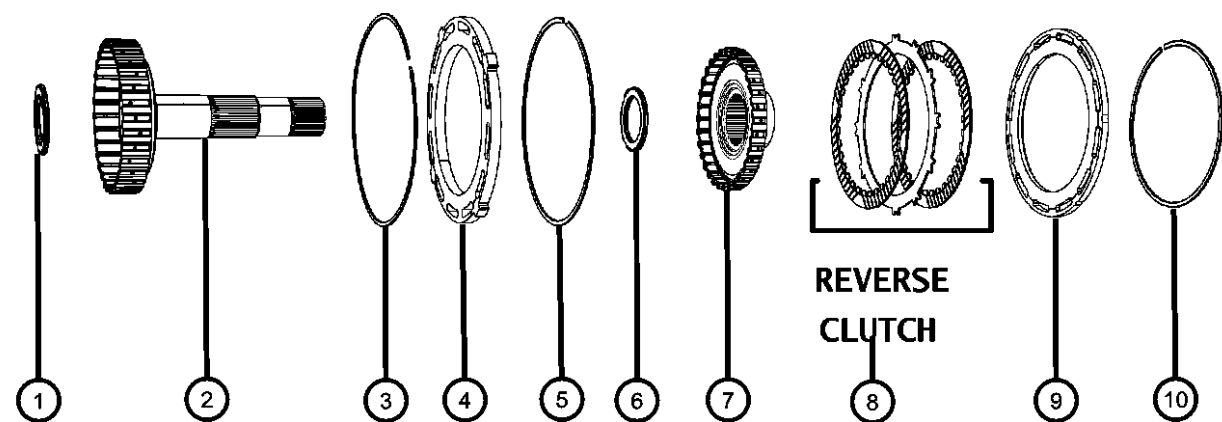
BODY
74 = SPORT UTILITY 4-DR
TYPE #4

ENGINE TRANSMISSION
EVE = Engine - 4.7L V8 DOHC 3 Valve
EZB = 5.7L Hemi Multi Displacement Engine
EKG = 3.7L V6 Engine
ESF = 6.1L SRT HEMI SMPI V8 Engine
EXL = 3.0L V6 Turbo Diesel Engine
DGJ = 5-Speed Auto W5A580 Transmission
DGU = 5-Spd Auto W5J400 Transmission
DGQ = 5-Spd Automatic 545RFE Transmission

AR = use ase required - = Non illustrated part

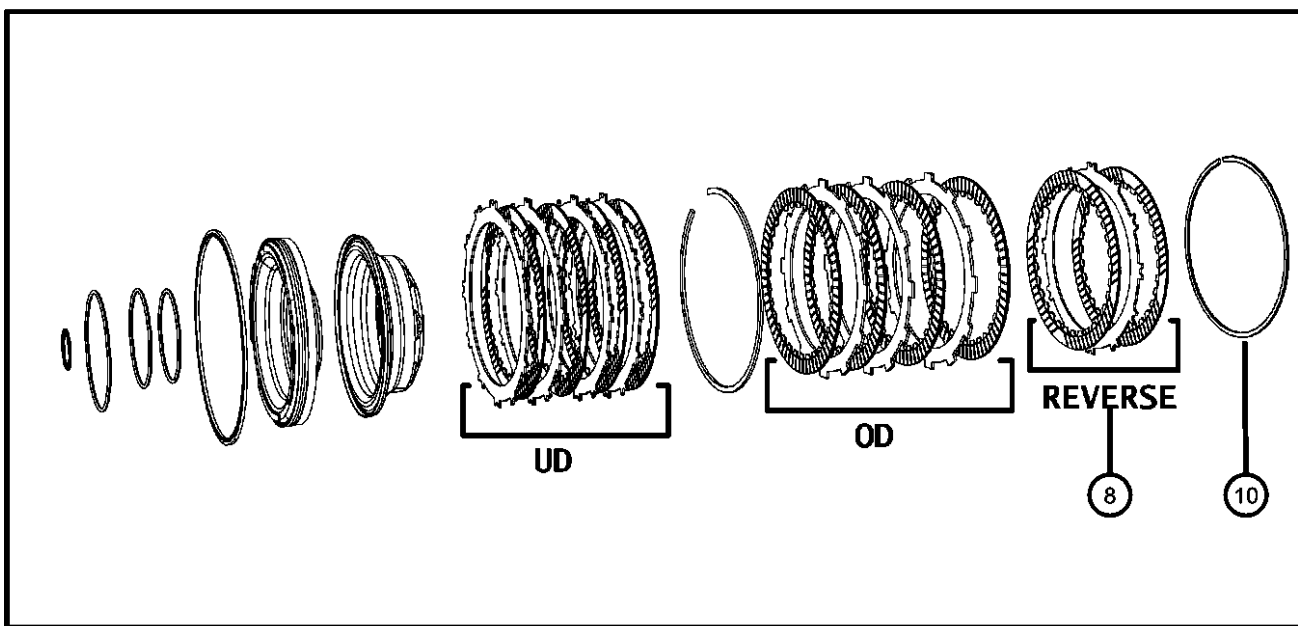
2008 WK

**Input Clutch Assembly
Figure 021DGQ-523**



1 2 3 4 5 6 7 8 9 10

**REVERSE
CLUTCH**



UD

OD

REVERSE

8

10

11

ITEM	PART NUMBER	QTY	LINE	SERIES	BODY	ENGINE	TRANS	TRIM	DESCRIPTION
1	04799469	1	J			EV0, EZ0	DGQ		THRUST BEARING, Needle Roller
		1	T			EV0, EZ0	DGQ		
2	04799550	1	J			EV0, EZ0	DGQ		HUB AND SHAFT, Overdrive Clutch
		1	T			EV0, EZ0	DGQ		
3	04799118	1	J			EV0, EZ0	DGQ		SNAP RING, Overdrive Clutch
		1	T			EV0, EZ0	DGQ		
4	04799116AB	1	J			EV0, EZ0	DGQ		PLATE, Clutch Pressure
		1	T			EV0, EZ0	DGQ		
5	04799117	1	J			EV0, EZ0	DGQ		SNAP RING, Transmission
		1	T			EV0, EZ0	DGQ		
6	04799469	1	J			EV0, EZ0	DGQ		THRUST BEARING, Needle Roller
		1	T			EV0, EZ0	DGQ		
7	04799556	1	J			EV0, EZ0	DGQ		HUB AND SHAFT, Reverse Clutch
		1	T			EV0, EZ0	DGQ		
8		1							CLUTCH PACKAGE, Reverse clutch, Serviced With Item #11, (NOT SERVICED)
9	04799121	1	T			EV0, EZ0	DGQ		PLATE, Transmission Clutch Reaction
		1	J			EV0, EZ0	DGQ		
10		1							SNAP RING, Serviced With Item #11, (NOT SERVICED)
11	05013090AG	1	T			EV0, EZ0	DGQ		CLUTCH PACKAGE, Automatic Transmission, Input
		1	J			EV0, EZ0	DGQ		

GRAND CHEROKEE (WK)

SERIES LINE
H = HIGHLINE T = JEEP - 2WD
P = PREMIUM J = JEEP - 4WD
S = SPORT
X = SPECIAL

BODY
74 = SPORT UTILITY 4-DR
TYPE #4

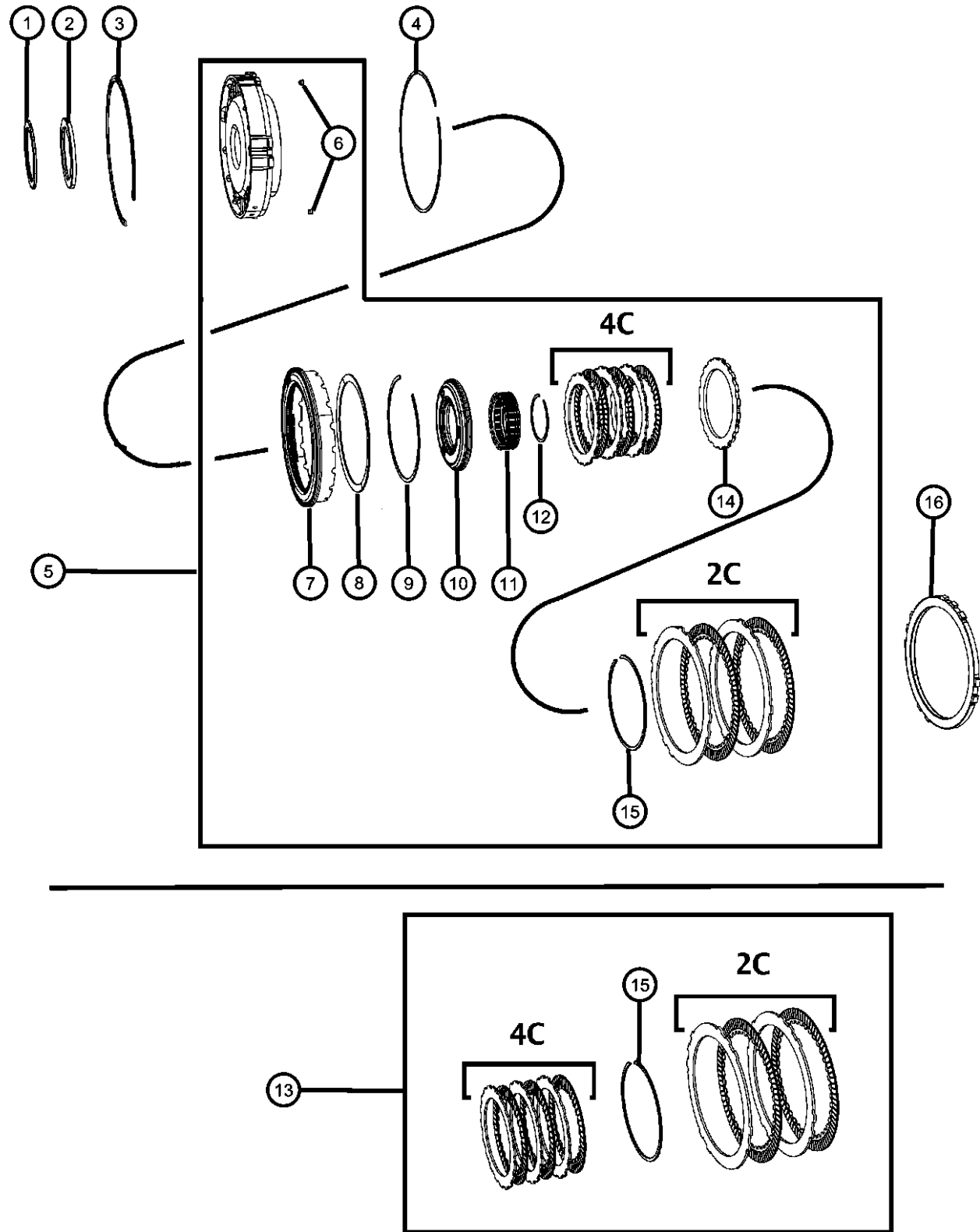
ENGINE
EVE = Engine - 4.7L V8 DOHC
3 Valve
EZB = 5.7L Hemi Multi
Displacement Engine
EKG = 3.7L V6 Engine
ESF = 6.1L SRT HEMI SMPI
V8 Engine
EXL = 3.0L V6 Turbo Diesel
Engine

TRANSMISSION
DGJ = 5-Speed Auto W5A580
Transmission
DGU = 5-Spd Auto W5J400
Transmission
DGQ = 5-Spd Automatic 545RFE
Transmission

AR = use ase required - = Non illustrated part

2008 WK

**2C / 4C Clutch
Figure 021DGQ-524**



ITEM	PART NUMBER	QTY	LINE	SERIES	BODY	ENGINE	TRANS	TRIM	DESCRIPTION
1	04799936AB	1	J			EV0, EZ0	DGQ		THRUST BEARING, Needle Roller
		1	T			EV0, EZ0	DGQ		
2	05013093AB	1	T			EV0, EZ0	DGQ		PLATE PACKAGE, Input Clutch Thrust
		1	J			EV0, EZ0	DGQ		
3	04799680AB	1	J			EV0, EZ0	DGQ		SNAP RING, Transmission
		1	T			EV0, EZ0	DGQ		
4	04799174	1	J			EV0, EZ0	DGQ		SNAP RING, Transmission
		1	T			EV0, EZ0	DGQ		
5	04799498AC	1	J			EV0, EZ0	DGQ		RETAINER, Transmission 2nd and 4th Clutch Piston
		1	T			EV0, EZ0	DGQ		
6	04799086	2	J			EV0, EZ0	DGQ		BLEED ORIFICE, Transmission
		2	T			EV0, EZ0	DGQ		
7	52119503AA	1	J			EV0, EZ0	DGQ		PISTON, Clutch
		1	T			EV0, EZ0	DGQ		
8	04799521	1	J			EV0, EZ0	DGQ		SPRING, 2nd And 4th Clutch Piston
		1	T			EV0, EZ0	DGQ		
9	04799522AB	1	J			EV0, EZ0	DGQ		SNAP RING, Transmission
		1	T			EV0, EZ0	DGQ		
10	05179062AC	1	T			EV0, EZ0	DGQ		PISTON PACKAGE, 4C Clutch
		1	J			EV0, EZ0	DGQ		

GRAND CHEROKEE (WK)

SERIES LINE
H = HIGHLINE T = JEEP - 2WD
P = PREMIUM J = JEEP - 4WD
S = SPORT
X = SPECIAL

BODY
74 = SPORT UTILITY 4-DR
TYPE #4

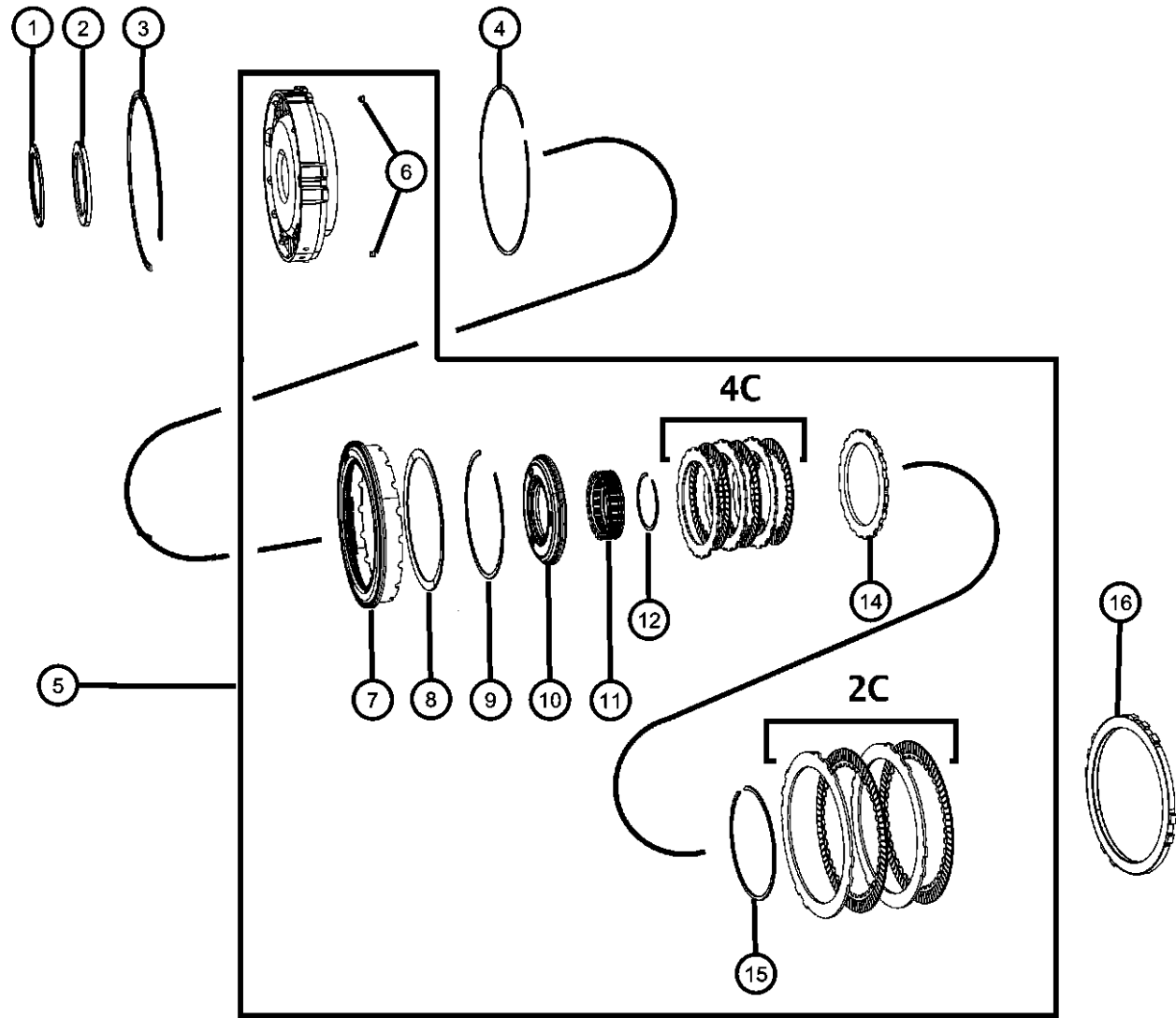
ENGINE
EVE = Engine - 4.7L V8 DOHC
3 Valve
EZB = 5.7L Hemi Multi
Displacement Engine
EKG = 3.7L V6 Engine
ESF = 6.1L SRT HEMI SMPI
V8 Engine
EXL = 3.0L V6 Turbo Diesel
Engine

TRANSMISSION
DGJ = 5-Speed Auto W5A580
Transmission
DGU = 5-Spd Auto W5J400
Transmission
DGQ = 5-Spd Automatic 545RFE
Transmission

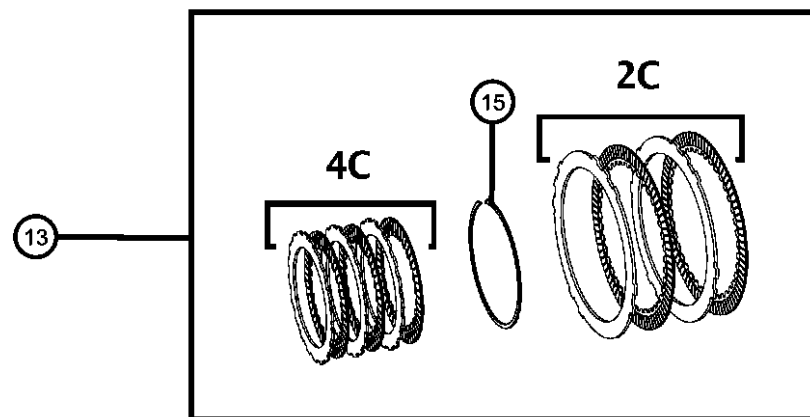
AR = use ase required - = Non illustrated part

2008 WK

2C / 4C Clutch
Figure 021DGQ-524



ITEM	PART NUMBER	QTY	LINE	SERIES	BODY	ENGINE	TRANS	TRIM	DESCRIPTION
11									SPRING, 2nd And 4th Clutch Piston
	04799527AB	1	J			EV0, EZ0	DGQ		
		1	T			EV0, EZ0	DGQ		
12									SNAP RING, Transmission
	04799528AB	1	J			EV0, EZ0	DGQ		
		1	T			EV0, EZ0	DGQ		
13									CLUTCH PACKAGE, Automatic Transmission, 2/4
	05013087AE	1	T			EV0, EZ0	DGQ		
		1	J			EV0, EZ0	DGQ		
14									PLATE, Transmission Clutch Reaction
	04799533	1	J			EV0, EZ0	DGQ		
		1	T			EV0, EZ0	DGQ		
15		1							SNAP RING, (NOT SERVICED)
16									PLATE, Transmission Clutch Reaction
	04799687AB	1	J			EV0, EZ0	DGQ		
		1	T			EV0, EZ0	DGQ		



GRAND CHEROKEE (WK)

SERIES LINE
H = HIGHLINE T = JEEP - 2WD
P = PREMIUM J = JEEP - 4WD
S = SPORT
X = SPECIAL

BODY
74 = SPORT UTILITY 4-DR
TYPE #4

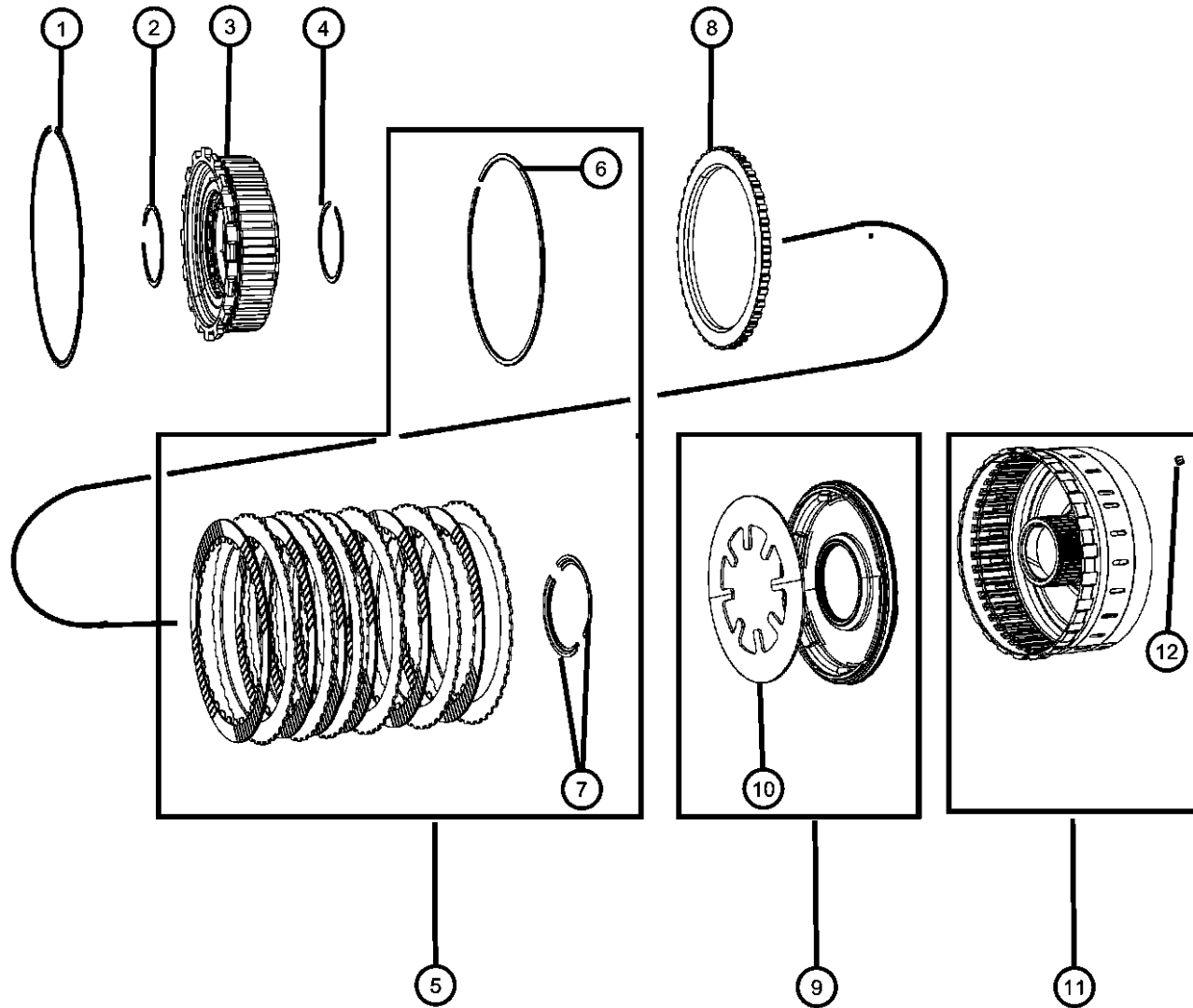
ENGINE
EVE = Engine - 4.7L V8 DOHC
3 Valve
EZB = 5.7L Hemi Multi
Displacement Engine
EKG = 3.7L V6 Engine
ESF = 6.1L SRT HEMI SMPI
V8 Engine
EXL = 3.0L V6 Turbo Diesel
Engine

TRANSMISSION
DGJ = 5-Speed Auto W5A580
Transmission
DGU = 5-Spd Auto W5J400
Transmission
DGQ = 5-Spd Automatic 545RFE
Transmission

AR = use ase required - = Non illustrated part

2008 WK

**Low / Reverse Clutch
Figure 021DGQ-525**



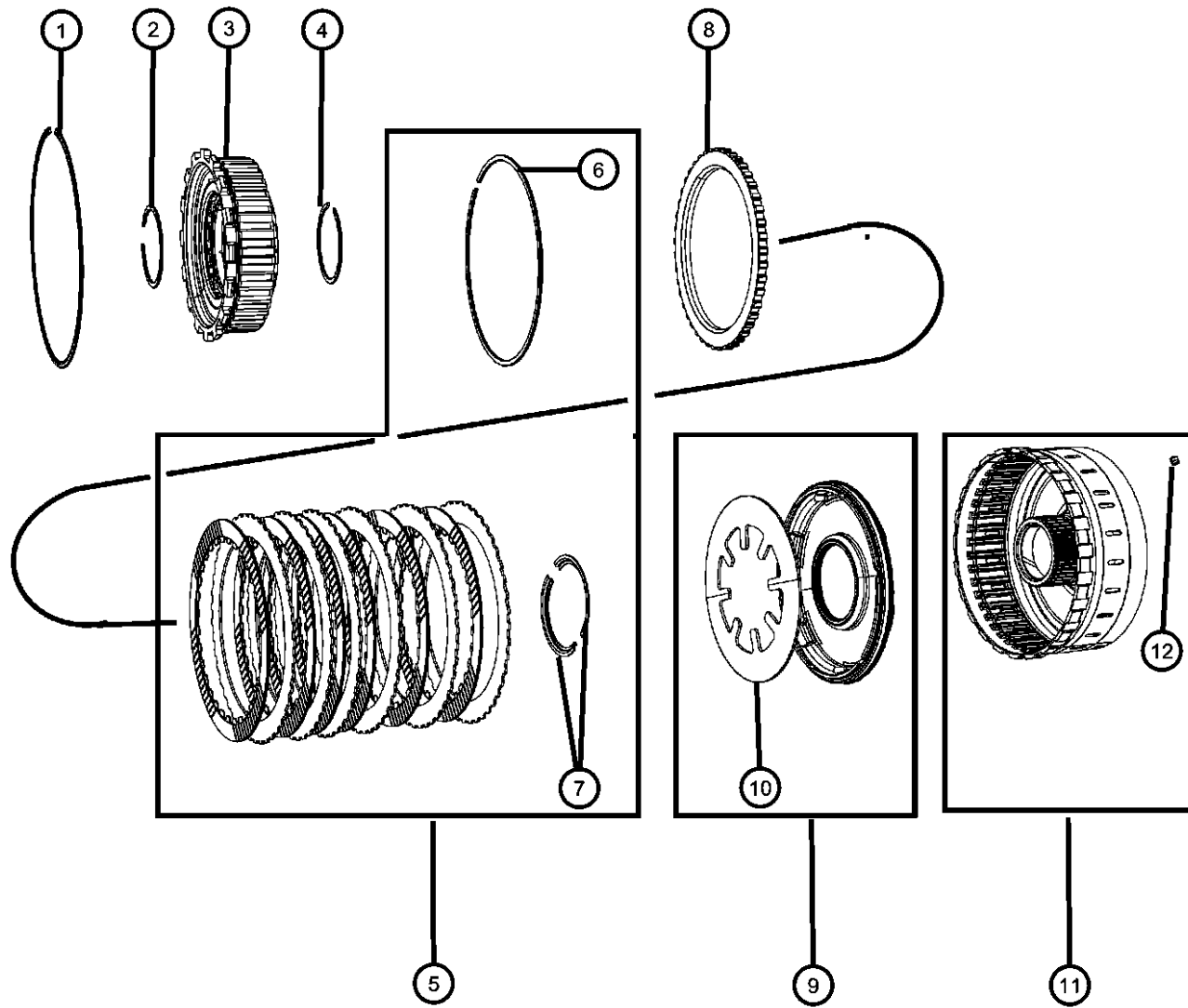
ITEM	PART NUMBER	QTY	LINE	SERIES	BODY	ENGINE	TRANS	TRIM	DESCRIPTION
1	04799466	1	J			EV0, EZ0	DGQ		SNAP RING, Transmission
		1	T			EV0, EZ0	DGQ		
2	04799863AA	1	J			EV0, EZ0	DGQ		SNAP RING
		1	T			EV0, EZ0	DGQ		
3	04799465	1	J			EV0, EZ0	DGQ		CLUTCH, Overrunning
		1	T			EV0, EZ0	DGQ		
4	04799863AA	1	T			EV0, EZ0	DGQ		SNAP RING
		1	J			EV0, EZ0	DGQ		
5	05073003AB	1	J			EV0, EZ0	DGQ		CLUTCH PACKAGE, Automatic Transmission, Low/Reverse
		1	T			EV0, EZ0	DGQ		
6		1							SNAP RING, Transmission, (NOT SERVICED)
7		1							RETAINER, Transmission Low and Reverse Clutch Piston, (NOT SERVICED)
8	04799667	1	J			EV0, EZ0	DGQ		PLATE, Transmission Clutch Reaction
		1	T			EV0, EZ0	DGQ		
9	05179008AA	1	T			EV0, EZ0	DGQ		PISTON PACKAGE, Piston & spring, low/reverse
		1	J			EV0, EZ0	DGQ		
10		1							SPRING, Low/Reverse Clutch Piston, (NOT SERVICED)
11	05013027AA	1	T			EV0, EZ0	DGQ		RETAINER, Clutch
		1	J			EV0, EZ0	DGQ		
12									BLEED ORIFICE, Transmission

GRAND CHEROKEE (WK)
 SERIES LINE BODY ENGINE TRANSMISSION
 H = HIGHLINE T = JEEP - 2WD 74 = SPORT UTILITY 4-DR EVE = Engine - 4.7L V8 DOHC 3 Valve DGJ = 5-Speed Auto W5A580 Transmission
 P = PREMIUM J = JEEP - 4WD TYPE #4 EZB = 5.7L Hemi Multi Displacement Engine DGU = 5-Spd Auto W5J400 Transmission
 S = SPORT EKG = 3.7L V6 Engine ESF = 6.1L SRT HEMI SMPI V8 Engine DGQ = 5-Spd Automatic 545RFE Transmission
 X = SPECIAL EXL = 3.0L V6 Turbo Diesel Engine

AR = use ase required - = Non illustrated part

Low / Reverse Clutch
Figure 021DGQ-525

ITEM	PART NUMBER	QTY	LINE	SERIES	BODY	ENGINE	TRANS	TRIM	DESCRIPTION
	04799086	1	J			EV0, EZ0	DGQ		
		1	T			EV0, EZ0	DGQ		



GRAND CHEROKEE (WK)

SERIES LINE
H = HIGHLINE T = JEEP - 2WD
P = PREMIUM J = JEEP - 4WD
S = SPORT
X = SPECIAL

BODY
74 = SPORT UTILITY 4-DR
TYPE #4

ENGINE
EVE = Engine - 4.7L V8 DOHC
3 Valve
EZB = 5.7L Hemi Multi
Displacement Engine
EKG = 3.7L V6 Engine
ESF = 6.1L SRT HEMI SMPI
V8 Engine
EXL = 3.0L V6 Turbo Diesel
Engine

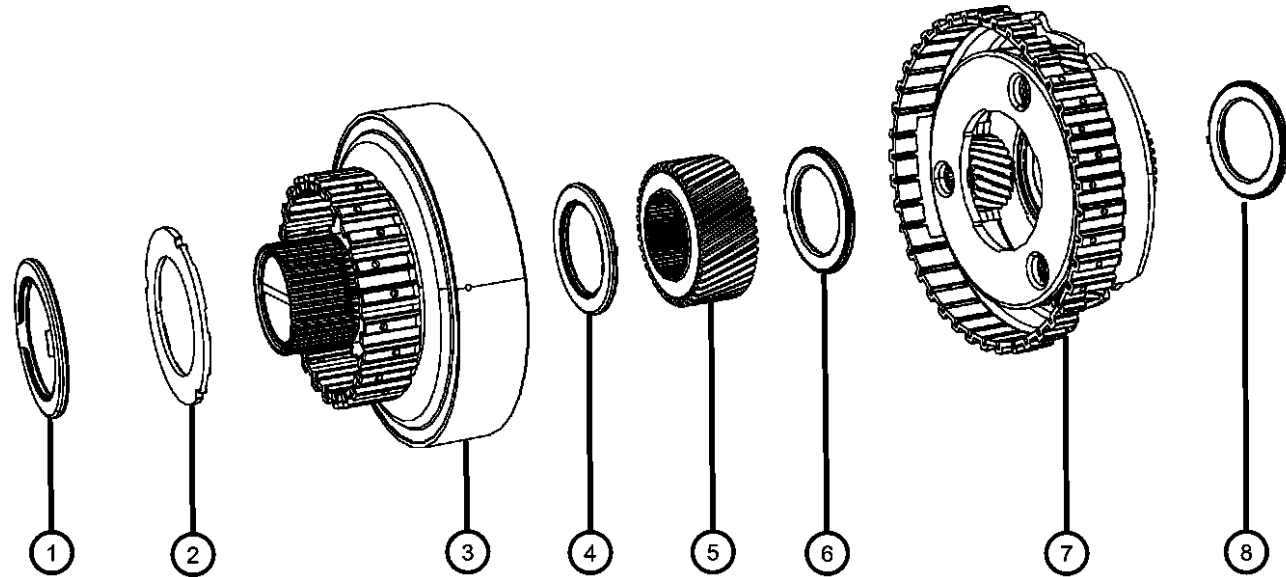
TRANSMISSION
DGJ = 5-Speed Auto W5A580
Transmission
DGU = 5-Spd Auto W5J400
Transmission
DGQ = 5-Spd Automatic 545RFE
Transmission

AR = use ase required - = Non illustrated part

2008 WK

Reaction Planetary
Figure 021DGQ-609

ITEM	PART NUMBER	QTY	LINE	SERIES	BODY	ENGINE	TRANS	TRIM	DESCRIPTION
1	04799459	1	J			EV0, EZ0	DGQ		THRUST BEARING, Needle Roller
		1	T			EV0, EZ0	DGQ		
2	05013092AB	1	J			EV0, EZ0	DGQ		PLATE PACKAGE, Planetary Thrust
		1	T			EV0, EZ0	DGQ		
3	04799604	1	J			EV0, EZ0	DGQ		GEAR, Annulus
		1	T			EV0, EZ0	DGQ		
4	04799469	1	J			EV0, EZ0	DGQ		THRUST BEARING, Needle Roller
		1	T			EV0, EZ0	DGQ		
5	04799602	1	J			EV0, EZ0	DGQ		GEAR, Reaction Sun
		1	T			EV0, EZ0	DGQ		
6	04799469	1	J			EV0, EZ0	DGQ		THRUST BEARING, Needle Roller
		1	T			EV0, EZ0	DGQ		
7	04799619AC	1	J			EV0, EZ0	DGQ		CARRIER, Reaction Complete
		1	T			EV0, EZ0	DGQ		
8	04799469	1	J			EV0, EZ0	DGQ		THRUST BEARING, Needle Roller
		1	T			EV0, EZ0	DGQ		



GRAND CHEROKEE (WK)

SERIES LINE
H = HIGHLINE T = JEEP - 2WD
P = PREMIUM J = JEEP - 4WD
S = SPORT
X = SPECIAL

BODY
74 = SPORT UTILITY 4-DR
TYPE #4

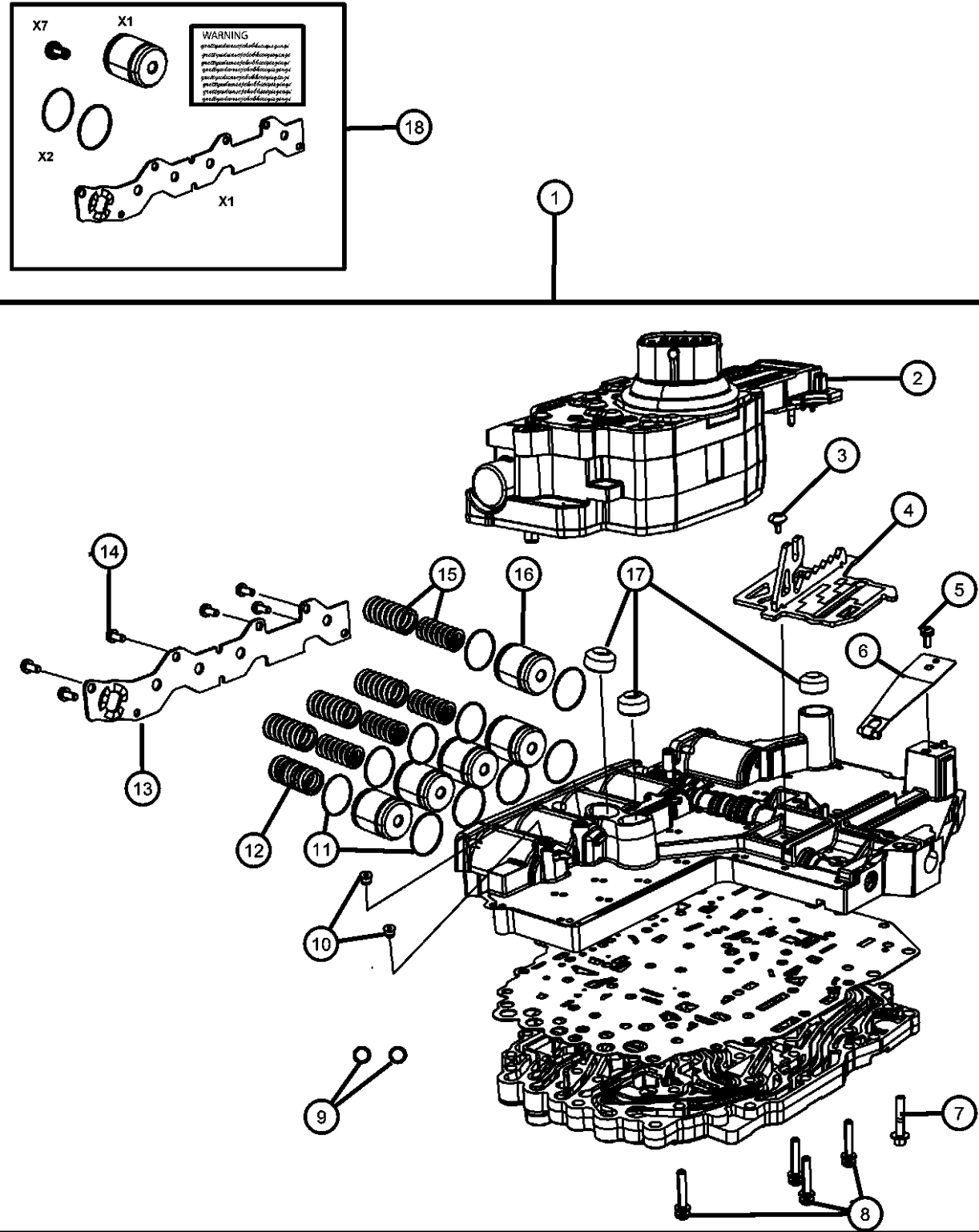
ENGINE
EVE = Engine - 4.7L V8 DOHC
3 Valve
EZB = 5.7L Hemi Multi
Displacement Engine
EKG = 3.7L V6 Engine
ESF = 6.1L SRT HEMI SMPI
V8 Engine
EXL = 3.0L V6 Turbo Diesel
Engine

TRANSMISSION
DGJ = 5-Speed Auto W5A580
Transmission
DGU = 5-Spd Auto W5J400
Transmission
DGQ = 5-Spd Automatic 545RFE
Transmission

AR = use ase required - = Non illustrated part

2008 WK

Valve Body And Related Parts
Figure 021DGQ-820



ITEM	PART NUMBER	QTY	LINE	SERIES	BODY	ENGINE	TRANS	TRIM	DESCRIPTION
1	05166834AB	1	T			EV0, EZ0	DGQ		VALVE BODY ASSEMBLY
		1	J			EV0, EZ0	DGQ		
2	05170877AC	1	T			EV0, EZ0	DGQ		SOLENOID PACKAGE, Valve Body
		1	J			EV0, EZ0	DGQ		
3	06508087AA	1	J			EV0, EZ0	DGQ		SCREW, Shoulder/Truss, M5x.8x12.5
		1	T			EV0, EZ0	DGQ		
4	04799654AC	1	J			EV0, EZ0	DGQ		PLATE, Manual Valve Cam
		1	T			EV0, EZ0	DGQ		
5	06503232	1	J			EV0, EZ0	DGQ		SCREW, Pan Head, M5 x 0.8 x 12.60
		1	T			EV0, EZ0	DGQ		
6	52119501AA	1	J			EV0, EZ0	DGQ		DETENT, Valve Body
		1	T			EV0, EZ0	DGQ		
7	06101525	6	J			EV0, EZ0	DGQ		BOLT, Hex Flange Head, M6x1.00x30
		6	T			EV0, EZ0	DGQ		
8	06504780AA	50	J			EV0, EZ0	DGQ		SCREW
		50	T			EV0, EZ0	DGQ		
9	52118261	7	J			EV0, EZ0	DGQ		BALL, Check
		7	T			EV0, EZ0	DGQ		
10	04799086	2	J			EV0, EZ0	DGQ		BLEED ORIFICE, Transmission
		2	T			EV0, EZ0	DGQ		
11									SEAL, Accumulator

GRAND CHEROKEE (WK)

SERIES LINE
H = HIGHLINE T = JEEP - 2WD
P = PREMIUM J = JEEP - 4WD
S = SPORT
X = SPECIAL

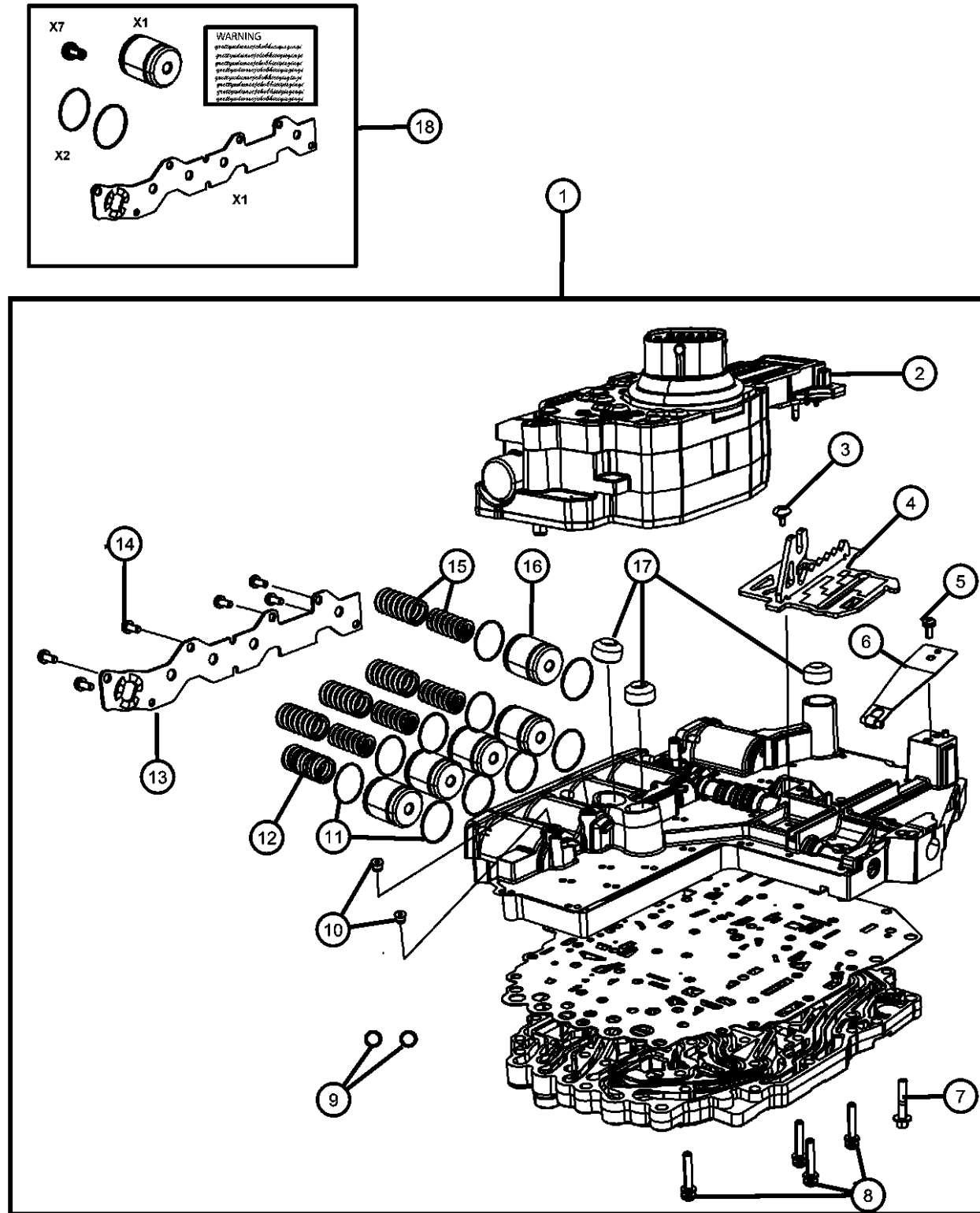
BODY
74 = SPORT UTILITY 4-DR
TYPE #4

ENGINE
EVE = Engine - 4.7L V8 DOHC
3 Valve
EZB = 5.7L Hemi Multi
Displacement Engine
EKG = 3.7L V6 Engine
ESF = 6.1L SRT HEMI SMPI
V8 Engine
EXL = 3.0L V6 Turbo Diesel
Engine

TRANSMISSION
DGJ = 5-Speed Auto W5A580
Transmission
DGU = 5-Spd Auto W5J400
Transmission
DGQ = 5-Spd Automatic 545RFE
Transmission

AR = use ase required - = Non illustrated part

Valve Body And Related Parts
Figure 021DGQ-820



ITEM	PART NUMBER	QTY	LINE	SERIES	BODY	ENGINE	TRANS	TRIM	DESCRIPTION
	04446544	10	J			EV0, EZ0	DGQ		
		10	T			EV0, EZ0	DGQ		
12	04471880	1	J			EV0, EZ0	DGQ		SPRING, Accumulator
		1	T			EV0, EZ0	DGQ		
13	04799598AB	1	J			EV0, EZ0	DGQ		COVER, Accumulator
		1	T			EV0, EZ0	DGQ		
14	06503232	7	J			EV0, EZ0	DGQ		SCREW, Pan Head, M5 x 0.8 x 12.60
		7	T			EV0, EZ0	DGQ		
15	52119702AA	4	J			EV0, EZ0	DGQ		SPRING ASSEMBLY, Accumulator
		4	T			EV0, EZ0	DGQ		
16	04446620	5	J			EV0, EZ0	DGQ		PISTON, Accumulator
		5	T			EV0, EZ0	DGQ		
17	04799778	3	J			EV0, EZ0	DGQ		SEAL, Clutch Feed
		3	T			EV0, EZ0	DGQ		
18	05174633AA	1	T			EV0, EZ0	DGQ		ACCUMULATOR KIT, Accumulator Cover
		1	J			EV0, EZ0	DGQ		

GRAND CHEROKEE (WK)

SERIES LINE
H = HIGHLINE T = JEEP - 2WD
P = PREMIUM J = JEEP - 4WD
S = SPORT
X = SPECIAL

BODY
74 = SPORT UTILITY 4-DR
TYPE #4

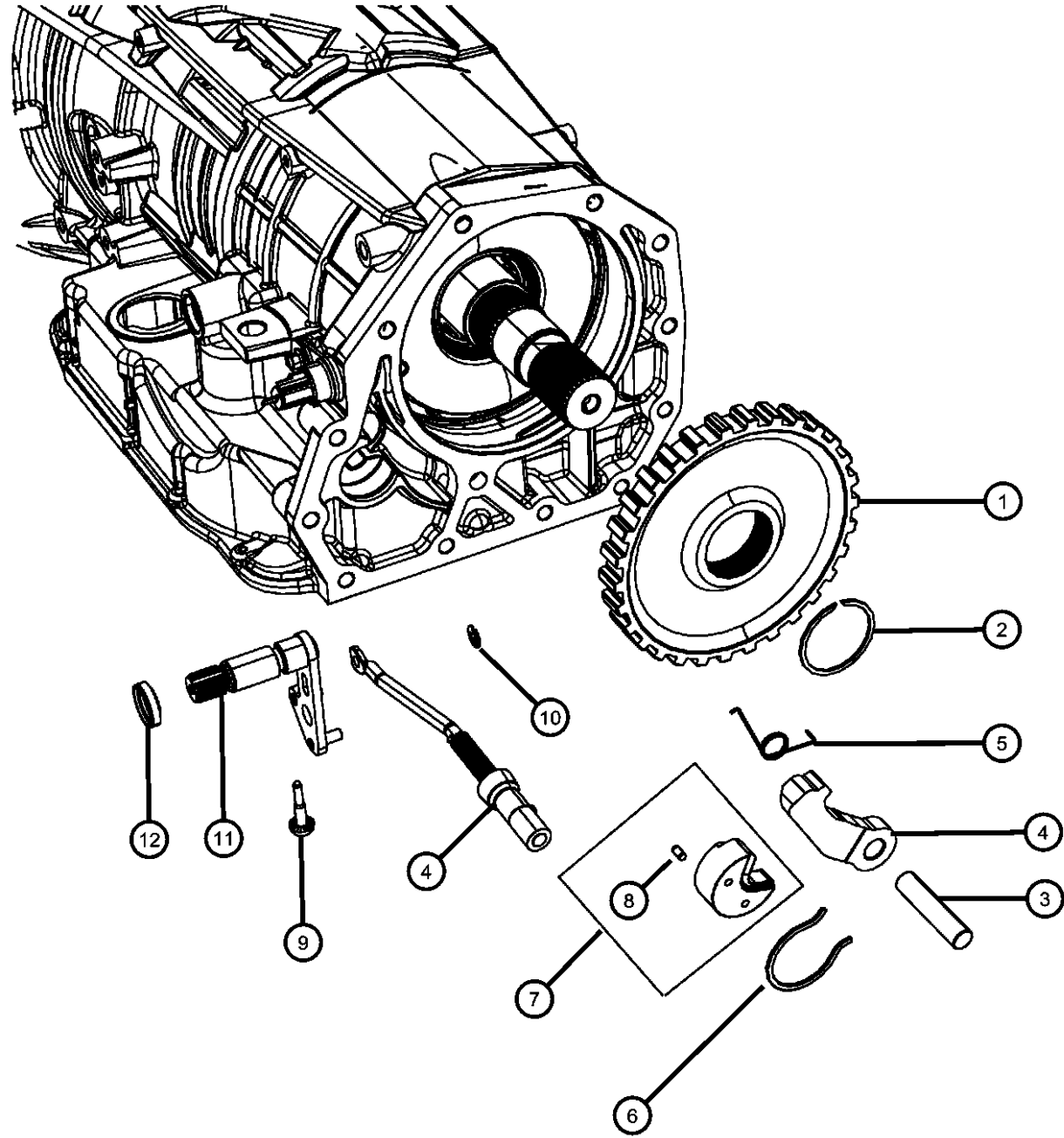
ENGINE
EVE = Engine - 4.7L V8 DOHC
3 Valve
EZB = 5.7L Hemi Multi
Displacement Engine
EKG = 3.7L V6 Engine
ESF = 6.1L SRT HEMI SMPI
V8 Engine
EXL = 3.0L V6 Turbo Diesel
Engine

TRANSMISSION
DGJ = 5-Speed Auto W5A580
Transmission
DGU = 5-Spd Auto W5J400
Transmission
DGQ = 5-Spd Automatic 545RFE
Transmission

AR = use ase required - = Non illustrated part

2008 WK

**Parking Sprag And Related Parts
Figure 021DGQ-860**



ITEM	PART NUMBER	QTY	LINE	SERIES	BODY	ENGINE	TRANS	TRIM	DESCRIPTION
1	04799493AD	1	J			EV0, EZ0	DGQ		SPRAG, Transmission Parking
			T			EV0, EZ0	DGQ		
2	04799704	1	J			EV0, EZ0	DGQ		SNAP RING, Transmission
			T			EV0, EZ0	DGQ		
3	04799450	1	J			EV0, EZ0	DGQ		SHAFT, Parking Pawl
			T			EV0, EZ0	DGQ		
4	05166452AA	1	J			EV0, EZ0	DGQ		PAWL AND ROD KIT
			T			EV0, EZ0	DGQ		
5	04799451	1	J			EV0, EZ0	DGQ		SPRING, Torsion
			T			EV0, EZ0	DGQ		
6	04799313	1	J			EV0, EZ0	DGQ		SNAP RING
			T			EV0, EZ0	DGQ		
7	04799774AB	1	J			EV0, EZ0	DGQ		GUIDE, Parking Sprag Pawl
			T			EV0, EZ0	DGQ		
8	00456636	1	J			EV0, EZ0	DGQ		PIN
			T			EV0, EZ0	DGQ		
9	06504548	1	J			EV0, EZ0	DGQ		SCREW, M6x1x30
			T			EV0, EZ0	DGQ		
10	06036682AA	1	J			EV0, EZ0	DGQ		SNAP RING, Rod
			T			EV0, EZ0	DGQ		
11	04799453	1	J			EV0, EZ0	DGQ		LEVER, Shift Shaft

GRAND CHEROKEE (WK)

SERIES LINE
H = HIGHLINE T = JEEP - 2WD
P = PREMIUM J = JEEP - 4WD
S = SPORT
X = SPECIAL

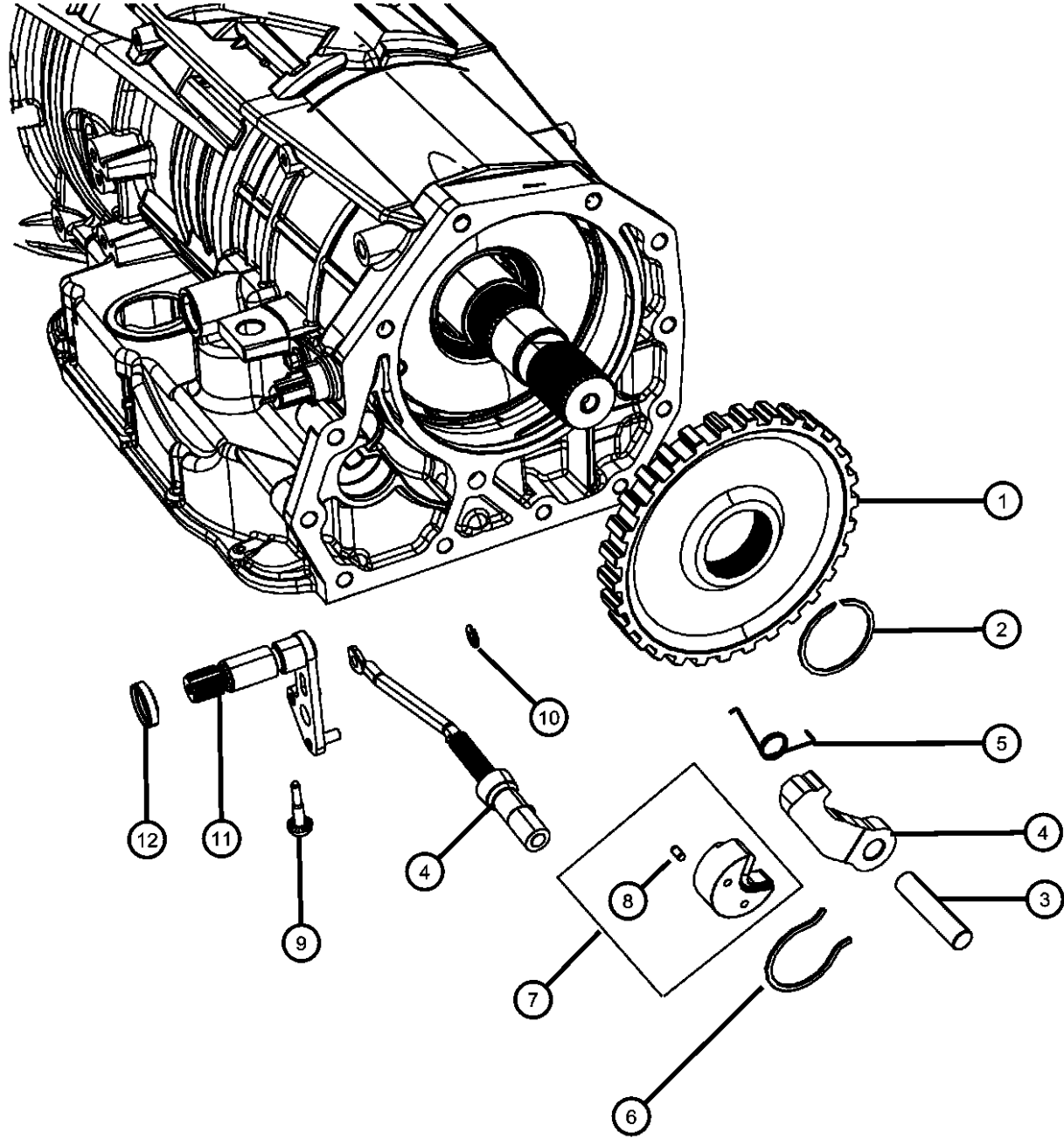
BODY
74 = SPORT UTILITY 4-DR
TYPE #4

ENGINE
EVE = Engine - 4.7L V8 DOHC
3 Valve
EZB = 5.7L Hemi Multi
Displacement Engine
EKG = 3.7L V6 Engine
ESF = 6.1L SRT HEMI SMPI
V8 Engine
EXL = 3.0L V6 Turbo Diesel
Engine

TRANSMISSION
DGJ = 5-Speed Auto W5A580
Transmission
DGU = 5-Spd Auto W5J400
Transmission
DGQ = 5-Spd Automatic 545RFE
Transmission

AR = use ase required - = Non illustrated part

**Parking Sprag And Related Parts
Figure 021DGQ-860**



ITEM	PART NUMBER	QTY	LINE	SERIES	BODY	ENGINE	TRANS	TRIM	DESCRIPTION
		1	T			EV0, EZ0	DGQ		
12	04799346	1	J			EV0, EZ0	DGQ		SEAL
		1	T			EV0, EZ0	DGQ		

GRAND CHEROKEE (WK)

SERIES LINE
H = HIGHLINE T = JEEP - 2WD
P = PREMIUM J = JEEP - 4WD
S = SPORT
X = SPECIAL

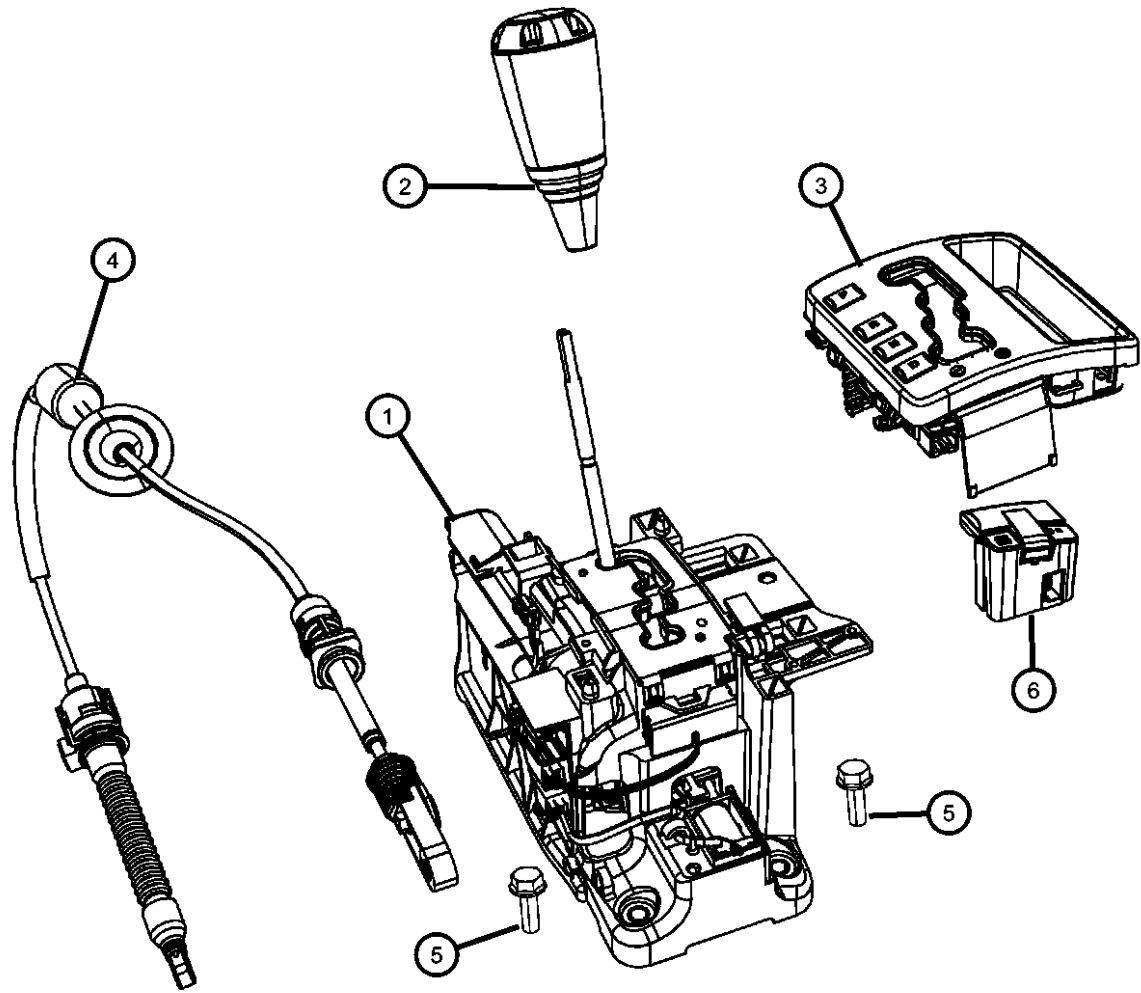
BODY
74 = SPORT UTILITY 4-DR
TYPE #4

ENGINE TRANSMISSION
EVE = Engine - 4.7L V8 DOHC 3 Valve
EZB = 5.7L Hemi Multi Displacement Engine
EKG = 3.7L V6 Engine
ESF = 6.1L SRT HEMI SMPI V8 Engine
EXL = 3.0L V6 Turbo Diesel Engine
DGJ = 5-Speed Auto W5A580 Transmission
DGU = 5-Spd Auto W5J400 Transmission
DGQ = 5-Spd Automatic 545RFE Transmission

AR = use ase required - = Non illustrated part

**Gearshift Controls
Figure 021DGQ-1105**

ITEM	PART NUMBER	QTY	LINE	SERIES	BODY	ENGINE	TRANS	TRIM	DESCRIPTION
1									HOUSING AND LEVER, Shifter
	52124690AD	1	T	H			DGQ		
	52124691AD	1	J	H			DGQ		With [DHX]
	52124692AD	1	T	P, S			DGQ		
	52124693AD	1	J	P, S			DGQ		With [DHX]
2									KNOB, Gearshift
	52125510AA	1	T	H, P			DGQ		
		1	J	H, P			DGQ		
	52125511AA	1	T	S			DGQ		
		1	J	S			DGQ		
3									PRNDL BEZEL, Gear selector
	52124586AA	1	T	H, P			DGQ		
		1	T	S			DGQ		
	52124587AA	1	J	H, P			DGQ		
		1	J	S			DGQ		
4	68003121AB	1	J, T			EV0, EZ0	DGQ		CABLE, Gearshift Control
5	06105040AA	3	J, T				DG0		SCREW, Hex Flange Head, M6x1.00x35.00
6									SWITCH, Transfer Case
	56050139AG	1	J	H, P			DGQ		
		1	J	S			DGQ		



GRAND CHEROKEE (WK)

SERIES LINE
H = HIGHLINE T = JEEP - 2WD
P = PREMIUM J = JEEP - 4WD
S = SPORT
X = SPECIAL

BODY
74 = SPORT UTILITY 4-DR
TYPE #4

ENGINE TRANSMISSION
EVE = Engine - 4.7L V8 DOHC 3 Valve
EVB = Engine - 4.7L V8 DOHC 3 Valve
EZB = 5.7L Hemi Multi Displacement Engine
EKG = 3.7L V6 Engine
ESF = 6.1L SRT HEMI SMPI V8 Engine
EXL = 3.0L V6 Turbo Diesel Engine
DGJ = 5-Speed Auto W5A580 Transmission
DGU = 5-Spd Auto W5J400 Transmission
DGQ = 5-Spd Automatic 545RFE Transmission

AR = use ase required - = Non illustrated part

2008 WK

Gearshift Lever, Cable and Bracket
Figure 021DGQ-1115

ITEM	PART NUMBER	QTY	LINE	SERIES	BODY	ENGINE	TRANS	TRIM	DESCRIPTION
------	-------------	-----	------	--------	------	--------	-------	------	-------------

NOTE:

Sales Codes:

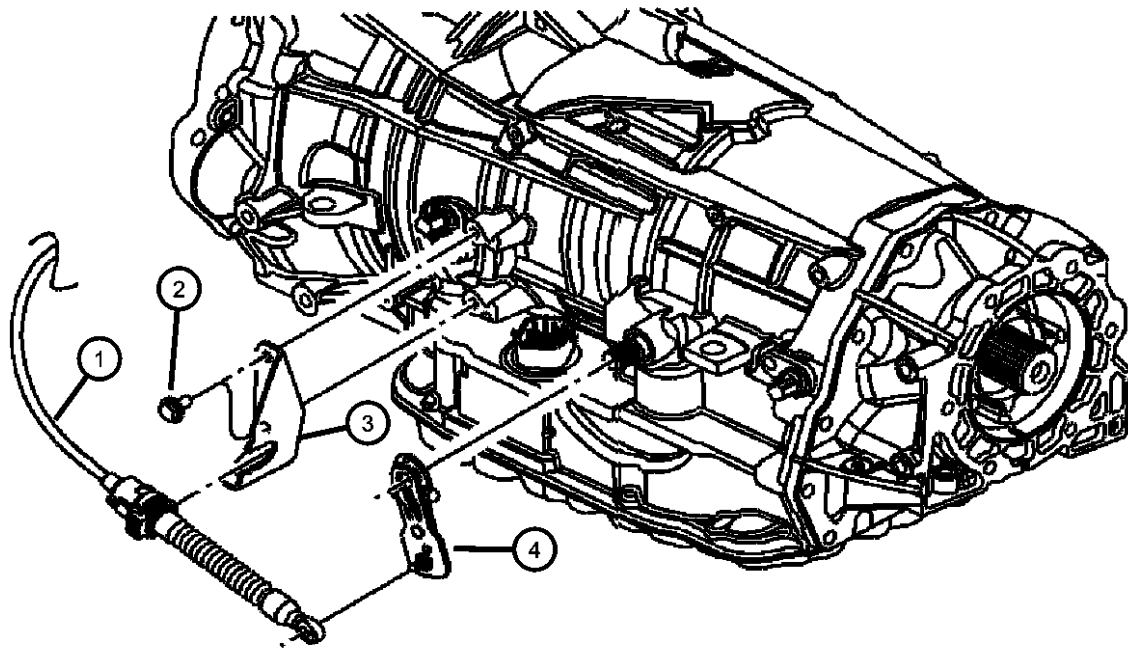
[DGQ]=5 Speed Automatic Transmission - [5-45RFE]

[DG0]=All Automatic Transmissions

[EV0]=All 4.7L V8 Engines

[EZ0]=All 5.7L V8 Engines

1	68003121AB	1	J, T			EV0, EZ0	DGQ		CABLE, Gearshift Control
2	06101758	2	J, T				DG0		SCREW, Hex Head, M8x1.25x20
3	52104371AG	1	J, T				DGQ		BRACKET, Shift Cable
4	52109706AB	1	J, T				DGQ		LEVER, Manual Control



GRAND CHEROKEE (WK)

SERIES LINE
H = HIGHLINE T = JEEP - 2WD
P = PREMIUM J = JEEP - 4WD
S = SPORT
X = SPECIAL

BODY
74 = SPORT UTILITY 4-DR
TYPE #4

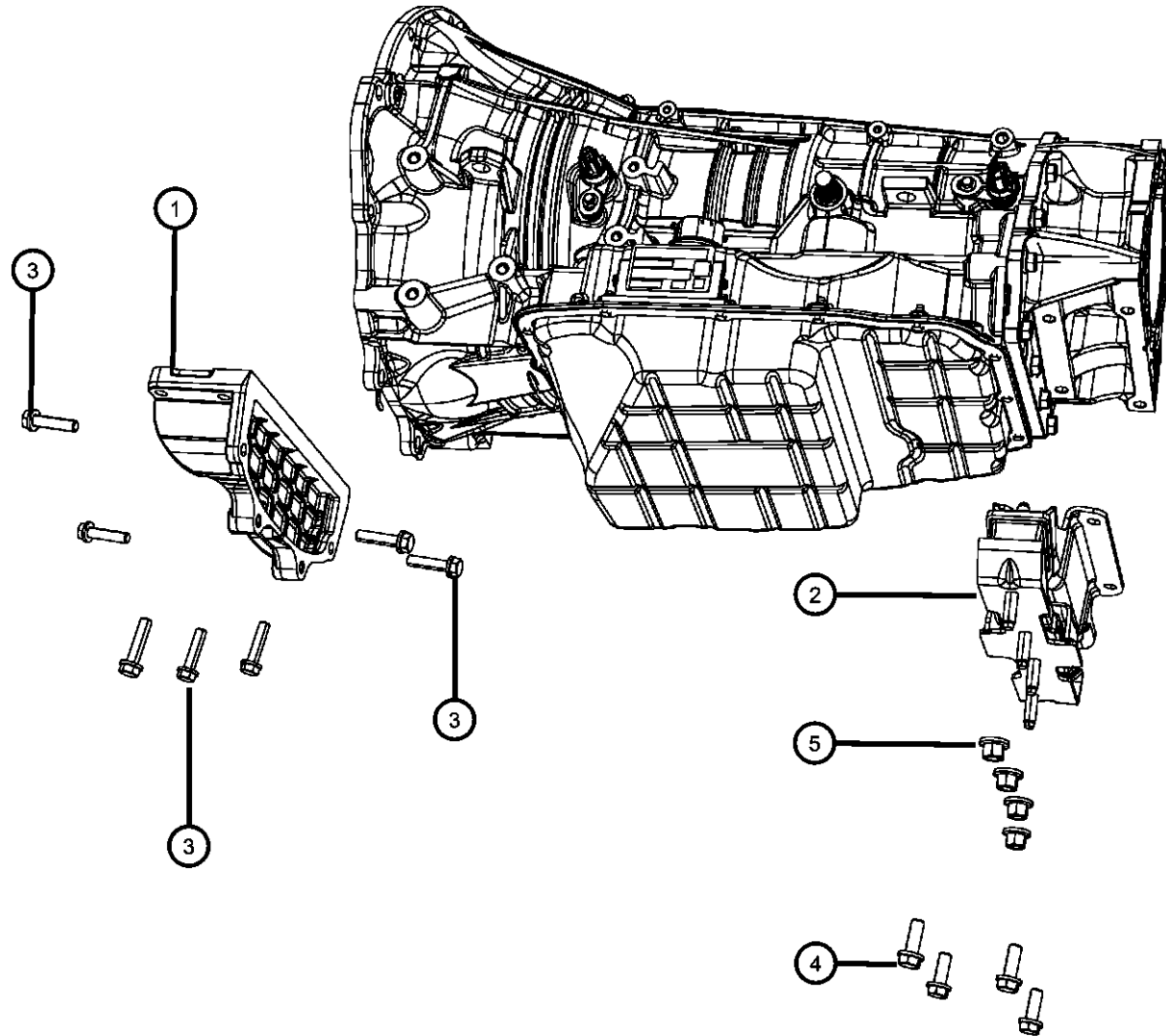
ENGINE TRANSMISSION
EVE = Engine - 4.7L V8 DOHC 3 Valve
EVB = Engine - 4.7L V8 DOHC 3 Valve
EZB = 5.7L Hemi Multi Displacement Engine
EKG = 3.7L V6 Engine
ESF = 6.1L SRT HEMI SMPI V8 Engine
EXL = 3.0L V6 Turbo Diesel Engine
DGJ = 5-Speed Auto W5A580 Transmission
DGU = 5-Spd Auto W5J400 Transmission
DGQ = 5-Spd Automatic 545RFE Transmission

AR = use ase required - = Non illustrated part

2008 WK

**Structural Collar
Figure 021DGQ-1210**

ITEM	PART NUMBER	QTY	LINE	SERIES	BODY	ENGINE	TRANS	TRIM	DESCRIPTION
1	53020885	1	J, T			EVO	DG0		COVER, Dust Structural
2	52089936AI	1	J			EVO	DG0		INSULATOR, Transmission support
	52089938AJ	1	T			EVO, EZ0	DG0		
	52124104AC	1	J			EZ0	DG0		
3	06101985	6	J, T			EZ0			BOLT AND WASHER, Hex Head, M10x1.50x45.00
4	06104215AA	4	J						BOLT, Hex Flange Head, M10x1.50x25.00
5	06104717AA	2	J, T			EVO, EZ0			NUT, Hex Flange Lock, M10x1.50



GRAND CHEROKEE (WK)

SERIES LINE
H = HIGHLINE T = JEEP - 2WD
P = PREMIUM J = JEEP - 4WD
S = SPORT
X = SPECIAL

BODY
74 = SPORT UTILITY 4-DR
TYPE #4

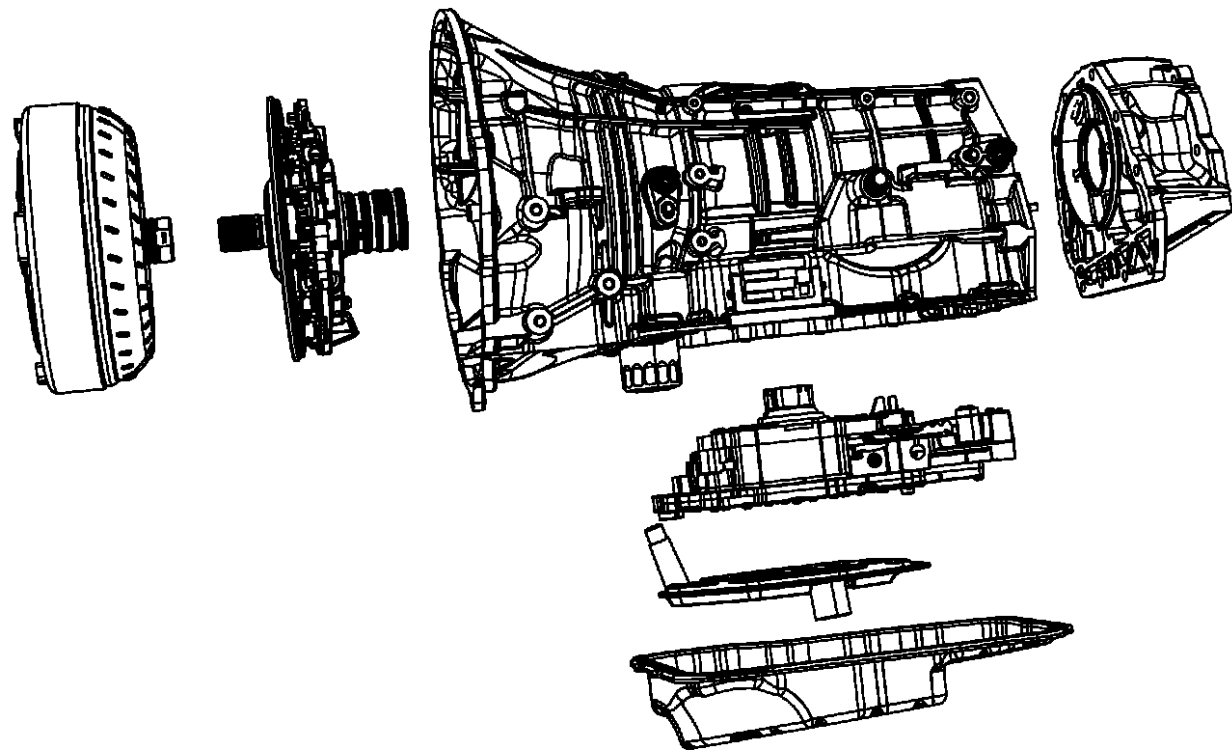
ENGINE TRANSMISSION
EVE = Engine - 4.7L V8 DOHC 3 Valve
EVB = Engine - 4.7L V8 DOHC 3 Valve
EZB = 5.7L Hemi Multi Displacement Engine
EKG = 3.7L V6 Engine
ESF = 6.1L SRT HEMI SMPI V8 Engine
EXL = 3.0L V6 Turbo Diesel Engine
DGJ = 5-Speed Auto W5A580 Transmission
DGU = 5-Spd Auto W5J400 Transmission
DGQ = 5-Spd Automatic 545RFE Transmission

AR = use ase required - = Non illustrated part

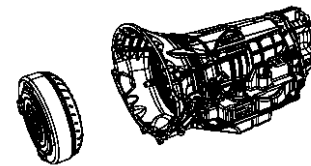
2008 WK

Group - 021DGU

NAG1; W5J400 - W5A330; 5-Speed; Automatic Transmission



021DGU-100
Automatic Transmission /
Transaxle and Torque Converter



021DGU-1100
Gearshift Controls and Related
Parts

021DGU-300
Seal and Shim Packages

021DGU-400
Oil Pump

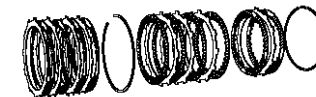
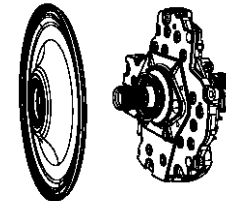
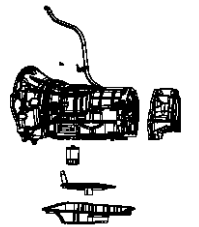
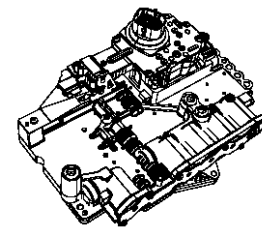
021DGU-1200
Mounting and Skid Plate

021DGU-500
Clutches

021DGU-200
Case, Extension, Oil Pan, and
Indicator (Dipstick)

021DGU-600
Gear Train

021DGU-800
Valve Body, Accumulator,
Solenoid and Parking Sprag

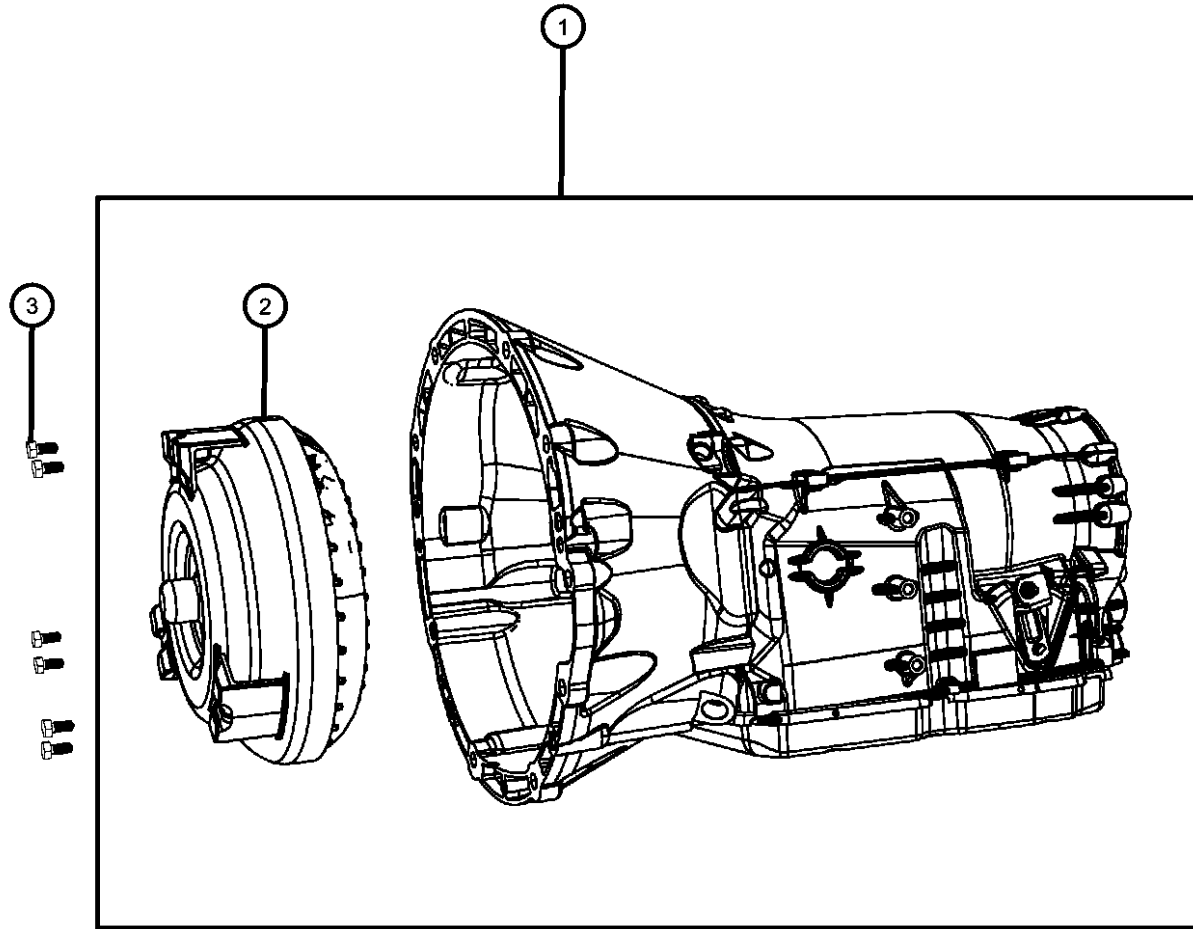


Group - 021DGU NAG1; W5J400 - W5A330; 5-Speed; Automatic Transmission

Illustration Title	Group-Fig. No.
Automatic Transmission / Transaxle and Torque Converter	
Transmission / Transaxle Assembly	Fig. 021DGU - 105
Torque Converter	Fig. 021DGU - 110
Case, Extension, Oil Pan, and Indicator (Dipstick)	
Case	Fig. 021DGU - 210
Adapter 4WD	Fig. 021DGU - 221
Extension 2WD	Fig. 021DGU - 222
Oil Fill Tube And Related Parts	Fig. 021DGU - 225
Oil Pan, Cover And Related Parts	Fig. 021DGU - 230
Filters	Fig. 021DGU - 235
Sensors, Vents And Quick Connectors	Fig. 021DGU - 240
Seal and Shim Packages	
Seal And Shim Packages	Fig. 021DGU - 305
Oil Pump	
Oil Pump and Related Parts	Fig. 021DGU - 420
Clutches	
B1 Brake Clutch	Fig. 021DGU - 526
K1 Clutch Assembly	Fig. 021DGU - 527
K2 Clutch Assembly	Fig. 021DGU - 528
K3 Clutch Assembly	Fig. 021DGU - 529
B3 Clutch Assembly	Fig. 021DGU - 530
B2 Clutch Assembly	Fig. 021DGU - 531
B2 Clutch Assembly	Fig. 021DGU - 532
Gear Train	
Front Planetary Carrier	Fig. 021DGU - 611
Output Shaft With Center And Rear Planetary Gear Sets	Fig. 021DGU - 612
Valve Body, Accumulator, Solenoid and Parking Sprag	
Valve Body And Related Parts	Fig. 021DGU - 825
Parking Sprag And Related Parts	Fig. 021DGU - 860
Gearshift Controls and Related Parts	
Gearshift Controls	Fig. 021DGU - 1105
Gearshift Lever, Cable and Bracket	Fig. 021DGU - 1115
Mounting and Skid Plate	
Mounting Covers And Shields	Fig. 021DGU - 1205
Torque Converter Access Plug	Fig. 021DGU - 1207
Mounting Bolts	Fig. 021DGU - 1215

**Transmission / Transaxle Assembly
Figure 021DGU-105**

ITEM	PART NUMBER	QTY	LINE	SERIES	BODY	ENGINE	TRANS	TRIM	DESCRIPTION
1									TRANSMISSION, With Torque Converter
	52108574AA	1	J			EX0	DGU		
	52108653AA	1	T			EX0	DGU		
2									TORQUE CONVERTER
	05166593AA	1	J			EX0	DGU		
		1	T			EX0	DGU		
3	06508423AA	6	J, T			EXL	DGU		SCREW



GRAND CHEROKEE (WK)

SERIES LINE
H = HIGHLINE T = JEEP - 2WD
P = PREMIUM J = JEEP - 4WD
S = SPORT
X = SPECIAL

BODY
74 = SPORT UTILITY 4-DR
TYPE #4

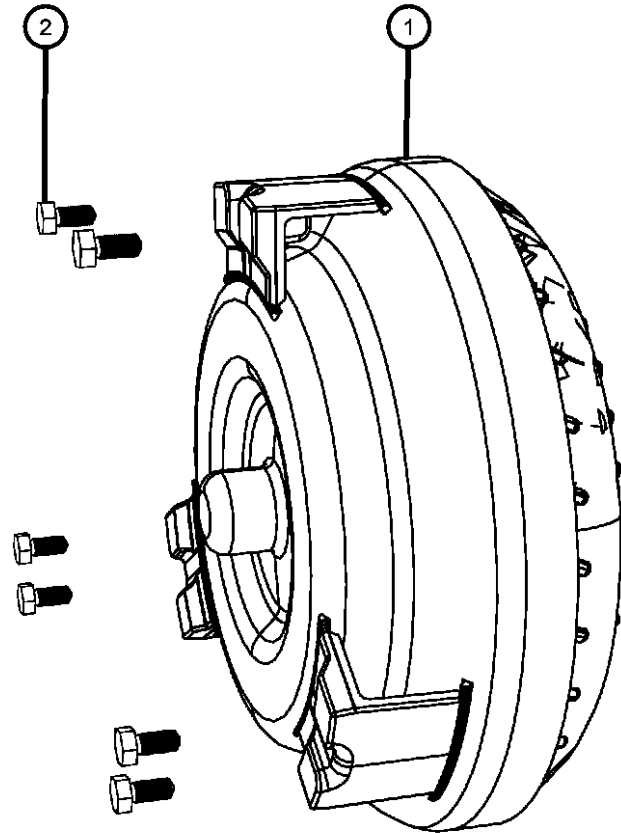
ENGINE TRANSMISSION
EVE = Engine - 4.7L V8 DOHC 3 Valve
EZB = 5.7L Hemi Multi Displacement Engine
EKG = 3.7L V6 Engine
ESF = 6.1L SRT HEMI SMPI V8 Engine
EXL = 3.0L V6 Turbo Diesel Engine
DGJ = 5-Speed Auto W5A580 Transmission
DGU = 5-Spd Auto W5J400 Transmission
DGQ = 5-Spd Automatic 545RFE Transmission

AR = use ase required - = Non illustrated part

2008 WK

Torque Converter
Figure 021DGU-110

ITEM	PART NUMBER	QTY	LINE	SERIES	BODY	ENGINE	TRANS	TRIM	DESCRIPTION
1	05166593AA	1	J			EX0	DGU		TORQUE CONVERTER
		1	T			EX0	DGU		
2	06508423AA	6	J, T			EXL	DGU		SCREW



GRAND CHEROKEE (WK)

SERIES LINE
H = HIGHLINE T = JEEP - 2WD
P = PREMIUM J = JEEP - 4WD
S = SPORT
X = SPECIAL

BODY
74 = SPORT UTILITY 4-DR
TYPE #4

ENGINE TRANSMISSION
EVE = Engine - 4.7L V8 DOHC 3 Valve
EVB = Engine - 4.7L V8 DOHC 3 Valve
EZA = 5.7L Hemi Multi Displacement Engine
EKB = 3.7L V6 Engine
ESF = 6.1L SRT HEMI SMPI V8 Engine
EXL = 3.0L V6 Turbo Diesel Engine
DGJ = 5-Speed Auto W5A580 Transmission
DGU = 5-Spd Auto W5J400 Transmission
DGQ = 5-Spd Automatic 545RFE Transmission

AR = use ase required - = Non illustrated part

2008 WK

Case
Figure 021DGU-210

ITEM	PART NUMBER	QTY	LINE	SERIES	BODY	ENGINE	TRANS	TRIM	DESCRIPTION
1	05140786AA	1	J			EX0	DGU		HOUSING, Torque Converter
		1	T			EX0	DGU		
2	52108206AA	15	J			EX0	DGU		BOLT, Socket Head, M8x40
		15	T			EX0	DGU		
3	06104158AA	2	J			EX0	DGU		BOLT, Torx Head, M8x1.25x40, Case to Bell Housing
		2	T			EX0	DGU		
4	05097655AA	1	T			EX0	DGU		CASE, Transmission
	05161816AA	1	J			EX0	DGU		
5	52108155AA	1	J			EX0	DGU		SHAFT, Parking Pawl
		1	T			EX0	DGU		
6	52108156AB	1	J			EX0	DGU		O RING
		1	T			EX0	DGU		
7	52107975AA	1	J			EX0	DGU		SNAP RING
		1	T			EX0	DGU		
8	52108176AA	1	J			EX0	DGU		GUIDE
		1	T			EX0	DGU		
9	52108177AA	1	J			EX0	DGU		O RING
		1	T			EX0	DGU		
10	52107976AA	1	J			EX0	DGU		SNAP RING
		1	T			EX0	DGU		
11	52108157AA	1	J			EX0	DGU		SPRING

GRAND CHEROKEE (WK)

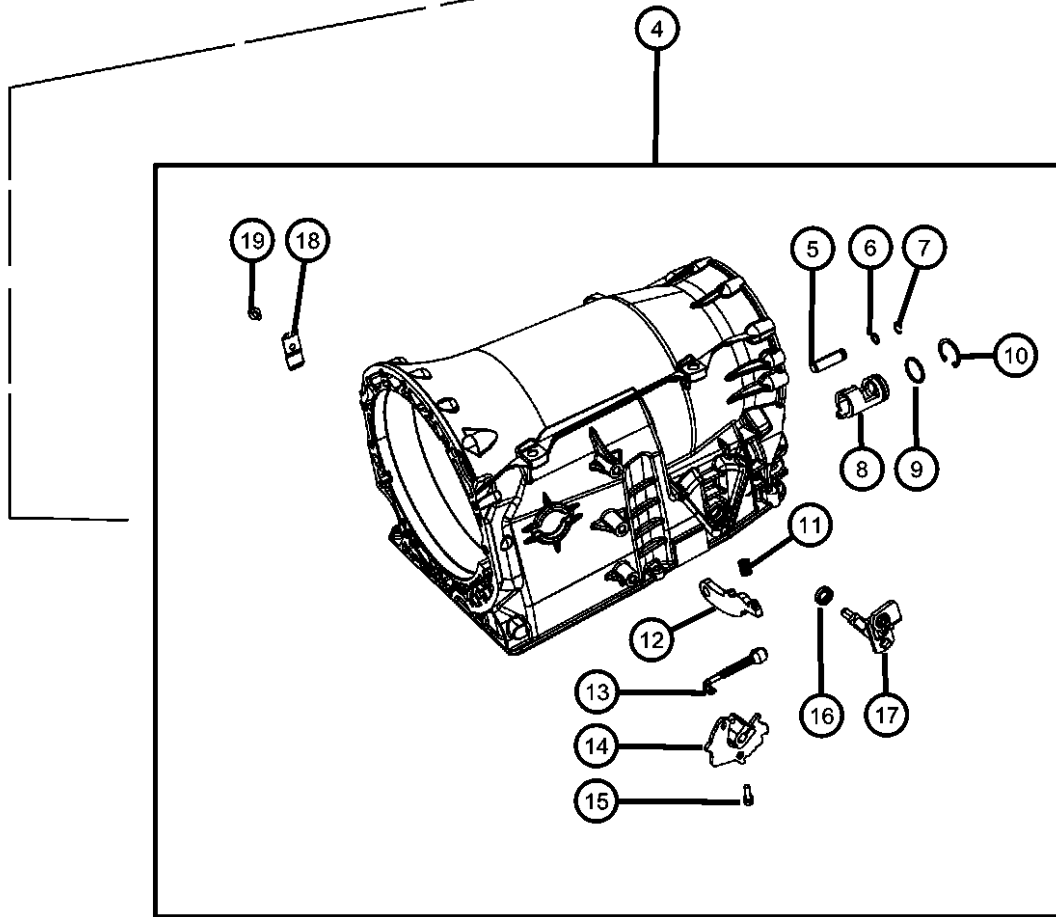
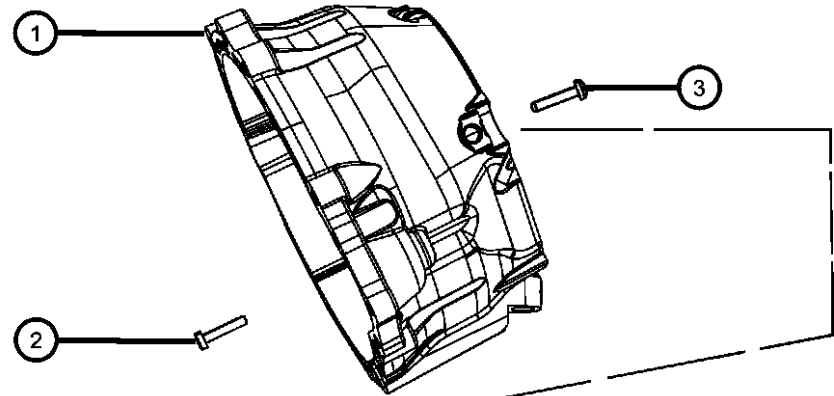
SERIES LINE
H = HIGHLINE T = JEEP - 2WD
P = PREMIUM J = JEEP - 4WD
S = SPORT
X = SPECIAL

BODY
74 = SPORT UTILITY 4-DR
TYPE #4

ENGINE TRANSMISSION
EVE = Engine - 4.7L V8 DOHC
3 Valve DGJ = 5-Speed Auto W5A580
Transmission
EZB = 5.7L Hemi Multi
Displacement Engine DGU = 5-Spd Auto W5J400
Transmission
EKG = 3.7L V6 Engine DGQ = 5-Spd Automatic 545RFE
Transmission
ESF = 6.1L SRT HEMI SMPI
V8 Engine
EXL = 3.0L V6 Turbo Diesel
Engine

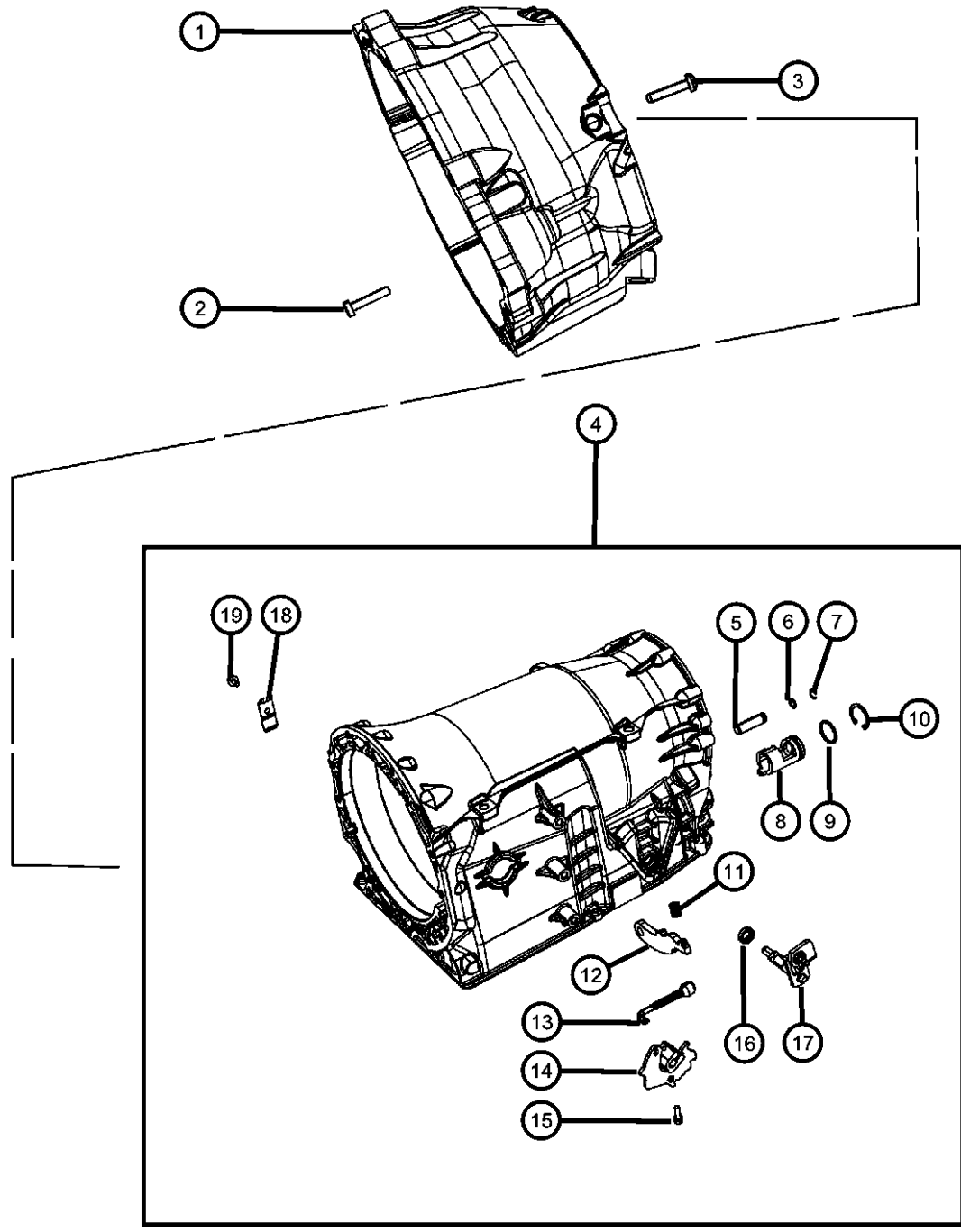
AR = use ase required - = Non illustrated part

2008 WK



Case
Figure 021DGU-210

ITEM	PART NUMBER	QTY	LINE	SERIES	BODY	ENGINE	TRANS	TRIM	DESCRIPTION
12		1	T			EX0	DGU		PAWL, Parking Sprag
	52108154AA	1	J			EX0	DGU		
		1	T			EX0	DGU		
13									LINKAGE, Transmission
	52108166AA	1	J			EX0	DGU		
		1	T			EX0	DGU		
14									DETENT, Gearshift
	52108349AA	1	J			EX0	DGU		
		1	T			EX0	DGU		
15									BOLT, Torx Head, M6x20
	52108178AA	1	J			EX0	DGU		
		1	T			EX0	DGU		
16									SEAL, Transmission
	05134933AA	1	J			EX0	DGU		
		1	T			EX0	DGU		
17									SHAFT, Shift Lever
	52108432AA	1	J			EX0	DGU		
		1	T			EX0	DGU		
18									SPRING
	52108179AA	1	J			EX0	DGU		
		1	T			EX0	DGU		
19		1							SCREW AND WASHER, Hex Head, M6x1x14, (NOT SERVICED)



GRAND CHEROKEE (WK)

SERIES LINE
H = HIGHLINE T = JEEP - 2WD
P = PREMIUM J = JEEP - 4WD
S = SPORT
X = SPECIAL

BODY
74 = SPORT UTILITY 4-DR
TYPE #4

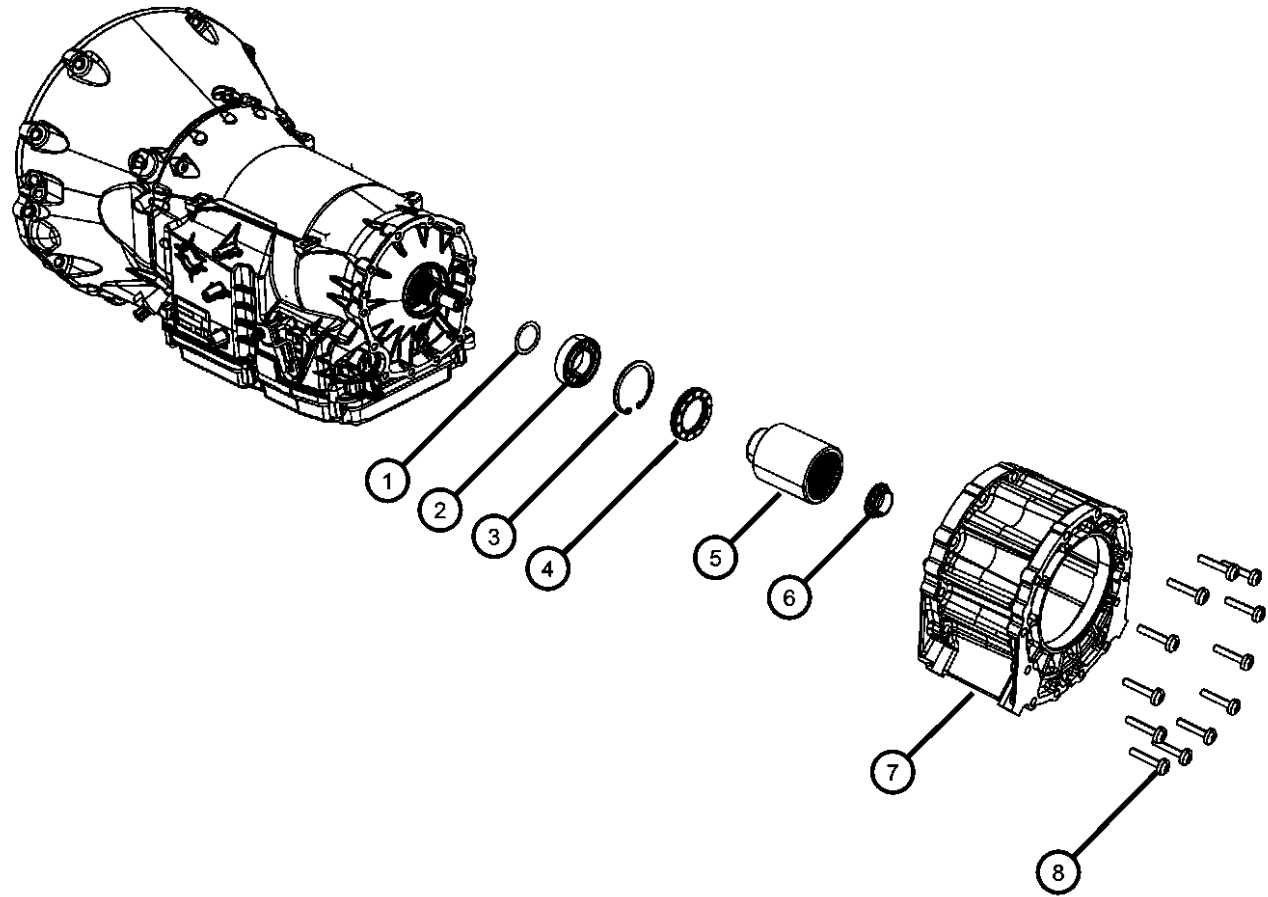
ENGINE TRANSMISSION
EVE = Engine - 4.7L V8 DOHC 3 Valve
EZB = 5.7L Hemi Multi Displacement Engine
EKG = 3.7L V6 Engine
ESF = 6.1L SRT HEMI SMPI V8 Engine
EXL = 3.0L V6 Turbo Diesel Engine
DGJ = 5-Speed Auto W5A580 Transmission
DGU = 5-Spd Auto W5J400 Transmission
DGQ = 5-Spd Automatic 545RFE Transmission

AR = use ase required - = Non illustrated part

2008 WK

**Adapter 4WD
Figure 021DGU-221**

ITEM	PART NUMBER	QTY	LINE	SERIES	BODY	ENGINE	TRANS	TRIM	DESCRIPTION
1	68001917AA	1	J			EX0	DGU		SHIM PACKAGE, Park & output bearing
2	52108207AA	1	J			EX0	DGU		BEARING, Output Shaft
3	68008210AA	1	J			EX0	DGU		SNAP RING PACKAGE, Transmission
4	52108428AA	1	J			EX0	DGU		SEAL, Output Shaft
5	05140844AA	1	J			EX0	DGU		SHAFT, Intermediate
6	52108234AA	1	J			EX0	DGU		NUT, Flange to Output Shaft, M26x1.5
7	05140845AA	1	J			EX0	DGU		ADAPTER, Transfer Case
8	06104157AB	12	J			EX0	DGU		BOLT, Torx Head, M8x1.25x35.00



GRAND CHEROKEE (WK)

SERIES LINE
H = HIGHLINE T = JEEP - 2WD
P = PREMIUM J = JEEP - 4WD
S = SPORT
X = SPECIAL

BODY
74 = SPORT UTILITY 4-DR
TYPE #4

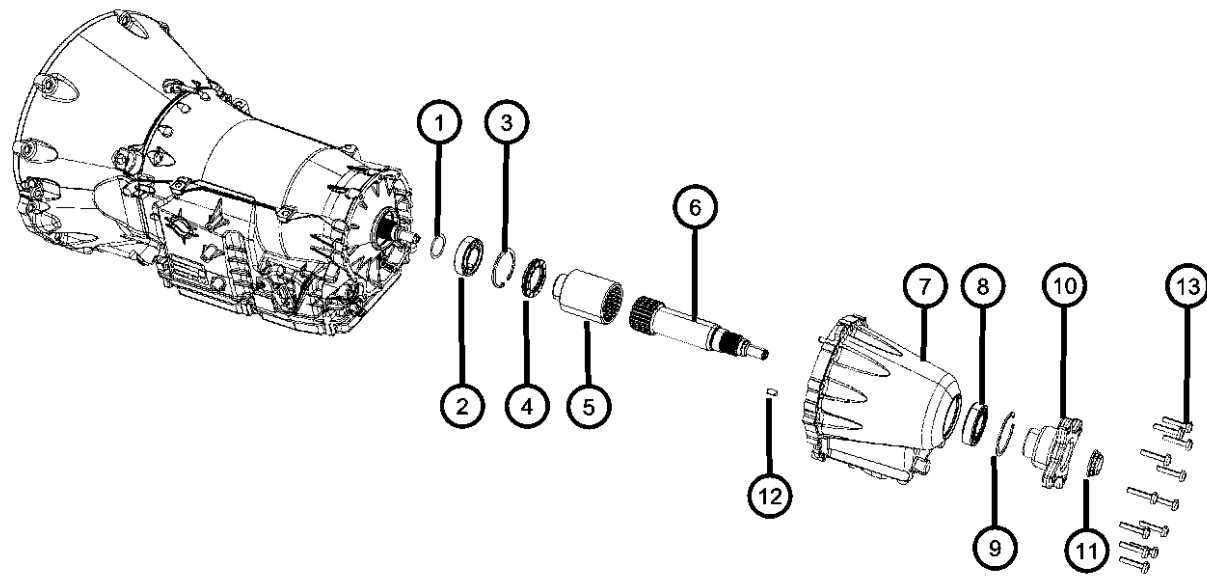
ENGINE TRANSMISSION
EVE = Engine - 4.7L V8 DOHC 3 Valve
EVB = Engine - 4.7L V8 DOHC 3 Valve
EZB = 5.7L Hemi Multi Displacement Engine
EKG = 3.7L V6 Engine
ESF = 6.1L SRT HEMI SMPI V8 Engine
EXL = 3.0L V6 Turbo Diesel Engine
DGJ = 5-Speed Auto W5A580 Transmission
DGU = 5-Spd Auto W5J400 Transmission
DGQ = 5-Spd Automatic 545RFE Transmission

AR = use ase required - = Non illustrated part

2008 WK

Extension 2WD
Figure 021DGU-222

ITEM	PART NUMBER	QTY	LINE	SERIES	BODY	ENGINE	TRANS	TRIM	DESCRIPTION
1	68001917AA	1	T			EX0	DGU		SHIM PACKAGE, Park & output bearing
2	52108207AA	1	T			EX0	DGU		BEARING, Output Shaft
3	68008210AA	1	T			EX0	DGU		SNAP RING PACKAGE, Transmission
4	52108428AA	1	T			EX0	DGU		SEAL, Output Shaft
5		1							FLANGE, Output, (NOT SERVICED)
6	52108587AA	1	T			EX0	DGU		SHAFT, Output
7	52108582AA	1	T			EX0	DGU		EXTENSION, Transmission
8	04539879	1	T			EX0	DGU		BEARING, Differential
9	06035361	1	T			EX0	DGU		SNAP RING
10	52108496AB	1	T			EX0	DGU		FLANGE, Output
11	52108234AA	1	T			EX0	DGU		NUT, Flange to Output Shaft, M26x1.5
12	06508935AA	2	T			EX0	DGU		PIN
13	06104157AB	12	T			EX0	DGU		BOLT, Torx Head, M8x1.25x35.00



GRAND CHEROKEE (WK)

SERIES LINE
H = HIGHLINE T = JEEP - 2WD
P = PREMIUM J = JEEP - 4WD
S = SPORT
X = SPECIAL

BODY
74 = SPORT UTILITY 4-DR
TYPE #4

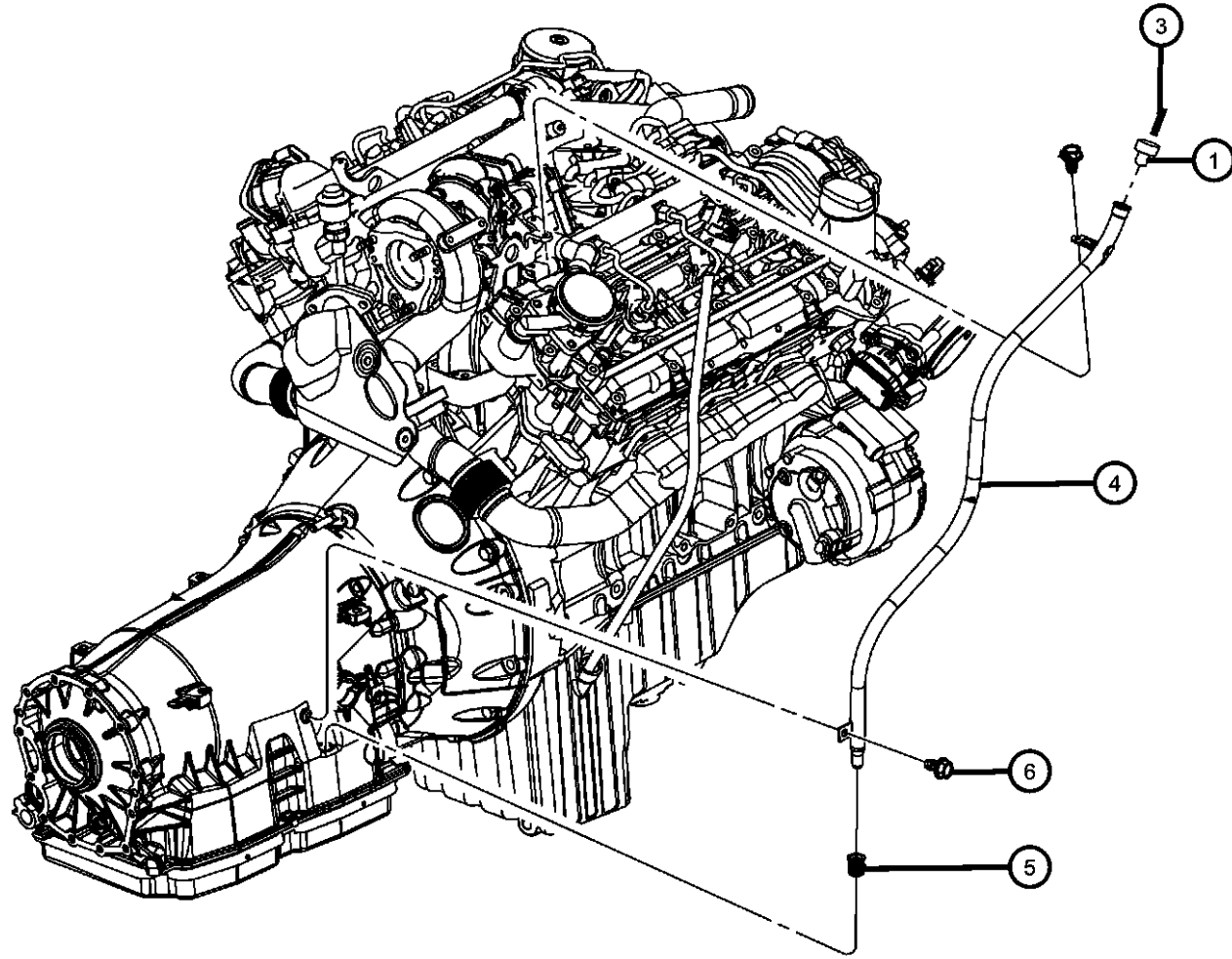
ENGINE TRANSMISSION
EVE = Engine - 4.7L V8 DOHC 3 Valve
EZB = 5.7L Hemi Multi Displacement Engine
EKG = 3.7L V6 Engine
ESF = 6.1L SRT HEMI SMPI V8 Engine
EXL = 3.0L V6 Turbo Diesel Engine
DGJ = 5-Speed Auto W5A580 Transmission
DGU = 5-Spd Auto W5J400 Transmission
DGQ = 5-Spd Automatic 545RFE Transmission

AR = use ase required - = Non illustrated part

2008 WK

**Oil Fill Tube And Related Parts
Figure 021DGU-225**

ITEM	PART NUMBER	QTY	LINE	SERIES	BODY	ENGINE	TRANS	TRIM	DESCRIPTION
1	53013549AA	1	J, T			EXL	DGU		CAP, Oil Filler
-2	05101154AA	1	J, T			EXL	DGU		SEAL, Oil Filler Tube
3	05093746AA	1	J, T			EXL	DGU		PIN
4	53013684AD	1	J, T			EXL	DGU		TUBE, Transmission Oil Filler
5									SEAL, Oil Filler Tube
	52108664AA	1	T			EX0	DGU		
		1	J			EX0	DGU		
6	06504785	1	J, T				DGU		SCREW AND WASHER



GRAND CHEROKEE (WK)

SERIES LINE
H = HIGHLINE T = JEEP - 2WD
P = PREMIUM J = JEEP - 4WD
S = SPORT
X = SPECIAL

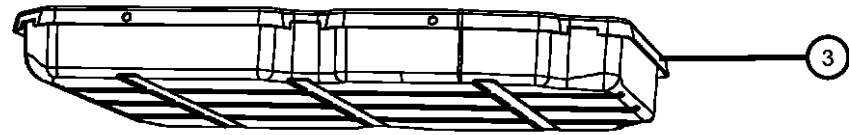
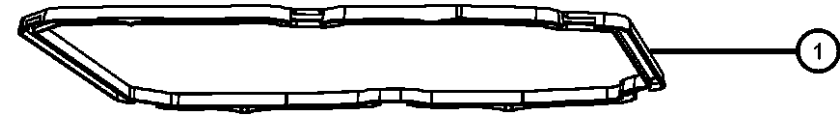
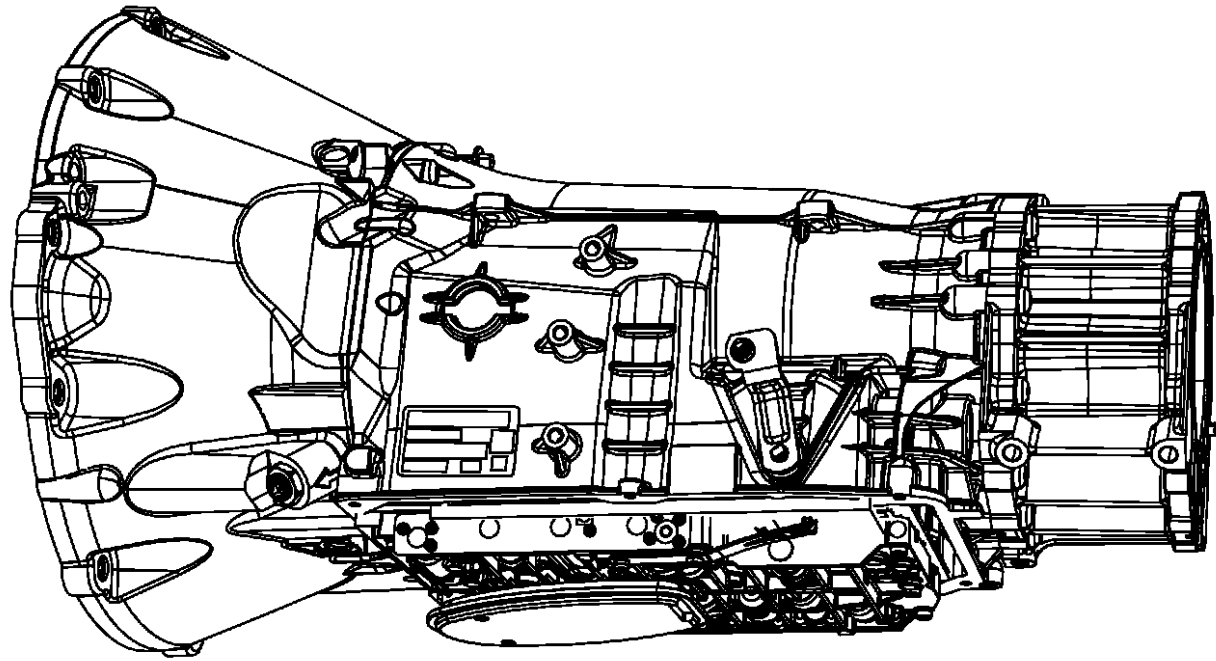
BODY
74 = SPORT UTILITY 4-DR
TYPE #4

ENGINE TRANSMISSION
EVE = Engine - 4.7L V8 DOHC 3 Valve
EZB = 5.7L Hemi Multi Displacement Engine
EKG = 3.7L V6 Engine
ESF = 6.1L SRT HEMI SMPI V8 Engine
EXL = 3.0L V6 Turbo Diesel Engine
DGJ = 5-Speed Auto W5A580 Transmission
DGU = 5-Spd Auto W5J400 Transmission
DGQ = 5-Spd Automatic 545RFE Transmission

AR = use ase required - = Non illustrated part

2008 WK

**Oil Pan, Cover And Related Parts
Figure 021DGU-230**



ITEM	PART NUMBER	QTY	LINE	SERIES	BODY	ENGINE	TRANS	TRIM	DESCRIPTION
1	52108332AA	1	J			EX0	DGU		GASKET, Oil Pan
		1	T			EX0	DGU		
2	03681601	1	J			EX0	DGU		MAGNET, Transmission
		1	T			EX0	DGU		
3	52108326AA	1	J			EX0	DGU		PAN, Transmission Oil
		1	T			EX0	DGU		
4	05080289AA	1	J			EX0	DGU		CLAMP, Oil Pan
		1	T			EX0	DGU		
5	52108334AA	5	J			EX0	DGU		CLAMP, Oil Pan
		5	T			EX0	DGU		
6	52108270AA	6	J			EX0	DGU		BOLT, Torx Head, M6x32
		6	T			EX0	DGU		

GRAND CHEROKEE (WK)

SERIES LINE
H = HIGHLINE T = JEEP - 2WD
P = PREMIUM J = JEEP - 4WD
S = SPORT
X = SPECIAL

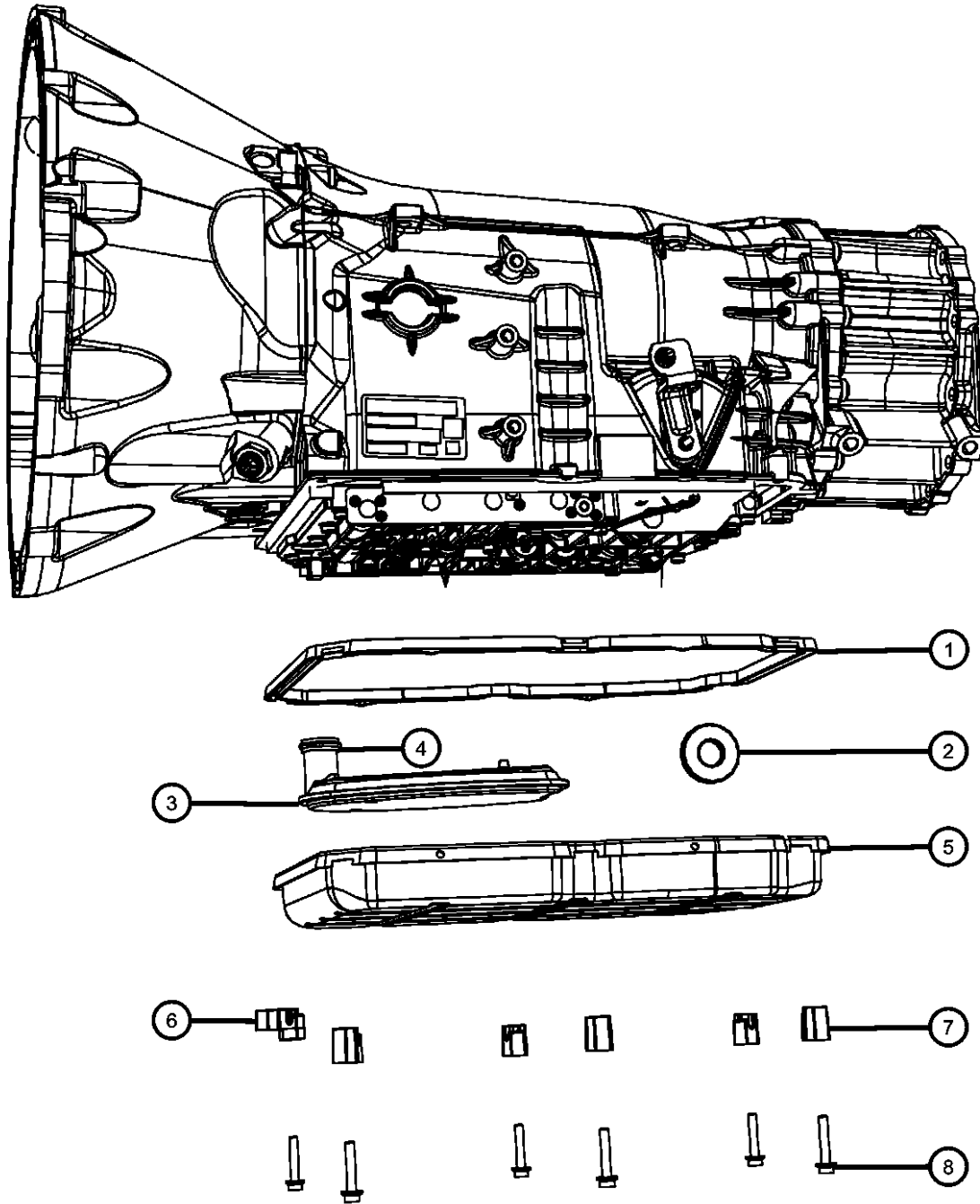
BODY
74 = SPORT UTILITY 4-DR
TYPE #4

ENGINE
EVE = Engine - 4.7L V8 DOHC
3 Valve
EZB = 5.7L Hemi Multi
Displacement Engine
EKG = 3.7L V6 Engine
ESF = 6.1L SRT HEMI SMPI
V8 Engine
EXL = 3.0L V6 Turbo Diesel
Engine

TRANSMISSION
DGJ = 5-Speed Auto W5A580
Transmission
DGU = 5-Spd Auto W5J400
Transmission
DGQ = 5-Spd Automatic 545RFE
Transmission

AR = use ase required - = Non illustrated part

Filters
Figure 021DGU-235



ITEM	PART NUMBER	QTY	LINE	SERIES	BODY	ENGINE	TRANS	TRIM	DESCRIPTION
1	52108332AA	1	J			EX0	DGU		GASKET, Oil Pan
		1	T			EX0	DGU		
2	03681601	1	J			EX0	DGU		MAGNET, Transmission
		1	T			EX0	DGU		
3	52108325AA	1	J			EX0	DGU		FILTER, Transmission Oil
		1	T			EX0	DGU		
4		1							O RING, (NOT SERVICED)
5	52108326AA	1	J			EX0	DGU		PAN, Transmission Oil
		1	T			EX0	DGU		
6	05080289AA	1	J			EX0	DGU		CLAMP, Oil Pan
		1	T			EX0	DGU		
7	52108334AA	5	J			EX0	DGU		CLAMP, Oil Pan
		5	T			EX0	DGU		
8	52108270AA	6	J			EX0	DGU		BOLT, Torx Head, M6x32
		6	T			EX0	DGU		

GRAND CHEROKEE (WK)

SERIES LINE
H = HIGHLINE T = JEEP - 2WD
P = PREMIUM J = JEEP - 4WD
S = SPORT
X = SPECIAL

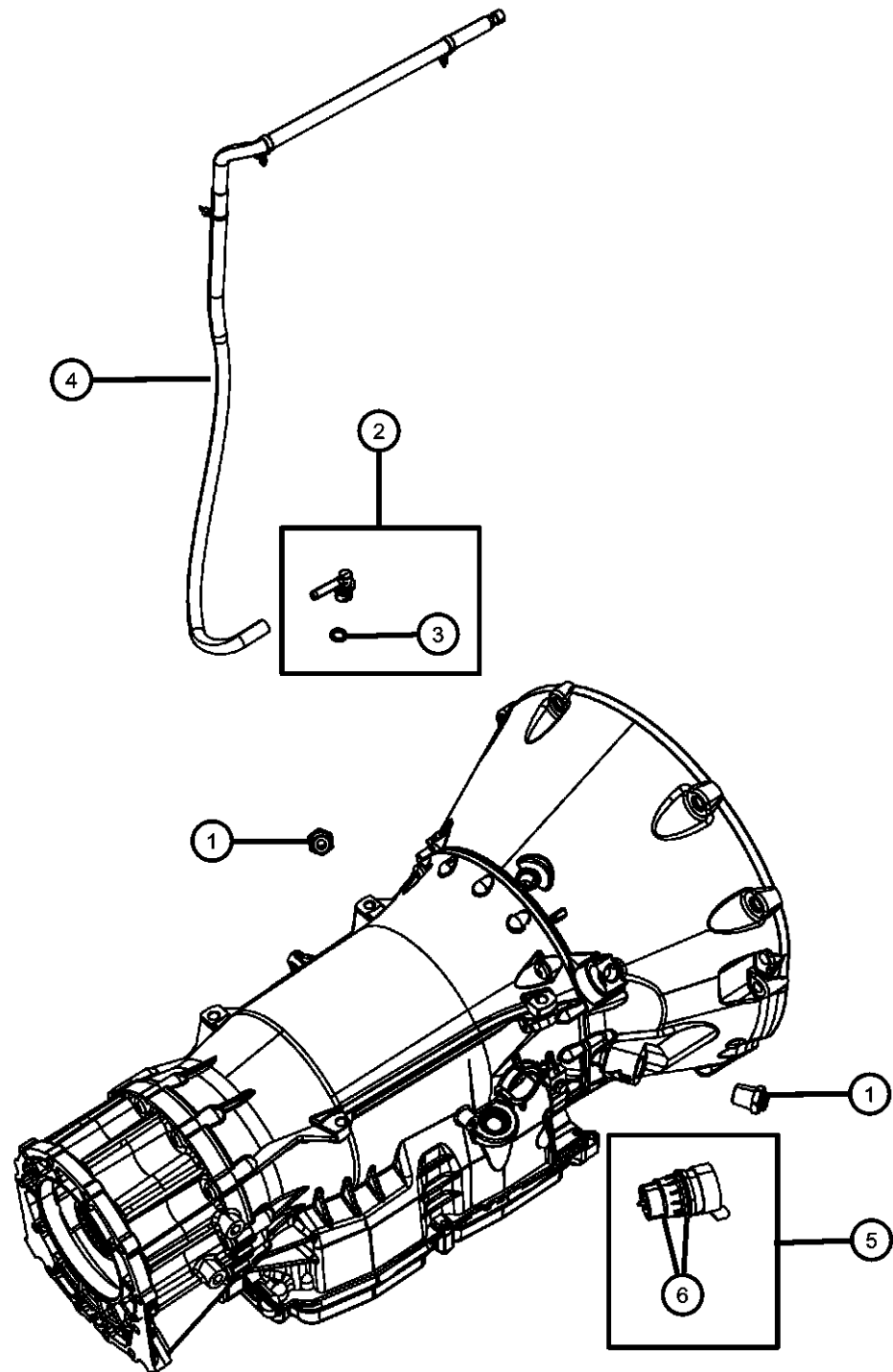
BODY
74 = SPORT UTILITY 4-DR
TYPE #4

ENGINE TRANSMISSION
EVE = Engine - 4.7L V8 DOHC 3 Valve
EZB = 5.7L Hemi Multi Displacement Engine
EKG = 3.7L V6 Engine
ESF = 6.1L SRT HEMI SMPI V8 Engine
EXL = 3.0L V6 Turbo Diesel Engine
DGJ = 5-Speed Auto W5A580 Transmission
DGU = 5-Spd Auto W5J400 Transmission
DGQ = 5-Spd Automatic 545RFE Transmission

AR = use ase required - = Non illustrated part

2008 WK

Sensors, Vents And Quick Connectors
Figure 021DGU-240



ITEM	PART NUMBER	QTY	LINE	SERIES	BODY	ENGINE	TRANS	TRIM	DESCRIPTION
1	55111023AA	2	J			EX0	DGU		FITTING, Quick Connect
		2	T			EX0	DGU		
2	52108397AA	1	T			EX0	DGU		BREATHER, Transmission
		1	J			EX0	DGU		
3	52108399AA	1	J			EX0	DGU		O RING
		1	T			EX0	DGU		
4	53013761AC	1	J, T			EX0	DGU		TUBE, Vent
5	68021352AA	1	J			EX0	DGU		PLUG, Adapter
		1	T			EX0	DGU		
6	68001278AA	1	T			EX0	DGU		O RING, Adapter Plug
		1	J			EX0	DGU		Large
		1	J			EX0	DGU		Large
	68001279AA	1	T			EX0	DGU		Small
		1	J			EX0	DGU		Small

GRAND CHEROKEE (WK)

SERIES LINE
H = HIGHLINE T = JEEP - 2WD
P = PREMIUM J = JEEP - 4WD
S = SPORT
X = SPECIAL

BODY
74 = SPORT UTILITY 4-DR
TYPE #4

ENGINE TRANSMISSION
EVE = Engine - 4.7L V8 DOHC 3 Valve
EVB = Engine - 4.7L V8 DOHC 3 Valve
EZB = 5.7L Hemi Multi Displacement Engine
EKG = 3.7L V6 Engine
ESF = 6.1L SRT HEMI SMPI V8 Engine
EXL = 3.0L V6 Turbo Diesel Engine
DGJ = 5-Speed Auto W5A580 Transmission
DGU = 5-Spd Auto W5J400 Transmission
DGQ = 5-Spd Automatic 545RFE Transmission

AR = use ase required - = Non illustrated part

2008 WK

**Seal And Shim Packages
Figure 021DGU-305**

ITEM	PART NUMBER	QTY	LINE	SERIES	BODY	ENGINE	TRANS	TRIM	DESCRIPTION
------	-------------	-----	------	--------	------	--------	-------	------	-------------

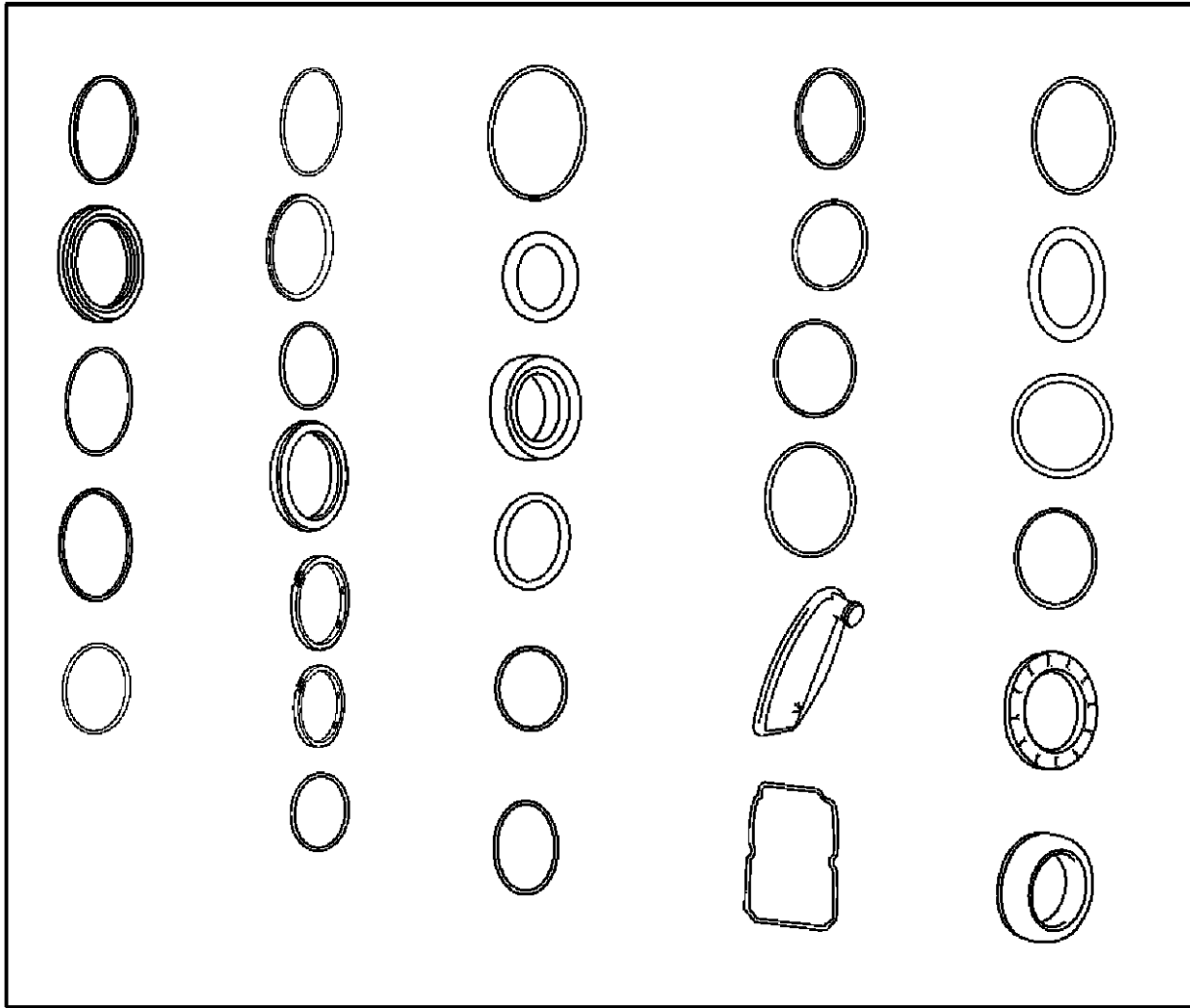
NOTE: PARTS ILLUSTRATED ARE NOT IN SCALE OR IN CORRECT SIZE. THIS IS A GASKET AND SEAL PACKAGE. IT DOES NOT INCLUDE

1

SEAL AND GASKET PACKAGE,
Transmission, See Note:

05139580AI	1	J				EX0	DGU		
	1	T				EX0	DGU		

1



GRAND CHEROKEE (WK)

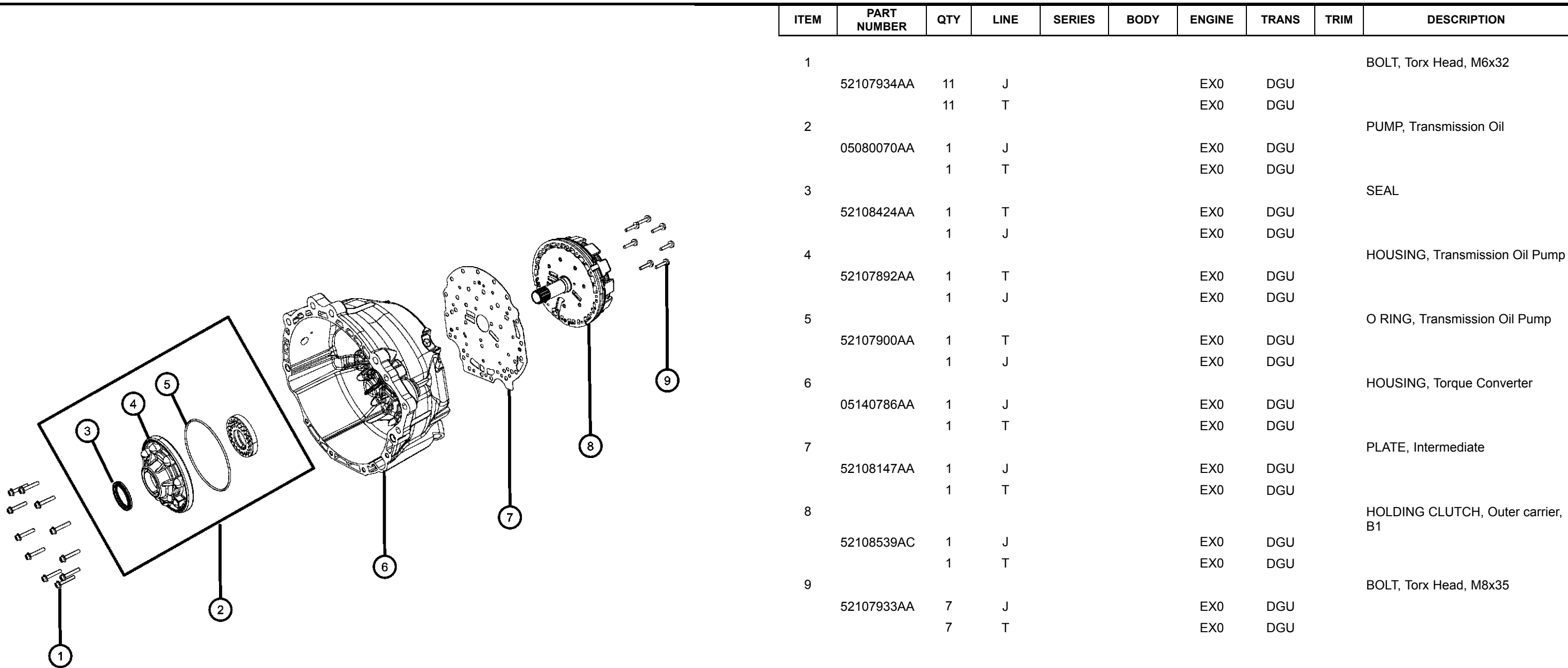
SERIES LINE
 H = HIGHLINE T = JEEP - 2WD
 P = PREMIUM J = JEEP - 4WD
 S = SPORT
 X = SPECIAL

BODY
 74 = SPORT UTILITY 4-DR
 TYPE #4

ENGINE TRANSMISSION
 EVE = Engine - 4.7L V8 DOHC 3 Valve
 EZB = 5.7L Hemi Multi Displacement Engine
 EKG = 3.7L V6 Engine
 ESF = 6.1L SRT HEMI SMPI V8 Engine
 EXL = 3.0L V6 Turbo Diesel Engine
 DGJ = 5-Speed Auto W5A580 Transmission
 DGU = 5-Spd Auto W5J400 Transmission
 DGQ = 5-Spd Automatic 545RFE Transmission

AR = use ase required - = Non illustrated part

**Oil Pump and Related Parts
Figure 021DGU-420**



ITEM	PART NUMBER	QTY	LINE	SERIES	BODY	ENGINE	TRANS	TRIM	DESCRIPTION
1	52107934AA	11	J			EX0	DGU		BOLT, Torx Head, M6x32
		11	T			EX0	DGU		
2	05080070AA	1	J			EX0	DGU		PUMP, Transmission Oil
		1	T			EX0	DGU		
3	52108424AA	1	T			EX0	DGU		SEAL
		1	J			EX0	DGU		
4	52107892AA	1	T			EX0	DGU		HOUSING, Transmission Oil Pump
		1	J			EX0	DGU		
5	52107900AA	1	T			EX0	DGU		O RING, Transmission Oil Pump
		1	J			EX0	DGU		
6	05140786AA	1	J			EX0	DGU		HOUSING, Torque Converter
		1	T			EX0	DGU		
7	52108147AA	1	J			EX0	DGU		PLATE, Intermediate
		1	T			EX0	DGU		
8	52108539AC	1	J			EX0	DGU		HOLDING CLUTCH, Outer carrier, B1
		1	T			EX0	DGU		
9	52107933AA	7	J			EX0	DGU		BOLT, Torx Head, M8x35
		7	T			EX0	DGU		

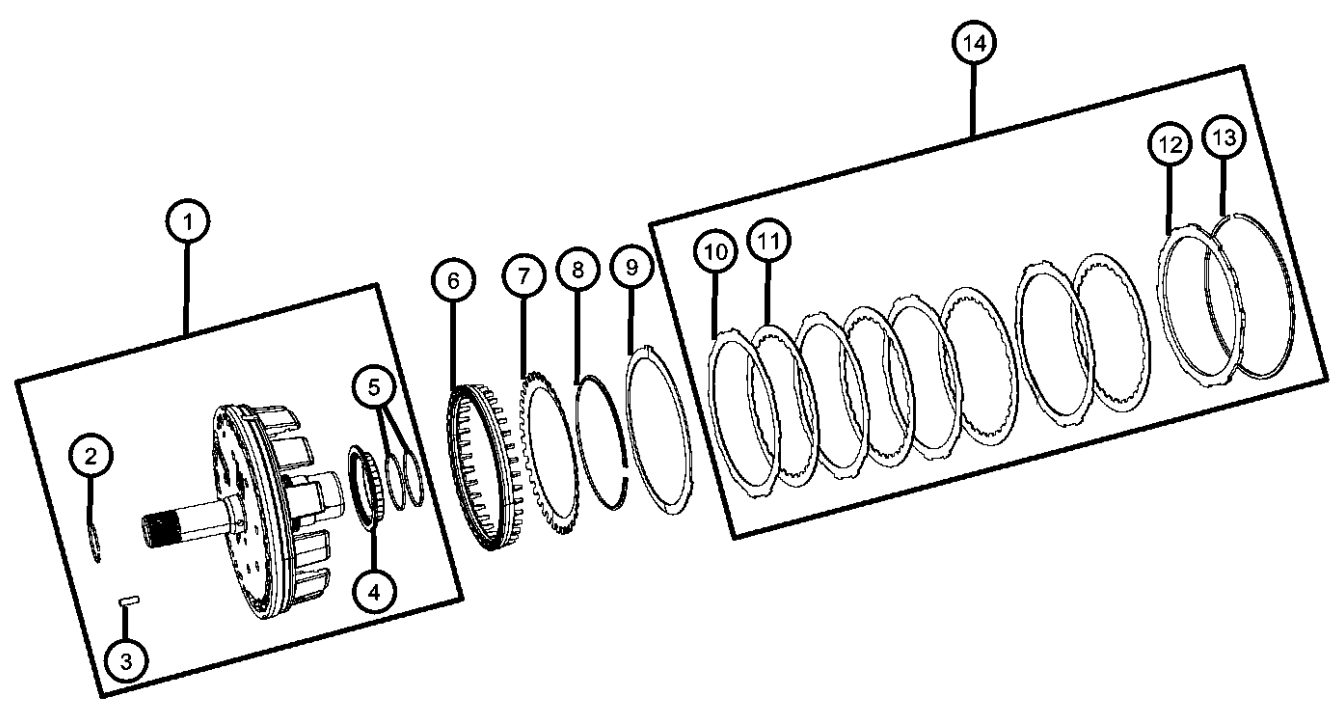
GRAND CHEROKEE (WK)

SERIES	LINE	BODY	ENGINE	TRANSMISSION
H = HIGHLINE	T = JEEP - 2WD	74 = SPORT UTILITY 4-DR	EVE = Engine - 4.7L V8 DOHC	DGJ = 5-Speed Auto W5A580
P = PREMIUM	J = JEEP - 4WD	TYPE #4	3 Valve	Transmission
S = SPORT			EZB = 5.7L Hemi Multi	DGU = 5-Spd Auto W5J400
X = SPECIAL			Displacement Engine	Transmission
			EKG = 3.7L V6 Engine	DGQ = 5-Spd Automatic 545RFE
			ESF = 6.1L SRT HEMI SMPI	Transmission
			V8 Engine	
			EXL = 3.0L V6 Turbo Diesel	
			Engine	

AR = use ase required - = Non illustrated part

**B1 Brake Clutch
Figure 021DGU-526**

ITEM	PART NUMBER	QTY	LINE	SERIES	BODY	ENGINE	TRANS	TRIM	DESCRIPTION
1									HOLDING CLUTCH, Outer carrier, B1
	52108539AC	1	J			EX0	DGU		
		1	T			EX0	DGU		
2									SNAP RING
	52107948AA	1	J			EX0	DGU		
		1	T			EX0	DGU		
3									DOWEL
	06507381AA	1	J			EX0	DGU		
		1	T			EX0	DGU		
4		1							BEARING, Needle, (NOT SERVICED)
5									SEAL, Transmission
	52108028AA	2	J			EX0	DGU		
		2	T			EX0	DGU		
6									PISTON, B1 Clutch
	52108506AA	1	J			EX0	DGU		
		1	T			EX0	DGU		
7									SPRING, Piston Return
	52108023AA	1	J			EX0	DGU		
		1	T			EX0	DGU		
8									SNAP RING
	52107936AA	1	J			EX0	DGU		
		1	T			EX0	DGU		
9									DISC, Spring
	52108024AA	1	J			EX0	DGU		
		1	T			EX0	DGU		
10									DISC, Outer
	52108508AA	4	J			EX0	DGU		
		4	T			EX0	DGU		
11									DISC, Inner
	52108507AA	4	J			EX0	DGU		
		4	T			EX0	DGU		



GRAND CHEROKEE (WK)
 SERIES LINE
 H = HIGHLINE T = JEEP - 2WD
 P = PREMIUM J = JEEP - 4WD
 S = SPORT
 X = SPECIAL

BODY
 74 = SPORT UTILITY 4-DR
 TYPE #4

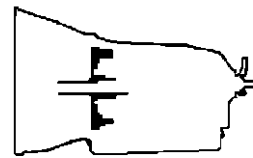
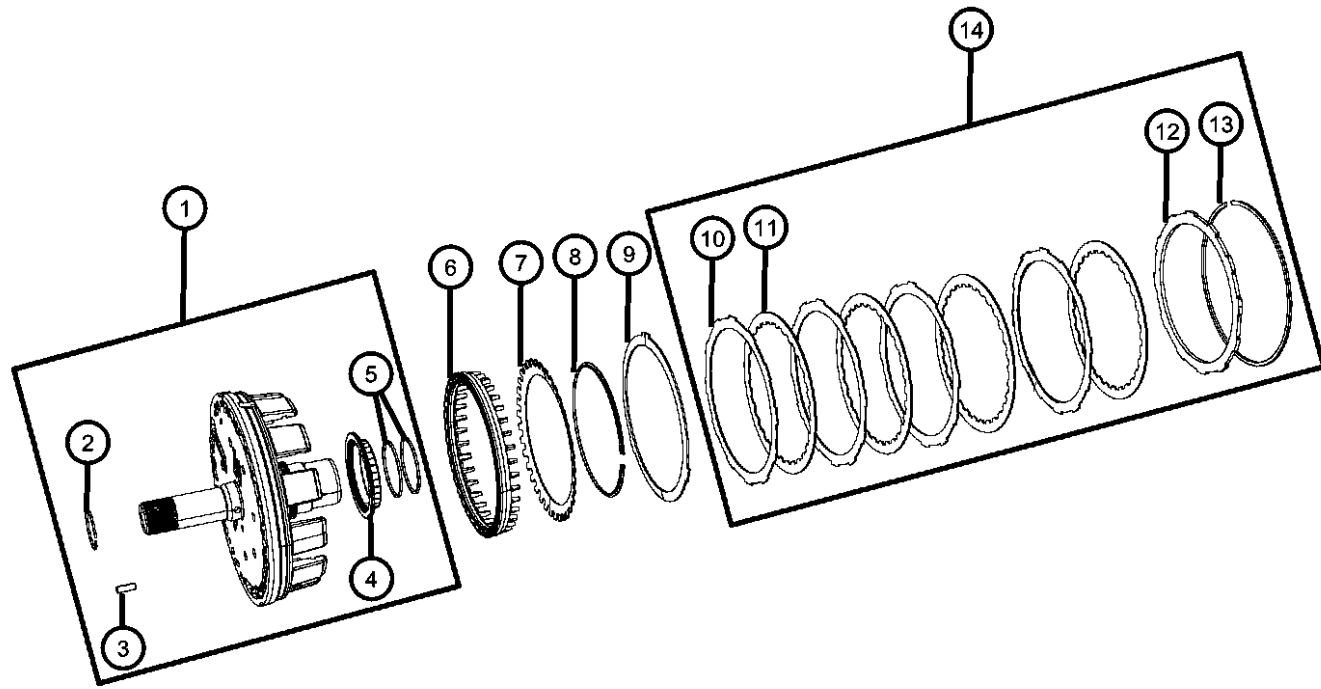
ENGINE
 EVE = Engine - 4.7L V8 DOHC
 3 Valve
 EZB = 5.7L Hemi Multi
 Displacement Engine
 EKG = 3.7L V6 Engine
 ESF = 6.1L SRT HEMI SMPI
 V8 Engine
 EXL = 3.0L V6 Turbo Diesel
 Engine

TRANSMISSION
 DGJ = 5-Speed Auto W5A580
 Transmission
 DGU = 5-Spd Auto W5J400
 Transmission
 DGQ = 5-Spd Automatic 545RFE
 Transmission

AR = use ase required - = Non illustrated part

**B1 Brake Clutch
Figure 021DGU-526**

ITEM	PART NUMBER	QTY	LINE	SERIES	BODY	ENGINE	TRANS	TRIM	DESCRIPTION
12									PLATE, Transmission Clutch Reaction
	52107994AB	1	J			EX0	DGU		
		1	T			EX0	DGU		
13									SNAP RING
	52107949AA	1	J			EX0	DGU		[2.6MM]
		1	T			EX0	DGU		[2.6MM]
	52107950AA	1	J			EX0	DGU		[2.9MM]
		1	T			EX0	DGU		[2.9MM]
	52107951AA	1	J			EX0	DGU		[3.2MM]
		1	T			EX0	DGU		[3.2MM]
	52107952AA	1	J			EX0	DGU		[3.5MM]
		1	T			EX0	DGU		[3.5MM]
14									CLUTCH PACKAGE, B1 Brake Clutch
	68028659AA	1	J			EX0	DGU		
		1	T			EX0	DGU		



GRAND CHEROKEE (WK)

SERIES LINE
H = HIGHLINE T = JEEP - 2WD
P = PREMIUM J = JEEP - 4WD
S = SPORT
X = SPECIAL

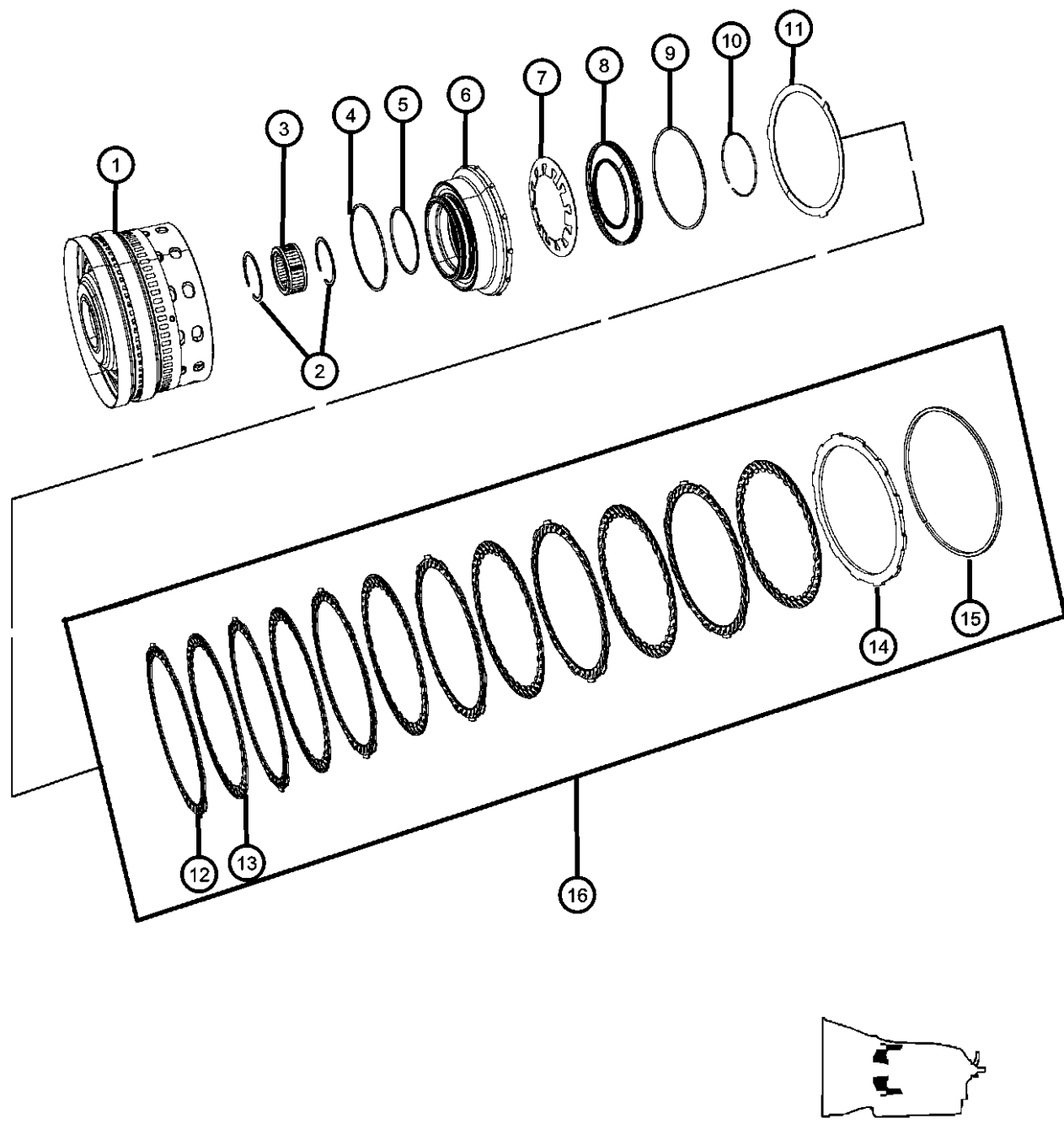
BODY
74 = SPORT UTILITY 4-DR
TYPE #4

ENGINE TRANSMISSION
EVE = Engine - 4.7L V8 DOHC 3 Valve DGJ = 5-Speed Auto W5A580 Transmission
EZB = 5.7L Hemi Multi Displacement Engine DGU = 5-Spd Auto W5J400 Transmission
EKG = 3.7L V6 Engine DGQ = 5-Spd Automatic 545RFE Transmission
ESF = 6.1L SRT HEMI SMPI V8 Engine
EXL = 3.0L V6 Turbo Diesel Engine

AR = use ase required - = Non illustrated part

2008 WK

**K1 Clutch Assembly
Figure 021DGU-527**

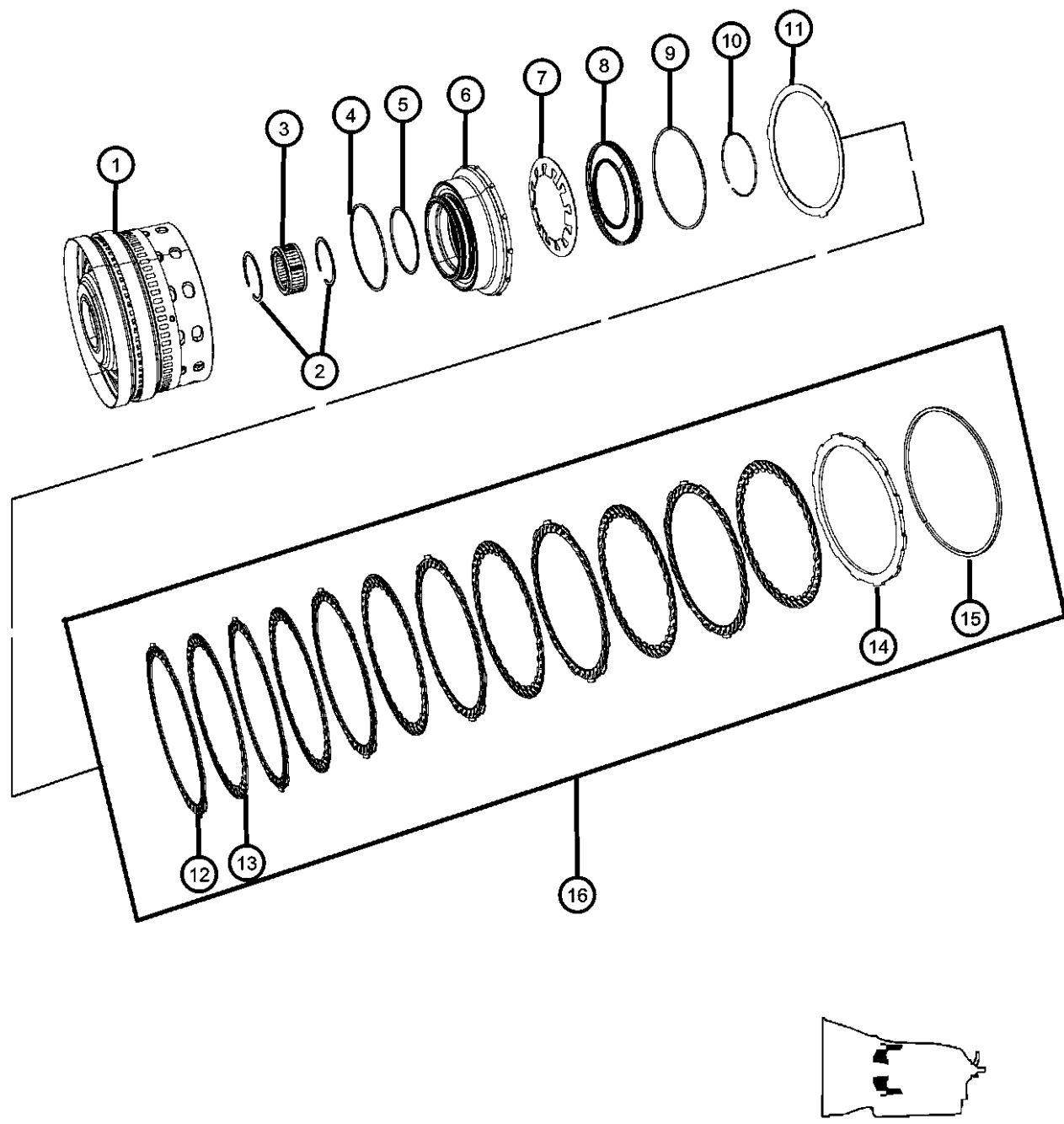


ITEM	PART NUMBER	QTY	LINE	SERIES	BODY	ENGINE	TRANS	TRIM	DESCRIPTION
1	52108541AA	1	J			EX0	DGU		RETAINER, Clutch
		1	T			EX0	DGU		
2	52107955AA	2	J			EX0	DGU		SNAP RING
		2	T			EX0	DGU		
3	52108342AB	1	J			EX0	DGU		CLUTCH, Front Sun Gear Sprag
		1	T			EX0	DGU		
4	52107939AA	1	J			EX0	DGU		SEAL, Transmission, Large
		1	T			EX0	DGU		
5	52107938AA	1	J			EX0	DGU		SEAL, Transmission, Small
		1	T			EX0	DGU		
6	52108059AA	1	J			EX0	DGU		PISTON, K1 Clutch
		1	T			EX0	DGU		
7	52108057AA	1	J			EX0	DGU		SPRING, Piston Return
		1	T			EX0	DGU		
8	52108058AA	1	J			EX0	DGU		RETAINER, Spring
		1	T			EX0	DGU		
9	52107941AA	1	J			EX0	DGU		O RING
		1	T			EX0	DGU		
10	52107954AA	1	J			EX0	DGU		SNAP RING
		1	T			EX0	DGU		
11	52108024AA	1	T			EX0	DGU		DISC, Spring

GRAND CHEROKEE (WK)
 SERIES LINE BODY ENGINE TRANSMISSION
 H = HIGHLINE T = JEEP - 2WD 74 = SPORT UTILITY 4-DR EVE = Engine - 4.7L V8 DOHC DGJ = 5-Speed Auto W5A580
 P = PREMIUM J = JEEP - 4WD TYPE #4 3 Valve Transmission
 S = SPORT Displacement Engine DGU = 5-Spd Auto W5J400
 X = SPECIAL EKG = 3.7L V6 Engine DGQ = 5-Spd Automatic 545RFE
 ESF = 6.1L SRT HEMI SMPI Transmission
 V8 Engine
 EXL = 3.0L V6 Turbo Diesel Engine

AR = use ase required - = Non illustrated part

**K1 Clutch Assembly
Figure 021DGU-527**

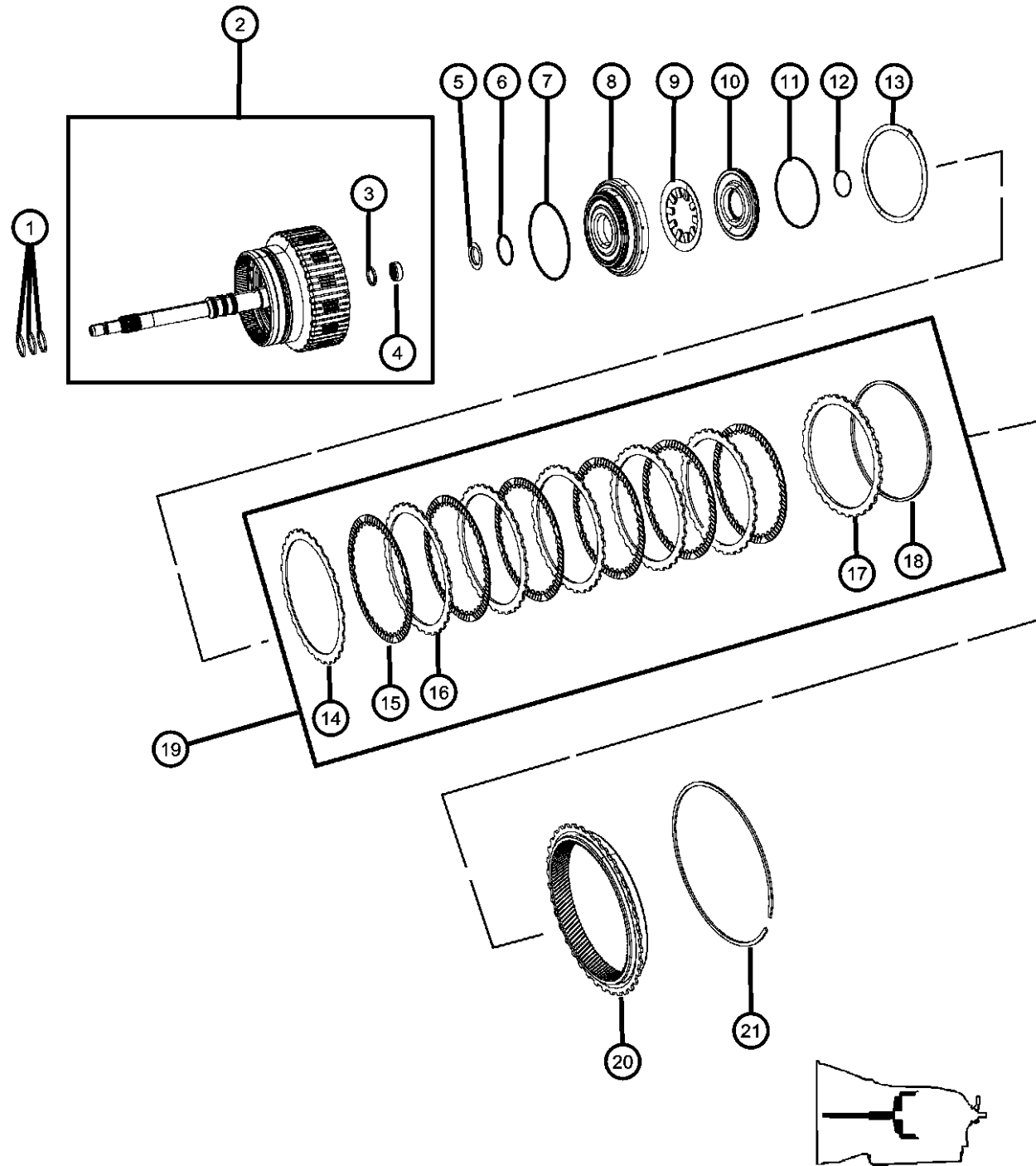


ITEM	PART NUMBER	QTY	LINE	SERIES	BODY	ENGINE	TRANS	TRIM	DESCRIPTION
12		1	J			EX0	DGU		DISC, Outer
	52108508AA	6	J			EX0	DGU		
		6	T			EX0	DGU		
13		6	J			EX0	DGU		DISC, Inner
	52108507AA	6	J			EX0	DGU		
		6	T			EX0	DGU		
14		1	J			EX0	DGU		PLATE, Transmission Clutch Reaction
	52107994AB	1	J			EX0	DGU		
		1	T			EX0	DGU		
15		1	J			EX0	DGU		SNAP RING
	52107949AA	1	J			EX0	DGU		[2.6MM]
		1	T			EX0	DGU		[2.6MM]
	52107950AA	1	J			EX0	DGU		[2.9MM]
	52107951AA	1	T			EX0	DGU		[3.2MM]
	52107952AA	1	J			EX0	DGU		[3.5MM]
		1	T			EX0	DGU		[3.5MM]
	52108373AA	1	J			EX0	DGU		[3.8MM]
		1	T			EX0	DGU		[3.8MM]
		1	T			EX0	DGU		[2.9MM]
		1	J			EX0	DGU		[3.2MM]
16		1	J			EX0	DGU		CLUTCH PACKAGE, K1 Input Clutch
	68027270AA	1	J			EX0	DGU		
		1	T			EX0	DGU		

GRAND CHEROKEE (WK)
 SERIES LINE BODY ENGINE TRANSMISSION
 H = HIGHLINE T = JEEP - 2WD 74 = SPORT UTILITY 4-DR EVE = Engine - 4.7L V8 DOHC 3 Valve DGJ = 5-Speed Auto W5A580 Transmission
 P = PREMIUM J = JEEP - 4WD TYPE #4 EZB = 5.7L Hemi Multi Displacement Engine DGU = 5-Spd Auto W5J400 Transmission
 S = SPORT EKG = 3.7L V6 Engine DGQ = 5-Spd Automatic 545RFE Transmission
 X = SPECIAL ESF = 6.1L SRT HEMI SMPI V8 Engine
 EXL = 3.0L V6 Turbo Diesel Engine

AR = use ase required - = Non illustrated part

**K2 Clutch Assembly
Figure 021DGU-528**



ITEM	PART NUMBER	QTY	LINE	SERIES	BODY	ENGINE	TRANS	TRIM	DESCRIPTION
1	05179366AA	3	J			EX0	DGU		SEAL, Transmission
		3	T			EX0	DGU		
2	52108044AA	1	J			EX0	DGU		SHAFT, Input
		1	T			EX0	DGU		
3	52108127AA	1	J			EX0	DGU		SEAL, Transmission
		1	T			EX0	DGU		
4	52108126AA	1	J			EX0	DGU		NEEDLE BEARING
		1	T			EX0	DGU		
5	05138438AA	1	J			EX0	DGU		BEARING, Thrust
		1	T			EX0	DGU		
6	52108134AA	1	J			EX0	DGU		SEAL, Transmission
		1	T			EX0	DGU		
7	52108135AA	1	J			EX0	DGU		SEAL, Input Shaft
		1	T			EX0	DGU		
8	52108136AA	1	J			EX0	DGU		PISTON, K2 Clutch
		1	T			EX0	DGU		
9	52108137AA	1	J			EX0	DGU		SPRING, Piston Return
		1	T			EX0	DGU		
10	52108138AB	1	J			EX0	DGU		RETAINER, Spring
		1	T			EX0	DGU		
11	52108140AA	1	J			EX0	DGU		O RING

GRAND CHEROKEE (WK)

SERIES LINE
H = HIGHLINE T = JEEP - 2WD
P = PREMIUM J = JEEP - 4WD
S = SPORT
X = SPECIAL

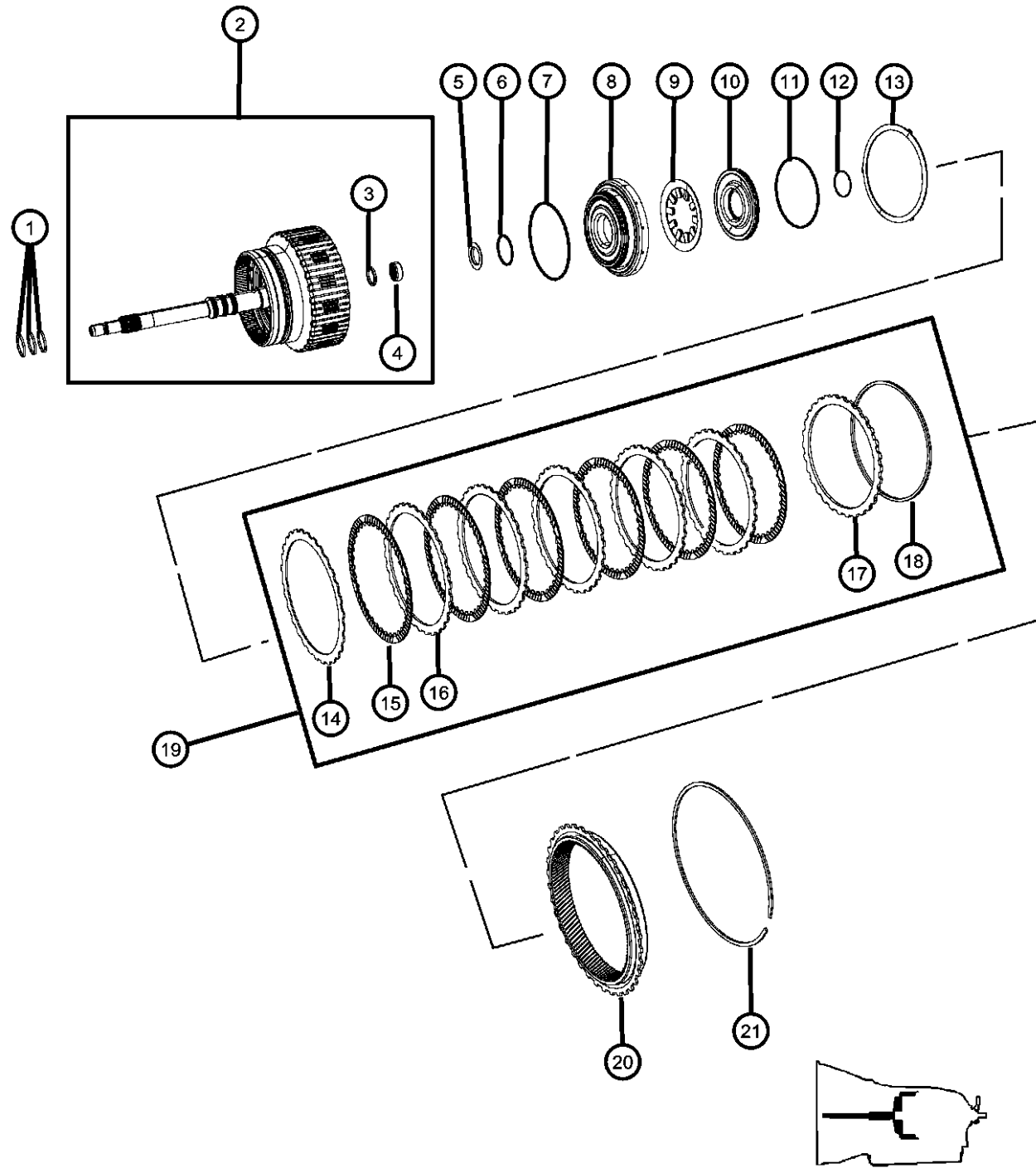
BODY
74 = SPORT UTILITY 4-DR
TYPE #4

ENGINE TRANSMISSION
EVE = Engine - 4.7L V8 DOHC 3 Valve DGJ = 5-Speed Auto W5A580 Transmission
EZB = 5.7L Hemi Multi Displacement Engine DGU = 5-Spd Auto W5J400 Transmission
EKG = 3.7L V6 Engine DGQ = 5-Spd Automatic 545RFE Transmission
ESF = 6.1L SRT HEMI SMPI V8 Engine
EXL = 3.0L V6 Turbo Diesel Engine

AR = use ase required - = Non illustrated part

2008 WK

**K2 Clutch Assembly
Figure 021DGU-528**



ITEM	PART NUMBER	QTY	LINE	SERIES	BODY	ENGINE	TRANS	TRIM	DESCRIPTION
12		1	T			EX0	DGU		SNAP RING
	52108533AA	1	J			EX0	DGU		
		1	T			EX0	DGU		
13	52108346AA	1	J			EX0	DGU		DISC, Spring
		1	T			EX0	DGU		
14	52107996AB	1	J			EX0	DGU		DISC, Outer
		1	T			EX0	DGU		
15									DISC, Inner
	52108141AB	6	J			EX0	DGU		
		6	T			EX0	DGU		
16	05174859AA	5	J			EX0	DGU		DISC, Outer
		5	T			EX0	DGU		
17									DISC, Outer
	05174860AA	1	J			EX0	DGU		
		1	T			EX0	DGU		
18									SNAP RING
	52107958AA	1	J			EX0	DGU		[2.3 MM]
		1	T			EX0	DGU		[2.3 MM]
	52107959AA	1	J			EX0	DGU		[2.6 MM]
		1	T			EX0	DGU		[2.6 MM]
	52107960AA	1	J			EX0	DGU		[2.9 MM]
		1	T			EX0	DGU		[2.9 MM]
	52107961AA	1	J			EX0	DGU		[3.2 MM]
		1	T			EX0	DGU		[3.2 MM]
	52107962AA	1	J			EX0	DGU		[3.5 MM]
		1	T			EX0	DGU		[3.5 MM]
19									CLUTCH PACKAGE, K2 Input Clutch

GRAND CHEROKEE (WK)

SERIES LINE
H = HIGHLINE T = JEEP - 2WD
P = PREMIUM J = JEEP - 4WD
S = SPORT
X = SPECIAL

BODY
74 = SPORT UTILITY 4-DR
TYPE #4

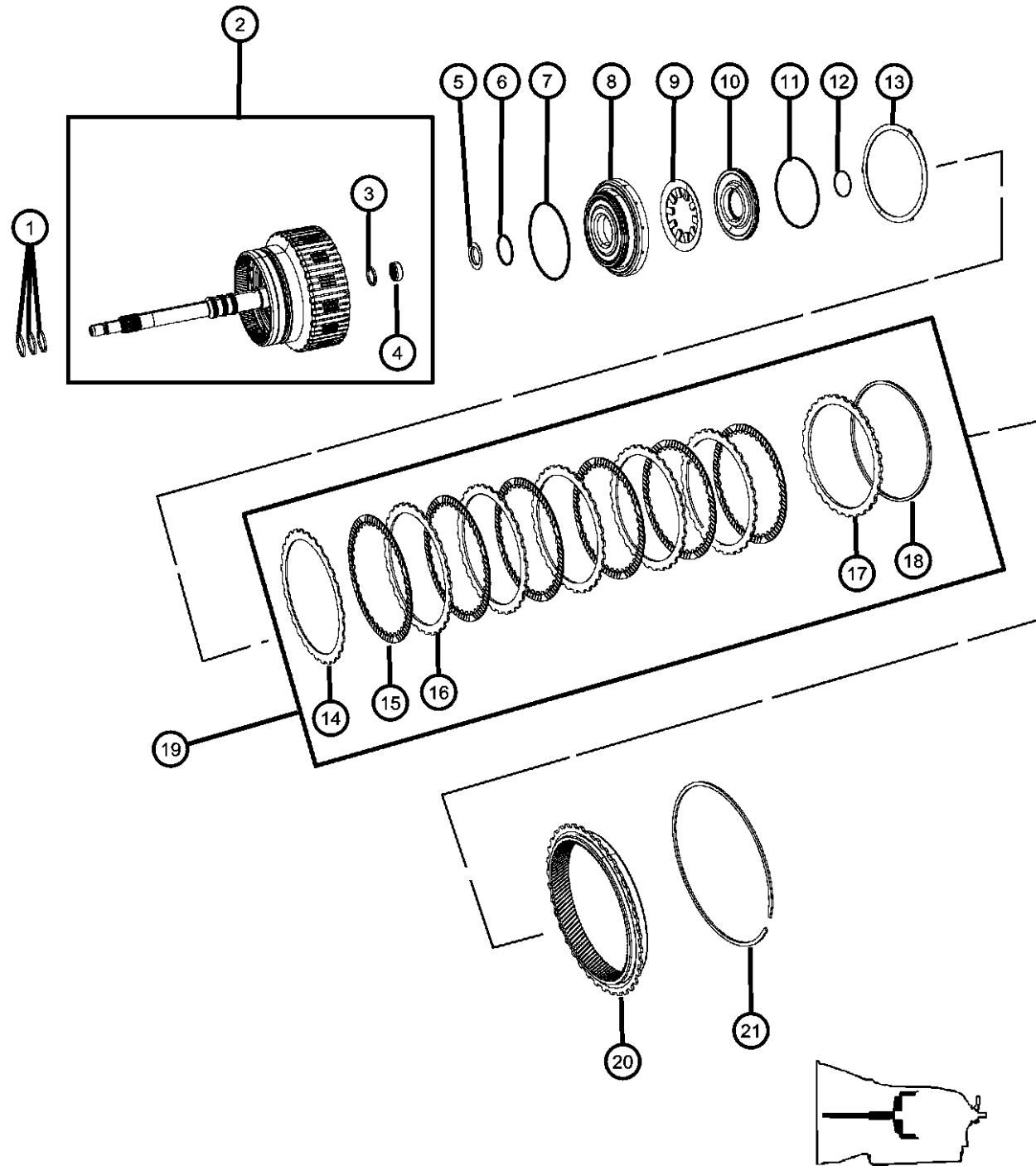
ENGINE
EVE = Engine - 4.7L V8 DOHC
3 Valve
EZB = 5.7L Hemi Multi
Displacement Engine
EKG = 3.7L V6 Engine
ESF = 6.1L SRT HEMI SMPI
V8 Engine
EXL = 3.0L V6 Turbo Diesel
Engine

TRANSMISSION
DGJ = 5-Speed Auto W5A580
Transmission
DGU = 5-Spd Auto W5J400
Transmission
DGQ = 5-Spd Automatic 545RFE
Transmission

AR = use ase required - = Non illustrated part

2008 WK

**K2 Clutch Assembly
Figure 021DGU-528**



ITEM	PART NUMBER	QTY	LINE	SERIES	BODY	ENGINE	TRANS	TRIM	DESCRIPTION
	68028565AA	1	J			EX0	DGU		
		1	T			EX0	DGU		
20	52107922AA	1	J			EX0	DGU		GEAR, Rear Annulus
		1	T			EX0	DGU		
21	52107926AA	1	J			EX0	DGU		SNAP RING
		1	T			EX0	DGU		

GRAND CHEROKEE (WK)

SERIES LINE
H = HIGHLINE T = JEEP - 2WD
P = PREMIUM J = JEEP - 4WD
S = SPORT
X = SPECIAL

BODY
74 = SPORT UTILITY 4-DR
TYPE #4

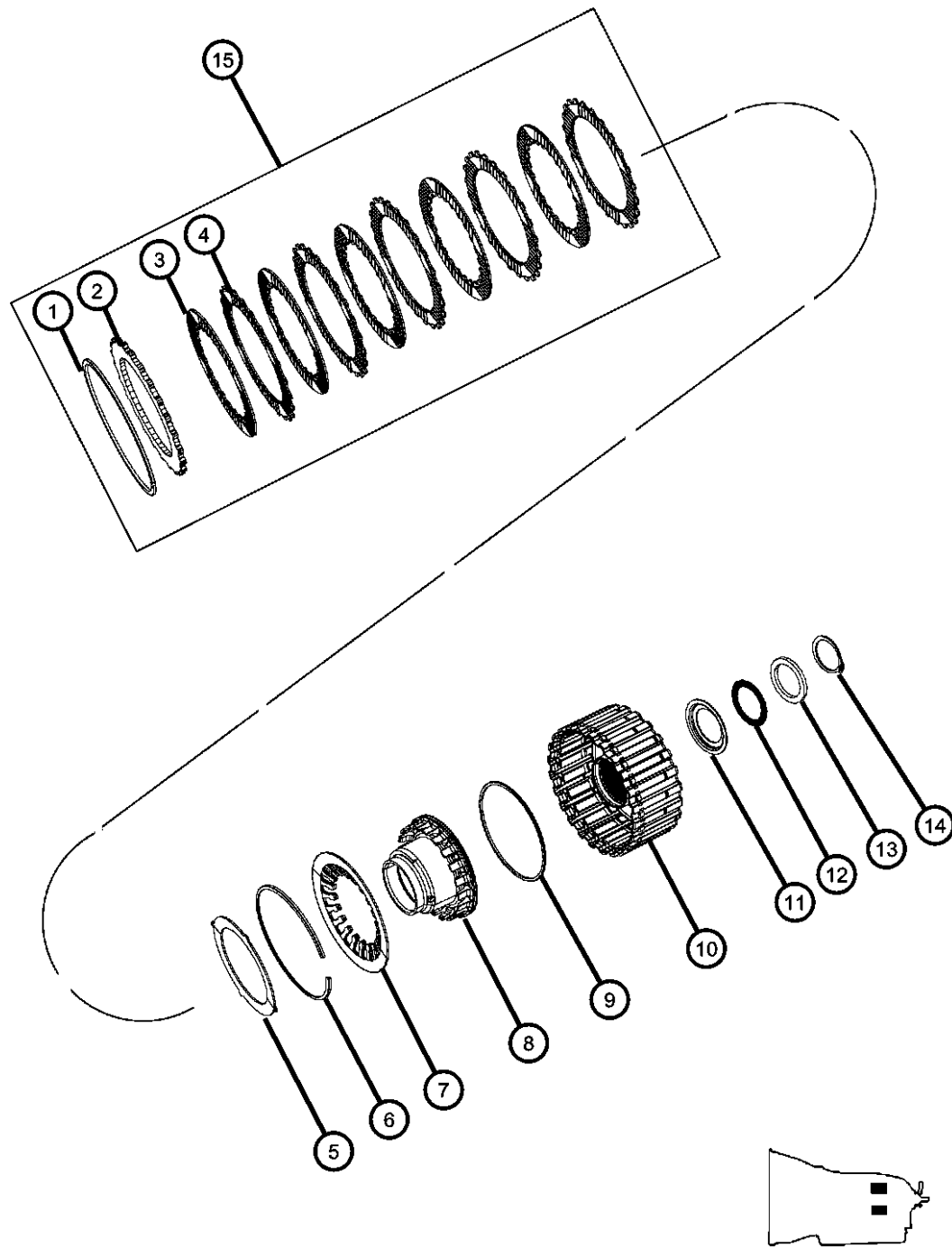
ENGINE TRANSMISSION
EVE = Engine - 4.7L V8 DOHC 3 Valve
EVB = Engine - 4.7L V8 DOHC 3 Valve
EZB = 5.7L Hemi Multi Displacement Engine
EKG = 3.7L V6 Engine
ESF = 6.1L SRT HEMI SMPI V8 Engine
EXL = 3.0L V6 Turbo Diesel Engine
DGJ = 5-Speed Auto W5A580 Transmission
DGU = 5-Spd Auto W5J400 Transmission
DGQ = 5-Spd Automatic 545RFE Transmission

AR = use ase required - = Non illustrated part

2008 WK

**K3 Clutch Assembly
Figure 021DGU-529**

ITEM	PART NUMBER	QTY	LINE	SERIES	BODY	ENGINE	TRANS	TRIM	DESCRIPTION
1	52107970AA	1	J			EX0	DGU		SNAP RING [2.3 MM]
		1	T			EX0	DGU		[2.3 MM]
		1	J			EX0	DGU		[2.6 MM]
		1	T			EX0	DGU		[2.6 MM]
		1	J			EX0	DGU		[2.9 MM]
		1	T			EX0	DGU		[2.9 MM]
2	52107974AA	1	J			EX0	DGU		[2.0 MM]
		1	T			EX0	DGU		[2.0 MM]
2	52108011AA	1	J			EX0	DGU		DISC, Outer
		1	T			EX0	DGU		
3	52108528AA	5	J			EX0	DGU		DISC, Inner
		5	T			EX0	DGU		
4	52108529AA	5	J			EX0	DGU		DISC, Outer
		5	T			EX0	DGU		
5	52108096AA	1	J			EX0	DGU		DISC, Spring
		1	T			EX0	DGU		
6	52107968AA	1	J			EX0	DGU		SNAP RING
		1	T			EX0	DGU		
7	52108095AA	1	J			EX0	DGU		SPRING, Piston Return
		1	T			EX0	DGU		
8	52108094AA	1	J			EX0	DGU		PISTON, K3 Clutch
		1	T			EX0	DGU		
9	52108093AA	1	J			EX0	DGU		SEAL, Transmission



GRAND CHEROKEE (WK)

SERIES LINE
H = HIGHLINE T = JEEP - 2WD
P = PREMIUM J = JEEP - 4WD
S = SPORT
X = SPECIAL

BODY
74 = SPORT UTILITY 4-DR
TYPE #4

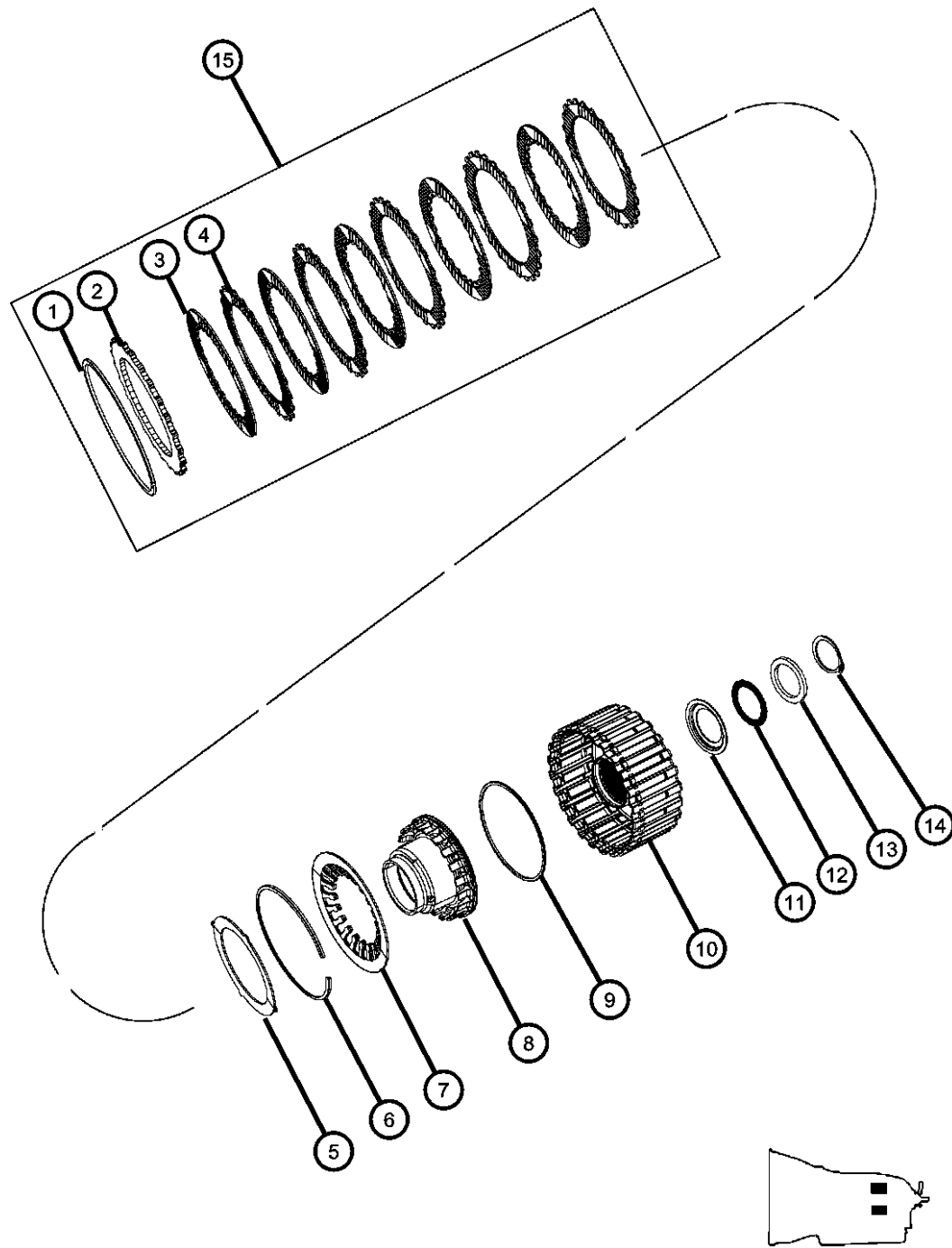
ENGINE TRANSMISSION
EVE = Engine - 4.7L V8 DOHC 3 Valve
EVB = Engine - 4.7L V8 DOHC 3 Valve
EZA = 5.7L Hemi Multi Displacement Engine
EKB = 3.7L V6 Engine
ESF = 6.1L SRT HEMI SMPI V8 Engine
EXL = 3.0L V6 Turbo Diesel Engine
DGJ = 5-Speed Auto W5A580 Transmission
DGU = 5-Spd Auto W5J400 Transmission
DGQ = 5-Spd Automatic 545RFE Transmission

AR = use ase required - = Non illustrated part

2008 WK

**K3 Clutch Assembly
Figure 021DGU-529**

ITEM	PART NUMBER	QTY	LINE	SERIES	BODY	ENGINE	TRANS	TRIM	DESCRIPTION
10		1	T			EX0	DGU		RETAINER, K3 Clutch
	52108548AB	1	J			EX0	DGU		
11		1	T			EX0	DGU		RETAINER, Bearing
	52108148AA	1	J			EX0	DGU		
12		1	T			EX0	DGU		NEEDLE BEARING
	52108152AA	1	J			EX0	DGU		
13		1	T			EX0	DGU		SPACER
	52108149AA	1	J			EX0	DGU		[3.7 MM]
	52108150AA	1	T			EX0	DGU		[3.7 MM]
	52108151AA	1	J			EX0	DGU		[3.1 MM]
	52108151AA	1	T			EX0	DGU		[3.1 MM]
	52108151AA	1	J			EX0	DGU		[3.4 MM]
	52108151AA	1	T			EX0	DGU		[3.4 MM]
14		1	T			EX0	DGU		SNAP RING, M35x2.5x1.5
	06507358AA	1	J			EX0	DGU		
15		1	T			EX0	DGU		CLUTCH PACKAGE, K3 Input Clutch
	68028572AA	1	J			EX0	DGU		
	68028572AA	1	T			EX0	DGU		



GRAND CHEROKEE (WK)

SERIES LINE
H = HIGHLINE T = JEEP - 2WD
P = PREMIUM J = JEEP - 4WD
S = SPORT
X = SPECIAL

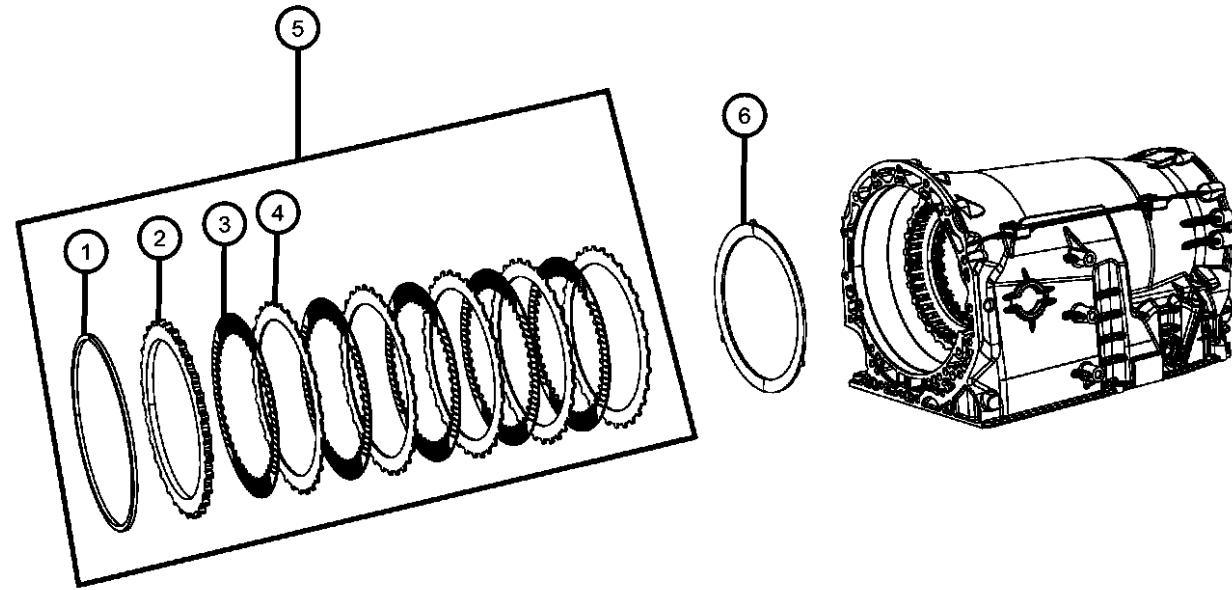
BODY
74 = SPORT UTILITY 4-DR
TYPE #4

ENGINE TRANSMISSION
EVE = Engine - 4.7L V8 DOHC 3 Valve
EVB = Engine - 4.7L V8 DOHC 3 Valve
EZB = 5.7L Hemi Multi Displacement Engine
EKG = 3.7L V6 Engine
ESF = 6.1L SRT HEMI SMPI V8 Engine
EXL = 3.0L V6 Turbo Diesel Engine
DGJ = 5-Speed Auto W5A580 Transmission
DGU = 5-Spd Auto W5J400 Transmission
DGQ = 5-Spd Automatic 545RFE Transmission

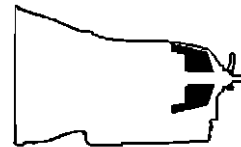
AR = use ase required - = Non illustrated part

2008 WK

**B3 Clutch Assembly
Figure 021DGU-530**



ITEM	PART NUMBER	QTY	LINE	SERIES	BODY	ENGINE	TRANS	TRIM	DESCRIPTION
1									SNAP RING
	52107985AA	1	J			EX0	DGU		[3.2 MM]
		1	T			EX0	DGU		[3.2 MM]
	52107986AA	1	J			EX0	DGU		[3.5 MM]
		1	T			EX0	DGU		[3.5 MM]
	52107987AA	1	J			EX0	DGU		[3.8 MM]
		1	T			EX0	DGU		[3.8 MM]
	52107988AA	1	J			EX0	DGU		[4.1 MM]
		1	T			EX0	DGU		[4.1 MM]
	52107989AA	1	J			EX0	DGU		[4.4 MM]
		1	T			EX0	DGU		[4.4 MM]
	52107990AA	1	J			EX0	DGU		[4.8 MM]
		1	T			EX0	DGU		[4.8 MM]
2									DISC, Outer
	05174864AA	1	J			EX0	DGU		
		1	T			EX0	DGU		
3									DISC, Inner
	52108573AA	5	J			EX0	DGU		
		5	T			EX0	DGU		
4									DISC, Outer
	52108017AA	5	J			EX0	DGU		
		5	T			EX0	DGU		
5									CLUTCH PACKAGE, B3 Brake Clutch Stack Up
	68028661AA	1	J			EX0	DGU		
		1	T			EX0	DGU		
6									DISC, Spring
	52108356AA	1	J			EX0	DGU		
		1	T			EX0	DGU		



GRAND CHEROKEE (WK)

SERIES LINE
H = HIGHLINE T = JEEP - 2WD
P = PREMIUM J = JEEP - 4WD
S = SPORT
X = SPECIAL

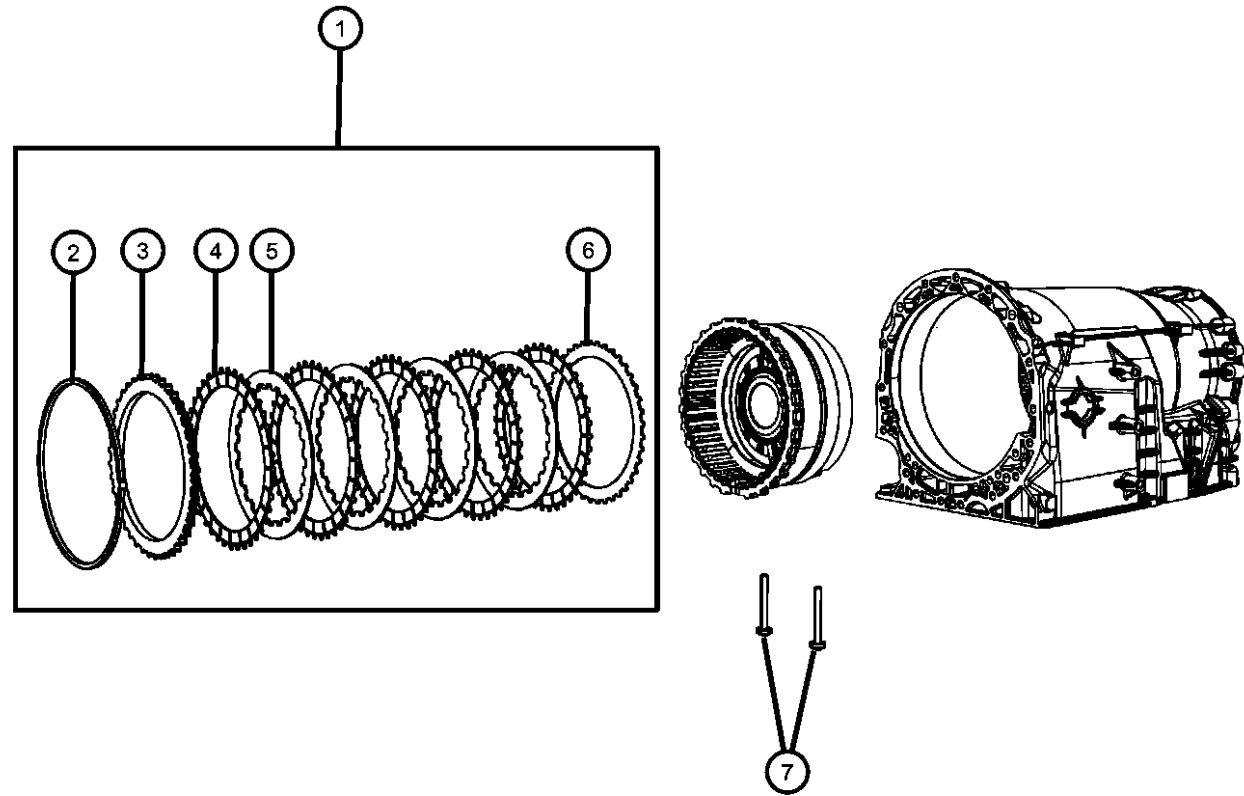
BODY
74 = SPORT UTILITY 4-DR
TYPE #4

ENGINE TRANSMISSION
EVE = Engine - 4.7L V8 DOHC
3 Valve DGJ = 5-Speed Auto W5A580
Transmission
EZB = 5.7L Hemi Multi
Displacement Engine DGU = 5-Spd Auto W5J400
Transmission
EKG = 3.7L V6 Engine DGQ = 5-Spd Automatic 545RFE
Transmission
ESF = 6.1L SRT HEMI SMPI
V8 Engine
EXL = 3.0L V6 Turbo Diesel
Engine

AR = use ase required - = Non illustrated part

2008 WK

**B2 Clutch Assembly
Figure 021DGU-531**



ITEM	PART NUMBER	QTY	LINE	SERIES	BODY	ENGINE	TRANS	TRIM	DESCRIPTION
1	68028660AA	1	J			EX0	DGU		CLUTCH PACKAGE, B2 Brake Clutch Stack Up
2	52107979AA	1	J			EX0	DGU		SNAP RING
	52107981AA	1	T			EX0	DGU		[4.1 MM]
	52107982AA	1	J			EX0	DGU		[3.5 MM]
		1	T			EX0	DGU		[3.2 MM]
		1	T			EX0	DGU		[3.2 MM]
	52107980AA	1	J			EX0	DGU		[4.1 MM]
		1	T			EX0	DGU		[3.8 MM]
		1	J			EX0	DGU		[3.8 MM]
	52107983AA	1	T			EX0	DGU		[3.5 MM]
		1	J			EX0	DGU		[2.9 MM]
3	52108014AA	1	J			EX0	DGU		DISC, Outer
		1	T			EX0	DGU		
4	52108572AA	5	J			EX0	DGU		DISC, Outer
		5	T			EX0	DGU		
5	52108015AA	4	J			EX0	DGU		DISC, Inner
		4	T			EX0	DGU		
6	52108013AA	1	J			EX0	DGU		DISC, Outer
		1	T			EX0	DGU		
7	52108205AA	2	J			EX0	DGU		BOLT, Torx Head, M8x60
		2	T			EX0	DGU		



GRAND CHEROKEE (WK)

SERIES LINE
 H = HIGHLINE T = JEEP - 2WD
 P = PREMIUM J = JEEP - 4WD
 S = SPORT
 X = SPECIAL

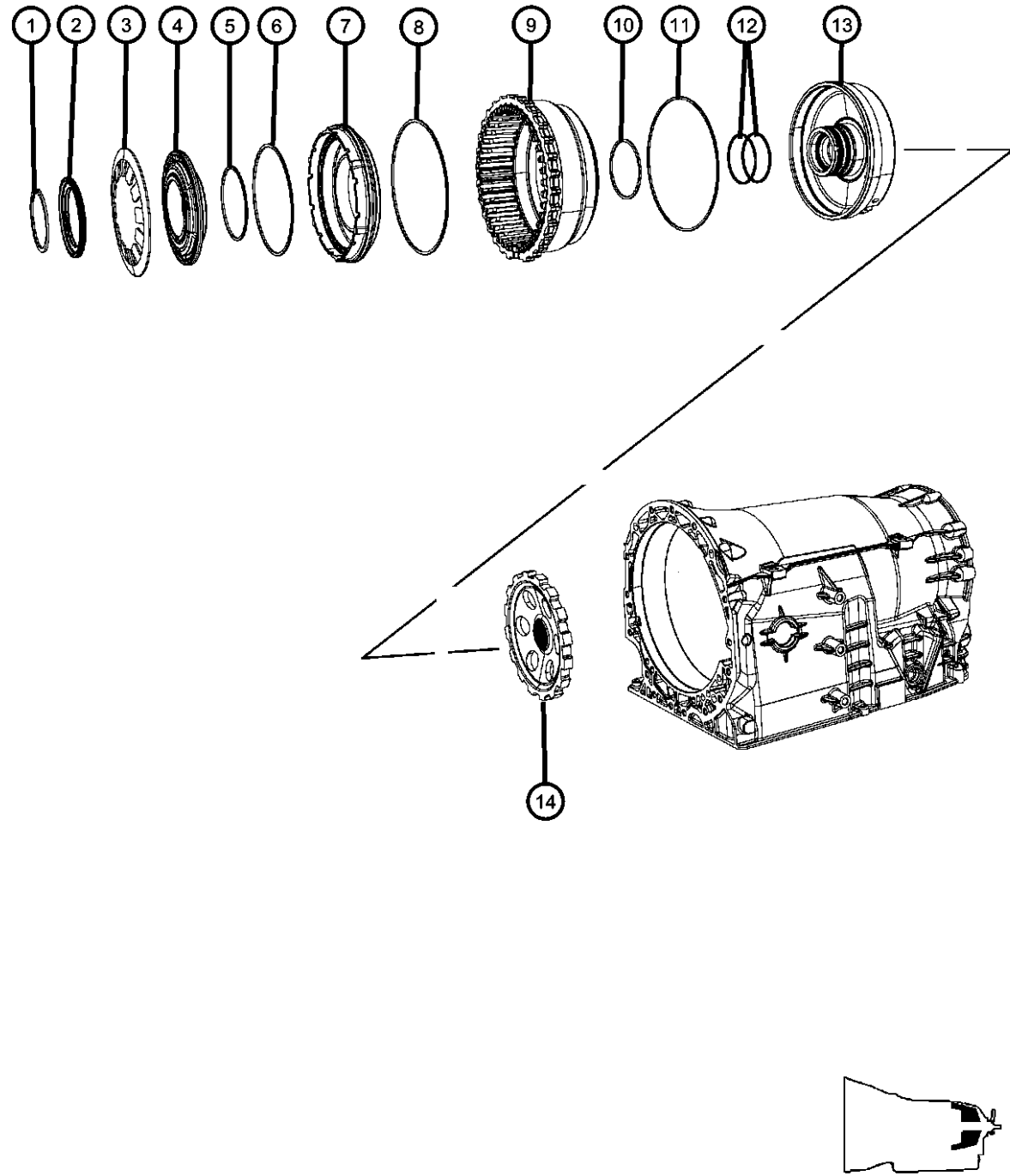
BODY
 74 = SPORT UTILITY 4-DR
 TYPE #4

ENGINE TRANSMISSION
 EVE = Engine - 4.7L V8 DOHC 3 Valve
 EZB = 5.7L Hemi Multi Displacement Engine
 EKG = 3.7L V6 Engine
 ESF = 6.1L SRT HEMI SMPI V8 Engine
 EXL = 3.0L V6 Turbo Diesel Engine
 DGJ = 5-Speed Auto W5A580 Transmission
 DGU = 5-Spd Auto W5J400 Transmission
 DGQ = 5-Spd Automatic 545RFE Transmission

AR = use ase required - = Non illustrated part

2008 WK

**B2 Clutch Assembly
Figure 021DGU-532**



ITEM	PART NUMBER	QTY	LINE	SERIES	BODY	ENGINE	TRANS	TRIM	DESCRIPTION
1	52107977AA	1	J			EX0	DGU		SNAP RING
		1	T			EX0	DGU		
2	52108203AA	1	J			EX0	DGU		RETAINER, Spring
		1	T			EX0	DGU		
3	52108202AA	1	T			EX0	DGU		SPRING, Piston Return
		1	J			EX0	DGU		
4	52108351AA	1	J			EX0	DGU		RING ASSEMBLY, Piston guide
		1	T			EX0	DGU		
5	52108201AA	1	J			EX0	DGU		SEAL, Transmission
		1	T			EX0	DGU		
6	52108200AA	1	J			EX0	DGU		SEAL, Transmission
		1	T			EX0	DGU		
7	52108191AA	1	J			EX0	DGU		PISTON, B2 Clutch
		1	T			EX0	DGU		
8	52108199AA	1	J			EX0	DGU		SEAL, Transmission
		1	T			EX0	DGU		
9	52108395AA	1	J			EX0	DGU		RETAINER, Clutch
		1	T			EX0	DGU		
10	52108189AA	1	J			EX0	DGU		SEAL, Transmission
		1	T			EX0	DGU		
11	52108188AA	1	J			EX0	DGU		SEAL, Transmission

GRAND CHEROKEE (WK)

SERIES LINE
 H = HIGHLINE T = JEEP - 2WD
 P = PREMIUM J = JEEP - 4WD
 S = SPORT
 X = SPECIAL

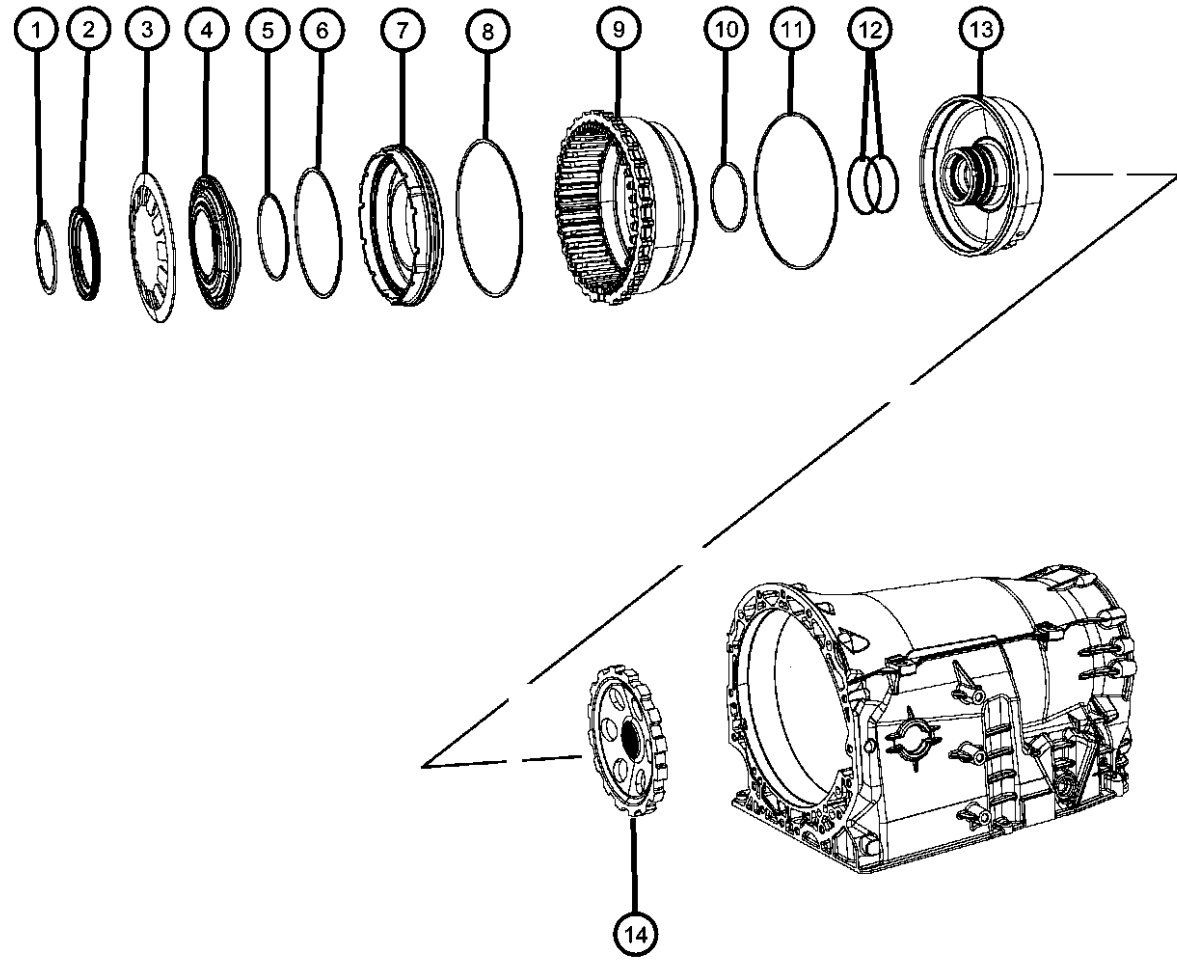
BODY
 74 = SPORT UTILITY 4-DR
 TYPE #4

ENGINE TRANSMISSION
 EVE = Engine - 4.7L V8 DOHC 3 Valve
 EZB = 5.7L Hemi Multi Displacement Engine
 EKG = 3.7L V6 Engine
 ESF = 6.1L SRT HEMI SMPI V8 Engine
 EXL = 3.0L V6 Turbo Diesel Engine
 DGJ = 5-Speed Auto W5A580 Transmission
 DGU = 5-Spd Auto W5J400 Transmission
 DGQ = 5-Spd Automatic 545RFE Transmission

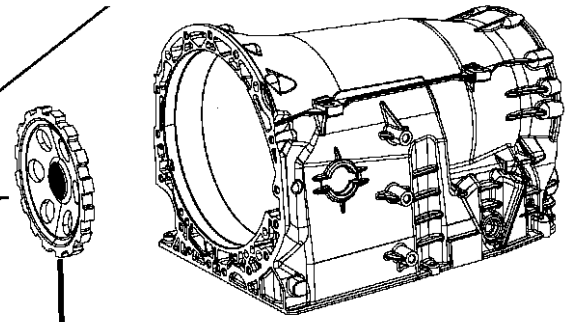
AR = use ase required - = Non illustrated part

2008 WK

**B2 Clutch Assembly
Figure 021DGU-532**



ITEM	PART NUMBER	QTY	LINE	SERIES	BODY	ENGINE	TRANS	TRIM	DESCRIPTION
12		1	T			EX0	DGU		O RING
	52108185AA	2	T			EX0	DGU		
		2	J			EX0	DGU		
13									PLUNGER
	52108182AA	1	J			EX0	DGU		
		1	T			EX0	DGU		
14									SPRAG, Transmission Parking
	52108180AA	1	J			EX0	DGU		
		1	T			EX0	DGU		



14



GRAND CHEROKEE (WK)
 SERIES LINE
 H = HIGHLINE T = JEEP - 2WD
 P = PREMIUM J = JEEP - 4WD
 S = SPORT
 X = SPECIAL

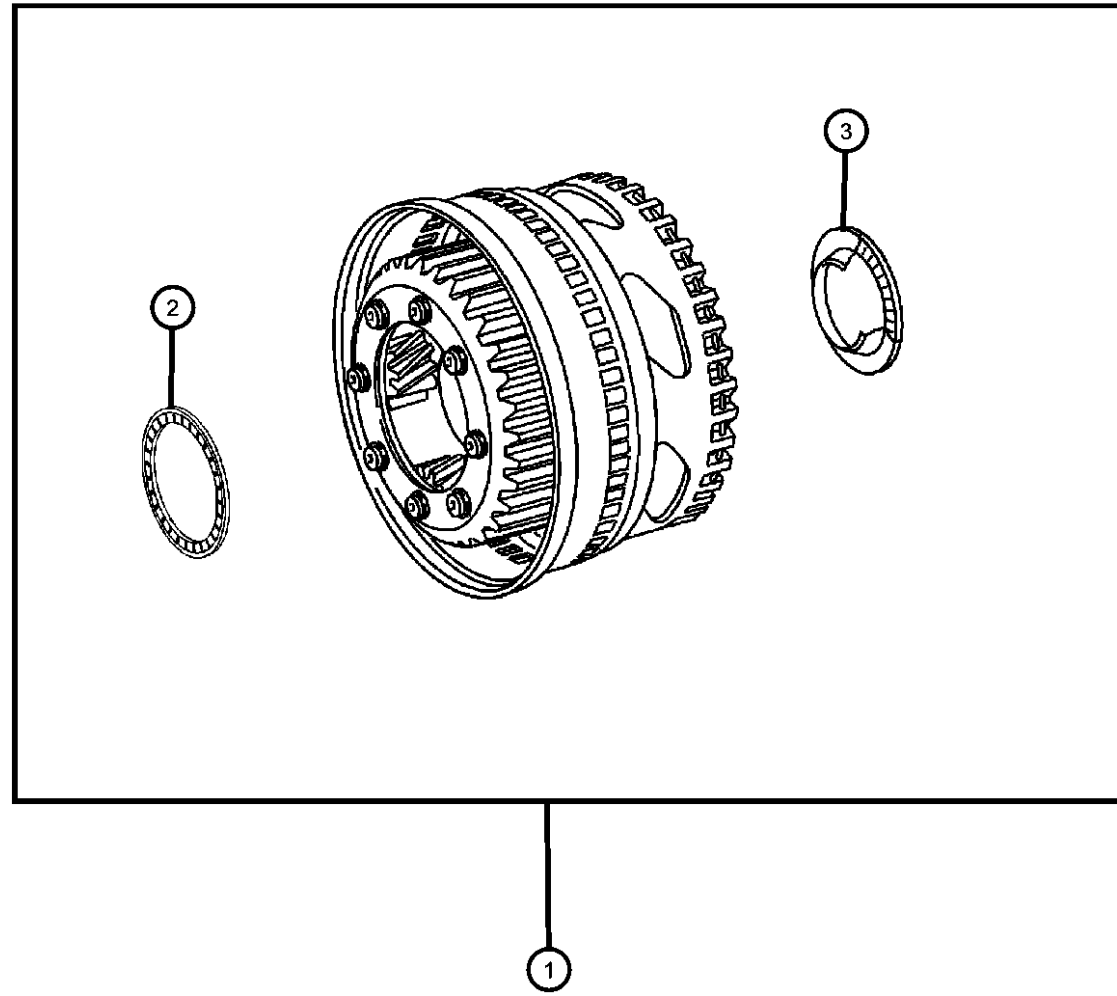
BODY
 74 = SPORT UTILITY 4-DR
 TYPE #4

ENGINE
 EVE = Engine - 4.7L V8 DOHC
 3 Valve
 EZB = 5.7L Hemi Multi
 Displacement Engine
 EKG = 3.7L V6 Engine
 ESF = 6.1L SRT HEMI SMPI
 V8 Engine
 EXL = 3.0L V6 Turbo Diesel
 Engine

TRANSMISSION
 DGJ = 5-Speed Auto W5A580
 Transmission
 DGU = 5-Spd Auto W5J400
 Transmission
 DGQ = 5-Spd Automatic 545RFE
 Transmission

AR = use ase required - = Non illustrated part

Front Planetary Carrier
Figure 021DGU-611



ITEM	PART NUMBER	QTY	LINE	SERIES	BODY	ENGINE	TRANS	TRIM	DESCRIPTION
1	52108513AA	1	J			EX0	DGU		CARRIER, Planetary
		1	T			EX0	DGU		
2	52108122AA	1	J			EX0	DGU		NEEDLE BEARING
		1	T			EX0	DGU		
3	52108123AA	1	J			EX0	DGU		NEEDLE BEARING
		1	T			EX0	DGU		



GRAND CHEROKEE (WK)

SERIES LINE
H = HIGHLINE T = JEEP - 2WD
P = PREMIUM J = JEEP - 4WD
S = SPORT
X = SPECIAL

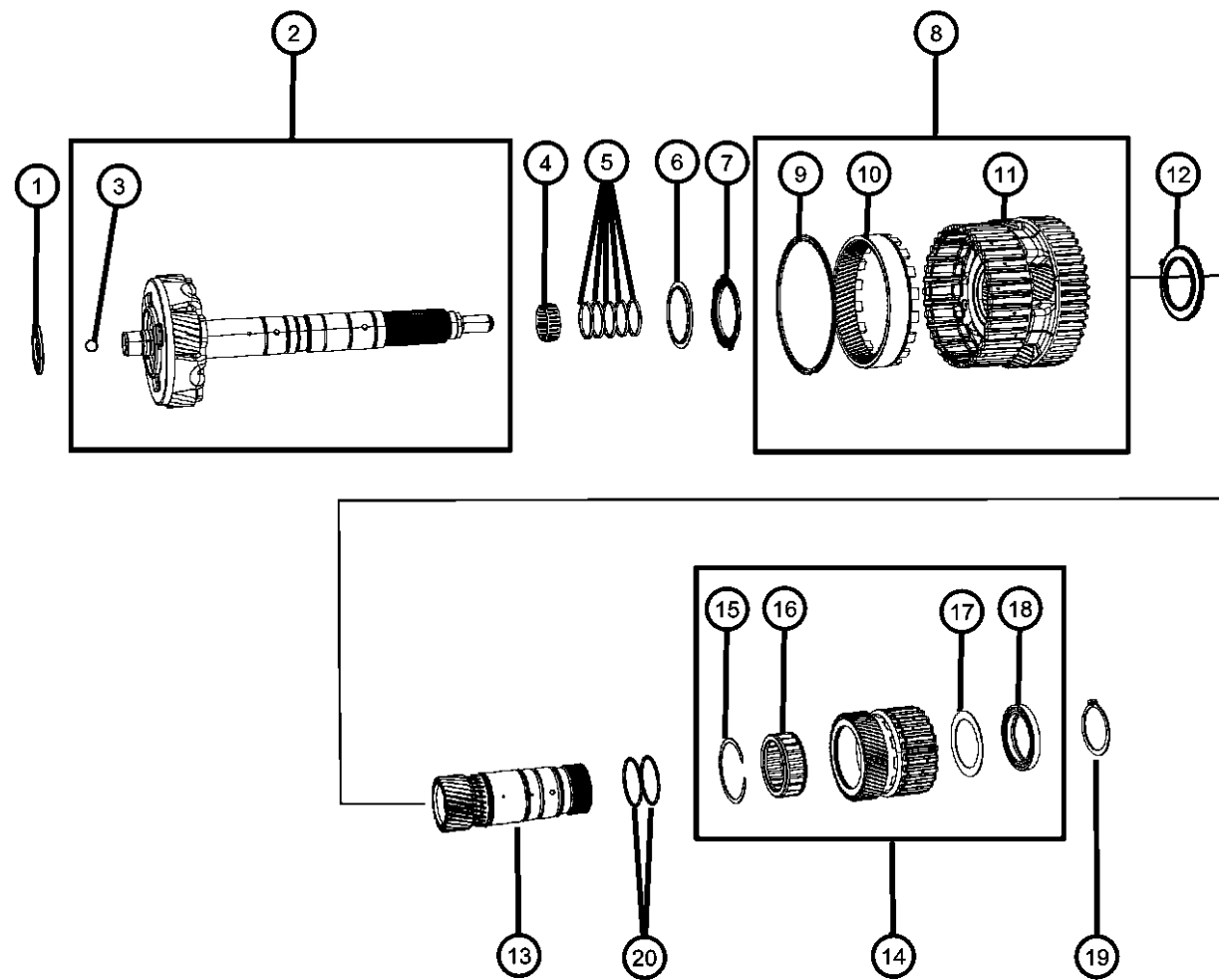
BODY
74 = SPORT UTILITY 4-DR
TYPE #4

ENGINE TRANSMISSION
EVE = Engine - 4.7L V8 DOHC 3 Valve
EVB = Engine - 4.7L V8 DOHC 3 Valve
EZA = 5.7L Hemi Multi Displacement Engine
EKB = 3.7L V6 Engine
ESF = 6.1L SRT HEMI SMPI V8 Engine
EXL = 3.0L V6 Turbo Diesel Engine
DGJ = 5-Speed Auto W5A580 Transmission
DGU = 5-Spd Auto W5J400 Transmission
DGQ = 5-Spd Automatic 545RFE Transmission

AR = use ase required - = Non illustrated part

2008 WK

**Output Shaft With Center And Rear Planetary Gear Sets
Figure 021DGU-612**



ITEM	PART NUMBER	QTY	LINE	SERIES	BODY	ENGINE	TRANS	TRIM	DESCRIPTION
1	52107927AA	1	J			EX0	DGU		NEEDLE BEARING
		1	T			EX0	DGU		
2	52107929AA	1	J			EX0	DGU		SHAFT, Output
		1	T			EX0	DGU		
3	52108390AA	1	J			EX0	DGU		BALL, Check
		1	T			EX0	DGU		
4	52108069AA	1	J			EX0	DGU		NEEDLE BEARING
		1	T			EX0	DGU		
5	05179367AA	5	J			EX0	DGU		SEAL, Transmission
		5	T			EX0	DGU		
6	52108070AA	1	J			EX0	DGU		RETAINER, Bearing
		1	T			EX0	DGU		
7	52107931AA	1	J			EX0	DGU		NEEDLE BEARING
		1	T			EX0	DGU		
8	52108071AA	1	J			EX0	DGU		CARRIER ASSEMBLY, Planetary
		1	T			EX0	DGU		
9	52108374AA	1	J			EX0	DGU		SNAP RING
		1	T			EX0	DGU		
10	52108376AA	1	J			EX0	DGU		GEAR, Annulus
		1	T			EX0	DGU		
11	52108072AA	1	J			EX0	DGU		CARRIER, Planetary

GRAND CHEROKEE (WK)
 SERIES LINE
 H = HIGHLINE T = JEEP - 2WD
 P = PREMIUM J = JEEP - 4WD
 S = SPORT
 X = SPECIAL

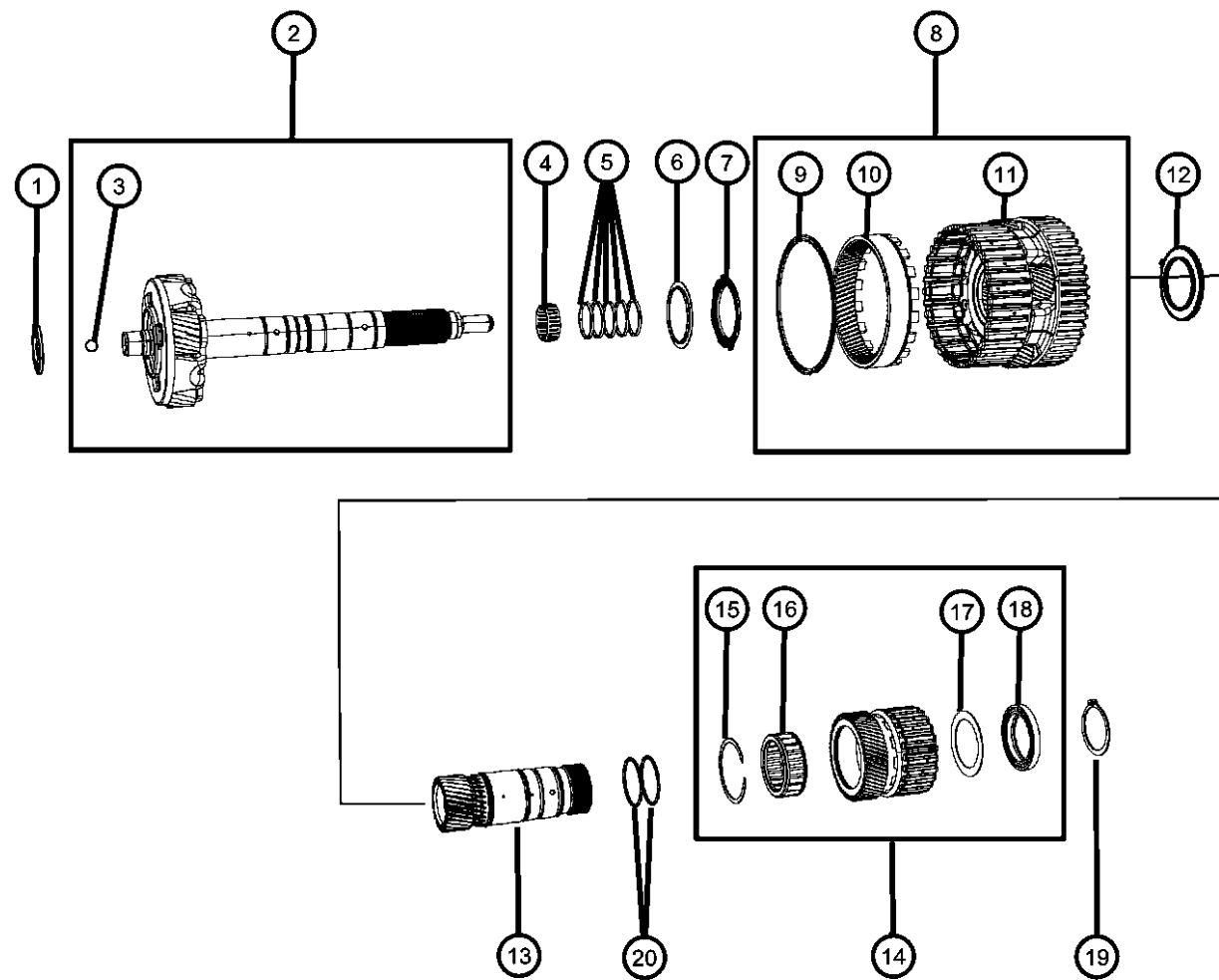
BODY
 74 = SPORT UTILITY 4-DR
 TYPE #4

ENGINE
 EVE = Engine - 4.7L V8 DOHC
 3 Valve
 EZB = 5.7L Hemi Multi
 Displacement Engine
 EKG = 3.7L V6 Engine
 ESF = 6.1L SRT HEMI SMPI
 V8 Engine
 EXL = 3.0L V6 Turbo Diesel
 Engine

TRANSMISSION
 DGJ = 5-Speed Auto W5A580
 Transmission
 DGU = 5-Spd Auto W5J400
 Transmission
 DGQ = 5-Spd Automatic 545RFE
 Transmission

AR = use ase required - = Non illustrated part

**Output Shaft With Center And Rear Planetary Gear Sets
Figure 021DGU-612**



ITEM	PART NUMBER	QTY	LINE	SERIES	BODY	ENGINE	TRANS	TRIM	DESCRIPTION
12		1	T			EX0	DGU		NEEDLE BEARING
	52107932AA	1	J			EX0	DGU		
		1	T			EX0	DGU		
13									GEAR, Sun
	52108078AA	1	J			EX0	DGU		
		1	T			EX0	DGU		
14									SUN GEAR ASSEMBLY
	52108519AA	1	J			EX0	DGU		
		1	T			EX0	DGU		
15									SNAP RING
	52107966AA	1	J			EX0	DGU		
		1	T			EX0	DGU		
16									CLUTCH, One Way
	52108522AA	1	J			EX0	DGU		
		1	T			EX0	DGU		
17									SPACER
	52108379AA	1	J			EX0	DGU		
		1	T			EX0	DGU		
18									BEARING, Ball
	52108084AA	1	J			EX0	DGU		
		1	T			EX0	DGU		
19									SNAP RING
	52107967AA	1	J			EX0	DGU		
		1	T			EX0	DGU		
20									O RING
	52108085AA	2	J			EX0	DGU		
		2	T			EX0	DGU		

GRAND CHEROKEE (WK)
 SERIES LINE
 H = HIGHLINE T = JEEP - 2WD
 P = PREMIUM J = JEEP - 4WD
 S = SPORT
 X = SPECIAL

BODY
 74 = SPORT UTILITY 4-DR
 TYPE #4

ENGINE
 EVE = Engine - 4.7L V8 DOHC
 3 Valve
 EZB = 5.7L Hemi Multi
 Displacement Engine
 EKG = 3.7L V6 Engine
 ESF = 6.1L SRT HEMI SMPI
 V8 Engine
 EXL = 3.0L V6 Turbo Diesel
 Engine

TRANSMISSION
 DGJ = 5-Speed Auto W5A580
 Transmission
 DGU = 5-Spd Auto W5J400
 Transmission
 DGQ = 5-Spd Automatic 545RFE
 Transmission

AR = use ase required - = Non illustrated part

Valve Body And Related Parts
Figure 021DGU-825

ITEM	PART NUMBER	QTY	LINE	SERIES	BODY	ENGINE	TRANS	TRIM	DESCRIPTION
1									VALVE BODY, Complete
	05080262AA	1	J			EX0	DGU		
		1	T			EX0	DGU		
2									BOLT, Torx Head, M6x80
	52108268AA	2	J			EX0	DGU		
		2	T			EX0	DGU		
3									BOLT, Torx Head, M6x55
	52108269AA	1	J			EX0	DGU		
		1	T			EX0	DGU		
4									PLATE
	52108315AA	3	J			EX0	DGU		
		3	T			EX0	DGU		
5									SOLENOID, Transmission, Torque Converter Clutch
	52108314AA	1	J			EX0	DGU		
		1	T			EX0	DGU		
6									SOLENOID, Transmission, Shift ON/OFF
	05189057AA	3	J			EX0	DGU		
		3	T			EX0	DGU		
7									CAP, Solenoid
	05134761AA	3	J			EX0	DGU		
		3	T			EX0	DGU		
8									SOLENOID, Transmission, Shift Pressure
	05138838AA	2	J			EX0	DGU		
		2	T			EX0	DGU		
9									FILTER, Transmission Oil
	52108316AA	2	J			EX0	DGU		
		2	T			EX0	DGU		
10									CONNECTOR ASSEMBLY, Electrical
	05097219AA	1	J			EX0	DGU		
		1	T			EX0	DGU		

GRAND CHEROKEE (WK)

SERIES LINE
H = HIGHLINE T = JEEP - 2WD
P = PREMIUM J = JEEP - 4WD
S = SPORT
X = SPECIAL

BODY
74 = SPORT UTILITY 4-DR
TYPE #4

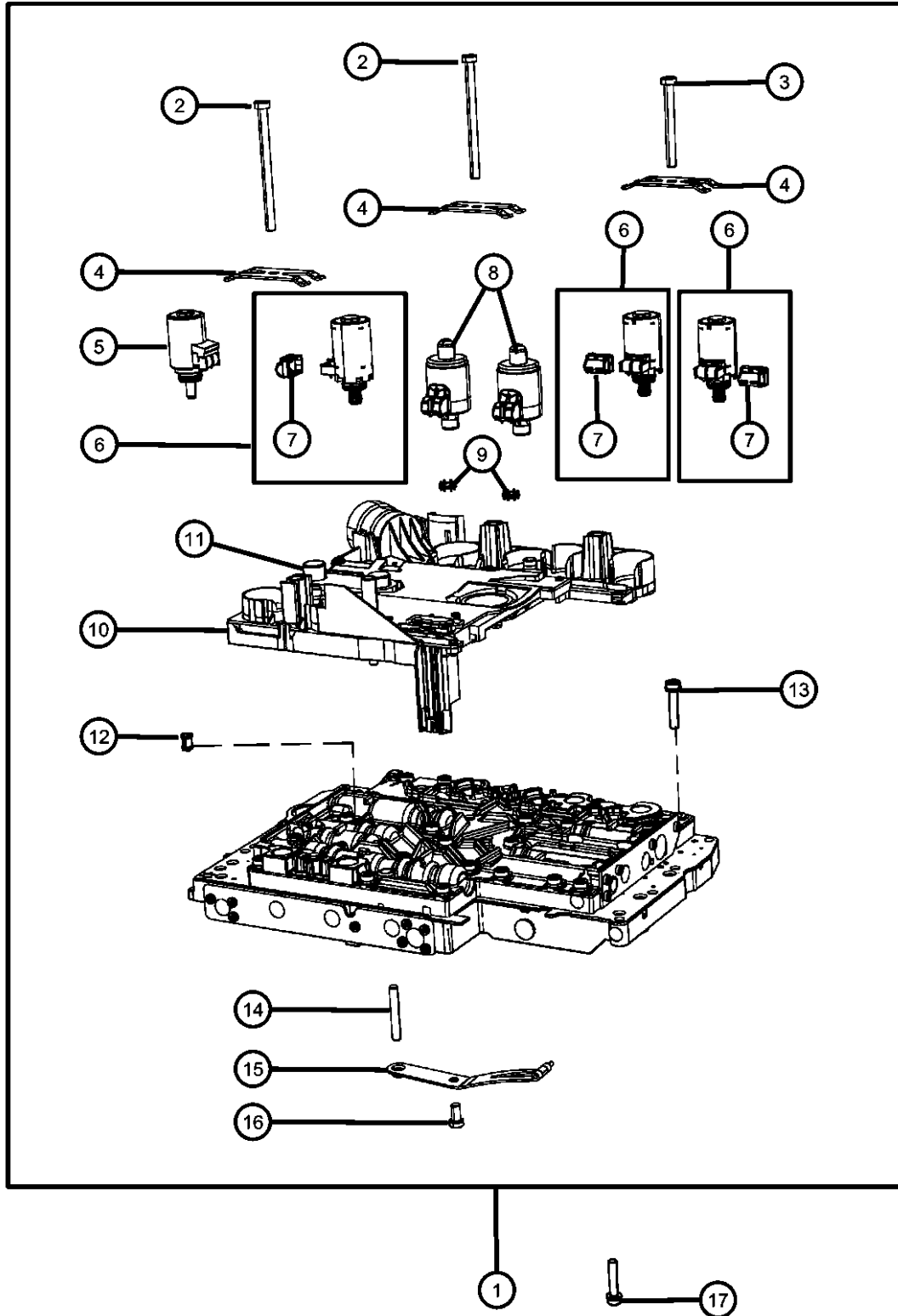
ENGINE TRANSMISSION
EVE = Engine - 4.7L V8 DOHC 3 Valve
EZB = 5.7L Hemi Multi Displacement Engine
EKG = 3.7L V6 Engine
ESF = 6.1L SRT HEMI SMPI V8 Engine
EXL = 3.0L V6 Turbo Diesel Engine
DGJ = 5-Speed Auto W5A580 Transmission
DGU = 5-Spd Auto W5J400 Transmission
DGQ = 5-Spd Automatic 545RFE Transmission

AR = use ase required - = Non illustrated part

2008 WK

Valve Body And Related Parts
Figure 021DGU-825

ITEM	PART NUMBER	QTY	LINE	SERIES	BODY	ENGINE	TRANS	TRIM	DESCRIPTION
11		1							SENSOR, Speed, (NOT SERVICED)
12									FILTER, Transmission Oil
	52108316AA	2	J			EX0	DGU		
		2	T			EX0	DGU		
13									BOLT, Torx Head, M6x30
	52108267AA	29	J			EX0	DGU		
		29	T			EX0	DGU		
14									DOWEL
	05098951AA	1	T			EX0	DGU		
	06507381AA	1	J			EX0	DGU		
15									DETENT, Valve Body
	52108258AA	1	J			EX0	DGU		
		1	T			EX0	DGU		
16									BOLT, Torx Head, M6x12
	52108266AB	1	J			EX0	DGU		
		1	T			EX0	DGU		
17									BOLT, Torx Head, M6x30
	52108267AA	10	J			EX0	DGU		
		10	T			EX0	DGU		



GRAND CHEROKEE (WK)

SERIES LINE
H = HIGHLINE T = JEEP - 2WD
P = PREMIUM J = JEEP - 4WD
S = SPORT
X = SPECIAL

BODY
74 = SPORT UTILITY 4-DR
TYPE #4

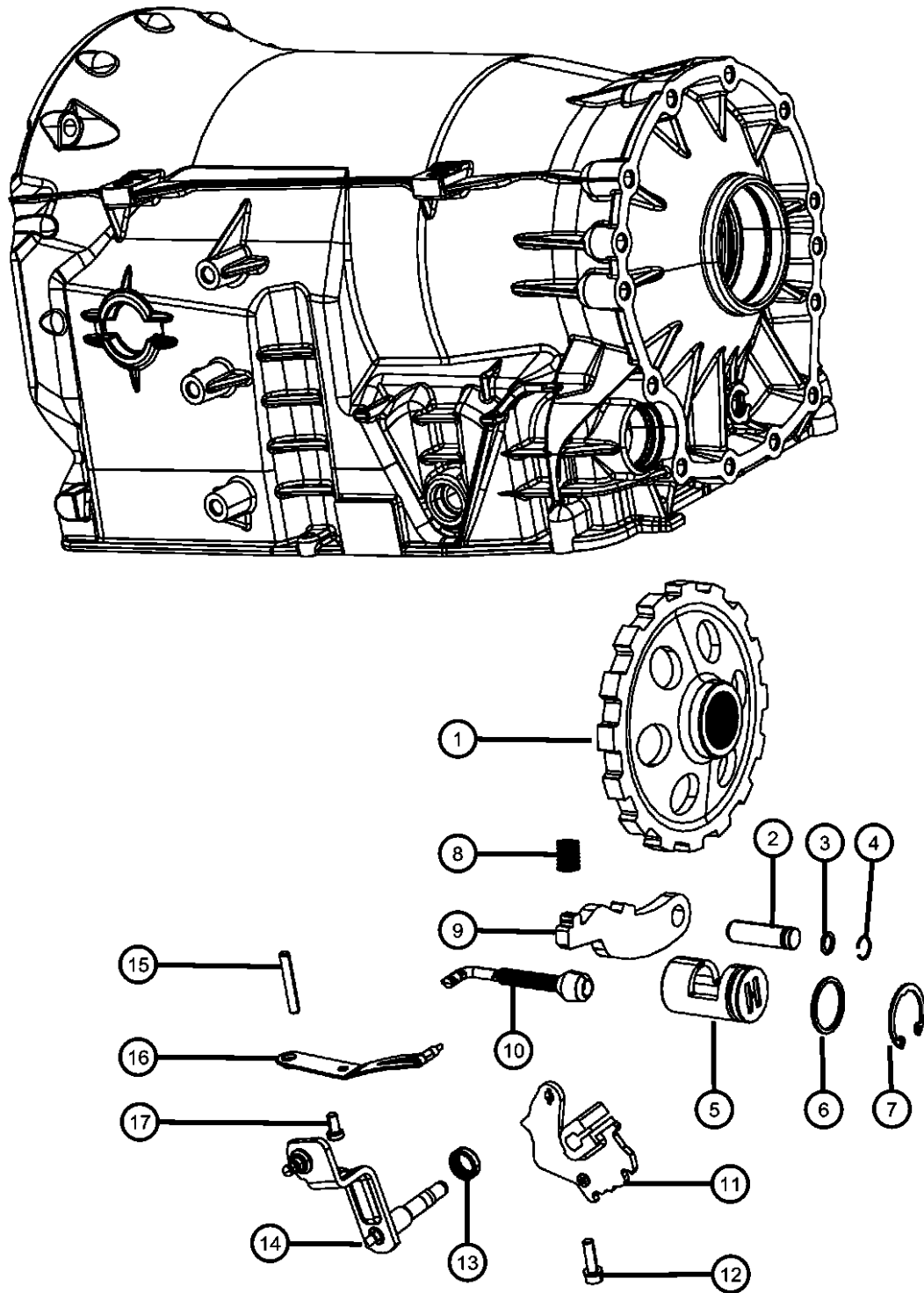
ENGINE TRANSMISSION
EVE = Engine - 4.7L V8 DOHC 3 Valve
EZB = 5.7L Hemi Multi Displacement Engine
EKG = 3.7L V6 Engine
ESF = 6.1L SRT HEMI SMPI V8 Engine
EXL = 3.0L V6 Turbo Diesel Engine
DGJ = 5-Speed Auto W5A580 Transmission
DGU = 5-Spd Auto W5J400 Transmission
DGQ = 5-Spd Automatic 545RFE Transmission

AR = use ase required - = Non illustrated part

2008 WK

**Parking Sprag And Related Parts
Figure 021DGU-860**

ITEM	PART NUMBER	QTY	LINE	SERIES	BODY	ENGINE	TRANS	TRIM	DESCRIPTION
1	52108180AA	1	J			EX0	DGU		SPRAG, Transmission Parking
		1	T			EX0	DGU		
2	52108155AA	1	J			EX0	DGU		SHAFT, Parking Pawl
		1	T			EX0	DGU		
3	52108156AB	1	J			EX0	DGU		O RING
		1	T			EX0	DGU		
4	52107975AA	1	J			EX0	DGU		SNAP RING
		1	T			EX0	DGU		
5	52108176AA	1	J			EX0	DGU		GUIDE
		1	T			EX0	DGU		
6	52108177AA	1	J			EX0	DGU		O RING
		1	T			EX0	DGU		
7	52107976AA	1	J			EX0	DGU		SNAP RING
		1	T			EX0	DGU		
8	52108157AA	1	J			EX0	DGU		SPRING
		1	T			EX0	DGU		
9	52108154AA	1	J			EX0	DGU		PAWL, Parking Sprag
		1	T			EX0	DGU		
10	52108166AA	1	J			EX0	DGU		LINKAGE, Transmission
		1	T			EX0	DGU		
11	52108349AA	1	J			EX0	DGU		DETENT, Gearshift



GRAND CHEROKEE (WK)

SERIES LINE
H = HIGHLINE T = JEEP - 2WD
P = PREMIUM J = JEEP - 4WD
S = SPORT
X = SPECIAL

BODY
74 = SPORT UTILITY 4-DR
TYPE #4

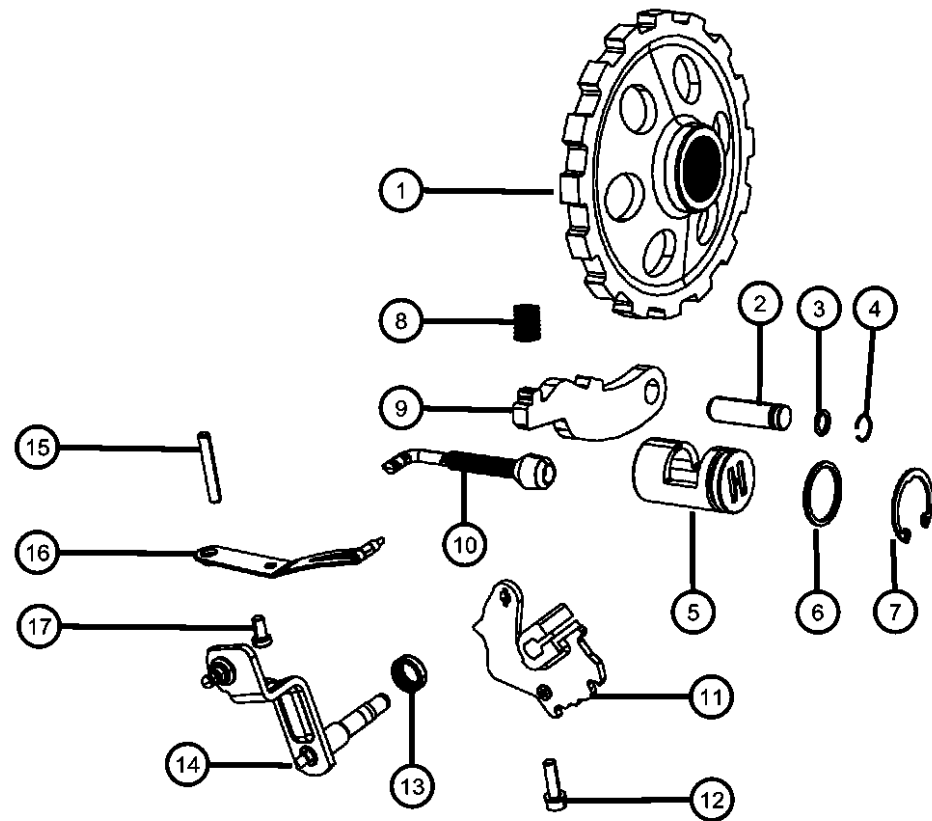
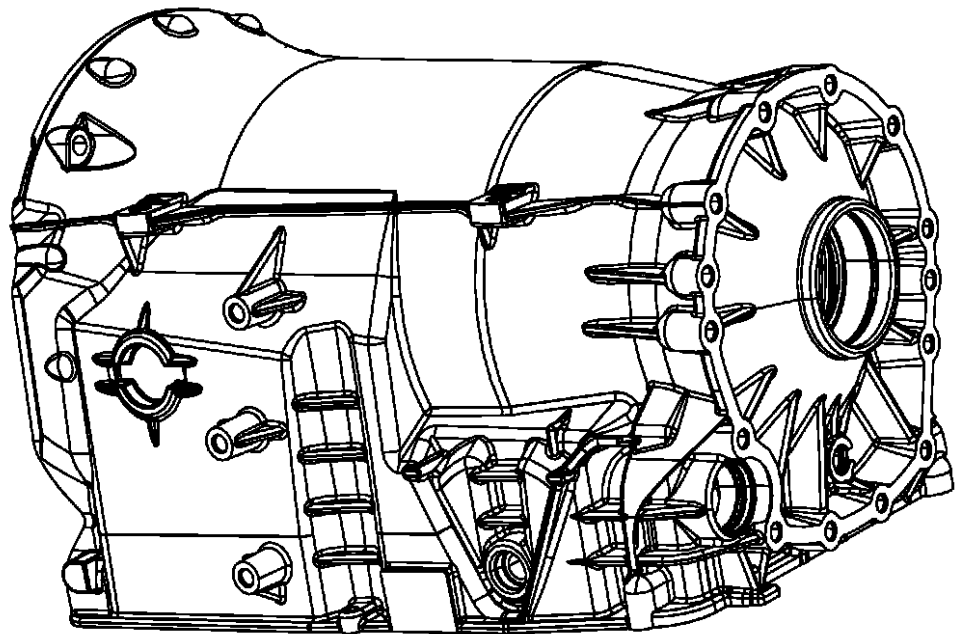
ENGINE TRANSMISSION
EVE = Engine - 4.7L V8 DOHC 3 Valve
EZB = 5.7L Hemi Multi Displacement Engine
EKG = 3.7L V6 Engine
ESF = 6.1L SRT HEMI SMPI V8 Engine
EXL = 3.0L V6 Turbo Diesel Engine
DGJ = 5-Speed Auto W5A580 Transmission
DGU = 5-Spd Auto W5J400 Transmission
DGQ = 5-Spd Automatic 545RFE Transmission

AR = use ase required - = Non illustrated part

2008 WK

**Parking Sprag And Related Parts
Figure 021DGU-860**

ITEM	PART NUMBER	QTY	LINE	SERIES	BODY	ENGINE	TRANS	TRIM	DESCRIPTION
12		1	T			EX0	DGU		BOLT, Torx Head, M6x20
	52108178AA	1	J			EX0	DGU		
		1	T			EX0	DGU		
13		1	J			EX0	DGU		SEAL, Transmission
	05134933AA	1	T			EX0	DGU		
14		1	J			EX0	DGU		SHAFT, Shift Lever
	52108432AA	1	T			EX0	DGU		
15		1	J			EX0	DGU		DOWEL
	05098951AA	1	T			EX0	DGU		
16		1	J			EX0	DGU		DETENT, Valve Body
	52108258AA	1	T			EX0	DGU		
17		1	J			EX0	DGU		BOLT, Torx Head, M6x12
	52108266AB	1	T			EX0	DGU		



GRAND CHEROKEE (WK)

SERIES LINE
H = HIGHLINE T = JEEP - 2WD
P = PREMIUM J = JEEP - 4WD
S = SPORT
X = SPECIAL

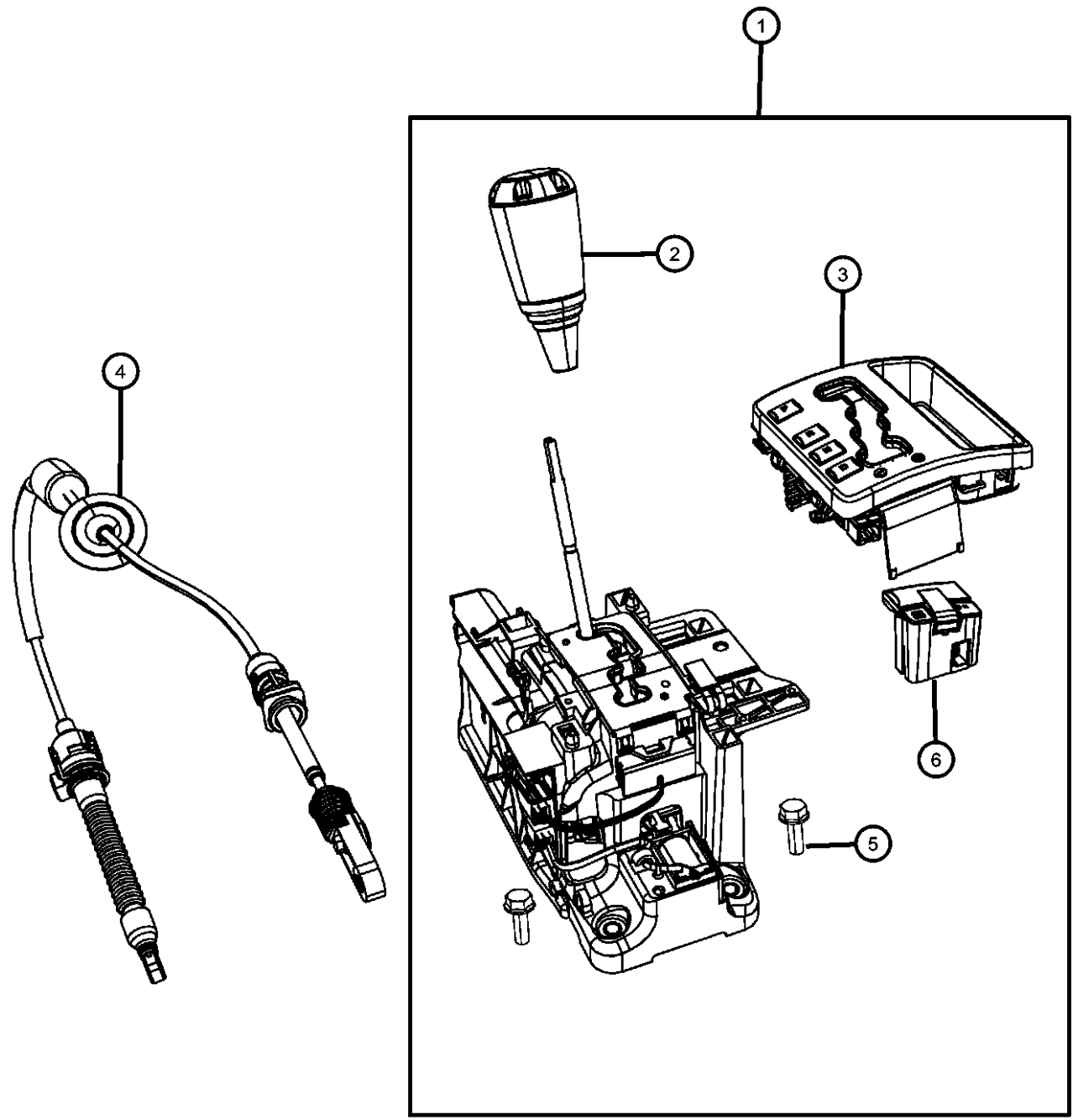
BODY
74 = SPORT UTILITY 4-DR
TYPE #4

ENGINE TRANSMISSION
EVE = Engine - 4.7L V8 DOHC 3 Valve
EZB = 5.7L Hemi Multi Displacement Engine
EKG = 3.7L V6 Engine
ESF = 6.1L SRT HEMI SMPI V8 Engine
EXL = 3.0L V6 Turbo Diesel Engine
DGJ = 5-Speed Auto W5A580 Transmission
DGU = 5-Spd Auto W5J400 Transmission
DGQ = 5-Spd Automatic 545RFE Transmission

AR = use ase required - = Non illustrated part

2008 WK

**Gearshift Controls
Figure 021DGU-1105**



ITEM	PART NUMBER	QTY	LINE	SERIES	BODY	ENGINE	TRANS	TRIM	DESCRIPTION
1	52124688AD	1	J	H			DGJ, DGU		HOUSING AND LEVER, Shifter With [DHX] Up To 1/10/08
	52124688AE	1	J	H			DGJ, DGU		With [DHX] After 1/10/08
	52124695AD	1	T	P, S			DGU		
	52124682AD	1	J	P, S			DGU		Up To 1/10/08
	52124682AE	1	J	P, S			DGU		After 1/10/08
	52124687AD	1	T	H			DGJ, DGU		Up To 1/10/08
	52124687AE	1	T	H			DGJ, DGU		After 1/10/08
2	52125511AA	1	J	P, S			DGU		KNOB, Gearshift Up To 1/10/08
		1	T	P, S			DGU		
	52125511AB	1	J	P, S			DGU		After 1/10/08
	52125510AA	1	J	H			DGJ, DGU		Up To 1/10/08
		1	T	H			DGJ, DGU		Up To 1/10/08
	52125510AB	1	T	H			DGJ, DGU		After 1/10/08
3		1	J	H			DGJ, DGU		After 1/10/08
	52124585AA	1	J	P, S			DGU		PRNDL BEZEL, Gear selector [DHX]
		1	J	H			DGJ, DGU		[DHX]
	52124584AA	1	T	H, P			DGJ, DGU		2Wheel Drive
	1	T	S			DGU		2WD	
4	52124590AC	1	J, T			EX0	DGU		CABLE, Gearshift Control
5	06105040AA	3	J, T				DG0		BOLT, Hex Flange Head, M6X1.00X35.00, Not Included In Item #1
6		1	J	P, S			DGU		SWITCH, Transfer Case
	56050139AG	1	J	H			DGJ, DGU		

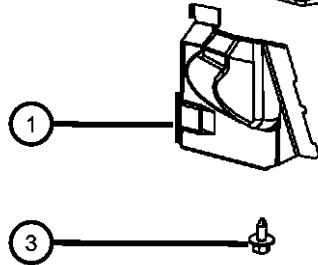
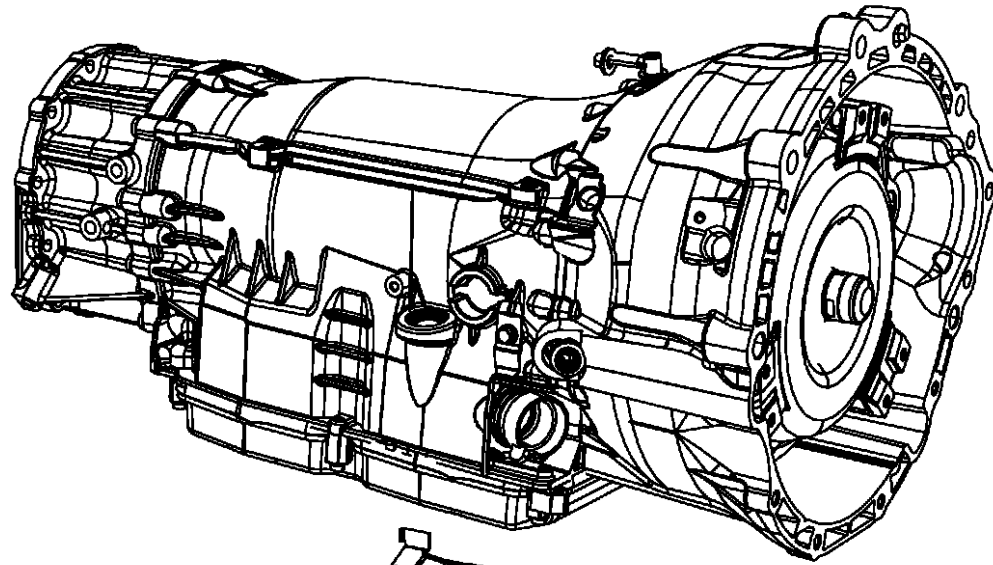
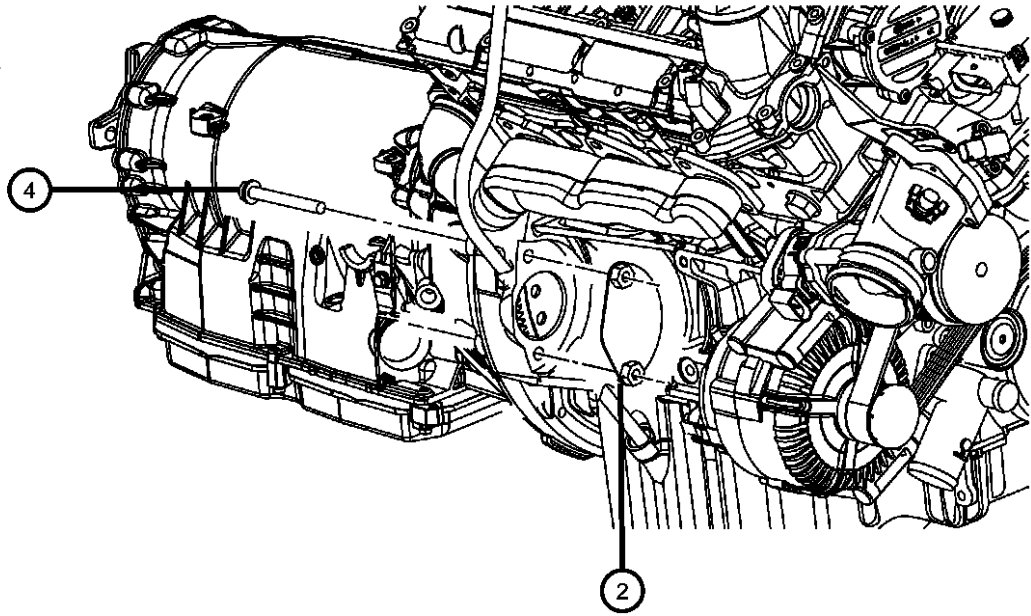
GRAND CHEROKEE (WK)

SERIES	LINE	BODY	ENGINE	TRANSMISSION
H = HIGHLINE	T = JEEP - 2WD	74 = SPORT UTILITY 4-DR	EVE = Engine - 4.7L V8 DOHC	DGJ = 5-Speed Auto W5A580
P = PREMIUM	J = JEEP - 4WD	TYPE #4	3 Valve	Transmission
S = SPORT			EZB = 5.7L Hemi Multi	DGU = 5-Spd Auto W5J400
X = SPECIAL			Displacement Engine	Transmission
			EKG = 3.7L V6 Engine	DGQ = 5-Spd Automatic 545RFE
			ESF = 6.1L SRT HEMI SMPI	Transmission
			V8 Engine	
			EXL = 3.0L V6 Turbo Diesel	
			Engine	

AR = use ase required - = Non illustrated part

Mounting Covers And Shields
Figure 021DGU-1205

ITEM	PART NUMBER	QTY	LINE	SERIES	BODY	ENGINE	TRANS	TRIM	DESCRIPTION
1	53013915AA	1	J, T				DGJ, DGU		SHIELD, Heat
2	53013754AA	1	J, T			EX0	DG0		SHIELD, Starter
3	06507210AA	1	J, T				DGJ, DGU		BOLT, Hex Head, M6X1.00X11.00
4	06101330	2	J, T			EXL	DG0		BOLT AND WASHER, Hex Head, M10x1.50x85.00



GRAND CHEROKEE (WK)

SERIES LINE
H = HIGHLINE T = JEEP - 2WD
P = PREMIUM J = JEEP - 4WD
S = SPORT
X = SPECIAL

BODY
74 = SPORT UTILITY 4-DR
TYPE #4

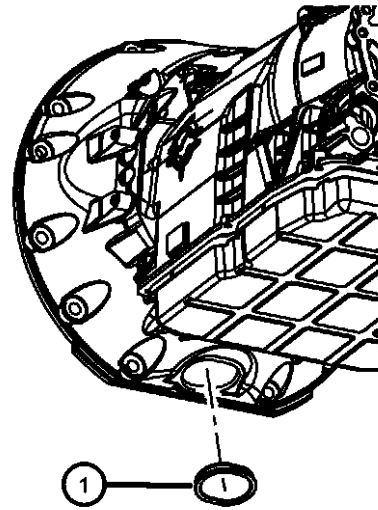
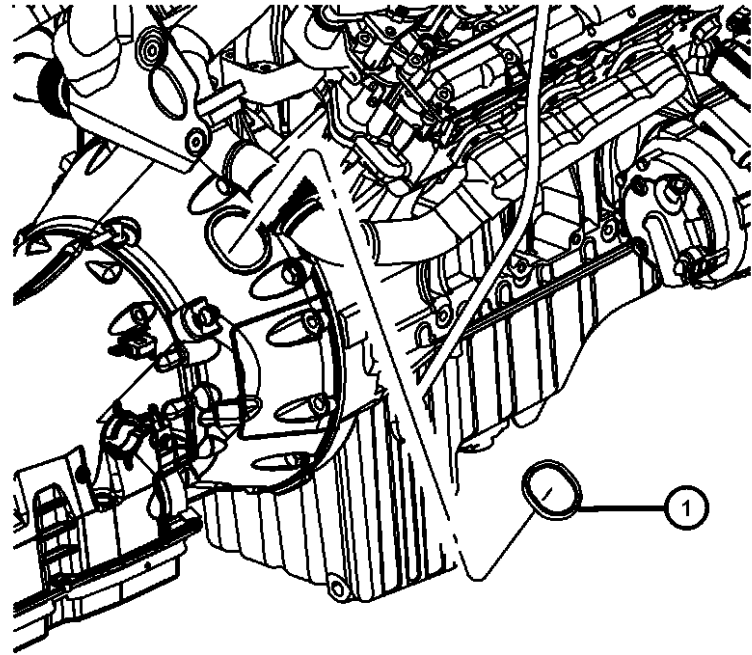
ENGINE TRANSMISSION
EVE = Engine - 4.7L V8 DOHC 3 Valve
EZB = 5.7L Hemi Multi Displacement Engine
EKG = 3.7L V6 Engine
ESF = 6.1L SRT HEMI SMPI V8 Engine
EXL = 3.0L V6 Turbo Diesel Engine
DGJ = 5-Speed Auto W5A580 Transmission
DGU = 5-Spd Auto W5J400 Transmission
DGQ = 5-Spd Automatic 545RFE Transmission

AR = use ase required - = Non illustrated part

2008 WK

**Torque Converter Access Plug
Figure 021DGU-1207**

ITEM	PART NUMBER	QTY	LINE	SERIES	BODY	ENGINE	TRANS	TRIM	DESCRIPTION
1	53013796AA	2	J			EX0	DGU		PLUG, Access Hole
		2	T			EX0	DGU		



GRAND CHEROKEE (WK)

SERIES LINE
H = HIGHLINE T = JEEP - 2WD
P = PREMIUM J = JEEP - 4WD
S = SPORT
X = SPECIAL

BODY
74 = SPORT UTILITY 4-DR
TYPE #4

ENGINE TRANSMISSION
EVE = Engine - 4.7L V8 DOHC 3 Valve
EVB = Engine - 4.7L V8 DOHC 3 Valve
EZA = 5.7L Hemi Multi Displacement Engine
EKB = 3.7L V6 Engine
ESF = 6.1L SRT HEMI SMPI V8 Engine
EXL = 3.0L V6 Turbo Diesel Engine
DGJ = 5-Speed Auto W5A580 Transmission
DGU = 5-Spd Auto W5J400 Transmission
DGQ = 5-Spd Automatic 545RFE Transmission

AR = use ase required - = Non illustrated part

2008 WK

Group - 021DHB

NV146; Transfer Case

Group - 021DHB NV146; Transfer Case

Illustration Title	Group-Fig. No.
Transfer Case Assembly	
Transfer Case Assembly And Identification NVG 146 [DHB]	Fig. 021DHB - 105
Case, and Extension	
Case And Related Parts NVG 146 [DHB]	Fig. 021DHB - 205
Gear Train	
Gear Train NVG 146 [DHB]	Fig. 021DHB - 605
Fork and Rails	
Forks And Rails NVG 146 [DHB].....	Fig. 021DHB - 1005
Mounting and Skid Plate	
Transfer Case Mounting And Venting NVG 146 [DHB].....	Fig. 021DHB - 1205
Skid Plate And Mounting NVG 146 [DHB].....	Fig. 021DHB - 1210

021DHB-100 Transfer Case Assembly	021DHB-1000 Fork and Rails	021DHB-1200 Mounting and Skid Plate	021DHB-200 Case, and Extension
021DHB-600 Gear Train			

**Transfer Case Assembly And Identification NVG 146 [DHB]
Figure 021DHB-105**

ITEM	PART NUMBER	QTY	LINE	SERIES	BODY	ENGINE	TRANS	TRIM	DESCRIPTION
------	-------------	-----	------	--------	------	--------	-------	------	-------------

NOTE:

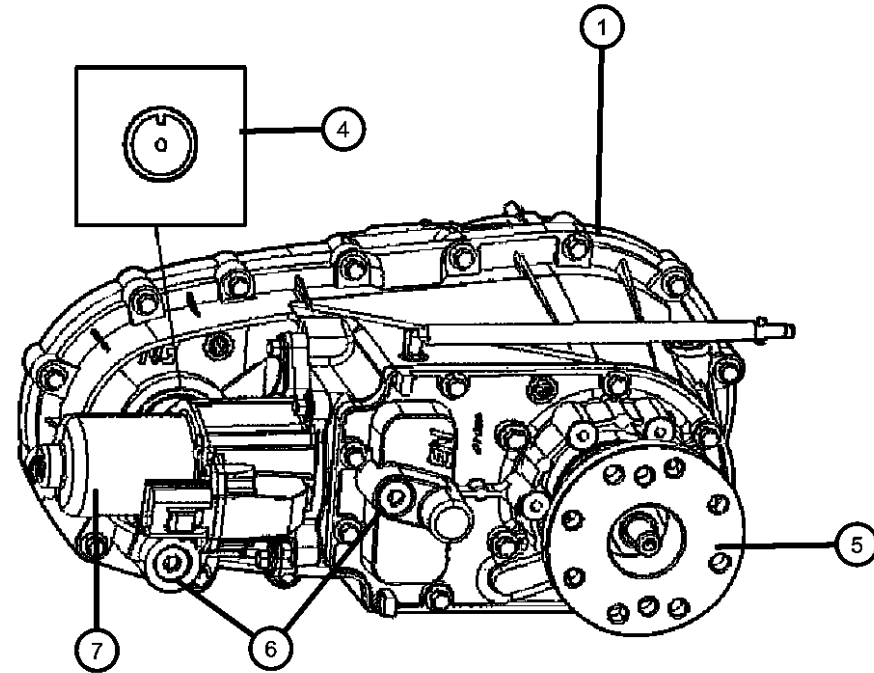
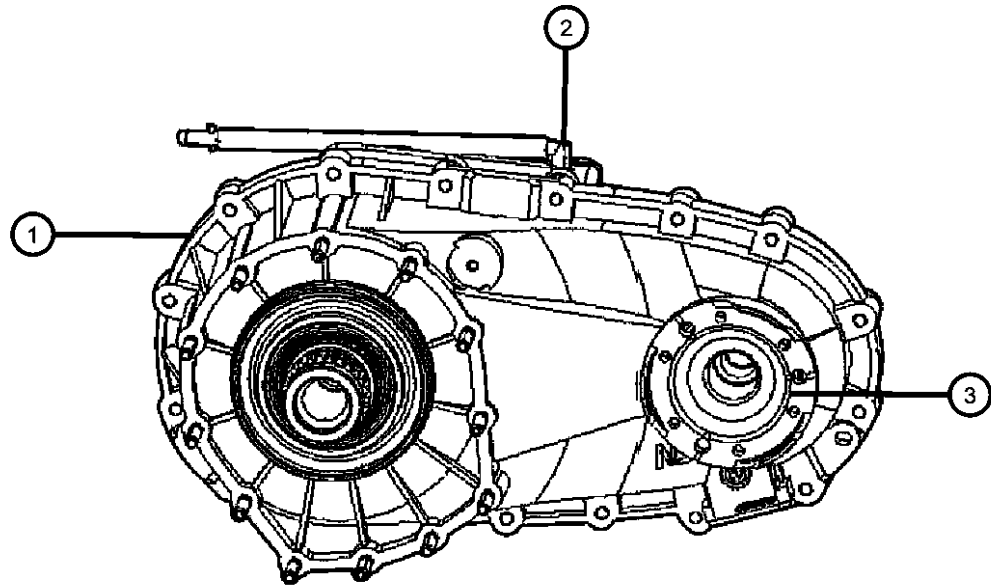
Sales Codes:

[DGJ] = 5-Speed Automatic W5A580 Transmission

[DGQ] = 5-Speed Automatic 545RFE Transmission

[DGU] = 5-Speed Automati

1	05037747AA 68001758AA	1	J, T			ESF			TRANSFER CASE, NVG146 Mopar Transfer Case Fluid SRT8
2	05175988AA	1	J, T			ESF			VENT, Transfer Case
3	05143716AA	1	J, T			ESF			OUTPUT SHAFT, Transfer Case
4		1							IDENTIFICATION TAG, SCREW ON, (NOT SERVICED)
5	05143757AA	1	J, T			ESF			FLANGE, Driveshaft Yoke
6	04856641	1	J, T			ESF			PLUG, Oil Fill
7	05143786AA	1	J, T			ESF			ACTUATOR



GRAND CHEROKEE (WK)

SERIES LINE
H = HIGHLINE T = JEEP - 2WD
P = PREMIUM J = JEEP - 4WD
S = SPORT
X = SPECIAL

BODY
74 = SPORT UTILITY 4-DR
TYPE #4

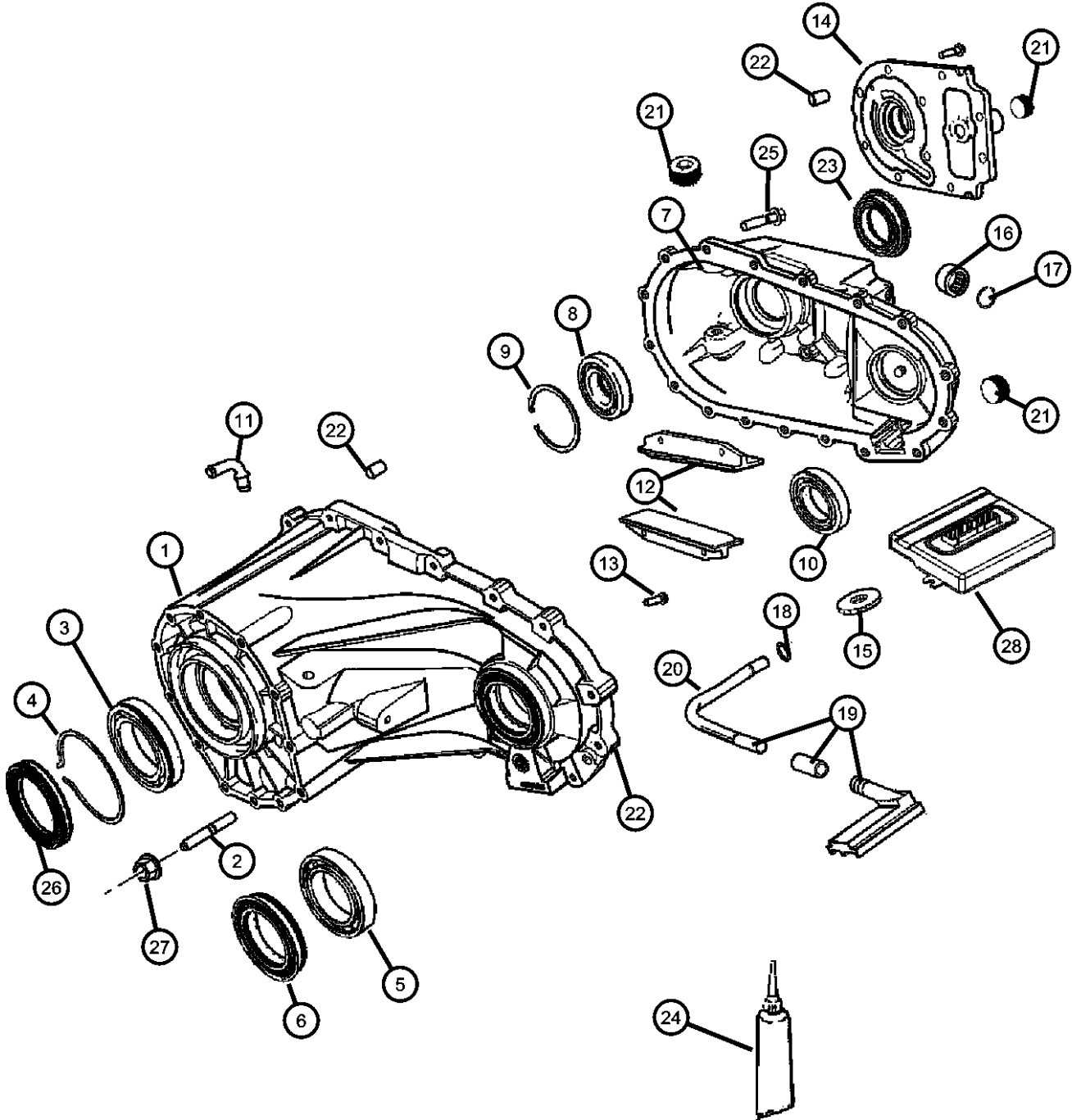
ENGINE
EVE = Engine - 4.7L V8 DOHC
3 Valve
EZB = 5.7L Hemi Multi
Displacement Engine
EKG = 3.7L V6 Engine
ESF = 6.1L SRT HEMI SMPI
V8 Engine
EXL = 3.0L V6 Turbo Diesel
Engine

TRANSMISSION
DGJ = 5-Speed Auto W5A580
Transmission
DGU = 5-Spd Auto W5J400
Transmission
DGQ = 5-Spd Automatic 545RFE
Transmission

AR = use ase required - = Non illustrated part

2008 WK

**Case And Related Parts NVG 146 [DHB]
Figure 021DHB-205**



ITEM	PART NUMBER	QTY	LINE	SERIES	BODY	ENGINE	TRANS	TRIM	DESCRIPTION
------	-------------	-----	------	--------	------	--------	-------	------	-------------

NOTE:
Sales Codes:
[DGJ] = 5-Speed Automatic W5A580 Transmission
[DGQ] = 5-Speed Automatic 545RFE Transmission
[DGU] = 5-Speed Automati

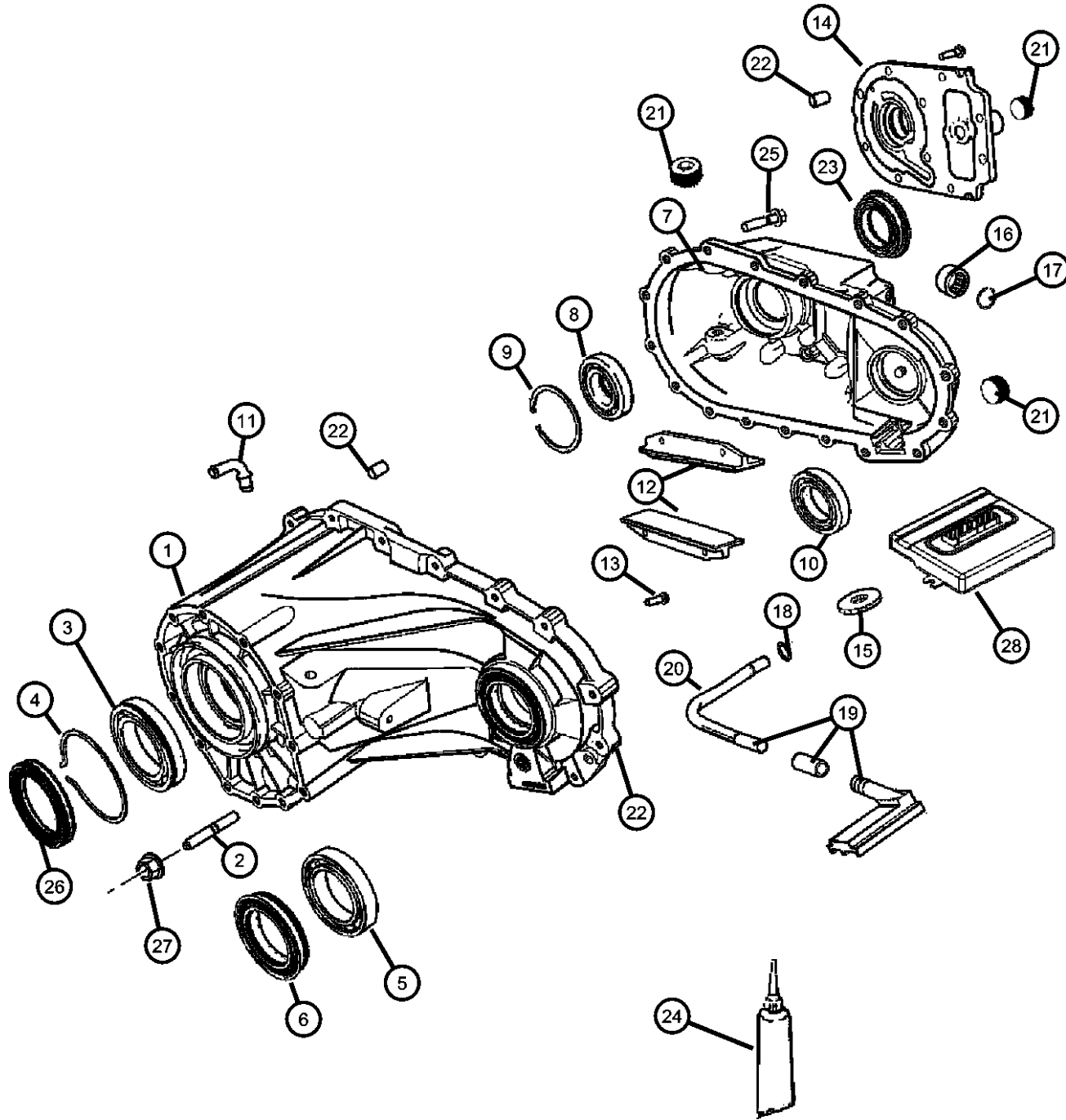
1	05175982AA	1	J, T			ESF			CASE HALF, Front
2	05143725AA	1	J, T			ESF			STUD, Transfer Case To Transmission, Mounting
3	05143739AA	1	J, T			ESF			BEARING, Input Gear
4	03821558	1	J, T			ESF			SNAP RING
5	05012997AA	1	J, T			ESF			BEARING, Input Gear
6	05143715AA	1	J, T			ESF			SEAL, Output
7	05175990AA	1	J, T			ESF			CASE, Transfer Rear
8	05161968AA	1	J, T			ESF			BEARING, Ball
9	05143776AA	1	J, T			ESF			SNAP RING
10	05143741AA	1	J, T			ESF			BEARING, Ball
11	05175988AA	1	J, T			ESF			VENT, Transfer Case
12	05012324AA	1	J, T			ESF			SNUBBER, Chain
13	05012325AA	1	J, T			ESF			BOLT
14	05143760AB	1	J, T			ESF			RETAINER, Transfer Case Rear
15	03681601	1	J						MAGNET, Transmission
16	05143982AA	1	J, T			ESF			BEARING, Transfer Case Shift
17	05143774AA	1	J, T			ESF			SNAP RING
18	05013016AB	1	J, T			ESF			SEAL, Transfer Case
19	05143773AB	1	J, T			ESF			TUBE, Oil pickup assembly, Transfer case
20	53021522AE	1	J, T			ESF			TUBE, Oil Pickup
21	04856641	1	J, T			ESF			PLUG, Oil Fill
22	05086335AA	1	J, T			ESF			DOWEL, Transfer Case
23	05143733AA	1	J, T			ESF			SEAL, Oil
24	05010884AA	1	J, T			ESF			SEALANT, RTV
25	06101526	17	J						SCREW, Hex Flange Head, M8x1.25x35
26	05143714AA	1	J, T			ESF			SEAL, Input

GRAND CHEROKEE (WK)				
SERIES	LINE	BODY	ENGINE	TRANSMISSION
H = HIGHLINE	T = JEEP - 2WD	74 = SPORT UTILITY 4-DR	EVE = Engine - 4.7L V8 DOHC 3 Valve	DGJ = 5-Speed Auto W5A580 Transmission
P = PREMIUM	J = JEEP - 4WD	TYPE #4	EZB = 5.7L Hemi Multi Displacement Engine	DGU = 5-Spd Auto W5J400 Transmission
S = SPORT			EKG = 3.7L V6 Engine	DGQ = 5-Spd Automatic 545RFE Transmission
X = SPECIAL			ESF = 6.1L SRT HEMI SMPI V8 Engine	
			EXL = 3.0L V6 Turbo Diesel Engine	

AR = use ase required - = Non illustrated part

Case And Related Parts NVG 146 [DHB]
Figure 021DHB-205

ITEM	PART NUMBER	QTY	LINE	SERIES	BODY	ENGINE	TRANS	TRIM	DESCRIPTION
27	06507572AA	12	J						NUT AND WASHER, Hex, [M8X1.00], Transfer Case To
28	05035000AC	1	J			ESF			MODULE, Transfer Case Control



GRAND CHEROKEE (WK)

SERIES LINE
H = HIGHLINE T = JEEP - 2WD
P = PREMIUM J = JEEP - 4WD
S = SPORT
X = SPECIAL

BODY
74 = SPORT UTILITY 4-DR
TYPE #4

ENGINE
EVE = Engine - 4.7L V8 DOHC
3 Valve
EZB = 5.7L Hemi Multi
Displacement Engine
EKG = 3.7L V6 Engine
ESF = 6.1L SRT HEMI SMPI
V8 Engine
EXL = 3.0L V6 Turbo Diesel
Engine

TRANSMISSION
DGJ = 5-Speed Auto W5A580
Transmission
DGU = 5-Spd Auto W5J400
Transmission
DGQ = 5-Spd Automatic 545RFE
Transmission

AR = use ase required - = Non illustrated part

2008 WK

**Gear Train NVG 146 [DHB]
Figure 021DHB-605**

ITEM	PART NUMBER	QTY	LINE	SERIES	BODY	ENGINE	TRANS	TRIM	DESCRIPTION
------	-------------	-----	------	--------	------	--------	-------	------	-------------

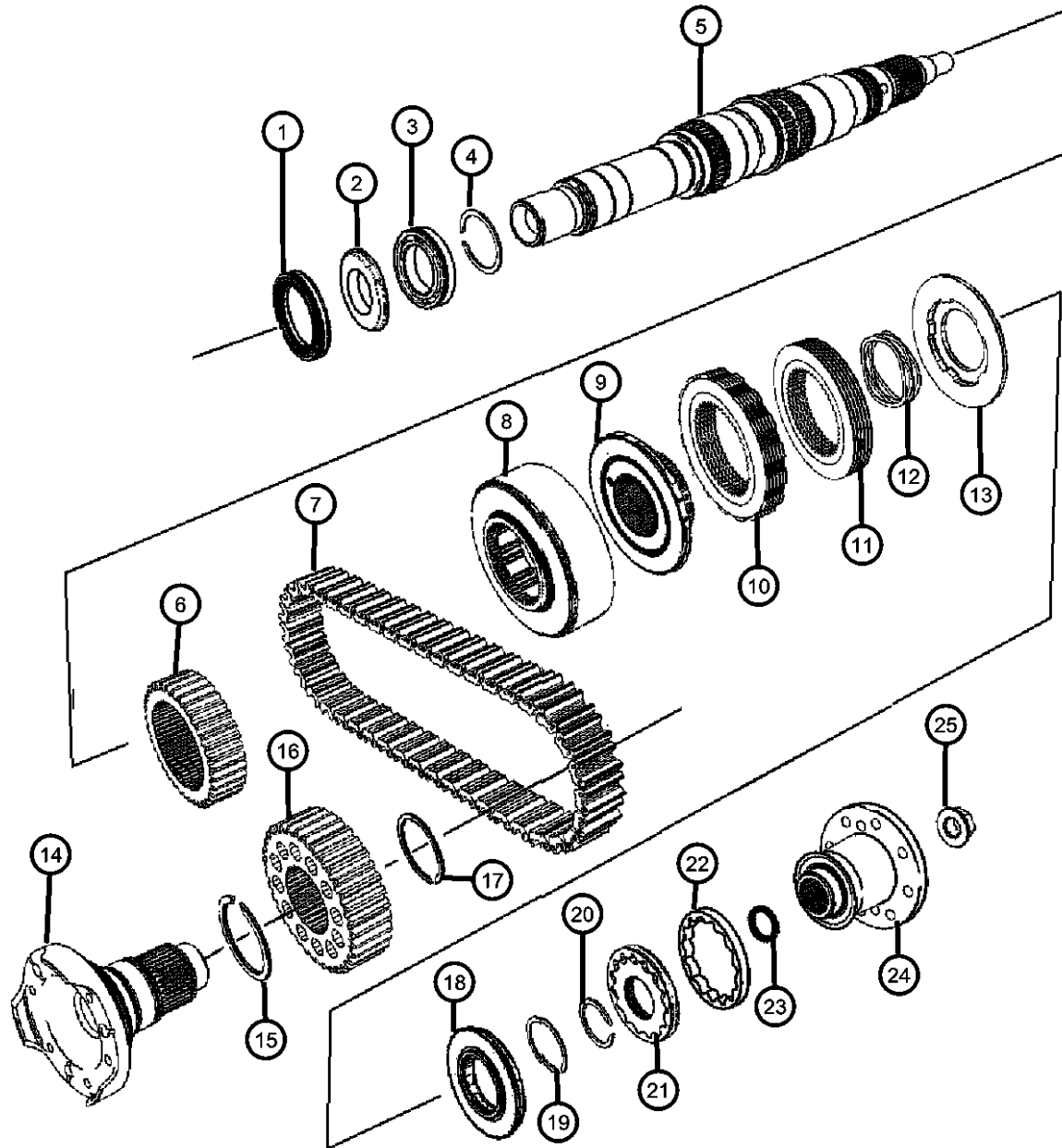
NOTE:

Sales Codes:

[DGJ] = 5-Speed Automatic W5A580 Transmission

[DGQ] = 5-Speed Automatic 545RFE Transmission

[DGU] = 5-Speed Automati



1	05143714AA	1	J, T			ESF			SEAL, Input
2	05161962AA	1	J, T			ESF			BEARING, Thrust
3	05143739AA	1	J, T			ESF			BEARING, Input Gear
4	03821558	1	J, T			ESF			SNAP RING
5	05175984AA	1	J, T			ESF			MAINSHAFT, Transfer Case
6	05143727AA	1	J, T			ESF			SPROCKET, Transfer Case
7	05161964AA	1	J, T			ESF			CHAIN, Transfer Case
8	05175983AA	1	J, T			ESF			DRUM
9	05143984AA	1	J, T			ESF			DRUM
10	05175986AA	6	J, T			ESF			PLATE, Transmission Clutch Reaction
11	05175985AA	7	J, T			ESF			PLATE, Clutch Pressure
12	05143989AA	1	J, T			ESF			SPRING, Clutch
13	05175987AA	1	J, T			ESF			PLATE
14	05143716AA	1	J, T			ESF			OUTPUT SHAFT, Transfer Case
15	83503537	1	J, T			ESF			SNAP RING
16	05143730AA	1	J, T			ESF			SPROCKET, Transfer Case
17	05080503AA	1	J, T			ESF			SNAP RING, Clutch GearInner
18	05161962AA	1	J, T			ESF			BEARING, Thrust
19	83503537	1	J, T			ESF			SNAP RING
20	05143774AA	1	J, T			ESF			SNAP RING
21	05143772AA	1	J, T			ESF			PUMP, Transfer Case Oil
22	68020949AA	1	J, T			ESF			ROTOR ASSEMBLY, Inner & outer
23	05143743AA	1	J, T			ESF			SEAL
24	05143757AA	1	J, T			ESF			FLANGE, Driveshaft Yoke
25	05143738AA	1	J, T			ESF			NUT, Transfer Case Yoke

GRAND CHEROKEE (WK)

SERIES LINE
H = HIGHLINE T = JEEP - 2WD
P = PREMIUM J = JEEP - 4WD
S = SPORT
X = SPECIAL

BODY
74 = SPORT UTILITY 4-DR
TYPE #4

ENGINE TRANSMISSION
EVE = Engine - 4.7L V8 DOHC 3 Valve
EZB = 5.7L Hemi Multi Displacement Engine
EKG = 3.7L V6 Engine
ESF = 6.1L SRT HEMI SMPI V8 Engine
EXL = 3.0L V6 Turbo Diesel Engine
DGJ = 5-Speed Auto W5A580 Transmission
DGU = 5-Spd Auto W5J400 Transmission
DGQ = 5-Spd Automatic 545RFE Transmission

AR = use ase required - = Non illustrated part

2008 WK

Forks And Rails NVG 146 [DHB]
Figure 021DHB-1005

ITEM	PART NUMBER	QTY	LINE	SERIES	BODY	ENGINE	TRANS	TRIM	DESCRIPTION
------	-------------	-----	------	--------	------	--------	-------	------	-------------

NOTE:

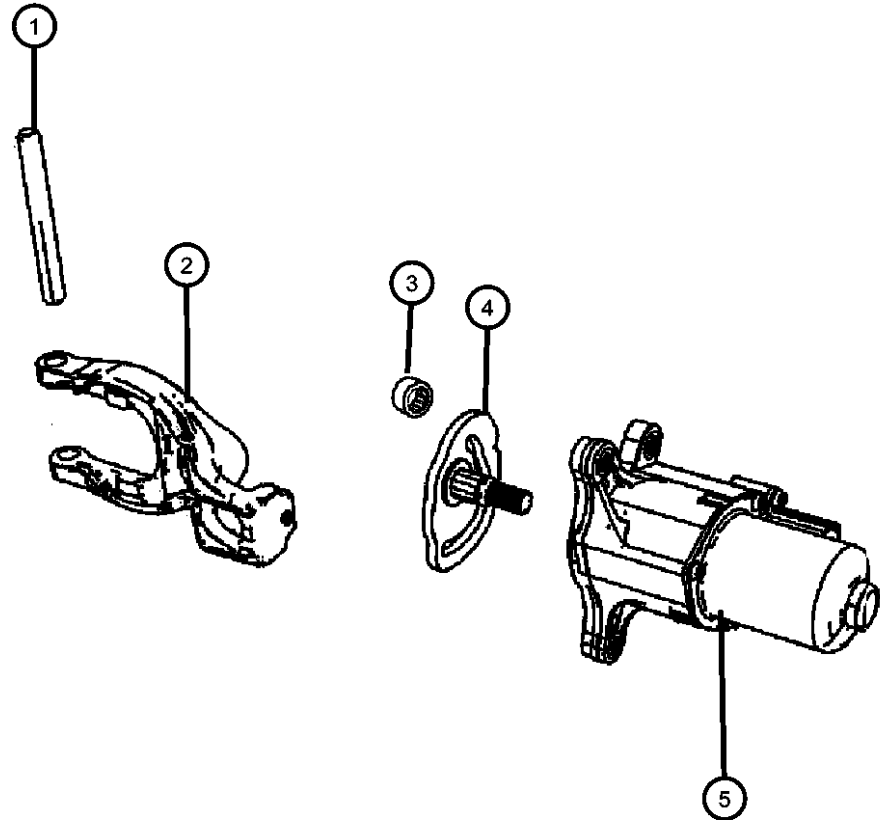
Sales Codes:

[DGJ] = 5-Speed Automatic W5A580 Transmission

[DGQ] = 5-Speed Automatic 545RFE Transmission

[DGU] = 5-Speed Automati

1	05143981AA	1	J, T			ESF			RAIL, Shift
2	05161975AA	1	J, T			ESF			LEVER, Transfer Case
3	05143982AA	1	J, T			ESF			BEARING, Transfer Case Shift
4	05175989AA	1	J, T			ESF			SECTOR, Transfer Case
5	05143786AA	1	J, T			ESF			ACTUATOR



GRAND CHEROKEE (WK)

SERIES LINE
H = HIGHLINE T = JEEP - 2WD
P = PREMIUM J = JEEP - 4WD
S = SPORT
X = SPECIAL

BODY
74 = SPORT UTILITY 4-DR
TYPE #4

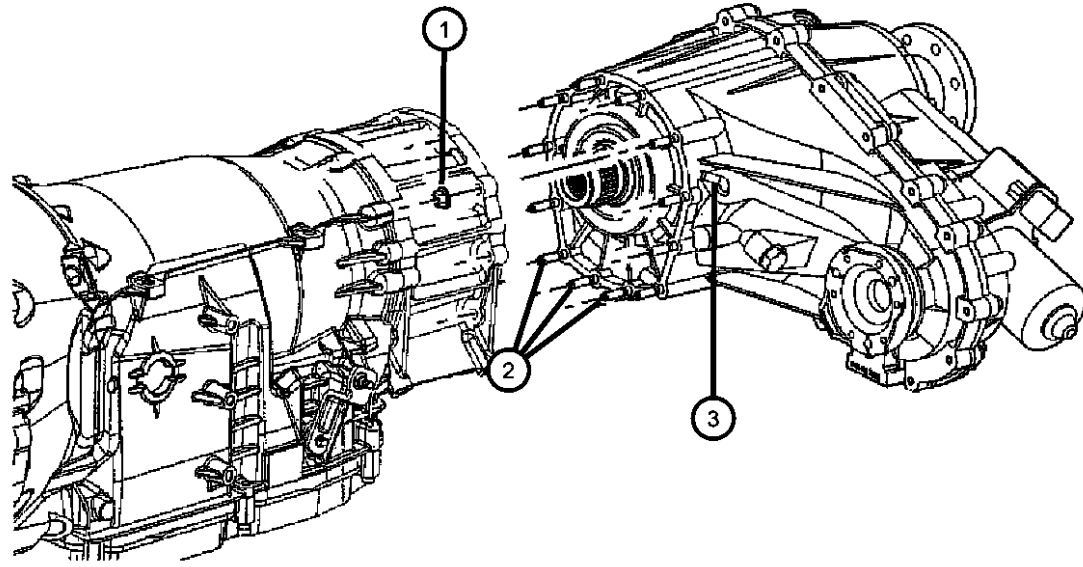
ENGINE TRANSMISSION
EVE = Engine - 4.7L V8 DOHC 3 Valve
EZB = 5.7L Hemi Multi Displacement Engine
EKG = 3.7L V6 Engine
ESF = 6.1L SRT HEMI SMPI V8 Engine
EXL = 3.0L V6 Turbo Diesel Engine
DGJ = 5-Speed Auto W5A580 Transmission
DGU = 5-Spd Auto W5J400 Transmission
DGQ = 5-Spd Automatic 545RFE Transmission

AR = use ase required - = Non illustrated part

2008 WK

**Transfer Case Mounting And Venting NVG 146 [DHB]
Figure 021DHB-1205**

ITEM	PART NUMBER	QTY	LINE	SERIES	BODY	ENGINE	TRANS	TRIM	DESCRIPTION
------	-------------	-----	------	--------	------	--------	-------	------	-------------



NOTE:

Refer To All Proper Tag Numbers And Stamping Numbers Before Ordering Transfer Cases And/Or Transfer Case Parts.

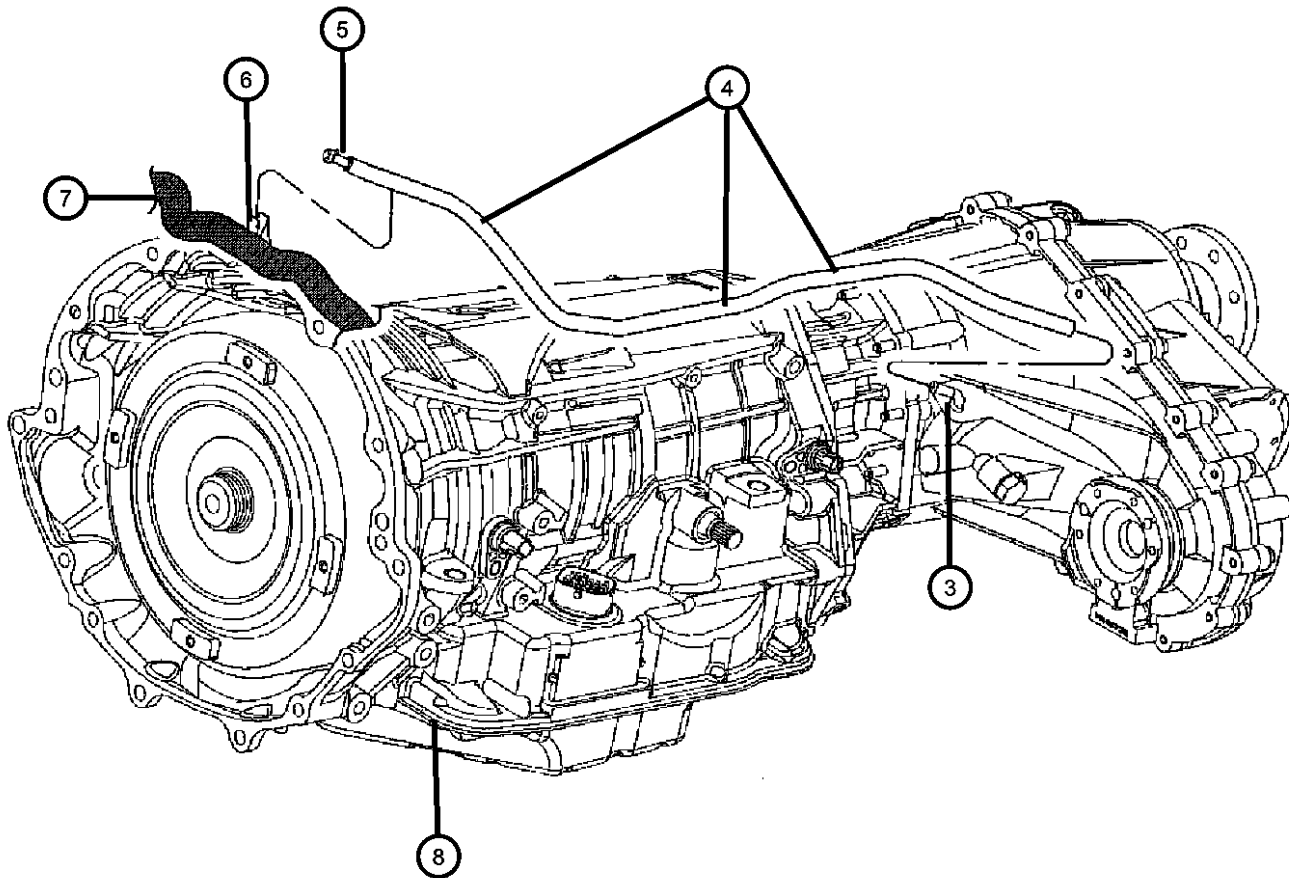
Sales Codes:

[DGJ] = 5-Speed Automatic W5A580 Transmission

[DGQ] = 5-Speed Automatic 545RFE Transmission

[DGU] = 5-Speed Automati

1	06507572AA	12	J						NUT AND WASHER, Hex, [M8X1.00]
2	05143725AA	12	J						STUD
3	68001633AA	1	J						VENT, Transfer Case
4	HFV00516AB	1	J						HOSE, Fuel And Vapor, 25 Foot Roll 5/16"
5	J5352955	1	J						VENT, Axle
6		1							CLIP, Transfer case vent hose, Serviced On Wiring, (NOT SERVICED)
7		1							WIRING, See Group 8, (NOT SERVICED)
8		1							TRANSMISSION, See Transmission Group, (NOT SERVICED)



GRAND CHEROKEE (WK)

SERIES LINE
H = HIGHLINE T = JEEP - 2WD
P = PREMIUM J = JEEP - 4WD
S = SPORT
X = SPECIAL

BODY
74 = SPORT UTILITY 4-DR
TYPE #4

ENGINE
EVE = Engine - 4.7L V8 DOHC 3 Valve
EZB = 5.7L Hemi Multi Displacement Engine
EKG = 3.7L V6 Engine
ESF = 6.1L SRT HEMI SMPI V8 Engine
EXL = 3.0L V6 Turbo Diesel Engine

TRANSMISSION
DGJ = 5-Speed Auto W5A580 Transmission
DGU = 5-Spd Auto W5J400 Transmission
DGQ = 5-Spd Automatic 545RFE Transmission

AR = use ase required - = Non illustrated part

2008 WK

**Skid Plate And Mounting NVG 146 [DHB]
Figure 021DHB-1210**

ITEM	PART NUMBER	QTY	LINE	SERIES	BODY	ENGINE	TRANS	TRIM	DESCRIPTION
------	-------------	-----	------	--------	------	--------	-------	------	-------------

NOTE:

Sales Codes:

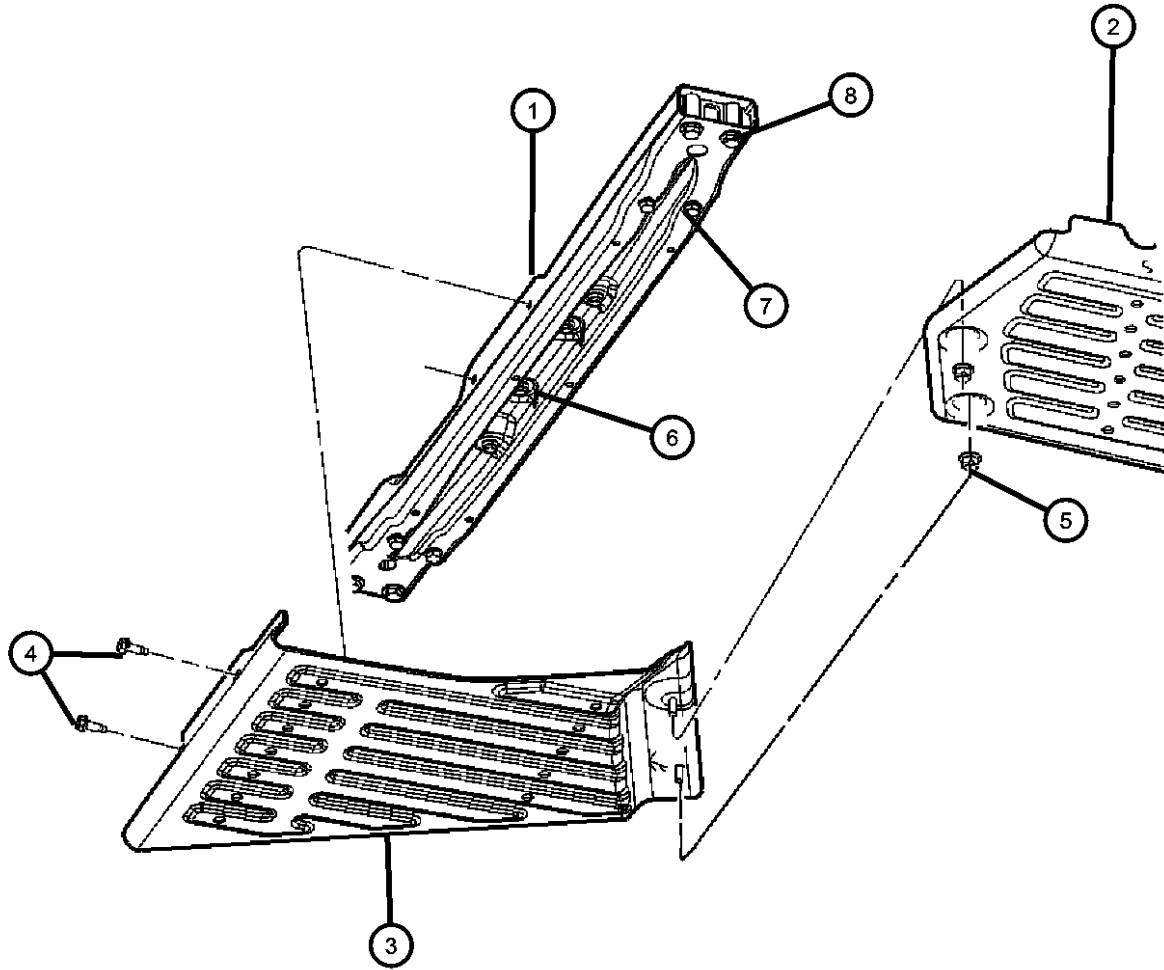
[DGJ] = 5-Speed Automatic W5A580 Transmission

[DGQ] = 5-Speed Automatic 545RFE Transmission

[DGU] = 5-Speed Automati

1	52090070AI	1	J, T						
2	52090274AF	1							
3	52128499AC	1	J						
4	06508286AA	8	J, T						
5	06101696	2	J						
6	06508082AA	4	J, T						
7	06104344AA	4	J, T						
8	06508083AA	4	J, T						

CROSSMEMBER, Transmission
SKID PLATE, Fuel Tank
SKID PLATE, Transfer Case
BOLT, Hex Head, M10x1.50x35.00
NUT, Hex Flange Lock, M10x1.50
SCREW, [8Mx1.25x58.0]
SCREW, [10Mx1.5x90.0]
SCREW, Hex Flange Head, [10Mx1.5x135.0]



GRAND CHEROKEE (WK)

SERIES LINE
H = HIGHLINE T = JEEP - 2WD
P = PREMIUM J = JEEP - 4WD
S = SPORT
X = SPECIAL

BODY
74 = SPORT UTILITY 4-DR
TYPE #4

ENGINE TRANSMISSION
EVE = Engine - 4.7L V8 DOHC 3 Valve
EZB = 5.7L Hemi Multi Displacement Engine
EKG = 3.7L V6 Engine
ESF = 6.1L SRT HEMI SMPI V8 Engine
EXL = 3.0L V6 Turbo Diesel Engine
DGJ = 5-Speed Auto W5A580 Transmission
DGU = 5-Spd Auto W5J400 Transmission
DGQ = 5-Spd Automatic 545RFE Transmission

AR = use ase required - = Non illustrated part

2008 WK

Group - 021DHX

NV245; Transfer Case

Group - 021DHX NV245; Transfer Case

Illustration Title	Group-Fig. No.
Transfer Case Assembly	
Transfer Case Assembly And Identification NVG 245 [DHX]	Fig. 021DHX - 105
Case, and Extension	
Case And Related Parts NVG 245 [DHX]	Fig. 021DHX - 205
Gear Train	
Gear Train NVG 245 [DHX]	Fig. 021DHX - 605
Fork and Rails	
Fork And Rails NVG 245 [DHX]	Fig. 021DHX - 1005
Gearshift Controls and Related Parts	
Transfer Case Shifting And Controls NVG 245 [DHX]	Fig. 021DHX - 1105
Mounting and Skid Plate	
Skid Plate And Mounting NVG 245 [DHX]	Fig. 021DHX - 1205

021DHX-100 Transfer Case Assembly	021DHX-1000 Fork and Rails	021DHX-1100 Gearshift Controls and Related Parts	021DHX-1200 Mounting and Skid Plate
021DHX-200 Case, and Extension	021DHX-600 Gear Train		

**Transfer Case Assembly And Identification NVG 245 [DHX]
Figure 021DHX-105**

ITEM	PART NUMBER	QTY	LINE	SERIES	BODY	ENGINE	TRANS	TRIM	DESCRIPTION
------	-------------	-----	------	--------	------	--------	-------	------	-------------

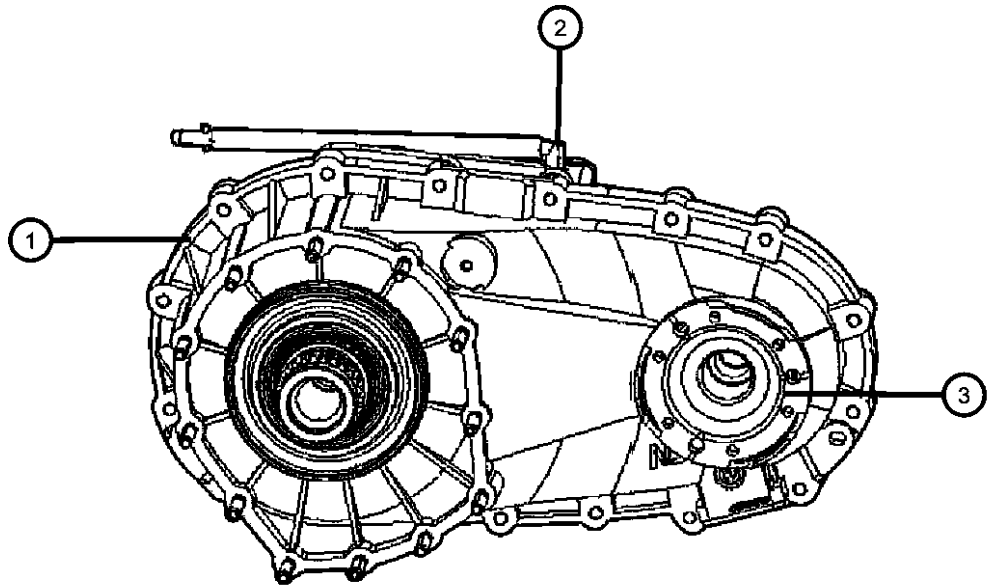
NOTE:

Sales Codes:

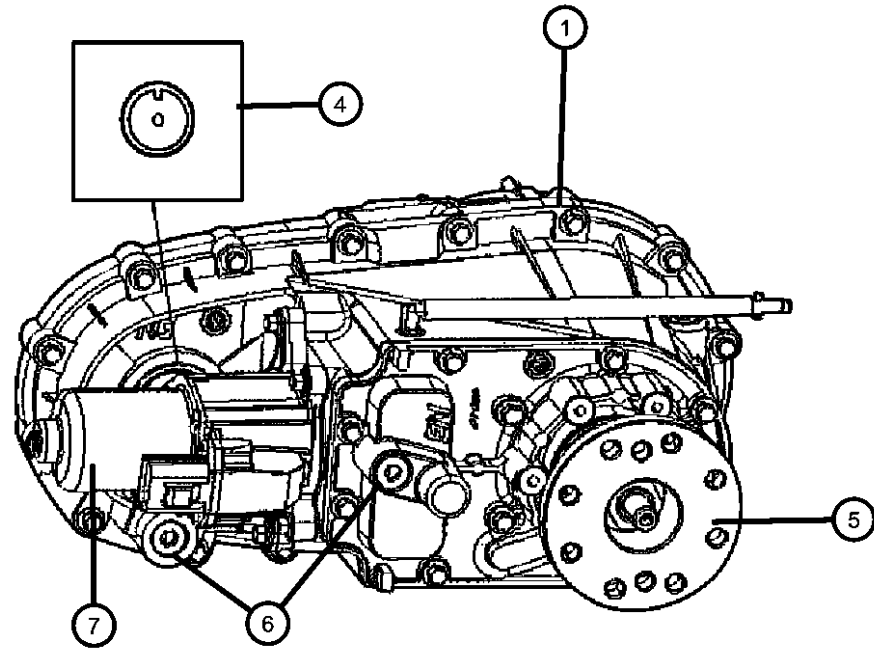
[DGJ] = 5-Speed Automatic W5A580 Transmission

[DGQ] = 5-Speed Automatic 545RFE Transmission

[DGU] = 5-Speed Automati



1									TRANSFER CASE, NVG245 With Stamping # [52105703AA]
	52105703AA	1	J			EVO, EZO			
	52105904AD	1	J			EX0			
	52853391AB	1	J			EK0			With Stamping # [52853391AB]
2									VENT, Transfer Case
	68001633AA	1	J			EZO, EVO			
		1	J			EX0			
3	05143716AA	1	J						OUTPUT SHAFT, Transfer Case
4		1							IDENTIFICATION TAG, SCREW ON, (NOT SERVICED)
5									FLANGE, Driveshaft Yoke
	05143757AA	1	J			EVO, EZO			
		1	J			EX0			
		1	J			EK0			
6	68001627AA	2	J						PLUG, Oil Fill
7									ACTUATOR
	05143786AA	1	J			EX0			
		1	J			EK0			
		1	J			EVO, EZO			



GRAND CHEROKEE (WK)

SERIES LINE
H = HIGHLINE T = JEEP - 2WD
P = PREMIUM J = JEEP - 4WD
S = SPORT
X = SPECIAL

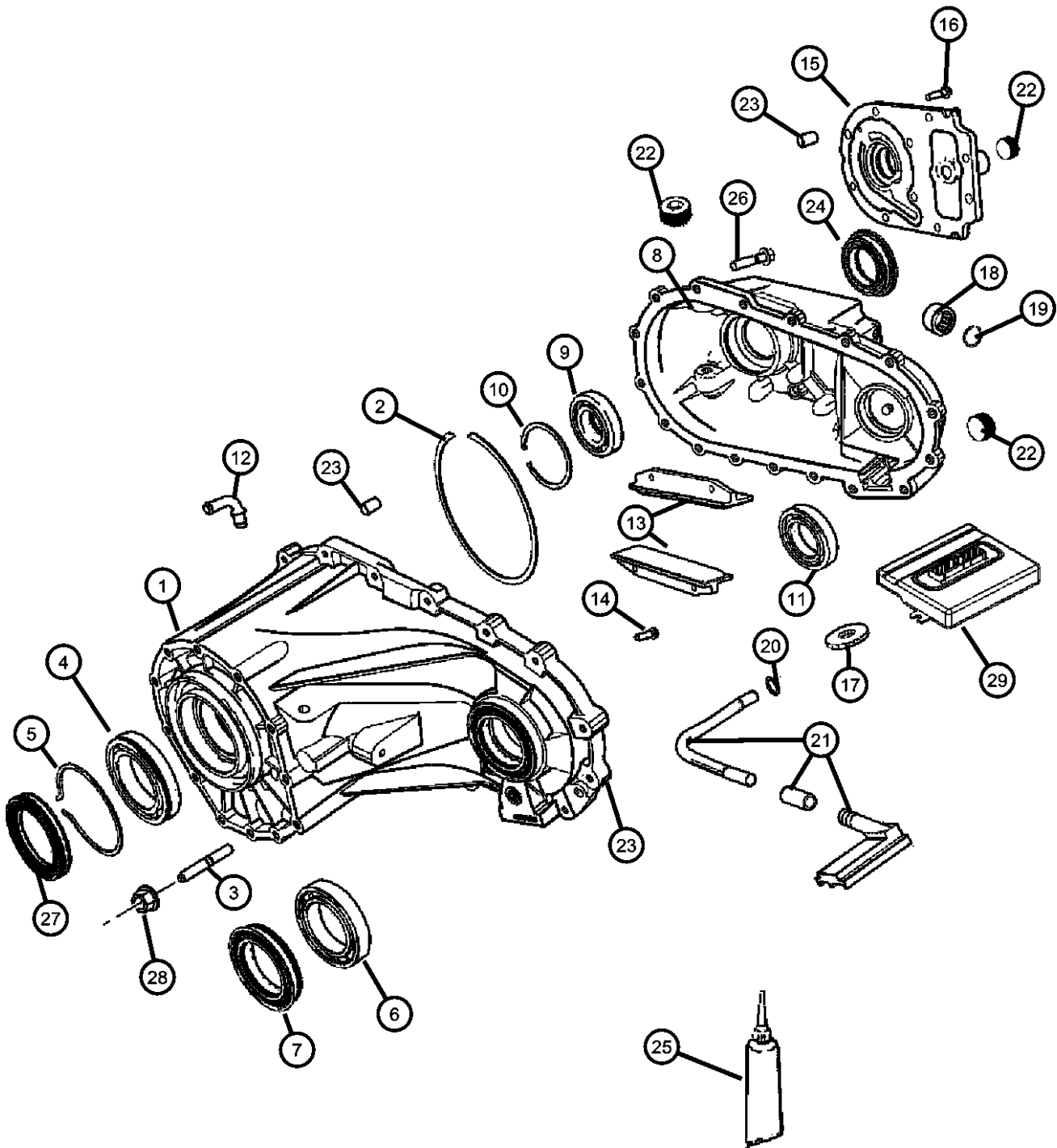
BODY
74 = SPORT UTILITY 4-DR
TYPE #4

ENGINE TRANSMISSION
EVE = Engine - 4.7L V8 DOHC
3 Valve
EZB = 5.7L Hemi Multi
Displacement Engine
EKG = 3.7L V6 Engine
ESF = 6.1L SRT HEMI SMPI
V8 Engine
EXL = 3.0L V6 Turbo Diesel
Engine
DGJ = 5-Speed Auto W5A580
Transmission
DGU = 5-Spd Auto W5J400
Transmission
DGQ = 5-Spd Automatic 545RFE
Transmission

AR = use ase required - = Non illustrated part

2008 WK

Case And Related Parts NVG 245 [DHX]
Figure 021DHX-205



ITEM	PART NUMBER	QTY	LINE	SERIES	BODY	ENGINE	TRANS	TRIM	DESCRIPTION
1	05143749AA	1	J			EX0			CASE, Transfer Front
		1	J			EK0			
		1	J			EV0, EZ0			
2	04219065	1	J			EV0, EZ0			SNAP RING, Annulus Gear
		1	J			EX0			
		1	J			EK0			
3	05143725AA	12	J			EV0, EZ0			STUD
		12	J			EK0			Transfer Case To Transmission, Mounting
		12	J			EX0			Transfer Case To Transmission, Mounting
4	05143739AA	1	J			EX0			BEARING, Input Gear
		1	J			EK0			
		1	J			EV0, EZ0			
5	05143748AA	1	J			EX0			SNAP RING
		1	J			EK0			
		1	J			EV0, EZ0			
6	05012997AA	1	J			EX0			BEARING, Input Gear
		1	J			EV0, EZ0			
		1	J			EK0			
7	05143715AA	1	J			EV0, EZ0			SEAL, Output
		1	J			EX0			

NOTE:
Sales Codes:
[DGJ] = 5-Speed Automatic W5A580 Transmission
[DGQ] = 5-Speed Automatic 545RFE Transmission
[DGU] = 5-Speed Automati

GRAND CHEROKEE (WK)
 SERIES LINE
 H = HIGHLINE T = JEEP - 2WD
 P = PREMIUM J = JEEP - 4WD
 S = SPORT
 X = SPECIAL

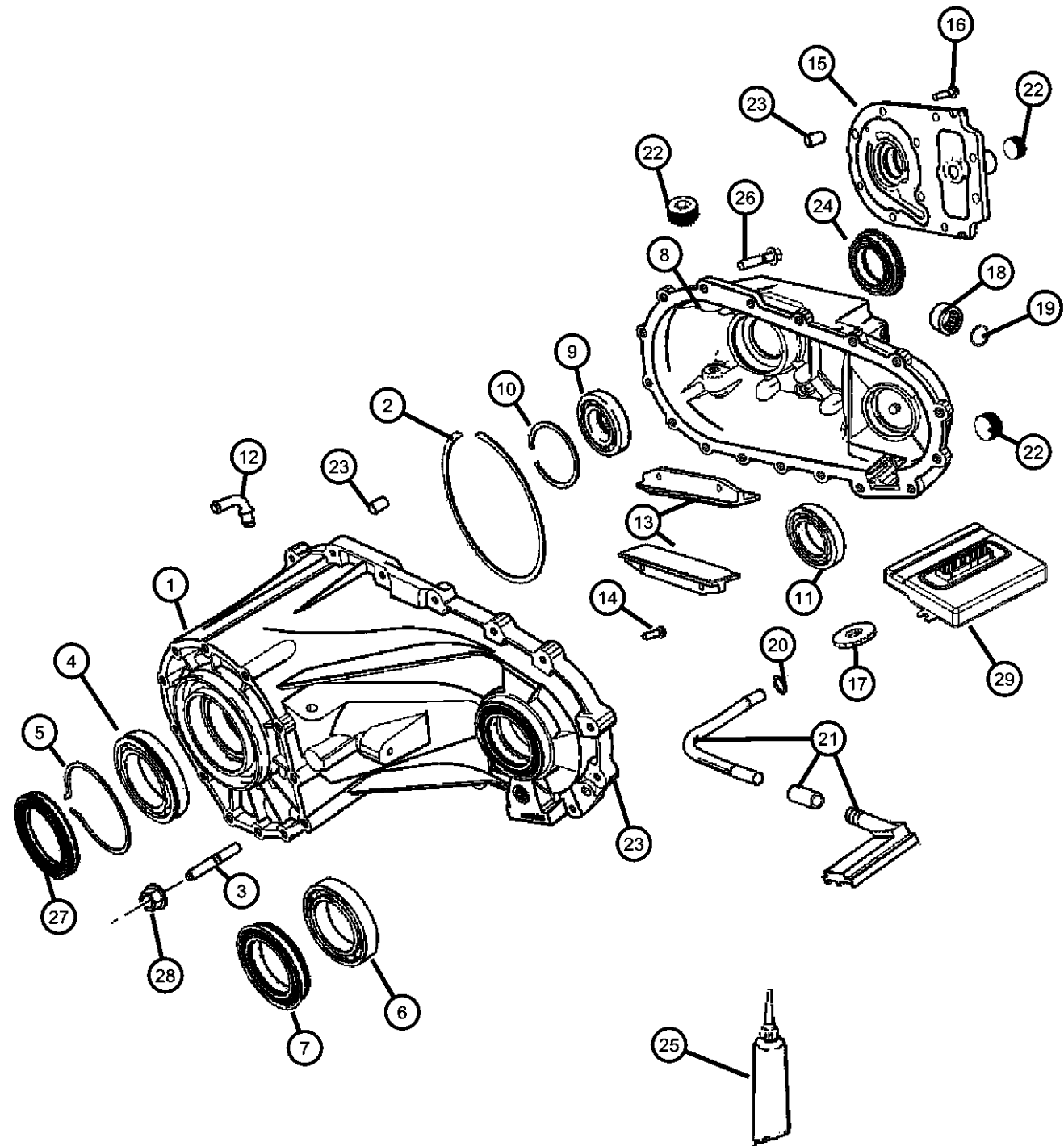
BODY
 74 = SPORT UTILITY 4-DR
 TYPE #4

ENGINE
 EVE = Engine - 4.7L V8 DOHC
 3 Valve
 EZB = 5.7L Hemi Multi
 Displacement Engine
 EKG = 3.7L V6 Engine
 ESF = 6.1L SRT HEMI SMPI
 V8 Engine
 EXL = 3.0L V6 Turbo Diesel
 Engine

TRANSMISSION
 DGJ = 5-Speed Auto W5A580
 Transmission
 DGU = 5-Spd Auto W5J400
 Transmission
 DGQ = 5-Spd Automatic 545RFE
 Transmission

AR = use ase required - = Non illustrated part

Case And Related Parts NVG 245 [DHX]
Figure 021DHX-205



ITEM	PART NUMBER	QTY	LINE	SERIES	BODY	ENGINE	TRANS	TRIM	DESCRIPTION
8		1	J			EK0			CASE, Transfer Rear
	05161965AB	1	J			EV0, EZ0			
		1	J			EX0			
		1	J			EK0			
9		1	J			EV0, EZ0			BEARING, Ball
	05161968AA	1	J			EX0			
		1	J			EK0			
10		1	J						SNAP RING
	05143776AA	1	J			EK0			
		1	J			EV0, EZ0			
		1	J			EX0			
11		1	J						BEARING, Ball
	05143741AA	1	J			EK0			
		1	J			EV0, EZ0			
		1	J			EX0			
12		1	J						VENT, Transfer Case
	04796910	1	J			EK0			
		1	J			EV0, EZ0			
		1	J			EX0			
13		1	J						SNUBBER, Chain
	05012324AA	1	J			EK0			
		1	J			EX0			
		1	J			EV0, EZ0			
14	05012325AA	1	J						BOLT
15		1	J						RETAINER, Transfer Case Rear
	05143760AB	1	J			EV0, EZ0			
		1	J			EX0			
		1	J			EK0			
16	06501371	6	J			EX0			BOLT, Retainer

GRAND CHEROKEE (WK)

SERIES LINE
H = HIGHLINE T = JEEP - 2WD
P = PREMIUM J = JEEP - 4WD
S = SPORT
X = SPECIAL

BODY
74 = SPORT UTILITY 4-DR
TYPE #4

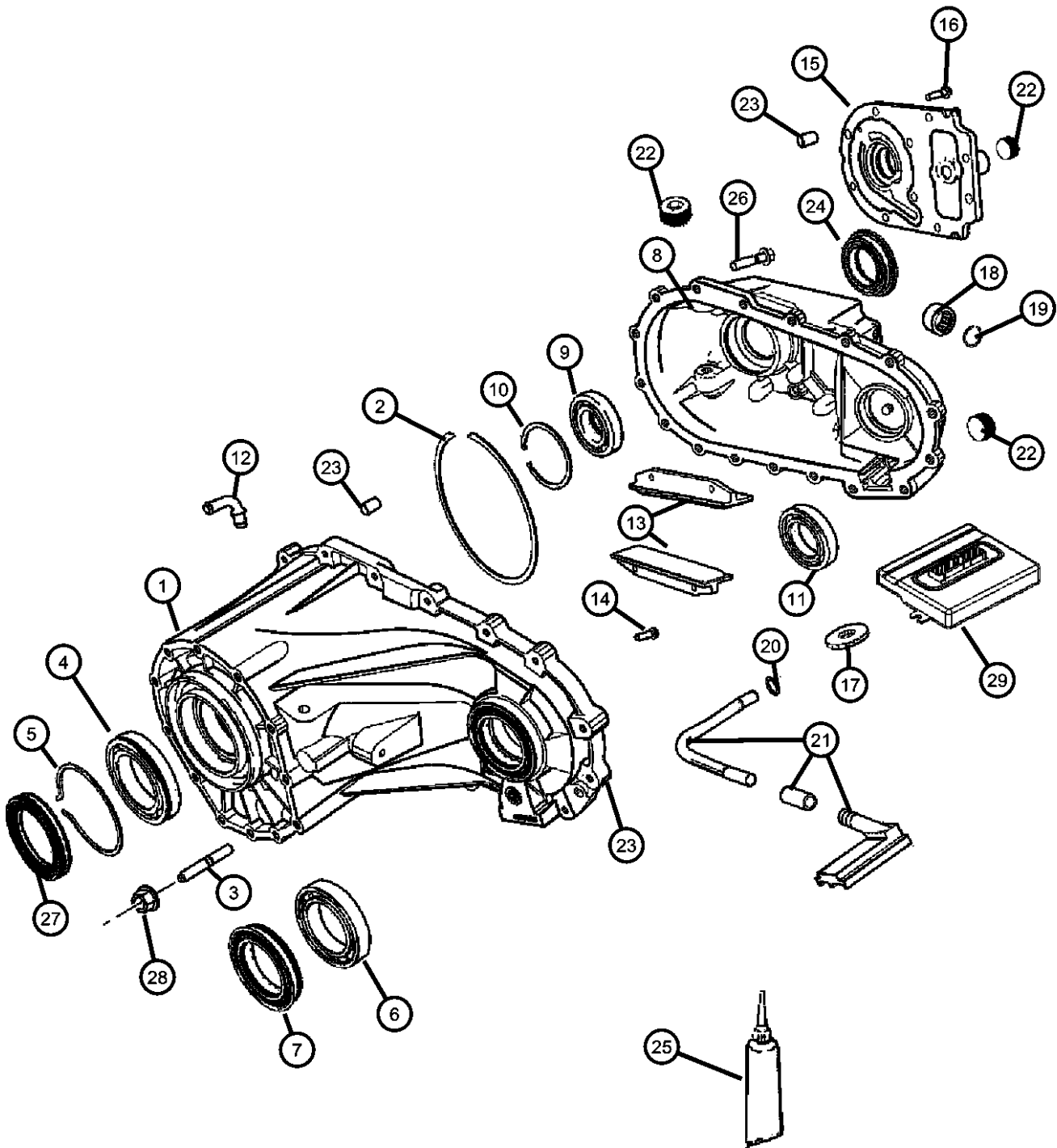
ENGINE
EVE = Engine - 4.7L V8 DOHC
3 Valve
EZB = 5.7L Hemi Multi
Displacement Engine
EKG = 3.7L V6 Engine
ESF = 6.1L SRT HEMI SMPI
V8 Engine
EXL = 3.0L V6 Turbo Diesel
Engine

TRANSMISSION
DGJ = 5-Speed Auto W5A580
Transmission
DGU = 5-Spd Auto W5J400
Transmission
DGQ = 5-Spd Automatic 545RFE
Transmission

AR = use ase required - = Non illustrated part

2008 WK

Case And Related Parts NVG 245 [DHX]
Figure 021DHX-205



ITEM	PART NUMBER	QTY	LINE	SERIES	BODY	ENGINE	TRANS	TRIM	DESCRIPTION
17	03681601	1	J			EV0, EZ0			MAGNET, Transmission
		1	J			EX0			
		1	J			EK0			
18	05143982AA	1	J			EX0			BEARING, Transfer Case Shift
		1	J			EK0			
		1	J			EV0, EZ0			
19	05143774AA	1	J			EV0, EZ0			SNAP RING
		1	J			EX0			
		1	J			EK0			
20	05013016AB	1	J			EK0			SEAL, Transfer Case
		1	J			EV0, EZ0			
		1	J			EX0			
21	05143773AB	1	J			EV0, EZ0			TUBE, Oil pickup assembly, Transfer case
		1	J			EK0			
		1	J			EX0			
22	04856641	2	J						PLUG, Oil Fill
23	05086335AA	5	J			EX0			DOWEL, Transfer Case
		5	J			EK0			
		5	J			EV0, EZ0			
24	05143733AA	1	J			EK0			SEAL, Oil
		1	J			EV0, EZ0			
		1	J			EX0			
25	05010884AA	1	J						SEALANT, RTV

GRAND CHEROKEE (WK)

SERIES LINE
H = HIGHLINE T = JEEP - 2WD
P = PREMIUM J = JEEP - 4WD
S = SPORT
X = SPECIAL

BODY
74 = SPORT UTILITY 4-DR
TYPE #4

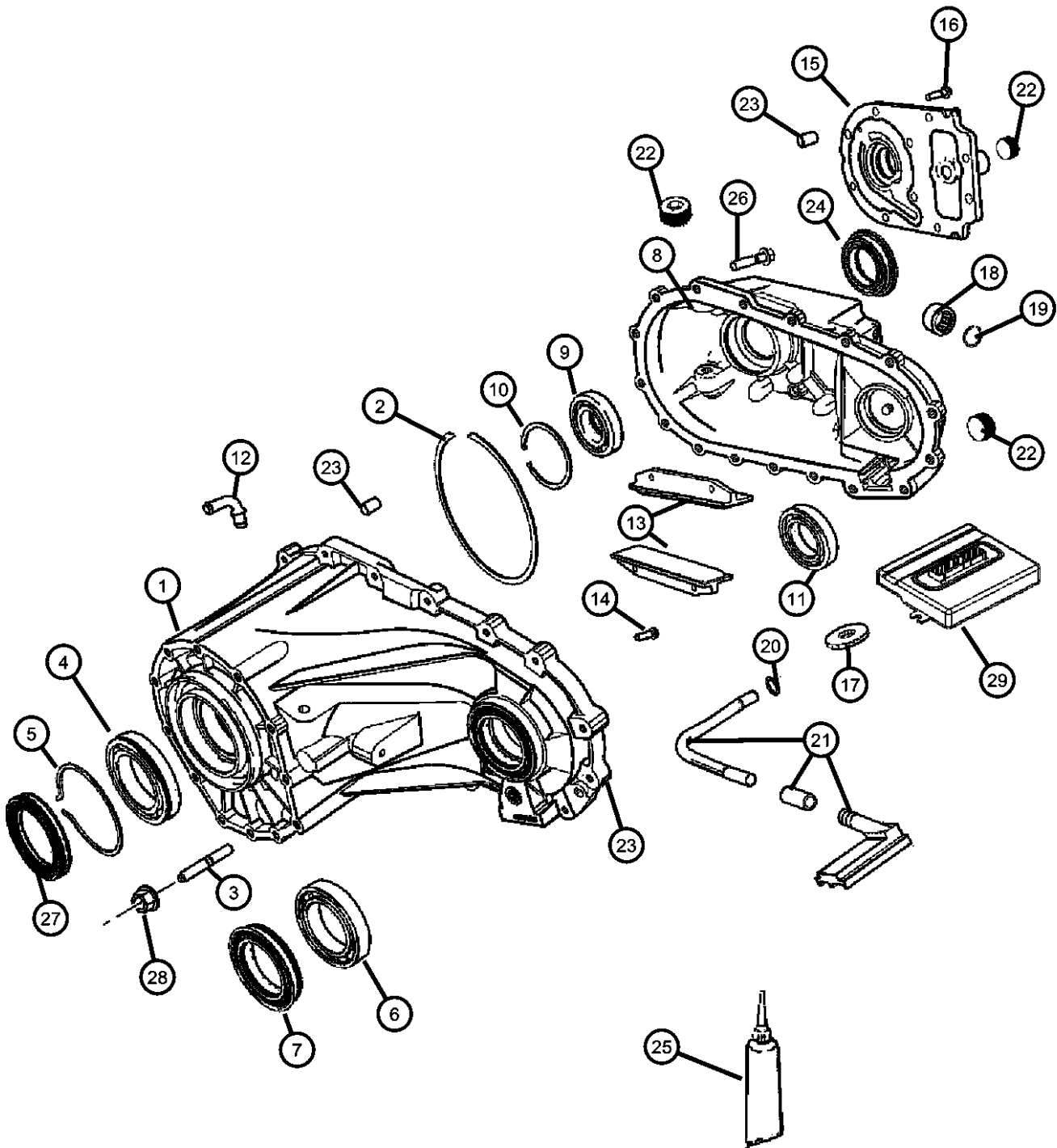
ENGINE
EVE = Engine - 4.7L V8 DOHC
3 Valve
EZB = 5.7L Hemi Multi
Displacement Engine
EKG = 3.7L V6 Engine
ESF = 6.1L SRT HEMI SMPI
V8 Engine
EXL = 3.0L V6 Turbo Diesel
Engine

TRANSMISSION
DGJ = 5-Speed Auto W5A580
Transmission
DGU = 5-Spd Auto W5J400
Transmission
DGQ = 5-Spd Automatic 545RFE
Transmission

AR = use ase required - = Non illustrated part

2008 WK

Case And Related Parts NVG 245 [DHX]
Figure 021DHX-205



ITEM	PART NUMBER	QTY	LINE	SERIES	BODY	ENGINE	TRANS	TRIM	DESCRIPTION
26	06101526	31	J			EV0, EZ0			SCREW, Hex Flange Head, M8x1.25x35
		31	J			EX0			
		31	J			EK0			
27	05143714AA	1	J			EX0			SEAL, Input
		1	J			EK0			
		1	J			EV0, EZ0			
28	06507572AA	12	J						NUT AND WASHER, Hex, [M8X1.00], Transfer Case To Transmission, Mounting
29	56044129AM	1	J						MODULE, Transfer Case Control With [DHX+DS7]
	56044199AM	1	J						With [DHX+DSG]

GRAND CHEROKEE (WK)

SERIES LINE
H = HIGHLINE T = JEEP - 2WD
P = PREMIUM J = JEEP - 4WD
S = SPORT
X = SPECIAL

BODY
74 = SPORT UTILITY 4-DR
TYPE #4

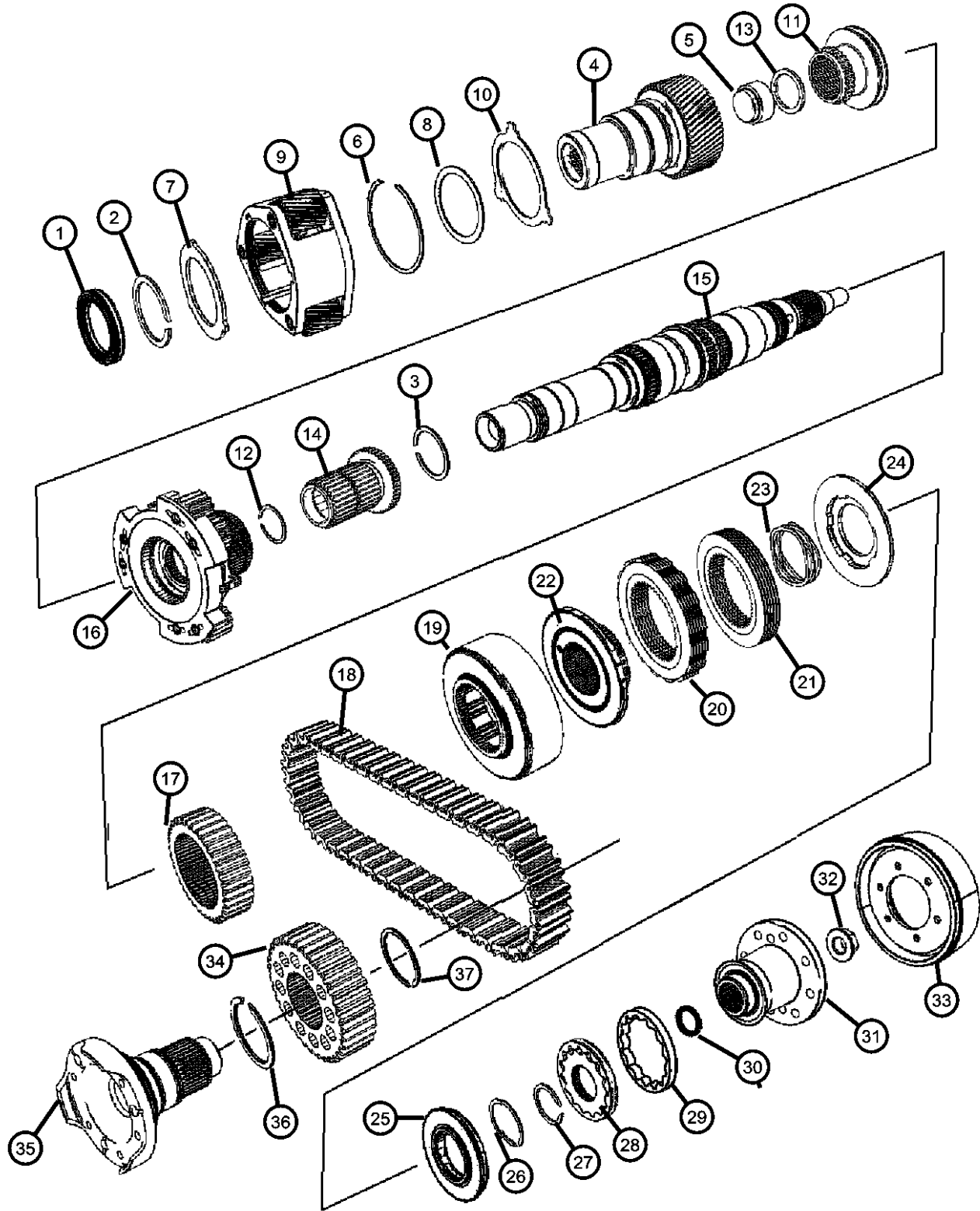
ENGINE
EVE = Engine - 4.7L V8 DOHC 3 Valve
EZB = 5.7L Hemi Multi Displacement Engine
EKG = 3.7L V6 Engine
ESF = 6.1L SRT HEMI SMPI V8 Engine
EXL = 3.0L V6 Turbo Diesel Engine

TRANSMISSION
DGJ = 5-Speed Auto W5A580 Transmission
DGU = 5-Spd Auto W5J400 Transmission
DGQ = 5-Spd Automatic 545RFE Transmission

AR = use ase required - = Non illustrated part

2008 WK

**Gear Train NVG 245 [DHX]
Figure 021DHX-605**



ITEM	PART NUMBER	QTY	LINE	SERIES	BODY	ENGINE	TRANS	TRIM	DESCRIPTION
1	05143714AA	1	J			EV0, EZ0			SEAL, Input
		1	J			EX0			
		1	J			EK0			
2	05143748AA	1	J			EX0			SNAP RING
		1	J			EK0			[1]
		1	J			EV0, EZ0			[1]
	05143751AA	1	J			EK0			
		1	J			EV0, EZ0			
		1	J			EX0			
3	05143728AA	1	J			EV0, EZ0			SNAP RING
		1	J			EX0			
		1	J			EK0			
4	05143747AA	1	J			EV0, EZ0			GEAR, Input
	05170532AA	1	J			EX0			
	05174080AA	1	J			EK0			
5	83503507	1	J			EX0			BEARING, Input Shaft
		1	J						
		1	J			EV0, EZ0			
6	04338910	1	J			EV0, EZ0			SNAP RING
		1	J			EX0			
		1	J			EK0			
7									PLATE

GRAND CHEROKEE (WK)

SERIES LINE
H = HIGHLINE T = JEEP - 2WD
P = PREMIUM J = JEEP - 4WD
S = SPORT
X = SPECIAL

BODY
74 = SPORT UTILITY 4-DR
TYPE #4

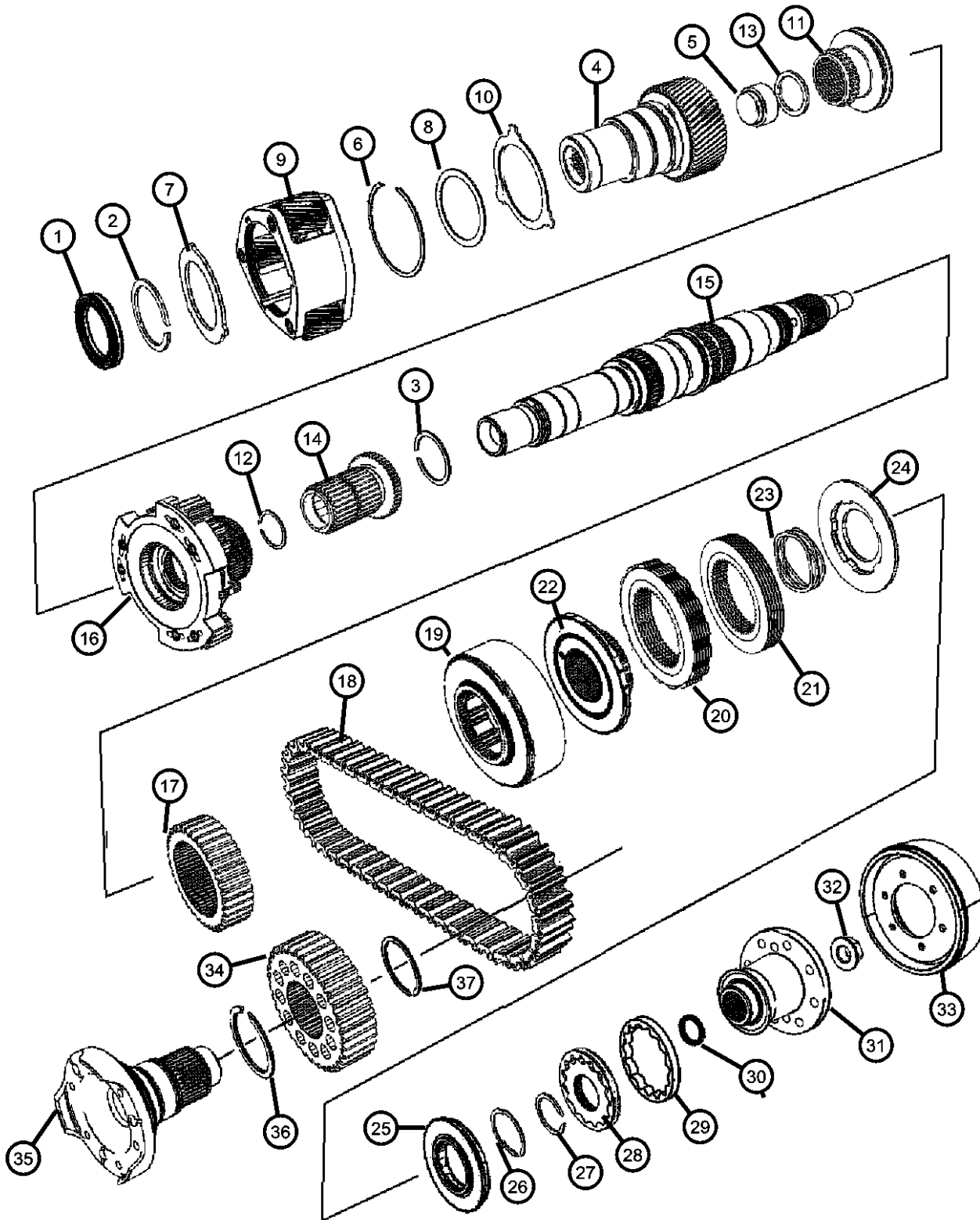
ENGINE
EVE = Engine - 4.7L V8 DOHC
3 Valve
EZB = 5.7L Hemi Multi
Displacement Engine
EKG = 3.7L V6 Engine
ESF = 6.1L SRT HEMI SMPI
V8 Engine
EXL = 3.0L V6 Turbo Diesel
Engine

TRANSMISSION
DGJ = 5-Speed Auto W5A580
Transmission
DGU = 5-Spd Auto W5J400
Transmission
DGQ = 5-Spd Automatic 545RFE
Transmission

AR = use ase required - = Non illustrated part

2008 WK

**Gear Train NVG 245 [DHX]
Figure 021DHX-605**



ITEM	PART NUMBER	QTY	LINE	SERIES	BODY	ENGINE	TRANS	TRIM	DESCRIPTION
	05143750AA	1	J			EK0			
		1	J			EV0, EZ0			
		1	J			EX0			
8									THRUST WASHER, Planetary Carrier
	05086313AA	1	J			EV0, EZ0			
		1	J			EX0			
		1	J			EK0			
9									PLANETARY, Transfer Case
	05143746AA	1	J			EV0, EZ0			
		1	J			EX0			
		1	J			EK0			
10									THRUST WASHER, Planetary Carrier
	05161956AA	1	J			EK0			Three Tabs
		1	J			EV0, EZ0			Three Tabs
		1	J			EX0			Three Tabs
11									SLEEVE, Shift Range
	05003746AA	1	J			EV0, EZ0			
		1	J			EX0			
		1	J			EK0			
12									SNAP RING
	83503540	1	J			EK0			
		1	J			EV0, EZ0			
		1	J			EX0			
13									WASHER, Intermediate Sleeve
	83503539	1	J			EV0, EZ0			
		1	J			EX0			
		1	J			EK0			
14									SHAFT, Intermediate
	05103314AA	1	J			EK0			
		1	J			EV0, EZ0			

GRAND CHEROKEE (WK)

SERIES LINE
H = HIGHLINE T = JEEP - 2WD
P = PREMIUM J = JEEP - 4WD
S = SPORT
X = SPECIAL

BODY
74 = SPORT UTILITY 4-DR
TYPE #4

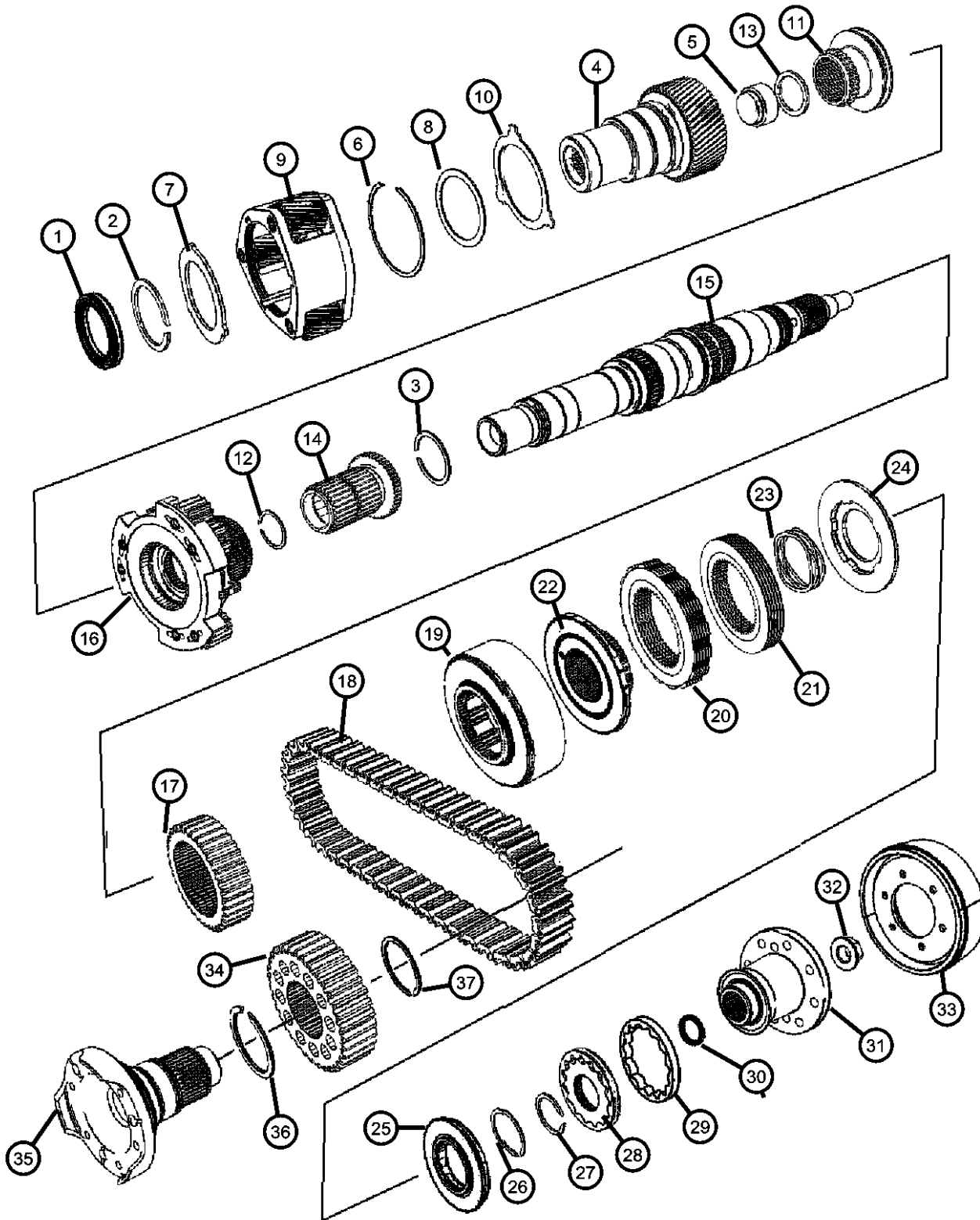
ENGINE
EVE = Engine - 4.7L V8 DOHC
3 Valve
EZB = 5.7L Hemi Multi
Displacement Engine
EKG = 3.7L V6 Engine
ESF = 6.1L SRT HEMI SMPI
V8 Engine
EXL = 3.0L V6 Turbo Diesel
Engine

TRANSMISSION
DGJ = 5-Speed Auto W5A580
Transmission
DGU = 5-Spd Auto W5J400
Transmission
DGQ = 5-Spd Automatic 545RFE
Transmission

AR = use ase required - = Non illustrated part

2008 WK

**Gear Train NVG 245 [DHX]
Figure 021DHX-605**



ITEM	PART NUMBER	QTY	LINE	SERIES	BODY	ENGINE	TRANS	TRIM	DESCRIPTION
15		1	J			EX0			MAINSHAFT, Transfer Case
	05143752AA	1	J			EK0			
		1	J			EV0, EZ0			
16		1	J			EX0			DIFFERENTIAL, Transfer Case
	05179814AA	1	J			EX0			
		1	J			EK0			
17		1	J			EV0, EZ0			SPROCKET, Transfer Case
	05143727AA	1	J			EX0			
		1	J			EK0			
18		1	J			EK0			CHAIN, Transfer Case
	05161964AA	1	J			EX0			
		1	J			EV0, EZ0			
19		1	J			EK0			DRUM
	05143983AA	1	J			EX0			
		1	J			EK0			
20		6	J			EV0, EZ0			PLATE Outer
	05143986AB	6	J			EX0			
		6	J			EK0			
21		6	J			EX0			PLATE Inner
	05143987AB	6	J			EK0			
		6	J			EV0, EZ0			
22		1	J			EK0			DRUM
	05143984AA	1	J						

GRAND CHEROKEE (WK)

SERIES LINE
H = HIGHLINE T = JEEP - 2WD
P = PREMIUM J = JEEP - 4WD
S = SPORT
X = SPECIAL

BODY
74 = SPORT UTILITY 4-DR
TYPE #4

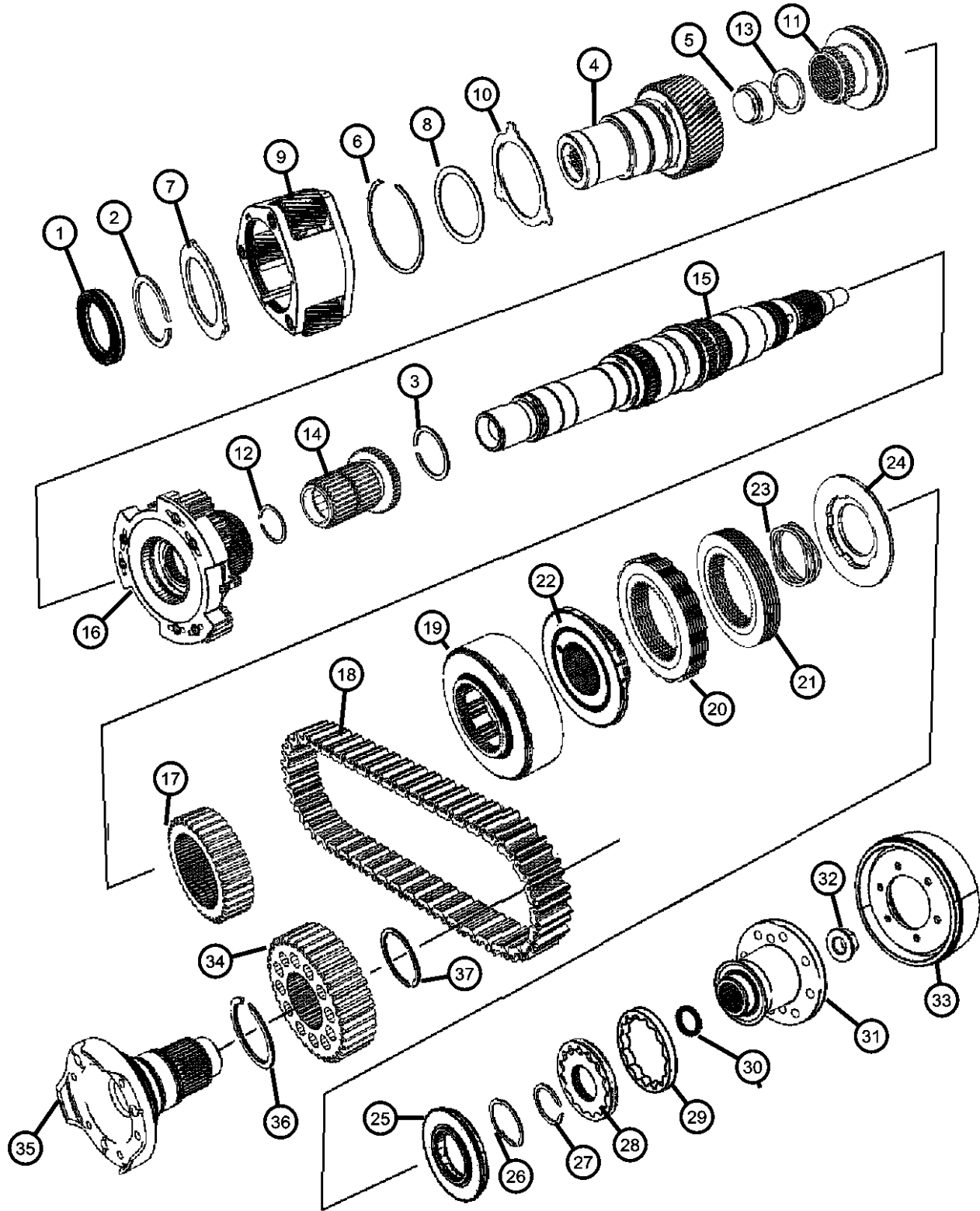
ENGINE
EVE = Engine - 4.7L V8 DOHC
3 Valve
EZB = 5.7L Hemi Multi
Displacement Engine
EKG = 3.7L V6 Engine
ESF = 6.1L SRT HEMI SMPI
V8 Engine
EXL = 3.0L V6 Turbo Diesel
Engine

TRANSMISSION
DGJ = 5-Speed Auto W5A580
Transmission
DGU = 5-Spd Auto W5J400
Transmission
DGQ = 5-Spd Automatic 545RFE
Transmission

AR = use ase required - = Non illustrated part

2008 WK

**Gear Train NVG 245 [DHX]
Figure 021DHX-605**



ITEM	PART NUMBER	QTY	LINE	SERIES	BODY	ENGINE	TRANS	TRIM	DESCRIPTION
23	05143989AA	1	J			EV0, EZ0			SPRING, Clutch
		1	J			EX0			
24	05161961AA	1	J			EV0, EZ0			PLATE
		1	J			EK0			
		1	J			EX0			
25	05161962AA	1	J			EV0, EZ0			BEARING, Thrust
		1	J			EX0			
		1	J			EK0			
26	83503537	1	J			EV0, EZ0			SNAP RING
		1	J			EX0			
		1	J			EK0			
27	04883597AA	1	J			EV0, EZ0			SNAP RING
		1	J			EK0			
		1	J			EX0			
28	05143772AA	1	J			EV0, EZ0			PUMP, Transfer Case Oil
		1	J			EX0			
		1	J			EK0			
29	68020949AA	1	J			EV0, EZ0			ROTOR ASSEMBLY, Inner & outer
		1	J			EX0			
		1	J			EK0			
30								SEAL	

GRAND CHEROKEE (WK)
 SERIES LINE
 H = HIGHLINE T = JEEP - 2WD
 P = PREMIUM J = JEEP - 4WD
 S = SPORT
 X = SPECIAL

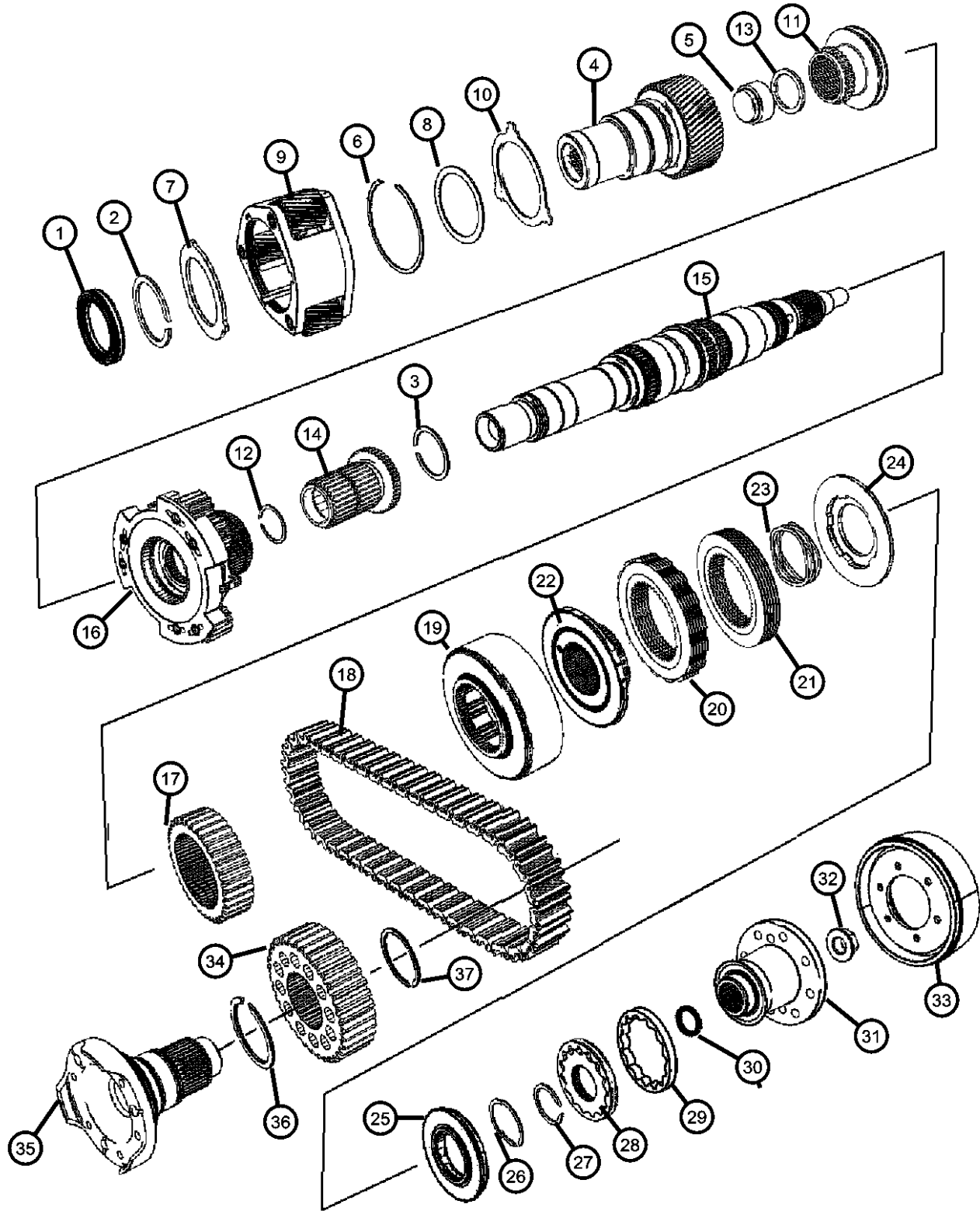
BODY
 74 = SPORT UTILITY 4-DR
 TYPE #4

ENGINE
 EVE = Engine - 4.7L V8 DOHC
 3 Valve
 EZB = 5.7L Hemi Multi
 Displacement Engine
 EKG = 3.7L V6 Engine
 ESF = 6.1L SRT HEMI SMPI
 V8 Engine
 EXL = 3.0L V6 Turbo Diesel
 Engine

TRANSMISSION
 DGJ = 5-Speed Auto W5A580
 Transmission
 DGU = 5-Spd Auto W5J400
 Transmission
 DGQ = 5-Spd Automatic 545RFE
 Transmission

AR = use ase required - = Non illustrated part

**Gear Train NVG 245 [DHX]
Figure 021DHX-605**



ITEM	PART NUMBER	QTY	LINE	SERIES	BODY	ENGINE	TRANS	TRIM	DESCRIPTION
31	05143743AA	1	J			EX0			FLANGE, Driveshaft Yoke
		1	J			EK0			
32	05143757AA	1	J			EX0			NUT, Transfer Case Yoke
		1	J			EK0			
		1	J			EV0, EZ0			
33	05143738AA	1	J			EX0			DAMPER, Transfer Case
		1	J			EK0			
		1	J			EV0, EZ0			
34	52853179AA	1	J			EK0			SPROCKET, Transfer Case
		1	J			EX0			
35	05143730AA	1	J			EX0			OUTPUT SHAFT, Transfer Case
		1	J			EK0			
		1	J			EV0, EZ0			
36	05143716AA	1	J			EK0			SNAP RING
		1	J			EX0			
		1	J			EV0, EZ0			
37	03821558	1	J			EK0			SNAP RING
		1	J			EX0			
		1	J			EV0, EZ0			
37	05170294AA	1	J			EK0			SNAP RING
		1	J			EV0, EZ0			
		1	J			EX0			

GRAND CHEROKEE (WK)
 SERIES LINE
 H = HIGHLINE T = JEEP - 2WD
 P = PREMIUM J = JEEP - 4WD
 S = SPORT
 X = SPECIAL

BODY
 74 = SPORT UTILITY 4-DR
 TYPE #4

ENGINE
 EVE = Engine - 4.7L V8 DOHC
 3 Valve
 EZB = 5.7L Hemi Multi
 Displacement Engine
 EKG = 3.7L V6 Engine
 ESF = 6.1L SRT HEMI SMPI
 V8 Engine
 EXL = 3.0L V6 Turbo Diesel
 Engine

TRANSMISSION
 DGJ = 5-Speed Auto W5A580
 Transmission
 DGU = 5-Spd Auto W5J400
 Transmission
 DGQ = 5-Spd Automatic 545RFE
 Transmission

AR = use ase required - = Non illustrated part

Fork And Rails NVG 245 [DHX]
Figure 021DHX-1005

ITEM	PART NUMBER	QTY	LINE	SERIES	BODY	ENGINE	TRANS	TRIM	DESCRIPTION
1	05143981AA	1	J			EV0, EZ0			RAIL, Shift
		1	J			EX0			
		1	J			EK0			
2	05161975AA	1	J			EK0			LEVER, Transfer Case
		1	J			EV0, EZ0			
		1	J			EX0			
3	06101475	1	J			EX0			PIN
		1	J			EK0			
		1	J			EV0, EZ0			
4	05170304AA	1	J			EK0			BRACKET
		1	J			EV0, EZ0			
		1	J			EX0			
5	05170305AA	1	J			EV0, EZ0			ROLLER, Shift Rail
		1	J			EX0			
		1	J			EK0			
6	05143769AB	1	J			EK0			SECTOR, Transfer Case
		1	J			EV0, EZ0			
		1	J			EX0			
7	05143786AA	1	J			EV0, EZ0			ACTUATOR
		1	J			EX0			
		1	J			EK0			

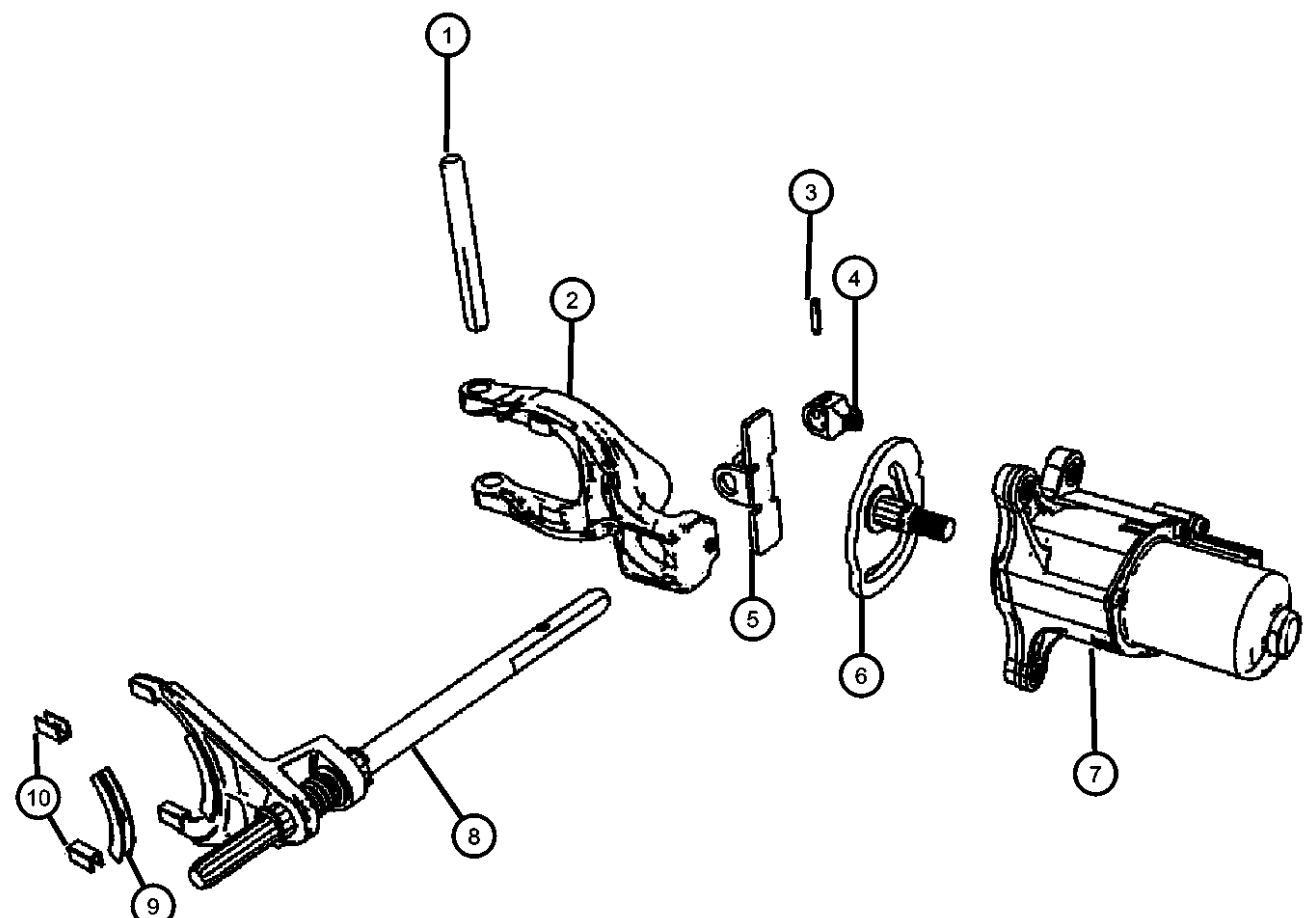
NOTE:

Sales Codes:

[DGJ] = 5-Speed Automatic W5A580 Transmission

[DGQ] = 5-Speed Automatic 545RFE Transmission

[DGU] = 5-Speed Automati



GRAND CHEROKEE (WK)

SERIES LINE
H = HIGHLINE T = JEEP - 2WD
P = PREMIUM J = JEEP - 4WD
S = SPORT
X = SPECIAL

BODY
74 = SPORT UTILITY 4-DR
TYPE #4

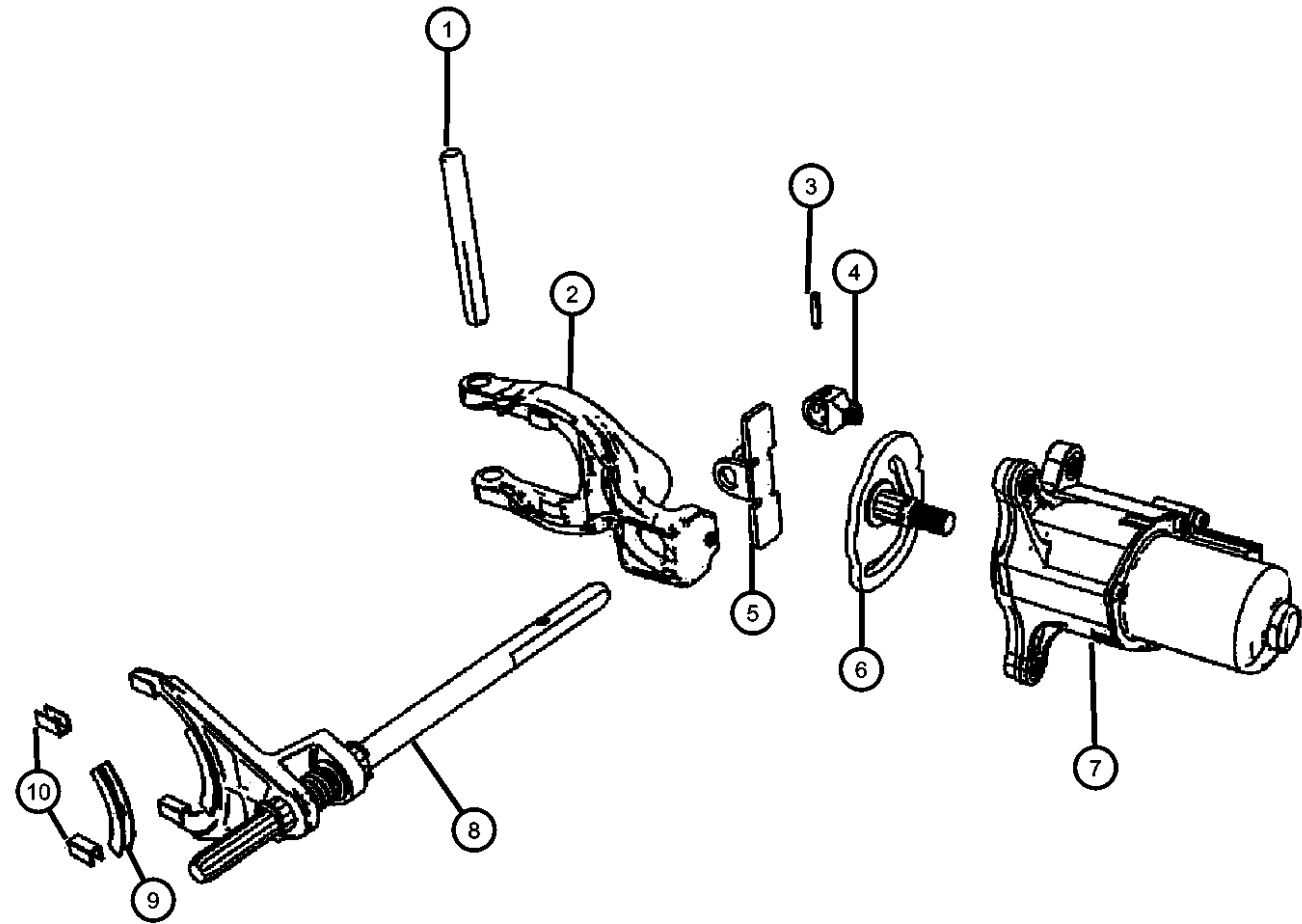
ENGINE TRANSMISSION
EVE = Engine - 4.7L V8 DOHC 3 Valve
EZB = 5.7L Hemi Multi Displacement Engine
EKG = 3.7L V6 Engine
ESF = 6.1L SRT HEMI SMPI V8 Engine
EXL = 3.0L V6 Turbo Diesel Engine
DGJ = 5-Speed Auto W5A580 Transmission
DGU = 5-Spd Auto W5J400 Transmission
DGQ = 5-Spd Automatic 545RFE Transmission

AR = use ase required - = Non illustrated part

2008 WK

Fork And Rails NVG 245 [DHX]
Figure 021DHX-1005

ITEM	PART NUMBER	QTY	LINE	SERIES	BODY	ENGINE	TRANS	TRIM	DESCRIPTION
8	05143753AA	1	J			EV0, EZ0			FORK, Transfer Case Mode Shift
		1	J			EX0			
		1	J			EK0			
9	05015832AA	1	J			EV0, EZ0			PAD, Shift Fork
		1	J			EX0			
		1	J			EK0			
10	05012018AA	2	J			EV0, EZ0			PAD, Shift Fork
		2	J			EX0			
		2	J			EK0			



GRAND CHEROKEE (WK)

SERIES LINE
H = HIGHLINE T = JEEP - 2WD
P = PREMIUM J = JEEP - 4WD
S = SPORT
X = SPECIAL

BODY
74 = SPORT UTILITY 4-DR
TYPE #4

ENGINE
EVE = Engine - 4.7L V8 DOHC
3 Valve
EZB = 5.7L Hemi Multi
Displacement Engine
EKG = 3.7L V6 Engine
ESF = 6.1L SRT HEMI SMPI
V8 Engine
EXL = 3.0L V6 Turbo Diesel
Engine

TRANSMISSION
DGJ = 5-Speed Auto W5A580
Transmission
DGU = 5-Spd Auto W5J400
Transmission
DGQ = 5-Spd Automatic 545RFE
Transmission

AR = use ase required - = Non illustrated part

2008 WK

**Transfer Case Shifting And Controls NVG 245 [DHX]
Figure 021DHX-1105**

ITEM	PART NUMBER	QTY	LINE	SERIES	BODY	ENGINE	TRANS	TRIM	DESCRIPTION
------	-------------	-----	------	--------	------	--------	-------	------	-------------

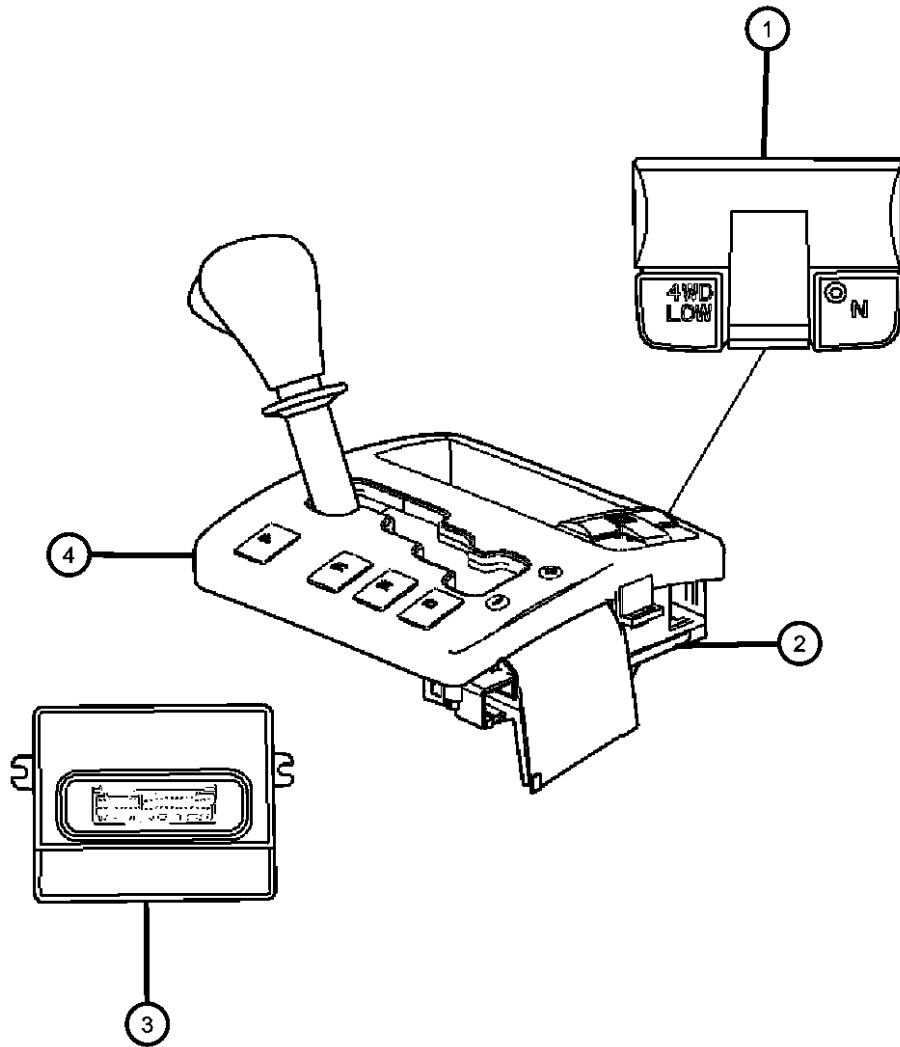
NOTE:

Sales Codes:

[DGJ] = 5-Speed Automatic W5A580 Transmission

[DGQ] = 5-Speed Automatic 545RFE Transmission

[DGU] = 5-Speed Automati



1	56050139AG	1	J	H, P			DGJ, DGU		SWITCH, Transfer Case
		1	J	H, P			DGQ		
2	52124684AB	1	J	H, P			DGQ		HOUSING AND LEVER, Shifter
	52124688AC	1	J	H, P			DGJ, DGU		
	52124682AC	1	J	S			DGU		
3	56044129AM	1	J						MODULE, Transfer Case Control With [DHX+DS7]
	56044199AM	1	J						With [DHX+DSG]
4	52124585AA	1	J	H, P			DGJ, DGU		PRNDL BEZEL, Gear selector
	52124587AA	1	J	H, P			DGQ		

GRAND CHEROKEE (WK)

SERIES LINE
H = HIGHLINE T = JEEP - 2WD
P = PREMIUM J = JEEP - 4WD
S = SPORT
X = SPECIAL

BODY
74 = SPORT UTILITY 4-DR
TYPE #4

ENGINE TRANSMISSION
EVE = Engine - 4.7L V8 DOHC
3 Valve DGJ = 5-Speed Auto W5A580
Transmission
EZB = 5.7L Hemi Multi DGU = 5-Spd Auto W5J400
Displacement Engine Transmission
EKG = 3.7L V6 Engine DGQ = 5-Spd Automatic 545RFE
ESF = 6.1L SRT HEMI SMPI Transmission
V8 Engine
EXL = 3.0L V6 Turbo Diesel
Engine

AR = use ase required - = Non illustrated part

2008 WK

**Skid Plate And Mounting NVG 245 [DHX]
Figure 021DHX-1205**

ITEM	PART NUMBER	QTY	LINE	SERIES	BODY	ENGINE	TRANS	TRIM	DESCRIPTION
------	-------------	-----	------	--------	------	--------	-------	------	-------------

NOTE:

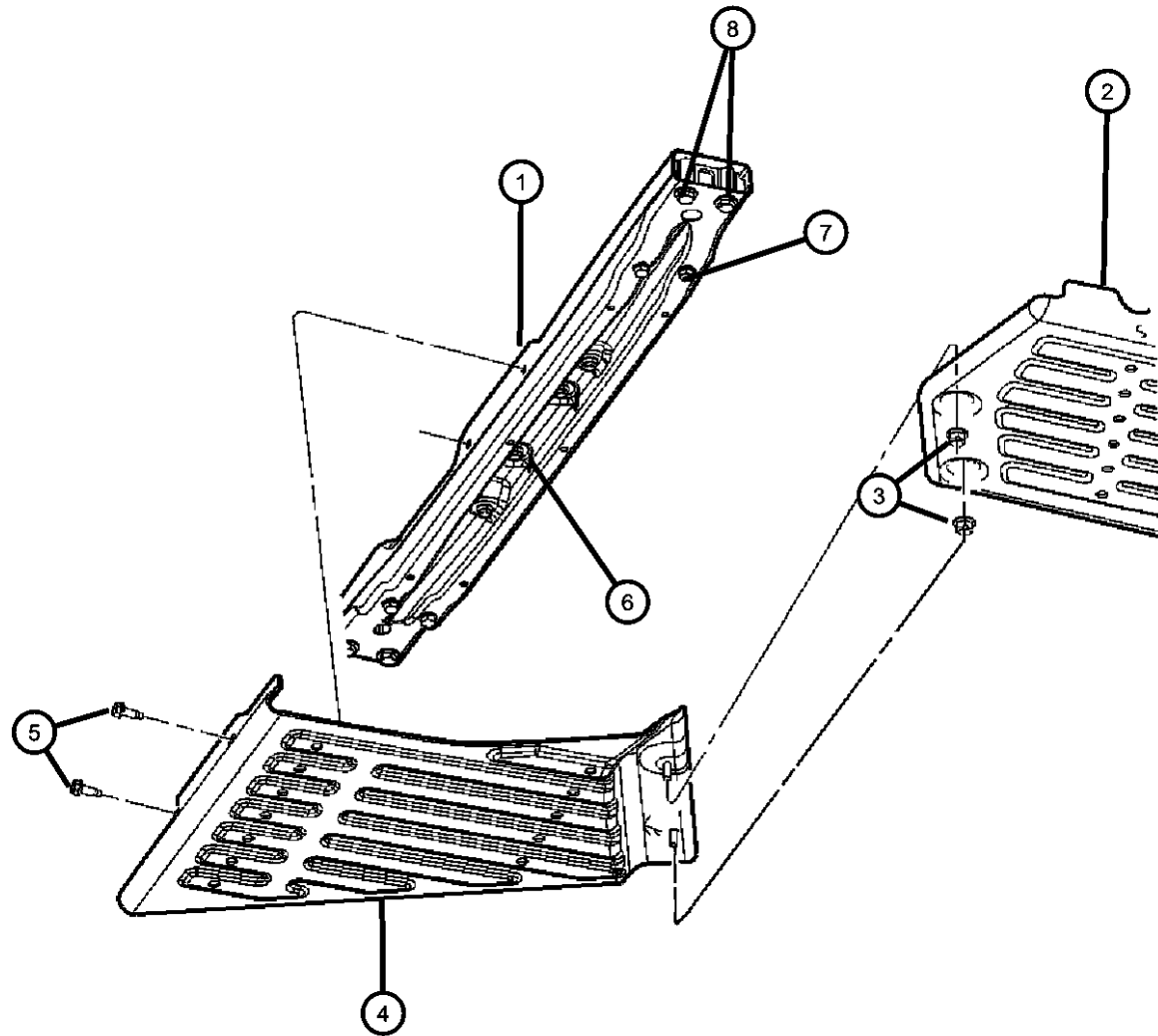
Sales Codes:

[DGJ] = 5-Speed Automatic W5A580 Transmission

[DGQ] = 5-Speed Automatic 545RFE Transmission

[DGU] = 5-Speed Automati

1	52090070AI	1	J, T						CROSSMEMBER, Transmission
2	52090274AF	1	J, T			EK0, ES0, EZ0			SKID PLATE, Fuel Tank
3	06101696	2	J						NUT, Hex Flange Lock, M10x1.50
4	52128499AC	1	J						SKID PLATE, Transfer Case
5	06508286AA	2	J			EK0, EV0, EZ0			BOLT, Hex Head, M10x1.50x35.00
6	06508082AA	4	J, T						SCREW, [8Mx1.25x58.0]
7	06104344AA	4	J, T						SCREW, [10Mx1.5x90.0]
8	06508083AA	4	J, T						SCREW, Hex Flange Head, [10Mx1.5x135.0]



GRAND CHEROKEE (WK)

SERIES LINE
H = HIGHLINE T = JEEP - 2WD
P = PREMIUM J = JEEP - 4WD
S = SPORT
X = SPECIAL

BODY
74 = SPORT UTILITY 4-DR
TYPE #4

ENGINE TRANSMISSION
EVE = Engine - 4.7L V8 DOHC 3 Valve
EVB = Engine - 4.7L V8 DOHC 3 Valve
EZB = 5.7L Hemi Multi Displacement Engine
EKG = 3.7L V6 Engine
ESF = 6.1L SRT HEMI SMPI V8 Engine
EXL = 3.0L V6 Turbo Diesel Engine
DGJ = 5-Speed Auto W5A580 Transmission
DGU = 5-Spd Auto W5J400 Transmission
DGQ = 5-Spd Automatic 545RFE Transmission

AR = use ase required - = Non illustrated part

2008 WK

Group - 021DZH

NV140; or MP140; Transfer Case

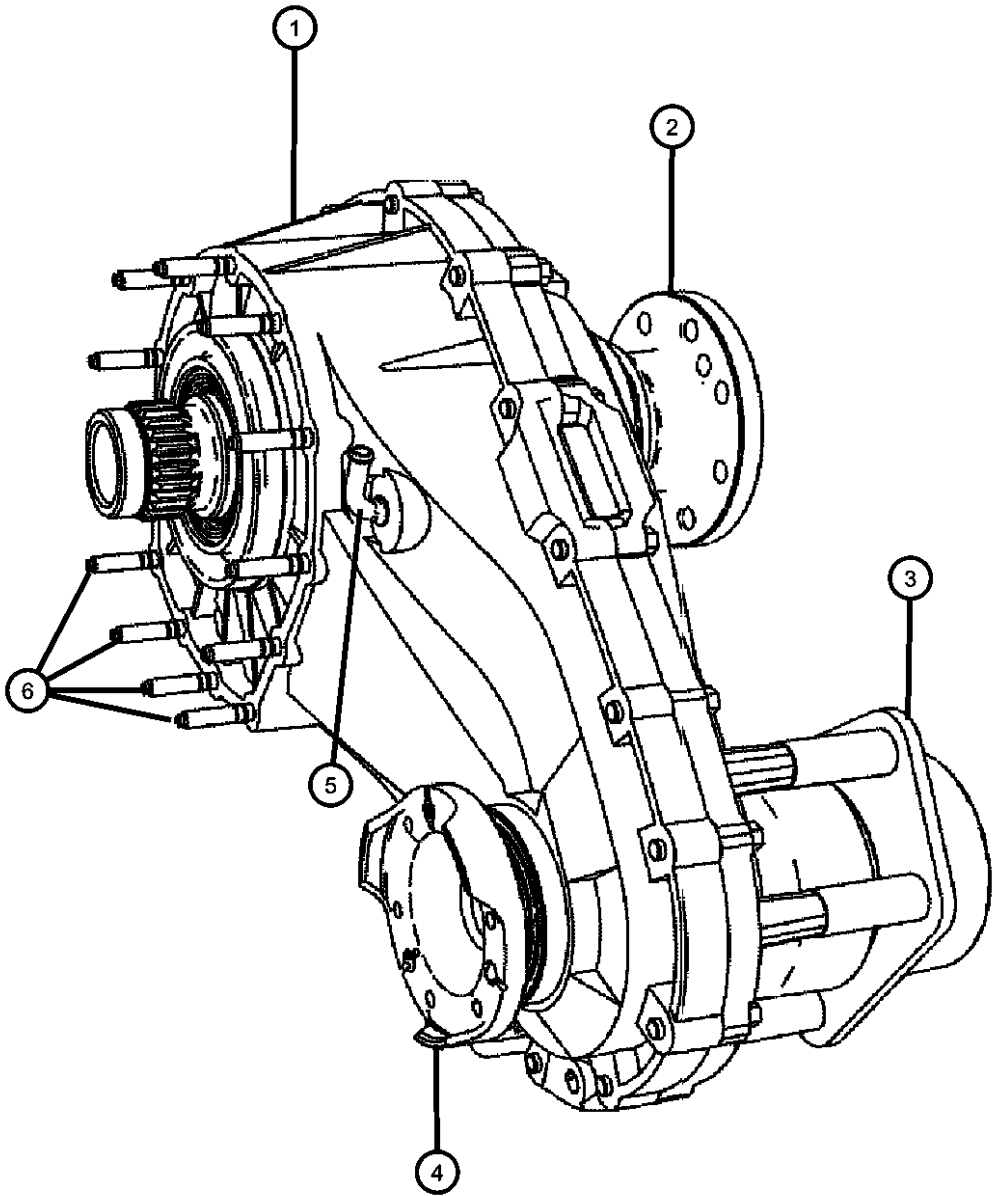
Group - 021DZH NV140; or MP140; Transfer Case

Illustration Title	Group-Fig. No.
Transfer Case Assembly	
Transfer Case Assembly And Identification NVG 140 [DZH]	Fig. 021DZH - 105
Case, and Extension	
Case And Related Parts NVG 140 [DZH]	Fig. 021DZH - 205
Gear Train	
Gear Train NVG 140 [DZH].....	Fig. 021DZH - 605
Mounting and Skid Plate	
Transfer Case Mounting And Venting NVG 140 [DZH].....	Fig. 021DZH - 1205
Transfer Case Skid Plate	Fig. 021DZH - 1210

021DZH-100 Transfer Case Assembly	021DZH-1200 Mounting and Skid Plate	021DZH-200 Case, and Extension	021DZH-600 Gear Train
---	---	--	---------------------------------

**Transfer Case Assembly And Identification NVG 140 [DHZ]
Figure 021DHZ-105**

ITEM	PART NUMBER	QTY	LINE	SERIES	BODY	ENGINE	TRANS	TRIM	DESCRIPTION
------	-------------	-----	------	--------	------	--------	-------	------	-------------



NOTE:

Sales Codes:

[DGJ] = 5-Speed Automatic W5A580 Transmission

[DGQ] = 5-Speed Automatic 545RFE Transmission

[DGU] = 5-Speed Automati

1	52105928AB	1	J						
2	05143735AB	1	J						
3	52853176AA	1	J						
4	05143716AA	1	J						
5	04796910	1	J						
6	05143725AA	12	J						

TRANSFER CASE, NVG140, See Note
 FLANGE, Driveshaft Yoke
 DAMPER, Transfer Case
 OUTPUT SHAFT, Transfer Case
 VENT, Transfer Case
 STUD, Transfer Case To Transmission, Mounting

GRAND CHEROKEE (WK)

SERIES LINE
 H = HIGHLINE T = JEEP - 2WD
 P = PREMIUM J = JEEP - 4WD
 S = SPORT
 X = SPECIAL

BODY
 74 = SPORT UTILITY 4-DR
 TYPE #4

ENGINE TRANSMISSION
 EVE = Engine - 4.7L V8 DOHC 3 Valve
 EZB = 5.7L Hemi Multi Displacement Engine
 EKG = 3.7L V6 Engine
 ESF = 6.1L SRT HEMI SMPI V8 Engine
 EXL = 3.0L V6 Turbo Diesel Engine
 DGJ = 5-Speed Auto W5A580 Transmission
 DGU = 5-Spd Auto W5J400 Transmission
 DGQ = 5-Spd Automatic 545RFE Transmission

AR = use ase required - = Non illustrated part

2008 WK

**Case And Related Parts NVG 140 [DHZ]
Figure 021DHZ-205**

ITEM	PART NUMBER	QTY	LINE	SERIES	BODY	ENGINE	TRANS	TRIM	DESCRIPTION
------	-------------	-----	------	--------	------	--------	-------	------	-------------

NOTE:

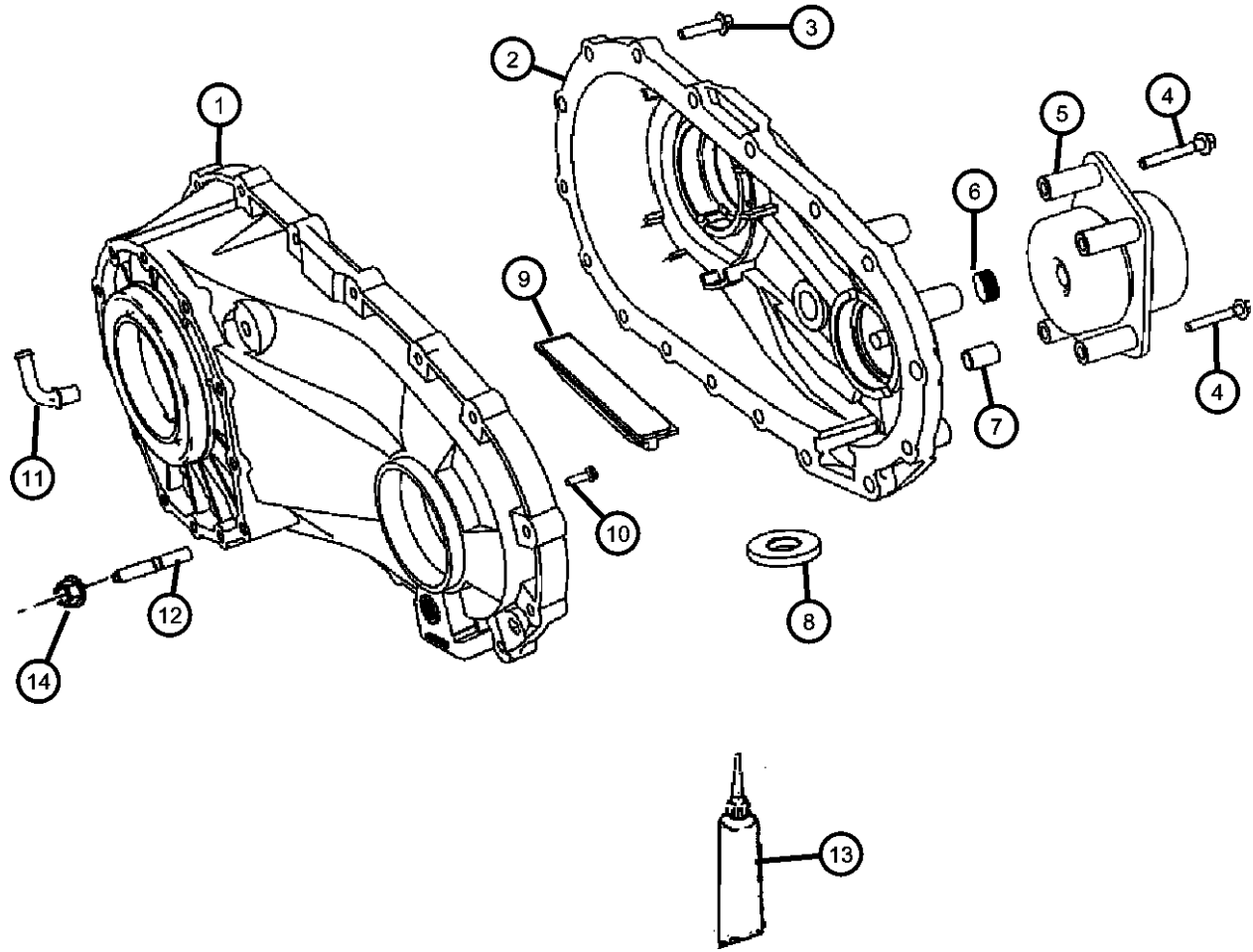
Sales Codes:

[DGJ] = 5-Speed Automatic W5A580 Transmission

[DGQ] = 5-Speed Automatic 545RFE Transmission

[DGU] = 5-Speed Automati

1	05143713AA	1	J						CASE, Transfer Front
2	05143731AA	1	J						CASE, Transfer Rear
3	06101526	17	J						SCREW, Hex Flange Head, M8x1.25x35, Rear Case Half To Front Case Half, Mounting
4	06100931	1	J						BOLT
5	52853176AA	1	J						DAMPER, Transfer Case
6	04856641	2	J						PLUG, Oil Fill
7	05086335AA	2	J						DOWEL, Transfer Case
8	03681601	1	J						MAGNET, Transmission
9	05012324AA	1	J						SNUBBER, Chain
10	05012325AA	2	J						BOLT
11	04796910	1	J						VENT, Transfer Case
12	05143725AA	12	J						STUD
13	05010884AA	1	J						SEALANT, RTV
14	06507572AA	12	J						NUT AND WASHER, Hex, [M8X1.00], Transfer Case To Transmission, Mounting



GRAND CHEROKEE (WK)

SERIES LINE
H = HIGHLINE T = JEEP - 2WD
P = PREMIUM J = JEEP - 4WD
S = SPORT
X = SPECIAL

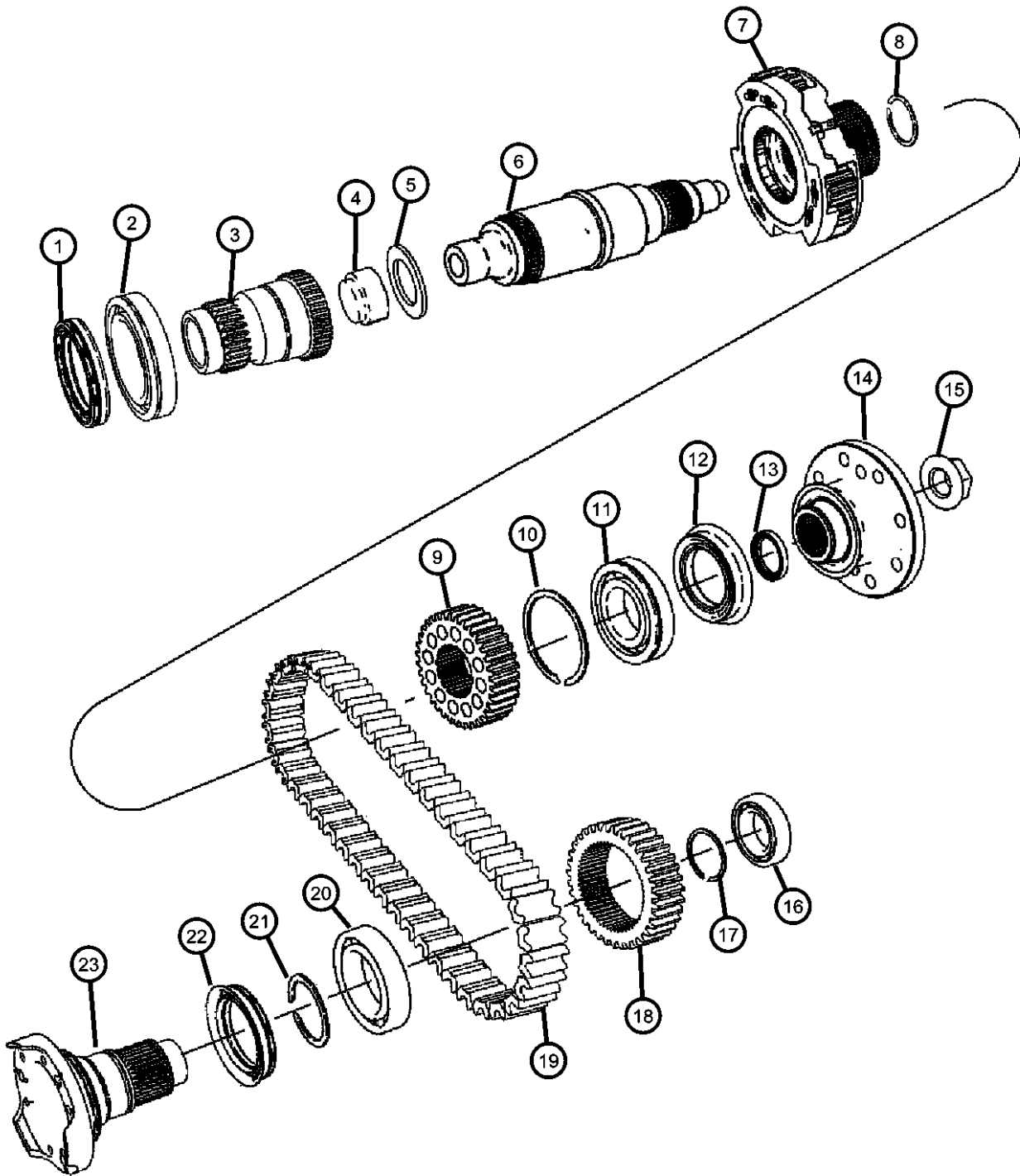
BODY
74 = SPORT UTILITY 4-DR
TYPE #4

ENGINE TRANSMISSION
EVE = Engine - 4.7L V8 DOHC 3 Valve
EZB = 5.7L Hemi Multi Displacement Engine
EKG = 3.7L V6 Engine
ESF = 6.1L SRT HEMI SMPI V8 Engine
EXL = 3.0L V6 Turbo Diesel Engine
DGJ = 5-Speed Auto W5A580 Transmission
DGU = 5-Spd Auto W5J400 Transmission
DGQ = 5-Spd Automatic 545RFE Transmission

AR = use ase required - = Non illustrated part

2008 WK

**Gear Train NVG 140 [DHZ]
Figure 021DHZ-605**



ITEM	PART NUMBER	QTY	LINE	SERIES	BODY	ENGINE	TRANS	TRIM	DESCRIPTION
------	-------------	-----	------	--------	------	--------	-------	------	-------------

NOTE:
Sales Codes:
[DGJ] = 5-Speed Automatic W5A580 Transmission
[DGQ] = 5-Speed Automatic 545RFE Transmission
[DGU] = 5-Speed Automati

1	05143714AA	1	J						SEAL, Input
2	05143739AA	1	J						BEARING, Input Gear
3	05143717AA	1	J						SHAFT, Input
4	83503507	1	J						BEARING, Input Shaft
5	05103263AA	1	J						THRUST WASHER, Planetary Carrier
6	05143718AA	1	J						MAINSHAFT, Transfer Case
7	05179814AA	1	J						DIFFERENTIAL, Transfer Case
8	03821558	1	J						SNAP RING
9	05143727AA	1	J						SPROCKET, Transfer Case
10	83503532	1	J						SNAP RING
11	05143741AA	1	J						BEARING, Ball, Front O/P Rear
12	05143733AA	1	J						SEAL, Oil
13	05143743AA	1	J, T			ESF			SEAL
		1	J			EX0			
		1	J			EK0			
14	05143735AB	1	J						FLANGE, Driveshaft Yoke
15	05143738AA	1	J						NUT, Transfer Case Yoke, Flange, Mounting
16	05161968AA	1	J						BEARING, Ball
17	05143728AA	1	J			EV0, EZ0			SNAP RING
		1	J			EX0			
18	05143730AA	1	J						SPROCKET, Transfer Case
19	05166001AA	1	J						CHAIN, Transfer Case
20	05012997AA	1	J						BEARING, Input Gear, Front Output
21	05170294AA	1	J						SNAP RING

GRAND CHEROKEE (WK)
 SERIES LINE
 H = HIGHLINE T = JEEP - 2WD
 P = PREMIUM J = JEEP - 4WD
 S = SPORT
 X = SPECIAL

BODY
 74 = SPORT UTILITY 4-DR TYPE #4

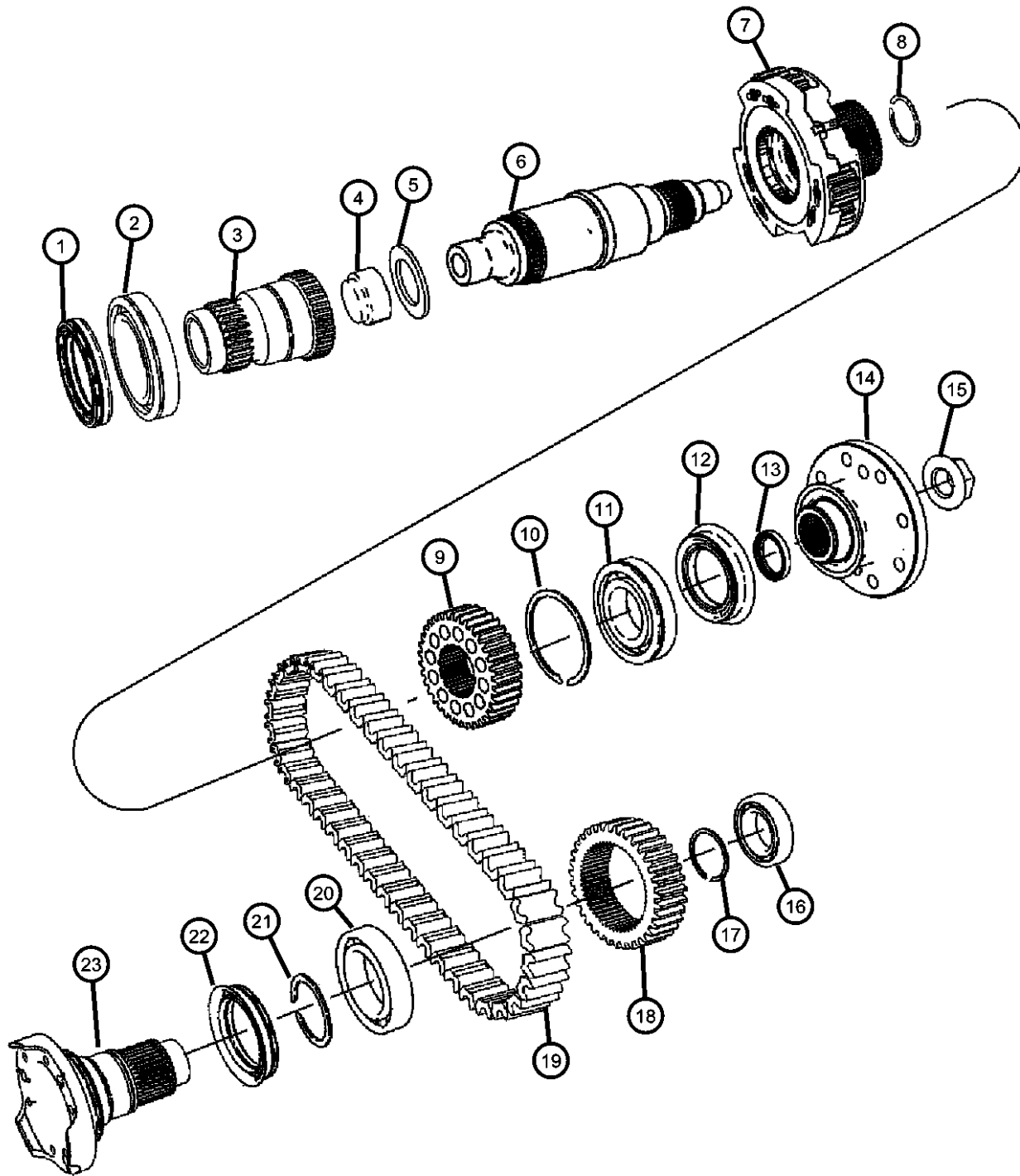
ENGINE
 EVE = Engine - 4.7L V8 DOHC 3 Valve
 EZB = 5.7L Hemi Multi Displacement Engine
 EKG = 3.7L V6 Engine
 ESF = 6.1L SRT HEMI SMPI V8 Engine
 EXL = 3.0L V6 Turbo Diesel Engine

TRANSMISSION
 DGJ = 5-Speed Auto W5A580 Transmission
 DGU = 5-Spd Auto W5J400 Transmission
 DGQ = 5-Spd Automatic 545RFE Transmission

AR = use ase required - = Non illustrated part

**Gear Train NVG 140 [DHZ]
Figure 021DHZ-605**

ITEM	PART NUMBER	QTY	LINE	SERIES	BODY	ENGINE	TRANS	TRIM	DESCRIPTION
------	-------------	-----	------	--------	------	--------	-------	------	-------------



22	05143715AA	1	J						SEAL, Output
23	05143716AA	1	J						OUTPUT SHAFT, Transfer Case

GRAND CHEROKEE (WK)

SERIES LINE
H = HIGHLINE T = JEEP - 2WD
P = PREMIUM J = JEEP - 4WD
S = SPORT
X = SPECIAL

BODY
74 = SPORT UTILITY 4-DR
TYPE #4

ENGINE
EVE = Engine - 4.7L V8 DOHC
3 Valve
EZB = 5.7L Hemi Multi
Displacement Engine
EKG = 3.7L V6 Engine
ESF = 6.1L SRT HEMI SMPI
V8 Engine
EXL = 3.0L V6 Turbo Diesel
Engine

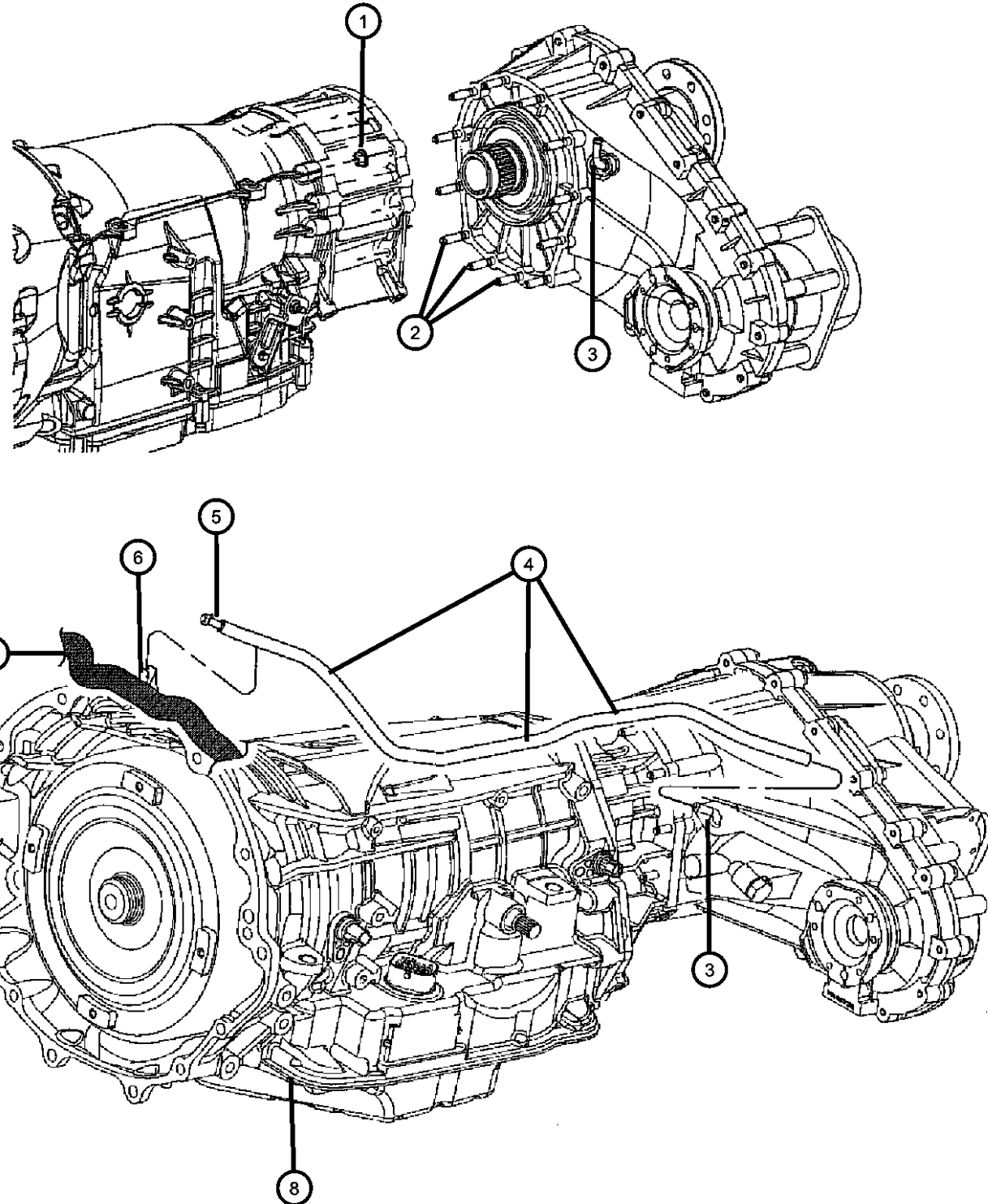
TRANSMISSION
DGJ = 5-Speed Auto W5A580
Transmission
DGU = 5-Spd Auto W5J400
Transmission
DGQ = 5-Spd Automatic 545RFE
Transmission

AR = use ase required - = Non illustrated part

2008 WK

**Transfer Case Mounting And Venting NVG 140 [DHZ]
Figure 021DHZ-1205**

ITEM	PART NUMBER	QTY	LINE	SERIES	BODY	ENGINE	TRANS	TRIM	DESCRIPTION
------	-------------	-----	------	--------	------	--------	-------	------	-------------



NOTE:

Sales Codes:

[DGJ] = 5-Speed Automatic W5A580 Transmission

[DGQ] = 5-Speed Automatic 545RFE Transmission

[DGU] = 5-Speed Automati

1	06507572AA	12	J						
2	05143725AA	12	J						
3	04796910	1	J						
4	HFV00516AB	1	J						
5	J5352955	1	J						
6		1							
7		1							
8		1							

NUT AND WASHER, Hex, [M8X1.00], Transfer Case To Transmission, Mounting STUD
VENT, Transfer Case
HOSE, Fuel And Vapor, 25 Foot Roll 5/16"
VENT, Axle
CLIP, Transfer case vent hose, Serviced On Wiring, (NOT SERVICED)
WIRING, See Electrical Group 8, (NOT SERVICED)
TRANSMISSION, See Transmission Group, (NOT SERVICED)

GRAND CHEROKEE (WK)

SERIES LINE
H = HIGHLINE T = JEEP - 2WD
P = PREMIUM J = JEEP - 4WD
S = SPORT
X = SPECIAL

BODY
74 = SPORT UTILITY 4-DR TYPE #4

ENGINE
EVE = Engine - 4.7L V8 DOHC 3 Valve
EZB = 5.7L Hemi Multi Displacement Engine
EKG = 3.7L V6 Engine
ESF = 6.1L SRT HEMI SMPI V8 Engine
EXL = 3.0L V6 Turbo Diesel Engine

TRANSMISSION
DGJ = 5-Speed Auto W5A580 Transmission
DGU = 5-Spd Auto W5J400 Transmission
DGQ = 5-Spd Automatic 545RFE Transmission

AR = use ase required - = Non illustrated part

2008 WK

**Transfer Case Skid Plate
Figure 021DHZ-1210**

ITEM	PART NUMBER	QTY	LINE	SERIES	BODY	ENGINE	TRANS	TRIM	DESCRIPTION
------	-------------	-----	------	--------	------	--------	-------	------	-------------

NOTE:

Refer To All Proper Tag Numbers And Stamping Numbers Before Ordering Transfer Cases And/Or Transfer Case Parts.

Sales Codes:

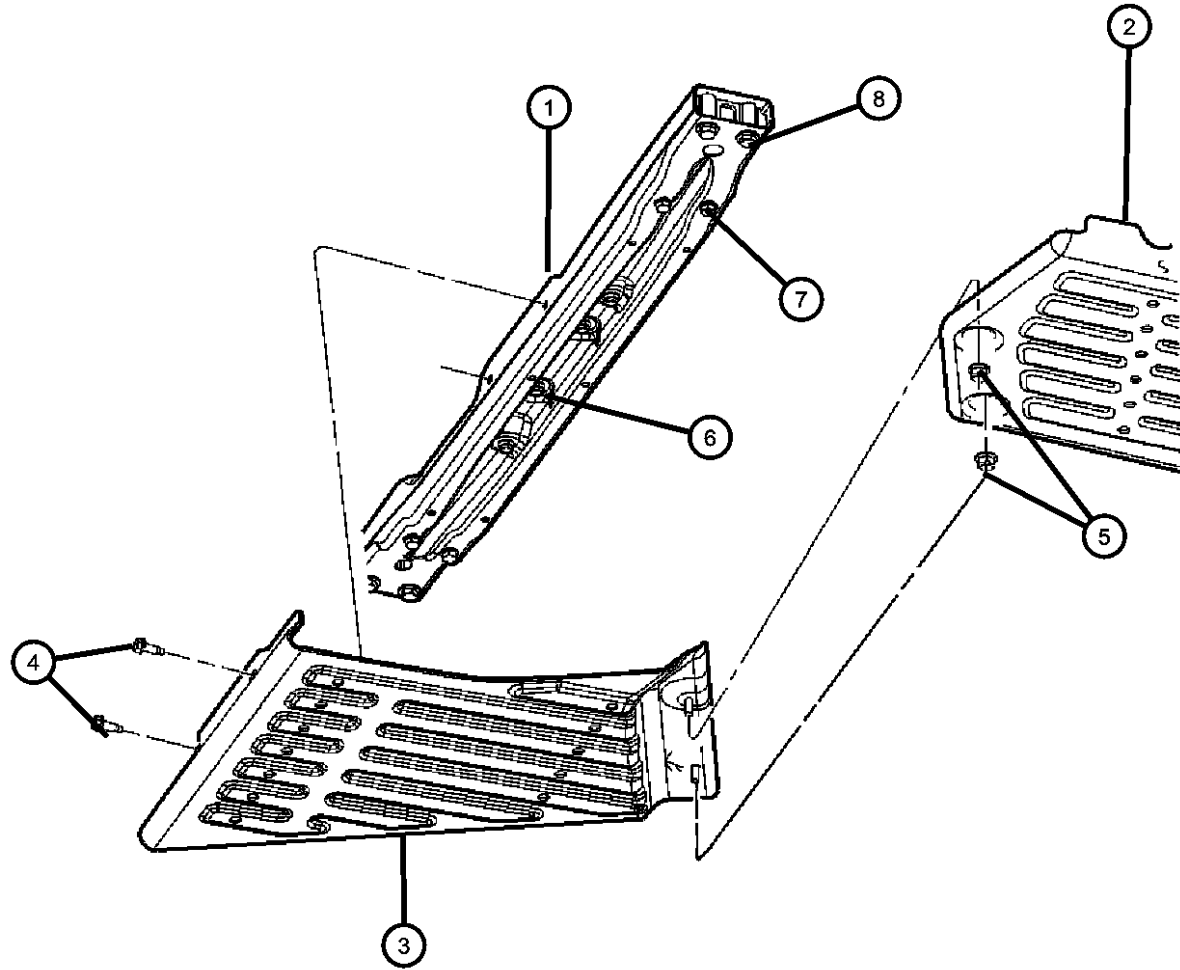
[DGJ] = 5-Speed Automatic W5A580 Transmission

[DGQ] = 5-Speed Automatic 545RFE Transmission

[DGU] = 5-Speed Automati

1	52090070AI	1	J, T						
2	52090274AF	1							
3	52128499AC	1	J						
4	06508286AA	8	J, T						
5	06101696	2	J						
6	06508082AA	4	J, T						
7	06104344AA	4	J, T						
8	06508083AA	4	J, T						

CROSSMEMBER, Transmission
SKID PLATE, Fuel Tank
SKID PLATE, Transfer Case
BOLT, Hex Head, M10x1.50x35.00
NUT, Hex Flange Lock, M10x1.50
SCREW, [8Mx1.25x58.0]
SCREW, [10Mx1.5x90.0]
SCREW, Hex Flange Head, [10Mx1.5x135.0]



GRAND CHEROKEE (WK)

SERIES LINE
H = HIGHLINE T = JEEP - 2WD
P = PREMIUM J = JEEP - 4WD
S = SPORT
X = SPECIAL

BODY
74 = SPORT UTILITY 4-DR
TYPE #4

ENGINE TRANSMISSION
EVE = Engine - 4.7L V8 DOHC 3 Valve
EZB = 5.7L Hemi Multi Displacement Engine
EKG = 3.7L V6 Engine
ESF = 6.1L SRT HEMI SMPI V8 Engine
EXL = 3.0L V6 Turbo Diesel Engine
DGJ = 5-Speed Auto W5A580 Transmission
DGU = 5-Spd Auto W5J400 Transmission
DGQ = 5-Spd Automatic 545RFE Transmission

AR = use ase required - = Non illustrated part

2008 WK

Group - 22

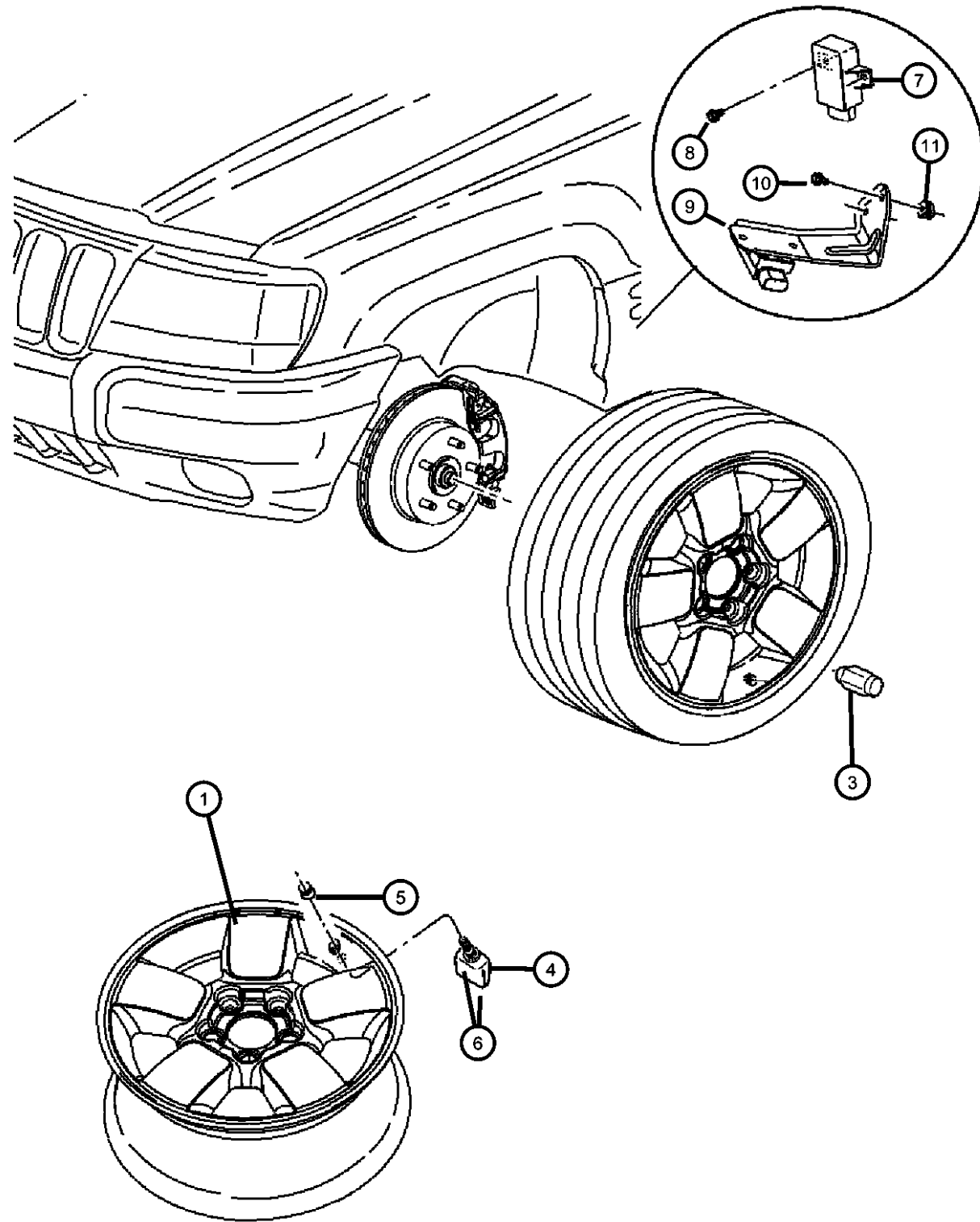
Wheels

Group - 22 Wheels

Illustration Title	Group-Fig. No.
Wheels, Tires and Hardware	
Wheels and Hardware	Fig. 22 - 105
Wheel Covers and Center Caps	
Wheel Cover and Center Caps.....	Fig. 22 - 205
Jack Stowage	
Jack Assembly	Fig. 22 - 305
Wheel Spare	
Spare Wheel Stowage	Fig. 22 - 405
Tire Monitoring System	
Tire Monitoring System	Fig. 22 - 605

022-100 Wheels, Tires and Hardware	022-200 Wheel Covers and Center Caps	022-300 Jack Stowage	022-400 Wheel Spare
022-600 Tire Monitoring System			

Wheels and Hardware
Figure 22-105



ITEM	PART NUMBER	QTY	LINE	SERIES	BODY	ENGINE	TRANS	TRIM	DESCRIPTION
------	-------------	-----	------	--------	------	--------	-------	------	-------------

NOTES: Sales Codes:
 [TBG] = Compact Spare Tire
 [TBW] = Full Size Matching Wheel Spare
 [WBG] = 17x7.5 Machined-Finish Aluminum Wheel
 [WFK] = 17x7.5 Aluminum Wheel
 [WF1] = 17 inch Steel Spare Wheel
 [WPA] = 20x10.0 Aluminum Wheel
 [WPC] = 18x7.5 Aluminum Wheel
 [WPP] = 18x8.0 Aluminum Chrome Clad Wheel
 [WPS] = 18x10.0 19x13.0 Aluminum Wheel

1									WHEEL, Aluminum
	1JQ52CD-MAA	1	J, T		74				[WBG,TBW]
	1JZ34PAKAA	4	J, T		74				[WFS]
	05290711AB	2	J, T		74				[WPA], Front
	1DG88PAKAA	4	J, T		74				[WPC]
		1	J, T		74				[WPC]
	05290718AB	2	J, T		74				[WPA], Rear
	1DG86PAKAA	4	J, T		74				[WFK]
		1	J, T		74				[WFK,TBW]
	1DZ00SZ0AA	4	J, T		74				[WPP]
		1	J, T		74				[WPP,TBW]
		4	J, T		74				[WBG]
-2									WHEEL, Steel
	52124455AA	1	J, T		74				[WF1] 17 inch Steel Spare Wheel with [TBB] Full Size Spare Tire, Spare
	68043845AA	1	J, T		74				[TBG] Compact Spare Tire, Spare
3	06036310AA	20	J, T		74				NUT, Wheel, .50x20
4									SENSOR, Tire Pressure
	56029359AA	1	J, T		74				
		4	J, T	H, P, S	74				
		4	J, T	X	74				
5									NUT, Tire Pressure Sensor
	56053037AA	4	J, T	H, P, S	74				
		4	J, T	X	74				

GRAND CHEROKEE (WK)

SERIES LINE
 H = HIGHLINE T = JEEP - 2WD
 P = PREMIUM J = JEEP - 4WD
 S = SPORT
 X = SPECIAL

BODY
 74 = SPORT UTILITY 4-DR
 TYPE #4

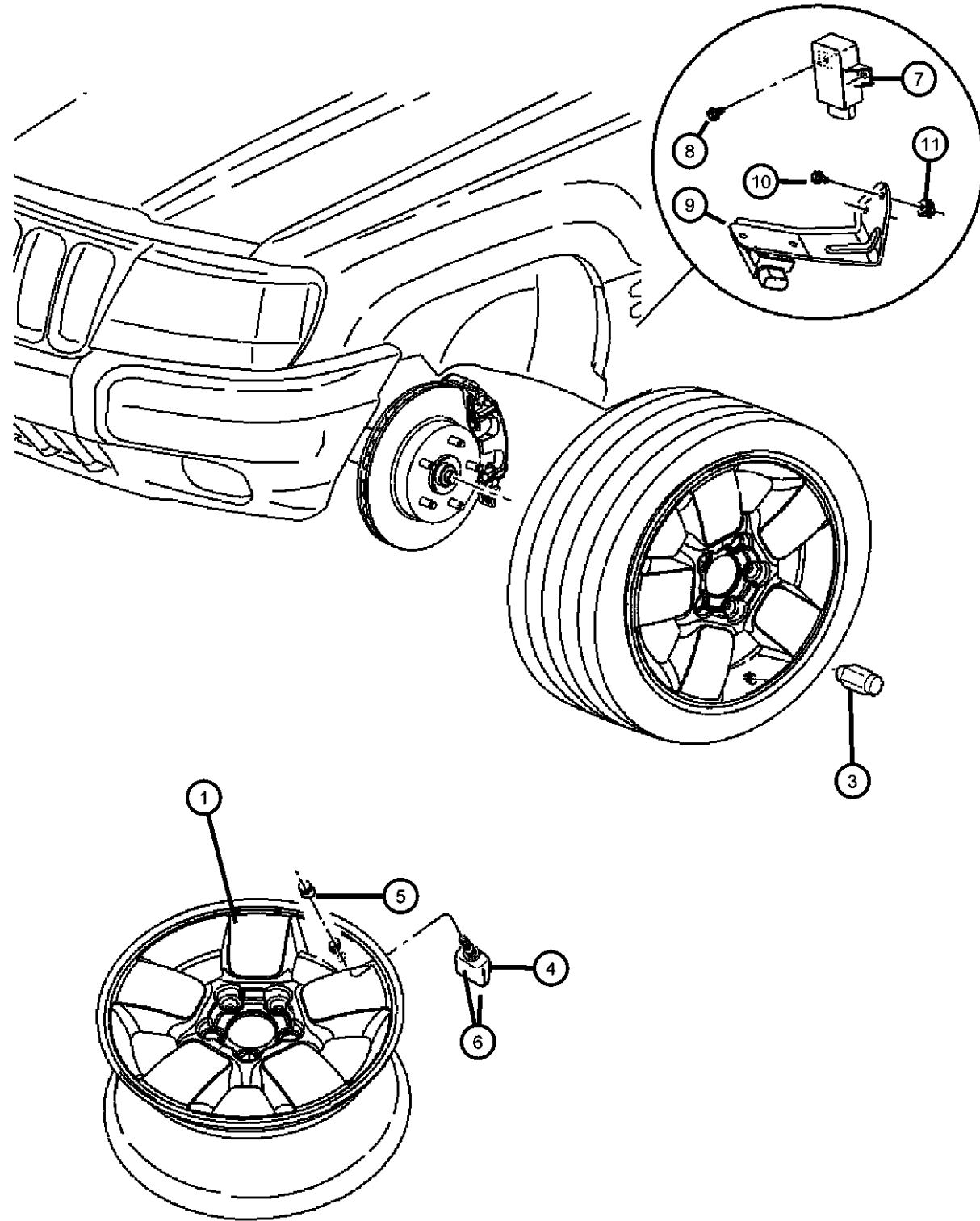
ENGINE
 EVE = Engine - 4.7L V8 DOHC
 3 Valve
 EZB = 5.7L Hemi Multi
 Displacement Engine
 EKG = 3.7L V6 Engine
 ESF = 6.1L SRT HEMI SMPI
 V8 Engine
 EXL = 3.0L V6 Turbo Diesel
 Engine

TRANSMISSION
 DGJ = 5-Speed Auto W5A580
 Transmission
 DGU = 5-Spd Auto W5J400
 Transmission
 DGQ = 5-Spd Automatic 545RFE
 Transmission

AR = use ase required - = Non illustrated part

2008 WK

Wheels and Hardware
Figure 22-105



ITEM	PART NUMBER	QTY	LINE	SERIES	BODY	ENGINE	TRANS	TRIM	DESCRIPTION
		4	J, T		74				
		1	J, T		74				Used to Mount New Sensor
6	56029359AA	1	J, T		74				SENSOR, Tire Pressure
		4	J, T	H, P, S	74				
		4	J, T	X	74				
7	56053034AC	2	J, T		74				MODULE, Low Tire Pressure Warning, Wheel Sensor
8	06104610AA	2	J, T		74				SCREW AND WASHER, Tapping Pan Head, M4.2X1.4X19.0, Rear Module Attach to Body
9	56044729AC	1	J, T		74				MODULE, Low Tire Pressure Warning, Trigger
10	06104610AA	2	J, T		74				SCREW AND WASHER, Tapping Pan Head, M4.2X1.4X19.0
11	06507010AA	2	J, T		74				NUT, U Multi Thread, M4.2x1.41
-12	68023890AA	1	J, T		74				CAP KIT, Valve Stem, Grey, Consists of: 10524005 Cap, Valve Stem, Grey (Qty. 5)
-13	68020724AA	1	J, T		74				HARDWARE KIT, Mounting
									Contains: 1-20522037, Valve Stem, 1-10542008, Seal, TPM to Wheel Rim, 1-40506002, Valve Core, TPM & Instruction Sheet
	68020722AA	1	J, T		74				Contains: 1-10524004, Cap, Valve Stem, Black, 1-10524005, Cap, Valve Stem, Grey, 1-40506002, Valve Core, TPM, & Instruction Sheet
	68020719AA	1	J, T		74				Contains: 1-20563010, Nut, TPM Retaining, 1-10513007, Washer, Seal Support, 1-10524004, Cap, Valve Stem, Black, 1-10524005, Cap, Valve Stem, Grey, 1-10542008, Seal, TPM to Wheel Rim, 1-40506002, Valve Core, TPM, & Instruction Sheet

GRAND CHEROKEE (WK)

SERIES LINE
H = HIGHLINE T = JEEP - 2WD
P = PREMIUM J = JEEP - 4WD
S = SPORT
X = SPECIAL

BODY
74 = SPORT UTILITY 4-DR TYPE #4

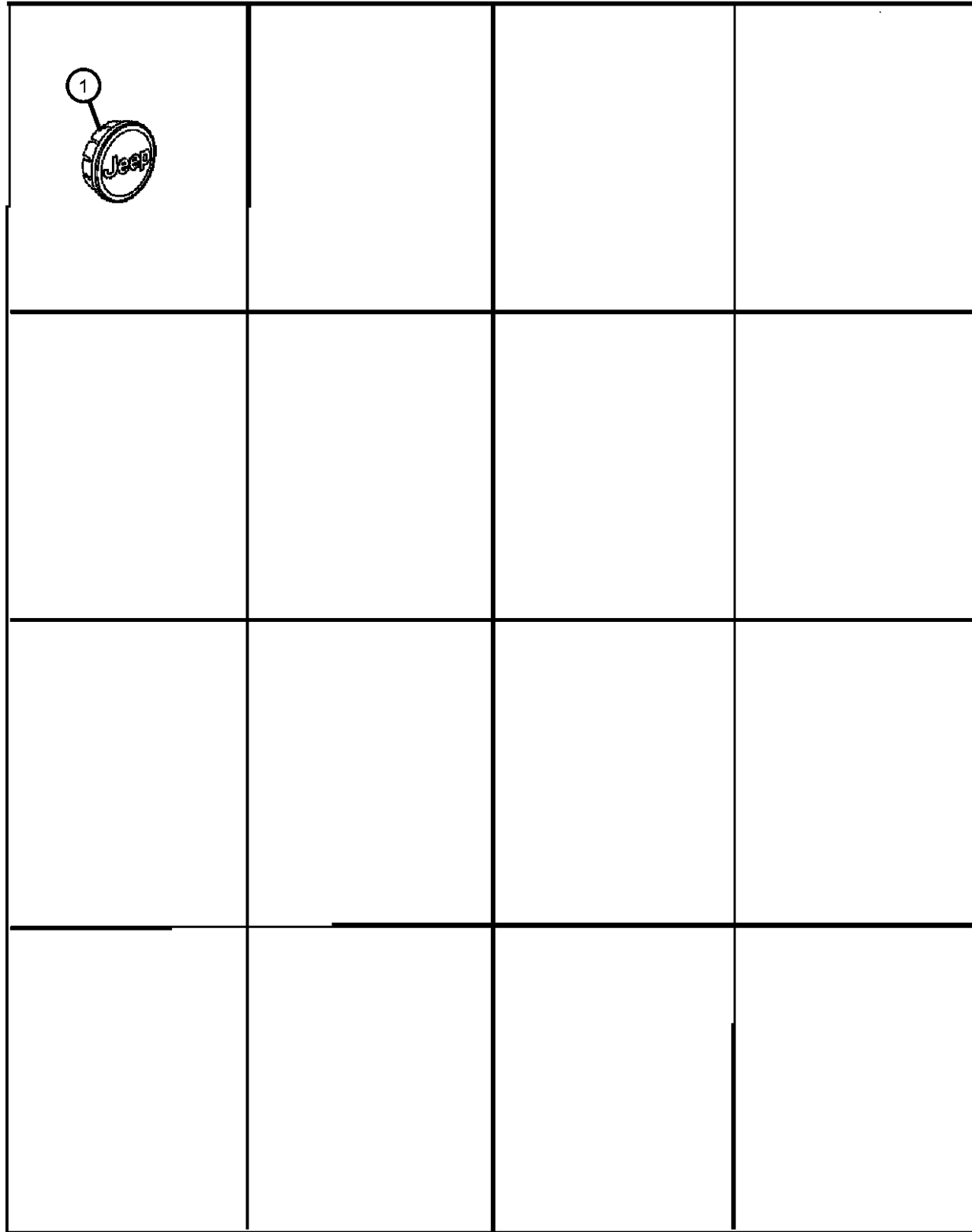
ENGINE
EVE = Engine - 4.7L V8 DOHC 3 Valve
EZB = 5.7L Hemi Multi Displacement Engine
EKG = 3.7L V6 Engine
ESF = 6.1L SRT HEMI SMPI V8 Engine
EXL = 3.0L V6 Turbo Diesel Engine

TRANSMISSION
DGJ = 5-Speed Auto W5A580 Transmission
DGU = 5-Spd Auto W5J400 Transmission
DGQ = 5-Spd Automatic 545RFE Transmission

AR = use ase required - = Non illustrated part

2008 WK

**Wheel Cover and Center Caps
Figure 22-205**



ITEM	PART NUMBER	QTY	LINE	SERIES	BODY	ENGINE	TRANS	TRIM	DESCRIPTION
------	-------------	-----	------	--------	------	--------	-------	------	-------------

NOTES: Sales Codes:
 [WFK] = 17x7.5 Aluminum Wheel
 [WFZ] = 17x7.5 Aluminum Grey Accent Wheel
 [WGQ] = 17x7.5 Aluminum Wheel
 [WPA] = 20x9.0 Aluminum Wheel
 [WPC] = 18x7.5 Aluminum Wheel
 [WPP] = 18x8.0 Aluminum Chrome Clad Wheel

1									CAP, Wheel Center
	52090402AA	4	J, T		74				[WGQ] 17x7.5 Aluminum Wheel
		4	J, T		74				[WFZ] 17x7.5 Aluminum Grey Accent Wheel
	5HT59SZ0AB	4	J, T		74				[WPA] 20x9.0 Aluminum Wheel
		4	J, T		74				[WPP] 18x8.0 Aluminum Chrome Clad Wheel
		4	J, T		74				[WFK] 17x7.5 Aluminum Wheel
		4	J, T		74				[WPC] 18x7.5 Aluminum Wheel
	5HT59PAKAB	4	J, T		74				[WPS] 18x10.0 19x13.0 Aluminum Wheel

GRAND CHEROKEE (WK)

SERIES LINE
 H = HIGHLINE T = JEEP - 2WD
 P = PREMIUM J = JEEP - 4WD
 S = SPORT
 X = SPECIAL

BODY
 74 = SPORT UTILITY 4-DR
 TYPE #4

ENGINE
 EVE = Engine - 4.7L V8 DOHC 3 Valve
 EZB = 5.7L Hemi Multi Displacement Engine
 EKG = 3.7L V6 Engine
 ESF = 6.1L SRT HEMI SMPI V8 Engine
 EXL = 3.0L V6 Turbo Diesel Engine

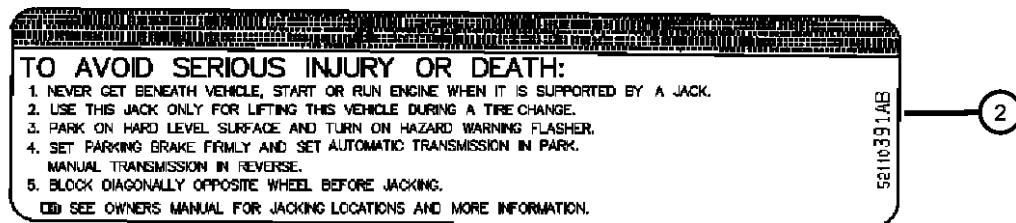
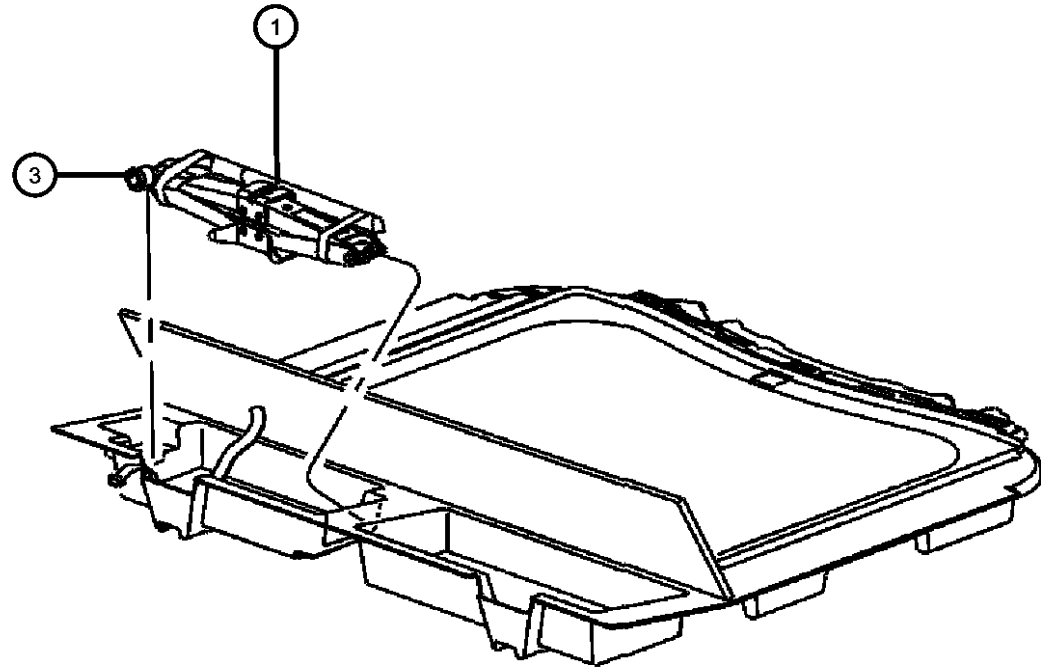
TRANSMISSION
 DGJ = 5-Speed Auto W5A580 Transmission
 DGU = 5-Spd Auto W5J400 Transmission
 DGQ = 5-Spd Automatic 545RFE Transmission

**Jack Assembly
Figure 22-305**

ITEM	PART NUMBER	QTY	LINE	SERIES	BODY	ENGINE	TRANS	TRIM	DESCRIPTION
------	-------------	-----	------	--------	------	--------	-------	------	-------------

Note: Jack includes: Storage Bag, 2 Extensions, Driver, and Caution Label

1	52124168AA	1	J, T	H, P, S	74				JACK, Includes: Driver, Extensions and Bag
2	52110392AB	1	J, T		74				LABEL, Jack Caution
3	52124170AA	1	J, T	H, P, S	74				WRENCH, Wheel Lug Nut
-4	52124172AA	1	J, T	H, P, S	74				DRIVER, Jack Handle
-5	52124171AA	2	J, T	H, P, S	74				EXTENSION, Jack Handle
-6	52124169AA	1	J, T	H, P, S	74				BAG, Jack Tool Storage



GRAND CHEROKEE (WK)

SERIES LINE
H = HIGHLINE T = JEEP - 2WD
P = PREMIUM J = JEEP - 4WD
S = SPORT
X = SPECIAL

BODY
74 = SPORT UTILITY 4-DR
TYPE #4

ENGINE TRANSMISSION
EVE = Engine - 4.7L V8 DOHC 3 Valve
EZB = 5.7L Hemi Multi Displacement Engine
EKG = 3.7L V6 Engine
ESF = 6.1L SRT HEMI SMPI V8 Engine
EXL = 3.0L V6 Turbo Diesel Engine
DGJ = 5-Speed Auto W5A580 Transmission
DGU = 5-Spd Auto W5J400 Transmission
DGQ = 5-Spd Automatic 545RFE Transmission

AR = use ase required - = Non illustrated part

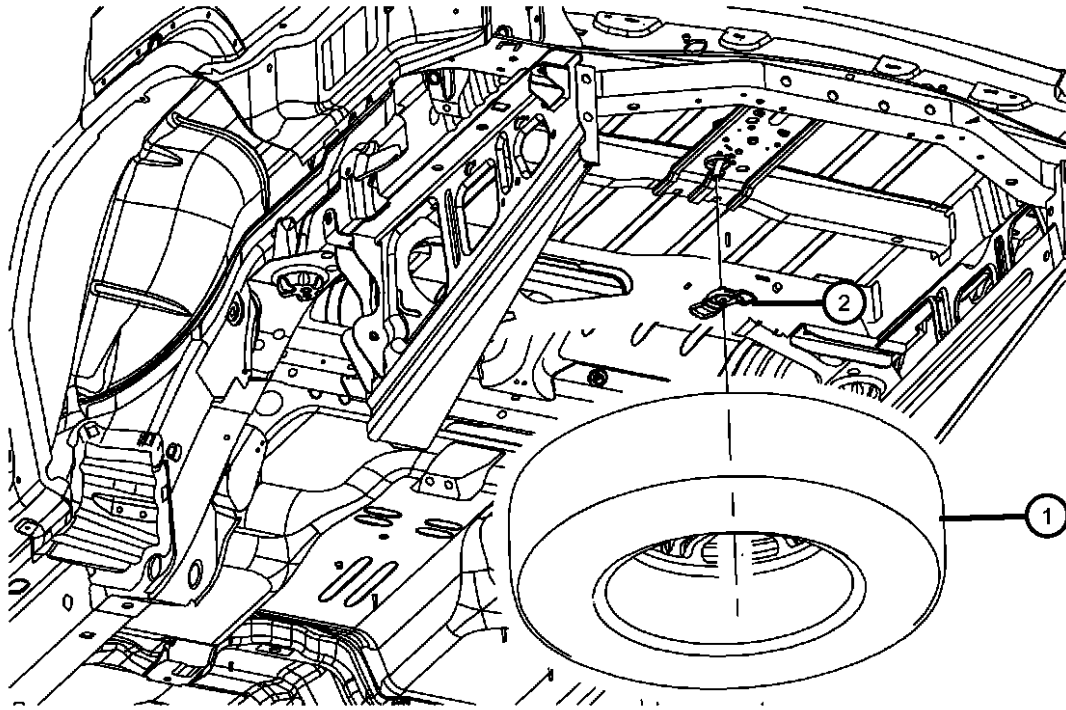
2008 WK

Spare Wheel Stowage
Figure 22-405

ITEM	PART NUMBER	QTY	LINE	SERIES	BODY	ENGINE	TRANS	TRIM	DESCRIPTION
------	-------------	-----	------	--------	------	--------	-------	------	-------------

NOTES: Sales Codes:
 [TBB] = Full Size Spare Tire
 [TBG] = Compact Spare Tire
 [WF1] = 17 inch Steel Spare Wheel

1									WHEEL, Steel
	52124455AA	1	J, T		74				[WF1] 17 inch Steel Spare Wheel with [TBB] Full Size Spare Tire
	68043845AA	1	J, T		74				[TBG] Compact Spare Tire
2	52089369AH	1	J, T	H, P, S	74				WINCH, Spare Tire Carrier
-3	06503543	2	J, T		74				BOLT AND CONED WASHER, Hex Head, M8x1.25x25



GRAND CHEROKEE (WK)

SERIES LINE
 H = HIGHLINE T = JEEP - 2WD
 P = PREMIUM J = JEEP - 4WD
 S = SPORT
 X = SPECIAL

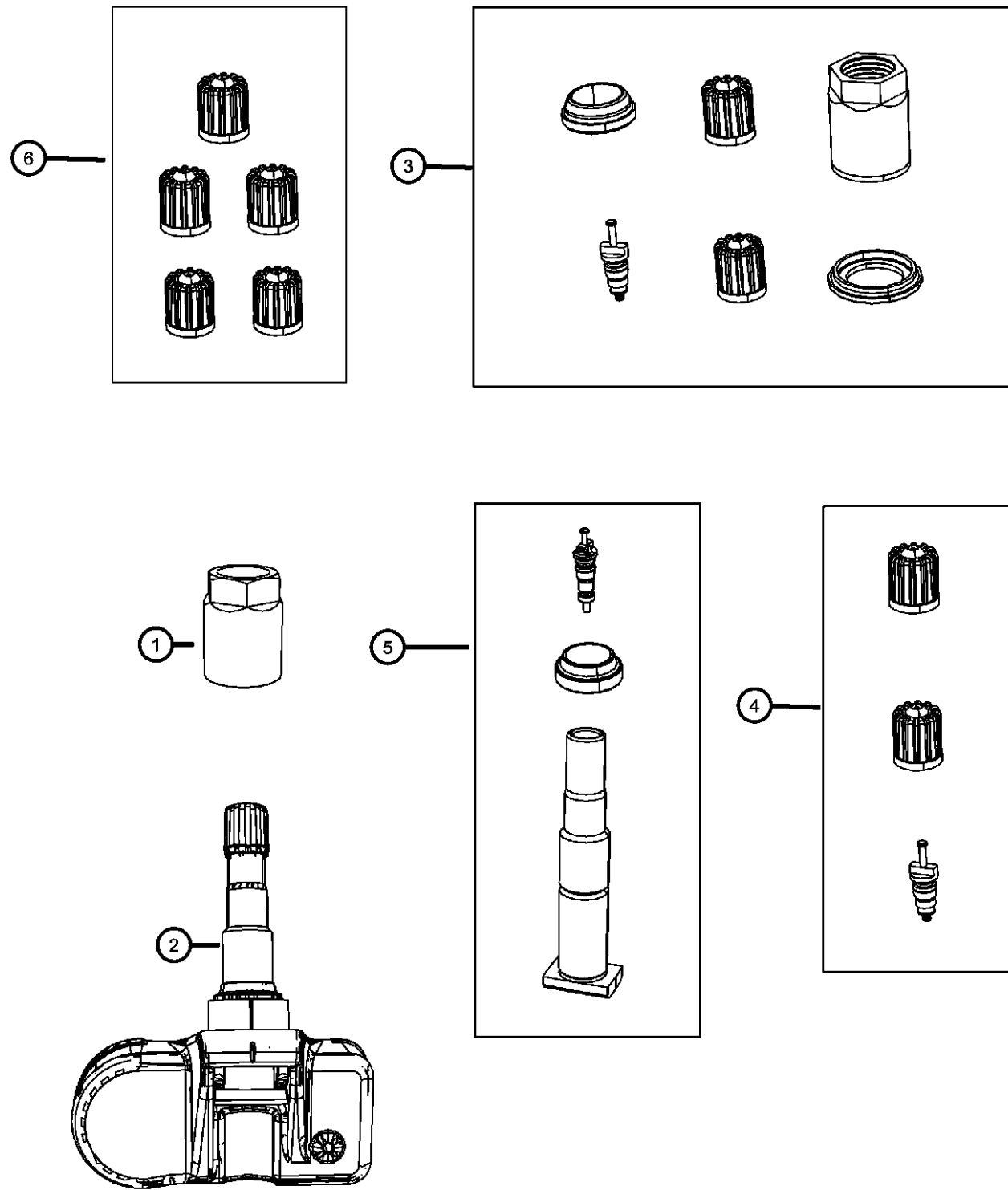
BODY
 74 = SPORT UTILITY 4-DR TYPE #4

ENGINE TRANSMISSION
 EVE = Engine - 4.7L V8 DOHC 3 Valve
 EZB = 5.7L Hemi Multi Displacement Engine
 EKG = 3.7L V6 Engine
 ESF = 6.1L SRT HEMI SMPI V8 Engine
 EXL = 3.0L V6 Turbo Diesel Engine
 DGJ = 5-Speed Auto W5A580 Transmission
 DGU = 5-Spd Auto W5J400 Transmission
 DGQ = 5-Spd Automatic 545RFE Transmission

AR = use ase required - = Non illustrated part

2008 WK

**Tire Monitoring System
Figure 22-605**



ITEM	PART NUMBER	QTY	LINE	SERIES	BODY	ENGINE	TRANS	TRIM	DESCRIPTION
1	56053037AA	4	J, T		74				NUT, Tire Pressure Sensor
		4	J, T	X	74				
		4	J, T	H, P, S	74				
2	56029359AC	1	J, T		74				SENSOR, Tire Pressure
		4	J, T	H, P, S	74				
		4	J, T	X	74				
3	68020719AC	1	J, T		74				HARDWARE KIT, Mounting Includes: Nut Washer, Black Cap (BUX), Grey Cap (Domestic), Seal, Valve Core and I-Sheet
		4	J, T	H, P, S	74				
		4	J, T	X	74				
4	68020722AA	1	J, T		74				HARDWARE KIT, Mounting Includes: Valve Core, Black Cap (BUX), Grey Cap (Domestic) and I-Sheet
		4	J, T	H, P, S	74				
		4	J, T	X	74				
5	68020724AA	1	J, T		74				HARDWARE KIT, Mounting Includes: Valve Stem, Seal, Valve Core and I-Sheet
		4	J, T	H, P, S	74				
		4	J, T	X	74				
6	68023890AA	1	J, T		74				CAP KIT, Valve Stem, Grey Includes: 5 Gray Caps
		4	J, T	H, P, S	74				

GRAND CHEROKEE (WK)

SERIES LINE
H = HIGHLINE T = JEEP - 2WD
P = PREMIUM J = JEEP - 4WD
S = SPORT
X = SPECIAL

BODY
74 = SPORT UTILITY 4-DR
TYPE #4

ENGINE TRANSMISSION
EVE = Engine - 4.7L V8 DOHC 3 Valve
EZB = 5.7L Hemi Multi Displacement Engine
EKG = 3.7L V6 Engine
ESF = 6.1L SRT HEMI SMPI V8 Engine
EXL = 3.0L V6 Turbo Diesel Engine
DGJ = 5-Speed Auto W5A580 Transmission
DGU = 5-Spd Auto W5J400 Transmission
DGQ = 5-Spd Automatic 545RFE Transmission

AR = use ase required - = Non illustrated part

2008 WK

Group - 24

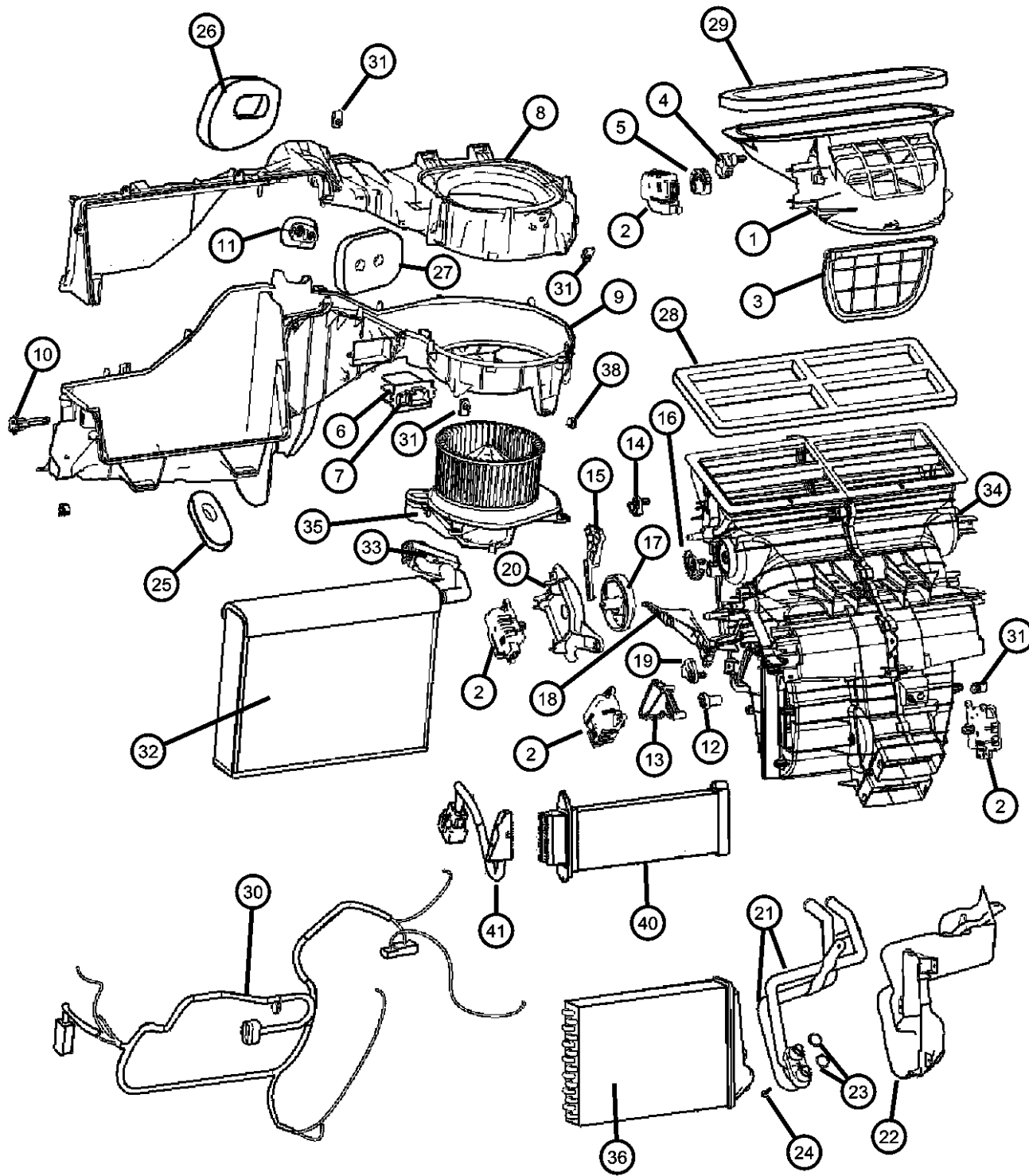
Air Conditioners and Heaters

Group - 24 Air Conditioners and Heaters

Illustration Title	Group-Fig. No.
Air Conditioner and Heater Units	
A/C and Heater Unit.....	Fig. 24 - 120
Air Conditioner and Heater Plumbing	
Heater Plumbing 3.7L [EKG] 4.7L [EVE]	Fig. 24 - 205
Heater Plumbing 5.7L [EZB] 6.1L [ESF].....	Fig. 24 - 210
Heater Plumbing 3.0L Diesel [EXL].....	Fig. 24 - 215
A/C Plumbing 3.7L [EKG] 4.7L [EVE].....	Fig. 24 - 220
A/C Plumbing 5.7L [EZB] 6.1L [ESF]	Fig. 24 - 225
A/C Plumbing 3.0L Diesel [EXL]	Fig. 24 - 230
Air Conditioner and Heater Controls	
A/C and Heater Controls.....	Fig. 24 - 310
Air Conditioner Compressor and Mounting	
A/C Compressor 3.7L [EKG] 4.7L [EVE]	Fig. 24 - 405
A/C Compressor 5.7L [EZB] 6.1L [ESF].....	Fig. 24 - 415
A/C Compressor 3.0L Diesel [EXL].....	Fig. 24 - 425
A/C Compressor Mounting 3.7L [EKG] 4.7L [EVE].....	Fig. 24 - 450
A/C Compressor Mounting 5.7L [EZB] 6.1L [ESF].....	Fig. 24 - 455
A/C Compressor Mounting 3.0L Diesel [EXL].....	Fig. 24 - 460
Air Ducts	
Ducts and Outlets Front	Fig. 24 - 505

024-100 Air Conditioner and Heater Units	024-200 Air Conditioner and Heater Plumbing	024-300 Air Conditioner and Heater Controls	024-400 Air Conditioner Compressor and Mounting
024-500 Air Ducts			

**A/C and Heater Unit
Figure 24-120**



ITEM	PART NUMBER	QTY	LINE	SERIES	BODY	ENGINE	TRANS	TRIM	DESCRIPTION
Sales Codes: [HAA]=Air Conditioning [HAF]= Air Conditioning With Automatic Temperature Control and Dual Zone									
1	68017816AA	1	J, T		74	EK0, ES0, EV0			HOUSING, Air Inlet [HAA]
		1	J, T		74	EX0			[HAA,HAF]
		1	J, T		74	ES0, EV0, EZ0			[HAF]
2	05143192AA	1	J, T		74	ES0, EV0, EZ0			ACTUATOR, A/C and Heater [HAF]
		1	J, T		74	EK0, ES0, EV0			[HAA]
		1	J, T		74	EX0			[HAA,HAF]
3		1							DOOR, Air Inlet, Serviced In Air Inlet Housing, (NOT SERVICED),
4		1							LEVER, A/C Recirculation Door, Serviced In Air Inlet Housing, (NOT SERVICED)
5		1							LEVER, Door Actuator, Serviced In Air Inlet Housing, (NOT SERVICED)
6	68059894AA	1	J, T		74	EX0			MODULE, Power, Blower Motor [HAF] After 5-19-08
	04885482AC	1	J, T		74	ES0, EV0, EZ0			[HAF] Up-To 5-19-08
		1	J, T		74	EX0			[HAF] Up-To 5-19-08
		1	J, T		74	ES0, EV0, EZ0			[HAF] After 5-19-08
7	68020227AA	1	J, T		74	EX0			RESISTOR, Blower Motor [HAA] Up-To 4-25-08 Stamped [T1000719U]
	68057463AA	1	J, T		74	EK0, ES0, EV0			[HAA] After 5-19-08 Stamped [T1006429N]
		1	J, T		74	EX0			[HAA] After 5-19-08 Stamped [T1006429N]
	68060059AA	1	J, T		74	EK0, ES0, EV0			[HAA]After 4-25-08 Before 5-19-08 Stamped [T1000638D]
		1	J, T		74	EX0			[HAA]After 4-25-08 Before 5-19-08 Stamped [T1000638D]

GRAND CHEROKEE (WK)

SERIES LINE
H = HIGHLINE T = JEEP - 2WD
P = PREMIUM J = JEEP - 4WD
S = SPORT
X = SPECIAL

BODY
74 = SPORT UTILITY 4-DR
TYPE #4

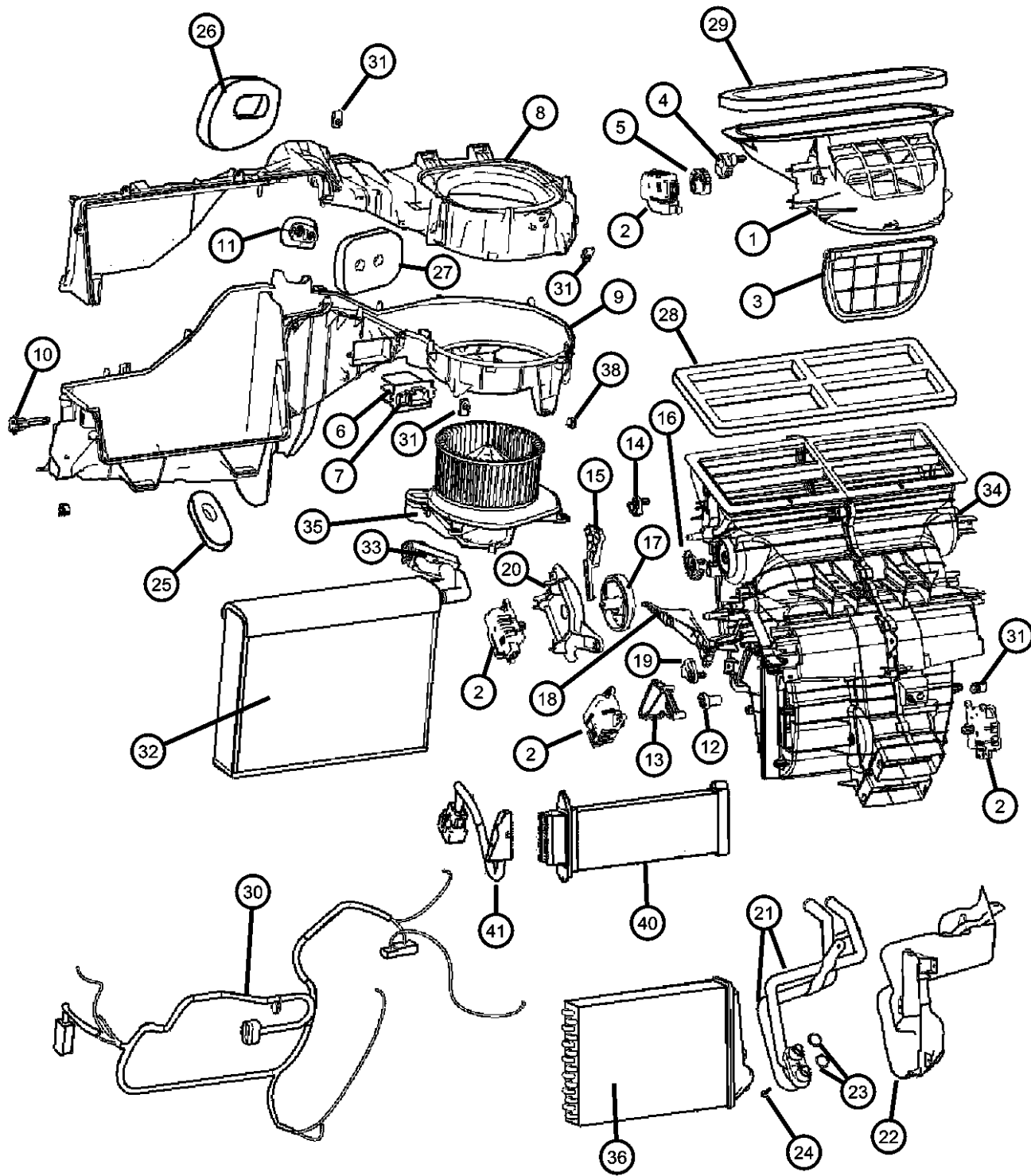
ENGINE
EVE = Engine - 4.7L V8 DOHC 3 Valve
EZB = 5.7L Hemi Multi Displacement Engine
EKG = 3.7L V6 Engine
ESF = 6.1L SRT HEMI SMPI V8 Engine
EXL = 3.0L V6 Turbo Diesel Engine

TRANSMISSION
DGJ = 5-Speed Auto W5A580 Transmission
DGU = 5-Spd Auto W5J400 Transmission
DGQ = 5-Spd Automatic 545RFE Transmission

AR = use ase required - = Non illustrated part

2008 WK

A/C and Heater Unit
Figure 24-120



ITEM	PART NUMBER	QTY	LINE	SERIES	BODY	ENGINE	TRANS	TRIM	DESCRIPTION
8		1	J, T		74	EK0, ES0, EV0			[HAA] Up-To 4-25-08 Stamped [T1000719U] HOUSING, Evaporater Upper
	05143147AA	1	J, T		74	ES0, EV0, EZ0			Up-To 5-19-08
	68059895AA	1	J, T		74	EX0			Up-To 5-19-08
		1	J, T		74	ES0, EV0, EZ0			After 5-19-08
9		1	J, T		74	EX0			After 5-19-08
	68059897AA	1	J, T		74	EK0, ES0, EV0			HOUSING, Evaporater Lower
		1	J, T		74	EX0			After 5-19-08
	05143148AA	1	J, T		74	EK0, ES0, EV0			Up-To 5-19-08
10		1	J, T		74	EX0			Up-To 5-19-08
	05143149AA	1	J, T		74	ES0, EV0, EZ0			PROBE, Air Conditioning
		1	J, T		74	EK0, ES0, EV0			[HAF]
		1	J, T		74	EX0			[HAA]
11		1	J, T		74	EX0			[HAA,HAF]
	05143150AB	1	J, T		74	EX0			GROMMET, Evaporator Tubes
		1	J, T		74	EK0, ES0, EV0			[HAA,HAF]
		1	J, T		74	ES0, EV0, EZ0			[HAA]
12		1							[HAF]
		1							LEVER, Panel Door, Serviced In Distribution Housing, (NOT SERVICED),
13		1							PLATE, Actuator Mount, Serviced In Distribution Housing, (NOT SERVICED)
14		1							LEVER, Panel Door, Serviced In Distribution Housing, (NOT SERVICED)
15		1							LINK, Heater and Defroster Door, Serviced In Distribution Housing, (NOT SERVICED)

GRAND CHEROKEE (WK)

SERIES LINE
H = HIGHLINE T = JEEP - 2WD
P = PREMIUM J = JEEP - 4WD
S = SPORT
X = SPECIAL

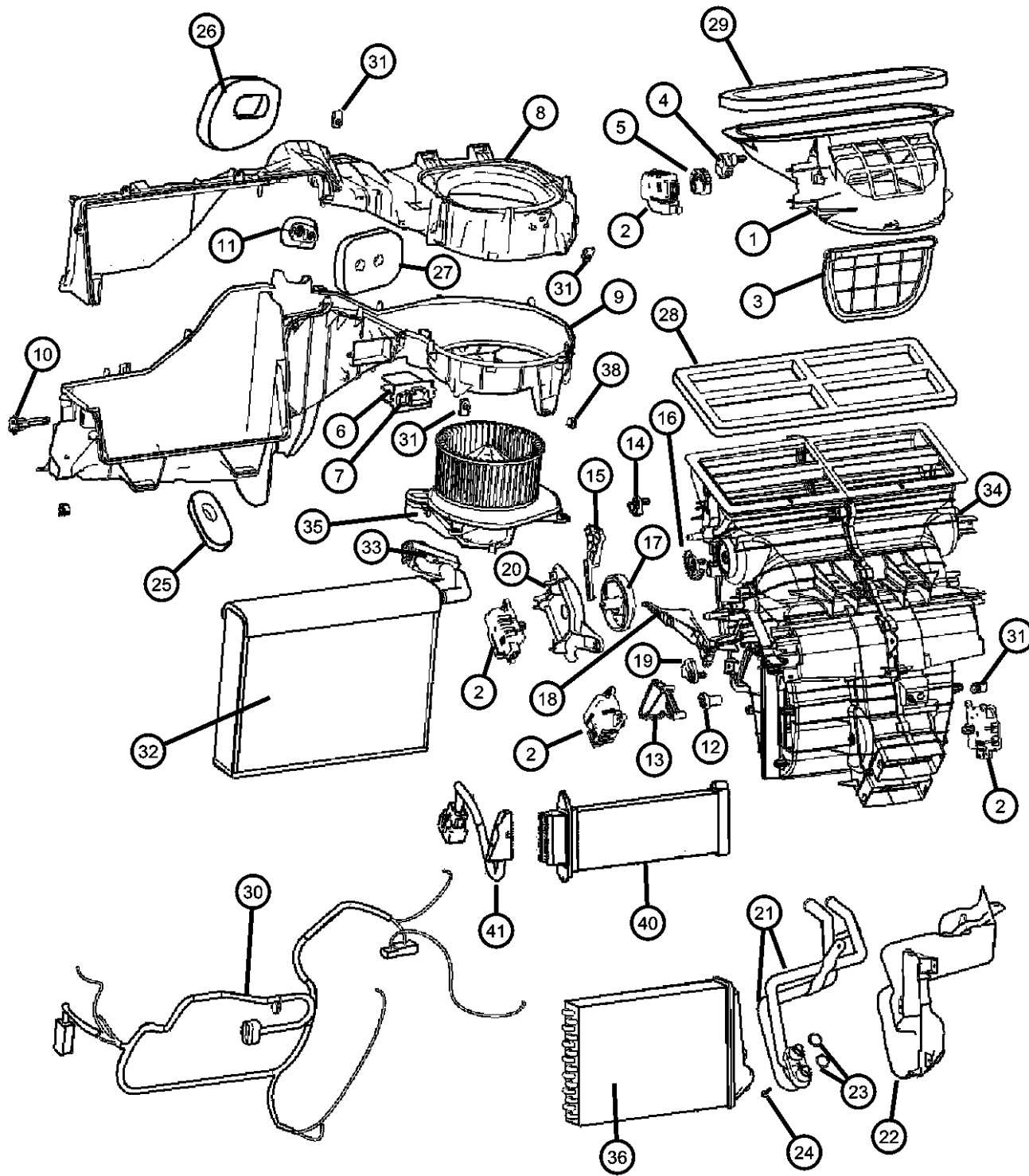
BODY
74 = SPORT UTILITY 4-DR
TYPE #4

ENGINE
EVE = Engine - 4.7L V8 DOHC
3 Valve
EZB = 5.7L Hemi Multi
Displacement Engine
EKG = 3.7L V6 Engine
ESF = 6.1L SRT HEMI SMPI
V8 Engine
EXL = 3.0L V6 Turbo Diesel
Engine

TRANSMISSION
DGJ = 5-Speed Auto W5A580
Transmission
DGU = 5-Spd Auto W5J400
Transmission
DGQ = 5-Spd Automatic 545RFE
Transmission

AR = use ase required - = Non illustrated part

A/C and Heater Unit
Figure 24-120



ITEM	PART NUMBER	QTY	LINE	SERIES	BODY	ENGINE	TRANS	TRIM	DESCRIPTION
16		1							LEVER, Panel Door, Serviced In Distribution Housing, (NOT SERVICED)
17		1							CAM, Mode, Serviced In Distribution Housing, (NOT SERVICED)
18		1							LINK, Floor Door, Serviced In Distribution Housing, (NOT SERVICED)
19		1							LEVER, Panel Door, Serviced In Distribution Housing, (NOT SERVICED)
20		1							PLATE, Actuator Mount, Serviced In Distribution Housing, (NOT SERVICED)
21									TUBE, Heater Core
	05143117AA	1	J, T		74	ES0, EV0, EZ0			[HAF]
		1	J, T		74	EK0, ES0, EV0			[HAA]
		1	J, T		74	EX0			[HAA,HAF]
22									COVER, Heater Core Tubes
	05143116AA	1	J, T		74	EX0			[HAA,HAF]
		1	J, T		74	ES0, EV0, EZ0			[HAF]
		1	J, T		74	EK0, ES0, EV0			[HAA]
23									O RING, Heater Core Tubes
	04885024AC	1	J, T		74	ES0, EV0, EZ0			[HAF]
		1	J, T		74	EK0, ES0, EV0			[HAA]
		1	J, T		74	EX0			[HAA,HAF]
24		1							SCREW, Heater Core Mounting, Serviced with the Heater Core, (NOT SERVICED),
25		1							SEAL, Drain Tube, Serviced In Seal Kit, (NOT SERVICED)
26		1							SEAL, Evaporator To Dash, Serviced In Seal Kit, (NOT SERVICED)

GRAND CHEROKEE (WK)

SERIES LINE
H = HIGHLINE T = JEEP - 2WD
P = PREMIUM J = JEEP - 4WD
S = SPORT
X = SPECIAL

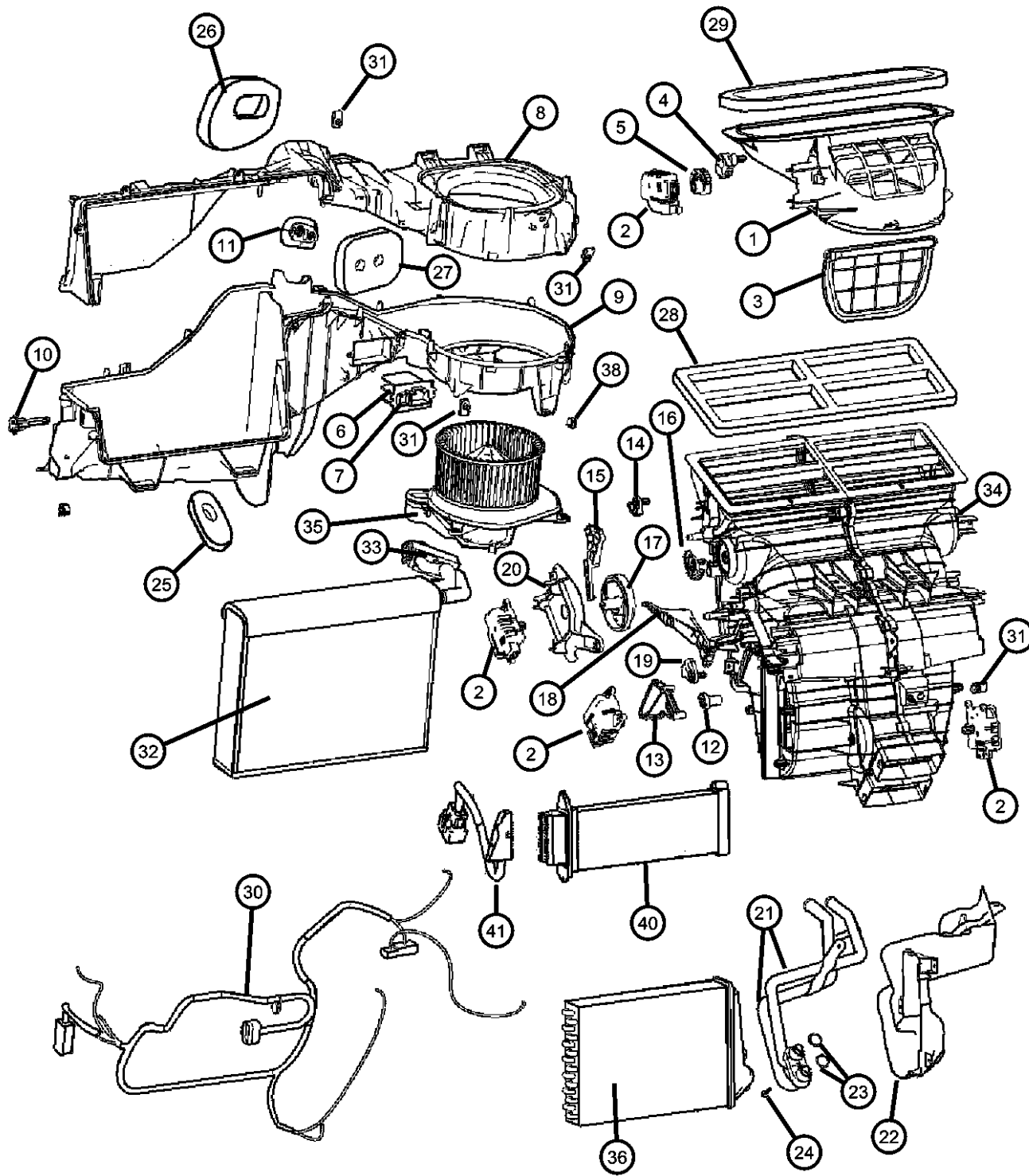
BODY
74 = SPORT UTILITY 4-DR TYPE #4

ENGINE
EVE = Engine - 4.7L V8 DOHC 3 Valve
EZB = 5.7L Hemi Multi Displacement Engine
EKG = 3.7L V6 Engine
ESF = 6.1L SRT HEMI SMPI V8 Engine
EXL = 3.0L V6 Turbo Diesel Engine

TRANSMISSION
DGJ = 5-Speed Auto W5A580 Transmission
DGU = 5-Spd Auto W5J400 Transmission
DGQ = 5-Spd Automatic 545RFE Transmission

AR = use ase required - = Non illustrated part

A/C and Heater Unit
Figure 24-120



ITEM	PART NUMBER	QTY	LINE	SERIES	BODY	ENGINE	TRANS	TRIM	DESCRIPTION
27		1							SEAL, Heater Core Tubes, Serviced In Seal Kit, (NOT SERVICED)
28		1							SEAL, Distribution Duct, Serviced In Seal Kit, (NOT SERVICED)
29		1							SEAL, Air Inlet, Serviced In Seal Kit, (NOT SERVICED)
30									WIRING, A/C and HEATER
	68060060AA	1	J, T		74	EX0			[HAA] After 4-25-08
	05143106AA	1	J, T		74	ES0, EV0, EZ0			[HAF] Up-To 5-19-08
		1	J, T		74	EX0			[HAF] Up-To 5-19-08
	05143104AB	1	J, T		74	EK0, ES0, EV0			[HAA] Up-To 4-25-08
		1	J, T		74	EX0			[HAA] Up-To 4-25-08
	68059892AA	1	J, T		74	ES0, EV0, EZ0			[HAF] After 5-19-08
		1	J, T		74	EX0			[HAF] After 5-19-08
		1	J, T		74	EK0, ES0, EV0			[HAA] After 4-25-08
31	06506035AA	4	J, T		74				NUT, U, M6x1.00
32									EVAPORATOR, Air Conditioning
	05143096AA	1	J, T		74	ES0, EV0, EZ0			[HAF]
		1	J, T		74	EK0, ES0, EV0			[HAA]
		1	J, T		74	EX0			[HAA,HAF]
33									PLATE, Extension
	05189825AA	1	J, T		74	EK0, ES0, EV0			[HAA]
		1	J, T		74	EX0			[HAA,HAF]
		1	J, T		74	ES0, EV0, EZ0			[HAF]
34									HOUSING, Distribution
	68020233AB	1	J, T		74	EK0, ES0, EV0			[HAA]
	68020246AB	1	J, T		74	EX0			[HAA]
	68020402AA	1	J, T		74	EX0			[HAF]

GRAND CHEROKEE (WK)

SERIES LINE
H = HIGHLINE T = JEEP - 2WD
P = PREMIUM J = JEEP - 4WD
S = SPORT
X = SPECIAL

BODY
74 = SPORT UTILITY 4-DR
TYPE #4

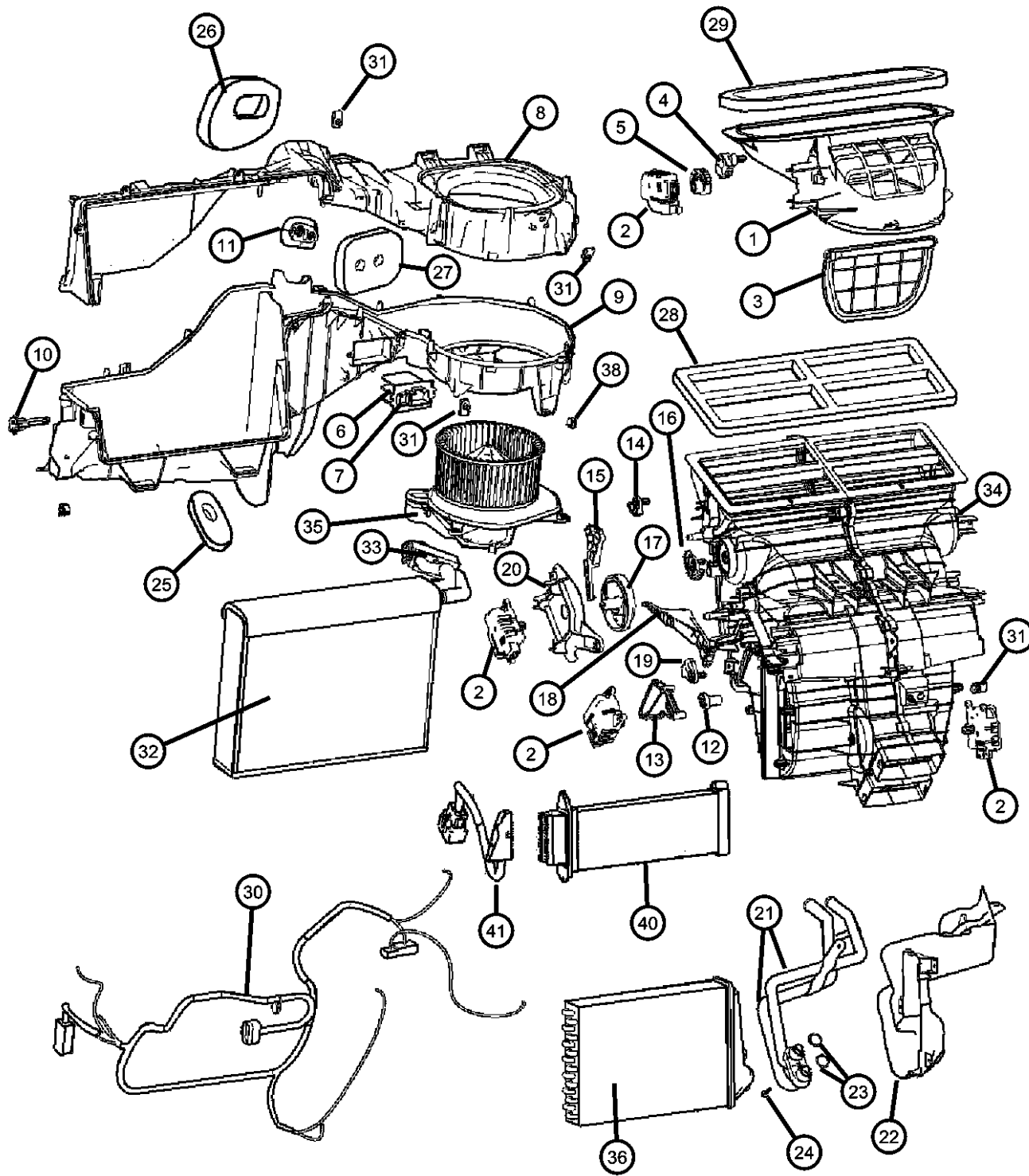
ENGINE
EVE = Engine - 4.7L V8 DOHC 3 Valve
EZB = 5.7L Hemi Multi Displacement Engine
EKG = 3.7L V6 Engine
ESF = 6.1L SRT HEMI SMPI V8 Engine
EXL = 3.0L V6 Turbo Diesel Engine

TRANSMISSION
DGJ = 5-Speed Auto W5A580 Transmission
DGU = 5-Spd Auto W5J400 Transmission
DGQ = 5-Spd Automatic 545RFE Transmission

AR = use ase required - = Non illustrated part

2008 WK

A/C and Heater Unit
Figure 24-120



ITEM	PART NUMBER	QTY	LINE	SERIES	BODY	ENGINE	TRANS	TRIM	DESCRIPTION
	68020231AB	1	J, T		74	ES0, EVO, EZ0			[HAF]
35	68020234AA	1	J, T		74	EX0			MOTOR, Blower with Wheel [HAA,HAF]
		1	J, T		74	EK0, ES0, EVO			[HAA]
		1	J, T		74	ES0, EVO, EZ0			[HAF]
36	05143101AA	1	J, T		74	ES0, EVO, EZ0			CORE, Heater [HAF]
		1	J, T		74	EK0, ES0, EVO			[HAA]
		1	J, T		74	EX0			[HAA,HAF]
-37	05143544AC	1	J, T		74	EX0			VALVE, A/C Expansion [HAA,HAF]
		1	J, T		74	ES0, EVO, EZ0			[HAF]
		1	J, T		74	EK0, ES0, EVO			[HAA]
38	06034839	1	J, T		74	ES0, EVO, EZ0			CLIP [HAF]
		1	J, T		74	EK0, ES0, EVO			[HAA]
		1	J, T		74	EX0			[HAA,HAF]
-39	68017814AA	1	J, T		74	EX0			SEAL KIT, A/C And Heater Unit [HAA,HAF]
		1	J, T		74	EK0, ES0, EVO			[HAA]
		1	J, T		74	ES0, EVO, EZ0			[HAF]
40	05143115AA	1	J, T		74	EX0			ELEMENT, Heater, [HAA,HAF]
41	05143107AA	1	J, T		74	EX0			WIRING, PTC Element, [HAA,HAF]

GRAND CHEROKEE (WK)

SERIES LINE
H = HIGHLINE T = JEEP - 2WD
P = PREMIUM J = JEEP - 4WD
S = SPORT
X = SPECIAL

BODY
74 = SPORT UTILITY 4-DR
TYPE #4

ENGINE
EVE = Engine - 4.7L V8 DOHC
3 Valve
EZB = 5.7L Hemi Multi
Displacement Engine
EKG = 3.7L V6 Engine
ESF = 6.1L SRT HEMI SMPI
V8 Engine
EXL = 3.0L V6 Turbo Diesel
Engine

TRANSMISSION
DGJ = 5-Speed Auto W5A580
Transmission
DGU = 5-Spd Auto W5J400
Transmission
DGQ = 5-Spd Automatic 545RFE
Transmission

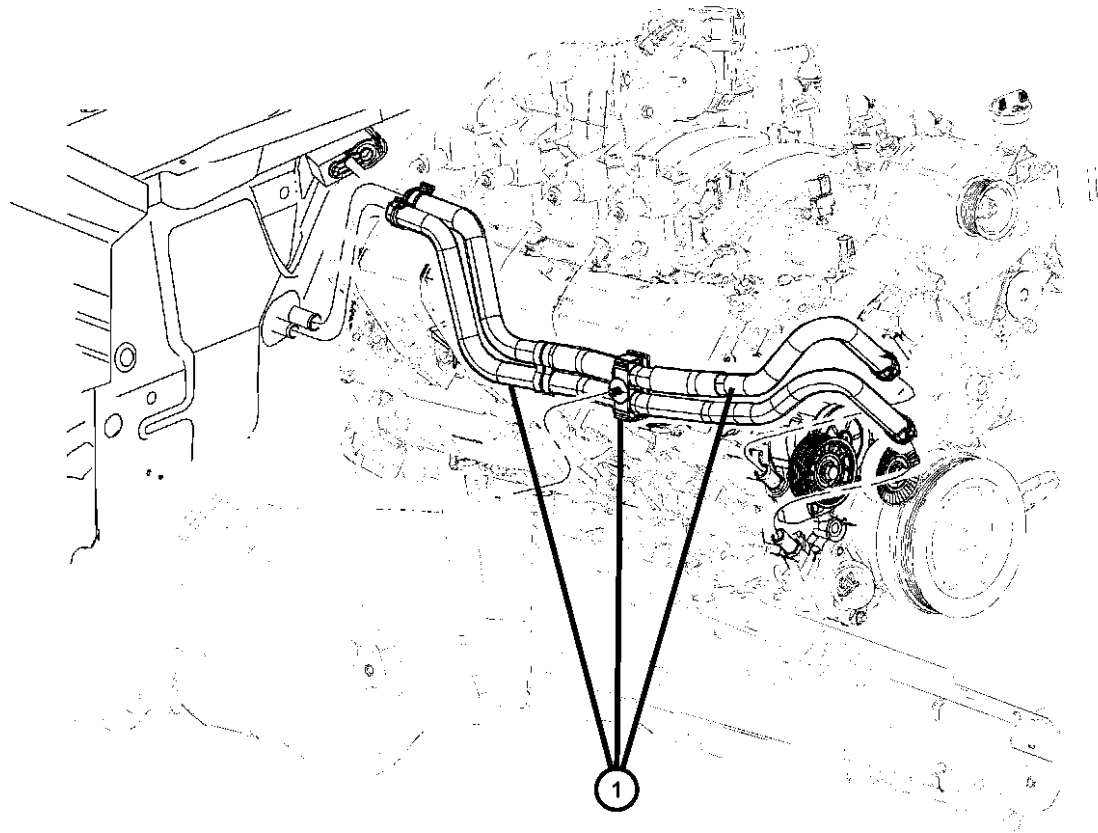
AR = use ase required - = Non illustrated part

**Heater Plumbing 3.7L [EKG] 4.7L [EVE]
Figure 24-205**

ITEM	PART NUMBER	QTY	LINE	SERIES	BODY	ENGINE	TRANS	TRIM	DESCRIPTION
------	-------------	-----	------	--------	------	--------	-------	------	-------------

Sales Codes:
[EK0] = 3.7L Engine
[EV0] = 4.7L Engine

1	55037965AB	1	J, T		74	EK0, EV0			HOSE, Heater Supply and Return
---	------------	---	------	--	----	----------	--	--	--------------------------------



GRAND CHEROKEE (WK)

SERIES LINE
H = HIGHLINE T = JEEP - 2WD
P = PREMIUM J = JEEP - 4WD
S = SPORT
X = SPECIAL

BODY
74 = SPORT UTILITY 4-DR
TYPE #4

ENGINE TRANSMISSION
EVE = Engine - 4.7L V8 DOHC 3 Valve
DGJ = 5-Speed Auto W5A580 Transmission
EZB = 5.7L Hemi Multi Displacement Engine
DGU = 5-Spd Auto W5J400 Transmission
EKG = 3.7L V6 Engine
DGQ = 5-Spd Automatic 545RFE Transmission
ESF = 6.1L SRT HEMI SMPI V8 Engine
EXL = 3.0L V6 Turbo Diesel Engine

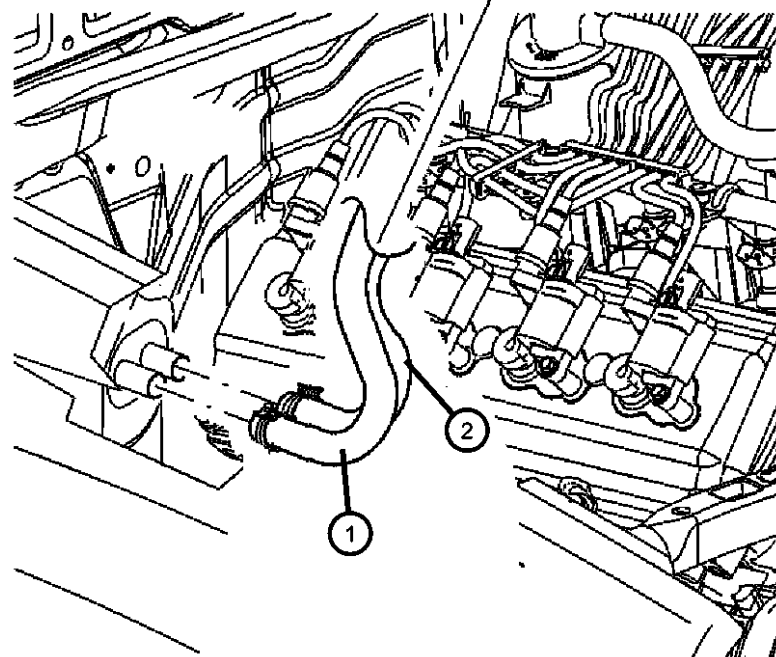
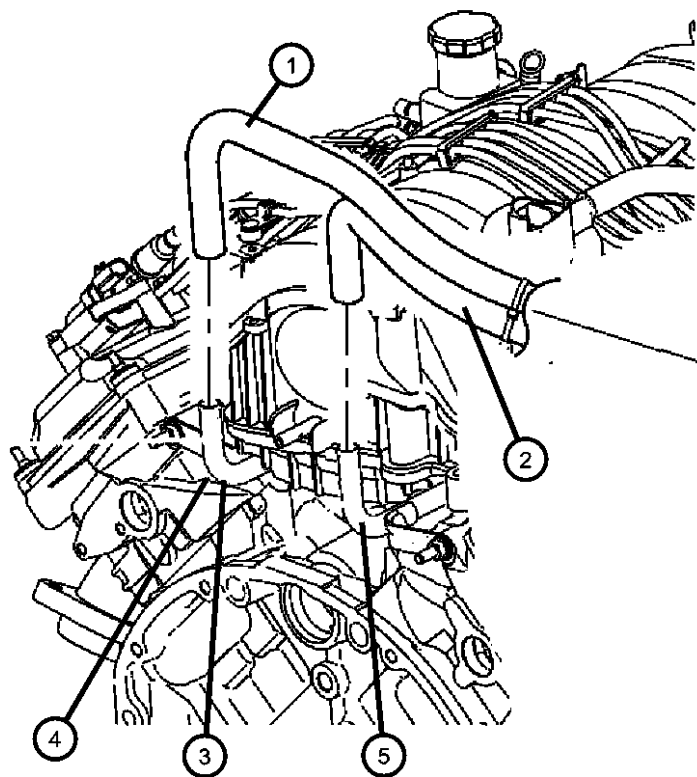
AR = use ase required - = Non illustrated part

2008 WK

Heater Plumbing 5.7L [EZB] 6.1L [ESF]

Figure 24-210

ITEM	PART NUMBER	QTY	LINE	SERIES	BODY	ENGINE	TRANS	TRIM	DESCRIPTION
Sales Codes: [EZ0] = 5.7L Engine [ES0] = 6.1L Engine									
1									HOSE, Heater Return
	68000978AA	1	J, T		74	EZ0			
		1	J, T		74	ES0			
2									HOSE, Heater Supply
	68000979AA	1	J, T		74	EZ0			
		1	J, T		74	ES0			
3	04892345AD	1	J, T		74	EZ0			TUBE, Coolant inlet
4	05037891AA	1	J, T		74	ESF			TUBE, Coolant inlet
5	04892346AD	1	J, T		74	ESF, EZ0			TUBE, Coolant outlet
-6									O RING, Heater Line
	53013736AA	2	J, T		74	EZ0			
		2	J, T		74	ESF			



GRAND CHEROKEE (WK)

SERIES LINE
H = HIGHLINE T = JEEP - 2WD
P = PREMIUM J = JEEP - 4WD
S = SPORT
X = SPECIAL

BODY
74 = SPORT UTILITY 4-DR
TYPE #4

ENGINE TRANSMISSION
EVE = Engine - 4.7L V8 DOHC 3 Valve
EZB = 5.7L Hemi Multi Displacement Engine
EKG = 3.7L V6 Engine
ESF = 6.1L SRT HEMI SMPI V8 Engine
EXL = 3.0L V6 Turbo Diesel Engine
DGJ = 5-Speed Auto W5A580 Transmission
DGU = 5-Spd Auto W5J400 Transmission
DGQ = 5-Spd Automatic 545RFE Transmission

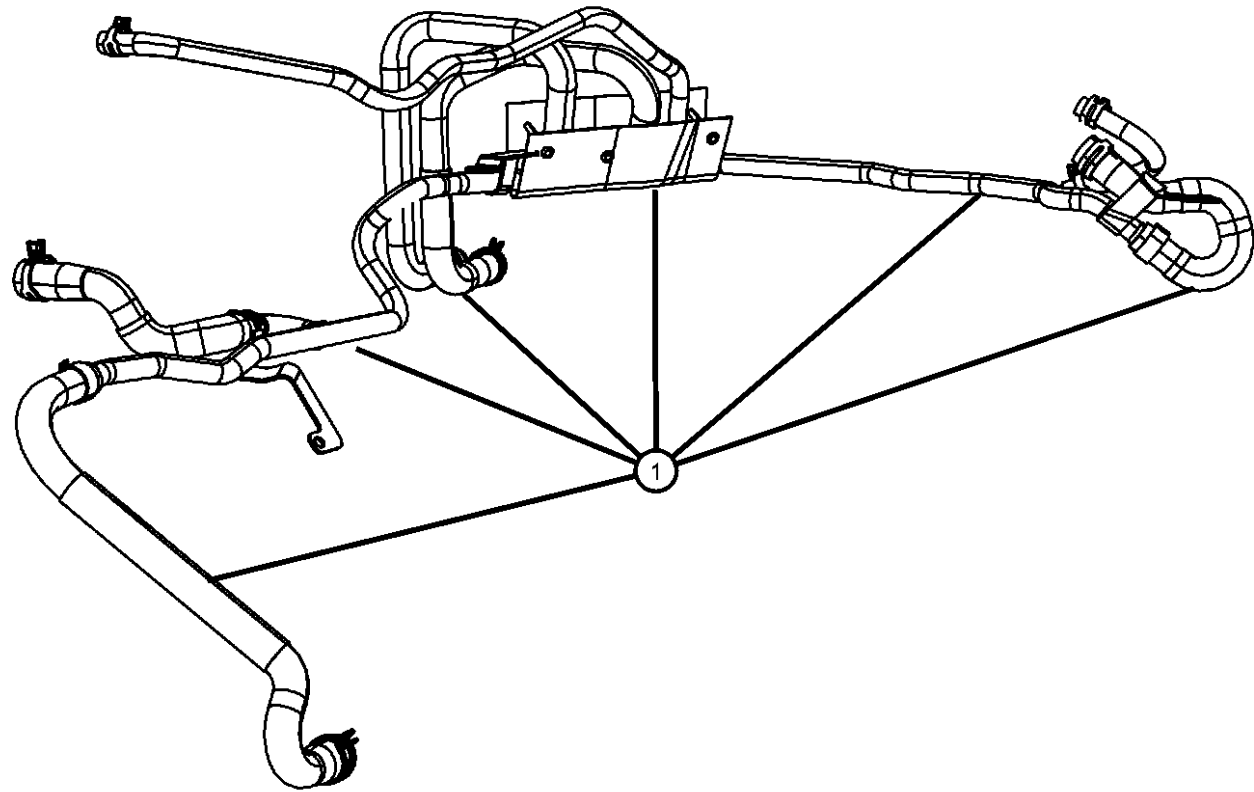
AR = use ase required - = Non illustrated part

**Heater Plumbing 3.0L Diesel [EXL]
Figure 24-215**

ITEM	PART NUMBER	QTY	LINE	SERIES	BODY	ENGINE	TRANS	TRIM	DESCRIPTION
------	-------------	-----	------	--------	------	--------	-------	------	-------------

Sales Code:
[EX0] = All 3.0L Turbo Diesel Engines

1	55038855AB	1	J, T		74	EX0			HOSE, Heater Supply and Return, Includes: Hoses, Clamps, Tubes
---	------------	---	------	--	----	-----	--	--	---



GRAND CHEROKEE (WK)

SERIES LINE
H = HIGHLINE T = JEEP - 2WD
P = PREMIUM J = JEEP - 4WD
S = SPORT
X = SPECIAL

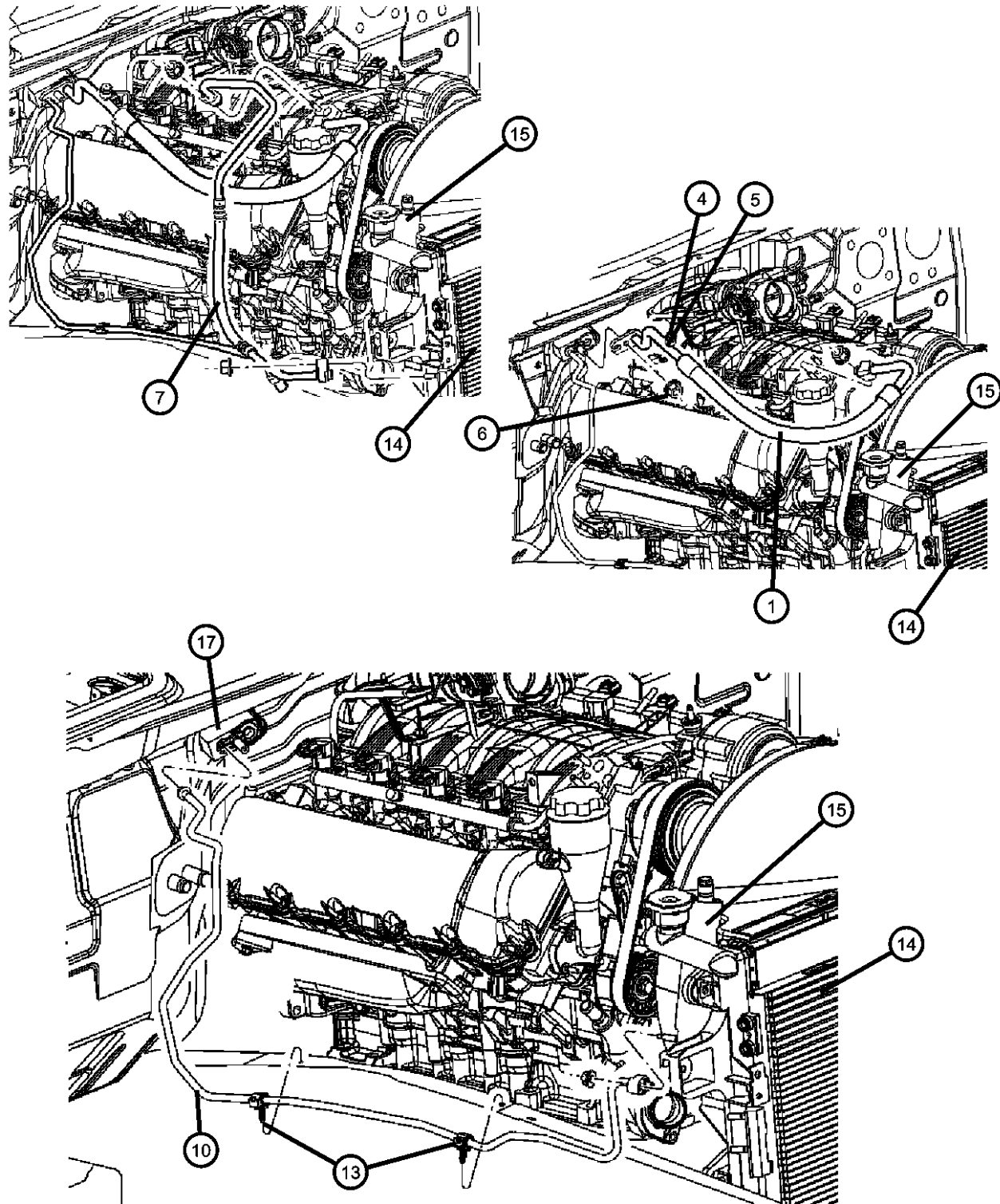
BODY
74 = SPORT UTILITY 4-DR
TYPE #4

ENGINE TRANSMISSION
EVE = Engine - 4.7L V8 DOHC 3 Valve
EVB = Engine - 4.7L V8 DOHC 3 Valve
EZE = 5.7L Hemi Multi Displacement Engine
EKG = 3.7L V6 Engine
ESF = 6.1L SRT HEMI SMPI V8 Engine
EXL = 3.0L V6 Turbo Diesel Engine
DGJ = 5-Speed Auto W5A580 Transmission
DGU = 5-Spd Auto W5J400 Transmission
DGQ = 5-Spd Automatic 545RFE Transmission

AR = use ase required - = Non illustrated part

2008 WK

**A/C Plumbing 3.7L [EKG] 4.7L [EVE]
Figure 24-220**



ITEM	PART NUMBER	QTY	LINE	SERIES	BODY	ENGINE	TRANS	TRIM	DESCRIPTION
Sales Code: [EK0] = All 3.7L Gas Engines [EV0] = All 4.7L Gas Engines									
1									LINE, A/C Suction
	55037890AA	1	J, T		74	EK0			
	55037900AB	1	J, T		74	EV0			
-2									SEAL, Slim Line
	05161784AA	1	J, T		74	EV0			Expansion Valve End
		1	J, T		74	EK0			Expansion Valve End
-3									WASHER, Sealing
	05161785AA	1	J, T		74	EV0			Compressor End
		1	J, T		74	EK0			Compressor End
4									CAP, A/C Charge Valve
	05161786AA	1	J, T		74	EK0			
		1	J, T		74	EV0			
5									VALVE CORE, A/C Line
	05003862AA	1	J, T		74	EV0			
		1	J, T		74	EK0			
6	06101445	1	J, T		74				NUT AND WASHER, Hex, M8x1.25
7									LINE, A/C Discharge
	55037889AB	1	J, T		74	EK0			
	55037891AB	1	J, T		74	EV0			
-8									WASHER, Sealing
	05183303AA	1	J, T		74	EK0			Compressor End
		1	J, T		74	EV0			Compressor End
-9									WASHER, Sealing
	05183303AA	1	J, T		74	EV0			Condenser End
		1	J, T		74	EK0			Condenser End
10	55116909AD	1	J, T		74	EK0, ES0, EV0, EZ0			LINE, A/C Liquid
-11	05161787AA	1	J, T		74	EK0, ES0, EV0, EZ0			WASHER, Sealing, Drier End
-12	05161788AA	1	J, T		74	EK0, ES0, EV0, EZ0			WASHER, Sealing, Expansion Valve End

GRAND CHEROKEE (WK)

SERIES LINE
H = HIGHLINE T = JEEP - 2WD
P = PREMIUM J = JEEP - 4WD
S = SPORT
X = SPECIAL

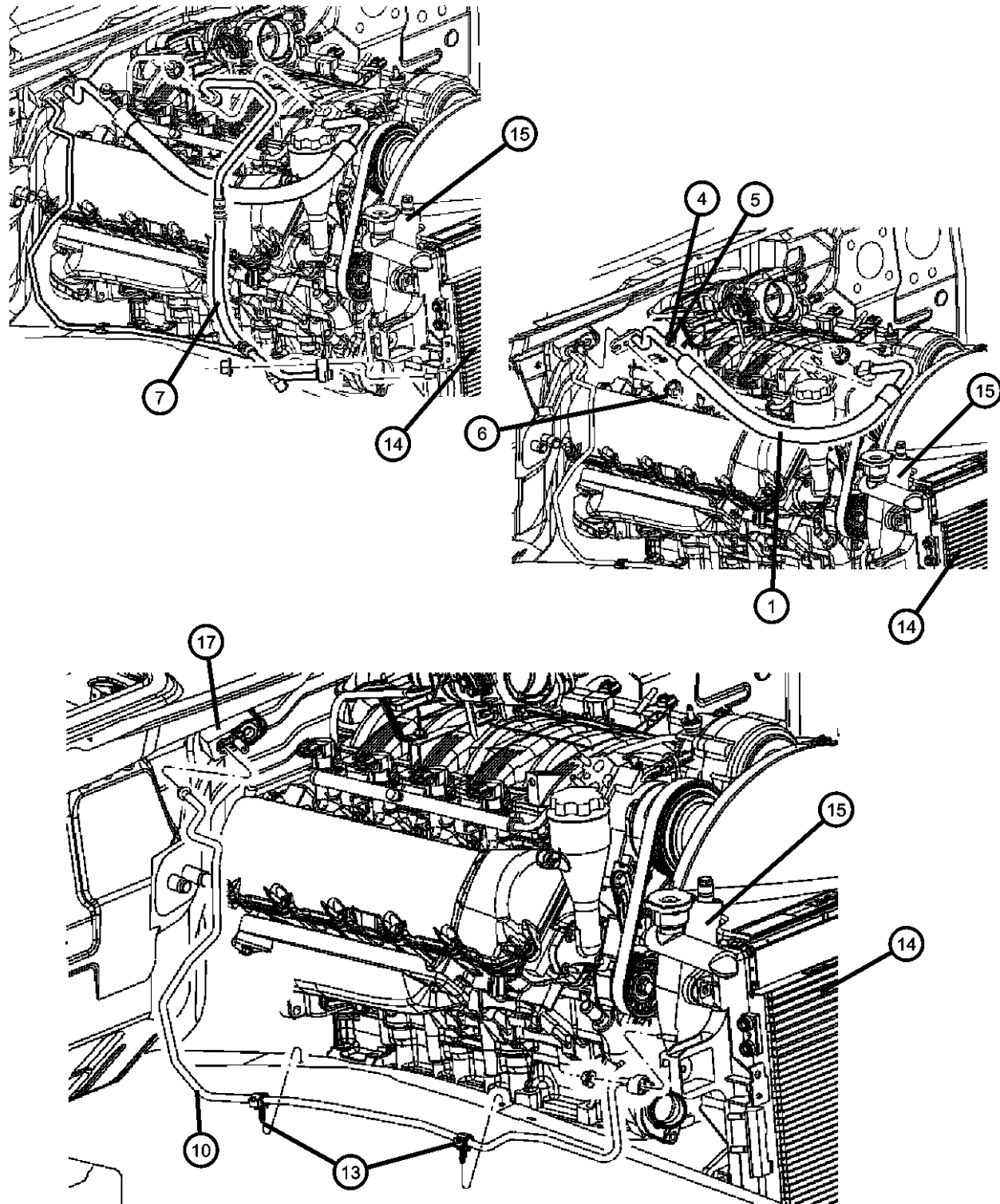
BODY
74 = SPORT UTILITY 4-DR
TYPE #4

ENGINE
EVE = Engine - 4.7L V8 DOHC
3 Valve
EZB = 5.7L Hemi Multi
Displacement Engine
EKG = 3.7L V6 Engine
ESF = 6.1L SRT HEMI SMPI
V8 Engine
EXL = 3.0L V6 Turbo Diesel
Engine

TRANSMISSION
DGJ = 5-Speed Auto W5A580
Transmission
DGU = 5-Spd Auto W5J400
Transmission
DGQ = 5-Spd Automatic 545RFE
Transmission

AR = use ase required - = Non illustrated part

A/C Plumbing 3.7L [EKG] 4.7L [EVE]
Figure 24-220



ITEM	PART NUMBER	QTY	LINE	SERIES	BODY	ENGINE	TRANS	TRIM	DESCRIPTION
13	04861553AC	2	J, T		74	EK0, ES0, EV0, EZ0			PIN, Push
14	55116928AA	1	J, T		74	EK0, ESF, EV0			COOLER, Condenser and Trans Cooler
15	55116723AE	1	J, T		74	EK0, ESF, EV0			DRIER, Receiver, Includes: Liquid Line to Condenser
-16	05161788AA	1	J, T		74	EK0, ES0, EV0, EZ0			WASHER, Sealing, Condenser End
17	05143544AC	1	J, T		74	ES0, EV0, EZ0			VALVE, A/C Expansion

GRAND CHEROKEE (WK)

SERIES LINE
H = HIGHLINE T = JEEP - 2WD
P = PREMIUM J = JEEP - 4WD
S = SPORT
X = SPECIAL

BODY
74 = SPORT UTILITY 4-DR TYPE #4

ENGINE
EVE = Engine - 4.7L V8 DOHC 3 Valve
EZB = 5.7L Hemi Multi Displacement Engine
EKG = 3.7L V6 Engine
ESF = 6.1L SRT HEMI SMPI V8 Engine
EXL = 3.0L V6 Turbo Diesel Engine

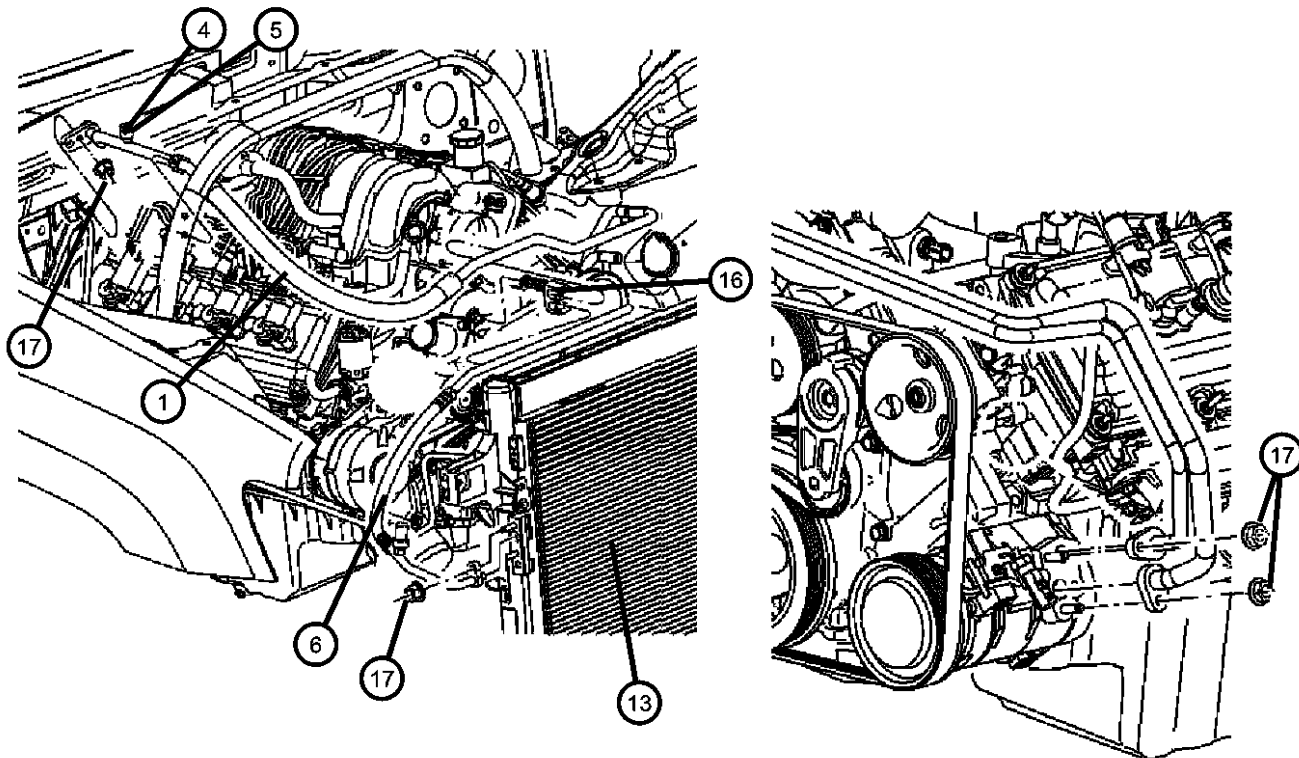
TRANSMISSION
DGJ = 5-Speed Auto W5A580 Transmission
DGU = 5-Spd Auto W5J400 Transmission
DGQ = 5-Spd Automatic 545RFE Transmission

AR = use ase required - = Non illustrated part

2008 WK

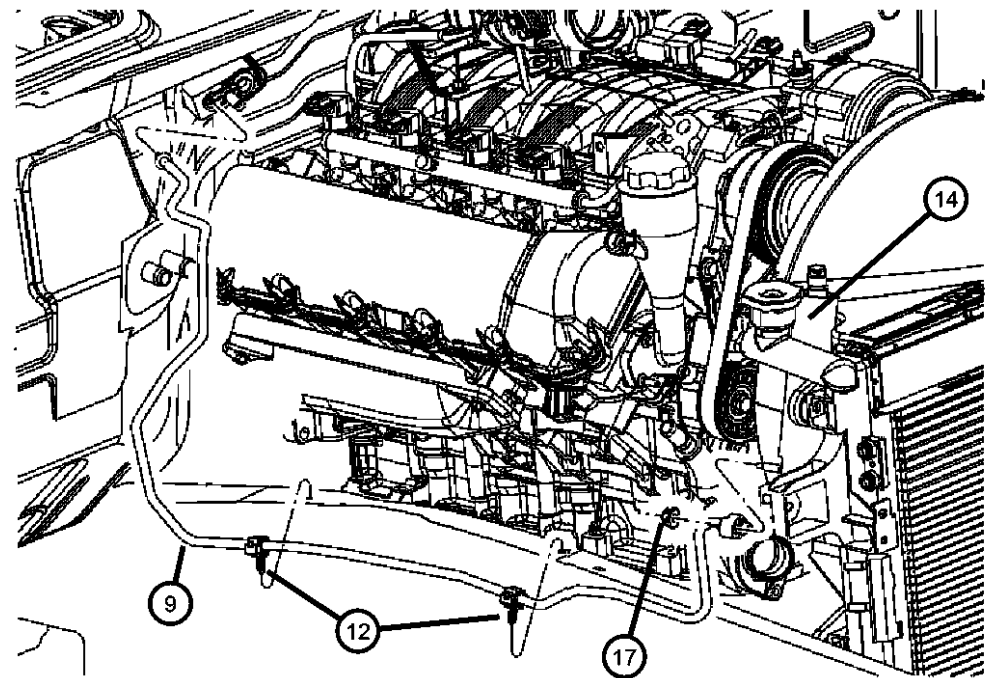
A/C Plumbing 5.7L [EZB] 6.1L [ESF]

Figure 24-225



ITEM	PART NUMBER	QTY	LINE	SERIES	BODY	ENGINE	TRANS	TRIM	DESCRIPTION
1									LINE, A/C Suction
	55116718AG	1	J, T		74	EZ0			
		1	J, T		74	ES0			
-2									SEAL, Slim Line
	05161784AA	1	J, T		74	EZ0			Expansion Valve End
		1	J, T		74	ES0			Expansion Valve End
-3									WASHER, Sealing
	05161785AA	1	J, T		74	EZ0			Compressor End
		1	J, T		74	ES0			Compressor End
4									CAP, A/C Charge Valve
	05161786AA	1	J, T		74	ES0			
		1	J, T		74	EZ0			
5									VALVE CORE, A/C Line
	05003862AA	1	J, T		74	EZ0			
		1	J, T		74	ES0			
6	55116712AF	1	J, T		74	ES0, EZ0			LINE, A/C Discharge
-7	05183303AA	2	J, T		74	ES0, EZ0			WASHER, Sealing, Compressor End
-8	05183303AA	2	J, T		74	ES0, EZ0			WASHER, Sealing, Condenser End
9	55116909AD	1	J, T		74	EK0, ES0, EV0, EZ0			LINE, A/C Liquid
-10	05161788AA	1	J, T		74	EK0, ES0, EV0, EZ0			WASHER, Sealing
-11									SEAL, Slim Line
	05161784AA	1	J, T		74	ES0			Drier End
		1	J, T		74	EZ0			Drier End
12	04861553AC	2	J, T		74	EK0, ES0, EV0, EZ0			PIN, Push
13									COOLER, Condenser and Trans Cooler
	55116928AA	1	J, T		74	EZ0			
		1	J, T		74	EK0, ESF, EV0			

Sales Codes:
 [ES0] = 6.1L Engine
 [EZ0] = 5.7L Engine



GRAND CHEROKEE (WK)

SERIES LINE
 H = HIGHLINE T = JEEP - 2WD
 P = PREMIUM J = JEEP - 4WD
 S = SPORT
 X = SPECIAL

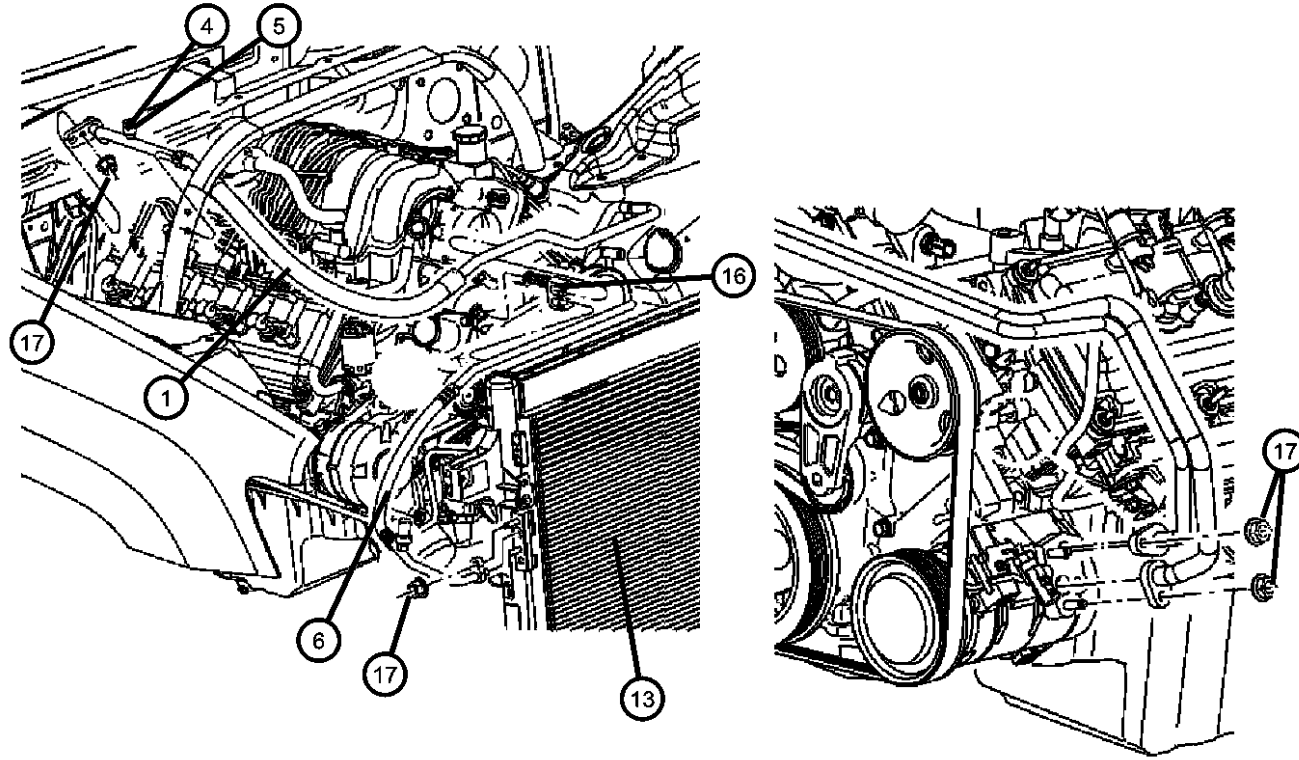
BODY
 74 = SPORT UTILITY 4-DR
 TYPE #4

ENGINE
 EVE = Engine - 4.7L V8 DOHC
 3 Valve
 EZB = 5.7L Hemi Multi
 Displacement Engine
 EKG = 3.7L V6 Engine
 ESF = 6.1L SRT HEMI SMPI
 V8 Engine
 EXL = 3.0L V6 Turbo Diesel
 Engine

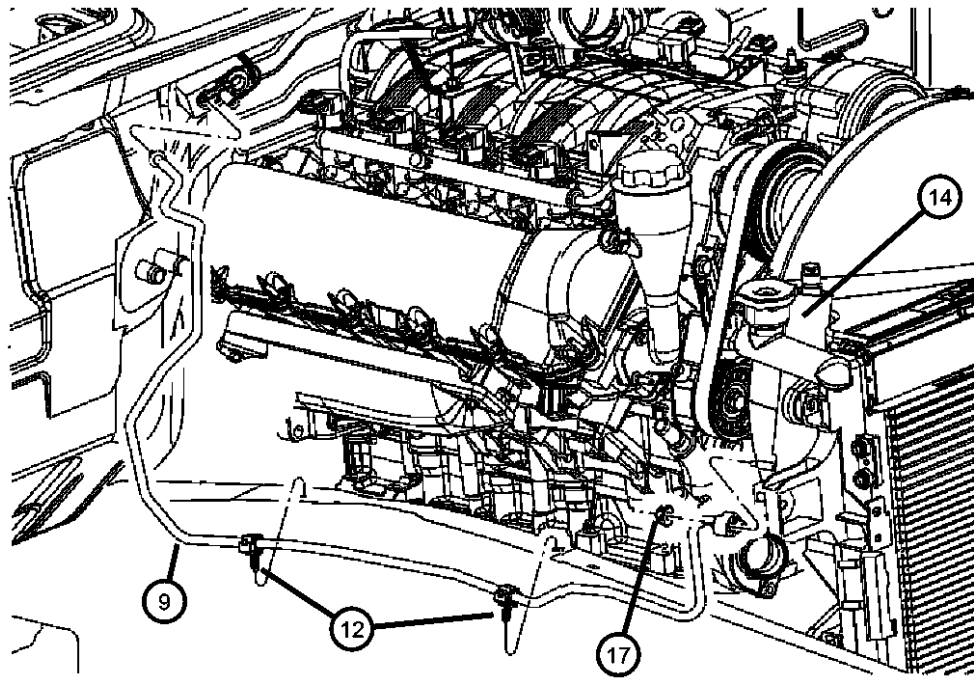
TRANSMISSION
 DGJ = 5-Speed Auto W5A580
 Transmission
 DGU = 5-Spd Auto W5J400
 Transmission
 DGQ = 5-Spd Automatic 545RFE
 Transmission

AR = use ase required - = Non illustrated part

A/C Plumbing 5.7L [EZB] 6.1L [ESF]
Figure 24-225



ITEM	PART NUMBER	QTY	LINE	SERIES	BODY	ENGINE	TRANS	TRIM	DESCRIPTION
14	55116723AE	1	J, T		74	EK0, ESF, EV0			DRIER, Receiver Includes: Liquid Line to Condenser
		1	J, T		74	EZ0			Includes: Liquid Line to Condenser
-15	05161788AA	1	J, T		74	EK0, ES0, EV0, EZ0			WASHER, Sealing, Drier to Condenser
16	55037740AB	1	J, T		74	ES0, EZ0			BRACKET, A/C Line
17	06101445	1	J, T		74				NUT AND WASHER, Hex, M8x1.25



GRAND CHEROKEE (WK)

SERIES LINE
H = HIGHLINE T = JEEP - 2WD
P = PREMIUM J = JEEP - 4WD
S = SPORT
X = SPECIAL

BODY
74 = SPORT UTILITY 4-DR
TYPE #4

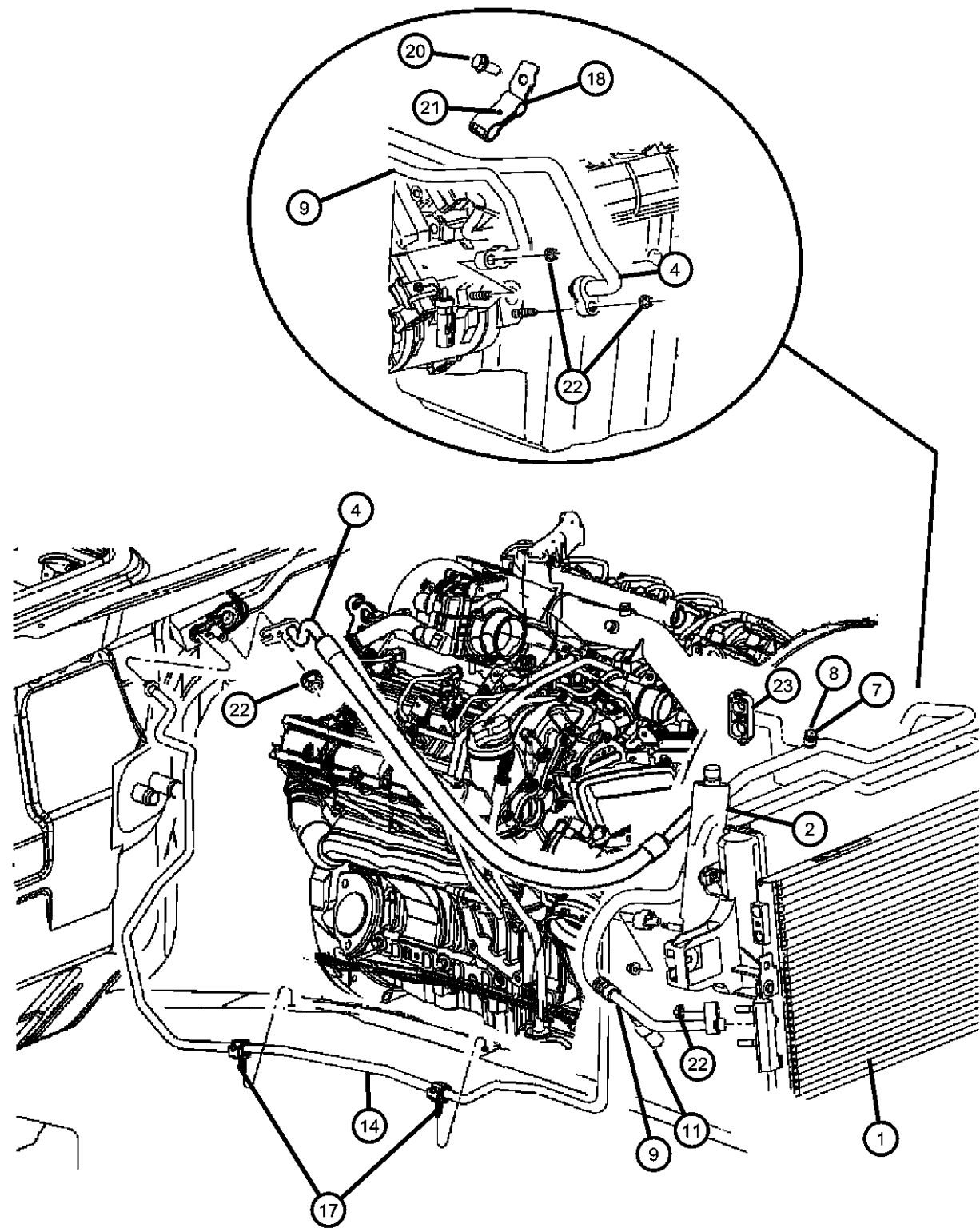
ENGINE
EVE = Engine - 4.7L V8 DOHC 3 Valve
EZB = 5.7L Hemi Multi Displacement Engine
EKG = 3.7L V6 Engine
ESF = 6.1L SRT HEMI SMPI V8 Engine
EXL = 3.0L V6 Turbo Diesel Engine

TRANSMISSION
DGJ = 5-Speed Auto W5A580 Transmission
DGU = 5-Spd Auto W5J400 Transmission
DGQ = 5-Spd Automatic 545RFE Transmission

AR = use ase required - = Non illustrated part

2008 WK

**A/C Plumbing 3.0L Diesel [EXL]
Figure 24-230**



ITEM	PART NUMBER	QTY	LINE	SERIES	BODY	ENGINE	TRANS	TRIM	DESCRIPTION
Sales Code: [EX0] = All 3.0L Turbo Diesel Engines									
1	55116928AA	1	J, T		74	EX0			COOLER, Condenser and Trans Cooler
2	55116723AE	1	J, T		74	EX0			DRIER, Receiver
-3	05161788AA	1	J, T		74	EX0			WASHER, Sealing, Drier to Condenser
4	55116714AD	1	J, T		74	EX0			LINE, A/C Suction
-5	05183333AA	1	J, T		74	EX0			WASHER, Sealing, Expansion Valve End
-6	05161785AA	1	J, T		74	EX0			WASHER, Sealing, Compressor End
7	05003862AA	1	J, T		74	EX0			VALVE CORE, A/C Line
8	05161786AA	1	J, T		74	EX0			CAP, A/C Charge Valve
9	55116710AD	1	J, T		74	EX0			LINE, A/C Discharge
-10	05183303AA	1	J, T		74	EX0			WASHER, Sealing, Condenser or Compressor End
11	05174039AB	1	J, T		74	EX0			VALVE, A/C pressure Transducer
-12	05183358AA	1	J, T		74	EX0			O RING, A/C Line, Transducer to Line
-13	05003862AA	1	J, T		74	EX0			VALVE CORE, A/C Line
14	55037779AC	1	J, T		74	EX0			LINE, A/C Liquid
-15	05161787AA	1	J, T		74	EX0			WASHER, Sealing, Evaporator End
-16	05161788AA	1	J, T		74	EX0			WASHER, Sealing, Drier End
17	04861553AC	1	J, T		74	EX0			PIN, Push
18	55037855AB	1	J, T		74	EX0			BRACKET, A/C Line
-19	06104004AA	1	J, T		74	EX0			BOLT, A/C Bracket to Cylinder Head Cover
20	06104675AA	1	J		74	EX0			BOLT, Pan Head, M6.0X1.00X14.00
21	00154552	1	J, T		74	EX0			SCREW, Hex Head, .190-16x.625
22	06101445	1	J, T		74				NUT AND WASHER, Hex, M8x1.25
23	55035945	1	J, T		74	EX0			CLIP, Hose To Manifold

GRAND CHEROKEE (WK)

SERIES LINE
H = HIGHLINE T = JEEP - 2WD
P = PREMIUM J = JEEP - 4WD
S = SPORT
X = SPECIAL

BODY
74 = SPORT UTILITY 4-DR
TYPE #4

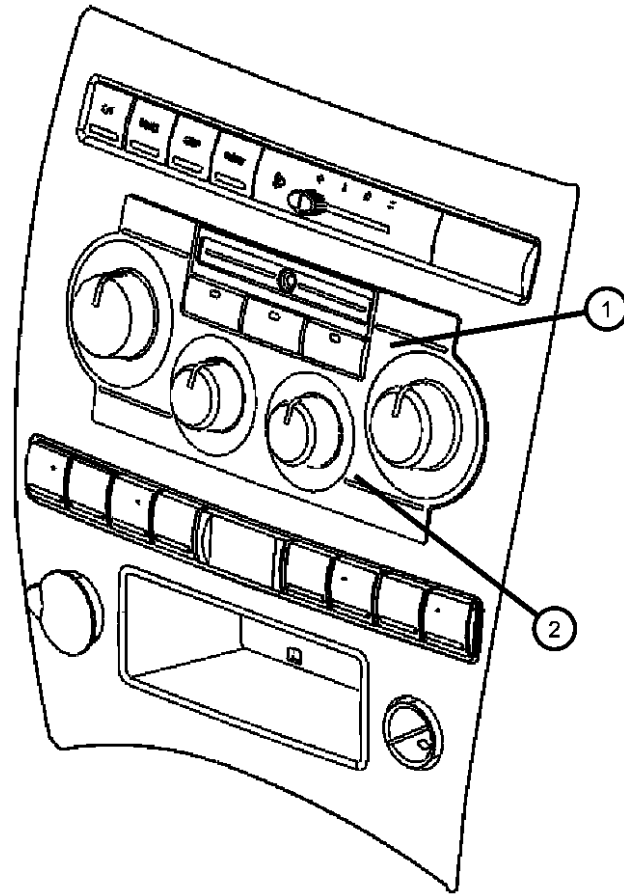
ENGINE
EVE = Engine - 4.7L V8 DOHC 3 Valve
EZB = 5.7L Hemi Multi Displacement Engine
EKG = 3.7L V6 Engine
ESF = 6.1L SRT HEMI SMPI V8 Engine
EXL = 3.0L V6 Turbo Diesel Engine

TRANSMISSION
DGJ = 5-Speed Auto W5A580 Transmission
DGU = 5-Spd Auto W5J400 Transmission
DGQ = 5-Spd Automatic 545RFE Transmission

AR = use ase required - = Non illustrated part

A/C and Heater Controls
Figure 24-310

ITEM	PART NUMBER	QTY	LINE	SERIES	BODY	ENGINE	TRANS	TRIM	DESCRIPTION
Sales Code: [HAA] = Air Conditioning [HAF] = Air Conditioning with Auto Temp Control									
1	55037979AC	1	J, T		74				CONTROL, A/C And Heater, [HAA]
2									CONTROL, Auto Temp Control
	55111876AB	1	J, T		74				[HAF] Without [XD9]
	55111877AC	1	J, T		74				[HAF]
		1	J, T		74				[HAF] With [XD9]



GRAND CHEROKEE (WK)

SERIES LINE
 H = HIGHLINE T = JEEP - 2WD
 P = PREMIUM J = JEEP - 4WD
 S = SPORT
 X = SPECIAL

BODY
 74 = SPORT UTILITY 4-DR
 TYPE #4

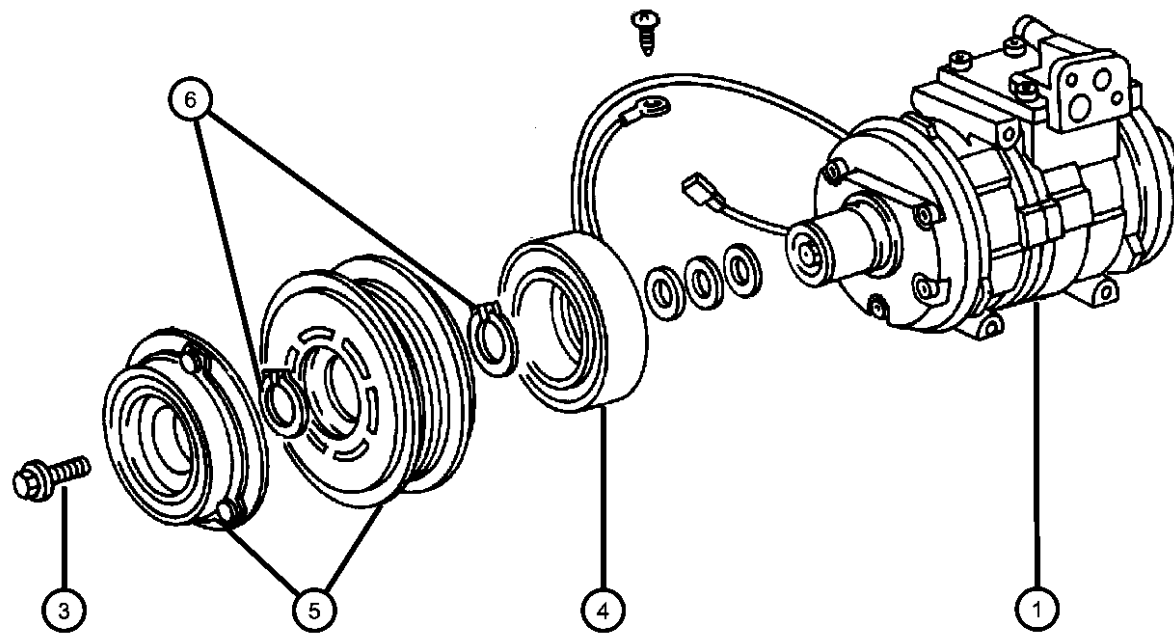
ENGINE TRANSMISSION
 EVE = Engine - 4.7L V8 DOHC 3 Valve
 EZB = 5.7L Hemi Multi Displacement Engine
 EKG = 3.7L V6 Engine
 ESF = 6.1L SRT HEMI SMPI V8 Engine
 EXL = 3.0L V6 Turbo Diesel Engine
 DGJ = 5-Speed Auto W5A580 Transmission
 DGU = 5-Spd Auto W5J400 Transmission
 DGQ = 5-Spd Automatic 545RFE Transmission

AR = use ase required - = Non illustrated part

2008 WK

**A/C Compressor 3.7L [EKG] 4.7L [EVE]
Figure 24-405**

ITEM	PART NUMBER	QTY	LINE	SERIES	BODY	ENGINE	TRANS	TRIM	DESCRIPTION
Sales Codes: [EK0] = All 3.7L Gas Engines [EV0] = All 4.7L Gas Engine									
1	55111437AC	1	J, T		74	EK0, EV0			COMPRESSOR, Air Conditioning
-2	68035234AA	1	J, T		74	EK0, EV0			CLUTCH OVERHAUL KIT, A/C Compressor, Includes: Snap Rings, Washers, Screws, Pulley Bolt
3	68025879AA	1	J, T		74	EK0, EV0			BOLT, Pulley
4	05003681AA	1	J, T		74	EK0, EV0			COIL, Air Conditioning Clutch
5	68034537AA	1	J, T		74	EK0, EV0			PULLEY HUB KIT, A/C Compressor
6	05264454	1	J, T		74	EK0, EV0			SNAP RING KIT, A/C Clutch, Includes: Stator and Rotor Snap Ring
-7	82300102	AR	J		74				LUBRICANT, A/C Compressor, 250ml



GRAND CHEROKEE (WK)

SERIES LINE
H = HIGHLINE T = JEEP - 2WD
P = PREMIUM J = JEEP - 4WD
S = SPORT
X = SPECIAL

BODY
74 = SPORT UTILITY 4-DR
TYPE #4

ENGINE TRANSMISSION
EVE = Engine - 4.7L V8 DOHC 3 Valve
EVB = 5.7L Hemi Multi Displacement Engine
EKG = 3.7L V6 Engine
ESF = 6.1L SRT HEMI SMPI V8 Engine
EXL = 3.0L V6 Turbo Diesel Engine
DGJ = 5-Speed Auto W5A580 Transmission
DGU = 5-Spd Auto W5J400 Transmission
DGQ = 5-Spd Automatic 545RFE Transmission

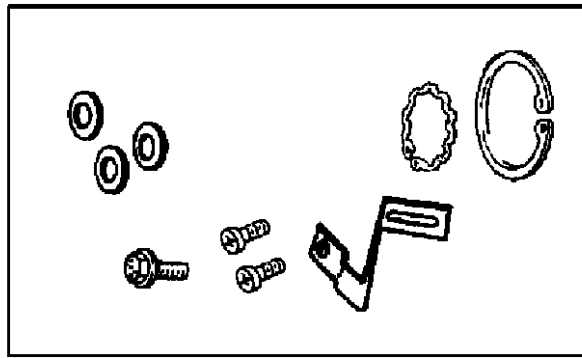
AR = use ase required - = Non illustrated part

2008 WK

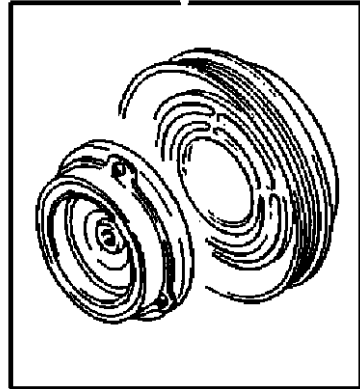
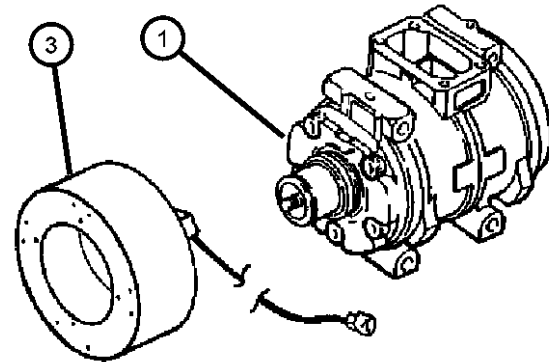
**A/C Compressor 5.7L [EZB] 6.1L [ESF]
Figure 24-415**

ITEM	PART NUMBER	QTY	LINE	SERIES	BODY	ENGINE	TRANS	TRIM	DESCRIPTION
1	55116917AD	1	J, T		74	EZ0			COMPRESSOR, Air Conditioning, Complete
2	05140428AA	1	J, T		74	ES0			CLUTCH OVERHAUL KIT, A/C Compressor
3	05003681AA	1	J, T		74	EZ0			COIL, Air Conditioning Clutch
4	05140426AA	1	J, T		74	EZ0			PULLEY HUB KIT, A/C Compressor
5	05264454	1	J, T		74	EZ0			SNAP RING KIT, A/C Clutch, Includes: Stator and Rotor Snap Rings
-6	82300102	1	J, T		74	EZ0			LUBRICANT, A/C Compressor, 250ml

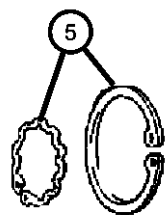
Sales Codes:
[ES0] = All 6.1L Gas Engines
[EZ0] = All 5.7L Gas Engine



2



5



GRAND CHEROKEE (WK)

SERIES LINE
H = HIGHLINE T = JEEP - 2WD
P = PREMIUM J = JEEP - 4WD
S = SPORT
X = SPECIAL

BODY
74 = SPORT UTILITY 4-DR
TYPE #4

ENGINE
EVE = Engine - 4.7L V8 DOHC 3 Valve
EZB = 5.7L Hemi Multi Displacement Engine
EKG = 3.7L V6 Engine
ESF = 6.1L SRT HEMI SMPI V8 Engine
EXL = 3.0L V6 Turbo Diesel Engine

TRANSMISSION
DGJ = 5-Speed Auto W5A580 Transmission
DGU = 5-Spd Auto W5J400 Transmission
DGQ = 5-Spd Automatic 545RFE Transmission

AR = use ase required - = Non illustrated part

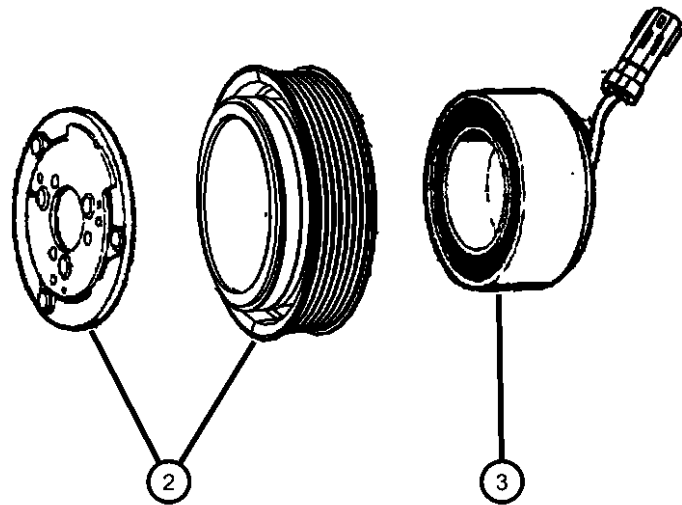
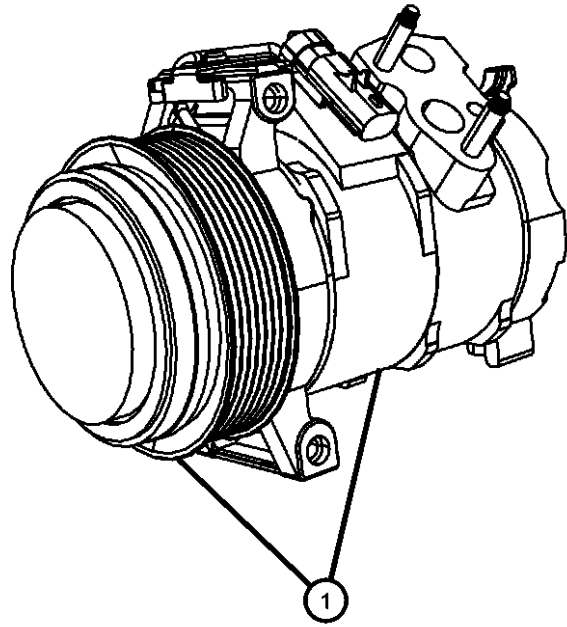
2008 WK

**A/C Compressor 3.0L Diesel [EXL]
Figure 24-425**

ITEM	PART NUMBER	QTY	LINE	SERIES	BODY	ENGINE	TRANS	TRIM	DESCRIPTION
------	-------------	-----	------	--------	------	--------	-------	------	-------------

Sales Code:
[EX0] = All 3.0L Turbo Diesel Engines

1	55116835AE	1	J, T		74	EX0			COMPRESSOR, Air Conditioning, Complete
2	68000599AA	1	J, T		74	EX0			PULLEY & HUB, A/C Compressor
3	68000489AB	1	J, T		74	EX0			COIL, Air Conditioning Clutch
-4	05264454	1	J, T		74	EX0			SNAP RING KIT, A/C Clutch, Includes: Rotor and Stator Snap Rings
-5	82300102	1	J, T		74	EX0			LUBRICANT, A/C Compressor, 250ml



GRAND CHEROKEE (WK)

SERIES LINE
H = HIGHLINE T = JEEP - 2WD
P = PREMIUM J = JEEP - 4WD
S = SPORT
X = SPECIAL

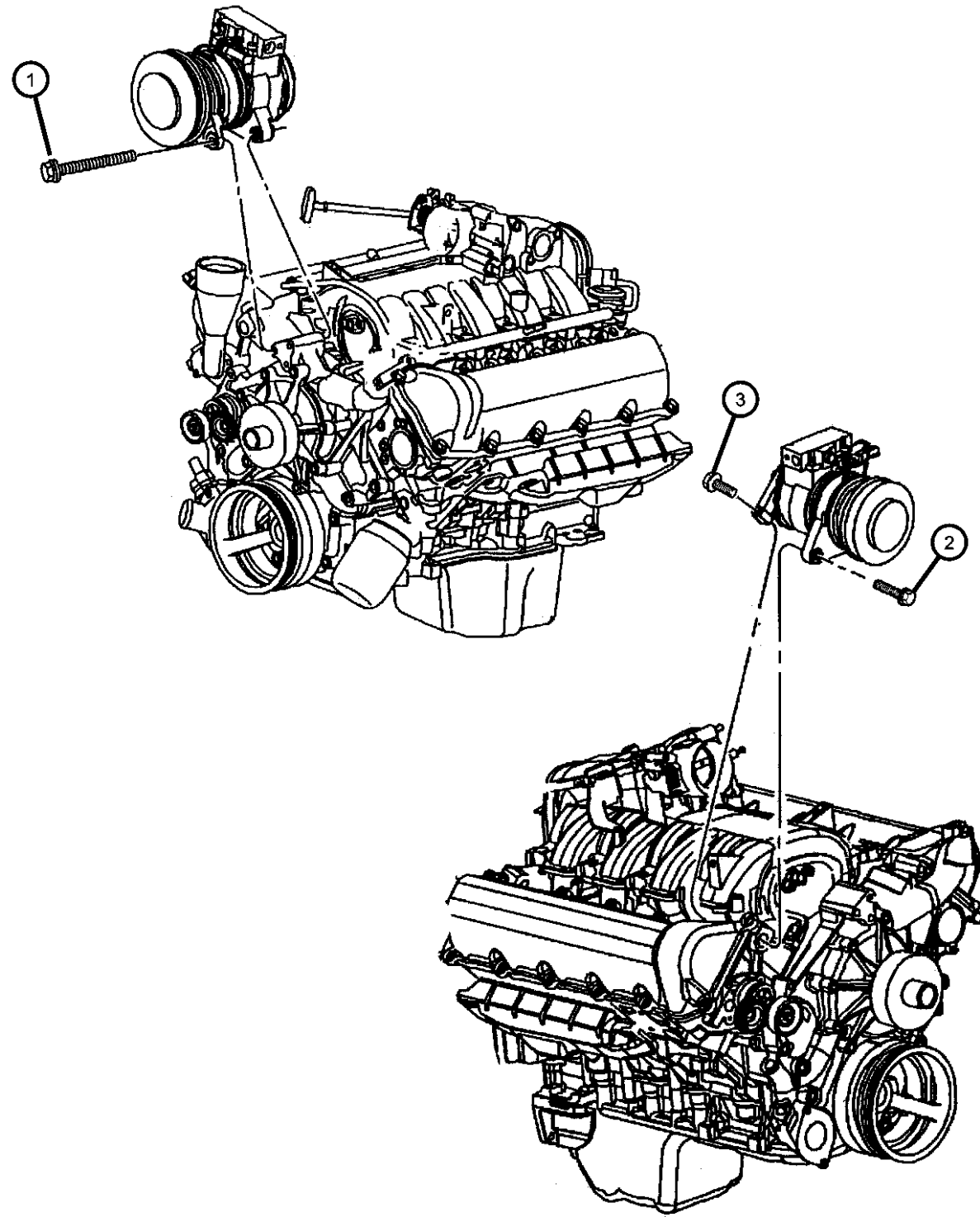
BODY
74 = SPORT UTILITY 4-DR
TYPE #4

ENGINE TRANSMISSION
EVE = Engine - 4.7L V8 DOHC 3 Valve
EZB = 5.7L Hemi Multi Displacement Engine
EKG = 3.7L V6 Engine
ESF = 6.1L SRT HEMI SMPI V8 Engine
EXL = 3.0L V6 Turbo Diesel Engine
DGJ = 5-Speed Auto W5A580 Transmission
DGU = 5-Spd Auto W5J400 Transmission
DGQ = 5-Spd Automatic 545RFE Transmission

AR = use ase required - = Non illustrated part

2008 WK

**A/C Compressor Mounting 3.7L [EKG] 4.7L [EVE]
Figure 24-450**



ITEM	PART NUMBER	QTY	LINE	SERIES	BODY	ENGINE	TRANS	TRIM	DESCRIPTION
------	-------------	-----	------	--------	------	--------	-------	------	-------------

Sales Codes:
[EK0] = All 3.7L Gas Engines
[EV0] = All 4.7L Gas Engines

1									SCREW AND WASHER, Hex Head, M10X1.50X105.00
	06504344	1	J, T		74	EK0			
		1	J, T		74	EV0			
2	06505487AA	1	J, T		74	EV0			SCREW AND WASHER, M10x1.5x45
3									SCREW AND WASHER, Hex Head, M8x1.25x50
	06505482AA	1	J, T		74	EK0			
		1	J, T		74	EV0			
-4									SCREW AND WASHER, Hex Head, M8x1.25x50, A/C Brace To Front Cover
	06505482AA	1	J, T		74	EK0			
		1	J, T		74	EV0			
-5	06101794	1	J, T		74	EK0, EV0			BOLT AND CONED WASHER, Hex head, M10X1.50X25.00

GRAND CHEROKEE (WK)

SERIES LINE
H = HIGHLINE T = JEEP - 2WD
P = PREMIUM J = JEEP - 4WD
S = SPORT
X = SPECIAL

BODY
74 = SPORT UTILITY 4-DR
TYPE #4

ENGINE
EVE = Engine - 4.7L V8 DOHC 3 Valve
EZB = 5.7L Hemi Multi Displacement Engine
EKG = 3.7L V6 Engine
ESF = 6.1L SRT HEMI SMPI V8 Engine
EXL = 3.0L V6 Turbo Diesel Engine

TRANSMISSION
DGJ = 5-Speed Auto W5A580 Transmission
DGU = 5-Spd Auto W5J400 Transmission
DGQ = 5-Spd Automatic 545RFE Transmission

AR = use ase required - = Non illustrated part

2008 WK

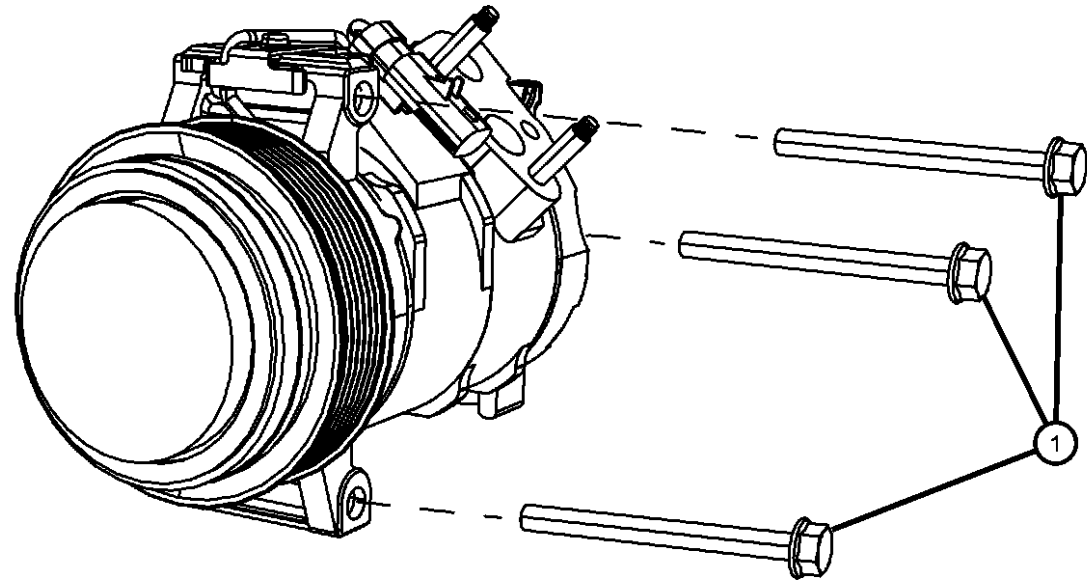
**A/C Compressor Mounting 3.0L Diesel [EXL]
Figure 24-460**

ITEM	PART NUMBER	QTY	LINE	SERIES	BODY	ENGINE	TRANS	TRIM	DESCRIPTION
------	-------------	-----	------	--------	------	--------	-------	------	-------------

Sales Code:

[EX0] = All 3.0L Turbo Diesel Engines

1	06104035AA	3	J, T		74	EX0			BOLT, Hex Head, M8X1.25X90
---	------------	---	------	--	----	-----	--	--	----------------------------



GRAND CHEROKEE (WK)

SERIES LINE
H = HIGHLINE T = JEEP - 2WD
P = PREMIUM J = JEEP - 4WD
S = SPORT
X = SPECIAL

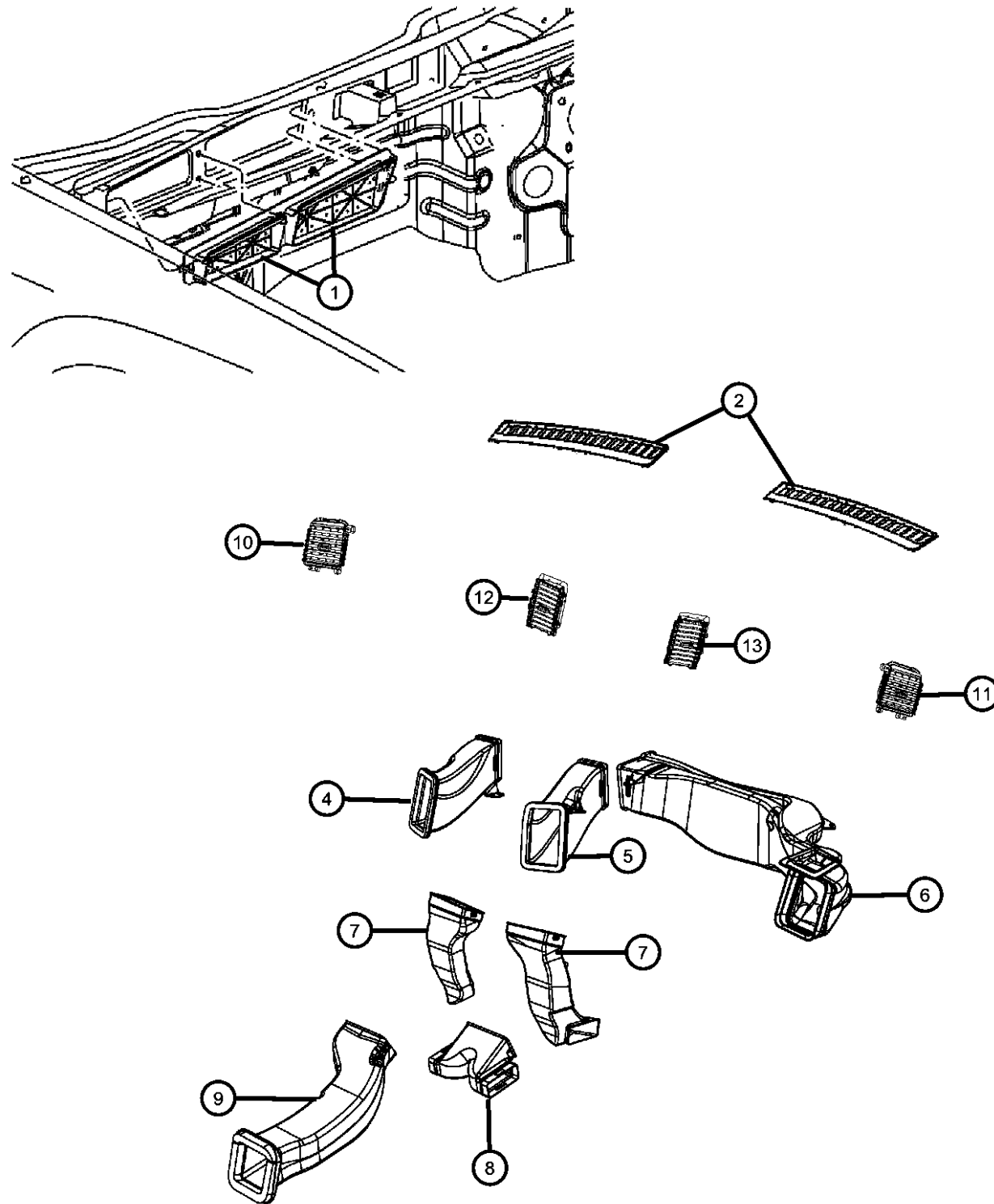
BODY
74 = SPORT UTILITY 4-DR
TYPE #4

ENGINE TRANSMISSION
EVE = Engine - 4.7L V8 DOHC 3 Valve
EVB = Engine - 4.7L V8 DOHC 3 Valve
EZA = 5.7L Hemi Multi Displacement Engine
EKB = 3.7L V6 Engine
ESF = 6.1L SRT HEMI SMPI V8 Engine
EXL = 3.0L V6 Turbo Diesel Engine
DGJ = 5-Speed Auto W5A580 Transmission
DGU = 5-Spd Auto W5J400 Transmission
DGQ = 5-Spd Automatic 545RFE Transmission

AR = use ase required - = Non illustrated part

2008 WK

Ducts and Outlets Front
Figure 24-505



ITEM	PART NUMBER	QTY	LINE	SERIES	BODY	ENGINE	TRANS	TRIM	DESCRIPTION
Sale Codes: [DV,D1,J1,J3] Are Interior Trim Colors									
1	55037874AB	1	J, T		74				BAFFLE, Air
2									GRILLE, Defroster, Upper
	1DQ54XD-VAA	1	J, T		74				[DV,D1], Right
	1DQ54ZJ8AA	1	J, T		74				[J1,J3], Right
	1DQ55XD-VAA	1	J, T		74				[DV,D1], Left
	1DQ55ZJ8AA	1	J, T		74				[J1,J3], Left
-3									PANEL, Instrument Upper, Includes: Left Outer Duct
	1DE841DVAD	1	J, T		74				[DV,D1]
	1DE841J8AD	1	J, T		74				[J1,J3]
4	55117075AC	1	J, T		74				DUCT, A/C Outlet, CenterLeft
5	55117074AC	1	J, T		74				DUCT, A/C Outlet, CenterRight
6	55117050AA	1	J, T		74				DUCT, A/C Outlet, Outer
7									DUCT, Floor Distribution, Side
	55116599AC	1	J, T		74				Right
	55116741AC	1	J, T		74				Left
8	55116814AA	1	J, T		74				DUCT, Floor Distribution, Center Floor
9	55197077AB	1	J, T		74				DUCT, Floor Console, HVAC to Console
10									OUTLET, Air Conditioning & Heater
	1BL771J8AB	1	J, T		74				[J1,J3], Left
	1BL771DVAB	1	J, T		74				[D1,DV], Left
11									OUTLET, Air Conditioning & Heater
	1BL761DVAB	1	J, T		74				[D1,DV], Right
	1BL761J8AB	1	J, T		74				[J1,J3], Right
12	1EA091X9AC	1	J, T		74				OUTLET, Air Conditioning & HeaterLeft
13	1EA081X9AC	1	J, T		74				OUTLET, Air Conditioning & HeaterRight

GRAND CHEROKEE (WK)

SERIES LINE
H = HIGHLINE T = JEEP - 2WD
P = PREMIUM J = JEEP - 4WD
S = SPORT
X = SPECIAL

BODY
74 = SPORT UTILITY 4-DR
TYPE #4

ENGINE TRANSMISSION
EVE = Engine - 4.7L V8 DOHC 3 Valve
EZB = 5.7L Hemi Multi Displacement Engine
EKG = 3.7L V6 Engine
ESF = 6.1L SRT HEMI SMPI V8 Engine
EXL = 3.0L V6 Turbo Diesel Engine
DGJ = 5-Speed Auto W5A580 Transmission
DGU = 5-Spd Auto W5J400 Transmission
DGQ = 5-Spd Automatic 545RFE Transmission

AR = use ase required - = Non illustrated part

2008 WK

Group - 25

Emission Controls

Group - 25 Emission Controls

Illustration Title

Group-Fig. No.

EGR System

EGR Valve and RelatedFig. 25 - 205


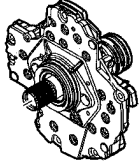
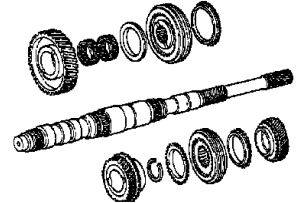
EGR System and RelatedFig. 25 - 210

Vacuum Canister/Leak Detection Pump

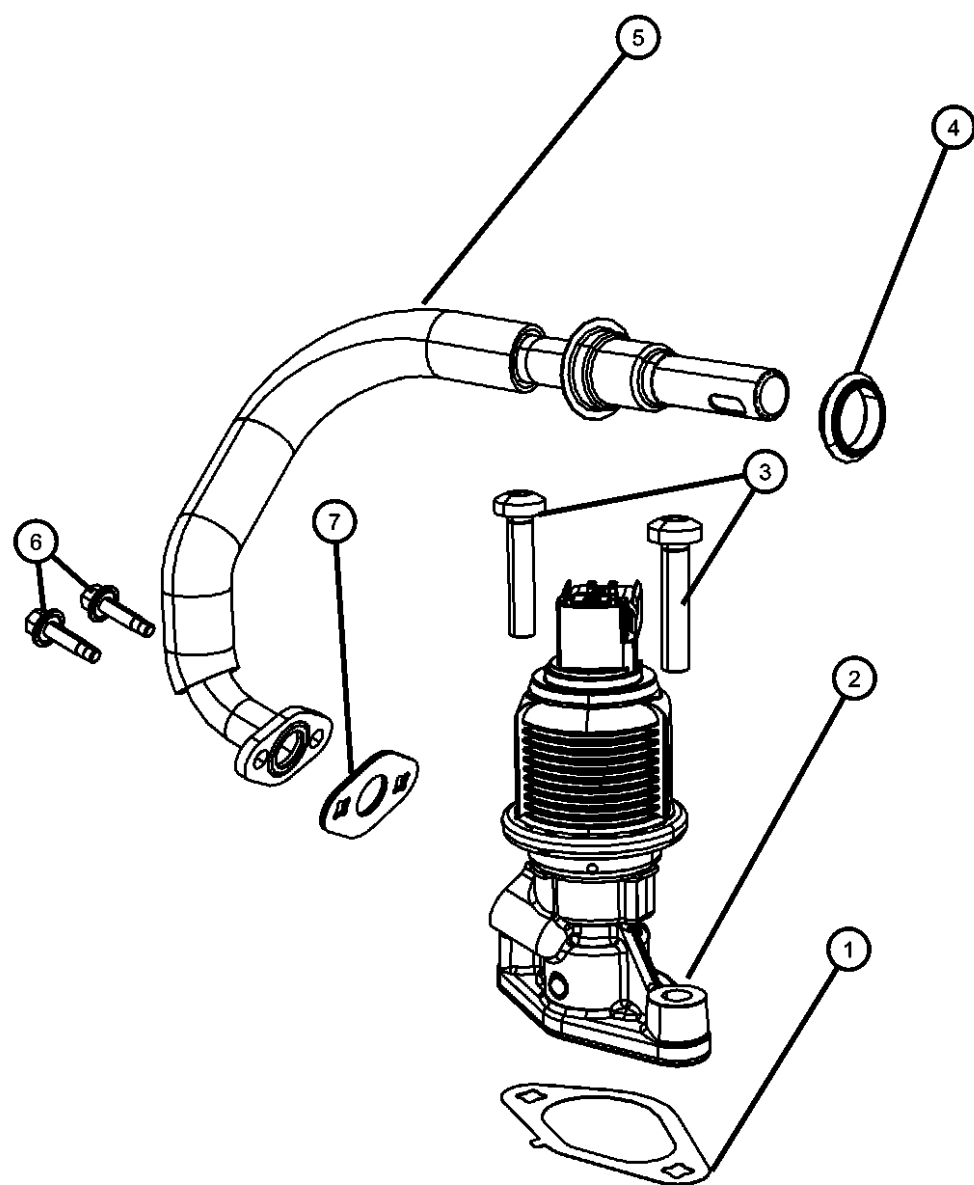
Vapor Canister and Leak Detection PumpFig. 25 - 305

Emission Harness

Emission Control Vacuum HarnessFig. 25 - 405

<p>025-200 EGR System</p> 	<p>025-300 Vacuum Canister/Leak Detection Pump</p> 	<p>025-400 Emission Harness</p> 	
--	---	---	--

**EGR Valve and Related
Figure 25-205**



ITEM	PART NUMBER	QTY	LINE	SERIES	BODY	ENGINE	TRANS	TRIM	DESCRIPTION
1	53034006AB	1	J, T		74	EKG			GASKET, EGR Valve
	53032212AA	1	J, T		74	EZO			
		1	J, T		74	EVO			
2	53034192AA	1	J, T		74	EKG			VALVE, EGR
	53034194AA	1	J, T		74	EVO			
	68012312AA	1	J, T		74	EXL			
	53032509AM	1	J, T		74	EZO			
		1	J, T		74	EVE			
3	06104158AA	2	J, T		74	EKG			BOLT, Torx Head, M8x1.25x40
4	04591250	1	J, T		74	EKG			SEAL, EGR Tube
		1	J, T		74	EZO			
		1	J, T		74	EVE			
5	53032853AC	1	J, T		74	EVE			TUBE, EGR
	53032951AB	1	J, T		74	EKG			
6	06508380AA	2	J, T		74	EKG			SCREW, Hex Flange Head, M6X1.00X21.30
		2	J, T		74	EVE			
7	05277928	1	J, T		74	EKG			GASKET, EGR Tube Flange
		1	J, T		74	EZO			
-8	06502555	2	J, T		74	EZO			BOLT, Hex Flange Head, M8x1.25x30

GRAND CHEROKEE (WK)

SERIES LINE
H = HIGHLINE T = JEEP - 2WD
P = PREMIUM J = JEEP - 4WD
S = SPORT
X = SPECIAL

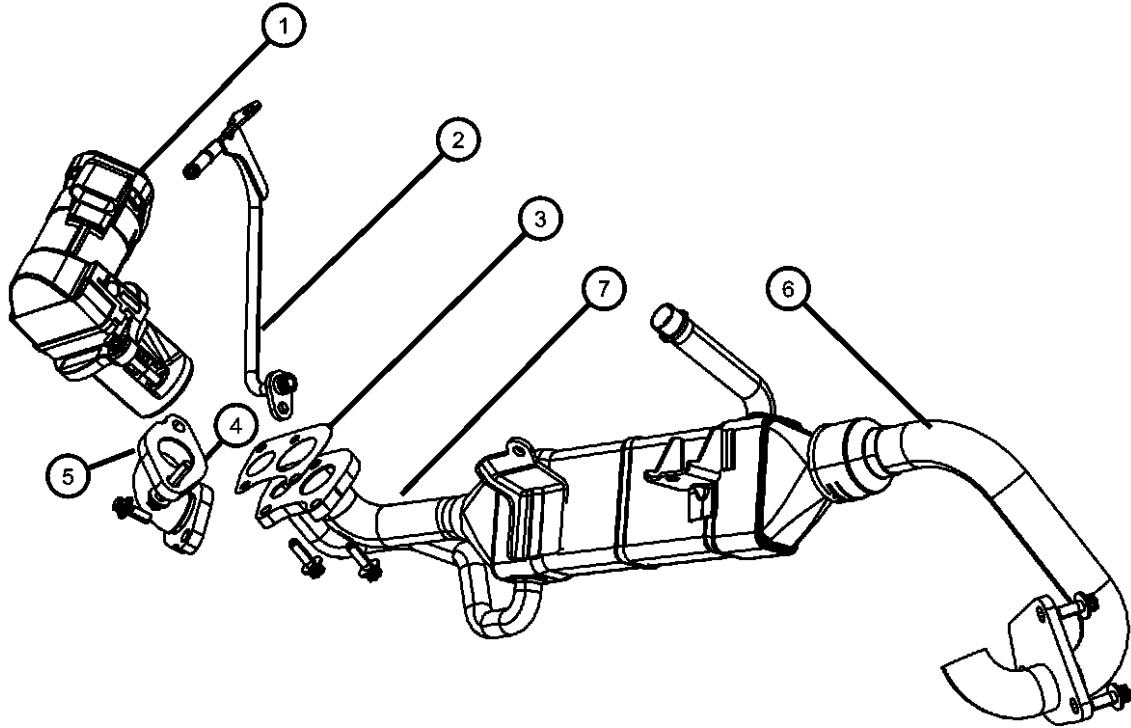
BODY
74 = SPORT UTILITY 4-DR
TYPE #4

ENGINE TRANSMISSION
EVE = Engine - 4.7L V8 DOHC 3 Valve
EZO = 5.7L Hemi Multi Displacement Engine
EKG = 3.7L V6 Engine
ESF = 6.1L SRT HEMI SMPI V8 Engine
EXL = 3.0L V6 Turbo Diesel Engine
DGJ = 5-Speed Auto W5A580 Transmission
DGU = 5-Spd Auto W5J400 Transmission
DGQ = 5-Spd Automatic 545RFE Transmission

AR = use ase required - = Non illustrated part

**EGR System and Related
Figure 25-210**

ITEM	PART NUMBER	QTY	LINE	SERIES	BODY	ENGINE	TRANS	TRIM	DESCRIPTION
1	68012312AA	1	J, T		74	EXL			VALVE, EGR
2	68014156AA	1	J, T		74	EXL			TUBE, Coolant To EGR Valve
3	05175692AA	1	J, T		74	EXL			GASKET
4	05175693AA	1	J, T		74	EXL			TUBE, EGR
5	05175695AA	1	J, T		74	EXL			GASKET
6	05175694AA	1	J, T		74	EXL			TUBE, EGR
7	05175808AA	1	J, T		74	EXL			COOLER, EGR



GRAND CHEROKEE (WK)

SERIES LINE
H = HIGHLINE T = JEEP - 2WD
P = PREMIUM J = JEEP - 4WD
S = SPORT
X = SPECIAL

BODY
74 = SPORT UTILITY 4-DR
TYPE #4

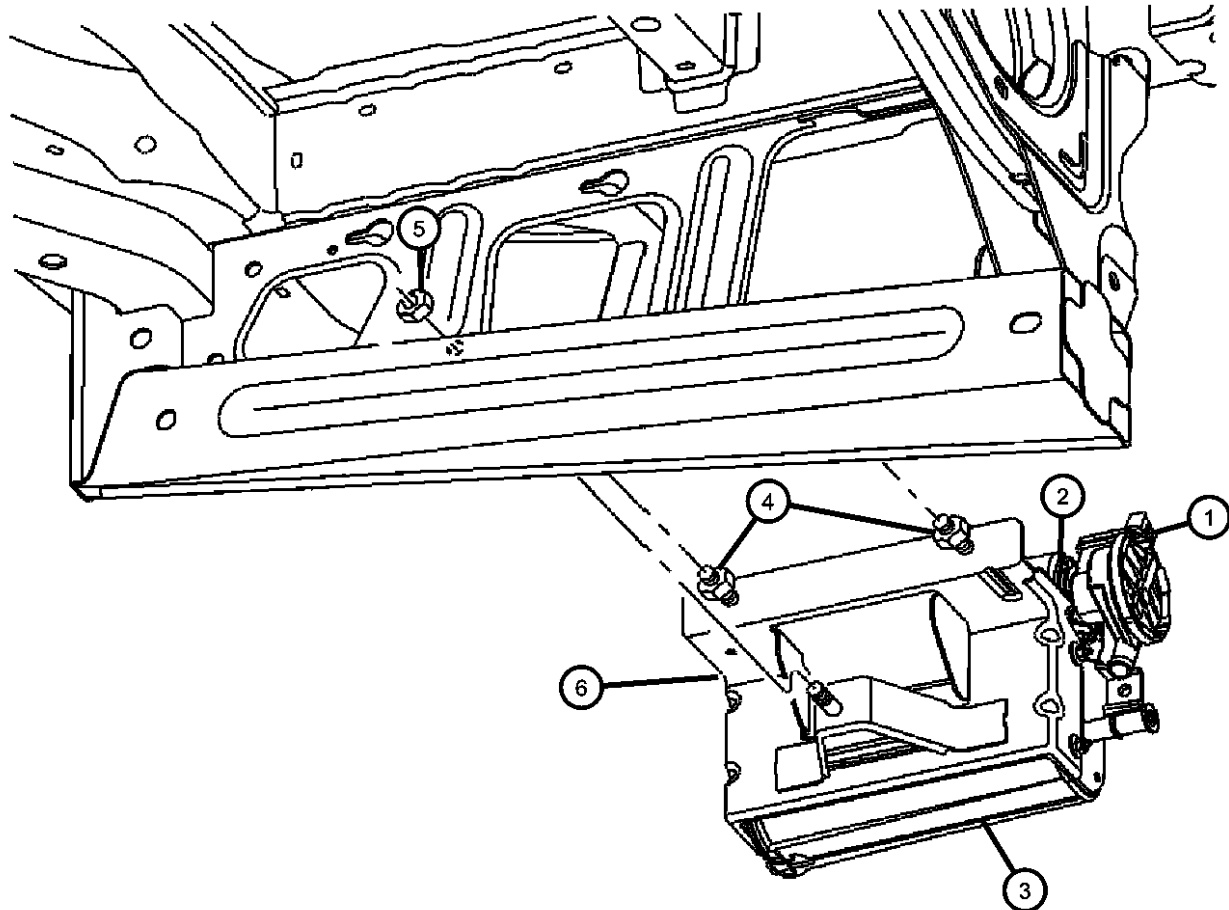
ENGINE TRANSMISSION
EVE = Engine - 4.7L V8 DOHC 3 Valve
EVB = 5.7L Hemi Multi Displacement Engine
EKG = 3.7L V6 Engine
ESF = 6.1L SRT HEMI SMPI V8 Engine
EXL = 3.0L V6 Turbo Diesel Engine
DGJ = 5-Speed Auto W5A580 Transmission
DGU = 5-Spd Auto W5J400 Transmission
DGQ = 5-Spd Automatic 545RFE Transmission

AR = use ase required - = Non illustrated part

2008 WK

Vapor Canister and Leak Detection Pump
Figure 25-305

ITEM	PART NUMBER	QTY	LINE	SERIES	BODY	ENGINE	TRANS	TRIM	DESCRIPTION
Sales Codes									
[EKG]= All, 3.7L V6 ENGINE									
[EV0]= All 4.7L V-8 Gas Engines									
[EZB] = All 5.7L V8 HEMI MDS ENGINE									
1	04891729AA	1	J, T		74	EK0, ES0, EV0, EZ0			DETECTOR, Evaporative System Integrity Module
2	52129436AA	1	J, T		74	EK0, ES0, EV0, EZ0			SEAL, Vapor canister, Seal
3	04891725AB	1	J, T		74	EK0, ES0, EV0, EZ0			CANISTER, Vapor
4		1							NUT, Hex Flange, M8x1.25, (NOT SERVICED)
5	06104716AA	1	J, T		74	EK0, ES0, EV0, EZ0			NUT, Hex Flange Lock, M8X1.25
6	52090442AE	1	J, T		74	EK0, EZ0, ES0, EV0			BRACKET, Vapor Canister



GRAND CHEROKEE (WK)

SERIES LINE
H = HIGHLINE T = JEEP - 2WD
P = PREMIUM J = JEEP - 4WD
S = SPORT
X = SPECIAL

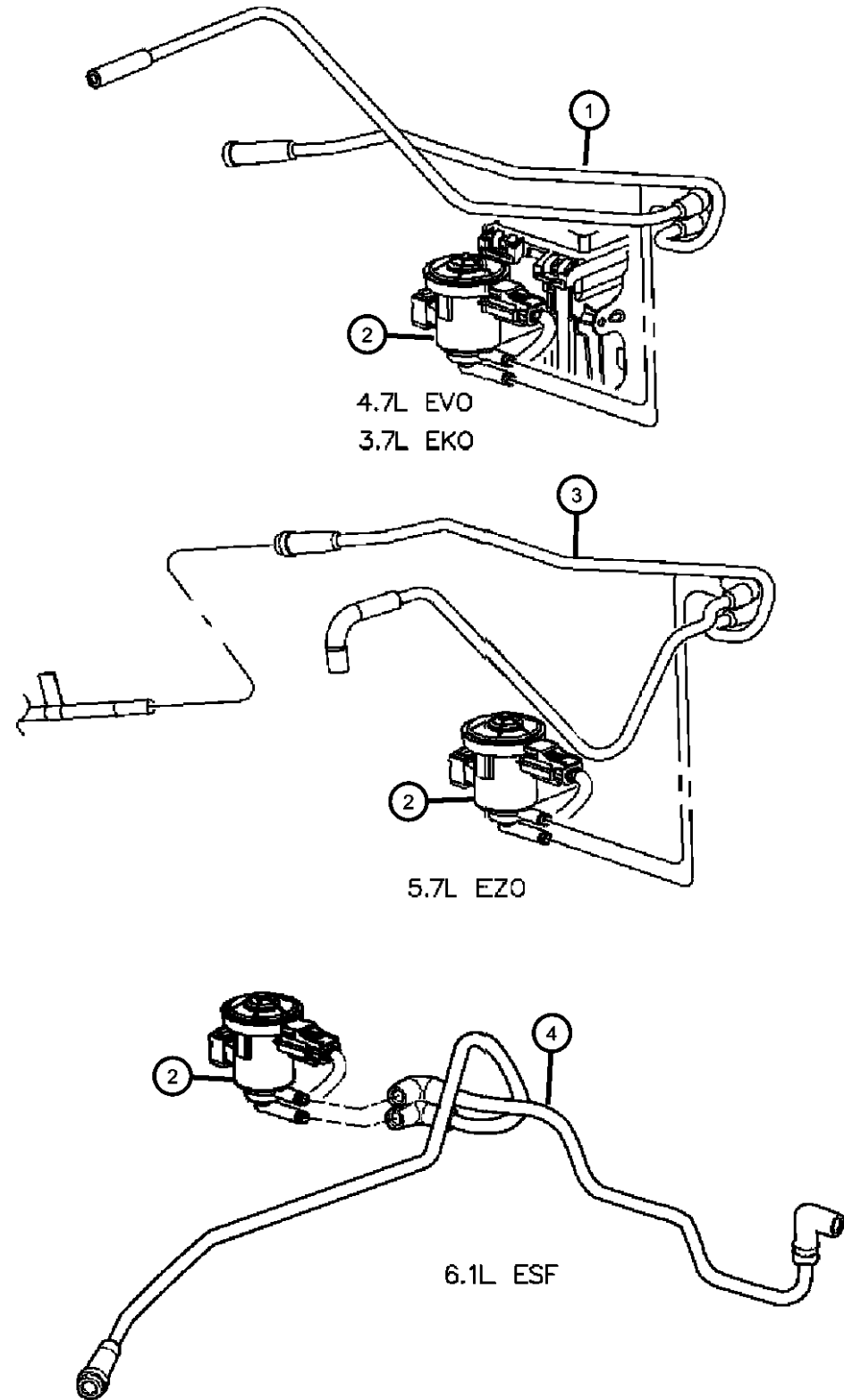
BODY
74 = SPORT UTILITY 4-DR
TYPE #4

ENGINE TRANSMISSION
EVE = Engine - 4.7L V8 DOHC 3 Valve DGJ = 5-Speed Auto W5A580
EZB = 5.7L Hemi Multi Displacement Engine DGU = 5-Spd Auto W5J400
EKG = 3.7L V6 Engine DGQ = 5-Spd Automatic 545RFE
ESF = 6.1L SRT HEMI SMPI V8 Engine
EXL = 3.0L V6 Turbo Diesel Engine

AR = use ase required - = Non illustrated part

2008 WK

**Emission Control Vacuum Harness
Figure 25-405**



ITEM	PART NUMBER	QTY	LINE	SERIES	BODY	ENGINE	TRANS	TRIM	DESCRIPTION
Note Sale Code: [ESF] =6.1L SRT HEMI SMPI V8 [EV0]=ALL 4.7L GAS ENGINES [EZ0]=ALL 5.7L 8CYL GAS ENGINES									
1									HARNESS, Proportional Purge Solenoid
	52059606AD	1	J, T		74	EZ0			
	52124997AA	1	J, T		74	EV0			
2									SOLENOID, Proportional Purge
	52090419AA	1	J, T		74	EZ0			
		1	J, T		74	EK0			
		1	J, T		74	ESF			
		1	J, T		74	EV0			
3									HARNESS, Proportional Purge Solenoid
	52059606AD	1	J, T		74	EZ0			
	52124997AA	1	J, T		74	EV0			
4	05037762AB	1	J, T		74	ESF			HARNESS, Vacuum Vapor

GRAND CHEROKEE (WK)

SERIES LINE
H = HIGHLINE T = JEEP - 2WD
P = PREMIUM J = JEEP - 4WD
S = SPORT
X = SPECIAL

BODY
74 = SPORT UTILITY 4-DR
TYPE #4

ENGINE TRANSMISSION
EVE = Engine - 4.7L V8 DOHC 3 Valve
EVB = Engine - 4.7L V8 DOHC 3 Valve
EZB = 5.7L Hemi Multi Displacement Engine
EKG = 3.7L V6 Engine
ESF = 6.1L SRT HEMI SMPI V8 Engine
EXL = 3.0L V6 Turbo Diesel Engine
DGJ = 5-Speed Auto W5A580 Transmission
DGU = 5-Spd Auto W5J400 Transmission
DGQ = 5-Spd Automatic 545RFE Transmission

AR = use ase required - = Non illustrated part

2008 WK

Group - 26

Labels

Group - 26 Labels

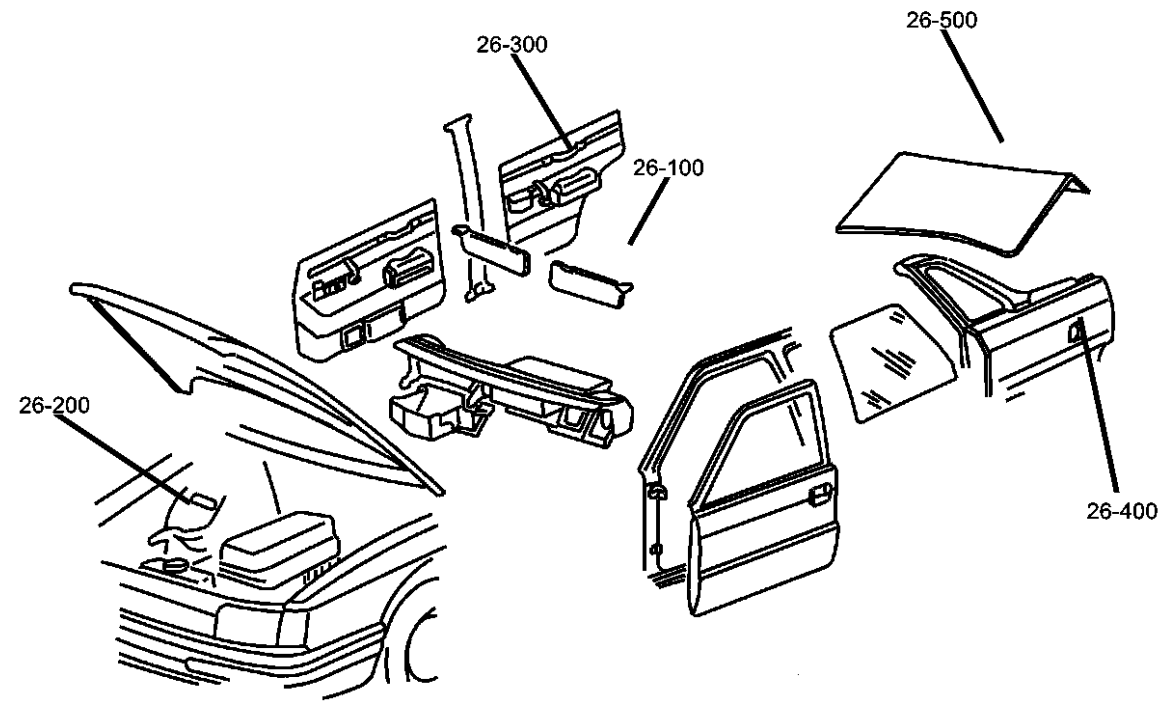


Illustration Title

Group-Fig. No.

Interior

Instrument Panel and VisorsFig. 26 - 110

Under Hood

Engine CompartmentFig. 26 - 210

Doors

Doors and PillarsFig. 26 - 310

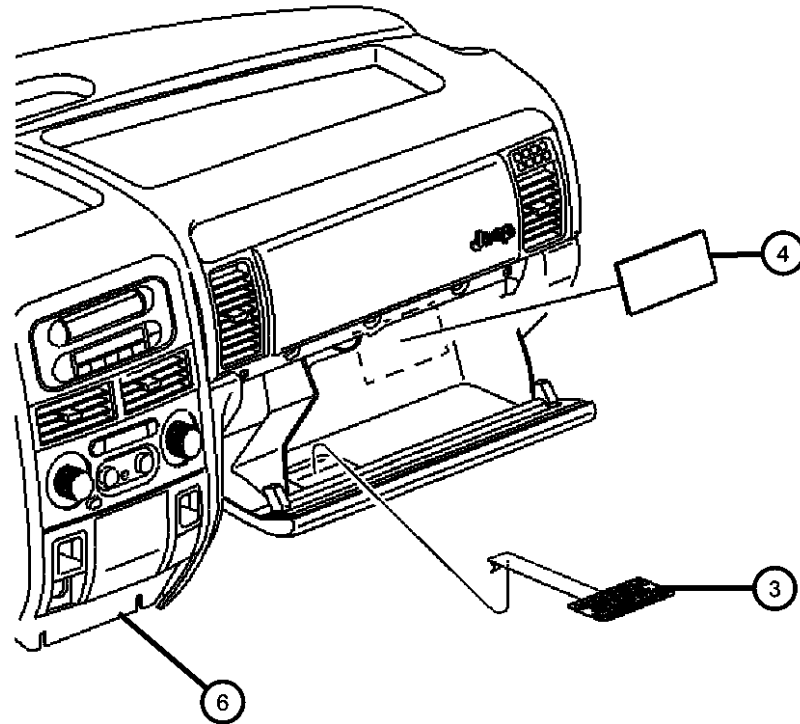
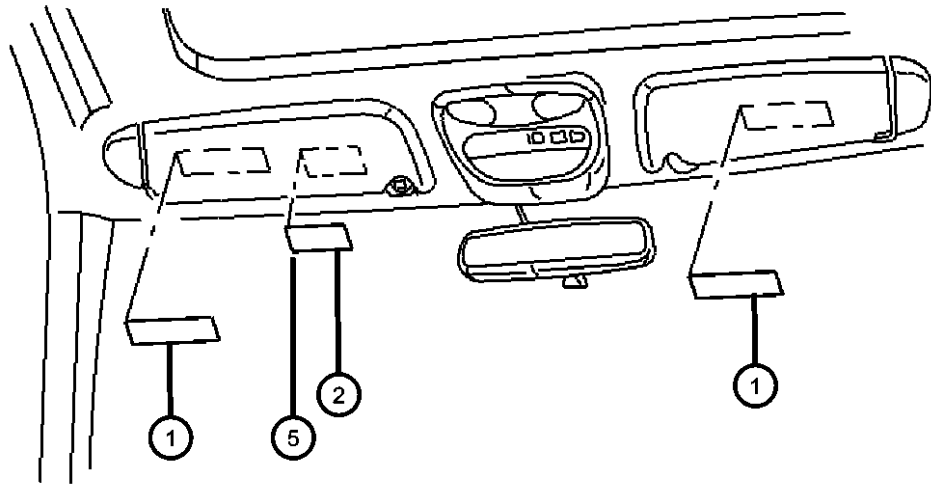
Trunk

Rear Cargo and Storage.....Fig. 26 - 510

<p>026-100 Interior</p>	<p>026-200 Under Hood</p>	<p>026-300 Doors</p>	<p>026-500 Trunk</p>
------------------------------------	--------------------------------------	---------------------------------	---------------------------------

Instrument Panel and Visors
Figure 26-110

ITEM	PART NUMBER	QTY	LINE	SERIES	BODY	ENGINE	TRANS	TRIM	DESCRIPTION
1	05108000AA	2			74				LABEL, Air Bag Warning, Sun Visor (English & French)
2	05108000AA	2			74				LABEL, Air Bag Warning
3	05108000AA	2			74				LABEL, Air Bag Warning
4		2							LABEL, Tire Pressure, (NOT SERVICED)
5	55352825AA	1			74				LABEL, Warning, High Rollover Risk (English & French)
6	68000202AA	1			74				LABEL, Air Bag, Passenger



GRAND CHEROKEE (WK)

SERIES LINE
H = HIGHLINE T = JEEP - 2WD
P = PREMIUM J = JEEP - 4WD
S = SPORT
X = SPECIAL

BODY
74 = SPORT UTILITY 4-DR
TYPE #4

ENGINE TRANSMISSION
EVE = Engine - 4.7L V8 DOHC 3 Valve
EVB = Engine - 4.7L V8 DOHC 3 Valve
EZB = 5.7L Hemi Multi Displacement Engine
EKG = 3.7L V6 Engine
ESF = 6.1L SRT HEMI SMPI V8 Engine
EXL = 3.0L V6 Turbo Diesel Engine
DGJ = 5-Speed Auto W5A580 Transmission
DGU = 5-Spd Auto W5J400 Transmission
DGQ = 5-Spd Automatic 545RFE Transmission

AR = use ase required - = Non illustrated part

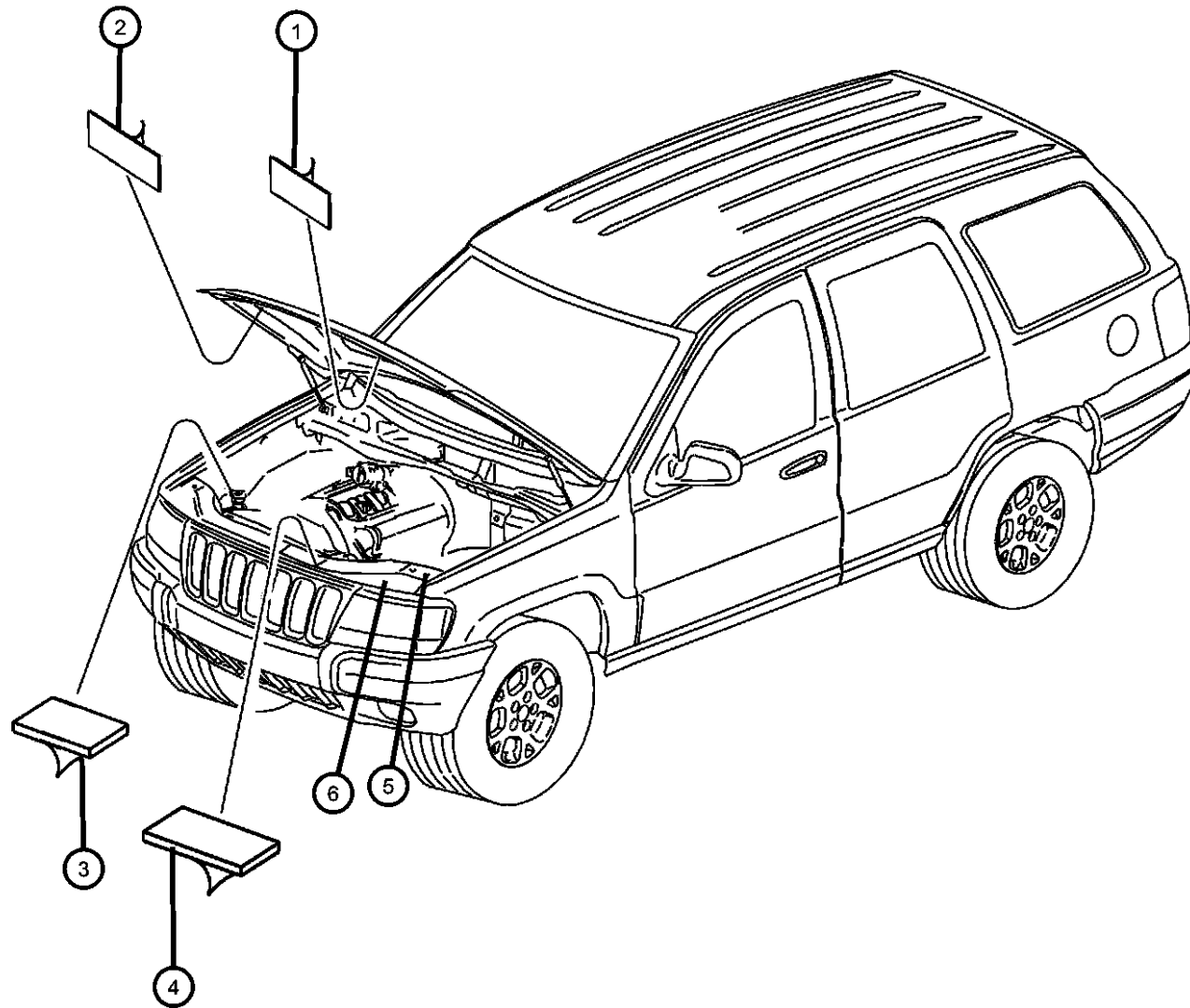
2008 WK

**Engine Compartment
Figure 26-210**

ITEM	PART NUMBER	QTY	LINE	SERIES	BODY	ENGINE	TRANS	TRIM	DESCRIPTION
------	-------------	-----	------	--------	------	--------	-------	------	-------------

NOTES: Sales Codes:
 [NAA] = Federal Emissions
 [NAE] = California Emissions
 [NAS] = 50 State Emissions
 [NMH] = Hydraulic Engine Cooling

1	55056347AA	1			74				LABEL, Air Conditioning System, A/C Refrig Charge (English & French)
2									LABEL, Emission
	68033006AA	1			74	EKG			[NAE] California Emissions
	68033008AA	1			74	EVE			[NAE] California Emissions
	68033009AA	1			74	EVE			[NAA] Federal Emissions
	68033010AA	1			74	EZB			[NAA] Federal Emissions
	68033011AA	1			74	EZB			[NAE] California Emissions
	68033012AA	1			74	ESF			[NAS] 50 State Emissions
	68033013AA	1			74	EXL			[NAA] Federal Emissions
	68036004AA	1			74	EKG			[NAA] Federal Emissions
3	55116955AD	1			74	EX0			LABEL, A/C Spec., A/C Refrig Charge (English /French/Spanish)
4		1							LABEL, Fan Caution, SCP, (NOT SERVICED)
5	05170018AA	1			74				BATTERY, Japan Battery Program - Wet
6	52124056AA	1			74	EX0			LABEL, Power Steering Fluid, Warning: Do Not Mix Fluids



GRAND CHEROKEE (WK)

SERIES LINE
 H = HIGHLINE T = JEEP - 2WD
 P = PREMIUM J = JEEP - 4WD
 S = SPORT
 X = SPECIAL

BODY
 74 = SPORT UTILITY 4-DR
 TYPE #4

ENGINE
 EVE = Engine - 4.7L V8 DOHC
 3 Valve
 EZB = 5.7L Hemi Multi
 Displacement Engine
 EKG = 3.7L V6 Engine
 ESF = 6.1L SRT HEMI SMPI
 V8 Engine
 EXL = 3.0L V6 Turbo Diesel
 Engine

TRANSMISSION
 DGJ = 5-Speed Auto W5A580
 Transmission
 DGU = 5-Spd Auto W5J400
 Transmission
 DGQ = 5-Spd Automatic 545RFE
 Transmission

AR = use ase required - = Non illustrated part

2008 WK

Group - 27

Glass

Group - 27 Glass

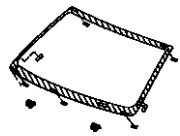
Illustration Title

Group-Fig. No.

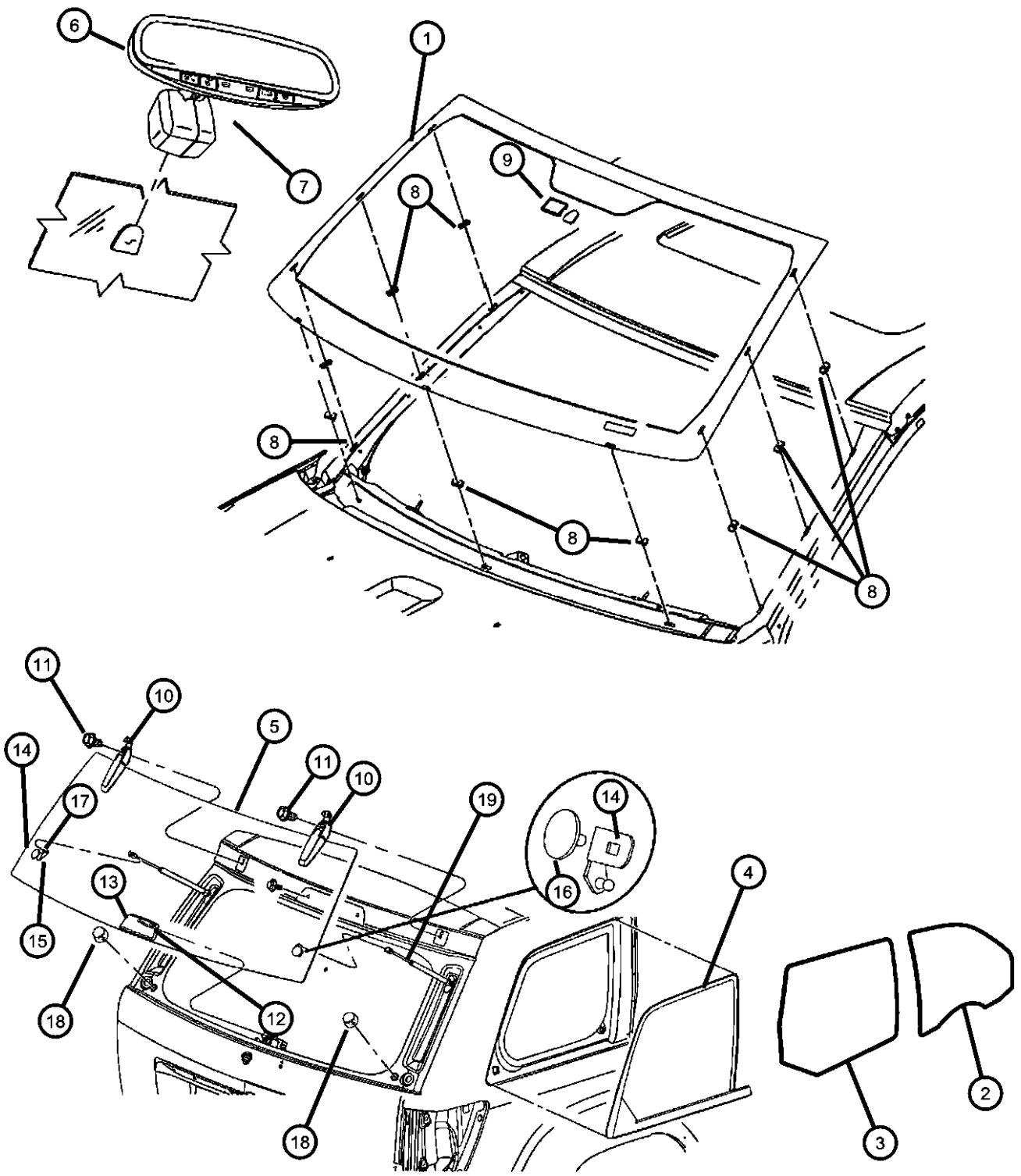
Glass and Interior Rear View Mirror

Glass, Glass Hardware & Interior MirrorsFig. 27 - 105

027-100
Glass and Interior Rear View
Mirror



Glass, Glass Hardware & Interior Mirrors
Figure 27-105

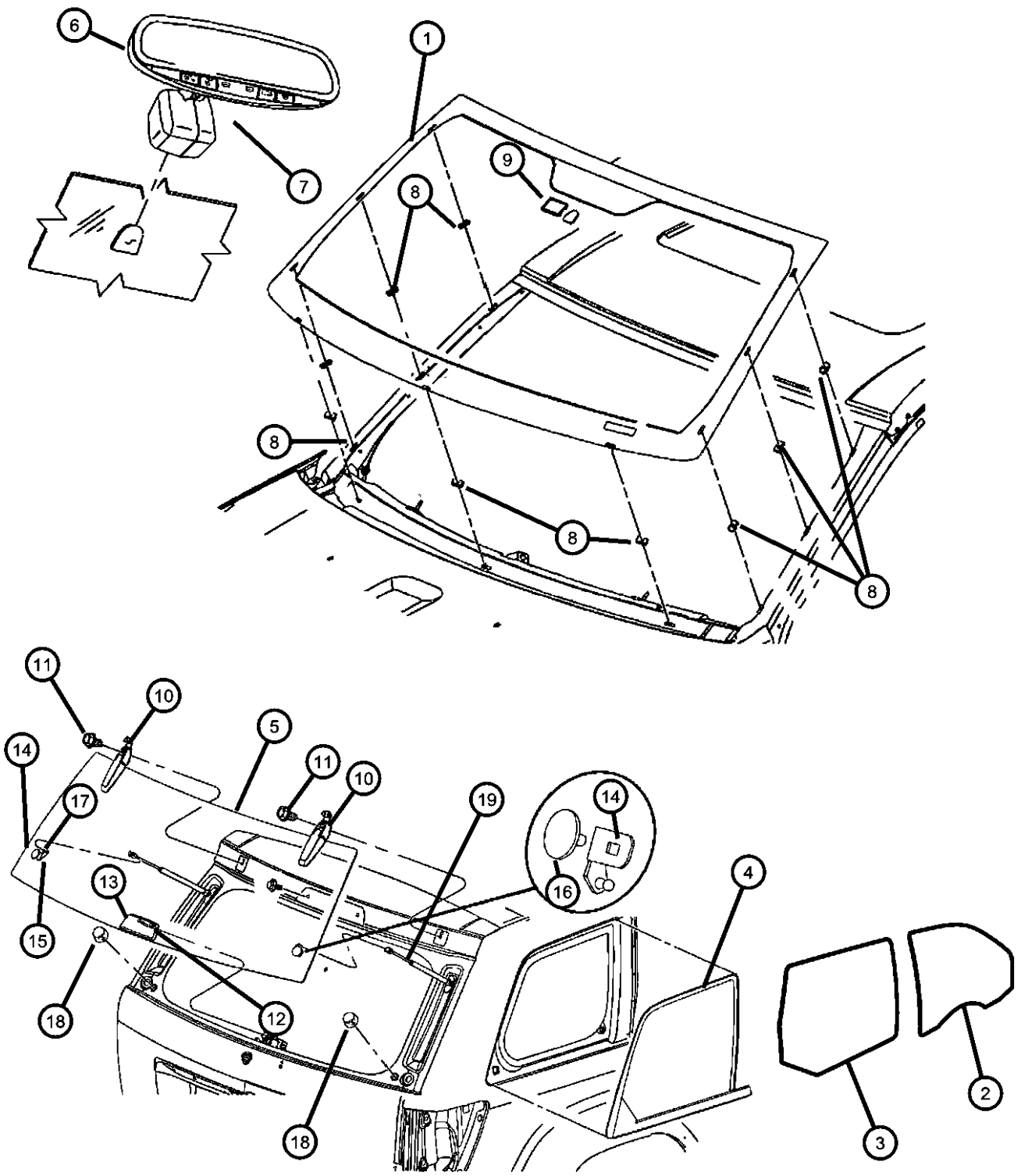


ITEM	PART NUMBER	QTY	LINE	SERIES	BODY	ENGINE	TRANS	TRIM	DESCRIPTION
1	55394143AD	1	J, T		74				WINDSHIELD
	55394160AD	1	J, T		74				With [JHA] Intermittent Wipers
2	55394254AC	1	J, T		74				GLASS, Front Door
	DD11131GTN								Right
	55394255AC	1	J, T		74				Collision Replacement Glass
	DD11132GTN								Left
3	55394310AB	1	J, T		74				GLASS, Rear Door
	DD10789YPN								Right
	55394311AB	1	J, T		74				Collision Replacement Glass
	DD10790YPN								Left
4	55394168AB	1	J, T	H	74				GLASS, Quarter Window
	DQ10791YPY								Laredo, Right
	55394169AB	1	J, T	H	74				Collision Replacement Glass
	DQ10792YPY								Laredo, Left
	55396304AA	1	J, T	P	74				Collision Replacement Glass
	DQ10793YPY								Limited, Right
		1	J, T	X	74				Collision Replacement Glass
	DQ10793YPY								SRT8, Right
		1	J, T	S	74				Collision Replacement Glass
	DQ10793YPY								Overland, Right
	55396305AA	1	J, T	P	74				Collision Replacement Glass
	DQ10794YPY								Limited, Left
		1	J, T	X	74				Collision Replacement Glass
	DQ10794YPY								SRT8, Left
		1	J, T	S	74				Collision Replacement Glass
	DQ10794YPY								Overland, Left
		1	J, T	S	74				Collision Replacement Glass
5	55394172AF	1	J, T		74				BACKLITE
6									MIRROR, Inside Rear View

GRAND CHEROKEE (WK)
 SERIES LINE BODY ENGINE TRANSMISSION
 H = HIGHLINE T = JEEP - 2WD 74 = SPORT UTILITY 4-DR EVE = Engine - 4.7L V8 DOHC DGJ = 5-Speed Auto W5A580
 P = PREMIUM J = JEEP - 4WD TYPE #4 3 Valve Transmission
 S = SPORT EZB = 5.7L Hemi Multi DGU = 5-Spd Auto W5J400
 X = SPECIAL Displacement Engine Transmission
 EKG = 3.7L V6 Engine DGQ = 5-Spd Automatic 545RFE
 ESF = 6.1L SRT HEMI SMPI Transmission
 V8 Engine
 EXL = 3.0L V6 Turbo Diesel Engine

AR = use ase required - = Non illustrated part

Glass, Glass Hardware & Interior Mirrors
Figure 27-105



ITEM	PART NUMBER	QTY	LINE	SERIES	BODY	ENGINE	TRANS	TRIM	DESCRIPTION
	04805332AC	1	J, T		74				With Sales Code [GNA]
	55079456AC	1	J, T		74				With Sales Code [GN5], Without Smartbeam Headlights [LMS]
	55079778AB	1	J, T		74				With Sales Code [GN5] and Smartbeam Headlights [LMS]
	55157395AD	1	J, T		74				With Sales Code [GNK], Smartbeam Headlights [LMS], Without Hands Free Communication [RSP]
	55157463AA	1	J, T		74				With Sales Code [GNK] Without Smartbeam Headlights [LMS], Hands Free Communication [RSP]
7	06036548AA	1	J, T		74				SCREW
8	55369224AA	9	J, T		74				SPACER, Windshield
9		9							BRACKET, Windshield, Rain Sensor Bracket Serviced With Windshield, (NOT SERVICED)
10									HINGE, Liftglass
	55394178AB	1	J, T		74				Right
	55394179AB	1	J, T		74				Left
11	06502808	2	J, T		74				SCREW AND WASHER, Hex Head Locking, M6x1.00x25.00
12	55394182AA	1	J, T		74				STRIKER, Liftgate Glass, Includes Plate
13	55396413AA	1	J, T		74				PAD, Isolator
14									BALL STUD, Liftgate Glass
	55136968AA	1	J, T		74				Right
	55136969AA	1	J, T		74				Left
15	55295914	4	J, T		74				GASKET, Ball Stud
16	06506200AA	2	J, T		74				FASTENER
17	06101968	2	J, T		74				NUT, M6x1.00
18	55136845AA	2	J, T		74				BUMPER, Liftgate Glass
19	68025357AA	2	J, T		74				GAS CYLINDER, Liftgate Glass

GRAND CHEROKEE (WK)
 SERIES LINE
 H = HIGHLINE T = JEEP - 2WD
 P = PREMIUM J = JEEP - 4WD
 S = SPORT
 X = SPECIAL

BODY
 74 = SPORT UTILITY 4-DR TYPE #4

ENGINE
 EVE = Engine - 4.7L V8 DOHC 3 Valve
 EZB = 5.7L Hemi Multi Displacement Engine
 EKG = 3.7L V6 Engine
 ESF = 6.1L SRT HEMI SMPI V8 Engine
 EXL = 3.0L V6 Turbo Diesel Engine

TRANSMISSION
 DGJ = 5-Speed Auto W5A580 Transmission
 DGU = 5-Spd Auto W5J400 Transmission
 DGQ = 5-Spd Automatic 545RFE Transmission

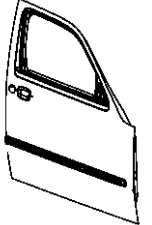
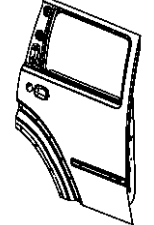
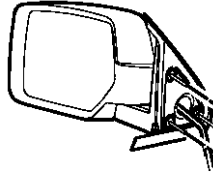
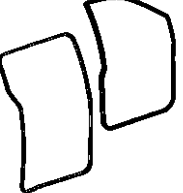
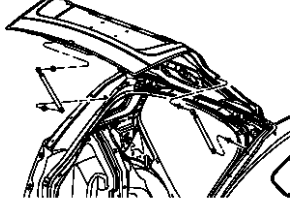
AR = use ase required - = Non illustrated part

Group - 30

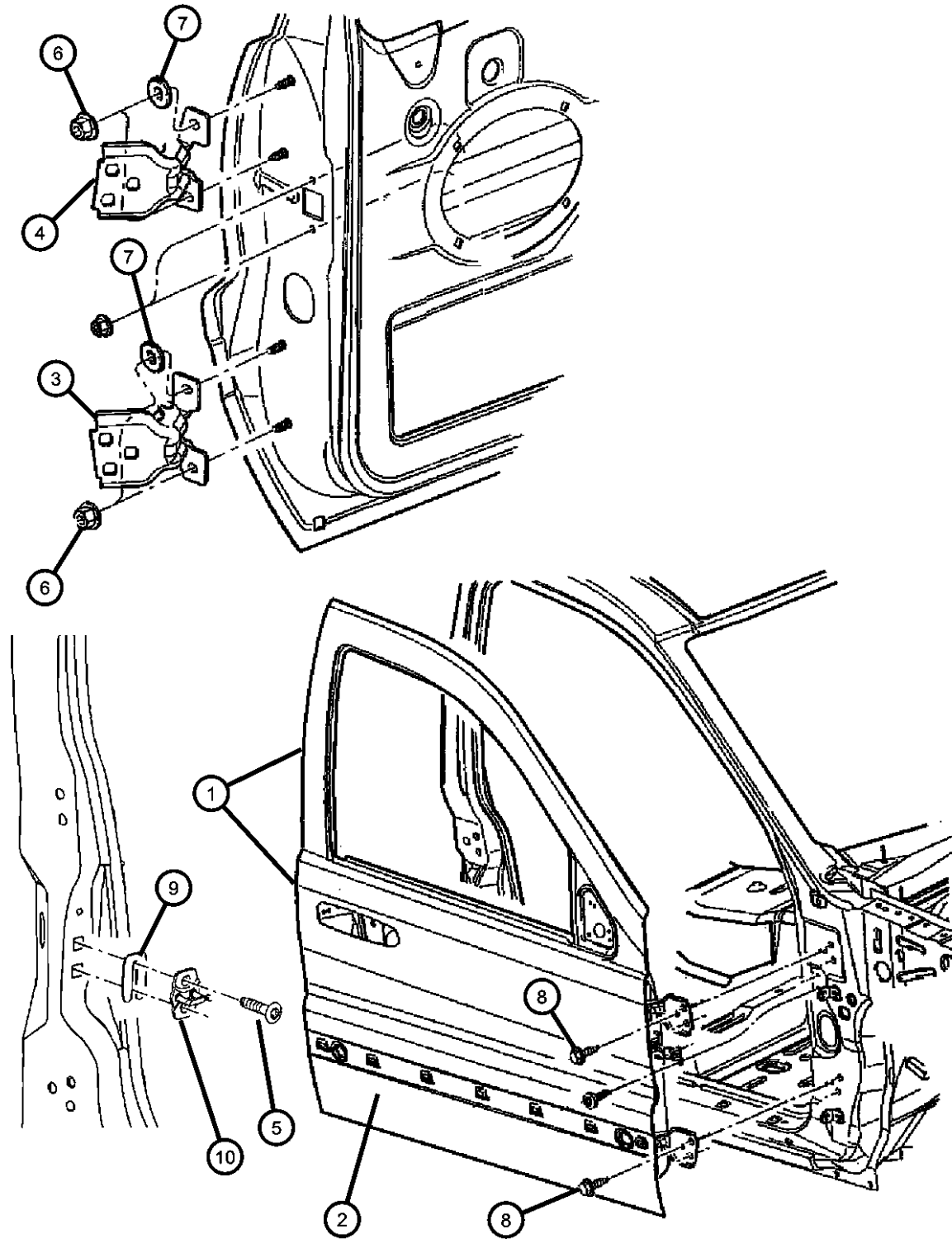
Doors, Door Mirrors and Related Parts

Group - 30 Doors, Door Mirrors and Related Parts

Illustration Title	Group-Fig. No.
Front Door	
Front Door, Shell and Hinges.....	Fig. 30 - 105
Front Door, Hardware Components.....	Fig. 30 - 125
Rear Door	
Rear Door, Shell and Hinges.....	Fig. 30 - 205
Rear Door, Hardware Components.....	Fig. 30 - 225
Exterior Mirror	
Mirror, Exterior.....	Fig. 30 - 505
Weatherstrips and Seals	
Weatherstrips, Front Door.....	Fig. 30 - 605
Weatherstrips, Rear Door.....	Fig. 30 - 625
Weatherstrips, Liftgate.....	Fig. 30 - 665
Lift and Tail gates	
Liftgate.....	Fig. 30 - 705

<p>030-100 Front Door</p> 	<p>030-200 Rear Door</p> 	<p>030-500 Exterior Mirror</p> 	<p>030-600 Weatherstrips and Seals</p> 
<p>030-700 Lift and Tail gates</p> 			

Front Door, Shell and Hinges
Figure 30-105



ITEM	PART NUMBER	QTY	LINE	SERIES	BODY	ENGINE	TRANS	TRIM	DESCRIPTION
1	55399100AB	1	J, T		74				DOOR, Front Right
	55399101AB	1	J, T		74				Left
2	55394354AB	1	J, T		74				PANEL, Front Door Outer Repair Right
	55394355AB	1	J, T		74				Left
3	55369192AE	1	J, T		74				HINGE, Front Door Lower Right
	55369193AE	1	J, T		74				Left
4	55369194AB	1	J, T		74				HINGE, Door, Upper Right
	55369195AB	1	J, T		74				Left
5	06508312AA	4	J, T		74				SCREW, Torx Head, M8X1.25X34
6	06101446	6	J, T		74				NUT AND WASHER
7		6							WASHER, Flat, (NOT SERVICED)
8	06503328	10	J, T		74				SCREW, Hex Head, M8x1.25x30
9	04520289	AR	J, T		74				SPACER, Door Latch Striker 3.75mm
	55075483	AR	J, T		74				2.00mm
10	04717779AB	2	J, T		74				STRIKER AND BUMPER, Door Latch

GRAND CHEROKEE (WK)

SERIES LINE
H = HIGHLINE T = JEEP - 2WD
P = PREMIUM J = JEEP - 4WD
S = SPORT
X = SPECIAL

BODY
74 = SPORT UTILITY 4-DR
TYPE #4

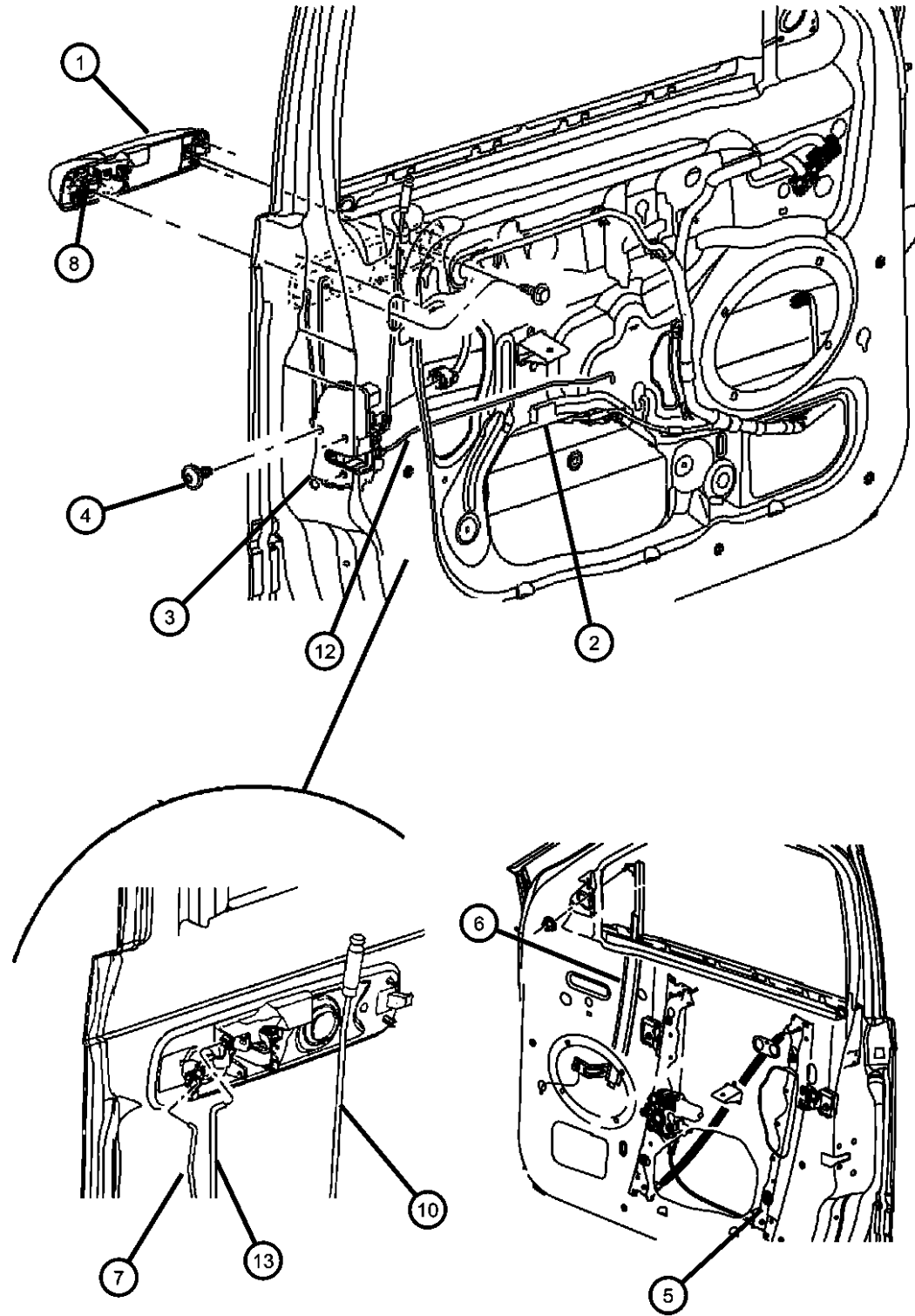
ENGINE
EVE = Engine - 4.7L V8 DOHC
3 Valve
EZB = 5.7L Hemi Multi
Displacement Engine
EKG = 3.7L V6 Engine
ESF = 6.1L SRT HEMI SMPI
V8 Engine
EXL = 3.0L V6 Turbo Diesel
Engine

TRANSMISSION
DGJ = 5-Speed Auto W5A580
Transmission
DGU = 5-Spd Auto W5J400
Transmission
DGQ = 5-Spd Automatic 545RFE
Transmission

AR = use ase required - = Non illustrated part

2008 WK

Front Door, Hardware Components
Figure 30-125



ITEM	PART NUMBER	QTY	LINE	SERIES	BODY	ENGINE	TRANS	TRIM	DESCRIPTION
1									HANDLE, Exterior Door
	1HP691DAAA	1	J, T		74				[DA], With Sales code [MNC], Left
	1HP691EMAA	1	J, T		74				[EM], With Sales code [MNC], Left
	1HP691GJAA	1	J, T		74				[GJ], With Sales code [MNC], Left
	1HP691S2AA	1	J, T		74				[S2], With Sales code [MNC], Left
	1HP701DAAA	1	J, T		74				[DA], With Sales code [MNC], Right
	1HP701EMAA	1	J, T		74				[EM], With Sales code [MNC], Right
	1HP701GJAA	1	J, T		74				[GJ], With Sales code [MNC], Right
	1HP701S2AA	1	J, T		74				[S2], With Sales code [MNC], Right
	5HS56DBMAI	1	J, T		74				[BM], With Sales code [MNC], Right
	5HS56DX8AI	1	J, T		74				[X8], With Sales code [MNC], Right
	5HS56EDAAI	1	J, T		74				[DA], With Sales code [MNC], Right
	5HS56EEMAI	1	J, T		74				[EM], With Sales code [MNC], Right
	5HS56WS2AI	1	J, T		74				[S2], With Sales code [MNC], Right
	5HW79CD-MAI	1	J, T		74				[DM], With Sales code [MNC], Left
	5HW79DB-MAI	1	J, T		74				[BM], With Sales code [MNC], Left
	5HW79DX8AI	1	J, T		74				[X8], With Sales code [MNC], Left
	5HW79EGJAI	1	J, T		74				[GJ], With Sales code [MNC], Left
	5HW79SW1AI	1	J, T		74				[W1], With Sales code [MNC], Left
	5HW79WS2AI	1	J, T		74				[S2], With Sales code [MNC], Left
	1HP691BMAA	1	J, T		74				[BM], With Sales code [MNC], Left
	1HP691X8AA	1	J, T		74				[X8], With Sales code [MNC], Left
	1HP701BMAA	1	J, T		74				[BM], With Sales code [MNC], Right

GRAND CHEROKEE (WK)

SERIES LINE
H = HIGHLINE T = JEEP - 2WD
P = PREMIUM J = JEEP - 4WD
S = SPORT
X = SPECIAL

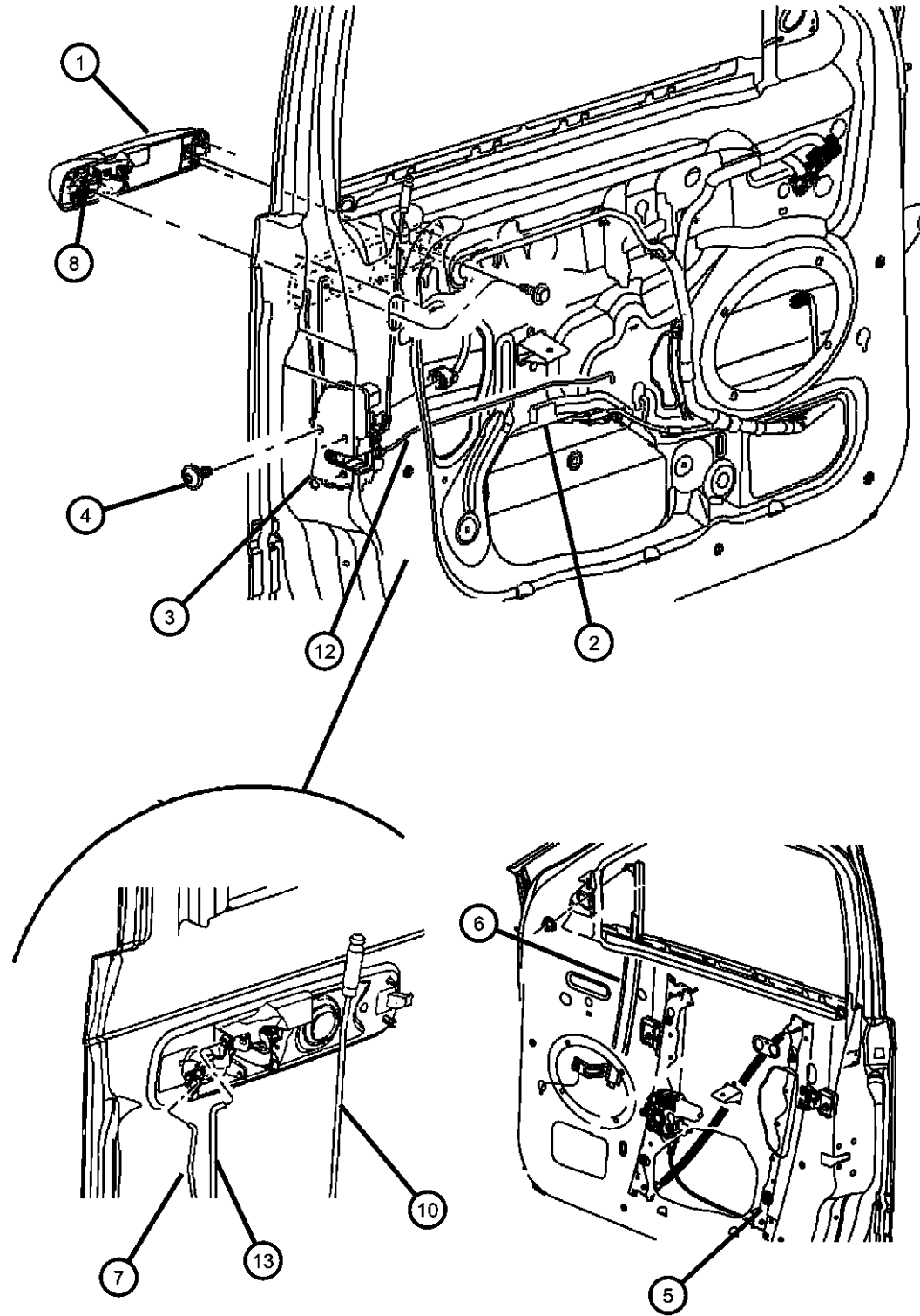
BODY
74 = SPORT UTILITY 4-DR TYPE #4

ENGINE TRANSMISSION
EVE = Engine - 4.7L V8 DOHC 3 Valve DGJ = 5-Speed Auto W5A580 Transmission
EZB = 5.7L Hemi Multi Displacement Engine DGU = 5-Spd Auto W5J400 Transmission
EKG = 3.7L V6 Engine DGQ = 5-Spd Automatic 545RFE Transmission
ESF = 6.1L SRT HEMI SMPI V8 Engine
EXL = 3.0L V6 Turbo Diesel Engine

AR = use ase required - = Non illustrated part

2008 WK

Front Door, Hardware Components
Figure 30-125



ITEM	PART NUMBER	QTY	LINE	SERIES	BODY	ENGINE	TRANS	TRIM	DESCRIPTION
	1HP701X8AA	1	J, T		74				[X8], With Sales code [MNC], Right
	5HS56CDMAI	1	J, T		74				[DM], With Sales code [MNK], Right
	5HS56EGJAI	1	J, T		74				[GJ], With Sales code [MNK], Right
	5HS56SW1AI	1	J, T		74				[W1], With Sales code [MNK], Right
	5HW79EDAAI	1	J, T		74				[DA], With Sales code [MNK], Left
	5HW79EEMAI	1	J, T		74				[EM], With Sales code [MNK], Left
2	06508074AA	6	J, T		74				SCREW, Tapping
3									LATCH, Front Door
	55113367AA	1	J, T		74				Left
	55113372AA	1	J, T		74				Right
4	06508620AA	6	J, T		74				SCREW
5									REGULATOR, Front Door Window
	04589170AE	1	J, T		74				Right
	04589171AE	1	J, T		74				Left
6									CHANNEL, Front Door Glass
	55394358AH	1	J, T		74				Right
	55394359AH	1	J, T		74				Left
7	05166839AA	1	J, T		74				LINK, Key Cylinder To Latch
8	68045151AA	1	J, T		74				CYLINDER, Door Lock
-9	55136554AA	1	J, T		74				LEVER, Door Lock Cylinder
10									KNOB AND LINK, Door Latch
	55396906AC	1	J, T		74				Right
	55396907AC	1	J, T		74				Left
-11	05179176AA	1	J, T		74				CLIP, Rod Door Lock
12									ROD, Inside Handle to Latch
	05166835AA	1	J, T		74				Right
	05166837AA	1	J, T		74				Left
13									LINK, Exterior Door Handle

GRAND CHEROKEE (WK)

SERIES LINE
H = HIGHLINE T = JEEP - 2WD
P = PREMIUM J = JEEP - 4WD
S = SPORT
X = SPECIAL

BODY
74 = SPORT UTILITY 4-DR
TYPE #4

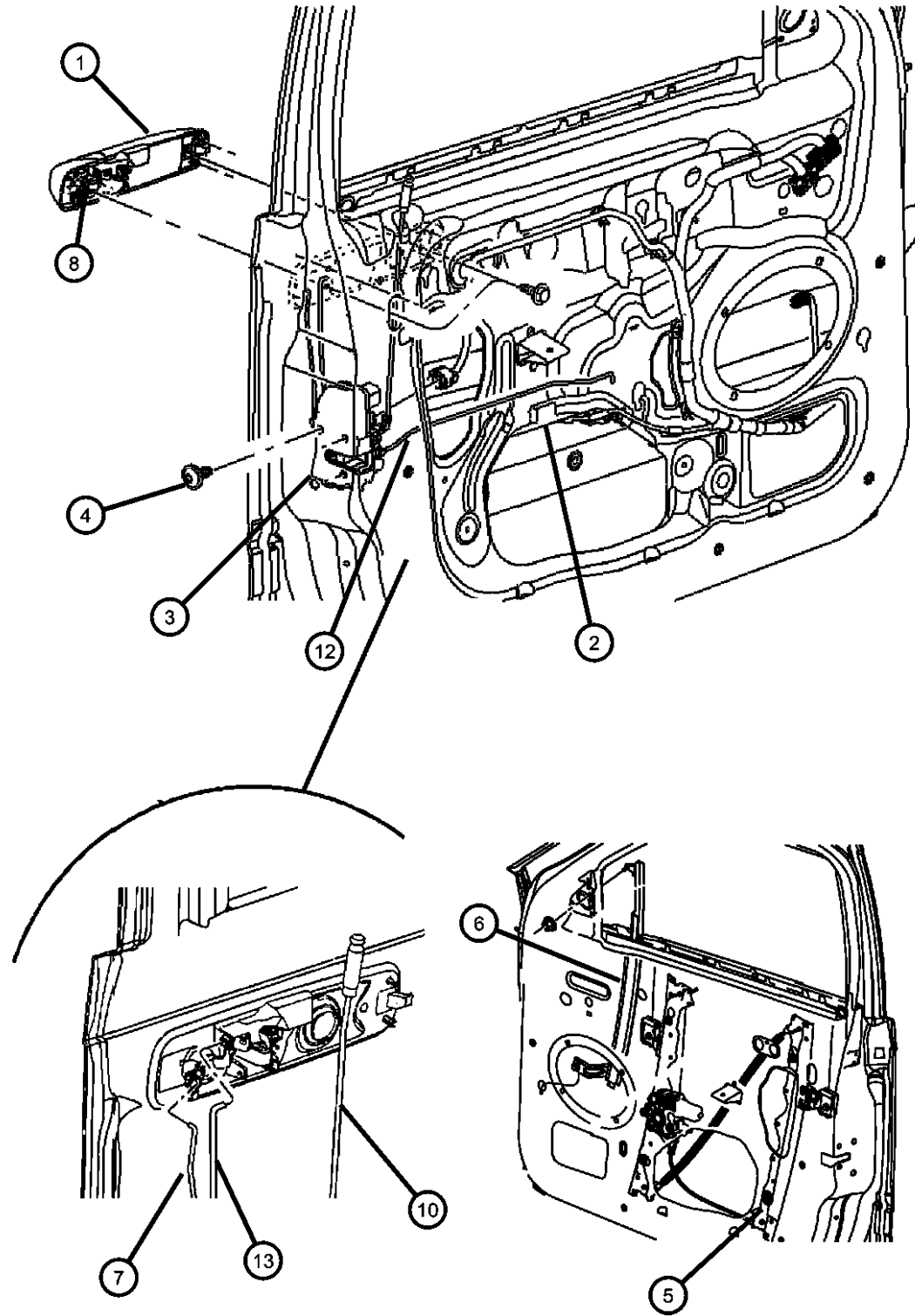
ENGINE TRANSMISSION
EVE = Engine - 4.7L V8 DOHC 3 Valve
EVB = Engine - 4.7L V8 DOHC 3 Valve
EZB = 5.7L Hemi Multi Displacement Engine
EKG = 3.7L V6 Engine
ESF = 6.1L SRT HEMI SMPI V8 Engine
EXL = 3.0L V6 Turbo Diesel Engine
DGJ = 5-Speed Auto W5A580 Transmission
DGU = 5-Spd Auto W5J400 Transmission
DGQ = 5-Spd Automatic 545RFE Transmission

AR = use ase required - = Non illustrated part

2008 WK

Front Door, Hardware Components
Figure 30-125

ITEM	PART NUMBER	QTY	LINE	SERIES	BODY	ENGINE	TRANS	TRIM	DESCRIPTION
------	-------------	-----	------	--------	------	--------	-------	------	-------------



	05166836AA	1	J, T		74				Left
	05166838AA	1	J, T		74				Right

GRAND CHEROKEE (WK)

SERIES LINE
 H = HIGHLINE T = JEEP - 2WD
 P = PREMIUM J = JEEP - 4WD
 S = SPORT
 X = SPECIAL

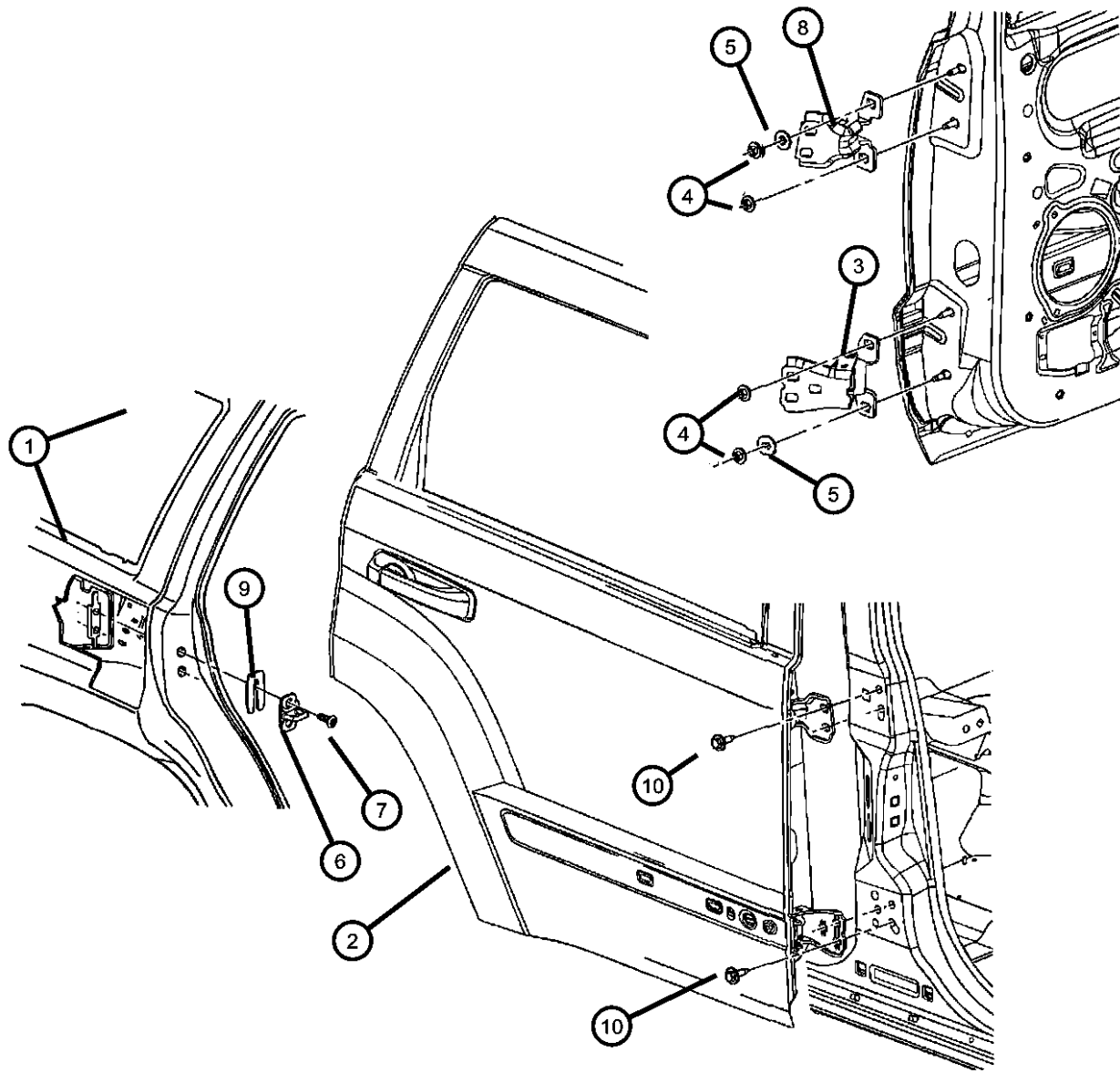
BODY
 74 = SPORT UTILITY 4-DR
 TYPE #4

ENGINE TRANSMISSION
 EVE = Engine - 4.7L V8 DOHC 3 Valve
 EZB = 5.7L Hemi Multi Displacement Engine
 EKG = 3.7L V6 Engine
 ESF = 6.1L SRT HEMI SMPI V8 Engine
 EXL = 3.0L V6 Turbo Diesel Engine
 DGJ = 5-Speed Auto W5A580 Transmission
 DGU = 5-Spd Auto W5J400 Transmission
 DGQ = 5-Spd Automatic 545RFE Transmission

AR = use ase required - = Non illustrated part

2008 WK

Rear Door, Shell and Hinges
Figure 30-205



ITEM	PART NUMBER	QTY	LINE	SERIES	BODY	ENGINE	TRANS	TRIM	DESCRIPTION
1									DOOR, Rear
	55394384AH	1	J, T		74				Right
	55394385AH	1	J, T		74				Left
2									PANEL, Rear Door
	55394386AD	1	J, T		74				Right
	55394387AD	1	J, T		74				Left
3									HINGE, Rear Door Lower
	55369189AE	1	J, T		74				Left
	55369188AE	1	J, T		74				Right
4	06101446	6	J, T		74				NUT AND WASHER
5		6							WASHER, Flat, (NOT SERVICED)
6	04717779AB	2	J, T		74				STRIKER AND BUMPER, Door Latch
7	06508312AA	4	J, T		74				SCREW, Torx Head, M8X1.25X34
8									HINGE, Door, Upper
	55369194AB	1	J, T		74				Right
	55369195AB	1	J, T		74				Left
9									SPACER, Door Latch Striker
	04520289	AR	J, T		74				3.75mm Thick
	55075483	AR	J, T		74				2.0mm Thick
10	06503328	10	J, T		74				SCREW, Hex Head, M8x1.25x30

GRAND CHEROKEE (WK)

SERIES LINE
H = HIGHLINE T = JEEP - 2WD
P = PREMIUM J = JEEP - 4WD
S = SPORT
X = SPECIAL

BODY
74 = SPORT UTILITY 4-DR
TYPE #4

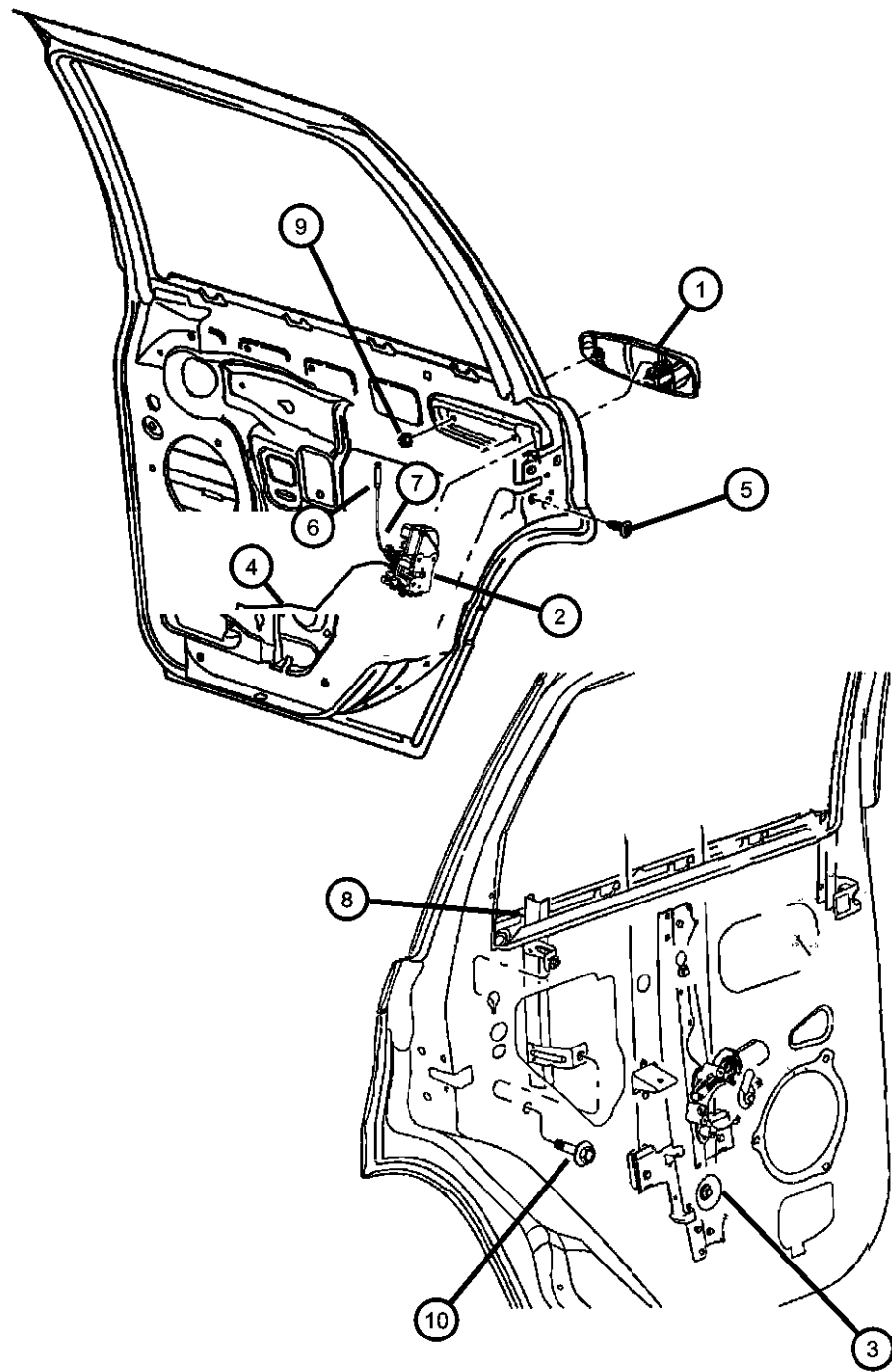
ENGINE
EVE = Engine - 4.7L V8 DOHC
3 Valve
EZB = 5.7L Hemi Multi
Displacement Engine
EKG = 3.7L V6 Engine
ESF = 6.1L SRT HEMI SMPI
V8 Engine
EXL = 3.0L V6 Turbo Diesel
Engine

TRANSMISSION
DGJ = 5-Speed Auto W5A580
Transmission
DGU = 5-Spd Auto W5J400
Transmission
DGQ = 5-Spd Automatic 545RFE
Transmission

AR = use ase required - = Non illustrated part

2008 WK

**Rear Door, Hardware Components
Figure 30-225**



ITEM	PART NUMBER	QTY	LINE	SERIES	BODY	ENGINE	TRANS	TRIM	DESCRIPTION
1									HANDLE, Exterior Door
	5HS57CDMAI	1	J, T		74				[DM], With Sales Code [MNK], Left
	5HS56WS2AI	1	J, T		74				[S2], With Sales Code [MNK], Right
	5HS57AXRAI	1	J, T		74				[XR], With Sales Code [MNK], Left
	5HS56EEMAI	1	J, T		74				[EM], With Sales Code [MNK], Right
	1HP701X8AA	1	J, T		74				[X8], With Sales Code [MNC], Right
	1HP711EMAA	1	J, T		74				[EM], With Sales Code [MNC], Left
	1HP711GJAA	1	J, T		74				[GJ], With Sales Code [MNC], Left
	5HS56EGJAI	1	J, T		74				[GJ], With Sales Code [MNK], Right
	5HS56SW1AI	1	J, T		74				[W1], With Sales Code [MNK], Right
	1HP701BMAA	1	J, T		74				[BM], With Sales Code [MNC], Right
	1HP701DAAA	1	J, T		74				[DA], With Sales Code [MNC], Right
	1HP701EMAA	1	J, T		74				[EM], With Sales Code [MNC], Right
	1HP701GJAA	1	J, T		74				[GJ], With Sales Code [MNC], Right
	1HP701S2AA	1	J, T		74				[S2], With Sales Code [MNC], Right
	5HS57DX8AI	1	J, T		74				[X8], With Sales Code [MNK], Left
	1HP711S2AA	1	J, T		74				[S2], With Sales Code [MNC], Left
	1HP711X8AA	1	J, T		74				[X8], With Sales Code [MNC], Left
	5HS56DBMAI	1	J, T		74				[BM], With Sales Code [MNK], Right
	5HS56DX8AI	1	J, T		74				[X8], With Sales Code [MNK], Right
	5HS56EDAAI	1	J, T		74				[DA], With Sales Code [MNK], Right
	5HS57EDAAI	1	J, T		74				[DA], With Sales Code [MNK], Left
	5HS57DBMAI	1	J, T		74				[BM], With Sales Code [MNK], Left

GRAND CHEROKEE (WK)

SERIES LINE
H = HIGHLINE T = JEEP - 2WD
P = PREMIUM J = JEEP - 4WD
S = SPORT
X = SPECIAL

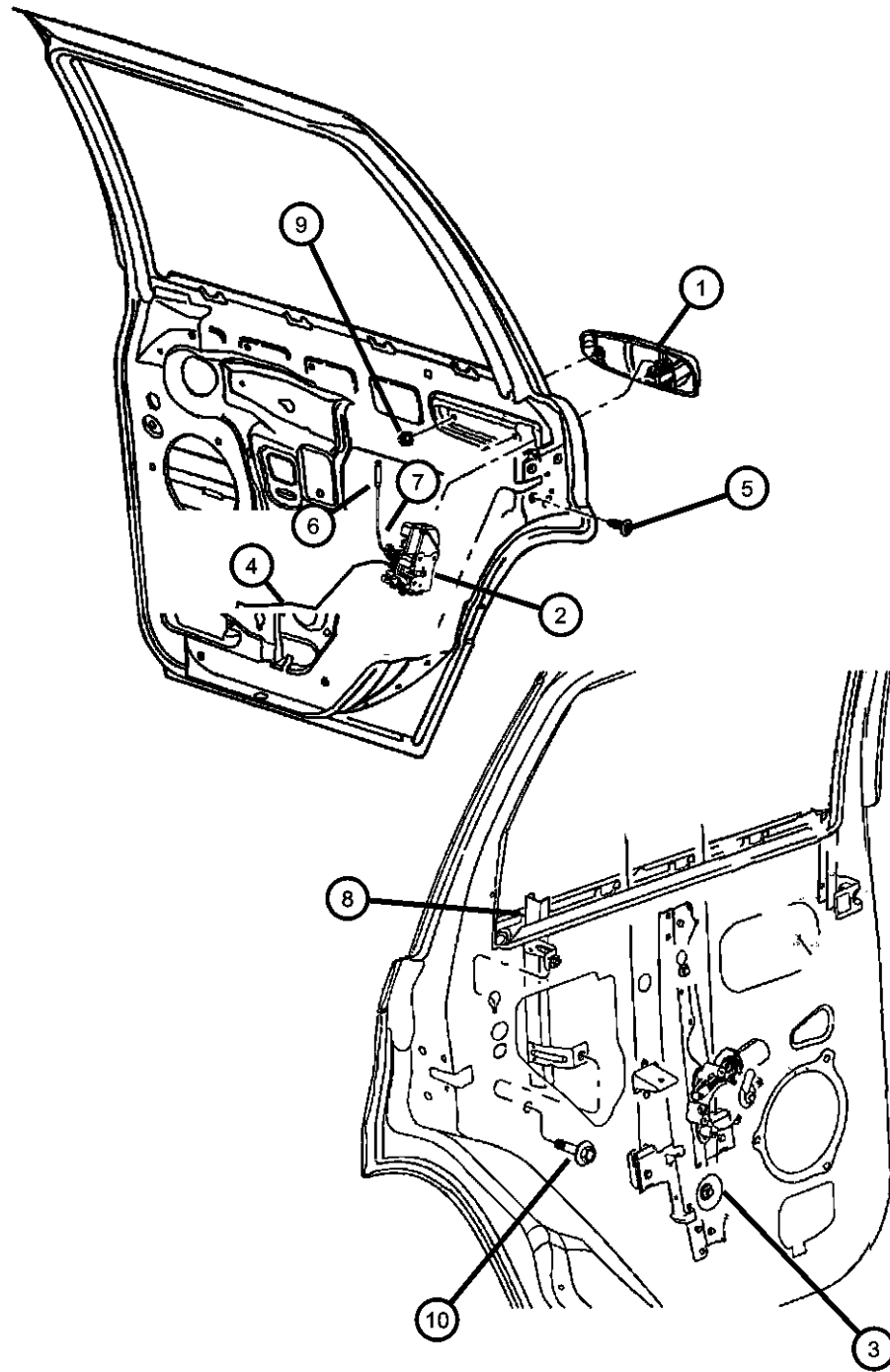
BODY
74 = SPORT UTILITY 4-DR
TYPE #4

ENGINE TRANSMISSION
EVE = Engine - 4.7L V8 DOHC 3 Valve
EZB = 5.7L Hemi Multi Displacement Engine
EKG = 3.7L V6 Engine
ESF = 6.1L SRT HEMI SMPI V8 Engine
EXL = 3.0L V6 Turbo Diesel Engine
DGJ = 5-Speed Auto W5A580 Transmission
DGU = 5-Spd Auto W5J400 Transmission
DGQ = 5-Spd Automatic 545RFE Transmission

AR = use ase required - = Non illustrated part

2008 WK

**Rear Door, Hardware Components
Figure 30-225**



ITEM	PART NUMBER	QTY	LINE	SERIES	BODY	ENGINE	TRANS	TRIM	DESCRIPTION
	5HS57SW1AI	1	J, T		74				[W1], With Sales Code [MNK], Left
	5HS57EEMAI	1	J, T		74				[EM], With Sales Code [MNK], Left
	5HS57EGJAI	1	J, T		74				[GJ], With Sales Code [MNK], Left
	5HS57WS2AI	1	J, T		74				[S2], With Sales Code [MNK], Left
	1HP711BMAA	1	J, T		74				[BM], With Sales Code [MNC], Left
	1HP711DAAA	1	J, T		74				[DA], With Sales Code [MNC], Left
	5HS56AXRAI	1	J, T		74				[XR], With Sales Code [MNK], Right
	5HS56CDMAI	1	J, T		74				[DM], With Sales Code [MNK], Right
2									LATCH, Rear Door
	55113376AA	1	J, T		74				Right
	55113375AA	1	J, T		74				Left
3									REGULATOR, Rear Door Window
	55394228AD	1							Right
	55394229AD	1							Left
4									ROD, Inside Handle to Latch
	05166840AA	1	J, T		74				Right
	05166842AA	1	J, T		74				Left
5	06508620AA	6	J, T		74				SCREW
6									KNOB AND LINK, Door Latch
	05179240AA	1	J, T		74				Right
	05179241AA	1	J, T		74				Left
7									LINK, Exterior Door Handle
	05166843AA	1	J, T		74				Left
	05166841AA	1	J, T		74				Right
8									CHANNEL, Rear Door Glass Lower
	55394328AB	1	J, T		74				Right
	55394329AB	1	J, T		74				Left

GRAND CHEROKEE (WK)

SERIES LINE
H = HIGHLINE T = JEEP - 2WD
P = PREMIUM J = JEEP - 4WD
S = SPORT
X = SPECIAL

BODY
74 = SPORT UTILITY 4-DR
TYPE #4

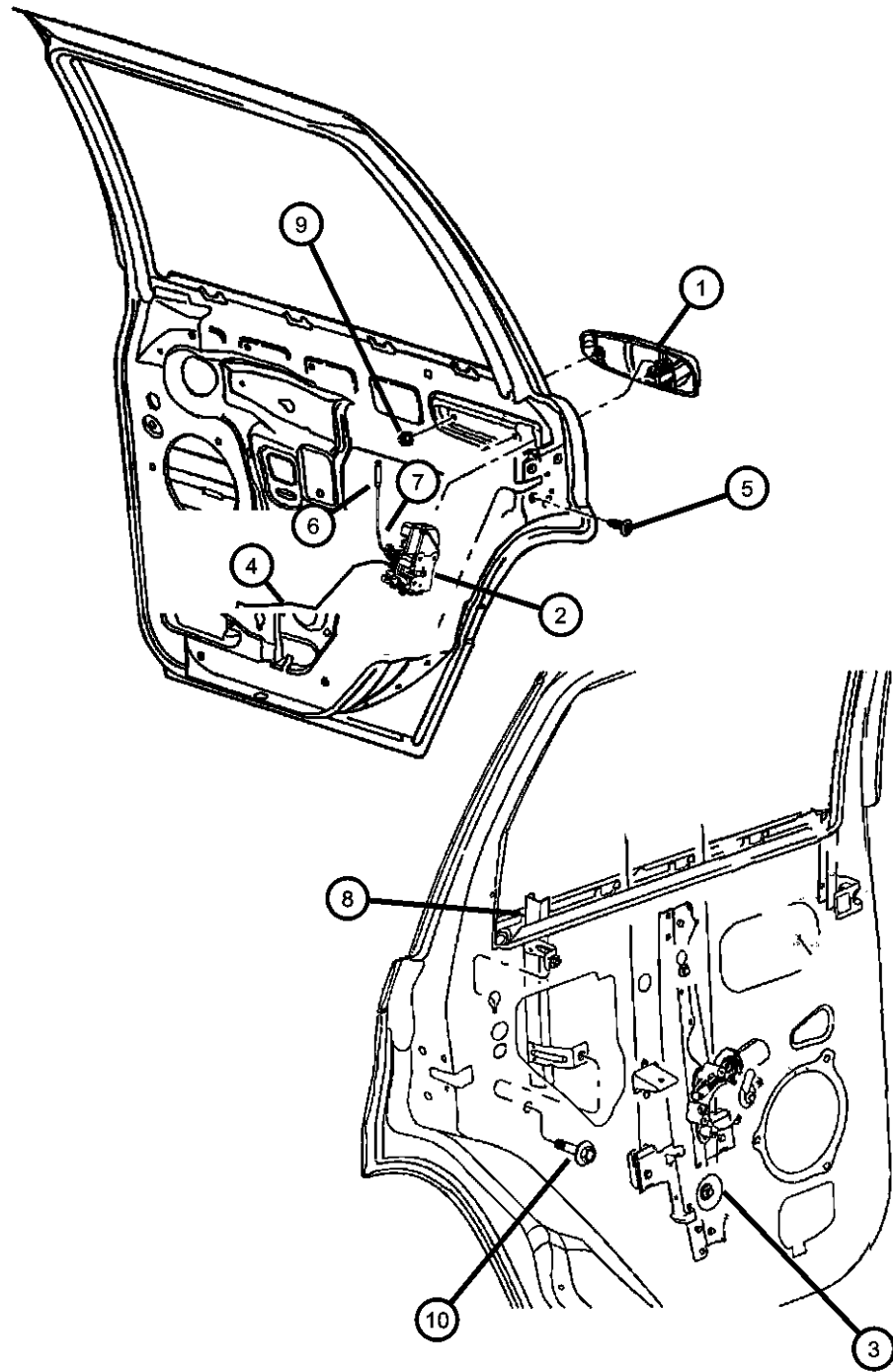
ENGINE TRANSMISSION
EVE = Engine - 4.7L V8 DOHC 3 Valve
EZB = 5.7L Hemi Multi Displacement Engine
EKG = 3.7L V6 Engine
ESF = 6.1L SRT HEMI SMPI V8 Engine
EXL = 3.0L V6 Turbo Diesel Engine
DGJ = 5-Speed Auto W5A580 Transmission
DGU = 5-Spd Auto W5J400 Transmission
DGQ = 5-Spd Automatic 545RFE Transmission

AR = use ase required - = Non illustrated part

2008 WK

Rear Door, Hardware Components
Figure 30-225

ITEM	PART NUMBER	QTY	LINE	SERIES	BODY	ENGINE	TRANS	TRIM	DESCRIPTION
9	06508074AA	6	J, T		74				SCREW, Tapping Outside Handle Attaching
10	06509083AA	2	J, T		74				SCREW, Tapping, M6x1x20
-11	55112124AA	2	J, T		74				SEAL, Child Lock Lever



GRAND CHEROKEE (WK)

SERIES LINE
H = HIGHLINE T = JEEP - 2WD
P = PREMIUM J = JEEP - 4WD
S = SPORT
X = SPECIAL

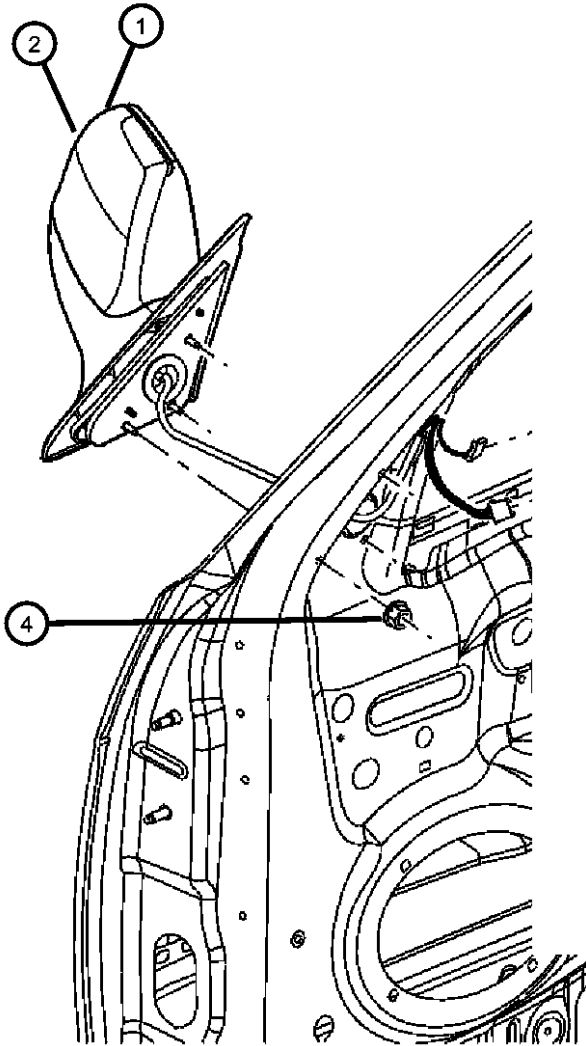
BODY
74 = SPORT UTILITY 4-DR
TYPE #4

ENGINE TRANSMISSION
EVE = Engine - 4.7L V8 DOHC 3 Valve
EZB = 5.7L Hemi Multi Displacement Engine
EKG = 3.7L V6 Engine
ESF = 6.1L SRT HEMI SMPI V8 Engine
EXL = 3.0L V6 Turbo Diesel Engine
DGJ = 5-Speed Auto W5A580 Transmission
DGU = 5-Spd Auto W5J400 Transmission
DGQ = 5-Spd Automatic 545RFE Transmission

AR = use ase required - = Non illustrated part

2008 WK

Mirror, Exterior
Figure 30-505



ITEM	PART NUMBER	QTY	LINE	SERIES	BODY	ENGINE	TRANS	TRIM	DESCRIPTION
Sales Codes: [GTN]= Power Mirrors, Fold-Away [GTS]= Power Heated Mirrors, Fold-Away [GUK]= Power Heated Mirrors, Fold-Away [GUQ]= Power Folding Multi-Functional Mirrors [GUT]= Power Heated Memory, Fold									
1									MIRROR, Outside Rearview Electric Foldaway
	55156455AE	1	J, T		74				Left
	55156454AE	1	J, T		74				Right
2									MIRROR, Outside, Rearview, Electric, Heated
	1DG481DMAC	1	J, T	P, S	74				[DM], Sales Code [GUT], Right
	1DG481EMAC	1	J, T	P, S	74				[EM], Sales Code [GUT], Right
	1DG481GJAC	1	J, T	P, S	74				[GJ], Sales Code [GUT], Right
	1DG481S2AC	1	J, T	P, S	74				[S2], Sales Code [GUT], Right
	1DG481XRAC	1	J, T	P, S	74				[XR], Sales Code [GUT], Right
	1DG491BMAB	1	J, T	P, S	74				[BM], Sales Code [GUT], Left
	1DG491DAAB	1	J, T	P, S	74				[DA], Sales Code [GUT], Left
	1DG491DMAB	1	J, T	P, S	74				[DM], Sales Code [GUT], Left
	1DG491S2AB	1	J, T	S, P	74				[S2], Sales Code [GUT], Left
	1DG491W1AB	1	J, T	P, S	74				[W1], Sales Code [GUT], Left
	1DG491X8AB	1	J, T	P, S	74				[X8], Sales Code [GUT], Left
	1DG491XRAB	1	J, T	P, S	74				[XR], Sales Code [GUT], Left
	1DT161S2AC	1	J, T		74				[S2], Sales Code [GUK], Right
	1DT161X8AC	1	J, T		74				[X8], Sales Code [GUK], Right
	1DT171BMAC	1	J, T		74				[BM], Sales Code [GUK], Left
	1DY101X8AD	1	J, T	X	74				[X8], Sales Code [GUT], Right
	1DY111BMAC	1	J, T	X	74				[BM], Sales Code [GUT], Left
	1DY101S2AD	1	J, T	X	74				[S2], Sales Code [GUT], Right
	1DY111S2AC	1	J, T	X	74				[S2], Sales Code [GUT], Left
	1DY111X8AC	1	J, T	X	74				[X8], Sales Code [GUT], Left
	1DY111EMAC	1	J, T	X	74				[EM], Sales Code [GUT], Left
	55156453AE	1	J, T		74				[GTS], Left
	55156452AE	1	J, T		74				[GTS], Right

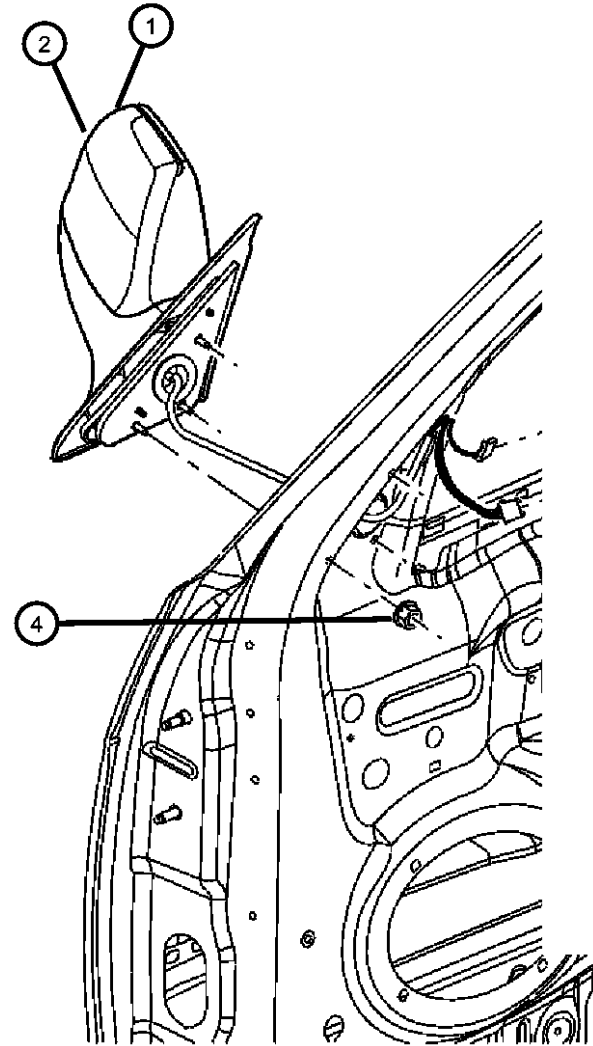
GRAND CHEROKEE (WK)

SERIES LINE
H = HIGHLINE T = JEEP - 2WD
P = PREMIUM J = JEEP - 4WD
S = SPORT
X = SPECIAL

BODY
74 = SPORT UTILITY 4-DR
TYPE #4

ENGINE TRANSMISSION
EVE = Engine - 4.7L V8 DOHC 3 Valve
EZB = 5.7L Hemi Multi Displacement Engine
EKG = 3.7L V6 Engine
ESF = 6.1L SRT HEMI SMPI V8 Engine
EXL = 3.0L V6 Turbo Diesel Engine
DGJ = 5-Speed Auto W5A580 Transmission
DGU = 5-Spd Auto W5J400 Transmission
DGQ = 5-Spd Automatic 545RFE Transmission

Mirror, Exterior
Figure 30-505



ITEM	PART NUMBER	QTY	LINE	SERIES	BODY	ENGINE	TRANS	TRIM	DESCRIPTION
	1DT171X8AC	1	J, T		74				[X8], Sales Code [GUK], Left
	1DY101BMAD	1	J, T	X	74				[BM], Sales Code [GUT], Right
	1DY101EMAD	1	J, T	X	74				[EM], Sales Code [GUT], Right
	1DG481BMAC	1	J, T	P, S	74				[BM], Sales Code [GUT], Right
	1DG481DAAC	1	J, T	P, S	74				[DA], Sales Code [GUT], Right
	1DG481W1AC	1	J, T	P, S	74				[W1], Sales Code [GUT], Right
	1DG481X8AC	1	J, T	P, S	74				[X8], Sales Code [GUT], Right
	1DG491EMAB	1	J, T	P, S	74				[EM], Sales Code [GUT], Left
	1DG491GJAB	1	J, T	P, S	74				[GJ], Sales Code [GUT], Left
	1DT161BMAC	1	J, T		74				[BM], Sales Code [GUK], Right
	1DT161EMAC	1	J, T		74				[EM], Sales Code [GUK], Right
	1DT171EMAC	1	J, T		74				[EM], Sales Code [GUK], Left
	1DT171S2AC	1	J, T		74				[S2], Sales Code [GUK], Left
-3									GLASS, Mirror Replacement
	05142874AA	1	J, T		74				[GUK], Right
		1	J, T		74				[GTS], Right
	05142872AA	1	J, T		74				[GTN], Right
	05142873AA	1	J, T		74				[GTN], Left
	05142875AA	1	J, T		74				[GUK], Left
		1	J, T		74				[GTS], Left
	05142877AA	1	J, T	X	74				[GUT], Left
	68069594AA	1	J, T	P, S	74				[GUT], Right
		1	J, T	X	74				[GUT], Right
4	06102398AA	6	J, T		74				NUT, Hex

GRAND CHEROKEE (WK)

SERIES LINE
H = HIGHLINE T = JEEP - 2WD
P = PREMIUM J = JEEP - 4WD
S = SPORT
X = SPECIAL

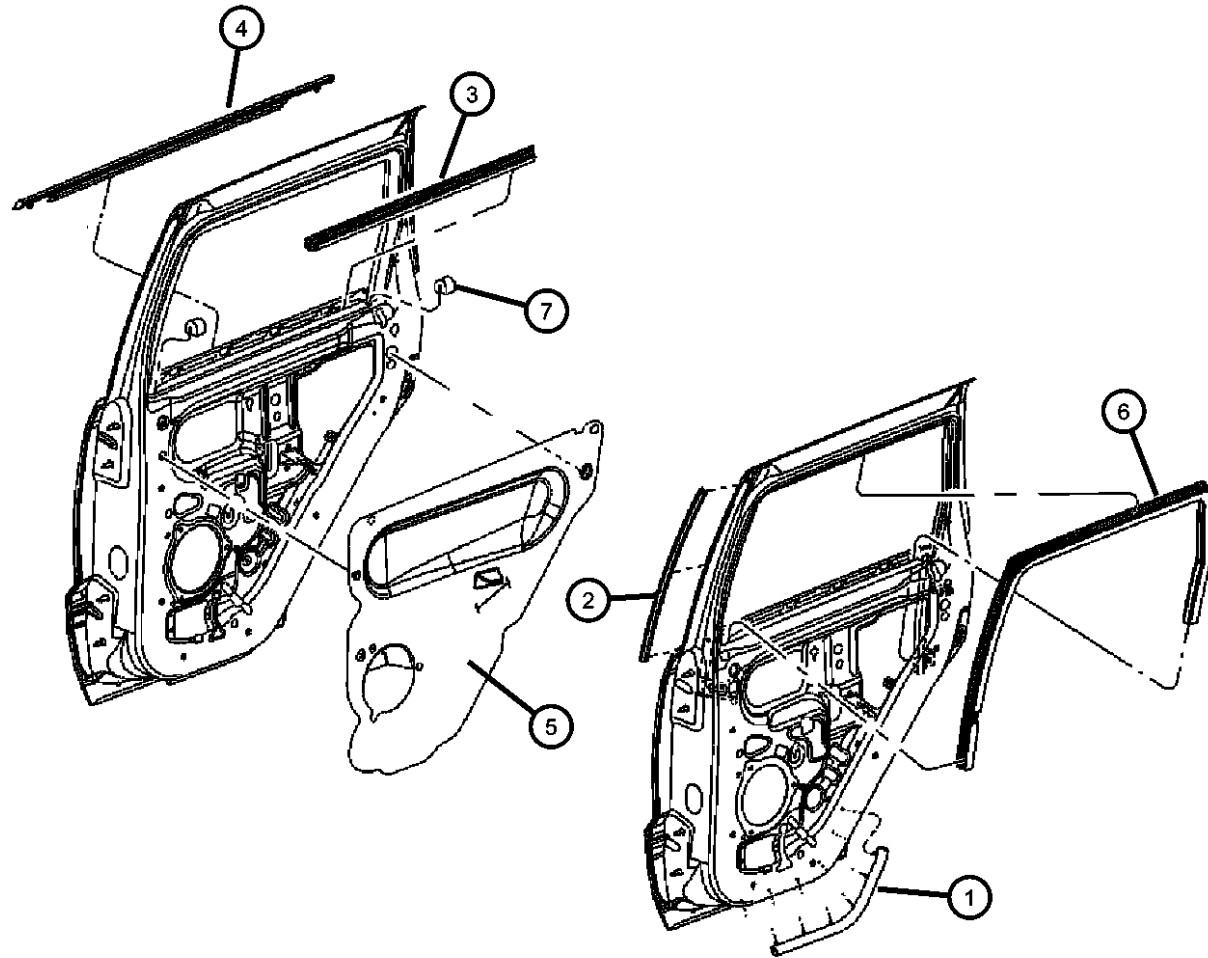
BODY
74 = SPORT UTILITY 4-DR
TYPE #4

ENGINE
EVE = Engine - 4.7L V8 DOHC
3 Valve
EZB = 5.7L Hemi Multi
Displacement Engine
EKG = 3.7L V6 Engine
ESF = 6.1L SRT HEMI SMPI
V8 Engine
EXL = 3.0L V6 Turbo Diesel
Engine

TRANSMISSION
DGJ = 5-Speed Auto W5A580
Transmission
DGU = 5-Spd Auto W5J400
Transmission
DGQ = 5-Spd Automatic 545RFE
Transmission

Weatherstrips, Rear Door
Figure 30-625

ITEM	PART NUMBER	QTY	LINE	SERIES	BODY	ENGINE	TRANS	TRIM	DESCRIPTION
NOTES: Sales Codes: [MMG] = Belt Moldings [MMS] = Bright Belt Moldings									
1									SEAL, Rear Door
	55394046AA	1	J, T		74				Right
	55394047AA	1	J, T		74				Left
2	55399390AA	2	J, T		74				SEAL, B-Pillar
3	55399050AA	2	J, T		74				WEATHERSTRIP, Rear Door BeltRight & Left
4									WEATHERSTRIP, Rear Door Belt
	55399116AA	1	J, T		74				[MMG], Black, Right
	55399117AA	1	J, T		74				[MMG], Black, Left
	55399128AA	1	J, T	P, X	74				[MMS], Bright, Right
		1	J, T	S	74				[MMS], Bright, Right
	55399129AA	1	J, T	P, X	74				[MMS], Bright, Left
		1	J, T	S	74				[MMS], Bright, Left
5									SHIELD, Water
	55394028AH	1	J, T		74				Right
	55394029AH	1	J, T		74				Left
6									WEATHERSTRIP, Door Glass
	55394054AG	1	J, T		74				Right
	55394055AG	1	J, T		74				Left
7		1							SEAL, Foam, (NOT SERVICED)



GRAND CHEROKEE (WK)

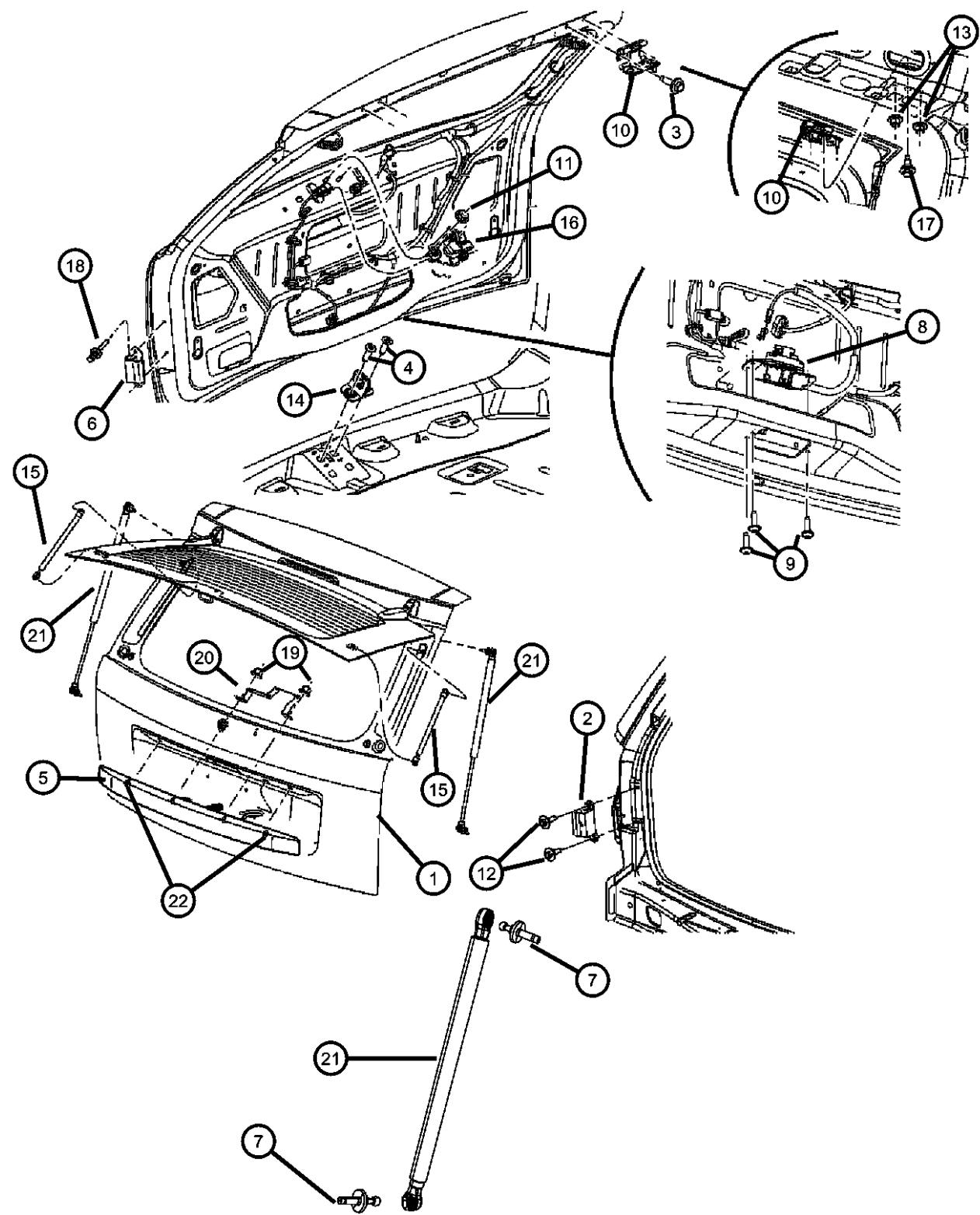
SERIES LINE
H = HIGHLINE T = JEEP - 2WD
P = PREMIUM J = JEEP - 4WD
S = SPORT
X = SPECIAL

BODY
74 = SPORT UTILITY 4-DR
TYPE #4

ENGINE TRANSMISSION
EVE = Engine - 4.7L V8 DOHC 3 Valve
EZB = 5.7L Hemi Multi Displacement Engine
EKG = 3.7L V6 Engine
ESF = 6.1L SRT HEMI SMPI V8 Engine
EXL = 3.0L V6 Turbo Diesel Engine
DGJ = 5-Speed Auto W5A580 Transmission
DGU = 5-Spd Auto W5J400 Transmission
DGQ = 5-Spd Automatic 545RFE Transmission

AR = use ase required - = Non illustrated part

Liftgate
Figure 30-705



ITEM	PART NUMBER	QTY	LINE	SERIES	BODY	ENGINE	TRANS	TRIM	DESCRIPTION
1	55399066AC	1	J, T		74				PANEL, Liftgate
2	55396825AA	2	J, T		74				BUMPER, Rubber
3	06502975	4	J, T		74				SCREW AND WASHER, Hex Head, M8x1.25x33
4	06503533	2	J, T		74				SCREW, Flange Head, M8x1.25x26
5									HANDLE, Liftgate
	1FN57DB-MAA	1	J, T		74				[BM], With Sales Code [MNN] or [MNS] and Parkview [XAC]
	1FN57DX8AA	1	J, T		74				[X8], With Sales Code [MNN] or [MNS] and Parkview [XAC]
	1FN57SW1AA	1	J, T		74				[W1], With Sales Code [MNN] or [MNS] and Parkview [XAC]
	1FN57WS2AA	1	J, T		74				[S2], With Sales Code [MNN] or [MNS] and Parkview [XAC]
	1FN57EGJAA	1	J, T		74				[GJ], With Sales Code [MNN] or [MNS] and Parkview [XAC]
	1FV92WS2AA	1	J, T		74				[S2], With Sales Code [MNN] Without Parkview [XAC]
	55156354AG	1	J, T		74				Black With Sales Code [MNS] Without Parkview [XAC]
	1FV92SW1AA	1	J, T		74				[W1], With Sales Code [MNN] Without Parkview [XAC]
	68039948AA	1	J, T		74				With Sales Code [MNP] and Parkview [XAC]
	68039947AA	1	J, T		74				Black With Sales Code [MNS] With Parkview [XAC]
	1FV92EDAAA	1	J, T		74				[DA], With Sales Code [MNN] Without Parkview [XAC]
	1FV92EEMAA	1	J, T		74				[EM], With Sales Code [MNN] Without Parkview [XAC]
	1FV92EGJAA	1	J, T		74				[GJ], With Sales Code [MNN] Without Parkview [XAC]
	1FN57CD-MAA	1	J, T		74				[DM], With Sales Code [MNN] or [MNS] and Parkview [XAC]
	1FN57EDAAA	1	J, T		74				[DA], With Sales Code [MNN] or [MNS] and Parkview [XAC]
	1FN57EEMAA	1	J, T		74				[EM], With Sales Code [MNN] or [MNS] and Parkview [XAC]
	1FV92AXRAA	1	J, T		74				[XR], With Sales Code [MNN] Without Parkview [XAC]
	1FV92CD-MAA	1	J, T		74				[DM], With Sales Code [MNN] Without Parkview [XAC]

GRAND CHEROKEE (WK)
 SERIES LINE
 H = HIGHLINE T = JEEP - 2WD
 P = PREMIUM J = JEEP - 4WD
 S = SPORT
 X = SPECIAL

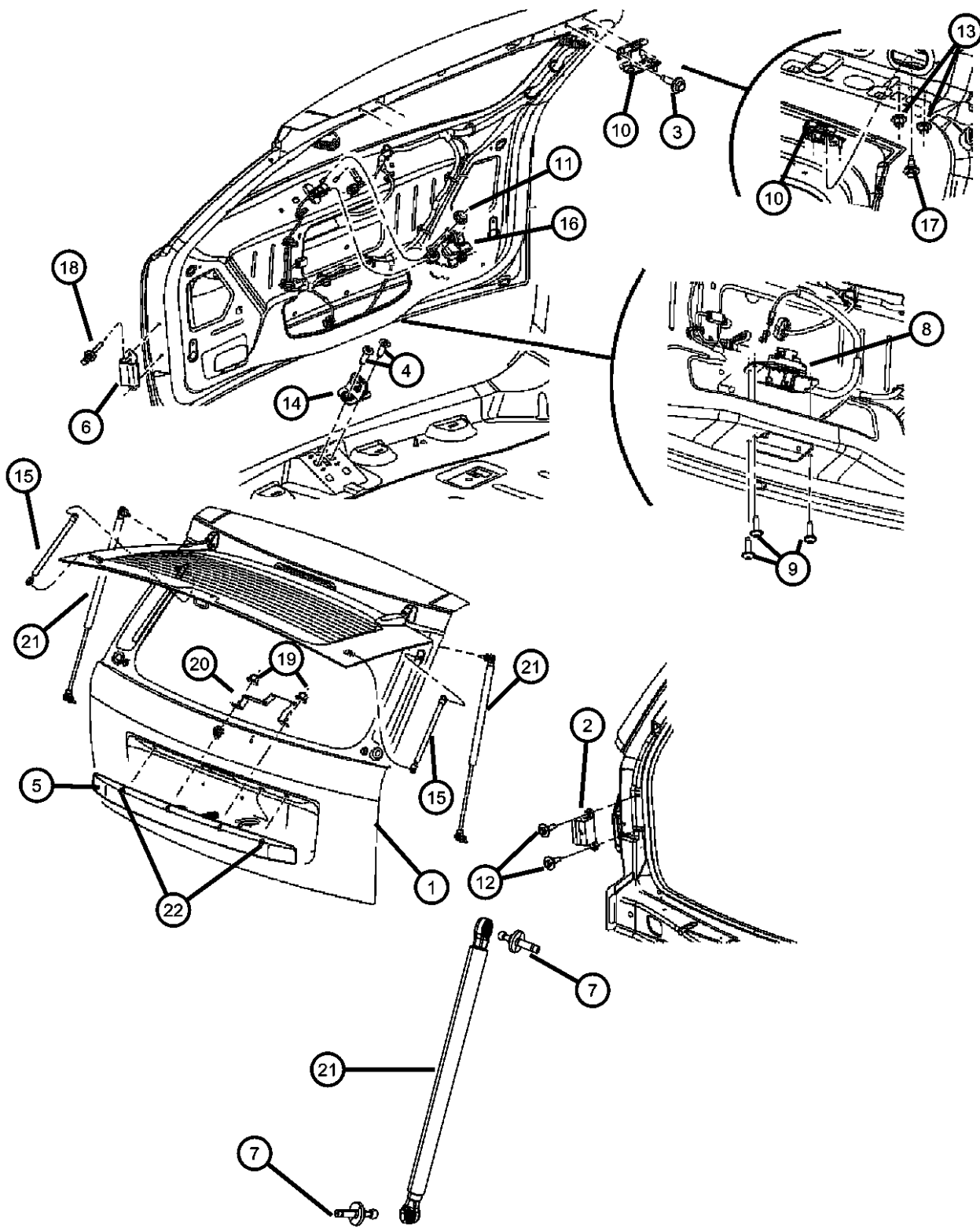
BODY
 74 = SPORT UTILITY 4-DR TYPE #4

ENGINE
 EVE = Engine - 4.7L V8 DOHC 3 Valve
 EZB = 5.7L Hemi Multi Displacement Engine
 EKG = 3.7L V6 Engine
 ESF = 6.1L SRT HEMI SMPI V8 Engine
 EXL = 3.0L V6 Turbo Diesel Engine

TRANSMISSION
 DGJ = 5-Speed Auto W5A580 Transmission
 DGU = 5-Spd Auto W5J400 Transmission
 DGQ = 5-Spd Automatic 545RFE Transmission

AR = use ase required - = Non illustrated part

Liftgate
Figure 30-705



ITEM	PART NUMBER	QTY	LINE	SERIES	BODY	ENGINE	TRANS	TRIM	DESCRIPTION
	1FV92DB-MAA	1	J, T		74				[BM], With Sales Code [MNN] Without Parkview [XAC]
	1FV92DX8AA	1	J, T		74				[X8], With Sales Code [MNN] Without Parkview [XAC]
6	04860873AD	2	J, T		74				BUMPER, Liftgate
7	06507844AA	2	J, T		74				BALL STUD
8	04589131AC	1	J, T		74				LATCH, Liftgate
9	06508611AA	3	J, T		74				SCREW, LARGE ROUND WASHER HEAD LOCK, M6X1.00X22.00
10	55396772AF	2							HINGE, Liftgate
11	06503102	2	J, T		74				NUT AND WASHER, Hex Nut-Coned Washer, M6 x 1.00
12	06508315AA	4	J, T		74				SCREW
13	06101446	4	J, T		74				NUT AND WASHER
14	55364520AA	1	J, T		74				STRIKER, Liftgate
15	68025357AA	2	J, T		74				GAS CYLINDER, Liftgate Glass
16	55396445AB	1	J, T		74				LATCH, Liftgate Glass
17	06503478	AR	J, T		74				SCREW, Tap, M9x1.25x26
18		AR							RIVET, Blind, .250 x .660, (NOT SERVICED)
19	06503856	2	J, T		74				NUT AND WASHER, Hex
20	55396922AB	1	J, T		74				BRACKET, LIFTGATE RELEASE CABLE
21									SUPPORT, Liftgate Opening
	68025359AA	1	J, T		74				Left
	68025358AA	1	J, T		74				Right
22									CLIP
	68046332AA	2	J, T		74				[MNN]
		2	J, T		74				[MNN], [XAC]
		2	J, T		74				[MNS], [XAC]
		2	J, T		74				[MNP], [XAC]
		2	J, T		74				[MNS]

GRAND CHEROKEE (WK)

SERIES LINE
H = HIGHLINE T = JEEP - 2WD
P = PREMIUM J = JEEP - 4WD
S = SPORT
X = SPECIAL

BODY
74 = SPORT UTILITY 4-DR
TYPE #4

ENGINE TRANSMISSION
EVE = Engine - 4.7L V8 DOHC 3 Valve
EVB = Engine - 4.7L V8 DOHC 3 Valve
EZB = 5.7L Hemi Multi Displacement Engine
EKG = 3.7L V6 Engine
ESF = 6.1L SRT HEMI SMPI V8 Engine
EXL = 3.0L V6 Turbo Diesel Engine
DGJ = 5-Speed Auto W5A580 Transmission
DGU = 5-Spd Auto W5J400 Transmission
DGQ = 5-Spd Automatic 545RFE Transmission

AR = use ase required - = Non illustrated part

2008 WK

Group - 40

Exterior Ornamentation

Group - 40 Exterior Ornamentation

Illustration Title

Group-Fig. No.

Nameplates

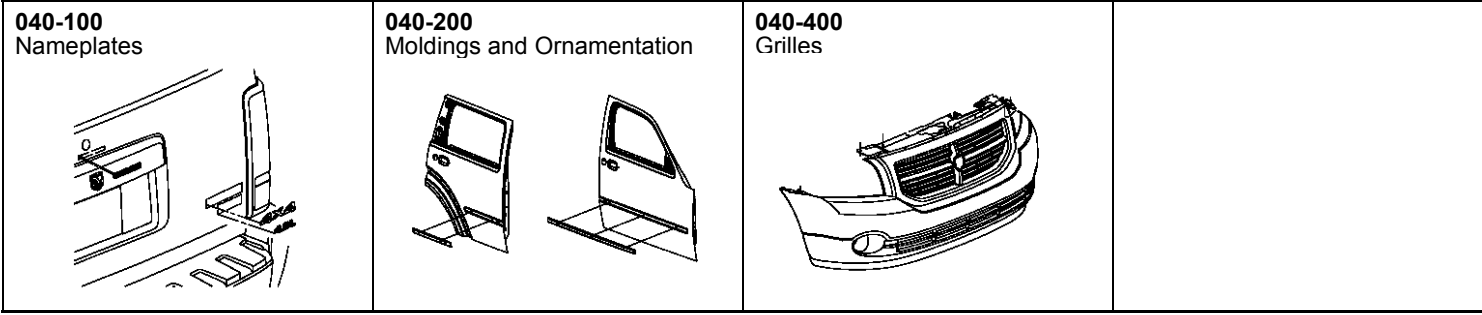
Nameplates, Emblems & MedallionsFig. 40 - 105

Moldings and Ornamentation

Exterior OrnamentationFig. 40 - 205

Grilles

GrillesFig. 40 - 405

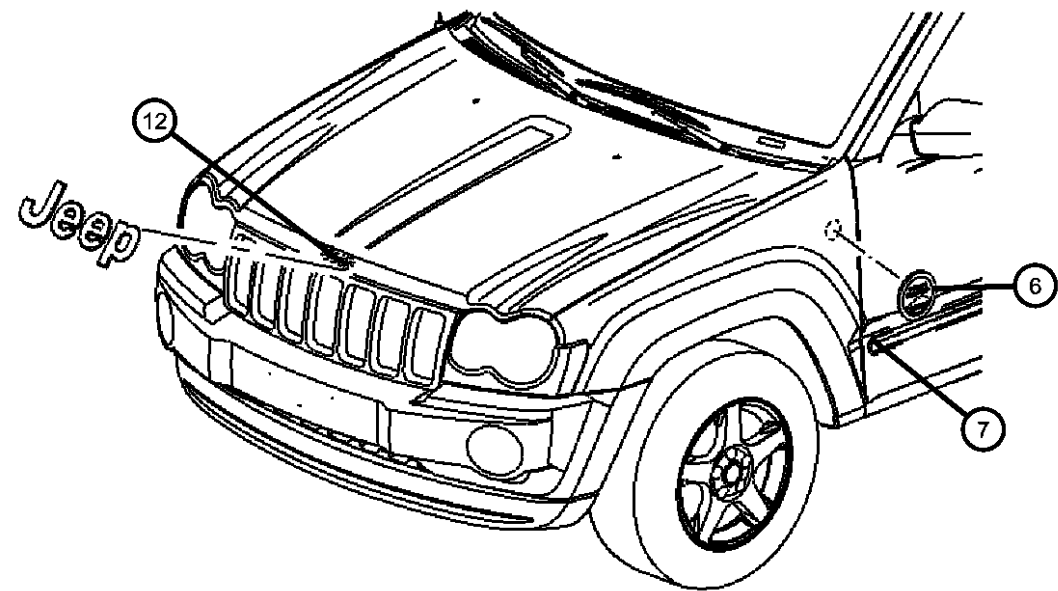


Nameplates, Emblems & Medallions
Figure 40-105

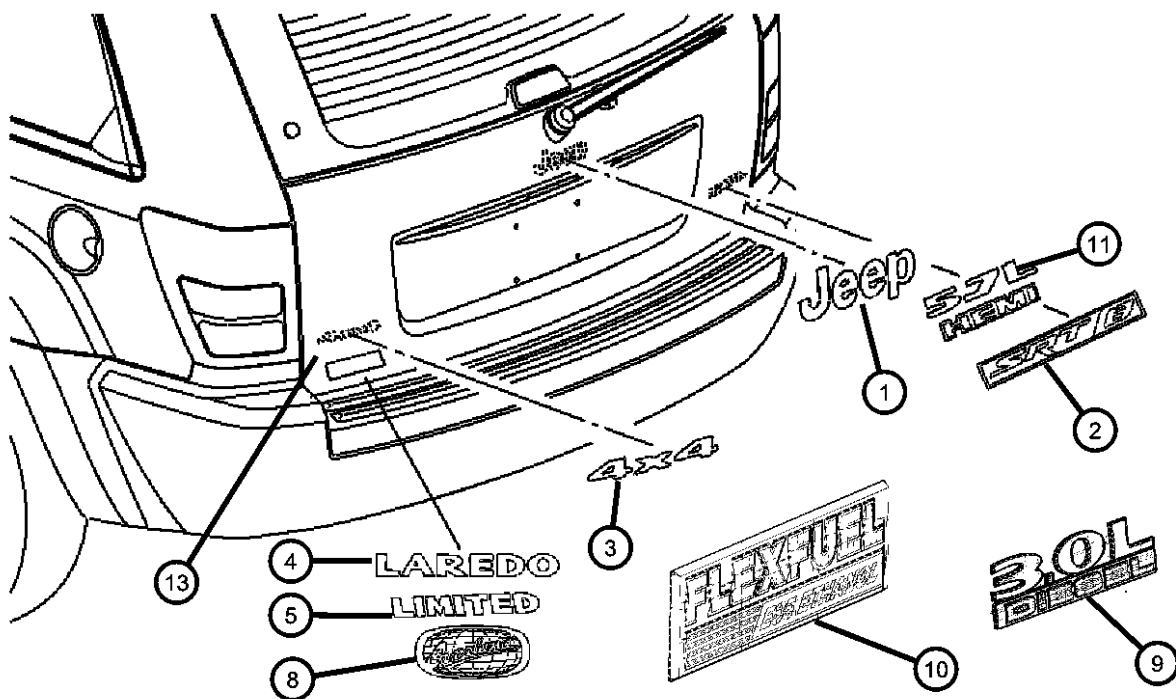
ITEM	PART NUMBER	QTY	LINE	SERIES	BODY	ENGINE	TRANS	TRIM	DESCRIPTION
------	-------------	-----	------	--------	------	--------	-------	------	-------------

Sales Codes:

- [MT2] = Trail Rated Badge
- [MTV]= SRT8 Badge
- [MWT]= 4x4 Badge
- [MZK] = Laredo Badge
- [MZM] = Overland
- [MT5] = North Edition



1	55157089AC	1	J, T		74				NAMEPLATE Liftgate
2	05029893AB	1	J, T	X	74				NAMEPLATE, [MTV]
3	55157091AC	1	J, T		74				NAMEPLATE, [MWT], Liftgate
4	55157303AE	1	J, T		74				NAMEPLATE, [MZK], Liftgate
5									NAMEPLATE
	05113554AA	2	J, T		74				[MT5], Door
	55157090AC	1	J, T		74				[MVA], Door
6	55157317AB	1	J, T		74				MEDALLION, [MT2] Left Side Only, [TRAIL RATED], Fender
7	55079387AA	2	J, T		74				NAMEPLATE, Rocky Mountain, [MZW], Door
8	55157358AA	1	J, T		74				NAMEPLATE, [MZM], Liftgate
9	68038123AA	1	J, T		74				NAMEPLATE
10	55372784AA	1	J, T		74				NAMEPLATE, FLEX FUEL E85 ETHANOL
11	55079103AA	1	J, T		74				NAMEPLATE, HEMI
12	55157088AC	1	J, T		74				NAMEPLATE, Jeep
13	55079385AA	1	J, T		74				NAMEPLATE, Special Edition, [MTZ]



GRAND CHEROKEE (WK)

SERIES LINE
H = HIGHLINE T = JEEP - 2WD
P = PREMIUM J = JEEP - 4WD
S = SPORT
X = SPECIAL

BODY
74 = SPORT UTILITY 4-DR
TYPE #4

ENGINE
EVE = Engine - 4.7L V8 DOHC 3 Valve
EZB = 5.7L Hemi Multi Displacement Engine
EKG = 3.7L V6 Engine
ESF = 6.1L SRT HEMI SMPI V8 Engine
EXL = 3.0L V6 Turbo Diesel Engine

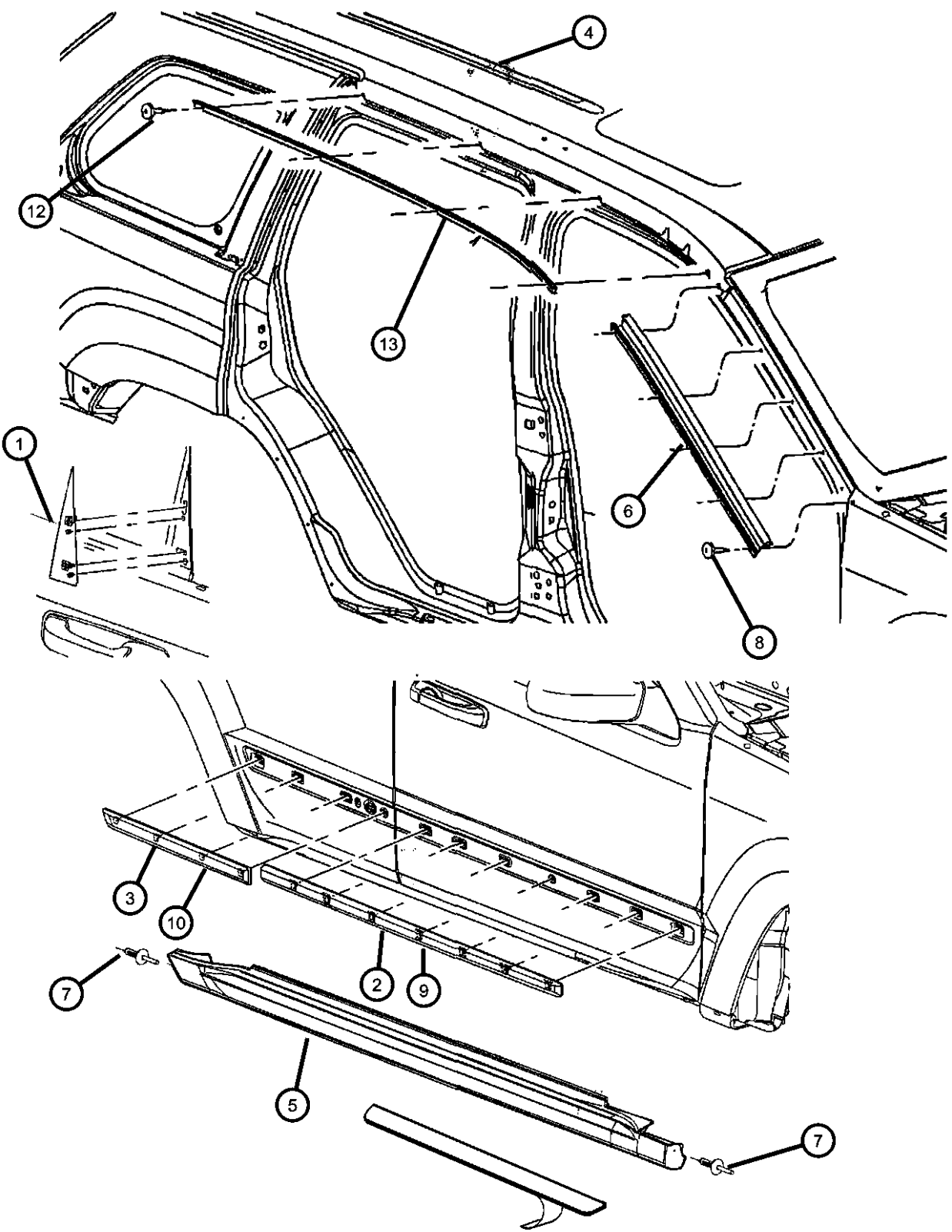
TRANSMISSION
DGJ = 5-Speed Auto W5A580 Transmission
DGU = 5-Spd Auto W5J400 Transmission
DGQ = 5-Spd Automatic 545RFE Transmission

AR = use ase required - = Non illustrated part

2008 WK

Exterior Ornamentation

Figure 40-205



ITEM	PART NUMBER	QTY	LINE	SERIES	BODY	ENGINE	TRANS	TRIM	DESCRIPTION
------	-------------	-----	------	--------	------	--------	-------	------	-------------

Sales Codes:
 [MJB]= Chrome Bodyside Molding
 [MTG]= Platinum Bodyside Molding

1									APPLIQUE, Rear Door
	55396380AD	1	J, T		74				Right
	55396381AD	1	J, T		74				Left
2									MOLDING, Front Door
	55156848AD	1	J, T		74				[MJB], Right
	55156849AD	1	J, T		74				[MJB], Left
3									MOLDING, Rear Door
	55156846AC	1	J, T		74				[MJB], Right
	55156847AC	1	J, T		74				[MJB], Left
4									MOLDING, Roof
	05030272AB	2	J, T	X	74				Without Luggage Rack
		2	J, T	H, P	74				Without Luggage Rack
	55156874AD	1	J, T		74				Right
	55156875AD	1	J, T		74				Left
5									MOLDING, Sill Cover
	1CA09TZZAA	1	J, T		74				[K7], Left
	1CA08TZZAA	1	J, T		74				[K7], Right
	05030000AC	1	J, T	X	74				[K2], Right
	05030001AC	1	J, T	X	74				[K2], Left
	5HU24RXFAB	1	J, T		74				[K5], Right
	5HU25RXFAB	1	J, T		74				[K5], Left
6									MOLDING, Windshield
	55394512AB	1	J, T		74				Right
	55394513AB	1	J, T		74				Left
7									RIVET, M6.25x28
	06500911	4	J, T		74				Sill to Wheel Opening
		12	J, T		74				Sill to Lower Weld Flange
8		12							SCREW, .164-15x.500, (NOT SERVICED),
9									MOLDING, Front Door

GRAND CHEROKEE (WK)

SERIES LINE
 H = HIGHLINE T = JEEP - 2WD
 P = PREMIUM J = JEEP - 4WD
 S = SPORT
 X = SPECIAL

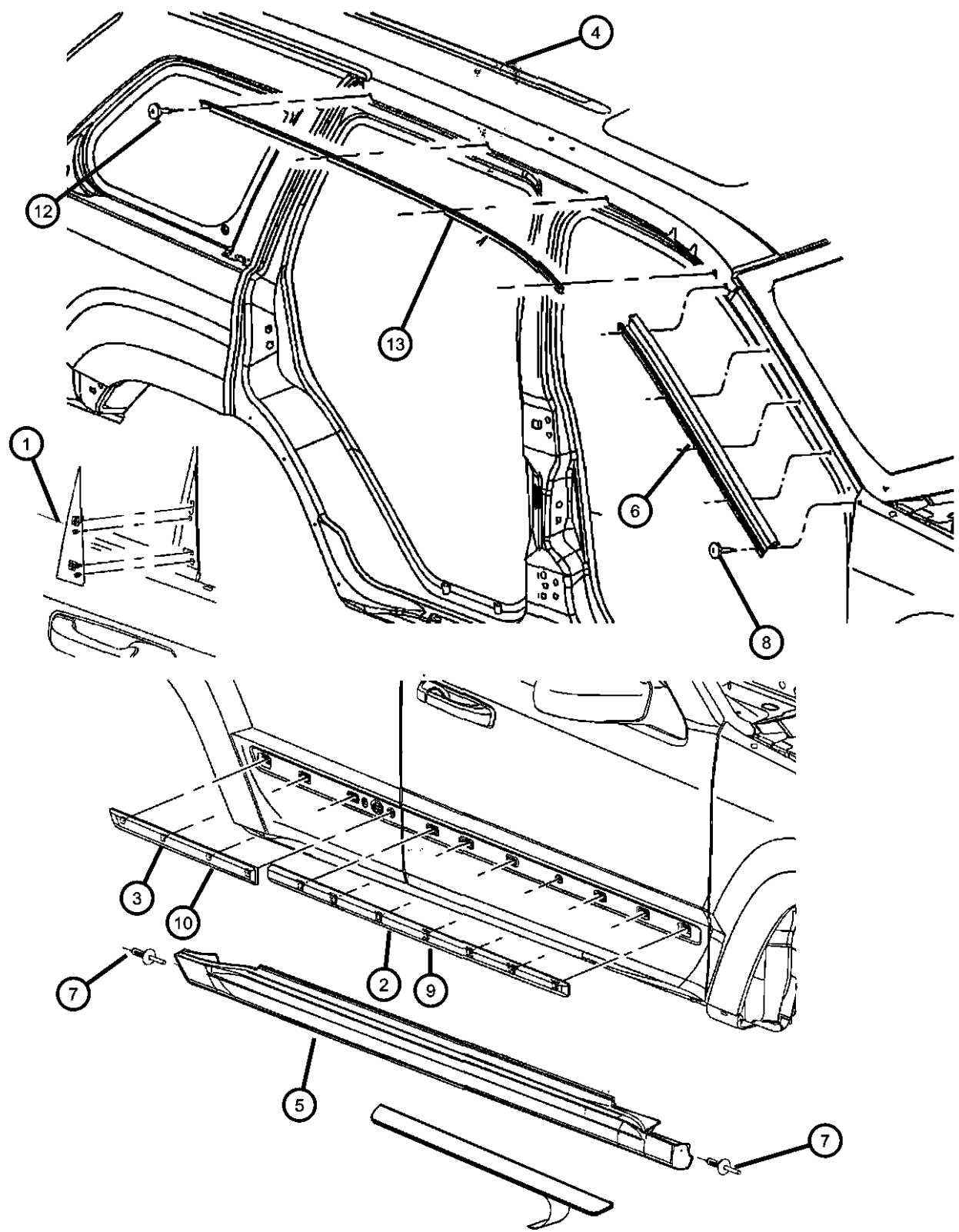
BODY
 74 = SPORT UTILITY 4-DR
 TYPE #4

ENGINE
 EVE = Engine - 4.7L V8 DOHC
 3 Valve
 EZB = 5.7L Hemi Multi
 Displacement Engine
 EKG = 3.7L V6 Engine
 ESF = 6.1L SRT HEMI SMPI
 V8 Engine
 EXL = 3.0L V6 Turbo Diesel
 Engine

TRANSMISSION
 DGJ = 5-Speed Auto W5A580
 Transmission
 DGU = 5-Spd Auto W5J400
 Transmission
 DGQ = 5-Spd Automatic 545RFE
 Transmission

AR = use ase required - = Non illustrated part

Exterior Ornamentation
Figure 40-205



ITEM	PART NUMBER	QTY	LINE	SERIES	BODY	ENGINE	TRANS	TRIM	DESCRIPTION
	1DG42RXFAB	1	J, T	H	74				Right
	1DG43RXFAB	1	J, T	H	74				Left
10									MOLDING, Rear Door
	1DG40RXFAB	1	J, T	H	74				Right
	1DG41RXFAB	1	J, T	H	74				Left
-11	82209068AB	1							SILL KIT, Door Entry
12	06104566AA	8	J, T		74				SCREW, TappingLeft
13									SEAL, Retainer
	55369362AB	1	J, T		74				Right
	55369363AB	1	J, T		74				Left
-14	05191598AA	4	J, T		74				CLIP, Repair, Windshield Molding Attach

GRAND CHEROKEE (WK)

SERIES LINE
H = HIGHLINE T = JEEP - 2WD
P = PREMIUM J = JEEP - 4WD
S = SPORT
X = SPECIAL

BODY
74 = SPORT UTILITY 4-DR
TYPE #4

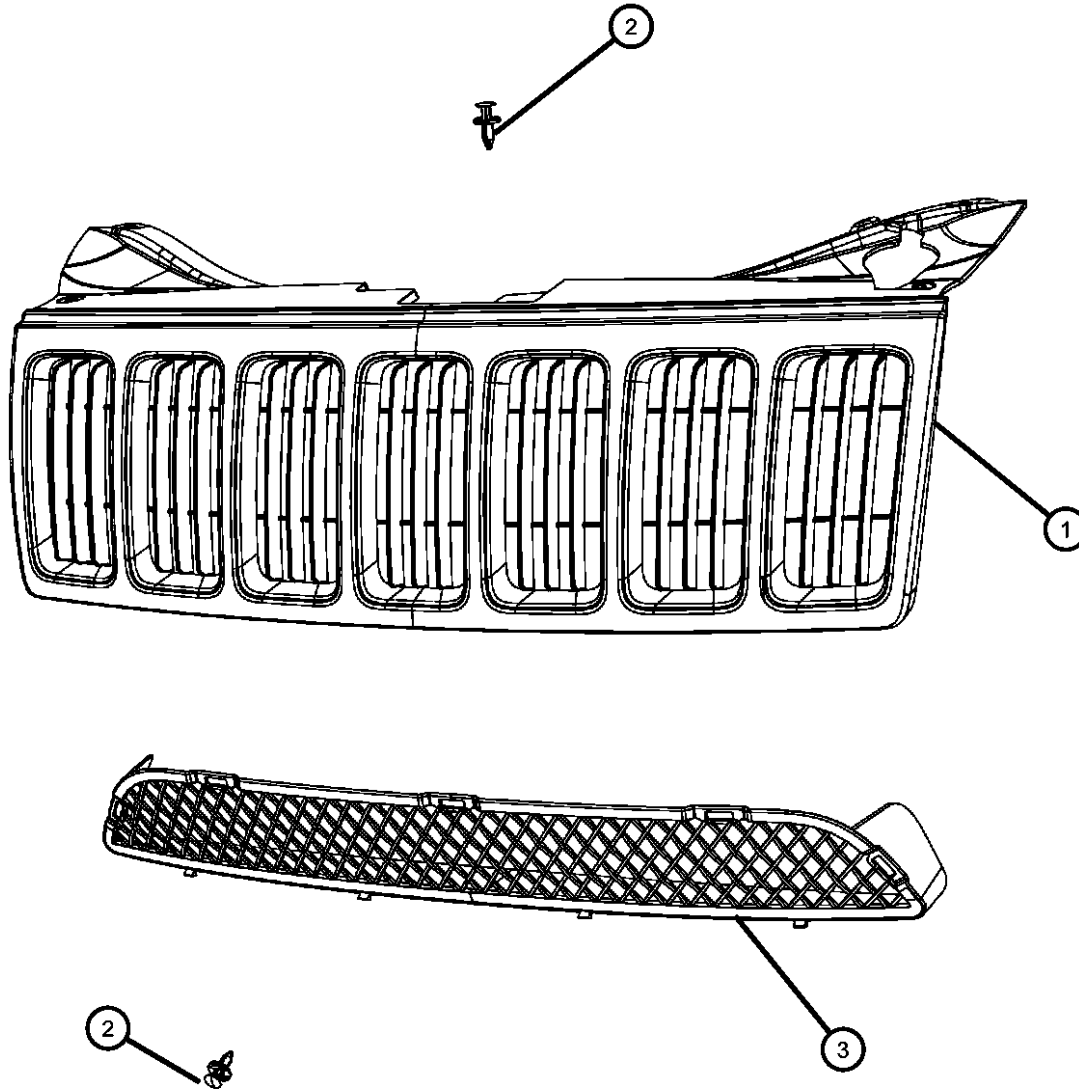
ENGINE
EVE = Engine - 4.7L V8 DOHC
3 Valve
EZB = 5.7L Hemi Multi
Displacement Engine
EKG = 3.7L V6 Engine
ESF = 6.1L SRT HEMI SMPI
V8 Engine
EXL = 3.0L V6 Turbo Diesel
Engine

TRANSMISSION
DGJ = 5-Speed Auto W5A580
Transmission
DGU = 5-Spd Auto W5J400
Transmission
DGQ = 5-Spd Automatic 545RFE
Transmission

AR = use ase required - = Non illustrated part

Grilles
Figure 40-405

ITEM	PART NUMBER	QTY	LINE	SERIES	BODY	ENGINE	TRANS	TRIM	DESCRIPTION
1									GRILLE, Radiator, Includes: Sight Shield
	1DF491S2AB	1	J, T	H	74				[S2] [MFN]
	1DF491W1AB	1	J, T	H	74				[W1] [MFN]
	1FW131EMAB	1	J, T	X	74				[EM] [MFK]
	1DF491BMAB	1	J, T	H	74				[BM] [MFN]
	1DF491DAAB	1	J, T	H	74				[DA] [MFN]
	1DF491DMAB	1	J, T	H	74				[DM] [MFN]
	1FW131S2AB	1	J, T	X	74				[S2] [MFK]
	1FW131X8AB	1	J, T	X	74				[X8] [MFK]
	1DF491X8AB	1	J, T	H	74				[X8] [MFN]
	1DF491XRAB	1	J, T	H	74				[XR] [MFN]
	1FW131BMAB	1	J, T	X	74				[BM] [MFK]
	55079362AA	1	J, T	S	74				[MFZ]
	55157458AA	1	J, T	P	74				[MFZ]
	1DF491EMAB	1	J, T	H	74				[EM] [MFN]
	1DF491GJAB	1	J, T	H	74				[GJ] [MFN]
	1FW131BLAC	1	J, T	X	74				[BL], [MFK]
	1FW131BMAC	1	J, T	X	74				[BM], [MFK]
	1FW131EMAC	1	J, T	X	74				[EM], [MFK]
	1FW131S2AC	1	J, T	X	74				[S2], [MFK]
	1FW131X8AC	1	J, T	X	74				[X8], [MFK]
	1FW131XRAC	1	J, T	X	74				[XR], [MFK]
2									PIN, Push, M8x21
	06503598	9	J, T	X	74				To Fascia
		6	J, T		74				Grille Attach
3	05030066AB	1	J, T	X	74				GRILLE, Fascia



GRAND CHEROKEE (WK)

SERIES LINE
H = HIGHLINE T = JEEP - 2WD
P = PREMIUM J = JEEP - 4WD
S = SPORT
X = SPECIAL

BODY
74 = SPORT UTILITY 4-DR TYPE #4

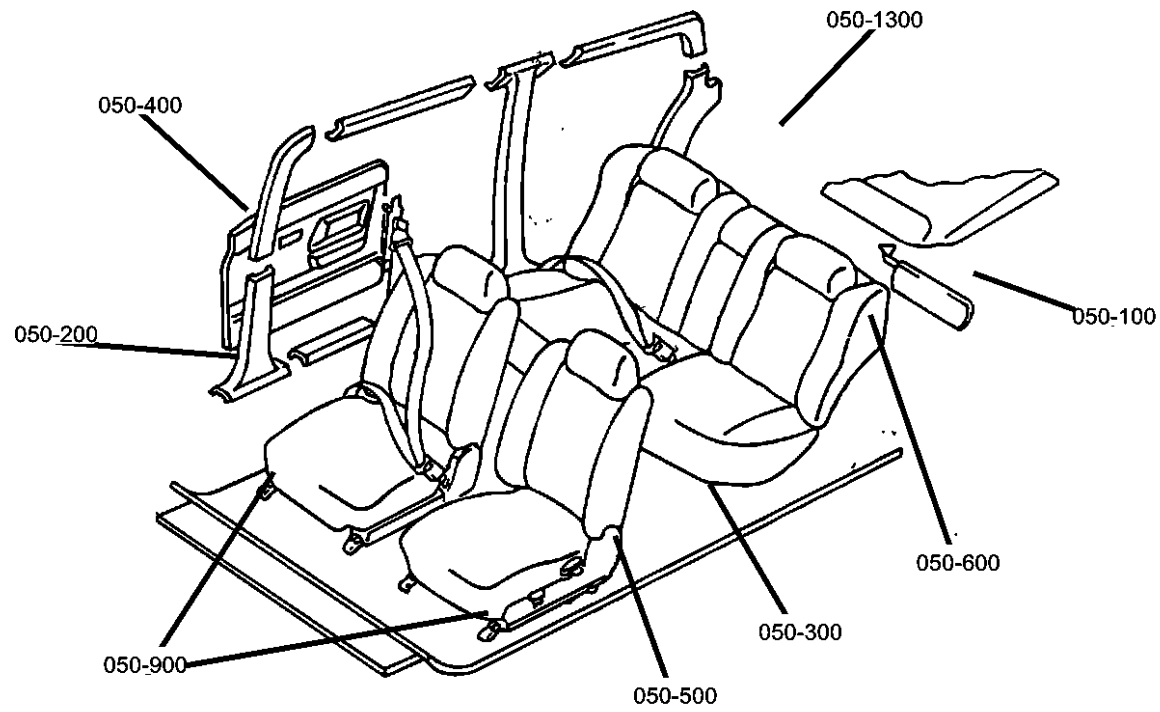
ENGINE TRANSMISSION
EVE = Engine - 4.7L V8 DOHC 3 Valve
EVB = Engine - 4.7L V8 DOHC 3 Valve
EZE = 5.7L Hemi Multi Displacement Engine
EKG = 3.7L V6 Engine
ESF = 6.1L SRT HEMI SMPI V8 Engine
EXL = 3.0L V6 Turbo Diesel Engine
DGJ = 5-Speed Auto W5A580 Transmission
DGB = 5-Speed Auto W5J400 Transmission
DGQ = 5-Spd Automatic 545RFE Transmission

AR = use ase required - = Non illustrated part

Group - 50

Interior Trim

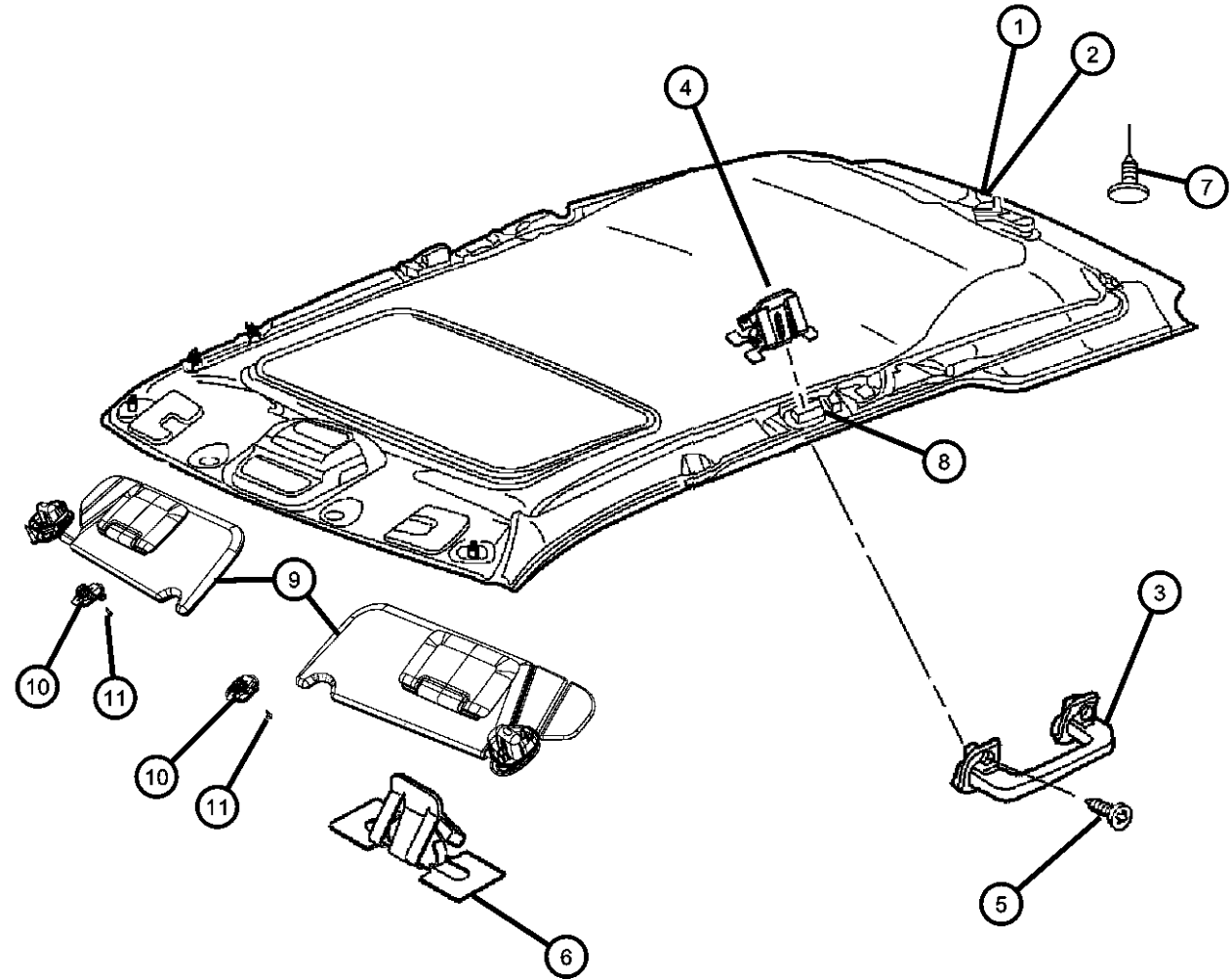
050-100 Headliners-Visors-Assist Straps	050-1400 Lift Gate Panel and Scuff Plate	050-1600 Consoles	050-1700 Instrument Panel
050-200 Panels-Moldings-Scuff Plates, Pillar, Cowl, 1/4 Panel Trim and Cargo Covers	050-300 Carpets, Floor Mats, Load Floor, and Silencers	050-400 Door Trim Panels-Front and Rear	050-500 Front Seats - First Row
050-600 Rear Seats - Second Row	050-900 Front Seats - Adjusters, Recliners, Shields and Risers		



Group - 50 Interior Trim

Illustration Title	Group-Fig. No.
Headliners-Visors-Assist Straps	
Headliners and Visors	Fig. 50 - 105
Panels-Moldings-Scuff Plates, Pillar, Cowl, 1/4 Panel Trim and Cargo Covers	
Interior Moldings and Pillars	Fig. 50 - 205
Quarter Trim Panel	Fig. 50 - 230
Carpets, Floor Mats, Load Floor, and Silencers	
Carpet, Complete	Fig. 50 - 305
Load Floor, Cargo	Fig. 50 - 325
Door Trim Panels-Front and Rear	
Front Door Trim Panels	Fig. 50 - 405
Rear Door Trim Panels	Fig. 50 - 410
Front Seats - First Row	
Front Seat -Bucket -Trim Code [DZ]	Fig. 50 - 505
Front Seat -Bucket-Trim Code [EL]	Fig. 50 - 506
Front Seat -Bucket- Trim Code [F7]	Fig. 50 - 507
Front Seat -Bucket-Trim Code [GL]	Fig. 50 - 508
Front Seat -Bucket-Trim Code [UL]	Fig. 50 - 509
Front Seat - Bucket - Trim Code [XL]	Fig. 50 - 510
Front Seat - Bucket - Trim Code [T5]	Fig. 50 - 511
Rear Seats - Second Row	
Rear Seat - Split Seat - Trim Code[DZ]	Fig. 50 - 667
Rear Seat - Split Seat - Trim Code[EL]	Fig. 50 - 668
Rear Seat - Split Seat - Trim Code[F7]	Fig. 50 - 669
Rear Seat - Split Seat - Trim Code[GL]	Fig. 50 - 670
Rear Seat - Split Seat - Trim Code[UL]	Fig. 50 - 671
Rear Seat - Split Seat - Trim Code [XL]	Fig. 50 - 672
Rear Seat - Split Seat - Trim Code [T5]	Fig. 50 - 673
Front Seats - Adjusters, Recliners, Shields and Risers	
Adjusters , Recliners and Shields - Driver Seat - Power	Fig. 50 - 905
Adjusters, Recliners and Shields - Passenger Seat - Power	Fig. 50 - 915
Adjusters , Recliners and Shields - Passenger Seat - Manual	Fig. 50 - 920
Lift Gate Panel and Scuff Plate	
Liftgate Panels and Scuff Plate	Fig. 50 - 1405
Consoles	
Floor Console Front	Fig. 50 - 1605
Overhead Console	Fig. 50 - 1620
Instrument Panel	
Instrument Panel and Structure	Fig. 50 - 1705
Instrument Panel Trim	Fig. 50 - 1710

Headliners and Visors
Figure 50-105



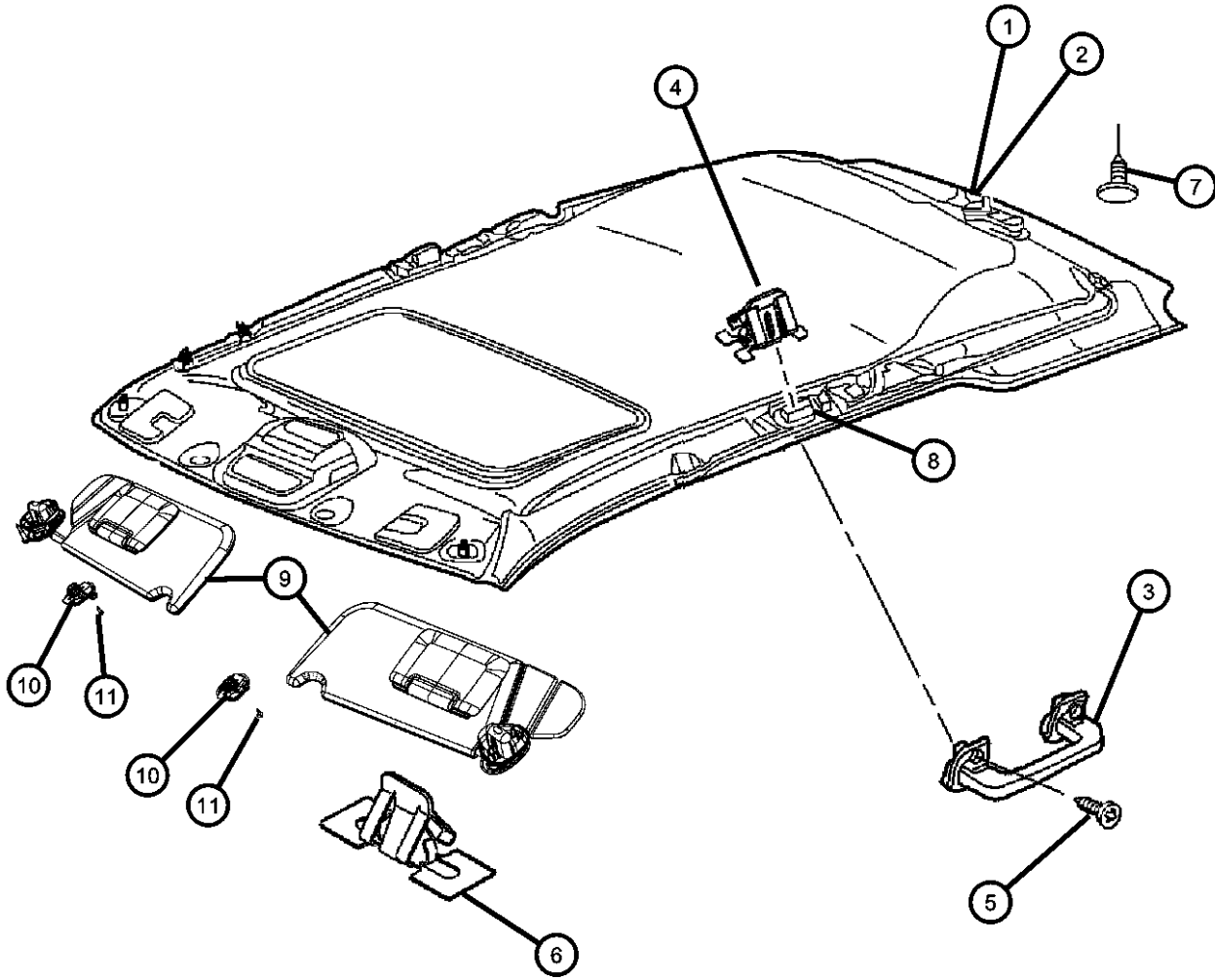
ITEM	PART NUMBER	QTY	LINE	SERIES	BODY	ENGINE	TRANS	TRIM	DESCRIPTION
Sales Codes :									
[CGS] = With Side Airbags									
[CVE] = Overhead Console									
[GNV] = Non Illuminated Visors									
[GWA] = Sunroof									
[JHA] = Intermitten Wipers									
[JHC] = Windshield Wiper, Rain Sensitive									
[SNA] = Dynamic Handling System									
[XAA] = Park Assist Rear Sensor									
1									HEADLINER, Without Sunroof
	1HQ71BD1AA	1	J, T		74			*00	[GNC+XGD+GNK+JHA-CVE or XAA]
		1	J, T		74			*00	[GNK or GN5+GNC+XGD+JHA-CVE or XAA]
	1GH43BD1AA	1	J, T		74			*00	[GNV+CGS+JHA]
	1AQ58BD1AC	1	J, T		74			*00	[GNV+CGS+JHA]
2									HEADLINER, With Sunroof, [GWA]
	1FW01BD1AA	1	J, T		74			*00	With [GNV], [JHA], [GWA] Sales Codes
	1HQ74BD1AA	1	J, T		74			*00	With [GNK or GN5], [GNC], [XGD], [JHC], [GWA], [XAA] Sales Codes
	1HQ59BD1AA	1	J, T		74			*00	With [GNK Or GN5], [GNC], [XGD], [JHC], [GWA], [CVE], [XAA] Sales Codes
	1HQ72BD1AA	1	J, T		74			*00	
3	1AK64BD1AA	1	J, T		74			*00	HANDLE, Roof Grab
4	04746232	2	J, T		74			*00	CLIP, Z-Axis, Visor & Grab Handle Attach
5	05139455AA	4	J, T		74			*00	SCREW
6	05028203AA	2	J, T		74			*00	CLIP, Roof Rail
7	06503943	1	J, T		74				RETAINER
8	05166015AA	2	J, T		74			*00	PLATE, Retaining
9									VISOR
	1AK81BD1AA	1	J, T		74			*00	With Vanity Mirror [GNV], Left
	1AK82BD1AA	1	J, T		74			*00	With Illuminated Vanity Mirror [GNC], Right
	1AK80BD1AA	1	J, T		74			*00	With Vanity Mirror [GNV], Right
	1AK83BD1AA	1	J, T		74			*00	With Illuminated Vanity Mirror [GNC], Left

GRAND CHEROKEE (WK)				
SERIES	LINE	BODY	ENGINE	TRANSMISSION
H = HIGHLINE	T = JEEP - 2WD	74 = SPORT UTILITY 4-DR	EVE = Engine - 4.7L V8 DOHC	DGJ = 5-Speed Auto W5A580
P = PREMIUM	J = JEEP - 4WD	TYPE #4	3 Valve	Transmission
S = SPORT			EZB = 5.7L Hemi Multi	DGU = 5-Spd Auto W5J400
X = SPECIAL			Displacement Engine	Transmission
			EKG = 3.7L V6 Engine	DGQ = 5-Spd Automatic 545RFE
			ESF = 6.1L SRT HEMI SMPI	Transmission
			V8 Engine	
			EXL = 3.0L V6 Turbo Diesel	
			Engine	

AR = use ase required - = Non illustrated part

Headliners and Visors
Figure 50-105

ITEM	PART NUMBER	QTY	LINE	SERIES	BODY	ENGINE	TRANS	TRIM	DESCRIPTION
10	1AL25BD1AA	2	J, T		74			*00	SUPPORT, Visor
11	06036610AA	4	J, T		74			*00	SCREW, Trim



GRAND CHEROKEE (WK)

SERIES LINE
H = HIGHLINE T = JEEP - 2WD
P = PREMIUM J = JEEP - 4WD
S = SPORT
X = SPECIAL

BODY
74 = SPORT UTILITY 4-DR
TYPE #4

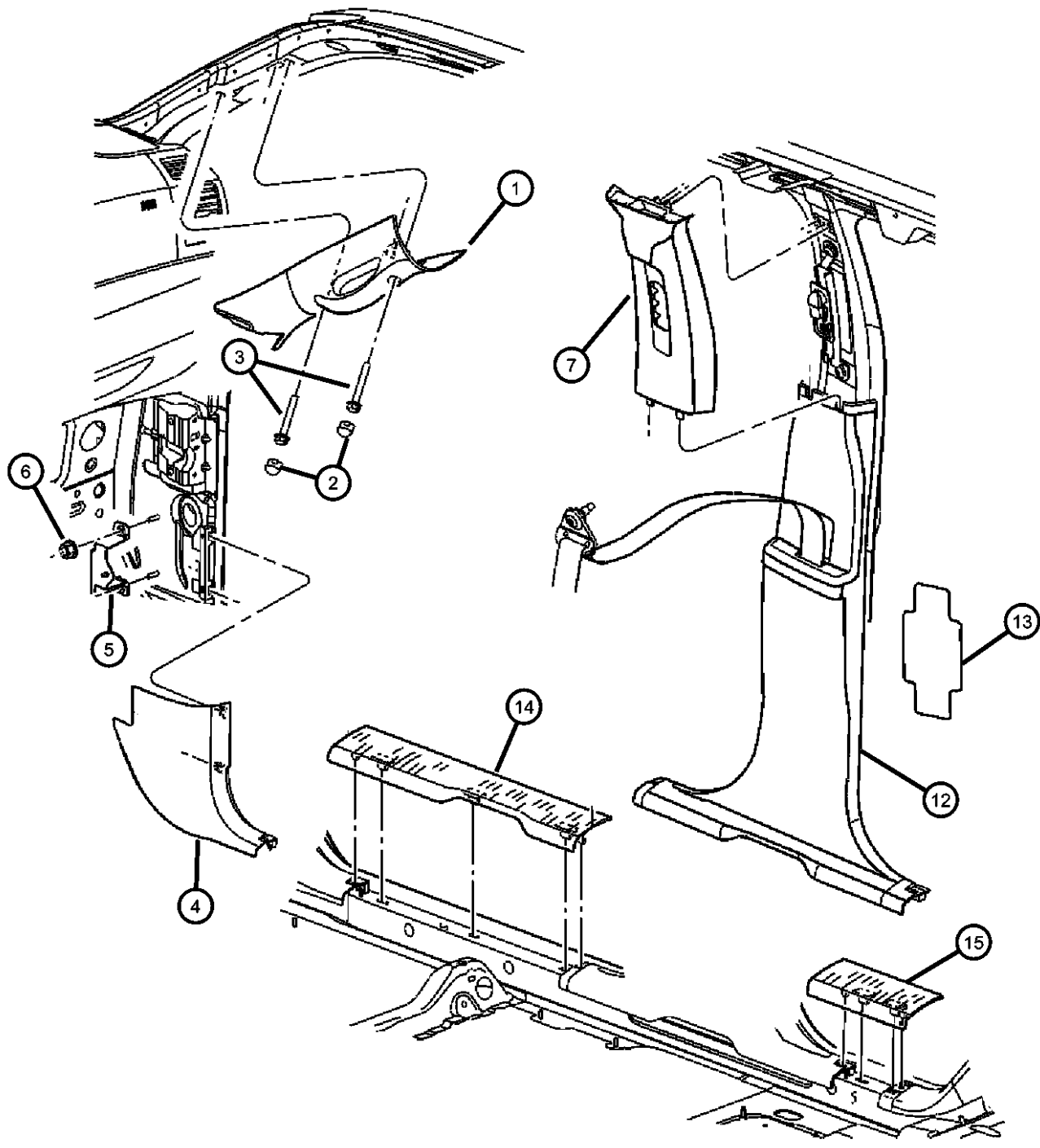
ENGINE
EVE = Engine - 4.7L V8 DOHC
3 Valve
EZB = 5.7L Hemi Multi
Displacement Engine
EKG = 3.7L V6 Engine
ESF = 6.1L SRT HEMI SMPI
V8 Engine
EXL = 3.0L V6 Turbo Diesel
Engine

TRANSMISSION
DGJ = 5-Speed Auto W5A580
Transmission
DGU = 5-Spd Auto W5J400
Transmission
DGQ = 5-Spd Automatic 545RFE
Transmission

AR = use ase required - = Non illustrated part

2008 WK

**Interior Moldings and Pillars
Figure 50-205**



ITEM	PART NUMBER	QTY	LINE	SERIES	BODY	ENGINE	TRANS	TRIM	DESCRIPTION
1	5HS26BDXAJ	1	J, T		74			*O0	PANEL, A Pillar Right
	5HS27BDXAJ	1	J, T		74			*O0	Left
2	1AV83BDXAA	1	J, T		74			*O0	PLUG, A Pillar Garnish Lower Left
	1AV92BDXAA	1	J, T		74			*O0	Lower Right
	1AV93BDXAA	1	J, T		74			*O0	Upper Left
	1AV94BDXAA	1	J, T		74			*O0	Upper Right
3	06105043AA	4	J, T		74				SCREW, Trim
4	1CL27BD1AB	1	J, T		74			*O0	PANEL, Cowl Side Trim [J1], Left
		1	J, T		74			*O0	[D1], Left
	1CL27XDVAB	1	J, T		74			*O0	[DV], Left
	1CL27ZJ3AB	1	J, T		74			*O0	[J3], Left
	5HQ14BD1AH	1	J, T		74			*O0	[D1], Right
		1	J, T		74			*O0	[J1], Right
	5HQ14XD-VAH	1	J, T		74			*O0	[DV], Right
	5HQ14ZJ3AH	1	J, T		74			*O0	[J3], Right
5	55352902AD	1	J, T		74				BRACKET, Cowl
6	06503825	2	J, T		74				NUT AND WASHER, Hex, M6X1.00
7	5KU68BDXAA	1	J, T		74			*O0	PANEL, B Pillar, Upper Right
	5KU69BDXAA	1	J, T		74			*O0	Left
-8	1PA88BD1AA	1	J, T		74			*O0	SLIDERRight & Left
-9	1PA87BDXAA	1	J, T		74			*O0	CAP, Screw CoverRight & Left
-10	68053286AA	1	J, T		74			*O0	SCREW
-11	68053285AA	1	J, T		74			*O0	CLIP
12	5HQ10BD1AG	1	J, T		74			*O0	PANEL, B Pillar Lower Trim [J1], Right
		1	J, T		74			*O0	[D1], Right
	5HQ10XD-VAG	1	J, T		74			*O0	[DV], Right

GRAND CHEROKEE (WK)

SERIES LINE
H = HIGHLINE T = JEEP - 2WD
P = PREMIUM J = JEEP - 4WD
S = SPORT
X = SPECIAL

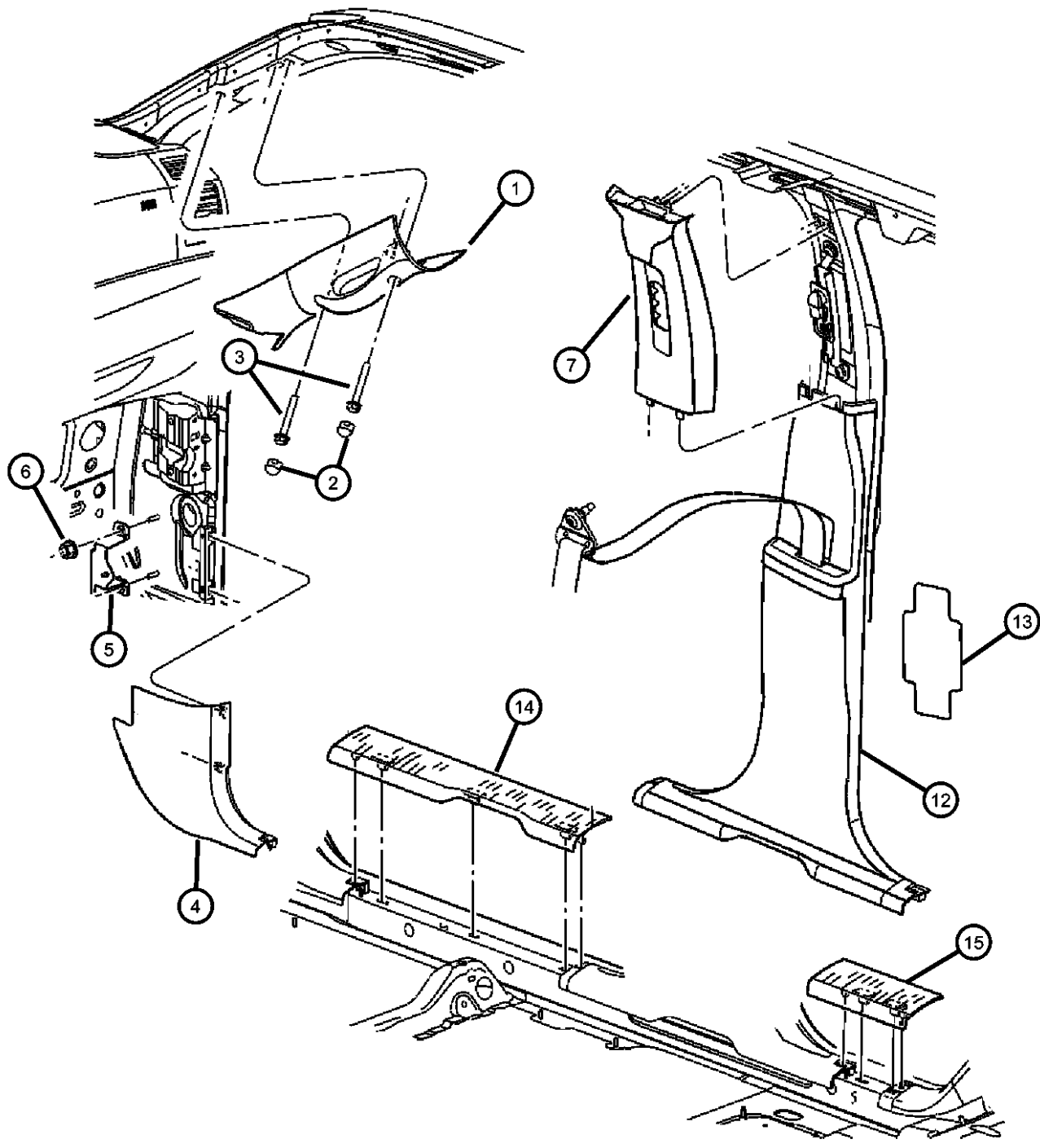
BODY
74 = SPORT UTILITY 4-DR
TYPE #4

ENGINE TRANSMISSION
EVE = Engine - 4.7L V8 DOHC 3 Valve DGJ = 5-Speed Auto W5A580
EZH = 5.7L Hemi Multi Displacement Engine DGU = 5-Spd Auto W5J400
EKG = 3.7L V6 Engine DGQ = 5-Spd Automatic 545RFE
ESF = 6.1L SRT HEMI SMPI V8 Engine
EXL = 3.0L V6 Turbo Diesel Engine

AR = use ase required - = Non illustrated part

2008 WK

Interior Moldings and Pillars
Figure 50-205



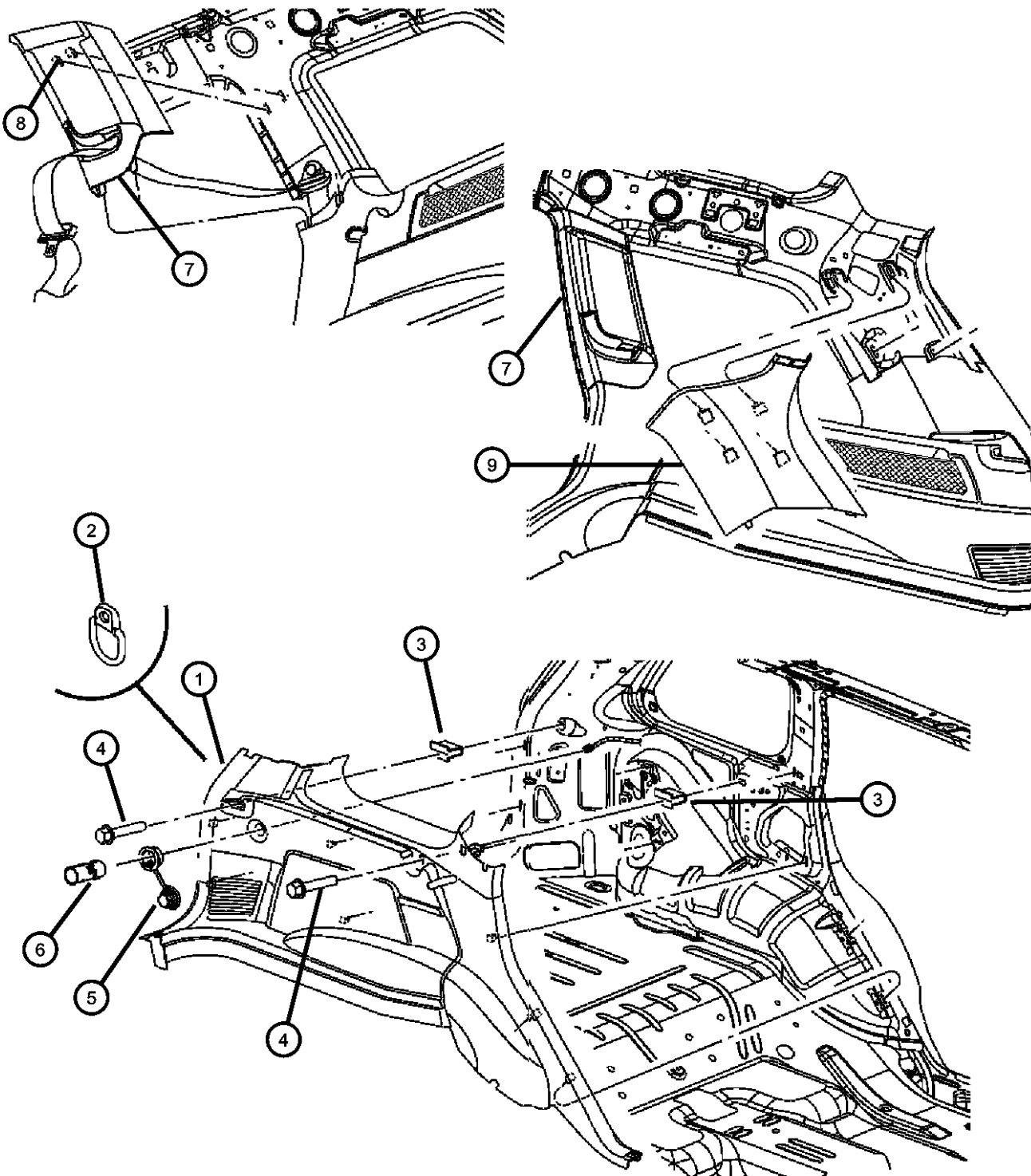
ITEM	PART NUMBER	QTY	LINE	SERIES	BODY	ENGINE	TRANS	TRIM	DESCRIPTION
	5HQ10ZJ3AG	1	J, T		74			*00	[J3], Right
	5HQ11BD1AG	1	J, T		74			*00	[J1], Left
		1	J, T		74			*00	[D1], Left
	5HQ11XD-VAG	1	J, T		74			*00	[DV], Left
	5HQ11ZJ3AG	1	J, T		74			*00	[J3], Left
13	55116545AC	2	J, T		74				SHIELD, Seat Belt Retractor
14									SILL COVER, Interior, Front
	5JQ20ZJ3AB	1	J, T		74			*00	[J3], Right
	5JQ21BD1AB	1	J, T		74			*00	[J1], Left
		1	J, T		74			*00	[D1], Left
	5JQ21XDVAB	1	J, T		74			*00	[DV], Left
	5JQ21ZJ3AB	1	J, T		74			*00	[J3], Left
	5JQ20BD1AB	1	J, T		74			*00	[J1], Right
		1	J, T		74			*00	[D1], Right
	5JQ20XDVAB	1	J, T		74			*00	[DV], Right
15									SILL COVER, Interior, Rear
	5JX64BD1AB	2	J, T		74			*00	[J1]
	5JX64ZJ3AB	2	J, T		74			*00	[J3]

GRAND CHEROKEE (WK)

SERIES	LINE	BODY	ENGINE	TRANSMISSION
H = HIGHLINE	T = JEEP - 2WD	74 = SPORT UTILITY 4-DR	EVE = Engine - 4.7L V8 DOHC 3 Valve	DGJ = 5-Speed Auto W5A580 Transmission
P = PREMIUM	J = JEEP - 4WD	TYPE #4	EZB = 5.7L Hemi Multi Displacement Engine	DGU = 5-Spd Auto W5J400 Transmission
S = SPORT			EKG = 3.7L V6 Engine	DGQ = 5-Spd Automatic 545RFE Transmission
X = SPECIAL			ESF = 6.1L SRT HEMI SMPI V8 Engine	
			EXL = 3.0L V6 Turbo Diesel Engine	

AR = use ase required - = Non illustrated part

Quarter Trim Panel
Figure 50-230



ITEM	PART NUMBER	QTY	LINE	SERIES	BODY	ENGINE	TRANS	TRIM	DESCRIPTION
1									PANEL, Quarter Trim
	1CL991J3AA	1	J, T		74			*00	[J3] , With [JMM], Left
	5HS361D1AH	1	J, T		74			*00	[D1], Right
		1	J, T		74			*00	[J1], Right
	5HS361DVAH	1	J, T		74			*00	[DV], Right
	5HS361J3AH	1	J, T		74			*00	[J3], Right
	5HS371D1AH	1	J, T		74			*00	[D1] , Without [JMM], Left
		1	J, T		74			*00	[J1] , Without [JMM], Left
	5HS371DVAH	1	J, T		74			*00	[DV] , Without [JMM], Left
	5HS371J3AH	1	J, T		74			*00	[J3] , Without [JMM], Left
	1CL991D1AA	1	J, T		74			*00	[D1] , With [JMM], Left
		1	J, T		74			*00	[J1] , With [JMM], Left
	1CL991DVAA	1	J, T		74			*00	[DV] , With [JMM], Left
2	55196901AB	1	J, T		74			*00	LOOP, Cargo Tie Down
3	06035773	2	J, T		74				NUT
4	06101946	4	J, T		74				SCREW, Tapping Hex Head, M4.2X1.70X20.00
5	04685668AA	1	J, T		74			*00	MOUNT, Power Outlet
6	04793554AC	1	J, T		74			*00	POWER OUTLET
7									PANEL, C Pillar
	5HS34BDXAH	1	J, T		74			*00	Right
	5HS35BDXAH	1	J, T		74			*00	Left
8									PLUG, C Pillar
	1CL22BDXAA	1	J, T		74			*00	Right
	1CL23BDXAA	1	J, T		74			*00	Left
9									PANEL, D Pillar
	5HS30ZJ3AH	1	J, T		74			*00	[J3], Right
	5HS31BD1AH	1	J, T		74			*00	[J1], Left
		1	J, T		74			*00	[D1], Left
	5HS31XDVAH	1	J, T		74			*00	[DV], Left
	5HS31ZJ3AH	1	J, T		74			*00	[J3], Left
	5HS30BD1AH	1	J, T		74			*00	[D1], Right

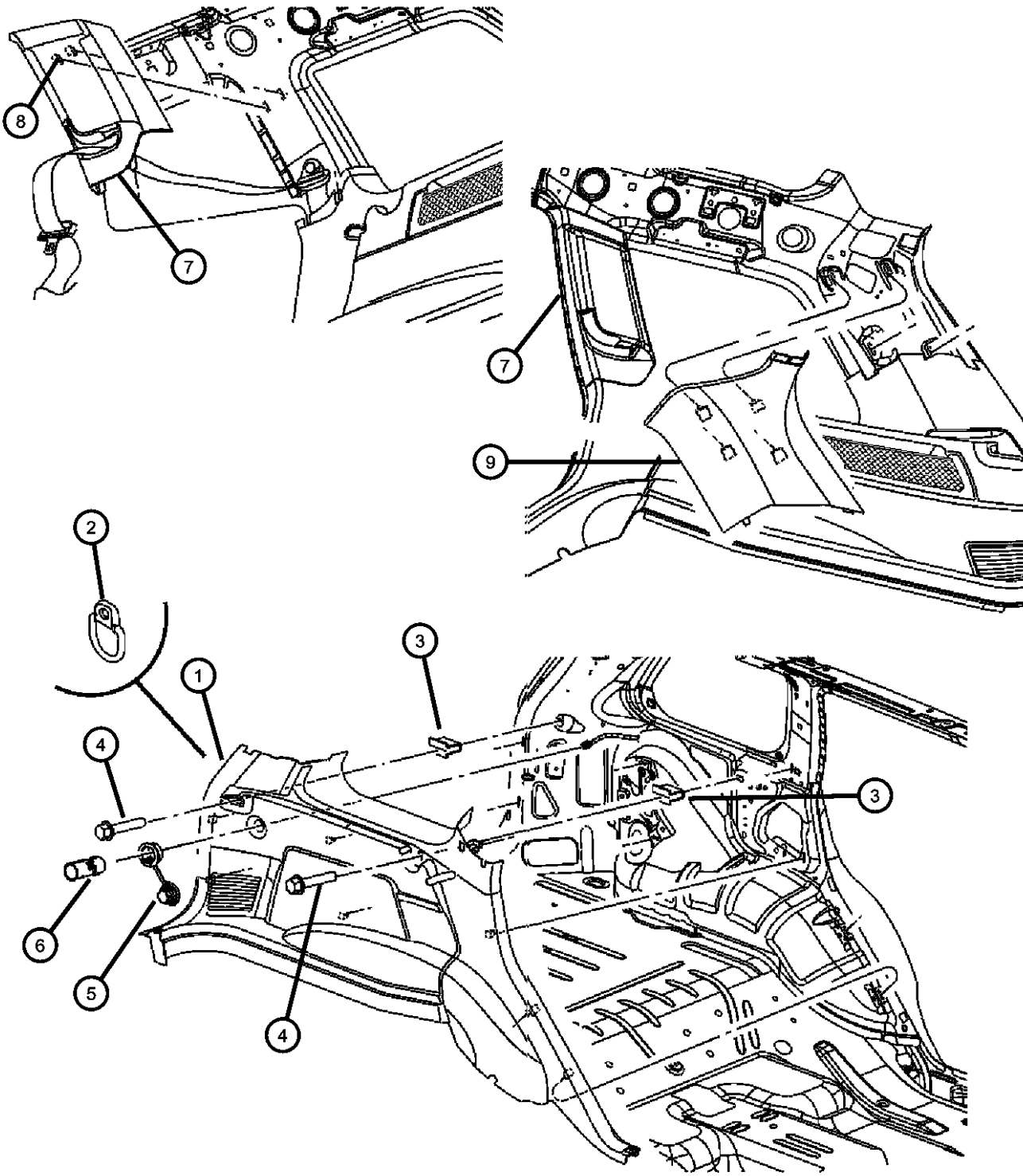
GRAND CHEROKEE (WK)
 SERIES LINE BODY ENGINE TRANSMISSION
 H = HIGHLINE T = JEEP - 2WD 74 = SPORT UTILITY 4-DR EVE = Engine - 4.7L V8 DOHC DGJ = 5-Speed Auto W5A580
 P = PREMIUM J = JEEP - 4WD TYPE #4 3 Valve Transmission
 S = SPORT EZB = 5.7L Hemi Multi DGU = 5-Spd Auto W5J400
 X = SPECIAL Displacement Engine Transmission
 EKG = 3.7L V6 Engine DGQ = 5-Spd Automatic 545RFE
 ESF = 6.1L SRT HEMI SMPI Transmission
 V8 Engine
 EXL = 3.0L V6 Turbo Diesel Engine

AR = use ase required - = Non illustrated part

Quarter Trim Panel
Figure 50-230

ITEM	PART NUMBER	QTY	LINE	SERIES	BODY	ENGINE	TRANS	TRIM	DESCRIPTION
------	-------------	-----	------	--------	------	--------	-------	------	-------------

		1	J, T		74			*00	[J1], Right
	5HS30XDVAH	1	J, T		74			*00	[DV], Right



GRAND CHEROKEE (WK)

SERIES LINE
H = HIGHLINE T = JEEP - 2WD
P = PREMIUM J = JEEP - 4WD
S = SPORT
X = SPECIAL

BODY
74 = SPORT UTILITY 4-DR
TYPE #4

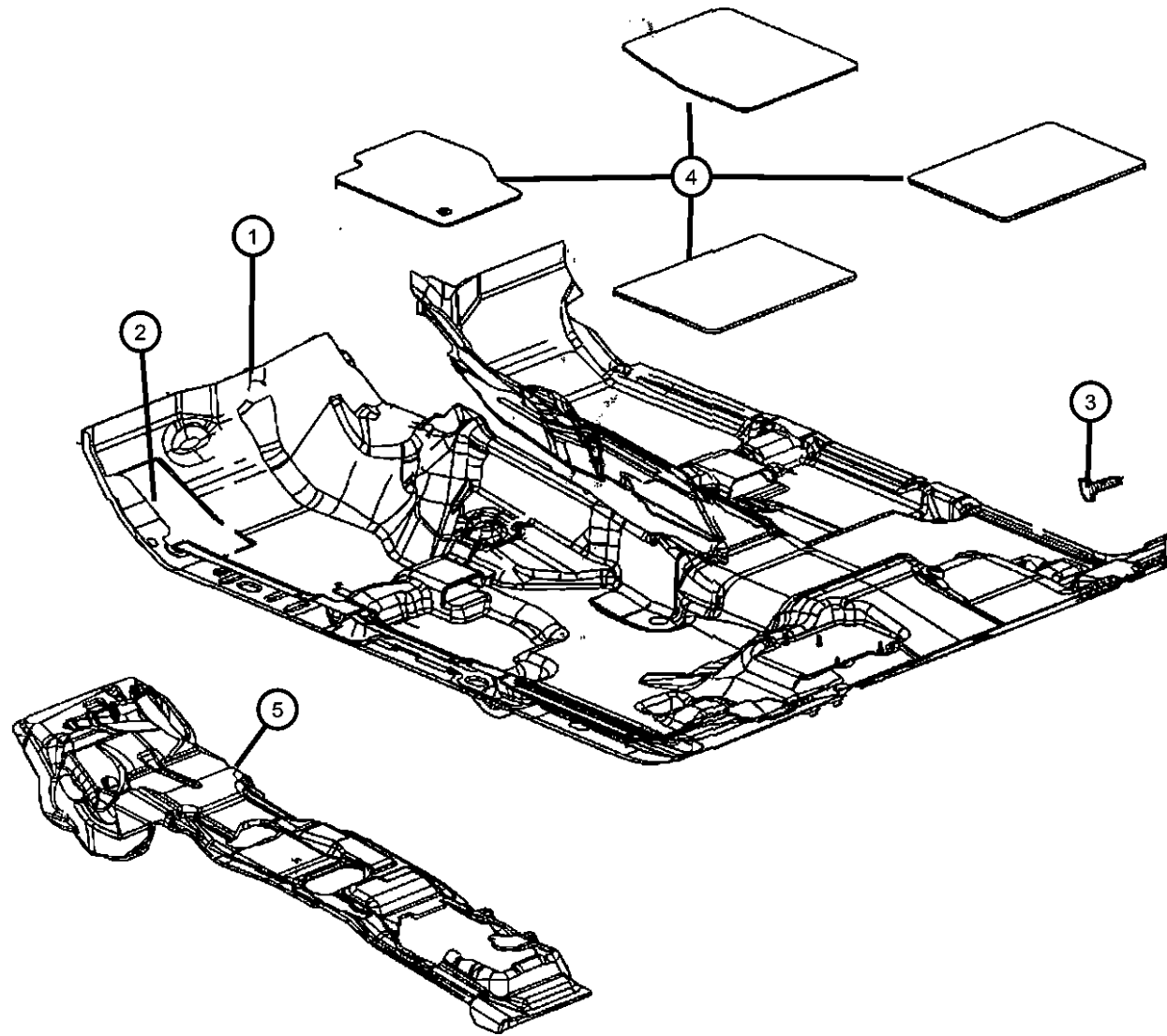
ENGINE TRANSMISSION
EVE = Engine - 4.7L V8 DOHC 3 Valve
EZB = 5.7L Hemi Multi Displacement Engine
EKG = 3.7L V6 Engine
ESF = 6.1L SRT HEMI SMPI V8 Engine
EXL = 3.0L V6 Turbo Diesel Engine
DGJ = 5-Speed Auto W5A580 Transmission
DGU = 5-Spd Auto W5J400 Transmission
DGQ = 5-Spd Automatic 545RFE Transmission

AR = use ase required - = Non illustrated part

2008 WK

**Carpet, Complete
Figure 50-305**

ITEM	PART NUMBER	QTY	LINE	SERIES	BODY	ENGINE	TRANS	TRIM	DESCRIPTION
1									CARPET, Floor, Front
	1GL60XDVAA	1	J, T		74			*O0	[D1]
		1	J, T		74			*O0	[DV]
	1GL60ZJ8AA	1	J, T		74			*O0	[J1]
		1	J, T		74			*O0	[J3]
2	55197048AB	1	J, T		74				FOOTREST
3	06501916	1	J, T		74				PIN, Push
4									MAT KIT, Floor
	1GL691DVAA	1	J, T		74			*O0	[D1] With [CLZ] Luxury Mats
		1	J, T		74			*O0	[DV] With [CLZ] Luxury Mats
	1GL691J8AA	1	J, T		74			*O0	[J1] With [CLZ] Luxury Mats
		1	J, T		74			*O0	[J3] With [CLZ] Luxury Mats
5	55196982AG	1	J, T		74				SILENCER, Tunnel
-6	68045565AA	4	J, T		74			*O0	STRAP, Load Floor
-7	68045564AA	4	J, T		74			*O0	BEZEL, Load floor latch



GRAND CHEROKEE (WK)

SERIES LINE
H = HIGHLINE T = JEEP - 2WD
P = PREMIUM J = JEEP - 4WD
S = SPORT
X = SPECIAL

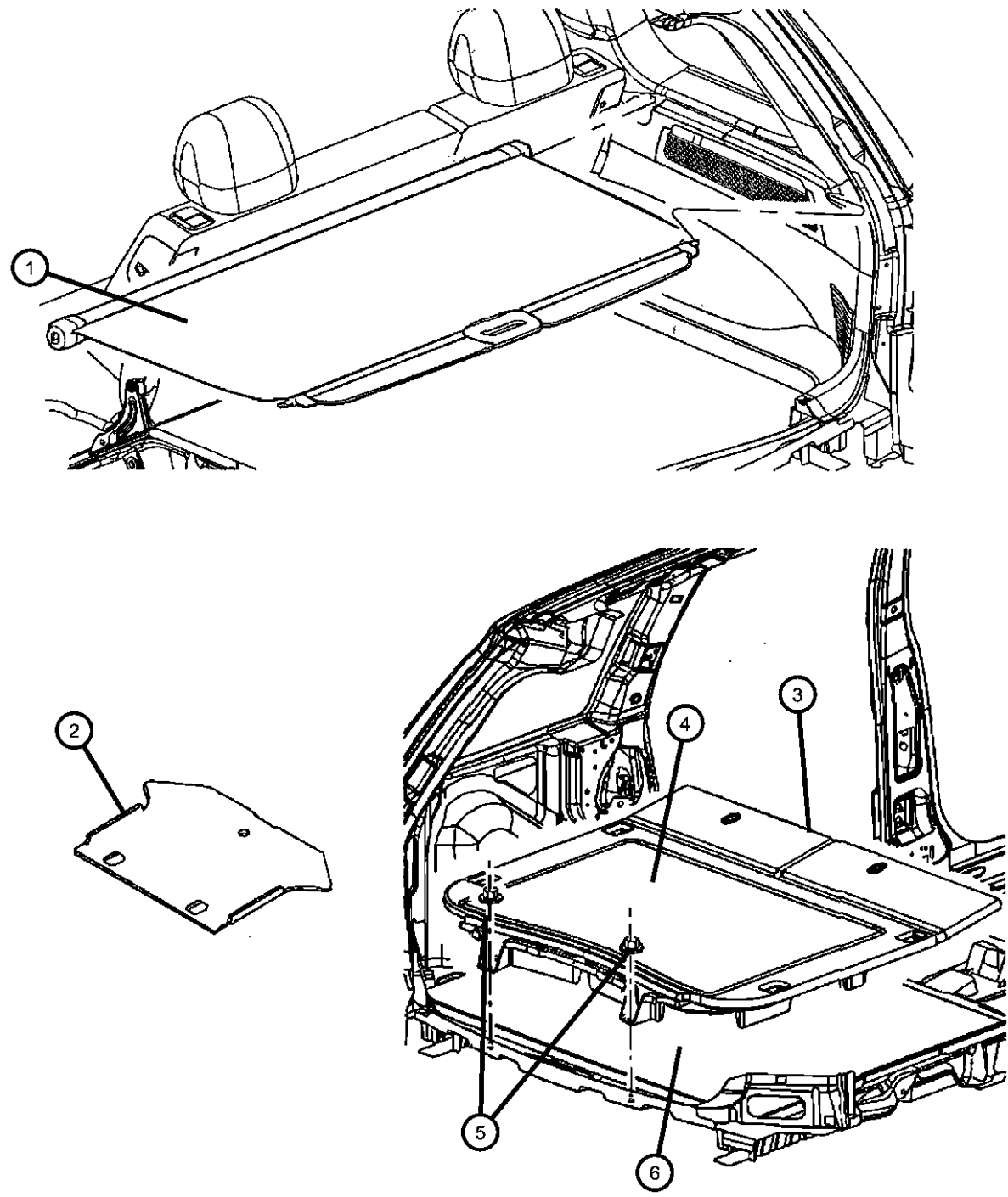
BODY
74 = SPORT UTILITY 4-DR
TYPE #4

ENGINE TRANSMISSION
EVE = Engine - 4.7L V8 DOHC 3 Valve
EZB = 5.7L Hemi Multi Displacement Engine
EKG = 3.7L V6 Engine
ESF = 6.1L SRT HEMI SMPI V8 Engine
EXL = 3.0L V6 Turbo Diesel Engine
DGJ = 5-Speed Auto W5A580 Transmission
DGU = 5-Spd Auto W5J400 Transmission
DGQ = 5-Spd Automatic 545RFE Transmission

AR = use ase required - = Non illustrated part

2008 WK

Load Floor, Cargo
Figure 50-325



ITEM	PART NUMBER	QTY	LINE	SERIES	BODY	ENGINE	TRANS	TRIM	DESCRIPTION
1									COVER, Cargo Compartment
	5HS38BD1AA	1	J, T		74			*O0	[J1]
		1	J, T		74			*O0	[D1]
	5HS38XDVAA	1	J, T		74			*O0	[DV]
	5HS38ZJ3AA	1	J, T		74			*O0	[J3]
2	55197097AE	1	J, T		74				PAD
3									BASE, Load Floor
	5JP981DVAL	1	J, T		74			*O0	[D1]
		1	J, T		74			*O0	[DV]
	5JP981J8AL	1	J, T		74			*O0	[J1]
		1	J, T		74			*O0	[J3]
4									LID, Load Floor
	5JY521DVAG	1	J, T		74			*O0	[DV]
	5JY521J8AG	1	J, T		74			*O0	[J1]
		1	J, T		74			*O0	[D1]
		1	J, T		74			*O0	[J3]
5	06101968	2	J, T		74				NUT, M6x1.00
6									SILENCER, Wheelhouse
	55197228AC	1	J, T		74				Right
	55197229AD	1	J, T		74				Left
-7	68045564AA	4	J, T		74			*O0	BEZEL, Load floor latch
-8	68045565AA	4	J, T		74			*O0	STRAP, Load Floor
-9	68028595AA	1	J, T		74			*O0	BUMPER, Load Floor
-10	05142350AB	4	J, T		74			*O0	LATCH, Load Floor Cover

GRAND CHEROKEE (WK)
 SERIES LINE
 H = HIGHLINE T = JEEP - 2WD
 P = PREMIUM J = JEEP - 4WD
 S = SPORT
 X = SPECIAL

BODY
 74 = SPORT UTILITY 4-DR
 TYPE #4

ENGINE
 EVE = Engine - 4.7L V8 DOHC
 3 Valve
 EZB = 5.7L Hemi Multi
 Displacement Engine
 EKG = 3.7L V6 Engine
 ESF = 6.1L SRT HEMI SMPI
 V8 Engine
 EXL = 3.0L V6 Turbo Diesel
 Engine

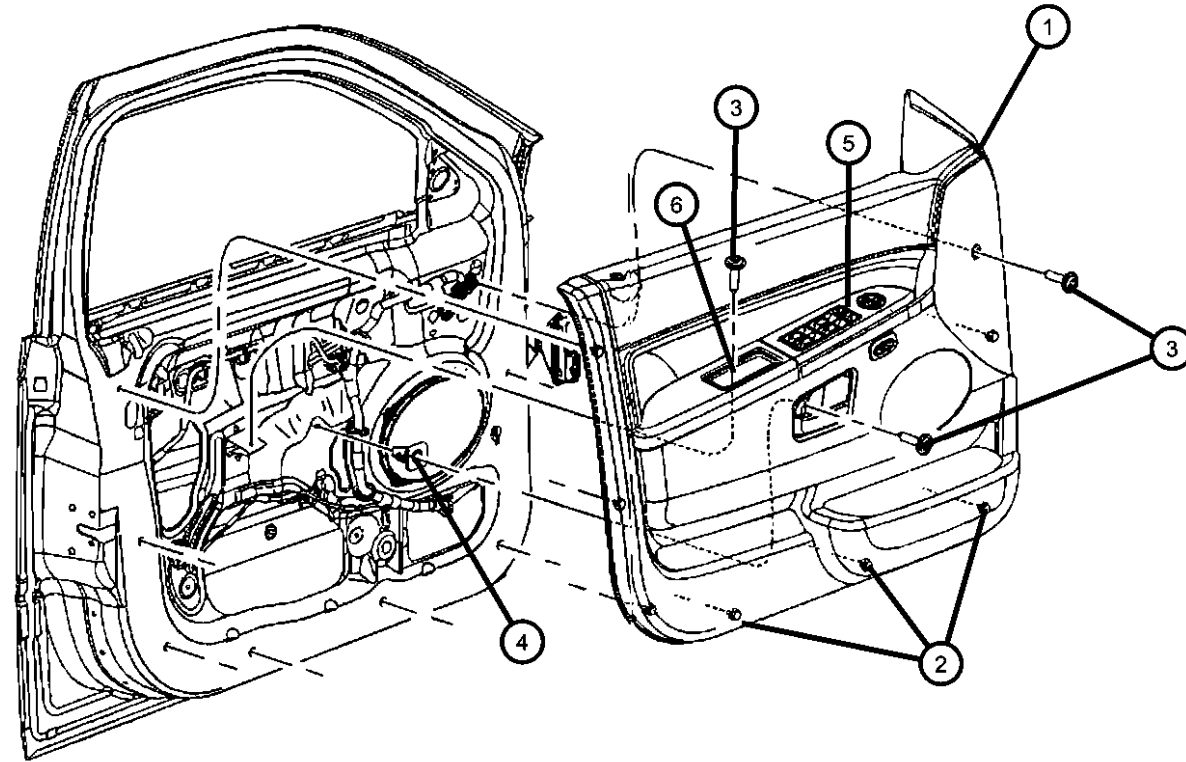
TRANSMISSION
 DGJ = 5-Speed Auto W5A580
 Transmission
 DGU = 5-Spd Auto W5J400
 Transmission
 DGQ = 5-Spd Automatic 545RFE
 Transmission

AR = use ase required - = Non illustrated part

**Front Door Trim Panels
Figure 50-405**

ITEM	PART NUMBER	QTY	LINE	SERIES	BODY	ENGINE	TRANS	TRIM	DESCRIPTION
------	-------------	-----	------	--------	------	--------	-------	------	-------------

Sales Codes:
 [CBF] = Premium Door Trim Panel
 [CBW] = Highline Door Trim Panel
 [CTC] = Luxury Door Trim Panel
 [CTL] = Base Door Trim Panel
 [CTM] = Deluxe Door Trim Panel



ITEM	PART NUMBER	QTY	LINE	SERIES	BODY	ENGINE	TRANS	TRIM	DESCRIPTION
1									PANEL, Front Door Trim
	1JV461DVAA	1	J, T		74			*O0	[DV] , With [CTL] Base Trim Panel, Right
		1	J, T		74			*O0	[DV] , With [CTL] Base Trim Panel and [RC6] 6 Boston Acoustics Speakers, Right
	1JV461J3AA	1	J, T		74			*O0	[J3] , With [CTL] Base Trim Panel, Right
		1	J, T		74			*O0	[J3] , With [CTL] Base Trim Panel and [RC6] 6 Boston Acoustics Speakers, Right
	1JV471DVAA	1	J, T		74			*O0	[DV] , With [CTL] Base Trim Panel, Left
		1	J, T		74			*O0	[DV] , With [CTL] Base Trim Panel and [RC6] 6 Boston Acoustics Speakers, Left
	1JV471J3AA	1	J, T		74			*O0	[J3] , With [CTL] Base Trim Panel, Left
		1	J, T		74			*O0	[J3] , With [CTL] Base Trim Panel and [RC6] 6 Boston Acoustics Speakers, Left
	1KB861D1AA	1	J, T		74			*O0	[D1] , With [CBF] Premium Trim Panel, Right
	1KB861DVAA	1	J, T		74			*O0	[DV] , With [CBW] Highline Trim Panel, Right
		1	J, T		74			*O0	[DV] , With [CTM] Deluxe Trim Panel, Right
	1KB861J1AA	1	J, T		74			*O0	[J1] , With [CBF] Premium Trim Panel, Right
	1KB871DVAA	1	J, T		74			*O0	[DV] , With [CTM] Deluxe Trim Panel, Left
	1KB871J1AA	1	J, T		74			*O0	[J1] , With [CBF] Premium Trim Panel, Left
	1LP841DVAA	1	J, T		74			*O0	[DV], With [CTC] Sales Code, Right
	1PA641D1AA	1	J, T		74			*O0	[D1], With [CBF], [ADS] Sales Codes, Right

GRAND CHEROKEE (WK)

SERIES LINE
 H = HIGHLINE T = JEEP - 2WD
 P = PREMIUM J = JEEP - 4WD
 S = SPORT
 X = SPECIAL

BODY
 74 = SPORT UTILITY 4-DR
 TYPE #4

ENGINE
 EVE = Engine - 4.7L V8 DOHC
 3 Valve
 EZB = 5.7L Hemi Multi
 Displacement Engine
 EKG = 3.7L V6 Engine
 ESF = 6.1L SRT HEMI SMPI
 V8 Engine
 EXL = 3.0L V6 Turbo Diesel
 Engine

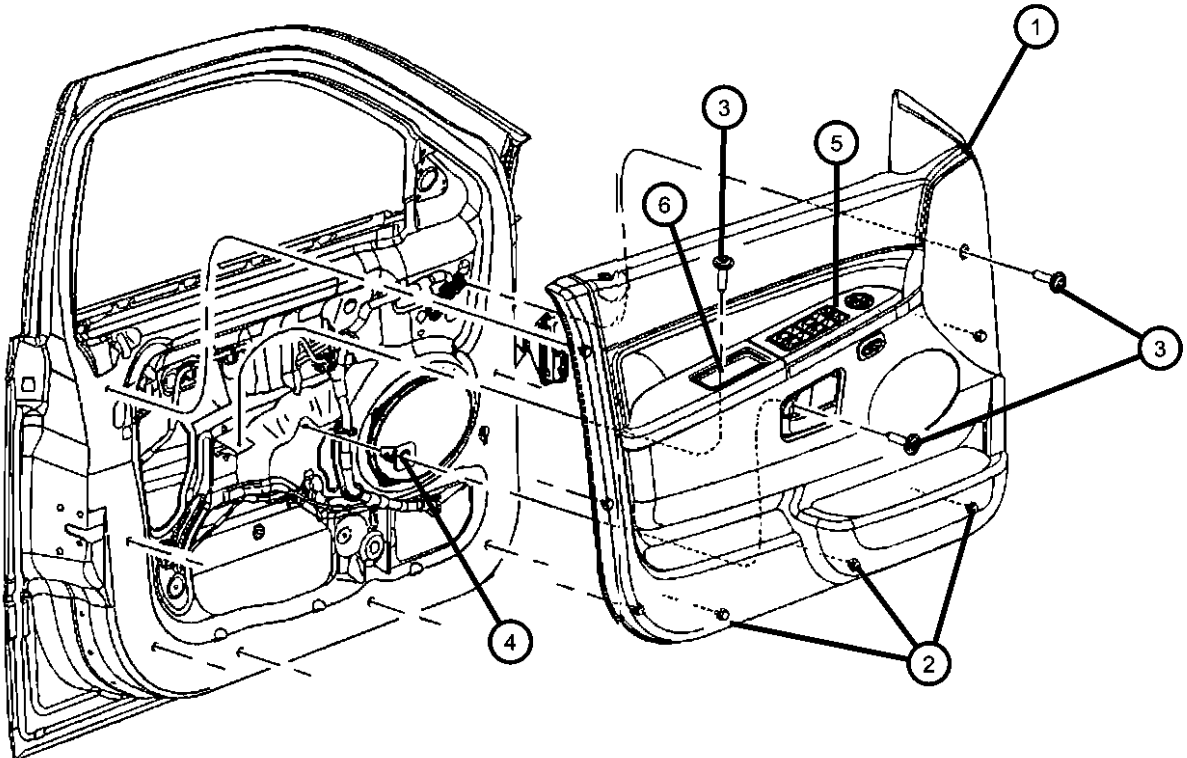
TRANSMISSION
 DGJ = 5-Speed Auto W5A580
 Transmission
 DGU = 5-Spd Auto W5J400
 Transmission
 DGQ = 5-Spd Automatic 545RFE
 Transmission

AR = use ase required - = Non illustrated part

2008 WK

**Front Door Trim Panels
Figure 50-405**

ITEM	PART NUMBER	QTY	LINE	SERIES	BODY	ENGINE	TRANS	TRIM	DESCRIPTION
	1PA64BD1AA	1	J, T		74			*00	With [CBF], [ADS] Sales Codes, Right
	1PA651D1AA	1	J, T		74			*00	[D1], With [CBF], [ADS] Sales Codes, Left
	1PA65BD1AA	1	J, T		74			*00	With [CBF], [ADS] Sales Codes, Left
	1KB871D1AA	1	J, T		74			*00	[D1] , With [CBF] Premium Trim Panel, Left
		1	J, T		74			*00	[DV] , With [CBW] Highline Trim Panel, Left
	1LP841J1AA	1	J, T		74			*00	[J1], With [CTC] Sales Code, Right
	1LP851DVAA	1	J, T		74			*00	[DV], With [CTC] Sales Code, Left
	1LP851J1AA	1	J, T		74			*00	[J1], With [CTC] Sales Code, Left
2	68028673AA	1	J, T		74			*00	FASTENER, Door Trim Panel
3	06101946	4	J, T		74				SCREW, Tapping Hex Head, M4.2X1.70X20.00
4	06035807	2	J, T		74				NUT, Door Trim
5									BEZEL, Switch
	68034339AA	1	J, T		74			*00	With [CBW] Highline Trim Panel, Left
		1	J, T		74			*00	With [CTM] Deluxe Trim Panel, Left
	68034338AA	1	J, T		74			*00	With [CTM] Deluxe Trim Panel, Right
	68036607AA	1	J, T		74			*00	With [CBF] Premium Trim Panel, Left
	68043212AA	1	J, T		74			*00	With [CTC] Base Trim Panel, Right
	68036606AA	1	J, T		74			*00	With [CBF] Premium Trim Panel, Right
	68043213AA	1	J, T		74			*00	With [CTC] Base Trim Panel, Left
	68034278AA	1	J, T		74			*00	With [CTL] Base Trim Panel, Right
	68034279AA	1	J, T		74			*00	With [CTL] Base Trim Panel, Left
		1	J, T		74			*00	With [CBW] Highline Trim Panel, Right
6									CUP, Door Pull
	1HM191D1AA	1	J, T		74			*00	[J1], Left



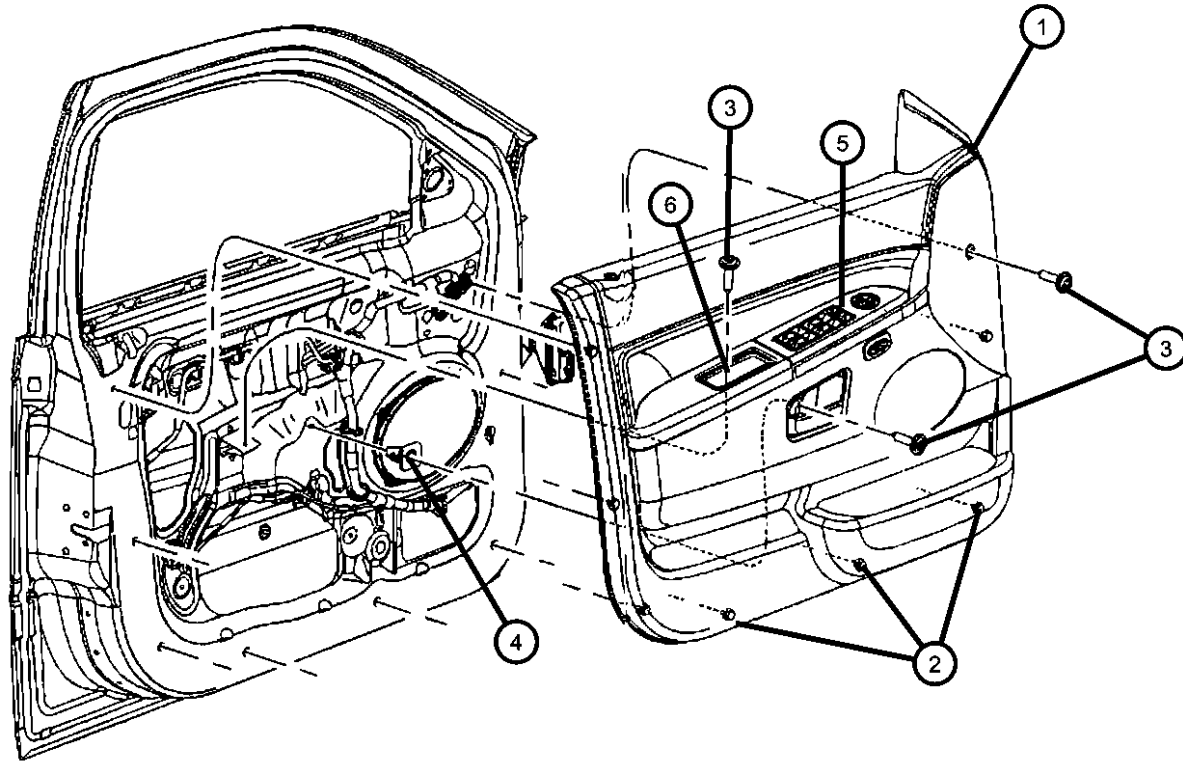
GRAND CHEROKEE (WK)

SERIES	LINE	BODY	ENGINE	TRANSMISSION
H = HIGHLINE	T = JEEP - 2WD	74 = SPORT UTILITY 4-DR	EVE = Engine - 4.7L V8 DOHC	DGJ = 5-Speed Auto W5A580
P = PREMIUM	J = JEEP - 4WD	TYPE #4	3 Valve	Transmission
S = SPORT			EZB = 5.7L Hemi Multi	DGU = 5-Spd Auto W5J400
X = SPECIAL			Displacement Engine	Transmission
			EKG = 3.7L V6 Engine	DGQ = 5-Spd Automatic 545RFE
			ESF = 6.1L SRT HEMI SMPI	Transmission
			V8 Engine	
			EXL = 3.0L V6 Turbo Diesel	
			Engine	

AR = use ase required - = Non illustrated part

**Front Door Trim Panels
Figure 50-405**

ITEM	PART NUMBER	QTY	LINE	SERIES	BODY	ENGINE	TRANS	TRIM	DESCRIPTION
	1HM191DVAA	1	J, T		74			*00	[DV], Left
	1HM181J3AA	1	J, T		74			*00	[J3], Right
	1HM182D1AA	1	J, T		74			*00	[D1], Right
	1HM181DVAA	1	J, T		74			*00	[DV], Right
	1HM191J3AA	1	J, T		74			*00	[J3], Left
	1HM181D1AA	1	J, T		74			*00	[J1], Right
	1HM192D1AA	1	J, T		74			*00	[D1], Left
-7									BADGE, Boston nameplate
	68024539AA	1	J, T		74			*00	Right
		1	J, T		74			*00	Left



GRAND CHEROKEE (WK)

SERIES LINE
H = HIGHLINE T = JEEP - 2WD
P = PREMIUM J = JEEP - 4WD
S = SPORT
X = SPECIAL

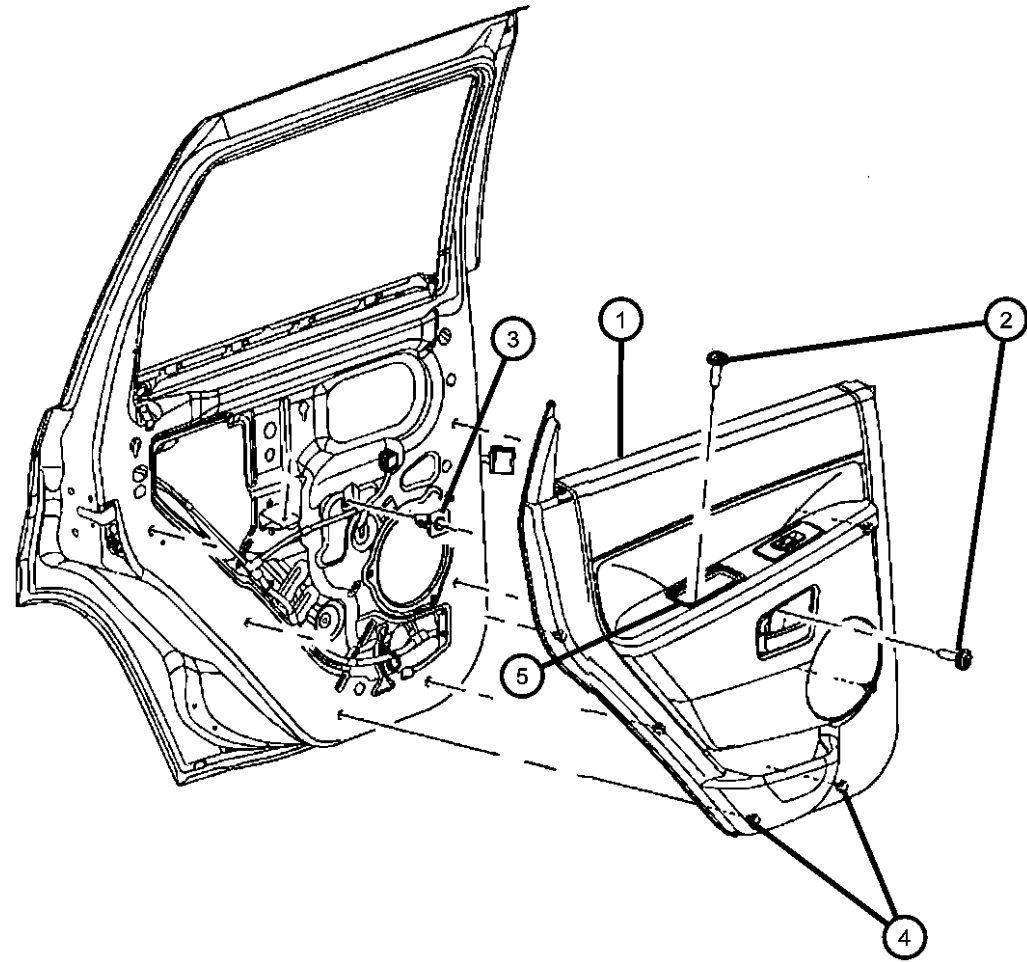
BODY
74 = SPORT UTILITY 4-DR
TYPE #4

ENGINE TRANSMISSION
EVE = Engine - 4.7L V8 DOHC 3 Valve
EZB = 5.7L Hemi Multi Displacement Engine
EKG = 3.7L V6 Engine
ESF = 6.1L SRT HEMI SMPI V8 Engine
EXL = 3.0L V6 Turbo Diesel Engine
DGJ = 5-Speed Auto W5A580 Transmission
DGU = 5-Spd Auto W5J400 Transmission
DGQ = 5-Spd Automatic 545RFE Transmission

AR = use ase required - = Non illustrated part

2008 WK

**Rear Door Trim Panels
Figure 50-410**



ITEM	PART NUMBER	QTY	LINE	SERIES	BODY	ENGINE	TRANS	TRIM	DESCRIPTION
1									PANEL, Rear Door Trim
	5HR371DVAL	1	J, T		74			*O0	[DV] , With [CBW] or [CTM] Deluxe/Highline Trim Pane, Left
		1	J, T		74			*O0	[DV] , With [CBF] or [CTC] Premium Trim Panel, Left
	5HR381D1AL	1	J, T		74			*O0	[J1] , With [CBF] or [CTC] Premium Trim Panel, Right
	5HR382D1AL	1	J, T		74			*O0	[D1] , With [CBF] or [CTC] Premium Trim Panel, Right
	5HR411DVAK	1	J, T		74			*O0	[DV] , With [CTL] Base Trim Panel, Left
	5HR411J3AK	1	J, T		74			*O0	[J3] , With [CTL] Base Trim Panel, Left
	5HR421DVAK	1	J, T		74			*O0	[DV] , With [CTL] Base Trim Panel, Right
	5HR421J3AK	1	J, T		74			*O0	[J3] , With [CTL] Base Trim Panel, Right
	5HR371D1AK	1	J, T		74			*O0	[J1] , With [CBF] or [CTC] Premium Trim Panel, Left
	5HR372D1AK	1	J, T		74			*O0	[D1] , With [CBF] or [CTC] Premium Trim Panel, Left
	5HR381DVAL	1	J, T		74			*O0	[DV] , With [CBW] or [CTM] Deluxe/Highline Trim Pane, Right
		1	J, T		74			*O0	[DV] , With [CBF] or [CTC] Premium Trim Panel, Right
	1HH641D1AB	1	J, T		74			*O0	[D1], [CBF or CTC], [ADS], Right
	1HH651D1AB	1	J, T		74			*O0	[D1], [CBF or CTC], [ADS], Left
2	06101946	4	J, T		74				SCREW, Tapping Hex Head, M4.2X1.70X20.00
3	06035807	2	J, T		74				NUT, Door Trim
4	06507686AA	7	J, T		74			*O0	PIN, Push
5									CUP, Door Pull
	1HM181J3AA	1	J, T		74			*O0	[J3], Right
	1HM182D1AA	1	J, T		74			*O0	[D1], Right
	1HM191D1AA	1	J, T		74			*O0	[J1], Left
	1HM181D1AA	1	J, T		74			*O0	[J1], Right
	1HM181DVAA	1	J, T		74			*O0	[DV], Right
	1HM191DVAA	1	J, T		74			*O0	[DV], Left

GRAND CHEROKEE (WK)

SERIES LINE
H = HIGHLINE T = JEEP - 2WD
P = PREMIUM J = JEEP - 4WD
S = SPORT
X = SPECIAL

BODY
74 = SPORT UTILITY 4-DR
TYPE #4

ENGINE
EVE = Engine - 4.7L V8 DOHC
3 Valve
EZB = 5.7L Hemi Multi
Displacement Engine
EKG = 3.7L V6 Engine
ESF = 6.1L SRT HEMI SMPI
V8 Engine
EXL = 3.0L V6 Turbo Diesel
Engine

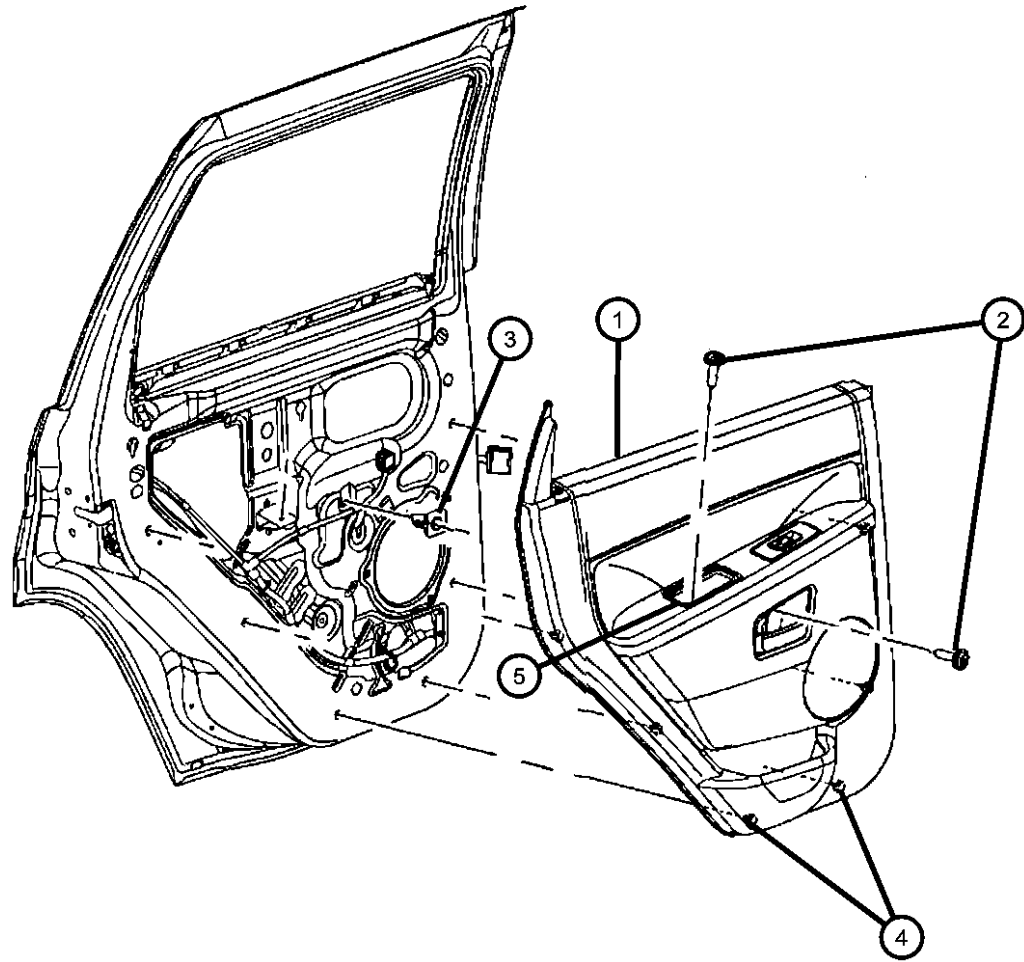
TRANSMISSION
DGJ = 5-Speed Auto W5A580
Transmission
DGU = 5-Spd Auto W5J400
Transmission
DGQ = 5-Spd Automatic 545RFE
Transmission

AR = use ase required - = Non illustrated part

2008 WK

Rear Door Trim Panels
Figure 50-410

ITEM	PART NUMBER	QTY	LINE	SERIES	BODY	ENGINE	TRANS	TRIM	DESCRIPTION
	1HM191J3AA	1	J, T		74			*00	[J3], Left
	1HM192D1AA	1	J, T		74			*00	[D1], Left



GRAND CHEROKEE (WK)

SERIES LINE
H = HIGHLINE T = JEEP - 2WD
P = PREMIUM J = JEEP - 4WD
S = SPORT
X = SPECIAL

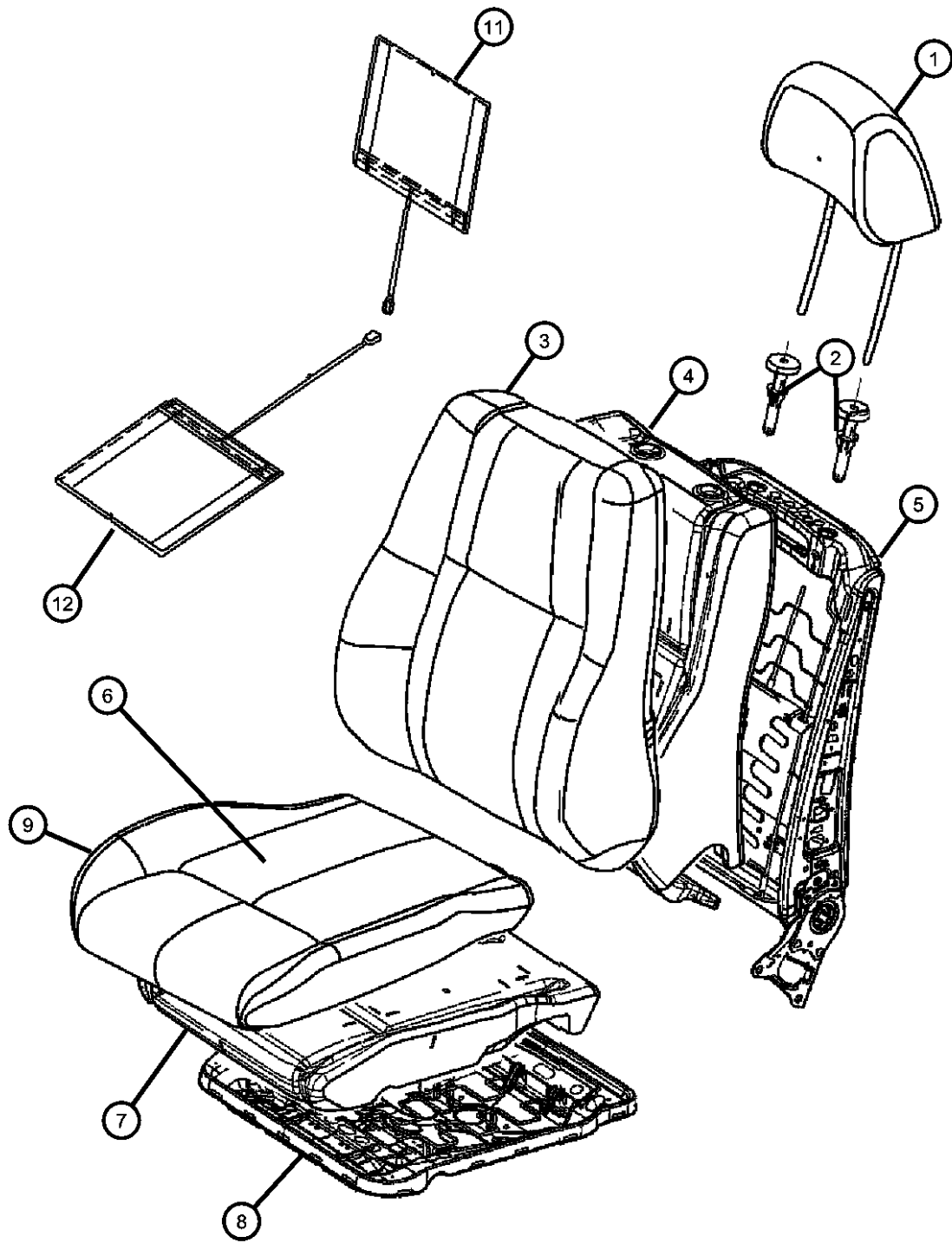
BODY
74 = SPORT UTILITY 4-DR
TYPE #4

ENGINE TRANSMISSION
EVE = Engine - 4.7L V8 DOHC 3 Valve
EZB = 5.7L Hemi Multi Displacement Engine
EKG = 3.7L V6 Engine
ESF = 6.1L SRT HEMI SMPI V8 Engine
EXL = 3.0L V6 Turbo Diesel Engine
DGJ = 5-Speed Auto W5A580 Transmission
DGU = 5-Spd Auto W5J400 Transmission
DGQ = 5-Spd Automatic 545RFE Transmission

AR = use ase required - = Non illustrated part

2008 WK

**Front Seat -Bucket -Trim Code [DZ]
Figure 50-505**



ITEM	PART NUMBER	QTY	LINE	SERIES	BODY	ENGINE	TRANS	TRIM	DESCRIPTION
1	1JG771DVAA	2	J, T		74			*DZ	HEADREST, Front
2	1DS941DVAA	1	J, T		74			*DZ	SLEEVE, Headrest [DV] Without Button
	1DS911DVAA	1	J, T		74			*DZ	[DV] With Button
3	1JG741DVAA	1	J, T		74			*DZ	COVER, Front Seat Back [DV], Right
	1JG751DVAA	1	J, T		74			*DZ	[DV], Left
4	05179556AA	1	J, T		74			*DZ	FOAM, Seat Back Right
	05179557AA	1	J, T		74			*DZ	Left
5	05136182AB	1	J, T		74			*DZ	FRAME, Front Seat Back With Memory, Left
	05136181AB	1	J, T		74			*DZ	, Right
	05143571AB	1	J, T		74			*DZ	Without Memory, Left
6	1JG761DVAA	2	J, T		74			*DZ	COVER, Front Seat Cushion, [DV], Right & Left
7	68019479AA	1	J, T		74			*DZ	FOAM, Seat Cushion Left
	05179555AA	1	J, T		74			*DZ	Right
8	05134939AA	1	J, T		74			*DZ	FRAME, Seat cushion Power, Left
	05134940AA	1	J, T		74			*DZ	Manual or Power Right, Manual Left, Right & Left
9	05143430AA	2	J, T		74			*DZ	WIRE KIT, Trimming, Cushion
-10	05139663AA	4	J, T		74			*DZ	BUMPER PAD, Seat Cushion, Bumper pad fits over the frame
11	05000022AA	2	J, T		74			*DZ	PAD, Heater, Back
12	05000021AA	2	J, T		74			*DZ	PAD, Heater, Cushion

GRAND CHEROKEE (WK)

SERIES LINE
H = HIGHLINE T = JEEP - 2WD
P = PREMIUM J = JEEP - 4WD
S = SPORT
X = SPECIAL

BODY
74 = SPORT UTILITY 4-DR
TYPE #4

ENGINE
EVE = Engine - 4.7L V8 DOHC
3 Valve
EZB = 5.7L Hemi Multi
Displacement Engine
EKG = 3.7L V6 Engine
ESF = 6.1L SRT HEMI SMPI
V8 Engine
EXL = 3.0L V6 Turbo Diesel
Engine

TRANSMISSION
DGJ = 5-Speed Auto W5A580
Transmission
DGU = 5-Spd Auto W5J400
Transmission
DGQ = 5-Spd Automatic 545RFE
Transmission

AR = use ase required - = Non illustrated part

2008 WK

**Front Seat -Bucket-Trim Code [EL]
Figure 50-506**

ITEM	PART NUMBER	QTY	LINE	SERIES	BODY	ENGINE	TRANS	TRIM	DESCRIPTION
1	1JG881DVAA	2	J, T		74			*EL	HEADREST, Front [DV]
	1JG881J8AA	2	J, T		74			*EL	[J3]
2	1DS941D1AA	2	J, T		74			*EL	SLEEVE, Headrest [DV] Without Button
	1DS911D1AA	2	J, T		74			*EL	[DV] With Button
	1DS911J3AA	1	J, T		74			*EL	[J3] With Button
	1DS941J3AA	1	J, T		74			*EL	[J3] Without Button
3	1JG941DVAA	1	J, T		74			*EL	COVER, Front Seat Back [DV], Right
	1JG941J8AA	1	J, T		74			*EL	[J3], Right
	1JG951DVAA	1	J, T		74			*EL	[DV], Left
	1JG951J8AA	1	J, T		74			*EL	[J3], Left
4	05143344AA	1	J, T		74			*EL	FOAM, Seat Back Right
	05143345AA	1	J, T		74			*EL	Left
5	05136181AB	1	J, T		74			*EL	FRAME, Front Seat Back Right
	05143571AB	1	J, T		74			*EL	Left
6	1JH031DVAA	2	J, T		74			*EL	COVER, Front Seat Cushion [DV], Right & Left
	1JH031J8AA	2	J, T		74			*EL	[J3], Right & Left
7	05143343AA	1	J, T		74			*EL	FOAM, Seat Cushion Left
	68019318AA	1	J, T		74			*EL	Right
8	05134939AA	1	J, T		74			*EL	FRAME, Seat cushion Left
	05134940AA	1	J, T		74			*EL	Right
9	05143430AA	2	J, T		74			*EL	WIRE KIT, Trimming, Cushion
-10	05139663AA	4	J, T		74			*EL	BUMPER PAD, Seat Cushion, Bumper pad fits over the frame
11	05000022AA	2	J, T		74			*EL	PAD, Heater, BackRight & Left
12	05000021AA	2	J, T		74			*EL	PAD, Heater, CushionRight & Left

GRAND CHEROKEE (WK)

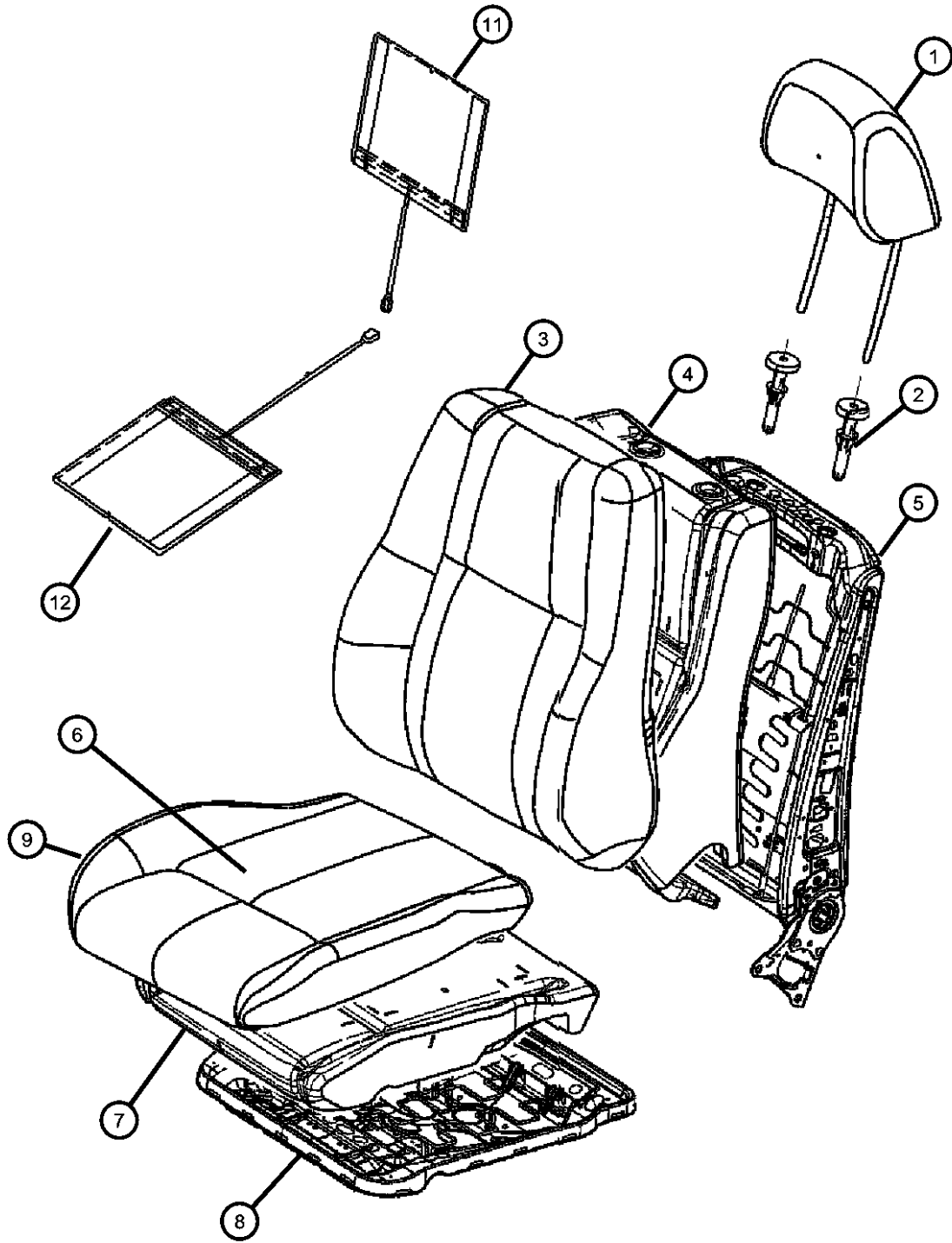
SERIES LINE
H = HIGHLINE T = JEEP - 2WD
P = PREMIUM J = JEEP - 4WD
S = SPORT
X = SPECIAL

BODY
74 = SPORT UTILITY 4-DR
TYPE #4

ENGINE TRANSMISSION
EVE = Engine - 4.7L V8 DOHC 3 Valve
EVB = Engine - 4.7L V8 DOHC 3 Valve
EZB = 5.7L Hemi Multi Displacement Engine
EKG = 3.7L V6 Engine
ESF = 6.1L SRT HEMI SMPI V8 Engine
EXL = 3.0L V6 Turbo Diesel Engine
DGJ = 5-Speed Auto W5A580 Transmission
DGU = 5-Spd Auto W5J400 Transmission
DGQ = 5-Spd Automatic 545RFE Transmission

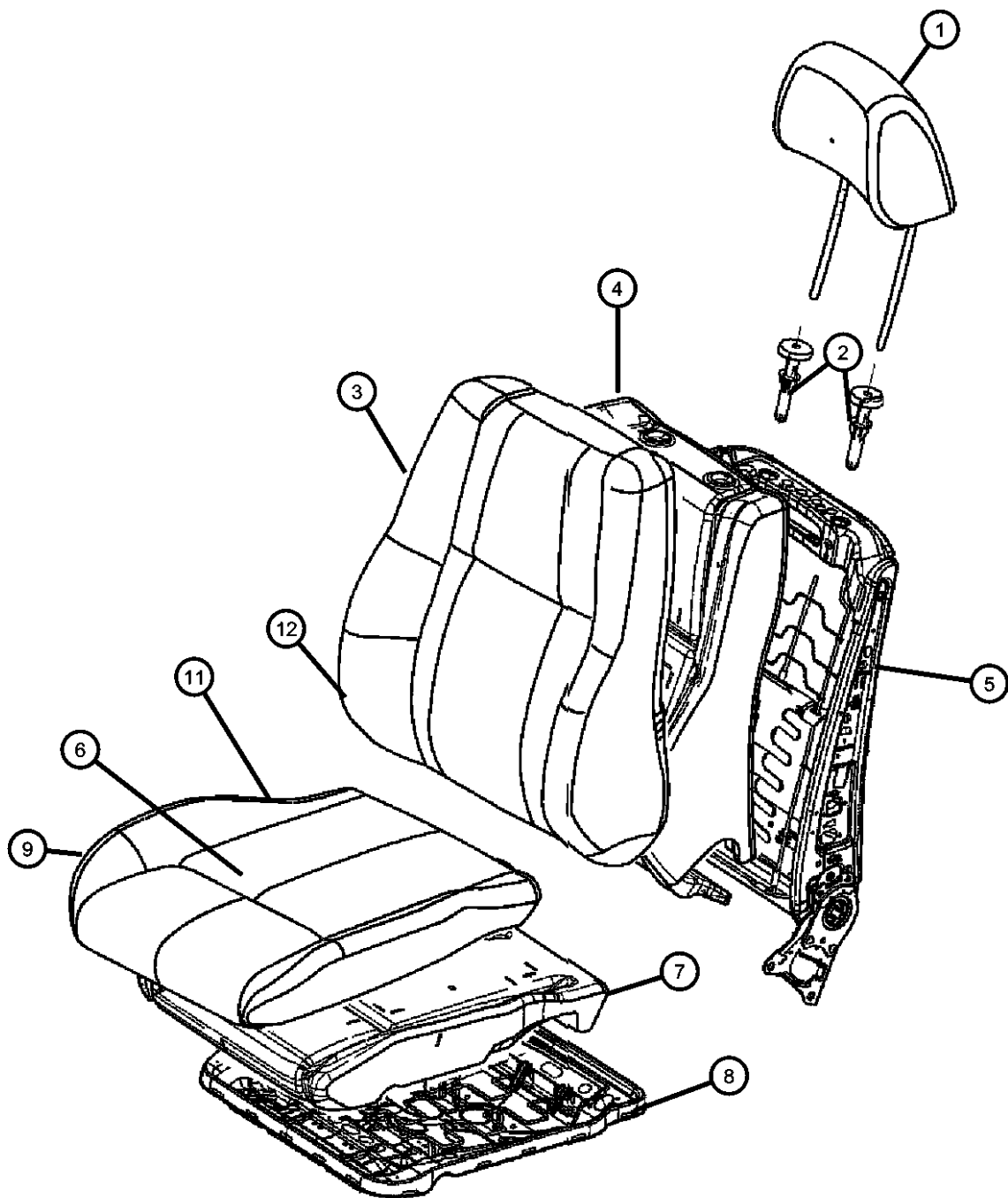
AR = use ase required - = Non illustrated part

2008 WK



**Front Seat -Bucket- Trim Code [F7]
Figure 50-507**

ITEM	PART NUMBER	QTY	LINE	SERIES	BODY	ENGINE	TRANS	TRIM	DESCRIPTION
1	1JG861J8AA	1	J, T		74			*F7	HEADREST, Front [J3]
	1JG861DVAA	1	J, T		74			*F7	[DV]
2	1DS941J3AA	1	J, T		74			*F7	SLEEVE, Headrest [J3] Without Button
	1DS911D1AA	2	J, T		74			*F7	[DV] With Button
	1DS941D1AA	2	J, T		74			*F7	[DV] Without Button
	1DS911J3AA	1	J, T		74			*F7	[J3] With Button
3	1JG901DVAA	1	J, T		74			*F7	COVER, Front Seat Back [DV], Right
	1JG911DVAA	1	J, T		74			*F7	[DV], Left
	1JG911J8AA	1	J, T		74			*F7	[J3], Left
	1JG901J8AA	1	J, T		74			*F7	[J3], Right
4	05143344AA	1	J, T		74			*F7	FOAM, Seat Back Right
	05143345AA	1	J, T		74			*F7	Left
5	68037307AA	1	J, T		74			*F7	FRAME, Front Seat Back Without Power, Right
	05136181AB	1	J, T		74			*F7	Power, Right
	05143571AB	1	J, T		74			*F7	Power, Left
6	1JG991DVAA	1	J, T		74			*F7	COVER, Front Seat Cushion [DV]
	1JG991J8AA	1	J, T		74			*F7	[J3]
7	05143343AA	1	J, T		74			*F7	FOAM, Seat Cushion Left
	68019318AA	1	J, T		74			*F7	Right
8	05134939AA	1	J, T		74			*F7	FRAME, Seat cushion Power, Left
	05134940AA	1	J, T		74			*F7	Manual or power right, manual left,
9	05143430AA	2	J, T		74			*F7	WIRE KIT, Trimming, Cushion
-10	05139663AA	4	J, T		74			*F7	BUMPER PAD, Seat Cushion, Bumper pad fits over the frame



GRAND CHEROKEE (WK)

SERIES LINE
H = HIGHLINE T = JEEP - 2WD
P = PREMIUM J = JEEP - 4WD
S = SPORT
X = SPECIAL

BODY
74 = SPORT UTILITY 4-DR
TYPE #4

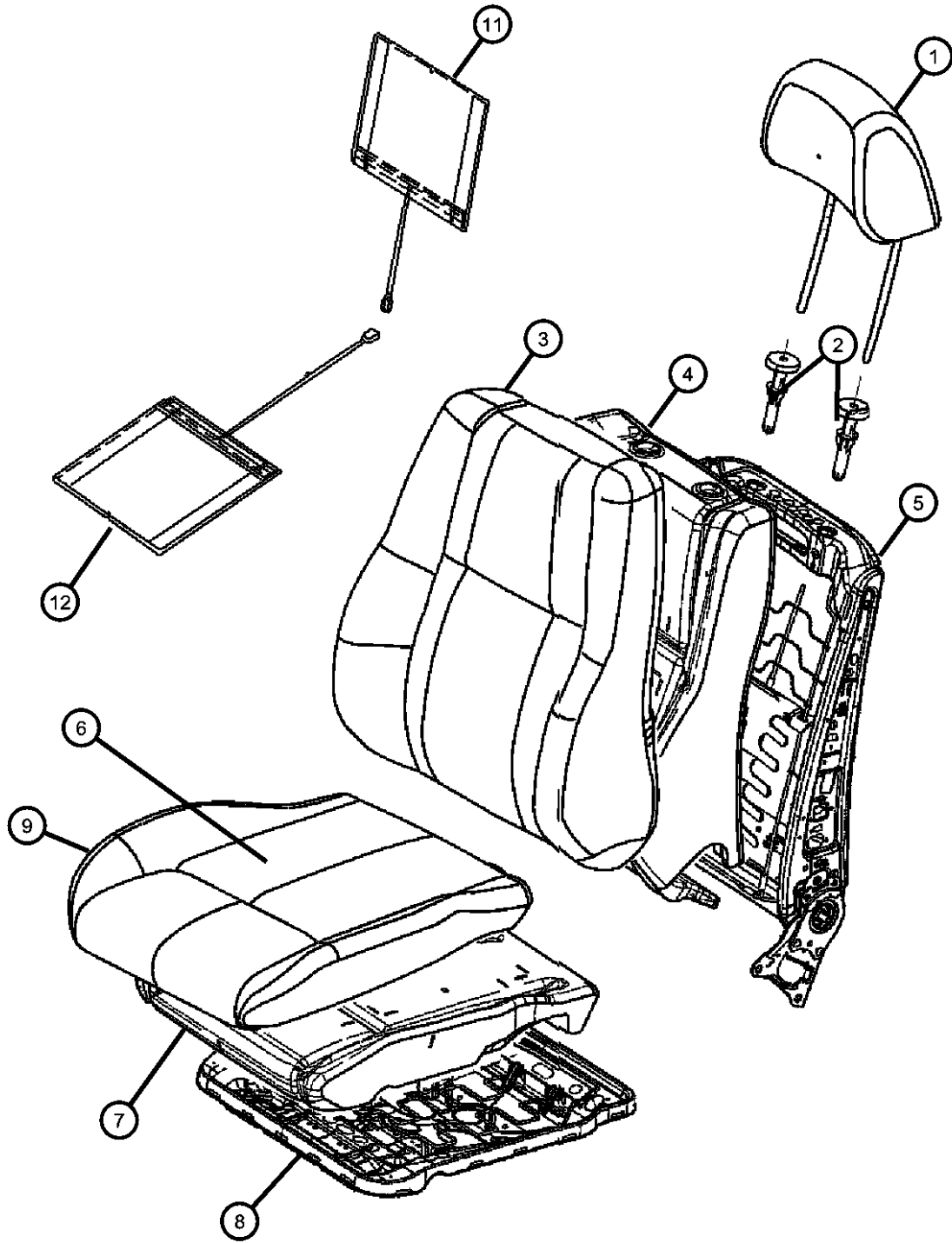
ENGINE TRANSMISSION
EVE = Engine - 4.7L V8 DOHC 3 Valve
EVB = Engine - 4.7L V8 DOHC 3 Valve
EZB = 5.7L Hemi Multi Displacement Engine
EKG = 3.7L V6 Engine
ESF = 6.1L SRT HEMI SMPI V8 Engine
EXL = 3.0L V6 Turbo Diesel Engine
DGJ = 5-Speed Auto W5A580 Transmission
DGU = 5-Spd Auto W5J400 Transmission
DGQ = 5-Spd Automatic 545RFE Transmission

AR = use ase required - = Non illustrated part

2008 WK

**Front Seat -Bucket-Trim Code [GL]
Figure 50-508**

ITEM	PART NUMBER	QTY	LINE	SERIES	BODY	ENGINE	TRANS	TRIM	DESCRIPTION
1	1JG891D1AA	2	J, T		74			*GL	HEADREST, Front [J1]
	1JG891UYAA	2	J, T		74			*GL	[DV]
2	1DS941UYAA	2	J, T		74			*GL	SLEEVE, Headrest [DV] Without Button
	1DS911UYAA	2	J, T		74			*GL	[DV] With Button
	1DS911D1AA	2	J, T		74			*GL	[J1] With Button
	1DS941D1AA	2	J, T		74			*GL	[J1] Without Button
3	1JG971D1AA	1	J, T		74			*GL	COVER, Front Seat Back [J1], Left
	1JG971UYAA	1	J, T		74			*GL	[DV], Left
	1JG961D1AA	1	J, T		74			*GL	[J1], Right
	1JG961UYAA	1	J, T		74			*GL	[DV], Right
4	05143345AA	1	J, T		74			*GL	FOAM, Seat Back Left
	05143344AA	1	J, T		74			*GL	Right
5	05136182AB	1	J, T		74			*GL	FRAME, Front Seat Back Left
	05136181AB	1	J, T		74			*GL	Right
6	1JH041D1AA	2	J, T		74			*GL	COVER, Front Seat Cushion [J1], Right & Left
	1JH041UYAA	2	J, T		74			*GL	[DV], Right & Left
7	05161387AA	1	J, T		74			*GL	FOAM, Seat Cushion Left
	68019478AA	1	J, T		74			*GL	Right
8	05134940AA	1	J, T		74			*GL	FRAME, Seat cushion Manual or Power Right, Manual Left
	05134939AA	1	J, T		74			*GL	Left
9	05143430AA	2	J, T		74			*GL	WIRE KIT, Trimming, Cushion
-10	05139663AA	4	J, T		74			*GL	BUMPER PAD, Seat Cushion, Bumper pad fits over the frame



GRAND CHEROKEE (WK)

SERIES LINE
H = HIGHLINE T = JEEP - 2WD
P = PREMIUM J = JEEP - 4WD
S = SPORT
X = SPECIAL

BODY
74 = SPORT UTILITY 4-DR
TYPE #4

ENGINE
EVE = Engine - 4.7L V8 DOHC
3 Valve
EZB = 5.7L Hemi Multi
Displacement Engine
EKG = 3.7L V6 Engine
ESF = 6.1L SRT HEMI SMPI
V8 Engine
EXL = 3.0L V6 Turbo Diesel
Engine

TRANSMISSION
DGJ = 5-Speed Auto W5A580
Transmission
DGU = 5-Spd Auto W5J400
Transmission
DGQ = 5-Spd Automatic 545RFE
Transmission

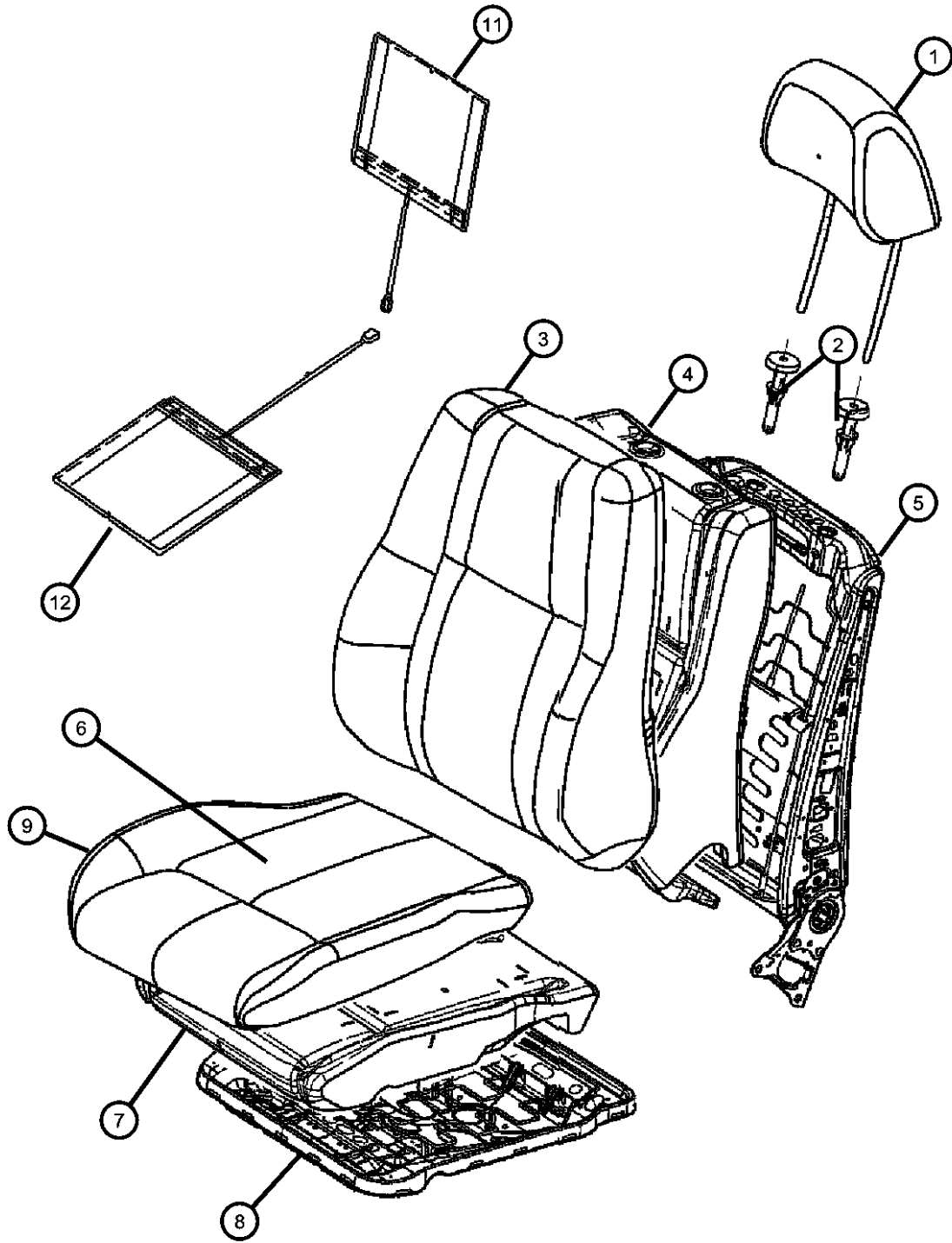
AR = use ase required - = Non illustrated part

2008 WK

Front Seat -Bucket-Trim Code [GL]
Figure 50-508

ITEM	PART NUMBER	QTY	LINE	SERIES	BODY	ENGINE	TRANS	TRIM	DESCRIPTION
------	-------------	-----	------	--------	------	--------	-------	------	-------------

11	05000022AA	2	J, T		74			*GL	PAD, Heater, Back
12	05000021AA	2	J, T		74			*GL	PAD, Heater, Cushion



GRAND CHEROKEE (WK)

SERIES LINE
H = HIGHLINE T = JEEP - 2WD
P = PREMIUM J = JEEP - 4WD
S = SPORT
X = SPECIAL

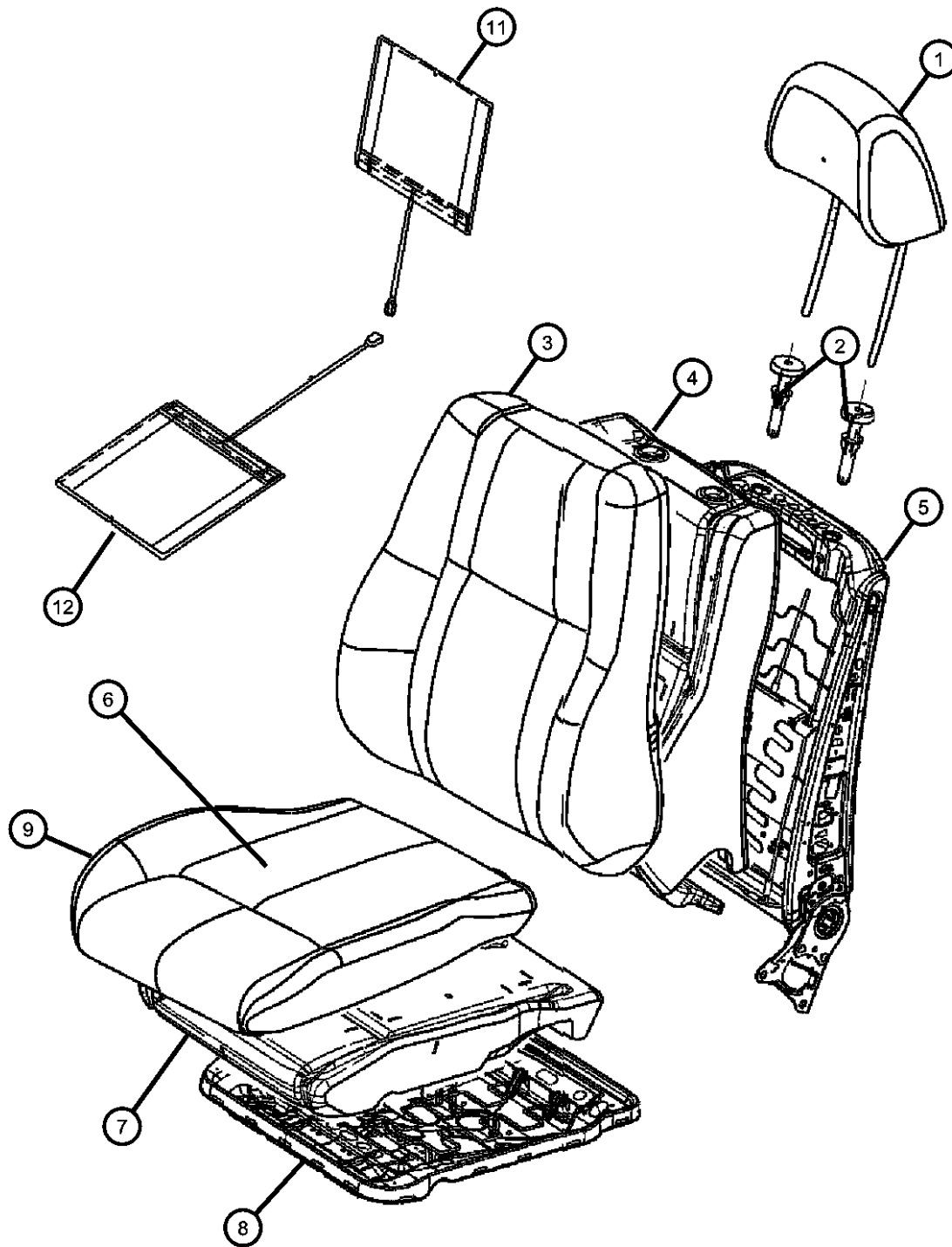
BODY
74 = SPORT UTILITY 4-DR
TYPE #4

ENGINE TRANSMISSION
EVE = Engine - 4.7L V8 DOHC 3 Valve
EVB = Engine - 4.7L V8 DOHC 3 Valve
EZB = 5.7L Hemi Multi Displacement Engine
EKG = 3.7L V6 Engine
ESF = 6.1L SRT HEMI SMPI V8 Engine
EXL = 3.0L V6 Turbo Diesel Engine
DGJ = 5-Speed Auto W5A580 Transmission
DGU = 5-Spd Auto W5J400 Transmission
DGQ = 5-Spd Automatic 545RFE Transmission

AR = use ase required - = Non illustrated part

2008 WK

**Front Seat -Bucket-Trim Code [UL]
Figure 50-509**



ITEM	PART NUMBER	QTY	LINE	SERIES	BODY	ENGINE	TRANS	TRIM	DESCRIPTION
1	1JG871DVAA	2	J, T		74			*UL	HEADREST, Front [D1]
	1JG871J8AA	1	J, T		74			*UL	[J1]
2	1DS941D1AA	2	J, T		74			*UL	SLEEVE, Headrest [D1] Without Button
	1DS911D1AA	2	J, T		74			*UL	[D1] With Button
	1DS941J3AA	1	J, T		74			*UL	[J1] Without Button
	1DS911J3AA	1	J, T		74			*UL	[J1] With Button
3	1JG921DVAA	1	J, T		74			*UL	COVER, Front Seat Back [D1], Right
	1JG921J8AA	1	J, T		74			*UL	[J1], Right
	1JG931DVAA	1	J, T		74			*UL	[D1], Left
	1JG931J8AA	1	J, T		74			*UL	[J1], Left
4	05143344AA	1	J, T		74			*UL	FOAM, Seat Back Right
	05143345AA	1	J, T		74			*UL	Left
5	05136181AB	1	J, T		74			*UL	FRAME, Front Seat Back Right
	05136182AB	1	J, T		74			*UL	Left
6	1JH001DVAA	2	J, T		74			*UL	COVER, Front Seat Cushion [D1], Right & Left
	1JH001J8AA	1	J, T		74			*UL	[J1], Right & Left
7	05161387AA	1	J, T		74			*UL	FOAM, Seat Cushion Left
	68019478AA	1	J, T		74			*UL	Right
8	05134940AA	1	J, T		74			*UL	FRAME, Seat cushion Manual or Power Right, Manual Left
	05134939AA	1	J, T		74			*UL	Power, Left
9	05143430AA	2	J, T		74			*UL	WIRE KIT, Trimming, Cushion
-10	05139663AA	4	J, T		74			*UL	BUMPER PAD, Seat Cushion, Bumper pad fits over the frame

GRAND CHEROKEE (WK)

SERIES LINE
H = HIGHLINE T = JEEP - 2WD
P = PREMIUM J = JEEP - 4WD
S = SPORT
X = SPECIAL

BODY
74 = SPORT UTILITY 4-DR
TYPE #4

ENGINE TRANSMISSION
EVE = Engine - 4.7L V8 DOHC 3 Valve DGJ = 5-Speed Auto W5A580
EZH = 5.7L Hemi Multi Displacement Engine DGU = 5-Spd Auto W5J400
EKG = 3.7L V6 Engine DGQ = 5-Spd Automatic 545RFE
ESF = 6.1L SRT HEMI SMPI V8 Engine
EXL = 3.0L V6 Turbo Diesel Engine

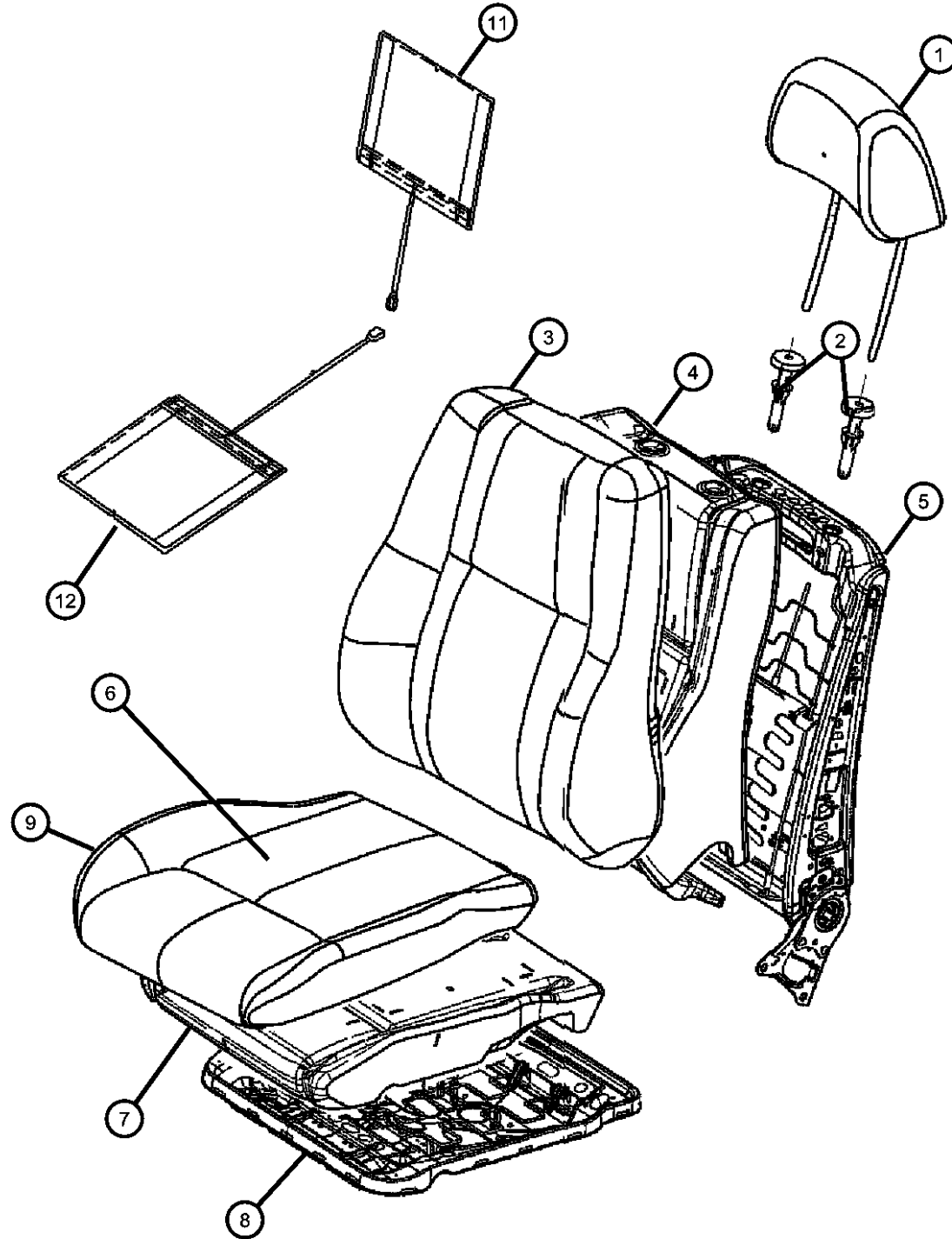
AR = use ase required - = Non illustrated part

2008 WK

Front Seat -Bucket-Trim Code [UL]
Figure 50-509

ITEM	PART NUMBER	QTY	LINE	SERIES	BODY	ENGINE	TRANS	TRIM	DESCRIPTION
------	-------------	-----	------	--------	------	--------	-------	------	-------------

11	05000022AA	2	J, T		74			*UL	PAD, Heater, Back
12	05000021AA	2	J, T		74			*UL	PAD, Heater, Cushion



GRAND CHEROKEE (WK)

SERIES LINE
H = HIGHLINE T = JEEP - 2WD
P = PREMIUM J = JEEP - 4WD
S = SPORT
X = SPECIAL

BODY
74 = SPORT UTILITY 4-DR
TYPE #4

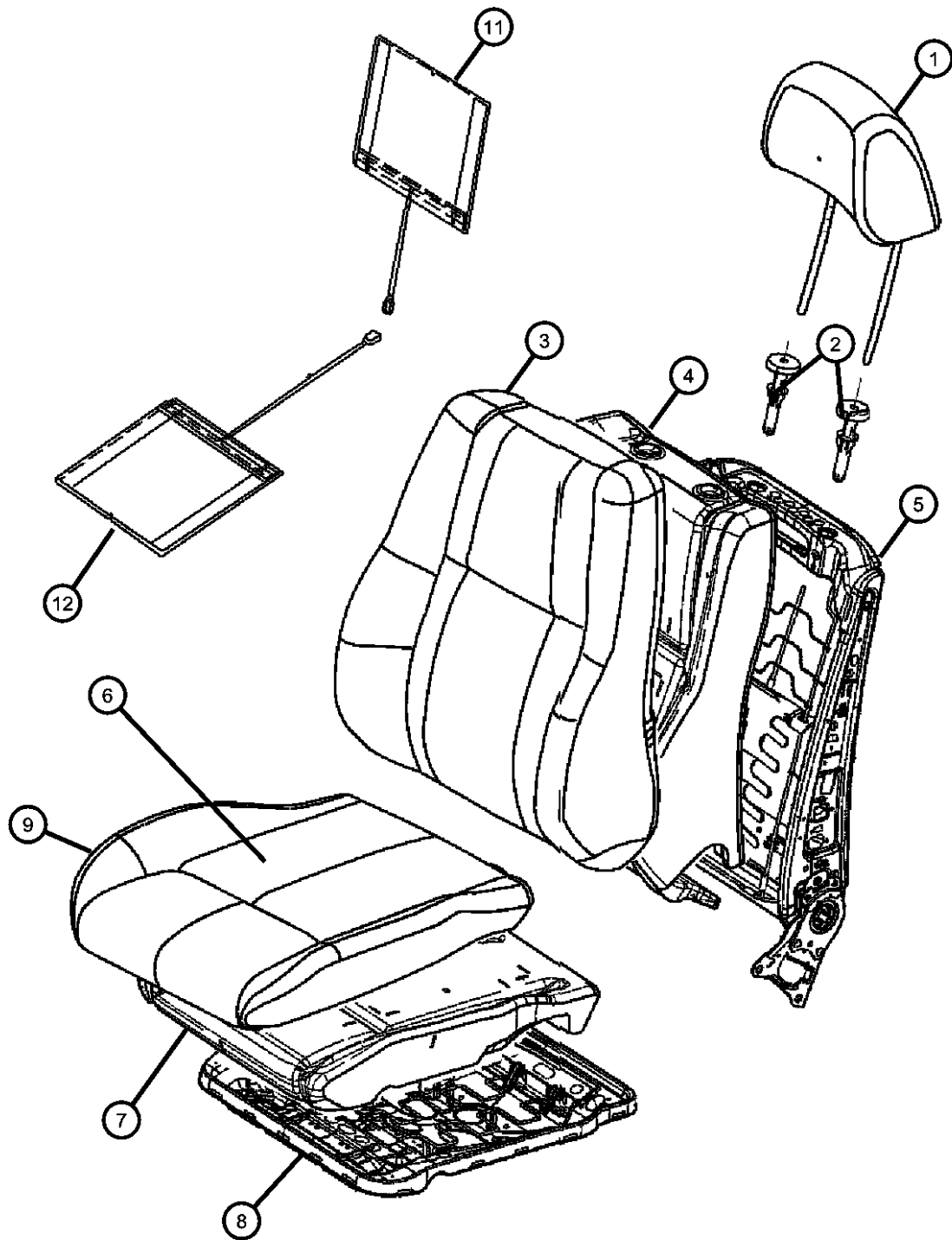
ENGINE
EVE = Engine - 4.7L V8 DOHC
3 Valve
EZB = 5.7L Hemi Multi
Displacement Engine
EKG = 3.7L V6 Engine
ESF = 6.1L SRT HEMI SMPI
V8 Engine
EXL = 3.0L V6 Turbo Diesel
Engine

TRANSMISSION
DGJ = 5-Speed Auto W5A580
Transmission
DGU = 5-Spd Auto W5J400
Transmission
DGQ = 5-Spd Automatic 545RFE
Transmission

AR = use ase required - = Non illustrated part

2008 WK

**Front Seat - Bucket - Trim Code [XL]
Figure 50-510**



ITEM	PART NUMBER	QTY	LINE	SERIES	BODY	ENGINE	TRANS	TRIM	DESCRIPTION
1	1JG771DVAA	2	J, T		74			*XL	HEADREST, Front
2	1DS911UYAA	2	J, T		74			*XL	SLEEVE, Headrest
	1DS941UYAA	2	J, T		74			*XL	Locking
3	1PP96XDVAA	1	J, T		74			*XL	Slave Cylinder
	1PP98XDVAA	1	J, T		74			*XL	COVER, Front Seat Back
4	05179556AA	1	J, T		74			*XL	With Map Pocket
	05179557AA	1	J, T		74			*XL	Without Map Pocket
5	05136181AB	1	J, T		74			*XL	FOAM, Seat Back
	05136182AB	1	J, T		74			*XL	Right
6	1JG761DVAA	2	J, T		74			*XL	Left
7	05179555AA	1	J, T		74			*XL	FRAME, Front Seat Back
8	05134939AA	1	J, T		74			*XL	With Memory, With Lumbar, Power
	05134940AA	1	J, T		74			*XL	Without Memory, Without Lumbar, Power
9	05143430AA	2	J, T		74			*XL	COVER, Front Seat Cushion
-10	05139663AA	4	J, T		74			*XL	FOAM, Seat Cushion
11	05000022AB	2	J, T		74			*XL	FRAME, Seat cushion
12	05000021AA	2	J, T		74			*XL	Power, Left
								*XL	Manual, Right
								*XL	WIRE KIT, Trimming, Cushion
								*XL	BUMPER PAD, Seat Cushion, Bumper pad fits over the frame
								*XL	PAD, Heater, Back
								*XL	PAD, Heater, Cushion

GRAND CHEROKEE (WK)

SERIES LINE
H = HIGHLINE T = JEEP - 2WD
P = PREMIUM J = JEEP - 4WD
S = SPORT
X = SPECIAL

BODY
74 = SPORT UTILITY 4-DR
TYPE #4

ENGINE
EVE = Engine - 4.7L V8 DOHC
3 Valve
EZB = 5.7L Hemi Multi
Displacement Engine
EKG = 3.7L V6 Engine
ESF = 6.1L SRT HEMI SMPI
V8 Engine
EXL = 3.0L V6 Turbo Diesel
Engine

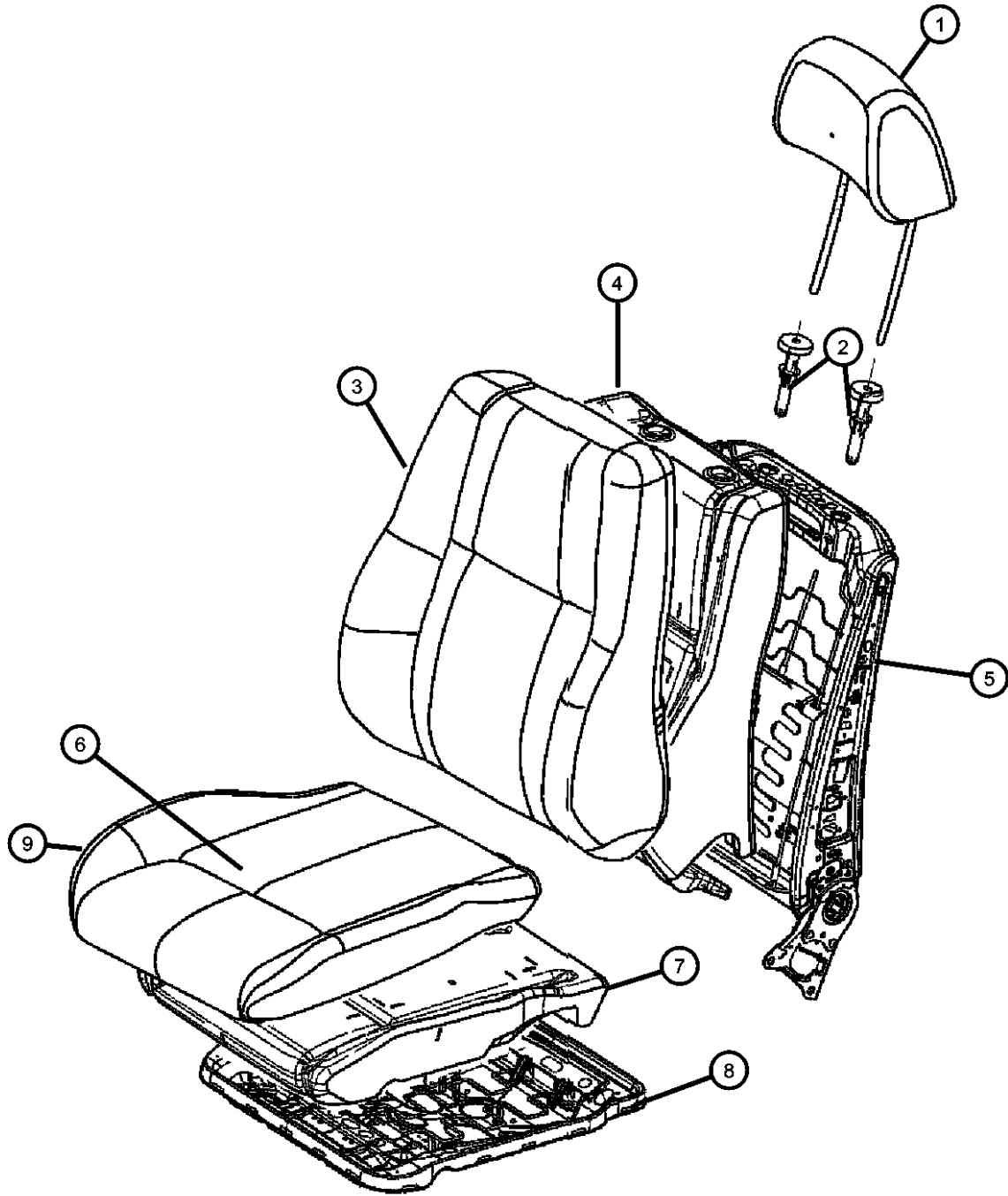
TRANSMISSION
DGJ = 5-Speed Auto W5A580
Transmission
DGU = 5-Spd Auto W5J400
Transmission
DGQ = 5-Spd Automatic 545RFE
Transmission

AR = use ase required - = Non illustrated part

2008 WK

**Front Seat - Bucket - Trim Code [T5]
Figure 50-511**

ITEM	PART NUMBER	QTY	LINE	SERIES	BODY	ENGINE	TRANS	TRIM	DESCRIPTION
1	1JG861DVAA	2	J, T		74			*T5	HEADREST, Front
2	1DS911DVAA	2	J, T		74			*T5	SLEEVE, Headrest
	1DS941DVAA	1	J, T		74			*T5	Locking
								*T5	Slave Cylinder
3	1LT181DVAA	1	J, T		74			*T5	COVER, Front Seat Back
	1LT211DVAA	1	J, T		74			*T5	Right
								*T5	Left
4	05143344AA	1	J, T		74			*T5	FOAM, Seat Back
	05143345AA	1	J, T		74			*T5	Right
								*T5	Left
5	04610195AA	1	J, T		74			*T5	FRAME, Front Seat Back
	68037307AA	1	J, T		74			*T5	Left
								*T5	Right
6	1LT221DVAA	2	J, T		74			*T5	COVER, Front Seat Cushion
7	05143343AA	1	J, T		74			*T5	FOAM, Seat Cushion
8	05134939AA	1	J, T		74			*T5	FRAME, Seat cushion
	05134940AA	1	J, T		74			*T5	Left
								*T5	Right
9	05143430AA	2	J, T		74			*T5	WIRE KIT, Trimming, Cushion
-10	05139663AA	4	J, T		74			*T5	BUMPER PAD, Seat Cushion



GRAND CHEROKEE (WK)

SERIES LINE
H = HIGHLINE T = JEEP - 2WD
P = PREMIUM J = JEEP - 4WD
S = SPORT
X = SPECIAL

BODY
74 = SPORT UTILITY 4-DR
TYPE #4

ENGINE
EVE = Engine - 4.7L V8 DOHC
3 Valve
EZB = 5.7L Hemi Multi
Displacement Engine
EKG = 3.7L V6 Engine
ESF = 6.1L SRT HEMI SMPI
V8 Engine
EXL = 3.0L V6 Turbo Diesel
Engine

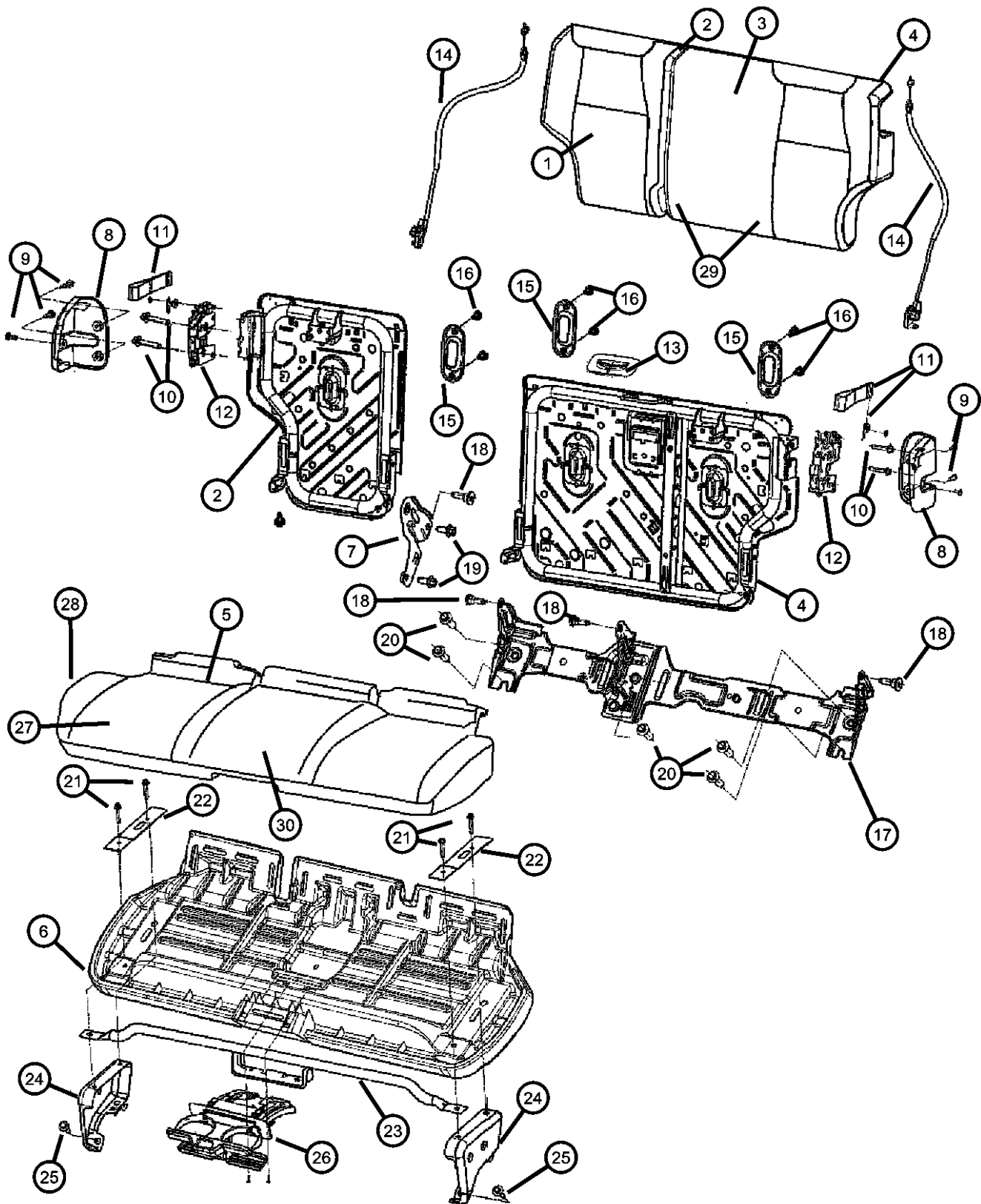
TRANSMISSION
DGJ = 5-Speed Auto W5A580
Transmission
DGU = 5-Spd Auto W5J400
Transmission
DGQ = 5-Spd Automatic 545RFE
Transmission

AR = use ase required - = Non illustrated part

2008 WK

Rear Seat - Split Seat - Trim Code[DZ]

Figure 50-667



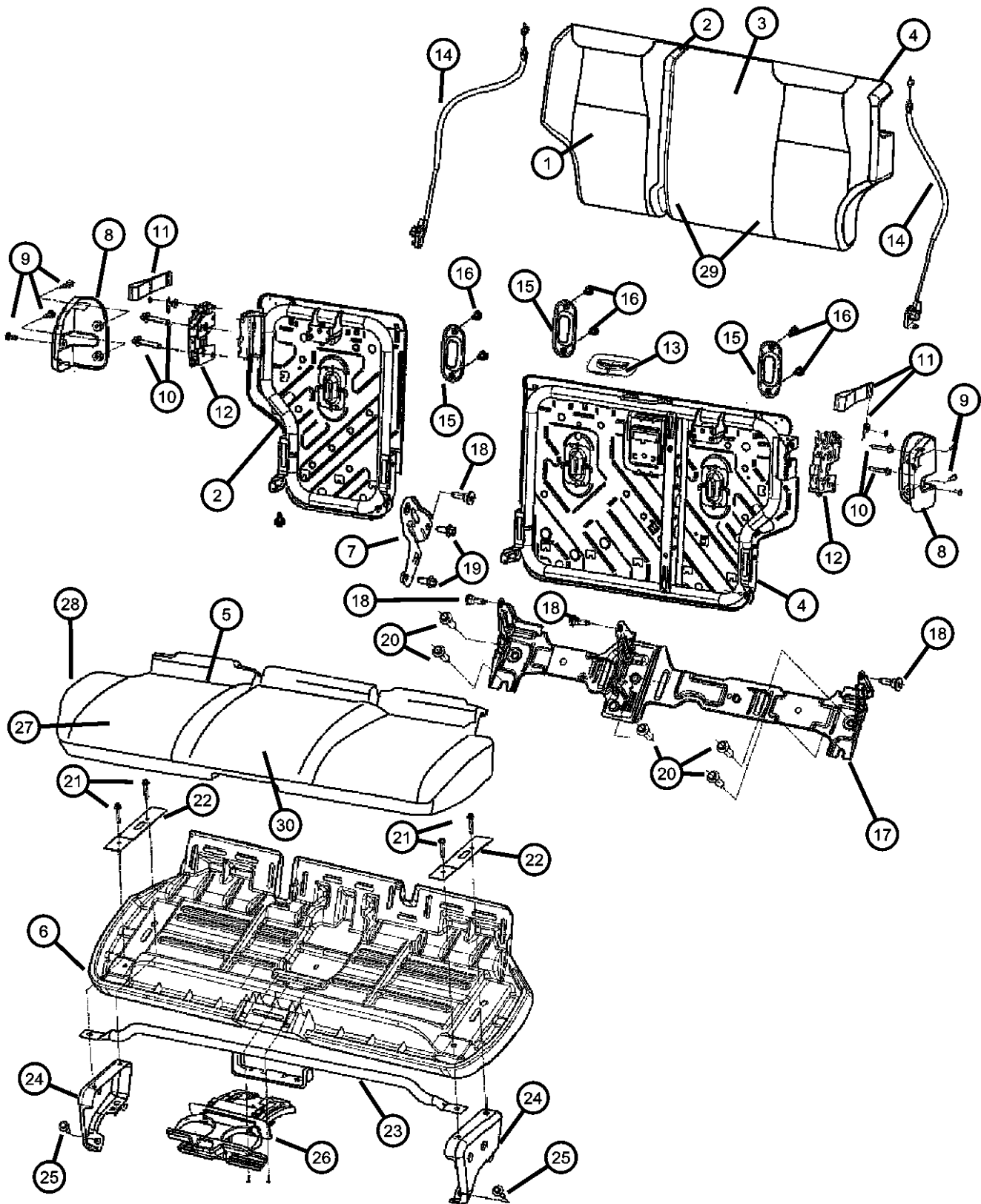
ITEM	PART NUMBER	QTY	LINE	SERIES	BODY	ENGINE	TRANS	TRIM	DESCRIPTION
1	1JG821DVAA	1	J, T		74			*DZ	COVER, Rear Seat Back, 40%, [DV]
2	1JQ181DVAA	1	J, T		74			*DZ	SEAT BACK, Rear, 40% [DV] With [JPZ] Heated Rear Seat
	1JG801DVAA	1	J, T		74			*DZ	[DV] Without [JPZ] Heated Rear Seat
3	1JG811DVAA	1	J, T		74			*DZ	COVER, Rear Seat Back, 60%, [DV]
4	1JQ171DVAA	1	J, T		74			*DZ	SEAT BACK, Rear, 60% [DV] With [JPZ] Heated Rear Seats
	1JG791DVAA	1	J, T		74			*DZ	[DV] Without [JPZ] Heated Rear Seats
5	1JG841DVAA	1	J, T		74			*DZ	COVER, Rear Seat Cushion, [DV]
6	05143424AA	1	J, T		74			*DZ	PANEL, Seat Cushion Base
7	05143423AA	1	J, T		74			*DZ	BRACKET, Pivot
8	1BG561DVAA	1	J, T		74			*DZ	COVER, Seat latch [DV], Right
	1BG571DVAA	1	J, T		74			*DZ	[DV], Left
9	05139633AA	3	J, T	X	74			*DZ	SCREW
10	05072205AA	2	J, T		74			*DZ	BOLT, Seat
11	1BZ621DVAA	1	J, T		74			*DZ	STRAP, [DV]
12	05139664AA	1	J, T		74			*DZ	LATCH, Seat Right
	05139665AA	1	J, T		74			*DZ	Left
13	1AP311DVAA	1	J, T		74			*DZ	BEZEL, Seat Belt, [DV]
14	05143435AA	1	J, T		74			*DZ	CABLE Center
	05143492AA	1	J, T	X	74			*DZ	Left
	05143493AA	1	J, T	X	74			*DZ	Right
15	0WT351DVAA	1	J, T		74			*DZ	BEZEL, TETHER, [DV]
16		1							SCREW, (NOT SERVICED)
17	05143434AA	1	J, T		74			*DZ	BRACKET, Rear Seat Mount
18	05139634AA	4	J, T		74			*DZ	BOLT
19	05143464AA	1	J, T		74			*DZ	BOLT, Seat

GRAND CHEROKEE (WK)
 SERIES LINE BODY ENGINE TRANSMISSION
 H = HIGHLINE T = JEEP - 2WD 74 = SPORT UTILITY 4-DR EVE = Engine - 4.7L V8 DOHC DGJ = 5-Speed Auto W5A580
 P = PREMIUM J = JEEP - 4WD TYPE #4 3 Valve Transmission
 S = SPORT EZB = 5.7L Hemi Multi DGU = 5-Spd Auto W5J400
 Displacement Engine Transmission
 EKG = 3.7L V6 Engine DGQ = 5-Spd Automatic 545RFE
 ESF = 6.1L SRT HEMI SMPI Transmission
 V8 Engine
 EXL = 3.0L V6 Turbo Diesel Engine

AR = use ase required - = Non illustrated part

Rear Seat - Split Seat - Trim Code[DZ]

Figure 50-667



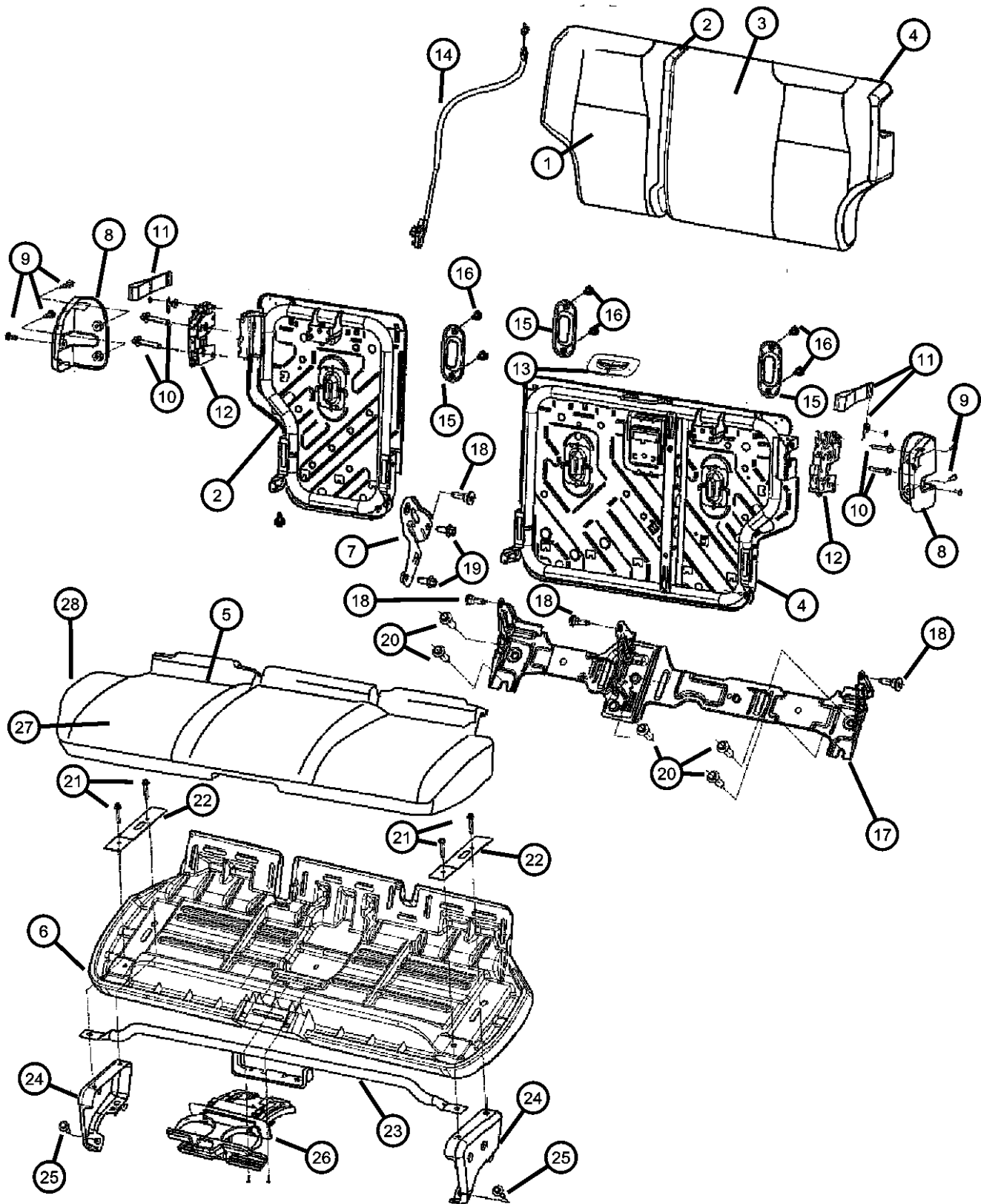
ITEM	PART NUMBER	QTY	LINE	SERIES	BODY	ENGINE	TRANS	TRIM	DESCRIPTION
20	06508360AA	1	J, T		74			*DZ	SCREW AND WASHER, Hex
21	05143445AA	1	J, T		74			*DZ	SCREW, Seat
22	05143431AA	2	J, T		74			*DZ	PLATE, Retaining
23	05143432AA	1	J, T		74			*DZ	SUPPORT, Rear Seat
24									RISER, Seat
	05143413AA	1	J, T		74			*DZ	Left
	05143412AA	1	J, T		74			*DZ	Right
25	06508360AA	1	J, T		74			*DZ	SCREW AND WASHER, Hex
26	1BG491DVAA	1	J, T		74			*DZ	CUPHOLDER, [DV]
27	05179558AA	1	J, T		74			*DZ	FOAM, Seat Cushion
28	05143454AA	1	J, T		74			*DZ	WIRE KIT, Trimming
29	68032480AA	1	J, T		74			*DZ	PAD, Heater, Back Heater Pad
30	68032479AA	2	J, T		74			*DZ	PAD, Heater, Cushion Heater Pad
-31									ARMREST, Rear Seat Center
	1JG731DVAA	1	J, T		74			*DZ	[DV], With [JPK], [JPM], [JPZ] Sales Codes
		1	J, T		74			*DZ	[DV], With [JTB] Sales Code
		1	J, T		74			*DZ	[DV], With [JTB], [JPM] Sales Codes

GRAND CHEROKEE (WK)

SERIES	LINE	BODY	ENGINE	TRANSMISSION
H = HIGHLINE	T = JEEP - 2WD	74 = SPORT UTILITY 4-DR	EVE = Engine - 4.7L V8 DOHC 3 Valve	DGJ = 5-Speed Auto W5A580 Transmission
P = PREMIUM	J = JEEP - 4WD	TYPE #4	EZB = 5.7L Hemi Multi Displacement Engine	DGU = 5-Spd Auto W5J400 Transmission
S = SPORT			EKG = 3.7L V6 Engine	DGQ = 5-Spd Automatic 545RFE Transmission
X = SPECIAL			ESF = 6.1L SRT HEMI SMPI V8 Engine	
			EXL = 3.0L V6 Turbo Diesel Engine	

AR = use ase required - = Non illustrated part

Rear Seat - Split Seat - Trim Code[EL]
Figure 50-668

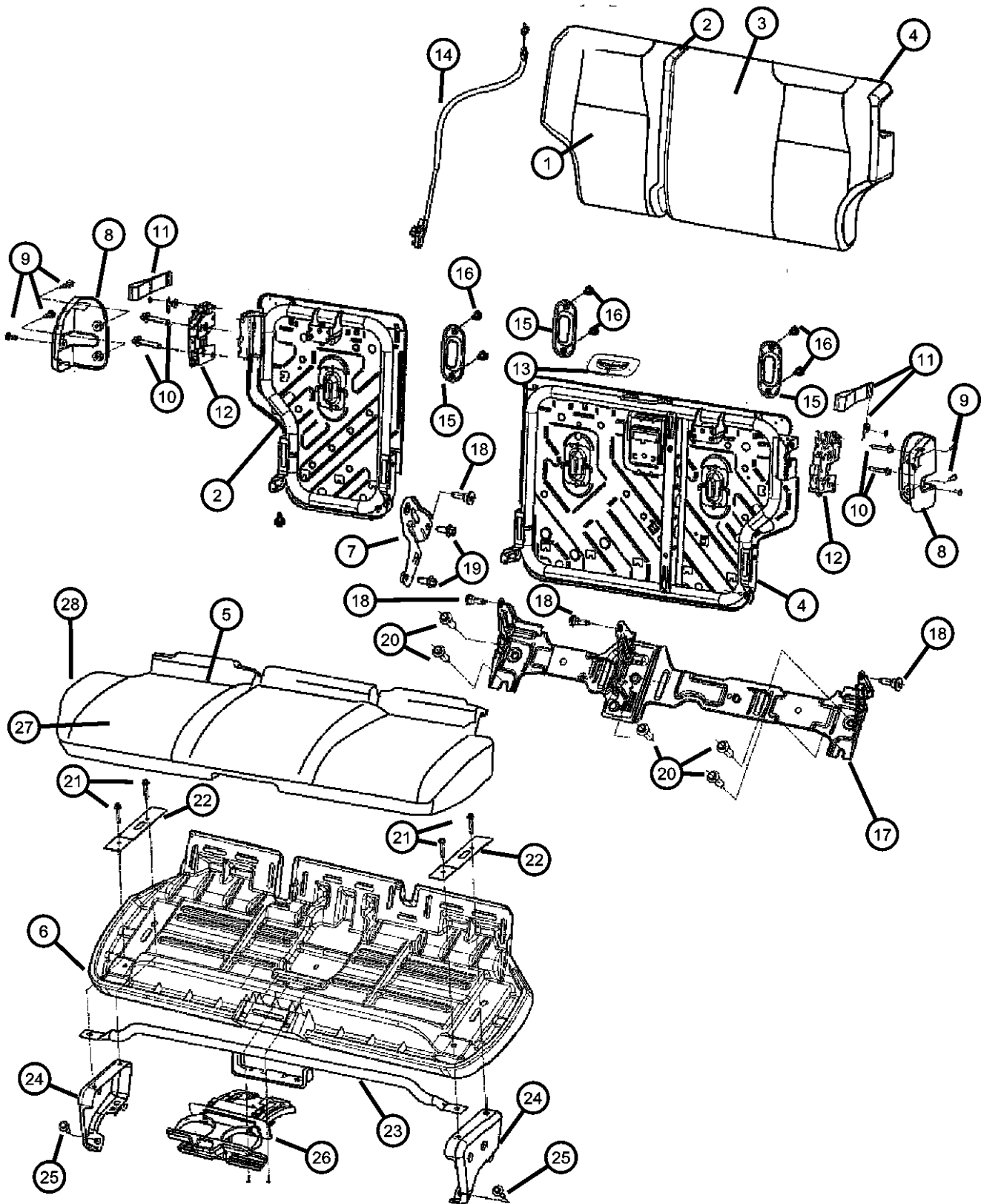


ITEM	PART NUMBER	QTY	LINE	SERIES	BODY	ENGINE	TRANS	TRIM	DESCRIPTION
1	1JH281DVAA	1	J, T		74			*EL [DV]	COVER, Rear Seat Back, 40%
	1JH281J8AA	1	J, T		74			*EL [J3]	
2	1JH101J8AA	1	J, T		74			*EL [J3]	SEAT BACK, Rear, 40%
	1JH101DVAA	1	J, T		74			*EL [DV]	
3	1JH231DVAA	1	J, T		74			*EL [DV]	COVER, Rear Seat Back, 60%
	1JH231J8AA	1	J, T		74			*EL [J3]	
4	1JH091DVAA	1	J, T		74			*EL [DV]	SEAT BACK, Rear, 60%
	1JH091J8AA	1	J, T		74			*EL [J3]	
5	1JH371J8AA	1	J, T		74			*EL [J3]	COVER, Rear Seat Cushion
	1JH371DVAA	1	J, T		74			*EL [DV]	
6	05143424AA	1	J, T		74			*EL	PANEL, Seat Cushion Base
7	05143423AA	1	J, T		74			*EL	BRACKET, Pivot
8	1BG561J3AA	1	J, T		74			*EL [J3], Right	COVER, Seat latch
	1BG571DVAA	1	J, T		74			*EL [DV], Left	
	1BG561DVAA	1	J, T		74			*EL [DV], Right	
	1BG571J3AA	1	J, T		74			*EL [J3], Left	
9	05139633AA	3	J, T		74			*O0	SCREW
10	05072205AA	2	J, T		74			*EL	BOLT, Seat
11	1BZ621DVAA	1	J, T		74			*EL [DV]	STRAP
	1BZ621J8AA	1	J, T		74			*EL [J3]	
12	05139664AA	1	J, T		74			*EL	LATCH, Seat
	05139665AA	1	J, T		74			*EL	Right
								*EL	Left
13	1AP311DVAA	1	J, T		74			*EL [DV]	BEZEL, Seat Belt

GRAND CHEROKEE (WK)
 SERIES LINE BODY ENGINE TRANSMISSION
 H = HIGHLINE T = JEEP - 2WD 74 = SPORT UTILITY 4-DR EVE = Engine - 4.7L V8 DOHC DGJ = 5-Speed Auto W5A580
 P = PREMIUM J = JEEP - 4WD TYPE #4 3 Valve Transmission
 S = SPORT EZB = 5.7L Hemi Multi Displacement Engine DGU = 5-Spd Auto W5J400
 X = SPECIAL EKG = 3.7L V6 Engine DGQ = 5-Spd Automatic 545RFE
 ESF = 6.1L SRT HEMI SMPI V8 Engine Transmission
 EXL = 3.0L V6 Turbo Diesel Engine

AR = use ase required - = Non illustrated part

Rear Seat - Split Seat - Trim Code[EL]
Figure 50-668

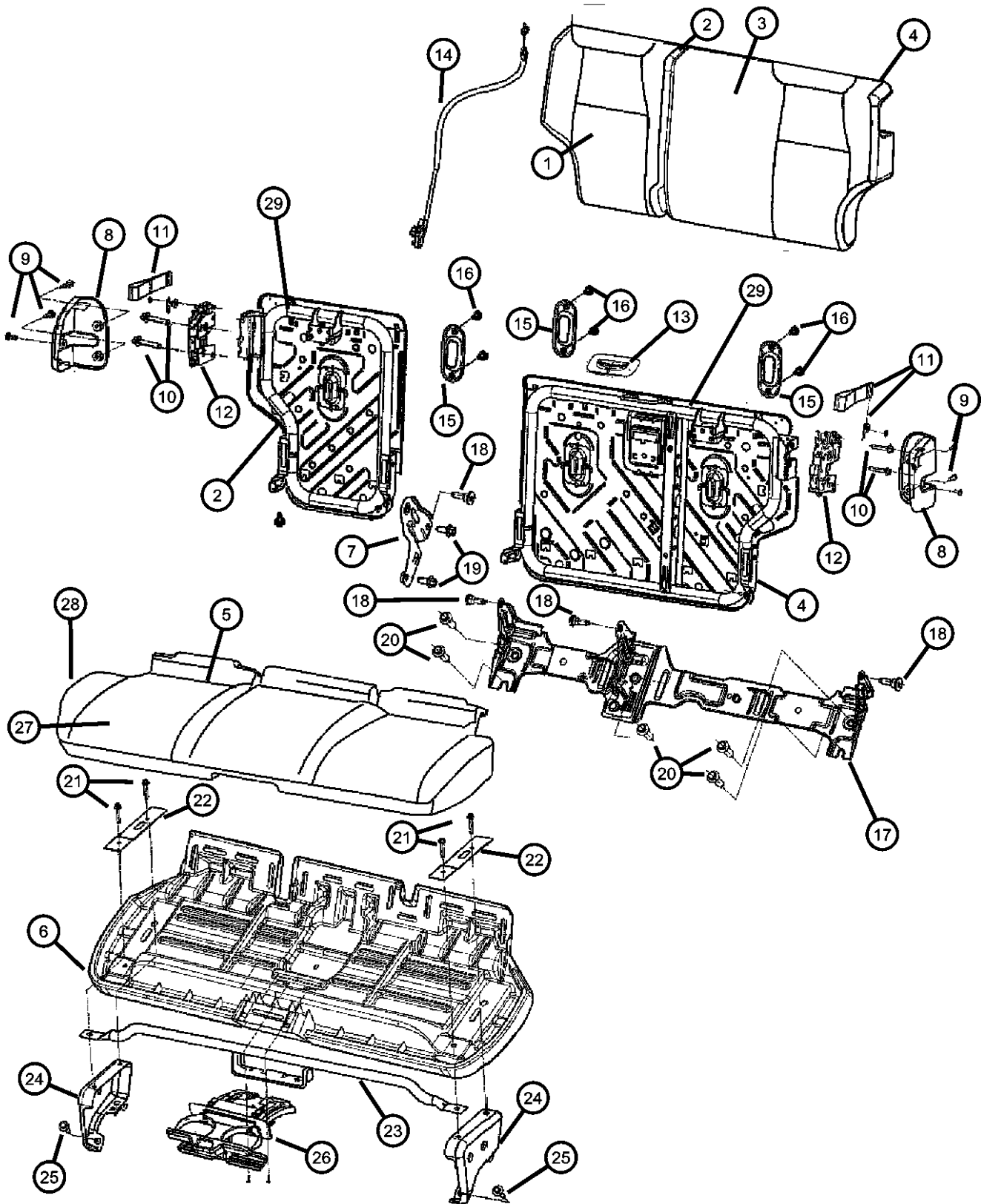


ITEM	PART NUMBER	QTY	LINE	SERIES	BODY	ENGINE	TRANS	TRIM	DESCRIPTION
	1AP311J8AA	1	J, T		74			*EL [J3]	
14	05143435AA	1	J, T		74			*EL	CABLE, Rear Center Retractor Release Cable
15									BEZEL, TETHER
	0WT351J3AA	1	J, T		74			*EL [J3]	
	0WT351DVAA	1	J, T		74			*EL [DV]	
16		1							SCREW, (NOT SERVICED),
17	05143434AA	1	J, T		74			*EL	BRACKET, Rear Seat Mount
18	05139634AA	4	J, T		74			*EL	BOLT
19	05143464AA	1	J, T		74			*EL	BOLT, Seat
20	06508360AA	1	J, T		74			*EL	SCREW AND WASHER, Hex
21	05143445AA	1	J, T		74			*EL	SCREW, Seat
22	05143431AA	2	J, T		74			*EL	PLATE, Retaining
23	05143432AA	1	J, T		74			*EL	SUPPORT, Rear Seat
24									RISER, Seat
	05143413AA	1	J, T		74			*EL	Left
	05143412AA	1	J, T		74			*EL	Right
25	06508360AA	2	J, T		74				SCREW AND WASHER, Hex
26									CUPHOLDER
	1BG491J8AA	1	J, T		74			*EL [J3]	
	1BG491DVAA	1	J, T		74			*EL [DV]	
27	05143433AA	1	J, T		74			*EL	FOAM, Seat Cushion
28	05143454AA	1	J, T		74			*EL	WIRE KIT, Trimming

GRAND CHEROKEE (WK)
 SERIES LINE BODY ENGINE TRANSMISSION
 H = HIGHLINE T = JEEP - 2WD 74 = SPORT UTILITY 4-DR EVE = Engine - 4.7L V8 DOHC 3 Valve DGJ = 5-Speed Auto W5A580
 P = PREMIUM J = JEEP - 4WD TYPE #4 Transmission
 S = SPORT Displacement Engine DGU = 5-Spd Auto W5J400
 X = SPECIAL EKG = 3.7L V6 Engine Transmission
 ESF = 6.1L SRT HEMI SMPI DGQ = 5-Spd Automatic 545RFE
 V8 Engine
 EXL = 3.0L V6 Turbo Diesel Transmission
 Engine

AR = use ase required - = Non illustrated part

Rear Seat - Split Seat - Trim Code[F7]
Figure 50-669

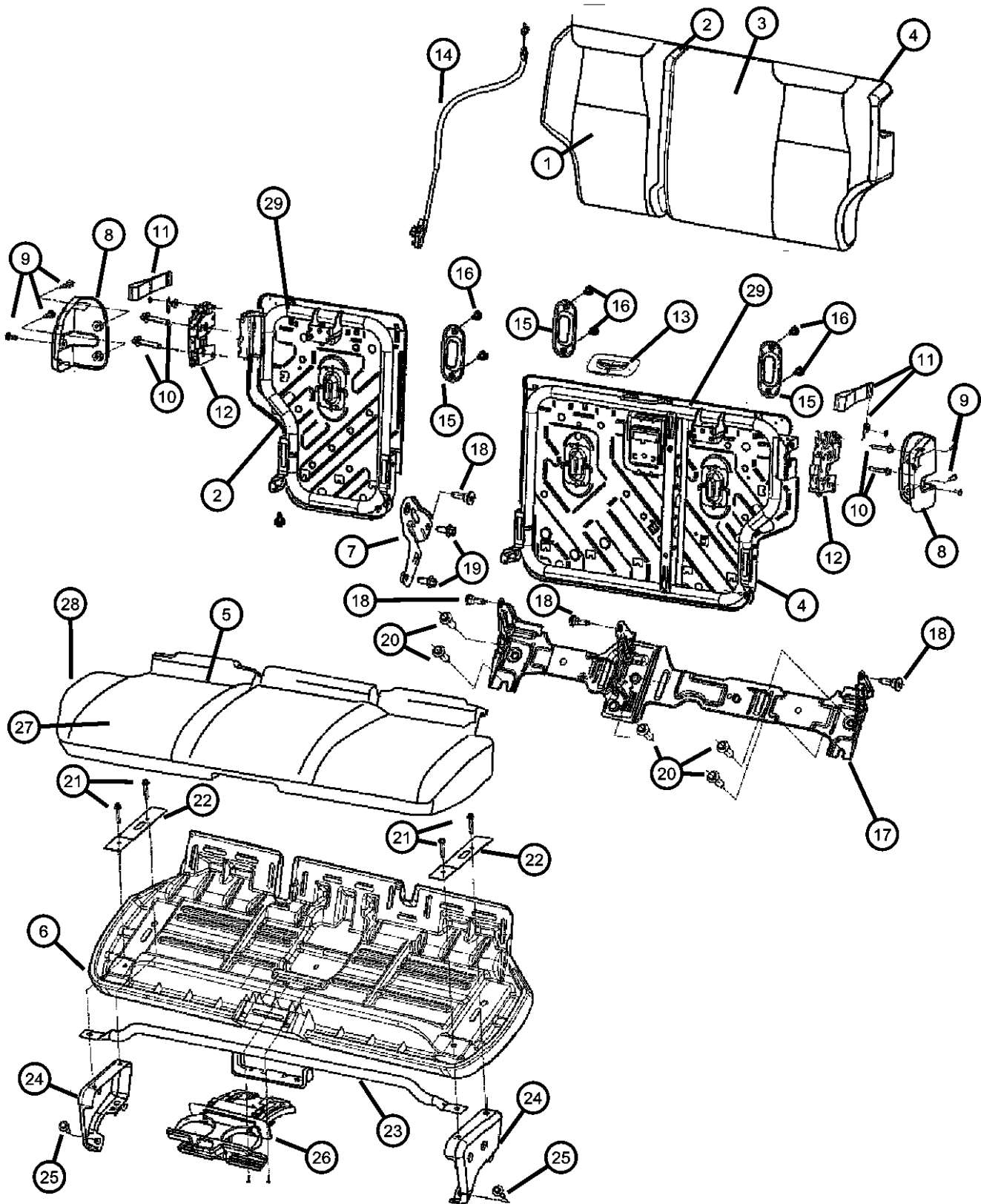


ITEM	PART NUMBER	QTY	LINE	SERIES	BODY	ENGINE	TRANS	TRIM	DESCRIPTION
1	1JH181DVAA	1	J, T		74			*F7	COVER, Rear Seat Back, 40% [DV]
	1JH181J8AA	1	J, T		74			*F7	[J3]
2	1JH061DVAA	1	J, T		74			*F7	SEAT BACK, Rear, 40% [DV]
	1JH061J8AA	1	J, T		74			*F7	[J3]
3	1JH171J8AA	1	J, T		74			*F7	COVER, Rear Seat Back, 60% [J3]
	1JH171DVAA	1	J, T		74			*F7	[DV]
4	1JH051J8AA	1	J, T		74			*F7	SEAT BACK, Rear, 60% [J3]
	1JH051DVAA	1	J, T		74			*F7	[DV]
5	1JH331J8AA	1	J, T		74			*F7	COVER, Rear Seat Cushion [J3]
	1JH331DVAA	1	J, T		74			*F7	[DV]
6	05143424AA	1	J, T		74			*F7	PANEL, Seat Cushion Base
7	05143423AA	1	J, T		74			*F7	BRACKET, Pivot
8	1BG571J3AA	1	J, T		74			*F7	COVER, Seat latch [J3], Left
	1BG561J3AA	1	J, T		74			*F7	[J3], Right
	1BG561DVAA	1	J, T		74			*F7	[DV], Right
	1BG571DVAA	1	J, T		74			*F7	[DV], Left
	9	05139633AA	3	J, T		74		*O0	SCREW
10	05072205AA	2	J, T		74			*F7	BOLT, Seat
11	1BZ621DVAA	1	J, T		74			*F7	STRAP [DV]
	1BZ621J8AA	1	J, T		74			*F7	[J3]
12	05139665AA	1	J, T		74			*F7	LATCH, Seat Left
	05139664AA	1	J, T		74			*F7	Right
13	1AP311J8AA	1	J, T		74			*F7	BEZEL, Seat Belt [J3]

GRAND CHEROKEE (WK)
 SERIES LINE BODY ENGINE TRANSMISSION
 H = HIGHLINE T = JEEP - 2WD 74 = SPORT UTILITY 4-DR EVE = Engine - 4.7L V8 DOHC DGJ = 5-Speed Auto W5A580
 P = PREMIUM J = JEEP - 4WD TYPE #4 3 Valve Transmission
 S = SPORT EZB = 5.7L Hemi Multi Displacement Engine DGU = 5-Spd Auto W5J400
 X = SPECIAL EKG = 3.7L V6 Engine DGQ = 5-Spd Automatic 545RFE
 ESF = 6.1L SRT HEMI SMPI V8 Engine Transmission
 EXL = 3.0L V6 Turbo Diesel Engine

AR = use ase required - = Non illustrated part

Rear Seat - Split Seat - Trim Code[F7]
Figure 50-669

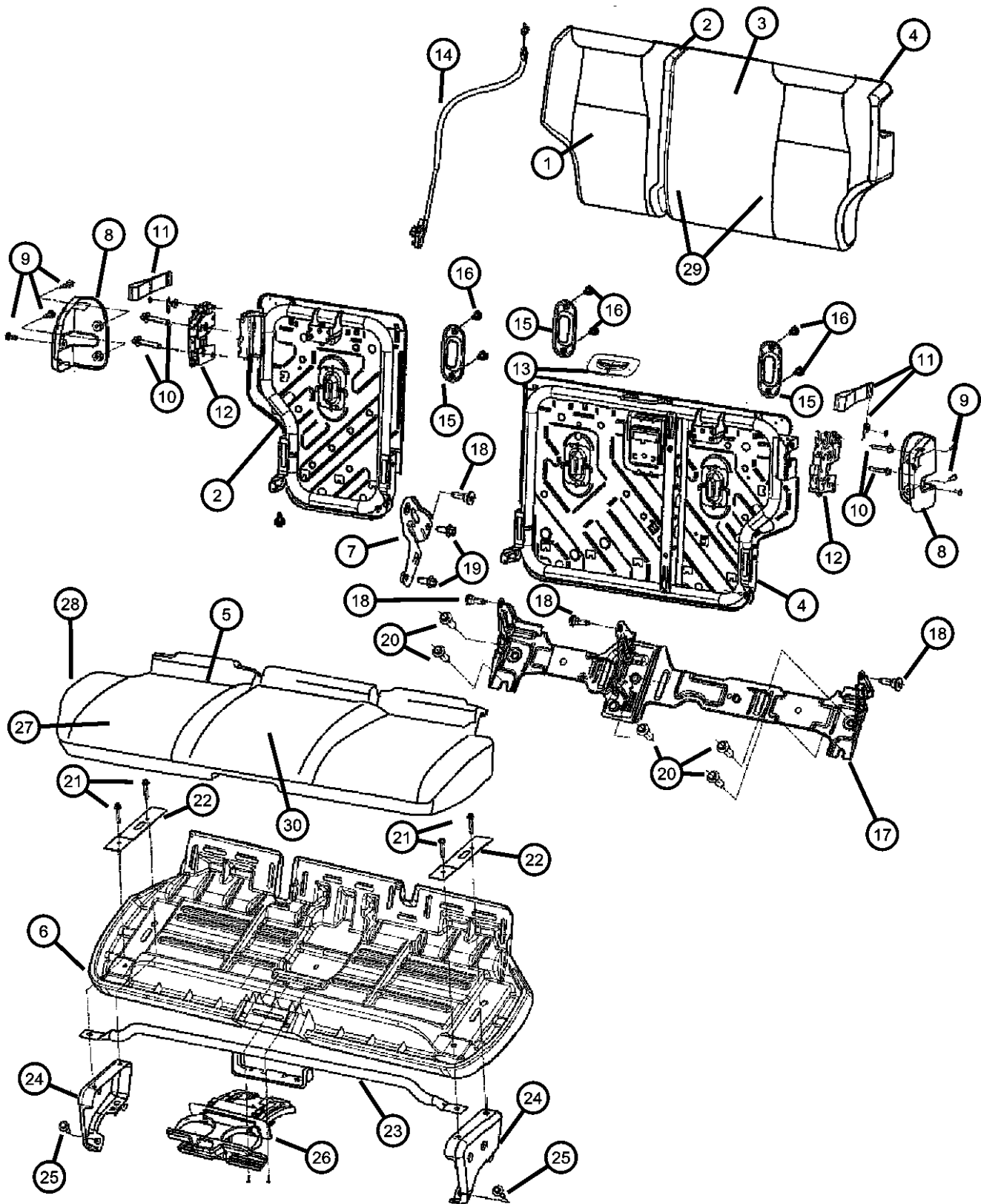


ITEM	PART NUMBER	QTY	LINE	SERIES	BODY	ENGINE	TRANS	TRIM	DESCRIPTION
	1AP311DVAA	1	J, T		74			*F7	[DV]
14	05143435AA	1	J, T		74			*F7	CABLE, Rear Center Retractor Release
15	0WT351DVAA	1	J, T		74			*F7	[DV]
	0WT351J3AA	1	J, T		74			*F7	[J3]
16		1							SCREW, (NOT SERVICED),
17	05143434AA	1	J, T		74			*F7	BRACKET, Rear Seat Mount
18	05139634AA	4	J, T		74			*F7	BOLT
19	05143464AA	1	J, T		74			*F7	BOLT, Seat
20	06508360AA	1	J, T		74			*F7	SCREW AND WASHER, Hex
21	05143445AA	4	J, T		74			*F7	SCREW, Seat
22	05143431AA	2	J, T		74			*F7	PLATE, Retaining
23	05143432AA	1	J, T		74			*F7	SUPPORT, Rear Seat
24									RISER, Seat
	05143413AA	1	J, T		74			*F7	Left
	05143412AA	1	J, T		74			*F7	Right
25	06508360AA	2	J, T		74			*F7	SCREW AND WASHER, Hex
26									CUPHOLDER
	1BG491DVAA	1	J, T		74			*F7	[DV]
	1BG491J8AA	1	J, T		74			*F7	[J3]
27	05143433AA	1	J, T		74			*F7	FOAM, Seat Cushion
28	05143454AA	1	J, T		74			*F7	WIRE KIT, Trimming
29									FRAME, Rear Seat Back
	68058065AA	1	J, T		74			*F7	Right
	68058064AA	1	J, T		74			*F7	Left

GRAND CHEROKEE (WK)
 SERIES LINE BODY ENGINE TRANSMISSION
 H = HIGHLINE T = JEEP - 2WD 74 = SPORT UTILITY 4-DR EVE = Engine - 4.7L V8 DOHC DGJ = 5-Speed Auto W5A580
 P = PREMIUM J = JEEP - 4WD TYPE #4 3 Valve Transmission
 S = SPORT EZB = 5.7L Hemi Multi DGU = 5-Spd Auto W5J400
 X = SPECIAL Displacement Engine Transmission
 EKG = 3.7L V6 Engine DGQ = 5-Spd Automatic 545RFE
 ESF = 6.1L SRT HEMI SMPI Transmission
 V8 Engine
 EXL = 3.0L V6 Turbo Diesel Engine

AR = use ase required - = Non illustrated part

Rear Seat - Split Seat - Trim Code[GL]
Figure 50-670

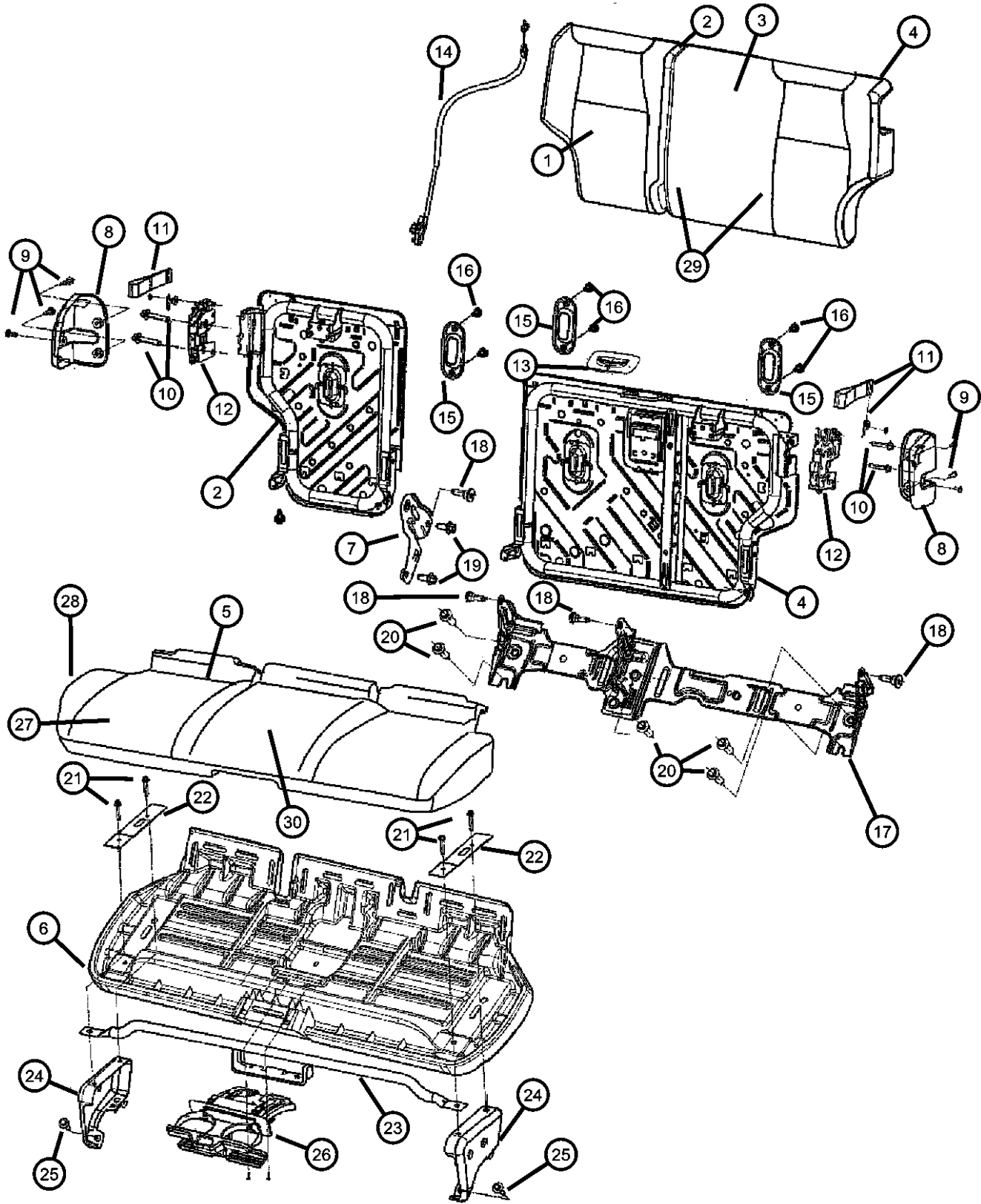


ITEM	PART NUMBER	QTY	LINE	SERIES	BODY	ENGINE	TRANS	TRIM	DESCRIPTION
1	1JH301D1AA	1	J, T		74			*GL [J1]	COVER, Rear Seat Back, 40%
	1JH301UYAA	1	J, T		74			*GL [DV]	
2	1JH121D1AA	1	J, T		74			*GL [J1]	SEAT BACK, Rear, 40%
	1JH121UYAA	1	J, T		74			*GL [DV]	
3	1JH291D1AA	1	J, T		74			*GL [J1]	COVER, Rear Seat Back, 60%
	1JH291UYAA	1	J, T		74			*GL [DV]	
4	1JH131D1AA	1	J, T		74			*GL [J1]	SEAT BACK, Rear, 60%
	1JH131UYAA	1	J, T		74			*GL [DV]	
5	1JH381D1AA	1	J, T		74			*GL [J1]	COVER, Rear Seat Cushion
	1JH381UYAA	1	J, T		74			*GL [DV]	
6	05143424AA	1	J, T		74			*GL	PANEL, Seat Cushion Base
7	05143423AA	1	J, T		74			*GL	BRACKET, Pivot
8	1BG561D1AA	1	J, T		74			*GL [J1]	COVER, Seat latch
	1BG561DVAA	1	J, T		74			*GL [DV]	
9	05139633AA	3	J, T		74			*O0	SCREW
10	05072205AA	2	J, T		74			*GL	BOLT, Seat
11	1BZ621D1AA	1	J, T		74			*GL [J1]	STRAP
	1BZ621DVAA	1	J, T		74			*GL [DV]	
12	05139664AA	1	J, T		74			*GL	LATCH, Seat
13	1AP311D1AA	1	J, T		74			*GL [J1]	BEZEL, Seat Belt
	1AP311DVAA	1	J, T		74			*GL [DV]	
14	05143435AA	1	J, T		74			*GL	CABLE, Rear Center Retractor Release
15	0WT351D1AA	2	J, T		74			*GL [J1]	BEZEL, TETHER

GRAND CHEROKEE (WK)
 SERIES LINE BODY ENGINE TRANSMISSION
 H = HIGHLINE T = JEEP - 2WD 74 = SPORT UTILITY 4-DR EVE = Engine - 4.7L V8 DOHC 3 Valve DGJ = 5-Speed Auto W5A580 Transmission
 P = PREMIUM J = JEEP - 4WD TYPE #4 EZB = 5.7L Hemi Multi Displacement Engine DGU = 5-Spd Auto W5J400 Transmission
 S = SPORT EKG = 3.7L V6 Engine DGQ = 5-Spd Automatic 545RFE Transmission
 X = SPECIAL ESF = 6.1L SRT HEMI SMPI V8 Engine
 EXL = 3.0L V6 Turbo Diesel Engine

AR = use ase required - = Non illustrated part

Rear Seat - Split Seat - Trim Code[GL]
Figure 50-670



ITEM	PART NUMBER	QTY	LINE	SERIES	BODY	ENGINE	TRANS	TRIM	DESCRIPTION
	0WT351DVAA	1	J, T		74			*GL	[DV]
16		1							SCREW, (NOT SERVICED),
17	05143434AA	1	J, T		74			*GL	BRACKET, Rear Seat Mount
18	05139634AA	4	J, T		74			*GL	BOLT
19	05143464AA	1	J, T		74			*GL	BOLT, Seat
20	06508360AA	1	J, T		74			*GL	SCREW AND WASHER, Hex
21	05143445AA	4	J, T		74			*GL	SCREW, Seat
22	05143431AA	2	J, T		74			*GL	PLATE, Retaining
23	05143432AA	1	J, T		74			*GL	SUPPORT, Rear Seat
24									RISER, Seat
	05143412AA	1	J, T		74			*GL	Right
	05143413AA	1	J, T		74			*GL	Left
25	06508360AA	2	J, T		74				SCREW AND WASHER, Hex
26									CUPHOLDER
	1BG491D1AA	1	J, T		74			*GL	[J1]
	1BG491DVAA	1	J, T		74			*GL	[DV]
27	05143433AA	1	J, T		74			*GL	FOAM, Seat Cushion
28	05143454AA	1	J, T		74			*GL	WIRE KIT, Trimming
29	68032480AA	1	J, T		74			*GL	PAD, Heater, Back Heater Pad
30	68032479AA	1	J, T		74			*GL	PAD, Heater, Cushion heater pad
-31									ARMREST, Rear Seat Center
	1JG731UYAA	1	J, T		74			*GL	[DV]
	1JG731D1AA	1	J, T		74			*GL	[J1]

GRAND CHEROKEE (WK)

SERIES LINE
H = HIGHLINE T = JEEP - 2WD
P = PREMIUM J = JEEP - 4WD
S = SPORT
X = SPECIAL

BODY
74 = SPORT UTILITY 4-DR
TYPE #4

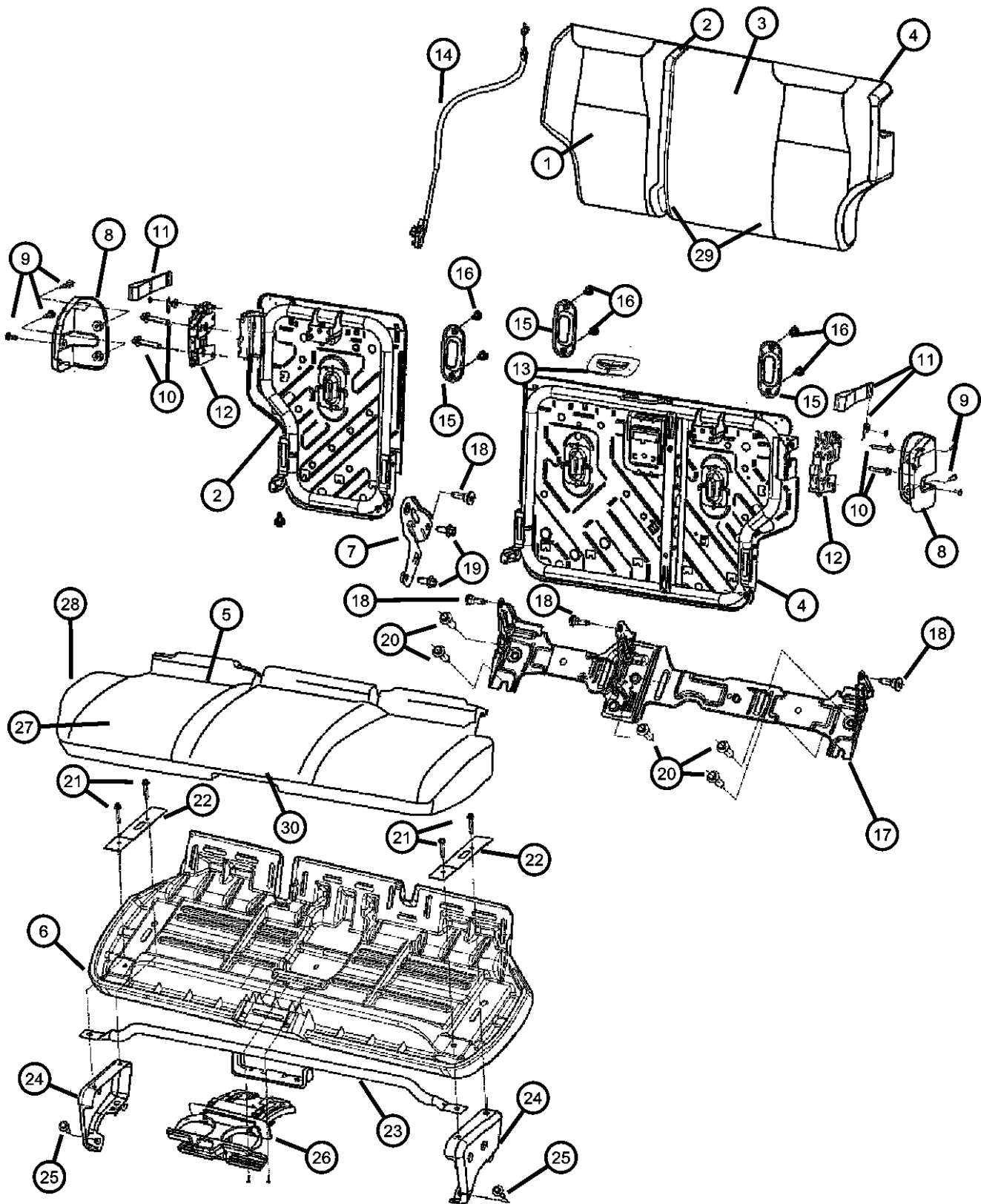
ENGINE TRANSMISSION
EVE = Engine - 4.7L V8 DOHC 3 Valve
EVB = Engine - 4.7L V8 DOHC 3 Valve
EZB = 5.7L Hemi Multi Displacement Engine
EKG = 3.7L V6 Engine
ESF = 6.1L SRT HEMI SMPI V8 Engine
EXL = 3.0L V6 Turbo Diesel Engine
DGJ = 5-Speed Auto W5A580 Transmission
DGU = 5-Spd Auto W5J400 Transmission
DGQ = 5-Spd Automatic 545RFE Transmission

AR = use ase required - = Non illustrated part

2008 WK

Rear Seat - Split Seat - Trim Code[UL]

Figure 50-671



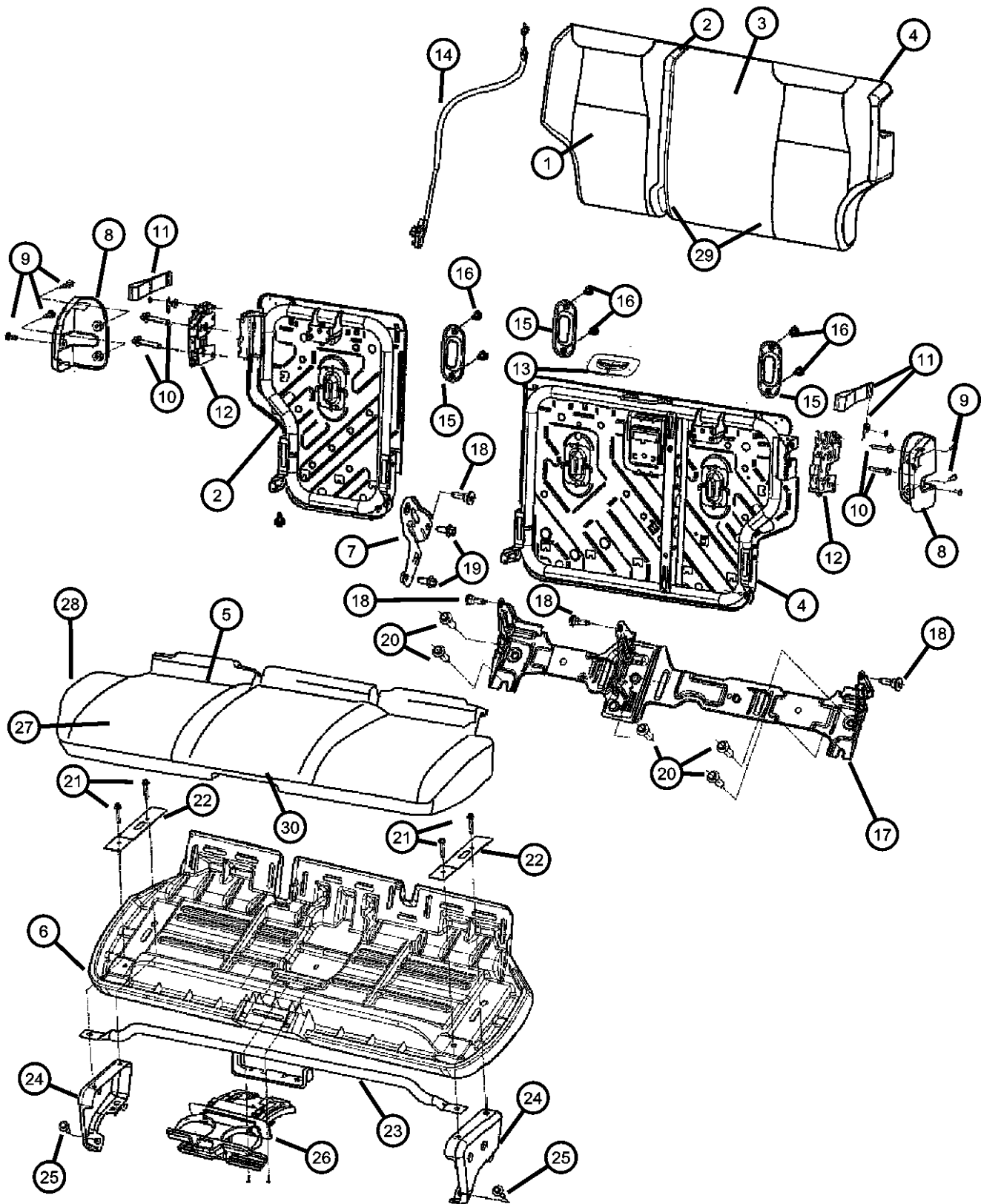
ITEM	PART NUMBER	QTY	LINE	SERIES	BODY	ENGINE	TRANS	TRIM	DESCRIPTION
1	1JH221J8AA	1	J, T		74			*UL	COVER, Rear Seat Back, 40% [J1]
	1JH221DVAA	1	J, T		74			*UL	[D1]
2	1JH081DVAA	1	J, T		74			*UL	SEAT BACK, Rear, 40% [D1]
	1JH081J8AA	1	J, T		74			*UL	[J1]
3	1JH191DVAA	1	J, T		74			*UL	COVER, Rear Seat Back, 60% [D1]
	1JH191J8AA	1	J, T		74			*UL	[J1]
4	1JH071DVAA	1	J, T		74			*UL	SEAT BACK, Rear, 60% [D1]
	1JH071J8AA	1	J, T		74			*UL	[J1]
5	1JH341DVAA	1	J, T		74			*UL	COVER, Rear Seat Cushion [D1]
	1JH341J8AA	1	J, T		74			*UL	[J1]
6	05143424AA	1	J, T		74			*UL	PANEL, Seat Cushion Base
7	05143423AA	1	J, T		74			*UL	BRACKET, Pivot
8	1BG571DVAA	1	J, T		74			*UL	COVER, Seat latch [D1], Left
	1BG571J3AA	1	J, T		74			*UL	[J1], Left
	1BG561DVAA	1	J, T		74			*UL	[D1], Right
	1BG561J3AA	1	J, T		74			*UL	[J1], Right
9	05139633AA	3	J, T		74			*O0	SCREW
10	05072205AA	2	J, T		74			*UL	BOLT, Seat
11	1BZ621DVAA	1	J, T		74			*UL	STRAP [D1]
	1BZ621J8AA	1	J, T		74			*UL	[J1]
12	05139664AA	1	J, T		74			*UL	LATCH, Seat
13	1AP311DVAA	1	J, T		74			*UL	BEZEL, Seat Belt [D1]
	1AP311J8AA	1	J, T		74			*UL	[J1]
14	05143435AA	1	J, T		74			*UL	CABLE, Rear Center Retractor Release

GRAND CHEROKEE (WK)
 SERIES LINE BODY ENGINE TRANSMISSION
 H = HIGHLINE T = JEEP - 2WD 74 = SPORT UTILITY 4-DR EVE = Engine - 4.7L V8 DOHC DGJ = 5-Speed Auto W5A580
 P = PREMIUM J = JEEP - 4WD TYPE #4 3 Valve Transmission
 S = SPORT EZB = 5.7L Hemi Multi DGU = 5-Spd Auto W5J400
 X = SPECIAL Displacement Engine Transmission
 EKG = 3.7L V6 Engine DGQ = 5-Spd Automatic 545RFE
 ESF = 6.1L SRT HEMI SMPI Transmission
 V8 Engine
 EXL = 3.0L V6 Turbo Diesel Engine

AR = use ase required - = Non illustrated part

Rear Seat - Split Seat - Trim Code[UL]

Figure 50-671



ITEM	PART NUMBER	QTY	LINE	SERIES	BODY	ENGINE	TRANS	TRIM	DESCRIPTION
15									BEZEL, TETHER
	0WT351J8AA	1	J, T		74			*UL	[J1]
	0WT351DVAA	1	J, T		74			*UL	[D1]
16		1							SCREW, (NOT SERVICED),
17	05143434AA	1	J, T		74			*UL	BRACKET, Rear Seat Mount
18	05139634AA	4	J, T		74			*UL	BOLT
19	05143464AA	1	J, T		74			*UL	BOLT, Seat
20	06508360AA	1	J, T		74			*UL	SCREW AND WASHER, Hex
21	05143445AA	4	J, T		74			*UL	SCREW, Seat
22	05143431AA	2	J, T		74			*UL	PLATE, Retaining
23	05143432AA	1	J, T		74			*UL	SUPPORT, Rear Seat
24									RISER, Seat
	05143412AA	1	J, T		74			*UL	Right
	05143413AA	1	J, T		74			*UL	Left
25	06508360AA	2	J, T		74				SCREW AND WASHER, Hex
26									CUPHOLDER
	1BG491DVAA	1	J, T		74			*UL	[D1]
	1BG491J8AA	1	J, T		74			*UL	[J1]
27	05143433AA	1	J, T		74			*UL	FOAM, Seat Cushion
28	05143454AA	1	J, T		74			*UL	WIRE KIT, Trimming
29	68032480AA	1	J, T		74			*UL	PAD, Heater, Back Heater Pad
30	68032479AA	1	J, T		74			*UL	PAD, Heater, Cushion Heater pad
-31									ARMREST, Rear Seat Center
	1JG731DVAA	1	J, T		74			*UL	[D1]
	1JG731J8AA	1	J, T		74			*UL	[J1]

GRAND CHEROKEE (WK)
 SERIES LINE
 H = HIGHLINE T = JEEP - 2WD
 P = PREMIUM J = JEEP - 4WD
 S = SPORT
 X = SPECIAL

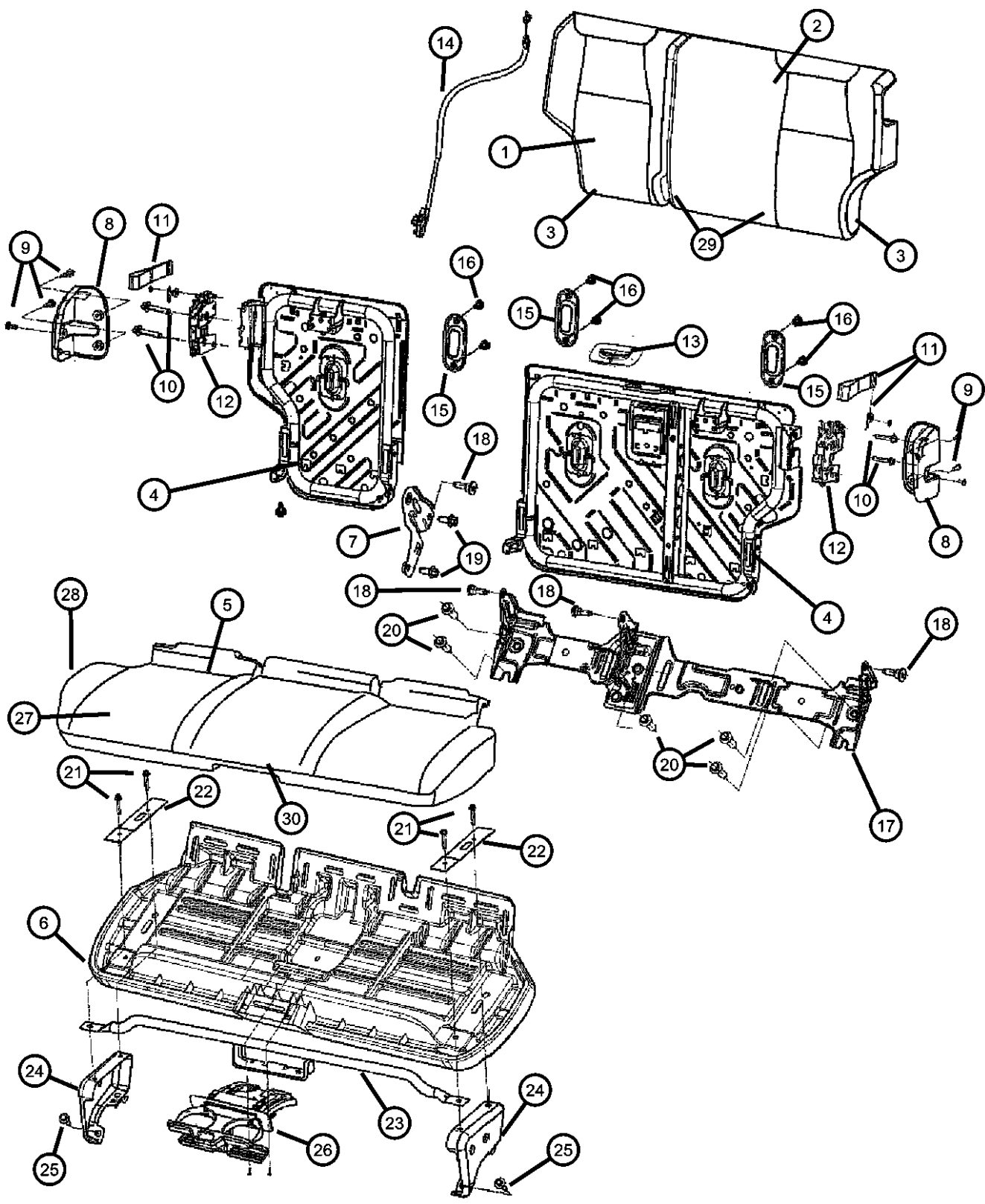
BODY
 74 = SPORT UTILITY 4-DR
 TYPE #4

ENGINE
 EVE = Engine - 4.7L V8 DOHC
 3 Valve
 EZB = 5.7L Hemi Multi
 Displacement Engine
 EKG = 3.7L V6 Engine
 ESF = 6.1L SRT HEMI SMPI
 V8 Engine
 EXL = 3.0L V6 Turbo Diesel
 Engine

TRANSMISSION
 DGJ = 5-Speed Auto W5A580
 Transmission
 DGU = 5-Spd Auto W5J400
 Transmission
 DGQ = 5-Spd Automatic 545RFE
 Transmission

AR = use ase required - = Non illustrated part

**Rear Seat - Split Seat - Trim Code [XL]
Figure 50-672**



ITEM	PART NUMBER	QTY	LINE	SERIES	BODY	ENGINE	TRANS	TRIM	DESCRIPTION
1	1JG821DVAA	1	J, T		74			*XL	COVER, Rear Seat Back, 40%
2	1JG811DVAA	1	J, T		74			*XL	COVER, Rear Seat Back, 60%
3									FOAM, Seat Back
	68058063AA	1	J, T		74			*XL	40%
	68058067AA	1	J, T		74			*XL	60%
4									FRAME, Rear Seat Back
	68058065AA	1	J, T		74			*XL	40%
	68058068AA	1	J, T		74			*XL	60%
5	1JG841DVAA	1	J, T		74			*XL	COVER, Rear Seat Cushion
6	05143424AA	1	J, T		74			*XL	PANEL, Seat Cushion Base
7	05143423AA	1	J, T		74			*XL	BRACKET, Pivot
8									COVER, Seat latch
	1BG561DVAA	1	J, T		74			*XL	Export Only
	1BG571DVAA	1	J, T		74			*XL	
9	05139633AA	4	J, T		74			*XL	SCREW, Latch Bezel Mounting
10	05072205AA	4	J, T		74			*XL	BOLT, Seat
11	1BZ621DVAA	2	J, T		74			*XL	STRAP
12									LATCH, Seat
	05139664AA	1	J, T		74			*XL	40%
	05139665AA	1	J, T		74			*XL	60%
13	1JG781DVAA	1	J, T		74			*XL	BEZEL, Seat Belt
14	05143435AA	1	J, T		74			*XL	CABLE, Rear Center Retractor Release
15	0WT351UYAA	3	J, T		74			*XL	BEZEL, TETHER
16		3							SCREW, (NOT SERVICED)
17	68045955AA	1	J, T		74			*XL	BRACKET, Rear Seat Mount
18	05139634AA	4	J, T		74			*XL	BOLT, Outboard Pivot
19	05143464AA	1	J, T		74			*XL	BOLT, Seat, Pivot Bracket
20	06508360AA	1	J, T		74			*XL	SCREW AND WASHER, Hex
21	05143445AA	4	J, T		74			*XL	SCREW, Seat, Rear Cushion To Riser
22	05143431AA	2	J, T		74			*XL	PLATE, Retaining
23	05143432AA	1	J, T		74			*XL	SUPPORT, Rear Seat

GRAND CHEROKEE (WK)
 SERIES LINE
 H = HIGHLINE T = JEEP - 2WD
 P = PREMIUM J = JEEP - 4WD
 S = SPORT
 X = SPECIAL

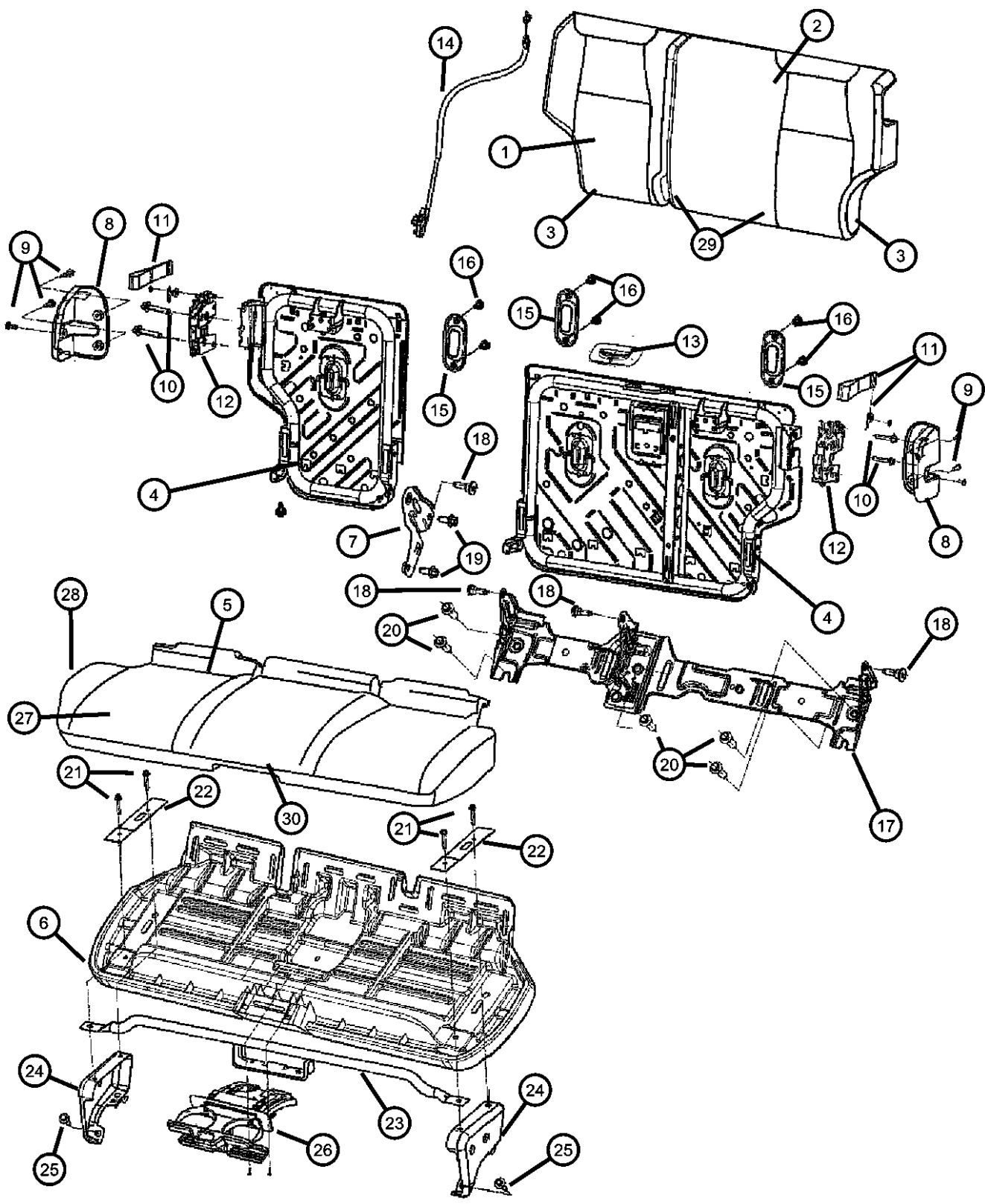
BODY
 74 = SPORT UTILITY 4-DR
 TYPE #4

ENGINE
 EVE = Engine - 4.7L V8 DOHC
 3 Valve
 EZB = 5.7L Hemi Multi
 Displacement Engine
 EKG = 3.7L V6 Engine
 ESF = 6.1L SRT HEMI SMPI
 V8 Engine
 EXL = 3.0L V6 Turbo Diesel
 Engine

TRANSMISSION
 DGJ = 5-Speed Auto W5A580
 Transmission
 DGU = 5-Spd Auto W5J400
 Transmission
 DGQ = 5-Spd Automatic 545RFE
 Transmission

AR = use ase required - = Non illustrated part

Rear Seat - Split Seat - Trim Code [XL]
Figure 50-672



ITEM	PART NUMBER	QTY	LINE	SERIES	BODY	ENGINE	TRANS	TRIM	DESCRIPTION
24									RISER, Seat
	05143412AA	1	J, T		74			*XL	Right
	05143413AA	1	J, T		74			*XL	Left
25	06508360AA	2	J, T		74				SCREW AND WASHER, Hex
26	1BG491DVAA	1	J, T		74			*XL	CUPHOLDER
27	05179558AA	1	J, T		74			*XL	FOAM, Seat Cushion
28	05143454AA	1	J, T		74			*XL	WIRE KIT, Trimming
29	04610264AB	2	J, T		74			*XL	PAD, Heater, Back Heater Pad
30	04610265AB	2	J, T		74			*XL	PAD, Heater, Cushion Heater pad
-31	1JG731DVAA	1	J, T		74			*XL	ARMREST, Rear Seat Center

GRAND CHEROKEE (WK)
 SERIES LINE
 H = HIGHLINE T = JEEP - 2WD
 P = PREMIUM J = JEEP - 4WD
 S = SPORT
 X = SPECIAL

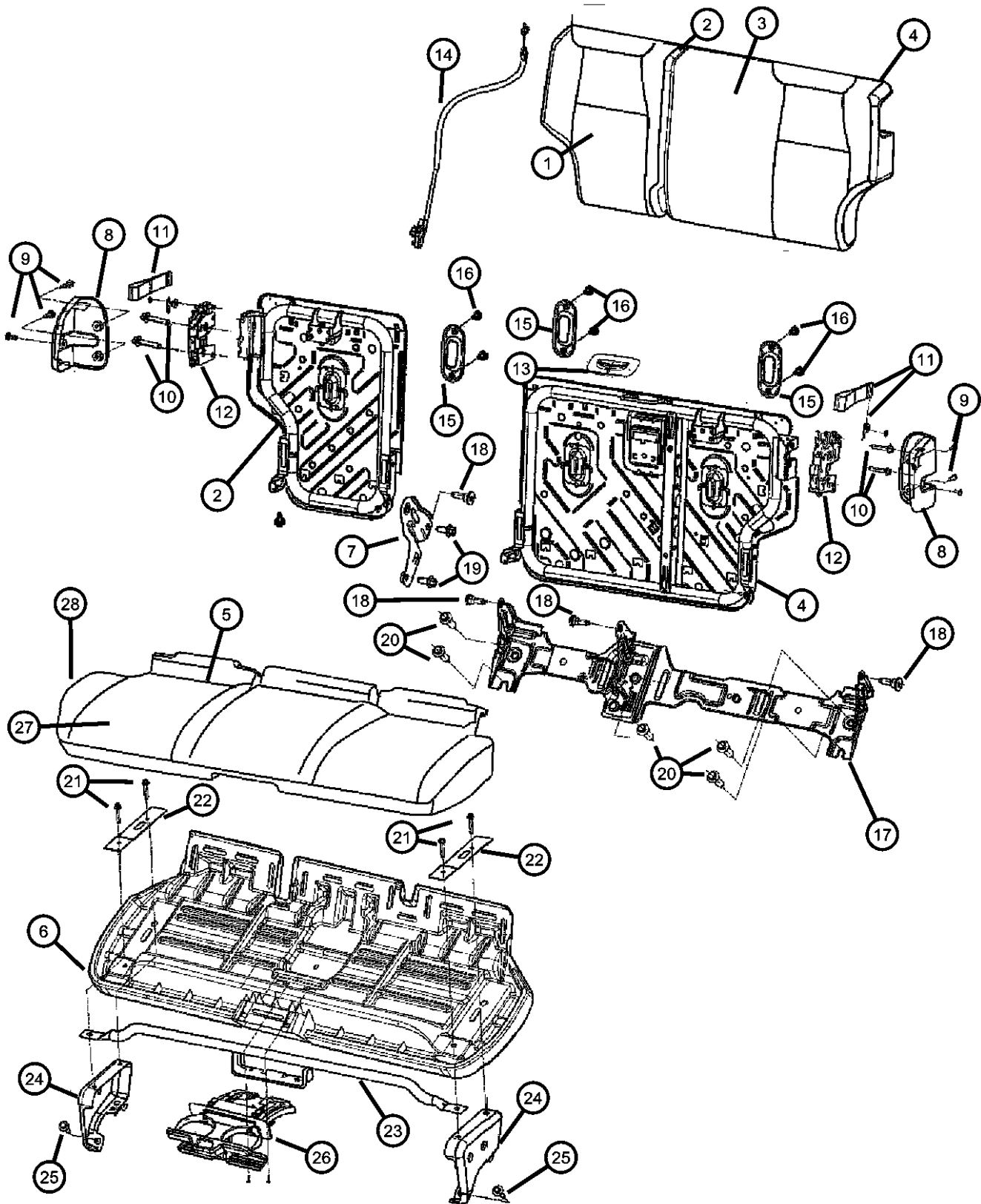
BODY
 74 = SPORT UTILITY 4-DR
 TYPE #4

ENGINE
 EVE = Engine - 4.7L V8 DOHC
 3 Valve
 EZB = 5.7L Hemi Multi
 Displacement Engine
 EKG = 3.7L V6 Engine
 ESF = 6.1L SRT HEMI SMPI
 V8 Engine
 EXL = 3.0L V6 Turbo Diesel
 Engine

TRANSMISSION
 DGJ = 5-Speed Auto W5A580
 Transmission
 DGU = 5-Spd Auto W5J400
 Transmission
 DGQ = 5-Spd Automatic 545RFE
 Transmission

AR = use ase required - = Non illustrated part

Rear Seat - Split Seat - Trim Code [T5]
Figure 50-673



ITEM	PART NUMBER	QTY	LINE	SERIES	BODY	ENGINE	TRANS	TRIM	DESCRIPTION
1	1LT261DVAA	1	J, T		74			*T5	COVER, Rear Seat Back, 40%
2	1MQ841DVAA	1	J, T		74			*T5	SEAT BACK, Rear, 40%
3	1LT251DVAA	1	J, T		74			*T5	COVER, Rear Seat Back, 60%
4	1MQ831DVAA	1	J, T		74			*T5	SEAT BACK, Rear, 60%
5	1LT231DVAA	1	J, T		74			*T5	COVER, Rear Seat Cushion
6	05143424AA	1	J, T		74			*T5	PANEL, Seat Cushion Base
7	05143423AA	1	J, T		74			*T5	BRACKET, Pivot
8									COVER, Seat latch
	1BG561DVAA	1	J, T		74			*T5	Right
	1BG571DVAA	1	J, T		74			*T5	Left
9	05139633AA	3	J, T		74			*O0	SCREW
10	05072205AA	2	J, T		74			*T5	BOLT, Seat
11	1BZ621DVAA	1	J, T		74			*T5	STRAP
12									LATCH, Seat
	05139664AA	1	J, T		74			*T5	Right
	05139665AA	1	J, T		74			*T5	Left
13	1JG781DVAA	1	J, T		74			*T5	BEZEL, Seat Belt
14	05143435AA	1	J, T		74			*T5	CABLE
15	0WT351DVAA	2	J, T		74			*T5	BEZEL, TETHER
16		2							SCREW, (NOT SERVICED)
17	68045955AA	1	J, T		74			*T5	BRACKET, Rear Seat Mount
18	05139634AA	4	J, T		74			*T5	BOLT, Outboard Pivot
19	05143464AA	1	J, T		74			*T5	BOLT, Seat, Pivot Bracket
20	06508360AA	1	J, T		74			*T5	SCREW AND WASHER, Hex
21	05143445AA	4	J, T		74			*T5	SCREW, Seat, Rear Cushion To Riser
22	05143431AA	2	J, T		74			*T5	PLATE, Retaining
23	05143432AA	1	J, T		74			*T5	SUPPORT, Rear Seat
24									RISER, Seat
	05143412AA	1	J, T		74			*T5	Right
	05143413AA	1	J, T		74			*T5	Left
25	06508360AA	2	J, T		74				SCREW AND WASHER, Hex
26	1BG491DVAA	1	J, T		74			*T5	CUPHOLDER

GRAND CHEROKEE (WK)
 SERIES LINE
 H = HIGHLINE T = JEEP - 2WD
 P = PREMIUM J = JEEP - 4WD
 S = SPORT
 X = SPECIAL

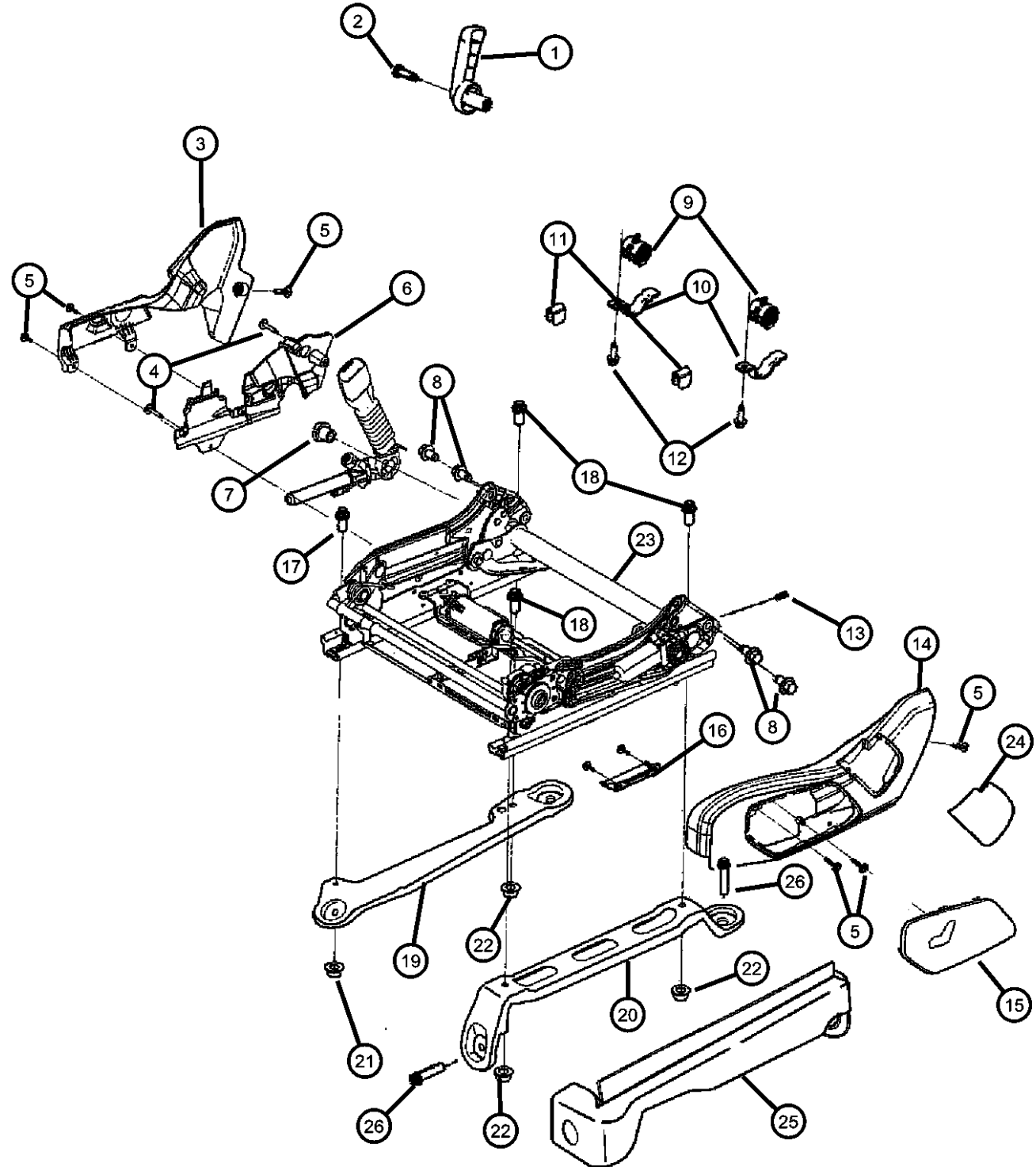
BODY
 74 = SPORT UTILITY 4-DR
 TYPE #4

ENGINE
 EVE = Engine - 4.7L V8 DOHC
 3 Valve
 EZB = 5.7L Hemi Multi
 Displacement Engine
 EKG = 3.7L V6 Engine
 ESF = 6.1L SRT HEMI SMPI
 V8 Engine
 EXL = 3.0L V6 Turbo Diesel
 Engine

TRANSMISSION
 DGJ = 5-Speed Auto W5A580
 Transmission
 DGU = 5-Spd Auto W5J400
 Transmission
 DGQ = 5-Spd Automatic 545RFE
 Transmission

AR = use ase required - = Non illustrated part

Adjusters , Recliners and Shields - Driver Seat - Power
Figure 50-905



ITEM	PART NUMBER	QTY	LINE	SERIES	BODY	ENGINE	TRANS	TRIM	DESCRIPTION
1									HANDLE, Lumbar
	1BG531DVAA	1	J, T		74			*EL	[DV]
		1	J, T		74			*GL	[DV]
		1	J, T		74			*DZ	[DV]
	1BG531J3AA	1	J, T		74			*UL	[J1]
	1BG531UYAA	2	J, T		74			*GL	[DV]
		2	J, T		74			*XL	
	1BG531D1AA	2	J, T		74			*F7	[DV]
		1	J, T		74			*T5	
		2	J, T		74			*F7	[J3]
2									SCREW
	05170947AA	1	J, T		74			*EL	
		1	J, T		74			*GL	
		1	J, T		74			*DZ	
	05080813AA	1	J, T		74			*A7	
		1	J, T		74			*F7	
		1	J, T		74			*UL	
	68033526AA	8	J, T		74			*XL	
	05179554AA	2	J, T		74			*T5	
	3								
1BG411DVAA		1	J, T		74			*EL	[DV]
		1	J, T		74			*DZ	[DV]
1BG411UYAA		1	J, T		74			*UL	[D1]
		1	J, T		74			*GL	[DV]
1BG411D1AA		1	J, T		74			*GL	[J1]
		1	J, T		74			*XL	
1BG411J8AA		1	J, T		74			*EL	[J3]
		1	J, T		74			*F7	[J3]
		1	J, T		74			*F7	[DV]
	1	J, T		74			*UL	[J1]	

GRAND CHEROKEE (WK)
 SERIES LINE
 H = HIGHLINE T = JEEP - 2WD
 P = PREMIUM J = JEEP - 4WD
 S = SPORT
 X = SPECIAL

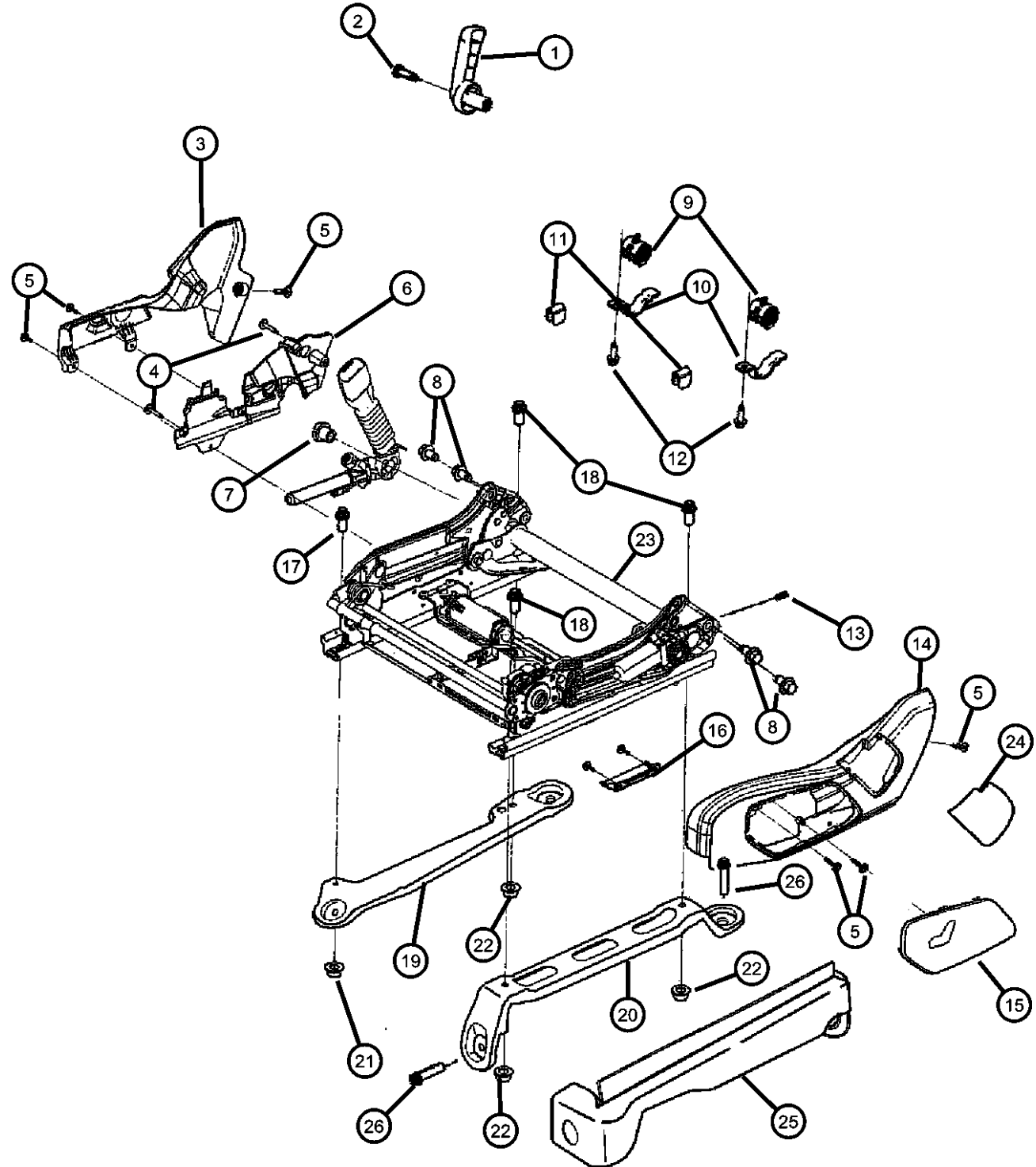
BODY
 74 = SPORT UTILITY 4-DR TYPE #4

ENGINE
 EVE = Engine - 4.7L V8 DOHC 3 Valve
 EZB = 5.7L Hemi Multi Displacement Engine
 EKG = 3.7L V6 Engine
 ESF = 6.1L SRT HEMI SMPI V8 Engine
 EXL = 3.0L V6 Turbo Diesel Engine

TRANSMISSION
 DGJ = 5-Speed Auto W5A580 Transmission
 DGU = 5-Spd Auto W5J400 Transmission
 DGQ = 5-Spd Automatic 545RFE Transmission

AR = use ase required - = Non illustrated part

Adjusters , Recliners and Shields - Driver Seat - Power
Figure 50-905



ITEM	PART NUMBER	QTY	LINE	SERIES	BODY	ENGINE	TRANS	TRIM	DESCRIPTION	
4		1	J, T		74			*T5	SCREW, Seat, Inboard Adaptor Shield Attaching	
	05143453AA	1	J, T		74			*UL		
		1	J, T		74			*EL		
		1	J, T		74			*GL		
5		4	J, T		74			*XL	SCREW, Seat, Side Shield Attaching	
		4	J, T		74			*DZ		
		1	J, T		74			*F7		
		4	J, T		74			*T5		
	05143452AA	10	J, T		74			*F7		
		10	J, T		74			*UL		
		10	J, T		74			*EL		
		10	J, T	X	74			*DZ		
		10	J, T		74			*T5		
		10	J, T		74			*XL		
6		10	J, T		74			*GL	PLATE, Front Seat	
	1BG581D1AA	1	J, T		74			*GL		[J1], Right
	1BG581J3AA	1	J, T		74			*F7		[J3], Right
		1	J, T		74			*UL		[J1], Right
		1	J, T		74			*EL		[J3], Right
	1BG591D1AA	1	J, T		74			*UL		[D1], Left
		1	J, T		74			*EL		[DV], Left
	1BG591J3AA	1	J, T		74			*UL		[J1], Left
		1	J, T		74			*EL		[J3], Left
	1BG591UYAA	1	J, T		74			*GL		[DV], Left
	1	J, T		74			*XL	Left		
	1BG581UYAA	1	J, T		74			*XL	Right	
		1	J, T		74			*F7	[DV], Left	

GRAND CHEROKEE (WK)
 SERIES LINE
 H = HIGHLINE T = JEEP - 2WD
 P = PREMIUM J = JEEP - 4WD
 S = SPORT
 X = SPECIAL

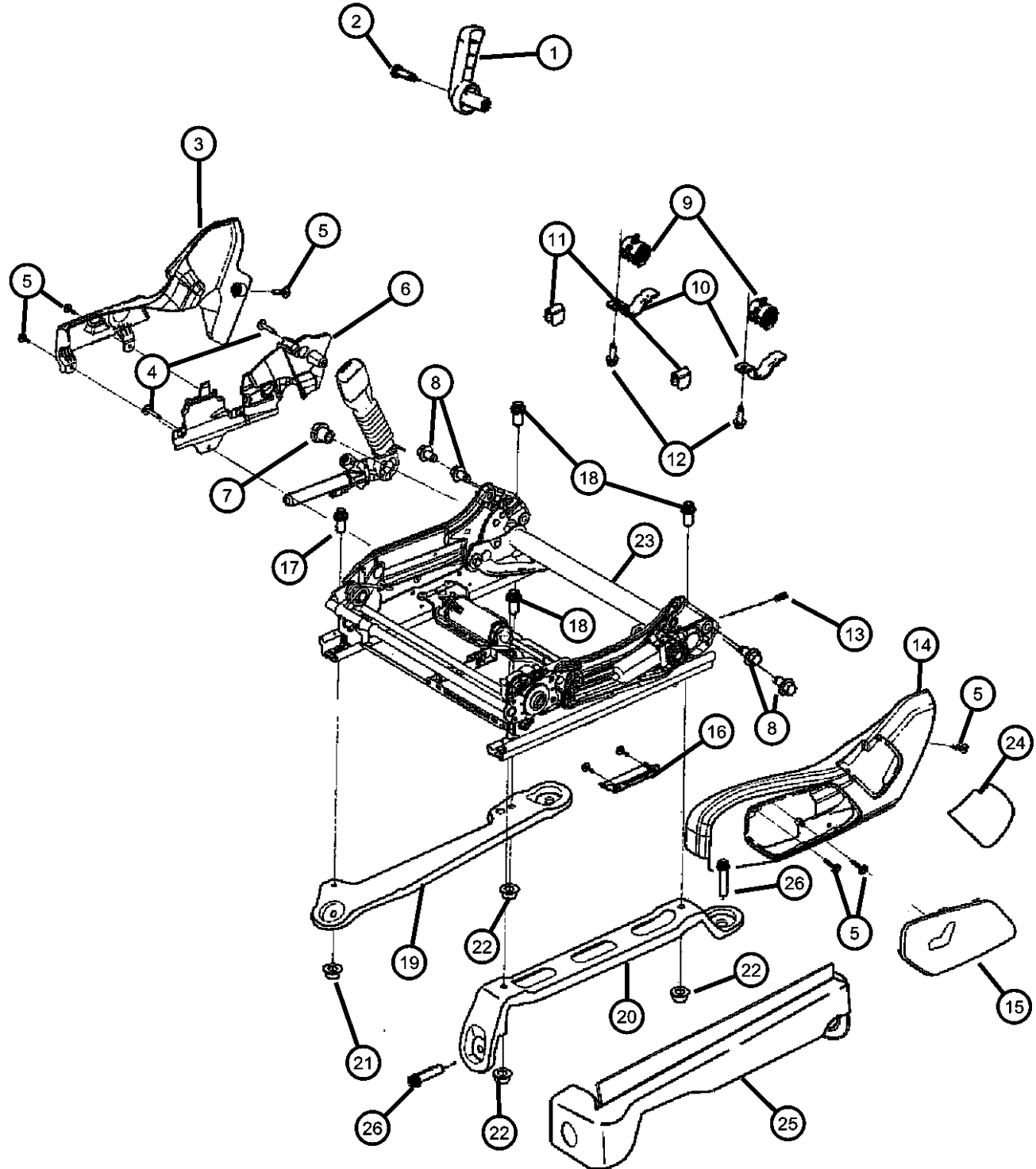
BODY
 74 = SPORT UTILITY 4-DR TYPE #4

ENGINE
 EVE = Engine - 4.7L V8 DOHC 3 Valve
 EZB = 5.7L Hemi Multi Displacement Engine
 EKG = 3.7L V6 Engine
 ESF = 6.1L SRT HEMI SMPI V8 Engine
 EXL = 3.0L V6 Turbo Diesel Engine

TRANSMISSION
 DGJ = 5-Speed Auto W5A580 Transmission
 DGU = 5-Spd Auto W5J400 Transmission
 DGQ = 5-Spd Automatic 545RFE Transmission

AR = use ase required - = Non illustrated part

Adjusters , Recliners and Shields - Driver Seat - Power
Figure 50-905



ITEM	PART NUMBER	QTY	LINE	SERIES	BODY	ENGINE	TRANS	TRIM	DESCRIPTION	
7	1BG581DVAA	1	J, T		74			*EL	[DV], Right	
		1	J, T		74			*DZ	[DV], Right	
		1	J, T		74			*F7	[DV], Right	
		1	J, T		74			*UL	[D1], Right	
		1	J, T		74			*T5	Right	
		1	J, T		74			*GL	[DV], Right	
		1	J, T		74			*DZ	[DV], Left	
		1	J, T		74			*F7	[J3], Left	
		1	J, T		74			*GL	[J1], Left	
		1	J, T		74			*T5	Left	
8	05143449AA	1	J, T		74				NUT, Tube	
		1	J, T		74			*UL		
		1	J, T		74			*EL		
		1	J, T		74			*GL		
		2	J, T		74			*DZ		
		1	J, T		74			*F7		
		2	J, T		74			*XL		
		2	J, T		74			*T5		
		05139629AA	8	J, T		74				BOLT, Seat
			8	J, T		74			*UL	
9		8	J, T		74			*EL		
		8	J, T		74			*GL		
		8	J, T		74			*F7		
		8	J, T		74			*DZ		
		8	J, T		74			*T5		
		8	J, T		74			*XL		
		05139656AA	2	J, T		74				SPACER, Hinge
			2	J, T		74			*F7	
			2	J, T		74			*EL	
			2	J, T		74			*GL	
		2	J, T		74			*DZ		

GRAND CHEROKEE (WK)
 SERIES LINE
 H = HIGHLINE T = JEEP - 2WD
 P = PREMIUM J = JEEP - 4WD
 S = SPORT
 X = SPECIAL

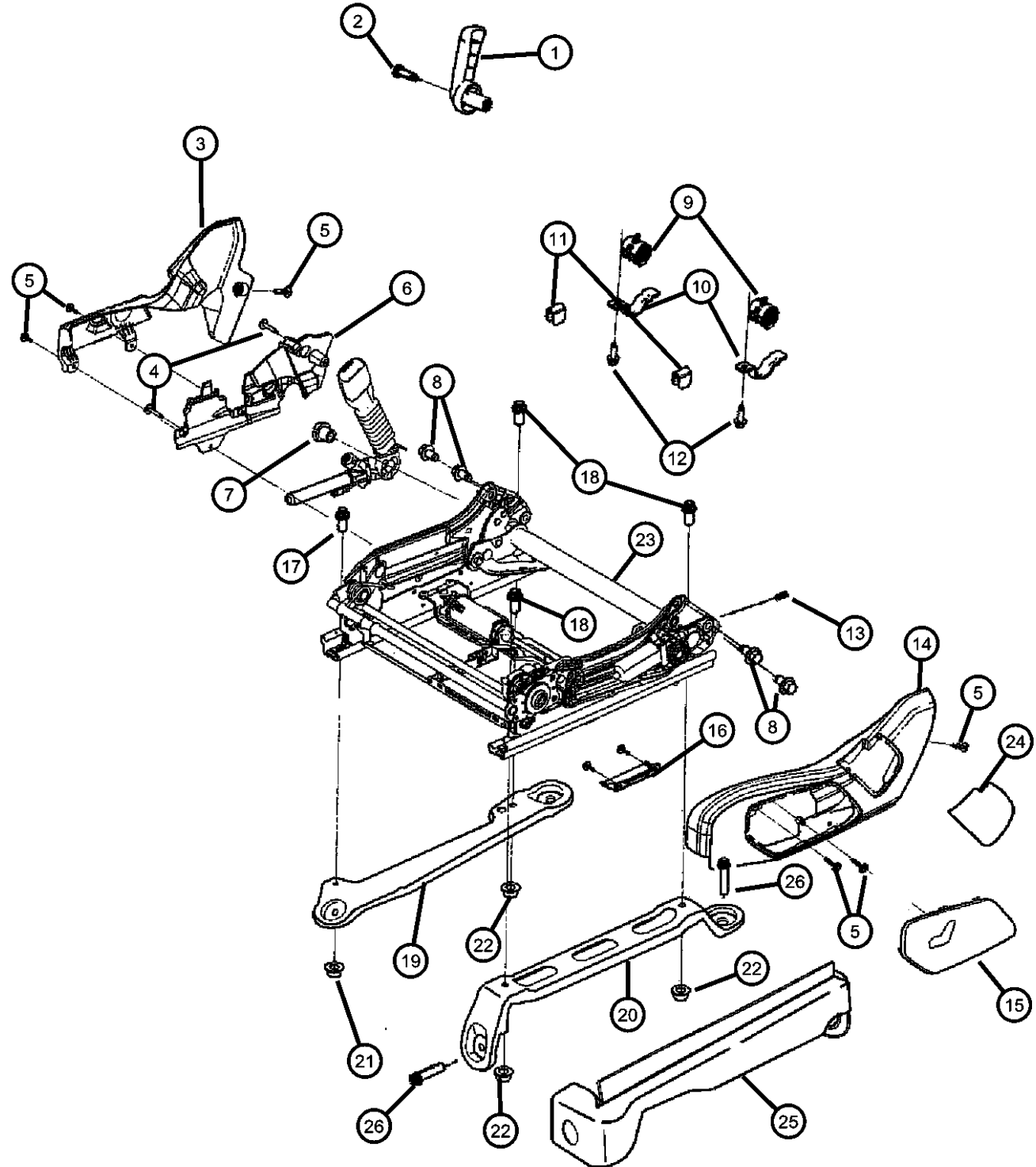
BODY
 74 = SPORT UTILITY 4-DR
 TYPE #4

ENGINE
 EVE = Engine - 4.7L V8 DOHC
 3 Valve
 EZB = 5.7L Hemi Multi
 Displacement Engine
 EKG = 3.7L V6 Engine
 ESF = 6.1L SRT HEMI SMPI
 V8 Engine
 EXL = 3.0L V6 Turbo Diesel
 Engine

TRANSMISSION
 DGJ = 5-Speed Auto W5A580
 Transmission
 DGU = 5-Spd Auto W5J400
 Transmission
 DGQ = 5-Spd Automatic 545RFE
 Transmission

AR = use ase required - = Non illustrated part

Adjusters , Recliners and Shields - Driver Seat - Power
Figure 50-905



ITEM	PART NUMBER	QTY	LINE	SERIES	BODY	ENGINE	TRANS	TRIM	DESCRIPTION
		1	J, T		74			*UL	
		2	J, T		74			*T5	
		2	J, T		74			*XL	
10									CLAMP, Seat
	05139657AA	1	J, T		74			*EL	
		1	J, T		74			*GL	
		1	J, T		74			*F7	
		1	J, T		74			*UL	
		2	J, T		74			*DZ	
		2	J, T		74			*T5	
		2	J, T		74			*XL	
11									LIMITER, Seat Track Travel
	05139661AA	4	J, T		74			*EL	
		4	J, T		74			*GL	
		4	J, T		74			*DZ	
		4	J, T		74			*UL	
		2	J, T		74			*T5	
		4	J, T		74			*F7	
		4	J, T		74			*XL	
12									BOLT, Pan To Track
	05139628AA	4	J, T		74			*GL	
		4	J, T		74			*DZ	
		4	J, T		74			*UL	
		4	J, T		74			*EL	
		4	J, T		74			*F7	
		4	J, T		74			*T5	
		4	J, T		74			*XL	
13									SCREW, Seat, Seat Track Position Sensor Mounting
	05143447AA	1	J, T		74			*EL	
		1	J, T		74			*GL	
		1	J, T		74			*F7	

GRAND CHEROKEE (WK)
 SERIES LINE
 H = HIGHLINE T = JEEP - 2WD
 P = PREMIUM J = JEEP - 4WD
 S = SPORT
 X = SPECIAL

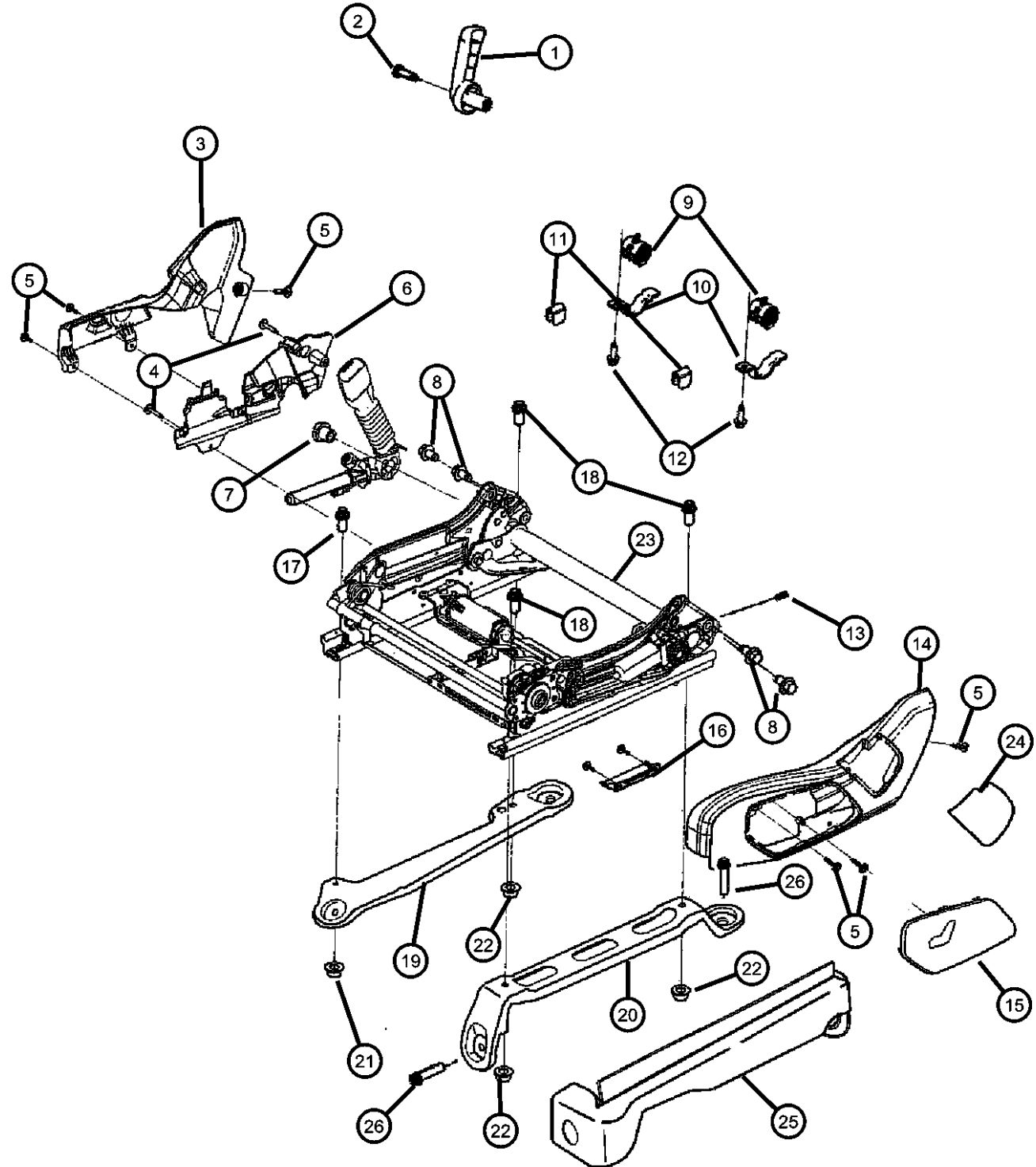
BODY
 74 = SPORT UTILITY 4-DR TYPE #4

ENGINE
 EVE = Engine - 4.7L V8 DOHC 3 Valve
 EZB = 5.7L Hemi Multi Displacement Engine
 EKG = 3.7L V6 Engine
 ESF = 6.1L SRT HEMI SMPI V8 Engine
 EXL = 3.0L V6 Turbo Diesel Engine

TRANSMISSION
 DGJ = 5-Speed Auto W5A580 Transmission
 DGU = 5-Spd Auto W5J400 Transmission
 DGQ = 5-Spd Automatic 545RFE Transmission

AR = use ase required - = Non illustrated part

Adjusters , Recliners and Shields - Driver Seat - Power
Figure 50-905

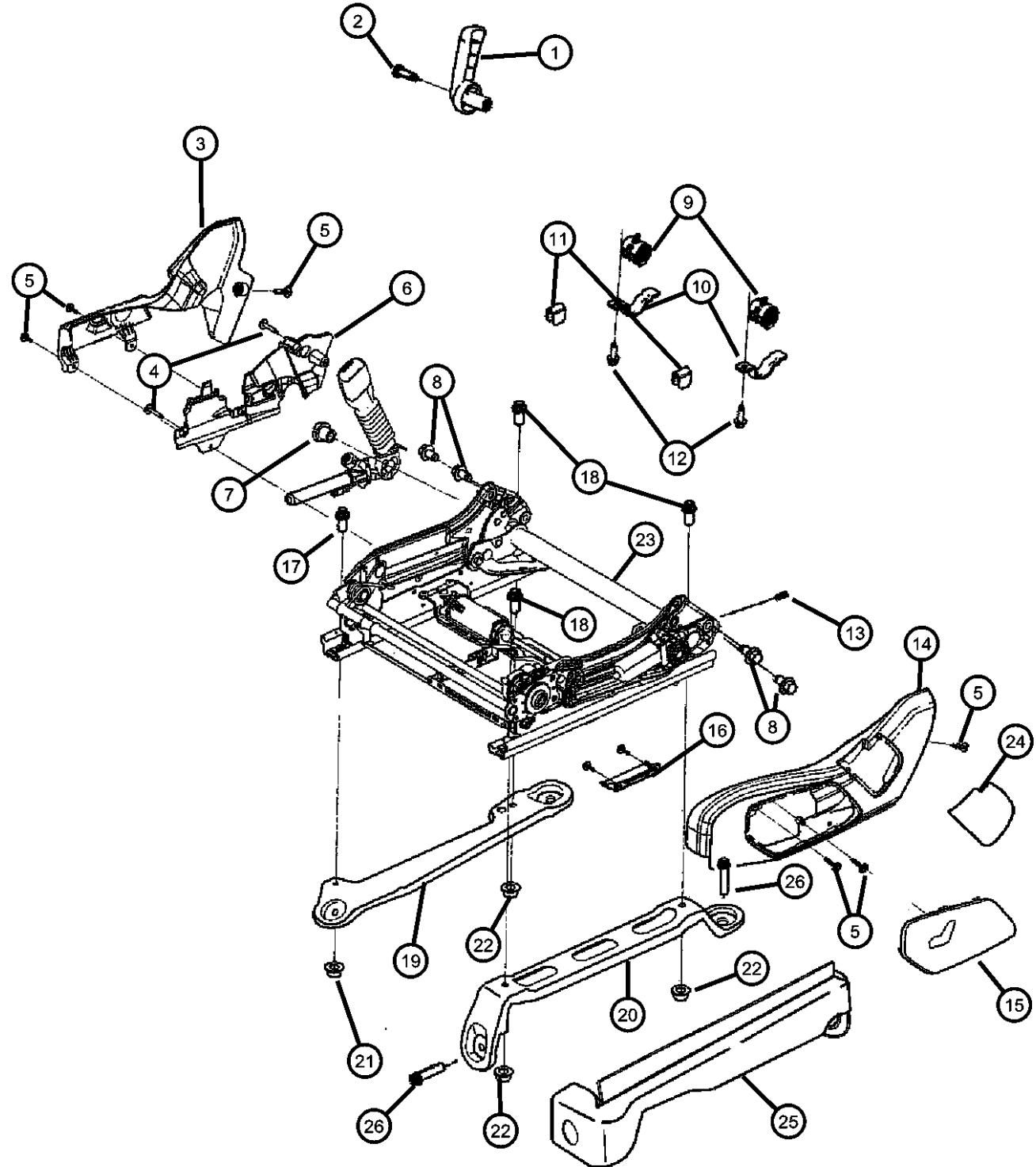


ITEM	PART NUMBER	QTY	LINE	SERIES	BODY	ENGINE	TRANS	TRIM	DESCRIPTION
		1	J, T		74			*UL	
		2	J, T		74			*XL	
		2	J, T		74			*DZ	
		1	J, T		74			*T5	
14									SHIELD, Seat Adjuster, Outboard
	1BG391D1AA	1	J, T		74			*EL [DV]	
		1	J, T		74			*GL [J1]	
		1	J, T		74			*DZ [DV]	
	1BG391UYAA	1	J, T		74			*GL [DV]	
		1	J, T		74			*F7 [D1]	
	1BG391J3AA	1	J, T		74			*UL [J1]	
		1	J, T		74			*EL [J3]	
	1BG391DVAA	1	J, T		74			*UL [D1]	
	1BG39ZJ8AA	1	J, T		74			*F7 [J3]	
15									BEZEL, Power Seat Switch
	1BG451DVAA	1	J, T		74			*UL [D1]	
		1	J, T		74			*EL [DV]	
	1BG451UYAA	1	J, T		74			*XL [D1]	
	1BG451D1AA	1	J, T		74			*DZ [DV]	
	1BG451J3AA	1	J, T		74			*EL [J3]	
		1	J, T		74			*GL [DV]	
		1	J, T		74			*GL [J1]	
		1	J, T		74			*UL [J1]	
		1	J, T		74			*F7 [J3]	
		1	J, T		74			*T5 [DV]	
		1	J, T		74			*F7 [DV]	
16									BRACKET, Seat, Seat Track Position Sensor Shunt
	05143422AA	1	J, T		74			*F7	
		1	J, T		74			*T5	
		2	J, T		74			*XL	
		1	J, T		74			*EL	

GRAND CHEROKEE (WK)
 SERIES LINE BODY ENGINE TRANSMISSION
 H = HIGHLINE T = JEEP - 2WD 74 = SPORT UTILITY 4-DR EVE = Engine - 4.7L V8 DOHC 3 Valve DGJ = 5-Speed Auto W5A580
 P = PREMIUM J = JEEP - 4WD TYPE #4 Transmission
 S = SPORT Displacement Engine DGU = 5-Spd Auto W5J400
 X = SPECIAL EKG = 3.7L V6 Engine Transmission
 ESF = 6.1L SRT HEMI SMPI DGQ = 5-Spd Automatic 545RFE
 V8 Engine
 EXL = 3.0L V6 Turbo Diesel Transmission
 Engine

AR = use ase required - = Non illustrated part

Adjusters , Recliners and Shields - Driver Seat - Power
Figure 50-905

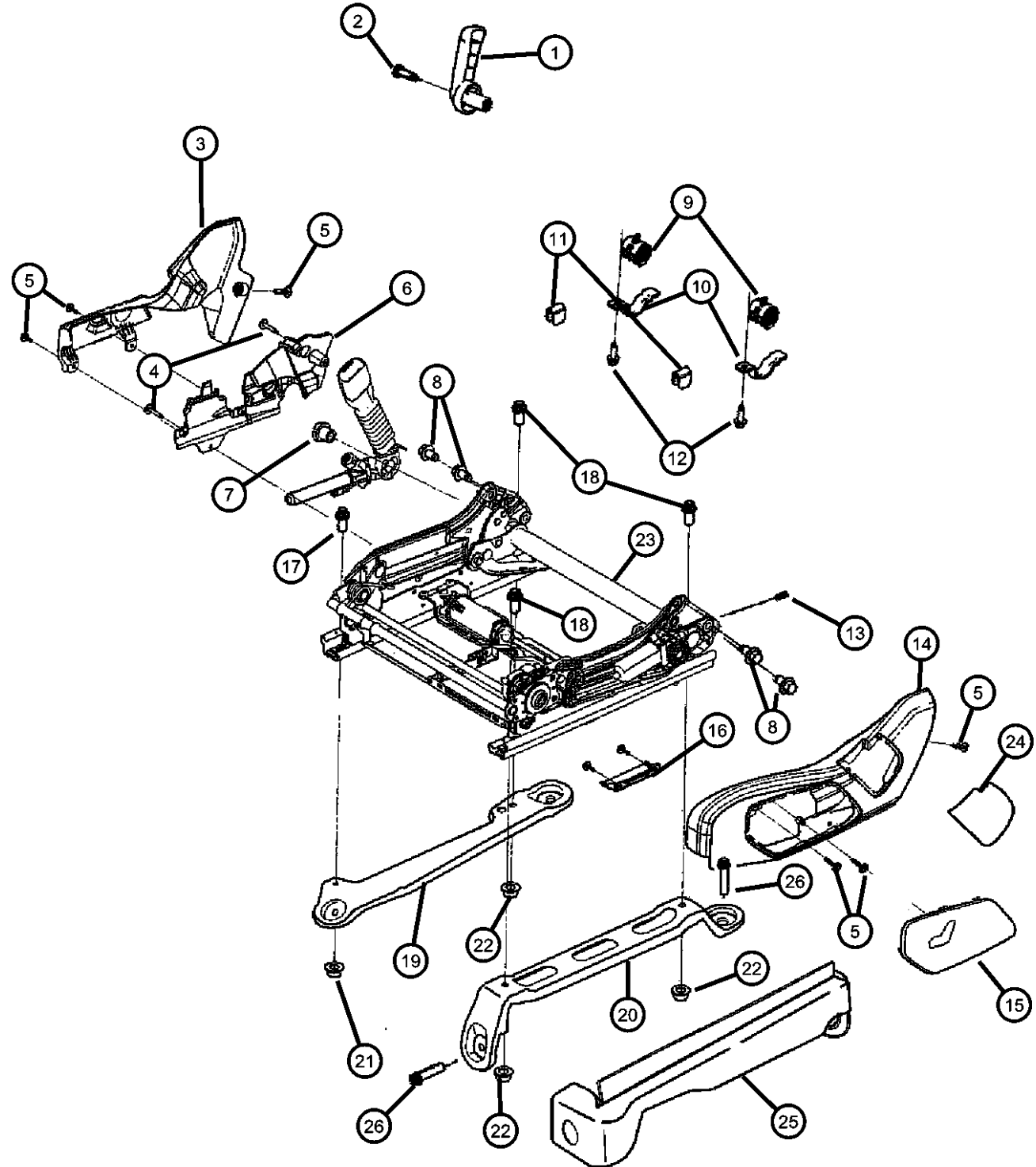


ITEM	PART NUMBER	QTY	LINE	SERIES	BODY	ENGINE	TRANS	TRIM	DESCRIPTION
		1	J, T		74			*GL	
		2	J, T		74			*DZ	
		1	J, T		74			*UL	
17									BOLT, Seat, Front Inboard Track To Riser
	05143441AA	1	J, T		74			*DZ	
		1	J, T		74			*T5	
		1	J, T		74			*EL	
		1	J, T		74			*GL	
		1	J, T		74			*F7	
		1	J, T		74			*UL	
		1	J, T		74			*XL	
18									BOLT, Seat, Track To Riser
	05143440AA	3	J, T		74			*EL	
		3	J, T		74			*GL	
		3	J, T		74			*F7	
		3	J, T		74			*UL	
		3	J, T	X	74			*DZ	
		3	J, T		74			*T5	
		3	J, T		74			*XL	
19									RISER, Seat, Inboard
	05143416AA	1	J, T		74			*EL	
		1	J, T		74			*GL	
		1	J, T		74			*F7	
		1	J, T		74			*UL	
		1	J, T		74			*DZ	
		1	J, T		74			*T5	
20									RISER, Seat, Outboard
	68017852AA	1	J, T		74			*EL	
		1	J, T		74			*GL	
		1	J, T		74			*F7	
		1	J, T		74			*UL	

GRAND CHEROKEE (WK)
 SERIES LINE BODY ENGINE TRANSMISSION
 H = HIGHLINE T = JEEP - 2WD 74 = SPORT UTILITY 4-DR EVE = Engine - 4.7L V8 DOHC 3 Valve DGJ = 5-Speed Auto W5A580
 P = PREMIUM J = JEEP - 4WD TYPE #4 Transmission
 EZB = 5.7L Hemi Multi Displacement Engine DGU = 5-Spd Auto W5J400
 S = SPORT EKG = 3.7L V6 Engine Transmission
 X = SPECIAL ESF = 6.1L SRT HEMI SMPI V8 Engine DGQ = 5-Spd Automatic 545RFE
 EXL = 3.0L V6 Turbo Diesel Engine Transmission
 Engine

AR = use ase required - = Non illustrated part

Adjusters , Recliners and Shields - Driver Seat - Power
Figure 50-905

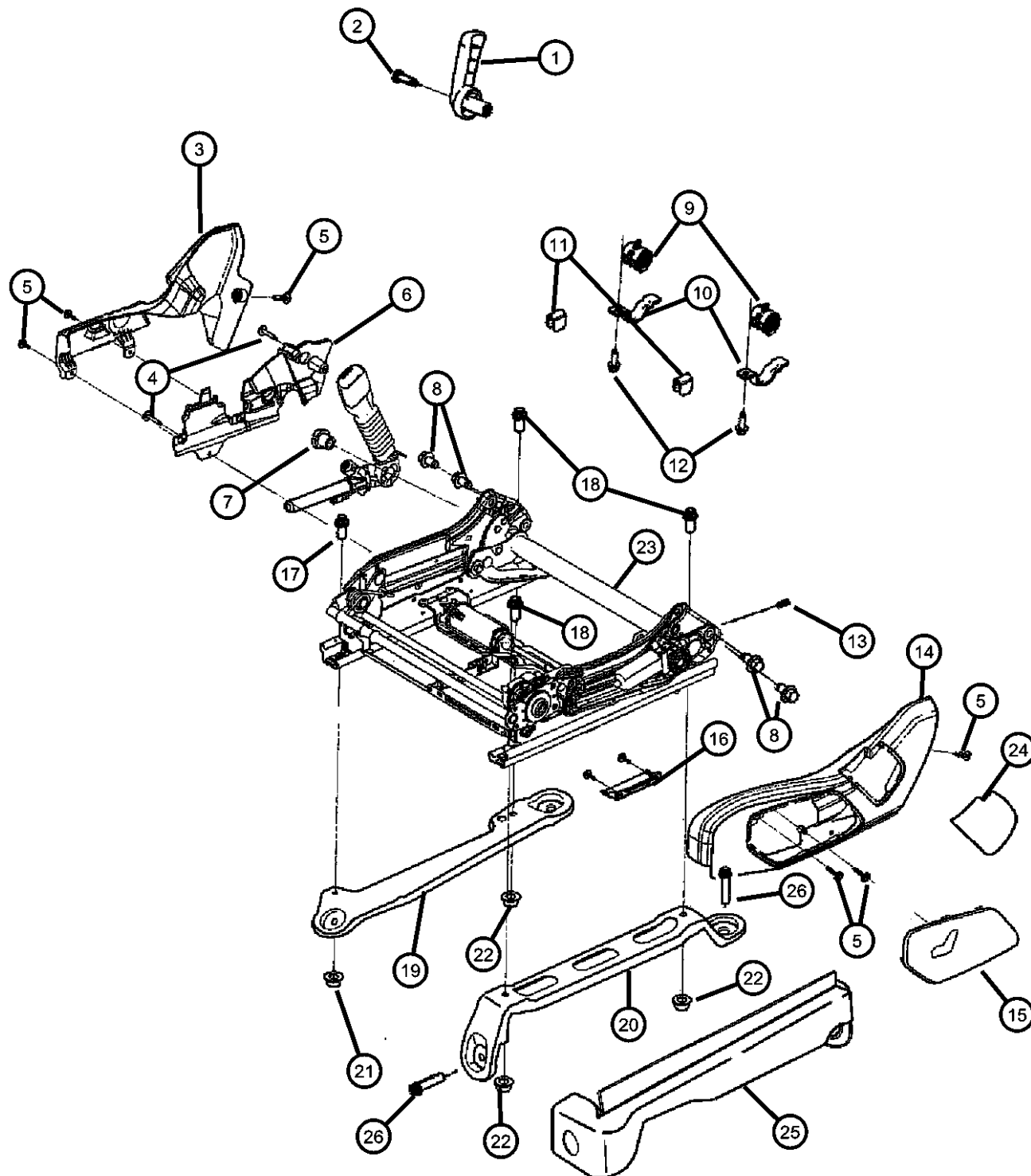


ITEM	PART NUMBER	QTY	LINE	SERIES	BODY	ENGINE	TRANS	TRIM	DESCRIPTION
		1	J, T		74			*XL	
		1	J, T		74			*DZ	
		1	J, T		74			*T5	
21									NUT, Seat
	05143448AA	1	J, T		74			*UL	
		1	J, T		74			*EL	
		1	J, T		74			*GL	
		1	J, T		74			*F7	
		1	J, T		74			*DZ	
		1	J, T		74			*T5	
		1	J, T		74			*XL	
22									NUT, Seat
	05143442AA	7	J, T		74			*F7	
		7	J, T		74			*UL	
		7	J, T		74			*EL	
		7	J, T		74			*XL	
		7	J, T		74			*DZ	
		7	J, T		74			*T5	
		7	J, T		74			*GL	
23									ADJUSTER, Power Seat
	68020712AA	1	J, T		74			*F7	Without Memory
		1	J, T		74			*EL	Without Memory
	68020713AA	1	J, T		74			*GL	Memory
		1	J, T		74			*DZ	Memory
		1	J, T		74			*XL	Memory
		1	J, T		74			*T5	Without Memory
		1	J, T		74			*UL	Memory
		1	J, T		74			*DZ	Without Memory
24									SHIELD, Seat Adjuster
	5KD271J8AA	1	J, T		74			*EL	[J3]
		1	J, T		74			*F7	[J3]

GRAND CHEROKEE (WK)
 SERIES LINE BODY ENGINE TRANSMISSION
 H = HIGHLINE T = JEEP - 2WD 74 = SPORT UTILITY 4-DR EVE = Engine - 4.7L V8 DOHC 3 Valve DGJ = 5-Speed Auto W5A580
 P = PREMIUM J = JEEP - 4WD TYPE #4 Transmission
 S = SPORT Displacement Engine DGU = 5-Spd Auto W5J400
 X = SPECIAL EKG = 3.7L V6 Engine DGQ = 5-Spd Automatic 545RFE
 ESF = 6.1L SRT HEMI SMPI Transmission
 V8 Engine
 EXL = 3.0L V6 Turbo Diesel Engine

AR = use ase required - = Non illustrated part

Adjusters , Recliners and Shields - Driver Seat - Power
Figure 50-905



ITEM	PART NUMBER	QTY	LINE	SERIES	BODY	ENGINE	TRANS	TRIM	DESCRIPTION
	5KD27XDVAA	1	J, T		74			*UL	[D1]
		1	J, T		74			*T5	[DV]
	5KD271D1AA	1	J, T		74			*GL	[J1]
	5KD271DVAA	1	J, T		74			*F7	[DV]
		1	J, T		74			*UL	[J1]
	5KD271UYAA	1	J, T		74			*DZ	[DV]
		1	J, T		74			*XL	[D1]
		1	J, T		74			*EL	[DV]
		1	J, T		74			*GL	[DV]
25									COVER, Seat Track
	1BU251DVAA	1	J, T		74			*DZ	[DV]
		1	J, T		74			*T5	
		1	J, T		74			*GL	[DV]
	1BU251J3AA	1	J, T		74			*F7	[J3]
		1	J, T		74			*F7	[DV]
		1	J, T		74			*UL	[D1]
		1	J, T		74			*EL	[DV]
		1	J, T		74			*EL	[J3]
	1BU251D1AA	1	J, T		74			*GL	[J1]
		1	J, T		74			*UL	[J1]
	1BU251UYAA	1	J, T		74			*XL	
26	06508286AA	8	J, T		74				BOLT, Hex Head, M10x1.50x35.00, Front Seat To Floor

GRAND CHEROKEE (WK)

SERIES LINE
H = HIGHLINE T = JEEP - 2WD
P = PREMIUM J = JEEP - 4WD
S = SPORT
X = SPECIAL

BODY
74 = SPORT UTILITY 4-DR
TYPE #4

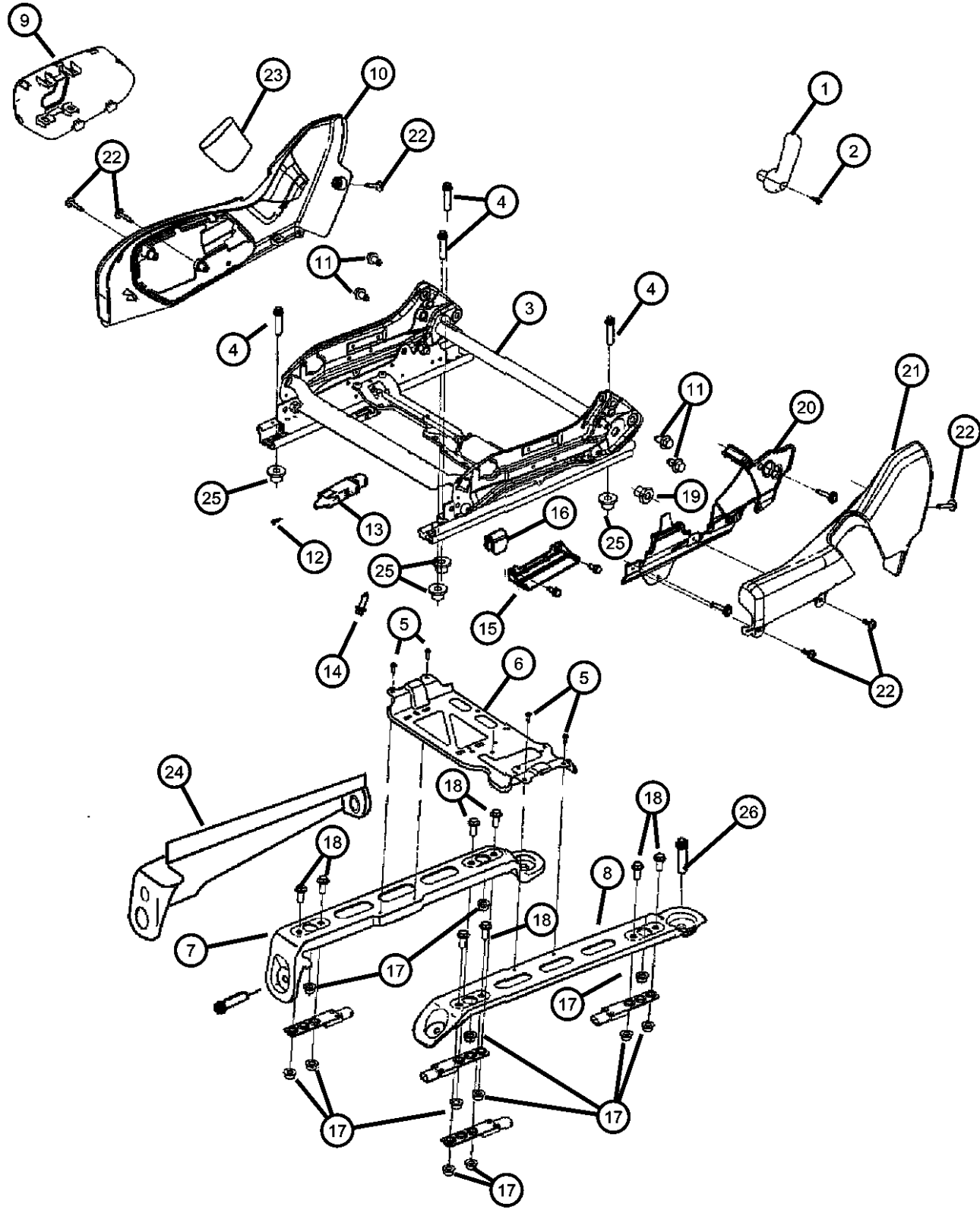
ENGINE
EVE = Engine - 4.7L V8 DOHC
3 Valve
EZB = 5.7L Hemi Multi
Displacement Engine
EKG = 3.7L V6 Engine
ESF = 6.1L SRT HEMI SMPI
V8 Engine
EXL = 3.0L V6 Turbo Diesel
Engine

TRANSMISSION
DGJ = 5-Speed Auto W5A580
Transmission
DGU = 5-Spd Auto W5J400
Transmission
DGQ = 5-Spd Automatic 545RFE
Transmission

AR = use ase required - = Non illustrated part

2008 WK

Adjusters, Recliners and Shields - Passenger Seat - Power
Figure 50-915



ITEM	PART NUMBER	QTY	LINE	SERIES	BODY	ENGINE	TRANS	TRIM	DESCRIPTION
1									HANDLE, Lumbar
	1BG531DVAA	1	J, T		74			*F7	[DV]
	1BG531J3AA	2	J, T		74			*EL	[J3]
		1	J, T		74			*F7	[J3]
	1BG531D1AA	1	J, T		74			*GL	[J1]
		1	J, T		74			*GL	[DV]
		1	J, T		74			*T5	
		2	J, T		74			*EL	[DV]
		2	J, T		74			*DZ	[DV]
	1BG531UYAA	2	J, T		74			*XL	
		2	J, T		74			*UL	[J1]
		1	J, T		74			*UL	[D1]
2									SCREW
	68033526AA	1	J, T		74			*EL	
		1	J, T		74			*GL	
		1	J, T		74			*T5	
		8	J, T		74			*XL	
		1	J, T		74			*DZ	
		1	J, T		74			*F7	
		1	J, T		74			*UL	
3									ADJUSTER, Power Seat
	68031366AA	1	J, T		74			*F7	
		1	J, T		74			*UL	
		1	J, T		74			*EL	
		1	J, T		74			*GL	
		1	J, T		74			*DZ	
		1	J, T		74			*XL	
4	05143450AA	4	J, T		74			*XL	BOLT, Seat
5									SCREW, Seat
	05143451AA	6	J, T		74			*UL	
		6	J, T		74			*EL	
		6	J, T		74			*F7	

GRAND CHEROKEE (WK)

SERIES LINE
H = HIGHLINE T = JEEP - 2WD
P = PREMIUM J = JEEP - 4WD
S = SPORT
X = SPECIAL

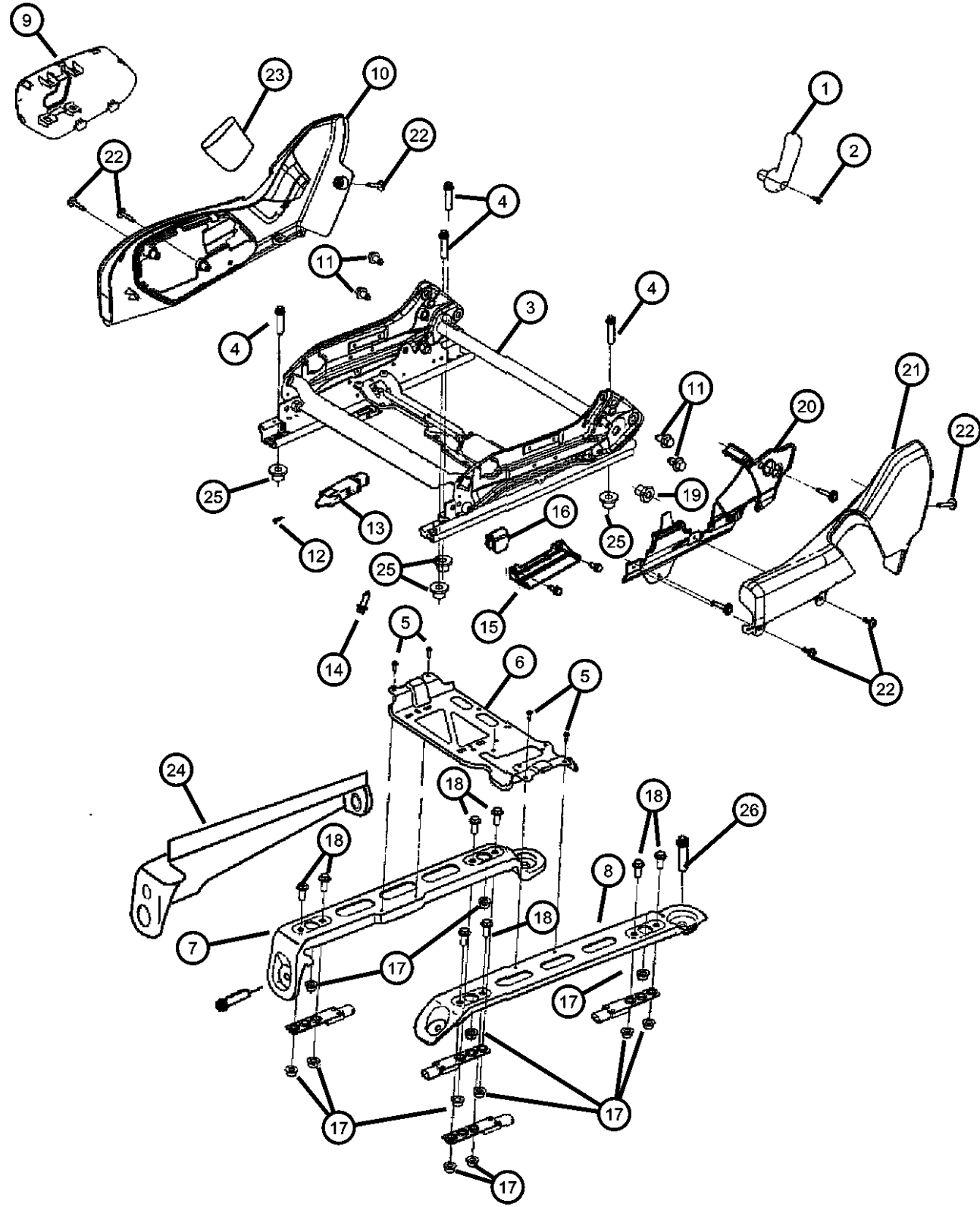
BODY
74 = SPORT UTILITY 4-DR
TYPE #4

ENGINE
EVE = Engine - 4.7L V8 DOHC
3 Valve
EZB = 5.7L Hemi Multi
Displacement Engine
EKG = 3.7L V6 Engine
ESF = 6.1L SRT HEMI SMPI
V8 Engine
EXL = 3.0L V6 Turbo Diesel
Engine

TRANSMISSION
DGJ = 5-Speed Auto W5A580
Transmission
DGU = 5-Spd Auto W5J400
Transmission
DGQ = 5-Spd Automatic 545RFE
Transmission

AR = use ase required - = Non illustrated part

Adjusters, Recliners and Shields - Passenger Seat - Power
Figure 50-915



ITEM	PART NUMBER	QTY	LINE	SERIES	BODY	ENGINE	TRANS	TRIM	DESCRIPTION
6	05143418AA	6	J, T		74			*GL	BRACKET, Module
		6	J, T		74			*DZ	
		6	J, T		74			*XL	
		1	J, T		74			*F7	
		1	J, T		74			*UL	
		1	J, T		74			*EL	
7	05143414AA	1	J, T		74			*XL	RISER, Seat, Outboard
		1	J, T		74			*DZ	
		1	J, T		74			*T5	
		1	J, T		74			*XL	
		1	J, T		74			*EL	
		1	J, T		74			*GL	
		1	J, T		74			*DZ	
		1	J, T		74				
8	68017853AA	1	J, T		74				RISER, Seat, Inboard
		1	J, T		74			*DZ	
		1	J, T		74			*T5	
		1	J, T		74			*EL	
		1	J, T		74			*GL	
		1	J, T		74			*F7	
		1	J, T		74			*UL	
9	1BG441DVAA	1	J, T		74			*XL	BEZEL, Power Seat Switch
		1	J, T		74			*F7 [DV]	
		1	J, T		74			*UL [D1]	
		1	J, T		74			*EL [DV]	

GRAND CHEROKEE (WK)
 SERIES LINE
 H = HIGHLINE T = JEEP - 2WD
 P = PREMIUM J = JEEP - 4WD
 S = SPORT
 X = SPECIAL

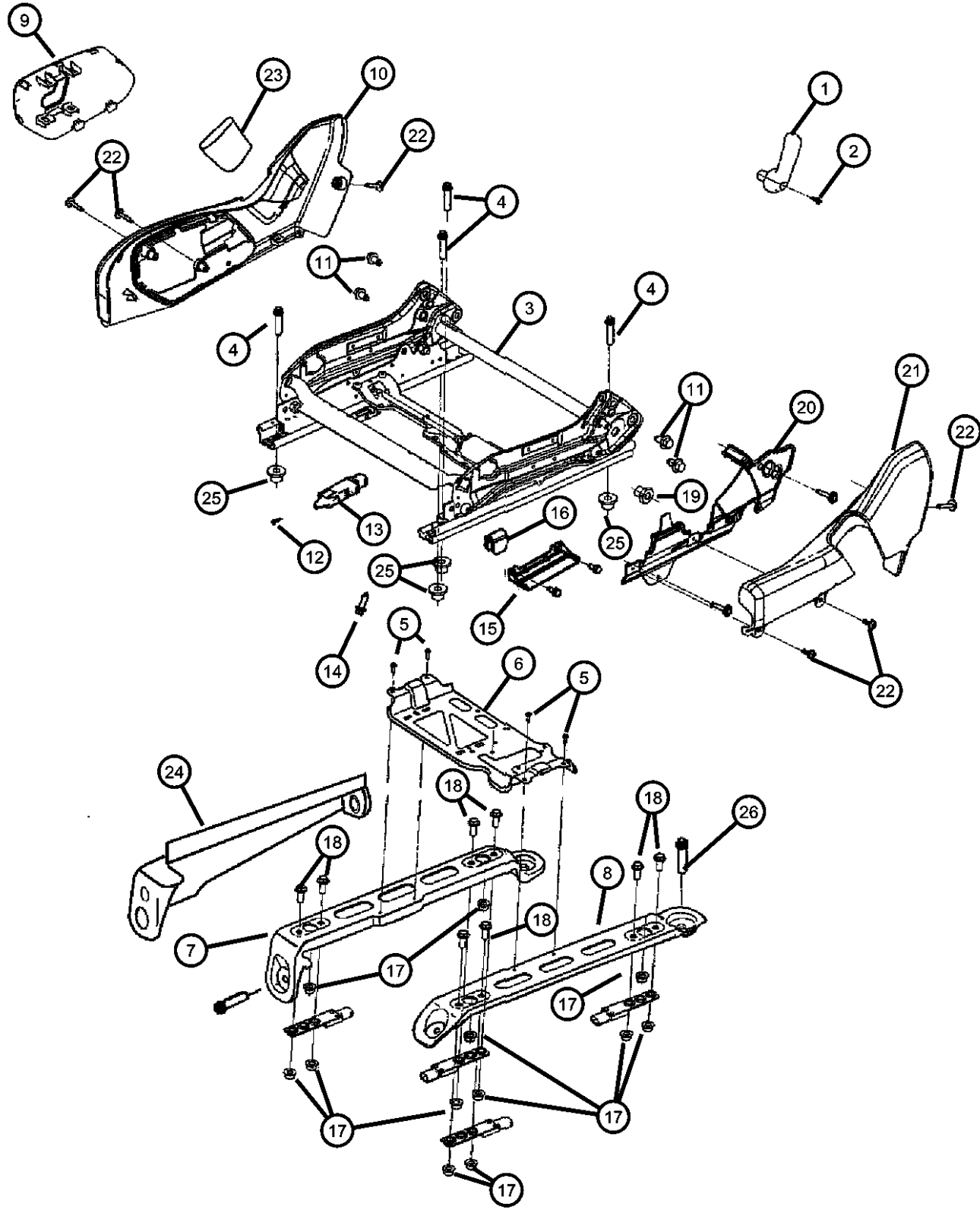
BODY
 74 = SPORT UTILITY 4-DR
 TYPE #4

ENGINE
 EVE = Engine - 4.7L V8 DOHC
 3 Valve
 EZB = 5.7L Hemi Multi
 Displacement Engine
 EKG = 3.7L V6 Engine
 ESF = 6.1L SRT HEMI SMPI
 V8 Engine
 EXL = 3.0L V6 Turbo Diesel
 Engine

TRANSMISSION
 DGJ = 5-Speed Auto W5A580
 Transmission
 DGU = 5-Spd Auto W5J400
 Transmission
 DGQ = 5-Spd Automatic 545RFE
 Transmission

AR = use ase required - = Non illustrated part

Adjusters, Recliners and Shields - Passenger Seat - Power
Figure 50-915



ITEM	PART NUMBER	QTY	LINE	SERIES	BODY	ENGINE	TRANS	TRIM	DESCRIPTION
	1BG441UYAA	1	J, T		74			*GL	[DV]
		1	J, T		74			*XL	
	1BG441D1AA	1	J, T		74			*UL	[J1]
		1	J, T		74			*DZ	[DV]
	1BG441J3AA	1	J, T		74			*F7	[J3]
		1	J, T		74			*EL	[J3]
		1	J, T		74			*GL	[J1]
10									SHIELD, Seat Adjuster
	1BG381DVAA	1	J, T		74			*EL	[DV]
	1BG381D1AA	1	J, T		74			*DZ	[DV]
		1	J, T		74			*F7	[DV]
		1	J, T		74			*UL	[D1]
	1BG381UYAA	1	J, T		74			*GL	[J1]
		1	J, T		74			*GL	[DV]
	1BG381J3AA	1	J, T		74			*EL	[J3]
		1	J, T		74			*F7	[J3]
		1	J, T		74			*UL	[J1]
11									BOLT, Seat
	05139629AA	8	J, T		74			*F7	
		8	J, T		74			*UL	
		8	J, T		74			*EL	
		8	J, T		74			*XL	
		8	J, T		74			*DZ	
		8	J, T		74			*T5	
		8	J, T		74			*GL	
12									SCREW, Seat
	05143447AA	1	J, T		74			*F7	
		1	J, T		74			*UL	
		1	J, T		74			*T5	
		2	J, T		74			*XL	

GRAND CHEROKEE (WK)

SERIES LINE
H = HIGHLINE T = JEEP - 2WD
P = PREMIUM J = JEEP - 4WD
S = SPORT
X = SPECIAL

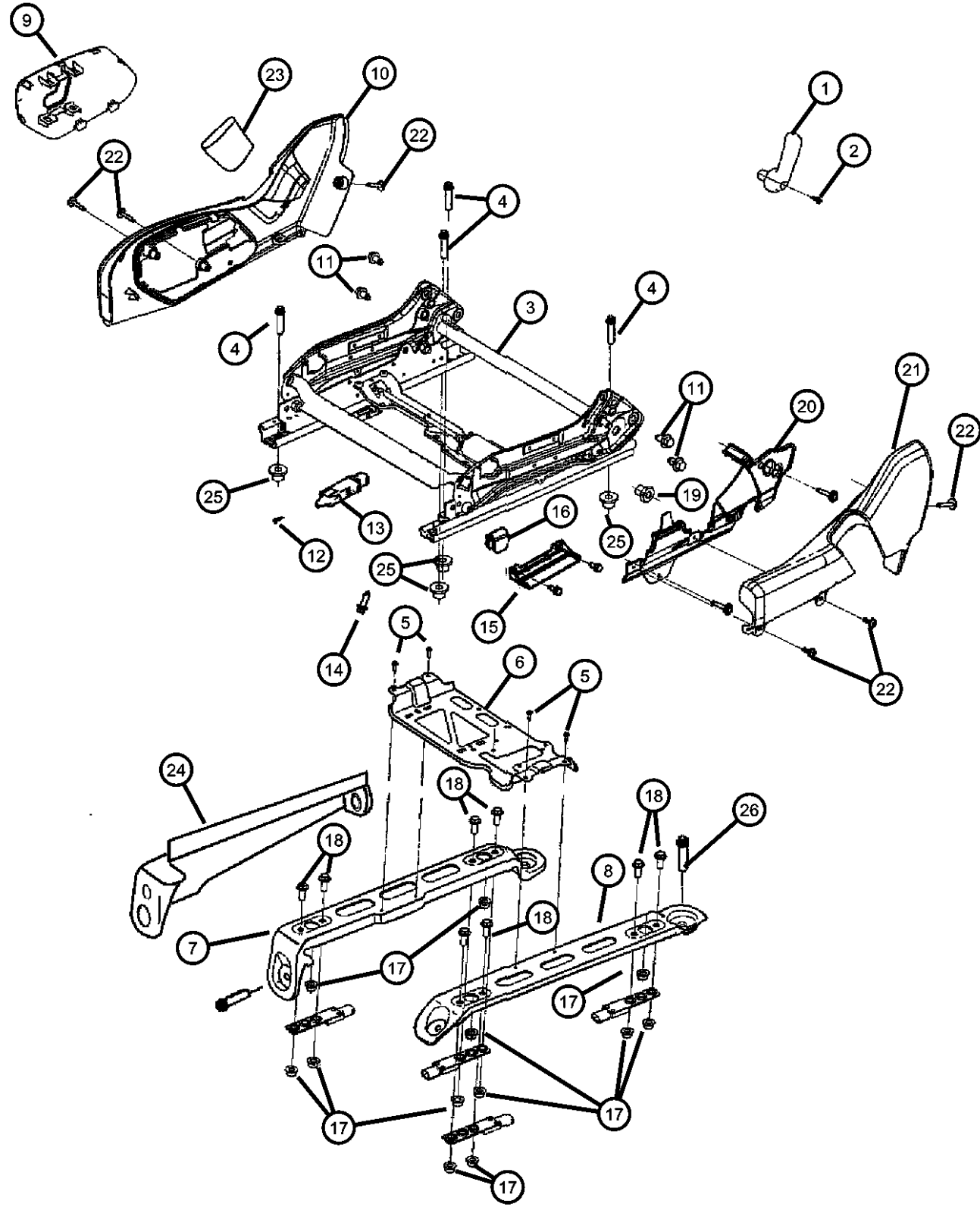
BODY
74 = SPORT UTILITY 4-DR
TYPE #4

ENGINE
EVE = Engine - 4.7L V8 DOHC
3 Valve
EZB = 5.7L Hemi Multi
Displacement Engine
EKG = 3.7L V6 Engine
ESF = 6.1L SRT HEMI SMPI
V8 Engine
EXL = 3.0L V6 Turbo Diesel
Engine

TRANSMISSION
DGJ = 5-Speed Auto W5A580
Transmission
DGU = 5-Spd Auto W5J400
Transmission
DGQ = 5-Spd Automatic 545RFE
Transmission

AR = use ase required - = Non illustrated part

Adjusters, Recliners and Shields - Passenger Seat - Power
Figure 50-915



ITEM	PART NUMBER	QTY	LINE	SERIES	BODY	ENGINE	TRANS	TRIM	DESCRIPTION
		1	J, T		74			*EL	
		1	J, T		74			*GL	
		2	J, T		74			*DZ	
13									SENSOR, Seat track position
	56043206AD	2	J, T		74			*DZ	
		1	J, T		74			*F7	
		1	J, T		74			*GL	
		1	J, T		74			*EL	
		1	J, T		74			*UL	
		1	J, T		74			*T5	
		1	J, T		74			*XL	
14									BOLT, Pan To Track
	05139628AA	4	J, T		74			*GL	
		4	J, T		74			*DZ	
		4	J, T		74			*F7	
		4	J, T		74			*UL	
		4	J, T		74			*EL	
		4	J, T		74			*T5	
		4	J, T		74			*XL	
15									BRACKET, Seat, Seat Track Position Sensor Shunt
	05143422AA	1	J, T		74			*EL	
		1	J, T		74			*GL	
		1	J, T		74			*DZ	
		1	J, T		74			*F7	
		1	J, T		74			*UL	
		1	J, T		74			*T5	
		2	J, T		74			*XL	
16									LIMITER, Seat Track Travel
	05139661AA	4	J, T		74			*UL	
		4	J, T		74			*EL	
		4	J, T		74			*GL	

GRAND CHEROKEE (WK)
 SERIES LINE
 H = HIGHLINE T = JEEP - 2WD
 P = PREMIUM J = JEEP - 4WD
 S = SPORT
 X = SPECIAL

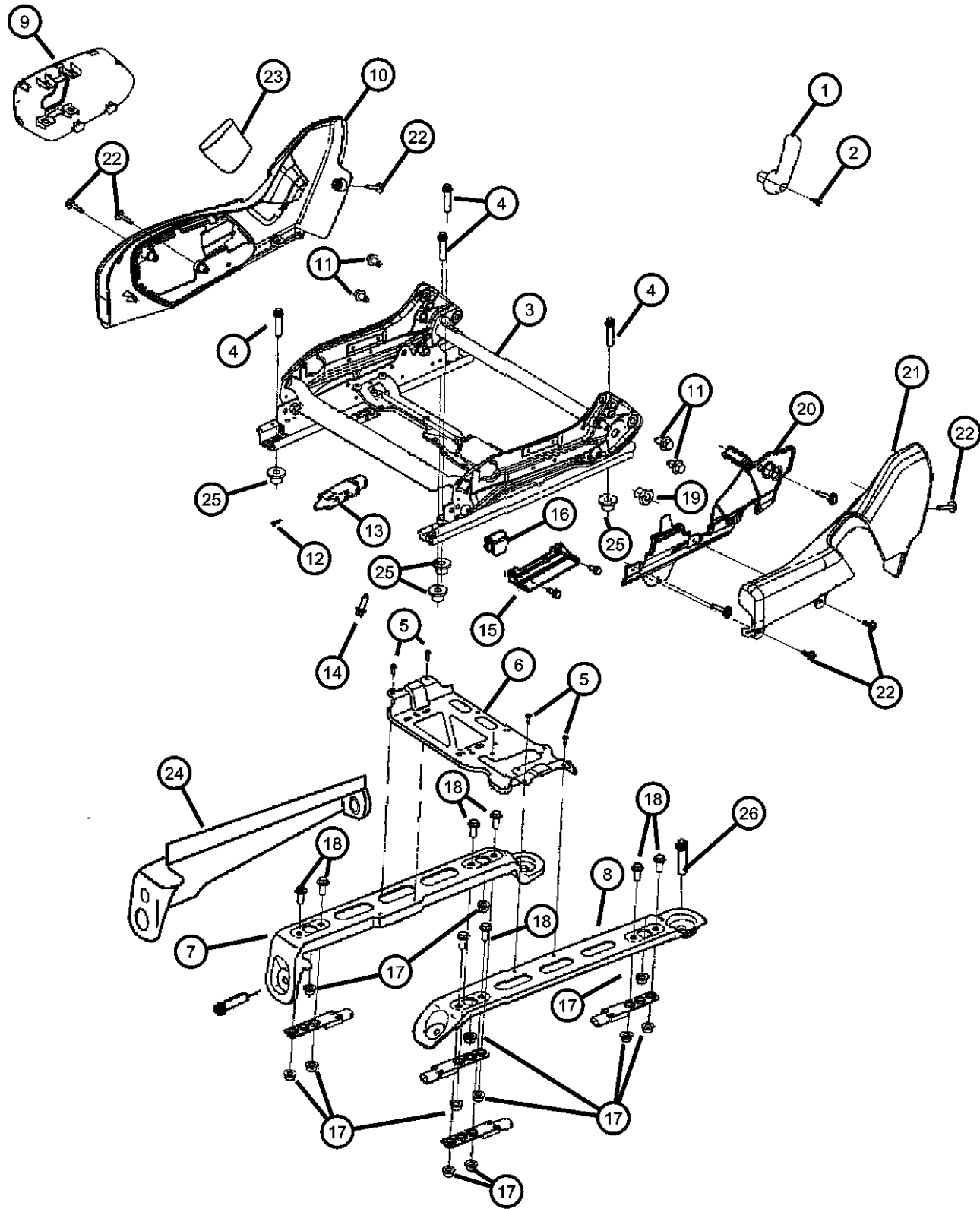
BODY
 74 = SPORT UTILITY 4-DR
 TYPE #4

ENGINE
 EVE = Engine - 4.7L V8 DOHC
 3 Valve
 EZB = 5.7L Hemi Multi
 Displacement Engine
 EKG = 3.7L V6 Engine
 ESF = 6.1L SRT HEMI SMPI
 V8 Engine
 EXL = 3.0L V6 Turbo Diesel
 Engine

TRANSMISSION
 DGJ = 5-Speed Auto W5A580
 Transmission
 DGU = 5-Spd Auto W5J400
 Transmission
 DGQ = 5-Spd Automatic 545RFE
 Transmission

AR = use ase required - = Non illustrated part

Adjusters, Recliners and Shields - Passenger Seat - Power
Figure 50-915



ITEM	PART NUMBER	QTY	LINE	SERIES	BODY	ENGINE	TRANS	TRIM	DESCRIPTION
		4	J, T		74			*F7	
		4	J, T		74			*DZ	
		2	J, T		74			*T5	
		4	J, T		74			*XL	
17									NUT, Seat
	05143442AA	7	J, T		74			*UL	
		7	J, T		74			*EL	
		7	J, T		74			*GL	
		7	J, T		74			*F7	
		7	J, T		74			*DZ	
		7	J, T		74			*T5	
		7	J, T		74			*XL	
18	05143443AA	8	J, T		74			*XL	BOLT, Seat
19									NUT, Tube
	05143449AA	2	J, T		74			*F7	
		2	J, T		74			*UL	
		2	J, T		74			*EL	
		2	J, T		74			*XL	
		2	J, T		74			*DZ	
		2	J, T		74			*T5	
		2	J, T		74			*GL	
20									PLATE, Front Seat
	1BG581DVAA	1	J, T		74			*T5	
	1BG581J3AA	1	J, T		74			*F7	[J3]
		1	J, T		74			*UL	[J1]
		1	J, T		74			*EL	[J3]
		1	J, T		74			*F7	[DV]
		1	J, T		74			*UL	[D1]
	1BG581D1AA	1	J, T		74			*GL	[J1]
		1	J, T		74			*DZ	[DV]
	1BG581UYAA	1	J, T		74			*GL	[DV]

GRAND CHEROKEE (WK)

SERIES LINE
H = HIGHLINE T = JEEP - 2WD
P = PREMIUM J = JEEP - 4WD
S = SPORT
X = SPECIAL

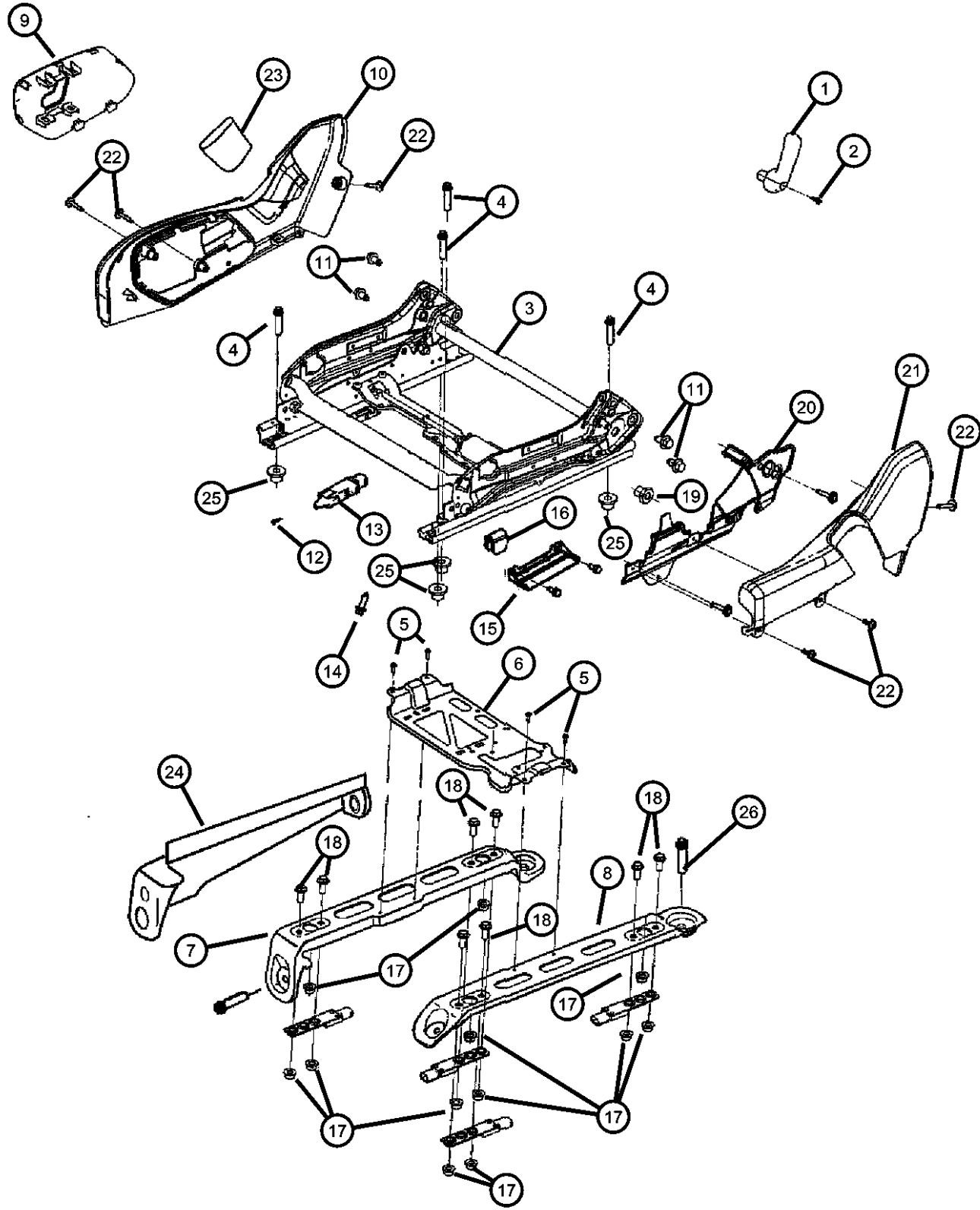
BODY
74 = SPORT UTILITY 4-DR
TYPE #4

ENGINE
EVE = Engine - 4.7L V8 DOHC
3 Valve
EZB = 5.7L Hemi Multi
Displacement Engine
EKG = 3.7L V6 Engine
ESF = 6.1L SRT HEMI SMPI
V8 Engine
EXL = 3.0L V6 Turbo Diesel
Engine

TRANSMISSION
DGJ = 5-Speed Auto W5A580
Transmission
DGU = 5-Spd Auto W5J400
Transmission
DGQ = 5-Spd Automatic 545RFE
Transmission

AR = use ase required - = Non illustrated part

Adjusters, Recliners and Shields - Passenger Seat - Power
Figure 50-915



ITEM	PART NUMBER	QTY	LINE	SERIES	BODY	ENGINE	TRANS	TRIM	DESCRIPTION
21		1	J, T		74			*XL	
		1	J, T		74			*EL	[DV]
									SHIELD, Seat Adjuster, Inboard Recliner
	1BG401DVAA	1	J, T		74			*T5	
		1	J, T		74			*DZ	[DV]
	1BG401J8AA	1	J, T		74			*F7	[J3]
	1BG401J3AA	1	J, T		74			*EL	[J3]
	1BG401UYAA	1	J, T		74			*GL	[DV]
	1BG401D1AA	1	J, T		74			*GL	[J1]
		1	J, T		74			*F7	[DV]
22		1	J, T		74			*EL	[DV]
		1	J, T		74			*UL	[D1]
		1	J, T		74			*UL	[J1]
		1	J, T		74			*XL	
									SCREW, Seat, Side Shield Attaching
	05143452AA	10	J, T		74			*EL	
		10	J, T		74			*GL	
		10	J, T		74			*UL	
		10	J, T		74			*T5	
		10	J, T		74			*XL	
23		10	J, T		74			*DZ	
		10	J, T		74			*F7	
									SHIELD, Seat Adjuster
	5KD261J8AA	1	J, T		74			*F7	[J3]
		1	J, T		74			*UL	[J1]
	5KD261D1AA	1	J, T		74			*GL	[J1]
	5KD261UYAA	1	J, T		74			*F7	[DV]
		1	J, T		74			*UL	[D1]
		1	J, T		74			*EL	[J3]
		1	J, T		74			*GL	[DV]

GRAND CHEROKEE (WK)

SERIES LINE
H = HIGHLINE T = JEEP - 2WD
P = PREMIUM J = JEEP - 4WD
S = SPORT
X = SPECIAL

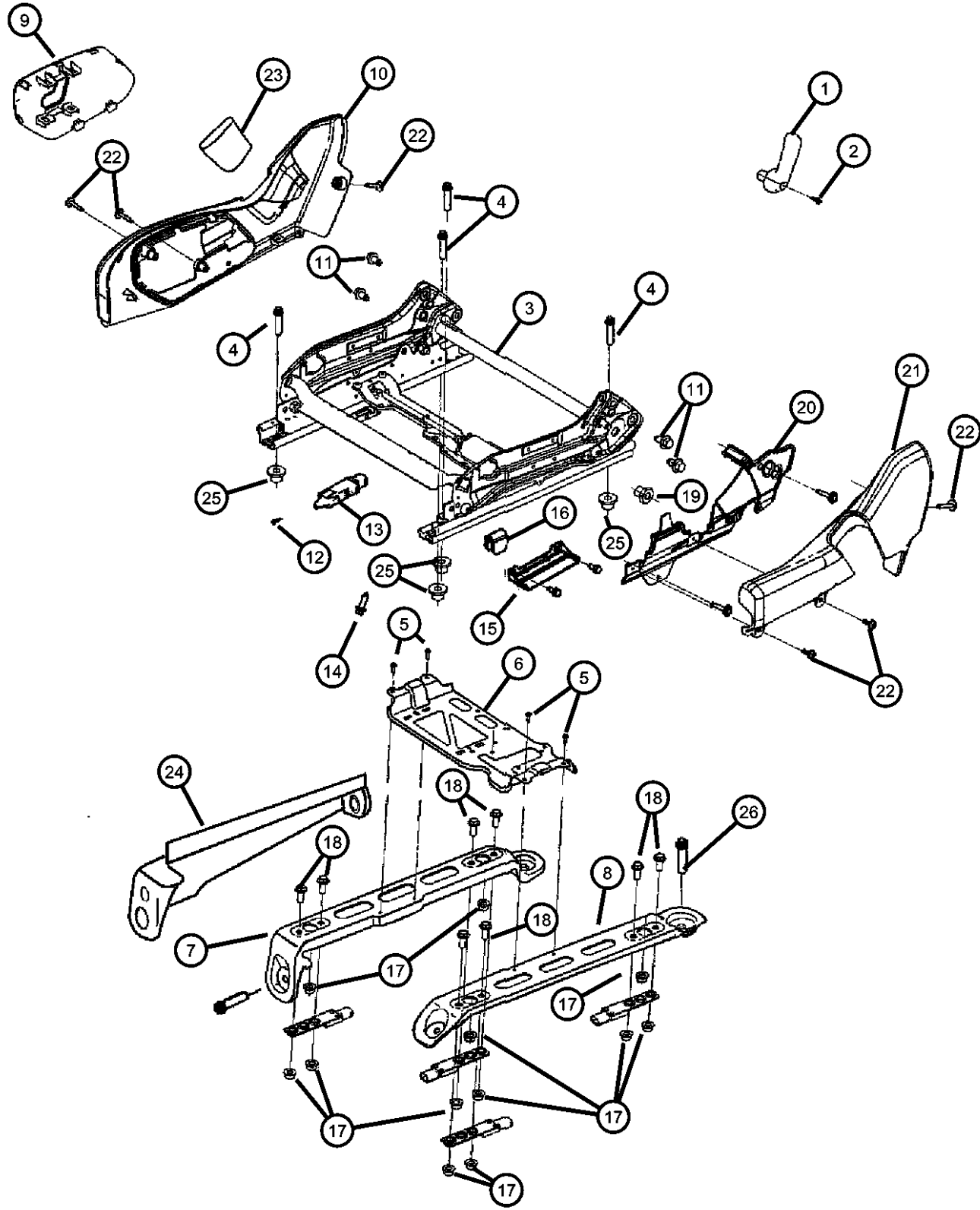
BODY
74 = SPORT UTILITY 4-DR
TYPE #4

ENGINE
EVE = Engine - 4.7L V8 DOHC
3 Valve
EZB = 5.7L Hemi Multi
Displacement Engine
EKG = 3.7L V6 Engine
ESF = 6.1L SRT HEMI SMPI
V8 Engine
EXL = 3.0L V6 Turbo Diesel
Engine

TRANSMISSION
DGJ = 5-Speed Auto W5A580
Transmission
DGU = 5-Spd Auto W5J400
Transmission
DGQ = 5-Spd Automatic 545RFE
Transmission

AR = use ase required - = Non illustrated part

Adjusters, Recliners and Shields - Passenger Seat - Power
Figure 50-915



ITEM	PART NUMBER	QTY	LINE	SERIES	BODY	ENGINE	TRANS	TRIM	DESCRIPTION
		1	J, T		74			*DZ	[DV]
		1	J, T		74			*EL	[DV]
		1	J, T		74			*XL	
24									COVER, Seat Track
	1BU241DVAA	1	J, T		74			*UL	[D1]
		1	J, T		74			*EL	[DV]
		1	J, T		74			*F7	[DV]
	1BU241J3AA	1	J, T		74			*F7	[J3]
		1	J, T		74			*UL	[J1]
		1	J, T		74			*T5	
	1BU241UYAA	1	J, T		74			*GL	[DV]
		1	J, T		74			*XL	
	1BU241D1AA	1	J, T		74			*EL	[J3]
		1	J, T		74			*GL	[J1]
		1	J, T		74			*DZ	[DV]
25									NUT, Seat
	05143442AA	7	J, T		74			*UL	
		7	J, T		74			*EL	
		7	J, T		74			*GL	
		7	J, T	X	74			*DZ	
		7	J, T		74			*F7	
		7	J, T		74			*T5	
		7	J, T		74			*XL	
26	06508286AA	8	J, T		74				BOLT, Hex Head, M10x1.50x35.00, Front Seat Attaching To Floor

GRAND CHEROKEE (WK)

SERIES LINE
H = HIGHLINE T = JEEP - 2WD
P = PREMIUM J = JEEP - 4WD
S = SPORT
X = SPECIAL

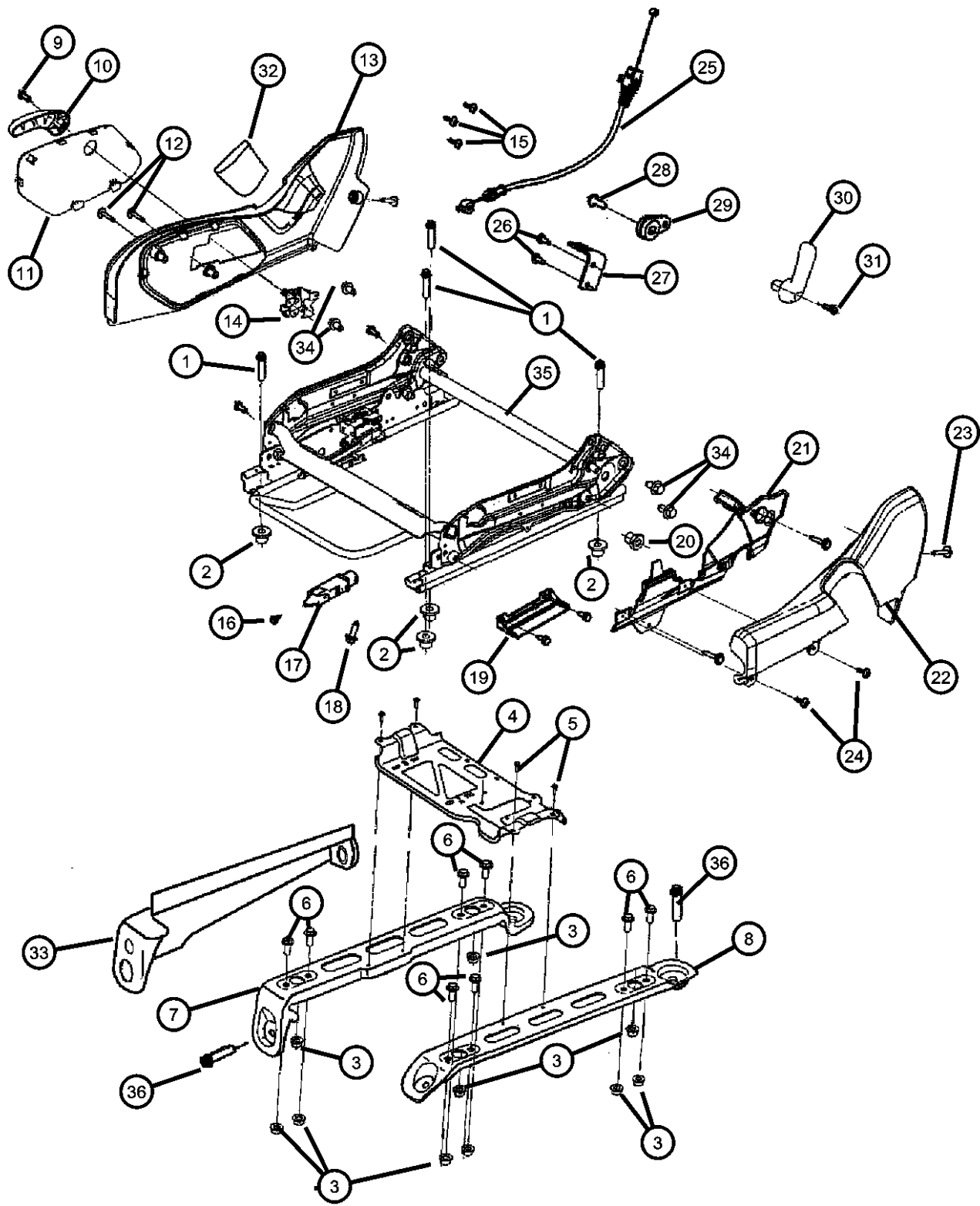
BODY
74 = SPORT UTILITY 4-DR
TYPE #4

ENGINE
EVE = Engine - 4.7L V8 DOHC
3 Valve
EZB = 5.7L Hemi Multi
Displacement Engine
EKG = 3.7L V6 Engine
ESF = 6.1L SRT HEMI SMPI
V8 Engine
EXL = 3.0L V6 Turbo Diesel
Engine

TRANSMISSION
DGJ = 5-Speed Auto W5A580
Transmission
DGU = 5-Spd Auto W5J400
Transmission
DGQ = 5-Spd Automatic 545RFE
Transmission

AR = use ase required - = Non illustrated part

**Adjusters , Recliners and Shields - Passenger Seat - Manual
Figure 50-920**



ITEM	PART NUMBER	QTY	LINE	SERIES	BODY	ENGINE	TRANS	TRIM	DESCRIPTION
1	05143441AA	1	J, T		74			*F7	BOLT, Seat
		1	J, T		74			*T5	
2	68002698AA	4	J, T	X	74			*DZ	SPACER
	68031365AA	4	J, T		74			*T5	
3	05143442AA	7	J, T		74			*T5	NUT, Seat
		7	J, T		74			*F7	
4	05143418AA	1	J, T		74			*T5	BRACKET, Module
		1	J, T		74			*F7	
5	05143451AA	11	J, T		74			*T5	SCREW, Seat
		11	J, T		74			*F7	
6	05072205AA	2	J, T		74			*T5	BOLT, Seat
		2	J, T		74			*F7	
7	05143414AA	1	J, T		74			*T5	RISER, Seat, Outboard
		1	J, T		74			*F7	
8	05143416AA	1	J, T		74			*T5	RISER, Seat, Inboard
		1	J, T		74			*F7	
9	05072127AB	1	J, T		74			*F7	SCREW, Recliner Handle
		1	J, T		74			*T5	
10	0UZ281DVAB	1	J, T		74			*F7	HANDLE, Recliner [DV]
		1	J, T		74			*T5	
	0UZ281J8AB	1	J, T		74			*F7	[J3]
11									BEZEL

GRAND CHEROKEE (WK)

SERIES LINE
H = HIGHLINE T = JEEP - 2WD
P = PREMIUM J = JEEP - 4WD
S = SPORT
X = SPECIAL

BODY
74 = SPORT UTILITY 4-DR
TYPE #4

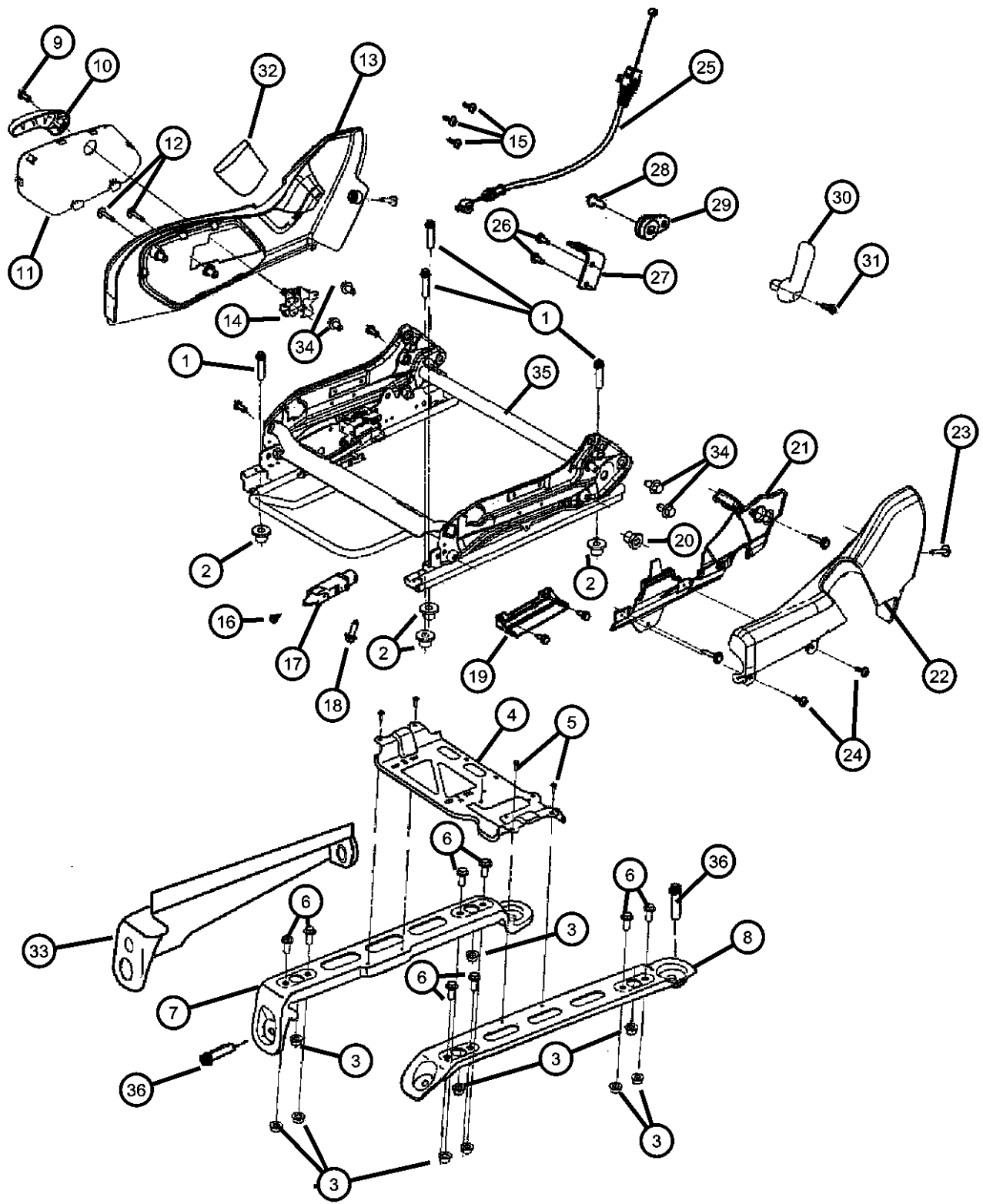
ENGINE
EVE = Engine - 4.7L V8 DOHC
3 Valve
EZB = 5.7L Hemi Multi
Displacement Engine
EKG = 3.7L V6 Engine
ESF = 6.1L SRT HEMI SMPI
V8 Engine
EXL = 3.0L V6 Turbo Diesel
Engine

TRANSMISSION
DGJ = 5-Speed Auto W5A580
Transmission
DGU = 5-Spd Auto W5J400
Transmission
DGQ = 5-Spd Automatic 545RFE
Transmission

AR = use ase required - = Non illustrated part

2008 WK

Adjusters , Recliners and Shields - Passenger Seat - Manual
Figure 50-920



ITEM	PART NUMBER	QTY	LINE	SERIES	BODY	ENGINE	TRANS	TRIM	DESCRIPTION
	1BG421DVAA	1	J, T		74			*F7	[DV]
		1	J, T		74			*T5	
	1BG421J8AA	1	J, T		74			*F7	[J3]
12									SCREW, Seat
	05143452AA	10	J, T		74			*F7	
		10	J, T		74			*T5	
13									SHIELD, Seat Adjuster
	1BG341DVAA	1	J, T		74			*T5	
	1BG341J8AA	1	J, T		74			*F7	[J3]
		1	J, T		74			*F7	[DV]
14									ACTUATOR
	05143428AA	1	J, T		74			*F7	
		1	J, T		74			*T5	
15		1							SCREW, Trim, (NOT SERVICED)
16									SCREW, Seat
	05143447AA	1	J, T		74			*F7	
		1	J, T		74			*T5	
17									SENSOR, Seat track position
	56043206AD	1	J, T		74			*F7	
		1	J, T		74			*T5	
18									BOLT
	05139628AA	4	J, T		74			*F7	
		4	J, T		74			*T5	
19									BRACKET, Seat
	05143422AA	1	J, T		74			*F7	
		1	J, T		74			*T5	
20									NUT, Tube
	05143449AA	2	J, T		74			*F7	
		2	J, T		74			*T5	
21									PLATE, Front Seat
	1BG581J3AA	1	J, T		74			*F7	[J3]

GRAND CHEROKEE (WK)

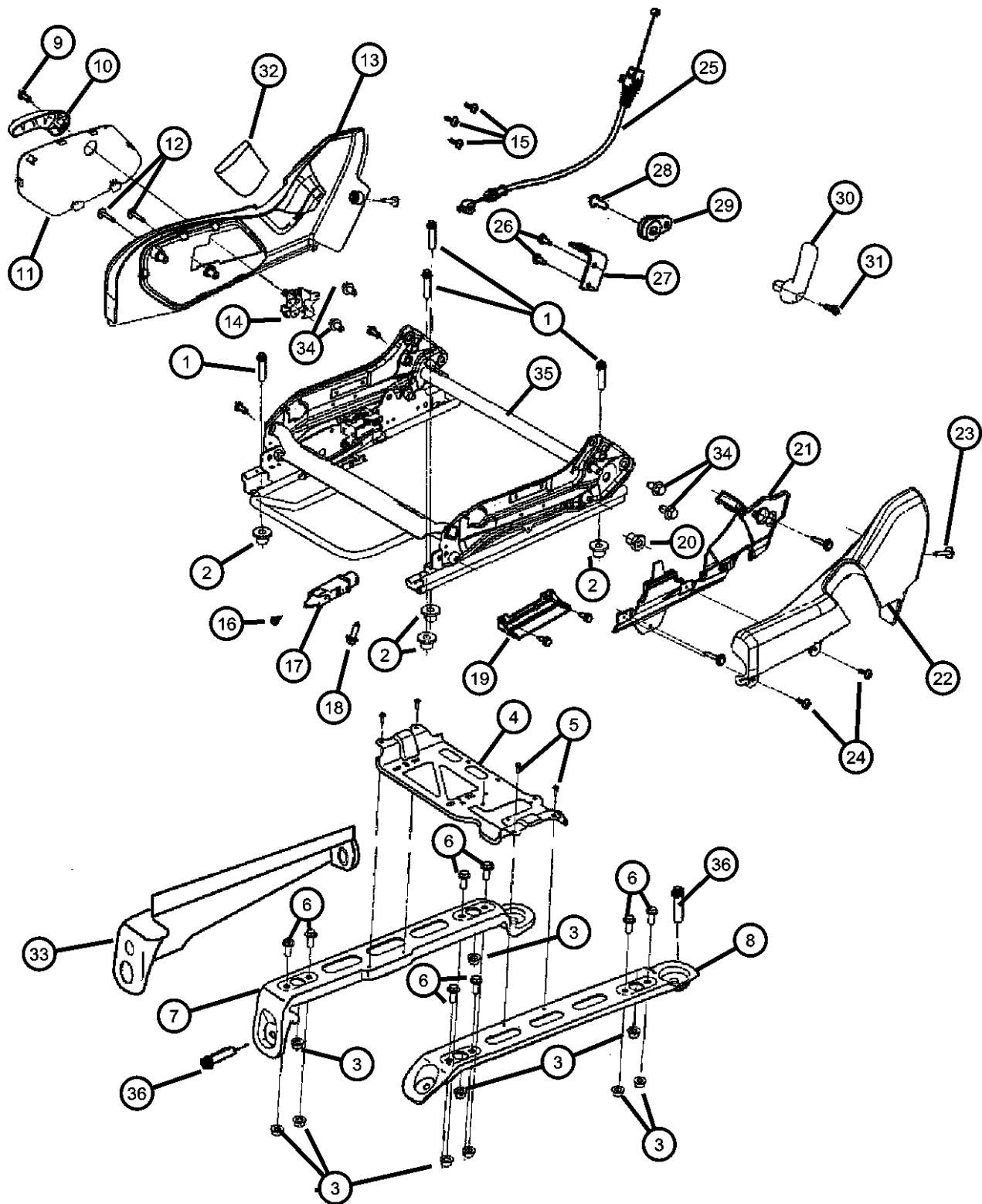
SERIES LINE
H = HIGHLINE T = JEEP - 2WD
P = PREMIUM J = JEEP - 4WD
S = SPORT
X = SPECIAL

BODY
74 = SPORT UTILITY 4-DR
TYPE #4

ENGINE TRANSMISSION
EVE = Engine - 4.7L V8 DOHC 3 Valve
EZB = 5.7L Hemi Multi Displacement Engine
EKG = 3.7L V6 Engine
ESF = 6.1L SRT HEMI SMPI V8 Engine
EXL = 3.0L V6 Turbo Diesel Engine
DGJ = 5-Speed Auto W5A580 Transmission
DGU = 5-Spd Auto W5J400 Transmission
DGQ = 5-Spd Automatic 545RFE Transmission

AR = use ase required - = Non illustrated part

**Adjusters , Recliners and Shields - Passenger Seat - Manual
Figure 50-920**



ITEM	PART NUMBER	QTY	LINE	SERIES	BODY	ENGINE	TRANS	TRIM	DESCRIPTION
	1BG581D1AA	1	J, T		74			*F7	[DV]
	1BG581DVAA	1	J, T		74			*T5	
22									SHIELD, Seat Adjuster
	1BG401DVAA	1	J, T		74			*T5	
	1BG401J3AA	1	J, T		74			*F7	[J3]
		1	J, T		74			*F7	[DV]
23									SCREW, Seat
	05143452AA	10	J, T		74			*T5	
		10	J, T		74			*F7	
24									SCREW, Seat
	05143453AA	4	J, T		74			*F7	
		4	J, T		74			*T5	
25									CABLE, Recliner
	05143411AA	1	J, T		74			*T5	
		1	J, T		74			*F7	
26									SCREW, Seat
	05143451AA	11	J, T		74			*F7	
		11	J, T		74			*T5	
27									BRACKET, Cable Mounting
	05143426AA	1	J, T		74			*F7	
		1	J, T		74			*T5	
28									SCREW, Torx Head, .25-20x.75
	04741274	1	J, T		74			*F7	
		1	J, T		74			*T5	
29									LEVER, Front Seat Recliner
	05143490AA	1	J, T		74			*F7	
		1	J, T		74			*T5	
30									HANDLE, Lumbar
	1BG531J3AA	2	J, T		74			*F7	[J3]
	1BG531D1AA	2	J, T		74			*F7	[DV]
	1BG531DVAA	1	J, T		74			*T5	

GRAND CHEROKEE (WK)

SERIES LINE
H = HIGHLINE T = JEEP - 2WD
P = PREMIUM J = JEEP - 4WD
S = SPORT
X = SPECIAL

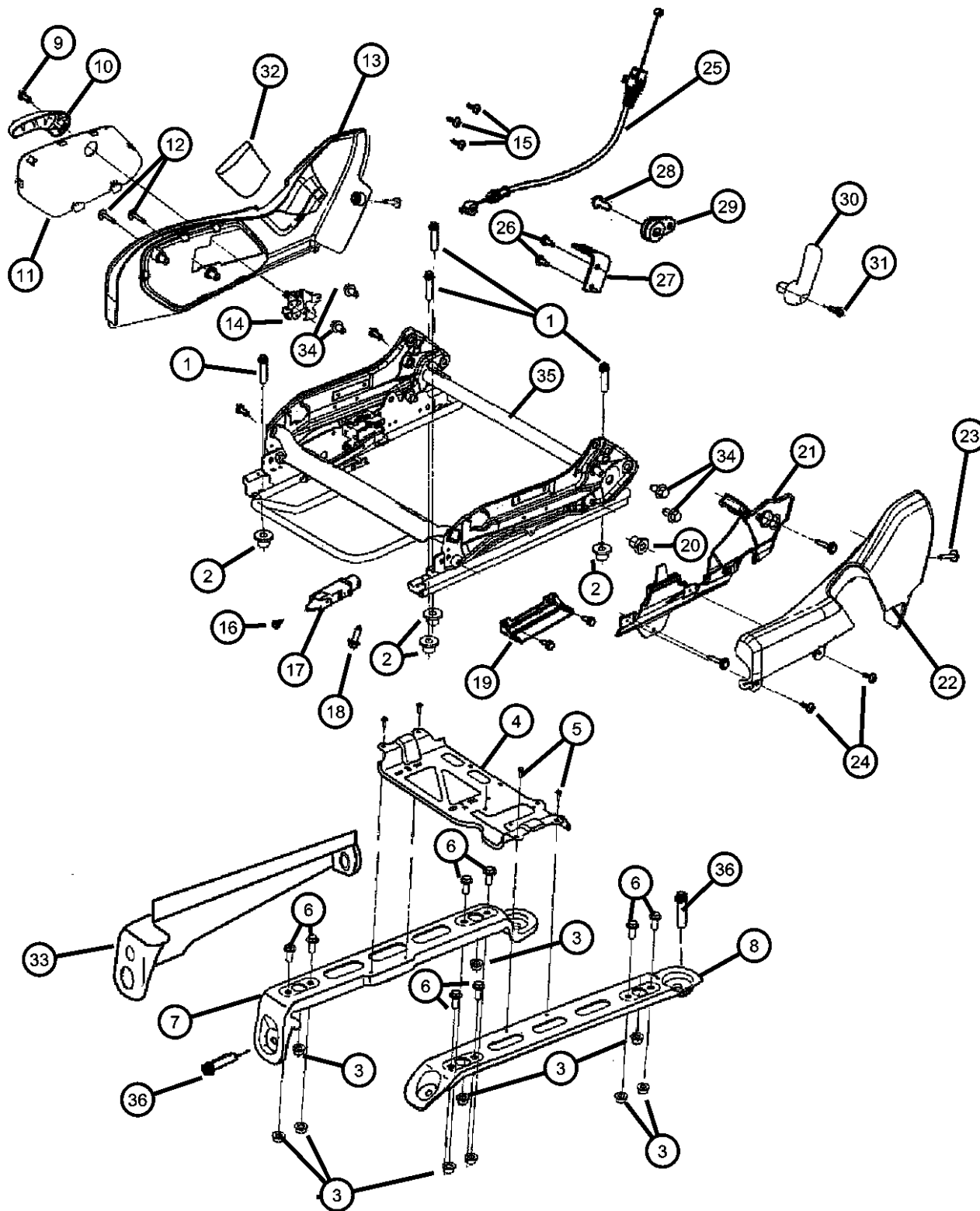
BODY
74 = SPORT UTILITY 4-DR
TYPE #4

ENGINE TRANSMISSION
EVE = Engine - 4.7L V8 DOHC 3 Valve
EZB = 5.7L Hemi Multi Displacement Engine
EKG = 3.7L V6 Engine
ESF = 6.1L SRT HEMI SMPI V8 Engine
EXL = 3.0L V6 Turbo Diesel Engine
DGJ = 5-Speed Auto W5A580 Transmission
DGU = 5-Spd Auto W5J400 Transmission
DGQ = 5-Spd Automatic 545RFE Transmission

AR = use ase required - = Non illustrated part

2008 WK

Adjusters , Recliners and Shields - Passenger Seat - Manual
Figure 50-920



ITEM	PART NUMBER	QTY	LINE	SERIES	BODY	ENGINE	TRANS	TRIM	DESCRIPTION
31	05080813AA	1	J, T		74			*A7	SCREW
32									SHIELD, Seat Adjuster
	5KD261J8AA	1	J, T		74			*F7	[J3]
	5KD261UYAA	1	J, T		74			*F7	[DV]
	5KD26XDVAA	1	J, T		74			*T5	
33									COVER, Seat Track
	1BU241DVAA	1	J, T		74			*T5	
	1BU241J3AA	1	J, T		74			*F7	[J3]
	1BU241D1AA	1	J, T		74			*F7	[DV]
34									BOLT, Seat
	05139629AA	8	J, T		74			*T5	
		8	J, T		74			*F7	
35									ADJUSTER, Manual Seat
	05183666AA	1	J, T		74			*F7	
		1	J, T		74			*T5	
36	06508286AA	8	J, T		74				BOLT, Hex Head, M10x1.50x35.00

GRAND CHEROKEE (WK)

SERIES LINE
H = HIGHLINE T = JEEP - 2WD
P = PREMIUM J = JEEP - 4WD
S = SPORT
X = SPECIAL

BODY
74 = SPORT UTILITY 4-DR
TYPE #4

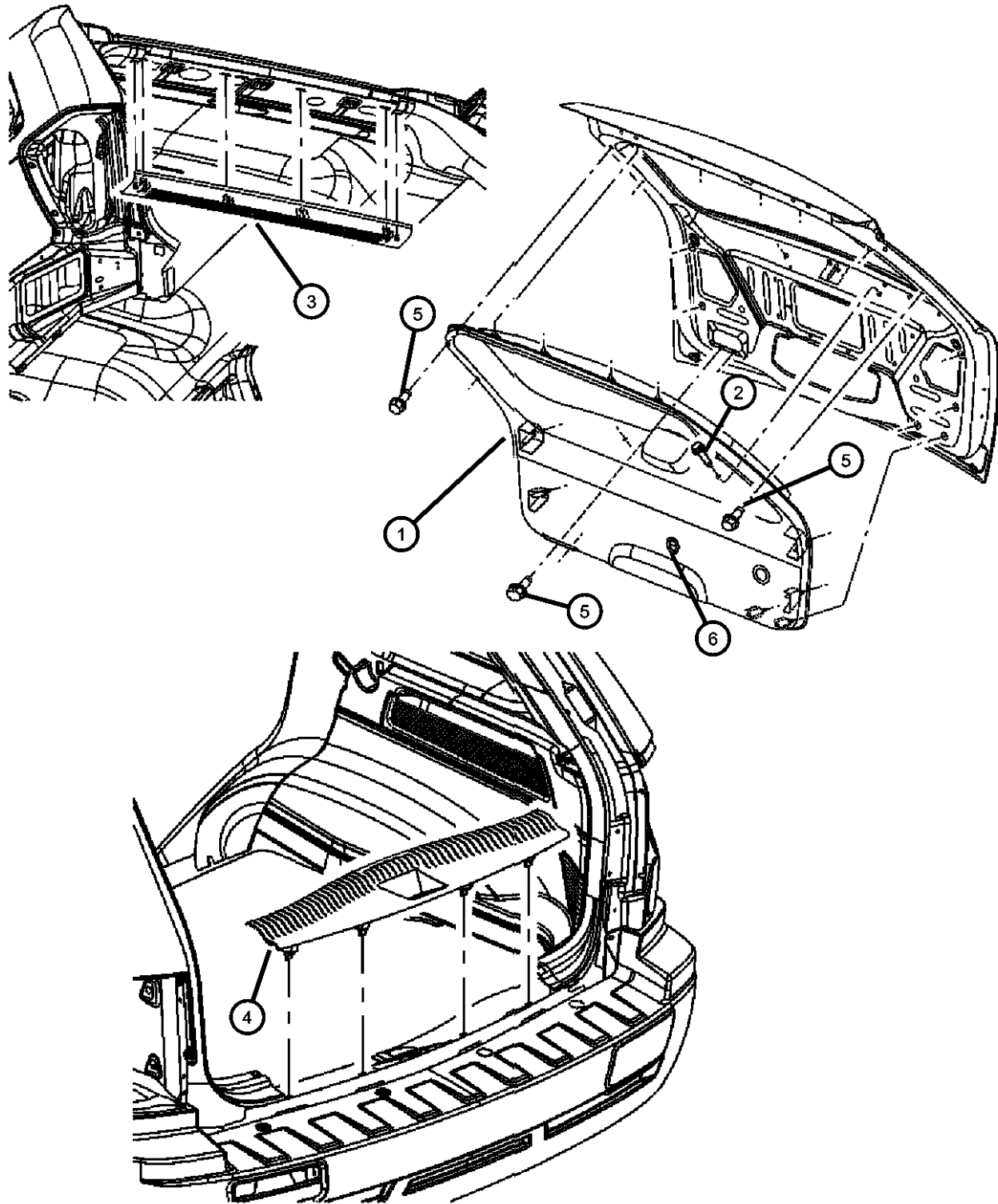
ENGINE
EVE = Engine - 4.7L V8 DOHC
3 Valve
EZB = 5.7L Hemi Multi
Displacement Engine
EKG = 3.7L V6 Engine
ESF = 6.1L SRT HEMI SMPI
V8 Engine
EXL = 3.0L V6 Turbo Diesel
Engine

TRANSMISSION
DGJ = 5-Speed Auto W5A580
Transmission
DGU = 5-Spd Auto W5J400
Transmission
DGQ = 5-Spd Automatic 545RFE
Transmission

AR = use ase required - = Non illustrated part

2008 WK

**Liftgate Panels and Scuff Plate
Figure 50-1405**



ITEM	PART NUMBER	QTY	LINE	SERIES	BODY	ENGINE	TRANS	TRIM	DESCRIPTION
1									PANEL, Liftgate Trim
	5JR56BD1AI	1	J, T		74			*O0	[D1]
		1	J, T		74			*O0	[J1]
	5JR56XDVAI	1	J, T		74			*O0	[DV]
	5JR56ZJ3AI	1	J, T		74			*O0	[J3]
2		1							SCREW, Tapping, [.164-15x2.20], (NOT SERVICED),
3	5HS28BD1AD	1	J, T		74			*O0	MOLDING, Rear Header, Upper
4									PLATE, Liftgate Scuff
	5HS29XDVAF	1	J, T		74			*O0	[DV]
	5HS29ZJ3AF	1	J, T		74			*O0	[J3]
	5HS29BD1AF	1	J, T		74			*O0	[D1]
		1	J, T		74			*O0	[J1]
5	06101946	4	J, T		74				SCREW, Tapping Hex Head, M4.2X1.70X20.00
6	1FD89BD1AA	1	J, T		74			*O0	PLUG

GRAND CHEROKEE (WK)

SERIES LINE
H = HIGHLINE T = JEEP - 2WD
P = PREMIUM J = JEEP - 4WD
S = SPORT
X = SPECIAL

BODY
74 = SPORT UTILITY 4-DR
TYPE #4

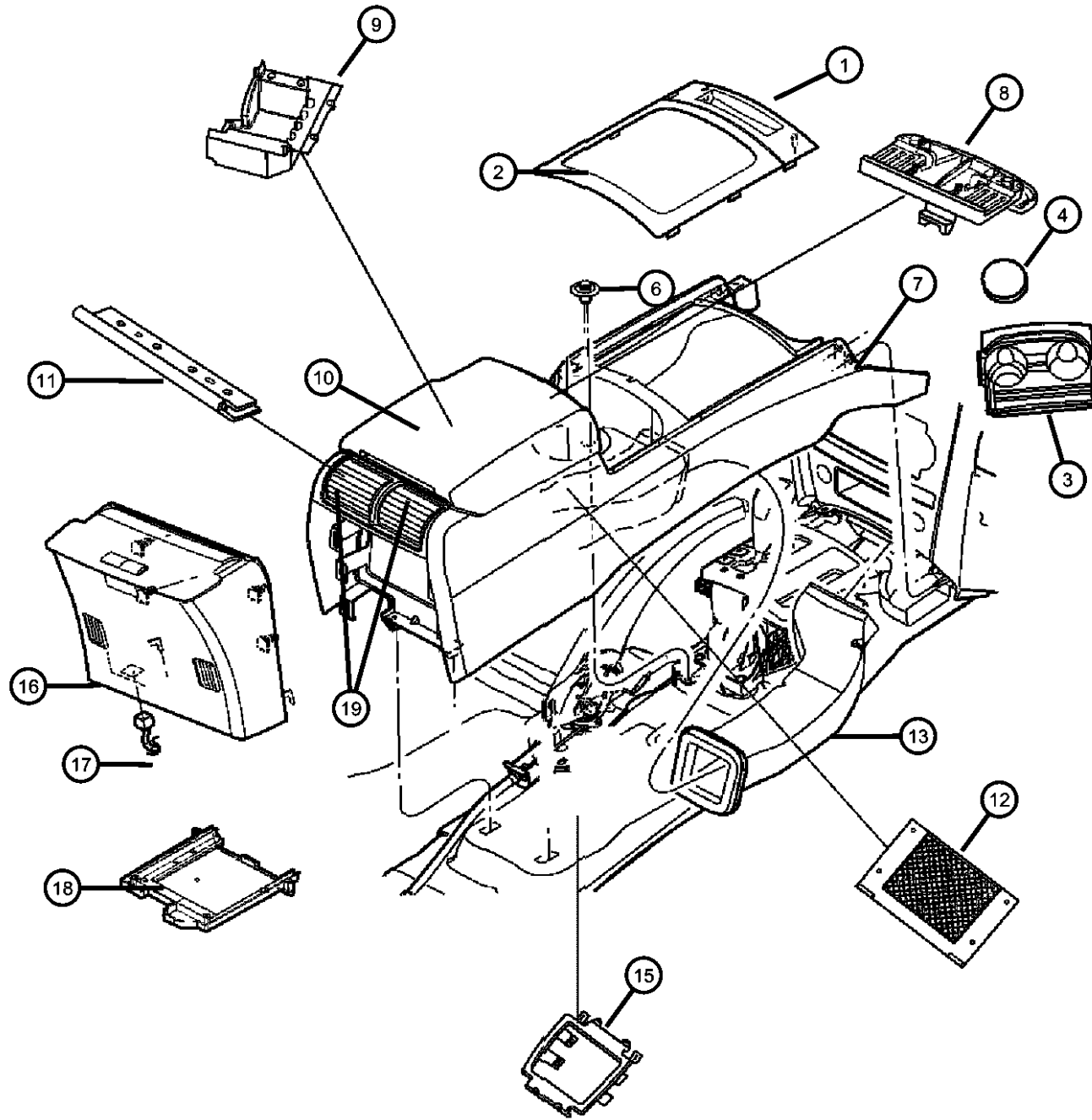
ENGINE
EVE = Engine - 4.7L V8 DOHC
3 Valve
EZB = 5.7L Hemi Multi
Displacement Engine
EKG = 3.7L V6 Engine
ESF = 6.1L SRT HEMI SMPI
V8 Engine
EXL = 3.0L V6 Turbo Diesel
Engine

TRANSMISSION
DGJ = 5-Speed Auto W5A580
Transmission
DGU = 5-Spd Auto W5J400
Transmission
DGQ = 5-Spd Automatic 545RFE
Transmission

AR = use ase required - = Non illustrated part

2008 WK

Floor Console Front
Figure 50-1605



ITEM	PART NUMBER	QTY	LINE	SERIES	BODY	ENGINE	TRANS	TRIM	DESCRIPTION
1									BEZEL, Gear Shift Indicator
	55117073AA	1	J, T	P	74				[AWB]
	55117076AA	1	J, T	P	74				
	0XG86DX9AD	1	J, T	H	74			*00	
	1CG893AAAA	1	J, T	X	74			*00	
2	5JN05SZ0AD	1	J, T		74			*00	RING, Trim
3	1FB241D1AA	1	J, T	P	74			*00	CUPHOLDER, Floor Console
4									MAT, Console Cup Holder
	1ED73BD1AB	1	J, T	H, P, S	74			*00	[J1] Small
	1ED73DX9AB	1	J, T	X	74			*00	Small
	1ED73XDVAB	1	J, T	H, P, S	74			*00	[DV] Small
		1	J, T	H, P, S	74			*00	[D1] Small
	1JD30BD1AA	1	J, T	P, S, H	74			*00	[D1] Large
		1	J, T	H, P, S	74			*00	[J1] Large
	1JD30XDVAA	1	J, T	H, P, S	74			*00	[DV] Large
	1ED73ZJ3AB	1	J, T	H, P, S	74			*00	[J3] Small
	1JD30ZJ3AA	1	J, T	H, P, S	74			*00	[J3] Large
-5		1							SCREW, Self Piercing, .164-15x.625, (NOT SERVICED),
6		1							SCREW, (NOT SERVICED)
7									CONSOLE, Base
	1PB71BD1AA	1	J, T	P	74			*00	
	1PB71XDVAA	1	J, T	P	74			*00	[DV]
		1	J, T	X	74			*00	[DV]
	1PB71ZJ3AA	1	J, T	P	74			*00	[J3]
8									LATCH, Console Lock
	05143594AA	1	J, T	S	74			*00	
		1	J, T	H	74			*00	
9									BIN, Floor Console
	05143596AA	1	J, T	S	74			*00	
		1	J, T	H	74			*00	
10									LID, Floor Console Bin
	1JQ001J3AA	1	J, T	H	74			*00	[J3]

GRAND CHEROKEE (WK)

SERIES LINE
H = HIGHLINE T = JEEP - 2WD
P = PREMIUM J = JEEP - 4WD
S = SPORT
X = SPECIAL

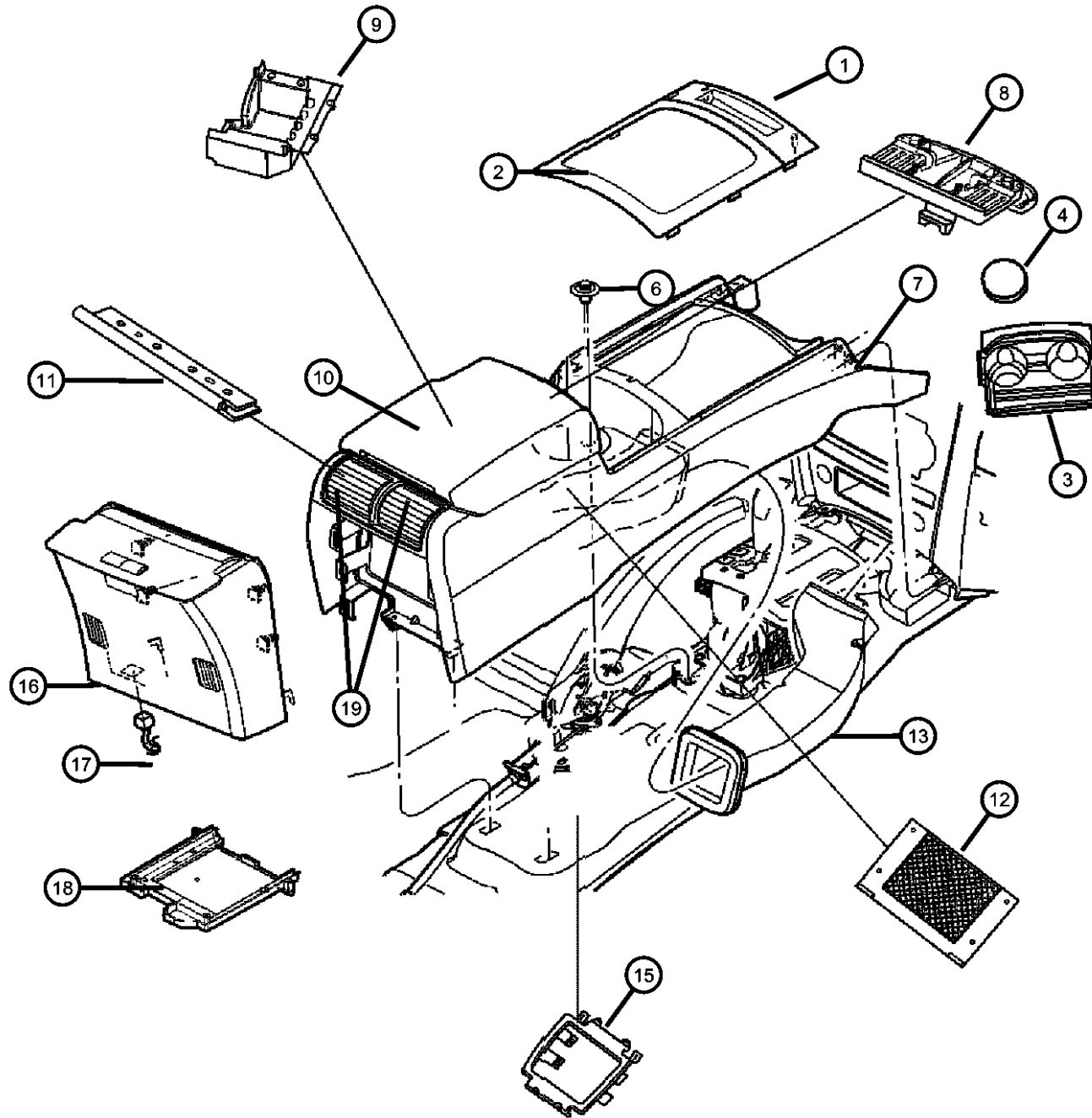
BODY
74 = SPORT UTILITY 4-DR
TYPE #4

ENGINE TRANSMISSION
EVE = Engine - 4.7L V8 DOHC 3 Valve DGJ = 5-Speed Auto W5A580
EZB = 5.7L Hemi Multi Displacement Engine DGU = 5-Spd Auto W5J400
EKG = 3.7L V6 Engine DGQ = 5-Spd Automatic 545RFE
ESF = 6.1L SRT HEMI SMPI V8 Engine
EXL = 3.0L V6 Turbo Diesel Engine

AR = use ase required - = Non illustrated part

2008 WK

**Floor Console Front
Figure 50-1605**



ITEM	PART NUMBER	QTY	LINE	SERIES	BODY	ENGINE	TRANS	TRIM	DESCRIPTION
11	1JQ191D1AA	1	J, T	P	74			*O0	HINGE, Floor Console Lid
12	05143595AA	1	J, T	H	74			*O0	NET, Storage
		1	J, T	S	74			*O0	
13	68032917AA	1	J, T	S	74			*O0	DUCT, Floor Console
		1	J, T	H	74			*O0	
16	05143598AA	1	J, T	H	74			*O0	Between HVAC and Instrument Panel. Includes foam and a clip, Front HVAC TO CONSOLE
		1	J, T	P	74			*O0	
		1	J, T	S	74			*O0	
-14	55197077AB	1						*O0	SCREW, .164-18x.50, (NOT SERVICED)
		1	J, T	X	74			*O0	
15	05143597AC	1	J, T	H	74			*O0	BRACKET, Console
		1	J, T	P	74			*O0	
		1	J, T	S	74			*O0	
		1	J, T	X	74			*O0	
		1							
16	5KB96BD1AB	1	J, T		74			*O0	CAP, Floor Console End
		1	J, T		74			*O0	
		1	J, T		74			*O0	
		1	J, T		74			*O0	
		1	J, T		74			*O0	
		1	J, T		74			*O0	
		1	J, T		74			*O0	
17		1						CONNECTOR, Serviced with Body Wiring, (NOT SERVICED),	

GRAND CHEROKEE (WK)

SERIES LINE
H = HIGHLINE T = JEEP - 2WD
P = PREMIUM J = JEEP - 4WD
S = SPORT
X = SPECIAL

BODY
74 = SPORT UTILITY 4-DR
TYPE #4

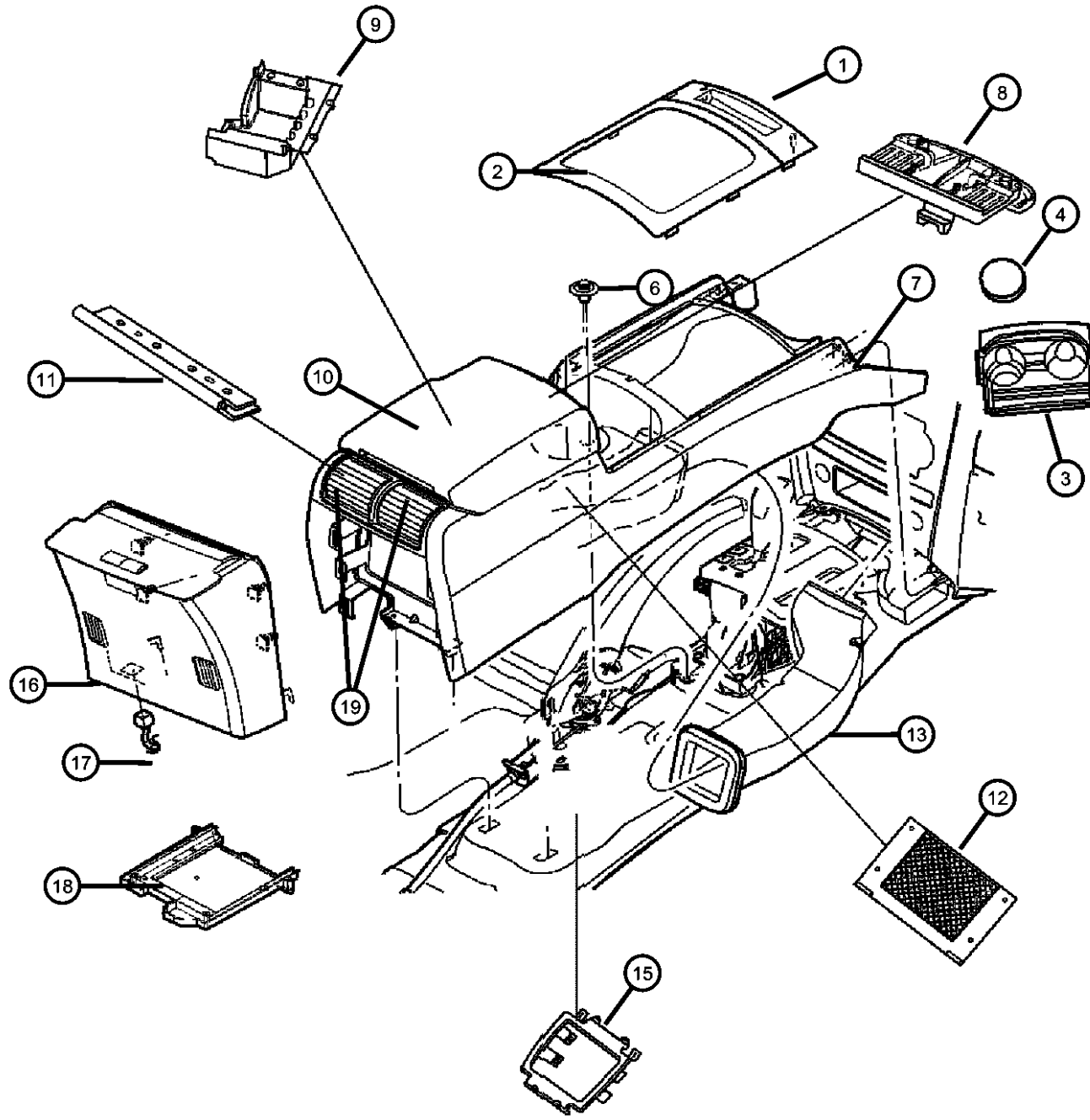
ENGINE
EVE = Engine - 4.7L V8 DOHC
3 Valve
EZB = 5.7L Hemi Multi
Displacement Engine
EKG = 3.7L V6 Engine
ESF = 6.1L SRT HEMI SMPI
V8 Engine
EXL = 3.0L V6 Turbo Diesel
Engine

TRANSMISSION
DGJ = 5-Speed Auto W5A580
Transmission
DGU = 5-Spd Auto W5J400
Transmission
DGQ = 5-Spd Automatic 545RFE
Transmission

AR = use ase required - = Non illustrated part

2008 WK

**Floor Console Front
Figure 50-1605**



ITEM	PART NUMBER	QTY	LINE	SERIES	BODY	ENGINE	TRANS	TRIM	DESCRIPTION
18		1							PLATE, Serviced with Console Assy., (NOT SERVICED)
19									OUTLET, Air Conditioning & Heater
	1BJ021D1AA	1	J, T	S	74			*00	[D1]
	1BJ021DVAA	1	J, T	H	74			*00	[DV]
	1BJ021J3AA	1	J, T	H	74			*00	[J3]
-20									BRACKET, Console
	05143597AC	1	J, T	H	74			*00	
		1	J, T	X	74			*00	
		1	J, T	P	74			*00	
		1	J, T	S	74			*00	
-21	56052851AA	1	J, T		74				SILENCER, Tunnel, Floor console silencer
-22	05082095AB	1	J, T		74				POWER OUTLET, Inverter, [JKV]
-23									END CAP, Console
	1JN751DVAA	1	J, T		74			*00	[DV] [JKV, XRV]
	1JN751D1AA	1	J, T		74			*00	[J1] [JKV, XRV]
	1JN761D1AA	1	J, T		74			*00	[D1] [JKV]
		1	J, T		74			*00	[D1] [JKV, XRV]
		1	J, T		74			*00	[J1] [JKV]
	1JN761DVAA	1	J, T		74			*00	[DV] [JKV]

GRAND CHEROKEE (WK)

SERIES LINE
H = HIGHLINE T = JEEP - 2WD
P = PREMIUM J = JEEP - 4WD
S = SPORT
X = SPECIAL

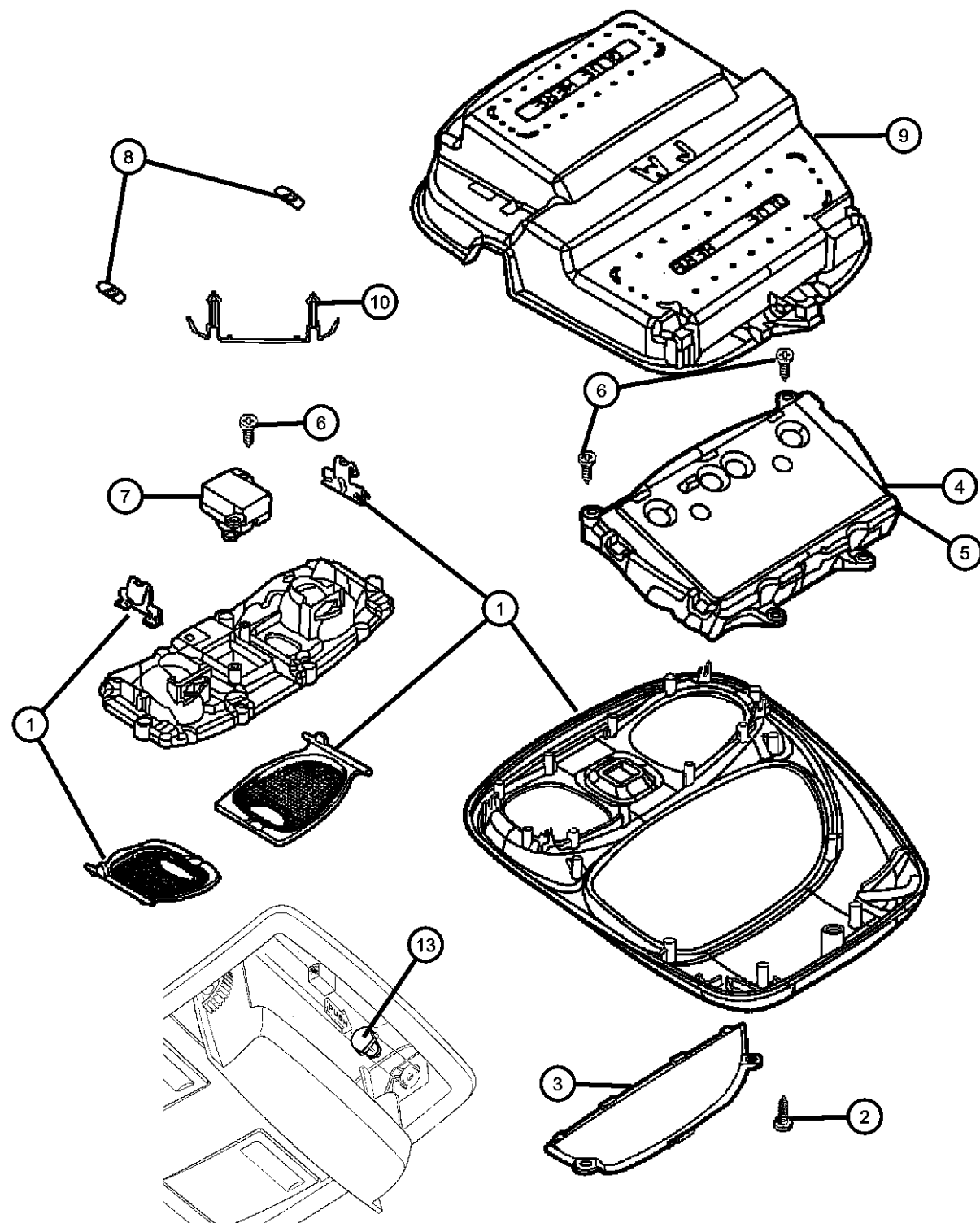
BODY
74 = SPORT UTILITY 4-DR
TYPE #4

ENGINE
EVE = Engine - 4.7L V8 DOHC
3 Valve
EZB = 5.7L Hemi Multi
Displacement Engine
EKG = 3.7L V6 Engine
ESF = 6.1L SRT HEMI SMPI
V8 Engine
EXL = 3.0L V6 Turbo Diesel
Engine

TRANSMISSION
DGJ = 5-Speed Auto W5A580
Transmission
DGU = 5-Spd Auto W5J400
Transmission
DGQ = 5-Spd Automatic 545RFE
Transmission

AR = use ase required - = Non illustrated part

Overhead Console
Figure 50-1620



ITEM	PART NUMBER	QTY	LINE	SERIES	BODY	ENGINE	TRANS	TRIM	DESCRIPTION
1									CONSOLE, Overhead
	1AR29BD1AA	1	J, T		74			*00	
	1AR301D1AA	1	J, T		74			*00	[GWA]
2		1							SCREW, .164-18x.500, (NOT SERVICED),
3	05137527AA	1	J, T		74			*00	LENSLeft
4	1HT92BD1AA	1	J, T		74			*00	MODULE, Compass
5	1HT94BD1AA	1	J, T		74			*00	MODULE, Compass Temperature, W/Garage Door Opener
6		1							SCREW, (NOT SERVICED)
7		1							SWITCH, 1 Gang, (NOT SERVICED)
8	L0000578	2	J, T		74			*00	BULB, 578
9	05139449AA	1	J, T		74			*00	RETAINER, Overhead Console
10	04746232	2	J, T		74			*00	CLIP, Z-Axis
-11	05166015AA	2	J, T		74			*00	PLATE, Retaining
-12	05137535AA	2	J, T		74			*00	SWITCH, Map Light
13	68043540AA	1	J, T		74			*00	FOLLOWER, Sunglass Bin

GRAND CHEROKEE (WK)

SERIES LINE
H = HIGHLINE T = JEEP - 2WD
P = PREMIUM J = JEEP - 4WD
S = SPORT
X = SPECIAL

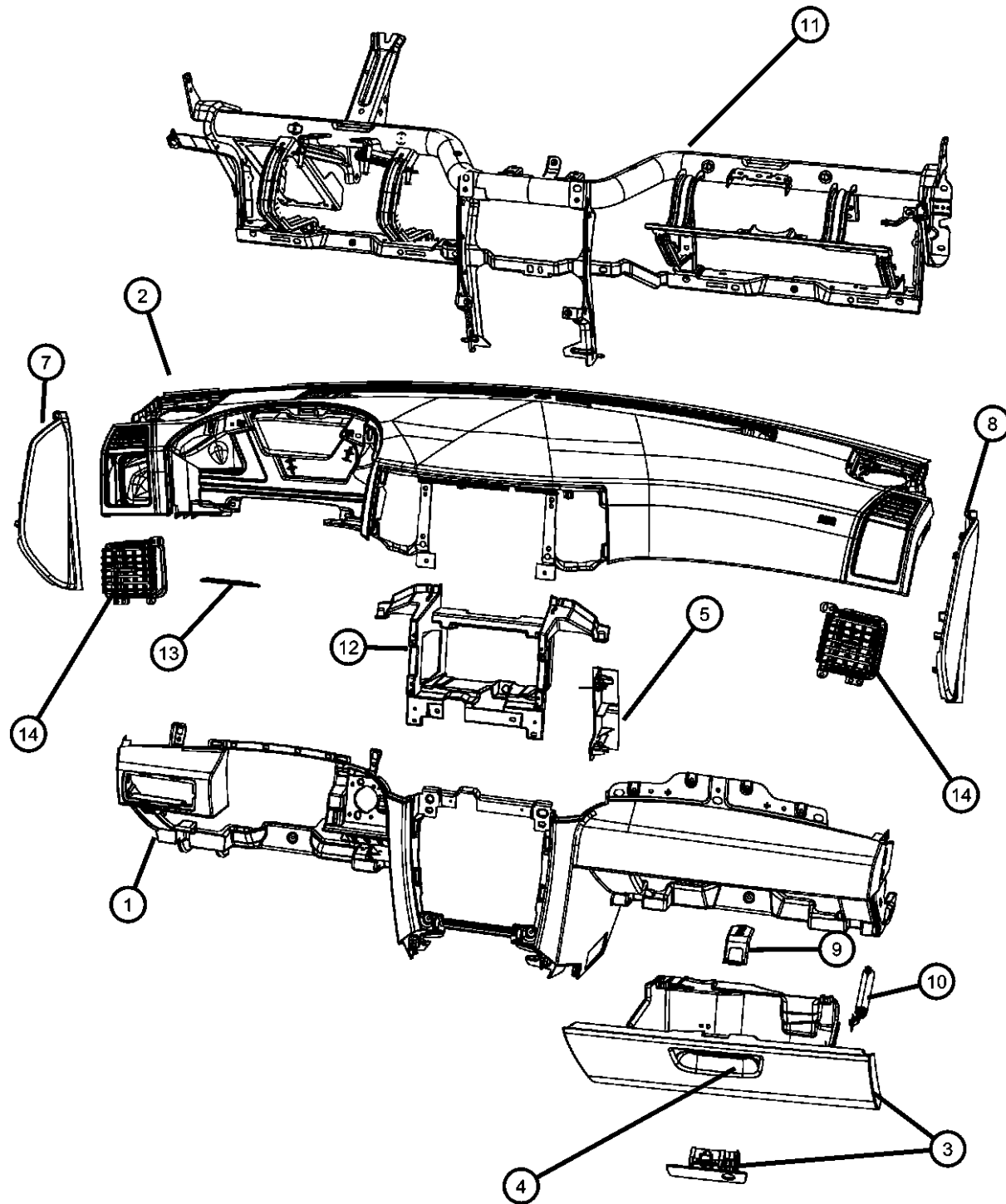
BODY
74 = SPORT UTILITY 4-DR
TYPE #4

ENGINE TRANSMISSION
EVE = Engine - 4.7L V8 DOHC 3 Valve
EZH = 5.7L Hemi Multi Displacement Engine
EKG = 3.7L V6 Engine
ESF = 6.1L SRT HEMI SMPI V8 Engine
EXL = 3.0L V6 Turbo Diesel Engine
DGJ = 5-Speed Auto W5A580 Transmission
DGU = 5-Spd Auto W5J400 Transmission
DGQ = 5-Spd Automatic 545RFE Transmission

AR = use ase required - = Non illustrated part

2008 WK

Instrument Panel and Structure
Figure 50-1705



ITEM	PART NUMBER	QTY	LINE	SERIES	BODY	ENGINE	TRANS	TRIM	DESCRIPTION
1	1DS70ZJ3AC	1	J, T		74			*00 [J3]	PANEL, Instrument Lower
	1DS70BD1AC	1	J, T		74			*00 [D1]	
	1DS70XDVAC	1	J, T		74			*00 [DV]	
2	1DE841DVAD	1	J, T		74			*00 [D1]	PANEL, Instrument Upper
	1DE841J8AD	1	J, T		74			*00 [J1]	
3	1EJ321D1AE	1	J, T		74			*00 [D1]	GLOVE BOX, Instrument Panel
	1EJ321DVAE	1	J, T		74			*00 [DV]	
4	04746315	1	J, T		74				CYLINDER, Glove Box Lock
5	55116622AB	2	J, T		74				BRACKET, Instrument Panel
-6	55117145AA	1	J, T		74				BRACKET, Module
7	5HS95BD1AM	1	J, T		74			*00 [D1], Left	CAP, Instrument Panel End
		1	J, T		74			*00 [J1], Left	
	5HS95XD-VAM	1	J, T		74			*00 [DV], Left	
	5HS95ZJ3AM	1	J, T		74			*00 [J3], Left	
8	5HU58ZJ3AM	1	J, T		74			*00 [J3], Right	CAP, Instrument Panel End
	5HU58BD1AM	1	J, T		74			*00 [D1], Right	
		1	J, T		74			*00 [J1], Right	
	5HU58XD-VAM	1	J, T		74			*00 [DV], Right	
9	55116991AC	1	J, T		74			*00	STRIKER, Glove Box Door Latch
10	55117034AC	1	J, T		74			*00	DAMPENER, Glove Box Door
11	55117067AD	1	J, T		74			*00	REINFORCEMENT, Instrument Panel
12	55117070AC	1	J, T		74			*00	BRACKET, Radio
13	55117106AA	1	J, T		74			*00	PROTECTOR, Wiring
14	1BL761D1AB	1	J, T		74			*00 [D1], Right	OUTLET, Air Conditioning & Heater
	1BL771J8AB	1	J, T		74			*00 [J3], Left	

GRAND CHEROKEE (WK)

SERIES LINE
H = HIGHLINE T = JEEP - 2WD
P = PREMIUM J = JEEP - 4WD
S = SPORT
X = SPECIAL

BODY
74 = SPORT UTILITY 4-DR
TYPE #4

ENGINE TRANSMISSION
EVE = Engine - 4.7L V8 DOHC 3 Valve
EVB = Engine - 4.7L V8 DOHC 3 Valve
EZB = 5.7L Hemi Multi Displacement Engine
EKG = 3.7L V6 Engine
ESF = 6.1L SRT HEMI SMPI V8 Engine
EXL = 3.0L V6 Turbo Diesel Engine
DGJ = 5-Speed Auto W5A580 Transmission
DGU = 5-Spd Auto W5J400 Transmission
DGQ = 5-Spd Automatic 545RFE Transmission

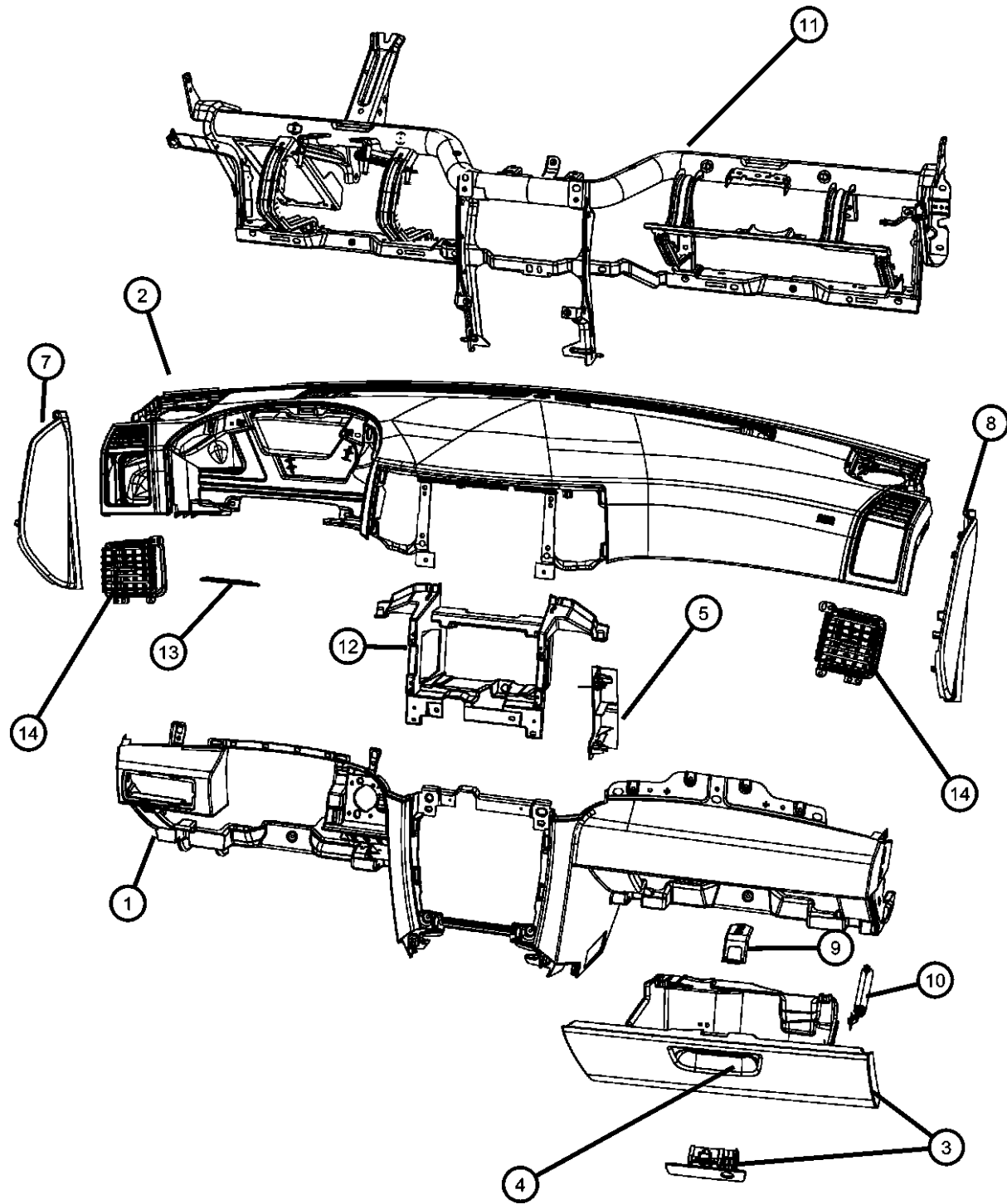
AR = use ase required - = Non illustrated part

2008 WK

Instrument Panel and Structure
Figure 50-1705

ITEM	PART NUMBER	QTY	LINE	SERIES	BODY	ENGINE	TRANS	TRIM	DESCRIPTION
------	-------------	-----	------	--------	------	--------	-------	------	-------------

	1BL761J8AB	1	J, T		74			*O0	[J1], Right
	1BL771D1AB	1	J, T		74			*O0	[D1], Left
		1	J, T		74			*O0	[J1], Left



GRAND CHEROKEE (WK)

SERIES LINE
H = HIGHLINE T = JEEP - 2WD
P = PREMIUM J = JEEP - 4WD
S = SPORT
X = SPECIAL

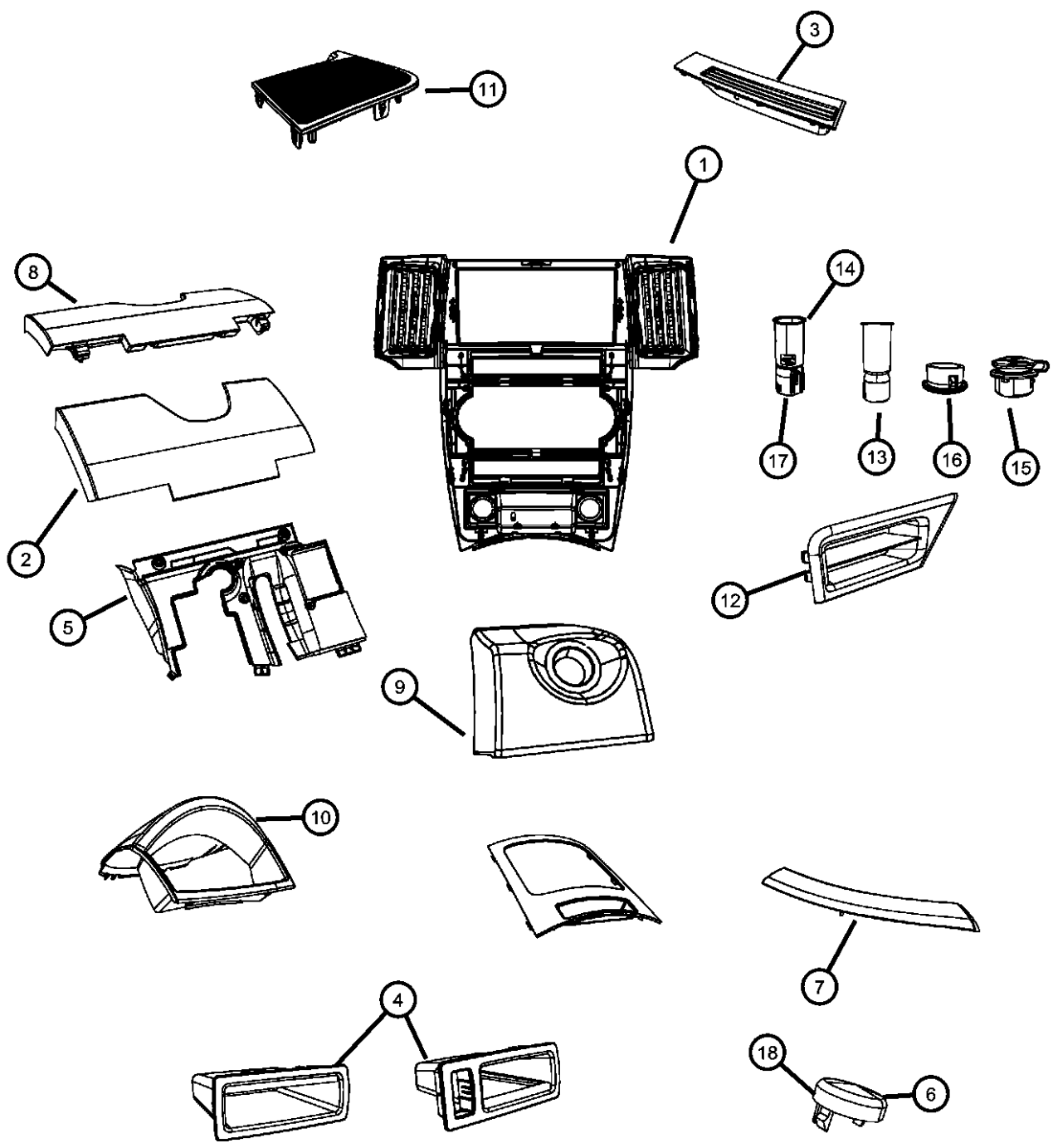
BODY
74 = SPORT UTILITY 4-DR
TYPE #4

ENGINE TRANSMISSION
EVE = Engine - 4.7L V8 DOHC 3 Valve
EZB = 5.7L Hemi Multi Displacement Engine
EKG = 3.7L V6 Engine
ESF = 6.1L SRT HEMI SMPI V8 Engine
EXL = 3.0L V6 Turbo Diesel Engine
DGJ = 5-Speed Auto W5A580 Transmission
DGU = 5-Spd Auto W5J400 Transmission
DGQ = 5-Spd Automatic 545RFE Transmission

AR = use ase required - = Non illustrated part

2008 WK

**Instrument Panel Trim
Figure 50-1710**



ITEM	PART NUMBER	QTY	LINE	SERIES	BODY	ENGINE	TRANS	TRIM	DESCRIPTION
1									BEZEL, Instrument Panel, Center
	68054221AA	1	J, T	S	74			*00	Walnut Burl
	1QX241AAAA	1	J, T	P	74			*00	Diamond Cut
	1QX243AAAA	1	J, T	P	74			*00	Carbon Weave
	1QX244AAAA	1	J, T	H	74			*00	Refined Aluminum
		1	J, T	X	74			*00	Refined Aluminum
	1QX242AAAA	1	J, T	H	74			*00	Wood Finish
		1	J, T	X	74			*00	Wood Finish
	1DE914AAAH	1	J, T	P	74			*00	[ADS]
		1	J, T	H	74			*00	Diamond Cut
		1	J, T	X	74			*00	Diamond Cut
		1	J, T	P	74			*00	Wood Finish
		1	J, T	X	74			*00	Carbon Weave
		1	J, T	H	74			*00	Carbon Weave
	1DE911AAAG	1	J, T	H	74			*00	
	1DE912AAAG	1	J, T	P	74			*00	
	1DE913AAAG	1	J, T	X	74			*00	
		1	J, T	P	74			*00	Refined Aluminum
2									COVER, Knee Blocker
	1DS74BD1AC	1	J, T		74			*00	[J1]
	1DS74ZJ3AC	1	J, T		74			*00	[J3]
3									GRILLE, Defroster
	1DQ54XD-VAA	1	J, T		74			*00	[D1], Right
		1	J, T		74			*00	[DV], Right
	1DQ55ZJ8AA	1	J, T		74			*00	[J3], Left
	1DQ54ZJ8AA	1	J, T		74			*00	[J1], Right
		1	J, T		74			*00	[J3], Right
	1DQ55XD-VAA	1	J, T		74			*00	[D1], Left
		1	J, T		74			*00	[DV], Left
		1	J, T		74			*00	[J1], Left
4									BIN, Instrument Panel

GRAND CHEROKEE (WK)
 SERIES LINE
 H = HIGHLINE T = JEEP - 2WD
 P = PREMIUM J = JEEP - 4WD
 S = SPORT
 X = SPECIAL

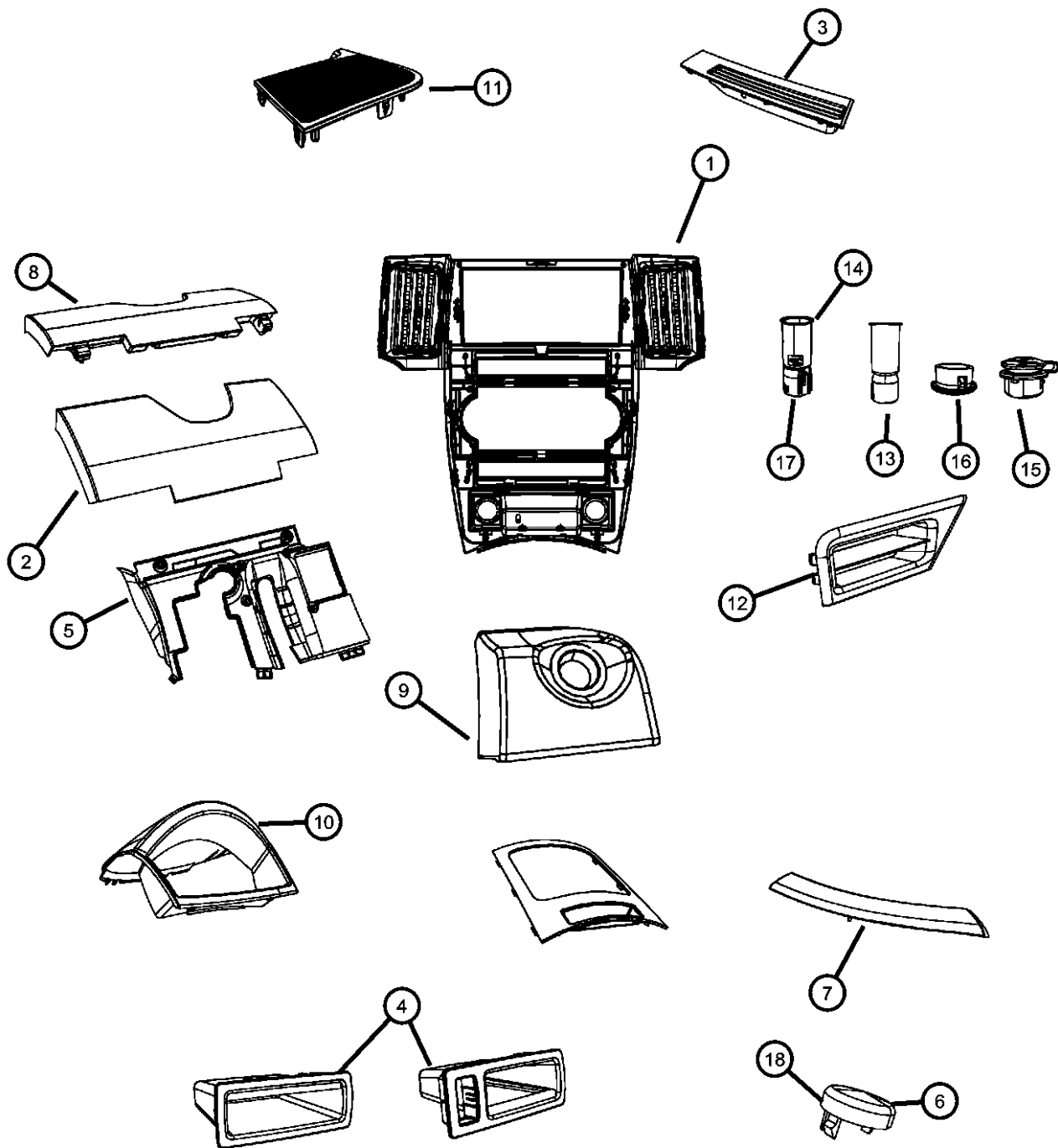
BODY
 74 = SPORT UTILITY 4-DR
 TYPE #4

ENGINE
 EVE = Engine - 4.7L V8 DOHC
 3 Valve
 EZB = 5.7L Hemi Multi
 Displacement Engine
 EKG = 3.7L V6 Engine
 ESF = 6.1L SRT HEMI SMPI
 V8 Engine
 EXL = 3.0L V6 Turbo Diesel
 Engine

TRANSMISSION
 DGJ = 5-Speed Auto W5A580
 Transmission
 DGU = 5-Spd Auto W5J400
 Transmission
 DGQ = 5-Spd Automatic 545RFE
 Transmission

AR = use ase required - = Non illustrated part

**Instrument Panel Trim
Figure 50-1710**



ITEM	PART NUMBER	QTY	LINE	SERIES	BODY	ENGINE	TRANS	TRIM	DESCRIPTION
	1EJ29XDVAD	1	J, T		74			*00	[DV][XA8]
	1EJ29ZJ3AD	1	J, T		74			*00	[J3][XA8]
	1EJ30BD1AD	1	J, T		74			*00	[D1][XAM,XAP]
		1	J, T		74			*00	[J1][XAM,XAP]
	1EJ30XDVAD	1	J, T		74			*00	[DV][XAM,XAP]
	1EJ30ZJ3AD	1	J, T		74			*00	[J3][XAM,XAP]
5	55116775AL	1	J, T		74				PANEL, Instrument Panel CloseoutLeft
6									PLUG, Instrument Panel
	5JN32XDVAD	1	J, T		74			*00	[DV][JHA]
	5JN32ZJ8AD	1	J, T		74			*00	[J3][JHA]
7									COVER, Steering Column Gap
	1DE99BD1AD	1	J, T		74			*00	[D1]
		1	J, T		74			*00	[J1]
	1DE99XDVAD	1	J, T		74			*00	[DV]
	1DE99ZJ3AD	1	J, T		74			*00	[J3]
8	55116775AL	1	J, T		74				PANEL, Instrument Panel Closeout
9									BEZEL, Ignition Switch
	1DS72BD1AC	1	J, T		74			*00	[J1]
	1DS72ZJ3AC	1	J, T		74			*00	[J3]
10									BEZEL, Cluster
	1GU60XD-VAC	1	J, T		74			*00	[D1]
	1DE89XDVAB	1	J, T		74			*00	[DV]
	1DE89ZJ8AB	1	J, T		74			*00	[J3]
11									GRILLE, Instrument Panel Speaker
	5KB00ZJ8AH	1	J, T		74			*00	[J3], Right
	5KB01XDVAH	1	J, T		74			*00	[DV], Left
	5KB00XDVAH	1	J, T		74			*00	[DV], Right
	5KB01ZJ8AH	1	J, T		74			*00	[J3], Left
12									GRILLE, Lower
	1FC55BD1AB	1	J, T		74			*00	[J1], Left
	1FC55ZJ3AB	1	J, T		74			*00	[J3], Left

GRAND CHEROKEE (WK)

SERIES LINE
H = HIGHLINE T = JEEP - 2WD
P = PREMIUM J = JEEP - 4WD
S = SPORT
X = SPECIAL

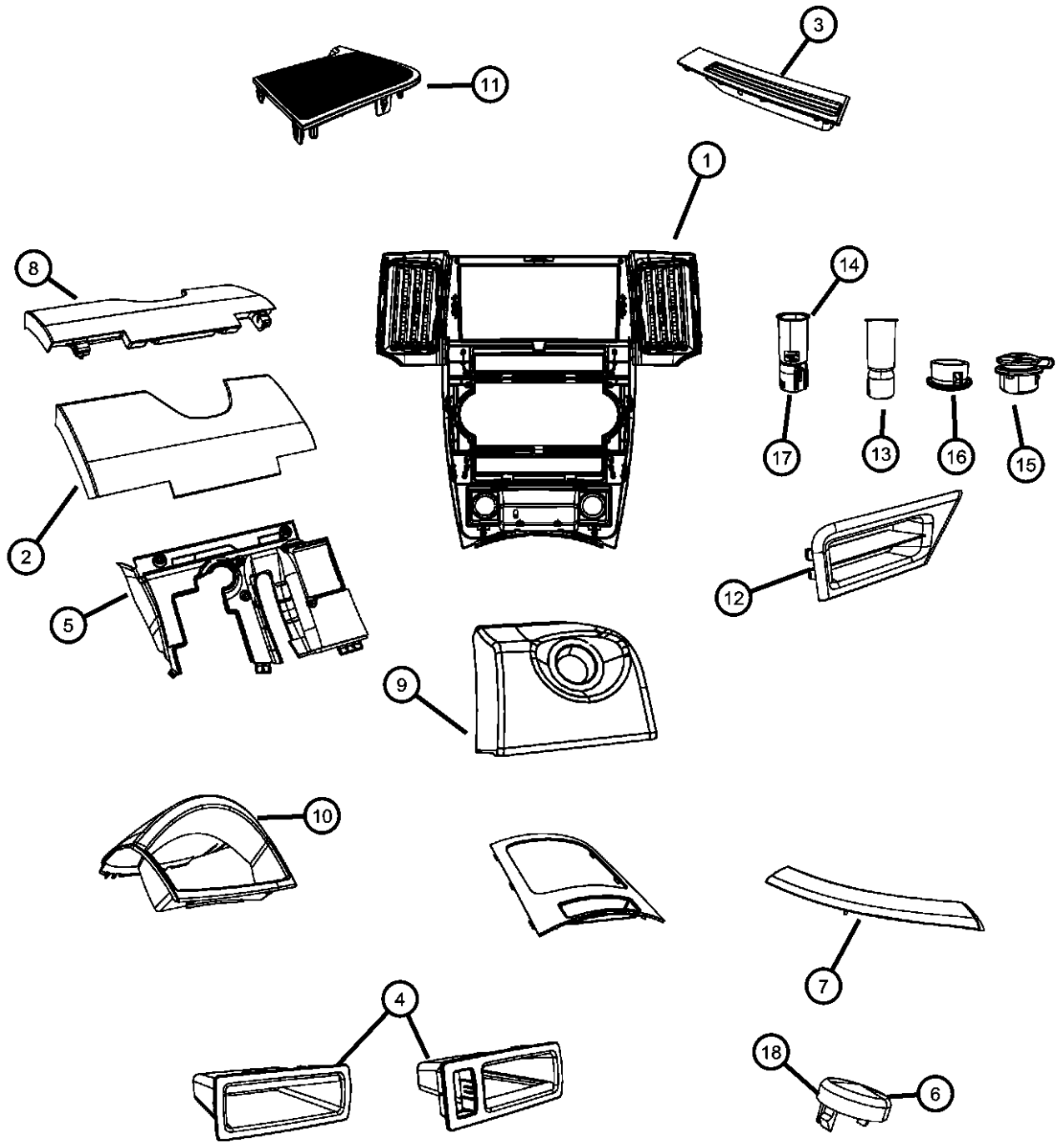
BODY
74 = SPORT UTILITY 4-DR
TYPE #4

ENGINE
EVE = Engine - 4.7L V8 DOHC
3 Valve
EZB = 5.7L Hemi Multi
Displacement Engine
EKG = 3.7L V6 Engine
ESF = 6.1L SRT HEMI SMPI
V8 Engine
EXL = 3.0L V6 Turbo Diesel
Engine

TRANSMISSION
DGJ = 5-Speed Auto W5A580
Transmission
DGU = 5-Spd Auto W5J400
Transmission
DGQ = 5-Spd Automatic 545RFE
Transmission

AR = use ase required - = Non illustrated part

**Instrument Panel Trim
Figure 50-1710**



ITEM	PART NUMBER	QTY	LINE	SERIES	BODY	ENGINE	TRANS	TRIM	DESCRIPTION
	1FC54BD1AB	1	J, T		74			*00	[J1], Right
	1FC54ZJ3AB	1	J, T		74			*00	[J3], Right
13	04793554AC	1	J, T		74			*00	POWER OUTLET
14	05026362AA	1	J, T		74				BASE, Cigar Lighter
15	05026626AA	1	J, T		74				CAP, Power Outlet
16	04793555	1	J, T		74				RING, Cigar Lighter Mounting
17	04685668AA	1	J, T		74			*00	MOUNT, Power Outlet
18	1EJ31XDVAC	1	J, T		74			*00	BEZEL, Sensor, [DV]


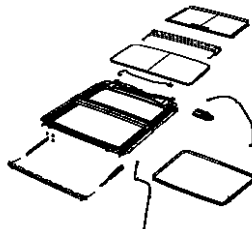




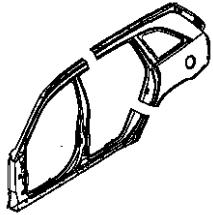
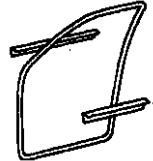

GRAND CHEROKEE (WK)

SERIES	LINE	BODY	ENGINE	TRANSMISSION
H = HIGHLINE	T = JEEP - 2WD	74 = SPORT UTILITY 4-DR	EVE = Engine - 4.7L V8 DOHC	DGJ = 5-Speed Auto W5A580
P = PREMIUM	J = JEEP - 4WD	TYPE #4	3 Valve	Transmission
S = SPORT			EZB = 5.7L Hemi Multi	DGU = 5-Spd Auto W5J400
X = SPECIAL			Displacement Engine	Transmission
			EKG = 3.7L V6 Engine	DGQ = 5-Spd Automatic 545RFE
			ESF = 6.1L SRT HEMI SMPI	Transmission
			V8 Engine	
			EXL = 3.0L V6 Turbo Diesel	
			Engine	

AR = use ase required - = Non illustrated part

Group - 60

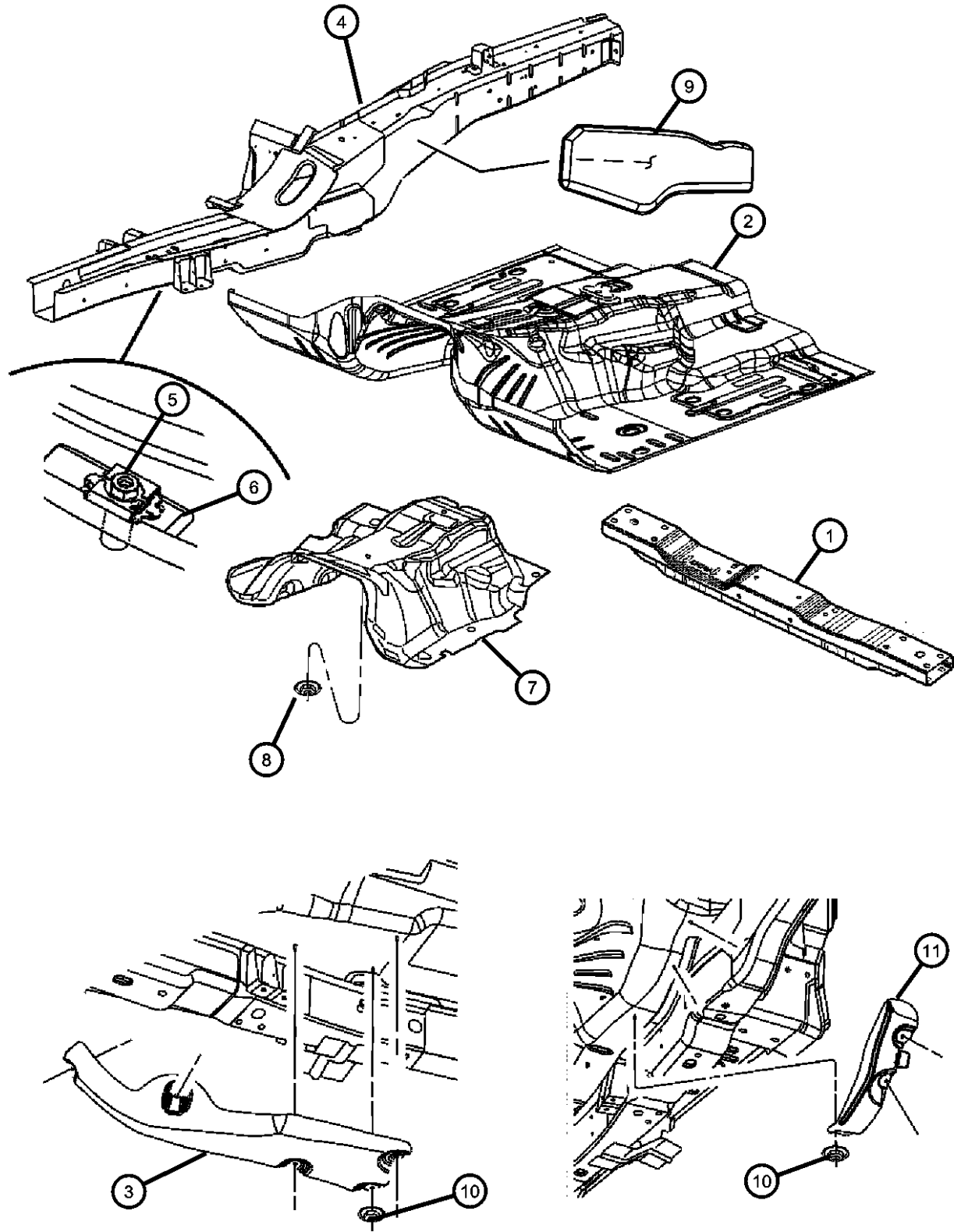
Body Sheet Metal Except Doors

<p>060-100 Floor Pans</p> 	<p>060-1000 Sunroof</p> 	<p>060-1100 Deck Lid</p>	<p>060-1300 Sport Bar or Luggage Rack</p>
<p>060-200 Plugs</p> 	<p>060-300 Fenders</p> 	<p>060-400 Hood and Hood Release</p> 	<p>060-500 Cowl and Dash Panel</p> 
<p>060-600 Aperture Panel and Pillar Supports</p> 	<p>060-800 Body Structure Welds, Weatherstrips, Seals, Sealers and Adhesives</p> 	<p>060-900 Roof</p> 	

Group - 60 Body Sheet Metal Except Doors

Illustration Title	Group-Fig. No.
Floor Pans	
Front Floor Pan.....	Fig. 60 - 105
Center and Rear Floor Pan.....	Fig. 60 - 130
Plugs	
Body Plugs and Exhauster.....	Fig. 60 - 205
Fenders	
Front Fender.....	Fig. 60 - 305
Hood and Hood Release	
Hood and Related Parts.....	Fig. 60 - 405
Cowl and Dash Panel	
Cowl, Dash Panel, & Related Parts.....	Fig. 60 - 505
Aperture Panel and Pillar Supports	
Front Aperture Panel.....	Fig. 60 - 605
Rear Aperture (Quarter) Panel.....	Fig. 60 - 650
Body Structure Welds, Weatherstrips, Seals, Sealers and Adhesives	
Body Weatherstrips and Seals.....	Fig. 60 - 805
Roof	
Roof Panel.....	Fig. 60 - 905
Sunroof	
Sunroof Glass and Component Parts.....	Fig. 60 - 1005
Deck Lid	
Liftgate, Latch and Hinges.....	Fig. 60 - 1130
Sport Bar or Luggage Rack	
Roof Rack.....	Fig. 60 - 1305

Front Floor Pan
Figure 60-105



ITEM	PART NUMBER	QTY	LINE	SERIES	BODY	ENGINE	TRANS	TRIM	DESCRIPTION
1	52090070AI	1	J, T		74				CROSSMEMBER, Transmission
2	55394418AI	1	J, T		74				PAN, Floor
3	55394456AC	1	J, T		74				SHIELD, Heat
4									RAIL, Frame Side
	55394058AO	1	J, T		74				Right
	55394059AO	1	J, T		74				Left
5	06101916	1	J, T		74				NUT, Hex Weld, M8x1.25
6	55399033AA	1	J, T		74				PLATE, Control Arm
7	55197007AE	1	J, T		74				INSULATION, Floor
8	06508463AA	1	J, T		74				NUT, Plastic
9	55197174AA	1	J, T		74				INSULATOR
10	06505199AA	3	J, T		74				NUT, Stamped Hex Flange, M5x1.60
11	55394453AB	1	J, T		74				SHIELD, Heat

GRAND CHEROKEE (WK)

SERIES LINE
H = HIGHLINE T = JEEP - 2WD
P = PREMIUM J = JEEP - 4WD
S = SPORT
X = SPECIAL

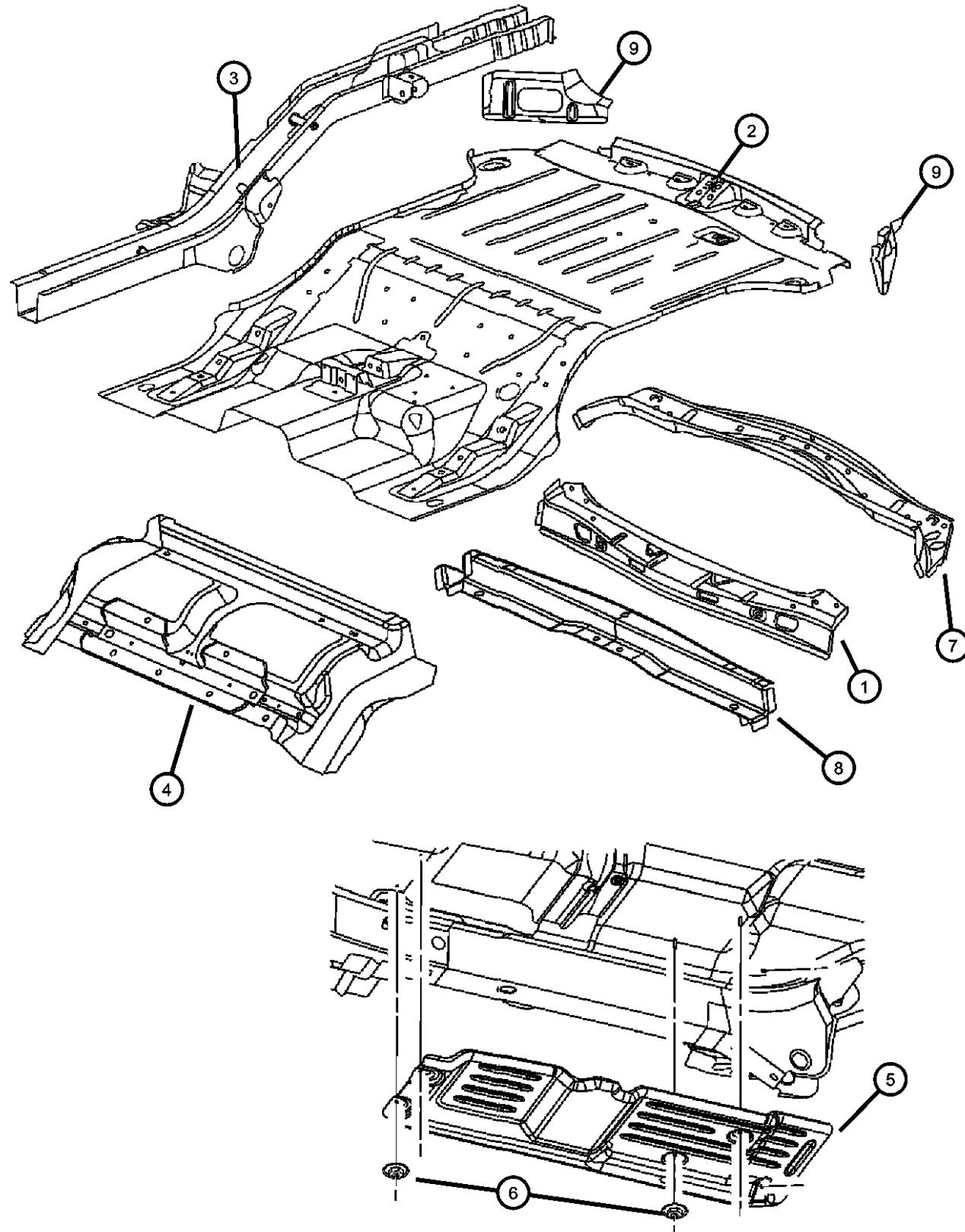
BODY
74 = SPORT UTILITY 4-DR
TYPE #4

ENGINE TRANSMISSION
EVE = Engine - 4.7L V8 DOHC 3 Valve
EVB = Engine - 4.7L V8 DOHC 3 Valve
EZB = 5.7L Hemi Multi Displacement Engine
EKG = 3.7L V6 Engine
ESF = 6.1L SRT HEMI SMPI V8 Engine
EXL = 3.0L V6 Turbo Diesel Engine
DGJ = 5-Speed Auto W5A580 Transmission
DGU = 5-Spd Auto W5J400 Transmission
DGQ = 5-Spd Automatic 545RFE Transmission

AR = use ase required - = Non illustrated part

2008 WK

Center and Rear Floor Pan
Figure 60-130



ITEM	PART NUMBER	QTY	LINE	SERIES	BODY	ENGINE	TRANS	TRIM	DESCRIPTION
1	55396186AC	1							CROSSMEMBER, Rear FloorRear Outer
2	55396322AO	1	J, T		74				PAN, Floor
3									RAIL, Rear Floor Pan Side
	05166026AD	1	J, T		74				Right
	05166027AC	1	J, T		74				Left
4	55396338AG	1	J, T		74				CROSSMEMBER, Floor Pan
5	55394460AB	1	J, T		74				SHIELD, Heat
6	06505199AA	2	J, T		74				NUT
7	55396340AF	1	J, T		74				CROSSMEMBER, Floor Pan
8	55396447AC	1	J, T		74				CROSSMEMBER, Floor Pan
9									GUSSET, Side Member
	55394440AD	1	J, T		74				Right
	55394441AD	1	J, T		74				Left

GRAND CHEROKEE (WK)

SERIES LINE
H = HIGHLINE T = JEEP - 2WD
P = PREMIUM J = JEEP - 4WD
S = SPORT
X = SPECIAL

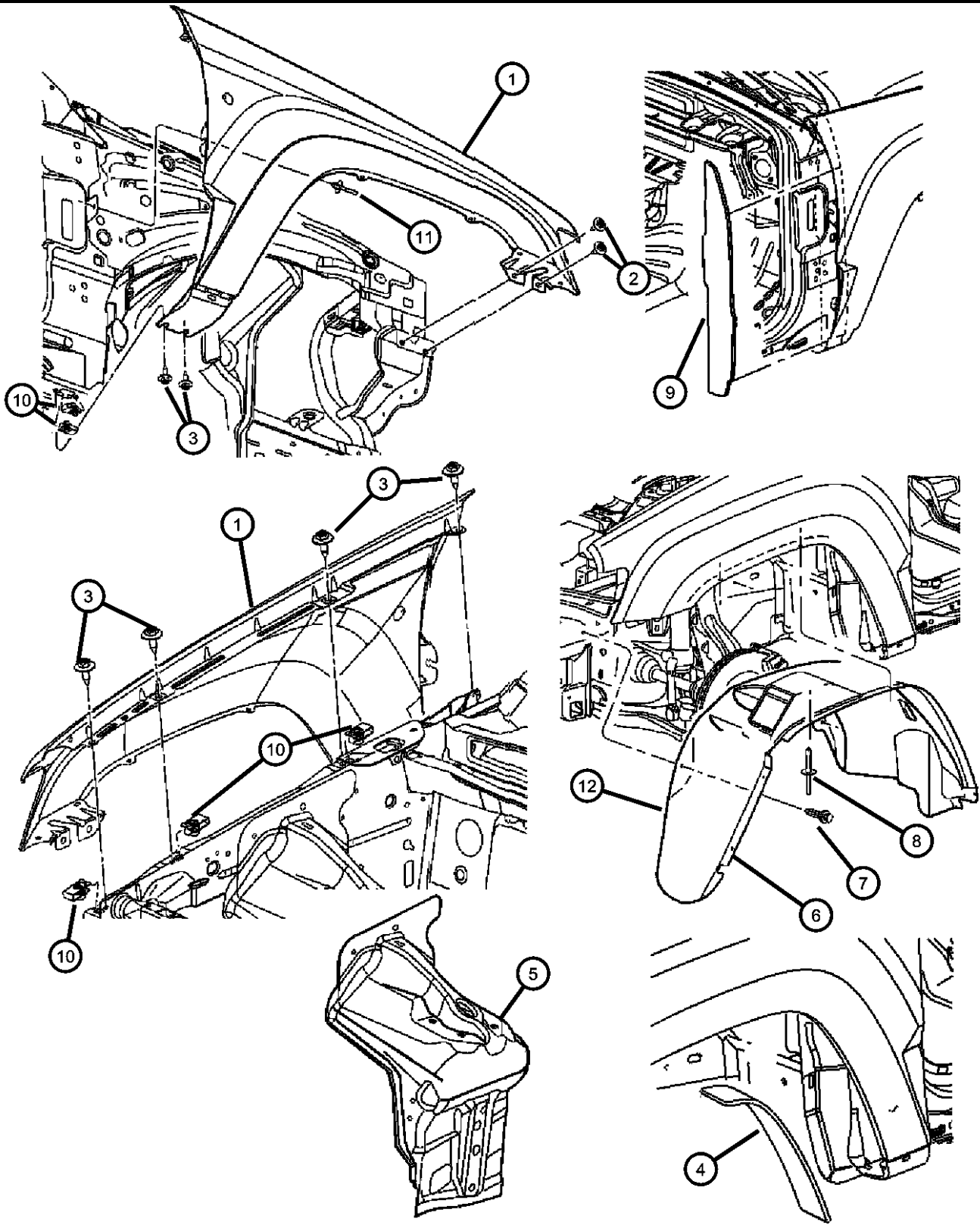
BODY
74 = SPORT UTILITY 4-DR
TYPE #4

ENGINE TRANSMISSION
EVE = Engine - 4.7L V8 DOHC 3 Valve
EZB = 5.7L Hemi Multi Displacement Engine
EKG = 3.7L V6 Engine
ESF = 6.1L SRT HEMI SMPI V8 Engine
EXL = 3.0L V6 Turbo Diesel Engine
DGJ = 5-Speed Auto W5A580 Transmission
DGU = 5-Spd Auto W5J400 Transmission
DGQ = 5-Spd Automatic 545RFE Transmission

AR = use ase required - = Non illustrated part

2008 WK

Front Fender
Figure 60-305



ITEM	PART NUMBER	QTY	LINE	SERIES	BODY	ENGINE	TRANS	TRIM	DESCRIPTION
1	55394450AB	1	J, T		74				FENDER, Front Right
	55394451AB	1	J, T		74				Left
2	06505903AA	4	J, T		74				SCREW AND WASHER, Self Tapping, M6x1x22
3	06100286	4	J, T		74				BOLT AND CONED WASHER, Hex Head, M6x20x20
4	55197234AB	2	J, T		74				STUFFER
5									SUPPORT, Suspension
	05161876AD	1	J, T		74				Right
	05161877AD	1	J, T		74				Left
6									LINER, Fender Side
	55079096AA	1	J, T		74				Right
	55079097AA	1	J, T		74				Left
7	34201621	4	J, T		74				RIVET, M6.3x37.40
8	06500911	4	J, T		74				RIVET, M6.25x28
9	55196996AC	2	J, T		74				SILENCER, Cowl Side To Fender
10		2							NUT, U Multi Thread, M6 x 1.00, (NOT SERVICED)
11		2							STUD, Double Ended, [M6x1.00x57.00], (NOT SERVICED)
12									SILENCER, Wheelhouse, Diesel Only
	55197167AA	1	J, T		74				Left
	55197166AA	1	J, T		74				Right

GRAND CHEROKEE (WK)
 SERIES LINE
 H = HIGHLINE T = JEEP - 2WD
 P = PREMIUM J = JEEP - 4WD
 S = SPORT
 X = SPECIAL

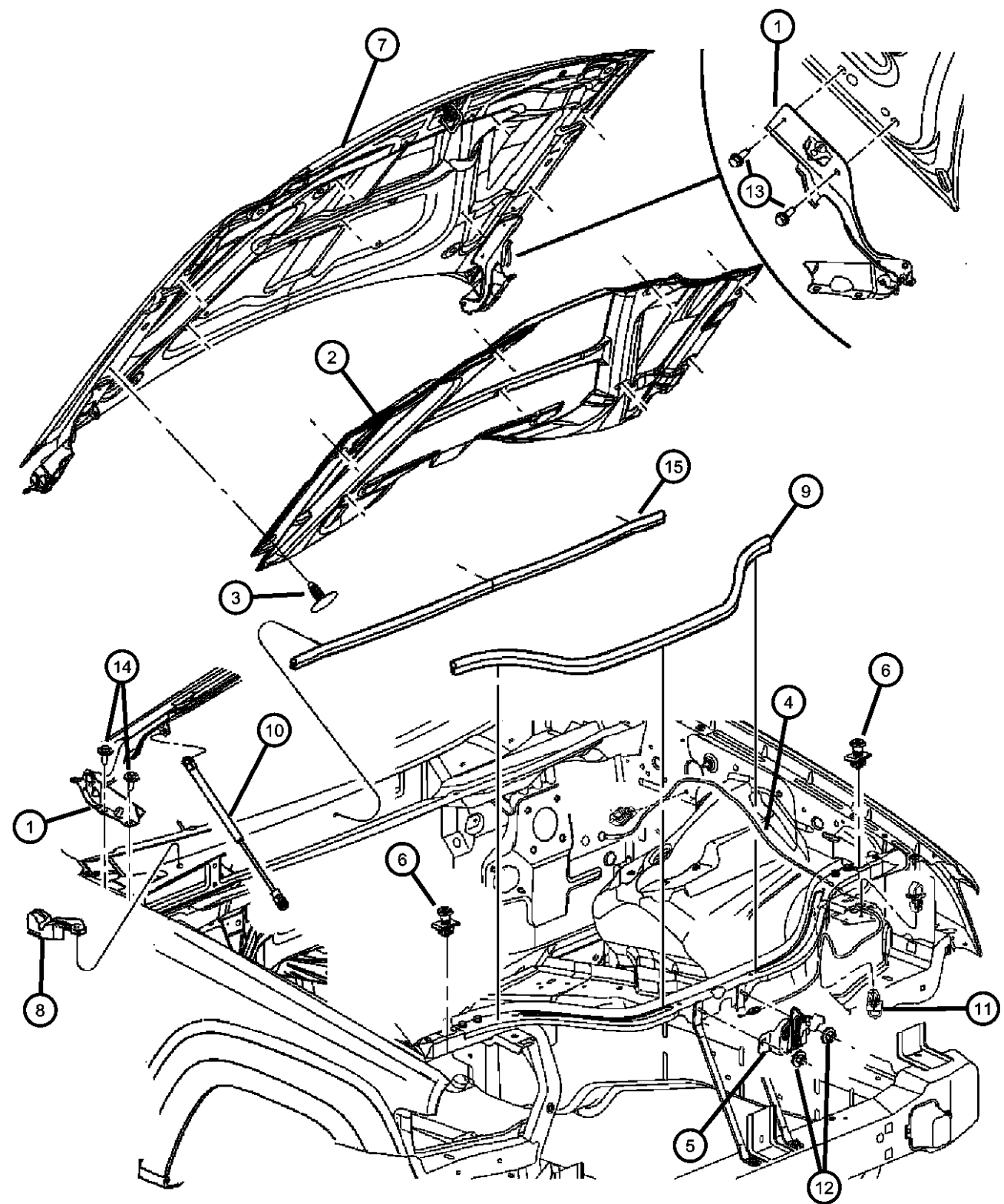
BODY
 74 = SPORT UTILITY 4-DR TYPE #4

ENGINE
 EVE = Engine - 4.7L V8 DOHC 3 Valve
 EZB = 5.7L Hemi Multi Displacement Engine
 EKG = 3.7L V6 Engine
 ESF = 6.1L SRT HEMI SMPI V8 Engine
 EXL = 3.0L V6 Turbo Diesel Engine

TRANSMISSION
 DGJ = 5-Speed Auto W5A580 Transmission
 DGU = 5-Spd Auto W5J400 Transmission
 DGQ = 5-Spd Automatic 545RFE Transmission

AR = use ase required - = Non illustrated part

Hood and Related Parts
Figure 60-405



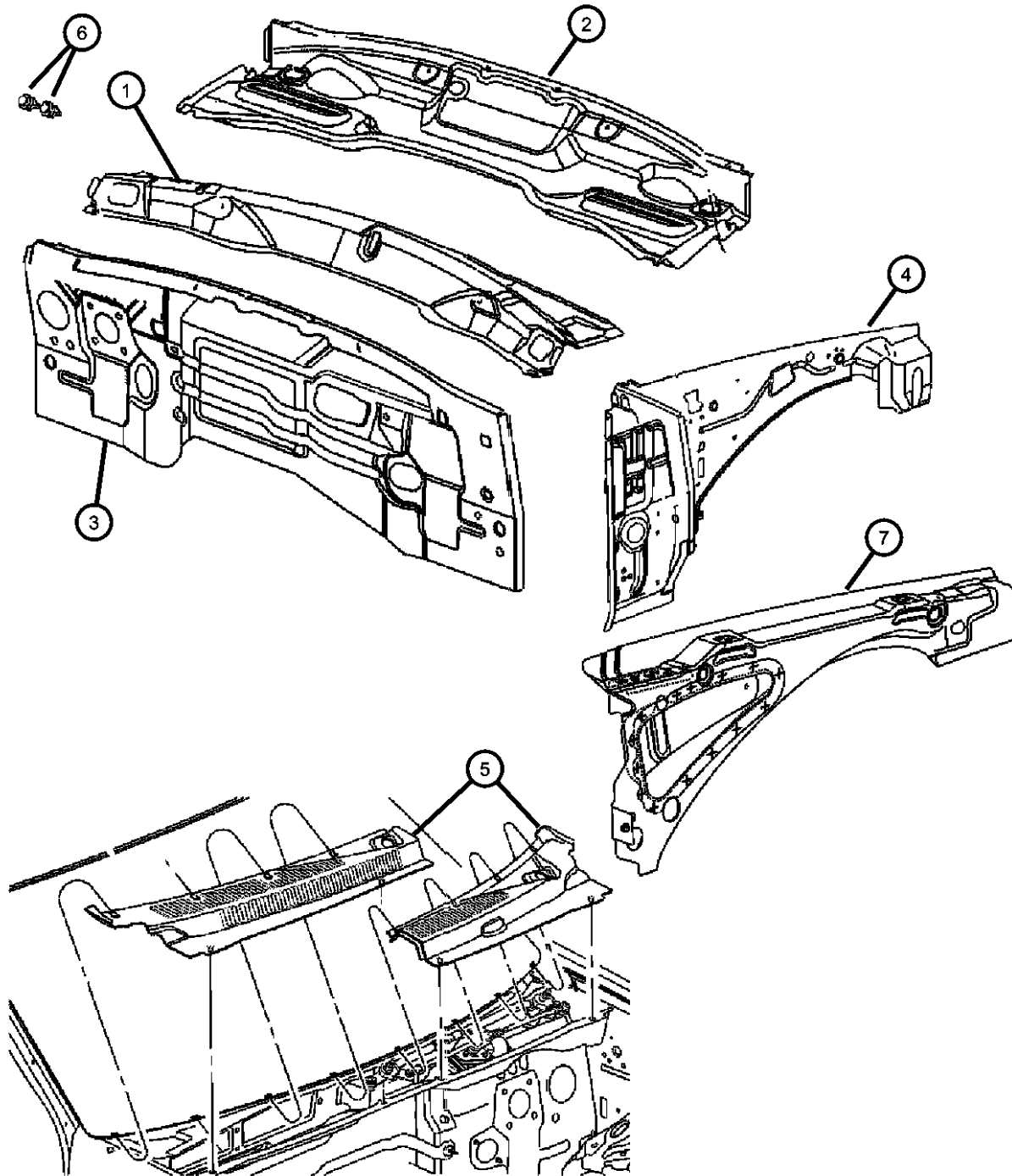
ITEM	PART NUMBER	QTY	LINE	SERIES	BODY	ENGINE	TRANS	TRIM	DESCRIPTION
1									HINGE, Hood
	55394474AB	1	J, T		74				Right
	55394475AB	1	J, T		74				Left
2	55196983AF	1	J, T		74				SILENCER, Hood
3	06506293AA	2	J, T		74				PIN, Push
4	55394495AB	1	J, T		74				CABLE, Hood Release
5	55396247AE	1	J, T		74				LATCH, Hood
6	55364470AB	2	J, T		74				BUMPER, Hood
7	55394496AF	1	J, T		74				PANEL, Hood
8									SEAL, Hood To Plenum
	55396862AA	1	J, T		74				Right
	55396863AA	1	J, T		74				Left
9	55394851AA	1	J, T		74				WEATHERSTRIP, Hood
10	68025360AA	1	J, T		74				PROP, Hood
11	04814094	3	J, T		74				CLIP, Hood Latch Release
12	06101831	2	J, T		74				NUT, Hex Flange, M8x1.25
13	06503543	4	J, T		74				BOLT AND CONED WASHER, Hex Head, M8x1.25x25
14	06100286	4	J, T		74				BOLT AND CONED WASHER, Hex Head, M6x20x20
15	55394777AB	1	J, T		74				SEAL, Hood To Plenum
-16		1							STRIKER, Hood Striker Serviced With Hood Only, (NOT SERVICED)

GRAND CHEROKEE (WK)

SERIES	LINE	BODY	ENGINE	TRANSMISSION
H = HIGHLINE	T = JEEP - 2WD	74 = SPORT UTILITY 4-DR	EVE = Engine - 4.7L V8 DOHC 3 Valve	DGJ = 5-Speed Auto W5A580 Transmission
P = PREMIUM	J = JEEP - 4WD	TYPE #4	EZB = 5.7L Hemi Multi Displacement Engine	DGU = 5-Spd Auto W5J400 Transmission
S = SPORT			EKG = 3.7L V6 Engine	DGQ = 5-Spd Automatic 545RFE Transmission
X = SPECIAL			ESF = 6.1L SRT HEMI SMPI V8 Engine	
			EXL = 3.0L V6 Turbo Diesel Engine	

AR = use ase required - = Non illustrated part

**Cowl, Dash Panel, & Related Parts
Figure 60-505**



ITEM	PART NUMBER	QTY	LINE	SERIES	BODY	ENGINE	TRANS	TRIM	DESCRIPTION
1	55394116AF	1	J, T		74				PANEL, Cowl Top
2	55394118AG	1	J, T		74				PANEL, Cowl And Plenum
3	55394100AI	1	J, T		74				PANEL, Dash
4									PANEL, Cowl
	55394112AH	1	J, T		74				Right
	55394113AH	1	J, T		74				Left
5									COVER, Cowl Grille
	55156853AF	1	J, T		74				Left
	55156852AF	1	J, T		74				Right
6	06505526AA	2	J, T		74				STUD
7									REINFORCEMENT, Cowl Side
	55394106AC	1	J, T		74				Right
	55394107AC	1	J, T		74				Left

GRAND CHEROKEE (WK)

SERIES LINE
H = HIGHLINE T = JEEP - 2WD
P = PREMIUM J = JEEP - 4WD
S = SPORT
X = SPECIAL

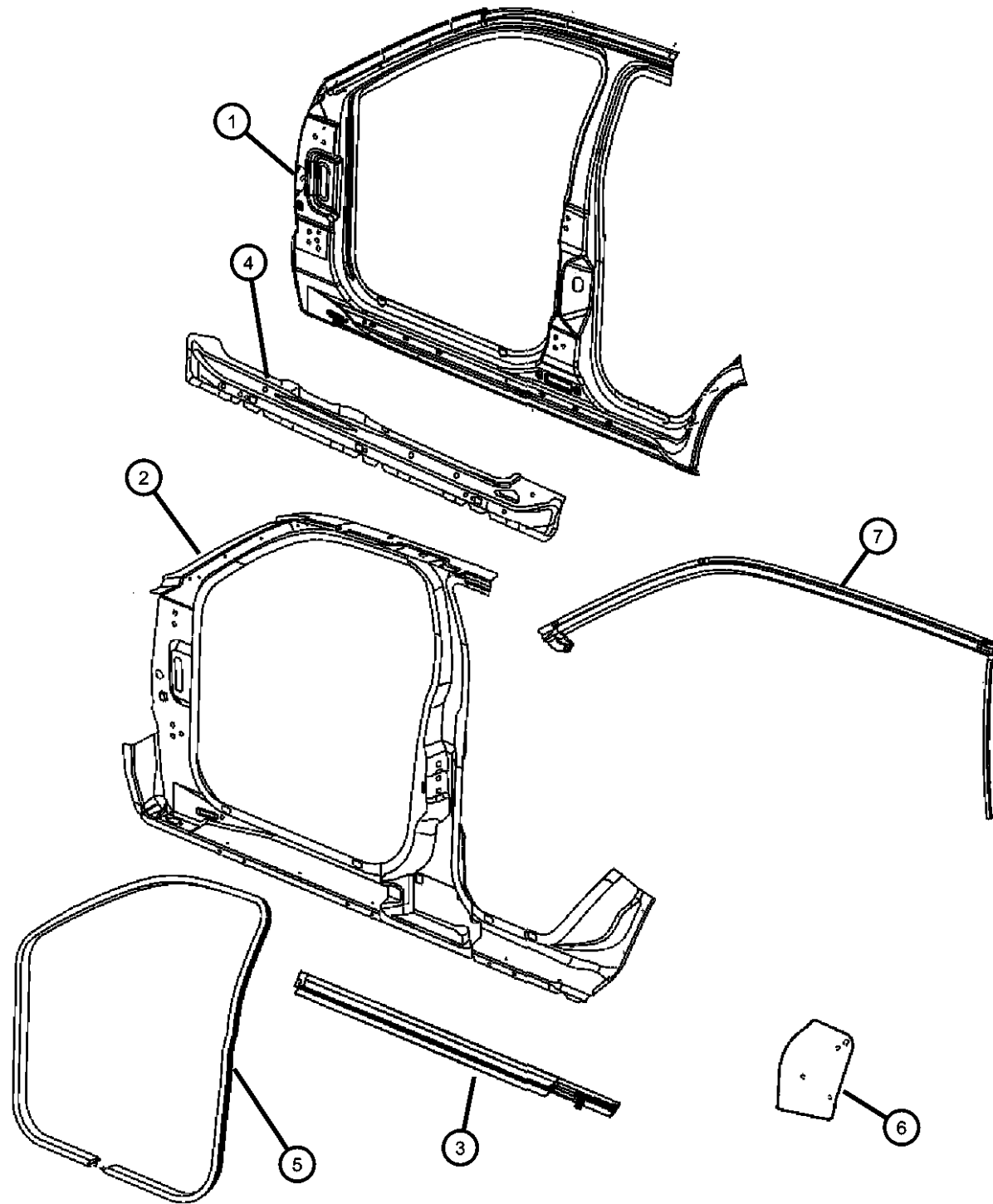
BODY
74 = SPORT UTILITY 4-DR
TYPE #4

ENGINE TRANSMISSION
EVE = Engine - 4.7L V8 DOHC 3 Valve
EZB = 5.7L Hemi Multi Displacement Engine
EKG = 3.7L V6 Engine
ESF = 6.1L SRT HEMI SMPI V8 Engine
EXL = 3.0L V6 Turbo Diesel Engine
DGJ = 5-Speed Auto W5A580 Transmission
DGU = 5-Spd Auto W5J400 Transmission
DGQ = 5-Spd Automatic 545RFE Transmission

AR = use ase required - = Non illustrated part

2008 WK

**Front Aperture Panel
Figure 60-605**



ITEM	PART NUMBER	QTY	LINE	SERIES	BODY	ENGINE	TRANS	TRIM	DESCRIPTION
1									PANEL, Body Side Aperture Front, Complete
	05142298AH	1	J, T		74				Right
	05142299AH	1	J, T		74				Left
2									PANEL, Body Side Aperture Front, Outer
	05142292AC	1	J, T		74				Right
	05142293AC	1	J, T		74				Left
3	55394824AB	2	J, T		74				REINFORCEMENT, Sill
4									SILL, Body Side
	55394454AC	1	J, T		74				Right
	55394455AC	1	J, T		74				Left
5	55394040AG	2	J, T		74				SEAL, Front Door
6	55396276AC	2	J, T		74				EXTENSION, Body Side Aperture
7									SEAL, Body Side
	55399016AB	1	J, T		74				Right
	55399017AB	1	J, T		74				Left

GRAND CHEROKEE (WK)

SERIES LINE
H = HIGHLINE T = JEEP - 2WD
P = PREMIUM J = JEEP - 4WD
S = SPORT
X = SPECIAL

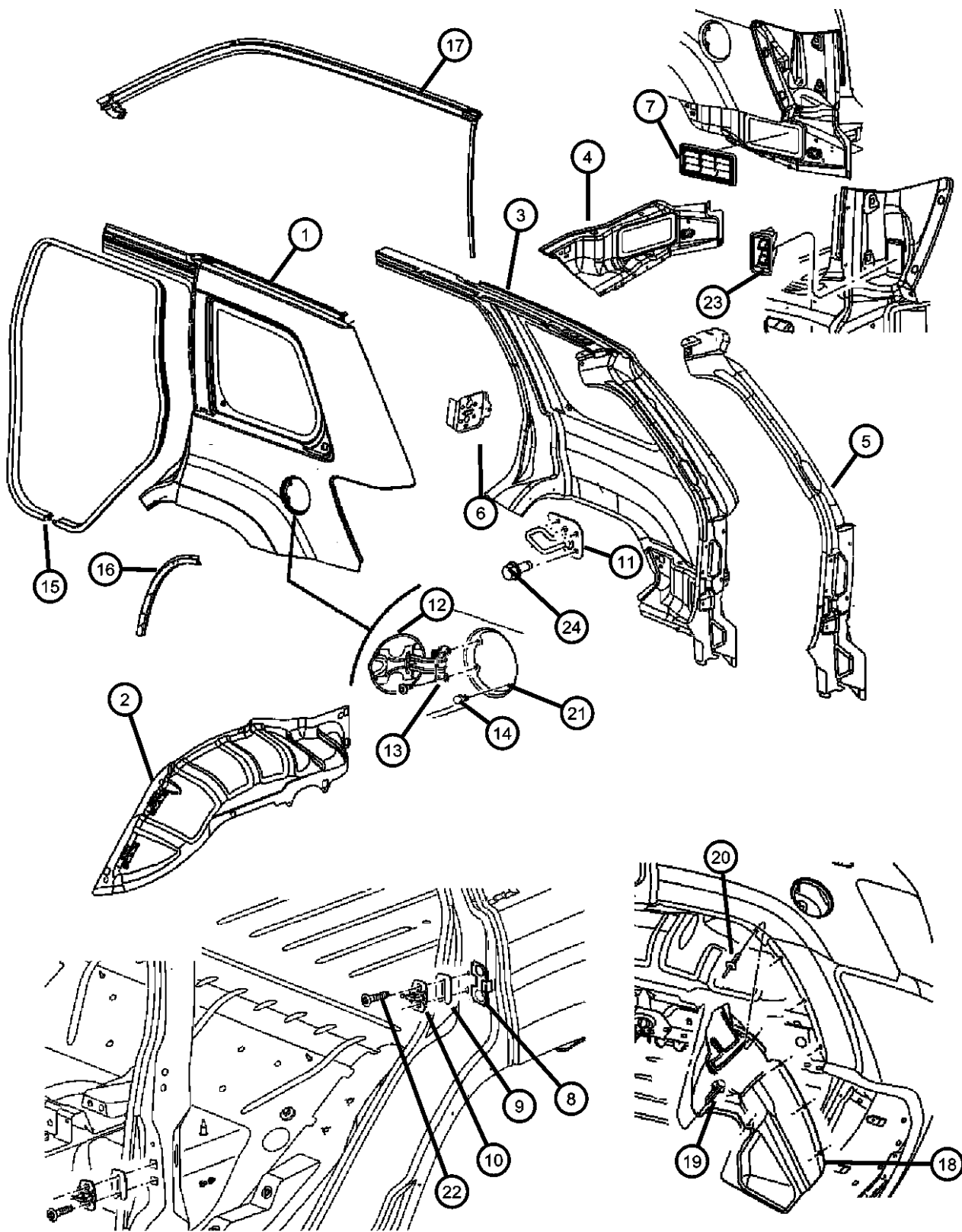
BODY
74 = SPORT UTILITY 4-DR
TYPE #4

ENGINE TRANSMISSION
EVE = Engine - 4.7L V8 DOHC 3 Valve
EZH = 5.7L Hemi Multi Displacement Engine
EKG = 3.7L V6 Engine
ESF = 6.1L SRT HEMI SMPI V8 Engine
EXL = 3.0L V6 Turbo Diesel Engine
DGJ = 5-Speed Auto W5A580 Transmission
DGU = 5-Spd Auto W5J400 Transmission
DGQ = 5-Spd Automatic 545RFE Transmission

AR = use ase required - = Non illustrated part

2008 WK

**Rear Aperture (Quarter) Panel
Figure 60-650**



ITEM	PART NUMBER	QTY	LINE	SERIES	BODY	ENGINE	TRANS	TRIM	DESCRIPTION
1	05142294AC	1	J, T		74				PANEL, Quarter, Outer Only, Without Tailamp Pocket Right
	05142295AC	1	J, T		74				Left
2	55394458AF	1	J, T		74				WHEELHOUSE, Rear Inner Right
	55394459AF	1	J, T		74				Left
3	05142300AH	1	J, T		74				PANEL, Body Side Aperture Rear, Complete, Includes Tailamp Pocket Right
	05142301AH	1	J, T		74				Left
4	55396443AB	1	J, T		74				EXTENSION, Body Side Aperture Left
	55396442AB	1	J, T		74				Right
5	55396058AF	1	J, T		74				TROUGH, Liftgate Opening Right
	55396059AF	1	J, T		74				Left
6	55394200AB	2	J, T		74				REINFORCEMENT, Door Striker
	55394330AB	1	J, T		74				EXHAUSTER, Bodyside Aperture
8	04674669	2	J, T		74				PLATE, Striker
									SPACER, Door Latch Striker
9	04520289	AR	J, T		74				3.75 Thick
									2.0 To 2.5 Thick
10	04717779AB	2	J, T		74				STRIKER AND BUMPER, Door Latch
									STRIKER, Seat Back Latch
11	55197084AB	1	J, T		74				Right
									55197085AB
12	55394206AC	1	J, T		74				DOOR, Fuel Fill
13	06507847AA	2	J, T		74				BOLT, Torx Head, M6X1.00X17.00
14	52102405AA	2	J, T		74				BUMPER, Fuel Door
15	55399018AB	2	J, T		74				SEAL, Rear Door
16	55396052AD	1	J, T		74				SEAL, Wheelhouse Right

GRAND CHEROKEE (WK)

SERIES LINE
H = HIGHLINE T = JEEP - 2WD
P = PREMIUM J = JEEP - 4WD
S = SPORT
X = SPECIAL

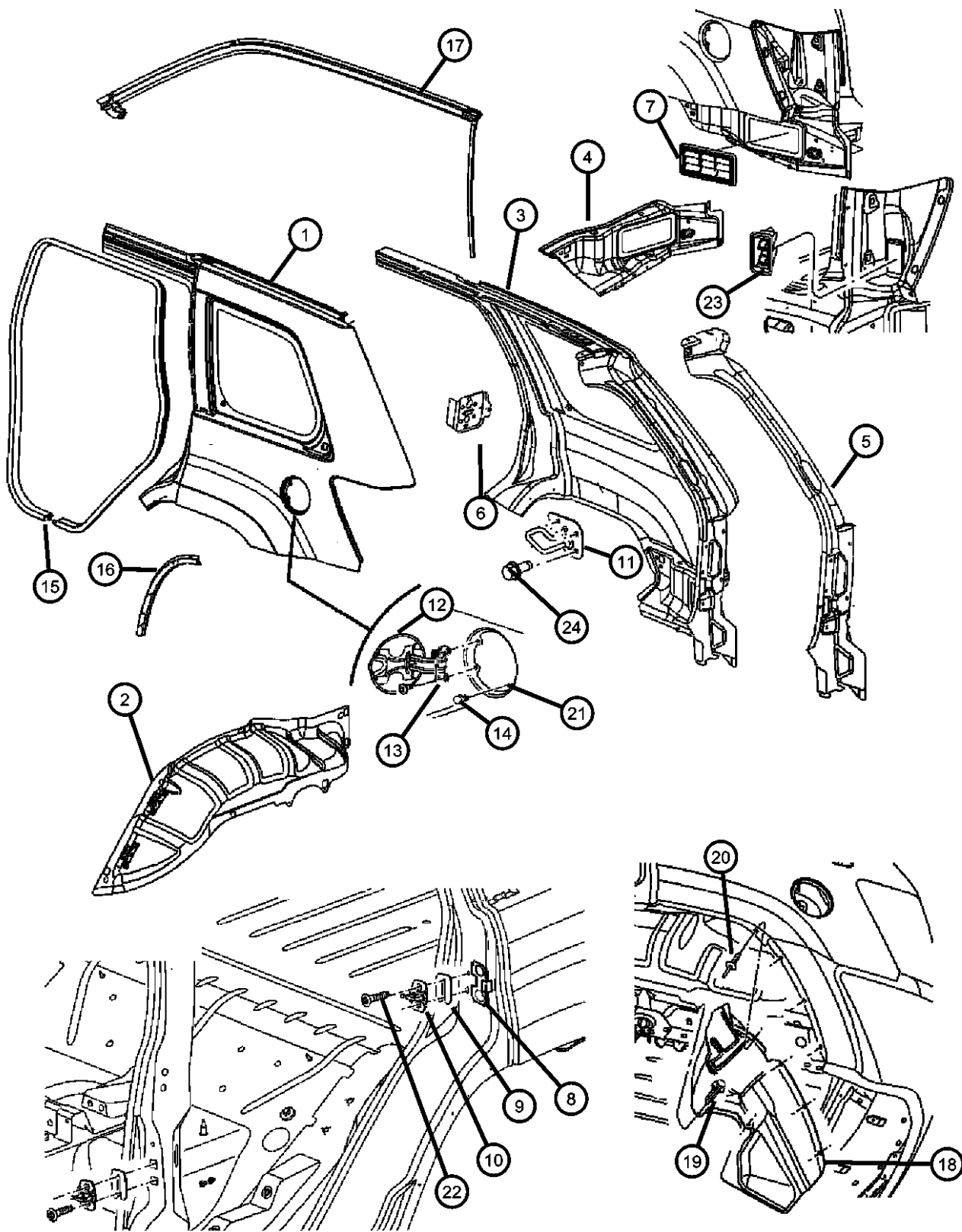
BODY
74 = SPORT UTILITY 4-DR
TYPE #4

ENGINE
EVE = Engine - 4.7L V8 DOHC
3 Valve
EZB = 5.7L Hemi Multi
Displacement Engine
EKG = 3.7L V6 Engine
ESF = 6.1L SRT HEMI SMPI
V8 Engine
EXL = 3.0L V6 Turbo Diesel
Engine

TRANSMISSION
DGJ = 5-Speed Auto W5A580
Transmission
DGU = 5-Spd Auto W5J400
Transmission
DGQ = 5-Spd Automatic 545RFE
Transmission

AR = use ase required - = Non illustrated part

**Rear Aperture (Quarter) Panel
Figure 60-650**



ITEM	PART NUMBER	QTY	LINE	SERIES	BODY	ENGINE	TRANS	TRIM	DESCRIPTION
17	55396053AD	1	J, T		74				Left SEAL, Body Side
	55399016AB	1	J, T		74				Right
	55399017AB	1	J, T		74				Left
18									SHIELD, Splash
	55157312AE	1	J, T		74				All V-8 Engines, Rear Right
	55157313AF	1	J, T		74				All V-8 Engines, Rear Left
	55156618AF	1	J, T		74				All V-6 Engines, Rear Right
	55156619AG	1	J, T		74				All V-6 Engines, Rear Left
19	34201621	4	J, T		74				RIVET, M6.3x37.40
20	06500911	6	J, T		74				RIVET, M6.25x28
21	52090493AB	1	J, T		74				HOUSING, Fuel Filler
22		1							SCREW, 6 Lobed, (NOT SERVICED)
23	55136280AE	1	J, T		74				EXHAUSTER, Quarter Panel, Tail Lamp Exhauster
24	06104388AA	6	J, T		74				SCREW, Hex Head, M8x1.25x30

GRAND CHEROKEE (WK)

SERIES LINE
H = HIGHLINE T = JEEP - 2WD
P = PREMIUM J = JEEP - 4WD
S = SPORT
X = SPECIAL

BODY
74 = SPORT UTILITY 4-DR
TYPE #4

ENGINE
EVE = Engine - 4.7L V8 DOHC
3 Valve
EZB = 5.7L Hemi Multi
Displacement Engine
EKG = 3.7L V6 Engine
ESF = 6.1L SRT HEMI SMPI
V8 Engine
EXL = 3.0L V6 Turbo Diesel
Engine

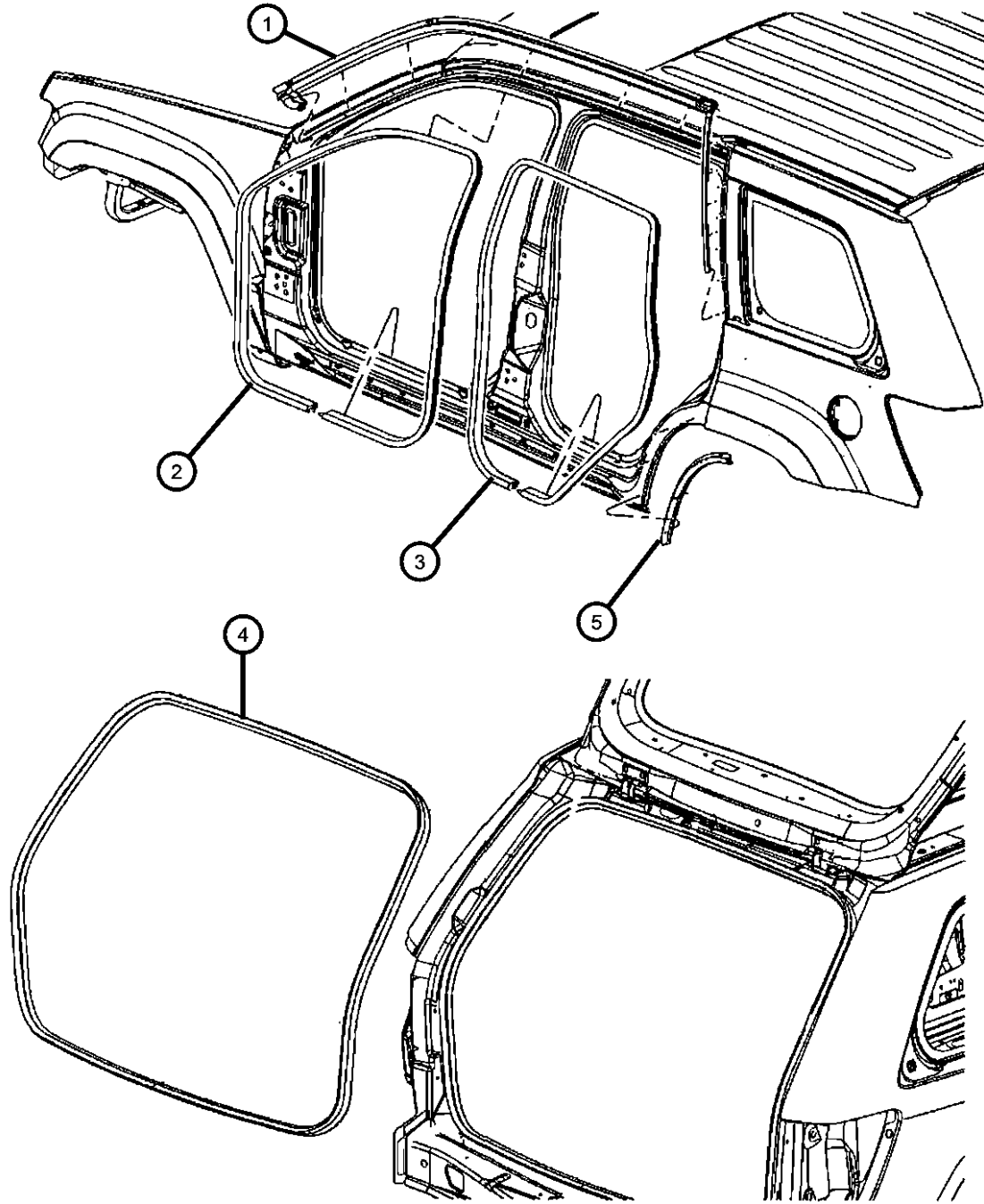
TRANSMISSION
DGJ = 5-Speed Auto W5A580
Transmission
DGU = 5-Spd Auto W5J400
Transmission
DGQ = 5-Spd Automatic 545RFE
Transmission

AR = use ase required - = Non illustrated part

2008 WK

**Body Weatherstrips and Seals
Figure 60-805**

ITEM	PART NUMBER	QTY	LINE	SERIES	BODY	ENGINE	TRANS	TRIM	DESCRIPTION
1	55399016AB	1	J, T		74				SEAL, Body Side Right
	55399017AB	1	J, T		74				Left
2	55394040AG	2	J, T		74				SEAL, Front Door
3	55399018AB	2	J, T		74				SEAL, Rear Door
4	55394782AI	1	J, T		74				WEATHERSEAL, LIFTGATE
5	55396053AD	1	J, T		74				SEAL, Wheelhouse Left
	55396052AD	1	J, T		74				Right



GRAND CHEROKEE (WK)

SERIES LINE
H = HIGHLINE T = JEEP - 2WD
P = PREMIUM J = JEEP - 4WD
S = SPORT
X = SPECIAL

BODY
74 = SPORT UTILITY 4-DR
TYPE #4

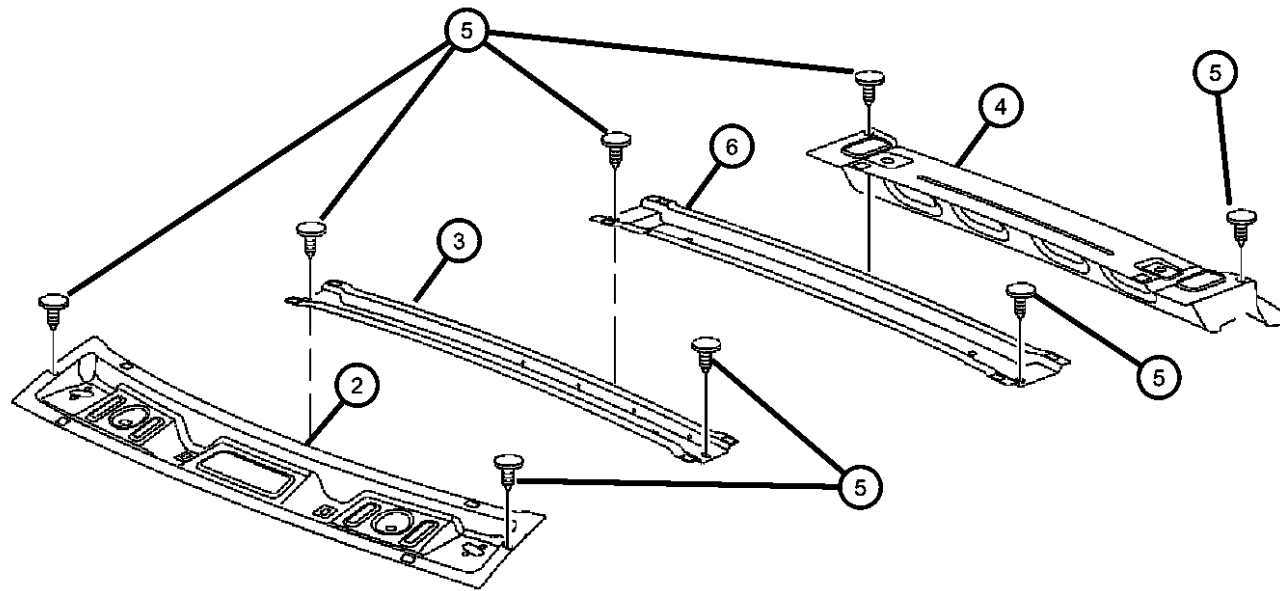
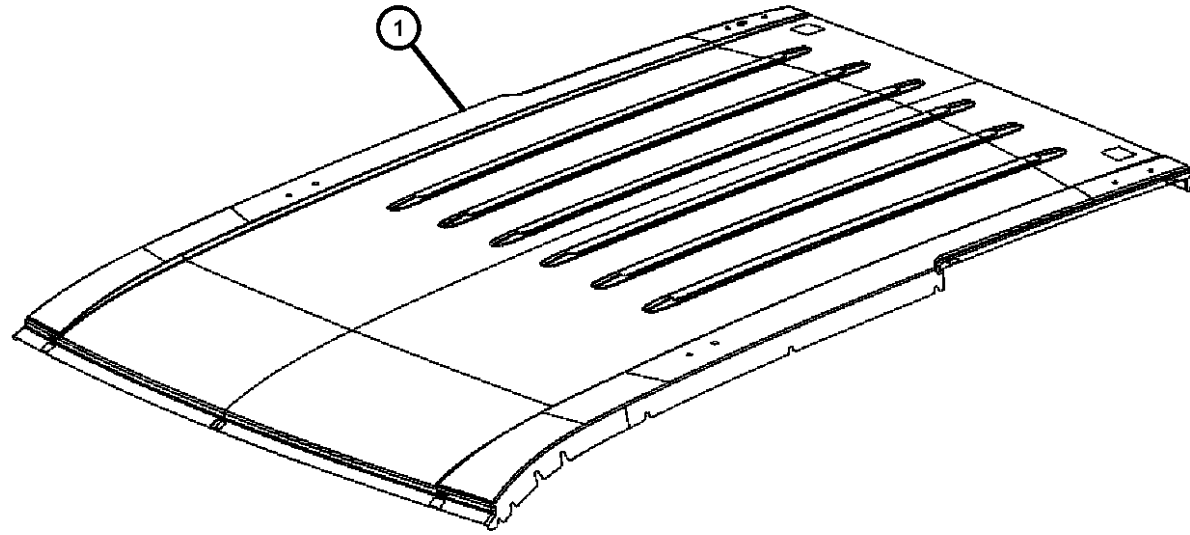
ENGINE TRANSMISSION
EVE = Engine - 4.7L V8 DOHC 3 Valve
EZB = 5.7L Hemi Multi Displacement Engine
EKG = 3.7L V6 Engine
ESF = 6.1L SRT HEMI SMPI V8 Engine
EXL = 3.0L V6 Turbo Diesel Engine
DGJ = 5-Speed Auto W5A580 Transmission
DGU = 5-Spd Auto W5J400 Transmission
DGQ = 5-Spd Automatic 545RFE Transmission

AR = use ase required - = Non illustrated part

2008 WK

Roof Panel
Figure 60-905

ITEM	PART NUMBER	QTY	LINE	SERIES	BODY	ENGINE	TRANS	TRIM	DESCRIPTION
1									PANEL, Roof
	55394293AB	1	J, T		74				
	55394298AD	1	J, T		74				With Sunroof
2	55363368AE	1	J, T		74				HEADER, Roof Front
3	55394300AA	1	J, T		74				BOW, Roof
4	55396055AH	1	J, T		74				HEADER, Panel
5	06034608	2	J, T		74				PIN, Headline
6	55396908AA	1	J, T		74				BOW, Roof



GRAND CHEROKEE (WK)

SERIES LINE
H = HIGHLINE T = JEEP - 2WD
P = PREMIUM J = JEEP - 4WD
S = SPORT
X = SPECIAL

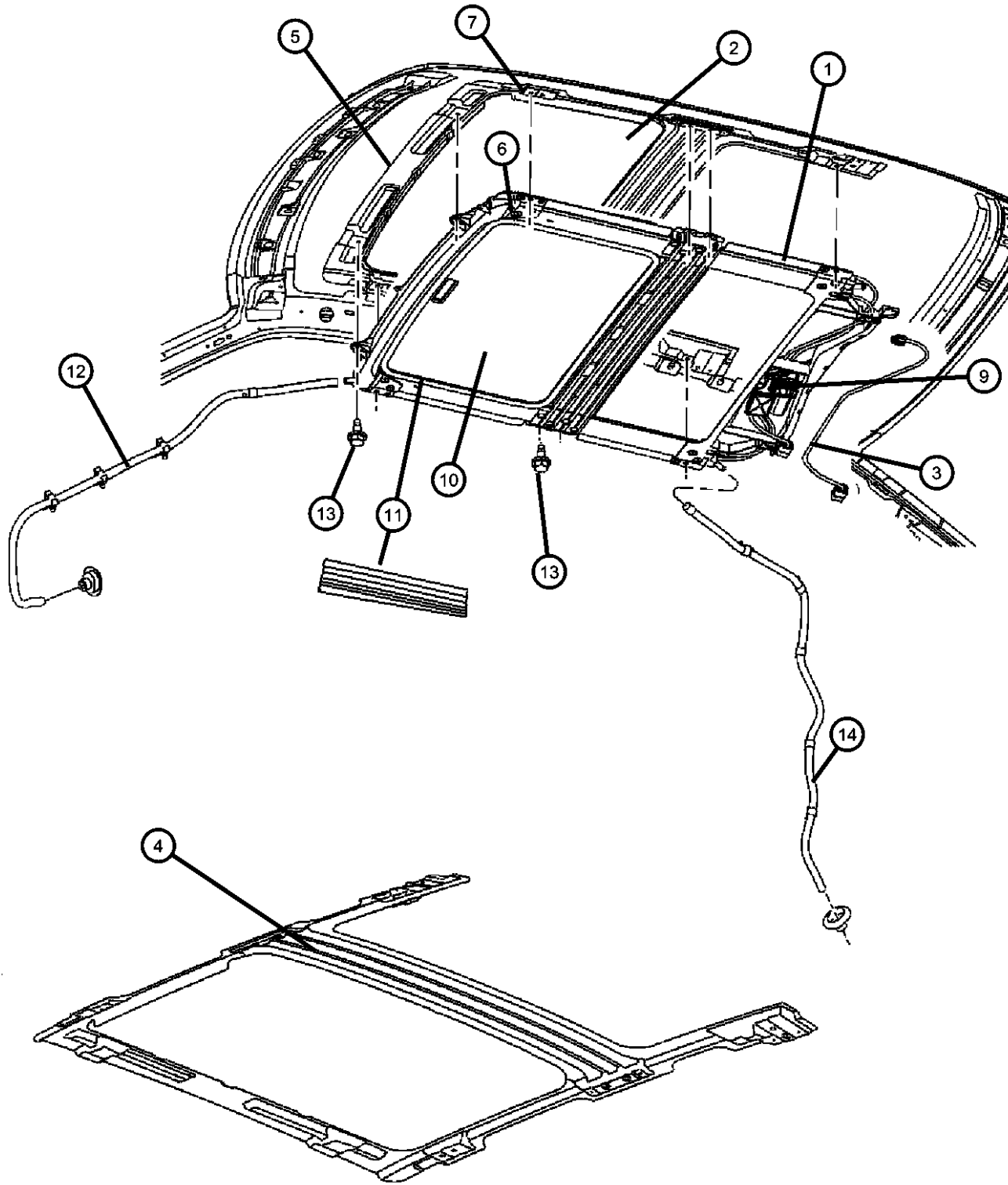
BODY
74 = SPORT UTILITY 4-DR
TYPE #4

ENGINE TRANSMISSION
EVE = Engine - 4.7L V8 DOHC 3 Valve
EVB = Engine - 4.7L V8 DOHC 3 Valve
EZB = 5.7L Hemi Multi Displacement Engine
EKG = 3.7L V6 Engine
ESF = 6.1L SRT HEMI SMPI V8 Engine
EXL = 3.0L V6 Turbo Diesel Engine
DGJ = 5-Speed Auto W5A580 Transmission
DGU = 5-Spd Auto W5J400 Transmission
DGQ = 5-Spd Automatic 545RFE Transmission

AR = use ase required - = Non illustrated part

2008 WK

**Sunroof Glass and Component Parts
Figure 60-1005**



ITEM	PART NUMBER	QTY	LINE	SERIES	BODY	ENGINE	TRANS	TRIM	DESCRIPTION
1	05139927AB	1	J, T		74				FRAME, Sunroof, Includes Cables
2	05139931AA	1	J, T		74				GLASS, Sunroof, Includes Seal
3	05139930AB	1	J, T		74				WIRING, Sunroof
4	05137559AD	1	J, T		74				CHANNEL, Sunroof Drain, Includes Weatherstrip
5	05170957AA	1	J, T		74				DEFLECTOR, Sunroof Wind
6	06508405AA	4	J, T		74				SCREW
7									GUIDE, Sunroof Glass
	05139814AA	1	J, T		74				Right
	05139815AA	1	J, T		74				Left
-8	68003812AA	2	J, T		74				CONDUIT, Sunroof Actuator Cable, Rear
9	05137557AF	1	J, T		74				MOTOR/MODULE, Sunroof
10	1AH31BD1AA	1	J, T		74				SUNSHADE, Sunroof
11	05137558AB	2	J, T		74				COVER, Sunroof Mechanism
12	55394318AE	2	J, T		74				HOSE, Sunroof Drain
13	06101455	8	J, T		74				SCREW AND WASHER, Hex Head, M6x1x20
14	55394324AE	2	J, T		74				HOSE, Sunroof Drain

GRAND CHEROKEE (WK)

SERIES LINE
H = HIGHLINE T = JEEP - 2WD
P = PREMIUM J = JEEP - 4WD
S = SPORT
X = SPECIAL

BODY
74 = SPORT UTILITY 4-DR
TYPE #4

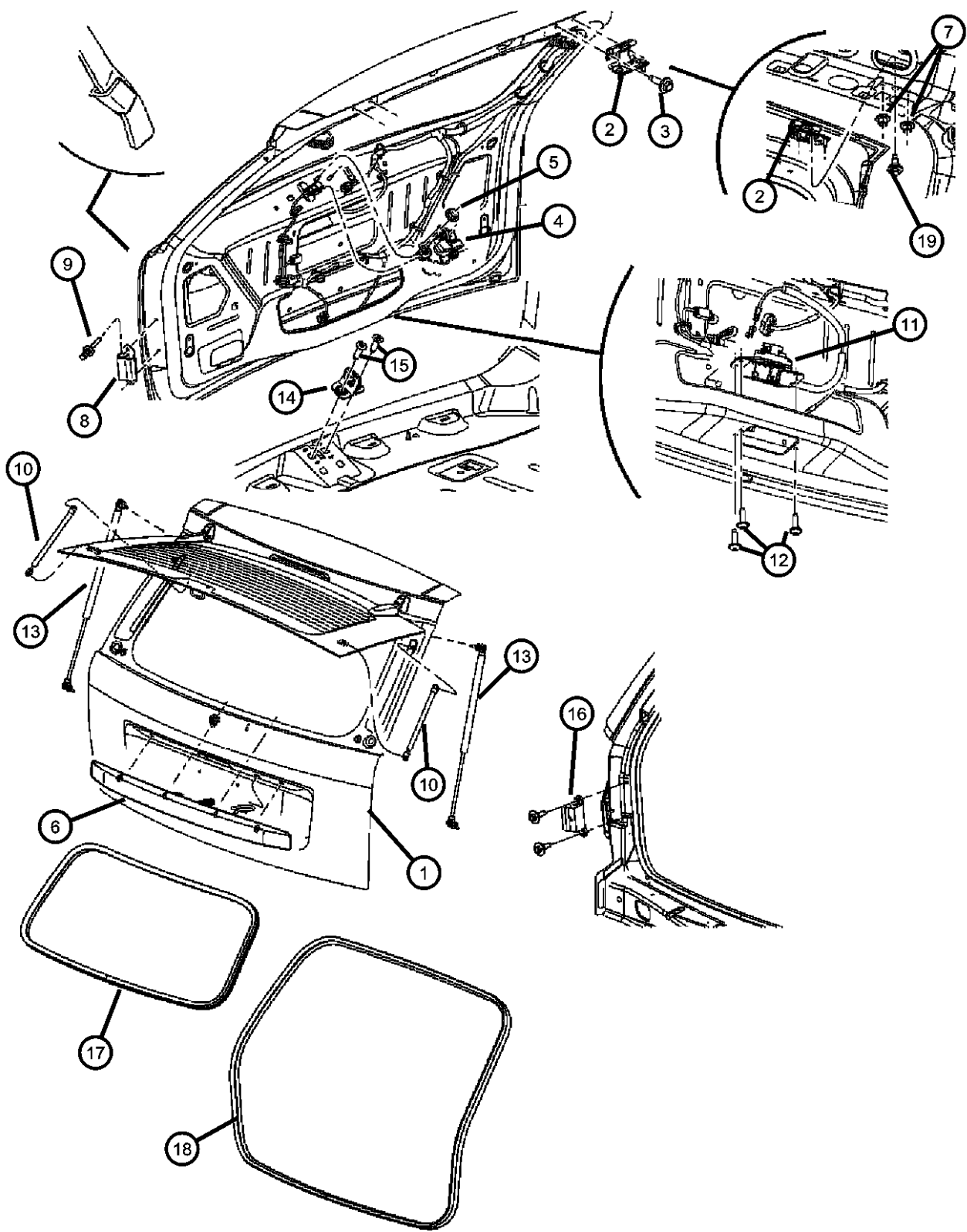
ENGINE
EVE = Engine - 4.7L V8 DOHC 3 Valve
EZB = 5.7L Hemi Multi Displacement Engine
EKG = 3.7L V6 Engine
ESF = 6.1L SRT HEMI SMPI V8 Engine
EXL = 3.0L V6 Turbo Diesel Engine

TRANSMISSION
DGJ = 5-Speed Auto W5A580 Transmission
DGU = 5-Spd Auto W5J400 Transmission
DGQ = 5-Spd Automatic 545RFE Transmission

AR = use ase required - = Non illustrated part

2008 WK

Liftgate, Latch and Hinges
Figure 60-1130

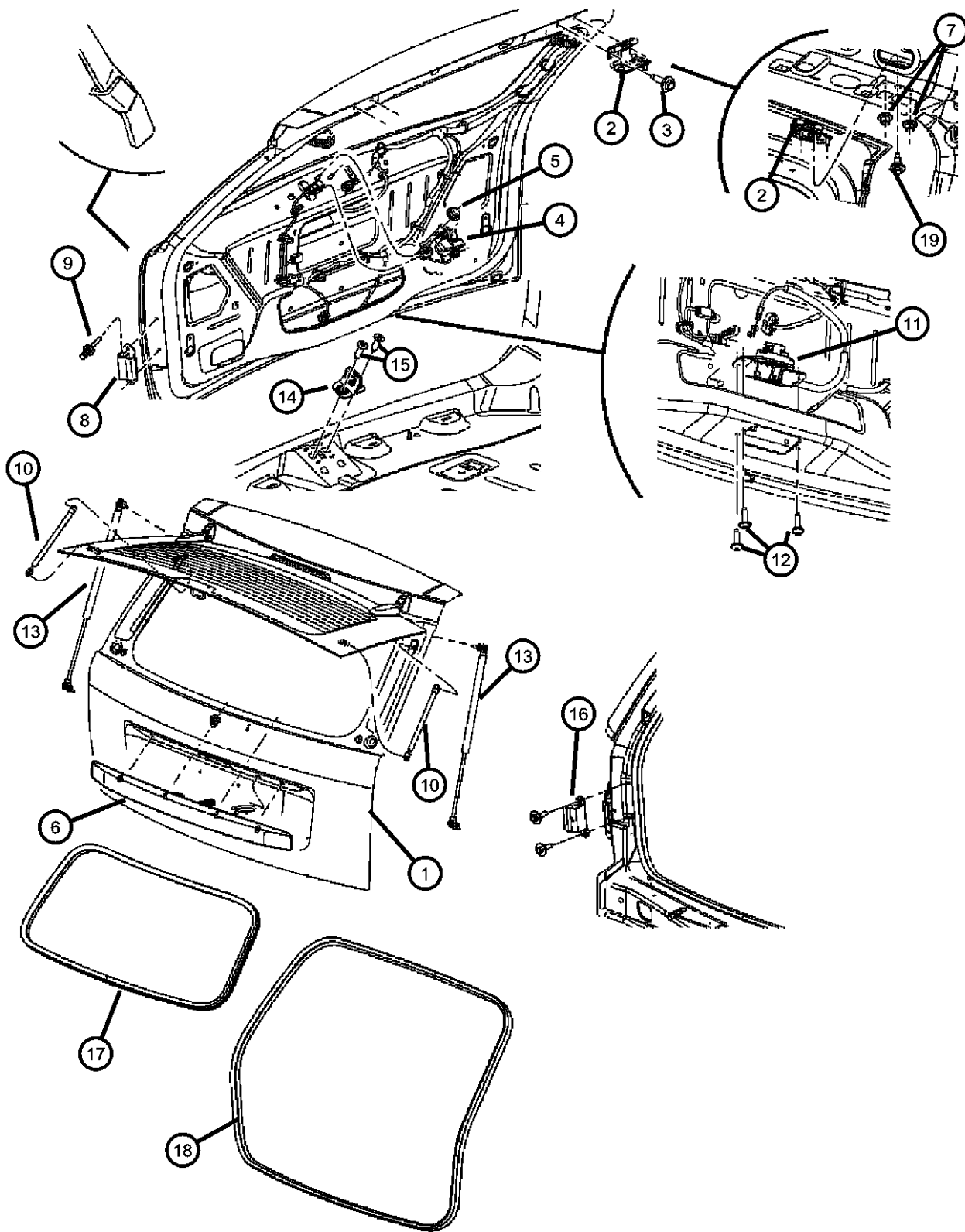


ITEM	PART NUMBER	QTY	LINE	SERIES	BODY	ENGINE	TRANS	TRIM	DESCRIPTION
1	55399066AC	1	J, T		74				PANEL, Liftgate
2	55396772AF	2							HINGE, Liftgate
3	06502975	4	J, T		74				SCREW AND WASHER, Hex Head, M8x1.25x33
4	55396445AA	1	J, T		74				LATCH, Liftgate Glass
5	06503102	2	J, T		74				NUT AND WASHER, Hex Nut-Coned Washer, M6 x 1.00
6									HANDLE, Liftgate
	1FN57CD-MAA	1	J, T		74				[DM] With [XAC]
	1FN57DB-MAA	1	J, T		74				[BM] With [XAC]
	1FN57DX8AA	1	J, T		74				[X8] With [XAC]
	1FN57EDAAA	1	J, T		74				[DA] With [XAC]
	1FN57EEMAA	1	J, T		74				[EM] With [XAC]
	1FV92EDAAA	1	J, T		74				[DA] Without [XAC]
	1FV92EEMAA	1	J, T		74				[EM] Without [XAC]
	1FV92EGJAA	1	J, T		74				[GJ] Without [XAC]
	1FV92SW1AA	1	J, T		74				[W1] Without [XAC]
	1FV92WS2AA	1	J, T		74				[S2] Without [XAC]
	1FN57EGJAA	1	J, T		74				[GJ] With [XAC]
	1FN57SW1AA	1	J, T		74				[W1] With [XAC]
	1FN57WS2AA	1	J, T		74				[S2] With [XAC]
	1FV92AXRAA	1	J, T		74				[XR] Without [XAC]
	1FV92CD-MAA	1	J, T		74				[DM] Without [XAC]
	1FV92DB-MAA	1	J, T		74				[BM] Without [XAC]
	1FV92DX8AA	1	J, T		74				[X8] Without [XAC]
	55156354AG	1	J, T		74				Black ,With [MNS] Without [XAC]
	68039947AA	1	J, T		74				Black ,With [MNS] With [XAC]
	68039948AA	1	J, T		74				Black, With [MNP] With [XAC]
7	06101446	4	J, T		74				NUT AND WASHER
8	04860873AD	2	J, T		74				BUMPER, Liftgate
9		2							RIVET, Blind, .250 x .660, (NOT SERVICED)

GRAND CHEROKEE (WK)
 SERIES LINE BODY ENGINE TRANSMISSION
 H = HIGHLINE T = JEEP - 2WD 74 = SPORT UTILITY 4-DR EVE = Engine - 4.7L V8 DOHC DGJ = 5-Speed Auto W5A580
 P = PREMIUM J = JEEP - 4WD TYPE #4 3 Valve Transmission
 S = SPORT EZB = 5.7L Hemi Multi DGU = 5-Spd Auto W5J400
 Displacement Engine Transmission
 X = SPECIAL EKG = 3.7L V6 Engine DGQ = 5-Spd Automatic 545RFE
 ESF = 6.1L SRT HEMI SMPI Transmission
 V8 Engine
 EXL = 3.0L V6 Turbo Diesel Engine

AR = use ase required - = Non illustrated part

Liftgate, Latch and Hinges
Figure 60-1130



ITEM	PART NUMBER	QTY	LINE	SERIES	BODY	ENGINE	TRANS	TRIM	DESCRIPTION
10	68025357AA	2	J, T		74				GAS CYLINDER, Liftgate Glass
11	04589131AC	1	J, T		74				LATCH, Liftgate
12	06508611AA	3	J, T		74				SCREW, LARGE ROUND WASHER HEAD LOCK, M6X1.00X22.00
13									SUPPORT, Liftgate Opening
	68025358AA	1	J, T		74				Right
	68025359AA	1	J, T		74				Left
14	55364520AA	1	J, T		74				STRIKER, Liftgate
15	06503533	2	J, T		74				SCREW, Flange Head, M8x1.25x26
16	55396825AA	2	J, T		74				BUMPER, Rubber
17	55394780AH	1	J, T		74				WEATHERSTRIP, Liftgate Glass
18	55394782AI	1	J, T		74				WEATHERSEAL, LIFTGATE
19	06503478	AR	J, T		74				SCREW, Tap, M9x1.25x26

GRAND CHEROKEE (WK)

SERIES LINE
H = HIGHLINE T = JEEP - 2WD
P = PREMIUM J = JEEP - 4WD
S = SPORT
X = SPECIAL

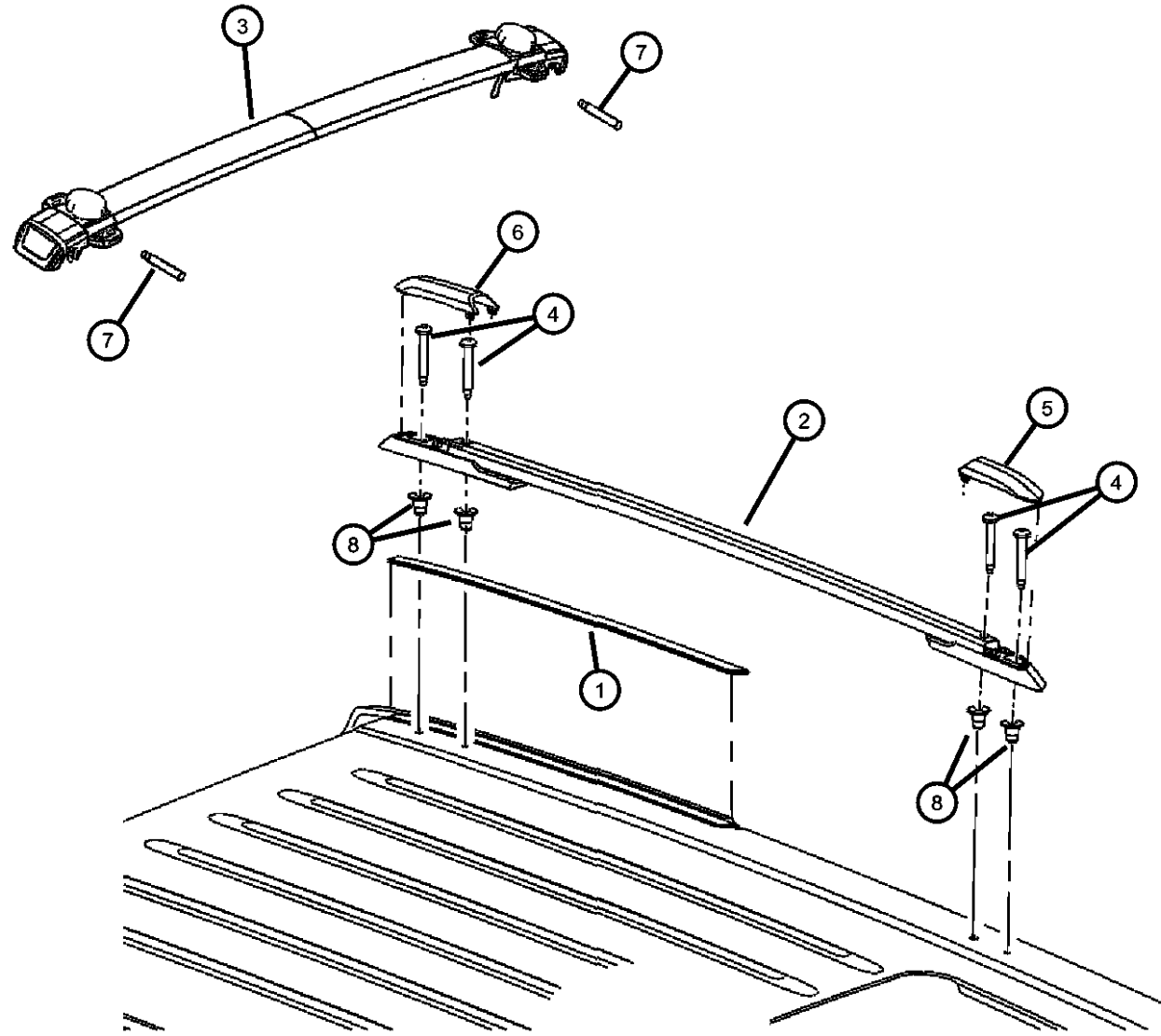
BODY
74 = SPORT UTILITY 4-DR
TYPE #4

ENGINE TRANSMISSION
EVE = Engine - 4.7L V8 DOHC 3 Valve
EVB = Engine - 4.7L V8 DOHC 3 Valve
EZE = 5.7L Hemi Multi Displacement Engine
EKG = 3.7L V6 Engine
ESF = 6.1L SRT HEMI SMPI V8 Engine
EXL = 3.0L V6 Turbo Diesel Engine
DGJ = 5-Speed Auto W5A580 Transmission
DGU = 5-Spd Auto W5J400 Transmission
DGQ = 5-Spd Automatic 545RFE Transmission

AR = use ase required - = Non illustrated part

2008 WK

Roof Rack
Figure 60-1305



ITEM	PART NUMBER	QTY	LINE	SERIES	BODY	ENGINE	TRANS	TRIM	DESCRIPTION
1	55156874AD	1	J, T		74				MOLDING, Roof Right
	55156875AD	1	J, T		74				
2	55157460AA	1	J, T		74				RAIL, Roof Chrome-Up To 8-30-07, Right
	55157460AC	1	J, T		74				Stainless Steel- After 8-30-07, Right
	55157461AA	1	J, T		74				Chrome-Up To 8-30-07, Left
	55157461AC	1	J, T		74				Stainless Steel- After 8-30-07, Left
	55157468AA	1	J, T		74				Black, Right
	55157469AA	1	J, T		74				Black, Left
3	55157114AC	1	J, T		74				RAIL, Luggage Rack
4	06508390AA	8	J, T		74				SCREW
5	55394342AB	1	J, T		74				COVER, Luggage Rack, Front Right
	55394343AB	1	J, T		74				Left
6	55394344AB	1	J, T		74				COVER, Luggage Rack, Rear Right
	55394345AB	1	J, T		74				Left
7	05174361AA	1	J, T		74				PIN, PIN-LOCK
8	06509106AA	8	J, T		74				RIVNUT, Installation

GRAND CHEROKEE (WK)

SERIES LINE
 H = HIGHLINE T = JEEP - 2WD
 P = PREMIUM J = JEEP - 4WD
 S = SPORT
 X = SPECIAL

BODY
 74 = SPORT UTILITY 4-DR
 TYPE #4

ENGINE TRANSMISSION
 EVE = Engine - 4.7L V8 DOHC 3 Valve DGJ = 5-Speed Auto W5A580 Transmission
 EZB = 5.7L Hemi Multi Displacement Engine DGU = 5-Spd Auto W5J400 Transmission
 EKG = 3.7L V6 Engine DGQ = 5-Spd Automatic 545RFE Transmission
 ESF = 6.1L SRT HEMI SMPI V8 Engine
 EXL = 3.0L V6 Turbo Diesel Engine

AR = use ase required - = Non illustrated part

2008 WK