

VIN PLATE DECODING INFORMATION

1	2	3	4	5	6	7	8	9	10	11	12 thru 17
WMI	WMI	WMI	Other	Line	Series	Body Style	Engine	Check Digit	Model Year	Assy. Plant	Sequence No.

The following table interprets the VIN Plate position shown above.

Position	Interpretation	Codes = Description
1	World Manufacturer Identifier	1 = Chrysler LLC
2	World Manufacturer Identifier	J = Jeep
3	World Manufacturer Identifier	4 = Multipurpose Passenger Vehicle (MPV)
4	GVWR & Pass. Safety	G = 4001-5000# (1815 - 2267 KG) GVWR & Hyd. Brakes H = 5001-6000# (2268 - 2721 KG) GVWR & Hyd. Brakes J = 6001-7000# (2722 - 3175 KG) GVWR & Hyd. Brakes K = 7001-8000# (3176 - 3628 KG) GVWR & Hyd. Brakes L = 8001-9000# (3629 - 4082 KG) GVWR & Hyd. Brakes M = 9001-10000# (4083 - 4535 KG) GVWR & Hyd. Brakes 3 = 10001-14000# (4536 - 6350 KG) GVWR & Hyd. Brakes (Class 3) A = 4001-5000# (1815 - 2267 KG) GVWR & Hyd. Brakes B = 5001-6000# (2268 - 2721 KG) GVWR & Hyd. Brakes C = 6001-7000# (2722 - 3175 KG) GVWR & Hyd. Brakes D = 7001-8000# (3176 - 3628 KG) GVWR & Hyd. Brakes E = 8001-9000# (3629 - 4082 KG) GVWR & Hyd. Brakes F = 9001-10000# (4083 - 4535 KG) GVWR & Hyd. Brakes N = 4001-5000# (1815 - 2267 KG) GVWR & Hyd. Brakes P = 5001-6000# (2268 - 2721 KG) GVWR & Hyd. Brakes R = 6001-7000# (2722 - 3175 KG) GVWR & Hyd. Brakes S = 7001-8000# (3176 - 3628 KG) GVWR & Hyd. Brakes T = 8001-9000# (3629 - 4082 KG) GVWR & Hyd. Brakes U = 9001-10000# (4083 - 4535 KG) GVWR & Hyd. Brakes V = 4001-5000# (1815 - 2267 KG) GVWR & Hyd. Brakes X = 5001-6000# (2268 - 2721 KG) GVWR & Hyd. Brakes Y = 6001-7000# (2722 - 3175 KG) GVWR & Hyd. Brakes Z = 7001-8000# (3176 - 3628 KG) GVWR & Hyd. Brakes 1 = 8001-9000# (3629 - 4082 KG) GVWR & Hyd. Brakes 2 = 9001-10000# (4083 - 4535 KG) GVWR & Hyd. Brakes
5	Vehicle Line	S = Grand Cherokee 4x2 R = Grand Cherokee 4x4
6	Series	4 = Grand Cherokee Laredo (U.S., Canada, Mexico) 5 = Grand Cherokee Limited (U.S., Canada, Mexico) 6 = Grand Cherokee Overland (U.S., Canada, Mexico) 7 = Grand Cherokee SRT-8 (U.S., Canada, Mexico)
7	Body Style	G = Sport Utility 4 Door
8	Engine	T = 5.7L 8 CYL Gasoline Non Turbo (EZH) W = 6.1L 8 CYL Gasoline Non Turbo (ESF) K = 3.7L 6 CYL Gasoline Non Turbo (EKG)
9	Check Digit	0 = Check Digit
10	Model Year	A = 2010 Model Year
11	Assembly Plant	C = Jefferson North Assembly
12 thru 17	Vehicle Build Sequence	Model Year Assembly Sequence

Group - 1 Mopar Accessories - Component Parts

Illustration Title

Group-Fig. No.

Audio & Electronics

Media System Headrest	Fig. 1 - 107
Media System	Fig. 1 - 110
Media System, Rear Entertainment	Fig. 1 - 111
Install Kit - Satellite Receiver	Fig. 1 - 114
Camera - Back Up	Fig. 1 - 118

Carriers & Cargo Hauling

Carrier Kit - Bike Hitch Mount	Fig. 1 - 204
Carrier Kit - Canoe	Fig. 1 - 212
Carrier Kit - Ski	Fig. 1 - 220
Wiring Kit -Trailer Tow-4-Way	Fig. 1 - 242
Wiring Kit -Trailer Tow-7-Way	Fig. 1 - 243
Carrier Kit - Luggage Soft	Fig. 1 - 252
Wiring Kit - Off Road	Fig. 1 - 264

Driving Convenience

Hands Free Kit-Cellular Phone-Blue Tooth	Fig. 1 - 312
Sensor Kit - Park/Distance	Fig. 1 - 320
Heater Kit - Seat	Fig. 1 - 324

Exterior Appearance

Step Kit - Side	Fig. 1 - 440
Effects Kit - Ground	Fig. 1 - 442
Wheel Kit	Fig. 1 - 448
Grille Kit	Fig. 1 - 458

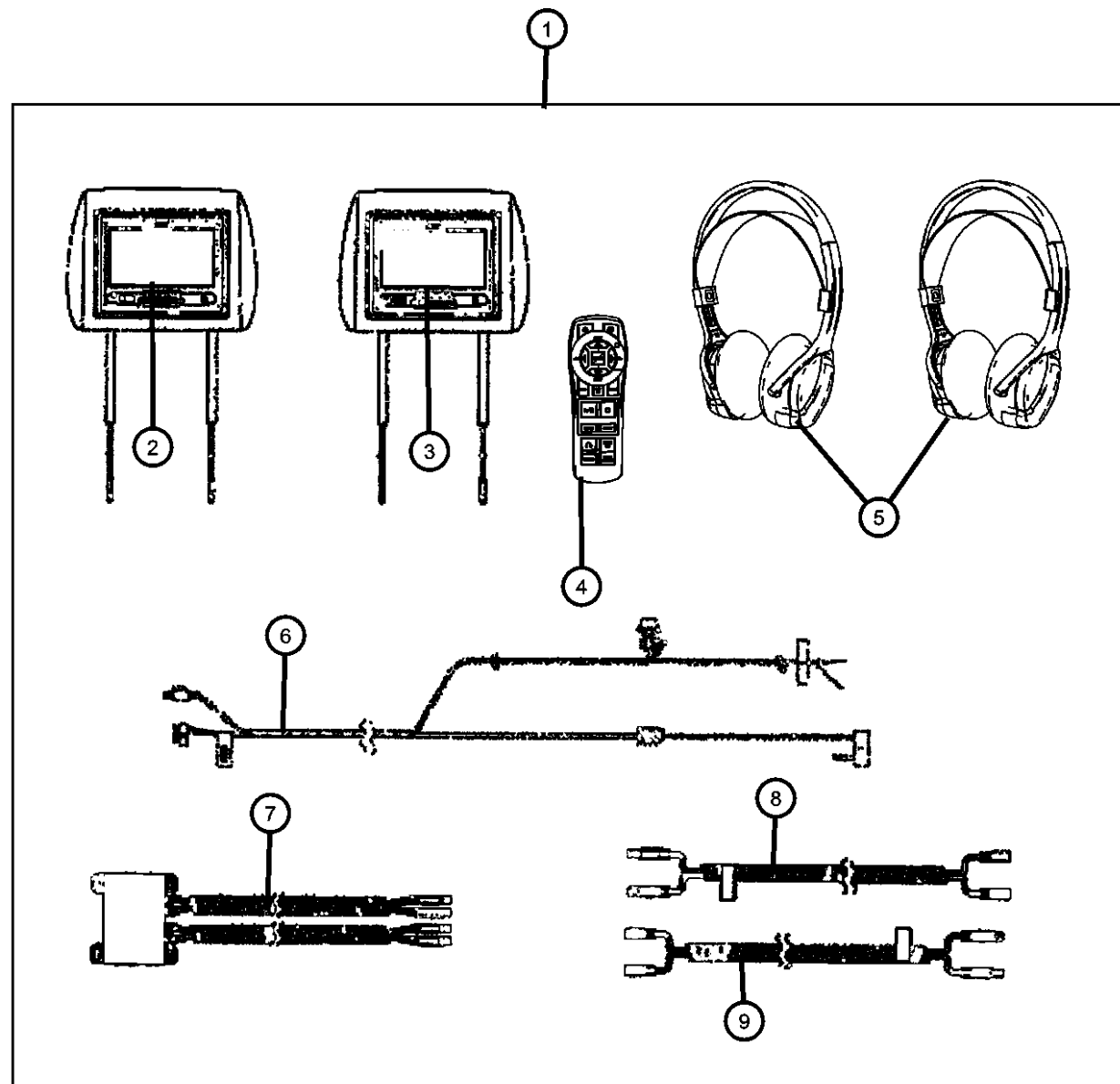
Fog Lights & Electrical

Heater Kit - Engine Block	Fig. 1 - 602
---------------------------------	--------------

Powertrain

Engine Cooling Kit	Fig. 1 - 1104
--------------------------	---------------

Media System Headrest
Figure 1-107



ITEM	PART NUMBER	QTY	LINE	SERIES	BODY	ENGINE	TRANS	TRIM	DESCRIPTION
1									MEDIA SYSTEM, Monitor with DVD
	82211824AB	1							Dark Slate Gray Cloth Headrest
	82211825AB	1	J, T		74				Dark Slate Gray Leather Headrest SRT
	82211827AB	1	J, T		74				Dark Slate Gray Leather Headrest SRT
2	68056931AA	1							DVD ASSEMBLY, Head Rest
3	68056930AA	1	J, T		74				DVD ASSEMBLY, Head Rest
4	82211922	1							REMOTE, Wireless Infrared
5	82211921	1							HEADPHONES, Wireless
6	68056933AA	1							HARNESS
7	68056932AA	1							MODULE, INTERFACE
8	68056935AA	1							CABLE, Left Side
9	68056934AA	1							CABLE, Right Side

GRAND CHEROKEE (WK)

SERIES LINE
H = HIGHLINE T = JEEP - 2WD
P = PREMIUM J = JEEP - 4WD
S = SPORT
X = SPECIAL

BODY
74 = SPORT UTILITY 4-DR
TYPE #4

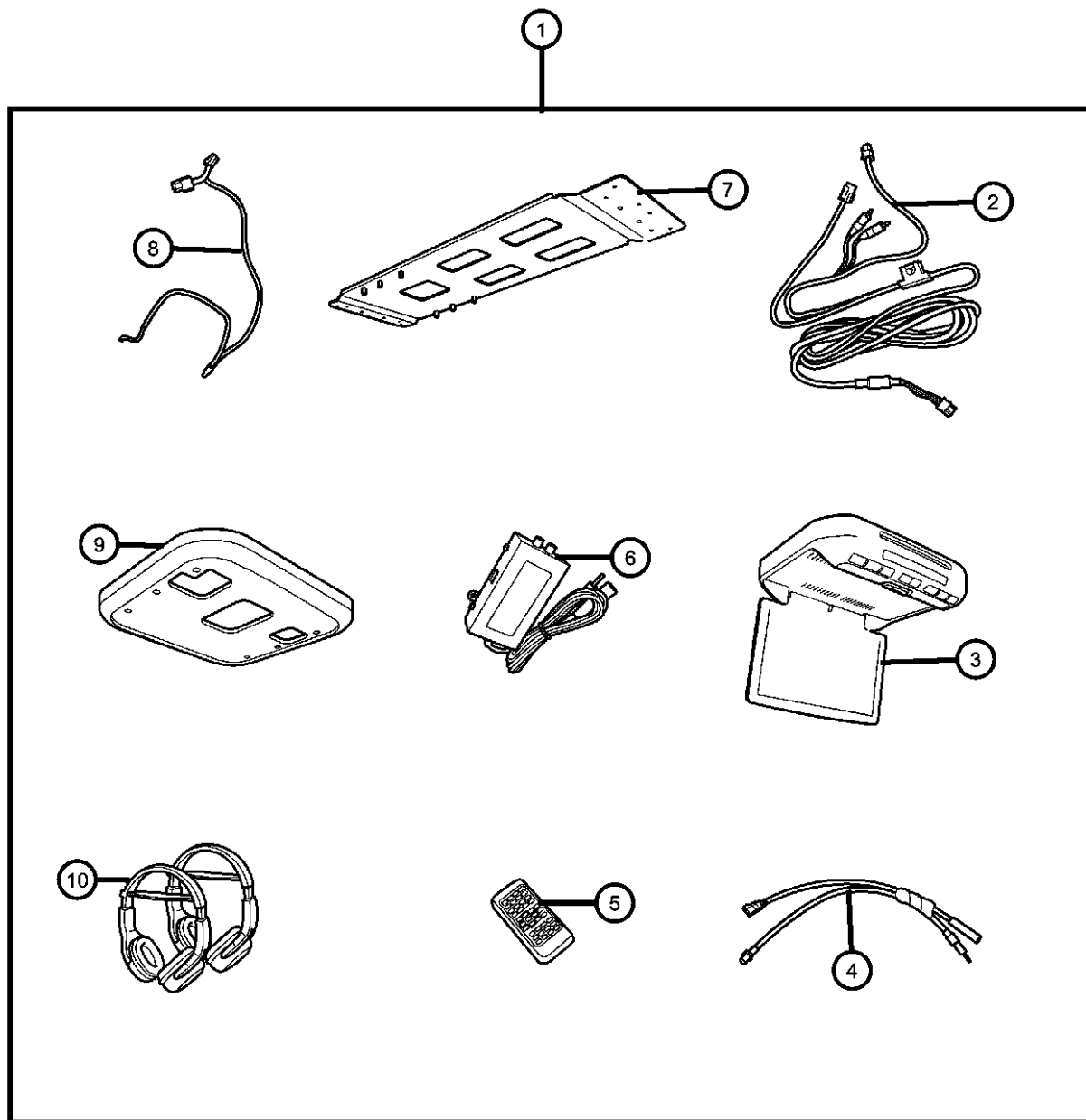
ENGINE
EZH = 5.7L V8 HEMI MDS
VCT Engine
ESF = 6.1L SRT HEMI V8
Engine
EKG = 3.7L V6 Engine

TRANSMISSION
DGJ = 5-Speed Auto W5A580
Transmission
DGQ = 5-Spd Automatic 545RFE
Transmission

AR = use ase required - = Non illustrated part

2010 WK

Media System
Figure 1-110



ITEM	PART NUMBER	QTY	LINE	SERIES	BODY	ENGINE	TRANS	TRIM	DESCRIPTION
1	82210914AC	1							MEDIA SYSTEM, Monitor with DVD
2	68026724AB	1							HARNESS, Wiring
3	68036468AC	1							DVD CHANGER
4	68037916AB	1							HARNESS, Wiring
5	68024459AB	1							REMOTE, Wireless Infrared
6	05166872AB	1							MODULATOR, FM
7	68037924AB	1							BRACKET
8	68033634AB	1							HARNESS, Wiring
9	68036470AB	1							SHROUD, SHROUD
10	05064037AA	1							HEADPHONES, Wireless

GRAND CHEROKEE (WK)

SERIES LINE
H = HIGHLINE T = JEEP - 2WD
P = PREMIUM J = JEEP - 4WD
S = SPORT
X = SPECIAL

BODY
74 = SPORT UTILITY 4-DR
TYPE #4

ENGINE
EZH = 5.7L V8 HEMI MDS
VCT Engine
ESF = 6.1L SRT HEMI V8
Engine
EKG = 3.7L V6 Engine

TRANSMISSION
DGJ = 5-Speed Auto W5A580
Transmission
DGQ = 5-Spd Automatic 545RFE
Transmission

AR = use ase required - = Non illustrated part

**Media System, Rear Entertainment
Figure 1-111**

ITEM	PART NUMBER	QTY	LINE	SERIES	BODY	ENGINE	TRANS	TRIM	DESCRIPTION
1									MEDIA SYSTEM, Monitor with DVD
	82211758	1							[J3], [GWA]
	82211759	1							[D1], [GWA]
	82211704	1							[DV], [GWA]
2	68004932AA	1							HARNESS
3	68019572AA	1							HARNESS
4	05107082AC	1							HEADPHONES, Wireless
5	05107094AC	1							REMOTE, Wireless Infrared
6									BEZEL, Floor Console
	1HW21XD-VAA	1	J, T		74				[DV]
	1HW21ZJ3AA	1	J, T		74				[J3]
7	05107083AA	1	J, T		74				MODULE, Multimedia
8	1GQ81BD1AC	1	J, T		74				MONITOR, Media System

GRAND CHEROKEE (WK)

SERIES LINE
H = HIGHLINE T = JEEP - 2WD
P = PREMIUM J = JEEP - 4WD
S = SPORT
X = SPECIAL

BODY
74 = SPORT UTILITY 4-DR
TYPE #4

ENGINE
EZH = 5.7L V8 HEMI MDS
VCT Engine
ESF = 6.1L SRT HEMI V8
Engine
EKG = 3.7L V6 Engine

TRANSMISSION
DGJ = 5-Speed Auto W5A580
Transmission
DGQ = 5-Spd Automatic 545RFE
Transmission

**Install Kit - Satellite Receiver
Figure 1-114**

ITEM	PART NUMBER	QTY	LINE	SERIES	BODY	ENGINE	TRANS	TRIM	DESCRIPTION
1	82210940AD	1							INSTALL KIT, Satelite Receiver
2	05064724AA	1							ANTENNA, Satellite
3	68023815AA	1							HARNESS, Wiring

GRAND CHEROKEE (WK)

SERIES LINE
H = HIGHLINE T = JEEP - 2WD
P = PREMIUM J = JEEP - 4WD
S = SPORT
X = SPECIAL

BODY
74 = SPORT UTILITY 4-DR
TYPE #4

ENGINE
EZH = 5.7L V8 HEMI MDS
VCT Engine
ESF = 6.1L SRT HEMI V8
Engine
EKG = 3.7L V6 Engine

TRANSMISSION
DGJ = 5-Speed Auto W5A580
Transmission
DGQ = 5-Spd Automatic 545RFE
Transmission

AR = use ase required - = Non illustrated part

2010 WK

**Camera - Back Up
Figure 1-118**

ITEM	PART NUMBER	QTY	LINE	SERIES	BODY	ENGINE	TRANS	TRIM	DESCRIPTION
1	82210145AC	1							CAMERA KIT, Back Up
2	05191903AB	1							CONTROL MODULE, Receiver
3	05191905AB	1							HARNESS, Wiring
4	05191907AC	1							MONITOR, Back Up Camera
5	05191906AB	1							CAMERA
6	05191904AB	1							HARNESS, Wiring
7	82211346	1							CAMERA KIT, Back Up, Intefrate With Vehicle Radio
8	68034308AA	1							HARNESS, Overlay
9	05026338AB	1							CAMERA
10	68011584AA	1							BRACKET, Camera
11	68034309AA	1							HARNESS, Overlay

GRAND CHEROKEE (WK)

SERIES LINE
H = HIGHLINE T = JEEP - 2WD
P = PREMIUM J = JEEP - 4WD
S = SPORT
X = SPECIAL

BODY
74 = SPORT UTILITY 4-DR
TYPE #4

ENGINE
EZH = 5.7L V8 HEMI MDS
VCT Engine
ESF = 6.1L SRT HEMI V8
Engine
EKG = 3.7L V6 Engine

TRANSMISSION
DGJ = 5-Speed Auto W5A580
Transmission
DGQ = 5-Spd Automatic 545RFE
Transmission

AR = use ase required - = Non illustrated part

2010 WK

**Carrier Kit - Bike Hitch Mount
Figure 1-204**

ITEM	PART NUMBER	QTY	LINE	SERIES	BODY	ENGINE	TRANS	TRIM	DESCRIPTION
1									CARRIER KIT, Bike
	82204328AB	1							Requires 2 Inch Receiver
	82204452AB	1							Requires 1 1/4 Inch Hitch Receiver
	82204453AB	1							Requires 2 Inch Hitch Receiver
2	04762880	1							STRAP KIT, Velcro
3	05016775AA	1							STRAP KIT, Bike Carrier Latch
4	05016776AA	1							BOLT KIT, Security
5	05018825AA	1							HARDWARE KIT, Bike Carrier, Contains: T-Handle, Lock Strap, Top Clamp Assy, Nylon Washer

GRAND CHEROKEE (WK)

SERIES LINE
H = HIGHLINE T = JEEP - 2WD
P = PREMIUM J = JEEP - 4WD
S = SPORT
X = SPECIAL

BODY
74 = SPORT UTILITY 4-DR
TYPE #4

ENGINE
EZH = 5.7L V8 HEMI MDS
VCT Engine
ESF = 6.1L SRT HEMI V8
Engine
EKG = 3.7L V6 Engine

TRANSMISSION
DGJ = 5-Speed Auto W5A580
Transmission
DGQ = 5-Spd Automatic 545RFE
Transmission

AR = use ase required - = Non illustrated part

2010 WK

Carrier Kit - Canoe
Figure 1-212

ITEM	PART NUMBER	QTY	LINE	SERIES	BODY	ENGINE	TRANS	TRIM	DESCRIPTION
Note; Requires Sport Utility Bar									
1	82204700AB	1							CARRIER KIT, Canoe
2	05016389AA	1							HARDWARE KIT, Accessory, Contains: 4-25MM Button Head Screws, 4-30MM Button Head Screws, 4 Lock Washers, 4-Dome Washers, 4 Rubber Washers , 4-T-Nuts
3	05016511AA	1							STRAP, Cargo Tie Down

GRAND CHEROKEE (WK)

SERIES LINE
H = HIGHLINE T = JEEP - 2WD
P = PREMIUM J = JEEP - 4WD
S = SPORT
X = SPECIAL

BODY
74 = SPORT UTILITY 4-DR
TYPE #4

ENGINE
EZH = 5.7L V8 HEMI MDS
VCT Engine
ESF = 6.1L SRT HEMI V8
Engine
EKG = 3.7L V6 Engine

TRANSMISSION
DGJ = 5-Speed Auto W5A580
Transmission
DGQ = 5-Spd Automatic 545RFE
Transmission

AR = use ase required - = Non illustrated part

2010 WK

**Carrier Kit - Ski
Figure 1-220**

ITEM	PART NUMBER	QTY	LINE	SERIES	BODY	ENGINE	TRANS	TRIM	DESCRIPTION
1	82207312	1							CARRIER KIT, Ski, 3 Pair Skis Or 2 Snowboards
2	05086158AA	1							HARDWARE KIT, Accessory, Contains: 4-25MM Screws, 4-16MM Screws, 4-20MM Screws, 4-Lock Washers, 4-Flat Washers, 4-T Plates, 4- Rubber Washers
-3	05066632AA	1							TOOL, Screw Driver

GRAND CHEROKEE (WK)

SERIES LINE
H = HIGHLINE T = JEEP - 2WD
P = PREMIUM J = JEEP - 4WD
S = SPORT
X = SPECIAL

BODY
74 = SPORT UTILITY 4-DR
TYPE #4

ENGINE
EZH = 5.7L V8 HEMI MDS
VCT Engine
ESF = 6.1L SRT HEMI V8
Engine
EKG = 3.7L V6 Engine

TRANSMISSION
DGJ = 5-Speed Auto W5A580
Transmission
DGQ = 5-Spd Automatic 545RFE
Transmission

AR = use ase required - = Non illustrated part

2010 WK

**Wiring Kit -Trailer Tow-4-Way
Figure 1-242**

ITEM	PART NUMBER	QTY	LINE	SERIES	BODY	ENGINE	TRANS	TRIM	DESCRIPTION
1									WIRING KIT, Trailer Tow - 4 Way
	82211149AD	1							
	82211503AC	1			74				
2	05134771AA	1							ADAPTER KIT, Trailer Tow
3	06015756	1							STRAP, Tie, Quantity Of 12
4	04778570	1			74				TUBE, Heat Shrink
5	68027641AC	1							HARNESS, Trailer
6	000ATM20	1							FUSE, Mini, 20 AMP, Yellow
7	04671168	1							RELAY, Mini

GRAND CHEROKEE (WK)

SERIES LINE
H = HIGHLINE T = JEEP - 2WD
P = PREMIUM J = JEEP - 4WD
S = SPORT
X = SPECIAL

BODY
74 = SPORT UTILITY 4-DR
TYPE #4

ENGINE
EZH = 5.7L V8 HEMI MDS
VCT Engine
ESF = 6.1L SRT HEMI V8
Engine
EKG = 3.7L V6 Engine

TRANSMISSION
DGJ = 5-Speed Auto W5A580
Transmission
DGQ = 5-Spd Automatic 545RFE
Transmission

AR = use ase required - = Non illustrated part

2010 WK

**Wiring Kit -Trailer Tow-7-Way
Figure 1-243**

ITEM	PART NUMBER	QTY	LINE	SERIES	BODY	ENGINE	TRANS	TRIM	DESCRIPTION
1	82211150AC	1							WIRING KIT, Trailer Tow - 7 Way
2	56038366AB	1							CONNECTOR, 7 Way
3	06015756	1			74				STRAP, Tie, Quantity Of 12
4	00154633	1							SCREW, .164-18x.625
5	04778570	1			74				TUBE, Heat Shrink
6	000ATM20	1							FUSE, Mini, 20 AMP, Yellow
7	04671168	1							RELAY, Mini
8	68027642AB	1							HARNESS, Trailer

GRAND CHEROKEE (WK)

SERIES LINE
H = HIGHLINE T = JEEP - 2WD
P = PREMIUM J = JEEP - 4WD
S = SPORT
X = SPECIAL

BODY
74 = SPORT UTILITY 4-DR
TYPE #4

ENGINE
EZH = 5.7L V8 HEMI MDS
VCT Engine
ESF = 6.1L SRT HEMI V8
Engine
EKG = 3.7L V6 Engine

TRANSMISSION
DGJ = 5-Speed Auto W5A580
Transmission
DGQ = 5-Spd Automatic 545RFE
Transmission

AR = use ase required - = Non illustrated part

2010 WK

**Carrier Kit - Luggage Soft
Figure 1-252**

ITEM	PART NUMBER	QTY	LINE	SERIES	BODY	ENGINE	TRANS	TRIM	DESCRIPTION
------	-------------	-----	------	--------	------	--------	-------	------	-------------

NOTE: Requires Roof Rack.

1	82207198	1							CARRIER KIT, Luggage
2	05066332AA	1							STRAP KIT, Luggage Carrier

GRAND CHEROKEE (WK)

SERIES LINE
H = HIGHLINE T = JEEP - 2WD
P = PREMIUM J = JEEP - 4WD
S = SPORT
X = SPECIAL

BODY
74 = SPORT UTILITY 4-DR
TYPE #4

ENGINE
EZH = 5.7L V8 HEMI MDS
VCT Engine
ESF = 6.1L SRT HEMI V8
Engine
EKG = 3.7L V6 Engine

TRANSMISSION
DGJ = 5-Speed Auto W5A580
Transmission
DGQ = 5-Spd Automatic 545RFE
Transmission

AR = use ase required - = Non illustrated part

2010 WK

**Wiring Kit - Off Road
Figure 1-264**

ITEM	PART NUMBER	QTY	LINE	SERIES	BODY	ENGINE	TRANS	TRIM	DESCRIPTION
1	82211450AB	1			74				WIRING KIT, Off Road
2	05179784AA	1			74				HARNESS
3	04778570	1			74				TUBE, Heat Shrink
4	06015756	1			74				STRAP, Tie
5	68005178AC	1			74				SWITCH, Fog Lamp
6	05179783AB	1			74				HARNESS, Wiring

GRAND CHEROKEE (WK)

SERIES LINE
H = HIGHLINE T = JEEP - 2WD
P = PREMIUM J = JEEP - 4WD
S = SPORT
X = SPECIAL

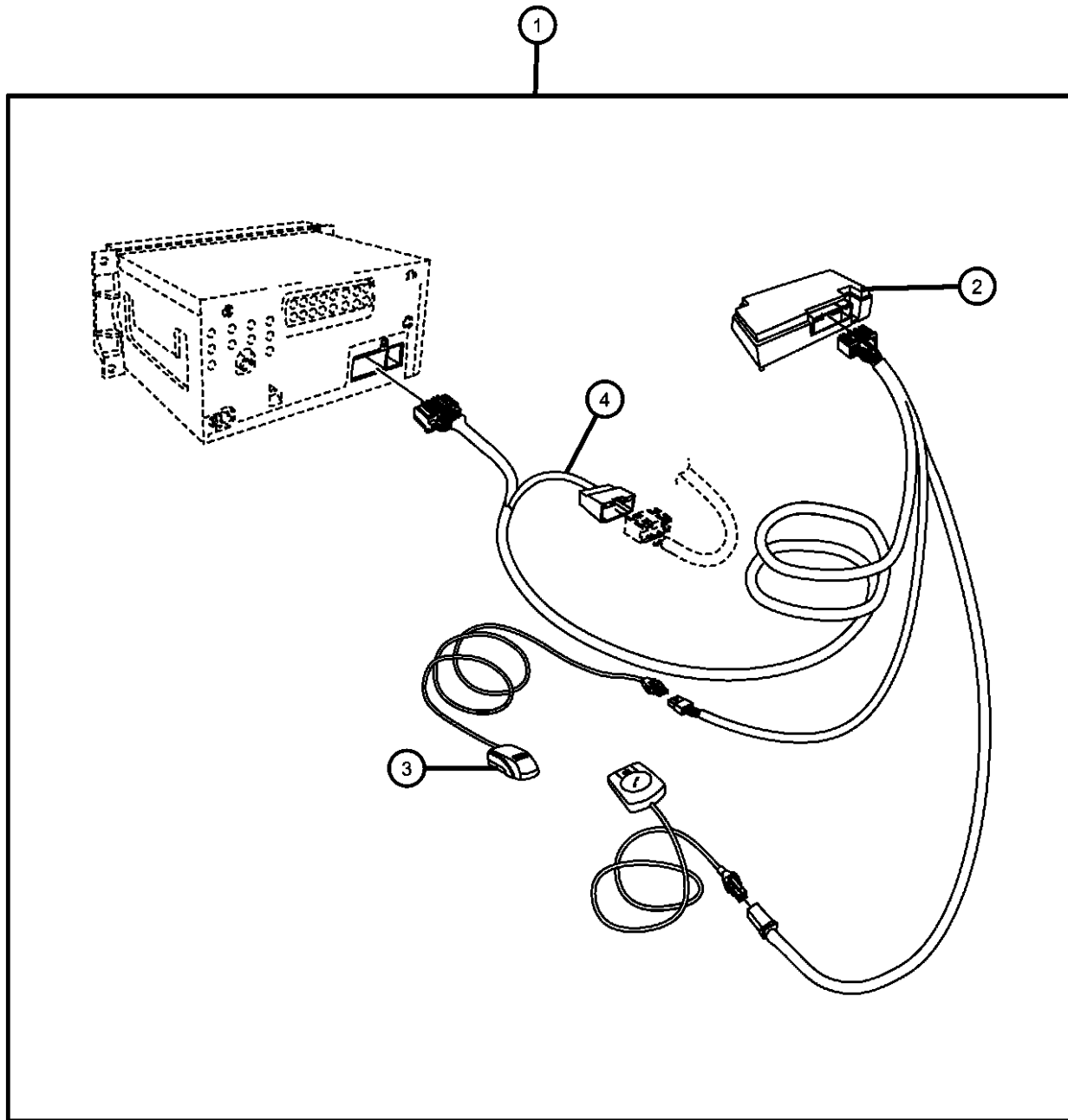
BODY
74 = SPORT UTILITY 4-DR
TYPE #4

ENGINE
EZH = 5.7L V8 HEMI MDS
VCT Engine
ESF = 6.1L SRT HEMI V8
Engine
EKG = 3.7L V6 Engine

TRANSMISSION
DGJ = 5-Speed Auto W5A580
Transmission
DGQ = 5-Spd Automatic 545RFE
Transmission

Hands Free Kit-Cellular Phone-Blue Tooth
Figure 1-312

ITEM	PART NUMBER	QTY	LINE	SERIES	BODY	ENGINE	TRANS	TRIM	DESCRIPTION
1	82211877	1							HANDS FREE KIT, Cellular Phone
2	05064884AB	1							MODULE, Telematics
3	68002646AA	1							MICROPHONE, Audio
4	68002648AA	1							HARNESS



GRAND CHEROKEE (WK)

SERIES LINE
H = HIGHLINE T = JEEP - 2WD
P = PREMIUM J = JEEP - 4WD
S = SPORT
X = SPECIAL

BODY
74 = SPORT UTILITY 4-DR
TYPE #4

ENGINE
EZH = 5.7L V8 HEMI MDS
VCT Engine
ESF = 6.1L SRT HEMI V8
Engine
EKG = 3.7L V6 Engine

TRANSMISSION
DGJ = 5-Speed Auto W5A580
Transmission
DGQ = 5-Spd Automatic 545RFE
Transmission

AR = use ase required - = Non illustrated part

2010 WK

Sensor Kit - Park/Distance
Figure 1-320

ITEM	PART NUMBER	QTY	LINE	SERIES	BODY	ENGINE	TRANS	TRIM	DESCRIPTION
1	82208246AE	1							SENSOR KIT, Park Distance
2	05137541AA	1							MODULE, Parking Assist
3	05137540AA	1							WIRING, Distance Sensor
4	05137539AA	1							DISPLAY, Parking Assist
5	05137536AA	1							SENSOR
6	05191116AA	1							CLIP, Retainer

GRAND CHEROKEE (WK)

SERIES LINE
H = HIGHLINE T = JEEP - 2WD
P = PREMIUM J = JEEP - 4WD
S = SPORT
X = SPECIAL

BODY
74 = SPORT UTILITY 4-DR
TYPE #4

ENGINE
EZH = 5.7L V8 HEMI MDS
VCT Engine
ESF = 6.1L SRT HEMI V8
Engine
EKG = 3.7L V6 Engine

TRANSMISSION
DGJ = 5-Speed Auto W5A580
Transmission
DGQ = 5-Spd Automatic 545RFE
Transmission

AR = use ase required - = Non illustrated part

2010 WK

**Heater Kit - Seat
Figure 1-324**

ITEM	PART NUMBER	QTY	LINE	SERIES	BODY	ENGINE	TRANS	TRIM	DESCRIPTION
1									HEATER KIT, Seat
	82211223	1							Front Seat
	82211224	1							Rear Seat
2									SWITCH, Heated Seat
	68033392AA	1							Rear Seat
	68033391AA	1							Front Seat
3	68033390AA	1							MODULE, Heated Seat

GRAND CHEROKEE (WK)

SERIES LINE
H = HIGHLINE T = JEEP - 2WD
P = PREMIUM J = JEEP - 4WD
S = SPORT
X = SPECIAL

BODY
74 = SPORT UTILITY 4-DR
TYPE #4

ENGINE
EZH = 5.7L V8 HEMI MDS
VCT Engine
ESF = 6.1L SRT HEMI V8
Engine
EKG = 3.7L V6 Engine

TRANSMISSION
DGJ = 5-Speed Auto W5A580
Transmission
DGQ = 5-Spd Automatic 545RFE
Transmission

AR = use ase required - = Non illustrated part

2010 WK

**Step Kit - Side
Figure 1-440**

ITEM	PART NUMBER	QTY	LINE	SERIES	BODY	ENGINE	TRANS	TRIM	DESCRIPTION
1									STEP KIT, Tubular Side
	82209885AE	1							4 Inch Black Aluminum
	82209892AE	1							4 Inch Chrome Aluminum
2	68064449AA	1							BRACKET
3									STEP, Left Side
	68056185AA	1							4 Inch Black Aluminum
	68056187AA	1							4 Inch Chrome Aluminum
4									STEP, Right Side
	68056184AA	1							4 Inch Black Aluminum
	68056186AA	1							4 Inch Chrome Aluminum
5	68048812AA	1							END CAP
6	68056195AA	1							STEP PAD, Side Step

GRAND CHEROKEE (WK)

SERIES LINE
H = HIGHLINE T = JEEP - 2WD
P = PREMIUM J = JEEP - 4WD
S = SPORT
X = SPECIAL

BODY
74 = SPORT UTILITY 4-DR
TYPE #4

ENGINE
EZH = 5.7L V8 HEMI MDS
VCT Engine
ESF = 6.1L SRT HEMI V8
Engine
EKG = 3.7L V6 Engine

TRANSMISSION
DGJ = 5-Speed Auto W5A580
Transmission
DGQ = 5-Spd Automatic 545RFE
Transmission

AR = use ase required - = Non illustrated part

2010 WK

**Effects Kit - Ground
Figure 1-442**

ITEM	PART NUMBER	QTY	LINE	SERIES	BODY	ENGINE	TRANS	TRIM	DESCRIPTION
1									CLADDING KIT, Lowerside
	82211094AB	1							Red Rock Crystal
	82211096AB	1							Light Greystone
	82211098AB	1							Bright Silver Metallic Clear Coat
	82211093AB	1							Prime
2	68045297AA	1							AIR DAM
3									SILL, Body Side
	05166228AB	1							Right
	05166229AB	1							Left

GRAND CHEROKEE (WK)

SERIES LINE
H = HIGHLINE T = JEEP - 2WD
P = PREMIUM J = JEEP - 4WD
S = SPORT
X = SPECIAL

BODY
74 = SPORT UTILITY 4-DR
TYPE #4

ENGINE
EZH = 5.7L V8 HEMI MDS
VCT Engine
ESF = 6.1L SRT HEMI V8
Engine
EKG = 3.7L V6 Engine

TRANSMISSION
DGJ = 5-Speed Auto W5A580
Transmission
DGQ = 5-Spd Automatic 545RFE
Transmission

AR = use ase required - = Non illustrated part

2010 WK

**Wheel Kit
Figure 1-448**

ITEM	PART NUMBER	QTY	LINE	SERIES	BODY	ENGINE	TRANS	TRIM	DESCRIPTION
Note;Item #1,Contains 1-Wheel and 1-Center Cap This is a generic illustration									
1									WHEEL KIT, Cast Aluminum
	82205898	1							17X7.5 Chrome
	82209112	1			74				17X7.5 Chrome Clad
	82210036	1			74				18X7.5J Chrome
	82210861	1							18X7.5 With 6 Spoke
	82211230	1							17X7.5X50.8
	82211433	1							18X7.5. 7 Spoke Chrome Clad
2		1							WHEEL, (NOT SERVICED),
3									CAP, Wheel Center
	05003079AA	1							17X7.5 Chrome
	52090401AA	1			74				18X7.5 Chrome
	5HT59SZ0AB	4		J, T	74				Chrome Clad

GRAND CHEROKEE (WK)

SERIES LINE
H = HIGHLINE T = JEEP - 2WD
P = PREMIUM J = JEEP - 4WD
S = SPORT
X = SPECIAL

BODY
74 = SPORT UTILITY 4-DR
TYPE #4

ENGINE
EZH = 5.7L V8 HEMI MDS
VCT Engine
ESF = 6.1L SRT HEMI V8
Engine
EKG = 3.7L V6 Engine

TRANSMISSION
DGJ = 5-Speed Auto W5A580
Transmission
DGQ = 5-Spd Automatic 545RFE
Transmission

**Grille Kit
Figure 1-458**

ITEM	PART NUMBER	QTY	LINE	SERIES	BODY	ENGINE	TRANS	TRIM	DESCRIPTION
1	82211619	1							GRILLE KIT, Chrome Applique
2	06503598	1							PIN, Push, M8x21
3	55157458AB	1							GRILLE, Radiator

GRAND CHEROKEE (WK)

SERIES LINE
H = HIGHLINE T = JEEP - 2WD
P = PREMIUM J = JEEP - 4WD
S = SPORT
X = SPECIAL

BODY
74 = SPORT UTILITY 4-DR
TYPE #4

ENGINE
EZH = 5.7L V8 HEMI MDS
VCT Engine
ESF = 6.1L SRT HEMI V8
Engine
EKG = 3.7L V6 Engine

TRANSMISSION
DGJ = 5-Speed Auto W5A580
Transmission
DGQ = 5-Spd Automatic 545RFE
Transmission

AR = use ase required - = Non illustrated part

2010 WK

**Heater Kit - Engine Block
Figure 1-602**

ITEM	PART NUMBER	QTY	LINE	SERIES	BODY	ENGINE	TRANS	TRIM	DESCRIPTION
1	82208937	1							HEATER PACKAGE, Engine Block
2	05149022AA	1							HEATER, Engine Block
3	04608805AD	1							CORD, Engine Block Heater
4	06015756	1							STRAP, Tie
5	06102001	1							BOLT AND CONED WASHER, Hex head, M6X1.00X20.00

GRAND CHEROKEE (WK)

SERIES LINE
H = HIGHLINE T = JEEP - 2WD
P = PREMIUM J = JEEP - 4WD
S = SPORT
X = SPECIAL

BODY
74 = SPORT UTILITY 4-DR
TYPE #4

ENGINE
EZH = 5.7L V8 HEMI MDS
VCT Engine
ESF = 6.1L SRT HEMI V8
Engine
EKG = 3.7L V6 Engine

TRANSMISSION
DGJ = 5-Speed Auto W5A580
Transmission
DGQ = 5-Spd Automatic 545RFE
Transmission

AR = use ase required - = Non illustrated part

2010 WK

**Engine Cooling Kit
Figure 1-1104**

ITEM	PART NUMBER	QTY	LINE	SERIES	BODY	ENGINE	TRANS	TRIM	DESCRIPTION
1	82210991	1							FAN KIT, Cooling Heavy Duty
2	06034860	1							BOLT AND WASHER, Implement Attaching
3		1							FAN, Cooling, (NOT SERVICED)
4	55038106AA	1							VISCOUS CLUTCH, Fan Drive

GRAND CHEROKEE (WK)

SERIES LINE
H = HIGHLINE T = JEEP - 2WD
P = PREMIUM J = JEEP - 4WD
S = SPORT
X = SPECIAL

BODY
74 = SPORT UTILITY 4-DR
TYPE #4

ENGINE
EZH = 5.7L V8 HEMI MDS
VCT Engine
ESF = 6.1L SRT HEMI V8
Engine
EKG = 3.7L V6 Engine

TRANSMISSION
DGJ = 5-Speed Auto W5A580
Transmission
DGQ = 5-Spd Automatic 545RFE
Transmission

AR = use ase required - = Non illustrated part

2010 WK

Group - 2

Front Suspension

Group - 2 Front Suspension

Illustration Title

Group-Fig. No.

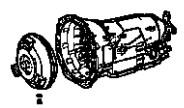
Front Suspension, Strut and Cradle

Suspension, Front..... Fig. 2 - 110

Cradle, Front Suspension Fig. 2 - 120

Front Stabilizer Bar

Stabilizer Bar, Front..... Fig. 2 - 210

<p>002-100 Front Suspension, Strut and Cradle</p> 	<p>002-200 Front Stabilizer Bar</p>		
--	--	--	--

**Suspension, Front
Figure 2-110**

ITEM	PART NUMBER	QTY	LINE	SERIES	BODY	ENGINE	TRANS	TRIM	DESCRIPTION
Note:Sales Codes; [EK0]=ALL V6 ENGINES [EV0]=ALL V8 ENGINES [ES0]=ALL V8 ENGINES [EX0]=ALL 3.0/3.1L TURBO DIESELS ENGINES									
1	52089347AA	2	J, T		74				BUMPER, Jounce
2	06507770AA	4	J, T		74				BOLT, Hex Flange Head, M12x1.75X85.00, UCA to Body, Mounting
3	06502835	4	J, T		74				NUT, Hex Flange Lock, M12x1.75, UCA to Body, Mounting
4	52090206AI	1	J, T		74				ARM, Upper Control, Front
5	06101984	4	J, T		74				BOLT AND WASHER, Hex Head, M12X1.75X70.00, LCA to Cradle Rear, Mounting
6	06507676AA	2	J, T		74				NUT, Hex Flange Lock, M12X1.50, UCA Ball Joint to Knuckle, Mounting
7									KNUCKLE, Front
	52090180AD	1	J, T		74	EK0, EV0, EX0, EZ0			[EK0,EV0,EX0,EZ0], Right
	52090179AD	1	J, T		74	EK0, EV0, EX0, EZ0			[EK0,EV0,EX0,EZ0], Left
	05290648AB	1	J		74	ES0			[ES0], Right
	05290649AB	1	J		74	ES0			[ES0], Left
8	06508257AA	4	J, T		74				NUT AND RETAINER, Hex Flange Locking, M12x1.75, LCA to Cradle Rear, Mounting
9	06503047	2	J, T		74				BOLT, Hex Flange Head, M16x2.00x135.00, Clevis, Mounting
10	06505623AA	2	J, T		74				NUT, Hex Lock, M14x1.50, LCA to Knuckle, Mounting
11	05135651AD	1	J, T		74				BALL JOINT KIT, Lower Control Arm
12	06102252AA	2	J, T		74				NUT, Hex Flange Lock, M16x2.00, Clevis, Mounting
13									ARM, Lower Control, Front
	05290635AA	1	J, T		74				[SDX] Includes Items 10,11 and 3 Bushings, Left
	52089980AI	1	J, T		74				[SDA] Includes Items 10,11 and 3 Bushings, Right
	52089981AI	1	J, T		74				[SDA] Includes Items 10,11 and 3 Bushings, Left
	05290634AA	1	J, T		74				[SDX] Includes Items 10,11 and 3 Bushings, Right

GRAND CHEROKEE (WK)

SERIES LINE
H = HIGHLINE T = JEEP - 2WD
P = PREMIUM J = JEEP - 4WD
S = SPORT
X = SPECIAL

BODY
74 = SPORT UTILITY 4-DR
TYPE #4

ENGINE
EZH = 5.7L V8 HEMI MDS
VCT Engine
ESF = 6.1L SRT HEMI V8
Engine
EKG = 3.7L V6 Engine

TRANSMISSION
DGJ = 5-Speed Auto W5A580
Transmission
DGQ = 5-Spd Automatic 545RFE
Transmission

AR = use ase required - = Non illustrated part

2010 WK

**Suspension, Front
Figure 2-110**

ITEM	PART NUMBER	QTY	LINE	SERIES	BODY	ENGINE	TRANS	TRIM	DESCRIPTION
14	06503047	2	J, T		74				BOLT, Hex Flange Head, M16x2.00x135.00, LCA to Cradle Front, Mounting
15	06507869AA	2	J, T		74				NUT AND RETAINER, Hex Flange Locking, M16x2.00x70.00, LCA to Cradle Front, Mounting
16									CLEVIS, Front
	52090476AA	1	J, T		74				Right
	52090477AA	1	J, T		74				Left
17	06502818	2	J, T		74				BOLT, Hex Flange Head, M14x2.00x80.00, Clevis Pinch Bolt, Mounting
18	52089330AB	2	J, T		74				ISOLATOR, Spring, Lower
19									SPRING, Front Coil
	05290629AB	1	J, T		74				[ZKL], Left
	52089765AE	1	J, T		74				[ZHE,ZWE],
	52124089AE	1	J, T		74				[ZJG,ZXG]
	52124092AE	1	J, T		74				[ZJJ,ZXJ]
	05290771AB	1	J, T		74				[ZYL], Right
	52089761AE	1	J, T		74				[ZHA,ZWA]
	52089764AE	1	J, T		74				[ZHD,ZWD]
	52124011AE	1	J, T		74				[ZJB,ZXB]
	52124012AD	1	J, T		74				[ZJC,ZXC]
	52089766AE	1	J, T		74				[ZHF,ZWF]
	52089767AE	1	J, T		74				[ZHG,ZWG]
	52089762AE	1	J, T		74				[ZHB,ZWB]
	52089763AE	1	J, T		74				[ZHC,ZWC]
20									SHOCK ABSORBER KIT, Suspension, Front
	05135573AJ	2	J, T		74				[SDA]
	05175959AC	2	J, T		74				[SDX]
21	52089328AC	2	J, T		74				ISOLATOR, Spring, Upper
22	52089331AC	2	J, T		74				MOUNT, Shock Upper
23	06502835	8	J, T		74				NUT, Hex Flange Lock, M12x1.75, Shock Upper Mount, Mounting
24	06507207AA	2	J, T		74				NUT, Hex Flange Lock, M12x1.75, Shock Upper, Mounting

GRAND CHEROKEE (WK)

SERIES LINE
H = HIGHLINE T = JEEP - 2WD
P = PREMIUM J = JEEP - 4WD
S = SPORT
X = SPECIAL

BODY
74 = SPORT UTILITY 4-DR
TYPE #4

ENGINE
EZH = 5.7L V8 HEMI MDS
VCT Engine
ESF = 6.1L SRT HEMI V8
Engine
EKG = 3.7L V6 Engine

TRANSMISSION
DGJ = 5-Speed Auto W5A580
Transmission
DGQ = 5-Spd Automatic 545RFE
Transmission

**Cradle,Front Suspension
Figure 2-120**

ITEM	PART NUMBER	QTY	LINE	SERIES	BODY	ENGINE	TRANS	TRIM	DESCRIPTION
1	52089493AI	1	J, T		74				CRADLE, Front Suspension
2	06507957AA	2	J, T		74				BOLT, Hex Flange Head, M14x2.00X185.00, Cradle Front, Mounting
3	06502835	2	J		74				NUT, Hex Flange Lock, M12x1.75, Front Differential Bushing to Cradle, Mounting
4	06507770AA	2	J		74				BOLT, Hex Flange Head, M12x1.75X85.00, Front Differential Bushing to Cradle, Mounting
5	06507958AA	2	J, T		74				BOLT, Hex Flange Head, M12x1.75X183.00, Cradle Rear, Mounting

GRAND CHEROKEE (WK)

SERIES LINE
H = HIGHLINE T = JEEP - 2WD
P = PREMIUM J = JEEP - 4WD
S = SPORT
X = SPECIAL

BODY
74 = SPORT UTILITY 4-DR
TYPE #4

ENGINE
EZH = 5.7L V8 HEMI MDS
VCT Engine
ESF = 6.1L SRT HEMI V8
Engine
EKG = 3.7L V6 Engine

TRANSMISSION
DGJ = 5-Speed Auto W5A580
Transmission
DGQ = 5-Spd Automatic 545RFE
Transmission

**Stabilizer Bar,Front
Figure 2-210**

ITEM	PART NUMBER	QTY	LINE	SERIES	BODY	ENGINE	TRANS	TRIM	DESCRIPTION
Note: Sales Codes: Note:SDX Sway Bars do not use bushing or retainers with the raised beads. [SDA]=Normal Duty Suspension [SDX]=High Performance Suspension									
1									STABILIZER BAR, Front
	52089466AE	1	J, T		74				[SDA]
	52090154AG	1	J, T		74				[SDX]
2	06502835	2	J, T		74				NUT, Hex Flange Lock, M12x1.75, Stabilizer Bar Link to Stabilizer Bar, Mounting
3	52089467AB	2	J, T		74				LINK ASSEMBLY, Stabilizer Bar
4									BOLT AND WASHER, Hex Head Lock, M12x1.75x80.00
	06508710AA	2	J, T		74				Stabilizer Bar Link to LCA, Mounting
		2	J, T		74				Stabilizer Bar Link to Stabilizer Bar, Mounting
5									BUSHING, Stabilizer Bar
	52089465AF	2	J, T		74				[SDA], Mounting
	52090155AH	2	J, T		74				[SDX], Mounting
6	52090474AB	2	J, T		74				RETAINER, Stabilizer Bar BushingMounting
7	06508668AA	4	J, T		74				BOLT AND WASHER, Hex Head, M14x2.00x45.00, Stabilizer Bar Retainer to Cradle, Mounting

GRAND CHEROKEE (WK)

SERIES LINE
H = HIGHLINE T = JEEP - 2WD
P = PREMIUM J = JEEP - 4WD
S = SPORT
X = SPECIAL

BODY
74 = SPORT UTILITY 4-DR
TYPE #4

ENGINE
EZH = 5.7L V8 HEMI MDS
VCT Engine
ESF = 6.1L SRT HEMI V8
Engine
EKG = 3.7L V6 Engine

TRANSMISSION
DGJ = 5-Speed Auto W5A580
Transmission
DGQ = 5-Spd Automatic 545RFE
Transmission

Group - 003DJA

Front Axle; Corporate 200 MM; Differential and Drive Line

Group - 003DJA Front Axle; Corporate 200 MM; Differential and Drive Line

Illustration Title

Group-Fig. No.

Front Axle Assembly

Axle Assembly Fig. 003DJA - 105

Front Axle; Housing, Differential and Vent

Housing and Vent Fig. 003DJA - 205

Differential Assembly Fig. 003DJA - 210

Front Axle Drive Shafts

Shaft, Axle Fig. 003DJA - 305

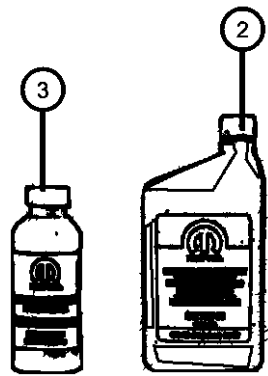
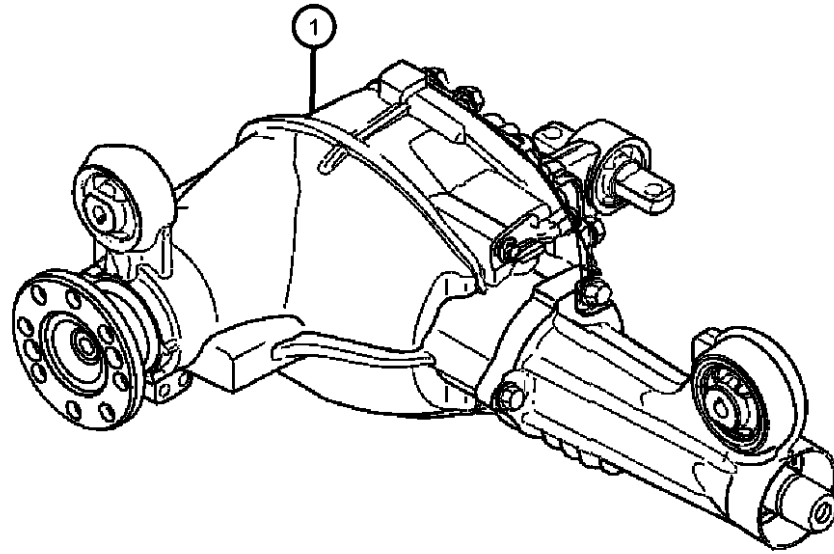
Drive Shaft

Shaft, Drive Fig. 003DJA - 605

<p>003DJA-100 Front Axle Assembly</p>	<p>003DJA-200 Front Axle; Housing, Differential and Vent</p>	<p>003DJA-300 Front Axle Drive Shafts</p>	<p>003DJA-600 Drive Shaft</p>
--	---	--	--

**Axle Assembly
Figure 003DJA-105**

ITEM	PART NUMBER	QTY	LINE	SERIES	BODY	ENGINE	TRANS	TRIM	DESCRIPTION
1									AXLE, Service Front
	52111369AF	1	J		74				[DME], [DS7]
	52111936AD	1	J		74				[DME], [DSG]
	52111937AF	1	J		74				[DMD], [DSG]
	52111938AF	1	J		74				[DMM]
	52114728AD	1	J		74				[DMD]
2	04874469	AR							LUBRICANT, Gear, ELSD Requires Limited Slip Additive, [32oz] Minimum Ship Quantity 12 Mopar SAE 75W-140 Synthetic Gear and Axle Lube Quart
	04874469								Mopar SAE 75W-140 Synthetic Gear and Axle Lube 16 Gallon Keg
	68003055AA								
3	04318060AB	AR							ADDITIVE, Axle, Limited Slip Additive, [4oz] Minimum Ship Quantity 24



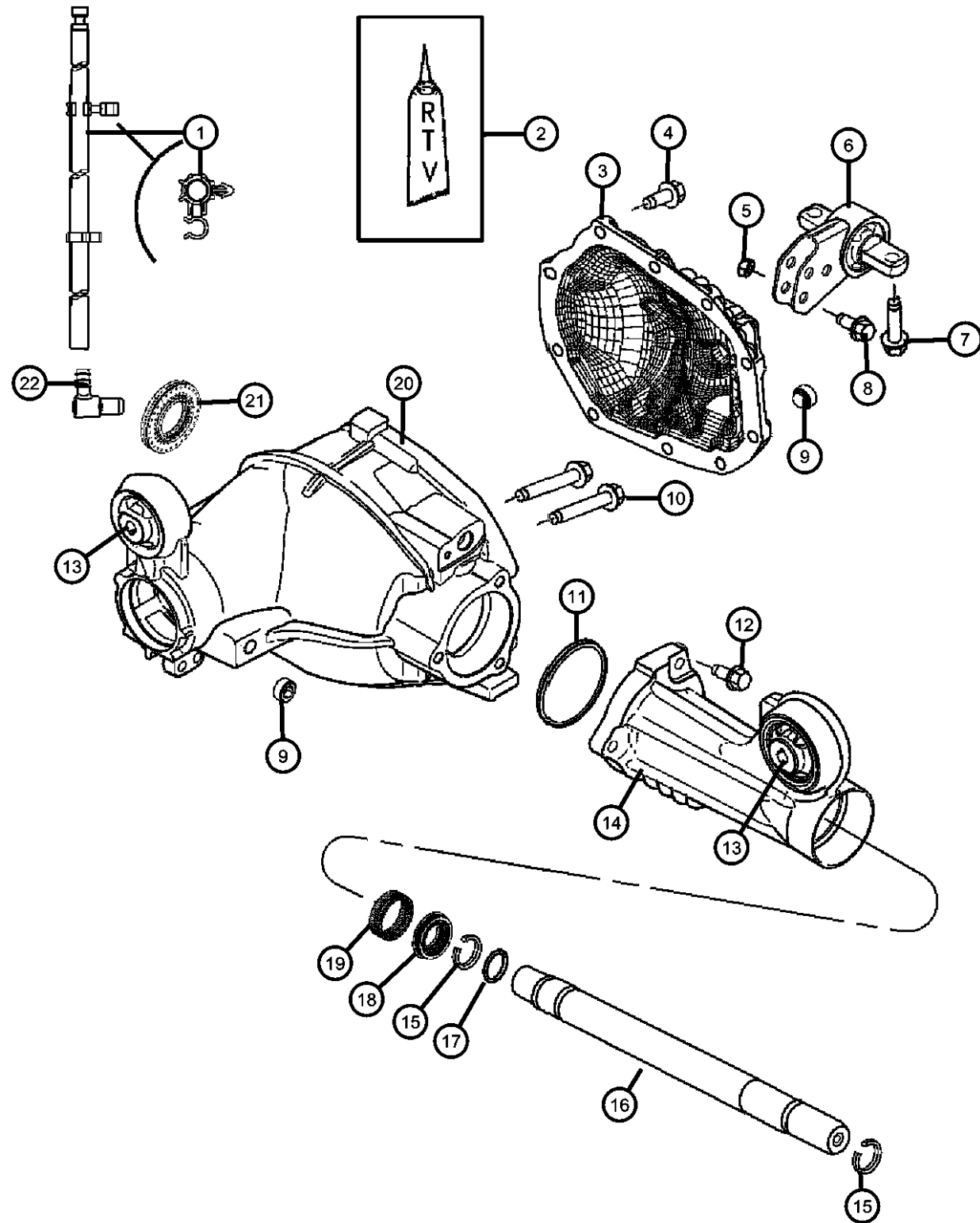
GRAND CHEROKEE (WK)

SERIES	LINE	BODY	ENGINE	TRANSMISSION
H = HIGHLINE	T = JEEP - 2WD	74 = SPORT UTILITY 4-DR	EZH = 5.7L V8 HEMI MDS	DGJ = 5-Speed Auto W5A580
P = PREMIUM	J = JEEP - 4WD	TYPE #4	VCT Engine	Transmission
S = SPORT			ESF = 6.1L SRT HEMI V8	DGQ = 5-Spd Automatic 545RFE
X = SPECIAL			Engine	Transmission
			EKG = 3.7L V6 Engine	

AR = use ase required - = Non illustrated part

2010 WK

Housing and Vent
Figure 003DJA-205



ITEM	PART NUMBER	QTY	LINE	SERIES	BODY	ENGINE	TRANS	TRIM	DESCRIPTION
1	52114148AD	1	J		74				HOSE, Axle Vent
2	05010884AA	1	J		74				SEALANT, RTV
3	52111342AC	1	J		74				COVER, Differential [DS7]
	52111964AC	1	J		74				[DSG]
4	06507903AA	10	J		74				BOLT, Hex Flange Head, M10x1.50x30.00 [DSG], Mounting
		8	J		74				[DS7], Mounting
5	06104718AA	3	J		74				NUT, Hex Flange Lock, M12X1.50, Axle Bracket, Mounting
6	52114354AA	1	J		74				BRACKET ASSEMBLY, Front Cover, Axle
7	06508159AA	2	J		74				BOLT, Hex Flange Head, M10x1.50x40.00, Differential Dogbone to Cradle, Mounting
8	06104237AA	3	J		74				BOLT, Hex Flange Head, M12x1.50x45.00, Axle Bracket, Mounting
9	05097712AB	1	J		74				PLUG, Oil Drain
10	03432695	2	J		74				BOLT, Hex Head, .500-13x2.38, Carrier Bearing Cap, Mounting
11	52114079AA	1	J		74				O RING, Axle Housing Tube to Axle Housing, Mounting
12	06507903AA	3	J		74				BOLT, Hex Flange Head, M10x1.50x30.00, Axle Housing Tube to Axle Housing, Mounting
13	52089516AB	1	J		74				ISOLATOR, Axle Mounting
14	52111966AC	1	J		74				TUBE, Axle Housing [DSG] Includes 14,18
	52111343AC	1	J		74				[DS7] Includes 14,18
15	52069710AB	2	J		74				SNAP RING, Axle Shaft
16	52111347AB	1	J		74				SHAFT, Axle [DS7]
	52111969AC	1	J		74				[DSG]
17	52069888AB	1	J		74				O RING, Shaft Disconnect
18	52069706AB	1	J		74				SEAL, Axle Drive Shaft
19	52111167AA	1	J		74				BUSHING, Axle Shaft
20	52114326AA	1	J		74				HOUSING, Axle [DSG] Includes 9,10,14

GRAND CHEROKEE (WK)

SERIES LINE
H = HIGHLINE T = JEEP - 2WD
P = PREMIUM J = JEEP - 4WD
S = SPORT
X = SPECIAL

BODY
74 = SPORT UTILITY 4-DR
TYPE #4

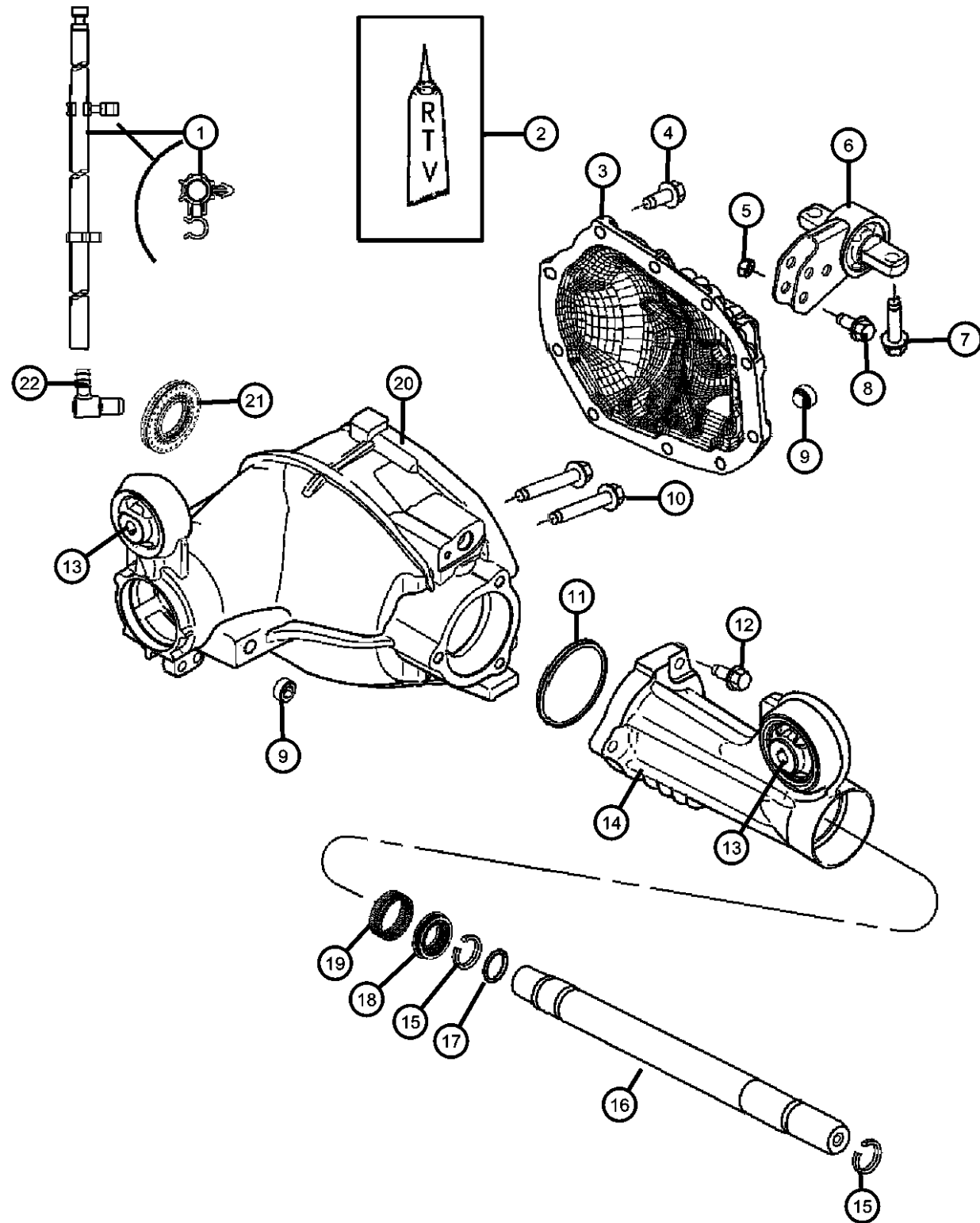
ENGINE
EZH = 5.7L V8 HEMI MDS
VCT Engine
ESF = 6.1L SRT HEMI V8
Engine
EKG = 3.7L V6 Engine

TRANSMISSION
DGJ = 5-Speed Auto W5A580
Transmission
DGQ = 5-Spd Automatic 545RFE
Transmission

AR = use ase required - = Non illustrated part

2010 WK

Housing and Vent
Figure 003DJA-205



ITEM	PART NUMBER	QTY	LINE	SERIES	BODY	ENGINE	TRANS	TRIM	DESCRIPTION
	52114331AA	1	J		74				[DS7] Includes 9,13,14
21	52111338AC	1	J		74				SEAL, Axle Drive Shaft
22	52114325AC	1	J		74				VENT, Axle

GRAND CHEROKEE (WK)

SERIES LINE
H = HIGHLINE T = JEEP - 2WD
P = PREMIUM J = JEEP - 4WD
S = SPORT
X = SPECIAL

BODY
74 = SPORT UTILITY 4-DR
TYPE #4

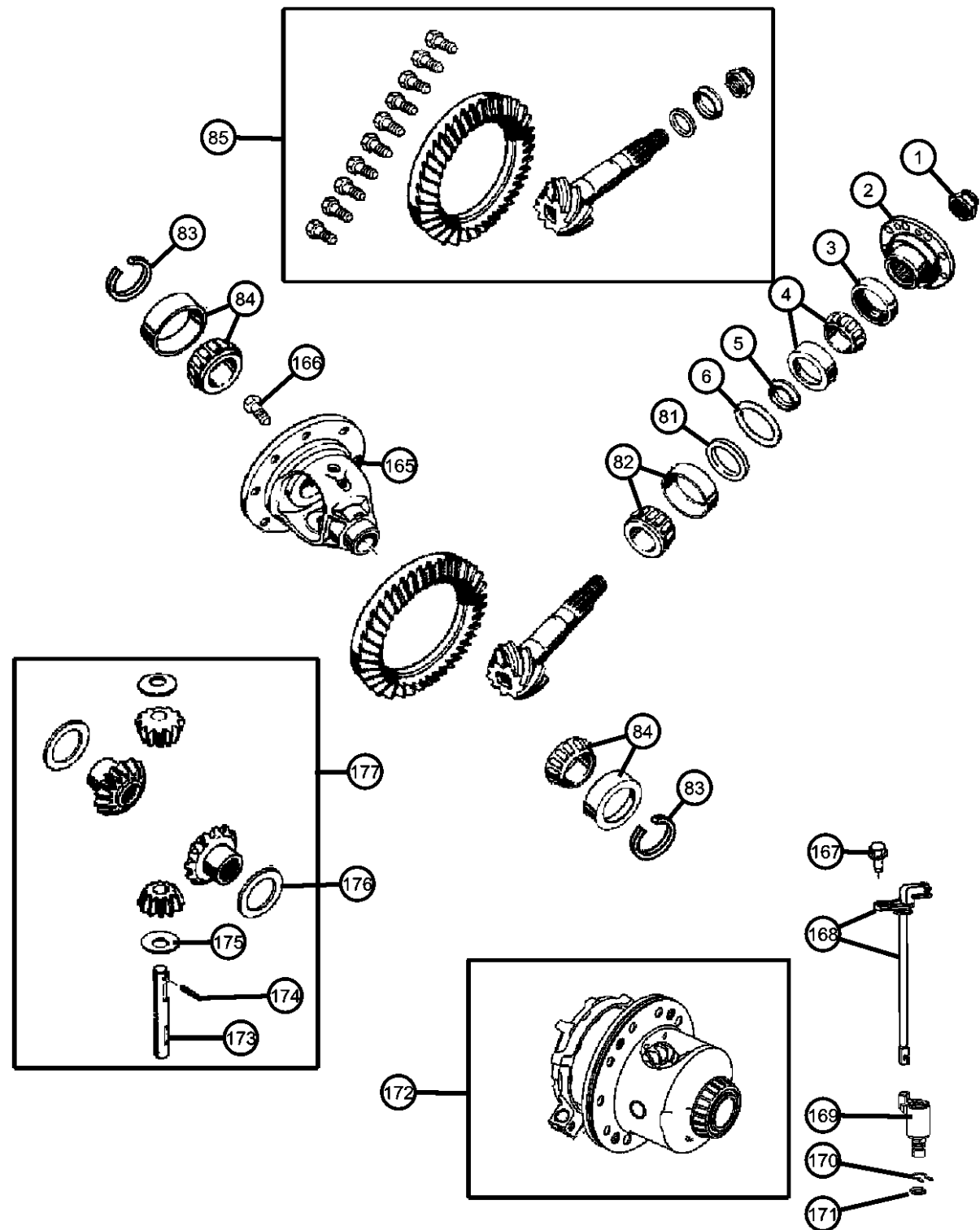
ENGINE
EZH = 5.7L V8 HEMI MDS
VCT Engine
ESF = 6.1L SRT HEMI V8
Engine
EKG = 3.7L V6 Engine

TRANSMISSION
DGJ = 5-Speed Auto W5A580
Transmission
DGQ = 5-Spd Automatic 545RFE
Transmission

AR = use ase required - = Non illustrated part

2010 WK

Differential Assembly
Figure 003DJA-210



ITEM	PART NUMBER	QTY	LINE	SERIES	BODY	ENGINE	TRANS	TRIM	DESCRIPTION
1	06507901AA	1	J		74				NUT, Pinion
2	52114795AB	1	J		74				FLANGE, Pinion
3	52111953AC	1	J		74				SEAL, Drive Pinion
4	05135674AB	1	J		74				BEARING KIT, Drive Pinion, Bearing and Cup, Front
5	52111336AA	1	J		74				SPACER, Drive Pinion Bearing, Crush
6	52111335AA	1	J		74				SHIM, Drive Pinion Bearing, 4.90mm
-7	52111334AA	1	J		74				SHIM, Drive Pinion Bearing, 4.92mm
-8	52111333AA	1	J		74				SHIM, Drive Pinion Bearing, 4.94mm
-9	52111332AA	1	J		74				SHIM, Drive Pinion Bearing, 4.96mm
-10	52111331AA	1	J		74				SHIM, Drive Pinion Bearing, 4.98mm
-11	52111330AA	1	J		74				SHIM, Drive Pinion Bearing, 5.00mm
-12	52111328AA	1	J		74				SHIM, Drive Pinion Bearing, 5.02mm
-13	52111327AA	1	J		74				SHIM, Drive Pinion Bearing, 5.04mm
-14	52111326AA	1	J		74				SHIM, Drive Pinion Bearing, 5.06mm
-15	52111325AA	1	J		74				SHIM, Drive Pinion Bearing, 5.08mm
-16	52111324AA	1	J		74				SHIM, Drive Pinion Bearing, 5.10mm
-17	52111323AA	1	J		74				SHIM, Drive Pinion Bearing, 5.12mm
-18	52111322AA	1	J		74				SHIM, Drive Pinion Bearing, 5.14mm
-19	52111321AA	1	J		74				SHIM, Drive Pinion Bearing, 5.16mm
-20	52111320AA	1	J		74				SHIM, Drive Pinion Bearing, 5.18mm
-21	52111319AA	1	J		74				SHIM, Drive Pinion Bearing, 5.20mm
-22	52111318AA	1	J		74				SHIM, Drive Pinion Bearing, 5.22mm
-23	52111317AA	1	J		74				SHIM, Drive Pinion Bearing, 5.24mm
-24	52111316AA	1	J		74				SHIM, Drive Pinion Bearing, 5.26mm
-25	52111315AA	1	J		74				SHIM, Drive Pinion Bearing, 5.28mm

GRAND CHEROKEE (WK)

SERIES LINE
H = HIGHLINE T = JEEP - 2WD
P = PREMIUM J = JEEP - 4WD
S = SPORT
X = SPECIAL

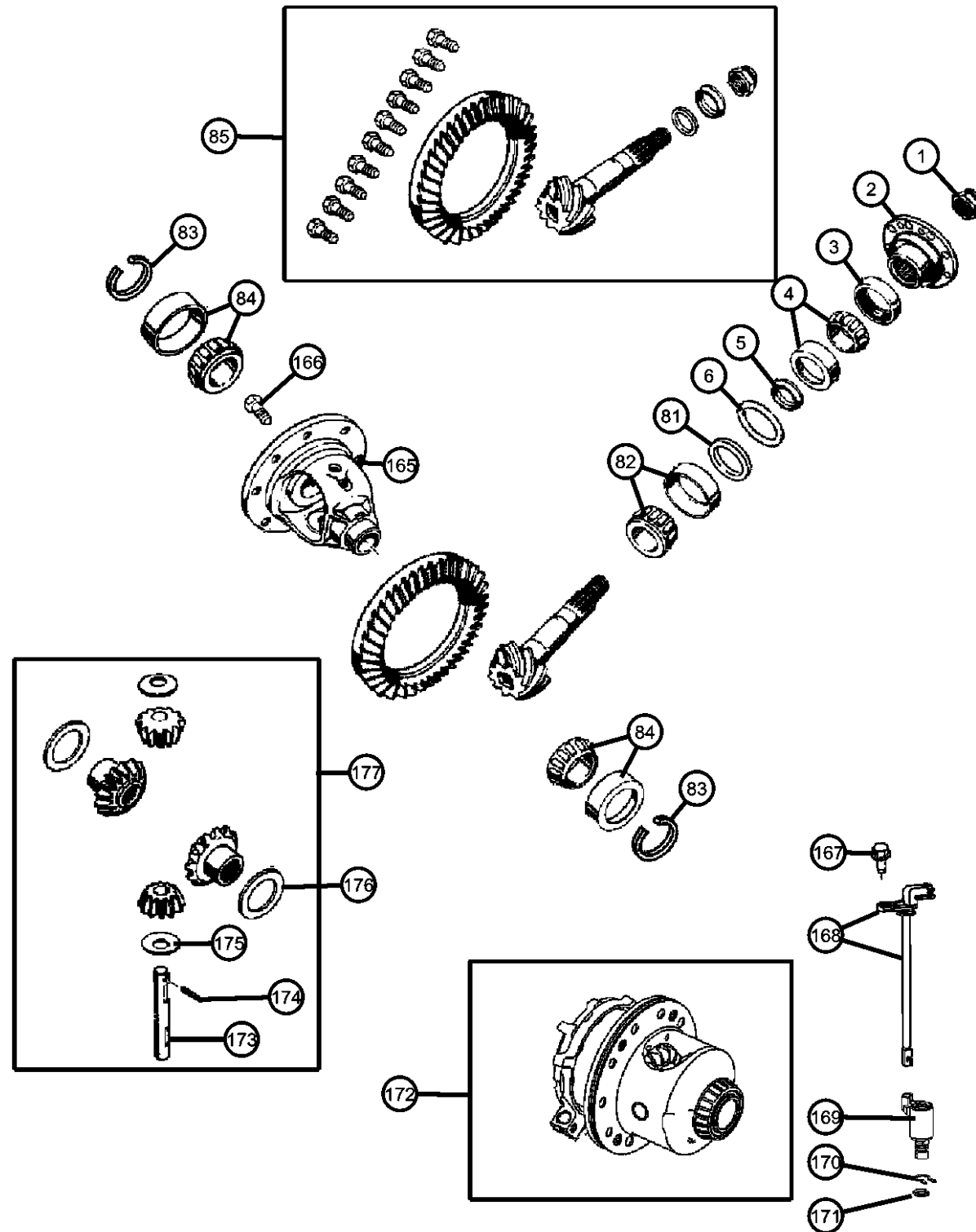
BODY
74 = SPORT UTILITY 4-DR TYPE #4

ENGINE
EZH = 5.7L V8 HEMI MDS VCT Engine
ESF = 6.1L SRT HEMI V8 Engine
EKG = 3.7L V6 Engine

TRANSMISSION
DGJ = 5-Speed Auto W5A580 Transmission
DGQ = 5-Spd Automatic 545RFE Transmission

AR = use ase required - = Non illustrated part

Differential Assembly
Figure 003DJA-210



ITEM	PART NUMBER	QTY	LINE	SERIES	BODY	ENGINE	TRANS	TRIM	DESCRIPTION
-26	52111310AA	1	J		74				SHIM, Drive Pinion Bearing, 5.30mm
-27	52111309AA	1	J		74				SHIM, Drive Pinion Bearing, 5.32mm
-28	52111308AA	1	J		74				SHIM, Drive Pinion Bearing, 5.34mm
-29	52111307AA	1	J		74				SHIM, Drive Pinion Bearing, 5.36mm
-30	52111306AA	1	J		74				SHIM, Drive Pinion Bearing, 5.38mm
-31	52111305AA	1	J		74				SHIM, Drive Pinion Bearing, 5.40mm
-32	52111304AA	1	J		74				SHIM, Drive Pinion Bearing, 5.42mm
-33	52111303AA	1	J		74				SHIM, Drive Pinion Bearing, 5.44mm
-34	52111302AA	1	J		74				SHIM, Drive Pinion Bearing, 5.46mm
-35	52111301AA	1	J		74				SHIM, Drive Pinion Bearing, 5.48mm
-36	52111300AA	1	J		74				SHIM, Drive Pinion Bearing, 5.50mm
-37	52111299AA	1	J		74				SHIM, Drive Pinion Bearing, 5.52mm
-38	52111298AA	1	J		74				SHIM, Drive Pinion Bearing, 5.54mm
-39	52111297AA	1	J		74				SHIM, Drive Pinion Bearing, 5.56mm
-40	52111296AA	1	J		74				SHIM, Drive Pinion Bearing, 5.58mm
-41	52111295AA	1	J		74				SHIM, Drive Pinion Bearing, 5.60mm
-42	52111294AA	1	J		74				SHIM, Drive Pinion Bearing, 5.62mm
-43	52111293AA	1	J		74				SHIM, Drive Pinion Bearing, 5.64mm
-44	52111292AA	1	J		74				SHIM, Drive Pinion Bearing, 5.66mm
-45	52111291AA	1	J		74				SHIM, Drive Pinion Bearing, 5.68mm
-46	52111290AA	1	J		74				SHIM, Drive Pinion Bearing, 5.70mm
-47	52111289AA	1	J		74				SHIM, Drive Pinion Bearing, 5.72mm
-48	52111288AA	1	J		74				SHIM, Drive Pinion Bearing, 5.74mm
-49	52111287AA	1	J		74				SHIM, Drive Pinion Bearing, 5.76mm

GRAND CHEROKEE (WK)

SERIES LINE
H = HIGHLINE T = JEEP - 2WD
P = PREMIUM J = JEEP - 4WD
S = SPORT
X = SPECIAL

BODY
74 = SPORT UTILITY 4-DR
TYPE #4

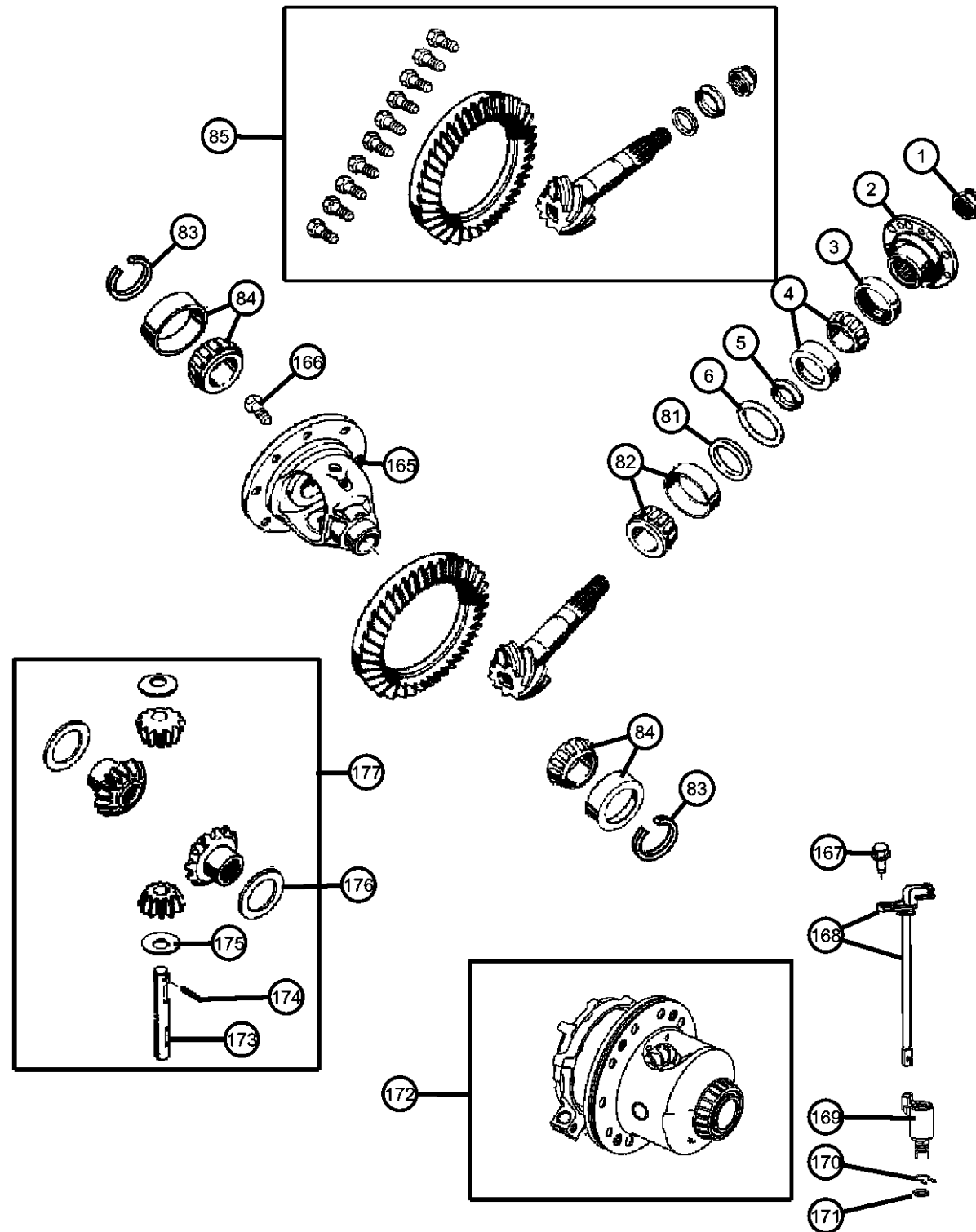
ENGINE
EZH = 5.7L V8 HEMI MDS
VCT Engine
ESF = 6.1L SRT HEMI V8
Engine
EKG = 3.7L V6 Engine

TRANSMISSION
DGJ = 5-Speed Auto W5A580
Transmission
DGQ = 5-Spd Automatic 545RFE
Transmission

AR = use ase required - = Non illustrated part

2010 WK

Differential Assembly
Figure 003DJA-210



ITEM	PART NUMBER	QTY	LINE	SERIES	BODY	ENGINE	TRANS	TRIM	DESCRIPTION
-50	52111286AA	1	J		74				SHIM, Drive Pinion Bearing, 5.78mm
-51	52111285AA	1	J		74				SHIM, Drive Pinion Bearing, 5.80mm
-52	52111284AA	1	J		74				SHIM, Drive Pinion Bearing, 5.82mm
-53	52111283AA	1	J		74				SHIM, Drive Pinion Bearing, 5.84mm
-54	52111282AA	1	J		74				SHIM, Drive Pinion Bearing, 5.86mm
-55	52111281AA	1	J		74				SHIM, Drive Pinion Bearing, 5.88mm
-56	52111280AA	1	J		74				SHIM, Drive Pinion Bearing, 5.90mm
-57	52111279AA	1	J		74				SHIM, Drive Pinion Bearing, 5.92mm
-58	52111278AA	1	J		74				SHIM, Drive Pinion Bearing, 5.94mm
-59	52111277AA	1	J		74				SHIM, Drive Pinion Bearing, 5.96mm
-60	52111276AA	1	J		74				SHIM, Drive Pinion Bearing, 5.98mm
-61	52111275AA	1	J		74				SHIM, Drive Pinion Bearing, 6.00mm
-62	52111274AA	1	J		74				SHIM, Drive Pinion Bearing, 6.02mm
-63	52111273AA	1	J		74				SHIM, Drive Pinion Bearing, 6.04mm
-64	52111272AA	1	J		74				SHIM, Drive Pinion Bearing, 6.06mm
-65	52111271AA	1	J		74				SHIM, Drive Pinion Bearing, 6.08mm
-66	52111270AA	1	J		74				SHIM, Drive Pinion Bearing, 6.10mm
-67	52111267AA	1	J		74				SHIM, Drive Pinion Bearing, 6.12mm
-68	52111266AA	1	J		74				SHIM, Drive Pinion Bearing, 6.14mm
-69	52111265AA	1	J		74				SHIM, Drive Pinion Bearing, 6.16mm
-70	52111264AA	1	J		74				SHIM, Drive Pinion Bearing, 6.18mm
-71	52111263AA	1	J		74				SHIM, Drive Pinion Bearing, 6.20mm
-72	52111262AA	1	J		74				SHIM, Drive Pinion Bearing, 6.22mm
-73	52111261AA	1	J		74				SHIM, Drive Pinion Bearing, 6.24mm

GRAND CHEROKEE (WK)

SERIES LINE
H = HIGHLINE T = JEEP - 2WD
P = PREMIUM J = JEEP - 4WD
S = SPORT
X = SPECIAL

BODY
74 = SPORT UTILITY 4-DR
TYPE #4

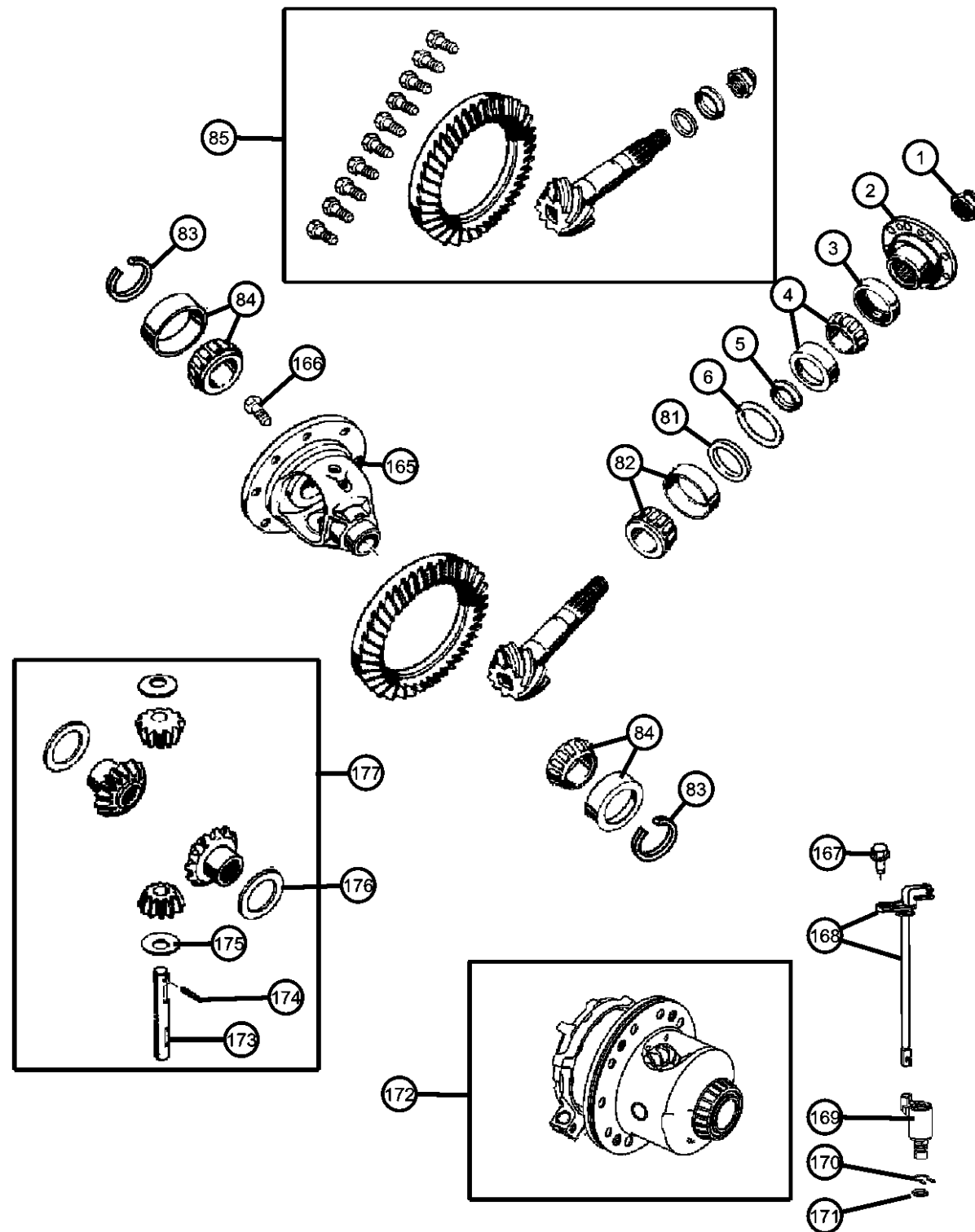
ENGINE
EZH = 5.7L V8 HEMI MDS
VCT Engine
ESF = 6.1L SRT HEMI V8
Engine
EKG = 3.7L V6 Engine

TRANSMISSION
DGJ = 5-Speed Auto W5A580
Transmission
DGQ = 5-Spd Automatic 545RFE
Transmission

AR = use ase required - = Non illustrated part

2010 WK

**Differential Assembly
Figure 003DJA-210**



ITEM	PART NUMBER	QTY	LINE	SERIES	BODY	ENGINE	TRANS	TRIM	DESCRIPTION
-74	52111260AA	1	J		74				SHIM, Drive Pinion Bearing, 6.26mm
-75	52111259AA	1	J		74				SHIM, Drive Pinion Bearing, 6.28mm
-76	52111258AA	1	J		74				SHIM, Drive Pinion Bearing, 6.30mm
-77	52111257AA	1	J		74				SHIM, Drive Pinion Bearing, 6.32mm
-78	52111256AA	1	J		74				SHIM, Drive Pinion Bearing, 6.34mm
-79	52111255AA	1	J		74				SHIM, Drive Pinion Bearing, 6.36mm
-80	52111254AA	1	J		74				SHIM, Drive Pinion Bearing, 6.38mm
81	52111356AA	1	J		74				RING, Pinion Spacer
82	05135673AA	1	J		74				BEARING KIT, Drive Pinion, Bearing and Cup, Rear
83	52111230AA	2	J		74				RETAINING RING/SHIM, Differential Bearing, 3.60mm
84	05135660AB	1	J		74				BEARING KIT, Differential Side, Contains 2 Bearings and 2 Cups
85									GEAR KIT, Ring And Pinion
	05135691AC	1	J		74				[DMM]
	05135939AC	1	J		74				[DMD]
	05135661AC	1	J		74				[DME]
-86	52111231AA	2	J		74				RETAINING RING/SHIM, Differential Bearing, 3.62mm
-87	52111232AA	2	J		74				RETAINING RING/SHIM, Differential Bearing, 3.64mm
-88	52111233AA	2	J		74				RETAINING RING/SHIM, Differential Bearing, 3.66mm
-89	52111234AA	2	J		74				RETAINING RING/SHIM, Differential Bearing, 3.68mm
-90	52111235AA	2	J		74				RETAINING RING/SHIM, Differential Bearing, 3.70mm
-91	52111236AA	2	J		74				RETAINING RING/SHIM, Differential Bearing, 3.72mm
-92	52111238AA	2	J		74				RETAINING RING/SHIM, Differential Bearing, 3.76mm
-93	52111239AA	2	J		74				RETAINING RING/SHIM, Differential Bearing, 3.78mm
-94	52111240AA	2	J		74				RETAINING RING/SHIM, Differential Bearing, 3.80mm
-95	52111241AA	2	J		74				RETAINING RING/SHIM, Differential Bearing, 3.82mm

GRAND CHEROKEE (WK)

SERIES LINE
H = HIGHLINE T = JEEP - 2WD
P = PREMIUM J = JEEP - 4WD
S = SPORT
X = SPECIAL

BODY
74 = SPORT UTILITY 4-DR
TYPE #4

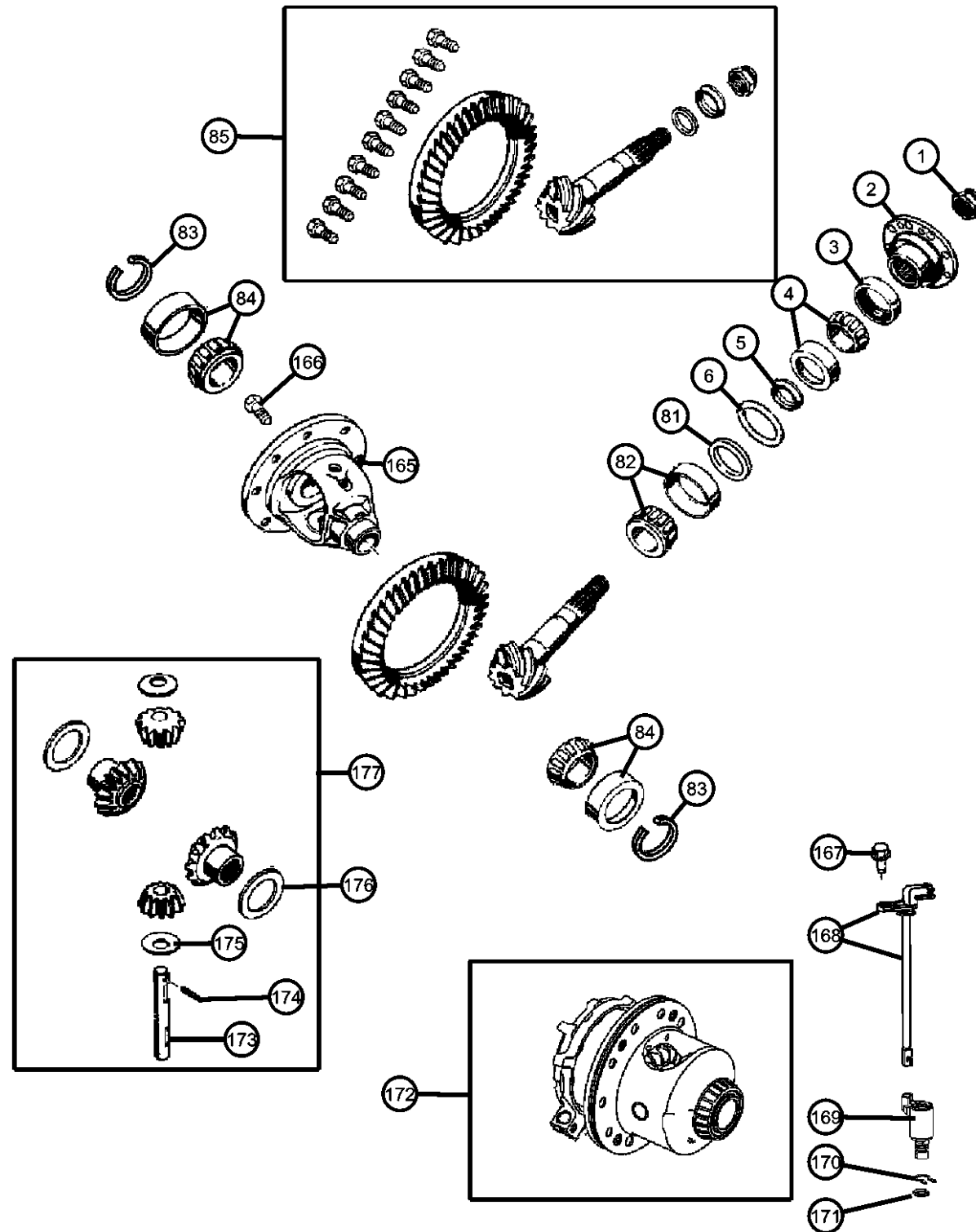
ENGINE
EZH = 5.7L V8 HEMI MDS
VCT Engine
ESF = 6.1L SRT HEMI V8
Engine
EKG = 3.7L V6 Engine

TRANSMISSION
DGJ = 5-Speed Auto W5A580
Transmission
DGQ = 5-Spd Automatic 545RFE
Transmission

AR = use ase required - = Non illustrated part

2010 WK

**Differential Assembly
Figure 003DJA-210**



ITEM	PART NUMBER	QTY	LINE	SERIES	BODY	ENGINE	TRANS	TRIM	DESCRIPTION
-96	52111242AA	2	J		74				RETAINING RING/SHIM, Differential Bearing, 3.84mm
-97	52111243AA	2	J		74				RETAINING RING/SHIM, Differential Bearing, 3.86mm
-98	52111244AA	2	J		74				RETAINING RING/SHIM, Differential Bearing, 3.88mm
-99	52111245AA	2	J		74				RETAINING RING/SHIM, Differential Bearing, 3.90mm
-100	52114083AA	2	J		74				RETAINING RING/SHIM, Differential Bearing, 3.92mm
-101	52114084AA	2	J		74				RETAINING RING/SHIM, Differential Bearing, 3.94mm
-102	52114085AA	2	J		74				RETAINING RING/SHIM, Differential Bearing, 3.96mm
-103	52114086AA	2	J		74				RETAINING RING/SHIM, Differential Bearing, 3.98mm
-104	52114087AA	2	J		74				RETAINING RING/SHIM, Differential Bearing, 4.00mm
-105	52114088AA	2	J		74				RETAINING RING/SHIM, Differential Bearing, 4.02mm
-106	52114089AA	2	J		74				RETAINING RING/SHIM, Differential Bearing, 4.04mm
-107	52114090AA	2	J		74				RETAINING RING/SHIM, Differential Bearing, 4.06mm
-108	52114091AA	2	J		74				RETAINING RING/SHIM, Differential Bearing, 4.08mm
-109	52114092AA	2	J		74				RETAINING RING/SHIM, Differential Bearing, 4.10mm
-110	52114093AA	2	J		74				RETAINING RING/SHIM, Differential Bearing, 4.12mm
-111	52114094AA	2	J		74				RETAINING RING/SHIM, Differential Bearing, 4.14mm
-112	52114095AA	2	J		74				RETAINING RING/SHIM, Differential Bearing, 4.16mm
-113	52114096AA	2	J		74				RETAINING RING/SHIM, Differential Bearing, 4.18mm
-114	52114097AA	2	J		74				RETAINING RING/SHIM, Differential Bearing, 4.20mm
-115	52114098AA	2	J		74				RETAINING RING/SHIM, Differential Bearing, 4.22mm
-116	52114099AA	2	J		74				RETAINING RING/SHIM, Differential Bearing, 4.24mm
-117	52114100AA	2	J		74				RETAINING RING/SHIM, Differential Bearing, 4.26mm
-118	52114101AA	2	J		74				RETAINING RING/SHIM, Differential Bearing, 4.28mm

GRAND CHEROKEE (WK)

SERIES LINE
H = HIGHLINE T = JEEP - 2WD
P = PREMIUM J = JEEP - 4WD
S = SPORT
X = SPECIAL

BODY
74 = SPORT UTILITY 4-DR
TYPE #4

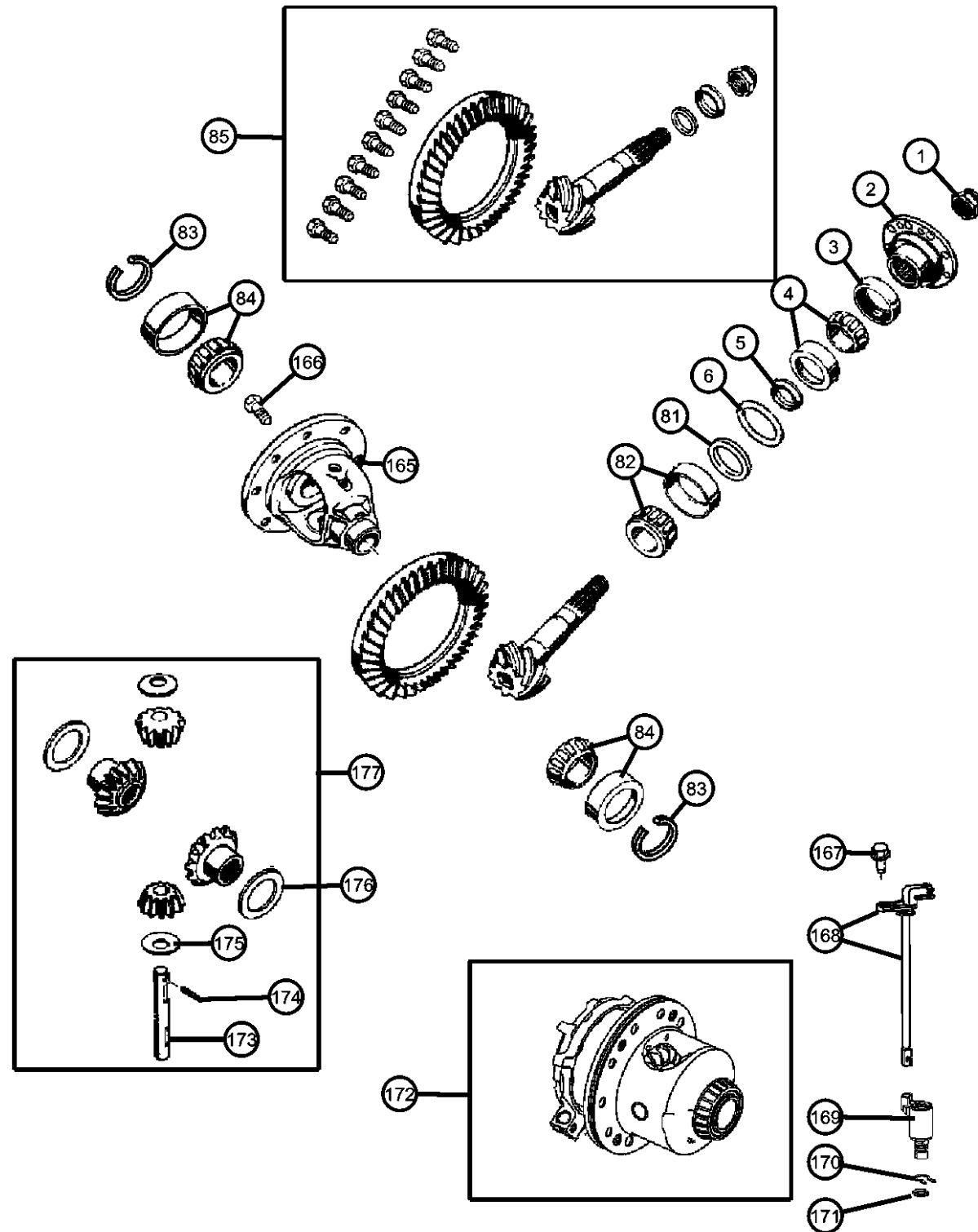
ENGINE
EZH = 5.7L V8 HEMI MDS
VCT Engine
ESF = 6.1L SRT HEMI V8
Engine
EKG = 3.7L V6 Engine

TRANSMISSION
DGJ = 5-Speed Auto W5A580
Transmission
DGQ = 5-Spd Automatic 545RFE
Transmission

AR = use ase required - = Non illustrated part

2010 WK

**Differential Assembly
Figure 003DJA-210**



ITEM	PART NUMBER	QTY	LINE	SERIES	BODY	ENGINE	TRANS	TRIM	DESCRIPTION
-119	52114102AA	2	J		74				RETAINING RING/SHIM, Differential Bearing, 4.30mm
-120	52114103AA	2	J		74				RETAINING RING/SHIM, Differential Bearing, 4.32mm
-121	52114104AA	2	J		74				RETAINING RING/SHIM, Differential Bearing, 4.34mm
-122	52114105AA	2	J		74				RETAINING RING/SHIM, Differential Bearing, 4.36mm
-123	52114106AA	2	J		74				RETAINING RING/SHIM, Differential Bearing, 4.38mm
-124	52114107AA	2	J		74				RETAINING RING/SHIM, Differential Bearing, 4.40mm
-125	52114108AA	2	J		74				RETAINING RING/SHIM, Differential Bearing, 4.42mm
-126	52114109AA	2	J		74				RETAINING RING/SHIM, Differential Bearing, 4.44mm
-127	52114110AA	2	J		74				RETAINING RING/SHIM, Differential Bearing, 4.46mm
-128	52114111AA	2	J		74				RETAINING RING/SHIM, Differential Bearing, 4.48mm
-129	52114112AA	2	J		74				RETAINING RING/SHIM, Differential Bearing, 4.50mm
-130	52114113AA	2	J		74				RETAINING RING/SHIM, Differential Bearing, 4.52mm
-131	52114114AA	2	J		74				RETAINING RING/SHIM, Differential Bearing, 4.54mm
-132	52114115AA	2	J		74				RETAINING RING/SHIM, Differential Bearing, 4.56mm
-133	52114116AA	2	J		74				RETAINING RING/SHIM, Differential Bearing, 4.58mm
-134	52114117AA	2	J		74				RETAINING RING/SHIM, Differential Bearing, 4.60mm
-135	52114118AA	2	J		74				RETAINING RING/SHIM, Differential Bearing, 4.62mm
-136	52114119AA	2	J		74				RETAINING RING/SHIM, Differential Bearing, 4.64mm
-137	52114120AA	2	J		74				RETAINING RING/SHIM, Differential Bearing, 4.66mm
-138	52114121AA	2	J		74				RETAINING RING/SHIM, Differential Bearing, 4.68mm
-139	52114122AA	2	J		74				RETAINING RING/SHIM, Differential Bearing, 4.70mm
-140	52114123AA	2	J		74				RETAINING RING/SHIM, Differential Bearing, 4.72mm
-141	52114124AA	2	J		74				RETAINING RING/SHIM, Differential Bearing, 4.74mm

GRAND CHEROKEE (WK)

SERIES LINE
H = HIGHLINE T = JEEP - 2WD
P = PREMIUM J = JEEP - 4WD
S = SPORT
X = SPECIAL

BODY
74 = SPORT UTILITY 4-DR
TYPE #4

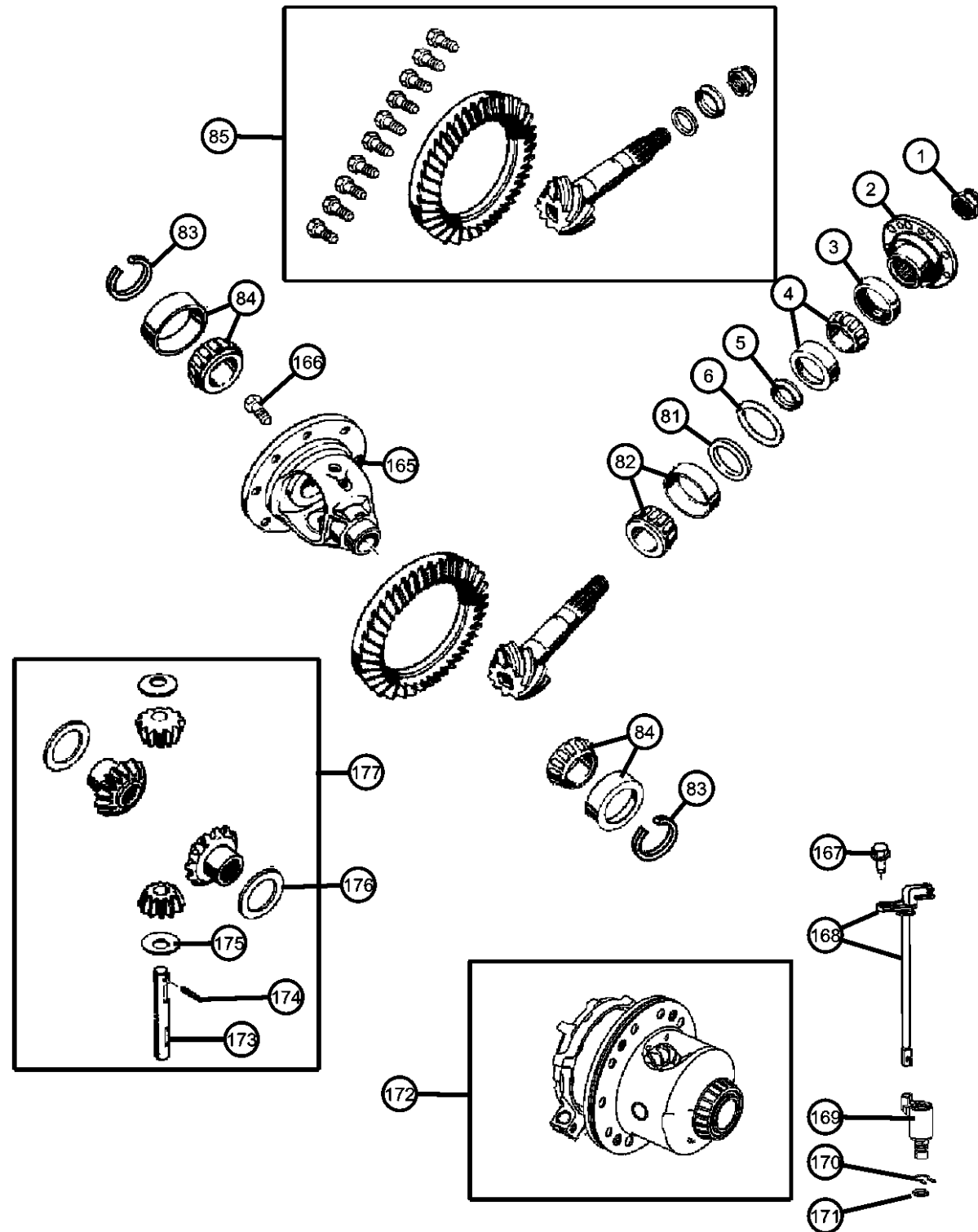
ENGINE
EZH = 5.7L V8 HEMI MDS
VCT Engine
ESF = 6.1L SRT HEMI V8
Engine
EKG = 3.7L V6 Engine

TRANSMISSION
DGJ = 5-Speed Auto W5A580
Transmission
DGQ = 5-Spd Automatic 545RFE
Transmission

AR = use ase required - = Non illustrated part

2010 WK

**Differential Assembly
Figure 003DJA-210**



ITEM	PART NUMBER	QTY	LINE	SERIES	BODY	ENGINE	TRANS	TRIM	DESCRIPTION
-142	52114125AA	2	J		74				RETAINING RING/SHIM, Differential Bearing, 4.76mm
-143	52114126AA	2	J		74				RETAINING RING/SHIM, Differential Bearing, 4.78mm
-144	52114127AA	2	J		74				RETAINING RING/SHIM, Differential Bearing, 4.80mm
-145	52114128AA	2	J		74				RETAINING RING/SHIM, Differential Bearing, 4.82mm
-146	52114129AA	2	J		74				RETAINING RING/SHIM, Differential Bearing, 4.84mm
-147	52114130AA	2	J		74				RETAINING RING/SHIM, Differential Bearing, 4.86mm
-148	52114131AA	2	J		74				RETAINING RING/SHIM, Differential Bearing, 4.88mm
-149	52114132AA	2	J		74				RETAINING RING/SHIM, Differential Bearing, 4.90mm
-150	52114133AA	2	J		74				RETAINING RING/SHIM, Differential Bearing, 4.92mm
-151	52114134AA	2	J		74				RETAINING RING/SHIM, Differential Bearing, 4.94mm
-152	52114135AA	2	J		74				RETAINING RING/SHIM, Differential Bearing, 4.96mm
-153	52114136AA	2	J		74				RETAINING RING/SHIM, Differential Bearing, 4.98mm
-154	52114137AA	2	J		74				RETAINING RING/SHIM, Differential Bearing, 5.00mm
-155	52114138AA	2	J		74				RETAINING RING/SHIM, Differential Bearing, 5.02mm
-156	52114139AA	2	J		74				RETAINING RING/SHIM, Differential Bearing, 5.04mm
-157	52114140AA	2	J		74				RETAINING RING/SHIM, Differential Bearing, 5.06mm
-158	52114141AA	2	J		74				RETAINING RING/SHIM, Differential Bearing, 5.08mm
-159	52114142AA	2	J		74				RETAINING RING/SHIM, Differential Bearing, 5.10mm
-160	52114143AA	2	J		74				RETAINING RING/SHIM, Differential Bearing, 5.12mm
-161	52114144AA	2	J		74				RETAINING RING/SHIM, Differential Bearing, 5.14mm
-162	52114145AA	2	J		74				RETAINING RING/SHIM, Differential Bearing, 5.16mm
-163	52114146AA	2	J		74				RETAINING RING/SHIM, Differential Bearing, 5.18mm
-164	52114147AA	2	J		74				RETAINING RING/SHIM, Differential Bearing, 5.20mm

GRAND CHEROKEE (WK)

SERIES LINE
H = HIGHLINE T = JEEP - 2WD
P = PREMIUM J = JEEP - 4WD
S = SPORT
X = SPECIAL

BODY
74 = SPORT UTILITY 4-DR
TYPE #4

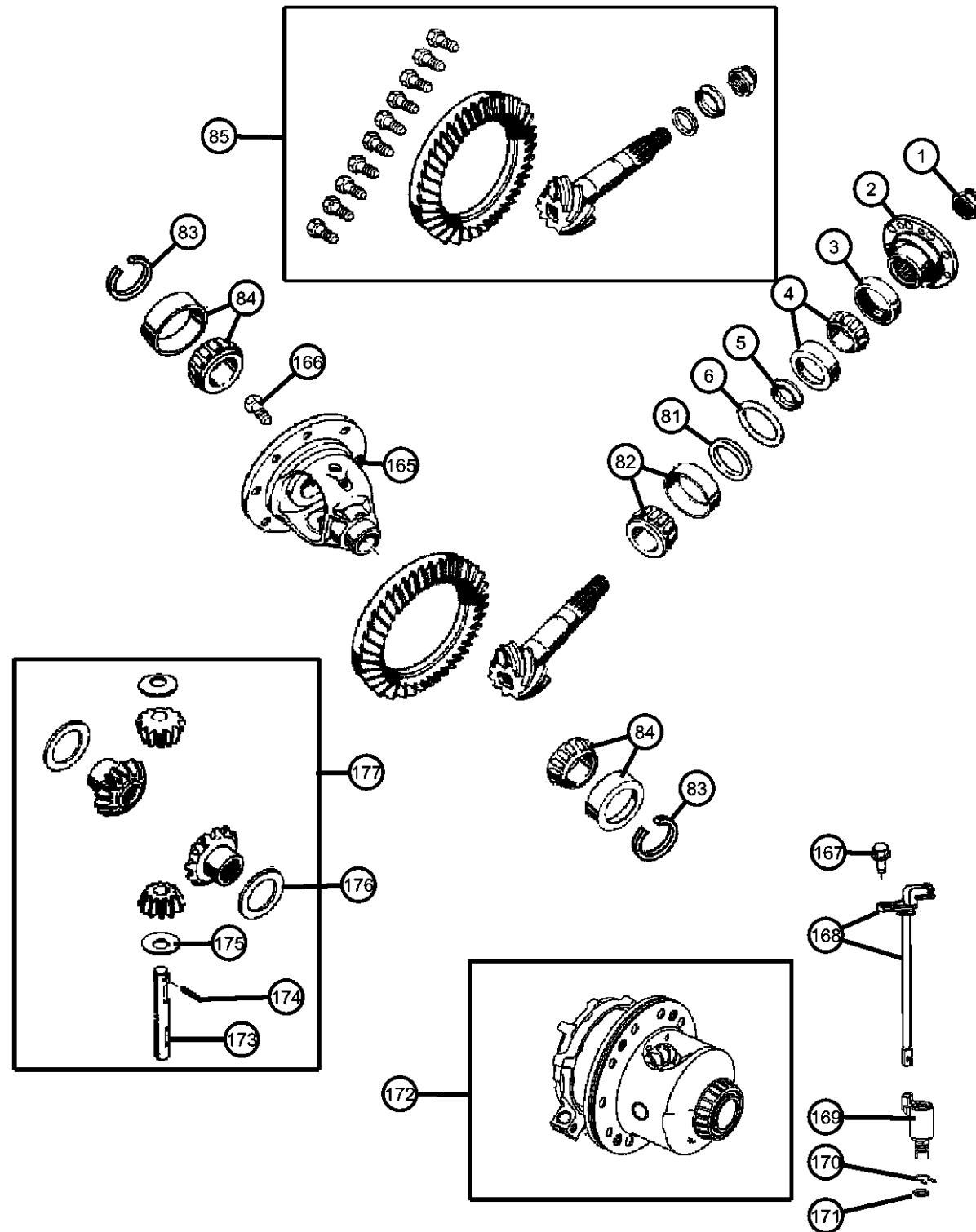
ENGINE
EZH = 5.7L V8 HEMI MDS
VCT Engine
ESF = 6.1L SRT HEMI V8
Engine
EKG = 3.7L V6 Engine

TRANSMISSION
DGJ = 5-Speed Auto W5A580
Transmission
DGQ = 5-Spd Automatic 545RFE
Transmission

AR = use ase required - = Non illustrated part

2010 WK

Differential Assembly
Figure 003DJA-210



ITEM	PART NUMBER	QTY	LINE	SERIES	BODY	ENGINE	TRANS	TRIM	DESCRIPTION
165	52111226AC	1	J		74				CASE ASSEMBLY, Differential, [DS7] With Internal Parts
166	06508058AA	10	J		74				BOLT, Ring Gear
167	06501979	1	J		74				BOLT, Hex Flange Head, M6X1.00X17.00, [DSG] Wheel Speed Sensor, Mounting
168	52114327AC	1	J		74				HARNES, Electronic Front Axle, [DSG]
169	52114003AF	1	J		74				ACTUATOR, Axle Locker, [DSG]
170	05135813AA	1	J		74				SNAP RING, Differential, [DSG]
171	05135814AA	1	J		74				O RING, [DSG]
172	52104673AF	1	J		74				CASE ASSEMBLY, Differential, [DSG] With Internal Parts
173	52114600AA	1	J		74				SHAFT, [DS7]
174	52070338AA	1	J		74				PIN, Differential Shaft, [DS7]
175	02852912	2	J		74				WASHER, Pinion Gear Thrust, [DS7]
176	05015864AA	1	J		74				WASHER KIT, Side Gear Thrust, Contains 2 each .031,.036,.041,.046,Washers, [DS7]
177	05072492AB	1	J		74				GEAR KIT, Center Differential, [DS7]

GRAND CHEROKEE (WK)

SERIES LINE
H = HIGHLINE T = JEEP - 2WD
P = PREMIUM J = JEEP - 4WD
S = SPORT
X = SPECIAL

BODY
74 = SPORT UTILITY 4-DR
TYPE #4

ENGINE
EZH = 5.7L V8 HEMI MDS
VCT Engine
ESF = 6.1L SRT HEMI V8
Engine
EKG = 3.7L V6 Engine

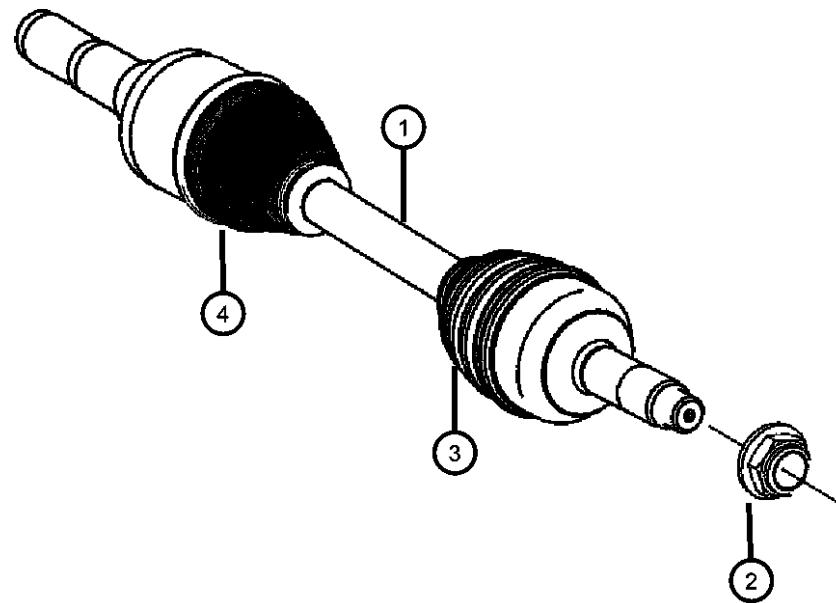
TRANSMISSION
DGJ = 5-Speed Auto W5A580
Transmission
DGQ = 5-Spd Automatic 545RFE
Transmission

AR = use ase required - = Non illustrated part

2010 WK

Shaft, Axle
Figure 003DJA-305

ITEM	PART NUMBER	QTY	LINE	SERIES	BODY	ENGINE	TRANS	TRIM	DESCRIPTION
1									SHAFT, Axle Half
	52104591AB	1	J		74				[DS7], Left
	52104701AB	1	J		74				[DSG], Left
	52104590AA	1	J		74				[DS7], [DSG], Right
2	06506454AA	2	J		74				NUT AND WASHER, Hex Lock, M24x2.00, Front Halfshaft to Hub and Bearing Assembly, Mounting
3	05140759AA	2	J		74				BOOT KIT, Half Shaft, Outer
4	05140758AA	2	J		74				BOOT KIT, Half Shaft, Inner



GRAND CHEROKEE (WK)

SERIES LINE
H = HIGHLINE T = JEEP - 2WD
P = PREMIUM J = JEEP - 4WD
S = SPORT
X = SPECIAL

BODY
74 = SPORT UTILITY 4-DR
TYPE #4

ENGINE
EZH = 5.7L V8 HEMI MDS
VCT Engine
ESF = 6.1L SRT HEMI V8
Engine
EKG = 3.7L V6 Engine

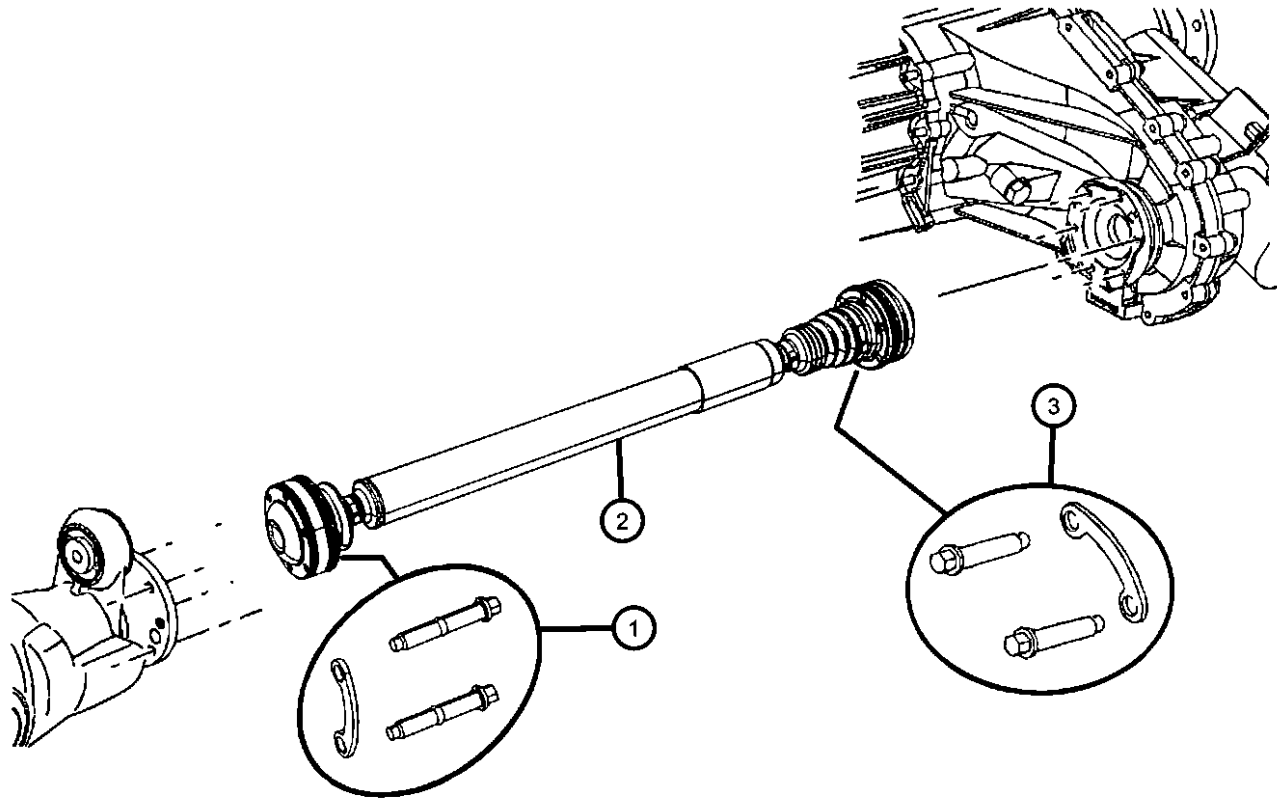
TRANSMISSION
DGJ = 5-Speed Auto W5A580
Transmission
DGQ = 5-Spd Automatic 545RFE
Transmission

AR = use ase required - = Non illustrated part

2010 WK

**Shaft, Drive
Figure 003DJA-605**

ITEM	PART NUMBER	QTY	LINE	SERIES	BODY	ENGINE	TRANS	TRIM	DESCRIPTION
1	68026091AA	3	J		74				BOLT AND WASHER, Front Drive Shaft to Front Axle, Mounting SHAFT, Drive, Front
2	04854650AD	1	J		74				
	52853431AA	1	J		74				[DHX]
	52853432AA	1	J		74				[DHB], [DHZ]
3	05015109AA	3	J		74				BOLT AND WASHER, Front Drive Shaft to Transfer Case, Mounting



GRAND CHEROKEE (WK)

SERIES LINE
H = HIGHLINE T = JEEP - 2WD
P = PREMIUM J = JEEP - 4WD
S = SPORT
X = SPECIAL

BODY
74 = SPORT UTILITY 4-DR
TYPE #4

ENGINE
EZH = 5.7L V8 HEMI MDS
VCT Engine
ESF = 6.1L SRT HEMI V8
Engine
EKG = 3.7L V6 Engine

TRANSMISSION
DGJ = 5-Speed Auto W5A580
Transmission
DGQ = 5-Spd Automatic 545RFE
Transmission

AR = use ase required - = Non illustrated part

2010 WK

Group - 003DRK

Rear Axle; Dana 226 MM; Differential and Drive Line

Group - 003DRK Rear Axle; Dana 226 MM; Differential and Drive Line

Illustration Title

Group-Fig. No.

Drive Shaft

Shaft, Drive, 1-Piece..... Fig. 003DRK - 605

Rear Axle Assembly

Axle Assembly..... Fig. 003DRK - 705

Rear Axle; Housing, Differential and Vent

Housing and Vent Fig. 003DRK - 805

Differential Assembly Fig. 003DRK - 810

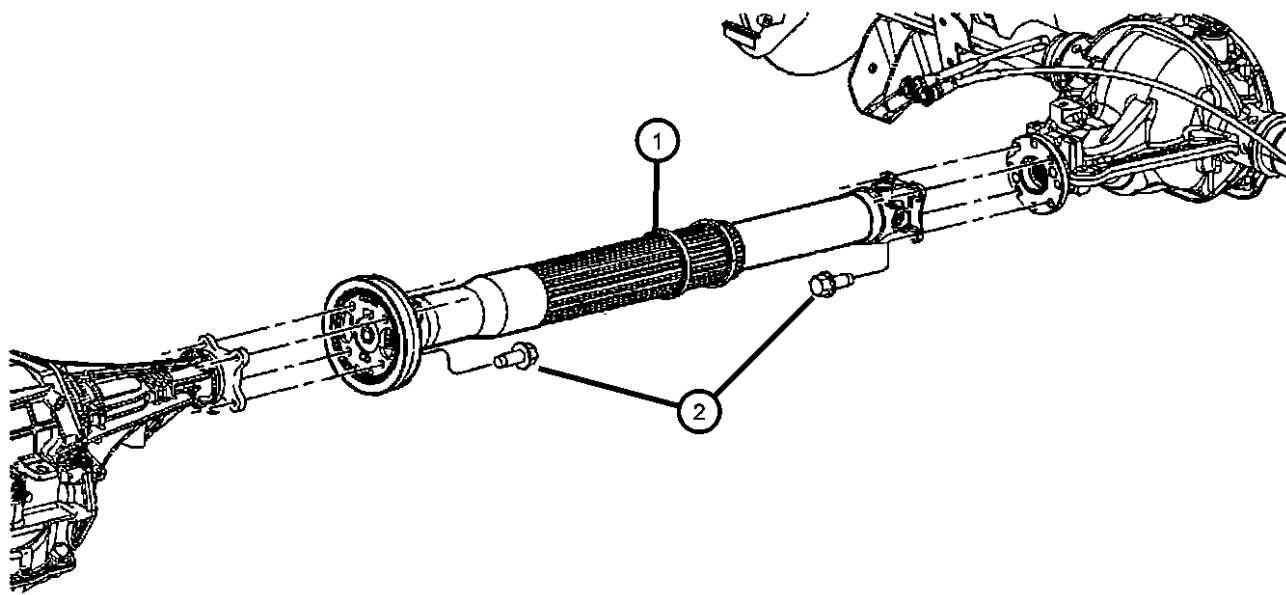
Rear Axle Shafts

Shafts, Axle..... Fig. 003DRK - 905

<p>003DRK-600 Drive Shaft</p>	<p>003DRK-700 Rear Axle Assembly</p>	<p>003DRK-800 Rear Axle; Housing, Differential and Vent</p>	<p>003DRK-900 Rear Axle Shafts</p>
--	---	--	---

Shaft, Drive, 1-Piece
Figure 003DRK-605

ITEM	PART NUMBER	QTY	LINE	SERIES	BODY	ENGINE	TRANS	TRIM	DESCRIPTION
1									SHAFT, Drive, Rear 1-Piece
	52105760AF	1	J		74				[DGQ], [DHX]
	52853003AF	1	J		74				[DHB]
	52853006AF	1	J		74				[DHZ]
	52853433AB	1	T		74				[DGQ]
2	06506497AA	8	J, T		74				BOLT, Hex Flange Head Locking, Drive Shaft to Rear Axle and Transfer Case, Mounting



GRAND CHEROKEE (WK)

SERIES LINE
H = HIGHLINE T = JEEP - 2WD
P = PREMIUM J = JEEP - 4WD
S = SPORT
X = SPECIAL

BODY
74 = SPORT UTILITY 4-DR
TYPE #4

ENGINE
EZH = 5.7L V8 HEMI MDS
VCT Engine
ESF = 6.1L SRT HEMI V8
Engine
EKG = 3.7L V6 Engine

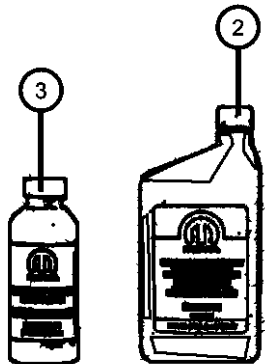
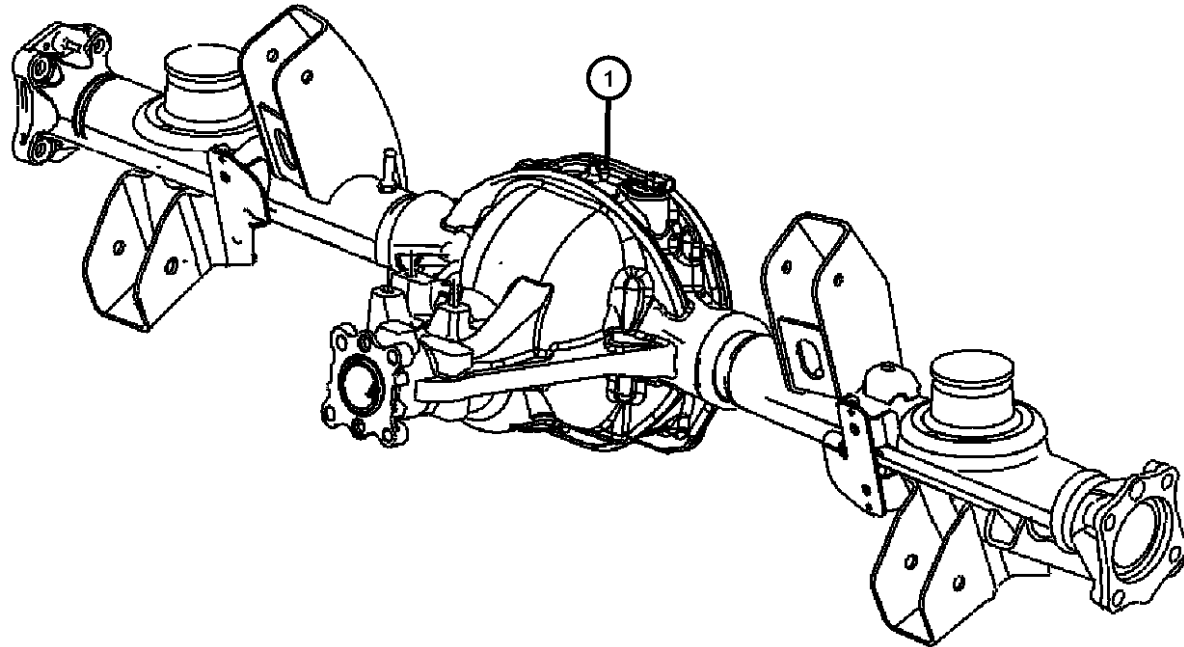
TRANSMISSION
DGJ = 5-Speed Auto W5A580
Transmission
DGQ = 5-Spd Automatic 545RFE
Transmission

AR = use ase required - = Non illustrated part

2010 WK

**Axle Assembly
Figure 003DRK-705**

ITEM	PART NUMBER	QTY	LINE	SERIES	BODY	ENGINE	TRANS	TRIM	DESCRIPTION
1									AXLE, Service Rear
	05183509AB	1	J, T		74				[BR4], [DME], [DS8]
	05191214AA	1	J, T		74				[BRY], [DME]
	04874469								Mopar SAE 75W-140 Synthetic Gear and Axle Lube Quart
	68003055AA								Mopar SAE 75W-140 Synthetic Gear and Axle Lube 16 Gallon Keg
2	04874469	AR							LUBRICANT, Gear, [DSA] Requires Limited-Slip Additive, [32oz] Minimum Ship Quantity 12
	04874469								Mopar SAE 75W-140 Synthetic Gear and Axle Lube Quart
	68003055AA								Mopar SAE 75W-140 Synthetic Gear and Axle Lube 16 Gallon Keg
3	04318060AB	AR							ADDITIVE, Axle, Limited Slip Additive, [4oz] Minimum Ship Quantity 24



GRAND CHEROKEE (WK)

SERIES LINE
H = HIGHLINE T = JEEP - 2WD
P = PREMIUM J = JEEP - 4WD
S = SPORT
X = SPECIAL

BODY
74 = SPORT UTILITY 4-DR TYPE #4

ENGINE
EZH = 5.7L V8 HEMI MDS VCT Engine
ESF = 6.1L SRT HEMI V8 Engine
EKG = 3.7L V6 Engine

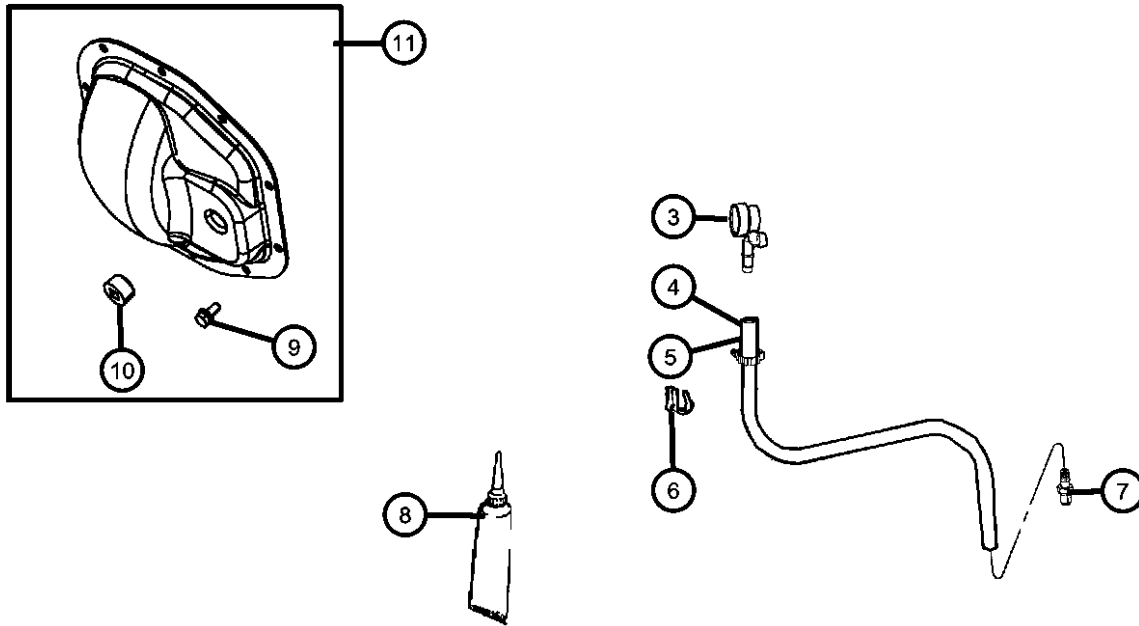
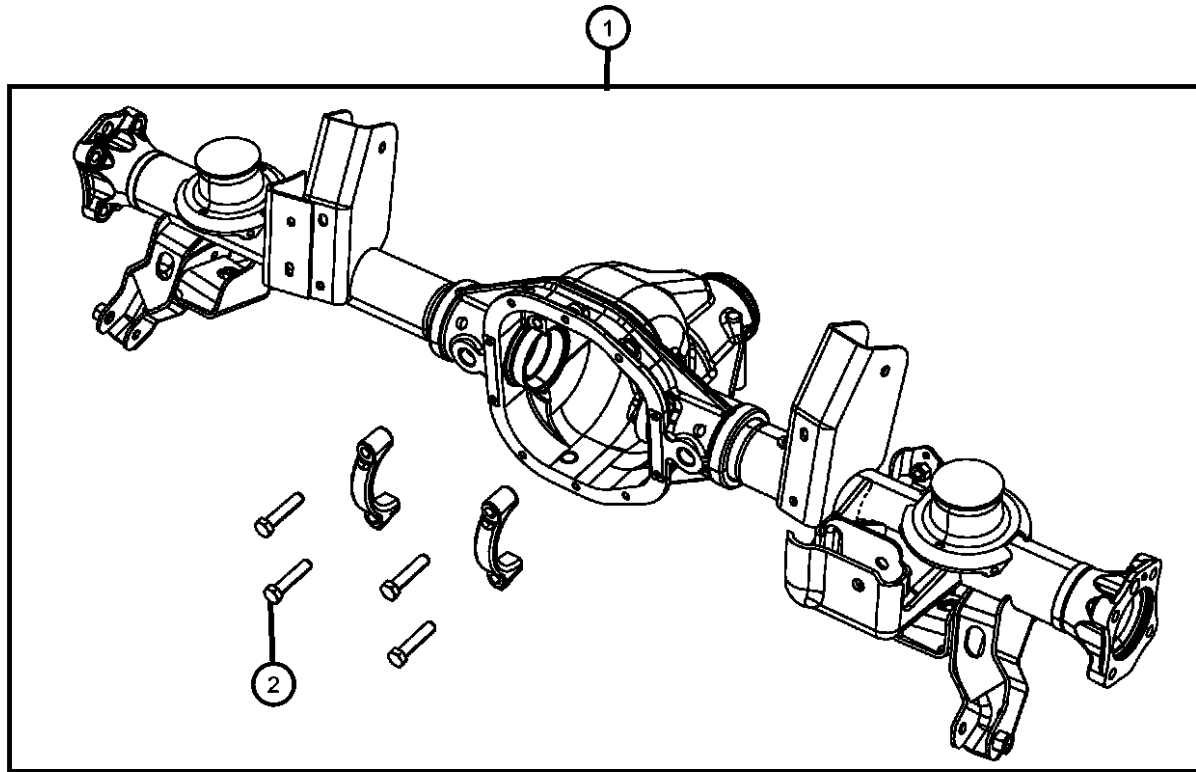
TRANSMISSION
DGJ = 5-Speed Auto W5A580 Transmission
DGQ = 5-Spd Automatic 545RFE Transmission

AR = use ase required - = Non illustrated part

2010 WK

Housing and Vent
Figure 003DRK-805

ITEM	PART NUMBER	QTY	LINE	SERIES	BODY	ENGINE	TRANS	TRIM	DESCRIPTION
1	05183511AA	1	J, T		74				HOUSING, Rear Axle [BR4]
	05191205AA	1	J, T		74				[BRY]
2	05003648AA	4	J, T		74				BOLT, Hex Head, 1/2-13x2.25, Carrier Bearing Cap, Mounting VENT, Axle
3	52104552AC	1	J, T		74				[BRY], Upper
	J5352955	1	J, T		74				[BR4], Upper
4	04854583AA	1	J, T		74				HOSE, Axle Vent, [BR4]
5	HFV00516AB	1	J, T		74				HOSE, Fuel And Vapor, 25 Foot Roll 5/16", [BRY]
6	06032633AB	1	J, T		74				CLIP, Vent Tube
7	68003771AA	1	J, T		74				BOLT, Axle VentLower
8	05013477AA	1	J, T		74				SEALANT, RTV
9	02954031	10	J, T		74				BOLT, Hex Flange Head, 5/16-18x.900, Differential Cover, Mounting
10	68033969AA	1	J, T		74				PLUG, Differential Cover
11	05183507AB	1	J, T		74				COVER KIT, Differential



GRAND CHEROKEE (WK)

SERIES LINE
H = HIGHLINE T = JEEP - 2WD
P = PREMIUM J = JEEP - 4WD
S = SPORT
X = SPECIAL

BODY
74 = SPORT UTILITY 4-DR
TYPE #4

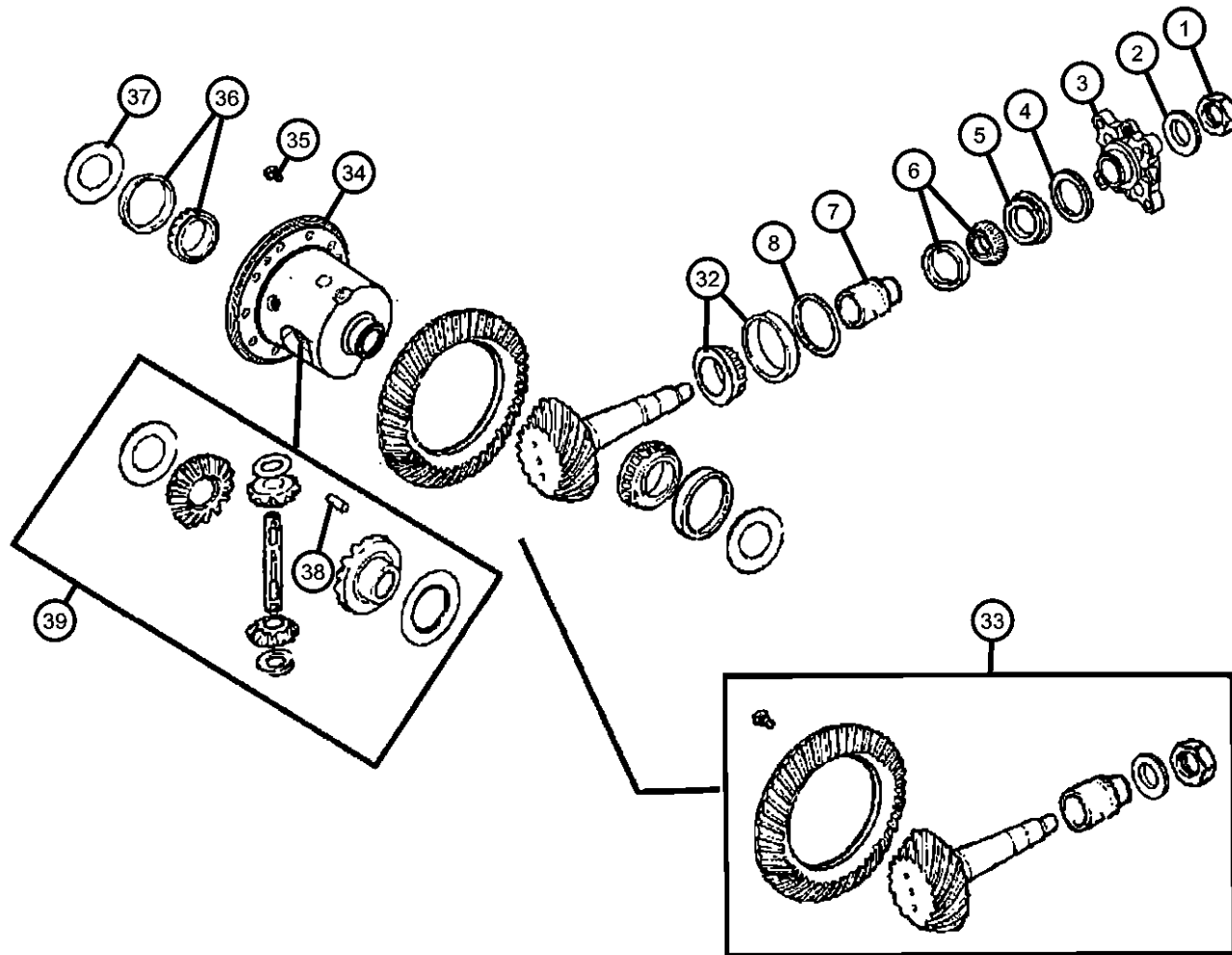
ENGINE
EZH = 5.7L V8 HEMI MDS
VCT Engine
ESF = 6.1L SRT HEMI V8
Engine
EKG = 3.7L V6 Engine

TRANSMISSION
DGJ = 5-Speed Auto W5A580
Transmission
DGQ = 5-Spd Automatic 545RFE
Transmission

AR = use ase required - = Non illustrated part

2010 WK

**Differential Assembly
Figure 003DRK-810**



ITEM	PART NUMBER	QTY	LINE	SERIES	BODY	ENGINE	TRANS	TRIM	DESCRIPTION
1	05191197AA	1	J, T		74				NUT, Pinion
2	01795175	1	J, T		74				WASHER, Pinion
3	05183523AA	1	J, T		74				FLANGE, Pinion
4	04746867	1	J, T		74				SLINGER, Drive Pinion
5	68003265AA	1	J, T		74				SEAL, Drive Pinion
6	04864210	1	J, T		74				BEARING KIT, Drive Pinion, Cup and Cone, Front
7	05183525AA	1	J, T		74				SPACER, Drive Pinion Bearing, Crush
8	04856368	1	J, T		74				SHIM KIT, Pinion Shaft, 0.035 to 0.039
-9	04856369	1	J, T		74				SHIM KIT, Pinion Shaft, 0.040 to 0.044
-10	04856370	1	J, T		74				SHIM KIT, Pinion Shaft, 0.045 to 0.049
-11	04856371	1	J, T		74				SHIM KIT, Pinion Shaft, 0.050 to 0.054
-12	68014932AA	1	J, T		74				SHIM, Drive Pinion Bearing, 0.035, In Shim Kit 04856368
-13	68014933AA	1	J, T		74				SHIM, Drive Pinion Bearing, 0.036, In Shim Kit 04856368
-14	68014934AA	1	J, T		74				SHIM, Drive Pinion Bearing, 0.037, In Shim Kit 04856368
-15	68014935AA	1	J, T		74				SHIM, Drive Pinion Bearing, 0.038, In Shim Kit 04856368
-16	68014936AA	1	J, T		74				SHIM, Drive Pinion Bearing, 0.039, In Shim Kit 04856368
-17	05017332AA	1	J, T		74				SHIM, Drive Pinion Bearing, 0.040, In Shim Kit 04856368
-18	05017333AA	1	J, T		74				SHIM, Drive Pinion Bearing, 0.041, In Shim Kit 04856368
-19	05017334AA	1	J, T		74				SHIM, Drive Pinion Bearing, 0.042, In Shim Kit 04856
-20	05017335AA	1	J, T		74				SHIM, Drive Pinion Bearing, 0.043, In Shim Kit 04856368
-21	05017336AA	1	J, T		74				SHIM, Drive Pinion Bearing, 0.044, In Shim Kit 04856368
-22	05017337AA	1	J, T		74				SHIM, Drive Pinion Bearing, 0.045, In Shim Kit 04856370
-23	05017338AA	1	J, T		74				SHIM, Drive Pinion Bearing, 0.046, In Shim Kit 04856370
-24	05017339AA	1	J, T		74				SHIM, Drive Pinion Bearing, 0.047, In Shim Kit 04856370
-25	05017340AA	1	J, T		74				SHIM, Drive Pinion Bearing, 0.048, In Shim Kit 04856370
-26	05017341AA	1	J, T		74				SHIM, Drive Pinion Bearing, 0.049, In Shim Kit 04856370

GRAND CHEROKEE (WK)

SERIES LINE
H = HIGHLINE T = JEEP - 2WD
P = PREMIUM J = JEEP - 4WD
S = SPORT
X = SPECIAL

BODY
74 = SPORT UTILITY 4-DR
TYPE #4

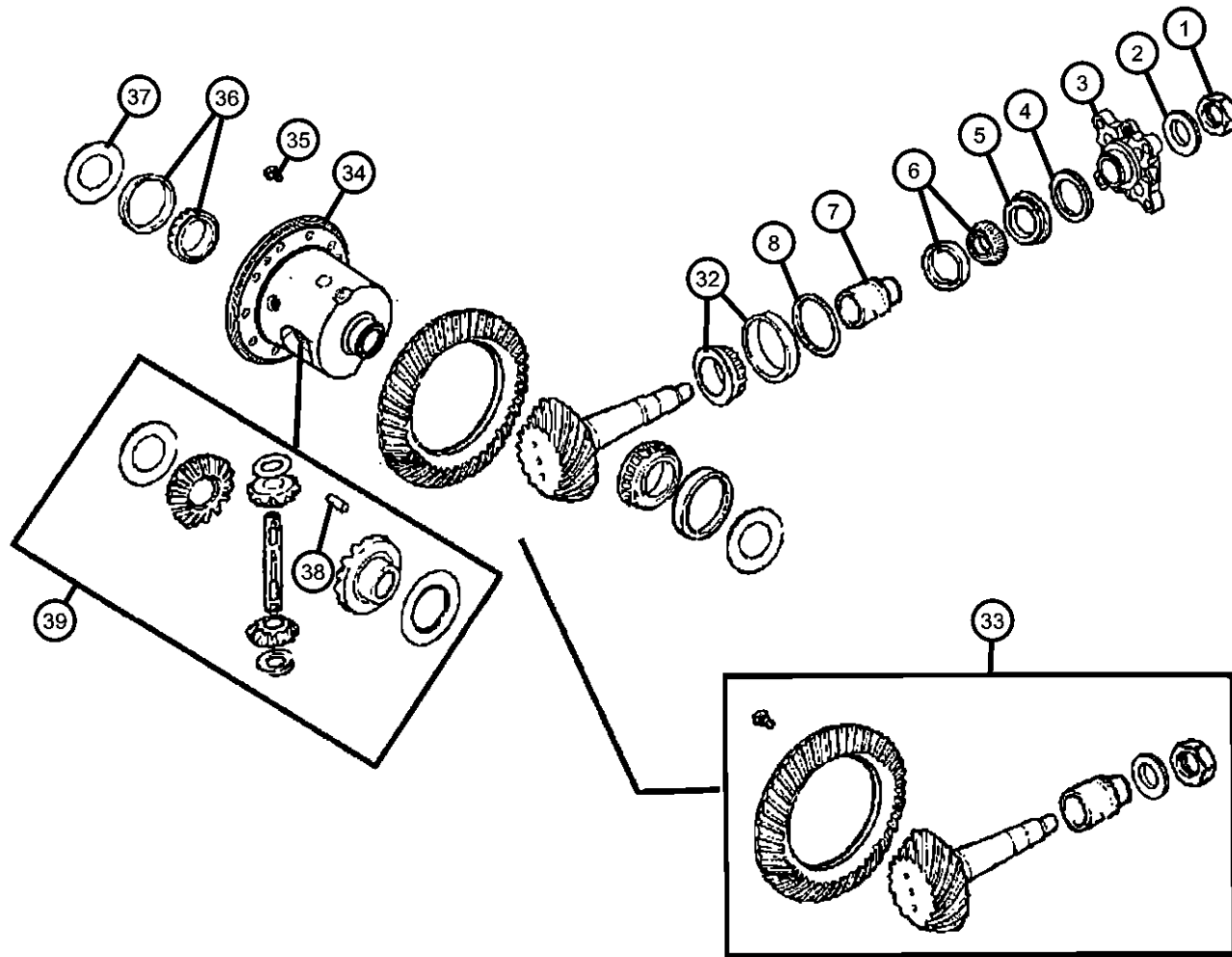
ENGINE
EZH = 5.7L V8 HEMI MDS
VCT Engine
ESF = 6.1L SRT HEMI V8
Engine
EKG = 3.7L V6 Engine

TRANSMISSION
DGJ = 5-Speed Auto W5A580
Transmission
DGQ = 5-Spd Automatic 545RFE
Transmission

AR = use ase required - = Non illustrated part

2010 WK

**Differential Assembly
Figure 003DRK-810**



ITEM	PART NUMBER	QTY	LINE	SERIES	BODY	ENGINE	TRANS	TRIM	DESCRIPTION
-27	05017342AA	1	J, T		74				SHIM, Drive Pinion Bearing, 0.050, In Shim Kit 04856371
-28	05017343AA	1	J, T		74				SHIM, Drive Pinion Bearing, 0.051, In Shim Kit 04856371
-29	05017344AA	1	J, T		74				SHIM, Drive Pinion Bearing, 0.052, In Shim Kit 04856371
-30	05017345AA	1	J, T		74				SHIM, Drive Pinion Bearing, 0.053, In Shim Kit 04856371
-31	05017346AA	1	J, T		74				SHIM, Drive Pinion Bearing, 0.054, In Shim Kit 04856371
32	05191196AA	1	J, T		74				BEARING KIT, Drive Pinion, Cup and Cone, Rear
33	05183522AA	1	J, T		74				GEAR KIT, Ring And Pinion, [DME]
34	05183518AA	1	J, T		74				CASE KIT, Differential, Includes 33,35, 36, 37, & 38
35	05183517AA	1	J, T		74				BOLT KIT, Ring Gear
36	05183508AA	1	J, T		74				BEARING KIT, Differential Side, Contains 2 Cups and 2 Cones
37	05183516AA	1	J, T		74				SHIM KIT, Differential
38	01791563	1	J, T		74				PIN, Differential Shaft
39	05183520AA	1	J, T		74				GEAR KIT, Center Differential

GRAND CHEROKEE (WK)

SERIES LINE
H = HIGHLINE T = JEEP - 2WD
P = PREMIUM J = JEEP - 4WD
S = SPORT
X = SPECIAL

BODY
74 = SPORT UTILITY 4-DR
TYPE #4

ENGINE
EZH = 5.7L V8 HEMI MDS
VCT Engine
ESF = 6.1L SRT HEMI V8
Engine
EKG = 3.7L V6 Engine

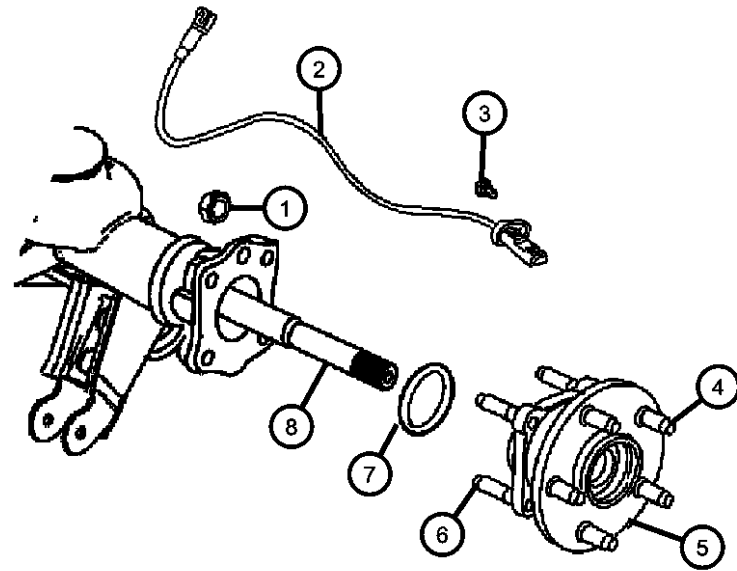
TRANSMISSION
DGJ = 5-Speed Auto W5A580
Transmission
DGQ = 5-Spd Automatic 545RFE
Transmission

AR = use ase required - = Non illustrated part

2010 WK

**Shafts, Axle
Figure 003DRK-905**

ITEM	PART NUMBER	QTY	LINE	SERIES	BODY	ENGINE	TRANS	TRIM	DESCRIPTION
1	06101688	8	J, T		74				NUT, Hex Lock, M12x1.75, Hub and Bearing to Axle Housing, Mounting
2	56044146AB	2	J, T		74				SENSOR, Wheel Speed
3	06501979	2	J, T		74				BOLT, Hex Flange Head, M6X1.00X17.00, Wheel Speed Sensor, Mounting
4	06036424AA	10	J, T		74				STUD, Hub
5	52111884AB	2	J, T		74				HUB AND BEARING, Wheel
6	06508071AA	8	J, T		74				STUD, Double Ended, M12x1.75x74.20, Hub and Bearing to Axle Housing, Mounting
7	52114079AA	2	J, T		74				O RING
8									SHAFT, Axle Rear
	05183528AA	1	J, T		74				Right
	05183529AA	1	J, T		74				Left



GRAND CHEROKEE (WK)

SERIES LINE
H = HIGHLINE T = JEEP - 2WD
P = PREMIUM J = JEEP - 4WD
S = SPORT
X = SPECIAL

BODY
74 = SPORT UTILITY 4-DR
TYPE #4

ENGINE
EZH = 5.7L V8 HEMI MDS
VCT Engine
ESF = 6.1L SRT HEMI V8
Engine
EKG = 3.7L V6 Engine

TRANSMISSION
DGJ = 5-Speed Auto W5A580
Transmission
DGQ = 5-Spd Automatic 545RFE
Transmission

AR = use ase required - = Non illustrated part

2010 WK

Group - 003DRS

Rear Axle; Corporate 213 MM; Differential and Drive Line

Group - 003DRS Rear Axle; Corporate 213 MM; Differential and Drive Line

Illustration Title

Group-Fig. No.

Drive Shaft

Shaft, Drive, 1-Piece..... Fig. 003DRS - 605

Rear Axle Assembly

Axle Assembly..... Fig. 003DRS - 705

Rear Axle; Housing, Differential and Vent

Housing and Vent Fig. 003DRS - 805

Differential Assembly Fig. 003DRS - 810

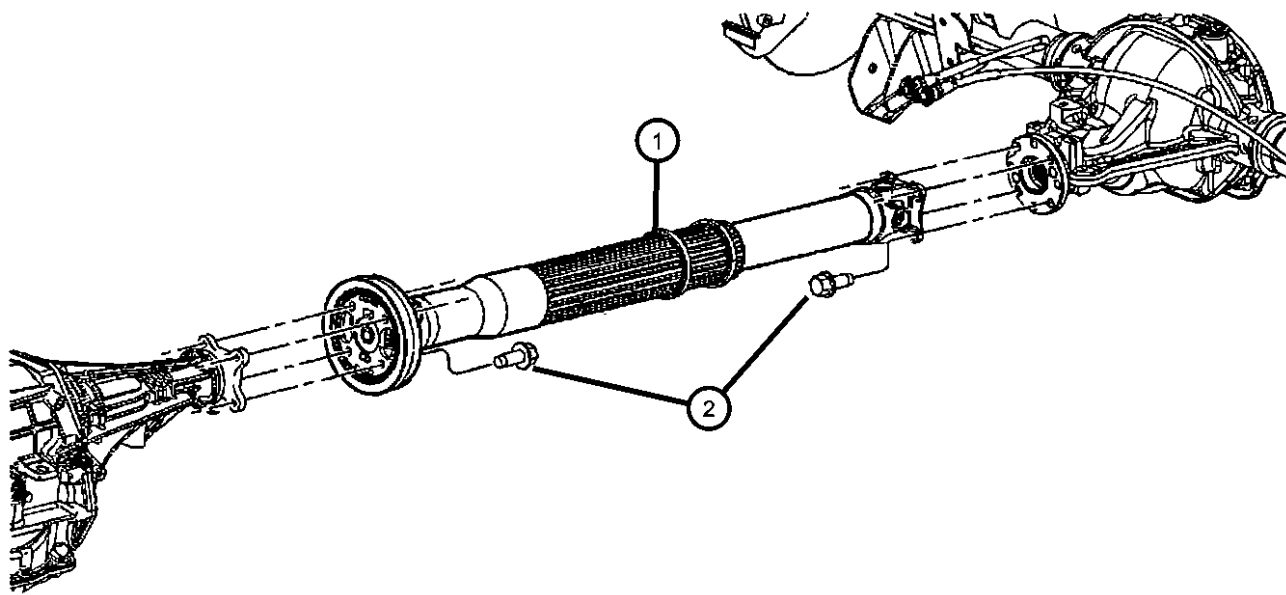
Rear Axle Shafts

Shafts, Axle..... Fig. 003DRS - 905

<p>003DRS-600 Drive Shaft</p>	<p>003DRS-700 Rear Axle Assembly</p>	<p>003DRS-800 Rear Axle; Housing, Differential and Vent</p>	<p>003DRS-900 Rear Axle Shafts</p>
--	---	--	---

Shaft, Drive, 1-Piece
Figure 003DRS-605

ITEM	PART NUMBER	QTY	LINE	SERIES	BODY	ENGINE	TRANS	TRIM	DESCRIPTION
1									SHAFT, Drive, Rear 1-Piece
	52105726AF	1	T		74				[DRS], [DGQ]
	52105760AF	1	J		74				[DHX], [DGQ]
	52853003AF	1	J		74				[DHB]
	52853004AF	1	T		74				[DRS], [DGJ]
	52853006AF	1	J		74				[DHZ]
2	06506497AA	8	J, T		74				BOLT, Hex Flange Head Locking, Drive Shaft to Rear Axle and Transfer Case, Mounting



GRAND CHEROKEE (WK)

SERIES LINE
H = HIGHLINE T = JEEP - 2WD
P = PREMIUM J = JEEP - 4WD
S = SPORT
X = SPECIAL

BODY
74 = SPORT UTILITY 4-DR
TYPE #4

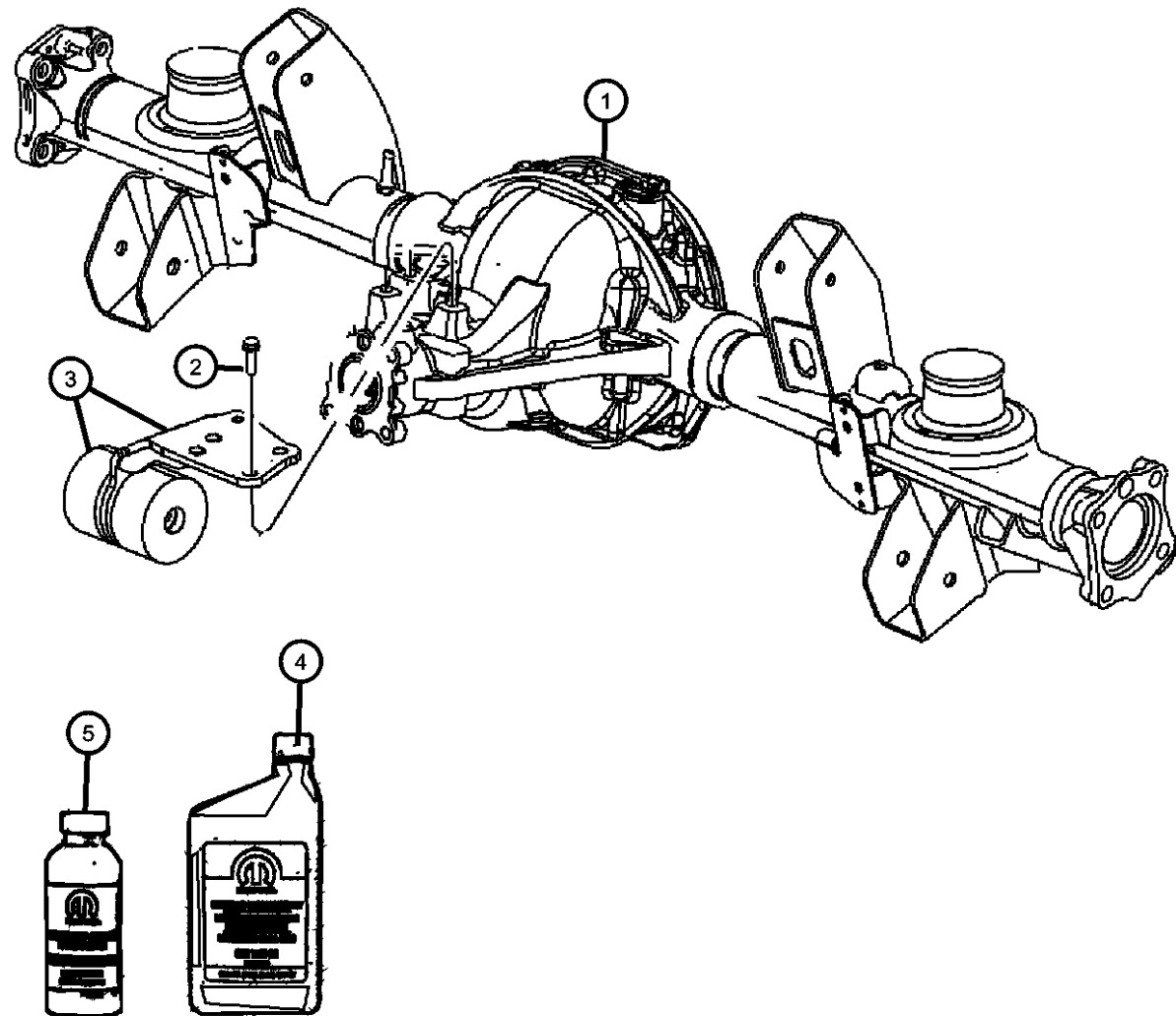
ENGINE
EZH = 5.7L V8 HEMI MDS
VCT Engine
ESF = 6.1L SRT HEMI V8
Engine
EKG = 3.7L V6 Engine

TRANSMISSION
DGJ = 5-Speed Auto W5A580
Transmission
DGQ = 5-Spd Automatic 545RFE
Transmission

AR = use ase required - = Non illustrated part

2010 WK

**Axle Assembly
Figure 003DRS-705**



ITEM	PART NUMBER	QTY	LINE	SERIES	BODY	ENGINE	TRANS	TRIM	DESCRIPTION
1	52114833AA 04874469 68003055AA	1	J, T		74				AXLE ASSEMBLY, Rear Complete [DMM], [DS8] Mopar SAE 75W-140 Synthetic Gear and Axle Lube Quart Mopar SAE 75W-140 Synthetic Gear and Axle Lube 16 Gallon Keg
	52114834AA 04874469 68003055AA	1	J		74				[DME], [DS8], [EVE] Mopar SAE 75W-140 Synthetic Gear and Axle Lube Quart Mopar SAE 75W-140 Synthetic Gear and Axle Lube 16 Gallon Keg
	04874469 68003055AA	1	J, T		74				[DME], [DS8], With [EKG] Or [EZH] Mopar SAE 75W-140 Synthetic Gear and Axle Lube Quart Mopar SAE 75W-140 Synthetic Gear and Axle Lube 16 Gallon Keg
	52114838AA 04874469 68003055AA	1	J, T		74				[DME], [DSF] Mopar SAE 75W-140 Synthetic Gear and Axle Lube Quart Mopar SAE 75W-140 Synthetic Gear and Axle Lube 16 Gallon Keg
	52114889AA 04874469 68003055AA	1	J, T		74				[DMD], [DS8] Mopar SAE 75W-140 Synthetic Gear and Axle Lube Quart Mopar SAE 75W-140 Synthetic Gear and Axle Lube 16 Gallon Keg
	68031427AA	1	T		74				[DME], [DS8], [EVE]
2	06105070AA	2	T		74				BOLT, Hex Flange Head, M10x1.50x65.00, Damper, Mounting
3	52114861AB	1	T		74				DAMPER, Axle
4	04874469	AR							LUBRICANT, Gear, [DSA] Requires Limited-Slip Additive, [32oz] Minimum Ship Quantity 12 Mopar SAE 75W-140 Synthetic Gear and Axle Lube Quart
	04874469								

GRAND CHEROKEE (WK)

SERIES LINE
H = HIGHLINE T = JEEP - 2WD
P = PREMIUM J = JEEP - 4WD
S = SPORT
X = SPECIAL

BODY
74 = SPORT UTILITY 4-DR
TYPE #4

ENGINE
EZH = 5.7L V8 HEMI MDS
VCT Engine
ESF = 6.1L SRT HEMI V8
Engine
EKG = 3.7L V6 Engine

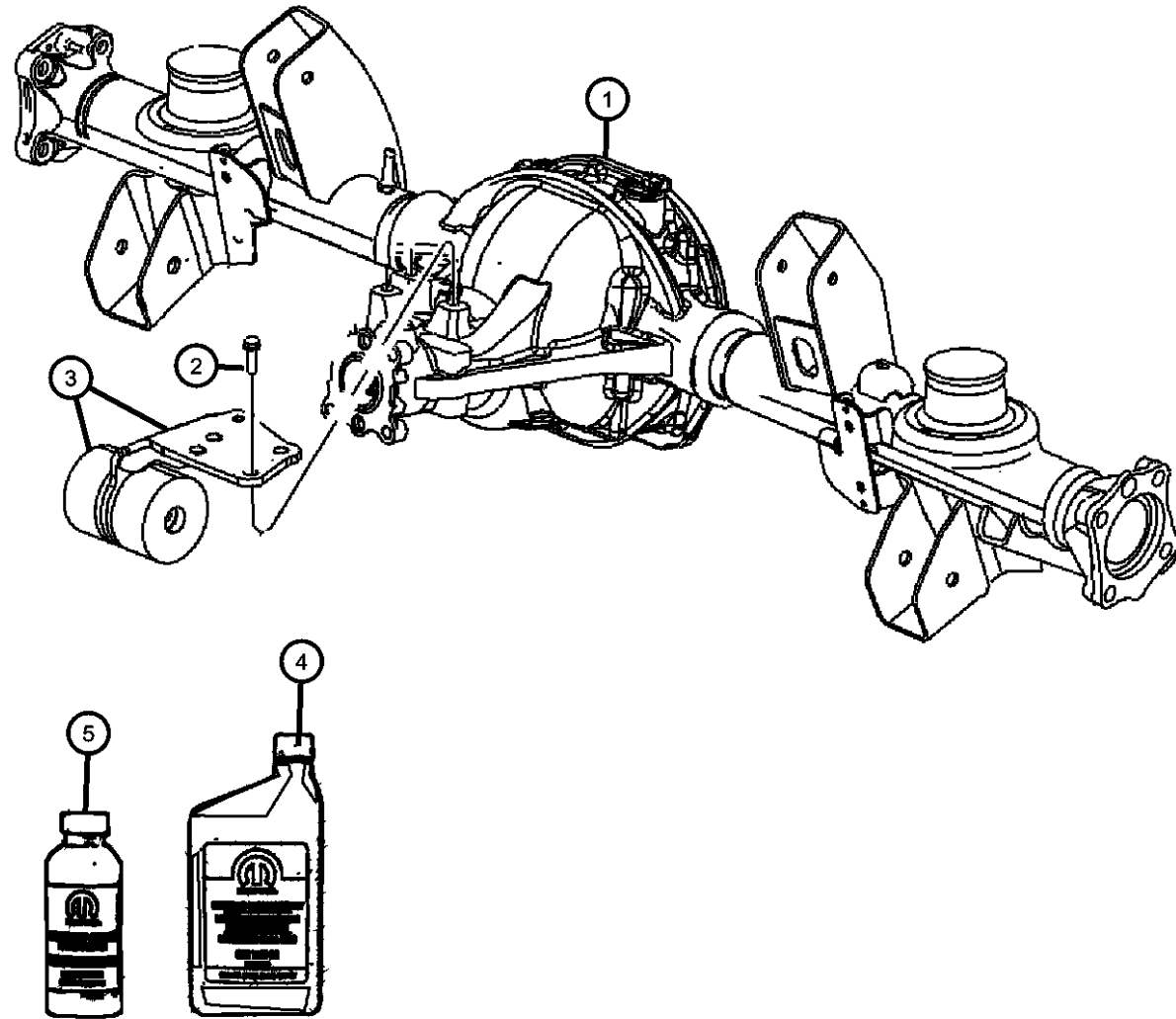
TRANSMISSION
DGJ = 5-Speed Auto W5A580
Transmission
DGQ = 5-Spd Automatic 545RFE
Transmission

AR = use ase required - = Non illustrated part

2010 WK

**Axle Assembly
Figure 003DRS-705**

ITEM	PART NUMBER	QTY	LINE	SERIES	BODY	ENGINE	TRANS	TRIM	DESCRIPTION
	68003055AA								Mopar SAE 75W-140 Synthetic Gear and Axle Lube 16 Gallon Keg
5	04318060AB	AR							ADDITIVE, Axle, Limited Slip Additive, [4oz] Minimum Ship Quantity 24



GRAND CHEROKEE (WK)

SERIES LINE
H = HIGHLINE T = JEEP - 2WD
P = PREMIUM J = JEEP - 4WD
S = SPORT
X = SPECIAL

BODY
74 = SPORT UTILITY 4-DR
TYPE #4

ENGINE
EZH = 5.7L V8 HEMI MDS
VCT Engine
ESF = 6.1L SRT HEMI V8
Engine
EKG = 3.7L V6 Engine

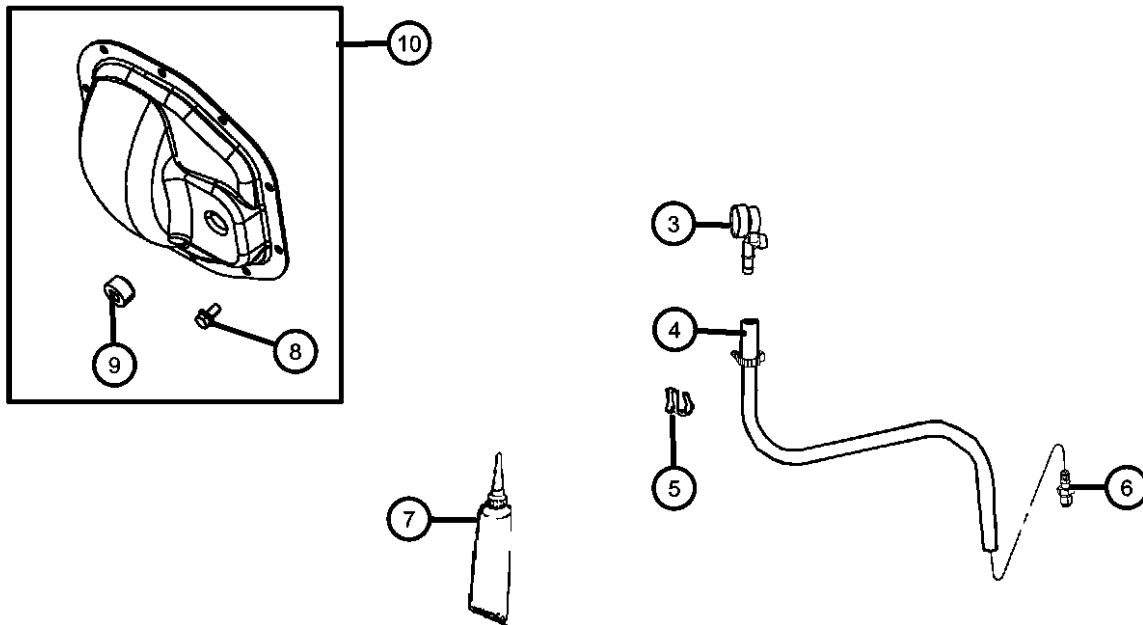
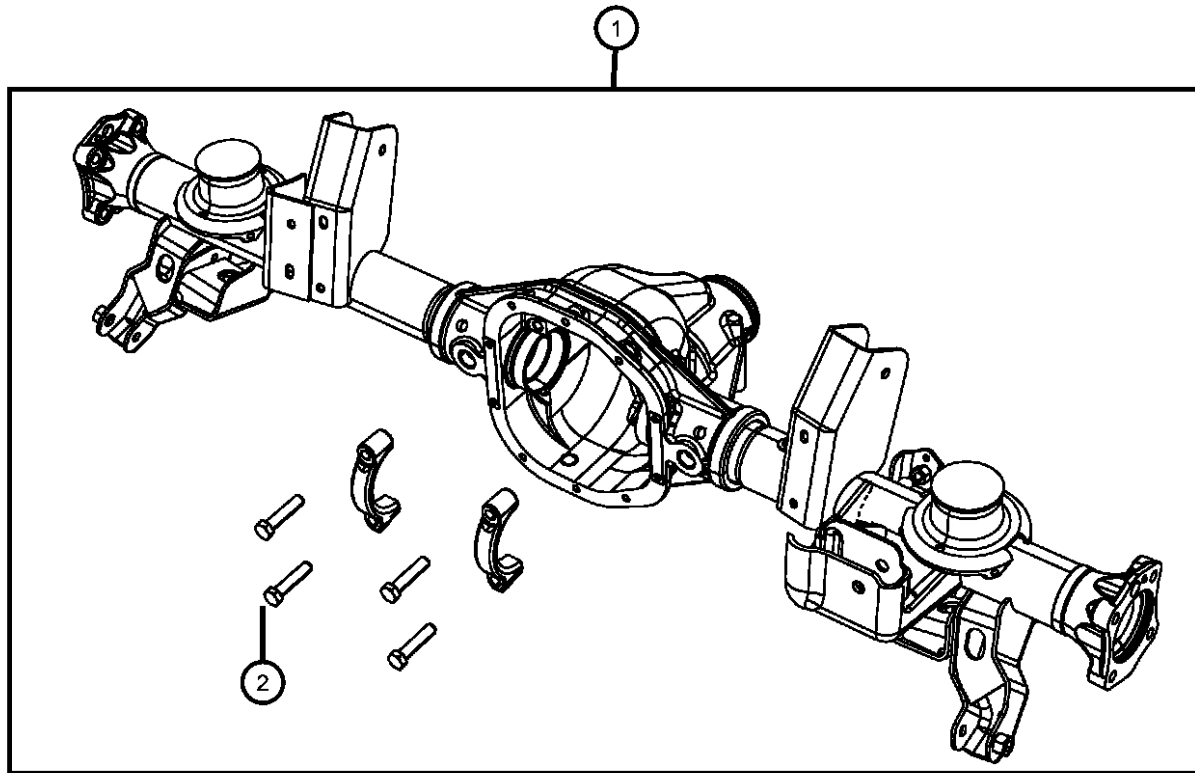
TRANSMISSION
DGJ = 5-Speed Auto W5A580
Transmission
DGQ = 5-Spd Automatic 545RFE
Transmission

AR = use ase required - = Non illustrated part

2010 WK

Housing and Vent
Figure 003DRS-805

ITEM	PART NUMBER	QTY	LINE	SERIES	BODY	ENGINE	TRANS	TRIM	DESCRIPTION
1	05142347AE	1	J, T		74				HOUSING, Rear Axle [DSF]
	05135769AG	1	J, T		74				[DS8]
2	03432695	4	J, T		74				BOLT, Hex Head, .500-13x2.38, Carrier Bearing Cap, Mounting
3	52104552AC	1	J, T		74				VENT, AxleUpper
4	HFV00516AB	1	J, T		74				HOSE, Fuel And Vapor, 25 Foot Roll 5/16"
5	06032633AB	1	J, T		74				CLIP, Vent Tube
6	68003771AA	1	J, T		74				BOLT, Axle VentLower
7	05013477AB	1	J, T		74				SEALANT, RTV, Differential Cover
8	06036671AA	12	J, T		74				BOLT, Hex Flange Head, .312-18x0.562, Differential Cover to Housing, Mounting
9	52070428AA	1	J, T		74				PLUG, Differential Cover
10	03723681AC	1	J, T		74				COVER, Differential [DS8]
	52114002AA	1	J, T		74				[DSF]



GRAND CHEROKEE (WK)

SERIES LINE
H = HIGHLINE T = JEEP - 2WD
P = PREMIUM J = JEEP - 4WD
S = SPORT
X = SPECIAL

BODY
74 = SPORT UTILITY 4-DR
TYPE #4

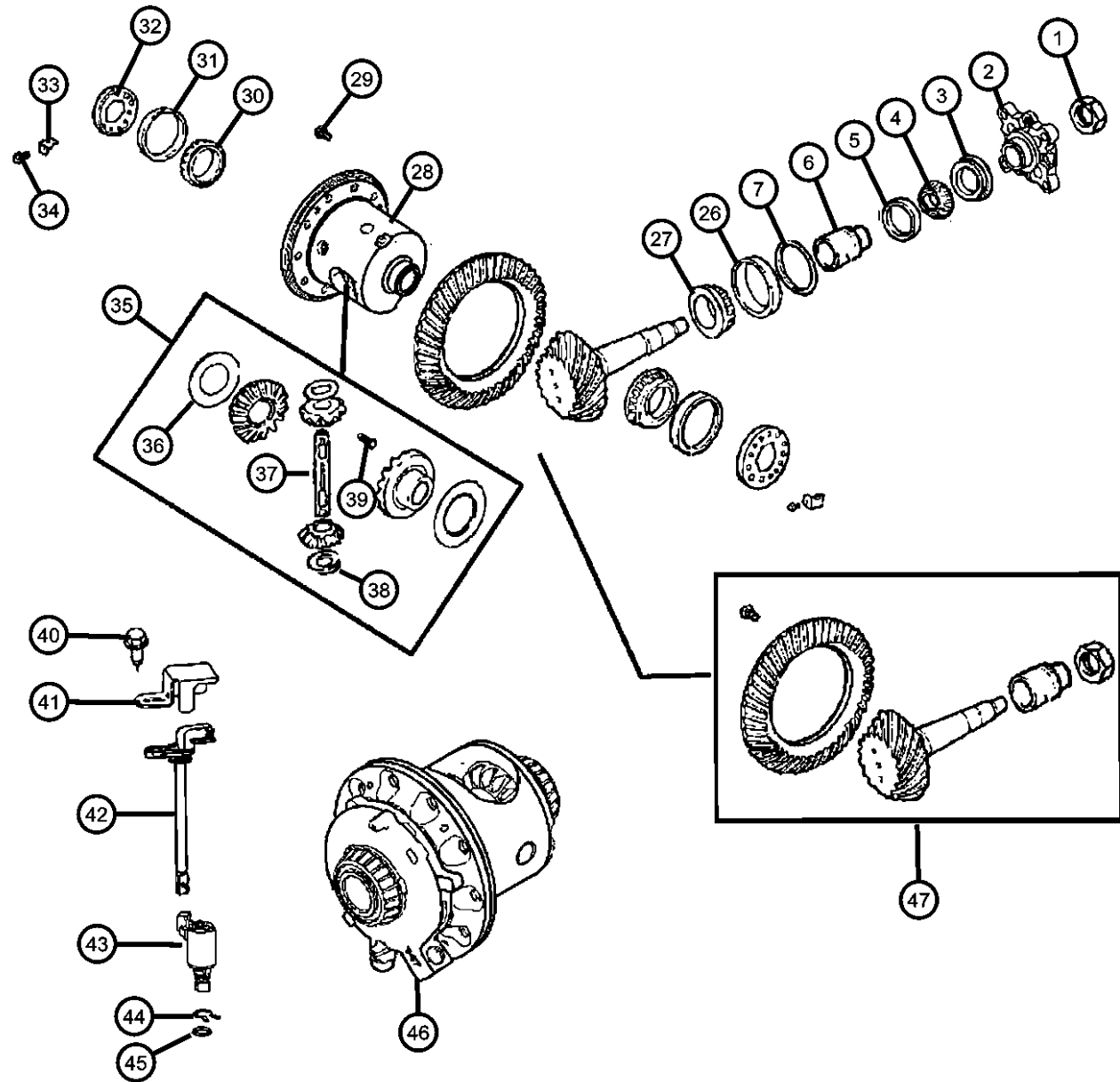
ENGINE
EZH = 5.7L V8 HEMI MDS
VCT Engine
ESF = 6.1L SRT HEMI V8
Engine
EKG = 3.7L V6 Engine

TRANSMISSION
DGJ = 5-Speed Auto W5A580
Transmission
DGQ = 5-Spd Automatic 545RFE
Transmission

AR = use ase required - = Non illustrated part

2010 WK

**Differential Assembly
Figure 003DRS-810**



ITEM	PART NUMBER	QTY	LINE	SERIES	BODY	ENGINE	TRANS	TRIM	DESCRIPTION
1	06036698AA	1	J, T		74				NUT, Pinion
2	52114046AC	1	J, T		74				FLANGE, Pinion
3	52070339AB	1	J, T		74				SEAL, Drive Pinion
4	02070316	1	J, T		74				BEARING, Drive PinionFront
5	02070317	1	J, T		74				CUP, Drive PinionFront
6	03507575	1	J, T		74				SPACER, Drive Pinion Bearing, Crush
7	03723520	AR	J, T		74				SHIM, Drive Pinion Bearing, 0.020
-8	03723521	AR	J, T		74				SHIM, Drive Pinion Bearing, 0.021
-9	03723522	AR	J, T		74				SHIM, Drive Pinion Bearing, 0.022
-10	03723523	AR	J, T		74				SHIM, Drive Pinion Bearing, 0.023
-11	03723524	AR	J, T		74				SHIM, Drive Pinion Bearing, 0.024
-12	03723525	AR	J, T		74				SHIM, Drive Pinion Bearing, 0.025
-13	03723526	AR	J, T		74				SHIM, Drive Pinion Bearing, 0.026
-14	03723527	AR	J, T		74				SHIM, Drive Pinion Bearing, 0.027
-15	03723528	AR	J, T		74				SHIM, Drive Pinion Bearing, 0.028
-16	03723529	AR	J, T		74				SHIM, Drive Pinion Bearing, 0.029
-17	03723530	AR	J, T		74				SHIM, Drive Pinion Bearing, 0.030
-18	03723531	AR	J, T		74				SHIM, Drive Pinion Bearing, 0.031
-19	03723532	AR	J, T		74				SHIM, Drive Pinion Bearing, 0.032
-20	03723533	AR	J, T		74				SHIM, Drive Pinion Bearing, 0.033
-21	03723534	AR	J, T		74				SHIM, Drive Pinion Bearing, 0.034
-22	03723535	AR	J, T		74				SHIM, Drive Pinion Bearing, 0.035
-23	03723536	AR	J, T		74				SHIM, Drive Pinion Bearing, 0.036
-24	03723537	AR	J, T		74				SHIM, Drive Pinion Bearing, 0.037
-25	03723538	AR	J, T		74				SHIM, Drive Pinion Bearing, 0.038
26	02800485	1	J, T		74				CUP, Drive PinionRear
27	02800484	1	J, T		74				BEARING, Drive PinionRear
28									CASE ASSEMBLY, Differential
	52114574AA	1	J, T		74				Without Tag 68031427AA
	68032258AA	1	T		74				With Tag 68031427AA
29									BOLT, Ring Gear
	06508815AA	10	J, T		74				Without Tag 68031427AA, Mounting
	06509207AA	10	T		74				With Tag 68031427AA, Mounting
30	01790541	2	J, T		74				BEARING, Differential

GRAND CHEROKEE (WK)

SERIES LINE
H = HIGHLINE T = JEEP - 2WD
P = PREMIUM J = JEEP - 4WD
S = SPORT
X = SPECIAL

BODY
74 = SPORT UTILITY 4-DR
TYPE #4

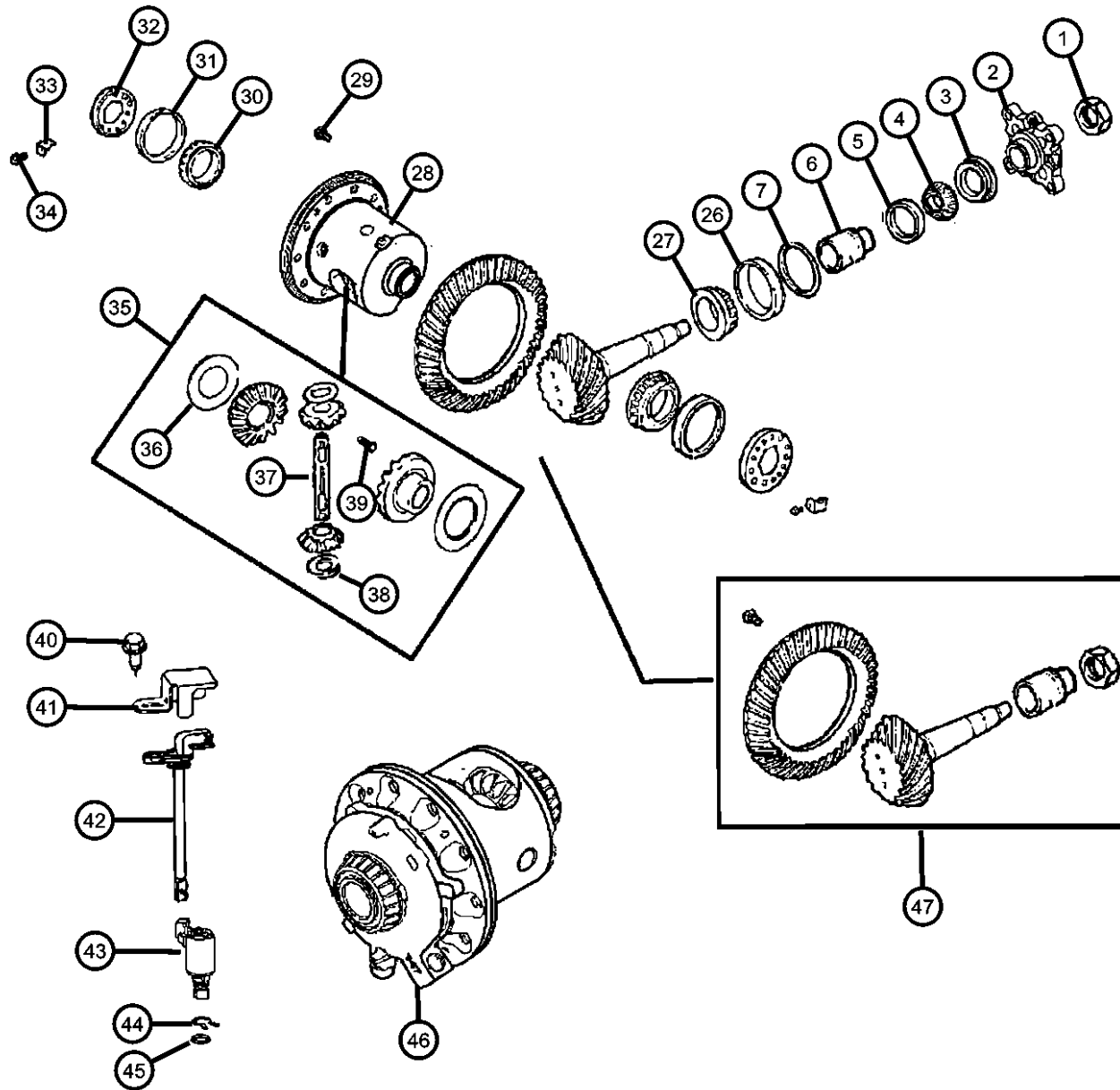
ENGINE
EZH = 5.7L V8 HEMI MDS
VCT Engine
ESF = 6.1L SRT HEMI V8
Engine
EKG = 3.7L V6 Engine

TRANSMISSION
DGJ = 5-Speed Auto W5A580
Transmission
DGQ = 5-Spd Automatic 545RFE
Transmission

AR = use ase required - = Non illustrated part

2010 WK

Differential Assembly
Figure 003DRS-810



ITEM	PART NUMBER	QTY	LINE	SERIES	BODY	ENGINE	TRANS	TRIM	DESCRIPTION
31	03723569	2	J, T		74				CUP, Differential Side
32	03507876AB	2	J, T		74				ADJUSTER, Differential Bearing
33	03723859	2	J, T		74				LOCK, Differential Bearing
34	06023092	2	J, T		74				BOLT AND WASHER, Hex Head, .250-20x.500, Differential Bearing Lock, Mounting
35	04883087AC	1	J, T		74				GEAR KIT, Center Differential, [DS8]
36	04883085	1	J, T		74				WASHER KIT, Side Gear Thrust, [DS8]
37	52114600AA	1	J, T		74				SHAFT, [DS8]
38	02852912	2	J, T		74				WASHER, Pinion Gear Thrust, [DS8]
39	03507724	1	J, T		74				SCREW, Hex Head, .312-18x1.80, [DS8] Differential Pinion Shaft Lock
40	06501979	1	J, T		74				BOLT, Hex Flange Head, M6X1.00X17.00, [DSF] Wheel Speed Sensor, Mounting
41	52114530AB	1	J, T		74				SHIELD, Wiring, [DSF]
42	52114328AC	1	J, T		74				HARNESS, Electronic Rear Axle, [DSF]
43	52114003AF	1	J, T		74				ACTUATOR, Axle Locker, [DSF]
44	05135813AA	1	J, T		74				SNAP RING, Differential, [DSF]
45	05135814AA	1	J, T		74				O RING, [DSF]
46	52104674AE	1	J, T		74				CASE KIT, Differential, [DSF]
47									GEAR KIT, Ring And Pinion [DMD], [DSF]
	05135943AC	1	J, T		74				[DMD], [DSF]
	05175783AB	1	J, T		74				[DMD], [DS8]
	05135768AC	1	J, T		74				[DMM]
	68040773AB	1	J, T		74				[DME]

GRAND CHEROKEE (WK)

SERIES LINE
H = HIGHLINE T = JEEP - 2WD
P = PREMIUM J = JEEP - 4WD
S = SPORT
X = SPECIAL

BODY
74 = SPORT UTILITY 4-DR
TYPE #4

ENGINE
EZH = 5.7L V8 HEMI MDS
VCT Engine
ESF = 6.1L SRT HEMI V8
Engine
EKG = 3.7L V6 Engine

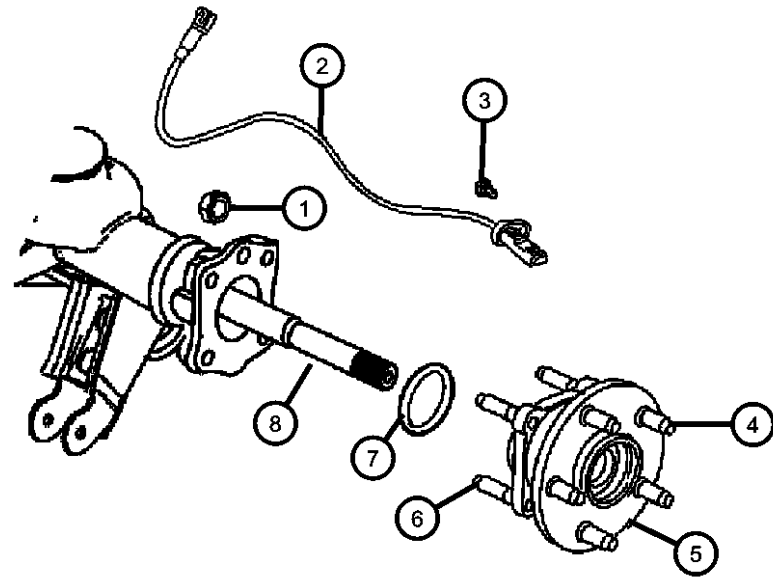
TRANSMISSION
DGJ = 5-Speed Auto W5A580
Transmission
DGQ = 5-Spd Automatic 545RFE
Transmission

AR = use ase required - = Non illustrated part

2010 WK

**Shafts, Axle
Figure 003DRS-905**

ITEM	PART NUMBER	QTY	LINE	SERIES	BODY	ENGINE	TRANS	TRIM	DESCRIPTION
1	06101688	8	J, T		74				NUT, Hex Lock, M12x1.75, Hub and Bearing to Axle Housing, Mounting
2	56044146AB	2	J, T		74				SENSOR, Wheel Speed
3	06506968AA	2	J, T		74				SCREW, Hex Head, M6 x 1.00 x 17.50, Wheel Speed Sensor, Mounting
4	06036424AA	10	J, T		74				STUD, Hub
5	52111884AB	2	J, T		74				HUB AND BEARING, Wheel
6	06508071AA	8	J, T		74				STUD, Double Ended, M12x1.75x74.20, Hub and Bearing to Axle Housing, Mounting
7	52114079AA	2	J, T		74				O RING
8									SHAFT, Axle Rear
	52114077AA	1	J, T		74				[DS8], Right
	52111913AA	1	J, T		74				[DSF], Left
	52114076AA	1	J, T		74				[DS8], Left
	52111899AA	1	J, T		74				[DSF], Right



GRAND CHEROKEE (WK)

SERIES LINE
H = HIGHLINE T = JEEP - 2WD
P = PREMIUM J = JEEP - 4WD
S = SPORT
X = SPECIAL

BODY
74 = SPORT UTILITY 4-DR
TYPE #4

ENGINE
EZH = 5.7L V8 HEMI MDS
VCT Engine
ESF = 6.1L SRT HEMI V8
Engine
EKG = 3.7L V6 Engine

TRANSMISSION
DGJ = 5-Speed Auto W5A580
Transmission
DGQ = 5-Spd Automatic 545RFE
Transmission

AR = use ase required - = Non illustrated part

2010 WK

Group - 5

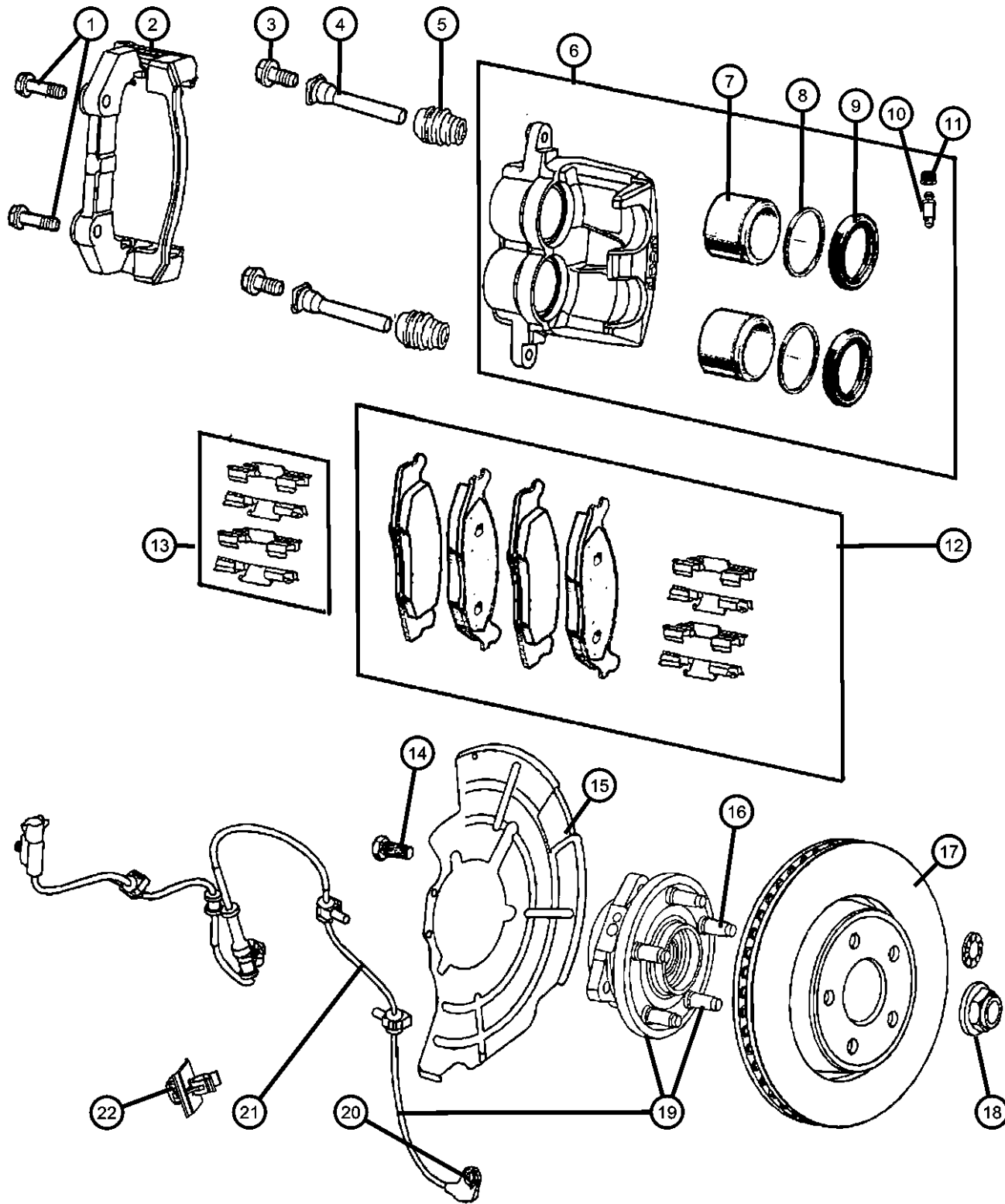
Brakes

Group - 5 Brakes

Illustration Title	Group-Fig. No.
Front Brakes	
Brakes,Front, 3.7L [EKG],4.7L [EVE],3.0L [EXL], 5.7L [EZD]	Fig. 5 - 110
Brakes,Front, 6.1L [ESF]	Fig. 5 - 120
Rear Brakes	
Brakes,Rear,Disc,With [DRS] Rear Axle	Fig. 5 - 210
Brakes,Rear,Disc,With [DRK] Rear Axle	Fig. 5 - 220
Power Brake Booster	
Booster,Vacuum Power Brake	Fig. 5 - 310
Brake Master Cylinder	
Master Cylinder,Brake	Fig. 5 - 410
Hydraulic Control Unit, Brake Tubes and Hoses	
HCU and Tubes to Master Cylinder.....	Fig. 5 - 510
Brake Tubes and Hoses,Front	Fig. 5 - 520
Brake Tubes and Hoses,Rear.....	Fig. 5 - 530
Brake Pedals	
Pedal,Brake,Non Adjustable [XA8]	Fig. 5 - 610
Pedal,Brake,Adjustable [XAM,XAP]	Fig. 5 - 620
Parking Brake Lever, Cables, and Rear Disc Park Brake Assembly	
Park Brake Lever and Front and Rear Cables	Fig. 5 - 710
Park Brake Assembly,Rear Disc	Fig. 5 - 730

005-100 Front Brakes	005-200 Rear Brakes	005-300 Power Brake Booster	005-400 Brake Master Cylinder
005-500 Hydraulic Control Unit, Brake Tubes and Hoses	005-600 Brake Pedals	005-700 Parking Brake Lever, Cables, and Rear Disc Park Brake Assembly	

**Brakes,Front, 3.7L [EKG],4.7L [EVE],3.0L [EXL], 5.7L [EZD]
Figure 5-110**



ITEM	PART NUMBER	QTY	LINE	SERIES	BODY	ENGINE	TRANS	TRIM	DESCRIPTION
Note:Sales Codes; [EKG]=MAGNUM 3.7L V6 ENGINE [EVE]=4.7L V8 ENGINE [EXL]=3.0L V6 TURBO DIESEL ENGINE [EZD]=5.7L HEMI VCT MDS ENGINE									
1	06507152AA	4	J, T		74				BOLT, Hex Flange Head, M14x2.00x45.00, Caliper to Knuckle, Mounting
2	05143699AB	2	J, T		74				ADAPTER, Disc Brake Caliper, Front
3	05093355AB	4	J, T		74				BOLT
4	05143697AA	2	J, T		74				PIN, Caliper
5	05103112AA	4	J, T		74				BOOT, Disc Brake Caliper Pin
6									CALIPER ASSEMBLY, Disc Brake, Front
	05143693AB	1	J, T		74				Left
	05143692AB	1	J, T		74				Right
7	05143696AA	4	J, T		74				PISTON, Brake
8	05143694AA	4	J, T		74				SEAL, Caliper Piston
9	05143691AA	4	J, T		74				BOOT, Brake Piston
10	05179732AA	2	J, T		74				SCREW, Bleeder
11	05093278AB	2	J, T		74				CAP, Bleeder
12	05080868AC	1	J, T		74				PAD KIT, Front Disc Brake
	V3010868								Mopar V-Line Alternative Part
	VCWK0868AA								Ceramic
	VWKXK868AA								Make It Ceramic Brake Kit
	V1010868AB								Make It New Brake Kits
									Mopar V-Line Alternative Part
13	05143700AA	1	J, T		74				SLIPPER KIT, Caliper
14	06505935AA	6	J, T		74				BOLT, Hex Flange Head, M12x1.75x70.00, Hub and Bearing to Knuckle, Mounting
15									SHIELD, Splash
	52090433AC	1	J, T		74				Left
	52090432AC	1	J, T		74				Right
16	06036424AA	10	J, T		74				STUD, Hub
17	52089269AB	2	J, T		74				ROTOR, Brake, Front
	VWKX0868AB								Make It New Brake Kits

GRAND CHEROKEE (WK)

SERIES LINE
H = HIGHLINE T = JEEP - 2WD
P = PREMIUM J = JEEP - 4WD
S = SPORT
X = SPECIAL

BODY
74 = SPORT UTILITY 4-DR
TYPE #4

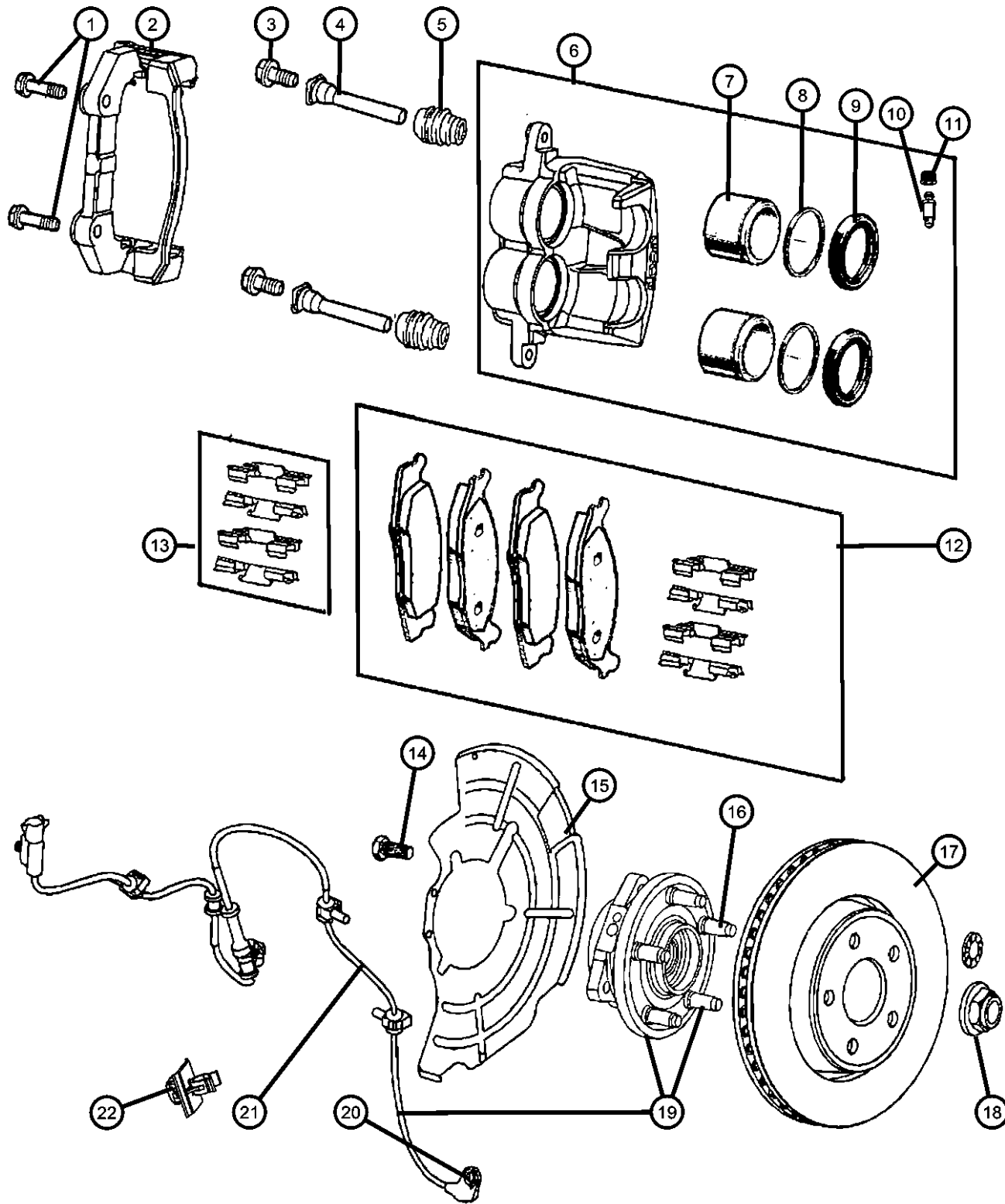
ENGINE
EZH = 5.7L V8 HEMI MDS
VCT Engine
ESF = 6.1L SRT HEMI V8
Engine
EKG = 3.7L V6 Engine

TRANSMISSION
DGJ = 5-Speed Auto W5A580
Transmission
DGQ = 5-Spd Automatic 545RFE
Transmission

AR = use ase required - = Non illustrated part

2010 WK

Brakes,Front, 3.7L [EKG],4.7L [EVE],3.0L [EXL], 5.7L [EZD]
Figure 5-110



ITEM	PART NUMBER	QTY	LINE	SERIES	BODY	ENGINE	TRANS	TRIM	DESCRIPTION
18	06506454AA	2	J		74				NUT AND WASHER, Hex Lock, M24x2.00, Halfshaft to Hub Assembly, Mounting
19	52089434AE	2	J, T		74				HUB AND BEARING, Brake, Front
20	05175374AA	2	J, T		74				BOLT, Hex Head, M6x1.00x12.00, ABS, Mounting
21	56044144AD	2	J, T		74				SENSOR, Anti-Lock Brakes
22	52124121AA	2	J, T		74				CLIP, Wiring, ABS, Mounting

GRAND CHEROKEE (WK)

SERIES LINE
H = HIGHLINE T = JEEP - 2WD
P = PREMIUM J = JEEP - 4WD
S = SPORT
X = SPECIAL

BODY
74 = SPORT UTILITY 4-DR TYPE #4

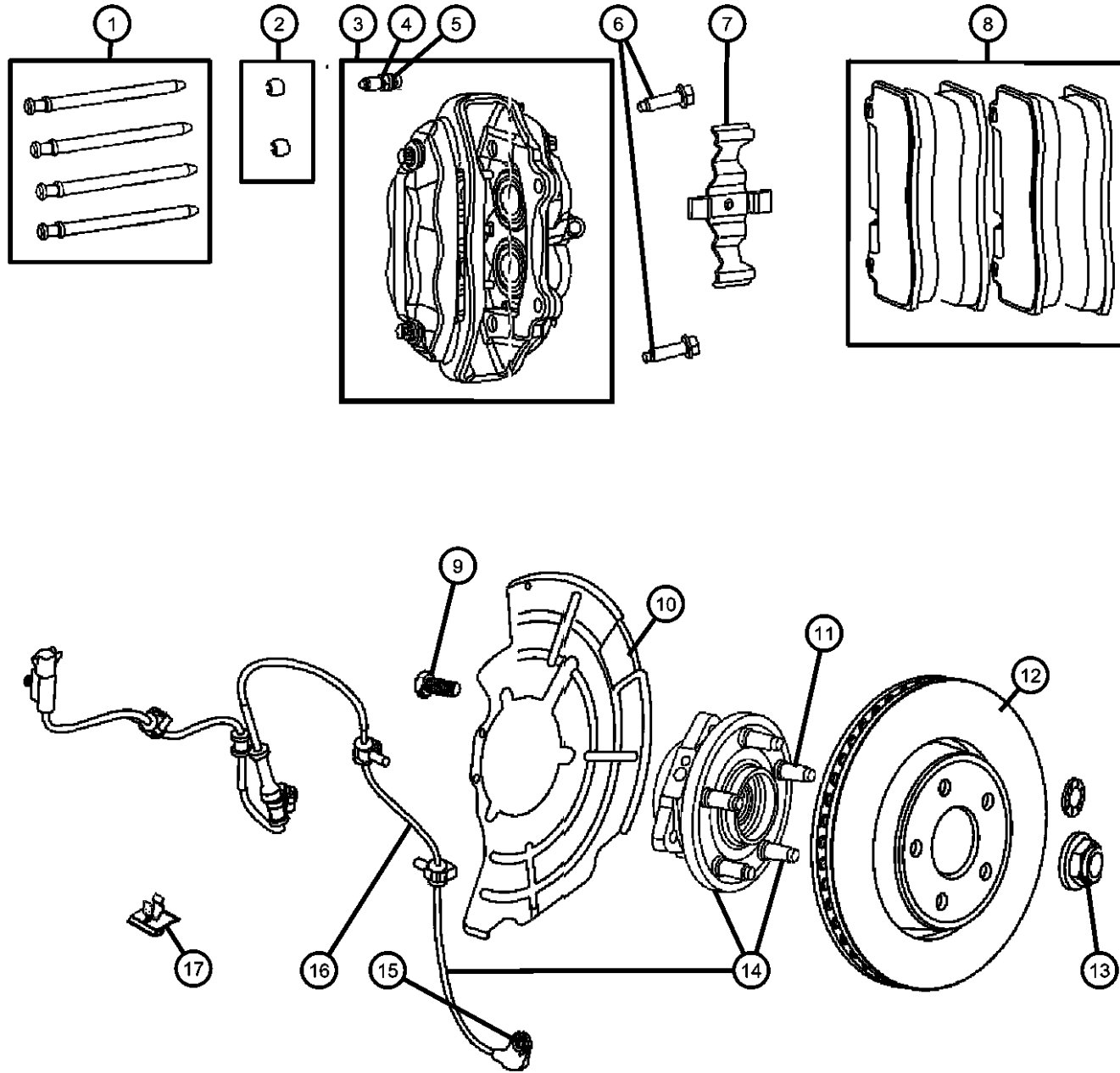
ENGINE
EZH = 5.7L V8 HEMI MDS VCT Engine
ESF = 6.1L SRT HEMI V8 Engine
EKG = 3.7L V6 Engine

TRANSMISSION
DGJ = 5-Speed Auto W5A580 Transmission
DGQ = 5-Spd Automatic 545RFE Transmission

AR = use ase required - = Non illustrated part

2010 WK

**Brakes,Front, 6.1L [ESF]
Figure 5-120**



ITEM	PART NUMBER	QTY	LINE	SERIES	BODY	ENGINE	TRANS	TRIM	DESCRIPTION
Sales Codes: [ESF]=6.1L SRT HEMI SMPI V8 ENGINE									
1	05174320AA	1	J		74				PIN KIT, Disc BrakeRight or Left
2	05174318AA	1	J		74				BOOT KIT, Disc brake
3									CALIPER ASSEMBLY, Disc Brake, Front
	05175107AB	1	J		74				Painted Red, Left Front
	05175106AB	1	J		74				Painted Red, Right Front
4	05174319AA	1	J		74				SCREW, Bleeder
5		1							CAP, Bleeder, (NOT SERVICED)
6	06104258AA	2	J		74				BOLT, Hex Flange Head, M14x1.50x45.00
7	05174321AA	1	J		74				CLIP, Brake Anti-Rattle
8	68002193AA	1	J		74				PAD KIT, Front Disc Brake
9	06505935AA	6	J, T		74				BOLT, Hex Flange Head, M12x1.75x70.00, Knuckle to Hub and Bearing, Mounting SHIELD, Splash
10									Right
	05290650AA	1	J, T		74				Left
	05290651AA	1	J, T		74				
11	06036424AA	10	J, T		74				STUD, Hub
12	05290733AB	2	J, T		74				ROTOR, Brake, Front
13	06506454AA	2	J		74				NUT AND WASHER, Hex Lock, M24x2.00, Halfshaft to Hub Assembly, Mounting
14	52089434AE	2	J, T		74				HUB AND BEARING, Brake, Front
15	05175374AA	2	J, T		74				BOLT, Hex Head, M6x1.00x12.00, ABS Sensor, Mounting
16	56044144AD	2	J, T		74				SENSOR, Anti-Lock Brakes
17	52124121AA	2	J, T		74				CLIP, Wiring, ABS Sensor

GRAND CHEROKEE (WK)

SERIES LINE
H = HIGHLINE T = JEEP - 2WD
P = PREMIUM J = JEEP - 4WD
S = SPORT
X = SPECIAL

BODY
74 = SPORT UTILITY 4-DR
TYPE #4

ENGINE
EZH = 5.7L V8 HEMI MDS
VCT Engine
ESF = 6.1L SRT HEMI V8
Engine
EKG = 3.7L V6 Engine

TRANSMISSION
DGJ = 5-Speed Auto W5A580
Transmission
DGQ = 5-Spd Automatic 545RFE
Transmission

AR = use ase required - = Non illustrated part

2010 WK

**Brakes,Rear,Disc,With [DRS] Rear Axle
Figure 5-210**

ITEM	PART NUMBER	QTY	LINE	SERIES	BODY	ENGINE	TRANS	TRIM	DESCRIPTION
1	05179732AA	2	J, T		74				SCREW, Bleeder
2	05093278AB	2	J, T		74				CAP, Bleeder
3									CALIPER ASSEMBLY, Disc Brake, Rear
	05143703AB	1	J, T		74				Left
	05143702AB	1	J, T		74				Right
4	06507603AA	4	J, T		74				PIN, Caliper
5	04762106	2	J, T		74				BUSHING, Disc Brake Caliper
6	04762105	2	J, T		74				SLEEVE, Disc Brake Caliper
7	05080871AB	1	J, T		74				PAD KIT, Rear Disc Brake
	V2010871								Mopar V-Line Alternative Part
	V4010871								Mopar V-Line Alternative Part Ceramic
	VCWK0871AB								Make It Ceramic Rear Brake Kit
	VRWK0871AB								Make It New Brake Kits
8	05143705AA	1	J, T		74				SLIPPER KIT, Caliper
9	05143691AA	2	J, T		74				BOOT, Brake Piston
10	05143694AA	2	J, T		74				SEAL, Caliper Piston
11	05143704AA	1	J, T		74				PISTON, Brake
12	05103158AA	1	J, T		74				BUSHING AND SLEEVE KIT, Caliper
13	52089275AB	2	J, T		74				ROTOR, Brake, Rear
	V5019275AA								Mopar V-Line Alternative Brake Rotors
	VCWK0871AB								Make It Ceramic Rear Brake Kit
	VRWK0871AB								Make It New Brake Kits
14	56044146AB	2	J, T		74				SENSOR, Wheel Speed
15	06506968AA	2	J, T		74				SCREW, Hex Head, M6 x 1.00 x 17.50, Anti-Lock Brake Sensor, Mounting

GRAND CHEROKEE (WK)

SERIES LINE
H = HIGHLINE T = JEEP - 2WD
P = PREMIUM J = JEEP - 4WD
S = SPORT
X = SPECIAL

BODY
74 = SPORT UTILITY 4-DR
TYPE #4

ENGINE
EZH = 5.7L V8 HEMI MDS
VCT Engine
ESF = 6.1L SRT HEMI V8
Engine
EKG = 3.7L V6 Engine

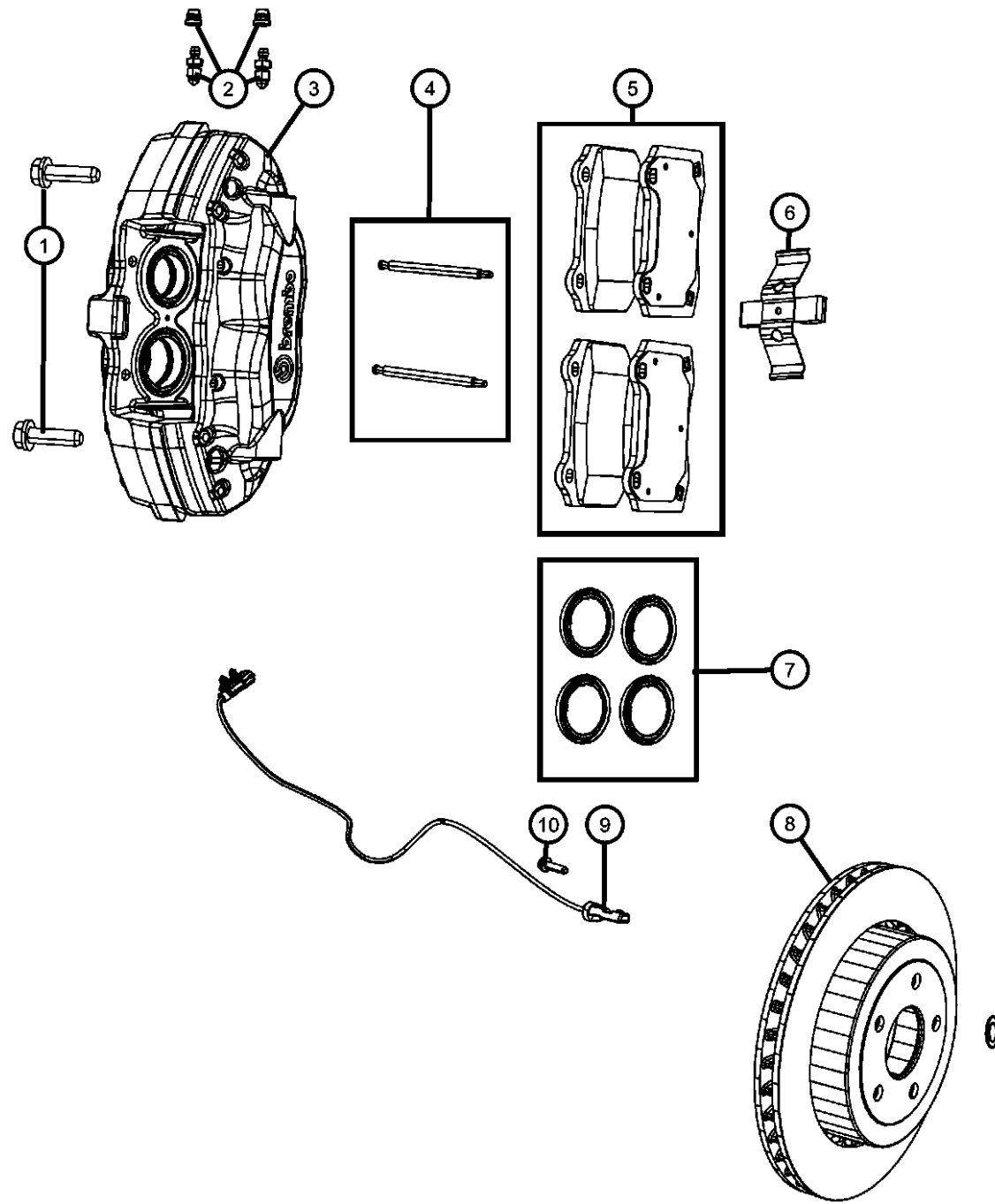
TRANSMISSION
DGJ = 5-Speed Auto W5A580
Transmission
DGQ = 5-Spd Automatic 545RFE
Transmission

AR = use ase required - = Non illustrated part

2010 WK

**Brakes,Rear,Disc,With [DRK] Rear Axle
Figure 5-220**

ITEM	PART NUMBER	QTY	LINE	SERIES	BODY	ENGINE	TRANS	TRIM	DESCRIPTION
1	06104258AA	2	J		74				BOLT, Hex Flange Head, M14x1.50x45.00
2	05179732AA	1	J, T		74				SCREW, Bleeder
3									CALIPER ASSEMBLY, Disc Brake, Rear
	05175109AA	1	J, T		74				Painted Red, Left Front
	05175108AA	1	J, T		74				Painted Red, Right Front
4	05174332AA	2	J, T		74				PIN KIT, Disc Brake
5	68034993AA	1	J, T		74				PAD KIT, Rear Disc Brake
6	05174333AA	2	J, T		74				CLIP, Brake Anti-Rattle
7	05174330AC	1	J, T		74				BOOT KIT, Disc brake
8	05290731AB	2	J, T		74				ROTOR, Brake, Rear
	V5010731AA								Mopar V-Line Alternative Brake Rotors
9	56044146AB	2	J, T		74				SENSOR, Wheel Speed
10	06508345AA	2	J, T		74				SCREW, Pan Head Locking, M6x1.00x17.00



GRAND CHEROKEE (WK)

SERIES LINE
H = HIGHLINE T = JEEP - 2WD
P = PREMIUM J = JEEP - 4WD
S = SPORT
X = SPECIAL

BODY
74 = SPORT UTILITY 4-DR
TYPE #4

ENGINE
EZH = 5.7L V8 HEMI MDS
VCT Engine
ESF = 6.1L SRT HEMI V8
Engine
EKG = 3.7L V6 Engine

TRANSMISSION
DGJ = 5-Speed Auto W5A580
Transmission
DGQ = 5-Spd Automatic 545RFE
Transmission

AR = use ase required - = Non illustrated part

2010 WK

**Booster,Vacuum Power Brake
Figure 5-310**

ITEM	PART NUMBER	QTY	LINE	SERIES	BODY	ENGINE	TRANS	TRIM	DESCRIPTION
Note:Sales Codes; [EK0]=ALL V6 ENGINES [ES0]=ALL V8 ENGINES [EV0]=ALL V8 ENGINES [EZ0]=ALL V8 ENGINES [EX0]=ALL 3.0/3.1L TURBO DIESELS ENGINES									
1									HOSE, Brake Booster Vacuum
	05154912AA	1	J, T		74				[EK0]
	52089996AD	1	J, T		74				[EZ0]
		1	J, T		74				[ES0]
	52124112AA	1	J, T		74				[EV0]
2	05175731AA	1	J, T		74				BOOSTER, Power Brake
3	05143282AA	1	J, T		74				VALVE, Brake Booster Check, With Grommet
4	05143281AA	1	J, T		74				GASKET, Booster To Dash, Booster to Dash, Mounting
5	06101695	4	J, T		74				NUT, Hex Flange Lock, M8X1.25, Booster to Dash, Mounting

GRAND CHEROKEE (WK)

SERIES	LINE	BODY	ENGINE	TRANSMISSION
H = HIGHLINE	T = JEEP - 2WD	74 = SPORT UTILITY 4-DR	EZH = 5.7L V8 HEMI MDS	DGJ = 5-Speed Auto W5A580
P = PREMIUM	J = JEEP - 4WD	TYPE #4	VCT Engine	Transmission
S = SPORT			ESF = 6.1L SRT HEMI V8	DGQ = 5-Spd Automatic 545RFE
X = SPECIAL			Engine	Transmission
			EKG = 3.7L V6 Engine	

AR = use ase required - = Non illustrated part

**Master Cylinder, Brake
Figure 5-410**

ITEM	PART NUMBER	QTY	LINE	SERIES	BODY	ENGINE	TRANS	TRIM	DESCRIPTION
1	05175732AA	1	J, T		74				MASTER CYLINDER, Brake
2	05014518AA	1	J, T		74				CAP, Master Cylinder Reservoir
3	05143283AA	1	J, T		74				RESERVOIR, Brake Master Cylinder
4	05013903AA	1	J, T		74				SENSOR, Brake Fluid Level
5	68027828AA	1	J, T		74				SEAL, Master Cylinder To Booster, Master Cylinder to Booster, Mounting
6	05179375AA	2	J, T		74				NUT, Hex Lock, M8, Master Cylinder to Booster, Mounting
7									FLUID, Brake, Standard MS-4574
	04318080AB	AR	J, T		74				[12 Fluid Ounces] Minimum Ship Quantity Of 24
	04318081AB	AR	J, T		74				[32 Fluid Ounces] Minimum Ship Quantity Of 12

GRAND CHEROKEE (WK)

SERIES LINE
H = HIGHLINE T = JEEP - 2WD
P = PREMIUM J = JEEP - 4WD
S = SPORT
X = SPECIAL

BODY
74 = SPORT UTILITY 4-DR TYPE #4

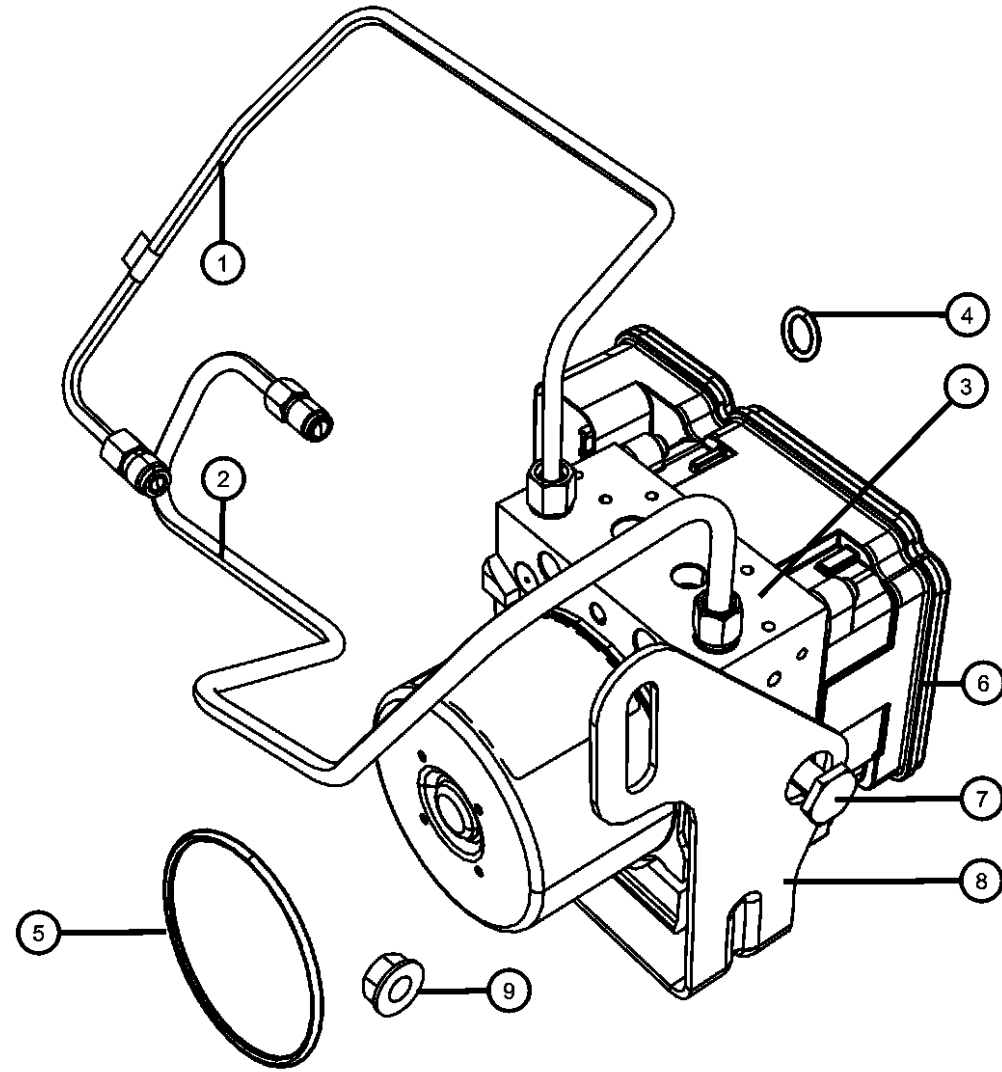
ENGINE
EZH = 5.7L V8 HEMI MDS VCT Engine
ESF = 6.1L SRT HEMI V8 Engine
EKG = 3.7L V6 Engine

TRANSMISSION
DGJ = 5-Speed Auto W5A580 Transmission
DGQ = 5-Spd Automatic 545RFE Transmission

AR = use ase required - = Non illustrated part

2010 WK

**HCU and Tubes to Master Cylinder
Figure 5-510**



ITEM	PART NUMBER	QTY	LINE	SERIES	BODY	ENGINE	TRANS	TRIM	DESCRIPTION
1	52090405AF	1	J, T		74				TUBE ASSEMBLY, BRAKE, Master Cylinder to HCU, Secondary
2	52124077AB	1	J, T		74				TUBE ASSEMBLY, BRAKE, Master Cylinder to HCU, Primary
3	68065988AA	1	J, T		74				CONTROL UNIT, Anti-Lock Brake
	68046388AA	1	J, T		74				Use with label on assembly marked 68049120AB
		1	J, T		74				Use with label on assembly marked 68046110AA [SDM]
4	68020717AA	12	J, T		74				SEAL, ECU Coil Seal
5	05159024AA	1	J, T		74				O RING
6	68046389AA	1	J, T		74				MODULE, Anti-Lock Brake System
	68065989AA	1	J, T		74				Use with label on assembly marked 68046110AA
	68065990AA	1	J, T		74				Use with label on assembly marked 68049120AB
7	05191002AA	1	J, T		74				SCREW, Hex Head
8	05179774AA	1	J, T		74				BRACKET, Hydraulic Control UnitMounting
9	34201711	1	J, T		74				NUT, Hex Flange, M8x1.25, HCU Bracket, Mounting

GRAND CHEROKEE (WK)

SERIES LINE
H = HIGHLINE T = JEEP - 2WD
P = PREMIUM J = JEEP - 4WD
S = SPORT
X = SPECIAL

BODY
74 = SPORT UTILITY 4-DR
TYPE #4

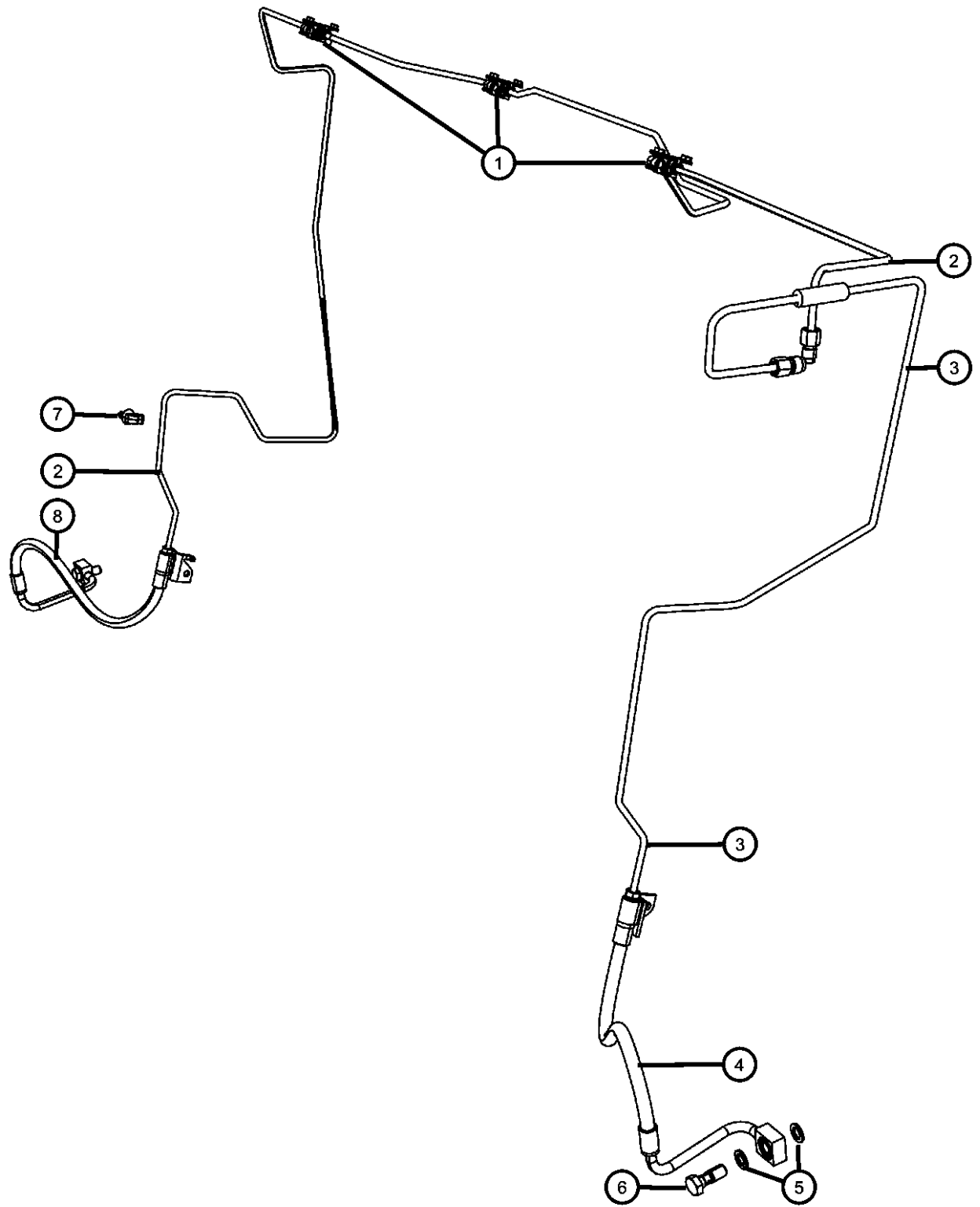
ENGINE
EZH = 5.7L V8 HEMI MDS
VCT Engine
ESF = 6.1L SRT HEMI V8
Engine
EKG = 3.7L V6 Engine

TRANSMISSION
DGJ = 5-Speed Auto W5A580
Transmission
DGQ = 5-Spd Automatic 545RFE
Transmission

AR = use ase required - = Non illustrated part

2010 WK

Brake Tubes and Hoses,Front
Figure 5-520



ITEM	PART NUMBER	QTY	LINE	SERIES	BODY	ENGINE	TRANS	TRIM	DESCRIPTION
1	52128214	3	J, T		74				CLIP, Brake Tube, To Front of Plenum, Mounting
2	52124132AC	1	J, T		74				TUBE, Brake, HCU To Right Front Hose
3	52090403AE	1	J, T		74				TUBE, Brake, HCU To Left Front Hose, [BR4,BRY]
4									HOSE, Brake, Left Front
	05290657AA	1	J		74				[BR4]
	52089258AC	1	J, T		74				[BRY]
5									GASKET, Brake Hose To Caliper
	06502114	8	J, T		74				[BR4]
	J3237672	8	J, T		74				[BRY]
6	06508914AA	2	J, T		74				BOLT, Banjo, [BR4] Brake Hose to Caliper, Mounting
7									CLIP, Brake Tube
	06506087AA	2	J, T		74				BR4,BRY] Brake Tube to Sill, Mounting
	52009234	1	J, T		74				BR4,BRY] Brake Tube to Sill, Mounting
8									HOSE, Brake, Right Front
	05290656AA	1	J		74				[BR4]
	52089256AC	1	J, T		74				[BRY]

GRAND CHEROKEE (WK)

SERIES LINE
H = HIGHLINE T = JEEP - 2WD
P = PREMIUM J = JEEP - 4WD
S = SPORT
X = SPECIAL

BODY
74 = SPORT UTILITY 4-DR
TYPE #4

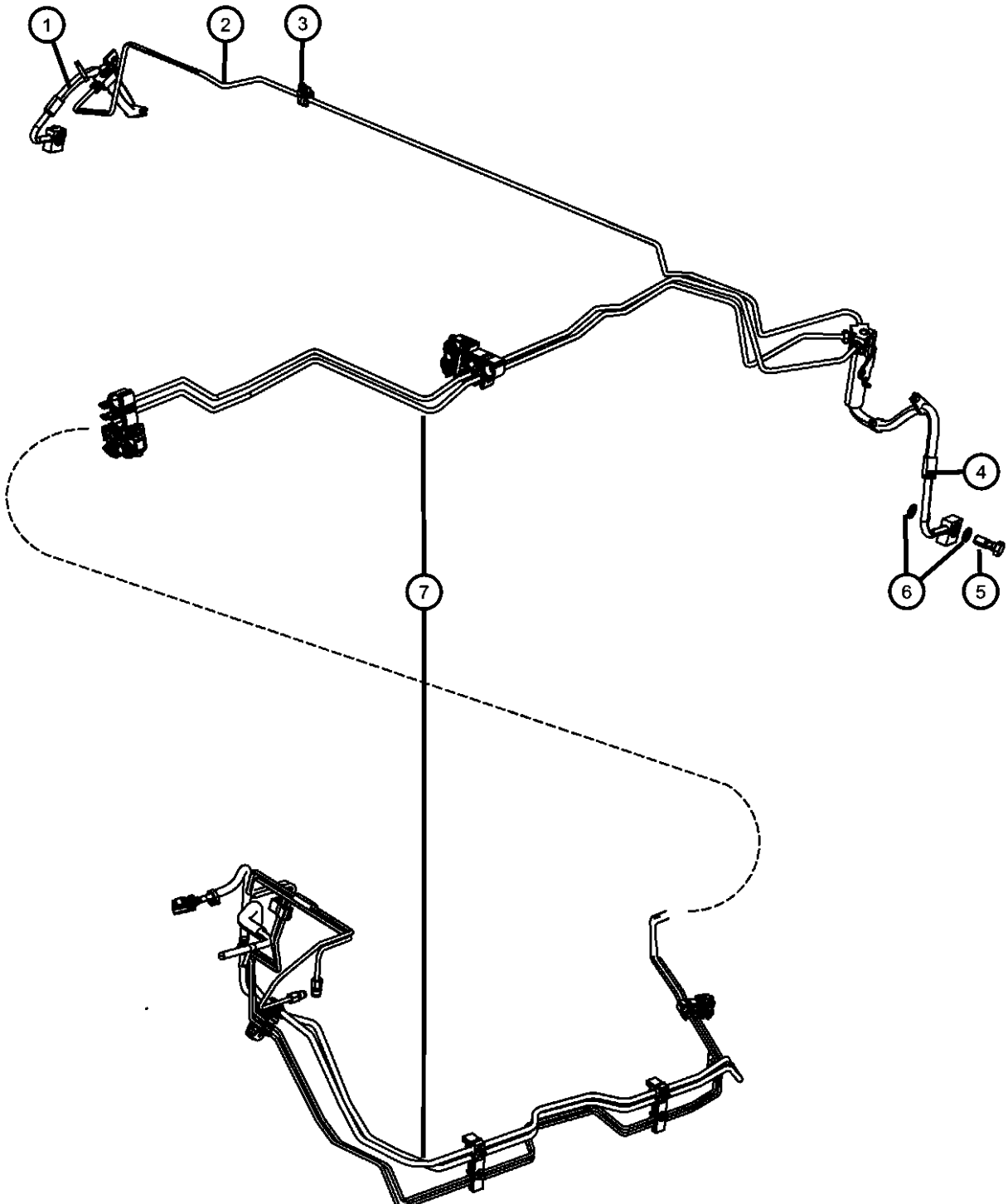
ENGINE
EZH = 5.7L V8 HEMI MDS
VCT Engine
ESF = 6.1L SRT HEMI V8
Engine
EKG = 3.7L V6 Engine

TRANSMISSION
DGJ = 5-Speed Auto W5A580
Transmission
DGQ = 5-Spd Automatic 545RFE
Transmission

AR = use ase required - = Non illustrated part

2010 WK

Brake Tubes and Hoses,Rear
Figure 5-530



ITEM	PART NUMBER	QTY	LINE	SERIES	BODY	ENGINE	TRANS	TRIM	DESCRIPTION
------	-------------	-----	------	--------	------	--------	-------	------	-------------

Note:Sales Codes:
 [BR4]=ANTI-LOCK 4-WHEEL DISC PERF BRAKES
 [BRY]=ANTI-LOCK 4-WHEEL DISC BRAKES
 [EK0]=ALL V6 ENGINES
 [ES0]=ALL V8 ENGINES
 [EV0]=ALL V8 ENGINES
 [EX0]=ALL 3.0/3.1L TURBO DIESELS ENGINES
 [EZ0]=ALL V8 ENGINES

1									HOSE, Brake, Right Rear
	05290642AB	1	J, T		74				[BR4]
	52089259AD	1	J, T		74				[BRY]
2	52089995AE	1	J, T		74				TUBE, Brake, Rear Crossover
3	06506087AA	2	J, T		74				CLIP, Brake TubeMounting
4									HOSE, Brake, Left Rear
	05290643AB	1	J		74				[BR4]
	52089997AE	1	J, T		74				[BRY]
5									BOLT, Banjo
	06035911AA	4	J, T		74				[BRY]-Brake Hose to Caliper, Mounting
	06508914AA	2	J, T		74				[BR4]-Brake Hose to Caliper, Mounting
6	06502114	4	J		74				GASKET, Brake Hose To Caliper, [BR4], Mounting
7									BUNDLE, Fuel and Brake Tube
	52124026AI	1	J, T		74				[EK0], Chassis
	52124240AF	1	J, T		74				[ES0], Chassis
	52124444AC	1	J, T		74				[EX0], Chassis
	52124669AB	1	J, T		74				[EV0], Chassis
	68023670AB	1	J, T		74				[EZ0], Chassis

GRAND CHEROKEE (WK)				
SERIES	LINE	BODY	ENGINE	TRANSMISSION
H = HIGHLINE	T = JEEP - 2WD	74 = SPORT UTILITY 4-DR	EZH = 5.7L V8 HEMI MDS	DGJ = 5-Speed Auto W5A580
P = PREMIUM	J = JEEP - 4WD	TYPE #4	VCT Engine	Transmission
S = SPORT			ESF = 6.1L SRT HEMI V8	DGQ = 5-Spd Automatic 545RFE
X = SPECIAL			Engine	Transmission
			EKG = 3.7L V6 Engine	

AR = use ase required - = Non illustrated part

**Pedal,Brake,Non Adjustable [XA8]
Figure 5-610**

ITEM	PART NUMBER	QTY	LINE	SERIES	BODY	ENGINE	TRANS	TRIM	DESCRIPTION
1	52089244AE	1	J, T		74				PEDAL ASSEMBLY, Non Adjustable
2									NUT, Hex Flange Lock, M8X1.25
	06101695	4	J, T		74				Booster to Sled, Mounting
		2	J, T		74				Pedal Bracket, Mounting
3	06035334	1	J, T		74				CLIP, Master Cylinder Push Rod PinMounting
4	05102023AB	1	J, T		74				PAD, Pedal

GRAND CHEROKEE (WK)

SERIES LINE
H = HIGHLINE T = JEEP - 2WD
P = PREMIUM J = JEEP - 4WD
S = SPORT
X = SPECIAL

BODY
74 = SPORT UTILITY 4-DR
TYPE #4

ENGINE
EZH = 5.7L V8 HEMI MDS
VCT Engine
ESF = 6.1L SRT HEMI V8
Engine
EKG = 3.7L V6 Engine

TRANSMISSION
DGJ = 5-Speed Auto W5A580
Transmission
DGQ = 5-Spd Automatic 545RFE
Transmission

AR = use ase required - = Non illustrated part

2010 WK

**Pedal,Brake,Adjustable [XAM,XAP]
Figure 5-620**

ITEM	PART NUMBER	QTY	LINE	SERIES	BODY	ENGINE	TRANS	TRIM	DESCRIPTION
Note:Sales Codes; [XAM]=POWER ADJUSTABLE PEDALS W/MEMORY [XAP]=POWER ADJUSTABLE PEDALS									
1	52089242AG	1	J, T		74				PEDAL ASSEMBLY, Adjustable, Brake, [XAM,XAP]
2	06101695	2	J, T		74				NUT, Hex Flange Lock, M8X1.25 Pedal Bracket, Mounting
		4	J, T		74				Booster to Sled, Mounting
3	06035334	1	J, T		74				CLIP, Master Cylinder Push Rod PinMounting
4	05102023AB	1	J, T		74				PAD, Pedal
5	05290949AC	1	J, T		74				OVERLAY KIT, Brake and Accel Pads, [XAR]

GRAND CHEROKEE (WK)

SERIES LINE
H = HIGHLINE T = JEEP - 2WD
P = PREMIUM J = JEEP - 4WD
S = SPORT
X = SPECIAL

BODY
74 = SPORT UTILITY 4-DR
TYPE #4

ENGINE
EZH = 5.7L V8 HEMI MDS
VCT Engine
ESF = 6.1L SRT HEMI V8
Engine
EKG = 3.7L V6 Engine

TRANSMISSION
DGJ = 5-Speed Auto W5A580
Transmission
DGQ = 5-Spd Automatic 545RFE
Transmission

**Park Brake Lever and Front and Rear Cables
Figure 5-710**

ITEM	PART NUMBER	QTY	LINE	SERIES	BODY	ENGINE	TRANS	TRIM	DESCRIPTION
1									LEVER ASSEMBLY, Parking Brake
	1EM311D1AC	1	J, T		74				[D1,J1]
	1EM311DVAC	1	J, T		74				[DV]
	1EM311J3AC	1	J, T		74				[J1]
2	06104725AA	1	J, T		74				NUT AND WASHER, Hex, M6X1.00, Parking Brake Assembly to Tunnel Reinforcement, Mounting SWITCH, Parking Brake
3	04671936AA	1	J, T		74				
4	06506035AA	1	J, T		74				NUT, U, M6x1.00
5	68065503AA	1	J, T		74				CABLE, Parking BrakeFront
6	52124029AA	1	J, T		74				EQUALIZER, Parking Brake Cable
7									CABLE PACKAGE, Parking Brake
	68024890AB	1	J, T		74				Right
	68024891AB	1	J, T		74				Left
8	06104725AA	1	J, T		74				NUT AND WASHER, Hex, M6X1.00, Intermediate Cable, Mounting
9	52124158AA	1	J, T		74				INSULATOR, Parking brake cable, Cable to Unerbody Isolator

GRAND CHEROKEE (WK)

SERIES LINE
H = HIGHLINE T = JEEP - 2WD
P = PREMIUM J = JEEP - 4WD
S = SPORT
X = SPECIAL

BODY
74 = SPORT UTILITY 4-DR
TYPE #4

ENGINE
EZH = 5.7L V8 HEMI MDS
VCT Engine
ESF = 6.1L SRT HEMI V8
Engine
EKG = 3.7L V6 Engine

TRANSMISSION
DGJ = 5-Speed Auto W5A580
Transmission
DGQ = 5-Spd Automatic 545RFE
Transmission

**Park Brake Assembly,Rear Disc
Figure 5-730**

ITEM	PART NUMBER	QTY	LINE	SERIES	BODY	ENGINE	TRANS	TRIM	DESCRIPTION
Note:Sales Codes;									
[BR4]=ANTI-LOCK 4-WHEEL DISC PERF BRAKES									
[BRY]=ANTI-LOCK 4-WHEEL DISC BRAKES									
[DRK]=DANA 44/226MM REAR AXLE									
[DRS]=213MM REAR AXLE									
1									ADAPTER ASSEMBLY, Parking Brake
	05290734AA	2	J, T		74				[BR4]
	52089418AB	2	J, T		74				[BRY]
2	05143732AA	2	J, T		74				SPRING, Upper Shoe Return
3	05086930AB	1	J, T		74				SHOE AND LINING KIT, Parking Brake
	VRWK0871AA								Make It New Brake Kits
4	05179890AA	4	J, T		74				PIN, Brake Shoe Hold Down
5	05179889AA	4	J, T		74				CLIP, Parking Brake Hold Down
6	05179888AA	2	J, T		74				ADJUSTER, Parking Brake
7	04762116	2	J, T		74				SPRING, Lower Shoe Return
8	05143705AA	1	J, T		74				SLIPPER KIT, Caliper, Contains 4 Slippers
9	04762121	2	J, T		74				PLUG, Brake Adjusting Hole
10	05143737AA	2	J, T		74				LINK AND LEVER ASSEMBLY, Parking Brake

GRAND CHEROKEE (WK)

SERIES LINE
H = HIGHLINE T = JEEP - 2WD
P = PREMIUM J = JEEP - 4WD
S = SPORT
X = SPECIAL

BODY
74 = SPORT UTILITY 4-DR
TYPE #4

ENGINE
EZH = 5.7L V8 HEMI MDS
VCT Engine
ESF = 6.1L SRT HEMI V8
Engine
EKG = 3.7L V6 Engine

TRANSMISSION
DGJ = 5-Speed Auto W5A580
Transmission
DGQ = 5-Spd Automatic 545RFE
Transmission

Group - 7

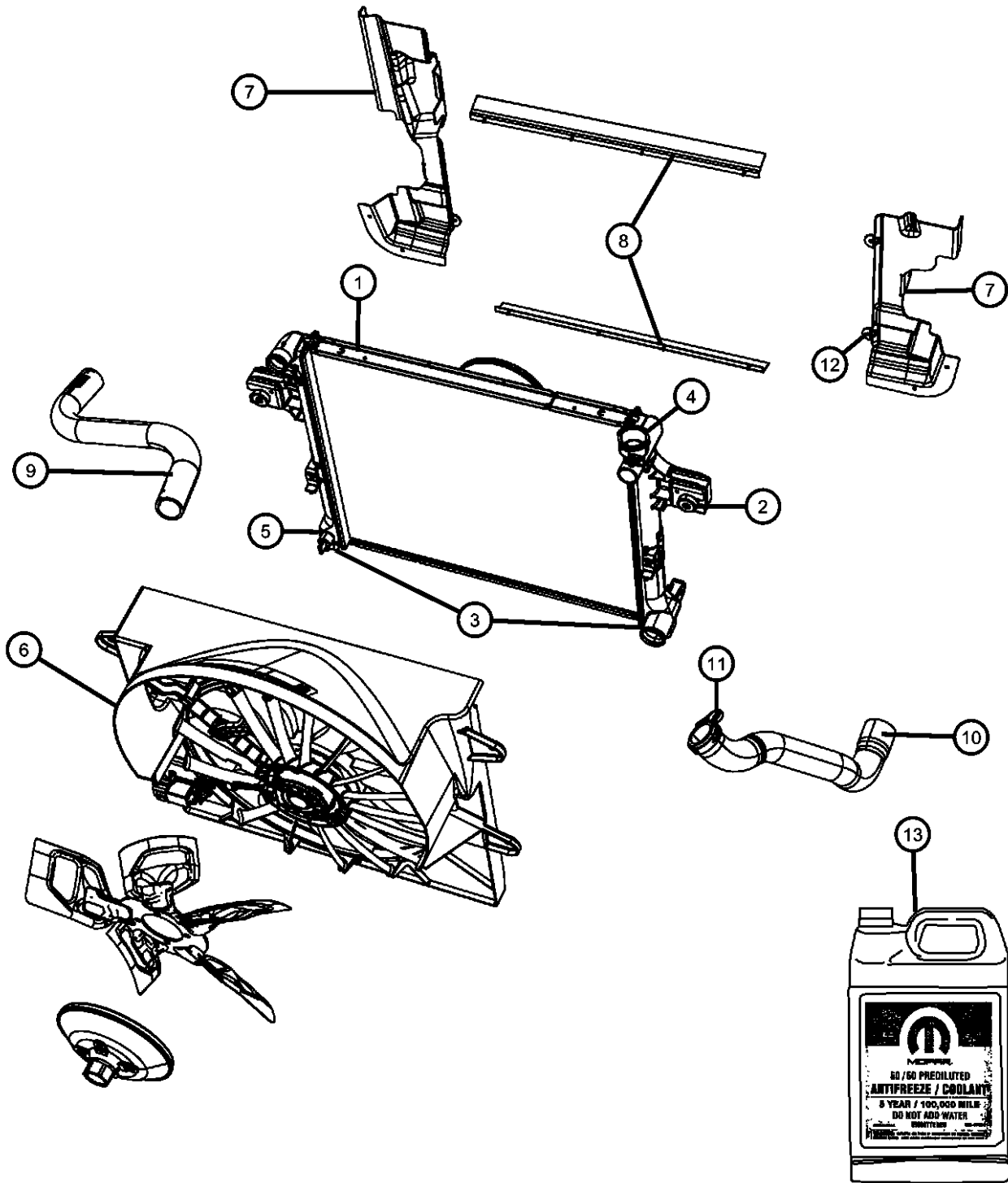
Cooling

Group - 7 Cooling

Illustration Title	Group-Fig. No.
Radiator and Related Parts; Charge Air Cooler	
Radiator and Related Parts Gas	Fig. 7 - 110
Radiator and Related Parts Gas	Fig. 7 - 115
Radiator Support	Fig. 7 - 150
Water Pump and Related Parts	
Water Pump and Related Parts	Fig. 7 - 205
Water Pump and Related Parts	Fig. 7 - 210
Thermostat and Related Parts	Fig. 7 - 250
Thermostat and Related Parts	Fig. 7 - 255
Engine Coolant Reservoir (Bottle)	
Coolant Recovery Bottle	Fig. 7 - 310
Pulleys and Related Parts	
Pulleys and Related Parts Gas	Fig. 7 - 410
Pulleys and Related Parts Gas	Fig. 7 - 415
Drive Belts	
Belts, Serpentine and V-Belts Gas	Fig. 7 - 510
Belts, Serpentine and V-Belts Gas	Fig. 7 - 515
Transmission Oil Cooler, and Lines	
Transmission Oil Cooler and Lines 3.7L , 5.7L , 6.1L	Fig. 7 - 605

007-100 Radiator and Related Parts; Charge Air Cooler	007-200 Water Pump and Related Parts	007-300 Engine Coolant Reservoir (Bottle)	007-400 Pulleys and Related Parts
007-500 Drive Belts	007-600 Transmission Oil Cooler, and Lines		

Radiator and Related Parts Gas
Figure 7-110



ITEM	PART NUMBER	QTY	LINE	SERIES	BODY	ENGINE	TRANS	TRIM	DESCRIPTION
Sales Codes: [EK0]= ALL 3.7L 6-CYL GAS ENGINES [EV0]= ALL 4.7L GAS ENGINES									
1	55116849AC	1	J, T			EK0, ES0, EV0	DBA		RADIATOR, Engine Cooling
2	52079419	1	J, T			EK0, ES0, EV0	DBA		ISOLATOR, Radiator, Upper
3	52079884AA	1	J, T			EK0, ES0, EV0	DBA		ISOLATOR, Radiator
4	55116897AA	1	J, T			EK0, ES0, EV0	DBA		CAP, Radiator
5	04644269	1	J, T			EK0, ES0, EV0	DBA		DRAINCOCK, Radiator
6	55037969AB	1	J, T			EK0, ES0, EV0	DBA		FAN MODULE, Radiator Cooling
7	55037945AB	1	J, T			EK0, ES0, EV0, EZ0			SEAL, Radiator SideLeft
8	55116920AA	2	J, T			EK0, ES0, EV0	DBA		SEAL, Radiator Lower
9	55116867AA	1	J, T			EK0			HOSE, Radiator Inlet
10	55116870AC	1	J, T			EK0			HOSE, Radiator Outlet
11	55037660AA	1	J, T			EK0, EV0			CLAMP, Hose, 55X15
12	06506293AA	9	J, T						PIN, Push
13									ANTIFREEZE, Coolant, Gallon, Standard MS-9769
	68048953AA	AR	J, T						Not Pre-mixed
	68051212AA	AR	J, T						50/50 Pre-mix

GRAND CHEROKEE (WK)

SERIES LINE
H = HIGHLINE T = JEEP - 2WD
P = PREMIUM J = JEEP - 4WD
S = SPORT
X = SPECIAL

BODY
74 = SPORT UTILITY 4-DR
TYPE #4

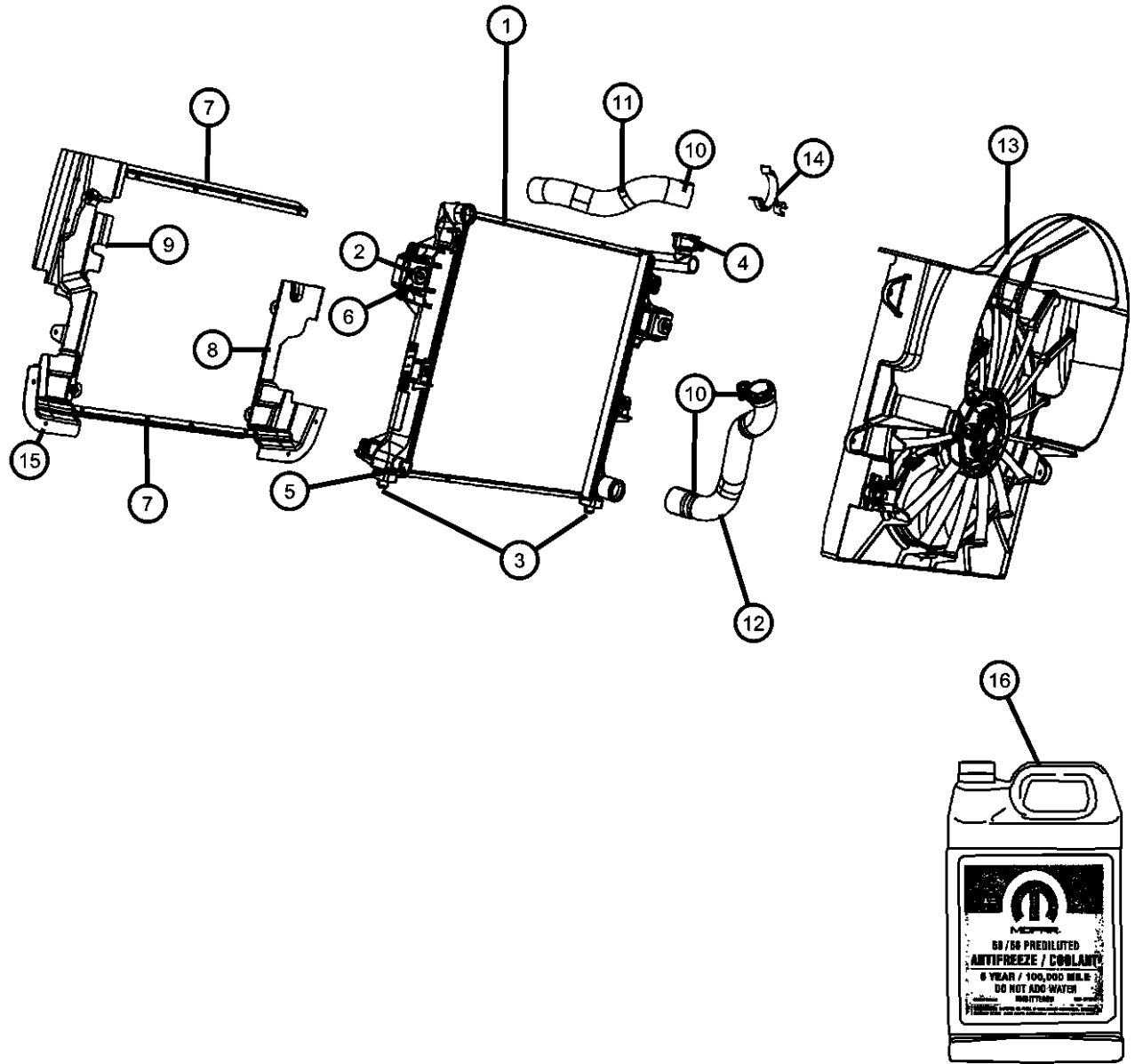
ENGINE
EZH = 5.7L V8 HEMI MDS
VCT Engine
ESF = 6.1L SRT HEMI V8
Engine
EKG = 3.7L V6 Engine

TRANSMISSION
DGJ = 5-Speed Auto W5A580
Transmission
DGQ = 5-Spd Automatic 545RFE
Transmission

AR = use ase required - = Non illustrated part

2010 WK

Radiator and Related Parts Gas
Figure 7-115



ITEM	PART NUMBER	QTY	LINE	SERIES	BODY	ENGINE	TRANS	TRIM	DESCRIPTION
1									RADIATOR, Engine Cooling
	55116842AB	1	J, T			EZO	DBA		
	55116849AC	1	J, T			EK0, ES0, EVO	DBA		
2	52079419	1	J, T			EK0, ES0, EVO	DBA		ISOLATOR, Radiator, Upper
3	52079884AA	1	J, T			EK0, ES0, EVO	DBA		ISOLATOR, Radiator
4	55116897AA	1	J, T			EK0, ES0, EVO	DBA		CAP, Radiator
5	04644269	1	J, T			EK0, ES0, EVO	DBA		DRAINCOCK, Radiator
6	06508012AA	2	J, T						BOLT, COOLING MODULE TO SUPPORT
7									SEAL, Radiator Lower
	55116920AA	2	J, T			EZO	DBA		
		2	J, T			EK0, EVO, ES0	DBA		
8	55037944AC	1	J, T			EK0, ES0, EVO, EZO			SEAL, Radiator Side
9	55037945AB	1	J, T			EK0, ES0, EVO, EZO			SEAL, Radiator Side
10	55037660AA	1	J, T			ESF, EZO			CLAMP, Hose, 55X15, RADIATOR HOSE TO PUMP OUTLET
11									HOSE, Radiator Inlet
	05290720AA	1	J, T			ES0			
	55116865AC	1	J, T			EZO			
12									HOSE, Radiator Outlet
	05181531AB	1	J, T			ESF			
	55116868AF	1	J, T			EZO			
13									FAN MODULE, Radiator Cooling
	05191827AA	1	J, T			EZO	DBA		
	55037969AB	1	J, T			EK0, ES0, EVO	DBA		
14	05181155AA	1	J, T			ES0			CLIP, Air Conditioning Wire, RAD HOSE TO A/C LINE
15	06501916	4	J, T			ES0			RETAINER, CLOSEOUT TO LWR FRT XMEMBER

GRAND CHEROKEE (WK)

SERIES LINE
H = HIGHLINE T = JEEP - 2WD
P = PREMIUM J = JEEP - 4WD
S = SPORT
X = SPECIAL

BODY
74 = SPORT UTILITY 4-DR
TYPE #4

ENGINE
EZH = 5.7L V8 HEMI MDS
VCT Engine
ESF = 6.1L SRT HEMI V8
Engine
EKG = 3.7L V6 Engine

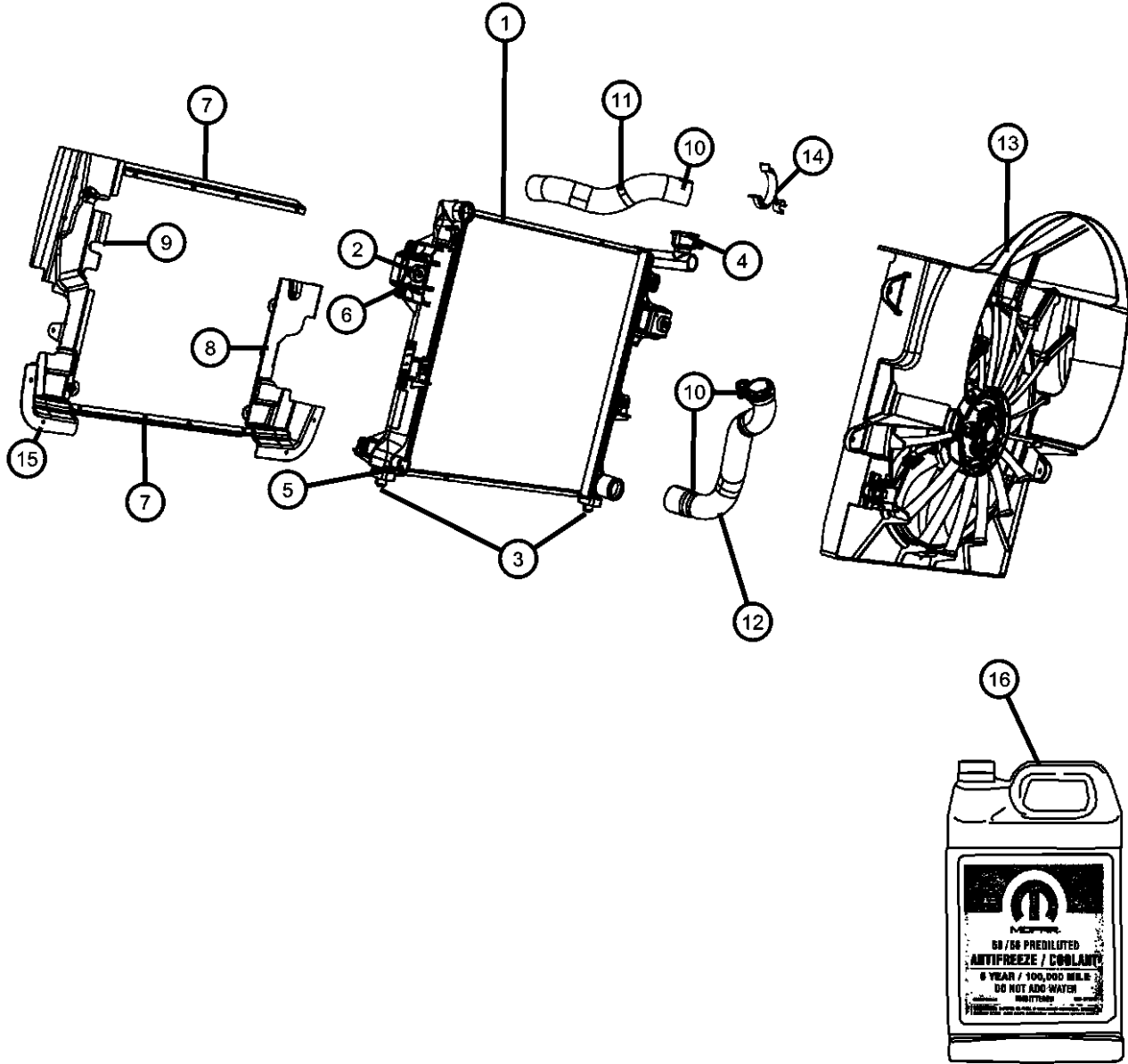
TRANSMISSION
DGJ = 5-Speed Auto W5A580
Transmission
DGQ = 5-Spd Automatic 545RFE
Transmission

AR = use ase required - = Non illustrated part

2010 WK

Radiator and Related Parts Gas
Figure 7-115

ITEM	PART NUMBER	QTY	LINE	SERIES	BODY	ENGINE	TRANS	TRIM	DESCRIPTION
16									ANTIFREEZE, Coolant, Gallon, Standard MS-9769 Not Pre-mixed
	68048953AA	AR	J, T						
	68051212AA	AR	J, T						50/50 Pre-mix



GRAND CHEROKEE (WK)

SERIES LINE
 H = HIGHLINE T = JEEP - 2WD
 P = PREMIUM J = JEEP - 4WD
 S = SPORT
 X = SPECIAL

BODY
 74 = SPORT UTILITY 4-DR
 TYPE #4

ENGINE
 EZH = 5.7L V8 HEMI MDS
 VCT Engine
 ESF = 6.1L SRT HEMI V8
 Engine
 EKG = 3.7L V6 Engine

TRANSMISSION
 DGJ = 5-Speed Auto W5A580
 Transmission
 DGQ = 5-Spd Automatic 545RFE
 Transmission

AR = use ase required - = Non illustrated part

2010 WK

**Radiator Support
Figure 7-150**

ITEM	PART NUMBER	QTY	LINE	SERIES	BODY	ENGINE	TRANS	TRIM	DESCRIPTION
1	55394951AF	1	J, T						CROSSMEMBER, Radiator
2	05143322AE	1	J, T						CROSSMEMBER, Radiator
3	05166082AB	1	J, T						CROSSMEMBER, Underbody
4	06104368AA	4	J, T						BOLT AND WASHER, Hex Head, M6X1.00X25.00
5	55394098AE	2	J, T						BRACE, Radiator Crossmember
6	06101831	2	J, T						NUT, Hex Flange, M8x1.25, BRACE ATTACHMENT

GRAND CHEROKEE (WK)

SERIES LINE
H = HIGHLINE T = JEEP - 2WD
P = PREMIUM J = JEEP - 4WD
S = SPORT
X = SPECIAL

BODY
74 = SPORT UTILITY 4-DR
TYPE #4

ENGINE
EZH = 5.7L V8 HEMI MDS
VCT Engine
ESF = 6.1L SRT HEMI V8
Engine
EKG = 3.7L V6 Engine

TRANSMISSION
DGJ = 5-Speed Auto W5A580
Transmission
DGQ = 5-Spd Automatic 545RFE
Transmission

AR = use ase required - = Non illustrated part

2010 WK

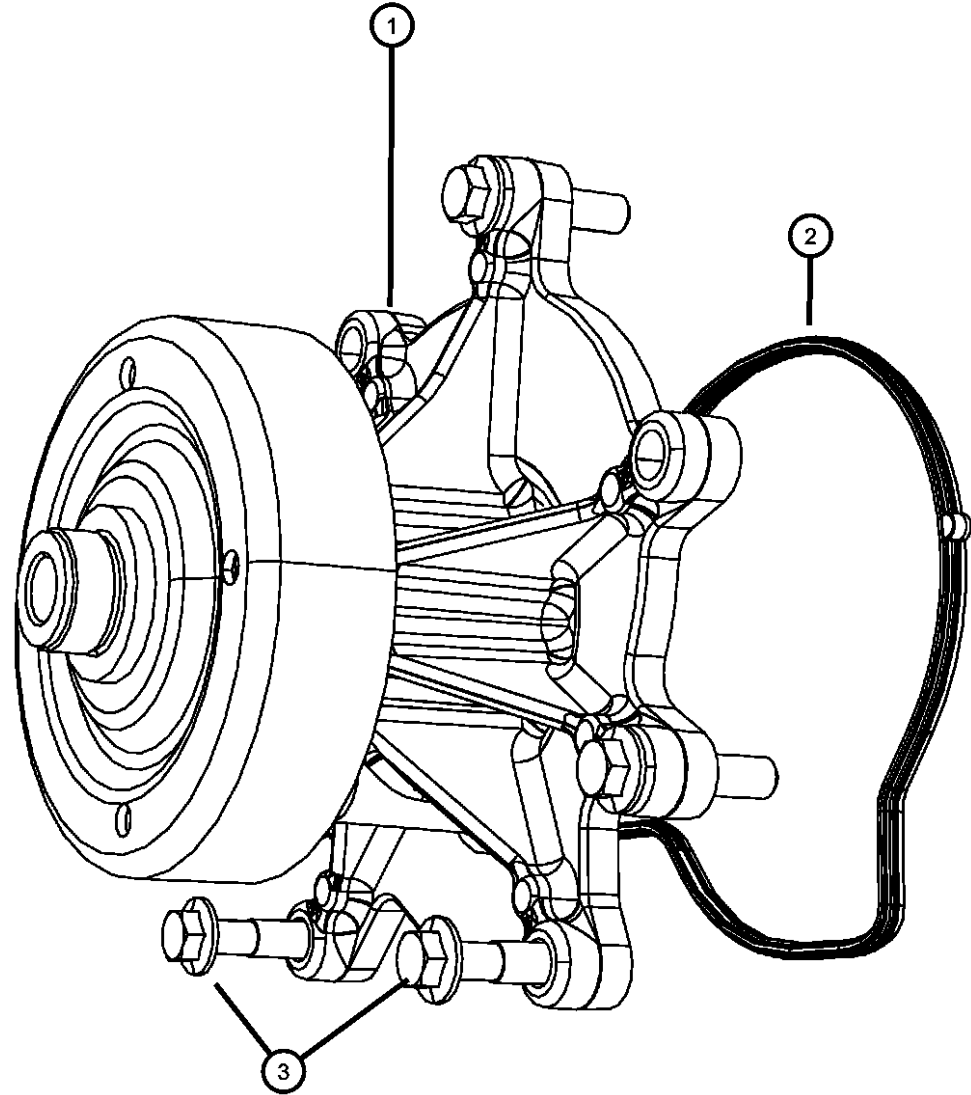
**Water Pump and Related Parts
Figure 7-205**

ITEM	PART NUMBER	QTY	LINE	SERIES	BODY	ENGINE	TRANS	TRIM	DESCRIPTION
------	-------------	-----	------	--------	------	--------	-------	------	-------------

Sales Codes:

[EK0]= ALL 3.7L 6-CYL GAS ENGINES

1	53022189AC	1	J, T			EKG, EVE			PUMP, Water
2	53020865	1	J, T			EKG, EVE			GASKET, Water Pump
3	06102380AA	5	J, T			EKG, EVE			BOLT, Hex Flange Head, M10X1.50X42.00, WATER PUMP TO CYLINDER BLOCK



GRAND CHEROKEE (WK)

SERIES LINE
H = HIGHLINE T = JEEP - 2WD
P = PREMIUM J = JEEP - 4WD
S = SPORT
X = SPECIAL

BODY
74 = SPORT UTILITY 4-DR
TYPE #4

ENGINE
EZH = 5.7L V8 HEMI MDS
VCT Engine
ESF = 6.1L SRT HEMI V8
Engine
EKG = 3.7L V6 Engine

TRANSMISSION
DGJ = 5-Speed Auto W5A580
Transmission
DGQ = 5-Spd Automatic 545RFE
Transmission

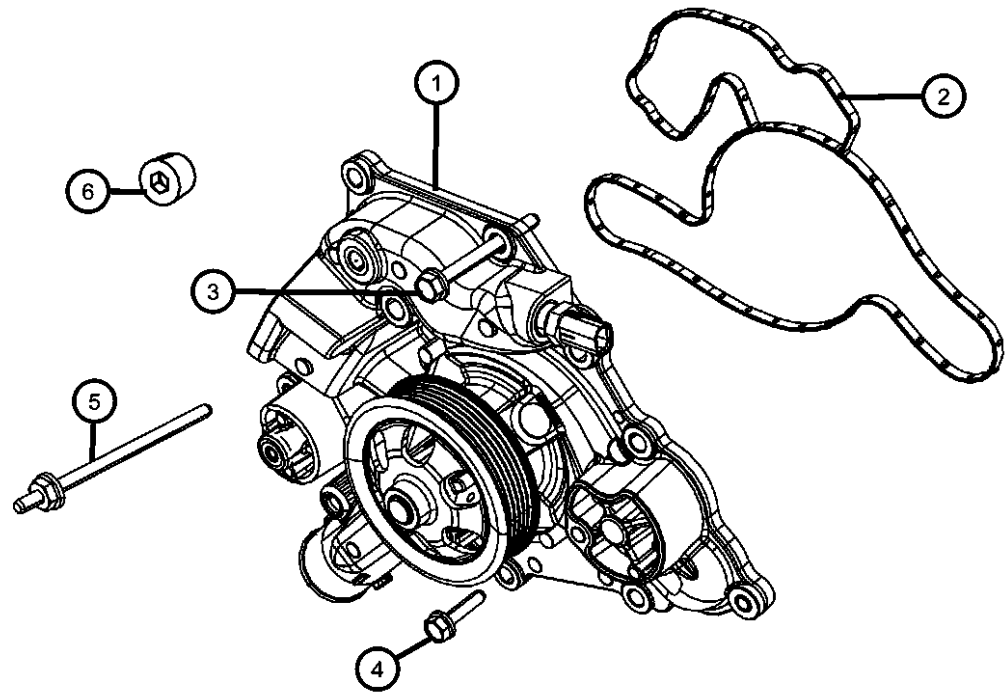
AR = use ase required - = Non illustrated part

2010 WK

**Water Pump and Related Parts
Figure 7-210**

ITEM	PART NUMBER	QTY	LINE	SERIES	BODY	ENGINE	TRANS	TRIM	DESCRIPTION
------	-------------	-----	------	--------	------	--------	-------	------	-------------

Sales Codes:
[EZ0]= ALL 5.7L 8CYL GAS ENGINES



1									PUMP, Water
	04792838AB	1	J, T			ESF			
	53022095AE	1	J, T			EZD			
	53022095AF	1	J, T			EZH			
2									GASKET, Water Pump
	04792922AA	1	J, T			ESF			
	04792922AB	1	J, T			EZH			
3	06506270AA	5	J, T			ESF			BOLT AND CONED WASHER, Hex Head, M8X1.25X80.00, WATER PUMP TO CYL BLOCK
4	06506269AA	5	J, T			ESF			BOLT AND CONED WASHER, Hex Head, M8X1.25X35.00, WATER PUMP TO FRT COVER
5	06506684AA	1	J, T			ESF			STUD, WATER PUMP TO CYL BLOCK
6	06036307AA	2	J, T			EZH			PLUG, Pipe, .250-18X.413

GRAND CHEROKEE (WK)

SERIES LINE
H = HIGHLINE T = JEEP - 2WD
P = PREMIUM J = JEEP - 4WD
S = SPORT
X = SPECIAL

BODY
74 = SPORT UTILITY 4-DR TYPE #4

ENGINE
EZH = 5.7L V8 HEMI MDS VCT Engine
ESF = 6.1L SRT HEMI V8 Engine
EKG = 3.7L V6 Engine

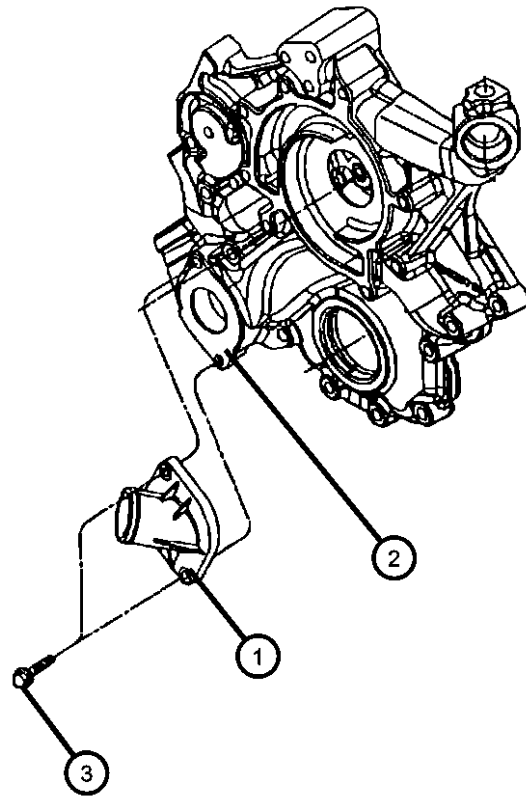
TRANSMISSION
DGJ = 5-Speed Auto W5A580 Transmission
DGQ = 5-Spd Automatic 545RFE Transmission

AR = use ase required - = Non illustrated part

2010 WK

**Thermostat and Related Parts
Figure 7-250**

ITEM	PART NUMBER	QTY	LINE	SERIES	BODY	ENGINE	TRANS	TRIM	DESCRIPTION
1	53020887AD	1	J, T			EKG			HOUSING, Thermostat
2	52079476AD	1	J, T			EKG			THERMOSTAT, with Seal
3	06505502AA	2	J, T			EKG			SCREW, Hex Flange Head, M6X1.00X32.00



GRAND CHEROKEE (WK)

SERIES LINE
H = HIGHLINE T = JEEP - 2WD
P = PREMIUM J = JEEP - 4WD
S = SPORT
X = SPECIAL

BODY
74 = SPORT UTILITY 4-DR
TYPE #4

ENGINE
EZH = 5.7L V8 HEMI MDS
VCT Engine
ESF = 6.1L SRT HEMI V8
Engine
EKG = 3.7L V6 Engine

TRANSMISSION
DGJ = 5-Speed Auto W5A580
Transmission
DGQ = 5-Spd Automatic 545RFE
Transmission

AR = use ase required - = Non illustrated part

2010 WK

**Thermostat and Related Parts
Figure 7-255**

ITEM	PART NUMBER	QTY	LINE	SERIES	BODY	ENGINE	TRANS	TRIM	DESCRIPTION
1									HOUSING, Thermostat
	53021536AC	1	J, T			ESF			
		1	J, T			EZH			
2									THERMOSTAT
	52028898AE	1	J, T			ESF			
		1	J, T			EZH			
3	06507071AA	2	J, T			ESF			SCREW AND WASHER, Hex Head, M8X1.25X24.00
4	06101982	2	J, T			EZH			SCREW AND WASHER, Hex Head, M8x1.25x30
5									TUBE, Coolant inlet
	04892345AF	1	J, T			EZH			
	05037891AA	1	J, T			ESF			
6	04892346AD	1	J, T			ESF, EZH			TUBE, Coolant outlet

GRAND CHEROKEE (WK)

SERIES LINE
H = HIGHLINE T = JEEP - 2WD
P = PREMIUM J = JEEP - 4WD
S = SPORT
X = SPECIAL

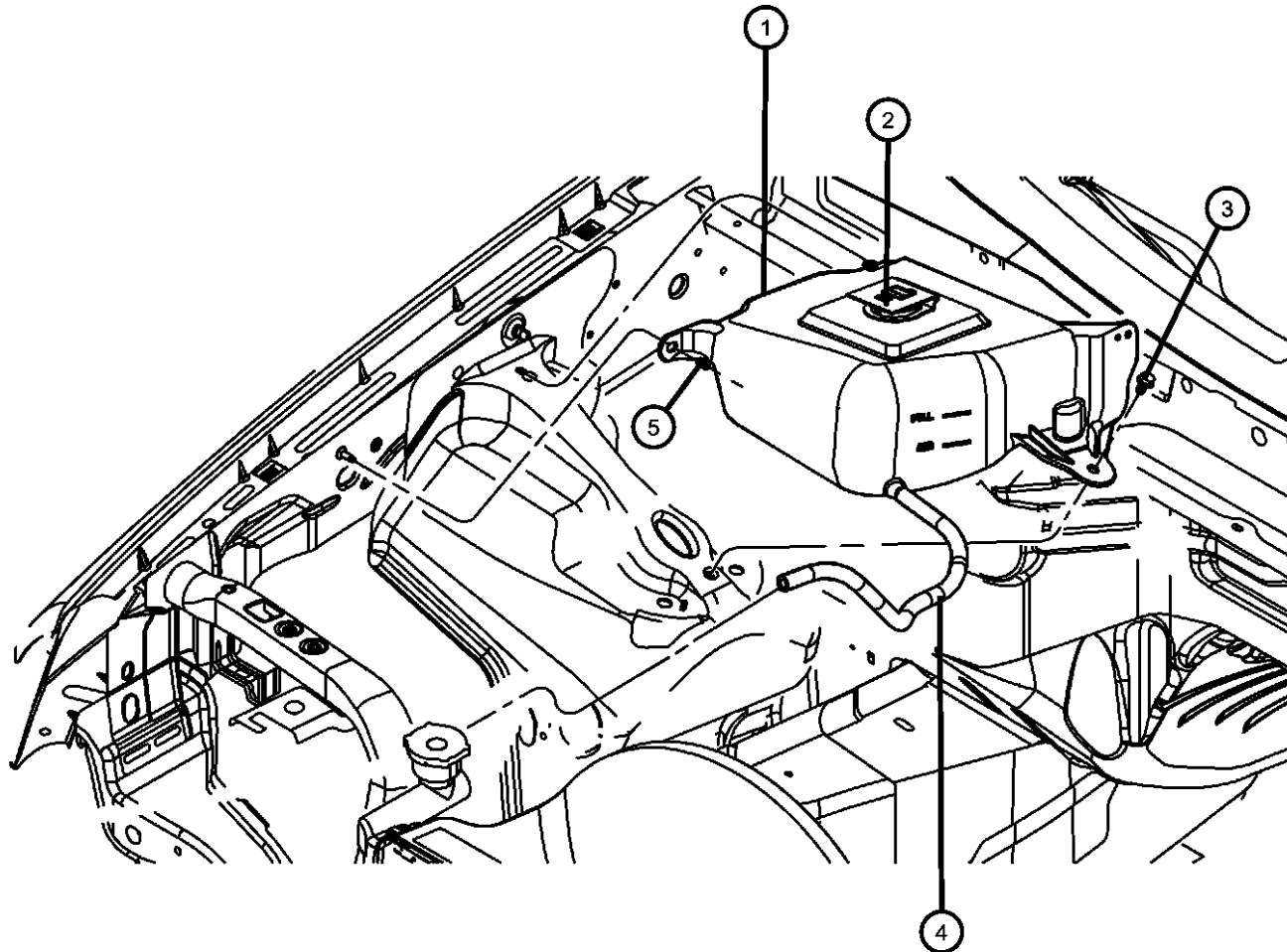
BODY
74 = SPORT UTILITY 4-DR
TYPE #4

ENGINE
EZH = 5.7L V8 HEMI MDS
VCT Engine
ESF = 6.1L SRT HEMI V8
Engine
EKG = 3.7L V6 Engine

TRANSMISSION
DGJ = 5-Speed Auto W5A580
Transmission
DGQ = 5-Spd Automatic 545RFE
Transmission

**Coolant Recovery Bottle
Figure 7-310**

ITEM	PART NUMBER	QTY	LINE	SERIES	BODY	ENGINE	TRANS	TRIM	DESCRIPTION
1	55038011AB	1	J, T			EK0, ES0, EV0, EZ0			BOTTLE, Coolant Recovery
2	55111074AA	1	J, T			EK0, ES0, EV0, EZ0			CAP, Coolant Recovery Bottle
3	06505903AA	2	J, T						SCREW AND WASHER, Self Tapping, M6x1x22
4		2							HOSE, Coolant Recovery Bottle, Serviced with Bottle, (NOT SERVICED)
5	06503397	1	J, T			EK0, ES0, EV0, EZ0			NUT, Push On, M6



GRAND CHEROKEE (WK)

SERIES LINE
H = HIGHLINE T = JEEP - 2WD
P = PREMIUM J = JEEP - 4WD
S = SPORT
X = SPECIAL

BODY
74 = SPORT UTILITY 4-DR
TYPE #4

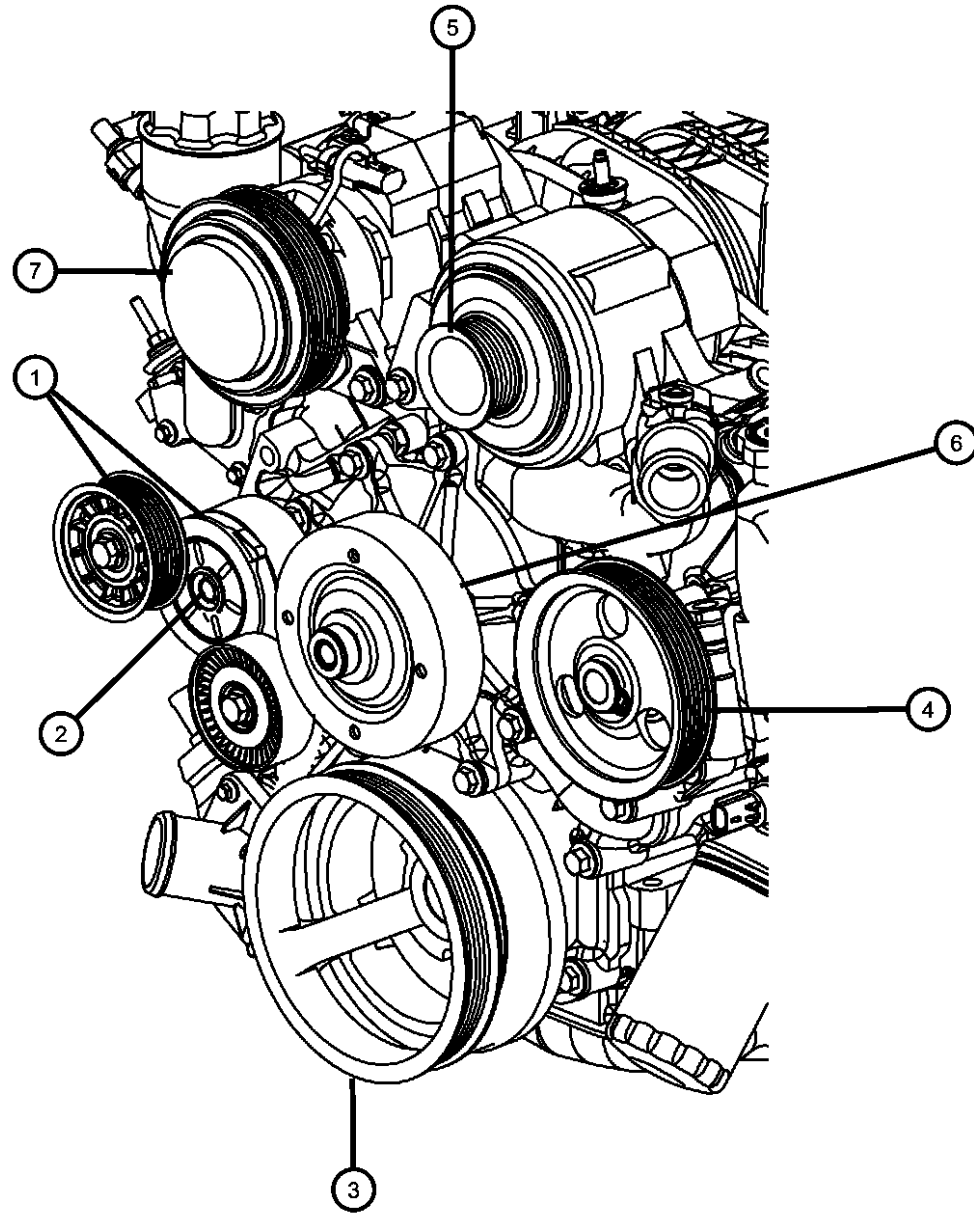
ENGINE
EZH = 5.7L V8 HEMI MDS
VCT Engine
ESF = 6.1L SRT HEMI V8
Engine
EKG = 3.7L V6 Engine

TRANSMISSION
DGJ = 5-Speed Auto W5A580
Transmission
DGQ = 5-Spd Automatic 545RFE
Transmission

AR = use ase required - = Non illustrated part

2010 WK

Pulleys and Related Parts Gas
Figure 7-410



ITEM	PART NUMBER	QTY	LINE	SERIES	BODY	ENGINE	TRANS	TRIM	DESCRIPTION
1	53030958AE	1	J, T			EKG			TENSIONER, Belt
2	06504930AA	1	J, T			EKG			SCREW AND WASHER, Hex Head, M10x1.5x70
3		1							PULLEY, Crankshaft, Serviced with Damper group 09, (NOT SERVICED)
4	53013688AC	1	J, T			EK0, EV0			PULLEY, Power Steering Pump
5		1							PULLEY, Alternator, Serviced with Alternator Only, (NOT SERVICED)
6		1							PULLEY, Water Pump, Serviced with Water Pump, (NOT SERVICED)
7	68034537AA	1	J, T			EK0, EV0			PULLEY HUB KIT, A/C Compressor

GRAND CHEROKEE (WK)

SERIES LINE
H = HIGHLINE T = JEEP - 2WD
P = PREMIUM J = JEEP - 4WD
S = SPORT
X = SPECIAL

BODY
74 = SPORT UTILITY 4-DR
TYPE #4

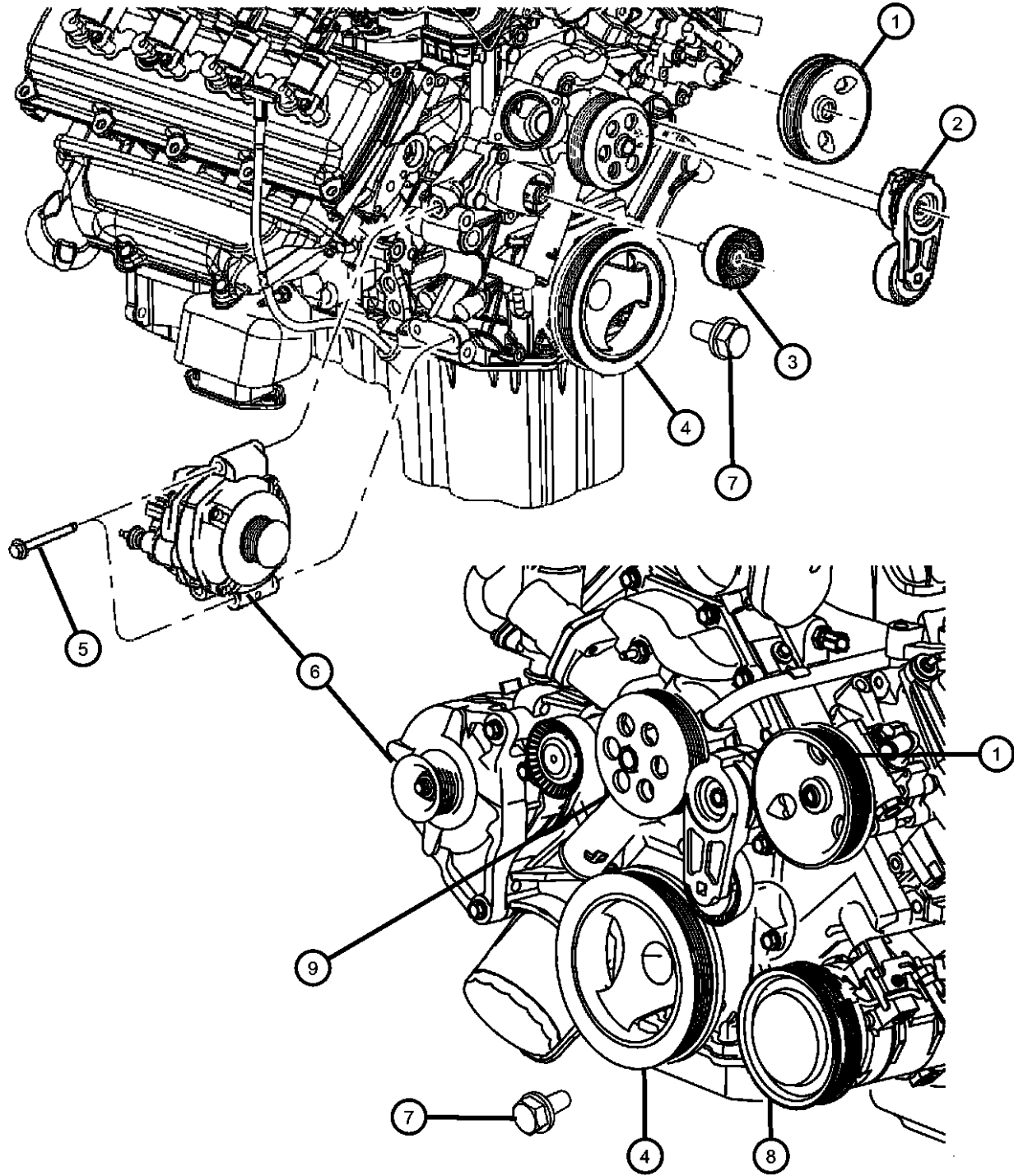
ENGINE
EZH = 5.7L V8 HEMI MDS
VCT Engine
ESF = 6.1L SRT HEMI V8
Engine
EKG = 3.7L V6 Engine

TRANSMISSION
DGJ = 5-Speed Auto W5A580
Transmission
DGQ = 5-Spd Automatic 545RFE
Transmission

AR = use ase required - = Non illustrated part

2010 WK

Pulleys and Related Parts Gas
Figure 7-415



ITEM	PART NUMBER	QTY	LINE	SERIES	BODY	ENGINE	TRANS	TRIM	DESCRIPTION
------	-------------	-----	------	--------	------	--------	-------	------	-------------

Sales Codes:
[ESF]= 6.1L SRT HEMI SMPI V8 ENGINE
[EZ0]= ALL 5.7L 8CYL GAS ENGINES

1	53013677AB	1	J, T			EZ0			PULLEY, Power Steering Pump
		1	J, T			ES0			
2	04861660AA	1	J, T			ESF			TENSIONER, Belt
		1	J, T			EZH			
3	04891720AA	1	J, T			ESF			PULLEY, Idler
		1	J, T			EZH			
4		1							PULLEY, Crankshaft, Serviced with Damper 09 group, (NOT SERVICED)
5	06102120AA	2	J, T			EKG, EZH			SCREW AND WASHER, Hex head, M10X1.50X45.00
		2	J, T			ESF			
6		2							PULLEY, Alternator, Serviced with Alternator, (NOT SERVICED)
7	06508400AA	1	J, T			ESF			BOLT AND CONED WASHER, Hex Head, M14X1.5X102.00
		1	J, T			EZH			
8	05140426AA	1	J, T			ES0			PULLEY HUB KIT, A/C Compressor
	68050640AA	1	J, T			EZ0			
9		1							PULLEY, Water Pump, Serviced with Water Pump, (NOT SERVICED)

GRAND CHEROKEE (WK)

SERIES LINE
H = HIGHLINE T = JEEP - 2WD
P = PREMIUM J = JEEP - 4WD
S = SPORT
X = SPECIAL

BODY
74 = SPORT UTILITY 4-DR
TYPE #4

ENGINE
EZH = 5.7L V8 HEMI MDS
VCT Engine
ESF = 6.1L SRT HEMI V8
Engine
EKG = 3.7L V6 Engine

TRANSMISSION
DGJ = 5-Speed Auto W5A580
Transmission
DGQ = 5-Spd Automatic 545RFE
Transmission

AR = use ase required - = Non illustrated part

2010 WK

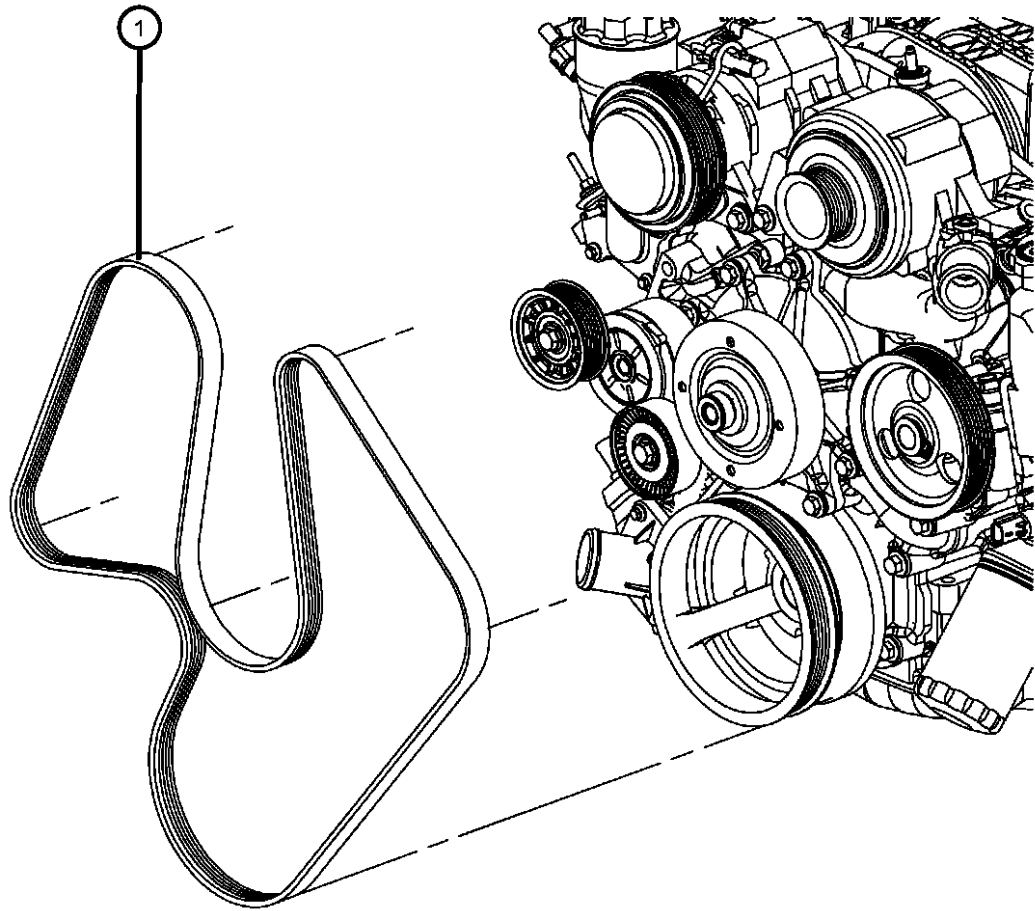
Belts, Serpentine and V-Belts Gas
Figure 7-510

ITEM	PART NUMBER	QTY	LINE	SERIES	BODY	ENGINE	TRANS	TRIM	DESCRIPTION
------	-------------	-----	------	--------	------	--------	-------	------	-------------

Sales Codes:

[EK0]= ALL 3.7L 6-CYL GAS ENGINES

1	68027636AA	1	J, T			EKG			BELT, Serpentine
---	------------	---	------	--	--	-----	--	--	------------------



GRAND CHEROKEE (WK)

SERIES LINE
H = HIGHLINE T = JEEP - 2WD
P = PREMIUM J = JEEP - 4WD
S = SPORT
X = SPECIAL

BODY
74 = SPORT UTILITY 4-DR
TYPE #4

ENGINE
EZH = 5.7L V8 HEMI MDS
VCT Engine
ESF = 6.1L SRT HEMI V8
Engine
EKG = 3.7L V6 Engine

TRANSMISSION
DGJ = 5-Speed Auto W5A580
Transmission
DGQ = 5-Spd Automatic 545RFE
Transmission

AR = use ase required - = Non illustrated part

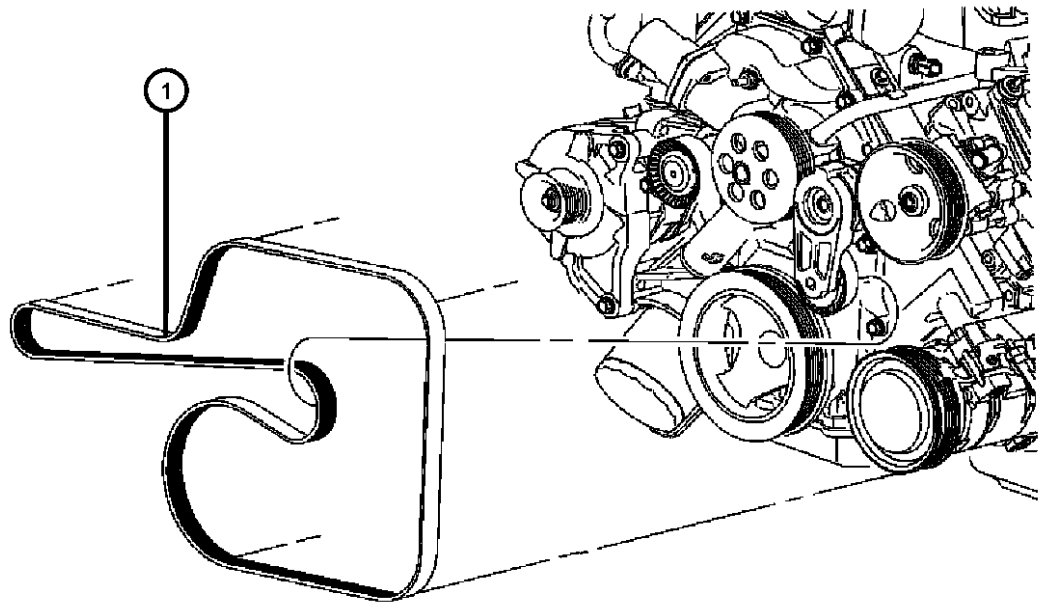
2010 WK

Belts, Serpentine and V-Belts Gas
Figure 7-515

ITEM	PART NUMBER	QTY	LINE	SERIES	BODY	ENGINE	TRANS	TRIM	DESCRIPTION
------	-------------	-----	------	--------	------	--------	-------	------	-------------

Sales Codes:
 [ESF]= 6.1L SRT HEMI SMPI V8 ENGINE
 [EZ0]= ALL 5.7L 8CYL GAS ENGINES

1									BELT, Serpentine
	04593684AA	1	J, T			EZH			
	05037542AA	1	J, T			ESF			



GRAND CHEROKEE (WK)

SERIES LINE
 H = HIGHLINE T = JEEP - 2WD
 P = PREMIUM J = JEEP - 4WD
 S = SPORT
 X = SPECIAL

BODY
 74 = SPORT UTILITY 4-DR
 TYPE #4

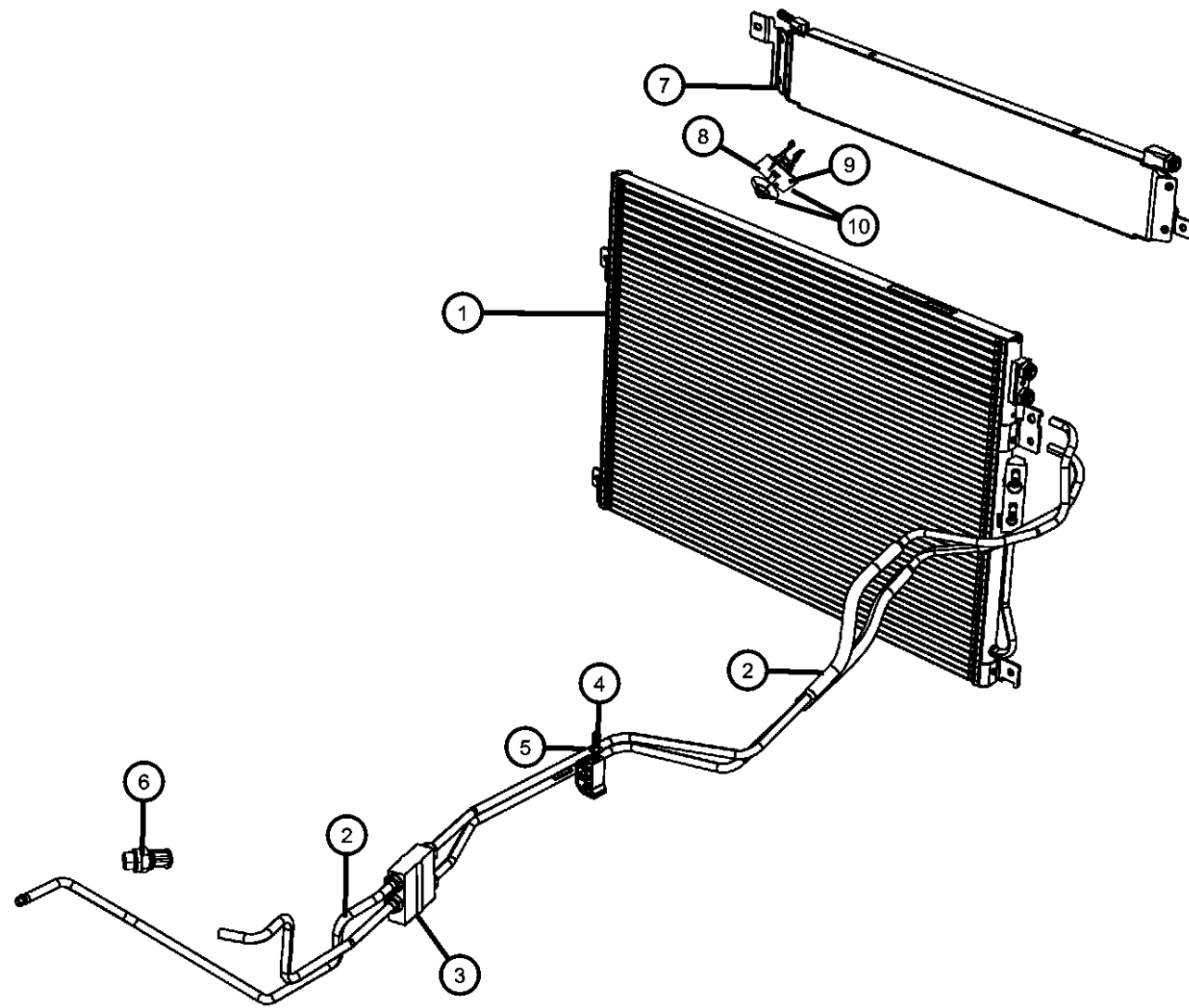
ENGINE
 EZH = 5.7L V8 HEMI MDS
 VCT Engine
 ESF = 6.1L SRT HEMI V8
 Engine
 EKG = 3.7L V6 Engine

TRANSMISSION
 DGJ = 5-Speed Auto W5A580
 Transmission
 DGQ = 5-Spd Automatic 545RFE
 Transmission

AR = use ase required - = Non illustrated part

2010 WK

**Transmission Oil Cooler and Lines 3.7L , 5.7L , 6.1L
Figure 7-605**



ITEM	PART NUMBER	QTY	LINE	SERIES	BODY	ENGINE	TRANS	TRIM	DESCRIPTION
1									COOLER, Condenser and Trans Cooler
	55116928AA	1	J, T			EX0	DBA		[DBA]
		1	J, T			EZ0	DBA		[DBA]
		1	J, T			EK0, ES0, EVO	DBA		[DBA]
2									HOSE AND TUBE, Oil Cooler Pressure and Return
	55038175AA	1	J, T			EZH	DGQ		
	55038177AB	1	J, T			EKG, ESF	DGJ		
3	55111005AA	1	J, T			EKG, ESF	DGJ		VALVE, Cooler Bypass
4	55038012AA	1	J, T			EKG	DGJ		CLIP, Oil Cooler Tube
5									CLIP, Oil Cooler Line TOC LINE TO BLOCK
	05290854AB	1	J, T			ESF	DGJ		
	52079789AB	1	J, T			EZH	DGQ		
6									FITTING, Quick Connect
	52119547AA	2	T			EZH	DGQ		
		2	J			ESF	DGJ		
		2	T			EKG	DGJ		
		2	J			EKG	DGJ		
		2	T			EVE, EZH	DGQ		
7									COOLER, Power Steering
	05181117AA	1	J, T			ES0	DBA		[DBA]
	52090052AB	1	J, T			EK0, EVO	DBA		[DBA]
	55116927AA	1	J, T			EZ0	DBA		[DBA]
8									CLIP, Oil Cooler Tube
	55038012AA	1	J, T			EKG	DGJ		[DGJ]
	68038830AA	1	J, T			EZ0	DBA		[DBA]
9	05183297AB	1	J, T			EK0, ES0, EVO	DBA		RETAINER, Power Steering Oil Cooler, [DBA]
10	05137778AC	1	J, T			EK0, ES0, EVO	DBA		RETAINER PACKAGE, Power Steering Cooler, [DBA]

GRAND CHEROKEE (WK)

SERIES LINE
H = HIGHLINE T = JEEP - 2WD
P = PREMIUM J = JEEP - 4WD
S = SPORT
X = SPECIAL

BODY
74 = SPORT UTILITY 4-DR
TYPE #4

ENGINE
EZH = 5.7L V8 HEMI MDS
VCT Engine
ESF = 6.1L SRT HEMI V8
Engine
EKG = 3.7L V6 Engine

TRANSMISSION
DGJ = 5-Speed Auto W5A580
Transmission
DGQ = 5-Spd Automatic 545RFE
Transmission

AR = use ase required - = Non illustrated part

2010 WK

Group - 8

Electrical

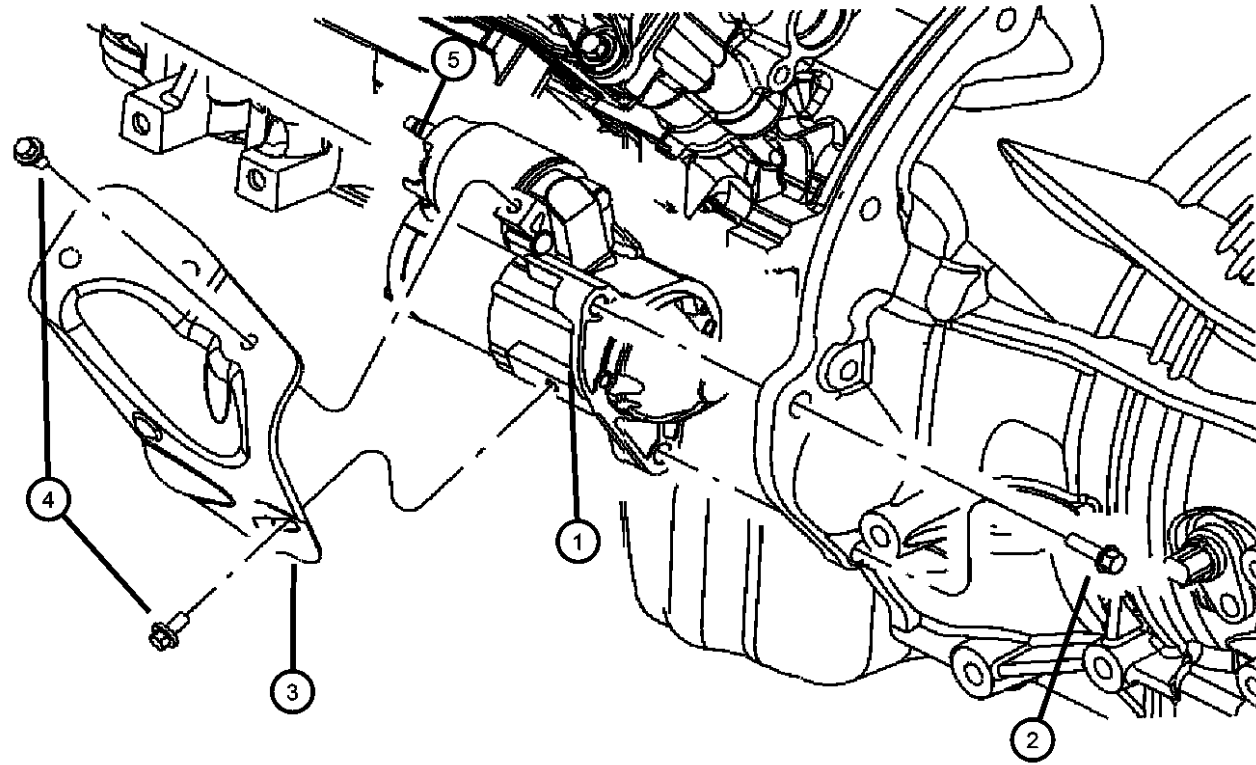
008-1900 Ignition - Spark Plugs, Cables, Coils, and Glow Plugs	008-200 Generators / Alternators	008-2100 Instrument Panel Cluster	008-2200 Radio, Antenna, Speakers, DVD, and Video systems
008-2400 Navigation	008-2500 Telecommunication	008-2600 Park Assist	008-2700 Speed Control
008-300 Wiper and Washer System	008-400 Keys, Modules and Engine Controllers	008-500 Power Distribution Center, Fuse Block, Junction Block, Relays and Fuses	008-600 Sensors
008-800 Switches	008-900 Horns		

008-100 Starters	008-1000 Battery, Battery Tray and Cables	008-1100 Lamps-Interior and Exterior	008-1200 Wiring-Powertrain
008-1300 Wiring-Headlamp to Dash	008-1400 Wiring-Instrument Panel	008-1500 Wiring-Body and Accessories	008-1600 Wiring and Repair

Group - 8 Electrical

Illustration Title	Group-Fig. No.
Starters	
Starter and Related Parts.....	Fig. 8 - 105
Remote Start	Fig. 8 - 115
Generators / Alternators	
Generator/Alternator and Related Parts.....	Fig. 8 - 205
Generator/Alternator and Related Parts.....	Fig. 8 - 210
Wiper and Washer System	
Front Wiper System.....	Fig. 8 - 305
Front Washer System.....	Fig. 8 - 310
Rear Wiper System	Fig. 8 - 315
Rear Washer System	Fig. 8 - 320
Keys, Modules and Engine Controllers	
Modules Engine Compartment.....	Fig. 8 - 405
Modules Instrument Panel.....	Fig. 8 - 410
Modules Overhead.....	Fig. 8 - 415
Modules Body	Fig. 8 - 420
Modules Lighting	Fig. 8 - 425
Modules, Brakes, Suspension, and Steering.....	Fig. 8 - 430
Receiver Modules, Keys and Key FOBS.....	Fig. 8 - 435
Power Distribution Center, Fuse Block, Junction Block, Relays and Fuses	
Power Distribution Center	Fig. 8 - 505
Power Distribution Center	Fig. 8 - 510
Junction Block Fuses and Relays.....	Fig. 8 - 515
Power Invertor Outlet	Fig. 8 - 520
Sensors	
Sensors, Gas Engine	Fig. 8 - 605
Sensors, Gas Engine	Fig. 8 - 607
Sensors Oxygen Gas	Fig. 8 - 615
Sensors Oxygen Gas	Fig. 8 - 617
Sensors Brakes	Fig. 8 - 625
Sensors Suspension and Steering.....	Fig. 8 - 630
Sensors Body.....	Fig. 8 - 635
Sensors Drivetrain	Fig. 8 - 640
Switches	
Switches Instrument Panel	Fig. 8 - 805
Switches Console	Fig. 8 - 810
Switches Doors and Liftgate.....	Fig. 8 - 815
Switches Body.....	Fig. 8 - 820
Switches Seats	Fig. 8 - 825
Switches Steering Column and Wheel	Fig. 8 - 830
Switches Powertrain	Fig. 8 - 835
Switches Heating and Air Conditioning.....	Fig. 8 - 840
Horns	
Horns.....	Fig. 8 - 905
Battery, Battery Tray and Cables	
Battery Tray and Support.....	Fig. 8 - 1005
Battery Wiring	Fig. 8 - 1010
Lamps-Interior and Exterior	
Lamps Front	Fig. 8 - 1105
Lamps Rear.....	Fig. 8 - 1110
Lamps Interior	Fig. 8 - 1115
Wiring-Powertrain	
Wiring Engine Gas.....	Fig. 8 - 1205
Wiring Engine Gas	Fig. 8 - 1206
Ground Straps.....	Fig. 8 - 1215
Wiring-Headlamp to Dash	
Wiring Headlamp to Dash	Fig. 8 - 1305
Wiring-Instrument Panel	
Wiring Instrument Panel	Fig. 8 - 1405
Wiring-Body and Accessories	
Wiring Body.....	Fig. 8 - 1505
Wiring Chassis and Underbody	Fig. 8 - 1510
Wiring Door, Deck Lid, and Liftgate.....	Fig. 8 - 1515
Wiring Seats Front	Fig. 8 - 1520
Wiring Seats Rear.....	Fig. 8 - 1525
Wiring Heating and Air Conditioning.....	Fig. 8 - 1530
Wiring and Repair	
Wiring Repairs.....	Fig. 8 - 1605
Ignition - Spark Plugs, Cables, Coils, and Glow Plugs	
Spark Plugs, Ignition Wires, and Ignition Coil.....	Fig. 8 - 1905
Spark Plugs, Ignition Wires, Ignition Coil.....	Fig. 8 - 1910
Instrument Panel Cluster	
Instrument Panel Cluster	Fig. 8 - 2105
Radio, Antenna, Speakers, DVD, and Video systems	
Radio.....	Fig. 8 - 2205
Antenna.....	Fig. 8 - 2210
Satellite Radio System.....	Fig. 8 - 2215
Speakers and Amplifiers.....	Fig. 8 - 2220
DVD and Video System.....	Fig. 8 - 2225
Rear View Camera System.....	Fig. 8 - 2230
Navigation	
Navigation System	Fig. 8 - 2405
Telecommunication	
Telecommunications	Fig. 8 - 2505
Park Assist	
Park Assist.....	Fig. 8 - 2605
Speed Control	
Speed Control	Fig. 8 - 2705

**Starter and Related Parts
Figure 8-105**



ITEM	PART NUMBER	QTY	LINE	SERIES	BODY	ENGINE	TRANS	TRIM	DESCRIPTION
1									STARTER, Engine
	05030023AA	1	J, T		74	ESF			
	56044734AA	1	J, T		74	EKG			
	56044736AC	1	J, T		74	EZH			
2									SCREW AND WASHER, Hex head, M10X1.50X45.00
	06102120AA	2	J, T		74	ESF			
		2	J, T		74	EKG, EZH			
3									SHIELD, Starter
	05030024AB	1	J, T		74	ESF			
	56044116AE	1	J, T		74	EZH			
4		1							SCREW, Hex Flange Head, M6x1x12, (NOT SERVICED)
5									NUT, Hex Flange Lock, M8x1.25
	06506929AA	1	J, T		74	ESF			
		1	J, T		74	EKG, EZH			

GRAND CHEROKEE (WK)

SERIES LINE
H = HIGHLINE T = JEEP - 2WD
P = PREMIUM J = JEEP - 4WD
S = SPORT
X = SPECIAL

BODY
74 = SPORT UTILITY 4-DR
TYPE #4

ENGINE
EZH = 5.7L V8 HEMI MDS
VCT Engine
ESF = 6.1L SRT HEMI V8
Engine
EKG = 3.7L V6 Engine

TRANSMISSION
DGJ = 5-Speed Auto W5A580
Transmission
DGQ = 5-Spd Automatic 545RFE
Transmission

AR = use ase required - = Non illustrated part

2010 WK

Remote Start
Figure 8-115

ITEM	PART NUMBER	QTY	LINE	SERIES	BODY	ENGINE	TRANS	TRIM	DESCRIPTION
1	05026446AC	1	J, T		74				RECEIVER, Wireless Ignition Node
2	05026234AA	1	J, T		74				ANTENNA, Keyless Entry
3		1							SCREW, Tapping Hex Head, M4.2X1.7X15.80, (NOT SERVICED)
4	05026211AA	1	J, T		74				SWITCH, Underhood
5	05026483AA	1	J, T		74				BRACKET, Hood Ajar Disarm Switch
6	06507828AA	2	J, T		74				NUT, Rivet, M6X1.00

GRAND CHEROKEE (WK)

SERIES LINE
H = HIGHLINE T = JEEP - 2WD
P = PREMIUM J = JEEP - 4WD
S = SPORT
X = SPECIAL

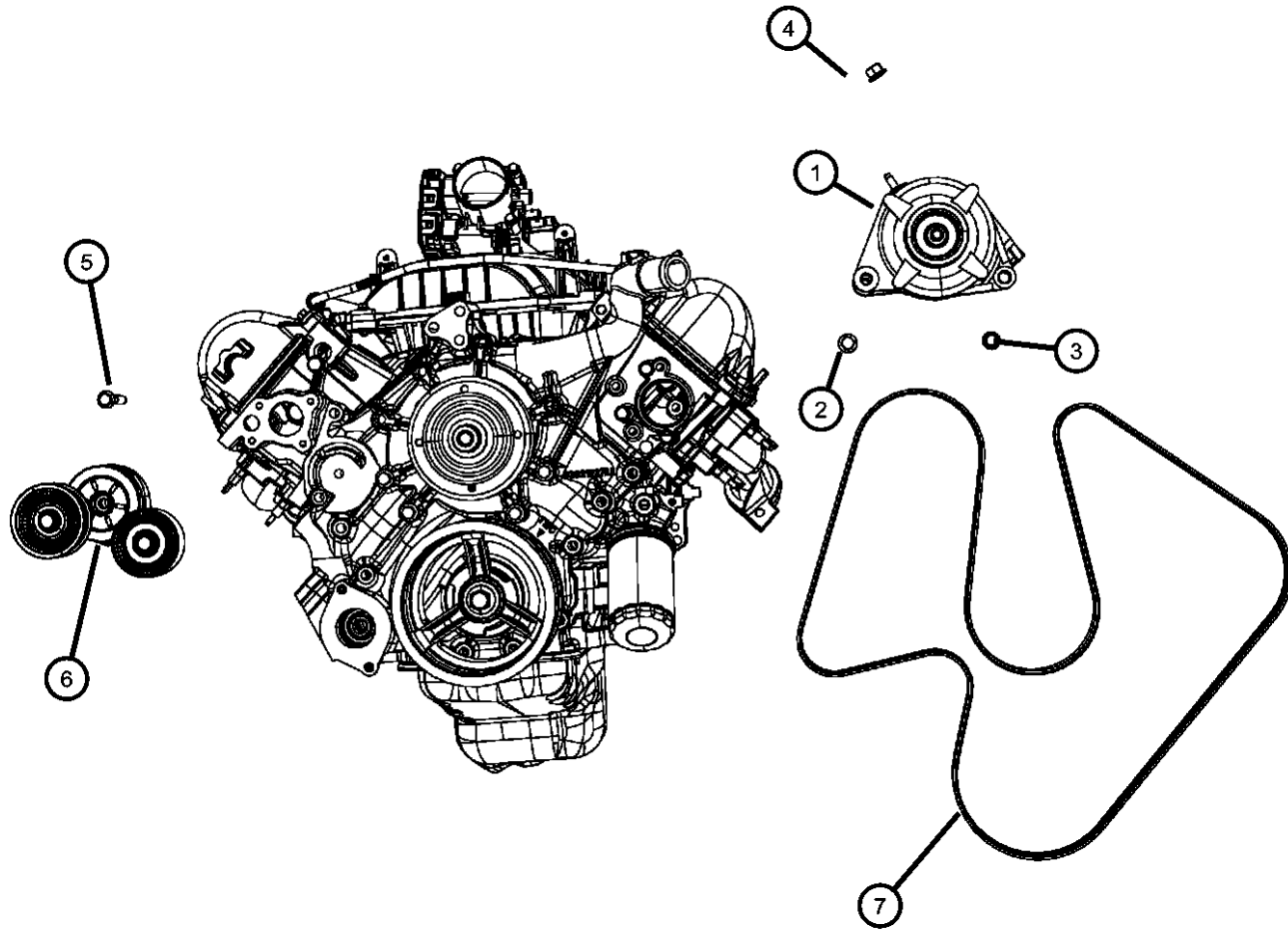
BODY
74 = SPORT UTILITY 4-DR
TYPE #4

ENGINE
EZH = 5.7L V8 HEMI MDS
VCT Engine
ESF = 6.1L SRT HEMI V8
Engine
EKG = 3.7L V6 Engine

TRANSMISSION
DGJ = 5-Speed Auto W5A580
Transmission
DGQ = 5-Spd Automatic 545RFE
Transmission

**Generator/Alternator and Related Parts
Figure 8-205**

ITEM	PART NUMBER	QTY	LINE	SERIES	BODY	ENGINE	TRANS	TRIM	DESCRIPTION
1	56029914AG	1	J, T		74	EKG			GENERATOR, Engine
2	06504344	1	J, T		74	EKG			SCREW AND WASHER, Hex Head, M10X1.50X105.00
3	06505488AA	1	J, T		74	EKG			SCREW AND WASHER, Hex Head, M10X1.50X65.0
4	06506929AA	1	J, T		74				NUT, Hex Flange Lock, M8x1.25
5	06504930AA	1	J, T		74	EKG			SCREW AND WASHER, Hex Head, M10x1.5x70
6	53030958AE	1	J, T		74	EKG			TENSIONER, Belt
7	68027636AA	1	J, T		74	EKG			BELT, Serpentine



GRAND CHEROKEE (WK)

SERIES LINE
H = HIGHLINE T = JEEP - 2WD
P = PREMIUM J = JEEP - 4WD
S = SPORT
X = SPECIAL

BODY
74 = SPORT UTILITY 4-DR
TYPE #4

ENGINE
EZH = 5.7L V8 HEMI MDS
VCT Engine
ESF = 6.1L SRT HEMI V8
Engine
EKG = 3.7L V6 Engine

TRANSMISSION
DGJ = 5-Speed Auto W5A580
Transmission
DGQ = 5-Spd Automatic 545RFE
Transmission

AR = use ase required - = Non illustrated part

2010 WK

**Generator/Alternator and Related Parts
Figure 8-210**

ITEM	PART NUMBER	QTY	LINE	SERIES	BODY	ENGINE	TRANS	TRIM	DESCRIPTION
1	56044380AJ	1	J, T		74	ESF			GENERATOR, Engine
		1	J, T		74	EZH			
2	06504344	1	J, T		74	EZH			SCREW AND WASHER, Hex Head, M10X1.50X105.00
		1	J, T		74	ESF			
3	06506929AA	1	J, T		74				NUT, Hex Flange Lock, M8x1.25
4									TENSIONER, Belt
	04861660AA	1	J, T		74	ESF			
		1	J, T		74	EZH			
5	06104221AA	1	J, T		74	EZH			BOLT, Hex Flange Head, M10X1.50X55.00
		1	J, T		74	ESF			TENSIONER TO TIMING COVER
									TENSIONER TO TIMING COVER
6									PULLEY, Idler
	04891720AA	1	J, T		74	ESF			
		1	J, T		74	EZH			
7	06508247AA	1	J, T		74	EZH			SCREW, Hex Flange Head, M8x1.25x34
8									BELT, Serpentine
	04593684AA	1	J, T		74	EZH			
	05037542AA	1	J, T		74	ESF			

GRAND CHEROKEE (WK)

SERIES LINE
H = HIGHLINE T = JEEP - 2WD
P = PREMIUM J = JEEP - 4WD
S = SPORT
X = SPECIAL

BODY
74 = SPORT UTILITY 4-DR
TYPE #4

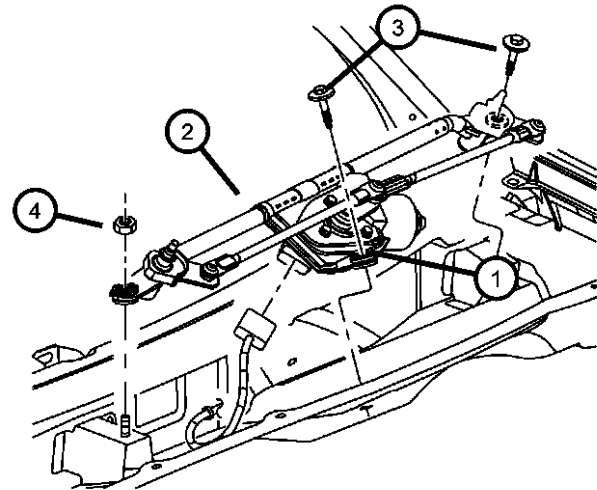
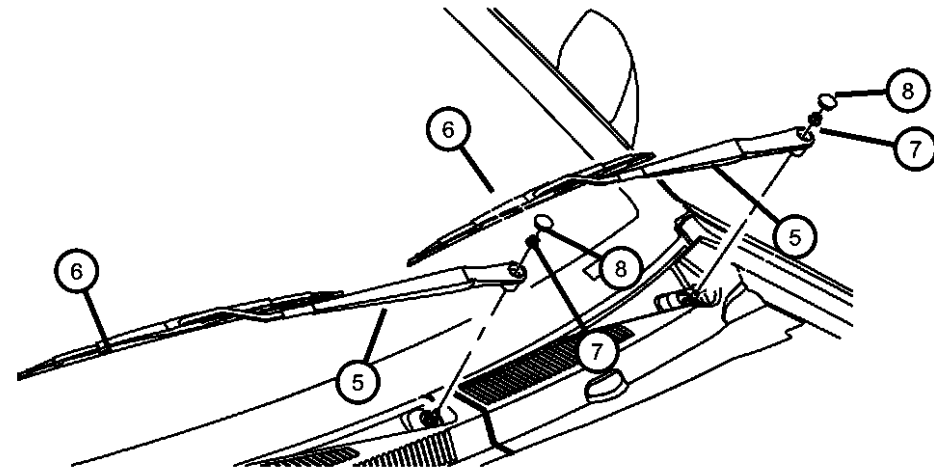
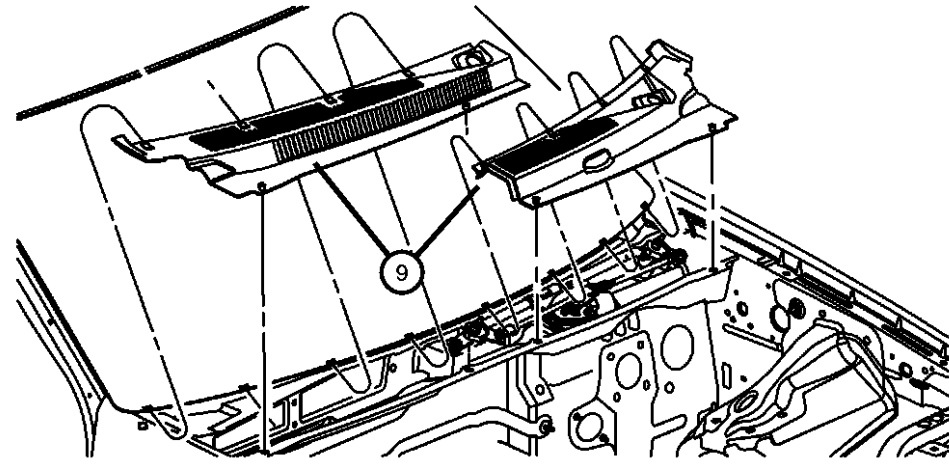
ENGINE
EZH = 5.7L V8 HEMI MDS
VCT Engine
ESF = 6.1L SRT HEMI V8
Engine
EKG = 3.7L V6 Engine

TRANSMISSION
DGJ = 5-Speed Auto W5A580
Transmission
DGQ = 5-Spd Automatic 545RFE
Transmission

AR = use ase required - = Non illustrated part

2010 WK

**Front Wiper System
Figure 8-305**



ITEM	PART NUMBER	QTY	LINE	SERIES	BODY	ENGINE	TRANS	TRIM	DESCRIPTION
1	68040580AA	1	J, T		74				MOTOR KIT, Windshield Wiper
2	68040581AA	1	J, T		74				PIVOT AND LINKAGE, Wiper
3		1							SCREW AND WASHER, Hex Head, M6X1.0X40.00, (NOT SERVICED)
4		1							NUT AND WASHER, Hex, M6X1.00, (NOT SERVICED)
5									ARM, Front Wiper
	05143533AA	1	J, T		74				Left
	05143534AA	1	J, T		74				Right
6	05139095AB	1	J, T		74				BLADE, Front Wiper
	WBFLAT10AA								Mopar Alternative Flat Blade Set
	WBW00022AD								Mopar Alternative Winter Wiper Blades
	WB000022AE								Mopar V-Line Alternative Part
7	06508578AA	2	J, T		74				NUT AND WASHER, Hex Nut-Coned Washer, M8 x 1.25
8	04389440	2	J, T		74				CAP, Wiper Arm Nut
9									PANEL, Cowl Top
	55156852AG	1	J, T		74				Right
	55156853AG	1	J, T		74				Left

GRAND CHEROKEE (WK)

SERIES LINE
H = HIGHLINE T = JEEP - 2WD
P = PREMIUM J = JEEP - 4WD
S = SPORT
X = SPECIAL

BODY
74 = SPORT UTILITY 4-DR TYPE #4

ENGINE
EZH = 5.7L V8 HEMI MDS VCT Engine
ESF = 6.1L SRT HEMI V8 Engine
EKG = 3.7L V6 Engine

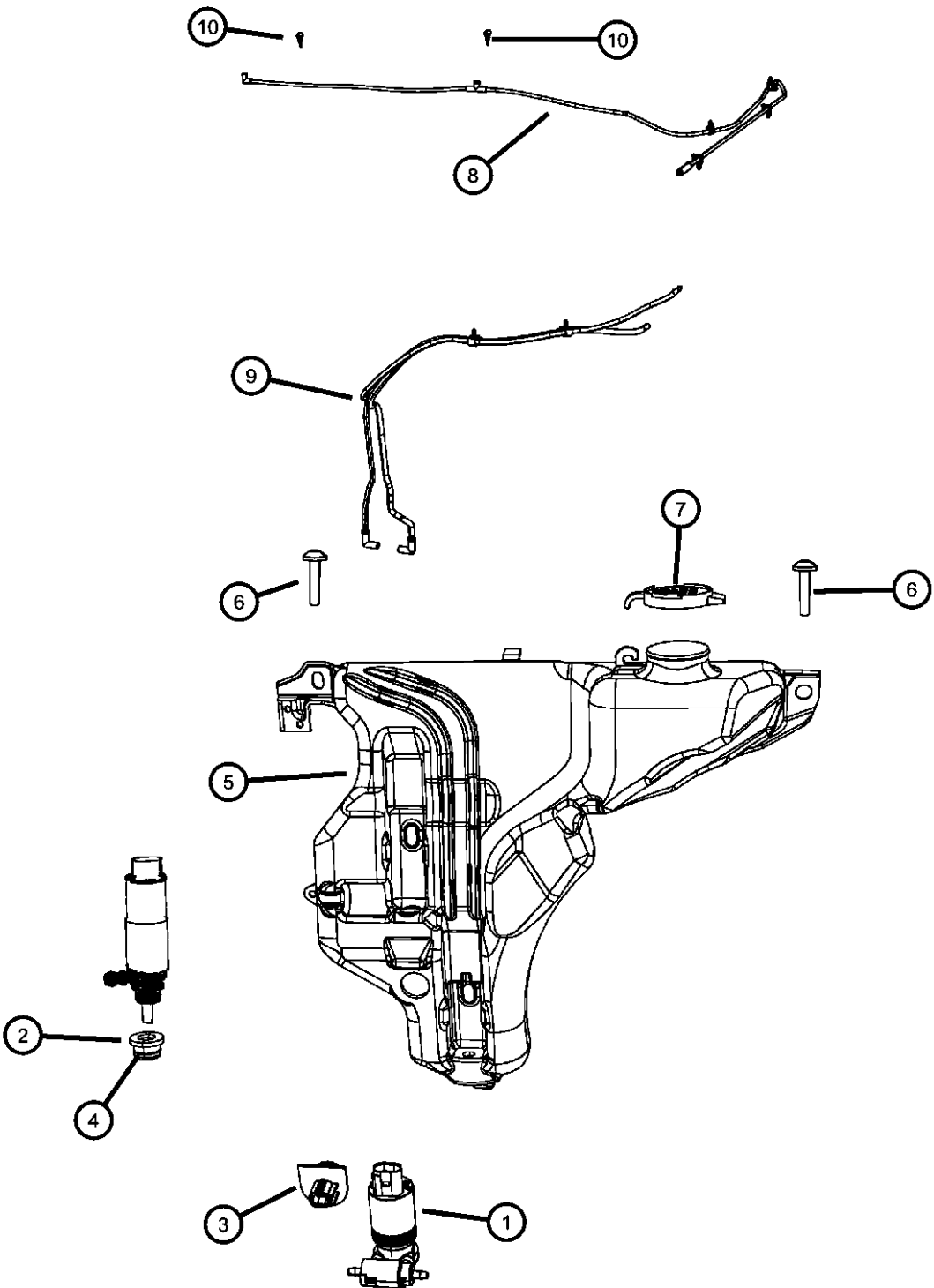
TRANSMISSION
DGJ = 5-Speed Auto W5A580 Transmission
DGQ = 5-Spd Automatic 545RFE Transmission

AR = use ase required - = Non illustrated part

2010 WK

**Front Washer System
Figure 8-310**

ITEM	PART NUMBER	QTY	LINE	SERIES	BODY	ENGINE	TRANS	TRIM	DESCRIPTION
1	05179153AC	1	J, T		74				PUMP, Washer, Windshield
2	05152030AA	1	J, T		74				GROMMET, Windshield Washer Pump
3	68018918AA	1	J, T		74				SENSOR, Washer Fluid Level
4	05161326AA	1	J, T		74				GROMMET, Washer Level Sensor
5	68018916AA	1	J, T		74				RESERVOIR, Windshield Washer
6	06101455	2	J, T		74				SCREW AND WASHER, Hex Head, M6x1x20
7	05189351AA	1	J, T		74				CAP, Washer Reservoir
8	68018917AB	1	J, T		74				HOSE, Windshield Washer
9	55157431AC	1	J, T		74				HOSE ASSY, WINDSHIELD WASHER
10	55079049AA	2	J, T		74				NOZZLE, Washer, Windshield



GRAND CHEROKEE (WK)

SERIES LINE
H = HIGHLINE T = JEEP - 2WD
P = PREMIUM J = JEEP - 4WD
S = SPORT
X = SPECIAL

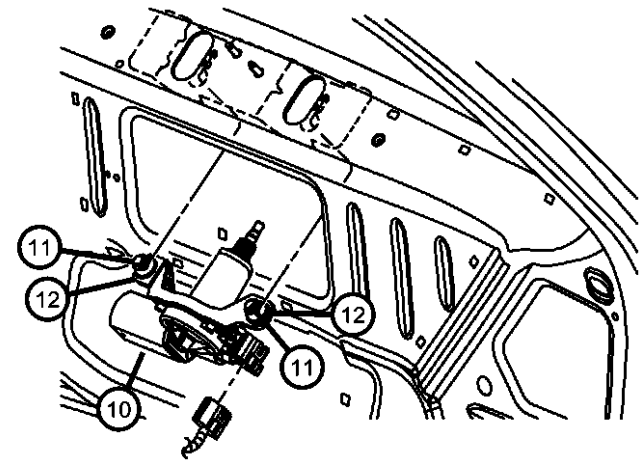
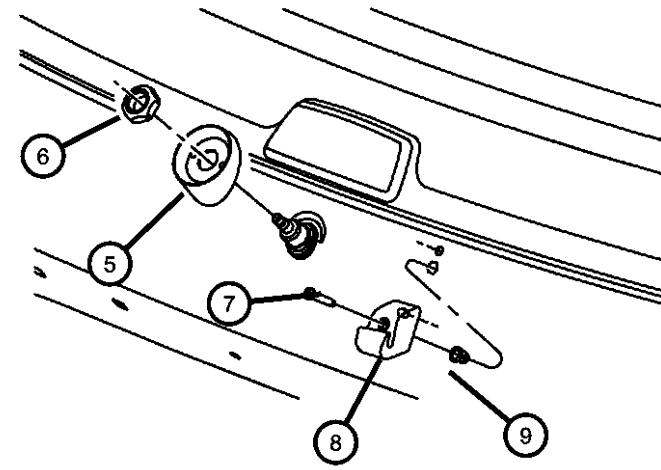
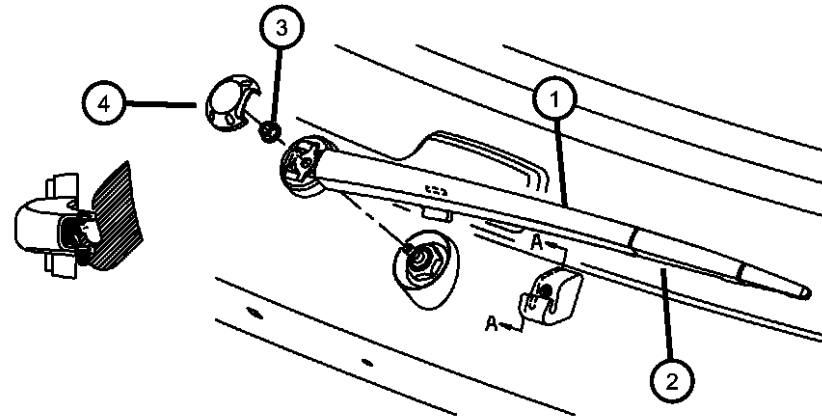
BODY
74 = SPORT UTILITY 4-DR
TYPE #4

ENGINE
EZH = 5.7L V8 HEMI MDS
VCT Engine
ESF = 6.1L SRT HEMI V8
Engine
EKG = 3.7L V6 Engine

TRANSMISSION
DGJ = 5-Speed Auto W5A580
Transmission
DGQ = 5-Spd Automatic 545RFE
Transmission

AR = use ase required - = Non illustrated part

Rear Wiper System
Figure 8-315



ITEM	PART NUMBER	QTY	LINE	SERIES	BODY	ENGINE	TRANS	TRIM	DESCRIPTION
1	05139836AB	1	J, T		74				ARM, Rear Wiper
2	05139835AC	1	J, T		74				BLADE, Rear Wiper
3	06104709AA	1	J, T		74				NUT, Hex Flange, M8x1.25
4	55156514AC	1	J, T		74				CAP, Wiper Arm Nut
5	55156372AB	1	J, T		74				BEZEL, Liftgate Wiper Motor
6	55156806AA	1	J, T		74				NUT, Rear Wiper Motor
7	06505062AA	1	J, T		74				SCREW, Pilot Point
8	55156371AD	1	J, T		74				RAMP, Wiper Park
9	06503245	1	J, T		74				NUT RIVET, Hex, M6X1.00
10	55156325AD	1	J, T		74				MOTOR, Liftgate Wiper
11	06503996	2	J, T		74				BOLT, Hex Flange Head, M6x1.00x30
12	04778097	1	J, T		74				GROMMET, WIPER FRAME

GRAND CHEROKEE (WK)

SERIES LINE
H = HIGHLINE T = JEEP - 2WD
P = PREMIUM J = JEEP - 4WD
S = SPORT
X = SPECIAL

BODY
74 = SPORT UTILITY 4-DR
TYPE #4

ENGINE
EZH = 5.7L V8 HEMI MDS
VCT Engine
ESF = 6.1L SRT HEMI V8
Engine
EKG = 3.7L V6 Engine

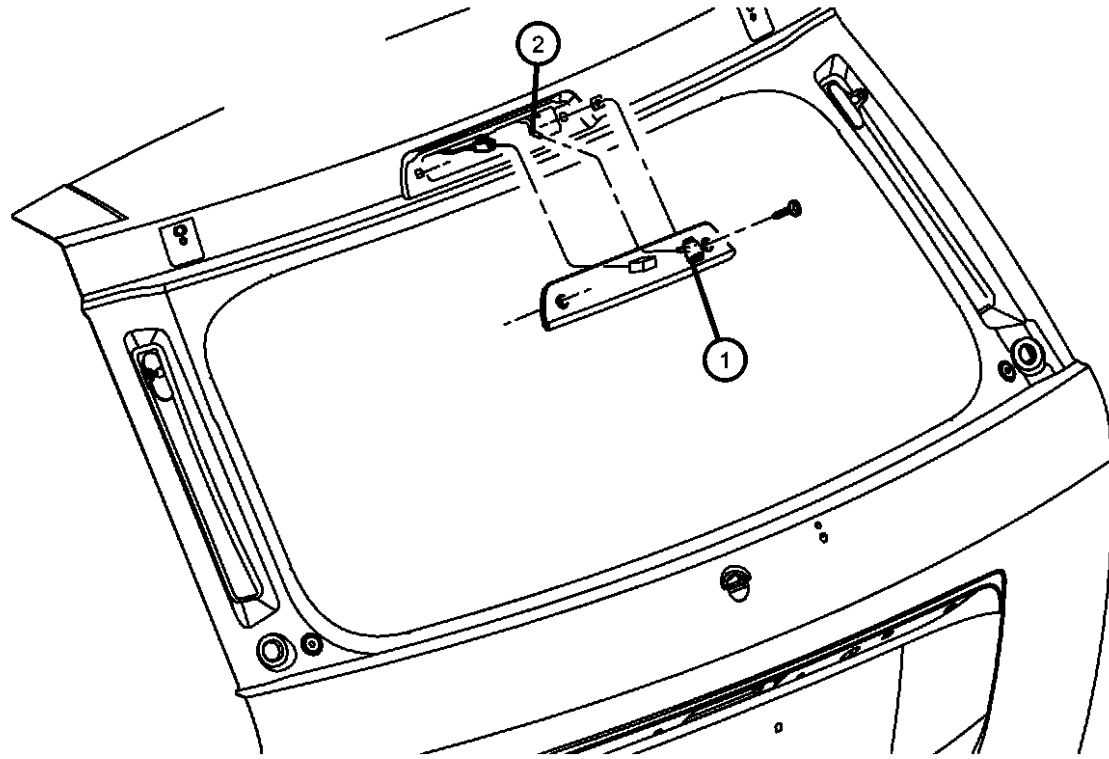
TRANSMISSION
DGJ = 5-Speed Auto W5A580
Transmission
DGQ = 5-Spd Automatic 545RFE
Transmission

AR = use ase required - = Non illustrated part

2010 WK

**Rear Washer System
Figure 8-320**

ITEM	PART NUMBER	QTY	LINE	SERIES	BODY	ENGINE	TRANS	TRIM	DESCRIPTION
1	68025039AA	1	J, T		74				NOZZLE, Liftgate Washer
2		1							HOSE, Washer, Body, Serviced in headliner, (NOT SERVICED)



GRAND CHEROKEE (WK)

SERIES LINE
H = HIGHLINE T = JEEP - 2WD
P = PREMIUM J = JEEP - 4WD
S = SPORT
X = SPECIAL

BODY
74 = SPORT UTILITY 4-DR
TYPE #4

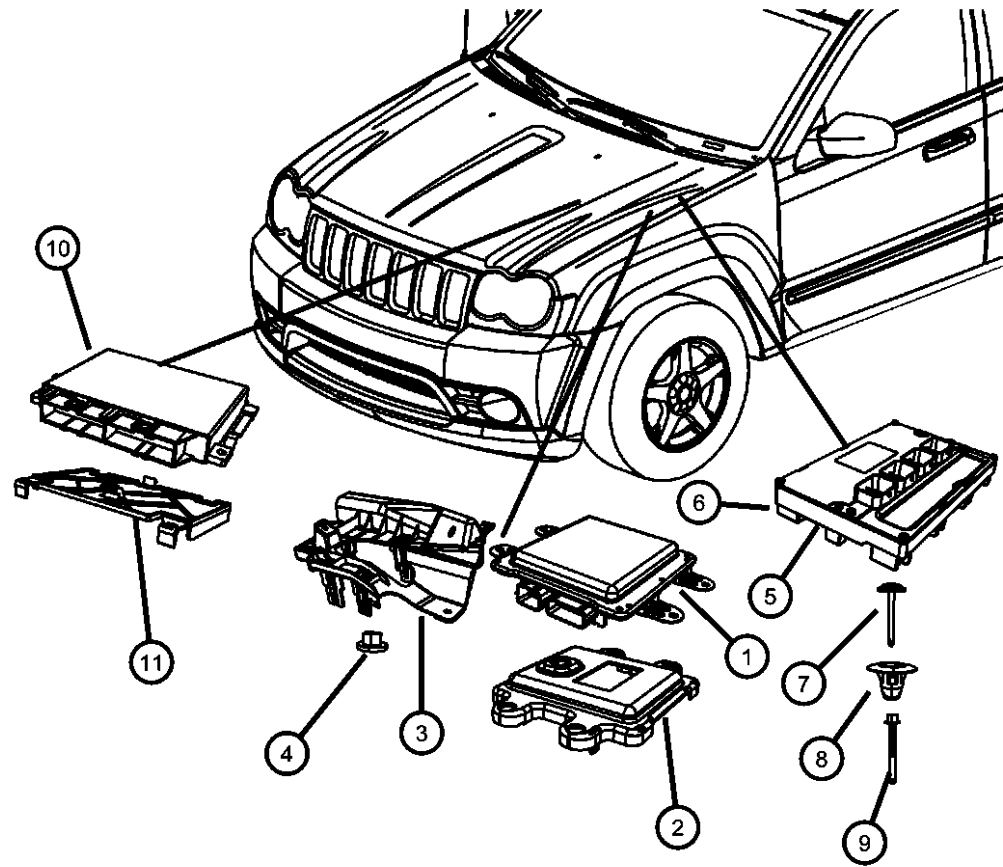
ENGINE
EZH = 5.7L V8 HEMI MDS
VCT Engine
ESF = 6.1L SRT HEMI V8
Engine
EKG = 3.7L V6 Engine

TRANSMISSION
DGJ = 5-Speed Auto W5A580
Transmission
DGQ = 5-Spd Automatic 545RFE
Transmission

AR = use ase required - = Non illustrated part

2010 WK

**Modules Engine Compartment
Figure 8-405**



ITEM	PART NUMBER	QTY	LINE	SERIES	BODY	ENGINE	TRANS	TRIM	DESCRIPTION
1	04692218AE	1	J, T		74	EZ0			MODULE, Front Control
		1	J, T		74	EK0, EV0			
2	04692074AA	1	J, T		74	EZ0			COVER, Control Unit
		1	J, T		74	EK0, EV0			
3	56049995AB	1	J, T		74				BRACKET, Power Distribution Center
4	06101968	3	J, T		74				NUT, M6x1.00
5	05150311AD	1	J, T		74	ESF	DGJ		MODULE, Powertrain Control, Generic
	05150467AB	1	J, T		74	EKG	DGJ		
	05150500AA	1	J, T		74	EZH	DGQ		
6	05187296AB	1	J		74	EXL	DG0		MODULE, Powertrain Control
	05187298AB	1	T		74	EXL	DG0		
7	04712006AB	1	J, T		74	EKG, ESF, EZH			FASTENER
8	06506655AA	1	J, T		74	EKG, EZH			PLUG, Door Trim Panel, NGC CONTROLLER TO BODY
9		1							SCREW, Tapping Hex Flange Head, M5x0.8x55.00, (NOT SERVICED)
10	05150434AB	1	J, T		74		DGJ		MODULE, Transmission Control
11	56044171AD	1	J, T		74		DGJ		BRACKET, Control Unit

GRAND CHEROKEE (WK)

SERIES LINE
H = HIGHLINE T = JEEP - 2WD
P = PREMIUM J = JEEP - 4WD
S = SPORT
X = SPECIAL

BODY
74 = SPORT UTILITY 4-DR
TYPE #4

ENGINE
EZH = 5.7L V8 HEMI MDS
VCT Engine
ESF = 6.1L SRT HEMI V8
Engine
EKG = 3.7L V6 Engine

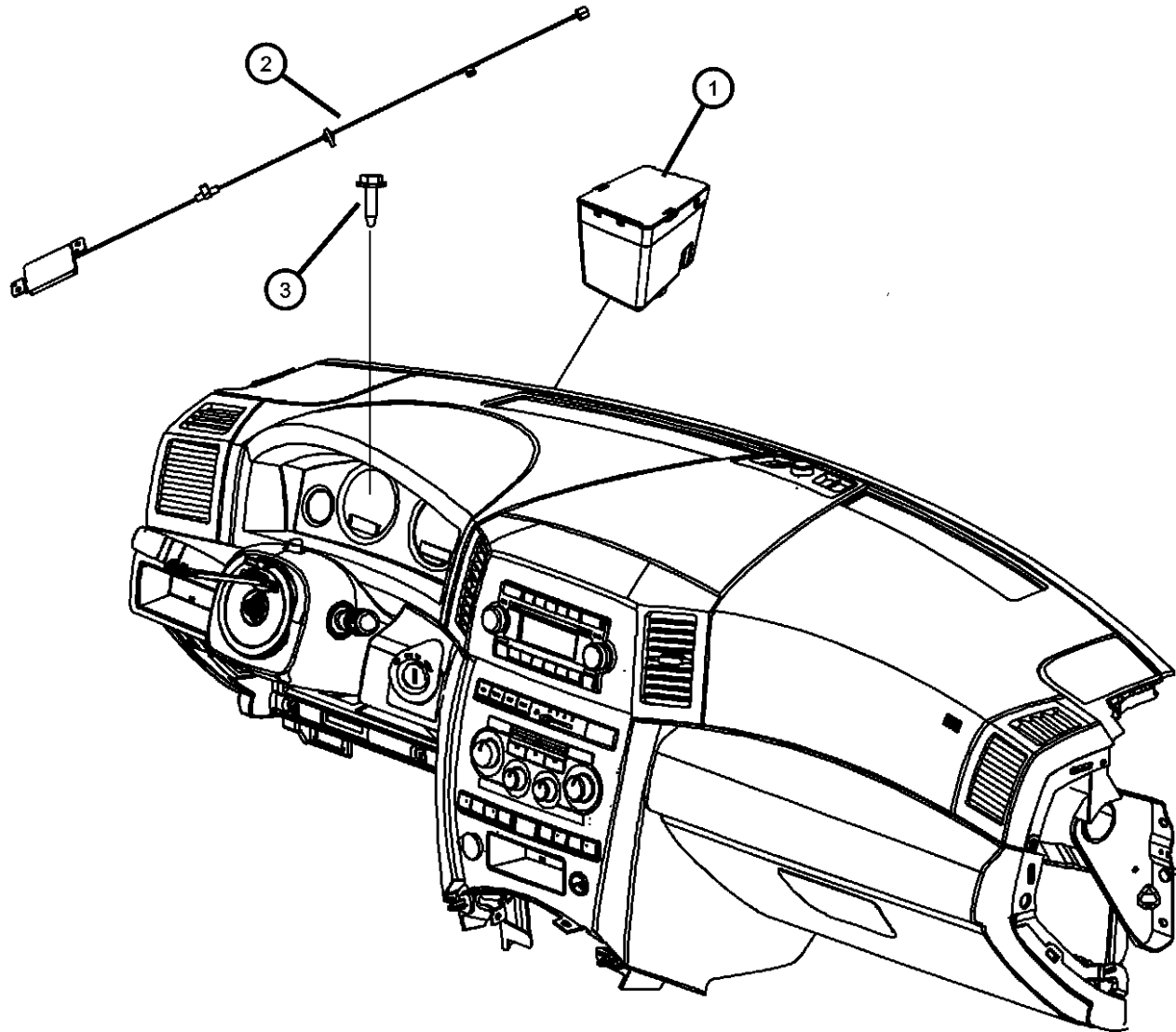
TRANSMISSION
DGJ = 5-Speed Auto W5A580
Transmission
DGQ = 5-Spd Automatic 545RFE
Transmission

AR = use ase required - = Non illustrated part

2010 WK

**Modules Instrument Panel
Figure 8-410**

ITEM	PART NUMBER	QTY	LINE	SERIES	BODY	ENGINE	TRANS	TRIM	DESCRIPTION
1	05026297AD	1	J, T		74				RECEIVER, Wireless Ignition Node [XGM,-LAB or -XBM]
	05026365AF	1	J, T		74				[GX4,-XBM]
	05026446AF	1	J, T		74				[GX4,XBM]
	68066725AB	1	J, T		74				[XBM,-GX4]
2	05026234AA	1	J, T		74				ANTENNA, Keyless Entry, [XBM]
3		1							SCREW, Tapping Hex Head, M4.2X1.7X15.80, (NOT SERVICED)



GRAND CHEROKEE (WK)

SERIES LINE
H = HIGHLINE T = JEEP - 2WD
P = PREMIUM J = JEEP - 4WD
S = SPORT
X = SPECIAL

BODY
74 = SPORT UTILITY 4-DR
TYPE #4

ENGINE
EZH = 5.7L V8 HEMI MDS
VCT Engine
ESF = 6.1L SRT HEMI V8
Engine
EKG = 3.7L V6 Engine

TRANSMISSION
DGJ = 5-Speed Auto W5A580
Transmission
DGQ = 5-Spd Automatic 545RFE
Transmission

AR = use ase required - = Non illustrated part

2010 WK

**Modules Overhead
Figure 8-415**

ITEM	PART NUMBER	QTY	LINE	SERIES	BODY	ENGINE	TRANS	TRIM	DESCRIPTION
1	1HT92BD1AA	1	J, T		74				MODULE, Compass
2	1HT94BD1AA	1	J, T		74				MODULE, Compass Temperature, W/Garage Door Opener
3	56050078AO	1	J, T		74				MODULE, Rain Sensor
4	05137557AF	1	J, T		74				MOTOR/MODULE, Sunroof

GRAND CHEROKEE (WK)

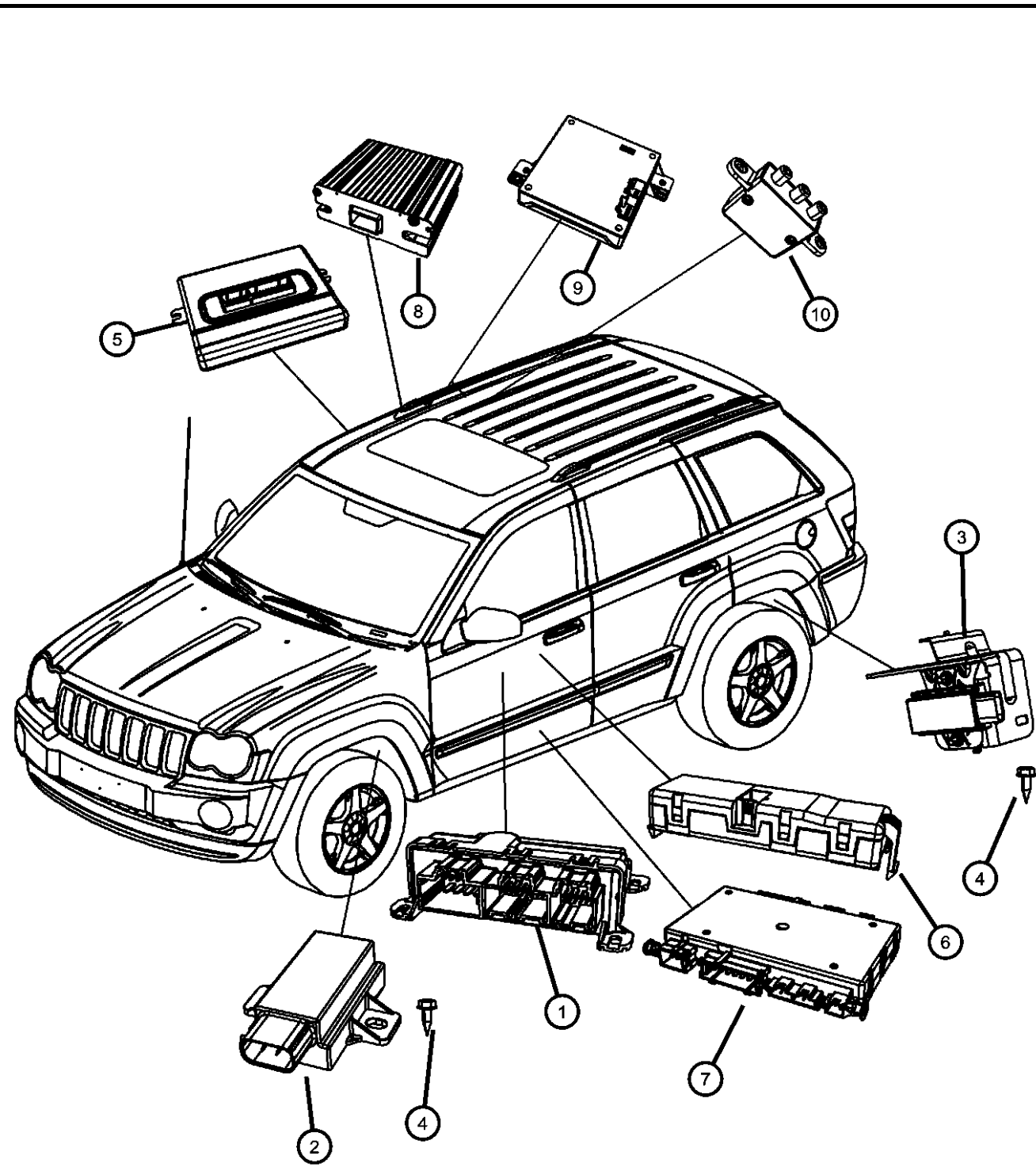
SERIES LINE
H = HIGHLINE T = JEEP - 2WD
P = PREMIUM J = JEEP - 4WD
S = SPORT
X = SPECIAL

BODY
74 = SPORT UTILITY 4-DR
TYPE #4

ENGINE
EZH = 5.7L V8 HEMI MDS
VCT Engine
ESF = 6.1L SRT HEMI V8
Engine
EKG = 3.7L V6 Engine

TRANSMISSION
DGJ = 5-Speed Auto W5A580
Transmission
DGQ = 5-Spd Automatic 545RFE
Transmission

Modules Body
Figure 8-420



ITEM	PART NUMBER	QTY	LINE	SERIES	BODY	ENGINE	TRANS	TRIM	DESCRIPTION
1	04602921AE	2	J, T		74				MODULE, Door [LEW]
	04602922AE	2	J, T		74				
2	56053034AE	2	J, T		74				MODULE, Low Tire Pressure Warning
3	56044729AD	1	J, T		74				MODULE, Low Tire Pressure Warning
4	00154552	4	J, T		74				SCREW, Hex Head, .190-16x.625
5	05035000AB	1	J		74	ESF			MODULE, Transfer Case Control [DHB]
	56044129AN	1	J		74				[DHX,DS7]
	56044199AN	1	J		74				[DHX,DSG]
6	04602794AC	1	J, T		74				MODULE, Heated Seat
7	05026644AA	1	J, T		74				MODULE, Seat Memory
8	05026278AB	1			74				MODULE, Power Inverter
	05107079AB	1	J, T		74				With mounting bracket
9	05026443AC	1	J, T		74				MODULE, Passive Entry
10	05107083AA	1	J, T		74				MODULE, Multimedia [JKV,JPZ,XRV]
	05107083AB	1	J, T		74				[XRV]

GRAND CHEROKEE (WK)

SERIES	LINE	BODY	ENGINE	TRANSMISSION
H = HIGHLINE	T = JEEP - 2WD	74 = SPORT UTILITY 4-DR	EZH = 5.7L V8 HEMI MDS	DGJ = 5-Speed Auto W5A580
P = PREMIUM	J = JEEP - 4WD	TYPE #4	VCT Engine	Transmission
S = SPORT			ESF = 6.1L SRT HEMI V8	DGQ = 5-Spd Automatic 545RFE
X = SPECIAL			Engine	Transmission
			EKG = 3.7L V6 Engine	

AR = use ase required - = Non illustrated part

**Modules Lighting
Figure 8-425**

ITEM	PART NUMBER	QTY	LINE	SERIES	BODY	ENGINE	TRANS	TRIM	DESCRIPTION
1	55079008AG	1	J, T		74				MODULE, Headlamp Leveling

GRAND CHEROKEE (WK)

SERIES LINE
H = HIGHLINE T = JEEP - 2WD
P = PREMIUM J = JEEP - 4WD
S = SPORT
X = SPECIAL

BODY
74 = SPORT UTILITY 4-DR
TYPE #4

ENGINE
EZH = 5.7L V8 HEMI MDS
VCT Engine
ESF = 6.1L SRT HEMI V8
Engine
EKG = 3.7L V6 Engine

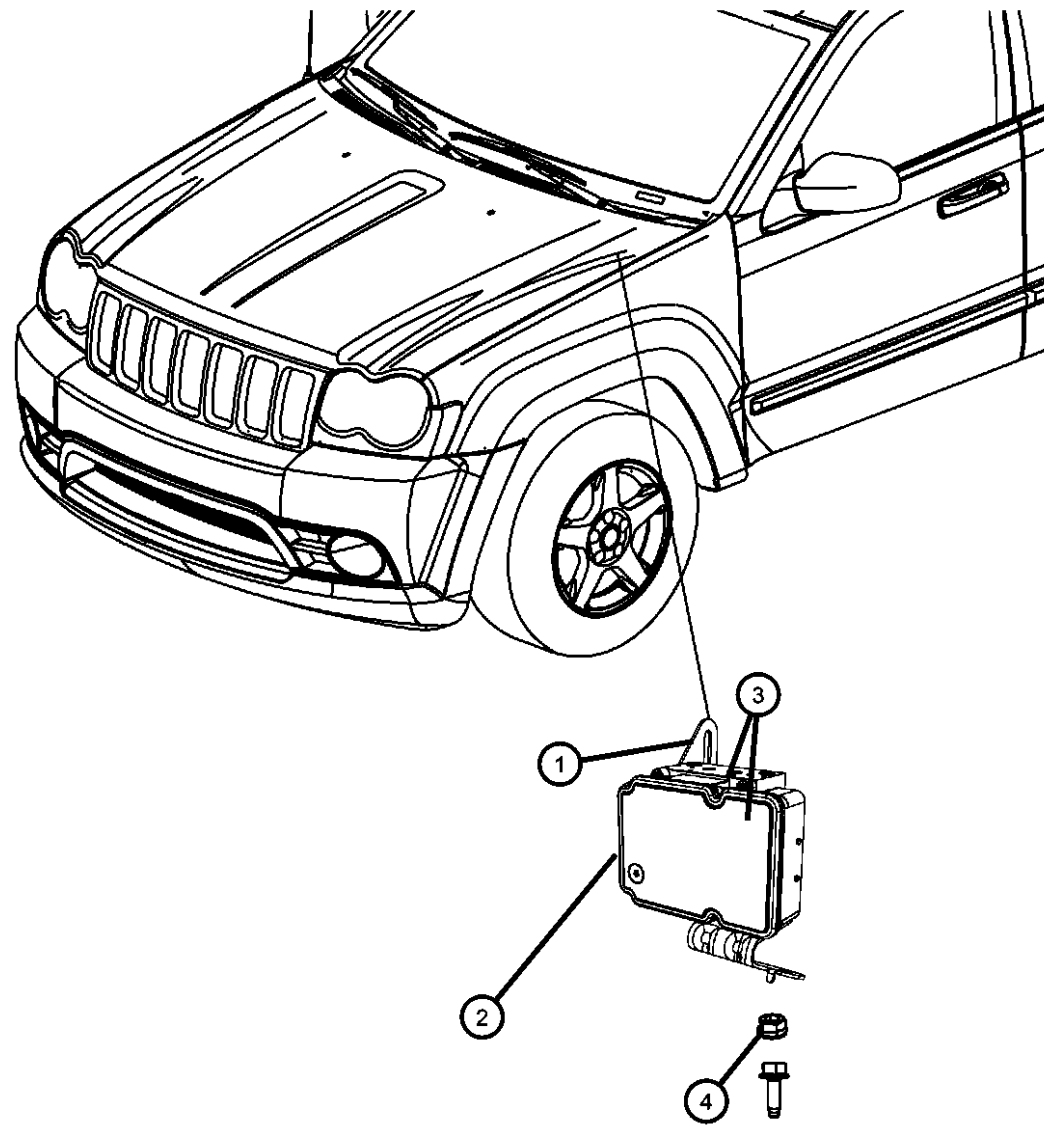
TRANSMISSION
DGJ = 5-Speed Auto W5A580
Transmission
DGQ = 5-Spd Automatic 545RFE
Transmission

AR = use ase required - = Non illustrated part

2010 WK

Modules, Brakes, Suspension, and Steering
Figure 8-430

ITEM	PART NUMBER	QTY	LINE	SERIES	BODY	ENGINE	TRANS	TRIM	DESCRIPTION
1	05179774AA	1	J, T		74				BRACKET, Hydraulic Control Unit
2	68046388AA	1	J, T		74				CONTROL UNIT, Anti-Lock Brake [SDA]
	68065988AA	1	J, T		74				[SDM]
3	05191002AA	1	J, T		74				SCREW, Hex Head
4	34201711	1	J, T		74				NUT, Hex Flange, M8x1.25



GRAND CHEROKEE (WK)

SERIES LINE
H = HIGHLINE T = JEEP - 2WD
P = PREMIUM J = JEEP - 4WD
S = SPORT
X = SPECIAL

BODY
74 = SPORT UTILITY 4-DR
TYPE #4

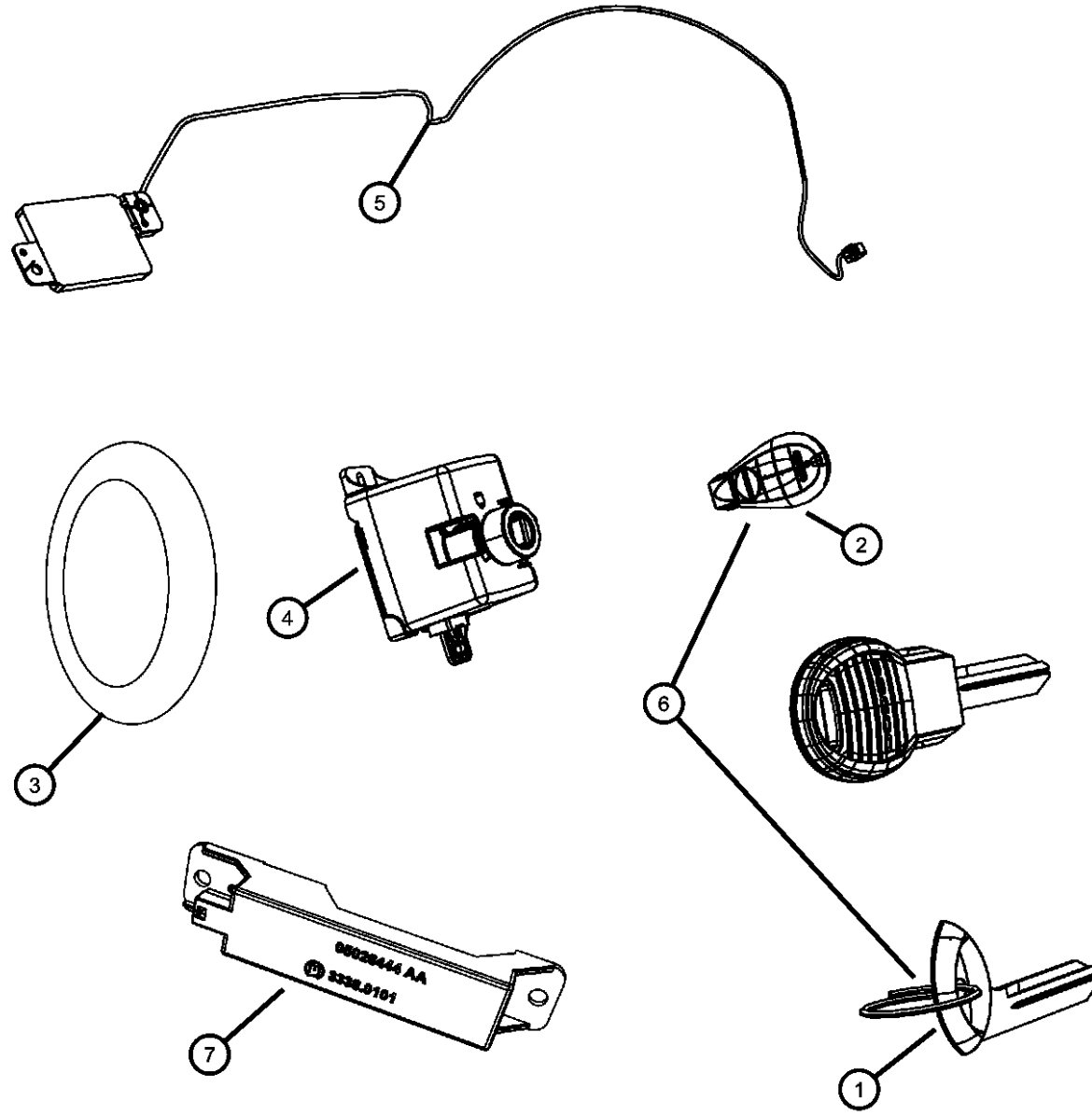
ENGINE
EZH = 5.7L V8 HEMI MDS
VCT Engine
ESF = 6.1L SRT HEMI V8
Engine
EKG = 3.7L V6 Engine

TRANSMISSION
DGJ = 5-Speed Auto W5A580
Transmission
DGQ = 5-Spd Automatic 545RFE
Transmission

AR = use ase required - = Non illustrated part

2010 WK

Receiver Modules, Keys and Key FOBS
Figure 8-435



ITEM	PART NUMBER	QTY	LINE	SERIES	BODY	ENGINE	TRANS	TRIM	DESCRIPTION
1	68029829AB	1	J, T		74				KEY, Blank
2									TRANSMITTER, Integrated Key FOB
	05026308AD	2	J, T		74				[XGM]
	05026309AD	2	J, T		74				[XBM]
		2	J, T		74				[LAB]
3	05066241AB	1	J, T		74				BATTERY, Transmitter
4									RECEIVER, Wireless Ignition Node
	05026297AD	1	J, T		74				[XGM,-LAB or -XBM]
	05026365AF	1	J, T		74				[GX4,-XBM]
	05026446AF	1	J, T		74				[GX4,XBM]
	68064789AB	1	J, T		74				[LAB]
	68066725AB	1	J, T		74				[XBM,-GX4]
5	05026234AA	1	J, T		74				ANTENNA, Keyless Entry, [XBM]
6									TRANSMITTER KIT, Integrated Key FOB
	68043894AA	2	J, T		74				[LAB]
		2	J, T		74				[XGM]
	68043895AA	2	J, T		74				[XBM]
7	05026444AA	3	J, T		74				ANTENNA, Passive Entry

GRAND CHEROKEE (WK)
 SERIES LINE
 H = HIGHLINE T = JEEP - 2WD
 P = PREMIUM J = JEEP - 4WD
 S = SPORT
 X = SPECIAL

BODY
 74 = SPORT UTILITY 4-DR TYPE #4

ENGINE
 EZH = 5.7L V8 HEMI MDS VCT Engine
 ESF = 6.1L SRT HEMI V8 Engine
 EKG = 3.7L V6 Engine

TRANSMISSION
 DGJ = 5-Speed Auto W5A580 Transmission
 DGQ = 5-Spd Automatic 545RFE Transmission

AR = use ase required - = Non illustrated part

**Power Distribution Center
Figure 8-505**

ITEM	PART NUMBER	QTY	LINE	SERIES	BODY	ENGINE	TRANS	TRIM	DESCRIPTION
1	04692214AA	1	J, T		74	EK0, EV0			POWER DISTRIBUTION CENTER
		1	J, T		74	EZ0			
2	04671168	1	J, T		74				RELAY, Mini
3									RELAY, Mini
	04727370AA	1	J, T		74	EZ0			
		1	J, T		74	EK0, EV0			
4									FUSE CARTRIDGE, 30 Amp
	04868007AA	1	J, T		74	EK0, EV0			
		1	J, T		74	EZ0			
5									FUSE CARTRIDGE, 50 Amp
	06102078AA	1	J, T		74	EV0, EK0			
		1	J, T		74	EZ0			
6	000ATM10	2	J, T		74				FUSE, Mini, 10 AMP, Red
7									FUSE, Mini, 15 AMP, Light Blue
	000ATM15	1	J, T		74	EK0, EV0			
		1	J, T		74	EZ0			
8									FUSE, Mini, 20 AMP, Yellow
	000ATM20	1	J, T		74	EK0, EV0			
		1	J, T		74	EZ0			
9									FUSE, Mini, 25 Amp, Natural
	000ATM25	1	J, T		74	EK0, EV0			
		1	J, T		74	EZ0			
10									FUSE, Maxi, 50 AMP, Red
	000MAX50	1	J, T		74	EZ0			
		1	J, T		74	EV0, EK0			
11									FUSE, Mini, 30 AMP, Green
	000ATM30	1	J, T		74	EZ0			
		1	J, T		74	EK0, EV0			
12									FUSE, Maxi, 30 Amp, Green
	000MAX30	1	J, T		74	EK0, EV0			
		1	J, T		74	EZ0			
13									FUSE, Maxi, 40 AMP, Amber
	000MAX40	1	J, T		74	EK0, EV0			
		1	J, T		74	EZ0			

GRAND CHEROKEE (WK)

SERIES LINE
H = HIGHLINE T = JEEP - 2WD
P = PREMIUM J = JEEP - 4WD
S = SPORT
X = SPECIAL

BODY
74 = SPORT UTILITY 4-DR
TYPE #4

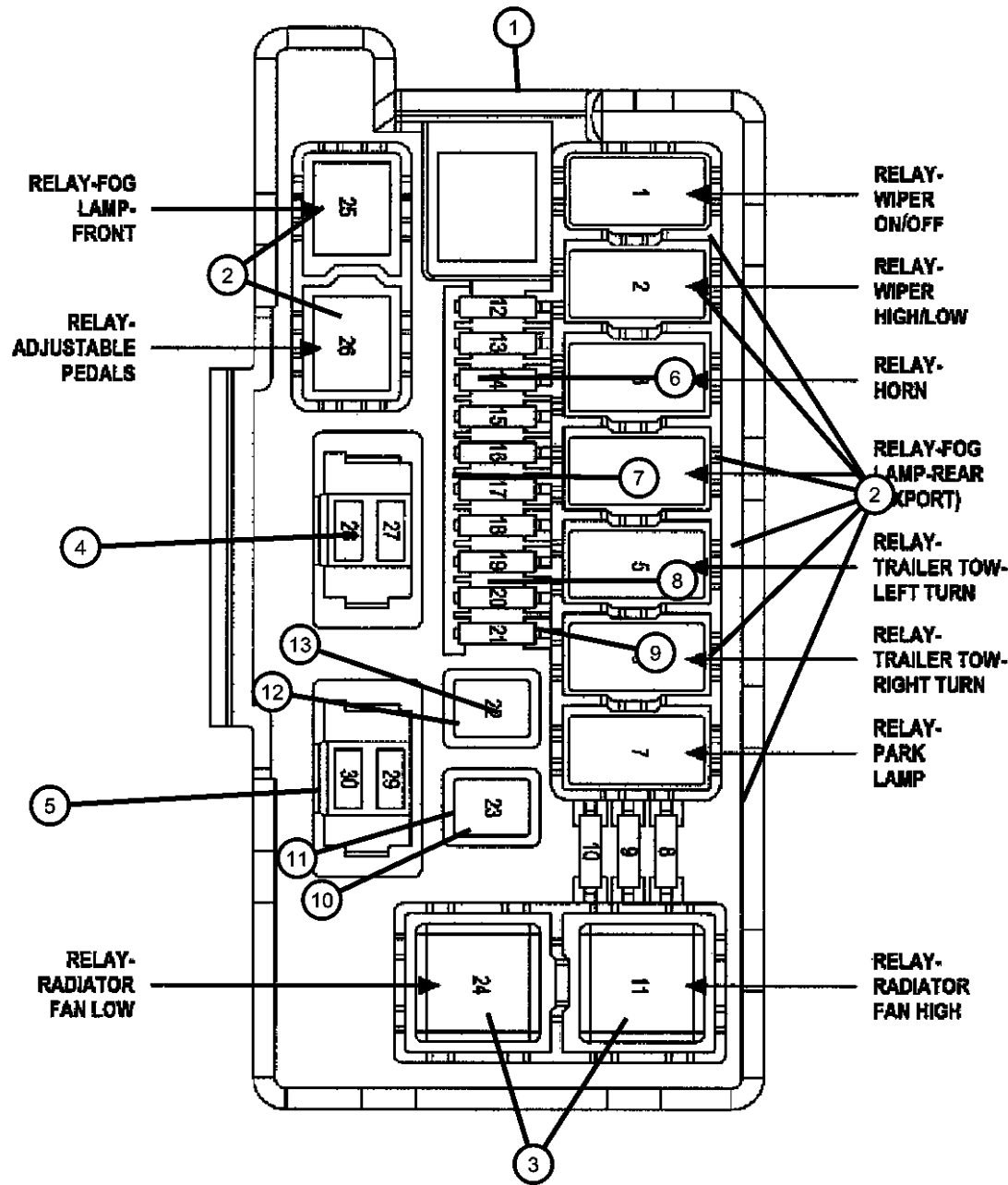
ENGINE
EZH = 5.7L V8 HEMI MDS
VCT Engine
ESF = 6.1L SRT HEMI V8
Engine
EKG = 3.7L V6 Engine

TRANSMISSION
DGJ = 5-Speed Auto W5A580
Transmission
DGQ = 5-Spd Automatic 545RFE
Transmission

AR = use ase required - = Non illustrated part

2010 WK

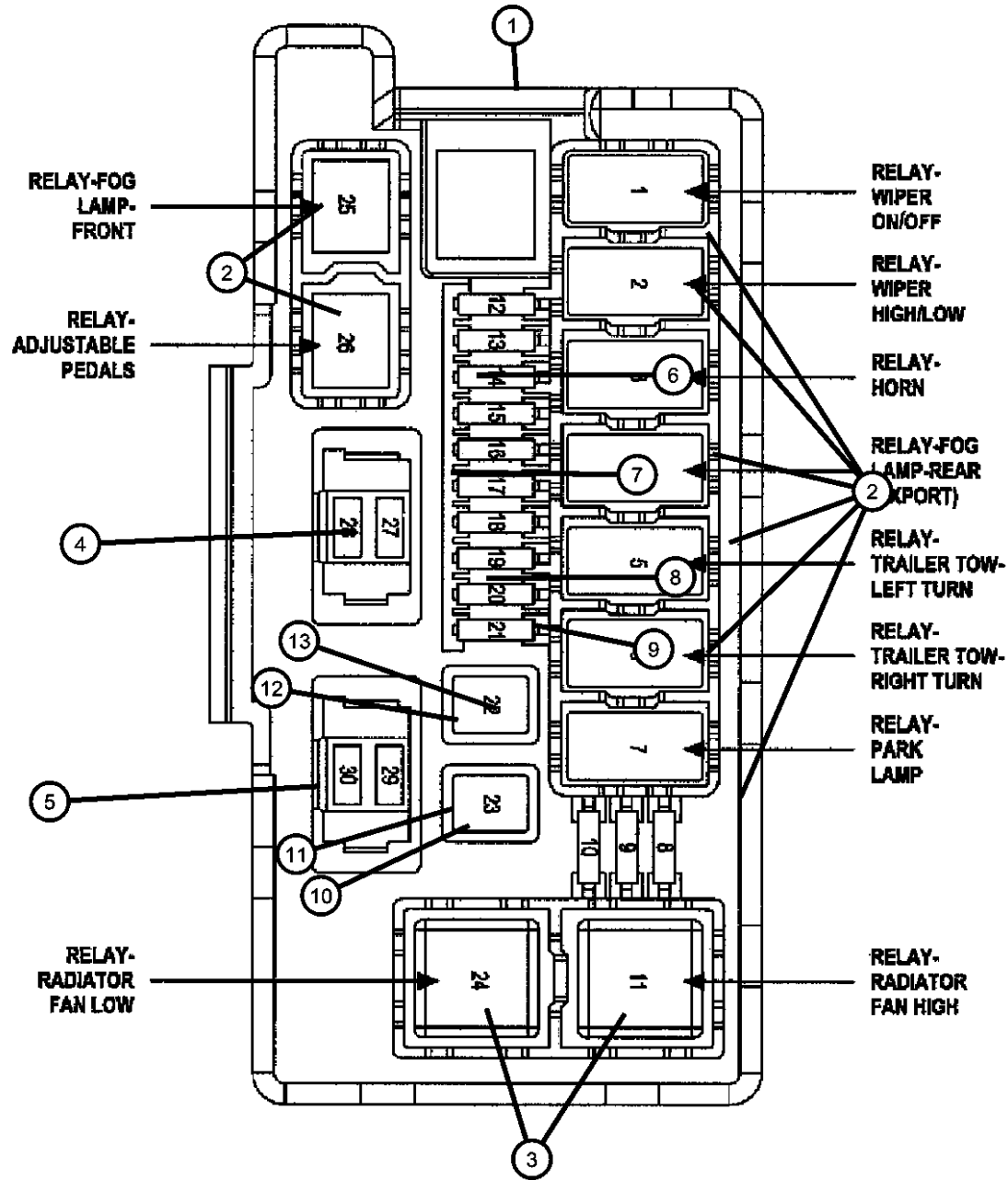
MODULE-INTEGRATED POWER



Power Distribution Center
Figure 8-505

ITEM	PART NUMBER	QTY	LINE	SERIES	BODY	ENGINE	TRANS	TRIM	DESCRIPTION
-14	68026933AA	1	J, T		74	EZ0			COVER, Power Distribution Center
		1	J, T		74	EK0, EVO			

MODULE-INTEGRATED POWER



GRAND CHEROKEE (WK)

SERIES LINE
 H = HIGHLINE T = JEEP - 2WD
 P = PREMIUM J = JEEP - 4WD
 S = SPORT
 X = SPECIAL

BODY
 74 = SPORT UTILITY 4-DR
 TYPE #4

ENGINE
 EZH = 5.7L V8 HEMI MDS
 VCT Engine
 ESF = 6.1L SRT HEMI V8
 Engine
 EKG = 3.7L V6 Engine

TRANSMISSION
 DGJ = 5-Speed Auto W5A580
 Transmission
 DGQ = 5-Spd Automatic 545RFE
 Transmission

AR = use ase required - = Non illustrated part

2010 WK

**Power Distribution Center
Figure 8-510**

ITEM	PART NUMBER	QTY	LINE	SERIES	BODY	ENGINE	TRANS	TRIM	DESCRIPTION
1		1							POWER DISTRIBUTION CENTER, Serviced in Headlamp to Dash Wiring, (NOT SERVICED)
2									RELAY, Mini
	04671168	1	J, T		74				
		1	J, T		74	EVO, EK0			
3	04868007AA	1	J, T		74	EK0, EVO			FUSE CARTRIDGE, 30 Amp
4	06102078AA	1	J, T		74	EK0, EVO			FUSE CARTRIDGE, 50 Amp
5	000ATM10	2	J, T		74				FUSE, Mini, 10 AMP, Red
6	000ATM15	1	J, T		74	EK0, EVO			FUSE, Mini, 15 AMP, Light Blue
7	000ATM20	1	J, T		74	EK0, EVO			FUSE, Mini, 20 AMP, Yellow

GRAND CHEROKEE (WK)

SERIES LINE
H = HIGHLINE T = JEEP - 2WD
P = PREMIUM J = JEEP - 4WD
S = SPORT
X = SPECIAL

BODY
74 = SPORT UTILITY 4-DR TYPE #4

ENGINE
EZH = 5.7L V8 HEMI MDS VCT Engine
ESF = 6.1L SRT HEMI V8 Engine
EKG = 3.7L V6 Engine

TRANSMISSION
DGJ = 5-Speed Auto W5A580 Transmission
DGQ = 5-Spd Automatic 545RFE Transmission

AR = use ase required - = Non illustrated part

2010 WK

Junction Block Fuses and Relays
Figure 8-515

ITEM	PART NUMBER	QTY	LINE	SERIES	BODY	ENGINE	TRANS	TRIM	DESCRIPTION
1	68039117AA	1	J, T		74				JUNCTION BLOCK, Relay
2									BREAKER, Circuit
	05143953AA	1	J, T		74	EVO, EKO			Gold
	05143950AA	1	J, T		74	EKO, EVO			Silver
3	04671168	1	J, T		74				RELAY, Mini
4	000ATM10	2	J, T		74				FUSE, Mini, 10 AMP, Red
5	000ATM15	1	J, T		74	EKO, EVO			FUSE, Mini, 15 AMP, Light Blue
6	000ATM20	1	J, T		74	EKO, EVO			FUSE, Mini, 20 AMP, Yellow
7	04671168	1	J, T		74				RELAY, Mini

GRAND CHEROKEE (WK)

SERIES LINE
H = HIGHLINE T = JEEP - 2WD
P = PREMIUM J = JEEP - 4WD
S = SPORT
X = SPECIAL

BODY
74 = SPORT UTILITY 4-DR
TYPE #4

ENGINE
EZH = 5.7L V8 HEMI MDS
VCT Engine
ESF = 6.1L SRT HEMI V8
Engine
EKG = 3.7L V6 Engine

TRANSMISSION
DGJ = 5-Speed Auto W5A580
Transmission
DGQ = 5-Spd Automatic 545RFE
Transmission

AR = use ase required - = Non illustrated part

2010 WK

**Power Invertor Outlet
Figure 8-520**

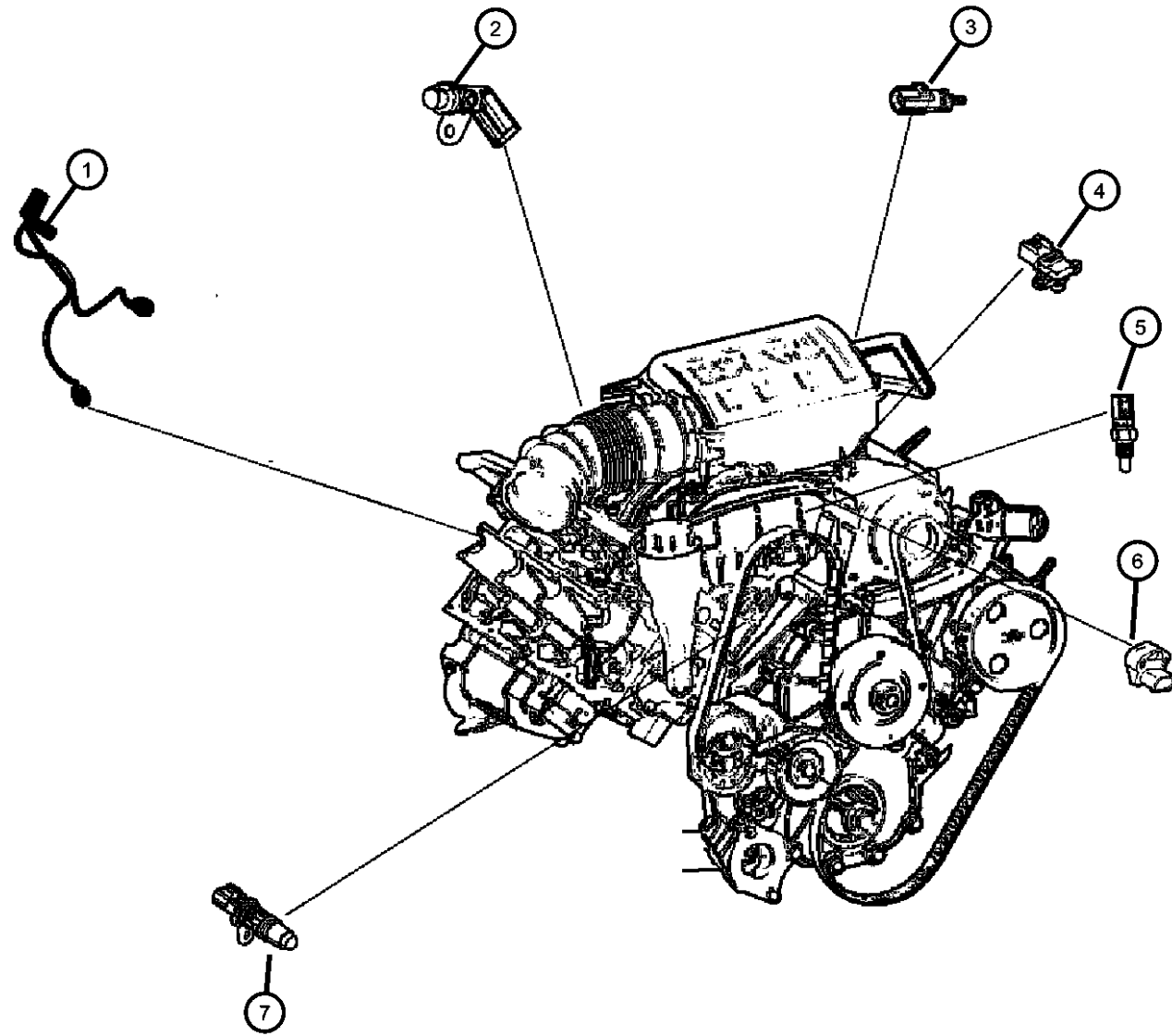
ITEM	PART NUMBER	QTY	LINE	SERIES	BODY	ENGINE	TRANS	TRIM	DESCRIPTION
1	05082095AB	1	J, T		74				POWER OUTLET, Inverter
2									END CAP, Console
	1JN751D1AA	1	J, T		74				[J1][JPZ]
	1JN751DVAA	1	J, T		74				[DV][JPZ]
	1JN761D1AA	1	J, T		74				[D1]
		1	J, T		74				[J1]
	1JN761DVAA	1	J, T		74				[DV]
	1JN761J3AA	1	J, T		74				[J3]
		1	J, T		74				[D1][JPZ]

GRAND CHEROKEE (WK)

SERIES	LINE	BODY	ENGINE	TRANSMISSION
H = HIGHLINE	T = JEEP - 2WD	74 = SPORT UTILITY 4-DR	EZH = 5.7L V8 HEMI MDS	DGJ = 5-Speed Auto W5A580
P = PREMIUM	J = JEEP - 4WD	TYPE #4	VCT Engine	Transmission
S = SPORT			ESF = 6.1L SRT HEMI V8	DGQ = 5-Spd Automatic 545RFE
X = SPECIAL			Engine	Transmission
			EKG = 3.7L V6 Engine	

AR = use ase required - = Non illustrated part

Sensors, Gas Engine
Figure 8-605



ITEM	PART NUMBER	QTY	LINE	SERIES	BODY	ENGINE	TRANS	TRIM	DESCRIPTION
1	04606093AE	2	J, T		74	EKG			SENSOR, Knock
2	56044180AC	1	J, T		74	EKG			SENSOR, Crankshaft Position
3	56028364AA	1	J, T		74	EKG			SENSOR, Air Temperature
4	56041018AD	1	J, T		74	EKG			SENSOR, MAP
5	05149096AB	1	J, T		74	EKG			SENSOR, Coolant Temperature
6		1							SENSOR, Throttle Position, serviced in throttle body, (NOT SERVICED)
7	05149054AC	1	J, T		74	EKG			SENSOR, Camshaft

GRAND CHEROKEE (WK)

SERIES LINE
H = HIGHLINE T = JEEP - 2WD
P = PREMIUM J = JEEP - 4WD
S = SPORT
X = SPECIAL

BODY
74 = SPORT UTILITY 4-DR
TYPE #4

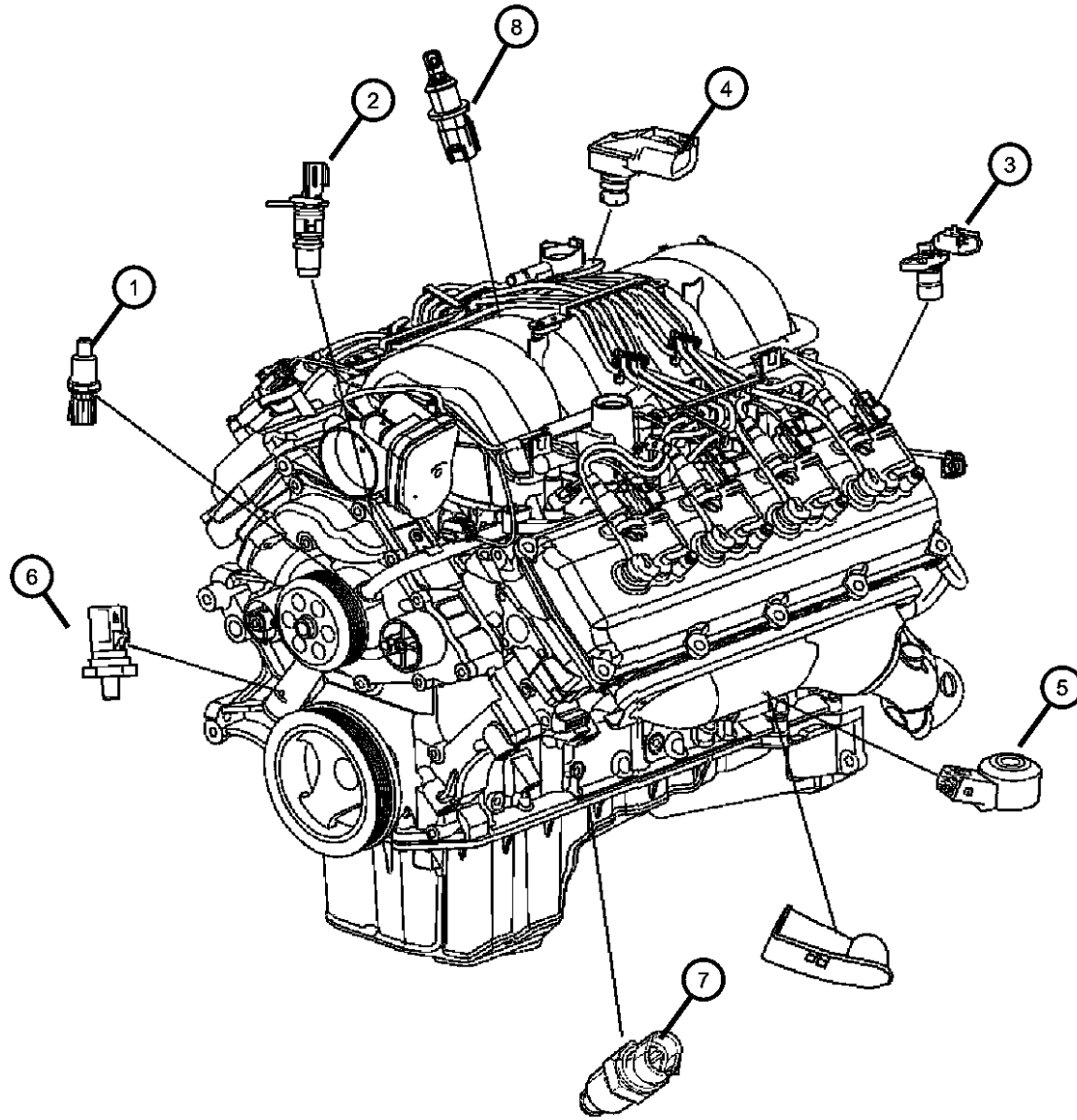
ENGINE
EZH = 5.7L V8 HEMI MDS
VCT Engine
ESF = 6.1L SRT HEMI V8
Engine
EKG = 3.7L V6 Engine

TRANSMISSION
DGJ = 5-Speed Auto W5A580
Transmission
DGQ = 5-Spd Automatic 545RFE
Transmission

AR = use ase required - = Non illustrated part

2010 WK

Sensors, Gas Engine
Figure 8-607



ITEM	PART NUMBER	QTY	LINE	SERIES	BODY	ENGINE	TRANS	TRIM	DESCRIPTION
1	05149077AB	1	J, T		74	ESF			SENSOR, Coolant Temperature
	05149096AB	1	J, T		74	EZH			ENGINE COOLANT TEMPERATURE
2	05149054AC	1	J, T		74	ESF, EZH			SENSOR, Camshaft
3	05149009AB	1	J, T		74	ESF			SENSOR, Crankshaft Position
	05149230AA	1	J, T		74	EZH			
4	05033310AC	1	J, T		74	EZH			SENSOR, MAP
	56041018AD	1	J, T		74	ESF			
5	05033316AA	2	J, T		74	ESF			SENSOR, Knock
		2	J, T		74	EZH			
6	05149062AA	1	J, T		74	ESF			SENDING UNIT, Oil Pressure
7	05149077AB	1	J, T		74	ESF			SENSOR, Coolant Temperature
		1	J, T		74	EZH			ENGINE OIL TEMPERATURE
		1	J, T		74	EZH			ENGINE OIL TEMPERATURE
8	04606487AB	1	J, T		74	ESF			SENSOR, Charge Air Temp

GRAND CHEROKEE (WK)

SERIES LINE
H = HIGHLINE T = JEEP - 2WD
P = PREMIUM J = JEEP - 4WD
S = SPORT
X = SPECIAL

BODY
74 = SPORT UTILITY 4-DR
TYPE #4

ENGINE
EZH = 5.7L V8 HEMI MDS
VCT Engine
ESF = 6.1L SRT HEMI V8
Engine
EKG = 3.7L V6 Engine

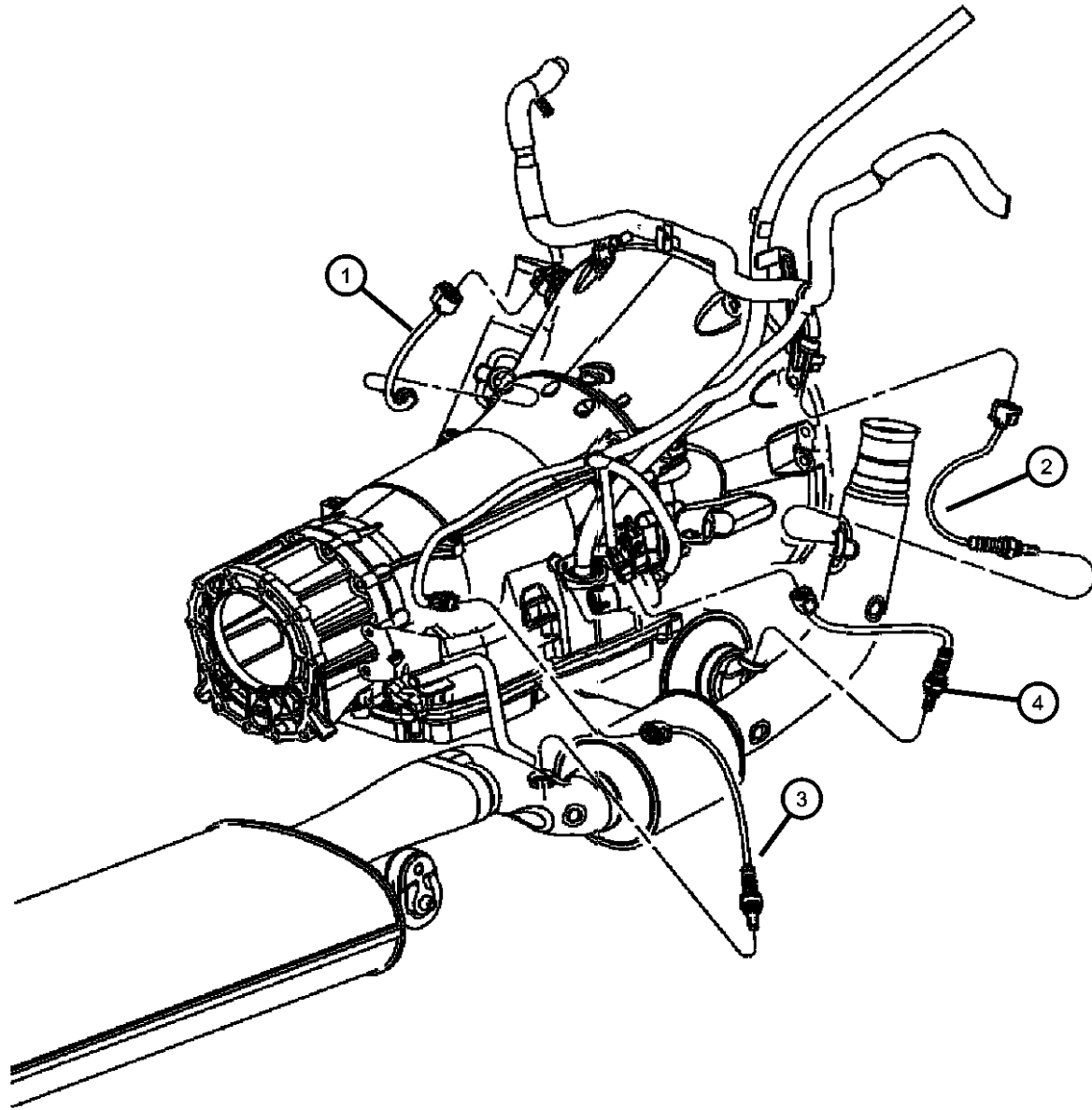
TRANSMISSION
DGJ = 5-Speed Auto W5A580
Transmission
DGQ = 5-Spd Automatic 545RFE
Transmission

AR = use ase required - = Non illustrated part

2010 WK

Sensors Oxygen Gas
Figure 8-615

ITEM	PART NUMBER	QTY	LINE	SERIES	BODY	ENGINE	TRANS	TRIM	DESCRIPTION
1	56029049AA	1	J, T		74	EKG, ESF			SENSOR, OxygenBefore Catalyst, Left
2	56029049AA	1	J, T		74	EKG, ESF			SENSOR, OxygenBefore Catalyst, Right
3	56029049AA	1	J, T		74	EKG, ESF			SENSOR, OxygenAfter Catalyst, Right
4	56029049AA	1	J, T		74	EKG, ESF, EZH			SENSOR, OxygenAfter Catalyst, Left



GRAND CHEROKEE (WK)

SERIES LINE
H = HIGHLINE T = JEEP - 2WD
P = PREMIUM J = JEEP - 4WD
S = SPORT
X = SPECIAL

BODY
74 = SPORT UTILITY 4-DR
TYPE #4

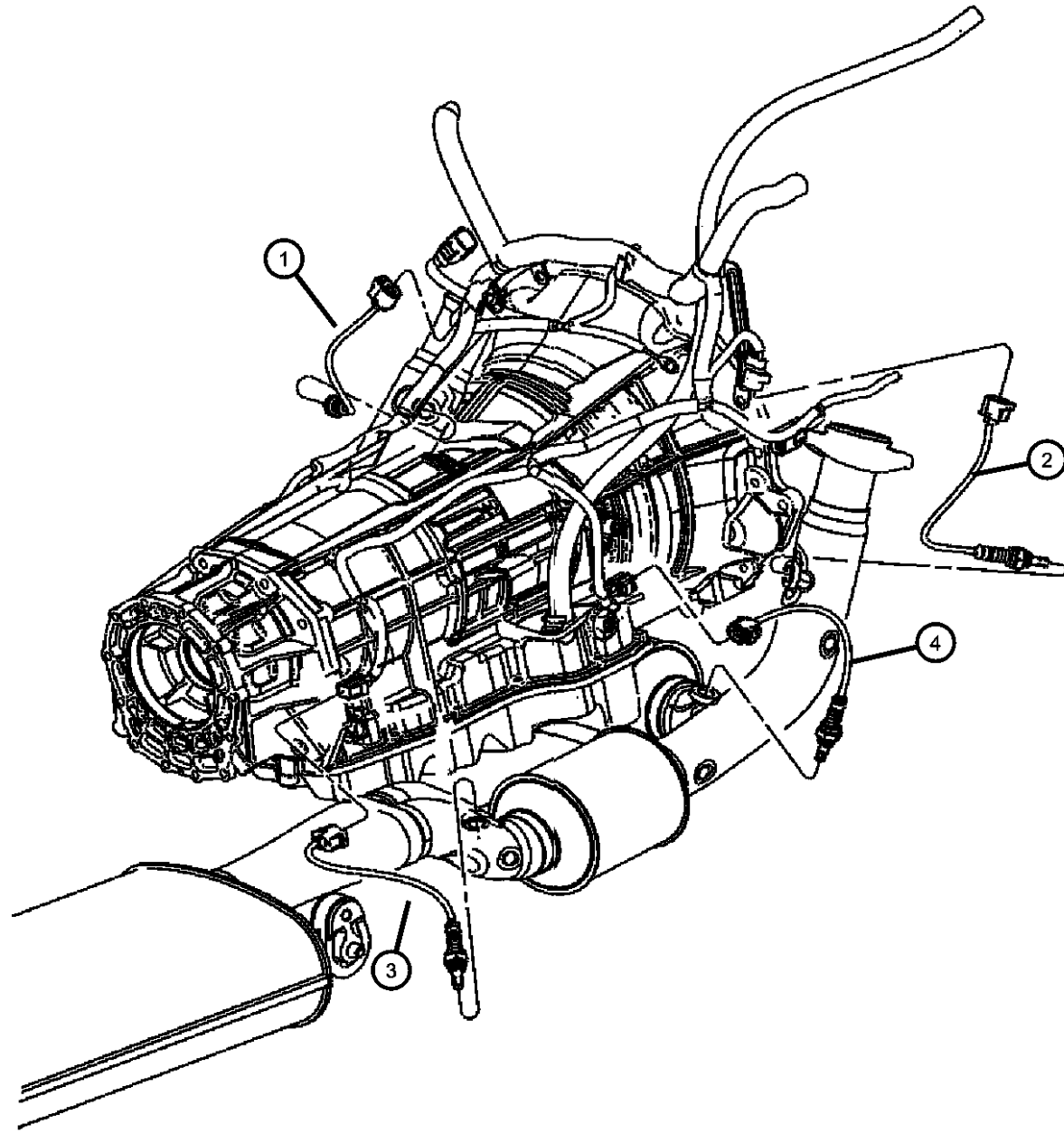
ENGINE
EZH = 5.7L V8 HEMI MDS
VCT Engine
ESF = 6.1L SRT HEMI V8
Engine
EKG = 3.7L V6 Engine

TRANSMISSION
DGJ = 5-Speed Auto W5A580
Transmission
DGQ = 5-Spd Automatic 545RFE
Transmission

AR = use ase required - = Non illustrated part

2010 WK

Sensors Oxygen Gas
Figure 8-617



ITEM	PART NUMBER	QTY	LINE	SERIES	BODY	ENGINE	TRANS	TRIM	DESCRIPTION
1	56029049AA	1	J, T		74	EKG, ESF			SENSOR, Oxygen Before Catalyst, Left
		1	J, T		74	EZH			Before Catalyst, Left
2	56029049AA	1	J, T		74	EZH			SENSOR, Oxygen Before Catalyst, Right
		1	J, T		74	EKG, ESF			Before Catalyst, Right
3	56029049AA	1	J, T		74	EKG, ESF, EZH			SENSOR, Oxygen After Catalyst, Left
4	56029049AA	1	J, T		74	EKG, ESF			SENSOR, Oxygen After Catalyst, Right
		1	J, T		74	EZH			After Catalyst, Right

GRAND CHEROKEE (WK)

SERIES LINE
H = HIGHLINE T = JEEP - 2WD
P = PREMIUM J = JEEP - 4WD
S = SPORT
X = SPECIAL

BODY
74 = SPORT UTILITY 4-DR
TYPE #4

ENGINE
EZH = 5.7L V8 HEMI MDS
VCT Engine
ESF = 6.1L SRT HEMI V8
Engine
EKG = 3.7L V6 Engine

TRANSMISSION
DGJ = 5-Speed Auto W5A580
Transmission
DGQ = 5-Spd Automatic 545RFE
Transmission

AR = use ase required - = Non illustrated part

2010 WK

Sensors Brakes
Figure 8-625

ITEM	PART NUMBER	QTY	LINE	SERIES	BODY	ENGINE	TRANS	TRIM	DESCRIPTION
1	56044144AD	2	J, T		74				SENSOR, Anti-Lock BrakesFront
2	56044146AB	2	J, T		74				SENSOR, Wheel SpeedRear

GRAND CHEROKEE (WK)

SERIES LINE
H = HIGHLINE T = JEEP - 2WD
P = PREMIUM J = JEEP - 4WD
S = SPORT
X = SPECIAL

BODY
74 = SPORT UTILITY 4-DR
TYPE #4

ENGINE
EZH = 5.7L V8 HEMI MDS
VCT Engine
ESF = 6.1L SRT HEMI V8
Engine
EKG = 3.7L V6 Engine

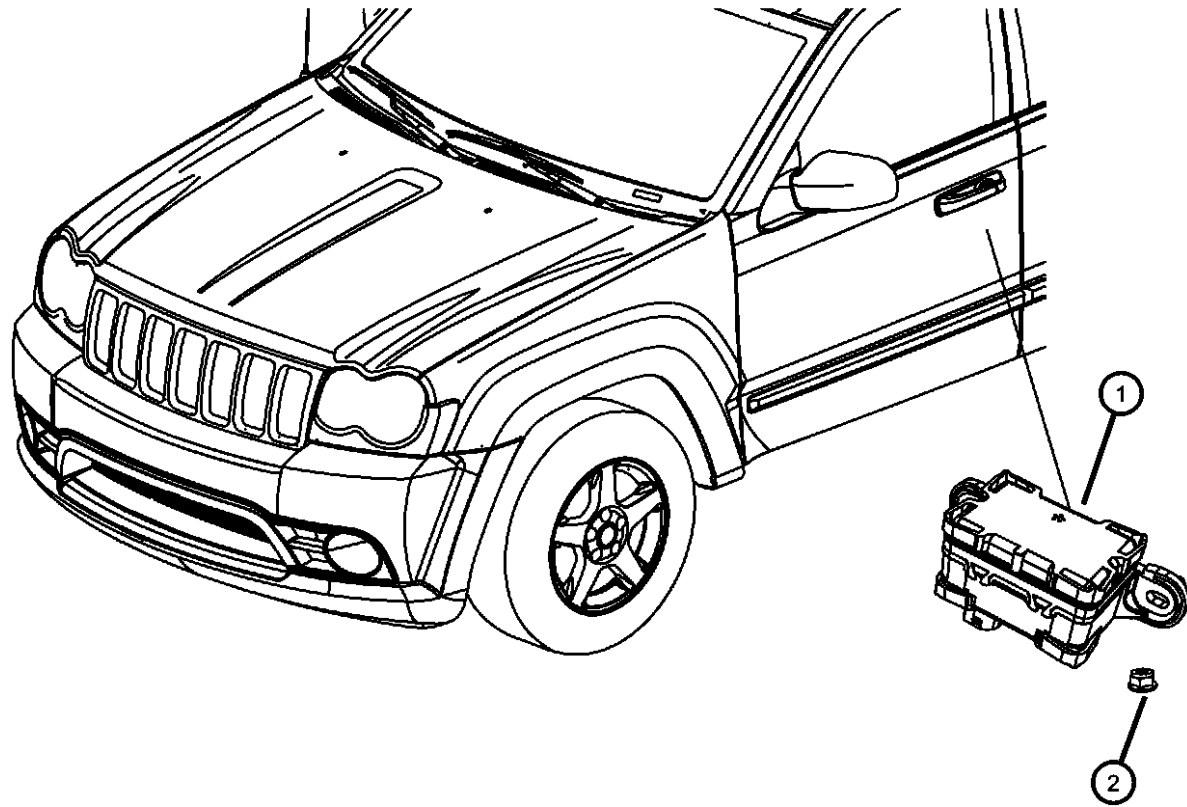
TRANSMISSION
DGJ = 5-Speed Auto W5A580
Transmission
DGQ = 5-Spd Automatic 545RFE
Transmission

AR = use ase required - = Non illustrated part

2010 WK

Sensors Suspension and Steering
Figure 8-630

ITEM	PART NUMBER	QTY	LINE	SERIES	BODY	ENGINE	TRANS	TRIM	DESCRIPTION
1									SENSOR, Dynamics, Lateral Acceleration and YAW Rate [DHX,DHB]
	56029427AA	1	J		74				
	56029483AA	1	T		74				
		1	J		74				[DHZ]
2	06104708AA	2	J, T		74				NUT, Hex, M6



GRAND CHEROKEE (WK)

SERIES LINE
H = HIGHLINE T = JEEP - 2WD
P = PREMIUM J = JEEP - 4WD
S = SPORT
X = SPECIAL

BODY
74 = SPORT UTILITY 4-DR
TYPE #4

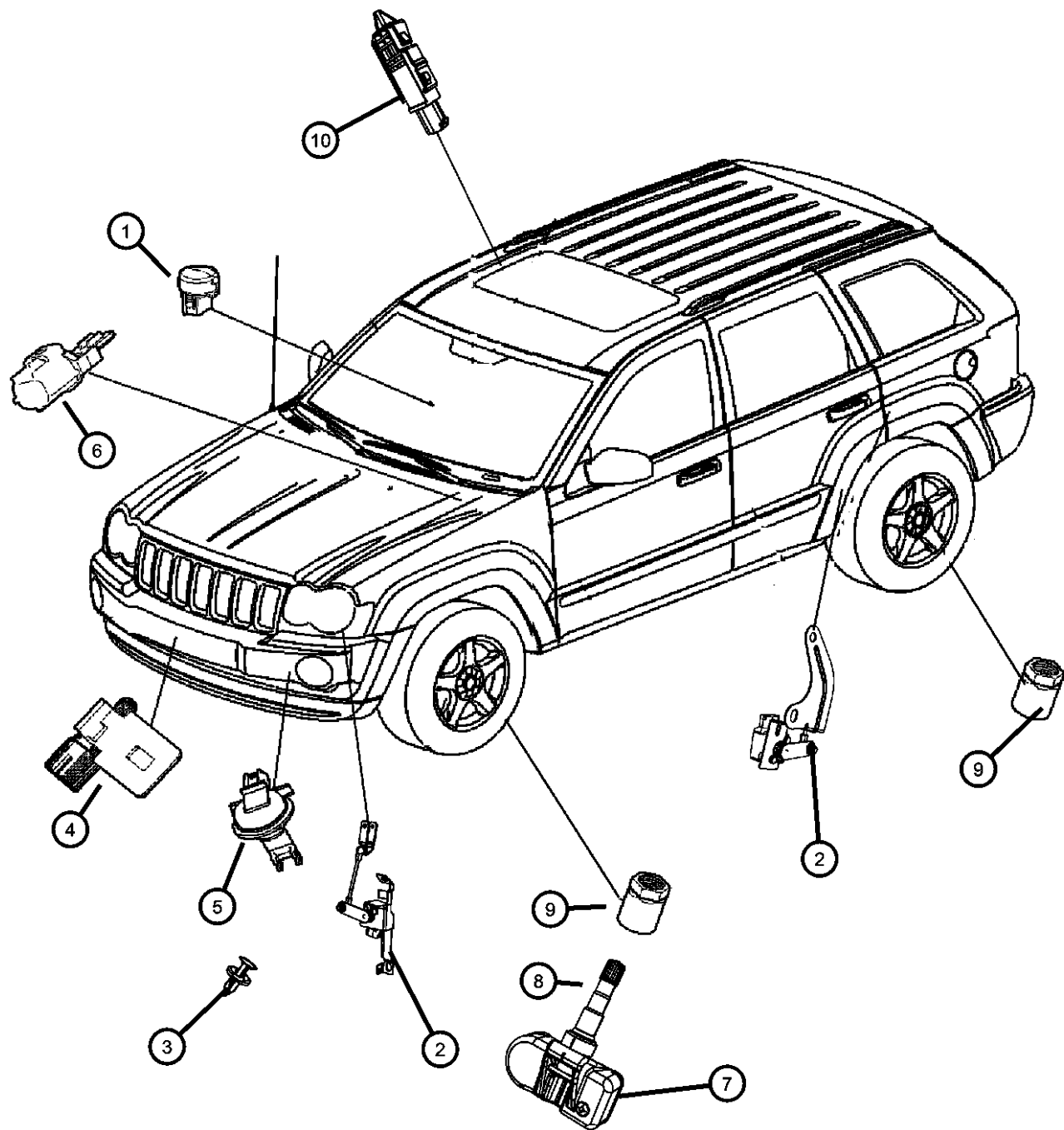
ENGINE
EZH = 5.7L V8 HEMI MDS
VCT Engine
ESF = 6.1L SRT HEMI V8
Engine
EKG = 3.7L V6 Engine

TRANSMISSION
DGJ = 5-Speed Auto W5A580
Transmission
DGQ = 5-Spd Automatic 545RFE
Transmission

AR = use ase required - = Non illustrated part

2010 WK

Sensors Body
Figure 8-635

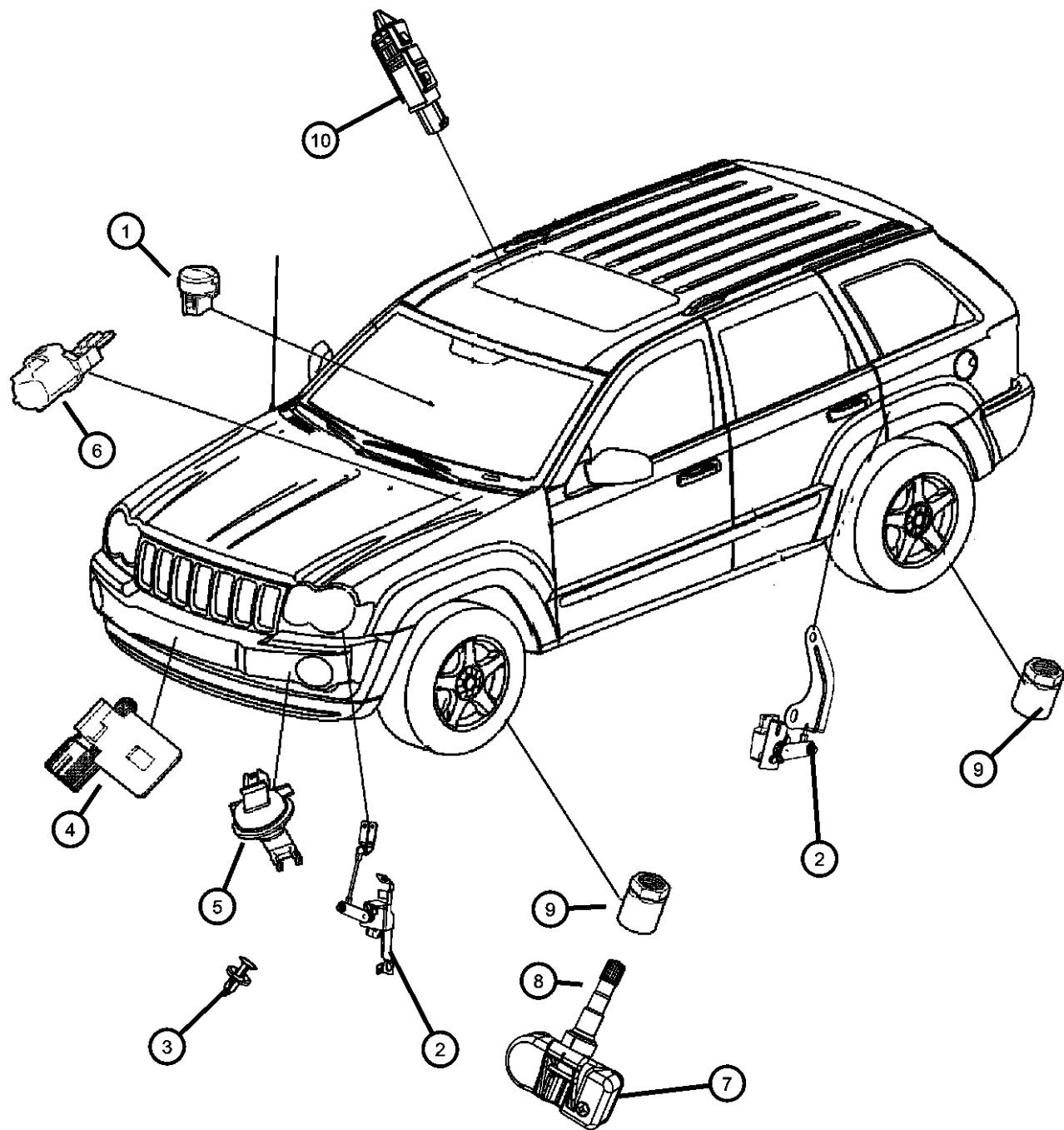


ITEM	PART NUMBER	QTY	LINE	SERIES	BODY	ENGINE	TRANS	TRIM	DESCRIPTION
1	55111900AB	1	J, T		74				SENSOR, Sun
2									SENSOR, Headlamp
	56050241AB	1	J, T		74				
	55079006AD	1	J, T		74				Rear
	55079007AF	1	J, T		74				Front
3	06509134AA	4	J, T		74				PIN, Push, M10X12.50, [LMP] Headlamp sensor
4	56042395	1	J, T		74				SENSOR, Ambient Temperature
5	68018918AA	1	J, T		74				SENSOR, Washer Fluid Level
6	05013903AA	1	J, T		74				SENSOR, Brake Fluid Level
7									SENSOR, Tire Pressure
	56029359AB	4	J, T	H, P, S	74				
		4	J, T	X	74				
8									HARDWARE KIT, Mounting
	68020719AB	4	J, T	H, P, S	74				Consist of 1- 20563010, NUT, TPM RETAINING, 1- 10513007, WASHER, SEAL SUPPOR,1- 10524004, CAP, VALVE STEM, BLACK, 1- 10524005, CAP, VALVE STEM, GREY, 1- 10542008, SEAL, TPM TO WHEEL RIM,1- 40506002, VALVE CORE, TPM, 1- 90517011, INSTRUCTION SHEET, TPM MOU
		4	J, T	X	74				Consist of 1- 20563010, NUT, TPM RETAINING, 1- 10513007, WASHER, SEAL SUPPOR,1- 10524004, CAP, VALVE STEM, BLACK, 1- 10524005, CAP, VALVE STEM, GREY, 1- 10542008, SEAL, TPM TO WHEEL RIM,1- 40506002, VALVE CORE, TPM, 1- 90517011, INSTRUCTION SHEET, TPM MOU
	68020722AA	4	J, T	H, P, S	74				Consist of 1- 10524004, CAP, VALVE STEM, BLACK, 1- 10524005, CAP, VALVE STEM, GREY,1- 40506002, VALVE CORE, TPM,1- 90517011, INSTRUCTION SHEET, TPM MOUNTING SUPPLIED IN A PLASTIC BAG.

GRAND CHEROKEE (WK)
 SERIES LINE BODY ENGINE TRANSMISSION
 H = HIGHLINE T = JEEP - 2WD 74 = SPORT UTILITY 4-DR EZH = 5.7L V8 HEMI MDS DGJ = 5-Speed Auto W5A580
 P = PREMIUM J = JEEP - 4WD TYPE #4 VCT Engine Transmission
 S = SPORT ESF = 6.1L SRT HEMI V8 DGQ = 5-Spd Automatic 545RFE
 X = SPECIAL Engine Transmission
 EKG = 3.7L V6 Engine

AR = use ase required - = Non illustrated part

Sensors Body
Figure 8-635



ITEM	PART NUMBER	QTY	LINE	SERIES	BODY	ENGINE	TRANS	TRIM	DESCRIPTION
		4	J, T	X	74				Consist of 1- 10524004, CAP, VALVE STEM, BLACK, 1- 10524005, CAP, VALVE STEM, GREY, 1- 40506002, VALVE CORE, TPM, 1- 90517011, INSTRUCTION SHEET, TPM MOUNTING SUPPLIED IN A PLASTIC BAG.
	68020724AA	4	J, T	H, P, S	74				Consist of 1- 20522037, VALVE STEM, 1- 10542008, SEAL, TPM TO WHEEL RIM, 1- 40506002, VALVE CORE, TPM, 1- 90517011, INSTRUCTION SHEET, TPM MOUNTING SUPPLIED IN A PLASTIC BAG.
		4	J, T	X	74				Consist of 1- 20522037, VALVE STEM, 1- 10542008, SEAL, TPM TO WHEEL RIM, 1- 40506002, VALVE CORE, TPM, 1- 90517011, INSTRUCTION SHEET, TPM MOUNTING SUPPLIED IN A PLASTIC BAG.
9	56053037AB	4	J, T	H, P, S	74				NUT, Tire Pressure Sensor
		4	J, T	X	74				
10	56054036AA	1	J, T		74				SENSOR, Seat Position

GRAND CHEROKEE (WK)

SERIES LINE
H = HIGHLINE T = JEEP - 2WD
P = PREMIUM J = JEEP - 4WD
S = SPORT
X = SPECIAL

BODY
74 = SPORT UTILITY 4-DR
TYPE #4

ENGINE
EZH = 5.7L V8 HEMI MDS
VCT Engine
ESF = 6.1L SRT HEMI V8
Engine
EKG = 3.7L V6 Engine

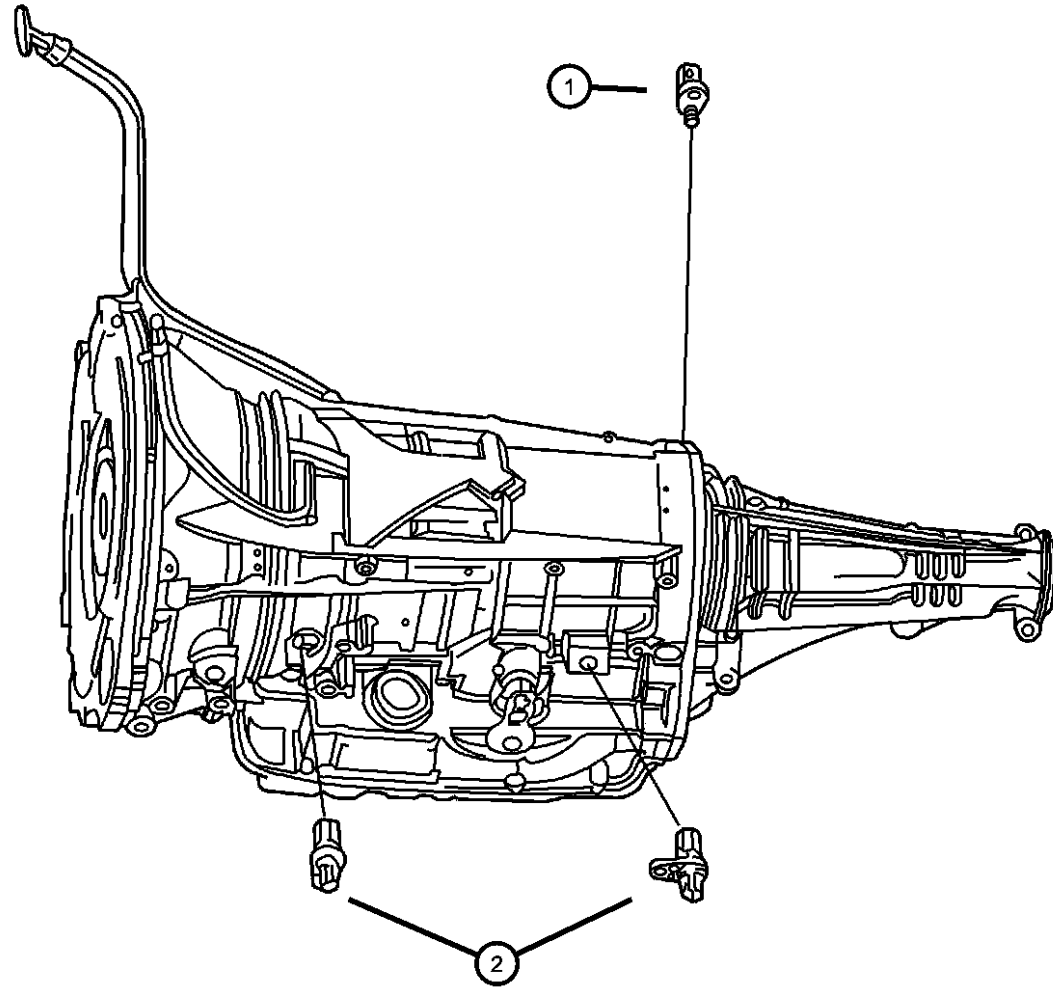
TRANSMISSION
DGJ = 5-Speed Auto W5A580
Transmission
DGQ = 5-Spd Automatic 545RFE
Transmission

AR = use ase required - = Non illustrated part

2010 WK

Sensors Drivetrain
Figure 8-640

ITEM	PART NUMBER	QTY	LINE	SERIES	BODY	ENGINE	TRANS	TRIM	DESCRIPTION
1	04799758	1	T		74	EVE, EZH	DGQ		TRANSDUCER, Pressure Sensor
		1	T		74	EZH	DGQ		
2	04799061AB	2	T		74	EVE, EZH	DGQ		SENSOR, Transmission Input Speed
		2	J		74	EZH	DGQ		



GRAND CHEROKEE (WK)

SERIES LINE
H = HIGHLINE T = JEEP - 2WD
P = PREMIUM J = JEEP - 4WD
S = SPORT
X = SPECIAL

BODY
74 = SPORT UTILITY 4-DR
TYPE #4

ENGINE
EZH = 5.7L V8 HEMI MDS
VCT Engine
ESF = 6.1L SRT HEMI V8
Engine
EKG = 3.7L V6 Engine

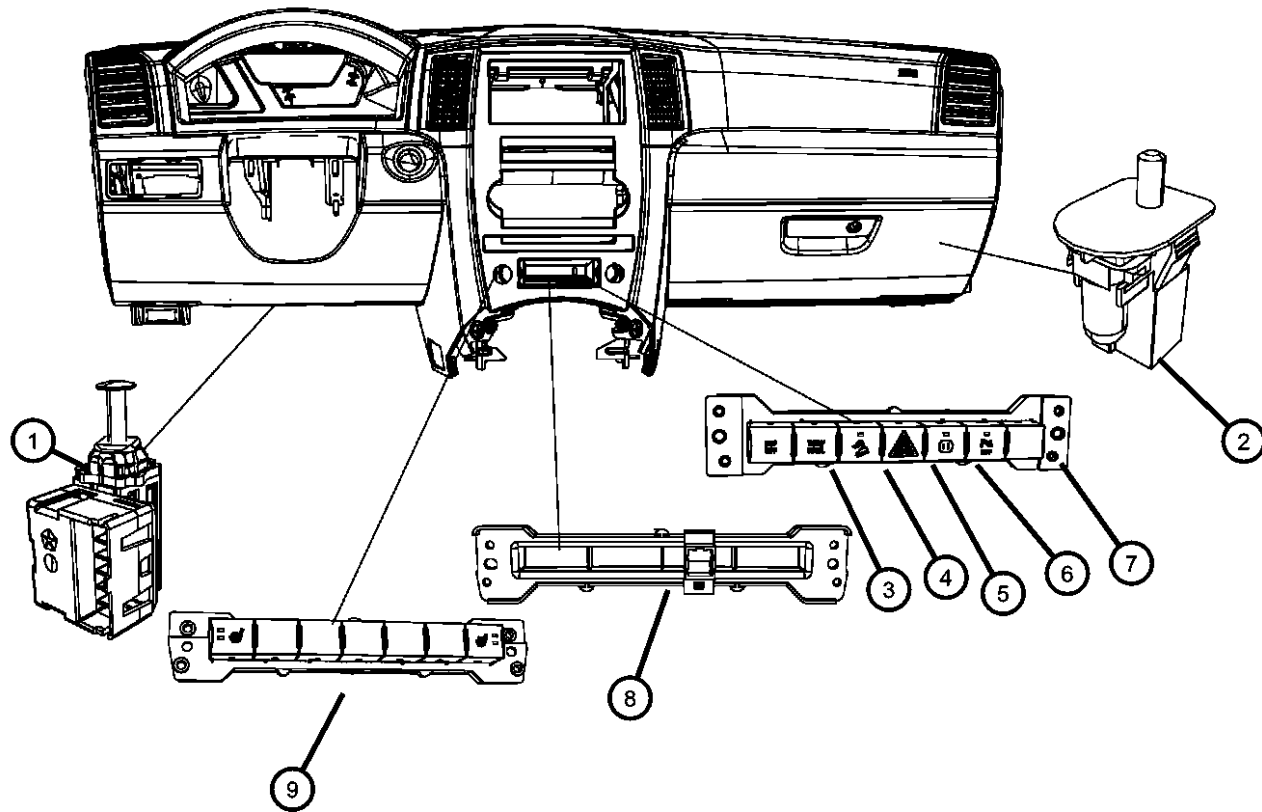
TRANSMISSION
DGJ = 5-Speed Auto W5A580
Transmission
DGQ = 5-Spd Automatic 545RFE
Transmission

AR = use ase required - = Non illustrated part

2010 WK

Switches Instrument Panel
Figure 8-805

ITEM	PART NUMBER	QTY	LINE	SERIES	BODY	ENGINE	TRANS	TRIM	DESCRIPTION
1	56054001AB	1	J, T		74				SWITCH, Stop Lamp
2	04565022	1	J, T		74				SWITCH AND LAMP, Glove Box
3	04602900AF	1	J, T		74		DGQ		SWITCH, 6 Gang
4									SWITCH, 5 Gang
	04602844AF	1	J, T		74		DGQ		[BNH,XAA,BNB,BNR]
	04602899AE	1	J, T		74		DGQ		[JKV,BNH,BNB,BNR]
	04602902AF	1	J, T		74		DGJ, DGU		[JKV,BNH,XAA,BNB,BNR]
	04602904AF	1	J, T		74		DGQ		[JKV,XAA,BNB,BNR]
5									SWITCH, 4 Gang
	04602848AE	1	J, T		74		DGQ		[XAA,BNB,BNR]
	04602898AF	1	J, T		74		DGQ		[JKV,BNB,BNR]
	04602901AF	1	J, T		74		DGJ, DGU		[JKV,XAA,BNB,BNR]
	04602903AE	1	J, T		74		DGJ, DGU		[JKV,BNH,BNB,BNR]
	04602843AF	1	J, T		74		DGQ		[BNH,BNB,BNR]
	04602846AF	1	J, T		74		DGJ, DGU		[BNH,XAA,BNB,BNR]
6									SWITCH, 3 Gang
	04602842AF	1	J, T		74		DGQ		[BNB,BNR]
	04602845AF	1	J, T		74		DGJ, DGU		[XAA,BNB,BNR]
	04602847AF	1	J, T		74		DGJ, DGU		[BNH,BNB,BNR]
	04602897AF	1	J, T		74		DGJ, DGU		[JKV,BNB,BNR]
7	04602793AE	1	J, T		74		DGJ, DGU		SWITCH, 2 Gang, [BNB,BNR]
8	55117093AC	1	J, T		74				COVER, Switch Opening, [-JPM]
9	04602840AE	1	J, T		74				SWITCH, Heated Seat, [JPM]



GRAND CHEROKEE (WK)

SERIES LINE
H = HIGHLINE T = JEEP - 2WD
P = PREMIUM J = JEEP - 4WD
S = SPORT
X = SPECIAL

BODY
74 = SPORT UTILITY 4-DR
TYPE #4

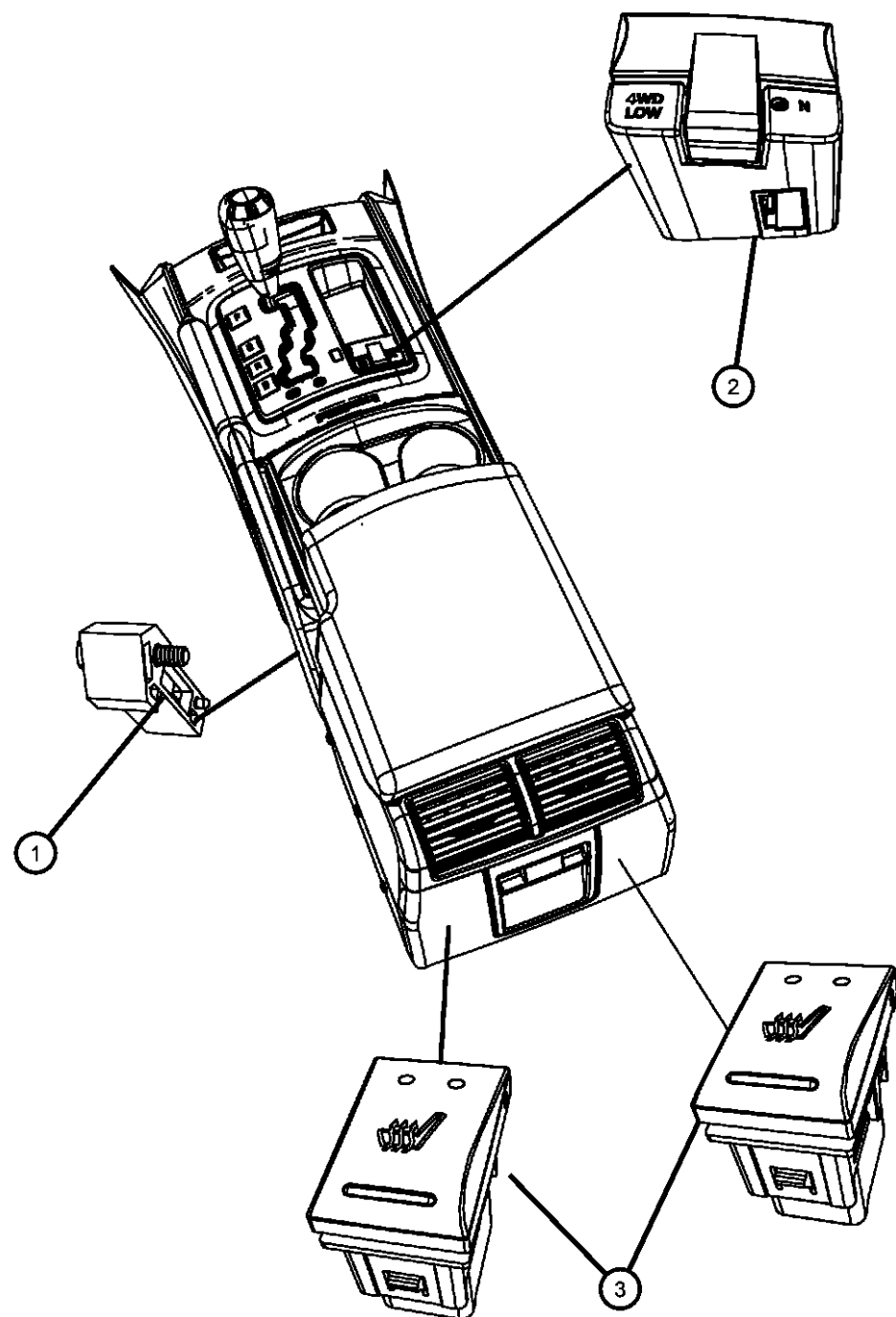
ENGINE
EZH = 5.7L V8 HEMI MDS
VCT Engine
ESF = 6.1L SRT HEMI V8
Engine
EKG = 3.7L V6 Engine

TRANSMISSION
DGJ = 5-Speed Auto W5A580
Transmission
DGQ = 5-Spd Automatic 545RFE
Transmission

AR = use ase required - = Non illustrated part

2010 WK

Switches Console
Figure 8-810



ITEM	PART NUMBER	QTY	LINE	SERIES	BODY	ENGINE	TRANS	TRIM	DESCRIPTION
1	04671936AA	1	J, T		74				SWITCH, Parking Brake
2	56050139AG	1	J	P, S	74		DGU		SWITCH, Transfer Case
		1	J	H	74		DGJ, DGU		
3	04602872AA	1	J, T		74				SWITCH, Heated Seat
	04602970AA	1	J, T		74				[JPZ], Right
									[JPZ], Left

GRAND CHEROKEE (WK)

SERIES LINE
H = HIGHLINE T = JEEP - 2WD
P = PREMIUM J = JEEP - 4WD
S = SPORT
X = SPECIAL

BODY
74 = SPORT UTILITY 4-DR
TYPE #4

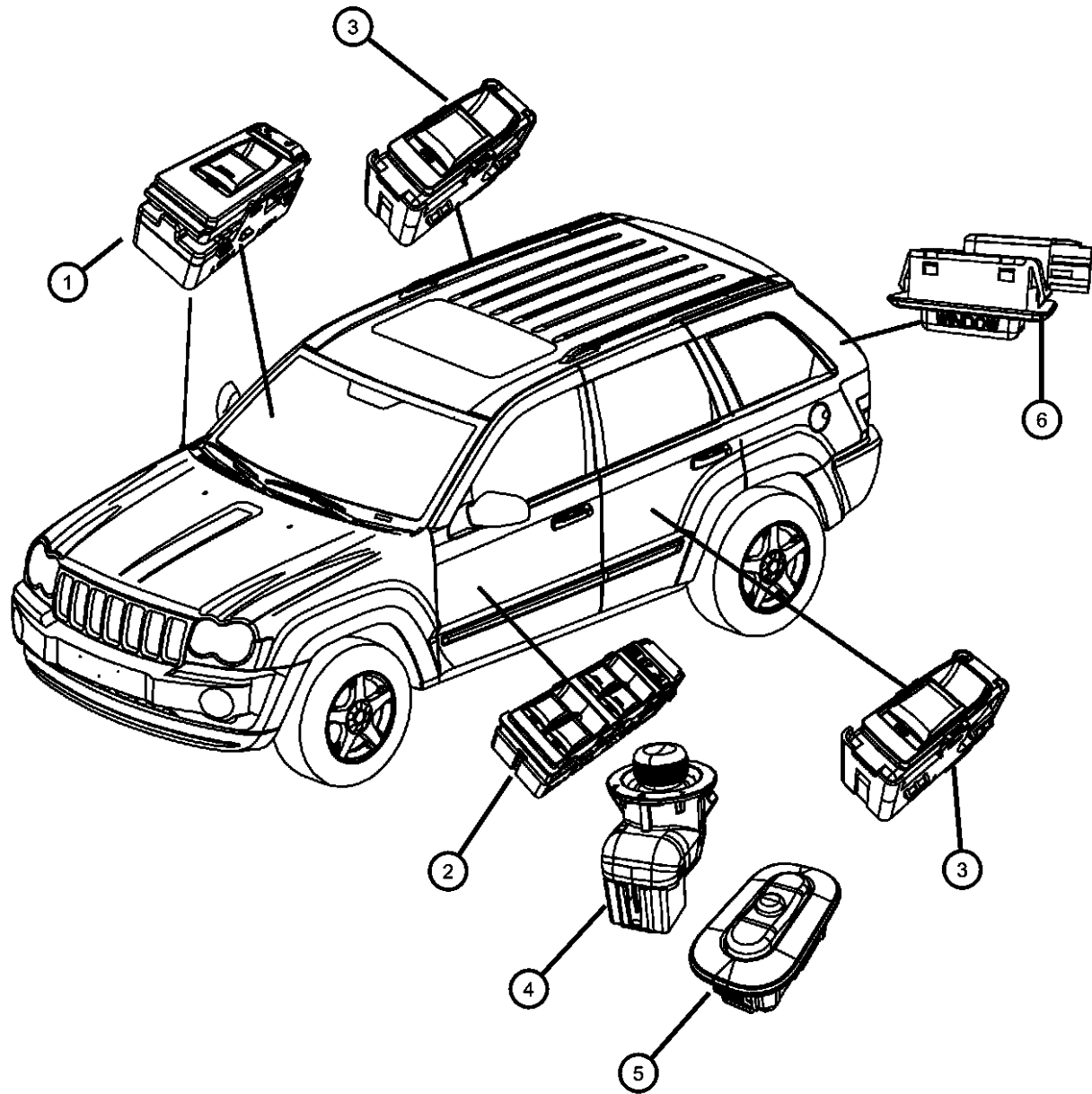
ENGINE
EZH = 5.7L V8 HEMI MDS
VCT Engine
ESF = 6.1L SRT HEMI V8
Engine
EKG = 3.7L V6 Engine

TRANSMISSION
DGJ = 5-Speed Auto W5A580
Transmission
DGQ = 5-Spd Automatic 545RFE
Transmission

AR = use ase required - = Non illustrated part

2010 WK

**Switches Doors and Liftgate
Figure 8-815**



ITEM	PART NUMBER	QTY	LINE	SERIES	BODY	ENGINE	TRANS	TRIM	DESCRIPTION
1	04602786AA V7700005AA	1	J, T		74				SWITCH, Window and Door Lock, 2 gang Mopar Alternative Switch
2	04602781AA V7700002AA	1	J, T		74				SWITCH, Window and Door Lock, 6 gang Mopar Alternative Switch
3	04602787AA V7700006AA	1	J, T		74				SWITCH, Power Window [CTK] Mopar Alternative Switch
	V7700006AA	1	J, T		74				[CTL] Mopar Alternative Switch
	V7700006AA	1	J, T		74				[CBW,CTM] Mopar Alternative Switch
4	04602789AA V7700008AA	1	J, T		74				SWITCH, Mirror Mopar Alternative Switch
	04602788AA V7700007AA	1	J, T		74				[GTS,GT9,GUT] Mopar Alternative Switch
5	5JF971DVAC 5JF971D1AC	1	J, T		74				SWITCH, Memory Selector [DV] [D1] [J1]
6	56042450AB	1	J, T		74				SWITCH, Flipper Window

GRAND CHEROKEE (WK)

SERIES LINE
H = HIGHLINE T = JEEP - 2WD
P = PREMIUM J = JEEP - 4WD
S = SPORT
X = SPECIAL

BODY
74 = SPORT UTILITY 4-DR
TYPE #4

ENGINE
EZH = 5.7L V8 HEMI MDS
VCT Engine
ESF = 6.1L SRT HEMI V8
Engine
EKG = 3.7L V6 Engine

TRANSMISSION
DGJ = 5-Speed Auto W5A580
Transmission
DGQ = 5-Spd Automatic 545RFE
Transmission

AR = use ase required - = Non illustrated part

2010 WK

**Switches Body
Figure 8-820**

ITEM	PART NUMBER	QTY	LINE	SERIES	BODY	ENGINE	TRANS	TRIM	DESCRIPTION
1									SWITCH, Memory Selector
	5JF971D1AC	1	J, T		74				[J1]
		1	J, T		74				[D1]
	5JF97XDVAC	1	J, T		74				[DV]
2	68023666AA	1	J, T		74				SWITCH, Sunroof
3	05137535AA	2	J, T		74				SWITCH, Map Light

GRAND CHEROKEE (WK)

SERIES LINE
H = HIGHLINE T = JEEP - 2WD
P = PREMIUM J = JEEP - 4WD
S = SPORT
X = SPECIAL

BODY
74 = SPORT UTILITY 4-DR
TYPE #4

ENGINE
EZH = 5.7L V8 HEMI MDS
VCT Engine
ESF = 6.1L SRT HEMI V8
Engine
EKG = 3.7L V6 Engine

TRANSMISSION
DGJ = 5-Speed Auto W5A580
Transmission
DGQ = 5-Spd Automatic 545RFE
Transmission

AR = use ase required - = Non illustrated part

2010 WK

**Switches Seats
Figure 8-825**

ITEM	PART NUMBER	QTY	LINE	SERIES	BODY	ENGINE	TRANS	TRIM	DESCRIPTION
1									SWITCH, Power Seat
	56049432AE	1	J, T		74				8 way, Right
	56049431AE	1	J, T		74				8 way low current, Left
	56049433AE	1	J, T		74				8 way high current, Left
	56040636AC	1	J, T		74				4 way, Right
2	04602840AD	1	J, T		74				SWITCH, Heated SeatInstrument Panel, Front Seat
3									SWITCH, Heated Seat
	04602872AB	1	J, T		74				Left, Console, Rear Seat
	04602970AB	1	J, T		74				Right, Console, Rear Seat

GRAND CHEROKEE (WK)

SERIES LINE
H = HIGHLINE T = JEEP - 2WD
P = PREMIUM J = JEEP - 4WD
S = SPORT
X = SPECIAL

BODY
74 = SPORT UTILITY 4-DR
TYPE #4

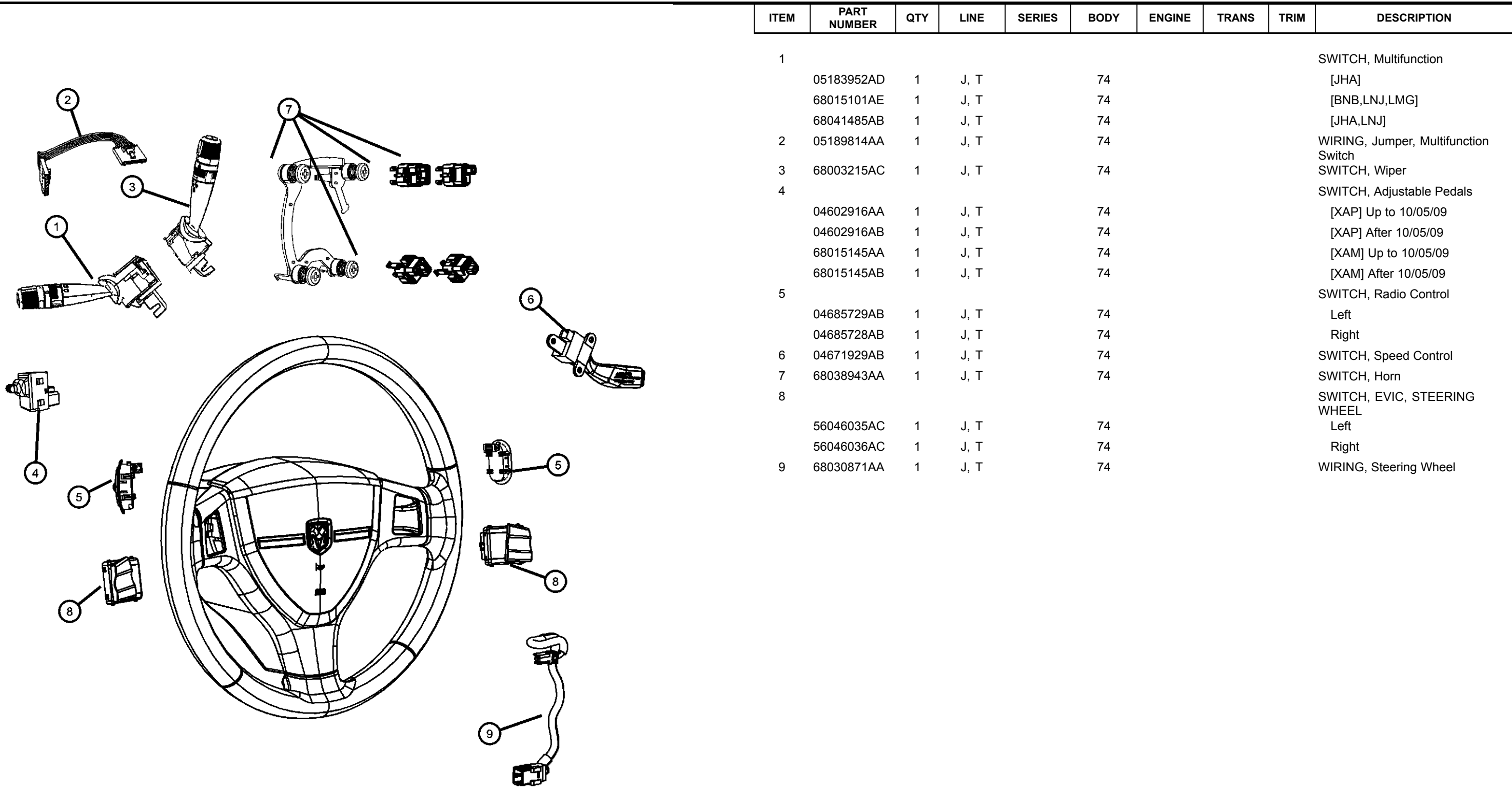
ENGINE
EZH = 5.7L V8 HEMI MDS
VCT Engine
ESF = 6.1L SRT HEMI V8
Engine
EKG = 3.7L V6 Engine

TRANSMISSION
DGJ = 5-Speed Auto W5A580
Transmission
DGQ = 5-Spd Automatic 545RFE
Transmission

AR = use ase required - = Non illustrated part

2010 WK

Switches Steering Column and Wheel
Figure 8-830



ITEM	PART NUMBER	QTY	LINE	SERIES	BODY	ENGINE	TRANS	TRIM	DESCRIPTION
1	05183952AD	1	J, T		74				SWITCH, Multifunction [JHA]
	68015101AE	1	J, T		74				[BNB, LNJ, LMG]
	68041485AB	1	J, T		74				[JHA, LNJ]
	05189814AA	1	J, T		74				WIRING, Jumper, Multifunction Switch
3	68003215AC	1	J, T		74			SWITCH, Wiper	
4	04602916AA	1	J, T		74				SWITCH, Adjustable Pedals [XAP] Up to 10/05/09
	04602916AB	1	J, T		74				[XAP] After 10/05/09
	68015145AA	1	J, T		74				[XAM] Up to 10/05/09
	68015145AB	1	J, T		74				[XAM] After 10/05/09
5	04685729AB	1	J, T		74				SWITCH, Radio Control Left
	04685728AB	1	J, T		74				Right
6	04671929AB	1	J, T		74				SWITCH, Speed Control
7	68038943AA	1	J, T		74				SWITCH, Horn
8	56046035AC	1	J, T		74				SWITCH, EVIC, STEERING WHEEL Left
	56046036AC	1	J, T		74				Right
	68030871AA	1	J, T		74				WIRING, Steering Wheel

GRAND CHEROKEE (WK)

SERIES LINE
H = HIGHLINE T = JEEP - 2WD
P = PREMIUM J = JEEP - 4WD
S = SPORT
X = SPECIAL

BODY
74 = SPORT UTILITY 4-DR
TYPE #4

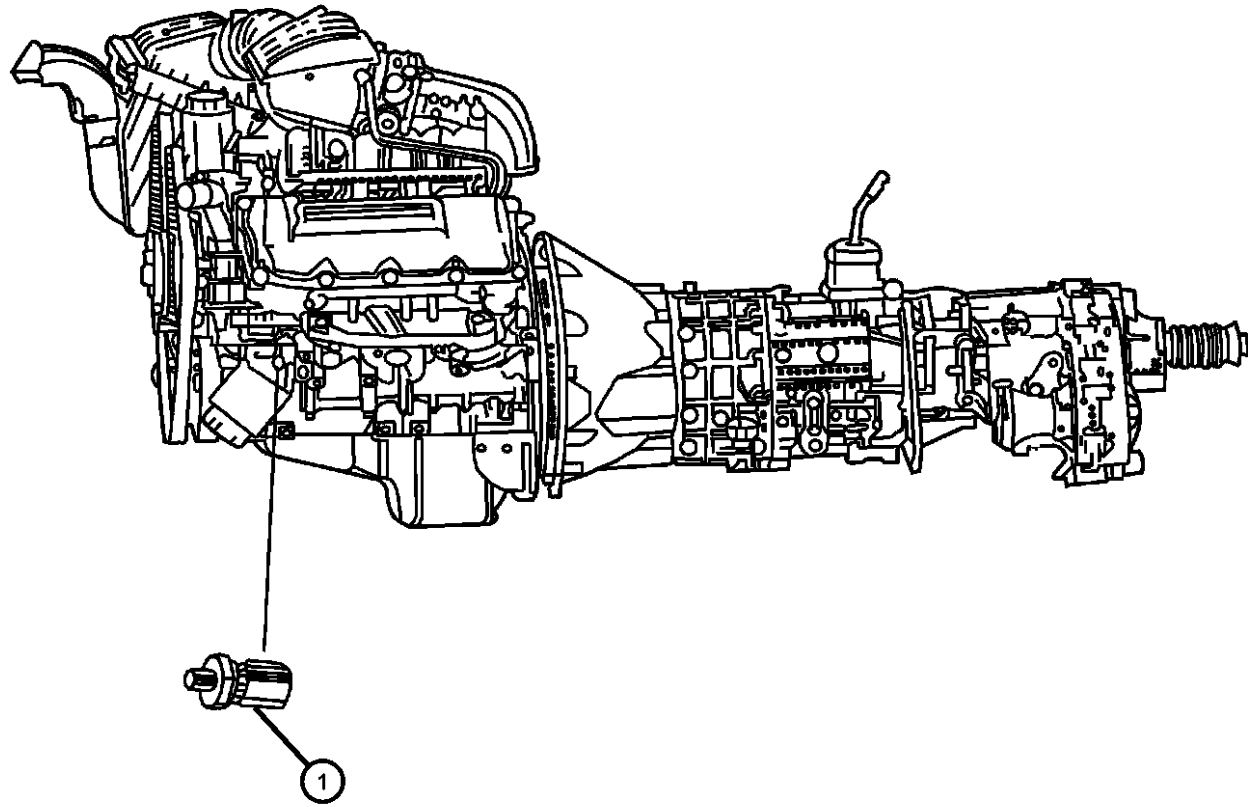
ENGINE
EZH = 5.7L V8 HEMI MDS
VCT Engine
ESF = 6.1L SRT HEMI V8
Engine
EKG = 3.7L V6 Engine

TRANSMISSION
DGJ = 5-Speed Auto W5A580
Transmission
DGQ = 5-Spd Automatic 545RFE
Transmission

AR = use ase required - = Non illustrated part

Switches Powertrain
Figure 8-835

ITEM	PART NUMBER	QTY	LINE	SERIES	BODY	ENGINE	TRANS	TRIM	DESCRIPTION
1									SENDING UNIT, Oil Pressure
	05149062AA	1	J, T		74	ESF			
		1	J, T		74	EZH			
	05149097AA	1	J, T		74	EKG			



GRAND CHEROKEE (WK)

SERIES LINE
H = HIGHLINE T = JEEP - 2WD
P = PREMIUM J = JEEP - 4WD
S = SPORT
X = SPECIAL

BODY
74 = SPORT UTILITY 4-DR
TYPE #4

ENGINE
EZH = 5.7L V8 HEMI MDS
VCT Engine
ESF = 6.1L SRT HEMI V8
Engine
EKG = 3.7L V6 Engine

TRANSMISSION
DGJ = 5-Speed Auto W5A580
Transmission
DGQ = 5-Spd Automatic 545RFE
Transmission

AR = use ase required - = Non illustrated part

2010 WK

**Switches Heating and Air Conditioning
Figure 8-840**

ITEM	PART NUMBER	QTY	LINE	SERIES	BODY	ENGINE	TRANS	TRIM	DESCRIPTION
1	55037979AF	1	J, T		74				CONTROL, A/C And Heater
2									CONTROL, Auto Temp Control
	55111930AA	1	J, T		74				[HAF]
	55111931AA	1	J, T		74				[HAF,XD9]

GRAND CHEROKEE (WK)

SERIES LINE
H = HIGHLINE T = JEEP - 2WD
P = PREMIUM J = JEEP - 4WD
S = SPORT
X = SPECIAL

BODY
74 = SPORT UTILITY 4-DR
TYPE #4

ENGINE
EZH = 5.7L V8 HEMI MDS
VCT Engine
ESF = 6.1L SRT HEMI V8
Engine
EKG = 3.7L V6 Engine

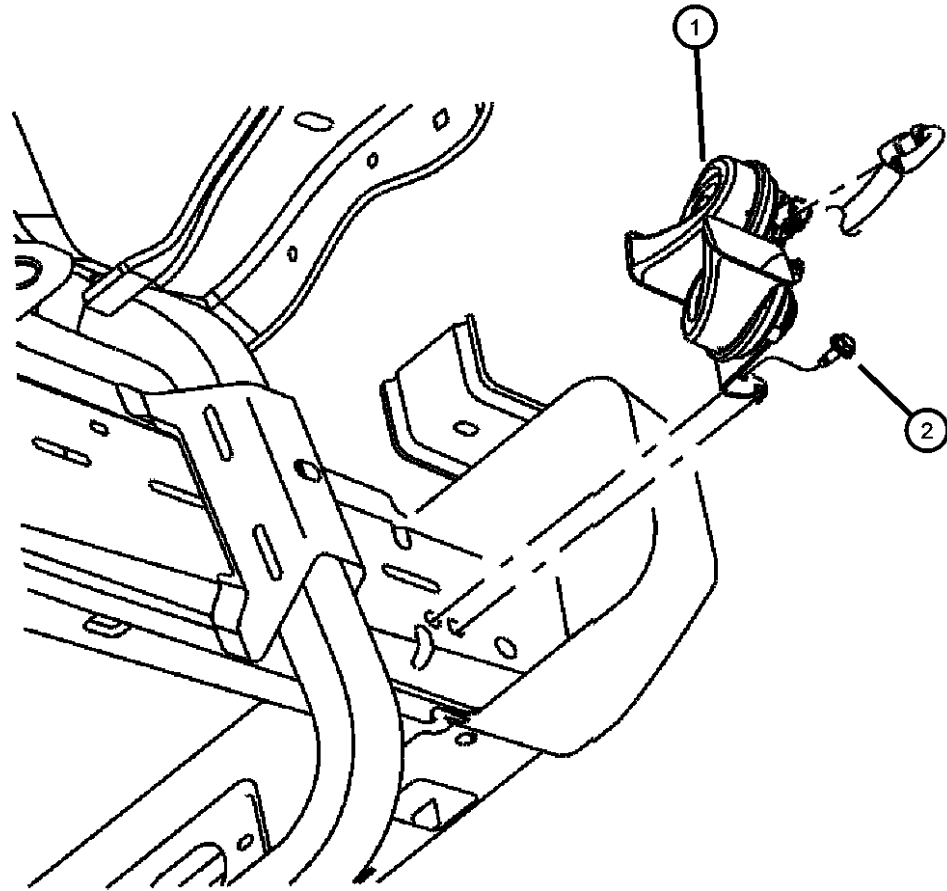
TRANSMISSION
DGJ = 5-Speed Auto W5A580
Transmission
DGQ = 5-Spd Automatic 545RFE
Transmission

AR = use ase required - = Non illustrated part

2010 WK

Horns
Figure 8-905

ITEM	PART NUMBER	QTY	LINE	SERIES	BODY	ENGINE	TRANS	TRIM	DESCRIPTION
1	05026994AA	1	J, T		74				HORN AND BRACKET, Dual
2		1							SCREW AND WASHER, Hex Flange Head, M8x1.25x25, (NOT SERVICED)



GRAND CHEROKEE (WK)

SERIES LINE
H = HIGHLINE T = JEEP - 2WD
P = PREMIUM J = JEEP - 4WD
S = SPORT
X = SPECIAL

BODY
74 = SPORT UTILITY 4-DR
TYPE #4

ENGINE
EZH = 5.7L V8 HEMI MDS
VCT Engine
ESF = 6.1L SRT HEMI V8
Engine
EKG = 3.7L V6 Engine

TRANSMISSION
DGJ = 5-Speed Auto W5A580
Transmission
DGQ = 5-Spd Automatic 545RFE
Transmission

AR = use ase required - = Non illustrated part

2010 WK

**Battery Tray and Support
Figure 8-1005**

ITEM	PART NUMBER	QTY	LINE	SERIES	BODY	ENGINE	TRANS	TRIM	DESCRIPTION
1	55396408AE	1	J, T		74	EK0, ES0, EV0, EZ0			SUPPORT, Battery Tray
2	05033384AB	1	J, T		74	EK0, ES0, EV0, EZ0			SHIELD, Battery
3									BATTERY, Storage
	BB94R750AA	1	J, T		74				
	BB049850AA	1	J, T		74	EX0			
4	06508659AA	3	J, T		74				SCREW AND WASHER, Hex Head, M6X1.00X30.00

GRAND CHEROKEE (WK)

SERIES LINE
H = HIGHLINE T = JEEP - 2WD
P = PREMIUM J = JEEP - 4WD
S = SPORT
X = SPECIAL

BODY
74 = SPORT UTILITY 4-DR
TYPE #4

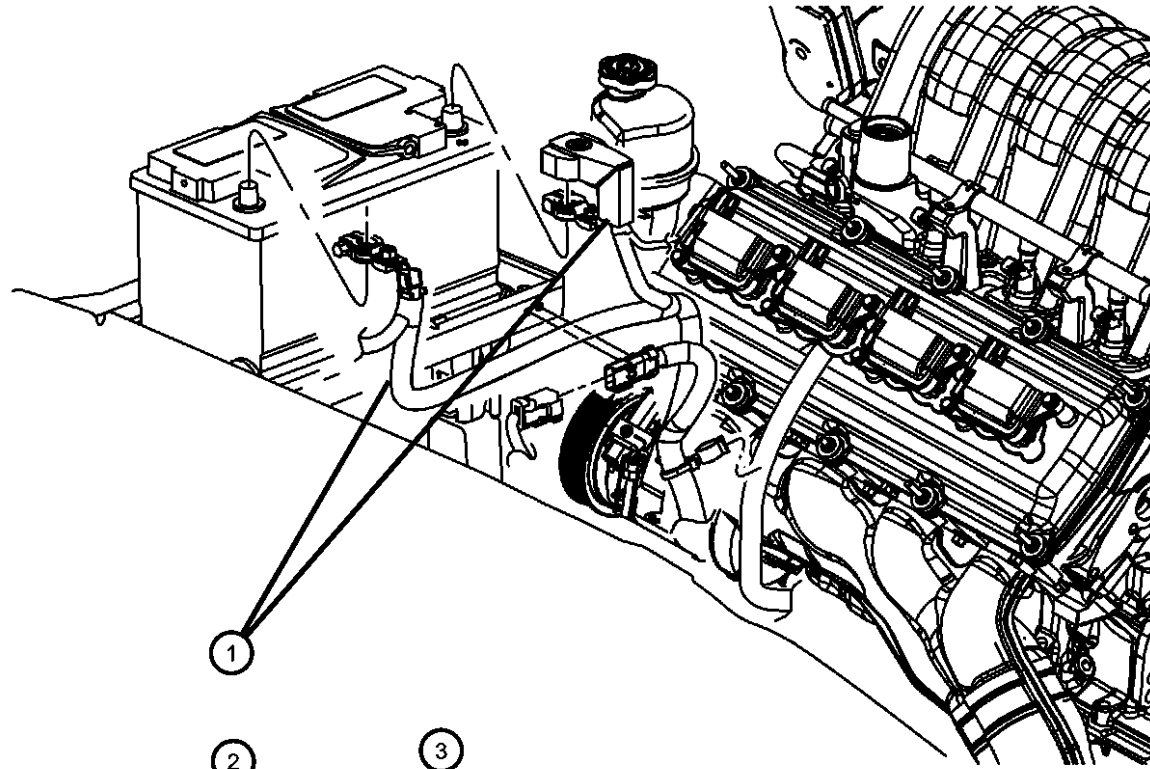
ENGINE
EZH = 5.7L V8 HEMI MDS
VCT Engine
ESF = 6.1L SRT HEMI V8
Engine
EKG = 3.7L V6 Engine

TRANSMISSION
DGJ = 5-Speed Auto W5A580
Transmission
DGQ = 5-Spd Automatic 545RFE
Transmission

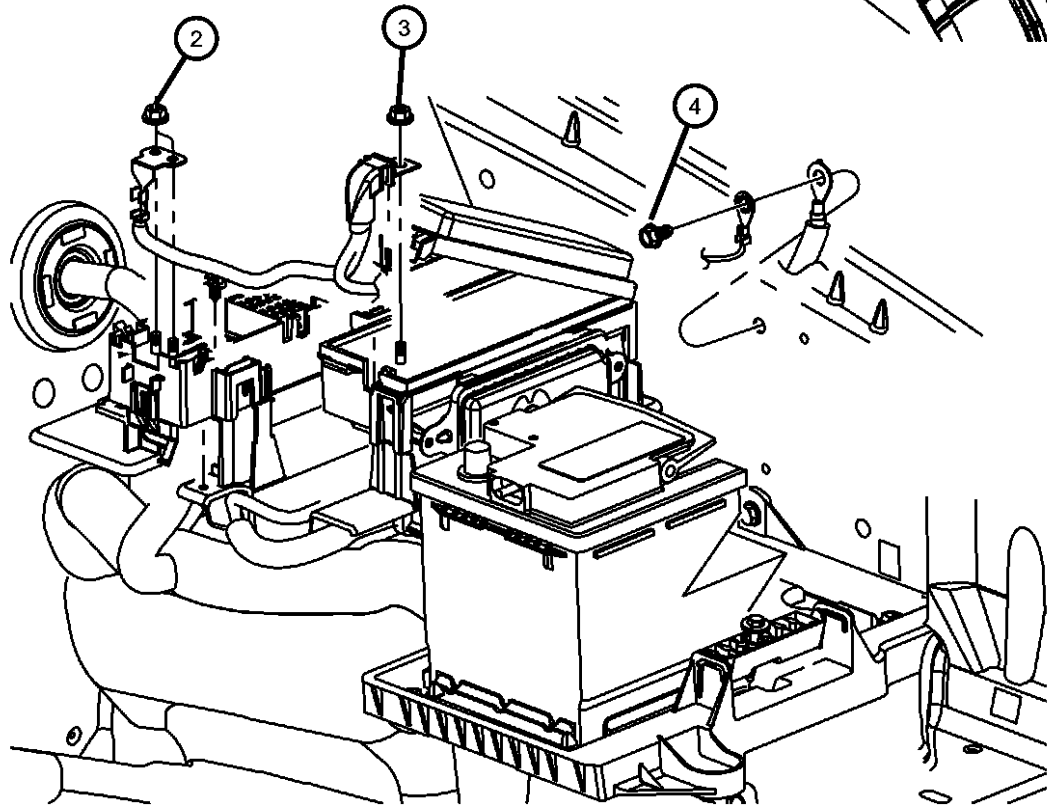
AR = use ase required - = Non illustrated part

2010 WK

**Battery Wiring
Figure 8-1010**



ITEM	PART NUMBER	QTY	LINE	SERIES	BODY	ENGINE	TRANS	TRIM	DESCRIPTION
1									WIRING, Alternator and Battery
	56050945AE	1	J, T		74	EVO			
	56050959AB	1	J, T		74	EK0			
	68028209AD	1	J, T		74	EZ0			
	05029964AF	1	J, T		74	ESF			
2	06101808	2	J, T		74				NUT, Hex, M6x1
3	06101809	1	J, T		74				NUT AND WASHER, Hex, M8x1.25
4	06506080AA	1	J, T		74				SCREW, Hex Head, M8X1.25X25.00



GRAND CHEROKEE (WK)

SERIES LINE
H = HIGHLINE T = JEEP - 2WD
P = PREMIUM J = JEEP - 4WD
S = SPORT
X = SPECIAL

BODY
74 = SPORT UTILITY 4-DR
TYPE #4

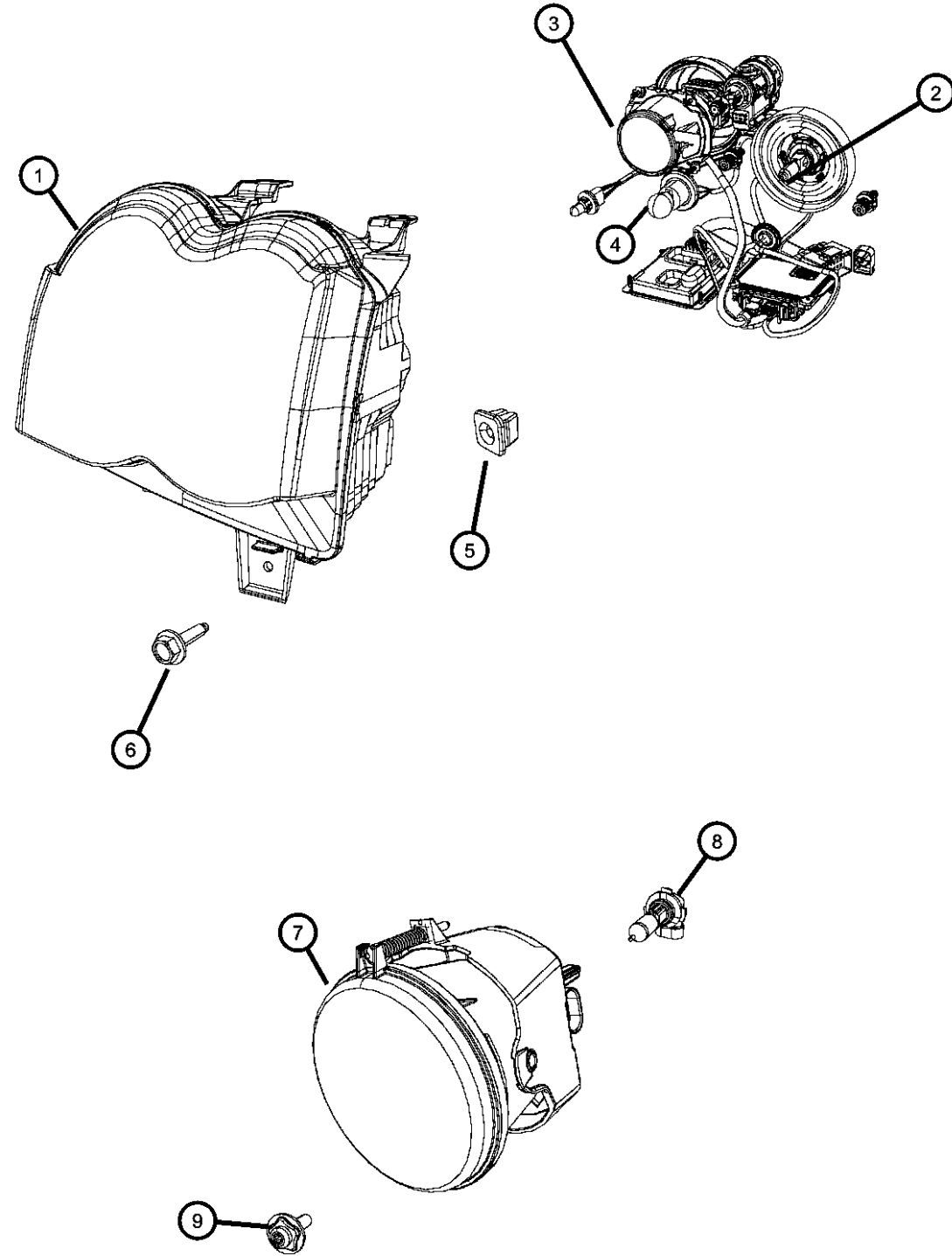
ENGINE
EZH = 5.7L V8 HEMI MDS
VCT Engine
ESF = 6.1L SRT HEMI V8
Engine
EKG = 3.7L V6 Engine

TRANSMISSION
DGJ = 5-Speed Auto W5A580
Transmission
DGQ = 5-Spd Automatic 545RFE
Transmission

AR = use ase required - = Non illustrated part

2010 WK

Lamps Front
Figure 8-1105



ITEM	PART NUMBER	QTY	LINE	SERIES	BODY	ENGINE	TRANS	TRIM	DESCRIPTION
1									HEADLAMP
	55157482AE	1	J, T		74				Right
	55157483AE	1	J, T		74				Left
	55157484AG	1	J, T		74				[LMP], Right
	55157485AG	1	J, T		74				[LMP], Left
2									BULB, Headlamp
	04865941AC	1	J, T		74				HID
	L0009005	1	J, T		74				
	P0009005EB								SilverStar
3									BULB, Headlamp
	L0009006	1	J, T		74				
	P0009006EB								SilverStar
4	L0003457	1	J, T		74				BULB, 3457
5	06508072AA	6	J, T		74				NUT, Plastic Snap-in
6	06034355	6	J, T		74				BOLT, Hex Head, .25-14X.875
7	04805859AB	2	J, T		74				LAMP, Front Fog
8	L0009145	2	J, T		74				BULB, 9145
9	06506579AA	4	J		74				SCREW, Tapping, M6X2.69X21.55

GRAND CHEROKEE (WK)

SERIES LINE
H = HIGHLINE T = JEEP - 2WD
P = PREMIUM J = JEEP - 4WD
S = SPORT
X = SPECIAL

BODY
74 = SPORT UTILITY 4-DR
TYPE #4

ENGINE
EZH = 5.7L V8 HEMI MDS
VCT Engine
ESF = 6.1L SRT HEMI V8
Engine
EKG = 3.7L V6 Engine

TRANSMISSION
DGJ = 5-Speed Auto W5A580
Transmission
DGQ = 5-Spd Automatic 545RFE
Transmission

AR = use ase required - = Non illustrated part

2010 WK

**Lamps Rear
Figure 8-1110**

ITEM	PART NUMBER	QTY	LINE	SERIES	BODY	ENGINE	TRANS	TRIM	DESCRIPTION
1									LAMP, Tail Stop Turn Sidemarker
	55079012AC	1	J, T		74				Right
	55079013AC	1	J, T		74				Left
2	L0003157	1	J, T		74				BULB, 3157
3	L000921E	1	J, T		74				BULB, 921
	P000921STS								SilverStar
4	04857378AA	1	J, T		74				SOCKET
5	68004162AA	1	J, T		74				SOCKET, Tail, Stop, and Turn Lamp
6		1							SCREW, Tapping, .19-16x.75, (NOT SERVICED)
7	55156879AB	4	J, T		74				GROMMET, Lamp
8	06503598	4	J, T		74				PIN, Push, M8x21
9	55157397AD	1	J, T		74				LAMP, Center High Mounted Stop
10	06104635AB	2	J, T		74				SCREW, Tapping Round Head, M5.0X2.24X20.00
11	06035211	2	J, T		74				NUT, Snap In
12									HANDLE, Liftgate
	1FV92EEMAA	1	J, T		74				[EM][MNN]
	1FV92EGJAA	1	J, T		74				[GJ][MNN]
	1FN57AXRAA	1	J, T		74				[XR][MNN,XAC]
	1FN57EBLAA	1	J, T		74				[BL][MNN,XAC]
	1FN57EDAAA	1	J, T		74				[DA][MNN,XAC]
	1FN57FFGAA	1	J, T		74				[FG][MNN,XAC]
	1FN57SW1AA	1	J, T		74				[W1][MNN,XAC]
	1FN57WS2AA	1	J, T		74				[S2][MNN,XAC]
	1FV92SW1AA	1	J, T		74				[W1][MNN]
	1FV92WS2AA	1	J, T		74				[S2][MNN]
	68039947AA	1	J, T		74				[MNS,XAC]
	68039948AA	1	J, T		74				[MBP,XAC]
	1FN57EEMAA	1	J, T		74				[EM][MNN,XAC]
	1FN57EGJAA	1	J, T		74				[GJ][MNN,XAC]
	1FV92AXRAA	1	J, T		74				[XR][MNN]
	1FV92EBLAA	1	J, T		74				[BL][MNN]
	1FV92EDAAA	1	J, T		74				[DA][MNN]
13									LENS, License Lamp

GRAND CHEROKEE (WK)

SERIES LINE
H = HIGHLINE T = JEEP - 2WD
P = PREMIUM J = JEEP - 4WD
S = SPORT
X = SPECIAL

BODY
74 = SPORT UTILITY 4-DR
TYPE #4

ENGINE
EZH = 5.7L V8 HEMI MDS
VCT Engine
ESF = 6.1L SRT HEMI V8
Engine
EKG = 3.7L V6 Engine

TRANSMISSION
DGJ = 5-Speed Auto W5A580
Transmission
DGQ = 5-Spd Automatic 545RFE
Transmission

AR = use ase required - = Non illustrated part

2010 WK

Lamps Rear
Figure 8-1110

ITEM	PART NUMBER	QTY	LINE	SERIES	BODY	ENGINE	TRANS	TRIM	DESCRIPTION
	68020954AB	1	J, T		74				Right
	68020955AB	1	J, T		74				Left
14									WIRING, License Lamp
	68020997AA	1	J, T		74				[MNN]
	68020994AA	1	J, T		74				[MNN.XAC]
		1	J, T		74				[MNS,XAP]
		1	J, T		74				[MNP.XAC]
15	56042450AB	1	J, T		74				SWITCH, Flipper Window
16	L0000168	1	J, T		74				BULB, 168
17									LAMP, Rear Fog
	55156102AA	1	J	X	74				Right
	55156103AA	1	J	X	74				Left
18	L0007506	1	J	X	74				BULB, 7506
	P007506STS								SilverStar

GRAND CHEROKEE (WK)

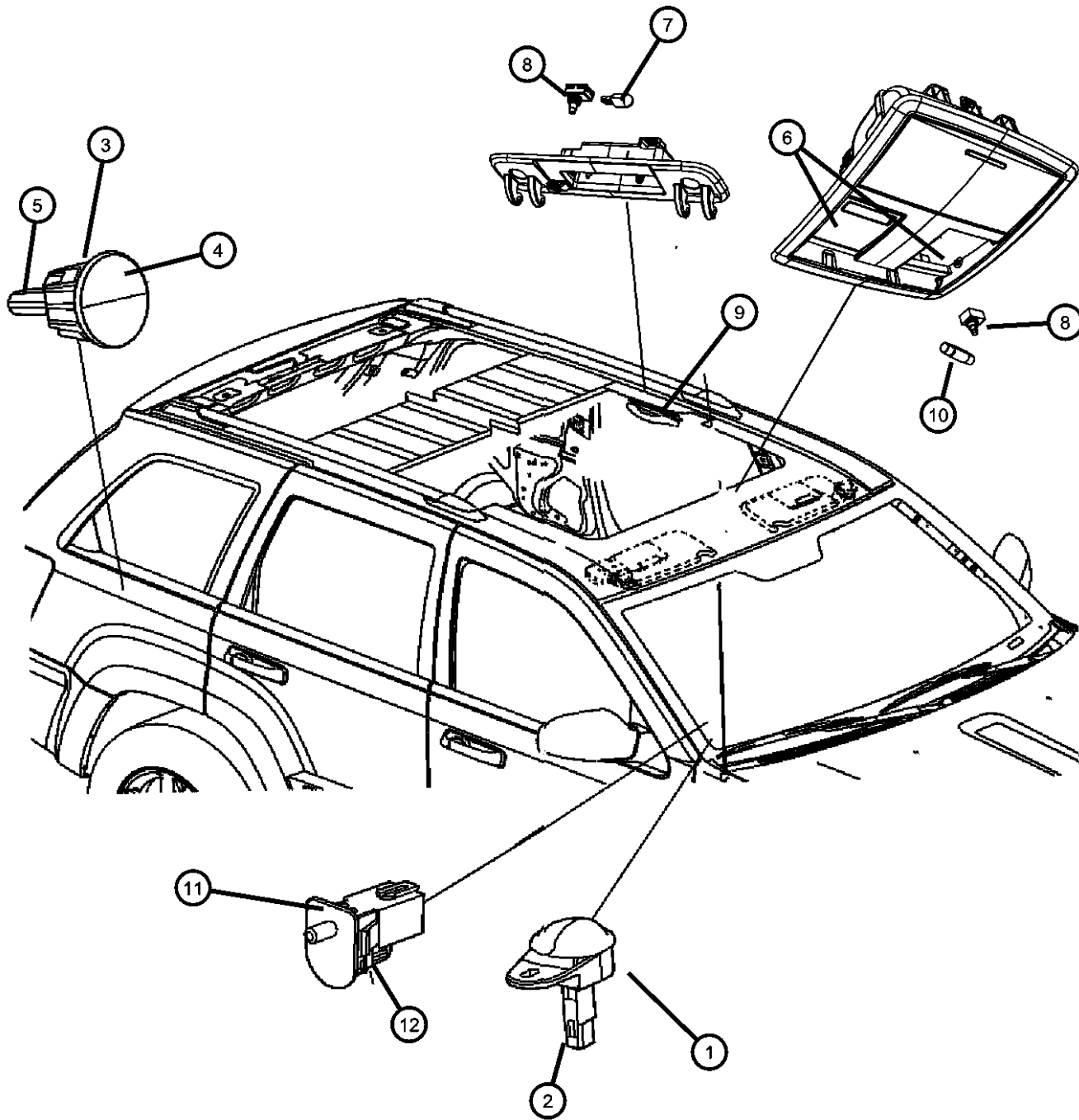
SERIES LINE
H = HIGHLINE T = JEEP - 2WD
P = PREMIUM J = JEEP - 4WD
S = SPORT
X = SPECIAL

BODY
74 = SPORT UTILITY 4-DR
TYPE #4

ENGINE
EZH = 5.7L V8 HEMI MDS
VCT Engine
ESF = 6.1L SRT HEMI V8
Engine
EKG = 3.7L V6 Engine

TRANSMISSION
DGJ = 5-Speed Auto W5A580
Transmission
DGQ = 5-Spd Automatic 545RFE
Transmission

Lamps Interior
Figure 8-1115



ITEM	PART NUMBER	QTY	LINE	SERIES	BODY	ENGINE	TRANS	TRIM	DESCRIPTION
1	56042559AA	2	J, T		74				LAMP, Courtesy
2	L0000906	2	J, T		74				BULB, 906
3	05023881AA	1	J, T		74				LAMP, Cargo
4	05018023AA	1	J, T		74				LENS, Cargo Lamp
5	L0000579	1	J, T		74				BULB, 579
6									LENS
	05137527AA	1	J, T		74				Left
	05137526AA	1	J, T		74				Right
7	L0000578	2	J, T		74				BULB, 578
8	05137535AA	2	J, T		74				SWITCH, Map Light
9									LENS
	05137529AB	1	J, T		74				Left
	05137528AB	1	J, T		74				Right
10	L002825W5W	1	J, T		74				BULB, W5W
11	04565022	1	J, T		74				SWITCH AND LAMP, Glove Box
12	L0000194	1	J, T		74				BULB, 194

GRAND CHEROKEE (WK)

SERIES LINE
H = HIGHLINE T = JEEP - 2WD
P = PREMIUM J = JEEP - 4WD
S = SPORT
X = SPECIAL

BODY
74 = SPORT UTILITY 4-DR
TYPE #4

ENGINE
EZH = 5.7L V8 HEMI MDS
VCT Engine
ESF = 6.1L SRT HEMI V8
Engine
EKG = 3.7L V6 Engine

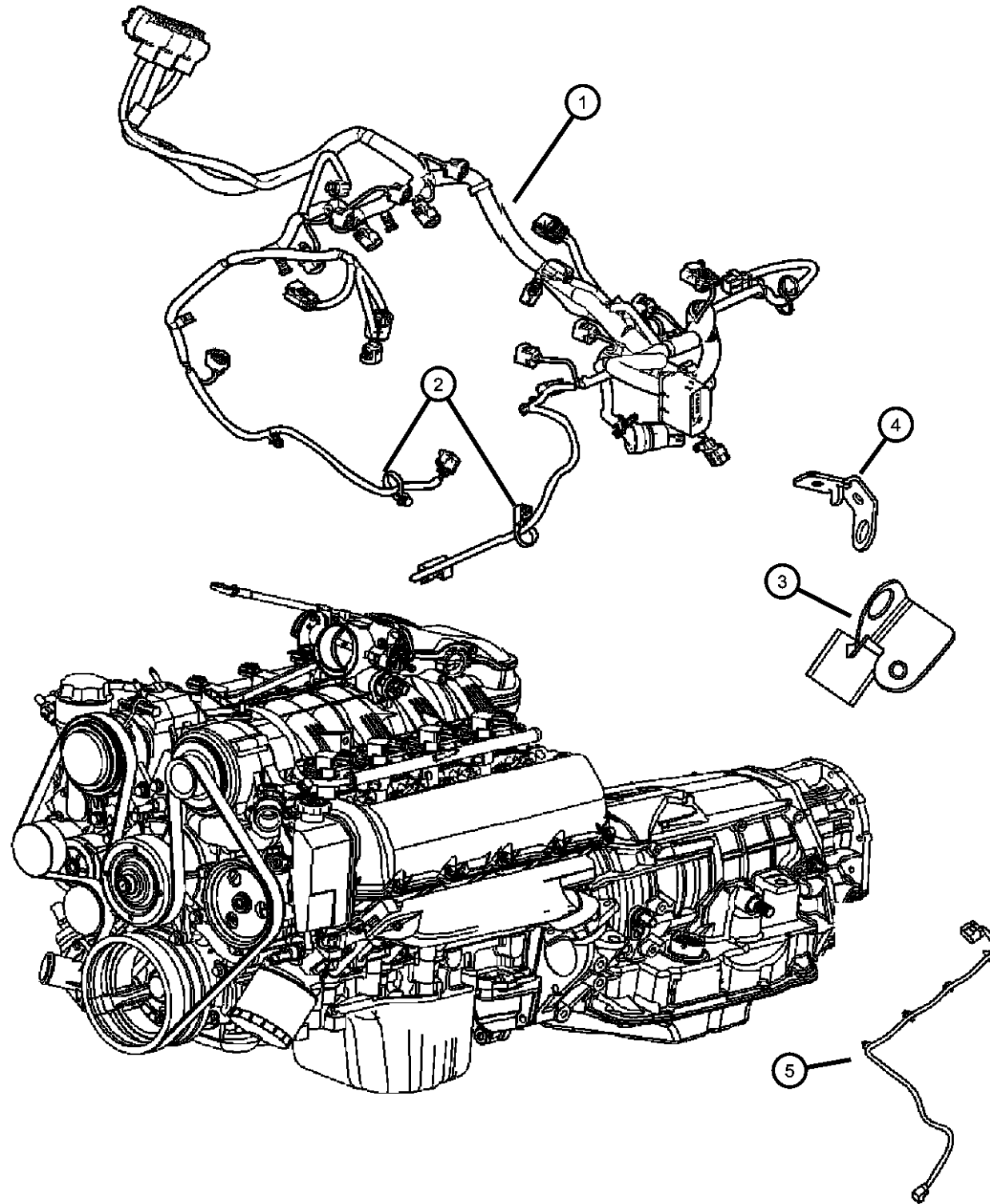
TRANSMISSION
DGJ = 5-Speed Auto W5A580
Transmission
DGQ = 5-Spd Automatic 545RFE
Transmission

AR = use ase required - = Non illustrated part

2010 WK

Wiring Engine Gas
Figure 8-1205

ITEM	PART NUMBER	QTY	LINE	SERIES	BODY	ENGINE	TRANS	TRIM	DESCRIPTION
1	05148160AA	1	J, T		74	EK0			WIRING, Injector
2	04641780	1	J, T		74	EKG			STRAP, Tie
3	06034839	1	J, T		74	EK0, ES0, EV0, EZ0			CLIP, Transmission Wiring
4		1							CLIP, Housing, (NOT SERVICED)
5	56048637AA	1	J, T		74				WIRING, Cradle



GRAND CHEROKEE (WK)

SERIES LINE
H = HIGHLINE T = JEEP - 2WD
P = PREMIUM J = JEEP - 4WD
S = SPORT
X = SPECIAL

BODY
74 = SPORT UTILITY 4-DR
TYPE #4

ENGINE
EZ = 5.7L V8 HEMI MDS
VCT Engine
ESF = 6.1L SRT HEMI V8
Engine
EKG = 3.7L V6 Engine

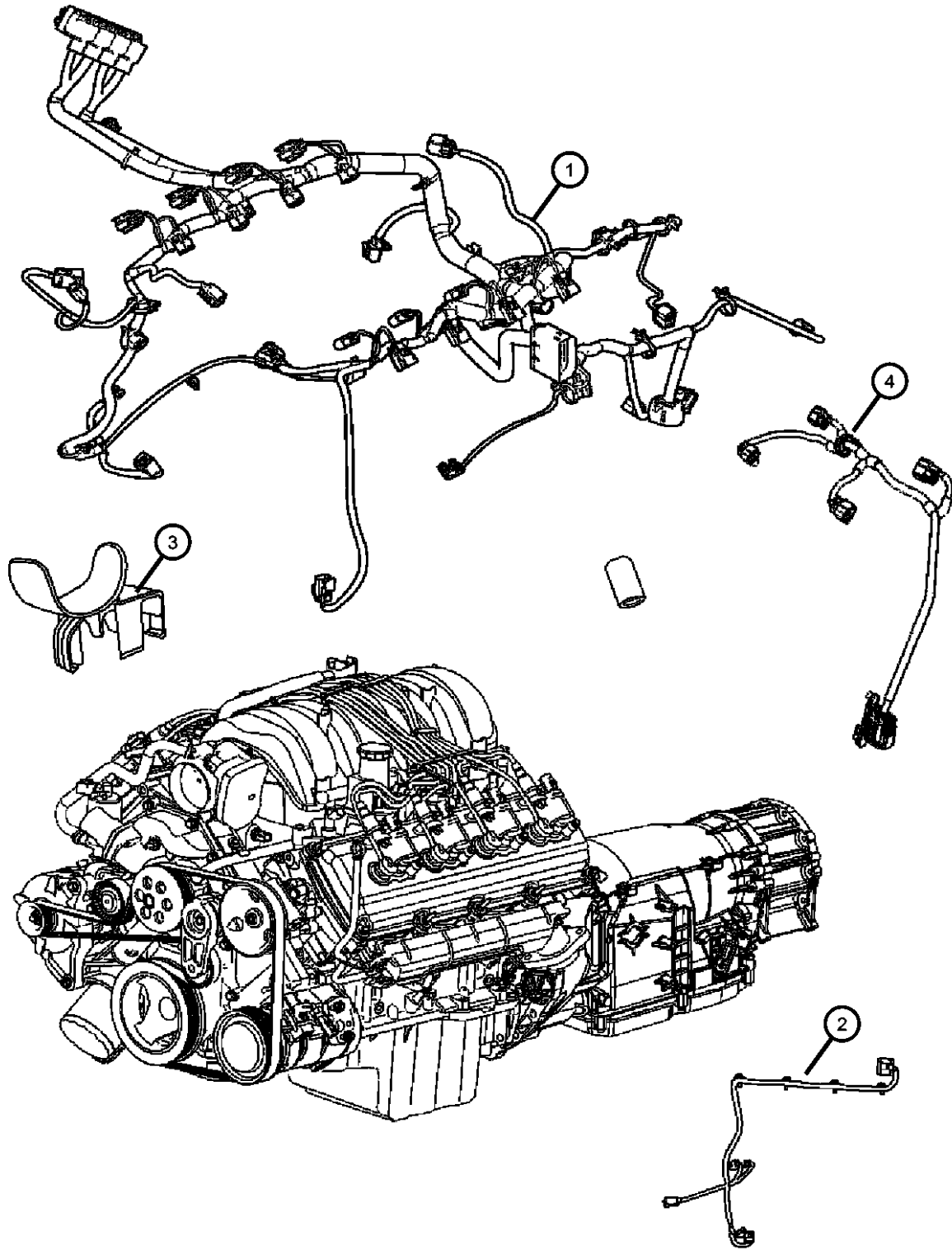
TRANSMISSION
DGJ = 5-Speed Auto W5A580
Transmission
DGQ = 5-Spd Automatic 545RFE
Transmission

AR = use ase required - = Non illustrated part

2010 WK

Wiring Engine Gas
Figure 8-1206

ITEM	PART NUMBER	QTY	LINE	SERIES	BODY	ENGINE	TRANS	TRIM	DESCRIPTION
1	05148162AA	1	J, T		74	EZ0			WIRING, Injector
	05035610AB	1	J, T		74	ESF			
2	56048637AA	1	J, T		74				WIRING, Cradle
3	04801474AB	2	J, T		74	EZ0			BRACKET, Ignition Coil
4	05148163AA	1	J, T		74	EZ0			WIRING, Jumper, Multiple displacement solenoid



GRAND CHEROKEE (WK)

SERIES LINE
H = HIGHLINE T = JEEP - 2WD
P = PREMIUM J = JEEP - 4WD
S = SPORT
X = SPECIAL

BODY
74 = SPORT UTILITY 4-DR
TYPE #4

ENGINE
EZH = 5.7L V8 HEMI MDS
VCT Engine
ESF = 6.1L SRT HEMI V8
Engine
EKG = 3.7L V6 Engine

TRANSMISSION
DGJ = 5-Speed Auto W5A580
Transmission
DGQ = 5-Spd Automatic 545RFE
Transmission

AR = use ase required - = Non illustrated part

2010 WK

**Ground Straps
Figure 8-1215**

ITEM	PART NUMBER	QTY	LINE	SERIES	BODY	ENGINE	TRANS	TRIM	DESCRIPTION
1	56038680AA	1	J, T		74	EK0, ES0, EV0, EZ0			STRAP, Ground, Engine to plenum
2	56038682AD	1	J, T		74	EK0, ES0, EV0, EZ0			STRAP, Ground, NGC to Engine
3	56038740AE	1	J		74	EK0, ES0, EV0, EZ0			STRAP, Ground
4	06101802	2	J, T		74	EZ0			NUT AND WASHER, Hex, M6X1.00, GROUND STRAP TO CYLINDER HEAD
5		2							SCREW, Hex Flange Head, M6x1.00x25.00, (NOT SERVICED)

GRAND CHEROKEE (WK)

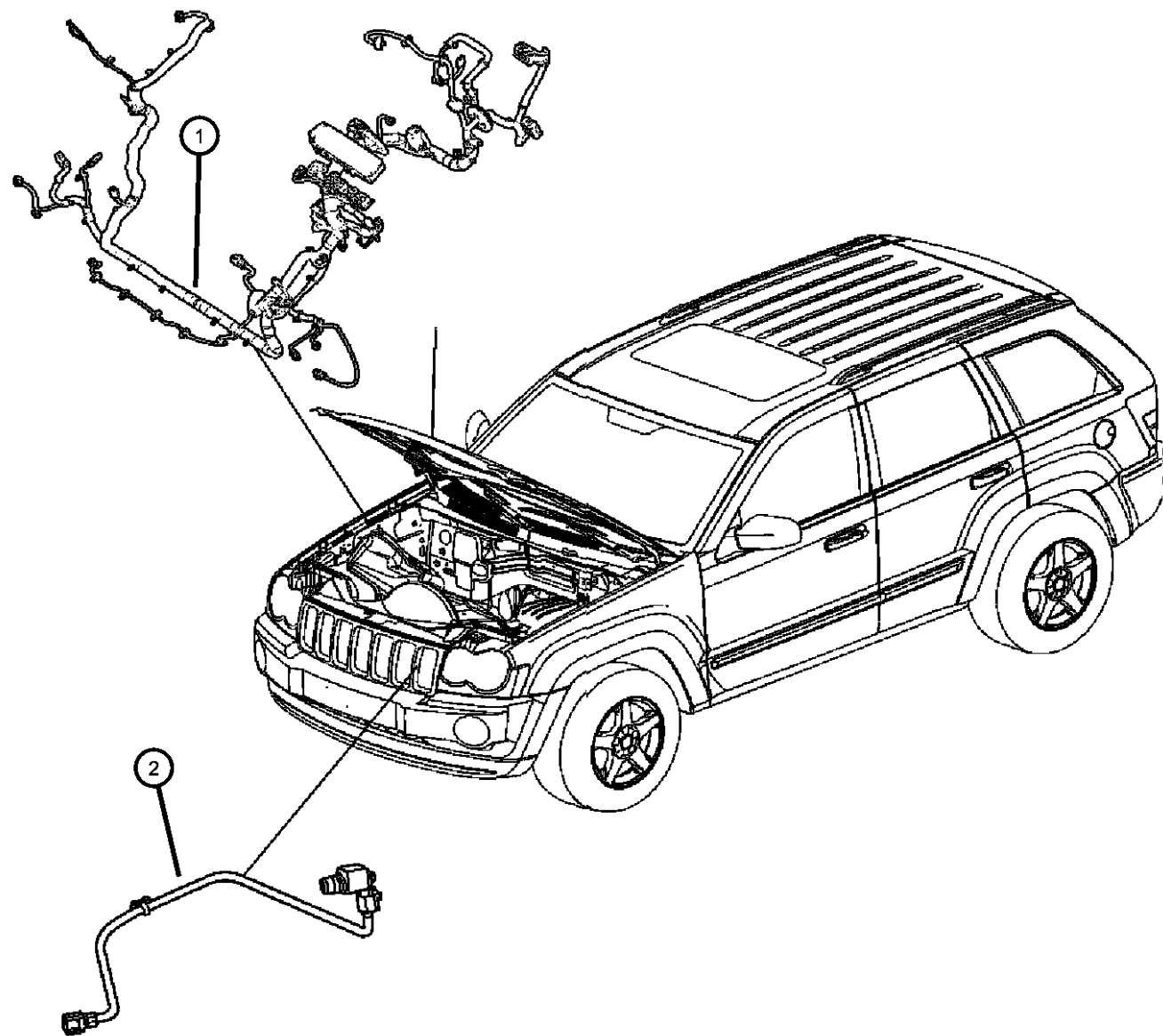
SERIES LINE
H = HIGHLINE T = JEEP - 2WD
P = PREMIUM J = JEEP - 4WD
S = SPORT
X = SPECIAL

BODY
74 = SPORT UTILITY 4-DR
TYPE #4

ENGINE
EZH = 5.7L V8 HEMI MDS
VCT Engine
ESF = 6.1L SRT HEMI V8
Engine
EKG = 3.7L V6 Engine

TRANSMISSION
DGJ = 5-Speed Auto W5A580
Transmission
DGQ = 5-Spd Automatic 545RFE
Transmission

Wiring Headlamp to Dash
Figure 8-1305



ITEM	PART NUMBER	QTY	LINE	SERIES	BODY	ENGINE	TRANS	TRIM	DESCRIPTION
1									WIRING, Headlamp to Dash
	68026383AC	1	J, T		74	EK0			[LAB]
	68026384AC	1	J, T		74	EVO			[LAB]
	68026385AC	1	J, T		74	EVO			[XGM]
	68026386AC	1	J, T		74	EZO			[XGM]
	68026389AC	1	J, T		74	EVO			[XGM,LMP]
	68026390AC	1	J, T		74	EZO			[XGM,LMP]
	68056424AB	1	J, T		74	EK0			[XGM]
	68056425AB	1	J, T		74	EK0			[XGM,LMP]
	05035690AC	1	J, T	X	74	ESF			[XBM,LMP]
	05035691AC	1	J, T		74	ESF			[XBM]
	05035692AC	1	J, T		74	ESF			Base
	68026382AC	1	J, T		74	EK0			[LAB,DHX]
2	68048545AA	1	J, T		74	EK0, ES0, EVO	DBA		WIRING, Jumper, Cooling Fan

GRAND CHEROKEE (WK)

SERIES LINE
H = HIGHLINE T = JEEP - 2WD
P = PREMIUM J = JEEP - 4WD
S = SPORT
X = SPECIAL

BODY
74 = SPORT UTILITY 4-DR
TYPE #4

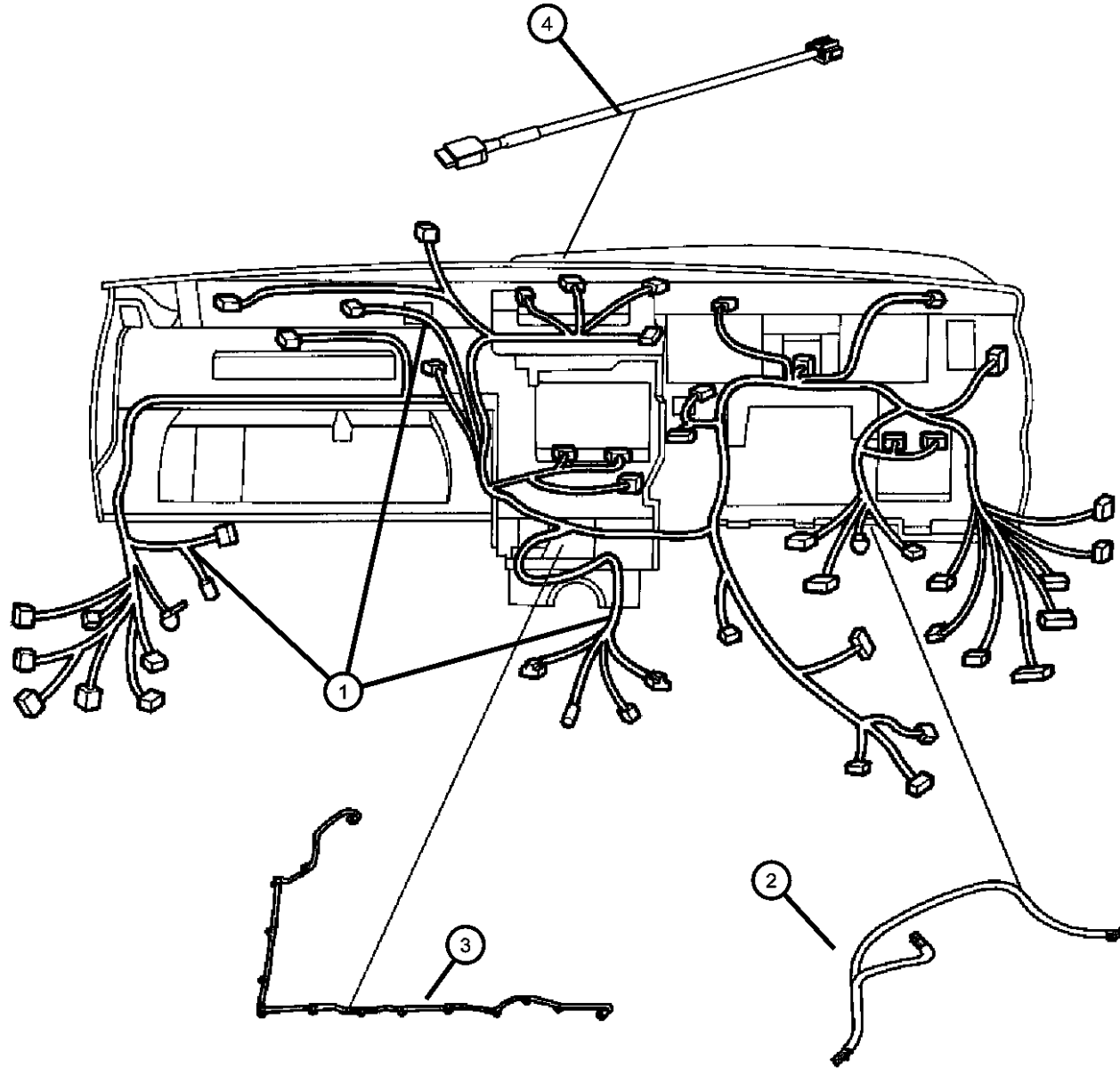
ENGINE
EZH = 5.7L V8 HEMI MDS
VCT Engine
ESF = 6.1L SRT HEMI V8
Engine
EKG = 3.7L V6 Engine

TRANSMISSION
DGJ = 5-Speed Auto W5A580
Transmission
DGQ = 5-Spd Automatic 545RFE
Transmission

AR = use ase required - = Non illustrated part

2010 WK

**Wiring Instrument Panel
Figure 8-1405**



ITEM	PART NUMBER	QTY	LINE	SERIES	BODY	ENGINE	TRANS	TRIM	DESCRIPTION
1									WIRING, Instrument Panel
	68028520AC	1	J, T		74	ES0, EV0, EZ0			[XAM,XRV,RSP,RSQ]
	68028522AC	1	J, T		74	EX0			[RSP]
	68028523AC	1	J, T		74	EX0			[RER,XRV]
	68028518AC	1	J, T		74	ES0, EV0, EZ0			[XAM,RER,XRV]
	68028519AE	1	J, T		74	EKG, ES0, EV0, EZ0			[XAM,RSP,RSQ]
	68055297AA	1	J, T		74	EK0, EV0			[XAP,RCG,RSC]
	68028517AE	1	J, T		74	EKG, ES0, EV0, EZ0			[XAM,RER]
	68039778AC	1	J, T		74	EK0, EV0			[RCG,RDC]
	68055296AB	1	J, T		74	EK0, EV0			[XAP,RCG,LMG,RSP,RSQ,RSC,XRV]
	68028502AD	1	J, T		74	EK0, ES0, EV0			[RER,RC6,RSC,HAA]
	68028503AC	1	J, T		74	EK0, ES0, EV0			[RC5,XRV,HAA]
	68028507AC	1	J, T		74	EK0, ES0, EV0			[RC6,XRV,HAA,RSP,RSQ]
	68028508AC	1	J, T		74	EK0, ES0, EV0			[RC6,RSC,XRV,HAA,RSP,RSQ]
	68028500AE	1	J, T		74	EK0, EV0			[RCG]
	68028501AE	1	J, T		74	EK0, ES0, EV0			[RER,RC6,HAA]
	68028504AC	1	J, T		74	EK0, ES0, EV0			[RC6,RSC,XRV,HAA]
	68028505AE	1	J, T		74	EK0, ES0, EV0			[RC6,HAA,RSP,RSQ]
	68028506AD	1	J, T		74	EK0, ES0, EV0			[RC6,RSC,HAA,RSP,RSQ]
2	68030871AA	1	J, T		74				WIRING, Steering Wheel
3									WIRING, Hands Free Communication
	68060651AA	1	J, T		74				[GN5,JHC,ABD]
	68060652AA	1	J, T		74				[GNK]
	68060653AA	1	J, T		74				[GN5,JHA,ABD]
	68060654AA	1	J, T		74				[GN5]
4	68046566AA	1	J, T		74				WIRING, Jumper, IPOD

GRAND CHEROKEE (WK)

SERIES LINE
H = HIGHLINE T = JEEP - 2WD
P = PREMIUM J = JEEP - 4WD
S = SPORT
X = SPECIAL

BODY
74 = SPORT UTILITY 4-DR
TYPE #4

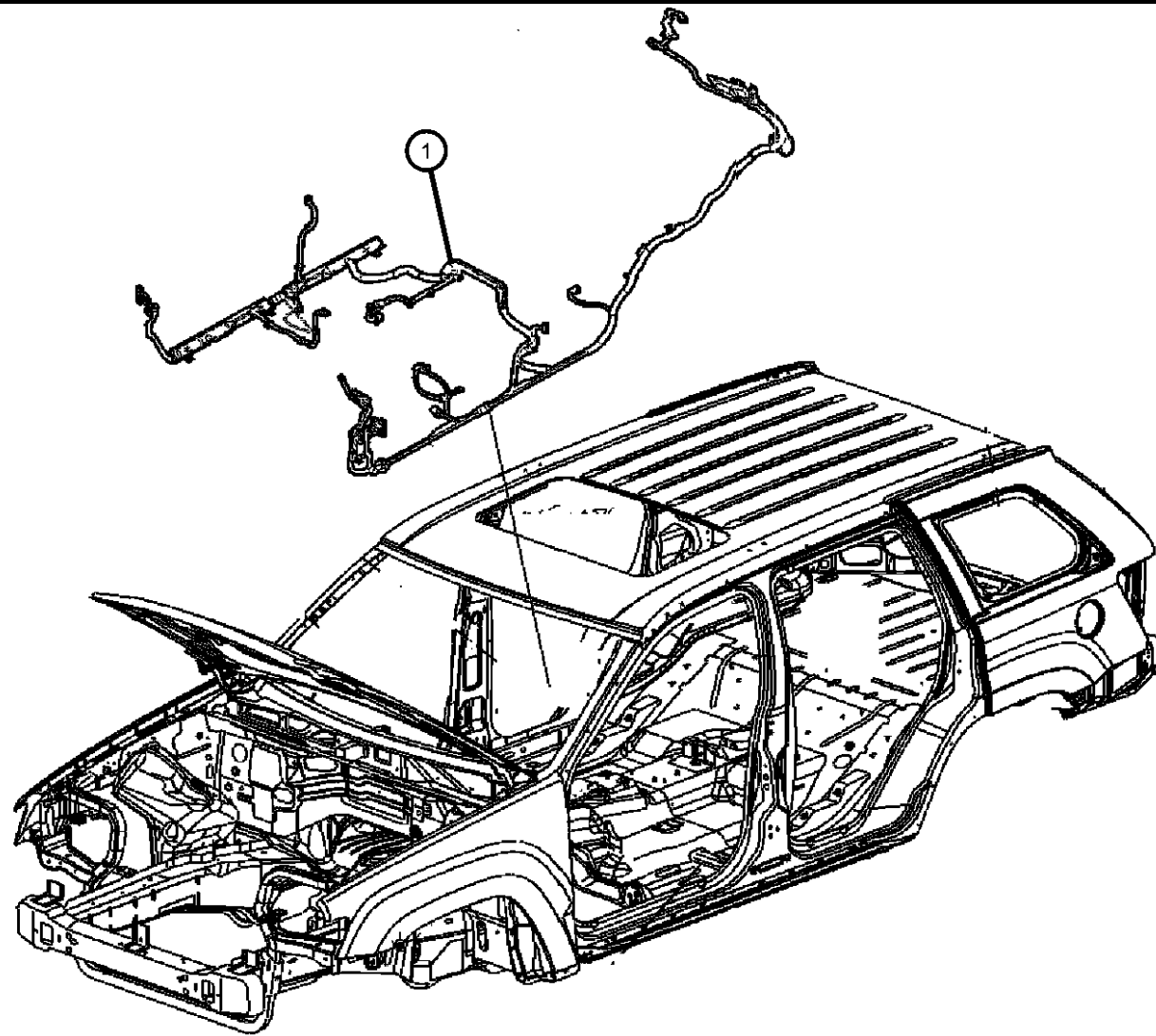
ENGINE
EZH = 5.7L V8 HEMI MDS
VCT Engine
ESF = 6.1L SRT HEMI V8
Engine
EKG = 3.7L V6 Engine

TRANSMISSION
DGJ = 5-Speed Auto W5A580
Transmission
DGQ = 5-Spd Automatic 545RFE
Transmission

AR = use ase required - = Non illustrated part

2010 WK

Wiring Body
Figure 8-1505



ITEM	PART NUMBER	QTY	LINE	SERIES	BODY	ENGINE	TRANS	TRIM	DESCRIPTION
1									WIRING, Body
	68025306AE	1	J, T		74				[JPK,RC6,RSC,RDD]
	68025307AE	1	J, T		74				[JPK,RC6,RSC,XAC,RDD]
	68025309AE	1	J, T		74				[JPK,RC6,XAC,RDD]
	68025331AE	1	J, T		74				[JPR,JT,RC6,JJM,JKV,RSC,XAC,XAA]
	68025332AF	1	J, T		74				[JPR,JT,RCG,RDD]
	68025304AE	1	J, T		74				[JPK,RC6,RSC,RSV,RDD]
	68025305AE	1	J, T		74				[JPK,RC6,RSC,RSV,XAC,RDD]
	68025334AE	1	J, T		74				[JPR,JT,RC6,JJM,RSC,XAC,XAA]
	68025335AF	1	J, T		74				[JPR,JT,RC6,JJM,XAC,XAA,RDD]
	68025333AE	1	J, T		74				[JPR,JT,RC6,JJM,RSC,RDD]
	05035222AC	1	J, T		74				[JPK,RGB,XAC]
	05035224AC	1	J, T		74				[JPK,RGB,XAC,RSC]
	05035225AC	1	J, T		74				[JPK,RGB,XAC,RSC,RSV]
	68025303AE	1	J, T		74				[JPK,RC6]
	68025336AE	1	J, T		74				[JPR,JT,RC6,JJM,JKV,XAC,XAA,F]
	68025337AE	1	J, T		74				[JPR,JT,RC6,JJM,JKV,RDD]
	68025338AE	1	J, T		74				[JPR,JT,RC6,JJM,JKV,RSC,RDD]
	68040052AD	1	J, T		74				[JPR,JT,RCG,RSC,XAC,XAA,RDD]
	68040053AC	1	J, T		74				[JPR,JT,RC6,JJM]
	68060687AA	1	J, T		74				[RDL,JPK]
	68060690AA	1	J, T		74				[JPK,XAC,RDL]
	68040050AC	1	J, T		74				[JPR,JT,RCG,XAC,XAA]
	68040050AE	1	J, T		74				[JPR,JT,RCG,XAC,XAA,RDD]
	68040053AE	1	J, T		74				[JPR,JT,RC6,JJM,RDL]
	68040051AD	1	J, T		74				[JPR,JT,RCG,RSC,RDD]
		1	J, T		74				[JPR,JT,RC6,JJM,RDD]

GRAND CHEROKEE (WK)

SERIES LINE
H = HIGHLINE T = JEEP - 2WD
P = PREMIUM J = JEEP - 4WD
S = SPORT
X = SPECIAL

BODY
74 = SPORT UTILITY 4-DR
TYPE #4

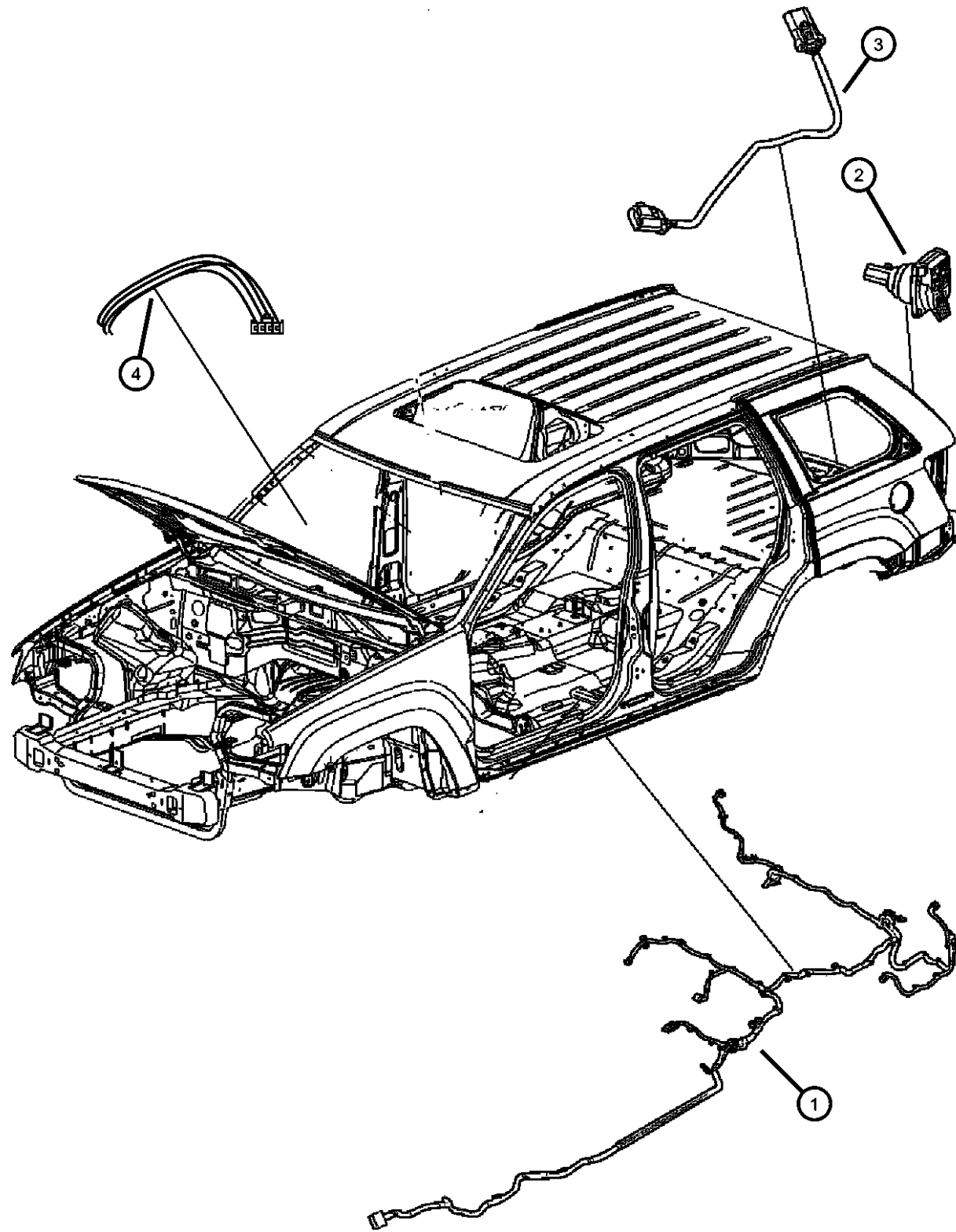
ENGINE
EZH = 5.7L V8 HEMI MDS
VCT Engine
ESF = 6.1L SRT HEMI V8
Engine
EKG = 3.7L V6 Engine

TRANSMISSION
DGJ = 5-Speed Auto W5A580
Transmission
DGQ = 5-Spd Automatic 545RFE
Transmission

AR = use ase required - = Non illustrated part

2010 WK

**Wiring Chassis and Underbody
Figure 8-1510**



ITEM	PART NUMBER	QTY	LINE	SERIES	BODY	ENGINE	TRANS	TRIM	DESCRIPTION
1									WIRING, Underbody
	68040534AB	1	J, T	H, P, S	74				[DSF,DHX] After 08/03/09
	68040535AA	1	J, T	H, P, S	74				[AHX,AHT,DSF,DHX]
	68040535AB	1	J, T	H, P, S	74				[AHX,AHT,DSF,DHX] After 08/03/09
	68040536AA	1	J, T	H, P, S	74				[AHX,AHT,XGM] Up to 08/03/09
	68040536AB	1	J, T	H, P, S	74				[AHX,AHT,XGM] After 08/03/09
	68040537AA	1	J, T	H, P, S	74				[XGM] Up to 08/03/09
	68040537AB	1	J, T	H, P, S	74				[XGM] After 08/03/09
	68040538AB	1	J, T	H, P, S	74				[XAA,XGM] After 08/03/09
	68040539AA	1	J, T	H, P, S	74				[AHT,AHX,XAA,XGM] Up to 08/03/09
	68040539AB	1	J, T	H, P, S	74				[AHT,AHX,XAA,XGM] After 08/03/09
	68040541AA	1	J, T	H, P, S	74				[XAA,DSF,DHX] Up to 08/03/09
	68040538AA	1	J, T	H, P, S	74				[XAA,XGM] Up to 08/03/09
	68051546AA	1	J, T	H, P, S	74				[DHX]
	68051546AB	1	J, T	H, P, S	74				[DHX] After 08/03/09
	68051547AA	1	J, T	H, P, S	74				[AHX,AHT,DHX] Up to 09/03/09
	68051547AB	1	J, T	H, P, S	74				[AHX,AHT,DHX] After 08/03/09
	68040541AB	1	J, T	H, P, S	74				[XAA,DSF,DHX] After 08/03/09
	68040542AA	1	J, T	H, P, S	74				[AHX,AHT,XAA,DSF,DHX]
	68040542AB	1	J, T	H, P, S	74				[AHX,AHT,XAA,DSF,DHX] After 08/03/09
	68040543AA	1	J, T	H, P, S	74				[XAA,DHX,XGM] Up to 08/03/09
	68040543AB	1	J, T	H, P, S	74				[XAA,DHX,XGM] After 08/03/09
	68040544AA	1	J, T	H, P, S	74				[AHX,AHT,XAA,DHX,XGM] Up to 08/03/09
	68040544AB	1	J, T	P, S, H	74				[AHX,AHT,XAA,DHX,XGM] After 08/03/09
	68051548AA	1	J, T	H, P, S	74				[AHX,AHT]
	68051548AB	1	J, T	H, P, S	74				[AHX,AHT] After 08/03/09
	68040530AA	1	J, T	H, P, S	74				[DHX,XGM] Up to 08/03/09
	68040530AB	1	J, T	H, P, S	74				[DHX,XGM] After 08/03/09
	68040533AA	1	J, T	H, P, S	74				[AHX,AHT,DHX,XGM] Up to 08/03/09
	68040533AB	1	J, T	H, P, S	74				[AHX,AHT,DHX,XGM] After 08/03/09
	68040534AA	1	J, T	H, P, S	74				[DSF,DHX] Up to 08/03/09

GRAND CHEROKEE (WK)

SERIES LINE
H = HIGHLINE T = JEEP - 2WD
P = PREMIUM J = JEEP - 4WD
S = SPORT
X = SPECIAL

BODY
74 = SPORT UTILITY 4-DR
TYPE #4

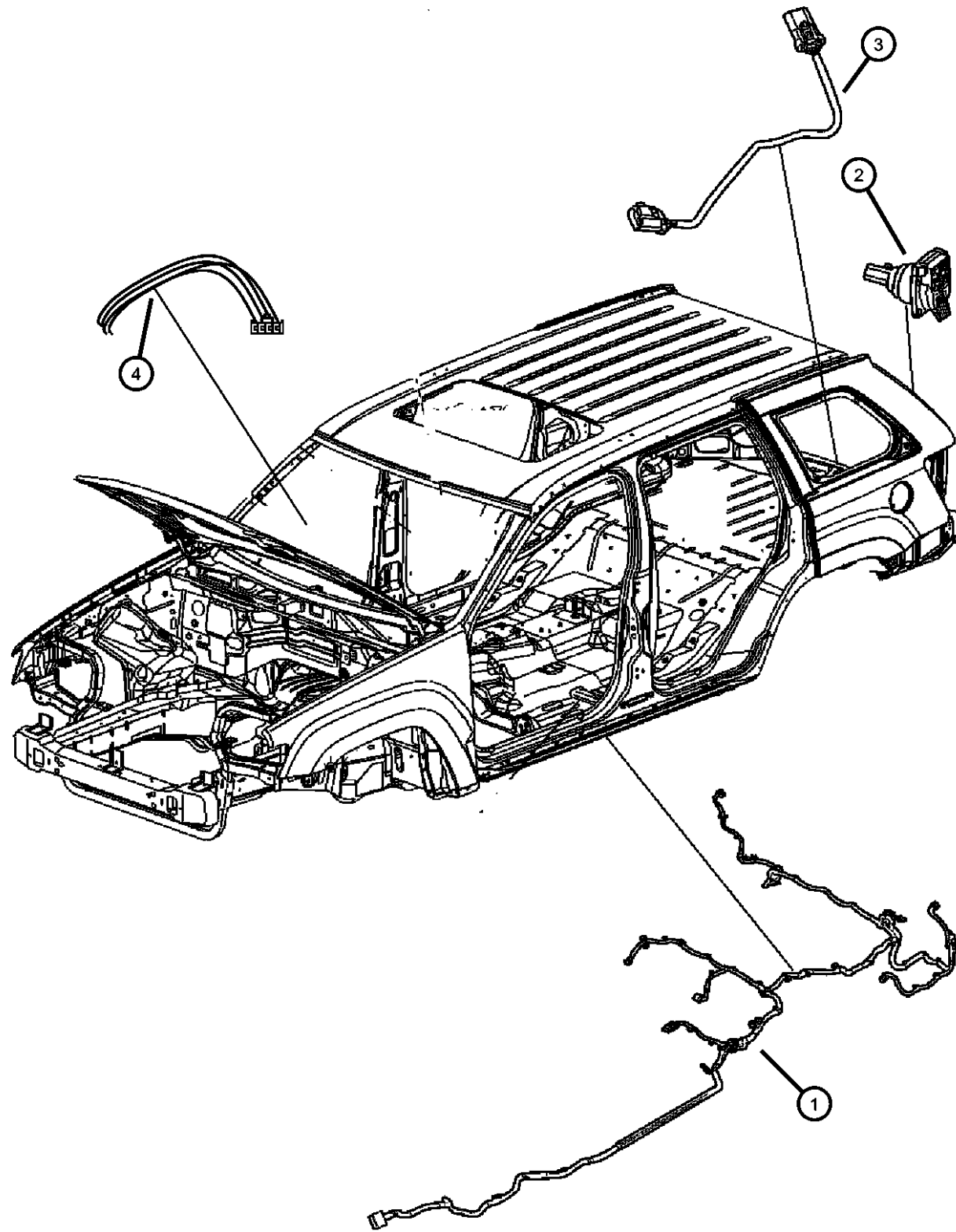
ENGINE
EZH = 5.7L V8 HEMI MDS
VCT Engine
ESF = 6.1L SRT HEMI V8
Engine
EKG = 3.7L V6 Engine

TRANSMISSION
DGJ = 5-Speed Auto W5A580
Transmission
DGQ = 5-Spd Automatic 545RFE
Transmission

AR = use ase required - = Non illustrated part

2010 WK

**Wiring Chassis and Underbody
Figure 8-1510**



ITEM	PART NUMBER	QTY	LINE	SERIES	BODY	ENGINE	TRANS	TRIM	DESCRIPTION
	68051549AA	1	J, T	H, P, S	74				Base up to 08/03/09
	68051549AB	1	J, T	H, P, S	74				Base after 08/03/09
	68051550AB	1	J, T	H, P, S	74				[XAA] After 08/03/09
	68051551AA	1	J, T	H, P, S	74				[AHT,AHX,XAA] Up to 08/03/09
	68051551AB	1	J, T	H, P, S	74				[AHT,AHX,XAA] After 08/03/09
	68051552AA	1	J, T	H, P, S	74				[XAA,DHX] Up to 08/03/09
	68051552AB	1	J, T	H, P, S	74				[XAA,DHX] After 08/03/09
	68051553AA	1	J, T	H, P, S	74				[AHX,AHT,XAA,DHX] Up to 08/03/09
	05035680AB	1	J, T	X	74				[XAA,JKJ]
	05035681AA	1	J, T	X	74				[XAA]
	05035682AA	1	J, T	X	74				Base
	68051550AA	1	J, T	H, P, S	74				[XAA] Up to 08/03/09
2	56038366AB	1	J, T		74				CONNECTOR, 7 Way, [XFH]
3									WIRING, Fuel Module
	68027924AA	1	J, T		74	EVE			[XKN]
	05143963AB	1	J, T		74	EK0, ES0, EZ0			[NGB]
		1	J, T		74	EVE			[NGB]
4	56045795AB	1							WIRING, Trailer Tow

GRAND CHEROKEE (WK)

SERIES LINE
H = HIGHLINE T = JEEP - 2WD
P = PREMIUM J = JEEP - 4WD
S = SPORT
X = SPECIAL

BODY
74 = SPORT UTILITY 4-DR
TYPE #4

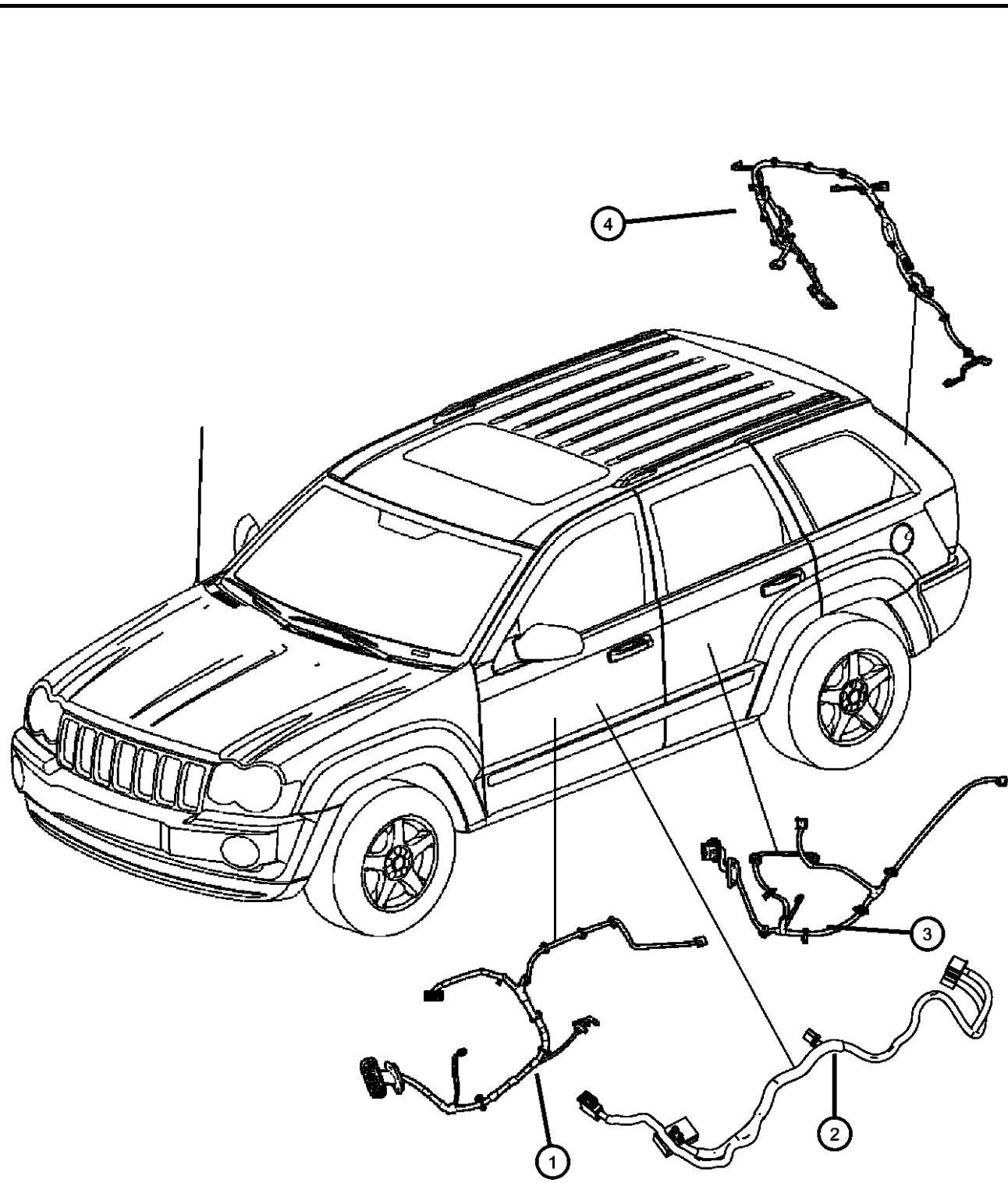
ENGINE
EZH = 5.7L V8 HEMI MDS
VCT Engine
ESF = 6.1L SRT HEMI V8
Engine
EKG = 3.7L V6 Engine

TRANSMISSION
DGJ = 5-Speed Auto W5A580
Transmission
DGQ = 5-Spd Automatic 545RFE
Transmission

AR = use ase required - = Non illustrated part

2010 WK

**Wiring Door, Deck Lid, and Liftgate
Figure 8-1515**



ITEM	PART NUMBER	QTY	LINE	SERIES	BODY	ENGINE	TRANS	TRIM	DESCRIPTION
1									WIRING, Front Door
	68042338AA	1	J, T	X	74				[GUK], Passenger
		1	J, T		74				[GTS,GT9], Passenger
	68042340AA	1	J, T	P	74				Base, Passenger
	56048806AB	1	J, T		74				[GTS,GT9], Driver
		1	J, T	X	74				[GUK], Driver
	56048808AB	1	J, T	X	74				[GUT,GYD], Driver
		1	J, T	H	74				[GTS], Passenger
		1	J, T	X	74				[GUT,GYD], Passenger
		1	J, T	P	74				Base, Driver
2									WIRING, Door Jumper, to switches
	68029536AA	1	J, T		74				[CBW], Driver
		1	J, T		74				[CTL,RCG], Driver
		1	J, T		74				[CTL,RC6], Driver
	68055663AA	1	J, T		74				[CBF], Passenger
	68029689AA	1	J, T		74				[CTM], Driver
		1	J, T		74				[CBF], Driver
	68055794AA	1	J, T		74				[CTL,RCG], Passenger
		1	J, T		74				[CTL,RC6], Passenger
		1	J, T		74				[CTC], Driver
		1	J, T		74				[CTM], Passenger
	68056198AA	1	J, T		74				[CTC], Passenger
		1	J, T		74				[CBW], Passenger
3	68045508AA	1	J, T		74				WIRING, Rear Door
4									WIRING, Liftgate
	56050879AE	1	J, T		74				[XAC]
	56047788AE	1	J, T		74				

GRAND CHEROKEE (WK)				
SERIES	LINE	BODY	ENGINE	TRANSMISSION
H = HIGHLINE	T = JEEP - 2WD	74 = SPORT UTILITY 4-DR	EZH = 5.7L V8 HEMI MDS	DGJ = 5-Speed Auto W5A580
P = PREMIUM	J = JEEP - 4WD	TYPE #4	VCT Engine	Transmission
S = SPORT			ESF = 6.1L SRT HEMI V8	DGQ = 5-Spd Automatic 545RFE
X = SPECIAL			Engine	Transmission
			EKG = 3.7L V6 Engine	

AR = use ase required - = Non illustrated part

**Wiring Seats Front
Figure 8-1520**

ITEM	PART NUMBER	QTY	LINE	SERIES	BODY	ENGINE	TRANS	TRIM	DESCRIPTION
1	05143387AA	1	J, T		74				WIRING, Pretentioner
2	05143384AA	1	J, T		74				WIRING, Pretentioner
3									WIRING, Seat
	68031376AA	1	J, T		74				
	68042402AA	1	J, T		74				[JPM]
4									WIRING, Seat Back
	05143366AA	1	J, T		74				Power, Right
	05143369AA	1	J, T		74				Power heated, Left
	05143383AA	1	J, T		74				Memory, heated, Left
	05143368AA	1	J, T		74				Power heated, Right
	68002254AA	1	J, T		74				Heated, Right
	05143367AA	1	J, T		74				Power, Left
5									WIRING, Power Seat
	68031374AA	1	J, T		74				Heated, Left
	68031372AA	1	J, T		74				, Left
	68031367AA	1	J, T		74				Memory heated, Left
6									WIRING, Power Seat
	68031368AA	1	J, T		74				Front and rear heated, Right
	68031373AA	1	J, T		74				, Right
	68031375AA	1	J, T		74				Heated

GRAND CHEROKEE (WK)

SERIES LINE
H = HIGHLINE T = JEEP - 2WD
P = PREMIUM J = JEEP - 4WD
S = SPORT
X = SPECIAL

BODY
74 = SPORT UTILITY 4-DR
TYPE #4

ENGINE
EZH = 5.7L V8 HEMI MDS
VCT Engine
ESF = 6.1L SRT HEMI V8
Engine
EKG = 3.7L V6 Engine

TRANSMISSION
DGJ = 5-Speed Auto W5A580
Transmission
DGQ = 5-Spd Automatic 545RFE
Transmission

AR = use ase required - = Non illustrated part

2010 WK

**Wiring Seats Rear
Figure 8-1525**

ITEM	PART NUMBER	QTY	LINE	SERIES	BODY	ENGINE	TRANS	TRIM	DESCRIPTION
1	68031371AA	1	J, T		74				WIRING, Rear Seat

GRAND CHEROKEE (WK)

SERIES LINE
H = HIGHLINE T = JEEP - 2WD
P = PREMIUM J = JEEP - 4WD
S = SPORT
X = SPECIAL

BODY
74 = SPORT UTILITY 4-DR
TYPE #4

ENGINE
EZH = 5.7L V8 HEMI MDS
VCT Engine
ESF = 6.1L SRT HEMI V8
Engine
EKG = 3.7L V6 Engine

TRANSMISSION
DGJ = 5-Speed Auto W5A580
Transmission
DGQ = 5-Spd Automatic 545RFE
Transmission

AR = use ase required - = Non illustrated part

2010 WK

**Wiring Heating and Air Conditioning
Figure 8-1530**

ITEM	PART NUMBER	QTY	LINE	SERIES	BODY	ENGINE	TRANS	TRIM	DESCRIPTION
1	68060060AA	1	J, T		74	EK0, ES0, EVO			WIRING, A/C and HEATER

GRAND CHEROKEE (WK)

SERIES LINE
H = HIGHLINE T = JEEP - 2WD
P = PREMIUM J = JEEP - 4WD
S = SPORT
X = SPECIAL

BODY
74 = SPORT UTILITY 4-DR
TYPE #4

ENGINE
EZH = 5.7L V8 HEMI MDS
VCT Engine
ESF = 6.1L SRT HEMI V8
Engine
EKG = 3.7L V6 Engine

TRANSMISSION
DGJ = 5-Speed Auto W5A580
Transmission
DGQ = 5-Spd Automatic 545RFE
Transmission

AR = use ase required - = Non illustrated part

2010 WK

**Wiring Repairs
Figure 8-1605**

ITEM	PART NUMBER	QTY	LINE	SERIES	BODY	ENGINE	TRANS	TRIM	DESCRIPTION
-1									STRAP, Tie, For Electrical Connector Repair Information visit the World Wide Web at http://dto.vftis.com/mopar/disclaimer.asp
	04641780	1	J, T		74	EKG			
	05073039AA	1	J, T		74	EKG			SECURE BLOCK HEATER CORD
	56008876	1	J, T		74	ESF, EZH			ENGINE BLOCK HEATER CORD
-2	52124121AA	2	J, T		74				CLIP, Wiring
-3	04869199AA	1	J, T		74				COVER, Wiring Protector, TPM CONNECTOR-COVER
-4	04274258	1	J, T		74				TAPE, Radio Connector, Foam

For Electrical Connector Repair Information visit the World Wide Web at

<http://dto.vftis.com/mopar/disclaimer.asp>

GRAND CHEROKEE (WK)

SERIES LINE
H = HIGHLINE T = JEEP - 2WD
P = PREMIUM J = JEEP - 4WD
S = SPORT
X = SPECIAL

BODY
74 = SPORT UTILITY 4-DR TYPE #4

ENGINE
EZH = 5.7L V8 HEMI MDS VCT Engine
ESF = 6.1L SRT HEMI V8 Engine
EKG = 3.7L V6 Engine

TRANSMISSION
DGJ = 5-Speed Auto W5A580 Transmission
DGQ = 5-Spd Automatic 545RFE Transmission

**Spark Plugs, Ignition Wires, and Ignition Coil
Figure 8-1905**

ITEM	PART NUMBER	QTY	LINE	SERIES	BODY	ENGINE	TRANS	TRIM	DESCRIPTION
1	SPZFR6F11G	3	J, T		74	EKG			SPARK PLUG
2	05149199AA	3	J, T		74	EKG			COIL, Ignition
3		3							SCREW, Hex Flange Head, M6X1.00X60.00, serviced in coil assembly, (NOT SERVICED)
4	05149211AB	1	J, T		74	EKG			CABLE, Ignition

GRAND CHEROKEE (WK)

SERIES LINE
H = HIGHLINE T = JEEP - 2WD
P = PREMIUM J = JEEP - 4WD
S = SPORT
X = SPECIAL

BODY
74 = SPORT UTILITY 4-DR
TYPE #4

ENGINE
EZH = 5.7L V8 HEMI MDS
VCT Engine
ESF = 6.1L SRT HEMI V8
Engine
EKG = 3.7L V6 Engine

TRANSMISSION
DGJ = 5-Speed Auto W5A580
Transmission
DGQ = 5-Spd Automatic 545RFE
Transmission

**Spark Plugs, Ignition Wires, Ignition Coil
Figure 8-1910**

ITEM	PART NUMBER	QTY	LINE	SERIES	BODY	ENGINE	TRANS	TRIM	DESCRIPTION
1									SPARK PLUG
	SPLZFR5C11	16	J, T		74	EZH			
	SPLZTR5A13	16	J, T		74	ESF			
2									COIL, Ignition
	56029129AB	8	J, T		74	ESF			
		8	J, T		74	EZH			
3	05149011AA	1	J, T		74	ESF			CAPACITOR, Ignition

GRAND CHEROKEE (WK)

SERIES LINE
H = HIGHLINE T = JEEP - 2WD
P = PREMIUM J = JEEP - 4WD
S = SPORT
X = SPECIAL

BODY
74 = SPORT UTILITY 4-DR
TYPE #4

ENGINE
EZH = 5.7L V8 HEMI MDS
VCT Engine
ESF = 6.1L SRT HEMI V8
Engine
EKG = 3.7L V6 Engine

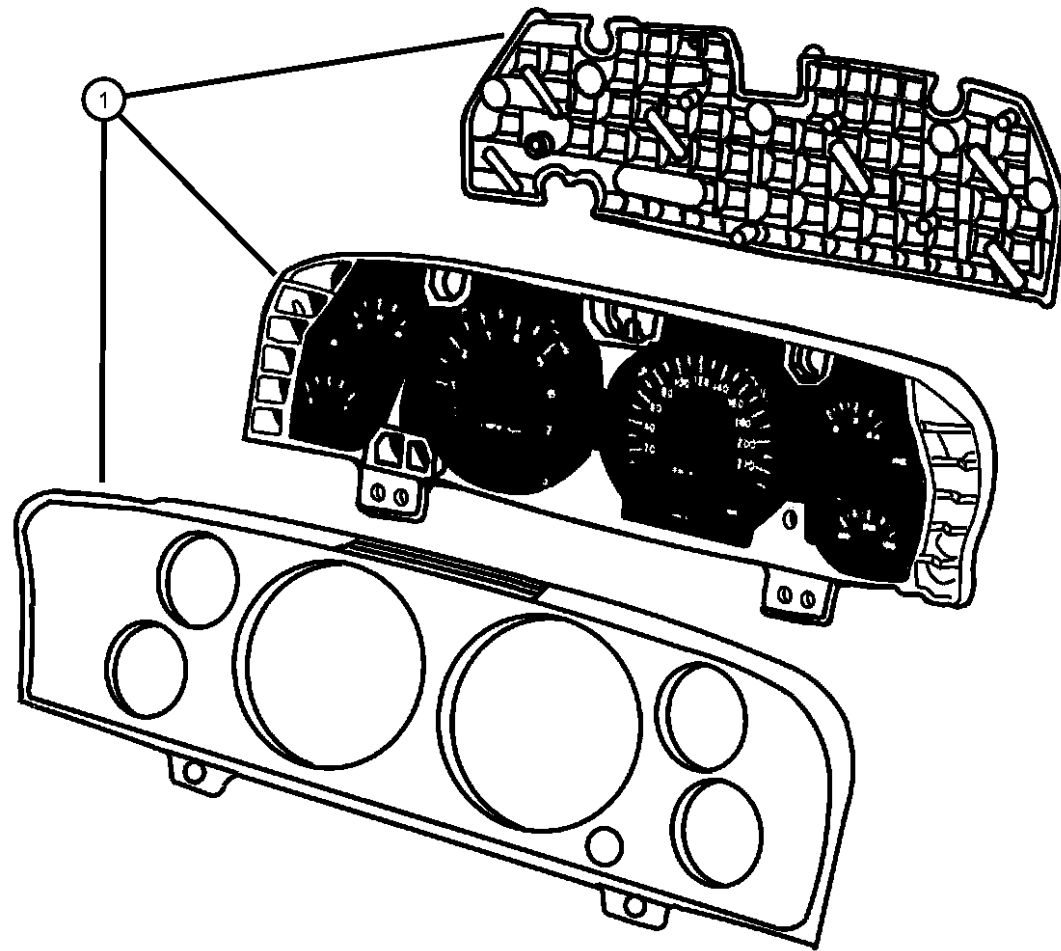
TRANSMISSION
DGJ = 5-Speed Auto W5A580
Transmission
DGQ = 5-Spd Automatic 545RFE
Transmission

AR = use ase required - = Non illustrated part

2010 WK

**Instrument Panel Cluster
Figure 8-2105**

ITEM	PART NUMBER	QTY	LINE	SERIES	BODY	ENGINE	TRANS	TRIM	DESCRIPTION
1									CLUSTER, Instrument Panel
	68033381AD	1	J	X	74	ES0			[JCG]
	05172500AH	1	J, T	H	74	EK0			[JCE]
	05172501AF	1	J, T	H	74	EVO			[JCE]
	05172501AH	1	J, T	H	74	EZO			[JCE]
	05172505AH	1	J, T	P, S	74	EK0, EVO, EZO			[ABD]
	05172509AH	1	J, T	H	74	EK0			[JDH]
	05172515AH	1	J, T	P, S	74	EK0, EVO, EZO			[JDH]
	05172516AH	1	J, T	H	74	EZO			[JDH]
	05172517AH	1	J, T	P, S	74	EK0, EVO, EZO			[JCE]
	68033382AD	1	J	X	74	ES0			[JDU]
	68033755AF	1	J		74	ES0			[ABD]



GRAND CHEROKEE (WK)

SERIES LINE
H = HIGHLINE T = JEEP - 2WD
P = PREMIUM J = JEEP - 4WD
S = SPORT
X = SPECIAL

BODY
74 = SPORT UTILITY 4-DR
TYPE #4

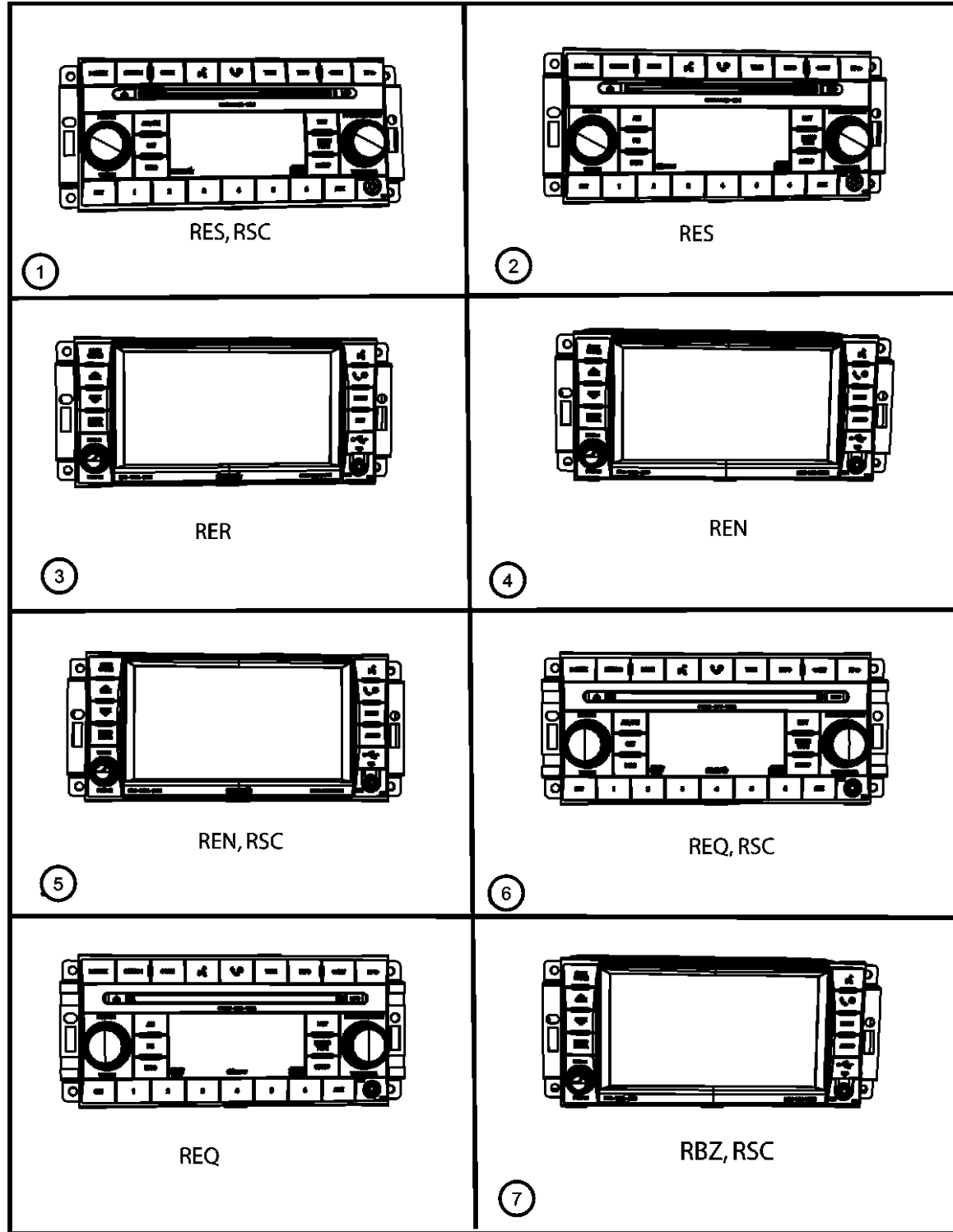
ENGINE
EZH = 5.7L V8 HEMI MDS
VCT Engine
ESF = 6.1L SRT HEMI V8
Engine
EKG = 3.7L V6 Engine

TRANSMISSION
DGJ = 5-Speed Auto W5A580
Transmission
DGQ = 5-Spd Automatic 545RFE
Transmission

AR = use ase required - = Non illustrated part

2010 WK

Radio
Figure 8-2205



ITEM	PART NUMBER	QTY	LINE	SERIES	BODY	ENGINE	TRANS	TRIM	DESCRIPTION
1	05091115AB	1	J, T		74				RADIO, AM/FM/CD/SDARS, [RES,RSC]
2	05091111AB	1	J, T		74				RADIO, AM/FM with CD, [RES]
3	05064401AE	1	J, T		74				RADIO, AM/FM/DVD/HDD/NAV/SDARS, [RER]
4	05064756AC	1	J, T		74				RADIO, AM/FM/DVD/HDD/MP3/RR CAMERA, [REN]
5	05064244AI	1	J, T		74				RADIO, AM/FM/DVD/HDD/MP3/SDARS/RR CAMERA, [REN,RSC]
6	68035038AB	1	J, T		74				RADIO, AM/FM/6 DVD/SDARS, [REQ,RSC]
7	05064959AG	1	J, T		74				RADIO, AM/FM/CD/DVD/HDD/Satellite, [RBZ,RSC]

GRAND CHEROKEE (WK)

SERIES LINE
H = HIGHLINE T = JEEP - 2WD
P = PREMIUM J = JEEP - 4WD
S = SPORT
X = SPECIAL

BODY
74 = SPORT UTILITY 4-DR
TYPE #4

ENGINE
EZH = 5.7L V8 HEMI MDS
VCT Engine
ESF = 6.1L SRT HEMI V8
Engine
EKG = 3.7L V6 Engine

TRANSMISSION
DGJ = 5-Speed Auto W5A580
Transmission
DGQ = 5-Spd Automatic 545RFE
Transmission

AR = use ase required - = Non illustrated part

**Antenna
Figure 8-2210**

ITEM	PART NUMBER	QTY	LINE	SERIES	BODY	ENGINE	TRANS	TRIM	DESCRIPTION
1	56038725AC	1	J, T		74				MAST, Antenna
2	56038729AE	1	J, T		74				CAP, Antenna Body
3	56038730AC	1	J, T		74				ESCUTCHEON, Antenna
4	56038731AH	1	J, T		74				BASE, Antenna
5									CABLE, Antenna
	56038697AF	1	J, T		74				Instrument panel, Export
	56038698AF	1	J, T		74				Body, Export
	56038732AH	1	J, T		74				Instrument panel
6	56038699AB	1	J, T		74				ANTENNA, Module, [RDL], Export

GRAND CHEROKEE (WK)

SERIES LINE
H = HIGHLINE T = JEEP - 2WD
P = PREMIUM J = JEEP - 4WD
S = SPORT
X = SPECIAL

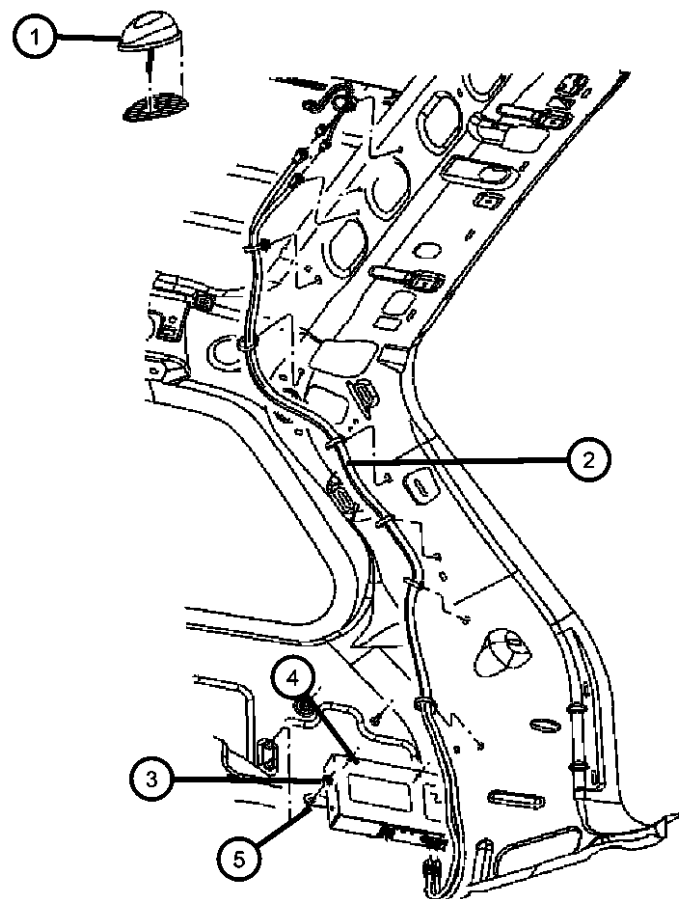
BODY
74 = SPORT UTILITY 4-DR
TYPE #4

ENGINE
EZH = 5.7L V8 HEMI MDS
VCT Engine
ESF = 6.1L SRT HEMI V8
Engine
EKG = 3.7L V6 Engine

TRANSMISSION
DGJ = 5-Speed Auto W5A580
Transmission
DGQ = 5-Spd Automatic 545RFE
Transmission

**Satellite Radio System
Figure 8-2215**

ITEM	PART NUMBER	QTY	LINE	SERIES	BODY	ENGINE	TRANS	TRIM	DESCRIPTION
1	05064467AA	1	J, T		74				ANTENNA, Satellite [RSV]
	05064724AA	1	J, T		74				[RSC]
2	05064355AB	1	J, T		74				CABLE, Satellite Radio [RCS,RSV] Antenna front
	05064356AB	1	J, T		74				[RSC] Antenna
	05064357AA	1	J, T		74				[RSC,RSV] Body to module
	05064370AB	1	J, T		74				[RSC] Body rear
	05064713AA	1	J, T		74				[RCS,RSV] Body
	05064714AA	1	J, T		74				[RSC,RSV] Instrument panel
3	06503102	2	J, T		74				NUT AND WASHER, Hex Nut-Coned Washer, M6 x 1.00
4	05064281AF	1	J, T		74				RECEIVER, Satellite
5	05064322AA	1	J, T		74				BRACKET, Radio



GRAND CHEROKEE (WK)

SERIES LINE
H = HIGHLINE T = JEEP - 2WD
P = PREMIUM J = JEEP - 4WD
S = SPORT
X = SPECIAL

BODY
74 = SPORT UTILITY 4-DR
TYPE #4

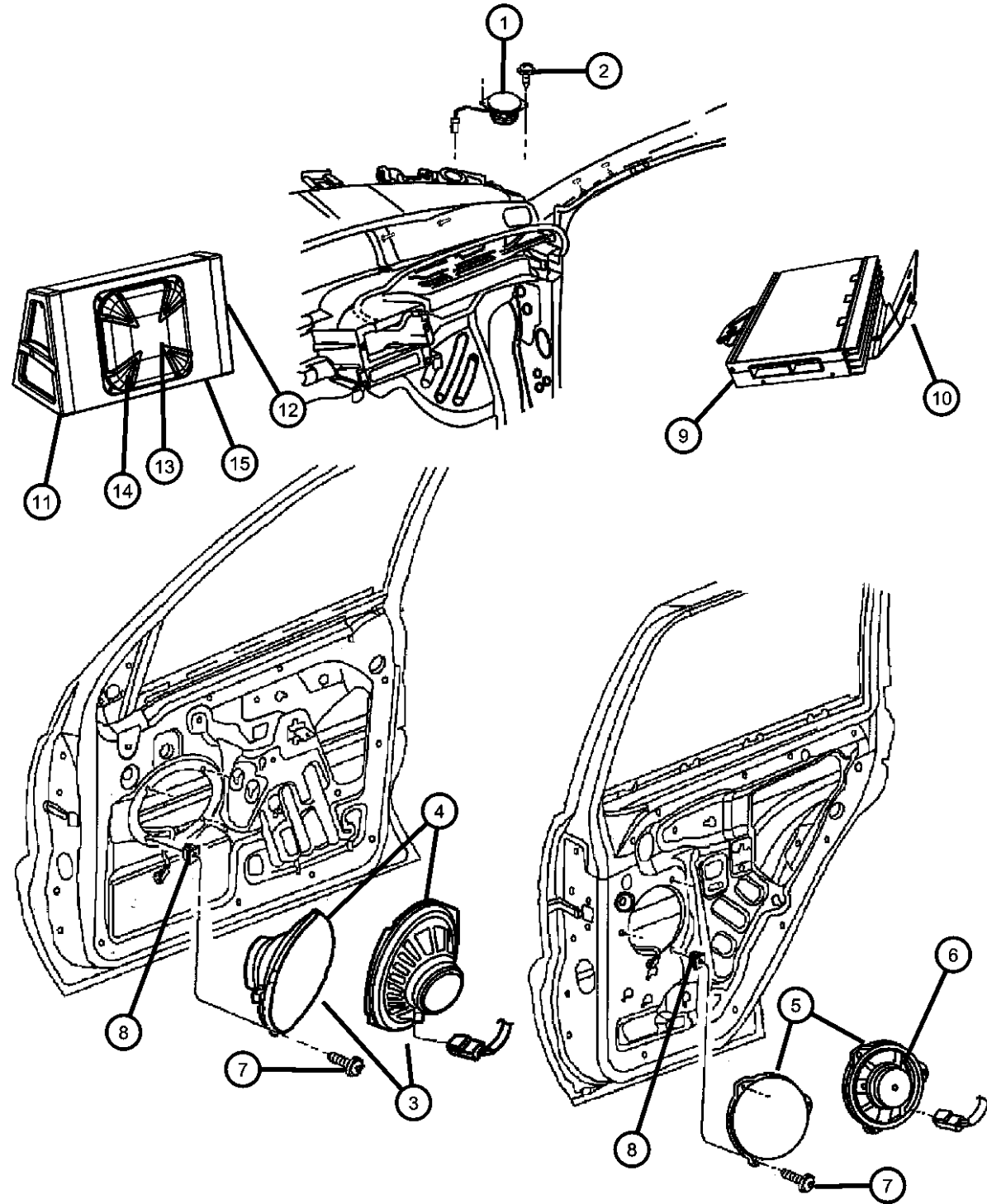
ENGINE
EZH = 5.7L V8 HEMI MDS
VCT Engine
ESF = 6.1L SRT HEMI V8
Engine
EKG = 3.7L V6 Engine

TRANSMISSION
DGJ = 5-Speed Auto W5A580
Transmission
DGQ = 5-Spd Automatic 545RFE
Transmission

AR = use ase required - = Non illustrated part

2010 WK

Speakers and Amplifiers
Figure 8-2220



ITEM	PART NUMBER	QTY	LINE	SERIES	BODY	ENGINE	TRANS	TRIM	DESCRIPTION
1	05059062AB	2	J, T		74				SPEAKER, 3.5" [RCG]
	05059068AB	2	J, T		74				[RC6]
	68039662AB	2	J, T		74				[RGB]
2		2							SCREW, Tapping, (NOT SERVICED),
3									SPEAKER, 6"X9"
	05059063AC	1	J, T		74				[RC6]
	05091019AB	1	J, T		74				[RCG]
	68039663AA	1	J, T		74				[RGB]
4									SPEAKER, 6"X9"
	68039663AA	1	J, T		74				[RGB]
	05059063AC	1	J, T		74				[RC6]
	05091019AB	1	J, T		74				[RCG]
5									SPEAKER, 6.5"
	05091020AB	1	J, T		74				[RCG], Rear Door
	05081670AB	1	J, T		74				[RC6],
6	68025300AA	1	J, T		74				SPEAKER, Sub Woofer
7		1							SCREW, (NOT SERVICED)
8	06507009AA	4	J, T		74				NUT, Plastic Snap-in
9									AMPLIFIER
	05064353AF	1	J, T		74				[RC6]
	68041189AA	1	J, T		74	ES0			[RFE]
10	68053498AA	1	J, T		74				BRACKET, Amplifier
11	68045159AA	1	J, T		74	ES0			END CAP, Speaker, Left
12	68045160AA	1	J, T		74	ES0			END CAP, Speaker, Right
13	68039652AB	1	J, T		74	ES0			SPEAKER, Sub Woofer, [RFF]
14	68045157AA	1	J, T		74	ES0			BRACKET, Speaker
15	68045158AA	1	J, T		74	ES0			GRILLE, Speaker

GRAND CHEROKEE (WK)

SERIES LINE
H = HIGHLINE T = JEEP - 2WD
P = PREMIUM J = JEEP - 4WD
S = SPORT
X = SPECIAL

BODY
74 = SPORT UTILITY 4-DR
TYPE #4

ENGINE
EZH = 5.7L V8 HEMI MDS
VCT Engine
ESF = 6.1L SRT HEMI V8
Engine
EKG = 3.7L V6 Engine

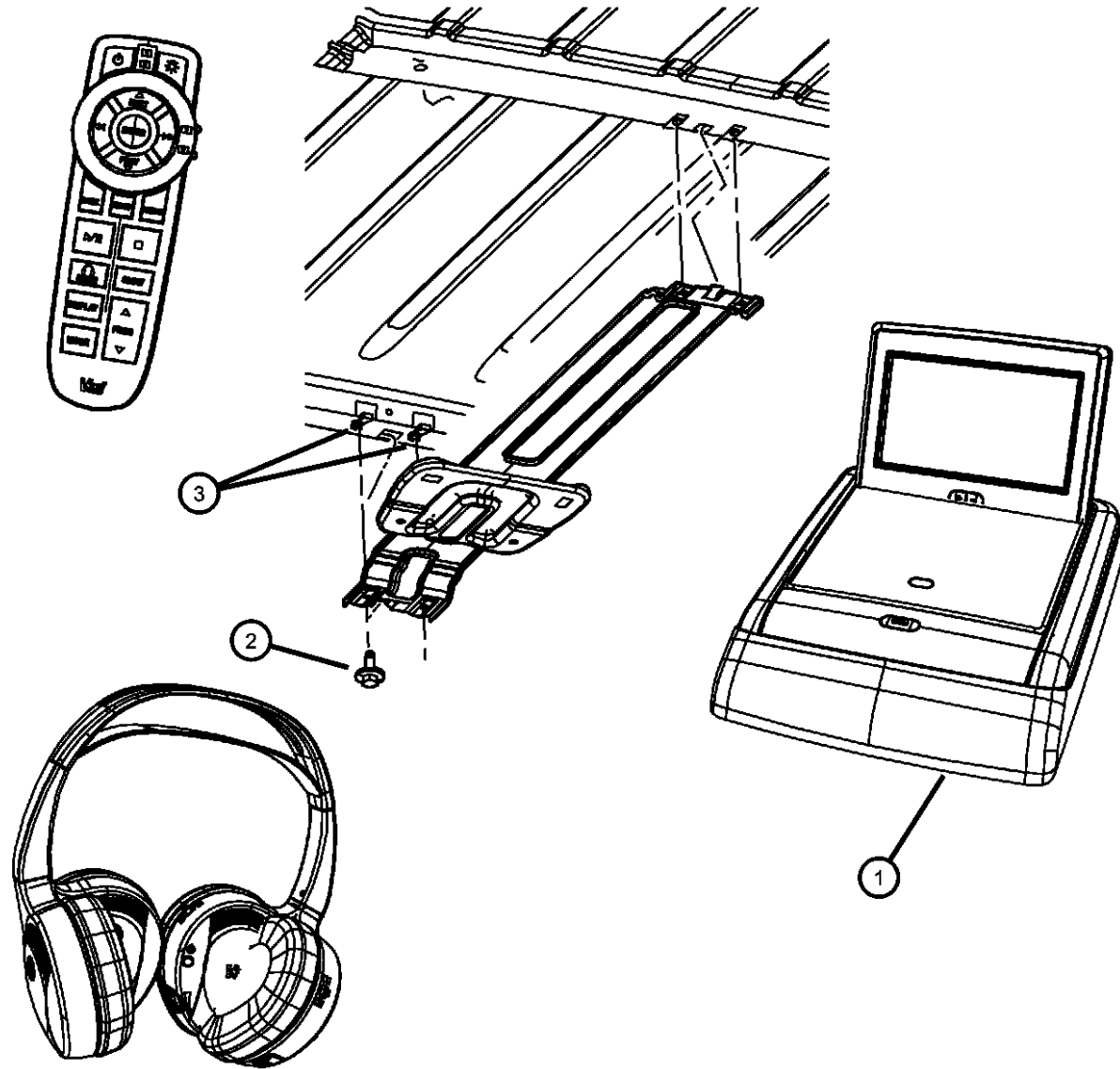
TRANSMISSION
DGJ = 5-Speed Auto W5A580
Transmission
DGQ = 5-Spd Automatic 545RFE
Transmission

AR = use ase required - = Non illustrated part

2010 WK

DVD and Video System
Figure 8-2225

ITEM	PART NUMBER	QTY	LINE	SERIES	BODY	ENGINE	TRANS	TRIM	DESCRIPTION
1	1GQ81BD1AC	1	J, T		74				MONITOR, Media System
2	06101455	2	J, T		74				SCREW AND WASHER, Hex Head, M6x1x20, DVD SCREEN BRACKET TO REAR ROOF BOW NUT, U
3	06506081AA	2	J, T		74				



GRAND CHEROKEE (WK)

SERIES LINE
H = HIGHLINE T = JEEP - 2WD
P = PREMIUM J = JEEP - 4WD
S = SPORT
X = SPECIAL

BODY
74 = SPORT UTILITY 4-DR
TYPE #4

ENGINE
EZH = 5.7L V8 HEMI MDS
VCT Engine
ESF = 6.1L SRT HEMI V8
Engine
EKG = 3.7L V6 Engine

TRANSMISSION
DGJ = 5-Speed Auto W5A580
Transmission
DGQ = 5-Spd Automatic 545RFE
Transmission

AR = use ase required - = Non illustrated part

2010 WK

**Rear View Camera System
Figure 8-2230**

ITEM	PART NUMBER	QTY	LINE	SERIES	BODY	ENGINE	TRANS	TRIM	DESCRIPTION
1	05026338AB	1	J, T		74				CAMERA
2	68011584AA	1	J, T		74				BRACKET, Camera
3									HANDLE, Liftgate
	68039948AA	1	J, T		74				[MNP,XAC]
	68039947AA	1	J, T		74				[MNS,XAC]
4									LENS, License Lamp
	68020955AB	1	J, T		74				Left
	68020954AB	1	J, T		74				Right
5	68020994AA	1	J, T		74				WIRING, License Lamp
6	06503369	3	J, T		74				SCREW, Tapping Round Head, M4X0.7X14.00, CAMERA TO HOUSING
7	56042450AB	1	J, T		74				SWITCH, Flipper Window

GRAND CHEROKEE (WK)

SERIES LINE
H = HIGHLINE T = JEEP - 2WD
P = PREMIUM J = JEEP - 4WD
S = SPORT
X = SPECIAL

BODY
74 = SPORT UTILITY 4-DR
TYPE #4

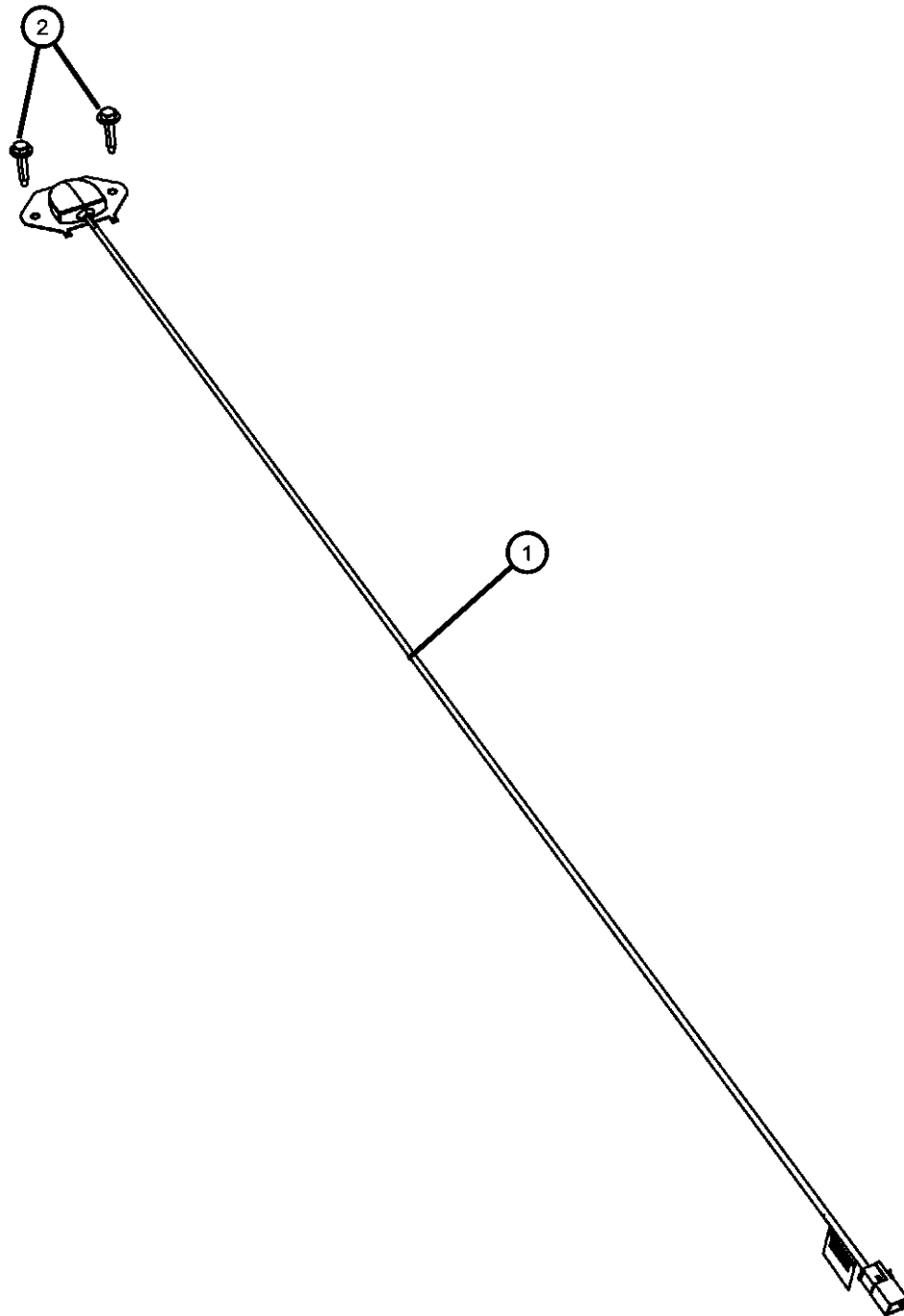
ENGINE
EZH = 5.7L V8 HEMI MDS
VCT Engine
ESF = 6.1L SRT HEMI V8
Engine
EKG = 3.7L V6 Engine

TRANSMISSION
DGJ = 5-Speed Auto W5A580
Transmission
DGQ = 5-Spd Automatic 545RFE
Transmission

Navigation System
Figure 8-2405

ITEM	PART NUMBER	QTY	LINE	SERIES	BODY	ENGINE	TRANS	TRIM	DESCRIPTION
------	-------------	-----	------	--------	------	--------	-------	------	-------------

1	05064470AB	1	J, T		74				ANTENNA, Global Positioning
2		1							SCREW, Tapping Hex Head, M4.2X1.70X20.00, (NOT SERVICED)



GRAND CHEROKEE (WK)

SERIES LINE
H = HIGHLINE T = JEEP - 2WD
P = PREMIUM J = JEEP - 4WD
S = SPORT
X = SPECIAL

BODY
74 = SPORT UTILITY 4-DR
TYPE #4

ENGINE
EZH = 5.7L V8 HEMI MDS
VCT Engine
ESF = 6.1L SRT HEMI V8
Engine
EKG = 3.7L V6 Engine

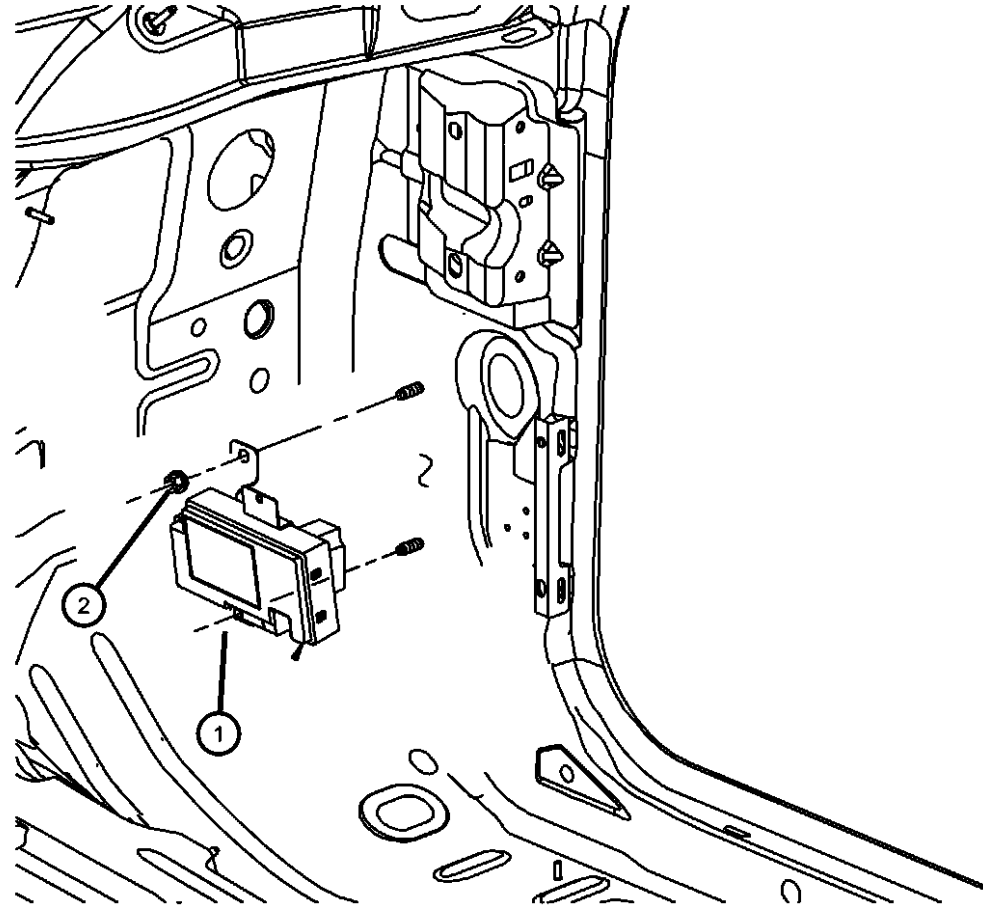
TRANSMISSION
DGJ = 5-Speed Auto W5A580
Transmission
DGQ = 5-Spd Automatic 545RFE
Transmission

AR = use ase required - = Non illustrated part

2010 WK

Telecommunications
Figure 8-2505

ITEM	PART NUMBER	QTY	LINE	SERIES	BODY	ENGINE	TRANS	TRIM	DESCRIPTION
1									MODULE, Telematics
	05064884AB	1	J, T		74				[RSP]
	05064886AB	1	J, T		74				[RSP] With attaching aprts
	05064903AB	1	J		74				[RSQ] With attaching parts
	05064902AB	1	J		74				[RSQ]
2	06503825	2	J, T		74				NUT AND WASHER, Hex, M6X1.00



GRAND CHEROKEE (WK)

SERIES LINE
H = HIGHLINE T = JEEP - 2WD
P = PREMIUM J = JEEP - 4WD
S = SPORT
X = SPECIAL

BODY
74 = SPORT UTILITY 4-DR
TYPE #4

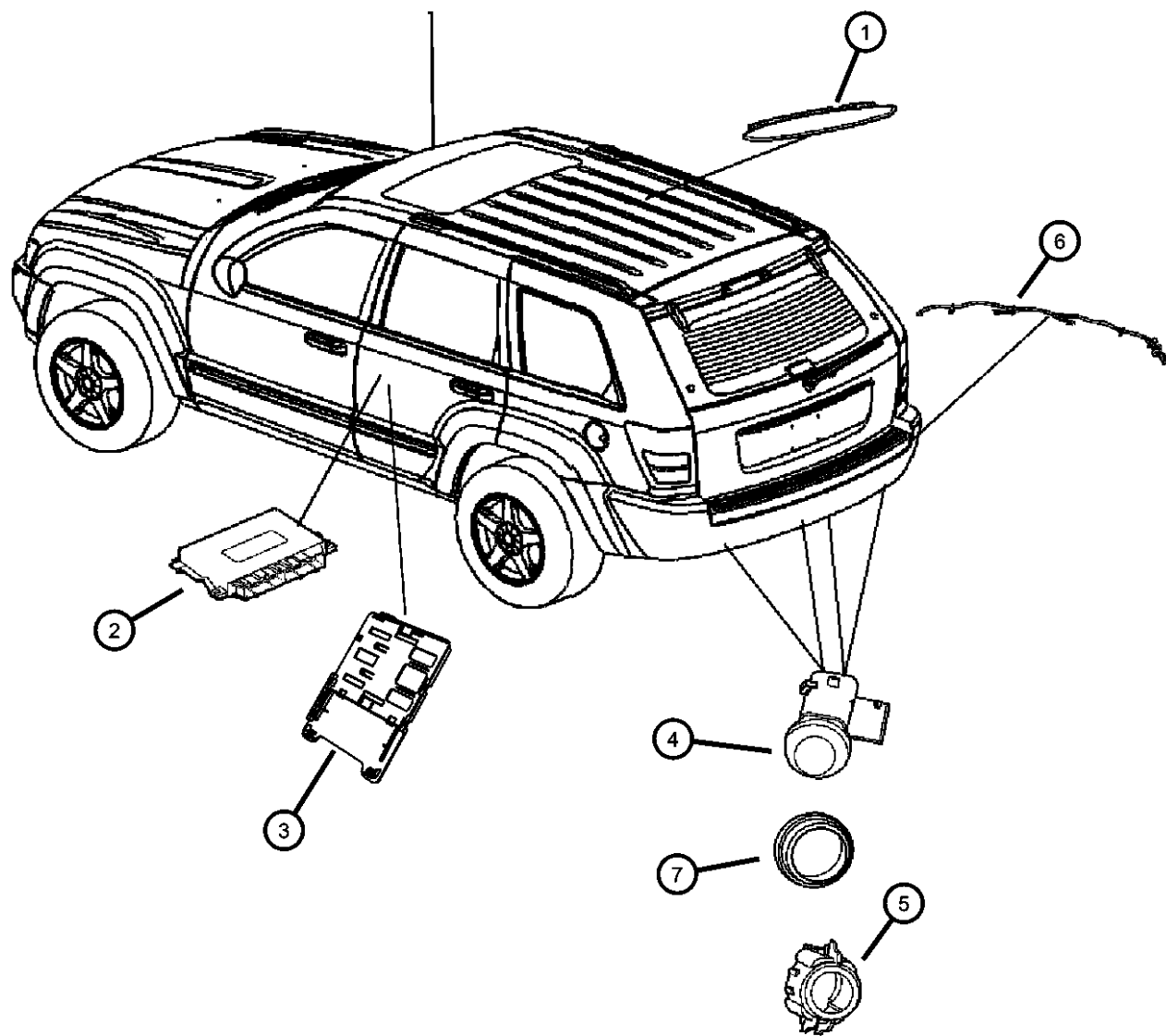
ENGINE
EZH = 5.7L V8 HEMI MDS
VCT Engine
ESF = 6.1L SRT HEMI V8
Engine
EKG = 3.7L V6 Engine

TRANSMISSION
DGJ = 5-Speed Auto W5A580
Transmission
DGQ = 5-Spd Automatic 545RFE
Transmission

AR = use ase required - = Non illustrated part

2010 WK

**Park Assist
Figure 8-2605**



ITEM	PART NUMBER	QTY	LINE	SERIES	BODY	ENGINE	TRANS	TRIM	DESCRIPTION
1	56046042AA	1	J, T		74				DISPLAY, Parking Assist
2	56054057AC	1	J, T		74				MODULE, Parking Assist
3	56038805AE	1	J, T		74				BRACKET, Module
4	1EW63SZ0AA	4	J, T		74				SENSOR, Park Assist
		4	J	X	74				
5	68056690AA	4	J, T		74				BRACKET, Sensor Mounting, Park Assist Sensor
6	68057618AA	1	J	X	74				WIRING, Rear Fascia [MCZ,XAA]
	68056689AA	1	J, T		74				[MCY]
		1	J, T		74				[MLA,XAA]
		1	J, T		74				[MLV,XAA]
7	05159096AB	4	J, T		74				SPACER, Sensor

GRAND CHEROKEE (WK)

SERIES LINE
H = HIGHLINE T = JEEP - 2WD
P = PREMIUM J = JEEP - 4WD
S = SPORT
X = SPECIAL

BODY
74 = SPORT UTILITY 4-DR
TYPE #4

ENGINE
EZH = 5.7L V8 HEMI MDS
VCT Engine
ESF = 6.1L SRT HEMI V8
Engine
EKG = 3.7L V6 Engine

TRANSMISSION
DGJ = 5-Speed Auto W5A580
Transmission
DGQ = 5-Spd Automatic 545RFE
Transmission

AR = use ase required - = Non illustrated part

2010 WK

**Speed Control
Figure 8-2705**

ITEM	PART NUMBER	QTY	LINE	SERIES	BODY	ENGINE	TRANS	TRIM	DESCRIPTION
1	04671929AB	1	J, T		74				SWITCH, Speed Control

GRAND CHEROKEE (WK)

SERIES LINE
H = HIGHLINE T = JEEP - 2WD
P = PREMIUM J = JEEP - 4WD
S = SPORT
X = SPECIAL

BODY
74 = SPORT UTILITY 4-DR
TYPE #4

ENGINE
EZH = 5.7L V8 HEMI MDS
VCT Engine
ESF = 6.1L SRT HEMI V8
Engine
EKG = 3.7L V6 Engine

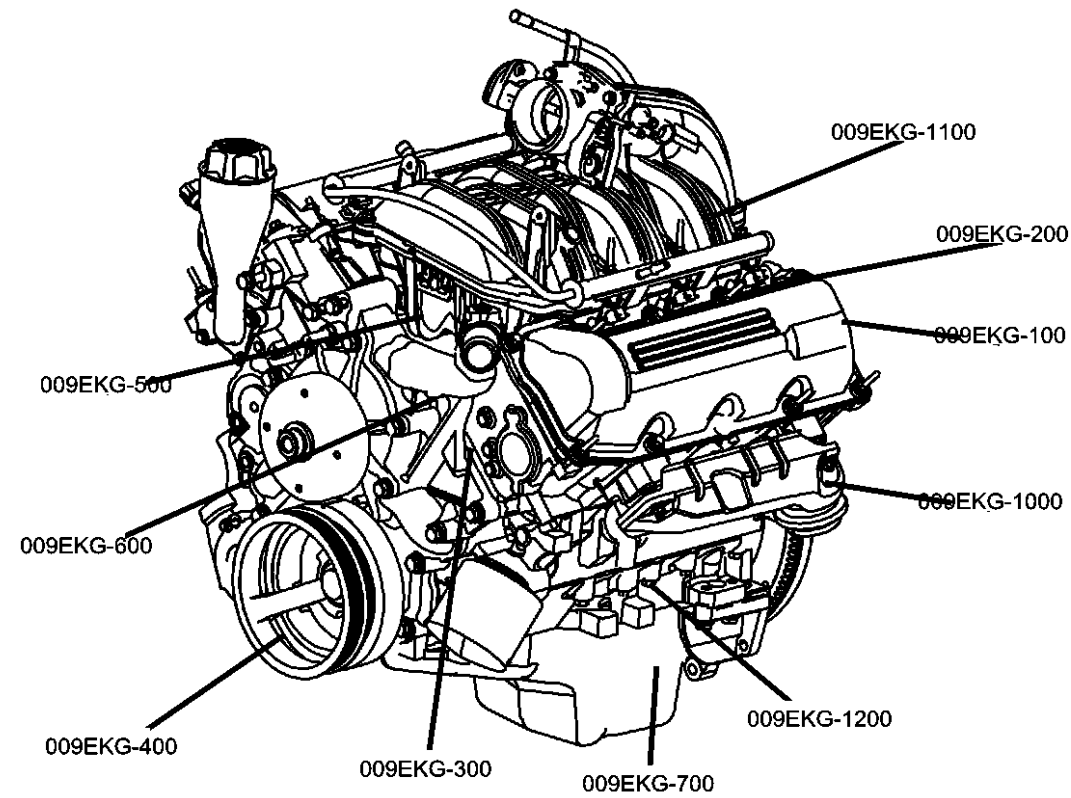
TRANSMISSION
DGJ = 5-Speed Auto W5A580
Transmission
DGQ = 5-Spd Automatic 545RFE
Transmission

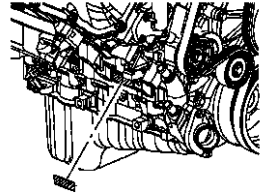
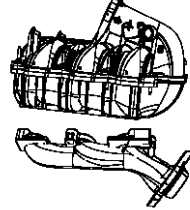

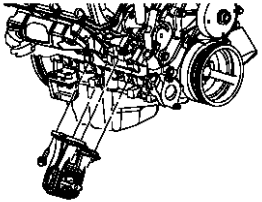
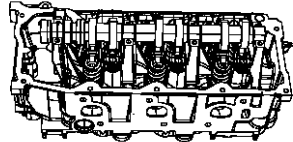
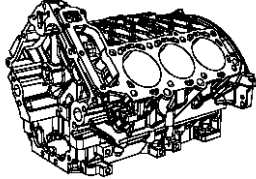
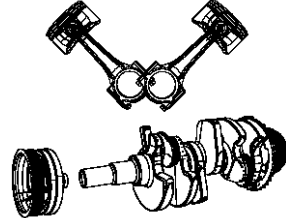
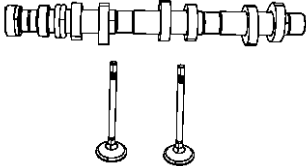
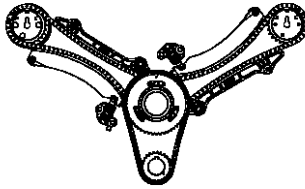
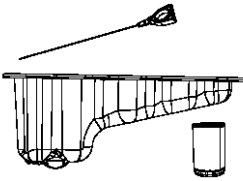
AR = use ase required - = Non illustrated part

2010 WK

Group - 009EKG

3.7L Gas; Engine



<p>009EKG-100 Engine Identification</p> 	<p>009EKG-1000 Manifolds and Vacuum Fittings</p> 	<p>009EKG-1100 Crankcase Ventilation</p> 	<p>009EKG-1200 Engine Mounting</p> 
<p>009EKG-200 Cylinder Head</p> 	<p>009EKG-300 Cylinder Block</p> 	<p>009EKG-400 Crankshaft, Piston, Drive Plate, Flywheel, and Damper</p> 	<p>009EKG-500 Camshaft and Valve</p> 
<p>009EKG-600 Timing Belt/Chain and Cover and Balance Shaft</p> 	<p>009EKG-700 Engine Oiling, Oil Pan and Indicator (Dipstick)</p> 		

Group - 009EKG 3.7L Gas; Engine

Illustration Title	Group-Fig. No.
Engine Identification	
Engine Identification 3.7L [EKG]	Fig. 009EKG - 105
Engine Assembly And Service Long Block 3.7L [EKG]	Fig. 009EKG - 115
Engine Gasket Kits 3.7L [EKG]	Fig. 009EKG - 145
Cylinder Head	
Cylinder Head Covers 3.7L [EKG]	Fig. 009EKG - 205
Cylinder Heads 3.7L [EKG]	Fig. 009EKG - 225
Cylinder Block	
Engine Cylinder Block And Hardware 3.7L [EKG]	Fig. 009EKG - 305
Engine Cylinder Block Heater 3.7L [EKG]	Fig. 009EKG - 325
Crankshaft, Piston, Drive Plate, Flywheel, and Damper	
Crankshaft, Crankshaft Bearings, Damper And Flywheel 3.7L [EKG]	Fig. 009EKG - 405
Pistons, Piston Rings, Connecting Rods And Connecting Rod Bearings 3.7L [EKG]	Fig. 009EKG - 425
Camshaft and Valve	
Camshafts And Valvetrain 3.7L [EKG]	Fig. 009EKG - 505
Timing Belt/Chain and Cover and Balance Shaft	
Timing Case Cover 3.7L [EKG]	Fig. 009EKG - 605
Timing System 3.7L [EKG]	Fig. 009EKG - 625
Balance Shaft 3.7L [EKG]	Fig. 009EKG - 645
Engine Oiling, Oil Pan and Indicator (Dipstick)	
Engine Oiling Pump 3.7L [EKG]	Fig. 009EKG - 705
Engine Oil Pan, Engine Oil Level Indicator And Related Parts 3.7L [EKG]	Fig. 009EKG - 725
Engine Oil, Engine Oil Filter, Adapter And Splash Guard 3.7L [EKG]	Fig. 009EKG - 745
Manifolds and Vacuum Fittings	
Exhaust Manifolds And Heat Shields 3.7L [EKG]	Fig. 009EKG - 1005
Intake Manifold 3.7L [EKG]	Fig. 009EKG - 1025
Crankcase Ventilation	
Crankcase Ventilation 3.7L [EKG]	Fig. 009EKG - 1105
Engine Mounting	
Engine Mounting Right Side RWD/2WD 3.7L [EKG]	Fig. 009EKG - 1220
Engine Mounting Right Side 4WD 3.7L [EKG]	Fig. 009EKG - 1225
Engine Mounting Left Side RWD/2WD 3.7L [EKG]	Fig. 009EKG - 1235
Engine Mounting Left Side 4WD 3.7L [EKG]	Fig. 009EKG - 1240

**Engine Identification 3.7L [EKG]
Figure 009EKG-105**

ITEM	PART NUMBER	QTY	LINE	SERIES	BODY	ENGINE	TRANS	TRIM	DESCRIPTION
------	-------------	-----	------	--------	------	--------	-------	------	-------------

NOTE:

The Engine Identification Label Is Attached To One Of The Cylinder Head Covers.

The Production Engine Part Number Is Not A Servicable Part Number.

A Engine Is Usally Serviced By A Long Block Or Short Block Engine Only.

1

1

LABEL, Engine Identification, See Important Note, (NOT SERVICED)

GRAND CHEROKEE (WK)

SERIES LINE
H = HIGHLINE T = JEEP - 2WD
P = PREMIUM J = JEEP - 4WD
S = SPORT
X = SPECIAL

BODY
74 = SPORT UTILITY 4-DR
TYPE #4

ENGINE
EZH = 5.7L V8 HEMI MDS
VCT Engine
ESF = 6.1L SRT HEMI V8
Engine
EKG = 3.7L V6 Engine

TRANSMISSION
DGJ = 5-Speed Auto W5A580
Transmission
DGQ = 5-Spd Automatic 545RFE
Transmission

**Engine Assembly And Service Long Block 3.7L [EKG]
Figure 009EKG-115**

ITEM	PART NUMBER	QTY	LINE	SERIES	BODY	ENGINE	TRANS	TRIM	DESCRIPTION
------	-------------	-----	------	--------	------	--------	-------	------	-------------

NOTE:

The Engine Identification Label Is Attached To One Of The Cylinder Head Covers.

The Production Engine Part Number Is Not A Servicable Part Number.

A Engine Is Usally Serviced By A Long Block Or Short Block Engine Only.

1		1							ENGINE, Complete, See Important Note, (NOT SERVICED)
2		1							ENGINE, Long Block, See Important Note, (NOT SERVICED)

GRAND CHEROKEE (WK)

SERIES LINE
H = HIGHLINE T = JEEP - 2WD
P = PREMIUM J = JEEP - 4WD
S = SPORT
X = SPECIAL

BODY
74 = SPORT UTILITY 4-DR
TYPE #4

ENGINE
EZH = 5.7L V8 HEMI MDS
VCT Engine
ESF = 6.1L SRT HEMI V8
Engine
EKG = 3.7L V6 Engine

TRANSMISSION
DGJ = 5-Speed Auto W5A580
Transmission
DGQ = 5-Spd Automatic 545RFE
Transmission

**Engine Gasket Kits 3.7L [EKG]
Figure 009EKG-145**

ITEM	PART NUMBER	QTY	LINE	SERIES	BODY	ENGINE	TRANS	TRIM	DESCRIPTION
1	68003564AA	1	J, T			EKG	DGJ		GASKET PACKAGE, Engine Upper
2	53020989	2	J, T			EKG			GASKET, Cylinder Head
3									GASKET, Cylinder head Cover
	53021958AA	1	J, T			EKG			Right
	53021959AA	1	J, T			EKG			Left
4									SEAL, Valve Guide
	53021974AA	6	J, T			EKG			Left
		6	J, T			EKG			Right
5									GASKET, Exhaust Manifold
	53013932AB	1	J, T			EKG			Right
	53013933AB	1	J, T			EKG			Left
6	04666113AC	1	J, T			EKG			GASKET, Throttle Body
7	53010310AB	6	J, T			EKG			SEAL, Intake Manifold
8	05135793AA	1	J, T			EKG	DGJ		GASKET PACKAGE, Engine Lower
9	53020861	1	J, T			EKG, EVE			SEAL, Oil Pick Up Tube
10	53021144AA	1	J, T			EKG			O RING, Engine Oil Indicator Tube
11	53020865	1	J, T			EKG, EVE			GASKET, Water Pump
12	53021226AA	1	J, T			EKG			GASKET, Chain Case Cover
13	53021313AA	1	J, T			EKG			SEAL, Crankshaft Oil, Front
14	53020788AB	1	J, T			EKG, EVE			SEAL, Crankshaft Oil, Rear
15	53021001AB	1	J, T			EKG			GASKET, Oil Pan
16	53021032	1	J, T			EKG, EVE			O RING
17	53020889AC	1	J, T			EKG			GASKET, Oil Fill Housing
18	53021239AA	2	J, T			EKG			O RING, Chain Case Cover

GRAND CHEROKEE (WK)

SERIES LINE
H = HIGHLINE T = JEEP - 2WD
P = PREMIUM J = JEEP - 4WD
S = SPORT
X = SPECIAL

BODY
74 = SPORT UTILITY 4-DR
TYPE #4

ENGINE
EZH = 5.7L V8 HEMI MDS
VCT Engine
ESF = 6.1L SRT HEMI V8
Engine
EKG = 3.7L V6 Engine

TRANSMISSION
DGJ = 5-Speed Auto W5A580
Transmission
DGQ = 5-Spd Automatic 545RFE
Transmission

**Cylinder Head Covers 3.7L [EKG]
Figure 009EKG-205**

ITEM	PART NUMBER	QTY	LINE	SERIES	BODY	ENGINE	TRANS	TRIM	DESCRIPTION
1	53021938AA	1	J, T			EKG			COVER, Cylinder Head, Right
2	53021937AB	1	J, T			EKG			COVER, Cylinder Head, Left
3									BOLT AND GROMMET, Special, M6X1.00X33.00
	06508296AA	4	J, T			EKG			Cylinder Head Cover To Cylinder Head, Mounting Right Side
		5	J, T			EKG			Cylinder Head Cover To Cylinder Head, Mounting Left Side
4									STUD AND GROMMET, Special, M6X1.00X61.00
	06508297AA	6	J, T			EKG			Cylinder Head Cover To Cylinder Head, Mounting Right Side
		5	J, T			EKG			Cylinder Head Cover To Cylinder Head, Mounting Left Side
5									GASKET, Cylinder head Cover
	53021958AA	1	J, T			EKG			Right
	53021959AA	1	J, T			EKG			Left

GRAND CHEROKEE (WK)

SERIES LINE
H = HIGHLINE T = JEEP - 2WD
P = PREMIUM J = JEEP - 4WD
S = SPORT
X = SPECIAL

BODY
74 = SPORT UTILITY 4-DR
TYPE #4

ENGINE
EZH = 5.7L V8 HEMI MDS
VCT Engine
ESF = 6.1L SRT HEMI V8
Engine
EKG = 3.7L V6 Engine

TRANSMISSION
DGJ = 5-Speed Auto W5A580
Transmission
DGQ = 5-Spd Automatic 545RFE
Transmission

**Cylinder Heads 3.7L [EKG]
Figure 009EKG-225**

ITEM	PART NUMBER	QTY	LINE	SERIES	BODY	ENGINE	TRANS	TRIM	DESCRIPTION
NOTE: New Cylinder Heads Contain: Valve Guides, Valve Seat Inserts, Cam Bearing Caps, Cam Bearing Cap. Mounting Bolts, Freeze Plugs. Valves, Valves									
1	53020989	2	J, T			EKG			GASKET, Cylinder Head Right And Left
2	06505528AA	16	J, T			EKG			BOLT, Hex Flange Head, M11X1.50X173.00
3	53021942AA	1	J, T			EKG			HEAD, Cylinder, Right, See Note
4	53021941AB	1	J, T			EKG			HEAD, Cylinder, Left, See Note
5		1							GUIDE, Valve, Serviced In Cylinder Head Only, (NOT SERVICED)
6									PLUG, Core, 1.25 Diameter
	04556020AB	2	J, T			EKG			Right Cylinder Head
		2	J, T			EKG			Left Cylinder Head
7		2							PLUG, Hex Socket, 3/8-18NPTx.475, (NOT SERVICED)
8	05240849	4	J, T			EKG, EVE			DOWEL PIN, Cylinder Head To Cylinder Block, Mounting
9		4							CAP, Camshaft Bearing, Serviced With Cylinder Head Only, (NOT SERVICED)
10									BOLT, Hex Flange Head, M6X1.00X40.00
	06505034AA	8	J, T			EKG			Camshaft Bearing Cap To Cylinder Head, Mounting, Left
		8	J, T			EKG			Camshaft Bearing Cap To Cylinder Head, Mounting, Right
11	06506785AA	8	J, T			EKG			BOLT, Hex Flange Head, M8X1.25X31.00, Cylinder Head To Cylinder Block, Mounting
12	53021031	1	J, T			EKG, EVE			PLUG, Access Hole, Includes O-Ring
13	53021032	1	J, T			EKG, EVE			O RING, [54MM ID X 2.0 Section]
14									PLUG, Pipe, .250-18X.413
	06036307AA	1	J, T			EKG			Oil Gallery, Left Cylinder Head
		1	J, T			EKG			Oil Gallery, Right Cylinder Head

GRAND CHEROKEE (WK)

SERIES LINE
H = HIGHLINE T = JEEP - 2WD
P = PREMIUM J = JEEP - 4WD
S = SPORT
X = SPECIAL

BODY
74 = SPORT UTILITY 4-DR
TYPE #4

ENGINE
EZH = 5.7L V8 HEMI MDS
VCT Engine
ESF = 6.1L SRT HEMI V8
Engine
EKG = 3.7L V6 Engine

TRANSMISSION
DGJ = 5-Speed Auto W5A580
Transmission
DGQ = 5-Spd Automatic 545RFE
Transmission

**Engine Cylinder Block And Hardware 3.7L [EKG]
Figure 009EKG-305**

ITEM	PART NUMBER	QTY	LINE	SERIES	BODY	ENGINE	TRANS	TRIM	DESCRIPTION
NOTE: When A New Short Block Is Replaced A New (Pilot Sleeve) Of [04736483AA] Must Be Replaced In The Crankshaft End For An Automatic Transmission Manual Transmission. These Parts Are Listed In The Crankshaft Ill.									
1	68049272AA	1	J, T			EKG	DGJ		ENGINE, Short Block, See Note
2		1							BEDPLATE, Serviced With Short Block, (NOT SERVICED)
3	04663942	1	J, T			EKG			PLUG, Core, 1.50 Diameter
4	01122532	2	J, T			EKG, EVE			DOWEL, Block to Clutch Housing, 1/2X3/4
5	06036114AA	4	J, T			EKG, EVE			PLUG, .500-14X.560
6	06036307AA	3	J, T			EKG			PLUG, Pipe, .250-18X.413, Cylinder Block coolant Drain
7	53010533AA	5	J, T			EKG			DOWEL, Bedplate To Cylinder Block
8	06505394AA	6	J, T			EKG			BOLT, Hex Flange Head, M11X1.50X90.00, Bedplate To Cylinder Block, Mounting
9	06504410	7	J, T			EKG			BOLT, Hex Flange Head, M10X1.50X55.00, Bedplate To Cylinder Block, Mounting
10	05083878AA	1	J, T			EKG			BEARING PACKAGE, Balance Shaft
11		1							BUSHING, Balance Shaft, Serviced With Short Block, (NOT SERVICED)
12	06508259AA	1	J, T			EKG			STUD, Double Ended, M10X1.50X55.00/M8X1.25X84.30, Bedplate To Cylinder Block, Mounting
13	06102156AA	5	J, T			EKG			BOLT, Hex Flange Head, M8X1.25X44.00, Bedplate To Cylinder Block
14	06034804	8	J, T			EKG			PLUG, Cup, ID=M32.26 OD=35.00 THICK=1.37

GRAND CHEROKEE (WK)

SERIES LINE
H = HIGHLINE T = JEEP - 2WD
P = PREMIUM J = JEEP - 4WD
S = SPORT
X = SPECIAL

BODY
74 = SPORT UTILITY 4-DR
TYPE #4

ENGINE
EZH = 5.7L V8 HEMI MDS
VCT Engine
ESF = 6.1L SRT HEMI V8
Engine
EKG = 3.7L V6 Engine

TRANSMISSION
DGJ = 5-Speed Auto W5A580
Transmission
DGQ = 5-Spd Automatic 545RFE
Transmission

**Engine Cylinder Block Heater 3.7L [EKG]
Figure 009EKG-325**

ITEM	PART NUMBER	QTY	LINE	SERIES	BODY	ENGINE	TRANS	TRIM	DESCRIPTION
1	56027117	1	J, T			EKG, EVE			CORD, Engine Block Heater
2	56041304AB	1	J, T			EKG, EVE			HEATER, Engine Block
3		1							CLIP, Serviced With Heater Cord, (NOT SERVICED)
4		1							STRAP, Tie, (NOT SERVICED)

GRAND CHEROKEE (WK)

SERIES LINE
H = HIGHLINE T = JEEP - 2WD
P = PREMIUM J = JEEP - 4WD
S = SPORT
X = SPECIAL

BODY
74 = SPORT UTILITY 4-DR
TYPE #4

ENGINE
EZH = 5.7L V8 HEMI MDS
VCT Engine
ESF = 6.1L SRT HEMI V8
Engine
EKG = 3.7L V6 Engine

TRANSMISSION
DGJ = 5-Speed Auto W5A580
Transmission
DGQ = 5-Spd Automatic 545RFE
Transmission

AR = use ase required - = Non illustrated part

2010 WK

**Crankshaft, Crankshaft Bearings, Damper And Flywheel 3.7L [EKG]
Figure 009EKG-405**

ITEM	PART NUMBER	QTY	LINE	SERIES	BODY	ENGINE	TRANS	TRIM	DESCRIPTION
NOTE: For Crankshaft Identification, Stamping Location And Bearing Information Refer To The Service Manual. For Bearing Selection Sizes Please Refer To Service Manual Group 9, Bearings Crankshaft Main, [Select Fit Identification]									
1	04752574AB	1	J, T			EKG	DGJ		PLATE, Torque Converter Drive
2	53020689AB	1	J, T			EKG			DAMPER, Crankshaft
3									BEARING PACKAGE, Crankshaft, A Grade, See Note
	05066733AB	4	J, T			EKG			[R] Crankshaft Mains 1 And 2
	05066734AB	4	J, T			EKG			[R] Crankshaft Mains 2 And 3
	05066735AB	4	J, T			EKG			[S] Crankshaft Mains 1 And 2
	05066736AB	4	J, T			EKG			[S] Crankshaft Mains 2 And 3
	05066737AB	4	J, T			EKG			[T] Crankshaft Mains 1 And 2
	05066738AB	4	J, T			EKG			[T] Crankshaft Mains 2 And 3
	05066739AB	4	J, T			EKG			[U] Crankshaft Mains 1 And 2
	05066740AB	4	J, T			EKG			[U] Crankshaft Mains 2 And 3
4	04736483AA	1	J, T			EKG	DGJ		SLEEVE, Crank Shaft Pilot
5	53020959AB	1	J, T			EKG			CRANKSHAFT
6	06504471	1	J, T			EKG, EVE			KEY, Woodruff
7		1							TONE RING, Sensor, Serviced With Crankshaft, (NOT SERVICED)
8	06504415	1	J, T			EKG, EVE			BOLT, Hex Flange Head, M14X1.50X112.00
9	06504480	3	J, T			EKG			SCREW, M6x1x25
10	06503465	8	J, T			EKG, EVE	DGJ, DGQ		BOLT, Hex Head Lock, M10X1.00X18.00
11	53020788AB	1	J, T			EKG, EVE			SEAL, Crankshaft Oil, Rear
12	05012356AD	1	J, T			EKG, EVE			WASHER PACKAGE, Thrust

GRAND CHEROKEE (WK)

SERIES LINE
H = HIGHLINE T = JEEP - 2WD
P = PREMIUM J = JEEP - 4WD
S = SPORT
X = SPECIAL

BODY
74 = SPORT UTILITY 4-DR
TYPE #4

ENGINE
EZH = 5.7L V8 HEMI MDS
VCT Engine
ESF = 6.1L SRT HEMI V8
Engine
EKG = 3.7L V6 Engine

TRANSMISSION
DGJ = 5-Speed Auto W5A580
Transmission
DGQ = 5-Spd Automatic 545RFE
Transmission

**Pistons, Piston Rings, Connecting Rods And Connecting Rod Bearings 3.7L [EKG]
Figure 009EKG-425**

ITEM	PART NUMBER	QTY	LINE	SERIES	BODY	ENGINE	TRANS	TRIM	DESCRIPTION
NOTE: For Crankshaft Identification, Stamping Location And Bearing Information Refer To The Service Manual. For Bearing Selection Sizes Please Refer To Service Manual Group 9, Bearings Crankshaft Main, [Select Fit Identification]									
1	05019316AB	6	J, T			EKG			PISTON PIN AND ROD
2	05012364AE	6	J, T			EKG			RING PACKAGE, Piston, Standard Size
3		6							PIN, Piston, Serviced With Piston Package, (NOT SERVICED)
4		6							RING, Piston Pin, Serviced With Piston Package, (NOT SERVICED)
5		6							ROD, Connecting, Serviced With Piston Package, (NOT SERVICED)
6	06503928	12	J, T			EKG			BOLT, Connecting Rod
7	05019447AA	6	J, T			EKG			BEARING PACKAGE, Connecting Rod, Standard, See Note

GRAND CHEROKEE (WK)

SERIES LINE
H = HIGHLINE T = JEEP - 2WD
P = PREMIUM J = JEEP - 4WD
S = SPORT
X = SPECIAL

BODY
74 = SPORT UTILITY 4-DR
TYPE #4

ENGINE
EZH = 5.7L V8 HEMI MDS
VCT Engine
ESF = 6.1L SRT HEMI V8
Engine
EKG = 3.7L V6 Engine

TRANSMISSION
DGJ = 5-Speed Auto W5A580
Transmission
DGQ = 5-Spd Automatic 545RFE
Transmission

AR = use ase required - = Non illustrated part

2010 WK

**Camshafts And Valvetrain 3.7L [EKG]
Figure 009EKG-505**

ITEM	PART NUMBER	QTY	LINE	SERIES	BODY	ENGINE	TRANS	TRIM	DESCRIPTION
1									ROCKER ARM, Valve
	53020742AC	6	J, T			EKG			Left Cylinder Head
		6	J, T			EKG			Right Cylinder Head
2									LOCK, Valve Spring Retainer
	53022277AA	12	J, T			EKG			Right Cylinder Head
		12	J, T			EKG			Left Cylinder Head
3									RETAINER, Valve Spring
	53021977AA	6	J, T			EKG			Right Cylinder Head
		6	J, T			EKG			Left Cylinder Head
4									SPRING, Valve
	53021887AA	3	J, T			EKG			Intake, Right Cylinder Head
	53021873AA	3	J, T			EKG			Exhaust, Right Cylinder Head
		3	J, T			EKG			Exhaust, Left Cylinder Head
		3	J, T			EKG			Intake, Left Cylinder Head
5									SEAL, Valve Guide
	53021974AA	6	J, T			EKG			Left Cylinder Head
		6	J, T			EKG			Right Cylinder Head
6									VALVE, Intake, Standard
	53020747AB	3	J, T			EKG			Left Cylinder Head
		3	J, T			EKG			Right Cylinder Head
7									VALVE, Exhaust, Standard
	53021916AB	3	J, T			EKG			Left Cylinder Head
		3	J, T			EKG			Right Cylinder Head
8									ADJUSTER, Valve Lash
	53021894AA	6	J, T			EKG			Left Cylinder Head
		6	J, T			EKG			Right Cylinder Head
9	53021892AB	1	J, T			EKG			CAMSHAFT, Engine, Right
10	53021893AB	1	J, T			EKG			CAMSHAFT, Engine, Left
11		1							CAP, Camshaft Bearing, Serviced With Cylinder Head Only, (NOT SERVICED)
12		1							SEAT, Exhaust Valve, Serviced With Cylinder Head Only, (NOT SERVICED)
13		1							SEAT, Intake Valve, Serviced With Cylinder Head Only, (NOT SERVICED)

GRAND CHEROKEE (WK)

SERIES LINE
H = HIGHLINE T = JEEP - 2WD
P = PREMIUM J = JEEP - 4WD
S = SPORT
X = SPECIAL

BODY
74 = SPORT UTILITY 4-DR
TYPE #4

ENGINE
EZH = 5.7L V8 HEMI MDS
VCT Engine
ESF = 6.1L SRT HEMI V8
Engine
EKG = 3.7L V6 Engine

TRANSMISSION
DGJ = 5-Speed Auto W5A580
Transmission
DGQ = 5-Spd Automatic 545RFE
Transmission

AR = use ase required - = Non illustrated part

2010 WK

**Camshafts And Valvetrain 3.7L [EKG]
Figure 009EKG-505**

ITEM	PART NUMBER	QTY	LINE	SERIES	BODY	ENGINE	TRANS	TRIM	DESCRIPTION
14		1							DOWEL PIN, [M6X14.00] Serviced With Camshaft, (NOT SERVICED)
15									BOLT, Hex Flange Head, M6X1.00X40.00
	06505034AA	8	J, T			EKG			Camshaft Bearing Cap, Mounting, Left Cylinder Head
		8	J, T			EKG			Camshaft Bearing Cap, Mounting, Right Cylinder Head
16		8							PLUG, Camshaft, No longer Used Starting With 2005 Model Year Engines, (NOT SERVICED),

GRAND CHEROKEE (WK)

SERIES LINE
H = HIGHLINE T = JEEP - 2WD
P = PREMIUM J = JEEP - 4WD
S = SPORT
X = SPECIAL

BODY
74 = SPORT UTILITY 4-DR
TYPE #4

ENGINE
EZH = 5.7L V8 HEMI MDS
VCT Engine
ESF = 6.1L SRT HEMI V8
Engine
EKG = 3.7L V6 Engine

TRANSMISSION
DGJ = 5-Speed Auto W5A580
Transmission
DGQ = 5-Spd Automatic 545RFE
Transmission

AR = use ase required - = Non illustrated part

2010 WK

**Timing Case Cover 3.7L [EKG]
Figure 009EKG-605**

ITEM	PART NUMBER	QTY	LINE	SERIES	BODY	ENGINE	TRANS	TRIM	DESCRIPTION
1	05134142AF	1	J, T			EKG			COVER KIT, Timing
2	53021313AA	1	J, T			EKG			SEAL, Crankshaft Oil, Front
3	53021238AB	1	J, T			EKG			COVER, Chain Case
4	53021239AA	2	J, T			EKG			O RING, Chain Case Cover
5	06034331	3	J, T			EKG			PLUG, Hex Socket, 3/8-18NPTx.475
6	53021226AA	1	J, T			EKG			GASKET, Chain Case Cover
7	06507776AA	3	J, T			EKG			BOLT, Hex Flange Head, M10X1.50X87.00
8	06102380AA	5	J, T			EKG, EVE			BOLT, Hex Flange Head, M10X1.50X42.00, Cover To Cylinder Block, Mounting
9	06102381AA	5	J, T			EKG, EVE			BOLT, Hex Flange Head, M10X1.50X62.00, Cover To Cylinder Block, Mounting
10	06505293AA	1	J, T			EKG, EVE			STUD, Double Ended, M10X1.50X.437-14X145.20, Cover To Cylinder Block, Mounting
11	06036575AA	2	J, T			EKG			NIPPLE, .375-18X2.00
12	53020887AD	1	J, T			EKG			HOUSING, Thermostat
13	52079476AD	1	J, T			EKG			THERMOSTAT
14	53022189AC	1	J, T			EKG, EVE			PUMP, Water
15	53020865	1	J, T			EKG, EVE			GASKET, Water Pump

GRAND CHEROKEE (WK)

SERIES LINE
H = HIGHLINE T = JEEP - 2WD
P = PREMIUM J = JEEP - 4WD
S = SPORT
X = SPECIAL

BODY
74 = SPORT UTILITY 4-DR
TYPE #4

ENGINE
EZH = 5.7L V8 HEMI MDS
VCT Engine
ESF = 6.1L SRT HEMI V8
Engine
EKG = 3.7L V6 Engine

TRANSMISSION
DGJ = 5-Speed Auto W5A580
Transmission
DGQ = 5-Spd Automatic 545RFE
Transmission

**Timing System 3.7L [EKG]
Figure 009EKG-625**

ITEM	PART NUMBER	QTY	LINE	SERIES	BODY	ENGINE	TRANS	TRIM	DESCRIPTION
1	05019423AD	1	J, T			EKG	DGJ		TIMING DRIVE PACKAGE, Engine
2	53021291AD	1	J, T			EKG			SPROCKET, Camshaft, Right
3	53021290AA	1	J, T			EKG			SPROCKET, Camshaft, Left
4		1							CHAIN, Timing, [Primary And Secondary] Serviced In Timing Drive Package, (NOT SERVICED)
5	53020679	1	J, T			EKG			SPROCKET, Crankshaft
6	06503257	5	J, T			EKG			BOLT, Hex Head, M8x1.25x37.50, Secondary Tensioner, Mounting
7									TENSIONER, Chain
	53021249AA	1	J, T			EKG			Right, Lower
	53021250AA	1	J, T			EKG			Left, Upper
8	53020681	1	J, T			EKG			TENSIONER, Chain, Primary
9	06504471	1	J, T			EKG, EVE			KEY, Woodruff
10		1							GUIDE, Timing Chain, [Secondary] Serviced In Timing Drive Package, (NOT SERVICED)
11	53020835	1	J, T			EKG, EVE			SHAFT, Idler
12	53021170AA	1	J, T			EKG			SPROCKET, Idler
13		1							ARM, Tensioner, [Secondary] Serviced In Timing Drive Package, (NOT SERVICED)
14	06504429	2	J, T			EKG, EVE			BOLT, Hex Flange Head, M12X1.75X35.00, Camshaft Sprocket To Camshaft, Mounting
15	06100932	2	J, T			EKG, EVE			BOLT, Hex Flange Head, M8X1.25X60.00, Timing Chain Guide To Cylinder Block, Mounting
16									BOLT AND CONED WASHER, Hex Head, M8X1.25X45.00
	06102111AA	2	J, T			EKG, EVE			Timing Chain Guide Cylinder Head, Mounting
		1	J, T			EKG			Tensioner Arm To Left Cylinder Head, Mounting
17	06506028AA	1	J, T			EKG			BOLT, Truss Head, M8X1.25X45.00, Tensioner Arm, Mounting
18	06504370	1	J, T			EKG, EVE			BOLT AND WASHER, Hex Head, M10X1.50X110.00, Idler To Cylinder Block, Mounting
19		1							RETAINING RING, Idler, (NOT SERVICED)

GRAND CHEROKEE (WK)

SERIES LINE
H = HIGHLINE T = JEEP - 2WD
P = PREMIUM J = JEEP - 4WD
S = SPORT
X = SPECIAL

BODY
74 = SPORT UTILITY 4-DR
TYPE #4

ENGINE
EZH = 5.7L V8 HEMI MDS
VCT Engine
ESF = 6.1L SRT HEMI V8
Engine
EKG = 3.7L V6 Engine

TRANSMISSION
DGJ = 5-Speed Auto W5A580
Transmission
DGQ = 5-Spd Automatic 545RFE
Transmission

**Balance Shaft 3.7L [EKG]
Figure 009EKG-645**

ITEM	PART NUMBER	QTY	LINE	SERIES	BODY	ENGINE	TRANS	TRIM	DESCRIPTION
1	53020818	1	J, T			EKG			SHAFT, Balance
2	53021298AB	1	J, T			EKG			SHAFT, Balance, Driver
3	05083878AA	1	J, T			EKG			BEARING PACKAGE, Balance Shaft, Includes Both Bearings
4	06101452	1	J, T			EKG			BOLT AND WASHER, Hex Head, M8x1.25x20.00, Balance Shaft Assembly To Cylinder Block, Mounting

GRAND CHEROKEE (WK)

SERIES LINE
H = HIGHLINE T = JEEP - 2WD
P = PREMIUM J = JEEP - 4WD
S = SPORT
X = SPECIAL

BODY
74 = SPORT UTILITY 4-DR
TYPE #4

ENGINE
EZH = 5.7L V8 HEMI MDS
VCT Engine
ESF = 6.1L SRT HEMI V8
Engine
EKG = 3.7L V6 Engine

TRANSMISSION
DGJ = 5-Speed Auto W5A580
Transmission
DGQ = 5-Spd Automatic 545RFE
Transmission

**Engine Oiling Pump 3.7L [EKG]
Figure 009EKG-705**

ITEM	PART NUMBER	QTY	LINE	SERIES	BODY	ENGINE	TRANS	TRIM	DESCRIPTION
1	53020827AC	1	J, T			EKG, EVE			PUMP, Engine Oil
2		1							COVER, Oil Pump Back, Serviced With Oil Pump Assembly, (NOT SERVICED)
3		1							SCREW, Torx Head, M6x1.00x15.00, Serviced With Oil Pump Assembly, (NOT SERVICED)
4	06100932	1	J, T			EKG, EVE			BOLT, Hex Flange Head, M8X1.25X60.00, Oil Pump To Cylinder Block, Mounting

GRAND CHEROKEE (WK)

SERIES LINE
H = HIGHLINE T = JEEP - 2WD
P = PREMIUM J = JEEP - 4WD
S = SPORT
X = SPECIAL

BODY
74 = SPORT UTILITY 4-DR
TYPE #4

ENGINE
EZH = 5.7L V8 HEMI MDS
VCT Engine
ESF = 6.1L SRT HEMI V8
Engine
EKG = 3.7L V6 Engine

TRANSMISSION
DGJ = 5-Speed Auto W5A580
Transmission
DGQ = 5-Spd Automatic 545RFE
Transmission

AR = use ase required - = Non illustrated part

2010 WK

**Engine Oil Pan, Engine Oil Level Indicator And Related Parts 3.7L [EKG]
Figure 009EKG-725**

ITEM	PART NUMBER	QTY	LINE	SERIES	BODY	ENGINE	TRANS	TRIM	DESCRIPTION
1	06102050AA	1	J, T			EKG			BOLT, Hex Flange Head, M6.3X1.81X15.00
2	06506100AA	1	J, T			EKG			PLUG, Oil Drain, [M14X1.5X20.0]
3	06502756	2	J, T			EKG			NUT, Hex Lock, M8x1.25, Oil Pickup Tube To Cylinder Block, Mounting
4	53021755AA	1	J, T			EKG			PAN, Engine Oil
5	53021001AB	1	J, T			EKG			GASKET, Oil Pan
6									BOLT AND CONED WASHER, Hex head, M6X1.00X20.00
	06504810AA	16	J, T			EKG			
		1	J, T			EKG, EVE			Indicator Tube to Cylinder Block, Mounting
7	53021776AA	1	J, T			EKG			TUBE, Oil Pickup
8	53020861	1	J, T			EKG, EVE			SEAL, Oil Pick Up Tube
9	06508066AA	1	J, T			EKG			STUD, M6.3X1.81X15.00, Oil Pan To Cylinder Block, Mounting
10	06102046AA	1	J, T			EKG, EVE			BOLT AND CONED WASHER, Hex Head, M8X1.25X27.00, Oil Pickup Tube To Cylinder Block, Mounting
11	06505504AA	3	J, T			EKG			BOLT, Hex Flange Head, M6X1.00X27.00, Oil Fill Housing To Cylinder Block, Mounting
12	53021144AA	1	J, T			EKG			O RING, Engine Oil Indicator Tube
13	53021741AE	1	J, T			EKG			TUBE, Engine Oil Indicator
14	53021747AF	1	J, T			EKG			INDICATOR, Engine Oil Level
15	53022221AA	1	J, T			EKG			CAP, Oil Filler
16	53020891AH	1	J, T			EKG			HOUSING, Oil Fill
17	53020889AC	1	J, T			EKG			GASKET, Oil Fill Housing
18		1							STUD, Double Ended, M6X1.00X51.90, Not Used On WK, (NOT SERVICED)

GRAND CHEROKEE (WK)

SERIES LINE
H = HIGHLINE T = JEEP - 2WD
P = PREMIUM J = JEEP - 4WD
S = SPORT
X = SPECIAL

BODY
74 = SPORT UTILITY 4-DR
TYPE #4

ENGINE
EZH = 5.7L V8 HEMI MDS
VCT Engine
ESF = 6.1L SRT HEMI V8
Engine
EKG = 3.7L V6 Engine

TRANSMISSION
DGJ = 5-Speed Auto W5A580
Transmission
DGQ = 5-Spd Automatic 545RFE
Transmission

AR = use ase required - = Non illustrated part

2010 WK

**Engine Oil,Engine Oil Filter, Adapter And Splash Guard 3.7L [EKG]
Figure 009EKG-745**

ITEM	PART NUMBER	QTY	LINE	SERIES	BODY	ENGINE	TRANS	TRIM	DESCRIPTION
1	05184231AA	1	J, T			EKG			FILTER, Engine Oil
2									SCREW & WASHER, Hex Head Tapping, M8x1.25x25.00
	06505178AA	1	J, T			EKG, EVE			Splash Guard To Bracket, Mounting
		2	J, T			EKG, EVE			Bracket To Cradle, Mounting
3									SPLASH GUARD, Engine Oil
	53013710AC	1	J, T			EKG			Secondary
	53013815AA	1	J, T			EKG			Primary
4	05184151AA	1	J, T			EKG, EVE			CONNECTOR, Oil Filter, M22X1.50
5	06101794	1	J, T			EKG			BOLT AND CONED WASHER, Hex head, M10X1.50X25.00, Secondary Oil Splash Guard To Cylinder Block, Mounting
6	06501979	1	J, T			EKG			BOLT, Hex Flange Head, M6X1.00X17.00, Secondary Oil Splash Guard To Cylinder Block, Mounting
7		1							ENGINE OIL, 5W20, Quart, MS-10797 [API SM ILSAC GF-4], (NOT SERVICED)
8		1							ENGINE OIL, 5W20, Gallon, MS-10797 [API SM ILSAC GF-4], (NOT SERVICED)
9	05170304AA	1	J			EKG			BRACKET

GRAND CHEROKEE (WK)

SERIES LINE
H = HIGHLINE T = JEEP - 2WD
P = PREMIUM J = JEEP - 4WD
S = SPORT
X = SPECIAL

BODY
74 = SPORT UTILITY 4-DR
TYPE #4

ENGINE
EZH = 5.7L V8 HEMI MDS
VCT Engine
ESF = 6.1L SRT HEMI V8
Engine
EKG = 3.7L V6 Engine

TRANSMISSION
DGJ = 5-Speed Auto W5A580
Transmission
DGQ = 5-Spd Automatic 545RFE
Transmission

AR = use ase required - = Non illustrated part

2010 WK

**Exhaust Manifolds And Heat Shields 3.7L [EKG]
Figure 009EKG-1005**

ITEM	PART NUMBER	QTY	LINE	SERIES	BODY	ENGINE	TRANS	TRIM	DESCRIPTION
1									GASKET, Exhaust Manifold
	53013932AB	1	J, T			EKG			Right Side
	53013933AB	1	J, T			EKG			Left Side
2									MANIFOLD, Exhaust
	53013691AC	1	J, T			EKG			Left Side
	53013692AB	1	J, T			EKG			Right Side
3	06507746AA	4	J, T			EKG			BOLT, Exhaust Manifold, M8x1.25x46.00, Exhaust Manifold To Cylinder Head, Mounting
4	06508220AA	8	J, T			EKG			STUD, Double Ended, M8X1.25/M6X1.00X86.00, Exhaust Manifold To Cylinder Head, Mounting
5	06505316AA	8	J, T			EKG			NUT, Hex Flange Lock, M6X1.00, Heat Shield To Exhaust Manifold, Mounting
6									SHIELD, Exhaust Manifold
	53032674AE	1	J, T			EKG			Right Side
	53032675AD	1	J, T			EKG			Left Side
7	06503231	4	J, T			EK0, ESO, EV0, EZ0			NUT, Hex Flange Lock, M14x1.50, Exhaust Manifold To Front Exhaust Pipe, Mounting
8	06104426AA	4	J, T						BOLT AND CONED WASHER, Hex Head, M10X1.50X60.00, Exhaust Manifold To Front Exhaust Pipe, Mounting

GRAND CHEROKEE (WK)

SERIES LINE
H = HIGHLINE T = JEEP - 2WD
P = PREMIUM J = JEEP - 4WD
S = SPORT
X = SPECIAL

BODY
74 = SPORT UTILITY 4-DR
TYPE #4

ENGINE
EZH = 5.7L V8 HEMI MDS
VCT Engine
ESF = 6.1L SRT HEMI V8
Engine
EKG = 3.7L V6 Engine

TRANSMISSION
DGJ = 5-Speed Auto W5A580
Transmission
DGQ = 5-Spd Automatic 545RFE
Transmission

AR = use ase required - = Non illustrated part

2010 WK

**Intake Manifold 3.7L [EKG]
Figure 009EKG-1025**

ITEM	PART NUMBER	QTY	LINE	SERIES	BODY	ENGINE	TRANS	TRIM	DESCRIPTION
1	53034181AB	1	J, T			EKG			MANIFOLD, Intake, Includes All Parts Listed Below
2		1							MANIFOLD, Engine Intake, Serviced In Intake Manifold Kit, (NOT SERVICED)
3	53032787AB	1	J, T			EKG			PAD, Engine
4	53010310AB	6	J, T			EKG			SEAL, Intake Manifold
5	06509137AA	5	J, T			EKG			BOLT, Hex Flange Head, M6X1.00X43.00, Intake Manifold To Cylinder Head, Mounting
6	06509136AA	1	J, T			EKG			STUD, Double Ended, M6X1.00X80.00, Intake Manifold To Cylinder Head, Mounting
7	04666113AC	1	J, T			EKG			GASKET, Throttle Body
8	56041018AD	1	J, T			EKG			SENSOR, MAP
9	06102417AA	1	J, T			EKG			SCREW, Tapping Hex Head, M4.2X1.70X16.00, Map Sensor To Intake Manifold, Mounting

GRAND CHEROKEE (WK)

SERIES LINE
H = HIGHLINE T = JEEP - 2WD
P = PREMIUM J = JEEP - 4WD
S = SPORT
X = SPECIAL

BODY
74 = SPORT UTILITY 4-DR
TYPE #4

ENGINE
EZH = 5.7L V8 HEMI MDS
VCT Engine
ESF = 6.1L SRT HEMI V8
Engine
EKG = 3.7L V6 Engine

TRANSMISSION
DGJ = 5-Speed Auto W5A580
Transmission
DGQ = 5-Spd Automatic 545RFE
Transmission

**Crankcase Ventilation 3.7L [EKG]
Figure 009EKG-1105**

ITEM	PART NUMBER	QTY	LINE	SERIES	BODY	ENGINE	TRANS	TRIM	DESCRIPTION
1	53032993AE	1	J, T			EKG			HOSE, PCV Valve To intake Manifold
2	53034065AA	1	J, T			EKG			VALVE, Crankcase Vent
3		1							CLAMP, Serviced With PCV Hose, (NOT SERVICED)
4	53013884AB	1	J, T			EKG			HOSE, Make Up Air
5	06036575AA	1	J, T			EKG			NIPPLE, .375-18X2.00

GRAND CHEROKEE (WK)

SERIES LINE
H = HIGHLINE T = JEEP - 2WD
P = PREMIUM J = JEEP - 4WD
S = SPORT
X = SPECIAL

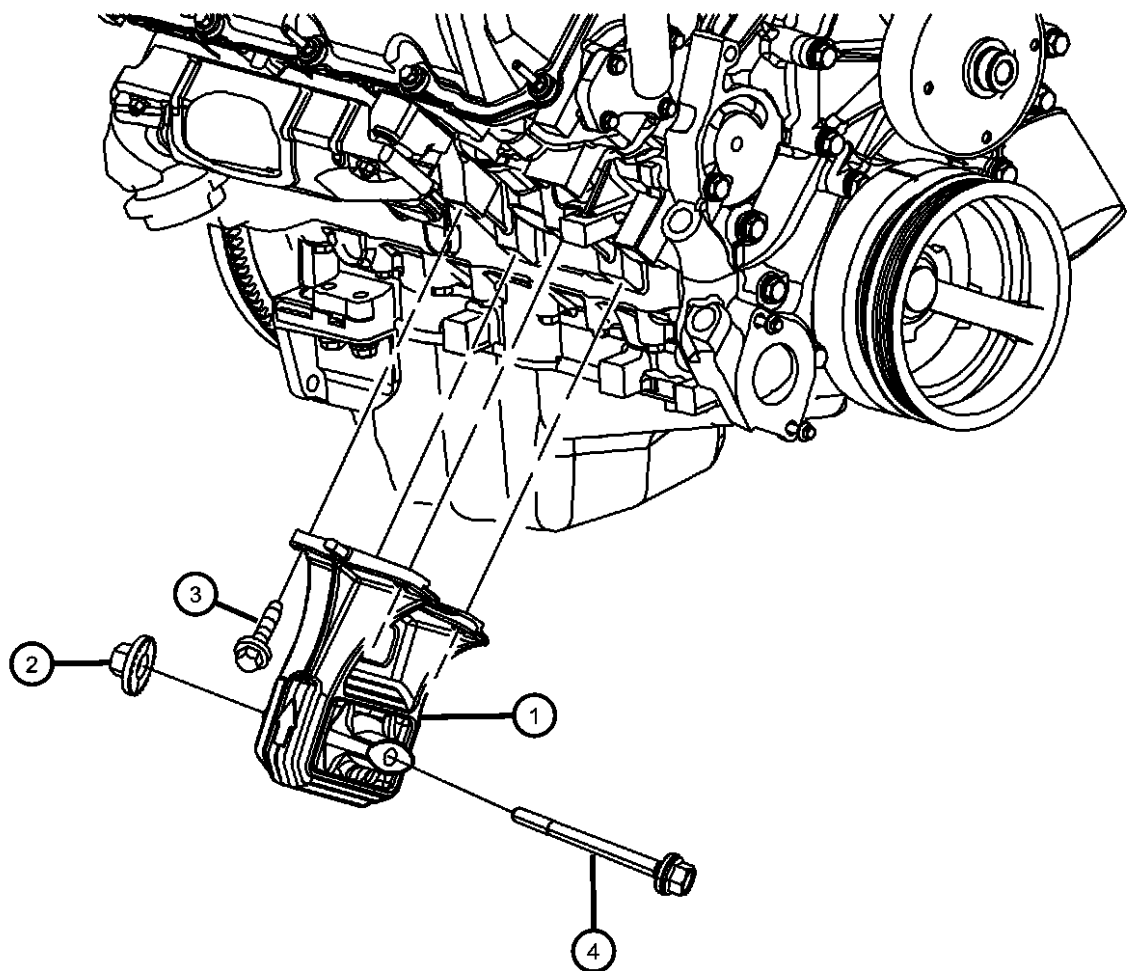
BODY
74 = SPORT UTILITY 4-DR
TYPE #4

ENGINE
EZH = 5.7L V8 HEMI MDS
VCT Engine
ESF = 6.1L SRT HEMI V8
Engine
EKG = 3.7L V6 Engine

TRANSMISSION
DGJ = 5-Speed Auto W5A580
Transmission
DGQ = 5-Spd Automatic 545RFE
Transmission

**Engine Mounting Right Side RWD/2WD 3.7L [EKG]
Figure 009EKG-1220**

ITEM	PART NUMBER	QTY	LINE	SERIES	BODY	ENGINE	TRANS	TRIM	DESCRIPTION
1	52090296AF	1	J, T			EK0			BRACKET, Engine MountRight
2	06502585	1	J, T			EK0, ES0, EV0, EZ0			NUT AND CONED WASHER, Hex, M12X1.75, Engine Mount To Cradle Bracket, Mounting
3	06104214AA	4	J, T			EK0, EV0			BOLT, Hex Flange Head, M10X1.50X20.00, Bracket To Cylinder Block, Mounting Right Side
4	06508081AA	1	J, T			EK0, ES0, EV0, EZ0			BOLT, Hex Flange Head, M12X1.75X150.00, Engine Mount To Cradle Bracket, Mounting



GRAND CHEROKEE (WK)

SERIES LINE
H = HIGHLINE T = JEEP - 2WD
P = PREMIUM J = JEEP - 4WD
S = SPORT
X = SPECIAL

BODY
74 = SPORT UTILITY 4-DR
TYPE #4

ENGINE
EZH = 5.7L V8 HEMI MDS
VCT Engine
ESF = 6.1L SRT HEMI V8
Engine
EKG = 3.7L V6 Engine

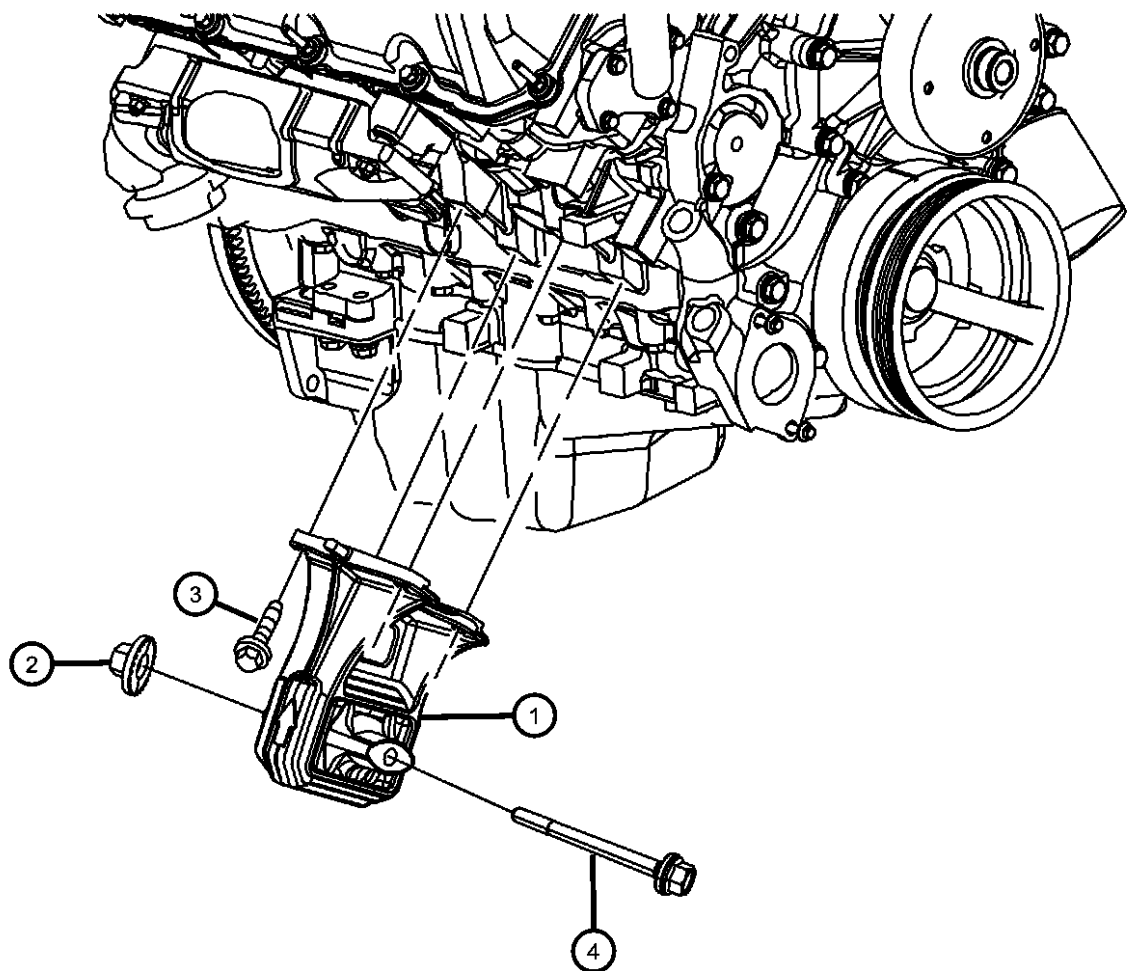
TRANSMISSION
DGJ = 5-Speed Auto W5A580
Transmission
DGQ = 5-Spd Automatic 545RFE
Transmission

AR = use ase required - = Non illustrated part

2010 WK

**Engine Mounting Right Side 4WD 3.7L [EKG]
Figure 009EKG-1225**

ITEM	PART NUMBER	QTY	LINE	SERIES	BODY	ENGINE	TRANS	TRIM	DESCRIPTION
1	52090296AF	1	J, T			EK0			BRACKET, Engine MountRight
2	06502585	1	J, T			EK0, ES0, EV0, EZ0			NUT AND CONED WASHER, Hex, M12X1.75, Engine Mount To Cradle Bracket, Mounting
3	06104214AA	4	J, T			EK0, EV0			BOLT, Hex Flange Head, M10X1.50X20.00, Engine Mount Bracket To Cylinder Block, Mounting, Right
4	06508081AA	1	J, T			EK0, ES0, EV0, EZ0			BOLT, Hex Flange Head, M12X1.75X150.00, Engine Mount To Cradle Bracket, Mounting



GRAND CHEROKEE (WK)

SERIES LINE
H = HIGHLINE T = JEEP - 2WD
P = PREMIUM J = JEEP - 4WD
S = SPORT
X = SPECIAL

BODY
74 = SPORT UTILITY 4-DR
TYPE #4

ENGINE
EZH = 5.7L V8 HEMI MDS
VCT Engine
ESF = 6.1L SRT HEMI V8
Engine
EKG = 3.7L V6 Engine

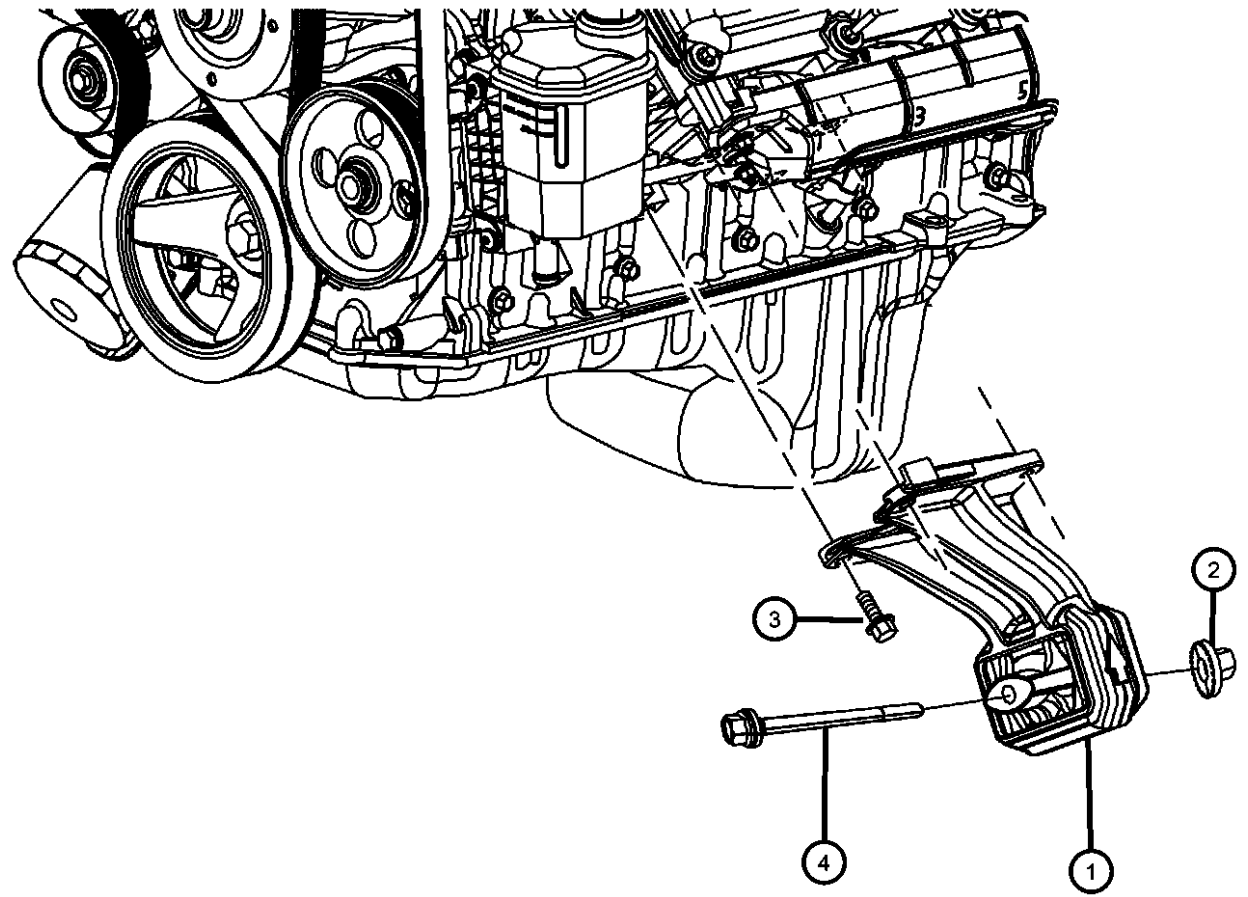
TRANSMISSION
DGJ = 5-Speed Auto W5A580
Transmission
DGQ = 5-Spd Automatic 545RFE
Transmission

AR = use ase required - = Non illustrated part

2010 WK

**Engine Mounting Left Side RWD/2WD 3.7L [EKG]
Figure 009EKG-1235**

ITEM	PART NUMBER	QTY	LINE	SERIES	BODY	ENGINE	TRANS	TRIM	DESCRIPTION
1	52090297AG	1	J, T			EK0			BRACKET, Engine MountLeft
2	06502585	1	J, T			EK0, ES0, EV0, EZ0			NUT AND CONED WASHER, Hex, M12X1.75, Engine Mount To Cradle Bracket, Mounting
3	06104214AA	4	J, T			EK0, EV0			BOLT, Hex Flange Head, M10X1.50X20.00, Engine Mount Bracket To Cylinder Block, Mounting, Left
4	06508081AA	1	J, T			EK0, ES0, EV0, EZ0			BOLT, Hex Flange Head, M12X1.75X150.00, Engine Mount To Cradle Bracket, Mounting



GRAND CHEROKEE (WK)

SERIES LINE
H = HIGHLINE T = JEEP - 2WD
P = PREMIUM J = JEEP - 4WD
S = SPORT
X = SPECIAL

BODY
74 = SPORT UTILITY 4-DR
TYPE #4

ENGINE
EZH = 5.7L V8 HEMI MDS
VCT Engine
ESF = 6.1L SRT HEMI V8
Engine
EKG = 3.7L V6 Engine

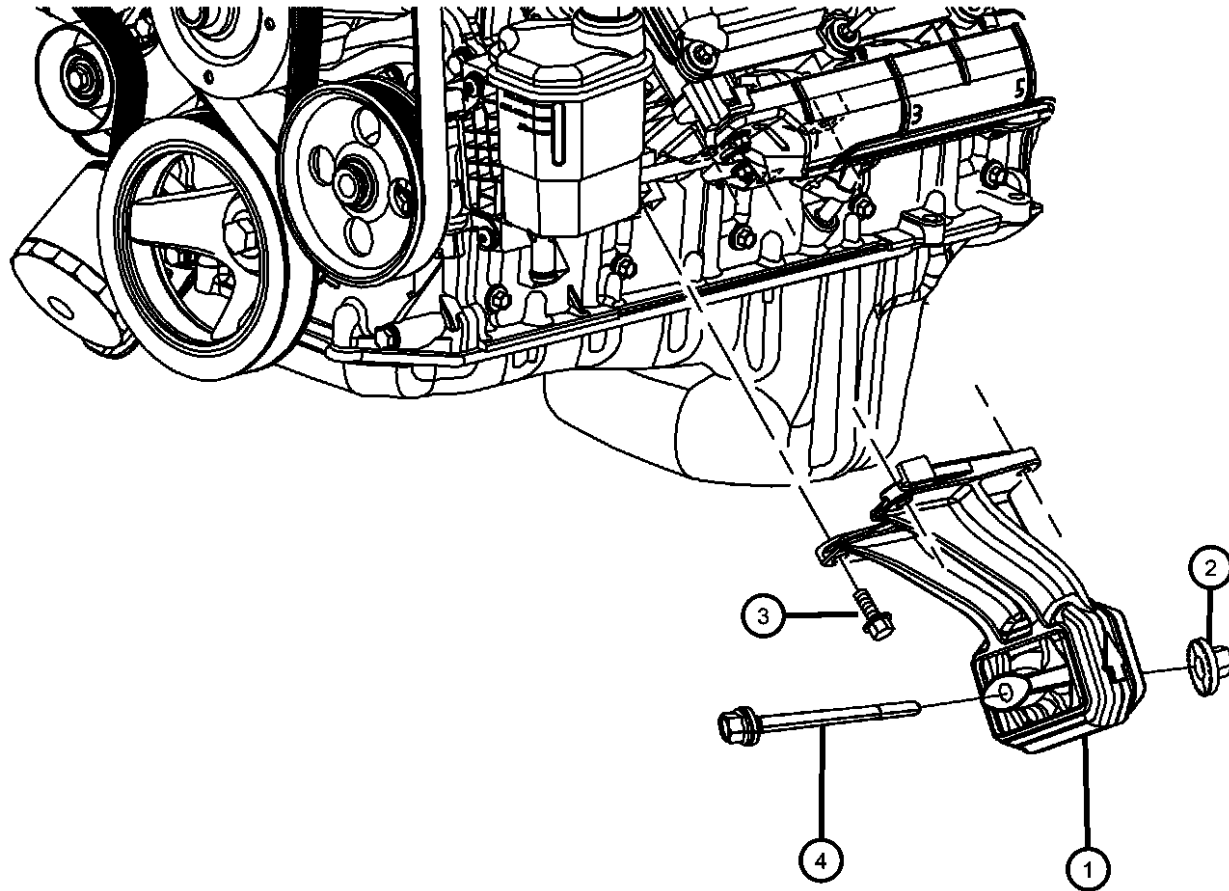
TRANSMISSION
DGJ = 5-Speed Auto W5A580
Transmission
DGQ = 5-Spd Automatic 545RFE
Transmission

AR = use ase required - = Non illustrated part

2010 WK

**Engine Mounting Left Side 4WD 3.7L [EKG]
Figure 009EKG-1240**

ITEM	PART NUMBER	QTY	LINE	SERIES	BODY	ENGINE	TRANS	TRIM	DESCRIPTION
1	52090297AG	1	J, T			EK0			BRACKET, Engine MountLeft
2	06502585	1	J, T			EK0, ES0, EV0, EZ0			NUT AND CONED WASHER, Hex, M12X1.75, Engine Mount To Cradle Bracket, Mounting
3	06104214AA	4	J, T			EK0, EV0			BOLT, Hex Flange Head, M10X1.50X20.00, Engine Mount Bracket To Cylinder Block, Mounting, Left
4	06508081AA	1	J, T			EK0, ES0, EV0, EZ0			BOLT, Hex Flange Head, M12X1.75X150.00, Engine Mount To Cradle Bracket, Mounting



GRAND CHEROKEE (WK)

SERIES LINE
H = HIGHLINE T = JEEP - 2WD
P = PREMIUM J = JEEP - 4WD
S = SPORT
X = SPECIAL

BODY
74 = SPORT UTILITY 4-DR
TYPE #4

ENGINE
EZH = 5.7L V8 HEMI MDS
VCT Engine
ESF = 6.1L SRT HEMI V8
Engine
EKG = 3.7L V6 Engine

TRANSMISSION
DGJ = 5-Speed Auto W5A580
Transmission
DGQ = 5-Spd Automatic 545RFE
Transmission

AR = use ase required - = Non illustrated part

2010 WK

Group - 009ESF

6.1L Gas; Engine

009ESF-100 Engine Identification	009ESF-1000 Manifolds and Vacuum Fittings	009ESF-1100 Crankcase Ventilation	009ESF-1200 Engine Mounting
009ESF-200 Cylinder Head	009ESF-300 Cylinder Block	009ESF-400 Crankshaft, Piston, Drive Plate, Flywheel, and Damper	009ESF-500 Camshaft and Valve
009ESF-600 Timing Belt/Chain and Cover and Balance Shaft	009ESF-700 Engine Oiling, Oil Pan and Indicator (Dipstick)		

Group - 009ESF 6.1L Gas; Engine

Illustration Title	Group-Fig. No.
Engine Identification	
Engine Identification 6.1L [ESF].....	Fig. 009ESF - 105
Engine Assembly And Service Long Block 6.1L [ESF].....	Fig. 009ESF - 115
Engine Covers And Related Parts 6.1L [ESF].....	Fig. 009ESF - 125
Engine Gasket Kits 6.1L [ESF].....	Fig. 009ESF - 145
Cylinder Head	
Cylinder Head Covers 6.1L [ESF].....	Fig. 009ESF - 205
Cylinder Heads 6.1L [ESF].....	Fig. 009ESF - 225
Cylinder Block	
Engine Cylinder Block And Hardware 6.1L [ESF].....	Fig. 009ESF - 305
Engine Cylinder Block Heater 6.1L [ESF].....	Fig. 009ESF - 325
Crankshaft, Piston, Drive Plate, Flywheel, and Damper	
Crankshaft, Crankshaft Bearings, Damper And Flywheel 6.1L [ESF].....	Fig. 009ESF - 405
Pistons, Piston Rings, Connecting Rods And Connecting Rod Bearings 6.1L [ESF].....	Fig. 009ESF - 425
Camshaft and Valve	
Camshaft And Valvetrain 6.1L [ESF].....	Fig. 009ESF - 505
Timing Belt/Chain and Cover and Balance Shaft	
Timing Case Cover 6.1L [ESF].....	Fig. 009ESF - 605
Timing System 6.1L [ESF].....	Fig. 009ESF - 625
Engine Oiling, Oil Pan and Indicator (Dipstick)	
Engine Oiling Pump 6.1L [ESF].....	Fig. 009ESF - 705
Engine Oil Pan, Engine Oil Level Indicator And Related Parts 6.1L [ESF].....	Fig. 009ESF - 725
Engine Oil, Engine Oil Filter, Adapter And Related Parts 6.1L [ESF].....	Fig. 009ESF - 745
Manifolds and Vacuum Fittings	
Exhaust Manifolds And Heat Shields 6.1L [ESF].....	Fig. 009ESF - 1005
Intake Manifold 6.1L [ESF].....	Fig. 009ESF - 1025
Crankcase Ventilation	
Crankcase Ventilation 6.1L [ESF].....	Fig. 009ESF - 1105
Engine Mounting	
Engine Mounting Right Side 4WD 6.1L [ESF].....	Fig. 009ESF - 1225
Engine Mounting Left Side 4WD 6.1L [ESF].....	Fig. 009ESF - 1240

**Engine Identification 6.1L [ESF]
Figure 009ESF-105**

ITEM	PART NUMBER	QTY	LINE	SERIES	BODY	ENGINE	TRANS	TRIM	DESCRIPTION
------	-------------	-----	------	--------	------	--------	-------	------	-------------

NOTE:

The Engine Identification Label Is Attached To One Of The Cylinder Head Covers.

The Production Engine Part Number Is Not A Servicable Part Number.

A Engine Is Usally Serviced By A Long Block Or Short Block Engine Only.

1

1

LABEL, Engine Identification, See Important Note, (NOT SERVICED)

GRAND CHEROKEE (WK)

SERIES	LINE
H = HIGHLINE	T = JEEP - 2WD
P = PREMIUM	J = JEEP - 4WD
S = SPORT	
X = SPECIAL	

BODY
74 = SPORT UTILITY 4-DR TYPE #4

ENGINE
EZH = 5.7L V8 HEMI MDS VCT Engine
ESF = 6.1L SRT HEMI V8 Engine
EKG = 3.7L V6 Engine

TRANSMISSION
DGJ = 5-Speed Auto W5A580 Transmission
DGQ = 5-Spd Automatic 545RFE Transmission

**Engine Assembly And Service Long Block 6.1L [ESF]
Figure 009ESF-115**

ITEM	PART NUMBER	QTY	LINE	SERIES	BODY	ENGINE	TRANS	TRIM	DESCRIPTION
1		1							ENGINE, Complete, Serviced By New Short Block Only, (NOT SERVICED)
2		1							ENGINE, Long Block, (NOT SERVICED)

GRAND CHEROKEE (WK)

SERIES LINE
H = HIGHLINE T = JEEP - 2WD
P = PREMIUM J = JEEP - 4WD
S = SPORT
X = SPECIAL

BODY
74 = SPORT UTILITY 4-DR
TYPE #4

ENGINE
EZH = 5.7L V8 HEMI MDS
VCT Engine
ESF = 6.1L SRT HEMI V8
Engine
EKG = 3.7L V6 Engine

TRANSMISSION
DGJ = 5-Speed Auto W5A580
Transmission
DGQ = 5-Spd Automatic 545RFE
Transmission

AR = use ase required - = Non illustrated part

2010 WK

**Engine Covers And Related Parts 6.1L [ESF]
Figure 009ESF-125**

ITEM	PART NUMBER	QTY	LINE	SERIES	BODY	ENGINE	TRANS	TRIM	DESCRIPTION
1	05037534AB	1	J, T			ESF			COVER, Wiring Protector With [Hemi 6.1L], Right
	05037535AB	1	J, T			ESF			With [Hemi], Left
2	05037581AB	4	J, T			ESF			BALL STUD, [42.04 MM], Wiring Protector Cover, Mounting

GRAND CHEROKEE (WK)

SERIES LINE
H = HIGHLINE T = JEEP - 2WD
P = PREMIUM J = JEEP - 4WD
S = SPORT
X = SPECIAL

BODY
74 = SPORT UTILITY 4-DR
TYPE #4

ENGINE
EZH = 5.7L V8 HEMI MDS
VCT Engine
ESF = 6.1L SRT HEMI V8
Engine
EKG = 3.7L V6 Engine

TRANSMISSION
DGJ = 5-Speed Auto W5A580
Transmission
DGQ = 5-Spd Automatic 545RFE
Transmission

AR = use ase required - = Non illustrated part

2010 WK

**Engine Gasket Kits 6.1L [ESF]
Figure 009ESF-145**

ITEM	PART NUMBER	QTY	LINE	SERIES	BODY	ENGINE	TRANS	TRIM	DESCRIPTION
1	05170961AB	1	J, T			ESF			GASKET PACKAGE, Engine Upper
2	05037592AC	2	J, T			ESF			GASKET, Cylinder Head Right And Left
3	05114179AB	2	J, T			ESF			GASKET KIT, Cylinder Head Cover Right And Left
4									SEAL, Valve Guide
	53021578AA	8	J, T			ESF			Exhaust, Valve
	05037798AA	8	J, T			ESF			Intake, Valve
5									GASKET, Exhaust Manifold
	05038098AA	1	J, T			ESF			Right
	05038099AA	1	J, T			ESF			Left
6	53032383AB	1	J, T			ESF			SEAL, Throttle Body to Intake
7	53021569AD	8	J, T			ESF			GASKET, Spark Plug Well
8	05037503AA	2	J, T			ESF			GASKET, Intake Manifold
9	05037555AA	1	J, T			ESF			GASKET, Intake Manifold Pan
10	68003172AB	1	J, T			ESF			GASKET PACKAGE, Engine Lower
11	53020861	1	J, T			ESF			SEAL, Oil Pick Up Tube
12	53021144AA	1	J, T			ESF			O RING, Engine Oil Indicator Tube
13	04792922AA	1	J, T			ESF			GASKET, Water Pump
14	05139933AB	1	J, T			ESF			GASKET PACKAGE, Front Cover
15	53021585AD	1	J, T			ESF			SEAL, Crankshaft Oil, Front
16		1							SEAL, Crankshaft Oil, Rear, Serviced With Rear Crankshaft Retainer, (NOT SERVICED)
17	05037692AA	1	J, T			ESF			GASKET, Oil Pan
18	05140028AA	1	J, T			ESF			RETAINER PACKAGE, Crankshaft Rear Oil Seal
19	06506342AA	5	J, T			ESF			BOLT, Hex Flange Head, M6X1.00X24.00, Rear Oil Seal Retainer To Cylinder Block, Mounting

GRAND CHEROKEE (WK)

SERIES LINE
H = HIGHLINE T = JEEP - 2WD
P = PREMIUM J = JEEP - 4WD
S = SPORT
X = SPECIAL

BODY
74 = SPORT UTILITY 4-DR
TYPE #4

ENGINE
EZH = 5.7L V8 HEMI MDS
VCT Engine
ESF = 6.1L SRT HEMI V8
Engine
EKG = 3.7L V6 Engine

TRANSMISSION
DGJ = 5-Speed Auto W5A580
Transmission
DGQ = 5-Spd Automatic 545RFE
Transmission

AR = use ase required - = Non illustrated part

2010 WK

**Cylinder Head Covers 6.1L [ESF]
Figure 009ESF-205**

ITEM	PART NUMBER	QTY	LINE	SERIES	BODY	ENGINE	TRANS	TRIM	DESCRIPTION
1	06508330AA	8	J, T			ESF			STUD AND GROMMET, Special, M6X1.00X80.00, Cylinder Head Cover To Cylinder Head, Mounting
2	06508861AA	12	J, T			ESF			STUD AND GROMMET, Special, M6X1.00X45.00, Cylinder Head Cover To Cylinder Head, Mounting
3	05037531AC	2	J, T			ESF			COVER, Cylinder HeadRight And Left
4	05114179AB	2	J, T			ESF			GASKET KIT, Cylinder Head CoverRight And Left
5	53021569AD	8	J, T			ESF			GASKET, Spark Plug WellRight And Left

GRAND CHEROKEE (WK)

SERIES LINE
H = HIGHLINE T = JEEP - 2WD
P = PREMIUM J = JEEP - 4WD
S = SPORT
X = SPECIAL

BODY
74 = SPORT UTILITY 4-DR
TYPE #4

ENGINE
EZH = 5.7L V8 HEMI MDS
VCT Engine
ESF = 6.1L SRT HEMI V8
Engine
EKG = 3.7L V6 Engine

TRANSMISSION
DGJ = 5-Speed Auto W5A580
Transmission
DGQ = 5-Spd Automatic 545RFE
Transmission

**Cylinder Heads 6.1L [ESF]
Figure 009ESF-225**

ITEM	PART NUMBER	QTY	LINE	SERIES	BODY	ENGINE	TRANS	TRIM	DESCRIPTION
1	05037592AC	2	J, T			ESF			GASKET, Cylinder HeadRight And Left
2	05170620AA	1	J, T			ESF			HEAD, Cylinder, Right
3	05170621AA	1	J, T			ESF			HEAD, Cylinder, Left
4									PLUG, Core, 1.25 Diameter
	04556020AB	2	J, T			ESF			Right Cylinder Head
		2	J, T			ESF			Left Cylinder Head
5	06506334AA	10	J, T			ESF			BOLT, Hex Flange Head, M8X1.25X45.00, Cylinder Head To Cylinder Block, Mounting
6	06506694AA	20	J, T			ESF			BOLT AND CONED WASHER, Hex Head, M12X1.50X135.00, Cylinder Head To Cylinder Block, Mounting

GRAND CHEROKEE (WK)

SERIES LINE
H = HIGHLINE T = JEEP - 2WD
P = PREMIUM J = JEEP - 4WD
S = SPORT
X = SPECIAL

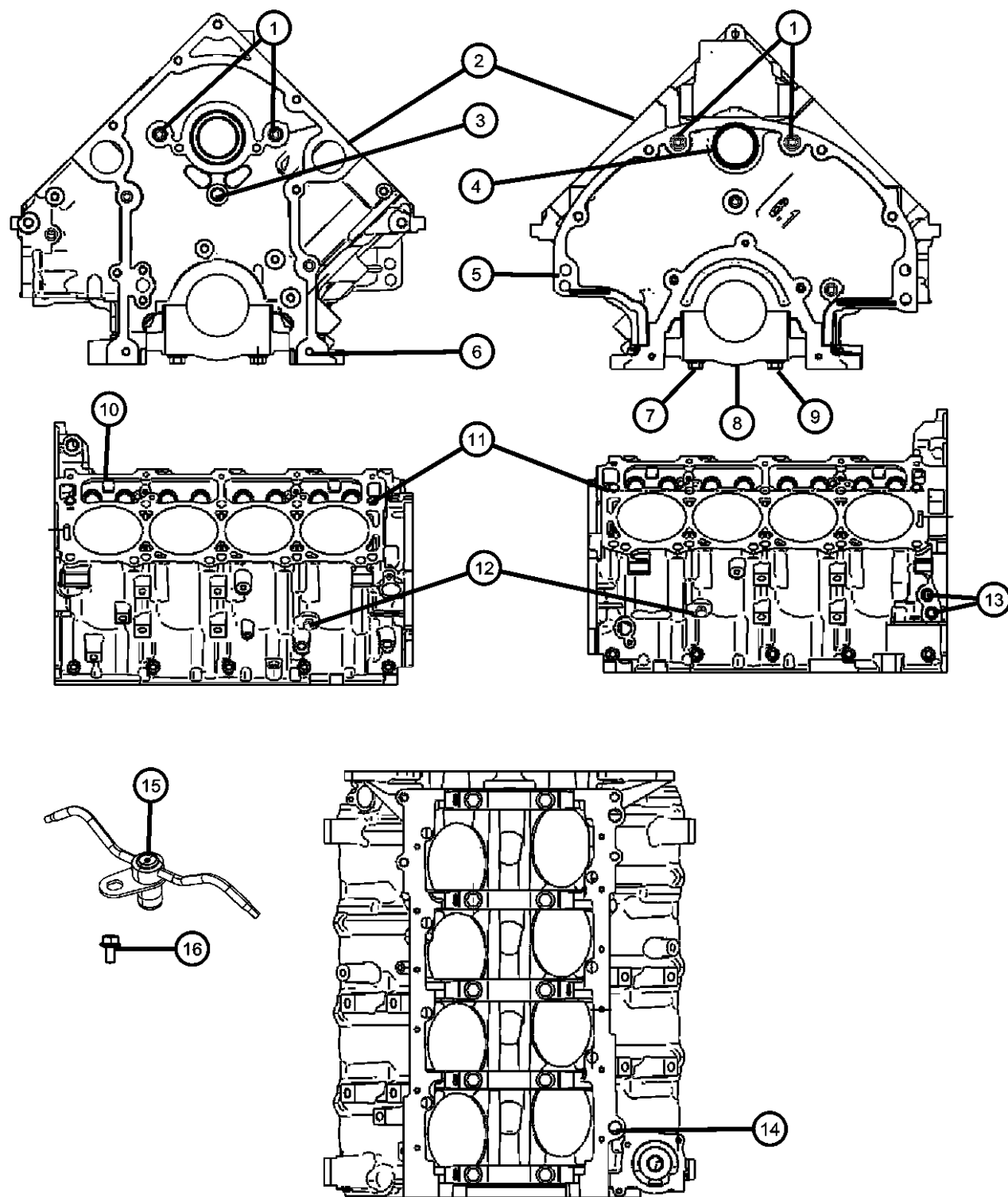
BODY
74 = SPORT UTILITY 4-DR
TYPE #4

ENGINE
EZH = 5.7L V8 HEMI MDS
VCT Engine
ESF = 6.1L SRT HEMI V8
Engine
EKG = 3.7L V6 Engine

TRANSMISSION
DGJ = 5-Speed Auto W5A580
Transmission
DGQ = 5-Spd Automatic 545RFE
Transmission

Engine Cylinder Block And Hardware 6.1L [ESF]

Figure 009ESF-305



ITEM	PART NUMBER	QTY	LINE	SERIES	BODY	ENGINE	TRANS	TRIM	DESCRIPTION
------	-------------	-----	------	--------	------	--------	-------	------	-------------

NOTE:
Shortblock Does Not Include Camshaft, Lifters, Oil Pump Or Oil Pan, But Does Include The Camshaft Bearings.

1		20							PLUG, Cylinder Block, [.375-18X1.343] Serviced In Short Block, (NOT SERVICED)
2	05159561AD	1	J, T			ESF			ENGINE, Short Block, See Note
3	06036286AA	1	J, T			ESF			PLUG, Cylinder Block, .562X.280 Stainless, Oil Gallery, Front
4	06507663AA	1	J, T			ESF			PLUG, Camshaft, [M47.93 OD 6.4 THK 51.5 FLG OD]Rear
5	01122532	2	J, T			ESF			DOWEL, Block to Clutch Housing, 1/2X3/4
6	06506332AA	2	J, T			ESF			PIN, Dowel, M8X10.00, Front Timing Case Cover To Cylinder Block, Mounting
7	06506333AA	2	J, T			ESF			STUD, Double Ended, M12&M8, Main Bearing Cap To Cylinder Block, Mounting
8		2							CAP, Main, Serviced By New Short Block Engine, (NOT SERVICED)
9	06506272AA	10	J, T			ESF			BOLT, Hex Flange Head, M12X1.75X91.50, Main Bearing Cap To Cylinder Block, Mounting
10	53032221AA	4	J, T			ESF			PLUG, Cylinder Block, For Engines Without Multi Displacement System
11	05240849	4	J, T			ESF			DOWEL PIN, Cylinder Head To Cylinder Block, Mounting
12	06036592AA	2	J, T			ESF			PLUG, .250-18X.690, Cylinder Block Coolant Drain
13	06034331	4	J, T			ESF			PLUG, Hex Socket, 3/8-18NPTx.475
14	06036307AA	2	J, T			ESF			PLUG, Pipe, .250-18X.413, Oil Gallery Block Off
15	05037524AB	4	J, T			ESF			JET, Piston Oil Cooler
16	06104179AA	4	J, T			ESF			BOLT, Hex Flange Head, M6x1.00x12.00, Piston Oil Cooler Jets To Cylinder Block, Mounting

GRAND CHEROKEE (WK)

SERIES LINE
H = HIGHLINE T = JEEP - 2WD
P = PREMIUM J = JEEP - 4WD
S = SPORT
X = SPECIAL

BODY
74 = SPORT UTILITY 4-DR TYPE #4

ENGINE
EZH = 5.7L V8 HEMI MDS VCT Engine
ESF = 6.1L SRT HEMI V8 Engine
EKG = 3.7L V6 Engine

TRANSMISSION
DGJ = 5-Speed Auto W5A580 Transmission
DGQ = 5-Spd Automatic 545RFE Transmission

AR = use ase required - = Non illustrated part

2010 WK

**Engine Cylinder Block Heater 6.1L [ESF]
Figure 009ESF-325**

ITEM	PART NUMBER	QTY	LINE	SERIES	BODY	ENGINE	TRANS	TRIM	DESCRIPTION
1	56044577AB	1	J, T			ESF, EZH			CORD, Engine Block Heater
2	05149055AA	1	J, T			ESF			HEATER, Engine Block
3	56008876	1	J, T			ESF, EVE, EZH			STRAP, Tie
4		1							SCREW AND WASHER, Hex Head, M6x1x20, Serviced With Engine Block Heater, (NOT SERVICED)

GRAND CHEROKEE (WK)

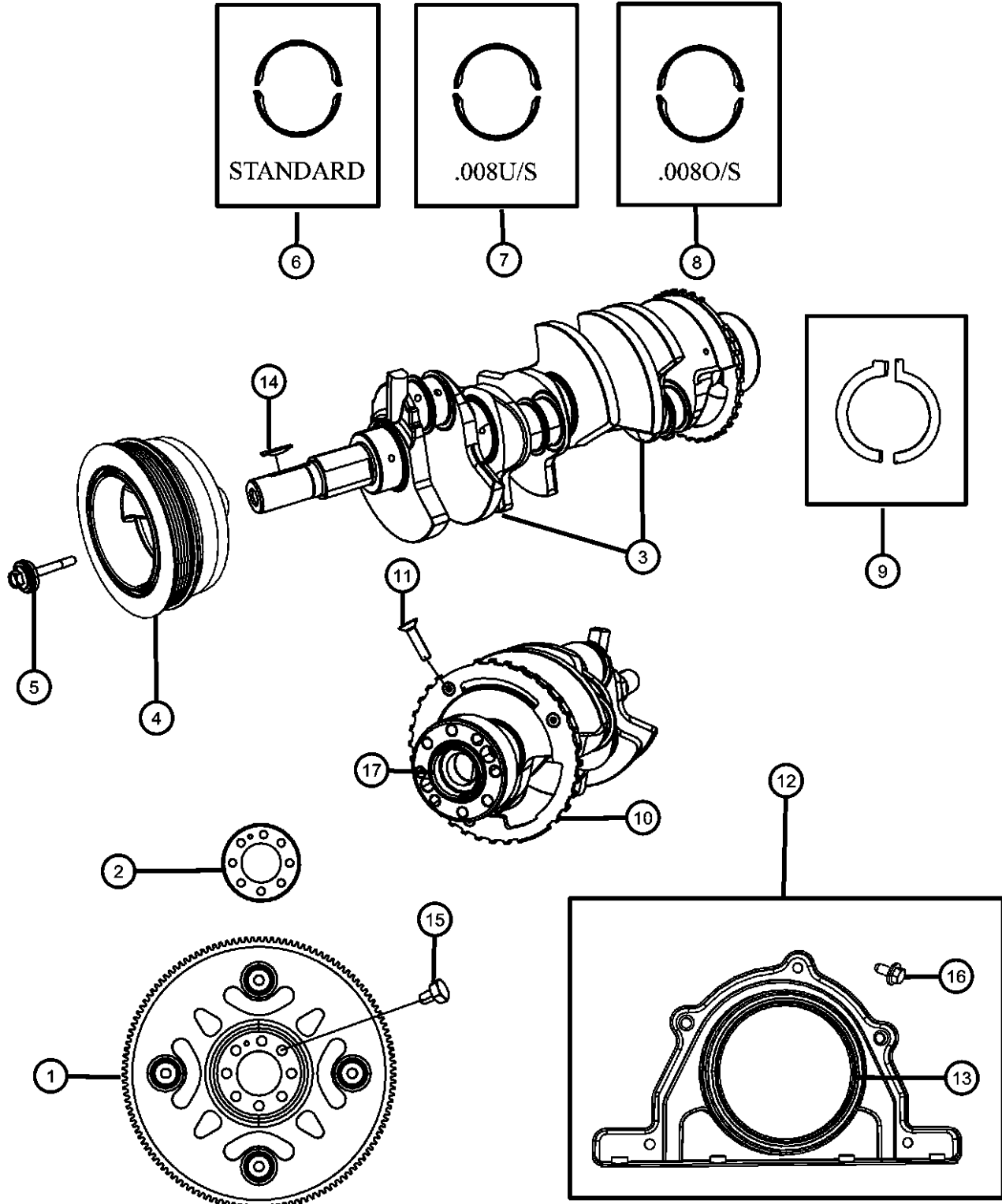
SERIES LINE
H = HIGHLINE T = JEEP - 2WD
P = PREMIUM J = JEEP - 4WD
S = SPORT
X = SPECIAL

BODY
74 = SPORT UTILITY 4-DR
TYPE #4

ENGINE
EZH = 5.7L V8 HEMI MDS
VCT Engine
ESF = 6.1L SRT HEMI V8
Engine
EKG = 3.7L V6 Engine

TRANSMISSION
DGJ = 5-Speed Auto W5A580
Transmission
DGQ = 5-Spd Automatic 545RFE
Transmission

**Crankshaft. Crankshaft Bearings, Damper And Flywheel 6.1L [ESF]
Figure 009ESF-405**



ITEM	PART NUMBER	QTY	LINE	SERIES	BODY	ENGINE	TRANS	TRIM	DESCRIPTION
------	-------------	-----	------	--------	------	--------	-------	------	-------------

NOTE: For Crankshaft Identification, Stamping Location And Bearing Information Refer To The Service Manual.
For Bearing Selection Sizes Please Refer To Service Manual Group 9, Bearings Crankshaft Main, [Select Fit Identification]
Sales Codes:
[DF

1	04752455AA	1	J, T			ESF	DGJ		PLATE, Torque Converter Drive
2	04736613AA	1				ESF			PLATE, Flexplate or Flywheel Backing
3	05037458AB	1	J, T			ESF			CRANKSHAFT
4	05037394AA	1	J, T			ESF			DAMPER, Crankshaft
5	06508400AA	1	J, T			ESF			BOLT AND CONED WASHER, Hex Head, M14X1.5X102.00, Damper To Crankshaft, Mounting
6	68046263AA	AR	J, T			ESF			BEARING KIT, Crankshaft, B Grade, See Note
7	68048304AA	1	J, T			ESF			BEARING KIT, Crankshaft, .008mm U/S, See Note
8	68048303AA	5	J, T			ESF			BEARING KIT, Crankshaft, .008mm O/S, See Note
9	05083979AA	1	J, T			ESF			THRUST WASHER PACKAGE, Crankshaft
10		1							TONE RING, Sensor, Serviced With Crankshaft, (NOT SERVICED)
11		1							SCREW, M6x1x25, Serviced With Crankshaft, (NOT SERVICED)
12	05140028AA	1	J, T			ESF			RETAINER PACKAGE, Crankshaft Rear Oil Seal
13		1							SEAL, Crankshaft Oil, Rear, Serviced In Rear Retainer Package, (NOT SERVICED)
14	06506397AA	1	J, T			ESF			KEY, Woodruff, Crankshaft Sprocket
15	06503465	8	J, T			ESF	DGJ		BOLT, Hex Head Lock, M10X1.00X18.00, Torque Converter Drive Plate To Crankshaft, Mounting
16	06506342AA	5	J, T			ESF			BOLT, Hex Flange Head, M6X1.00X24.00, Rear Oil Seal Retainer To Cylinder Block, Mounting
17	04736283AA	1	J, T			ESF			SLEEVE

GRAND CHEROKEE (WK)

SERIES LINE
H = HIGHLINE T = JEEP - 2WD
P = PREMIUM J = JEEP - 4WD
S = SPORT
X = SPECIAL

BODY
74 = SPORT UTILITY 4-DR
TYPE #4

ENGINE
EZH = 5.7L V8 HEMI MDS
VCT Engine
ESF = 6.1L SRT HEMI V8
Engine
EKG = 3.7L V6 Engine

TRANSMISSION
DGJ = 5-Speed Auto W5A580
Transmission
DGQ = 5-Spd Automatic 545RFE
Transmission

AR = use ase required - = Non illustrated part

2010 WK

**Pistons, Piston Rings, Connecting Rods And Connecting Rod Bearings 6.1L [ESF]
Figure 009ESF-425**

ITEM	PART NUMBER	QTY	LINE	SERIES	BODY	ENGINE	TRANS	TRIM	DESCRIPTION
NOTE: For Crankshaft Identification, Stamping Location And Bearing Information Refer To The Service Manual. For Bearing Selection Sizes Please Refer To Service Manual Group 9, Bearings Crankshaft Main, [Select Fit Identification]									
1									PISTON PIN AND ROD
	68031890AD	4	J, T			ESF			Cylinders 2,4,6,8
	68031891AD	4	J, T			ESF			Cylinders 1,3,5,7
2	05159661AA	1	J, T			ESF			RING PACKAGE, Piston, Standard Size
3		1							PIN, Piston, Serviced With Piston Package, (NOT SERVICED)
4		1							RING, Piston Pin, Serviced With Piston Package, (NOT SERVICED)
5		1							ROD, Connecting, Serviced With Piston Package, (NOT SERVICED)
6									BOLT, Connecting Rod
	06509243AA	8	J, T			ESF			Cylinders 1,3,5,7
		8	J, T			ESF			Cylinders 2,4,6,8
7	05086003AC	AR	J, T			ESF			BEARING PACKAGE, Connecting Rod, Standard, See Note

GRAND CHEROKEE (WK)

SERIES LINE
H = HIGHLINE T = JEEP - 2WD
P = PREMIUM J = JEEP - 4WD
S = SPORT
X = SPECIAL

BODY
74 = SPORT UTILITY 4-DR
TYPE #4

ENGINE
EZH = 5.7L V8 HEMI MDS
VCT Engine
ESF = 6.1L SRT HEMI V8
Engine
EKG = 3.7L V6 Engine

TRANSMISSION
DGJ = 5-Speed Auto W5A580
Transmission
DGQ = 5-Spd Automatic 545RFE
Transmission

AR = use ase required - = Non illustrated part

2010 WK

**Camshaft And Valvetrain 6.1L [ESF]
Figure 009ESF-505**

ITEM	PART NUMBER	QTY	LINE	SERIES	BODY	ENGINE	TRANS	TRIM	DESCRIPTION
1	53021553AA	2	J, T			ESF			ROCKER ARM, Exhaust
2	53021552AA	2	J, T			ESF			ROCKER ARM, Intake
3	53010515AA	32	J, T			ESF			LOCK, Valve Spring Retainer
4	53021676AB	16	J, T			ESF			RETAINER, Valve Spring
5	05037382AD	8	J, T			ESF			SPRING, Intake Valve
6	05037477AD	8	J, T			ESF			SPRING, Exhaust Valve
7									SEAL, Valve Guide
	05037798AA	8	J, T			ESF			Intake, Valve
	53021578AA	8	J, T			ESF			Exhaust, Valve
8	05037372AB	8	J, T			ESF			VALVE, Intake, Standard
9	05037373AB	8	J, T			ESF			VALVE, Exhaust, Standard
10		8							TAPPET, Hyd. Roller, Serviced With Lifters And Yoke, (NOT SERVICED)
11	53021721AA	4	J, T			ESF			YOKE, Tappet Aligning
12	05037379AD	1	J, T			ESF			CAMSHAFT, Engine
13	05037476AB	8	J, T			ESF			PUSH ROD, Intake Valve
14	05037475AB	8	J, T			ESF			PUSH ROD, Exhaust Valve
15	53021720AD	4	J, T			ESF			LIFTERS AND YOKE, Hydraulic, Engine
16	06507072AA	10	J, T			ESF			BOLT, Hex Flange Head, M8X1.25X50.00, Rocker Arm Shaft To Cylinder Head, Mounting
17	06509208AA	4	J, T			ESF			BOLT, Hex Flange Head, M6x1.00x14.00, Tappet Aligning Yoke To Cylinder Block, Mounting

GRAND CHEROKEE (WK)

SERIES LINE
H = HIGHLINE T = JEEP - 2WD
P = PREMIUM J = JEEP - 4WD
S = SPORT
X = SPECIAL

BODY
74 = SPORT UTILITY 4-DR
TYPE #4

ENGINE
EZH = 5.7L V8 HEMI MDS
VCT Engine
ESF = 6.1L SRT HEMI V8
Engine
EKG = 3.7L V6 Engine

TRANSMISSION
DGJ = 5-Speed Auto W5A580
Transmission
DGQ = 5-Spd Automatic 545RFE
Transmission

AR = use ase required - = Non illustrated part

2010 WK

**Timing Case Cover 6.1L [ESF]
Figure 009ESF-605**

ITEM	PART NUMBER	QTY	LINE	SERIES	BODY	ENGINE	TRANS	TRIM	DESCRIPTION
1	04792795AD	1	J, T			ESF			COVER, Timing Case, Includes Gasket, Bushing And Front Crankshaft Seal
2	05139933AB	1	J, T			ESF			GASKET PACKAGE, Front Cover
3	06506697AA	2	J, T			ESF			BUSHING, Timing Cover
4	53021585AD	1	J, T			ESF			SEAL, Crankshaft Oil, Front
5									BOLT AND CONED WASHER, Hex Head, M8X1.25X80.00
	06506270AA	5	J, T			ESF			Water Pump, Mounting
		3	J, T			ESF			Front Timing Case Cover To Cylinder Block,
6	06102157AA	1	J, T			ESF			BOLT AND CONED WASHER, Hex Head, M8X1.25X58.00, Front Timing Case Cover To Cylinder Block, Mounting
7	06502929	1	J, T			ESF			BOLT, Hex Head Locking, M8X1.25X119.00, Front Timing Case Cover To Cylinder And Slide Bushing Block, Mounting
8	06506343AA	1	J, T			ESF			STUD, Double Ended, M10X1.50X25.00, Cover/Lifting Stud, Mounting

GRAND CHEROKEE (WK)

SERIES LINE
H = HIGHLINE T = JEEP - 2WD
P = PREMIUM J = JEEP - 4WD
S = SPORT
X = SPECIAL

BODY
74 = SPORT UTILITY 4-DR
TYPE #4

ENGINE
EZH = 5.7L V8 HEMI MDS
VCT Engine
ESF = 6.1L SRT HEMI V8
Engine
EKG = 3.7L V6 Engine

TRANSMISSION
DGJ = 5-Speed Auto W5A580
Transmission
DGQ = 5-Spd Automatic 545RFE
Transmission

AR = use ase required - = Non illustrated part

2010 WK

**Timing System 6.1L [ESF]
Figure 009ESF-625**

ITEM	PART NUMBER	QTY	LINE	SERIES	BODY	ENGINE	TRANS	TRIM	DESCRIPTION
1	05037579AB	1	J, T			ESF			TIMING DRIVE KIT, Engine
2		1							SPROCKET, Camshaft, Serviced In Kit, (NOT SERVICED)
3		1							CHAIN, Timing, Serviced in Kit, (NOT SERVICED)
4		1							SPROCKET, Crankshaft, Serviced In Kit, (NOT SERVICED)
5	05037593AB	1	J, T			ESF			TENSIONER, Chain, Also Serviced In Kit
6	06507479AA	3	J, T			ESF			BOLT AND WASHER, Hex Head, M8x1.25x20.00, Tensioner To Cylinder Block, Mounting
7	06507480AA	1	J, T			ESF			BOLT, Hex Flange Head, M12X1.75X37.00, Sprocket To Camshaft, Mounting

GRAND CHEROKEE (WK)

SERIES LINE
H = HIGHLINE T = JEEP - 2WD
P = PREMIUM J = JEEP - 4WD
S = SPORT
X = SPECIAL

BODY
74 = SPORT UTILITY 4-DR
TYPE #4

ENGINE
EZH = 5.7L V8 HEMI MDS
VCT Engine
ESF = 6.1L SRT HEMI V8
Engine
EKG = 3.7L V6 Engine

TRANSMISSION
DGJ = 5-Speed Auto W5A580
Transmission
DGQ = 5-Spd Automatic 545RFE
Transmission

**Engine Oiling Pump 6.1L [ESF]
Figure 009ESF-705**

ITEM	PART NUMBER	QTY	LINE	SERIES	BODY	ENGINE	TRANS	TRIM	DESCRIPTION
1	05037687AB	1	J, T			ESF			PUMP, Engine Oil
2		1							COVER, Engine Oil Pump, Serviced With Oil Pump, (NOT SERVICED)
3		1							SCREW, Torx Head, Serviced With Oil Pump, (NOT SERVICED)
4	06101383	4	J, T			ESF			BOLT AND CONED WASHER, Hex Head, M8X1.25X55.00, Oil Pump To Cylinder Block, Mounting

GRAND CHEROKEE (WK)

SERIES LINE
H = HIGHLINE T = JEEP - 2WD
P = PREMIUM J = JEEP - 4WD
S = SPORT
X = SPECIAL

BODY
74 = SPORT UTILITY 4-DR
TYPE #4

ENGINE
EZH = 5.7L V8 HEMI MDS
VCT Engine
ESF = 6.1L SRT HEMI V8
Engine
EKG = 3.7L V6 Engine

TRANSMISSION
DGJ = 5-Speed Auto W5A580
Transmission
DGQ = 5-Spd Automatic 545RFE
Transmission

AR = use ase required - = Non illustrated part

2010 WK

**Engine Oil Pan, Engine Oil Level Indicator And Related Parts 6.1L [ESF]
Figure 009ESF-725**

ITEM	PART NUMBER	QTY	LINE	SERIES	BODY	ENGINE	TRANS	TRIM	DESCRIPTION
1	06507741AA	1	J, T			ESF			PLUG, Oil Drain
2	05037685AA	1	J, T			ESF			PAN, Engine Oil
3	05037692AA	1	J, T			ESF			GASKET, Oil Pan
4	53021522AE	1	J, T			ESF			TUBE, Oil Pickup
5	53020861	1	J, T			ESF			SEAL, Oil Pick Up Tube
6	06508067AA	3	J, T			ESF			STUD, M6X1.00X49.00, Oil Pan To Cylinder Block, Mounting
7	06102046AA	1	J, T			ESF			BOLT AND CONED WASHER, Hex Head, M8X1.25X27.00, Oil Pickup Tube To Cylinder Block, Mounting
8	53021144AA	1	J, T			ESF			O RING, Engine Oil Indicator Tube
9	05037683AB	1	J, T			ESF			TUBE, Engine Oil Indicator
10	05037757AA	1	J, T			ESF			INDICATOR, Engine Oil Level
11	06508448AA	16	J, T			ESF			BOLT AND CONED WASHER, Hex Head, M6X1.00X25.00, Oil Pan To Cylinder Block, Mounting
12	06502756	1	J, T			ESF			NUT, Hex Lock, M8x1.25, Oil Pickup Tube To Cylinder Block, Mounting
13	06508288AA	1	J, T			ESF			STUD, Double Ended, M6X1.00X45.90, Engine Oil Level Indicator Tube, Mounting

GRAND CHEROKEE (WK)

SERIES LINE
H = HIGHLINE T = JEEP - 2WD
P = PREMIUM J = JEEP - 4WD
S = SPORT
X = SPECIAL

BODY
74 = SPORT UTILITY 4-DR
TYPE #4

ENGINE
EZH = 5.7L V8 HEMI MDS
VCT Engine
ESF = 6.1L SRT HEMI V8
Engine
EKG = 3.7L V6 Engine

TRANSMISSION
DGJ = 5-Speed Auto W5A580
Transmission
DGQ = 5-Spd Automatic 545RFE
Transmission

AR = use ase required - = Non illustrated part

2010 WK

**Engine Oil. Engine Oil Filter, Adapter And Related Parts 6.1L [ESF]
Figure 009ESF-745**

ITEM	PART NUMBER	QTY	LINE	SERIES	BODY	ENGINE	TRANS	TRIM	DESCRIPTION
1	04884899AB	1	J, T			ESF			FILTER, Engine Oil
2	04892338AA	1	J, T			ESF			CONNECTOR, Oil Filter, M22X1.50
3	53013680AD	1	J, T			ESF			ADAPTER, Oil Filter
4	06505178AA	2	J, T			ESF			SCREW & WASHER, Hex Head Tapping, M8x1.25x25.00, Splash Guard, Mounting
5	53013711AD	1	J, T			ESF			GUARD, Splash
6	06102041AA	3	J, T			ESF			BOLT, Hex Flange Head, M6X1.00X25.00, Oil Filter Adapter To Cylinder Block, Mounting
7									SEAL
	53021660AC	1	J, T			ESF			Small Seal
	53021661AA	1	J, T			ESF			Large Seal
8		1							OIL, 0W40, (NOT SERVICED),
9	05149062AA	1	J, T			ESF			SENDING UNIT, Oil Pressure

GRAND CHEROKEE (WK)

SERIES LINE
H = HIGHLINE T = JEEP - 2WD
P = PREMIUM J = JEEP - 4WD
S = SPORT
X = SPECIAL

BODY
74 = SPORT UTILITY 4-DR
TYPE #4

ENGINE
EZH = 5.7L V8 HEMI MDS
VCT Engine
ESF = 6.1L SRT HEMI V8
Engine
EKG = 3.7L V6 Engine

TRANSMISSION
DGJ = 5-Speed Auto W5A580
Transmission
DGQ = 5-Spd Automatic 545RFE
Transmission

AR = use ase required - = Non illustrated part

2010 WK

**Exhaust Manifolds And Heat Shields 6.1L [ESF]
Figure 009ESF-1005**

ITEM	PART NUMBER	QTY	LINE	SERIES	BODY	ENGINE	TRANS	TRIM	DESCRIPTION
1									GASKET, Exhaust Manifold
	05038098AA	1	J, T			ESF			Right
	05038099AA	1	J, T			ESF			Left
2									MANIFOLD, Exhaust
	05037637AD	1	J, T			ESF			Left
	05037638AD	1	J, T			ESF			Right
3	06503131	10	J, T			ESF			BOLT, Hex Flange Head, M8x1.25x30, Exhaust Manifold To Cylinder Head, Mounting
4	06104426AA	4	J, T						BOLT AND CONED WASHER, Hex Head, M10X1.50X60.00, Front Exhaust Pipe To Exhaust Manifold, Mounting
5	06502696	1	J			ESF			NUT, Hex Flange Lock, M14x1.50

GRAND CHEROKEE (WK)

SERIES LINE
H = HIGHLINE T = JEEP - 2WD
P = PREMIUM J = JEEP - 4WD
S = SPORT
X = SPECIAL

BODY
74 = SPORT UTILITY 4-DR
TYPE #4

ENGINE
EZH = 5.7L V8 HEMI MDS
VCT Engine
ESF = 6.1L SRT HEMI V8
Engine
EKG = 3.7L V6 Engine

TRANSMISSION
DGJ = 5-Speed Auto W5A580
Transmission
DGQ = 5-Spd Automatic 545RFE
Transmission

AR = use ase required - = Non illustrated part

2010 WK

**Intake Manifold 6.1L [ESF]
Figure 009ESF-1025**

ITEM	PART NUMBER	QTY	LINE	SERIES	BODY	ENGINE	TRANS	TRIM	DESCRIPTION
1	05037510AJ	1	J, T			ESF			MANIFOLD, Intake, This Package Contains All Parts Listed Below
2	05133476AB	4	J, T			ESF			BOLT, Hex Flange Head, M6X1.00X20.00, Fuel Rail To Intake Manifold, Mounting
3		4							MANIFOLD, Engine Intake, Sevised In Intake Manifold Package Only, (NOT SERVICED)
4	56009338AB	4	J, T			ESF			RIVET
5	06509098AA	10	J, T			ESF			BOLT, Hex Flange Head, M6X1.00X35.00, Intake Manifold To Cylinder Head, Mounting
6	56041018AD	1	J, T			ESF			SENSOR, MAP
7	05037665AA	1	J, T			ESF			CAP, Oil Filler
8	05037555AA	1	J, T			ESF			GASKET, Intake Manifold Pan
9		1							PAN, Intake Manifold, Sevised In Intake Manifold Package Only, (NOT SERVICED)
10	05037503AA	2	J, T			ESF			GASKET, Intake Manifold
11	06101451	16	J, T			ESF			BOLT AND WASHER, Hex Head, M6X1.00X25.00, Valley Pan To Intake Manifold, Mounting
12		16							NIPPLE, Intake Manifold, For Power Brake Booster, Sevised In Item 1 Package Only, (NOT SERVICED)
13	06104186AA	4	J, T			ESF			BOLT, Hex Flange Head, M6X1.00X45.00, Throttle Control To Intake Manifold, Mounting
14	05037679AA	1	J, T			ESF			BRACKET, Wire Harness
15		1							NIPPLE, Crankcase Vent, Sevised In Intake Manifold Package Only, (NOT SERVICED)
16	05037831AA	1	J, T			ESF			VALVE, PCV
17	05037515AA	1	J, T			ESF			HOSE, PCV Valve To intake Manifold
18	05037480AA	1	J, T			ESF			RAIL, Fuel
19	53030058AC	8	J, T			ESF			CLIP, Fuel Injector
20	05037479AA	8	J, T			ESF			INJECTOR, Fuel
21	04591847AC	1	J, T			ESF			THROTTLE BODY
22	53032383AB	1	J, T			ESF			SEAL, Throttle Body to Intake

GRAND CHEROKEE (WK)

SERIES LINE
H = HIGHLINE T = JEEP - 2WD
P = PREMIUM J = JEEP - 4WD
S = SPORT
X = SPECIAL

BODY
74 = SPORT UTILITY 4-DR
TYPE #4

ENGINE
EZH = 5.7L V8 HEMI MDS
VCT Engine
ESF = 6.1L SRT HEMI V8
Engine
EKG = 3.7L V6 Engine

TRANSMISSION
DGJ = 5-Speed Auto W5A580
Transmission
DGQ = 5-Spd Automatic 545RFE
Transmission

**Crankcase Ventilation 6.1L [ESF]
Figure 009ESF-1105**

ITEM	PART NUMBER	QTY	LINE	SERIES	BODY	ENGINE	TRANS	TRIM	DESCRIPTION
1	05037515AA	1	J, T			ESF			HOSE, PCV Valve To intake Manifold
2	05037831AA	1	J, T			ESF			VALVE, PCV
3	05037763AB	1	J, T			ESF			HOSE, Make Up Air
4		1							NIPPLE, Intake Manifold, Serviced With Intake Manifold, (NOT SERVICED)

GRAND CHEROKEE (WK)

SERIES LINE
H = HIGHLINE T = JEEP - 2WD
P = PREMIUM J = JEEP - 4WD
S = SPORT
X = SPECIAL

BODY
74 = SPORT UTILITY 4-DR
TYPE #4

ENGINE
EZH = 5.7L V8 HEMI MDS
VCT Engine
ESF = 6.1L SRT HEMI V8
Engine
EKG = 3.7L V6 Engine

TRANSMISSION
DGJ = 5-Speed Auto W5A580
Transmission
DGQ = 5-Spd Automatic 545RFE
Transmission

AR = use ase required - = Non illustrated part

2010 WK

**Engine Mounting Right Side 4WD 6.1L [ESF]
Figure 009ESF-1225**

ITEM	PART NUMBER	QTY	LINE	SERIES	BODY	ENGINE	TRANS	TRIM	DESCRIPTION
1	06104214AA	4	J, T			ES0, EZ0			BOLT, Hex Flange Head, M10X1.50X20.00, Engine Mount Bracket To Cylinder Block, Mounting
2	04854564AB	1	J, T			ES0			BRACKET AND INSULATOR, Engine MountingRight
3	06502585	1	J, T			EK0, ES0, EV0, EZ0			NUT AND CONED WASHER, Hex, M12X1.75, Engine Mount To Cradle Bracket, Mounting
4	06508081AA	1	J, T			EK0, ES0, EV0, EZ0			BOLT, Hex Flange Head, M12X1.75X150.00, Engine Mount To Cradle Bracket, Mounting

GRAND CHEROKEE (WK)

SERIES LINE
H = HIGHLINE T = JEEP - 2WD
P = PREMIUM J = JEEP - 4WD
S = SPORT
X = SPECIAL

BODY
74 = SPORT UTILITY 4-DR
TYPE #4

ENGINE
EZH = 5.7L V8 HEMI MDS
VCT Engine
ESF = 6.1L SRT HEMI V8
Engine
EKG = 3.7L V6 Engine

TRANSMISSION
DGJ = 5-Speed Auto W5A580
Transmission
DGQ = 5-Spd Automatic 545RFE
Transmission

**Engine Mounting Left Side 4WD 6.1L [ESF]
Figure 009ESF-1240**

ITEM	PART NUMBER	QTY	LINE	SERIES	BODY	ENGINE	TRANS	TRIM	DESCRIPTION
1	04854565AB	1	J, T			ES0			BRACKET AND INSULATOR, Engine MountingLeft
2	06502585	1	J, T			EK0, ES0, EV0, EZ0			NUT AND CONED WASHER, Hex, M12X1.75, Engine Mount To Cradle Bracket, Mounting
3	06104214AA	4	J, T			ES0, EZ0			BOLT, Hex Flange Head, M10X1.50X20.00, Engine Mount Bracket To Cylinder Block, Mounting
4	06508081AA	1	J, T			EK0, ES0, EV0, EZ0			BOLT, Hex Flange Head, M12X1.75X150.00, Engine Mount To Cradle Bracket, Mounting

GRAND CHEROKEE (WK)

SERIES LINE
H = HIGHLINE T = JEEP - 2WD
P = PREMIUM J = JEEP - 4WD
S = SPORT
X = SPECIAL

BODY
74 = SPORT UTILITY 4-DR
TYPE #4

ENGINE
EZH = 5.7L V8 HEMI MDS
VCT Engine
ESF = 6.1L SRT HEMI V8
Engine
EKG = 3.7L V6 Engine

TRANSMISSION
DGJ = 5-Speed Auto W5A580
Transmission
DGQ = 5-Spd Automatic 545RFE
Transmission

Group - 009EZH

5.7L Gas; Engine

009EZH-100 Engine Identification	009EZH-1000 Manifolds and Vacuum Fittings	009EZH-1100 Crankcase Ventilation	009EZH-1200 Engine Mounting
009EZH-200 Cylinder Head	009EZH-300 Cylinder Block	009EZH-400 Crankshaft, Piston, Drive Plate, Flywheel, and Damper	009EZH-500 Camshaft and Valve
009EZH-600 Timing Belt/Chain and Cover and Balance Shaft	009EZH-700 Engine Oiling, Oil Pan and Indicator (Dipstick)		

Group - 009EZH 5.7L Gas; Engine

Illustration Title	Group-Fig. No.
Engine Identification	
Engine Identification 5.7L [EZH]	Fig. 009EZH - 105
Engine Assembly And Service Long Block 5.7L [EZH].....	Fig. 009EZH - 115
Engine Cover And Related Parts 5.7L [EZH]	Fig. 009EZH - 125
Engine Gasket Kits 5.7L [EZH].....	Fig. 009EZH - 145
Cylinder Head	
Cylinder Head Covers 5.7L [EZH]	Fig. 009EZH - 205
Cylinder Heads 5.7L [EZH]	Fig. 009EZH - 225
Cylinder Block	
Engine Cylinder Block And Hardware 5.7L [EZH]	Fig. 009EZH - 305
Engine Cylinder Block Heater 5.7L [EZH]	Fig. 009EZH - 325
Crankshaft, Piston, Drive Plate, Flywheel, and Damper	
Crankshaft, Crankshaft Bearings, Damper And Flywheel 5.7L [EZH].....	Fig. 009EZH - 405
Pistons, Piston Rings, Connecting Rods And Connecting Rod Bearings 5.7L [EZH].....	Fig. 009EZH - 425
Camshaft and Valve	
Camshaft And Valvetrain 5.7L [EZH]	Fig. 009EZH - 505
Timing Belt/Chain and Cover and Balance Shaft	
Timing Case Cover 5.7L [EZH].....	Fig. 009EZH - 605
Timing System 5.7L [EZH].....	Fig. 009EZH - 625
Engine Oiling, Oil Pan and Indicator (Dipstick)	
Engine Oiling Pump 5.7L [EZH].....	Fig. 009EZH - 705
Engine Oil Pan, Engine Oil Level Indicator And Related Parts 5.7L [EZH]	Fig. 009EZH - 725
Engine Oil, Engine Oil Filter And Adapter 5.7L [EZH]	Fig. 009EZH - 745
Manifolds and Vacuum Fittings	
Exhaust Manifolds And Heat Shields 5.7L [EZH]	Fig. 009EZH - 1005
Intake Manifold 5.7L [EZH]	Fig. 009EZH - 1025
Crankcase Ventilation	
Crankcase Ventilation 5.7L [EZH].....	Fig. 009EZH - 1105
Engine Mounting	
Engine Mounting Right Side RWD/2WD 5.7L [EZH]	Fig. 009EZH - 1220
Engine Mounting Right Side 4WD 5.7L [EZH]	Fig. 009EZH - 1225
Engine Mounting Left Side RWD/2WD 5.7L [EZH]	Fig. 009EZH - 1235
Engine Mounting Left Side 4WD 5.7L [EZH]	Fig. 009EZH - 1240

**Engine Identification 5.7L [EZH]
Figure 009EZH-105**

ITEM	PART NUMBER	QTY	LINE	SERIES	BODY	ENGINE	TRANS	TRIM	DESCRIPTION
------	-------------	-----	------	--------	------	--------	-------	------	-------------

NOTE:

The Engine Identification Label Is Attached To One Of The Cylinder Head Covers.

The Production Engine Part Number Is Not A Servicable Part Number.

A Engine Is Usally Serviced By A Long Block Or Short Block Engine Only.

1

1

LABEL, Engine Identification, See Important Note, (NOT SERVICED)

GRAND CHEROKEE (WK)

SERIES LINE
H = HIGHLINE T = JEEP - 2WD
P = PREMIUM J = JEEP - 4WD
S = SPORT
X = SPECIAL

BODY
74 = SPORT UTILITY 4-DR
TYPE #4

ENGINE
EZH = 5.7L V8 HEMI MDS
VCT Engine
ESF = 6.1L SRT HEMI V8
Engine
EKG = 3.7L V6 Engine

TRANSMISSION
DGJ = 5-Speed Auto W5A580
Transmission
DGQ = 5-Spd Automatic 545RFE
Transmission

**Engine Assembly And Service Long Block 5.7L [EZH]
Figure 009EZH-115**

ITEM	PART NUMBER	QTY	LINE	SERIES	BODY	ENGINE	TRANS	TRIM	DESCRIPTION
1		1							ENGINE, Complete, Serviced By New Short Block Only, (NOT SERVICED)
2		1							ENGINE, Long Block, Serviced By New Short Block, (NOT SERVICED)

GRAND CHEROKEE (WK)

SERIES LINE
H = HIGHLINE T = JEEP - 2WD
P = PREMIUM J = JEEP - 4WD
S = SPORT
X = SPECIAL

BODY
74 = SPORT UTILITY 4-DR
TYPE #4

ENGINE
EZH = 5.7L V8 HEMI MDS
VCT Engine
ESF = 6.1L SRT HEMI V8
Engine
EKG = 3.7L V6 Engine

TRANSMISSION
DGJ = 5-Speed Auto W5A580
Transmission
DGQ = 5-Spd Automatic 545RFE
Transmission

AR = use ase required - = Non illustrated part

2010 WK

**Engine Cover And Related Parts 5.7L [EZH]
Figure 009EZH-125**

ITEM	PART NUMBER	QTY	LINE	SERIES	BODY	ENGINE	TRANS	TRIM	DESCRIPTION
1									COVER, Engine
	53013718AC	1	J, T			EZH			With [Hemi] Markings, Lower
	53013789AB	1	J, T			EZH			With 5.7L V8 Markings, Upper
2	53013748AD	4	J, T			EZH			BALL STUD, 60X2.14X21.59

GRAND CHEROKEE (WK)

SERIES LINE
H = HIGHLINE T = JEEP - 2WD
P = PREMIUM J = JEEP - 4WD
S = SPORT
X = SPECIAL

BODY
74 = SPORT UTILITY 4-DR
TYPE #4

ENGINE
EZH = 5.7L V8 HEMI MDS
VCT Engine
ESF = 6.1L SRT HEMI V8
Engine
EKG = 3.7L V6 Engine

TRANSMISSION
DGJ = 5-Speed Auto W5A580
Transmission
DGQ = 5-Spd Automatic 545RFE
Transmission

AR = use ase required - = Non illustrated part

2010 WK

**Engine Gasket Kits 5.7L [EZH]
Figure 009EZH-145**

ITEM	PART NUMBER	QTY	LINE	SERIES	BODY	ENGINE	TRANS	TRIM	DESCRIPTION
1	68046260AA	1	J, T			EZH	DGQ		GASKET PACKAGE, Engine Upper
2	53022306AA	1	J, T			EZH			GASKET, Cylinder Head, Right
3	53022307AA	1	J, T			EZH			GASKET, Cylinder Head, Left
4	05114179AB	2	J, T			EZH			GASKET KIT, Cylinder Head Cover
5	53021569AD	8	J, T			EZH			GASKET, Spark Plug Well
6	53022143AB	8	J, T			EZH			SEAL, Intake Manifold
7	53022320AB	1	J, T			EZH			SEAL, Throttle Body to Intake
8	53022090AB	16	J, T			EZH			SEAL, Valve Guide
9									SEAL, PCV
	53022142AB	2	J, T			EZH			Square
	53032448AC	1	J, T			EZH			Round
10									GASKET, Exhaust Manifold
	53032966AF	1	J, T			EZH			Right Side
	53032965AF	1	J, T			EZH			Left Side
11	05135457AF	1	J, T			EZH	DGQ		GASKET PACKAGE, Engine Lower
12	05140028AA	1	J, T			EZH			RETAINER PACKAGE, Crankshaft Rear Oil Seal
13	53021144AA	1	J, T			EZH			O RING, Engine Oil Indicator Tube
14	04792874AA	1	J, T			EZH			GASKET, Oil Pan
15	53020861	1	J, T			EZH			SEAL, Oil Pick Up Tube
16	05139933AB	1	J, T			EZH			GASKET PACKAGE, Front Cover
17	04792922AB	1	J, T			EZH			GASKET, Water Pump
18	53021585AD	1	J, T			EZH			SEAL, Crankshaft Oil, Front

GRAND CHEROKEE (WK)

SERIES LINE
H = HIGHLINE T = JEEP - 2WD
P = PREMIUM J = JEEP - 4WD
S = SPORT
X = SPECIAL

BODY
74 = SPORT UTILITY 4-DR
TYPE #4

ENGINE
EZH = 5.7L V8 HEMI MDS
VCT Engine
ESF = 6.1L SRT HEMI V8
Engine
EKG = 3.7L V6 Engine

TRANSMISSION
DGJ = 5-Speed Auto W5A580
Transmission
DGQ = 5-Spd Automatic 545RFE
Transmission

AR = use ase required - = Non illustrated part

2010 WK

**Cylinder Head Covers 5.7L [EZH]
Figure 009EZH-205**

ITEM	PART NUMBER	QTY	LINE	SERIES	BODY	ENGINE	TRANS	TRIM	DESCRIPTION
1	53022085AC	2	J, T			EZH			COVER, Cylinder Head
2	06509387AA	20	J, T			EZH			BOLT AND GROMMET, Special, M6X1.00X30.00, Cylinder Head Cover To Cylinder Head, Mounting
3	05114179AB	2	J, T			EZH			GASKET KIT, Cylinder Head Cover
4	53021569AD	8	J, T			EZH			GASKET, Spark Plug Well

GRAND CHEROKEE (WK)

SERIES LINE
H = HIGHLINE T = JEEP - 2WD
P = PREMIUM J = JEEP - 4WD
S = SPORT
X = SPECIAL

BODY
74 = SPORT UTILITY 4-DR
TYPE #4

ENGINE
EZH = 5.7L V8 HEMI MDS
VCT Engine
ESF = 6.1L SRT HEMI V8
Engine
EKG = 3.7L V6 Engine

TRANSMISSION
DGJ = 5-Speed Auto W5A580
Transmission
DGQ = 5-Spd Automatic 545RFE
Transmission

AR = use ase required - = Non illustrated part

2010 WK

**Cylinder Heads 5.7L [EZH]
Figure 009EZH-225**

ITEM	PART NUMBER	QTY	LINE	SERIES	BODY	ENGINE	TRANS	TRIM	DESCRIPTION
1	53022306AA	1	J, T			EZH			GASKET, Cylinder Head, Right
2	53022307AA	1	J, T			EZH			GASKET, Cylinder Head, Left
3	53021608DD	1	J, T			EZH			HEAD, Cylinder, Right
4	53021609DD	1	J, T			EZH			HEAD, Cylinder, Left
5									PLUG, Core
	06036308AA	2	J, T			EZH			Right Cylinder Head
		2	J, T			EZH			Left Cylinder Head
6	06506334AA	10	J, T			EZH			BOLT, Hex Flange Head, M8X1.25X45.00, Cylinder Head To Cylinder Block, Mounting
7	06506694AA	20	J, T			EZH			BOLT AND CONED WASHER, Hex Head, M12X1.50X135.00, Cylinder Head To Cylinder Block, Mounting

GRAND CHEROKEE (WK)

SERIES LINE
H = HIGHLINE T = JEEP - 2WD
P = PREMIUM J = JEEP - 4WD
S = SPORT
X = SPECIAL

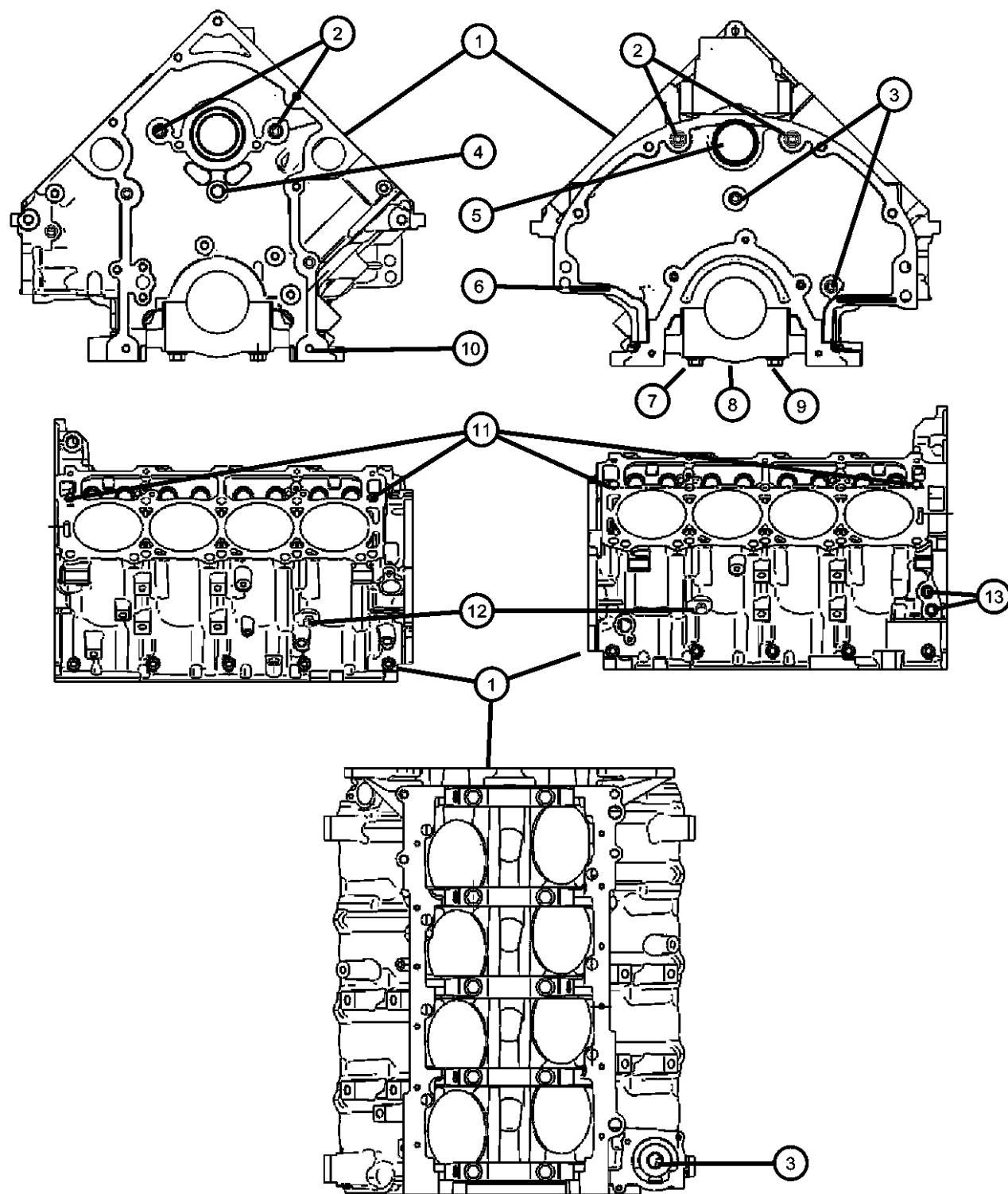
BODY
74 = SPORT UTILITY 4-DR
TYPE #4

ENGINE
EZH = 5.7L V8 HEMI MDS
VCT Engine
ESF = 6.1L SRT HEMI V8
Engine
EKG = 3.7L V6 Engine

TRANSMISSION
DGJ = 5-Speed Auto W5A580
Transmission
DGQ = 5-Spd Automatic 545RFE
Transmission

Engine Cylinder Block And Hardware 5.7L [EZH]

Figure 009EZH-305



ITEM	PART NUMBER	QTY	LINE	SERIES	BODY	ENGINE	TRANS	TRIM	DESCRIPTION
Shortblock Does Not Include Camshaft, Lifters, Oil Pump Or Oil Pan, But Does Include The Camshaft Bearings.									
1	68061157AA	1	J, T			EZH	DGQ		ENGINE, Short Block, See Note
2	06036417AA	4	J, T			EZH			PLUG, Cylinder Block, .375-18X1.343, Oil Gallery
3	06036307AA	2	J, T			EZH			PLUG, Pipe, .250-18X.413
		1	J, T			EZH			Oil Gallery
4		1	J, T			EZH			Coolant Block Off
5	06507663AA	1	J, T			EZH			PLUG, Cylinder Block, .562X.280 Stainless, Serviced With Short Block, (NOT SERVICED),
6	01122532	2	J, T			EZH			PLUG, Camshaft, [M47.93 OD 6.4 THK 51.5 FLG OD]Rear
7	06506333AA	1	J, T			EZH			DOWEL, Block to Clutch Housing, 1/2X3/4
8		1							STUD, Double Ended, M12&M8, Main Bearing Cap To Cylinder Block, Mounting
9	06506272AA	10	J, T			EZH			CAP, Main, Serviced By New Short Block Engine, (NOT SERVICED)
10	06506332AA	2	J, T			EZH			BOLT, Hex Flange Head, M12X1.75X91.50, Main Bearing Cap To Cylinder Block, Mounting
11	05240849	4	J, T			EZH			PIN, Dowel, M8X10.00, Timing Chain Case Cover To Cylinder Block, Mounting
12	06036592AA	2	J, T			EZH			DOWEL PIN, Cylinder Head To Cylinder Block, Mounting
13	06034331	2	J, T			EZH			PLUG, .250-18X.690, Cylinder Block Coolant Drain
									PLUG, Hex Socket, 3/8-18NPTx.475, Oil Gallery

GRAND CHEROKEE (WK)

SERIES LINE
 H = HIGHLINE T = JEEP - 2WD
 P = PREMIUM J = JEEP - 4WD
 S = SPORT
 X = SPECIAL

BODY
 74 = SPORT UTILITY 4-DR
 TYPE #4

ENGINE
 EZH = 5.7L V8 HEMI MDS
 VCT Engine
 ESF = 6.1L SRT HEMI V8
 Engine
 EKG = 3.7L V6 Engine

TRANSMISSION
 DGJ = 5-Speed Auto W5A580
 Transmission
 DGQ = 5-Spd Automatic 545RFE
 Transmission

AR = use ase required - = Non illustrated part

2010 WK

**Engine Cylinder Block Heater 5.7L [EZH]
Figure 009EZH-325**

ITEM	PART NUMBER	QTY	LINE	SERIES	BODY	ENGINE	TRANS	TRIM	DESCRIPTION
1	56044577AB	1	J, T			ESF, EZH			CORD, Engine Block Heater
2	56008876	1	J, T			ESF, EZH			STRAP, Tie
3	05149022AB	1	J, T			EZH			HEATER, Engine Block
4	06501373	1	J, T			EZH			BOLT, Hex Head, M6x1.00x20.00, Engine Block Heater To Cylinder Block, Mounting

GRAND CHEROKEE (WK)

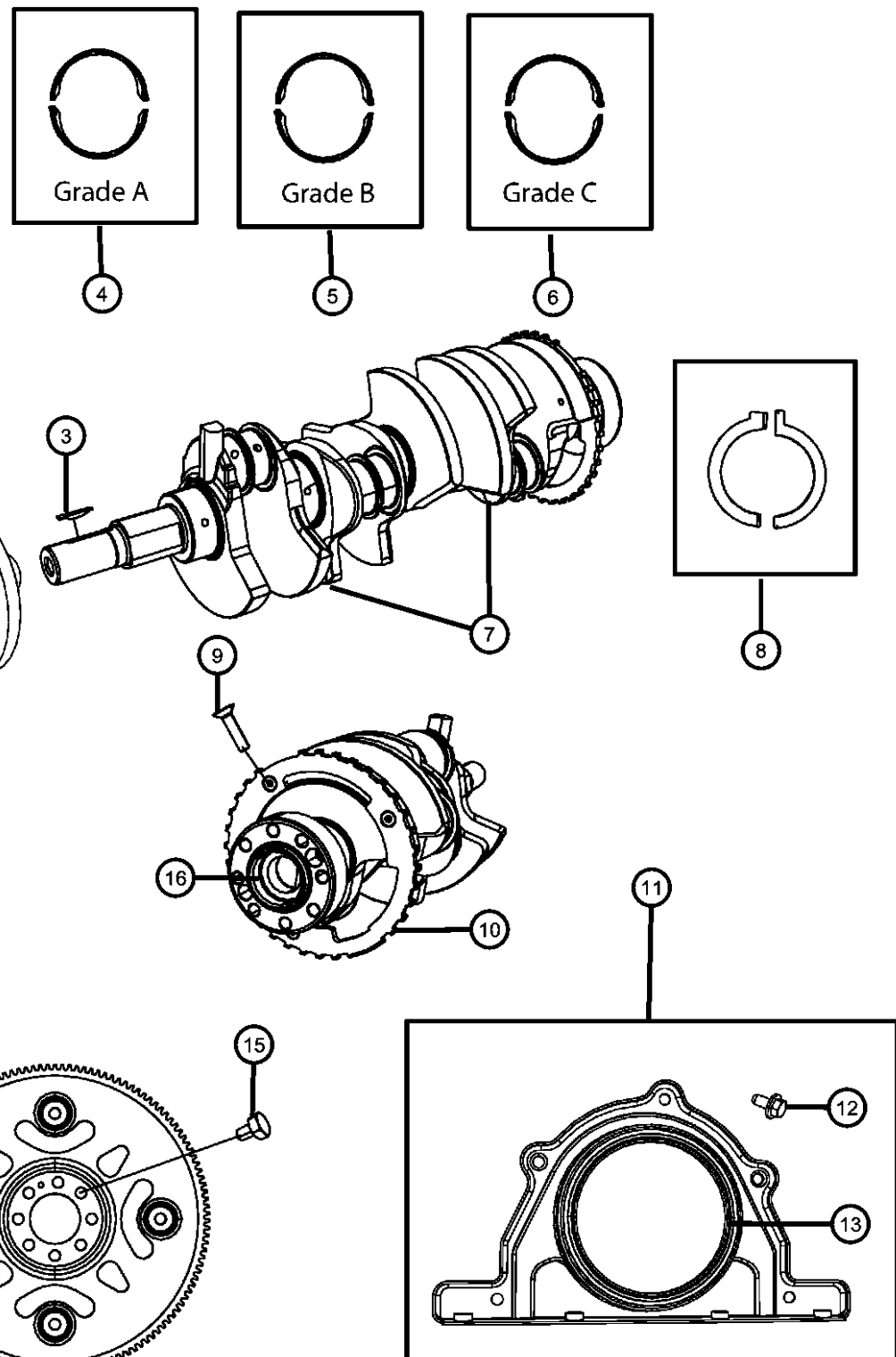
SERIES LINE
H = HIGHLINE T = JEEP - 2WD
P = PREMIUM J = JEEP - 4WD
S = SPORT
X = SPECIAL

BODY
74 = SPORT UTILITY 4-DR
TYPE #4

ENGINE
EZH = 5.7L V8 HEMI MDS
VCT Engine
ESF = 6.1L SRT HEMI V8
Engine
EKG = 3.7L V6 Engine

TRANSMISSION
DGJ = 5-Speed Auto W5A580
Transmission
DGQ = 5-Spd Automatic 545RFE
Transmission

**Crankshaft, Crankshaft Bearings, Damper And Flywheel 5.7L [EZH]
Figure 009EZH-405**



ITEM	PART NUMBER	QTY	LINE	SERIES	BODY	ENGINE	TRANS	TRIM	DESCRIPTION
1	06508400AA	1	J, T			EZH			BOLT AND CONED WASHER, Hex Head, M14X1.5X102.00, Damper To Crankshaft, Mounting
2	53022084AA	1	J, T			EZH			DAMPER, Vibration
3	06506397AA	1	J, T			EZH			KEY, Woodruff
4	68046262AA	5	J, T			EZH			BEARING KIT, Crankshaft, A Grade, See Note
5	68046263AA	5	J, T			EZH			BEARING KIT, Crankshaft, B Grade, See Note
6	68048303AA	5	J, T			EZH			BEARING KIT, Crankshaft, .008mm O/S
7	53021302BC	1	J, T			EZH			CRANKSHAFT, See Note
8	05083979AA	1	J, T			EZH			THRUST WASHER PACKAGE, Crankshaft
9		1							SCREW, M6x1x25, Serviced With Crankshaft, (NOT SERVICED)
10		1							TONE RING, Sensor, Serviced With Crankshaft, (NOT SERVICED)
11	05140028AA	1	J, T			EZH			RETAINER PACKAGE, Crankshaft Rear Oil Seal
12	06506342AA	5	J, T			EZH			BOLT, Hex Flange Head, M6X1.00X24.00, Rear Oil Seal Retainer To Cylinder Block, Mounting
13		5							SEAL, Crankshaft Oil, Rear, Serviced In Item 11, (NOT SERVICED)
14	04736604AA	1	J, T			EZH	DGQ		PLATE, Torque Converter Drive
15	06503465	8	J, T			EZH	DGQ		BOLT, Hex Head Lock, M10X1.00X18.00, Torque Converter Drive Plate To Crankshaft, Mounting
16		8							SLEEVE, (NOT SERVICED)

NOTE:
For Crankshaft Identification, Stamping Location And Bearing Information Refer To The Service Manual.
For Bearing Selection Sizes Please Refer To Service Manual Group 9, Bearings Crankshaft Main, [Select Fit Identification]

GRAND CHEROKEE (WK)				
SERIES	LINE	BODY	ENGINE	TRANSMISSION
H = HIGHLINE	T = JEEP - 2WD	74 = SPORT UTILITY 4-DR	EZH = 5.7L V8 HEMI MDS	DGJ = 5-Speed Auto W5A580
P = PREMIUM	J = JEEP - 4WD	TYPE #4	VCT Engine	Transmission
S = SPORT			ESF = 6.1L SRT HEMI V8	DGQ = 5-Spd Automatic 545RFE
X = SPECIAL			Engine	Transmission
			EKG = 3.7L V6 Engine	

AR = use ase required - = Non illustrated part

**Pistons, Piston Rings, Connecting Rods And Connecting Rod Bearings 5.7L [EZH]
Figure 009EZH-425**

ITEM	PART NUMBER	QTY	LINE	SERIES	BODY	ENGINE	TRANS	TRIM	DESCRIPTION
NOTE: For Crankshaft Identification, Stamping Location And Bearing Information Refer To The Service Manual. For Bearing Selection Sizes Please Refer To Service Manual Group 9, Bearings Crankshaft Main, [Select Fit Identification]									
1									PISTON PIN AND ROD
	53022257AD	4	J, T			EZH			Cylinders 1,3,5,7
	53022258AD	4	J, T			EZH			Cylinders 2,4,6,8
2		4							RING, Piston Pin, Serviced With Piston Package, (NOT SERVICED),
3	68046210AB	1	J, T			EZH	DGQ		RING PACKAGE, Piston, Standard Size
4		1							PIN, Piston, Serviced With Piston Package, (NOT SERVICED)
5		1							ROD, Connecting, Serviced With Piston Package, (NOT SERVICED)
6									BOLT, Connecting Rod
	06506335AA	8	J, T			EZH			Right Side
		8	J, T			EZH			Left Side
7	68029429AA	8	J, T			EZH			BEARING PACKAGE, Connecting Rod, Standard, See Note

GRAND CHEROKEE (WK)

SERIES LINE
H = HIGHLINE T = JEEP - 2WD
P = PREMIUM J = JEEP - 4WD
S = SPORT
X = SPECIAL

BODY
74 = SPORT UTILITY 4-DR
TYPE #4

ENGINE
EZH = 5.7L V8 HEMI MDS
VCT Engine
ESF = 6.1L SRT HEMI V8
Engine
EKG = 3.7L V6 Engine

TRANSMISSION
DGJ = 5-Speed Auto W5A580
Transmission
DGQ = 5-Spd Automatic 545RFE
Transmission

Camshaft And Valvetrain 5.7L [EZH]

Figure 009EZH-505

ITEM	PART NUMBER	QTY	LINE	SERIES	BODY	ENGINE	TRANS	TRIM	DESCRIPTION
Engine Build Date & Serial Number Must Verified. New Damperless [1mm] Valve Spring Seats Are Installed In These Engines Compared To The Old Dampered [2mm]Valve Spring Seats.									
Engine Barcode Label Breaks Down As Listed Below:									
TNXE6 = Engine Assembly Plant Information 028 = 28th Day Of The Year. AKA January 28 0 = 2010 Model Year 10435 = Engine Serial Number Refer To Illustration 105 In This Group For More Complete Information.									
1	53021552AA	2	J, T			EZH			ROCKER ARM, Intake
2	53021553AA	2	J, T			EZH			ROCKER ARM, Exhaust
3									BOLT, Hex Flange Head, M8X1.25X50.00
	06507072AA	10	J, T			EZH			Rocker Arm Shaft To Cylinder Head, Mounting
		10	J, T			EZH			,
4	53010515AA	32	J, T			EZH			LOCK, Valve Spring Retainer
5	53021676AB	16	J, T			EZH			RETAINER, Valve Spring
6	53022089AD	16	J, T			EZH			SPRING, Valve, Dampered 2mm See Note, Used On All Engines Before 028 0 10435. 2mm Valve Seat.
7	53022225AB	16	J, T			EZH			SEAT, Valve Spring, Dampered 2mm See Note, Used On All Engines Before 028 0 10435. 2mm Valve Seat.
8	68080909AA	16	J, T			EZH			SPRING KIT, Valve, Damperless Includes New 1mm Valve Seat See Note, Used On Engine 028 0 10435 & After. Engine Production Date of January 28th 2010 & After. 1mm Valve Seat.
9	53022090AB	16	J, T			EZH			SEAL, Valve Guide
10	53022087AA	8	J, T			EZH			VALVE, Intake, Standard
11	53022088AB	8	J, T			EZH			VALVE, Exhaust, Standard
12	53022178AE	1	J, T			EZH			PLATE, Camshaft Thrust
13	06102205AA	4	J, T			EZH			BOLT, Recessed Torx head, M6X1.00X15.00, Camshaft Thrust Plate To Cylinder Block, Mounting
14	53022372AA	1	J, T			EZH			CAMSHAFT, Engine
15	53022298AA	4	J, T			EZH			SOLENOID, Multiple Displacement
16	06507663AA	1	J, T			EZH			PLUG, CamshaftRear

GRAND CHEROKEE (WK)

SERIES LINE
 H = HIGHLINE T = JEEP - 2WD
 P = PREMIUM J = JEEP - 4WD
 S = SPORT
 X = SPECIAL

BODY
 74 = SPORT UTILITY 4-DR
 TYPE #4

ENGINE
 EZH = 5.7L V8 HEMI MDS
 VCT Engine
 ESF = 6.1L SRT HEMI V8
 Engine
 EKG = 3.7L V6 Engine

TRANSMISSION
 DGJ = 5-Speed Auto W5A580
 Transmission
 DGQ = 5-Spd Automatic 545RFE
 Transmission

AR = use ase required - = Non illustrated part

2010 WK

**Camshaft And Valvetrain 5.7L [EZH]
Figure 009EZH-505**

ITEM	PART NUMBER	QTY	LINE	SERIES	BODY	ENGINE	TRANS	TRIM	DESCRIPTION
17									LIFTERS AND YOKE, Hydraulic, Engine
	53021726BB	2	J, T			EZH			Front
	53021728BB	2	J, T			EZH			Rear
18									BOLT, Hex Flange Head, M6x1.00x14.00
	06509208AA	2	J, T			EZH			Lifter Guide To Cylinder Block, Mounting
		2	J, T			EZH			,
19									YOKE, Tappet Aligning
	53021727AC	2	J, T			EZH			Front
	53021729AC	2	J, T			EZH			Rear
20		2							LIFTER, Hydraulic Roller Deactivating, Serviced In Item 15, (NOT SERVICED)
21	53021556BB	8	J, T			EZH			PUSH ROD, Intake Valve
22	53021557BB	8	J, T			EZH			PUSH ROD, Exhaust Valve

GRAND CHEROKEE (WK)

SERIES LINE
H = HIGHLINE T = JEEP - 2WD
P = PREMIUM J = JEEP - 4WD
S = SPORT
X = SPECIAL

BODY
74 = SPORT UTILITY 4-DR
TYPE #4

ENGINE
EZH = 5.7L V8 HEMI MDS
VCT Engine
ESF = 6.1L SRT HEMI V8
Engine
EKG = 3.7L V6 Engine

TRANSMISSION
DGJ = 5-Speed Auto W5A580
Transmission
DGQ = 5-Spd Automatic 545RFE
Transmission

AR = use ase required - = Non illustrated part

2010 WK

**Timing Case Cover 5.7L [EZH]
Figure 009EZH-605**

ITEM	PART NUMBER	QTY	LINE	SERIES	BODY	ENGINE	TRANS	TRIM	DESCRIPTION
1	53022096AF	1	J, T			EZH			COVER, Timing Case
2	06506697AA	2	J, T			EZH			BUSHING, Timing Cover
3	06506343AA	1	J, T			EZH			STUD, Double Ended, M10X1.50X25.00, Timing Case Cover To Cylinder Block, Mounting
4	53021585AD	1	J, T			EZH			SEAL, Crankshaft Oil, Front
5									BOLT AND CONED WASHER, Hex Head, M8X1.25X85.00
	06102184AA	4	J, T			EZH			Timing Case Cover To Cylinder Block, Mounting
		4	J, T			EZH			Water Pump To Timing Case Cover, Mounting
6	06506269AA	5	J, T			EZH			BOLT AND CONED WASHER, Hex Head, M8X1.25X35.00, Timing Case Cover To Cylinder Block, Mounting
7	05139933AB	1	J, T			EZH			GASKET PACKAGE, Front Cover

GRAND CHEROKEE (WK)

SERIES LINE
H = HIGHLINE T = JEEP - 2WD
P = PREMIUM J = JEEP - 4WD
S = SPORT
X = SPECIAL

BODY
74 = SPORT UTILITY 4-DR
TYPE #4

ENGINE
EZH = 5.7L V8 HEMI MDS
VCT Engine
ESF = 6.1L SRT HEMI V8
Engine
EKG = 3.7L V6 Engine

TRANSMISSION
DGJ = 5-Speed Auto W5A580
Transmission
DGQ = 5-Spd Automatic 545RFE
Transmission

**Timing System 5.7L [EZH]
Figure 009EZH-625**

ITEM	PART NUMBER	QTY	LINE	SERIES	BODY	ENGINE	TRANS	TRIM	DESCRIPTION
1	53022243AF	1	J, T			EZH			PHASER, Camshaft
2	53022316AC	1	J, T			EZH			CHAIN, Timing
3	53022317AC	1	J, T			EZH			SPROCKET, Crankshaft
4	53022115AG	1	J, T			EZH			TENSIONER, Chain
5	53022315AD	1	J, T			EZH			GUIDE, Timing Chain
6	06102430AA	1	J, T			EZH			BOLT AND CONED WASHER, Hex Head, M12X1.75X95.00, Phaser To Camshaft, Mounting
7	06509174AA	4	J, T			EZH			BOLT AND CONED WASHER, Hex Head, M6x1.00x30.00, Tensioner To Cylinder Block, Mounting
8	06102205AA	4	J, T			EZH			BOLT, Recessed Torx head, M6X1.00X15.00, Chain Guide To Cylinder Block, Mounting

GRAND CHEROKEE (WK)

SERIES LINE
H = HIGHLINE T = JEEP - 2WD
P = PREMIUM J = JEEP - 4WD
S = SPORT
X = SPECIAL

BODY
74 = SPORT UTILITY 4-DR
TYPE #4

ENGINE
EZH = 5.7L V8 HEMI MDS
VCT Engine
ESF = 6.1L SRT HEMI V8
Engine
EKG = 3.7L V6 Engine

TRANSMISSION
DGJ = 5-Speed Auto W5A580
Transmission
DGQ = 5-Spd Automatic 545RFE
Transmission

**Engine Oiling Pump 5.7L [EZH]
Figure 009EZH-705**

ITEM	PART NUMBER	QTY	LINE	SERIES	BODY	ENGINE	TRANS	TRIM	DESCRIPTION
1	53021622BF	1	J, T			EZH			PUMP, Engine Oil
2	06101233	4	J, T			EZH			BOLT AND CONED WASHER, Hex Head, M8X1.25X65.00, Oil Pump To Cylinder Block, Mounting
3		4							SCREW, Torx Head, Serviced With Oil Pump, (NOT SERVICED)
4		4							COVER, Engine Oil Pump, Serviced With Oil Pump, (NOT SERVICED)

GRAND CHEROKEE (WK)

SERIES LINE
H = HIGHLINE T = JEEP - 2WD
P = PREMIUM J = JEEP - 4WD
S = SPORT
X = SPECIAL

BODY
74 = SPORT UTILITY 4-DR
TYPE #4

ENGINE
EZH = 5.7L V8 HEMI MDS
VCT Engine
ESF = 6.1L SRT HEMI V8
Engine
EKG = 3.7L V6 Engine

TRANSMISSION
DGJ = 5-Speed Auto W5A580
Transmission
DGQ = 5-Spd Automatic 545RFE
Transmission

**Engine Oil Pan, Engine Oil Level Indicator And Related Parts 5.7L [EZH]
Figure 009EZH-725**

ITEM	PART NUMBER	QTY	LINE	SERIES	BODY	ENGINE	TRANS	TRIM	DESCRIPTION
1	04792874AA	1	J, T			EZH			GASKET, Oil Pan
2	53020861	1	J, T			EZH			SEAL, Oil Pick Up Tube
3	06502756	1	J, T			EZH			NUT, Hex Lock, M8x1.25, Oil Pickup Tube To Cylinder Block, Mounting
4	06102046AA	1	J, T			EZH			BOLT AND CONED WASHER, Hex Head, M8X1.25X27.00, Oil Pickup Tube To Cylinder Block, Mounting
5	53021522BD	1	J, T			EZH			TUBE, Oil Pickup
6	53021860AC	1	J, T			EZH			PAN, Engine Oil
7	06508448AA	18	J, T			EZH			BOLT AND CONED WASHER, Hex Head, M6X1.00X25.00, Oil Pan To Cylinder Block, Mounting
8	06507741AA	1	J, T			EZH			PLUG, Oil Drain
9	53021858AI	1	J, T			EZH			INDICATOR, Engine Oil Level
10	53021144AA	1	J, T			EZH			O RING, Engine Oil Indicator Tube
11	06505316AA	1	J, T			EZH			NUT, Hex Flange Lock, M6X1.00, Engine Oil Level Indicator Tube, Mounting
12	53013974AA	1	J, T			EZH			TUBE, Engine Oil Indicator

GRAND CHEROKEE (WK)

SERIES LINE
H = HIGHLINE T = JEEP - 2WD
P = PREMIUM J = JEEP - 4WD
S = SPORT
X = SPECIAL

BODY
74 = SPORT UTILITY 4-DR
TYPE #4

ENGINE
EZH = 5.7L V8 HEMI MDS
VCT Engine
ESF = 6.1L SRT HEMI V8
Engine
EKG = 3.7L V6 Engine

TRANSMISSION
DGJ = 5-Speed Auto W5A580
Transmission
DGQ = 5-Spd Automatic 545RFE
Transmission

**Engine Oil, Engine Oil Filter And Adapter 5.7L [EZH]
Figure 009EZH-745**

ITEM	PART NUMBER	QTY	LINE	SERIES	BODY	ENGINE	TRANS	TRIM	DESCRIPTION
1	04884899AB	1	J, T			EZH			FILTER, Engine Oil
2	04892338AA	1	J, T			EZH			CONNECTOR, Oil Filter, M22X1.50
3	53013680AD	1	J, T			EZH			ADAPTER, Oil Filter
4	06505178AA	2	J, T			EZH			SCREW & WASHER, Hex Head Tapping, M8x1.25x25.00
5	53013711AD	1	J, T			EZH			GUARD, Splash
6	06102041AA	3	J, T			EZH			BOLT, Hex Flange Head, M6X1.00X25.00, Oil Filter Adapter To Cylinder Block, Mounting SEAL
7									
	53021660AC	1	J, T			EZH			Small
	53021661AA	1	J, T			EZH			Large
8	04761872AD	AR	J, T			EZH			ENGINE OIL, 5W20, Quart, MS-10797 [API SM ILSAC GF-4], [32 Fluid Ounces] Minimum Ship Quantity Of 12
9	04761851AF	AR	J, T			EZH			ENGINE OIL, 5W20, Gallon, MS-10797 [API SM ILSAC GF-4], [128 Fluid Ounces] Minimum Ship Quantity Of 4
10	05149062AA	1	J, T			EZH			SENDING UNIT, Oil Pressure

GRAND CHEROKEE (WK)

SERIES LINE
H = HIGHLINE T = JEEP - 2WD
P = PREMIUM J = JEEP - 4WD
S = SPORT
X = SPECIAL

BODY
74 = SPORT UTILITY 4-DR
TYPE #4

ENGINE
EZH = 5.7L V8 HEMI MDS
VCT Engine
ESF = 6.1L SRT HEMI V8
Engine
EKG = 3.7L V6 Engine

TRANSMISSION
DGJ = 5-Speed Auto W5A580
Transmission
DGQ = 5-Spd Automatic 545RFE
Transmission

AR = use ase required - = Non illustrated part

2010 WK

**Exhaust Manifolds And Heat Shields 5.7L [EZH]
Figure 009EZH-1005**

ITEM	PART NUMBER	QTY	LINE	SERIES	BODY	ENGINE	TRANS	TRIM	DESCRIPTION
1									GASKET, Exhaust Manifold
	53032965AF	1	J, T			EZH			Left
	53032966AF	1	J, T			EZH			Right
2									MANIFOLD, Exhaust
	53013857AD	1	J, T			EZH			Left
	53013858AD	1	J, T			EZH			Right
3	06509544AA	8	J, T			EZH			STUD, Double Ended, M8X1.25XM6X1.00X73.00, Exhaust Manifold To Cylinder Head, Mounting
4									NUT, Hex Flange Lock, M6X1.00
	06505316AA	7	J, T			EZH			Heat Shield To Exhaust Manifold, Mounting
		1	J, T			EZH			Heat Shield And Engine Oil Indicator Tube To Exhaust Manifold, Mounting
5	53032968AD	2	J, T			EZH			SHIELD, Exhaust ManifoldRight And Left
6									NUT, Hex Flange Lock, M14x1.50
	06503231	4	J, T			EK0, EVO, EZ0			Exhaust Manifold To Front Exhaust Pipe, Mounting
		4	J, T			EK0, ESO, EVO, EZ0			Exhaust Manifold To Front Exhaust Pipe, Mounting
7	06104426AA	4	J, T						BOLT AND CONED WASHER, Hex Head, M10X1.50X60.00, Exhaust Manifold To Front Exhaust Pipe, Mounting
8	06507746AA	9	J, T			EZH			BOLT, Exhaust Manifold, M8x1.25x46.00, Exhaust Manifold To Cylinder Head, Mounting

GRAND CHEROKEE (WK)

SERIES LINE
H = HIGHLINE T = JEEP - 2WD
P = PREMIUM J = JEEP - 4WD
S = SPORT
X = SPECIAL

BODY
74 = SPORT UTILITY 4-DR
TYPE #4

ENGINE
EZH = 5.7L V8 HEMI MDS
VCT Engine
ESF = 6.1L SRT HEMI V8
Engine
EKG = 3.7L V6 Engine

TRANSMISSION
DGJ = 5-Speed Auto W5A580
Transmission
DGQ = 5-Spd Automatic 545RFE
Transmission

AR = use ase required - = Non illustrated part

2010 WK

**Intake Manifold 5.7L [EZH]
Figure 009EZH-1025**

ITEM	PART NUMBER	QTY	LINE	SERIES	BODY	ENGINE	TRANS	TRIM	DESCRIPTION
1	68048131AB	1	J, T			EZH			MANIFOLD KIT, Intake
2		1							MANIFOLD, Engine Intake, Serviced In Intake Manifold Kit, (NOT SERVICED)
3	53022143AB	8	J, T			EZH			SEAL, Intake Manifold
4									PAD, Engine
	53013735AB	1	J, T			EZH			Rear Of Intake Manifold [Round]
	53013981AD	1	J, T			EZH			Engine Valley Cover
5	53013775AA	1	J, T			EZH			CAP, Oil Filler
6	68029299AA	1	J, T			EZH			O RING, Oil Filler Cap
7	53022320AB	1	J, T			EZH			SEAL, Throttle Body to Intake
8	06509246AA	10	J, T			EZH			BOLT AND CONED WASHER, Hex Head, M6X1.00X81.00, Intake Manifold To Cylinder Head, Mounting
9									SEAL, PCV
	53022142AB	2	J, T			EZH			Rectangle
	53032448AC	1	J, T			EZH			Round O-Ring On PCV Valve

GRAND CHEROKEE (WK)

SERIES LINE
H = HIGHLINE T = JEEP - 2WD
P = PREMIUM J = JEEP - 4WD
S = SPORT
X = SPECIAL

BODY
74 = SPORT UTILITY 4-DR
TYPE #4

ENGINE
EZH = 5.7L V8 HEMI MDS
VCT Engine
ESF = 6.1L SRT HEMI V8
Engine
EKG = 3.7L V6 Engine

TRANSMISSION
DGJ = 5-Speed Auto W5A580
Transmission
DGQ = 5-Spd Automatic 545RFE
Transmission

**Crankcase Ventilation 5.7L [EZH]
Figure 009EZH-1105**

ITEM	PART NUMBER	QTY	LINE	SERIES	BODY	ENGINE	TRANS	TRIM	DESCRIPTION
1	04591961AD	1	J, T			EZH			HOSE, PCV Valve To intake Manifold
2	53032940AB	1	J, T			EZH			VALVE, Crankcase Vent
3									SEAL, PCV
	53022142AB	2	J, T			EZH			Rectangle
	53032448AC	1	J, T			EZH			Round O-Ring On PCV Valve
4		1							MANIFOLD, Engine Intake, Reference, (NOT SERVICED),
5	06105039AA	1	J, T			EZH			BOLT, Hex Flange Head, M6X1.00X30.00, Resonator To Bracket, Mounting
6	53013759AC	1	J, T			EZH			HOSE, Make Up Air

GRAND CHEROKEE (WK)

SERIES LINE
H = HIGHLINE T = JEEP - 2WD
P = PREMIUM J = JEEP - 4WD
S = SPORT
X = SPECIAL

BODY
74 = SPORT UTILITY 4-DR
TYPE #4

ENGINE
EZH = 5.7L V8 HEMI MDS
VCT Engine
ESF = 6.1L SRT HEMI V8
Engine
EKG = 3.7L V6 Engine

TRANSMISSION
DGJ = 5-Speed Auto W5A580
Transmission
DGQ = 5-Spd Automatic 545RFE
Transmission

**Engine Mounting Right Side RWD/2WD 5.7L [EZH]
Figure 009EZH-1220**

ITEM	PART NUMBER	QTY	LINE	SERIES	BODY	ENGINE	TRANS	TRIM	DESCRIPTION
1	04854564AB	1	T			EZ0			BRACKET AND INSULATOR, Engine MountingRight Side
2	06502585	1	J, T			EK0, ES0, EV0, EZ0			NUT AND CONED WASHER, Hex, M12X1.75, Engine Mount To Cradle Bracket, Mounting
3	06104214AA	4	J, T			ES0, EZ0			BOLT, Hex Flange Head, M10X1.50X20.00, Engine Mount Bracket To Cylinder Block, Mounting
4	06508081AA	1	J, T			EV0, EZ0, EK0, ES0			BOLT, Hex Flange Head, M12X1.75X150.00, Engine Mount To Cradle Bracket, Mounting

GRAND CHEROKEE (WK)

SERIES LINE
H = HIGHLINE T = JEEP - 2WD
P = PREMIUM J = JEEP - 4WD
S = SPORT
X = SPECIAL

BODY
74 = SPORT UTILITY 4-DR
TYPE #4

ENGINE
EZH = 5.7L V8 HEMI MDS
VCT Engine
ESF = 6.1L SRT HEMI V8
Engine
EKG = 3.7L V6 Engine

TRANSMISSION
DGJ = 5-Speed Auto W5A580
Transmission
DGQ = 5-Spd Automatic 545RFE
Transmission

AR = use ase required - = Non illustrated part

2010 WK

**Engine Mounting Right Side 4WD 5.7L [EZH]
Figure 009EZH-1225**

ITEM	PART NUMBER	QTY	LINE	SERIES	BODY	ENGINE	TRANS	TRIM	DESCRIPTION
1	52090304AG	1	J			EZ0			BRACKET AND INSULATOR, Engine MountingRight Side
2	06502585	1	J, T			EK0, ES0, EV0, EZ0			NUT AND CONED WASHER, Hex, M12X1.75, Engine Mount To Cradle Bracket, Mounting
3	06104214AA	4	J, T			ES0, EZ0			BOLT, Hex Flange Head, M10X1.50X20.00, Engine Mount Bracket To Cylinder Block, Mounting
4	06508081AA	1	J, T			EK0, ES0, EV0, EZ0			BOLT, Hex Flange Head, M12X1.75X150.00, Engine Mount To Cradle Bracket, Mounting

GRAND CHEROKEE (WK)

SERIES LINE
H = HIGHLINE T = JEEP - 2WD
P = PREMIUM J = JEEP - 4WD
S = SPORT
X = SPECIAL

BODY
74 = SPORT UTILITY 4-DR
TYPE #4

ENGINE
EZH = 5.7L V8 HEMI MDS
VCT Engine
ESF = 6.1L SRT HEMI V8
Engine
EKG = 3.7L V6 Engine

TRANSMISSION
DGJ = 5-Speed Auto W5A580
Transmission
DGQ = 5-Spd Automatic 545RFE
Transmission

AR = use ase required - = Non illustrated part

2010 WK

**Engine Mounting Left Side RWD/2WD 5.7L [EZH]
Figure 009EZH-1235**

ITEM	PART NUMBER	QTY	LINE	SERIES	BODY	ENGINE	TRANS	TRIM	DESCRIPTION
1	04854565AB	1	T			EZ0			BRACKET AND INSULATOR, Engine MountingLeft Side
2	06502585	1	J, T			EK0, ES0, EV0, EZ0			NUT AND CONED WASHER, Hex, M12X1.75, Engine Mount To Cradle Bracket, Mounting
3	06104214AA	4	J, T			ES0, EZ0			BOLT, Hex Flange Head, M10X1.50X20.00, Engine Mount Bracket To Cylinder Block, Mounting
4	06508081AA	1	J, T			EK0, ES0, EV0, EZ0			BOLT, Hex Flange Head, M12X1.75X150.00, Engine Mount To Cradle Bracket, Mounting

GRAND CHEROKEE (WK)

SERIES LINE
H = HIGHLINE T = JEEP - 2WD
P = PREMIUM J = JEEP - 4WD
S = SPORT
X = SPECIAL

BODY
74 = SPORT UTILITY 4-DR
TYPE #4

ENGINE
EZH = 5.7L V8 HEMI MDS
VCT Engine
ESF = 6.1L SRT HEMI V8
Engine
EKG = 3.7L V6 Engine

TRANSMISSION
DGJ = 5-Speed Auto W5A580
Transmission
DGQ = 5-Spd Automatic 545RFE
Transmission

AR = use ase required - = Non illustrated part

2010 WK

**Engine Mounting Left Side 4WD 5.7L [EZH]
Figure 009EZH-1240**

ITEM	PART NUMBER	QTY	LINE	SERIES	BODY	ENGINE	TRANS	TRIM	DESCRIPTION
1	52090305AG	1	J			EZ0			BRACKET AND INSULATOR, Engine MountingLeft Side
2	06502585	1	J, T			EK0, ES0, EV0, EZ0			NUT AND CONED WASHER, Hex, M12X1.75, Engine Mount To Cradle Bracket, Mounting
3	06104214AA	4	J, T			ES0, EZ0			BOLT, Hex Flange Head, M10X1.50X20.00, Engine Mount Bracket To Cylinder Block, Mounting
4	06508081AA	1	J, T			EK0, ES0, EV0, EZ0			BOLT, Hex Flange Head, M12X1.75X150.00, Engine Mount To Cradle Bracket, Mounting

GRAND CHEROKEE (WK)

SERIES LINE
H = HIGHLINE T = JEEP - 2WD
P = PREMIUM J = JEEP - 4WD
S = SPORT
X = SPECIAL

BODY
74 = SPORT UTILITY 4-DR
TYPE #4

ENGINE
EZH = 5.7L V8 HEMI MDS
VCT Engine
ESF = 6.1L SRT HEMI V8
Engine
EKG = 3.7L V6 Engine

TRANSMISSION
DGJ = 5-Speed Auto W5A580
Transmission
DGQ = 5-Spd Automatic 545RFE
Transmission

AR = use ase required - = Non illustrated part

2010 WK

Group - 10

Restraints

Group - 10 Restraints

Illustration Title

Group-Fig. No.

Air Bags

Air Bag Modules, Impact Sensors and Clock SpringFig. 10 - 205

Air Bags FrontFig. 10 - 210

Air Bags SideFig. 10 - 215

Seat Belts

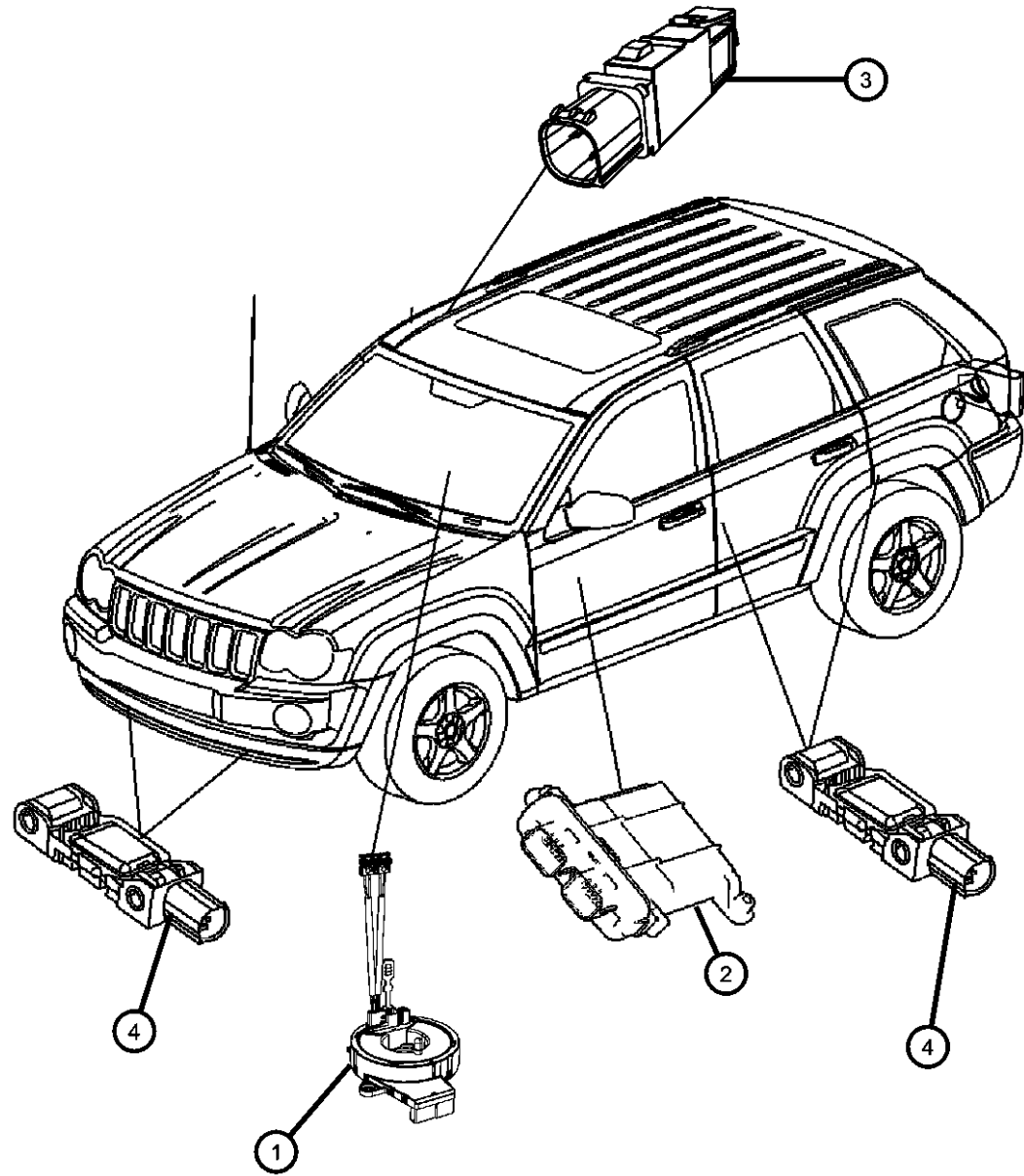
Seat Belts First RowFig. 10 - 305

Seat Belts Second RowFig. 10 - 310

010-200 Air Bags	010-300 Seat Belts		
---------------------	-----------------------	--	--

Air Bag Modules, Impact Sensors and Clock Spring
Figure 10-205

ITEM	PART NUMBER	QTY	LINE	SERIES	BODY	ENGINE	TRANS	TRIM	DESCRIPTION
1	68003216AH	1	J, T		74				CLOCKSPRING, Steering Column Control Module
2	04896122AF	1	J, T		74				MODULE, Occupant Restraint, [CG1,CG3,CGS]
3	56043206AD	1	J, T		74				SENSOR, Seat track position
4									SENSOR, Side Airbag Impact [CG1,CG3]
	04896083AA	2	J, T		74				[CGS]
		4	J, T		74				[CGS]



GRAND CHEROKEE (WK)

SERIES LINE
H = HIGHLINE T = JEEP - 2WD
P = PREMIUM J = JEEP - 4WD
S = SPORT
X = SPECIAL

BODY
74 = SPORT UTILITY 4-DR
TYPE #4

ENGINE
EZH = 5.7L V8 HEMI MDS
VCT Engine
ESF = 6.1L SRT HEMI V8
Engine
EKG = 3.7L V6 Engine

TRANSMISSION
DGJ = 5-Speed Auto W5A580
Transmission
DGQ = 5-Spd Automatic 545RFE
Transmission

AR = use ase required - = Non illustrated part

2010 WK

**Air Bags Front
Figure 10-210**

ITEM	PART NUMBER	QTY	LINE	SERIES	BODY	ENGINE	TRANS	TRIM	DESCRIPTION
1									AIR BAG, Driver
	1EB40XDVAE	1	J, T		74				[DV]
	1EB40ZJ3AE	1	J, T		74				[J3]
	1EB40BD1AE	1	J, T		74				[J1]
		1	J, T		74				[D1]
2	55197375AB	1	J, T		74				AIR BAG, Passenger
3									COVER, Air Bag Module
	1HT41BD1AC	1	J, T		74				[D1]
		1	J, T		74				[J1]
	1HT41XDVAC	1	J, T		74				[DV]
	1HT41ZJ3AC	1	J, T		74				[J3]

GRAND CHEROKEE (WK)

SERIES LINE
H = HIGHLINE T = JEEP - 2WD
P = PREMIUM J = JEEP - 4WD
S = SPORT
X = SPECIAL

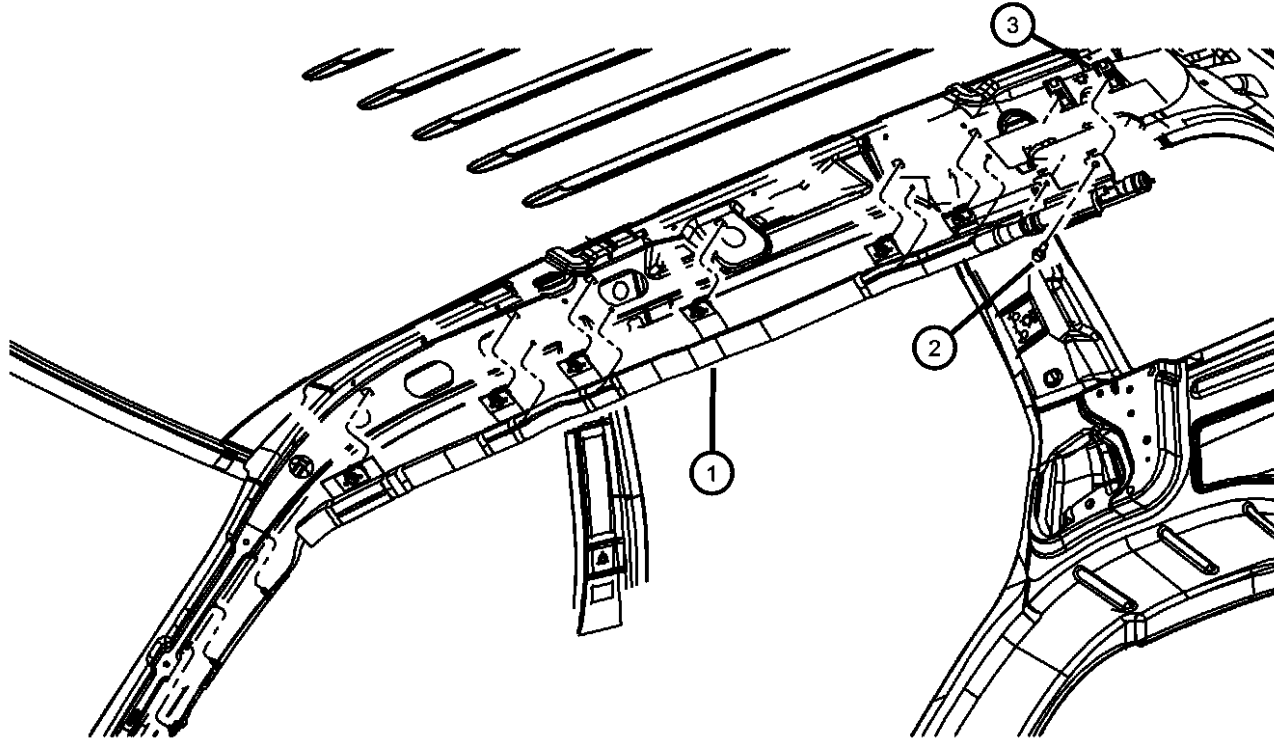
BODY
74 = SPORT UTILITY 4-DR
TYPE #4

ENGINE
EZH = 5.7L V8 HEMI MDS
VCT Engine
ESF = 6.1L SRT HEMI V8
Engine
EKG = 3.7L V6 Engine

TRANSMISSION
DGJ = 5-Speed Auto W5A580
Transmission
DGQ = 5-Spd Automatic 545RFE
Transmission

**Air Bags Side
Figure 10-215**

ITEM	PART NUMBER	QTY	LINE	SERIES	BODY	ENGINE	TRANS	TRIM	DESCRIPTION
1	52029296AH	1	J, T		74				AIR BAG, Side Curtain Right
	52029297AH	1	J, T		74				Left
2		1							SCREW, Hex Head, M6X1.00X26.50, (NOT SERVICED)
3	06504118	4	J, T		74				U-NUT, M6 x 1.00, M6x1.00, SIDE AIR BAG MODULE TO ROOF PANEL



GRAND CHEROKEE (WK)

SERIES LINE
H = HIGHLINE T = JEEP - 2WD
P = PREMIUM J = JEEP - 4WD
S = SPORT
X = SPECIAL

BODY
74 = SPORT UTILITY 4-DR
TYPE #4

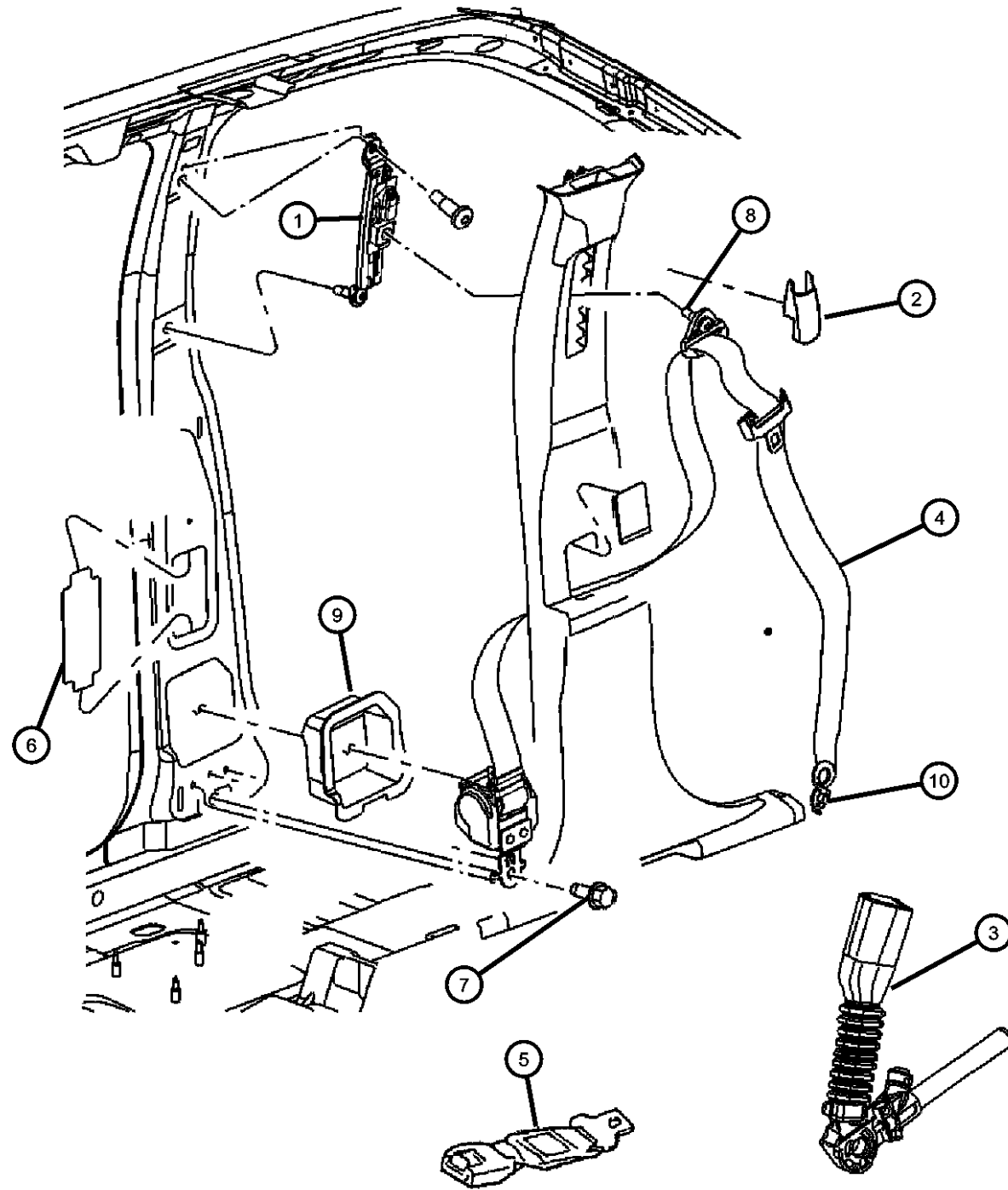
ENGINE
EZH = 5.7L V8 HEMI MDS
VCT Engine
ESF = 6.1L SRT HEMI V8
Engine
EKG = 3.7L V6 Engine

TRANSMISSION
DGJ = 5-Speed Auto W5A580
Transmission
DGQ = 5-Spd Automatic 545RFE
Transmission

AR = use ase required - = Non illustrated part

2010 WK

Seat Belts First Row
Figure 10-305



ITEM	PART NUMBER	QTY	LINE	SERIES	BODY	ENGINE	TRANS	TRIM	DESCRIPTION
1	1FS92BD1AB	2	J, T		74				ADJUSTER, Seat Belt Turning Loop
2	5HP13BD1AB	2	J, T		74				COVER, Adjustable Turning Loop
3									SEAT BELT, Front Inner
	1GD801J8AC	1	J, T		74				[J1], Right
		1	J, T		74				[J3], Right
	1GD801DVAC	1	J, T		74				[DV], Right
		1	J, T		74				[D1], Right
	5HP151DVAD	1	J, T		74				[D1], Left
		1	J, T		74				[DV], Left
	5HP151J8AD	1	J, T		74				[J3], Left
		1	J, T		74				[J1], Left
4									SEAT BELT, Front Outer
	5HQ36BD1AL	1	J, T	S	74				[J1] Up to 12/14/09, Right
	5HQ36XDVAL	1	J, T	H, P, X	74				[D1] Up to 12/14/09, Right
		1	J, T	H, P, X	74				[DV] Up to 12/14/09, Right
		1	J, T	S	74				[DV] Up to 12/14/09, Right
	5HQ36ZJ8AL	1	J, T	H, P, X	74				[J1] Up to 12/14/09, Right
		1	J, T	H, P, X	74				[J3] Up to 12/14/09, Right
	5HQ36BD1AM	1	J, T	S	74				[J1] After 12/14/09, Right
	5HQ36XD-VAM	1	J, T	H, P, X	74				[D1] After 12/14/09, Right
		1	J, T	H, P, X	74				[DV] After 12/14/09, Right
		1	J, T	S	74				[DV] After 12/14/09, Right
	5HQ36ZJ8AM	1	J, T	H, P, X	74				[J1] After 12/14/09, Right
		1	J, T	H, P, X	74				[J3] After 12/14/09, Right
	5HQ37BD1AL	1	J, T	S	74				[J1] Up to 12/14/09, Left
	5HQ37XDVAL	1	J, T	H, P, X	74				[D1] Up to 12/14/09, Left
		1	J, T	H, P, X	74				[DV] Up to 12/14/09, Left
		1	J, T	S	74				[DV] Up to 12/14/09, Left
	5HQ37ZJ8AL	1	J, T	H, P, X	74				[J3] Up to 12/14/09, Left
		1	J, T	H, P, X	74				[J1] Up to 12/14/09, Left
	5HQ37BD1AM	1	J, T	S	74				[J1] After 12/14/09, Left
	5HQ37XD-VAM	1	J, T	H, P, X	74				[D1] After 12/14/09, Left
		1	J, T	H, P, X	74				[DV] After 12/14/09, Left

GRAND CHEROKEE (WK)

SERIES LINE
H = HIGHLINE T = JEEP - 2WD
P = PREMIUM J = JEEP - 4WD
S = SPORT
X = SPECIAL

BODY
74 = SPORT UTILITY 4-DR
TYPE #4

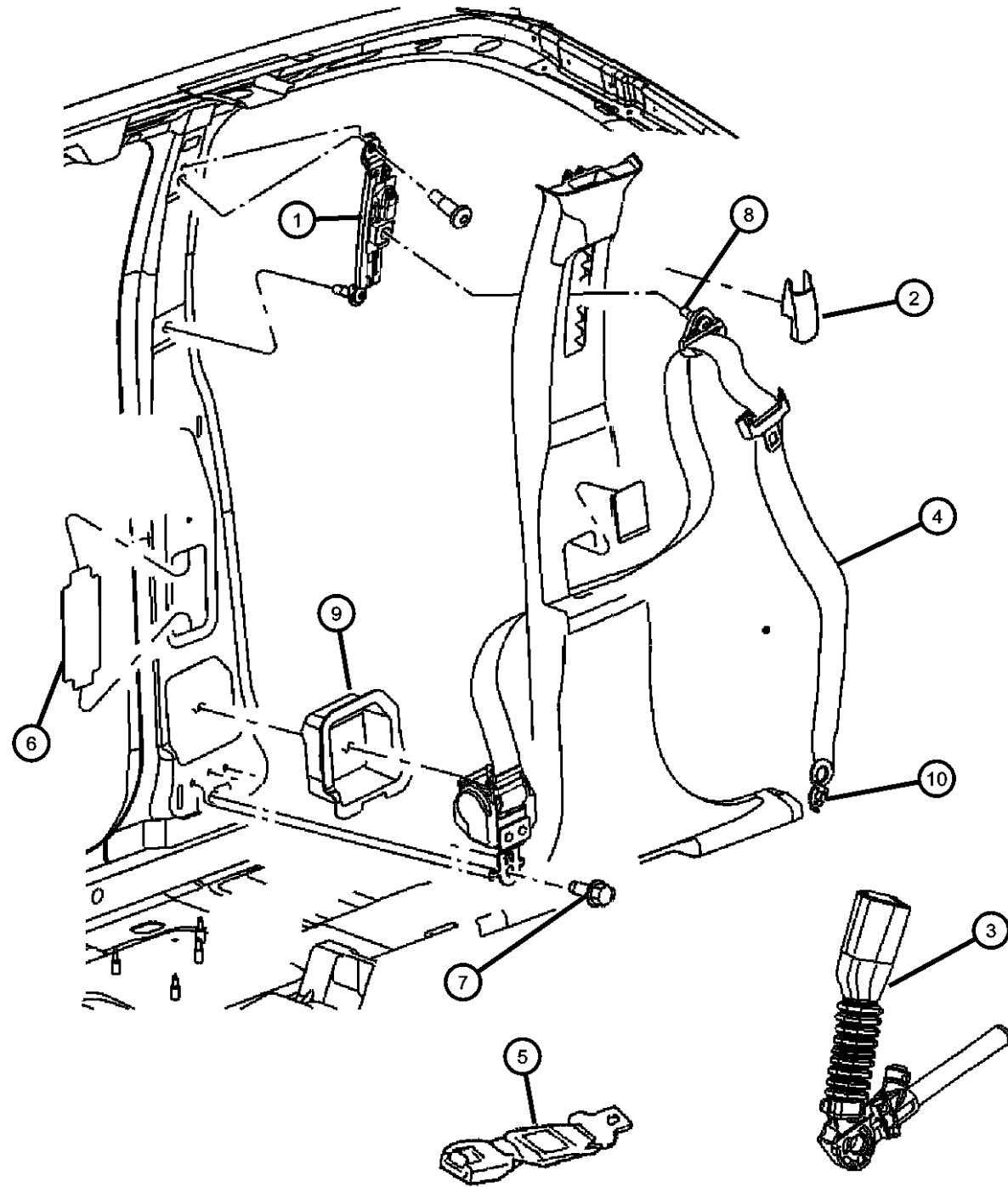
ENGINE
EZH = 5.7L V8 HEMI MDS
VCT Engine
ESF = 6.1L SRT HEMI V8
Engine
EKG = 3.7L V6 Engine

TRANSMISSION
DGJ = 5-Speed Auto W5A580
Transmission
DGQ = 5-Spd Automatic 545RFE
Transmission

AR = use ase required - = Non illustrated part

2010 WK

Seat Belts First Row
Figure 10-305



ITEM	PART NUMBER	QTY	LINE	SERIES	BODY	ENGINE	TRANS	TRIM	DESCRIPTION
		1	J, T	S	74				[DV] After 12/14/09, Left
	5HQ37ZJ8AM	1	J, T	H, P, X	74				[J1] After 12/14/09, Left
		1	J, T	H, P, X	74				[J3] After 12/14/09, Left
5	05018505AA	AR							EXTENDER, Seat Belt
6	55116545AC	2	J, T		74				SHIELD, Seat Belt Retractor
7	06105123AA	1	J, T		74				SCREW, .437-20X30
8									SCREW, Shouldered Pan Head, .437-20X37.9
	06036522AA	1	J, T	H, P, X	74				
		1	J, T	S	74				
9									SHIELD, Seat Belt Retractor
	55197033AA	1	J, T		74				Left
	55197032AA	1	J, T		74				Right
10									SCREW, Special Head, .437-20X.535
	06036523AA	1	J, T	H, P, X	74				
		1	J, T	S	74				

GRAND CHEROKEE (WK)

SERIES LINE
H = HIGHLINE T = JEEP - 2WD
P = PREMIUM J = JEEP - 4WD
S = SPORT
X = SPECIAL

BODY
74 = SPORT UTILITY 4-DR
TYPE #4

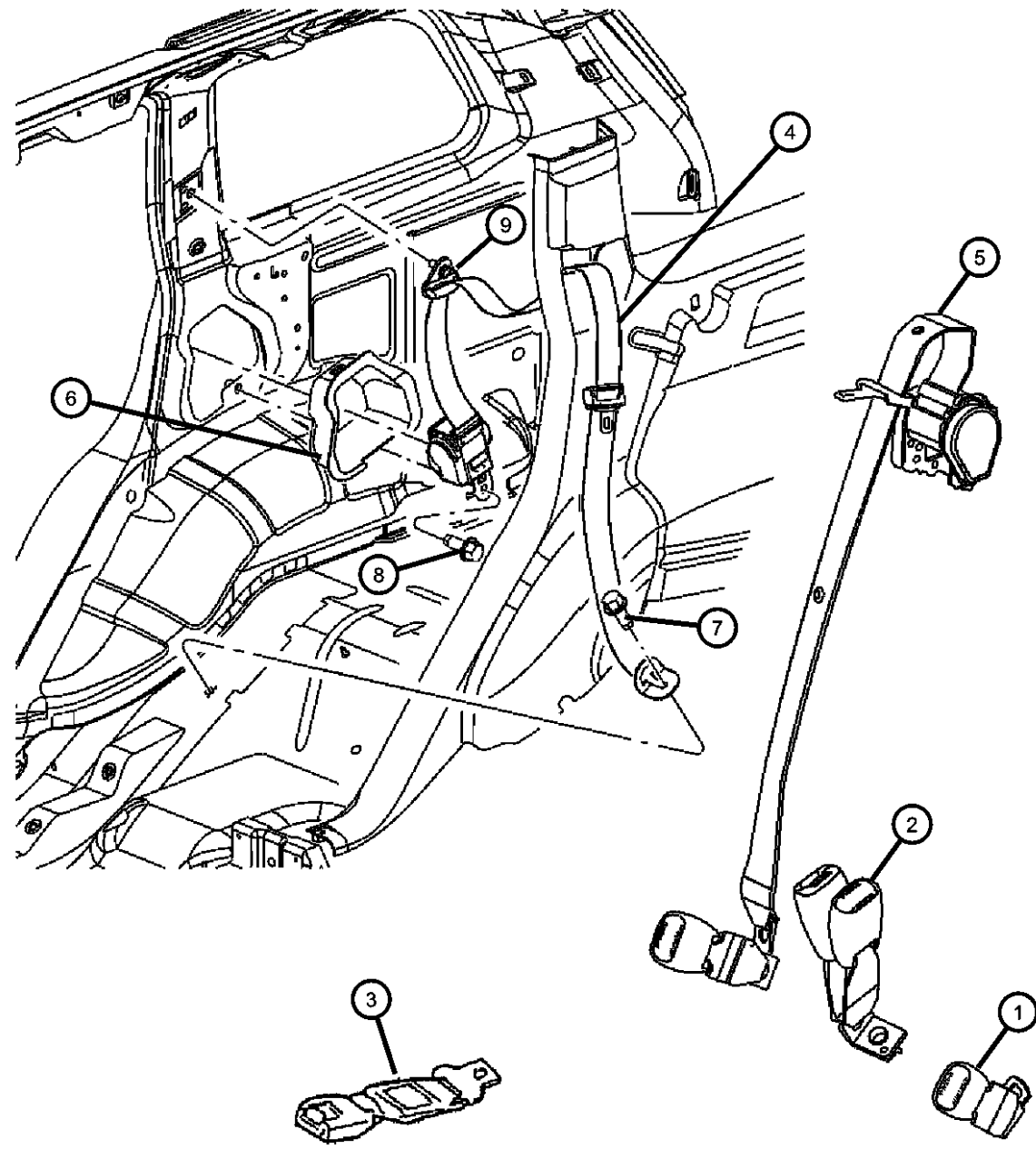
ENGINE
EZH = 5.7L V8 HEMI MDS
VCT Engine
ESF = 6.1L SRT HEMI V8
Engine
EKG = 3.7L V6 Engine

TRANSMISSION
DGJ = 5-Speed Auto W5A580
Transmission
DGQ = 5-Spd Automatic 545RFE
Transmission

AR = use ase required - = Non illustrated part

2010 WK

Seat Belts Second Row
Figure 10-310



ITEM	PART NUMBER	QTY	LINE	SERIES	BODY	ENGINE	TRANS	TRIM	DESCRIPTION
1									SEAT BELT, Rear Inner
	5HP161DVAC	1	J, T		74				[DV]
	5HP161J8AC	1	J, T		74				[J3]
		1	J, T		74				[J1]
		1	J, T		74				[D1]
2									SEAT BELT, Two Buckles
	5HP171DVAA	1	J, T		74				[D1]
		1	J, T		74				[DV]
	5HP171J8AA	1	J, T		74				[J1]
		1	J, T		74				[J3]
3	05018505AA	AR							EXTENDER, Seat Belt
4									SEAT BELT, Rear Outer
	5JB59ZJ8AI	1	J, T	H, P, X	74				[J1] After 12/14/09, Left
		1	J, T	H, P, X	74				[J3] After 12/14/09, Left
	5JB58XDVAH	1	J, T	H, P, X	74				[D1] Up to 12/14/09, Right
		1	J, T	H, P, X	74				[DV] Up to 12/14/09, Right
		1	J, T	S	74				[DV] Up to 12/14/09, Right
	5JB58ZJ8AH	1	J, T	H, P, X	74				[J1] Up to 12/14/09, Right
		1	J, T	H, P, X	74				[J3] Up to 12/14/09, Right
	5JB58BD1AI	1	J, T	S	74				[J1] After 12/14/09, Right
	5JB58XDVAI	1	J, T	H, P, X	74				[D1] After 12/14/09, Right
		1	J, T	H, P, X	74				[DV] After 12/14/09, Right
		1	J, T	S	74				[DV] After 12/14/09, Right
	5JB58ZJ8AI	1	J, T	H, P, X	74				[J1] After 12/14/09, Right
		1	J, T	H, P, X	74				[J3] After 12/14/09, Right
	5JB59BD1AH	1	J, T	S	74				[J1] Up to 12/14/09, Left
	5JB58BD1AH	1	J, T	S	74				[J1] Up to 12/14/09, Right
	5JB59XDVAH	1	J, T	H, P, X	74				[D1] Up to 12/14/09, Left
		1	J, T	H, P, X	74				[DV] Up to 12/14/09, Left
		1	J, T	S	74				[DV] Up to 12/14/09, Left
	5JB59ZJ8AH	1	J, T	H, P, X	74				[J3] Up to 12/14/09, Left
		1	J, T	H, P, X	74				[J1] Up to 12/14/09, Left
	5JB59BD1AI	1	J, T	S	74				[J1] After 12/14/09, Left
	5JB59XDVAI	1	J, T	H, P, X	74				[D1] After 12/14/09, Left
		1	J, T	H, P, X	74				[DV] After 12/14/09, Left

GRAND CHEROKEE (WK)

SERIES LINE
H = HIGHLINE T = JEEP - 2WD
P = PREMIUM J = JEEP - 4WD
S = SPORT
X = SPECIAL

BODY
74 = SPORT UTILITY 4-DR
TYPE #4

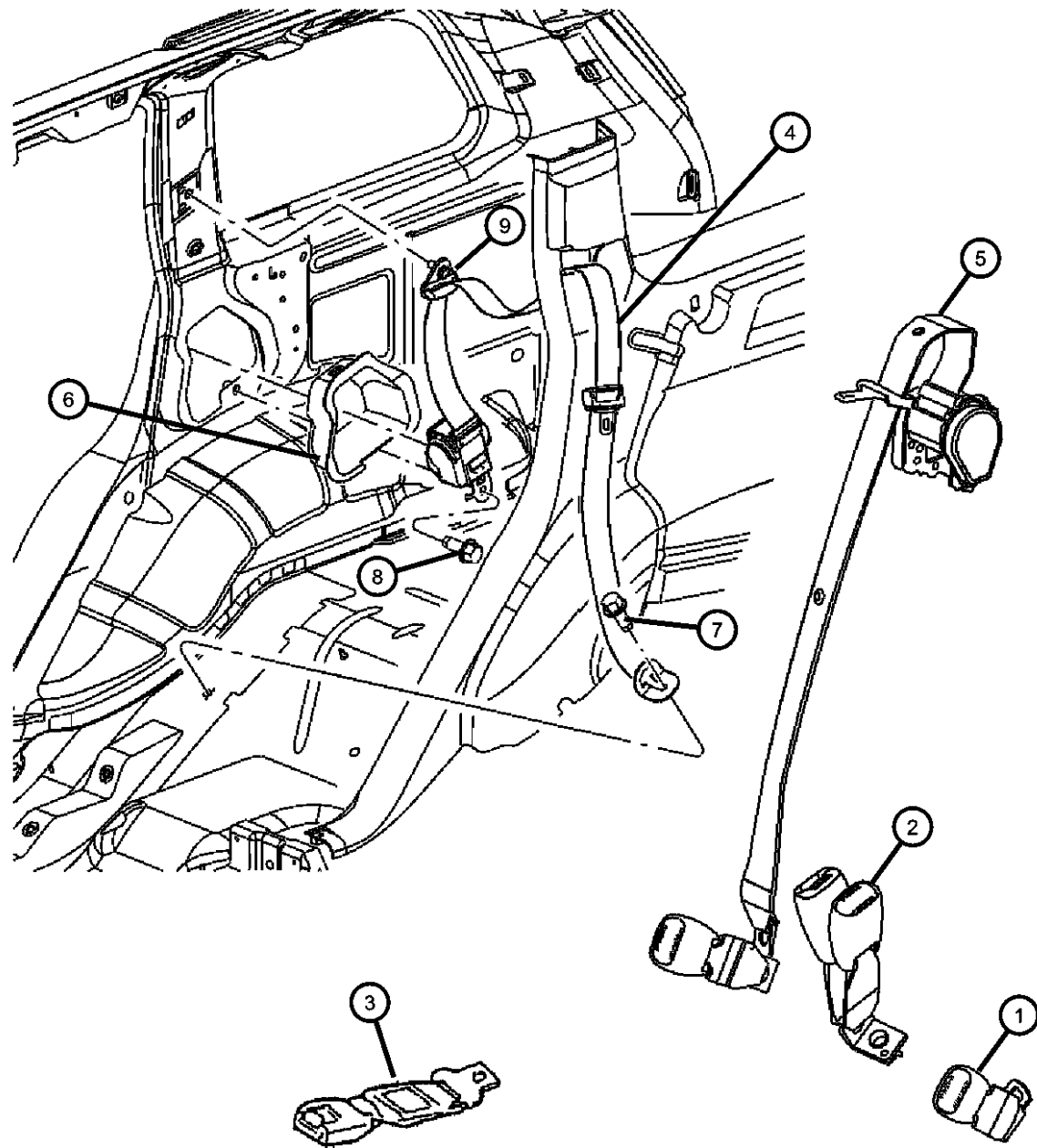
ENGINE
EZH = 5.7L V8 HEMI MDS
VCT Engine
ESF = 6.1L SRT HEMI V8
Engine
EKG = 3.7L V6 Engine

TRANSMISSION
DGJ = 5-Speed Auto W5A580
Transmission
DGQ = 5-Spd Automatic 545RFE
Transmission

AR = use ase required - = Non illustrated part

2010 WK

Seat Belts Second Row
Figure 10-310



ITEM	PART NUMBER	QTY	LINE	SERIES	BODY	ENGINE	TRANS	TRIM	DESCRIPTION
		1	J, T	S	74				[DV] After 12/14/09, Left
5									SEAT BELT, Rear Center Shoulder
	5JB571DVAH	1	J, T		74				[DV]
	5JB571J8AH	1	J, T		74				[J1]
		1	J, T		74				[J3]
		1	J, T		74				[D1]
6									SHIELD, Seat Belt Retractor
	55197034AB	1	J, T		74				Right
	55197035AB	1	J, T		74				Left
7									SCREW, Special Head,
	06036523AA	1	J, T	H, P, X	74				.437-20X.535
		1	J, T	S	74				
8	06105123AA	1	J, T		74				SCREW, .437-20X30
9									SCREW, Shouldered Pan Head,
	06036438AA	1	J, T	S	74				.437-20X1.480
		1	J, T	H, P, X	74				

GRAND CHEROKEE (WK)

SERIES LINE
H = HIGHLINE T = JEEP - 2WD
P = PREMIUM J = JEEP - 4WD
S = SPORT
X = SPECIAL

BODY
74 = SPORT UTILITY 4-DR
TYPE #4

ENGINE
EZH = 5.7L V8 HEMI MDS
VCT Engine
ESF = 6.1L SRT HEMI V8
Engine
EKG = 3.7L V6 Engine

TRANSMISSION
DGJ = 5-Speed Auto W5A580
Transmission
DGQ = 5-Spd Automatic 545RFE
Transmission

AR = use ase required - = Non illustrated part

2010 WK

Group - 11

Exhaust

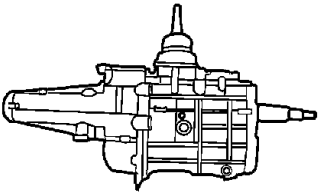
Group - 11 Exhaust

Illustration Title

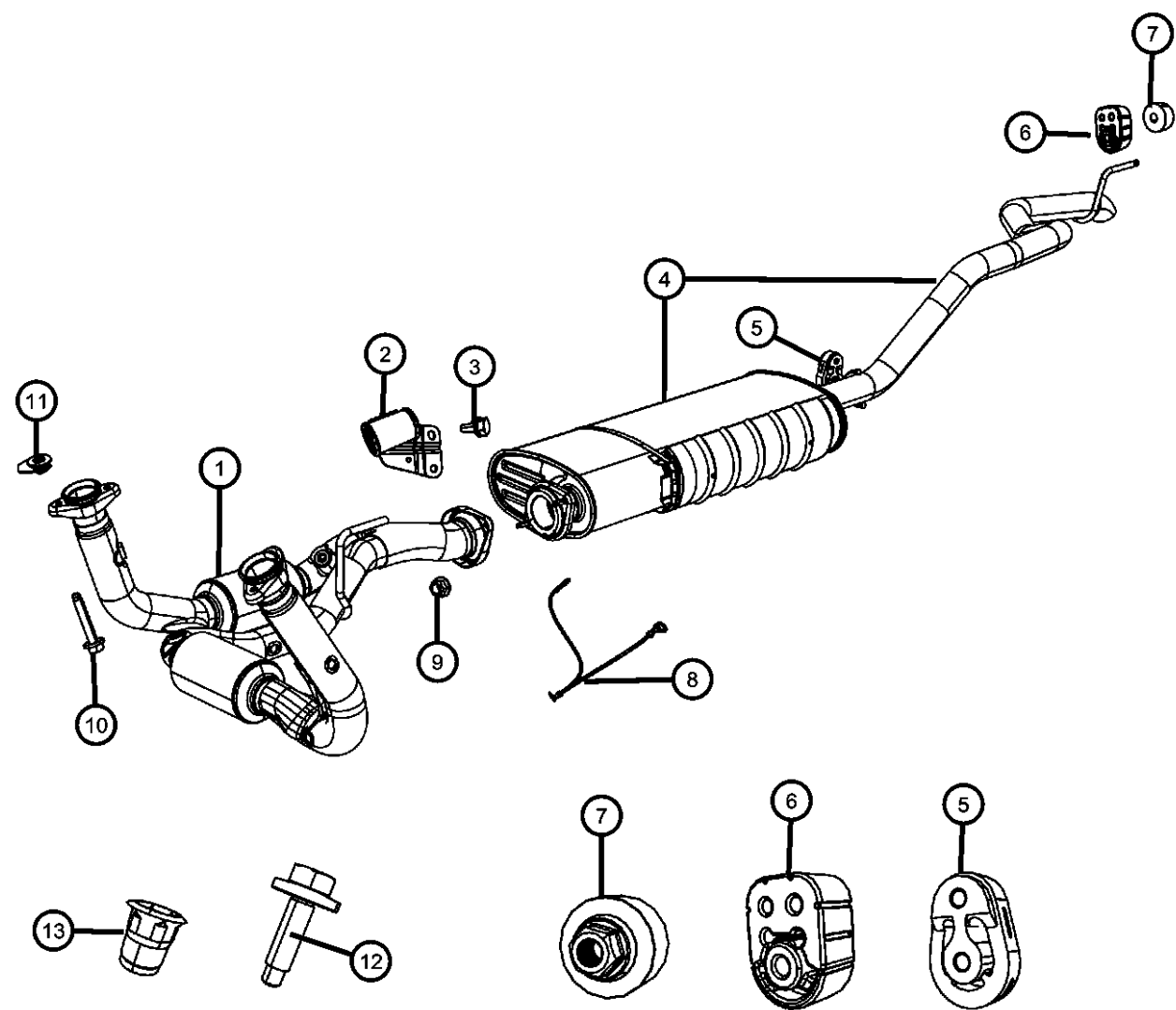
Group-Fig. No.

Exhaust System

Exhaust System 3.7L [EKG].....	Fig. 11 - 105
Exhaust System 4.7L [EVE].....	Fig. 11 - 110
Exhaust System 5.7L [EZH].....	Fig. 11 - 115
Exhaust System 6.1L [ESF].....	Fig. 11 - 120
Exhaust System Heat Shields.....	Fig. 11 - 150

<p>011-100 Exhaust System</p> 			
---	--	--	--

**Exhaust System 3.7L [EKG]
Figure 11-105**



ITEM	PART NUMBER	QTY	LINE	SERIES	BODY	ENGINE	TRANS	TRIM	DESCRIPTION
1	52124344AB	1	J, T		74	EKG			PIPE AND CONVERTER, Exhaust
2	52124079AA	1	J		74	EK0, ES0			BRACKET AND ISOLATOR, Exhaust
3	06104215AA	2	J		74	EK0			BOLT, Hex Flange Head, M10x1.50x25.00, Hanger Bracket To Transmission, Mounting
4	52124037AG	1	J, T		74	EK0			MUFFLER AND TAILPIPE, Exhaust
5	52128501AA	1	J, T		74	EK0			ISOLATOR
6	52124115AC	1	J, T		74				ISOLATOR, Exhaust
7	52124156AA	1	J, T		74	EK0			DAMPER, Exhaust Pipe
8	56038740AE	1	J		74	EK0, ES0, EV0, EZ0			STRAP, GroundExhaust
9									NUT, Hex Flange Lock, M10x1.50
	06101696	2	J		74				
		2	J, T	H, P, S	74				Muffler And Tail Pipe Assembly To Front Exhaust Pipe, Mounting
10	06104426AA	4	J, T		74				BOLT AND CONED WASHER, Hex Head, M10X1.50X60.00, Front Exhaust Pipe To Exhaust Manifold, Mounting
11	06503231	4	J, T		74	EK0, ES0, EV0, EZ0			NUT, Hex Flange Lock, M14x1.50, Front Exhaust Pipe To Exhaust Manifold, Mounting
12	06505727AA	2	J, T		74				BOLT AND CONED WASHER, Hex Head, M8X1.25X25.00, Exhaust Bracket, Mounting
13	06507091AA	2	J, T		74				RIVNUT, Installation, Exhaust Bracket, Mounting

GRAND CHEROKEE (WK)

SERIES LINE
H = HIGHLINE T = JEEP - 2WD
P = PREMIUM J = JEEP - 4WD
S = SPORT
X = SPECIAL

BODY
74 = SPORT UTILITY 4-DR
TYPE #4

ENGINE
EZH = 5.7L V8 HEMI MDS
VCT Engine
ESF = 6.1L SRT HEMI V8
Engine
EKG = 3.7L V6 Engine

TRANSMISSION
DGJ = 5-Speed Auto W5A580
Transmission
DGQ = 5-Spd Automatic 545RFE
Transmission

AR = use ase required - = Non illustrated part

2010 WK

**Exhaust System 4.7L [EVE]
Figure 11-110**

ITEM	PART NUMBER	QTY	LINE	SERIES	BODY	ENGINE	TRANS	TRIM	DESCRIPTION
1	68007615AA	1	J, T		74	EVO			PIPE AND CONVERTER, Exhaust [NAA] Federal Emissions
	68052301AA	1	J, T		74	EVO			[NAE] California Emissions
2	52090057AB	1	J, T		74	EV0, EZ0			BRACKET AND ISOLATOR, Exhaust
3	06104215AA	3	T		74	EV0, EZ0	DBA		BOLT, Hex Flange Head, M10x1.50x25.00, Hanger Bracket To Transmission, Mounting
4	68030054AA	1	J, T		74	EVO			MUFFLER AND TAILPIPE, Exhaust
5	52128501AA	1	J, T		74	EVO			ISOLATOR, Front Tail Pipe, Mounting
6	52124115AC	1	J, T		74				ISOLATOR, Exhaust, Rear Tail Pipe, Mounting
7	56038740AE	1	J		74	EK0, ES0, EV0, EZ0			STRAP, Ground
8	06101696	2	J, T	H, P, S	74				NUT, Hex Flange Lock, M10x1.50, Muffler And Tail Pipe Assembly To Front Exhaust Pipe, Mounting
9	06505727AA	2	J, T		74				BOLT AND CONED WASHER, Hex Head, M8X1.25X25.00, Exhaust Bracket To Frame, Mounting
10	06507091AA	2	J, T		74				RIVNUT, Installation, Exhaust Bracket To Frame, Mounting
11	06104426AA	4	J, T		74				BOLT AND CONED WASHER, Hex Head, M10X1.50X60.00, Front Exhaust Pipe To Exhaust Manifold, Mounting
12	06503231	4	J, T		74	EK0, ES0, EV0, EZ0			NUT, Hex Flange Lock, M14x1.50, Front Exhaust Pipe To Exhaust Manifold, Mounting

GRAND CHEROKEE (WK)

SERIES LINE
H = HIGHLINE T = JEEP - 2WD
P = PREMIUM J = JEEP - 4WD
S = SPORT
X = SPECIAL

BODY
74 = SPORT UTILITY 4-DR
TYPE #4

ENGINE
EZH = 5.7L V8 HEMI MDS
VCT Engine
ESF = 6.1L SRT HEMI V8
Engine
EKG = 3.7L V6 Engine

TRANSMISSION
DGJ = 5-Speed Auto W5A580
Transmission
DGQ = 5-Spd Automatic 545RFE
Transmission

**Exhaust System 5.7L [EZH]
Figure 11-115**

ITEM	PART NUMBER	QTY	LINE	SERIES	BODY	ENGINE	TRANS	TRIM	DESCRIPTION
1	68025212AA	1	J, T		74	EZ0			PIPE AND CONVERTER, Exhaust
2	52090057AB	1	J, T		74	EV0, EZ0			BRACKET AND ISOLATOR, Exhaust
3	06104215AA	3	T		74	EV0, EZ0	DBA		BOLT, Hex Flange Head, M10x1.50x25.00, Hanger Bracket To Transmission, Mounting
4	68030123AB	1	J, T		74	EZ0			MUFFLER AND TAILPIPE, Exhaust
5	52124044AA	3	J, T		74	EZ0			ISOLATOR, Exhaust Support
6	52124115AC	1	J, T		74				ISOLATOR, Exhaust, Rear Tail Pipe, Mounting
7	56038740AE	1	J		74	EK0, ES0, EV0, EZ0			STRAP, Ground
8	06101696	2	J, T	H, P, S	74				NUT, Hex Flange Lock, M10x1.50, Muffler And Tail Pipe Assembly To Front Exhaust Pipe, Mounting
9	06505727AA	2	J, T		74				BOLT AND CONED WASHER, Hex Head, M8X1.25X25.00, Exhaust Bracket To Frame, Mounting
10	06507091AA	2	J, T		74				RIVNUT, Installation, Exhaust Bracket To Frame, Mounting
11	06104426AA	4	J, T		74				BOLT AND CONED WASHER, Hex Head, M10X1.50X60.00, Front Exhaust Pipe To Exhaust Manifold, Mounting
12	06503231	4	J, T		74	EK0, ES0, EV0, EZ0			NUT, Hex Flange Lock, M14x1.50, Front Exhaust Pipe To Exhaust Manifold, Mounting

GRAND CHEROKEE (WK)

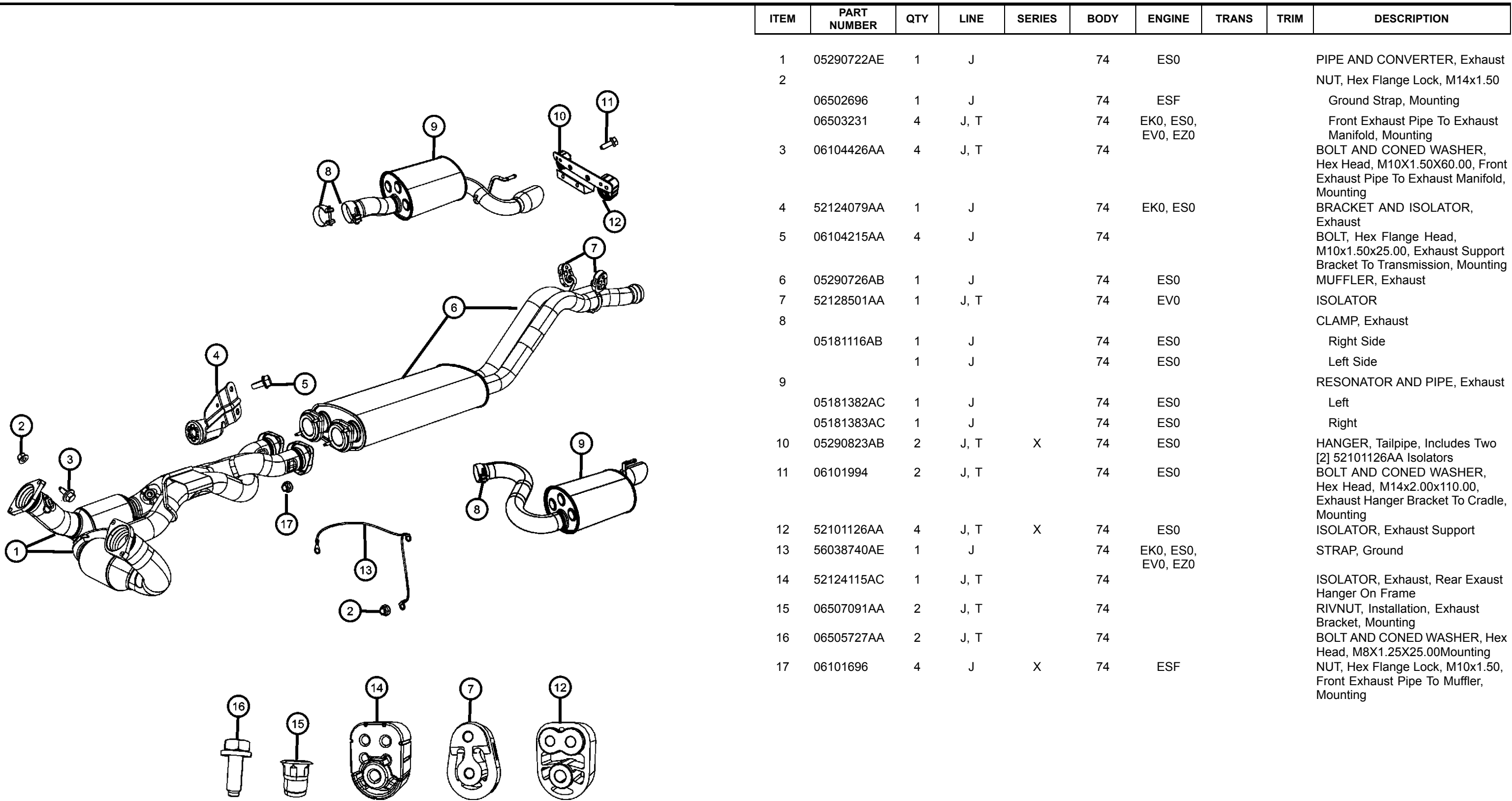
SERIES LINE
H = HIGHLINE T = JEEP - 2WD
P = PREMIUM J = JEEP - 4WD
S = SPORT
X = SPECIAL

BODY
74 = SPORT UTILITY 4-DR TYPE #4

ENGINE
EZH = 5.7L V8 HEMI MDS VCT Engine
ESF = 6.1L SRT HEMI V8 Engine
EKG = 3.7L V6 Engine

TRANSMISSION
DGJ = 5-Speed Auto W5A580 Transmission
DGQ = 5-Spd Automatic 545RFE Transmission

**Exhaust System 6.1L [ESF]
Figure 11-120**



ITEM	PART NUMBER	QTY	LINE	SERIES	BODY	ENGINE	TRANS	TRIM	DESCRIPTION
1	05290722AE	1	J		74	ES0			PIPE AND CONVERTER, Exhaust
2									NUT, Hex Flange Lock, M14x1.50
	06502696	1	J		74	ESF			Ground Strap, Mounting
	06503231	4	J, T		74	EK0, ES0, EV0, EZ0			Front Exhaust Pipe To Exhaust Manifold, Mounting
3	06104426AA	4	J, T		74				BOLT AND CONED WASHER, Hex Head, M10X1.50X60.00, Front Exhaust Pipe To Exhaust Manifold, Mounting
4	52124079AA	1	J		74	EK0, ES0			BRACKET AND ISOLATOR, Exhaust
5	06104215AA	4	J		74				BOLT, Hex Flange Head, M10x1.50x25.00, Exhaust Support Bracket To Transmission, Mounting
6	05290726AB	1	J		74	ES0			MUFFLER, Exhaust
7	52128501AA	1	J, T		74	EV0			ISOLATOR
8									CLAMP, Exhaust
	05181116AB	1	J		74	ES0			Right Side
		1	J		74	ES0			Left Side
9									RESONATOR AND PIPE, Exhaust
	05181382AC	1	J		74	ES0			Left
	05181383AC	1	J		74	ES0			Right
10	05290823AB	2	J, T	X	74	ES0			HANGER, Tailpipe, Includes Two [2] 52101126AA Isolators
11	06101994	2	J, T		74	ES0			BOLT AND CONED WASHER, Hex Head, M14x2.00x110.00, Exhaust Hanger Bracket To Cradle, Mounting
12	52101126AA	4	J, T	X	74	ES0			ISOLATOR, Exhaust Support
13	56038740AE	1	J		74	EK0, ES0, EV0, EZ0			STRAP, Ground
14	52124115AC	1	J, T		74				ISOLATOR, Exhaust, Rear Exhaust Hanger On Frame
15	06507091AA	2	J, T		74				RIVNUT, Installation, Exhaust Bracket, Mounting
16	06505727AA	2	J, T		74				BOLT AND CONED WASHER, Hex Head, M8X1.25X25.00Mounting
17	06101696	4	J	X	74	ESF			NUT, Hex Flange Lock, M10x1.50, Front Exhaust Pipe To Muffler, Mounting

GRAND CHEROKEE (WK)
 SERIES LINE
 H = HIGHLINE T = JEEP - 2WD
 P = PREMIUM J = JEEP - 4WD
 S = SPORT
 X = SPECIAL

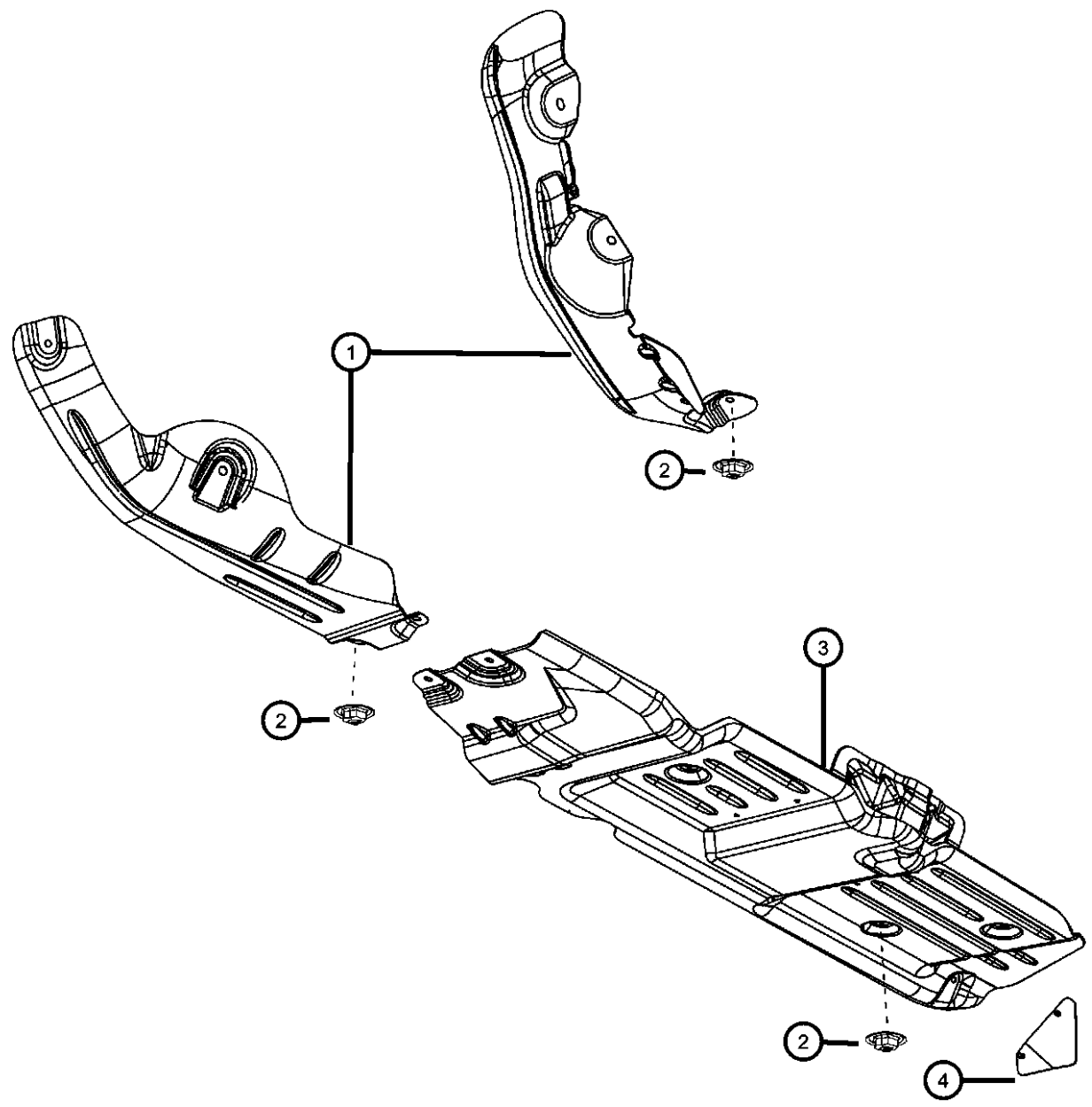
BODY
 74 = SPORT UTILITY 4-DR
 TYPE #4

ENGINE
 EZH = 5.7L V8 HEMI MDS
 VCT Engine
 ESF = 6.1L SRT HEMI V8
 Engine
 EKG = 3.7L V6 Engine

TRANSMISSION
 DGJ = 5-Speed Auto W5A580
 Transmission
 DGQ = 5-Spd Automatic 545RFE
 Transmission

AR = use ase required - = Non illustrated part

**Exhaust System Heat Shields
Figure 11-150**



ITEM	PART NUMBER	QTY	LINE	SERIES	BODY	ENGINE	TRANS	TRIM	DESCRIPTION
1	55394453AB	1	J, T		74	EK0, ES0, EV0, EZ0			SHIELD, Exhaust, Front Pipe or Converter Left Front
	55394456AC	1	J, T		74				Right Front
2	06505199AA	6	J, T		74	EK0, ES0, EV0, EZ0			NUT, Stamped Hex Flange, M5x1.60, Heat Shield To Floor Pan, Mounting
3	55394460AB	1	J, T		74	EK0, ESF, EV0, EZ0			SHIELD, Exhaust, Muffler
4	52090420AF	1	J, T	H, P, S	74				SHIELD, Spare Tire Without [-AHX] Trailer Tow Group
	52124516AB	1	J, T		74				[AHX] Trailer Tow Group

GRAND CHEROKEE (WK)

SERIES LINE
H = HIGHLINE T = JEEP - 2WD
P = PREMIUM J = JEEP - 4WD
S = SPORT
X = SPECIAL

BODY
74 = SPORT UTILITY 4-DR
TYPE #4

ENGINE
EZH = 5.7L V8 HEMI MDS
VCT Engine
ESF = 6.1L SRT HEMI V8
Engine
EKG = 3.7L V6 Engine

TRANSMISSION
DGJ = 5-Speed Auto W5A580
Transmission
DGQ = 5-Spd Automatic 545RFE
Transmission

AR = use ase required - = Non illustrated part

2010 WK

Group - 13

Frame, Bumper and Fascia

Group - 13 Frame, Bumper and Fascia

Illustration Title

Group-Fig. No.

Front Bumper and Fascia

Fascia, Front.....Fig. 13 - 205

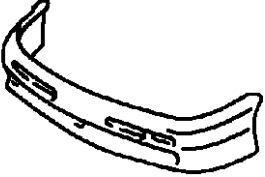
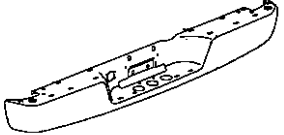
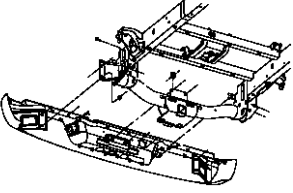
Rear Bumper and Fascia

Fascia, Rear.....Fig. 13 - 305

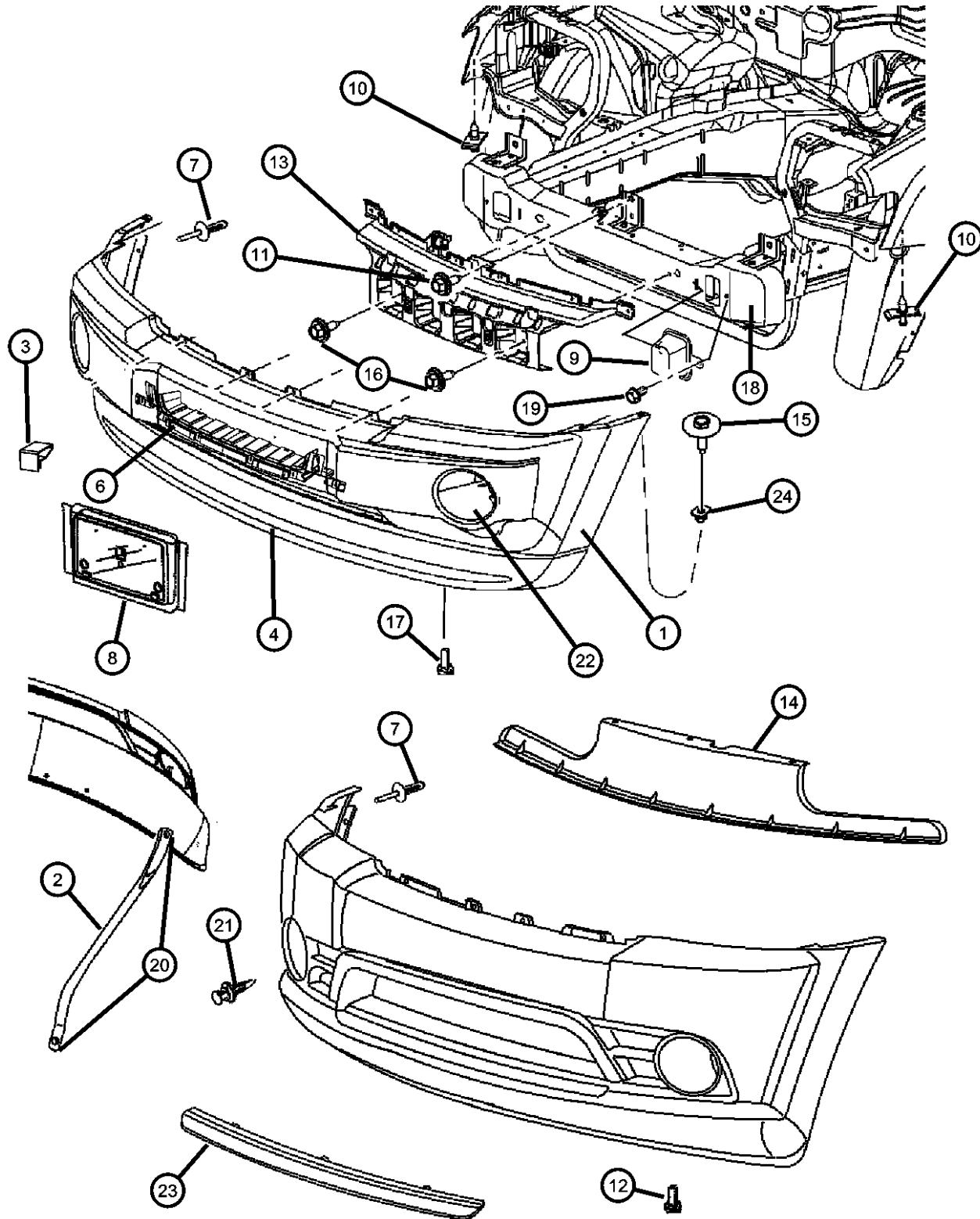
Trailer Tow and Tow Hooks

Tow Hooks, Front.....Fig. 13 - 505

Tow Hooks and Hitches, Rear.....Fig. 13 - 520

<p>013-200 Front Bumper and Fascia</p> 	<p>013-300 Rear Bumper and Fascia</p> 	<p>013-500 Trailer Tow and Tow Hooks</p> 	
--	--	--	--

Fascia, Front
Figure 13-205



ITEM	PART NUMBER	QTY	LINE	SERIES	BODY	ENGINE	TRANS	TRIM	DESCRIPTION
1	68033744AB	1	J, T		74				FASCIA, Front
		1	J, T		74				[MCJ]
		1	J, T		74				[MCY]
	05030977AA	1	J		74				[MCZ]
		1	J, T		74				[MLA]
2	05030620AA	2	J	X	74				SUPPORT, Front Fascia, [SRT8]
3	04806226AA	6	J, T		74				CLIP, Spring
4									AIR DAM
	68033816AA	1	J, T		74				[MCY]
	68044528AA	1	J, T		74				[MCJ]
	68033745AA	1	J, T		74				[MLA]
-5	68033794AA	7	J, T		74				RETAINER, Air Dam
6	68033747AA	1	J, T		74				BRACKET, Air Dam Support
7	06500911	4	J, T		74				RIVET, M6.25x28, Fender Liner to Fascia
8	55156796AA	1	J, T		74				LICENSE PLATE KIT, [MDA]
9	55360410AA	2	J, T		74				SPACER, Jounce Bumper
10	55157112AB	2	J, T		74				PIN, Push
11	06508237AA	1	J, T		74				SCREW, Tapping Hex Head, M6.3X1.81X25.0
12	06506579AA	4	J, T		74				SCREW, Tapping, M6X2.69X21.55
13	55157476AD	1	J, T		74				BRACKET, Fascia, To Lower Crossmember
14	05029991AB	1	J		74				BRACKET, Fascia, [MCZ]
15	06505520AA	2	J, T		74				SCREW, Hex Head, M4.2 x 1.70 x 33.50, Fascia Attach
16	06505903AA	2	J, T		74				SCREW AND WASHER, Self Tapping, M6x1x22
17	06505903AA	3	J, T		74				SCREW AND WASHER, Self Tapping, M6x1x22, Fascia Bracket to Body
18	05166082AB	1	J, T		74				CROSSMEMBER, Underbody
19	06505903AA	2	J, T		74				SCREW AND WASHER, Self Tapping, M6x1x22
20	06507668AA	2	J	X	74				SCREW AND WASHER, Hex Head, M8x1.25x32
21	06503598	6	J, T		74				PIN, Push, M8x21, Grille Attach
22	68033797AA	2	J, T		74				COVER, Lamp Opening
23									APPLIQUE, Fascia

GRAND CHEROKEE (WK)

SERIES LINE
H = HIGHLINE T = JEEP - 2WD
P = PREMIUM J = JEEP - 4WD
S = SPORT
X = SPECIAL

BODY
74 = SPORT UTILITY 4-DR
TYPE #4

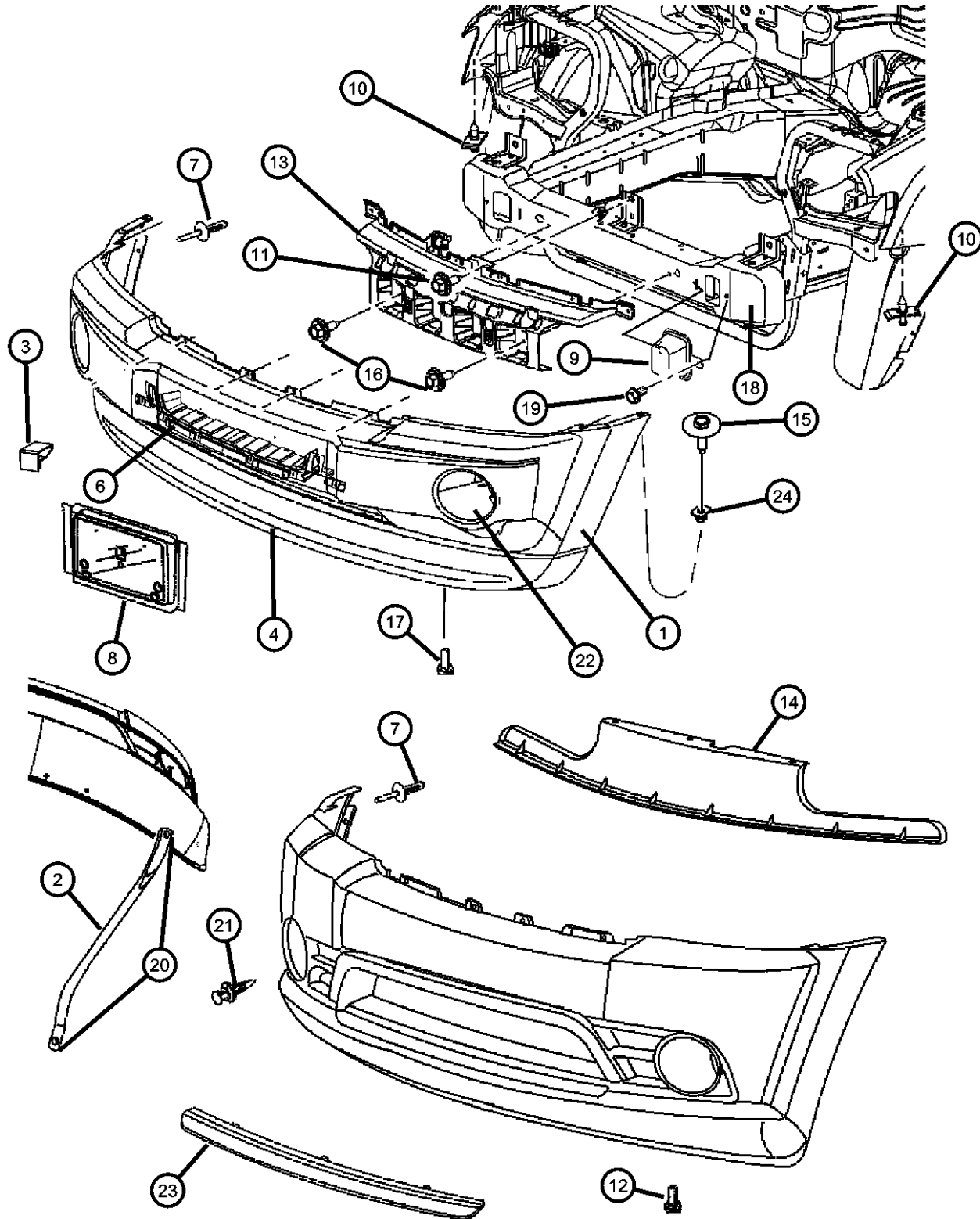
ENGINE
EZH = 5.7L V8 HEMI MDS
VCT Engine
ESF = 6.1L SRT HEMI V8
Engine
EKG = 3.7L V6 Engine

TRANSMISSION
DGJ = 5-Speed Auto W5A580
Transmission
DGQ = 5-Spd Automatic 545RFE
Transmission

AR = use ase required - = Non illustrated part

2010 WK

Fascia, Front
Figure 13-205



ITEM	PART NUMBER	QTY	LINE	SERIES	BODY	ENGINE	TRANS	TRIM	DESCRIPTION
	05030069AB	1	J		74				With [MCZ]
	68033817AA	1	J, T		74				With [MCY]
24	55157298AB	2	J, T		74				GROMMET, Fascia, Fascia to Fender

GRAND CHEROKEE (WK)

SERIES LINE
H = HIGHLINE T = JEEP - 2WD
P = PREMIUM J = JEEP - 4WD
S = SPORT
X = SPECIAL

BODY
74 = SPORT UTILITY 4-DR
TYPE #4

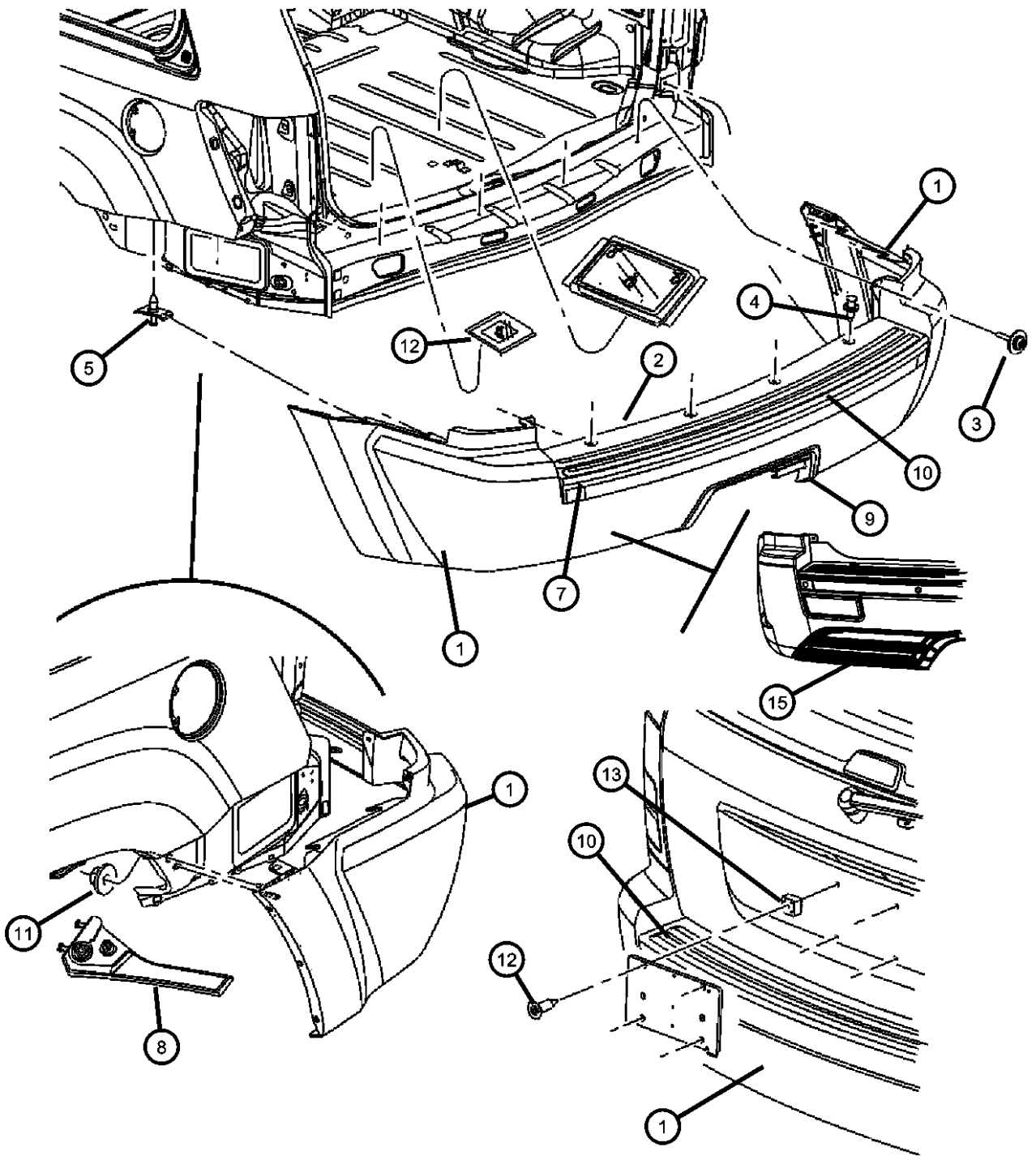
ENGINE
EZH = 5.7L V8 HEMI MDS
VCT Engine
ESF = 6.1L SRT HEMI V8
Engine
EKG = 3.7L V6 Engine

TRANSMISSION
DGJ = 5-Speed Auto W5A580
Transmission
DGQ = 5-Spd Automatic 545RFE
Transmission

AR = use ase required - = Non illustrated part

2010 WK

Fascia, Rear
Figure 13-305



ITEM	PART NUMBER	QTY	LINE	SERIES	BODY	ENGINE	TRANS	TRIM	DESCRIPTION
1									FASCIA, Rear
	05159058AC	1	J, T		74				[MLA]
	05159086AA	1	J, T		74				[MLA,XAA,AHX,AHT]
		1	J, T		74				[MCY]
	05159091AA	1	J, T		74				[MLA,XAA]
	05159094AC	1	J, T		74				[MLA] With [AHT] Or [AHX]
	68035611AA	1	J	X	74				[MCZ]
		1	J, T		74				[MLV,XAA,AHX]
		1	J, T		74				[MLV,XAA]
2									ABSORBER, Rear Energy
	05159059AC	1	J, T		74				
	05166742AB	1	J	X	74				[MCZ]
3	06036585AA	2	J, T		74				SCREW
4	06503598	6	J, T		74				PIN, Push, M8x21
5	55157112AB	4	J, T		74				PIN, Push
6	04806226AA	6	J, T		74				CLIP, Spring
7									NERF, Fascia
	05159095AA	1	J, T		74				[MCY]
	68002109AA	1	J, T		74				[MLA]
		1	J, T		74				[MLV]
8									RETAINER, Fascia, Wing Tip
	05159078AA	1	J, T		74				Right
	05159079AA	1	J, T		74				Left
9	05159088AA	1	J, T		74				BEZEL, Hitch
10	05159080AA	1	J, T		74				STEP PAD, Rear Fascia
11	06100048	2	J, T		74				NUT, Hex, M6x1.00
12	04270974	1	J, T		74				LICENSE PLATE KIT, Hardware
13	04860786AB	4	J, T		74				NUT, Plastic Snap-in
-14	05159077AB	2	J, T		74				CLIP, Fascia, Under Tail Lamps
15	68036603AA	1	J	X	74				TAPE KIT, Rear Fascia

GRAND CHEROKEE (WK)

SERIES LINE
H = HIGHLINE T = JEEP - 2WD
P = PREMIUM J = JEEP - 4WD
S = SPORT
X = SPECIAL

BODY
74 = SPORT UTILITY 4-DR
TYPE #4

ENGINE
EZH = 5.7L V8 HEMI MDS
VCT Engine
ESF = 6.1L SRT HEMI V8
Engine
EKG = 3.7L V6 Engine

TRANSMISSION
DGJ = 5-Speed Auto W5A580
Transmission
DGQ = 5-Spd Automatic 545RFE
Transmission

AR = use ase required - = Non illustrated part

2010 WK

**Tow Hooks, Front
Figure 13-505**

ITEM	PART NUMBER	QTY	LINE	SERIES	BODY	ENGINE	TRANS	TRIM	DESCRIPTION
1									HOOK, Tow
	52089357AB	1	J, T		74				Right
	52089360AB	1	J, T		74				Left
2	52090140AA	2	J, T		74				STUD PLATE
3	52090141AA	2	J, T		74				STUD PLATE
4	52089364AC	1	J, T		74				BRACKET, Tow Hook
5	06101696	6	J, T		74				NUT, Hex Flange Lock, M10x1.50

GRAND CHEROKEE (WK)

SERIES LINE
H = HIGHLINE T = JEEP - 2WD
P = PREMIUM J = JEEP - 4WD
S = SPORT
X = SPECIAL

BODY
74 = SPORT UTILITY 4-DR
TYPE #4

ENGINE
EZH = 5.7L V8 HEMI MDS
VCT Engine
ESF = 6.1L SRT HEMI V8
Engine
EKG = 3.7L V6 Engine

TRANSMISSION
DGJ = 5-Speed Auto W5A580
Transmission
DGQ = 5-Spd Automatic 545RFE
Transmission

Tow Hooks and Hitches, Rear
Figure 13-520

ITEM	PART NUMBER	QTY	LINE	SERIES	BODY	ENGINE	TRANS	TRIM	DESCRIPTION
1		6							RECEIVER KIT, Trailer Tow, (NOT SERVICED)
2	52090399AC	1	J, T		74				BRACE, Tow Hook
3	06104462AA	1	J, T		74				SCREW, Hex Head, Brace to Cradle
4	52089363AC	1	J, T		74				HOOK, Tow
5		1							SCREW, Hex Flange Head, M14x2x110, 10x1.5x20, (NOT SERVICED)
6	06502697	4	J, T		74				NUT, Hex Flange Lock, M12x1.75

GRAND CHEROKEE (WK)

SERIES LINE
H = HIGHLINE T = JEEP - 2WD
P = PREMIUM J = JEEP - 4WD
S = SPORT
X = SPECIAL

BODY
74 = SPORT UTILITY 4-DR TYPE #4

ENGINE
EZH = 5.7L V8 HEMI MDS VCT Engine
ESF = 6.1L SRT HEMI V8 Engine
EKG = 3.7L V6 Engine


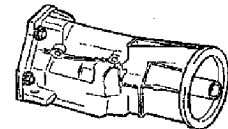


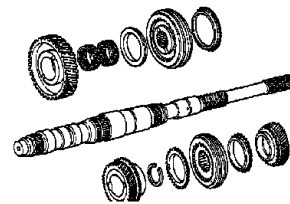
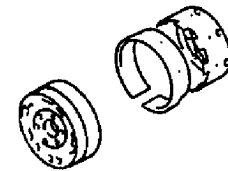
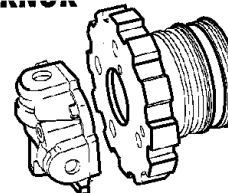
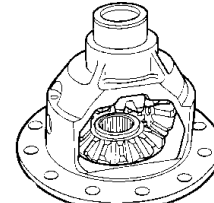
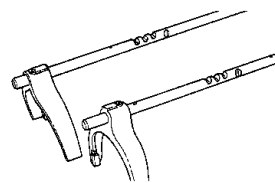
TRANSMISSION
DGJ = 5-Speed Auto W5A580 Transmission
DGQ = 5-Spd Automatic 545RFE Transmission

AR = use ase required - = Non illustrated part

2010 WK

Group - 14

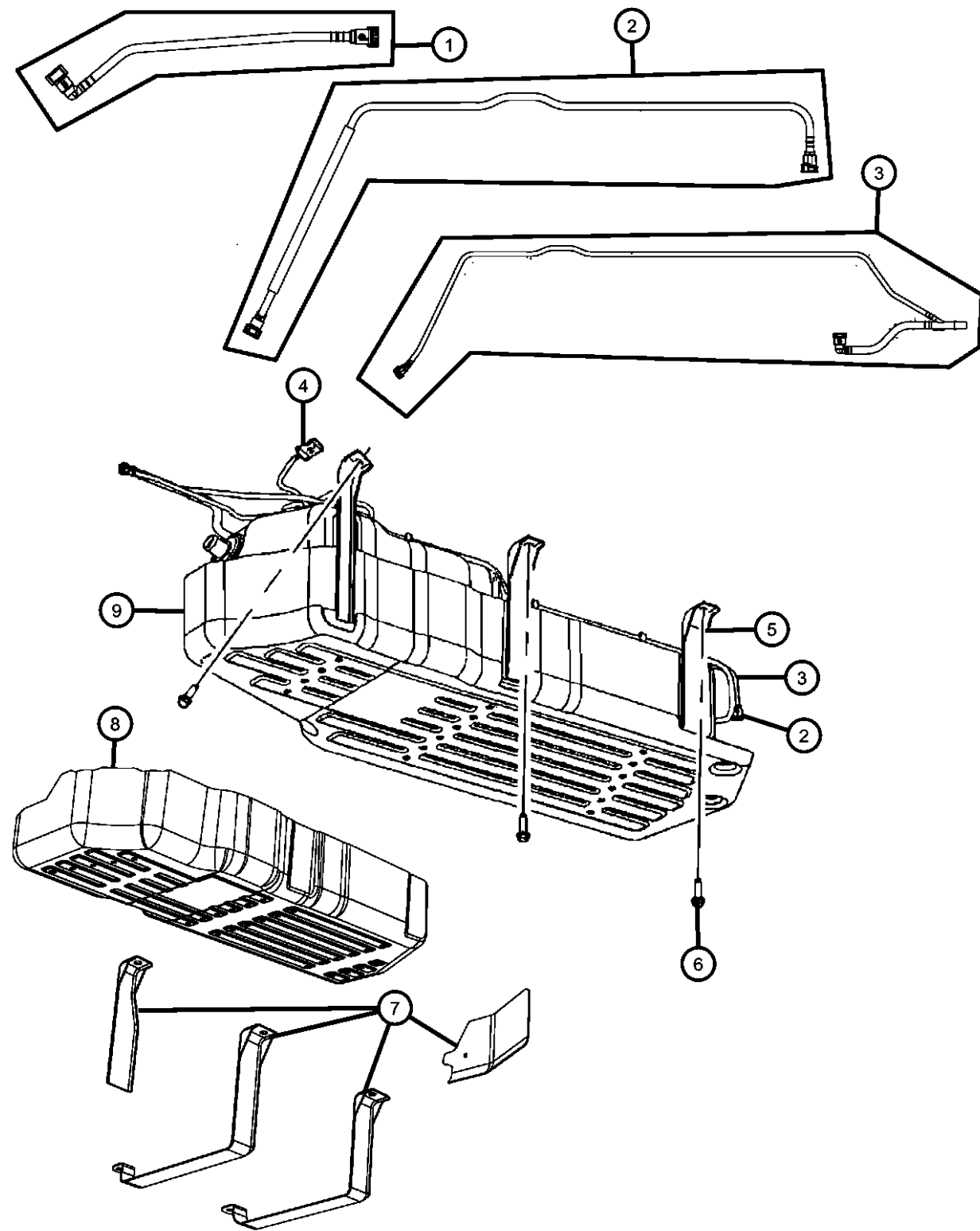
Fuel

<p>014-100 Fuel Tank</p> 	<p>014-1000 Accelerator Pedal</p> 	<p>014-200 Fuel Tank Filler Tube</p> 	<p>014-300 Fuel Lines</p> 
<p>014-400 Fuel Rail and Injectors</p> 	<p>014-500 Fuel Pump and Sending Unit</p> 	<p>014-600 Throttle Body</p> 	<p>014-800 Air Cleaner</p> 
<p>014-900 Air Inlet Components</p> 			

Group - 14 Fuel

Illustration Title	Group-Fig. No.
Fuel Tank	
Fuel Tank	Fig. 14 - 105
Fuel Tank Filler Tube	
Fuel Filler Tube	Fig. 14 - 205
Fuel Lines	
Fuel Lines Gas	Fig. 14 - 305
Fuel Rail and Injectors	
Fuel Rail 3.7L [EKG]	Fig. 14 - 405
Fuel Rail 5.7L [EZH]	Fig. 14 - 410
Fuel Rail 6.1L [ESF]	Fig. 14 - 415
Fuel Pump and Sending Unit	
Fuel Sending Unit	Fig. 14 - 505
Throttle Body	
Throttle Body	Fig. 14 - 605
Air Cleaner	
Air Cleaner	Fig. 14 - 805
Air Inlet Components	
Air Inlet	Fig. 14 - 905
Accelerator Pedal	
Accelerator Pedal	Fig. 14 - 1005

Fuel Tank
Figure 14-105



ITEM	PART NUMBER	QTY	LINE	SERIES	BODY	ENGINE	TRANS	TRIM	DESCRIPTION
1	05143791AA	1	J, T		74	EK0, ES0, EZ0			TUBE, Fuel Vapor Recirculation
2	68027879AB	1	J, T		74	EK0, ES0, EZ0			TUBE, Fuel Module to Supply Line
3	68027880AA	1	J, T		74	EK0, ES0, EZ0			TUBE, Fuel Vapor
4	05143963AB	1	J, T		74	EK0, ES0, EZ0			WIRING, Fuel Module
5	52090411AC	1							BRACKET, Fuel Tank
6	06508267AA	3	J, T		74				BOLT AND WASHER, Hex Head, M12x1.75x40.00, Fuel Tank Mounting Bracket, Mounting
7	04578976AA	1	J, T		74	EK0, ES0, EZ0			GUARD, Brush, Fuel Tank
8	52090274AF	1							SKID PLATE, Fuel Tank
9	68025089AC	1	J, T		74	EK0, ES0, EZ0			TANK, Fuel
-10	05139084AA	1	J, T		74	EK0, ES0, EZ0			RETAINER KIT, Quick Connect
-11	05139088AA	1	J, T		74	EK0, ES0, EZ0			RETAINER KIT, Quick Connect

GRAND CHEROKEE (WK)

SERIES LINE
 H = HIGHLINE T = JEEP - 2WD
 P = PREMIUM J = JEEP - 4WD
 S = SPORT
 X = SPECIAL

BODY
 74 = SPORT UTILITY 4-DR TYPE #4

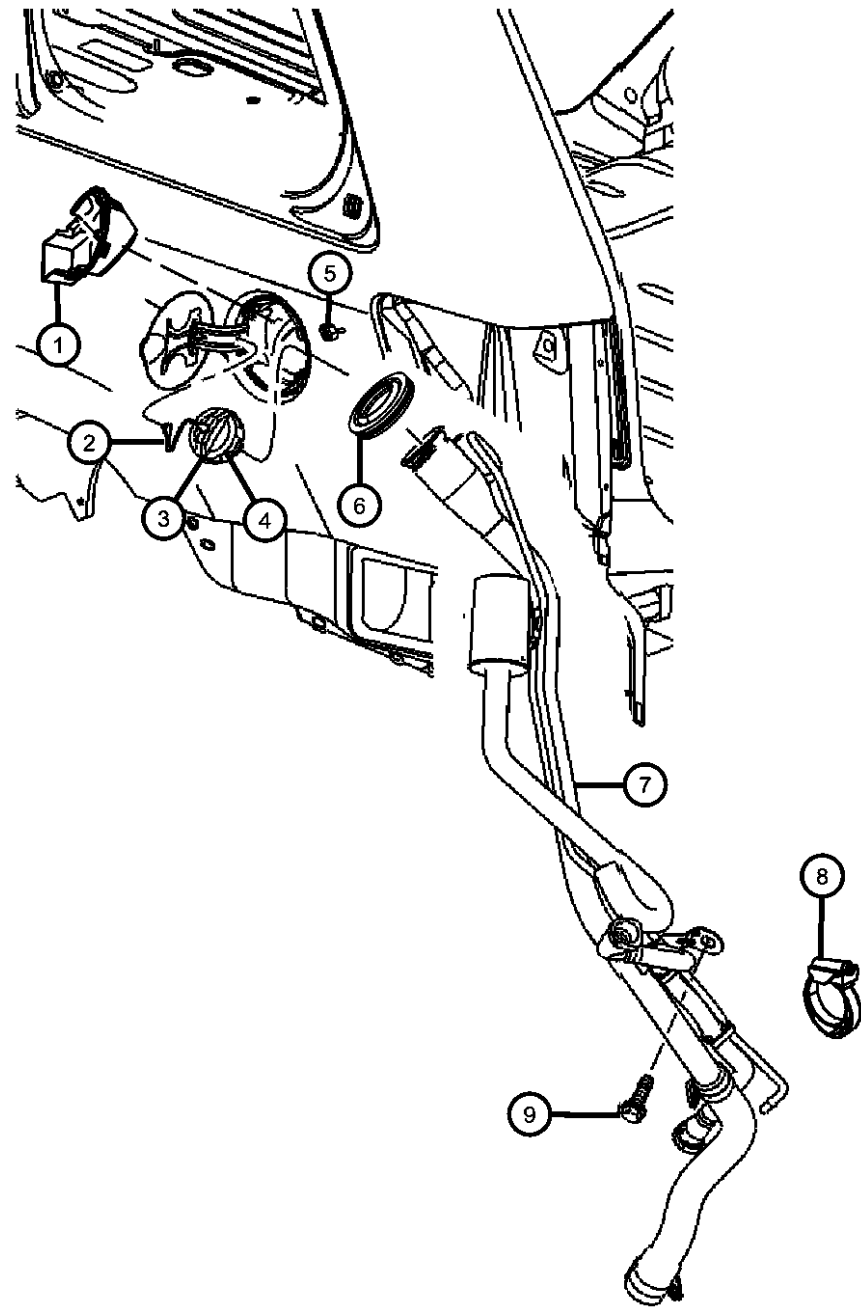
ENGINE
 EZH = 5.7L V8 HEMI MDS VCT Engine
 ESF = 6.1L SRT HEMI V8 Engine
 EKG = 3.7L V6 Engine

TRANSMISSION
 DGJ = 5-Speed Auto W5A580 Transmission
 DGQ = 5-Spd Automatic 545RFE Transmission

AR = use ase required - = Non illustrated part

2010 WK

Fuel Filler Tube
Figure 14-205



ITEM	PART NUMBER	QTY	LINE	SERIES	BODY	ENGINE	TRANS	TRIM	DESCRIPTION
1	52090493AB	1	J, T		74				HOUSING, Fuel Filler
2	04682676	1	J, T		74	EK0, ES0, EZ0			TETHER, Fuel Filler Cap
3	52124512AA	1	J, T		74	EK0, ES0, EZ0			CAP, Fuel Filler
4	05278655AB	1							CAP, Fuel Tank Locking, Not Ignition Key
5	52102405AA	2	J, T		74				BUMPER, Fuel Door
6	52090496AA	1	J, T		74				GROMMET, Fuel Filler Lid
7	68041234AA	1	J, T		74	ES0, EV0, EZ0, EK0			TUBE, Fuel Filler
8	06504998AA	1	J, T		74	EK0, ES0, EV0, EZ0			CLAMP, Hose
9									BOLT AND WASHER, Hex Head, M8X1.25X25.00
	06104386AA	1	J		74	ESF	DGJ		Fuel Filler Tube to Rear Cradle, Mounting
		1	T		74	EKG	DGJ		Fuel Filler Tube to Rear Cradle, Mounting

GRAND CHEROKEE (WK)

SERIES LINE
H = HIGHLINE T = JEEP - 2WD
P = PREMIUM J = JEEP - 4WD
S = SPORT
X = SPECIAL

BODY
74 = SPORT UTILITY 4-DR TYPE #4

ENGINE
EZH = 5.7L V8 HEMI MDS VCT Engine
ESF = 6.1L SRT HEMI V8 Engine
EKG = 3.7L V6 Engine

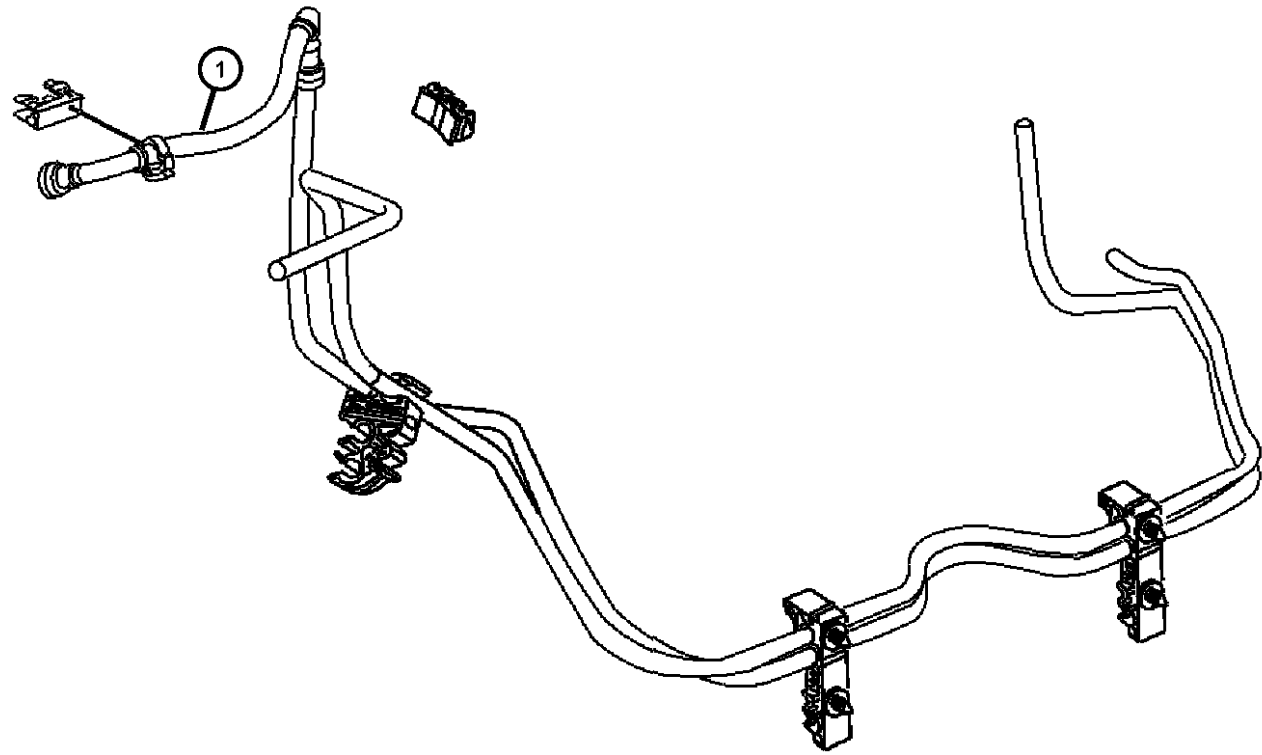
TRANSMISSION
DGJ = 5-Speed Auto W5A580 Transmission
DGQ = 5-Spd Automatic 545RFE Transmission

AR = use ase required - = Non illustrated part

2010 WK

Fuel Lines Gas
Figure 14-305

ITEM	PART NUMBER	QTY	LINE	SERIES	BODY	ENGINE	TRANS	TRIM	DESCRIPTION
1									BUNDLE, Fuel and Brake Tube
	52124026AI	1	J, T		74	EK0			For Build Dates up to and Including 8/02/09
	52124026AJ	1	J, T		74	EK0			For Build Dates of 8/03/09 and Later
	52124240AF	1	J, T		74	ES0			
	68023670AB	1	J, T		74	EZ0			



GRAND CHEROKEE (WK)

SERIES LINE
H = HIGHLINE T = JEEP - 2WD
P = PREMIUM J = JEEP - 4WD
S = SPORT
X = SPECIAL

BODY
74 = SPORT UTILITY 4-DR
TYPE #4

ENGINE
EZH = 5.7L V8 HEMI MDS
VCT Engine
ESF = 6.1L SRT HEMI V8
Engine
EKG = 3.7L V6 Engine

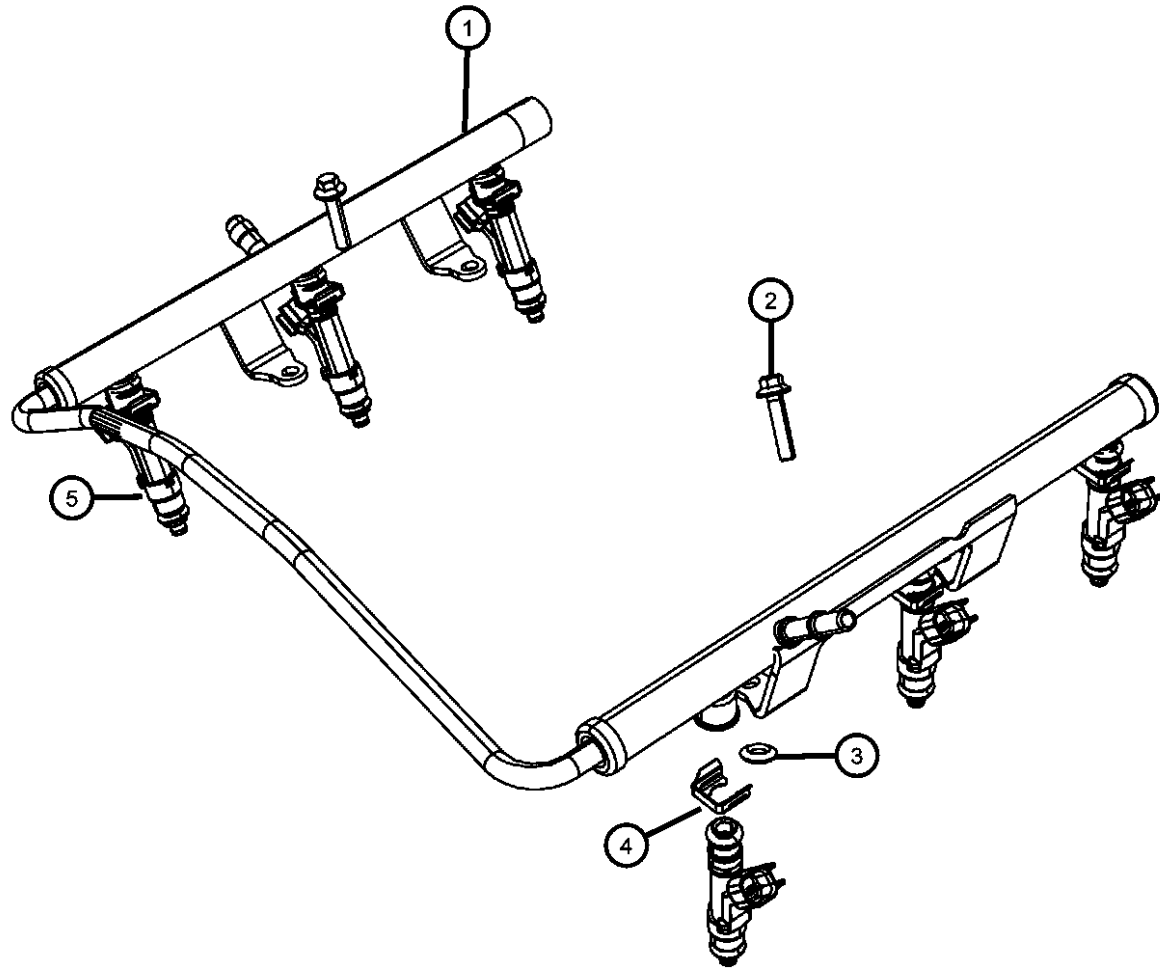
TRANSMISSION
DGJ = 5-Speed Auto W5A580
Transmission
DGQ = 5-Spd Automatic 545RFE
Transmission

AR = use ase required - = Non illustrated part

2010 WK

Fuel Rail 3.7L [EKG]
Figure 14-405

ITEM	PART NUMBER	QTY	LINE	SERIES	BODY	ENGINE	TRANS	TRIM	DESCRIPTION
1	53031102AB	1	J, T		74	EKG			RAIL, Fuel
2	06505504AA	4	J, T		74	EKG			BOLT, Hex Flange Head, M6X1.00X27.00, Fuel Rail to Cylinder Block, Mounting
3	05083745AA	6	J, T		74	EKG			O RING KIT, Fuel Injector
4	04418257AB	6	J, T		74	EKG			CLIP, Fuel Injector
5	53032701AA	6	J, T		74	EKG			INJECTOR, Fuel
	68000881AA								Wholesale Bulk Injector Package - 70 pieces of 53032701AA



GRAND CHEROKEE (WK)

SERIES LINE
H = HIGHLINE T = JEEP - 2WD
P = PREMIUM J = JEEP - 4WD
S = SPORT
X = SPECIAL

BODY
74 = SPORT UTILITY 4-DR
TYPE #4

ENGINE
EZH = 5.7L V8 HEMI MDS
VCT Engine
ESF = 6.1L SRT HEMI V8
Engine
EKG = 3.7L V6 Engine

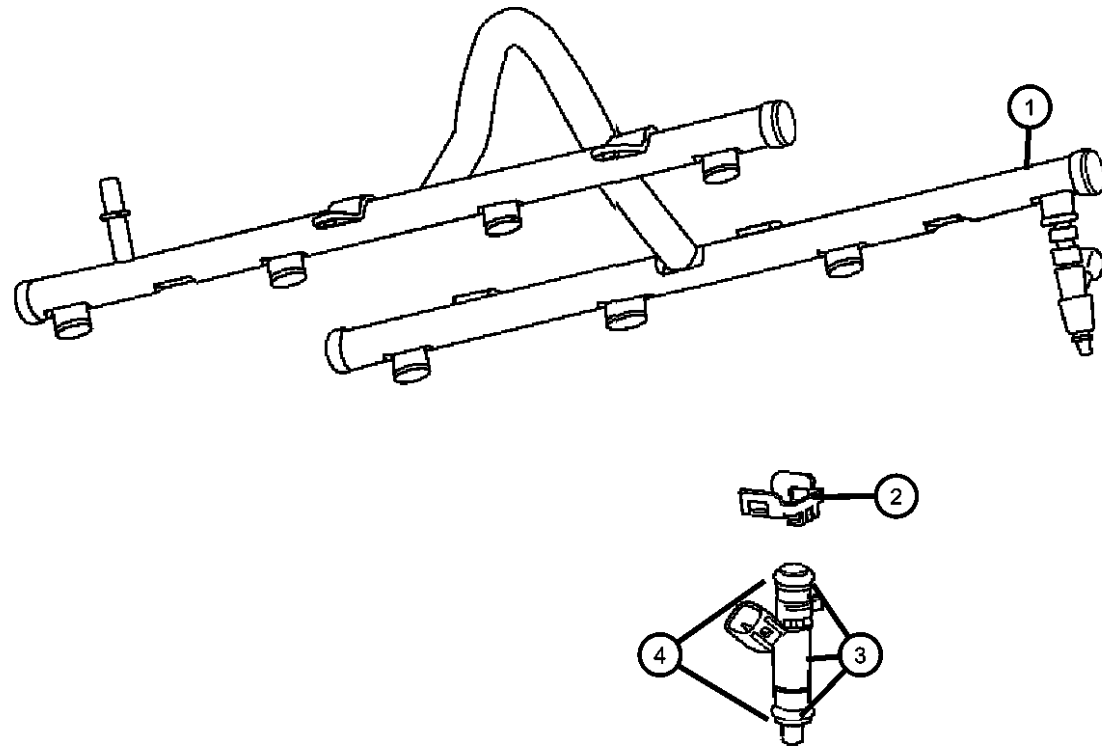
TRANSMISSION
DGJ = 5-Speed Auto W5A580
Transmission
DGQ = 5-Spd Automatic 545RFE
Transmission

AR = use ase required - = Non illustrated part

2010 WK

Fuel Rail 5.7L [EZH]
Figure 14-410

ITEM	PART NUMBER	QTY	LINE	SERIES	BODY	ENGINE	TRANS	TRIM	DESCRIPTION
1	53013888AC	1	J, T		74	EZH			RAIL, Fuel
2	53032905AA	8	J, T		74	EZH			CLIP, Fuel Injector
3	05037479AA	8	J, T		74	EZH			INJECTOR, Fuel
4	04897125AA	1	J, T		74	EZH			O RING KIT, Fuel Injector



GRAND CHEROKEE (WK)

SERIES LINE
H = HIGHLINE T = JEEP - 2WD
P = PREMIUM J = JEEP - 4WD
S = SPORT
X = SPECIAL

BODY
74 = SPORT UTILITY 4-DR
TYPE #4

ENGINE
EZH = 5.7L V8 HEMI MDS
VCT Engine
ESF = 6.1L SRT HEMI V8
Engine
EKG = 3.7L V6 Engine

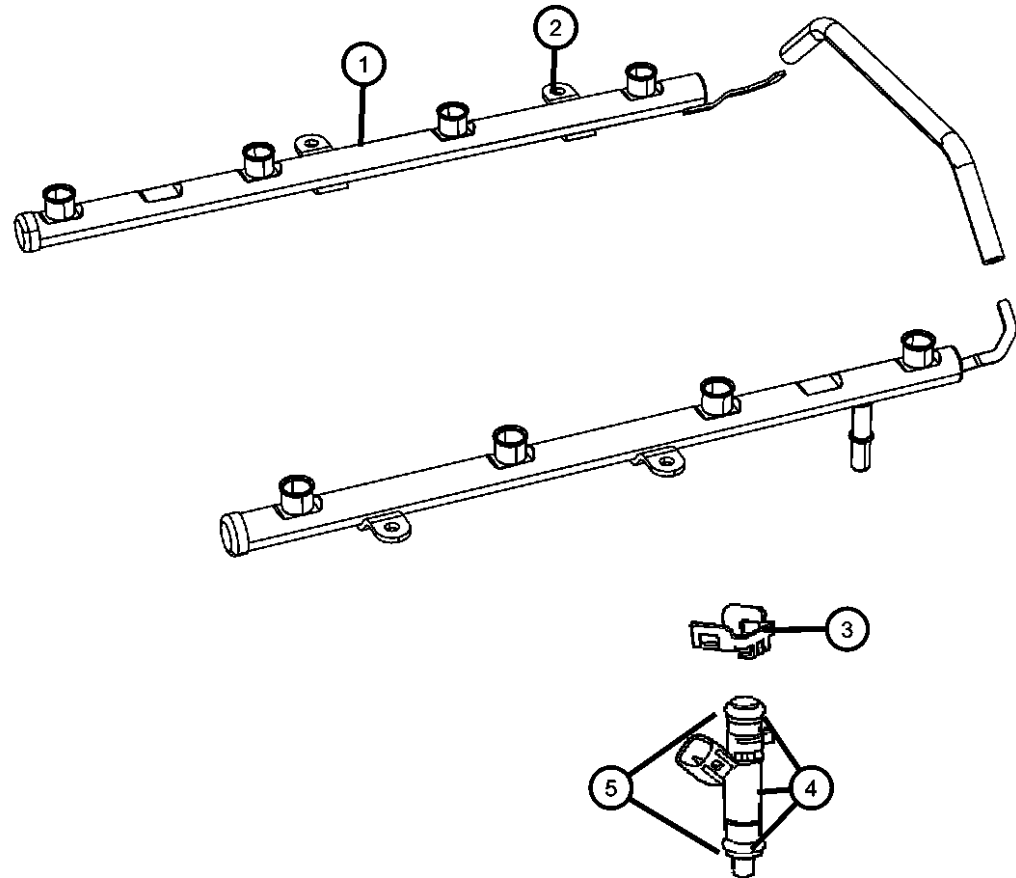
TRANSMISSION
DGJ = 5-Speed Auto W5A580
Transmission
DGQ = 5-Spd Automatic 545RFE
Transmission

AR = use ase required - = Non illustrated part

2010 WK

Fuel Rail 6.1L [ESF]
Figure 14-415

ITEM	PART NUMBER	QTY	LINE	SERIES	BODY	ENGINE	TRANS	TRIM	DESCRIPTION
1	05037480AA	1	J, T		74	ESF			RAIL, Fuel
2	05133476AB	4	J, T		74	ESF			BOLT, Hex Flange Head, M6X1.00X20.00, Fuel Rail to Intake Manifold, Mounting
3	53030058AC	8	J, T		74	ESF			CLIP, Fuel Injector
4	05037479AA	8	J, T		74	ESF			INJECTOR, Fuel
5		8							O RING KIT, Fuel Injector, (NOT SERVICED)



GRAND CHEROKEE (WK)

SERIES LINE
H = HIGHLINE T = JEEP - 2WD
P = PREMIUM J = JEEP - 4WD
S = SPORT
X = SPECIAL

BODY
74 = SPORT UTILITY 4-DR
TYPE #4

ENGINE
EZH = 5.7L V8 HEMI MDS
VCT Engine
ESF = 6.1L SRT HEMI V8
Engine
EKG = 3.7L V6 Engine

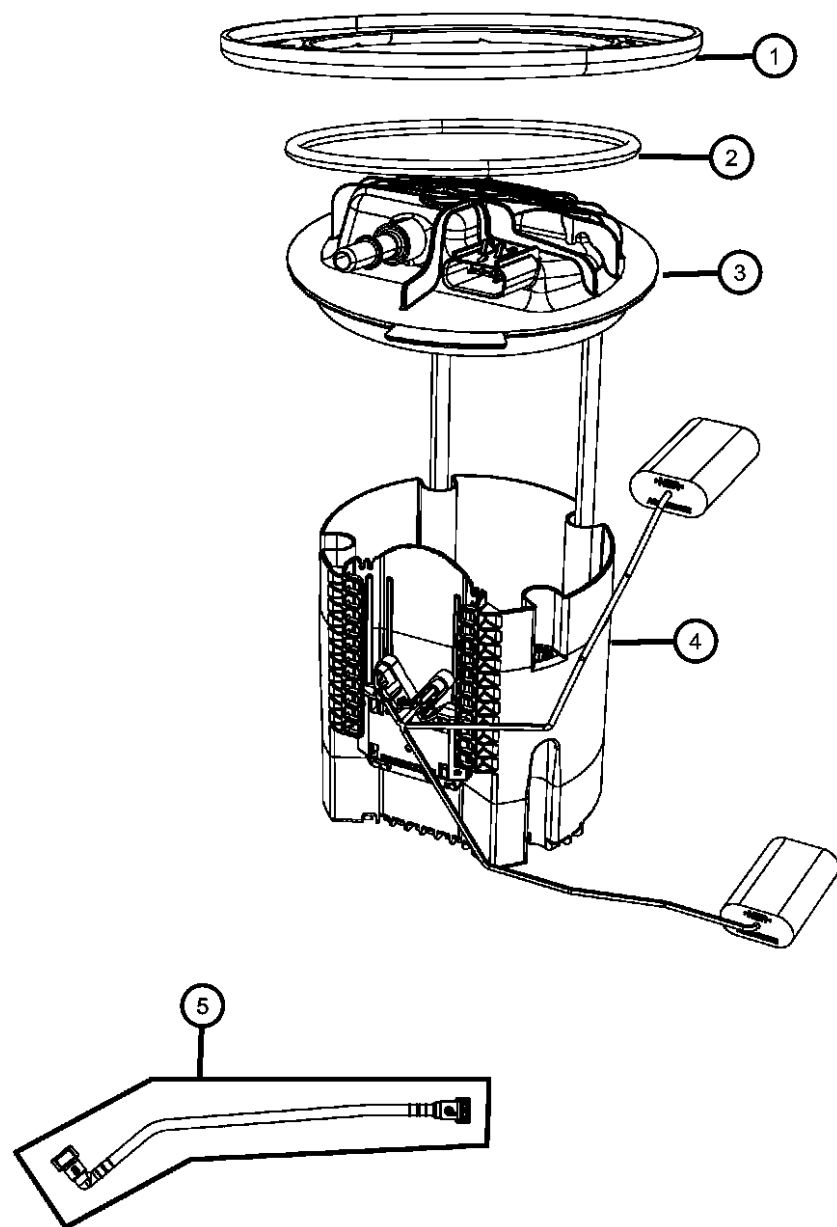
TRANSMISSION
DGJ = 5-Speed Auto W5A580
Transmission
DGQ = 5-Spd Automatic 545RFE
Transmission

AR = use ase required - = Non illustrated part

2010 WK

Fuel Sending Unit
Figure 14-505

ITEM	PART NUMBER	QTY	LINE	SERIES	BODY	ENGINE	TRANS	TRIM	DESCRIPTION
1	52110282AA	1	J, T		74	EK0, ES0, EZ0			RING, Lock, Fuel Module
2	55366298AA	1	J, T		74	EK0, ES0, EZ0			O RING, Fuel Pump and Level Unit
3	68028976AA	1	J, T		74	EK0, ES0, EZ0			LEVEL UNIT KIT, Fuel
4	05143579AJ	1	J, T		74	EK0, ES0, EZ0			MODULE KIT, Fuel Pump/Level Unit, This Kit Contains fuel Module assy, O-Ring, Fuel Pump and Level Unit
5	05143791AA	1	J, T		74	EK0, ES0, EZ0			TUBE, Fuel Vapor Recirculation



GRAND CHEROKEE (WK)

SERIES LINE
H = HIGHLINE T = JEEP - 2WD
P = PREMIUM J = JEEP - 4WD
S = SPORT
X = SPECIAL

BODY
74 = SPORT UTILITY 4-DR
TYPE #4

ENGINE
EZH = 5.7L V8 HEMI MDS
VCT Engine
ESF = 6.1L SRT HEMI V8
Engine
EKG = 3.7L V6 Engine

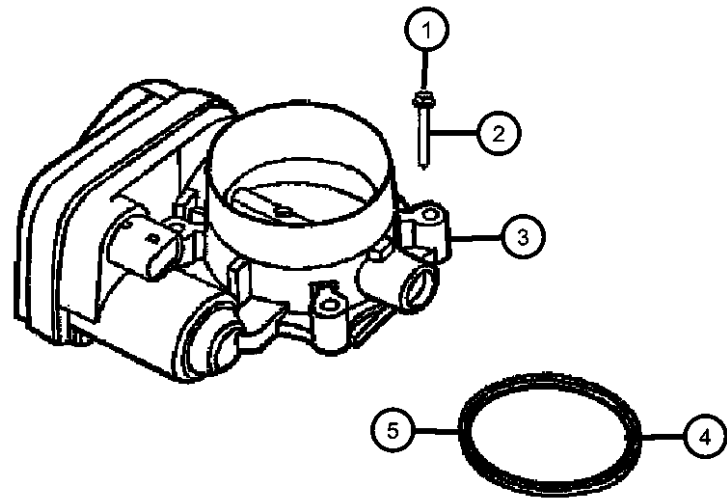
TRANSMISSION
DGJ = 5-Speed Auto W5A580
Transmission
DGQ = 5-Spd Automatic 545RFE
Transmission

AR = use ase required - = Non illustrated part

2010 WK

**Throttle Body
Figure 14-605**

ITEM	PART NUMBER	QTY	LINE	SERIES	BODY	ENGINE	TRANS	TRIM	DESCRIPTION
1	06509302AA	4	J, T		74	EZH			BOLT, Hex Flange Head, M5.74X1.81X43.00, Actuator to Intake Manifold, Mounting
2									BOLT, Hex Flange Head, M6X1.00X45.00
	06104186AA	4	J, T		74	EKG			Throttle Body to Intake Manifold, Mounting
		4	J, T		74	ESF			Throttle Body to Intake Manifold, Mounting
3									THROTTLE BODY
	04591847AC	1	J, T		74	ESF			
		1	J, T		74	EZH			
	04861661AB	1	J, T		74	EKG			
4									SEAL, Throttle Body to Intake
	53022320AB	1	J, T		74	EZH			
	53032383AB	1	J, T		74	ESF			
5	04666113AC	1	J, T		74	EKG			GASKET, Throttle Body



GRAND CHEROKEE (WK)

SERIES LINE
H = HIGHLINE T = JEEP - 2WD
P = PREMIUM J = JEEP - 4WD
S = SPORT
X = SPECIAL

BODY
74 = SPORT UTILITY 4-DR
TYPE #4

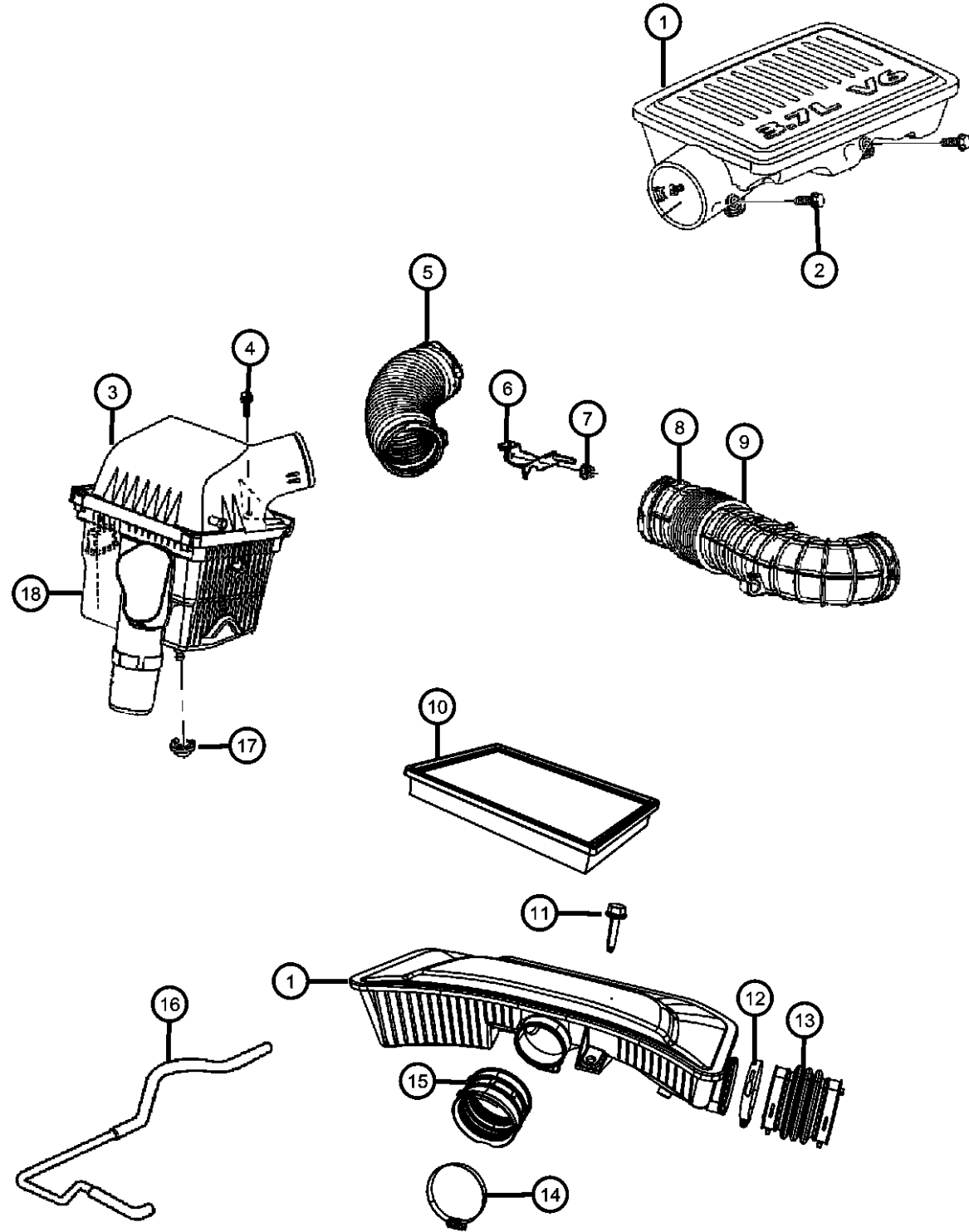
ENGINE
EZH = 5.7L V8 HEMI MDS
VCT Engine
ESF = 6.1L SRT HEMI V8
Engine
EKG = 3.7L V6 Engine

TRANSMISSION
DGJ = 5-Speed Auto W5A580
Transmission
DGQ = 5-Spd Automatic 545RFE
Transmission

AR = use ase required - = Non illustrated part

2010 WK

Air Cleaner
Figure 14-805



ITEM	PART NUMBER	QTY	LINE	SERIES	BODY	ENGINE	TRANS	TRIM	DESCRIPTION
1									RESONATOR, Air Cleaner
	53013891AB	1	J, T		74	EKG			
	53013517AE	1	J, T		74	EZH			
2	53013378AA	2	J, T		74	EKG			STUD, Resonator Bracket to Engine, Mounting
3									COVER, Air Cleaner
	05143968AA	1	J, T		74	EKG			
	05143969AA	1	J, T		74	ESF			
		1	J, T		74	EZH			
4	06505846AA	1	J, T		74				BOLT, Hex Flange Head, Air Cleaner, Mounting
5	53013522AC	1	J, T		74	EKG			HOSE, Clean Air
6	53013774AB	1	J, T		74	EZH			BRACKET, Resonator
7	06104717AA	1	J, T		74	EZH			NUT, Hex Flange Lock, M10x1.50, Resonator Bracket to Engine, Mounting
8									CLAMP, Air Cleaner Duct
	53013715AA	1	J, T		74	EZH			
	53013717AA	2	J, T		74	EKG			
9	05037774AB	1	J, T		74	ESF			DUCT, Clean Air
10									FILTER, Air
	05018777AB	1	J, T		74	EZH			
	VMWK30K1AA								Mopar HEMI 5.7L Maintenance Kit 30,000 Mile (Air/Oil Filters, Plugs, PCV)
	VMWK60K1AA								Mopar HEMI 5.7L Maintenance Kit 60,000 Mile (Air/Oil Filters, Plugs, PCV, Drive Belt, LX Cabin Filter)
		1	J, T		74	EKG			
	VMWK30K1AA								Mopar HEMI 5.7L Maintenance Kit 30,000 Mile (Air/Oil Filters, Plugs, PCV)
	VMWK60K1AA								Mopar HEMI 5.7L Maintenance Kit 60,000 Mile (Air/Oil Filters, Plugs, PCV, Drive Belt, LX Cabin Filter)
		1	J, T		74	ESF			
	VMWK30K1AA								Mopar HEMI 5.7L Maintenance Kit 30,000 Mile (Air/Oil Filters, Plugs, PCV)

GRAND CHEROKEE (WK)

SERIES LINE
H = HIGHLINE T = JEEP - 2WD
P = PREMIUM J = JEEP - 4WD
S = SPORT
X = SPECIAL

BODY
74 = SPORT UTILITY 4-DR
TYPE #4

ENGINE
EZH = 5.7L V8 HEMI MDS
VCT Engine
ESF = 6.1L SRT HEMI V8
Engine
EKG = 3.7L V6 Engine

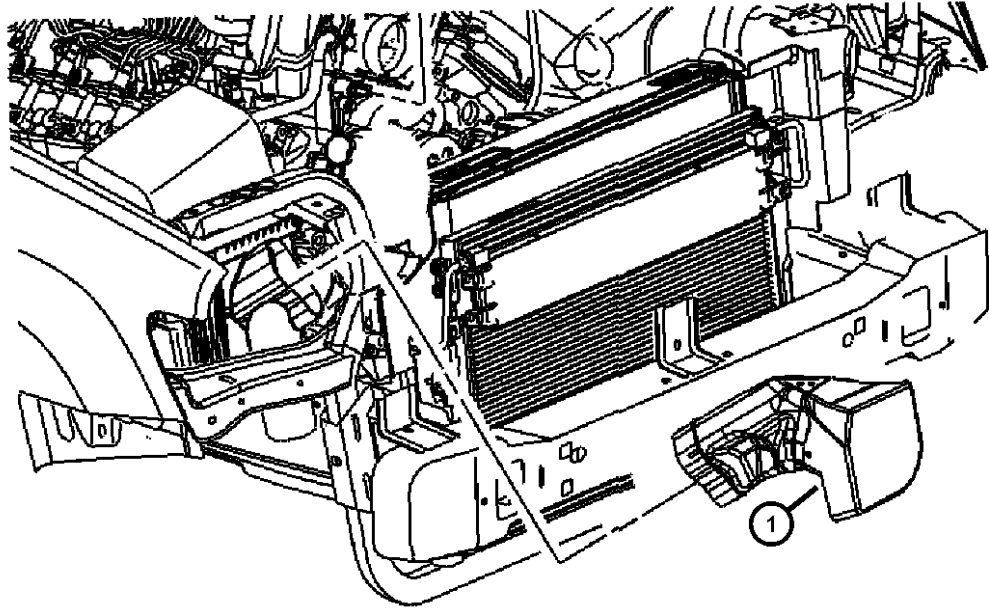
TRANSMISSION
DGJ = 5-Speed Auto W5A580
Transmission
DGQ = 5-Spd Automatic 545RFE
Transmission

AR = use ase required - = Non illustrated part

2010 WK

Air Inlet
Figure 14-905

ITEM	PART NUMBER	QTY	LINE	SERIES	BODY	ENGINE	TRANS	TRIM	DESCRIPTION
1									DUCT, Ambient Air
	05037815AA	1	J, T		74	ESF			
	53013730AD	1	J, T		74	EKG, EZH			



GRAND CHEROKEE (WK)

SERIES LINE
H = HIGHLINE T = JEEP - 2WD
P = PREMIUM J = JEEP - 4WD
S = SPORT
X = SPECIAL

BODY
74 = SPORT UTILITY 4-DR
TYPE #4

ENGINE
EZH = 5.7L V8 HEMI MDS
VCT Engine
ESF = 6.1L SRT HEMI V8
Engine
EKG = 3.7L V6 Engine

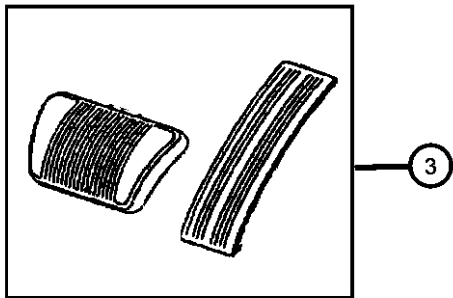
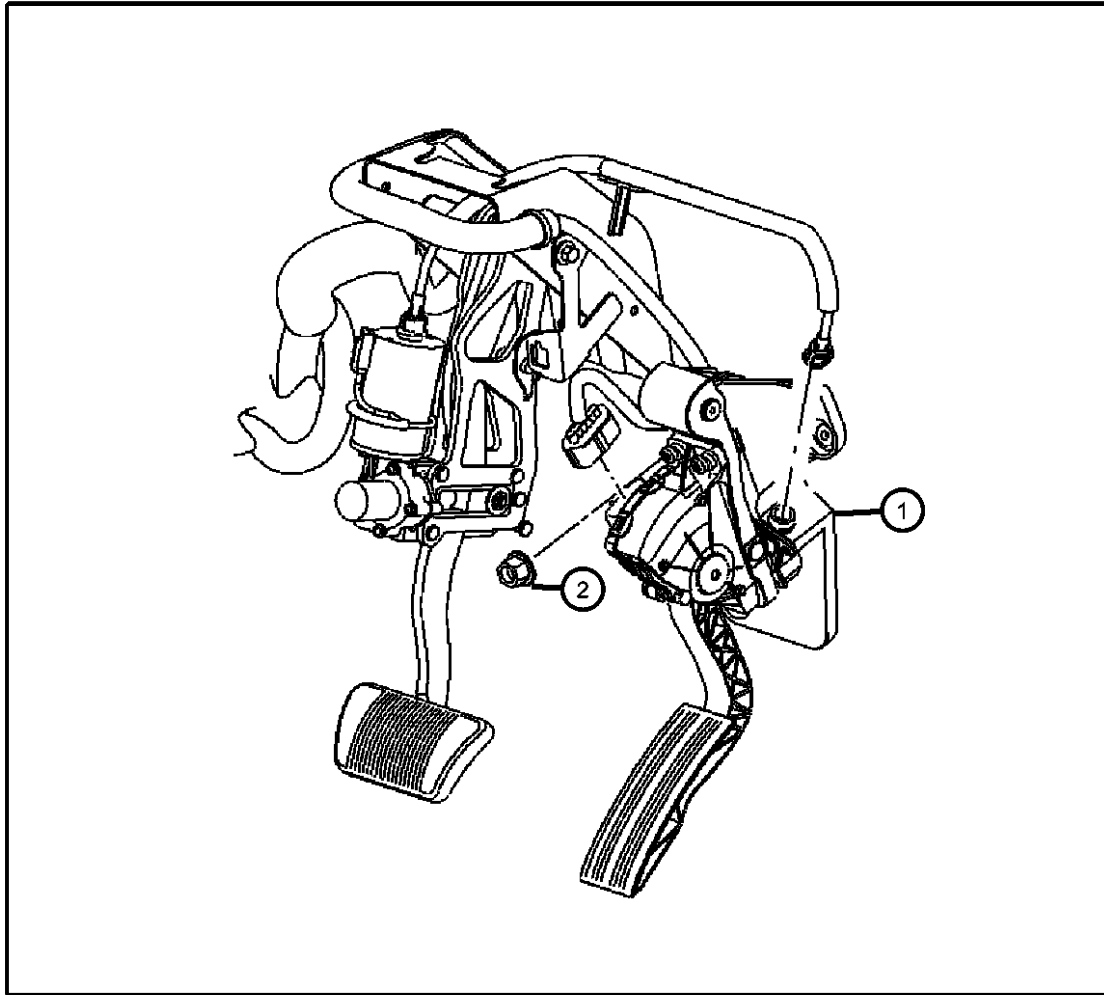
TRANSMISSION
DGJ = 5-Speed Auto W5A580
Transmission
DGQ = 5-Spd Automatic 545RFE
Transmission

AR = use ase required - = Non illustrated part

2010 WK

**Accelerator Pedal
Figure 14-1005**

ITEM	PART NUMBER	QTY	LINE	SERIES	BODY	ENGINE	TRANS	TRIM	DESCRIPTION
1	52121952AA	1	J, T		74	EK0, ES0, EV0, EZ0			PEDAL, Accelerator [XAM] Power Adjustable Pedal with Memory and or [XAP] Power Adjustable Pedal
	53013894AB	1	J, T		74	EK0, ES0, EV0, EZ0			[XA8] Non Adjustable Pedal
	53013898AB	1	J, T		74	EK0, ES0, EV0, EZ0			Accelerator Pedal Only
2	06502726	2	J, T		74				NUT, Hex Flange, M6X1.0, Accelerator Pedal to Dash Panel, Mounting
3	05290949AC	1	J, T	X	74				OVERLAY KIT, Brake and Accel Pads, [XAR]



GRAND CHEROKEE (WK)

SERIES LINE
H = HIGHLINE T = JEEP - 2WD
P = PREMIUM J = JEEP - 4WD
S = SPORT
X = SPECIAL

BODY
74 = SPORT UTILITY 4-DR
TYPE #4

ENGINE
EZH = 5.7L V8 HEMI MDS
VCT Engine
ESF = 6.1L SRT HEMI V8
Engine
EKG = 3.7L V6 Engine

TRANSMISSION
DGJ = 5-Speed Auto W5A580
Transmission
DGQ = 5-Spd Automatic 545RFE
Transmission

AR = use ase required - = Non illustrated part

2010 WK

Group - 17

Rear Suspension

Group - 17 Rear Suspension

Illustration Title

Group-Fig. No.

Rear Suspension and Cradle

Suspension,Rear Fig. 17 - 110

Cradle,Rear Suspension..... Fig. 17 - 120

Rear Stabilizer Bar

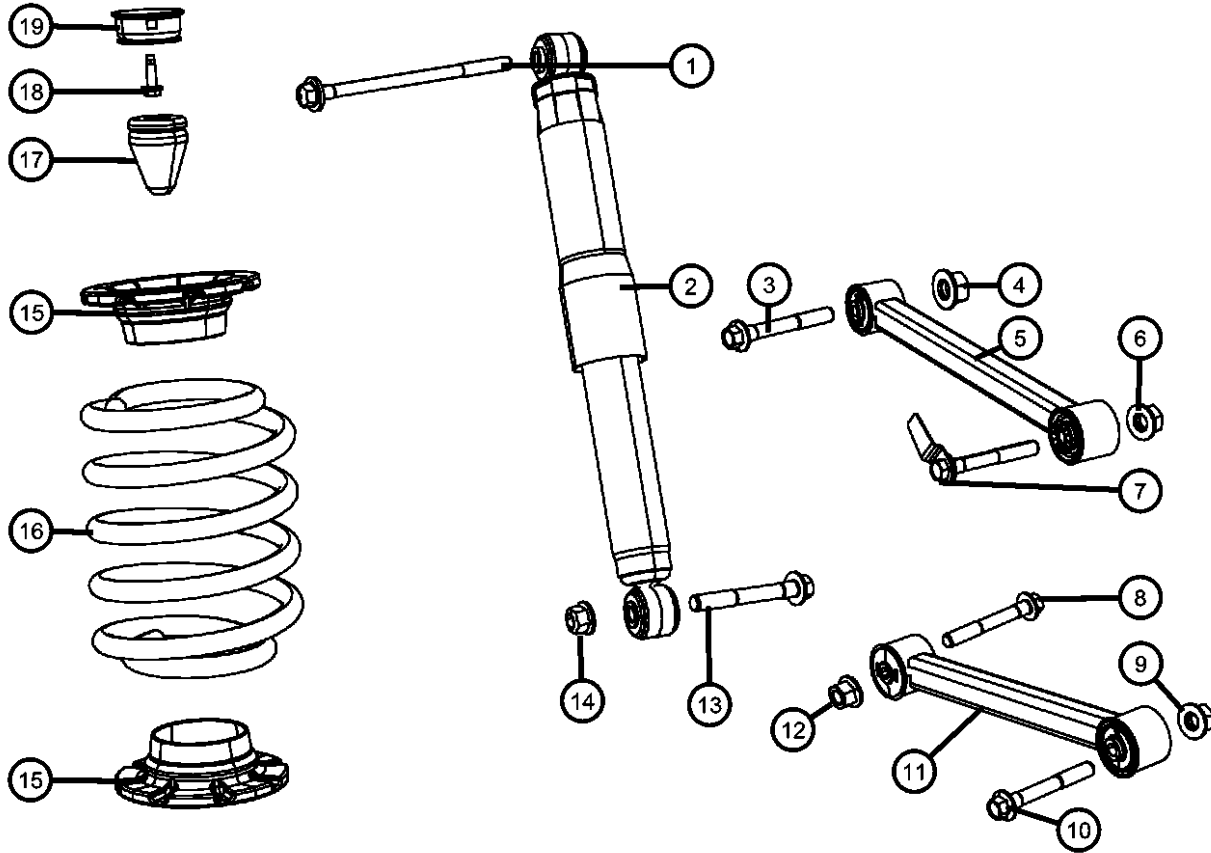
Stabilizer Bar,Rear Fig. 17 - 210

Track Bar,Rear Fig. 17 - 220

017-100 Rear Suspension and Cradle	017-200 Rear Stabilizer Bar		
--	---------------------------------------	--	--

**Suspension,Rear
Figure 17-110**

ITEM	PART NUMBER	QTY	LINE	SERIES	BODY	ENGINE	TRANS	TRIM	DESCRIPTION
Note:Sales Codes; [SDA]=Normal Duty Suspension [SDX]=High Performance Suspension [SNA]=Dynamic Handling System									
1	06506147AA	2	J, T		74				BOLT, Hex Flange Head, M12x1.75x80.00, Shock to Body, Mounting
2									SHOCK ABSORBER, Suspension, Rear
	05290641AC	2	J, T		74	ES0			[SDX]
	52089751AL	2	J, T		74				[SDA]
	52089756AI	2	J, T		74				[SDM]
3	06502725	2	J, T		74				BOLT, Hex Flange Head, M12x1.75x90.00, UCA to Axle, Mounting
4	06502835	2	J, T		74				NUT, Hex Flange Lock, M12x1.75, UCA to Axle, Mounting
5									ARM, Upper Control, Rear
	05290953AD	1	J, T		74				[SDX], Right
	52089629AC	2	J, T		74				[SDA or SDM], Right or Left
	05181494AA	1	J, T		74				[SDX], Left
	68005174AC	1	J, T		74				[SDA or SDM], [JKJ], Right
		1	J, T		74				[SDA or SDM], [JKJ], Left
6	06502835	2	J, T		74				NUT, Hex Flange Lock, M12x1.75, UCA to Body, Mounting
7	06508216AA	1	J, T		74				BOLT, Hex Flange Head, M12x1.75x203.60
8	06507620AA	2	J, T		74				BOLT, Hex Flange Head, M14x2.00x100.00, LCA to Axle, Mounting
9	06502698	2	J, T		74				NUT, Hex Flange Lock, M14x2.00, LCA to Body, Mounting
10	06507971AA	2	J, T		74				BOLT AND RETAINER, Hex Head, M14x2.00x110.00, LCA to Body, Mounting
11									ARM, Lower Control, Rear
	05290957AA	2	J, T		74				[SDX]
	52089630AC	2	J, T		74				[SDA or SDM]
12	06502698	2	J, T		74				NUT, Hex Flange Lock, M14x2.00, LCA to Axle, Mounting
13	06506147AA	2	J, T		74				BOLT, Hex Flange Head, M12x1.75x80.00, Shock to Axle, Mounting



GRAND CHEROKEE (WK)

SERIES LINE
H = HIGHLINE T = JEEP - 2WD
P = PREMIUM J = JEEP - 4WD
S = SPORT
X = SPECIAL

BODY
74 = SPORT UTILITY 4-DR
TYPE #4

ENGINE
EZH = 5.7L V8 HEMI MDS
VCT Engine
ESF = 6.1L SRT HEMI V8
Engine
EKG = 3.7L V6 Engine

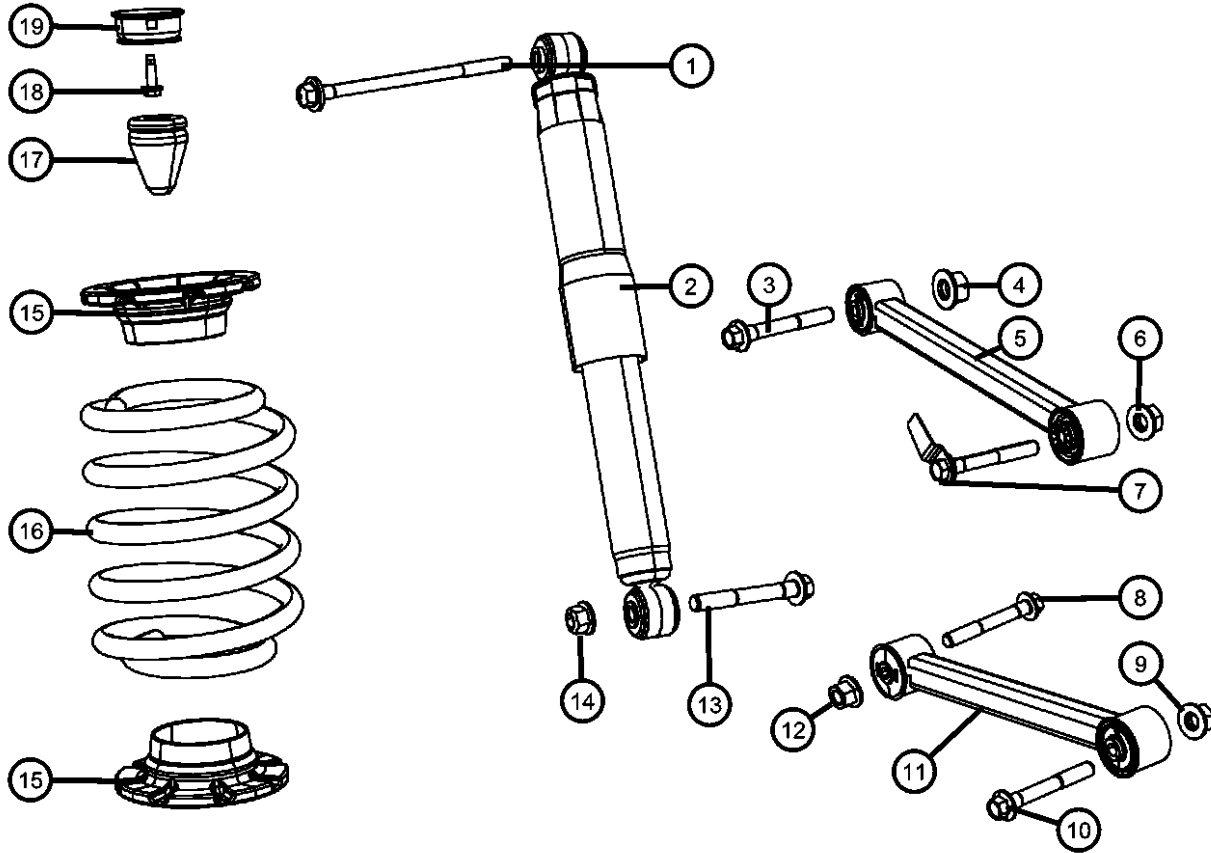
TRANSMISSION
DGJ = 5-Speed Auto W5A580
Transmission
DGQ = 5-Spd Automatic 545RFE
Transmission

AR = use ase required - = Non illustrated part

2010 WK

Suspension,Rear
Figure 17-110

ITEM	PART NUMBER	QTY	LINE	SERIES	BODY	ENGINE	TRANS	TRIM	DESCRIPTION
14		2							NUT, Purchase Axle Housing Assembly, (NOT SERVICED)
15									ISOLATOR, Spring
	52089341AE	2	J, T		74				Lower
		2	J, T		74				Upper
16									SPRING, Rear Coil
	52089818AE	1	J, T		74				[ZHT,ZWT]
	52089819AE	1	J, T		74				[ZHU,ZWU]
	52089820AE	1	J, T		74				[ZHV,ZWV]
	05290638AA	1	J, T		74				[ZAZ]
	05290773AA	1	J, T		74				[ZNZ]
	52089821AD	1	J, T		74				[ZHW,ZWW]
	52124822AD	1	J, T		74				[ZHX,ZWX]
17									BUMPER, Jounce
	52089343AA	2	J, T		74				[SDA] Or [SDM]
	05290639AB	2	J, T	X	74				[SDX]
18	06101838	2	J, T		74				BOLT AND WASHER, Hex Head, M10x1.50x40.00, Jounce Bumper to Rail, Mounting
19									CUP, Jounce Bumper
	05290783AB	2	J, T		74				[SDX], Mounting
	52089977AB	2	J, T		74				[SDA or SDM]], Mounting



GRAND CHEROKEE (WK)

SERIES LINE
H = HIGHLINE T = JEEP - 2WD
P = PREMIUM J = JEEP - 4WD
S = SPORT
X = SPECIAL

BODY
74 = SPORT UTILITY 4-DR
TYPE #4

ENGINE
EZH = 5.7L V8 HEMI MDS
VCT Engine
ESF = 6.1L SRT HEMI V8
Engine
EKG = 3.7L V6 Engine

TRANSMISSION
DGJ = 5-Speed Auto W5A580
Transmission
DGQ = 5-Spd Automatic 545RFE
Transmission

AR = use ase required - = Non illustrated part

2010 WK

**Cradle,Rear Suspension
Figure 17-120**

ITEM	PART NUMBER	QTY	LINE	SERIES	BODY	ENGINE	TRANS	TRIM	DESCRIPTION
Note;Sales Codes; [AHX]=TRAILER TOW GROUP IV									
1	06101831	3	J, T	H, P, S	74				NUT, Hex Flange, M8x1.25, Spare Tire Heat Shield to Rear Supsension Cradle, Mounting SHIELD, Spare Tire, Heat
2	52090420AF	1	J, T	H, P, S	74				SHIELD, Spare Tire, [AHX] Used With Item 2, Secondary
3	52124516AB	1	J, T		74				CRADLE, Rear Suspension
4	52090278AK	1	J, T		74				BOLT AND WASHER, Hex Head, M12x1.75x80.00, Rear Suspension Cradle to Rail Brackets, Mounting
5	06507231AA	2	J, T		74				BOLT AND WASHER, Hex Head, M12x1.75x40.00, Rear Suspension Cradle to Rails, Mounting
6	06508267AA	9	J, T		74				

GRAND CHEROKEE (WK)

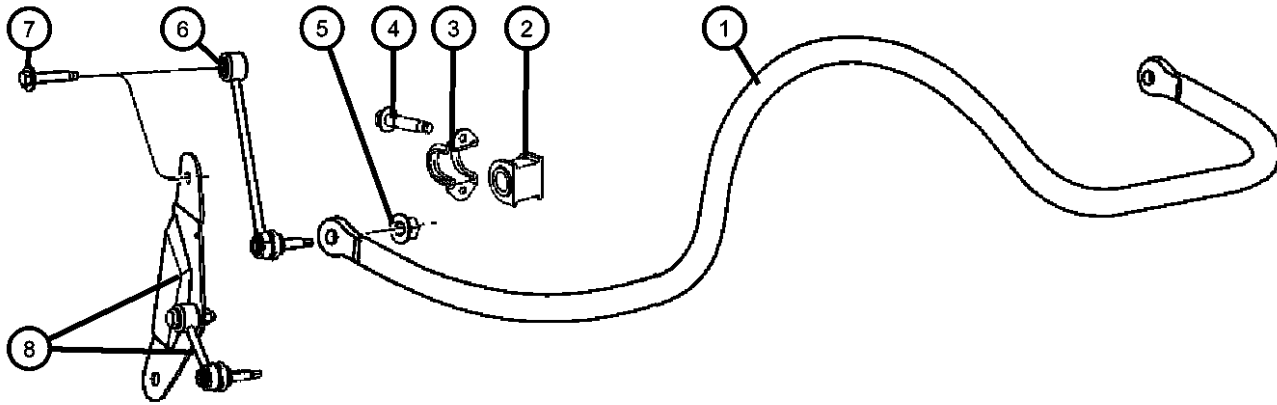
SERIES	LINE	BODY	ENGINE	TRANSMISSION
H = HIGHLINE	T = JEEP - 2WD	74 = SPORT UTILITY 4-DR	EZH = 5.7L V8 HEMI MDS	DGJ = 5-Speed Auto W5A580
P = PREMIUM	J = JEEP - 4WD	TYPE #4	VCT Engine	Transmission
S = SPORT			ESF = 6.1L SRT HEMI V8	DGQ = 5-Spd Automatic 545RFE
X = SPECIAL			Engine	Transmission
			EKG = 3.7L V6 Engine	

AR = use ase required - = Non illustrated part

**Stabilizer Bar,Rear
Figure 17-210**

ITEM	PART NUMBER	QTY	LINE	SERIES	BODY	ENGINE	TRANS	TRIM	DESCRIPTION
------	-------------	-----	------	--------	------	--------	-------	------	-------------

Note:Sales Codes;
[SDA]=Normal Duty Suspension
[SDX]=High Performance Suspension



1									STABILIZER BAR, Rear Suspension
	52089484AD	1	J, T		74				[SDA]
	52124153AA	1	J, T		74				[SDM]
	52124303AA	1	J, T		74				[SDX]
2									BUSHING, Stabilizer Bar
	52089485AE	2	J, T		74				[SDA], Mounting
	52124302AC	2	J, T		74				[SDX], Mounting
3	52090271AB	2	J, T		74				RETAINER, Stabilizer Bar Bushing
4	06508505AA	4	J, T		74				BOLT AND WASHER, Hex Head, M10X1.50X35.00, Stabilizer Bar Bushing Retainer, Mounting
5	06502835	2	J, T		74				NUT, Hex Flange Lock, M12x1.75, End Link to Stabilizer Bar, Mounting
6									LINK ASSEMBLY, Stabilizer Bar
	05290768AC	1	J, T		74				[SDX], Right
	05290769AC	1	J, T		74				[SDX], Left
	52089486AE	2	J, T		74				[SDA or SDM]
7	06101984	2	J, T		74				BOLT AND WASHER, Hex Head, M12X1.75X70.00, Stabilizer Bar to Sill Bracket, Mounting
8									LINK ASSEMBLY, Stabilizer Bar
	05290768AC	1	J, T		74				[SDX], Right
	05290769AC	1	J, T		74				[SDX], Left

GRAND CHEROKEE (WK)

SERIES LINE
H = HIGHLINE T = JEEP - 2WD
P = PREMIUM J = JEEP - 4WD
S = SPORT
X = SPECIAL

BODY
74 = SPORT UTILITY 4-DR
TYPE #4

ENGINE
EZH = 5.7L V8 HEMI MDS
VCT Engine
ESF = 6.1L SRT HEMI V8
Engine
EKG = 3.7L V6 Engine

TRANSMISSION
DGJ = 5-Speed Auto W5A580
Transmission
DGQ = 5-Spd Automatic 545RFE
Transmission

AR = use ase required - = Non illustrated part

2010 WK

Track Bar,Rear
Figure 17-220

ITEM	PART NUMBER	QTY	LINE	SERIES	BODY	ENGINE	TRANS	TRIM	DESCRIPTION
1	52089605AD	1	J, T		74				TRACK BAR, Rear
2	06502698	1	J, T		74				NUT, Hex Flange Lock, M14x2.00, Track Bar to Body, Mounting
3	06508079AA	1	J, T		74				BOLT AND RETAINER, Hex Head, M14x2.00x75.00, Track Bar to Body, Mounting
4	06508132AA	1	J, T		74				NUT AND RETAINER, Hex Flange Locking, M14 x 2.00, Track Bar to Axle, Mounting
5	06502818	1	J, T		74				BOLT, Hex Flange Head, M14x2.00x80.00, Track Bar to Axle, Mounting

GRAND CHEROKEE (WK)

SERIES LINE
H = HIGHLINE T = JEEP - 2WD
P = PREMIUM J = JEEP - 4WD
S = SPORT
X = SPECIAL

BODY
74 = SPORT UTILITY 4-DR
TYPE #4

ENGINE
EZH = 5.7L V8 HEMI MDS
VCT Engine
ESF = 6.1L SRT HEMI V8
Engine
EKG = 3.7L V6 Engine

TRANSMISSION
DGJ = 5-Speed Auto W5A580
Transmission
DGQ = 5-Spd Automatic 545RFE
Transmission

Group - 19

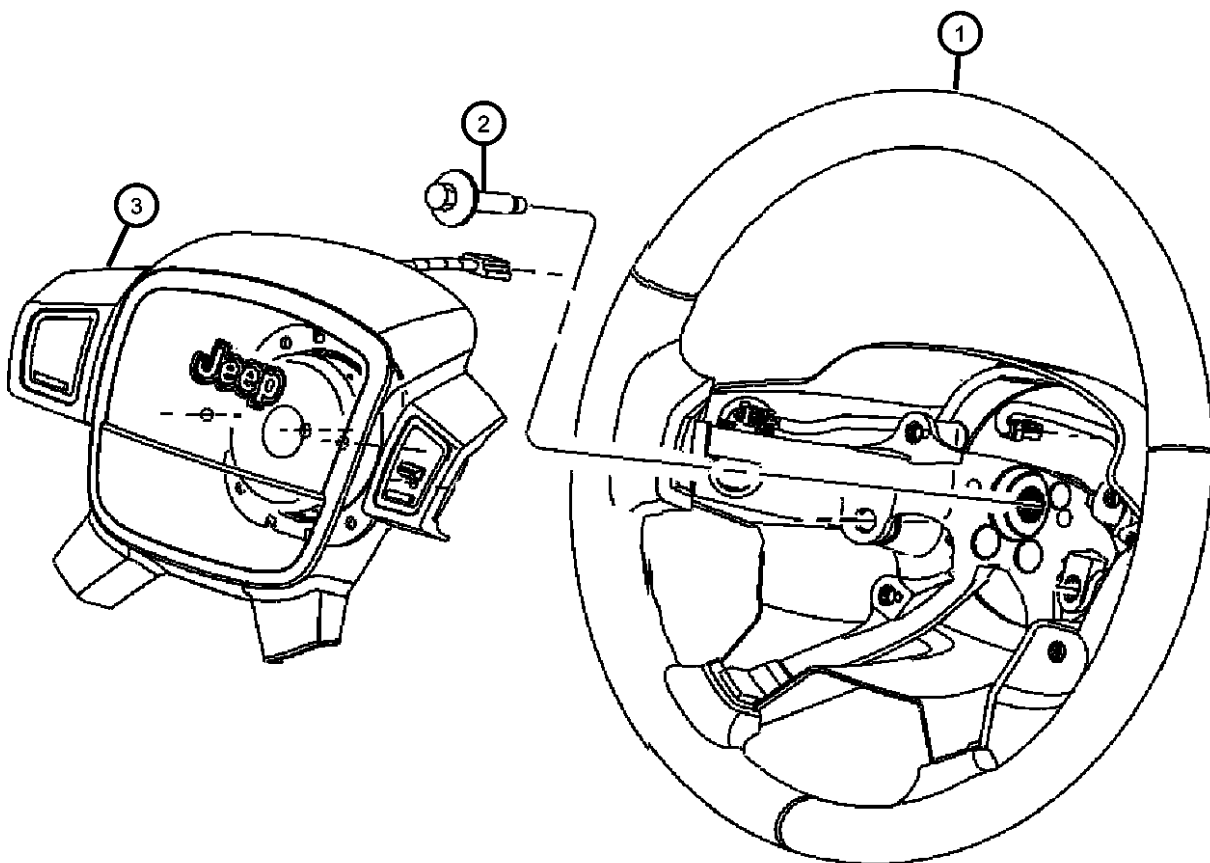
Steering

Group - 19 Steering

Illustration Title	Group-Fig. No.
Steering Wheel	
Steering Wheel Assembly	Fig. 19 - 105
Steering Column and Intermediate Shaft	
Steering Column	Fig. 19 - 205
Steering Gear	
Gear Rack and Pinion	Fig. 19 - 305
Power Steering Pump and Reservoir	
Power Steering Pump	Fig. 19 - 505
Power Steering Reservoir	Fig. 19 - 510
Power Steering Hoses	
Power Steering Hoses	Fig. 19 - 605

019-100 Steering Wheel	019-200 Steering Column and Intermediate Shaft	019-300 Steering Gear	019-500 Power Steering Pump and Reservoir
019-600 Power Steering Hoses			

Steering Wheel Assembly
Figure 19-105



ITEM	PART NUMBER	QTY	LINE	SERIES	BODY	ENGINE	TRANS	TRIM	DESCRIPTION
1									WHEEL, Steering
	1KP771DVAA	1	J, T		74				[SCW] [DV]
	1KQ421DVAA	1	J, T		74				[SCL] [DV]
	1KQ421J3AA	1	J, T		74				[SCL] [J3]
	1KQ431D1AA	1	J, T		74				[SCV] [D1]
	1KQ431J1AA	1	J, T		74				[SCV] [J1]
	1KQ451DVAA	1	J, T		74				[SCC] [DV]
	1KQ461DVAA	1	J, T		74				[SCA] [DV]
	1KQ461J3AA	1	J, T		74				[SCA] [J3]
	1DG831DVAG	1	J, T		74				[SCA] [DV] Complete with switches
	1DG831J3AG	1	J, T		74				[SCA] [J3] Complete with switches
	1KP771D1AA	1	J, T		74				[SCW] [J1]
2		1							SCREW, Hex Flange Head, M10x1.5x35., (NOT SERVICED),
3									BEZEL, Steering Wheel
	1KQ36XZAAA	1	J, T		74				Right
	1KQ39XZAAA	1	J, T		74				Left

GRAND CHEROKEE (WK)

SERIES LINE
H = HIGHLINE T = JEEP - 2WD
P = PREMIUM J = JEEP - 4WD
S = SPORT
X = SPECIAL

BODY
74 = SPORT UTILITY 4-DR
TYPE #4

ENGINE
EZH = 5.7L V8 HEMI MDS
VCT Engine
ESF = 6.1L SRT HEMI V8
Engine
EKG = 3.7L V6 Engine

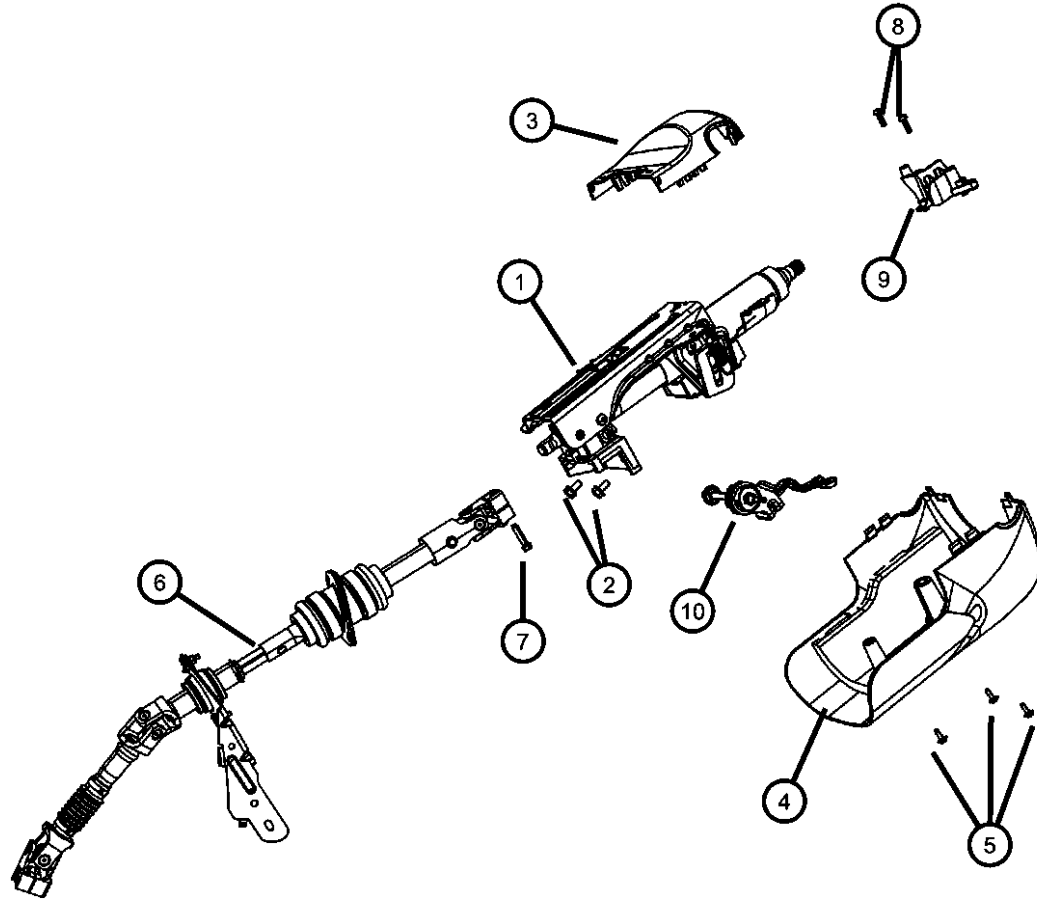
TRANSMISSION
DGJ = 5-Speed Auto W5A580
Transmission
DGQ = 5-Spd Automatic 545RFE
Transmission

AR = use ase required - = Non illustrated part

2010 WK

Steering Column
Figure 19-205

ITEM	PART NUMBER	QTY	LINE	SERIES	BODY	ENGINE	TRANS	TRIM	DESCRIPTION
1	05057875AA	1	J, T		74				COLUMN, Steering
2	06104022AB	1	J, T		74				SCREW, Hex Head, M8X1.25X16.00
3	1JE43BD1AA	1	J, T		74				SHROUD, Steering Column, Upper [D1]
		1	J, T		74				[J1]
	1JE43XDVAA	1	J, T		74				[DV]
	1JE43ZJ3AA	1	J, T		74				[J3]
4	1JE44BD1AA	1	J, T		74				SHROUD, Steering Column, Lower [D1]
		1	J, T		74				[J1]
	1JE44XDVAA	1	J, T		74				[DV]
	1JE44ZJ3AA	1	J, T		74				[J3]
5	06508440AA	3	J, T		74				SCREW, Tapping Round Head, M4X1.40X14.00
6	05057494AA	1	J, T		74				SHAFT, Steering column intermediate
7	06504926AA	1	J, T		74				SCREW, Hex Flange Head, M10x1.5x40
8	05057330AA	2	J, T		74				FASTENER, Steering Column Lock Housing
9	05057238AC	1	J, T		74				SUPPORT MOUNT, MULTIFUNCTION SWITCH & CLOCKSRING
10	05057246AE	1	J, T		74				LEVER, Tilt Column Release
11	05057466AA	2	J, T		74				SPRING, Tilt Assist



GRAND CHEROKEE (WK)

SERIES LINE
H = HIGHLINE T = JEEP - 2WD
P = PREMIUM J = JEEP - 4WD
S = SPORT
X = SPECIAL

BODY
74 = SPORT UTILITY 4-DR
TYPE #4

ENGINE
EZH = 5.7L V8 HEMI MDS
VCT Engine
ESF = 6.1L SRT HEMI V8
Engine
EKG = 3.7L V6 Engine

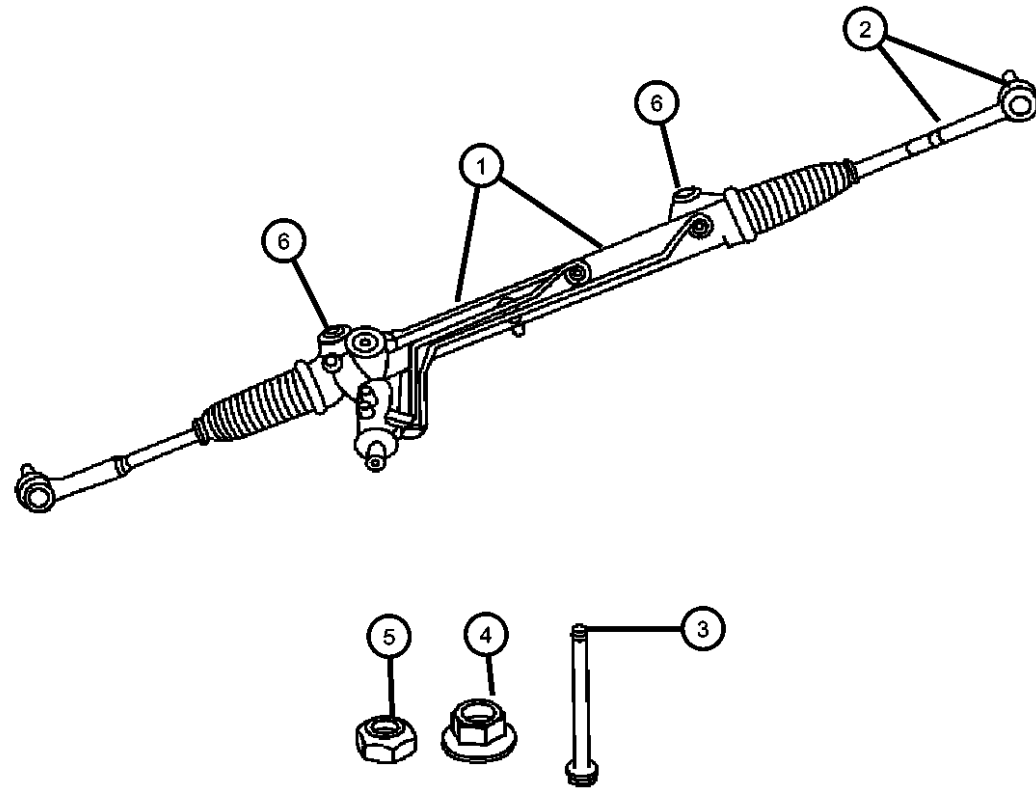
TRANSMISSION
DGJ = 5-Speed Auto W5A580
Transmission
DGQ = 5-Spd Automatic 545RFE
Transmission

AR = use ase required - = Non illustrated part

2010 WK

**Gear Rack and Pinion
Figure 19-305**

ITEM	PART NUMBER	QTY	LINE	SERIES	BODY	ENGINE	TRANS	TRIM	DESCRIPTION
1									GEAR, Rack and Pinion
	04854700AA	1	J, T		74				[SBX]
	52124800AA	1	J, T		74				[SBA,SDA]
	68042636AA	1	J, T		74				[SBA,SDM]
2									END PACKAGE, Tie Rod
	05143555AC	1	J, T		74				Left
	05143556AC	1	J, T		74				[SBX], Right
3	06507661AA	2	J, T		74				SCREW, Hex Flange Head, RACK and PINION TO CRADLE
4	06505623AA	1	J, T		74				NUT, Hex Lock, M14x1.50
5	06507706AA	2	J, T		74				NUT, Power Steering Gear
6	52089312AA	2	J, T		74				BUSHING, Steering Gear
7	06507289AA	2	J, T		74				JAM NUT, Outer Tie Rod, M16x1.50



GRAND CHEROKEE (WK)

SERIES LINE
H = HIGHLINE T = JEEP - 2WD
P = PREMIUM J = JEEP - 4WD
S = SPORT
X = SPECIAL

BODY
74 = SPORT UTILITY 4-DR
TYPE #4

ENGINE
EZH = 5.7L V8 HEMI MDS
VCT Engine
ESF = 6.1L SRT HEMI V8
Engine
EKG = 3.7L V6 Engine

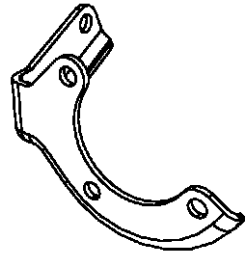
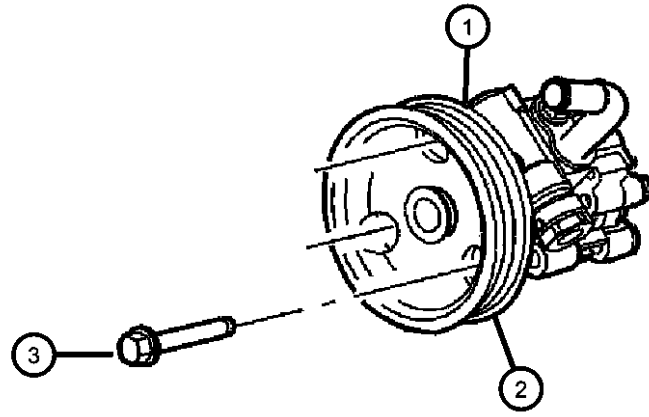
TRANSMISSION
DGJ = 5-Speed Auto W5A580
Transmission
DGQ = 5-Spd Automatic 545RFE
Transmission

AR = use ase required - = Non illustrated part

2010 WK

**Power Steering Pump
Figure 19-505**

ITEM	PART NUMBER	QTY	LINE	SERIES	BODY	ENGINE	TRANS	TRIM	DESCRIPTION
1									PUMP ASSEMBLY, Power Steering with Pulley
	05290778AA	1	J, T		74	ES0			
	52089339AD	1	J, T		74	EK0, EV0			
	52089883AD	1	J, T		74	EZ0			
2									PULLEY, Power Steering Pump
	53013677AB	1	J, T		74	EZ0			
		1	J, T		74	ES0			
	53013688AC	1	J, T		74	EK0, EV0			
3	06104206AA	3	J, T		74	EKG			SCREW, Hex Flange Head, M8X1.25X80.0



GRAND CHEROKEE (WK)

SERIES LINE
H = HIGHLINE T = JEEP - 2WD
P = PREMIUM J = JEEP - 4WD
S = SPORT
X = SPECIAL

BODY
74 = SPORT UTILITY 4-DR
TYPE #4

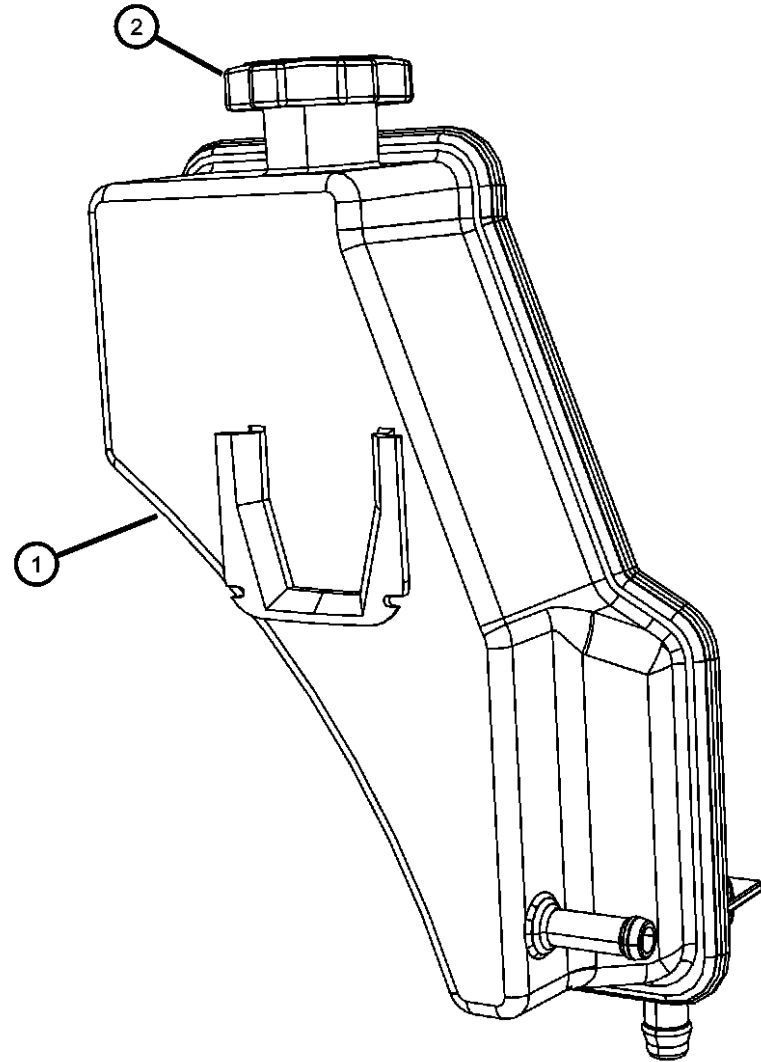
ENGINE
EZH = 5.7L V8 HEMI MDS
VCT Engine
ESF = 6.1L SRT HEMI V8
Engine
EKG = 3.7L V6 Engine

TRANSMISSION
DGJ = 5-Speed Auto W5A580
Transmission
DGQ = 5-Spd Automatic 545RFE
Transmission

AR = use ase required - = Non illustrated part

2010 WK

**Power Steering Reservoir
Figure 19-510**



ITEM	PART NUMBER	QTY	LINE	SERIES	BODY	ENGINE	TRANS	TRIM	DESCRIPTION
1	52124317AB	1	J, T		74	EZ0		DBA	RESERVOIR, Power Steering Fluid
		1	J, T		74	EX0		DBA	
2	05143614AA	1	J, T		74	EZ0		DBA	CAP, Power Steering Reservoir
		1	J, T		74	EX0		DBA	
		1	J, T		74	EK0, EVO			
		1	J, T		74	ES0			

GRAND CHEROKEE (WK)

SERIES LINE
H = HIGHLINE T = JEEP - 2WD
P = PREMIUM J = JEEP - 4WD
S = SPORT
X = SPECIAL

BODY
74 = SPORT UTILITY 4-DR
TYPE #4

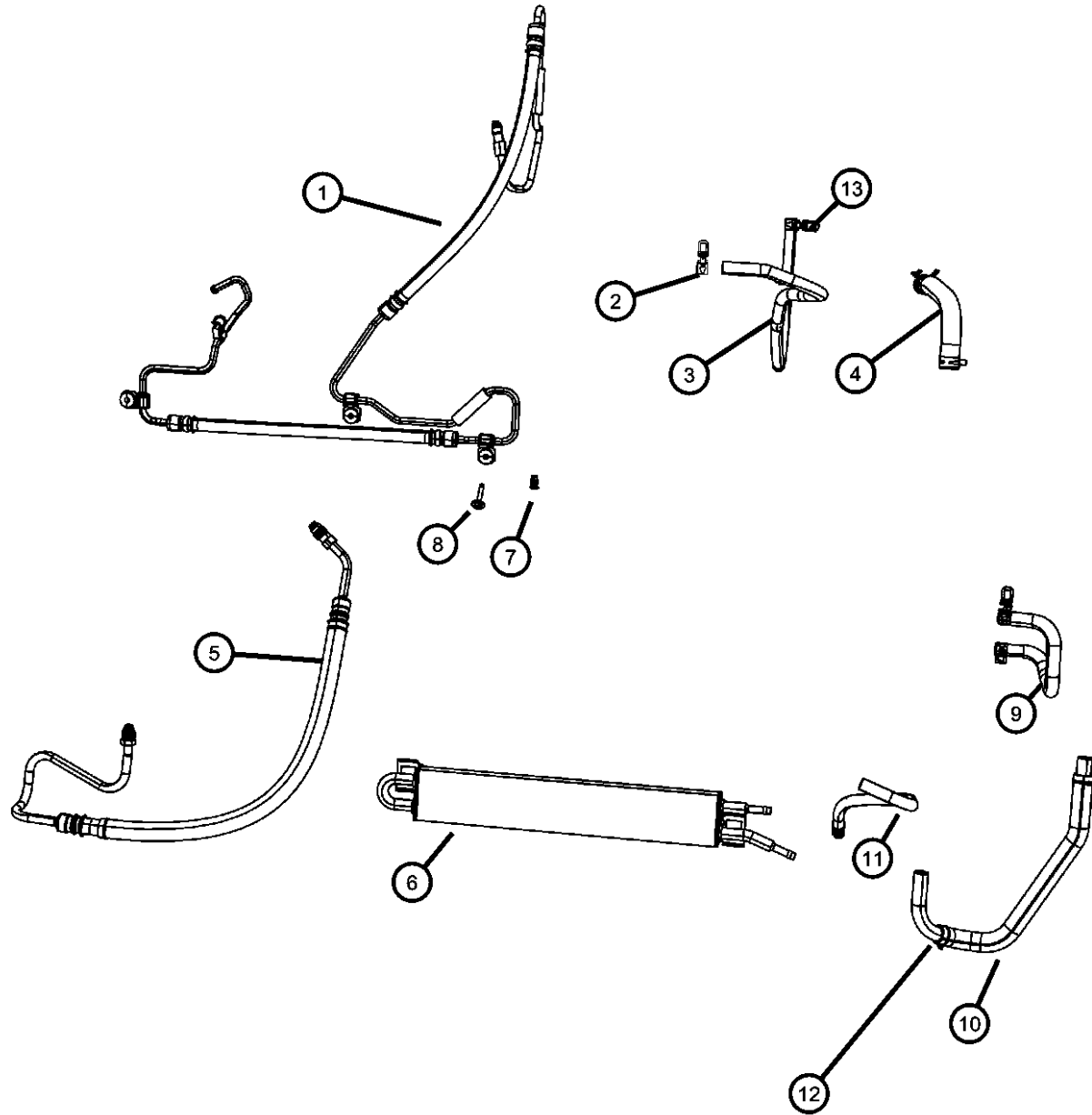
ENGINE
EZH = 5.7L V8 HEMI MDS
VCT Engine
ESF = 6.1L SRT HEMI V8
Engine
EKG = 3.7L V6 Engine

TRANSMISSION
DGJ = 5-Speed Auto W5A580
Transmission
DGQ = 5-Spd Automatic 545RFE
Transmission

AR = use ase required - = Non illustrated part

2010 WK

Power Steering Hoses
Figure 19-605



ITEM	PART NUMBER	QTY	LINE	SERIES	BODY	ENGINE	TRANS	TRIM	DESCRIPTION
1	05290781AD	1	J		74	ES0			HOSE, Power Steering Pressure
2	52124091AA	1	J, T		74	EK0, EV0			CLAMP, Power Steering Hose
3	52089317AD	1	J, T		74	EK0			HOSE, Power Steering Return
	52089318AC	1	J, T		74	EX0	DBA		
4	52089487AA	1	J, T		74	EZ0	DBA		HOSE, Power Steering Supply
	52089861AA	1	J, T		74	EX0	DBA		
5	52124114AC	1	J, T		74	EZ0			HOSE, Power Steering Pressure
	52080154AC	1	J, T		74	EZ0	DBA		
	52089329AA	1	J, T		74	EX0	DBA		
6	55116927AA	1	J, T		74	EZ0	DBA		COOLER, Power Steering
	55037927AA	1	J, T		74	EX0	DBA		
	05181117AA	1	J, T		74	ES0	DBA		
	52090052AB	1	J, T		74	EK0, EV0	DBA		
7	06507828AA	3	J, T		74	EK0			NUT, Rivet, M6X1.00
		2	J, T		74	EZ0			
		3	J, T		74	ESF, EV0			
8	06506669AA	3	J, T		74	EK0			SCREW AND WASHER, HEX HEAD, M6X1.0X35.00
9	52089641AD	1	J, T		74	EZ0	DBA		HOSE, Power Steering Return
		1	J, T		74	EX0	DBA		
10	52089641AD	1	J, T		74	EZ0	DBA		HOSE, Power Steering Return
		1	J, T		74	EX0	DBA		
11	52089865AC	1	J, T		74	EK0, EV0			HOSE, Power Steering Return
		1	J, T		74	ES0			
12	52124074AA	4	J, T		74	EX0	DBA		CLAMP, Hose
		4	J, T		74	EZ0	DBA		Return hose
		4	J, T		74	EZ0	DBA		Return hose

GRAND CHEROKEE (WK)

SERIES LINE
H = HIGHLINE T = JEEP - 2WD
P = PREMIUM J = JEEP - 4WD
S = SPORT
X = SPECIAL

BODY
74 = SPORT UTILITY 4-DR
TYPE #4

ENGINE
EZH = 5.7L V8 HEMI MDS
VCT Engine
ESF = 6.1L SRT HEMI V8
Engine
EKG = 3.7L V6 Engine

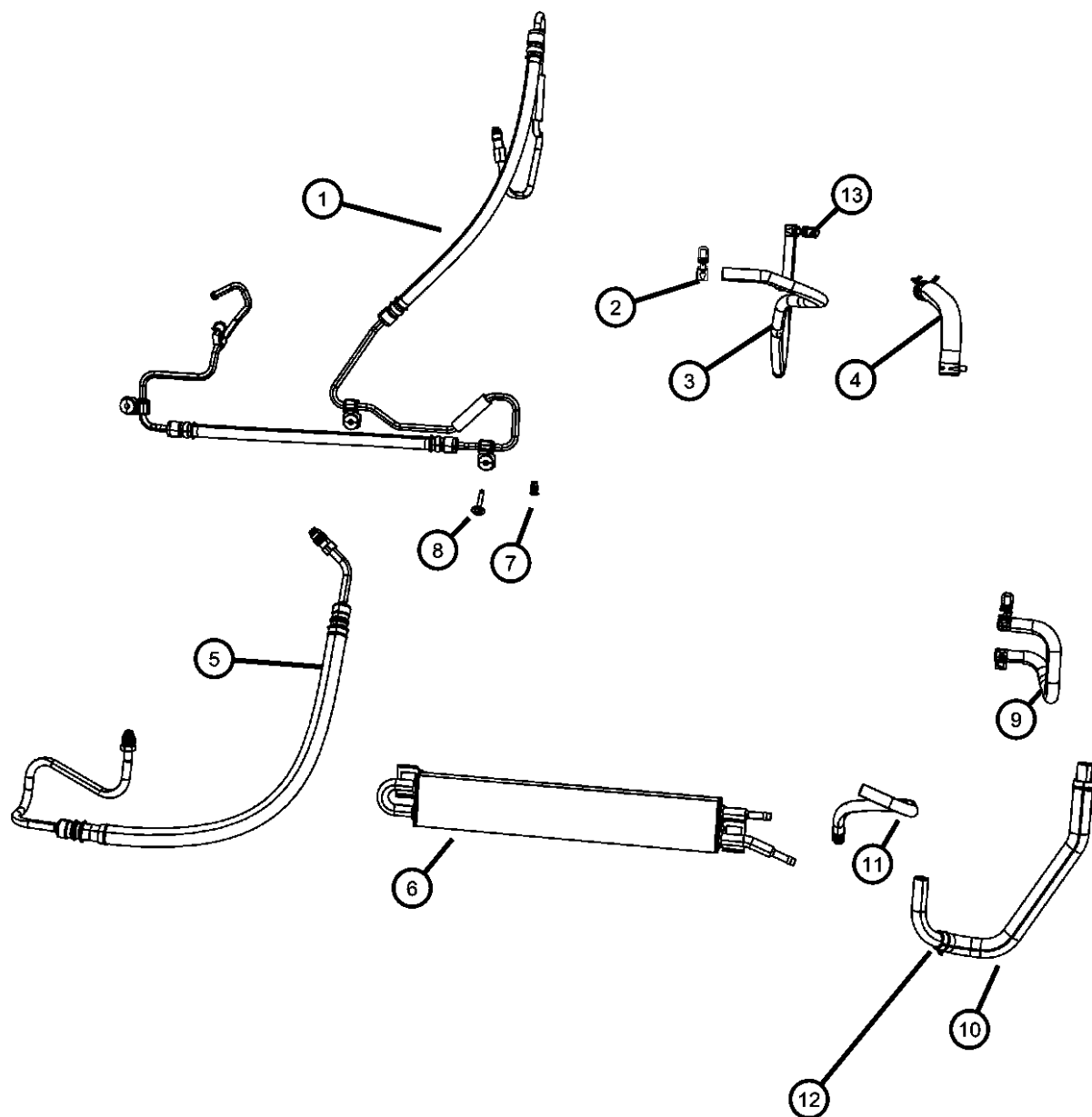
TRANSMISSION
DGJ = 5-Speed Auto W5A580
Transmission
DGQ = 5-Spd Automatic 545RFE
Transmission

AR = use as required - = Non illustrated part

2010 WK

Power Steering Hoses
Figure 19-605

ITEM	PART NUMBER	QTY	LINE	SERIES	BODY	ENGINE	TRANS	TRIM	DESCRIPTION
	53041045	1	J, T		74	EZ0			Hose to cooler
		1	J, T		74	EVO			Hose to cooler
13									CLAMP, Hose, M18.5
	06504217	2	J, T		74	EX0	DBA		Return hose
		2	J, T		74	EZ0	DBA		Return hose
14									O RING, Power Steering Hose
	05205254	2	J, T		74	EK0, EVO			
		2	J, T		74	EZ0			
	52088915AA	2	J, T		74	EX0	DBA		[NHM]



GRAND CHEROKEE (WK)

SERIES LINE
H = HIGHLINE T = JEEP - 2WD
P = PREMIUM J = JEEP - 4WD
S = SPORT
X = SPECIAL

BODY
74 = SPORT UTILITY 4-DR
TYPE #4

ENGINE
EZH = 5.7L V8 HEMI MDS
VCT Engine
ESF = 6.1L SRT HEMI V8
Engine
EKG = 3.7L V6 Engine

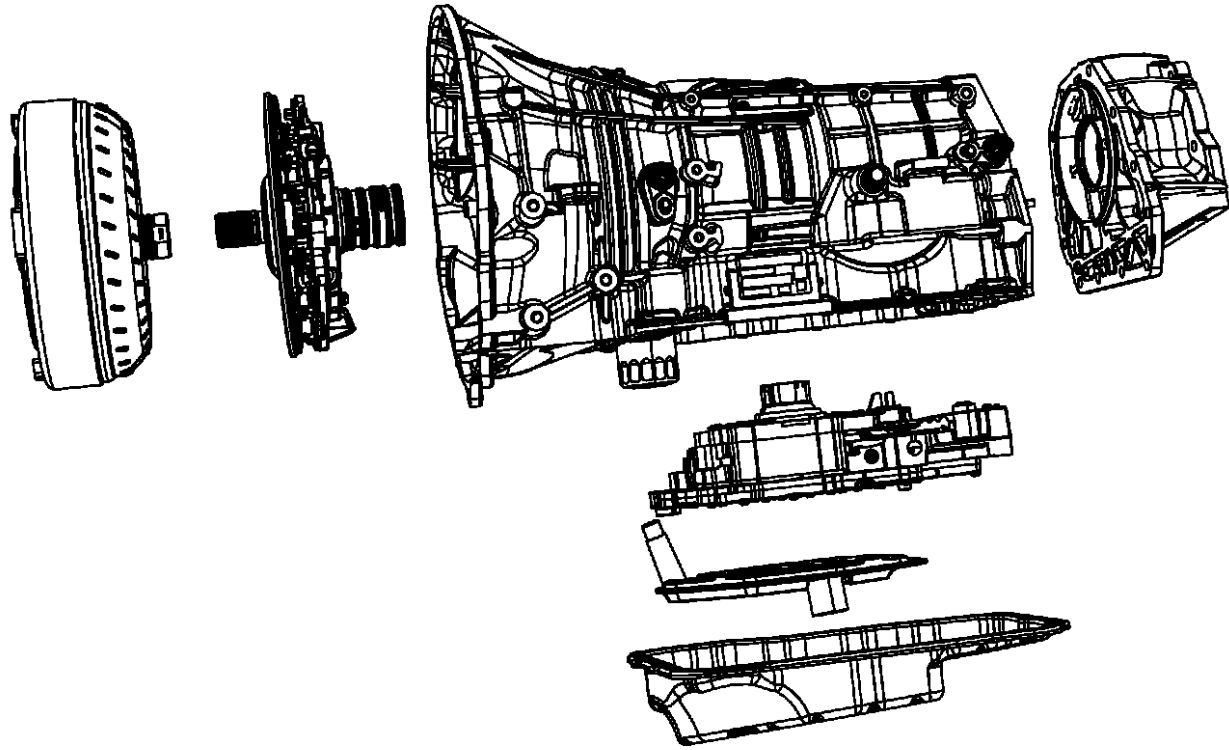
TRANSMISSION
DGJ = 5-Speed Auto W5A580
Transmission
DGQ = 5-Spd Automatic 545RFE
Transmission

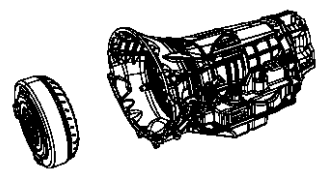
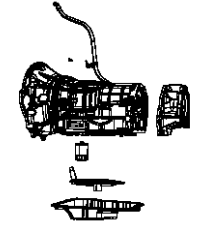
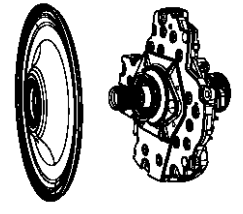
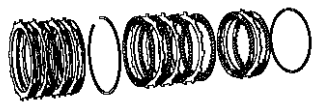
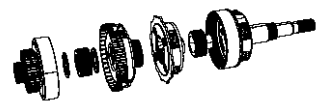
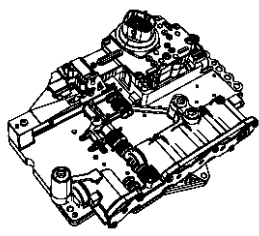
AR = use ase required - = Non illustrated part

2010 WK

Group - 021DGJ

NAG1; W5A580; 5-Speed; Automatic Transmission



<p>021DGJ-100 Automatic Transmission / Transaxle and Torque Converter</p> 	<p>021DGJ-1100 Gearshift Controls and Related Parts</p>	<p>021DGJ-1200 Mounting and Skid Plate</p>	<p>021DGJ-200 Case, Extension, Oil Pan, and Indicator (Dipstick)</p> 
<p>021DGJ-300 Seal and Shim Packages</p>	<p>021DGJ-400 Oil Pump</p> 	<p>021DGJ-500 Clutches</p> 	<p>021DGJ-600 Gear Train</p> 
<p>021DGJ-800 Valve Body, Accumulator, Solenoid and Parking Sprag</p> 			

Group - 021DGJ NAG1; W5A580; 5-Speed; Automatic Transmission

Illustration Title	Group-Fig. No.
Automatic Transmission / Transaxle and Torque Converter	
Transmission / Transaxle Assembly	Fig. 021DGJ - 105
Torque Converter.....	Fig. 021DGJ - 110
Case, Extension, Oil Pan, and Indicator (Dipstick)	
Case.....	Fig. 021DGJ - 210
Adapter 4WD	Fig. 021DGJ - 221
Extension 2WD	Fig. 021DGJ - 222
Oil Fill Tube And Related Parts	Fig. 021DGJ - 225
Oil Pan, Cover And Related Parts	Fig. 021DGJ - 230
Filters.....	Fig. 021DGJ - 235
Sensors, Vents And Quick Connectors.....	Fig. 021DGJ - 240
Seal and Shim Packages	
Seal And Shim Packages.....	Fig. 021DGJ - 305
Oil Pump	
Oil Pump and Related Parts.....	Fig. 021DGJ - 420
Clutches	
B1 Brake Clutch	Fig. 021DGJ - 526
K1 Clutch Assembly.....	Fig. 021DGJ - 527
K2 Clutch Assembly.....	Fig. 021DGJ - 528
K3 Clutch Assembly.....	Fig. 021DGJ - 529
B3 Clutch Assembly.....	Fig. 021DGJ - 530
B2 Clutch Assembly.....	Fig. 021DGJ - 531
B2 Clutch Assembly.....	Fig. 021DGJ - 532
Gear Train	
Front Planetary Carrier	Fig. 021DGJ - 611
Output Shaft With Center And Rear Planetary Gear Sets	Fig. 021DGJ - 612
Valve Body, Accumulator, Solenoid and Parking Sprag	
Valve Body And Related Parts	Fig. 021DGJ - 825
Parking Sprag And Related Parts.....	Fig. 021DGJ - 860
Gearshift Controls and Related Parts	
Gearshift Controls.....	Fig. 021DGJ - 1105
Gearshift Lever, Cable and Bracket.....	Fig. 021DGJ - 1115
Mounting and Skid Plate	
Mounting Covers And Shields.....	Fig. 021DGJ - 1205
Structural Collar	Fig. 021DGJ - 1210
Mounting Bolts.....	Fig. 021DGJ - 1215

**Transmission / Transaxle Assembly
Figure 021DGJ-105**

ITEM	PART NUMBER	QTY	LINE	SERIES	BODY	ENGINE	TRANS	TRIM	DESCRIPTION
1									TRANSMISSION KIT, With Torque Converter
	05179337AD	1	J			ESF	DGJ		
	68003108AD	1	T			EKG	DGJ		
	68003109AD	1	J			EKG	DGJ		
2									CONVERTER KIT, Torque
	68003092AA	1	J			EKG	DGJ		
	05174299AA	1	J			ESF	DGJ		
		1	T			EKG	DGJ		
3	06507095AA	6	J, T			EKG, ESF	DGJ		BOLT, Hex Head, M8x1.25x18.00
4	05013457AA	AR	J, T						FLUID, Automatic Transmission ATF+4, Quart, Standard MS-9602-F, [32 Fluid Ounces] Minimum Ship Quantity Of 12
5	05013458AA	AR	J, T						FLUID, Automatic Transmission ATF+4, Gallon, Standard MS-9602-F, [128 Fluid Ounces] Minimum Ship Quantity Of 4

GRAND CHEROKEE (WK)

SERIES LINE
H = HIGHLINE T = JEEP - 2WD
P = PREMIUM J = JEEP - 4WD
S = SPORT
X = SPECIAL

BODY
74 = SPORT UTILITY 4-DR
TYPE #4

ENGINE
EZH = 5.7L V8 HEMI MDS
VCT Engine
ESF = 6.1L SRT HEMI V8
Engine
EKG = 3.7L V6 Engine

TRANSMISSION
DGJ = 5-Speed Auto W5A580
Transmission
DGQ = 5-Spd Automatic 545RFE
Transmission

AR = use ase required - = Non illustrated part

2010 WK

**Torque Converter
Figure 021DGJ-110**

ITEM	PART NUMBER	QTY	LINE	SERIES	BODY	ENGINE	TRANS	TRIM	DESCRIPTION
1									CONVERTER KIT, Torque
	05174299AA	1	J			ESF	DGJ		
	68003092AA	1	T			EKG	DGJ		
		1	J			EKG	DGJ		
2	06507095AA	6	J, T			EKG, ESF	DGJ		BOLT, Hex Head, M8x1.25x18.00

GRAND CHEROKEE (WK)

SERIES LINE
H = HIGHLINE T = JEEP - 2WD
P = PREMIUM J = JEEP - 4WD
S = SPORT
X = SPECIAL

BODY
74 = SPORT UTILITY 4-DR
TYPE #4

ENGINE
EZH = 5.7L V8 HEMI MDS
VCT Engine
ESF = 6.1L SRT HEMI V8
Engine
EKG = 3.7L V6 Engine

TRANSMISSION
DGJ = 5-Speed Auto W5A580
Transmission
DGQ = 5-Spd Automatic 545RFE
Transmission

AR = use ase required - = Non illustrated part

2010 WK

**Case
Figure 021DGJ-210**

ITEM	PART NUMBER	QTY	LINE	SERIES	BODY	ENGINE	TRANS	TRIM	DESCRIPTION
1	52108422AA	1	T			EKG	DGJ		HOUSING, Torque Converter
		1	J			ESF	DGJ		
		1	J			EKG	DGJ		
2	52108206AA	15	T			EKG	DGJ		BOLT, Socket Head, M8x40
		15	J			ESF	DGJ		
		15	J			EKG	DGJ		
3	06104158AA	2	J, T			EKG			BOLT, Torx Head, M8x1.25x40, Case to Bell Housing CASE, Transmission
4	52108431AA	1	T			EKG	DGJ		
	52108447AA	1	J			ESF	DGJ		
		1	J			EKG	DGJ		
5	52108155AA	1	T			EKG	DGJ		SHAFT, Parking Pawl
		1	J			EKG	DGJ		
		1	J			ESF	DGJ		
6	52108156AB	1	J			ESF	DGJ		O RING
		1	T			EKG	DGJ		
		1	J			EKG	DGJ		
7	52107975AA	1	J			ESF	DGJ		SNAP RING
		1	T			EKG	DGJ		
		1	J			EKG	DGJ		
8	52108176AA	1	J			ESF	DGJ		GUIDE
		1	T			EKG	DGJ		
		1	J			EKG	DGJ		
9	52108177AA	1	J			ESF	DGJ		O RING
		1	T			EKG	DGJ		
		1	J			EKG	DGJ		
10									SNAP RING

GRAND CHEROKEE (WK)

SERIES LINE
H = HIGHLINE T = JEEP - 2WD
P = PREMIUM J = JEEP - 4WD
S = SPORT
X = SPECIAL

BODY
74 = SPORT UTILITY 4-DR
TYPE #4

ENGINE
EZH = 5.7L V8 HEMI MDS
VCT Engine
ESF = 6.1L SRT HEMI V8
Engine
EKG = 3.7L V6 Engine

TRANSMISSION
DGJ = 5-Speed Auto W5A580
Transmission
DGQ = 5-Spd Automatic 545RFE
Transmission

**Case
Figure 021DGJ-210**

ITEM	PART NUMBER	QTY	LINE	SERIES	BODY	ENGINE	TRANS	TRIM	DESCRIPTION
	52107976AA	1	J			ESF	DGJ		
		1	T			EKG	DGJ		
		1	J			EKG	DGJ		
11									SPRING
	52108157AA	1	J			ESF	DGJ		
		1	T			EKG	DGJ		
		1	J			EKG	DGJ		
12									PAWL, Parking Sprag
	52108154AA	1	J			ESF	DGJ		
		1	T			EKG	DGJ		
		1	J			EKG	DGJ		
13									LINKAGE, Transmission
	52108166AA	1	J			ESF	DGJ		
		1	T			EKG	DGJ		
		1	J			EKG	DGJ		
14									DETENT, Gearshift
	52108349AB	1	J			ESF	DGJ		
		1	T			EKG	DGJ		
		1	J			EKG	DGJ		
15									BOLT, Torx Head, M6x20
	52108178AA	1	J			EKG	DGJ		
		1	J			ESF	DGJ		
		1	T			EKG	DGJ		
16									SEAL, Transmission
	05134933AA	AR	J			ESF	DGJ		
		AR	T			EKG	DGJ		
		AR	J			EKG	DGJ		
17									SHAFT, Shift Lever
	52108432AA	1	T			EKG	DGJ		
		1	J			EKG	DGJ		
		1	J			ESF	DGJ		
18									SPRING
	52108179AA	1	J			EKG	DGJ		
		1	J			ESF	DGJ		

GRAND CHEROKEE (WK)

SERIES LINE
H = HIGHLINE T = JEEP - 2WD
P = PREMIUM J = JEEP - 4WD
S = SPORT
X = SPECIAL

BODY
74 = SPORT UTILITY 4-DR
TYPE #4

ENGINE
EZH = 5.7L V8 HEMI MDS
VCT Engine
ESF = 6.1L SRT HEMI V8
Engine
EKG = 3.7L V6 Engine

TRANSMISSION
DGJ = 5-Speed Auto W5A580
Transmission
DGQ = 5-Spd Automatic 545RFE
Transmission

AR = use ase required - = Non illustrated part

2010 WK

Case
Figure 021DGJ-210

ITEM	PART NUMBER	QTY	LINE	SERIES	BODY	ENGINE	TRANS	TRIM	DESCRIPTION
19		1	T			EKG	DGJ		SCREW AND WASHER, Hex Head, M6x1x14, (NOT SERVICED)

GRAND CHEROKEE (WK)

SERIES LINE
H = HIGHLINE T = JEEP - 2WD
P = PREMIUM J = JEEP - 4WD
S = SPORT
X = SPECIAL

BODY
74 = SPORT UTILITY 4-DR
TYPE #4

ENGINE
EZH = 5.7L V8 HEMI MDS
VCT Engine
ESF = 6.1L SRT HEMI V8
Engine
EKG = 3.7L V6 Engine

TRANSMISSION
DGJ = 5-Speed Auto W5A580
Transmission
DGQ = 5-Spd Automatic 545RFE
Transmission

AR = use ase required - = Non illustrated part

2010 WK

**Adapter 4WD
Figure 021DGJ-221**

ITEM	PART NUMBER	QTY	LINE	SERIES	BODY	ENGINE	TRANS	TRIM	DESCRIPTION
1									SHIM PACKAGE, Park & output bearing
	68001917AA	1	J			ESF	DGJ		
		1	J			EKG	DGJ		
2									BEARING, Output Shaft
	52108207AA	1	J			ESF	DGJ		
		1	J			EKG	DGJ		
3									SNAP RING PACKAGE, Transmission
	68008210AA	1	J			ESF	DGJ		
		1	J			EKG	DGJ		
4									SEAL, Output Shaft
	52108428AA	1	J			ESF	DGJ		
		1	J			EKG	DGJ		
5	05179989AA	1	J, T			EKG, ESF	DGJ		SHAFT PACKAGE, Intermediate
6									NUT, Flange to Output Shaft, M26x1.5
	52108234AA	1	J			EKG	DGJ		
		1	J			ESF	DGJ		
7									ADAPTER, Transfer Case
	52108451AB	1	J			ESF	DGJ		
		1	J			EKG	DGJ		
8									BOLT, Torx Head, M8x1.25x35.00
	06104157AB	12	J			ESF	DGJ		
		12	J			EKG	DGJ		

GRAND CHEROKEE (WK)

SERIES LINE
H = HIGHLINE T = JEEP - 2WD
P = PREMIUM J = JEEP - 4WD
S = SPORT
X = SPECIAL

BODY
74 = SPORT UTILITY 4-DR
TYPE #4

ENGINE
EZH = 5.7L V8 HEMI MDS
VCT Engine
ESF = 6.1L SRT HEMI V8
Engine
EKG = 3.7L V6 Engine

TRANSMISSION
DGJ = 5-Speed Auto W5A580
Transmission
DGQ = 5-Spd Automatic 545RFE
Transmission

AR = use ase required - = Non illustrated part

2010 WK

**Extension 2WD
Figure 021DGJ-222**

ITEM	PART NUMBER	QTY	LINE	SERIES	BODY	ENGINE	TRANS	TRIM	DESCRIPTION
1	68001917AA	1	T			EKG	DGJ		SHIM PACKAGE, Park & output bearing
2	52108207AA	1	T			EKG	DGJ		BEARING, Output Shaft
3	68008210AA	1	T			EKG	DGJ		SNAP RING PACKAGE, Transmission
4	52108428AA	1	T			EKG	DGJ		SEAL, Output Shaft
5	52108628AB	1	T			EKG	DGJ		FLANGE ASSEMBLY, Output
6	52108496AB	1	T			EKG	DGJ		FLANGE, Output
7	52108626AA	1	T			EKG	DGJ		SLINGER, Output Shaft Seal
8	52108234AA	1	T			EKG	DGJ		NUT, Flange to Output Shaft, M26x1.5

GRAND CHEROKEE (WK)

SERIES LINE
H = HIGHLINE T = JEEP - 2WD
P = PREMIUM J = JEEP - 4WD
S = SPORT
X = SPECIAL

BODY
74 = SPORT UTILITY 4-DR
TYPE #4

ENGINE
EZH = 5.7L V8 HEMI MDS
VCT Engine
ESF = 6.1L SRT HEMI V8
Engine
EKG = 3.7L V6 Engine

TRANSMISSION
DGJ = 5-Speed Auto W5A580
Transmission
DGQ = 5-Spd Automatic 545RFE
Transmission

AR = use ase required - = Non illustrated part

2010 WK

**Oil Fill Tube And Related Parts
Figure 021DGJ-225**

ITEM	PART NUMBER	QTY	LINE	SERIES	BODY	ENGINE	TRANS	TRIM	DESCRIPTION
1		1							CAP, Oil Filler, Only Serviced With Oil Filler Tube, Item #2, (NOT SERVICED)
2	05037752AC	1	J, T			EKG, ESF	DGJ		TUBE, Transmission Oil Filler
3	04810021AB	1	J			EKG	DGJ		GROMMET
		1	J			ESF	DGJ		
		1	T			EKG	DGJ		
4	06501979	1	J, T				DGJ, DGQ		BOLT, Hex Flange Head, M6X1.00X17.00

GRAND CHEROKEE (WK)

SERIES LINE
H = HIGHLINE T = JEEP - 2WD
P = PREMIUM J = JEEP - 4WD
S = SPORT
X = SPECIAL

BODY
74 = SPORT UTILITY 4-DR
TYPE #4

ENGINE
EZH = 5.7L V8 HEMI MDS
VCT Engine
ESF = 6.1L SRT HEMI V8
Engine
EKG = 3.7L V6 Engine

TRANSMISSION
DGJ = 5-Speed Auto W5A580
Transmission
DGQ = 5-Spd Automatic 545RFE
Transmission

AR = use ase required - = Non illustrated part

2010 WK

**Oil Pan, Cover And Related Parts
Figure 021DGJ-230**

ITEM	PART NUMBER	QTY	LINE	SERIES	BODY	ENGINE	TRANS	TRIM	DESCRIPTION
1	52108332AA	1	T			EKG	DGJ		GASKET, Oil Pan
		1	J			EKG	DGJ		
		1	J			ESF	DGJ		
2	03681601	1	T			EKG	DGJ		MAGNET, Transmission
		1	J			EKG	DGJ		
		1	J			ESF	DGJ		
3	52108327AA	1	J			ESF	DGJ		PAN, Transmission Oil
		1	T			EKG	DGJ		
		1	J			EKG	DGJ		
4	05080289AA	1	T			EKG	DGJ		CLAMP, Oil Pan
		1	J			EKG	DGJ		
		1	J			ESF	DGJ		
5	52108334AA	5	J			ESF	DGJ		CLAMP, Oil Pan
		5	T			EKG	DGJ		
		5	J			EKG	DGJ		
6	52108270AA	6	J			ESF	DGJ		BOLT, Torx Head, M6x32
		6	T			EKG	DGJ		
		6	J			EKG	DGJ		

GRAND CHEROKEE (WK)

SERIES LINE
H = HIGHLINE T = JEEP - 2WD
P = PREMIUM J = JEEP - 4WD
S = SPORT
X = SPECIAL

BODY
74 = SPORT UTILITY 4-DR
TYPE #4

ENGINE
EZH = 5.7L V8 HEMI MDS
VCT Engine
ESF = 6.1L SRT HEMI V8
Engine
EKG = 3.7L V6 Engine

TRANSMISSION
DGJ = 5-Speed Auto W5A580
Transmission
DGQ = 5-Spd Automatic 545RFE
Transmission

Filters
Figure 021DGJ-235

ITEM	PART NUMBER	QTY	LINE	SERIES	BODY	ENGINE	TRANS	TRIM	DESCRIPTION
1									GASKET, Oil Pan
	52108332AA	1	J			ESF	DGJ		
		1	T			EKG	DGJ		
		1	J			EKG	DGJ		
2									MAGNET, Transmission
	03681601	1	T			EKG	DGJ		
		1	J			EKG	DGJ		
		1	J			ESF	DGJ		
3									FILTER, Transmission Oil
	52108325AA	1	J			EKG	DGJ		
		1	J			ESF	DGJ		
		1	T			EKG	DGJ		
4		1							O RING, (NOT SERVICED)
5									PAN, Transmission Oil
	52108327AA	1	J			ESF	DGJ		
		1	J			EKG	DGJ		
		1	T			EKG	DGJ		
6									CLAMP, Oil Pan
	05080289AA	1	J			ESF	DGJ		
		1	T			EKG	DGJ		
		1	J			EKG	DGJ		
7									CLAMP, Oil Pan
	52108334AA	5	J			EKG	DGJ		
		5	J			ESF	DGJ		
		5	T			EKG	DGJ		
8									BOLT, Torx Head, M6x32
	52108270AA	6	J			EKG	DGJ		
		6	J			ESF	DGJ		
		6	T			EKG	DGJ		

GRAND CHEROKEE (WK)

SERIES LINE
H = HIGHLINE T = JEEP - 2WD
P = PREMIUM J = JEEP - 4WD
S = SPORT
X = SPECIAL

BODY
74 = SPORT UTILITY 4-DR
TYPE #4

ENGINE
EZH = 5.7L V8 HEMI MDS
VCT Engine
ESF = 6.1L SRT HEMI V8
Engine
EKG = 3.7L V6 Engine

TRANSMISSION
DGJ = 5-Speed Auto W5A580
Transmission
DGQ = 5-Spd Automatic 545RFE
Transmission

Sensors, Vents And Quick Connectors
Figure 021DGJ-240

ITEM	PART NUMBER	QTY	LINE	SERIES	BODY	ENGINE	TRANS	TRIM	DESCRIPTION
1									FITTING, Quick Connect
	52119547AA	2	J			ESF	DGJ		
		2	T			EKG	DGJ		
		2	J			EKG	DGJ		
2									BREATHER, Transmission
	52108397AA	1	J			ESF	DGJ		
		1	T			EKG	DGJ		
		1	J			EKG	DGJ		
3									O RING
	52108399AA	1	J			ESF	DGJ		
		1	T			EKG	DGJ		
		1	J			EKG	DGJ		
4									TUBE, Vent
	53013952AA	1	J, T			EKG	DGJ		
		1	J, T			ESF	DGJ		
5									PLUG, Adapter
	68021352AA	1	J			ESF	DGJ		
		1	T			EKG	DGJ		
		1	J			EKG	DGJ		
6		1							O RING, Adapter Plug, (NOT SERVICED)

GRAND CHEROKEE (WK)

SERIES LINE
H = HIGHLINE T = JEEP - 2WD
P = PREMIUM J = JEEP - 4WD
S = SPORT
X = SPECIAL

BODY
74 = SPORT UTILITY 4-DR
TYPE #4

ENGINE
EZH = 5.7L V8 HEMI MDS
VCT Engine
ESF = 6.1L SRT HEMI V8
Engine
EKG = 3.7L V6 Engine

TRANSMISSION
DGJ = 5-Speed Auto W5A580
Transmission
DGQ = 5-Spd Automatic 545RFE
Transmission

AR = use ase required - = Non illustrated part

2010 WK

**Seal And Shim Packages
Figure 021DGJ-305**

ITEM	PART NUMBER	QTY	LINE	SERIES	BODY	ENGINE	TRANS	TRIM	DESCRIPTION
------	-------------	-----	------	--------	------	--------	-------	------	-------------

NOTE: PARTS ILLUSTRATED ARE NOT IN SCALE OR IN CORRECT SIZE. THIS IS A GASKET AND SEAL PACKAGE. IT DOES NOT INCLUDE

1									SEAL AND GASKET PACKAGE, Transmission, See Note:
	05139580AJ	1	T			EKG	DGJ		
		1	J			EKG	DGJ		
		1	J			ESF	DGJ		

GRAND CHEROKEE (WK)

SERIES LINE
H = HIGHLINE T = JEEP - 2WD
P = PREMIUM J = JEEP - 4WD
S = SPORT
X = SPECIAL

BODY
74 = SPORT UTILITY 4-DR
TYPE #4

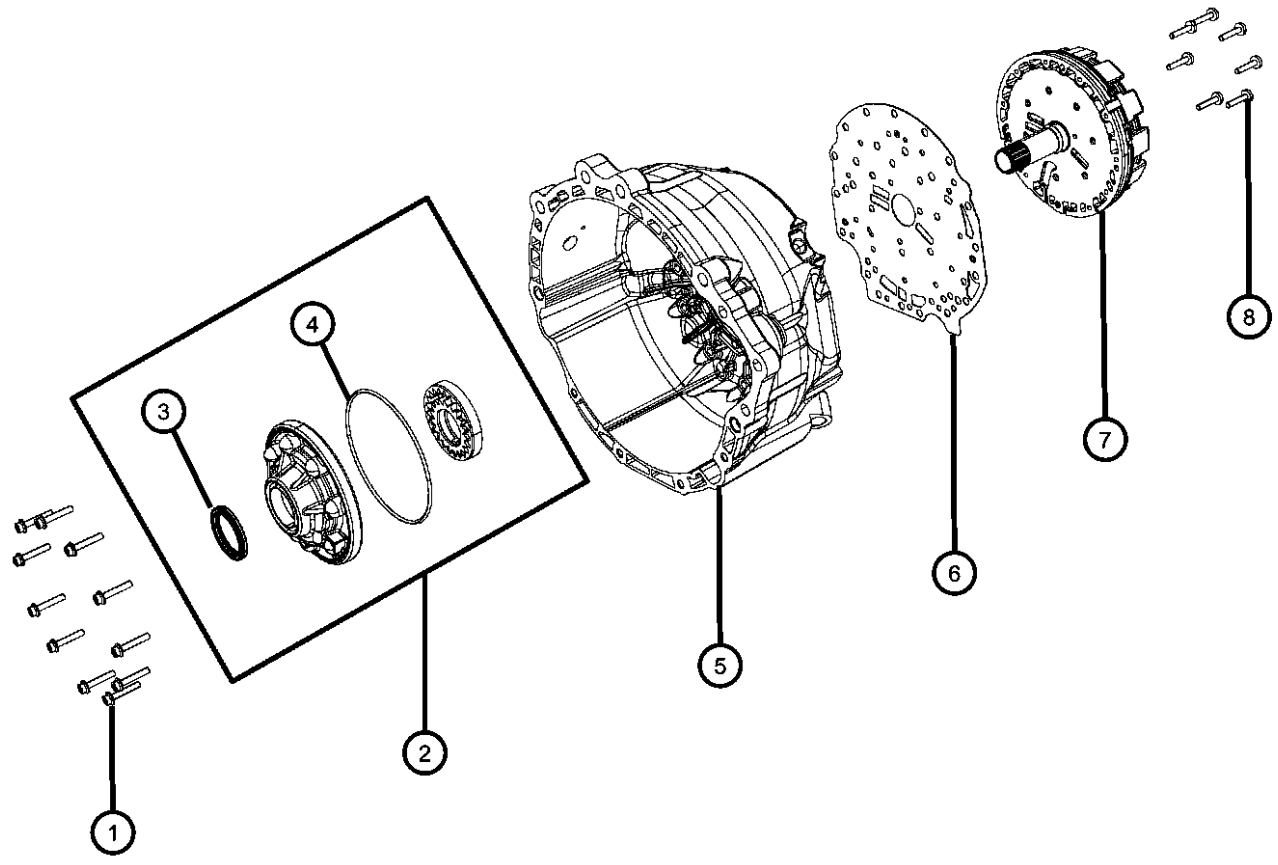
ENGINE
EZH = 5.7L V8 HEMI MDS
VCT Engine
ESF = 6.1L SRT HEMI V8
Engine
EKG = 3.7L V6 Engine

TRANSMISSION
DGJ = 5-Speed Auto W5A580
Transmission
DGQ = 5-Spd Automatic 545RFE
Transmission

AR = use ase required - = Non illustrated part

2010 WK

**Oil Pump and Related Parts
Figure 021DGJ-420**



ITEM	PART NUMBER	QTY	LINE	SERIES	BODY	ENGINE	TRANS	TRIM	DESCRIPTION
1	52107934AA	11	J			ESF	DGJ		BOLT, Torx Head, M6x32
		11	T			EKG	DGJ		
		11	J			EKG	DGJ		
2	68087860AA	1	J			ESF	DGJ		PUMP, Transmission Oil, Includes Bolts Item # 8
		1	T			EKG	DGJ		
		1	J			EKG	DGJ		
3	52108424AA	1	J			ESF	DGJ		SEAL
		AR	T			EKG	DGJ		
		AR	J			EKG	DGJ		
4	52107900AA	1	J			ESF	DGJ		O RING, Transmission Oil Pump
		1	T			EKG	DGJ		
		1	J			EKG	DGJ		
5	52108422AA	1	J			ESF	DGJ		HOUSING, Torque Converter
		1	T			EKG	DGJ		
		1	J			EKG	DGJ		
6	52108147AA	1	J			ESF	DGJ		PLATE, Intermediate
		1	T			EKG	DGJ		
		1	J			EKG	DGJ		
7	52108505AC	1	T			EKG	DGJ		HOLDING CLUTCH, Outer carrier, B1
		1	J			EKG	DGJ		
		1	J			ESF	DGJ		
8	68064780AA	7	J			ESF	DGJ		BOLT, Torx Head, M8x32, Included In The Pump
		7	T			EKG	DGJ		
		7	J			EKG	DGJ		

GRAND CHEROKEE (WK)

SERIES LINE
H = HIGHLINE T = JEEP - 2WD
P = PREMIUM J = JEEP - 4WD
S = SPORT
X = SPECIAL

BODY
74 = SPORT UTILITY 4-DR
TYPE #4

ENGINE
EZH = 5.7L V8 HEMI MDS
VCT Engine
ESF = 6.1L SRT HEMI V8
Engine
EKG = 3.7L V6 Engine

TRANSMISSION
DGJ = 5-Speed Auto W5A580
Transmission
DGQ = 5-Spd Automatic 545RFE
Transmission

AR = use ase required - = Non illustrated part

2010 WK

**B1 Brake Clutch
Figure 021DGJ-526**

ITEM	PART NUMBER	QTY	LINE	SERIES	BODY	ENGINE	TRANS	TRIM	DESCRIPTION
1									HOLDING CLUTCH, Outer carrier, B1
	52108505AC	1	T			EKG	DGJ		
		1	J			EKG	DGJ		
	52108539AD	1	J			ESF	DGJ		
2									SNAP RING
	52107948AA	1	J			ESF	DGJ		
		1	T			EKG	DGJ		
		1	J			EKG	DGJ		
3									DOWEL
	06507381AA	1	J			ESF	DGJ		
		1	T			EKG	DGJ		
		1	J			EKG	DGJ		
4		1							BEARING, Needle, (NOT SERVICED)
5									SEAL, Transmission
	52108028AA	2	J			ESF	DGJ		
		2	T			EKG	DGJ		
		2	J			EKG	DGJ		
6									PISTON, B1 Clutch
	52108506AA	1	J			ESF	DGJ		
		1	T			EKG	DGJ		
		1	J			EKG	DGJ		
7									SPRING, Piston Return
	52108023AA	1	J			ESF	DGJ		
		1	T			EKG	DGJ		
		1	J			EKG	DGJ		
8									SNAP RING
	52107936AA	1	J			ESF	DGJ		
		1	T			EKG	DGJ		
		1	J			EKG	DGJ		
9									DISC, Spring
	52108024AA	1	J			ESF	DGJ		
		1	T			EKG	DGJ		
		1	J			EKG	DGJ		
10									DISC, Outer

GRAND CHEROKEE (WK)

SERIES LINE
H = HIGHLINE T = JEEP - 2WD
P = PREMIUM J = JEEP - 4WD
S = SPORT
X = SPECIAL

BODY
74 = SPORT UTILITY 4-DR
TYPE #4

ENGINE
EZH = 5.7L V8 HEMI MDS
VCT Engine
ESF = 6.1L SRT HEMI V8
Engine
EKG = 3.7L V6 Engine

TRANSMISSION
DGJ = 5-Speed Auto W5A580
Transmission
DGQ = 5-Spd Automatic 545RFE
Transmission

**B1 Brake Clutch
Figure 021DGJ-526**

ITEM	PART NUMBER	QTY	LINE	SERIES	BODY	ENGINE	TRANS	TRIM	DESCRIPTION	
	52108508AA	4	J			ESF	DGJ		DISC, Inner	
		5	T			EKG	DGJ			
		5	J			EKG	DGJ			
11	52108507AA	6	J			ESF	DGJ		DISC, Inner	
		5	T			EKG	DGJ			
		5	J			EKG	DGJ			
12	68039901AA	1	J			ESF	DGJ		PLATE, Transmission Clutch Reaction	
		1	T			EKG	DGJ			
		1	J			EKG	DGJ			
13	52107949AA	AR	J			ESF	DGJ		SNAP RING [2.6MM]	
		AR	T			EKG	DGJ			[2.6MM]
		AR	J			EKG	DGJ			[2.6MM]
	52107950AA	AR	J			ESF	DGJ		[2.9MM]	
		AR	T			EKG	DGJ			[2.9MM]
		AR	J			EKG	DGJ			[2.9MM]
	52107951AA	AR	J			ESF	DGJ		[3.2MM]	
		AR	T			EKG	DGJ			[3.2MM]
		AR	J			EKG	DGJ			[3.2MM]
	52107952AA	AR	J			ESF	DGJ		[3.5MM]	
		AR	T			EKG	DGJ			[3.5MM]
		AR	J			EKG	DGJ			[3.5MM]
14	68028659AA	1	J			ESF	DGJ		CLUTCH PACKAGE, B1 Brake Clutch	
		1	T			EKG	DGJ			
		1	J			EKG	DGJ			

GRAND CHEROKEE (WK)

SERIES LINE
H = HIGHLINE T = JEEP - 2WD
P = PREMIUM J = JEEP - 4WD
S = SPORT
X = SPECIAL

BODY
74 = SPORT UTILITY 4-DR
TYPE #4

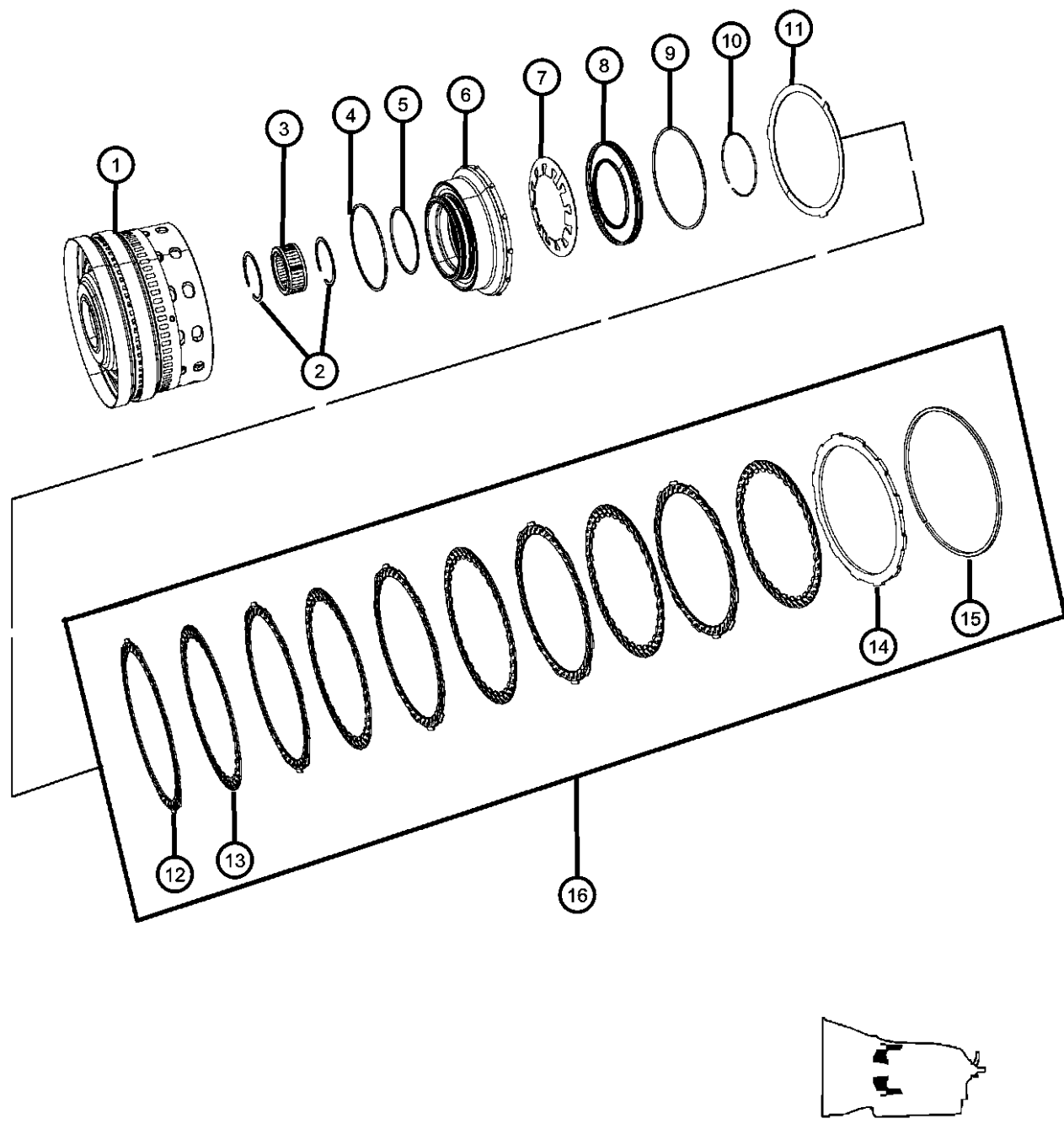
ENGINE
EZH = 5.7L V8 HEMI MDS
VCT Engine
ESF = 6.1L SRT HEMI V8
Engine
EKG = 3.7L V6 Engine

TRANSMISSION
DGJ = 5-Speed Auto W5A580
Transmission
DGQ = 5-Spd Automatic 545RFE
Transmission

AR = use ase required - = Non illustrated part

2010 WK

**K1 Clutch Assembly
Figure 021DGJ-527**

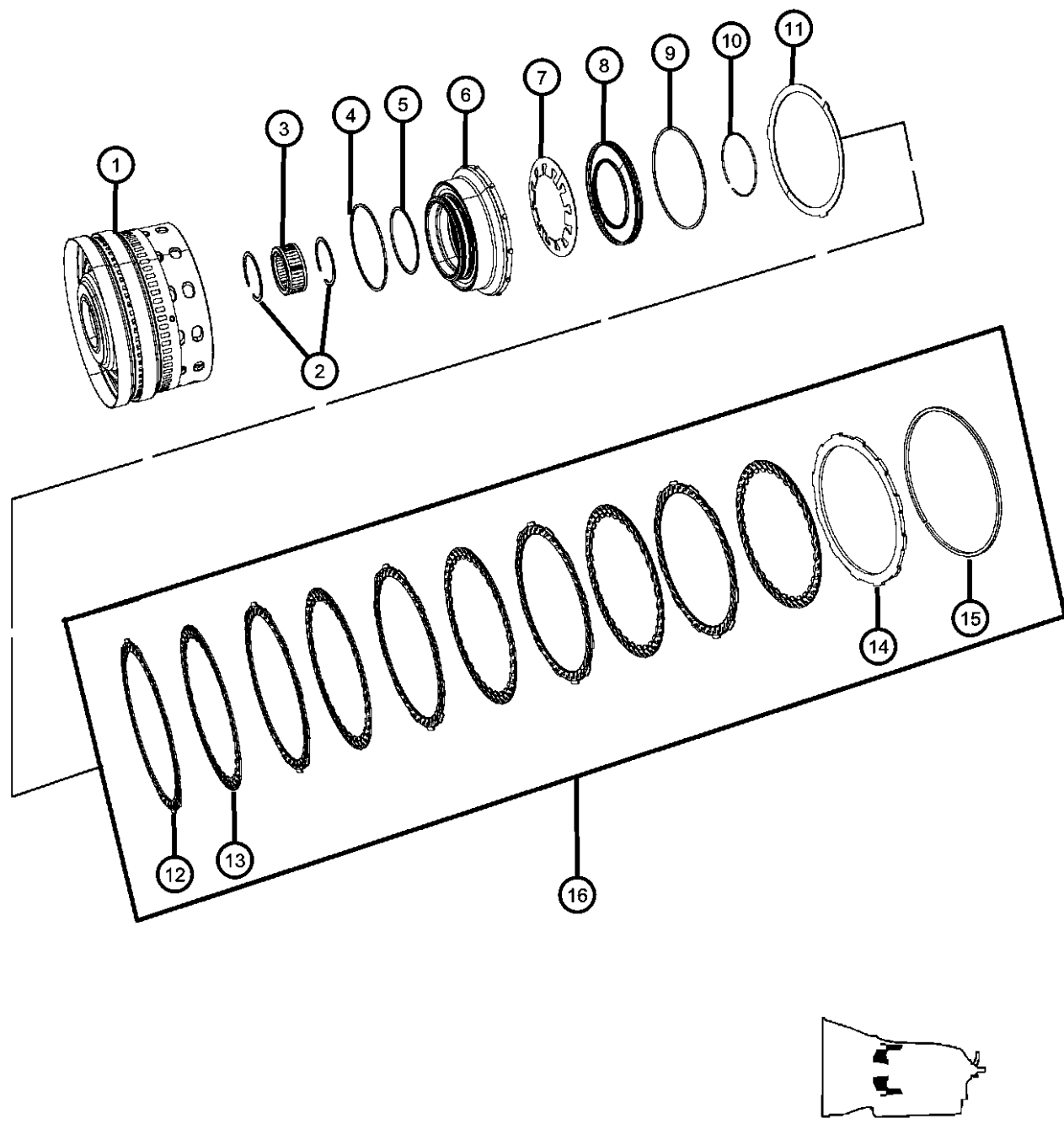


ITEM	PART NUMBER	QTY	LINE	SERIES	BODY	ENGINE	TRANS	TRIM	DESCRIPTION
1	52108541AC	1	J			ESF	DGJ		RETAINER, K1 Clutch
	52108510AC	1	T			EKG	DGJ		
		1	J			EKG	DGJ		
2	52107955AA	2	J			ESF	DGJ		SNAP RING
		2	T			EKG	DGJ		
		2	J			EKG	DGJ		
3	52108342AC	1	J			ESF	DGJ		CLUTCH, Front Sun Gear Sprag
		1	T			EKG	DGJ		
		1	J			EKG	DGJ		
4	52107939AA	1	T			EKG	DGJ		SEAL, Transmission, Large
		1	J			EKG	DGJ		
		1	J			ESF	DGJ		
5	52107938AA	1	J			ESF	DGJ		SEAL, Transmission, Small
		1	T			EKG	DGJ		
		1	J			EKG	DGJ		
6	52108059AA	1	J			ESF	DGJ		PISTON, K1 Clutch
		1	T			EKG	DGJ		
		1	J			EKG	DGJ		
7	52108057AA	1	J			ESF	DGJ		SPRING, Piston Return
		1	T			EKG	DGJ		
		1	J			EKG	DGJ		
8	52108058AA	1	J			ESF	DGJ		RETAINER, Spring
		1	T			EKG	DGJ		
		1	J			EKG	DGJ		
9	52107941AA	1	T			EKG	DGJ		O RING
		1	J			EKG	DGJ		

GRAND CHEROKEE (WK)
 SERIES LINE BODY ENGINE TRANSMISSION
 H = HIGHLINE T = JEEP - 2WD 74 = SPORT UTILITY 4-DR EZH = 5.7L V8 HEMI MDS DGJ = 5-Speed Auto W5A580
 P = PREMIUM J = JEEP - 4WD TYPE #4 VCT Engine Transmission
 S = SPORT Engine ESF = 6.1L SRT HEMI V8 DGQ = 5-Spd Automatic 545RFE
 X = SPECIAL EKG = 3.7L V6 Engine Transmission

AR = use ase required - = Non illustrated part

**K1 Clutch Assembly
Figure 021DGJ-527**



ITEM	PART NUMBER	QTY	LINE	SERIES	BODY	ENGINE	TRANS	TRIM	DESCRIPTION
10		1	J			ESF	DGJ		SNAP RING
	52107954AA	1	J			ESF	DGJ		
		1	T			EKG	DGJ		
		1	J			EKG	DGJ		
11									DISC, Spring
	52108024AA	1	J			ESF	DGJ		
		1	T			EKG	DGJ		
		1	J			EKG	DGJ		
12									DISC, Outer
	52108508AA	6	J			ESF	DGJ		
		5	T			EKG	DGJ		
		5	J			EKG	DGJ		
13									DISC, Inner
	52108507AA	6	J			ESF	DGJ		
		5	T			EKG	DGJ		
		5	J			EKG	DGJ		
14									PLATE, Transmission Clutch Reaction
	68039901AA	1	J			ESF	DGJ		
		1	T			EKG	DGJ		
		1	J			EKG	DGJ		
15									SNAP RING
	52107949AA	AR	J			EKG	DGJ		[2.6MM]
	52107950AA	AR	J			ESF	DGJ		[2.9MM]
		AR	J			ESF	DGJ		[2.6MM]
		AR	T			EKG	DGJ		[2.6MM]
		AR	T			EKG	DGJ		[2.9MM]
		AR	J			EKG	DGJ		[2.9MM]
	52107951AA	AR	J			ESF	DGJ		[3.2MM]
		AR	T			EKG	DGJ		[3.2MM]
		AR	J			EKG	DGJ		[3.2MM]
	52107952AA	AR	J			ESF	DGJ		[3.5MM]
		AR	T			EKG	DGJ		[3.5MM]

GRAND CHEROKEE (WK)
 SERIES LINE
 H = HIGHLINE T = JEEP - 2WD
 P = PREMIUM J = JEEP - 4WD
 S = SPORT
 X = SPECIAL

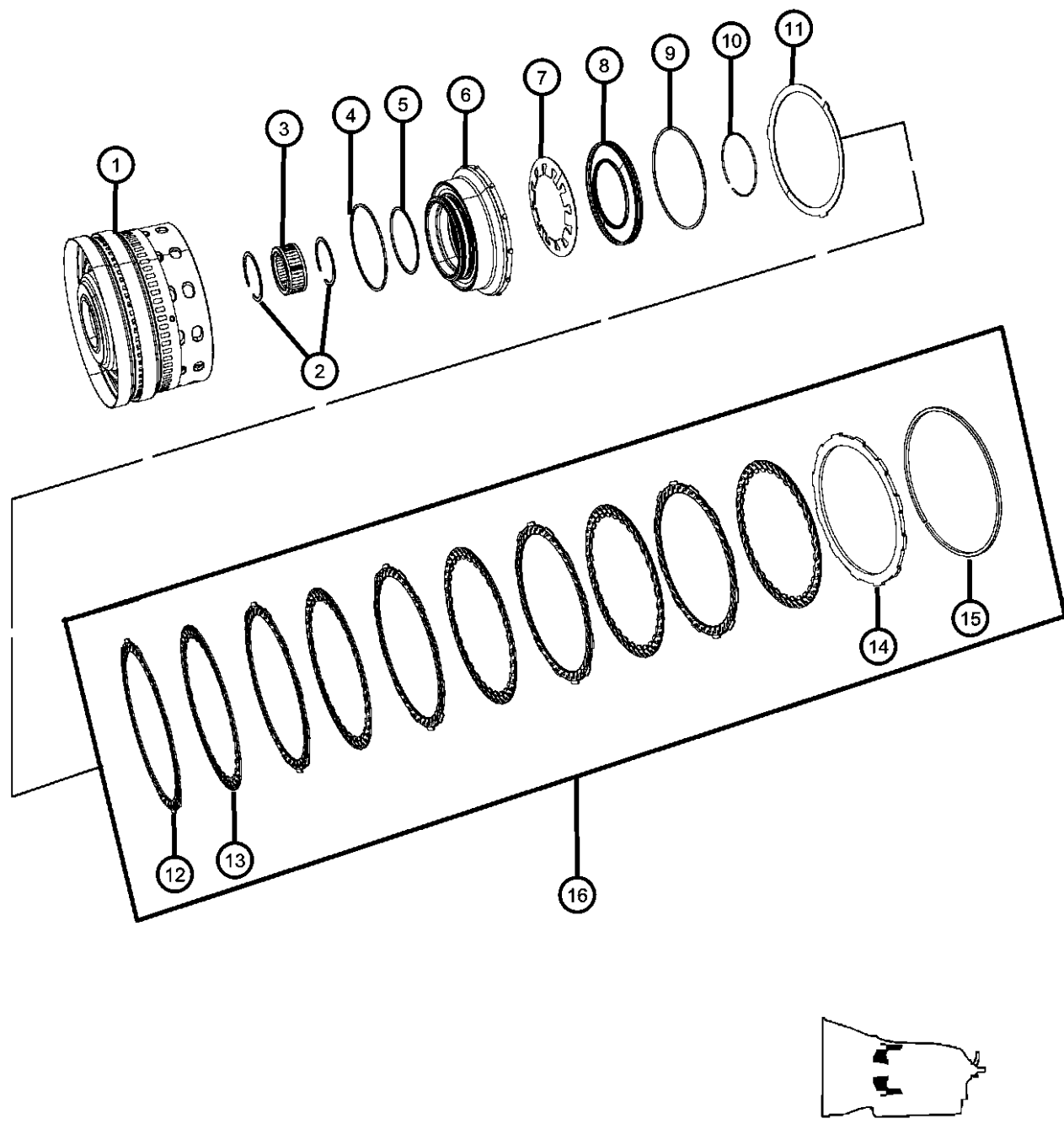
BODY
 74 = SPORT UTILITY 4-DR TYPE #4

ENGINE
 EZH = 5.7L V8 HEMI MDS VCT Engine
 ESF = 6.1L SRT HEMI V8 Engine
 EKG = 3.7L V6 Engine

TRANSMISSION
 DGJ = 5-Speed Auto W5A580 Transmission
 DGQ = 5-Spd Automatic 545RFE Transmission

AR = use ase required - = Non illustrated part

K1 Clutch Assembly
Figure 021DGJ-527



ITEM	PART NUMBER	QTY	LINE	SERIES	BODY	ENGINE	TRANS	TRIM	DESCRIPTION
		AR	J			EKG	DGJ		[3.5MM]
	52108373AA	AR	J			ESF	DGJ		[3.8MM]
		AR	T			EKG	DGJ		[3.8MM]
		AR	J			EKG	DGJ		[3.8MM]
16									CLUTCH PACKAGE, K1 Input Clutch
	68027270AA	1	J			ESF	DGJ		
	68028662AA	1	T			EKG	DGJ		
		1	J			EKG	DGJ		

GRAND CHEROKEE (WK)

SERIES	LINE	BODY	ENGINE	TRANSMISSION
H = HIGHLINE	T = JEEP - 2WD	74 = SPORT UTILITY 4-DR	EZH = 5.7L V8 HEMI MDS	DGJ = 5-Speed Auto W5A580
P = PREMIUM	J = JEEP - 4WD	TYPE #4	VCT Engine	Transmission
S = SPORT			ESF = 6.1L SRT HEMI V8	DGQ = 5-Spd Automatic 545RFE
X = SPECIAL			Engine	Transmission
			EKG = 3.7L V6 Engine	

AR = use ase required - = Non illustrated part

**K2 Clutch Assembly
Figure 021DGJ-528**

ITEM	PART NUMBER	QTY	LINE	SERIES	BODY	ENGINE	TRANS	TRIM	DESCRIPTION
1									SEAL, Transmission
	05179366AB	3	J			ESF	DGJ		
		3	T			EKG	DGJ		
		3	J			EKG	DGJ		
2									SHAFT, Input
	52108044AA	1	J			EKG	DGJ		
		1	J			ESF	DGJ		
		1	T			EKG	DGJ		
3									SEAL, Transmission
	52108127AA	1	J			ESF	DGJ		
		1	T			EKG	DGJ		
		1	J			EKG	DGJ		
4									NEEDLE BEARING
	52108126AA	1	J			ESF	DGJ		
		1	T			EKG	DGJ		
		1	J			EKG	DGJ		
5									RETAINER, Bearing
	52107928AA	1	J			ESF	DGJ		
		1	T			EKG	DGJ		
		1	J			EKG	DGJ		
6									SEAL, Transmission
	52108134AA	1	J			ESF	DGJ		
		1	T			EKG	DGJ		
		1	J			EKG	DGJ		
7									SEAL, Input Shaft
	52108135AA	1	J			ESF	DGJ		
		1	T			EKG	DGJ		
		1	J			EKG	DGJ		
8									PISTON, K2 Clutch
	52108136AA	1	J			ESF	DGJ		
	52108517AA	1	T			EKG	DGJ		
		1	J			EKG	DGJ		
9									SPRING, Piston Return
	52108137AA	1	J			ESF	DGJ		
		1	T			EKG	DGJ		

GRAND CHEROKEE (WK)

SERIES LINE
H = HIGHLINE T = JEEP - 2WD
P = PREMIUM J = JEEP - 4WD
S = SPORT
X = SPECIAL

BODY
74 = SPORT UTILITY 4-DR
TYPE #4

ENGINE
EZH = 5.7L V8 HEMI MDS
VCT Engine
ESF = 6.1L SRT HEMI V8
Engine
EKG = 3.7L V6 Engine

TRANSMISSION
DGJ = 5-Speed Auto W5A580
Transmission
DGQ = 5-Spd Automatic 545RFE
Transmission

AR = use ase required - = Non illustrated part

2010 WK

**K2 Clutch Assembly
Figure 021DGJ-528**

ITEM	PART NUMBER	QTY	LINE	SERIES	BODY	ENGINE	TRANS	TRIM	DESCRIPTION
10	52108138AB	1	J			EKG	DGJ		RETAINER, Spring
		1	J			ESF	DGJ		
		1	T			EKG	DGJ		
11	52108140AA	1	J			EKG	DGJ		O RING
		1	J			ESF	DGJ		
		1	T			EKG	DGJ		
12	52108533AA	1	J			EKG	DGJ		SNAP RING
		1	J			ESF	DGJ		
		1	T			EKG	DGJ		
13	52108346AA	1	J			EKG	DGJ		DISC, Spring
		1	J			ESF	DGJ		
		1	T			EKG	DGJ		
14	52107996AA	1	J			EKG	DGJ		DISC, Outer
		1	J			ESF	DGJ		
		1	T			EKG	DGJ		
15	52108141AB	6	J			EKG	DGJ		DISC, Inner
		5	T			ESF	DGJ		
		5	J			EKG	DGJ		
16	52107997AA	4	J			EKG	DGJ		DISC, Outer
		5	J			ESF	DGJ		
		4	T			EKG	DGJ		
17	52107998AA	1	J			EKG	DGJ		DISC, Outer
		1	T			ESF	DGJ		
		1	J			EKG	DGJ		
18								SNAP RING	

GRAND CHEROKEE (WK)

SERIES LINE
H = HIGHLINE T = JEEP - 2WD
P = PREMIUM J = JEEP - 4WD
S = SPORT
X = SPECIAL

BODY
74 = SPORT UTILITY 4-DR
TYPE #4

ENGINE
EZH = 5.7L V8 HEMI MDS
VCT Engine
ESF = 6.1L SRT HEMI V8
Engine
EKG = 3.7L V6 Engine

TRANSMISSION
DGJ = 5-Speed Auto W5A580
Transmission
DGQ = 5-Spd Automatic 545RFE
Transmission

AR = use ase required - = Non illustrated part

2010 WK

**K2 Clutch Assembly
Figure 021DGJ-528**

ITEM	PART NUMBER	QTY	LINE	SERIES	BODY	ENGINE	TRANS	TRIM	DESCRIPTION
	52107958AA	AR	J			ESF	DGJ		[2.3 MM]
		AR	T			EKG	DGJ		[2.3 MM]
		AR	J			EKG	DGJ		[2.3 MM]
	52107959AA	AR	J			ESF	DGJ		[2.6 MM]
		AR	T			EKG	DGJ		[2.6 MM]
		AR	J			EKG	DGJ		[2.6 MM]
	52107960AA	AR	J			ESF	DGJ		[2.9 MM]
		AR	T			EKG	DGJ		[2.9 MM]
		AR	J			EKG	DGJ		[2.9 MM]
	52107961AA	AR	J			ESF	DGJ		[3.2 MM]
		AR	T			EKG	DGJ		[3.2 MM]
		AR	J			EKG	DGJ		[3.2 MM]
	52107962AA	AR	J			ESF	DGJ		[3.5 MM]
		AR	T			EKG	DGJ		[3.5 MM]
		AR	J			EKG	DGJ		[3.5 MM]
19									CLUTCH PACKAGE, K2 Input Clutch
	68028565AA	1	J			ESF	DGJ		
	68028663AA	1	T			EKG	DGJ		
		1	J			EKG	DGJ		
20									GEAR, Rear Annulus
	52107922AA	1	J			ESF	DGJ		
		1	T			EKG	DGJ		
		1	J			EKG	DGJ		
21									SNAP RING
	52107926AA	1	J			ESF	DGJ		
		1	T			EKG	DGJ		
		1	J			EKG	DGJ		

GRAND CHEROKEE (WK)

SERIES LINE
H = HIGHLINE T = JEEP - 2WD
P = PREMIUM J = JEEP - 4WD
S = SPORT
X = SPECIAL

BODY
74 = SPORT UTILITY 4-DR
TYPE #4

ENGINE
EZH = 5.7L V8 HEMI MDS
VCT Engine
ESF = 6.1L SRT HEMI V8
Engine
EKG = 3.7L V6 Engine

TRANSMISSION
DGJ = 5-Speed Auto W5A580
Transmission
DGQ = 5-Spd Automatic 545RFE
Transmission

AR = use ase required - = Non illustrated part

2010 WK

**K3 Clutch Assembly
Figure 021DGJ-529**

ITEM	PART NUMBER	QTY	LINE	SERIES	BODY	ENGINE	TRANS	TRIM	DESCRIPTION
1									SNAP RING
	52107970AA	AR	J			ESF	DGJ		[2.3 MM]
		AR	T			EKG	DGJ		[2.3 MM]
		AR	J			EKG	DGJ		[2.3 MM]
	52107971AA	AR	J			ESF	DGJ		[2.6 MM]
		AR	T			EKG	DGJ		[2.6 MM]
		AR	J			EKG	DGJ		[2.6 MM]
	52107972AA	AR	J			ESF	DGJ		[2.9 MM]
		AR	T			EKG	DGJ		[2.9 MM]
		AR	J			EKG	DGJ		[2.9 MM]
	52107974AA	AR	J			ESF	DGJ		[2.0 MM]
		AR	T			EKG	DGJ		[2.0 MM]
		AR	J			EKG	DGJ		[2.0 MM]
2									DISC, Outer
	52108011AA	1	J			ESF	DGJ		
		1	T			EKG	DGJ		
		1	J			EKG	DGJ		
3									DISC, Inner
	52108528AA	5	J			ESF	DGJ		
		4	T			EKG	DGJ		
		4	J			EKG	DGJ		
4									DISC, Outer
	52108529AA	5	J			ESF	DGJ		
		4	T			EKG	DGJ		
		4	J			EKG	DGJ		
5									DISC, Spring
	52108096AA	1	J			ESF	DGJ		
		1	T			EKG	DGJ		
		1	J			EKG	DGJ		
6									SNAP RING
	52107968AA	1	J			ESF	DGJ		
		1	T			EKG	DGJ		
		1	J			EKG	DGJ		
7									SPRING, Piston Return
	52108095AA	1	J			ESF	DGJ		

GRAND CHEROKEE (WK)

SERIES	LINE	BODY	ENGINE	TRANSMISSION
H = HIGHLINE	T = JEEP - 2WD	74 = SPORT UTILITY 4-DR	EZH = 5.7L V8 HEMI MDS	DGJ = 5-Speed Auto W5A580
P = PREMIUM	J = JEEP - 4WD	TYPE #4	VCT Engine	Transmission
S = SPORT			ESF = 6.1L SRT HEMI V8	DGQ = 5-Spd Automatic 545RFE
X = SPECIAL			Engine	Transmission
			EKG = 3.7L V6 Engine	

AR = use ase required - = Non illustrated part

2010 WK

**K3 Clutch Assembly
Figure 021DGJ-529**

ITEM	PART NUMBER	QTY	LINE	SERIES	BODY	ENGINE	TRANS	TRIM	DESCRIPTION
		1	T			EKG	DGJ		
		1	J			EKG	DGJ		
8	52108094AA	1	J			ESF	DGJ		PISTON, K3 Clutch
		1	T			EKG	DGJ		
		1	J			EKG	DGJ		
9	52108093AA	1	J			ESF	DGJ		SEAL, Transmission
		1	T			EKG	DGJ		
		1	J			EKG	DGJ		
10	52108524AA	1	T			EKG	DGJ		RETAINER, K3 Clutch
		1	J			EKG	DGJ		
	52108548AB	1	J			ESF	DGJ		
11	52108148AA	1	J			ESF	DGJ		RETAINER, Bearing
		1	T			EKG	DGJ		
		1	J			EKG	DGJ		
12	52108152AA	1	J			ESF	DGJ		NEEDLE BEARING
		1	T			EKG	DGJ		
		1	J			EKG	DGJ		
13	52108149AA	AR	J			ESF	DGJ		SPACER [3.7 MM]
		AR	T			EKG	DGJ		
		AR	J			EKG	DGJ		
	52108150AA	AR	J			ESF	DGJ		
		AR	T			EKG	DGJ		
		AR	J			EKG	DGJ		
	52108151AA	AR	J			ESF	DGJ		
		AR	T			EKG	DGJ		
		AR	J			EKG	DGJ		
14	06507358AA	1	J			ESF	DGJ		SNAP RING, M35x2.5x1.5

GRAND CHEROKEE (WK)

SERIES LINE
H = HIGHLINE T = JEEP - 2WD
P = PREMIUM J = JEEP - 4WD
S = SPORT
X = SPECIAL

BODY
74 = SPORT UTILITY 4-DR
TYPE #4

ENGINE
EZH = 5.7L V8 HEMI MDS
VCT Engine
ESF = 6.1L SRT HEMI V8
Engine
EKG = 3.7L V6 Engine

TRANSMISSION
DGJ = 5-Speed Auto W5A580
Transmission
DGQ = 5-Spd Automatic 545RFE
Transmission

AR = use ase required - = Non illustrated part

2010 WK

**K3 Clutch Assembly
Figure 021DGJ-529**

ITEM	PART NUMBER	QTY	LINE	SERIES	BODY	ENGINE	TRANS	TRIM	DESCRIPTION
		1	T			EKG	DGJ		
		1	J			EKG	DGJ		
15									CLUTCH PACKAGE, K3 Input Clutch
	68028572AA	1	J			ESF	DGJ		
	68028665AA	1	T			EKG	DGJ		
		1	J			EKG	DGJ		

GRAND CHEROKEE (WK)

SERIES LINE
H = HIGHLINE T = JEEP - 2WD
P = PREMIUM J = JEEP - 4WD
S = SPORT
X = SPECIAL

BODY
74 = SPORT UTILITY 4-DR
TYPE #4

ENGINE
EZH = 5.7L V8 HEMI MDS
VCT Engine
ESF = 6.1L SRT HEMI V8
Engine
EKG = 3.7L V6 Engine

TRANSMISSION
DGJ = 5-Speed Auto W5A580
Transmission
DGQ = 5-Spd Automatic 545RFE
Transmission

**B3 Clutch Assembly
Figure 021DGJ-530**

ITEM	PART NUMBER	QTY	LINE	SERIES	BODY	ENGINE	TRANS	TRIM	DESCRIPTION
1									SNAP RING
	52107985AA	AR	J			ESF	DGJ		[3.2 MM]
			T			EKG	DGJ		[3.2 MM]
			J			EKG	DGJ		[3.2 MM]
	52107986AA	AR	J			ESF	DGJ		[3.5 MM]
			T			EKG	DGJ		[3.5 MM]
			J			EKG	DGJ		[3.5 MM]
	52107987AA	AR	J			ESF	DGJ		[3.8 MM]
			T			EKG	DGJ		[3.8 MM]
			J			EKG	DGJ		[3.8 MM]
	52107988AA	AR	J			ESF	DGJ		[4.1 MM]
			T			EKG	DGJ		[4.1 MM]
			J			EKG	DGJ		[4.1 MM]
	52107989AA	AR	J			ESF	DGJ		[4.4 MM]
			T			EKG	DGJ		[4.4 MM]
			J			EKG	DGJ		[4.4 MM]
	52107990AA	AR	J			ESF	DGJ		[4.8 MM]
			T			EKG	DGJ		[4.8 MM]
			J			EKG	DGJ		[4.8 MM]
2									DISC, Outer
	52108018AA	1	J			ESF	DGJ		
		1	T			EKG	DGJ		
		1	J			EKG	DGJ		
3									DISC, Inner
	52108573AA	5	J			ESF	DGJ		
		5	T			EKG	DGJ		
		5	J			EKG	DGJ		
4									DISC, Outer
	52108017AA	5	T			EKG	DGJ		
		5	J			EKG	DGJ		
		5	J			ESF	DGJ		
5									CLUTCH PACKAGE, B3 Brake Clutch Stack Up
	68028661AA	1	J			ESF	DGJ		
	68028668AA	1	T			EKG	DGJ		

GRAND CHEROKEE (WK)

SERIES LINE
H = HIGHLINE T = JEEP - 2WD
P = PREMIUM J = JEEP - 4WD
S = SPORT
X = SPECIAL

BODY
74 = SPORT UTILITY 4-DR
TYPE #4

ENGINE
EZH = 5.7L V8 HEMI MDS
VCT Engine
ESF = 6.1L SRT HEMI V8
Engine
EKG = 3.7L V6 Engine

TRANSMISSION
DGJ = 5-Speed Auto W5A580
Transmission
DGQ = 5-Spd Automatic 545RFE
Transmission

AR = use ase required - = Non illustrated part

2010 WK

**B3 Clutch Assembly
Figure 021DGJ-530**

ITEM	PART NUMBER	QTY	LINE	SERIES	BODY	ENGINE	TRANS	TRIM	DESCRIPTION
		1	J			EKG	DGJ		
6									DISC, Spring
	52108356AA	1	J			ESF	DGJ		
		1	T			EKG	DGJ		
		1	J			EKG	DGJ		

GRAND CHEROKEE (WK)

SERIES LINE
H = HIGHLINE T = JEEP - 2WD
P = PREMIUM J = JEEP - 4WD
S = SPORT
X = SPECIAL

BODY
74 = SPORT UTILITY 4-DR
TYPE #4

ENGINE
EZH = 5.7L V8 HEMI MDS
VCT Engine
ESF = 6.1L SRT HEMI V8
Engine
EKG = 3.7L V6 Engine

TRANSMISSION
DGJ = 5-Speed Auto W5A580
Transmission
DGQ = 5-Spd Automatic 545RFE
Transmission

**B2 Clutch Assembly
Figure 021DGJ-531**

ITEM	PART NUMBER	QTY	LINE	SERIES	BODY	ENGINE	TRANS	TRIM	DESCRIPTION
1									CLUTCH PACKAGE, B2 Brake Clutch Stack Up
	68028667AA	1	T			EKG	DGJ		
		1	J			EKG	DGJ		
	68028660AA	1	J			ESF	DGJ		
2									SNAP RING
	52107979AA	AR	J			ESF	DGJ		[4.1 MM]
			T			EKG	DGJ		[4.1 MM]
			J			EKG	DGJ		[4.1 MM]
	52107980AA	AR	J			ESF	DGJ		[3.8 MM]
			T			EKG	DGJ		[3.8 MM]
			J			EKG	DGJ		[3.8 MM]
	52107981AA	AR	J			ESF	DGJ		[3.5 MM]
			T			EKG	DGJ		[3.5 MM]
			J			EKG	DGJ		[3.5 MM]
	52107982AA	AR	J			ESF	DGJ		[3.2 MM]
			T			EKG	DGJ		[3.2 MM]
			J			EKG	DGJ		[3.2 MM]
	52107983AA	AR	J			ESF	DGJ		[2.9 MM]
			T			EKG	DGJ		[2.9 MM]
			J			EKG	DGJ		[2.9 MM]
3									DISC, Outer
	52108014AA	1	J			ESF	DGJ		
		1	T			EKG	DGJ		
		1	J			EKG	DGJ		
4									DISC, Outer
	52108572AA	5	J			ESF	DGJ		
		5	T			EKG	DGJ		
		5	J			EKG	DGJ		
5									DISC, Inner
	52108015AA	4	J			ESF	DGJ		
		4	T			EKG	DGJ		
		4	J			EKG	DGJ		
6									DISC, Outer
	52108013AA	1	J			ESF	DGJ		

GRAND CHEROKEE (WK)

SERIES LINE
H = HIGHLINE T = JEEP - 2WD
P = PREMIUM J = JEEP - 4WD
S = SPORT
X = SPECIAL

BODY
74 = SPORT UTILITY 4-DR
TYPE #4

ENGINE
EZH = 5.7L V8 HEMI MDS
VCT Engine
ESF = 6.1L SRT HEMI V8
Engine
EKG = 3.7L V6 Engine

TRANSMISSION
DGJ = 5-Speed Auto W5A580
Transmission
DGQ = 5-Spd Automatic 545RFE
Transmission

AR = use ase required - = Non illustrated part

2010 WK

**B2 Clutch Assembly
Figure 021DGJ-531**

ITEM	PART NUMBER	QTY	LINE	SERIES	BODY	ENGINE	TRANS	TRIM	DESCRIPTION
		1	T			EKG	DGJ		
		1	J			EKG	DGJ		
7									BOLT, Torx Head, M8x60
	52108205AA	2	J			ESF	DGJ		
		2	T			EKG	DGJ		
		2	J			EKG	DGJ		

GRAND CHEROKEE (WK)

SERIES LINE
H = HIGHLINE T = JEEP - 2WD
P = PREMIUM J = JEEP - 4WD
S = SPORT
X = SPECIAL

BODY
74 = SPORT UTILITY 4-DR
TYPE #4

ENGINE
EZH = 5.7L V8 HEMI MDS
VCT Engine
ESF = 6.1L SRT HEMI V8
Engine
EKG = 3.7L V6 Engine

TRANSMISSION
DGJ = 5-Speed Auto W5A580
Transmission
DGQ = 5-Spd Automatic 545RFE
Transmission

**B2 Clutch Assembly
Figure 021DGJ-532**

ITEM	PART NUMBER	QTY	LINE	SERIES	BODY	ENGINE	TRANS	TRIM	DESCRIPTION
1	52107977AA	1	J			ESF	DGJ		SNAP RING
		1	T			EKG	DGJ		
		1	J			EKG	DGJ		
2	52108203AA	1	J			EKG	DGJ		RETAINER, Spring
		1	J			ESF	DGJ		
		1	T			EKG	DGJ		
3	52108202AA	1	J			ESF	DGJ		SPRING, Piston Return
		1	T			EKG	DGJ		
		1	J			EKG	DGJ		
4	52108351AA	1	J			ESF	DGJ		RING ASSEMBLY, Piston guide
		1	T			EKG	DGJ		
		1	J			EKG	DGJ		
5	52108201AA	1	J			ESF	DGJ		SEAL, Transmission
		1	T			EKG	DGJ		
		1	J			EKG	DGJ		
6	52108200AA	1	J			ESF	DGJ		SEAL, Transmission
		1	T			EKG	DGJ		
		1	J			EKG	DGJ		
7	52108191AA	1	J			ESF	DGJ		PISTON, B2 Clutch
		1	T			EKG	DGJ		
		1	J			EKG	DGJ		
8	52108199AA	1	J			ESF	DGJ		SEAL, Transmission
		1	T			EKG	DGJ		
		1	J			EKG	DGJ		
9	52108395AA	1	J			ESF	DGJ		RETAINER, Clutch
		1	T			EKG	DGJ		

GRAND CHEROKEE (WK)

SERIES LINE
H = HIGHLINE T = JEEP - 2WD
P = PREMIUM J = JEEP - 4WD
S = SPORT
X = SPECIAL

BODY
74 = SPORT UTILITY 4-DR
TYPE #4

ENGINE
EZH = 5.7L V8 HEMI MDS
VCT Engine
ESF = 6.1L SRT HEMI V8
Engine
EKG = 3.7L V6 Engine

TRANSMISSION
DGJ = 5-Speed Auto W5A580
Transmission
DGQ = 5-Spd Automatic 545RFE
Transmission

AR = use ase required - = Non illustrated part

2010 WK

**B2 Clutch Assembly
Figure 021DGJ-532**

ITEM	PART NUMBER	QTY	LINE	SERIES	BODY	ENGINE	TRANS	TRIM	DESCRIPTION
		1	J			EKG	DGJ		
10	52108189AA	1	J			ESF	DGJ		SEAL, Transmission
		1	T			EKG	DGJ		
		1	J			EKG	DGJ		
11	52108188AA	1	J			ESF	DGJ		SEAL, Transmission
		1	T			EKG	DGJ		
		1	J			EKG	DGJ		
12	52108185AA	2	J			ESF	DGJ		O RING
		2	T			EKG	DGJ		
		2	J			EKG	DGJ		
13	52108182AA	1	J			ESF	DGJ		PLUNGER
		1	T			EKG	DGJ		
		1	J			EKG	DGJ		
14	52108180AA	1	J			ESF	DGJ		SPRAG, Transmission Parking
		1	T			EKG	DGJ		
		1	J			EKG	DGJ		

GRAND CHEROKEE (WK)

SERIES LINE
H = HIGHLINE T = JEEP - 2WD
P = PREMIUM J = JEEP - 4WD
S = SPORT
X = SPECIAL

BODY
74 = SPORT UTILITY 4-DR
TYPE #4

ENGINE
EZH = 5.7L V8 HEMI MDS
VCT Engine
ESF = 6.1L SRT HEMI V8
Engine
EKG = 3.7L V6 Engine

TRANSMISSION
DGJ = 5-Speed Auto W5A580
Transmission
DGQ = 5-Spd Automatic 545RFE
Transmission

**Front Planetary Carrier
Figure 021DGJ-611**

ITEM	PART NUMBER	QTY	LINE	SERIES	BODY	ENGINE	TRANS	TRIM	DESCRIPTION
1	52108513AA	1	J			ESF	DGJ		CARRIER, Planetary
		1	T			EKG	DGJ		
		1	J			EKG	DGJ		
2	52108122AA	1	J			ESF	DGJ		NEEDLE BEARING
		1	T			EKG	DGJ		
		1	J			EKG	DGJ		
3	52108123AA	1	J			EKG	DGJ		NEEDLE BEARING
		1	J			ESF	DGJ		
		1	T			EKG	DGJ		

GRAND CHEROKEE (WK)

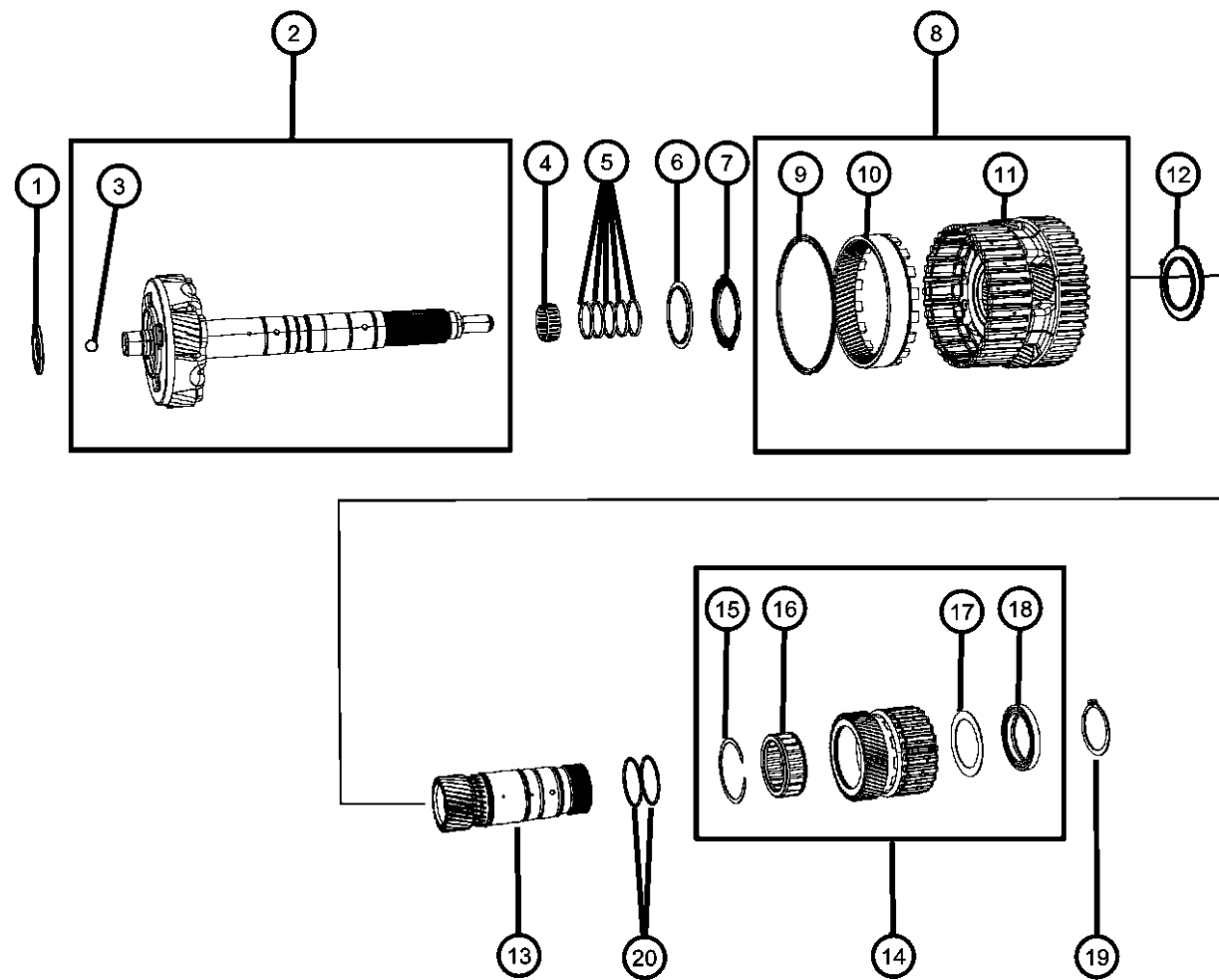
SERIES LINE
H = HIGHLINE T = JEEP - 2WD
P = PREMIUM J = JEEP - 4WD
S = SPORT
X = SPECIAL

BODY
74 = SPORT UTILITY 4-DR
TYPE #4

ENGINE
EZH = 5.7L V8 HEMI MDS
VCT Engine
ESF = 6.1L SRT HEMI V8
Engine
EKG = 3.7L V6 Engine

TRANSMISSION
DGJ = 5-Speed Auto W5A580
Transmission
DGQ = 5-Spd Automatic 545RFE
Transmission

**Output Shaft With Center And Rear Planetary Gear Sets
Figure 021DGJ-612**



ITEM	PART NUMBER	QTY	LINE	SERIES	BODY	ENGINE	TRANS	TRIM	DESCRIPTION
1	52107927AA	1	J			ESF	DGJ		NEEDLE BEARING
		1	T			EKG	DGJ		
		1	J			EKG	DGJ		
2	52107929AB	1	J			ESF	DGJ		SHAFT, Output
		1	T			EKG	DGJ		
		1	J			EKG	DGJ		
3	52108390AA	1	J			ESF	DGJ		BALL, Check
		1	T			EKG	DGJ		
		1	J			EKG	DGJ		
4	52108069AA	1	J			ESF	DGJ		NEEDLE BEARING
		1	T			EKG	DGJ		
		1	J			EKG	DGJ		
5	05179367AA	5	J			ESF	DGJ		SEAL, Transmission
		5	T			EKG	DGJ		
		5	J			EKG	DGJ		
6	52108070AA	1	J			ESF	DGJ		RETAINER, Bearing
		1	T			EKG	DGJ		
		1	J			EKG	DGJ		
7	52107931AA	1	J			ESF	DGJ		NEEDLE BEARING
		1	T			EKG	DGJ		
		1	J			EKG	DGJ		
8	52108071AA	1	J			ESF	DGJ		CARRIER ASSEMBLY, Planetary
		1	T			EKG	DGJ		
		1	J			EKG	DGJ		
9	52108374AA	1	J			ESF	DGJ		SNAP RING
		1	T			EKG	DGJ		

GRAND CHEROKEE (WK)

SERIES LINE
H = HIGHLINE T = JEEP - 2WD
P = PREMIUM J = JEEP - 4WD
S = SPORT
X = SPECIAL

BODY
74 = SPORT UTILITY 4-DR
TYPE #4

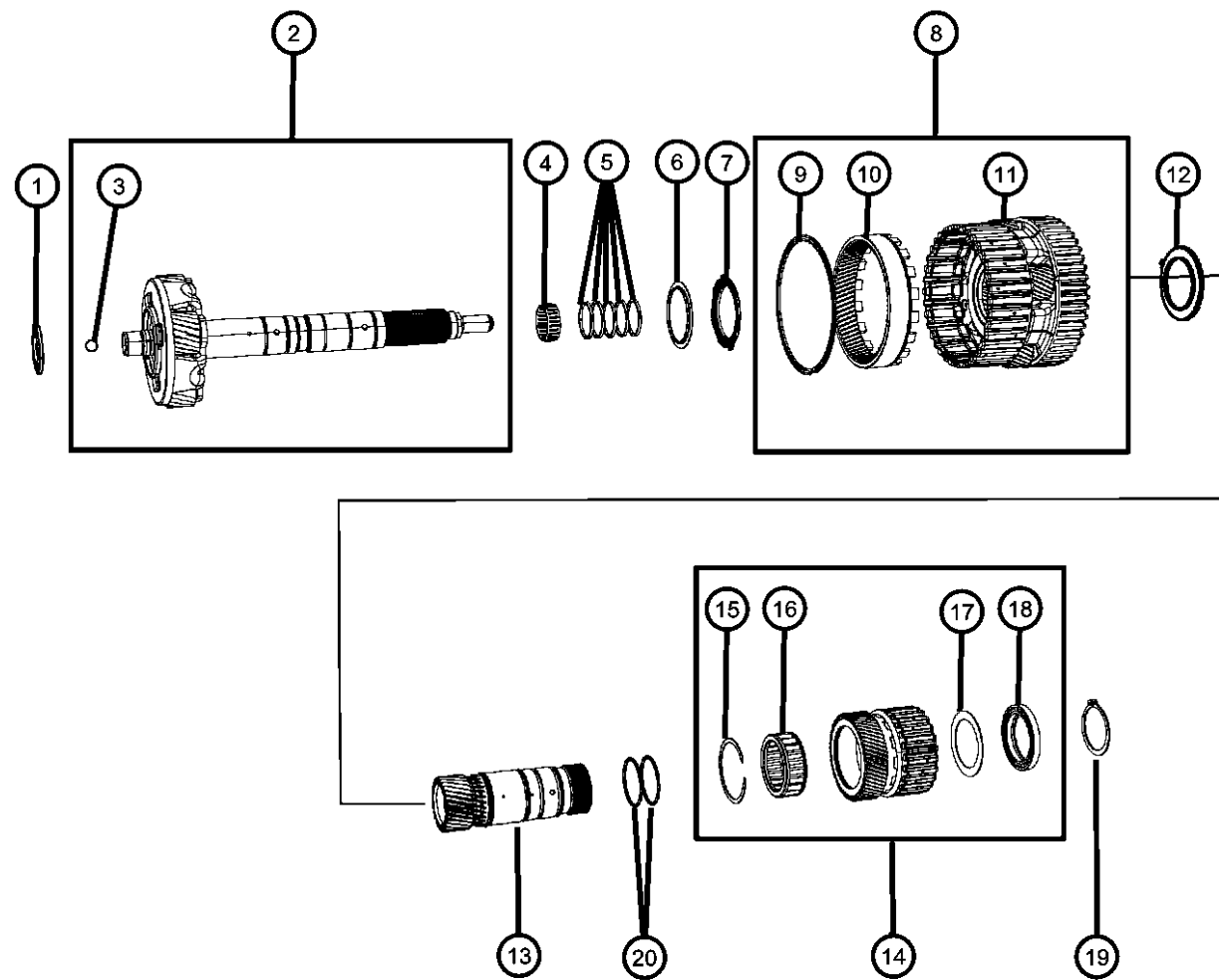
ENGINE
EZH = 5.7L V8 HEMI MDS
VCT Engine
ESF = 6.1L SRT HEMI V8
Engine
EKG = 3.7L V6 Engine

TRANSMISSION
DGJ = 5-Speed Auto W5A580
Transmission
DGQ = 5-Spd Automatic 545RFE
Transmission

AR = use ase required - = Non illustrated part

2010 WK

**Output Shaft With Center And Rear Planetary Gear Sets
Figure 021DGJ-612**



ITEM	PART NUMBER	QTY	LINE	SERIES	BODY	ENGINE	TRANS	TRIM	DESCRIPTION
10		1	J			EKG	DGJ		GEAR, Annulus
	52108376AA	1	J			ESF	DGJ		
		1	T			EKG	DGJ		
		1	J			EKG	DGJ		
11									CARRIER, Planetary
	52108072AA	1	J			ESF	DGJ		
		1	T			EKG	DGJ		
		1	J			EKG	DGJ		
12									NEEDLE BEARING
	52107932AA	1	J			ESF	DGJ		
		1	T			EKG	DGJ		
		1	J			EKG	DGJ		
13									GEAR, Sun
	52108078AA	1	J			EKG	DGJ		
		1	J			ESF	DGJ		
		1	T			EKG	DGJ		
14									SUN GEAR ASSEMBLY
	52108519AC	1	T			EKG	DGJ		
		1	J			EKG	DGJ		
		1	J			ESF	DGJ		
15									SNAP RING
	52107966AA	1	J			ESF	DGJ		
		1	J			EKG	DGJ		
		1	T			EKG	DGJ		
16									CLUTCH, One Way
	52108522AB	1	J			ESF	DGJ		
		1	T			EKG	DGJ		
		1	J			EKG	DGJ		
17									SPACER
	52108379AA	1	J			ESF	DGJ		
		1	T			EKG	DGJ		
		1	J			EKG	DGJ		
18									BEARING, Ball

GRAND CHEROKEE (WK)

SERIES LINE
H = HIGHLINE T = JEEP - 2WD
P = PREMIUM J = JEEP - 4WD
S = SPORT
X = SPECIAL

BODY
74 = SPORT UTILITY 4-DR
TYPE #4

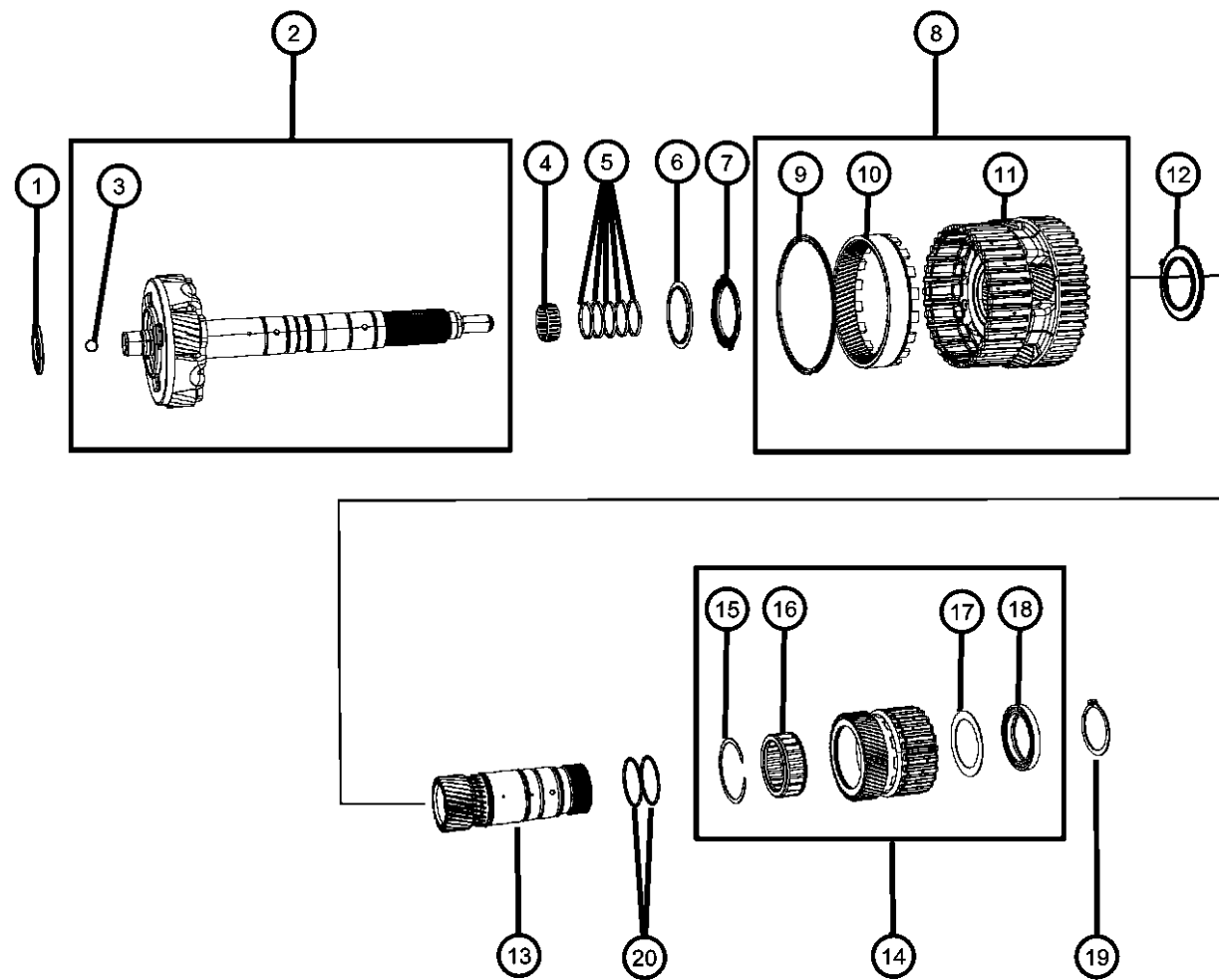
ENGINE
EZH = 5.7L V8 HEMI MDS
VCT Engine
ESF = 6.1L SRT HEMI V8
Engine
EKG = 3.7L V6 Engine

TRANSMISSION
DGJ = 5-Speed Auto W5A580
Transmission
DGQ = 5-Spd Automatic 545RFE
Transmission

AR = use ase required - = Non illustrated part

2010 WK

**Output Shaft With Center And Rear Planetary Gear Sets
Figure 021DGJ-612**



ITEM	PART NUMBER	QTY	LINE	SERIES	BODY	ENGINE	TRANS	TRIM	DESCRIPTION
	52108084AA	1	T			EKG	DGJ		
		1	J			EKG	DGJ		
		1	J			ESF	DGJ		
19	52107967AA	1	J			ESF	DGJ		SNAP RING
		1	J			EKG	DGJ		
		1	T			EKG	DGJ		
20	52108085AA	2	J			ESF	DGJ		O RING
		2	T			EKG	DGJ		
		2	J			EKG	DGJ		

GRAND CHEROKEE (WK)
 SERIES LINE
 H = HIGHLINE T = JEEP - 2WD
 P = PREMIUM J = JEEP - 4WD
 S = SPORT
 X = SPECIAL

BODY
 74 = SPORT UTILITY 4-DR
 TYPE #4

ENGINE
 EZH = 5.7L V8 HEMI MDS
 VCT Engine
 ESF = 6.1L SRT HEMI V8
 Engine
 EKG = 3.7L V6 Engine

TRANSMISSION
 DGJ = 5-Speed Auto W5A580
 Transmission
 DGQ = 5-Spd Automatic 545RFE
 Transmission

AR = use ase required - = Non illustrated part

**Valve Body And Related Parts
Figure 021DGJ-825**

ITEM	PART NUMBER	QTY	LINE	SERIES	BODY	ENGINE	TRANS	TRIM	DESCRIPTION
1	52108213AB	1	J			ESF	DGJ		VALVE BODY, Complete
		1	T			EKG	DGJ		
		1	J			EKG	DGJ		
2	52108268AA	2	J			ESF	DGJ		BOLT, Torx Head, M6x80
		2	T			EKG	DGJ		
		2	J			EKG	DGJ		
3	52108269AA	1	J			EKG	DGJ		BOLT, Torx Head, M6x55
		1	J			ESF	DGJ		
		1	T			EKG	DGJ		
4	52108315AA	3	J			ESF	DGJ		PLATE
		3	T			EKG	DGJ		
		3	J			EKG	DGJ		
5	52108314AA	1	T			EKG	DGJ		SOLENOID, Transmission, Torque Converter Clutch
		1	J			EKG	DGJ		
		1	J			ESF	DGJ		
6	05189057AA	3	J			ESF	DGJ		SOLENOID, Transmission, Shift ON/OFF
		3	T			EKG	DGJ		
		3	J			EKG	DGJ		
7	05134761AA	3	J			ESF	DGJ		CAP, Solenoid
		3	T			EKG	DGJ		
		3	J			EKG	DGJ		
8	05138838AA	2	J			ESF	DGJ		SOLENOID, Transmission, Shift Pressure
		2	J			EKG	DGJ		
		2	T			EKG	DGJ		
9								FILTER, Transmission Oil	

GRAND CHEROKEE (WK)

SERIES LINE
H = HIGHLINE T = JEEP - 2WD
P = PREMIUM J = JEEP - 4WD
S = SPORT
X = SPECIAL

BODY
74 = SPORT UTILITY 4-DR
TYPE #4

ENGINE
EZH = 5.7L V8 HEMI MDS
VCT Engine
ESF = 6.1L SRT HEMI V8
Engine
EKG = 3.7L V6 Engine

TRANSMISSION
DGJ = 5-Speed Auto W5A580
Transmission
DGQ = 5-Spd Automatic 545RFE
Transmission

**Valve Body And Related Parts
Figure 021DGJ-825**

ITEM	PART NUMBER	QTY	LINE	SERIES	BODY	ENGINE	TRANS	TRIM	DESCRIPTION
10	52108316AA	2	T			EKG	DGJ		CONNECTOR ASSEMBLY, Electrical
		2	J			EKG	DGJ		
		2	J			ESF	DGJ		
11	52108308AC	1	J			ESF	DGJ		SENSOR, Speed, (NOT SERVICED) FILTER, Transmission Oil
		1	J			EKG	DGJ		
		1	T			EKG	DGJ		
12	52108304AA	2	J			ESF	DGJ		BOLT, Torx Head, M6x30
		2	T			EKG	DGJ		
		2	J			EKG	DGJ		
13	52108267AA	29	J			ESF	DGJ		DOWEL
		29	T			EKG	DGJ		
		29	J			EKG	DGJ		
14	05098951AA	1	T			EKG	DGJ		DETENT, Valve Body
		1	J			EKG	DGJ		
		1	J			ESF	DGJ		
15	52108258AA	1	J			ESF	DGJ		BOLT, Torx Head, M6x12
		1	J			EKG	DGJ		
		1	T			EKG	DGJ		
16	52108266AB	1	J			ESF	DGJ		BOLT, Torx Head, M6x30
		1	T			EKG	DGJ		
		1	J			EKG	DGJ		
17	52108267AA	10	J			ESF	DGJ		BOLT, Torx Head, M6x30
		10	T			EKG	DGJ		
		10	J			EKG	DGJ		

GRAND CHEROKEE (WK)

SERIES LINE
H = HIGHLINE T = JEEP - 2WD
P = PREMIUM J = JEEP - 4WD
S = SPORT
X = SPECIAL

BODY
74 = SPORT UTILITY 4-DR
TYPE #4

ENGINE
EZH = 5.7L V8 HEMI MDS
VCT Engine
ESF = 6.1L SRT HEMI V8
Engine
EKG = 3.7L V6 Engine

TRANSMISSION
DGJ = 5-Speed Auto W5A580
Transmission
DGQ = 5-Spd Automatic 545RFE
Transmission

**Parking Sprag And Related Parts
Figure 021DGJ-860**

ITEM	PART NUMBER	QTY	LINE	SERIES	BODY	ENGINE	TRANS	TRIM	DESCRIPTION
1	52108180AA	1	J			ESF	DGJ		SPRAG, Transmission Parking
		1	T			EKG	DGJ		
		1	J			EKG	DGJ		
2	52108155AA	1	J			ESF	DGJ		SHAFT, Parking Pawl
		1	T			EKG	DGJ		
		1	J			EKG	DGJ		
3	52108156AB	1	J			ESF	DGJ		O RING
		1	T			EKG	DGJ		
		1	J			EKG	DGJ		
4	52107975AA	1	J			ESF	DGJ		SNAP RING
		1	T			EKG	DGJ		
		1	J			EKG	DGJ		
5	52108176AA	1	J			ESF	DGJ		GUIDE
		1	T			EKG	DGJ		
		1	J			EKG	DGJ		
6	52108177AA	1	J			ESF	DGJ		O RING
		1	T			EKG	DGJ		
		1	J			EKG	DGJ		
7	52107976AA	1	J			ESF	DGJ		SNAP RING
		1	T			EKG	DGJ		
		1	J			EKG	DGJ		
8	52108157AA	1	J			ESF	DGJ		SPRING
		1	T			EKG	DGJ		
		1	J			EKG	DGJ		
9	52108154AA	1	J			ESF	DGJ		PAWL, Parking Sprag
		1	T			EKG	DGJ		

GRAND CHEROKEE (WK)

SERIES LINE
H = HIGHLINE T = JEEP - 2WD
P = PREMIUM J = JEEP - 4WD
S = SPORT
X = SPECIAL

BODY
74 = SPORT UTILITY 4-DR
TYPE #4

ENGINE
EZH = 5.7L V8 HEMI MDS
VCT Engine
ESF = 6.1L SRT HEMI V8
Engine
EKG = 3.7L V6 Engine

TRANSMISSION
DGJ = 5-Speed Auto W5A580
Transmission
DGQ = 5-Spd Automatic 545RFE
Transmission

AR = use ase required - = Non illustrated part

2010 WK

**Parking Sprag And Related Parts
Figure 021DGJ-860**

ITEM	PART NUMBER	QTY	LINE	SERIES	BODY	ENGINE	TRANS	TRIM	DESCRIPTION
10	52108166AA	1	J			EKG	DGJ		LINKAGE, Transmission
		1	J			ESF	DGJ		
		1	T			EKG	DGJ		
11	52108349AB	1	J			EKG	DGJ		DETENT, Gearshift
		1	J			ESF	DGJ		
		1	T			EKG	DGJ		
12	52108178AA	1	J			EKG	DGJ		BOLT, Torx Head, M6x20
		1	T			EKG	DGJ		
		1	J			ESF	DGJ		
13	05134933AA	AR	J			ESF	DGJ		SEAL, Transmission
		AR	T			EKG	DGJ		
		AR	J			EKG	DGJ		
14	52108432AA	1	J			ESF	DGJ		SHAFT, Shift Lever
		1	T			EKG	DGJ		
		1	J			EKG	DGJ		
15	05098951AA	1	T			EKG	DGJ		DOWEL
		1	J			EKG	DGJ		
		1	J			ESF	DGJ		
16	52108258AA	1	J			ESF	DGJ		DETENT, Valve Body
		1	J			EKG	DGJ		
		1	T			EKG	DGJ		
17	52108266AB	1	J			ESF	DGJ		BOLT, Torx Head, M6x12
		1	T			EKG	DGJ		
		1	J			EKG	DGJ		

GRAND CHEROKEE (WK)

SERIES LINE
H = HIGHLINE T = JEEP - 2WD
P = PREMIUM J = JEEP - 4WD
S = SPORT
X = SPECIAL

BODY
74 = SPORT UTILITY 4-DR
TYPE #4

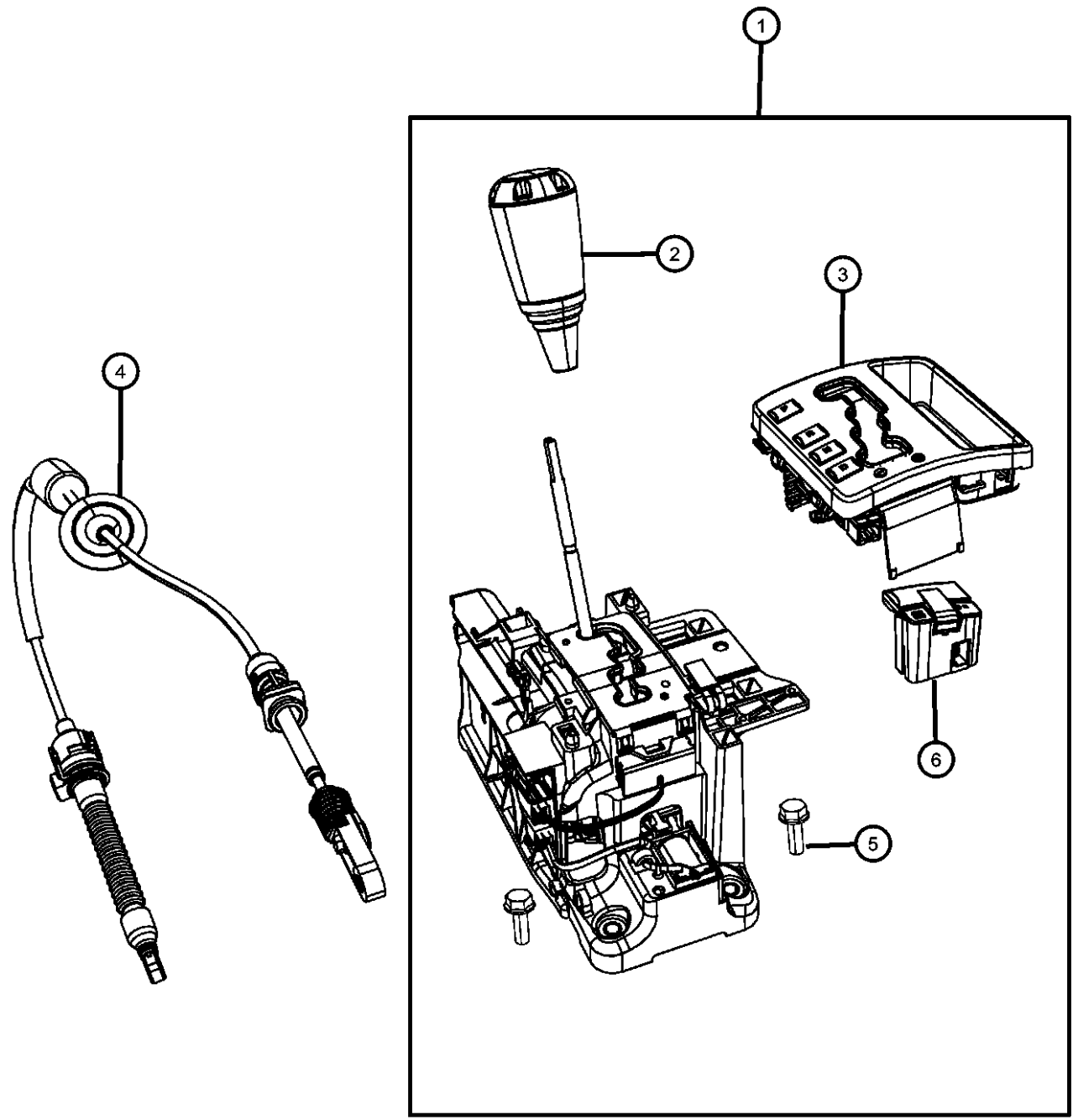
ENGINE
EZH = 5.7L V8 HEMI MDS
VCT Engine
ESF = 6.1L SRT HEMI V8
Engine
EKG = 3.7L V6 Engine

TRANSMISSION
DGJ = 5-Speed Auto W5A580
Transmission
DGQ = 5-Spd Automatic 545RFE
Transmission

AR = use ase required - = Non illustrated part

2010 WK

**Gearshift Controls
Figure 021DGJ-1105**



ITEM	PART NUMBER	QTY	LINE	SERIES	BODY	ENGINE	TRANS	TRIM	DESCRIPTION
1	04855575AE	1	J			ESF	DGJ		HOUSING AND LEVER, Shifter
	52124687AF	1	T	H			DGJ, DGU		
		1	J	H			DGJ		With [DHZ]
	52124688AF	1	J	H			DGJ, DGU		With [DHX]
	52124695AF	1	T	P, S			DGJ		
		1	J	P, S			DGJ		With [DHZ]
2	04779635AA	1	T	P, S			DGJ		KNOB, Gearshift
	04779634AA	1	T	H			DGJ, DGU		With [DHX]
		1	J	H			DGJ		With [DHZ]
	04854695AD	1	J			ESF	DGJ		
		1	J	H			DGU, DGJ		
3	52124584AA	1	T	P, S			DGJ		PRNDL BEZEL, Gear selector
	52124585AA	1	J	H			DGJ, DGU		With [DHX]
		1	J			ESF	DGJ		
		1	T	H			DGJ, DGU		
		1	J	H			DGJ		With [DHZ]
4	68003138AC	1	J, T			EK0, ES0	DGJ		CABLE, Gearshift Control
5	06105040AA	3	J, T				DBA		BOLT, Hex Flange Head, M6X1.00X35.00, Not Included In Item #1
6	56050139AG	1	J	H			DGJ, DGU		SWITCH, Transfer Case

GRAND CHEROKEE (WK)

SERIES LINE
H = HIGHLINE T = JEEP - 2WD
P = PREMIUM J = JEEP - 4WD
S = SPORT
X = SPECIAL

BODY
74 = SPORT UTILITY 4-DR
TYPE #4

ENGINE
EZH = 5.7L V8 HEMI MDS
VCT Engine
ESF = 6.1L SRT HEMI V8
Engine
EKG = 3.7L V6 Engine

TRANSMISSION
DGJ = 5-Speed Auto W5A580
Transmission
DGQ = 5-Spd Automatic 545RFE
Transmission

AR = use ase required - = Non illustrated part

2010 WK

**Gearshift Lever, Cable and Bracket
Figure 021DGJ-1115**

ITEM	PART NUMBER	QTY	LINE	SERIES	BODY	ENGINE	TRANS	TRIM	DESCRIPTION
1	68003138AC	1	J, T			EK0, ES0	DGJ		CABLE, Gearshift Control
2	52109699AC	1	J, T				DGJ		BRACKET, Shift Cable
3	06508738AA	2	J, T				DBA		SCREW, Hex Head, M8x1.25x20

GRAND CHEROKEE (WK)

SERIES LINE
H = HIGHLINE T = JEEP - 2WD
P = PREMIUM J = JEEP - 4WD
S = SPORT
X = SPECIAL

BODY
74 = SPORT UTILITY 4-DR
TYPE #4

ENGINE
EZH = 5.7L V8 HEMI MDS
VCT Engine
ESF = 6.1L SRT HEMI V8
Engine
EKG = 3.7L V6 Engine

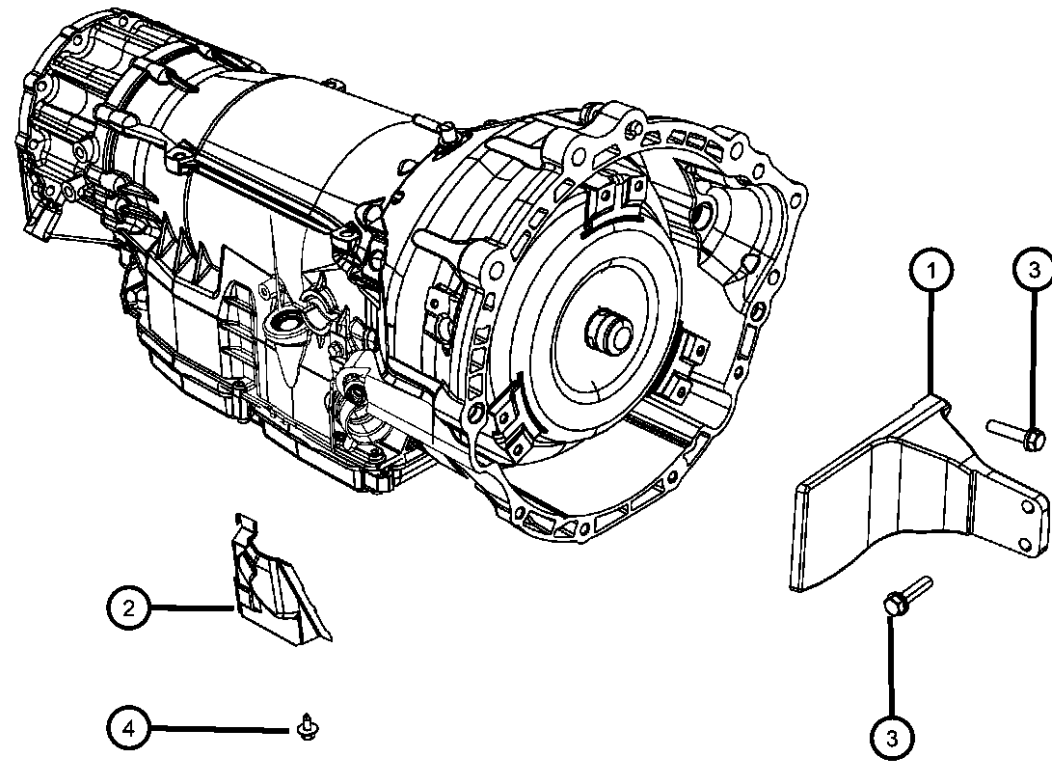
TRANSMISSION
DGJ = 5-Speed Auto W5A580
Transmission
DGQ = 5-Spd Automatic 545RFE
Transmission

AR = use ase required - = Non illustrated part

2010 WK

Mounting Covers And Shields
Figure 021DGJ-1205

ITEM	PART NUMBER	QTY	LINE	SERIES	BODY	ENGINE	TRANS	TRIM	DESCRIPTION
1	05037892AA	1	J, T			ESF	DGJ		COVER, Engine
2	53013915AA	1	J, T				DGJ		SHIELD, Heat
3	06101985	1	J, T			ESF			BOLT AND WASHER, Hex Head, M10x1.50x45.00
4	06507210AA	1	J, T				DGJ		BOLT, Hex Head, M6X1.00X11.00



GRAND CHEROKEE (WK)

SERIES LINE
H = HIGHLINE T = JEEP - 2WD
P = PREMIUM J = JEEP - 4WD
S = SPORT
X = SPECIAL

BODY
74 = SPORT UTILITY 4-DR
TYPE #4

ENGINE
EZH = 5.7L V8 HEMI MDS
VCT Engine
ESF = 6.1L SRT HEMI V8
Engine
EKG = 3.7L V6 Engine

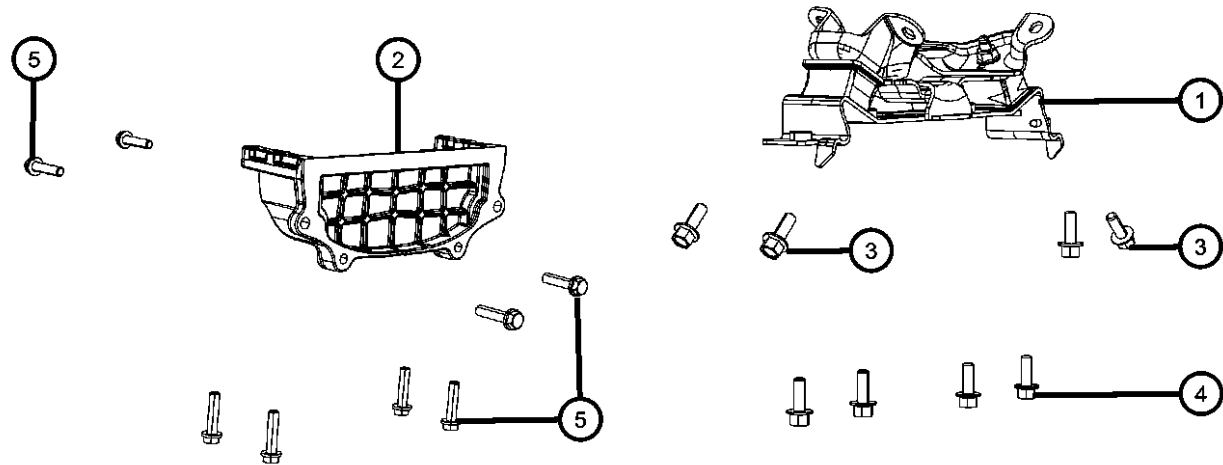
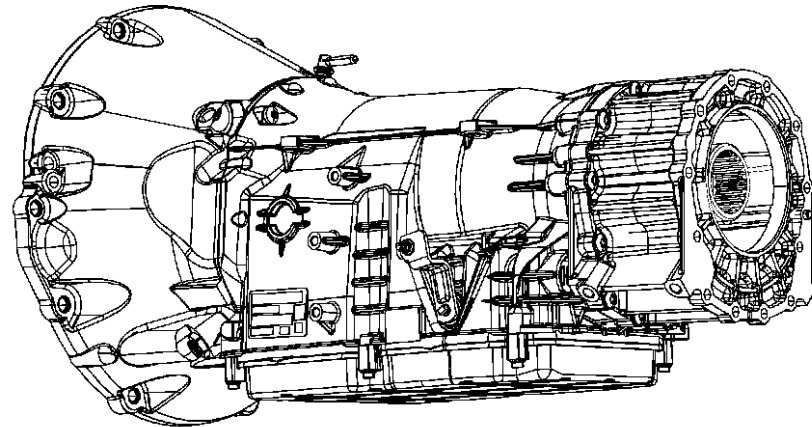
TRANSMISSION
DGJ = 5-Speed Auto W5A580
Transmission
DGQ = 5-Spd Automatic 545RFE
Transmission

AR = use ase required - = Non illustrated part

2010 WK

**Structural Collar
Figure 021DGJ-1210**

ITEM	PART NUMBER	QTY	LINE	SERIES	BODY	ENGINE	TRANS	TRIM	DESCRIPTION
1									INSULATOR, Transmission support
	52089932AH	1	J			EK0	DBA		
	52124085AB	1	J, T			ES0	DBA		
2	53021897AB	1	T			EKG	DGJ		COVER, Engine
3	06104215AA	4	J						BOLT, Hex Flange Head, M10x1.50x25.00
4	06508082AA	4	J, T						SCREW
5									BOLT AND WASHER, Hex Head, M10x1.50x45.00
	06101985	8	T			EKG			
		8	J			EKG			



GRAND CHEROKEE (WK)

SERIES LINE
H = HIGHLINE T = JEEP - 2WD
P = PREMIUM J = JEEP - 4WD
S = SPORT
X = SPECIAL

BODY
74 = SPORT UTILITY 4-DR
TYPE #4

ENGINE
EZH = 5.7L V8 HEMI MDS
VCT Engine
ESF = 6.1L SRT HEMI V8
Engine
EKG = 3.7L V6 Engine

TRANSMISSION
DGJ = 5-Speed Auto W5A580
Transmission
DGQ = 5-Spd Automatic 545RFE
Transmission

AR = use ase required - = Non illustrated part

2010 WK

Mounting Bolts
Figure 021DGJ-1215

ITEM	PART NUMBER	QTY	LINE	SERIES	BODY	ENGINE	TRANS	TRIM	DESCRIPTION
1	00154938AA	4	J, T			EKG, ESF	DGJ, DGQ		SCREW AND WASHER, Hex Head, .375-16x1.75
2	06036385AA	2	J, T				DGJ, DGQ		BOLT AND WASHER, Hex Head Lock, 0.437-14x2.00
3	53013573AB	1	J, T			EKG, ESF	DGJ		COVER, Transmission Dust

GRAND CHEROKEE (WK)

SERIES LINE
H = HIGHLINE T = JEEP - 2WD
P = PREMIUM J = JEEP - 4WD
S = SPORT
X = SPECIAL

BODY
74 = SPORT UTILITY 4-DR
TYPE #4

ENGINE
EZH = 5.7L V8 HEMI MDS
VCT Engine
ESF = 6.1L SRT HEMI V8
Engine
EKG = 3.7L V6 Engine

TRANSMISSION
DGJ = 5-Speed Auto W5A580
Transmission
DGQ = 5-Spd Automatic 545RFE
Transmission

AR = use ase required - = Non illustrated part

2010 WK

Group - 021DGQ

545RFE; 5-Speed; Automatic Transmission

Group - 021DGQ 545RFE; 5-Speed; Automatic Transmission

Illustration Title

Group-Fig. No.

Automatic Transmission / Transaxle and Torque Converter

Transmission / Transaxle Assembly	Fig. 021DGQ - 105
Torque Converter.....	Fig. 021DGQ - 110

Case, Extension, Oil Pan, and Indicator (Dipstick)

Case.....	Fig. 021DGQ - 205
Adapter.....	Fig. 021DGQ - 221
Extension	Fig. 021DGQ - 222
Oil Fill Tube And Related Parts	Fig. 021DGQ - 225
Oil Pan, Cover And Related Parts	Fig. 021DGQ - 230
Filters.....	Fig. 021DGQ - 235
Sensors, Vents And Quick Connectors.....	Fig. 021DGQ - 240

Seal and Shim Packages

Seal and Shim Packages.....	Fig. 021DGQ - 305
-----------------------------	-------------------

Oil Pump

Oil Pump and Related Parts.....	Fig. 021DGQ - 415
---------------------------------	-------------------

Clutches

Input Clutch Assembly	Fig. 021DGQ - 521
Input Clutch Assembly	Fig. 021DGQ - 522
Input Clutch Assembly	Fig. 021DGQ - 523
2C / 4C Clutch.....	Fig. 021DGQ - 524
Low / Reverse Clutch	Fig. 021DGQ - 525

Gear Train

Reaction Planetary.....	Fig. 021DGQ - 609
Input / Reverse Planetary.....	Fig. 021DGQ - 610

Valve Body, Accumulator, Solenoid and Parking Sprag

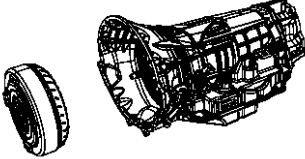
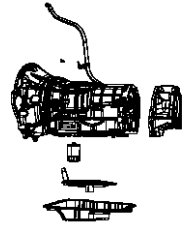
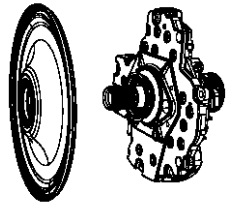

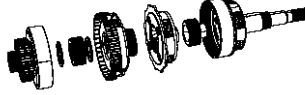
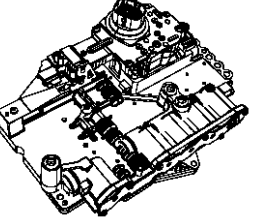
Valve Body And Related Parts	Fig. 021DGQ - 820
Parking Sprag And Related Parts.....	Fig. 021DGQ - 860

Gearshift Controls and Related Parts

Gearshift Controls.....	Fig. 021DGQ - 1105
Gearshift Lever, Cable and Bracket.....	Fig. 021DGQ - 1115

Mounting and Skid Plate

Structural Collar	Fig. 021DGQ - 1210
Mounting Bolts.....	Fig. 021DGQ - 1215

<p>021DGQ-100 Automatic Transmission / Transaxle and Torque Converter</p> 	<p>021DGQ-1100 Gearshift Controls and Related Parts</p>	<p>021DGQ-1200 Mounting and Skid Plate</p>	<p>021DGQ-200 Case, Extension, Oil Pan, and Indicator (Dipstick)</p> 
<p>021DGQ-300 Seal and Shim Packages</p>	<p>021DGQ-400 Oil Pump</p> 	<p>021DGQ-500 Clutches</p> 	<p>021DGQ-600 Gear Train</p> 
<p>021DGQ-800 Valve Body, Accumulator, Solenoid and Parking Sprag</p> 			

**Transmission / Transaxle Assembly
Figure 021DGQ-105**

ITEM	PART NUMBER	QTY	LINE	SERIES	BODY	ENGINE	TRANS	TRIM	DESCRIPTION
1									TRANSMISSION KIT, With Torque Converter
	68051229AB	1	T			EVE, EZH	DGQ		
	68051230AB	1	J			EVE, EZH	DGQ		
2									CONVERTER KIT, Torque
	68051146AA	1	T			EVE, EZH	DGQ		
		1	J			EVE, EZH	DGQ		
3	01949765	4	J, T			EVE, EZH	DGQ		SCREW, Hex Head Header Point, .312-24x.44
4	05013457AA	AR	J, T						FLUID, Automatic Transmission ATF+4, Quart, Standard MS-9602-F, [32 Fluid Ounces] Minimum Ship Quantity Of 12
5	05013458AA	AR	J, T						FLUID, Automatic Transmission ATF+4, Gallon, Standard MS-9602-F

GRAND CHEROKEE (WK)

SERIES LINE
H = HIGHLINE T = JEEP - 2WD
P = PREMIUM J = JEEP - 4WD
S = SPORT
X = SPECIAL

BODY
74 = SPORT UTILITY 4-DR
TYPE #4

ENGINE
EZH = 5.7L V8 HEMI MDS
VCT Engine
ESF = 6.1L SRT HEMI V8
Engine
EKG = 3.7L V6 Engine

TRANSMISSION
DGJ = 5-Speed Auto W5A580
Transmission
DGQ = 5-Spd Automatic 545RFE
Transmission

AR = use ase required - = Non illustrated part

2010 WK

**Torque Converter
Figure 021DGQ-110**

ITEM	PART NUMBER	QTY	LINE	SERIES	BODY	ENGINE	TRANS	TRIM	DESCRIPTION
1	68051146AA	1	J			EVE, EZH	DGQ		CONVERTER KIT, Torque
		1	T			EVE, EZH	DGQ		
2	04736547	1	J			EVE, EZH	DGQ		O RING, Torque Converter Hub
		1	T			EVE, EZH	DGQ		
3	01949765	4	J, T			EVE, EZH	DGQ		SCREW, Hex Head Header Point, .312-24x.44

GRAND CHEROKEE (WK)

SERIES LINE
H = HIGHLINE T = JEEP - 2WD
P = PREMIUM J = JEEP - 4WD
S = SPORT
X = SPECIAL

BODY
74 = SPORT UTILITY 4-DR
TYPE #4

ENGINE
EZH = 5.7L V8 HEMI MDS
VCT Engine
ESF = 6.1L SRT HEMI V8
Engine
EKG = 3.7L V6 Engine

TRANSMISSION
DGJ = 5-Speed Auto W5A580
Transmission
DGQ = 5-Spd Automatic 545RFE
Transmission

**Case
Figure 021DGQ-205**

ITEM	PART NUMBER	QTY	LINE	SERIES	BODY	ENGINE	TRANS	TRIM	DESCRIPTION
1									CASE PACKAGE, Transmission
	05189883AB	1	T			EVE, EZH	DGQ		
		1	J			EVE, EZH	DGQ		
-2									PLUG, Pressure Check
	06030035	2	J			EVE, EZH	DGQ		
		2	T			EVE, EZH	DGQ		

GRAND CHEROKEE (WK)

SERIES LINE
H = HIGHLINE T = JEEP - 2WD
P = PREMIUM J = JEEP - 4WD
S = SPORT
X = SPECIAL

BODY
74 = SPORT UTILITY 4-DR
TYPE #4

ENGINE
EZH = 5.7L V8 HEMI MDS
VCT Engine
ESF = 6.1L SRT HEMI V8
Engine
EKG = 3.7L V6 Engine

TRANSMISSION
DGJ = 5-Speed Auto W5A580
Transmission
DGQ = 5-Spd Automatic 545RFE
Transmission

**Adapter
Figure 021DGQ-221**

ITEM	PART NUMBER	QTY	LINE	SERIES	BODY	ENGINE	TRANS	TRIM	DESCRIPTION
1	52119463AB	1	J			EVE, EZH	DGQ		ADAPTER, Transfer Case
2	52119498AA	1	J			EVE, EZH	DGQ		SEAL, Adapter
3	06504774	10	J			EVE, EZH	DGQ		SCREW AND WASHER, Hex Head, M10x1.5x37
4	06505064AA	2	J			EVE, EZH	DGQ		STUD, M10x1.5x62

GRAND CHEROKEE (WK)

SERIES LINE
H = HIGHLINE T = JEEP - 2WD
P = PREMIUM J = JEEP - 4WD
S = SPORT
X = SPECIAL

BODY
74 = SPORT UTILITY 4-DR
TYPE #4

ENGINE
EZH = 5.7L V8 HEMI MDS
VCT Engine
ESF = 6.1L SRT HEMI V8
Engine
EKG = 3.7L V6 Engine

TRANSMISSION
DGJ = 5-Speed Auto W5A580
Transmission
DGQ = 5-Spd Automatic 545RFE
Transmission

**Extension
Figure 021DGQ-222**

ITEM	PART NUMBER	QTY	LINE	SERIES	BODY	ENGINE	TRANS	TRIM	DESCRIPTION
1	52119499AA	1	T			EVE, EZH	DGQ		HOUSING, Transmission Rear Extension
2	05086304AA	1	T			EVE, EZH	DGQ		SNAP RING
3	05086314AA	1	T			EVE, EZH	DGQ		SNAP RING
4	05086303AA	1	T			EVE, EZH	DGQ		BEARING, Input Gear
5		1							SHAFT, (NOT SERVICED)
6	04461069	1	T			EVE, EZH	DGQ		SNAP RING
7		1							SPACER, (NOT SERVICED)
8		1							BEARING, (NOT SERVICED)
9	68024699AB	1	T			EVE, EZH	DGQ		SEAL, Output Shaft
10	05143735AB	1	T			EVE, EZH	DGQ		FLANGE, Driveshaft Yoke
11	68001384AB	1	T			EVE, EZH	DGQ		SLEEVE, Wear
12	05143743AA	1	T			EVE, EZH	DGQ		SEAL
13	05143738AB	1	T			EVE, EZH	DGQ		NUT, Transfer Case Yoke
14	06504774	10	T			EVE, EZH	DGQ		SCREW AND WASHER, Hex Head, M10x1.5x37
15	06505064AA	2	T			EVE, EZH	DGQ		STUD, M10x1.5x62

GRAND CHEROKEE (WK)

SERIES LINE
H = HIGHLINE T = JEEP - 2WD
P = PREMIUM J = JEEP - 4WD
S = SPORT
X = SPECIAL

BODY
74 = SPORT UTILITY 4-DR
TYPE #4

ENGINE
EZH = 5.7L V8 HEMI MDS
VCT Engine
ESF = 6.1L SRT HEMI V8
Engine
EKG = 3.7L V6 Engine

TRANSMISSION
DGJ = 5-Speed Auto W5A580
Transmission
DGQ = 5-Spd Automatic 545RFE
Transmission

AR = use ase required - = Non illustrated part

2010 WK

**Oil Fill Tube And Related Parts
Figure 021DGQ-225**

ITEM	PART NUMBER	QTY	LINE	SERIES	BODY	ENGINE	TRANS	TRIM	DESCRIPTION
1									INDICATOR, Transmission Fluid Level
	53013991AB	1	J, T			EVE	DGQ		
		1	J, T			EZH	DGQ		
2	53013990AA	1	J, T			EVE	DGQ		TUBE, Transmission Oil Filler
3									GROMMET
	04810021AB	1	J			EVE, EZH	DGQ		
		1	T			EVE, EZH	DGQ		
4	06501979	1	J, T				DGJ, DGQ		BOLT, Hex Flange Head, M6X1.00X17.00

GRAND CHEROKEE (WK)

SERIES LINE
H = HIGHLINE T = JEEP - 2WD
P = PREMIUM J = JEEP - 4WD
S = SPORT
X = SPECIAL

BODY
74 = SPORT UTILITY 4-DR
TYPE #4

ENGINE
EZH = 5.7L V8 HEMI MDS
VCT Engine
ESF = 6.1L SRT HEMI V8
Engine
EKG = 3.7L V6 Engine

TRANSMISSION
DGJ = 5-Speed Auto W5A580
Transmission
DGQ = 5-Spd Automatic 545RFE
Transmission

**Oil Pan, Cover And Related Parts
Figure 021DGQ-230**

ITEM	PART NUMBER	QTY	LINE	SERIES	BODY	ENGINE	TRANS	TRIM	DESCRIPTION
1	04736676AA	1	T			EVE, EZH	DGQ		PAN, Transmission oil
		1	J			EVE, EZH	DGQ		
2	04446728	1	J			EVE, EZH	DGQ		MAGNET, Transmission
		1	T			EVE, EZH	DGQ		
3	06101419	15	J			EVE, EZH	DGQ		BOLT, Hex Head, M6x1.00x14
		15	T			EVE, EZH	DGQ		

GRAND CHEROKEE (WK)

SERIES LINE
H = HIGHLINE T = JEEP - 2WD
P = PREMIUM J = JEEP - 4WD
S = SPORT
X = SPECIAL

BODY
74 = SPORT UTILITY 4-DR
TYPE #4

ENGINE
EZH = 5.7L V8 HEMI MDS
VCT Engine
ESF = 6.1L SRT HEMI V8
Engine
EKG = 3.7L V6 Engine

TRANSMISSION
DGJ = 5-Speed Auto W5A580
Transmission
DGQ = 5-Spd Automatic 545RFE
Transmission

Filters
Figure 021DGQ-235

ITEM	PART NUMBER	QTY	LINE	SERIES	BODY	ENGINE	TRANS	TRIM	DESCRIPTION
1									FILTER PACKAGE, Transmission Oil
	05179267AC	1	J			EVE, EZH	DGQ		
		1	T			EVE, EZH	DGQ		
2									SUMP FILTER KIT, Transmission Oil
	68057459AA	1	J			EVE, EZH	DGQ		
		1	T			EVE, EZH	DGQ		
3									SEAL, Sump Filter
	04799964AD	1	J			EVE, EZH	DGQ		
		1	T			EVE, EZH	DGQ		
4									SCREW, Pan Head, M5 x 0.8 x 12.60
	06503232	1	T			EVE, EZH	DGQ		
		1	J			EVE, EZH	DGQ		
5									BOLT, Hex Head, M6x1.00x14
	06101419	15	J			EVE, EZH	DGQ		
		15	T			EVE, EZH	DGQ		
6									PAN, Transmission oil
	04736676AA	1	T			EVE, EZH	DGQ		
		1	J			EVE, EZH	DGQ		
7									MAGNET, Transmission
	04446728	1	J			EVE, EZH	DGQ		
		1	T			EVE, EZH	DGQ		
8									VALVE, Flow Control
	04799681	1	T			EVE, EZH	DGQ		
		1	J			EVE, EZH	DGQ		

GRAND CHEROKEE (WK)

SERIES LINE
H = HIGHLINE T = JEEP - 2WD
P = PREMIUM J = JEEP - 4WD
S = SPORT
X = SPECIAL

BODY
74 = SPORT UTILITY 4-DR
TYPE #4

ENGINE
EZH = 5.7L V8 HEMI MDS
VCT Engine
ESF = 6.1L SRT HEMI V8
Engine
EKG = 3.7L V6 Engine

TRANSMISSION
DGJ = 5-Speed Auto W5A580
Transmission
DGQ = 5-Spd Automatic 545RFE
Transmission

Sensors, Vents And Quick Connectors
Figure 021DGQ-240

ITEM	PART NUMBER	QTY	LINE	SERIES	BODY	ENGINE	TRANS	TRIM	DESCRIPTION
1									SENSOR, Transmission Input Speed
	04799061AB	2	T			EVE, EZH	DGQ		
		2	J			EVE, EZH	DGQ		
2									O RING
	04799062	2	J			EVE, EZH	DGQ		
		2	T			EVE, EZH	DGQ		
3									TRANSDUCER, Pressure Sensor
	04799758	1	J			EVE, EZH	DGQ		
		1	T			EVE, EZH	DGQ		
4									FITTING, Quick Connect
	52119547AA	2	J			EVE, EZH	DGQ		
		2	T			EVE, EZH	DGQ		
5									VENT, Transmission
	04799861AB	1	J			EVE, EZH	DGQ		
		1	T			EVE, EZH	DGQ		
6	53032457AA	1	J, T				DGQ		TUBE, Vent
7									BOLT, M6x1.00x20
	06101331	2	J			EVE, EZH	DGQ		
		2	T			EVE, EZH	DGQ		
8									BOLT, M6x1.00x20
	06101331	1	T			EVE, EZH	DGQ		
		1	J			EVE, EZH	DGQ		

GRAND CHEROKEE (WK)

SERIES LINE
H = HIGHLINE T = JEEP - 2WD
P = PREMIUM J = JEEP - 4WD
S = SPORT
X = SPECIAL

BODY
74 = SPORT UTILITY 4-DR
TYPE #4

ENGINE
EZH = 5.7L V8 HEMI MDS
VCT Engine
ESF = 6.1L SRT HEMI V8
Engine
EKG = 3.7L V6 Engine

TRANSMISSION
DGJ = 5-Speed Auto W5A580
Transmission
DGQ = 5-Spd Automatic 545RFE
Transmission

AR = use ase required - = Non illustrated part

2010 WK

**Seal and Shim Packages
Figure 021DGQ-305**

ITEM	PART NUMBER	QTY	LINE	SERIES	BODY	ENGINE	TRANS	TRIM	DESCRIPTION
1									SEAL PACKAGE, Transmission
	68010021AB	1	T			EVE, EZH	DGQ		
	68010041AB	1	J			EVE, EZH	DGQ		
2									SUMP FILTER KIT, Transmission Oil
	68057459AA	1	J			EVE, EZH	DGQ		
		1	T			EVE, EZH	DGQ		
3									SEAL, Sump Filter
	04799964AD	1	J			EVE, EZH	DGQ		
		1	T			EVE, EZH	DGQ		
4									FILTER PACKAGE, Transmission Oil
	05179267AC	1	T			EVE, EZH	DGQ		
		1	J			EVE, EZH	DGQ		
5									COVER, Oil Pump
	68009859AB	1	J			EVE, EZH	DGQ		
		1	T			EVE, EZH	DGQ		
6									O RING, Pump Cover
	04799003AB	1	J			EVE, EZH	DGQ		
		1	T			EVE, EZH	DGQ		
7									GROMMET
	04810021AB	1	T			EVE, EZH	DGQ		
		1	J			EVE, EZH	DGQ		
8									SEAL, Clutch Feed
	04799778	3	T			EZH, EVE	DGQ		
		3	J			EVE, EZH	DGQ		
9									O RING
	04799062	2	T			EVE, EZH	DGQ		
		2	J			EVE, EZH	DGQ		
10									O RING, Control Valve
	06505335AA	1	T			EVE, EZH	DGQ		
		1	J			EVE, EZH	DGQ		
11									SEAL, Accumulator
	04446544	10	T			EVE, EZH	DGQ		
		10	J			EVE, EZH	DGQ		
12									SEAL

GRAND CHEROKEE (WK)

SERIES LINE
H = HIGHLINE T = JEEP - 2WD
P = PREMIUM J = JEEP - 4WD
S = SPORT
X = SPECIAL

BODY
74 = SPORT UTILITY 4-DR
TYPE #4

ENGINE
EZH = 5.7L V8 HEMI MDS
VCT Engine
ESF = 6.1L SRT HEMI V8
Engine
EKG = 3.7L V6 Engine

TRANSMISSION
DGJ = 5-Speed Auto W5A580
Transmission
DGQ = 5-Spd Automatic 545RFE
Transmission

AR = use ase required - = Non illustrated part

2010 WK

**Seal and Shim Packages
Figure 021DGQ-305**

ITEM	PART NUMBER	QTY	LINE	SERIES	BODY	ENGINE	TRANS	TRIM	DESCRIPTION
	04799346	1	J			EVE, EZH	DGQ		
		1	T			EVE, EZH	DGQ		
13									O RING, Torque Converter Hub
	04736547	1	J			EVE, EZH	DGQ		
		1	T			EVE, EZH	DGQ		
14	68024699AB	1	T			EVE, EZH	DGQ		SEAL, Output Shaft
15	52119498AA	1	J			EVE, EZH	DGQ		SEAL, Adapter

GRAND CHEROKEE (WK)

SERIES LINE
H = HIGHLINE T = JEEP - 2WD
P = PREMIUM J = JEEP - 4WD
S = SPORT
X = SPECIAL

BODY
74 = SPORT UTILITY 4-DR
TYPE #4

ENGINE
EZH = 5.7L V8 HEMI MDS
VCT Engine
ESF = 6.1L SRT HEMI V8
Engine
EKG = 3.7L V6 Engine

TRANSMISSION
DGJ = 5-Speed Auto W5A580
Transmission
DGQ = 5-Spd Automatic 545RFE
Transmission

AR = use ase required - = Non illustrated part

2010 WK

**Oil Pump and Related Parts
Figure 021DGQ-415**

ITEM	PART NUMBER	QTY	LINE	SERIES	BODY	ENGINE	TRANS	TRIM	DESCRIPTION
1	68009879AD	1	T			EVE, EZH	DGQ		PUMP KIT, Transmission oil
		1	J			EVE, EZH	DGQ		
2	04799005	1	J			EVE, EZH	DGQ		SNAP RING, Pump Cover
		1	T			EVE, EZH	DGQ		
3	68009859AB	1	T			EVE, EZH	DGQ		COVER, Oil Pump
		1	J			EVE, EZH	DGQ		
4	04799003AB	1	J			EVE, EZH	DGQ		O RING, Pump Cover
		1	T			EVE, EZH	DGQ		
5	06504780AA	24	J			EVE, EZH	DGQ		SCREW
		24	T			EVE, EZH	DGQ		
6	04799964AD	1	J			EVE, EZH	DGQ		SEAL, Sump Filter
		1	T			EVE, EZH	DGQ		
7	06503232	2	J			EVE, EZH	DGQ		SCREW, Pan Head, M5 x 0.8 x 12.60
		2	T			EVE, EZH	DGQ		
8	06504661	5	J			EVE, EZH	DGQ		SCREW, Button Head
		5	T			EVE, EZH	DGQ		
9	04799056	5	J			EVE, EZH	DGQ		RING, Transmission
		5	T			EVE, EZH	DGQ		
10	06101526	6	J			EVE, EZH	DGQ		SCREW, Hex Flange Head, M8x1.25x35, Pump To Case
		6	T			EVE, EZH	DGQ		

GRAND CHEROKEE (WK)

SERIES LINE
H = HIGHLINE T = JEEP - 2WD
P = PREMIUM J = JEEP - 4WD
S = SPORT
X = SPECIAL

BODY
74 = SPORT UTILITY 4-DR
TYPE #4

ENGINE
EZH = 5.7L V8 HEMI MDS
VCT Engine
ESF = 6.1L SRT HEMI V8
Engine
EKG = 3.7L V6 Engine

TRANSMISSION
DGJ = 5-Speed Auto W5A580
Transmission
DGQ = 5-Spd Automatic 545RFE
Transmission

AR = use ase required - = Non illustrated part

2010 WK

**Input Clutch Assembly
Figure 021DGQ-521**

ITEM	PART NUMBER	QTY	LINE	SERIES	BODY	ENGINE	TRANS	TRIM	DESCRIPTION
1									THRUST BEARING, Needle Roller
	04799469	1	J			EVE, EZH	DGQ		
		1	T			EVE, EZH	DGQ		
2									SEAL, Input Shaft
	04799539	2	T			EVE, EZH	DGQ		
		2	J			EVE, EZH	DGQ		
3									SHAFT, Input
	05114582AA	1	J			EVE, EZH	DGQ		
		1	T			EVE, EZH	DGQ		
4									O RING, Control Valve
	06505335AA	1	T			EVE, EZH	DGQ		
		1	J			EVE, EZH	DGQ		
5									CHECK VALVE, Transmission
	04799974AA	1	J			EVE, EZH	DGQ		
		1	T			EVE, EZH	DGQ		
6									SNAP RING
	04799978AA	1	T			EVE, EZH	DGQ		
		1	J			EVE, EZH	DGQ		
7									HUB, Input Clutch
	04799536AE	1	T			EVE, EZH	DGQ		
		1	J			EVE, EZH	DGQ		
8									O RING, Transmission Clutch, Green
	04799073	1	J			EVE, EZH	DGQ		
		1	T			EVE, EZH	DGQ		
9									O RING, Transmission Clutch, Red
	04799755	1	T			EVE, EZH	DGQ		
		1	J			EVE, EZH	DGQ		
10									SEAL, Input
	04799090	1	J			EVE, EZH	DGQ		
		1	T			EVE, EZH	DGQ		
11									SNAP RING, Input Shaft
	04799538	1	J			EVE, EZH	DGQ		
		1	T			EVE, EZH	DGQ		
12									PISTON, Reverse and Overdrive

GRAND CHEROKEE (WK)

SERIES LINE
H = HIGHLINE T = JEEP - 2WD
P = PREMIUM J = JEEP - 4WD
S = SPORT
X = SPECIAL

BODY
74 = SPORT UTILITY 4-DR
TYPE #4

ENGINE
EZH = 5.7L V8 HEMI MDS
VCT Engine
ESF = 6.1L SRT HEMI V8
Engine
EKG = 3.7L V6 Engine

TRANSMISSION
DGJ = 5-Speed Auto W5A580
Transmission
DGQ = 5-Spd Automatic 545RFE
Transmission

AR = use ase required - = Non illustrated part

2010 WK

**Input Clutch Assembly
Figure 021DGQ-521**

ITEM	PART NUMBER	QTY	LINE	SERIES	BODY	ENGINE	TRANS	TRIM	DESCRIPTION
	68029262AA	1	T			EVE, EZH	DGQ		
		1	J			EVE, EZH	DGQ		
13									SNAP RING, Transmission
	04799088	1	T			EVE, EZH	DGQ		
		1	J			EVE, EZH	DGQ		
14									SPRING, Piston Return
	52119970AA	1	T			EVE, EZH	DGQ		
		1	J			EVE, EZH	DGQ		
15									FILTER, Reverse And O/D Clutch
	04531903	1	T			EVE, EZH	DGQ		
		1	J			EVE, EZH	DGQ		
16									O RING, Reverse & O/Drive Clutch Piston, Transmission
	04799089	1	J			EVE, EZH	DGQ		
		1	T			EVE, EZH	DGQ		
17									RETAINER, Transmission Input Clutch
	04799648AB	1	J			EZH, EVE	DGQ		
		1	T			EVE, EZH	DGQ		
18									SNAP RING
	04799097	1	J			EVE, EZH	DGQ		
		1	T			EVE, EZH	DGQ		
19									PISTON, Underdrive
	04799650	1	T			EZH, EVE	DGQ		
		1	J			EVE, EZH	DGQ		
20									SPRING, Undredrive Piston
	04799101	1	T			EVE, EZH	DGQ		
		1	J			EVE, EZH	DGQ		
21									PISTON, Underdrive
	04799652	1	J			EVE, EZH	DGQ		
		1	T			EVE, EZH	DGQ		
22									SNAP RING, Transmission
	04799103	1	J			EVE, EZH	DGQ		
		1	T			EVE, EZH	DGQ		

GRAND CHEROKEE (WK)

SERIES LINE
H = HIGHLINE T = JEEP - 2WD
P = PREMIUM J = JEEP - 4WD
S = SPORT
X = SPECIAL

BODY
74 = SPORT UTILITY 4-DR
TYPE #4

ENGINE
EZH = 5.7L V8 HEMI MDS
VCT Engine
ESF = 6.1L SRT HEMI V8
Engine
EKG = 3.7L V6 Engine

TRANSMISSION
DGJ = 5-Speed Auto W5A580
Transmission
DGQ = 5-Spd Automatic 545RFE
Transmission

AR = use ase required - = Non illustrated part

2010 WK

**Input Clutch Assembly
Figure 021DGQ-521**

ITEM	PART NUMBER	QTY	LINE	SERIES	BODY	ENGINE	TRANS	TRIM	DESCRIPTION
23		1							CLUTCH PACKAGE, Underdrive clutch, Serviced With Item #24, (NOT SERVICED)
24									CLUTCH KIT, Automatic Transmission, Input
	05013090AH	1	J			EVE, EZH	DGQ		
		1	T			EVE, EZH	DGQ		
25		1							SNAP RING, Selective, (NOT SERVICED)

GRAND CHEROKEE (WK)

SERIES LINE
H = HIGHLINE T = JEEP - 2WD
P = PREMIUM J = JEEP - 4WD
S = SPORT
X = SPECIAL

BODY
74 = SPORT UTILITY 4-DR
TYPE #4

ENGINE
EZH = 5.7L V8 HEMI MDS
VCT Engine
ESF = 6.1L SRT HEMI V8
Engine
EKG = 3.7L V6 Engine

TRANSMISSION
DGJ = 5-Speed Auto W5A580
Transmission
DGQ = 5-Spd Automatic 545RFE
Transmission

**Input Clutch Assembly
Figure 021DGQ-522**

ITEM	PART NUMBER	QTY	LINE	SERIES	BODY	ENGINE	TRANS	TRIM	DESCRIPTION
1	04799469	1	J			EVE, EZH	DGQ		THRUST BEARING, Needle Roller
		1	T			EVE, EZH	DGQ		
2	05127485AA	1	J			EVE, EZH	DGQ		HUB AND SHAFT, Underdrive Clutch
		1	T			EVE, EZH	DGQ		
3	04799760	1	J			EVE, EZH	DGQ		SNAP RING, Transmission
		1	T			EVE, EZH	DGQ		
4	68009902AB	1	J			EVE, EZH	DGQ		PLATE PACKAGE, Ud/od clutch reaction, 45rfe
5	04799111AB	1	J			EVE, EZH	DGQ		SNAP RING, Transmission
		1	T			EVE, EZH	DGQ		
6		1							CLUTCH PACKAGE, Overdrive clutch, Serviced With Item #7, (NOT SERVICED)
7	05013090AH	1	J			EVE, EZH	DGQ		CLUTCH KIT, Automatic Transmission, Input
		1	T			EVE, EZH	DGQ		

GRAND CHEROKEE (WK)

SERIES LINE
H = HIGHLINE T = JEEP - 2WD
P = PREMIUM J = JEEP - 4WD
S = SPORT
X = SPECIAL

BODY
74 = SPORT UTILITY 4-DR
TYPE #4

ENGINE
EZH = 5.7L V8 HEMI MDS
VCT Engine
ESF = 6.1L SRT HEMI V8
Engine
EKG = 3.7L V6 Engine

TRANSMISSION
DGJ = 5-Speed Auto W5A580
Transmission
DGQ = 5-Spd Automatic 545RFE
Transmission

**Input Clutch Assembly
Figure 021DGQ-523**

ITEM	PART NUMBER	QTY	LINE	SERIES	BODY	ENGINE	TRANS	TRIM	DESCRIPTION
1	04799469	1	J			EVE, EZH	DGQ		THRUST BEARING, Needle Roller
		1	T			EVE, EZH	DGQ		
2	04799550	1	J			EVE, EZH	DGQ		HUB AND SHAFT, Overdrive Clutch
		1	T			EVE, EZH	DGQ		
3	04799118	1	J			EVE, EZH	DGQ		SNAP RING, Overdrive Clutch
		1	T			EVE, EZH	DGQ		
4	04799116AB	1	J			EVE, EZH	DGQ		PLATE, Clutch Pressure
		1	T			EVE, EZH	DGQ		
5	04799117	1	J			EVE, EZH	DGQ		SNAP RING, Transmission
		1	T			EVE, EZH	DGQ		
6	04799469	1	J			EVE, EZH	DGQ		THRUST BEARING, Needle Roller
		1	T			EVE, EZH	DGQ		
7	04799556	1	J			EVE, EZH	DGQ		HUB AND SHAFT, Reverse Clutch
		1	T			EVE, EZH	DGQ		
8		1							CLUTCH PACKAGE, Reverse clutch, Serviced With Item #11, (NOT SERVICED)
9	04799121	1	J			EVE, EZH	DGQ		PLATE, Transmission Clutch Reaction
		1	T			EVE, EZH	DGQ		
10		1							SNAP RING, Serviced With Item #11, (NOT SERVICED)
11	05013090AH	1	J			EVE, EZH	DGQ		CLUTCH KIT, Automatic Transmission, Input
		1	T			EVE, EZH	DGQ		

GRAND CHEROKEE (WK)

SERIES LINE
H = HIGHLINE T = JEEP - 2WD
P = PREMIUM J = JEEP - 4WD
S = SPORT
X = SPECIAL

BODY
74 = SPORT UTILITY 4-DR
TYPE #4

ENGINE
EZH = 5.7L V8 HEMI MDS
VCT Engine
ESF = 6.1L SRT HEMI V8
Engine
EKG = 3.7L V6 Engine

TRANSMISSION
DGJ = 5-Speed Auto W5A580
Transmission
DGQ = 5-Spd Automatic 545RFE
Transmission

AR = use ase required - = Non illustrated part

2010 WK

**2C / 4C Clutch
Figure 021DGQ-524**

ITEM	PART NUMBER	QTY	LINE	SERIES	BODY	ENGINE	TRANS	TRIM	DESCRIPTION
1	04799936AB	1	J			EVE, EZH	DGQ		THRUST BEARING, Needle Roller
		1	T			EVE, EZH	DGQ		
2	05013093AB	1	J			EVE, EZH	DGQ		PLATE PACKAGE, Input Clutch Thrust
		1	T			EVE, EZH	DGQ		
3	04799680AB	1	J			EVE, EZH	DGQ		SNAP RING, Transmission
		1	T			EVE, EZH	DGQ		
4	04799174	1	J			EVE, EZH	DGQ		SNAP RING, Transmission
		1	T			EVE, EZH	DGQ		
5	04799498AC	1	J			EVE, EZH	DGQ		RETAINER, Transmission 2nd and 4th Clutch Piston
		1	T			EVE, EZH	DGQ		
6	04799086	2	J			EVE, EZH	DGQ		BLEED ORIFICE, Transmission
		2	T			EVE, EZH	DGQ		
7	52119503AA	1	J			EVE, EZH	DGQ		PISTON, Clutch
		1	T			EVE, EZH	DGQ		
8	04799521	1	J			EVE, EZH	DGQ		SPRING, 2nd And 4th Clutch Piston
		1	T			EVE, EZH	DGQ		
9	04799522AB	1	J			EVE, EZH	DGQ		SNAP RING, Transmission
		1	T			EVE, EZH	DGQ		
10	05179062AC	1	J			EVE, EZH	DGQ		PISTON PACKAGE, 4C Clutch
		1	T			EVE, EZH	DGQ		
11	04799527AB	1	J			EVE, EZH	DGQ		SPRING, 2nd And 4th Clutch Piston
		1	T			EVE, EZH	DGQ		

GRAND CHEROKEE (WK)

SERIES LINE
H = HIGHLINE T = JEEP - 2WD
P = PREMIUM J = JEEP - 4WD
S = SPORT
X = SPECIAL

BODY
74 = SPORT UTILITY 4-DR
TYPE #4

ENGINE
EZH = 5.7L V8 HEMI MDS
VCT Engine
ESF = 6.1L SRT HEMI V8
Engine
EKG = 3.7L V6 Engine

TRANSMISSION
DGJ = 5-Speed Auto W5A580
Transmission
DGQ = 5-Spd Automatic 545RFE
Transmission

AR = use ase required - = Non illustrated part

2010 WK

**2C / 4C Clutch
Figure 021DGQ-524**

ITEM	PART NUMBER	QTY	LINE	SERIES	BODY	ENGINE	TRANS	TRIM	DESCRIPTION
12									SNAP RING, Transmission
	04799528AB	1	J			EVE, EZH	DGQ		
		1	T			EVE, EZH	DGQ		
13									CLUTCH PACKAGE, Automatic Transmission, 2/4
	05013087AE	1	J			EVE, EZH	DGQ		
		1	T			EVE, EZH	DGQ		
14									PLATE, Transmission Clutch Reaction
	04799533	1	J			EVE, EZH	DGQ		
		1	T			EVE, EZH	DGQ		
15		1							SNAP RING, (NOT SERVICED)
16									PLATE, Transmission Clutch Reaction
	04799687AB	1	T			EVE, EZH	DGQ		
		1	J			EVE, EZH	DGQ		

GRAND CHEROKEE (WK)

SERIES LINE
H = HIGHLINE T = JEEP - 2WD
P = PREMIUM J = JEEP - 4WD
S = SPORT
X = SPECIAL

BODY
74 = SPORT UTILITY 4-DR
TYPE #4

ENGINE
EZH = 5.7L V8 HEMI MDS
VCT Engine
ESF = 6.1L SRT HEMI V8
Engine
EKG = 3.7L V6 Engine

TRANSMISSION
DGJ = 5-Speed Auto W5A580
Transmission
DGQ = 5-Spd Automatic 545RFE
Transmission

**Low / Reverse Clutch
Figure 021DGQ-525**

ITEM	PART NUMBER	QTY	LINE	SERIES	BODY	ENGINE	TRANS	TRIM	DESCRIPTION
1									SNAP RING, Transmission
	04799466	1	J			EVE, EZH	DGQ		
		1	T			EVE, EZH	DGQ		
2									SNAP RING
	04799863AA	1	J			EVE, EZH	DGQ		
		1	T			EVE, EZH	DGQ		
3									CLUTCH, Overrunning
	04799465	1	J			EZH, EVE	DGQ		
		1	T			EVE, EZH	DGQ		
4									SNAP RING
	04799863AA	1	J			EVE, EZH	DGQ		
		1	T			EVE, EZH	DGQ		
5									CLUTCH PACKAGE, Automatic Transmission, Low/Reverse
	05073003AB	1	T			EVE, EZH	DGQ		
		1	J			EVE, EZH	DGQ		
6		1							SNAP RING, Transmission, (NOT SERVICED)
7		1							RETAINER, Transmission Low and Reverse Clutch Piston, (NOT SERVICED)
8									PLATE, Transmission Clutch Reaction
	04799667	1	J			EVE, EZH	DGQ		
		1	T			EVE, EZH	DGQ		
9									PISTON PACKAGE, Piston & spring, low/reverse
	05179008AA	1	T			EVE, EZH	DGQ		
		1	J			EVE, EZH	DGQ		
10		1							SPRING, Low/Reverse Clutch Piston, (NOT SERVICED)
11									RETAINER, Clutch
	05013027AB	1	J			EVE, EZH	DGQ		
		1	T			EVE, EZH	DGQ		
12									BLEED ORIFICE, Transmission
	04799086	1	J			EVE, EZH	DGQ		
		1	T			EVE, EZH	DGQ		

GRAND CHEROKEE (WK)

SERIES LINE
H = HIGHLINE T = JEEP - 2WD
P = PREMIUM J = JEEP - 4WD
S = SPORT
X = SPECIAL

BODY
74 = SPORT UTILITY 4-DR
TYPE #4

ENGINE
EZH = 5.7L V8 HEMI MDS
VCT Engine
ESF = 6.1L SRT HEMI V8
Engine
EKG = 3.7L V6 Engine

TRANSMISSION
DGJ = 5-Speed Auto W5A580
Transmission
DGQ = 5-Spd Automatic 545RFE
Transmission

**Reaction Planetary
Figure 021DGQ-609**

ITEM	PART NUMBER	QTY	LINE	SERIES	BODY	ENGINE	TRANS	TRIM	DESCRIPTION
1	04799459	1	J			EVE, EZH	DGQ		THRUST BEARING, Needle Roller
		1	T			EVE, EZH	DGQ		
2	05013092AB	1	J			EVE, EZH	DGQ		PLATE PACKAGE, Planetary Thrust
		1	T			EVE, EZH	DGQ		
3	04799604AB	1	J			EVE, EZH	DGQ		GEAR, Annulus
		1	T			EVE, EZH	DGQ		
4	04799469	1	J			EVE, EZH	DGQ		THRUST BEARING, Needle Roller
		1	T			EVE, EZH	DGQ		
5	04799602	1	J			EVE, EZH	DGQ		GEAR, Reaction Sun
		1	T			EVE, EZH	DGQ		
6	04799469	1	J			EVE, EZH	DGQ		THRUST BEARING, Needle Roller
		1	T			EVE, EZH	DGQ		
7	04799619AE	1	J			EVE, EZH	DGQ		CARRIER, Reaction Complete
		1	T			EVE, EZH	DGQ		
8	04799459	1	J			EVE, EZH	DGQ		THRUST BEARING, Needle Roller
		1	T			EVE, EZH	DGQ		

GRAND CHEROKEE (WK)

SERIES LINE
H = HIGHLINE T = JEEP - 2WD
P = PREMIUM J = JEEP - 4WD
S = SPORT
X = SPECIAL

BODY
74 = SPORT UTILITY 4-DR
TYPE #4

ENGINE
EZH = 5.7L V8 HEMI MDS
VCT Engine
ESF = 6.1L SRT HEMI V8
Engine
EKG = 3.7L V6 Engine

TRANSMISSION
DGJ = 5-Speed Auto W5A580
Transmission
DGQ = 5-Spd Automatic 545RFE
Transmission

**Input / Reverse Planetary
Figure 021DGQ-610**

ITEM	PART NUMBER	QTY	LINE	SERIES	BODY	ENGINE	TRANS	TRIM	DESCRIPTION
1	04799469	1	J			EVE, EZH	DGQ		THRUST BEARING, Needle Roller
		1	T			EVE, EZH	DGQ		
2	04799247	1	J			EVE, EZH	DGQ		SNAP RING
		1	T			EVE, EZH	DGQ		
3	04799503AG	1	J			EVE, EZH	DGQ		CARRIER, Reverse Complete
		1	T			EVE, EZH	DGQ		
4	52119464AB	1	J			EVE, EZH	DGQ		THRUST BEARING, Needle Roller
		1	T			EVE, EZH	DGQ		
5	04799586AB	1	J			EVE, EZH	DGQ		GEAR, Input Sun
		1	T			EVE, EZH	DGQ		
6	04799469	1	J			EVE, EZH	DGQ		THRUST BEARING, Needle Roller
		1	T			EVE, EZH	DGQ		
7	04799500AG	1	J			EVE, EZH	DGQ		CARRIER, Input Complete
		1	T			EVE, EZH	DGQ		
8	04799459	1	J			EVE, EZH	DGQ		THRUST BEARING, Needle Roller
		1	T			EVE, EZH	DGQ		
9	04799501	1	J			EVE, EZH	DGQ		GEAR, Annulus
		1	T			EVE, EZH	DGQ		

GRAND CHEROKEE (WK)

SERIES LINE
H = HIGHLINE T = JEEP - 2WD
P = PREMIUM J = JEEP - 4WD
S = SPORT
X = SPECIAL

BODY
74 = SPORT UTILITY 4-DR
TYPE #4

ENGINE
EZH = 5.7L V8 HEMI MDS
VCT Engine
ESF = 6.1L SRT HEMI V8
Engine
EKG = 3.7L V6 Engine

TRANSMISSION
DGJ = 5-Speed Auto W5A580
Transmission
DGQ = 5-Spd Automatic 545RFE
Transmission

AR = use ase required - = Non illustrated part

2010 WK

**Valve Body And Related Parts
Figure 021DGQ-820**

ITEM	PART NUMBER	QTY	LINE	SERIES	BODY	ENGINE	TRANS	TRIM	DESCRIPTION
1	05166834AC	1	J			EVE, EZH	DGQ		VALVE BODY ASSEMBLY
		1	T			EVE, EZH	DGQ		
2	05170877AF	1	T			EVE, EZH	DGQ		SOLENOID PACKAGE, Valve Body
		1	J			EVE, EZH	DGQ		
3	06508087AA	1	T			EVE, EZH	DGQ		SCREW, Shoulder/Truss, M5x.8x12.5
		1	J			EVE, EZH	DGQ		
4	04799654AC	1	J			EVE, EZH	DGQ		PLATE, Manual Valve Cam
		1	T			EVE, EZH	DGQ		
5	06503232	1	J			EVE, EZH	DGQ		SCREW, Pan Head, M5 x 0.8 x 12.60
		1	T			EVE, EZH	DGQ		
6	52119501AA	1	T			EVE, EZH	DGQ		DETENT, Valve Body
		1	J			EVE, EZH	DGQ		
7	06101525	6	J			EVE, EZH	DGQ		BOLT, Hex Flange Head, M6x1.00x30
		6	T			EVE, EZH	DGQ		
8	06504780AA	50	J			EVE, EZH	DGQ		SCREW
		50	T			EVE, EZH	DGQ		
9	52118261	7	J			EVE, EZH	DGQ		BALL, Check
		7	T			EVE, EZH	DGQ		
10	04799086	2	J			EVE, EZH	DGQ		BLEED ORIFICE, Transmission
		2	T			EVE, EZH	DGQ		
11	04446544	10	T			EVE, EZH	DGQ		SEAL, Accumulator
		10	J			EVE, EZH	DGQ		

GRAND CHEROKEE (WK)

SERIES LINE
H = HIGHLINE T = JEEP - 2WD
P = PREMIUM J = JEEP - 4WD
S = SPORT
X = SPECIAL

BODY
74 = SPORT UTILITY 4-DR
TYPE #4

ENGINE
EZH = 5.7L V8 HEMI MDS
VCT Engine
ESF = 6.1L SRT HEMI V8
Engine
EKG = 3.7L V6 Engine

TRANSMISSION
DGJ = 5-Speed Auto W5A580
Transmission
DGQ = 5-Spd Automatic 545RFE
Transmission

AR = use ase required - = Non illustrated part

2010 WK

**Valve Body And Related Parts
Figure 021DGQ-820**

ITEM	PART NUMBER	QTY	LINE	SERIES	BODY	ENGINE	TRANS	TRIM	DESCRIPTION
12									SPRING, Accumulator
	04471880	1	J			EVE, EZH	DGQ		
		1	T			EVE, EZH	DGQ		
13									COVER, Accumulator
	04799598AB	1	T			EVE, EZH	DGQ		
		1	J			EVE, EZH	DGQ		
14									SCREW, Pan Head, M5 x 0.8 x 12.60
	06503232	7	J			EVE, EZH	DGQ		
		7	T			EVE, EZH	DGQ		
15									SPRING ASSEMBLY, Accumulator
	52119702AA	4	J			EVE, EZH	DGQ		
		4	T			EVE, EZH	DGQ		
16									PISTON, Accumulator
	04446620	5	J			EVE, EZH	DGQ		
		5	T			EVE, EZH	DGQ		
17									SEAL, Clutch Feed
	04799778	3	J			EVE, EZH	DGQ		
		3	T			EZH, EVE	DGQ		
18									ACCUMULATOR KIT, Accumulator Cover
	05174633AA	1	T			EVE, EZH	DGQ		
		1	J			EVE, EZH	DGQ		

GRAND CHEROKEE (WK)

SERIES LINE
H = HIGHLINE T = JEEP - 2WD
P = PREMIUM J = JEEP - 4WD
S = SPORT
X = SPECIAL

BODY
74 = SPORT UTILITY 4-DR
TYPE #4

ENGINE
EZH = 5.7L V8 HEMI MDS
VCT Engine
ESF = 6.1L SRT HEMI V8
Engine
EKG = 3.7L V6 Engine

TRANSMISSION
DGJ = 5-Speed Auto W5A580
Transmission
DGQ = 5-Spd Automatic 545RFE
Transmission

**Parking Sprag And Related Parts
Figure 021DGQ-860**

ITEM	PART NUMBER	QTY	LINE	SERIES	BODY	ENGINE	TRANS	TRIM	DESCRIPTION
1	04799493AD	1	J			EVE, EZH	DGQ		SPRAG, Transmission Parking
		1	T			EVE, EZH	DGQ		
2	04799704	1	J			EVE, EZH	DGQ		SNAP RING, Transmission
		1	T			EVE, EZH	DGQ		
3	04799450	1	J			EVE, EZH	DGQ		SHAFT, Parking Pawl
		1	T			EVE, EZH	DGQ		
4	05166452AA	1	J			EVE, EZH	DGQ		PAWL AND ROD KIT
		1	T			EVE, EZH	DGQ		
5	04799451	1	J			EVE, EZH	DGQ		SPRING, Torsion
		1	T			EVE, EZH	DGQ		
6	04799313	1	J			EVE, EZH	DGQ		SNAP RING
		1	T			EVE, EZH	DGQ		
7	04799774AB	1	J			EVE, EZH	DGQ		GUIDE, Parking Sprag Pawl
		1	T			EVE, EZH	DGQ		
8	00456636	1	J			EVE, EZH	DGQ		PIN
		1	T			EVE, EZH	DGQ		
9	06504548	1	J			EVE, EZH	DGQ		SCREW, M6x1x30
		1	T			EVE, EZH	DGQ		
10	06036682AA	1	J			EVE, EZH	DGQ		SNAP RING, Rod
		1	T			EVE, EZH	DGQ		
11	04799453	1	J			EVE, EZH	DGQ		LEVER, Shift Shaft
		1	T			EVE, EZH	DGQ		
12									SEAL

GRAND CHEROKEE (WK)

SERIES LINE
H = HIGHLINE T = JEEP - 2WD
P = PREMIUM J = JEEP - 4WD
S = SPORT
X = SPECIAL

BODY
74 = SPORT UTILITY 4-DR
TYPE #4

ENGINE
EZH = 5.7L V8 HEMI MDS
VCT Engine
ESF = 6.1L SRT HEMI V8
Engine
EKG = 3.7L V6 Engine

TRANSMISSION
DGJ = 5-Speed Auto W5A580
Transmission
DGQ = 5-Spd Automatic 545RFE
Transmission

AR = use ase required - = Non illustrated part

2010 WK

**Parking Sprag And Related Parts
Figure 021DGQ-860**

ITEM	PART NUMBER	QTY	LINE	SERIES	BODY	ENGINE	TRANS	TRIM	DESCRIPTION
	04799346	1	J			EVE, EZH	DGQ		
		1	T			EVE, EZH	DGQ		

GRAND CHEROKEE (WK)

SERIES LINE
H = HIGHLINE T = JEEP - 2WD
P = PREMIUM J = JEEP - 4WD
S = SPORT
X = SPECIAL

BODY
74 = SPORT UTILITY 4-DR
TYPE #4

ENGINE
EZH = 5.7L V8 HEMI MDS
VCT Engine
ESF = 6.1L SRT HEMI V8
Engine
EKG = 3.7L V6 Engine

TRANSMISSION
DGJ = 5-Speed Auto W5A580
Transmission
DGQ = 5-Spd Automatic 545RFE
Transmission

AR = use ase required - = Non illustrated part

2010 WK

Gearshift Controls
Figure 021DGQ-1105

ITEM	PART NUMBER	QTY	LINE	SERIES	BODY	ENGINE	TRANS	TRIM	DESCRIPTION
1									HOUSING AND LEVER, Shifter
	52124691AF	1	J	H			DGQ		
	52124692AD	1	T	P, S			DGQ		
2									KNOB, Gearshift
	04779634AA	1	T	H			DGQ		
		1	J	H			DGQ		
	04779635AA	1	T	P, S			DGQ		
		1	J	P, S			DGQ		
3									PRNDL BEZEL, Gear selector
	52124586AA	1	T	H			DGQ		
		1	T	P, S			DGQ		
	52124587AA	1	J	H			DGQ		
		1	J	P, S			DGQ		
4	68003121AC	1	J, T			EV0, EZ0	DGQ		CABLE, Gearshift Control
5	06509098AA	10	J, T			ESF			BOLT, Hex Flange Head, M6X1.00X35.00
6									SWITCH, Transfer Case
	56050139AG	1	J	H			DGQ		
		1	J	P, S			DGQ		

GRAND CHEROKEE (WK)

SERIES LINE
H = HIGHLINE T = JEEP - 2WD
P = PREMIUM J = JEEP - 4WD
S = SPORT
X = SPECIAL

BODY
74 = SPORT UTILITY 4-DR
TYPE #4

ENGINE
EZH = 5.7L V8 HEMI MDS
VCT Engine
ESF = 6.1L SRT HEMI V8
Engine
EKG = 3.7L V6 Engine

TRANSMISSION
DGJ = 5-Speed Auto W5A580
Transmission
DGQ = 5-Spd Automatic 545RFE
Transmission

**Gearshift Lever, Cable and Bracket
Figure 021DGQ-1115**

ITEM	PART NUMBER	QTY	LINE	SERIES	BODY	ENGINE	TRANS	TRIM	DESCRIPTION
1	68003121AC	1	J, T			EV0, EZ0	DGQ		CABLE, Gearshift Control
2	06508738AA	2	J, T				DBA		SCREW, Hex Head, M8x1.25x20
3	52104371AG	1	J, T				DGQ		BRACKET, Shift Cable
4	52109706AB	1	J, T				DGQ		LEVER, Manual Control

GRAND CHEROKEE (WK)

SERIES LINE
H = HIGHLINE T = JEEP - 2WD
P = PREMIUM J = JEEP - 4WD
S = SPORT
X = SPECIAL

BODY
74 = SPORT UTILITY 4-DR
TYPE #4

ENGINE
EZH = 5.7L V8 HEMI MDS
VCT Engine
ESF = 6.1L SRT HEMI V8
Engine
EKG = 3.7L V6 Engine

TRANSMISSION
DGJ = 5-Speed Auto W5A580
Transmission
DGQ = 5-Spd Automatic 545RFE
Transmission

AR = use ase required - = Non illustrated part

2010 WK

**Structural Collar
Figure 021DGQ-1210**

ITEM	PART NUMBER	QTY	LINE	SERIES	BODY	ENGINE	TRANS	TRIM	DESCRIPTION
1	53020885	1	J, T			EVE	DGQ		COVER, Dust Structural
2									INSULATOR, Transmission support
	52089938AJ	1	T			EVO, EZ0	DBA		
	52089936AI	1	J			EVO	DBA		
3	06101985	8	J, T			EVE			BOLT AND WASHER, Hex Head, M10x1.50x45.00
4	06104215AA	4	J						BOLT, Hex Flange Head, M10x1.50x25.00
5	06104717AA	2	J, T			EVO, EZ0			NUT, Hex Flange Lock, M10x1.50

GRAND CHEROKEE (WK)

SERIES LINE
H = HIGHLINE T = JEEP - 2WD
P = PREMIUM J = JEEP - 4WD
S = SPORT
X = SPECIAL

BODY
74 = SPORT UTILITY 4-DR
TYPE #4

ENGINE
EZH = 5.7L V8 HEMI MDS
VCT Engine
ESF = 6.1L SRT HEMI V8
Engine
EKG = 3.7L V6 Engine

TRANSMISSION
DGJ = 5-Speed Auto W5A580
Transmission
DGQ = 5-Spd Automatic 545RFE
Transmission

AR = use ase required - = Non illustrated part

2010 WK

**Mounting Bolts
Figure 021DGQ-1215**

ITEM	PART NUMBER	QTY	LINE	SERIES	BODY	ENGINE	TRANS	TRIM	DESCRIPTION
1	06036385AA	2	J, T				DGJ, DGQ		BOLT AND WASHER, Hex Head Lock, 0.437-14x2.00
2	06022266	4	J, T			EVE, EZH	DGJ, DGQ		BOLT AND WASHER, Hex Head, .375-16x1.50
3	52104344AA	1	J, T				DGQ		COVER, Transmission Dust

GRAND CHEROKEE (WK)

SERIES LINE
H = HIGHLINE T = JEEP - 2WD
P = PREMIUM J = JEEP - 4WD
S = SPORT
X = SPECIAL

BODY
74 = SPORT UTILITY 4-DR
TYPE #4

ENGINE
EZH = 5.7L V8 HEMI MDS
VCT Engine
ESF = 6.1L SRT HEMI V8
Engine
EKG = 3.7L V6 Engine

TRANSMISSION
DGJ = 5-Speed Auto W5A580
Transmission
DGQ = 5-Spd Automatic 545RFE
Transmission

AR = use ase required - = Non illustrated part

2010 WK

Group - 021DHB

NV146; Transfer Case

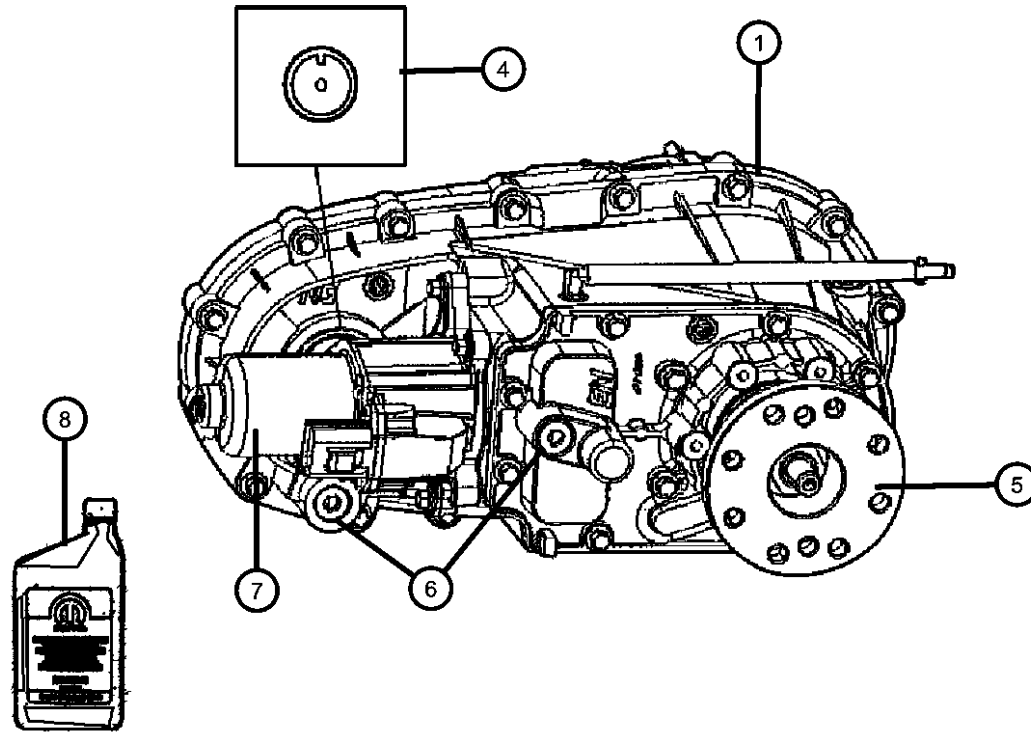
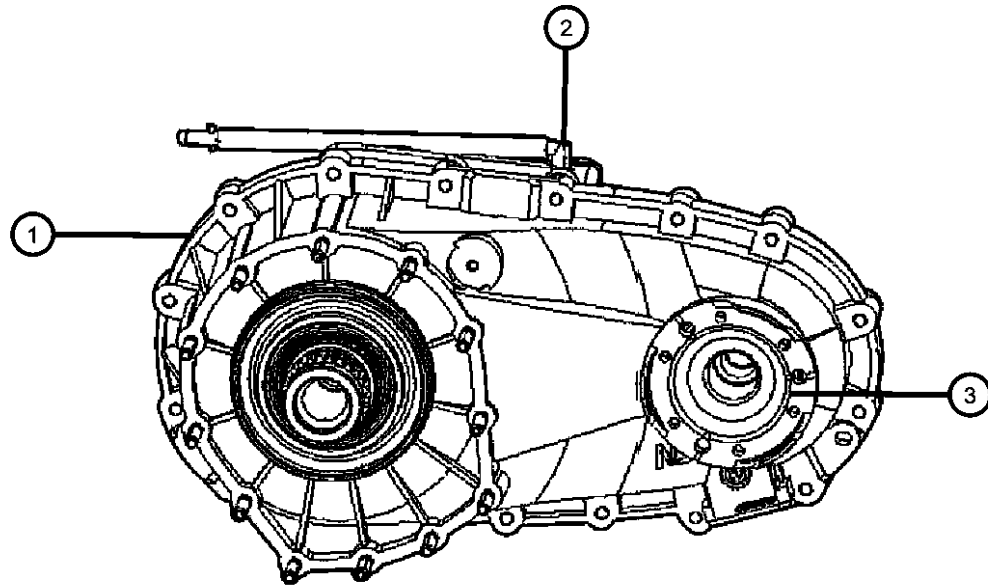
Group - 021DHB NV146; Transfer Case

Illustration Title	Group-Fig. No.
Transfer Case Assembly	
Transfer Case Assembly And Identification NVG 146 [DHB]	Fig. 021DHB - 105
Case, and Extension	
Case And Related Parts NVG 146 [DHB]	Fig. 021DHB - 205
Gear Train	
Gear Train NVG 146 [DHB]	Fig. 021DHB - 605
Fork and Rails	
Forks And Rails NVG 146 [DHB].....	Fig. 021DHB - 1005
Mounting and Skid Plate	
Transfer Case Mounting And Venting NVG 146 [DHB].....	Fig. 021DHB - 1205
Skid Plate And Mounting NVG 146 [DHB].....	Fig. 021DHB - 1210

021DHB-100 Transfer Case Assembly	021DHB-1000 Fork and Rails	021DHB-1200 Mounting and Skid Plate	021DHB-200 Case, and Extension
021DHB-600 Gear Train			

**Transfer Case Assembly And Identification NVG 146 [DHB]
Figure 021DHB-105**

ITEM	PART NUMBER	QTY	LINE	SERIES	BODY	ENGINE	TRANS	TRIM	DESCRIPTION
1	04854688AA	1	J, T			ESF			TRANSFER CASE, NVG146 [ABD]
	05037747AA	1	J, T			ESF			
	68001758AA								Mopar Transfer Case Fluid SRT8
2	05175988AA	1	J, T			ESF			VENT, Transfer Case
3	05143716AA	1	J, T			ESF			OUTPUT SHAFT, Transfer Case
4		1							IDENTIFICATION TAG, SCREW ON, (NOT SERVICED)
5	05143757AA	1	J, T			ESF			FLANGE, Driveshaft Yoke
6	68001627AA	1	J, T			ESF			PLUG, Oil Fill
7	05143786AA	1	J, T			ESF			ACTUATOR
8		1							LUBRICANT, Transfer Case, Quart, (NOT SERVICED)



GRAND CHEROKEE (WK)

SERIES LINE
H = HIGHLINE T = JEEP - 2WD
P = PREMIUM J = JEEP - 4WD
S = SPORT
X = SPECIAL

BODY
74 = SPORT UTILITY 4-DR
TYPE #4

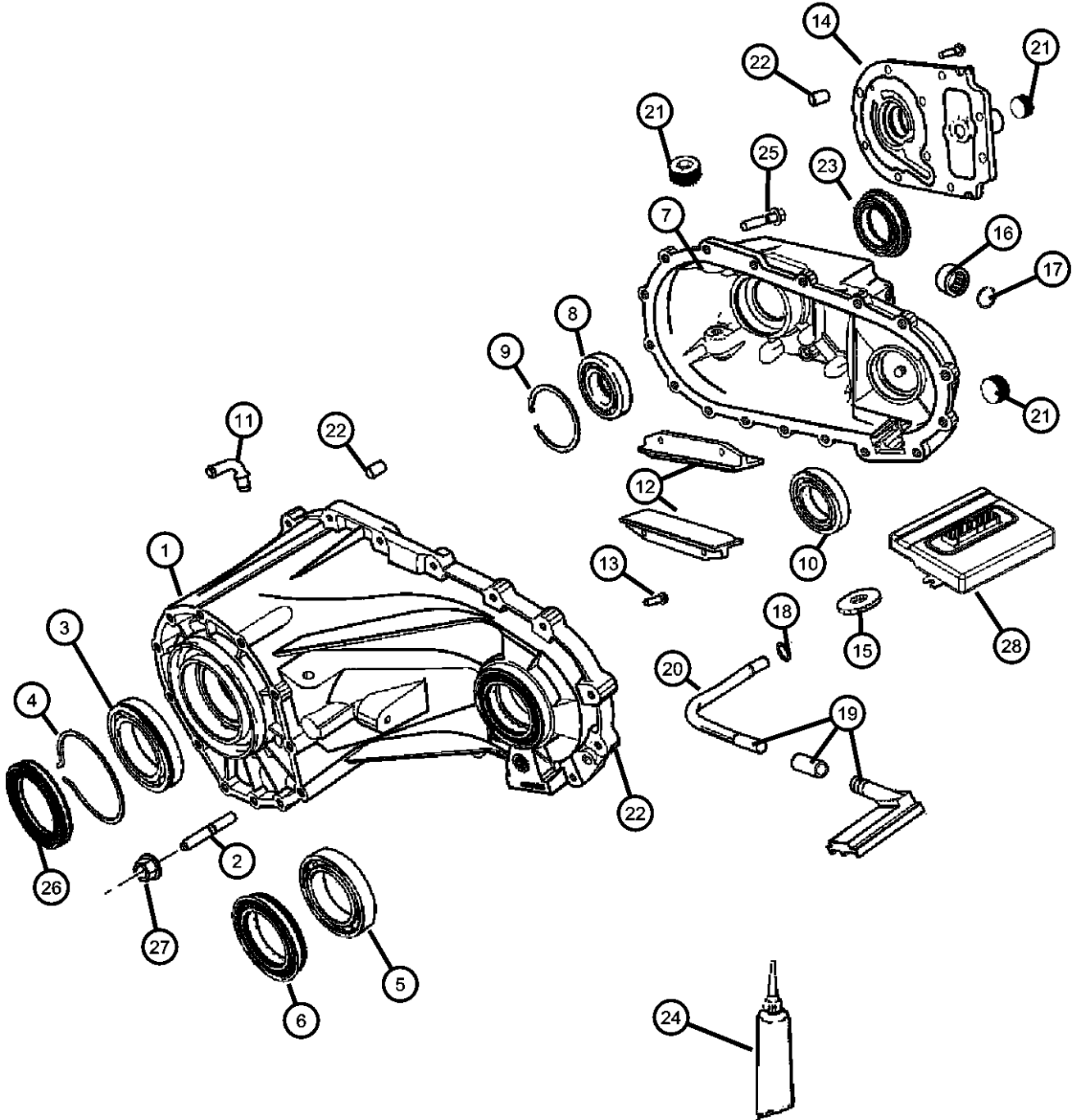
ENGINE
EZH = 5.7L V8 HEMI MDS
VCT Engine
ESF = 6.1L SRT HEMI V8
Engine
EKG = 3.7L V6 Engine

TRANSMISSION
DGJ = 5-Speed Auto W5A580
Transmission
DGQ = 5-Spd Automatic 545RFE
Transmission

AR = use ase required - = Non illustrated part

2010 WK

Case And Related Parts NVG 146 [DHB]
Figure 021DHB-205



ITEM	PART NUMBER	QTY	LINE	SERIES	BODY	ENGINE	TRANS	TRIM	DESCRIPTION
1	05175982AA	1	J, T			ESF			CASE HALF, Front
2	05143725AA	12	J, T			ESF			STUD
3	05143739AA	1	J, T			ESF			BEARING, Input Gear
4	03821558	2	J, T			ESF			SNAP RING
5	05012997AC	1	J, T			ESF			BEARING, Input Gear
6	05143715AA	1	J, T			ESF			SEAL, Output
7	05175990AA	1	J, T			ESF			CASE, Transfer Rear
8	05161968AA	1	J, T			ESF			BEARING, Ball
9	05143776AA	1	J, T			ESF			SNAP RING
10		1							BEARING, Ball, 05143741ab, (NOT SERVICED)
11	05175988AA	1	J, T			ESF			VENT, Transfer Case
12	05012324AA	1	J, T			ESF			SNUBBER, Chain
13	05012325AA	2	J, T			ESF			BOLT
14	05143760AA	1	J, T			ESF			RETAINER, Transfer Case Rear, [AHB]
15	03681601	1	J, T			ESF			MAGNET, Transmission
16	05143982AA	1	J, T			ESF			BEARING, Transfer Case Shift
17	05143774AA	1	J, T			ESF			SNAP RING
18	05013016AB	1	J, T			ESF			SEAL, Transfer Case
19	05143773AB	1	J, T			ESF			TUBE, Oil pickup assembly, Transfer case
20	53021522AE	1	J, T			ESF			TUBE, Oil Pickup
21	68001627AA	2	J, T			ESF			PLUG, Oil Fill
22	05086335AA	3	J, T			ESF			DOWEL, Transfer Case
23	05143733AB	1	J, T			ESF			SEAL, Oil
24	05010884AA	1	J, T			ESF			SEALANT, RTV
25	06101526	31	J, T			ESF			SCREW, Hex Flange Head, M8x1.25x35
26	05143714AA	1	J, T			ESF			SEAL, Input
27	06507572AA	12	J						NUT AND WASHER, Hex, [M8X1.00], Transfer Case To Transmission, Mounting
28	05035000AC	1	J			ESF			MODULE, Transfer Case Control

GRAND CHEROKEE (WK)

SERIES LINE
H = HIGHLINE T = JEEP - 2WD
P = PREMIUM J = JEEP - 4WD
S = SPORT
X = SPECIAL

BODY
74 = SPORT UTILITY 4-DR
TYPE #4

ENGINE
EZH = 5.7L V8 HEMI MDS
VCT Engine
ESF = 6.1L SRT HEMI V8
Engine
EKG = 3.7L V6 Engine

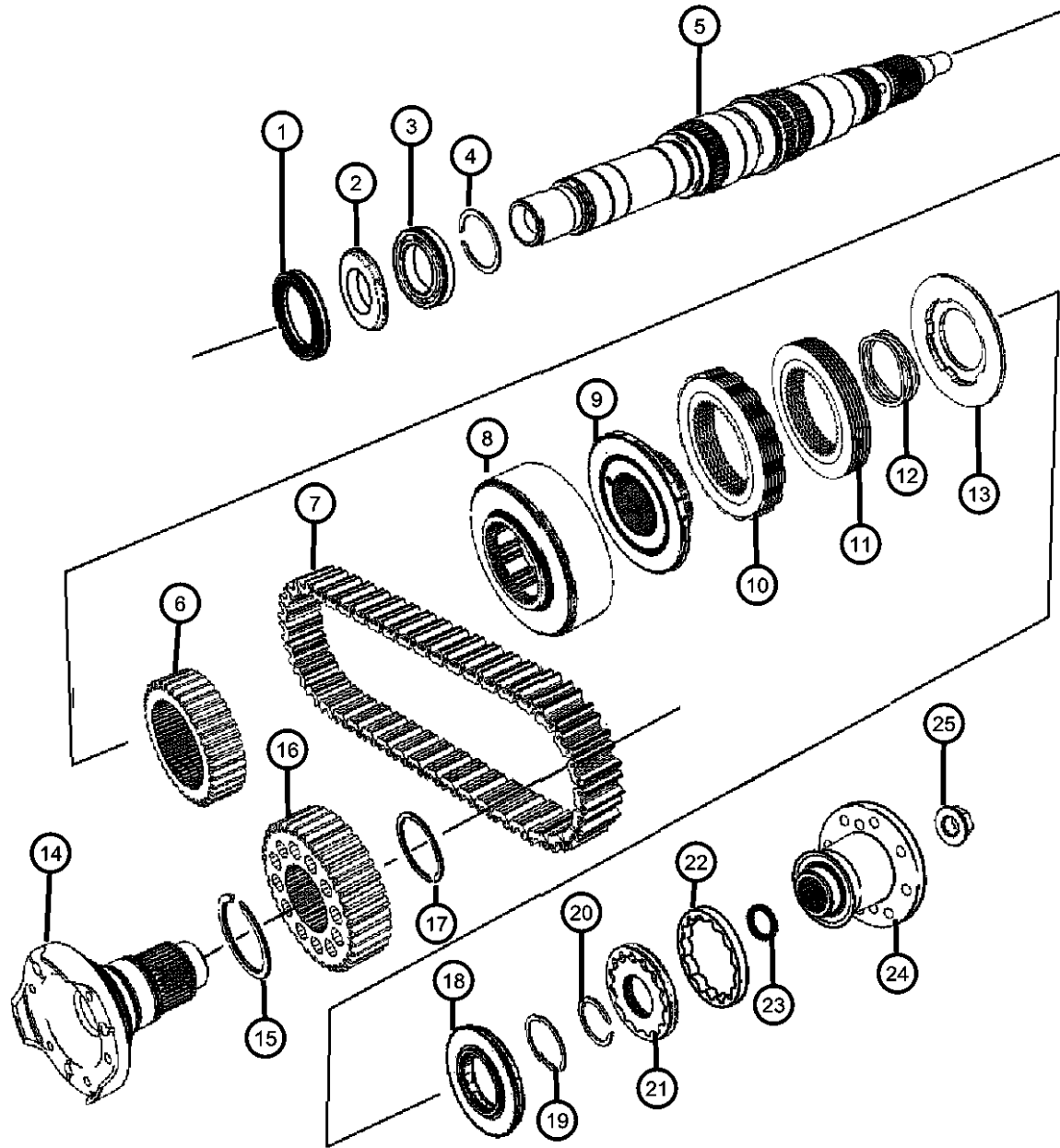
TRANSMISSION
DGJ = 5-Speed Auto W5A580
Transmission
DGQ = 5-Spd Automatic 545RFE
Transmission

AR = use ase required - = Non illustrated part

2010 WK

**Gear Train NVG 146 [DHB]
Figure 021DHB-605**

ITEM	PART NUMBER	QTY	LINE	SERIES	BODY	ENGINE	TRANS	TRIM	DESCRIPTION
1	05143714AA	1	J, T			ESF			SEAL, Input
2	05161962AA	1	J, T			ESF			BEARING, Thrust
3	05143739AA	1	J, T			ESF			BEARING, Input Gear
4	03821558	1	J, T			ESF			SNAP RING
5	05175984AA	1	J, T			ESF			MAINSHAFT, Transfer Case
6	05143727AA	1	J, T			ESF			SPROCKET, Transfer Case
7	05161964AA	1	J, T			ESF			CHAIN, Transfer Case
8	05143984AA	1	J, T			ESF			DRUM
9	05143984AA	1	J, T			ESF			DRUM
10	05175986AA	6	J, T			ESF			PLATE, Transmission Clutch Reaction
11	05175985AA	7	J, T			ESF			PLATE, Clutch Pressure
12	05143989AA	1	J, T			ESF			SPRING, Clutch
13	05175987AA	1	J, T			ESF			PLATE
14	05143716AA	1	J, T			ESF			OUTPUT SHAFT, Transfer Case
15	83503537	1	J, T			ESF			SNAP RING
16	05143730AA	1	J, T			ESF			SPROCKET, Transfer Case
17	05080503AA	1	J, T			ESF			SNAP RING
18	05161962AA	1	J, T			ESF			BEARING, Thrust
19	83503537	1	J, T			ESF			SNAP RING
20	05143774AA	1	J, T			ESF			SNAP RING
21	05143772AA	1	J, T			ESF			PUMP, Transfer Case Oil
22	68020949AA	1	J, T			ESF			ROTOR ASSEMBLY, Inner & outer
23	05143743AA	1	J, T			ESF			SEAL
24	05143757AA	1	J, T			ESF			FLANGE, Driveshaft Yoke
25	05143738AB	1	J, T			ESF			NUT, Transfer Case Yoke



GRAND CHEROKEE (WK)

SERIES LINE
H = HIGHLINE T = JEEP - 2WD
P = PREMIUM J = JEEP - 4WD
S = SPORT
X = SPECIAL

BODY
74 = SPORT UTILITY 4-DR
TYPE #4

ENGINE
EZH = 5.7L V8 HEMI MDS
VCT Engine
ESF = 6.1L SRT HEMI V8
Engine
EKG = 3.7L V6 Engine

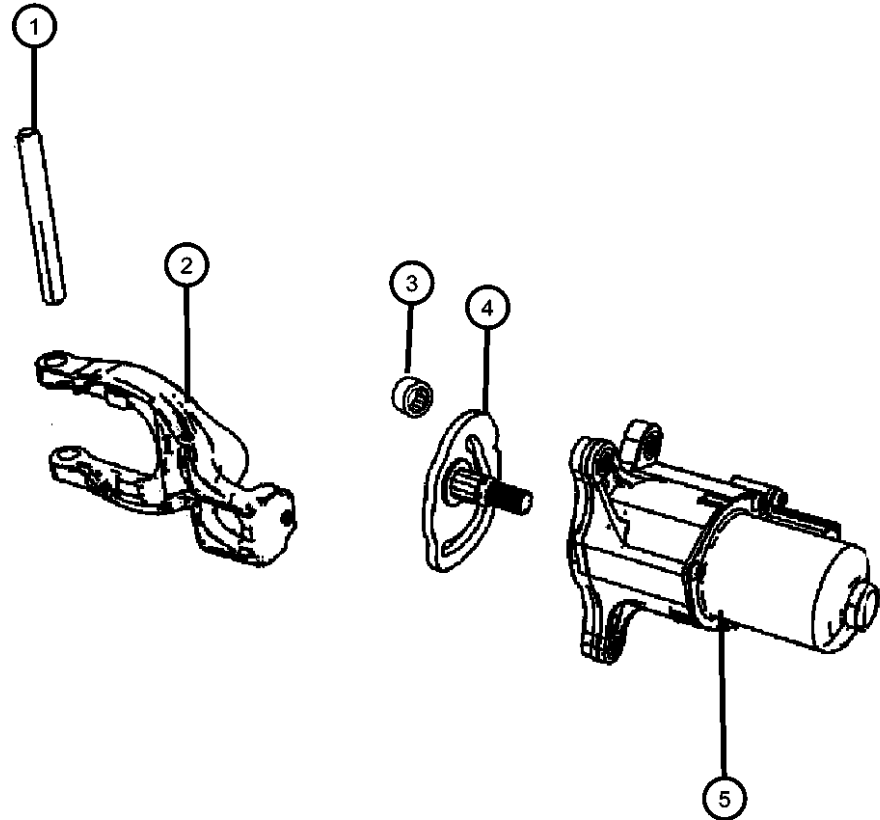
TRANSMISSION
DGJ = 5-Speed Auto W5A580
Transmission
DGQ = 5-Spd Automatic 545RFE
Transmission

AR = use ase required - = Non illustrated part

2010 WK

Forks And Rails NVG 146 [DHB]
Figure 021DHB-1005

ITEM	PART NUMBER	QTY	LINE	SERIES	BODY	ENGINE	TRANS	TRIM	DESCRIPTION
1	05143981AA	1	J, T			ESF			RAIL, Shift
2	05161975AA	1	J, T			ESF			LEVER, Transfer Case
3	05143982AA	1	J, T			ESF			BEARING, Transfer Case Shift
4	05175989AA	1	J, T			ESF			SECTOR, Transfer Case
5	05143786AA	1	J, T			ESF			ACTUATOR



GRAND CHEROKEE (WK)

SERIES LINE
H = HIGHLINE T = JEEP - 2WD
P = PREMIUM J = JEEP - 4WD
S = SPORT
X = SPECIAL

BODY
74 = SPORT UTILITY 4-DR
TYPE #4

ENGINE
EZH = 5.7L V8 HEMI MDS
VCT Engine
ESF = 6.1L SRT HEMI V8
Engine
EKG = 3.7L V6 Engine

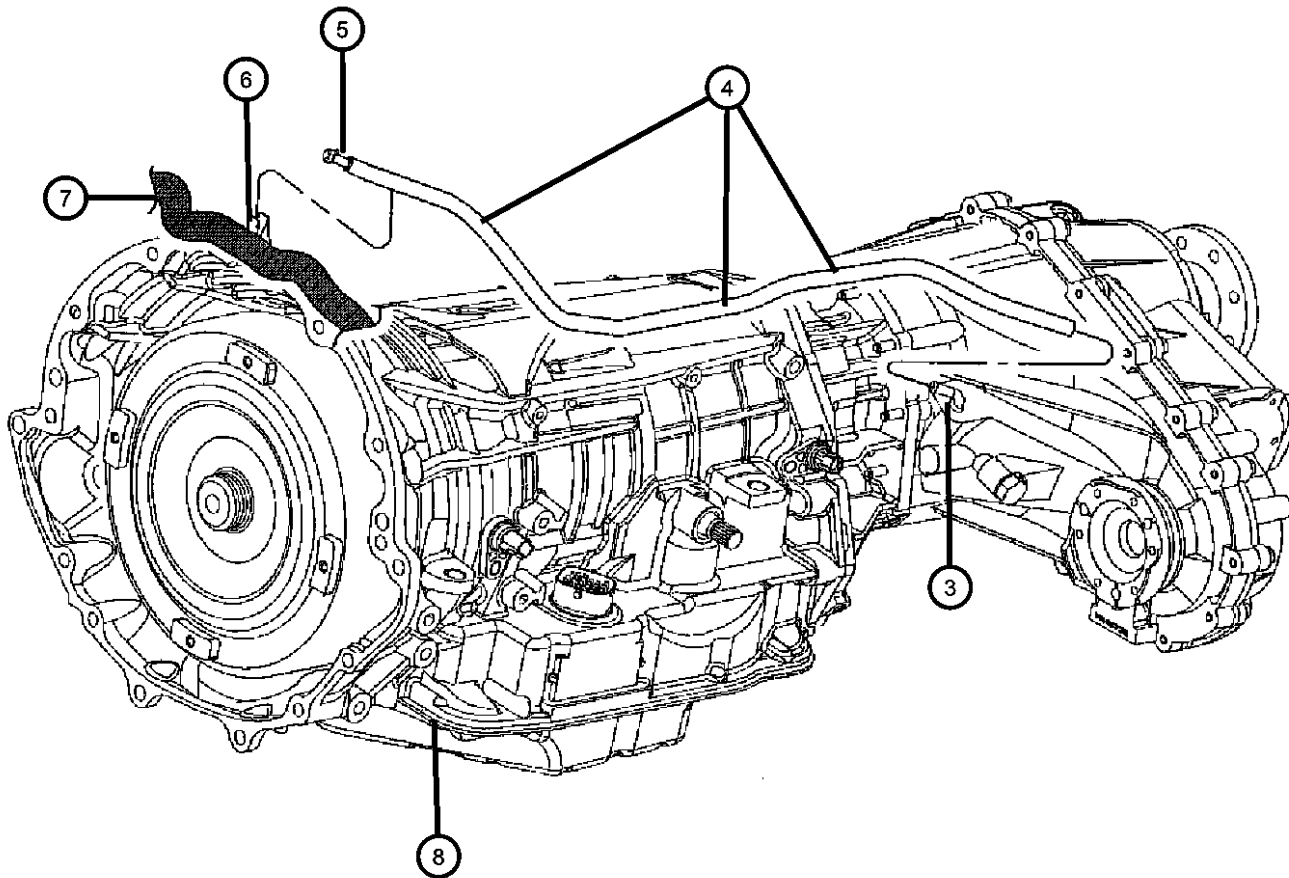
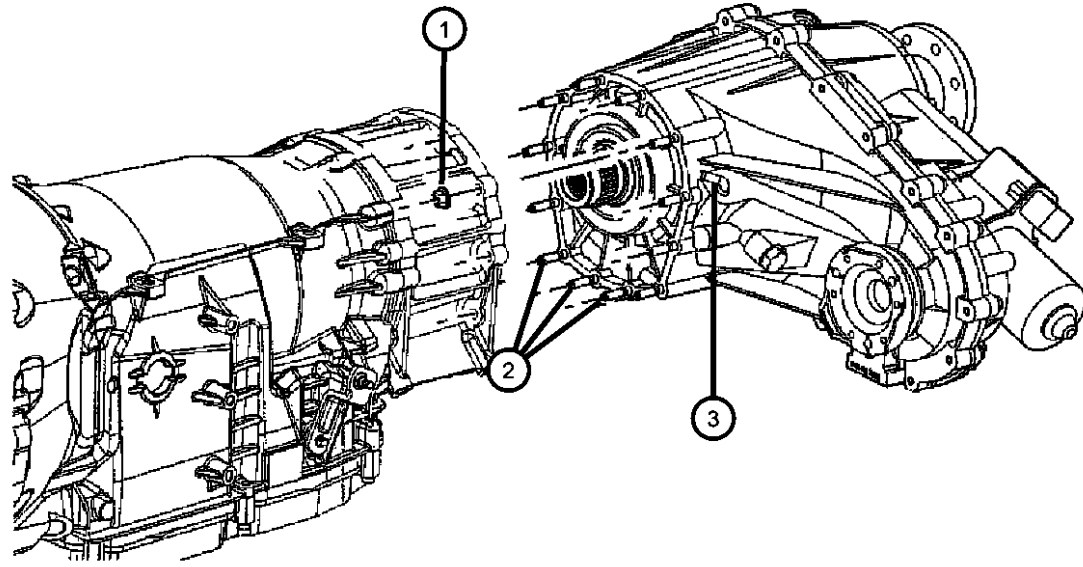
TRANSMISSION
DGJ = 5-Speed Auto W5A580
Transmission
DGQ = 5-Spd Automatic 545RFE
Transmission

AR = use ase required - = Non illustrated part

2010 WK

**Transfer Case Mounting And Venting NVG 146 [DHB]
Figure 021DHB-1205**

ITEM	PART NUMBER	QTY	LINE	SERIES	BODY	ENGINE	TRANS	TRIM	DESCRIPTION
1	06507572AA	12	J						NUT AND WASHER, Hex, [M8X1.00]
2	05143725AA	12	J, T			ESF			STUD
3	05175988AA	1	J, T			ESF			VENT, Transfer Case
4	HFV00516AB	1	J						HOSE, Fuel And Vapor, 25 Foot Roll 5/16"
5	J5352955	1	J						VENT, Axle
6		1							CLIP, Transfer case vent hose, Serviced On Wiring, (NOT SERVICED)
7		1							WIRING, See Group 8, (NOT SERVICED)
8		1							TRANSMISSION, See Transmission Group, (NOT SERVICED)



GRAND CHEROKEE (WK)

SERIES LINE
H = HIGHLINE T = JEEP - 2WD
P = PREMIUM J = JEEP - 4WD
S = SPORT
X = SPECIAL

BODY
74 = SPORT UTILITY 4-DR
TYPE #4

ENGINE
EZH = 5.7L V8 HEMI MDS
VCT Engine
ESF = 6.1L SRT HEMI V8
Engine
EKG = 3.7L V6 Engine

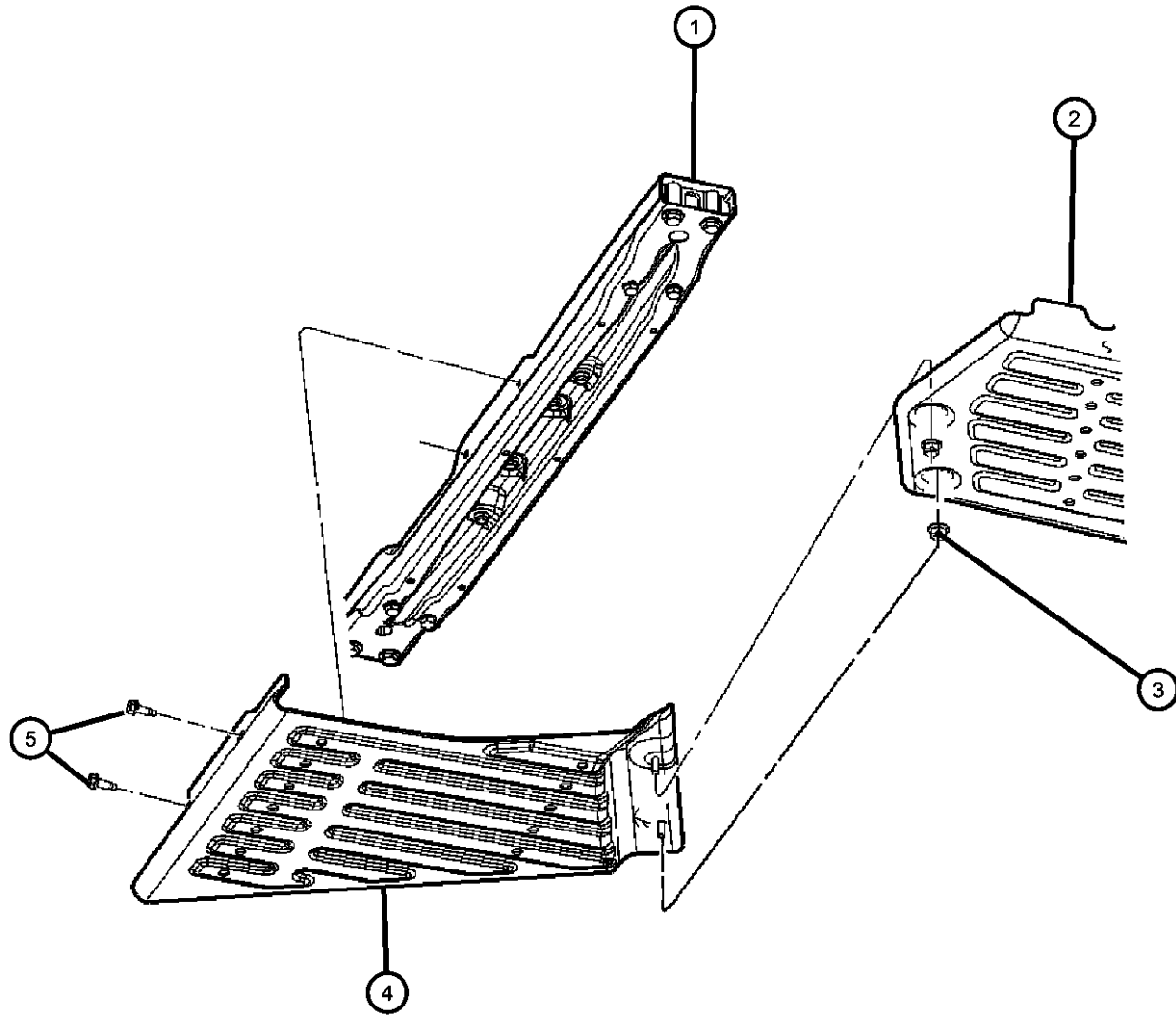
TRANSMISSION
DGJ = 5-Speed Auto W5A580
Transmission
DGQ = 5-Spd Automatic 545RFE
Transmission

AR = use ase required - = Non illustrated part

2010 WK

**Skid Plate And Mounting NVG 146 [DHB]
Figure 021DHB-1210**

ITEM	PART NUMBER	QTY	LINE	SERIES	BODY	ENGINE	TRANS	TRIM	DESCRIPTION
1	52090070AI	1	J, T						CROSSMEMBER, Transmission
2	52090274AF	1	J, T			EK0, ES0, EZ0			SKID PLATE, Fuel Tank
3	06101696	2	J						NUT, Hex Flange Lock, M10x1.50
4	52128499AD	1	J						SKID PLATE, Transfer Case
5	06508286AA	2	J			EK0, EV0, EZ0			BOLT, Hex Head, M10x1.50x35.00



GRAND CHEROKEE (WK)

SERIES LINE
H = HIGHLINE T = JEEP - 2WD
P = PREMIUM J = JEEP - 4WD
S = SPORT
X = SPECIAL

BODY
74 = SPORT UTILITY 4-DR
TYPE #4

ENGINE
EZH = 5.7L V8 HEMI MDS
VCT Engine
ESF = 6.1L SRT HEMI V8
Engine
EKG = 3.7L V6 Engine

TRANSMISSION
DGJ = 5-Speed Auto W5A580
Transmission
DGQ = 5-Spd Automatic 545RFE
Transmission

AR = use ase required - = Non illustrated part

2010 WK

Group - 021DHX

NV245; Transfer Case

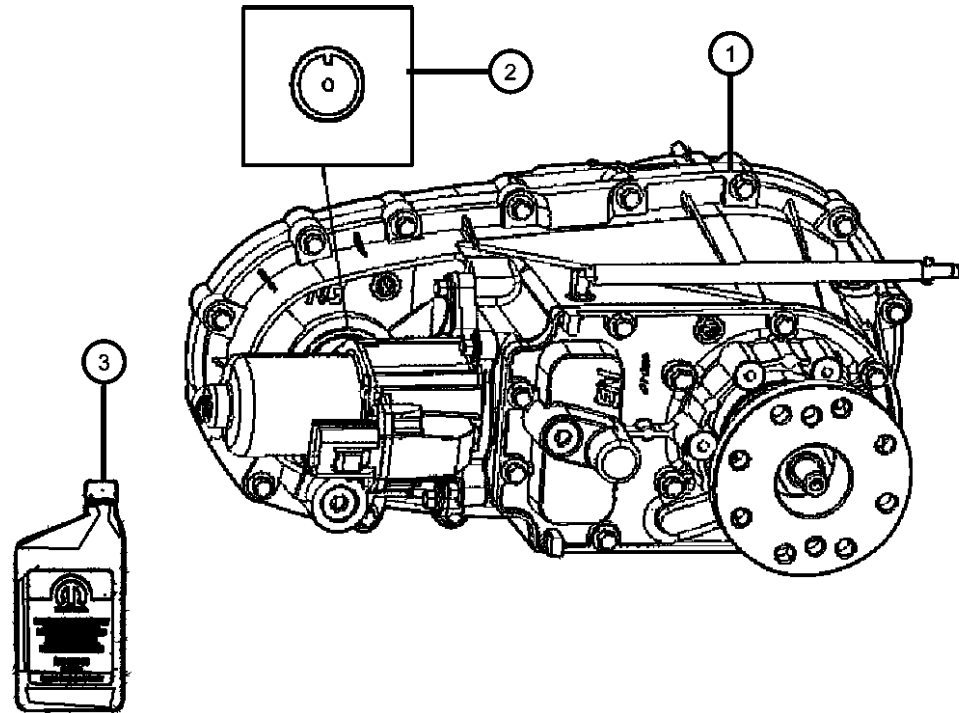
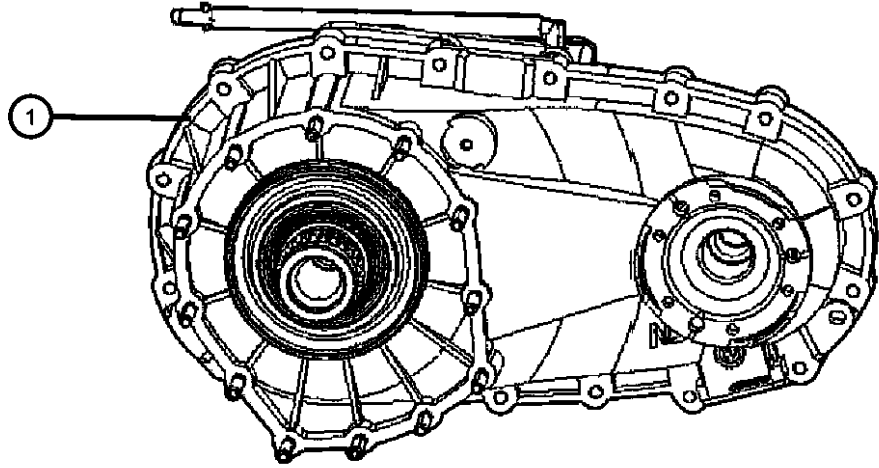
Group - 021DHX NV245; Transfer Case

Illustration Title	Group-Fig. No.
Transfer Case Assembly	
Transfer Case Assembly And Identification NVG 245 [DHX]	Fig. 021DHX - 105
Case, and Extension	
Case And Related Parts NVG 245 [DHX]	Fig. 021DHX - 205
Gear Train	
Gear Train NVG 245 [DHX]	Fig. 021DHX - 605
Fork and Rails	
Fork And Rails NVG 245 [DHX]	Fig. 021DHX - 1005
Gearshift Controls and Related Parts	
Transfer Case Shifting And Controls NVG 245 [DHX]	Fig. 021DHX - 1105
Mounting and Skid Plate	
Skid Plate And Mounting NVG 245 [DHX]	Fig. 021DHX - 1205

021DHX-100 Transfer Case Assembly	021DHX-1000 Fork and Rails	021DHX-1100 Gearshift Controls and Related Parts	021DHX-1200 Mounting and Skid Plate
021DHX-200 Case, and Extension	021DHX-600 Gear Train		

**Transfer Case Assembly And Identification NVG 245 [DHX]
Figure 021DHX-105**

ITEM	PART NUMBER	QTY	LINE	SERIES	BODY	ENGINE	TRANS	TRIM	DESCRIPTION
1	52105703AB	1	J			EVE, EZH			TRANSFER CASE, NVG245
	52853391AC	1	J			EKG			
2		1							IDENTIFICATION TAG, SCREW ON, (NOT SERVICED)
3	68001758AA	AR	J						



GRAND CHEROKEE (WK)

SERIES LINE
H = HIGHLINE T = JEEP - 2WD
P = PREMIUM J = JEEP - 4WD
S = SPORT
X = SPECIAL

BODY
74 = SPORT UTILITY 4-DR
TYPE #4

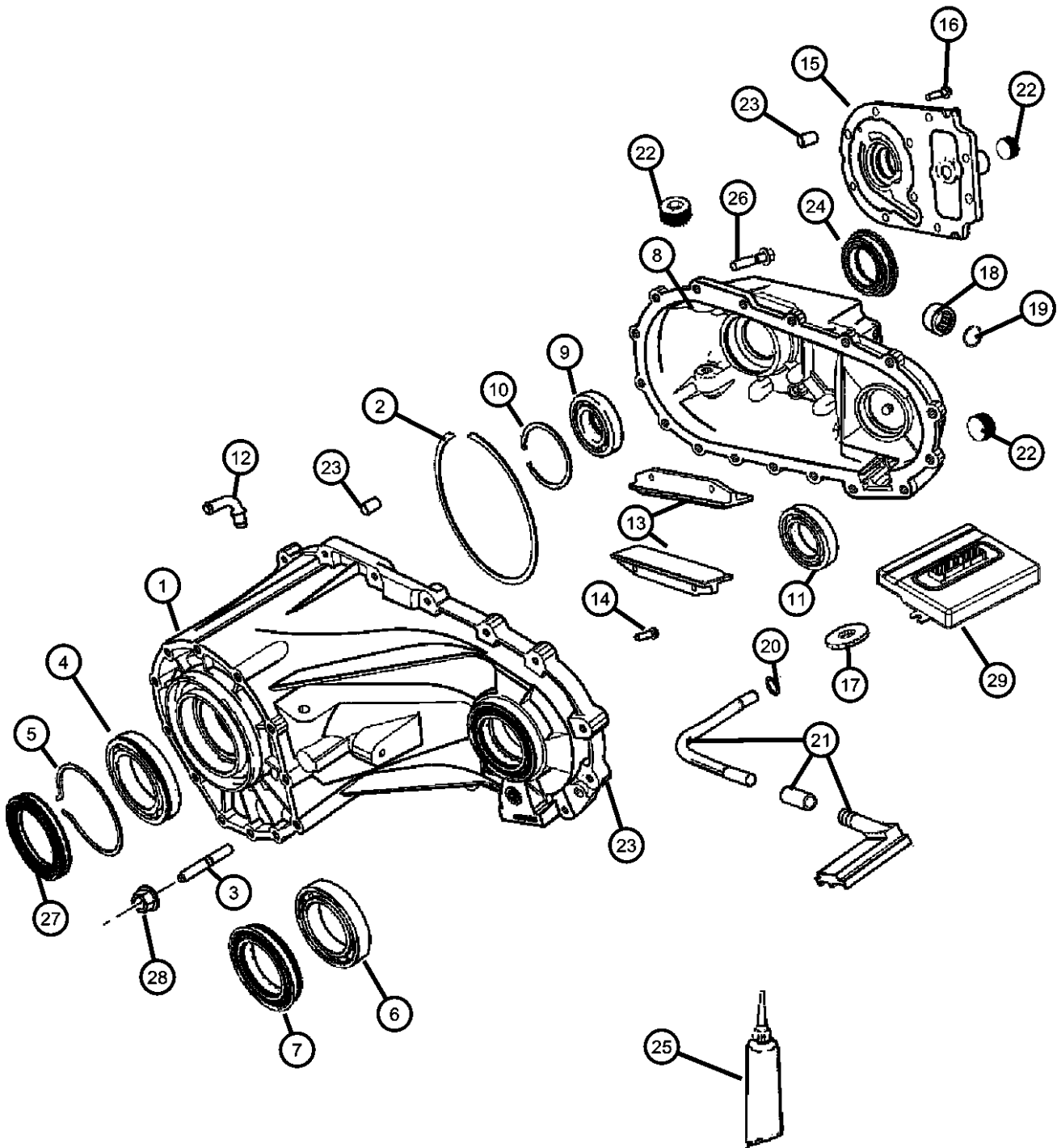
ENGINE
EZH = 5.7L V8 HEMI MDS
VCT Engine
ESF = 6.1L SRT HEMI V8
Engine
EKG = 3.7L V6 Engine

TRANSMISSION
DGJ = 5-Speed Auto W5A580
Transmission
DGQ = 5-Spd Automatic 545RFE
Transmission

AR = use ase required - = Non illustrated part

2010 WK

Case And Related Parts NVG 245 [DHX]
Figure 021DHX-205



ITEM	PART NUMBER	QTY	LINE	SERIES	BODY	ENGINE	TRANS	TRIM	DESCRIPTION
1	05143749AA	1	J			EVE, EZD			CASE, Transfer Front
		1	J			EKG			
		1	J			EVE, EZH			
2	04219065	1	J			EKG			SNAP RING, Annulus Gear
		1	J			EVE, EZH			
		1	J			EVE, EZD			
3	05143725AA	12	J			EK0			STUD
4	05143739AA	1	J			EK0			BEARING, Input Gear
		1	J			EV0, EZ0			
5	05143748AA	1	J			EV0, EZ0			SNAP RING
		1	J			EK0			
6	05012997AC	1	J			EKG			BEARING, Input Gear
		1	J			EVE, EZD			
7	05143715AA	1	J			EK0			SEAL, Output
8	05161965AB	1	J			EK0			CASE, Transfer Rear
9	05161968AA	1	J			EK0			BEARING, Ball
		1	J			EV0, EZ0			
10	05143776AA	1	J			EK0			SNAP RING
		1	J			EV0, EZ0			
11		1							BEARING, Ball, 5143741ab, (NOT SERVICED)
12	68001633AA	1	J			EVE, EZD			VENT, Transfer Case
13	05012324AA	1	J			EVE, EZD			SNUBBER, Chain
14	05012325AA	4	J			EK0			BOLT
15	05143760AB	1	J			EKG			RETAINER, Transfer Case Rear
		1	J			EVE, EZH			
		1	J			EVE, EZD			

GRAND CHEROKEE (WK)

SERIES LINE
H = HIGHLINE T = JEEP - 2WD
P = PREMIUM J = JEEP - 4WD
S = SPORT
X = SPECIAL

BODY
74 = SPORT UTILITY 4-DR
TYPE #4

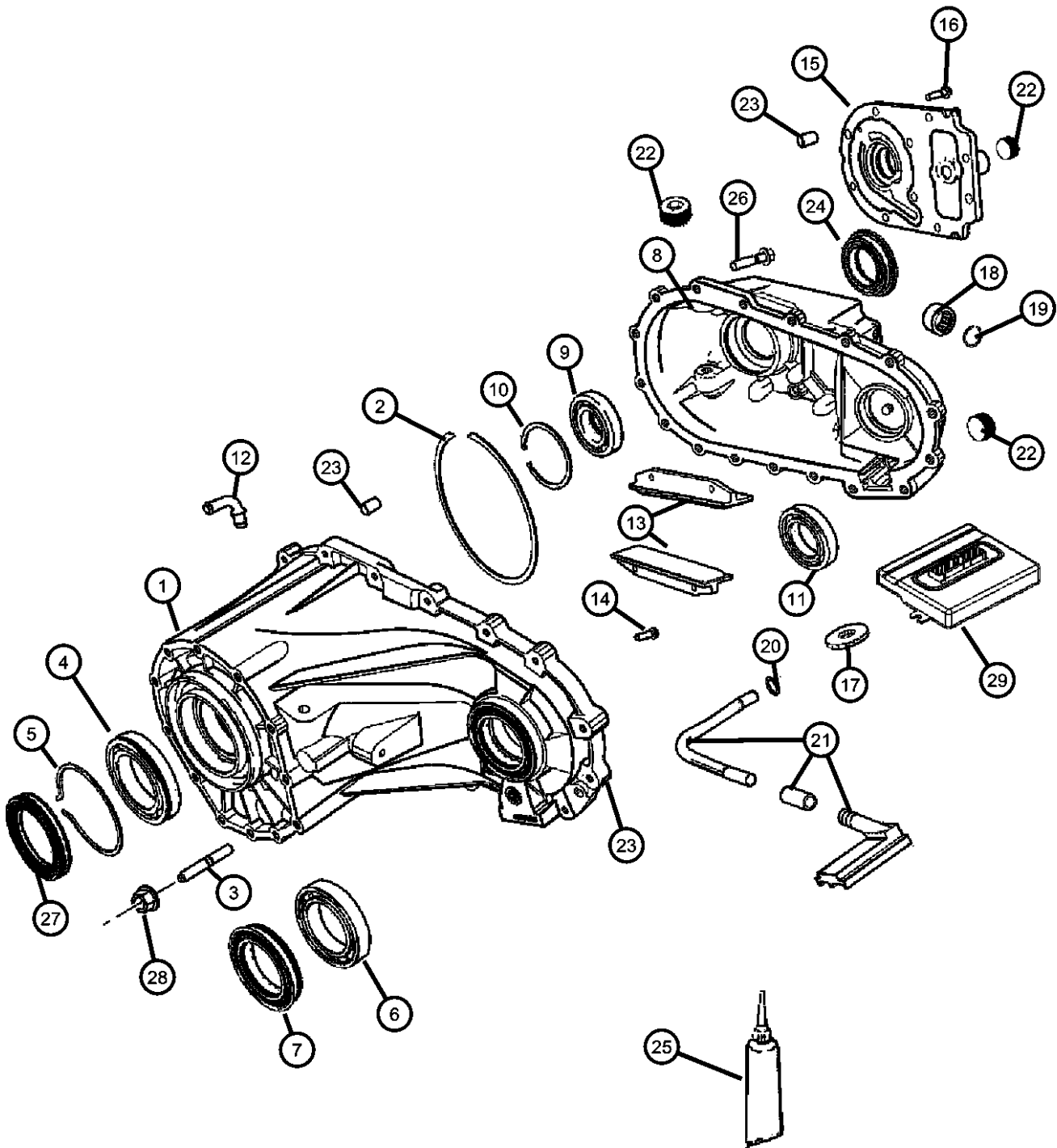
ENGINE
EZH = 5.7L V8 HEMI MDS
VCT Engine
ESF = 6.1L SRT HEMI V8
Engine
EKG = 3.7L V6 Engine

TRANSMISSION
DGJ = 5-Speed Auto W5A580
Transmission
DGQ = 5-Spd Automatic 545RFE
Transmission

AR = use ase required - = Non illustrated part

2010 WK

Case And Related Parts NVG 245 [DHX]
Figure 021DHX-205



ITEM	PART NUMBER	QTY	LINE	SERIES	BODY	ENGINE	TRANS	TRIM	DESCRIPTION
16	06501371	6	J			EKG			BOLT, Retainer
17	03681601	1	J			EK0			MAGNET, Transmission
18	05143982AA	1	J			EV0, EZ0			BEARING, Transfer Case Shift
19									SNAP RING
	05143774AA	1	J			EV0, EZ0			
		1	J			EK0			
20									SEAL, Transfer Case
	05013016AB	1	J			EKG			
		1	J			EVE, EZH			
		1	J			EVE, EZD			
21	05143773AB	1	J			EK0			TUBE, Oil pickup assembly, Transfer case
22	68001627AA	3	J			EK0			PLUG, Oil Fill
23	05086335AA	5	J			EK0			DOWEL, Transfer Case
24									SEAL, Oil
	05143733AB	1	J			EVE, EZH			
		1	J			EVE, EZD			
		1	J			EKG			
25									SEALANT, RTV
	05010884AA	1	J			EKG			
		1	J			EVE, EZD			
26	06101526	31	J			EK0			SCREW, Hex Flange Head, M8x1.25x35
27	05143714AA	1	J			EKG			SEAL, Input
28	06507572AA	12	J						NUT AND WASHER, Hex, [M8X1.00], Transfer Case To Transmission, Mounting
29									MODULE, Transfer Case Control
	56044199AN	1	J						[DSG]
	56044129AN	1	J						[DS7]

GRAND CHEROKEE (WK)

SERIES LINE
H = HIGHLINE T = JEEP - 2WD
P = PREMIUM J = JEEP - 4WD
S = SPORT
X = SPECIAL

BODY
74 = SPORT UTILITY 4-DR
TYPE #4

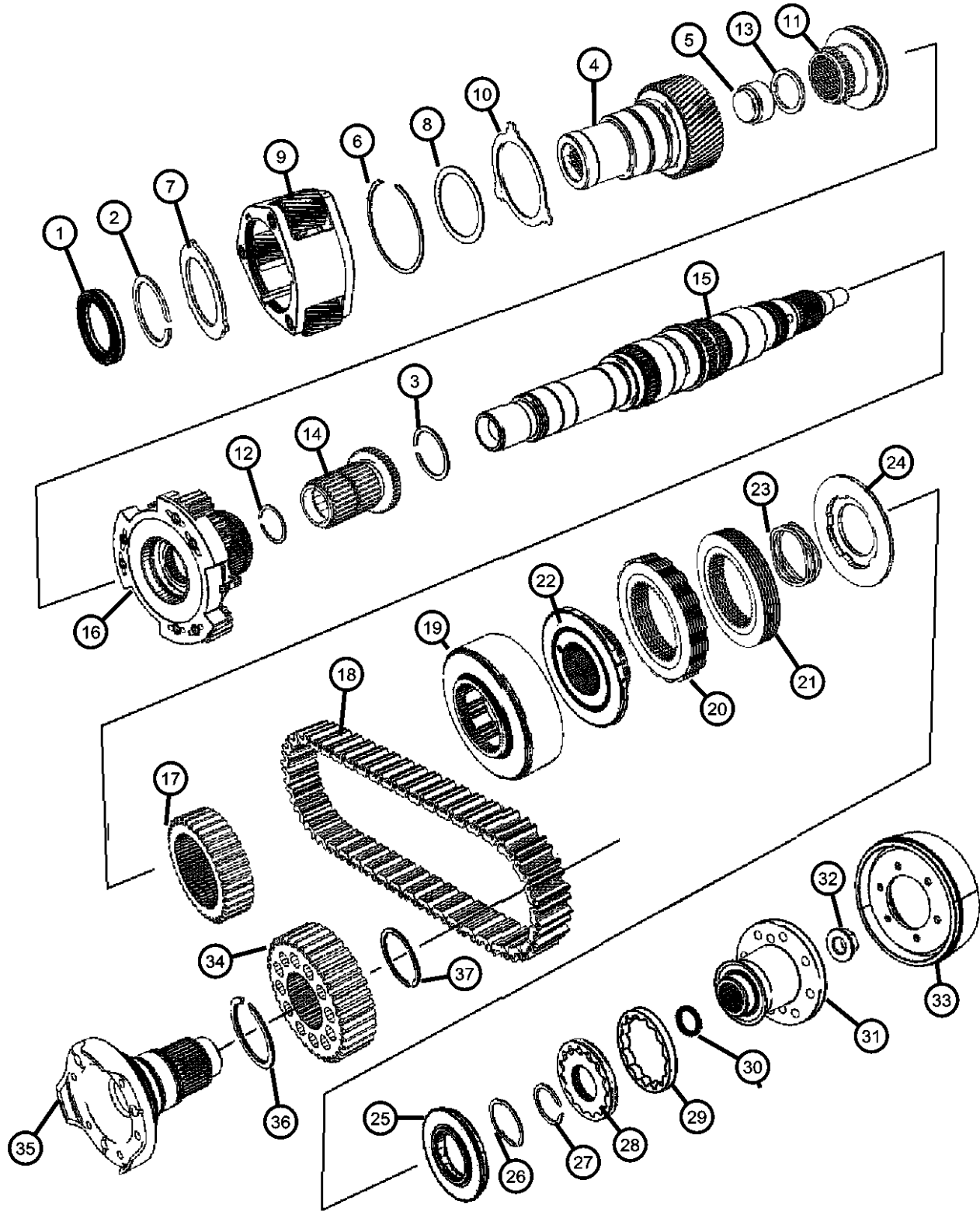
ENGINE
EZH = 5.7L V8 HEMI MDS
VCT Engine
ESF = 6.1L SRT HEMI V8
Engine
EKG = 3.7L V6 Engine

TRANSMISSION
DGJ = 5-Speed Auto W5A580
Transmission
DGQ = 5-Spd Automatic 545RFE
Transmission

AR = use ase required - = Non illustrated part

2010 WK

**Gear Train NVG 245 [DHX]
Figure 021DHX-605**



ITEM	PART NUMBER	QTY	LINE	SERIES	BODY	ENGINE	TRANS	TRIM	DESCRIPTION
1	05143714AA	1	J			EVE, EZD			SEAL, Input
2	05143748AA	1	J			EKG			SNAP RING [1]
	05143751AA	1	J			EV0, EZ0			
3	05143728AA	1	J			EV0, EZ0			SNAP RING
		1	J			EK0			
		1	J			EV0, EZ0			
4	05174080AA	1	J			EK0			GEAR, Input
5	83503507	1	J			EV0, EZ0			BEARING, Input Shaft
6	04338910	1	J			EK0			SNAP RING
		1	J			EV0, EZ0			
7	05143750AA	1	J			EV0, EZ0			PLATE
		1	J			EK0			
8	05086313AA	1	J			EK0			THRUST WASHER, Planetary Carrier
		1	J			EV0, EZ0			
9	05143746AA	1	J			EV0, EZ0			PLANETARY, Transfer Case
10	05161956AA	1	J			EV0, EZ0			THRUST WASHER, Planetary Carrier Three Tabs
		1	J			EK0			
11	05003746AA	1	J			EVE, EZD			SLEEVE, Shift Range
12	83503540	1	J			EKG			SNAP RING
		1	J			EV0, EZ0			
13	83503539	1	J			EK0			WASHER, Intermediate Sleeve
14									SHAFT, Intermediate

GRAND CHEROKEE (WK)

SERIES LINE
H = HIGHLINE T = JEEP - 2WD
P = PREMIUM J = JEEP - 4WD
S = SPORT
X = SPECIAL

BODY
74 = SPORT UTILITY 4-DR
TYPE #4

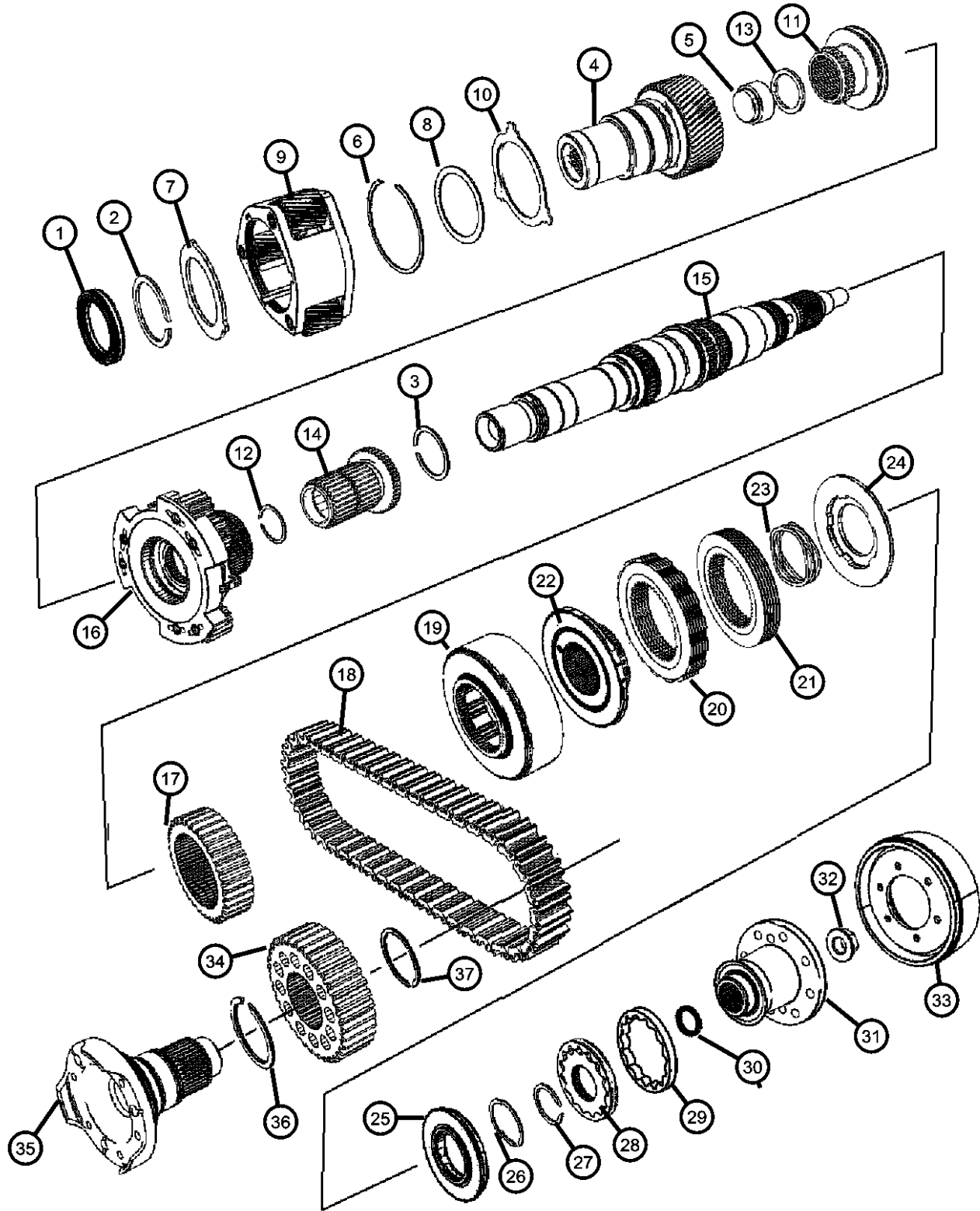
ENGINE
EZH = 5.7L V8 HEMI MDS
VCT Engine
ESF = 6.1L SRT HEMI V8
Engine
EKG = 3.7L V6 Engine

TRANSMISSION
DGJ = 5-Speed Auto W5A580
Transmission
DGQ = 5-Spd Automatic 545RFE
Transmission

AR = use ase required - = Non illustrated part

2010 WK

**Gear Train NVG 245 [DHX]
Figure 021DHX-605**



ITEM	PART NUMBER	QTY	LINE	SERIES	BODY	ENGINE	TRANS	TRIM	DESCRIPTION
	05103314AA	1	J			EKG			
		1	J			EVE, EZD			
15	05143752AA	1	J			EK0			MAINSHAFT, Transfer Case
16	05179814AB	1	J			EKG			DIFFERENTIAL, Transfer Case
17									SPROCKET, Transfer Case
	05143727AA	1	J			EK0			
		1	J			EV0, EZ0			
18									CHAIN, Transfer Case
	05161964AA	1	J			EKG			
		1	J			EVE, EZD			
19									DRUM
	05143983AA	1	J			EK0			
		1	J			EV0, EZ0			
20									PLATE
	05143986AB	6	J			EK0			Outer
		6	J			EV0, EZ0			Outer
21									PLATE
	05143987AB	6	J			EK0			Inner
		6	J			EV0, EZ0			Inner
22									DRUM
	05143984AA	1	J			EV0, EZ0			
		1	J			EK0			
23	05143989AA	1	J			EV0, EZ0			SPRING, Clutch
24									PLATE
	05161961AA	1	J			EV0, EZ0			
		1	J			EK0			
25									BEARING, Thrust
	05161962AA	1	J			EZD, EVE			
		1	J			EKG			
		1	J			EVE, EZH			
26									SNAP RING
	83503537	1	J			EV0, EZ0			
		1	J			EK0			
27									SNAP RING

GRAND CHEROKEE (WK)

SERIES LINE
H = HIGHLINE T = JEEP - 2WD
P = PREMIUM J = JEEP - 4WD
S = SPORT
X = SPECIAL

BODY
74 = SPORT UTILITY 4-DR
TYPE #4

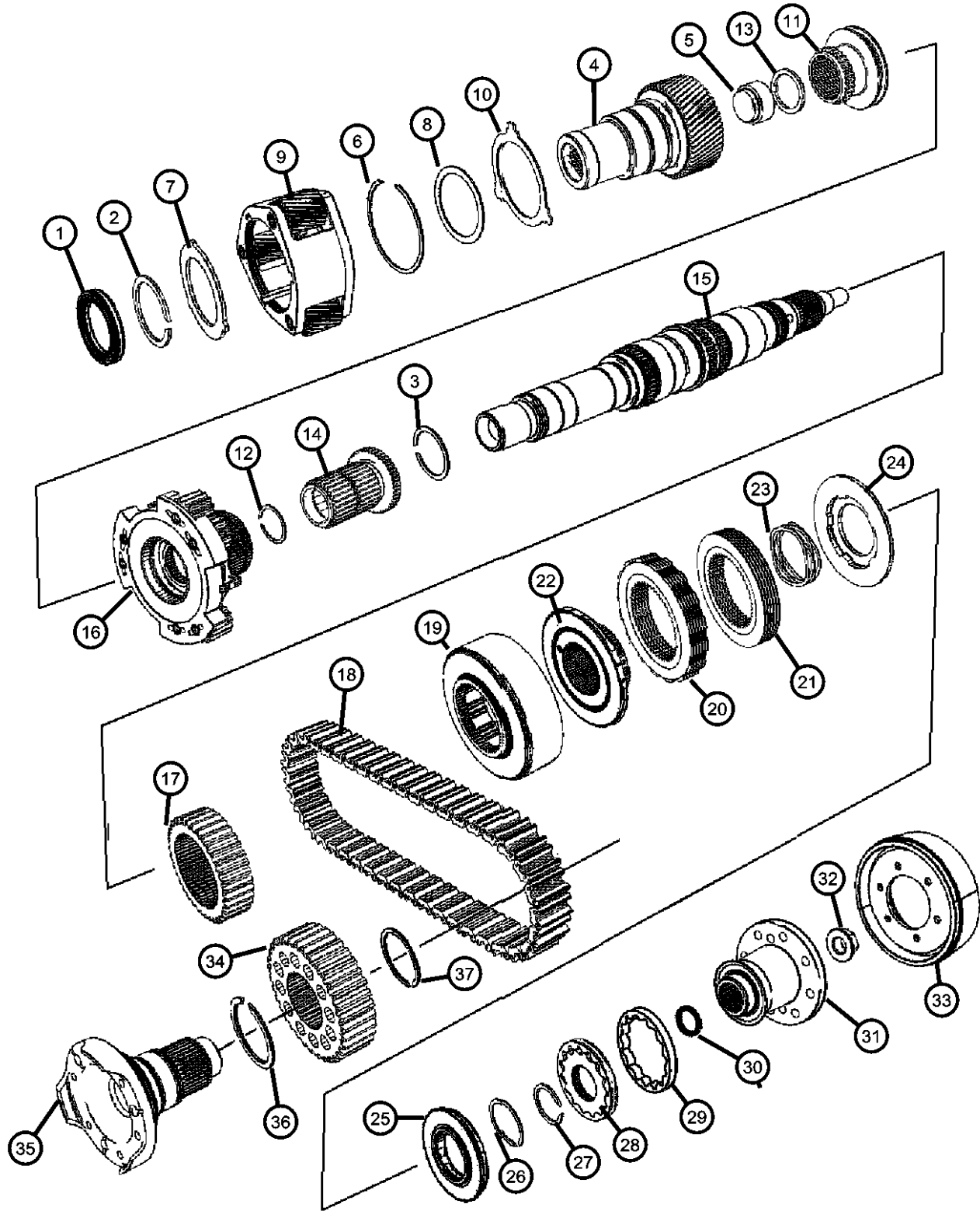
ENGINE
EZH = 5.7L V8 HEMI MDS
VCT Engine
ESF = 6.1L SRT HEMI V8
Engine
EKG = 3.7L V6 Engine

TRANSMISSION
DGJ = 5-Speed Auto W5A580
Transmission
DGQ = 5-Spd Automatic 545RFE
Transmission

AR = use ase required - = Non illustrated part

2010 WK

**Gear Train NVG 245 [DHX]
Figure 021DHX-605**



ITEM	PART NUMBER	QTY	LINE	SERIES	BODY	ENGINE	TRANS	TRIM	DESCRIPTION
	04883597AA	1	J			EK0			
		1	J			EV0, EZ0			
28	05143772AA	1	J			EV0, EZ0			PUMP, Transfer Case Oil
29	68020949AA	1	J			EK0			ROTOR ASSEMBLY, Inner & outer
30									SEAL
	05143743AA	1	J			EVE, EZD			
		1	J			EKG			
		1	J			EVE, EZH			
31									FLANGE, Driveshaft Yoke
	05143757AA	1	J			EVE, EZD			
		1	J			EKG			
		1	J			EVE, EZH			
32	05143738AB	1	J			EKG			NUT, Transfer Case Yoke
33	52853179AA	1	J			EKG			DAMPER, Transfer Case
34									SPROCKET, Transfer Case
	05143730AA	1	J			EV0, EZ0			
		1	J			EK0			
35	05143716AA	1	J			EV0, EZ0			OUTPUT SHAFT, Transfer Case
36									SNAP RING
	03821558	1	J			EK0			
		1	J			EV0, EZ0			
37									SNAP RING
	05170294AA	1	J			EK0			
		1	J			EV0, EZ0			

GRAND CHEROKEE (WK)

SERIES LINE
H = HIGHLINE T = JEEP - 2WD
P = PREMIUM J = JEEP - 4WD
S = SPORT
X = SPECIAL

BODY
74 = SPORT UTILITY 4-DR
TYPE #4

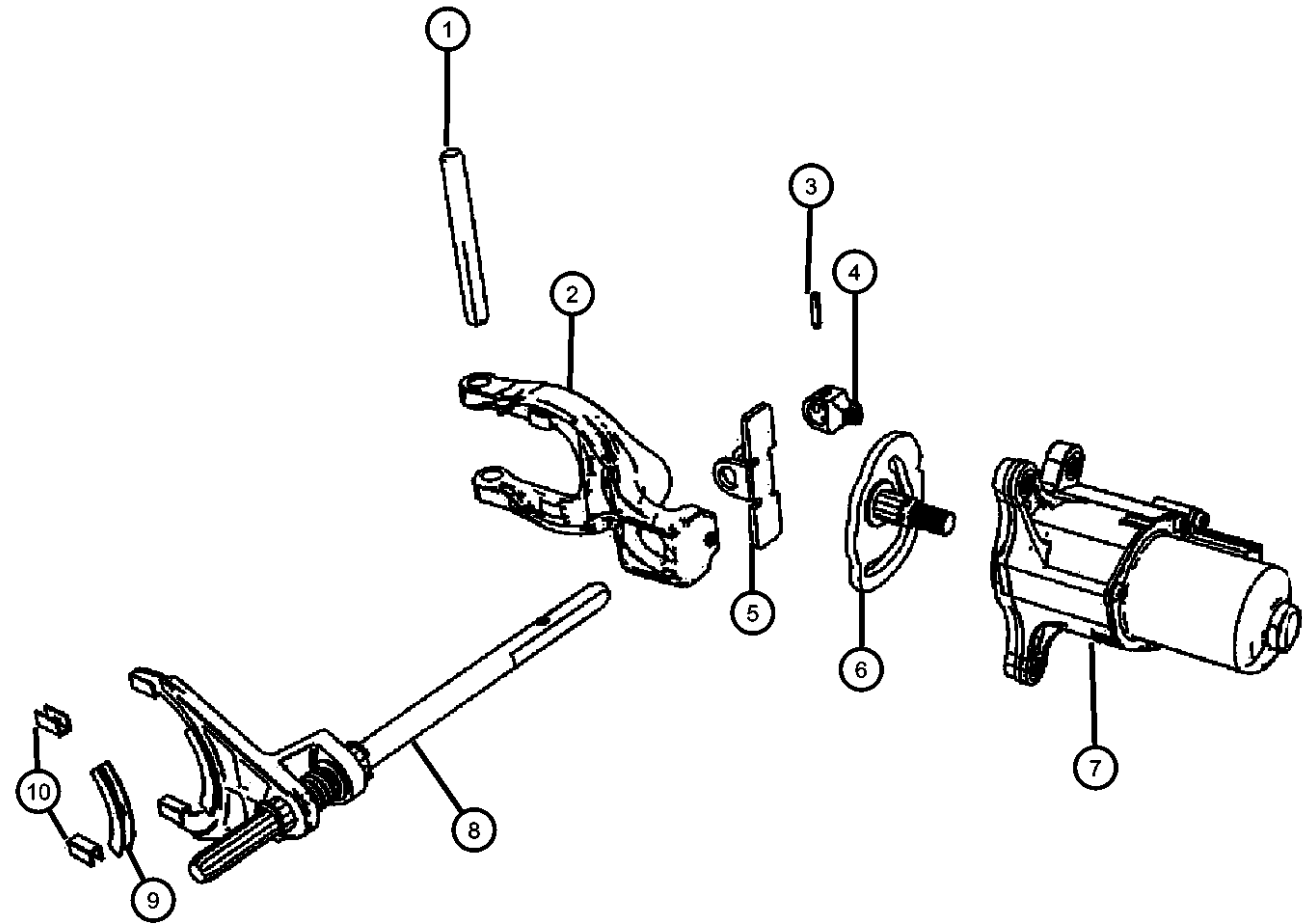
ENGINE
EZH = 5.7L V8 HEMI MDS
VCT Engine
ESF = 6.1L SRT HEMI V8
Engine
EKG = 3.7L V6 Engine

TRANSMISSION
DGJ = 5-Speed Auto W5A580
Transmission
DGQ = 5-Spd Automatic 545RFE
Transmission

AR = use ase required - = Non illustrated part

2010 WK

Fork And Rails NVG 245 [DHX]
Figure 021DHX-1005



ITEM	PART NUMBER	QTY	LINE	SERIES	BODY	ENGINE	TRANS	TRIM	DESCRIPTION
1	05143981AA	1	J			EKG			RAIL, Shift
		1	J			EVE, EZD			
2	05161975AA	1	J			EKG			LEVER, Transfer Case
		1	J			EVE, EZD			
3	06101475	1	J			EKG			PIN
		1	J			EVE, EZD			
4	05170304AA	1	J			EKG			BRACKET
		1	J			EVE, EZD			
5	05170305AA	1	J			EVE, EZD			ROLLER, Shift Rail
		1	J			EKG			
6	05143769AB	1	J			EVE, EZD			SECTOR, Transfer Case
		1	J			EKG			
7	05143786AA	1	J			EKG			ACTUATOR
		1	J			EVE, EZD			
8	05143753AA	1	J			EVE, EZD			FORK, Transfer Case Mode Shift
		1	J			EKG			
9	05015832AA	1	J			EKG			PAD, Shift Fork
		1	J			EVE, EZD			
10	05012018AA	2	J			EKG			PAD, Shift Fork
		2	J			EVE, EZD			

GRAND CHEROKEE (WK)

SERIES LINE
H = HIGHLINE T = JEEP - 2WD
P = PREMIUM J = JEEP - 4WD
S = SPORT
X = SPECIAL

BODY
74 = SPORT UTILITY 4-DR
TYPE #4

ENGINE
EZH = 5.7L V8 HEMI MDS
VCT Engine
ESF = 6.1L SRT HEMI V8
Engine
EKG = 3.7L V6 Engine

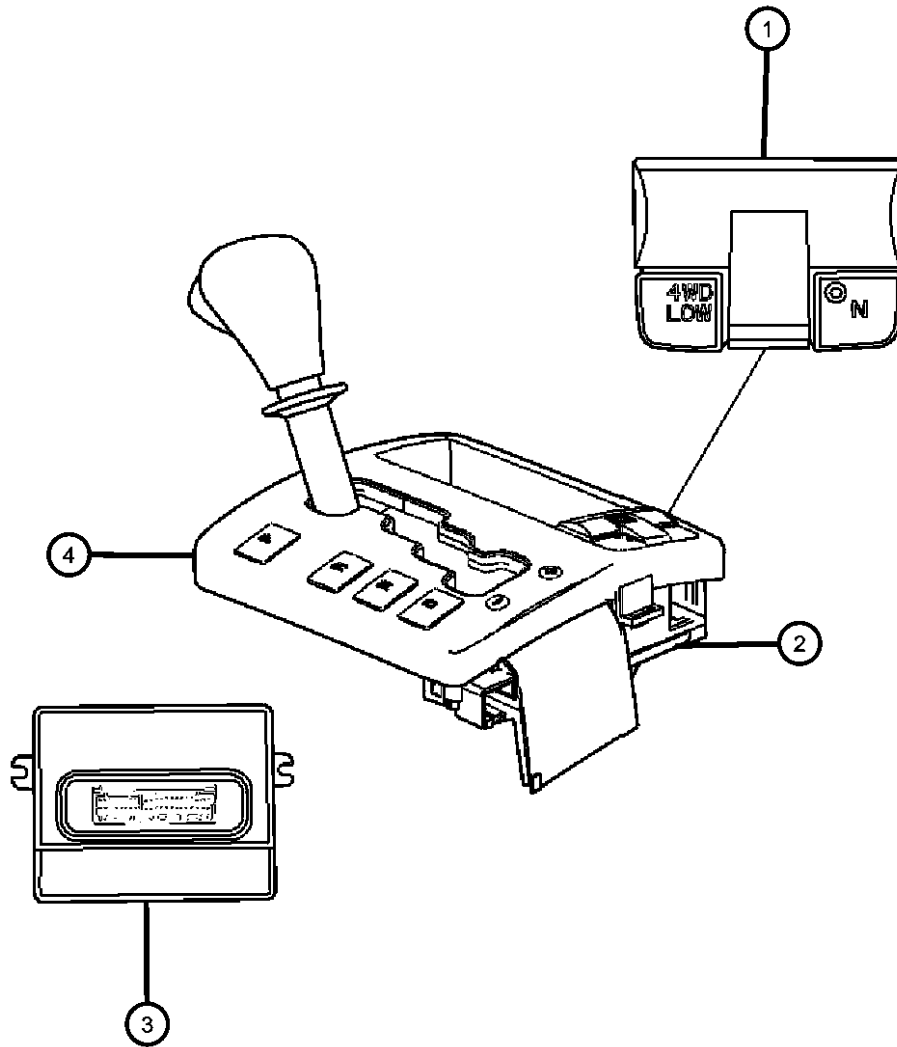
TRANSMISSION
DGJ = 5-Speed Auto W5A580
Transmission
DGQ = 5-Spd Automatic 545RFE
Transmission

AR = use ase required - = Non illustrated part

2010 WK

**Transfer Case Shifting And Controls NVG 245 [DHX]
Figure 021DHX-1105**

ITEM	PART NUMBER	QTY	LINE	SERIES	BODY	ENGINE	TRANS	TRIM	DESCRIPTION
1	56050139AG	1	J	P, S			DGU		SWITCH, Transfer Case
		1	J	H			DGJ, DGU		
		1	J	H			DGQ		
2	52124682AD	1	J	P, S			DGU		HOUSING AND LEVER, Shifter
	52124693AG	1	J	P, S			DGQ		
	52124688AF	1	J	H			DGJ, DGU		
	52124691AG	1	J	H			DGQ		
3	56044129AN	1	J						MODULE, Transfer Case Control [DHX] With [DS7]
	56044199AN	1	J						[DHX] With [DHG]
4	52124585AA	1	J	P, S			DGU		PRNDL BEZEL, Gear selector
		1	J	H			DGJ, DGU		
	52124587AA	1	J	H			DGQ		
		1	J	P, S			DGQ		



GRAND CHEROKEE (WK)

SERIES LINE
H = HIGHLINE T = JEEP - 2WD
P = PREMIUM J = JEEP - 4WD
S = SPORT
X = SPECIAL

BODY
74 = SPORT UTILITY 4-DR
TYPE #4

ENGINE
EZH = 5.7L V8 HEMI MDS
VCT Engine
ESF = 6.1L SRT HEMI V8
Engine
EKG = 3.7L V6 Engine

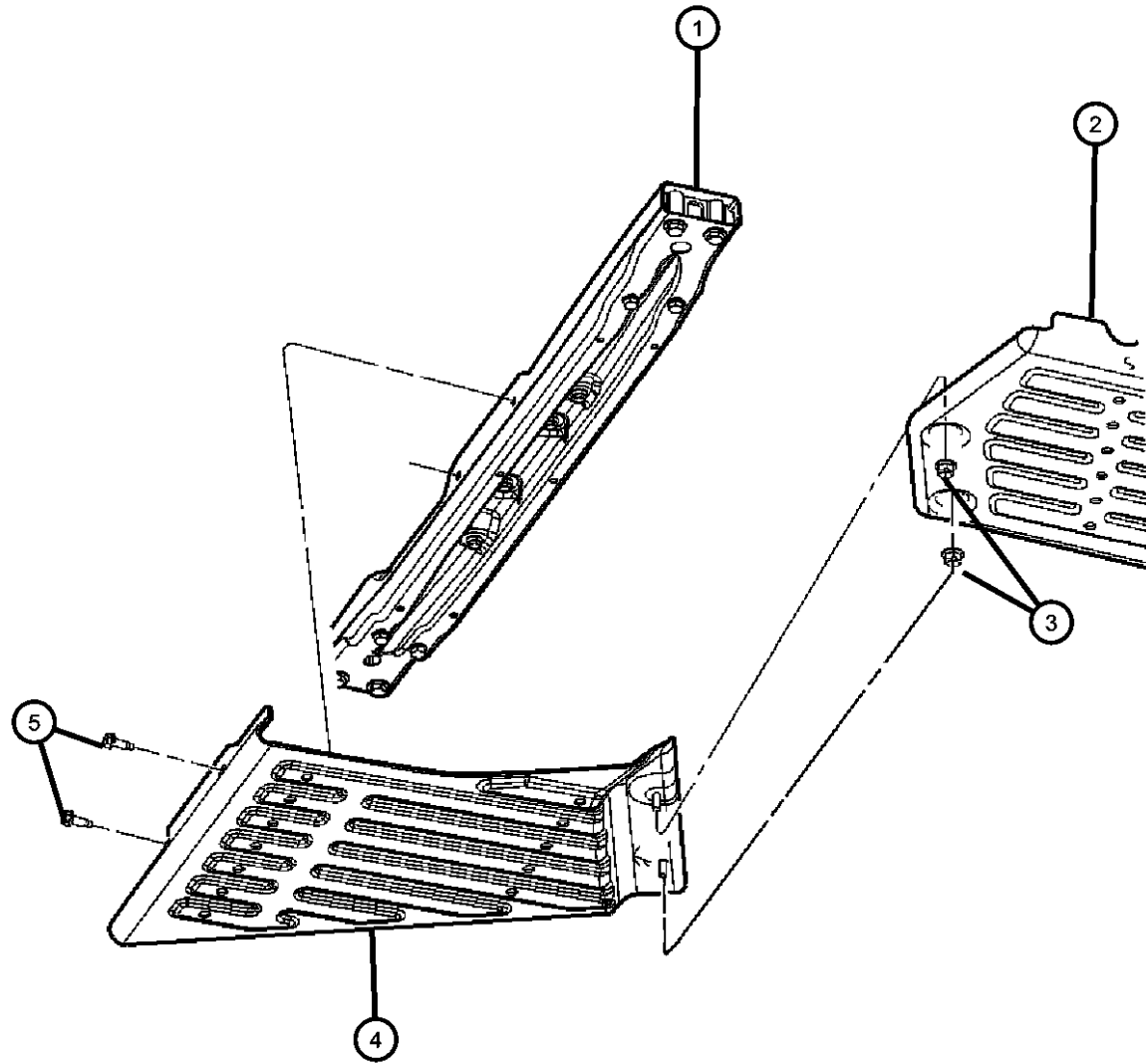
TRANSMISSION
DGJ = 5-Speed Auto W5A580
Transmission
DGQ = 5-Spd Automatic 545RFE
Transmission

AR = use ase required - = Non illustrated part

2010 WK

**Skid Plate And Mounting NVG 245 [DHX]
Figure 021DHX-1205**

ITEM	PART NUMBER	QTY	LINE	SERIES	BODY	ENGINE	TRANS	TRIM	DESCRIPTION
1	52090070AI	1	J, T						CROSSMEMBER, Transmission
2	52090274AF	1							SKID PLATE, Fuel Tank
3	06101696	2	J						NUT, Hex Flange Lock, M10x1.50
4	52128499AD	1	J						SKID PLATE, Transfer Case
5	06508286AA	2	J			EK0, EVO, EZ0			BOLT, Hex Head, M10x1.50x35.00



GRAND CHEROKEE (WK)

SERIES LINE
H = HIGHLINE T = JEEP - 2WD
P = PREMIUM J = JEEP - 4WD
S = SPORT
X = SPECIAL

BODY
74 = SPORT UTILITY 4-DR
TYPE #4

ENGINE
EZH = 5.7L V8 HEMI MDS
VCT Engine
ESF = 6.1L SRT HEMI V8
Engine
EKG = 3.7L V6 Engine

TRANSMISSION
DGJ = 5-Speed Auto W5A580
Transmission
DGQ = 5-Spd Automatic 545RFE
Transmission

AR = use ase required - = Non illustrated part

2010 WK

Group - 021DHZ

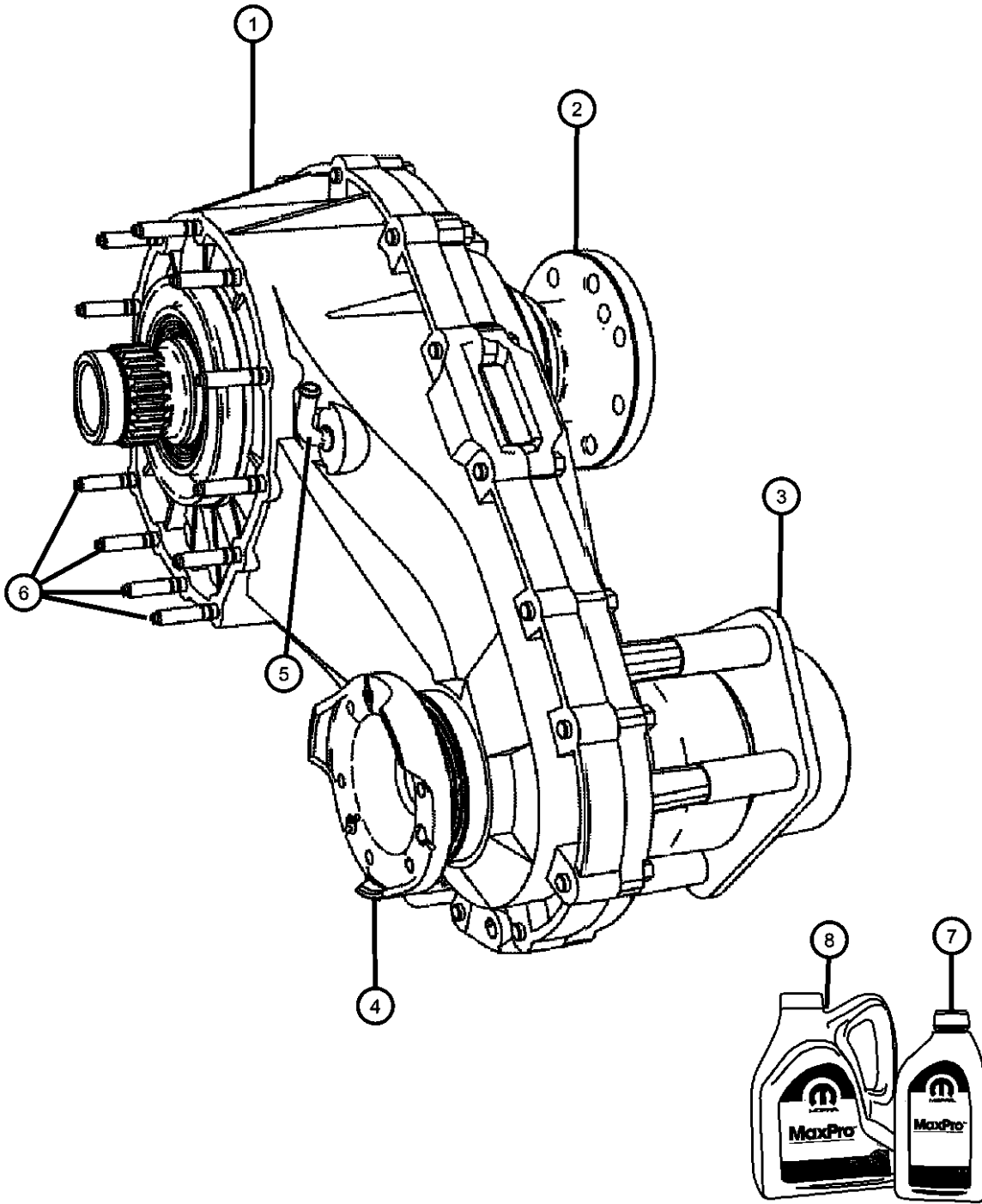
NV140; or MP140; Transfer Case

Group - 021DHZ NV140; or MP140; Transfer Case

Illustration Title	Group-Fig. No.
Transfer Case Assembly	
Transfer Case Assembly And Identification NVG 140 [DZH]	Fig. 021DHZ - 105
Case, and Extension	
Case And Related Parts NVG 140 [DZH]	Fig. 021DHZ - 205
Gear Train	
Gear Train NVG 140 [DZH].....	Fig. 021DHZ - 605
Mounting and Skid Plate	
Transfer Case Mounting And Venting NVG 140 [DZH].....	Fig. 021DHZ - 1205
Transfer Case Skid Plate	Fig. 021DHZ - 1210

021DHZ-100 Transfer Case Assembly	021DHZ-1200 Mounting and Skid Plate	021DHZ-200 Case, and Extension	021DHZ-600 Gear Train
---	---	--	---------------------------------

**Transfer Case Assembly And Identification NVG 140 [DHZ]
Figure 021DHZ-105**



ITEM	PART NUMBER	QTY	LINE	SERIES	BODY	ENGINE	TRANS	TRIM	DESCRIPTION
1	52105928AC	1	J						TRANSFER CASE, NVG140
2	05143735AB	1	J						FLANGE, Driveshaft Yoke
3	52853176AA	1	J						DAMPER, Transfer Case
4	05143716AA	1	J						OUTPUT SHAFT, Transfer Case
5	68001633AA	1	J						VENT, Transfer Case
6	05143725AA	12	J						STUD
7	05013457AA	AR	J, T						FLUID, Automatic Transmission ATF+4, Quart, Standard MS-9602-F, [32oz] Minimum Ship Quantity 12
8	05013458AA	AR	J, T						FLUID, Automatic Transmission ATF+4, Gallon, Standard MS-9602-F, [128 Fluid Ounces] Minimum Ship Quantity Of 4

GRAND CHEROKEE (WK)

SERIES LINE
H = HIGHLINE T = JEEP - 2WD
P = PREMIUM J = JEEP - 4WD
S = SPORT
X = SPECIAL

BODY
74 = SPORT UTILITY 4-DR
TYPE #4

ENGINE
EZH = 5.7L V8 HEMI MDS
VCT Engine
ESF = 6.1L SRT HEMI V8
Engine
EKG = 3.7L V6 Engine

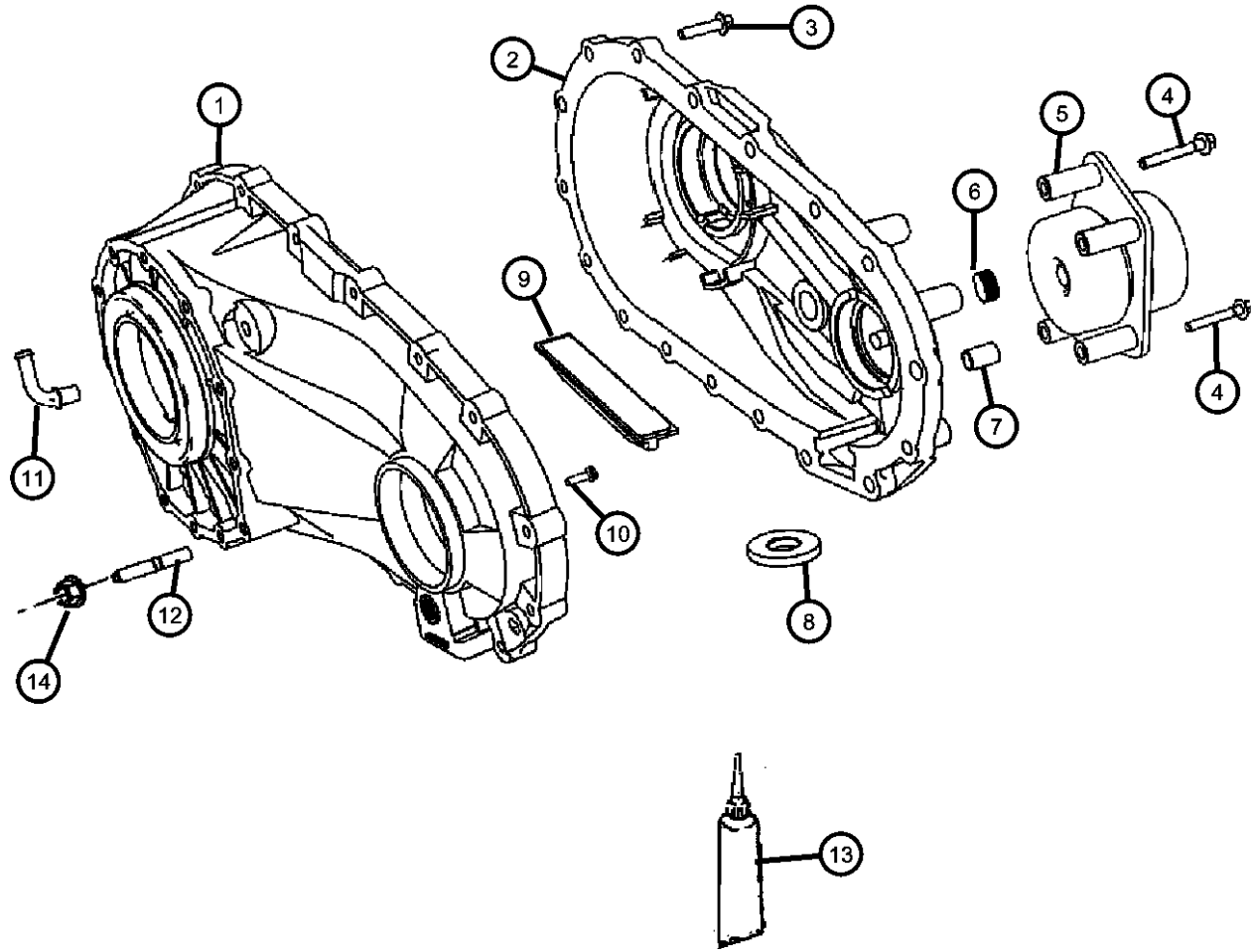
TRANSMISSION
DGJ = 5-Speed Auto W5A580
Transmission
DGQ = 5-Spd Automatic 545RFE
Transmission

AR = use ase required - = Non illustrated part

2010 WK

Case And Related Parts NVG 140 [DHZ]
Figure 021DHZ-205

ITEM	PART NUMBER	QTY	LINE	SERIES	BODY	ENGINE	TRANS	TRIM	DESCRIPTION
1	05143713AA	1	J						CASE, Transfer Front
2	05143731AA	1	J						CASE, Transfer Rear
3	06101526	17	J						SCREW, Hex Flange Head, M8x1.25x35
4	06100931	1	J						BOLT
5	52853176AA	1	J						DAMPER, Transfer Case
6	68001627AA	2	J						PLUG, Oil Fill
7	05086335AA	2	J						DOWEL, Transfer Case
8	03681601	1	J						MAGNET, Transmission
9	05012324AA	1	J						SNUBBER, Chain
10	05012325AA	2	J						BOLT
11	68001633AA	1	J						VENT, Transfer Case
12	05143725AA	12	J						STUD
13	05010884AA	1	J						SEALANT, RTV
14	06507572AA	12	J						NUT AND WASHER, Hex, [M8X1.00], Transfer Case To Transmission, Mounting



GRAND CHEROKEE (WK)

SERIES LINE
H = HIGHLINE T = JEEP - 2WD
P = PREMIUM J = JEEP - 4WD
S = SPORT
X = SPECIAL

BODY
74 = SPORT UTILITY 4-DR
TYPE #4

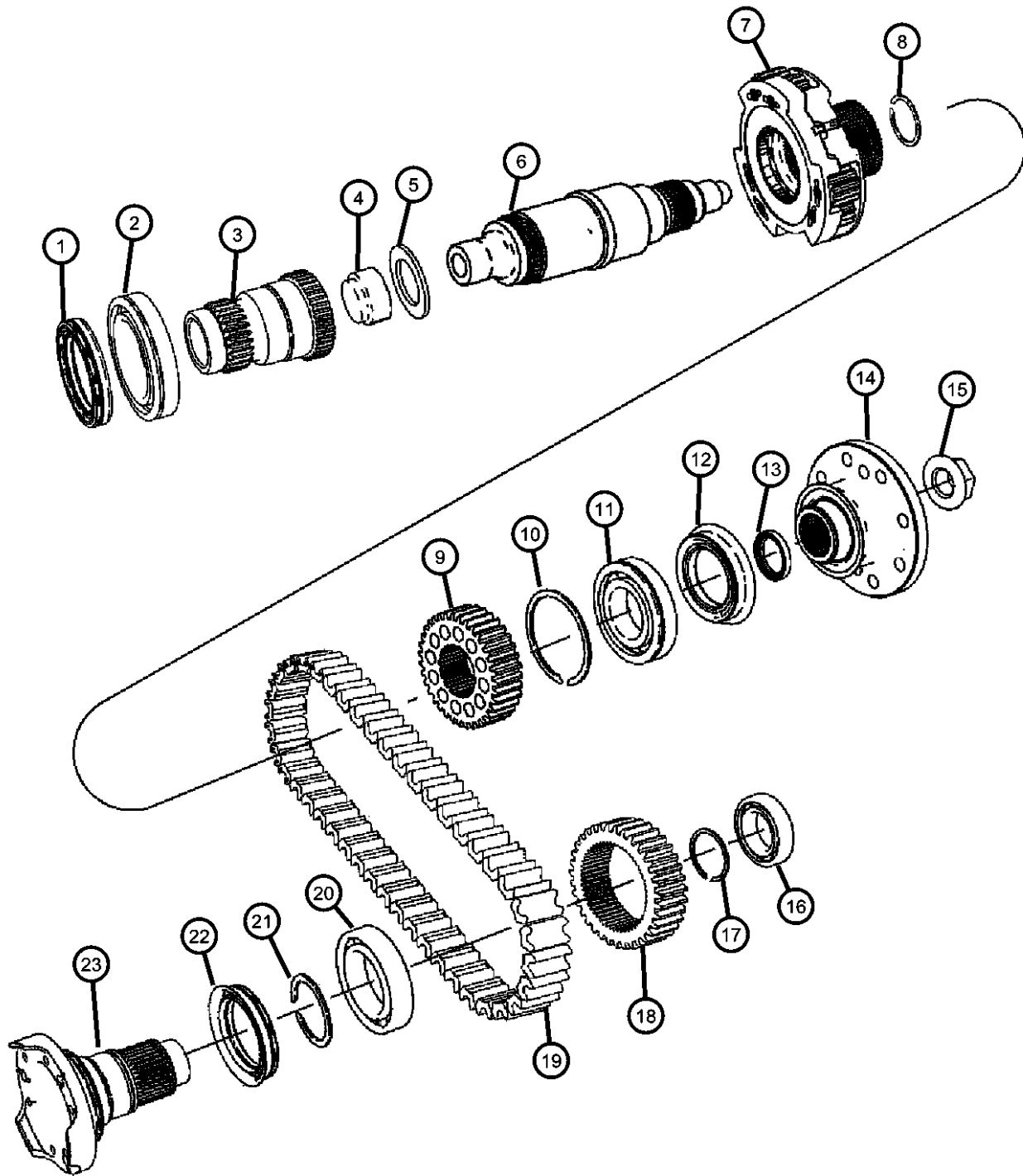
ENGINE
EZH = 5.7L V8 HEMI MDS
VCT Engine
ESF = 6.1L SRT HEMI V8
Engine
EKG = 3.7L V6 Engine

TRANSMISSION
DGJ = 5-Speed Auto W5A580
Transmission
DGQ = 5-Spd Automatic 545RFE
Transmission

AR = use ase required - = Non illustrated part

2010 WK

**Gear Train NVG 140 [DHZ]
Figure 021DHZ-605**



ITEM	PART NUMBER	QTY	LINE	SERIES	BODY	ENGINE	TRANS	TRIM	DESCRIPTION
1	05143714AA	1	J						SEAL, Input
2	05143739AA	1	J						BEARING, Input Gear
3	05143717AA	1	J						SHAFT, Input
4	83503507	1	J						BEARING, Input Shaft
5	05103263AA	1	J						THRUST WASHER, Planetary Carrier
6	05143718AA	1	J						MAINSHAFT, Transfer Case
7	05179814AB	1	J						DIFFERENTIAL, Transfer Case
8	03821558	1	J						SNAP RING
9	05143727AA	1	J						SPROCKET, Transfer Case
10	83503532	1	J						SNAP RING
11		1							BEARING, Ball, 05143741ab, (NOT SERVICED)
12	05143733AB	1	J						SEAL, Oil
13	05143743AA	1	J			EVE, EZH			SEAL
14	05143735AB	1	J						FLANGE, Driveshaft Yoke
15	05143738AB	1	J						NUT, Transfer Case Yoke
16	05161968AA	1	J						BEARING, Ball
17	05143728AA	1	J						SNAP RING
18	05143730AA	1	J						SPROCKET, Transfer Case
19	05166001AA	1	J						CHAIN, Transfer Case
20	05012997AC	1	J						BEARING, Input Gear
21	05170294AA	1	J						SNAP RING
22	05143715AA	1	J						SEAL, Output
23	05143716AA	1	J						OUTPUT SHAFT, Transfer Case

GRAND CHEROKEE (WK)

SERIES LINE
H = HIGHLINE T = JEEP - 2WD
P = PREMIUM J = JEEP - 4WD
S = SPORT
X = SPECIAL

BODY
74 = SPORT UTILITY 4-DR
TYPE #4

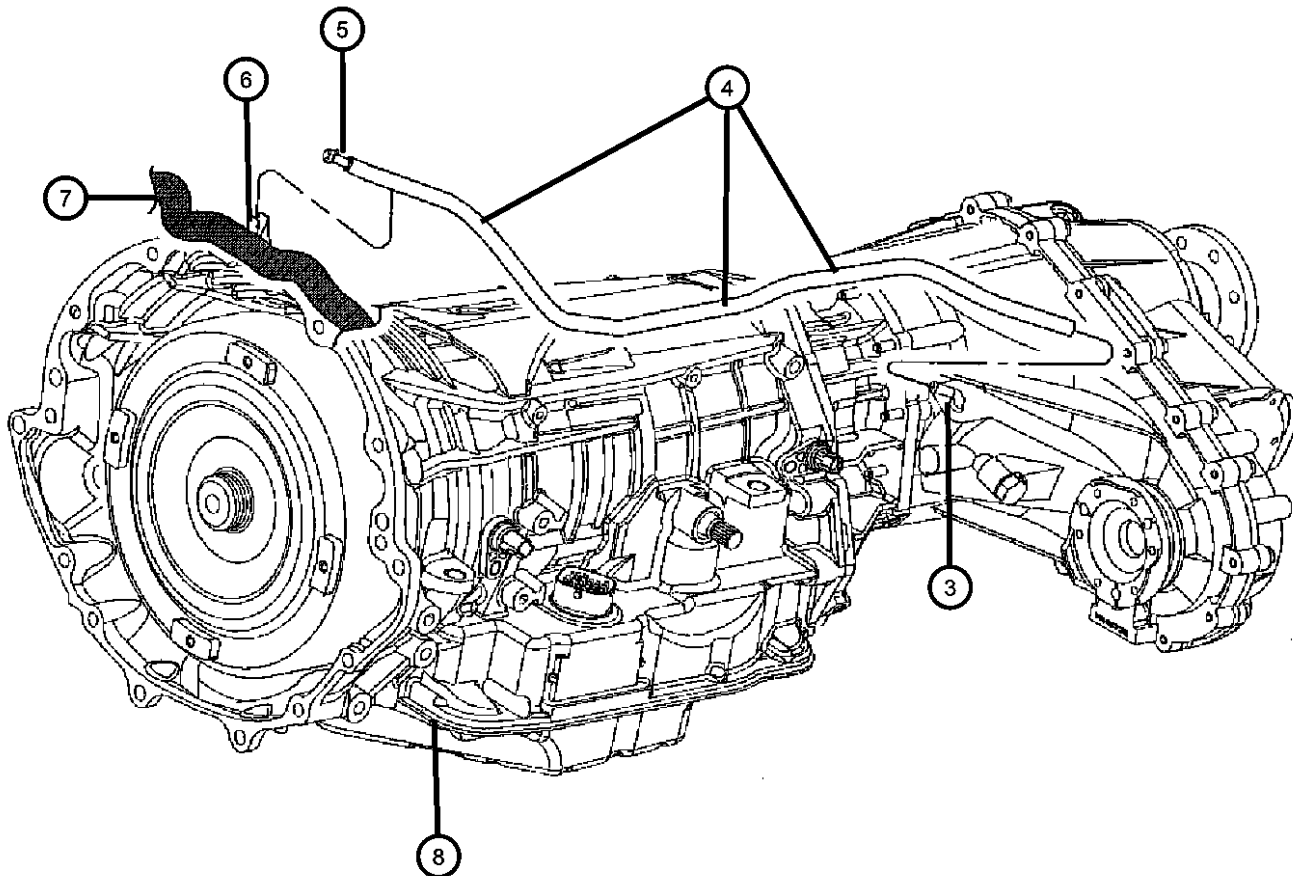
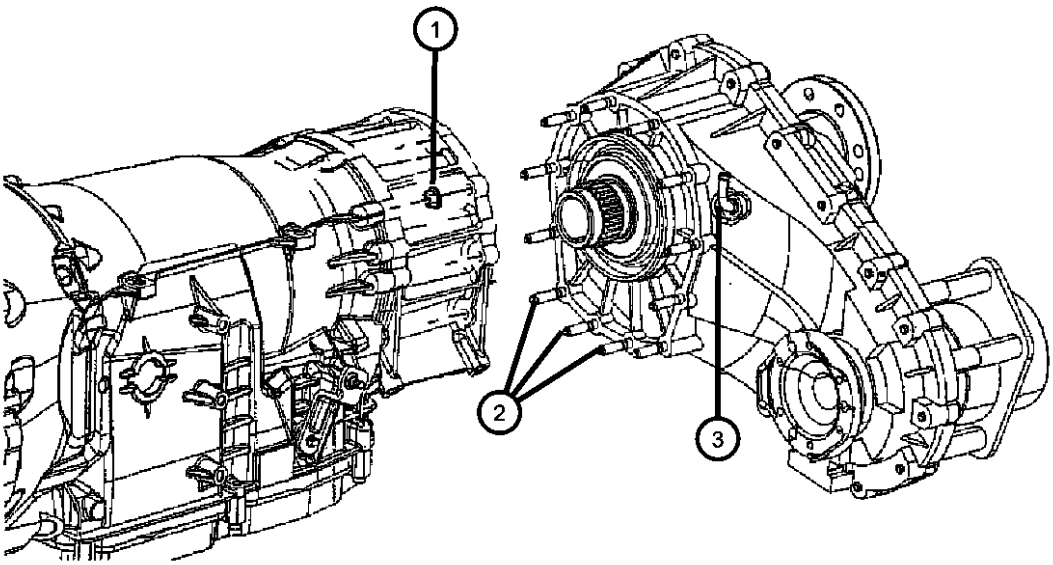
ENGINE
EZH = 5.7L V8 HEMI MDS
VCT Engine
ESF = 6.1L SRT HEMI V8
Engine
EKG = 3.7L V6 Engine

TRANSMISSION
DGJ = 5-Speed Auto W5A580
Transmission
DGQ = 5-Spd Automatic 545RFE
Transmission

AR = use ase required - = Non illustrated part

2010 WK

**Transfer Case Mounting And Venting NVG 140 [DHZ]
Figure 021DHZ-1205**



ITEM	PART NUMBER	QTY	LINE	SERIES	BODY	ENGINE	TRANS	TRIM	DESCRIPTION
1	06507572AA	12	J						NUT AND WASHER, Hex, [M8X1.00], Transfer Case To Transmission, Mounting
2	05143725AA	12	J						STUD
3	68001633AA	1	J						VENT, Transfer Case
4	HFV00516AB	1	J						HOSE, Fuel And Vapor, 25 Foot Roll 5/16"
5	J5352955	1	J						VENT, Axle
6		1							CLIP, Transfer case vent hose, Serviced On Wiring, (NOT SERVICED)
7		1							WIRING, See Electrical Group 8, (NOT SERVICED)
8		1							TRANSMISSION, See Transmission Group, (NOT SERVICED)

GRAND CHEROKEE (WK)

SERIES LINE
H = HIGHLINE T = JEEP - 2WD
P = PREMIUM J = JEEP - 4WD
S = SPORT
X = SPECIAL

BODY
74 = SPORT UTILITY 4-DR
TYPE #4

ENGINE
EZH = 5.7L V8 HEMI MDS
VCT Engine
ESF = 6.1L SRT HEMI V8
Engine
EKG = 3.7L V6 Engine

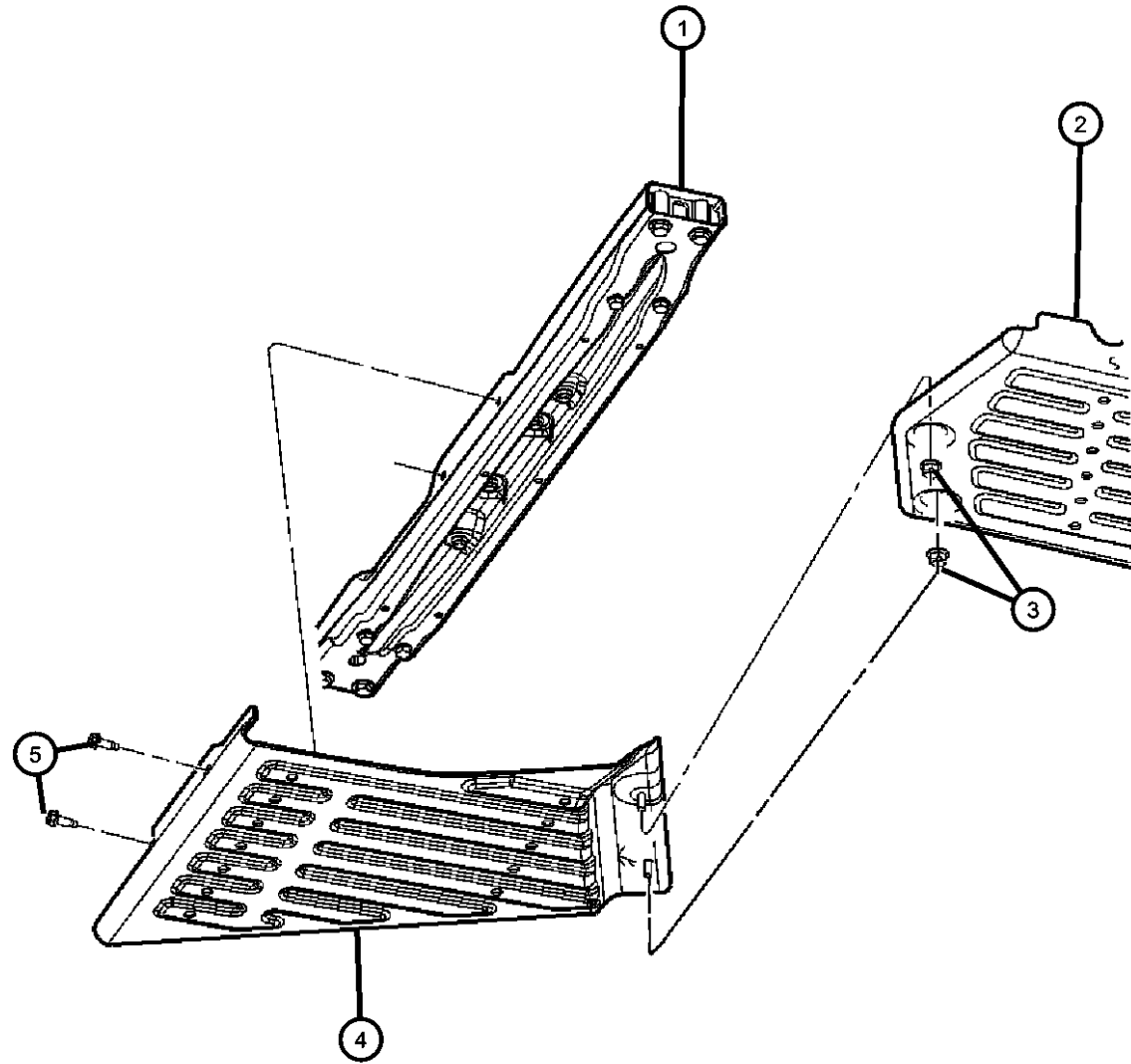
TRANSMISSION
DGJ = 5-Speed Auto W5A580
Transmission
DGQ = 5-Spd Automatic 545RFE
Transmission

AR = use ase required - = Non illustrated part

2010 WK

Transfer Case Skid Plate
Figure 021DHZ-1210

ITEM	PART NUMBER	QTY	LINE	SERIES	BODY	ENGINE	TRANS	TRIM	DESCRIPTION
1	52090070AI	1	J, T						CROSSMEMBER, Transmission
2	52090274AF	1	J, T			EK0, ES0, EZ0 EVE			SKID PLATE, Fuel Tank
3	06101696	2	J						NUT, Hex Flange Lock, M10x1.50
4	52128499AD	1	J						SKID PLATE, Transfer Case
5	06508286AA	2	J			EK0, EV0, EZ0			BOLT, Hex Head, M10x1.50x35.00



GRAND CHEROKEE (WK)

SERIES LINE
H = HIGHLINE T = JEEP - 2WD
P = PREMIUM J = JEEP - 4WD
S = SPORT
X = SPECIAL

BODY
74 = SPORT UTILITY 4-DR
TYPE #4

ENGINE
EZH = 5.7L V8 HEMI MDS
VCT Engine
ESF = 6.1L SRT HEMI V8
Engine
EKG = 3.7L V6 Engine

TRANSMISSION
DGJ = 5-Speed Auto W5A580
Transmission
DGQ = 5-Spd Automatic 545RFE
Transmission

AR = use ase required - = Non illustrated part

2010 WK

Group - 22

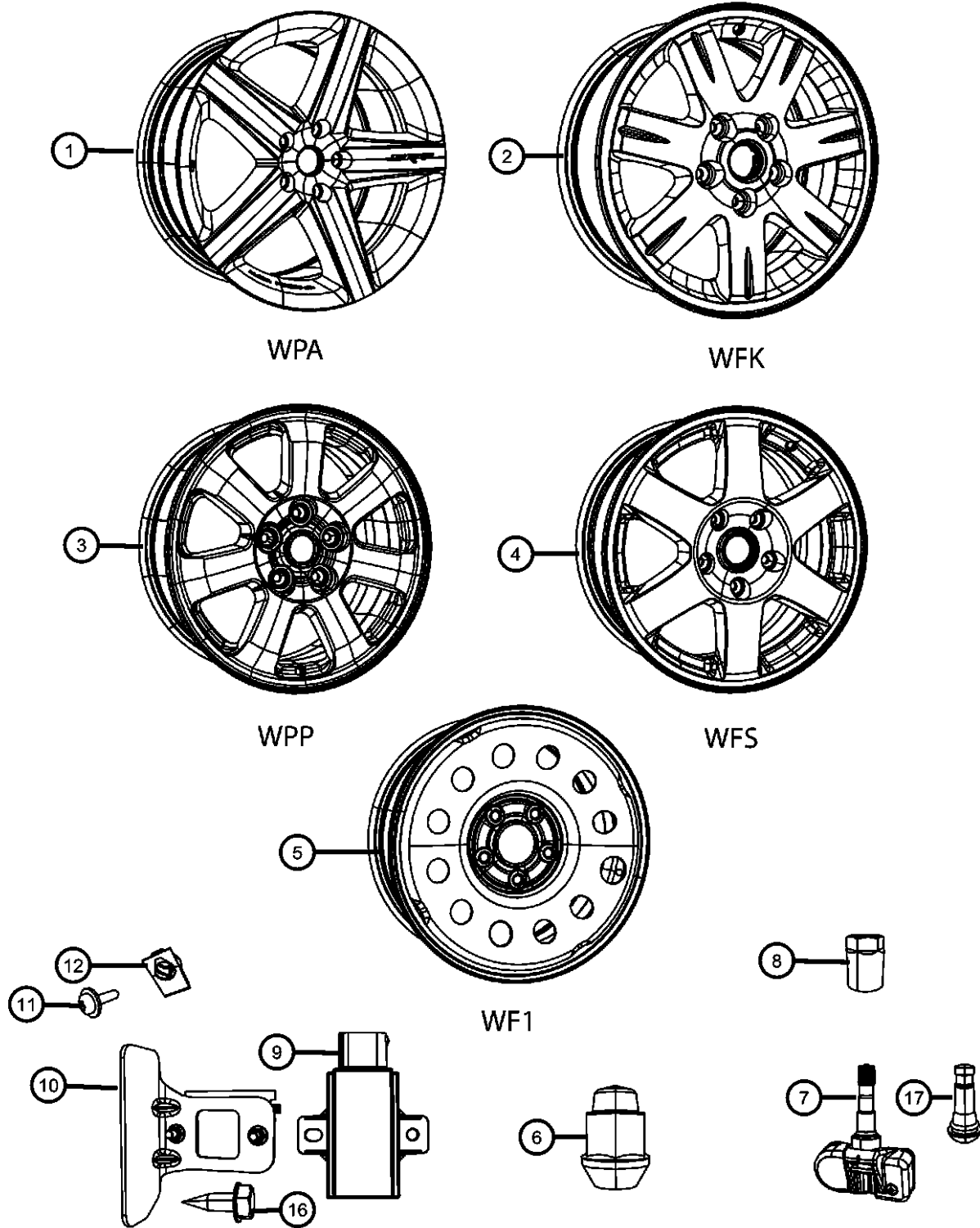
Wheels

Group - 22 Wheels

Illustration Title	Group-Fig. No.
Wheels, Tires and Hardware	
Wheels and Hardware	Fig. 22 - 105
Wheel Covers and Center Caps	
Wheel Cover and Center Caps.....	Fig. 22 - 205
Jack Stowage	
Jack Assembly And Tools	Fig. 22 - 305
Wheel Spare	
Spare Wheel Stowage	Fig. 22 - 405
Emergency Kit	
Emergency Kit.....	Fig. 22 - 505
Tire Monitoring System	
Tire Monitoring System	Fig. 22 - 605

022-100 Wheels, Tires and Hardware	022-200 Wheel Covers and Center Caps	022-300 Jack Stowage	022-400 Wheel Spare
022-500 Emergency Kit	022-600 Tire Monitoring System		

Wheels and Hardware
Figure 22-105



ITEM	PART NUMBER	QTY	LINE	SERIES	BODY	ENGINE	TRANS	TRIM	DESCRIPTION
1	05290711AC	2	J, T		74				WHEEL, Aluminum [WPA] 20 X 9
	05290718AC	2	J, T		74				[WPA], Rear
2	1DG86PAKAA	2	J, T		74				WHEEL, Aluminum, [WFK]
3	1DZ00SZ0AA	2	J, T		74				WHEEL, Aluminum, [WPP]
4	1DG88PAKAA	2	J, T		74				WHEEL, Aluminum [WPC]
	1JZ34PAKAA	2	J, T		74				[WFS]
		1	J, T		74				[WFS], [TBW]
5	52124455AB	1	J, T		74				WHEEL, Steel [WF1,TBB]
	68043845AA	1	J, T		74				[TBG]
6	06036310AA	20	J, T		74				NUT, Wheel, .50x20
7	56029359AB	1	J, T		74				SENSOR, Tire Pressure
8	56053037AB	1	J, T		74				NUT, Tire Pressure Sensor
9	56053034AE	2	J, T		74				MODULE, Low Tire Pressure Warning, See Electrical Group 420, [XGM] Module
10	56044729AD	1	J, T		74				MODULE, Low Tire Pressure Warning, See Electrical Group 420, [XGM] Module Assembly
11	06104610AA	2	J, T		74				SCREW AND WASHER, Tapping Pan Head, M4.2X1.4X19.0, For Tire Module, [XGM]Rear Module Attach to Body
12	06507010AA	2	J, T		74				NUT, U Multi Thread, M4.2x1.41, [XGM] Rear Module Attach to Body
-13	68023889AA	4	J, T	H, P, S	74				CAP KIT, Valve Stem, Black
-14	68023890AA	1	J, T		74				CAP KIT, Valve Stem, Grey, Consists of: 10524005 Cap, Valve Stem,Grey (Qty. 5)
-15									HARDWARE KIT, Mounting

GRAND CHEROKEE (WK)

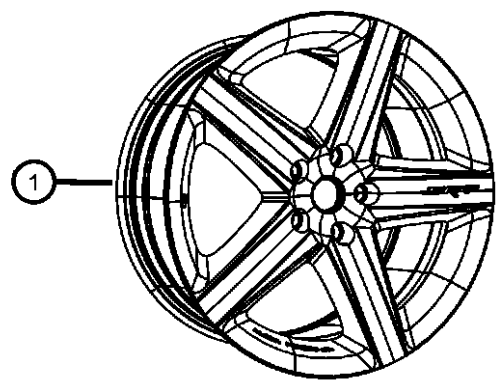
SERIES	LINE	BODY	ENGINE	TRANSMISSION
H = HIGHLINE	T = JEEP - 2WD	74 = SPORT UTILITY 4-DR	EZH = 5.7L V8 HEMI MDS	DGJ = 5-Speed Auto W5A580
P = PREMIUM	J = JEEP - 4WD	TYPE #4	VCT Engine	Transmission
S = SPORT			ESF = 6.1L SRT HEMI V8	DGQ = 5-Spd Automatic 545RFE
X = SPECIAL			Engine	Transmission
			EKG = 3.7L V6 Engine	

AR = use ase required - = Non illustrated part

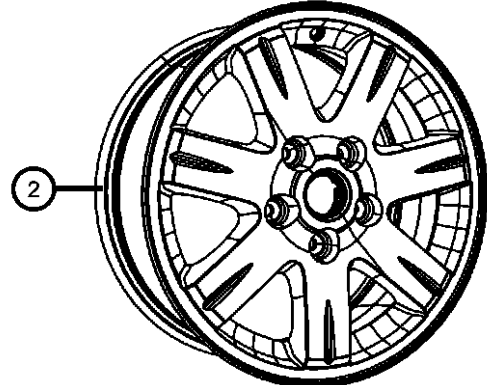
2010 WK

Wheels and Hardware
Figure 22-105

ITEM	PART NUMBER	QTY	LINE	SERIES	BODY	ENGINE	TRANS	TRIM	DESCRIPTION
------	-------------	-----	------	--------	------	--------	-------	------	-------------



WPA



WFK

68020719AB 1 J, T 74

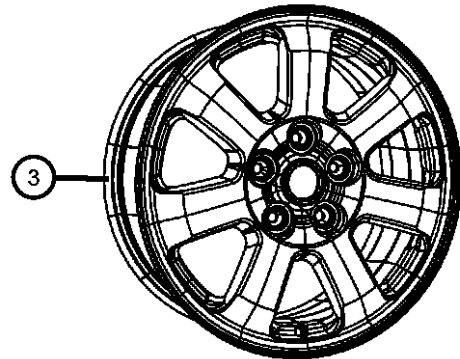
68020722AA 1 J, T 74

68020724AA 4 J, T H, P, S 74

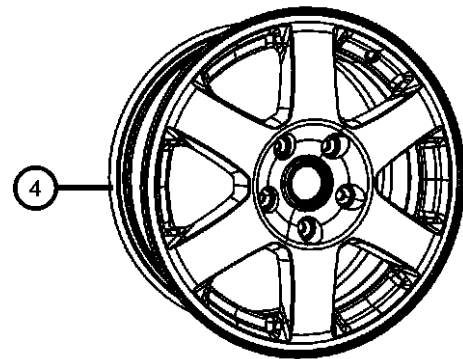
16 00154552 4 J, T 74

17 02073355 1 J, T 74

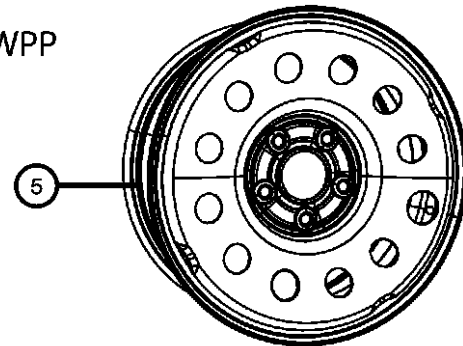
Contains: 1- 56053037AB, NUT, TPM RETAINING; 1- 10513007, WASHER, SEAL SUPPORT; 1- 10524004, CAP, VALVE STEM, BLACK; 1- 10524005, CAP, VALVE STEM, GREY; 1- 10542008, SEAL, TPM TO WHEEL RIM ;1- 40506002, VALVE CORE, TPM ;1- 90517011, INSTRUCTION SHEET, TPM
 Contains: 1-10524004, Cap, Valve Stem, Black; 1-10524005, Cap, Valve Stem, Grey; 1-40506002, Valve Core; TPM,& Instruction Sheet
 Contains: 1- 20522037, VALVE STEM ;1- 10542008, SEAL, TPM TO WHEEL RIM ; 1- 40506002, VALVE CORE, TPM; 1- 90517011, INSTRUCTION SHEET, TPM MOUNTING SCREW, Hex Head, .190-16x.625, Trigger Module to BIW-Front Rail STEM, Wheel Valve



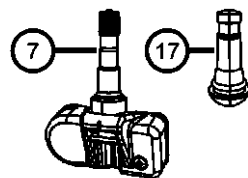
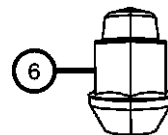
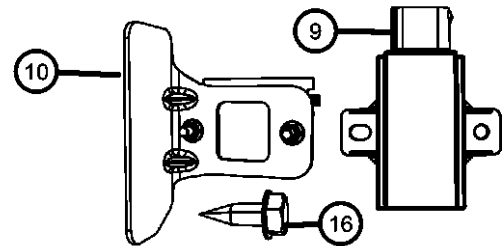
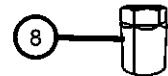
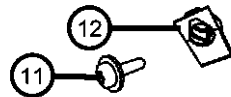
WPP



WFS



WF1



GRAND CHEROKEE (WK)

SERIES LINE
 H = HIGHLINE T = JEEP - 2WD
 P = PREMIUM J = JEEP - 4WD
 S = SPORT
 X = SPECIAL

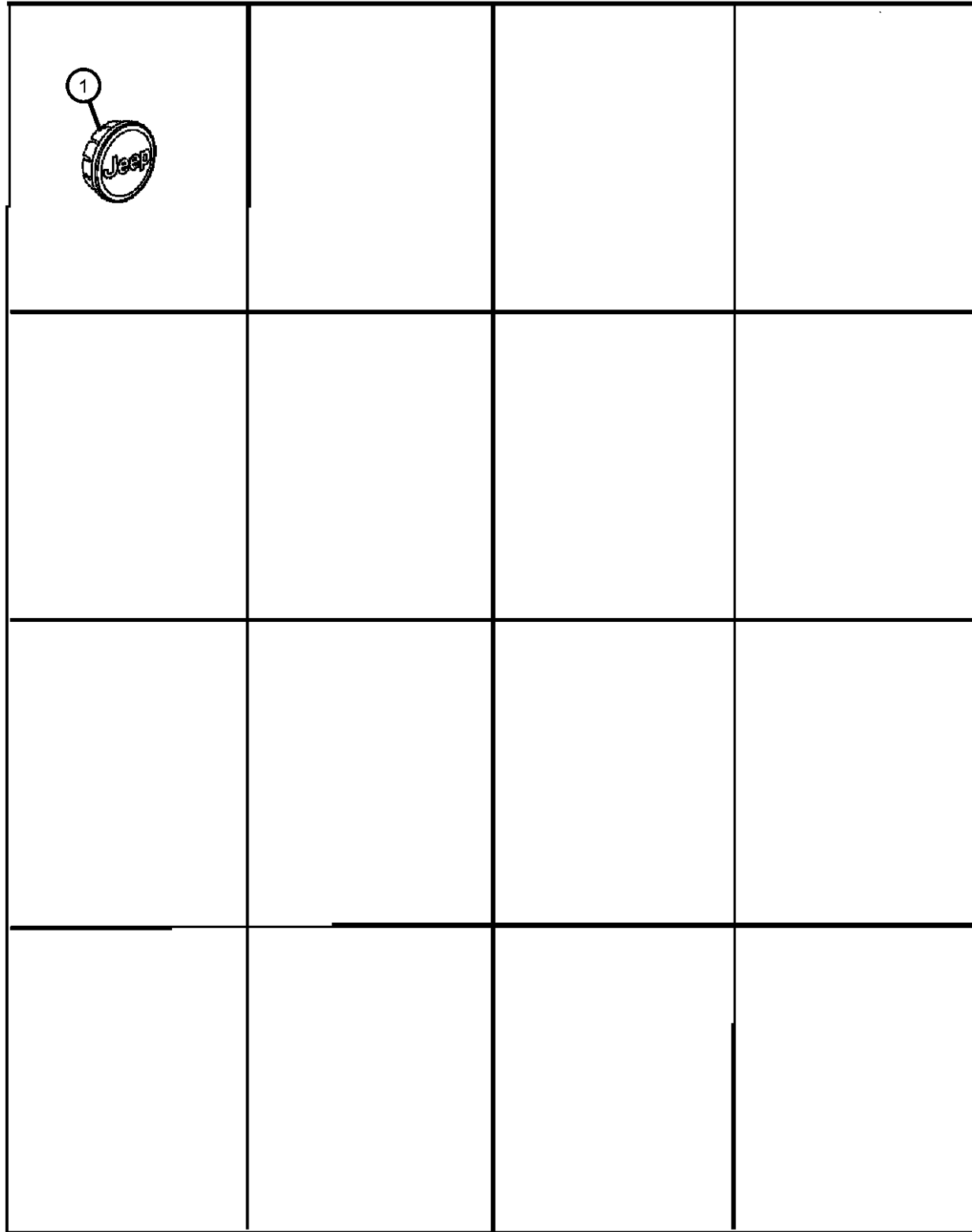
BODY
 74 = SPORT UTILITY 4-DR TYPE #4

ENGINE
 EZH = 5.7L V8 HEMI MDS VCT Engine
 ESF = 6.1L SRT HEMI V8 Engine
 EKG = 3.7L V6 Engine

TRANSMISSION
 DGJ = 5-Speed Auto W5A580 Transmission
 DGQ = 5-Spd Automatic 545RFE Transmission

AR = use ase required - = Non illustrated part

**Wheel Cover and Center Caps
Figure 22-205**



ITEM	PART NUMBER	QTY	LINE	SERIES	BODY	ENGINE	TRANS	TRIM	DESCRIPTION
------	-------------	-----	------	--------	------	--------	-------	------	-------------

NOTES: Sales Codes:
 [WBG] = 17x7.5 Machine-Finished Aluminum Wheel
 [WFS] = 17x7.5 Aluminum Sparkle Silver Wheel
 [WGQ] = 17x7.5 Aluminum Wheel
 [WPA] = 20x9.0 Aluminum Wheel
 [WPP] = 18x8.0 Aluminum Chrome Clad Wheel

1									CAP, Wheel Center
	52090402AA	4	J, T		74				[WFK]
	5HT59PAKAB	4	J, T		74				[WFS]
	5HT59SZ0AB	4	J, T		74				[WPA]
		4	J, T		74				[WPP]

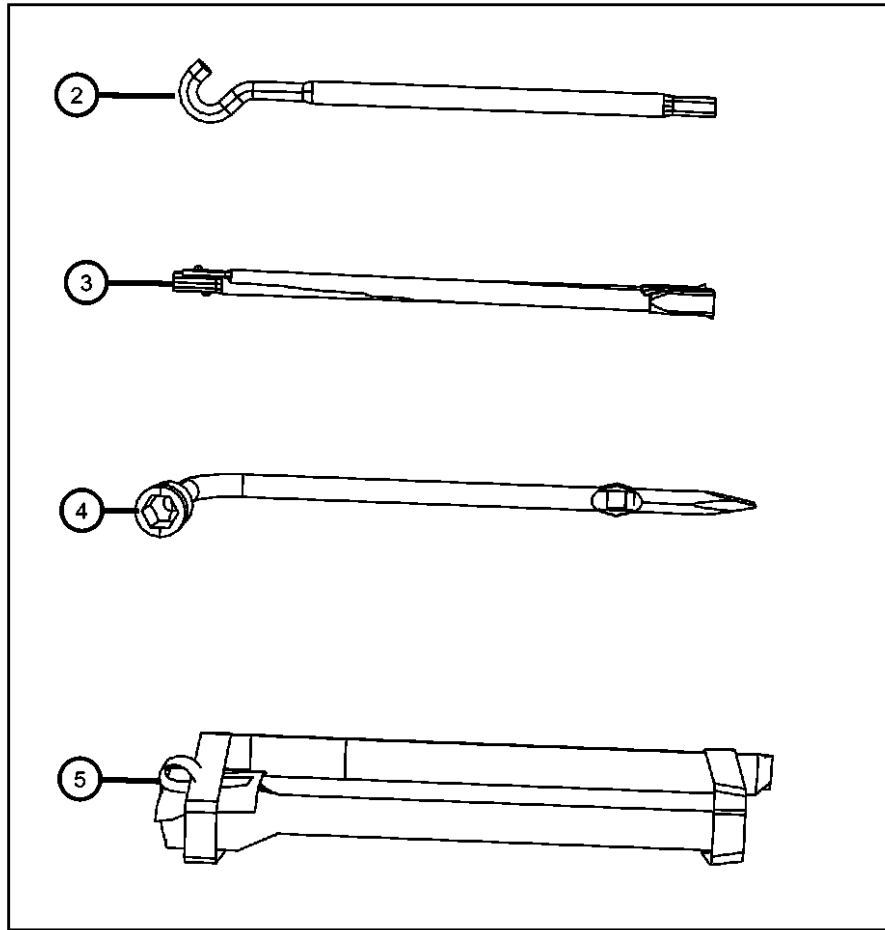
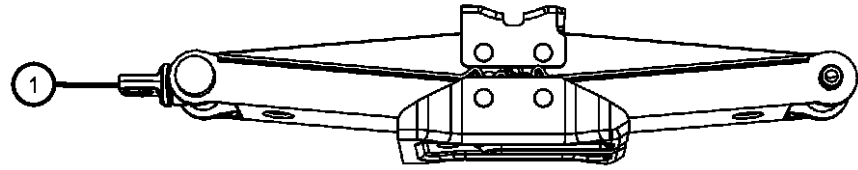
GRAND CHEROKEE (WK)

SERIES	LINE	BODY	ENGINE	TRANSMISSION
H = HIGHLINE	T = JEEP - 2WD	74 = SPORT UTILITY 4-DR	EZH = 5.7L V8 HEMI MDS	DGJ = 5-Speed Auto W5A580
P = PREMIUM	J = JEEP - 4WD	TYPE #4	VCT Engine	Transmission
S = SPORT			ESF = 6.1L SRT HEMI V8	DGQ = 5-Spd Automatic 545RFE
X = SPECIAL			Engine	Transmission
			EKG = 3.7L V6 Engine	

AR = use ase required - = Non illustrated part

Jack Assembly And Tools
Figure 22-305

ITEM	PART NUMBER	QTY	LINE	SERIES	BODY	ENGINE	TRANS	TRIM	DESCRIPTION
1	52014439AA	1	J, T	H, P, S	74				JACK
2	52124171AA	2	J, T	H, P, S	74				EXTENSION, Jack Handle
3	52124172AA	1	J, T	H, P, S	74				DRIVER, Jack Handle
4	52124170AA	1	J, T	H, P, S	74				WRENCH, Wheel Lug Nut
5	52124169AA	1	J, T	H, P, S	74				BAG, Jack Tool Storage



GRAND CHEROKEE (WK)

SERIES LINE
H = HIGHLINE T = JEEP - 2WD
P = PREMIUM J = JEEP - 4WD
S = SPORT
X = SPECIAL

BODY
74 = SPORT UTILITY 4-DR
TYPE #4

ENGINE
EZH = 5.7L V8 HEMI MDS
VCT Engine
ESF = 6.1L SRT HEMI V8
Engine
EKG = 3.7L V6 Engine

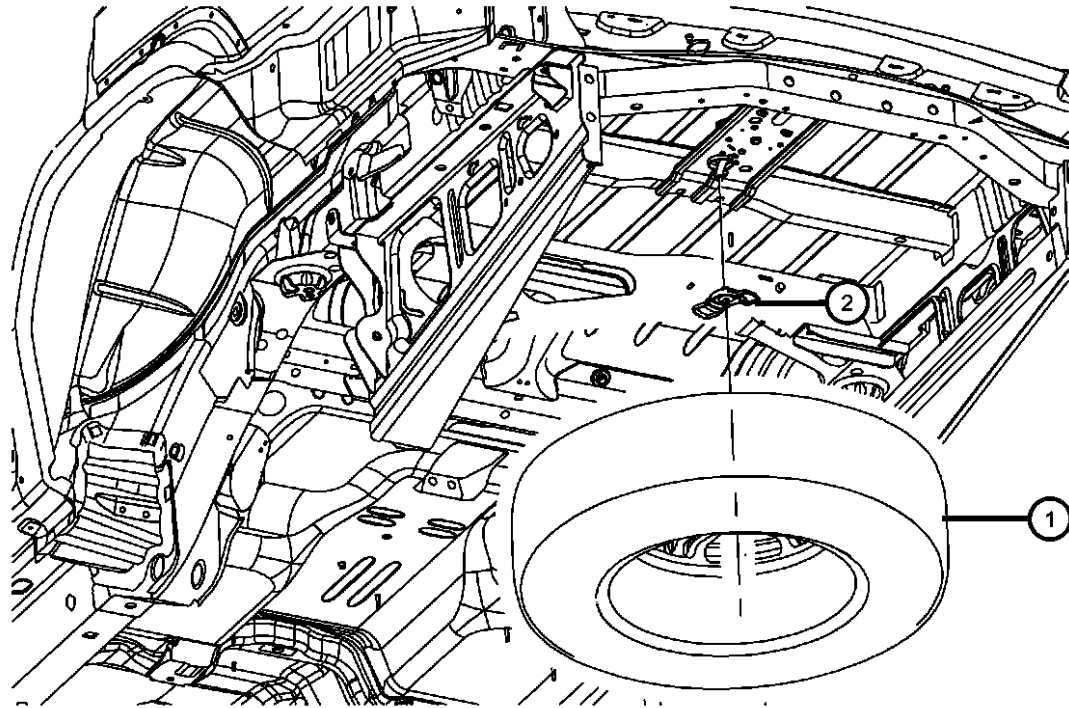
TRANSMISSION
DGJ = 5-Speed Auto W5A580
Transmission
DGQ = 5-Spd Automatic 545RFE
Transmission

AR = use ase required - = Non illustrated part

2010 WK

Spare Wheel Stowage
Figure 22-405

ITEM	PART NUMBER	QTY	LINE	SERIES	BODY	ENGINE	TRANS	TRIM	DESCRIPTION
1									WHEEL, Steel
	52124455AB	1	J, T		74				[WF1], [TBB]
	68043845AA	1	J, T		74				[TBG] Compact Spare, Spare
2	52089369AI	1	J, T	H, P, S	74				WINCH, Spare Tire Carrier
-3	06503543	4	J, T		74				BOLT AND CONED WASHER, Hex Head, M8x1.25x25



GRAND CHEROKEE (WK)

SERIES LINE
H = HIGHLINE T = JEEP - 2WD
P = PREMIUM J = JEEP - 4WD
S = SPORT
X = SPECIAL

BODY
74 = SPORT UTILITY 4-DR
TYPE #4

ENGINE
EZH = 5.7L V8 HEMI MDS
VCT Engine
ESF = 6.1L SRT HEMI V8
Engine
EKG = 3.7L V6 Engine

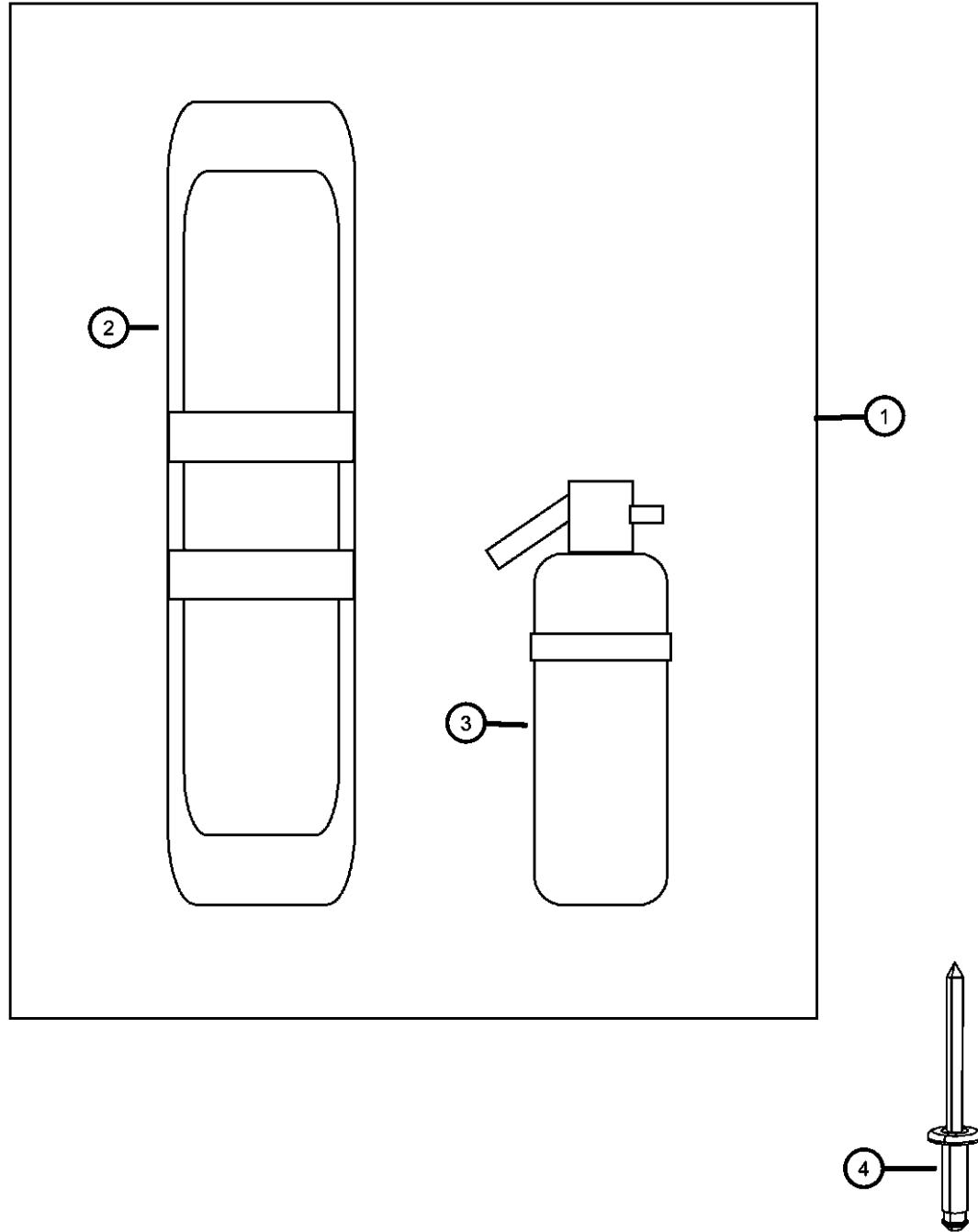
TRANSMISSION
DGJ = 5-Speed Auto W5A580
Transmission
DGQ = 5-Spd Automatic 545RFE
Transmission

AR = use ase required - = Non illustrated part

2010 WK

**Emergency Kit
Figure 22-505**

ITEM	PART NUMBER	QTY	LINE	SERIES	BODY	ENGINE	TRANS	TRIM	DESCRIPTION
1	55371011AC	1	J, T		74				TOOL SET, Includes: Tool Kit, First Aid Kit, Triangle-Reflective, Label and Fire Extinguisher
2	55352852AA	1	J, T		74				TOOL SET, Includes: Pliers, Air Gauge, Adjustable Wrench, Screwdriver and 6 Combination Wrenches
3	55352848AB	1	J, T		74				EXTINGUISHER, Fire
4	06035073	4	J, T		74				RIVET, Blind, .190x.670



GRAND CHEROKEE (WK)

SERIES LINE
H = HIGHLINE T = JEEP - 2WD
P = PREMIUM J = JEEP - 4WD
S = SPORT
X = SPECIAL

BODY
74 = SPORT UTILITY 4-DR
TYPE #4

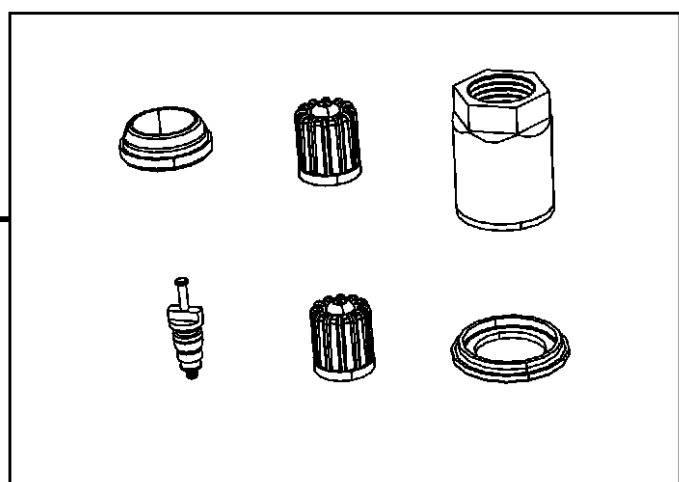
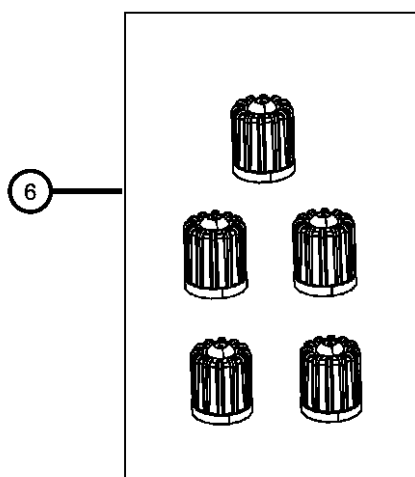
ENGINE
EZH = 5.7L V8 HEMI MDS
VCT Engine
ESF = 6.1L SRT HEMI V8
Engine
EKG = 3.7L V6 Engine

TRANSMISSION
DGJ = 5-Speed Auto W5A580
Transmission
DGQ = 5-Spd Automatic 545RFE
Transmission

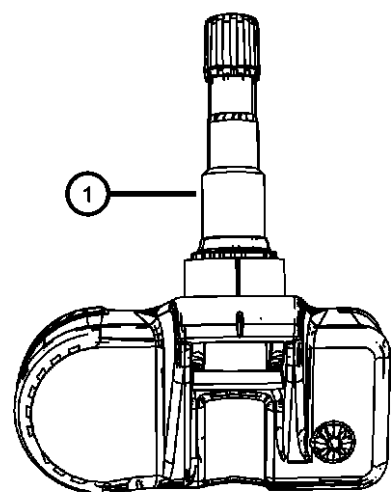
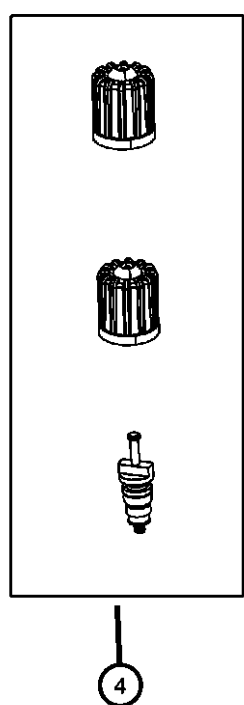
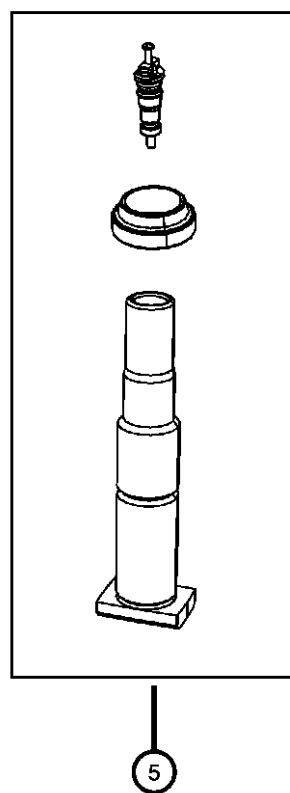
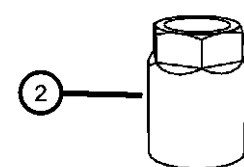
AR = use ase required - = Non illustrated part

2010 WK

**Tire Monitoring System
Figure 22-605**



ITEM	PART NUMBER	QTY	LINE	SERIES	BODY	ENGINE	TRANS	TRIM	DESCRIPTION
1	56029359AB	4	J, T	H, P, S	74				SENSOR, Tire Pressure
		4	J, T	X	74				
		1	J, T		74				
2	56053037AB	4	J, T	H, P, S	74				NUT, Tire Pressure Sensor
		4	J, T	X	74				
		1	J, T		74				
3	68020719AB	4	J, T	H, P, S	74				HARDWARE KIT, Mounting Includes: Nut, Washer, Cap Black (BUX), Cap Gray (Domestic), Seal and Valve Core Includes: Nut, Washer, Cap Black (BUX), Cap Gray (Domestic), Seal and Valve Core Includes: Nut, Washer, Cap Black (BUX), Cap Gray (Domestic), Seal and Valve Core
		4	J, T	X	74				
		1	J, T		74				
4	68020722AA	4	J, T	H, P, S	74				HARDWARE KIT, Mounting Includes: Valve Core, Black Cap (BUX), Grey Cap (Domestic) and I-Sheet Includes: Valve Core, Black Cap (BUX), Grey Cap (Domestic) and I-Sheet Includes: Valve Core, Black Cap (BUX), Grey Cap (Domestic) and I-Sheet
		4	J, T	X	74				
		1	J, T		74				
5	68020724AA	4	J, T	S, H, P	74				HARDWARE KIT, Mounting Includes: Valve Stem, Seal, Valve Core and I-Sheet Includes: Valve Stem, Seal, Valve Core and I-Sheet Includes: Valve Stem, Seal, Valve Core and I-Sheet
		4	J, T	X	74				
		1	J, T		74				
6	68023890AA	4	J, T	H, P, S	74				CAP KIT, Valve Stem, Grey, Includes: 5 Grey Caps



GRAND CHEROKEE (WK)

SERIES LINE
H = HIGHLINE T = JEEP - 2WD
P = PREMIUM J = JEEP - 4WD
S = SPORT
X = SPECIAL

BODY
74 = SPORT UTILITY 4-DR
TYPE #4

ENGINE
EZH = 5.7L V8 HEMI MDS
VCT Engine
ESF = 6.1L SRT HEMI V8
Engine
EKG = 3.7L V6 Engine

TRANSMISSION
DGJ = 5-Speed Auto W5A580
Transmission
DGQ = 5-Spd Automatic 545RFE
Transmission

AR = use ase required - = Non illustrated part

2010 WK

Group - 24

Air Conditioners and Heaters

Group - 24 Air Conditioners and Heaters

Illustration Title

Group-Fig. No.

Air Conditioner and Heater Units

A/C and Heater Unit Fig. 24 - 120

Air Conditioner and Heater Plumbing

Heater Plumbing 3.7L [EKG] Fig. 24 - 205

Heater Plumbing 5.7L [EZH] 6.1L [ESF] Fig. 24 - 210

A/C Plumbing 3.7L [EKG] Fig. 24 - 220

A/C Plumbing 5.7L [EZH] 6.1L [ESF] Fig. 24 - 225

Air Conditioner and Heater Controls

A/C and Heater Controls Fig. 24 - 310

Air Conditioner Compressor and Mounting

A/C Compressor 3.7L [EKG] Fig. 24 - 405

A/C Compressor 5.7L [EZH] 6.1L [ESF] Fig. 24 - 415

A/C Compressor Mounting 3.7L [EKG] Fig. 24 - 450

A/C Compressor Mounting 5.7L [EZH] 6.1L [ESF] Fig. 24 - 455

Air Ducts

Ducts Fig. 24 - 505

009 dx

024-100 Air Conditioner and Heater Units	024-200 Air Conditioner and Heater Plumbing	024-300 Air Conditioner and Heater Controls	024-400 Air Conditioner Compressor and Mounting
024-500 Air Ducts			

**A/C and Heater Unit
Figure 24-120**

ITEM	PART NUMBER	QTY	LINE	SERIES	BODY	ENGINE	TRANS	TRIM	DESCRIPTION
Sales Codes: [HAA]=Air Conditioning [HAF]= A/C With Automatic Temperature Control Dual Zone									
1	68017816AA	1	J, T		74	EK0, ES0, EV0, EZ0			HOUSING, Air Inlet
2	05143192AA	5	J, T		74	EK0, ES0, EV0, EZ0			ACTUATOR, A/C and Heater
3		5							DOOR, Air Inlet, Serviced In Air Inlet Housing, (NOT SERVICED)
4		5							LEVER, A/C Recirculation Door, Serviced In Air Inlet Housing, (NOT SERVICED)
5		5							LEVER, Door Actuator, Serviced In Air Inlet Housing, (NOT SERVICED)
6	68059894AA	1	J, T		74	EK0, ES0, EV0, EZ0			MODULE, Power, Blower Motor
-7		1							COVER, Module, (NOT SERVICED)
8	68057463AA	1	J, T		74	EK0, ES0, EV0			RESISTOR, Blower Motor, [HAA]
9	68059895AA	1	J, T		74	EK0, ES0, EV0, EZ0			HOUSING, Evaporater Upper
10	68059897AA	1	J, T		74	EK0, ES0, EV0, EZ0			HOUSING, Evaporator Lower
11	05143149AA	1	J, T		74	EK0, ES0, EV0, EZ0			PROBE, Air Conditioning
12	05143150AB	1	J, T		74	EK0, ES0, EV0, EZ0			GROMMET, Evaporator Tubes
13		1							LEVER, Panel Door, Serviced In Distribution Housing, (NOT SERVICED)
14		1							PLATE, Actuator Mount, Serviced In Distribution Housing, (NOT SERVICED)
15		1							LEVER, Panel Door, Serviced In Distribution Housing, (NOT SERVICED)
16		1							LINK, Heater and Defroster Door, Serviced In Distribution Housing, (NOT SERVICED)
17		1							LEVER, Panel Door, Serviced In Distribution Housing, (NOT SERVICED)
18		1							CAM, Mode, Serviced In Distribution Housing, (NOT SERVICED)

GRAND CHEROKEE (WK)

SERIES	LINE	BODY	ENGINE	TRANSMISSION
H = HIGHLINE	T = JEEP - 2WD	74 = SPORT UTILITY 4-DR	EZH = 5.7L V8 HEMI MDS	DGJ = 5-Speed Auto W5A580
P = PREMIUM	J = JEEP - 4WD	TYPE #4	VCT Engine	Transmission
S = SPORT			ESF = 6.1L SRT HEMI V8	DGQ = 5-Spd Automatic 545RFE
X = SPECIAL			Engine	Transmission
			EKG = 3.7L V6 Engine	

AR = use ase required - = Non illustrated part

2010 WK

**A/C and Heater Unit
Figure 24-120**

ITEM	PART NUMBER	QTY	LINE	SERIES	BODY	ENGINE	TRANS	TRIM	DESCRIPTION
19		1							LINK, Floor Door, Serviced In Distribution Housing, (NOT SERVICED)
20		1							LEVER, Panel Door, Serviced In Distribution Housing, (NOT SERVICED)
21		1							PLATE, Actuator Mount, Serviced In Distribution Housing, (NOT SERVICED)
22	05143117AA	1	J, T		74	EK0, ES0, EV0, EZ0			TUBE, Heater Core
23	04885024AC	1	J, T		74	EK0, ES0, EV0, EZ0			O RING, Heater Core Tubes
24		1							SCREW, Heater Core Mounting, Serviced with the Heater Core, (NOT SERVICED)
25		1							SEAL, Drain Tube, Serviced In Seal Kit, (NOT SERVICED)
26		1							SEAL, Evaporator To Dash, Serviced In Seal Kit, (NOT SERVICED)
27		1							SEAL, Heater Core Tubes, Serviced In Seal Kit, (NOT SERVICED)
28		1							SEAL, Distribution Duct, Serviced In Seal Kit, (NOT SERVICED)
29		1							SEAL, Air Inlet, Serviced In Seal Kit, (NOT SERVICED)
30	68060060AA	1	J, T		74	EK0, ES0, EV0			WIRING, A/C and HEATER, [HAA]
31	06506035AA	AR	J, T		74				NUT, U, M6x1.00
32	05143096AA	1	J, T		74	EK0, ES0, EV0, EZ0			EVAPORATOR, Air Conditioning
33	05189825AA	1	J, T		74	EZ0, EK0, ES0, EV0			PLATE, Extension
34									HOUSING, Distribution
	68020231AB	1	J, T		74	EK0, ES0, EV0, EZ0			
	68020233AB	1	J, T		74	EK0, ES0, EV0			
35	68020234AA	1	J, T		74	EK0, ES0, EV0, EZ0			MOTOR, Blower with Wheel
36	05143101AA	1	J, T		74	EK0, ES0, EV0, EZ0			CORE, Heater
37	68038120AA	1	J, T		74	EK0, ES0, EV0, EZ0			BRACKET, Heater Core Tubes

GRAND CHEROKEE (WK)

SERIES LINE
H = HIGHLINE T = JEEP - 2WD
P = PREMIUM J = JEEP - 4WD
S = SPORT
X = SPECIAL

BODY
74 = SPORT UTILITY 4-DR
TYPE #4

ENGINE
EZH = 5.7L V8 HEMI MDS
VCT Engine
ESF = 6.1L SRT HEMI V8
Engine
EKG = 3.7L V6 Engine

TRANSMISSION
DGJ = 5-Speed Auto W5A580
Transmission
DGQ = 5-Spd Automatic 545RFE
Transmission

AR = use ase required - = Non illustrated part

2010 WK

**A/C and Heater Unit
Figure 24-120**

ITEM	PART NUMBER	QTY	LINE	SERIES	BODY	ENGINE	TRANS	TRIM	DESCRIPTION
38	05143544AC	1	J, T		74	EK0, ES0, EV0, EZ0			VALVE, A/C Expansion
39	06034839	1	J, T		74	EK0, ES0, EV0, EZ0			CLIP
-40	68017814AA	1	J, T		74	EK0, ES0, EV0, EZ0			SEAL KIT, A/C And Heater Unit

GRAND CHEROKEE (WK)

SERIES LINE
H = HIGHLINE T = JEEP - 2WD
P = PREMIUM J = JEEP - 4WD
S = SPORT
X = SPECIAL

BODY
74 = SPORT UTILITY 4-DR
TYPE #4

ENGINE
EZH = 5.7L V8 HEMI MDS
VCT Engine
ESF = 6.1L SRT HEMI V8
Engine
EKG = 3.7L V6 Engine

TRANSMISSION
DGJ = 5-Speed Auto W5A580
Transmission
DGQ = 5-Spd Automatic 545RFE
Transmission

**Heater Plumbing 3.7L [EKG]
Figure 24-205**

ITEM	PART NUMBER	QTY	LINE	SERIES	BODY	ENGINE	TRANS	TRIM	DESCRIPTION
------	-------------	-----	------	--------	------	--------	-------	------	-------------

Sales Codes:
[EK0] = 3.7L Engine

1	55037965AC	1	J, T		74	EK0, EV0			HOSE, Heater Supply and Return
---	------------	---	------	--	----	----------	--	--	--------------------------------

GRAND CHEROKEE (WK)

SERIES LINE
H = HIGHLINE T = JEEP - 2WD
P = PREMIUM J = JEEP - 4WD
S = SPORT
X = SPECIAL

BODY
74 = SPORT UTILITY 4-DR
TYPE #4

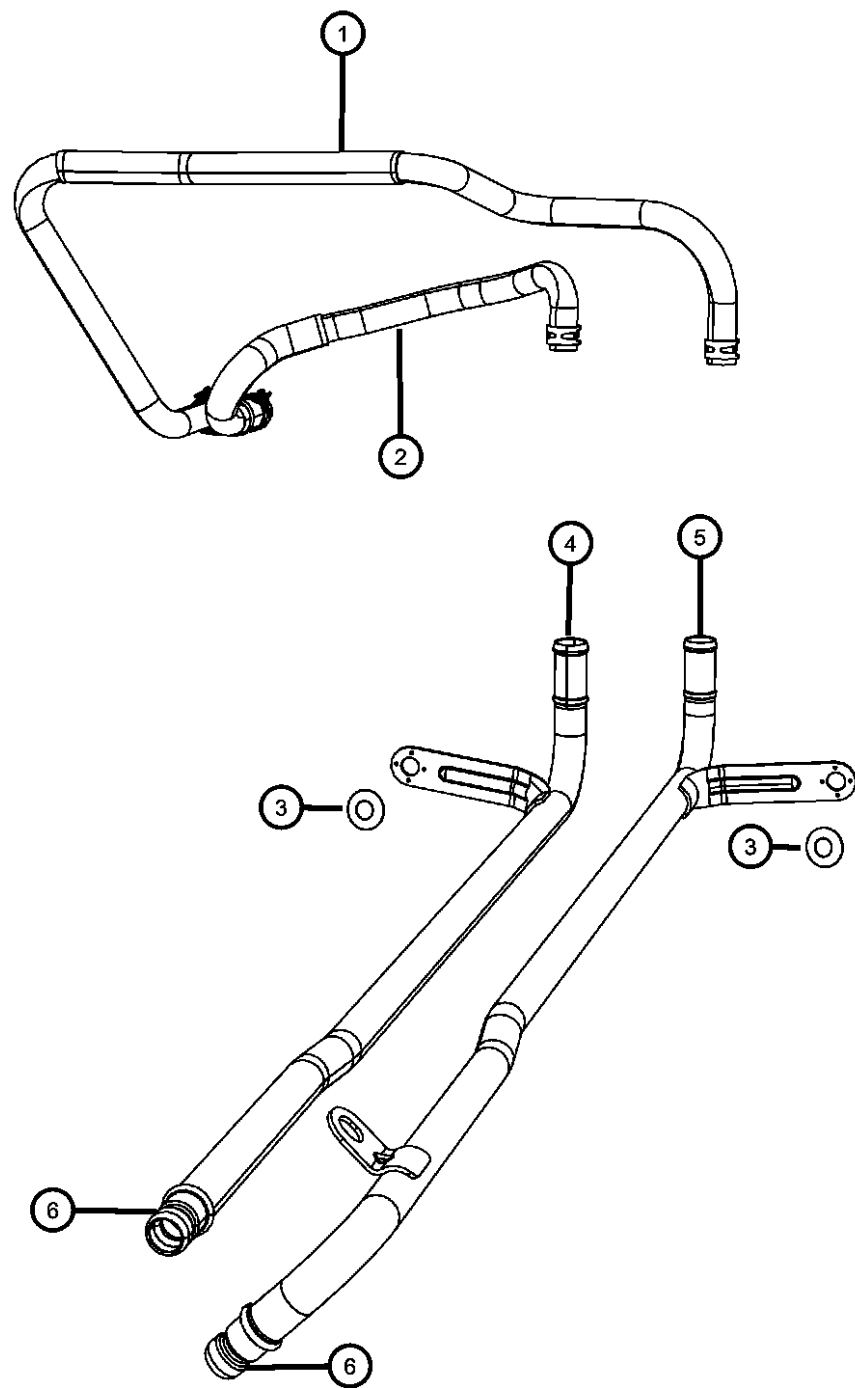
ENGINE
EZH = 5.7L V8 HEMI MDS
VCT Engine
ESF = 6.1L SRT HEMI V8
Engine
EKG = 3.7L V6 Engine

TRANSMISSION
DGJ = 5-Speed Auto W5A580
Transmission
DGQ = 5-Spd Automatic 545RFE
Transmission

AR = use ase required - = Non illustrated part

2010 WK

**Heater Plumbing 5.7L [EZH] 6.1L [ESF]
Figure 24-210**



ITEM	PART NUMBER	QTY	LINE	SERIES	BODY	ENGINE	TRANS	TRIM	DESCRIPTION
Sales Codes: [EZ0] = All 5.7L Gas Engines [ES0] = All 6.1L Gas Engines									
1									HOSE, Heater Return
	68000978AA	1	J, T		74	ES0			
		1	J, T		74	EZ0			
2									HOSE, Heater Supply
	68000979AA	1	J, T		74	ES0			
		1	J, T		74	EZ0			
3	06100840	1	J, T		74	EK0, ES0, EV0, EZ0			NUT, Spring
4	04892346AD	1	J, T		74	ESF, EZH			TUBE, Coolant outlet
5									TUBE, Coolant inlet
	05037891AA	1	J, T		74	ESF			
	04892345AF	1	J, T		74	EZH			
6									O RING, Heater Line
	53013736AA	2	J, T		74	ESF			
		2	J, T		74	EZH			

GRAND CHEROKEE (WK)

SERIES LINE
H = HIGHLINE T = JEEP - 2WD
P = PREMIUM J = JEEP - 4WD
S = SPORT
X = SPECIAL

BODY
74 = SPORT UTILITY 4-DR
TYPE #4

ENGINE
EZH = 5.7L V8 HEMI MDS
VCT Engine
ESF = 6.1L SRT HEMI V8
Engine
EKG = 3.7L V6 Engine

TRANSMISSION
DGJ = 5-Speed Auto W5A580
Transmission
DGQ = 5-Spd Automatic 545RFE
Transmission

AR = use ase required - = Non illustrated part

2010 WK

**A/C Plumbing 3.7L [EKG]
Figure 24-220**

ITEM	PART NUMBER	QTY	LINE	SERIES	BODY	ENGINE	TRANS	TRIM	DESCRIPTION
Sales Code: [EK0] = All 3.7L Gas Engines									
1	55037890AA	1	J, T		74	EK0			LINE, A/C Suction
2	05161784AA	1	J, T		74	EK0			SEAL, Slim Line, Expansion Valve End
3	05161785AA	1	J, T		74	EK0			WASHER, Sealing
4	05161786AA	1	J, T		74	EK0			CAP, A/C Charge Valve
5	05003862AA	1	J, T		74	EK0			VALVE CORE, A/C Line
6	06101445	1	J, T		74				NUT AND WASHER, Hex, M8x1.25
7	55037889AB	1	J, T		74	EK0			LINE, A/C Discharge
8	05183303AA	1	J, T		74	EK0			WASHER, Sealing, Compressor End
9	05183303AA	1	J, T		74	EK0			WASHER, Sealing, Condenser End
10	55116909AD	1	J, T		74				LINE, A/C Liquid
11	05161787AA	1	J, T		74				WASHER, Sealing, Drier End
12	05161788AA	1	J, T		74				WASHER, Sealing, Expansion Valve End
13	04861553AC	2	J, T		74				PIN, Push
14	55116928AA	1	J, T		74	EK0, ES0, EVO			COOLER, Condenser and Trans Cooler
15	55038085AA	1	J, T		74	EK0, ES0, EVO			DRIER, Receiver, Includes: Liquid Line to Condenser
16	05161788AA	1	J, T		74				WASHER, Sealing, Condenser End
17	05143544AC	1	J, T		74	EK0, ES0, EVO			VALVE, A/C Expansion

GRAND CHEROKEE (WK)

SERIES LINE
H = HIGHLINE T = JEEP - 2WD
P = PREMIUM J = JEEP - 4WD
S = SPORT
X = SPECIAL

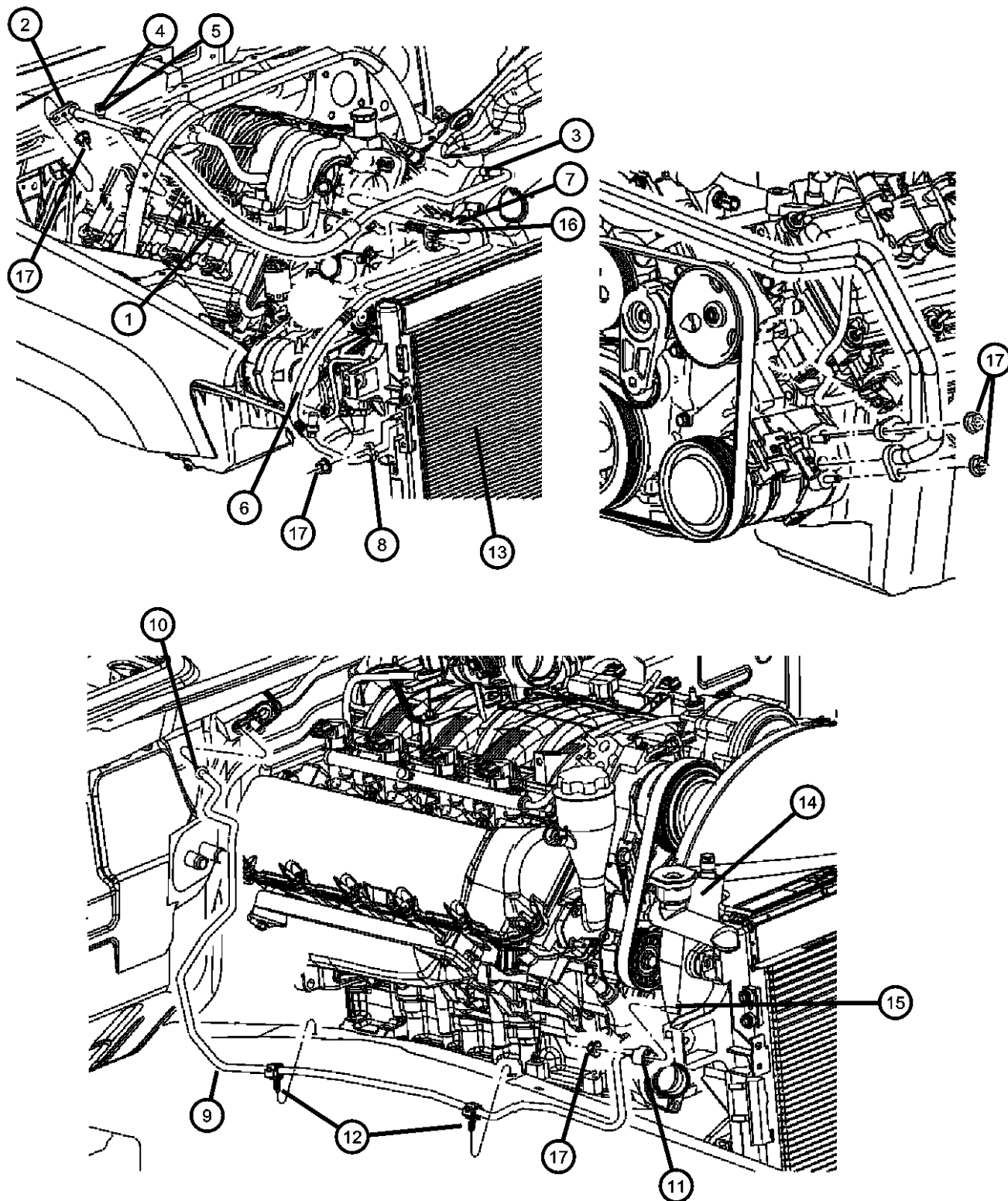
BODY
74 = SPORT UTILITY 4-DR
TYPE #4

ENGINE
EZH = 5.7L V8 HEMI MDS
VCT Engine
ESF = 6.1L SRT HEMI V8
Engine
EKG = 3.7L V6 Engine

TRANSMISSION
DGJ = 5-Speed Auto W5A580
Transmission
DGQ = 5-Spd Automatic 545RFE
Transmission

A/C Plumbing 5.7L [EZH] 6.1L [ESF]

Figure 24-225



ITEM	PART NUMBER	QTY	LINE	SERIES	BODY	ENGINE	TRANS	TRIM	DESCRIPTION
Sales Codes: [ES0] = 6.1L Engine [EZ0] = 5.7L Engine									
1									LINE, A/C Suction
	55038714AA	1	J, T		74	EZ0			
	55116718AG	1	J, T		74	ES0			
2									SEAL, Slim Line Expansion Valve End
	05161784AA	1	J, T		74	EZ0			
		1	J, T		74	ES0			Expansion Valve End
3									WASHER, Sealing
	05161785AA	1	J, T		74	EZ0			
		1	J, T		74	ES0			
4									CAP, A/C Charge Valve
	05161786AA	1	J, T		74	ES0			
		1	J, T		74	EZ0			
5	05003862AA	1	J, T		74	ES0			VALVE CORE, A/C Line
6									LINE, A/C Discharge
	55038710AA	1	J, T		74	EZ0			
	55116712AG	1	J, T		74	ES0			
7									WASHER, Sealing Compressor End
	05183303AA	1	J, T		74	EZ0			
		1	J, T		74	ES0			Compressor End
8									WASHER, Sealing Condenser End
	05183303AA	1	J, T		74	ES0			
		1	J, T		74	EZ0			Condenser End
9	55116909AD	1	J, T		74				LINE, A/C Liquid
10	05161788AA	1	J, T		74				WASHER, Sealing
11									SEAL, Slim Line Drier End
	05161784AA	1	J, T		74	EZ0			
		1	J, T		74	ES0			Drier End
12	04861553AC	2	J, T		74				PIN, Push
13									COOLER, Condenser and Trans Cooler
	55116928AA	1	J, T		74	EZ0			
		1	J, T		74	EK0, ES0, EVO			

GRAND CHEROKEE (WK)

SERIES LINE
H = HIGHLINE T = JEEP - 2WD
P = PREMIUM J = JEEP - 4WD
S = SPORT
X = SPECIAL

BODY
74 = SPORT UTILITY 4-DR
TYPE #4

ENGINE
EZH = 5.7L V8 HEMI MDS
VCT Engine
ESF = 6.1L SRT HEMI V8
Engine
EKG = 3.7L V6 Engine

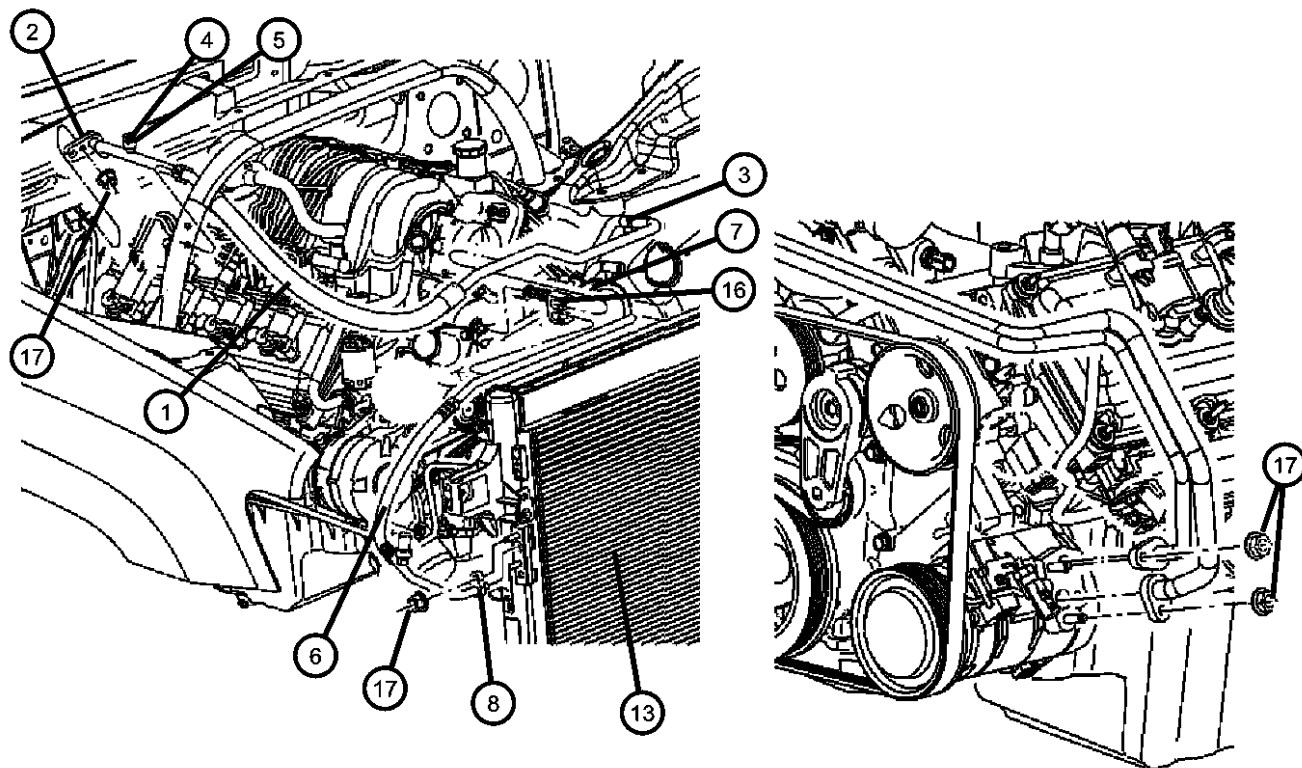
TRANSMISSION
DGJ = 5-Speed Auto W5A580
Transmission
DGQ = 5-Spd Automatic 545RFE
Transmission

AR = use ase required - = Non illustrated part

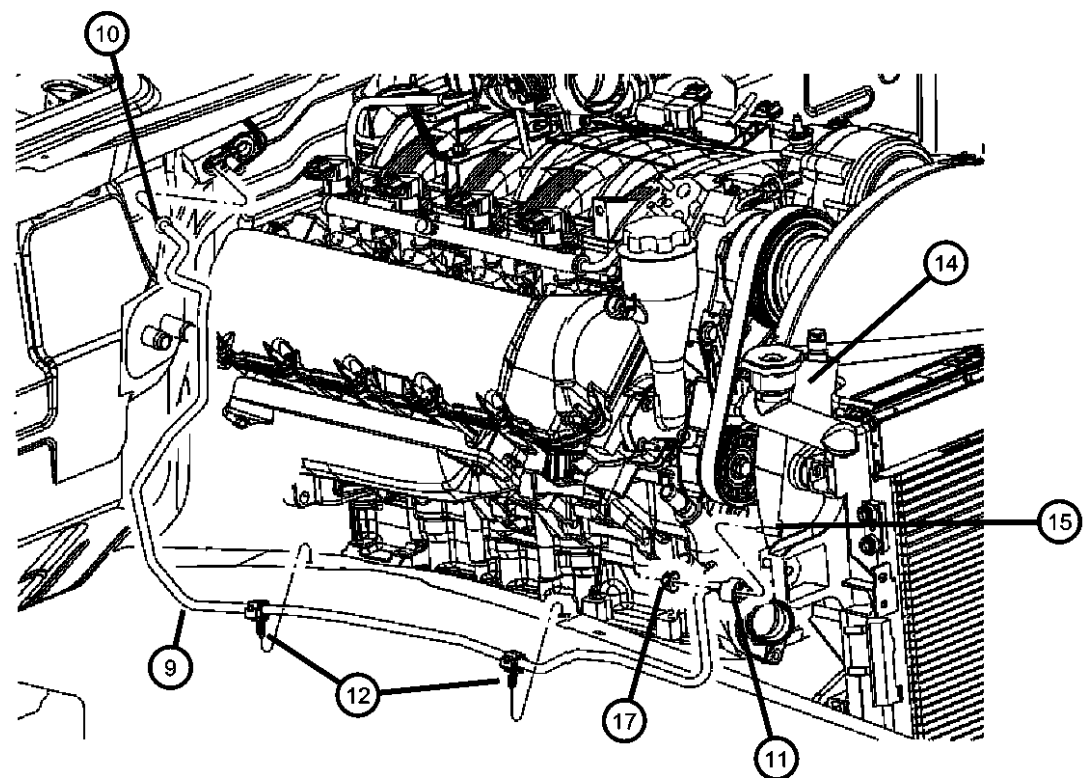
2010 WK

A/C Plumbing 5.7L [EZH] 6.1L [ESF]

Figure 24-225



ITEM	PART NUMBER	QTY	LINE	SERIES	BODY	ENGINE	TRANS	TRIM	DESCRIPTION
14									DRIER, Receiver, Includes: Liquid Line to Condenser
	55038085AA	1	J, T		74	EZ0			
		1	J, T		74	EK0, ES0, EV0			
15	05161788AA	1	J, T		74				WASHER, Sealing, Drier to Condenser
16	55037740AC	1	J, T		74	ES0, EZ0			BRACKET, A/C Line
17	06101445	1	J, T		74				NUT AND WASHER, Hex, M8x1.25



GRAND CHEROKEE (WK)

SERIES LINE
 H = HIGHLINE T = JEEP - 2WD
 P = PREMIUM J = JEEP - 4WD
 S = SPORT
 X = SPECIAL

BODY
 74 = SPORT UTILITY 4-DR
 TYPE #4

ENGINE
 EZH = 5.7L V8 HEMI MDS
 VCT Engine
 ESF = 6.1L SRT HEMI V8
 Engine
 EKG = 3.7L V6 Engine

TRANSMISSION
 DGJ = 5-Speed Auto W5A580
 Transmission
 DGQ = 5-Spd Automatic 545RFE
 Transmission

AR = use ase required - = Non illustrated part

**A/C and Heater Controls
Figure 24-310**

ITEM	PART NUMBER	QTY	LINE	SERIES	BODY	ENGINE	TRANS	TRIM	DESCRIPTION
Sales Code: [HAA] = Air Conditioning [HAF] = Air Conditioning with Auto Temp Control									
1	55037979AF	1	J, T		74				CONTROL, A/C And Heater, [HAA]
2									CONTROL, Auto Temp Control
	55111931AA	1	J, T		74				[HAF]
		1	J, T		74				[HAF] With [XD9]
	55111930AA	1	J, T		74				[HAF] Without [XD9]

GRAND CHEROKEE (WK)

SERIES LINE
H = HIGHLINE T = JEEP - 2WD
P = PREMIUM J = JEEP - 4WD
S = SPORT
X = SPECIAL

BODY
74 = SPORT UTILITY 4-DR
TYPE #4

ENGINE
EZH = 5.7L V8 HEMI MDS
VCT Engine
ESF = 6.1L SRT HEMI V8
Engine
EKG = 3.7L V6 Engine

TRANSMISSION
DGJ = 5-Speed Auto W5A580
Transmission
DGQ = 5-Spd Automatic 545RFE
Transmission

**A/C Compressor 3.7L [EKG]
Figure 24-405**

ITEM	PART NUMBER	QTY	LINE	SERIES	BODY	ENGINE	TRANS	TRIM	DESCRIPTION
Sales Codes: [EK0] = All 3.7L Gas Engines									
1	55111437AC	1	J, T		74	EK0, EV0			COMPRESSOR, Air Conditioning
2	68035234AA	1	J, T		74	EK0, EV0			CLUTCH OVERHAUL KIT, A/C Compressor, Includes: Snap Rings, Washers, Screws, Pulley Bolt
3	68025879AA	1	J, T		74	EK0, EV0			BOLT, Pulley
4	05003681AA	1	J, T		74	EK0, EV0			COIL, Air Conditioning Clutch
5	68034537AA	1	J, T		74	EK0, EV0			PULLEY HUB KIT, A/C Compressor
6	05264454	1	J, T		74	EK0, EV0			SNAP RING KIT, A/C Clutch, Includes: Stator and Rotor Snap Rings
7	82300102	1	J, T		74	EK0, EV0			LUBRICANT, A/C Compressor, 250ml, Standard MS-9176, ND-8 PAG
8	82300101AB	AR	J, T		74				REFRIGERANT, R134A, 1 Pound, Standard MS-9175, [30lb Cylinder]

GRAND CHEROKEE (WK)

SERIES LINE
H = HIGHLINE T = JEEP - 2WD
P = PREMIUM J = JEEP - 4WD
S = SPORT
X = SPECIAL

BODY
74 = SPORT UTILITY 4-DR
TYPE #4

ENGINE
EZH = 5.7L V8 HEMI MDS
VCT Engine
ESF = 6.1L SRT HEMI V8
Engine
EKG = 3.7L V6 Engine

TRANSMISSION
DGJ = 5-Speed Auto W5A580
Transmission
DGQ = 5-Spd Automatic 545RFE
Transmission

AR = use ase required - = Non illustrated part

2010 WK

**A/C Compressor 5.7L [EZH] 6.1L [ESF]
Figure 24-415**

ITEM	PART NUMBER	QTY	LINE	SERIES	BODY	ENGINE	TRANS	TRIM	DESCRIPTION
Sales Codes: [ES0] = All 6.1L Gas Engines [EZ0] = All 5.7L Gas Engines									
1									COMPRESSOR, Air Conditioning, Complete
	55111096AB	1	J, T		74	EZ0			
	55116917AD	1	J, T		74	ES0			
2									CLUTCH OVERHAUL KIT, A/C Compressor, Includes: Snap Rings, Washers, Screws, Pulley Bolt
	05140428AA	1	J, T		74	ES0			
	68032119AA	1	J, T		74	EZ0			
3									COIL, Air Conditioning Clutch
	05003681AA	1	J, T		74	EZ0			
		1	J, T		74	ES0			
4									PULLEY HUB KIT, A/C Compressor
	05140426AA	1	J, T		74	ES0			
	68050640AA	1	J, T		74	EZ0			
5									SNAP RING KIT, A/C Clutch, Includes: Stator and Rotor Snap Rings
	05264454	1	J, T		74	ES0			
		1	J, T		74	EZ0			
6									LUBRICANT, A/C Compressor, 250ml, Standard MS-9176
	82300102	1	J, T		74	EZ0			ND-8 PAG
		1	J, T		74	ES0			ND-8 PAG
7	82300101AB	AR	J, T		74				REFRIGERANT, R134A, 1 Pound, Standard MS-9175, [30lb Cylinder]

GRAND CHEROKEE (WK)

SERIES LINE
H = HIGHLINE T = JEEP - 2WD
P = PREMIUM J = JEEP - 4WD
S = SPORT
X = SPECIAL

BODY
74 = SPORT UTILITY 4-DR
TYPE #4

ENGINE
EZH = 5.7L V8 HEMI MDS
VCT Engine
ESF = 6.1L SRT HEMI V8
Engine
EKG = 3.7L V6 Engine

TRANSMISSION
DGJ = 5-Speed Auto W5A580
Transmission
DGQ = 5-Spd Automatic 545RFE
Transmission

AR = use ase required - = Non illustrated part

2010 WK

**A/C Compressor Mounting 3.7L [EKG]
Figure 24-450**

ITEM	PART NUMBER	QTY	LINE	SERIES	BODY	ENGINE	TRANS	TRIM	DESCRIPTION
Sales Codes: [EK0] = All 3.7L Gas Engines									
1	06504344	1	J, T		74	EKG			SCREW AND WASHER, Hex Head, M10X1.50X105.00
2	06505487AA	1	J, T		74	EKG			SCREW AND WASHER, M10x1.5x45
3	06505482AA	1	J, T		74	EKG			SCREW AND WASHER, Hex Head, M8x1.25x50
4	06505482AA	1	J, T		74	EKG			SCREW AND WASHER, Hex Head, M8x1.25x50, A/C Brace To Front Cover
5	06101794	1	J, T		74	EKG			BOLT AND CONED WASHER, Hex head, M10X1.50X25.00
6	53031709AA	1	J, T		74	EKG			BRACE, A/C Compressor

GRAND CHEROKEE (WK)

SERIES LINE
H = HIGHLINE T = JEEP - 2WD
P = PREMIUM J = JEEP - 4WD
S = SPORT
X = SPECIAL

BODY
74 = SPORT UTILITY 4-DR
TYPE #4

ENGINE
EZH = 5.7L V8 HEMI MDS
VCT Engine
ESF = 6.1L SRT HEMI V8
Engine
EKG = 3.7L V6 Engine

TRANSMISSION
DGJ = 5-Speed Auto W5A580
Transmission
DGQ = 5-Spd Automatic 545RFE
Transmission

**A/C Compressor Mounting 5.7L [EZH] 6.1L [ESF]
Figure 24-455**

ITEM	PART NUMBER	QTY	LINE	SERIES	BODY	ENGINE	TRANS	TRIM	DESCRIPTION
------	-------------	-----	------	--------	------	--------	-------	------	-------------

Sales Codes:

[ES0] = All 6.1L Gas Engines

[EZ0] = All 5.7L Gas Engines

1	06503703	4	J, T		74	ES0, EZ0			BOLT, Hex Head, M10x1.50x100
---	----------	---	------	--	----	----------	--	--	------------------------------

GRAND CHEROKEE (WK)

SERIES LINE
H = HIGHLINE T = JEEP - 2WD
P = PREMIUM J = JEEP - 4WD
S = SPORT
X = SPECIAL

BODY
74 = SPORT UTILITY 4-DR
TYPE #4

ENGINE
EZH = 5.7L V8 HEMI MDS
VCT Engine
ESF = 6.1L SRT HEMI V8
Engine
EKG = 3.7L V6 Engine

TRANSMISSION
DGJ = 5-Speed Auto W5A580
Transmission
DGQ = 5-Spd Automatic 545RFE
Transmission

AR = use ase required - = Non illustrated part

2010 WK

Ducts
Figure 24-505

ITEM	PART NUMBER	QTY	LINE	SERIES	BODY	ENGINE	TRANS	TRIM	DESCRIPTION
Sale Codes: [DV,D1,J1,J3] Are Interior Trim Colors									
1	55037874AB	1	J, T		74				BAFFLE, Air
-2									PANEL, Instrument Upper, Includes: Left Outer Duct [DV,D1]
	1DE841DVAE	1	J, T		74				[J1,J3]
	1DE841J8AE	1	J, T		74				
3	55117075AD	1	J, T		74				DUCT, A/C Outlet, CenterLeft
4	55117074AD	1	J, T		74				DUCT, A/C Outlet, CenterRight
5	55117050AB	1	J, T		74				DUCT, A/C Outlet, Outer
6									DUCT, Floor Distribution, Side Right
	55116599AC	1	J, T		74				Left
	55116741AC	1	J, T		74				
7	55116814AA	1	J, T		74				DUCT, Floor Distribution, Center Floor
8	55197077AB	1	J, T		74				DUCT, Floor Console, HVAC to Console

GRAND CHEROKEE (WK)

SERIES LINE
H = HIGHLINE T = JEEP - 2WD
P = PREMIUM J = JEEP - 4WD
S = SPORT
X = SPECIAL

BODY
74 = SPORT UTILITY 4-DR
TYPE #4

ENGINE
EZH = 5.7L V8 HEMI MDS
VCT Engine
ESF = 6.1L SRT HEMI V8
Engine
EKG = 3.7L V6 Engine

TRANSMISSION
DGJ = 5-Speed Auto W5A580
Transmission
DGQ = 5-Spd Automatic 545RFE
Transmission

Group - 25

Emission Controls

Group - 25 Emission Controls

Illustration Title

Group-Fig. No.

EGR System


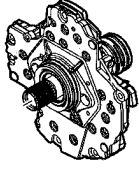
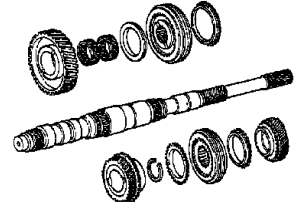
EGR ValveFig. 25 - 205

Vacuum Canister/Leak Detection Pump

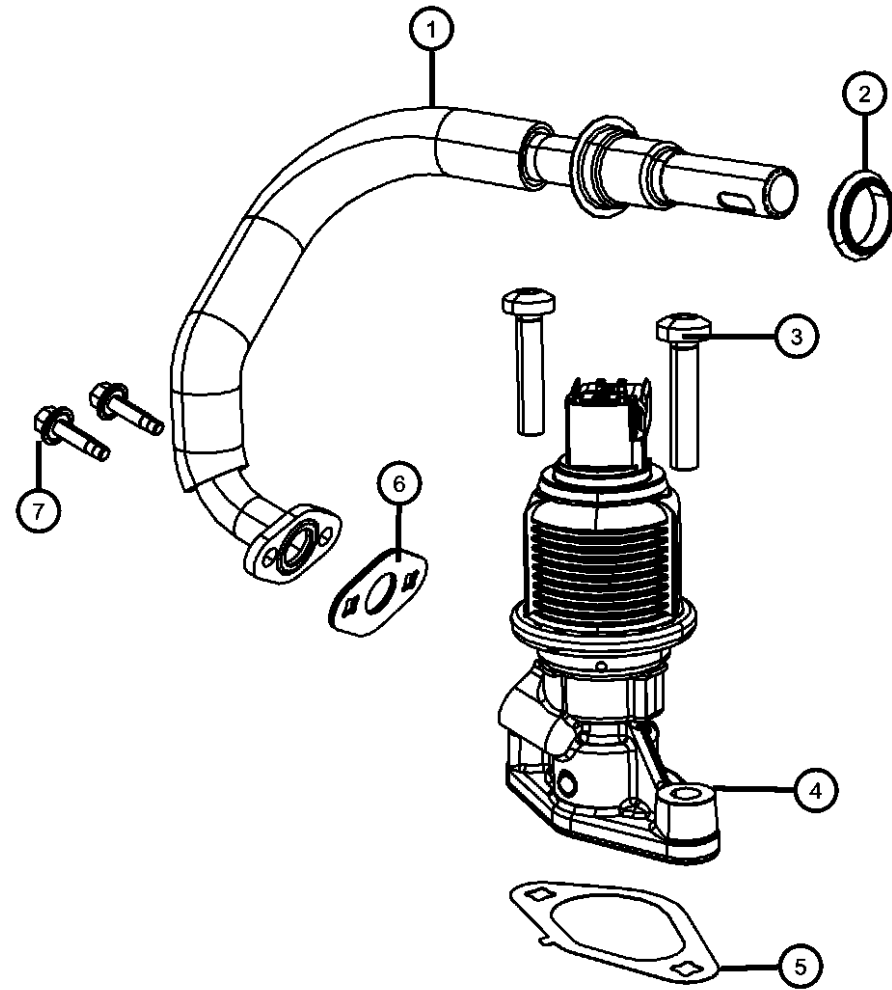
Vapor Canister/Leak Detection PumpFig. 25 - 305

Emission Harness

Emission Control Vacuum HarnessFig. 25 - 405

<p>025-200 EGR System</p> 	<p>025-300 Vacuum Canister/Leak Detection Pump</p> 	<p>025-400 Emission Harness</p> 	
--	---	---	--

EGR Valve
Figure 25-205



ITEM	PART NUMBER	QTY	LINE	SERIES	BODY	ENGINE	TRANS	TRIM	DESCRIPTION
1	53032951AB	1	J, T		74	EKG			TUBE, EGR
2	04591250	1	J, T		74	EKG			SEAL, EGR Tube
3	06104158AA	2	J, T		74	EKG			BOLT, Torx Head, M8x1.25x40, EGR Valve to Cylinder Head, Mounting
4	53034192AA	1	J, T		74	EKG			VALVE, EGR
5	53034006AB	1	J, T		74	EKG			GASKET, EGR Valve
6	05277928	1	J, T		74	EKG			GASKET, EGR Tube Flange
7	06508380AA	2	J, T		74	EKG			SCREW, Hex Flange Head, M6X1.00X21.30, EGR Tube to EGR Valve, Mounting

GRAND CHEROKEE (WK)

SERIES LINE
H = HIGHLINE T = JEEP - 2WD
P = PREMIUM J = JEEP - 4WD
S = SPORT
X = SPECIAL

BODY
74 = SPORT UTILITY 4-DR
TYPE #4

ENGINE
EZ = 5.7L V8 HEMI MDS
VCT Engine
ESF = 6.1L SRT HEMI V8
Engine
EKG = 3.7L V6 Engine

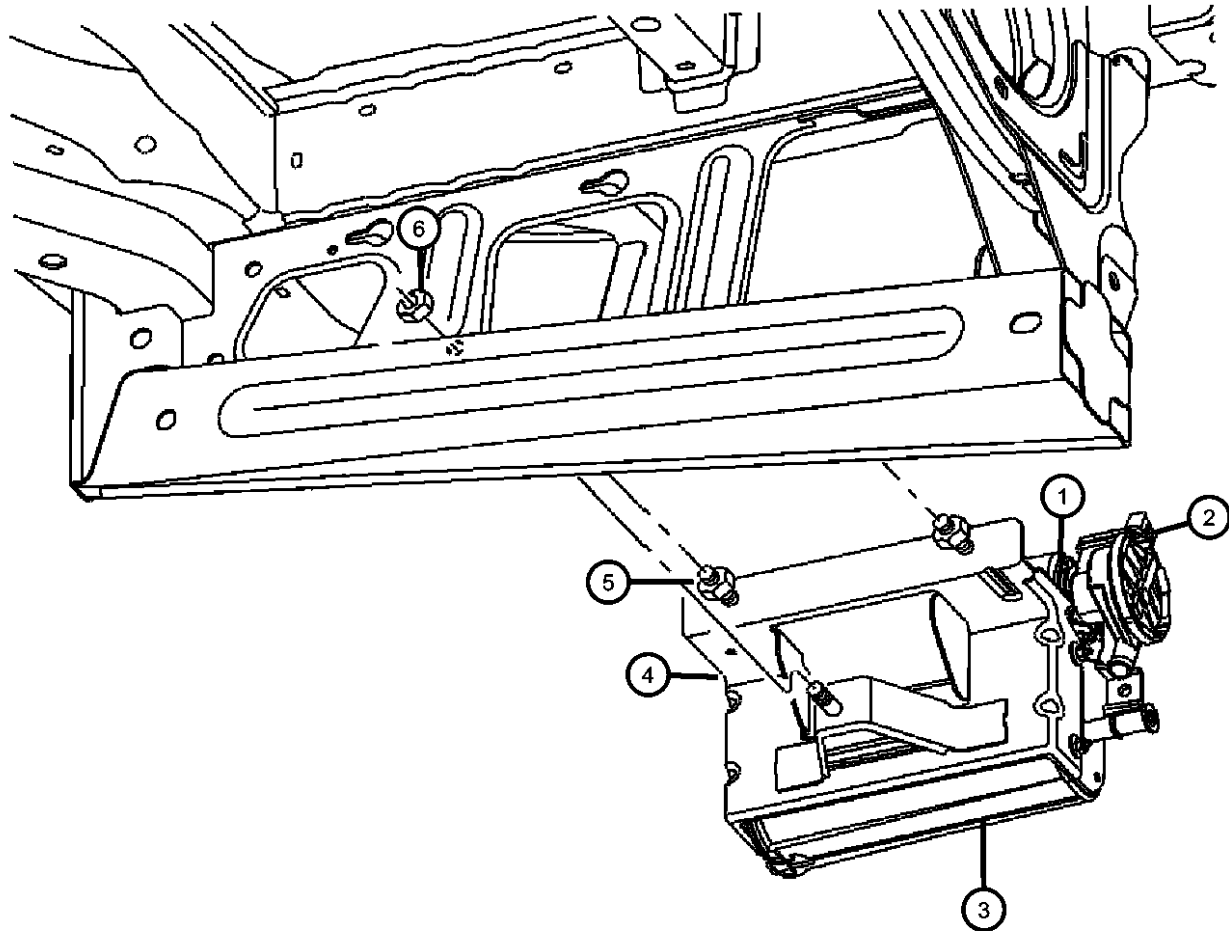
TRANSMISSION
DGJ = 5-Speed Auto W5A580
Transmission
DGQ = 5-Spd Automatic 545RFE
Transmission

AR = use ase required - = Non illustrated part

2010 WK

Vapor Canister/Leak Detection Pump
Figure 25-305

ITEM	PART NUMBER	QTY	LINE	SERIES	BODY	ENGINE	TRANS	TRIM	DESCRIPTION
1	52129436AA	1	J, T		74	ESF, EZH, EKG			SEAL, Vapor canister, Seal
2	04891729AA	1	J, T		74	EKG, ESF, EZH			DETECTOR, Evaporative System Integrity Module
3	04891725AC	1	J, T		74	EKG, ESF, EZH			CANISTER, Vapor
4	52090442AE	1	J, T		74	EKG, ESF, EZH			BRACKET, Vapor Canister
5	06104725AA	2	J, T		74				NUT AND WASHER, Hex, M6X1.00, Canister to Bracket, Mounting
6	06104716AB	2	J, T		74	EKG, ESF, EVE, EZH			NUT, Hex Flange Lock, M8X1.25, Bracket, Mounting



GRAND CHEROKEE (WK)

SERIES LINE
H = HIGHLINE T = JEEP - 2WD
P = PREMIUM J = JEEP - 4WD
S = SPORT
X = SPECIAL

BODY
74 = SPORT UTILITY 4-DR
TYPE #4

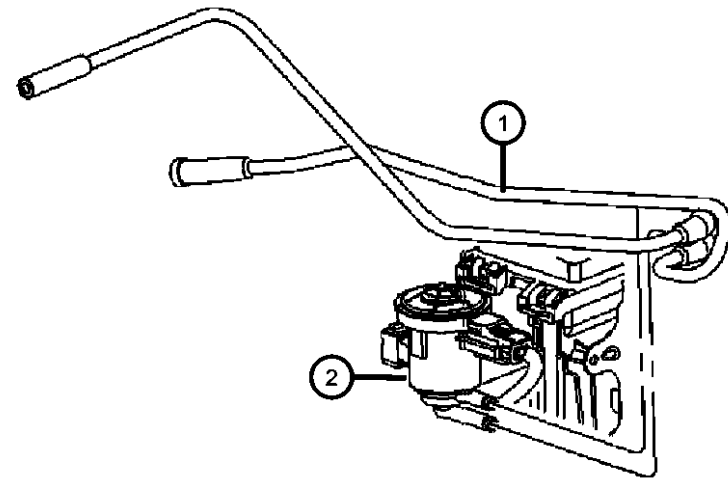
ENGINE
EZH = 5.7L V8 HEMI MDS
VCT Engine
ESF = 6.1L SRT HEMI V8
Engine
EKG = 3.7L V6 Engine

TRANSMISSION
DGJ = 5-Speed Auto W5A580
Transmission
DGQ = 5-Spd Automatic 545RFE
Transmission

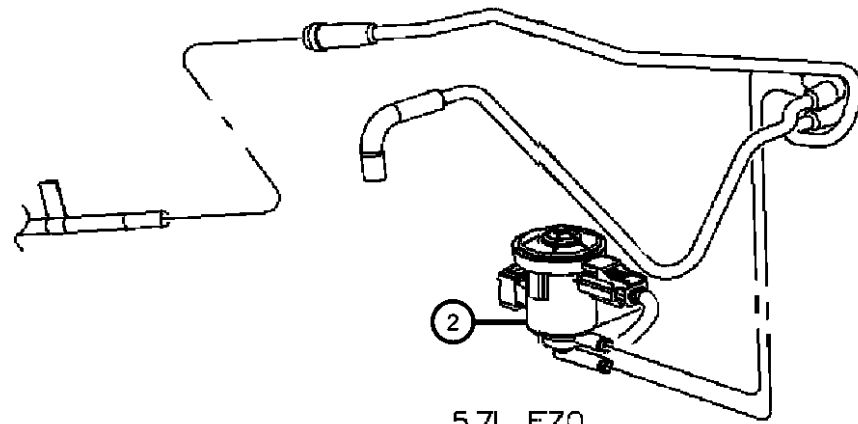
AR = use ase required - = Non illustrated part

2010 WK

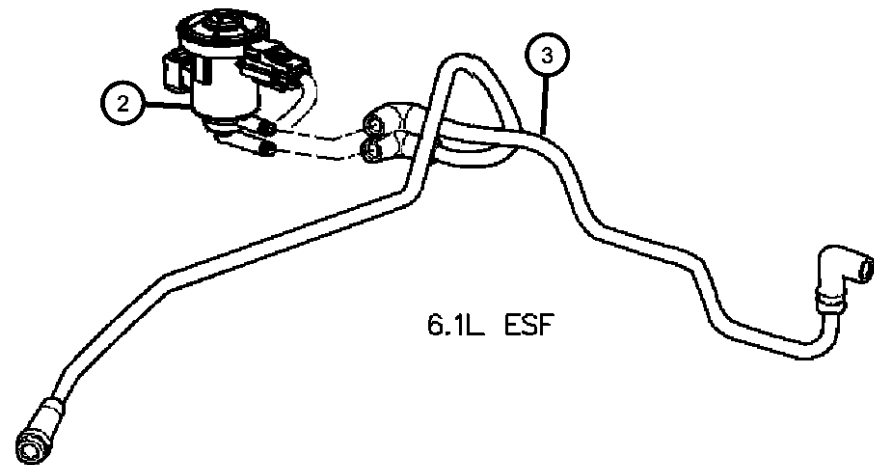
**Emission Control Vacuum Harness
Figure 25-405**



3.7L EKO



5.7L EZO



6.1L ESF

ITEM	PART NUMBER	QTY	LINE	SERIES	BODY	ENGINE	TRANS	TRIM	DESCRIPTION
1									HARNESS, Proportional Purge Solenoid
	52059606AD	1	J, T		74	EZH			
	52124469AA	1	J, T		74	EKG			
2									SOLENOID, Proportional Purge
	52090419AA	1	J, T		74	ESF			
		1	J, T		74	EKG			
		1	J, T		74	EZH			
3	05037762AB	1	J, T		74	ESF			HARNESS, Vacuum Vapor

GRAND CHEROKEE (WK)

SERIES LINE
H = HIGHLINE T = JEEP - 2WD
P = PREMIUM J = JEEP - 4WD
S = SPORT
X = SPECIAL

BODY
74 = SPORT UTILITY 4-DR
TYPE #4

ENGINE
EZH = 5.7L V8 HEMI MDS
VCT Engine
ESF = 6.1L SRT HEMI V8
Engine
EKG = 3.7L V6 Engine

TRANSMISSION
DGJ = 5-Speed Auto W5A580
Transmission
DGQ = 5-Spd Automatic 545RFE
Transmission

AR = use ase required - = Non illustrated part

2010 WK

Group - 26

Labels

Group - 26 Labels

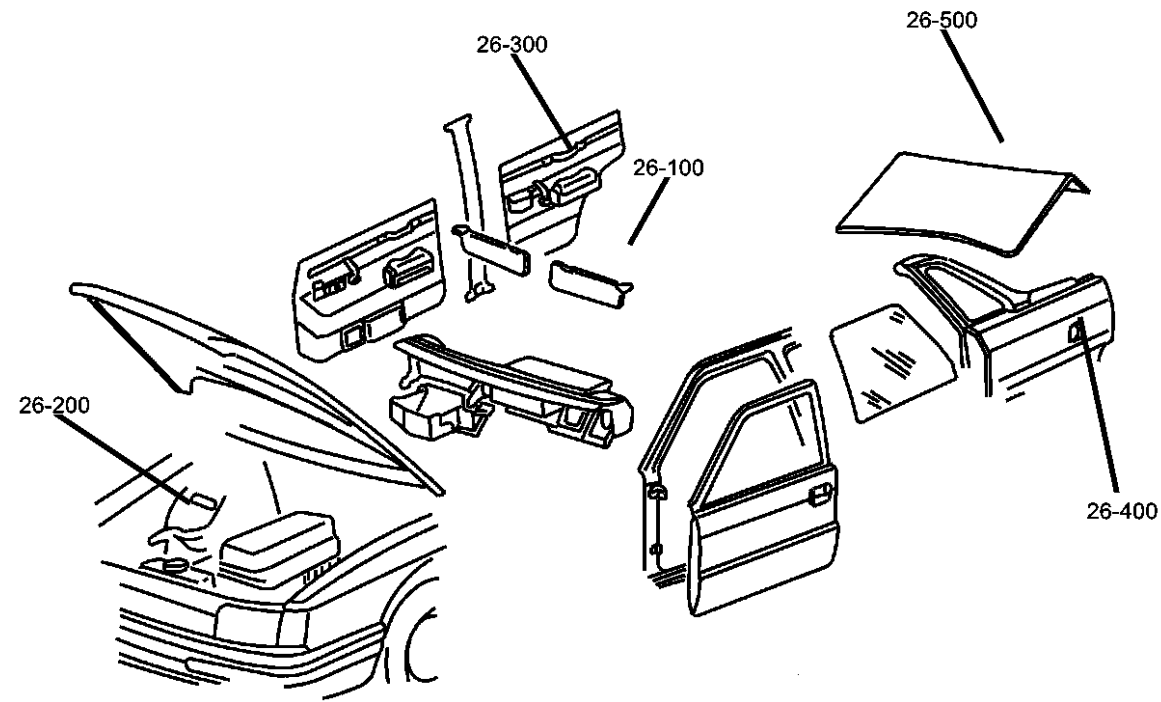


Illustration Title

Group-Fig. No.

Interior

Instrument Panel and VisorsFig. 26 - 110

Under Hood

Engine CompartmentFig. 26 - 210

Doors

Doors and PillarsFig. 26 - 310

Trunk

Rear Cargo and Storage.....Fig. 26 - 510

<p>026-100 Interior</p>	<p>026-200 Under Hood</p>	<p>026-300 Doors</p>	<p>026-500 Trunk</p>
------------------------------------	--------------------------------------	---------------------------------	---------------------------------

**Instrument Panel and Visors
Figure 26-110**

ITEM	PART NUMBER	QTY	LINE	SERIES	BODY	ENGINE	TRANS	TRIM	DESCRIPTION
1									LABEL, Air Bag Warning
	05108000AA	2	J		74				French/English
	05170020AA	2	J, T		74				Arabic/English
2		2							LABEL, Tire Pressure, (NOT SERVICED),
3	55352825AA	1	J		74				LABEL, Warning, High Rollover Risk (English & French)
4	68000202AA	1	J, T		74				LABEL, Air Bag, Passenger

GRAND CHEROKEE (WK)

SERIES LINE
H = HIGHLINE T = JEEP - 2WD
P = PREMIUM J = JEEP - 4WD
S = SPORT
X = SPECIAL

BODY
74 = SPORT UTILITY 4-DR
TYPE #4

ENGINE
EZH = 5.7L V8 HEMI MDS
VCT Engine
ESF = 6.1L SRT HEMI V8
Engine
EKG = 3.7L V6 Engine

TRANSMISSION
DGJ = 5-Speed Auto W5A580
Transmission
DGQ = 5-Spd Automatic 545RFE
Transmission

**Engine Compartment
Figure 26-210**

ITEM	PART NUMBER	QTY	LINE	SERIES	BODY	ENGINE	TRANS	TRIM	DESCRIPTION
NOTES: Sales Codes: [NAA] = Federal Emissions [NAE] = California Emissions [NAS] = 50 State Emissions [NMH] = Hydraulic Engine Cooling									
1	55056347AA	1	J, T		74				LABEL, Air Conditioning System, Warning A/C Refrig Charge (English & French)
2		1							LABEL, Emission, (NOT SERVICED)
3									LABEL, A/C Spec.
	55116955AD	1	J, T		74				
		1	J, T		74				
4		1							LABEL, Fan Caution, SCP, (NOT SERVICED)
5		1							BATTERY, (NOT SERVICED)
6	52124056AA	1	J, T		74				LABEL, Power Steering Fluid

GRAND CHEROKEE (WK)

SERIES LINE
H = HIGHLINE T = JEEP - 2WD
P = PREMIUM J = JEEP - 4WD
S = SPORT
X = SPECIAL

BODY
74 = SPORT UTILITY 4-DR
TYPE #4

ENGINE
EZH = 5.7L V8 HEMI MDS
VCT Engine
ESF = 6.1L SRT HEMI V8
Engine
EKG = 3.7L V6 Engine

TRANSMISSION
DGJ = 5-Speed Auto W5A580
Transmission
DGQ = 5-Spd Automatic 545RFE
Transmission

**Doors and Pillars
Figure 26-310**

ITEM	PART NUMBER	QTY	LINE	SERIES	BODY	ENGINE	TRANS	TRIM	DESCRIPTION
1		1							LABEL, Certification, (NOT SERVICED)
2		1							OVERLAY, Vehicle Certification, (NOT SERVICED)
3	04615730	2	J		74				LABEL, Child Protection Lock, English, Info Child Protection Lock Door (French)
4	05108000AA	2	J		74				LABEL, Air Bag Warning, Sun Visor (English & French)
5	05020527AB	1	J, T		74				LABEL, Mercury Warning

GRAND CHEROKEE (WK)

SERIES LINE
H = HIGHLINE T = JEEP - 2WD
P = PREMIUM J = JEEP - 4WD
S = SPORT
X = SPECIAL

BODY
74 = SPORT UTILITY 4-DR
TYPE #4

ENGINE
EZH = 5.7L V8 HEMI MDS
VCT Engine
ESF = 6.1L SRT HEMI V8
Engine
EKG = 3.7L V6 Engine

TRANSMISSION
DGJ = 5-Speed Auto W5A580
Transmission
DGQ = 5-Spd Automatic 545RFE
Transmission

AR = use ase required - = Non illustrated part

2010 WK

**Rear Cargo and Storage
Figure 26-510**

ITEM	PART NUMBER	QTY	LINE	SERIES	BODY	ENGINE	TRANS	TRIM	DESCRIPTION
1	52014439AA	1	J, T		74				JACK
-2	05056245AB	1	J, T		74				LABEL, Tire Pressure, Info Certification Vehicle & Tire Blank

GRAND CHEROKEE (WK)

SERIES LINE
H = HIGHLINE T = JEEP - 2WD
P = PREMIUM J = JEEP - 4WD
S = SPORT
X = SPECIAL

BODY
74 = SPORT UTILITY 4-DR
TYPE #4

ENGINE
EZH = 5.7L V8 HEMI MDS
VCT Engine
ESF = 6.1L SRT HEMI V8
Engine
EKG = 3.7L V6 Engine

TRANSMISSION
DGJ = 5-Speed Auto W5A580
Transmission
DGQ = 5-Spd Automatic 545RFE
Transmission

AR = use ase required - = Non illustrated part

2010 WK

Group - 27 Glass

Group - 27 Glass

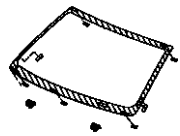
Illustration Title

Group-Fig. No.

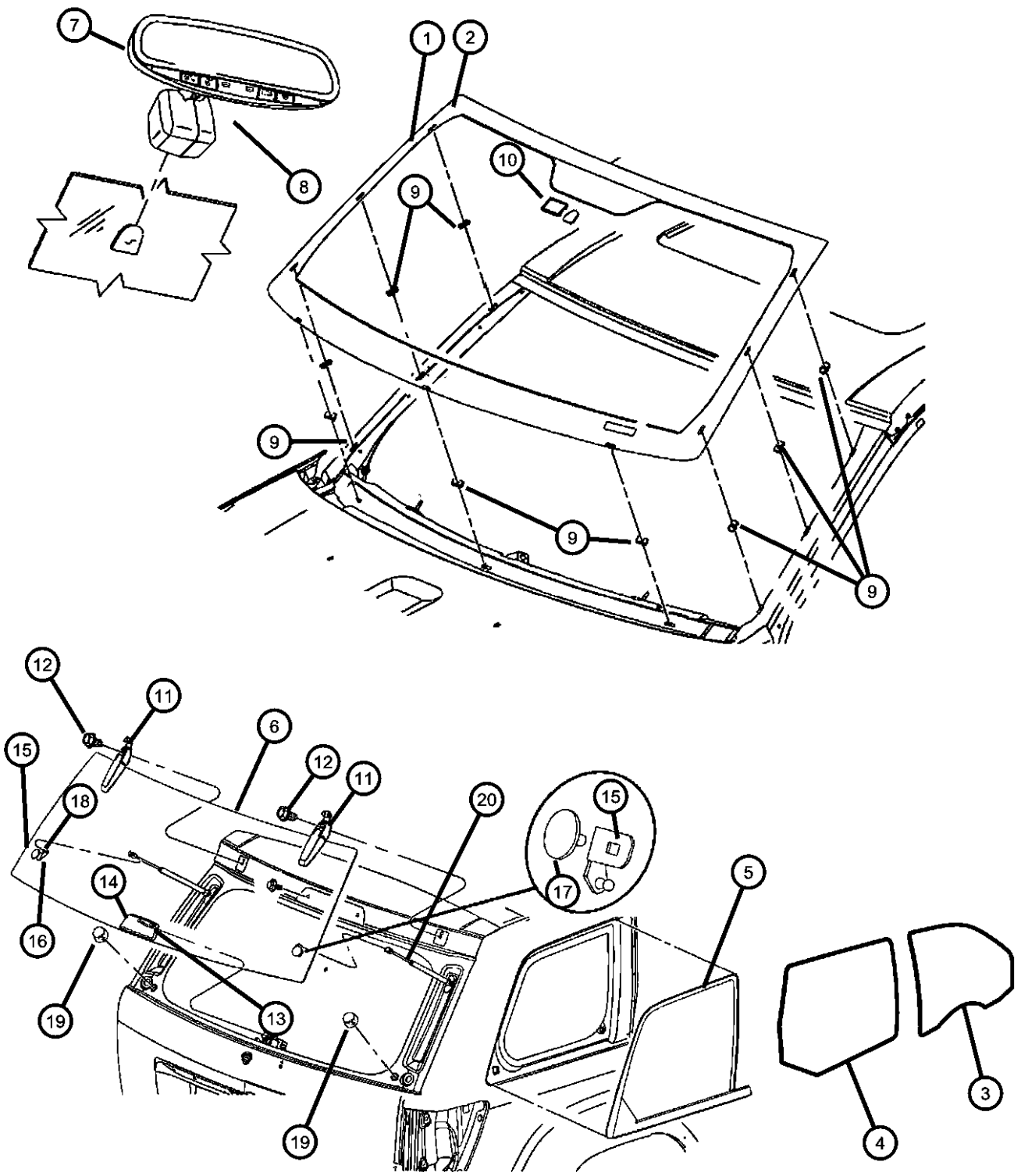
Glass and Interior Rear View Mirror

Glass, Glass Hardware & Interior Mirror Fig. 27 - 105

027-100
Glass and Interior Rear View
Mirror



Glass, Glass Hardware & Interior Mirror
Figure 27-105



ITEM	PART NUMBER	QTY	LINE	SERIES	BODY	ENGINE	TRANS	TRIM	DESCRIPTION
1	05170272AB	1	J, T		74				WINDSHIELD, [JHA]
2	05170273AB	1	J, T		74				WINDSHIELD, Shipping Assembly - 30 Lite Glass, [JHC]
3	55394254AC	1	J, T		74				GLASS, Front Door Right
	DD11131GTN								Collision Replacement Glass
	55394255AC	1	J, T		74				Left
	DD11132GTN								Collision Replacement Glass
4									GLASS, Rear Door
	55394310AB	1	J, T		74				Right
	DD10789YPN								Collision Replacement Glass
	55394311AB	1	J, T		74				Left
	DD10790YPN								Collision Replacement Glass
5									GLASS, Quarter Window
	55394168AB	1	J, T	H	74				Right
	DQ10791YPY								Collision Replacement Glass
	55394169AB	1	J, T	H	74				Left
	DQ10792YPY								Collision Replacement Glass
	55396305AA	1	J, T	P, S, X	74				Left
	DQ10794YPY								Collision Replacement Glass
	55396304AA	1	J, T	S, X, P	74				Right
	DQ10793YPY								Collision Replacement Glass
6	55394172AH	1	J, T		74				BACKLITE
7									MIRROR, Inside Rear View
	55079778AD	1	J, T		74				[GN5,LMS]
	55157463AA	1	J, T		74				[GNK]
	68032395AB	1	J, T		74				[GNK,LMS]
	55079456AC	1	J, T		74				[GN5]
8	06036548AA	1	J, T		74				SCREW, Tapping Pan Head, .190-24x.375
9	55369224AA	9	J, T		74				SPACER, Windshield
10		9							BRACKET, Windshield, Rain Sensor Bracket Serviced With Windshield, (NOT SERVICED)
11		9							HINGE, Liftglass, (NOT SERVICED)
12	06502808	2	J, T		74				SCREW AND WASHER, Hex Head Locking, M6x1.00x25.00

GRAND CHEROKEE (WK)
 SERIES LINE
 H = HIGHLINE T = JEEP - 2WD
 P = PREMIUM J = JEEP - 4WD
 S = SPORT
 X = SPECIAL

BODY
 74 = SPORT UTILITY 4-DR TYPE #4

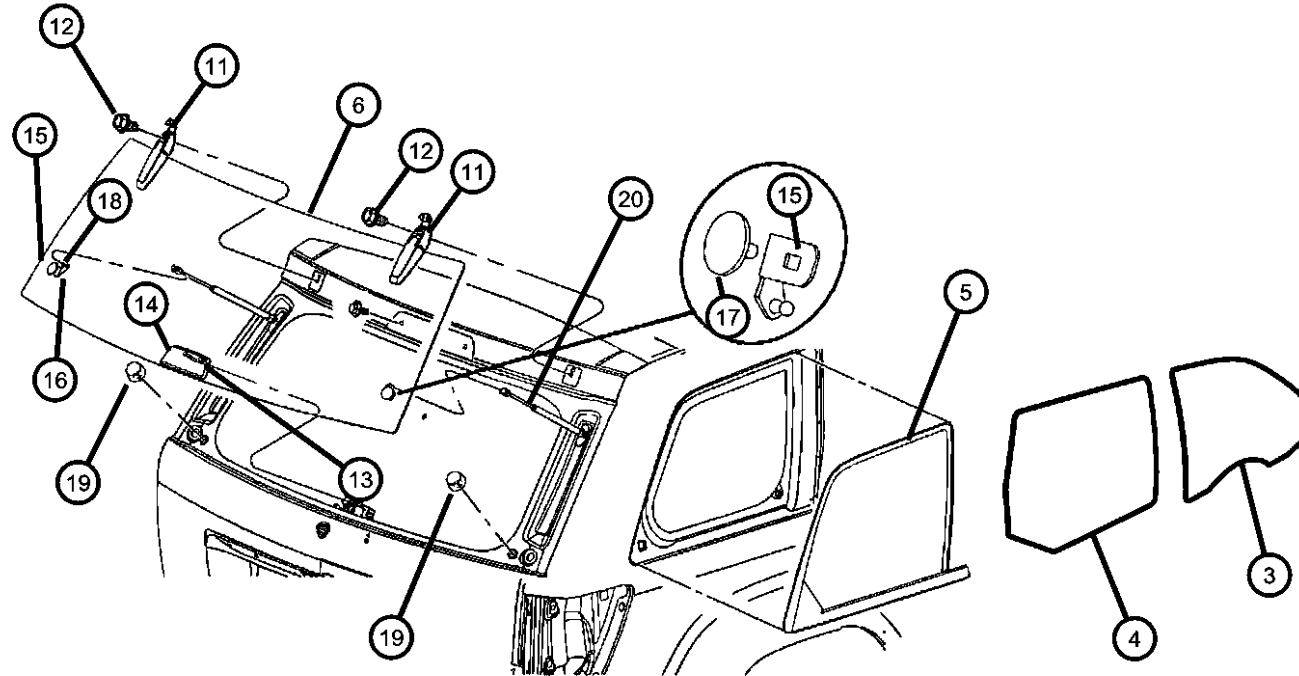
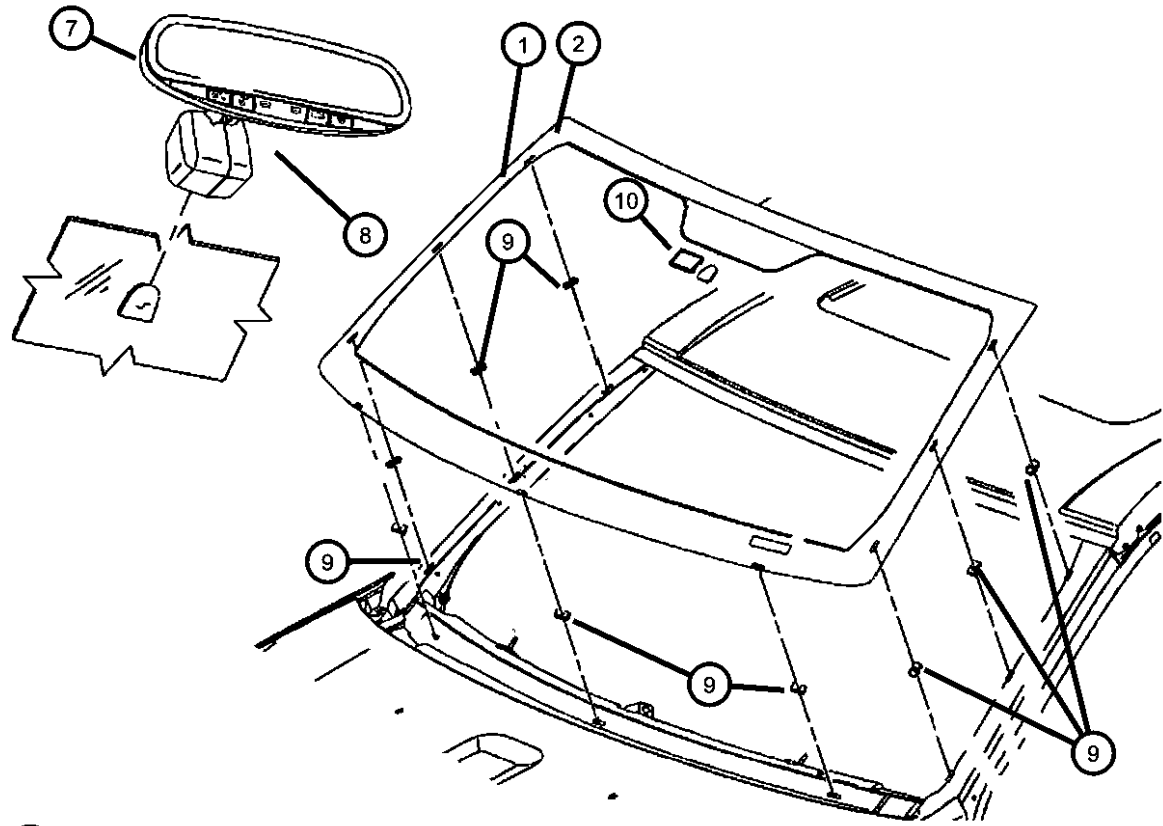
ENGINE
 EZH = 5.7L V8 HEMI MDS VCT Engine
 ESF = 6.1L SRT HEMI V8 Engine
 EKG = 3.7L V6 Engine

TRANSMISSION
 DGJ = 5-Speed Auto W5A580 Transmission
 DGQ = 5-Spd Automatic 545RFE Transmission

AR = use ase required - = Non illustrated part

Glass, Glass Hardware & Interior Mirror
Figure 27-105

ITEM	PART NUMBER	QTY	LINE	SERIES	BODY	ENGINE	TRANS	TRIM	DESCRIPTION
13	55394182AA	1	J, T		74				STRIKER, Liftgate Glass, Includes Plate
14	55396413AA	1	J, T		74				PAD, Isolator
15		1							BALL STUD, Liftgate Glass, (NOT SERVICED)
16	55295914	4	J, T		74				GASKET, Ball Stud
17	06506200AA	2	J, T		74				FASTENER
18	06101968	2	J, T		74				NUT, M6x1.00
19	55136845AA	2	J, T		74				BUMPER, Liftgate Glass
20	68025357AA	2	J, T		74				GAS CYLINDER, Liftgate Glass



GRAND CHEROKEE (WK)

SERIES LINE
H = HIGHLINE T = JEEP - 2WD
P = PREMIUM J = JEEP - 4WD
S = SPORT
X = SPECIAL

BODY
74 = SPORT UTILITY 4-DR
TYPE #4

ENGINE
EZH = 5.7L V8 HEMI MDS
VCT Engine
ESF = 6.1L SRT HEMI V8
Engine
EKG = 3.7L V6 Engine

TRANSMISSION
DGJ = 5-Speed Auto W5A580
Transmission
DGQ = 5-Spd Automatic 545RFE
Transmission

AR = use ase required - = Non illustrated part

2010 WK

Group - 30

Doors, Door Mirrors and Related Parts

Group - 30 Doors, Door Mirrors and Related Parts

Illustration Title

Group-Fig. No.

Front Door

Front Door, Shell and Hinges.....Fig. 30 - 105
 Front Door, Hardware Components.....Fig. 30 - 125
 Door Lock Cylinder.....Fig. 30 - 150

Rear Door

Rear Door, Shell and Hinges.....Fig. 30 - 205
 Rear Door, Hardware Components.....Fig. 30 - 225

Exterior Mirror

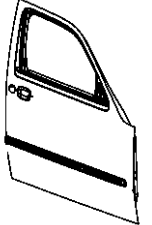
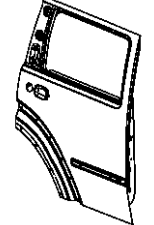
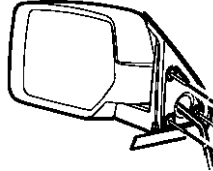
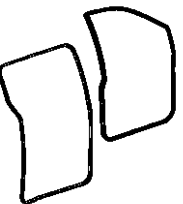
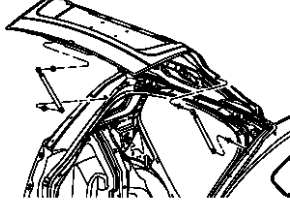
Mirror, Exterior.....Fig. 30 - 505

Weatherstrips and Seals

Weatherstrips, Front Door.....Fig. 30 - 605
 Weatherstrips, Rear Door.....Fig. 30 - 625
 Weatherstrips, Liftgate.....Fig. 30 - 665

Lift and Tail gates

Liftgate.....Fig. 30 - 705

<p>030-100 Front Door</p> 	<p>030-200 Rear Door</p> 	<p>030-500 Exterior Mirror</p> 	<p>030-600 Weatherstrips and Seals</p> 
<p>030-700 Lift and Tail gates</p> 			

**Front Door, Shell and Hinges
Figure 30-105**

ITEM	PART NUMBER	QTY	LINE	SERIES	BODY	ENGINE	TRANS	TRIM	DESCRIPTION
1									DOOR, Front
	55399100AB	1	J, T		74				Right
	55399101AB	1	J, T		74				Left
2									PANEL, Front Door Outer Repair
	55394354AB	1	J, T		74				Right
	55394355AB	1	J, T		74				Left
3									HINGE, Front Door Lower
	55369192AF	1	J, T		74				Right
	55369193AF	1	J, T		74				Left
4									HINGE, Door, Upper
	55369194AD	1	J, T		74				Right
	55369195AD	1	J, T		74				Left
5	06508312AA	2	J, T		74				SCREW, Torx Head, M8X1.25X34
6	06101446	3	J, T		74				NUT AND WASHER
7		3							WASHER, Flat, (NOT SERVICED)
8	06503328	5	J, T		74				SCREW, Hex Head, M8x1.25x30
9	55075483	AR	J, T		74				SPACER, Door Latch Striker, 2.00mm
10	04717779AC	1	J, T		74				STRIKER AND BUMPER, Door Latch

GRAND CHEROKEE (WK)

SERIES LINE
H = HIGHLINE T = JEEP - 2WD
P = PREMIUM J = JEEP - 4WD
S = SPORT
X = SPECIAL

BODY
74 = SPORT UTILITY 4-DR
TYPE #4

ENGINE
EZH = 5.7L V8 HEMI MDS
VCT Engine
ESF = 6.1L SRT HEMI V8
Engine
EKG = 3.7L V6 Engine

TRANSMISSION
DGJ = 5-Speed Auto W5A580
Transmission
DGQ = 5-Spd Automatic 545RFE
Transmission

AR = use ase required - = Non illustrated part

2010 WK

**Front Door, Hardware Components
Figure 30-125**

ITEM	PART NUMBER	QTY	LINE	SERIES	BODY	ENGINE	TRANS	TRIM	DESCRIPTION
1									HANDLE, Exterior Door
	5HW79EGJAI	1	J, T		74				[GJ], [MNK], Left
	1HP701W1AA	1	J, T		74				[W1] [MNC], Right
	1HP701XRAA	1	J, T		74				[XR] [MNC], Right
	5HS56ARHAI	1	J, T		74				[RH] [MNK], Right
	5HS56AXRAI	1	J, T		74				[XR] [MNK], Right
	5HS56EBLAI	1	J, T		74				[BL] [MNC], Right
	5HS56FFGAI	1	J, T		74				[FG] [MNC], Right
	5HS56SW1AI	1	J, T		74				[W1] [MNC], Right
	5HS56WS2AI	1	J, T		74				[S2] [MNC], Right
	5HW79EBLAJ	1	J, T		74				[BL] [MNC], Left
	5HW79EDAAJ	1	J, T		74				[DA] [MNC], Left
	5HW79FF- GAJ	1	J, T		74				[FG] [MNC], Left
	5HW79SW1AJ	1	J, T		74				[W1] [MNC], Left
	5HW79WS2AJ	1	J, T		74				[S2] [MNC], Left
	1HP691BLAA	1	J, T		74				[BL] [MNC], Left
	5HS56EDAAI	1	J, T		74				[DA] [MNC], Right
	1HP691XRAA	1	J, T		74				[XR] [MNC], Left
	1HP701BLAA	1	J, T		74				[BL] [MNC], Right
	1HP701DAAA	1	J, T		74				[DA] [MNC], Right
	1HP701FGAA	1	J, T		74				[FG] [MNC], Right
	1HP691DAAA	1	J, T		74				[DA] [MNC], Left
	1HP691FGAA	1	J, T		74				[FG] [MNC], Left
	1HP691RHAA	1	J, T		74				[RH] [MNC], Left
	1HP691W1AA	1	J, T		74				[W1] [MNC], Left
	1HP701RHAA	1	J, T		74				[RH] [MNC], Right
	1HP701S2AA	1	J, T		74				[S2] [MNC], Right
	5HW79AXRAJ	1	J, T		74				[XR] [MNC], Left
	5HW79ARHAJ	1	J, T		74				[RH] [MNC], Left
2	06508074AA	3	J, T		74				SCREW, Tapping
3									LATCH, Front Door
	55113367AA	1	J, T		74				Left
	55113372AA	1	J, T		74				Right
4	06508620AA	3	J, T		74				SCREW

GRAND CHEROKEE (WK)

SERIES LINE
H = HIGHLINE T = JEEP - 2WD
P = PREMIUM J = JEEP - 4WD
S = SPORT
X = SPECIAL

BODY
74 = SPORT UTILITY 4-DR
TYPE #4

ENGINE
EZH = 5.7L V8 HEMI MDS
VCT Engine
ESF = 6.1L SRT HEMI V8
Engine
EKG = 3.7L V6 Engine

TRANSMISSION
DGJ = 5-Speed Auto W5A580
Transmission
DGQ = 5-Spd Automatic 545RFE
Transmission

AR = use ase required - = Non illustrated part

2010 WK

**Front Door, Hardware Components
Figure 30-125**

ITEM	PART NUMBER	QTY	LINE	SERIES	BODY	ENGINE	TRANS	TRIM	DESCRIPTION
5									REGULATOR, Front Door Window
	04589170AH	1	J, T		74				Right
	04589171AH	1	J, T		74				Left
6									CHANNEL, Front Door Glass
	55394358AI	1	J, T		74				Right
	55394359AI	1	J, T		74				Left
7	05166839AA	1	J, T		74				LINK, Key Cylinder To Latch
8									KNOB AND LINK, Door Latch
	55396906AC	1	J, T		74				Right
	55396907AC	1	J, T		74				Left
-9	05179176AA	1	J, T		74				CLIP, Rod Door Lock
10									ROD, Inside Handle to Latch
	05166837AA	1	J, T		74				Left
	05166835AA	1	J, T		74				Right
11									LINK, Exterior Door Handle
	05166836AA	1	J, T		74				Left
	05166838AA	1	J, T		74				Right

GRAND CHEROKEE (WK)

SERIES LINE
H = HIGHLINE T = JEEP - 2WD
P = PREMIUM J = JEEP - 4WD
S = SPORT
X = SPECIAL

BODY
74 = SPORT UTILITY 4-DR
TYPE #4

ENGINE
EZH = 5.7L V8 HEMI MDS
VCT Engine
ESF = 6.1L SRT HEMI V8
Engine
EKG = 3.7L V6 Engine

TRANSMISSION
DGJ = 5-Speed Auto W5A580
Transmission
DGQ = 5-Spd Automatic 545RFE
Transmission

AR = use ase required - = Non illustrated part

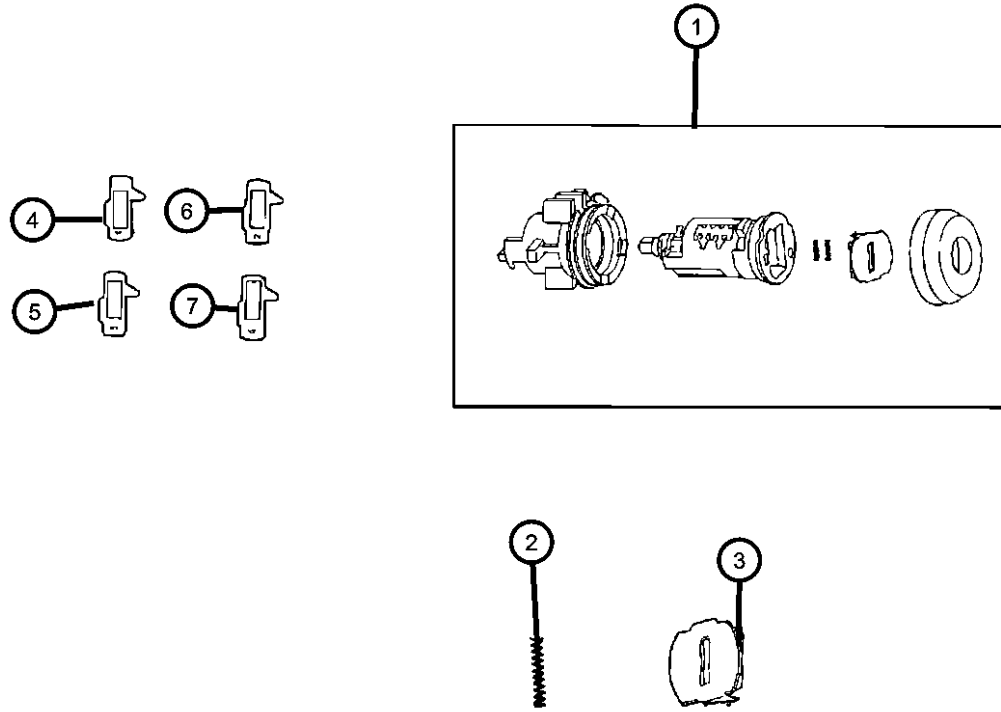
2010 WK

**Door Lock Cylinder
Figure 30-150**

ITEM	PART NUMBER	QTY	LINE	SERIES	BODY	ENGINE	TRANS	TRIM	DESCRIPTION
------	-------------	-----	------	--------	------	--------	-------	------	-------------

NOTE: ALL LOCK CYLINDERS ARE UNCODED

1	68045151AA	1	J, T		74				CYLINDER, Door Lock
2	04778121	1	J, T		74				SPRING, Tumbler
3	05019605AA	1	J, T		74				SHUTTER, Lock Cylinder
4	04778117AB	1	J, T		74				TUMBLER, Number 1
5	04778118AB	1	J, T		74				TUMBLER, Number 2
6	04778119AB	1	J, T		74				TUMBLER, Number 3
7	04778120AB	1	J, T		74				TUMBLER, Number 4



GRAND CHEROKEE (WK)

SERIES LINE
H = HIGHLINE T = JEEP - 2WD
P = PREMIUM J = JEEP - 4WD
S = SPORT
X = SPECIAL

BODY
74 = SPORT UTILITY 4-DR
TYPE #4

ENGINE
EZH = 5.7L V8 HEMI MDS
VCT Engine
ESF = 6.1L SRT HEMI V8
Engine
EKG = 3.7L V6 Engine

TRANSMISSION
DGJ = 5-Speed Auto W5A580
Transmission
DGQ = 5-Spd Automatic 545RFE
Transmission

AR = use ase required - = Non illustrated part

2010 WK

**Rear Door, Shell and Hinges
Figure 30-205**

ITEM	PART NUMBER	QTY	LINE	SERIES	BODY	ENGINE	TRANS	TRIM	DESCRIPTION
1									DOOR, Rear
	55394384AJ	1	J, T		74				Right
	55394385AJ	1	J, T		74				Left
2									PANEL, Rear Door
	55394386AD	1	J, T		74				Right
	55394387AD	1	J, T		74				Left
3									HINGE, Rear Door Lower
	55369188AF	1	J, T		74				Right
	55369189AF	1	J, T		74				Left
4	06101446	3	J, T		74				NUT AND WASHER
5		3							WASHER, Flat, (NOT SERVICED)
6	04717779AC	1	J, T		74				STRIKER AND BUMPER, Door Latch
7	06508312AA	2	J, T		74				SCREW, Torx Head, M8X1.25X34
8									HINGE, Door, Upper
	55369194AD	1	J, T		74				Right
	55369195AC	1	J, T		74				Left
9	55075483	AR	J, T		74				SPACER, Door Latch Striker, 2.0mm Thick
10	06503328	5	J, T		74				SCREW, Hex Head, M8x1.25x30

GRAND CHEROKEE (WK)

SERIES LINE
H = HIGHLINE T = JEEP - 2WD
P = PREMIUM J = JEEP - 4WD
S = SPORT
X = SPECIAL

BODY
74 = SPORT UTILITY 4-DR
TYPE #4

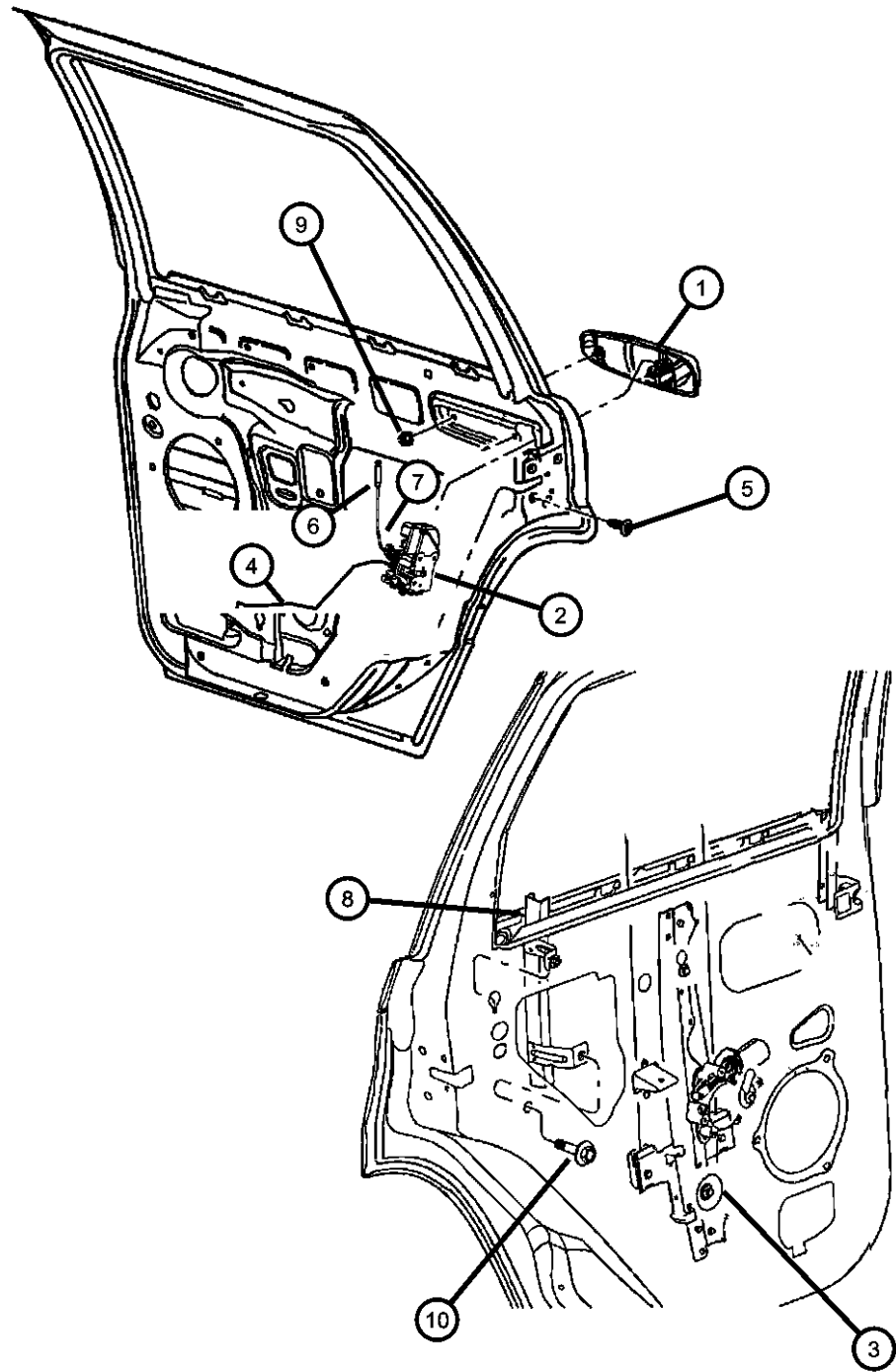
ENGINE
EZH = 5.7L V8 HEMI MDS
VCT Engine
ESF = 6.1L SRT HEMI V8
Engine
EKG = 3.7L V6 Engine

TRANSMISSION
DGJ = 5-Speed Auto W5A580
Transmission
DGQ = 5-Spd Automatic 545RFE
Transmission

AR = use ase required - = Non illustrated part

2010 WK

Rear Door, Hardware Components
Figure 30-225



ITEM	PART NUMBER	QTY	LINE	SERIES	BODY	ENGINE	TRANS	TRIM	DESCRIPTION
1									HANDLE, Exterior Door
	5HS56EGJAI	1	J, T		74				[GJ], With Sales Code [MNK], Right
	5HS56SW1AI	1	J, T		74				[W1], With Sales Code [MNK], Right
	5HS56EDAAI	1	J, T		74				[DA], With Sales Code [MNK], Right
	5HS56EEMAI	1	J, T		74				[EM], With Sales Code [MNK], Right
	5HS57EDAAI	1	J, T		74				[DA], With Sales Code [MNK], Left
	5HS57WS2AI	1	J, T		74				[S2], With Sales Code [MNK], Left
	1HP701BLAB	1	J, T		74				[BL], [MNC], Right
	1HP701DAAB	1	J, T		74				[DA], [MNC], Right
	1HP701FGAB	1	J, T		74				[FG], [MNC], Right
	1HP701RHAB	1	J, T		74				[RH], [MNC], Right
	1HP701S2AB	1	J, T		74				[S2], [MNC], Right
	1HP701XRAB	1	J, T		74				[XR], [MNC], Right
	1HP711BLAB	1	J, T		74				[BL], [MNC], Left
	1HP711DAAB	1	J, T		74				[DA], [MNC], Left
	1HP711FGAB	1	J, T		74				[FG], [MNC], Left
	1HP711RHAB	1	J, T		74				[RH], [MNC], Left
	1HP711S2AB	1	J, T		74				[S2], [MNC], Left
	1HP711XRAB	1	J, T		74				[XR], [MNC], Left
	5HS56WS2AI	1	J, T		74				[S2], With Sales Code [MNK], Right
2									LATCH, Rear Door
	55113375AB	1	J, T		74				Left
	55113376AB	1	J, T		74				Right
3									REGULATOR, Rear Door Window
	55394228AF	1	J, T		74				Right
	55394229AF	1	J, T		74				Left
4									ROD, Inside Handle to Latch
	05166840AA	1	J, T		74				Right
	05166842AA	1	J, T		74				Left
5									SCREW
	06508620AA	3	J, T		74				
6									KNOB AND LINK, Door Latch
	05179240AA	1	J, T		74				Right

GRAND CHEROKEE (WK)

SERIES LINE
H = HIGHLINE T = JEEP - 2WD
P = PREMIUM J = JEEP - 4WD
S = SPORT
X = SPECIAL

BODY
74 = SPORT UTILITY 4-DR
TYPE #4

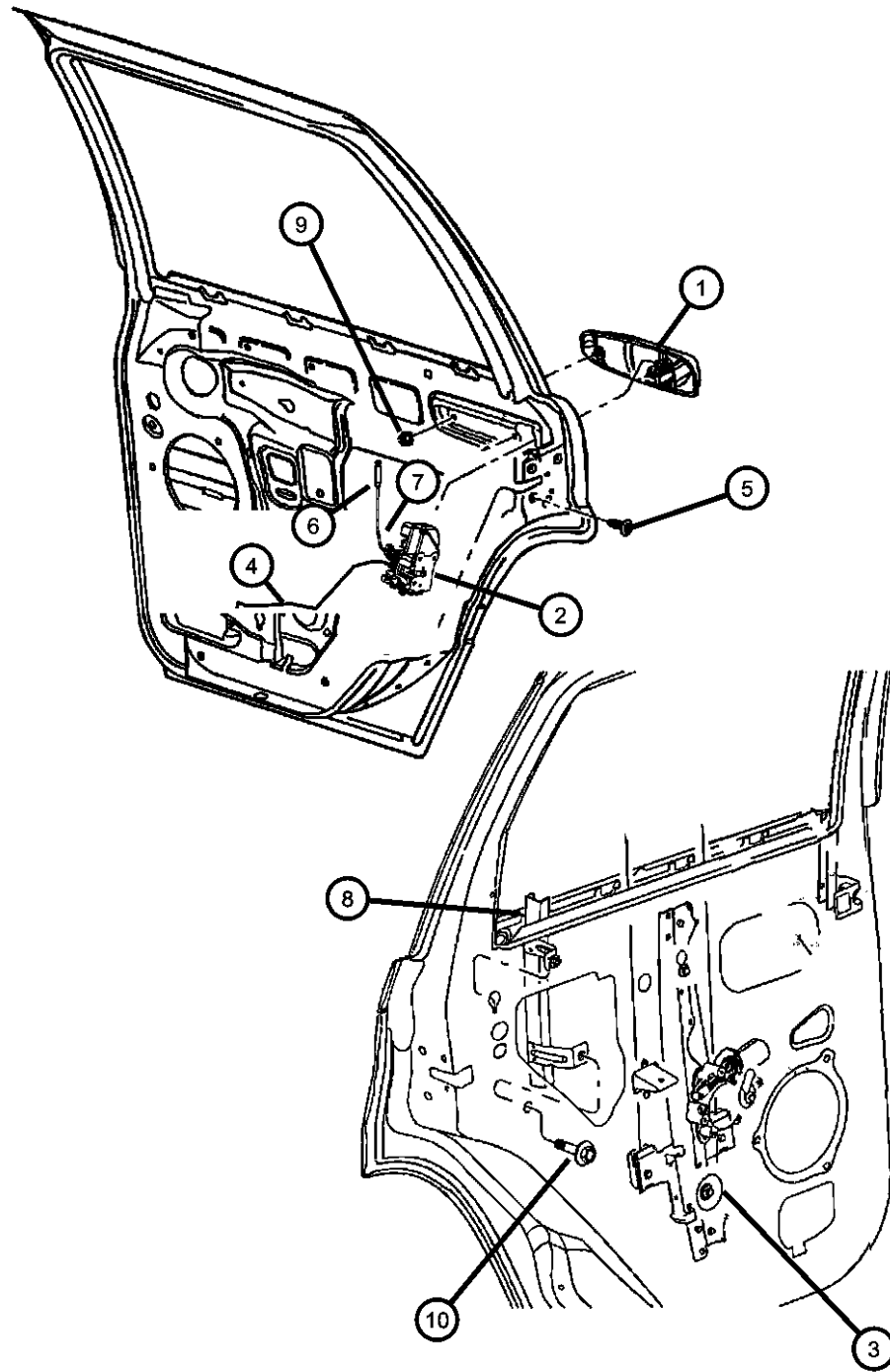
ENGINE
EZH = 5.7L V8 HEMI MDS
VCT Engine
ESF = 6.1L SRT HEMI V8
Engine
EKG = 3.7L V6 Engine

TRANSMISSION
DGJ = 5-Speed Auto W5A580
Transmission
DGQ = 5-Spd Automatic 545RFE
Transmission

AR = use ase required - = Non illustrated part

2010 WK

**Rear Door, Hardware Components
Figure 30-225**



ITEM	PART NUMBER	QTY	LINE	SERIES	BODY	ENGINE	TRANS	TRIM	DESCRIPTION
7	05179241AA	1	J, T		74				Left LINK, Exterior Door Handle
	05166841AA	1	J, T		74				Right
	05166843AA	1	J, T		74				Left
8									CHANNEL, Rear Door Glass Lower
	55394328AB	1	J, T		74				Right
	55394329AB	1	J, T		74				Left
9	06508074AA	6	J, T		74				SCREW, Tapping
10	06509083AA	1	J, T		74				SCREW, Tapping, M6x1x20
-11	55112124AA	2	J, T		74				SEAL, Child Lock Lever

GRAND CHEROKEE (WK)

SERIES LINE
H = HIGHLINE T = JEEP - 2WD
P = PREMIUM J = JEEP - 4WD
S = SPORT
X = SPECIAL

BODY
74 = SPORT UTILITY 4-DR
TYPE #4

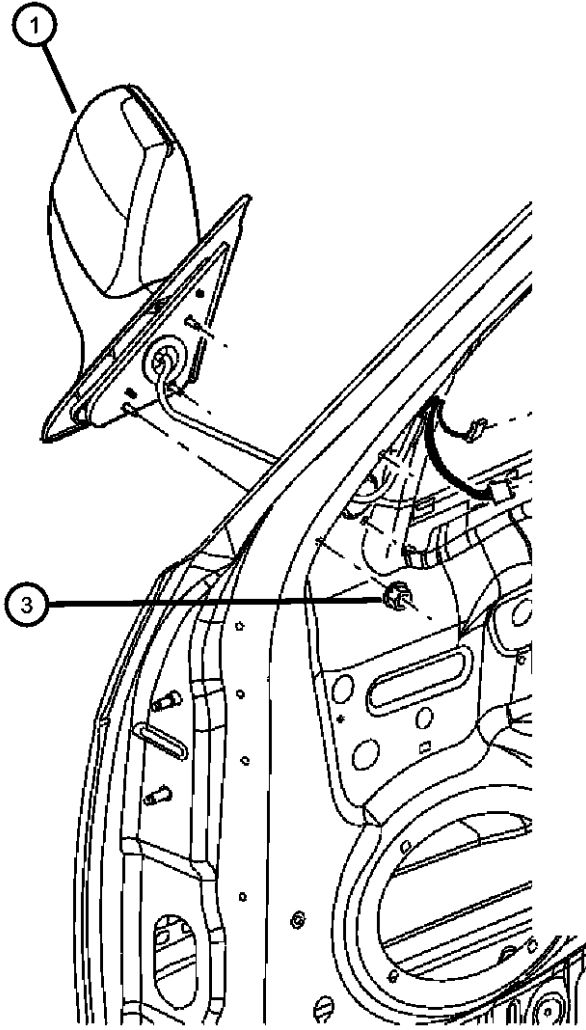
ENGINE
EZH = 5.7L V8 HEMI MDS
VCT Engine
ESF = 6.1L SRT HEMI V8
Engine
EKG = 3.7L V6 Engine

TRANSMISSION
DGJ = 5-Speed Auto W5A580
Transmission
DGQ = 5-Spd Automatic 545RFE
Transmission

AR = use ase required - = Non illustrated part

2010 WK

Mirror, Exterior
Figure 30-505



ITEM	PART NUMBER	QTY	LINE	SERIES	BODY	ENGINE	TRANS	TRIM	DESCRIPTION
------	-------------	-----	------	--------	------	--------	-------	------	-------------

Sales Codes:
 [GTN]= Power Mirrors, Fold-Away
 [GTS]= Power Heated Mirrors, Fold-Away
 [GUK]= Power Heated Mirrors, Fold-Away
 [GUQ]= Power Folding Multi-Functional Mirrors
 [GUT]= Power Heated Memory, Fold

ITEM	PART NUMBER	QTY	LINE	SERIES	BODY	ENGINE	TRANS	TRIM	DESCRIPTION
1									MIRROR, Outside, Rearview, Electric, Heated
	1DG481FGAC	1	J, T	P, S	74				[FG] [GUT], Right
	1DG481S2AC	1	J, T	P, S	74				[S2] [GUT], Right
	1DG481W1AC	1	J, T	P, S	74				[W1] [GUT], Right
	1DG481XRAC	1	J, T	P, S	74				[XR] [GUT], Right
	1DG491FGAB	1	J, T	P, S	74				[FG] [GUT], Left
	1DG491RHAB	1	J, T	P, S	74				[RH] [UT], Left
	1DG491S2AB	1	J, T	P, S	74				[S2] [GUT], Left
	1DG491W1AB	1	J, T	P, S	74				[W1] [GUT], Left
	1DT161RHAC	1	J, T		74				[RH] [GUK], Right
	1DT161S2AC	1	J, T		74				[S2] [GUK], Right
	1DT161XRAC	1	J, T		74				[XR] [GUK], Right
	1DT171BLAC	1	J, T		74				[BL] [GUK], Left
	1DT171XRAC	1	J, T		74				[XR] [GUK], Left
	1DY101BLAD	1	J, T	X	74				[BL] [GUT], Right
	1DY101RHAD	1	J, T	X	74				[RH] [GUT], Right
	1DY101S2AD	1	J, T	X	74				[S2] [GUT], Right
	1DG481BLAC	1	J, T	P, S	74				[BL] [GUT], Right
	1DG481DAAC	1	J, T	P, S	74				[DA] [GUT], Right
	1DY111RHAC	1	J, T	X	74				[RH] [GUT], Left
	1DY111S2AC	1	J, T	X	74				[S2] [GUT], Left
	1DY111XRAC	1	J, T	X	74				[XR] [GUT], Left
	55156452AF	1	J, T		74				[GTS], Right
	55156453AE	1	J, T		74				[GTS], Left
	1DG491BLAB	1	J, T	P, S	74				[BL] [GUT], Left
	1DG491DAAB	1	J, T	P, S	74				[DA] [GUT], Left
	1DG491XRAB	1	J, T	P, S	74				[XR] [GUT], Left
	1DT161BLAC	1	J, T		74				[BL] [GUK], Right
	1DT171RHAC	1	J, T		74				[RH] [GUK], Left
	1DT171S2AC	1	J, T		74				[S2] [GUK], Left

GRAND CHEROKEE (WK)

SERIES LINE
 H = HIGHLINE T = JEEP - 2WD
 P = PREMIUM J = JEEP - 4WD
 S = SPORT
 X = SPECIAL

BODY
 74 = SPORT UTILITY 4-DR
 TYPE #4

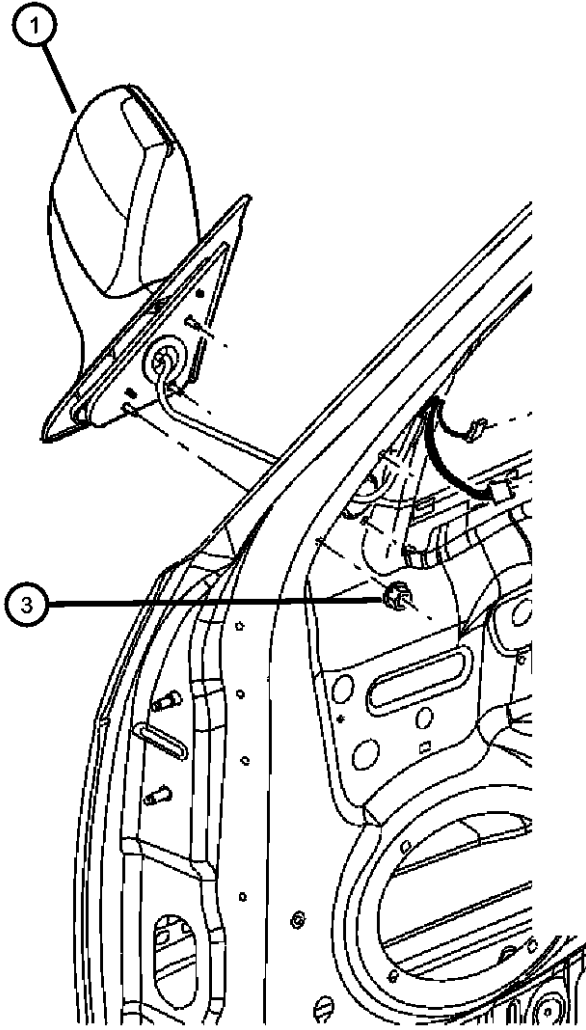
ENGINE
 EZH = 5.7L V8 HEMI MDS
 VCT Engine
 ESF = 6.1L SRT HEMI V8
 Engine
 EKG = 3.7L V6 Engine

TRANSMISSION
 DGJ = 5-Speed Auto W5A580
 Transmission
 DGQ = 5-Spd Automatic 545RFE
 Transmission

AR = use ase required - = Non illustrated part

2010 WK

Mirror, Exterior
Figure 30-505



ITEM	PART NUMBER	QTY	LINE	SERIES	BODY	ENGINE	TRANS	TRIM	DESCRIPTION
	1DY101XRAD	1	J, T	X	74				[XR] [GUT], Right
	1DY111BLAC	1	J, T	X	74				[BL] [GUT], Left
-2									GLASS, Mirror Replacement
	05142874AA	1	J, T		74				[GUK], Right
		1	J, T		74				[GTS], Right
	05142875AA	1	J, T		74				[GUK], Left
		1	J, T		74				[GTS], Left
	05142877AA	1	J, T	X	74				[GUT], Left
	68069594AA	1	J, T	P, S	74				[GUT], Right
		1	J, T	X	74				[GUT], Right
3	06102398AA	3	J, T		74				NUT, Hex

GRAND CHEROKEE (WK)

SERIES LINE
H = HIGHLINE T = JEEP - 2WD
P = PREMIUM J = JEEP - 4WD
S = SPORT
X = SPECIAL

BODY
74 = SPORT UTILITY 4-DR
TYPE #4

ENGINE
EZH = 5.7L V8 HEMI MDS
VCT Engine
ESF = 6.1L SRT HEMI V8
Engine
EKG = 3.7L V6 Engine

TRANSMISSION
DGJ = 5-Speed Auto W5A580
Transmission
DGQ = 5-Spd Automatic 545RFE
Transmission

AR = use ase required - = Non illustrated part

2010 WK

**Weatherstrips, Front Door
Figure 30-605**

ITEM	PART NUMBER	QTY	LINE	SERIES	BODY	ENGINE	TRANS	TRIM	DESCRIPTION
1	55399048AB	1	J, T		74				WEATHERSTRIP, Front Door Belt, Inner
2									WEATHERSTRIP, Front Door
	55399114AC	1	J, T		74				[MMG], Right
	55399115AC	1	J, T		74				[MMG], Left
	55399130AC	1	J, T	P	74				[MMS], Right
		1	J, T	S	74				[MMS], Right
	55399131AC	1	J, T	P	74				[MMS], Left
		1	J, T	S	74				[MMS], Left
3									SEAL, Front Door
	55394042AE	1	J, T		74				Right
	55394043AE	1	J, T		74				Left
4		1							SEAL, (NOT SERVICED)
5									SEAL, Front Door Glass
	55394053AL	1	J, T		74				Left
	55394052AK	1	J, T		74				Right
6									INSULATOR, Front Door
	55394027AK	1	J, T		74				Left
	55394026AK	1	J, T		74				Right

GRAND CHEROKEE (WK)

SERIES LINE
H = HIGHLINE T = JEEP - 2WD
P = PREMIUM J = JEEP - 4WD
S = SPORT
X = SPECIAL

BODY
74 = SPORT UTILITY 4-DR
TYPE #4

ENGINE
EZH = 5.7L V8 HEMI MDS
VCT Engine
ESF = 6.1L SRT HEMI V8
Engine
EKG = 3.7L V6 Engine

TRANSMISSION
DGJ = 5-Speed Auto W5A580
Transmission
DGQ = 5-Spd Automatic 545RFE
Transmission

AR = use ase required - = Non illustrated part

2010 WK

Weatherstrips, Rear Door
Figure 30-625

ITEM	PART NUMBER	QTY	LINE	SERIES	BODY	ENGINE	TRANS	TRIM	DESCRIPTION
NOTES: Sales Codes: [MMG] = Belt Moldings [MMS] = Bright Belt Moldings									
1									SEAL, Rear Door
	55394046AA	1	J, T		74				Right
	55394047AA	1	J, T		74				Left
2	55399390AA	1	J, T		74				SEAL, B-Pillar
3	55399050AB	1	J, T		74				WEATHERSTRIP, Rear Door Belt, Inner
4									WEATHERSTRIP, Rear Door Belt, Outer
	55399116AC	1	J, T		74				[MMG], Right
	55399117AC	1	J, T		74				[MMG], Left
	55399128AC	1	J, T	S	74				[MMS], Right
	55399129AC	1	J, T	S	74				[MMS], Left
5									SHIELD, Water
	55394028AJ	1	J, T		74				Right
	55394029AJ	1	J, T		74				Left
6									WEATHERSTRIP, Door Glass
	55394055AG	1	J, T		74				Left
	55394054AG	1	J, T		74				Right
7		1							SEAL, Foam, (NOT SERVICED)

GRAND CHEROKEE (WK)

SERIES LINE
H = HIGHLINE T = JEEP - 2WD
P = PREMIUM J = JEEP - 4WD
S = SPORT
X = SPECIAL

BODY
74 = SPORT UTILITY 4-DR
TYPE #4

ENGINE
EZH = 5.7L V8 HEMI MDS
VCT Engine
ESF = 6.1L SRT HEMI V8
Engine
EKG = 3.7L V6 Engine

TRANSMISSION
DGJ = 5-Speed Auto W5A580
Transmission
DGQ = 5-Spd Automatic 545RFE
Transmission

**Weatherstrips, Liftgate
Figure 30-665**

ITEM	PART NUMBER	QTY	LINE	SERIES	BODY	ENGINE	TRANS	TRIM	DESCRIPTION
1	55394780AK	1	J, T		74				WEATHERSTRIP, Liftgate Glass

GRAND CHEROKEE (WK)

SERIES LINE
H = HIGHLINE T = JEEP - 2WD
P = PREMIUM J = JEEP - 4WD
S = SPORT
X = SPECIAL

BODY
74 = SPORT UTILITY 4-DR
TYPE #4

ENGINE
EZH = 5.7L V8 HEMI MDS
VCT Engine
ESF = 6.1L SRT HEMI V8
Engine
EKG = 3.7L V6 Engine

TRANSMISSION
DGJ = 5-Speed Auto W5A580
Transmission
DGQ = 5-Spd Automatic 545RFE
Transmission

AR = use ase required - = Non illustrated part

2010 WK

**Liftgate
Figure 30-705**

ITEM	PART NUMBER	QTY	LINE	SERIES	BODY	ENGINE	TRANS	TRIM	DESCRIPTION
1	55399066AC	1	J, T		74				PANEL, Liftgate
2	55396825AA	2	J, T		74				BUMPER, Rubber
3	06502975	4	J, T		74				SCREW AND WASHER, Hex Head, M8x1.25x33
4	06503533	2	J, T		74				SCREW, Flange Head, M8x1.25x26
5									HANDLE, Liftgate
	1FN57EDAAA	1	J, T		74				[DA] [MNN,XAC]
	1FN57EEMAA	1	J, T		74				[EM] [MNN,XAC]
	1FN57AXRAA	1	J, T		74				[XR] [MNN,XAC]
	1FN57EBLAA	1	J, T		74				[BL] [MNN,XAC]
	1FN57EGJAA	1	J, T		74				[GJ] [MNN,XAC]
	1FN57FFGAA	1	J, T		74				[FG] [MNN,XAC]
	1FN57SW1AA	1	J, T		74				[W1] [MNN,XAC]
	1FV92EDAAA	1	J, T		74				[DA] [MNN]
	1FV92EEMAA	1	J, T		74				[EM] [MNN]
	1FV92EGJAA	1	J, T		74				[GJ] [MNN]
	1FV92SW1AA	1	J, T		74				[W1] [MNN]
	68039948AA	1	J, T		74				[MNP,XAC]
	1FN57WS2AA	1	J, T		74				[S2] [MNN,XAC]
	1FV92AXRAA	1	J, T		74				[XR] [MNN]
	1FV92EBLAA	1	J, T		74				[BL] [MNN]
6	04860873AD	2	J, T		74				BUMPER, Liftgate
7	06509297AA	2	J, T		74				STUD AND GROMMET, Special, M8x1.25x49.00
8	04589131AD	1	J, T		74				LATCH, Liftgate
9	06508611AA	3	J, T		74				SCREW, LARGE ROUND WASHER HEAD LOCK, M6X1.00X22.00
10	55396772AF	1	J, T		74				HINGE, Liftgate
11	06503102	2	J, T		74				NUT AND WASHER, Hex Nut-Coned Washer, M6 x 1.00
12	06508315AA	4	J, T		74				SCREW
13	06101446	4	J, T		74				NUT AND WASHER
14	55364520AA	1	J, T		74				STRIKER, Liftgate
15	68025357AA	2	J, T		74				GAS CYLINDER, Liftgate Glass
16		2							LATCH, Liftgate Glass, (NOT SERVICED)

GRAND CHEROKEE (WK)

SERIES LINE
H = HIGHLINE T = JEEP - 2WD
P = PREMIUM J = JEEP - 4WD
S = SPORT
X = SPECIAL

BODY
74 = SPORT UTILITY 4-DR
TYPE #4

ENGINE
EZH = 5.7L V8 HEMI MDS
VCT Engine
ESF = 6.1L SRT HEMI V8
Engine
EKG = 3.7L V6 Engine

TRANSMISSION
DGJ = 5-Speed Auto W5A580
Transmission
DGQ = 5-Spd Automatic 545RFE
Transmission

AR = use ase required - = Non illustrated part

2010 WK

**Liftgate
Figure 30-705**

ITEM	PART NUMBER	QTY	LINE	SERIES	BODY	ENGINE	TRANS	TRIM	DESCRIPTION
17	06503478	AR	J, T		74				SCREW, Tap, M9x1.25x26
18		AR							RIVET, Blind, .250 x .660, (NOT SERVICED)
19	06503856	2	J, T		74				NUT AND WASHER, Hex, M6X1.00
20	55396922AB	1	J, T		74				BRACKET, LIFTGATE RELEASE CABLE
21									SUPPORT, Liftgate Opening
	68025358AA	1	J, T		74				Right
	68025359AA	1	J, T		74				Left

GRAND CHEROKEE (WK)

SERIES LINE
H = HIGHLINE T = JEEP - 2WD
P = PREMIUM J = JEEP - 4WD
S = SPORT
X = SPECIAL

BODY
74 = SPORT UTILITY 4-DR
TYPE #4

ENGINE
EZH = 5.7L V8 HEMI MDS
VCT Engine
ESF = 6.1L SRT HEMI V8
Engine
EKG = 3.7L V6 Engine

TRANSMISSION
DGJ = 5-Speed Auto W5A580
Transmission
DGQ = 5-Spd Automatic 545RFE
Transmission

AR = use ase required - = Non illustrated part

2010 WK

Group - 40

Exterior Ornamentation

Group - 40 Exterior Ornamentation

Illustration Title

Group-Fig. No.

Nameplates

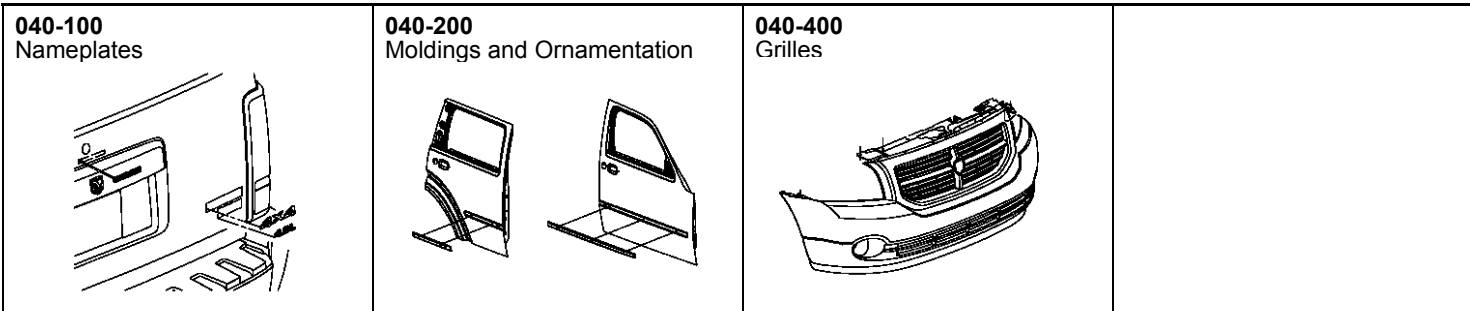
Nameplates, Emblems & MedallionsFig. 40 - 105

Moldings and Ornamentation

Exterior OrnamentationFig. 40 - 205

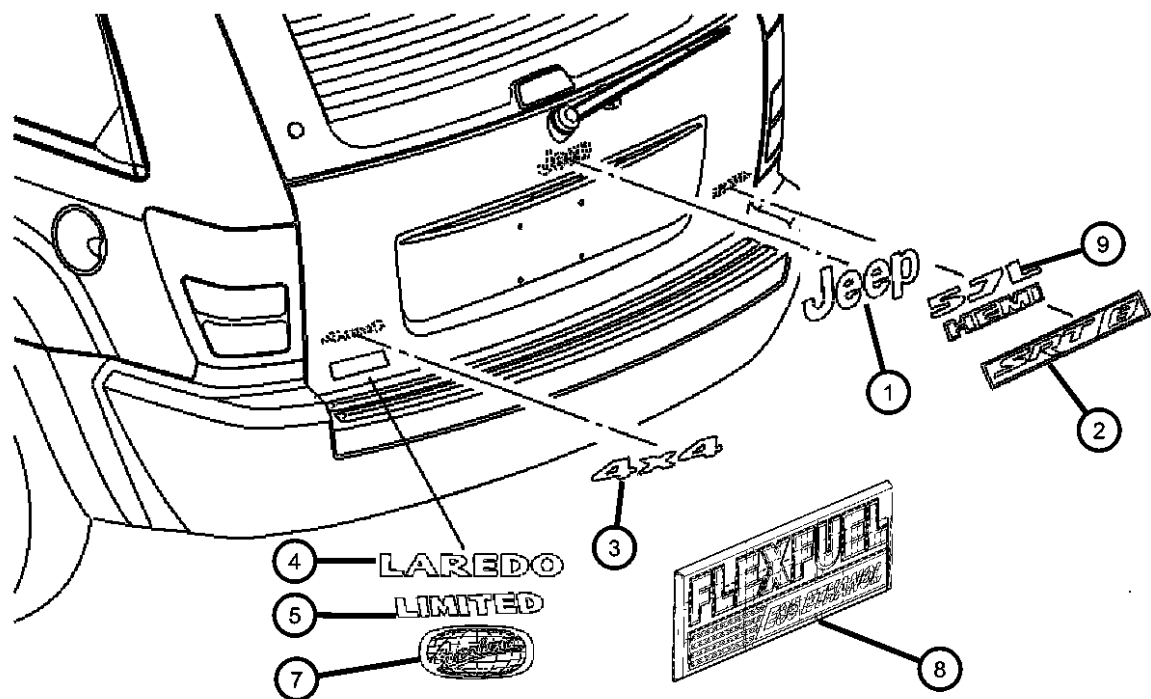
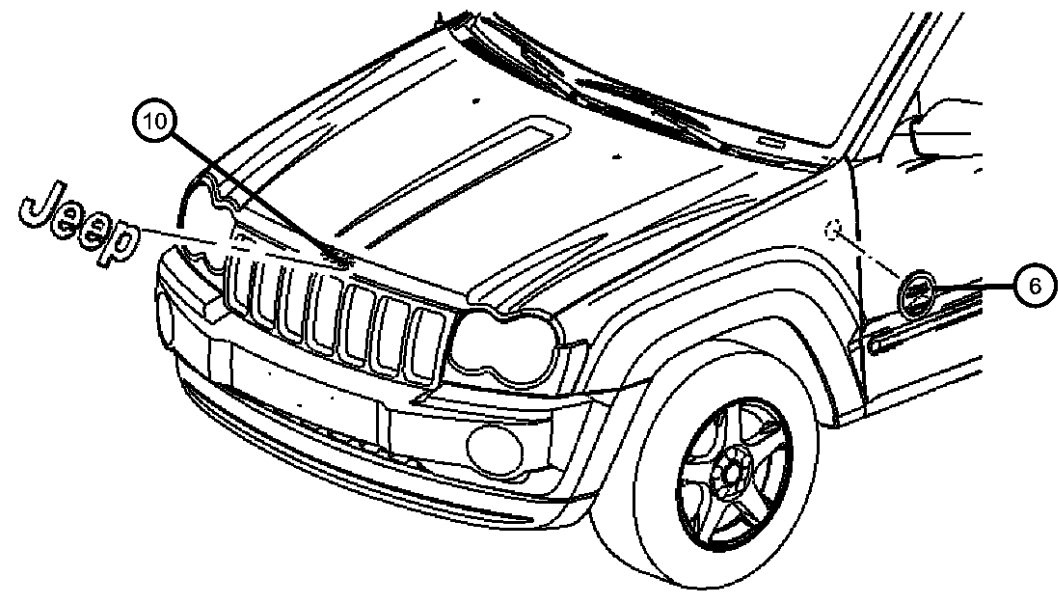
Grilles

GrillesFig. 40 - 405



Nameplates, Emblems & Medallions
Figure 40-105

ITEM	PART NUMBER	QTY	LINE	SERIES	BODY	ENGINE	TRANS	TRIM	DESCRIPTION
Sales Codes: [MT2] = Trail Rated Badge [MTV]= SRT8 Badge [MWT]= 4x4 Badge [MZK] = Laredo Badge [MZM] = Overland [MT5] = North Edition									
1	55157089AC	1	J, T		74				NAMEPLATE, [MVC] JEEP, Liftgate
2	05029893AB	1	J	X	74				NAMEPLATE, SRT-8
3	55157091AC	1	J, T		74				NAMEPLATE, [MWT] 4X4, Liftgate
4	55157303AE	1	J, T		74				NAMEPLATE, [MZK] Laredo, Liftgate
5									NAMEPLATE
	05113554AA	2	J, T		74				[MT5] North, Door
	55157090AC	1	J, T		74				[MVA] Limited, Door
6	55157317AB	1	J, T		74				MEDALLION, [MT2] Trail Rated
7	55157358AA	1	J, T		74				NAMEPLATE, [MZM] Overland, Liftgate
8	55372784AA	1	J, T		74				NAMEPLATE, FLEX FUEL E85 ETHANOL
9	55079103AA	1	J, T		74				NAMEPLATE, HEMI
10	55157088AC	1	J, T		74				NAMEPLATE, Jeep, [MVC]
-11	55079387AA	2	J, T		74				NAMEPLATE, Rocky Mountain Edition, [MZW]
-12	55079385AA	1	J, T		74				NAMEPLATE, Special Edition, [MTZ]



GRAND CHEROKEE (WK)

SERIES LINE
 H = HIGHLINE T = JEEP - 2WD
 P = PREMIUM J = JEEP - 4WD
 S = SPORT
 X = SPECIAL

BODY
 74 = SPORT UTILITY 4-DR
 TYPE #4

ENGINE
 EZH = 5.7L V8 HEMI MDS
 VCT Engine
 ESF = 6.1L SRT HEMI V8
 Engine
 EKG = 3.7L V6 Engine

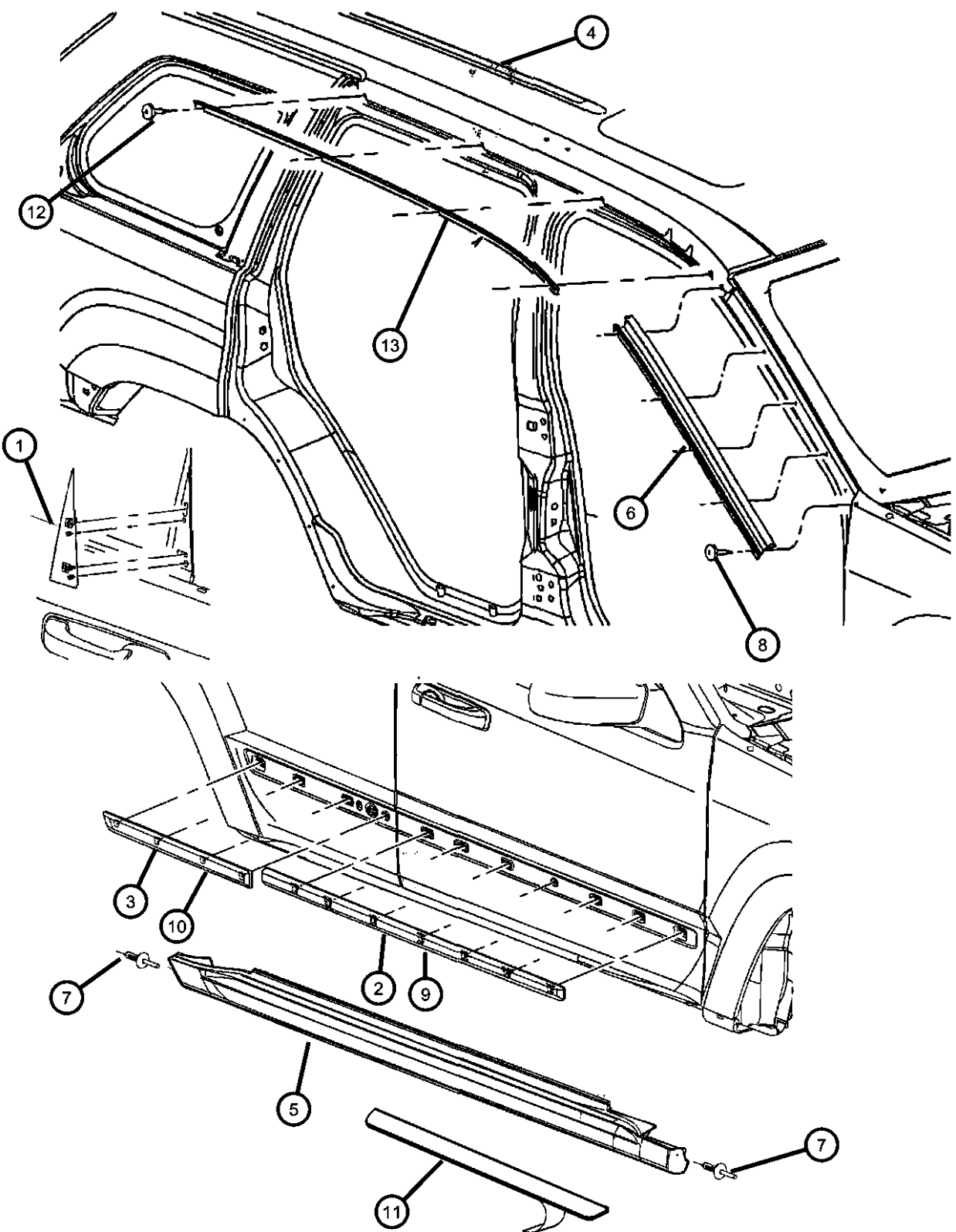
TRANSMISSION
 DGJ = 5-Speed Auto W5A580
 Transmission
 DGQ = 5-Spd Automatic 545RFE
 Transmission

AR = use ase required - = Non illustrated part

2010 WK

Exterior Ornamentation

Figure 40-205



ITEM	PART NUMBER	QTY	LINE	SERIES	BODY	ENGINE	TRANS	TRIM	DESCRIPTION
------	-------------	-----	------	--------	------	--------	-------	------	-------------

Sales Codes:
 [MJB]= Chrome Bodyside Molding
 [MTG]= Platinum Bodyside Molding

1									APPLIQUE, Rear Door
	55396380AD	1	J, T		74				Right
	55396381AD	1	J, T		74				Left
2									MOLDING, Front Door
	55156848AD	1	J, T		74				[MJB], Right
	55156849AD	1	J, T		74				[MJB], Left
3									MOLDING, Rear Door
	55156847AC	1	J, T		74				[MJB], Left
	55156846AC	1	J, T		74				[MJB], Right
4									MOLDING, Roof
	05030272AC	2	J	X	74				Without Luggage Rack, Left
		2	J, T	H, P	74				Without Luggage Rack, Right
	55156874AD	1	J, T		74				Right
	55156875AD	1	J, T		74				Left
5									MOLDING, Sill Cover
	05030000AC	1	J, T	X	74				[K2], Right
	1CA09TZZAB	1	J, T		74				[K7], Left
	5HU24RXFAB	1	J, T		74				[K5], Right
	5HU25RXFAB	1	J, T		74				[K5], Left
	05030001AC	1	J, T	X	74				[K2], Left
	1CA08TZZAB	1	J, T		74				[K7], Right
6									MOLDING, Windshield
	55394512AB	1	J, T		74				Right
	55394513AB	1	J, T		74				Left
7									RIVET, M6.25x28
	06500911	2	J, T		74				Sill to Wheel Opening
		6	J, T		74				Sill to Lower Weld Flange
8									SCREW, .164-15x.500, (NOT SERVICED),
9									MOLDING, Front Door
	1DG42RX-FAD	1	J, T	H	74				Right
	1DG43RX-FAD	1	J, T	H	74				Left

GRAND CHEROKEE (WK)

SERIES LINE
 H = HIGHLINE T = JEEP - 2WD
 P = PREMIUM J = JEEP - 4WD
 S = SPORT
 X = SPECIAL

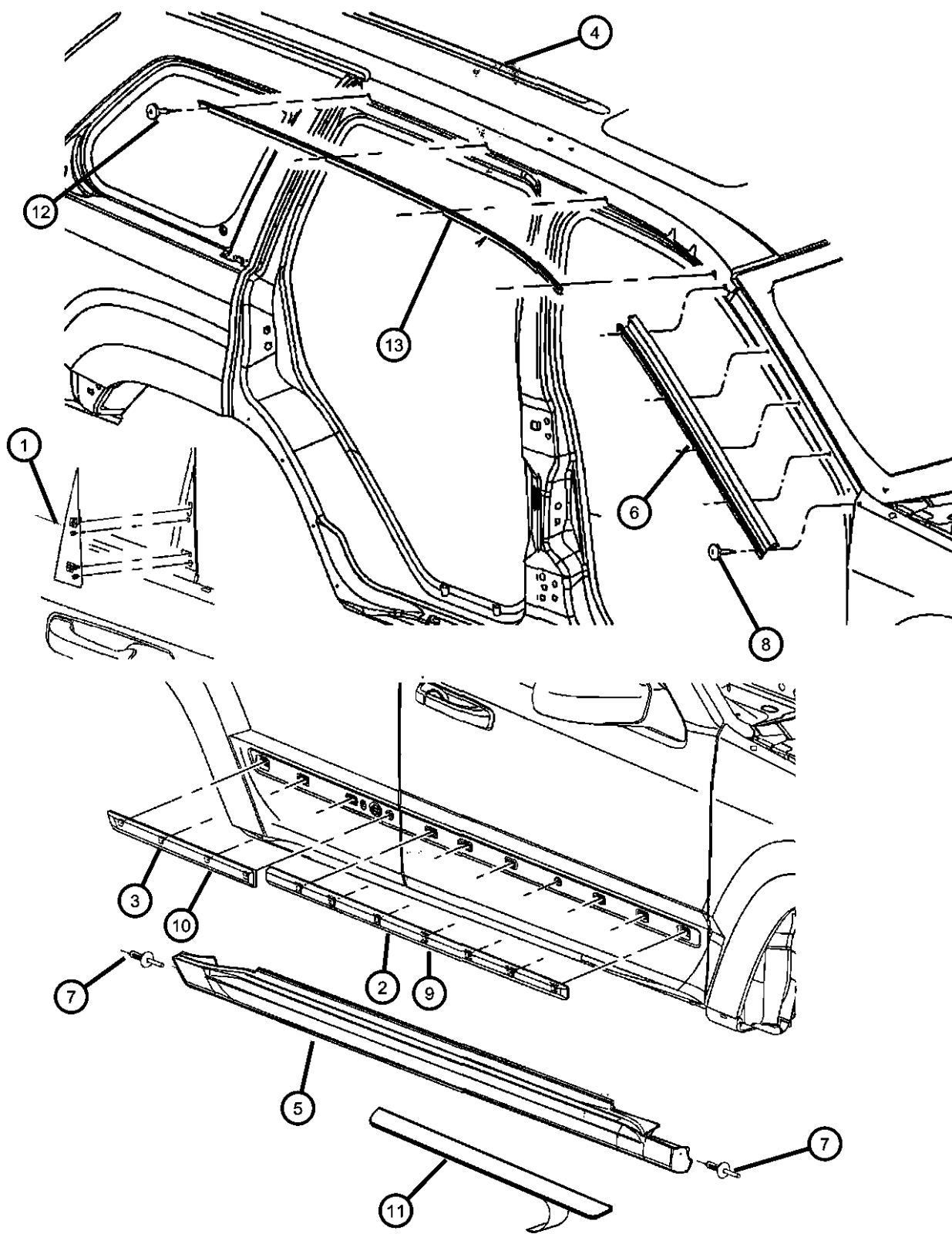
BODY
 74 = SPORT UTILITY 4-DR
 TYPE #4

ENGINE
 EZH = 5.7L V8 HEMI MDS
 VCT Engine
 ESF = 6.1L SRT HEMI V8
 Engine
 EKG = 3.7L V6 Engine

TRANSMISSION
 DGJ = 5-Speed Auto W5A580
 Transmission
 DGQ = 5-Spd Automatic 545RFE
 Transmission

AR = use ase required - = Non illustrated part

Exterior Ornamentation
Figure 40-205



ITEM	PART NUMBER	QTY	LINE	SERIES	BODY	ENGINE	TRANS	TRIM	DESCRIPTION
10									MOLDING, Rear Door
	1DG40RXFAB	1	J, T	H	74				Right
	1DG41RXFAB	1	J, T	H	74				Left
11	55079068AA	1	J, T	S	74				GUARD, Door Sill
12	06104566AA	8	J, T		74				SCREW, Tapping, M4.2X1.4X13.00
13									SEAL, Retainer
	55369362AB	1	J, T		74				Right
	55369363AB	1	J, T		74				Left
-14	05191598AA	1	J, T		74				CLIP, Repair, Windshield Molding Attach

GRAND CHEROKEE (WK)

SERIES LINE
H = HIGHLINE T = JEEP - 2WD
P = PREMIUM J = JEEP - 4WD
S = SPORT
X = SPECIAL

BODY
74 = SPORT UTILITY 4-DR
TYPE #4

ENGINE
EZH = 5.7L V8 HEMI MDS
VCT Engine
ESF = 6.1L SRT HEMI V8
Engine
EKG = 3.7L V6 Engine

TRANSMISSION
DGJ = 5-Speed Auto W5A580
Transmission
DGQ = 5-Spd Automatic 545RFE
Transmission

AR = use ase required - = Non illustrated part

2010 WK

**Grilles
Figure 40-405**

ITEM	PART NUMBER	QTY	LINE	SERIES	BODY	ENGINE	TRANS	TRIM	DESCRIPTION
1									GRILLE, Radiator
	1FW131BLAC	1	J	X	74				[MFK] Body Color With Honey Comb Insert [BL]
	1FW131EMAC	1	J	X	74				[MFK] Body Color With Honey Comb Insert [EM]
	1FW131RHAC	1	J	X	74				[MFK] Body Color With Honey Comb Insert [RH]
	1FW131S2AC	1	J	X	74				[MFK] Body Color With Honey Comb Insert [S2]
	1DF491FGAB	1	J, T		74				[MFN] Body Color With Black Insert [FG]
	1DF491GJAB	1	J, T		74				[MFN] Body Color With Black Insert [GJ]
	1DF491RHAB	1	J, T		74				[MFN] Body Color With Black Insert [RH]
	1DF491S2AB	1	J, T		74				[MFK] Body Color With Honey Comb Insert [S2]
	1DF491W1AB	1	J, T		74				[MFN] Body Color With Black Insert [W1]
	1DF491XRAB	1	J, T		74				[MFN] Body Color With Black Insert [XR]
	1DF491BLAB	1	J, T		74				[MFN] Body Color With Black Insert [BL]
	1FW131XRAC	1	J	X	74				[MFK] Body Color With Honey Comb Insert [XR]
	55079362AC	1	J, T	S	74				[MFZ] Chrome With Honey Comb Insert
	55157458AB	1		H					[MFZ] Chrome
	1DF491DAAB	1	J, T		74				[MFN] Body Color With Black Insert [DA]
	1DF491EMAB	1	J, T		74				[MFN] Body Color With Black Insert [EM]
2	06503598	6	J, T		74				PIN, Push, M8x21, Grille, Mounting
3	05030066AB	1	J		74				GRILLE, Fascia, [MCZ]

GRAND CHEROKEE (WK)

SERIES LINE
H = HIGHLINE T = JEEP - 2WD
P = PREMIUM J = JEEP - 4WD
S = SPORT
X = SPECIAL

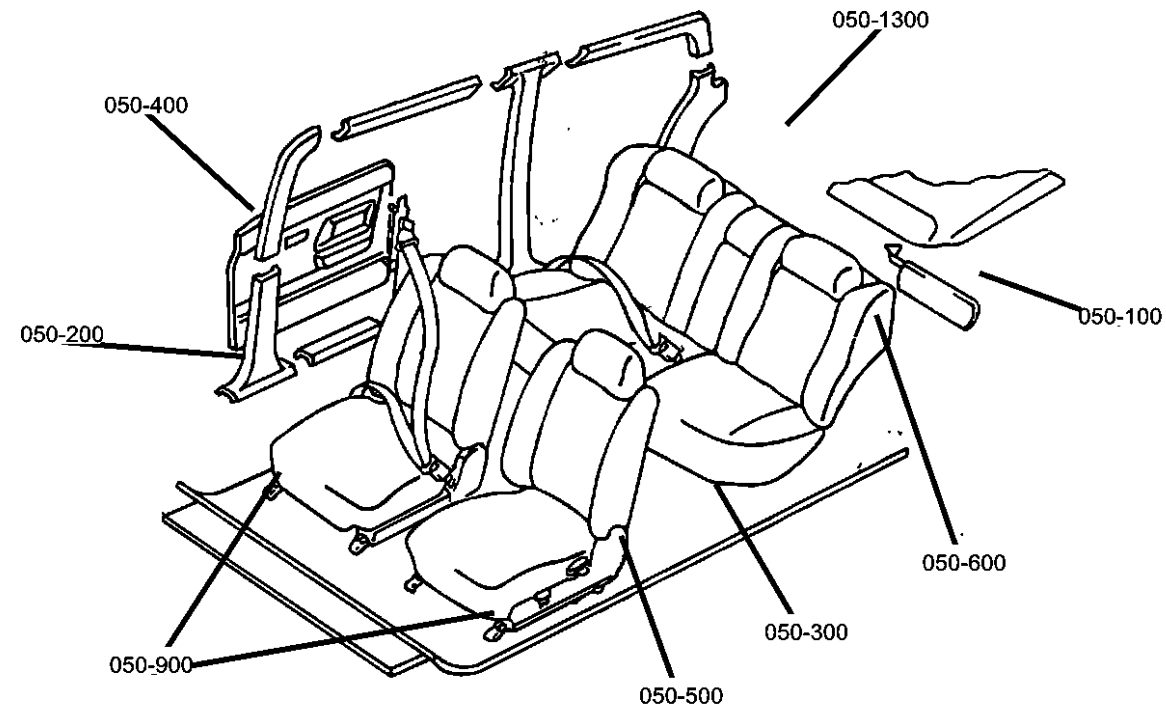
BODY
74 = SPORT UTILITY 4-DR
TYPE #4



ENGINE
EZH = 5.7L V8 HEMI MDS
VCT Engine
ESF = 6.1L SRT HEMI V8
Engine
EKG = 3.7L V6 Engine

TRANSMISSION
DGJ = 5-Speed Auto W5A580
Transmission
DGQ = 5-Spd Automatic 545RFE
Transmission

Group - 50

Interior Trim

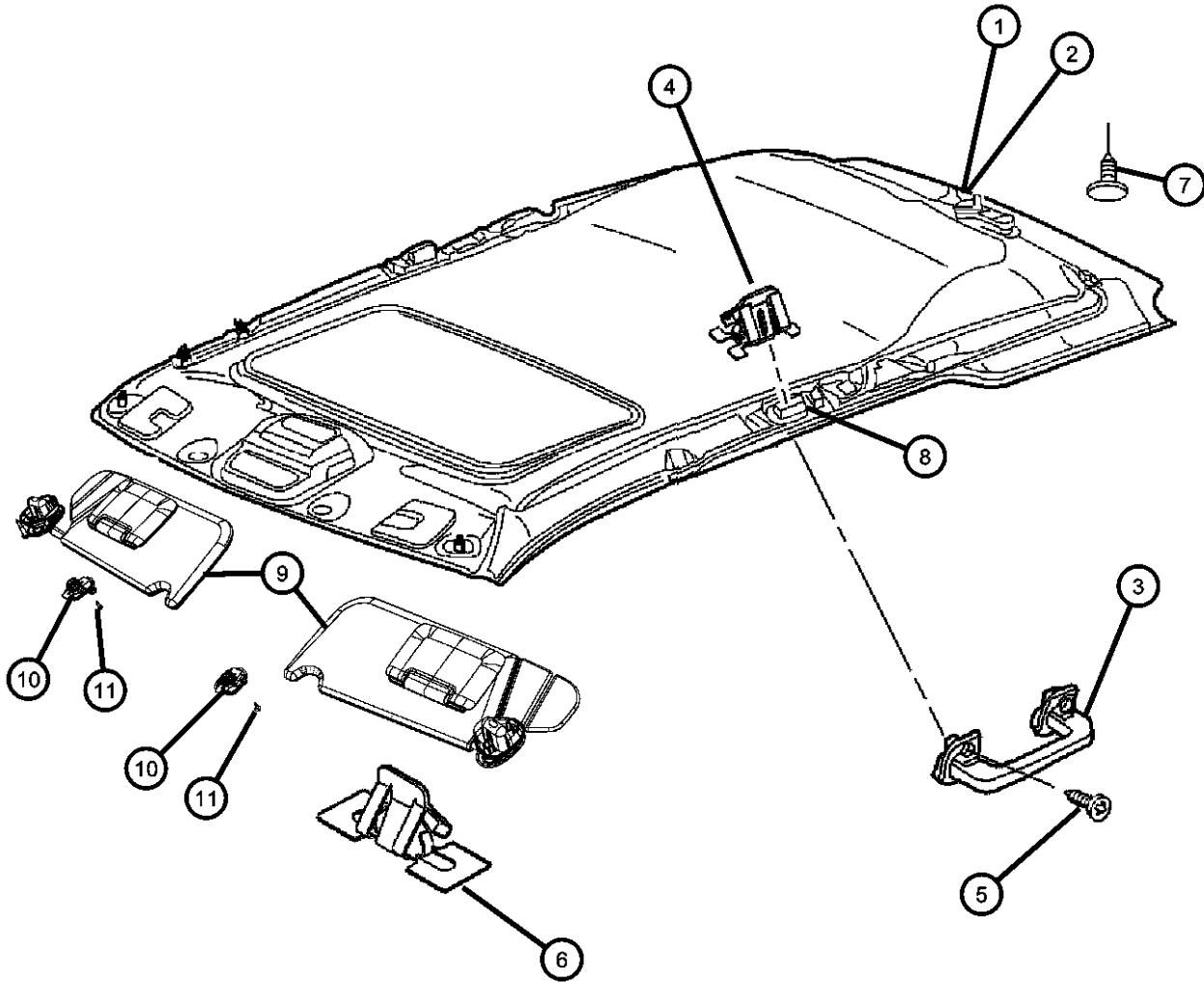


050-100 Headliners-Visors-Assist Straps	050-1400 Lift Gate Panel and Scuff Plate	050-1600 Consoles 	050-1700 Instrument Panel 
050-200 Panels-Moldings-Scuff Plates, Pillar, Cowl, 1/4 Panel Trim and Cargo Covers	050-300 Carpets, Floor Mats, Load Floor, and Silencers	050-400 Door Trim Panels-Front and Rear	050-500 Front Seats - First Row
050-600 Rear Seats - Second Row	050-900 Front Seats - Adjusters, Recliners, Shields and Risers		

Group - 50 Interior Trim

Illustration Title	Group-Fig. No.
Headliners-Visors-Assist Straps	
Headliners and Visors	Fig. 50 - 105
Panels-Moldings-Scuff Plates, Pillar, Cowl, 1/4 Panel Trim and Cargo Covers	
Interior Moldings and Pillars	Fig. 50 - 205
Quarter Trim Panel	Fig. 50 - 235
Carpets, Floor Mats, Load Floor, and Silencers	
Carpet, Complete	Fig. 50 - 305
Load Floor, Cargo	Fig. 50 - 310
Door Trim Panels-Front and Rear	
Front Door Trim Panels	Fig. 50 - 405
Rear Door Trim Panels	Fig. 50 - 415
Front Seats - First Row	
Front Seat -Bucket -Trim Code [DZ]	Fig. 50 - 505
Front Seat -Bucket-Trim Code [EL]	Fig. 50 - 506
Front Seat -Bucket- Trim Code [F7]	Fig. 50 - 507
Front Seat -Bucket-Trim Code [GL]	Fig. 50 - 508
Front Seat -Bucket-Trim Code [UL]	Fig. 50 - 509
Front Seat - Bucket - Trim Code [XL]	Fig. 50 - 510
Rear Seats - Second Row	
Rear Seat-60/40 Back-Bench Cushion-Trim Code[DZ]	Fig. 50 - 605
Rear Seat-60/40 Back-Bench Cushion-Trim Code[EL]	Fig. 50 - 606
Rear Seat-60/40 Back-Bench Cushion-Trim Code [F7]	Fig. 50 - 607
Rear Seat-60/40 Back-Bench Cushion-Trim Code [GL]	Fig. 50 - 608
Rear Seat-60/40 Back-Bench Cushion-Trim Code [UL]	Fig. 50 - 609
Rear Seat - 60/40 Back-Bench Cushion - Trim Code [XL]	Fig. 50 - 610
Front Seats - Adjusters, Recliners, Shields and Risers	
Adjusters , Recliners and Shields - Driver Seat - Power	Fig. 50 - 905
Adjusters, Recliners and Shields - Passenger Seat - Power	Fig. 50 - 915
Adjusters , Recliners and Shields - Passenger Seat - Manual	Fig. 50 - 920
Lift Gate Panel and Scuff Plate	
Liftgate Panels & Scuff Plate	Fig. 50 - 1405
Consoles	
Floor Console Front	Fig. 50 - 1610
Overhead Consoles	Fig. 50 - 1620
Instrument Panel	
Instrument Panel and Structure	Fig. 50 - 1705
Instrument Panel Trim	Fig. 50 - 1710

Headliners and Visors Figure 50-105



ITEM	PART NUMBER	QTY	LINE	SERIES	BODY	ENGINE	TRANS	TRIM	DESCRIPTION
Sales Codes :									
[CGS] = With Side Airbags									
[CVE] = Overhead Console									
[GN5] = Rear View Auto Dim Mirror W/Microphone									
[GNA] = Rear View Day/Night Mirror									
[GNC] = Sun Visors W/Illuminated Vanity Mirrors									
[GNK] = Rear View Auto Dim Mirror									
[GNV] = Non Illumi									
1									HEADLINER, Without Sunroof
	1AQ58BD1AC	1	J, T		74			*00	[GNV], [CGS], [JHA]
	1HQ64BD1AA	1	J, T		74			*00	[CGS], [GNA], [GNV], [JHA], [XAA]
	1SS99BD1AA	1	J, T		74			*00	[GNC], [XGD], [JHC], [ABD]
	1ST10BD1AA	1	J, T		74			*00	[GNC], [XGD], [JHC], [XAA], [ABD]
	1HQ69BD1AA	1	J, T		74			*00	[GNC], [XGD], [JHC]
	1HQ73BD1AA	1	J, T		74			*00	[GNC], [XGD], [JHC], [XAA]
	1HQ67BD1AA	1	J, T		74			*00	[GNK] Or [GN5], [GNC], [JHA], [XAA], [XGD]
	1ST15BD1AA	1	J, T		74			*00	[GNC], [XGD], [JHA], [ABD], With [GNK] Or [GN5]
2									HEADLINER, With Sunroof, [GWA]
	1MC45BD1AA	1	J, T		74			*00	[GNK] Or [GN5], [GNC], [XGD], [JHC], [GWA], [CVE], [XAA], [RSV]
	1ST08BD1AA	1	J, T		74			*00	[GNC], [XGD], [GWA], [JHA], [ABD], With [GNK or GN5]
	1HQ72BD1AA	1	J, T		74			*00	[GNK] Or [GN5], [GNC], [XGD], [GWA], [JHA]
	1HQ76BD1AA	1	J, T		74			*00	[GNK] Or [GN5], [GNC], [XGD], [JHA], [GWA], [CVE], [XAA]
	1ST30BD1AA	1	J, T		74			*00	[GNV], [GWA], [JHA], [XAA], [ABD], With [GNK or GN5]
	1ST13BD1AA	1	J, T		74			*00	[GNC], [JHA], [XAA], [GWA], [XGD], [ABD], With [GNK or GN5]
	1ST29BD1AA	1	J, T		74			*00	[GNV], [GWA], [JHA], [XAA], With [GNK or GN5]
	1HQ68BD1AA	1	J, T		74			*00	[GNK] Or [GN5], [GNC], [JHA], [XAA], [GWA], [XGD]
	1BY95BD1AB	1	J, T		74			*00	[GNV], [JHA], [GWA], [ABD]
	1FW01BD1AB	1	J, T		74			*00	[GNV], [JHA], [GWA]
	1HQ74BD1AA	1	J, T		74			*00	[GNK] Or [GN5], [GNC], [XGD], [JHC], [GWA], [XAA]
		1	J, T		74			*00	[GNA], [GWA], [XAA]

GRAND CHEROKEE (WK)

SERIES LINE
H = HIGHLINE T = JEEP - 2WD
P = PREMIUM J = JEEP - 4WD
S = SPORT
X = SPECIAL

BODY
74 = SPORT UTILITY 4-DR
TYPE #4

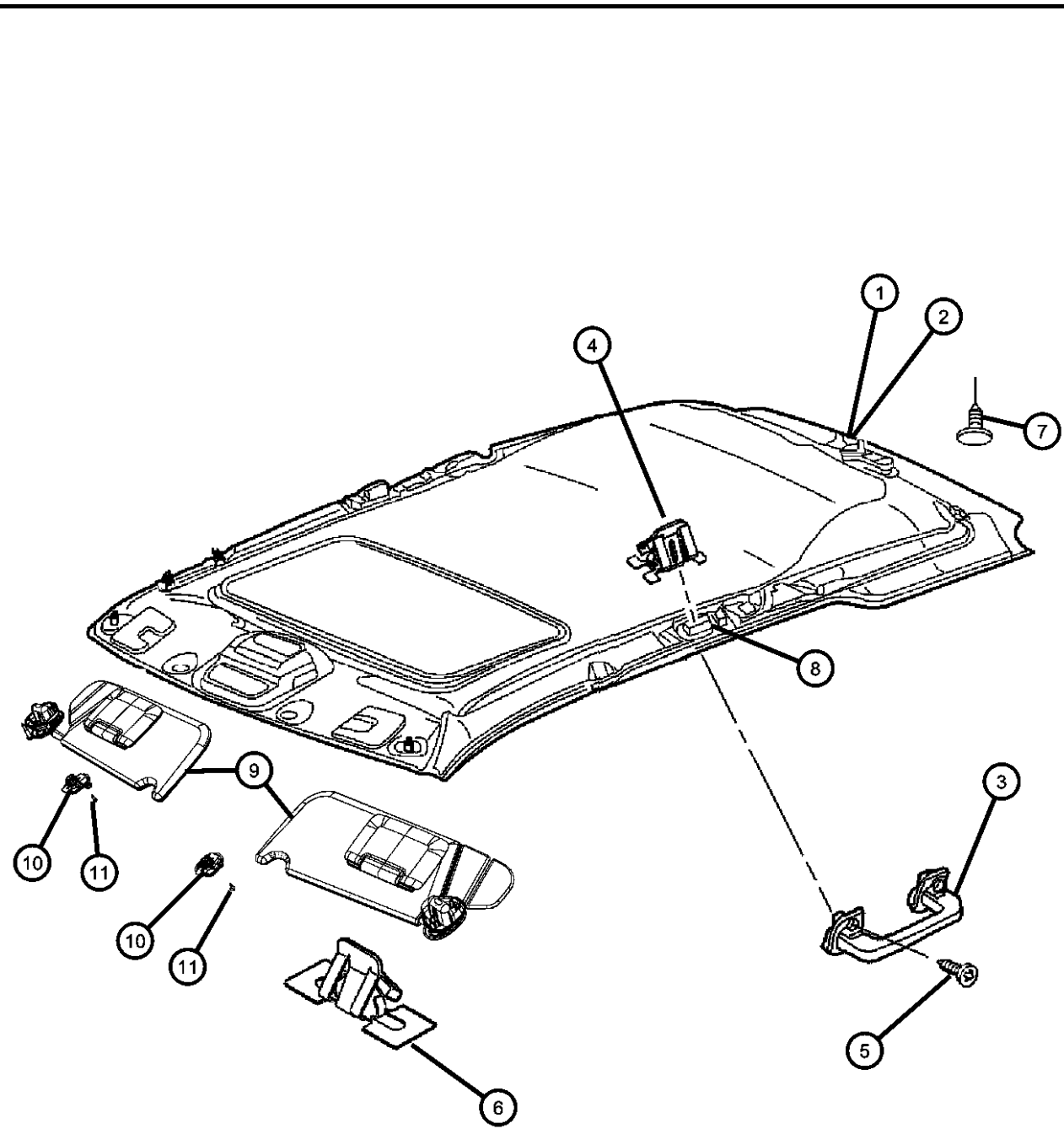
ENGINE
EZH = 5.7L V8 HEMI MDS
VCT Engine
ESF = 6.1L SRT HEMI V8
Engine
EKG = 3.7L V6 Engine

TRANSMISSION
DGJ = 5-Speed Auto W5A580
Transmission
DGQ = 5-Spd Automatic 545RFE
Transmission

AR = use ase required - = Non illustrated part

2010 WK

**Headliners and Visors
Figure 50-105**



ITEM	PART NUMBER	QTY	LINE	SERIES	BODY	ENGINE	TRANS	TRIM	DESCRIPTION
	1ST11BD1AA	1	J, T		74			*00	[GNC], [XGD], [JHC], [GWA], [XAA], [ABD], With [GNK or GN5]
	1HQ59BD1AA	1	J, T		74			*00	[GNK] Or [GN5], [GNC], [XGD], [JHC], [GWA], [CVE], [XAA]
3									HANDLE, Roof Grab
	1AK65BD1AA	1	J, T		74			*00	Left
	1AK64BD1AA	1	J, T		74			*00	Right
4	04746232	4	J, T		74			*00	CLIP, Z-Axis, Visor & Grab Handle Attach
5	05139455AA	4	J, T		74			*00	SCREW
6	05028203AA	2	J, T		74			*00	CLIP, Headliner Mounting
7	06503943	1	J, T		74				RETAINER
8	05166015AA	2	J, T		74			*00	PLATE, Retaining
9									VISOR
	1AK81BD1AA	1	J, T		74			*00	[GNV], Left
	1AK82BD1AA	1	J, T		74			*00	[GNC], Right
	1AK80BD1AA	1	J, T		74			*00	[GNV], Right
	1AK83BD1AA	1	J, T		74			*00	[GNC], Left
10	1AL25BD1AA	1	J, T		74			*00	SUPPORT, Visor
11	06036610AA	4	J, T		74			*00	SCREW, Trim

GRAND CHEROKEE (WK)

SERIES LINE
H = HIGHLINE T = JEEP - 2WD
P = PREMIUM J = JEEP - 4WD
S = SPORT
X = SPECIAL

BODY
74 = SPORT UTILITY 4-DR
TYPE #4

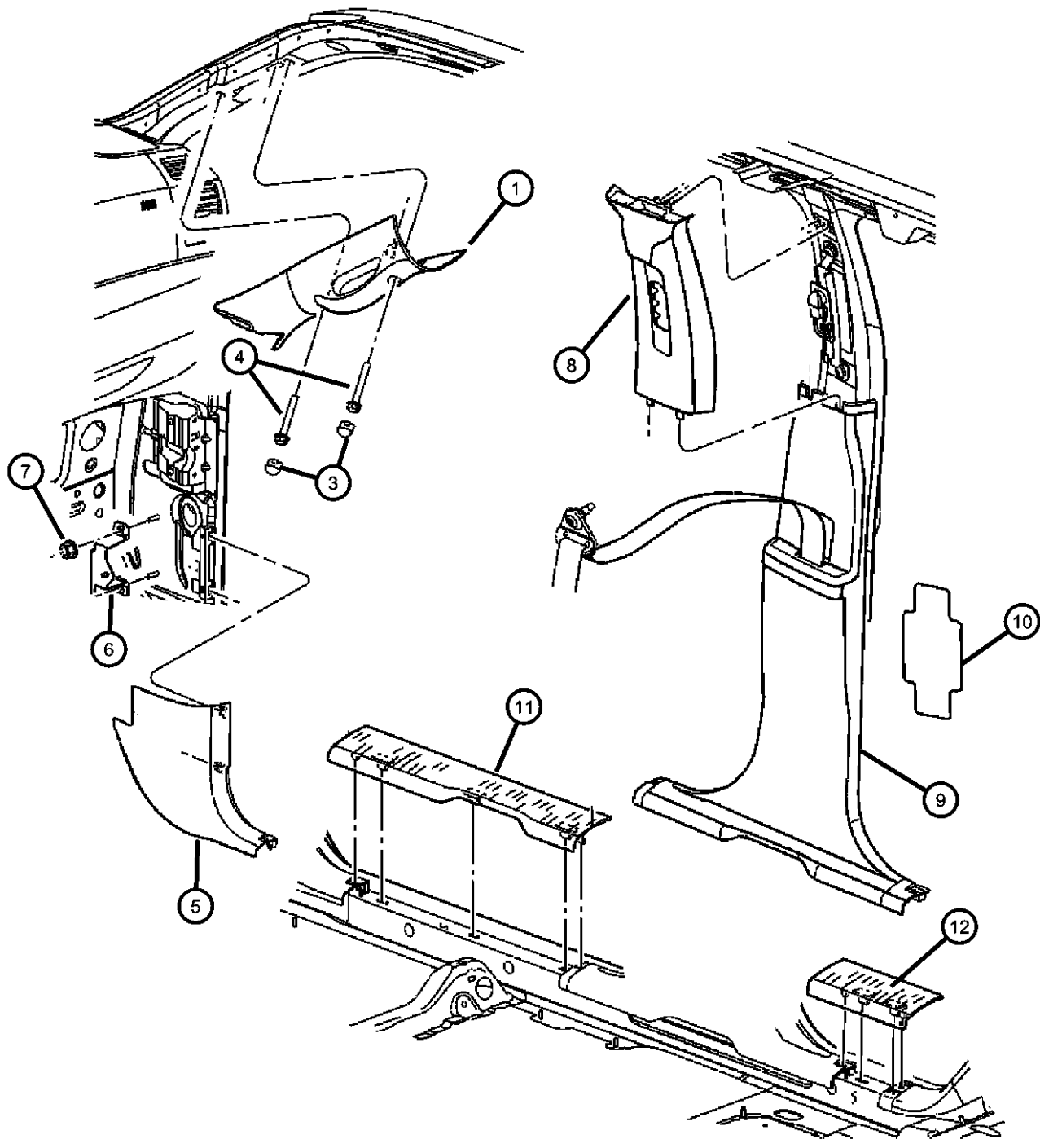
ENGINE
EZH = 5.7L V8 HEMI MDS
VCT Engine
ESF = 6.1L SRT HEMI V8
Engine
EKG = 3.7L V6 Engine

TRANSMISSION
DGJ = 5-Speed Auto W5A580
Transmission
DGQ = 5-Spd Automatic 545RFE
Transmission

AR = use ase required - = Non illustrated part

2010 WK

Interior Moldings and Pillars
Figure 50-205



ITEM	PART NUMBER	QTY	LINE	SERIES	BODY	ENGINE	TRANS	TRIM	DESCRIPTION
1									PANEL, A Pillar
	5HS26BDXAN	1	J, T		74			*O0	Right
	5HS27BDXAN	1	J, T		74			*O0	Left
-2	68053284AA	1	J, T		74			*O0	CLIP
3									CAP, Screw Cover
	1PA81BDXAA	1	J, T		74			*O0	Upper, Right
	1PA82BDXAA	1	J, T		74			*O0	Lower, Right
	1PA83BDXAA	1	J, T		74			*O0	Upper, Left
	1PA84BDXAA	1	J, T		74			*O0	Lower, Left
4	06105043AA	4	J, T		74				SCREW, Trim
5									PANEL, Cowl Side Trim
	1CL27BD1AC	1	J, T		74			*O0	[D1], Left
		1	J, T		74			*O0	[J1], Left
	1CL27XDVAC	1	J, T		74			*O0	[DV], Left
	1CL27ZJ3AC	1	J, T		74			*O0	[J3], Left
	5HQ14BD1AI	1	J, T		74			*O0	[D1], Right
		1	J, T		74			*O0	[J1], Right
	5HQ14XDVAI	1	J, T		74			*O0	[DV], Right
	5HQ14ZJ3AI	1	J, T		74			*O0	[J3], Right
6	55352902AE	1	J, T		74				BRACKET, Cowl
7	06503856	2	J, T		74				NUT AND WASHER, Hex, M6X1.00
8									PANEL, B Pillar, Upper
	5KU68BDXAB	1	J, T		74			*O0	Right
	5KU69BDXAB	1	J, T		74			*O0	Left
9									PANEL, B Pillar Lower Trim
	5HQ10BD1AH	1	J, T		74			*O0	[D1], Right
		1	J, T		74			*O0	[J1], Right
	5HQ10XDVAH	1	J, T		74			*O0	[DV], Right
	5HQ10ZJ3AH	1	J, T		74			*O0	[J3], Right
	5HQ11BD1AH	1	J, T		74			*O0	[D1], Left
		1	J, T		74			*O0	[J1], Left
	5HQ11XDVAH	1	J, T		74			*O0	[DV], Left
	5HQ11ZJ3AH	1	J, T		74			*O0	[J3], Left
10	55116545AC	2	J, T		74				SHIELD, Seat Belt Retractor

GRAND CHEROKEE (WK)

SERIES LINE
H = HIGHLINE T = JEEP - 2WD
P = PREMIUM J = JEEP - 4WD
S = SPORT
X = SPECIAL

BODY
74 = SPORT UTILITY 4-DR
TYPE #4

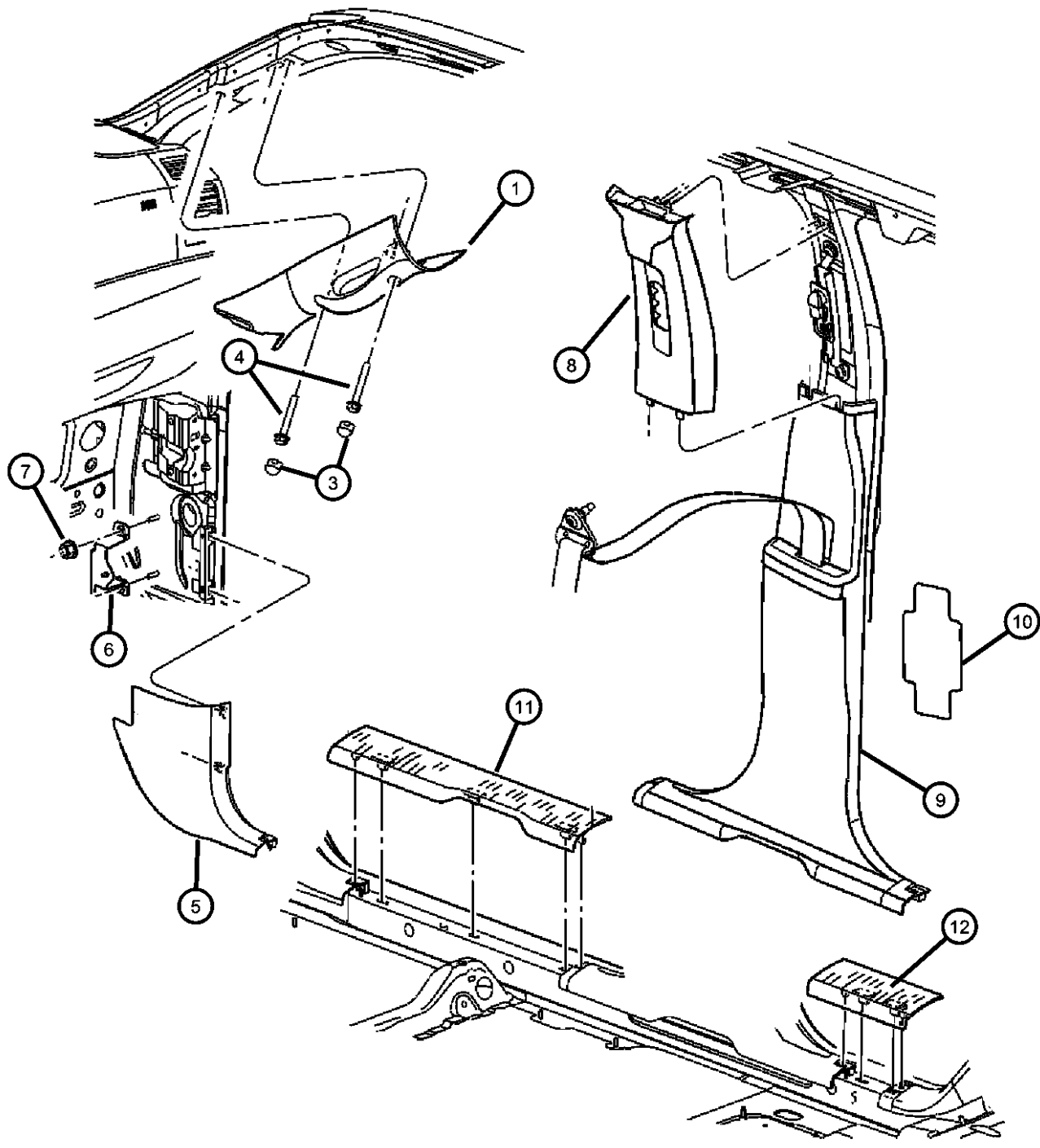
ENGINE
EZH = 5.7L V8 HEMI MDS
VCT Engine
ESF = 6.1L SRT HEMI V8
Engine
EKG = 3.7L V6 Engine

TRANSMISSION
DGJ = 5-Speed Auto W5A580
Transmission
DGQ = 5-Spd Automatic 545RFE
Transmission

AR = use ase required - = Non illustrated part

2010 WK

**Interior Moldings and Pillars
Figure 50-205**



ITEM	PART NUMBER	QTY	LINE	SERIES	BODY	ENGINE	TRANS	TRIM	DESCRIPTION
11									SILL COVER, Interior, Front
	5JQ21BD1AC	1	J, T		74			*00	[J1], Left
	5JQ21XDVAC	1	J, T		74			*00	[DV], Left
	5JQ21ZJ3AC	1	J, T		74			*00	[J3], Left
	5JQ20BD1AC	1	J, T		74			*00	[D1], Right
		1	J, T		74			*00	[J1], Right
	5JQ20XDVAC	1	J, T		74			*00	[DV], Right
	5JQ20ZJ3AC	1	J, T		74			*00	[J3], Right
		1	J, T		74			*00	[D1], Left
12									SILL COVER, Interior, Rear
	5JX64BD1AC	2	J, T		74			*00	[D1], Right & Left
		2	J, T		74			*00	[J1], Right & Left
	5JX64XDVAC	2	J, T		74			*00	[DV], Right & Left
	5JX64ZJ3AC	2	J, T		74			*00	[J3], Right & Left

GRAND CHEROKEE (WK)

SERIES LINE
H = HIGHLINE T = JEEP - 2WD
P = PREMIUM J = JEEP - 4WD
S = SPORT
X = SPECIAL

BODY
74 = SPORT UTILITY 4-DR
TYPE #4

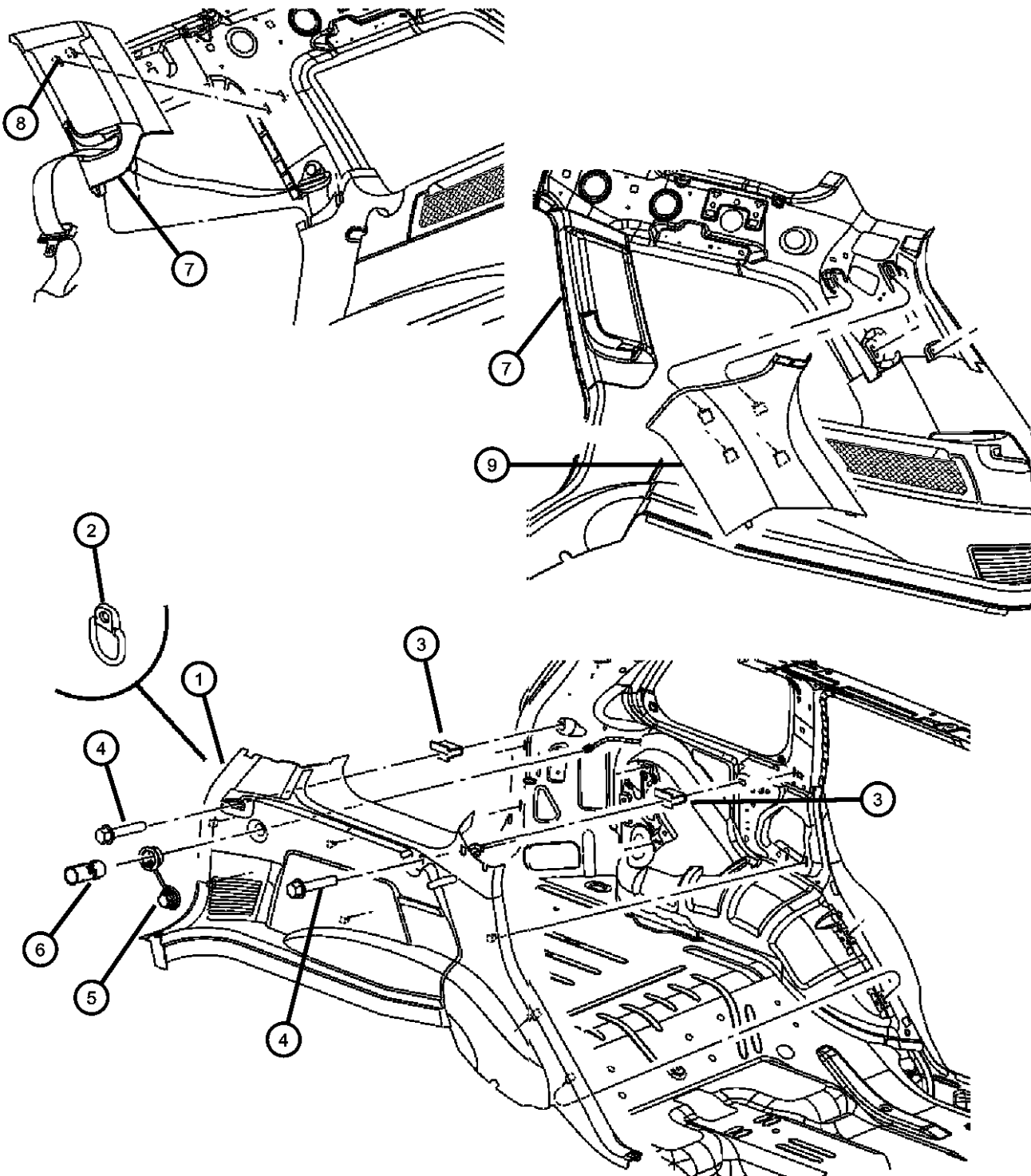
ENGINE
EZH = 5.7L V8 HEMI MDS
VCT Engine
ESF = 6.1L SRT HEMI V8
Engine
EKG = 3.7L V6 Engine

TRANSMISSION
DGJ = 5-Speed Auto W5A580
Transmission
DGQ = 5-Spd Automatic 545RFE
Transmission

AR = use ase required - = Non illustrated part

2010 WK

Quarter Trim Panel
Figure 50-235



ITEM	PART NUMBER	QTY	LINE	SERIES	BODY	ENGINE	TRANS	TRIM	DESCRIPTION
1									PANEL, Quarter Trim
	1CL991DVAC	1	J, T		74			*O0	[DV], [JJM], Left
	1CL991J3AC	1	J, T		74			*O0	[J3], [JJM], Left
	5HS36BD1AI	1	J, T		74			*O0	[D1], Right
		1	J, T		74			*O0	[J1], Right
	5HS36XDVAI	1	J, T		74			*O0	[DV], Right
	5HS36ZJ3AI	1	J, T		74			*O0	[J3], Right
	1CL991D1AC	1	J, T		74			*O0	[D1], [JJM], Left
		1	J, T		74			*O0	[J1], [JJM], Left
	5HS37XDVAI	1	J, T		74			*O0	[DV], Left
	5HS37ZJ3AI	1	J, T		74			*O0	[J3], Left
2	55196901AB	1	J, T		74			*O0	LOOP, Cargo Tie Down
3	06035773	2	J, T		74				NUT
4	06101946	1	J, T		74				SCREW, Tapping Hex Head, M4.2X1.70X20.00
5	04685668AA	1	J, T		74			*O0	MOUNT, Power Outlet
6	04793554AC	1	J, T		74				POWER OUTLET
7									PANEL, C Pillar
	5HS34BDXAI	1	J, T		74			*O0	Right
	5HS35BDXAI	1	J, T		74			*O0	Left
8									PLUG, C Pillar
	1CL22BDXAA	1	J, T		74			*O0	Right
	1CL23BDXAA	1	J, T		74			*O0	Left
9									PANEL, D Pillar
	5HS30BD1AI	1	J, T		74			*O0	Right
	5HS31BD1AI	1	J, T		74			*O0	Left

GRAND CHEROKEE (WK)

SERIES LINE
H = HIGHLINE T = JEEP - 2WD
P = PREMIUM J = JEEP - 4WD
S = SPORT
X = SPECIAL

BODY
74 = SPORT UTILITY 4-DR
TYPE #4

ENGINE
EZH = 5.7L V8 HEMI MDS
VCT Engine
ESF = 6.1L SRT HEMI V8
Engine
EKG = 3.7L V6 Engine

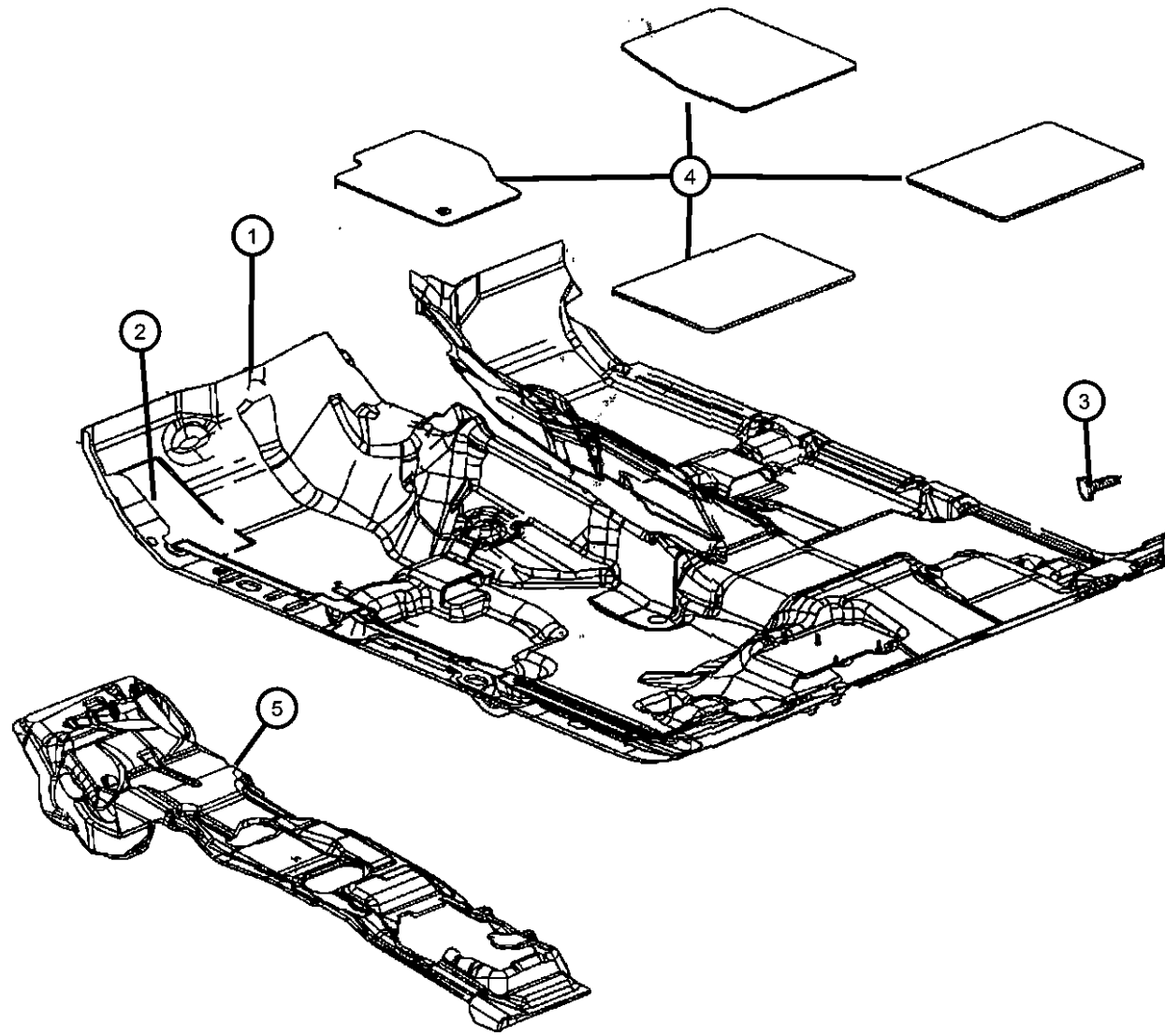
TRANSMISSION
DGJ = 5-Speed Auto W5A580
Transmission
DGQ = 5-Spd Automatic 545RFE
Transmission

AR = use ase required - = Non illustrated part

2010 WK

Carpet, Complete
Figure 50-305

ITEM	PART NUMBER	QTY	LINE	SERIES	BODY	ENGINE	TRANS	TRIM	DESCRIPTION
1									CARPET, Floor, Front
	1GL60XDVAB	1	J, T		74			*00	[D1]
		1	J, T		74			*00	[DV]
	1GL60ZJ8AB	1	J, T		74			*00	[J1]
		1	J, T		74			*00	[J3]
2	55197048AB	1	J, T		74				FOOTREST
3	06501916	1	J, T		74				PIN, Push
4									MAT KIT, Floor
	1NX881DVAA	1	J, T		74			*00	[D1], [CLZ]
		1	J, T		74			*00	[DV], [CLZ]
	1NX881J8AA	1	J, T		74			*00	[J1], [CLZ]
		1	J, T		74			*00	[J3], [CLZ]
5	55196982AG	1	J, T		74				SILENCER, Tunnel
-6	68058516AA	2	J, T		74			*00	STRAP, Load Floor
-7	68045564AA	4	J, T		74			*00	BEZEL, Load floor latch



GRAND CHEROKEE (WK)

SERIES LINE
H = HIGHLINE T = JEEP - 2WD
P = PREMIUM J = JEEP - 4WD
S = SPORT
X = SPECIAL

BODY
74 = SPORT UTILITY 4-DR
TYPE #4

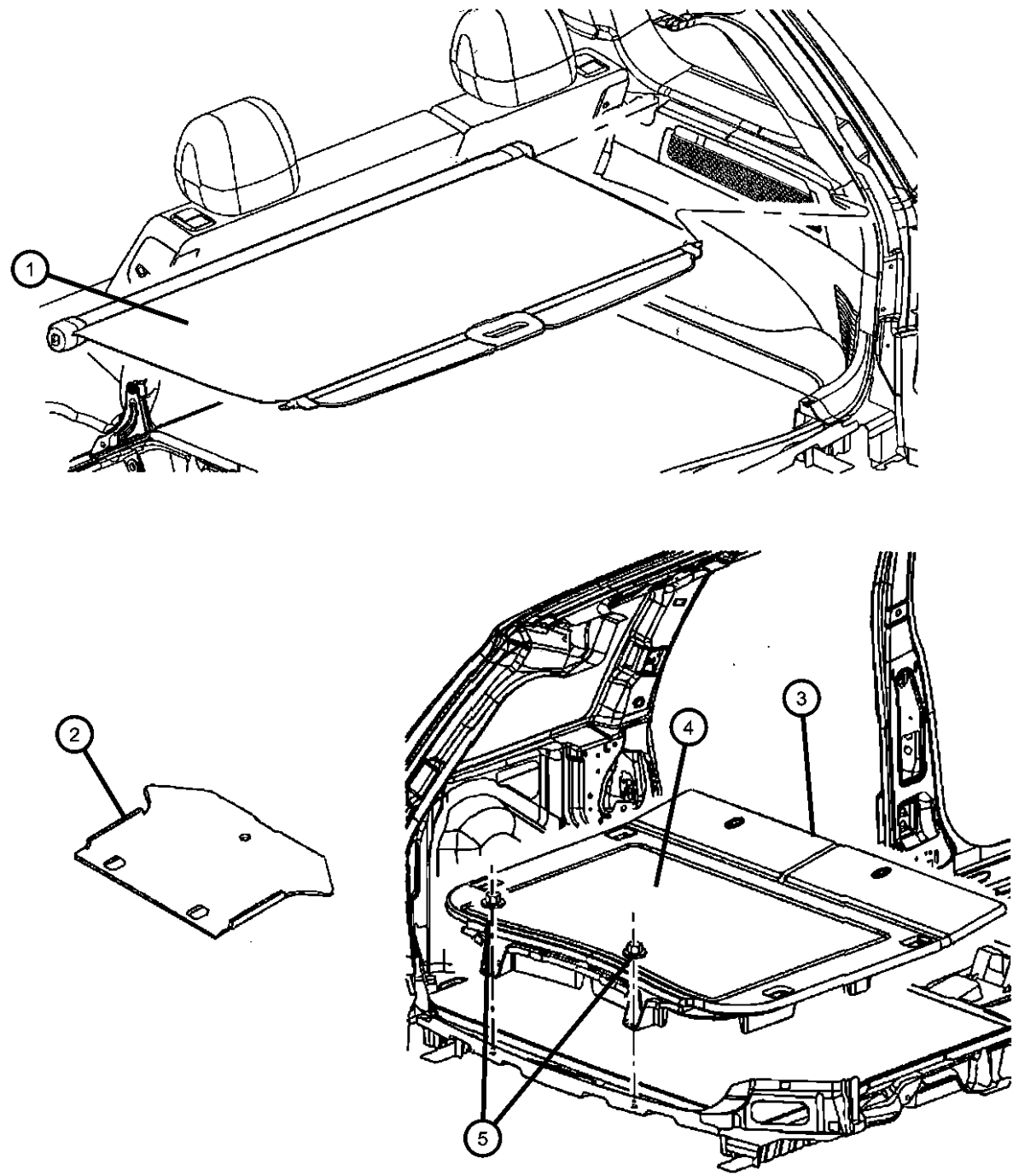
ENGINE
EZH = 5.7L V8 HEMI MDS
VCT Engine
ESF = 6.1L SRT HEMI V8
Engine
EKG = 3.7L V6 Engine

TRANSMISSION
DGJ = 5-Speed Auto W5A580
Transmission
DGQ = 5-Spd Automatic 545RFE
Transmission

AR = use ase required - = Non illustrated part

2010 WK

Load Floor, Cargo
Figure 50-310



ITEM	PART NUMBER	QTY	LINE	SERIES	BODY	ENGINE	TRANS	TRIM	DESCRIPTION
1									COVER, Cargo Compartment
	5HS38ZJ3AA	1	J, T		74			*O0	[J3]
	5HS38BD1AA	1	J, T		74			*O0	[D1]
		1	J, T		74			*O0	[J1]
	5HS38XDVAA	1	J, T		74			*O0	[DV]
2	55197097AG	1	J, T		74				PAD
3									BASE, Load Floor
	1QB52XDVAA	1	J, T		74			*O0	[D1]
		1	J, T		74			*O0	[DV]
	1QB52ZJ8AA	1	J, T		74			*O0	[J1]
		1	J, T		74			*O0	[J3]
4									LID, Load Floor
	1SL15XDVAA	1	J, T		74			*O0	[D1]
		1	J, T		74			*O0	[DV]
	1SL15ZJ8AA	1	J, T		74			*O0	[J1]
		1	J, T		74			*O0	[J3]
5	06101968	2	J, T		74				NUT, M6x1.00
-6									SILENCER, Wheelhouse
	55197228AD	1	J, T		74				Right
	55197229AD	1	J, T		74				Left
-7	68045564AA	4	J, T		74			*O0	BEZEL, Load floor latch

GRAND CHEROKEE (WK)

SERIES LINE
H = HIGHLINE T = JEEP - 2WD
P = PREMIUM J = JEEP - 4WD
S = SPORT
X = SPECIAL

BODY
74 = SPORT UTILITY 4-DR
TYPE #4

ENGINE
EZH = 5.7L V8 HEMI MDS
VCT Engine
ESF = 6.1L SRT HEMI V8
Engine
EKG = 3.7L V6 Engine

TRANSMISSION
DGJ = 5-Speed Auto W5A580
Transmission
DGQ = 5-Spd Automatic 545RFE
Transmission

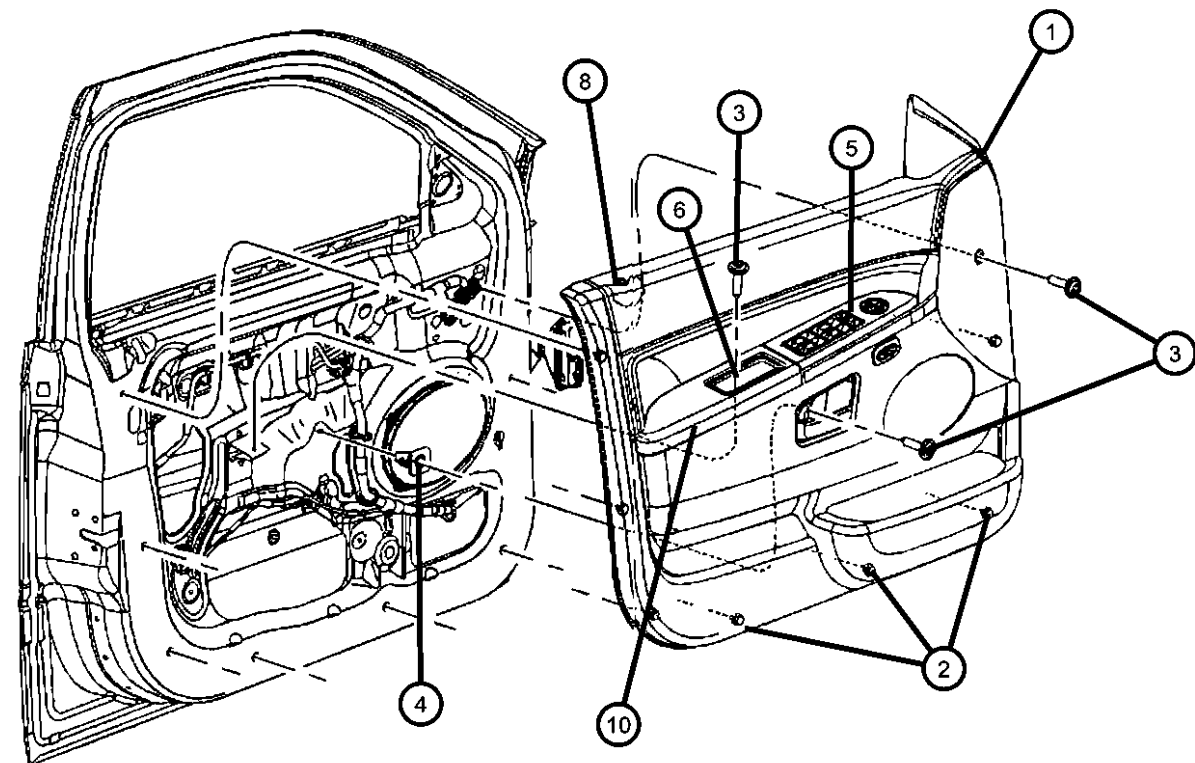
AR = use ase required - = Non illustrated part

2010 WK

Front Door Trim Panels

Figure 50-405

ITEM	PART NUMBER	QTY	LINE	SERIES	BODY	ENGINE	TRANS	TRIM	DESCRIPTION
Sales Codes: [CBF] = Premium Door Trim Panel [CBW] = Highline Door Trim Panel [CTC] = Luxury Door Trim Panel [CTL] = Base Door Trim Panel [CTM] = Deluxe Door Trim Panel									
1									PANEL, Front Door Trim
	1QD641D1AA	1	J, T	P	74			*00	[D1], [CTK], Right
	1QD641DVAA	1	J, T		74			*00	[DV], [CTK], [RC6], Right
		1	J, T		74			*00	[DV], [CTK], Right
	1QD641J1AA	1	J, T		74			*00	[J1], [CBF], Right
		1	J, T	P	74			*00	[J1], [CTK], Right
	1QD641J3AA	1	J, T		74			*00	[J3], [CTK], [RC6], Right
		1	J, T		74			*00	[J3], [CTK], Right
	1QD651D1AA	1	J, T		74			*00	[D1], [CBF], Left
		1	J, T	P	74			*00	[D1], [CTK], Left
	1QY831DVAA	1	J, T		74			*00	[DV], [CTK], [RCG], Left
	1QY831J3AA	1	J, T		74			*00	[J3], [CTK], [RCG], Left
	1QD96XD-VAA	1	J, T		74			*00	[DV], [CTM], Right
	1QD97XD-VAA	1	J, T		74			*00	[DV], [CTM], Left
	1QE071DVAA	1	J, T		74			*00	[DV], [CTL], [RCG], Left
	1QY821J3AA	1	J, T		74			*00	[J3], [CTK], [RCG], Right
	1QE071J3AA	1	J, T		74			*00	[J3], [CTL], [RCG], Left
	1QY821DVAA	1	J, T		74			*00	[DV], [CTK], [RCG], Right
	1QD661J1AA	1	J, T		74			*00	[J1], [CTC], Right
	1QD561D1AA	1	J, T	P	74			*00	[CTK], [ADS], Right
	1QD571D1AA	1	J, T	P	74			*00	[CTK], [ADS], Left
		1	J, T		74			*00	[D1], [CBF], Right
	1QD651J3AA	1	J, T		74			*00	[J3], [CTK], [RC6], Left
		1	J, T		74			*00	[J3], [CTK], Left
	1QD651J1AA	1	J, T	P	74			*00	[J1], [CTK], Left
	1QD671DVAA	1	J, T		74			*00	[DV], [CTC], Left
	1QD661DVAA	1	J, T		74			*00	[DV], [CTC], Right
	1QD671J1AA	1	J, T		74			*00	[J1], [CTC], Left
	1QD651DVAA	1	J, T		74			*00	[DV], [CTK], [RC6], Left



GRAND CHEROKEE (WK)

SERIES LINE
H = HIGHLINE T = JEEP - 2WD
P = PREMIUM J = JEEP - 4WD
S = SPORT
X = SPECIAL

BODY
74 = SPORT UTILITY 4-DR
TYPE #4

ENGINE
EZH = 5.7L V8 HEMI MDS
VCT Engine
ESF = 6.1L SRT HEMI V8
Engine
EKG = 3.7L V6 Engine

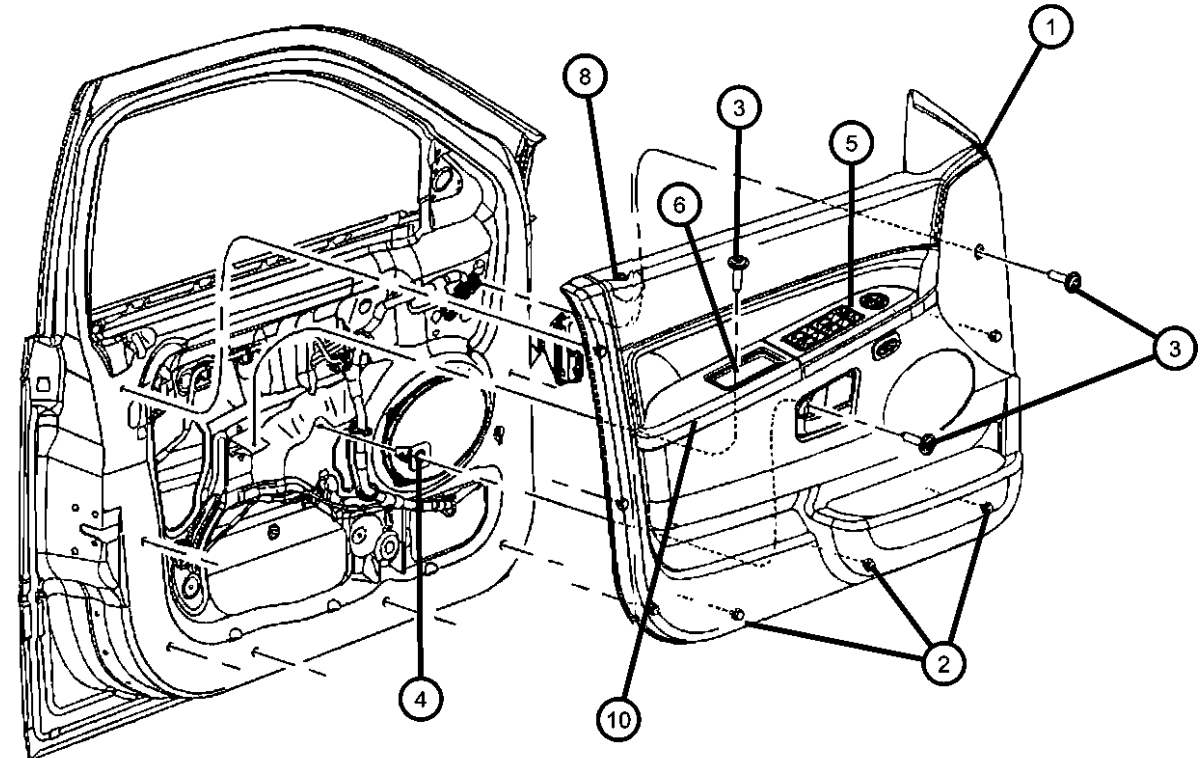
TRANSMISSION
DGJ = 5-Speed Auto W5A580
Transmission
DGQ = 5-Spd Automatic 545RFE
Transmission

AR = use ase required - = Non illustrated part

2010 WK

**Front Door Trim Panels
Figure 50-405**

ITEM	PART NUMBER	QTY	LINE	SERIES	BODY	ENGINE	TRANS	TRIM	DESCRIPTION
		1	J, T		74			*00	[DV], [CTK], Left
		1	J, T		74			*00	[J1], [CBF], Left
	1QE00XDVAA	1	J, T		74			*00	[DV], [CBW], Right
	1QE01XDVAA	1	J, T		74			*00	[DV], [CBW], Left
	1QE061DVAA	1	J, T		74			*00	[DV], [CTL], [RCG], Right
	1QE061J3AA	1	J, T		74			*00	[J3], [CTL], [RCG], Right
	1QE76XDVAA	1	J, T		74			*00	[DV], [CTL], [RC6], Right
	1QE76ZJ3AA	1	J, T		74			*00	[J3], [CTL], [RC6], Right
	1QE77XDVAA	1	J, T		74			*00	[DV], [CTL], [RC6], Left
	1QE77ZJ3AA	1	J, T		74			*00	[J3], [CTL], [RC6], Left
2	06507686AA	7	J, T		74			*00	PIN, Push
3	06101946	3	J, T		74				SCREW, Tapping Hex Head, M4.2X1.70X20.00
4	06035807	1	J, T		74				NUT, Door Trim
5									BEZEL, Switch
	68034279AA	1	J, T		74			*00	[CTL], [RCG], Left
		1	J, T		74			*00	[CTL], [RC6], Left
	68034338AA	1	J, T		74			*00	[CTM], Right
	68036606AA	1	J, T		74			*00	[CBF], Right
		1	J, T		74			*00	[CTK], [RC6], Right
	68043212AA	1	J, T		74			*00	[CTC], Right
	68043213AA	1	J, T		74			*00	[CTC], Left
	68034278AA	1	J, T		74			*00	[CTL], [RCG], Right
		1	J, T		74			*00	[CTL], [RC6], Right
		1	J, T		74			*00	[CBW], Right
	68036607AA	1	J, T		74			*00	[CTK], [RC6], Left
		1	J, T		74			*00	[CTK], Left
		1	J, T		74			*00	[CTK], Right
		1	J, T		74			*00	[CBF], Left
	68034339AA	1	J, T		74			*00	[CTM], Left
		1	J, T		74			*00	[CBW], Left
6									CUP, Door Pull
	1HM181DVAA	1	J, T		74			*00	[DV], [CBW] Or [CTM], Right
		1	J, T		74			*00	[DV], [CTC], Right



GRAND CHEROKEE (WK)

SERIES LINE
H = HIGHLINE T = JEEP - 2WD
P = PREMIUM J = JEEP - 4WD
S = SPORT
X = SPECIAL

BODY
74 = SPORT UTILITY 4-DR
TYPE #4

ENGINE
EZH = 5.7L V8 HEMI MDS
VCT Engine
ESF = 6.1L SRT HEMI V8
Engine
EKG = 3.7L V6 Engine

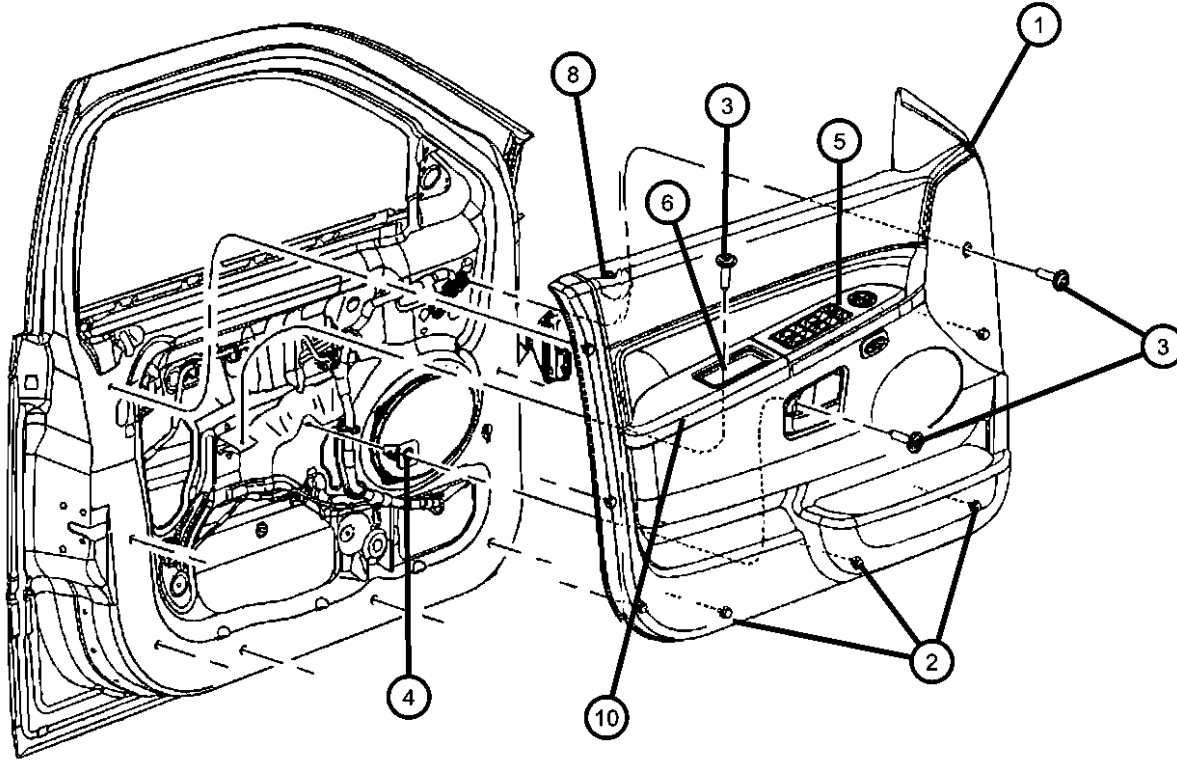
TRANSMISSION
DGJ = 5-Speed Auto W5A580
Transmission
DGQ = 5-Spd Automatic 545RFE
Transmission

AR = use ase required - = Non illustrated part

2010 WK

**Front Door Trim Panels
Figure 50-405**

ITEM	PART NUMBER	QTY	LINE	SERIES	BODY	ENGINE	TRANS	TRIM	DESCRIPTION
		1	J, T		74			*00	[DV], [CTK], Right
	1HM181J3AA	1	J, T		74			*00	[J3], [CTL], Right
		1	J, T		74			*00	[J3], [CTK], Right
	1HM191D1AA	1	J, T		74			*00	[D1], [CBF], Left
		1	J, T		74			*00	[D1], [CTK], Left
	1HM191DVAA	1	J, T		74			*00	[DV], [CTC], Left
		1	J, T		74			*00	[DV], [CTK], Left
	1HM191J1AA	1	J, T		74			*00	[J1], [CBF], Left
		1	J, T		74			*00	[J1], [CTC], Left
	1HM191J3AA	1	J, T		74			*00	[J3], [CTK], Left
	1HM181D1AA	1	J, T		74			*00	[D1], [CTK], Right
		1	J, T		74			*00	[DV], [CTL], Right
		1	J, T		74			*00	[D1], [CBF], Right
	1HM181J1AA	1	J, T		74			*00	[J1], [CTC], Right
		1	J, T		74			*00	[J1], [CTK], Right
		1	J, T		74			*00	[DV], [CTL], Left
		1	J, T		74			*00	[J1], [CBF], Right
		1	J, T		74			*00	[DV], [CBW] Or [CTM], Left
		1	J, T		74			*00	[J1], [CTK], Left
		1	J, T		74			*00	[J3], [CTL], Left
-7	68028673AA	1	J, T		74			*00	FASTENER, Door Trim Panel
8	1PC38DX9AA	1	J, T		74			*00	BEZEL, Lock Knob
-9	68024539AA	1	J, T		74			*00	BADGE
10									ARMREST, Front Door Trim
	1PQ271J3AA	1	J, T		74			*00	[J3], Left
	1PQ261DVAA	1	J, T		74			*00	[DV], Right
	1PQ261J3AA	1	J, T		74			*00	[J3], Right
	1PQ271DVAA	1	J, T		74			*00	[DV], Left



GRAND CHEROKEE (WK)

SERIES LINE
H = HIGHLINE T = JEEP - 2WD
P = PREMIUM J = JEEP - 4WD
S = SPORT
X = SPECIAL

BODY
74 = SPORT UTILITY 4-DR
TYPE #4

ENGINE
EZH = 5.7L V8 HEMI MDS
VCT Engine
ESF = 6.1L SRT HEMI V8
Engine
EKG = 3.7L V6 Engine

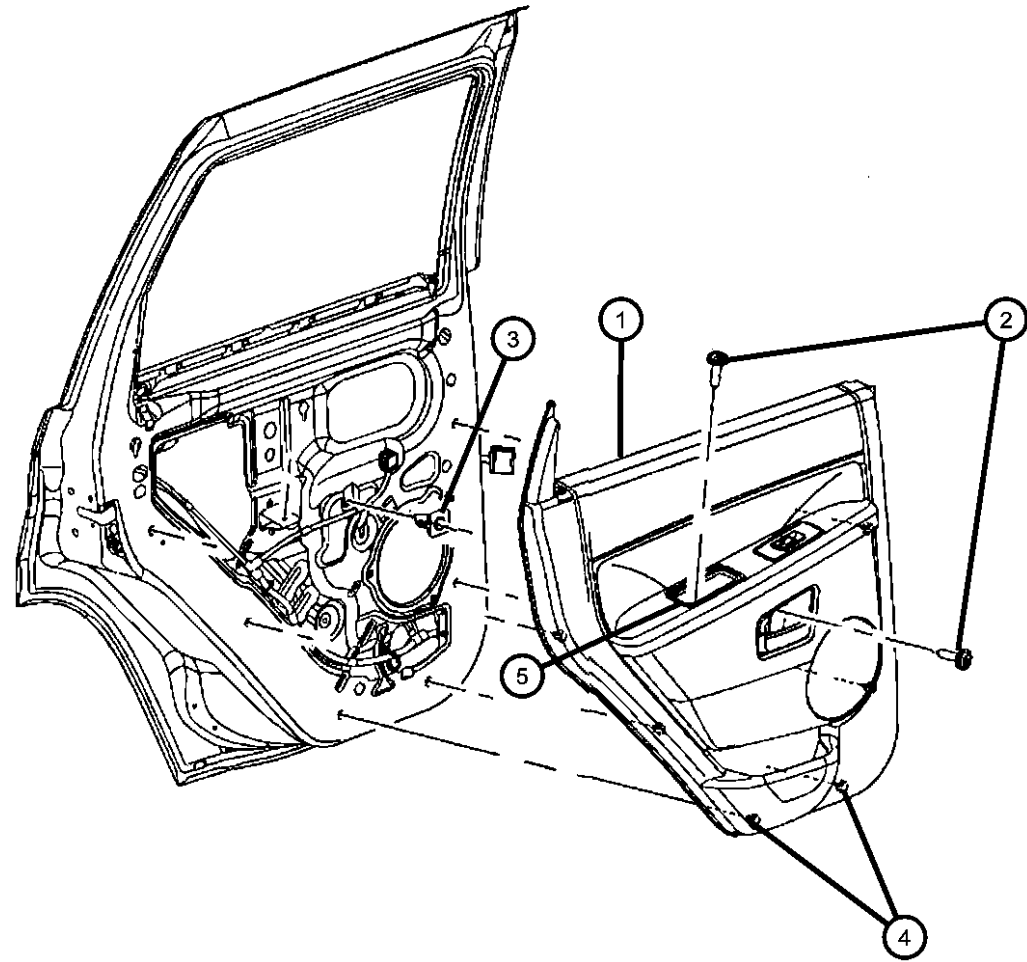
TRANSMISSION
DGJ = 5-Speed Auto W5A580
Transmission
DGQ = 5-Spd Automatic 545RFE
Transmission

AR = use ase required - = Non illustrated part

2010 WK

**Rear Door Trim Panels
Figure 50-415**

ITEM	PART NUMBER	QTY	LINE	SERIES	BODY	ENGINE	TRANS	TRIM	DESCRIPTION
1									PANEL, Rear Door Trim
	5HR371J1AO	1	J, T		74			*O0	[J1], [CTK], Left
	5HR371J3AO	1	J, T		74			*O0	[J3], [CTK], Left
	5HR381DVAN	1	J, T		74			*O0	[DV], [CTL], Right
	5HR381J3AN	1	J, T		74			*O0	[J3], [CTL], Right
	5HR381J1AO	1	J, T		74			*O0	[J1], [CTK], Right
	5HR381J3AO	1	J, T		74			*O0	[J3], [CTK], Right
	5HR371DVAN	1	J, T		74			*O0	[DV], [CTL], Left
	5HR371J3AN	1	J, T		74			*O0	[J3], [CTL], Left
	5HR371DVAO	1	J, T		74			*O0	[DV], [CBW] Or [CTM], Left
		1	J, T		74			*O0	[DV], [CTK], Left
	5HR381DVAO	1	J, T		74			*O0	[DV], [CBW] Or [CTM], Right
		1	J, T		74			*O0	[DV], [CTK], Right
2	06101946	2	J, T		74				SCREW, Tapping Hex Head, M4.2X1.70X20.00
3	06035807	1	J, T		74				NUT, Door Trim
4	06507686AA	7	J, T		74			*O0	PIN, Push
5									CUP, Door Pull
	1HM181DVAA	1	J, T		74			*O0	[DV], Right
	1HM191DVAA	1	J, T		74			*O0	[DV], Left
	1HM181J3AA	1	J, T		74			*O0	[J3], Right
	1HM191D1AA	1	J, T		74			*O0	[D1], Left
	1HM181D1AA	1	J, T		74			*O0	[D1], Right
	1HM191J3AA	1	J, T		74			*O0	[J3], Left
	1HM181J1AA	1	J, T		74			*O0	[J1], Right
	1HM191J1AA	1	J, T		74			*O0	[J1], Left



GRAND CHEROKEE (WK)

SERIES LINE
H = HIGHLINE T = JEEP - 2WD
P = PREMIUM J = JEEP - 4WD
S = SPORT
X = SPECIAL

BODY
74 = SPORT UTILITY 4-DR
TYPE #4

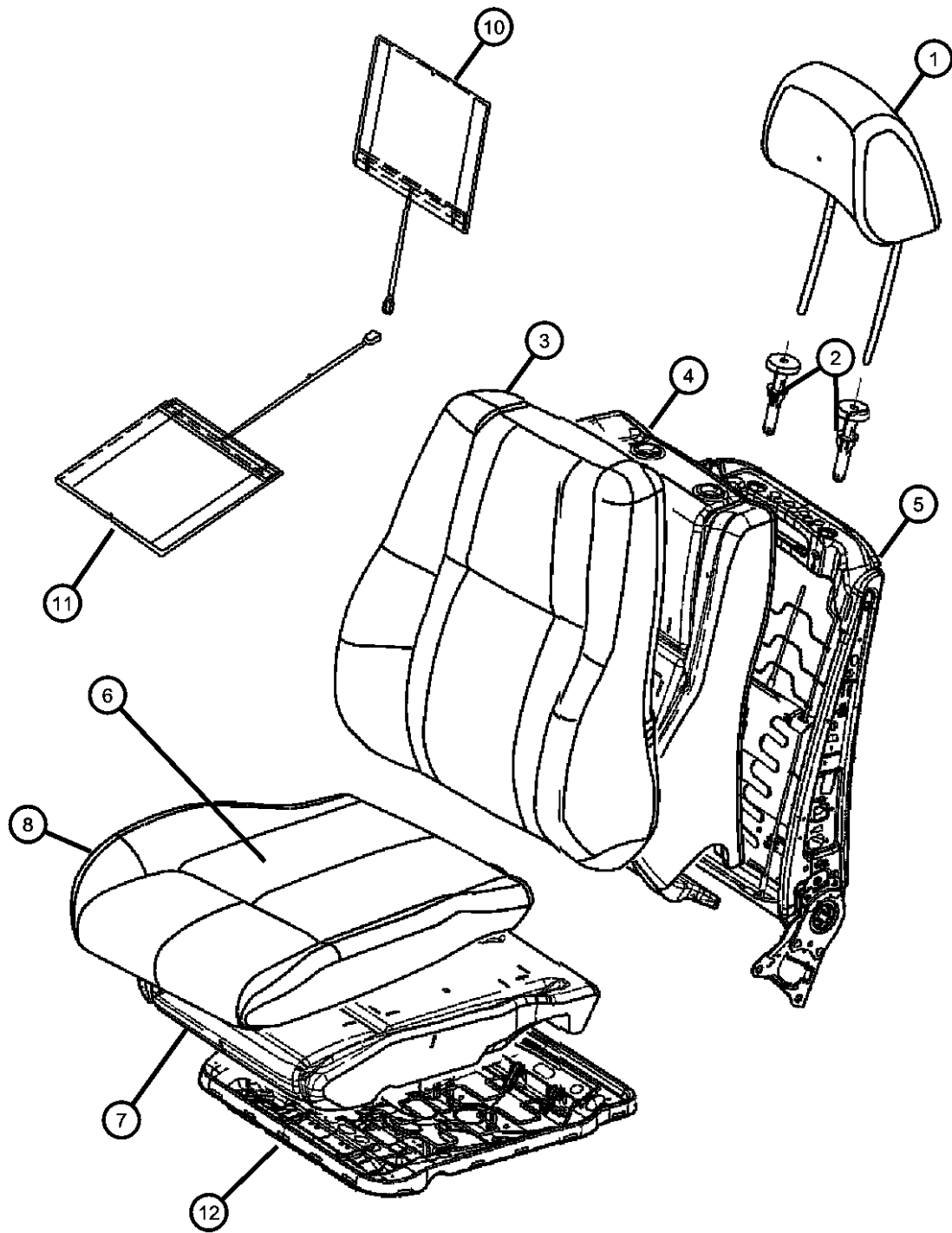
ENGINE
EZH = 5.7L V8 HEMI MDS
VCT Engine
ESF = 6.1L SRT HEMI V8
Engine
EKG = 3.7L V6 Engine

TRANSMISSION
DGJ = 5-Speed Auto W5A580
Transmission
DGQ = 5-Spd Automatic 545RFE
Transmission

AR = use ase required - = Non illustrated part

2010 WK

**Front Seat -Bucket -Trim Code [DZ]
Figure 50-505**



ITEM	PART NUMBER	QTY	LINE	SERIES	BODY	ENGINE	TRANS	TRIM	DESCRIPTION
1	1JG771DVAA	2	J, T		74			*DZ	HEADREST, Front, [DV]
2	1DS911DVAA	2	J, T		74			*DZ	SLEEVE, Headrest With Button
	1DS941DVAA	2	J, T		74			*DZ	Without Button
3	1JG741DVAA	1	J, T		74			*DZ	COVER, Front Seat Back Right
	1JG751DVAA	1	J, T		74			*DZ	Left
4	05179556AA	1	J, T		74			*DZ	FOAM, Seat Back Right
	05179557AA	1	J, T		74			*DZ	Left
5	68059232AA	1	J, T		74			*DZ	FRAME, Front Seat Back Right
	04610195AA	1	J, T		74			*DZ	Right & Left
	05136182AB	1	J, T		74			*DZ	With Memory, Left
6	1JG761DVAA	2	J, T		74			*DZ	COVER, Front Seat Cushion
7	05179555AA	1	J, T		74			*DZ	FOAM, Seat Cushion Right
	68019479AA	1	J, T		74			*DZ	Left
8	05143430AA	2	J, T		74			*DZ	WIRE KIT, Trimming, Cushion
-9	05139663AA	4	J, T		74			*DZ	BUMPER PAD, Seat Cushion
10	04610264AB	2	J, T		74			*DZ	PAD, Heater, Back
11	04610264AB	2	J, T		74			*DZ	PAD, Heater, Cushion
12	05134940AA	1	J, T		74			*DZ	FRAME, Seat cushion Manual or Power Right, Mnaual Left, Right And Left
	05134939AA	1	J, T		74			*DZ	Power, Left
-13	05174654AA	2	J, T		74			*DZ	BOLSTER, Seat Right
	05174655AA	2	J, T		74			*DZ	Left

GRAND CHEROKEE (WK)

SERIES LINE
H = HIGHLINE T = JEEP - 2WD
P = PREMIUM J = JEEP - 4WD
S = SPORT
X = SPECIAL

BODY
74 = SPORT UTILITY 4-DR
TYPE #4

ENGINE
EZH = 5.7L V8 HEMI MDS
VCT Engine
ESF = 6.1L SRT HEMI V8
Engine
EKG = 3.7L V6 Engine

TRANSMISSION
DGJ = 5-Speed Auto W5A580
Transmission
DGQ = 5-Spd Automatic 545RFE
Transmission

AR = use ase required - = Non illustrated part

2010 WK

**Front Seat -Bucket-Trim Code [EL]
Figure 50-506**

ITEM	PART NUMBER	QTY	LINE	SERIES	BODY	ENGINE	TRANS	TRIM	DESCRIPTION
1									HEADREST, Front
	1JG881DVAA	2	J, T		74			*EL	[DV]
	1JG881J8AA	2	J, T		74			*EL	[J3]
2									SLEEVE, Headrest
	1DS911DVAA	2	J, T		74			*DZ	[DV], With Button
	1DS941DVAA	2	J, T		74			*EL	[J3], Without Button
	1DS911D1AA	2	J, T		74			*F7	[J3], With Button
3									COVER, Front Seat Back
	1JG951J8AA	1	J, T		74			*EL	[J3], Left
	1JG941DVAA	1	J, T		74			*EL	[DV], Right
	1JG941J8AA	1	J, T		74			*EL	[J3], Right
	1JG951DVAA	1	J, T		74			*EL	[DV], Left
4									FOAM, Seat Back
	05143345AA	1	J, T		74			*F7	Left
	05143344AA	1	J, T		74			*F7	Right
5	68059232AA	1	J, T		74			*F7	FRAME, Front Seat Back
6									COVER, Front Seat Cushion
	1JH031DVAA	2	J, T		74			*EL	[DV], Right And Left
	1JH031J8AA	2	J, T		74			*EL	[J8],
7									FOAM, Seat Cushion
	68019318AA	1	J, T		74			*F7	Right
	05143343AA	1	J, T		74			*EL	Left
8	05143430AA	2	J, T		74			*EL	WIRE KIT, Trimming, Cushion
-9	05139663AA	4	J, T		74			*F7	BUMPER PAD, Seat Cushion
10	05000022AB	2	J, T		74			*F7	PAD, Heater, Back
11	05000021AA	2	J, T		74			*EL	PAD, Heater, Cushion
12									FRAME, Seat cushion
	05134939AA	1	J, T		74			*EL	Left
	05134940AA	1	J, T		74			*F7	Right

GRAND CHEROKEE (WK)

SERIES LINE
H = HIGHLINE T = JEEP - 2WD
P = PREMIUM J = JEEP - 4WD
S = SPORT
X = SPECIAL

BODY
74 = SPORT UTILITY 4-DR
TYPE #4

ENGINE
EZH = 5.7L V8 HEMI MDS
VCT Engine
ESF = 6.1L SRT HEMI V8
Engine
EKG = 3.7L V6 Engine

TRANSMISSION
DGJ = 5-Speed Auto W5A580
Transmission
DGQ = 5-Spd Automatic 545RFE
Transmission

AR = use ase required - = Non illustrated part

2010 WK

**Front Seat -Bucket- Trim Code [F7]
Figure 50-507**

ITEM	PART NUMBER	QTY	LINE	SERIES	BODY	ENGINE	TRANS	TRIM	DESCRIPTION
1									HEADREST, Front
	1JG861J8AA	2	J, T		74			*F7	[J3]
	1JG861DVAA	2	J, T		74			*F7	[DV]
2									SLEEVE, Headrest
	1DS911D1AA	2	J, T		74			*F7	[J3], With Button
	1DS941J3AA	1	J, T		74			*F7	[J3]
	1DS911DVAA	1	J, T		74			*UL	[D1], With Button
	1DS941DVAA	2	J, T		74			*F7	[DV]
3									COVER, Front Seat Back
	1JG901J8AA	1	J, T		74			*F7	[J3], Right
	1JG911DVAA	1	J, T		74			*F7	[DV], Left
	1JG901DVAA	1	J, T		74			*F7	[DV], Right
	1JG911J8AA	1	J, T		74			*F7	[J3], Left
4									FOAM, Seat Back
	05143345AA	1	J, T		74			*F7	Left
	05143344AA	1	J, T		74			*F7	Right
5									FRAME, Front Seat Back
	04610195AA	1	J, T		74			*F7	Power, Right & Left
	68059232AA	1	J, T		74			*UL	Power, Right
	68037307AA	1	J, T		74			*F7	Right
6									COVER, Front Seat Cushion
	1JG991J8AA	2	J, T		74			*F7	[J3]
	1JG991DVAA	2	J, T		74			*F7	[DV]
7									FOAM, Seat Cushion
	05143343AA	1	J, T		74			*F7	Left
	68019318AA	1	J, T		74			*F7	Right
8	05143430AA	2	J, T		74			*F7	WIRE KIT, Trimming, Cushion
-9	05139663AA	4	J, T		74			*F7	BUMPER PAD, Seat Cushion
10	05000021AA	2	J, T		74			*EL	PAD, Heater, Cushion
11	05000022AB	2	J, T		74			*F7	PAD, Heater, Back
12									FRAME, Seat cushion
	05134939AA	1	J, T		74			*F7	Power, Left
	05134940AA	1	J, T		74			*F7	Manual or Power right, manual left, Right

GRAND CHEROKEE (WK)

SERIES LINE
H = HIGHLINE T = JEEP - 2WD
P = PREMIUM J = JEEP - 4WD
S = SPORT
X = SPECIAL

BODY
74 = SPORT UTILITY 4-DR
TYPE #4

ENGINE
EZH = 5.7L V8 HEMI MDS
VCT Engine
ESF = 6.1L SRT HEMI V8
Engine
EKG = 3.7L V6 Engine

TRANSMISSION
DGJ = 5-Speed Auto W5A580
Transmission
DGQ = 5-Spd Automatic 545RFE
Transmission

AR = use ase required - = Non illustrated part

2010 WK

**Front Seat -Bucket-Trim Code [GL]
Figure 50-508**

ITEM	PART NUMBER	QTY	LINE	SERIES	BODY	ENGINE	TRANS	TRIM	DESCRIPTION
1									HEADREST, Front
	1JG891D1AA	2	J, T		74			*GL	[J1]
	1JG891UYAA	2	J, T		74			*GL	[DV]
2									SLEEVE, Headrest
	1DS941DVAA	2	J, T		74			*F7	[DV], Without Button
	1DS911UYAA	2	J, T		74			*GL	[DV], With Button
	1DS941D1AA	2	J, T		74			*GL	[J1], Without Button
	1DS911D1AA	2	J, T		74			*GL	[J1], With Button
3									COVER, Front Seat Back
	1JG961D1AA	1	J, T		74			*GL	[J1], Right
	1JG961UYAA	1	J, T		74			*GL	[DV], Right
	1JG971D1AA	1	J, T		74			*GL	[J1], Left
	1JG971UYAA	1	J, T		74			*GL	[DV], Left
4									FOAM, Seat Back
	05143345AA	1	J, T		74			*F7	Left
	05143344AA	1	J, T		74			*UL	Right
5									FRAME, Front Seat Back
	68059232AA	1	J, T		74			*F7	Right
	05136182AB	1	J, T		74			*UL	Left
6									COVER, Front Seat Cushion
	1JH041D1AA	2	J, T		74			*GL	[J1], Right And Left
	1JH041UYAA	2	J, T		74			*GL	[DV], Right & Left
7									FOAM, Seat Cushion
	05161387AA	1	J, T		74			*UL	Left
	68019478AA	1	J, T		74			*UL	Right
8	05143430AA	2	J, T		74			*UL	WIRE KIT, Trimming, Cushion
-9	05139663AA	4	J, T		74			*UL	BUMPER PAD, Seat Cushion, Bumper pad fits over the frame
10	05000022AB	2	J, T		74			*UL	PAD, Heater, Back
11	05000021AA	2	J, T		74			*DZ	PAD, Heater, Cushion
12									FRAME, Seat cushion
	05134939AA	1	J, T		74			*UL	Left
	05134940AA	1	J, T		74			*F7	Manual or Power right, Manual left, Right

GRAND CHEROKEE (WK)

SERIES LINE
H = HIGHLINE T = JEEP - 2WD
P = PREMIUM J = JEEP - 4WD
S = SPORT
X = SPECIAL

BODY
74 = SPORT UTILITY 4-DR
TYPE #4

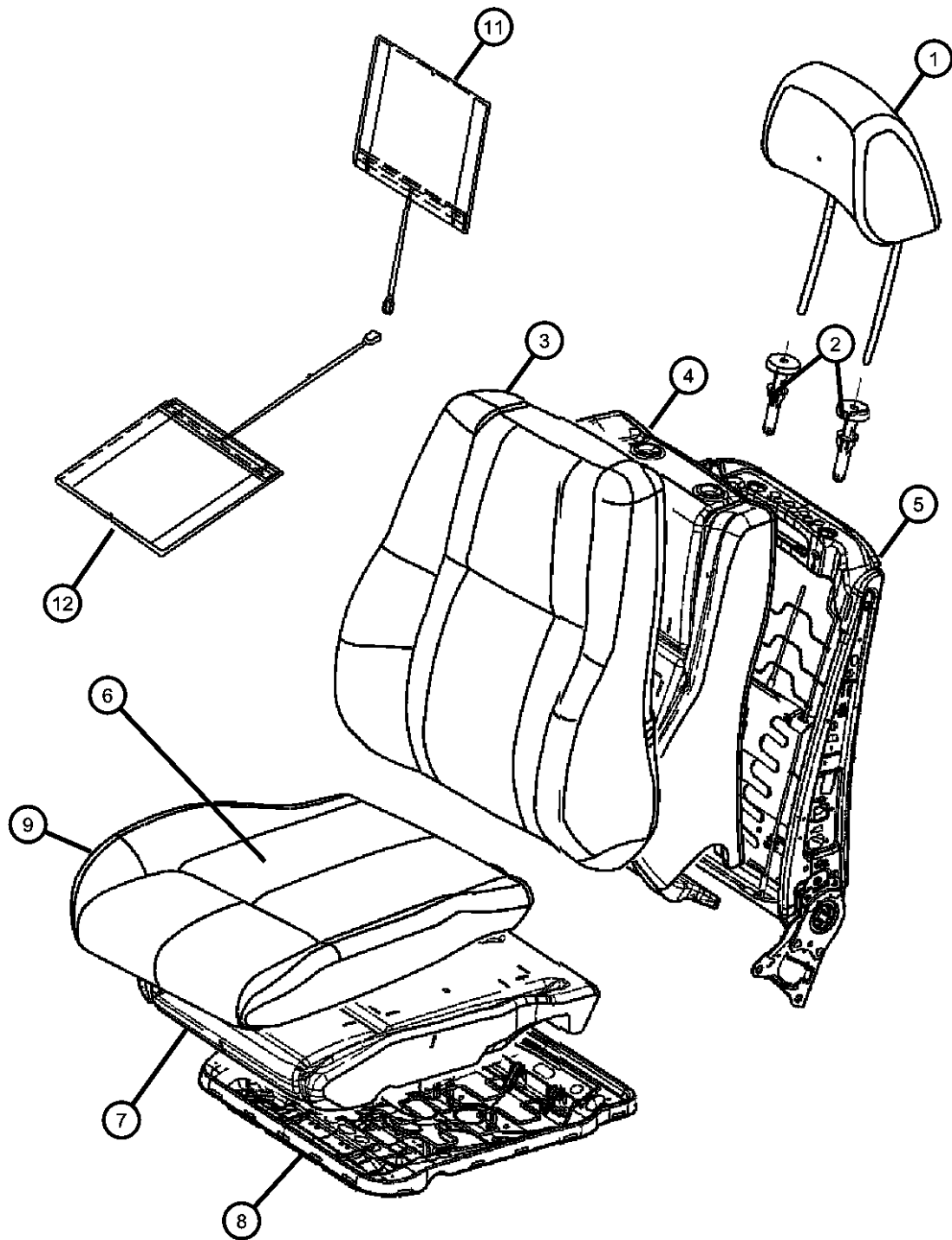
ENGINE
EZH = 5.7L V8 HEMI MDS
VCT Engine
ESF = 6.1L SRT HEMI V8
Engine
EKG = 3.7L V6 Engine

TRANSMISSION
DGJ = 5-Speed Auto W5A580
Transmission
DGQ = 5-Spd Automatic 545RFE
Transmission

AR = use ase required - = Non illustrated part

2010 WK

**Front Seat -Bucket-Trim Code [UL]
Figure 50-509**



ITEM	PART NUMBER	QTY	LINE	SERIES	BODY	ENGINE	TRANS	TRIM	DESCRIPTION
1	1QC491DVAA	1	J, T		74			*UL [D1]	HEADREST, Front
	1QC491J8AA	1	J, T		74			*UL [J1]	
2	1DS911DVAA	2	J, T		74			*UL [D1], Locking	SLEEVE, Headrest
	1DS911J3AA	1	J, T		74			*UL [J1], Locking	
	1DS941J3AA	1	J, T		74			*UL [J1], Slave Cylinder	
	1DS941DVAA	2	J, T		74			*UL [D1], Slave Cylinder	
3	1QC42ZJ8AA	1	J, T		74			*UL [J1], Right	COVER, Front Seat Back
	1QC43XD-VAA	1	J, T		74			*UL [D1], Left	
	1QC43ZJ8AA	1	J, T		74			*UL [J1], Left	
	1QC42XD-VAA	1	J, T		74			*UL [D1], Right	
4	05143345AA	1	J, T		74			*UL Left	FOAM, Seat Back
	05143344AA	1	J, T		74			*UL Right	
5	05136181AB	1	J, T		74			*UL Right	FRAME, Front Seat Back
	05136182AB	1	J, T		74			*UL Left	
6	1QC371DVAA	1	J, T		74			*UL [D1]	COVER, Front Seat Cushion
	1QC371J8AA	1	J, T		74			*UL [J1]	
7	05161387AA	1	J, T		74			*UL Left	FOAM, Seat Cushion
	68019478AA	1	J, T		74			*UL Right	
8	05134939AA	1	J, T		74			*UL Left	FRAME, Seat cushion
	05134940AA	1	J, T		74			*UL Right	
9	05143430AA	2	J, T		74			*UL	WIRE KIT, Trimming, Cushion
-10	05139663AA	4	J, T		74			*UL	BUMPER PAD, Seat Cushion, Bumper pad fits over the frame
11	05000022AB	2	J, T		74			*UL	PAD, Heater, Back
12	05000021AA	2	J, T		74			*UL	PAD, Heater, Cushion

GRAND CHEROKEE (WK)

SERIES LINE
H = HIGHLINE T = JEEP - 2WD
P = PREMIUM J = JEEP - 4WD
S = SPORT
X = SPECIAL

BODY
74 = SPORT UTILITY 4-DR
TYPE #4

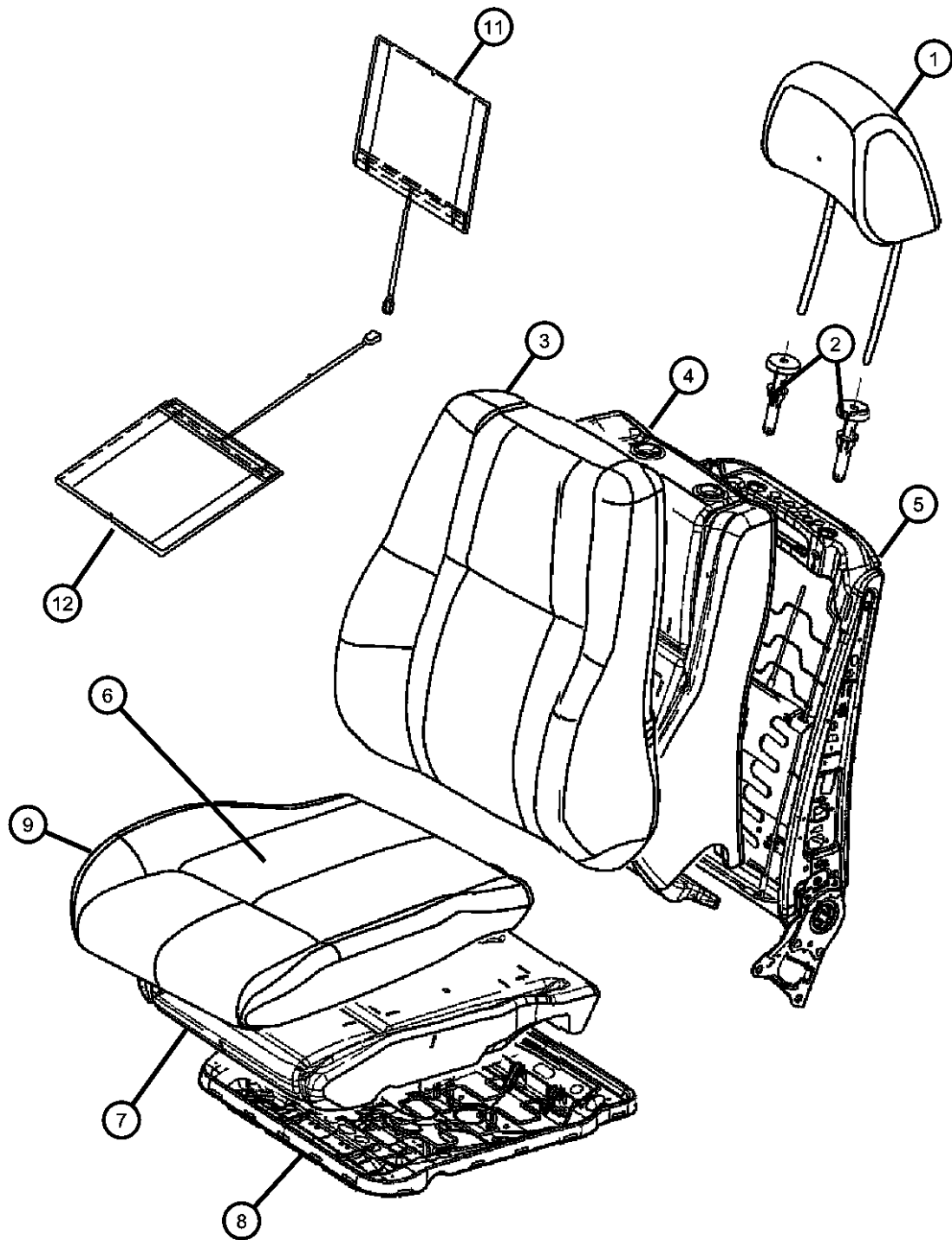
ENGINE
EZH = 5.7L V8 HEMI MDS
VCT Engine
ESF = 6.1L SRT HEMI V8
Engine
EKG = 3.7L V6 Engine

TRANSMISSION
DGJ = 5-Speed Auto W5A580
Transmission
DGQ = 5-Spd Automatic 545RFE
Transmission

AR = use ase required - = Non illustrated part

2010 WK

**Front Seat - Bucket - Trim Code [XL]
Figure 50-510**



ITEM	PART NUMBER	QTY	LINE	SERIES	BODY	ENGINE	TRANS	TRIM	DESCRIPTION
1	1JG771DVAA	2	J, T		74			*XL	HEADREST, Front
2	1DS91XDVAA	2	J, T		74			*XL	SLEEVE, Headrest
	1DS941DVAA	2	J, T		74			*XL	Locking
								*XL	Non-Locking
3	1PP96XDVAA	1	J, T		74			*XL	COVER, Front Seat Back
	1PP98XDVAA	1	J, T		74			*XL	With Map Pocket
								*XL	Without Map Pocket
4	05179556AA	1	J, T		74			*XL	FOAM, Seat Back
	05179557AA	1	J, T		74			*XL	Right
								*XL	Left
5	05136182AB	1	J, T		74			*XL	FRAME, Front Seat Back
	68059232AA	1	J, T		74			*XL	Left
								*XL	Right
6	1JG761DVAA	2	J, T		74			*XL	COVER, Front Seat Cushion
7	05179555AA	1	J, T		74			*XL	FOAM, Seat Cushion
	68019479AA	1	J, T		74			*XL	Right
								*XL	Left
8	05134939AA	1	J, T		74			*XL	FRAME, Seat cushion
	05134940AA	1	J, T		74			*XL	Left
								*XL	Right
9	05143430AA	2	J, T		74			*XL	WIRE KIT, Trimming, Cushion
-10	05139663AA	4	J, T		74			*XL	BUMPER PAD, Seat Cushion
11	05000022AA	2	J, T		74			*XL	PAD, Heater, Back
12	05000021AA	2	J, T		74			*XL	PAD, Heater, Cushion

GRAND CHEROKEE (WK)

SERIES LINE
H = HIGHLINE T = JEEP - 2WD
P = PREMIUM J = JEEP - 4WD
S = SPORT
X = SPECIAL

BODY
74 = SPORT UTILITY 4-DR
TYPE #4

ENGINE
EZH = 5.7L V8 HEMI MDS
VCT Engine
ESF = 6.1L SRT HEMI V8
Engine
EKG = 3.7L V6 Engine

TRANSMISSION
DGJ = 5-Speed Auto W5A580
Transmission
DGQ = 5-Spd Automatic 545RFE
Transmission

AR = use ase required - = Non illustrated part

2010 WK

**Rear Seat-60/40 Back-Bench Cushion-Trim Code[DZ]
Figure 50-605**

ITEM	PART NUMBER	QTY	LINE	SERIES	BODY	ENGINE	TRANS	TRIM	DESCRIPTION
1	1JG821DVAA	1	J, T		74			*DZ	COVER, Rear Seat Back, 40%
2	1JG811DVAA	1	J, T		74			*DZ	COVER, Rear Seat Back, 60%
3									FOAM, Seat Back
	68058067AA	1	J, T		74			*DZ	Left
	68058063AA	1	J, T		74			*DZ	Right
4									FRAME, Rear Seat Back
	68058065AA	1	J, T		74			*DZ	Right
	68058068AA	1	J, T		74			*DZ	Left
5	1JG841DVAA	1	J, T		74			*DZ	COVER, Rear Seat Cushion
6	05143424AA	1	J, T		74			*DZ	PANEL, Seat Cushion Base
7	05143423AA	1	J, T		74			*DZ	BRACKET, Pivot
8									COVER, Seat latch
	1BG561DVAA	1	J, T		74			*DZ	Right
	1BG571DVAA	1	J, T		74			*DZ	Left
9	05139633AA	4	J, T		74			*DZ	SCREW
10	05072205AA	4	J, T		74			*DZ	BOLT, Seat
11	1BZ621DVAA	2	J, T		74			*DZ	STRAP
12									LATCH, Seat
	05139665AA	1	J, T		74			*DZ	Left
	05139664AA	1	J, T		74			*DZ	Right
13	1AP311DVAA	1	J, T		74			*DZ	BEZEL, Seat Belt
14	05143435AA	1	J, T		74			*DZ	CABLE
15	0WT351D1AA	3	J, T		74			*DZ	BEZEL, TETHER
16		3							SCREW, (NOT SERVICED)
17	68045955AA	1	J, T		74			*DZ	BRACKET, Rear Seat Mount
18	05139634AA	4	J, T		74			*DZ	BOLT
19	05143464AA	1	J, T		74			*DZ	BOLT, Seat
20	06508360AA	1	J, T		74			*DZ	SCREW AND WASHER, Hex
21	05143445AA	4	J, T		74			*DZ	SCREW, Seat
22	05143431AA	2	J, T		74			*DZ	PLATE, Retaining
23	05143432AA	1	J, T		74			*DZ	SUPPORT, Rear Seat
24									RISER, Seat
	05143412AA	1	J, T		74			*DZ	Right
	05143413AA	1	J, T		74			*DZ	Left
25	06508360AA	1	J, T		74			*DZ	SCREW AND WASHER, Hex

GRAND CHEROKEE (WK)

SERIES LINE
H = HIGHLINE T = JEEP - 2WD
P = PREMIUM J = JEEP - 4WD
S = SPORT
X = SPECIAL

BODY
74 = SPORT UTILITY 4-DR
TYPE #4

ENGINE
EZH = 5.7L V8 HEMI MDS
VCT Engine
ESF = 6.1L SRT HEMI V8
Engine
EKG = 3.7L V6 Engine

TRANSMISSION
DGJ = 5-Speed Auto W5A580
Transmission
DGQ = 5-Spd Automatic 545RFE
Transmission

AR = use ase required - = Non illustrated part

2010 WK

**Rear Seat-60/40 Back-Bench Cushion-Trim Code[DZ]
Figure 50-605**

ITEM	PART NUMBER	QTY	LINE	SERIES	BODY	ENGINE	TRANS	TRIM	DESCRIPTION
26	1BG491DVAA	1	J, T		74			*DZ	CUPHOLDER
27	05179558AA	1	J, T		74			*DZ	FOAM, Seat Cushion
28	05143454AA	1	J, T		74			*DZ	WIRE KIT, Trimming
29	04610264AB	2	J, T		74			*DZ	PAD, Heater, Back Heater Pad
30	04610265AB	2	J, T		74			*DZ	PAD, Heater, Cushion Heater Pad
-31	1JG731DVAA	1	J, T		74			*DZ	ARMREST, Rear Seat Center

GRAND CHEROKEE (WK)

SERIES LINE
H = HIGHLINE T = JEEP - 2WD
P = PREMIUM J = JEEP - 4WD
S = SPORT
X = SPECIAL

BODY
74 = SPORT UTILITY 4-DR
TYPE #4

ENGINE
EZH = 5.7L V8 HEMI MDS
VCT Engine
ESF = 6.1L SRT HEMI V8
Engine
EKG = 3.7L V6 Engine

TRANSMISSION
DGJ = 5-Speed Auto W5A580
Transmission
DGQ = 5-Spd Automatic 545RFE
Transmission

AR = use ase required - = Non illustrated part

2010 WK

**Rear Seat-60/40 Back-Bench Cushion-Trim Code[EL]
Figure 50-606**

ITEM	PART NUMBER	QTY	LINE	SERIES	BODY	ENGINE	TRANS	TRIM	DESCRIPTION
1									COVER, Rear Seat Back, 40%
	1JH281DVAA	1	J, T		74			*EL	[DV]
	1JH281J8AA	1	J, T		74			*EL	[J3]
2									COVER, Rear Seat Back, 60%
	1JH231DVAA	1	J, T		74			*EL	[DV]
	1JH231J8AA	1	J, T		74			*EL	[J3]
3									FOAM, Seat Back
	68058062AA	1	J, T		74			*EL	Left
	68058063AA	1	J, T		74			*EL	Right
4									FRAME, Rear Seat Back
	68058064AA	1	J, T		74			*EL	Left
	68058065AA	1	J, T		74			*EL	Right
5									COVER, Rear Seat Cushion
	1JH371DVAA	1	J, T		74			*EL	[DV]
	1JH371J8AA	1	J, T		74			*EL	[J3]
6	05143424AA	1	J, T		74			*EL	PANEL, Seat Cushion Base
7	05143423AA	1	J, T		74			*EL	BRACKET, Pivot
8									COVER, Seat latch
	1BG571J3AA	1	J, T		74			*EL	[J3], Left
	1BG561DVAA	1	J, T		74			*EL	[DV], Right
	1BG561J3AA	1	J, T		74			*EL	[J3], Right
	1BG571DVAA	1	J, T		74			*EL	[DV], Left
9	05139633AA	4	J, T		74			*EL	SCREW
10	05072205AA	4	J, T		74			*EL	BOLT, Seat
11									STRAP
	1BZ621DVAA	2	J, T		74			*EL	[DV]
	1BZ621J8AA	2	J, T		74			*EL	[J3]
12									LATCH, Seat
	05139664AA	1	J, T		74			*EL	Right
	05139665AA	1	J, T		74			*EL	Left
13									BEZEL, Seat Belt
	1AP311DVAA	1	J, T		74			*EL	[DV]
	1AP311J8AA	1	J, T		74			*EL	[J3]
14	05143435AA	1	J, T		74			*EL	CABLE
15									BEZEL, TETHER

GRAND CHEROKEE (WK)

SERIES LINE
H = HIGHLINE T = JEEP - 2WD
P = PREMIUM J = JEEP - 4WD
S = SPORT
X = SPECIAL

BODY
74 = SPORT UTILITY 4-DR
TYPE #4

ENGINE
EZH = 5.7L V8 HEMI MDS
VCT Engine
ESF = 6.1L SRT HEMI V8
Engine
EKG = 3.7L V6 Engine

TRANSMISSION
DGJ = 5-Speed Auto W5A580
Transmission
DGQ = 5-Spd Automatic 545RFE
Transmission

AR = use ase required - = Non illustrated part

2010 WK

**Rear Seat-60/40 Back-Bench Cushion-Trim Code[EL]
Figure 50-606**

ITEM	PART NUMBER	QTY	LINE	SERIES	BODY	ENGINE	TRANS	TRIM	DESCRIPTION
	0WT351DVAA	1	J, T		74			*EL	[DV]
	0WT351J8AA	1	J, T		74			*EL	[J3]
16		1							SCREW, (NOT SERVICED),
17	68045955AA	1	J, T		74			*EL	BRACKET, Rear Seat Mount
18	05139634AA	4	J, T		74			*EL	BOLT
19	05143464AA	1	J, T		74			*EL	BOLT, Seat
20	06508360AA	1	J, T		74			*EL	SCREW AND WASHER, Hex
21	05143445AA	4	J, T		74			*EL	SCREW, Seat
22	05143431AA	2	J, T		74			*EL	PLATE, Retaining
23	05143432AA	1	J, T		74			*EL	SUPPORT, Rear Seat
24									RISER, Seat
	05143412AA	1	J, T		74			*EL	Right
	05143413AA	1	J, T		74			*EL	Left
25	06508360AA	2	J, T		74				SCREW AND WASHER, Hex
26									CUPHOLDER
	1BG491DVAA	1	J, T		74			*EL	[DV]
	1BG491J8AA	1	J, T		74			*EL	[J3]
27	05143343AA	1	J, T		74			*EL	FOAM, Seat Cushion
28	05143430AA	2	J, T		74			*EL	WIRE KIT, Trimming

GRAND CHEROKEE (WK)

SERIES LINE
H = HIGHLINE T = JEEP - 2WD
P = PREMIUM J = JEEP - 4WD
S = SPORT
X = SPECIAL

BODY
74 = SPORT UTILITY 4-DR
TYPE #4

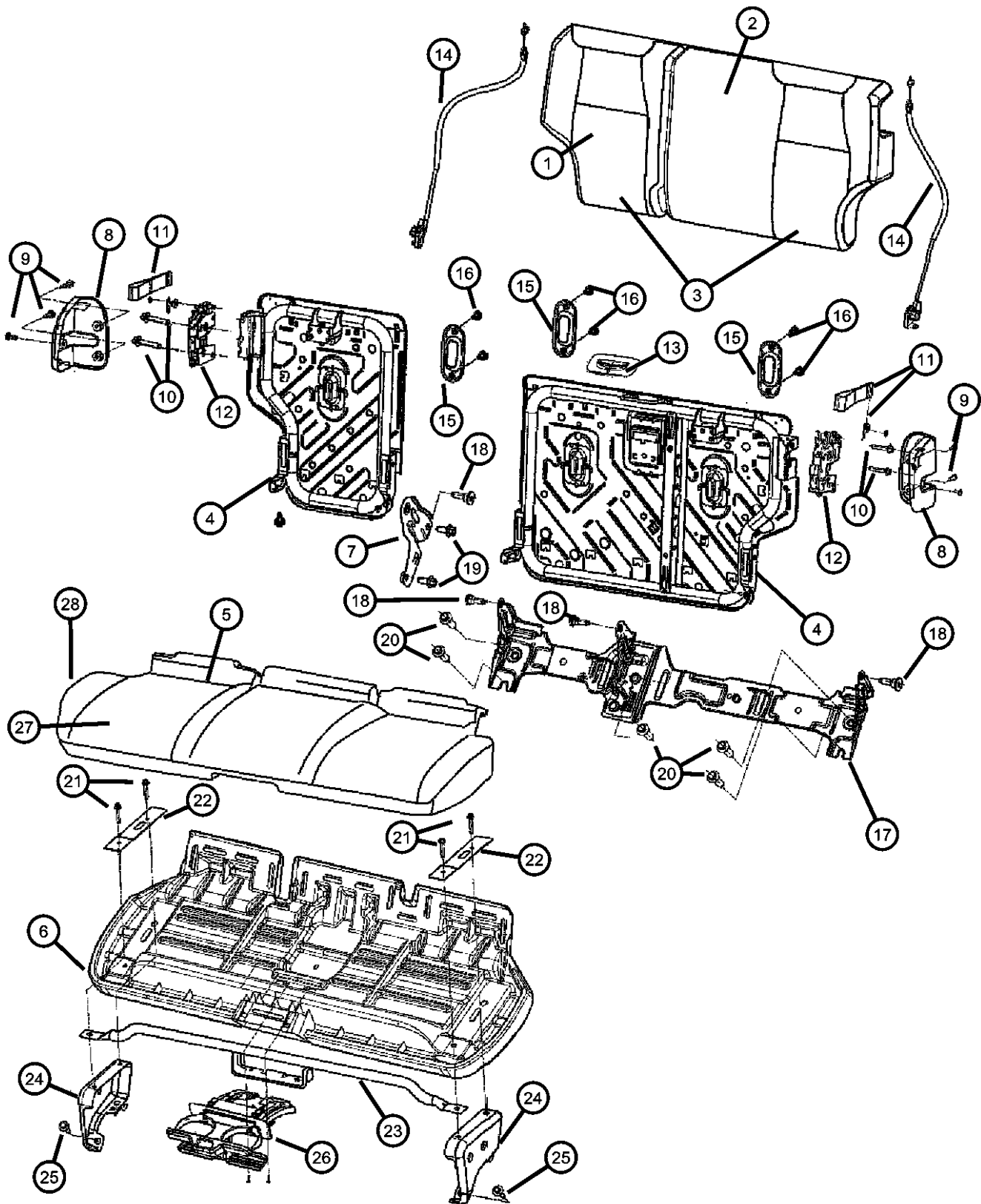
ENGINE
EZH = 5.7L V8 HEMI MDS
VCT Engine
ESF = 6.1L SRT HEMI V8
Engine
EKG = 3.7L V6 Engine

TRANSMISSION
DGJ = 5-Speed Auto W5A580
Transmission
DGQ = 5-Spd Automatic 545RFE
Transmission

AR = use ase required - = Non illustrated part

2010 WK

**Rear Seat-60/40 Back-Bench Cushion-Trim Code [F7]
Figure 50-607**



ITEM	PART NUMBER	QTY	LINE	SERIES	BODY	ENGINE	TRANS	TRIM	DESCRIPTION
1	1JH171J8AA	1	J, T		74			*F7 [J3]	COVER, Rear Seat Back, 60%
	1JH171DVAA	1	J, T		74			*F7 [DV]	
2	1JH181DVAA	1	J, T		74			*F7 [DV]	COVER, Rear Seat Back, 40%
	1JH181J8AA	1	J, T		74			*F7 [J3]	
3	68058063AA	1	J, T		74			*F7 Right	FOAM, Seat Back
	68058062AA	1	J, T		74			*F7 Left	
4	68058064AA	1	J, T		74			*F7 Left	FRAME, Rear Seat Back
	68058065AA	1	J, T		74			*F7 Right	
5	1JH331DVAA	1	J, T		74			*F7 [DV]	COVER, Rear Seat Cushion
	1JH331J8AA	1	J, T		74			*F7 [J3]	
6	05143424AA	1	J, T		74			*F7	PANEL, Seat Cushion Base
7	05143423AA	1	J, T		74			*F7	BRACKET, Pivot
8	1BG561J3AA	1	J, T		74			*F7 [J3], Right	COVER, Seat latch
	1BG571J3AA	1	J, T		74			*F7 [J3], Left	
	1BG571DVAA	1	J, T		74			*F7 [DV], Left	
	1BG561DVAA	1	J, T		74			*F7 [DV], Right	
9	05139633AA	4	J, T		74			*F7	SCREW
10	05072205AA	4	J, T		74			*F7	BOLT, Seat
11	1BZ621DVAA	2	J, T		74			*F7 [DV]	STRAP
	1BZ621J8AA	2	J, T		74			*F7 [J3]	
12	05139664AA	1	J, T		74			*F7 Right	LATCH, Seat
	05139665AA	1	J, T		74			*F7 Left	
13	1AP311DVAA	1	J, T		74			*F7 [DV]	BEZEL, Seat Belt
	1AP311J8AA	1	J, T		74			*F7 [J3]	
14	05143435AA	1	J, T		74			*F7	CABLE
15									BEZEL, TETHER

GRAND CHEROKEE (WK)

SERIES LINE
H = HIGHLINE T = JEEP - 2WD
P = PREMIUM J = JEEP - 4WD
S = SPORT
X = SPECIAL

BODY
74 = SPORT UTILITY 4-DR
TYPE #4

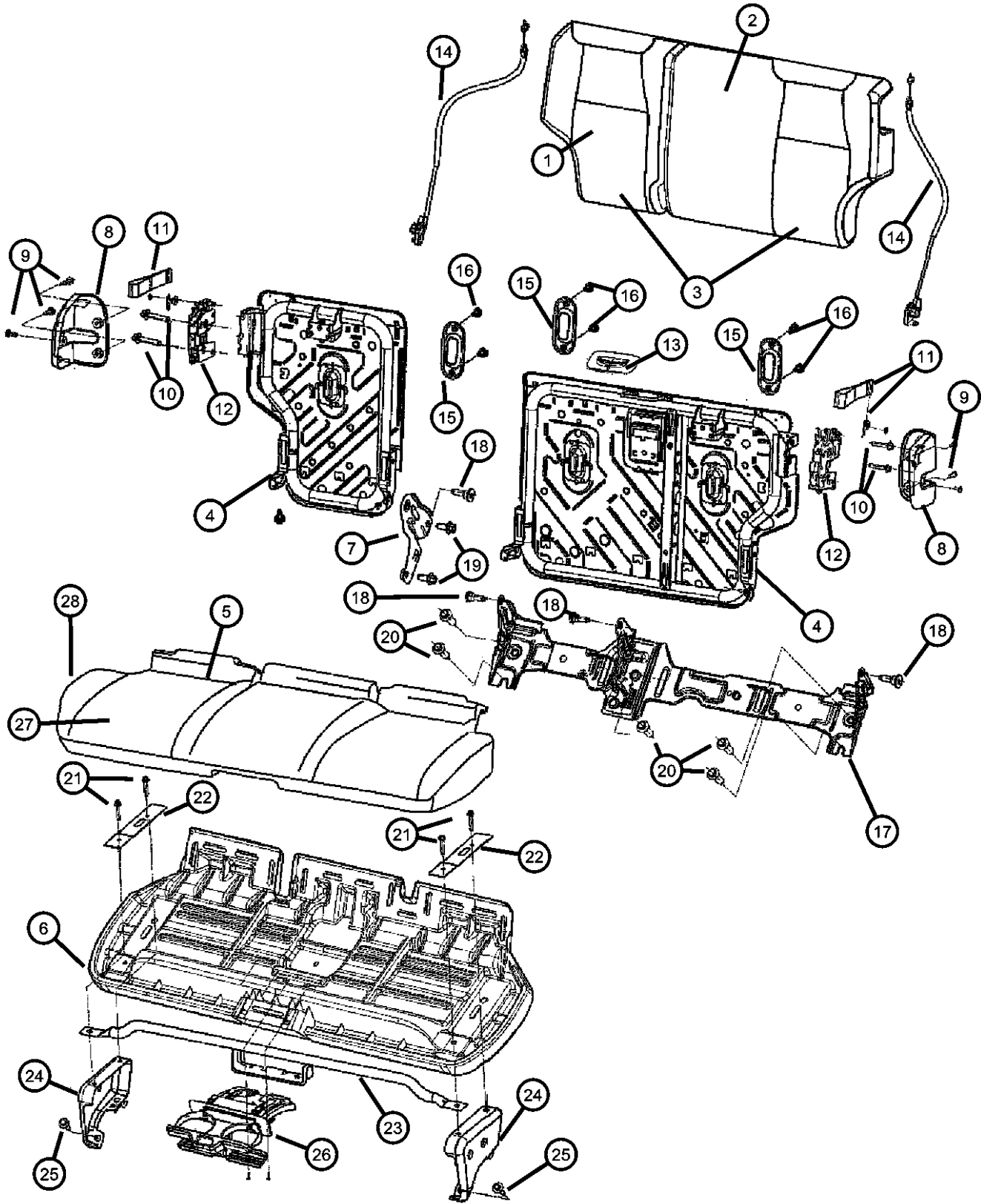
ENGINE
EZH = 5.7L V8 HEMI MDS
VCT Engine
ESF = 6.1L SRT HEMI V8
Engine
EKG = 3.7L V6 Engine

TRANSMISSION
DGJ = 5-Speed Auto W5A580
Transmission
DGQ = 5-Spd Automatic 545RFE
Transmission

AR = use ase required - = Non illustrated part

2010 WK

**Rear Seat-60/40 Back-Bench Cushion-Trim Code [F7]
Figure 50-607**



ITEM	PART NUMBER	QTY	LINE	SERIES	BODY	ENGINE	TRANS	TRIM	DESCRIPTION
	0WT351D1AA	3	J, T		74			*F7 [DV]	
	0WT351J8AA	1	J, T		74			*F7 [J3]	
16		1							SCREW, (NOT SERVICED),
17	68045955AA	1	J, T		74			*F7	BRACKET, Rear Seat Mount
18	05139634AA	4	J, T		74			*F7	BOLT
19	05143464AA	1	J, T		74			*F7	BOLT, Seat
20	06508360AA	1	J, T		74			*F7	SCREW AND WASHER, Hex
21	05143445AA	4	J, T		74			*F7	SCREW, Seat
22	05143431AA	2	J, T		74			*F7	PLATE, Retaining
23	05143432AA	1	J, T		74			*F7	SUPPORT, Rear Seat
24									RISER, Seat
	05143412AA	1	J, T		74			*F7	Right
	05143413AA	1	J, T		74			*F7	Left
25	06508360AA	1	J, T		74			*F7	SCREW AND WASHER, Hex
26									CUPHOLDER
	1BG491J8AA	1	J, T		74			*F7 [J3]	
	1BG491DVAA	1	J, T		74			*F7 [DV]	
27	05143343AA	1	J, T		74			*F7	FOAM, Seat Cushion
28	05143430AA	2	J, T		74			*F7	WIRE KIT, Trimming

GRAND CHEROKEE (WK)

SERIES LINE
H = HIGHLINE T = JEEP - 2WD
P = PREMIUM J = JEEP - 4WD
S = SPORT
X = SPECIAL

BODY
74 = SPORT UTILITY 4-DR
TYPE #4

ENGINE
EZH = 5.7L V8 HEMI MDS
VCT Engine
ESF = 6.1L SRT HEMI V8
Engine
EKG = 3.7L V6 Engine

TRANSMISSION
DGJ = 5-Speed Auto W5A580
Transmission
DGQ = 5-Spd Automatic 545RFE
Transmission

AR = use ase required - = Non illustrated part

2010 WK

**Rear Seat-60/40 Back-Bench Cushion-Trim Code [GL]
Figure 50-608**

ITEM	PART NUMBER	QTY	LINE	SERIES	BODY	ENGINE	TRANS	TRIM	DESCRIPTION
1									COVER, Rear Seat Back, 40%
	1JH301D1AA	1	J, T		74			*GL [J1]	
	1JH301UYAA	1	J, T		74			*GL [DV]	
2									COVER, Rear Seat Back, 60%
	1JH291UYAA	1	J, T		74			*GL [DV]	
	1JH291D1AA	1	J, T		74			*GL [J1]	
3									FOAM, Seat Back
	68058067AA	1	J, T		74			*GL Left	
	68058063AA	1	J, T		74			*GL Right	
4									FRAME, Rear Seat Back
	68058065AA	1	J, T		74			*GL Right	
	68058068AA	1	J, T		74			*GL Left	
5									COVER, Rear Seat Cushion
	1JH381D1AA	1	J, T		74			*GL [J1]	
	1JH381UYAA	1	J, T		74			*GL [DV]	
6	05143424AA	1	J, T		74			*GL	PANEL, Seat Cushion Base
7	05143423AA	1	J, T		74			*GL	BRACKET, Pivot
8									COVER, Seat latch
	1BG561D1AA	1	J, T		74			*GL [J1], Right	
	1BG561DVAA	1	J, T		74			*GL [DV], Right	
	1BG571D1AA	1	J, T		74			*GL [J1], Left	
	1BG571DVAA	1	J, T		74			*GL [DV], Left	
9	05139633AA	4	J, T		74			*GL	SCREW
10	05072205AA	4	J, T		74			*GL	BOLT, Seat
11									STRAP
	1BZ621DVAA	2	J, T		74			*GL [DV]	
	1BZ621D1AA	2	J, T		74			*GL [J1]	
12									LATCH, Seat
	05139664AA	1	J, T		74			*GL Right	
	05139665AA	1	J, T		74			*GL Left	
13									BEZEL, Seat Belt
	1AP311D1AA	1	J, T		74			*GL [J1]	
	1AP311DVAA	1	J, T		74			*GL [DV]	
14	05143435AA	1	J, T		74			*GL	CABLE
15									BEZEL, TETHER

GRAND CHEROKEE (WK)

SERIES LINE
H = HIGHLINE T = JEEP - 2WD
P = PREMIUM J = JEEP - 4WD
S = SPORT
X = SPECIAL

BODY
74 = SPORT UTILITY 4-DR
TYPE #4

ENGINE
EZH = 5.7L V8 HEMI MDS
VCT Engine
ESF = 6.1L SRT HEMI V8
Engine
EKG = 3.7L V6 Engine

TRANSMISSION
DGJ = 5-Speed Auto W5A580
Transmission
DGQ = 5-Spd Automatic 545RFE
Transmission

AR = use ase required - = Non illustrated part

2010 WK

**Rear Seat-60/40 Back-Bench Cushion-Trim Code [GL]
Figure 50-608**

ITEM	PART NUMBER	QTY	LINE	SERIES	BODY	ENGINE	TRANS	TRIM	DESCRIPTION
	0WT351D1AA	1	J, T		74			*GL [J1]	
	0WT351DVAA	1	J, T		74			*GL [DV]	
16		1							SCREW, (NOT SERVICED),
17	68045955AA	1	J, T		74			*GL	BRACKET, Rear Seat Mount
18	05139634AA	4	J, T		74			*GL	BOLT
19	05143464AA	1	J, T		74			*GL	BOLT, Seat
20	06508360AA	1	J, T		74			*GL	SCREW AND WASHER, Hex
21	05143445AA	4	J, T		74			*GL	SCREW, Seat
22	05143431AA	2	J, T		74			*GL	PLATE, Retaining
23	05143432AA	1	J, T		74			*GL	SUPPORT, Rear Seat
24									RISER, Seat
	05143412AA	1	J, T		74			*GL	Right
	05143413AA	1	J, T		74			*GL	Left
25	06508360AA	2	J, T		74				SCREW AND WASHER, Hex
26									CUPHOLDER
	1BG491D1AA	1	J, T		74			*GL	[J1]
	1BG491DVAA	1	J, T		74			*GL	[DV]
27	05143433AA	1	J, T		74			*GL	FOAM, Seat Cushion
28	05143454AA	1	J, T		74			*GL	WIRE KIT, Trimming
29	05000022AB	2	J, T		74			*GL	PAD, Heater, Back Heater Pad
30	05000021AA	2	J, T		74			*GL	PAD, Heater, Cushion Heater Pad
-31									ARMREST, Rear Seat Center
	1JG731D1AA	1	J, T		74			*GL	[J1]
	1JG731UYAA	1	J, T		74			*GL	[DV]

GRAND CHEROKEE (WK)

SERIES LINE
H = HIGHLINE T = JEEP - 2WD
P = PREMIUM J = JEEP - 4WD
S = SPORT
X = SPECIAL

BODY
74 = SPORT UTILITY 4-DR
TYPE #4

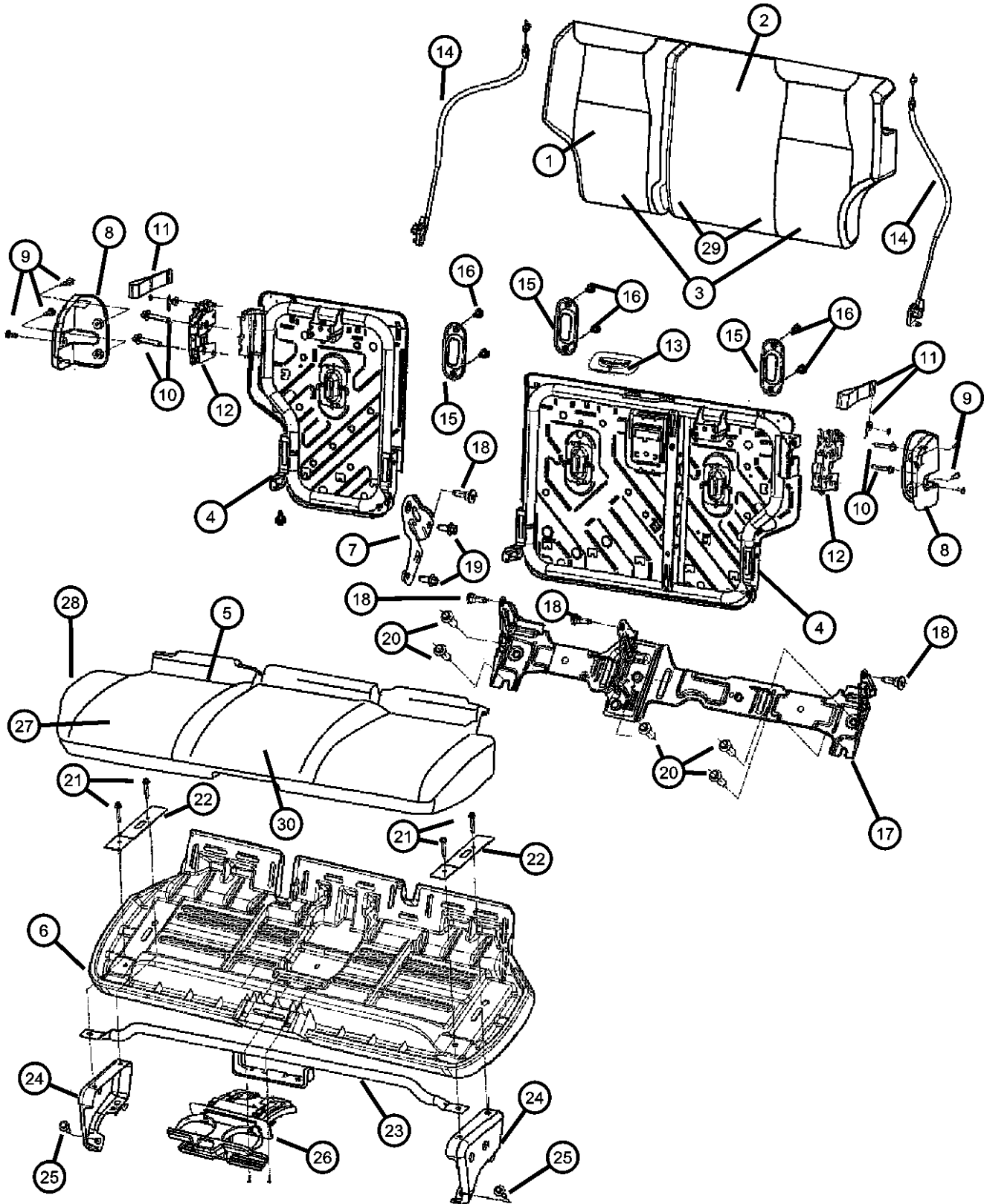
ENGINE
EZH = 5.7L V8 HEMI MDS
VCT Engine
ESF = 6.1L SRT HEMI V8
Engine
EKG = 3.7L V6 Engine

TRANSMISSION
DGJ = 5-Speed Auto W5A580
Transmission
DGQ = 5-Spd Automatic 545RFE
Transmission

AR = use ase required - = Non illustrated part

2010 WK

Rear Seat-60/40 Back-Bench Cushion-Trim Code [UL]
Figure 50-609



ITEM	PART NUMBER	QTY	LINE	SERIES	BODY	ENGINE	TRANS	TRIM	DESCRIPTION
1	1QC45XD-VAA	1	J, T		74			*UL	COVER, Rear Seat Back, 40% [D1]
	1QC45ZJ8AA	1	J, T		74			*UL	[J1]
2	1QC47ZJ8AA	1	J, T		74			*UL	COVER, Rear Seat Back, 60% [J1]
	1QC47XD-VAA	1	J, T		74			*UL	[D1]
3	68058063AA	1	J, T		74			*UL	FOAM, Seat Back Right
	68058067AA	1	J, T		74			*UL	Left
4	68058065AA	1	J, T		74			*UL	FRAME, Rear Seat Back Right
	68058068AA	1	J, T		74			*UL	Left
5	1QC41XD-VAA	1	J, T		74			*UL	COVER, Rear Seat Cushion [D1]
	1QC41ZJ8AA	1	J, T		74			*UL	[J1]
6	05143424AA	1	J, T		74			*UL	PANEL, Seat Cushion Base
7	05143423AA	1	J, T		74			*UL	BRACKET, Pivot
8	1BG561DVAA	1	J, T		74			*UL	COVER, Seat latch [D1], Right
	1BG571DVAA	1	J, T		74			*UL	[D1], Left
	1BG571J3AA	1	J, T		74			*UL	[J1], Left
	1BG561J3AA	1	J, T		74			*UL	[J1], Right
9	05139633AA	4	J, T		74			*UL	SCREW
10	05072205AA	4	J, T		74			*UL	BOLT, Seat
11	1BZ621J8AA	2	J, T		74			*UL	STRAP [J1]
	1BZ621DVAA	2	J, T		74			*UL	[D1]
12	05139664AA	1	J, T		74			*UL	LATCH, Seat Right
	05139665AA	1	J, T		74			*UL	Left
13	1AP311J8AA	1	J, T		74			*UL	BEZEL, Seat Belt [J1]
	1AP311DVAA	1	J, T		74			*UL	[D1]

GRAND CHEROKEE (WK)

SERIES LINE
H = HIGHLINE T = JEEP - 2WD
P = PREMIUM J = JEEP - 4WD
S = SPORT
X = SPECIAL

BODY
74 = SPORT UTILITY 4-DR
TYPE #4

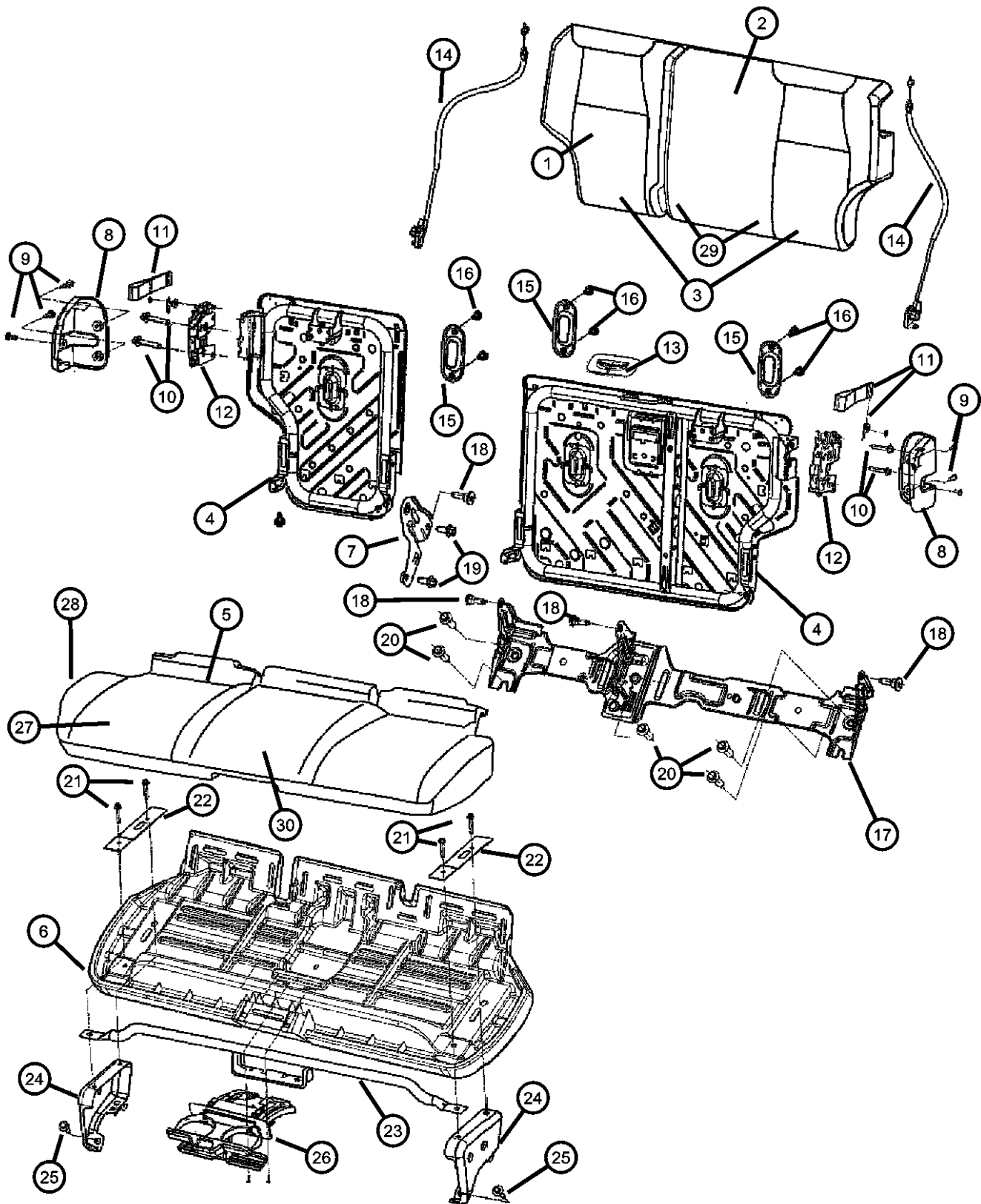
ENGINE
EZH = 5.7L V8 HEMI MDS
VCT Engine
ESF = 6.1L SRT HEMI V8
Engine
EKG = 3.7L V6 Engine

TRANSMISSION
DGJ = 5-Speed Auto W5A580
Transmission
DGQ = 5-Spd Automatic 545RFE
Transmission

AR = use ase required - = Non illustrated part

2010 WK

**Rear Seat-60/40 Back-Bench Cushion-Trim Code [UL]
Figure 50-609**



ITEM	PART NUMBER	QTY	LINE	SERIES	BODY	ENGINE	TRANS	TRIM	DESCRIPTION
14	05143435AA	1	J, T		74			*UL	CABLE
15									BEZEL, TETHER
	0WT351J8AA	1	J, T		74			*UL	[J1]
	0WT351DVAA	1	J, T		74			*UL	[D1]
16		1							SCREW, (NOT SERVICED),
17	68045955AA	1	J, T		74			*UL	BRACKET, Rear Seat Mount
18	05139634AA	4	J, T		74			*UL	BOLT
19	05143464AA	1	J, T		74			*UL	BOLT, Seat
20	06508360AA	2	J, T		74				SCREW AND WASHER, Hex
21	05143445AA	4	J, T		74			*UL	SCREW, Seat
22	05143431AA	2	J, T		74			*UL	PLATE, Retaining
23	05143432AA	1	J, T		74			*UL	SUPPORT, Rear Seat
24									RISER, Seat
	05143413AA	1	J, T		74			*UL	Left
	05143412AA	1	J, T		74			*UL	Right
25	06508360AA	2	J, T		74				SCREW AND WASHER, Hex
26									CUPHOLDER
	1BG491J8AA	1	J, T		74			*UL	[J1]
	1BG491DVAA	1	J, T		74			*UL	[D1]
27	05143433AA	1	J, T		74			*UL	FOAM, Seat Cushion
28	05143454AA	1	J, T		74			*UL	WIRE KIT, Trimming
29	05000022AB	2	J, T		74			*UL	PAD, Heater, Back Heater Pad
30	05000021AA	2	J, T		74			*UL	PAD, Heater, Cushion Heater Pad
-31									ARMREST, Rear Seat Center
	1JG731J8AA	1	J, T		74			*UL	[J1]
	1JG731DVAA	1	J, T		74			*UL	[D1]

GRAND CHEROKEE (WK)
 SERIES LINE
 H = HIGHLINE T = JEEP - 2WD
 P = PREMIUM J = JEEP - 4WD
 S = SPORT
 X = SPECIAL

BODY
 74 = SPORT UTILITY 4-DR
 TYPE #4

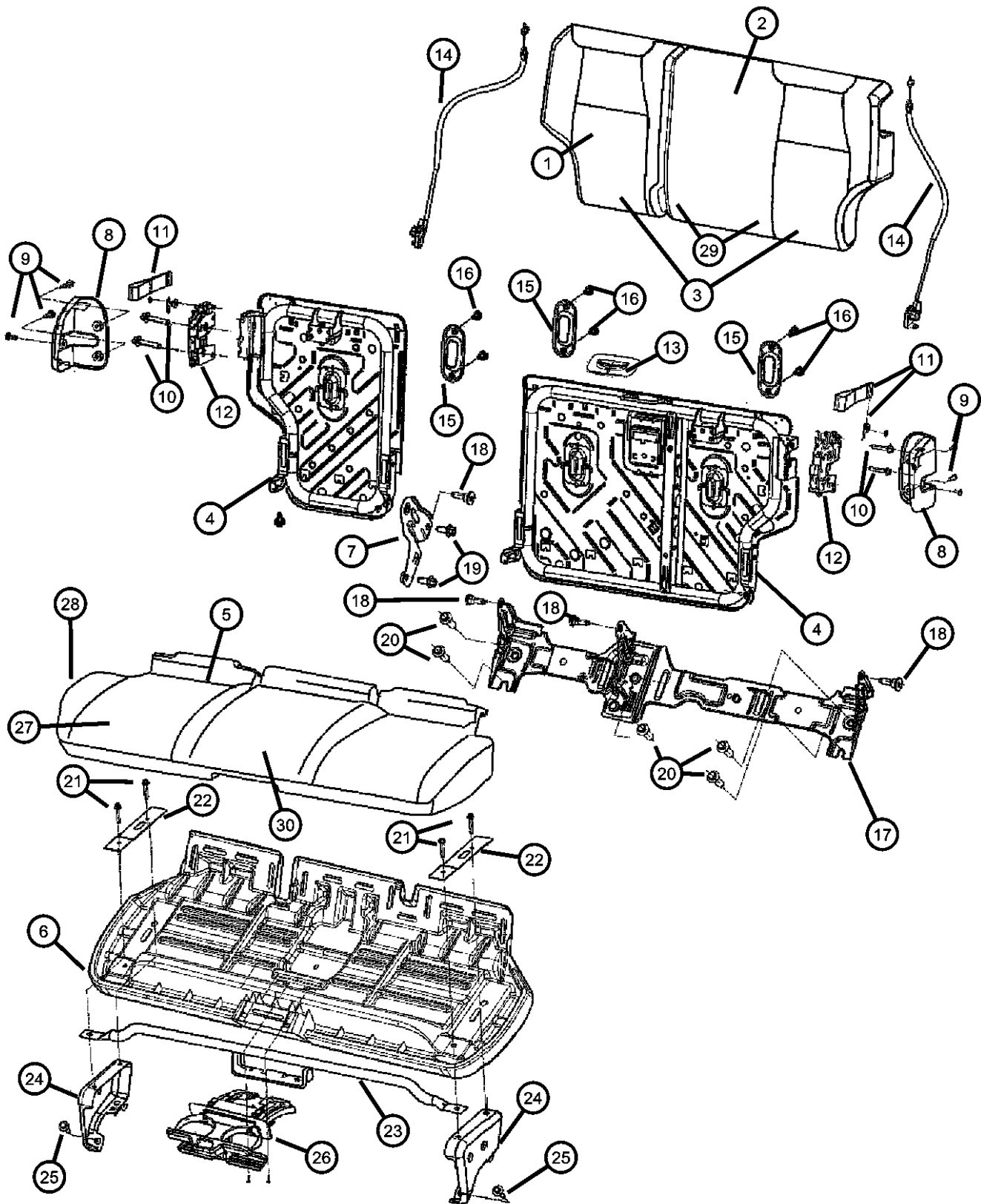
ENGINE
 EZH = 5.7L V8 HEMI MDS
 VCT Engine
 ESF = 6.1L SRT HEMI V8
 Engine
 EKG = 3.7L V6 Engine

TRANSMISSION
 DGJ = 5-Speed Auto W5A580
 Transmission
 DGQ = 5-Spd Automatic 545RFE
 Transmission

AR = use ase required - = Non illustrated part

Rear Seat - 60/40 Back-Bench Cushion - Trim Code [XL]

Figure 50-610



ITEM	PART NUMBER	QTY	LINE	SERIES	BODY	ENGINE	TRANS	TRIM	DESCRIPTION
1	1JG821DVAA	1	J, T		74			*XL	COVER, Rear Seat Back, 40%Right
2	1JG811DVAA	1	J, T		74			*XL	COVER, Rear Seat Back, 60%Left
3	68058063AA	1	J, T		74			*XL	FOAM, Seat Back Right
	68058067AA	1	J, T		74			*XL	FOAM, Seat Back Left
4	68058065AA	1	J, T		74			*XL	FRAME, Rear Seat Back Right
	68058068AA	1	J, T		74			*XL	FRAME, Rear Seat Back Left
5	1JG841DVAA	1	J, T		74			*XL	COVER, Rear Seat Cushion
6	05143424AA	1	J, T		74			*XL	PANEL, Seat Cushion Base
7	05143423AA	1	J, T		74			*XL	BRACKET, Pivot
8	1BG561DVAA	1	J, T		74			*XL	COVER, Seat latch Right
	1BG571DVAA	1	J, T		74			*XL	COVER, Seat latch Left
9	05139633AA	4	J, T		74			*XL	SCREW
10	05072205AA	4	J, T		74			*XL	BOLT, Seat
11	1BZ621DVAA	2	J, T		74			*XL	STRAP
12	05139664AA	1	J, T		74			*XL	LATCH, Seat Right
	05139665AA	1	J, T		74			*XL	LATCH, Seat Left
13	1AP311DVAA	1	J, T		74			*XL	BEZEL, Seat Belt
14	05143435AA	1	J, T		74			*XL	CABLE
15	0WT35XD-VAA	3	J, T		74			*XL	BEZEL, TETHER
16		3							SCREW, (NOT SERVICED)
17	68045955AA	1	J, T		74			*XL	BRACKET, Rear Seat Mount
18	05139634AA	4	J, T		74			*XL	BOLT
19	05143464AA	1	J, T		74			*XL	BOLT, Seat
20	06508360AA	2	J, T		74				SCREW AND WASHER, Hex
21	05143445AA	4	J, T		74			*XL	SCREW, Seat
22	05143431AA	2	J, T		74			*XL	PLATE, Retaining
23	05143432AA	1	J, T		74			*XL	SUPPORT, Rear Seat
24	05143413AA	1	J, T		74			*XL	RISER, Seat Left
	05143412AA	1	J, T		74			*XL	RISER, Seat Right

GRAND CHEROKEE (WK)

SERIES LINE
 H = HIGHLINE T = JEEP - 2WD
 P = PREMIUM J = JEEP - 4WD
 S = SPORT
 X = SPECIAL

BODY
 74 = SPORT UTILITY 4-DR
 TYPE #4

ENGINE
 EZH = 5.7L V8 HEMI MDS
 VCT Engine
 ESF = 6.1L SRT HEMI V8
 Engine
 EKG = 3.7L V6 Engine

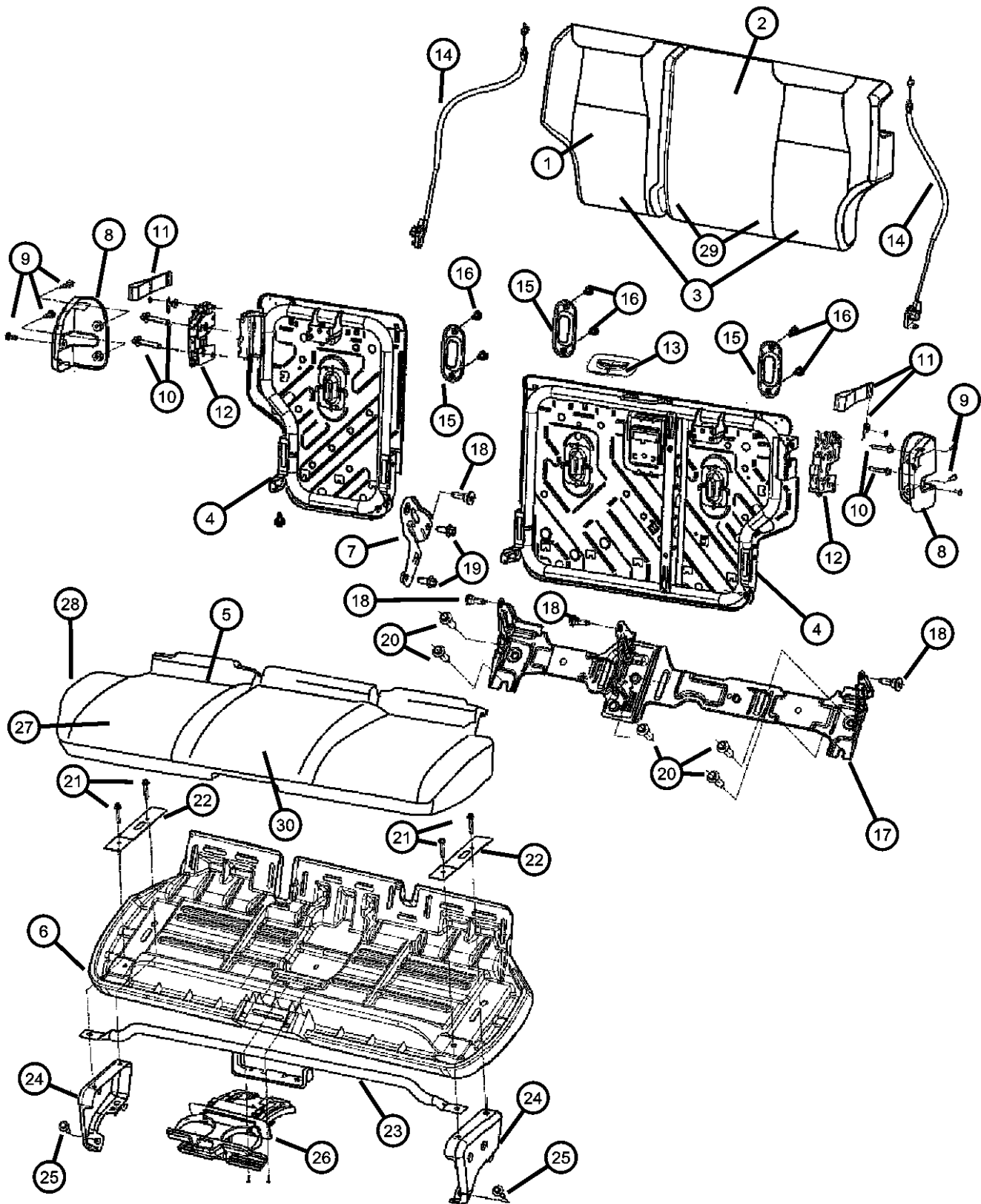
TRANSMISSION
 DGJ = 5-Speed Auto W5A580
 Transmission
 DGQ = 5-Spd Automatic 545RFE
 Transmission

AR = use ase required - = Non illustrated part

2010 WK

Rear Seat - 60/40 Back-Bench Cushion - Trim Code [XL]

Figure 50-610



ITEM	PART NUMBER	QTY	LINE	SERIES	BODY	ENGINE	TRANS	TRIM	DESCRIPTION
25	06508360AA	2	J, T		74				SCREW AND WASHER, Hex
26	1BG491DVAA	1	J, T		74			*XL	CUPHOLDER
27	05179558AA	1	J, T		74			*XL	FOAM, Seat Cushion
28	05143454AA	1	J, T		74			*XL	WIRE KIT, Trimming
29	04610264AB	2	J, T		74			*XL	PAD, Heater, Back
30	04610265AB	2	J, T		74			*XL	PAD, Heater, Cushion
-31	1JG731DVAA	1	J, T		74			*XL	ARMREST, Rear Seat Center

GRAND CHEROKEE (WK)

SERIES LINE
 H = HIGHLINE T = JEEP - 2WD
 P = PREMIUM J = JEEP - 4WD
 S = SPORT
 X = SPECIAL

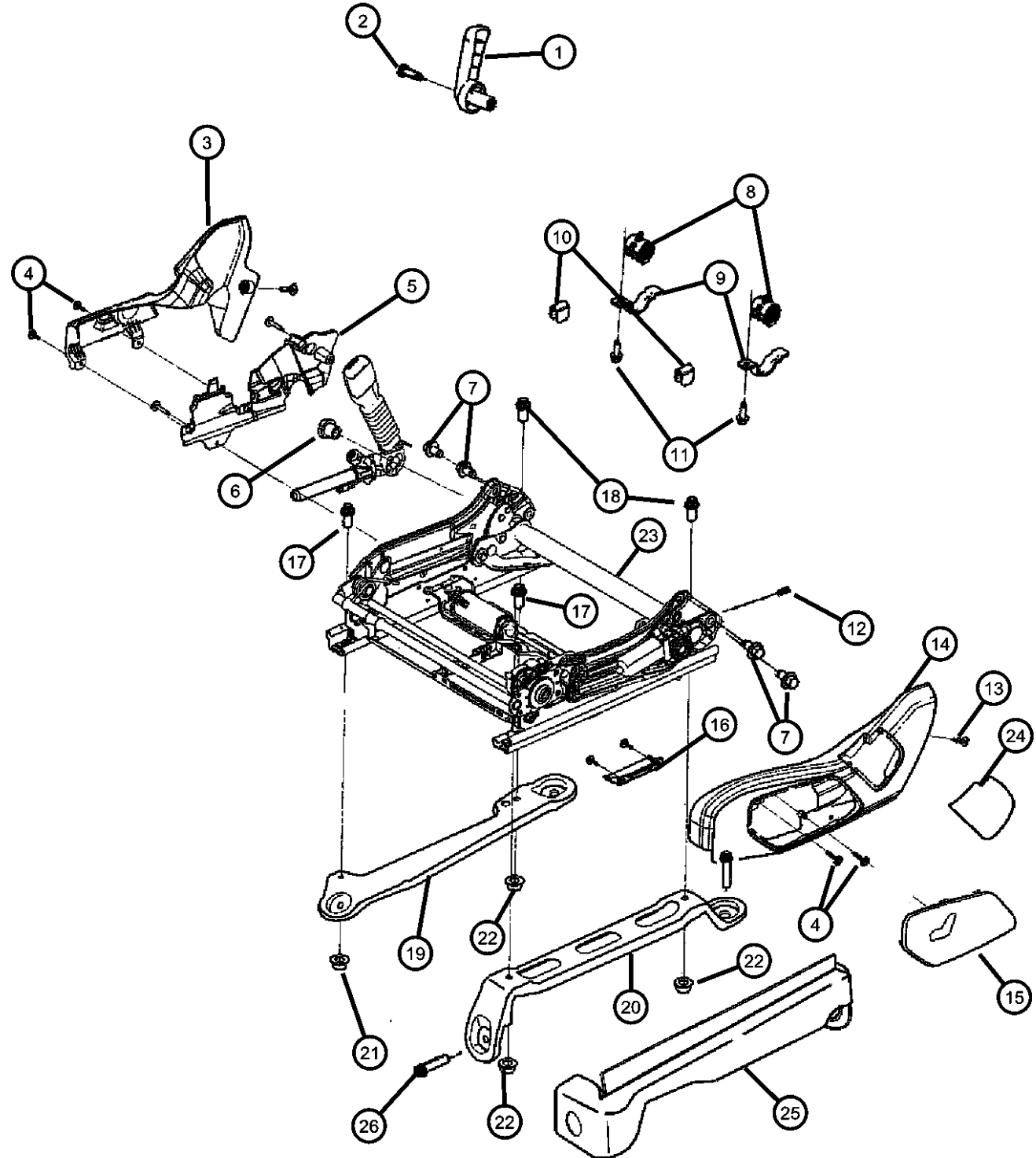
BODY
 74 = SPORT UTILITY 4-DR
 TYPE #4

ENGINE
 EZH = 5.7L V8 HEMI MDS
 VCT Engine
 ESF = 6.1L SRT HEMI V8
 Engine
 EKG = 3.7L V6 Engine

TRANSMISSION
 DGJ = 5-Speed Auto W5A580
 Transmission
 DGQ = 5-Spd Automatic 545RFE
 Transmission

AR = use ase required - = Non illustrated part

Adjusters , Recliners and Shields - Driver Seat - Power
Figure 50-905



ITEM	PART NUMBER	QTY	LINE	SERIES	BODY	ENGINE	TRANS	TRIM	DESCRIPTION
1									HANDLE, Lumbar
	1BG531D1AA	2	J, T		74			*F7	[DV]
	1BG531DVAA	1	J, T		74			*UL	[D1]
	1BG531J3AA	2	J, T		74			*EL	[J3]
	1BG531UYAA	2	J, T		74			*GL	[DV]
		2	J, T		74			*GL	[J1]
		2	J, T		74			*DZ	[DV]
		2	J, T		74			*EL	[DV]
		2	J, T		74			*UL	[J1]
		2	J, T		74			*F7	[J3]
2									SCREW
	68033526AA	1	J, T		74			*GL	
		1	J, T		74			*DZ	
		1	J, T		74			*UL	
		1	J, T		74			*EL	
		1	J, T		74			*F7	
3									SHIELD, Seat Adjuster
	1BG411J3AA	1	J, T		74			*UL	[J1]
		1	J, T		74			*EL	[J3]
	1BG411UYAA	1	J, T		74			*DZ	[DV]
	1BG411D1AA	1	J, T		74			*GL	[J1]
		1	J, T		74			*EL	[DV]
		1	J, T		74			*GL	[DV]
		1	J, T		74			*F7	[DV]
		1	J, T		74			*UL	[D1]
		1	J, T		74			*F7	[J3]
4									SCREW, Seat
	05143453AA	4	J, T		74			*F7	
		4	J, T		74			*EL	
		4	J, T		74			*GL	
		4	J, T		74			*DZ	
	4	J, T		74			*UL		
5									PLATE, Front Seat
	1BG581D1AA	1	J, T		74			*F7	[DV], Right
	1BG581J3AA	1	J, T		74			*UL	[J1], Right

GRAND CHEROKEE (WK)
 SERIES LINE
 H = HIGHLINE T = JEEP - 2WD
 P = PREMIUM J = JEEP - 4WD
 S = SPORT
 X = SPECIAL

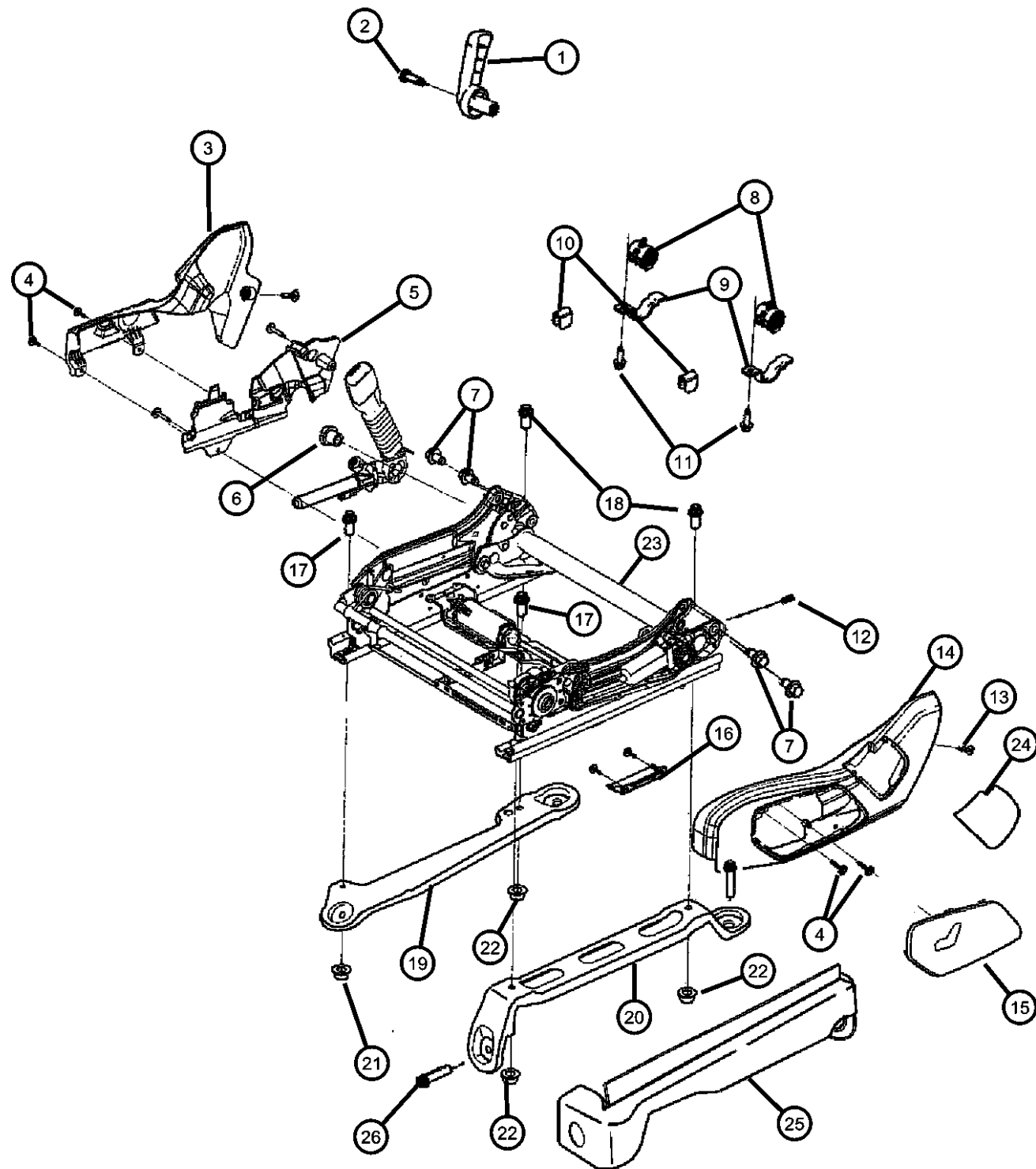
BODY
 74 = SPORT UTILITY 4-DR
 TYPE #4

ENGINE
 EZH = 5.7L V8 HEMI MDS
 VCT Engine
 ESF = 6.1L SRT HEMI V8
 Engine
 EKG = 3.7L V6 Engine

TRANSMISSION
 DGJ = 5-Speed Auto W5A580
 Transmission
 DGQ = 5-Spd Automatic 545RFE
 Transmission

AR = use ase required - = Non illustrated part

Adjusters , Recliners and Shields - Driver Seat - Power
Figure 50-905



ITEM	PART NUMBER	QTY	LINE	SERIES	BODY	ENGINE	TRANS	TRIM	DESCRIPTION
		1	J, T		74			*EL	[J3], Right
	1BG581UYAA	1	J, T		74			*GL	[DV], Right
	1BG591D1AA	1	J, T		74			*GL	[J1], Left
		1	J, T		74			*DZ	[DV], Left
		1	J, T		74			*DZ	[DV], Right
		1	J, T		74			*EL	[DV], Right
		1	J, T		74			*GL	[J1], Right
		1	J, T		74			*UL	[D1], Right
		1	J, T		74			*F7	[J3], Right
	1BG591UYAA	1	J, T		74			*F7	[DV], Left
		1	J, T		74			*EL	[J3], Left
		1	J, T		74			*GL	[DV], Left
		1	J, T		74			*UL	[D1], Left
		1	J, T		74			*EL	[DV], Left
		1	J, T		74			*UL	[J1], Left
		1	J, T		74			*F7	[J3], Left
6									NUT, Tube
	05143449AA	2	J, T		74			*F7	
		2	J, T		74			*UL	
		2	J, T		74			*DZ	
		2	J, T		74			*EL	
		2	J, T		74			*GL	
7									BOLT, Seat
	05139629AA	8	J, T		74			*GL	
		8	J, T		74			*DZ	
		8	J, T		74			*UL	
		8	J, T		74			*EL	
		8	J, T		74			*F7	
8									SPACER, Hinge
	05139656AA	2	J, T		74			*UL	
		2	J, T		74			*F7	
		2	J, T		74			*DZ	
		2	J, T		74			*EL	
		2	J, T		74			*GL	

GRAND CHEROKEE (WK)

SERIES LINE
H = HIGHLINE T = JEEP - 2WD
P = PREMIUM J = JEEP - 4WD
S = SPORT
X = SPECIAL

BODY
74 = SPORT UTILITY 4-DR
TYPE #4

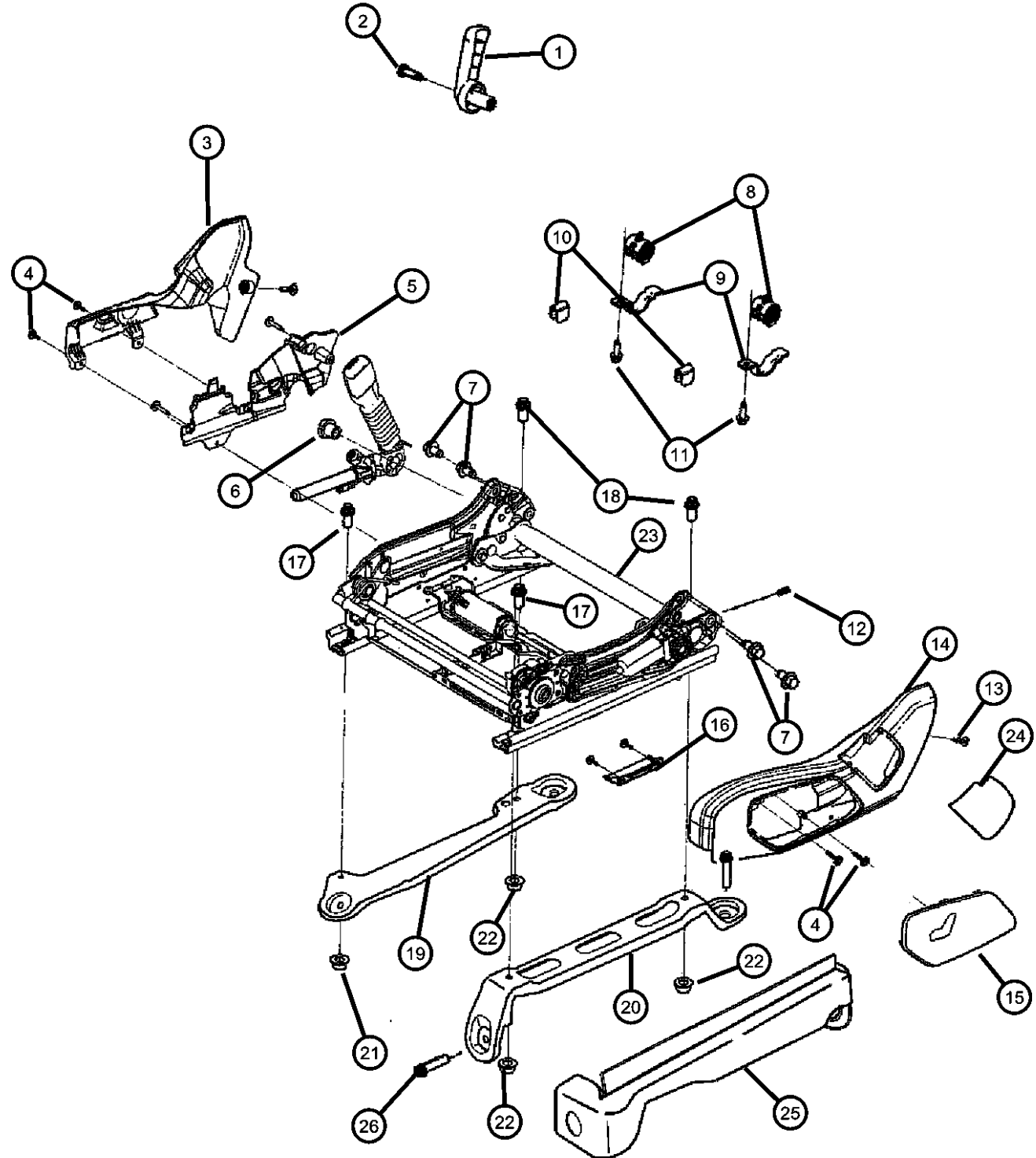
ENGINE
EZH = 5.7L V8 HEMI MDS
VCT Engine
ESF = 6.1L SRT HEMI V8
Engine
EKG = 3.7L V6 Engine

TRANSMISSION
DGJ = 5-Speed Auto W5A580
Transmission
DGQ = 5-Spd Automatic 545RFE
Transmission

AR = use ase required - = Non illustrated part

2010 WK

Adjusters , Recliners and Shields - Driver Seat - Power
Figure 50-905



ITEM	PART NUMBER	QTY	LINE	SERIES	BODY	ENGINE	TRANS	TRIM	DESCRIPTION
9	05139657AA	2	J, T		74			*F7	CLAMP, Seat
		2	J, T		74			*DZ	
		2	J, T		74			*GL	
		2	J, T		74			*UL	
		2	J, T		74			*EL	
10	05139661AA	4	J, T		74			*UL	LIMITER, Seat Track Travel
		4	J, T		74			*EL	
		4	J, T		74			*GL	
		4	J, T		74			*DZ	
		4	J, T		74			*F7	
11	05139628AA	1	J, T		74			*EL	BOLT
		1	J, T		74			*GL	
		1	J, T		74			*DZ	
		1	J, T		74			*F7	
		1	J, T		74			*UL	
12	05143447AA	1	J, T		74			*GL	SCREW, Seat
		1	J, T		74			*DZ	
		1	J, T		74			*F7	
		1	J, T		74			*UL	
		1	J, T		74			*EL	
13	05143452AA	10	J, T		74			*DZ	SCREW, Seat
		10	J, T		74			*EL	
		10	J, T		74			*GL	
		10	J, T		74			*F7	
		10	J, T		74			*UL	
14	1BG391D1AA	1	J, T		74			*F7	SHIELD, Seat Adjuster [DV]
	1BG391J3AA	1	J, T		74			*F7	[J3]
		1	J, T		74			*UL	[J1]

GRAND CHEROKEE (WK)

SERIES LINE
H = HIGHLINE T = JEEP - 2WD
P = PREMIUM J = JEEP - 4WD
S = SPORT
X = SPECIAL

BODY
74 = SPORT UTILITY 4-DR
TYPE #4

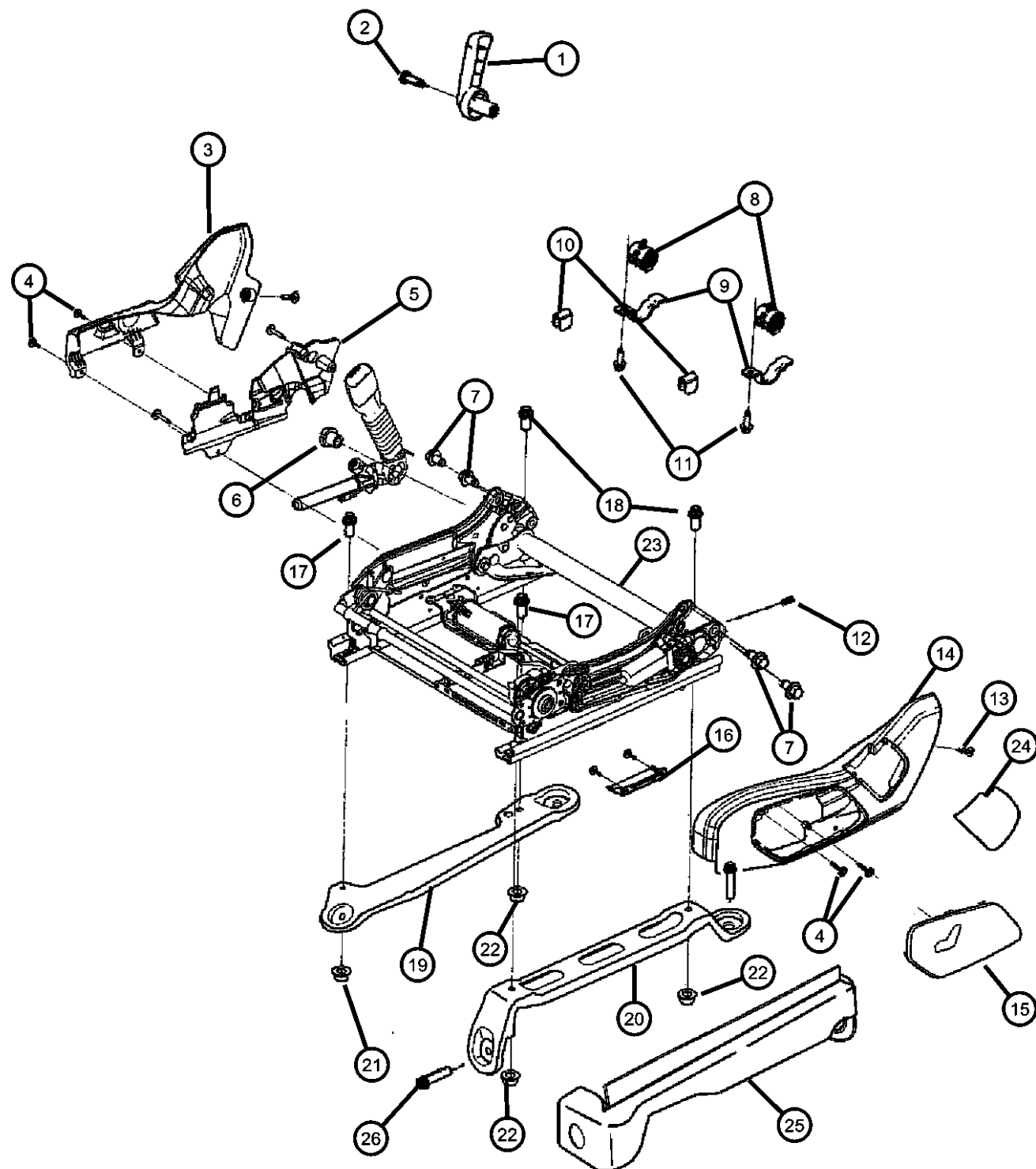
ENGINE
EZH = 5.7L V8 HEMI MDS
VCT Engine
ESF = 6.1L SRT HEMI V8
Engine
EKG = 3.7L V6 Engine

TRANSMISSION
DGJ = 5-Speed Auto W5A580
Transmission
DGQ = 5-Spd Automatic 545RFE
Transmission

AR = use ase required - = Non illustrated part

2010 WK

Adjusters , Recliners and Shields - Driver Seat - Power
Figure 50-905



ITEM	PART NUMBER	QTY	LINE	SERIES	BODY	ENGINE	TRANS	TRIM	DESCRIPTION
		1	J, T		74			*EL	[J3]
		1	J, T		74			*GL	[J1]
		1	J, T		74			*DZ	[DV]
		1	J, T		74			*UL	[D1]
		1	J, T		74			*EL	[DV]
15	1BG391UYAA	1	J, T		74			*GL	[DV]
									BEZEL
	1BG451D1AA	1	J, T		74			*EL	[DV]
	1BG451UYAA	1	J, T		74			*GL	[J1]
	1BG451J3AA	1	J, T		74			*GL	[DV]
		1	J, T		74			*DZ	[DV]
		1	J, T		74			*F7	[J3]
		1	J, T		74			*UL	[J1]
		1	J, T		74			*EL	[J3]
		1	J, T		74			*F7	[DV]
		1	J, T		74			*UL	[D1]
16									BRACKET, Seat
	05143422AA	1	J, T		74			*F7	
		1	J, T		74			*UL	
		1	J, T		74			*EL	
		1	J, T		74			*GL	
		2	J, T		74			*DZ	
17									BOLT, Seat
	05143441AA	1	J, T		74			*F7	
		1	J, T		74			*UL	
		1	J, T		74			*DZ	
		1	J, T		74			*EL	
		1	J, T		74			*GL	
18									BOLT, Seat
	05143440AA	3	J, T		74			*UL	
		3	J, T		74			*EL	
		3	J, T		74			*GL	
		3	J, T		74			*DZ	
		3	J, T		74			*F7	

GRAND CHEROKEE (WK)

SERIES LINE
H = HIGHLINE T = JEEP - 2WD
P = PREMIUM J = JEEP - 4WD
S = SPORT
X = SPECIAL

BODY
74 = SPORT UTILITY 4-DR
TYPE #4

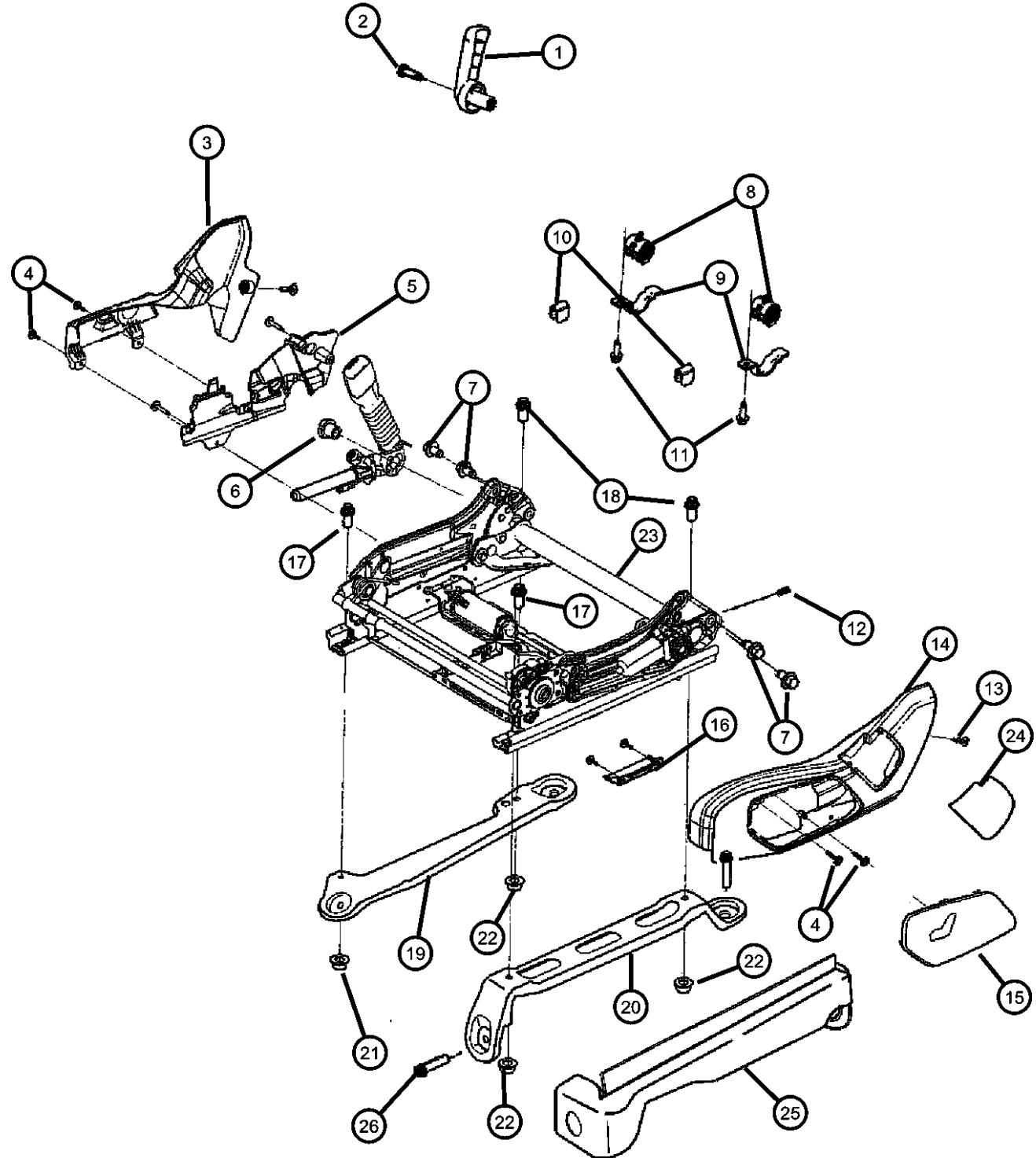
ENGINE
EZH = 5.7L V8 HEMI MDS
VCT Engine
ESF = 6.1L SRT HEMI V8
Engine
EKG = 3.7L V6 Engine

TRANSMISSION
DGJ = 5-Speed Auto W5A580
Transmission
DGQ = 5-Spd Automatic 545RFE
Transmission

AR = use ase required - = Non illustrated part

2010 WK

Adjusters , Recliners and Shields - Driver Seat - Power
Figure 50-905



ITEM	PART NUMBER	QTY	LINE	SERIES	BODY	ENGINE	TRANS	TRIM	DESCRIPTION
19	05143416AA	1	J, T		74			*EL	RISER, Seat, Inboard
		1	J, T		74			*GL	
		1	J, T		74			*DZ	
		1	J, T		74			*F7	
		1	J, T		74			*UL	
20	68017852AA	1	J, T		74			*GL	RISER, Seat, Outboard
		1	J, T		74			*DZ	
		1	J, T		74			*F7	
		1	J, T		74			*UL	
		1	J, T		74			*EL	
21	05143448AA	1	J, T		74			*DZ	NUT, Seat
		1	J, T		74			*EL	
		1	J, T		74			*GL	
		1	J, T		74			*F7	
		1	J, T		74			*UL	
22	05143442AA	7	J, T		74			*F7	NUT, Seat
		7	J, T		74			*GL	
		7	J, T		74			*DZ	
		7	J, T		74			*UL	
		7	J, T		74			*EL	
23	68020712AA	1	J, T		74			*F7	ADJUSTER, Power Seat
		1	J, T		74			*EL	Without Memory
	68020713AA	1	J, T		74			*GL	With Memory
		1	J, T		74			*DZ	With Memory
		1	J, T		74			*UL	With Memory
24	5KD271J8AA	1	J, T		74			*F7	SHIELD, Seat Adjuster
		1	J, T		74			*UL	[J3]
	5KD271UYAA	1	J, T		74			*GL	[J1]

GRAND CHEROKEE (WK)
 SERIES LINE
 H = HIGHLINE T = JEEP - 2WD
 P = PREMIUM J = JEEP - 4WD
 S = SPORT
 X = SPECIAL

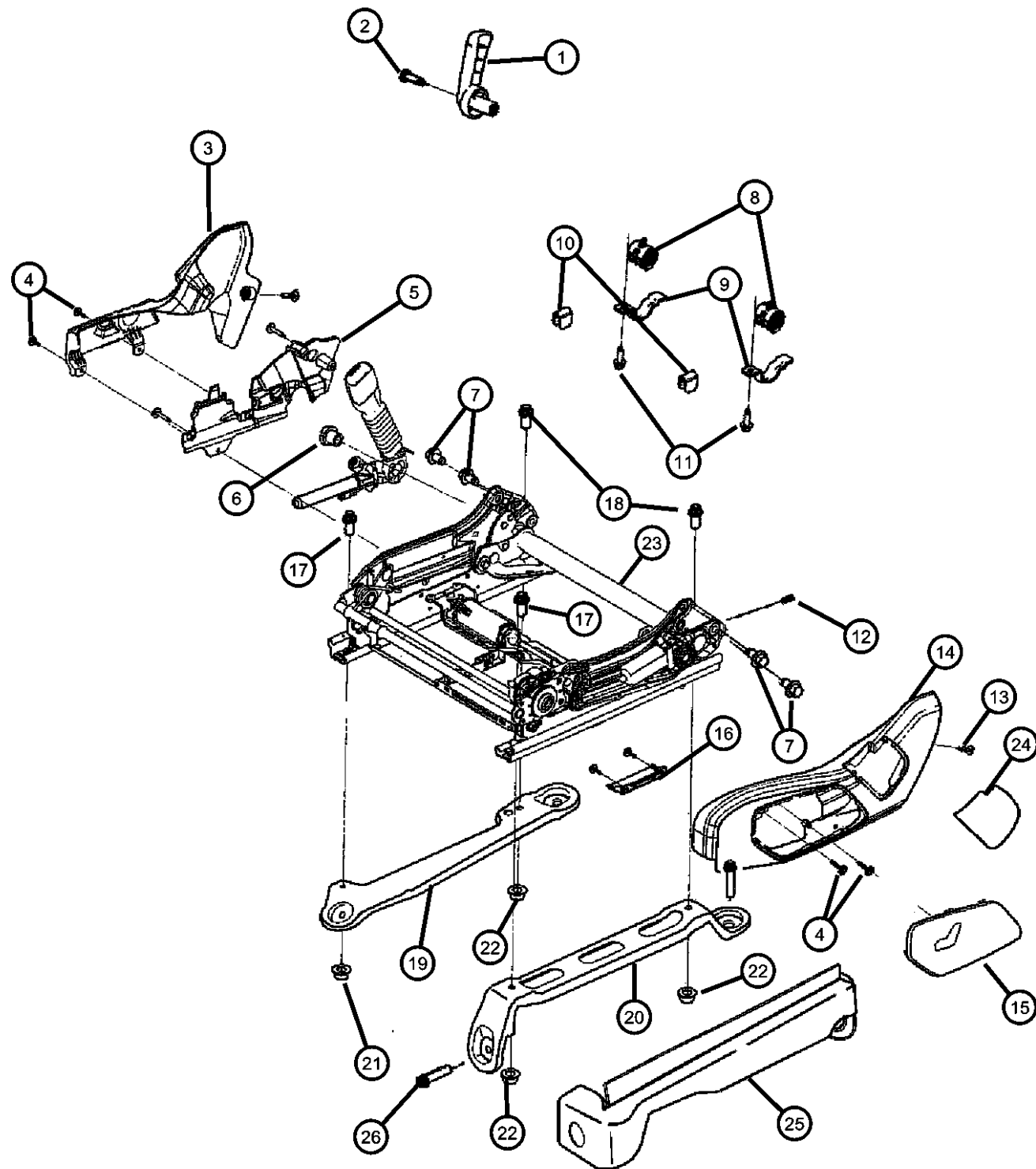
BODY
 74 = SPORT UTILITY 4-DR
 TYPE #4

ENGINE
 EZH = 5.7L V8 HEMI MDS
 VCT Engine
 ESF = 6.1L SRT HEMI V8
 Engine
 EKG = 3.7L V6 Engine

TRANSMISSION
 DGJ = 5-Speed Auto W5A580
 Transmission
 DGQ = 5-Spd Automatic 545RFE
 Transmission

AR = use ase required - = Non illustrated part

Adjusters , Recliners and Shields - Driver Seat - Power
Figure 50-905



ITEM	PART NUMBER	QTY	LINE	SERIES	BODY	ENGINE	TRANS	TRIM	DESCRIPTION
		1	J, T		74			*DZ	[DV]
		1	J, T		74			*UL	[D1]
		1	J, T		74			*EL	[DV]
		1	J, T		74			*EL	[J3]
		1	J, T		74			*F7	[DV]
	5KD271D1AA	1	J, T		74			*GL	[J1]
25									COVER, Seat Track
	1BU251DVAA	1	J, T		74			*EL	[DV]
	1BU241J3AA	1	J, T		74			*EL	[J3]
	1BU241D1AA	1	J, T		74			*DZ	[DV]
	1BU251D1AA	1	J, T		74			*GL	[J1]
		1	J, T		74			*UL	[D1]
	1BU251UYAA	1	J, T		74			*F7	[DV]
		1	J, T		74			*GL	[DV]
	1BU251J3AA	1	J, T		74			*UL	[J1]
		1	J, T		74			*F7	[J3]
26	06508286AA	8	J, T		74				BOLT, Hex Head, M10x1.50x35.00
-27									COVER, Side Rail
	1CW211D1AA	1	J, T		74			*GL	[J1]
	1CW211DVAA	1	J, T		74			*F7	[DV]
		1	J, T		74			*UL	[D1]
		1	J, T		74			*EL	[DV]
	1CW211J8AA	1	J, T		74			*F7	[J3]
		1	J, T		74			*UL	[J1]
		1	J, T		74			*GL	[DV]
		1	J, T		74			*DZ	[DV]
		1	J, T		74			*EL	[J3]

GRAND CHEROKEE (WK)

SERIES LINE
H = HIGHLINE T = JEEP - 2WD
P = PREMIUM J = JEEP - 4WD
S = SPORT
X = SPECIAL

BODY
74 = SPORT UTILITY 4-DR
TYPE #4

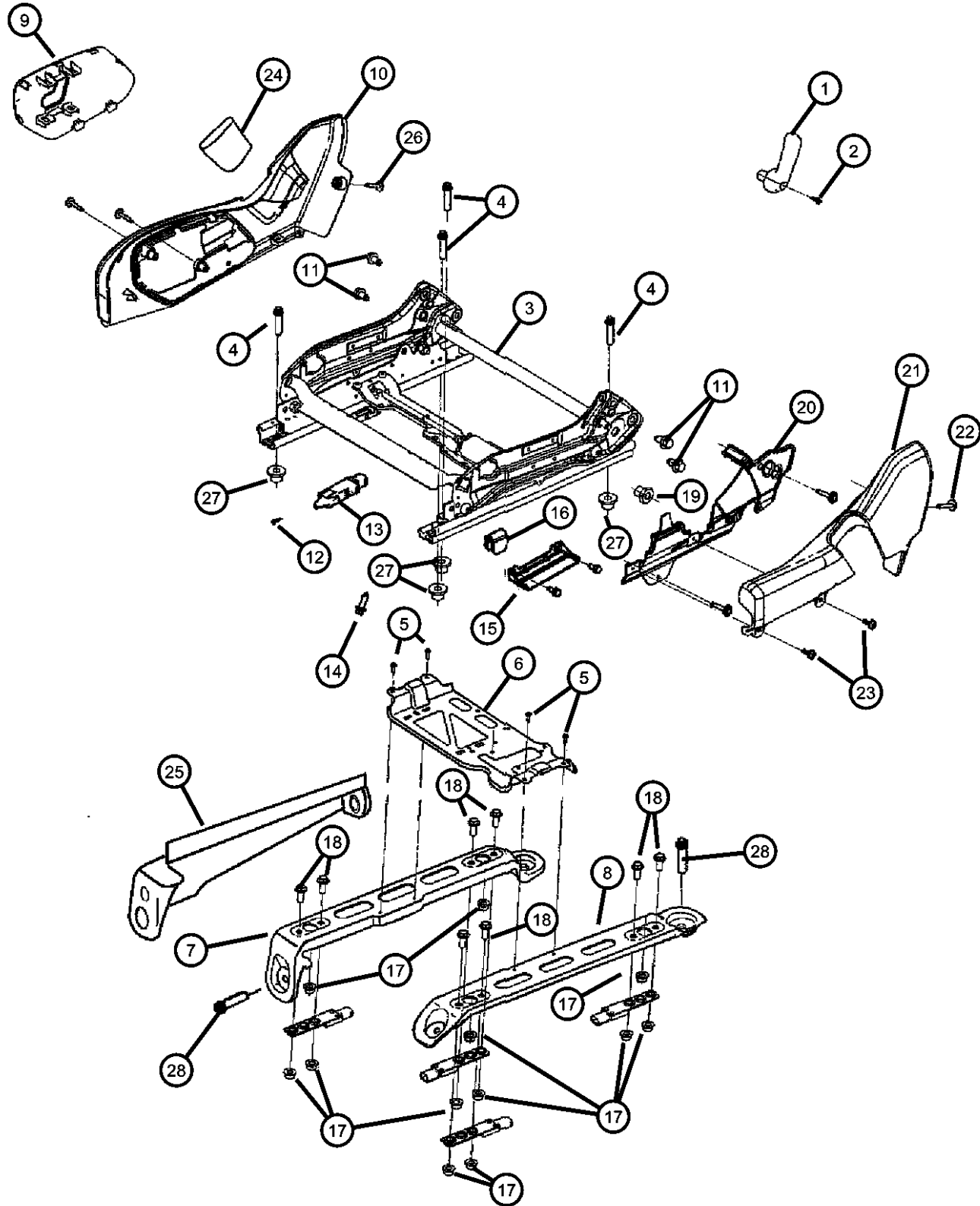
ENGINE
EZH = 5.7L V8 HEMI MDS
VCT Engine
ESF = 6.1L SRT HEMI V8
Engine
EKG = 3.7L V6 Engine

TRANSMISSION
DGJ = 5-Speed Auto W5A580
Transmission
DGQ = 5-Spd Automatic 545RFE
Transmission

AR = use ase required - = Non illustrated part

2010 WK

Adjusters, Recliners and Shields - Passenger Seat - Power
Figure 50-915



ITEM	PART NUMBER	QTY	LINE	SERIES	BODY	ENGINE	TRANS	TRIM	DESCRIPTION
1									HANDLE, Lumbar
	1BG531D1AA	2	J, T		74			*F7	[DV]
		2	J, T		74			*UL	[D1]
	1BG531J3AA	2	J, T		74			*F7	[J3]
		2	J, T		74			*UL	[J1]
		2	J, T		74			*EL	[DV]
		2	J, T		74			*GL	[J1]
		2	J, T		74			*DZ	[DV]
		2	J, T		74			*EL	[J3]
	1BG531DVAA	1	J, T		74			*GL	[DV]
2									SCREW
	68033526AA	1	J, T		74			*EL	
		1	J, T		74			*GL	
		1	J, T		74			*DZ	
		1	J, T		74			*F7	
		1	J, T		74			*UL	
3									ADJUSTER, Power Seat
	68031366AA	1	J, T		74			*F7	
		1	J, T		74			*UL	
		1	J, T		74			*EL	
		1	J, T		74			*GL	
		1	J, T		74			*DZ	
4									BOLT, Seat
	05143441AA	1	J, T		74			*UL	
		1	J, T		74			*EL	
		1	J, T		74			*GL	
		1	J, T		74			*DZ	
		1	J, T		74			*F7	
5									SCREW, Seat
	05143451AA	6	J, T		74			*GL	
		6	J, T		74			*DZ	
		6	J, T		74			*F7	
		6	J, T		74			*UL	
		6	J, T		74			*EL	
6									BRACKET, Module

GRAND CHEROKEE (WK)

SERIES LINE
H = HIGHLINE T = JEEP - 2WD
P = PREMIUM J = JEEP - 4WD
S = SPORT
X = SPECIAL

BODY
74 = SPORT UTILITY 4-DR
TYPE #4

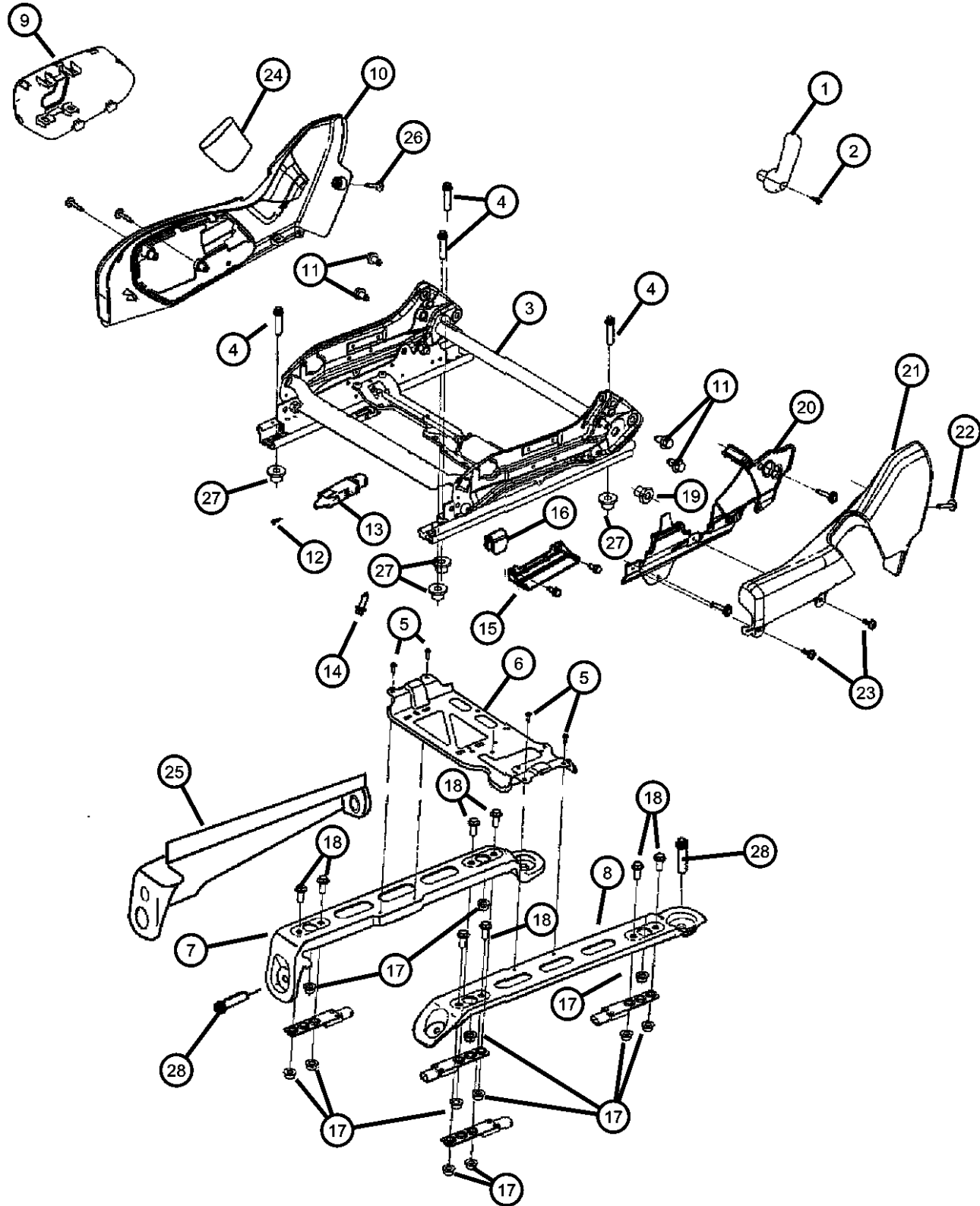
ENGINE
EZH = 5.7L V8 HEMI MDS
VCT Engine
ESF = 6.1L SRT HEMI V8
Engine
EKG = 3.7L V6 Engine

TRANSMISSION
DGJ = 5-Speed Auto W5A580
Transmission
DGQ = 5-Spd Automatic 545RFE
Transmission

AR = use ase required - = Non illustrated part

2010 WK

Adjusters, Recliners and Shields - Passenger Seat - Power
Figure 50-915



ITEM	PART NUMBER	QTY	LINE	SERIES	BODY	ENGINE	TRANS	TRIM	DESCRIPTION
	05143418AA	1	J, T		74			*DZ	
		1	J, T		74			*EL	
		1	J, T		74			*GL	
		1	J, T		74			*F7	
		1	J, T		74			*UL	
7									RISER, Seat, Outboard
	05143414AA	1	J, T		74			*F7	
		1	J, T		74			*GL	
		1	J, T		74			*DZ	
		1	J, T		74			*UL	
		1	J, T		74			*EL	
8									RISER, Seat, Inboard
	68017853AA	1	J, T		74			*F7	
		1	J, T		74			*UL	
		1	J, T		74			*DZ	
		1	J, T		74			*EL	
		1	J, T		74			*GL	
9									BEZEL
	1BG441DVAA	1	J, T		74			*F7	[DV]
		1	J, T		74			*UL	[D1]
		1	J, T		74			*EL	[DV]
		1	J, T		74			*DZ	[DV]
	1BG441UYAA	1	J, T		74			*GL	[DV]
	1BG441J3AA	1	J, T		74			*F7	[J3]
		1	J, T		74			*EL	[J3]
	1BG441D1AA	1	J, T		74			*UL	[J1]
		1	J, T		74			*GL	[J1]
10									SHIELD, Seat Adjuster
	1BG381J3AA	1	J, T		74			*F7	[J3]
		1	J, T		74			*UL	[J1]
		1	J, T		74			*EL	[J3]
	1BG381D1AA	1	J, T		74			*GL	[J1]
		1	J, T		74			*DZ	[DV]
		1	J, T		74			*UL	[D1]

GRAND CHEROKEE (WK)

SERIES LINE
H = HIGHLINE T = JEEP - 2WD
P = PREMIUM J = JEEP - 4WD
S = SPORT
X = SPECIAL

BODY
74 = SPORT UTILITY 4-DR
TYPE #4

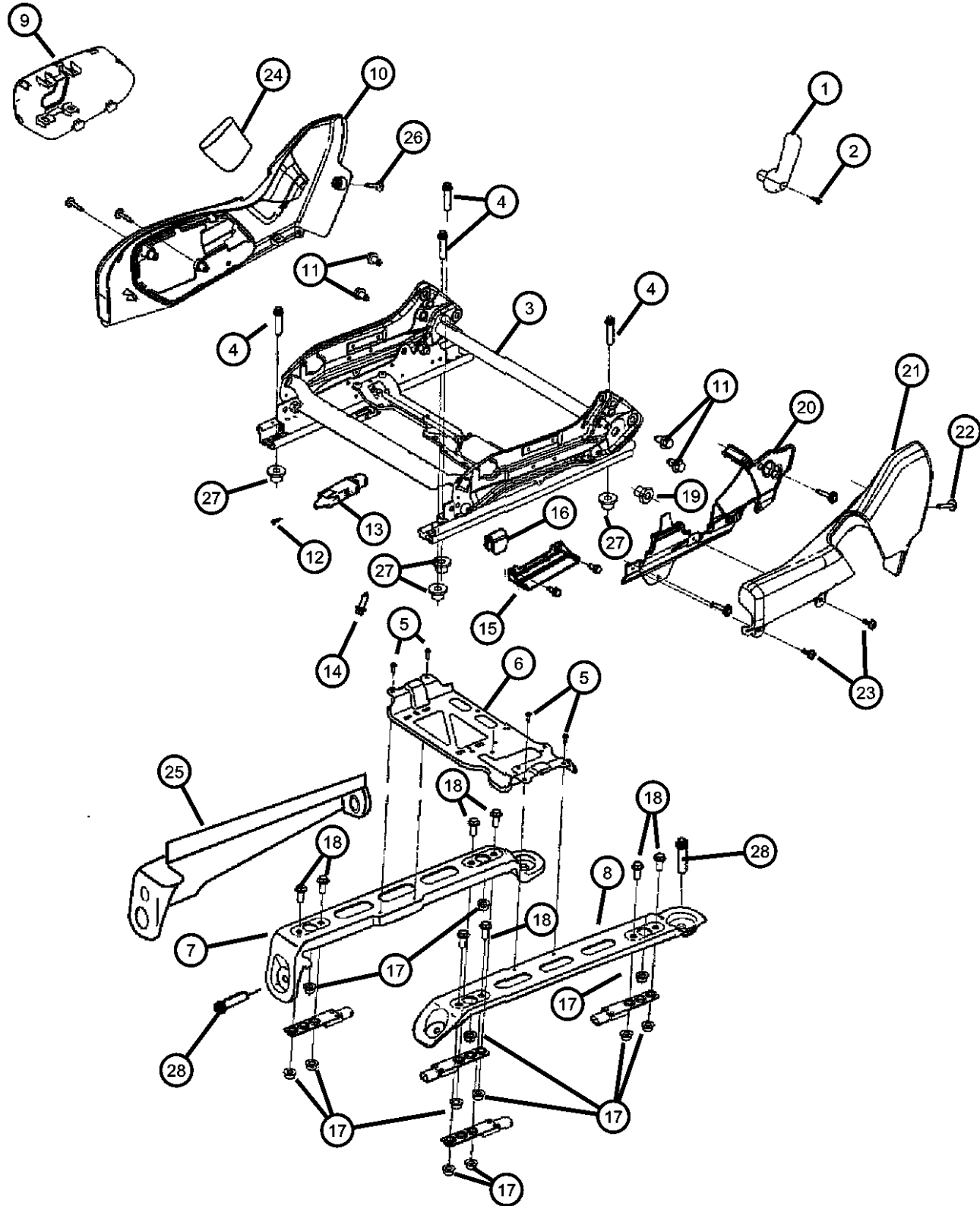
ENGINE
EZH = 5.7L V8 HEMI MDS
VCT Engine
ESF = 6.1L SRT HEMI V8
Engine
EKG = 3.7L V6 Engine

TRANSMISSION
DGJ = 5-Speed Auto W5A580
Transmission
DGQ = 5-Spd Automatic 545RFE
Transmission

AR = use ase required - = Non illustrated part

2010 WK

Adjusters, Recliners and Shields - Passenger Seat - Power
Figure 50-915



ITEM	PART NUMBER	QTY	LINE	SERIES	BODY	ENGINE	TRANS	TRIM	DESCRIPTION
		1	J, T		74			*EL	[DV]
		1	J, T		74			*F7	[DV]
11	1BG381UYAA	1	J, T		74			*GL	[DV]
									BOLT, Seat
	05139629AA	8	J, T		74			*GL	
		8	J, T		74			*DZ	
		8	J, T		74			*UL	
		8	J, T		74			*EL	
		8	J, T		74			*F7	
12	05143447AA	1	J, T		74			*EL	
		1	J, T		74			*GL	
		1	J, T		74			*F7	
		1	J, T		74			*UL	
		1	J, T		74			*DZ	
13	56043206AD	1	J, T		74			*F7	
		2	J, T		74			*DZ	
		1	J, T		74			*EL	
		1	J, T		74			*GL	
		1	J, T		74			*UL	
14	05139628AA	4	J, T		74			*DZ	
		4	J, T		74			*EL	
		4	J, T		74			*GL	
		4	J, T		74			*F7	
		4	J, T		74			*UL	
15	05143422AA	1	J, T		74			*F7	
		1	J, T		74			*GL	
		1	J, T		74			*DZ	
		1	J, T		74			*UL	
		1	J, T		74			*EL	
16									LIMITER, Seat Track Travel

GRAND CHEROKEE (WK)

SERIES LINE
H = HIGHLINE T = JEEP - 2WD
P = PREMIUM J = JEEP - 4WD
S = SPORT
X = SPECIAL

BODY
74 = SPORT UTILITY 4-DR
TYPE #4

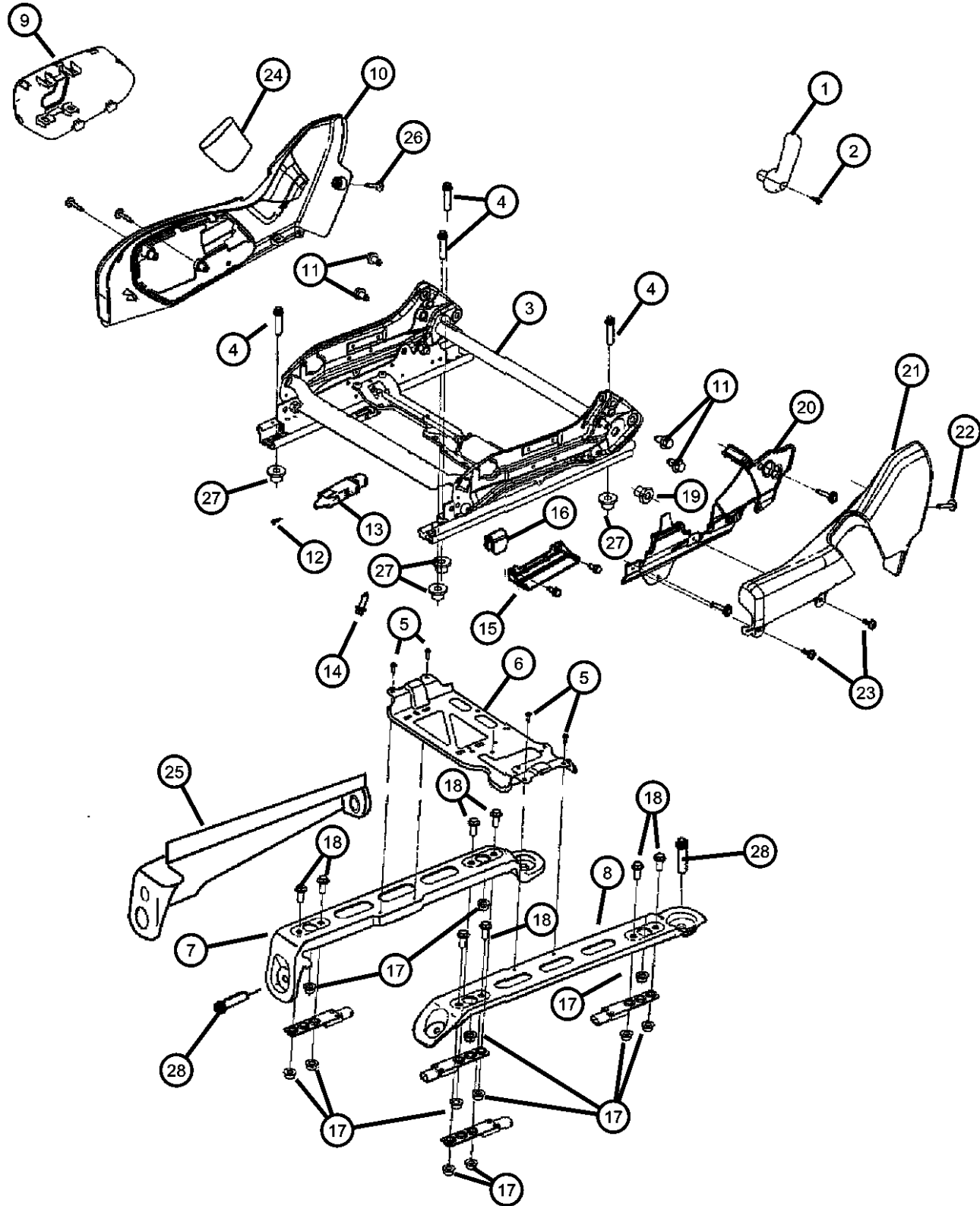
ENGINE
EZH = 5.7L V8 HEMI MDS
VCT Engine
ESF = 6.1L SRT HEMI V8
Engine
EKG = 3.7L V6 Engine

TRANSMISSION
DGJ = 5-Speed Auto W5A580
Transmission
DGQ = 5-Spd Automatic 545RFE
Transmission

AR = use ase required - = Non illustrated part

2010 WK

Adjusters, Recliners and Shields - Passenger Seat - Power
Figure 50-915



ITEM	PART NUMBER	QTY	LINE	SERIES	BODY	ENGINE	TRANS	TRIM	DESCRIPTION
	05139661AA	4	J, T		74			*DZ	
		4	J, T		74			*EL	
		4	J, T		74			*GL	
		4	J, T		74			*F7	
		4	J, T		74			*UL	
17									NUT, Seat
	05143442AA	7	J, T		74			*EL	
		7	J, T		74			*GL	
		7	J, T		74			*DZ	
		7	J, T		74			*F7	
		7	J, T		74			*UL	
18									BOLT, Seat
	05143440AA	3	J, T		74			*UL	
		3	J, T		74			*EL	
		3	J, T		74			*GL	
		3	J, T		74			*DZ	
		3	J, T		74			*F7	
19									NUT, Tube
	05143449AA	2	J, T		74			*F7	
		2	J, T		74			*UL	
		2	J, T		74			*EL	
		2	J, T		74			*GL	
		2	J, T		74			*DZ	
20									PLATE, Front Seat
	1BG581D1AA	1	J, T		74			*F7	[DV]
		1	J, T		74			*EL	[DV]
		1	J, T		74			*GL	[J1]
	1BG581UYAA	1	J, T		74			*GL	[DV]
	1BG581J3AA	1	J, T		74			*F7	[J3]
		1	J, T		74			*UL	[J1]
		1	J, T		74			*EL	[J3]
		1	J, T		74			*UL	[D1]
		1	J, T		74			*DZ	[DV]
21									SHIELD, Seat Adjuster

GRAND CHEROKEE (WK)

SERIES LINE
H = HIGHLINE T = JEEP - 2WD
P = PREMIUM J = JEEP - 4WD
S = SPORT
X = SPECIAL

BODY
74 = SPORT UTILITY 4-DR
TYPE #4

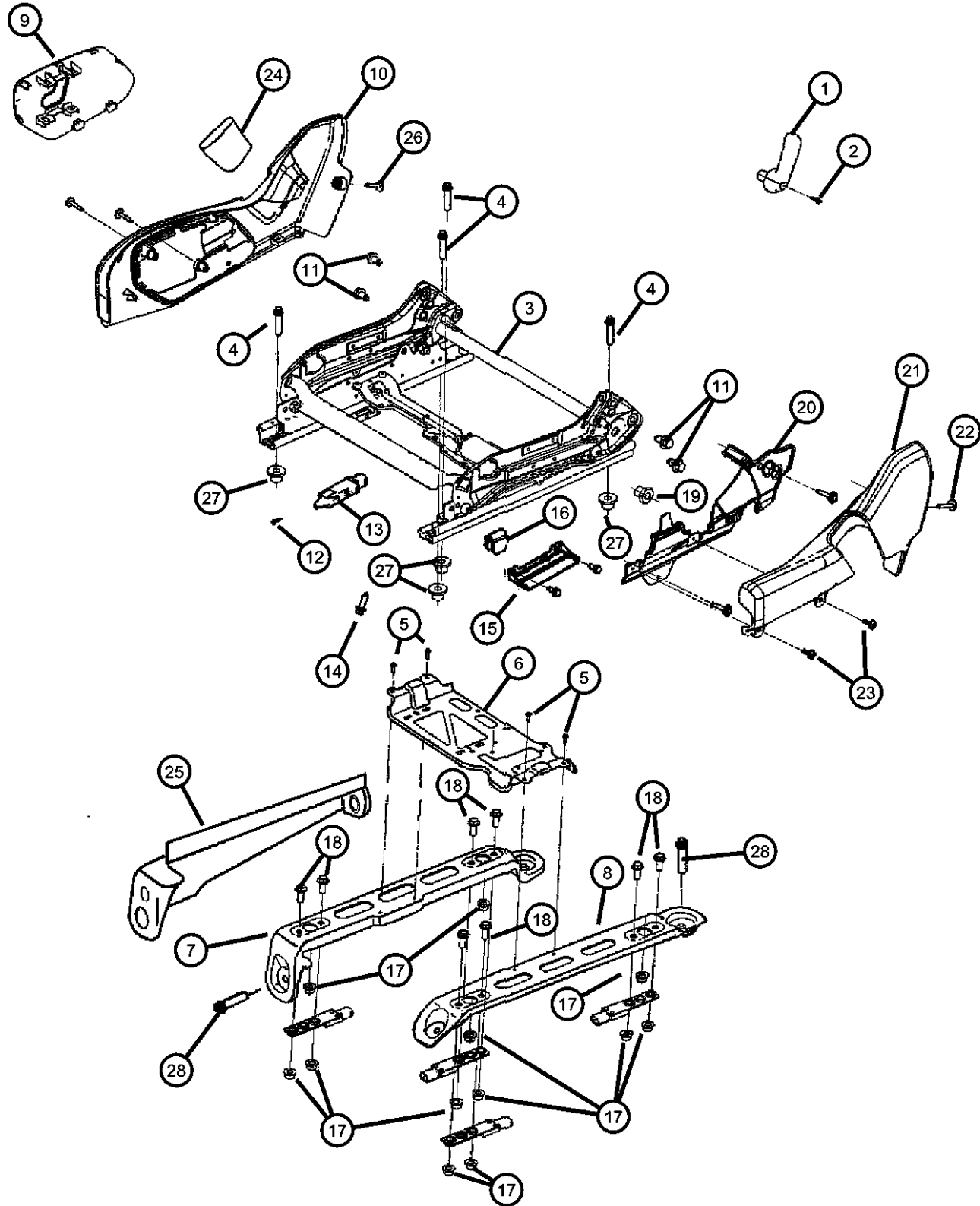
ENGINE
EZH = 5.7L V8 HEMI MDS
VCT Engine
ESF = 6.1L SRT HEMI V8
Engine
EKG = 3.7L V6 Engine

TRANSMISSION
DGJ = 5-Speed Auto W5A580
Transmission
DGQ = 5-Spd Automatic 545RFE
Transmission

AR = use ase required - = Non illustrated part

2010 WK

Adjusters, Recliners and Shields - Passenger Seat - Power
Figure 50-915



ITEM	PART NUMBER	QTY	LINE	SERIES	BODY	ENGINE	TRANS	TRIM	DESCRIPTION
	1BG401UYAA	1	J, T		74			*GL	[DV]
	1BG401D1AA	1	J, T		74			*GL	[J1]
	1BG401J3AA	1	J, T		74			*EL	[J3]
	1BG401J8AA	1	J, T		74			*F7	[J3]
	1BG401DVAA	1	J, T		74			*DZ	[DV]
		1	J, T		74			*F7	[DV]
		1	J, T		74			*EL	[DV]
		1	J, T		74			*UL	[D1]
		1	J, T		74			*UL	[J1]
22									SCREW, Seat
	05143452AA	10	J, T		74			*EL	
		10	J, T		74			*GL	
		10	J, T		74			*DZ	
		10	J, T		74			*UL	
		10	J, T		74			*F7	
23									SCREW, Seat
	05143453AA	4	J, T		74			*F7	
		4	J, T		74			*UL	
		4	J, T		74			*EL	
		4	J, T		74			*GL	
		4	J, T		74			*DZ	
24									SHIELD, Seat Adjuster
	5KD261J8AA	1	J, T		74			*UL	[J1]
		1	J, T		74			*EL	[J3]
	5KD261D1AA	1	J, T		74			*GL	[J1]
		1	J, T		74			*F7	[J3]
	5KD261UYAA	1	J, T		74			*DZ	[DV]
		1	J, T		74			*EL	[DV]
		1	J, T		74			*GL	[DV]
		1	J, T		74			*F7	[DV]
		1	J, T		74			*UL	[D1]
25									COVER, Seat Track
	1BU241DVAA	1	J, T		74			*F7	[DV]
	1BU241J3AA	1	J, T		74			*UL	[J1]

GRAND CHEROKEE (WK)

SERIES LINE
H = HIGHLINE T = JEEP - 2WD
P = PREMIUM J = JEEP - 4WD
S = SPORT
X = SPECIAL

BODY
74 = SPORT UTILITY 4-DR
TYPE #4

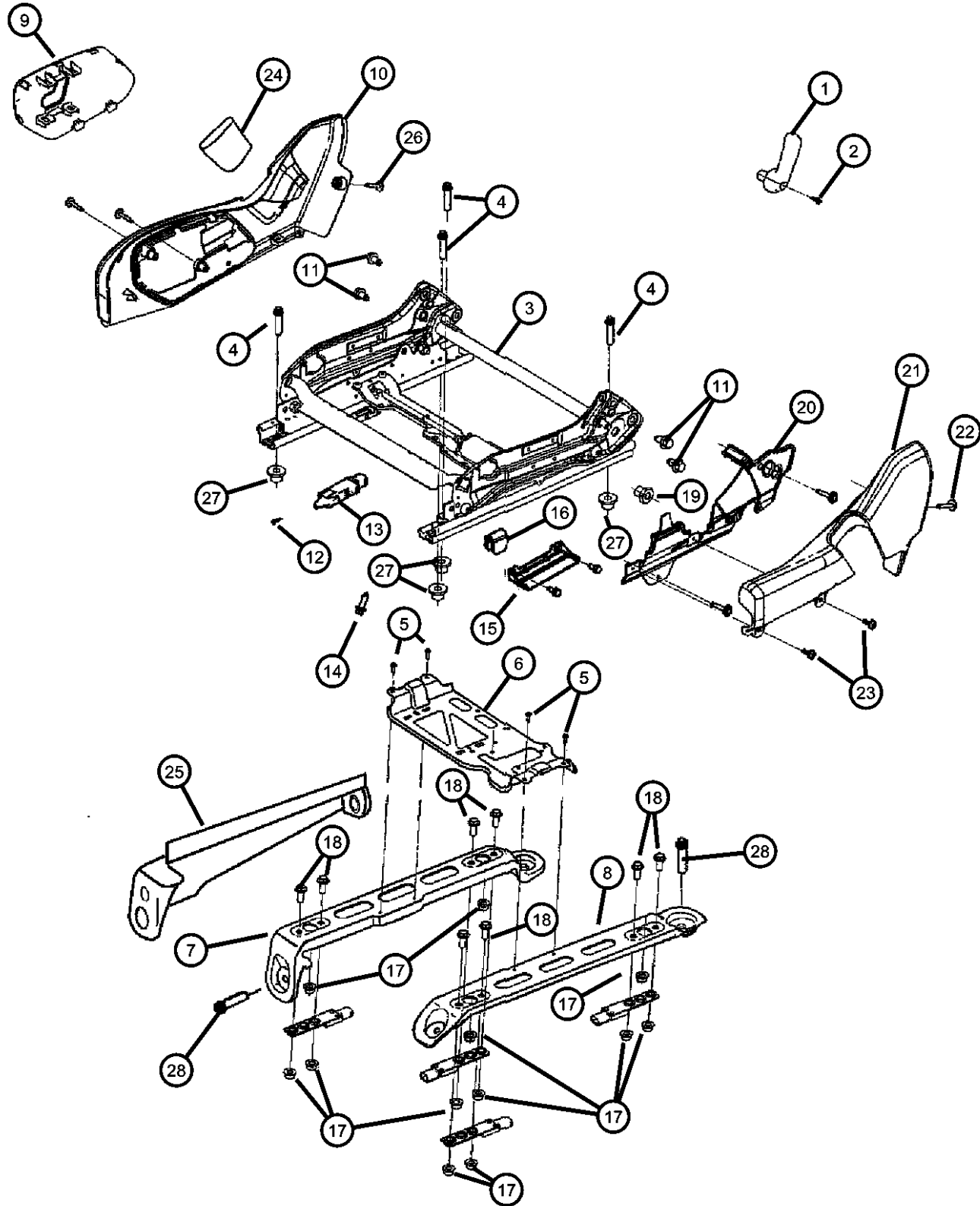
ENGINE
EZH = 5.7L V8 HEMI MDS
VCT Engine
ESF = 6.1L SRT HEMI V8
Engine
EKG = 3.7L V6 Engine

TRANSMISSION
DGJ = 5-Speed Auto W5A580
Transmission
DGQ = 5-Spd Automatic 545RFE
Transmission

AR = use ase required - = Non illustrated part

2010 WK

Adjusters, Recliners and Shields - Passenger Seat - Power
Figure 50-915



ITEM	PART NUMBER	QTY	LINE	SERIES	BODY	ENGINE	TRANS	TRIM	DESCRIPTION
	1BU241D1AA	1	J, T		74			*UL	[D1]
		1	J, T		74			*F7	[J3]
		1	J, T		74			*DZ	[DV]
		1	J, T		74			*EL	[J3]
	1BU241UYAA	1	J, T		74			*GL	[DV]
		1	J, T		74			*EL	[DV]
		1	J, T		74			*GL	[J1]
26		1							SCREW, Seat, (NOT SERVICED),
27									NUT, Seat
	05143448AA	1	J, T		74			*UL	
		1	J, T		74			*EL	
		1	J, T		74			*GL	
		1	J, T		74			*F7	
		1	J, T		74			*DZ	
28	06508286AA	8	J, T		74				BOLT, Hex Head, M10x1.50x35.00
-29									COVER, Side Rail
	1CW201D1AA	1	J, T		74			*GL	[J1]
	1CW201DVAA	1	J, T		74			*EL	[DV]
		1	J, T		74			*GL	[DV]
		1	J, T		74			*DZ	[DV]
		1	J, T		74			*F7	[DV]
		1	J, T		74			*UL	[D1]
	1CW201J8AA	1	J, T		74			*F7	[J3]
		1	J, T		74			*UL	[J1]
		1	J, T		74			*EL	[J3]

GRAND CHEROKEE (WK)

SERIES LINE
H = HIGHLINE T = JEEP - 2WD
P = PREMIUM J = JEEP - 4WD
S = SPORT
X = SPECIAL

BODY
74 = SPORT UTILITY 4-DR
TYPE #4

ENGINE
EZH = 5.7L V8 HEMI MDS
VCT Engine
ESF = 6.1L SRT HEMI V8
Engine
EKG = 3.7L V6 Engine

TRANSMISSION
DGJ = 5-Speed Auto W5A580
Transmission
DGQ = 5-Spd Automatic 545RFE
Transmission

AR = use ase required - = Non illustrated part

2010 WK

**Adjusters , Recliners and Shields - Passenger Seat - Manual
Figure 50-920**

ITEM	PART NUMBER	QTY	LINE	SERIES	BODY	ENGINE	TRANS	TRIM	DESCRIPTION
1	05143441AA	1	J, T		74			*F7	BOLT, Seat
2		1							SPACER, (NOT SERVICED)
3	05143442AA	7	J, T		74			*F7	NUT, Seat
4	05143418AA	1	J, T		74			*F7	BRACKET, Module
5	05143451AA	11	J, T		74			*F7	SCREW, Seat
6	05072205AA	4	J, T		74			*F7	BOLT, Seat
7	05143414AA	1	J, T		74			*F7	RISER, Seat, Outboard
8	05143416AA	1	J, T		74			*F7	RISER, Seat, Inboard
9	05072127AB	1	J, T		74			*F7	SCREW, Recliner Handle
10									HANDLE, Recliner
	0UZ281J8AB	1	J, T		74			*F7	[J3]
	0UZ281DVAB	1	J, T		74			*F7	[DV]
11									BEZEL
	1BG421DVAA	1	J, T		74			*F7	[DV]
	1BG421J8AA	1	J, T		74			*F7	[J3]
12	05143452AA	10	J, T		74			*F7	SCREW, Seat
13									SHIELD, Seat Adjuster
	1BG341J8AA	1	J, T		74			*F7	[J3]
	1BG341DVAA	1	J, T		74			*F7	[DV]
14	05143428AA	1	J, T		74			*F7	ACTUATOR
15		1							SCREW, Trim, (NOT SERVICED)
16	05143447AA	1	J, T		74			*F7	SCREW, Seat
17	56043206AD	1	J, T		74			*F7	SENSOR, Seat track position
18	05139628AA	4	J, T		74			*F7	BOLT
19	05143422AA	1	J, T		74			*F7	BRACKET, Seat
20	05143449AA	2	J, T		74			*F7	NUT, Tube
21									PLATE, Front Seat
	1BG581D1AA	1	J, T		74			*F7	[DV]
	1BG581J3AA	1	J, T		74			*F7	[J3]
22									SHIELD, Seat Adjuster
	1BG401UYAA	1	J, T		74			*F7	[DV]
	1BG411J8AA	1	J, T		74			*F7	[J3]
23	05143452AA	10	J, T		74			*F7	SCREW, Seat
24	05143453AA	4	J, T		74			*F7	SCREW, Seat
25	05143411AA	1	J, T		74			*F7	CABLE, Recliner

GRAND CHEROKEE (WK)

SERIES LINE
H = HIGHLINE T = JEEP - 2WD
P = PREMIUM J = JEEP - 4WD
S = SPORT
X = SPECIAL

BODY
74 = SPORT UTILITY 4-DR
TYPE #4

ENGINE
EZH = 5.7L V8 HEMI MDS
VCT Engine
ESF = 6.1L SRT HEMI V8
Engine
EKG = 3.7L V6 Engine

TRANSMISSION
DGJ = 5-Speed Auto W5A580
Transmission
DGQ = 5-Spd Automatic 545RFE
Transmission

AR = use ase required - = Non illustrated part

2010 WK

**Adjusters , Recliners and Shields - Passenger Seat - Manual
Figure 50-920**

ITEM	PART NUMBER	QTY	LINE	SERIES	BODY	ENGINE	TRANS	TRIM	DESCRIPTION
26	05143451AA	11	J, T		74			*F7	SCREW, Seat
27	05143426AA	1	J, T		74			*F7	BRACKET, Cable Mounting
28	04741274	1	J, T		74			*F7	SCREW, Torx Head, .25-20x.75
29	05143490AA	1	J, T		74			*F7	LEVER, Front Seat Recliner
30									HANDLE, Lumbar
	1BG531D1AA	1	J, T		74			*F7	[DV]
	1BG531J3AA	1	J, T		74			*F7	[J3]
31		1							SCREW, (NOT SERVICED),
32									SHIELD, Seat Adjuster
	5KD261J8AA	1	J, T		74			*F7	[J3]
	5KD261UYAA	1	J, T		74			*F7	[DV]
33									COVER, Seat Track
	1BU241J3AA	1	J, T		74			*F7	[J3]
	1BU241D1AA	1	J, T		74			*F7	[DV]
34	05139629AA	8	J, T		74			*F7	BOLT, Seat
35	05183666AA	1	J, T		74			*F7	ADJUSTER, Manual Seat
-36	06508286AA	8	J, T		74				BOLT, Hex Head, M10x1.50x35.00

GRAND CHEROKEE (WK)

SERIES LINE
H = HIGHLINE T = JEEP - 2WD
P = PREMIUM J = JEEP - 4WD
S = SPORT
X = SPECIAL

BODY
74 = SPORT UTILITY 4-DR
TYPE #4

ENGINE
EZH = 5.7L V8 HEMI MDS
VCT Engine
ESF = 6.1L SRT HEMI V8
Engine
EKG = 3.7L V6 Engine

TRANSMISSION
DGJ = 5-Speed Auto W5A580
Transmission
DGQ = 5-Spd Automatic 545RFE
Transmission

AR = use ase required - = Non illustrated part

2010 WK

**Liftgate Panels & Scuff Plate
Figure 50-1405**

ITEM	PART NUMBER	QTY	LINE	SERIES	BODY	ENGINE	TRANS	TRIM	DESCRIPTION
1	5JR56BD1AJ	1	J, T		74			*O0	PANEL, Liftgate Trim
2		1							SCREW, Tapping, [.164-15x2.20], (NOT SERVICED)
3	5HS28BD1AE	1	J, T		74			*O0	MOLDING, Rear Header, Upper
4									PLATE, Liftgate Scuff
	5HS29BD1AG	1	J, T		74			*O0	[D1]
		1	J, T		74			*O0	[J1]
	5HS29XD-VAG	1	J, T		74			*O0	[DV]
	5HS29ZJ3AG	1	J, T		74			*O0	[J3]
5	06101946	4	J, T		74				SCREW, Tapping Hex Head, M4.2X1.70X20.00

GRAND CHEROKEE (WK)

SERIES LINE
H = HIGHLINE T = JEEP - 2WD
P = PREMIUM J = JEEP - 4WD
S = SPORT
X = SPECIAL

BODY
74 = SPORT UTILITY 4-DR
TYPE #4

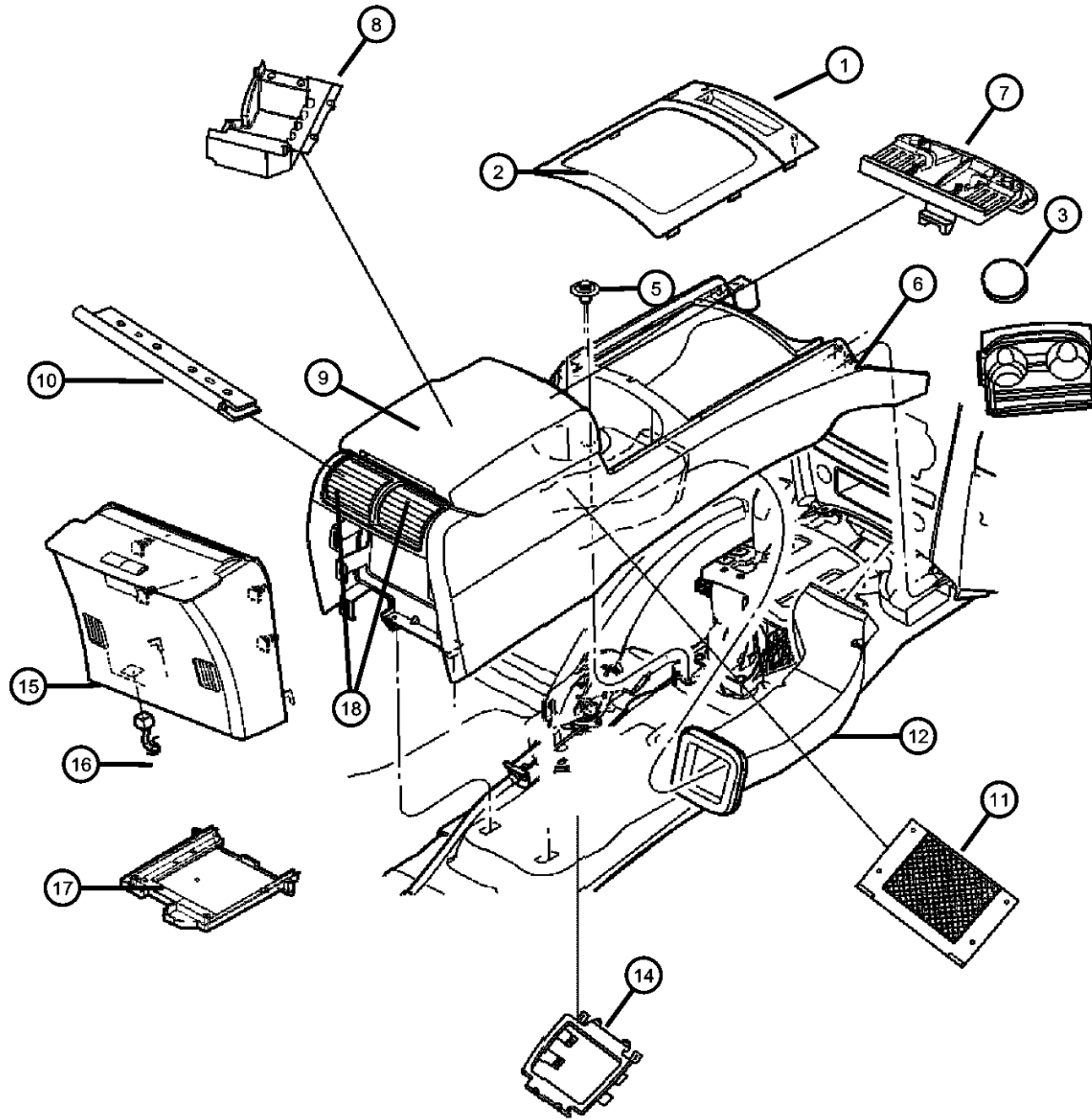
ENGINE
EZH = 5.7L V8 HEMI MDS
VCT Engine
ESF = 6.1L SRT HEMI V8
Engine
EKG = 3.7L V6 Engine

TRANSMISSION
DGJ = 5-Speed Auto W5A580
Transmission
DGQ = 5-Spd Automatic 545RFE
Transmission

AR = use ase required - = Non illustrated part

2010 WK

Floor Console Front
Figure 50-1610



ITEM	PART NUMBER	QTY	LINE	SERIES	BODY	ENGINE	TRANS	TRIM	DESCRIPTION
1									BEZEL, Gear Shift Indicator
	55117076AA	1	J, T	P	74				
	5KH82DX9AC	1	J, T	H	74			*00	[AWB]
	1CG893AAAA	1	J, T	X	74			*00	
	1KE41AAAAA	1	J		74			*00	
	55117073AA	1	J, T	P	74				[AWB]
	0XG86DX9AD	1	J, T	H	74			*00	
2	5JN05SZ0AD	1	J, T		74			*00	RING, Trim
3									MAT, Console Cup Holder
	1JD30BD1AA	2	J, T	H, P, S	74			*00	[J1]
		2	J, T	H, P, S	74			*00	[D1]
	1JD30XDVAA	2	J, T	H, P, S	74			*00	[DV]
	1JD30ZJ3AA	2	J, T	H, P, S	74			*00	[J3]
		2	J, T	X	74			*00	[DV]
-4		2							SCREW, Self Piercing, .164-15x.625, (NOT SERVICED),
5		2							SCREW, (NOT SERVICED)
6									CONSOLE, Base
	1BJ01BD1AC	1	J, T	S	74			*00	[J1]
	1BJ01ZJ3AC	1	J, T	H	74			*00	[J3], [XDA]
	1PB711DVAA	1	J, T	H	74			*00	[DV]
	1PB711J3AA	1	J, T	H	74			*00	[J3]
		1	J, T	H	74			*00	[D1], [XDA]
	1BJ01XDVAC	1	J, T	H	74			*00	[DV], [XDA]
7									LATCH, Console Lock
	05143594AA	1	J, T	H	74			*00	
		1	J, T	X	74			*00	
8									BIN, Floor Console
	05143596AA	1	J, T	H	74			*00	
		1	J, T	X	74			*00	
9									LID, Floor Console Bin
	1QF172DVAA	1	J, T	X	74			*00	[DV]
	1QF173DVAA	1	J, T	H	74			*00	[DV], [XDA]
	1QF171D1AA	1	J, T	S	74			*00	[J1]
	1QF171J3AA	1	J, T	H	74			*00	[J3], [XDA]

GRAND CHEROKEE (WK)

SERIES LINE
H = HIGHLINE T = JEEP - 2WD
P = PREMIUM J = JEEP - 4WD
S = SPORT
X = SPECIAL

BODY
74 = SPORT UTILITY 4-DR
TYPE #4

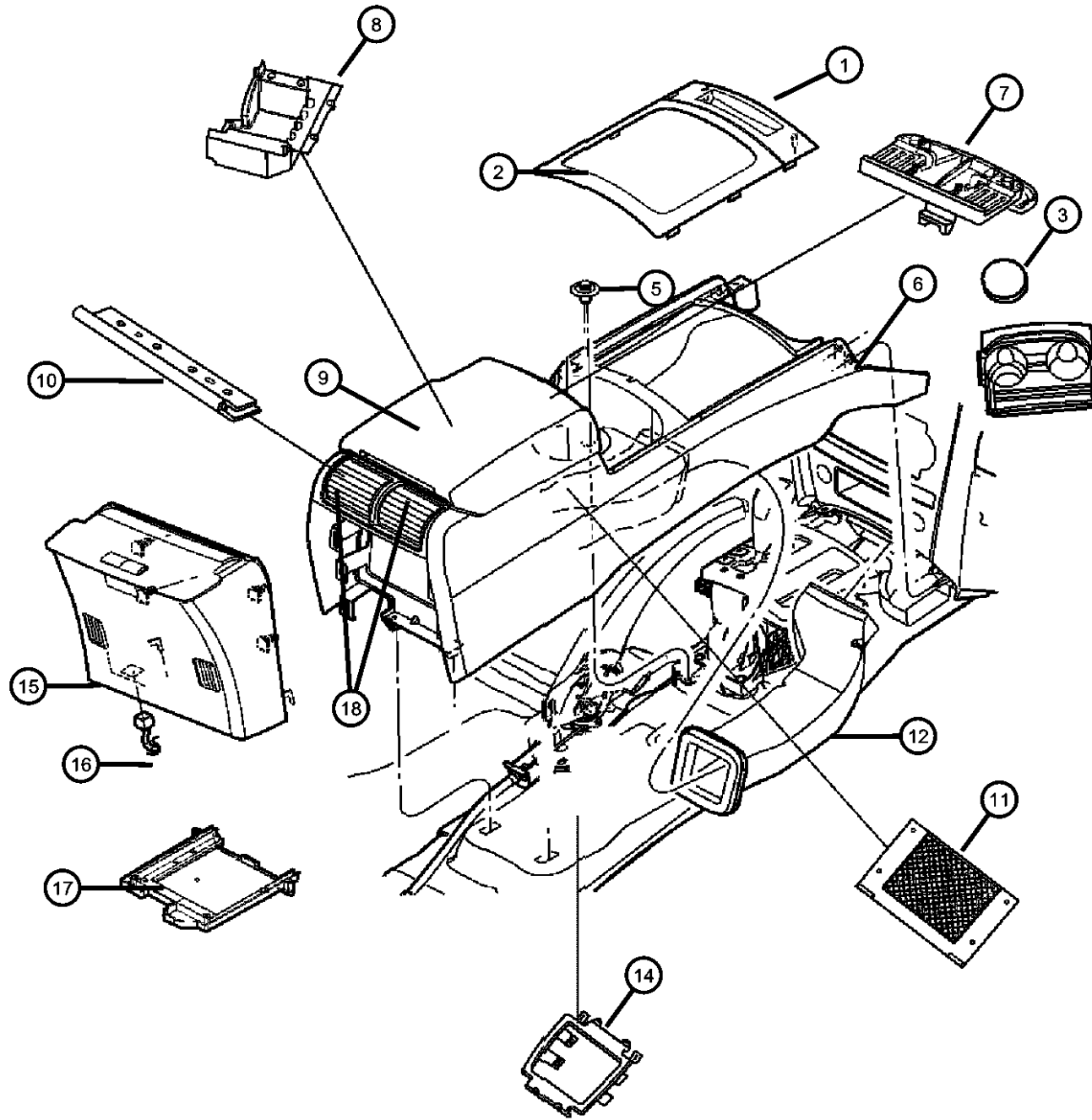
ENGINE
EZH = 5.7L V8 HEMI MDS
VCT Engine
ESF = 6.1L SRT HEMI V8
Engine
EKG = 3.7L V6 Engine

TRANSMISSION
DGJ = 5-Speed Auto W5A580
Transmission
DGQ = 5-Spd Automatic 545RFE
Transmission

AR = use ase required - = Non illustrated part

2010 WK

Floor Console Front
Figure 50-1610



ITEM	PART NUMBER	QTY	LINE	SERIES	BODY	ENGINE	TRANS	TRIM	DESCRIPTION
	1QF171UYAA	1	J, T	S	74			*00	[DV]
	1JQ19XDVAB	1	J, T	H	74			*00	[DV]
	1JQ19ZJ3AB	1	J, T	H	74			*00	[J3]
		1	J, T	P	74			*00	
10									HINGE, Floor Console Lid
	05143595AA	1	J, T	H	74			*00	
		1	J, T	X	74			*00	
11									NET, Storage
	68032917AA	1	J, T	H	74			*00	
		1	J, T	X	74			*00	
12									DUCT, Floor Console
	05143598AA	1	J, T	X	74			*00	
		1	J, T	H	74			*00	
	55197077AB	1							Between HVAC and Instrument Panel. Includes foam and a clip, Front
-13		1							SCREW, .164-18x.50, (NOT SERVICED),
14									BRACKET, Console
	68059626AA	1	J, T	X	74			*00	
	05143597AD	1	J, T	H	74			*00	
15									END CAP, Console
	1JN741D1AA	1	J, T		74			*00	[J1], [JKV], [JPZ]
	1JN741DVAA	1	J, T		74			*00	[DV], [JKV], [JPZ]
	1JN751D1AA	1	J, T		74			*00	[D1], [JKV], [JPZ], [XRV]
		1	J, T		74			*00	[J1], [JKV], [JPZ], [XRV]
	1JN751DVAA	1	J, T		74			*00	[DV], [JKV], [JPZ], [XRV]
	1JN761D1AA	1	J, T		74			*00	[D1], [JKV]
		1	J, T		74			*00	[J1], [JKV]
	1JN761DVAA	1	J, T		74			*00	[DV], [JKV]
	1JN761J3AA	1	J, T		74			*00	[J3], [JKV]
	1JN78BD1AA	1	J, T		74			*00	[D1], [JKV], [XRV]
		1	J, T		74			*00	[J1], [JKV], [XRV]
	1JN78XDVAA	1	J, T		74			*00	[DV], [JKV], [XRV]
	1JN78ZJ3AA	1	J, T		74			*00	[J3], [JKV], [XRV]

GRAND CHEROKEE (WK)

SERIES LINE
H = HIGHLINE T = JEEP - 2WD
P = PREMIUM J = JEEP - 4WD
S = SPORT
X = SPECIAL

BODY
74 = SPORT UTILITY 4-DR
TYPE #4

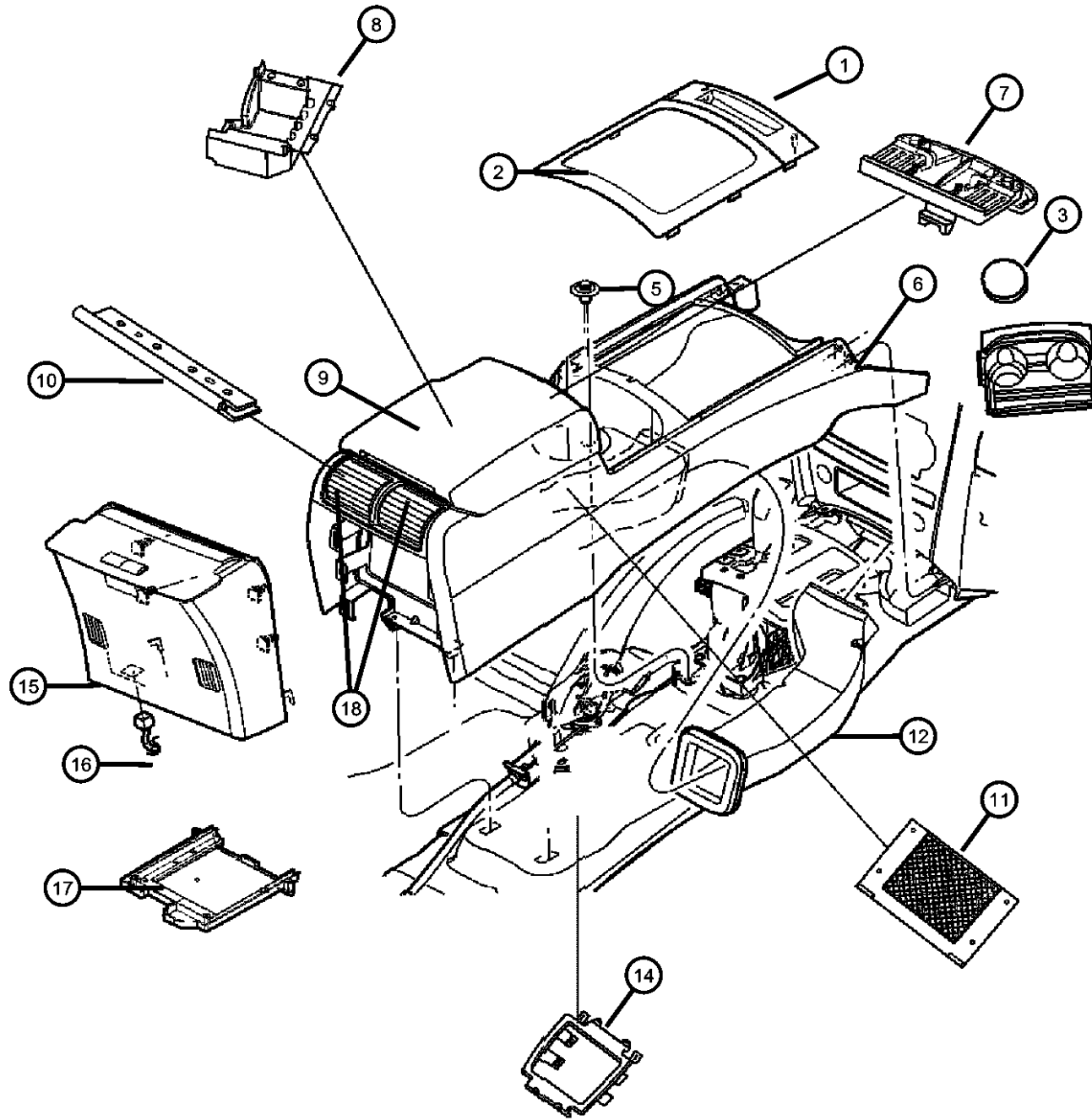
ENGINE
EZH = 5.7L V8 HEMI MDS
VCT Engine
ESF = 6.1L SRT HEMI V8
Engine
EKG = 3.7L V6 Engine

TRANSMISSION
DGJ = 5-Speed Auto W5A580
Transmission
DGQ = 5-Spd Automatic 545RFE
Transmission

AR = use ase required - = Non illustrated part

2010 WK

Floor Console Front
Figure 50-1610



ITEM	PART NUMBER	QTY	LINE	SERIES	BODY	ENGINE	TRANS	TRIM	DESCRIPTION
	5KB96BD1AB	1	J, T		74			*O0	[D1], [CUF]
		1	J, T		74			*O0	[J1], [CUF]
		1	J, T		74			*O0	[D1], [JKV], [JPZ]
	5KB96XDVAB	1	J, T		74			*O0	[DV], [CUF]
	5KB96ZJ3AB	1	J, T		74			*O0	[J3], [CUF]
16		1							CONNECTOR, Serviced with Body Wiring, (NOT SERVICED),
17		1							PLATE, Serviced with Console Assy., (NOT SERVICED)
18									OUTLET, Air Conditioning & Heater
	1PB743DVAA	1	J, T	H	74			*O0	[DV], [XDA]
	1PB74ZJ3AA	1	J, T	H	74			*O0	[J3]
	1PB74XDVAA	1	J, T	H	74			*O0	[DV]
	1PB742DVAA	1	J, T	X	74			*O0	[DV]
	1PB741J3AA	1	J, T	H	74			*O0	[J3], [XDA]
-19	55196982AG	1	J, T		74				SILENCER, Tunnel

GRAND CHEROKEE (WK)

SERIES LINE
H = HIGHLINE T = JEEP - 2WD
P = PREMIUM J = JEEP - 4WD
S = SPORT
X = SPECIAL

BODY
74 = SPORT UTILITY 4-DR
TYPE #4

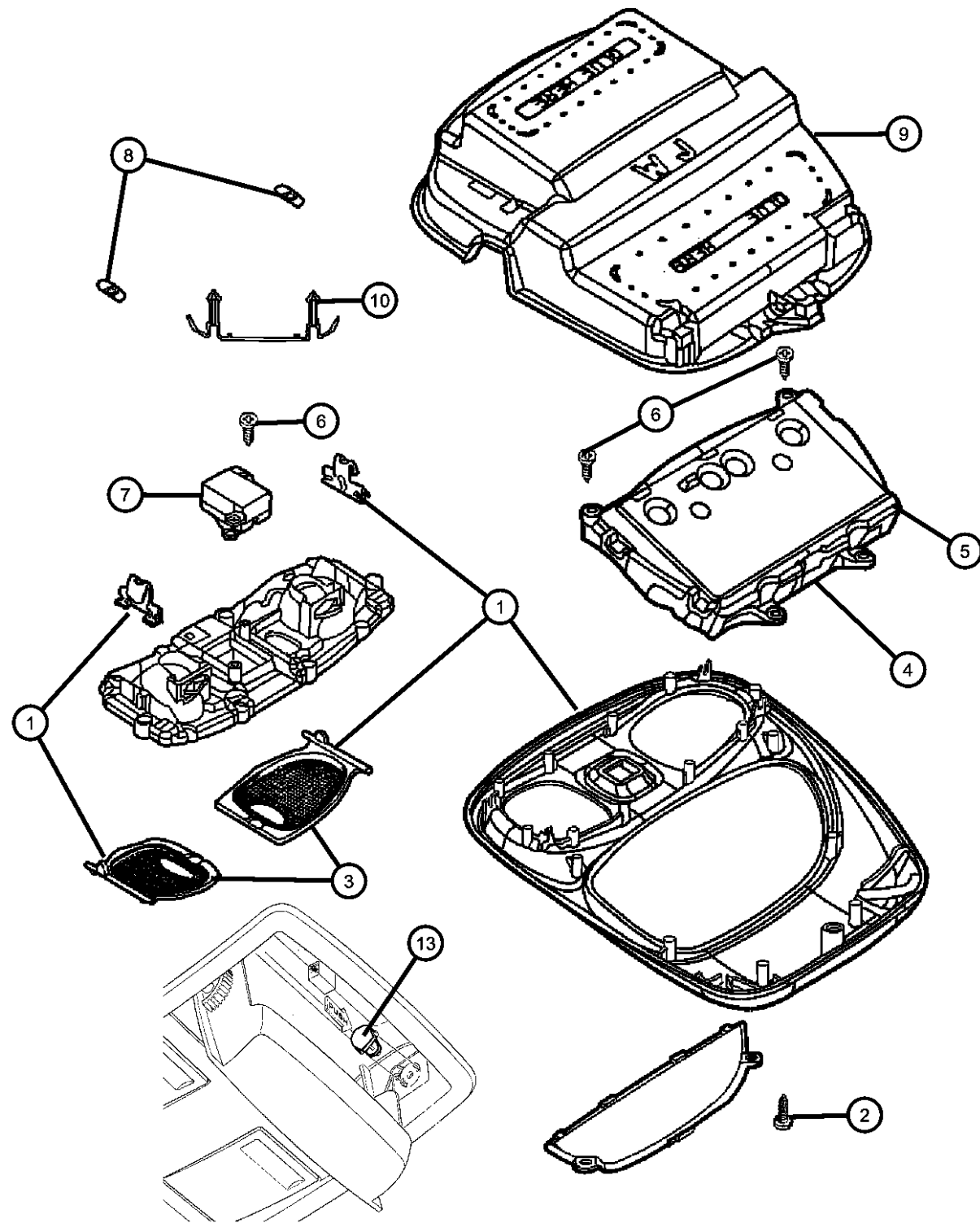
ENGINE
EZH = 5.7L V8 HEMI MDS
VCT Engine
ESF = 6.1L SRT HEMI V8
Engine
EKG = 3.7L V6 Engine

TRANSMISSION
DGJ = 5-Speed Auto W5A580
Transmission
DGQ = 5-Spd Automatic 545RFE
Transmission

AR = use ase required - = Non illustrated part

2010 WK

Overhead Consoles
Figure 50-1620



ITEM	PART NUMBER	QTY	LINE	SERIES	BODY	ENGINE	TRANS	TRIM	DESCRIPTION
1									CONSOLE, Overhead
	1AR29BD1AB	1	J, T		74			*00	
	1LE17BD1AA	1	J, T		74			*00	[GWA]
2		1							SCREW, .164-18x.500, (NOT SERVICED),
3									LENS
	05137527AA	1	J, T		74			*00	Left
	05137526AA	1	J, T		74			*00	Right
4	1HT92BD1AA	1	J, T		74			*00	MODULE, Compass
5	1HT94BD1AA	1	J, T		74			*00	MODULE, Compass Temperature, W/Garage Door Opener
6		1							SCREW, (NOT SERVICED)
7		1							SWITCH, 1 Gang, (NOT SERVICED)
8	L0000578	1	J, T		74			*00	BULB, 578
9	05139449AA	1	J, T		74			*00	RETAINER, Overhead Console
10	04746232	4	J, T		74			*00	CLIP, Z-Axis
-11	05166015AA	2	J, T		74			*00	PLATE, Retaining
-12	05137535AA	2	J, T		74			*00	SWITCH, Map Light
13	68043540AA	1	J, T		74			*00	FOLLOWER, Sunglass Bin

GRAND CHEROKEE (WK)

SERIES LINE
H = HIGHLINE T = JEEP - 2WD
P = PREMIUM J = JEEP - 4WD
S = SPORT
X = SPECIAL

BODY
74 = SPORT UTILITY 4-DR
TYPE #4

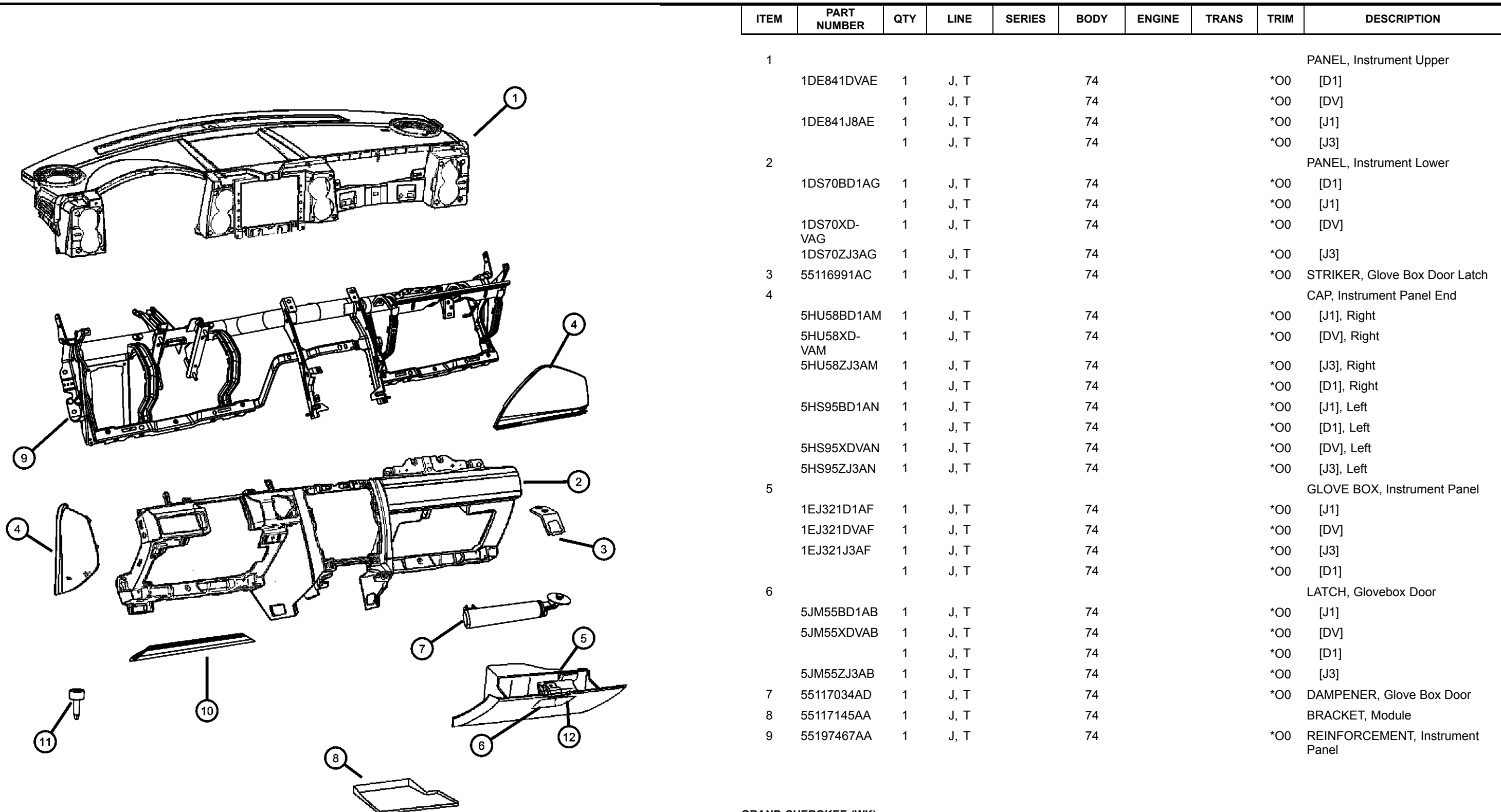
ENGINE
EZH = 5.7L V8 HEMI MDS
VCT Engine
ESF = 6.1L SRT HEMI V8
Engine
EKG = 3.7L V6 Engine

TRANSMISSION
DGJ = 5-Speed Auto W5A580
Transmission
DGQ = 5-Spd Automatic 545RFE
Transmission

AR = use ase required - = Non illustrated part

2010 WK

**Instrument Panel and Structure
Figure 50-1705**



ITEM	PART NUMBER	QTY	LINE	SERIES	BODY	ENGINE	TRANS	TRIM	DESCRIPTION
1	1DE841DVAE	1	J, T		74			*00	PANEL, Instrument Upper [D1]
		1	J, T		74			*00	[DV]
	1DE841J8AE	1	J, T		74			*00	[J1]
		1	J, T		74			*00	[J3]
2	1DS70BD1AG	1	J, T		74			*00	PANEL, Instrument Lower [D1]
		1	J, T		74			*00	[J1]
	1DS70XD-VAG	1	J, T		74			*00	[DV]
	1DS70ZJ3AG	1	J, T		74			*00	[J3]
	3	55116991AC	1	J, T		74			*00
4	5HU58BD1AM	1	J, T		74			*00	CAP, Instrument Panel End [J1], Right
	5HU58XD-VAM	1	J, T		74			*00	[DV], Right
	5HU58ZJ3AM	1	J, T		74			*00	[J3], Right
		1	J, T		74			*00	[D1], Right
	5HS95BD1AN	1	J, T		74			*00	[J1], Left
		1	J, T		74			*00	[D1], Left
	5HS95XDVAN	1	J, T		74			*00	[DV], Left
	5HS95ZJ3AN	1	J, T		74			*00	[J3], Left
5	1EJ321D1AF	1	J, T		74			*00	GLOVE BOX, Instrument Panel [J1]
	1EJ321DVAF	1	J, T		74			*00	[DV]
	1EJ321J3AF	1	J, T		74			*00	[J3]
		1	J, T		74			*00	[D1]
6	5JM55BD1AB	1	J, T		74			*00	LATCH, Glovebox Door [J1]
	5JM55XDVAB	1	J, T		74			*00	[DV]
		1	J, T		74			*00	[D1]
	5JM55ZJ3AB	1	J, T		74			*00	[J3]
7	55117034AD	1	J, T		74			*00	DAMPENER, Glove Box Door
8	55117145AA	1	J, T		74				BRACKET, Module
9	55197467AA	1	J, T		74			*00	REINFORCEMENT, Instrument Panel

GRAND CHEROKEE (WK)
 SERIES LINE
 H = HIGHLINE T = JEEP - 2WD
 P = PREMIUM J = JEEP - 4WD
 S = SPORT
 X = SPECIAL

BODY
 74 = SPORT UTILITY 4-DR
 TYPE #4

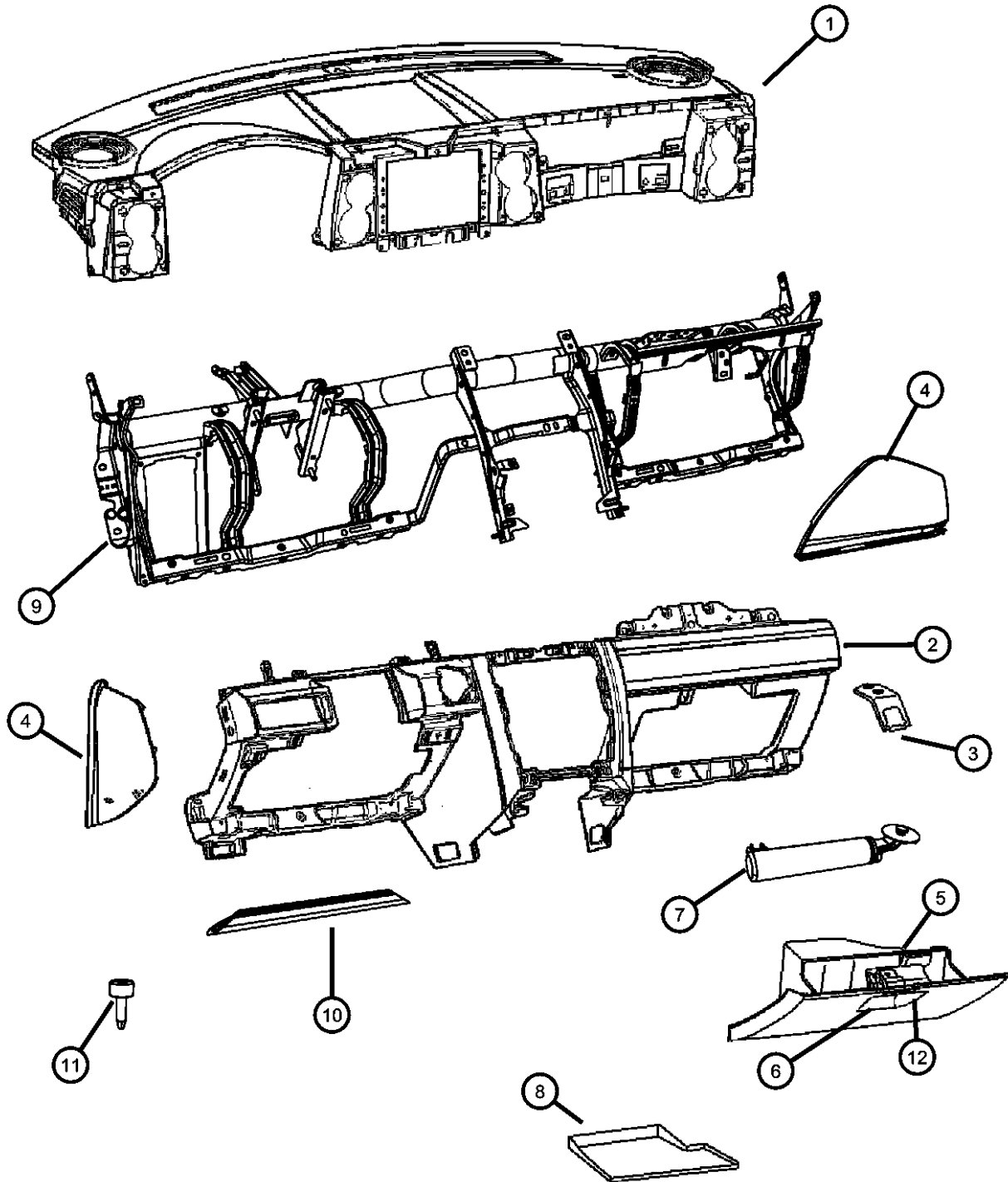
ENGINE
 EZH = 5.7L V8 HEMI MDS
 VCT Engine
 ESF = 6.1L SRT HEMI V8
 Engine
 EKG = 3.7L V6 Engine

TRANSMISSION
 DGJ = 5-Speed Auto W5A580
 Transmission
 DGQ = 5-Spd Automatic 545RFE
 Transmission

AR = use ase required - = Non illustrated part

**Instrument Panel and Structure
Figure 50-1705**

ITEM	PART NUMBER	QTY	LINE	SERIES	BODY	ENGINE	TRANS	TRIM	DESCRIPTION
10	55117106AB	1	J, T		74			*O0	PROTECTOR, Wiring
11	05191002AA	1	J, T		74				SCREW, Hex Head
12	04746315	1	J, T		74				CYLINDER, Glove Box Lock



GRAND CHEROKEE (WK)

SERIES LINE
H = HIGHLINE T = JEEP - 2WD
P = PREMIUM J = JEEP - 4WD
S = SPORT
X = SPECIAL

BODY
74 = SPORT UTILITY 4-DR
TYPE #4

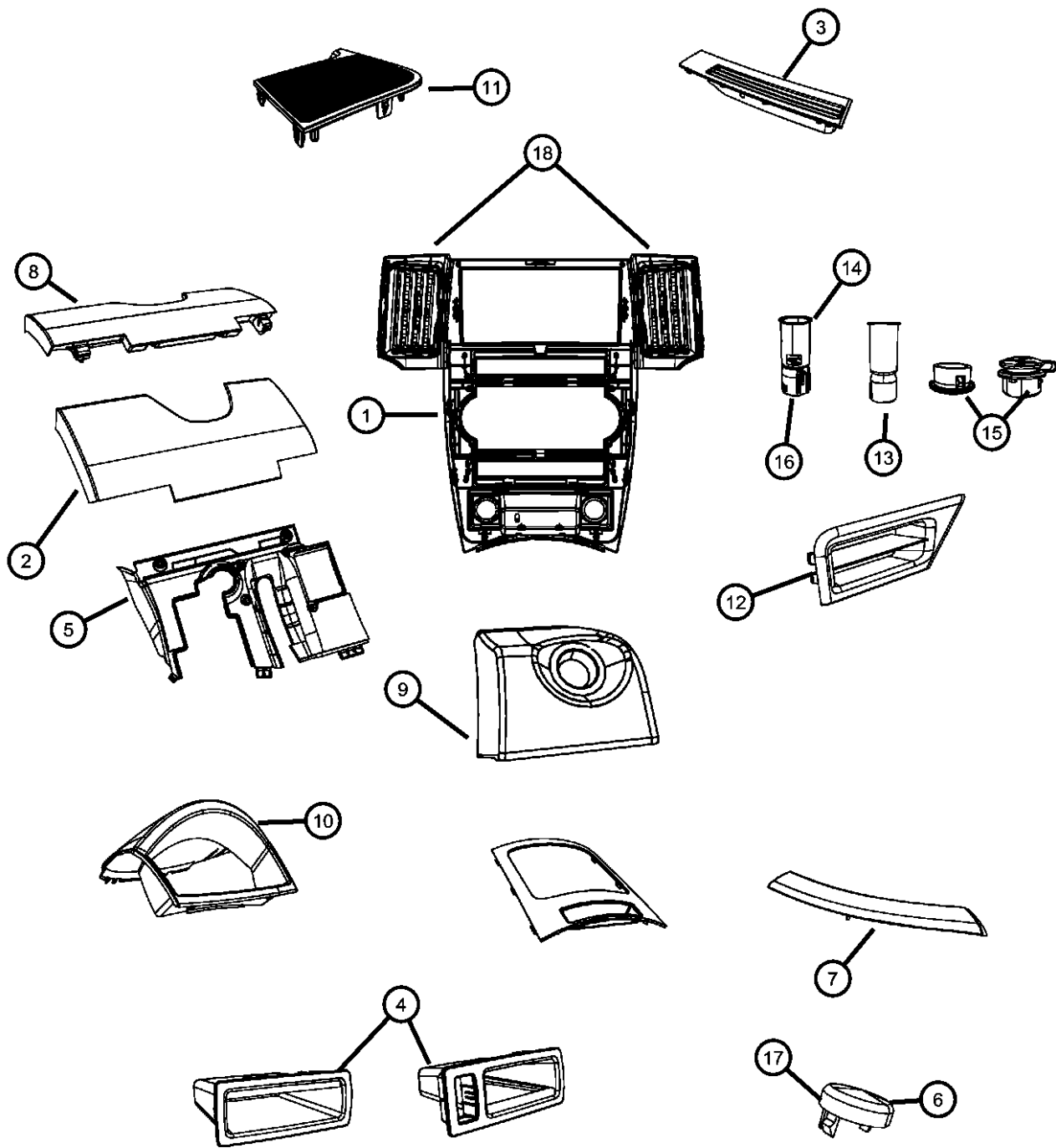
ENGINE
EZH = 5.7L V8 HEMI MDS
VCT Engine
ESF = 6.1L SRT HEMI V8
Engine
EKG = 3.7L V6 Engine

TRANSMISSION
DGJ = 5-Speed Auto W5A580
Transmission
DGQ = 5-Spd Automatic 545RFE
Transmission

AR = use ase required - = Non illustrated part

2010 WK

**Instrument Panel Trim
Figure 50-1710**



ITEM	PART NUMBER	QTY	LINE	SERIES	BODY	ENGINE	TRANS	TRIM	DESCRIPTION
1	1QX244AAAA	1	J, T	P	74			*O0	BEZEL, Instrument Panel, Center Refined Aluminum, [ADS]
	1QX241AAAA	1	J, T	H	74			*O0	Diamond Cut
	1QX242AAAA	1	J, T	P	74			*O0	Olive Ash Burl
	1QX243AAAA	1	J, T	X	74			*O0	Carbon Weave
2	1DS74XDVAC	1	J, T		74			*O0	COVER, Knee Blocker [DV]
	1DS74ZJ3AC	1	J, T		74			*O0	[J3]
	1DS74BD1AC	1	J, T		74			*O0	[D1]
		1	J, T		74			*O0	[J1]
3	1DQ54XD-VAA	1	J, T		74			*O0	GRILLE, Defroster [D1], Right
		1	J, T		74			*O0	[DV], Right
	1DQ54ZJ8AA	1	J, T		74			*O0	[J3], Right
		1	J, T		74			*O0	[J1], Right
	1DQ55XD-VAA	1	J, T		74			*O0	[D1], Left
		1	J, T		74			*O0	[DV], Left
	1DQ55ZJ8AA	1	J, T		74			*O0	[J3], Left
	1	J, T		74			*O0	[J1], Left	
4	1EJ29XDVAF	1	J, T		74			*O0	BIN, Instrument Panel [DV], [XA8]
	1EJ29ZJ3AF	1	J, T		74			*O0	[J3], [XA8]
	1EJ30BD1AF	1	J, T		74			*O0	[D1], [XAM] Or [XAP]
		1	J, T		74			*O0	[J1], [XAM] Or [XAP]
	1EJ30XDVAF	1	J, T		74			*O0	[DV], [XAM] Or [XAP]
	1EJ30ZJ3AF	1	J, T		74			*O0	[J3], [XAM] Or [XAP]
5	55116775AL	1	J, T		74				PANEL, Instrument Panel CloseoutLeft
6	5JN32ZJ8AD	1	J, T		74			*O0	PLUG, Instrument Panel [J3]
		1	J, T		74			*O0	[J8]
	5JN32XDVAD	1	J, T		74			*O0	[DV]
7	1DE99BD1AD	1	J, T		74			*O0	COVER, Steering Column Gap [D1]

GRAND CHEROKEE (WK)

SERIES LINE
H = HIGHLINE T = JEEP - 2WD
P = PREMIUM J = JEEP - 4WD
S = SPORT
X = SPECIAL

BODY
74 = SPORT UTILITY 4-DR
TYPE #4

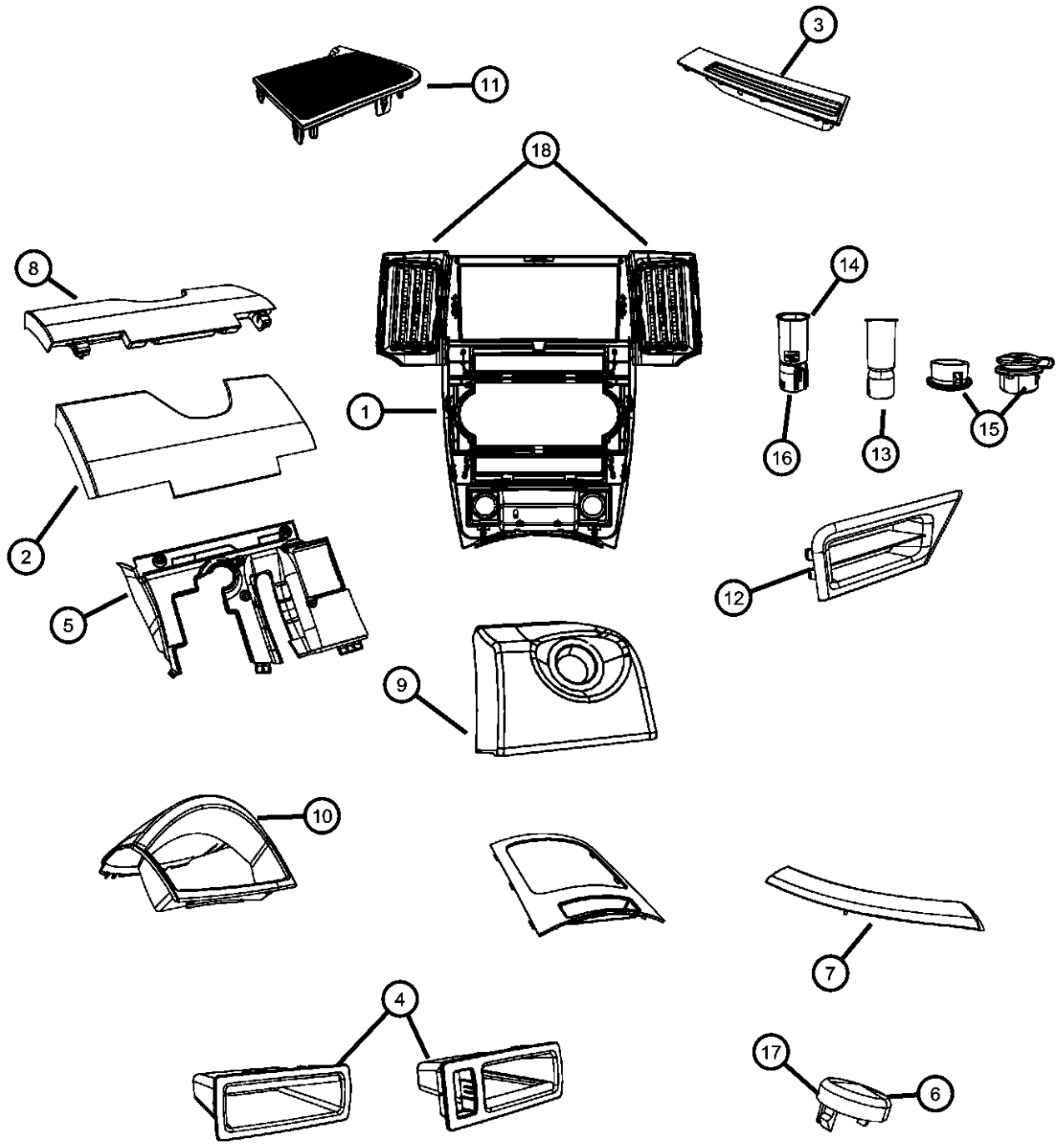
ENGINE
EZH = 5.7L V8 HEMI MDS
VCT Engine
ESF = 6.1L SRT HEMI V8
Engine
EKG = 3.7L V6 Engine

TRANSMISSION
DGJ = 5-Speed Auto W5A580
Transmission
DGQ = 5-Spd Automatic 545RFE
Transmission

AR = use ase required - = Non illustrated part

2010 WK

**Instrument Panel Trim
Figure 50-1710**



ITEM	PART NUMBER	QTY	LINE	SERIES	BODY	ENGINE	TRANS	TRIM	DESCRIPTION
									[J1]
	1DE99XDVAD	1	J, T		74			*O0	[DV]
	1DE99ZJ3AD	1	J, T		74			*O0	[J3]
8	55116780AL	1	J, T		74			*O0	PANEL, Instrument Panel CloseoutRight
9									BEZEL, Ignition Switch
	1DS72BD1AC	1	J, T		74			*O0	[D1]
		1	J, T		74			*O0	[J1]
	1DS72XDVAC	1	J, T		74			*O0	[DV]
	1DS72ZJ3AC	1	J, T		74			*O0	[J3]
10									BEZEL, Cluster
	1DE89ZJ8AC	1	J, T		74			*O0	[J3]
		1	J, T		74			*O0	[J1]
	1DE89XDVAC	1	J, T		74			*O0	[DV]
		1	J, T		74			*O0	[D1]
11									GRILLE, Instrument Panel Speaker
	5KB01XDVAJ	1	J, T		74			*O0	[D1], Left
		1	J, T		74			*O0	[DV], Left
	5KB01ZJ8AJ	1	J, T		74			*O0	[J1], Left
		1	J, T		74			*O0	[J3], Left
	5KB00XDVAJ	1	J, T		74			*O0	[D1], Right
		1	J, T		74			*O0	[DV], Right
	5KB00ZJ8AJ	1	J, T		74			*O0	[J1], Right
		1	J, T		74			*O0	[J3], Right
12									GRILLE, Lower
	1FC54BD1AC	1	J, T		74			*O0	[D1], Right
		1	J, T		74			*O0	[J1], Right
	1FC54XDVAC	1	J, T		74			*O0	[DV], Right
	1FC54ZJ3AC	1	J, T		74			*O0	[J3], Right
	1FC55BD1AC	1	J, T		74			*O0	[D1], Left
		1	J, T		74			*O0	[J1], Left
	1FC55XDVAC	1	J, T		74			*O0	[DV], Left
	1FC55ZJ3AC	1	J, T		74			*O0	[J3], Left
13	04793554AC	1	J, T		74				POWER OUTLET

GRAND CHEROKEE (WK)

SERIES LINE
H = HIGHLINE T = JEEP - 2WD
P = PREMIUM J = JEEP - 4WD
S = SPORT
X = SPECIAL

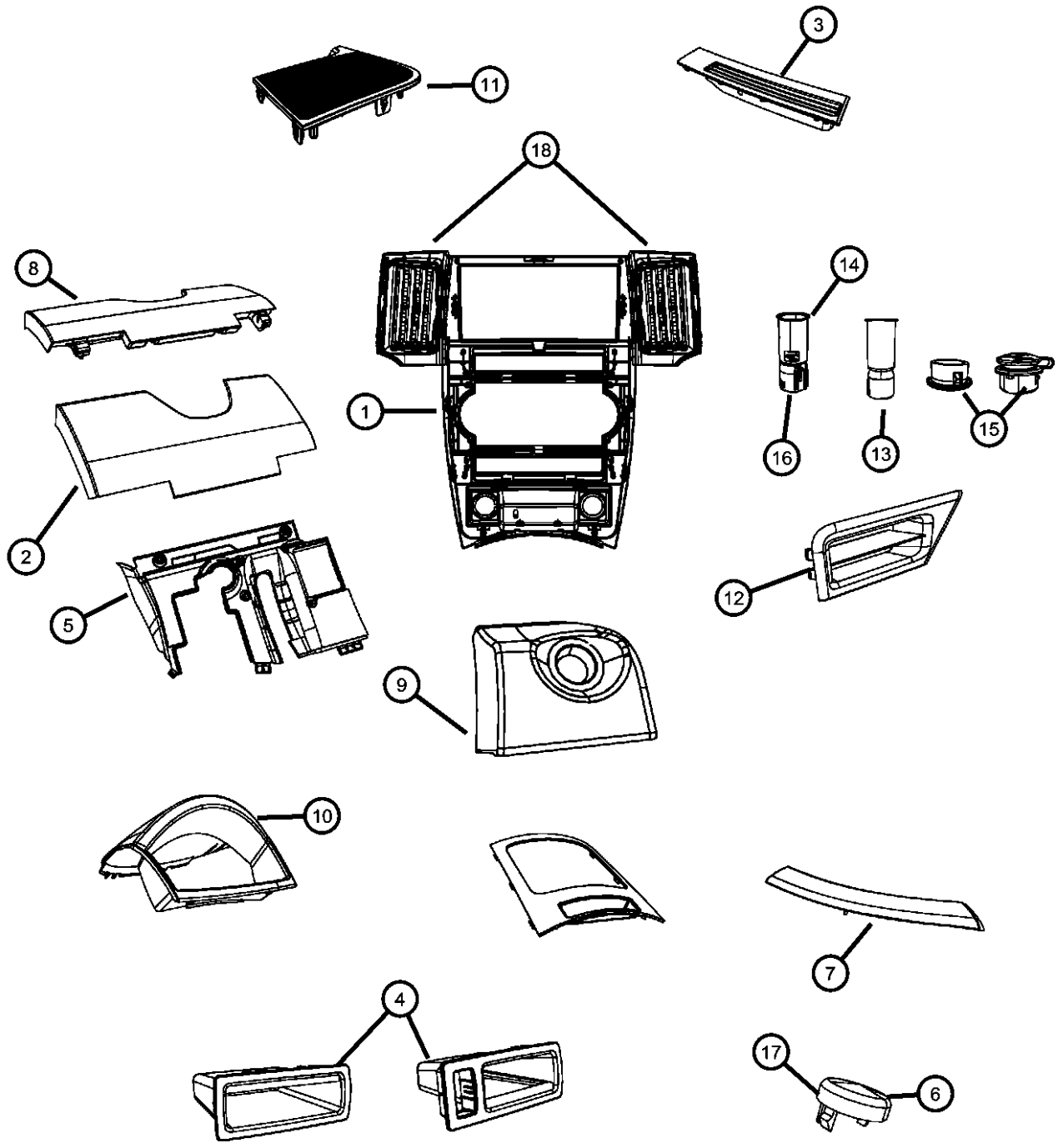
BODY
74 = SPORT UTILITY 4-DR
TYPE #4

ENGINE
EZH = 5.7L V8 HEMI MDS
VCT Engine
ESF = 6.1L SRT HEMI V8
Engine
EKG = 3.7L V6 Engine

TRANSMISSION
DGJ = 5-Speed Auto W5A580
Transmission
DGQ = 5-Spd Automatic 545RFE
Transmission

AR = use ase required - = Non illustrated part

**Instrument Panel Trim
Figure 50-1710**



ITEM	PART NUMBER	QTY	LINE	SERIES	BODY	ENGINE	TRANS	TRIM	DESCRIPTION
14	05026362AA	1	J, T		74				BASE, Cigar Lighter
15	05026626AB	1	J, T		74				CAP, Power Outlet, With Mounting Ring
16	04685668AA	1	J, T		74			*O0	MOUNT, Power Outlet
17									BEZEL, Sensor
	1EJ31XDVAD	1	J, T		74			*O0	[D1]
		1	J, T		74			*O0	[DV]
	1EJ31ZJ8AD	1	J, T		74			*O0	[J1]
18									OUTLET, Air Conditioning & Heater, Outboard
	1BL77ZJ8AC	1	J, T		74			*O0	[J1], Left
		1	J, T		74			*O0	[J3], Left
	1BL77XDVAC	1	J, T		74			*O0	[D1], Left
		1	J, T		74			*O0	[DV], Left
	1BL761D1AC	1	J, T		74			*O0	[D1], Right
	1BL761DVAC	1	J, T		74			*O0	[DV], Right
	1BL761J1AC	1	J, T		74			*O0	[J1], Right
	1BL761J3AC	1	J, T		74			*O0	[J3], Right
	1EA081X9AE	1	J, T	P	74			*O0	[DV] With [ADS], Right
	1EA091X9AE	1	J, T	P	74			*O0	[DV] With [ADS], Left

GRAND CHEROKEE (WK)

SERIES LINE
H = HIGHLINE T = JEEP - 2WD
P = PREMIUM J = JEEP - 4WD
S = SPORT
X = SPECIAL

BODY
74 = SPORT UTILITY 4-DR
TYPE #4

ENGINE
EZH = 5.7L V8 HEMI MDS
VCT Engine
ESF = 6.1L SRT HEMI V8
Engine
EKG = 3.7L V6 Engine

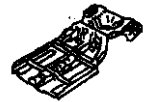
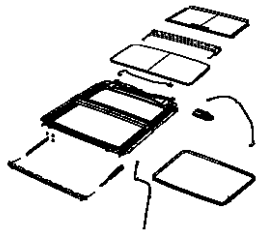




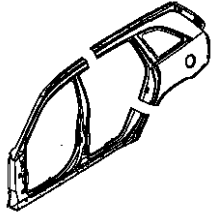
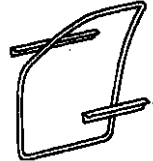
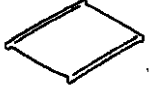
TRANSMISSION
DGJ = 5-Speed Auto W5A580
Transmission
DGQ = 5-Spd Automatic 545RFE
Transmission

AR = use ase required - = Non illustrated part

2010 WK

Group - 60

Body Sheet Metal Except Doors

<p>060-100 Floor Pans</p> 	<p>060-1000 Sunroof</p> 	<p>060-1100 Deck Lid</p>	<p>060-1300 Sport Bar or Luggage Rack</p>
<p>060-200 Plugs</p> 	<p>060-300 Fenders</p> 	<p>060-400 Hood and Hood Release</p> 	<p>060-500 Cowl and Dash Panel</p> 
<p>060-600 Aperture Panel and Pillar Supports</p> 	<p>060-800 Body Structure Welds, Weatherstrips, Seals, Sealers and Adhesives</p> 	<p>060-900 Roof</p> 	

Group - 60 Body Sheet Metal Except Doors

Illustration Title	Group-Fig. No.
Floor Pans	
Front Floor Pan.....	Fig. 60 - 105
Center and Rear Floor Pan.....	Fig. 60 - 130
Plugs	
Body Plugs and Exhauster.....	Fig. 60 - 205
Fenders	
Front Fender.....	Fig. 60 - 305
Hood and Hood Release	
Hood and Related Parts.....	Fig. 60 - 405
Cowl and Dash Panel	
Cowl, Dash Panel, & Related Parts.....	Fig. 60 - 505
Aperture Panel and Pillar Supports	
Front Aperture Panel.....	Fig. 60 - 605
Rear Aperture (Quarter) Panel.....	Fig. 60 - 650
Body Structure Welds, Weatherstrips, Seals, Sealers and Adhesives	
Body Weatherstrips and Seals.....	Fig. 60 - 805
Roof	
Roof Panel.....	Fig. 60 - 905
Sunroof	
Sunroof Glass and Component Parts.....	Fig. 60 - 1005
Deck Lid	
Liftgate, Latch and Hinges.....	Fig. 60 - 1130
Sport Bar or Luggage Rack	
Roof Rack.....	Fig. 60 - 1305

**Front Floor Pan
Figure 60-105**

ITEM	PART NUMBER	QTY	LINE	SERIES	BODY	ENGINE	TRANS	TRIM	DESCRIPTION
1	52090070AI	1	J, T		74				CROSSMEMBER, Transmission
2	55394418AJ	1	J, T		74				PAN, Floor
3	55394456AC	1	J, T		74				SHIELD, Heat
4									RAIL, Frame Side
	55394058AQ	1	J, T		74				Right
	55394059AQ	1	J, T		74				Left
5	06101916	1	J, T		74				NUT, Hex Weld, M8x1.25
6	55399033AA	1	J, T		74				PLATE, Control Arm
7	55197007AE	1	J, T		74				INSULATION, Floor
8	06508463AA	2	J, T		74				NUT, Plastic
9	06505199AA	2	J, T		74				NUT, Stamped Hex Flange, M5x1.60
10	55394453AB	1	J, T		74				SHIELD, Heat

GRAND CHEROKEE (WK)

SERIES LINE
H = HIGHLINE T = JEEP - 2WD
P = PREMIUM J = JEEP - 4WD
S = SPORT
X = SPECIAL

BODY
74 = SPORT UTILITY 4-DR
TYPE #4

ENGINE
EZH = 5.7L V8 HEMI MDS
VCT Engine
ESF = 6.1L SRT HEMI V8
Engine
EKG = 3.7L V6 Engine

TRANSMISSION
DGJ = 5-Speed Auto W5A580
Transmission
DGQ = 5-Spd Automatic 545RFE
Transmission

AR = use ase required - = Non illustrated part

2010 WK

**Center and Rear Floor Pan
Figure 60-130**

ITEM	PART NUMBER	QTY	LINE	SERIES	BODY	ENGINE	TRANS	TRIM	DESCRIPTION
									[EK0] = ALL 3.7L ENGINES
									[EVO] = ALL 4.7L V8 ENGINES
									[EZ0] = ALL 5.7L V8 ENGINES
									[ESF] = 6.1L SRT HEMI V8 ENGINE
1	55396186AE	1	J, T		74				CROSSMEMBER, Rear Floor
2	55396322AO	1	J, T		74				PAN, Floor
3									RAIL, Rear Floor Pan Side
	05166026AE	1	J, T		74				Right
	05166027AD	1	J, T		74				Left
4	55396338AG	1	J, T		74				CROSSMEMBER, Floor Pan
5	55394460AB	1	J, T		74				SHIELD, Heat
6	55396340AF	1	J, T		74				CROSSMEMBER, Floor Pan
7	55396447AD	1	J, T		74				CROSSMEMBER, Floor Pan
8									GUSSET, Side Member
	55394440AD	1	J, T		74				Right
	55394441AD	1	J, T		74				Left
9	06505199AA	2	J, T		74				NUT, Stamped Hex Flange, M5x1.60

GRAND CHEROKEE (WK)

SERIES	LINE	BODY	ENGINE	TRANSMISSION
H = HIGHLINE	T = JEEP - 2WD	74 = SPORT UTILITY 4-DR	EZH = 5.7L V8 HEMI MDS	DGJ = 5-Speed Auto W5A580
P = PREMIUM	J = JEEP - 4WD	TYPE #4	VCT Engine	Transmission
S = SPORT			ESF = 6.1L SRT HEMI V8	DGQ = 5-Spd Automatic 545RFE
X = SPECIAL			Engine	Transmission
			EKG = 3.7L V6 Engine	

AR = use ase required - = Non illustrated part

2010 WK

**Body Plugs and Exhauster
Figure 60-205**

ITEM	PART NUMBER	QTY	LINE	SERIES	BODY	ENGINE	TRANS	TRIM	DESCRIPTION
1		2							PLUG, Plastic Expandable, 19mm, (NOT SERVICED)
2		2							PLUG, Body, (NOT SERVICED)
3	55276486AA	3	J, T		74				PLUG, Drain
4	04589408AA	12	J, T		74				PLUG, Floor Pan
5	55136456AB	1	J, T		74				PLUG, Body
6	55136566AA	2	J, T		74				PLUG, Body
7	04440294	2	J, T		74				PLUG, Body
8	05116448AB	2	J, T		74				PLUG, Access Hole
9	55276486AA	3	J, T		74				PLUG, Drain

GRAND CHEROKEE (WK)

SERIES LINE
H = HIGHLINE T = JEEP - 2WD
P = PREMIUM J = JEEP - 4WD
S = SPORT
X = SPECIAL

BODY
74 = SPORT UTILITY 4-DR
TYPE #4

ENGINE
EZH = 5.7L V8 HEMI MDS
VCT Engine
ESF = 6.1L SRT HEMI V8
Engine
EKG = 3.7L V6 Engine

TRANSMISSION
DGJ = 5-Speed Auto W5A580
Transmission
DGQ = 5-Spd Automatic 545RFE
Transmission

AR = use ase required - = Non illustrated part

2010 WK

**Front Fender
Figure 60-305**

ITEM	PART NUMBER	QTY	LINE	SERIES	BODY	ENGINE	TRANS	TRIM	DESCRIPTION
1									FENDER, Front
	55394450AB	1	J, T		74				Right
	68058476AA	1	J, T		74				With [ABD], Right
	55394451AB	1	J, T		74				Left
2	06505903AA	1	J, T		74				SCREW AND WASHER, Self Tapping, M6x1x22
3	06100286	4	J, T		74				BOLT AND CONED WASHER, Hex Head, M6x20x20
4	55197234AB	2	J, T		74				STUFFER
5									SUPPORT, Suspension
	05161877AE	1	J, T		74				Left
	05161876AF	1	J, T		74				Right
6									LINER, Fender Side
	55079096AA	1	J, T		74				Right
	55079097AA	1	J, T		74				Left
7	34201621	2	J, T		74				RIVET, M6.3x37.40
8	06500911	3	J, T		74				RIVET, M6.25x28
9	55196996AC	2	J, T		74				SILENCER, Cowl Side To Fender
10		2							NUT, U Multi Thread, M6 x 1.00, (NOT SERVICED)
11		2							STUD, Double Ended, [M6x1.00x57.00], (NOT SERVICED)

GRAND CHEROKEE (WK)

SERIES LINE
H = HIGHLINE T = JEEP - 2WD
P = PREMIUM J = JEEP - 4WD
S = SPORT
X = SPECIAL

BODY
74 = SPORT UTILITY 4-DR
TYPE #4

ENGINE
EZH = 5.7L V8 HEMI MDS
VCT Engine
ESF = 6.1L SRT HEMI V8
Engine
EKG = 3.7L V6 Engine

TRANSMISSION
DGJ = 5-Speed Auto W5A580
Transmission
DGQ = 5-Spd Automatic 545RFE
Transmission

**Hood and Related Parts
Figure 60-405**

ITEM	PART NUMBER	QTY	LINE	SERIES	BODY	ENGINE	TRANS	TRIM	DESCRIPTION
1									HINGE, Hood
	55394474AB	1	J, T		74				Right
	55394475AB	1	J, T		74				Left
2	55196983AG	1	J, T		74				SILENCER, Hood
3	06504521	4	J, T		74				PIN, Push
4	55394495AB	1	J, T		74				CABLE, Hood Release
5	55396247AE	1	J, T		74				LATCH, Hood
6	55364470AB	2	J, T		74				BUMPER, Hood
7	55394496AF	1	J, T		74				PANEL, Hood
8									SEAL, Hood To Plenum
	55396862AA	1	J, T		74				Right
	55396863AA	1	J, T		74				Left
9	55394851AA	1	J, T		74				WEATHERSTRIP, Hood
10	68025360AA	1	J, T		74				PROP, Hood
11	04814094	3	J, T		74				CLIP, Hood Latch Release
12	06101831	2	J, T		74				NUT, Hex Flange, M8x1.25
13	06503543	4	J, T		74				BOLT AND CONED WASHER, Hex Head, M8x1.25x25
14	06100286	4	J, T		74				BOLT AND CONED WASHER, Hex Head, M6x20x20
15	55394777AB	1	J, T		74				SEAL, Hood To Plenum
-16		1							STRIKER, Hood Striker Serviced With Hood Only, (NOT SERVICED)

GRAND CHEROKEE (WK)

SERIES LINE
H = HIGHLINE T = JEEP - 2WD
P = PREMIUM J = JEEP - 4WD
S = SPORT
X = SPECIAL

BODY
74 = SPORT UTILITY 4-DR
TYPE #4

ENGINE
EZH = 5.7L V8 HEMI MDS
VCT Engine
ESF = 6.1L SRT HEMI V8
Engine
EKG = 3.7L V6 Engine

TRANSMISSION
DGJ = 5-Speed Auto W5A580
Transmission
DGQ = 5-Spd Automatic 545RFE
Transmission

AR = use ase required - = Non illustrated part

2010 WK

**Cowl, Dash Panel, & Related Parts
Figure 60-505**

ITEM	PART NUMBER	QTY	LINE	SERIES	BODY	ENGINE	TRANS	TRIM	DESCRIPTION
1	55394116AF	1	J, T		74				PANEL, Cowl Top
2	55394118AH	1	J, T		74				PANEL, Cowl And Plenum
3	55394100AK	1	J, T		74				PANEL, Dash
4									PANEL, Cowl
	55394112AH	1	J, T		74				Right
	55394113AH	1	J, T		74				Left
5									COVER, Cowl Grille
	55156853AG	1	J, T		74				Left
	55156852AG	1	J, T		74				Right
6	05143725AA	12	J		74				STUD
7									REINFORCEMENT, Cowl Side
	55394106AC	1	J, T		74				Right
	55394107AC	1	J, T		74				Left

GRAND CHEROKEE (WK)

SERIES LINE
H = HIGHLINE T = JEEP - 2WD
P = PREMIUM J = JEEP - 4WD
S = SPORT
X = SPECIAL

BODY
74 = SPORT UTILITY 4-DR
TYPE #4

ENGINE
EZH = 5.7L V8 HEMI MDS
VCT Engine
ESF = 6.1L SRT HEMI V8
Engine
EKG = 3.7L V6 Engine

TRANSMISSION
DGJ = 5-Speed Auto W5A580
Transmission
DGQ = 5-Spd Automatic 545RFE
Transmission

**Front Aperture Panel
Figure 60-605**

ITEM	PART NUMBER	QTY	LINE	SERIES	BODY	ENGINE	TRANS	TRIM	DESCRIPTION
1									PANEL, Body Side Aperture Front, Complete
	05142298AI	1	J, T		74				Right
	05142299AI	1	J, T		74				Left
2									PANEL, Body Side Aperture Front, Outer
	05142292AE	1	J, T		74				Right
	05142293AE	1	J, T		74				Left
3	55394824AB	2	J, T		74				REINFORCEMENT, Sill
4									SILL, Body Side
	55394454AC	1	J, T		74				Right
	55394455AC	1	J, T		74				Left
5	55394040AG	1	J, T		74				SEAL, Front Door
6	55396276AC	1	J, T		74				EXTENSION, Body Side Aperture
7									SEAL, Body Side
	55399016AB	1	J, T		74				Right
	55399017AB	1	J, T		74				Left

GRAND CHEROKEE (WK)

SERIES LINE
H = HIGHLINE T = JEEP - 2WD
P = PREMIUM J = JEEP - 4WD
S = SPORT
X = SPECIAL

BODY
74 = SPORT UTILITY 4-DR
TYPE #4

ENGINE
EZH = 5.7L V8 HEMI MDS
VCT Engine
ESF = 6.1L SRT HEMI V8
Engine
EKG = 3.7L V6 Engine

TRANSMISSION
DGJ = 5-Speed Auto W5A580
Transmission
DGQ = 5-Spd Automatic 545RFE
Transmission

AR = use ase required - = Non illustrated part

2010 WK

**Rear Aperture (Quarter) Panel
Figure 60-650**

ITEM	PART NUMBER	QTY	LINE	SERIES	BODY	ENGINE	TRANS	TRIM	DESCRIPTION
1									PANEL, Quarter, Outer Only, Without Tailamp Pocket
	05142294AE	1	J, T		74				Right
	05142295AE	1	J, T		74				Left
2									WHEELHOUSE, Rear Inner
	55394458AF	1	J, T		74				Right
	55394459AF	1	J, T		74				Left
3									PANEL, Body Side Aperture Rear, Complete, Includes Tailamp Pocket
	05142300AI	1	J, T		74				Right
	05142301AI	1	J, T		74				Left
4									EXTENSION, Body Side Aperture
	55396443AB	1	J, T		74				Left
	55396442AB	1	J, T		74				Right
5									TROUGH, Liftgate Opening
	55396058AF	1	J, T		74				Right
	55396059AF	1	J, T		74				Left
6	55394200AB	1	J, T		74				REINFORCEMENT, Door Striker
7	55394330AB	1	J, T		74				EXHAUSTER, Bodyside Aperture
8	04674669	1	J, T		74				PLATE, Striker
9	55075483	AR	J, T		74				SPACER, Door Latch Striker
10	04717779AC	1	J, T		74				STRIKER AND BUMPER, Door Latch
11									STRIKER, Seat Back Latch
	55197084AB	1	J, T		74				Right
	55197085AB	1	J, T		74				Left
12	55394206AD	1	J, T		74				DOOR, Fuel Fill
13	06507847AA	2	J, T		74				BOLT, Torx Head, M6X1.00X17.00
14	52102405AA	2	J, T		74				BUMPER, Fuel Door
15	55399018AB	1	J, T		74				SEAL, Rear Door
16									SEAL, Wheelhouse
	55396052AD	1	J, T		74				Right
	55396053AD	1	J, T		74				Left
17									SEAL, Body Side
	55399016AB	1	J, T		74				Right
	55399017AB	1	J, T		74				Left

GRAND CHEROKEE (WK)

SERIES LINE
H = HIGHLINE T = JEEP - 2WD
P = PREMIUM J = JEEP - 4WD
S = SPORT
X = SPECIAL

BODY
74 = SPORT UTILITY 4-DR
TYPE #4

ENGINE
EZH = 5.7L V8 HEMI MDS
VCT Engine
ESF = 6.1L SRT HEMI V8
Engine
EKG = 3.7L V6 Engine

TRANSMISSION
DGJ = 5-Speed Auto W5A580
Transmission
DGQ = 5-Spd Automatic 545RFE
Transmission

AR = use ase required - = Non illustrated part

2010 WK

**Rear Aperture (Quarter) Panel
Figure 60-650**

ITEM	PART NUMBER	QTY	LINE	SERIES	BODY	ENGINE	TRANS	TRIM	DESCRIPTION
18									SHIELD, Splash
	55156618AF	1	J, T		74				ALL V8 ENGINES, Rear Right
	55156619AH	1	J, T		74				ALL V8 ENGINES, Rear Left
	55157312AE	1	J, T		74				ALL V8 ENGINES, Rear Right
	55157313AF	1	J, T		74				ALL V8 ENGINES, Rear Left
19	34201621	2	J, T		74				RIVET, M6.3x37.40
20	06500911	3	J, T		74				RIVET, M6.25x28
21	52090493AB	1	J, T		74				HOUSING, Fuel Filler
22		1							SCREW, 6 Lobed, (NOT SERVICED)
23	55136280AE	1	J, T		74				EXHAUSTER, Quarter Panel, Tail Lamp Exhauster
24	06503328	6	J, T		74				SCREW, Hex Head, M8x1.25x30

GRAND CHEROKEE (WK)

SERIES LINE
H = HIGHLINE T = JEEP - 2WD
P = PREMIUM J = JEEP - 4WD
S = SPORT
X = SPECIAL

BODY
74 = SPORT UTILITY 4-DR
TYPE #4

ENGINE
EZH = 5.7L V8 HEMI MDS
VCT Engine
ESF = 6.1L SRT HEMI V8
Engine
EKG = 3.7L V6 Engine

TRANSMISSION
DGJ = 5-Speed Auto W5A580
Transmission
DGQ = 5-Spd Automatic 545RFE
Transmission

**Body Weatherstrips and Seals
Figure 60-805**

ITEM	PART NUMBER	QTY	LINE	SERIES	BODY	ENGINE	TRANS	TRIM	DESCRIPTION
1									SEAL, Body Side
	55399016AB	1	J, T		74				Right
	55399017AB	1	J, T		74				Left
2	55394040AG	1	J, T		74				SEAL, Front Door
3	55394046AA	1	J, T		74				SEAL, Rear Door
4	68029995AB	1	J, T		74				WEATHERSEAL, LIFTGATE

GRAND CHEROKEE (WK)

SERIES LINE
H = HIGHLINE T = JEEP - 2WD
P = PREMIUM J = JEEP - 4WD
S = SPORT
X = SPECIAL

BODY
74 = SPORT UTILITY 4-DR
TYPE #4

ENGINE
EZH = 5.7L V8 HEMI MDS
VCT Engine
ESF = 6.1L SRT HEMI V8
Engine
EKG = 3.7L V6 Engine

TRANSMISSION
DGJ = 5-Speed Auto W5A580
Transmission
DGQ = 5-Spd Automatic 545RFE
Transmission

**Roof Panel
Figure 60-905**

ITEM	PART NUMBER	QTY	LINE	SERIES	BODY	ENGINE	TRANS	TRIM	DESCRIPTION
1									PANEL, Roof
	55394293AB	1	J, T		74				Without Sunroof
	55394298AD	1	J, T		74				With Sunroof
2	55363368AE	1	J, T		74				HEADER, Roof Front
3	55394300AA	1	J, T		74				BOW, Roof
4	55396055AH	1	J, T		74				HEADER, Panel
5	06034608	2	J, T		74				PIN, Headline
6	55396908AA	1	J, T		74				BOW, Roof

GRAND CHEROKEE (WK)

SERIES LINE
H = HIGHLINE T = JEEP - 2WD
P = PREMIUM J = JEEP - 4WD
S = SPORT
X = SPECIAL

BODY
74 = SPORT UTILITY 4-DR
TYPE #4

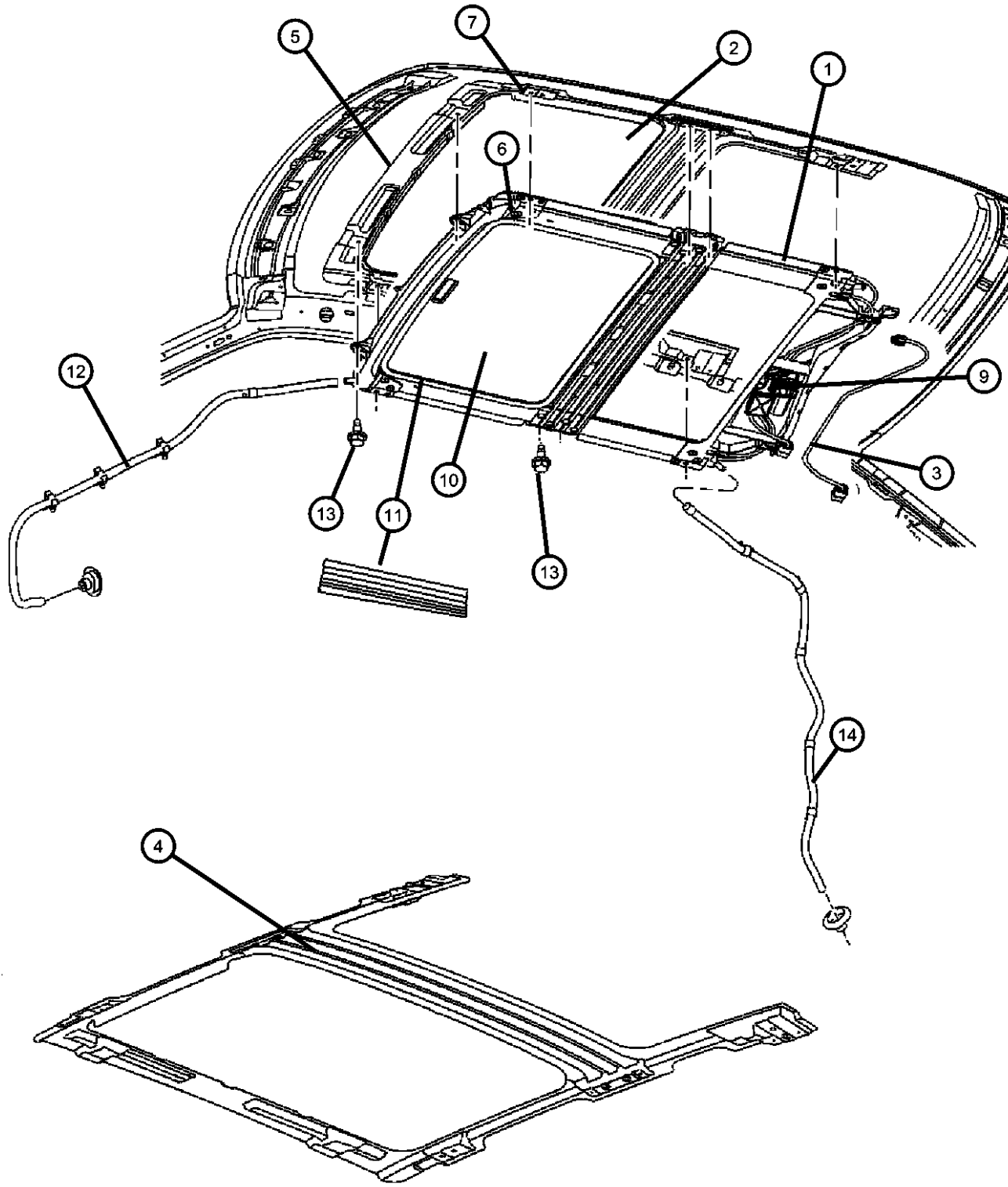
ENGINE
EZH = 5.7L V8 HEMI MDS
VCT Engine
ESF = 6.1L SRT HEMI V8
Engine
EKG = 3.7L V6 Engine

TRANSMISSION
DGJ = 5-Speed Auto W5A580
Transmission
DGQ = 5-Spd Automatic 545RFE
Transmission

AR = use ase required - = Non illustrated part

2010 WK

Sunroof Glass and Component Parts
Figure 60-1005



ITEM	PART NUMBER	QTY	LINE	SERIES	BODY	ENGINE	TRANS	TRIM	DESCRIPTION
1	05139927AB	1	J, T		74				FRAME, Sunroof
2	05139931AA	1	J, T		74				GLASS, Sunroof, Includes Seal
3	05139930AB	1	J, T		74				WIRING, Sunroof
4	05137559AD	1	J, T		74				CHANNEL, Sunroof Drain, Includes Weatherstrip
5	05170957AA	1	J, T		74				DEFLECTOR, Sunroof Wind
6	05073053AA	2	J, T		74				SCREW
7									GUIDE, Sunroof Glass
	05139814AA	1	J, T		74				Right
	05139815AA	1	J, T		74				Left
-8	68003812AA	1	J, T		74				CONDUIT, Sunroof Actuator Cable, Rear
9	05137557AF	1	J, T		74				MOTOR/MODULE, Sunroof
10	1AH31BD1AA	1	J, T		74				SUNSHADE, Sunroof
11	05137558AB	1	J, T		74				COVER, Sunroof Mechanism
12	55394318AF	2	J, T		74				HOSE, Sunroof Drain
13	06101455	8	J, T		74				SCREW AND WASHER, Hex Head, M6x1x20
14	55394318AF	2	J, T		74				HOSE, Sunroof Drain

GRAND CHEROKEE (WK)

SERIES LINE
H = HIGHLINE T = JEEP - 2WD
P = PREMIUM J = JEEP - 4WD
S = SPORT
X = SPECIAL

BODY
74 = SPORT UTILITY 4-DR
TYPE #4

ENGINE
EZH = 5.7L V8 HEMI MDS
VCT Engine
ESF = 6.1L SRT HEMI V8
Engine
EKG = 3.7L V6 Engine

TRANSMISSION
DGJ = 5-Speed Auto W5A580
Transmission
DGQ = 5-Spd Automatic 545RFE
Transmission

AR = use ase required - = Non illustrated part

2010 WK

**Liftgate, Latch and Hinges
Figure 60-1130**

ITEM	PART NUMBER	QTY	LINE	SERIES	BODY	ENGINE	TRANS	TRIM	DESCRIPTION
1	55399066AC	1	J, T		74				PANEL, Liftgate
2	55396772AF	1	J, T		74				HINGE, Liftgate
3	06502975	4	J, T		74				SCREW AND WASHER, Hex Head, M8x1.25x33
4	06503102	2	J, T		74				NUT AND WASHER, Hex Nut-Coned Washer, M6 x 1.00
5									HANDLE, Liftgate
	1FN57AXRAA	1	J, T		74				[XR] With [XAC]
	1FN57EBLAA	1	J, T		74				[BL] With [XAC]
	1FN57EGJAA	1	J, T		74				[GJ] With [XAC]
	1FN57WS2AA	1	J, T		74				[S2] With [XAC]
	55156354AG	1	J, T		74				Black ,With [MNS] Without [XAC]
	68039947AA	1	J, T		74				Black ,With [MNS] With [XAC]
	68039948AA	1	J, T		74				Black ,With [MNP] With [XAC]
	1FN57FFGAA	1	J, T		74				[FG] With [XAC]
	1FN57SW1AA	1	J, T		74				[W1] With [XAC]
	1FN57EDAAA	1	J, T		74				[DA] With [XAC]
	1FN57EEMAA	1	J, T		74				[EM] With [XAC]
6	06101446	3	J, T		74				NUT AND WASHER
7	04860873AD	2	J, T		74				BUMPER, Liftgate
8		2							RIVET, Blind, .250 x .660, (NOT SERVICED)
9	68025357AA	2	J, T		74				GAS CYLINDER, Liftgate Glass
10	04589131AD	1	J, T		74				LATCH, Liftgate
11	06508611AA	3	J, T		74				SCREW, LARGE ROUND WASHER HEAD LOCK, M6X1.00X22.00
12	68025359AA	1	J, T		74				SUPPORT, Liftgate Opening
13	55364520AA	1	J, T		74				STRIKER, Liftgate
14	06503533	2	J, T		74				SCREW, Flange Head, M8x1.25x26
15	55396825AA	2	J, T		74				BUMPER, Rubber
16	55394780AJ	1	J, T		74				WEATHERSTRIP, Liftgate Glass
17	68029995AC	1	J, T		74				WEATHERSEAL, LIFTGATE
18	06503478	AR	J, T		74				SCREW, Tap, M9x1.25x26

GRAND CHEROKEE (WK)

SERIES LINE
H = HIGHLINE T = JEEP - 2WD
P = PREMIUM J = JEEP - 4WD
S = SPORT
X = SPECIAL

BODY
74 = SPORT UTILITY 4-DR
TYPE #4

ENGINE
EZH = 5.7L V8 HEMI MDS
VCT Engine
ESF = 6.1L SRT HEMI V8
Engine
EKG = 3.7L V6 Engine

TRANSMISSION
DGJ = 5-Speed Auto W5A580
Transmission
DGQ = 5-Spd Automatic 545RFE
Transmission

AR = use ase required - = Non illustrated part

2010 WK

**Roof Rack
Figure 60-1305**

ITEM	PART NUMBER	QTY	LINE	SERIES	BODY	ENGINE	TRANS	TRIM	DESCRIPTION
1									MOLDING, Roof
	55156874AD	1	J, T		74				Right
	55156875AD	1	J, T		74				Left
2									RAIL, Roof
	55157469AB	1	J, T		74				Black With [MWE], Left
	55157460AC	1	J, T		74				Stainless Steel [MW1], Right
	55157461AC	1	J, T		74				Stainless Steel [MW1], Left
	55157468AB	1	J, T		74				Black With [MWE], Right
3	55157114AD	2	J, T		74				RAIL, Luggage Rack
4									COVER, Luggage Rack, Front
	55394342AB	1	J, T		74				Right
	55394343AB	1	J, T		74				Left
5									COVER, Luggage Rack, Rear
	55394344AB	1	J, T		74				Right
	55394345AB	1	J, T		74				Left
6	05174361AA	1	J, T		74				PIN, PIN-LOCK
7	06509106AA	8	J, T		74				RIVNUT, Installation
8	06508390AA	8	J, T		74				SCREW, Pan Head

GRAND CHEROKEE (WK)

SERIES LINE
H = HIGHLINE T = JEEP - 2WD
P = PREMIUM J = JEEP - 4WD
S = SPORT
X = SPECIAL

BODY
74 = SPORT UTILITY 4-DR
TYPE #4

ENGINE
EZH = 5.7L V8 HEMI MDS
VCT Engine
ESF = 6.1L SRT HEMI V8
Engine
EKG = 3.7L V6 Engine

TRANSMISSION
DGJ = 5-Speed Auto W5A580
Transmission
DGQ = 5-Spd Automatic 545RFE
Transmission

AR = use ase required - = Non illustrated part

2010 WK