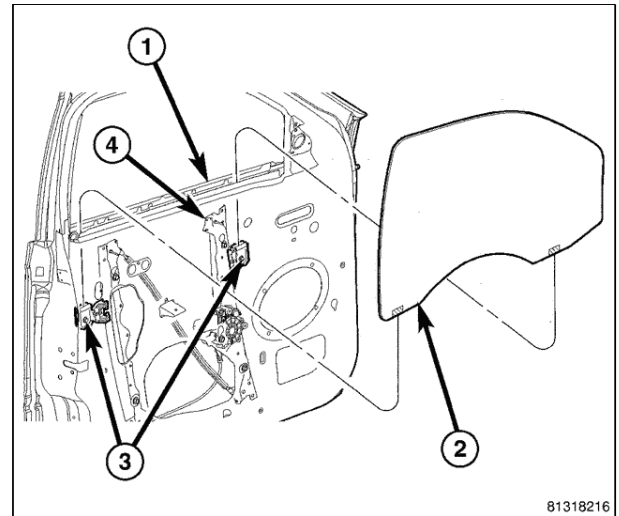
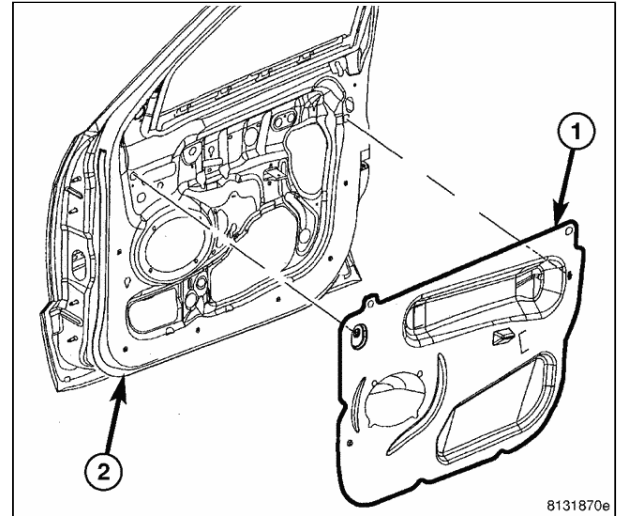
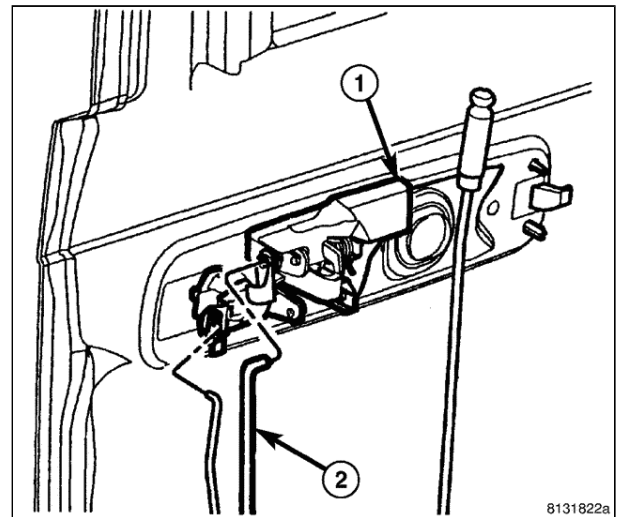


## REMOVAL - WK, front door glass > exterior handle > lock

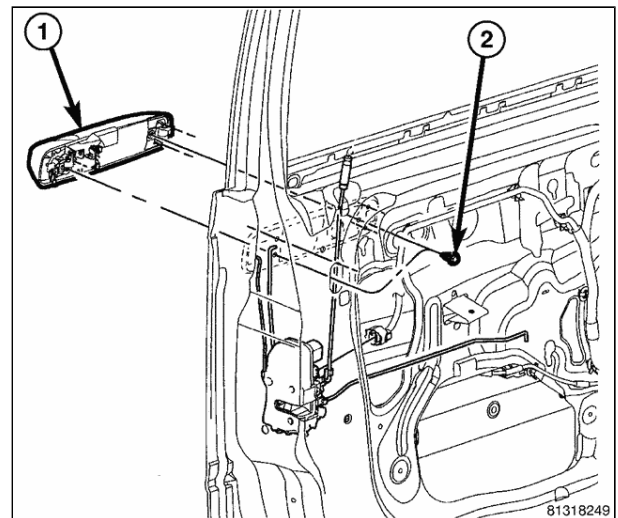
1. Remove interior door trim panel.
2. Using the regulator (4), move the front door glass (2) up or down as required to access the two window regulator glass clamp bolts (3).
3. Remove the watershield (1) from the inside of the front door (2).
4. Loosen the bolt in each of the window regulator glass clamps just far enough to release the door glass from the clamps. Do not loosen completely.
5. Disengage the door glass from the window regulator glass clamps by lowering the regulator down as required for access to remove the door glass.
6. Carefully rotate the door glass within the window opening and remove the glass from the door through the window opening.



9. Disconnect the actuator rods (2) from the front exterior handle (1).

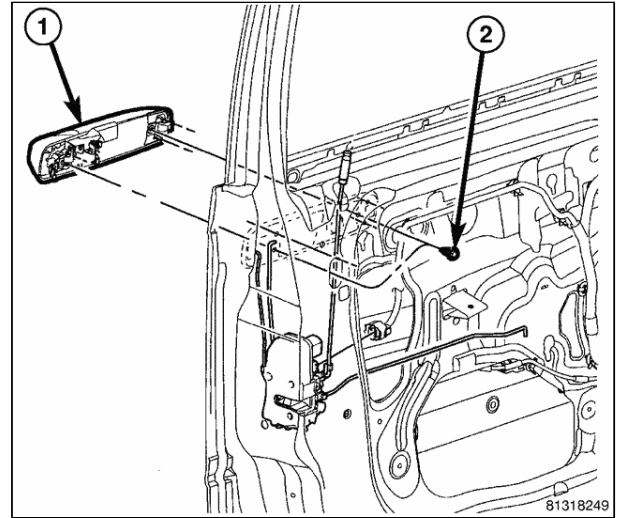


10. Remove the three bolts (2) that secure the exterior handle (1) to the front door and remove the handle.



## REMOVAL, WK - front door handle lock

1. Remove the exterior door handle (1) from the outside of the driver side front door



2. Using hand pressure, push on the face of the lock cylinder (2) until it pops out of the cavity in the back of the door handle.

