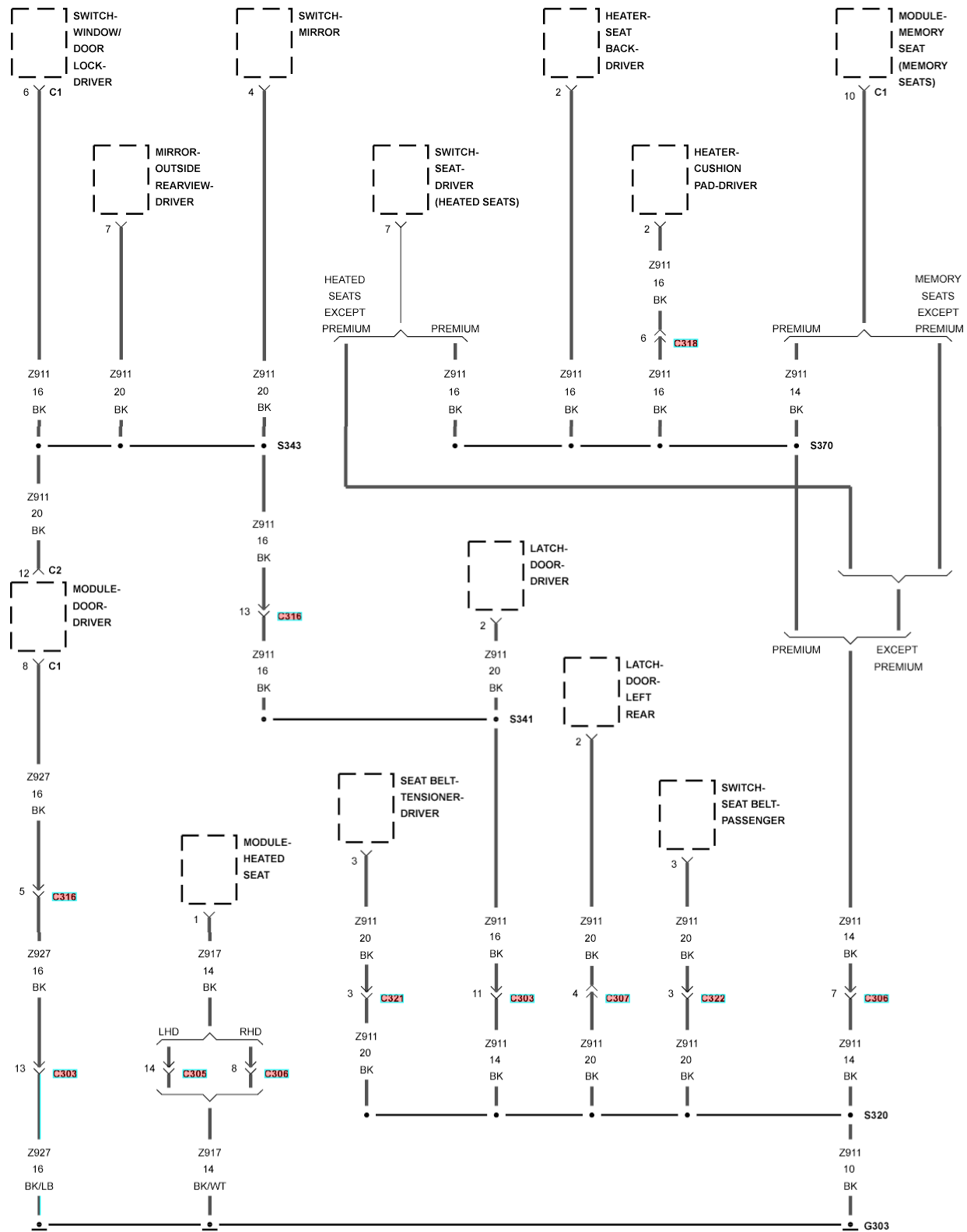
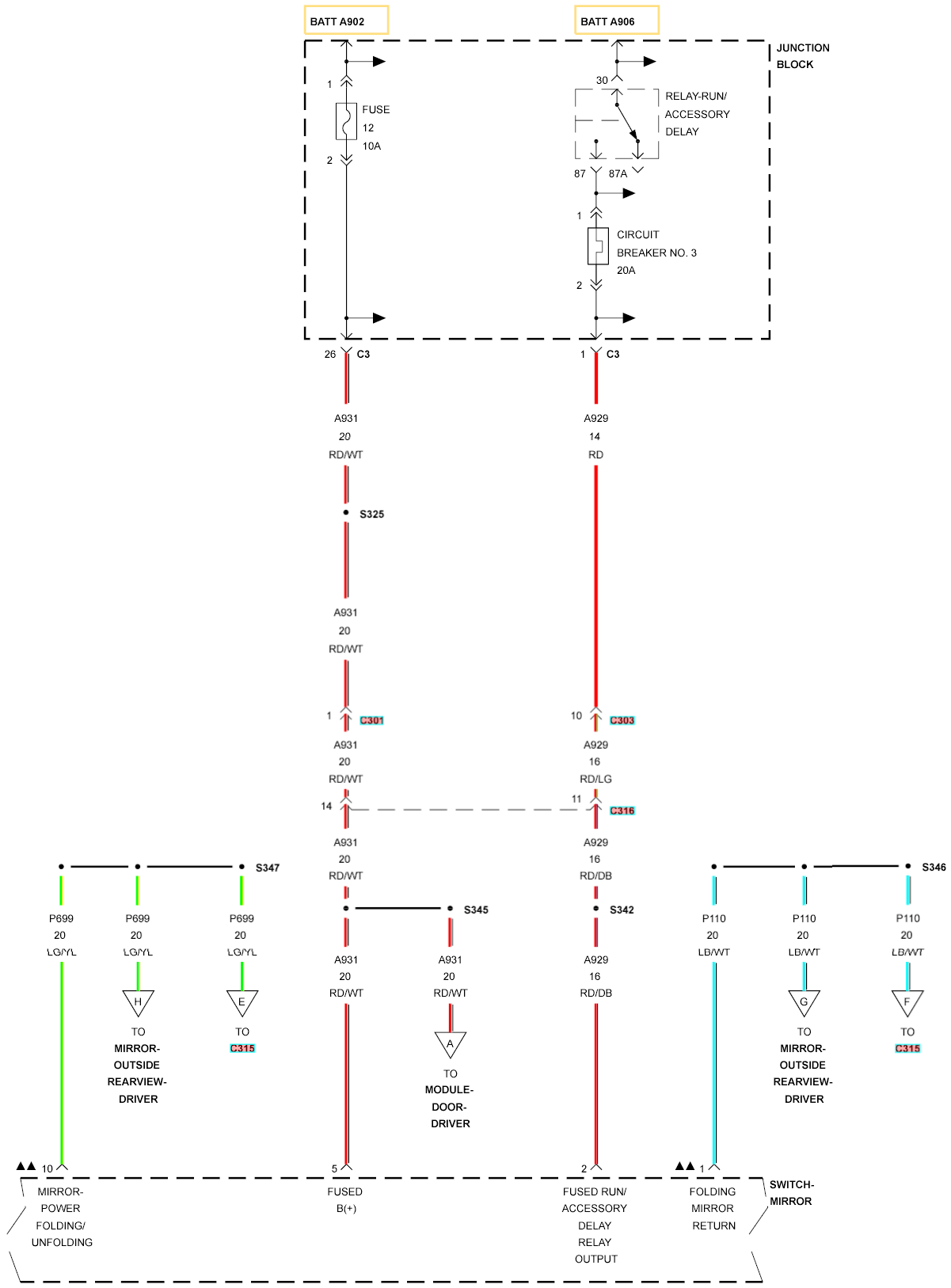


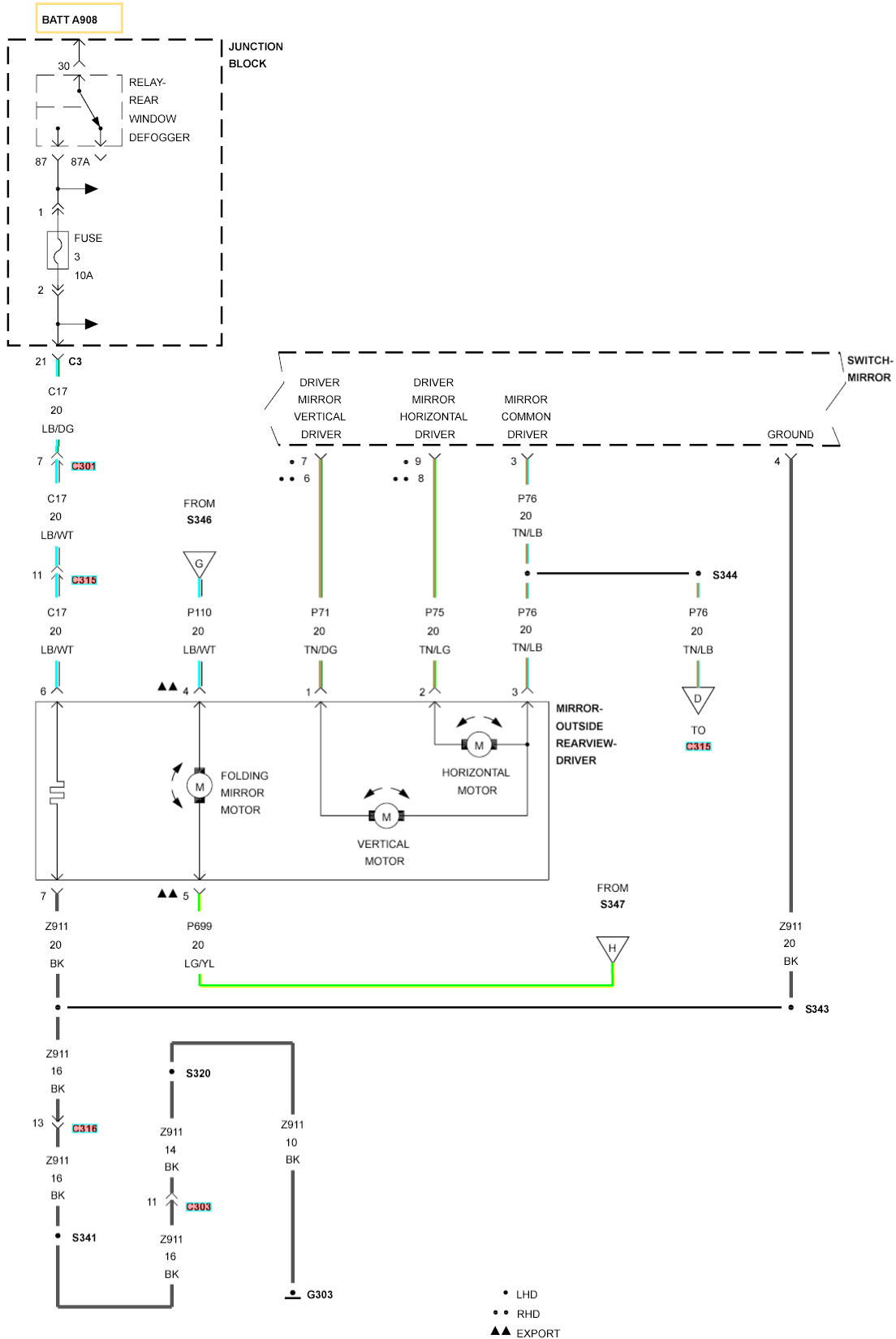
**MIRROR-OUTSIDE REARVIEW-DRIVER - (DRIVER
DOOR JUMPER) 16 WAY**

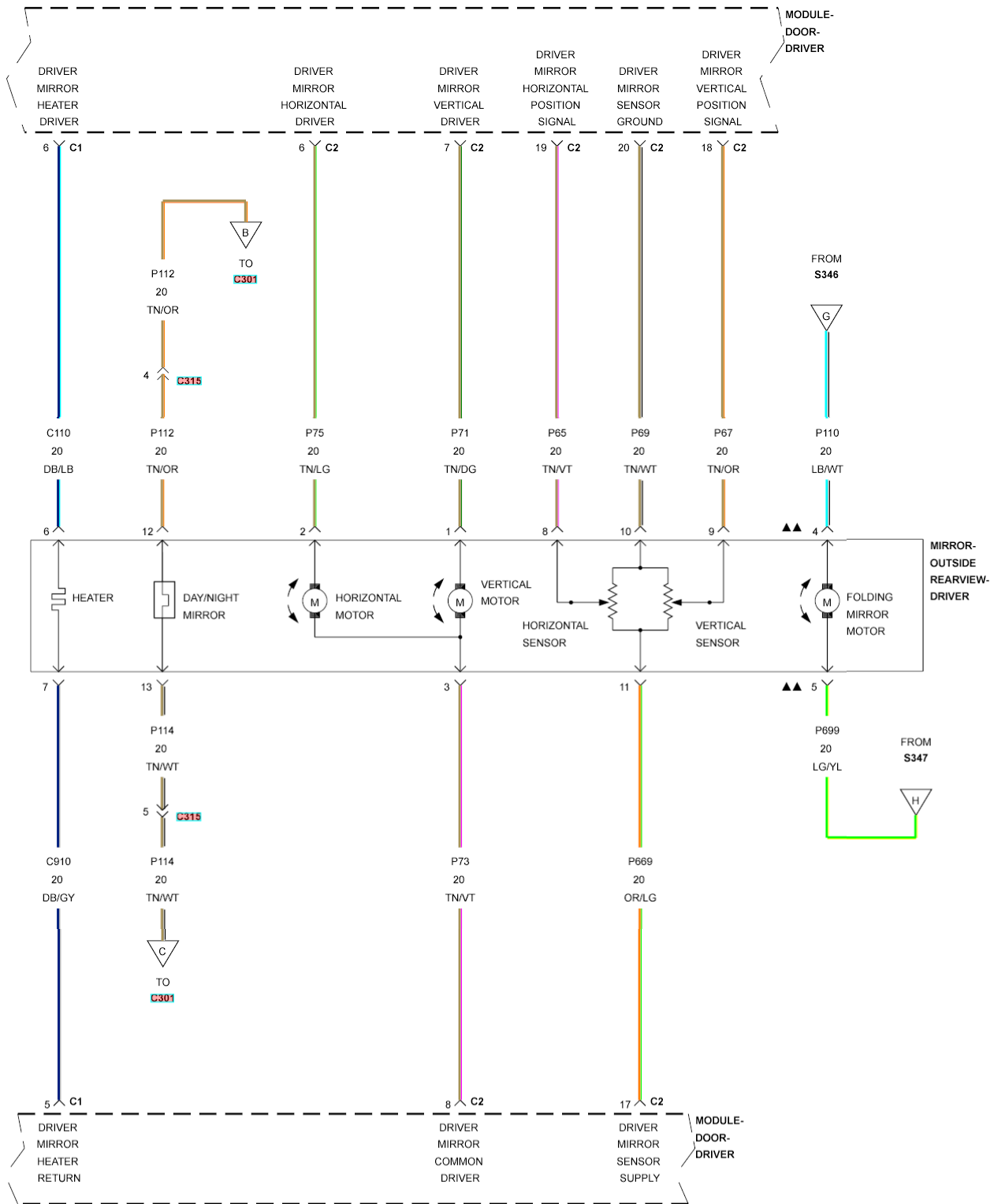
CAVITY	CIRCUIT	FUNCTION
1	P71 20TN/DG	DRIVER MIRROR VERTICAL DRIVER
2	P75 20TN/LG	DRIVER MIRROR HORIZONTAL DRIVER
3	P76 20TN/LB (EXCEPT MEMORY MIRRORS)	MIRROR COMMON DRIVER
3	P73 20TN/VT (MEMORY MIRRORS)	DRIVER MIRROR COMMON DRIVER
4	P110 20LB/WT (FOLDING MIRRORS)	MIRROR FOLD DRIVER
5	P699 20LG/YL (FOLDING MIRRORS)	MIRROR UNFOLD DRIVER
6	C17 20 LB/WT (EXCEPT MEMORY MIRRORS)	FUSED REAR WINDOW DEFOGGER RELAY OUTPUT
6	C110 20DB/LB (MEMORY MIRRORS)	DRIVER MIRROR HEATER DRIVER
7	Z911 20 BK (EXCEPT MEMORY MIRRORS)	GROUND
7	C910 20DB/GY (MEMORY MIRRORS)	DRIVER MIRROR HEATER RETURN
8	P65 20TN/VT (MEMORY MIRRORS)	DRIVER MIRROR HORIZONTAL POSITION SIGNAL
9	P67 20TN/OR (MEMORY MIRRORS)	DRIVER MIRROR VERTICAL POSITION SIGNAL
10	P69 20TN/WT (MEMORY MIRRORS)	DRIVER MIRROR SENSOR GROUND
11	P669 20OR/LG (MEMORY MIRRORS)	DRIVER MIRROR SENSOR SUPPLY

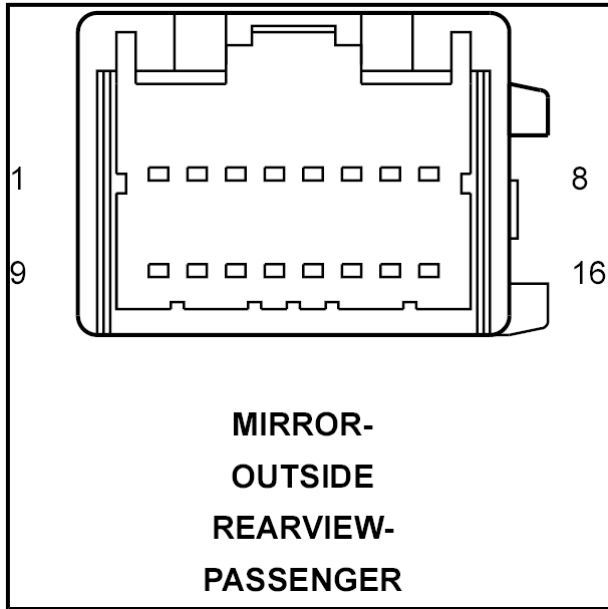
12	P112 20TN/OR (MEMORY MIRRORS)	AUTO DAY/NIGHT MIRROR (+)
13	P114 20TN/WT (MEMORY MIRRORS)	AUTO DAY/NIGHT MIRROR (-)
14	-	-
15	-	-
16	-	-







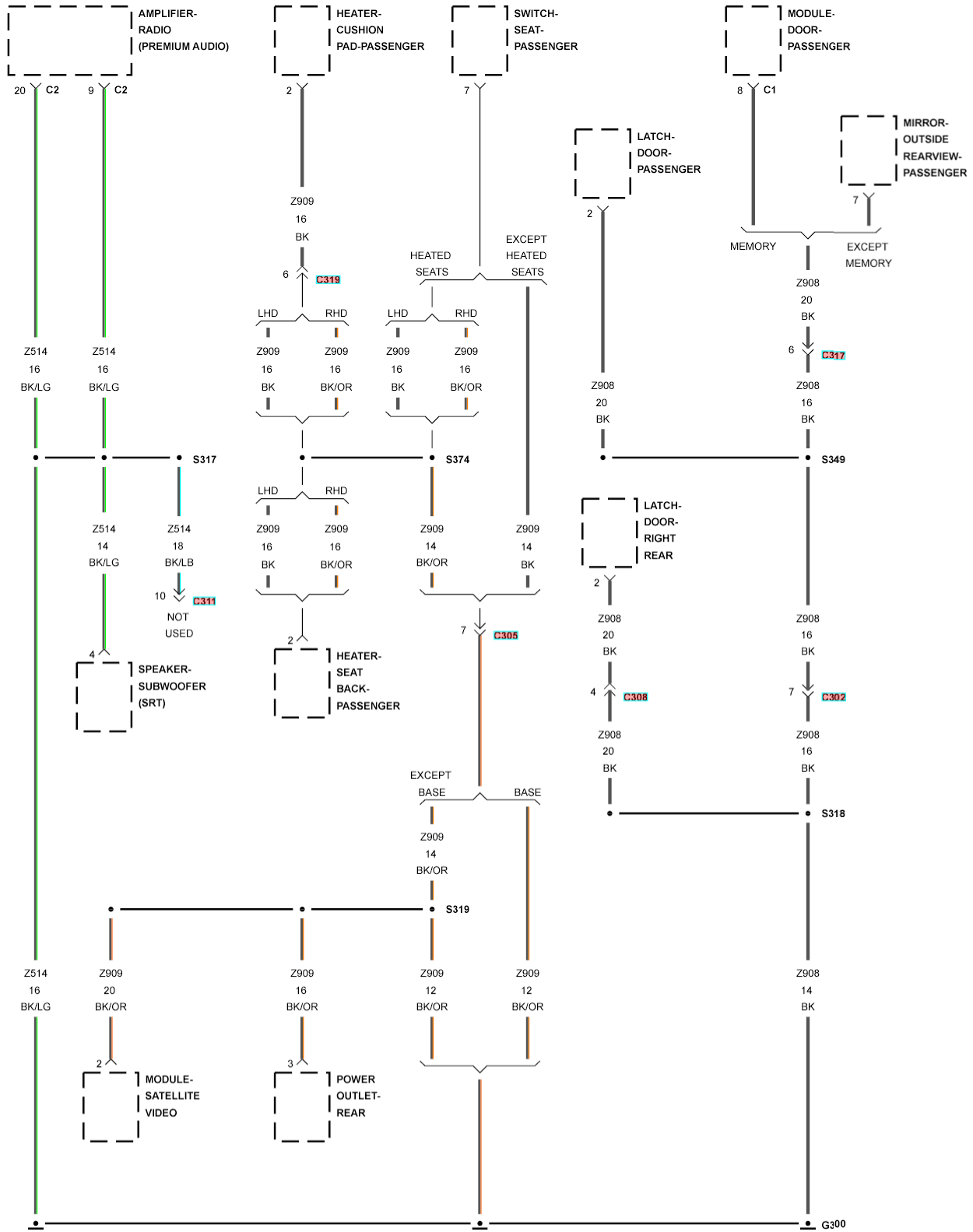




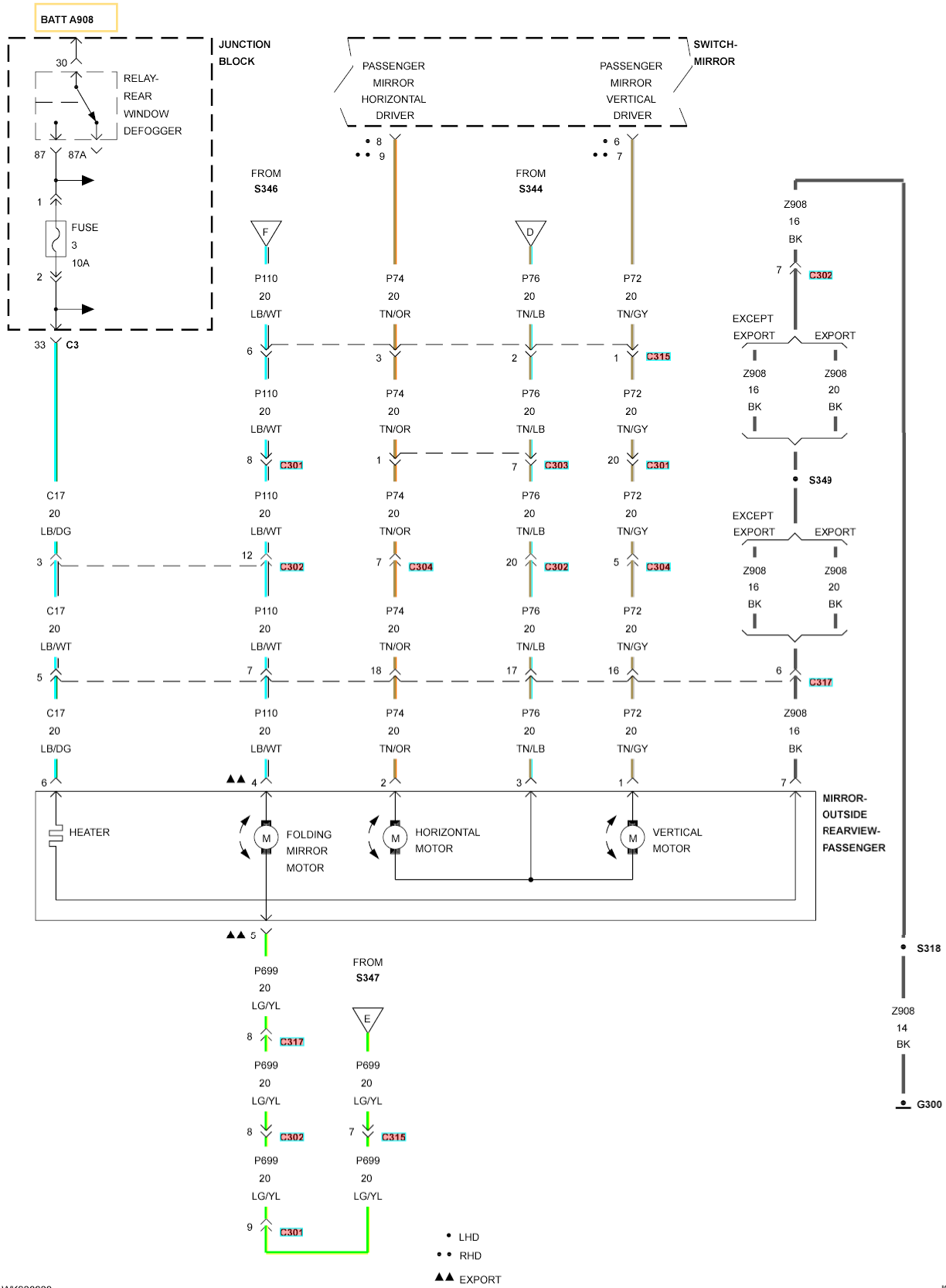
**MIRROR-OUTSIDE REARVIEW-PASSENGER -
(PASSENGER DOOR JUMPER) 16 WAY**

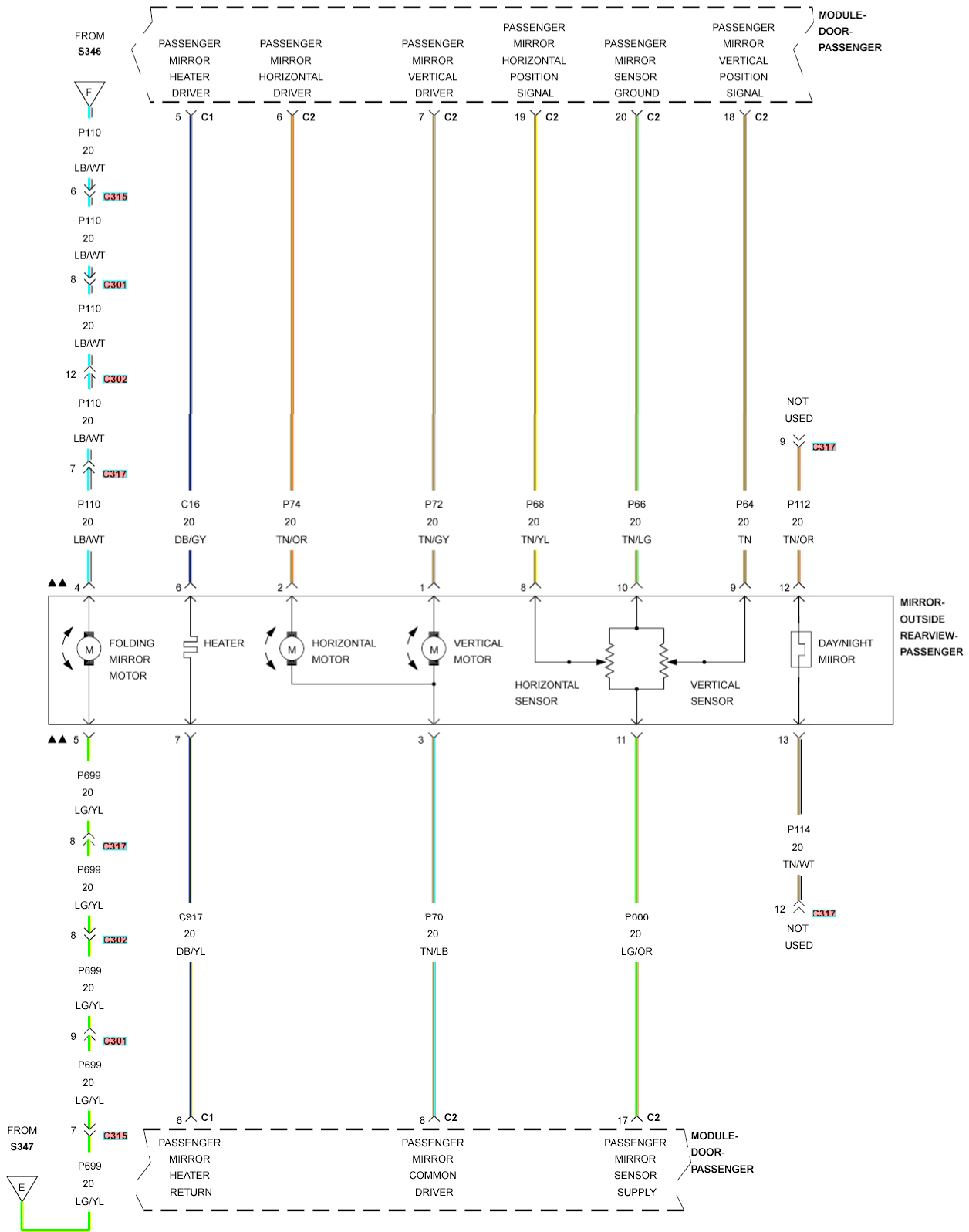
CAVITY	CIRCUIT	FUNCTION
1	P72 20TN/GY	PASSENGER MIRROR VERTICAL DRIVER
2	P74 20TN/OR	PASSENGER MIRROR HORIZONTAL DRIVER
3	P76 20TN/LB (EXCEPT MEMORY)	MIRROR COMMON DRIVER
3	P70 20TN/LB (MEMORY)	PASSENGER MIRROR COMMON DRIVER
4	P110 20LB/WT	MIRROR FOLD DRIVER
5	P699 20LG/YL (FOLDING MIRRORS)	MIRROR UNFOLD DRIVER
6	C17 20LB/WT (EXCEPT MEMORY MIRRORS)	FUSED REAR WINDOW DEFOGGER RELAY OUTPUT
6	C16 20DB/GY (MEMORY MIRRORS)	PASSENGER MIRROR HEATER DRIVER
7	Z908 20BK (EXCEPT MEMORY MIRRORS)	GROUND
7	C917 20DB/YL (MEMORY MIRRORS)	PASSENGER MIRROR HEATER RETURN
8	P68 20TN/YL (MEMORY MIRRORS)	PASSENGER MIRROR HORIZONTAL POSITION SIGNAL
9	P64 20TN (MEMORY MIRRORS)	PASSENGER MIRROR VERTICAL POSITION SIGNAL
10	P66 20TN/LG (MEMORY MIRRORS)	PASSENGER MIRROR SENSOR GROUND
11	P666 20LG/OR (MEMORY)	PASSENGER MIRROR SENSOR

	MIRRORS)	SUPPLY
12	-	-
13	-	-
14	-	-
15	-	-
16	-	-



EXCEPT MEMORY





▲▲ EXPORT

