



**NUMBER:** 25-002-08

**GROUP:** Emissions

**DATE:** May 9, 2008

*This bulletin is supplied as technical information only and is not an authorization for repair. No part of this publication may be reproduced, stored in a retrieval system, or transmitted, in any form or by any means, electronic, mechanical, photocopying, or otherwise, without written permission of Chrysler LLC.*

**THIS BULLETIN SUPERSEDES SERVICE BULLETINS 25-001-06, DATED FEBRUARY 1, 2006, WHICH SHOULD BE REMOVED FROM YOUR FILES. THIS IS A COMPLETE REVISION AND NO ASTERISKS HAVE BEEN INCLUDED.**

***SUBJECT:***

Positive Crankcase Ventilation (PCV) System Freezes In Extreme Cold Ambient Temperatures 4.7L

***OVERVIEW:***

This bulletin involves installing revised PCV system components.

***MODELS:***

2002 - 2005	(DR)	Ram Truck
2004 - 2005	(HB)	Durango
2004	(AN)	Dakota
2005	(ND)	Dakota
2005	(WH)	Grand Cherokee (International Markets)
2005	(WK)	Grand Cherokee

**NOTE: This bulletin applies to vehicles equipped with 4.7L engines, (sale codes EVA and EVD).**

***SYMPTOM/CONDITION:***

Some customers operating in extreme cold ambient temperatures (Below 0°F or -18°C) may experience moisture collecting in the PCV system and freezing. This can lead to a variety of cold engine crankcase venting or driveability symptoms.

***DIAGNOSIS:***

If a customer indicates that they are experiencing any cold engine crankcase venting or driveability symptoms, perform the Repair Procedure.



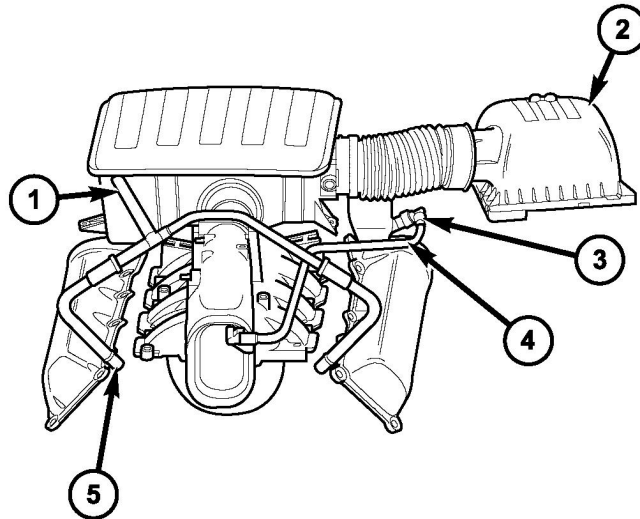
**Stick with the Specialists™**

**PARTS REQUIRED:**

Qty.	Part No.	Description
1	05191104AA	PCV Kit - <b>DR Bodies Only</b>
1	53032925AC	PCV Valve Adaptor <b>HB/ND/WK/WH Bodies</b>
1	53032617AF	PCV Hose <b>HB/ND/WK/WH Bodies</b>
1	53020891AE	Oil Fill Housing <b>HB/ND/WK/WH Bodies</b>
1	04275086AC	Authorized Modification Label <b>HB/ND/WK/WH Bodies</b>
1	52022300AB	PCV Reroute Schematic Label <b>HB/ND/WK/WH Bodies</b>
1 (AR)	53032939AA	CCV Hose <b>(HB)</b>
1 (AR)	53032090AF	CCV Hose <b>(ND)</b>
1 (AR)	53013884AB	CCV Hose <b>(WK/WH)</b>

**REPAIR PROCEDURE: 2002 DR - 4.7 L**

1. Remove the existing PCV tube and retain for fabrication of new PCV tube(Fig. 1).

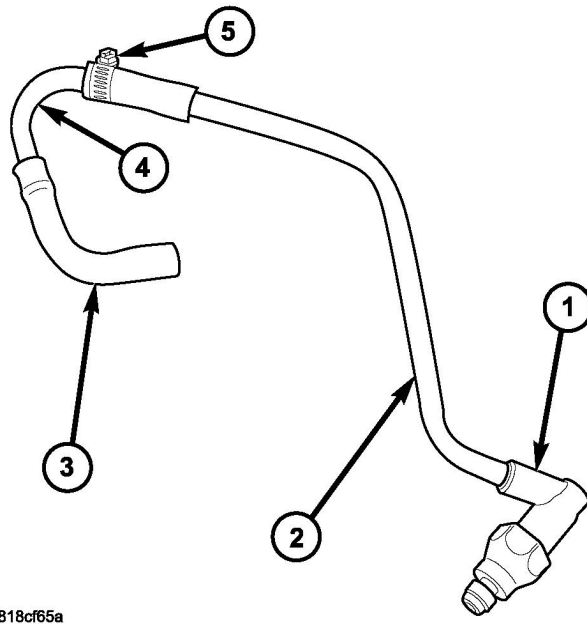


818cf5ac

**Fig. 1 2002 ORIGINAL REAR VIEW**

- 1 - CCV HOSE
- 2 - AIR BOX COVER
- 3 - PCV VALVE
- 4 - PCV TUBE
- 5 - BREATHER

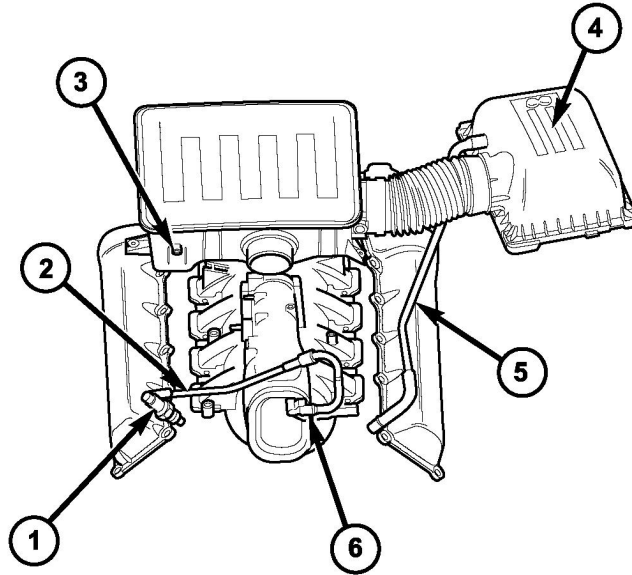
- 
2. Replace oil fill housing with 53020891AE (oil fill without PCV valve) (Fig. 1).
  3. Remove the existing CCV tube and retain for fabrication of new PCV tube(Fig. 1).
  4. Cap the resonator port with the cap provided.
  5. Remove the left breather fitting in the cylinder head and discard.
  6. Remove the existing airbox cover and replace with p/n 53032405AC
  7. Install the new CCV tube (53032819AA or 53032819AB) as shown in (Fig. 3).
  8. Tighten the Adapter Assembly - PCV (53032925AC) into the left breather fitting location in the cylinder head to 35 N-m (26 Ft Lbs).
  9. Use the original PCV tube to fabricate a PCV tube from the PCV Adapter Assembly to the intake manifold PCV port ensuring that there are no low spots in the tube for water to collect (Fig. 2).
  10. Install the PCV tube as shown (Fig. 3).
  11. Install the Authorized Modification label, p/n 04275086AB.
  12. Clean the area next to the VECI Label with an appropriate solvent and install the new vacuum schematic, p/n 52022300AB, next to the VECI label.



818cf65a

**Fig. 2 PCV TUBE FABRICATION**

- 1 - PCV VALVE/ADAPTER
  - 2 - PCV TUBE MODIFIED FROM ORIGINAL
  - 3 - FROM CCV TUBE
  - 4 - FROM PCV TUBE
  - 5 - HOSE CLAMP
-



818cf5b0

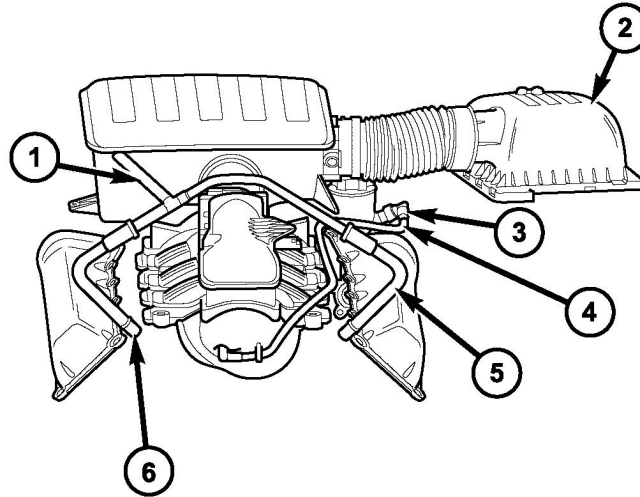
**Fig. 3 2002 REVISED ROUTING**

- 1 - PCV VALVE/ADAPTER
- 2 - PCV TUBE
- 3 - RESONATOR CAP
- 4 - AIR BOX COVER
- 5 - CCV TUBE
- 6 - INTAKE MANIFOLD PCV PORT

---

**REPAIR PROCEDURE: 2003 and Early 2004 DR - 4.7 L**

1. Remove the existing PCV tube and discard (Fig. 4).

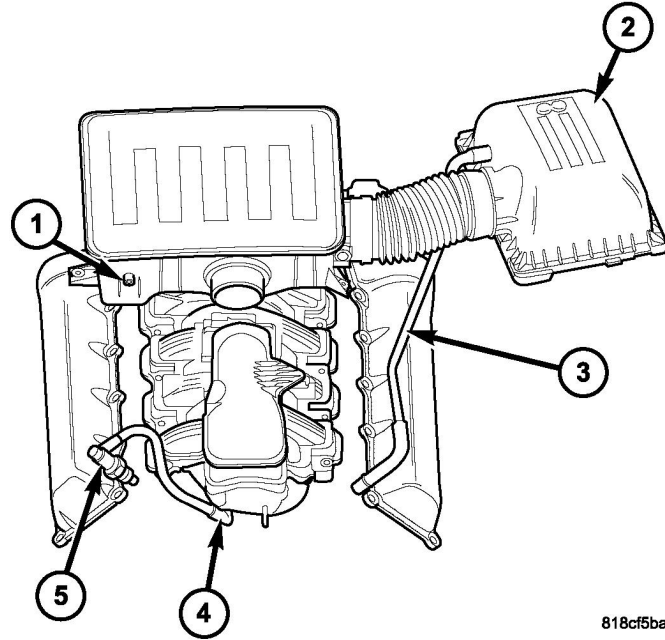


818cf5b1

**Fig. 4 2003-EARLY 2004 ORIGINAL**

- 1 - CCV TUBE RESONATOR ATTACHMENT
- 2 - AIR BOX COVER
- 3 - PCV VALVE
- 4 - PCV TUBE
- 5 - CCV TUBE
- 6 - BREATHER

- 
2. Replace oil fill housing with 53020891AE (oil fill without PCV valve) (Fig. 4).
  3. Remove the complete CCV tube and discard (Fig. 4).
  4. Cap the resonator port with the cap provided (Fig. 4).
  5. Remove the left breather fitting in the cylinder head and discard (Fig. 4).
  6. Remove the existing airbox cover and replace with p/n 53032405AC (Fig. 4).
  7. Install the new CCV tube (53032819AA or 53032819AB) as shown (Fig. 5).
  8. Tighten the Adapter Assembly - PCV into the left breather fitting location in the cylinder head to 35 N-m (26 Ft Lbs).
  9. Route the new PCV tube to the intake manifold PCV port as shown (Fig. 5).
  10. Install the Authorized Modification label, p/n 04275086AB.
  11. Clean the area next to the VECI Label with an appropriate solvent and install the new vacuum schematic, p/n 52022300AB, next to the VECI label.



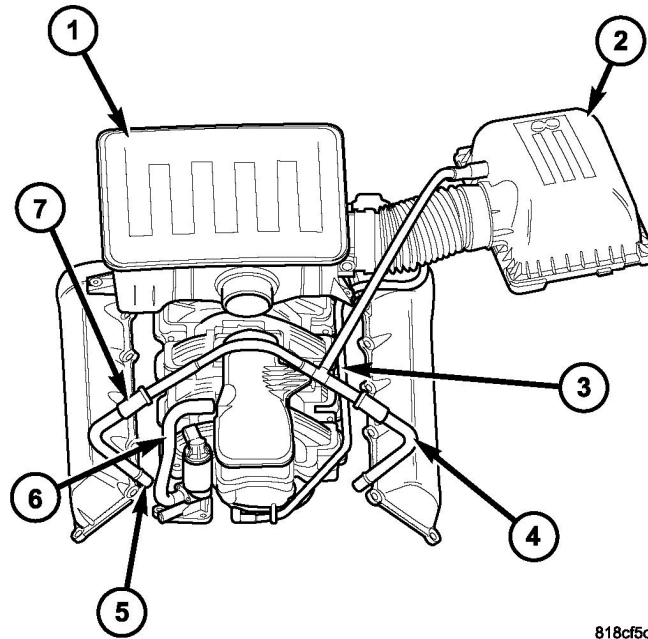
**Fig. 5 2003-EARLY 2004 REVISED ROUTING**

- 1 - CAP
- 2 - AIR BOX COVER
- 3 - CCV TUBE
- 4 - INTAKE MANIFOLD PCV PORT
- 5 - PCV VALVE/ADAPTER

---

**REPAIR PROCEDURE: Late 2004 and 2005 - 4.7 L**

1. Is vehicle a WK, WH, HB or ND?
  - a. Yes >>> proceed to [Step #2](#)
  - b. No >>> proceed to [Step #3](#)
2. Does CCV Tube connect to air box cover as shown in ([Fig. 6](#))?
  - a. Yes >>> Proceed to [Step #3](#)
  - b. No >>> This service bulletin does not apply, further diagnosis is required.
3. Remove existing PCV tube and discard ([Fig. 6](#)).



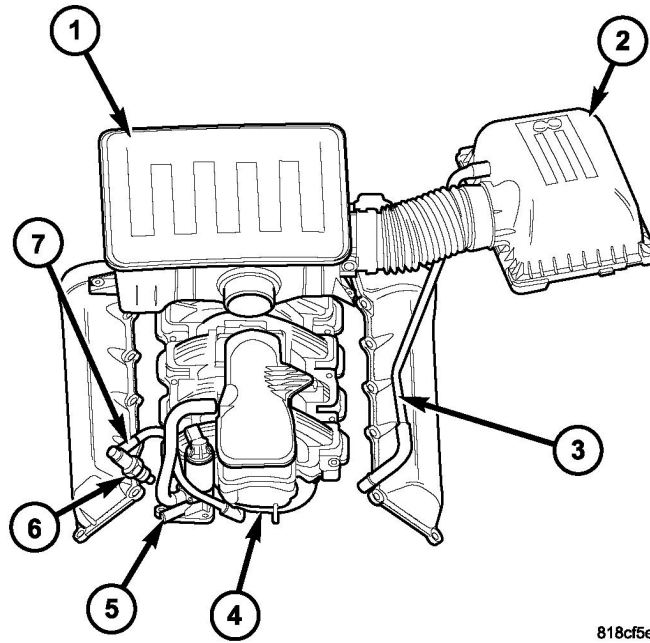
818cf5c6

**Fig. 6 LATE 2004 - 2005 ORIGINAL PCV SYSTEM**

- 1 - RESONATOR
- 2 - AIR BOX COVER
- 3 - PCV TUBE
- 4 - CCV TUBE
- 5 - BREATHER FITTING
- 6 - EGR TUBE (2005)
- 7 - OIL SEPARATOR

- 
4. Replace oil fill housing with 53020891AE (oil fill without PCV valve)(Fig. 6).
  5. Remove the crankcase ventilation (CCV) tube and dispose (Fig. 6).
  6. Remove the left breather fitting in the cylinder head and discard.
  7. Is the vehicle a DR?
    - a. Yes >>> Proceed to [Step #8](#).
    - b. No >>> Proceed to [Step #10](#).
  8. DR models only, remove the existing airbox cover and check the part number on the underside (Fig. 6).
  9. Is p/n 53032405AC?
    - a. Yes >>> proceed to [Step #10](#)
    - b. No >>> Replace air box cover with p/n 53032405AC and proceed to [Step #10](#)
  10. Install the new CCV tube (refer to parts table above or DR kit) as shown (Fig. 7).
  11. Tighten the Adapter Assembly - PCV into the left breather fitting location in the cylinder head to 35 N-m (26 Ft Lbs).
  12. Route the new PCV tube p/n 53032617AF to the intake manifold PCV port as shown. (Fig. 7). The PCV tube should not touch the EGR system.
  13. Install the Authorized Modification label, p/n 04275086AB.
  14. Clean the area next to the VECI Label with an appropriate solvent and install the new vacuum schematic, p/n 52022300AB, next to the VECI label.





818cf5e7

**Fig. 7 LATE 2004-2005 REVISED ROUTING**

- 1 - RESONATOR
  - 2 - AIR BOX COVER
  - 3 - CCV TUBE
  - 4 - INTAKE MANIFOLD PCV PORT
  - 5 - EGR (2005)
  - 6 - PCV VALVE/ADAPTER
  - 7 - NEW PCV TUBE
-

**POLICY:**

Reimbursable within the provisions of the warranty.

**TIME ALLOWANCE:**

<b>Labor Operation No:</b>	<b>Description</b>	<b>Amount</b>
25-01-20-90	Install PCV Kit	0.7 Hrs. DR Bodies
25-01-20-92	Install PCV Fix	0.8 Hrs. HB Bodies
25-01-20-93	Install PCV Fix	0.7 Hrs. AN/ND Bodies
25-01-20-94	Install PCV Fix	0.6 Hrs. WK/WH

**FAILURE CODE:**

ZZ	Service Action
----	----------------